

DULEVO
INTERNATIONAL

D6



Street Sweeper

Ideal for all conditions
and situations

Brought to you by

Bortek
INDUSTRIES, INC.


FAYAT
ENVIRONMENTAL
SOLUTIONS



Innovation
New technology
High quality
components

A FAMILY COMPANY SINCE 1967



WE KNOW CLEAN 
800.626.7835  BORTEKINDUSTRIES.COM





City Center



Parking



Industry



Heavy industry



Extra Urban



Old Town



Circuit



PRODUCTIVITY

Efficiency and cost reduction

It ensures the highest performance levels in every context, reducing consumption compared to the past.

A FAMILY COMPANY SINCE 1967



WE KNOW CLEAN[®] 
800.626.7835  BORTEKINDUSTRIES.COM


INTERNATIONAL
D6 Street Sweeper



Efficiency Everywhere

Savings in water consumption

Water is only used to cut down on dust on the external brushes.

12 months of use

12 months of use Ability to sweep even without using water makes it possible to also work with low outdoor temperatures.

No sweeping limit

Possibility of collecting light, heavy and even bulky material.

High filtering rate

Dust filter for constant and efficient filtering in all condition.



A FAMILY COMPANY SINCE 1967



WE KNOW CLEAN® 
800.626.7835  BORTEKINDUSTRIES.COM



D6 Street Sweeper





DULEVO CONNECT

Easy and intuitive use

Less time needed to train the operator, possibility to customise the operating methods of the vehicle.

A FAMILY COMPANY SINCE 1967



WE KNOW CLEAN[®] 
800.626.7835  BORTEKINDUSTRIES.COM


D6 Street Sweeper

6


FAYAT
ENVIRONMENTAL
SOLUTIONS

Smart Thinking

Touchscreen Panel

User friendly and Easy Start functions.

On-board diagnostics

Possibility to directly access the function diagnostics and the motor status indications from the display.

Dulevo Telematic (Tierra)

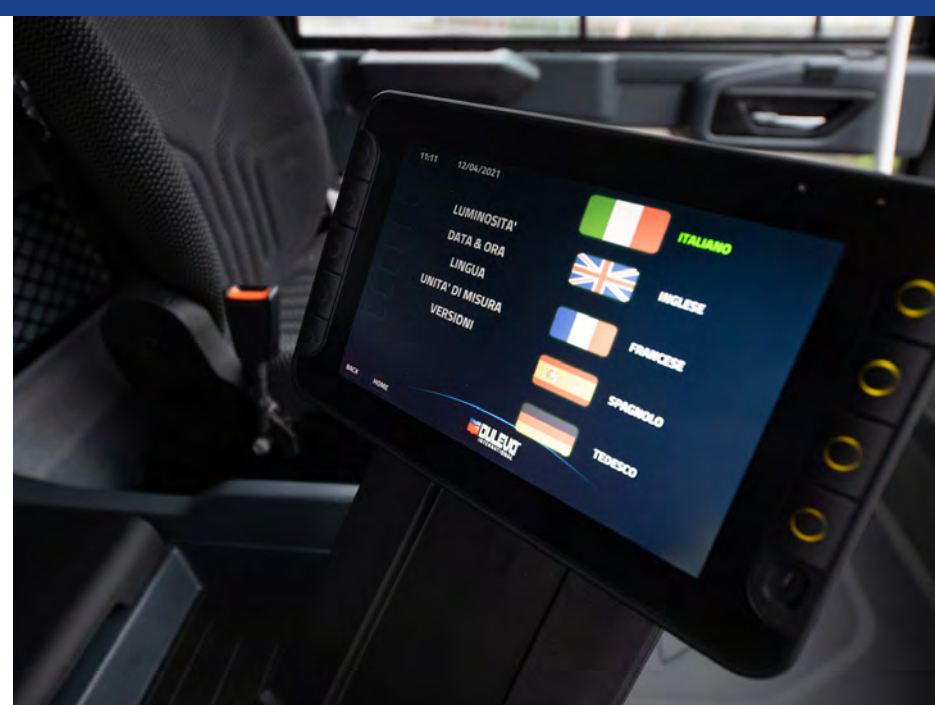
Possibility to remotely access the vehicle diagnostics and information.

Set-up for remote connectivity 4.0 Smart City

Two-way interface system.

Can Bus

In/Out communication system of the sweeping functions and motor on CAN-BUS protocol.



A FAMILY COMPANY SINCE 1967

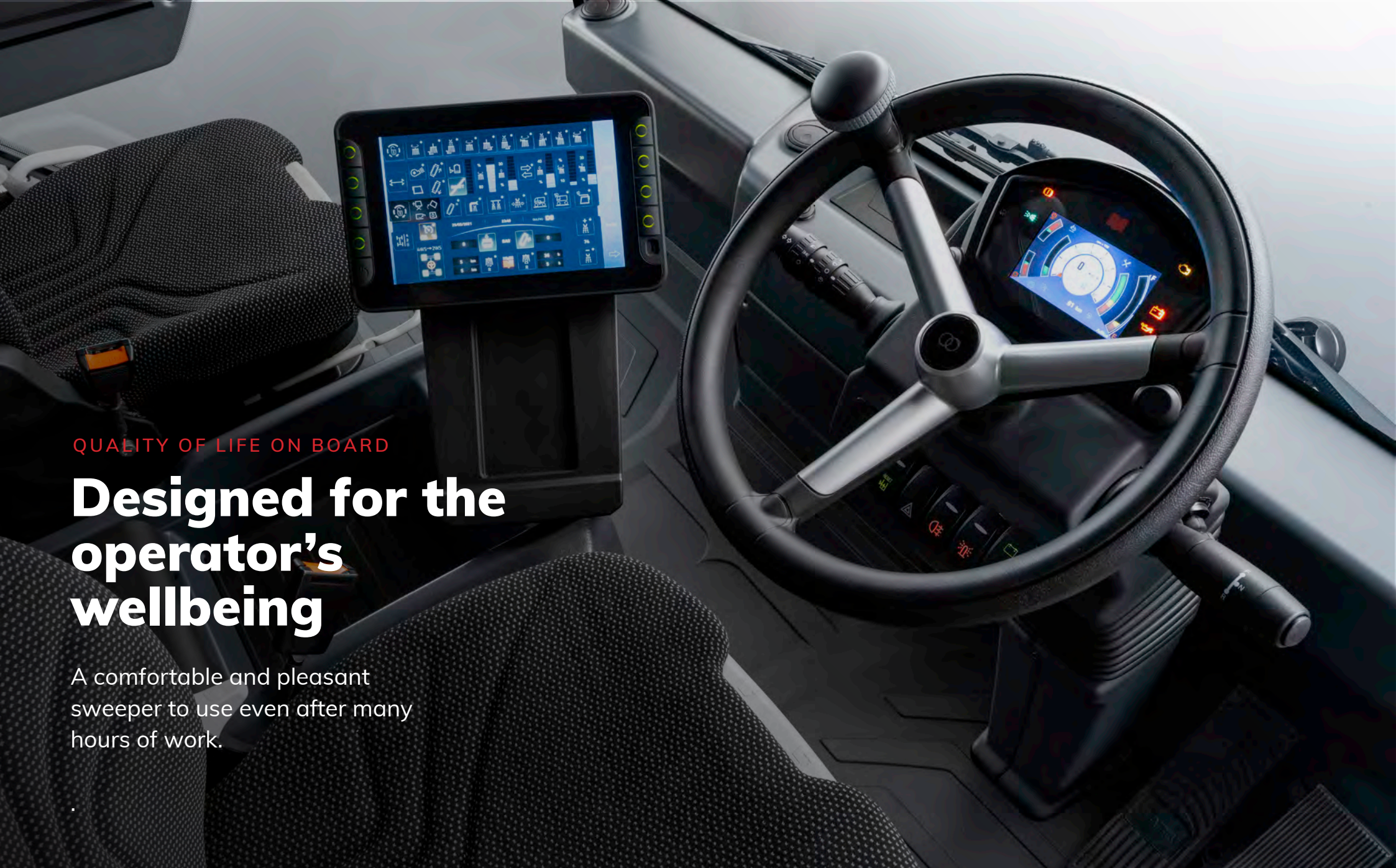


WE KNOW CLEAN® 
800.626.7835  BORTEKINDUSTRIES.COM



D6 Street Sweeper





QUALITY OF LIFE ON BOARD

Designed for the operator's wellbeing

A comfortable and pleasant sweeper to use even after many hours of work.

A FAMILY COMPANY SINCE 1967



WE KNOW CLEAN® 
800.626.7835  BORTEKINDUSTRIES.COM



Designed for People

Greater cabin space

Tunnel removal and the possibility of having up to 3 cabin seats.

Less noise in the cab

Less than 70 db thanks to the new soundproofing concept.

Ergonomic cabin layout

Layout of controls and display of ergonomic and adjustable functions according to the operator's needs.

- 10" Interactive display for sweeping function.
- 4.3" display for engine and road circulation functions.
- Armrest with multifunction Joystick.

Filtering and pressurisation system

System designed to meet the high standards and regulations of the Agriculture sector.

Simplified daily maintenance

- Hydraulic opening of the Box Door.
- Conveyor washing with hydrant connection.
- Water system draining system.
- 50% faster central brush replacement system.

Cabin disinfection and sanitisation

The cab can also be sanitised through photocatalytic oxidation.



A FAMILY COMPANY SINCE 1967



WE KNOW CLEAN[®] 
800.626.7835  BORTEKINDUSTRIES.COM



D6 Street Sweeper





VERSATILITY

Adaptable to different sweeping needs

Different ways of using the sweeper based on the environments or type of materials to be collected.

A FAMILY COMPANY SINCE 1967



WE KNOW CLEAN® 
800.626.7835  BORTEKINDUSTRIES.COM



Adaptive Technology

A.S.T.

- Possibility of selecting different work programs: STD,ECO, Boost and Leaves.
- Possibility of storing customised work programs by operator, environment or work mode.

Adjustable Working Speed (A.W.S.)

Possibility of adjusting the maximum working speed.

Memory

Possibility of putting the functions in Stand-by and resume work with the same configuration.

Adaptive sweeping width

Ability of the side brushes to open and close according to the steering angle.

4 and 2 steering wheel system

- Possibility of selecting the most comfortable transfer mode.
- 4 steering wheels for maximum manoeuvrability.
- 2 steering wheels for greater comfort and driving precision/ simplicity.
- Automatic alignment of the wheels.



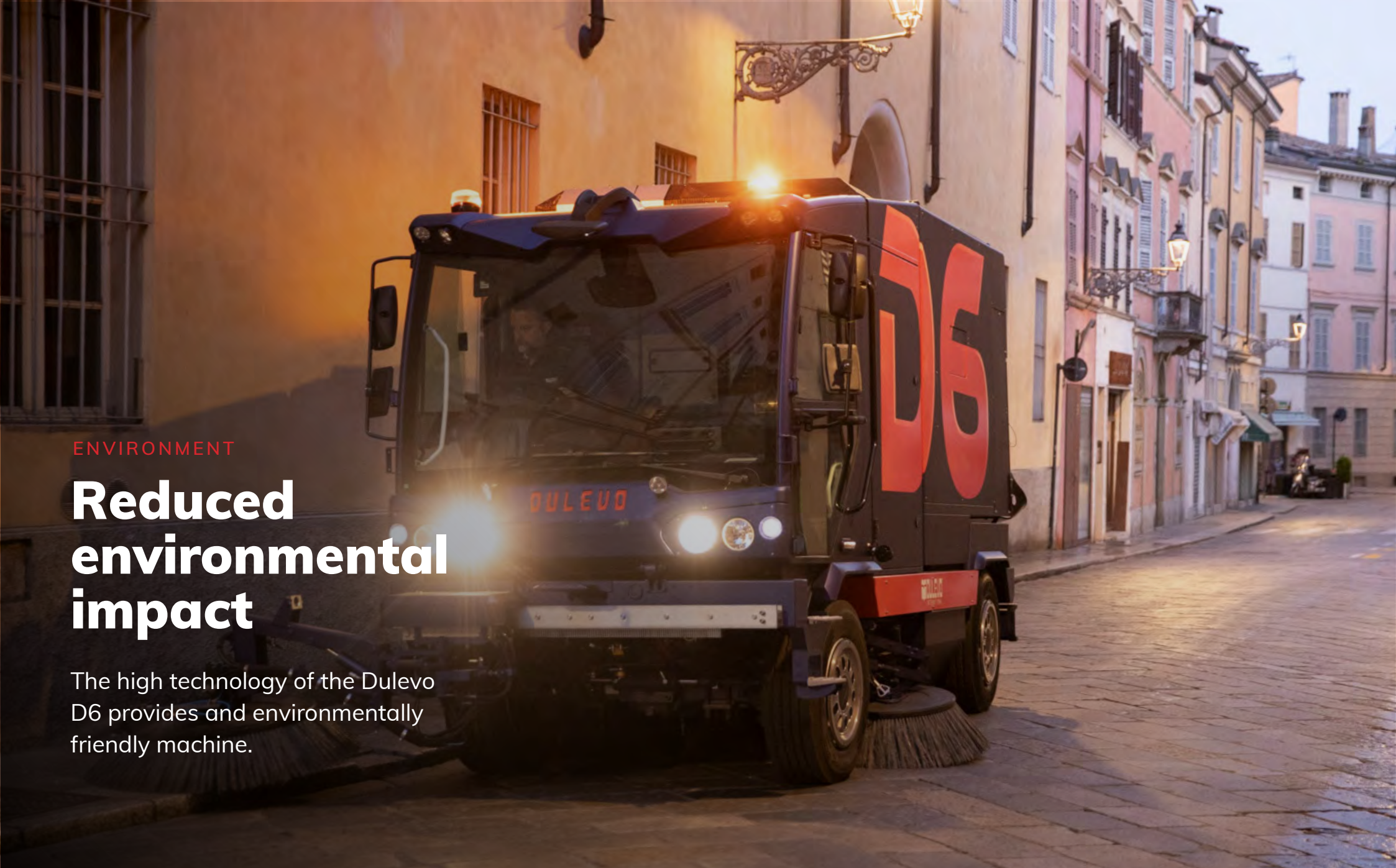
A FAMILY COMPANY SINCE 1967



WE KNOW CLEAN® 
800.626.7835  BORTEKINDUSTRIES.COM



D6 Street Sweeper



ENVIRONMENT

Reduced environmental impact

The high technology of the Dulevo D6 provides an environmentally friendly machine.

A FAMILY COMPANY SINCE 1967



WE KNOW CLEAN[®] 
800.626.7835  BORTEKINDUSTRIES.COM



Reduced environmental impact

Low sound power

Less than 100 db thanks to Load Sensing.

Reduced water consumption

the mechanical suction system allows the machine to work, drastically reducing water consumption.

Low fine dust emissions

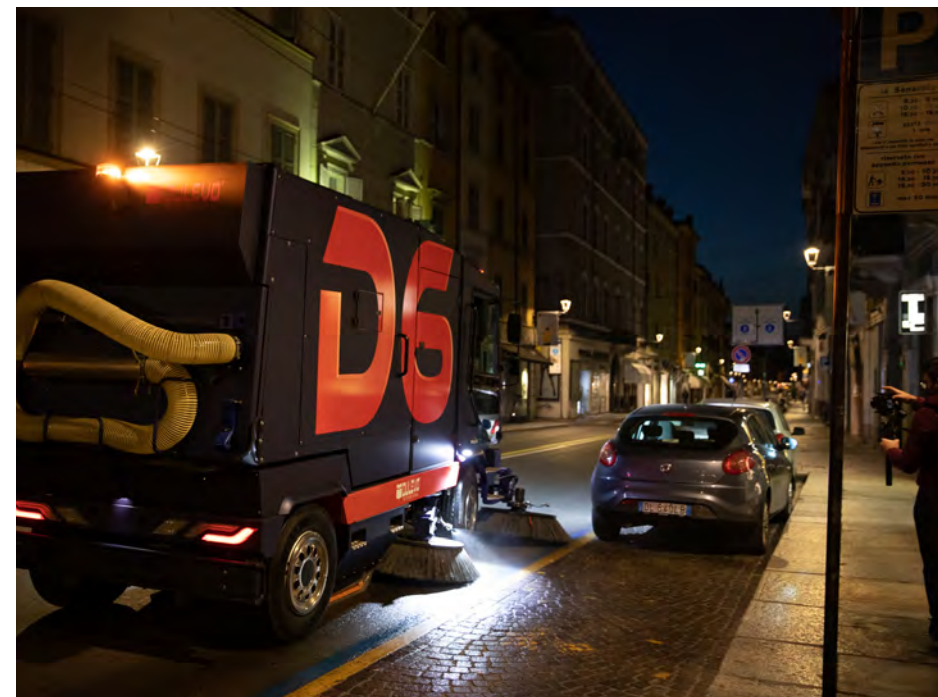
EN15429 certified filtration system. Possibility to mount Gore filters to increase performance.

Low fine dust emissions

Euro 6C engine. The engine complies with the most recent European emission regulations.

Low fuel consumption

Electronic transmission and high sweeping speed



A FAMILY COMPANY SINCE 1967



WE KNOW CLEAN[®] 

800.626.7835  BORTEKINDUSTRIES.COM



D6 Street Sweeper



Technical data sheet

A FAMILY COMPANY SINCE 1967



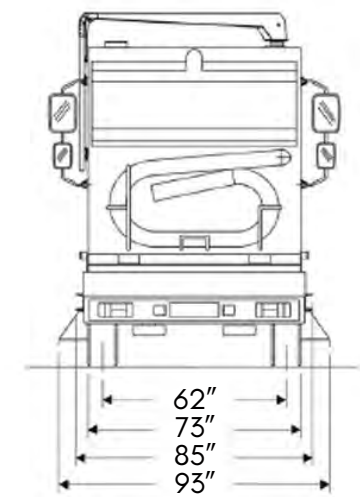
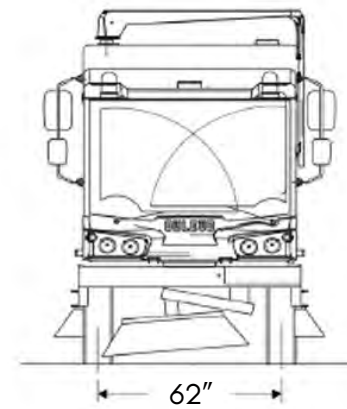
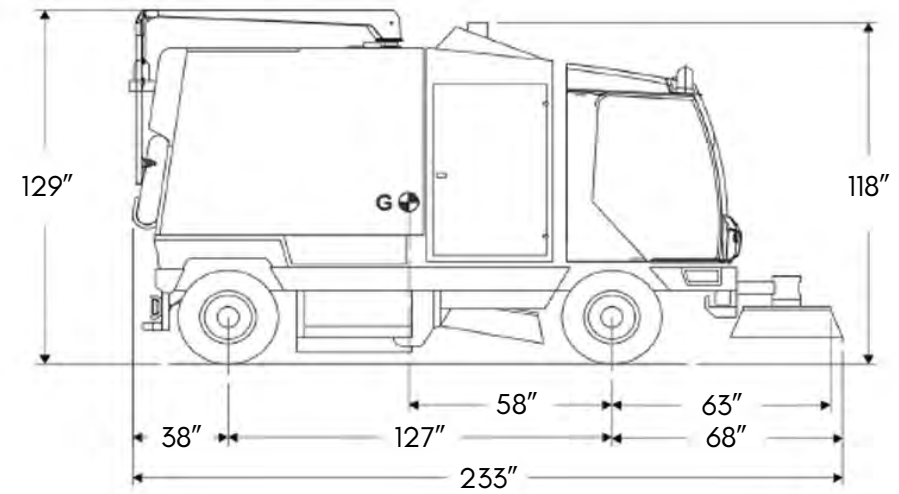
WE KNOW CLEAN 
800.626.7835  BORTEKINDUSTRIES.COM


D6 Street Sweeper

Technical data

D6

Sweeping width		
-With central brush	inches	51
-With central brush and side brushes	inches	110
-With central, side brushes and third brush	inches	142
Container volume	cu. ft.	219
Dumping height (OPT.)	inches	45 (95)
Seats in the cabin	#	2 (3)
Cleaning performance	ft ² /hr	1,162,502
Maximum speed	mph	16-26
Steering diameter, Curb-to-Curb	ft.	32
PM Certification		PM 2,5/PM10****
Engine Brand		Kohler
Engine emissions		Tier 3
Fuel		Diesel



WE KNOW CLEAN® 
 800.626.7835  BORTEKINDUSTRIES.COM





A FAMILY COMPANY SINCE 1967



WE KNOW CLEAN[®]



EQUIPMENT



PARTS



RENTALS



SERVICE



SUPPLIES

BORTEKINDUSTRIES.COM

Corporate Headquarters | 4713 Gettysburg Road | Mechanicsburg, PA 17055

Contact Us Today: 1-800-626-7835