

**Minuteman<sup>®</sup>**  
Excellence Meets Clean



**Parts and Instruction Manual  
X829 Asbestos Series  
4 & 6 Gallon**

This manual is furnished with each new **MINUTEMAN X829 Asbestos Vac**. This provides the necessary operating and preventive maintenance instructions. Operators must read and understand this manual before operating or servicing this machine.

This machine was designed to give you excellent performance and efficiency. For best results and minimal cost, please follow the general guidelines below:

- Operate the machine with reasonable care.
- Follow the manufacturers suggested maintenance instructions as provided in this booklet.
- Use original Minuteman supplied parts.

### TECHNICAL SPECIFICATIONS

<b>Model</b>	<b>X829</b>	
Model No.	C82904-01 (115V) C82904-02 (230V)	C82906-01 (115V) C82906-02 (230V)
Tank Size	4 gal (15 ltr)	6 gal (22 ltr)
Wet Capacity	2.5 gal (9.5 ltr)	4.5 gal (17 ltr)
Dry Capacity	.21 cu. ft (.006 m <sup>2</sup> )	.46 cu. ft (.013 m <sup>2</sup> )
Decibel Rating	70 dba	70 dba
Air Flow	95 CFM (2.7 m <sup>3</sup> /min)	95 CFM (2.7 m <sup>3</sup> /min)
Waterlift	85" (2160 mm)	85" (2160 mm)
Weight	26 lbs (11kg)	27 lbs (12kg)

# Table of Contents

<b>IMPORTANT SAFETY INSTRUCTIONS</b> .....	<b>1</b>
<b>Inspection</b> .....	<b>2</b>
<b>Electrical - 115 Volt</b> .....	<b>2</b>
<b>Electrical - 240 Volt</b> .....	<b>2</b>
<b>Grounding Instructions</b> .....	<b>2</b>
<b>User Maintenance Instructions</b> .....	<b>3</b>
<b>Cloth Bag &amp; Hose Assembly</b> .....	<b>3</b>
<b>Cord Storage</b> .....	<b>3</b>
<b>Operation and Filter Care Instructions</b> .....	<b>3</b>
<b>When Used for Asbestos Dust Recovery</b> .....	<b>3</b>
<b>Tank/Filter Set-Up Procedure</b> .....	<b>4</b>
<b>WARNING INSTRUCTIONS FOR 800012 &amp; 805037 PLASTIC BAGS</b> .....	<b>5</b>
<b>Exploded Views</b> .....	<b>6</b>
Lid Assembly .....	6
Lid Assembly BOM .....	7
Adapter Assembly .....	8
Tank Assembly .....	9
Bag Assembly .....	10
<b>Optional Industrial Tools and Accessories</b> .....	<b>11</b>
<b>Minuteman International Made Simple Commercial Limited Warranty</b> .....	<b>12</b>

## FOR COMMERCIAL USE ONLY

### IMPORTANT SAFETY INSTRUCTIONS

When using an electrical appliance, basic precautions should always be followed, including the following:

#### READ ALL INSTRUCTIONS BEFORE USING

#### **WARNING** - To reduce the risk of fire, electric shock, or injury:

- Do not leave appliance when plugged in. Unplug from outlet when not in use and before servicing.

#### **WARNING**

To reduce the risk of electric shock - Do not expose to rain. Store indoors.

- Do not allow to be used as a toy. Close attention is necessary when used by or near children.
- Use only as described in this manual. Use only manufacturer's recommended attachments.
- Do not use with damaged cord or plug. If appliance is not working as it should, has been dropped, damaged, left outdoors, or dropped into water, return it to a service center.
- Do not pull or carry by cord, use cord as a handle, close a door on cord, or pull cord around sharp edges or corners. Do not run appliance over cord. Keep cord away from heated surfaces.
- Do not unplug by pulling on cord. To unplug, grasp the plug, not the cord.
- Do not handle plug or appliance with wet hands.
- Do not put any object into openings. Do not use with any opening blocked; keep free of dust, lint, hair, and anything that may reduce air flow.
- Keep hair, loose clothing, fingers, and all parts of body away from openings and moving parts.
- Do not pick up anything that is burning or smoking, such as cigarettes, matches, or hot ashes.
- Do not use without dustbag and/or filters in place.
- Turn off all controls before unplugging.
- Use extra care when cleaning on stairs.
- Do not use to pick up flammable or combustible liquids such as gasoline or use in areas they may be present.
- Connect to a properly grounded outlet only. See grounding instructions.

#### SAVE THESE INSTRUCTIONS

## Inspection

Carefully unpack and inspect your machine for shipping damage. Each unit is tested and thoroughly inspected before shipment, and any damage is the responsibility of the delivery carrier who should be notified immediately.

## Electrical - 115 Volt

This machine is designed to operate on a standard 15 amp, 115 volt, 60 hz, AC circuit. Voltages below 105 volts AC or above 125 volts AC could cause serious damage to the motor.

## Electrical - 240 Volt

This machine is designed to operate on a standard 16 amp, type L fused 230 volt, 50 hz, AC circuit. Voltages below 200 volts AC or above 250 volts AC could cause serious damage to the motor. I.E.C. Class I.

## WARNING

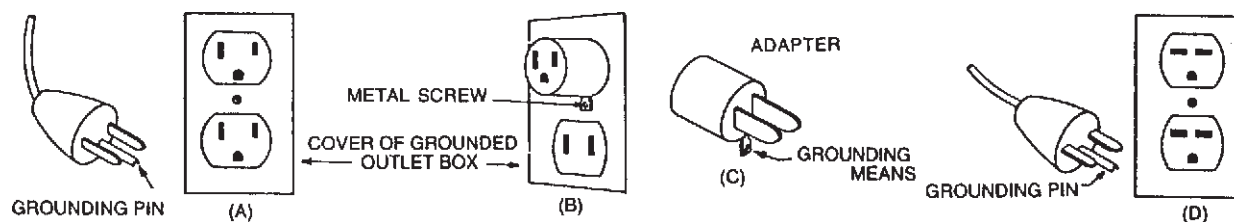
Electric motors can cause explosions when operated near explosive materials or vapors. Do not operate this machine near flammable materials such as solvents, thinners, fuels, grain dust, etc.

## Grounding Instructions

This appliance must be grounded. If it should malfunction or breakdown, grounding provides a path of least resistance for electric current to reduce the risk of electric shock. This appliance is equipped with a cord having an equipment-grounding conductor and grounding plug. The plug must be plugged into an appropriate outlet that is properly installed and grounded in accordance with all local codes and ordinances.

**DANGER** - Improper connection of the equipment-grounding conductor can result in a risk of electric shock. Check with a qualified electrician or service person if you are in doubt as to whether the outlet is properly grounded. Do not modify the plug provided with the appliance — if it will not fit the outlet, have a proper outlet installed by a qualified electrician.

This appliance is for use on a nominal 120-volt circuit and has a grounding plug that looks like the plug illustrated in sketch A below. Make sure that the appliance is connected to an outlet having the same configuration as the plug. No adapter should be used with this appliance.



## User Maintenance Instructions

All service and repair should be performed by qualified vacuum service representative or electrician. No user serviceable components are employed in the electrical vacuum lid head assembly. No lubrication of the motor is required.

### Cloth Bag & Hose Assembly

Cloth bag and hose assembly are user maintenance items and can be replaced when worn out. Cloth bags can be maintained by blowing dust off of the bag and then laundered. Cloth bags should be completely dried before re-installing into machine. For optimum performance, empty and clean filter bag regularly. A clogged and dirty bag restricts the flow of air and results in reduced vacuum. The hose assembly can be maintained by wiping off with a dampened cloth of mild liquid soap and water, then allowed to dry.

### Cord Storage

While not in use storage can be accomplished by winding cord around motor lid assembly. Cord should be completely unwound from lid assembly during operation.

- Do not use with damaged cord or plug. If appliance is not working as it should, has been dropped, damaged, left outdoors, or dropped into water, return to service center.
- Do not pull or carry by cord, use cord as handle, close a door on cord, or pull cord around sharp edges or corners. Do not run appliance over cord. Keep cord away from heated surfaces.
- Do not unplug by pulling cord. To unplug, grasp the plug, not the cord.
- Do not handle plug or appliance with wet hands.

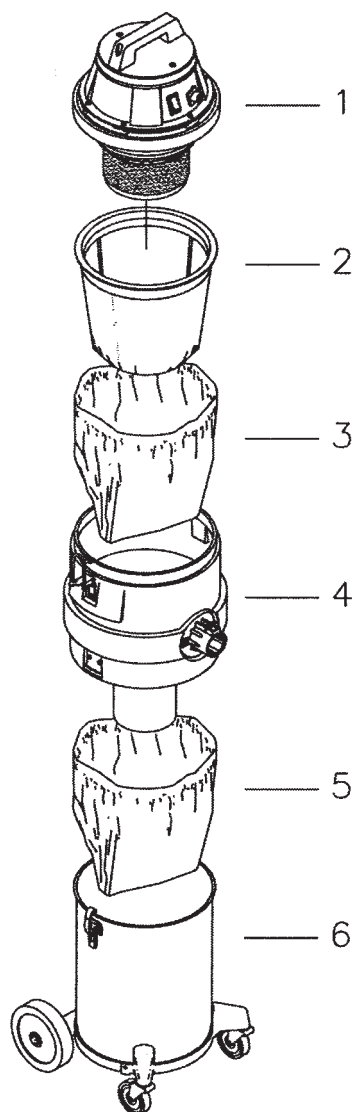
Always unplug the machine when removing the motor head off the tank. This equipment should be stored indoors and not exposed to rain.

## Operation and Filter Care Instructions When Used for Asbestos Dust Recovery

The Minuteman Asbestos Vacuum has been specifically designed to clean up fibrous asbestos and asbestos dust of all types. Special filters reduce the incidence of airborne dust that would be created by any other method of cleaning. During the removal of asbestos dust, do not sweep, scoop, shovel, or in any manner handle other than by vacuuming. Do not at any time attempt to bypass, remove, substitute or by any other means change the filters used in this vacuum. Use only approved Minuteman Asbestos Vacuum filters and filter bags. Before attempting to use and before cleaning, be certain that you fully understand the instructions given for the setting up or cleaning/changing of filters of this vacuum. Since each facility has its own individual and unique cleaning problems, it is suggested that you use the following guidelines in determining the length of time between filter changes. In light cleaning situations (i.e. dust in brake drums and the truing of brake shoes) change filters once a day unless you have determined by checking that a shorter or longer period of time would be necessary to meet the 10 to 15 pounds.

## Tank/Filter Set-Up Procedure

1. When using the poly adapter for dry pick-up follow the described procedures below.
  - A. Insert poly bag (5) into tank assembly draping all excess bag height over edge of tank. Fully open bag inside tank to ensure that bag is not bunched up and fully extended to bottom of tank.
  - B. Depending on weight of dry material being recovered, it may be necessary to slit poly bag 2" horizontally approximately 2" down from top of tank. This will stop poly bag from closing in on bottom on poly adapter. After filling bag, tie off bag below slit and remove from tank.
2. Install poly 1:1 adapter (4) on top of tank assy. (6) as shown and snap tank latches.
3. Install filter protector (3) over cloth filter (2) and place in poly 1:1 adapter (4).
4. Position vacuum motor lid assy. (1) on top of poly 1:1 adapter and snap lid latches in place.

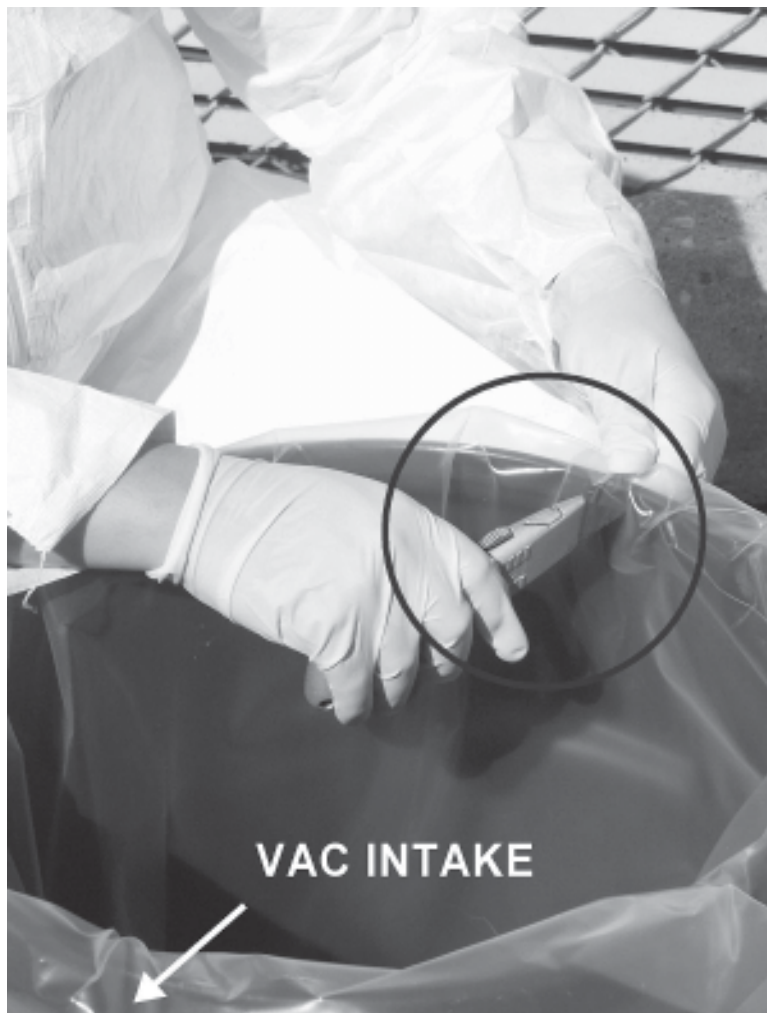


1. Vacuum motor lid assembly
2. Cloth filter with frame
3. Filter protector
4. 1:1 Poly adapter
5. Plastic liner for top fill dry pickup
6. 4/6 gallon tank

# WARNING INSTRUCTIONS FOR 800012 & 805037 PLASTIC BAGS

*TO PREVENT OVERHEATING AND DAMAGE TO THE MACHINE PLEASE FOLLOW THE INSTRUCTIONS BELOW!*

After placing the plastic recovery bag inside the tank, use a sharp knife to cut a 1" slit in the bag at the top edge of the tank, on the side opposite the vacuum intake. This will allow the vacuum pressure to equalize on both sides of the bag and prevent it from collapsing when the vacuum motor is turned on. Failure to follow this instruction may cause overheating or more serious damage and may void the warranty on this machine!



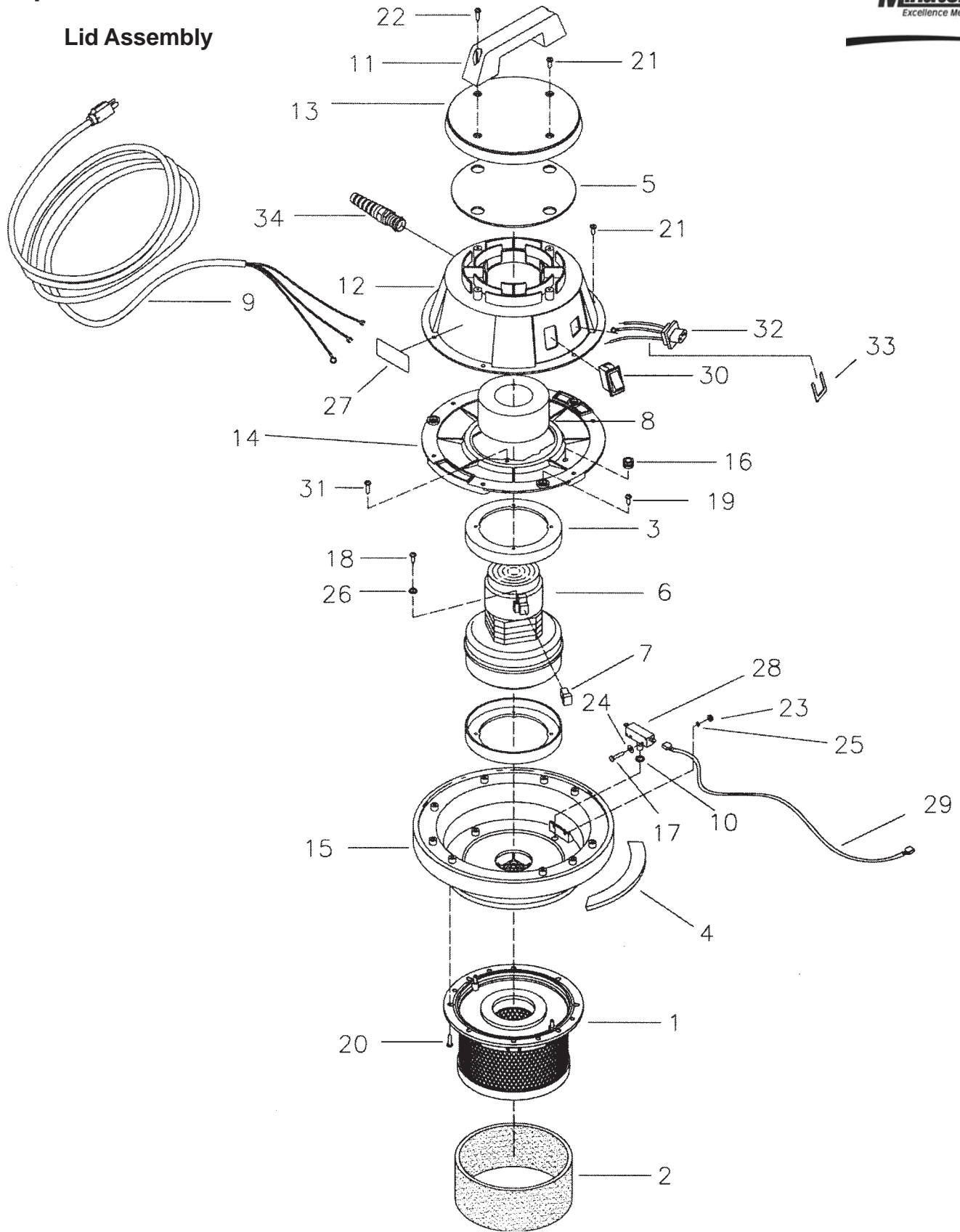
**PLEASE DO NOT DISCARD THESE INSTRUCTIONS!**

**KEEP THIS SHEET WITH THE BAG PACKAGE!**



# Exploded Views

## Lid Assembly

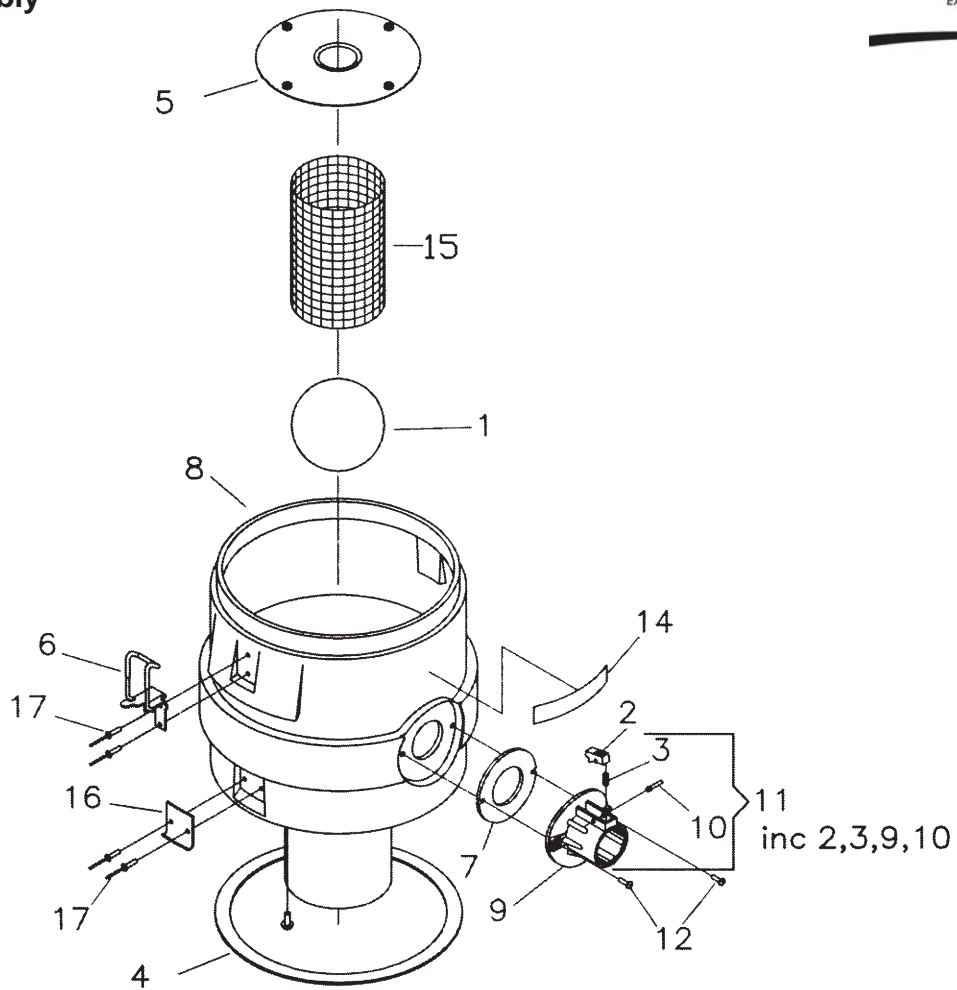


ITEM	PART NO.	REQ'D	DESCRIPTION
1	110029	1	FILTER-ULPA, X829 SERIES
2	110030PKG	1	PREFILTER SLEEVE, 829/839, PKG OF 6
3	290017	2	MOLDED VAC MOTOR GASKET
4	290031	1	LID GASKET 294/6 DIECUT
5	290032	1	DOME SEAL 296
6	380001-4	1	MOTOR-VAC 120V (ECM)
6A	380054	1	MOTOR-VAC 240V
7	380005	2	CARBON BRUSH REPLACEMENT (ECM)
7A	380028	2	CARBON BRUSH REPLACEMENT
8	380064	1	RING, FOAM
9	381020	1	CORD-16GA-3 50FT MED GREY
9A	740083	1	CORD-F2 G1.5MM 40FT
10	390062	1	O-RING
11	460001	1	HANDLE BASIC 460 BLACK
12	460100	1	MOTOR LID COVER- BLACK
13	460101	1	MOTOR CAP- BLACK
14	460104MCH	1	MOTOR HOLDOWN 829SERIES
15	460120	1	MOTOR PAN ASY 829SERIES
16	700287	1	GROMMET
17	710307	2	SCR-MC 6-32 X 1 ZINC
18	711124	1	SCR-ST-B 10 X .37 NI
19	711125	3	SCR-ST-B 10 X .50 NI
20	711160	8	SCR-HI/LO #10 X 5/8 ZINC
21	711161	9	SCR-HI/LO #10 X 3/4 ZINC
22	711162	2	SCR-HI/LO #10 X 1 1/2 ZINC
23	711301	2	NUT-HEX 6-32 ST PL
24	711502	2	WSR-FLT #8
25	711551	2	WSR-INT LOCK #6
26	711553	1	WSR-INT LOCK #10
27	715009	1	DECAL-WARNING TO AVOID
28	740029	1	SWITCH-SNAP SPST PB NO/NC
29	740938	1	WIRE ASSY 16G BLACK 14.00"
30	809754	1	SWITCH-ROCKER
31	828893	1	RIVET-BAP KTR64BX
32	831801	1	RECEPTACLE
33	831801-1	1	RECEPTACLE CLIP
34	833237	1	STRAIN RELIEF-W/NUT
***	829116	1	LID ASY COMP 8296 115V
***	829220	1	LID ASY COMP 230V

**WARNING**

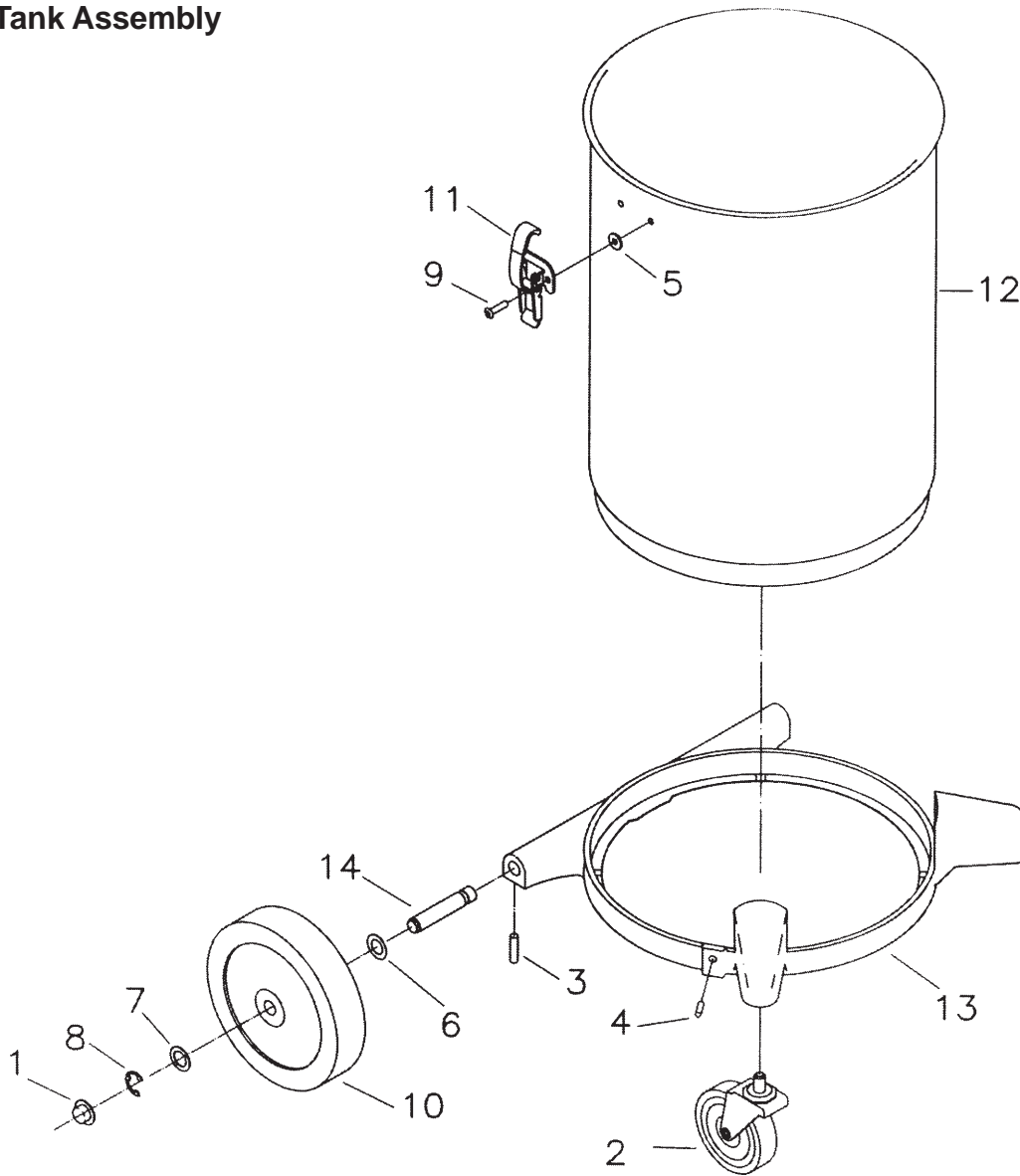
This vacuum may contain potentially hazardous dust depending on its application. Special handling of contaminated disposable bags and filters is recommended. Disposal must be in compliance with local EPA regulations.

# Adapter Assembly



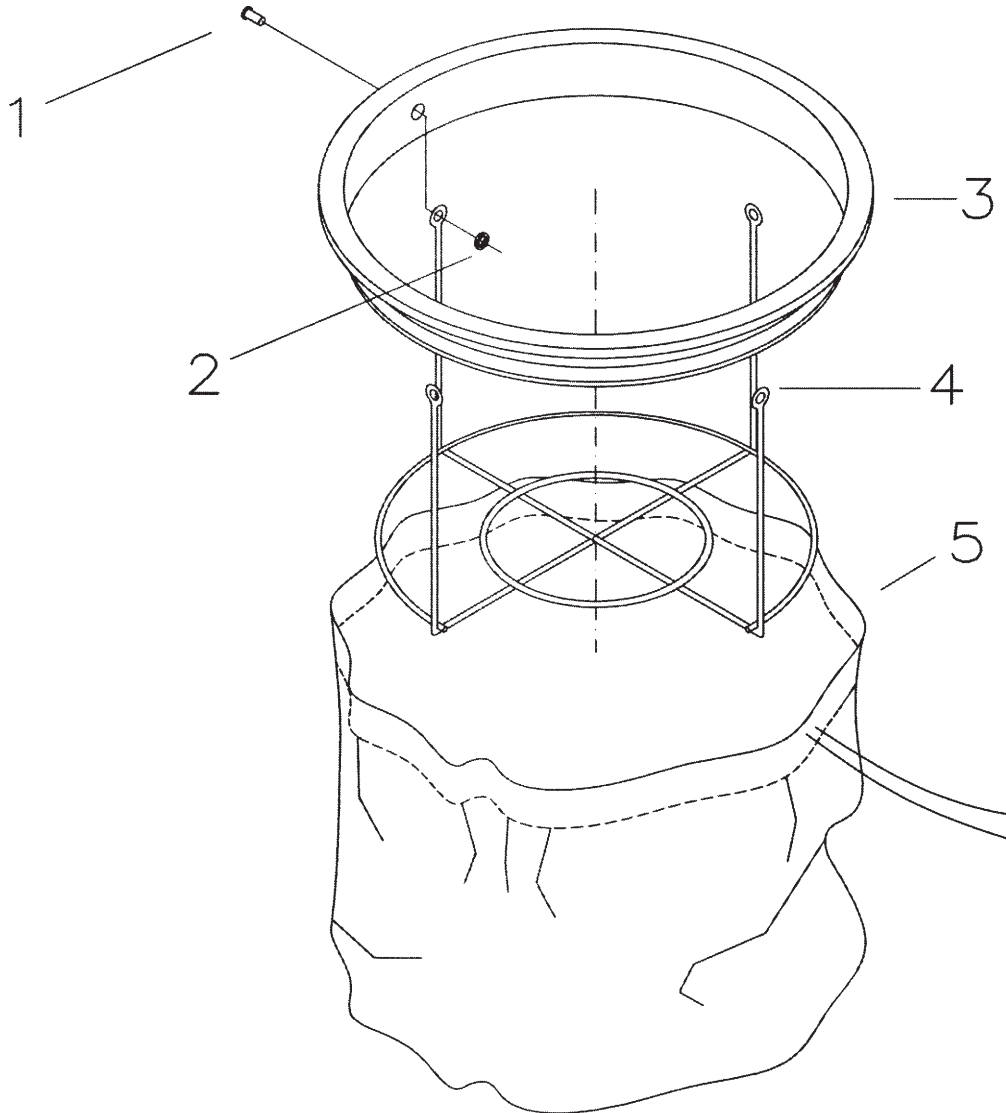
Item	Part No.	Qty.	Description
1	380046	1	Hollow Rubber Ball
2	390001	1	Molded Trigger
3	390002	1	Return Spring (390001)
4	390005	1	Gasket 4/6 Gal 1T01
5	390010	1	4/6 Gal Liquid Shutoff Plate
6	390035	2	Latch 390 Series Coated
7	390087	1	Gasket Diecut VNN
8	390090MCH	1	4/6 Gal Adapter 1:1 Poly MCHD
9	390101	1	Intake
10	390108	1	Pin-Pivot
11	390110	1	Intake Assembly Aluminum
12	712530	2	SCR-MC 10 - 24 x .62 SS
13	712565	4	SCR-MC 1/4 - 20 x .62 SS
14	715381	1	Decal, Minuteman .8x5.5 Lt Gry
15	800421	1	Filter Insert Screen
16	800423	2	Latch Plate Zinc PLT
17	828893	8	Rivet Pop

# Tank Assembly










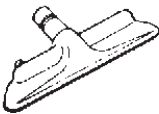
Item	Part No.	Qty.	Description
1	130032	2	Cap Retainer
2	280016	2	Caster - 3" w/3/8 x 518 Stem
3	711005	4	SK 1/4-20 x .31
4	711006	3	SK 1/4-20 x .62
5	711503	4	WSR-Flat #10
6	711524	2	WSR-Wave .52 x .87 x .01
7	711594	2	WSR-Flat .56 x .88 x .03 Nickel
8	711713	2	Ret Ring-E Ext .50
9	711915	4	Rivet-Tube .19 x .28 NI PL
10	760083	2	Wheel 6" 6-105 .5 ID
11	761054	2	Latch
12	829085	1	Tank, 6 Gal. PTD
12A	829080	1	Tank, 4 Gal. PTD
13	900055PTD	1	Bracket, Wheel 4/6 Gal
14	900066	2	Axle

# Bag Assembly



Item	Part No.	Qty.	Description
1	711903	4	Pop Rivet .19x.44 AL
2	712764	4	Washer #10 SS
3	760244MCH	1	Plastic Bag Frame w/Hole
4	760406PLT	1	Bag Frame 6 Gal Plated
5	805040	1	Cloth Bag Only 6G
***	800056	1	Bag Assy. w/Frame 6 Gal

## Optional Industrial Tools and Accessories

<b>A</b>		800317 390014 801044	Hose Assy. 1 1/2" x 10' Hose Cuff Hose
<b>B</b>		290000 290001 290002	Wand Assy. 1 1/2", Complete Upper Wand Lower Wand
<b>C</b>		800035	12" Crev Tool Complete
<b>D</b>		800083 133249 800084 808023	3" Rd Dust Brush, Complete Dust Brush HSG 3" Bristle Insert 3" Adapter
<b>E</b>		800124 731	5" Tool Only Without Insert Bristle Insert Replacement
<b>F</b>		800603 800612 808648 803161 711160 808592	14" Brush Tool, Complete Brush Insert Tool Brush Clamp Screw Bumper
<b>G</b>		800605 712088 800615 808648 500295 500296	14" Squeegee, Complete SCR #10 HI/LO 14" Retaining Strip Nozzle, Squeegee Blade Squeegee Blade Squeegee Reinforcement
<b>H</b>		807237 807214 807374 133214 133215 133217 712065 807381	16" Floor Tool, Complete Nozzle Floor Brush Replacement Spring Support Sleeve Adj. Screw Screw Adj. Lever

## Minuteman International Made Simple Commercial Limited Warranty

Minuteman International, Inc. warrants to the original purchaser/user that the product is free from defects in workmanship and materials under normal use. Minuteman will, at its option, repair or replace without charge, parts that fail under normal use and service when operated and maintained in accordance with the applicable operation and instruction manuals. All warranty claims must be submitted through and approved by factory authorized repair stations.

This warranty does not apply to normal wear, or to items whose life is dependent on their use and care, such as belts, cords, switches, hoses, rubber parts, electrical motor components or adjustments. Parts not manufactured by Minuteman are covered by and subject to the warranties and/or guarantees of their manufacturers. Please contact Minuteman for procedures in warranty claims against these manufacturers.

**Special warning to purchaser** -- Use of replacement filters and/or prefilters not manufactured by Minuteman or its designated licensees, will void all warranties expressed or implied. A potential health hazard exists without original equipment replacement.

All warranted items become the sole property of Minuteman or its original manufacturer, whichever the case may be.

Minuteman disclaims any implied warranty, including the warranty of merchantability and the warranty of fitness for a particular purpose. Minuteman assumes no responsibility for any special, incidental or consequential damages.

This limited warranty is applicable only in the U.S.A. and Canada, and is extended only to the original user/purchaser of this product. Customers outside the U.S.A. and Canada should contact their local distributor for export warranty policies. Minuteman is not responsible for costs or repairs performed by persons other than those specifically authorized by Minuteman. This warranty does not apply to damage from transportation, alterations by unauthorized persons, misuse or abuse of the equipment, use of non-compatible chemicals, or damage to property, or loss of income due to malfunctions of the product.

If a difficulty develops with this machine, you should contact the dealer from whom it was purchased.

This warranty gives you specific legal rights, and you may have other rights which vary from state to state. Some states do not allow the exclusion or limitation of special, incidental or consequential damages, or limitations on how long an implied warranty lasts, so the above exclusions and limitations may not apply to you.

**Cord Electric Group**..... Three years parts, two years labor, ninety days travel (Not to exceed two hours)

**Exceptions**..... Port-A-Scrub, one year parts, six months labor  
MPV 13, one year parts  
MPV 14 and 18, two years parts, one year labor  
RapidAir blower, one year parts, one year labor  
Explosion-Proof Vacuum, one year parts, one year labor  
Pneumatic Vacuums, three years parts, one year labor  
EX 12 and EX12H, one year parts, one year labor

**Battery Operated Group**..... Three years parts, two years labor, ninety days travel  
(Not to exceed two hours)

**Exceptions**..... Sweepers, one year parts, one year labor, ninety days travel  
(Not to exceed two hours)

**Internal Combustion Group**.... One year parts, one year labor, ninety day travel  
(Not to exceed two hours)

**Replacement Parts**..... Ninety days

**Batteries**..... 0-3 months replacement, 4-12 months pro-rate

**Polypropylene Plastic Tanks**... Ten years, no additional labor