



BIO-HAZ VAC



Specifically Designed for the Remediation of Hazardous Molds Through Five (5) Filter Media:

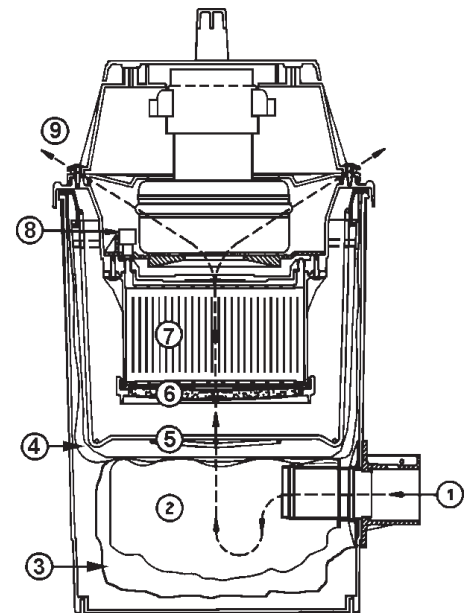
- Stachybotrys Colonies
- Aspergillus Spores
- Penicillium Spores

U.L.P.A. (Ultra Low Particulate Air) Filter Provides 99.999% Efficiency at 0.12 Microns!

In addition to mold remediation, the Bio-Haz Vac is ideally suited for the removal and containment of "Anthrax" dust and viral particulate collection. The Bio-Haz Vac is designed for dry-only pick up (particulate matter only - not vapor!)

Units include: Filters, complete pre-filter package and tool kit 1-1/2". Units are shipped ready-to-use – just plug in and turn on!

| <u>SIZE</u> | <u>PART#</u> |
|--|--------------|
| 6 Gallon (1.25 H.P. , 2-Stage, 95 CFM, 85" waterlift) | C82907-00 |
| 15 Gallon (2 H.P. , 2-Stage, 110 CFM, 105" waterlift) | C82917-00 |



Replacement bags and filters:

For use with C82907-00

| | |
|-----------|---------------------------------------|
| 110121PKG | Impact Filters (12/pk) |
| 384003PKG | 4/6G Paper bag (10/pk) |
| 761177PKG | Disp. filter protectors (10/pk) |
| 800056 | Cloth filter assembly w/frame, 6 gal. |
| 802206PKG | Encapsulation plastic bags (10/pk) |

For use with C82917-00

| | |
|-----------|--|
| 110121PKG | Impact Filters (12/pk) |
| 760598PKG | Disposable Paper Filters (10/pk) |
| 805038PKG | Disp. filter protectors (10/pk) |
| 805057 | Cloth filter assembly w/frame, 15 gal. |
| 802215PKG | Encapsulation plastic bags (10/pk) |

- 1) Intake
- 2) Disposable Paper Collector Bag
- 3) Plastic Bag
- 4) Disposable Paper Filter Protector
- 5) Cloth Filter w/Frame
- 6) Disposable Impact Filter
- 7) U.L.P.A. Filter
- 8) Safety Interlock
- 9) Exhaust