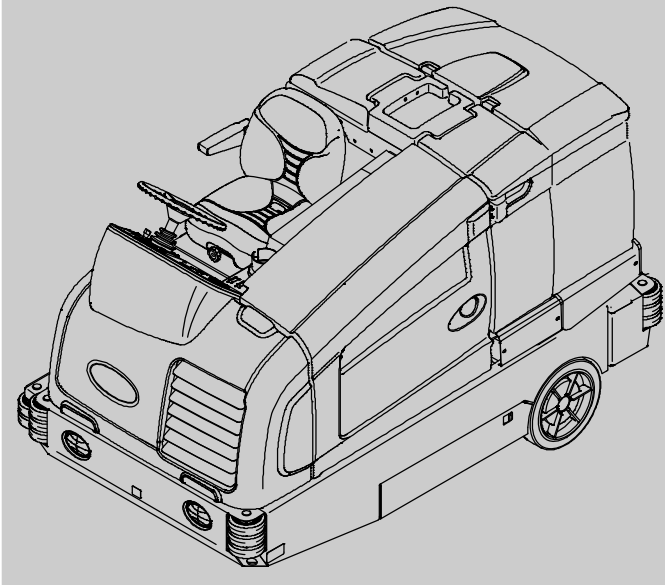
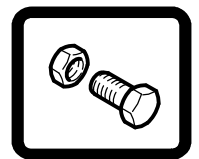




T20

(Diesel)

Scrubber-Sweeper Parts Manual



The Safe Scrubbing Alternative[®]

ES[®] Extended Scrub System

TennantTrue[®] Parts

Hygenic[®] Fully Cleanable Tanks

FloorSmart[®] Integrated Cleaning System

IRIS[®] a Tennant Technology



North America / International



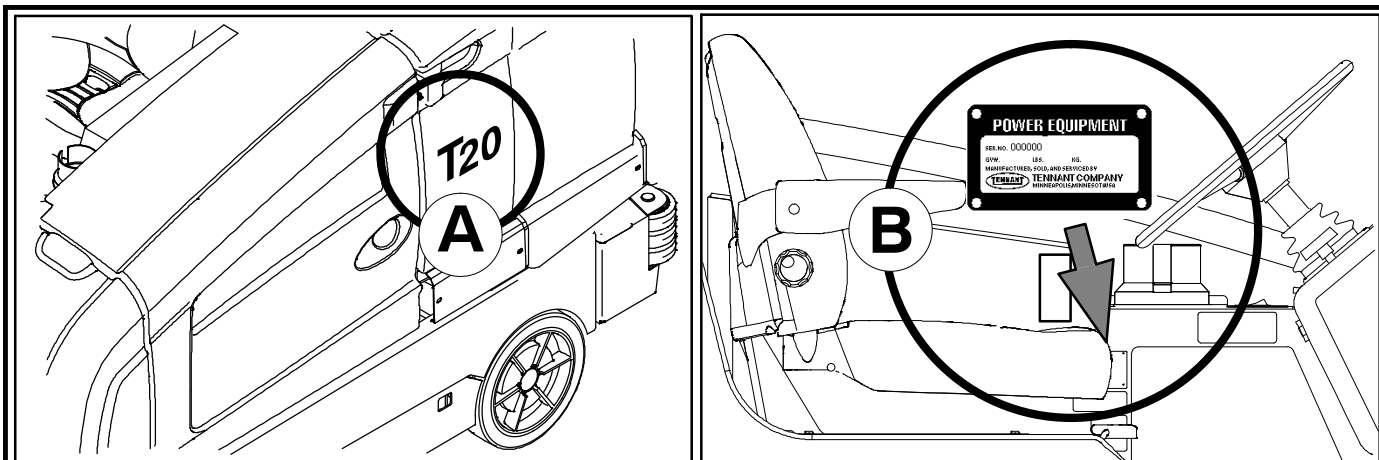
For the latest Parts manuals and other
language Operator manuals, visit:

www.tennantco.com/manuals

331501

Rev. 18 (5-2016)





Ref	Part No.	Serial Number	Description	Qty.
1	82681	(000000—)	Bracket Wldt, Lpg Mount	1
2	63810	(000000—)	Latch Assy, Lpg Tank Mtg, W/Nut	4
3	51839	(000000—)	Nut Adjustable, Lpg Tank Mtg	2
4	49263	(000000—)	Tie, Cable	3
5	82556	(000000—001039)	Bracket, Vaporizer	1
6	54930	(000000—)	Vaporizer, LPG	1

HOW TO ORDER PARTS – See diagram above

Only use TENNANT Company supplied or equivalent parts. Parts and supplies may be ordered online, by phone, by fax or by mail.

Follow the steps below to ensure prompt delivery.

1. **(A)** Identify the machine model.
2. **(B)** Identify the machine serial number from the data plate.
3. **(C)** Ensure the proper serial number is used from the parts list.
4. Identify the part number and quantity. Do not order by page or reference numbers.
5. Provide your name, company name, customer ID number, billing and shipping address, phone number and purchase order number.
6. Provide detail shipping instructions.

(D) ▽ – Identifies an assembly
 ▲ – Identifies parts included in assembly

EN

Please fill out at time of installation for future reference.

Model No. – _____

Serial No. – _____

Machine Options – _____

Sales Rep. – _____

Sales Rep. phone no. – _____

Customer ID Number – _____

Installation Date – _____

Tennant Company
 PO Box 1452
 Minneapolis, MN 55440
 Phone: (800) 553-8033 or (763) 513-2850
 www.tennantco.com

Thermo-Sentry, Touch-N-Go, 1-STEP, Clean-Wedge, Variable Drain Valve, EasyOpen, Grip-N-Go, MaxPro2, Dura-Track, SmartRelease, InstantAccess, Duramer, FaST-PAK, ErgoSpace and Lower Total Cost of Ownership are trademarks of Tennant Company.

Specifications and parts are subject to change without notice.

Original Information, copyright © 2006 – 2016 TENNANT Company, Printed in U.S.A.

CN	<p>如何订购部件 - 参见下表</p> <p>仅使用 TENNANT 公司提供的或同等部件。部件和供应可以在线订购，通过电话、传真或邮件订购。请遵循下面的步骤确保及时交付。</p> <ol style="list-style-type: none"> 1. (A) 确定机器型号。 2. (B) 从数据标签确定机器序列号。 3. (C) 确保使用部件列表中的正确序列号。 4. 确定部件号和数量。 不要按页面或参考编号订购。 5. 提供您的姓名、公司名称、客户 ID 号、付帐和送货地址、电话号码和采购单编号。 6. 提供详细的送货说明。 <hr/> <p>(D) ▽ - 确定组件 ▲ - 确定组件中包含的组件</p>	<p>请在安装时填写供未来参考。</p> <p>型号 - _____</p> <p>序列号 - _____</p> <p>机器选项 - _____</p> <p>销售代表 - _____</p> <p>销售代表电话号码 - _____</p> <p>客户 ID 编号 - _____</p> <p>安装日期 - _____</p>
-----------	--	--

ES	<p>CÓMO SOLICITAR PIEZAS - Consulte el diagrama anterior.</p> <p>Utilice sólo las piezas suministradas por TENNANT Company o piezas equivalentes. Puede solicitar las piezas a través de internet, por teléfono, por fax o por correo.</p> <p>Siga los siguientes pasos para que la entrega sea rápida.</p> <ol style="list-style-type: none"> 1. (A) Indique el modelo de máquina. 2. (B) Indique el número de serie de la etiqueta de datos. 3. (C) Asegúrese de que indica el número de serie correcto de la lista de piezas. 4. Indique la cantidad y el número de la pieza. No realice el pedido indicando el número de página o el de referencia. 5. Incluya su nombre, el nombre de la empresa, el ID de cliente, las direcciones de envío y facturación, el número de teléfono y el número del pedido de compra. 6. Facilite instrucciones de envío. <hr/> <p>(D) ▽ - identifica un conjunto ▲ - identifica piezas de un conjunto</p>	<p>Rellene estos datos cuando realice la instalación para utilizarlos como referencia en el futuro.</p> <p>Nº modelo - _____</p> <p>Nº serie - _____</p> <p>Opciones de la máquina - _____</p> <p>Vendedor - _____</p> <p>Nº teléfono vendedor - _____</p> <p>Nº cliente - _____</p> <p>Fecha de instalación - _____</p>
-----------	--	---

FR	<p>COMMENT COMMANDER DES PIÈCES DÉTACHÉES - Voir le schéma ci-dessus.</p> <p>Utilisez uniquement des pièces fournies par la société TENNANT ou équivalentes. Les pièces et fournitures peuvent être commandées en ligne, par téléphone, fax, ou par courrier.</p> <p>Suivez les étapes ci-dessous pour assurer une livraison rapide.</p> <ol style="list-style-type: none"> 1. (A) Identifiez le modèle de la machine. 2. (B) Identifiez le numéro de série de la machine, à partir de l'étiquette signalétique. 3. (C) Assurez-vous que le numéro de série correct est utilisé à partir de la liste de pièces détachées. 4. Identifiez le numéro de pièce et la quantité. Ne commandez pas par page ou numéros de référence. 5. Fournissez votre nom, le nom de votre société, votre numéro d'identification de client, l'adresse de facturation et d'expédition, le numéro de téléphone et le numéro du bon de commande. 6. Fournissez des instructions d'expédition détaillées. <hr/> <p>(D) ▽ - identifie un assemblage ▲ - identifie les pièces composant l'assemblage</p>	<p>A remplir au moment de l'installation à titre de référence.</p> <p>Nº du modèle - _____</p> <p>Nº de série - _____</p> <p>Options de la machine - _____</p> <p>Agent commercial - _____</p> <p>Nº tél. de l'agent commercial - _____</p> <p>Numéro d'identification client - _____</p> <p>Date d'installation - _____</p>
-----------	--	---

JP	<p>パーツの発注方法 ? 上記の図を参照してください</p> <p>TENNANT社製のパーツまたは同等品のみをお使いください。パーツやサプライ品のご注文は、オンライン、電話、FAX、または手紙でお願いいたします。確実にお届けできるように、以下の情報お知らせください。</p> <ol style="list-style-type: none"> 1. (A) 製品のモデル名をお知らせください。 2. (B) 製品のデータラベルに印刷されているシリアル番号をお知らせください。 3. (C) パーツリストを参照して、シリアル番号が正しいかご確認ください。 4. パーツ番号と数量をお知らせください。マニュアル/カタログのページ番号や参照番号でのご注文はご遠慮ください。 5. お客様のお名前、会社名、顧客ID番号、請求/発送先住所、電話番号、注文書番号をお知らせください。 6. 発送に関するご希望があれば、明記してください。 <hr/> <p>(D) ▽ - アセンブリを示します ▲ - アセンブリに含まれるパーツを示します</p>	<p>後日確認できるように、設置時に記入してください。</p> <p>モデルNo. - _____</p> <p>シリアルNo. - _____</p> <p>製品のオプション - _____</p> <p>販売代理店 - _____</p> <p>販売代理店の電話番号 - _____</p> <p>顧客ID番号 - _____</p> <p>設置日 - _____</p>
-----------	---	---

GENERAL RECOMMENDED MAINTENANCE

General Recommended Maintenance Items

Ref.	Part No.	Serial Number	Description	Qty.
▽	9003130	(000000-001779)	Maint Kit, 400hr, Dsl [M20/T20]	1
▲	369746	(000000-001779)	Element, Fltr, Air [Dn]	1
▲	39703-2	(000000-001779)	Element, Fltr, Oil, Spin-On [Ku]	1
▲	1017126	(000000-001779)	Element, Fltr, Fuel [Dn]	1
▲	1023911	(000000-001779)	Belt, V, 37.5l [3v]	1
▲	31613	(000000-001779)	Strainer, Hyd, 25 Gpm 100 Mesh	1
▲	1021579	(000000-001779)	Filter Assy, Hyd, 10mic	1
▽	9006060	(001780-	Maint Kit, 400hr, Dsl [M20/T20]	1
▲	369746	(001780-	Element, Fltr, Air [Dn]	1
▲	39703-2	(001780-	Element, Fltr, Oil, Spin-On [Ku]	1
▲	1017126	(001780-	Element, Fltr, Fuel [Dn]	1
▲	31613	(001780-	Strainer, Hyd, 25 Gpm 100 Mesh	1
▲	1021579	(001780-	Filter Assy, Hyd, 10mic	1
▲	393244	(001780-	Belt, V, 42.0L [Hc41]	1
	371972	(000000-	Element, Fltr, Oil, Eng, Spin-On	1
	1027290	(000000-	Filter, Soltn, 20mesh, Pm12 3.1d 02.6l	1
	87866	(000000-	Key, Ignition [Set Of 2]	1
	10137	(000000-	Battery, Wet, 12vdc 0475cca	1
	20833	(000000-	Wheel, 3.0d 1.38w 0.50b	2
	1033644	(000000-	Belt, Ribbed, 38.5l	1
	1024586	(000000-	Skirt, Neo, .06, 06.85w 27.95l, 08 Hole	2
	1019295	(000000-	Skirt, Neo, .18, 10.37w 27.95l, 12 H&S	2
	1020166	(000000-	Skirt, Neo, .06, 12.00w 45.88l, 07 Hole	1
	1028433	(000000-	Skirt, Front, Disk Head	1
	1017868	(000000-	Blade, Sqge, Front [Linard]	1
	1031331	(000000-	Blade, Sqge, Rear, Linatex	1
	83874	(000000-	Gasket, Sqge	2
	1031011	(000000-	Blade, Sqge, 37.08l Linatex	2
	1027719	(000000-	Blade, Sqge, Front, 49.59l Pyu	1
	1031945	(000000-	Blade, Sqge, Rear, 53.78L Pyu	1
	1031823	(000000-	Blade, Sqge, .38 3.55w 038.3l, Ure	2
	1027716	(000000-002115)	Squeegee Assy, Sba, Ure	1
	1059091	(002116-	Blade, Sqge, Side Brush, Urethane	1
	1059092	(002116-	Blade, Sqge, Side Brush, Urethane	1
	1025005	(000000-002115)	Squeegee Assy, Sba, Linatex	1
	1046980	(002116-	Blade, Sqge, Side Brush, Linatex	1
	1047238	(002116-	Blade, Sqge, Side Brush, Linatex	1
	84597	(000000-	Tire Assy, Solid, 18.0x6.0 4.5bc/5bolt	1
	16411	(000000-	Paint, Airdry, Off-White, 12oz	1
	16412	(000000-	Paint, Airdry, Teal, 12oz, Solid	1
	377540	(000000-	Paint, Airdry, Blk, 12oz	1
	377538	(000000-	Paint, Airdry, Gray, 12oz [Enamel]	1
	377537	(000000-	Paint, Airdry, Iron Gray, 12oz[Pwdr Coat]	1
	1057710	(000000-	Oil, Hyd [El, Iso 100, 01gal]	1
	1057711	(000000-	Oil, Hyd [El, Iso 100, 05gal]	1
	1069019	(000000-	Oil, Hyd [El, Iso 68, 01gal]	1
	1069020	(000000-	Oil, Hyd [El, Iso 68, 05gal]	1
	1057707	(000000-	Oil, Hyd [El, Iso 32, 01gal]	1
	1057708	(000000-	Oil, Hyd [El, Iso 32, 05gal]	1

GENERAL RECOMMENDED MAINTENANCE

SECTION 2

Contents	Page
Fig. 1 – Brushes, Replacement, Scrub Head	2-2
Fig. 2 – Brushes, Replacement, Side Brush	2-5
Fig. 3 – Main Frame Group	2-8
Fig. 4 – Operator Station	2-10
Fig. 5 – Operator Station Insulation Group	2-12
Fig. 6 – Instrument Panel Group, Diesel	2-14
Fig. 7 – Seat Group	2-16
Fig. 8 – Steering Group	2-18
Fig. 9 – Front Cover Group	2-20
Fig. 10 – Engine Cover Group	2-22
Fig. 11 – Engine and Mount Group, Diesel	2-24
Fig. 12 – Engine Fuel Tank Group, Diesel	2-28
Fig. 13 – Engine Fuel Line Group, Diesel	2-30
Fig. 14 – Engine Air Cleaner Group, Diesel	2-32
Fig. 15 – Engine Alternator Group, Diesel (000000–001759)	2-34
Fig. 16 – Engine Alternator Group, Diesel (001760–)	2-36
Fig. 17 – Engine Muffler Group, Diesel	2-38
Fig. 18 – Engine Radiator Group, Diesel (000000–002092)	2-40
Fig. 19 – Engine Radiator Group, Diesel (002093–005109)	2-42
Fig. 20 – Engine Radiator Group, Diesel (005110–)	2-44
Fig. 21 – Engine Radiator Hose Group, Diesel (002093–)	2-46
Fig. 22 – Battery and Electrical Group	2-48
Fig. 23 – Wheel Group, Front Drive	2-50
Fig. 24 – Wheel Group, Rear	2-52
Fig. 25 – Brake Pedal Linkage Group	2-54
Fig. 26 – Directional Pedal and Linkage Group, Diesel	2-56
Fig. 27 – Cylindrical Scrub Brush Drive Group, Left Side	2-58
Fig. 28 – Cylindrical Scrub Brush Drive Group, Right Side	2-60
Fig. 29 – Cylindrical Scrub Brush Head Lift Group	2-62
Fig. 30 – Cylindrical Brush Head Skirt Group	2-64
Fig. 31 – Disk Scrub Head Drive Motor Group	2-66
Fig. 32 – Disk Scrub Head Lift Group	2-68
Fig. 33 – Cylindrical Scrub Head Debris Tray Mount Group	2-70
Fig. 34 – Cylindrical Scrub Head Debris Tray Group	2-72
Fig. 35 – Rear Squeegee Lift Group	2-74
Fig. 36 – Squeegee Group, Rear	2-76
Fig. 37 – Squeegee Linkage Group, Rear	2-78
Fig. 38 – Cylindrical Scrub Head Squeegee Group, Right Side	2-80

Contents	Page
Fig. 39 – Squeegee Lift Group, Right Side	2-82
Fig. 40 – Cylindrical Scrub Head Squeegee Group, Left Side	2-84
Fig. 41 – Squeegee Lift Group, Left Side	2-86
Fig. 42 – Solution Tank Group	2-88
Fig. 43 – Solution Tank Drain Group	2-92
Fig. 44 – Solution Control Group, Cylindrical Scrub Head	2-94
Fig. 45 – Solution Control Group, Disk Scrub Head	2-96
Fig. 46 – Recovery Tank Group	2-98
Fig. 47 – Recovery Tank Drain Group	2-100
Fig. 48 – Vacuum Fan Group, Scrubbing (000000–005892)	2-102
Fig. 49 – Vacuum Fan Group, Scrubbing (005893–)	2-104
Fig. 50 – Hydraulic Schematic (000000–001503)	2-106
Fig. 51 – Hydraulic Schematic (001504–002282)	2-108
Fig. 52 – Hydraulic Schematic (002283–)	2-110
Fig. 53 – Hydraulic Hose Group, Steering and Propel	2-112
Fig. 54 – Hydraulic Hose Group, Pump and Vacuum Fan	2-114
Fig. 55 – Hydraulic Hose Group, Cylindrical Brush	2-116
Fig. 56 – Hydraulic Hose Group, Disk Brush	2-118
Fig. 57 – Hydraulic Hose Group, Squeegee Lift	2-120
Fig. 58 – Hydraulic Pumps Group	2-122
Fig. 59 – Hydraulic Cooler and Tubes Group	2-124
Fig. 60 – Hydraulic Reservoir Group	2-126
Fig. 61 – Hydraulic Valve Group	2-128
Fig. 62 – Electrical Schematic (000000–001742)	2-130
Fig. 63 – Electrical Schematic (001743–)	2-134
Fig. 64 – Electrical Schematic, Diesel Engine Harness	2-141
Fig. 65 – Electrical Wire Harness Group, Main	2-142
Fig. 66 – Electrical Wire Harness Group, Headlight	2-150
Fig. 67 – Electrical Wire Harnesses Group, Diesel Engine	2-151
Fig. 68 – Label Group	2-154

Fig. 1 – Brushes, Replacement, Scrub Head

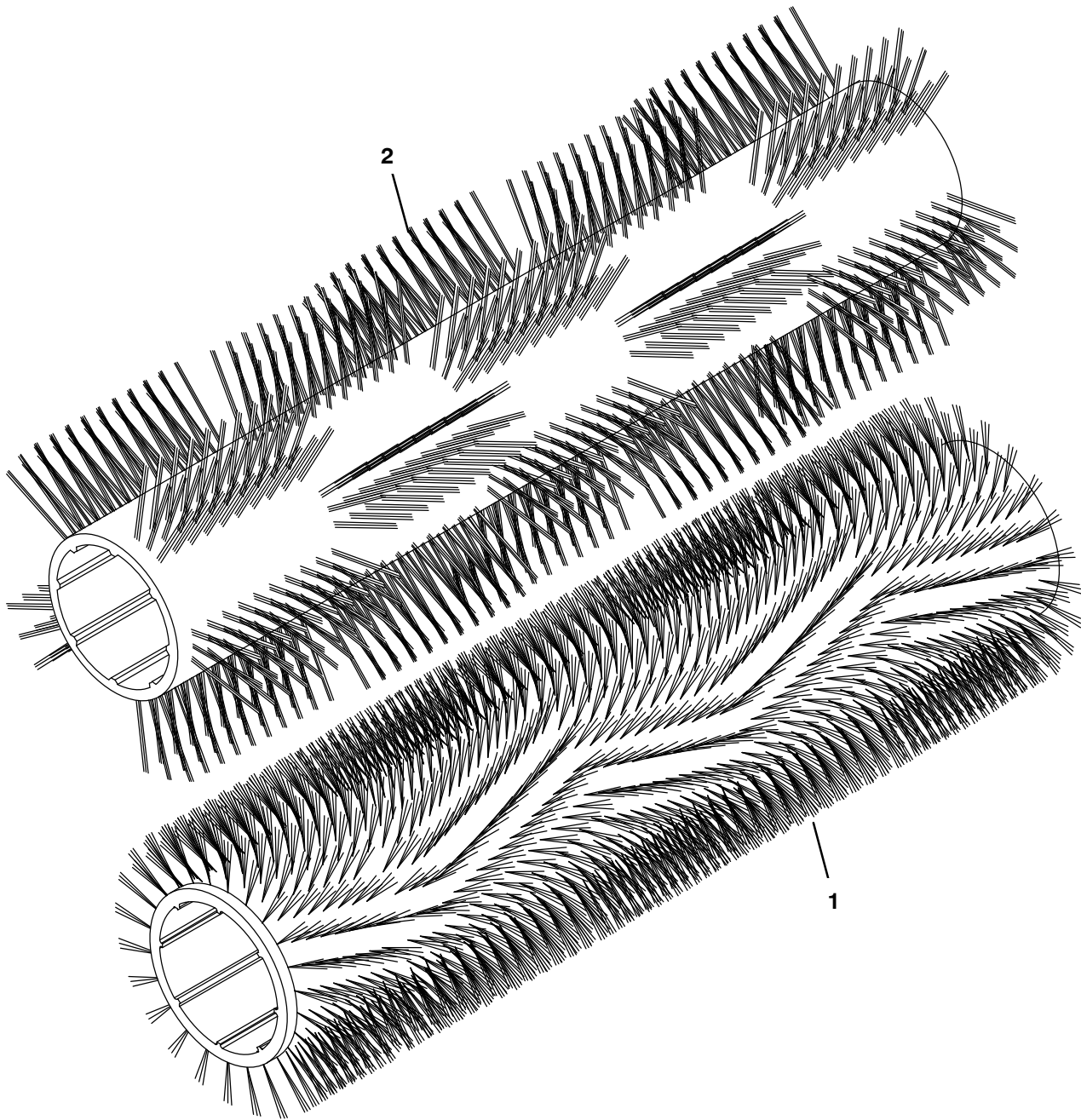
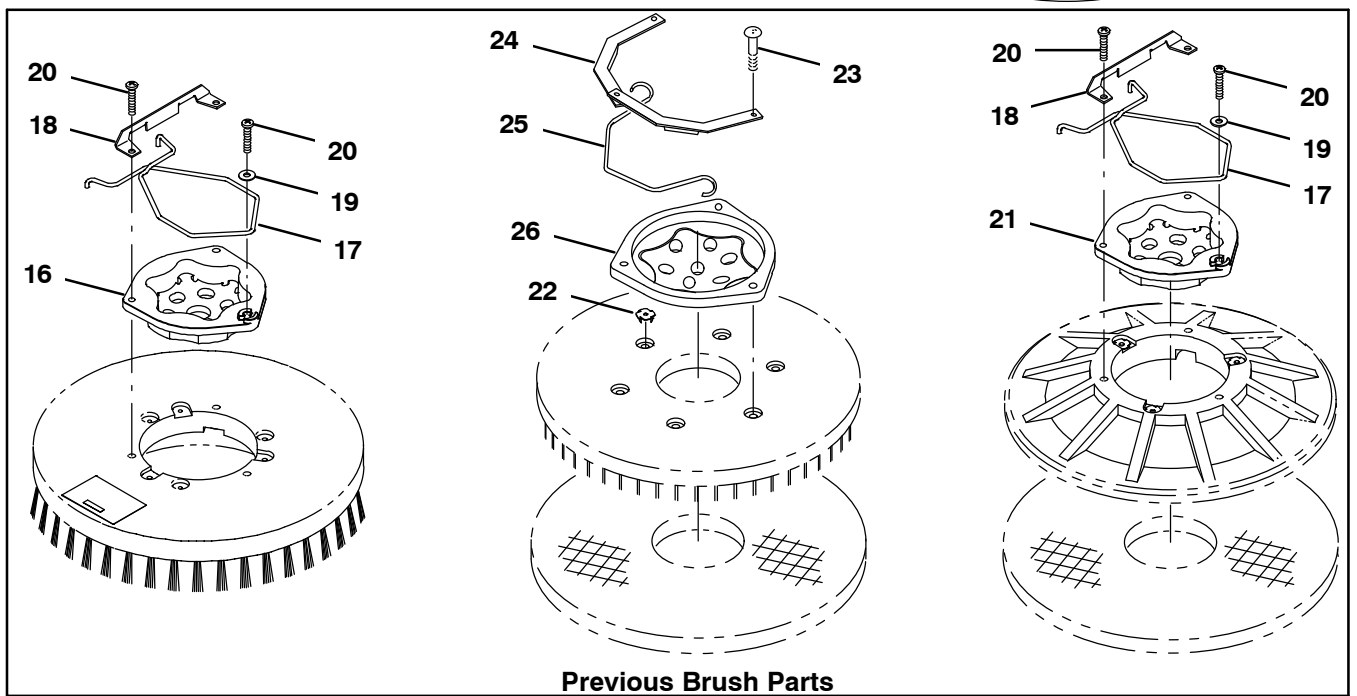
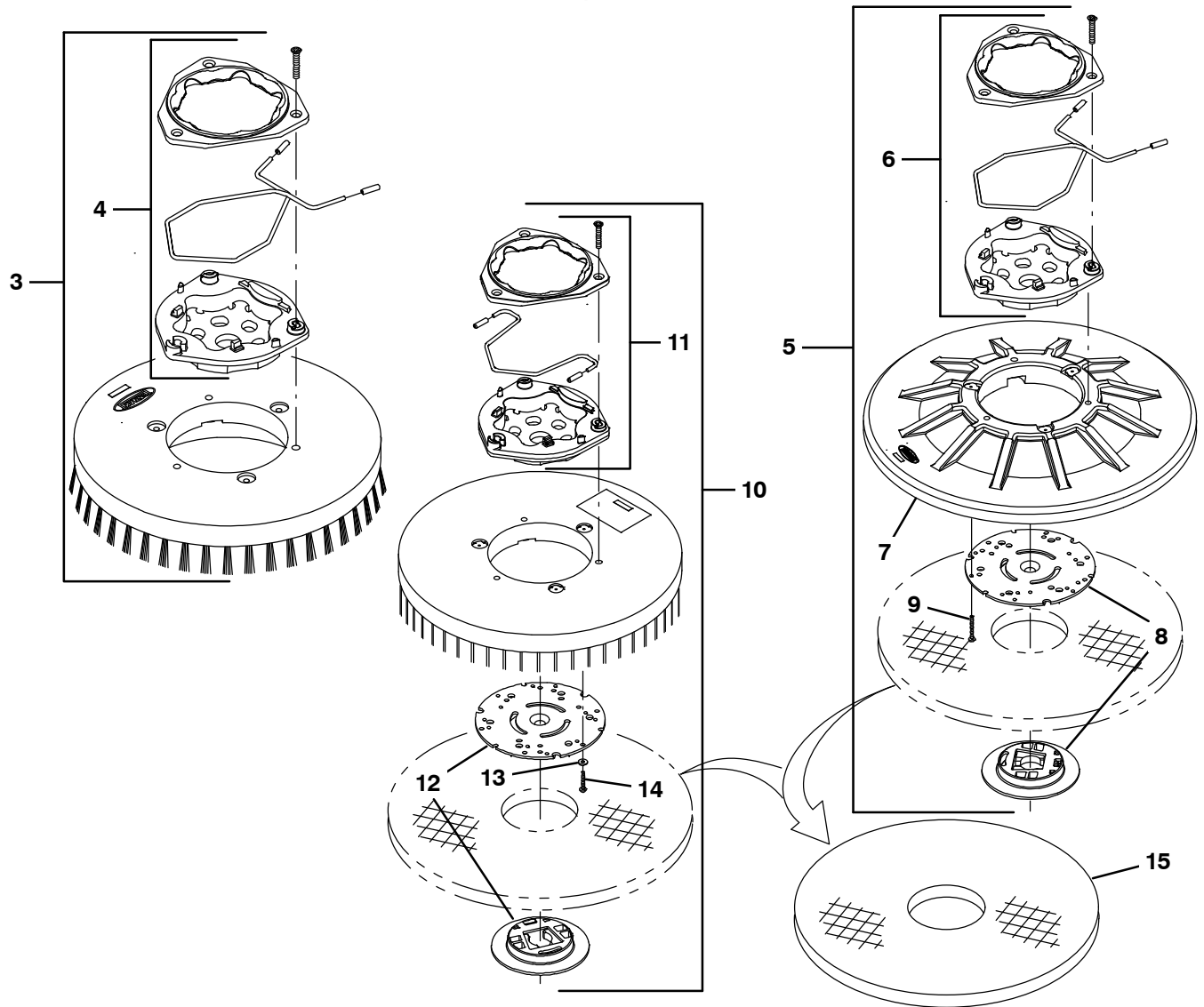


Fig. 1 – Brushes, Replacement, Scrub Head

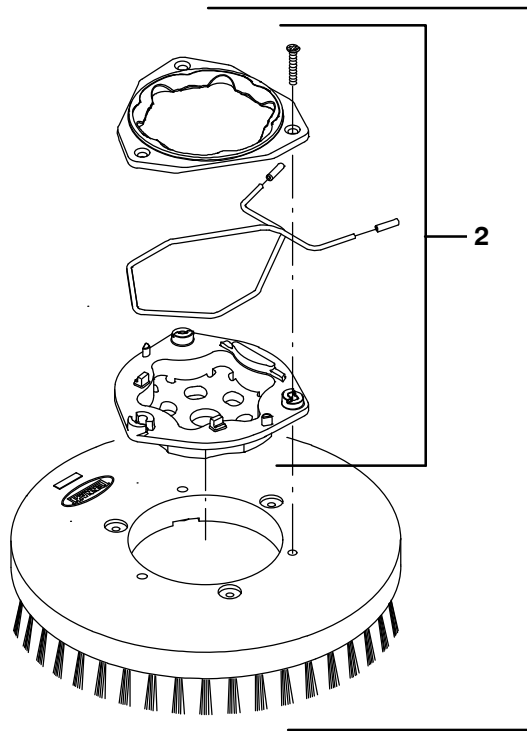


Previous Brush Parts

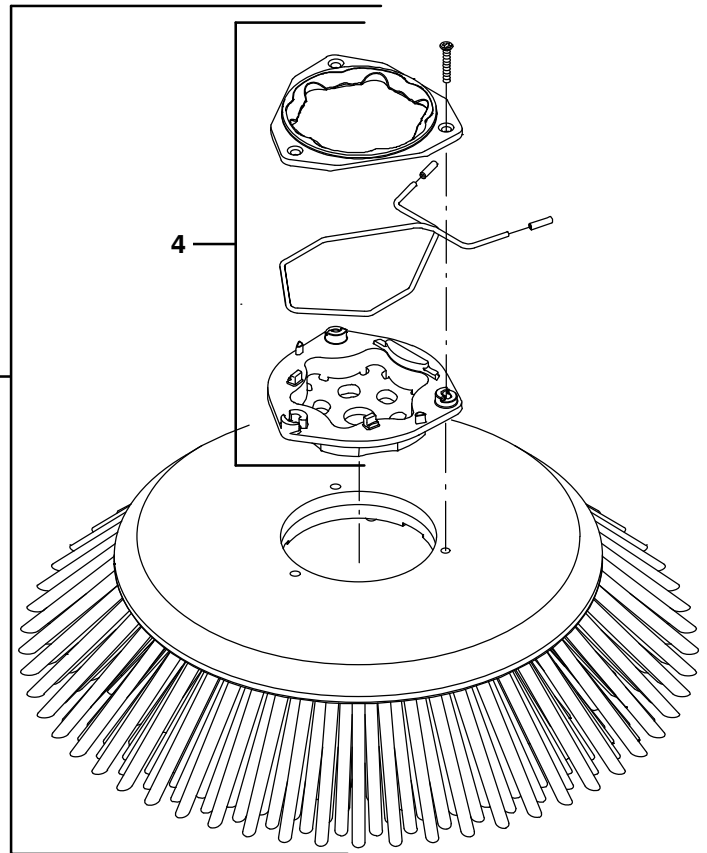
Fig. 1 – Brushes, Replacement, Scrub Head

Ref.	Part No.	Serial Number	Description	Qty.
1	1026223	(000000–)	Brush, Sweep / Scrub, 40L, Polypropylene	2
1	1026222	(000000–)	Brush, Sweep / Scrub, 40L, Super Abrasive	2
1	1027697	(000000–)	Brush, Sweep / Scrub, 40L, Polyester	2
1	1030969	(000000–)	Brush, Sweep / Scrub, 40L, Heavy Duty Polypropylene	2
2	1040524	(000000–)	Brush, Sweep / Scrub, 40L, Heavy Duty Polypropylene	2
2	1059640	(000000–)	Brush, Sweep / Scrub, 40L, Wndw, Super Abrasive	1
▽	3	1220237	(000000–) Brush Assy, Disk, Scb, 14.0d, Polypropylene	3
▲	4	9014662	(000000–) Brush Kit, Hub Assy, Drive, Ci [Hdpe In]	1
▽	3	1220238	(000000–) Brush Assy, Disk, Scb, 14.0d, Nylon	3
▲	4	9014662	(000000–) Brush Kit, Hub Assy, Drive, Ci [Hdpe In]	1
▽	3	1220239	(000000–) Brush Assy, Disk, Scb, 14.0d, Super Abrasive	3
▲	4	9014662	(000000–) Brush Kit, Hub Assy, Drive, Ci [Hdpe In]	1
▽	5	1220198	(000000–) Brush Assy, Disk, Scb, 14.0d, Super Abrasive	3
▲	6	9014666	(000000–) Brush Kit, Hub Assy, Drive, Ci [Uhmw]	1
▲	7	397974	(000000–) Disk, Driver, Pad, W/ Face, 14.0d	1
▲	8	370095	(000000–) Device, Centering, Clip On, TI [Gf Pp]	1
▲	9	09198	(000000–) Screw, Pan, M4 X 0.7 X 35, Ss	3
▽	10	1220221	(000000–) Driver Assy, Pad, 14.0d, Brush	3
▲	11	9014667	(000000–) Brush Kit, Hub Assy, Drive, Ci [Comm]	1
▲	12	370095	(000000–) Device, Centering, Clip On, TI [Gf Pp]	1
▲	13	41579	(000000–) Washer, Flat, #08, Ss	3
▲	14	04403	(000000–) Screw, Pan, M4 X 0.7 X 25, Ss, NI	3
	15	222324	(000000–) Pad, Polish, 14.0d, White [1pad=1pc]	3
	15	222325	(000000–) Pad, Buff, 14.0d, Red	3
	15	222326	(000000–) Pad, Scb, 14.0d, Blu [1pad=1pc]	3
	15	222327	(000000–) Pad, Stripping, 14.0d, Brown [1pad=1pc]	3
	15	1051026	(000000–) Pad, Surf Prep, 14.0D Maroon, [1PICK=1PAD]	3
	15	370091	(000000–) Pad, High Productivity Stripping, 14.0d, Blk	3
Previous Brush Parts				
	16	1017368	(000000–) Hub, Drive, Brush, Disk, 3Hole 5.8Bc	1
	17	14838	(000000–) Spring, Wir, 0.16d, Brush Retaining	1
	18	24299	(000000–) Bracket, Retainer, Spring	1
	19	01684	(000000–) Washer, Flat 0.25, Ss	1
	20	32746	(000000–) Screw, Pan, M6 X 1.0 X 35, Ss	3
	21	15539	(000000–) Hub, Drive, Brush, Disk, 3hole 5.8bc[6t]	1
	22	10908	(000000–) Nut, T, M4 X 0.70	3
	23	32747	(000000–) Screw, Pan, M6 X 1.0 X 40, Ss	3
	24	21852	(000000–) Bracket, Retainer, Spring	2
	25	1028905	(000000–) Spring, Wir, 0.16d, Brush Retaining [T5]	1
	26	1017112	(000000–) Hub, Drive, Brush, Disk, 3hole 5.8bc	1
		222320	(000000–) Brush Assy, Disk, Scrub, 14.0 D, Polypropylene (Replaced by 1220237)	3
		222321	(000000–) Brush Assy, Disk, Scrub, 14.0 D, Soft Nylon (Replaced by 1220238)	3
		222322	(000000–) Brush Assy, Disk, Scrub, 14.0 D, Super Abrasive (Replaced by 1220239)	3
		397914	(000000–) Driver Assy, Pad 14.0 D (Replaced by 1220198)	3
		399249	(000000–) Driver Assy, Pad 14.0 D (Replaced by 1220221)	3

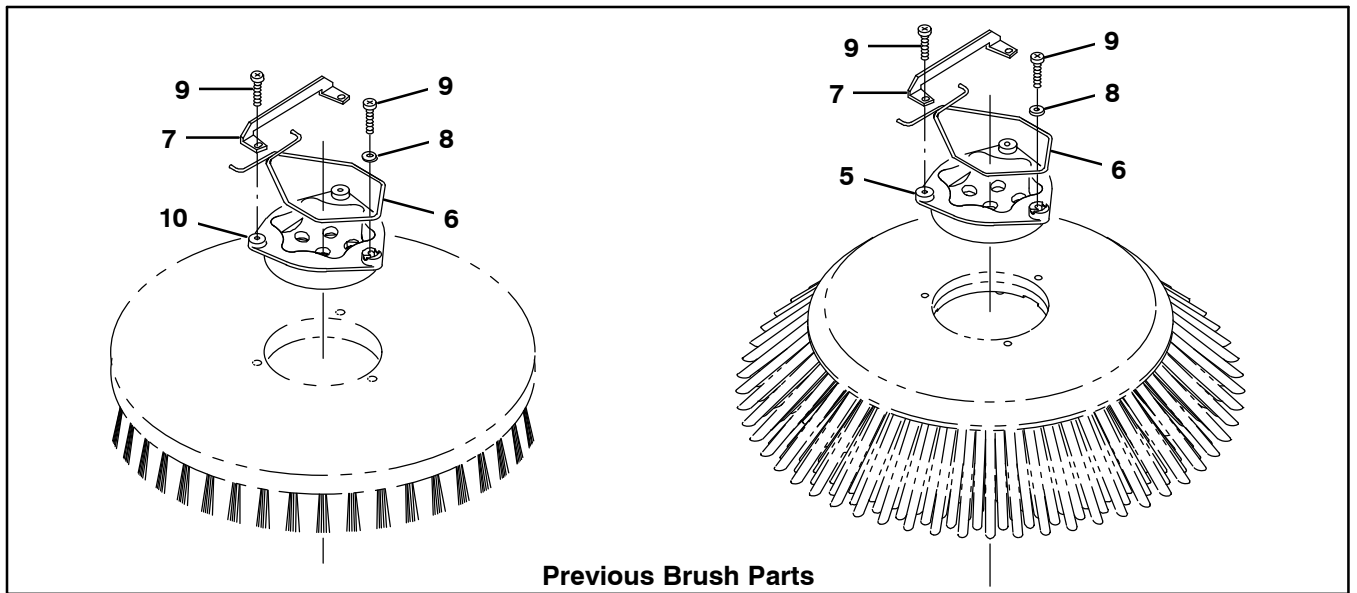
Fig. 2 – Brushes, Replacement, Side Brush



SCRUBBING
SIDE BRUSH



SWEEPING
SIDE BRUSH



Previous Brush Parts

Fig. 2 – Brushes, Replacement, Side Brush

Ref.	Part No.	Serial Number	Description	Qty.
▽	1	1220235	(000000–) Brush Assy, Disk, Scb, 16.0d, Nylon	1
▲	2	9014662	(000000–) Brush Kit, Hub Assy, Drive, Ci [Hdpe In]	1
▽	1	1220236	(000000–) Brush Assy, Disk, Scb, 16.0d, Heavy Duty Polypropylene	1
▲	2	9014662	(000000–) Brush Kit, Hub Assy, Drive, Ci [Hdpe In]	1
▽	1	1221543	(000000–) Brush Assy, Disk, Scb, 16.0d, Super Abrasive	1
▲	2	9014662	(000000–) Brush Kit, Hub Assy, Drive, Ci [Hdpe In]	1
▽	3	1220185	(000000–) Brush Assy, Disk, Swp, 24.0d, Polypropylene	1
▲	4	9014666	(000000–) Brush Kit, Hub Assy, Drive, Ci [Uhmw]	1

Previous Brush Parts

5	1017368	(000000–)	Hub, Drive, Brush, Disk, 3hole 5.8bc	1
6	14838	(000000–)	Spring, Wir, 0.16d, Brush Retaining	1
7	24299	(000000–)	Bracket, Retainer, Spring	1
8	01684	(000000–)	Washer, Flat, 0.27b 0.69d .05, Ss	1
9	32746	(000000–)	Screw, Pan, Phl, M6 X 1.00 X 35, Ss	3
10	15539	(000000–)	Hub, Drive, Brush, Disk, 3hole 5.8bc[6t]	1
	1042500	(000000–)	Brush Assy, Disk, Scrub, 16.0 D, Heavy Duty Polypropylene (Replaced by 1220236)	1
	1042504	(000000–)	Brush Assy, Disk, Scrub, 16.0 D, Super Abrasive (Replaced by 1221543)	1
	1042499	(000000–)	Brush Assy, Disk, Scrub, 16.0D, Nylon (Replaced by 1220235)	1
	1027688	(000000–)	Brush Assy, Disk, Sweep, 24.oD, Polypropylene (Replaced by 1220185)	1

Fig. 3 - Main Frame Group

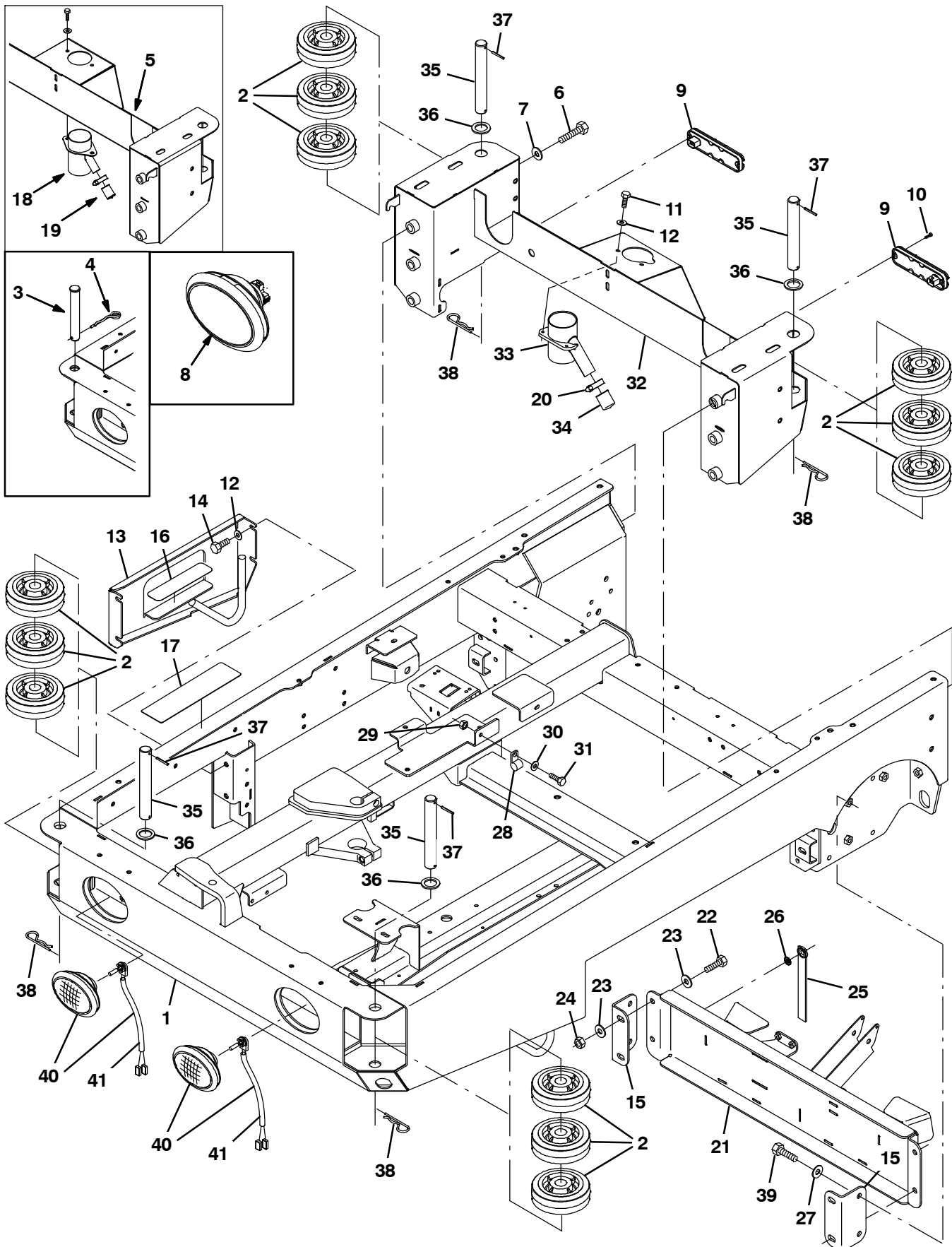


Fig. 3 – Main Frame Group

Ref.	Part No.	Serial Number	Description	Qty.	
1	9002401	(000000–)	Frame Wldt, Main, Replmt [M20 & T20]	1	
2	1060130	(000000–)	Wheel, 06.0D 2.00W 1.19B, Gray Rbr	6	
3	9006334	(000000–002102)	Pin Kit, Wheel, Ci [M20/T20/M30]	4	
4	761490	(000000–002102)	Pin, Cotter, Hair, Dbl	4	
5	9003679	(000000–001720)	Bumper Kit, Rear [T20]	1	
6	06971	(000000–)	Screw, Hex, M12 X 1.75 X 50, 8.8	6	
7	32493	(000000–)	Washer, Flat, 0.50, Std	6	
▽	8	1019225	(000000–002352)	Headlight, 12vdc, 27watt, 2.1a, Oval (Rpl by 1060942)	2
▲		1031826	(000000–002352)	Lamp, 12vdc [Speaker]	1
▲		1031827	(000000–002352)	Receptacle, Lamp [Speaker]	1
9	1018208	(000000–)	Light, Tail, 12vdc	2	
10	06928	(000000–)	Screw, Pan, M4 X 0.70 X 20, 4.8	4	
11	09740	(000000–)	Screw, Hex, M8 X 1.25 X 20, Ss	2	
12	01686	(000000–)	Washer, Flat, 0.44b 1.00d .08, Ss	6	
13	1027916	(000000–)	Panel Wldt, Filler	1	
14	12317	(000000–)	Screw, Hex, M10 X 1.5 X 30, Ss	4	
15	1025254	(000000–)	Bracket, Mtg, Sqge, Disk Head (Disk Scrub Head)	2	
16	363458	(000000–)	Tread, Non–Skid, 01.9w 08.0l	1	
17	58819	(000000–)	Tread, Non–Skid, 03.0w 11.6l	1	
18	1027347	(000000–001720)	Coupling, Hose	1	
19	1028253	(000000–001720)	Grip, Handle, 1.0d 1.5l Blk (Disk Scrub Head)	1	
20	11399	(000000–)	Clamp, Hose, Wormdrive, 0.81–1.50d, .50w (Disk Scrub Head)	1	
21	1027269	(000000–)	Crossmember Wldt, Sqge (Disk Scrub Head)	1	
22	77347	(000000–)	Screw, Hex, M10 X 1.5 X 35, Ss (Disk Scrub Head)	4	
23	32492	(000000–)	Washer, Flat, 0.38, Std (Disk Scrub Head)	8	
24	08714	(000000–)	Nut, Hex, Lock, M10 X 1.5, NI, Ss (Disk Scrub Head)	4	
25	71579	(000000–)	Strap, Static, W/Grommet, .19 1.1w 25.0l (Disk Scrub Head)	1	
26	41141	(000000–)	Washer, Lock, Int–Ext, 0.31 (Disk Scrub Head)	1	
27	32493	(000000–)	Washer, Flat, 0.50, Std (Disk Scrub Head)	4	
28	53466	(001036–)	Clamp, Cable, Stl, 1.50d X 1.00w, 1hole	1	
29	08709	(001036–)	Nut, Hex, Lock, M8 X 1.25, NI	1	
30	32491	(001036–)	Washer, Flat, 0.31, Std	1	
31	39277	(001036–)	Screw, Hex, M8 X 1.25 X 25, 8.8	1	
32	1039091	(001721–)	Bumper Wldt, Rear	1	
33	1036240	(001721–)	Tube, Vacuum	1	
34	1038498	(001721–)	Grip, Handle, 1.25D 1.50L Blk	1	
35	23146	(002103–)	Pin, Roll, .187d X 1.62l, .187/.192	4	
36	1062566	(002103–)	Washer, Flat, 1.26B 1.88D .13, Stl, PI	4	
37	1053838	(002103–)	Pin, 30mmd X 215mml	4	
38	34411	(002103–)	Pin, Cotter, Hair, 1.00d .178 Wir	4	
39	12309	(000000–)	Screw, Hex, M12 X 1.75 X 30, Ss	4	
▽	40	1060942	(002353–)	Headlight, 12Vdc, Oval, Halogen	2
▲	41	9007513	(002353–)	Lamp, Halogen [Speaker]	1

Fig. 4 - Operator Station

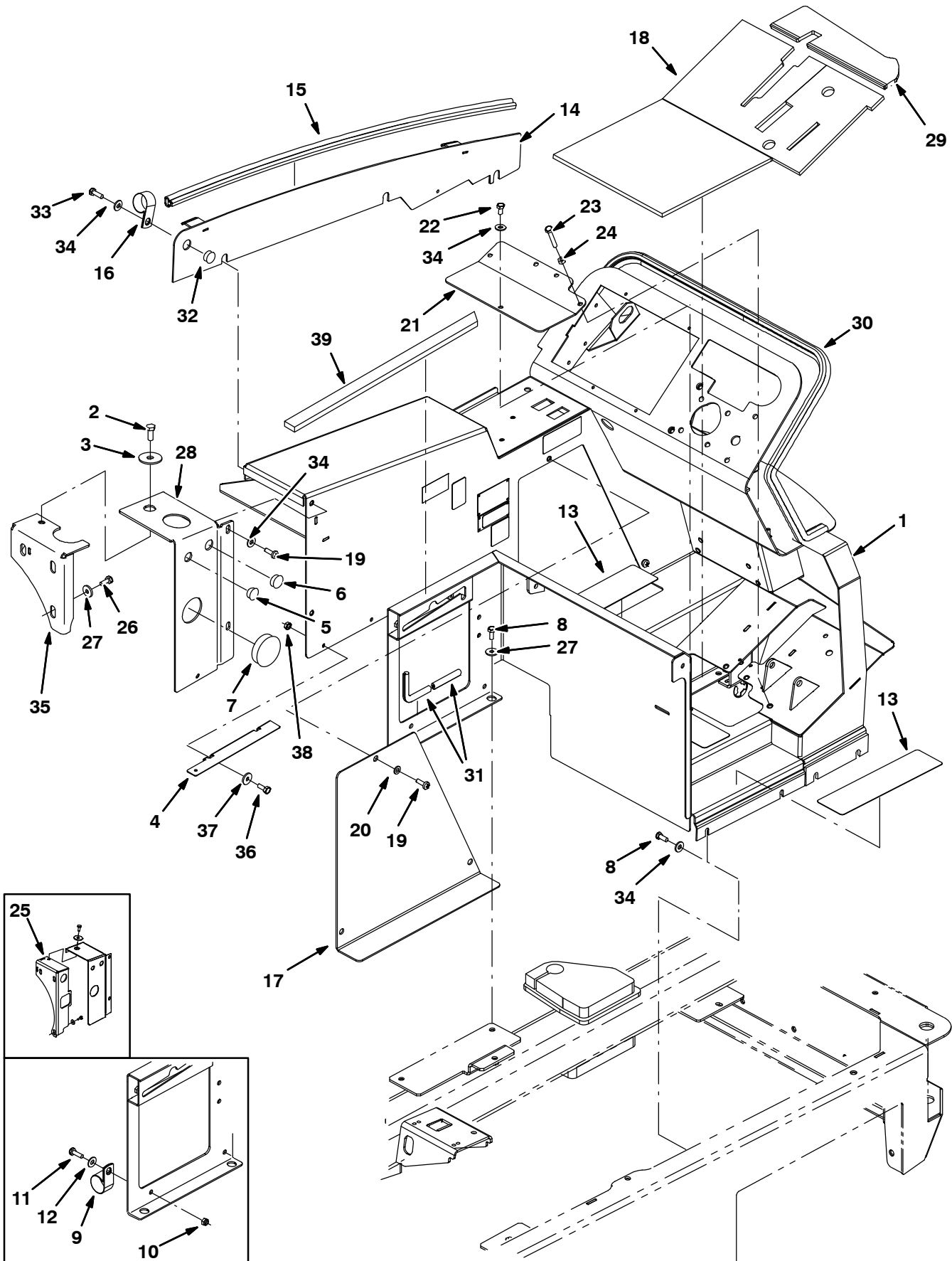


Fig. 4 - Operator Station

Ref.	Part No.	Serial Number	Description	Qty.
1	9002410	(000000-) Panel Wldt, Dsl, Replmt	1
1	9002382	(000000-) Panel Wldt, Dsl, Replmt [W/Fast]	1
1	9002383	(000000-) Panel Wldt, Dsl, W/ Es, Replmt	1
1	9003424	(000000-) Panel Wldt, Dsl, Replmt, TJ (Japan only)	1
1	9003427	(000000-) Panel Wldt, Dsl, Replmt, TJ [W/Fast] (Japan only)	1
1	9003430	(000000-) Panel Wldt, Dsl, Replmt, TJ, W/Es (Japan only)	1
2	39283	(000000-) Screw, Hex, M10 X 1.5 X 25, 8.8	1
3	04414	(000000-) Washer, Flat, 0.53b 1.88d .12, Stl, PI	1
4	1047169	(000000-) Bracket, Mtg, Insulation	2
5	82727	(000000-) Plug, Hole, Rnd, 0.88h .03-.12, Blk Nyl	1
6	01493	(000000-) Plug, Hole, Rnd, 1.00h .03-.12, Blk Nyl	1
7	1030017	(000000-) Plug, Hole, Rnd, 2.50h .03-.25, Blk Nyl	1
8	16931	(000000-) Screw, Hex, M8 X 1.25 X 20, 8.8	8
9	70157	(000000-001035)) Clamp, Cable, Ss, 2.50d X 1.00w, 1h	1
10	08709	(000000-001035)) Nut, Hex, Lock, M8 X 1.25, NI	2
11	39277	(000000-001035)) Screw, Hex, M8 X 1.25 X 25, 8.8	7
12	32491	(000000-001035)) Washer, Flat, 0.31, Std	18
13	58819	(000000-) Tread, Non-Skid, 03.0w 11.6l	4
14	1025435	(000000-001499)) Panel Wldt, Adj	1
14	1035832	(001500-) Panel Wldt, Adj [2007]	1
15	1030593	(000000-) Seal, Afmkt, Bulb, 90, 0.75d F/11ga 08ft	1
16	53466	(000000-) Clamp, Cable, Stl, 1.50d X 1.00w, 1h	5
17	1021834	(000000-) Panel, Access, Door	1
18	1027218	(000000-) Mat, Floor	1
19	1031665	(000000-) Screw, Pan, M8 X 1.25 X 25, Blk	4
20	39349	(000000-) Washer, Flat, 0.31 Sae	3
21	1022699	(000000-) Panel, Access, Floor	1
22	16931	(000000-) Screw, Hex, M8 X 1.25 X 20, 8.8	4
23	363976	(000000-) Screw, Hex, M8 X 1.25 X 60, 8.8, FI	1
24	39311	(000000-) Nut, Hex, Std, M8 X 1.25	1
25	1020540	(000000-001683)) Bracket Wldt, Mtg, Tank	1
26	09740	(000000-) Screw, Hex, M8 X 1.25 X 20, Ss	3
27	1017218	(000000-) Washer, Flat, 0.32b 1.00d .12, Ss	5
28	1033975	(000000-) Bracket, Mtg	1
29	1027267	(000000-) Mat, Floor	1
30	1020904	(000000-) Seal, Panl, Instmt	1
31	1020168	(000000-) Molding, Afmkt, Trim, Pvc, .08 .11, 1ft	1
32	80288	(002000-) Plug, Hole, Rnd, 0.81h, Blk	1
33	39277	(000000-) Screw, Hex, M8 X 1.25 X 25, 8.8	6
34	32491	(000000-) Washer, Flat, 0.31, Std	17
35	1035997	(001684-) Bracket Wldt, Mtg, Tank	1
36	06942	(000000-) Screw, Hex, M6 X 1.00 X 16, 8.8	2
37	32490	(000000-) Washer, Flat, 0.25, Std	2
38	08708	(000000-) Nut, Hex, Lock, M6 X 1.00, NI	2
39	1047295	(000000-) Seal, Foam, 0.50	1

Fig. 5 – Operator Station Insulation Group

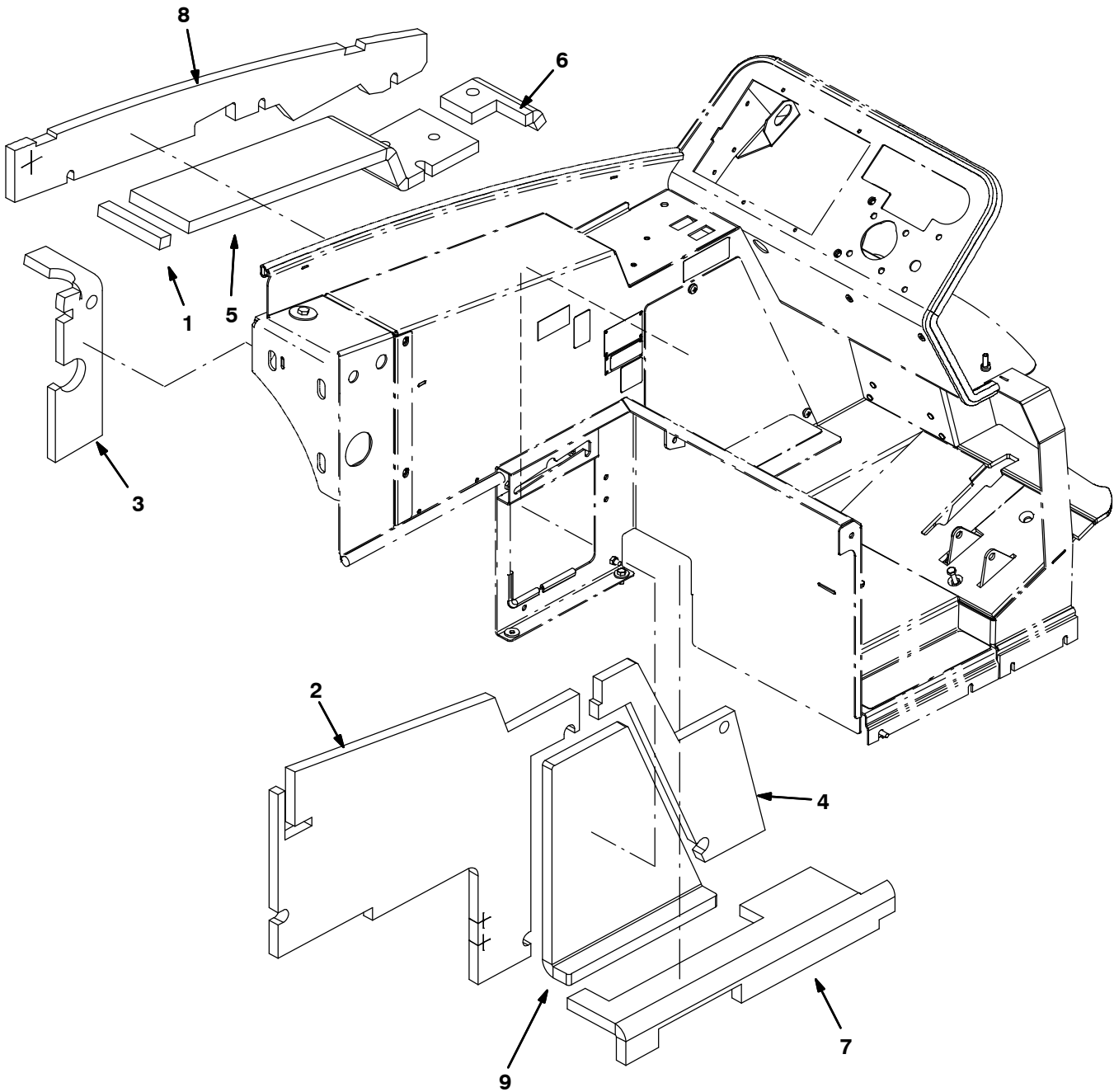


Fig. 5 – Operator Station Insulation Group

Ref.	Part No.	Serial Number	Description	Qty.
1	1034769	(000000–) Insulation, Flame-retardant, 0.75–0.88	1
2	1034765	(000000–) Insulation, Flame-retardant, 0.75–0.88	1
3	1040841	(000000–) Insulation, Flame-Retardant, 0.75–0.88	1
4	1023464	(000000–) Insulation, Flame-Retardant, 0.75–0.88	1
5	1034764	(000000–) Insulation, Flame-retardant, 0.75–0.88	1
6	1034766	(000000–) Insulation, Flame-retardant, 0.75–0.88	1
7	1034768	(000000–) Insulation, Flame-retardant, 0.75–0.88	1
8	1034770	(000000–) Insulation, Flame-retardant, 0.75–0.88	1
9	1023569	(000000–) Insulation, Flame-Retardant, 0.75–0.88	1

Fig. 6 - Instrument Panel Group, Diesel

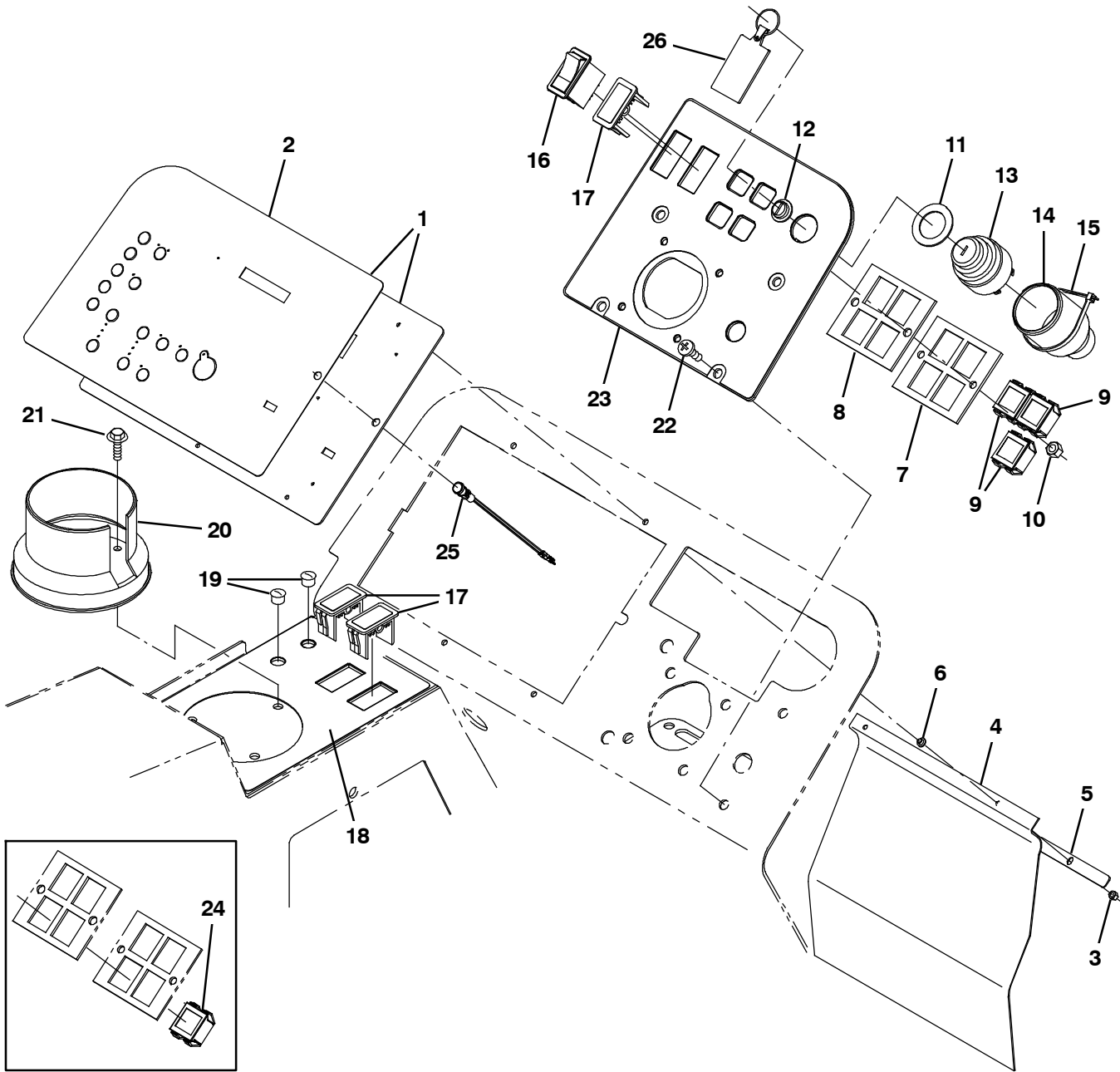


Fig. 6 – Instrument Panel Group, Diesel

	Ref.	Part No.	Serial Number	Description	Qty.
▽	1	9002436	(000000–) Panel Kit, Instmt, Replmt [T20]	1
▲	2	9002437	(000000–) Label Kit, Panel, Replmt [T20]	1
▽	1	9007914	(000000–) Panel Kit, Instmt, Replmt [T20 ec–H20 only]	1
▲	2	9007915	(000000–) Label Kit, Panel, Replmt [T20 ec–H20 only]	1
	3	16968	(000000–) Nut, Hex, Lock, #08–32, NI	4
	4	1028769	(000000–) Flap, Battery	1
	5	1028772	(000000–) Bar, Flat, Ss, .06 X .50 X 10.0l 2/.19sl	1
	6	1029362	(000000–) Washer, Shld, Nyl [8–32]	4
	7	361071	(000000–) Plate, Mtg, Light	1
	8	361073	(000000–) Seal, Rbr, Clsd, 0.13, Instmt Panl	1
	9	361075	(000000–) Light, Panl, 14vdc, , 1.1 X 1.0	3
	10	08712	(000000–) Nut, Hex, Lock, M6 X 1.0, Ss, NI	2
	11	73736	(000000–) Washer, Flat, 1.15b 1.75d .08, Stl	1
	12	382516	(000000–) Boot, .63id .29l .90w	1
▽	13	87536	(000000–) Switch, Ignition [Ku]	1
▲		87866	(000000–) Key, Ignition [Set Of 2]	1
	14	383165	(000000–) Boot, Switch, Ignition	1
	15	49266	(000000–) Tie, Cable, Nyl, 07.3l .19w 1.8 Max D	2
	16	392171	(000000–) Switch, Rocker, Dpdt On/Off/On	1
	17	398501	(000000–) Plug, Hole, Rt, Rocker Switch, .87 X 1.7	3
	18	1027284	(000000–) Label, Switch, Rocker [T20]	1
	19	56992	(000000–) Plug, Hole, Rnd, 0.50h .03–.12, Blk Nyl	2
	20	223599	(000000–) Cup Holder, Rwk	1
	21	1036892	(000000–) Screw, Hex, M6 X 1.00 X 25, 9.8 Sems	3
	22	1031665	(000000–) Screw, Pan, M8 X 1.25 X 25, Blk	4
	23	9004881	(000000–) Panel, Instmt, Rh, Dsl, Replmt	1
	24	361075	(000000–001997) Light, Panl, 14vdc, , 1.1 X 1.0	1
	25	1041822	(000000–) Light, Led, .312D, 2 Volt [Tri–Color] (ec–H20 only)	1
	26	1075003	(000000–) Keychain, Rectangle, Parts & Service	1

Fig. 7 - Seat Group

Ref.	Part No.	Serial Number	Description	Qty.	
1	1034767	(000000-) Insulation, Flame-retardant, 0.75-0.88	1	
2	1019228	(000000-) Plate Wldt, Seat	1	
3	1025736	(000000-) Latch	1	
4	09252	(000000-) Screw, Hex, M5 X 0.8 X 20, 8.8	2	
5	19066	(000000-) Washer, Flat, #10	2	
6	06549	(000000-) Nut, Hex, Lock, M5 X 0.8, NI	2	
7	49800	(000000-) Latch	1	
8	02850	(000000-) Nut, Hex, Lock, M4 X 0.7, NI	4	
9	06929	(000000-) Screw, Pan, M4 X 0.7 X 25, 4.8	4	
10	19065	(000000-) Washer, Flat, #08	2	
11	1023499	(000000-) Insulation, Flame-Retardant, 1.0	1	
12	223080	(000000-) Arm Wldt, Safety, Sppt, Seat, .38d 06.5d	1	
13	06944	(000000-) Screw, Hex, M6 X 1.0 X 25, 8.8	1	
14	32483	(000000-) Washer, Flat, 0.25 Sae	9	
15	08708	(000000-) Nut, Hex, Lock, M6 X 1.0, NI	1	
16	21851	(000000-) Spacer, Plstc, Ny	1	
17	09740	(000000-) Screw, Hex, M8 X 1.25 X 20, Ss	3	
18	1017218	(000000-) Washer, Flat, 0.32b 1.00d .12, Ss	11	
▽	19	1022105	(000000-005521) Seat, Suspension, W/1 Arm And Belt	1	
▲		1066893	(000000-005521) Seatbelt, Retractable [Deluxe Seat]	1	
▲		1048955	(000000-005521) Switch, Seat, No [Delta 6440-04]	1	
▲	20	1072815	(000000-005521) Armrest, Rh	1	
	21	32983	(000000-) Nut, Hex, Lock, .31-18, NI	4
	22	364749	(000000-) Washer, Flat, 0.41b 1.25d .12, Pye	1
	23	32492	(000000-) Washer, Flat, 0.38 Std	2
	24	08085	(000000-) Pin, Cotter, Hair, 0.31d .058 Wir	1
	25	1024183	(000000-001004) Hinge Wldt, Door	1	
	26	1030588	(000000-) Seal, Afmkt, Bulb, 90, 0.75d F/11ga 02ft	1
	27	1031206	(000000-) Seal, Afmkt, Bulb, 90, 0.50d, 02ft	1
	28	1018776	(000000-) Shroud, Seat	1
	29	1026825	(000000-) Bracket, Latch, Shrd, Seat	1
	30	09200	(000000-) Screw, Pan, M5 X 0.8 X 12, Ss	8
	31	1024464	(000000-) Hinge Wldt, Shrd, Rh	1
	32	16931	(000000-) Screw, Hex, M8 X 1.25 X 20, 8.8	10
	33	1024425	(000000-) Hinge Wldt, Shrd, Rh	2
	34	1025916	(000000-) Grill, Side	1
	35	41178	(000000-) Washer, Flat, 0.25 Fendr	6
	36	1020487	(000000-) Bracket, Seat, Adj	1
	37	58494	(001014-) Stud, Ball, .39d .31-16, Gasspring	2
	38	368391	(001014-) Gasspring, 180lb, 03.0strk	1
	39	01760	(001014-) Nut, Hex, Lock, .31-18, NI, Thin	2
	40	76888	(001998-) Plug, Hole, Rnd, 1.25H .03-.12, Blk Nyl	1
	41	1024464	(001005-) Hinge Wldt, Shrd, Rh	1
	42	32491	(000000-) Washer, Flat, 0.31, Std	4
	43	1072456	(005522-) Seat (See Breakdowns)	1

Fig. 8 - Steering Group

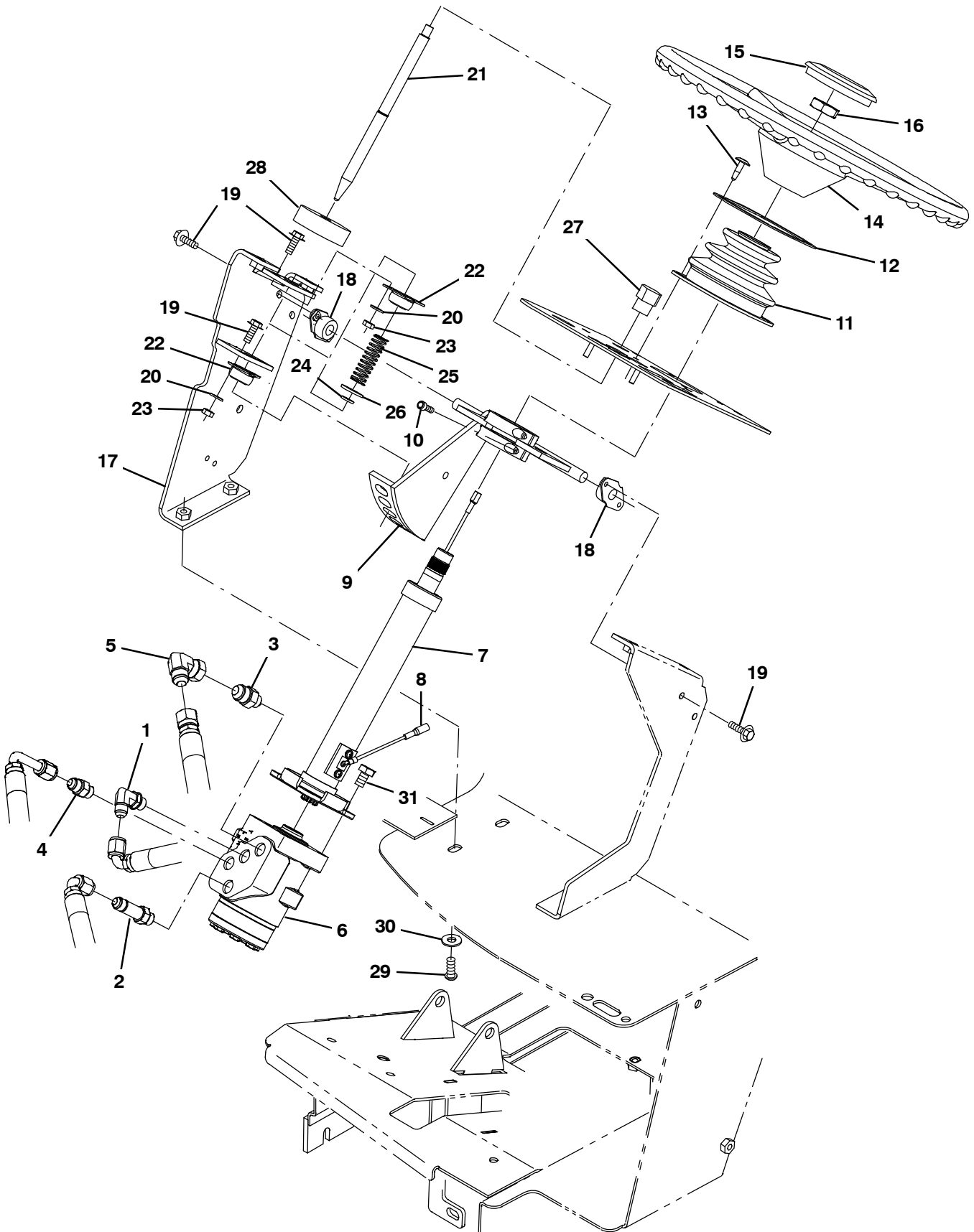


Fig. 8 - Steering Group

Ref.	Part No.	Serial Number	Description	Qty.	
1	56820	(000000-) Fitting, Hyd, E90, Jm06/Om06	1	
2	59577	(000000-) Fitting, Hyd, Str, Jm06/Om06, L	1	
3	56835	(000000-) Fitting, Hyd, Str, Jm08/Om06	1	
4	56690	(000000-) Fitting, Hyd, Str, Jm06/Om06	1	
5	17980	(000000-) Fitting, Hyd, E90, Jf08/Jm08	1	
6	1024260	(000000-) Steer-Control, Hyd#05, 06.1 2030 (See Breakdowns)	1	
▽	7	1021265	(000000-) Column, Steering, 09.9L 0.86D 36Tooth	1
▲	8	388153	(000000-) Contact Kit, W/ Brush [En]	4
▽	9	73027	(000000-) Bracket Wldt, Steering, Tilt	1
▲	10	01681	(000000-) Screw, Soc, .25-20 X 0.75, Al	4
11	70622	(000000-) Boot, Bellows, 3.1l 4.4w 2.8h 1hole, Neo	1	
12	70623	(000000-) Retainer, Boot, Steering Column	1	
13	72970	(000000-) Rivet, Plstc, .250d X 0.898	4	
14	1058996	(000000-) Wheel, Steering, 14.3d 0.81b 36tooth	1	
15	1024478	(000000-) Button, Cntrl, Horn	1	
16	56185	(000000-) Nut, Hex, Jam, M20 X 1.5	1	
17	1024695	(000000-) Bracket Wldt, Tilt, Rh	1	
18	70709	(000000-) Bearing, Flng, 2-Hole, 0.50b	2	
19	1040467	(000000-) Screw, Hex, M6 X 1.00 X 20, 9.8, Sems	8	
20	32483	(000000-) Washer, Flat, 0.25 Sae	4	
21	1023926	(000000-) Pin, Locking, Steering, Tilt	1	
22	47585	(000000-) Bearing, Flng, 2hole, 0.50b [Nyl]	2	
23	08708	(000000-) Nut, Hex, Lock, M6 X 1.0, NI	4	
24	70717	(000000-) Ring, Retaining, Ext, 0.50d, Hd	1	
25	22290	(000000-) Spring, Cmpr, 18.8d, 1.6w, 57.1l	1	
26	32486	(000000-) Washer, Flat, 0.50 Sae	1	
27	04706	(000000-) Knob, Tee, 2.5x1.0 1.1l 0.38-16 Plstc	1	
28	75968	(000000-) Insulation, Acstc, Rnd, 0.8, 02.5d 0.5h	1	
29	1031665	(000000-) Screw, Pan, M8 X 1.25 X 25, Blk	2	
30	32491	(000000-) Washer, Flat, 0.31, Std	2	
31	06960	(000000-) Screw, Hex, M10 X 1.5 X 16, 8.8	4	

Fig. 9 - Front Cover Group

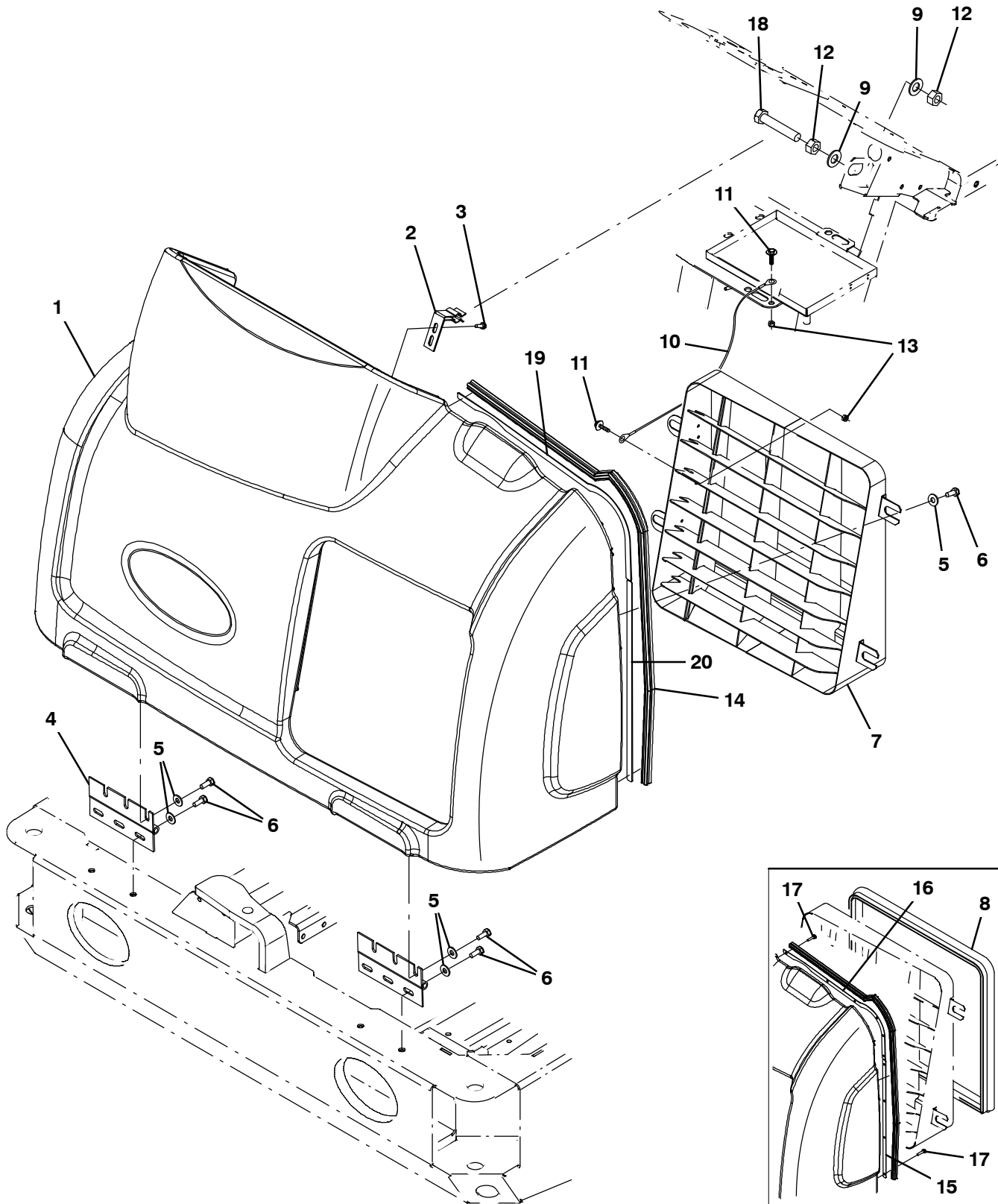


Fig. 9 – Front Cover Group

Ref.	Part No.	Serial Number	Description	Qty.
1	1022069	(000000–) Shroud, Front, Trimmed	1
2	1008916	(000000–) Bracket Wldt, Latch	1
3	06942	(000000–) Screw, Hex, M6 X 1.0 X 16, 8.8	2
4	71941	(000000–) Hinge, .38pin .11 3.5w 06.0l 6/0.38sl	2
5	32491	(000000–) Washer, Flat, 0.31, Std	14
6	16931	(000000–) Screw, Hex, M8 X 1.25 X 20, 8.8	14
7	1035068	(000000–) Grill Wldt, Front	1
8	1031557	(000000–001021) Seal, Afmkt, Bulb, Str, 1.0d F/11ga 08ft	1
9	15331	(000000–) Washer, Flat, 0.62 Sae	2
10	391368	(000000–) Cable, Glv .09d 016.5l .38eye /.38eye	1
11	1040467	(000000–) Screw, Hex, M6 X 1.00 X 20, 9.8, Sems	2
12	07782	(000000–) Nut, Hex, Std, M16 X 2.0	2
13	08708	(000000–) Nut, Hex, Lock, M6 X 1.0, NI	2
14	1049919	(000000–) Seal, Sponge, 0.88 1.00W 43.0L	1
15	1029652	(000000–001512) Plate, Mtg, Seal	1
16	1029545	(000000–001512) Plate, Mtg, Seal	1
17	20394	(000000–001512) Screw, Hex, #10–16 X 0.62, Fmg, [Ab]	10
18	06988	(000000–) Screw, Hex, M16 X 2.0 X 90, 8.8	1
19	1037970	(001513–) Strip Mtg, Seal	1
20	1037971	(001513–) Strip Mtg, Seal	1

Fig. 10 – Engine Cover Group

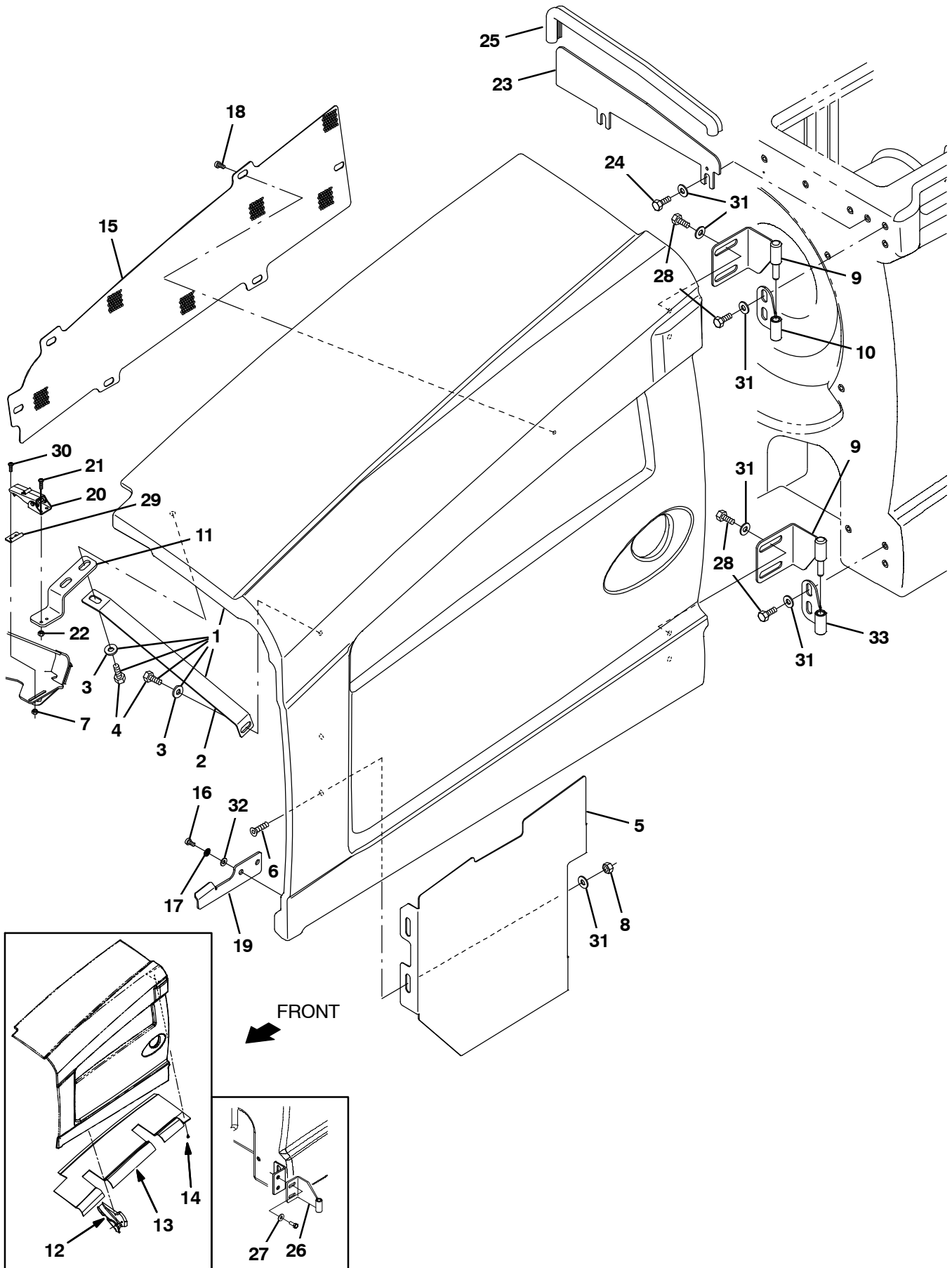


Fig. 10 - Engine Cover Group

Ref.	Part No.	Serial Number	Description	Qty.
▽	1	1033156	(000000-) Shroud Assy, Eng	1
▲	2	1026628	(000000-) Angle, Brace, Shrd	1
▲	3	1017218	(000000-) Washer, Flat, 0.32b 1.00d .12, Ss	2
▲	4	16931	(000000-) Screw, Hex, M8 X 1.25 X 20, 8.8	2
	5	1022004	(000000-) Bracket, Shield, Heat	1
	6	74077	(000000-) Screw, Flt, M8 X 1.25 X 25	4
	7	33932	(000000-) Nut, Hex, Lock, M4 X 0.7, NI, Ss	2
	8	08709	(000000-) Nut, Hex, Lock, M8 X 1.25, NI	4
	9	1024500	(000000-) Hinge Wldt, Shrd, Lh	2
	10	1025196	(000000-) Hinge Wldt, Shrd, Lh	1
	11	1020186	(000000-) Bracket, Latch, Cover	1
	12	1028516	(000000-001030) Insulation, Shrd, Eng, Gusset	1
	13	1026665	(000000-001030) Insulation, Flame-Retardant, 0.5	1
	14	21168	(000000-001030) Clip, .250h, Plstc [Pine-Tree]	14
	15	1026726	(000000-) Grill, Eng	1
	16	09200	(000000-) Screw, Pan, M5 X 0.8 X 12, Ss	2
	17	19066	(000000-) Washer, Flat, #10	2
	18	222267	(000000-) Screw, Pan, Phl, 06-20 X 0.50, Fmg/Ab	6
	19	1028412	(000000-) Bracket, Guide, Shrd	1
	20	384418	(000000-) Latch, Door [Southco 91-562-07]	1
	21	06927	(000000-) Screw, Pan, M4 X 0.7 X 16, 4.8	2
	22	02850	(000000-) Nut, Hex, Lock, M4 X 0.7, NI	2
	23	1025806	(000000-) Plate, Seal, Sound	1
	24	09740	(000000-) Screw, Hex, M8 X 1.25 X 20, Ss	2
	25	1030588	(000000-) Seal, Afrmkt, Bulb, 90, 0.75d F/11ga 02ft	2
	26	1024177	(000000-001004) Hinge Wldt, Door	1
	27	32491	(000000-001004) Washer, Flat, 0.31, Std	2
	28	16931	(000000-) Screw, Hex, M8 X 1.25 X 20, 8.8	7
	29	384419	(000000-) Bracket, Latch, Keeper [Southco]	1
	30	24265	(000000-) Screw, Pan, M4 X 0.7 X 16, Ss	2
	31	1017218	(000000-) Washer, Flat, 0.32b 1.00d .12, Ss	15
	32	41139	(000000-) Washer, Lock, Int-Ext, 10	2
	33	1025196	(001005-) Hinge Wldt, Shrd, Lh	1

Fig. 11 – Engine and Mount Group, Diesel

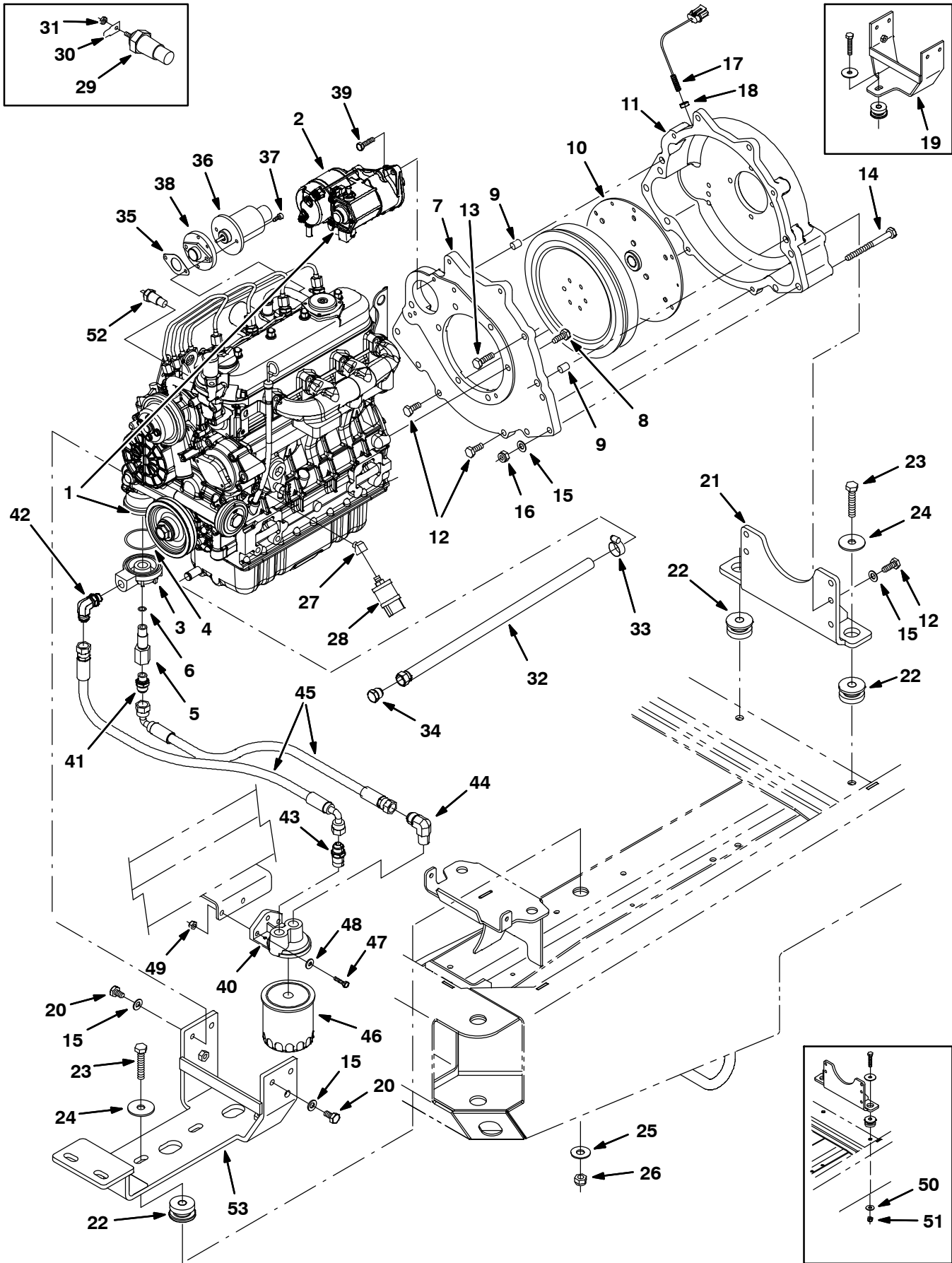


Fig. 11 – Engine and Mount Group, Diesel

	Ref.	Part No.	Serial Number	Description	Qty.
▽	1	1072224	(005381–)	Engine Assy, Dsl, 25hp [Ku V1505 Tier4f] (See Engine Breakdown)	1
▲	2	74405	(005381–)	Motor, Starter, 12vdc [Kubota] (See Engine Breakdown)	1
▽	1	1040096	(002594–005380)	Engine Assy, Dsl, 37Hp [Ku V1505] (See Engine Breakdown)	1
▲	2	74405	(002594–005380)	Motor, Starter, 12vdc [Kubota] (See Engine Breakdown)	1
▽	1	1027591	(000000–002593)	Engine Assy, Dsl, 37hp [Ku] (See Engine Breakdown)	1
▲	2	74405	(000000–002593)	Motor, Starter, 12vdc [Kubota] (See Engine Breakdown)	1
	3	368056	(000000–)	Base, Fltr, Oil [Ku]	1
	4	70907	(000000–)	Seal, Org	1
	5	368059	(000000–)	Pipe, Fltr, Oil [Ku]	1
	6	70911	(000000–)	Seal, Org	1
	7	55837	(000000–)	Housing, Flywheel, Mach [1505, Kubo]	1
	8	07299	(000000–)	Screw, Hex, M10 X 1.25 X 25, 8.8	6
	9	54911–16	(000000–)	Pin, Dowel, Cyl Block [1pk=4]	2
	10	19252	(000000–)	Coupling, Drive, Flex, 09.5d / 13tooth	1
	11	58566	(000000–)	Housing, Flywheel, Mach [1505, Kubo]	1
	12	39283	(000000–)	Screw, Hex, M10 X 1.5 X 25, 8.8	6
	13	39284	(000000–)	Screw, Hex, M10 X 1.5 X 35, 8.8	2
	14	06966	(000000–)	Screw, Hex, M10 X 1.5 X 110, 8.8	5
	15	32485	(000000–)	Washer, Flat, 0.38, Sae	13
	16	41430	(000000–)	Nut, Hex, Lock, M10 X 1.5, NI	5
	17	380521	(000000–)	Magnet, Pickup	1
	18	20171	(000000–)	Nut, Hex, Jam, .38–24	1
	19	1023282	(000000–003038)	Bracket Wldt, Mtg, Eng, Front, Dsl	1
	20	07299	(000000–)	Screw, Hex, M10 X 1.25 X 25, 8.8	4
	21	1023074	(000000–)	Bracket Wldt, Mtg, Eng, Rear, Dsl	1
	22	51176	(000000–)	Isolator, Vib, .50d	3
	23	06972	(000000–)	Screw, Hex, M12 X 1.75 X 60, 8.8	3
	24	04414	(000000–)	Washer, Flat, 0.53b 1.88d .12, Stl, PI	3
	25	32493	(000000–)	Washer, Flat, 0.50, Std	1
	26	08711	(000000–)	Nut, Hex, Lock, M12 X 1.75,NI	1
	27	24976	(000000–)	Fitting, Brs, E45, Pf02/Pm02	1
	28	79399	(000000–)	Switch, Press, Dpdt 0006psi	1
	29	1050757	(000000–002849)	Switch, Thermostat, Water	1
	30	68106	(000000–002849)	Terminal, Tab, .25 .19h .84l	1
	31	19310	(000000–002849)	Nut, Hex, Std, #08–32	1
	32	1027273	(000000–)	Hose, 0300, 08, Jf08str / None, 19.0	1
	33	63810	(000000–)	Clamp, Hose, Wormdrive, 0.56–1.06d, .56w	1
	34	16376	(000000–)	Fitting, Hyd, Plug, Jm08	1
	35	70165	(000000–)	Gasket, Solenoid, Throttle [Ku]	1
	36	71385	(000000–)	Actuator, Govnr, Dsl	1
	37	71388	(000000–)	Screw, Soc, M6 X 1.00 X 16, 12.9	4
	38	393401	(000000–)	Adapter, Actuator, Govnr, Eng, Dsl	1
	39	76570	(000000–)	Screw, Hex, M8 X 1.25 X 30, 8.8	2
	40	364972	(000000–)	Bracket, Mtg, Fltr, Oil, Remote	1
	41	367591	(000000–)	Fitting, Hyd, Str, Spcl	1
	42	33595	(000000–)	Fitting, Hyd, E90, Jm08/Om16 Metric	1
	43	15687	(000000–)	Fitting, Hyd, Str, Jm08/Pm08	1
	44	51869	(000000–)	Fitting, Hyd, E90, Jm08/Pm08	1
	45	59578	(000000–)	Hose, Hyd, Med08, Jf08e90/Jf08str, 032.0	2

STANDARD PARTS

Fig. 11 – Engine and Mount Group, Diesel

Ref.	Part No.	Serial Number	Description	Qty.
46	39703-2	(000000-) Element, Fitr, Oil, Spin-On	1
47	39277	(000000-) Screw, Hex, M8 X 1.25 X 25, 8.8	2
48	32491	(000000-) Washer, Flat, 0.31, Std	2
49	08709	(000000-) Nut, Hex, Lock, M8 X 1.25, NI	2
50	32493	(000000-001337) Washer, Flat, 0.50, Std	2
51	08711	(000000-001337) Nut, Hex, Lock, M12 X 1.75,NI	3
52	1050757	(001971) Switch, Thermostat, Water	1
53	1046810	(002093-) Bracket Wldt, Mtg, Eng, Front, Dsl	1

Fig. 12 – Engine Fuel Tank Group, Diesel

Ref.	Part No.	Serial Number	Description	Qty.
	1	1026550	(000000–) Tray Wldt, Fuel	1
	2	1026759	(000000–) Insulation, Flame–Retardant, 0.5	1
▽	3	9003611	(000000–001499) Tank, Fuel, 11.2gal [M20/T20]	1
▲	4	48267	(000000–001499) Cap, Tank, Fuel, 2.3neck 2.6d	1
▲		1039521	(000000–001499) Send–Unit, Fuel	1
	5	1025229	(000000–) Strap, Tank, Gas	4
	6	39277	(000000–) Screw, Hex, M8 X 1.25 X 25, 8.8	4
	7	32491	(000000–) Washer, Flat, 0.31, Std	8
	8	08709	(000000–) Nut, Hex, Lock, M8 X 1.25, NI	2
	9	32483	(000000–) Washer, Flat, 0.25, Sae	4
	10	32981	(000000–) Nut, Hex, Lock, .25–20, NI	4
	11	1023482	(000000–) Hose, Fuel, 0.50id 21.0l	1
	12	54333	(000000–) Clamp, Hose, Wormdrive, 0.31–0.88d, .31w	1
	13	9000355	(000000–) Fitting, Brs, E90, Em05/Pm04	1
	14	17414	(000000–) Fitting, Hyd, Str, Pf02/Pm04	1
	15	32183	(000000–) Fitting, Brs, E90, Pm02/Bm03	1
	16	08709	(000000–) Nut, Hex, Lock, M8 X 1.25, NI	4
▽	17	9003611	(001500–001779) Tank, Fuel, 11.2gal, Dsl, Replmt [2007]	1
▲	18	1033897	(001500–001779) Gasket, Sender, Fuel	1
▲	19	1033901	(001500–001779) Send–Unit, Fuel [2007]	1
▲	20	1032812	(001500–001779) Cap, Fuel, Tank	1
▲	21	48126	(001500–001779) Fitting, Pipe, Plug, Pm02, Sq Head	1
▽	17	9003934	(001780–) Tank, Fuel, 11.2gal, Dsl, Replmt, Na[08]	1
▲	18	1033897	(001780–) Gasket, Sender, Fuel	1
▲	19	1033901	(001780–) Send–Unit, Fuel [2007]	1
▲	20	1032812	(001780–) Cap, Fuel, Tank	1
▲	21	48126	(001780–) Fitting, Pipe, Plug, Pm02, Sq Head	1
▽	17	9003958	(001780–) Tank, Fuel, 11.2gal, Dsl, Replmt, Tj[08] (Japan Only)	1
▲	18	1033897	(001780–) Gasket, Sender, Fuel	1
▲	19	1033901	(001780–) Send–Unit, Fuel [2007]	1
▲	20	1032812	(001780–) Cap, Fuel, Tank	1
▲	21	48126	(001780–) Fitting, Pipe, Plug, Pm02, Sq Head	1

Fig. 13 – Engine Fuel Line Group, Diesel

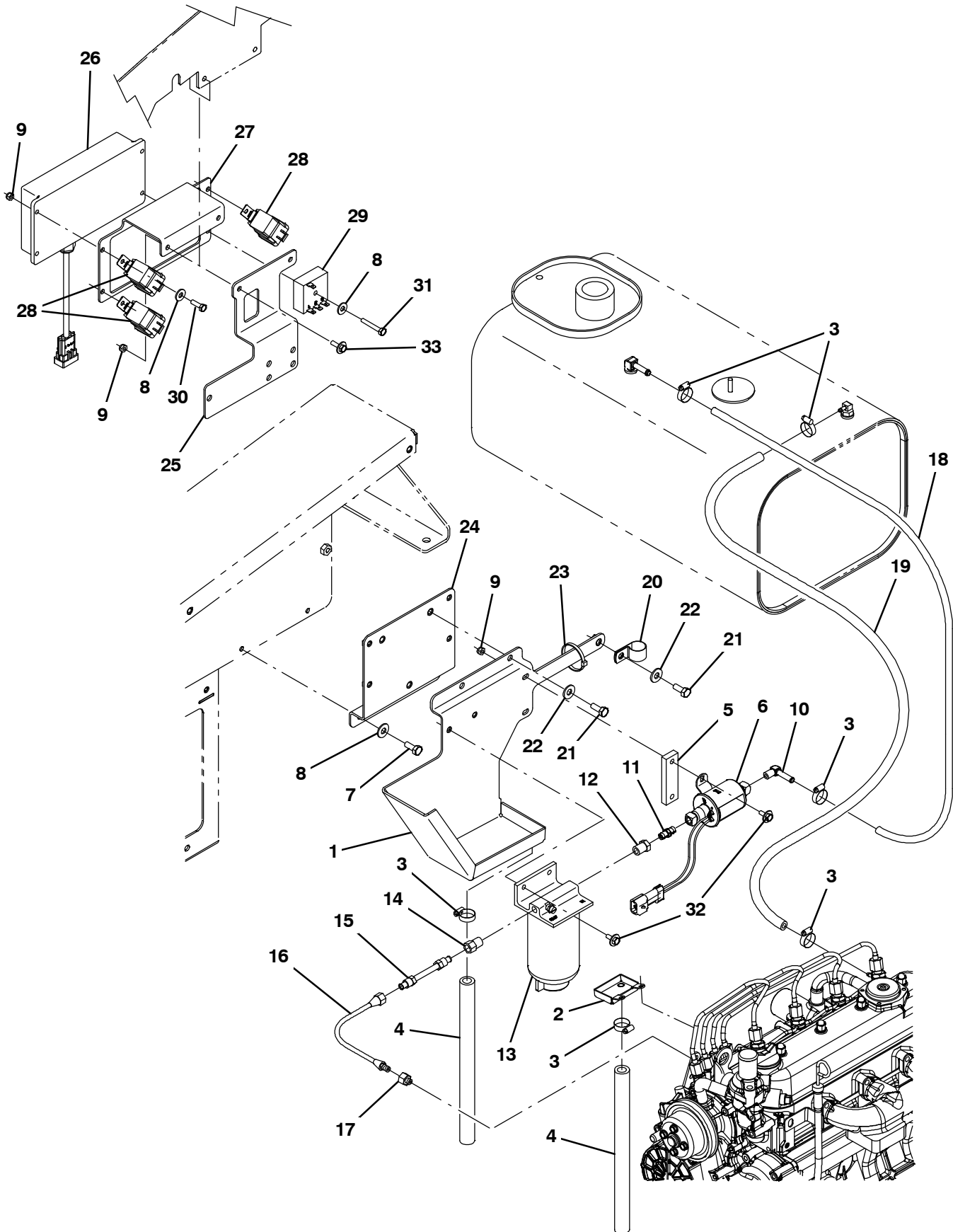


Fig. 13 – Engine Fuel Line Group, Diesel

Ref.	Part No.	Serial Number	Description	Qty.
1	1032512	(000000–) Tray Wldt, Drip, Dsl	1
2	1032424	(000000–) Tray Wldt, Drip, Fuel	1
3	54333	(000000–) Clamp, Hose, Wormdrive, 0.31–0.88d, .31w	6
4	1006416	(000000–) Hose, Afmkt, Pvc, Clr 0.38id 03ft	1
5	364779	(000000–) Bar, Flat, Stl 0.38, 01.00 X 03.3l	1
6	59015	(000000–) Pump, Fuel	1
7	06942	(000000–) Screw, Hex, M6 X 1.0 X 16, 8.8	2
8	32490	(000000–) Washer, Flat, 0.25, Std	6
9	08708	(000000–) Nut, Hex, Lock, M6 X 1.00, NI	10
10	53029	(000000–) Fitting, Brs, E90, Em05/Pm02	1
11	47566	(000000–) Fitting, Hyd, Str, Pm02/Pm02	1
12	17414	(000000–) Fitting, Hyd, Str, Pf02/Pm04	1
▽	13	1016827	(000000–) Filter Assy, Fuel, Dsl	1
▲		1017126	(000000–) Element, Fltr, Fuel [Dn]	1
14	78043	(000000–) Fitting, Brs, Str, lf05/Pm04	1
15	1024380	(000000–) Fuelline, .31d 04.0l 05if/05if, Stl	1
16	70173	(000000–) Hose, 0050, 04, lf05str / lm05str, 10.0	1
17	365066	(000000–) Fitting, Hyd, Str, Metric, Om10/lf05	1
18	87738	(000000–) Hose, Fuel, 0.18id 29.0l	1
19	365190	(000000–) Hose, Fuel, 0.31id 22.0l	1
20	69234	(000000–) Clamp, Cable, Stl, 1.00d X 0.75w, 1h	1
21	16931	(000000–) Screw, Hex, M8 X 1.25 X 20, 8.8	2
22	32491	(000000–) Washer, Flat, 0.31, Std	3
23	49266	(000000–) Tie, Cable, Nyl, 07.3l .19w 1.8 Max D	2
24	1029082	(000000–) Bracket, Mtg, Ecu [M20/T20 2007]	1
25	1059488	(000000–) Bracket, Mtg, Coolant, Tank, Dsl [2010]	1
26	1040835	(000000–) Control, Govnr [All Purpose]	1
27	1027922	(000000–) Bracket, Mtg, Govnr Control, Dsl	1
28	56186	(000000–) Relay, 12vdc, 40a, Spdt N/O	3
29	379656	(000000–) Timer, 12vdc, 10 Sec	1
30	06943	(000000–) Screw, Hex, M6 X 1.0 X 20, 8.8	3
31	06947	(000000–) Screw, Hex, M6 X 1.0 X 40, 8.8	1
32	1040467	(000000–) Screw, Hex, M6 X 1.00 X 20, 9.8, Sems	4
33	1036892	(000000–) Screw, Hex, M6 X 1.00 X 25, 9.8, Sems	2

Fig. 14 - Engine Air Cleaner Group, Diesel

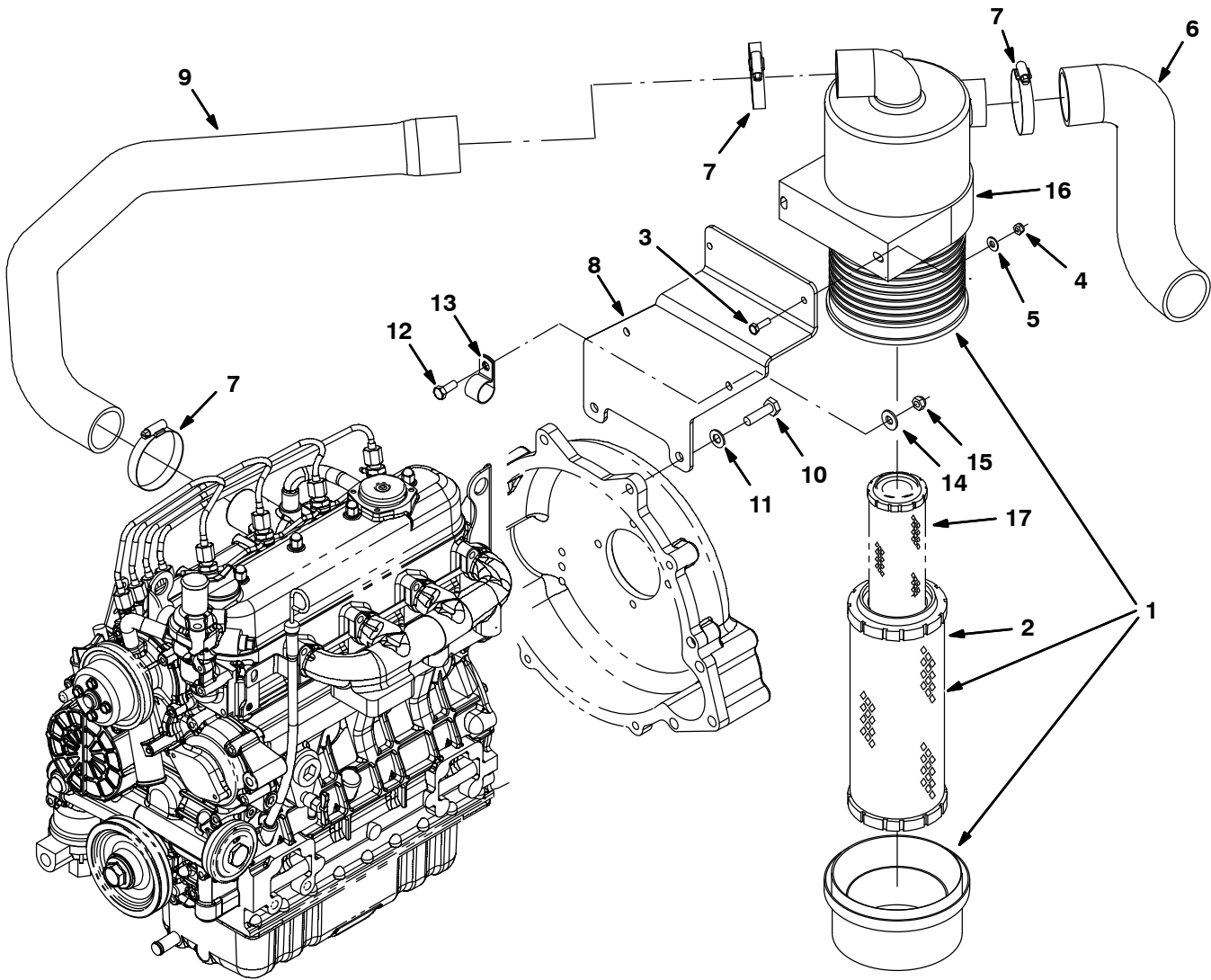


Fig. 14 – Engine Air Cleaner Group, Diesel

	Ref.	Part No.	Serial Number	Description	Qty.
▽	1	369745	(000000–) Filter Assy, Air	1
▲	2	369746	(000000–) Element, Fltr, Air [Dn]	1
	3	06943	(000000–) Screw, Hex, M6 X 1.0 X 20, 8.8	2
	4	08708	(000000–) Nut, Hex, Lock, M6 X 1.00, NI	2
	5	32483	(000000–) Washer, Flat, 0.25, Sae	2
	6	1020949	(000000–) Hose, Intake, Mold, 2.00id [Epdm]	1
	7	14432	(000000–) Clamp, Hose, Wormdrive, 1.81–2.75d, .50w	3
	8	1024772	(000000–) Bracket, Mtg, Air Fltr, Dsl	1
	9	1023892	(000000–) Hose, Intake, Mold, 1.75id 1.75id Dsl	1
	10	39284	(000000–) Screw, Hex, M10 X 1.5 X 35, 8.8	2
	11	32485	(000000–) Washer, Flat, 0.38, Sae	2
	12	09740	(000000–) Screw, Hex, M8 X 1.25 X 20, Ss	1
	13	69234	(000000–) Clamp, Cable, Stl, 1.00d X 0.75w, 1h	1
	14	01685	(000000–) Washer, Flat, 0.31, Ss	1
	15	08713	(000000–) Nut, Hex, Lock, M8 X 1.25, NI, Ss	1
	16	369747	(000000–) Clamp, Mtg, Fltr, Air	1
	17	398279	(000000–) Element, Fltr, Air, Safety (Option)	1

STANDARD PARTS

Fig. 15 – Engine Alternator Group, Diesel (000000-001759)

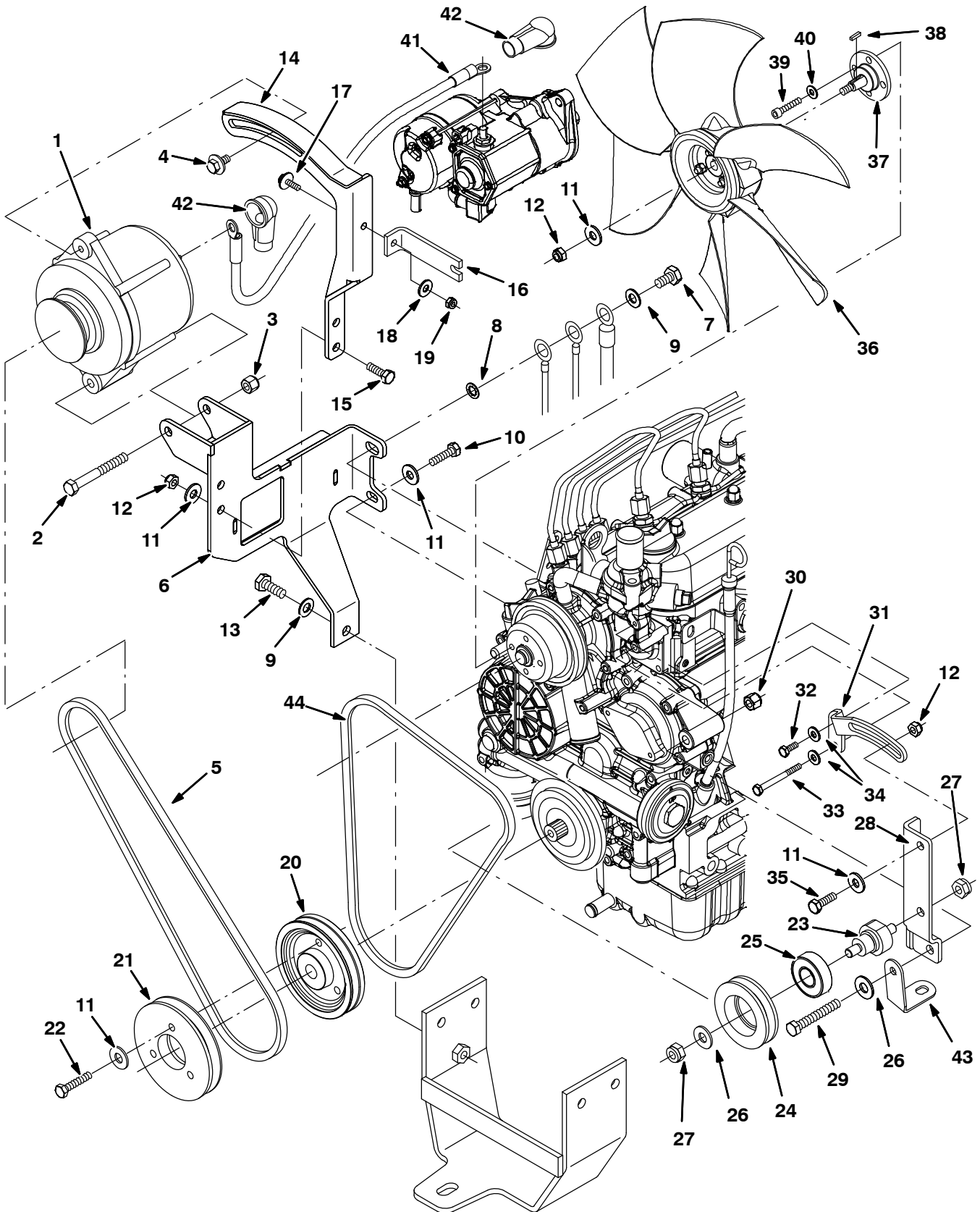


Fig. 15 – Engine Alternator Group, Diesel (000000–001759)

Ref.	Part No.	Serial Number	Description	Qty.
1	392611	(000000–001759)	Alternator, 12vdc, 075a [Valeo]	1
2	35707	(000000–001759)	Screw, Hex, .38–16 X 3.00, G5	1
3	59156	(000000–001759)	Nut, Hex, Lock, .38–16, NI, Ss	1
4	16953	(000000–001759)	Screw, Hex, .31–18 X 0.75, Sems	1
5	1023911	(000000–001759)	Belt, V, 37.5l [3v]	1
6	1023943	(000000–001759)	Bracket Wldt, Mtg, Alternator, Dsl	1
7	33612	(000000–001759)	Screw, Hex, M10 X 1.25 X 35, 8.8	1
8	32988	(000000–001759)	Washer, Lock, Int, 0.38	1
9	32485	(000000–001759)	Washer, Flat, 0.38, Sae	2
10	76570	(000000–001759)	Screw, Hex, M8 X 1.25 X 30, 8.8	1
11	32491	(000000–001759)	Washer, Flat, 0.31, Std	7
12	08709	(000000–001759)	Nut, Hex, Lock, M8 X 1.25, NI	3
13	39283	(000000–001759)	Screw, Hex, M10 X 1.5 X 25, 8.8	1
14	1028667	(000000–001759)	Arm Wldt, Alternator, Dsl	1
15	39277	(000000–001759)	Screw, Hex, M8 X 1.25 X 25, 8.8	2
16	1028420	(000000–001759)	Bracket, Sppt, Alternator, Dsl	1
17	06943	(000000–001759)	Screw, Hex, M6 X 1.0 X 20, 8.8	1
18	32490	(000000–001759)	Washer, Flat, 0.25, Std	1
19	08708	(000000–001759)	Nut, Hex, Lock, M6 X 1.00, NI	1
20	393371	(000000–001759)	Sheave, 01grv, Rwk 393400 [3v]	1
21	393370	(000000–001759)	Sheave, 01grv, 04.1pd 1.6b [XI]	1
22	76957	(000000–001759)	Screw, Hex, .31–18 X 1.50, G5	3
23	1024213	(000000–001759)	Shaft, Mtg, Sheave, Dsl	1
24	1024211	(000000–001759)	Sheave, 01grv, 02.6pd 0.63b [Hc41]	1
25	46390	(000000–001759)	Bearing, Ball, 0.79b 1.85d 0.55w	1
26	32492	(000000–001759)	Washer, Flat, 0.38, Std	2
27	41430	(000000–001759)	Nut, Hex, Lock, M10 X 1.5, NI	2
28	1024206	(000000–001759)	Bracket, Mtg, Sheave, Dsl	1
29	35707	(000000–001759)	Screw, Hex, .38–16 X 3.00, G5	1
30	50902	(000000–001759)	Nut, Hex, Lock, .38–16, NI	1
31	1024264	(000000–001759)	Arm, Alternator, Dsl	1
32	06942	(000000–001759)	Screw, Hex, M6 X 1.0 X 16, 8.8	1
33	06548	(000000–001759)	Screw, Hex, M6 X 1.0 X 60, 8.8	1
34	32483	(000000–001759)	Washer, Flat, 0.25, Sae	4
35	39277	(000000–001759)	Screw, Hex, M8 X 1.25 X 25, 8.8	1
36	1031566	(000000–001759)	Fan, Cooling, 14.1d, 6 Blade, 0.5b Taper	1
37	1035341	(000000–001759)	Spacer, Fan, Dsl [M20/T20]	1
38	00960	(000000–001759)	Key, Sq, 0.12 X 0.12, 0.50l	1
39	71388	(000000–001759)	Screw, Soc, M6 X 1.00 X 16, 12.9	4
40	19066	(000000–001759)	Washer, Flat, #10	4
41	1029689	(000000–001759)	Cable, 06ga 16.0l Red .38ring /.38ring	1
42	1016314	(000000–001759)	Boot, 90deg .50id 1.00id 2.50l, Red	2
43	1033697	(000000–001759)	Bracket, Clamp, Hose	1
44	1038035	(000000–001759)	Belt, v, 37.0L [3V]	1

Fig. 16 – Engine Alternator Group, Diesel (001760–)

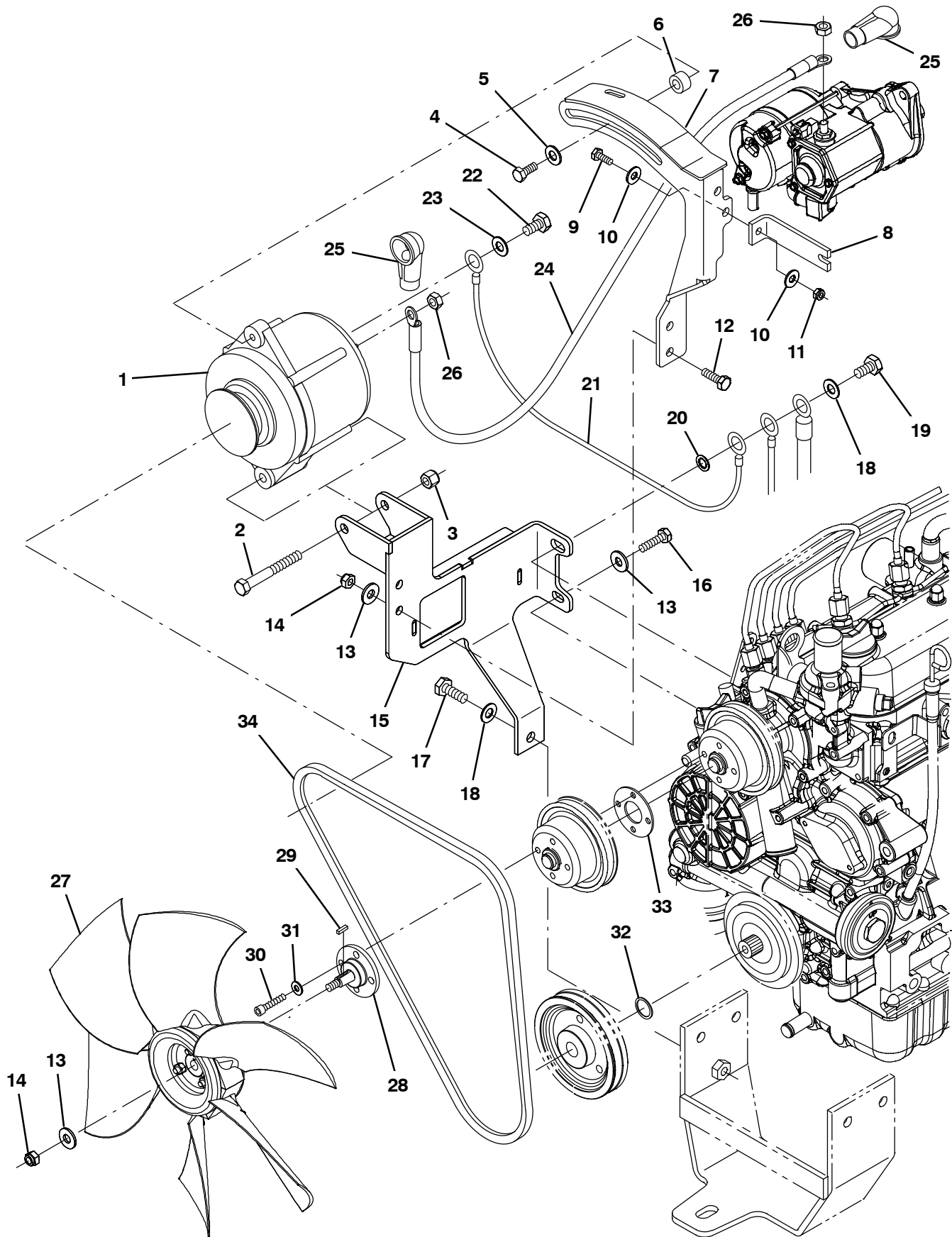


Fig. 16 – Engine Alternator Group, Diesel (001760–)

Ref.	Part No.	Serial Number	Description	Qty.
1	392611	(001760–)	Alternator, 12vdc, 075a [Valeo]	1
2	35707	(001760–)	Screw, Hex, .38–16 X 3.00, G5	1
3	59156	(001760–)	Nut, Hex, Lock, .38–16, NI, Ss	1
4	76955	(001760–)	Screw, Hex, .31–18 X 1.00, G5	1
5	41186	(001760–)	Washer, Flat, Belleville, .31	1
6	73737	(001760–)	Tube, 0.38id 0.75od 00.3l, Ss	1
7	1036847	(001760–)	Arm Wldt, Alternator, Dsl	1
8	1036859	(001760–)	Bracket, Sppt, Alternator, Dsl	1
9	06943	(001760–)	Screw, Hex, M6 X 1.00 X 20, 8.8	1
10	32483	(001760–)	Washer, Flat, 0.25, Sae	2
11	08708	(001760–)	Nut, Hex, Lock, M6 X 1.00, NI	1
12	39277	(001760–)	Screw, Hex, M8 X 1.25 X 25, 8.8	2
13	32491	(001760–)	Washer, Flat, 0.31, Std	4
14	08709	(001760–)	Nut, Hex, Lock, M8 X 1.25, NI	3
15	1036844	(001760–)	Bracket Wldt, Mtg, Alternator, Dsl	1
16	76570	(001760–)	Screw, Hex, M8 X 1.25 X 30, 8.8	1
17	39283	(001760–)	Screw, Hex, M10 X 1.50 X 25, 8.8	1
18	32492	(001760–)	Washer, Flat, 0.38, Std	2
19	33612	(001760–)	Screw, Hex, M10 X 1.25 X 35, 8.8	1
20	32988	(001760–)	Washer, Lock, Int, 0.38	1
21	31525	(001760–)	Wire, 10ga 16.0l Blk .25ring /.38ring	1
22	42011	(001760–)	Screw, Hex, 10–24 X 0.50, Ss	1
23	01683	(001760–)	Washer, Flat, 10, Ss	1
24	1029689	(001760–)	Cable, 06ga 16.0l Red .38ring /.38ring	1
25	1016314	(001760–)	Boot, 90deg .50id 1.00id 2.50l, Red	2
26	41361	(001760–)	Nut, Hex, Std, M8 X 1.25, Brs	2
27	1031566	(001760–)	Fan, Cooling, 14.1d, 6 Blade, 0.5b Taper	1
28	1035341	(001760–)	Spacer, Fan, Dsl [M20/T20]	1
29	00960	(001760–)	Key, Sq, 0.12 X 0.12, 0.50l	1
30	71388	(001760–)	Screw, Soc, M6 X 1.00 X 16, 12.9	4
31	19066	(001760–)	Washer, Flat, 10	4
32	1039208	(001760–)	Washer, Flat, 1.10b 1.50d .12, Stl, PI	1
33	1039212	(001760–)	Spacer, Fan	1
34	393244	(001760–)	Belt, V, 42.0l [Hc41]	1

Fig. 17 - Engine Muffler Group, Diesel

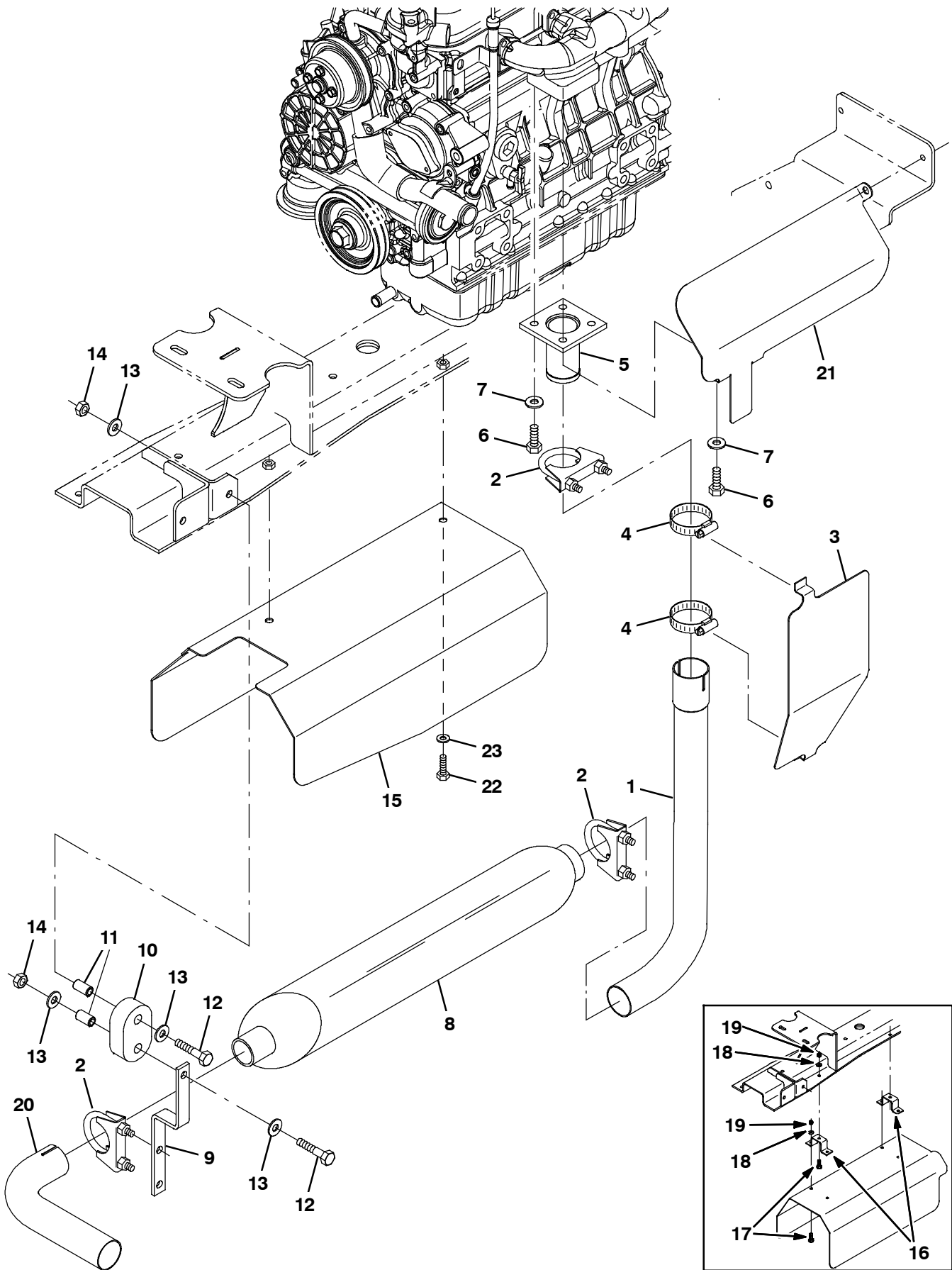


Fig. 17 – Engine Muffler Group, Diesel

Ref.	Part No.	Serial Number	Description	Qty.
1	1024357	(000000–) Tube, Exhaust, Dsl	1
2	24012	(000000–) Clamp, Muffler, 1.62d	3
3	9002411	(000000–) Plate, Shield, Heat, Dsl, Replmt	1
4	79381	(000000–) Clamp, Hose, Wormdrive, 1.25–2.00D, .50W	2
5	74452	(000000–) Tube Wldt, Exhaust, 1.5d, 4 Hole Flng	1
6	16931	(000000–) Screw, Hex, M8 X 1.25 X 20, 8.8	4
7	32491	(000000–) Washer, Flat, 0.31, Std	4
8	33333	(000000–) Muffler, Exhaust	1
9	1017969	(000000–) Bracket, Muffler, Hanger, Front	1
10	1013031	(000000–) Isolator, Rbr	1
11	222496	(000000–) Sleeve, P/M, 0.31b 0.50d 0.9l [430ss]	2
12	222505	(000000–) Screw, Hex, M8 X 1.25 X 45, Ss	2
13	01685	(000000–) Washer, Flat, 0.31, Ss	4
14	08713	(000000–) Nut, Hex, Lock, M8 X 1.25, NI, Ss	2
15	1028994	(000000–) Channel, Shield, Muffler [M20/T20 2007]	1
16	1022113	(000000–001047) Bracket, Retainer, Shield, Heat	2
17	08716	(000000–001047) Screw, Hex, M6 X 1.0 X 20, Ss	6
18	32483	(000000–001047) Washer, Flat, 0.25, Sae	6
19	08712	(000000–001047) Nut, Hex, Lock, M6 X 1.00, Ss, NI	6
20	1021789	(000000–) Tube, Exhaust, 1.5d	1
21	1032010	(000000–) Shield, Heat, Dsl	1
22	08716	(001048–) Screw, Hex, M6 X 1.0 X 20, Ss	2
23	32483	(001048–) Washer, Flat, 0.25, Sae	2

Fig. 18 - Engine Radiator Group, Diesel (000000-002092)

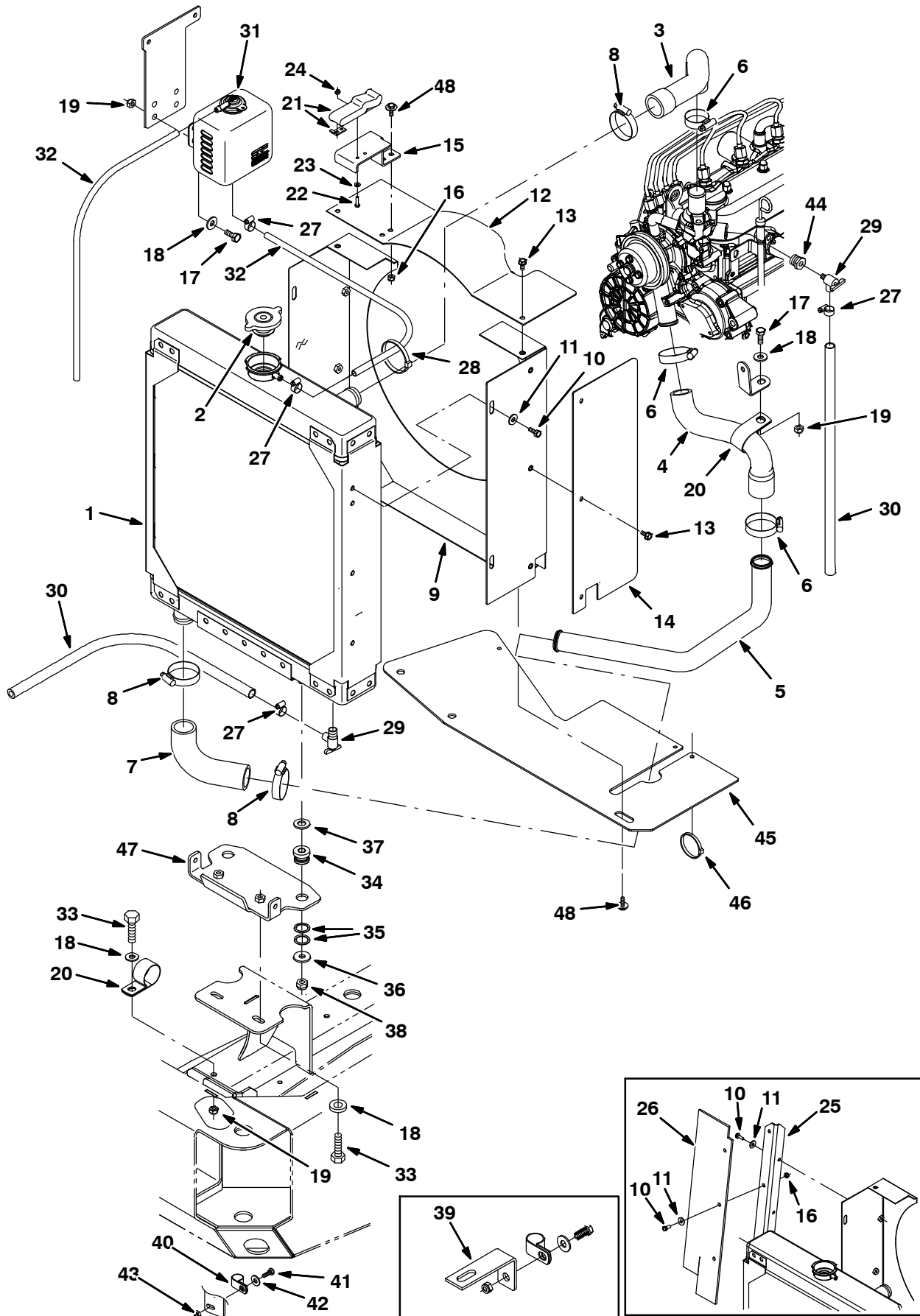


Fig. 18 – Engine Radiator Group, Diesel (000000–002092)

Ref.	Part No.	Serial Number	Description	Qty.
1	1045316	(000000–002092)	Radiator Kit, Replmt, Ci	1
2	368132	(000000–002092)	Cap, Radiator, 15psi	1
3	1023154	(000000–002092)	Hose, Radiator, Upper, Dsl	1
4	1033688	(000000–002092)	Hose, Radiator, Lower, Dsl	1
5	1023180	(000000–002092)	Tube, Radiator, Lower, Dsl	1
6	11399	(000000–002092)	Clamp, Hose, Wormdrive, 0.81–1.50d, .50w	3
7	1007482	(000000–002092)	Hose, Rbr, E90 1.25id 1.25id 04.2 03.1	1
8	79381	(000000–002092)	Clamp, Hose, Wormdrive, 1.25–2.00D, .50W	3
9	1023810	(000000–002092)	Panel, Shrd, Fan, Dsl	1
10	06942	(000000–002092)	Screw, Hex, M6 X 1.0 X 16, 8.8	9
11	32490	(000000–002092)	Washer, Flat, 0.25, Std	9
12	1024028	(000000–002092)	Plate, Guard, Fan Shrd, Dsl	1
13	74455	(000000–002092)	Screw, Hex, M6 X 1.0 X 12, Fmg	5
14	9002412	(000000–002092)	Plate, Guard, Fan, Shrd, Dsl, Replmt	1
15	1027112	(000000–002092)	Bracket, Mtg, Latch, Dsl	1
16	08708	(000000–002092)	Nut, Hex, Lock, M6 X 1.00, NI	5
17	16931	(000000–002092)	Screw, Hex, M8 X 1.25 X 20, 8.8	5
18	32491	(000000–002092)	Washer, Flat, 0.31, Std	8
19	08709	(000000–002092)	Nut, Hex, Lock, M8 X 1.25, NI	6
20	53466	(000000–002092)	Clamp, Cable, Stl, 1.50d X 1.00w, 1h	2
21	49800	(000000–002092)	Latch	1
22	06927	(000000–002092)	Screw, Pan, M4 X 0.70 X 16, 4.8	2
23	19064	(000000–002092)	Washer, Flat, #06	2
24	02850	(000000–002092)	Nut, Hex, Lock, M4 X 0.70, NI	2
25	1027099	(000000–001013)	Plate, Mtg, Seal	1
26	1027103	(000000–001013)	Seal, Radiator	1
27	43844	(000000–002092)	Clamp, Hose, Wormdrive, 0.25–0.62d, .31w	4
28	49266	(000000–002092)	Tie, Cable, Nyl, 07.3l .19w 1.8 Max D	2
29	51305	(000000–002092)	Fitting, Draincock, E90, .25npt	2
30	73471	(000000–002092)	Hose, Pvc, Clr, 0.38id 0.56od 22.00l	2
31	1023853	(000000–002092)	Tank, Coolant, 04.7 03.3 4.7deep, 1liter	1
32	1015041	(000000–002092)	Hose, Afmkt, Coolant Recvy, 05ft	1
33	39277	(000000–002092)	Screw, Hex, M8 X 1.25 X 25, 8.8	3
34	54274	(000000–002092)	Isolator, Vib, Bshg, 1.1d 0.6l .4b 0.78h	2
35	09832	(000000–002092)	Washer, Flat, 0.81b 1.06d .06, Stl	4
36	1014563	(000000–002092)	Washer, Flat, 0.40b 1.12d .12, Ss	2
37	32486	(000000–002092)	Washer, Flat, 0.50, Sae	2
38	41430	(000000–002092)	Nut, Hex, Lock, M10 X 1.5, NI	2
39	1026003	(000000–001602)	Bracket, Ftg, Bh	1
40	67767	(000000–002092)	Clamp, Cable, Stl, 0.69d X 0.62w, 1h	1
41	09740	(000000–002092)	Screw, Hex, M8 X 1.25 X 20, Ss	1
42	01685	(000000–002092)	Washer, Flat, 0.31, Ss	1
43	08713	(000000–002092)	Nut, Hex, Lock, M8 X 1.25, NI, Ss	1
44	150006	(000000–002092)	Fitting, Brs, Str, Pf04/Pm06, Bshg	1
45	1035878	(000000–002092)	Skirt, Debris, Eng Radiator	1
46	763116	(000000–002092)	Tie, Cable, Nyl, 15.3l . W 4.5 Max D	1
47	1035976	(001036–002092)	Bracket, Sppt, Radiator, Upper	1
48	1040467	(000000–002092)	Screw, Hex, M6 X 1.00 X 20, 9.8, Sems	4

Fig. 19 – Engine Radiator Group, Diesel (002093–005109)

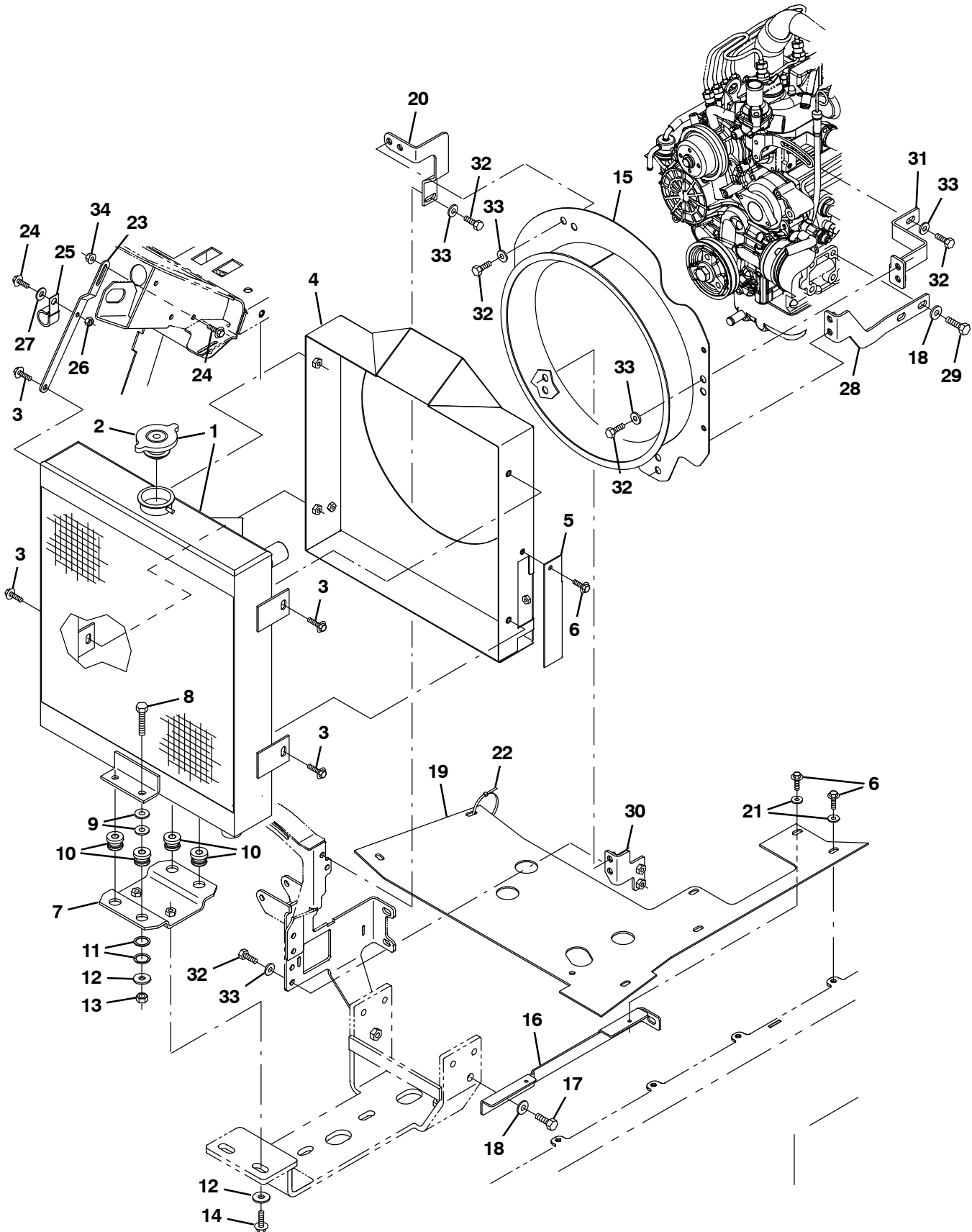


Fig. 19 – Engine Radiator Group, Diesel (002093–005109)

Ref.	Part No.	Serial Number	Description	Qty.
▽	1	1045940	(002093–005109) Radiator, W/ Hyd Cooler [Side X Side]	1
▲	2	1045764	(002093–005109) Cap, Radiator, 14 Psi [Stant]	1
	3	1037346	(002093–005109) Screw, Hex, M8 X 1.25 X 25, 9.8, Sems	4
	4	9006814	(002093–005109) Shrd Wldt,Fan,Dsl, Replmt [M20/M30/T20]	1
	4	9006816	(002093–005109) Shrd Wldt,Fan,Dsl, Replmt [Tj]	1
	5	1045433	(002093–005109) Bracket, Cover	1
	6	1036892	(002093–005109) Screw, Hex, M6 X 1.00 X 25, 9.8 Sems	6
	7	1046962	(002093–005109) Bracket, Mtg, Radiator	1
	8	39285	(002093–005109) Screw, Hex, M10 X 1.50 X 40, 8.8	4
	9	32492	(002093–005109) Washer, Flat, 0.38, Std	8
	10	54274	(002093–005109) Isolator, Vib, Bshg, 1.1d 0.6l .4b 0.78h	4
	11	09832	(002093–005109) Washer, Flat, 0.81b 1.06d .06, Stl	8
	12	1014563	(002093–005109) Washer, Flat, 0.40b 1.12d .12, Ss	6
	13	41430	(002093–005109) Nut, Hex, Lock, M10 X 1.5, NI	4
	14	1037355	(002093–005109) Screw, Hex, M8 X 1.25 X 35, 9.8, Sems	2
	15	1046801	(002093–005109) Shroud Wldt, Fan, Dsl	1
	16	1052164	(002093–005109) Bracket, Sppt	1
	17	39283	(002093–005109) Screw, Hex, M10 X 1.50 X 25, 8.8	1
	18	32485	(002093–005109) Washer, Flat, 0.38, Sae	3
	19	1052175	(002093–005109) Skirt, Fan, Eng, Dsl	1
	20	1053143	(002093–005109) Bracket, Shrd, Fan, Upper, Dsl	1
	21	41178	(002093–005109) Washer, Flat, 0.25, Fendr	3
	22	49266	(002093–005109) Tie, Cable, Nyl, 07.3l .19w 1.8 Max D	2
	23	1019968	(002093–005109) Bracket, Mtg, Radiator	1
	24	1040467	(002093–005109) Screw, Hex, M6 X 1.00 X 20, 9.8, Sems	2
	25	30407	(002093–005109) Clip, Keeper, Open	1
	26	08708	(002093–005109) Nut, Hex, Lock, M6 X 1.00, NI	1
	27	32490	(002093–005109) Washer, Flat, 0.25, Std	1
	28	1046247	(002093–005109) Bracket, Shrd, Fan, Lh	1
	29	07299	(002093–005109) Screw, Hex, M10 X 1.25 X 25, 8.8	2
	30	1046261	(002093–005109) Bracket, Shrd, Fan, Rh	1
	31	1046282	(002093–005109) Bracket, Shrd, Fan, Upper, Lh	1
	32	16931	(002093–005109) Screw, Hex, M8 X 1.25 X 20, 8.8	13
	33	32491	(002093–005109) Washer, Flat, 0.31, Std	13
	34	07790	(002093–005109) Nut, Hex, Flng, M6 X 1.00	1

Fig. 20 – Engine Radiator Group, Diesel (005110–)

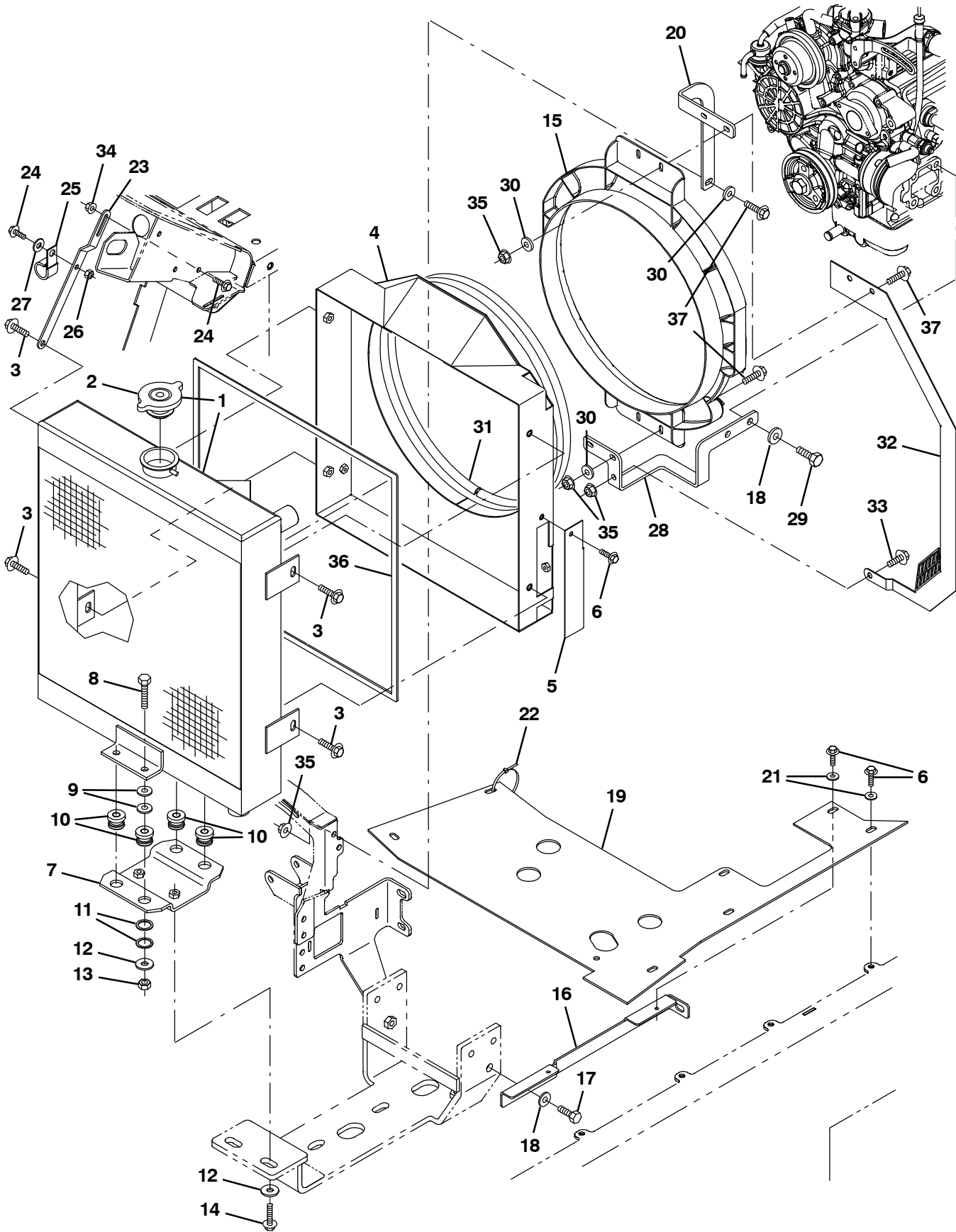


Fig. 20 – Engine Radiator Group, Diesel (005110–)

Ref.	Part No.	Serial Number	Description	Qty.
▽ 1	1045940	(005110–)	Radiator, W/ Hyd Cooler [Side X Side]	1
▲ 2	1045764	(005110–)	Cap, Radiator, 14Psi [Stant]	1
3	1037346	(005110–)	Screw, Hex, M8 X 1.25 X 25, 9.8, Sems	4
4	1058699	(005110–)	Shroud Wldt, Fan, Eng, Dsl	1
5	1045433	(005110–)	Bracket, Cover	1
6	1036892	(005110–)	Screw, Hex, M6 X 1.00 X 25, 9.8 Sems	6
7	1046962	(005110–)	Bracket, Mtg, Radiator	1
8	39285	(005110–)	Screw, Hex, M10 X 1.50 X 40, 8.8	4
9	32492	(005110–)	Washer, Flat, 0.38, Std	8
10	54274	(005110–)	Isolator, Vib, Bshg, 1.1d 0.6l .4b 0.78h	4
11	09832	(005110–)	Washer, Flat, 0.81b 1.06d .06, Stl	8
12	1014563	(005110–)	Washer, Flat, 0.40b 1.12d .12, Ss	6
13	41430	(005110–)	Nut, Hex, Lock, M10 X 1.5, NI	4
14	1037355	(005110–)	Screw, Hex, M8 X 1.25 X 35, 9.8, Sems	2
15	1054428	(005110–)	Shroud, Fan	1
16	1052164	(005110–)	Bracket, Sppt	1
17	39283	(005110–)	Screw, Hex, M10 X 1.50 X 25, 8.8	1
18	32485	(005110–)	Washer, Flat, 0.38, Sae	3
19	1052175	(005110–)	Skirt, Fan, Eng, Dsl	1
20	1058732	(005110–)	Bracket, Mtg, Fan, Shrd, Upper, Dsl	1
21	41178	(005110–)	Washer, Flat, 0.25, Fendr	3
22	49266	(005110–)	Tie, Cable, Nyl, 07.3l .19w 1.8 Max D	2
23	1019968	(005110–)	Bracket, Mtg, Radiator	1
24	1040467	(005110–)	Screw, Hex, M6 X 1.00 X 20, 9.8, Sems	2
25	30407	(005110–)	Clip, Keeper, Open	1
26	08708	(005110–)	Nut, Hex, Lock, M6 X 1.00, NI	1
27	32490	(005110–)	Washer, Flat, 0.25, Std	1
28	1058730	(005110–)	Bracket, Mtg, Fan, Shrd, Lower, Dsl	1
29	07299	(005110–)	Screw, Hex, M10 X 1.25 X 25, 8.8	2
30	32492	(005110–)	Washer, Flat, 0.38, Std	7
31	376735	(005110–)	Seal, Bulb, Str, 0.38h .75w Adh, 52 L	1
32	1064434	(005110–)	Bracket, Shrd, Radiator, Dsl, Ce	1
33	1020341	(005110–)	Screw, Hex, M8 X 1.25 X 20, Ss, Sems	1
34	07790	(005110–)	Nut, Hex, Fing, M6 X 1.00	1
35	07791	(005110–)	Nut, Hex, Fing, M8 X 1.25	6
36	367812	(005110–)	Seal, Rbr, Clsd, .13, .38w 72.0l, Adh	1
37	1037346	(005110–)	Screw, Hex, M8 X 1.25 X 25, 9.8, Sems	5

STANDARD PARTS

Fig. 21 – Engine Radiator Hose Group, Diesel (002093–)

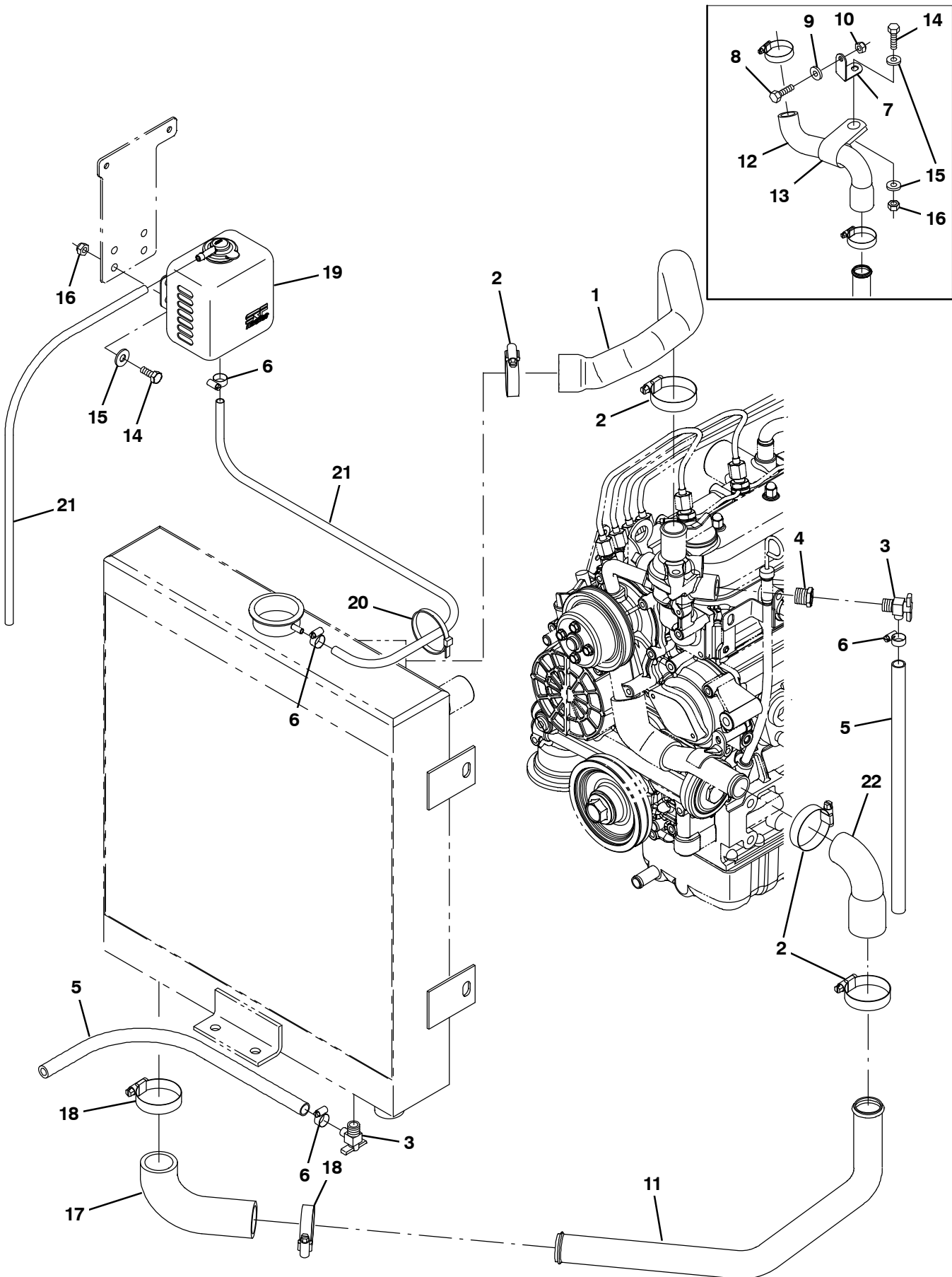


Fig. 21 – Engine Radiator Hose Group, Diesel (002093–)

Ref.	Part No.	Serial Number	Description	Qty.
1	1071195	(002093–)	Hose, Radiator, Upper, Dsl	1
2	11399	(002093–)	Clamp, Hose, Wormdrive, 0.81–1.50d, .50w	4
3	51305	(002093–)	Fitting, Draincock, E90, .25npt	2
4	150006	(002093–)	Fitting, Brs, Str, Pf04/Pm06, Bshg	1
5	73471	(002093–)	Hose, Pvc, Clr, 0.38id 0.56od 022.0l	2
6	43844	(002093–)	Clamp, Hose, Wormdrive, 0.25–0.62d, .31w	4
7	1033697	(002093–xxxxxx)	Bracket, Clamp, Hose	1
8	35707	(002093–xxxxxx)	Screw, Hex, .38–16 X 3.00, G5	1
9	32492	(002093–xxxxxx)	Washer, Flat, 0.38, Std	1
10	50902	(002093–xxxxxx)	Nut, Hex, Lock, .38–16, NI	1
11	1023180	(002093–)	Tube, Radiator, Lower, Dsl	1
12	1033688	(002093–xxxxxx)	Hose, Radiator, Lower, Dsl	1
13	53466	(002093–xxxxxx)	Clamp, Cable, Stl, 1.50d X 1.00w, 1hole	1
14	16931	(002093–xxxxxx)	Screw, Hex, M8 X 1.25 X 20, 8.8	1
15	32491	(002093–xxxxxx)	Washer, Flat, 0.31, Std	2
16	08709	(002093–xxxxxx)	Nut, Hex, Lock, M8 X 1.25, NI	1
17	1007482	(002093–)	Hose, Rbr, E90, 1.25id 1.25id 04.2 03.1	1
18	79381	(002093–)	Clamp, Hose, Wormdrive, 1.25–2.00D, .50W	2
19	1023853	(002093–002140)	Tank, Coolant, 03.30w 4.7hi 04.7l, 1liter	1
19	1054382	(002141–)	Tank, Coolant, 03.6W 04.1HI 05.5L, 1Liter	1
20	49266	(002093–)	Tie, Cable, Nyl, 07.3l .19w 1.8 Max D	2
21	1015041	(002093–)	Hose, Afmkt, Coolant Recvy, 08ft	1
22	1033688	(xxxxxx–002225)	Hose, Radiator, Lower, Dsl (Cut to fit)	1
22	1062103	(002226–)	Hose, Radiator, Lower, Dsl	1

Fig. 22 - Battery and Electrical Group

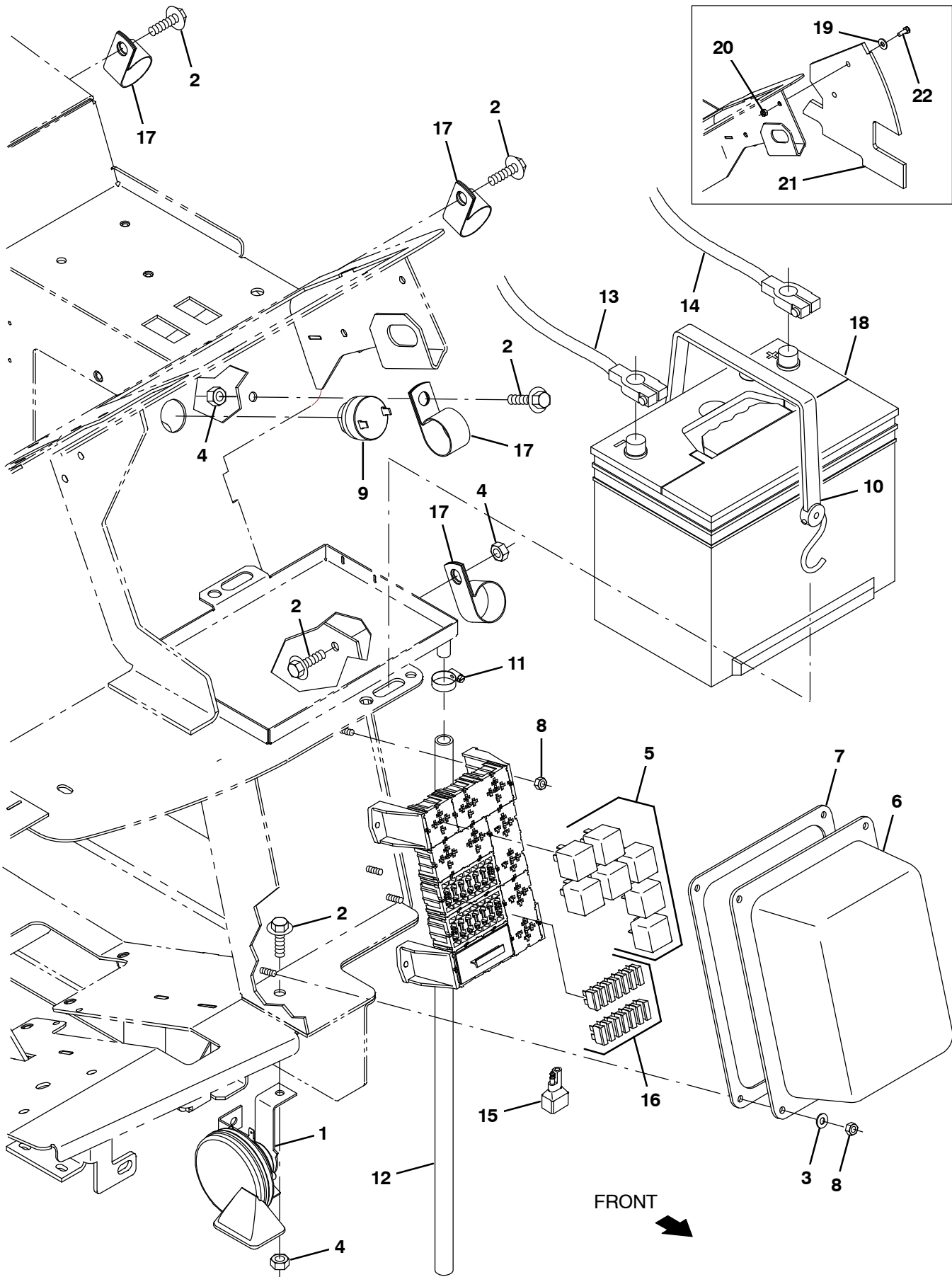


Fig. 22 - Battery and Electrical Group

Ref.	Part No.	Serial Number	Description	Qty.
1	369704	(000000-) Horn, 12vdc, Dba [Wolo]	1
2	1037346	(000000-) Screw, Hex, M8 X 1.25 X 25, 9.8, Sems	5
3	19066	(000000-) Washer, Flat, #10	4
4	08709	(000000-) Nut, Hex, Lock, M8 X 1.25, NI	3
5	57804	(000000-) Relay, 12vdc, 40a, Spdt N/O	7
6	1024274	(000000-) Cover, Fuse, Block	1
7	1026576	(000000-) Gasket, Cover, Fuse Block	1
8	06549	(000000-) Nut, Hex, Lock, M5 X 0.8, NI	8
9	1021290	(000000-) Alarm, Warning [Sonalert, St628]	1
10	33671	(000000-) Strap, Rbr, Tie-Down, 2/Hooks 19.0l	1
11	54333	(000000-) Clamp, Hose, Wormdrive, 0.31-0.88d, .31w	1
12	20778	(000000-) Hose, Pvc, Clr, 0.50id 0.69od 30.00l	1
13	60295	(000000-) Cable, Battery, 02ga 60.0l Blk .41ring	1
14	68869	(000000-) Cable, Battery, 02ga 48.0l Red .41ring	1
15	222290	(000000-) Diode, Ele, Plug	1
16	762514	(000000-) Fuse, 015a	14
17	53466	(000000-) Clamp, Cable, Stl, 1.50d X 1.00w, 1h	4
18	10143	(000000-) Battery, Wet, 12Vdc 0600Cca	1
19	32490	(000000-001013) Washer, Flat, 0.25 Std	2
20	08708	(000000-001013) Nut, Hex, Lock, M6 X 1.0, NI	2
21	1027228	(000000-001013) Seal, Radiator, Upper	1
22	06942	(000000-001013) Screw, Hex, M6 X 1.0 X 16, 8.8	2

Fig. 23 – Wheel Group, Front Drive

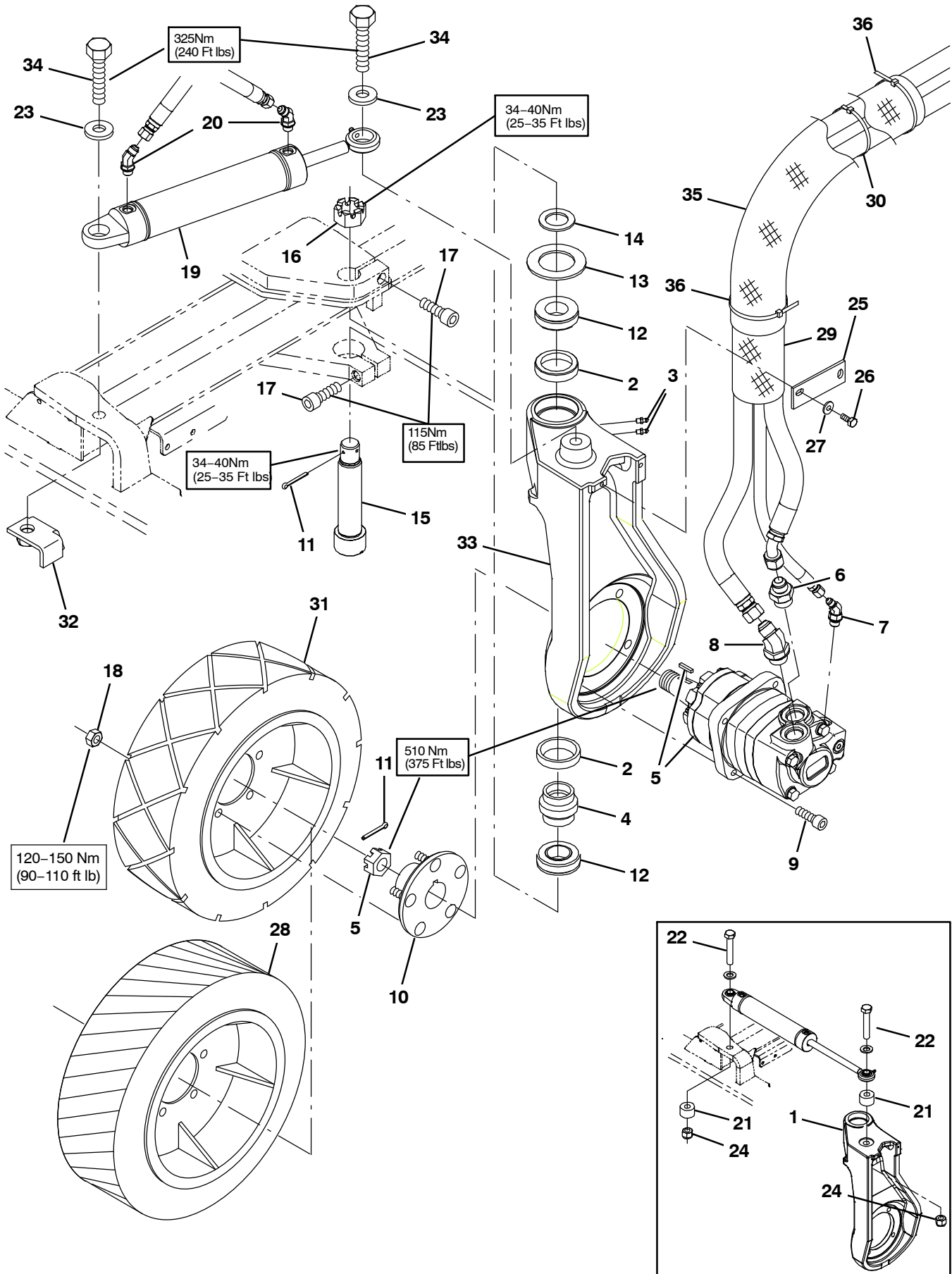


Fig. 23 – Wheel Group, Front Drive

Ref.	Part No.	Serial Number	Description	Qty.	
1	9008248	(000000–002663)	Housing Kit, Drive, Front, Replmt	1	
2	51338	(000000–)	Bearing, Cup, 2.56d 0.55w	2	
3	47801	(000000–)	Fitting, Grease, Str Pm04 .63l	2	
4	374560	(000000–)	Seal, Drive, Rear, Grease Cav	1	
5	379609	(000000–)	Motor, Hyd, Gear, Int 19.0 Bi–Dir 3000 (See Breakdowns)	1	
6	42223	(000000–)	Fitting, Hyd, Str, Jm10/Om12	1	
7	393215	(000000–)	Fitting, Hyd, E45, Jm04/Om06	1	
8	1024249	(000000–)	Fitting, Hyd, E45, Jm10/Om12	1	
9	19583	(000000–)	Screw, Soc, .50–13 X 1.50, Al	4	
▽	10	54087	(000000–)	Hub Assy, Wheel, 5 Bolt 4.50bc Taper B	1
▲		32126	(000000–)	Stud, Wheel, .50–20 X 1.50l, 0.370th	5
	11	08180	(000000–)	Pin, Cotter, .125 X 2.00	2
	12	51339	(000000–)	Bearing, Cone, 1.38b 0.71w	2
	13	374563	(000000–)	Washer, Flat, 2.16b 3.50d .16, Felt	1
	14	54051	(000000–)	Washer, Flat, 1.39b 2.12d .13, Stl	1
	15	73281	(000000–)	Bolt, Shld, 1.37d X 5.13l, 1.1–18 Drilled	1
	16	54052	(000000–)	Nut, Hex, Slted, 1.12–18	1
	17	72926	(000000–)	Screw, Soc, M16 X 2.0 X 50, 12.9	2
	18	24339	(000000–)	Nut, Wheel, .50–20 X 60 Angle	5
	19	1017903	(000000–005896)	Cylinder, Hyd, 2.0b, 15.2l, 09.00strk, 3000	1
	19	1034270	(005897–)	Cylinder, Hyd, 2.0b, 15.2l, 09.00strk, 3000	1
	20	47522	(000000–)	Fitting, Hyd, E45, Jm06/Om06	2
	21	71340	(000000–002663)	Tube, Rnd, 1.75d 0.77b 01.1l, Stl, Pntd	2
	22	71341	(000000–002663)	Screw, Hex, .75–10 X 4.00, 5	2
	23	39350	(000000–005896)	Washer, Flat, 0.75 Sae	2
	23	1073487	(005897–)	Washer, Flat, .781b 1.63od .16, Stl, Blk	2
	24	32987	(000000–002663)	Nut, Hex, Lock, .75–10, NI	2
	25	58842	(000000–)	Bar, Flat, Stl 0.19, 01.50 X 04.1l	1
	26	16931	(000000–)	Screw, Hex, M8 X 1.25 X 20, 8.8	2
	27	32491	(000000–)	Washer, Flat, 0.31, Std	2
	28	1061973	(000000–)	Tire, Drive, Scrbr, Pu, Grey, 18.0X6.0 (Optional Polyurethane)	1
	29	57315	(000000–)	Sleeve, Nyl, #37 05.0l	2
	30	49266	(000000–)	Tie, Cable, Nyl, 07.3l .19w 1.8 Max D	2
	31	1059343	(000000–)	Tire, Drive, Scrbr, Non–Skid, 18.0X6.0	1
	32	1060521	(002664–)	Bracket, Mtg, Sppt	1
	33	1071061	(002664–)	Housing, Sppt, Front Wheel	1
	34	77345	(002664–)	Screw, Hex, .75–10 X 3.25, G5	1
	35	82832	(005000–)	Sleeve, Nyl, 2.38id 25.0l	1
	36	49266	(005000–)	Tie, Cable, Nyl, 07.3l .19w 1.8 Max D	2

Fig. 24 – Wheel Group, Rear

	Ref.	Part No.	Serial Number	Description	Qty.
▽		360023	(000000–) Brake Assy, Drum, Mech, 07.0d 1.2w	2
▲	1	360270	(000000–) Plate, Backing, Brake	1
▲	2	360271	(000000–) Bushing, Sleeve, 0.78b 0.86d 0.93l, Bnz	1
▲	3	360272	(000000–) Cam, Plt, Brake [Nickel]	1
▲	4	360273	(000000–) Washer, Flat, M21.0b X 37d X 3	1
▲	5	360274	(000000–) Retainer, Ring, Brake	1
▲	6	360275	(000000–) Shoe, Brake, 180 X 30mm	2
▲	7	360276	(000000–) Spring, Wir, 0.25d, Return, Brake	1
	8	49145	(000000–) Washer, Flat, 0.76b 1.50d .06, Ss	2
	9	86659	(000000–) Nut, Hex, Sltd, .75–16	2
	10	08171	(000000–) Pin, Cotter, .156 X 2.00	2
	11	54390	(000000–) Cap, Hub, Dust 2.57d 0.77l	2
	12	06969	(000000–) Screw, Hex, M12 X 1.75 X 40, 8.8	8
	13	32486	(000000–) Washer, Flat, 0.50 Sae	8
	14	08711	(000000–) Nut, Hex, Lock, M12 X 1.75,NI	8
	15	360802	(000000–) Arm, Lever, Brake, 4.1 [Knott]	2
▽	16	1059671	(000000–) Tire, Idler, Scrbr, Blk, 16.0X3.5	2
▲	17	360074	(000000–) Bearing, Ball, 1.18b 2.44d 0.63w	2
▽	16	1059347	(000000–) Tire, Idler, Scrbr, Non–Skid, 16.0x3.5 (Optional)	2
▲	17	360074	(000000–) Bearing, Ball, 1.18b 2.44d 0.63w	2
▽	18	1061974	(000000–) Tire, Idler, Scrbr, Pu, Grey, 16.0X3.5 (Optional Polyurethane)	2
▲	19	360074	(000000–) Bearing, Ball, 1.18b 2.44d 0.63w	2

Fig. 25 - Brake Pedal Linkage Group

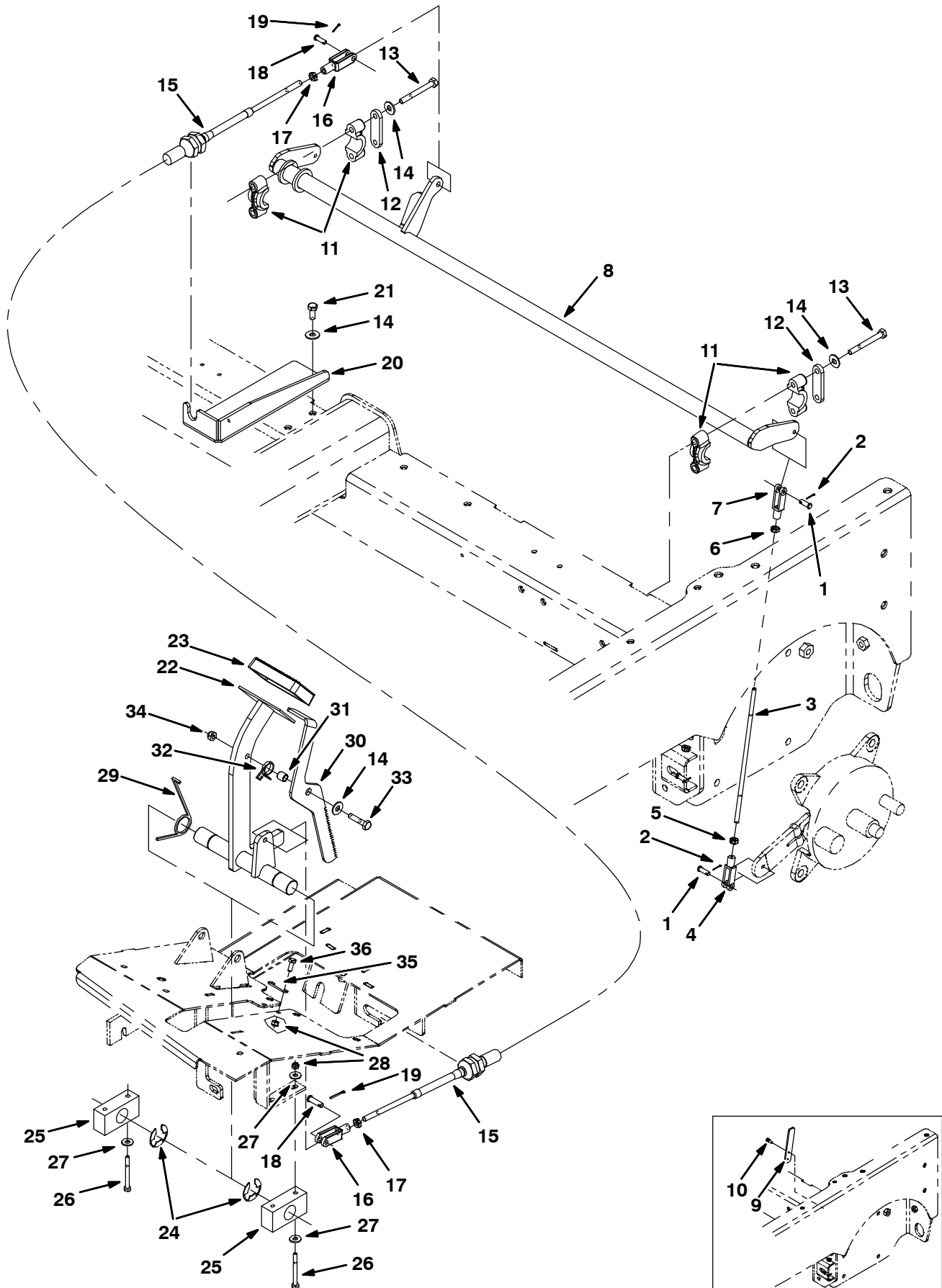
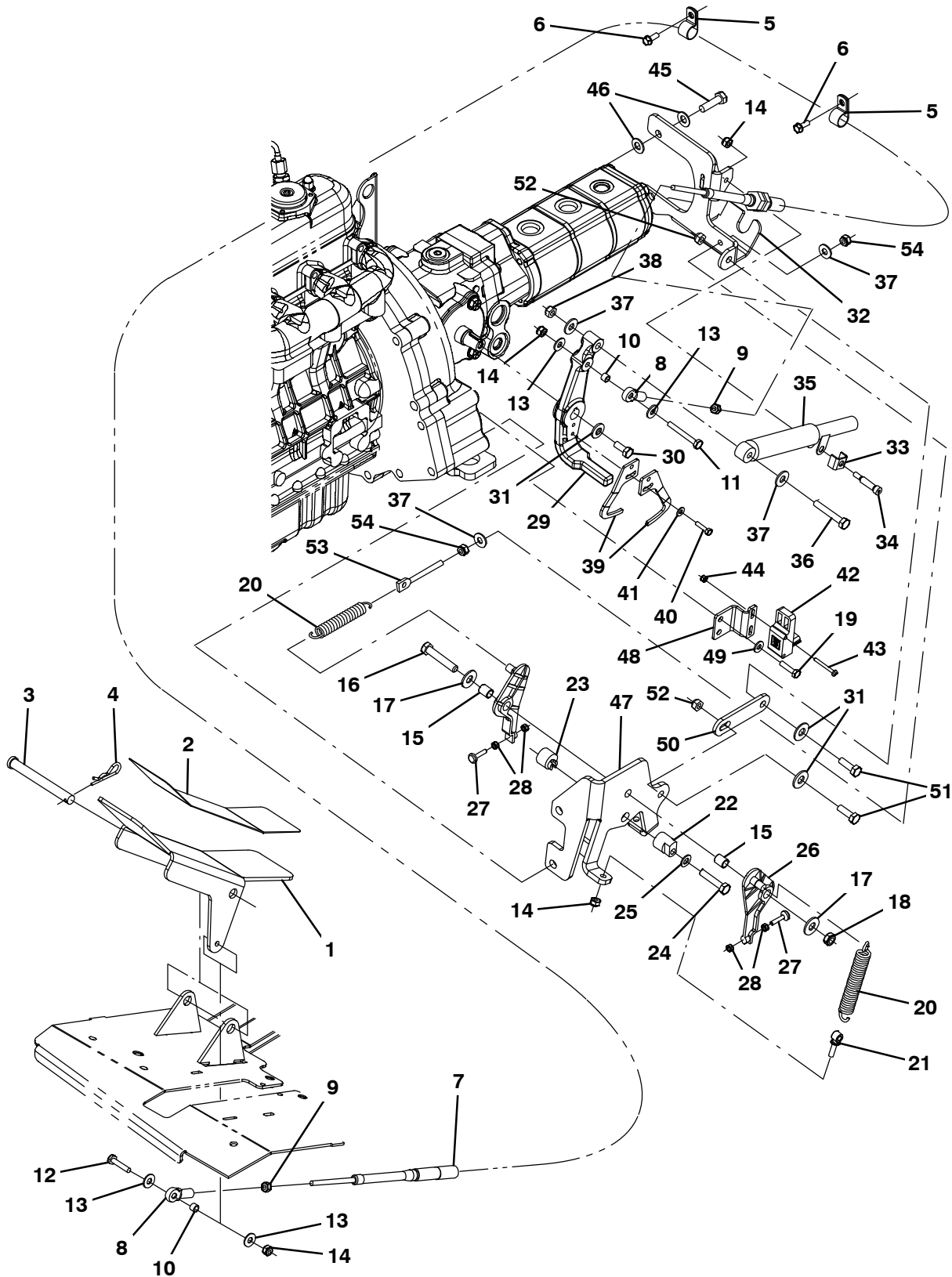


Fig. 25 – Brake Pedal Linkage Group

Ref.	Part No.	Serial Number	Description	Qty.
1	14605	(000000–)	Pin, Clevis, 0.25d X 0.75l	4
2	08170	(000000–)	Pin, Cotter, .062 X 0.50	4
3	364347	(000000–)	Rod	2
4	14595–1	(000000–)	Clevis, Adj, 0.25 Pin, 0.25–28 Rh, Pl	2
5	364948	(000000–)	Nut, Hex, Std, .25–28, Lh	2
6	01714	(000000–)	Nut, Hex, Std, .25–28	2
7	364864	(000000–)	Clevis, Adj, 0.25pin, 0.25–28left Pl	2
8	1022031	(000000–)	Shaft Wldt, Brake	1
9	1026025	(000000–xxxxxx)	Plate, Stop, Brake	2
10	361339	(000000–xxxxxx)	Screw, Hex, M6 X 1.0 X 16, Fmg	4
11	381502	(000000–)	Bearing, Split, 1.00b	4
12	382224	(000000–)	Plate, Sppt	2
13	39279	(000000–)	Screw, Hex, M8 X 1.25 X 70, 8.8	4
14	32491	(000000–)	Washer, Flat, 0.31, Std	7
15	1025495	(000000–)	Cable, Push / Pull, 063.0l 4.0, .31–24	1
16	58311	(000000–)	Clevis, Adj, 0.31pin, 0.31–24	2
17	20170	(000000–)	Nut, Hex, Jam, .31–24	2
18	69582	(000000–)	Pin, Clevis, 0.31d X 1.00l	2
19	08179	(000000–)	Pin, Cotter, .094 X 1.00	2
20	1022736	(000000–)	Bracket, Mtg, Cable	1
21	16931	(000000–)	Screw, Hex, M8 X 1.25 X 20, 8.8	2
22	1022243	(000000–)	Shaft Wldt, Pedal, Brake	1
23	51109	(000000–)	Pad, Pedal, Brake, 3.96l 2.36w 0.75	1
24	23788	(000000–)	Ring, Retaining, Ext, 0.98d, [E–Ring]	2
25	86751	(000000–)	Bearing, Pillowblock, 1.02b [Solid Pye]	2
26	06548	(000000–)	Screw, Hex, M6 X 1.0 X 60, 8.8	4
27	32490	(000000–)	Washer, Flat, 0.25 Std	8
28	08708	(000000–)	Nut, Hex, Lock, M6 X 1.0, NI	6
29	54607	(000000–)	Spring, Tors, 1.13id .12wir 02.3coil Rh	2
30	1025487	(000000–)	Pedal, Brake, Lock	1
31	46563	(000000–)	Bushing, Sleeve, 0.37b 0.50d 0.50l, Oib	1
32	59009	(000000–)	Spring, Tors, 0.75id .06wir 02.8coil	1
33	06955	(000000–)	Screw, Hex, M8 X 1.25 X 35, 8.8	1
34	08709	(000000–)	Nut, Hex, Lock, M8 X 1.25, NI	1
35	71367	(000000–)	Spring, Wir, 0.08d, Brake, Parking	1
36	06942	(000000–)	Screw, Hex, M6 X 1.0 X 16, 8.8	2

Fig. 26 – Directional Pedal and Linkage Group, Diesel



Ref.	Part No.	Serial Number	Description	Qty.
1	1025140	(000000–)	Pedal, Propel	1
2	58819	(000000–)	Tread, Non-Skid, 03.0w 11.6l	1
3	59668	(000000–)	Pin, Clevis, 0.50 D X 4.50l	1

Fig. 26 – Directional Pedal and Linkage Group, Diesel

Ref.	Part No.	Serial Number	Description	Qty.
4	08182	(000000–) Pin, Cotter, .125 X 1.00	1
5	67767	(000000–) Clamp, Cable, Stl, 0.69d X 0.62w, 1h	2
6	361339	(000000–) Screw, Hex, M6 X 1.0 X 16, Fmg	2
7	1022345	(000000–) Cable, Push / Pull, 098.0l .25–28/.25–28	1
8	68866	(000000–) Rod–End, .25–28rh Fem 0.25b [Teflon]	2
9	01714	(000000–) Nut, Hex, Std, .25–28	2
10	65441	(000000–) Tube, 00.38d 00.26b 00.3l Stl Plt	2
11	41399	(000000–) Screw, Hex, .25–20 X 2.25, Ss	1
12	42180	(000000–) Screw, Hex, .25–20 X 1.75, Ss	1
13	32490	(000000–) Washer, Flat, 0.25 Std	5
14	41169	(000000–) Nut, Hex, Lock, .25–20, NI, Ss	4
15	63234	(000000–) Tube, 00.50d 00.38b 00.6l Stl	2
16	42467	(000000–) Screw, Hex, .38–16 X 2.00, Ss	1
17	32492	(000000–) Washer, Flat, 0.38 Std	2
18	36643	(000000–) Nut, Hex, Lock, .38–16, NI, Thin	1
19	21197	(000000–) Screw, Hex, .38–16 X 1.00, 5	2
20	11842	(000000–) Spring, Extn, 0.75od X 0.12wir, 4.3l	2
21	48079	(000000–) Bolt, Eye, .25–20 X 1.40 X .25 Eye	1
22	53947	(000000–) Cam, Centering, Pintle	1
23	54655	(000000–) Cam, Centering, Pintle	1
24	74440	(000000–) Screw, Hex, M8 X 1.25 X 40, Ss, NI	1
25	39349	(000000–) Washer, Flat, 0.31 Sae	1
26	53953	(000000–) Arm, Cntrl, Pintle, Centering	2
27	54205	(000000–) Bumper, Rbr, 0.5d 0.16t M5 X 08	2
28	50335	(000000–) Nut, Hex, Std, M5 X 0.8, 8	4
29	1027233	(000000–) Arm, Pintle	1
30	83879	(000000–) Screw, Hex, .31–24 X 0.75, NI	1
31	41186	(000000–) Washer, Belleville, .31	3
32	1027313	(000000–) Bracket Wldt, Propel, Pintle	1
33	84170	(000000–) Bracket, Retainer, Safety	1
34	16213	(000000–) Bolt, Shld, .31d X 1.00, .25–20	1
35	73411	(000000–) Shock Absorber, 2.3 Strk	1
36	39278	(000000–) Screw, Hex, M8 X 1.25 X 50, 8.8	1
37	32491	(000000–) Washer, Flat, 0.31 Std	2
38	08709	(000000–) Nut, Hex, Lock, M8 X 1.25, NI	1
39	1022787	(000000–) Arm [Positioning]	2
40	09252	(000000–) Screw, Hex, M5 X 0.8 X 20, 8.8	2
41	01683	(000000–) Washer, Flat, #10 Ss	2
42	1022779	(000000–) Sensor, Spd / Dir, 6–30vdc	1
43	09198	(000000–) Screw, Pan, M4 X 0.7 X 35, Ss	2
44	33932	(000000–) Nut, Hex, Lock, M4 X 0.7, NI, Ss	2
45	21198	(000000–) Screw, Hex, .38–16 X 1.25, G5	2
46	32485	(000000–) Washer, Flat, 0.38 Sae	4
47	1027692	(000000–) Bracket, Propel, Dsl	1
48	1027742	(000000–) Bracket, Mtg, Sensor	1
49	32483	(000000–) Washer, Flat, 0.25, Sae	2
50	1032399	(000000–) Strap, Sppt	1
51	09010	(000000–) Screw, Hex, M8 X 1.25 X 25, Ss	2
52	08713	(000000–) Nut, Hex, Lock, M8 X 1.25, NI, Ss	2
53	386088	(000000–) Bolt, Eye, M8X1.25, 2.75L	1
54	07786	(000000–) Nut, Hex, Std, M8 X 1.25, Ss	2

Fig. 27 – Cylindrical Scrub Brush Drive Group, Left Side

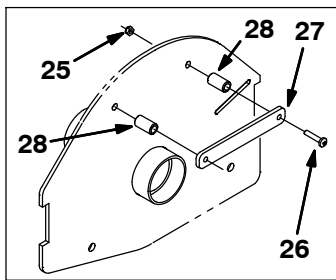
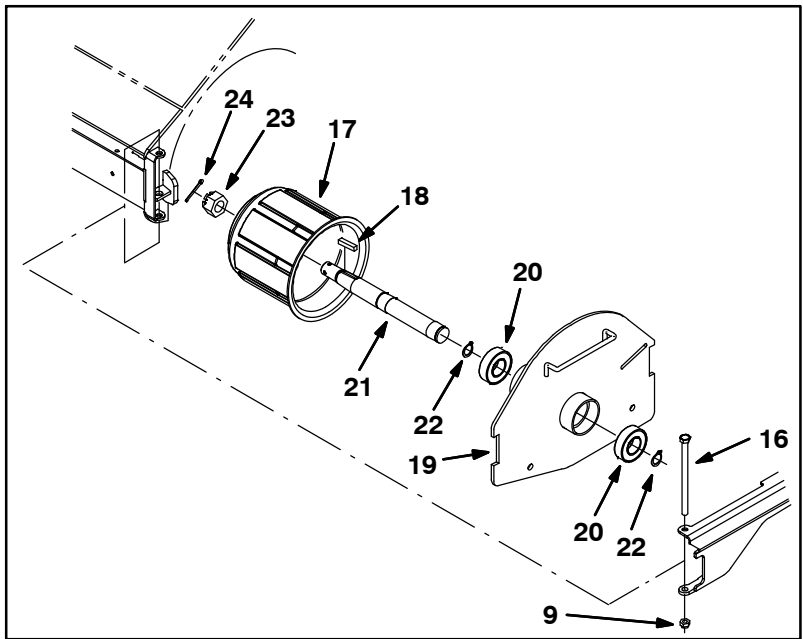
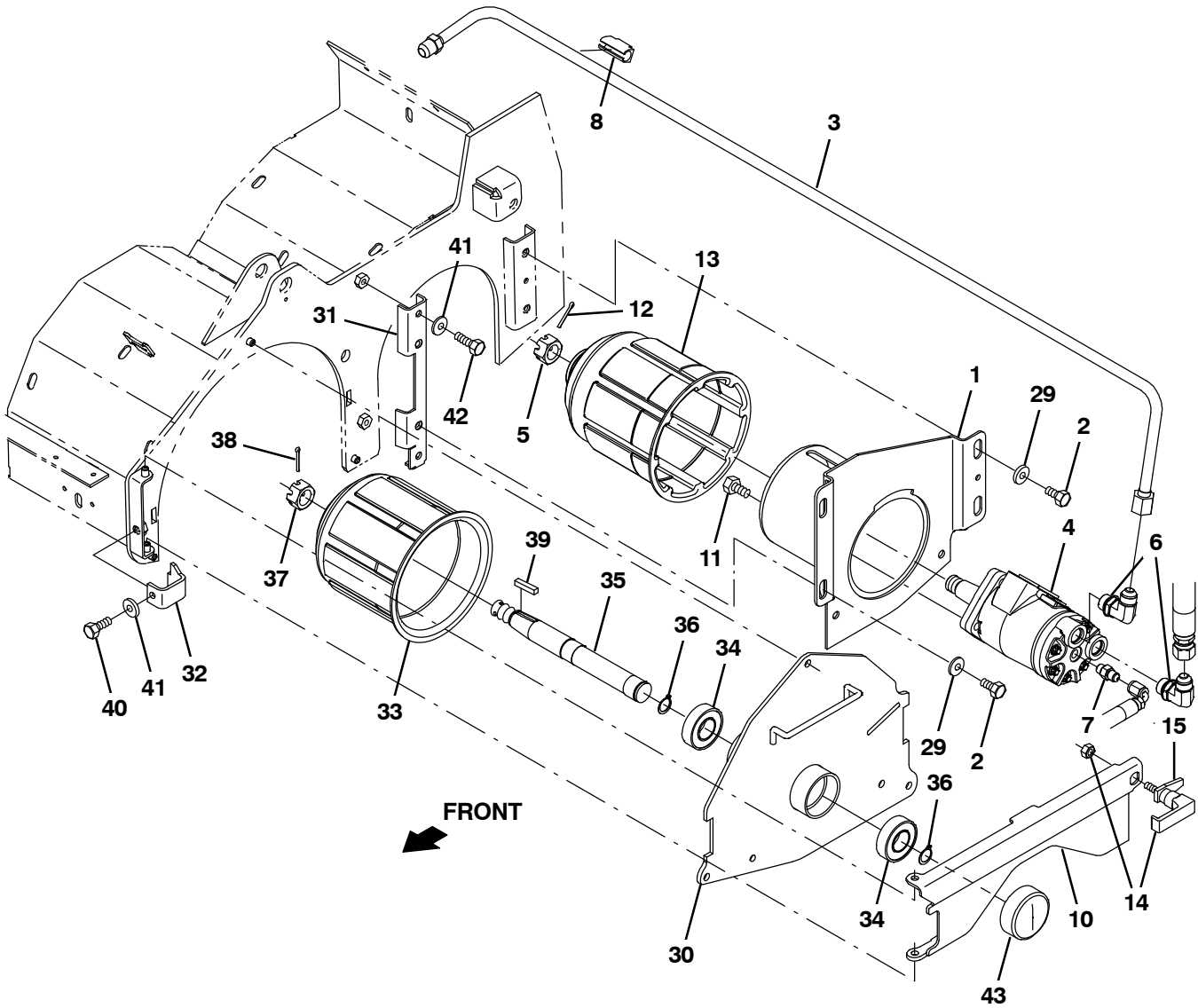


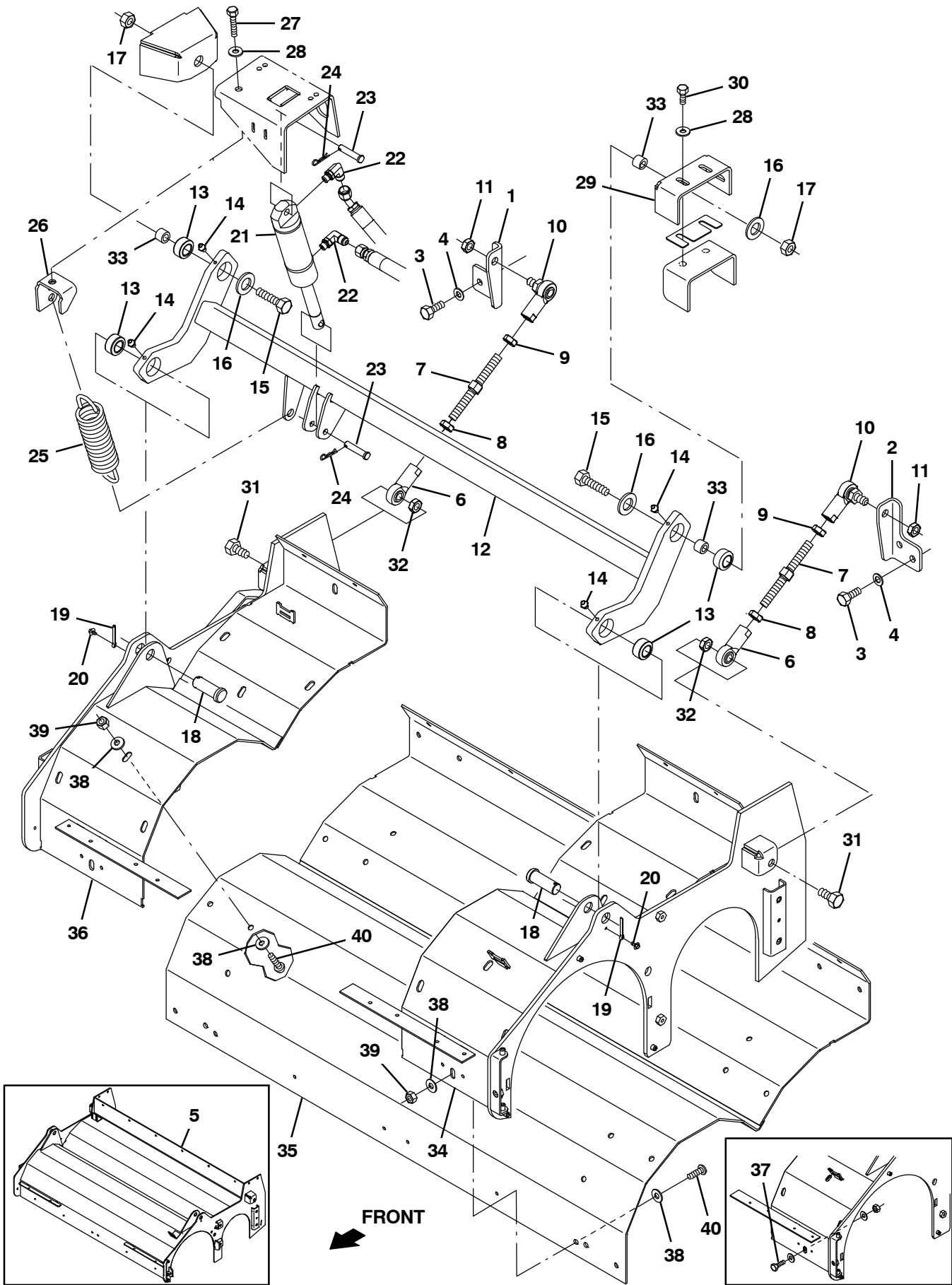
Fig. 27 – Cylindrical Scrub Brush Drive Group, Left Side

Ref.	Part No.	Serial Number	Description	Qty.	
1	1021019	(000000–)	Housing Wldt, Brush, Drive	1	
2	15675	(000000–)	Screw, Hex, M8 X 1.25 X 16, Ss	4	
3	1023617	(000000–)	Tube, Hyd, 08 Jf08/Jm08	1	
4	71729	(000000–002989)	Motor, Hyd, Gear, Int 04.5 Bi–Dir 1500 (See Breakdowns)	1	
▽	4	1068811	(002990–)	Motor, Hyd, Gear, Int 04.5 Bi–Dir 1500	1
▲	5	39527	(000000–)	Nut, Hex, Sltd, .75–16	1
6	44868	(000000–)	Fitting, Hyd, E90, Jm08/Om08	2	
7	55586	(000000–)	Fitting, Hyd, Str, Jm04/Om04	1	
8	1026080	(000000–)	Clamp, Hyd, 0.50d	1	
9	08713	(000000–003169)	Nut, Hex, Lock, M8 X 1.25, NI, Ss	1	
10	1029964	(000000–)	Door Wldt, Brush	1	
11	01762	(000000–)	Screw, Hex, .38–16 X 0.75, NI	4	
12	08175	(000000–)	Pin, Cotter, .125 X 1.25	1	
13	87631	(000000–002989)	Plug Wldt, Drive, Brush, Sweep	1	
13	1057643	(002990–)	Plug Wldt, Drive, Brush, Sweep	1	
14	65695	(000000–)	Latch	1	
15	1026352	(000000–)	Pawl, Str	1	
16	70563	(000000–003169)	Screw, Hex, M8 X 1.25 X 130, 8.8	1	
▽	9006398	(000000–003169)	Idler Assy, Brush, Replmt [M20/T20, M30]	1	
▲	17	25686	(000000–003169)	Plug Wldt, Drive, Brush	1
▲	18	00927	(000000–003169)	Key, Sq, 0.25 X 0.25, 1.25l	1
▲	19	1038258	(000000–003169)	Door Wldt, Brush, Idler	1
▲	20	13534	(000000–003169)	Bearing, Ball, 0.98b 2.05d 0.59w	2
▲	21	56078	(000000–003169)	Shaft, Brush, Idler	1
▲	22	09005	(000000–003169)	Ring, Retaining, Ext, 1.00d, Basic	2
▲	23	12295	(000000–003169)	Nut, Hex, Sltd, M20 X 2.5, 8	1
▲	24	08175	(000000–003169)	Pin, Cotter, .125 X 1.25	1
25	09739	(000000–001558)	Nut, Hex, Lock, M5 X 0.8, NI, Ss	2	
26	17185	(000000–001558)	Screw, Pan, M5 X 0.8 X 40, Ss	2	
27	1032743	(000000–001558)	Plate, Handle	1	
28	222496	(000000–001558)	Sleeve, P/M, 0.31b 0.50d 0.9l [430ss]	2	
29	32491	(000000–)	Washer, Flat, 0.31, Std	4	
30	1054857	(003170–)	Door Wldt, Brush, Idler	1	
31	1054575	(003170–)	Bracket, Sppt	1	
32	1054682	(003170–)	Bracket, Retainer, Lh	1	
33	25686	(003170–)	Plug Wldt, Drive, Brush	1	
34	13534	(003170–)	Bearing, Ball, 0.98b 2.05d 0.59w	2	
35	56078	(003170–)	Shaft, Brush, Idler	1	
36	09005	(003170–)	Ring, Retaining, Ext, 1.00d, Basic	2	
37	12295	(003170–)	Nut, Hex, Sltd, M20 X 2.5, 8	1	
38	08175	(003170–)	Pin, Cotter, .125 X 1.25	1	
39	00927	(003170–)	Key, Sq, 0.25 X 0.25, 1.25l	1	
40	09740	(003170–)	Screw, Hex, M8 X 1.25 X 20, Ss	1	
41	32491	(003170–)	Washer, Flat, 0.31, Std	3	
42	09010	(003170–)	Screw, Hex, M8 X 1.25 X 25, Ss	2	
43	1074807	(003170–)	Cap, Vinyl, 57mmid X 23mml	1	

Fig. 28 – Cylindrical Scrub Brush Drive Group, Right Side

Ref.	Part No.	Serial Number	Description	Qty.
	1	1021019	(000000–) Housing Wldt, Brush, Drive	1
	2	15675	(000000–) Screw, Hex, M8 X 1.25 X 16, Ss	4
	3	32491	(000000–) Washer, Flat, 0.31, Std	4
	4	71729	(000000–002989) Motor, Hyd, Gear, Int 04.5 Bi–Dir 1500 (See Breakdowns)	1
▽	4	1068811	(002990–) Motor, Hyd, Gear, Int 04.5 Bi–Dir 1500	1
▲	5	39527	(000000–) Nut, Hex, Slted, .75–16	1
	6	44868	(000000–) Fitting, Hyd, E90, Jm08/Om08	2
	7	9006386	(000000–002096) Tube Kit, Hyd, Case Drain [M20/T20]	1
	8	1026080	(000000–) Clamp, Hyd, 0.50d	1
	9	1029964	(000000–) Door Wldt, Brush	1
	10	17185	(000000–001558) Screw, Pan, M5 X 0.8 X 40, Ss	2
	11	01762	(000000–) Screw, Hex, .38–16 X 0.75, NI	4
	12	08175	(000000–) Pin, Cotter, .125 X 1.25	1
	13	87631	(000000–002989) Plug Wldt, Drive, Brush, Sweep	1
	13	1057643	(002990–) Plug Wldt, Drive, Brush, Sweep	1
	14	65695	(000000–) Latch	1
	15	1026352	(000000–) Pawl, Str	1
	16	70563	(000000–003169) Screw, Hex, M8 X 1.25 X 130, 8.8	1
	17	08713	(000000–003169) Nut, Hex, Lock, M8 X 1.25, NI, Ss	1
▽		9006398	(000000–003169) Idler Assy, Brush, Replmt [M20/T20, M30]	1
▲	18	25686	(000000–003169) Plug Wldt, Drive, Brush	1
▲	19	1038258	(000000–003169) Door Wldt, Brush, Idler	1
▲	20	13534	(000000–003169) Bearing, Ball, 0.98b 2.05d 0.59w	2
▲	21	09005	(000000–003169) Ring, Retaining, Ext, 1.00d, Basic	2
▲	22	56078	(000000–003169) Shaft, Brush, Idler	1
▲	23	12295	(000000–003169) Nut, Hex, Slted, M20 X 2.5, 8	1
▲	24	08175	(000000–003169) Pin, Cotter, .125 X 1.25	1
▲	25	00927	(000000–003169) Key, Sq, 0.25 X 0.25, 1.25l	1
	26	1032743	(000000–001558) Plate, Handle	1
	27	222496	(000000–001558) Sleeve, P/M, 0.31b 0.50d 0.9l [430ss]	2
	28	09739	(000000–001558) Nut, Hex, Lock, M5 X 0.8, NI, Ss	2
	29	1055139	(002097–) Tube, Hyd, Brush Return, W/ Cd [M20/T20]	1
	30	39210	(002097–) Fitting, Hyd, E90, Jf04/Jm04	1
	31	55586	(002097–) Fitting, Hyd, Str, Jm04/Om04	1
	32	49266	(002097–) Tie, Cable, Nyl, 07.3l .19w 1.8 Max D	2
	33	1054857	(003170–) Door Wldt, Brush, Idler	1
	34	1054575	(003170–) Bracket, Sppt	1
	35	1054610	(003170–) Bracket, Retainer, Rh	1
	36	25686	(003170–) Plug Wldt, Drive, Brush	1
	37	13534	(003170–) Bearing, Ball, 0.98b 2.05d 0.59w	2
	38	09005	(003170–) Ring, Retaining, Ext, 1.00d, Basic	2
	39	56078	(003170–) Shaft, Brush, Idler	1
	40	12295	(003170–) Nut, Hex, Slted, M20 X 2.5, 8	1
	41	08175	(003170–) Pin, Cotter, .125 X 1.25	1
	42	00927	(003170–) Key, Sq, 0.25 X 0.25, 1.25l	1
	43	09010	(003170–) Screw, Hex, M8 X 1.25 X 25, Ss	2
	44	09740	(003170–) Screw, Hex, M8 X 1.25 X 20, Ss	1
	45	32491	(003170–) Washer, Flat, 0.31, Std	3
	46	1074807	(003170–) Cap, Vinyl, 57mmid X 23mml	1

Fig. 29 - Cylindrical Scrub Brush Head Lift Group



FRONT

Fig. 29 – Cylindrical Scrub Brush Head Lift Group

Ref.	Part No.	Serial Number	Description	Qty.
1	1030910	(000000–)	Bracket, Mtg, Scb Head, Rh	1
2	1030911	(000000–)	Bracket, Mtg, Scb Head, Lh	1
3	09028	(000000–)	Screw, Hex, M10 X 1.5 X 25, Ss	4
4	32485	(000000–)	Washer, Flat, 0.38 Sae	4
5	1020002	(000000–003169)	Housing Wldt, Swp, Scb	1
6	67555	(000000–)	Rod–End, .50–20rh Fem 0.50b	2
7	1014705	(000000–)	Rod, Thrd, 2 End, .50–20 04.9l, Rh / Lh	2
8	48985	(000000–)	Nut, Hex, Jam, .50–20	2
9	71369	(000000–)	Nut, Hex, Jam, .50–20, Lh	2
10	382099	(000000–)	Rod–End, .50–20lh Fem 0.50–20stud	2
11	51824	(000000–)	Nut, Hex, Lock, .50–20, NI, Thin	2
12	1020003	(000000–)	Tube Wldt, Torque	1
13	42120	(000000–)	Bearing, Self Align, 0.75b 1.25d	4
14	07259	(000000–)	Fitting, Grease, Str Pm04 .47l	4
15	06969	(000000–)	Screw, Hex, M12 X 1.75 X 40, 8.8	2
16	41619	(000000–)	Washer, Flat, 0.56b 1.38d .11, Ss	2
17	09741	(000000–)	Nut, Hex, Lock, M12 X 1.75, NI, Ss	2
18	04733–12	(000000–)	Pin, Clevis, 0.75d X 2.00l	2
19	08236	(000000–)	Pin, Cotter, .156 X 1.25	2
20	223198	(000000–)	Screw, Hex, M5 X 0.8 X 10, Fmg	2
21	1038137	(000000–)	Cylinder, Hyd, 1.5b 07.8l 02.80strk 2500	1
22	77098	(000000–)	Fitting, Hyd, E90, Jm06/Om04	2
23	17461	(000000–)	Pin, Clevis, 0.37d X 1.75l	2
24	86866	(000000–)	Pin, Cotter, Hair, 0.38d .072 Wir	2
25	1042686	(000000–)	Spring, Extn, 2.00od 0.25wir 07.5l	1
26	1027810	(000000–)	Bracket, Mtg, Spring	1
27	763090	(000000–)	Screw, Hex, M8 X 1.25 X 60, FI	1
28	32491	(000000–)	Washer, Flat, 0.31, Std	4
29	1019146	(000000–)	Bracket, Mtg, Lift, Scb Head	1
30	09740	(000000–)	Screw, Hex, M8 X 1.25 X 20, Ss	3
31	39811	(000000–)	Screw, Hex, .50–13 X 1.50, 5	2
32	36644	(000000–)	Nut, Hex, Lock, .50–13, NI, Thin	2
33	1025100	(000000–)	Sleeve, P/M, 0.47b 0.75d 0.5l [430ss]	3
34	1052342	(003170–)	Bracket Wldt, Brush Wrap, Lh	1
35	1069562	(003170–)	Plate Wldt, Wrap, Brush	1
36	1052124	(003170–)	Bracket Wldt, Brush Wrap Mtg, Rh	1
37	09740	(003170–004615)	Screw, Hex, M8 X 1.25 X 20, Ss	10
38	32491	(003170–)	Washer, Flat, 0.31, Std	20
39	08713	(003170–)	Nut, Hex, Lock, M8 X 1.25, NI, Ss	10
40	223470	(004616–)	Screw, Btn, M8 X 1.25 X 25, Ss	10

Fig. 30 - Cylindrical Brush Head Skirt Group

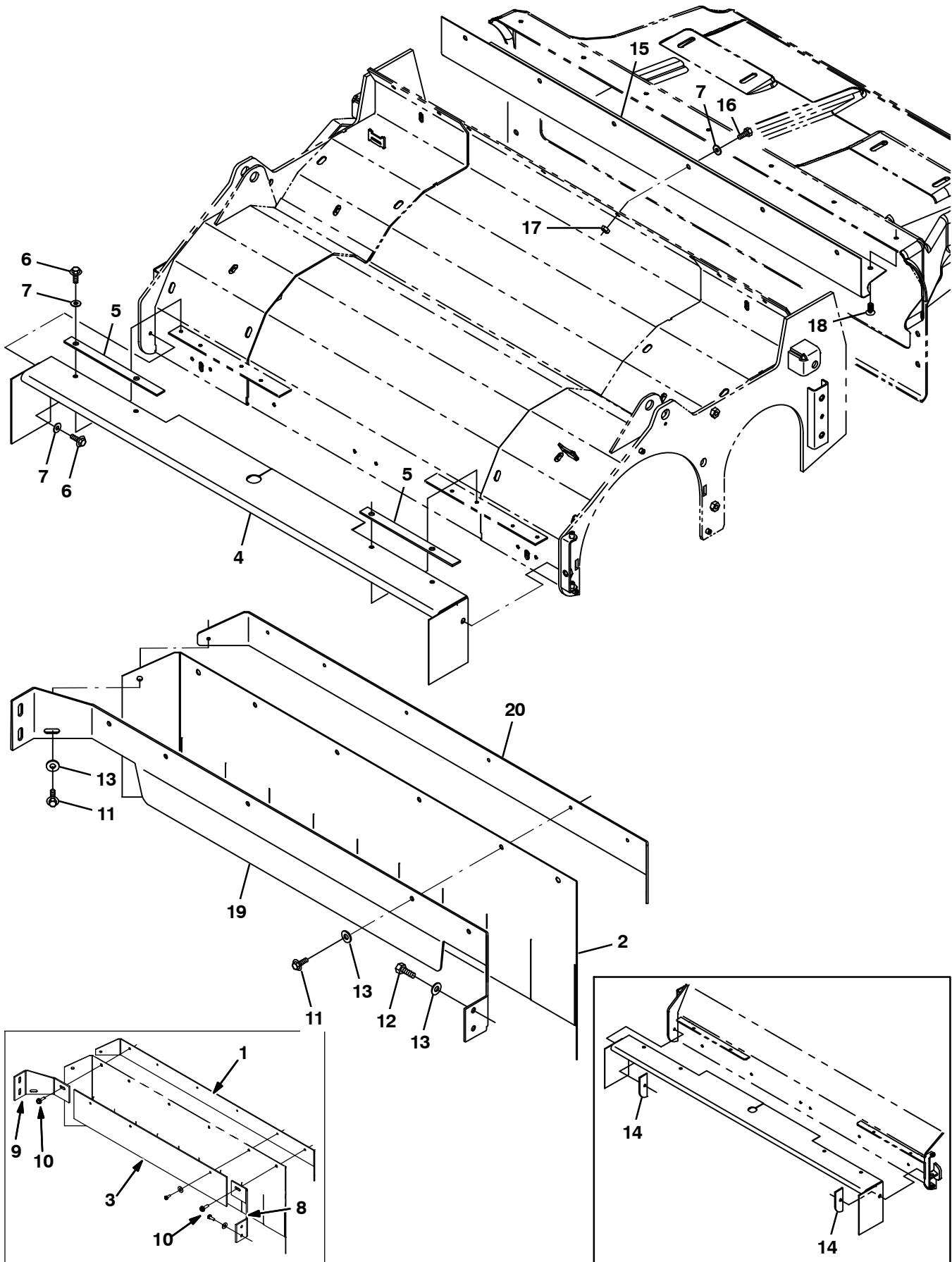


Fig. 30 – Cylindrical Brush Head Skirt Group

Ref.	Part No.	Serial Number	Description	Qty.
1	1020208	(000000-001603)	Plate, Skirt, Front	1
2	1020166	(000000-)	Skirt, Neo, .06, 12.00w 45.88l, 07 Hole	1
3	1020207	(000000-001603)	Retainer, Skirt, Front	1
4	1022363	(000000-)	Skirt, Neo, .06, 07.63w 51.52l, 11 Hole	1
5	1022003	(000000-)	Retainer, Skirt	2
6	361339	(000000-)	Screw, Hex, M6 X 1.0 X 16, Fmg	6
7	01684	(000000-)	Washer, Flat, 0.25, Ss	16
8	1024570	(000000-001603)	Bracket, Mtg, Skirt	1
9	1020163	(000000-001603)	Bracket, Mtg, Skirt	1
10	76099	(000000-001603)	Screw, Hex, M8 X 1.25 X 25, Fmg	4
11	361339	(000000-)	Screw, Hex, M6 X 1.0 X 16, Fmg	8
12	09740	(000000-)	Screw, Hex, M8 X 1.25 X 20, Ss	4
13	01685	(000000-)	Washer, Flat, 0.31, Ss	9
14	1022359	(000000-001002)	Plate, Mtg, Skirt, Scb Head (Replaced by None)	2
15	1025826	(000000-)	Angle, Deflector	1
16	08716	(000000-)	Screw, Hex, M6 X 1.0 X 20, Ss	6
17	08712	(000000-)	Nut, Hex, Lock, M6 X 1.00, Ss, NI	6
18	21168	(000000-)	Clip, .250h, Plstc [Pine-tree]	7
19	1039396	(001604-)	Bracket, Mtg, Skirt	1
20	1040018	(001604-)	Plate, Skirt, Front	1

Fig. 31 – Disk Scrub Head Drive Motor Group

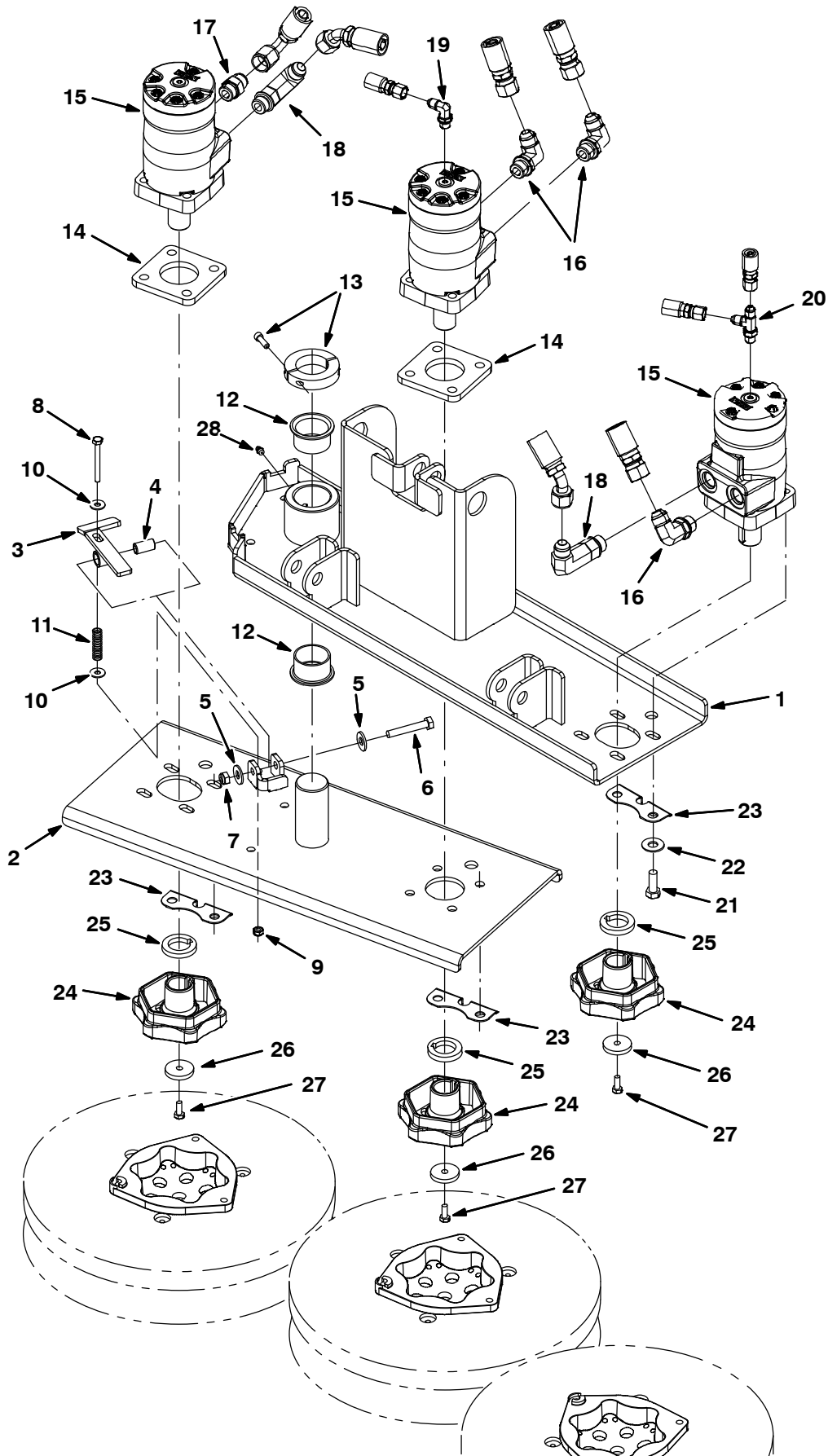


Fig. 31 – Disk Scrub Head Drive Motor Group

Ref.	Part No.	Serial Number	Description	Qty.
	1	9003247	(000000–) Head Wldt, Disk, Std, Replmt	1
	1	9003249	(000000–) Head Wldt, Disk, Replmt, Jp (Japn Only)	1
	2	1026101	(000000–) Head Wldt, Swing, Lower, 14.0	1
▽		9003061	(000000–) Latch Kit, Disk, Replmt [T20]	1
▲	3	1031286	(000000–) Latch Wldt, Head, Disk	1
▲	4	222496	(000000–) Sleeve, P/M, 0.31b 0.50d 0.9l [430ss]	1
▲	5	01685	(000000–) Washer, Flat, 0.31, Ss	2
▲	6	49694	(000000–) Screw, Hex, M8 X 1.25 X 50, Ss	1
▲	7	08713	(000000–) Nut, Hex, Lock, M8 X 1.25, NI, Ss	1
▲	8	58979	(000000–) Screw, Hex, M6 X 1.0 X 55, Ss	1
▲	9	08712	(000000–) Nut, Hex, Lock, M6 X 1.00, Ss, NI	1
▲	10	01684	(000000–) Washer, Flat, 0.25, Ss	2
▲	11	1031217	(000000–) Spring, Cmpr, 0.42od .06wir 1.50l	1
	12	54620	(000000–) Bushing, Flng, 1.50b 1.65d 1.00l	2
	13	70624	(000000–) Collar, Split, 1.50b .50w 2/Bolt	1
	14	1025968	(000000–) Spacer	2
	15	1024407	(000000–002989) Motor, Hyd, Gear, Int 09.7 Bi–Dir 2500 (See Breakdowns) (Replaced by 1068924)	3
	15	1068924	(002990–) Motor, Hyd, Gear, Int 09.7 Bi–Dir 2500	3
	16	44868	(000000–) Fitting, Hyd, E90, Jm08/Om08	3
	17	44869	(000000–) Fitting, Hyd, Str, Jm08/Om08	1
	18	69173	(000000–) Fitting, Hyd, E90, Jm08/Om08, L	2
	19	77097	(000000–) Fitting, Hyd, E90, Jm04/Om04	1
	20	34390	(000000–) Fitting, Hyd, Tee, Jm04/Jm04/Om04, Run	1
	21	21197	(000000–) Screw, Hex, .38–16 X 1.00, G5	12
	22	32492	(000000–) Washer, Flat, 0.38, Std	12
	23	1028495	(000000–) Brkt, Ftg	3
	24	1042963	(000000–) Hub, Drive, Brush, Disk, 1.00B [6T]	3
	25	25611	(000000–) Spacer, Hub, Keyed	3
	26	19191	(000000–) Spacer	3
	27	25046	(000000–) Screw, Hex, .25–20 X 1.00, G5	3
	28	07259	(000000–) Fitting, Grease. Str Pm04 .47L	1

Fig. 32 - Disk Scrub Head Lift Group

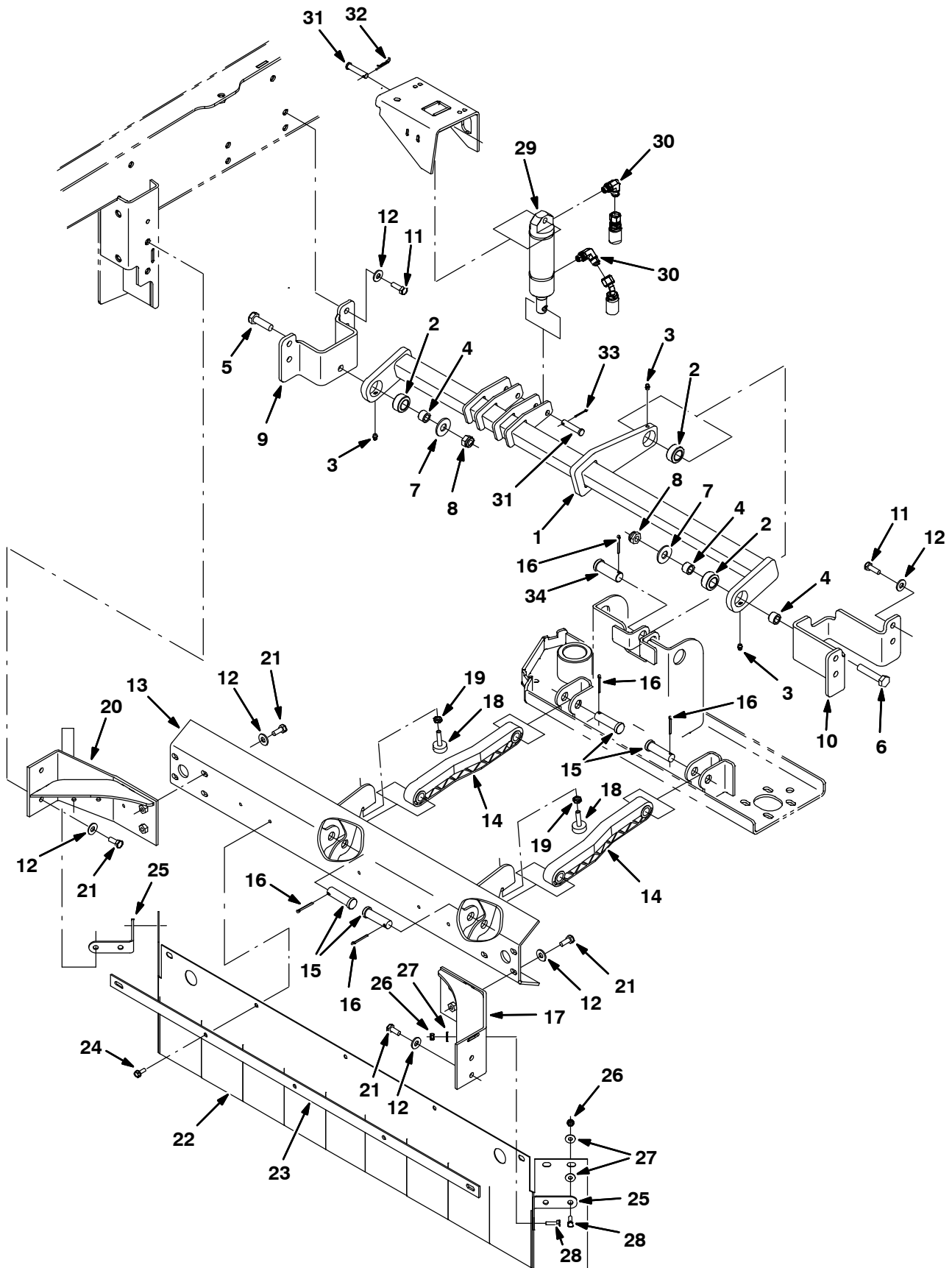


Fig. 32 – Disk Scrub Head Lift Group

Ref.	Part No.	Serial Number	Description	Qty.
1	1026130	(000000–) Tube Wldt, Torque	1
2	42120	(000000–) Bearing, Self Align, 0.75b 1.25d	3
3	07259	(000000–) Fitting, Grease, Str Pm04 .47l	3
4	1025100	(000000–) Sleeve, P/M, 0.47b 0.75d 0.5l [430ss]	3
5	06969	(000000–) Screw, Hex, M12 X 1.75 X 40, 8.8	1
6	06972	(000000–) Screw, Hex, M12 X 1.75 X 60, 8.8	1
7	41619	(000000–) Washer, Flat, 0.56b 1.38d .11, Ss	2
8	09741	(000000–) Nut, Hex, Lock, M12 X 1.75, NI, Ss	2
9	1025041	(000000–) Bracket, Mtg, Torque Tube	1
10	1030558	(000000–) Bracket, Mtg, Torque Tube	1
11	09010	(000000–) Screw, Hex, M8 X 1.25 X 25, Ss	8
12	32491	(000000–) Washer, Flat, 0.31, Std	16
13	1039469	(000000–) Bracket Wldt, Arm, Lower Cntrl	1
14	222027	(000000–) Arm, Lift, Head [5700]	2
15	222210	(000000–) Pin, Clevis, 0.62d X 2.12l	44
16	08175	(000000–) Pin, Cotter, .125 X 1.25	5
17	1025198	(000000–) Bracket Wldt, Head, Lower, Lh	1
18	1039468	(000000–) Bumper, Rbr, 1.00d 0.38th M8x1.25	2
19	07786	(000000–) Nut, Hex, Std, M8 X 1.25, Ss	2
20	1025320	(000000–) Bracket Wldt, Head, Lower, Rh	1
21	09740	(000000–) Screw, Hex, M8 X 1.25 X 20, Ss	8
22	1028433	(000000–) Skirt, Front, Disk Head	1
23	1028446	(000000–) Retainer, Skirt, Disk Head	1
24	361339	(000000–) Screw, Hex, M6 X 1.0 X 16, Fmg	5
25	1028440	(000000–) Bracket, Angle, Sppt, Shield	2
26	08712	(000000–) Nut, Hex, Lock, M6 X 1.00, Ss, NI	8
27	01684	(000000–) Washer, Flat, 0.25, Ss	12
28	08716	(000000–) Screw, Hex, M6 X 1.0 X 20, Ss	8
29	379030	(000000–) Cylinder, Hyd, 1.5b,07.8l,02.80strk,2500	1
30	77098	(000000–) Fitting, Hyd, E90, Jm06/Om04	2
31	17461	(000000–) Pin, Clevis, 0.37d X 1.75l	2
32	86866	(000000–) Pin, Cotter, Hair, 0.38d .072 Wir	1
33	08179	(000000–) Pin, Cotter, .094 X 1.00	1
34	04733–12	(000000–) Pin, Clevis, 0.75d X 2.00l	1

Fig. 33 – Cylindrical Scrub Head Debris Tray Mount Group

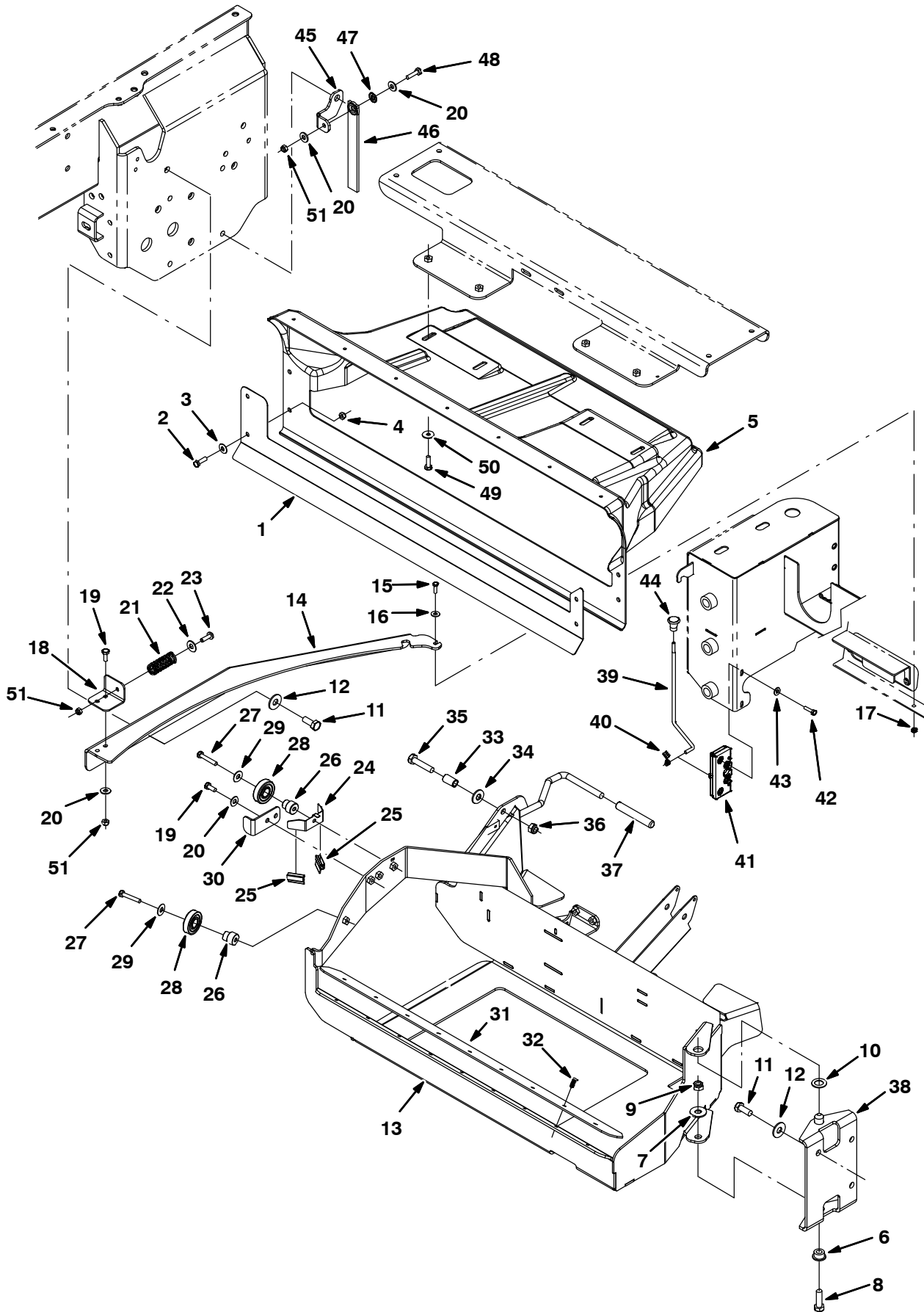


Fig. 33 – Cylindrical Scrub Head Debris Tray Mount Group

	Ref.	Part No.	Serial Number	Description	Qty.
▽		9003059	(000000–) Shield Kit, Debris, Replmt [T20]	1
▲	1	1028334	(000000–) Bracket, Sppt, Shield	1
▲	2	09010	(000000–) Screw, Hex, M8 X 1.25 X 25, Ss	4
▲	3	1017218	(000000–) Washer, Flat, 0.32b 1.00d .12, Ss	4
▲	4	08713	(000000–) Nut, Hex, Lock, M8 X 1.25, NI, Ss	4
▲	5	1024658	(000000–) Shield, Tray, Debris [Trimmed]	1
	6	391804	(000000–) Sleeve, Flng, 0.48b 1.25/0.88d 0.6l, Stl	1
	7	32493	(000000–) Washer, Flat, 0.50, Std	1
	8	09029	(000000–) Screw, Hex, M12 X 1.75 X 40, Ss	1
	9	09741	(000000–) Nut, Hex, Lock, M12 X 1.75, NI, Ss	1
	10	53782	(000000–) Bearing, Thrust, 0.75b 1.25d 0.06w	1
	11	12309	(000000–) Screw, Hex, M12 X 1.75 X 30, Ss	6
	12	32493	(000000–) Washer, Flat, 0.50, Std	6
	13	1023334	(000000–) Frame Wldt, Hppr	1
	14	1022683	(000000–) Guide, Rlr	1
	15	08716	(000000–) Screw, Hex, M6 X 1.0 X 20, Ss	1
	16	01684	(000000–) Washer, Flat, 0.25, Ss	1
	17	08712	(000000–) Nut, Hex, Lock, M6 X 1.00, Ss, NI	1
	18	1027108	(000000–) Bracket, Spring	1
	19	09740	(000000–) Screw, Hex, M8 X 1.25 X 20, Ss	4
	20	01685	(000000–) Washer, Flat, 0.31, Ss	6
	21	45261	(000000–) Spring, Cmpr, 0.97od .11wir 2.5l	1
	22	01686	(000000–) Washer, Flat, 0.44b 1.00d .08, Ss	1
	23	367771	(000000–) Screw, Pan, M8 X 1.25 X 25, Ss	1
	24	1027147	(000000–) Clip, Wiper	1
	25	1031351	(000000–) Seal, Wiper	2
	26	1023685	(000000–) Spacer, Rlr	2
	27	222505	(000000–) Screw, Hex, M8 X 1.25 X 45, Ss	2
	28	760740	(000000–) Bearing, Rlr, Cam 52 X 14 X 20	2
	29	1017218	(000000–) Washer, Flat, 0.32b 1.00d .12, Ss	2
	30	1027143	(000000–) Bracket, Angle, Stop	1
▽	31	9003058	(000000–) Lip Kit, Debris, Replmt [T20]	1
▲	32	21168	(000000–) Clip, .250h, Plstc [Pine-Tree]	9
	33	1039348	(000000–) Sleeve, 0.49b 0.68d 1.2l [304ss]	1
	34	36328	(000000–) Washer, Flat, Belleville, .50	1
	35	379870	(000000–) Screw, Hex, M12 X 1.75 X 55, Ss	1
	36	09741	(000000–) Nut, Hex, Lock, M12 X 1.75, NI, Ss	1
	37	1028249	(000000–) Grip, Handle, .50d 4.0l Yel	1
	38	1022668	(000000–) Bracket Wldt, Pivot	1
	39	1023917	(000000–) Rod, Latch	1
	40	1031305	(000000–) Clip, Retainer, .25d	1
	41	21623	(000000–) Latch	1
	42	09007	(000000–) Screw, Hex, M6 X 1.0 X 25, Ss	2
	43	41185	(000000–) Washer, Flat, Belleville, .25	2
	44	1032546	(000000–) Knob, Rnd, 1.04d 1.18l .25–20 Yel Plstc	1
	45	1031152	(000000–) Bracket, Mtg, Static Strap	1
	46	71579	(000000–) Strap, Static, .19 1.1w 25.0l W/ Grommet	1
	47	41141	(000000–) Washer, Lock, Int–Ext, 0.31	1
	48	09011	(000000–) Screw, Hex, M8 X 1.25 X 30, Ss	1
	49	09010	(000000–) Screw, Hex, M8 X 1.25 X 25, Ss	4
	50	1017218	(000000–) Washer, Flat, 0.32b 1.00d .12, Ss	4
	51	08713	(000000–) Nut, Hex, Lock, M8 X 1.25, NI, Ss	4

Fig. 34 – Cylindrical Scrub Head Debris Tray Group

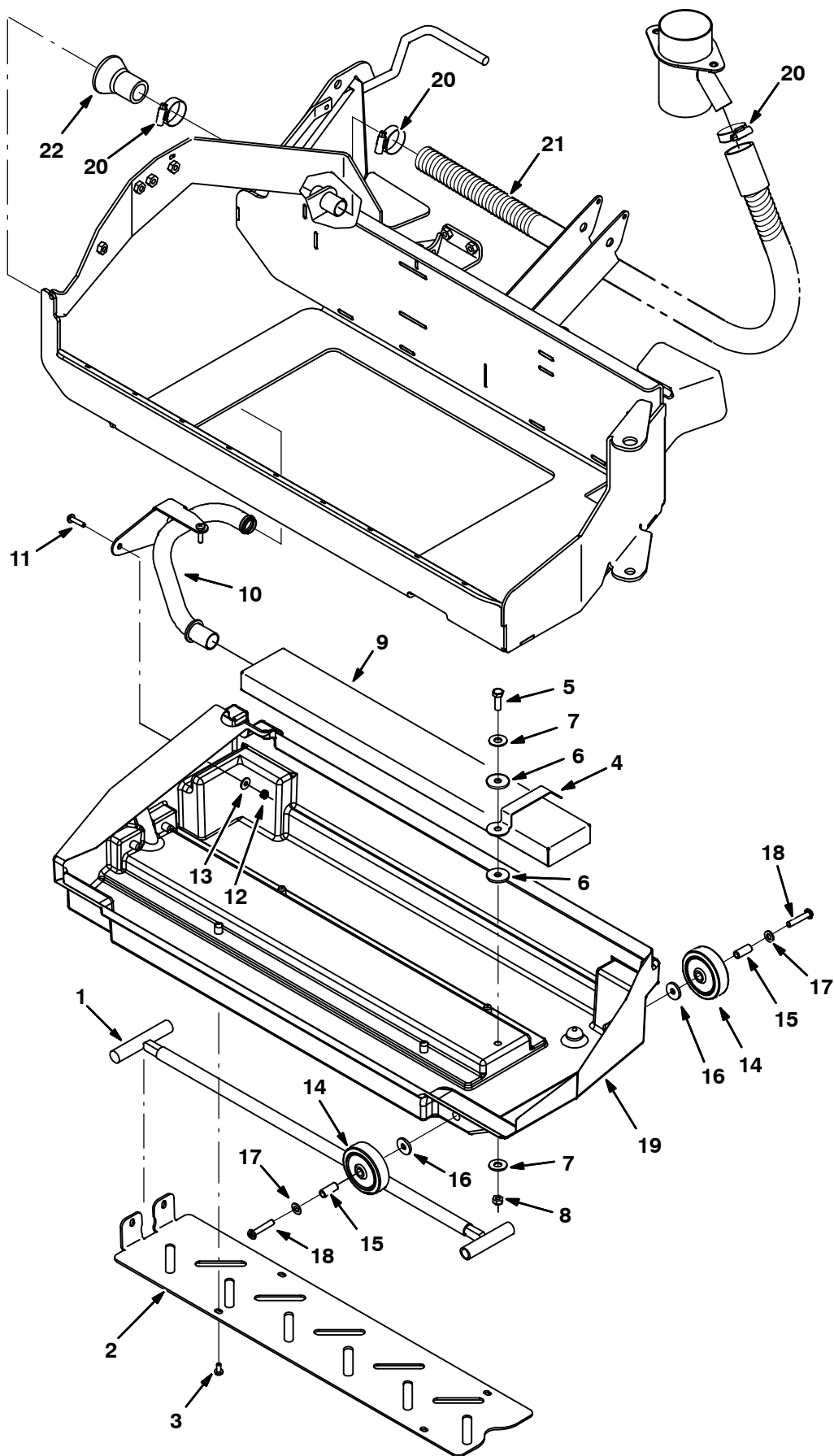


Fig. 34 – Cylindrical Scrub Head Debris Tray Group

Ref.	Part No.	Serial Number	Description	Qty.
▽	9003055	(000000–) Tray Kit, Debris, Replmt [T20]	1
▲	1 1026417	(000000–) Handle Wldt, T, Hppr	1
▲	2 1026195	(000000–) Panel, Access, Debris Tray	1
▲	3 74027	(000000–) Screw, Pan, M6 X 1.0 X 12, Ss, NI	6
▲	4 1026900	(000000–) Spring, Flat, Retainer, Screen	1
▲	5 09010	(000000–) Screw, Hex, M8 X 1.25 X 25, Ss	1
▲	6 222268	(000000–) Washer, Flat, 0.38b 1.25d .12, Neo	2
▲	7 01686	(000000–) Washer, Flat, 0.44b 1.00d .08, Ss	2
▲	8 08713	(000000–) Nut, Hex, Lock, M8 X 1.25, NI, Ss	1
▲	9 1024309	(000000–) Strainer Wldt, Trough, Debris 4.3w 15.L	1
▲	10 1026831	(000000–) Tube Wldt, Vacuum	1
▲	11 1019526	(000000–) Screw, Pan, M6 X 1.0 X 25, Ss	3
▲	12 08712	(000000–) Nut, Hex, Lock, M6 X 1.00, Ss, NI	3
▲	13 01684	(000000–) Washer, Flat, 0.25, Ss	3
▲	14 81582	(000000–) Wheel, 3.0d 0.87w 0.44b, Rbr, Pp Core	2
▲	15 393129	(000000–) Sleeve, P/M, 0.31B 0.44D 1.2L [430Ss]	2
▲	16 1017218	(000000–) Washer, Flat, 0.32b 1.00d .12, Ss	2
▲	17 39349	(000000–) Washer, Flat, 0.31, Sae	2
▲	18 397826	(000000–) Screw, Btn, M8 X 1.25 X 40, Ss	2
▲	19 1024450	(000000–) Tray, Debris, Trimmed	1
	20 11399	(000000–) Clamp, Hose, Wormdrive, 0.81–1.50d, .50w	3
	21 1040098	(000000–) Hose Assy, W/1cuff, 1.0d, 030l 1.25/	1
	22 1023063	(000000–) Coupling, Tube, Vacuum	1

Fig. 35 - Rear Squeegee Lift Group

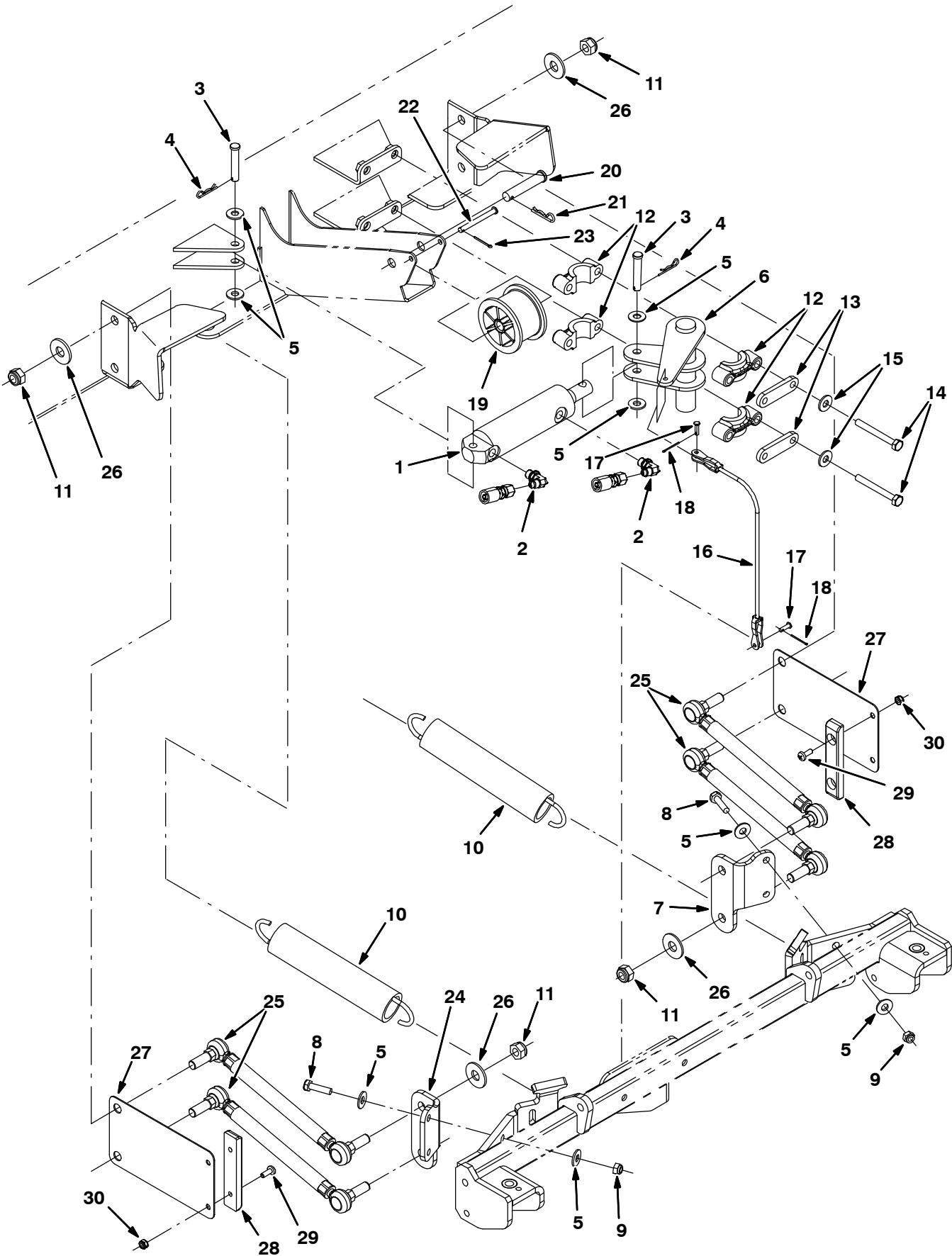


Fig. 35 – Rear Squeegee Lift Group

Ref.	Part No.	Serial Number	Description	Qty.	
1	379030	(000000–) Cylinder, Hyd, 1.5b,07.8l,02.80strk,2500	1	
2	77097	(000000–) Fitting, Hyd, E90, Jm04/Om04	2	
3	29584	(000000–) Pin, Clevis, 0.37d X 2.00l	2	
4	86866	(000000–) Pin, Cotter, Hair, 0.38d .072 Wir	2	
5	01685	(000000–) Washer, Flat, 0.31, Ss	12	
6	1022903	(000000–) Shaft Wldt, Arm, Lift	1	
7	1026804	(000000–) Angle, Protector, Lh	1	
8	09011	(000000–) Screw, Hex, M8 X 1.25 X 30, Ss	4	
9	08713	(000000–) Nut, Hex, Lock, M8 X 1.25, NI, Ss	4	
10	71100	(000000–) Spring, Extn, 1.69od X 0.20wir, 9.5l	2	
11	09741	(000000–) Nut, Hex, Lock, M12 X 1.75, NI, Ss	8	
12	381502	(000000–) Bearing, Split, 1.00b	4	
13	382224	(000000–) Plate, Sppt	2	
14	09767	(000000–) Screw, Hex, M8 X 1.25 X 70, Ss	4	
15	32491	(000000–) Washer, Flat, 0.31, Std	4	
16	71101	(000000–) Cable, Ss .12d 013.3l .2clevis /.2clevis	1	
17	77488	(000000–) Pin, Clevis, 0.19d X 0.63l	2	
18	39005	(000000–) Pin, Cotter, .094X0.75	2	
19	223054	(000000–) Drum, Cable, Lift	1	
20	06279	(000000–) Pin, Clevis, 0.50d X 2.50l	1	
21	08179	(000000–) Pin, Cotter, .094 X 1.00	1	
22	04733–10	(000000–) Pin, Clevis, 0.25d X 2.44l	1	
23	08178	(000000–) Pin, Cotter, .062 X 0.75	1	
24	1026806	(000000–) Angle, Protector, Rh	1	
25	1026007	(000000–) Link Assy, Rod–End, M12	4	
26	41619	(000000–) Washer, Flat, 0.56b 1.38d .11, Ss	8	
▽	9003060	(000000–) Spring Kit, Flat, Replmt [T20]	1	
▲	27	1028049	(000000–) Spring, Flat, .06 X 4.13 X 6.5l 4 Hole	2
▲	28	1024648	(000000–) Block, Centering	4
▲	29	367770	(000000–) Screw, Pan, M6 X 1.0 X 16, Ss	4
▲	30	08712	(000000–) Nut, Hex, Lock, M6 X 1.00, Ss, NI	4

Fig. 36 – Squeegee Group, Rear

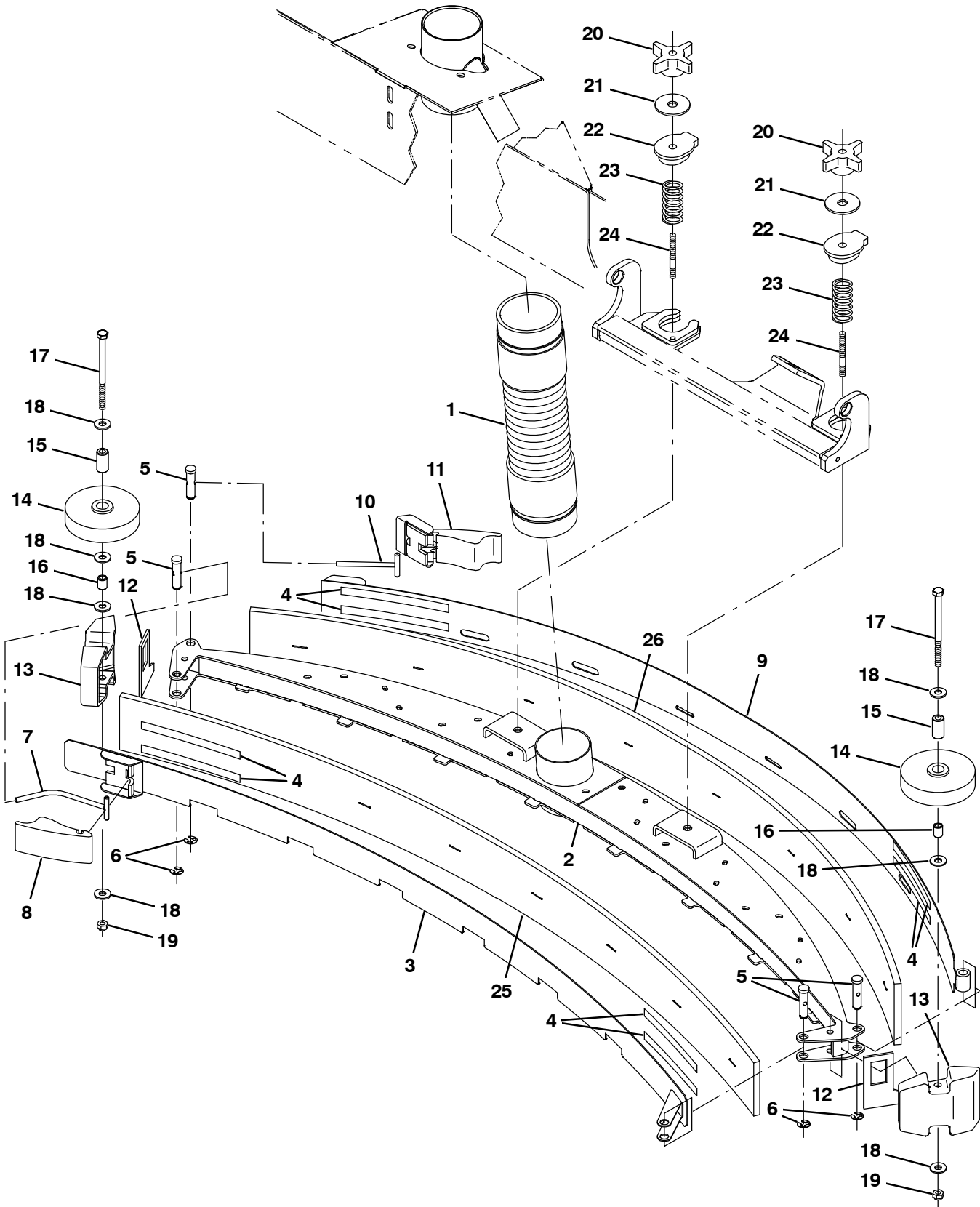


Fig. 36 – Squeegee Group, Rear

Ref.	Part No.	Serial Number	Description	Qty.
	1	1028236	(000000–) Hose Assy, W/2cuff, 3.0d 14l 3.0/3.0	1
▽	9004493	(000000–)	Squeegee Kit, Rear, Replmt [M20/T20]	1
▲	2	1022831	(000000–) Squeegee Wldt, Rear	1
▲	3	1023239	(000000–) Clamp Wldt, Front	1
▲	4	03495	(000000–) Strip, Non-Slip, 0.50w 06.0l	8
▲	5	21603	(000000–) Pin, Grvd, 0.43d 01.8l [303ss]	4
▲	6	24555	(000000–) Ring, Retaining, Ext, 0.38d, [E-Ring]	4
▲	7	386298	(000000–) Pin Wldt, Front	1
▲	8	21601	(000000–) Cam	1
▲	9	1028374	(000000–) Clamp Wldt, Rear	1
▲	10	21606	(000000–) Bar Wldt, Retainer, Sqge, Rear	1
▲	11	21602	(000000–) Cam, Rear	1
▲	12	83874	(000000–) Gasket, Sqge	2
▲	13	386264	(000000–) Bumper, Sqge	2
▲	14	363162	(000000–) Wheel, 4.0d 0.89w 0.64b	2
▲	15	363301	(000000–) Sleeve, P/M, 0.34b 0.63d 1.2l, Bnz	2
▲	16	80395	(000000–) Sleeve, P/M, 0.31b 0.50d 0.7l [430ss]	2
▲	17	364441	(000000–) Screw, Hex, M8 X 1.25 X 110, Ss	2
▲	18	01685	(000000–) Washer, Flat, 0.31, Ss	10
▲	19	08713	(000000–) Nut, Hex, Lock, M8 X 1.25, NI, Ss	2
	20	370100	(000000–) Knob, Star, 2.80d 4ear 1.1l .31–18 Pyp	2
	21	04414	(000000–) Washer, Flat, 0.53b 1.88d .12, Stl, Pl	2
	22	387433	(000000–) Ring, Mtg, Sqge, .50l	2
	23	387500	(000000–) Spring, Cmpr, 0.9od .042wir 02.0l	2
	24	387237	(000000–) Stud, .31–18 2.75l M8 X 1.25, Ss	2
	25	1017868	(000000–) Blade, Sqge, Front, 49.58l [Linard]	1
	25	1027719	(000000–) Blade, Sqge, Front, 49.58l Ure (Option)	1
	26	1031331	(000000–) Blade, Sqge, Rear, Linatex	1
	26	1031945	(000000–) Blade, Sqge, Rear, 53.78l Ure (Option)	1

Fig. 37 - Squeegee Linkage Group, Rear

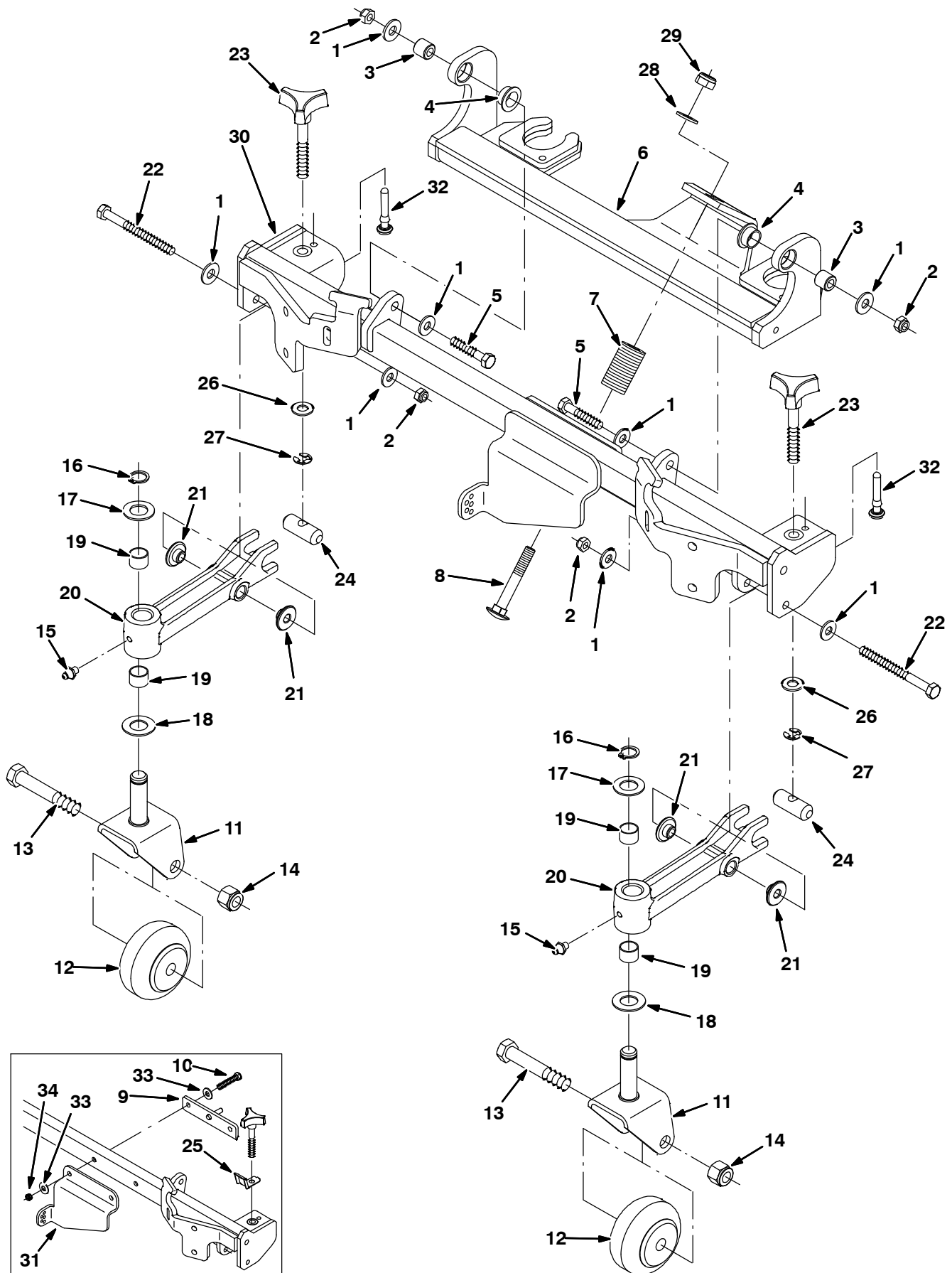


Fig. 37 – Squeegee Linkage Group, Rear

Ref.	Part No.	Serial Number	Description	Qty.
1	01685	(000000–)	Washer, Flat, 0.31, Ss	6
2	08713	(000000–)	Nut, Hex, Lock, M8 X 1.25, NI, Ss	4
3	80409	(000000–)	Sleeve, P/M, 0.34b 0.63d 0.6l, Bnz	2
4	25735	(000000–)	Bushing, Fling, 0.63b 0.75d 0.38l	2
5	222505	(000000–)	Screw, Hex, M8 X 1.25 X 45, Ss	2
6	1023476	(000000–)	Bracket Wldt, Mtg, Sqge	1
7	65180	(000000–)	Spring, Dsl, 1.00od 0.50id 1.7l	1
8	1025601	(000000–)	Bolt, Carriage, M10 X 1.5 X 70	1
9	1034147	(000000–001524)	Pin Wldt, Lift (Replaced By 9003478)	1
10	222505	(000000–001524)	Screw, Hex, M8 X 1.25 X 45, Ss	2
11	1021404	(000000–)	Bracket Wldt, Mtg, Caster	2
12	20833	(000000–)	Wheel, 3.0d 1.38w 0.50b	2
13	81952	(000000–)	Screw, Hex, .50–13 X 3.00, Ss18–8	2
14	02931	(000000–)	Nut, Hex, Lock, .50–13, NI, Ss	2
15	07259	(000000–)	Fitting, Grease, Str Pm04 .47l	2
16	33373	(000000–)	Ring, Retaining, Ext, 0.62d, Hd	2
17	63468	(000000–)	Washer, Flat, 0.69b 1.19d .06, Stl, Pl	2
18	64425	(000000–)	Washer, Thrust, 0.61b 1.25d .06, Fgl	2
19	07449	(000000–)	Bushing, Sleeve, 0.62b 0.72d 0.50l, Fgl	4
20	1025460	(000000–)	Caster, Pivot	2
21	80950	(000000–)	Bushing, Fling, 0.32b 0.50d 0.24l, Bnz	4
22	39281	(000000–)	Screw, Hex, M8 X 1.25 X 90, 8.8	2
23	1021546	(000000–)	Knob Assy, Star, 1.12d 3ear M10	2
24	1021497	(000000–)	Pin, 0.63d 01.8l, 1/M10h, 2cham	2
25	1022545	(000000–001508)	Spring, Keeper	2
26	32485	(000000–)	Washer, Flat, 0.38 Sae	2
27	24555	(000000–)	Ring, Retaining, Ext, 0.38d, [E–Ring]	2
28	32492	(000000–)	Washer, Flat, 0.38 Std	1
29	08714	(000000–)	Nut, Hex, Lock, M10 X 1.5, NI, Ss	1
30	1034282	(000000–)	Crossmember Wldt, Lift	1
31	1025178	(000000–001524)	Bracket, Lift, Sqge	1
32	1035727	(001509–)	Stop, Rotation	1
33	01685	(000000–001524)	Washer, Flat, 0.38b 0.88d .08, Ss	4
34	08713	(000000–001524)	Nut, Hex, Lock, M8 X 1.25, NI, Ss	2

Fig. 38 – Cylindrical Scrub Head Squeegee Group, Right Side

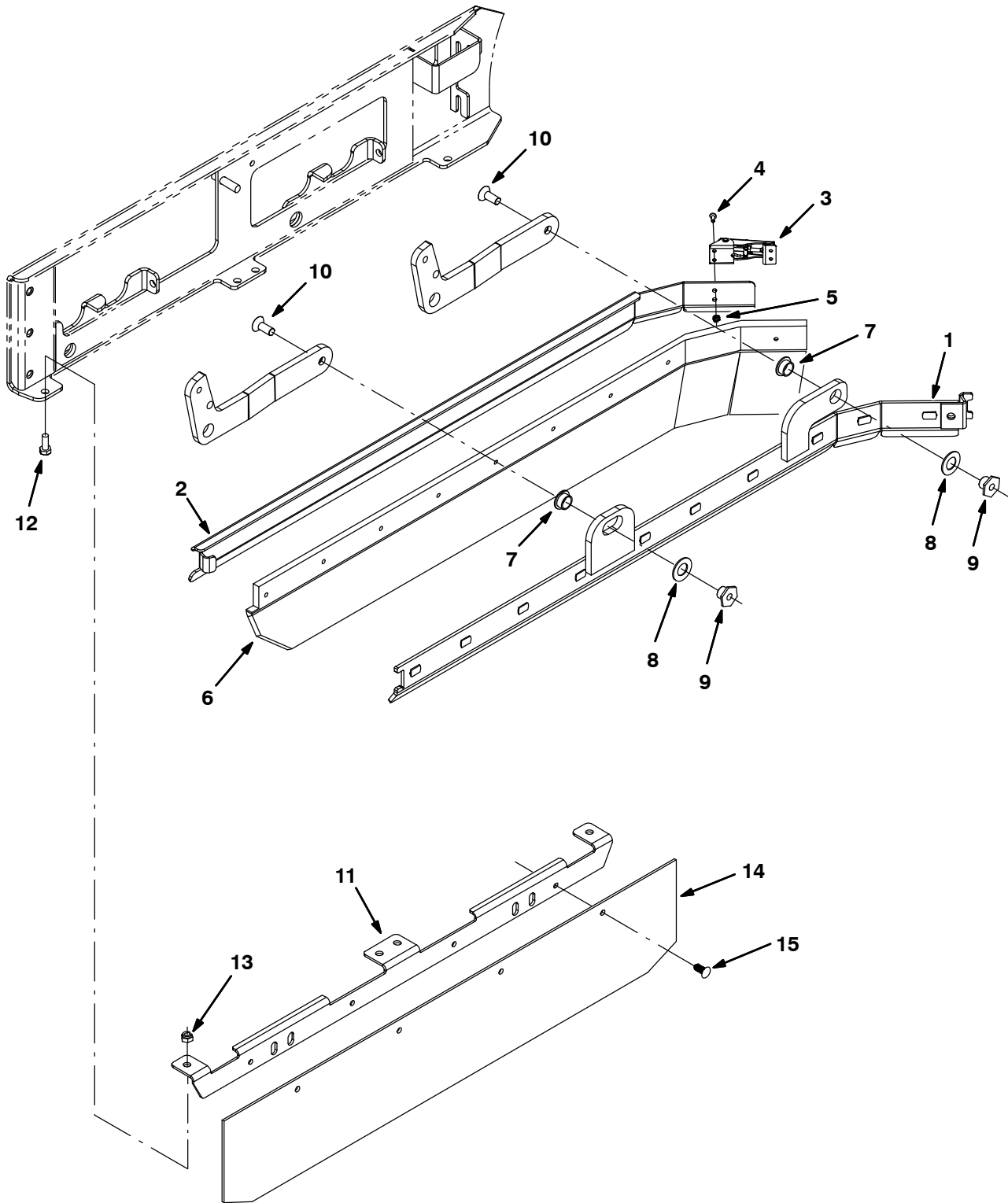


Fig. 38 - Cylindrical Scrub Head Squeegee Group, Right Side

Ref.	Part No.	Serial Number	Description	Qty.	
1	1029132	(000000-) Frame Wldt, Sqge, Rh	1	
2	1029128	(000000-) Retainer, Sqge, Side, Rh	1	
3	384418	(000000-) Latch, Door [Southco 91-562-07]	1	
4	49697	(000000-) Screw, Pan, M4 X 0.7 X 10, Ss	2	
5	33932	(000000-) Nut, Hex, Lock, M4 X 0.7, NI, Ss	2	
6	1031011	(000000-) Blade, Sqge, 37.08l Linatex	1	
6	1031823	(000000-) Blade, Sqge, .38 3.55w 038.3l, Ure (Option)	1	
7	25735	(000000-) Bushing, Flng, 0.63b 0.75d 0.38l	2	
8	64425	(000000-) Washer, Thrust, 0.61b 1.25d .06, Fgl	2	
9	1022846	(000000-) Nut, T, M10 X 1.50 X 15.8od X 13.0l	2	
10	09081	(000000-) Screw, Flt, M10 X 1.5 X 25, 10.9	2	
11	1025151	(000000-) Bracket, Mtg, Skirt, Door, Brush	1	
12	393135	(000000-) Screw, Btn, M8 X 1.25 X 20, Blk	4	
13	08713	(000000-) Nut, Hex, Lock, M8 X 1.25, NI, Ss	4	
▽	14	9003057	(000000-) Shield Kit, Side, Replmt [T20]	1
▲	15	21168	(000000-) Clip, .250h, Plstc [Pine-Tree]	4

Fig. 39 – Squeegee Lift Group, Right Side

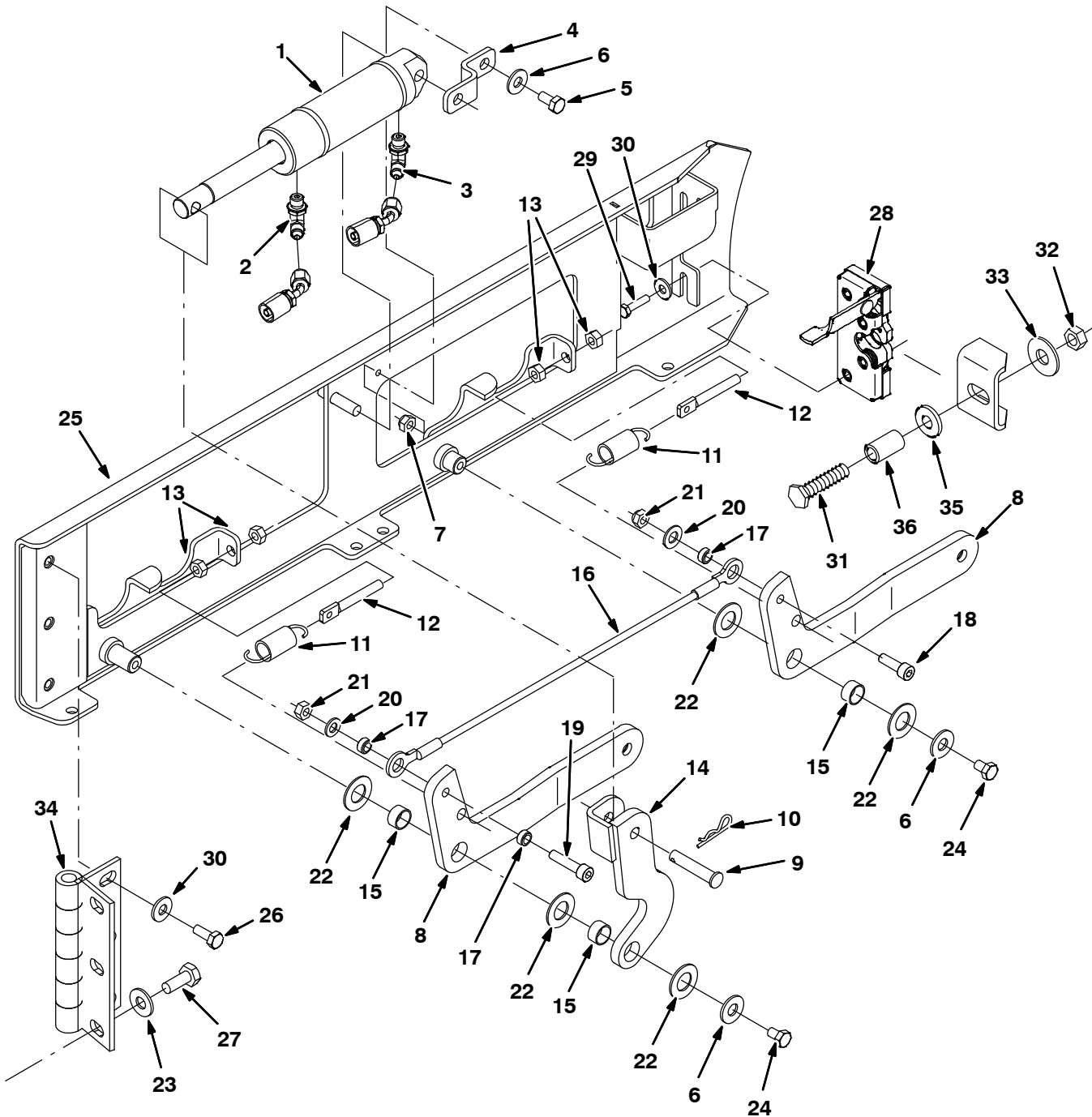


Fig. 39 – Squeegee Lift Group, Right Side

Ref.	Part No.	Serial Number	Description	Qty.
1	1038137	(000000–) Cylinder, Hyd, 1.5b 07.8l 02.80strk 2500	1
2	77097	(000000–) Fitting, Hyd, E90, Jm04/Om04	1
3	1028635	(000000–) Fitting, Hyd, Rst, Spcl	1
4	1022825	(000000–) Bracket, Mtg, Cyl	1
5	08716	(000000–) Screw, Hex, M6 X 1.00 X 20, Ss	1
6	01685	(000000–) Washer, Flat, 0.31, Ss	3
7	08713	(000000–) Nut, Hex, Lock, M8 X 1.25, NI, Ss	1
8	1020548	(000000–) Arm, Sqge, Side, Rh	2
9	17461	(000000–) Pin, Clevis, 0.37D X 1.75L	1
10	08182	(000000–) Pin, Cotter, .125 X 1.00	1
11	87816	(000000–) Spring, Extn, 0.75od X 0.09wir, 2.5l	2
12	386088	(000000–) Bolt, Eye, M08 X 1.25 X 070mm, 05.50 Eye	2
13	07786	(000000–) Nut, Hex, Std, M8 X 1.25, Ss	4
14	1023306	(000000–) Arm Wldt, Sqge, Lift, Rh	1
15	71607	(000000–) Bushing, Sleeve, 0.63b 0.72d 0.38l	3
16	81784	(000000–) Cable, Glv .13d 015.8l .50eye /.50eye	1
17	360801	(000000–) Sleeve, 0.31b 0.50d 0.3l, Ss	3
18	39308	(000000–) Screw, Soc, M8 X 1.25 X 25, 12.9	1
19	41445	(000000–) Screw, Soc, M8 X 1.25 X 35, 12.9	1
20	39349	(000000–) Washer, Flat, 0.31 Sae	2
21	08709	(000000–) Nut, Hex, Lock, M8 X 1.25, NI	2
22	64425	(000000–) Washer, Thrust, 0.61b 1.25d .06, Fgl	5
23	41187	(000000–) Washer, Flat, Belleville, .38	3
24	09740	(000000–) Screw, Hex, M8 X 1.25 X 20, Ss	2
25	1019031	(000000–) Door Wldt, Brush, Rh	1
26	09028	(000000–) Screw, Hex, M10 X 1.5 X 25, Ss	3
27	09740	(000000–) Screw, Hex, M8 X 1.25 X 20, Ss	3
28	59194	(000000–) Latch, Hook	1
29	09007	(000000–) Screw, Hex, M6 X 1.0 X 25, Ss	2
30	41185	(000000–) Washer, Flat, Belleville, .25	5
31	379870	(000000–) Screw, Hex, M12 X 1.75 X 55, Ss	1
32	07788	(000000–) Nut, Hex, Std, M12 X 1.75, Ss	1
33	41619	(000000–) Washer, Flat, 0.56b 1.38d .11, Ss	1
34	1024576	(000000–) Hinge, .50pin .19 4.0w 06.0l 3/0.44sl	1
35	36328	(000000–) Washer, Flat, Belleville, .50	1
36	1039348	(000000–) Sleeve, 0.49b 0.68d 1.2l [304ss]	1

Fig. 40 – Cylindrical Scrub Head Squeegee Group, Left Side

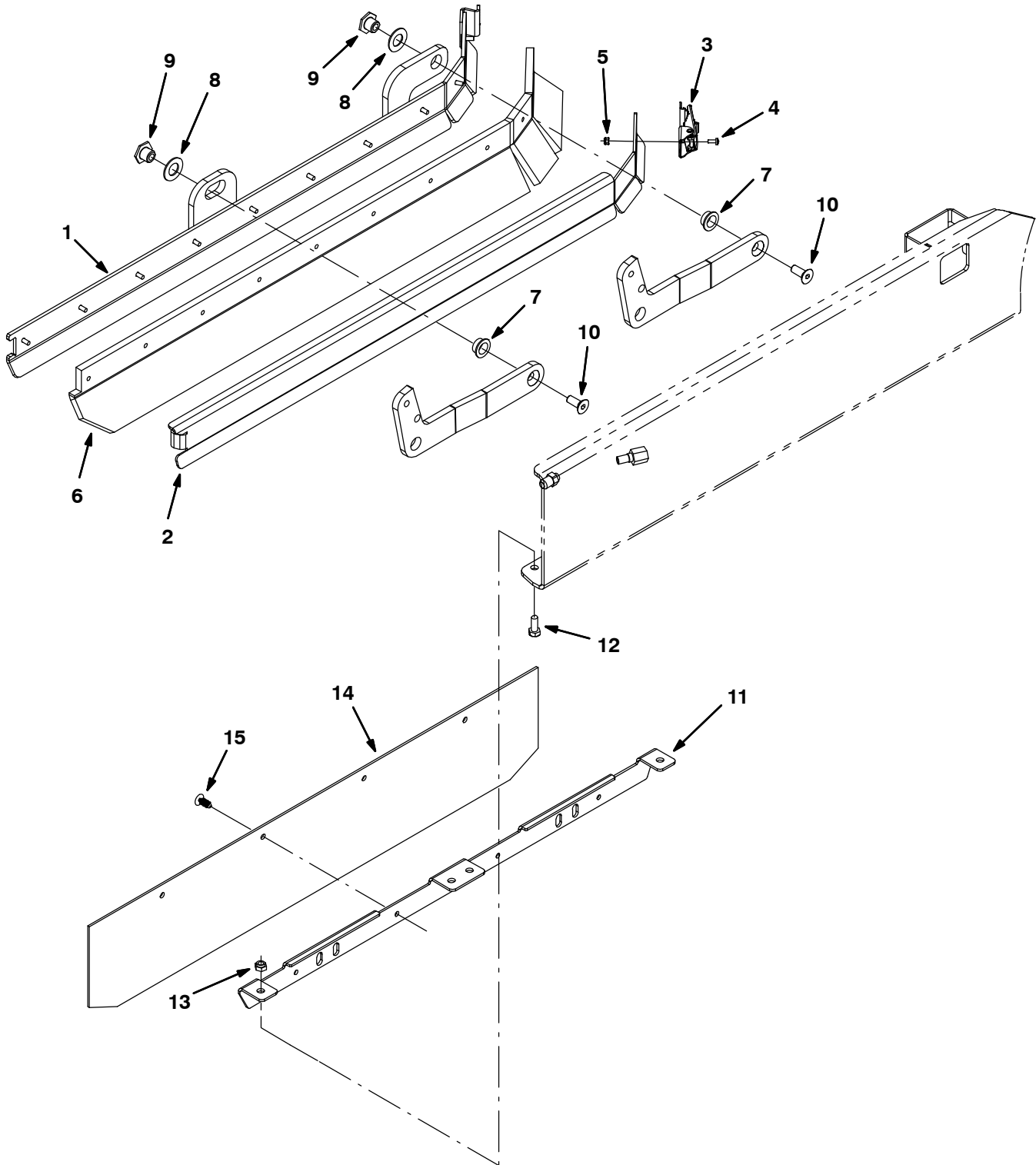


Fig. 40 - Cylindrical Scrub Head Squeegee Group, Left Side

Ref.	Part No.	Serial Number	Description	Qty.	
1	1028972	(000000-) Frame Wldt, Sqge, Lh	1	
2	1028979	(000000-) Retainer, Sqge, Side, Lh	1	
3	384418	(000000-) Latch, Door [Southco 91- 562- 07]	1	
4	49697	(000000-) Screw, Pan, M4 X 0.7 X 10, Ss	2	
5	33932	(000000-) Nut, Hex, Lock, M4 X 0.7, NI, Ss	2	
6	1031011	(000000-) Blade, Sqge, 37.08l Linatex	1	
6	1031823	(000000-) Blade, Sqge, .38 3.55w 038.3l, Ure (Option)	1	
7	25735	(000000-) Bushing, Flng, 0.63b 0.75d 0.38l	2	
8	64425	(000000-) Washer, Thrust, 0.61b 1.25d .06, Fgl	2	
9	1022846	(000000-) Nut, T, M10 X 1.50 X 15.8od X 13.0l	2	
10	09081	(000000-) Screw, Flt, M10 X 1.5 X 25, 10.9	2	
11	1025151	(000000-) Bracket, Mtg, Skirt, Door, Brush	1	
12	393135	(000000-) Screw, Btn, M8 X 1.25 X 20, Blk	4	
13	08713	(000000-) Nut, Hex, Lock, M8 X 1.25, NI, Ss	4	
▽	14	9003057	(000000-) Shield Kit, Side, Replmt [T20]	1
▲	15	21168	(000000-) Clip, .250h, Plstc [Pine- Tree]	4

Fig. 41 - Squeegee Lift Group, Left Side

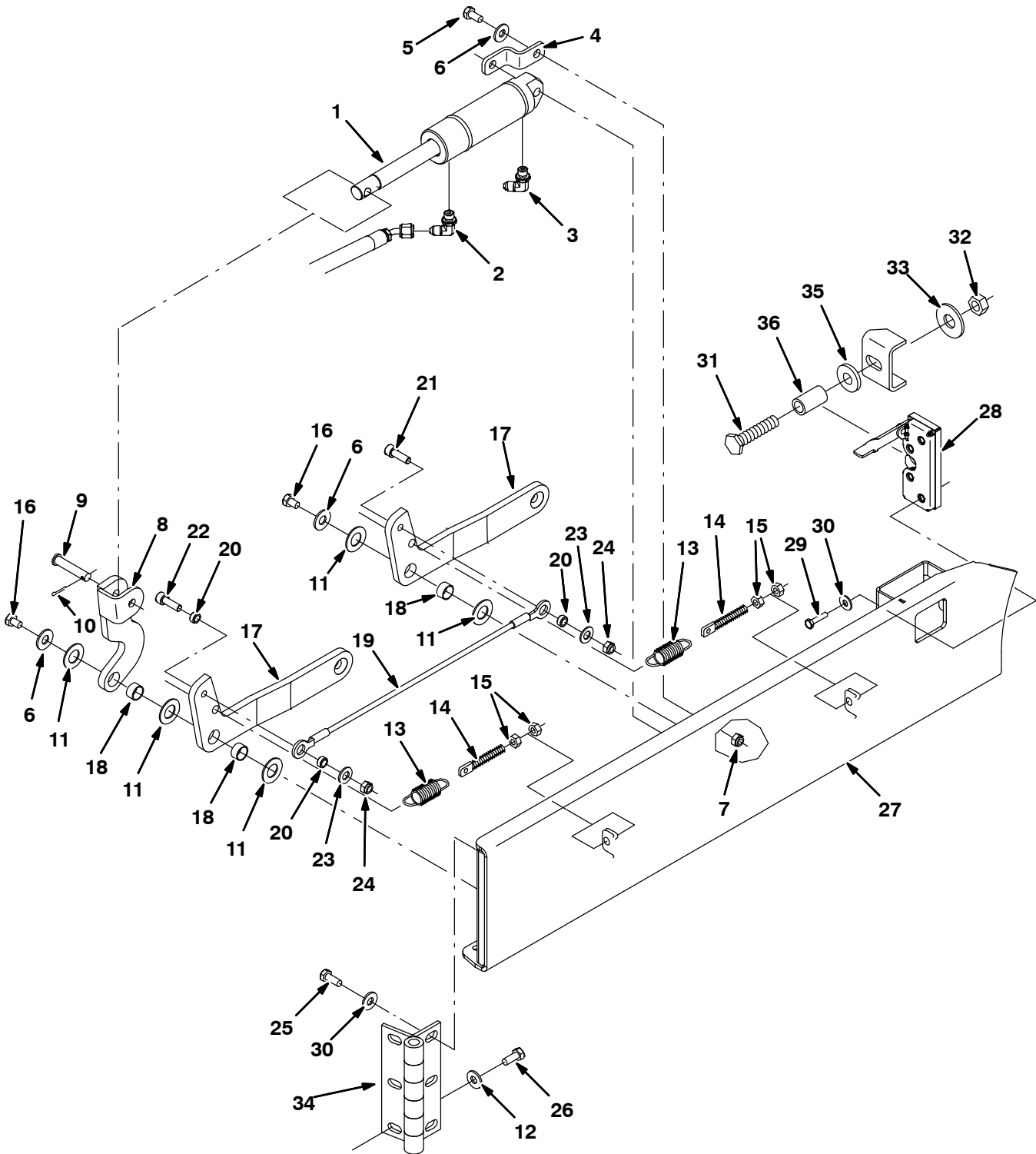


Fig. 41 – Squeegee Lift Group, Left Side

Ref.	Part No.	Serial Number	Description	Qty.
1	1038137	(000000–) Cylinder, Hyd, 1.5b 07.8l 02.80strk 2500	1
2	77097	(000000–) Fitting, Hyd, E90, Jm04/Om04	1
3	1028635	(000000–) Fitting, Hyd, Rst, Spcl	1
4	1022825	(000000–) Bracket, Mtg, Cyl	1
5	08716	(000000–) Screw, Hex, M6 X 1.00 X 20, Ss	1
6	01685	(000000–) Washer, Flat, 0.31, Ss	3
7	08713	(000000–) Nut, Hex, Lock, M8 X 1.25, NI, Ss	1
8	1022978	(000000–) Arm Wldt, Lift, Sqge, Lh	1
9	17461	(000000–) Pin, Clevis, 0.37D X 1.75L	1
10	08182	(000000–) Pin, Cotter, .125 X 1.00	1
11	64425	(000000–) Washer, Thrust, 0.61b 1.25d .06, Fgl	5
12	41187	(000000–) Washer, Flat, Belleville, .38	3
13	87816	(000000–) Spring, Extn, 0.75od X 0.09wir, 2.5l	2
14	386088	(000000–) Bolt, Eye, M08 X 1.25 X 070mm, 05.50 Eye	2
15	07786	(000000–) Nut, Hex, Std, M8 X 1.25, Ss	4
16	09740	(000000–) Screw, Hex, M8 X 1.25 X 20, Ss	2
17	1023307	(000000–) Arm, Sqge, Side, Lh	2
18	71607	(000000–) Bushing, Sleeve, 0.63b 0.72d 0.38l	3
19	81784	(000000–) Cable, Glv .13d 015.8l .50eye /.50eye	1
20	360801	(000000–) Sleeve, 0.31b 0.50d 0.3l, Ss	3
21	39308	(000000–) Screw, Soc, M8 X 1.25 X 25, 12.9	1
22	41445	(000000–) Screw, Soc, M8 X 1.25 X 35, 12.9	1
23	39349	(000000–) Washer, Flat, 0.31 Sae	2
24	08709	(000000–) Nut, Hex, Lock, M8 X 1.25, NI	2
25	09028	(000000–) Screw, Hex, M10 X 1.5 X 25, Ss	3
26	09740	(000000–) Screw, Hex, M8 X 1.25 X 20, Ss	6
27	1023314	(000000–) Door Wldt, Brush, Lh	1
28	59195	(000000–) Latch, Hook	1
29	09007	(000000–) Screw, Hex, M6 X 1.0 X 25, Ss	2
30	41185	(000000–) Washer, Flat, Belleville, .25	5
31	379870	(000000–) Screw, Hex, M12 X 1.75 X 55, Ss	1
32	07788	(000000–) Nut, Hex, Std, M12 X 1.75, Ss	1
33	41619	(000000–) Washer, Flat, 0.56b 1.38d .11, Ss	1
34	1024576	(000000–) Hinge, .50pin .19 4.0w 06.0l 3/0.44sl	1
35	36328	(000000–) Washer, Flat, Belleville, .50	1
36	1039348	(000000–) Sleeve, 0.49b 0.68d 1.2l [304ss]	1

Fig. 42 – Solution Tank Group

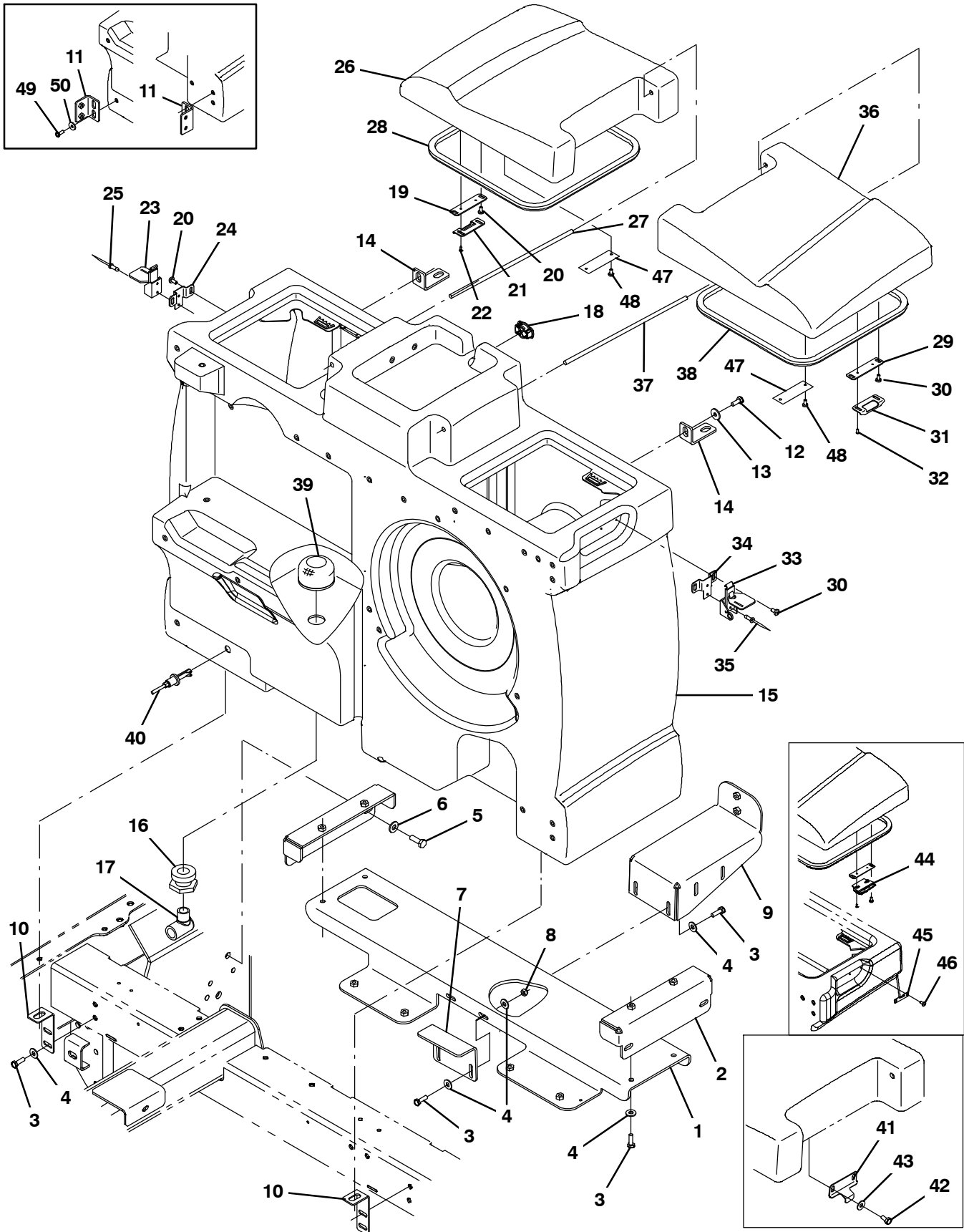


Fig. 42 – Solution Tank Group

Ref.	Part No.	Serial Number	Description	Qty.
1	1023497	(000000–) Channel, Sppt, Tank	1
2	1023493	(000000–) Bracket, Mtg, Tank	2
3	09010	(000000–) Screw, Hex, M8 X 1.25 X 25, Ss	12
4	32491	(000000–) Washer, Flat, 0.31, Std	14
5	12317	(000000–) Screw, Hex, M10 X 1.5 X 30, Ss	4
6	32492	(000000–) Washer, Flat, 0.38, Std	4
7	1023508	(000000–) Bracket, Mtg, Tank	1
8	08713	(000000–) Nut, Hex, Lock, M8 X 1.25, NI, Ss	2
9	1023510	(000000–) Bracket, Mtg, Tank	1
10	1024131	(000000–) Angle, Mtg, Stl, .12 4.2 2.0 01.4l	2
11	1024175	(000000–001004) Angle, Mtg, Stl, .18 2.2 1.9 03.0l	2
12	09740	(000000–) Screw, Hex, M8 X 1.25 X 20, Ss	2
13	1017218	(000000–) Washer, Flat, 0.32b 1.00d .12, Ss	2
14	1024217	(000000–) Angle, Mtg, Stl, .19 3.1 1.8 01.4l	2
15	9004118	(000000–001683) Tank Kit, Soltn, W/ Bracket, Replmt	1
15	1027426	(001684–) Tank, Soltn, W/ Label	1
15	9002670	(001684–) Tank, Soltn, W/ Es [T20]	1
16	377349	(000000–) Fitting, Plstc, Pf12/Pf12, Bh	1
17	69785	(000000–) Fitting, Plstc, E90, Pf12/Pm12	1
18	390994	(000000–) Plug, Hole, Soltn Tank, Blk Pyu	1
▽	9003069	(000000–) Cover Kit, Soltn Tank, Rh [M20 & T20]	1
▲▽	9005165	(000000–) Latch Kit, Cover, Soltn, Replmt[M20/T20]	1
▲▲	19 1039757	(001688–) Plate, Mtg, Latch	1
▲▲	20 382320	(000000–) Screw, Pan, Phl, 12–16 X 0.50, F/ Plstc	4
▲▲	21 1048474	(001928–) Catch, Latch, Tank Cover	1
▲▲	22 222267	(001928–) Screw, Pan, Phl, 06–20 X 0.50, Fmg/Ab	2
▲▲	23 367949	(001928–) Latch	1
▲▲	24 1048512	(001928–) Bracket, Mtg, Latch, Tank Cover	1
▲▲	25 08875	(001928–) Rivet, Blind, .125d X 0.54 X .25d, Alm	2
▲	26 1022176	(000000–) Cover, Tank, Soltn, Rh, Trimmed	1
▲	27 1047098	(000000–) Bar, Rnd, Plstc, 0.31d 12.5l	1
▲	28 1038805	(000000–) Seal, Bulb, Str, .50Hi .50W 047.2L, Adh	1
▽	9003071	(000000–) Cover Kit, Tank, Soltn, Rh, Replmt, Ce (Japan and CE Only)	1
▲▽	9005165	(000000–) Latch Kit, Cover, Soltn, Replmt[M20/T20]	1
▲▲	19 1039757	(001688–) Plate, Mtg, Latch	1
▲▲	20 382320	(000000–) Screw, Pan, Phl, 12–16 X 0.50, F/ Plstc	4
▲▲	21 1048474	(001928–) Catch, Latch, Tank Cover	1
▲▲	22 222267	(001928–) Screw, Pan, Phl, 06–20 X 0.50, Fmg/Ab	2
▲▲	23 367949	(001928–) Latch	1
▲▲	24 1048512	(001928–) Bracket, Mtg, Latch, Tank Cover	1
▲▲	25 08875	(001928–) Rivet, Blind, .125d X 0.54 X .25d, Alm	2
▲	26 1031233	(000000–) Cover, Tank, Soltn, Rh, Trimmed (Japan and CE Only)	1
▲	27 1047098	(000000–) Bar, Rnd, Plstc, 0.31d 12.5l	1
▲	28 1038805	(000000–) Seal, Bulb, Str, .50Hi .50W 047.2L, Adh	1

(CONTINUED)

STANDARD PARTS

Fig. 42 – Solution Tank Group

Ref.	Part No.	Serial Number	Description	Qty.
▽	9003068	(000000–) Cover Kit, Tank, Soltn, Lh, Replmt	1
▲▽	9005165	(000000–) Latch Kit, Cover, Soltn, Replmt[M20/T20]	1
▲▲	29 1039757	(001688–) Plate, Mtg, Latch	1
▲▲	30 382320	(000000–) Screw, Pan, Phl, 12–16 X 0.50, F/ Plstc	4
▲▲	31 1048474	(001928–) Catch, Latch, Tank Cover	1
▲▲	32 222267	(001928–) Screw, Pan, Phl, 06–20 X 0.50, Fmg/Ab	2
▲▲	33 367949	(001928–) Latch	1
▲▲	34 1048512	(001928–) Bracket, Mtg, Latch, Tank Cover	1
▲▲	35 08875	(001928–) Rivet, Blind, .125d X 0.54 X .25d, Alm	2
▲	36 1022182	(000000–) Cover, Tank, Soltn, Lh, Trimmed	1
▲	37 1047098	(000000–) Bar, Rnd, Plstc, 0.31d 12.5l	1
▲	38 1038805	(000000–) Seal, Bulb, Str, .50Hi .50W 047.2L, Adh	1
▽	39 9003070	(000000–) Cover Kit, Tank, Soltn, Lh, Replmt, Ce (Japan and CE Only)	1
▲▽	9005165	(000000–) Latch Kit, Cover, Soltn, Replmt[M20/T20]	1
▲▲	29 1039757	(001688–) Plate, Mtg, Latch	1
▲▲	30 382320	(000000–) Screw, Pan, Phl, 12–16 X 0.50, F/ Plstc	4
▲▲	31 1048474	(001928–) Catch, Latch, Tank Cover	1
▲▲	32 222267	(001928–) Screw, Pan, Phl, 06–20 X 0.50, Fmg/Ab	2
▲▲	33 367949	(001928–) Latch	1
▲▲	34 1048512	(001928–) Bracket, Mtg, Latch, Tank Cover	1
▲▲	35 08875	(001928–) Rivet, Blind, .125d X 0.54 X .25d, Alm	2
▲	36 1031235	(000000–) Cover, Tank, Soltn, Rh, Trimmed (Japan and CE Only)	1
▲	37 1047098	(000000–) Bar, Rnd, Plstc, 0.31d 12.5l	1
▲	38 1038805	(000000–) Seal, Bulb, Str, .50Hi .50W 047.2L, Adh	1
	39 1027290	(000000–) Filter, Soltn, 20mesh, Pm12 3.1d 02.6l	1
	40 385685	(000000–) Sensor, Level, Liq, 14vdc 01a .62–11	1
	41 1020428	(000000–001687) Bracket, Latch, Cover	2
	42 09744	(000000–001687) Screw, Hex, M6 X 1.00 X 12, Ss	4
	43 01684	(000000–001687) Washer, Flat, 0.27b 0.69d .05, Ss	4
	44 1030617	(001688–001927) Latch, Cover	2
	45 1029748	(001688–001927) Bracket, Keeper, Latch	2
	46 382320	(001688–001927) Screw, Pan, Phl, 12–16 X 0.50, F/ Plstc	4
	47 1017101	(000000–) Plate, Label, Soltn Tank (ec–H20 only)	2
	48 360973	(000000–) Screw, Pan, 12–16 X 0.50, F/ Plstc (ec–H20 only)	4
	49 09740	(000000–001004) Screw, Hex, M8 X 1.25 X 20, Ss	2
	50 1017218	(000000–001004) Washer, Flat, 0.32b 1.00d .12, Ss	2

Fig. 43 – Solution Tank Drain Group

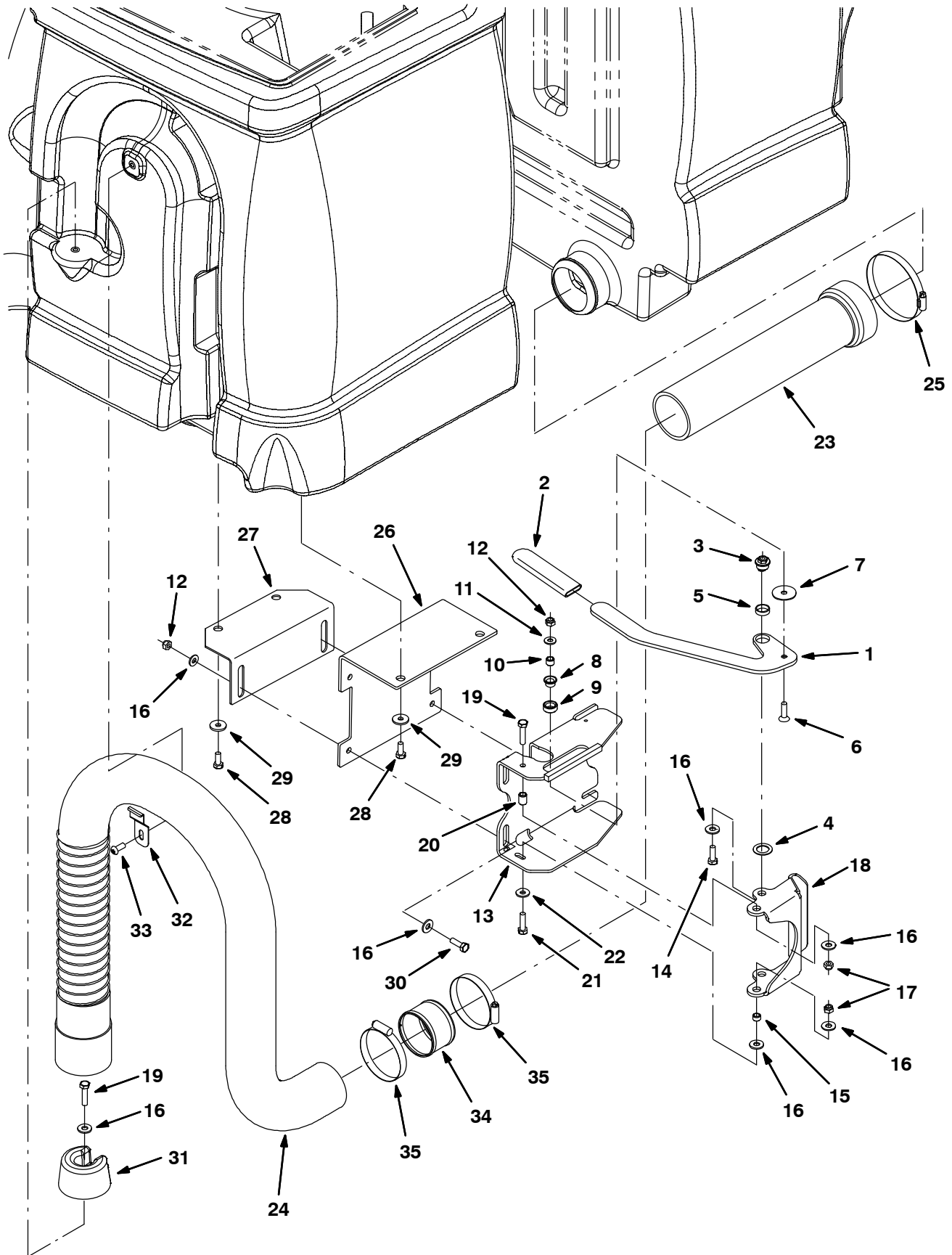


Fig. 43 – Solution Tank Drain Group

Ref.	Part No.	Serial Number	Description	Qty.
1	1025092	(000000–) Handle, Valve, Pinch, Rh	1
2	1023502	(000000–) Grip, Handle	1
3	1024599	(000000–) Bushing, Eccentric, Adj	1
4	1026051	(000000–) Washer, Flat, 0.79b 1.18d .06, Nyl	1
5	74090	(000000–) Bushing, Sleeve, 0.75b 0.88d 0.25l	1
6	79506	(000000–) Screw, Flt, M8 X 1.25 X 30, Ss	1
7	1028701	(000000–) Washer, Thrust, 0.34b 1.50d .06	1
8	15648	(000000–) Bushing, Flng, 0.50b 0.59d 0.38l	1
9	1028691	(000000–) Roller, Brg	1
10	1028690	(000000–) Tube, 0.50d 0.32b 00.4l, Ss	1
11	39349	(000000–) Washer, Flat, 0.31, Sae	1
12	08713	(000000–) Nut, Hex, Lock, M8 X 1.25, NI, Ss	9
13	1042003	(000000–) Mount Wldt, Valve, Pinch, Rh	1
14	39277	(000000–) Screw, Hex, M8 X 1.25 X 25, 8.8	1
15	222516	(000000–) Sleeve, P/M, 0.31b 0.50d 0.3l [430ss]	1
16	32491	(000000–) Washer, Flat, 0.31, Std	10
17	08713	(000000–) Nut, Hex, Lock, M8 X 1.25, NI, Ss	3
18	1024535	(000000–) Arm, Pinch	1
19	06955	(000000–) Screw, Hex, M8 X 1.25 X 35, 8.8	2
20	80395	(000000–) Sleeve, P/M, 0.31b 0.50d 0.7l [430ss]	1
21	76570	(000000–) Screw, Hex, M8 X 1.25 X 30, 8.8	1
22	41186	(000000–) Washer, Flat, Belleville, .31	1
23	9003793	(000000–) Tube Kit, Tank, Soltn, Replmt	1
24	1019424	(000000–) Hose, Drain, 3.00id X 48.0l	1
25	23498	(000000–) Clamp, Hose, Wormdrive, 3.56–4.50d, .50w	1
26	1025449	(000000–) Angle, Mtg, Valve	2
27	1025452	(000000–) Angle, Mtg, Stl, .12 3.7 3.4 09.1l	2
28	09740	(000000–) Screw, Hex, M8 X 1.25 X 20, Ss	4
29	1017218	(000000–) Washer, Flat, 0.32b 1.00d .12, Ss	4
30	09010	(000000–) Screw, Hex, M8 X 1.25 X 25, Ss	4
31	1022137	(000000–) Plug, Hose, Pyu	1
32	1025480	(000000–) Bracket, Retaining, Hose	1
33	393135	(000000–) Screw, Btn, M8 X 1.25 X 20, Blk	1
34	1020744	(000000–) Tube, Rnd, 3.00d 2.90b 02.0l, Ss	1
35	43555	(000000–) Clamp, Hose, Wormdrive, 2.50–3.50d, .50w	2

STANDARD PARTS

Fig. 44 - Solution Control Group, Cylindrical Scrub Head

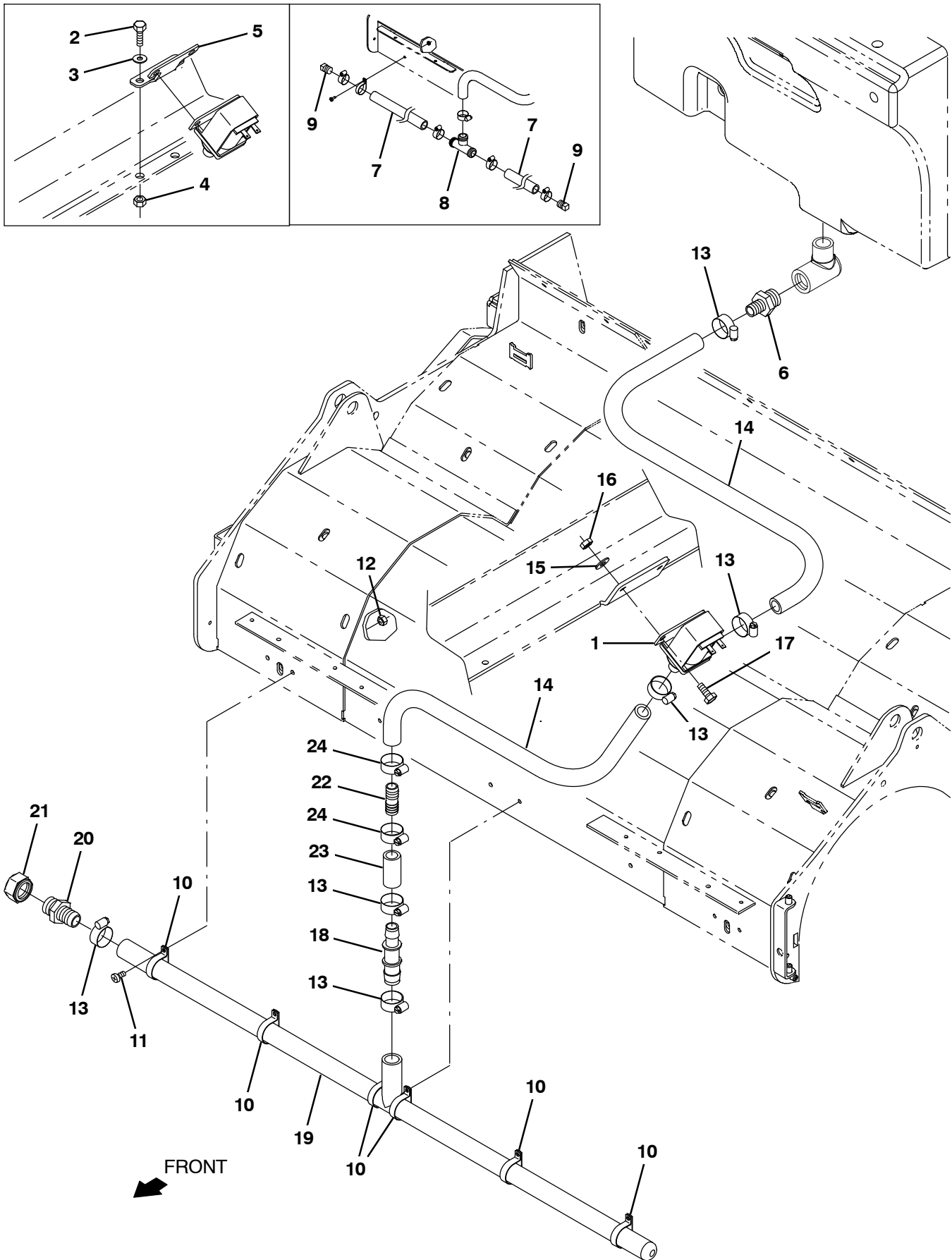


Fig. 44 – Solution Control Group, Cylindrical Scrub Head

Ref.	Part No.	Serial Number	Description	Qty.
1	1067700	(000000–)	Valve Assy, Water, Solenoid , 12vdc	1
2	08716	(000000–001602)	Screw, Hex, M6 X 1.0 X 20, Ss	2
3	01684	(000000–001602)	Washer, Flat, 0.25, Ss	2
4	08712	(000000–001602)	Nut, Hex, Lock, M6 X 1.0, Ss, NI	2
5	1028074	(000000–001602)	Bracket, Mtg, Valve	1
6	79273–2	(000000–006330)	Fitting, Plstc, Str, Bm12/Pm12	1
6	365095	(006331–)	Fitting, Plstc, Str, Bm10/Pm12	1
7	1029185	(000000–001581)	Tube, Distribution, Water	2
8	41315	(000000–001581)	Fitting, Plstc, Tee, Bm12/Bm12/Bm12	1
9	17521	(000000–001581)	Fitting, Pipe, Plug, Pm08, Sq Head	2
10	50544	(000000–)	Clamp, Cable, Ss, 1.12d X 0.38w, 1h	6
11	09200	(000000–)	Screw, Pan, M5 X 0.8 X 12, Ss	6
12	09739	(000000–)	Nut, Hex, Lock, M5 X 0.8, NI, Ss	6
13	63810	(000000–)	Clamp, Hose, Wormdrive, 0.56–1.06d, .56w	8
14	1015045	(000000–006330)	Hose, Afmkt, Pvc, Brd 0.75id 08ft	1
14	1015032	(006331–)	Hose, Afmkt, Pvc, Brd, 0.62id, 08ft, Clr	1
15	01684	(000000–)	Washer, Flat, 0.25, Ss	2
16	08712	(000000–)	Nut, Hex, Lock, M6 X 1.0, Ss, NI	2
17	08716	(000000–)	Screw, Hex, M6 X 1.0 X 20, Ss	2
18	1038074	(001582–006330)	Fitting, Plstc, Str, Bm12/Bm12	1
18	363543	(006331–)	Fitting, Plstc, Str, Bm10/Bm12	1
19	1036997	(001582–)	Manifold, Bar, Spray, 37.5inch	1
20	79273–2	(001582–)	Fitting, Plstc, Str, Bm12/Pm12	1
21	1039064	(001582–)	Fitting, Plstc, Cap, Pf12 Hex	1
22	365164	(006331–)	Fitting, Plstc, Str, Bm10/Bm10	1
23	1015033	(006331–)	Hose, Afmkt, Pvc, Brd, 0.62id, 01ft, Clr	1
24	63810	(006331–)	Clamp, Hose, Wormdrive, 0.56–1.06d, .56w	2

Fig. 45 – Solution Control Group, Disk Scrub Head

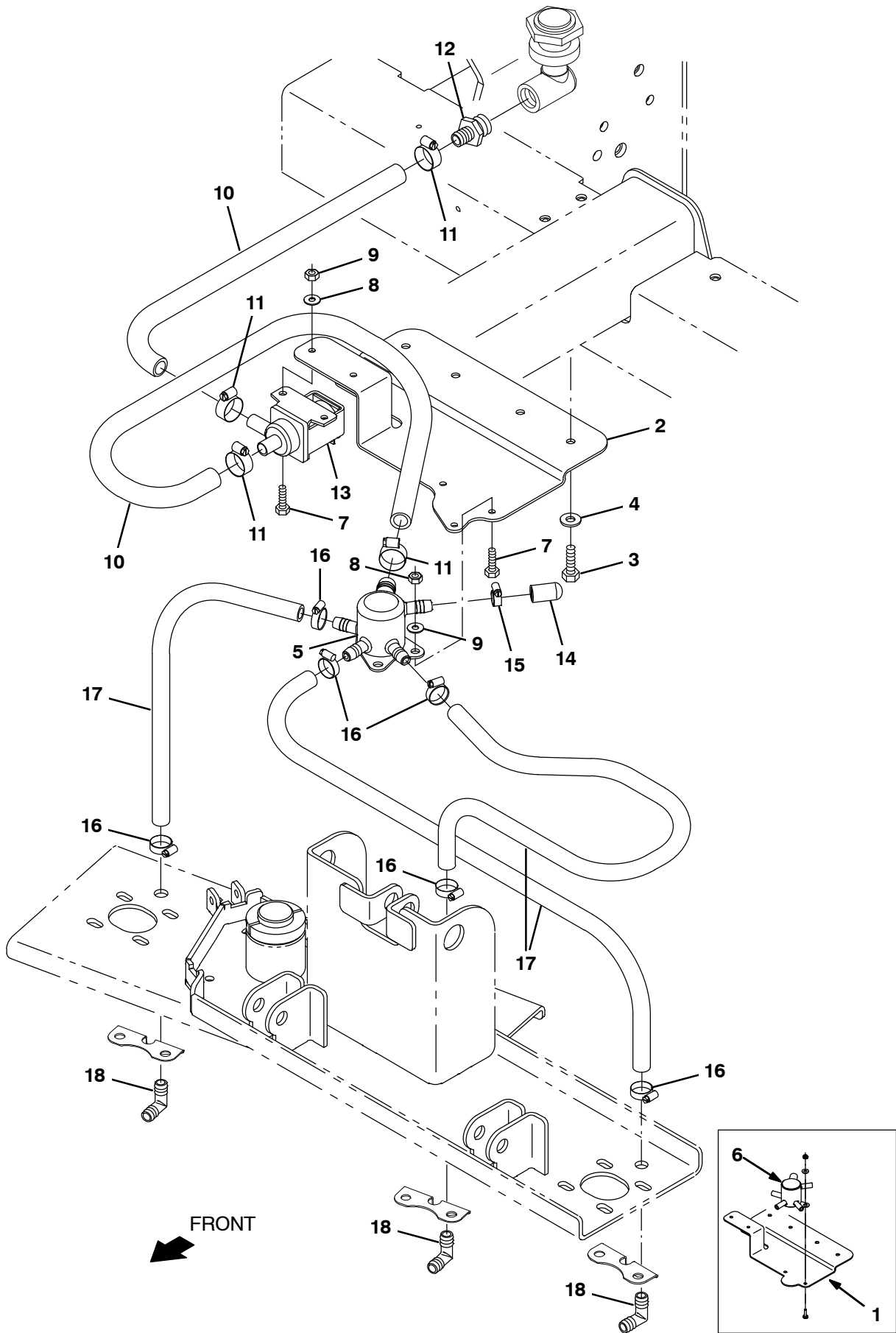


Fig. 45 – Solution Control Group, Disk Scrub Head

Ref.	Part No.	Serial Number	Description	Qty.
1	1028205	(000000-001762)	Bracket, Valve, Water	1
2	1042046	(001763-)	Bracket, Valve, Water	1
3	09010	(000000-)	Screw, Hex, M8 X 1.25 X 25, Ss	2
4	32491	(000000-)	Washer, Flat, 0.31, Std	2
5	1032701	(001763-)	Manifold Assy, Cntrl, Soltn	1
6	1023491	(000000-001762)	Manifold Wldt, Cntrl, Soltn	1
7	08716	(000000-)	Screw, Hex, M6 X 1.0 X 20, Ss	5
8	01684	(000000-)	Washer, Flat, 0.25, Ss	5
9	08712	(000000-)	Nut, Hex, Lock, M6 X 1.00, Ss, NI	5
10	1015045	(000000-)	Hose, Afmkt, Pvc, Brd 0.75id 08ft	1
11	63810	(000000-)	Clamp, Hose, Wormdrive, 0.56-1.06d, .56w	4
12	79273-2	(000000-)	Fitting, Plstc, Str, Bm12/Pm12	1
13	1067700	(000000-)	Valve Assy, Water, Solenoid , 12vdc	1
14	20807	(000000-)	Cap, Rbr, 0.50id 1.18l Blk	1
15	43844	(000000-)	Clamp, Hose, Wormdrive, 0.25-0.62d, .31w	1
16	54333	(000000-)	Clamp, Hose, Wormdrive, 0.31-0.88d, .31w	6
17	1006410	(000000-)	Hose, Afmkt, Pvc, Brd 0.75id 03ft	3
18	63987-1	(000000-)	Fitting, Plstc, E90, Bm08/Bm08	3

Fig. 46 – Recovery Tank Group

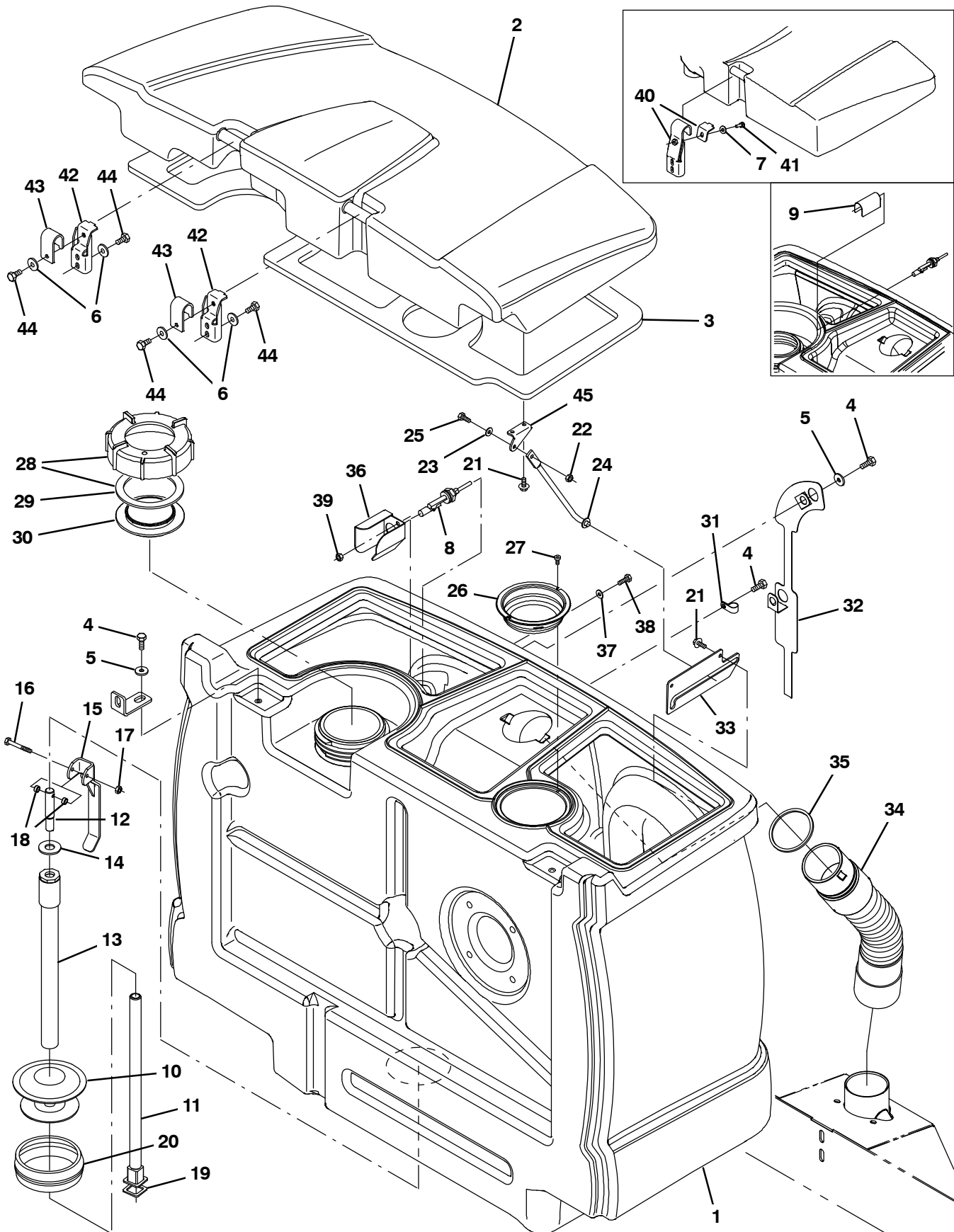


Fig. 46 – Recovery Tank Group

Ref.	Part No.	Serial Number	Description	Qty.
	1	1026316	(000000–) Tank, Recvy, Trimmed	1
▽	2	9003072	(000000–) Cover Kit, Tank, Recvy, Replmt [T20]	1
▲	3	1025562	(000000–) Gasket, Tank, Recvy	1
	4	09740	(000000–) Screw, Hex, M8 X 1.25 X 20, Ss	5
	5	1017218	(000000–) Washer, Flat, 0.32b 1.00d .12, Ss	4
	6	32491	(001685–) Washer, Flat, 0.31, Std	6
	7	32491	(000000–001684) Washer, Flat, 0.31, Std	2
	8	385685	(000000–) Sensor, Level, Liq, 14vdc 01a .62–11	1
	9	9003797	(000000–001608) Guard Kit, Switch, Float, Replmt [T20]	1
▽		9003313	(000000–) Plug Kit, Drain, Recvy, Ci [M20 & T20]	1
▲	10	1022370	(000000–) Plug, Drain, Expandable, 4.75–6.00	1
▲	11	1028328	(000000–) Tube Wldt, Plug, Drain	1
▲	12	1028173	(000000–) Pin, Lift, Drain	1
▲	13	1072885	(000000–) Tube Assy, Plug, Drain	1
▲	14	1028522	(000000–) Washer, Flat, .78b 1.75d .18, Ss	1
▲	15	1028211	(000000–) Handle Wldt, Drain	1
▲	16	58979	(000000–) Screw, Hex, M6 X 1.0 X 55, Ss	1
▲	17	08712	(000000–) Nut, Hex, Lock, M6 X 1.00, Ss, NI	1
▲	18	360801	(000000–) Sleeve, 0.31b 0.50d 0.3l, Ss	1
▲	19	1035044	(000000–) Seal, Shaft, Drain Plug	1
▲	20	1039652	(000000–) Seal, Plug, Drain [Nitrile]	1
	21	1046798	(000000–) Screw, Hex, .25–10 X 0.75, Fmg/a, Ss	4
	22	08712	(000000–) Nut, Hex, Lock, M6 X 1.00, Ss, NI	1
	23	01684	(000000–) Washer, Flat, 0.25, Ss	1
	24	54615	(000000–) Arm Wldt, Safety, Sppt, Seat, .38d 10.1l	1
	25	08716	(000000–) Screw, Hex, M6 X 1.0 X 20, Ss	1
	26	1026014	(000000–) Screen, Vacuum	1
	27	382320	(000000–) Screw, Pan, #12–16 X 0.50, F/ Plstc	2
▽	28	24358	(000000–) Cap Assy, Tank, Drain	1
▲	29	1031699	(000000–) Gasket, Lid	1
	30	86636	(000000–) Cover, Tank	1
	31	67767	(000000–) Clamp, Cable, Stl, 0.69d X 0.62w, 1h	1
	32	1030280	(000000–) Shield Wldt, Switch, Float	1
	33	1025620	(000000–) Plate, Mtg, Prop Rod	1
	34	1031610	(000000–) Hose Assy, Sqg	1
	35	1021920	(000000–) Gasket, 3.23ld 3.63Od .16Th, Ure	1
	36	1039697	(001609–) Guard Wldt, Switch, Float	1
	37	76426	(001609–) Washer, Sealing, 0.28b 0.75d Ss, Neo	2
	38	09007	(001609–) Screw, Hex, M6 X 1.00 X 25, Ss	2
	39	08712	(001609–) Nut, Hex, Lock, M6 X 1.00, Ss, NI	2
	40	9003893	(000000–001684) Hinge Kit, Cover, Tank, Recvy, Replmt	2
	41	09740	(000000–001684) Screw, Hex, M8 X 1.25 X 20, Ss	2
	42	1039072	(001685–) Bracket, Sppt, Cover, Tank, Recvy	1
	43	1039049	(001685–) Bracket, Mtg, Cover, Recvy Tank	1
	44	16735	(001685–) Screw, Hex, M8 X 1.25 X 16, 8.8	6
	45	1025619	(000000–) Bracket, Mtg, Prop Rod	1

Fig. 47 – Recovery Tank Drain Group

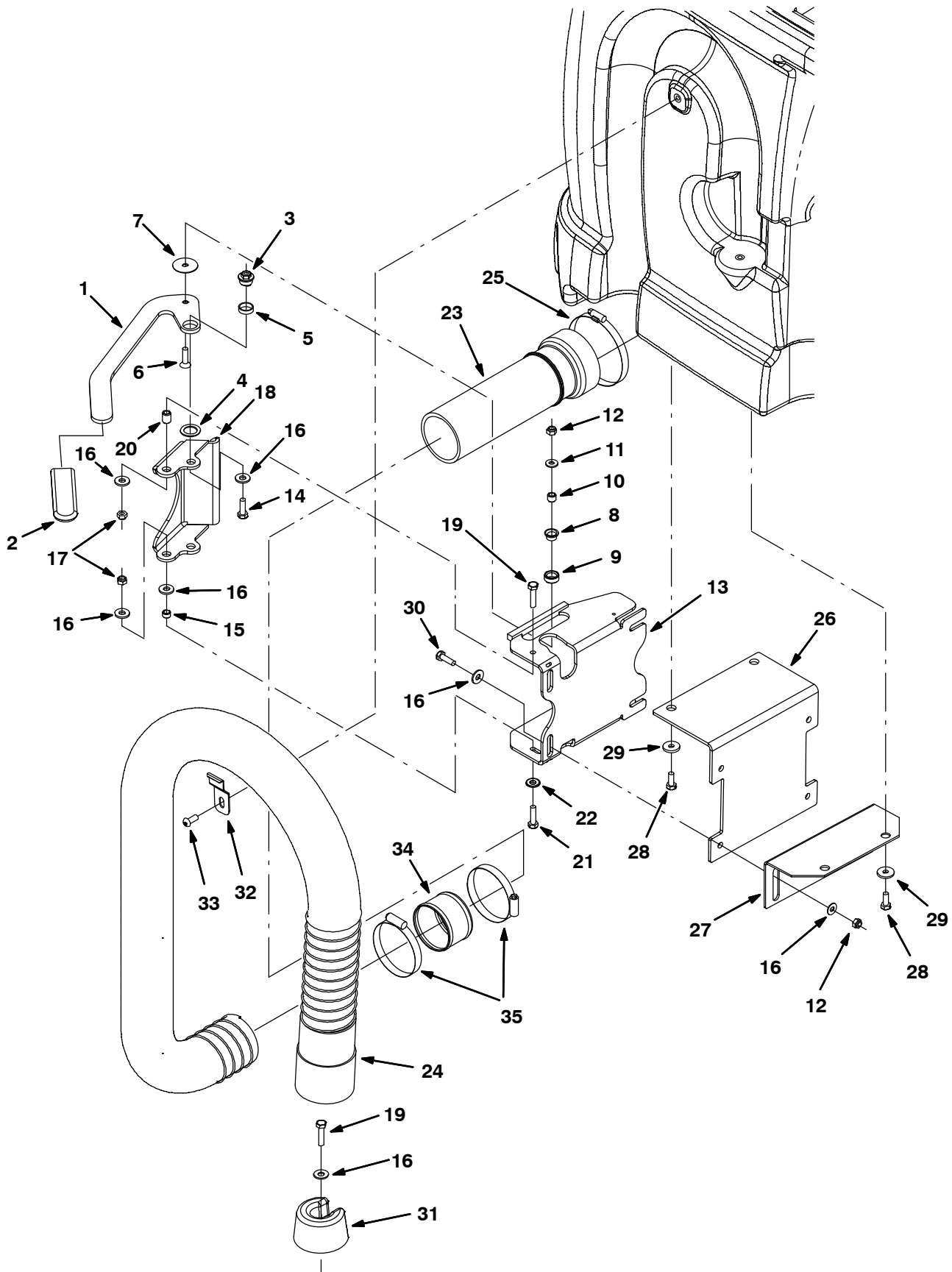


Fig. 47 – Recovery Tank Drain Group

Ref.	Part No.	Serial Number	Description	Qty.
1	1026142	(000000–) Handle, Valve, Pinch, Lh	1
2	1023502	(000000–) Grip, Handle	1
3	1024599	(000000–) Bushing, Eccentric, Adj	1
4	1026051	(000000–) Washer, Flat, 0.79b 1.18d .06, Nyl	1
5	74090	(000000–) Bushing, Sleeve, 0.75b 0.88d 0.25l	1
6	79506	(000000–) Screw, Flt, M8 X 1.25 X 30, Ss	1
7	1028701	(000000–) Washer, Thrust, 0.34b 1.50d .06	1
8	15648	(000000–) Bushing, Flng, 0.50b 0.59d 0.38l	1
9	1028691	(000000–) Roller, Brg	1
10	1028690	(000000–) Tube, 0.50d 0.32b 00.4l, Ss	1
11	39349	(000000–) Washer, Flat, 0.31, Sae	1
12	08713	(000000–) Nut, Hex, Lock, M8 X 1.25, NI, Ss	9
13	1042010	(000000–) Mount Wldt, Valve, Pinch, Lh	1
14	39277	(000000–) Screw, Hex, M8 X 1.25 X 25, 8.8	1
15	222516	(000000–) Sleeve, P/M, 0.31b 0.50d 0.3l [430ss]	1
16	32491	(000000–) Washer, Flat, 0.31, Std	10
17	08713	(000000–) Nut, Hex, Lock, M8 X 1.25, NI, Ss	3
18	1024535	(000000–) Arm, Pinch	1
19	06955	(000000–) Screw, Hex, M8 X 1.25 X 35, 8.8	2
20	80395	(000000–) Sleeve, P/M, 0.31b 0.50d 0.7l [430ss]	1
21	76570	(000000–) Screw, Hex, M8 X 1.25 X 30, 8.8	1
22	41186	(000000–) Washer, Flat, Belleville, .31	1
23	9003794	(000000–) Tube Kit, Tank, Recvy, Replmt	1
24	1019424	(000000–) Hose, Drain, 3.00id X 48.0l	1
25	23498	(000000–) Clamp, Hose, Wormdrive, 3.56–4.50d, .50w	1
26	1025449	(000000–) Angle, Mtg, Valve	2
27	1025452	(000000–) Angle, Mtg, Stl, .12 3.7 3.4 09.1l	2
28	09740	(000000–) Screw, Hex, M8 X 1.25 X 20, Ss	4
29	1017218	(000000–) Washer, Flat, 0.32b 1.00d .12, Ss	4
30	09010	(000000–) Screw, Hex, M8 X 1.25 X 25, Ss	4
31	1022137	(000000–) Plug, Hose, Pyu	1
32	1025480	(000000–) Bracket, Retaining, Hose	1
33	393135	(000000–) Screw, Btn, M8 X 1.25 X 20, Blk	1
34	1020744	(000000–) Tube, Rnd, 3.00d 2.90b 02.0l, Ss	1
35	43555	(000000–) Clamp, Hose, Wormdrive, 2.50–3.50d, .50w	2

Fig. 48 – Vacuum Fan Group, Scrubbing (000000–005892)

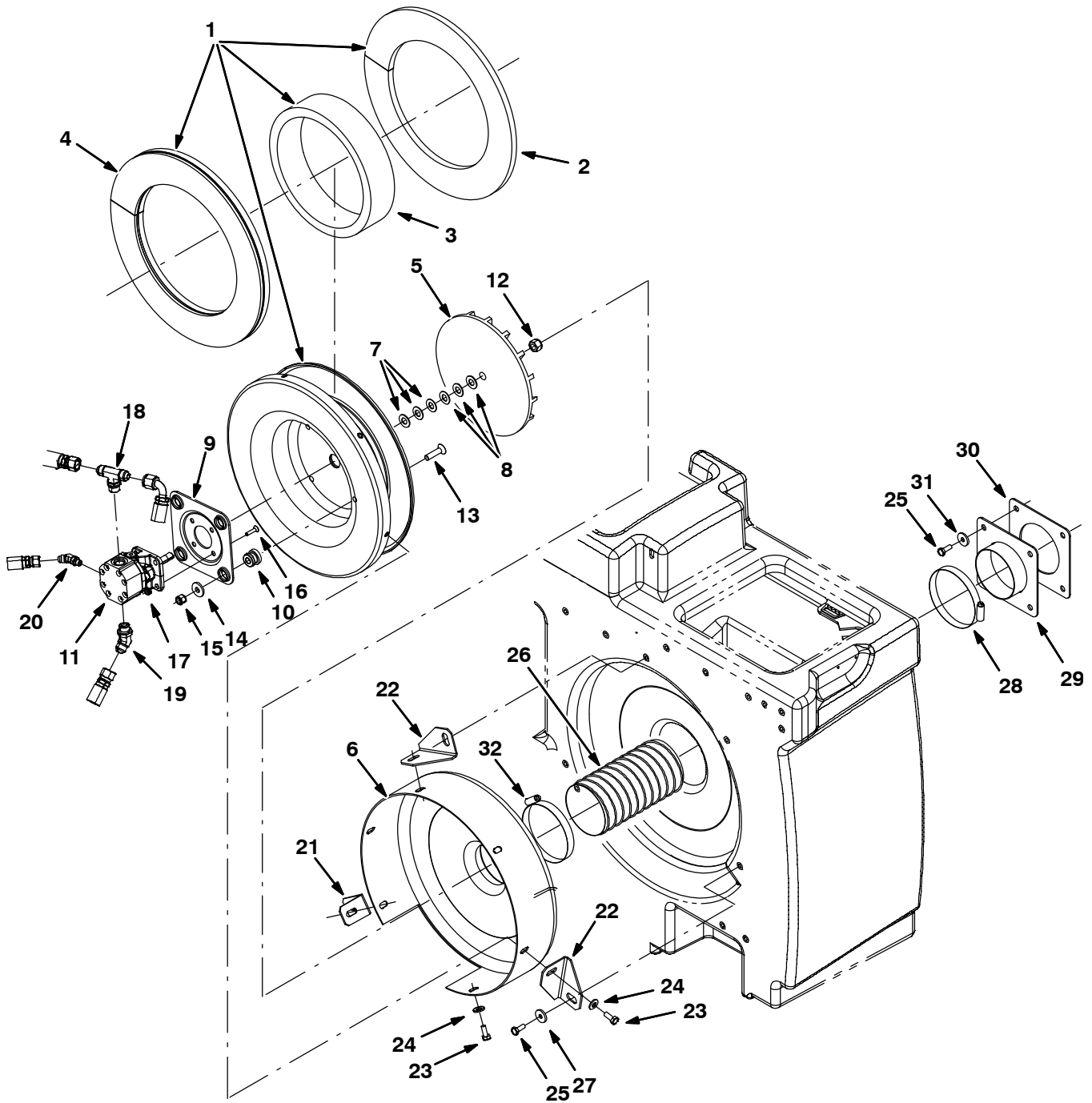


Fig. 48 - Vacuum Fan Group, Scrubbing (000000-005892)

Ref.	Part No.	Serial Number	Description	Qty.
▽	9003455	(000000-005892)	Fan Kit, Scrub, Replmt [M20/T20]	1
▲▽	1 9002684	(000000-005892)	Housing Assy, Vacfan, Scrbr	1
▲▲	2 1025888	(000000-005892)	Insulation, Flame-Retardant, 0.50	1
▲▲	3 1025887	(000000-005892)	Insulation, Flame-Retardant, 0.75-0.88	1
▲▲	4 1025872	(000000-005892)	Insulation, Flame-Retardant, 0.75-0.88	1
▲	5 03922	(000000-005892)	Impeller, 9.5d, 18 Bl	1
▲	6 57189	(000000-005892)	Housing Wldt, Vacfan, Front [528]	1
▲	7 75456-3	(000000-005892)	Shim, Washer, 0.88d 0.51b .020	3
▲	8 75456-4	(000000-005892)	Shim, Washer, 0.88d 0.51b .060	3
▲	9 54275A	(000000-005892)	Bracket, Mtg, Motor	1
▲	10 54274	(000000-005892)	Isolator, Vib, Bshg, 1.1d 0.6l .4b 0.78h	4
▲▽	11 9003461	(000000-005892)	Motor Kit, Replmt [M20&T20]	1
▲▲	00954	(000000-005892)	Key, Sq, 0.12 X 0.12, 1.00l (Included With Motor)	1
▲▲	74233	(000000-005892)	Kit, Seal, Motor, Hyd, Gear[Barns]	1
▲▲	12 41130	(000000-005892)	Nut, Low Crown, .50-20	1
▲▲	13 54861	(000000-005892)	Screw, Flt, .38-16 X 1.50, Al	4
▲▲	14 1014563	(000000-005892)	Washer, Flat, 0.40b 1.12d .12, Ss	4
▲▲	15 36643	(000000-005892)	Nut, Hex, Lock, .38-16, NI, Thin	4
▲▲	16 39534	(000000-005892)	Screw, Flt, .25-20 X 1.00, Al	4
▲▲	17 32981	(000000-005892)	Nut, Hex, Lock, .25-20, NI	4
▲▲	18 49933	(000000-005892)	Fitting, Hyd, Tee, Jm08/Jm08/Om08, Br	1
▲▲	19 42226	(000000-005892)	Fitting, Hyd, E45, Jm08/Om08	1
▲▲	20 392609	(000000-005892)	Fitting, Hyd, E45, Jm06/Om04	1
▲	21 1020320	(000000-005892)	Angle, Sppt, Fan	1
▲	22 1024891	(000000-005892)	Bracket, Mtg, Fan	2
▲	23 16931	(000000-005892)	Screw, Hex, M8 X 1.25 X 20, 8.8	6
▲	24 41186	(000000-005892)	Washer, Flat, Belleville, .31	6
	25 09740	(000000-005892)	Screw, Hex, M8 X 1.25 X 20, Ss	7
	26 1022377	(000000-005892)	Hose, Flex, 4.00d, 24.0l	1
	27 1014563	(000000-005892)	Washer, Flat, 0.40b 1.12d .12, Ss	3
	28 79380	(000000-005892)	Clamp, Hose, Wormdrive, 3.75-4.62d, .62w	1
	29 1023754	(000000-005892)	Plate Wldt, Hose, Vacuum	1
	30 1024853	(000000-005892)	Gasket, Plt, Hose, Vacuum	1
	31 1017218	(000000-005892)	Washer, Flat, 0.32b 1.00d .12, Ss	4
	32 23498	(000000-005892)	Clamp, Hose, Wormdrive, 3.56-4.50D, .50W	1

Fig. 49 – Vacuum Fan Group, Scrubbing (005893-)

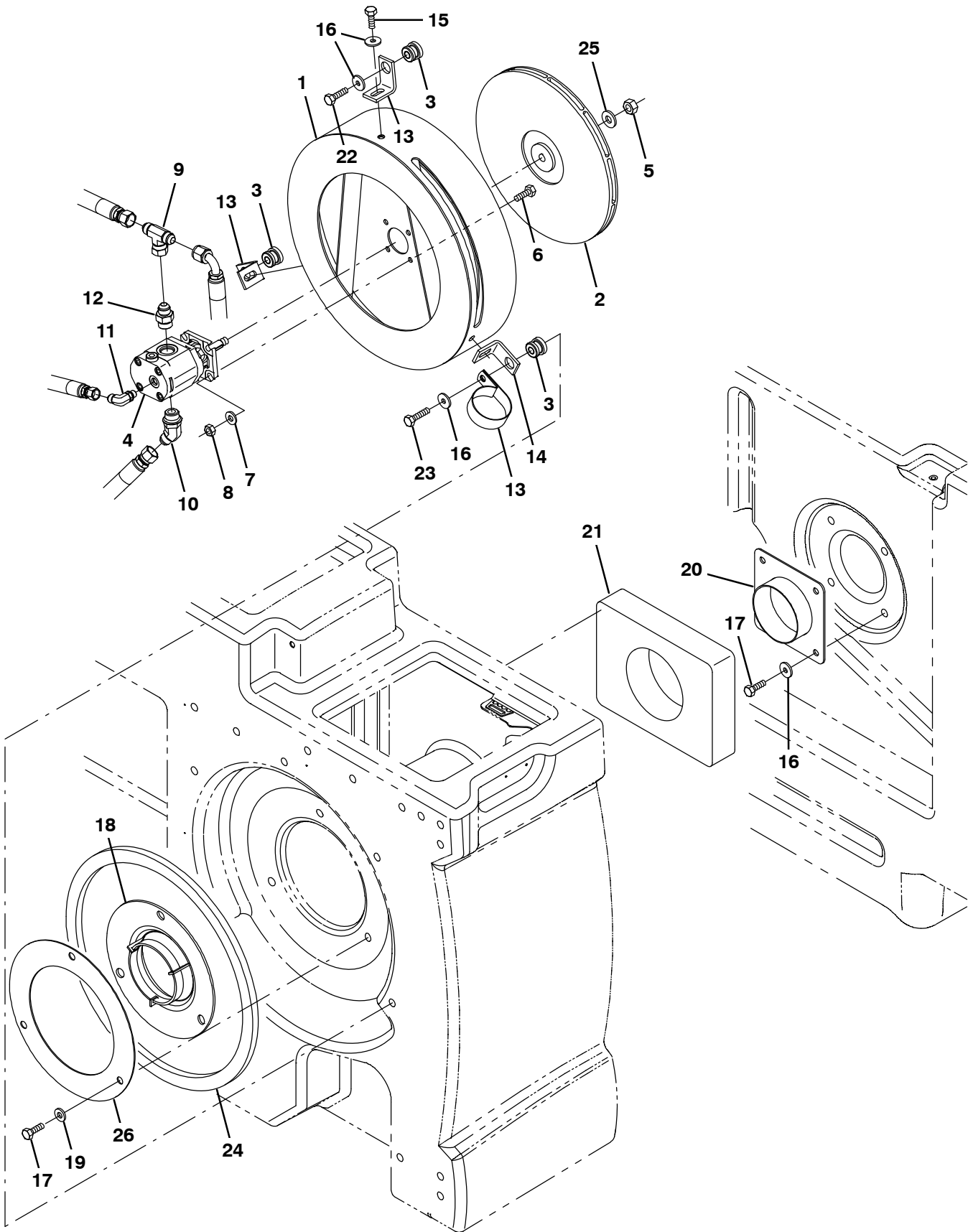
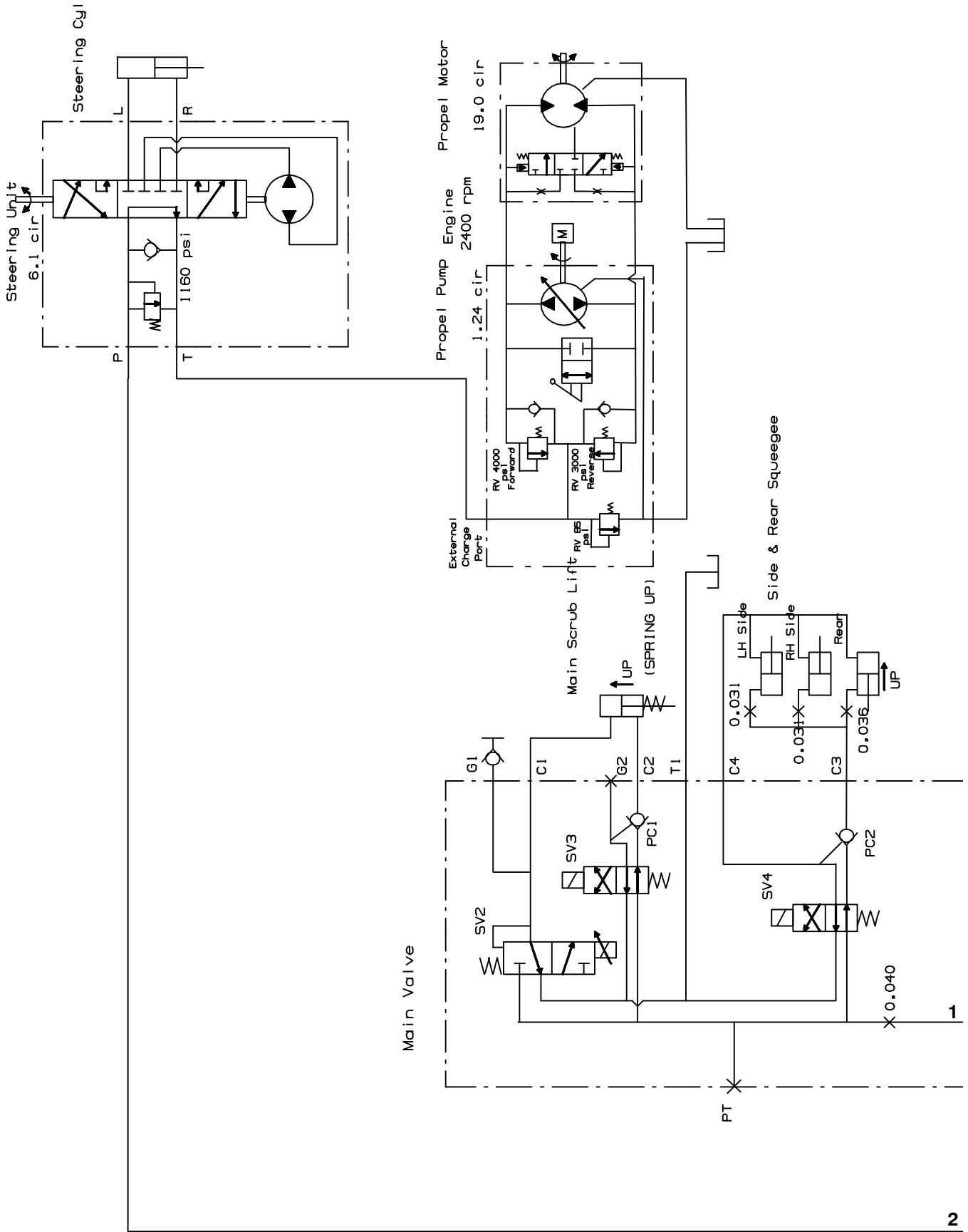


Fig. 49 - Vacuum Fan Group, Scrubbing (005893-)

Ref.	Part No.	Serial Number	Description	Qty.
1	1068611	(005893-) Plate Wldt, Mtg, Fan	1
2	1062033	(005893-) Impeller, 11.81d X 0.500b	1
3	54274	(005893-) Isolator, Vib, Bshg, 1.1d 0.6l .4b 0.78h	4
4	1071253	(005893-) Motor, Hyd, Gear, Ext 0.17 Lh 3000	1
5	07788	(005893-) Nut, Hex, Std, M12 X 1.75, Ss	1
6	09010	(005893-) Screw, Hex, M8 X 1.25 X 25, Ss	4
7	01685	(005893-) Washer, Flat, 0.38b 0.88d .08, Ss	4
8	08713	(005893-) Nut, Hex, Lock, M8 X 1.25, NI, Ss	4
9	76315	(005893-) Fitting, Hyd, Tee, Jf08/Jm08/Jm08, Br	1
10	47513	(005893-) Fitting, Hyd, E45, Jm08/Om10	1
11	77098	(005893-) Fitting, Hyd, E90, Jm06/Om04	1
12	56692	(005893-) Fitting, Hyd, Str, Jm08/Om10	1
13	1068644	(005893-) Angle, Sppt, Fan	3
14	70157	(005893-) Clamp, Cable, Ss, 2.50d X 1.00w, 1hole	1
15	39277	(005893-) Screw, Hex, M8 X 1.25 X 25, 8.8	3
16	1017218	(005893-) Washer, Flat, 0.32b 1.00d .12, Ss	10
17	09740	(005893-) Screw, Hex, M8 X 1.25 X 20, Ss	7
18	1059100	(005893-) Housing, Fan, Radial Discharge, Sq Inlet	1
19	01685	(005893-) Washer, Flat, 0.38b 0.88d .08, Ss	3
20	1023754	(005893-) Plate Wldt, Hose, Vacuum	1
21	1060716	(005893-) Gasket, 2.00, 07.87w 10.24l, Adh	1
22	09011	(005893-) Screw, Hex, M8 X 1.25 X 30, Ss	2
23	09023	(005893-) Screw, Hex, M8 X 1.25 X 35, FI, Ss	1
24	1068613	(005893-) Gasket, Foam, .50, 14.76id 16.54od, Adh	1
25	36328	(005893-) Washer, Flat, Belleville, .50	1
26	1074577	(005893-) Plate, Rnd	1

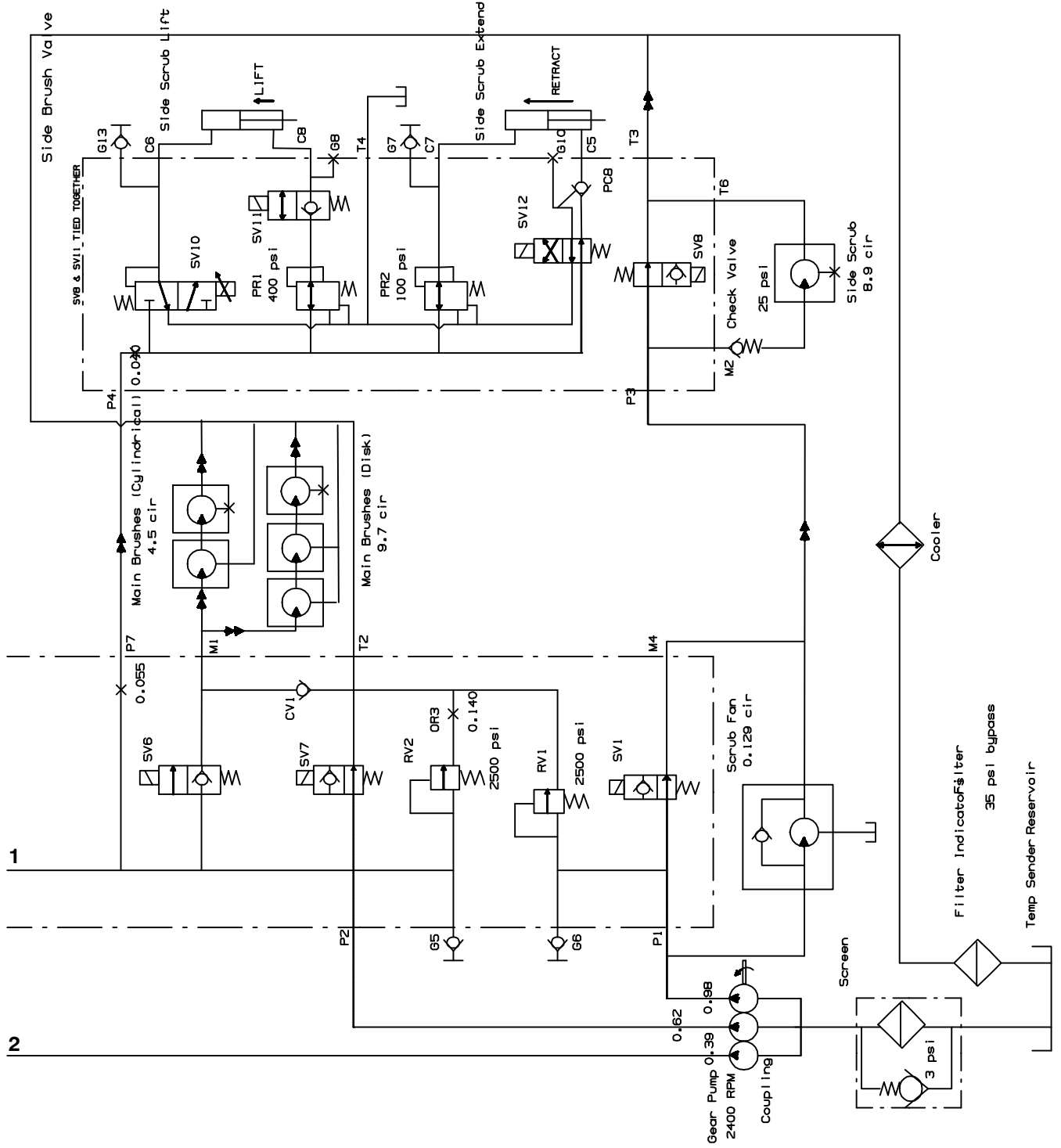
Fig. 51 - Hydraulic Schematic (001504-002282)



2

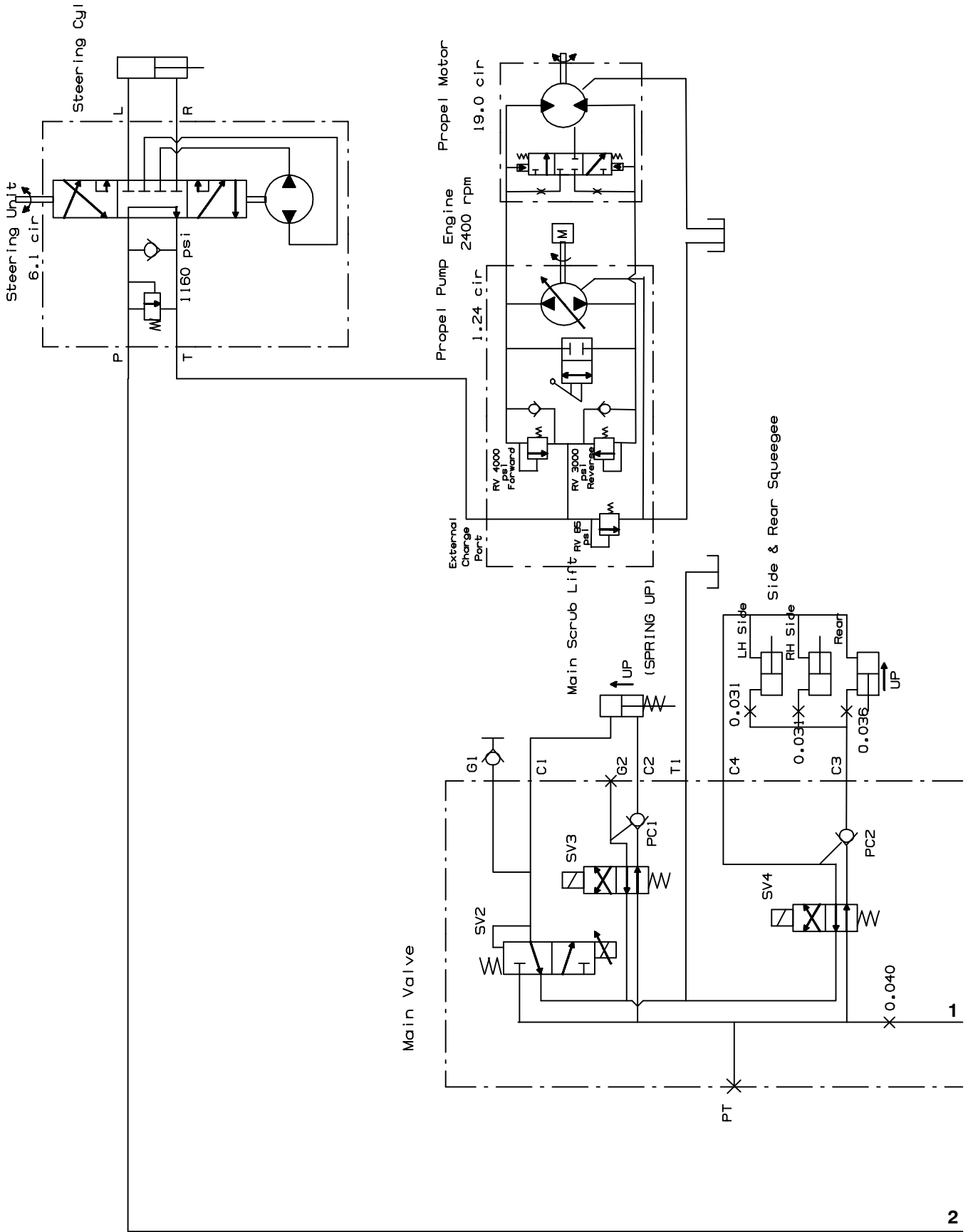
354520 - T20

Fig. 51 - Hydraulic Schematic (001504-002282)



354520 - T20

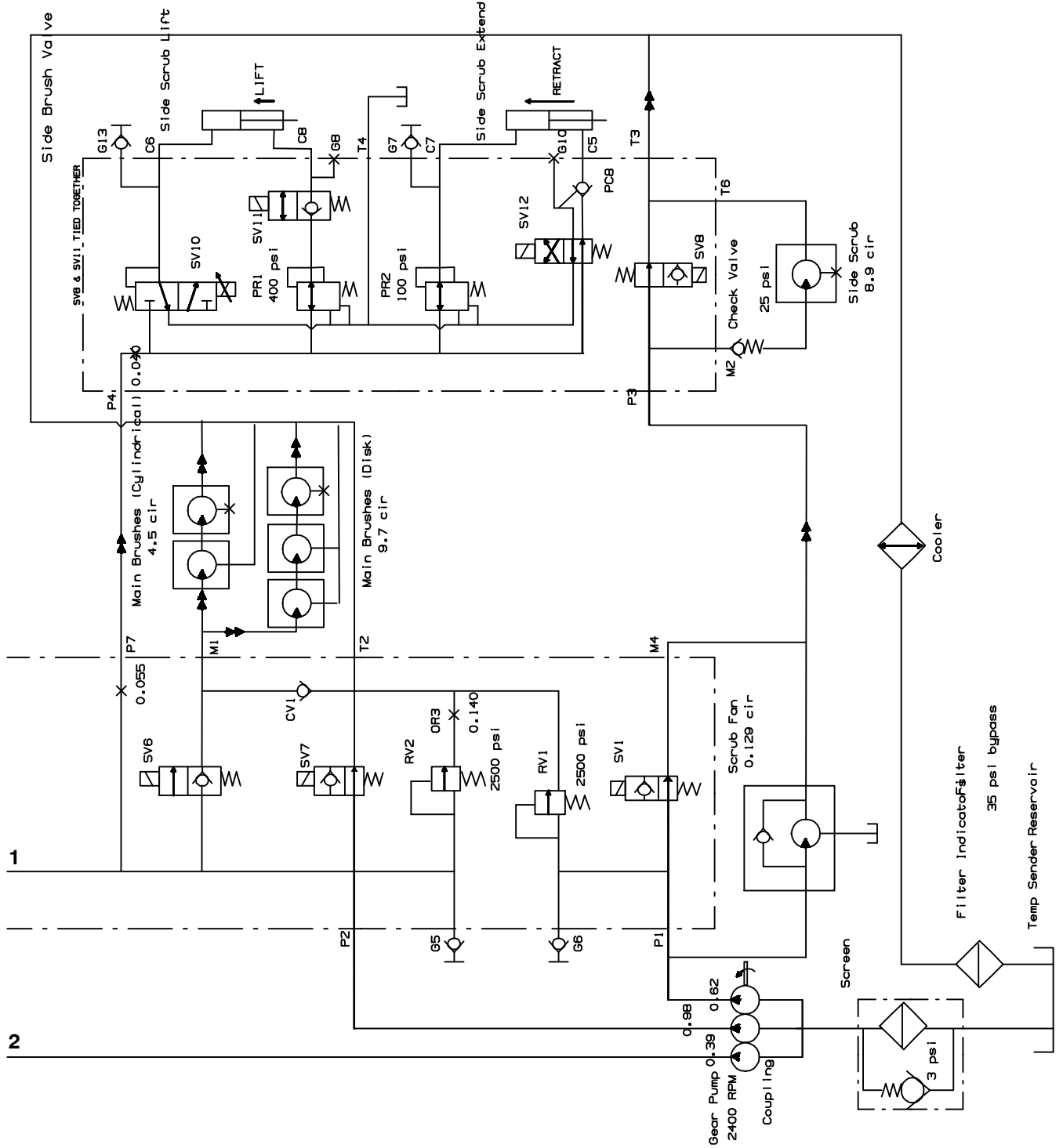
Fig. 52 – Hydraulic Schematic (002283-)



2

354520 – T20

Fig. 52 - Hydraulic Schematic (002283-)



354520 - T20

Fig. 53 – Hydraulic Hose Group, Steering and Propel

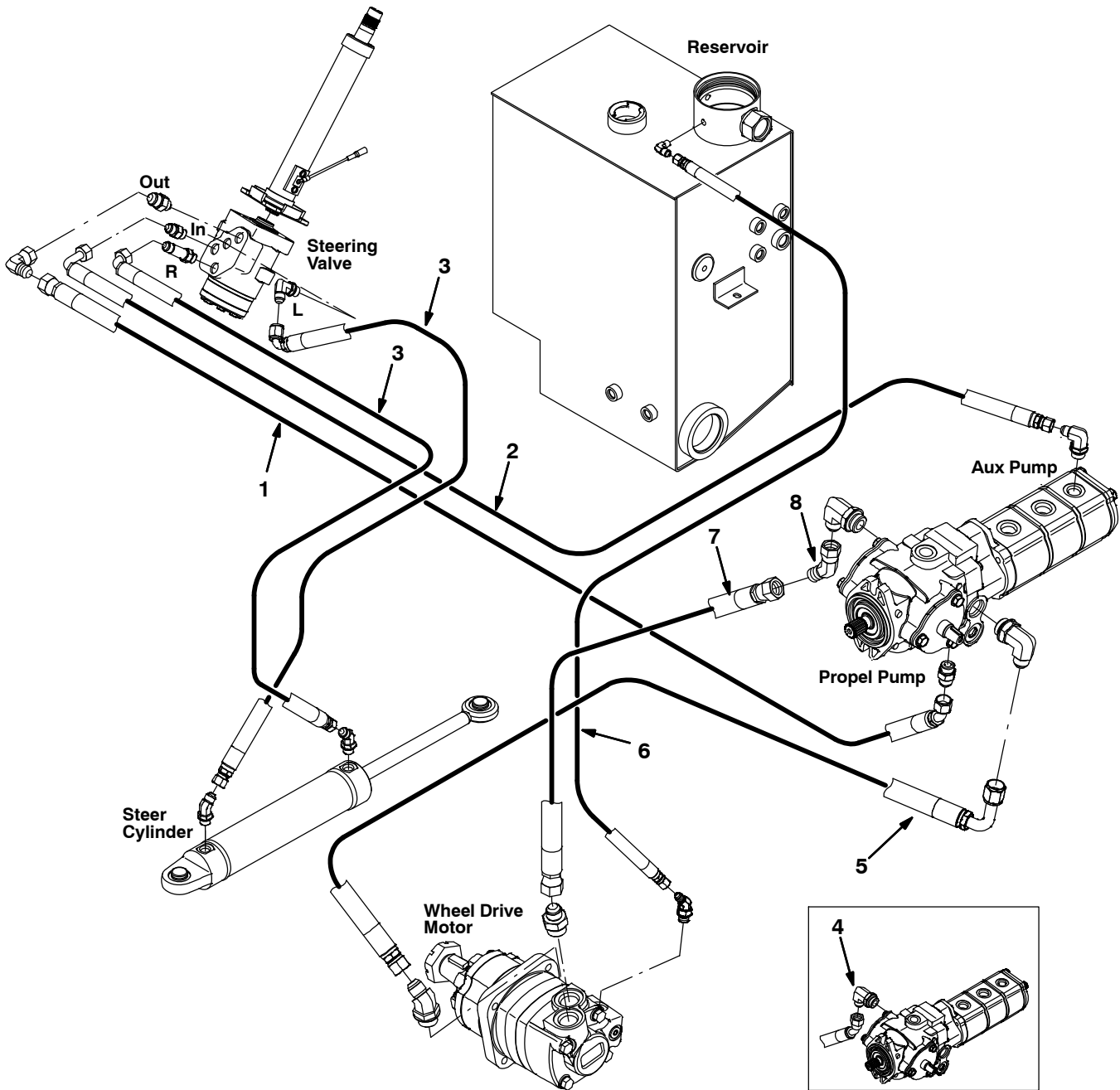


Fig. 53 – Hydraulic Hose Group, Steering and Propel

Ref.	Part No.	Serial Number	Description	Qty.
1	1023609	(000000–)	Hose, Hyd, Tc08, Jf08e45/Jf08str, 96.0	1
2	1023608	(000000–)	Hose, Hyd, Tc06, Jf06e90/Jf06str, 104.0	1
3	396221	(000000–)	Hose, Hyd, Tc06, Jf06e90/Jf06str, 040.0	2
4	1039148	(000000–001574)	Hose Kit, Hyd, Propel, Ci [M20/T20]	1
5	1023488	(000000–)	Hose, Hyd, Spcl, Jf10e90/Jf10str, 63.0	1
6	1030404	(000000–)	Hose, Hyd,Med04, Jf04str/Jf04str, 066.0	1
7	1038569	(001575–)	Hose, Hyd, Spcl, Jf10str/Jf10str, 56.5	1
8	54017	(001575–)	Fitting, Hyd, E45, Jf10/Jm10	1

Fig. 54 – Hydraulic Hose Group, Pump and Vacuum Fan

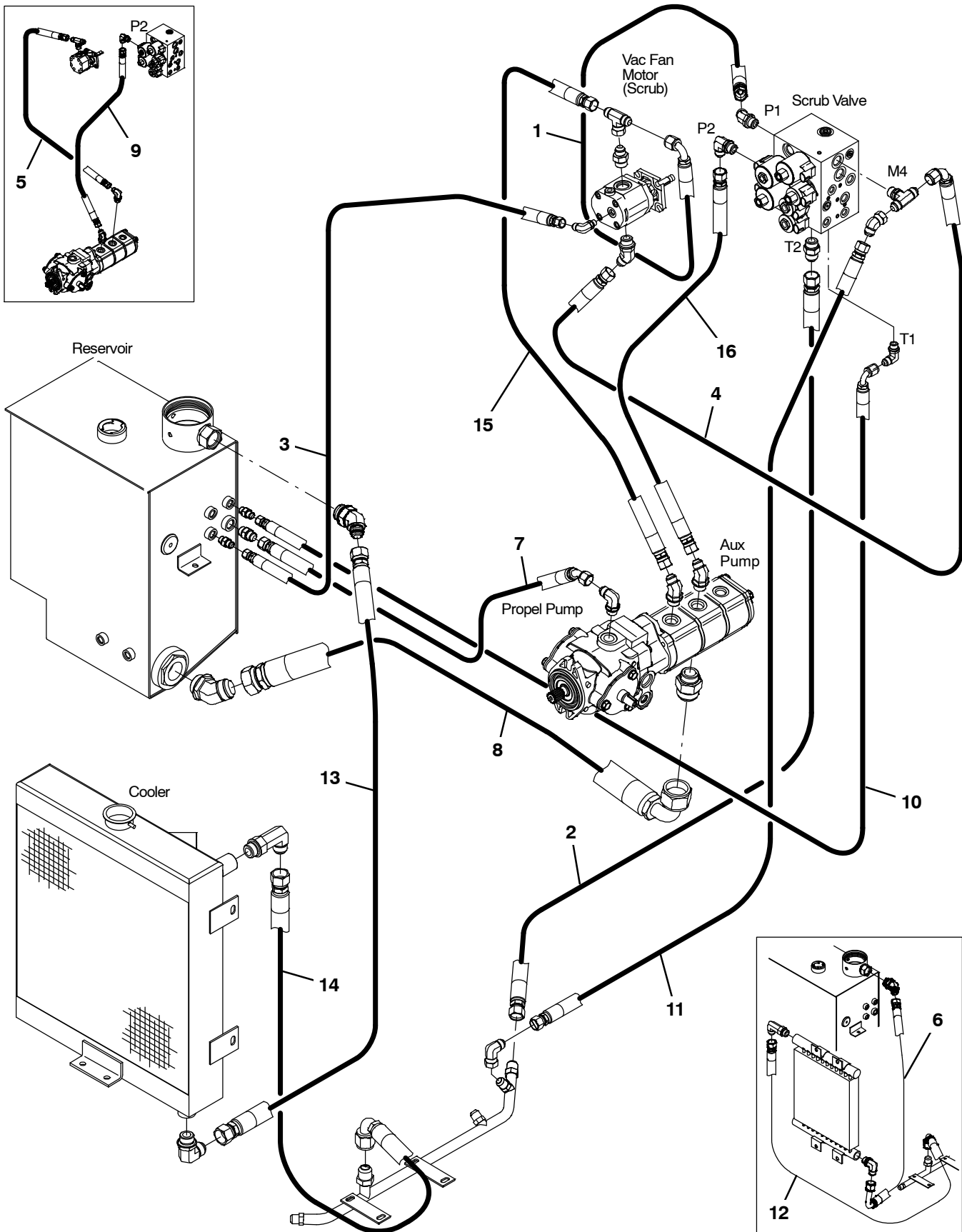


Fig. 54 – Hydraulic Hose Group, Pump and Vacuum Fan

Ref.	Part No.	Serial Number	Description	Qty.
1	71741	(000000–)	Hose, Hyd, Tc08, Jf08e90/Jf08str, 046.0	1
2	65197	(000000–)	Hose, Hyd, Med08, Jf08e90/Jf08str, 062.0	1
3	396273	(000000–)	Hose, Hyd, Med06, Jf06str/Jf06str, 033.0	1
4	396255	(000000–)	Hose, Hyd, Tc08, Jf08str/Jf08e90, 031.0	1
5	1026645	(000000–002282)	Hose, Hyd, Tc08, Jf08e45/Jf08str, 26.0	1
6	1023487	(000000–002092)	Hose, Hyd, Med12, Jf12e90/Jf12str, 50.0	1
7	1023607	(000000–)	Hose, Hyd, Med08, Jf08str /Jf08e45, 21.0	1
8	1036710	(000000–)	Hose, Hyd, Suc20, Jf20Str/Jf20E90, 030.0	1
9	1023606	(000000–002282)	Hose, Hyd, Tc08, Jf08str/Jf08str, 21.0	1
10	71735	(000000–)	Hose, Hyd, Med06, Jf06e90/Jf06str, 042.0	1
11	1025547	(000000–)	Hose, Hyd, Med10, Jf10str/Jf10str, 41.0	1
12	396438	(000000–002092)	Hose, Hyd, Tc12, Jf12e90/Jf12str, 044.0	1
13	1050437	(002093–004999)	Hose, Hyd, Med12, Jf12str/Jf12str, 052.0	1
13	1028145	(005000–)	Hose, Hyd, Med12, Jf12str/Jf12str, 066.0	1
14	1050436	(002093–)	Hose, Hyd, Med12, Jf12e90/Jf12str, 029.0	1
15	1026645	(002283–)	Hose, Hyd, Tc08, Jf08E45/Jf08Str, 026.0	1
16	1023606	(002283–)	Hose, Hyd, Tc08, Jf08Str/Jf08Str, 021.0	1

Fig. 55 – Hydraulic Hose Group, Cylindrical Brush

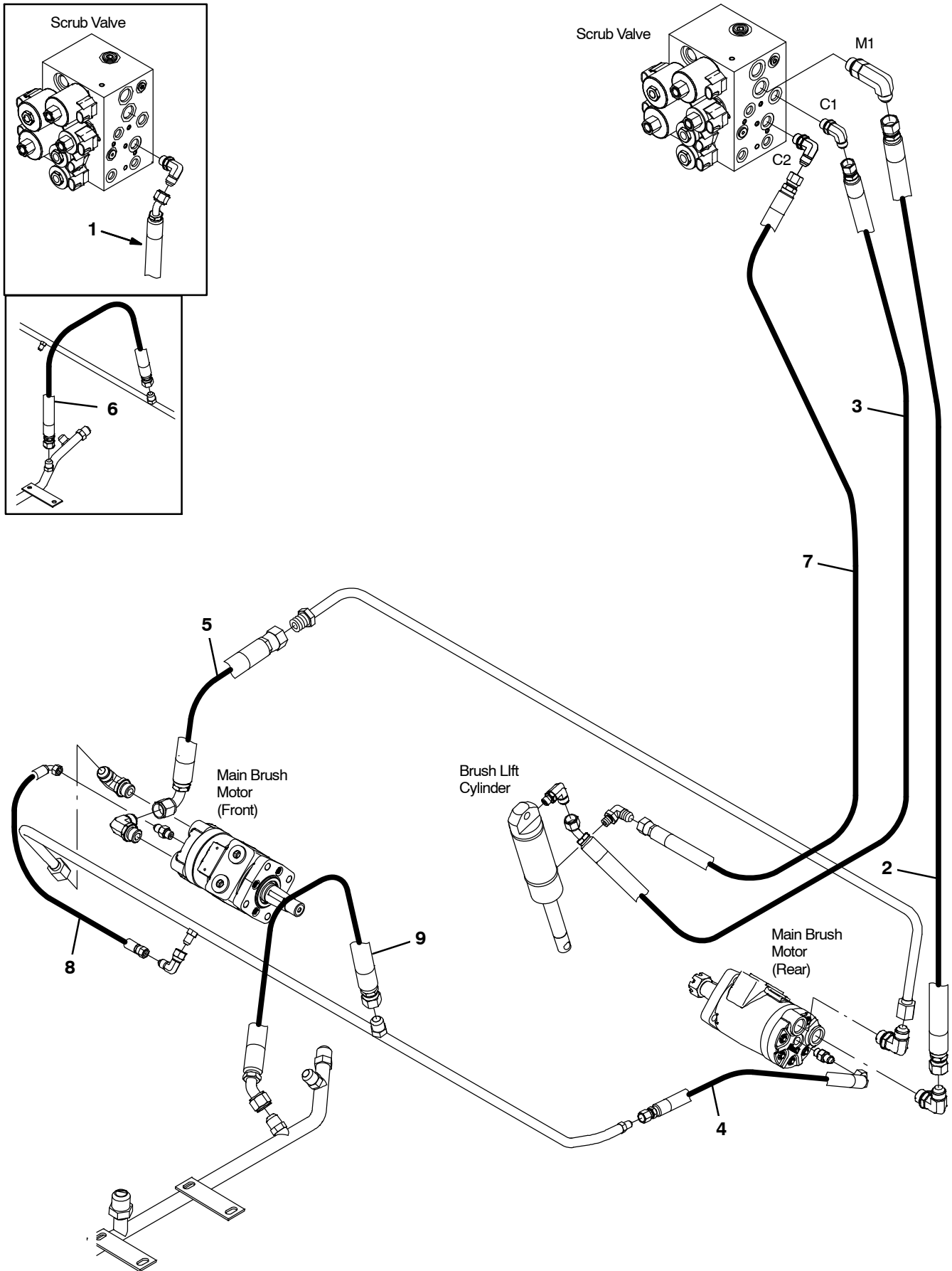


Fig. 55 – Hydraulic Hose Group, Cylindrical Brush

Ref.	Part No.	Serial Number	Description	Qty.
1	1025548	(000000-001037)	Hose, Hyd, Tc06, Jf06str /Jf06e45, 54.0	1
2	1024764	(000000-	Hose, Hyd, Tc08, Jf08str/Jf08str, 48.0	1
3	1023769	(000000-	Hose, Hyd, Tc 06, Jf06str /Jf06e45, 56.0	1
4	57946	(000000-	Hose, Hyd, Med04, Jf04e90/Jf04str, 016.0	1
5	1025544	(000000-	Hose, Hyd, Tc08, Jf08e90/Jf08str, 13.0	1
6	51754	(000000-004999)	Hose, Hyd, Med08, Jf08str/Jf08str, 022.0	1
7	1036939	(001038-	Hose, Hyd, Tc06, Jf06Str/Jf06Str, 054.0	1
8	387281	(002097-	Hose, Hyd, Tc04, Jf04e90/Jf04str, 020.0	1
9	364978	(005000-005833)	Hose, Hyd, Med08, Jf08e45/Jf08str, 029.0	1
9	1041391	(005834-	Hose, Hyd, Tc08, Jf08e45/Jf08str, 018.0	1

Fig. 56 – Hydraulic Hose Group, Disk Brush

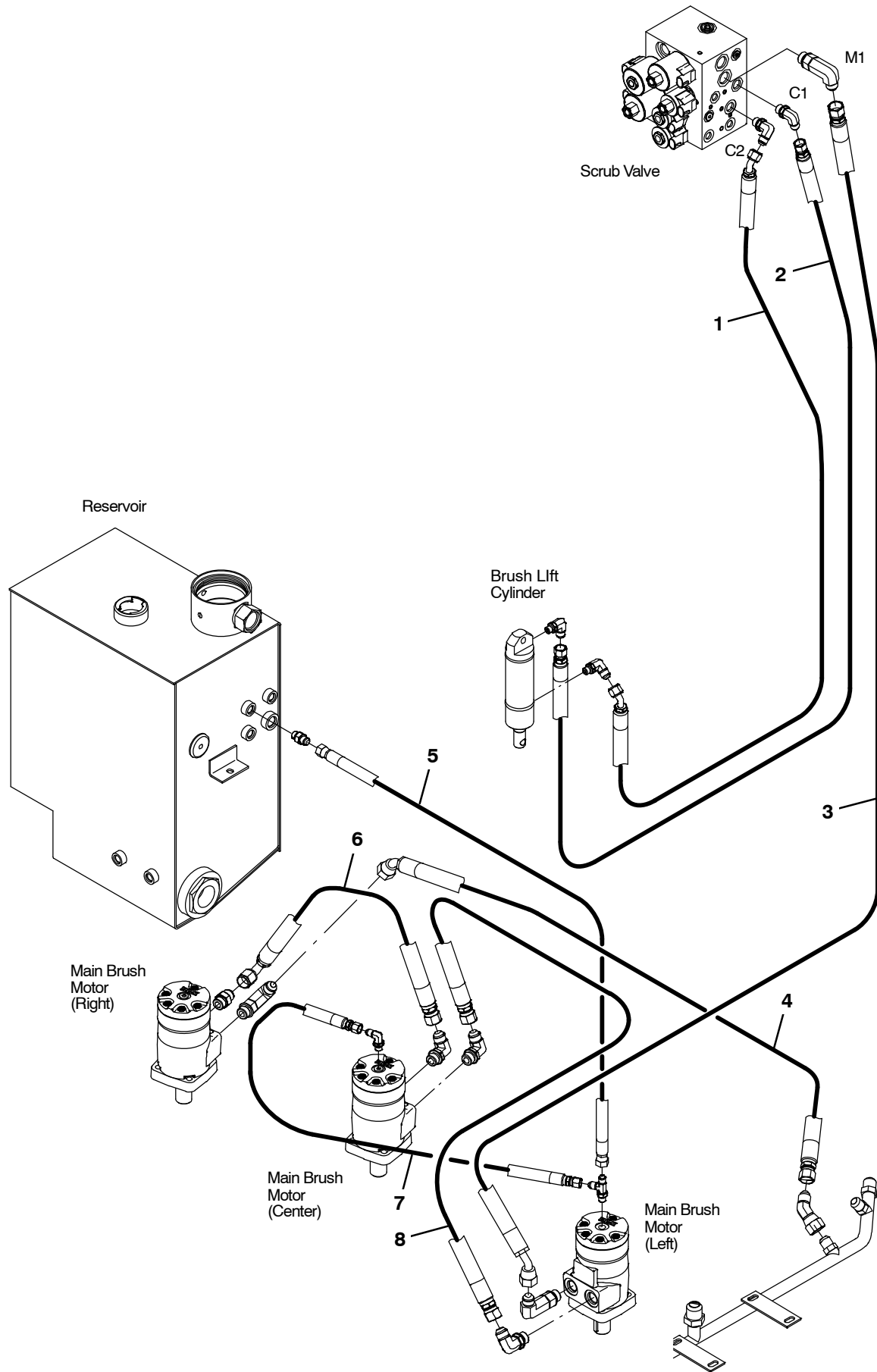


Fig. 56 – Hydraulic Hose Group, Disk Brush

Ref.	Part No.	Serial Number	Description	Qty.
1	1025548	(000000–) Hose, Hyd, Tc06, Jf06str /Jf06e45, 54.0	1
2	1023769	(000000–) Hose, Hyd, Tc 06, Jf06str /Jf06e45, 56.0	1
3	381854	(000000–) Hose, Hyd, Tc08, Jf08e45/Jf08str, 052.0	1
4	16462	(000000–) Hose, Hyd, Med08, Jf08e45/Jf08str, 046.0	1
5	381866	(000000–) Hose, Hyd, Tc04, Jf04str/Jf04str, 036.0	1
6	396278	(000000–) Hose, Hyd, Tc08, Jf08e90/Jf08str, 020.0	1
7	381866	(000000–) Hose, Hyd, Tc04, Jf04str/Jf04str, 036.0	1
8	365009	(000000–) Hose, Hyd, Tc08, Jf08str/Jf08str, 040.0	1

Fig. 57 – Hydraulic Hose Group, Squeegee Lift

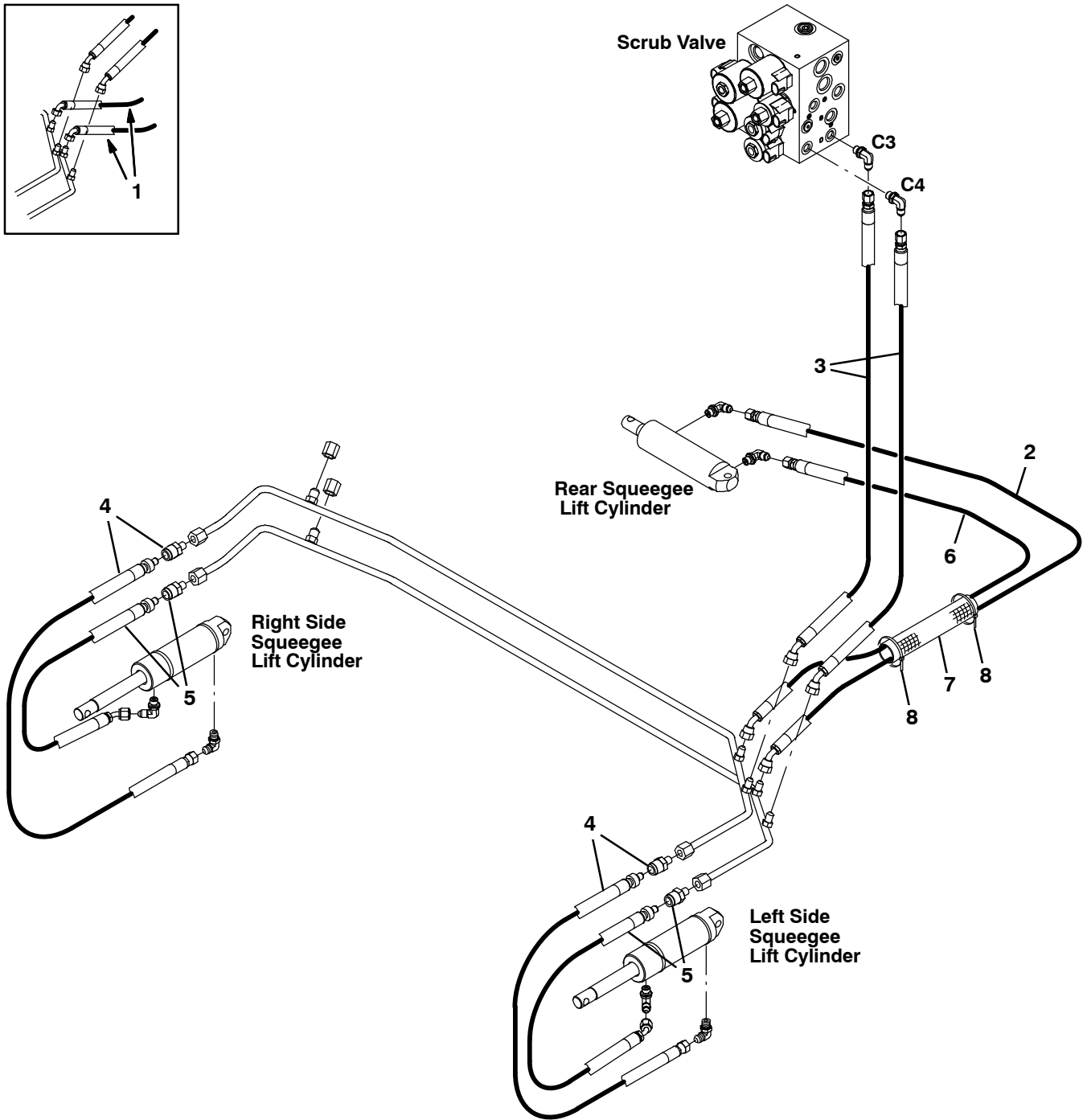


Fig. 57 - Hydraulic Hose Group, Squeegee Lift

Ref.	Part No.	Serial Number	Description	Qty.
1	9006562	(000000-002121)	Hose Kit, Hyd, Sqge Lift [T20]	1
2	1055588	(002122-) Hose, Hyd, Tc04, Jf04e45/Jf04str, 044.0	1
3	1030709	(000000-) Hose, Hyd, Tc 04, Jf04str /Jf04e45 , 35.0	2
4	1045759	(001755-) Hose, Hyd, Tc04, Jf04Str/Qm06, 028.0	2
4	1037042	(000000-001754)	Hose, Hyd, Tc04, Jf04E45/Qm06, 028.0	2
5	1036899	(000000-) Hose, Hyd, Tc04, Jf04E45/Qm06, 024.0	2
6	1055590	(002122-) Hose, Hyd, Tc04, Jf04e45/Jf04str, 048.0	1
7	57223	(002122-) Sleeve, Nyl, 1.22id 14.0l	1
8	49266	(002122-) Tie, Cable, Nyl, 07.3l .19w 1.8 Max D	2

Fig. 58 – Hydraulic Pumps Group

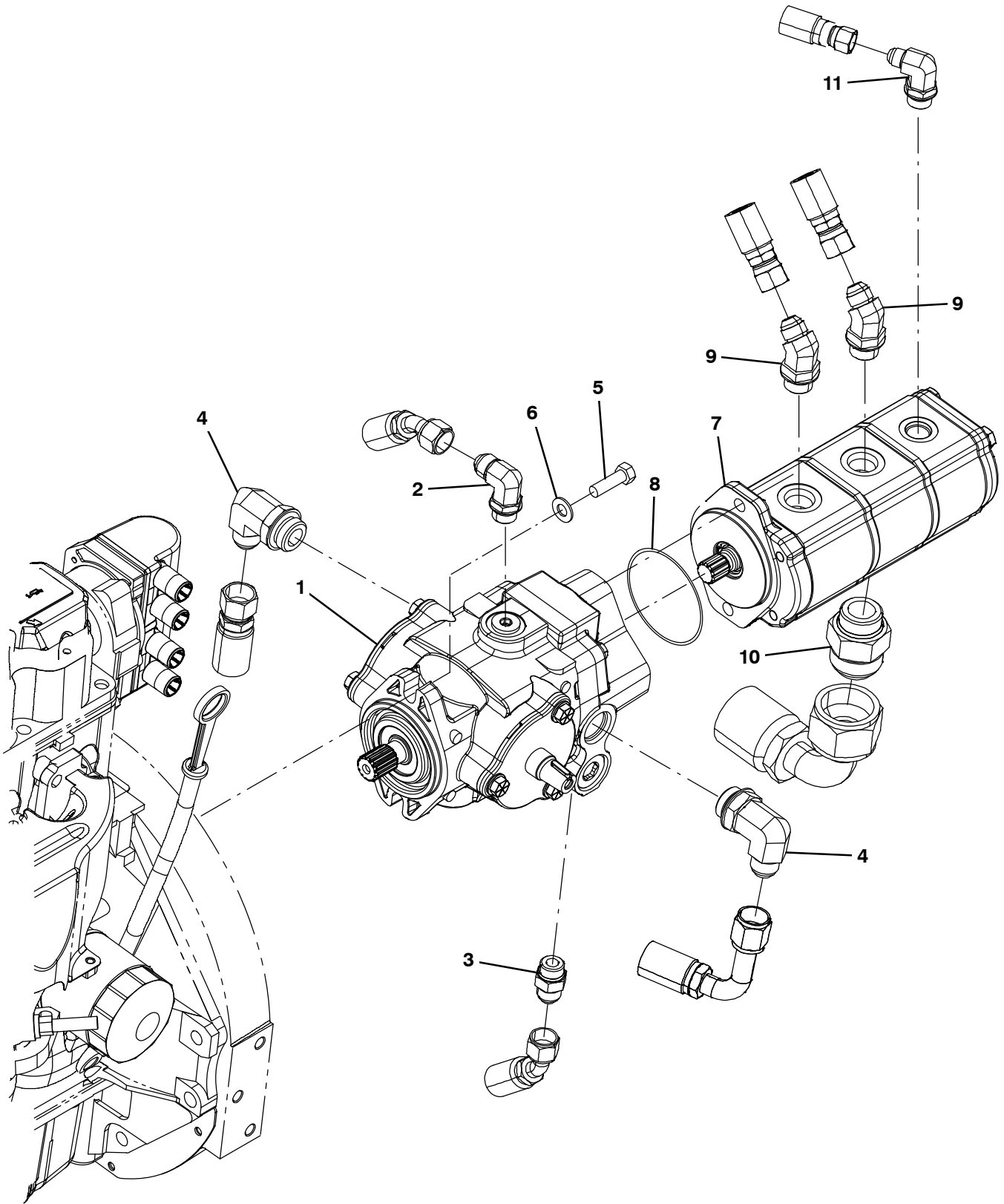


Fig. 58 – Hydraulic Pumps Group

Ref.	Part No.	Serial Number	Description	Qty.
1	1024251	(000000–) Pump, Hyd, Piston, Var, 1.24 4000, Cw (See Breakdowns)	1
2	44868	(000000–) Fitting, Hyd, E90, Jm08/Om08	1
3	44869	(000000–) Fitting, Hyd, Str, Jm08/Om08	1
4	53076	(000000–) Fitting, Hyd, E90, Jm10/Om12	2
5	21198	(000000–) Screw, Hex, .38–16 X 1.25, 5	2
6	32485	(000000–) Washer, Flat, 0.38 Sae	2
7	9007142	(000000–) Pump Kit, Mtg, Aux, Ci [M20 & T20]	1
8	65145–1	(000000–) Seal, Org, .069 X 3.06id	1
9	47513	(000000–) Fitting, Hyd, E45, Jm08/Om10	2
10	67811	(000000–) Fitting, Hyd, Str, Jm20/Om16	1
11	47512	(000000–) Fitting, Hyd, E90, Jm06/Om08	1

Fig. 59 – Hydraulic Cooler and Tubes Group

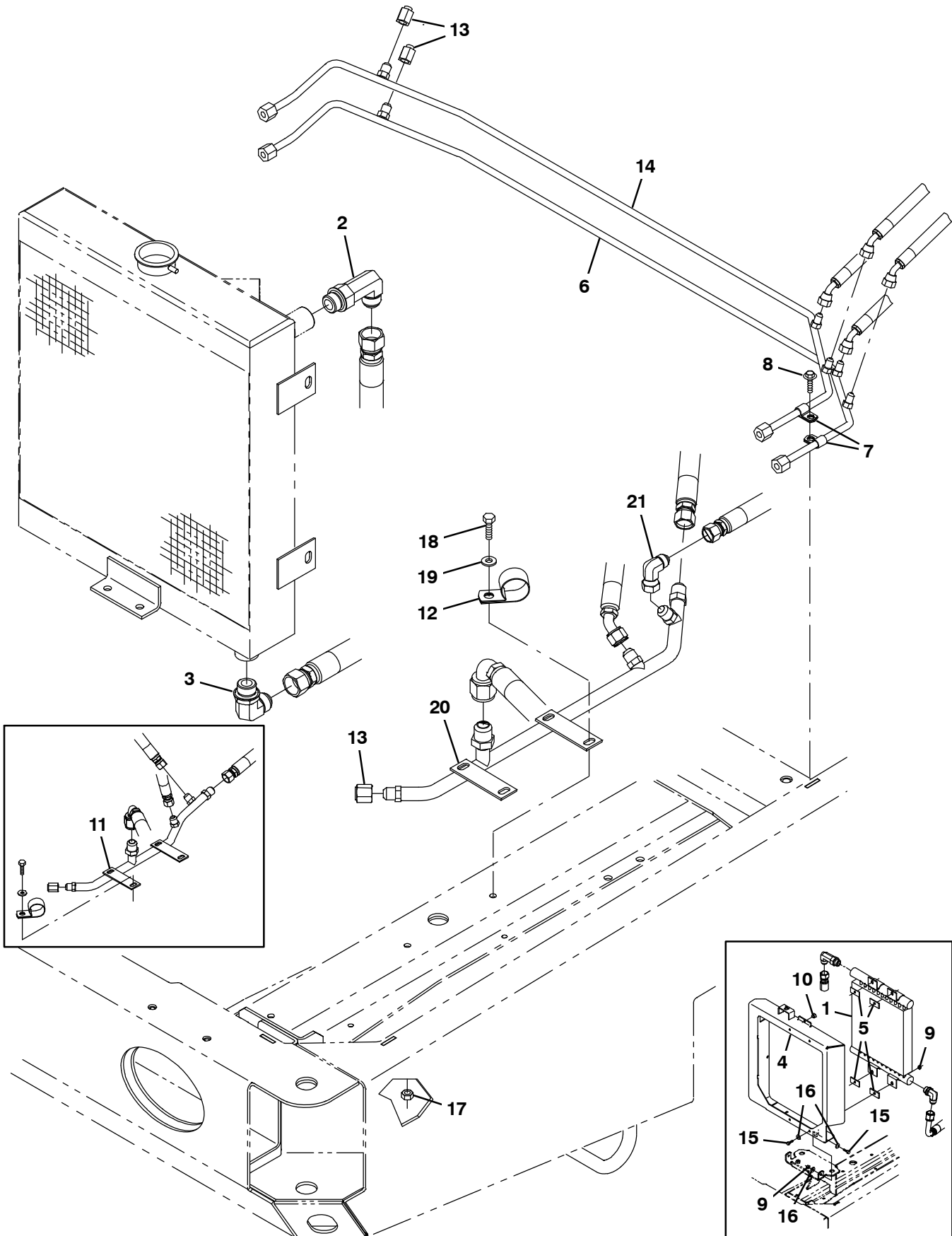


Fig. 59 – Hydraulic Cooler and Tubes Group

Ref.	Part No.	Serial Number	Description	Qty.
1	13698	(000000-002092)	Cooler, Hyd, 25gpm 325btu Of12 13x12x2	1
2	46481	(000000-)	Fitting, Hyd, E90, Jm12/Om12	1
3	62471	(000000-)	Fitting, Hyd, E90, Jm12/Om12, L	1
4	1026319	(000000-002092)	Bracket Wldt, Cooler, Hyd Fluid	1
5	1040318	(000000-002092)	Pad, Tank, Hyd [W/Psa]	4
6	1028822	(000000-)	Tube, Hyd, Sqge	1
7	40678	(000000-)	Clamp, Cable, Stl, 0.44d X 0.62w, 1h	2
8	74455	(000000-)	Screw, Hex, M6 X 1.0 X 12, Fmg	1
9	07791	(000000-002092)	Nut, Hex, Fing, M8 X 1.25	8
10	51787	(000000-002092)	Bumper, Rbr, 0.6d 0.34t .3d Tip	1
11	1023081	(000000-004999)	Tube, Hyd, Main Return [M20]	1
12	53466	(000000-)	Clamp, Cable, Stl, 1.50d X 1.00w, 1h	1
13	40625	(000000-)	Fitting, Hyd, Cap, Jf06	3
14	1028821	(000000-)	Tube, Hyd, Sqge	1
15	39277	(000000-002092)	Screw, Hex, M8 X 1.25 X 25, 8.8	8
16	32491	(000000-002092)	Washer, Flat, 0.31, Std	7
17	41430	(000000-)	Nut, Hex, Lock, M10 X 1.5, NI	2
18	39277	(000000-)	Screw, Hex, M8 X 1.25 X 25, 8.8	2
19	32491	(000000-)	Washer, Flat, 0.31, Std	2
20	1071173	(005000-)	Tube, Hyd, Main Return [G/Lp Mit2013]	1
21	17980	(005000-)	Fitting, Hyd, E90, Jf08/Jm08	1

Fig. 60 – Hydraulic Reservoir Group

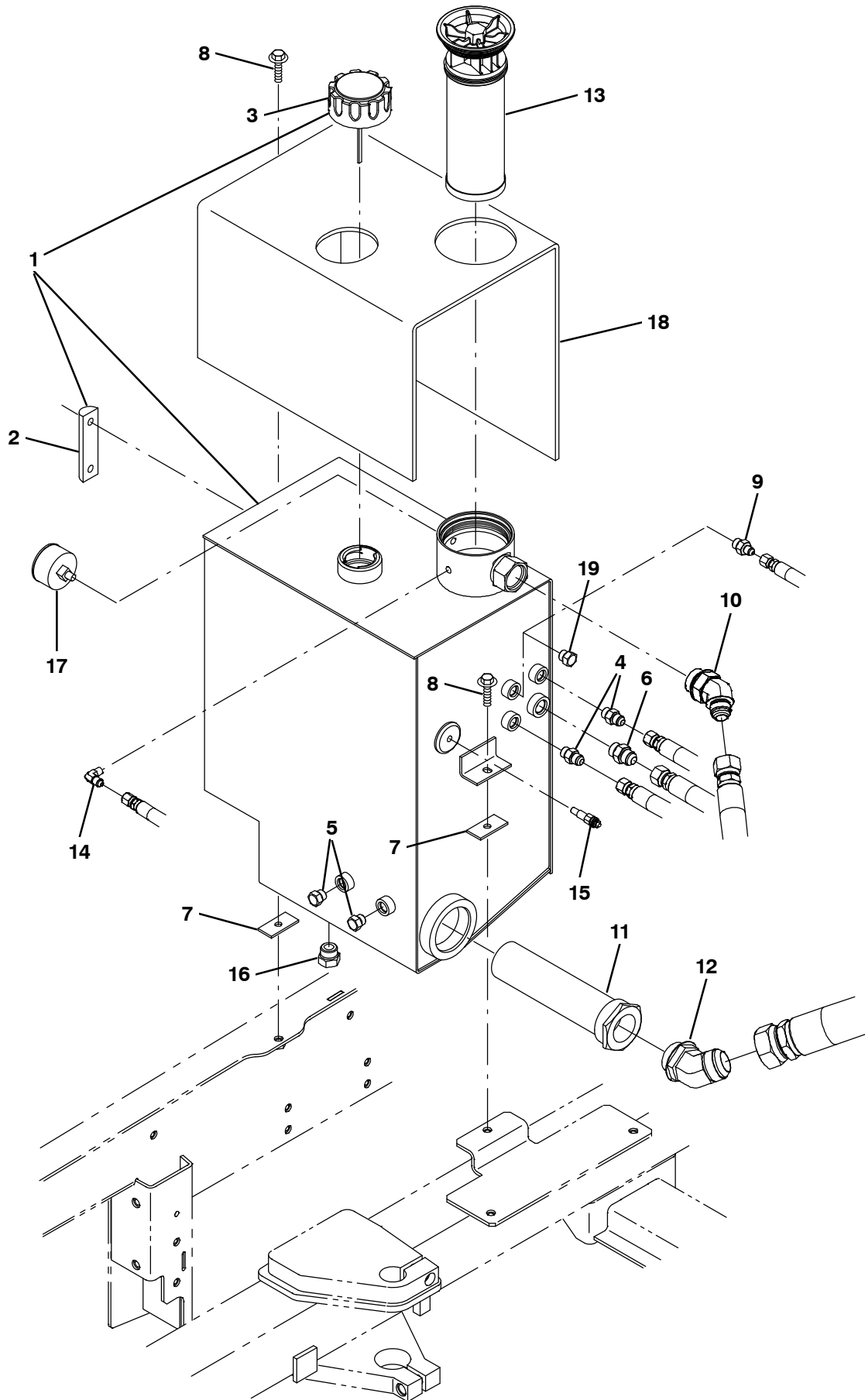


Fig. 60 – Hydraulic Reservoir Group

	Ref.	Part No.	Serial Number	Description	Qty.
▽	1	9002398	(000000–) Reservoir, Hyd, 10.0Gal, Replmt	1
▲	2	65215	(000000–) Gauge, Sensing, Level	1
▲	3	25122	(000000–) Cap, Breather, Hyd, 2.4 Ds	1
	4	56690	(000000–) Fitting, Hyd, Str, Jm06/Om06	2
	5	46482	(000000–) Fitting, Hyd, Plug, Om06	2
	6	44869	(000000–) Fitting, Hyd, Str, Jm08/Om08	1
	7	1040318	(000000–) Pad, Tank, Hyd [W/Psa]	2
	8	1037354	(000000–) Screw, Hex, M8 X 1.25 X 30, 9.8, Sems	2
	9	55685	(000000–) Fitting, Hyd, Str, Jm04/Om06 (Disk Scrub Head Only)	1
	10	1023545	(000000–) Fitting, Hyd, E45, Jm12/Om16	1
	11	31613	(000000–) Strainer, Hyd, 25gpm 100mesh Psi	1
	12	71726	(000000–) Fitting, Hyd, E45, Jm20/Om20	1
	13	1021579	(000000–) Filter Assy, Hyd, 10mic	1
	14	55455	(000000–) Fitting, Hyd, E90, Jm04/Pm02	1
	15	58592	(000000–) Send-Unit, Water, Temp, 04npt 113oh/195d	1
	16	40362	(000000–) Fitting, Hyd, Plug, Om10	1
	17	1025132	(000000–) Indicator, Press, 60psi	1
	18	1034878	(000000–) Insulation, Thermal, Hydraulic Blanket	1
	19	46482	(000000–) Fitting, Hyd, Plug, Om06 (Cylindrical Scrub Head Only)	1

Fig. 61 – Hydraulic Valve Group

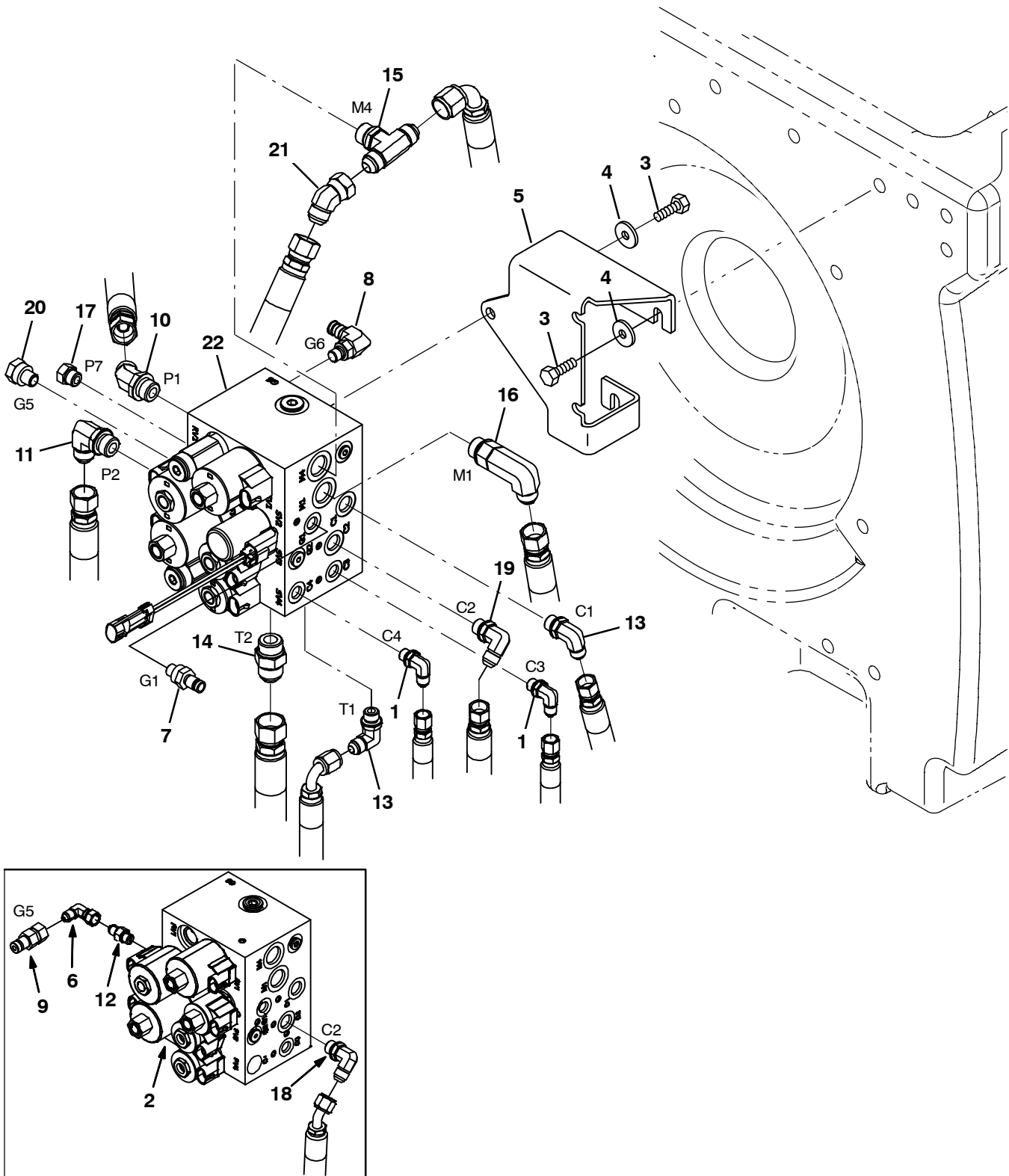
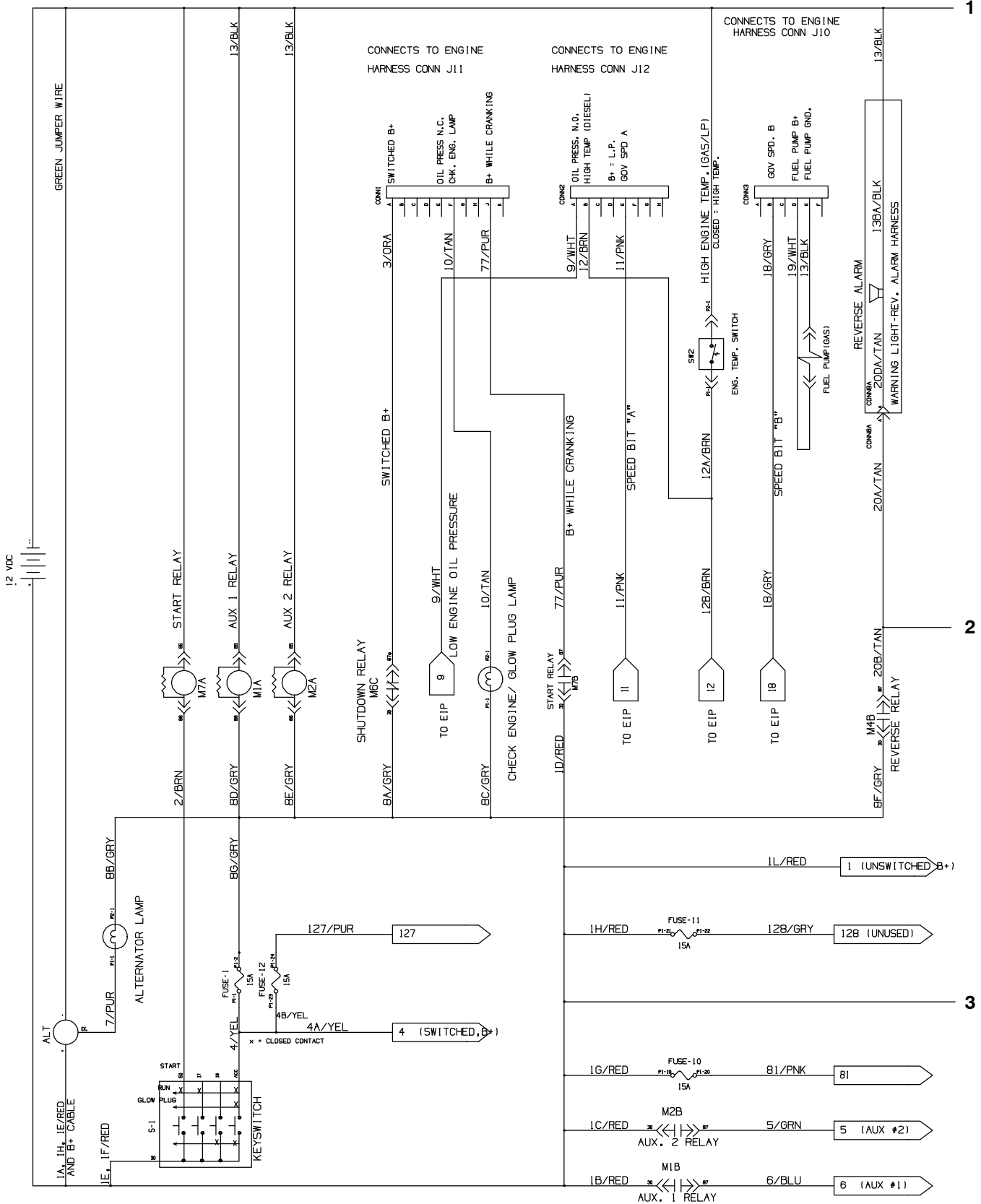


Fig. 61 – Hydraulic Valves Group

Ref.	Part No.	Serial Number	Description	Qty.
1	77097	(000000–)	Fitting, Hyd, E90, Jm04/Om04	2
2	1020394	(000000–005300)	Valve, Cntrl, Hyd (See Breakdowns)	1
3	09740	(000000–)	Screw, Hex, M8 X 1.25 X 20, Ss	6
4	1017218	(000000–)	Washer, Flat, 0.32b 1.00d .12, Ss	6
5	1021991	(000000–)	Bracket, Mtg, Valve, Hyd, Scb	1
6	39210	(000000–001018)	Fitting, Hyd, E90, Jf04/Jm04	1
7	395973	(000000–)	Fitting, Hyd, Str, Om04/Qm04	1
8	395974	(000000–)	Fitting, Hyd, E90, Om04/Qm04	1
9	396476	(000000–001018)	Fitting, Hyd, Str, Jf04/Qm04	1
10	42226	(000000–)	Fitting, Hyd, E45, Jm08/Om08	1
11	44868	(000000–)	Fitting, Hyd, E90, Jm08/Om08	1
12	55586	(000000–001018)	Fitting, Hyd, Str, Jm04/Om04	1
13	56820	(000000–)	Fitting, Hyd, E90, Jm06/Om06	2
14	46480	(000000–)	Fitting, Hyd, Str, Jm10/Om10	1
15	49933	(000000–)	Fitting, Hyd, Tee, Jm08/Jm08/Om08, Br	1
16	69173	(000000–)	Fitting, Hyd, E90, Jm08/Om08, L	1
17	46482	(000000–)	Fitting, Hyd, Plug, Om06	1
18	56820	(000000–001037)	Fitting, Hyd, E90, Jm06/Om06	1
19	71727	(001038–)	Fitting, Hyd, E90, Jm06/Om06, L	1
20	395973	(001019–)	Fitting, Hyd, Str, Om04/Qm04	1
21	07797	(005000–)	Fitting, Hyd, E45, Jf08/Jm08	1
22	1072996	(005301–)	Valve, Cntrl, Hyd, Solenoid, 12vdc 08gpm (See Breakdowns)	1

Fig. 62 - Electrical Schematic (00000-001742)



1029601

Fig. 62 - Electrical Schematic (000000-001742)

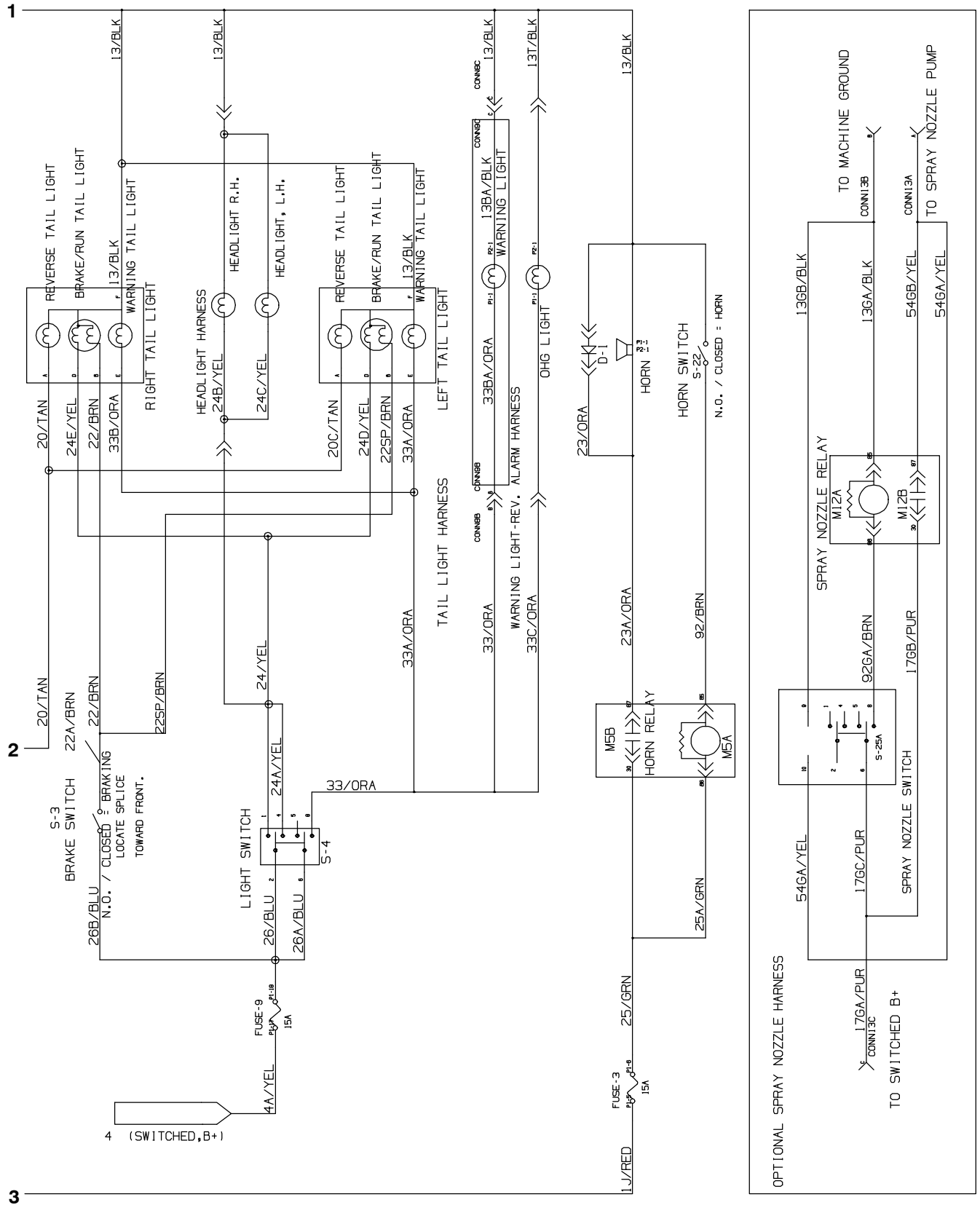
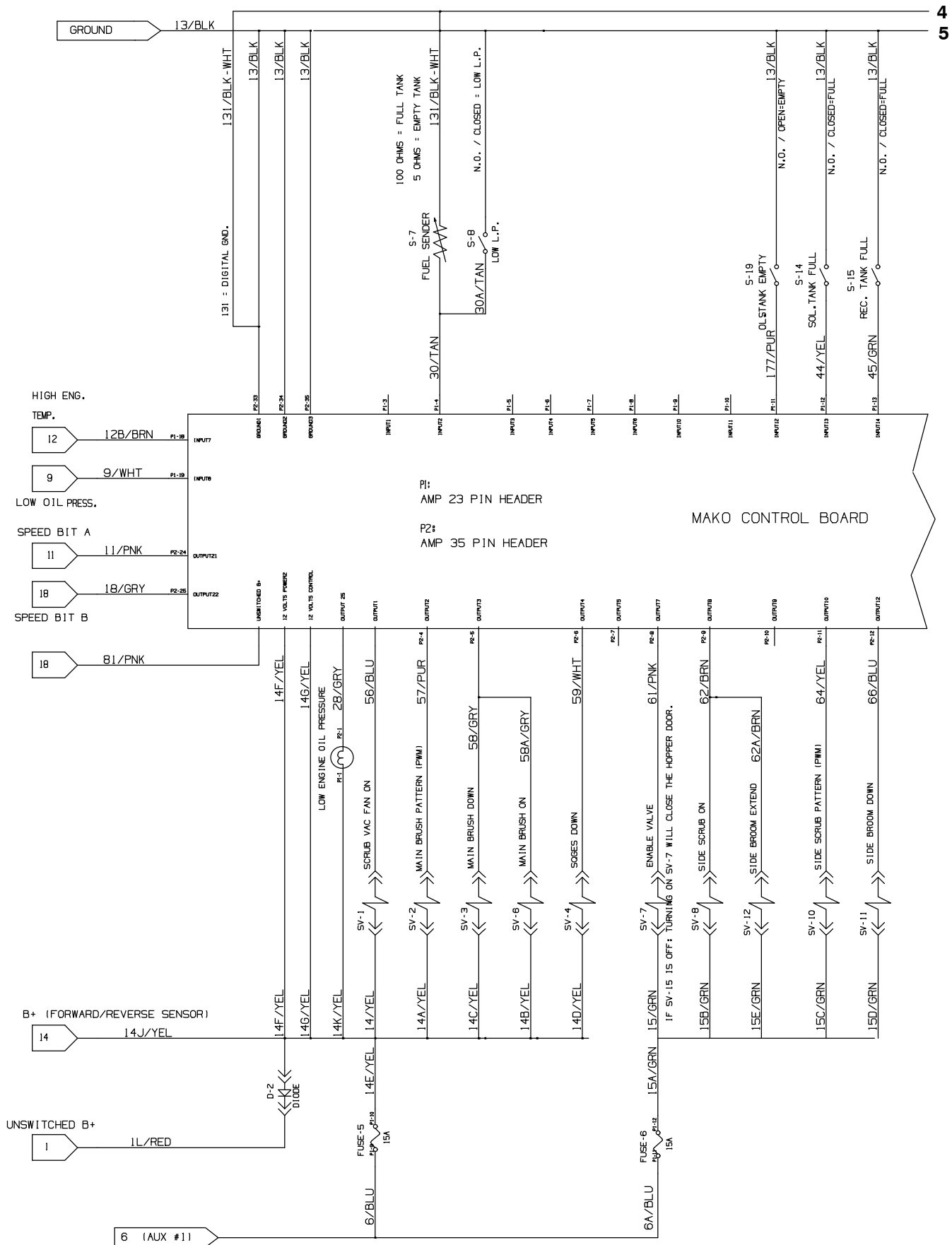


Fig. 62 - Electrical Schematic (000000-001742)



1029601

Fig. 62 - Electrical Schematic (00000-001742)

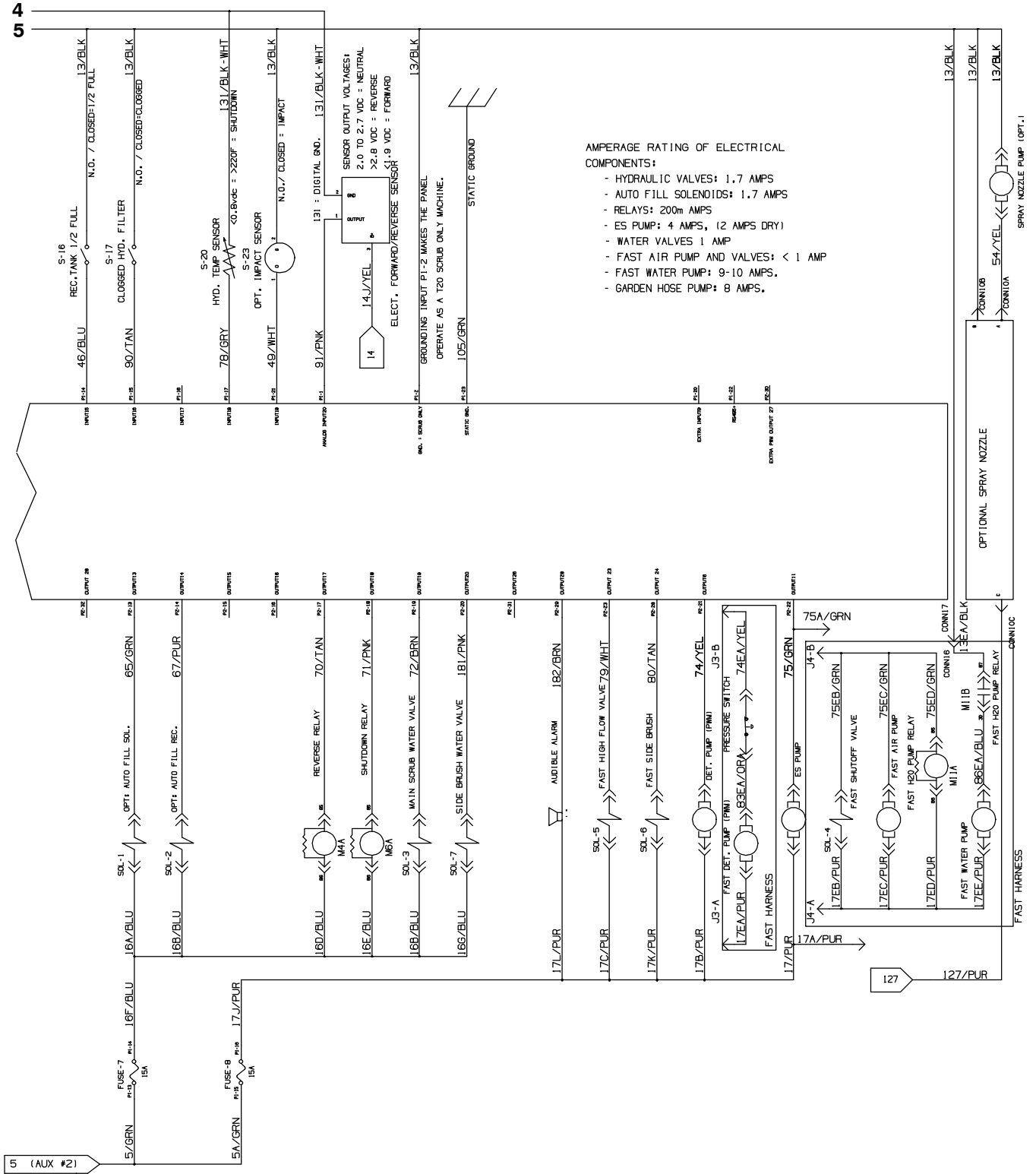
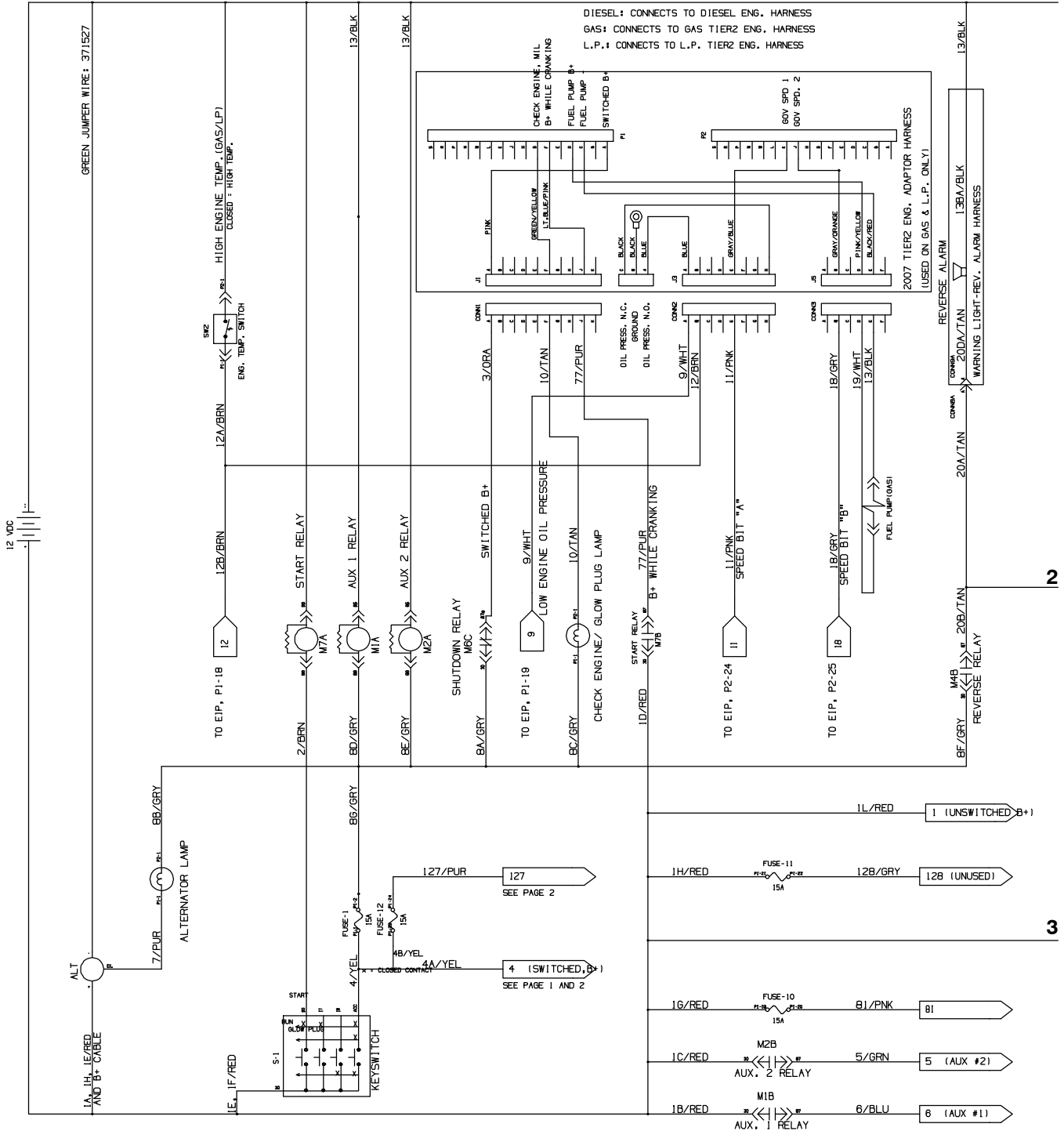


Fig. 63 - Electrical Schematic (001743-)

1



2

3

354405 - 1029601

Fig. 63 - Electrical Schematic (001743-)

1

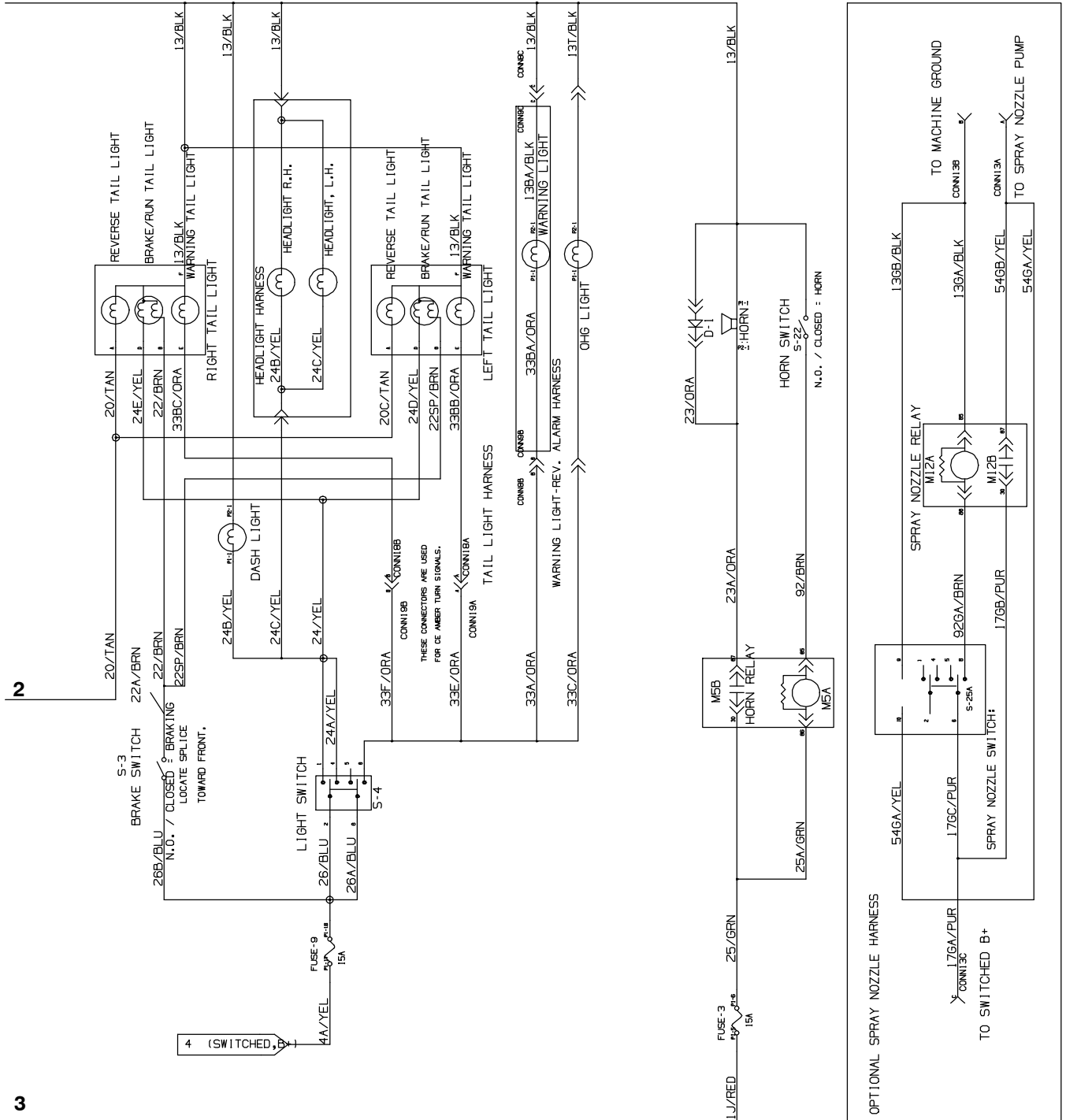
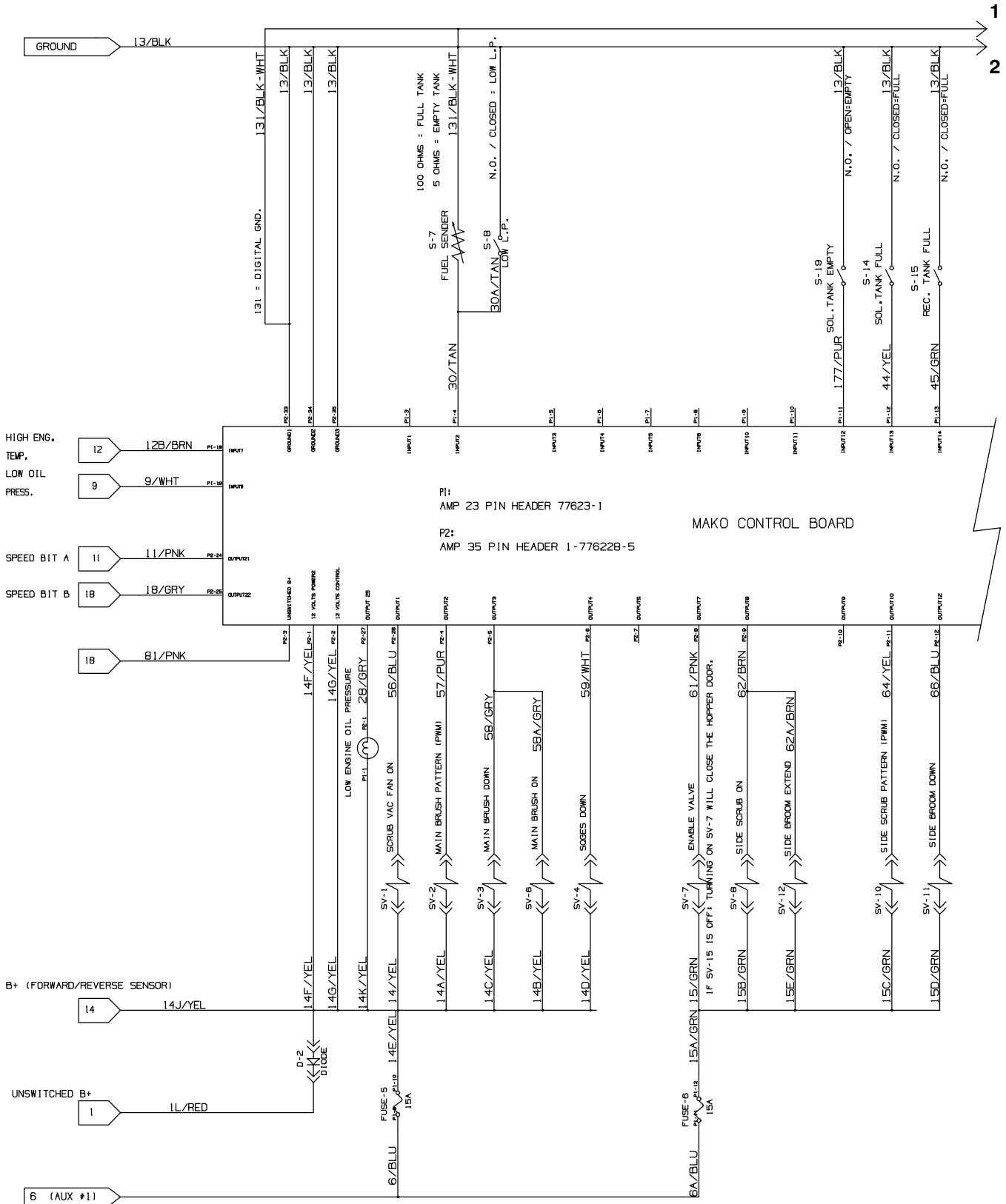
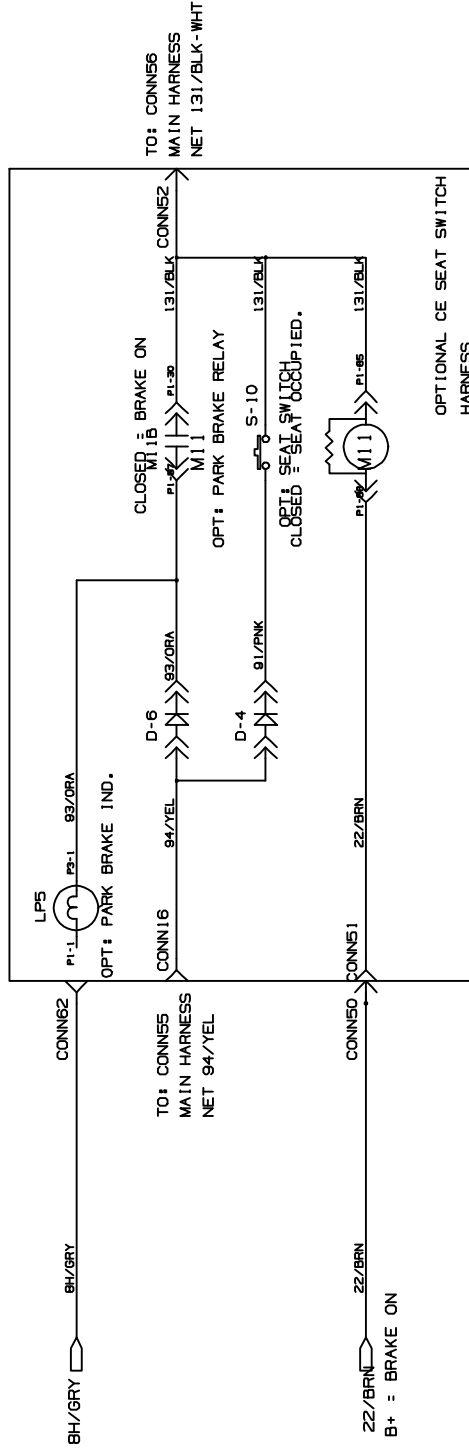


Fig. 63 – Electrical Schematic (001743–)



354405 – 1029601

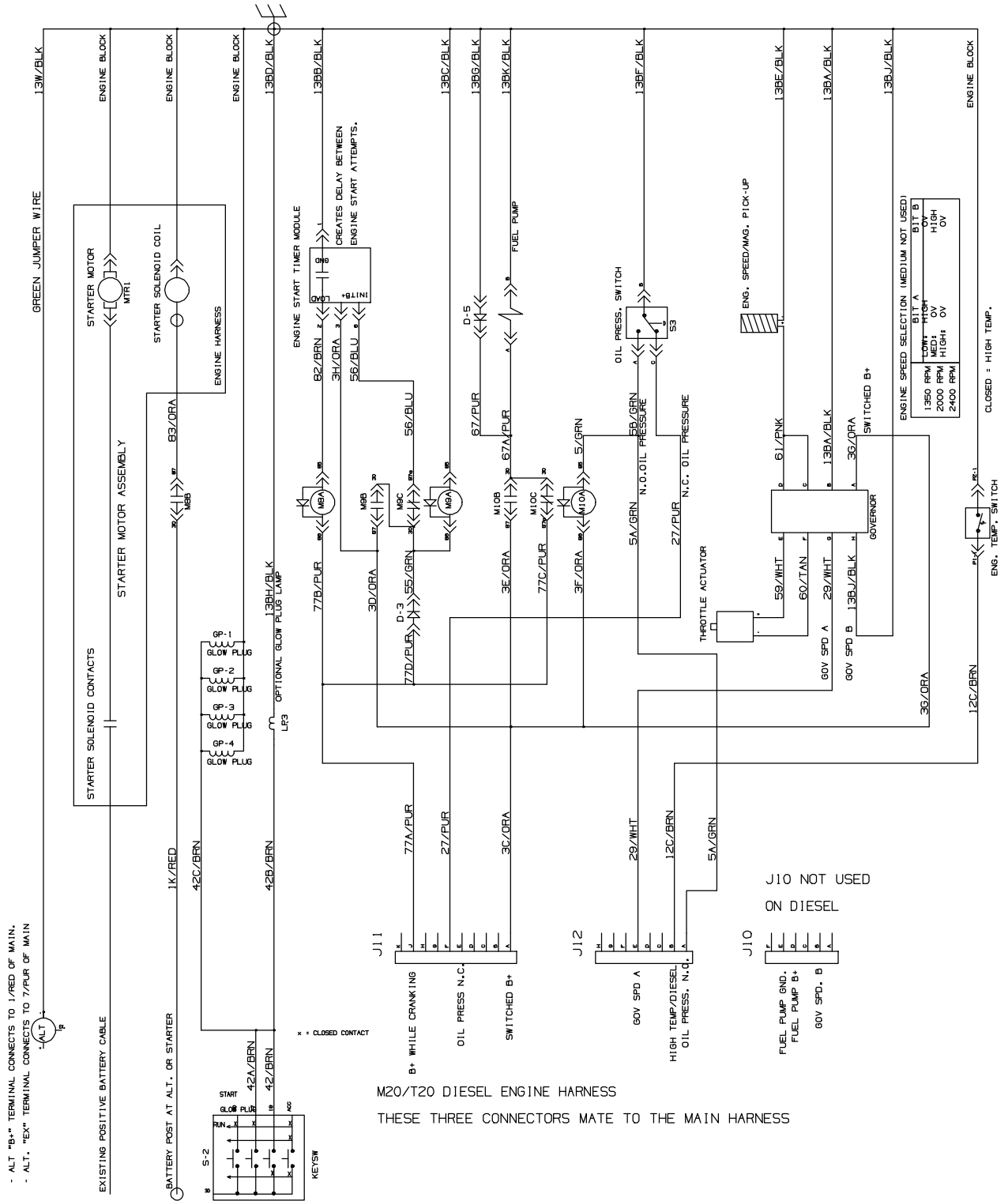
Fig. 63 – Electrical Schematic (001743-)



OPTIONAL CE SEAT SWITCH SHUTDOWN CIRCUIT.

354405 - 1029601

Fig. 64 - Electrical Schematic, Diesel Engine Harness



354405 - 1029601

Fig. 65 - Electrical Wire Harness Group, Main

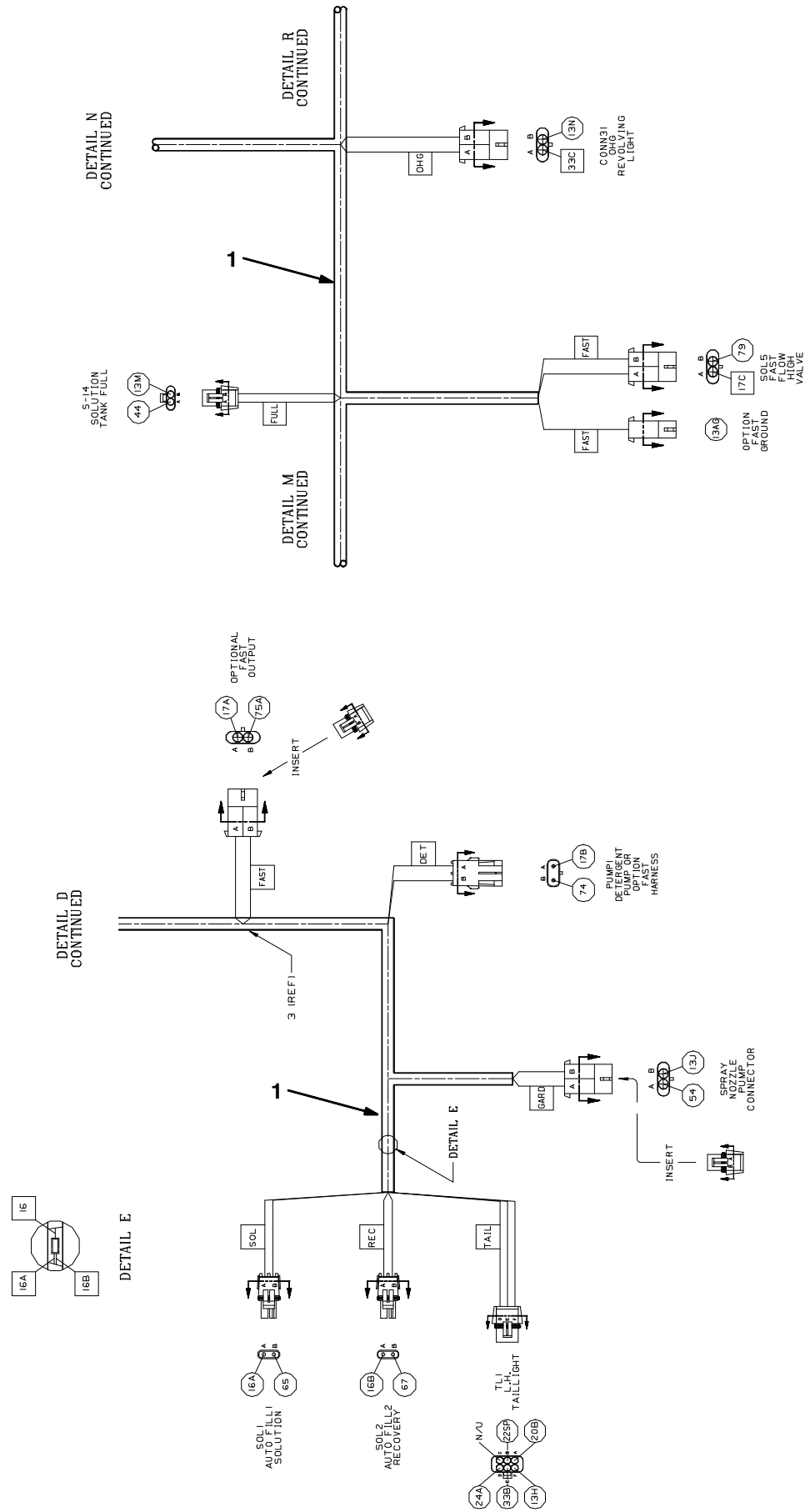


Fig. 65 - Electrical Wire Harness Group, Main

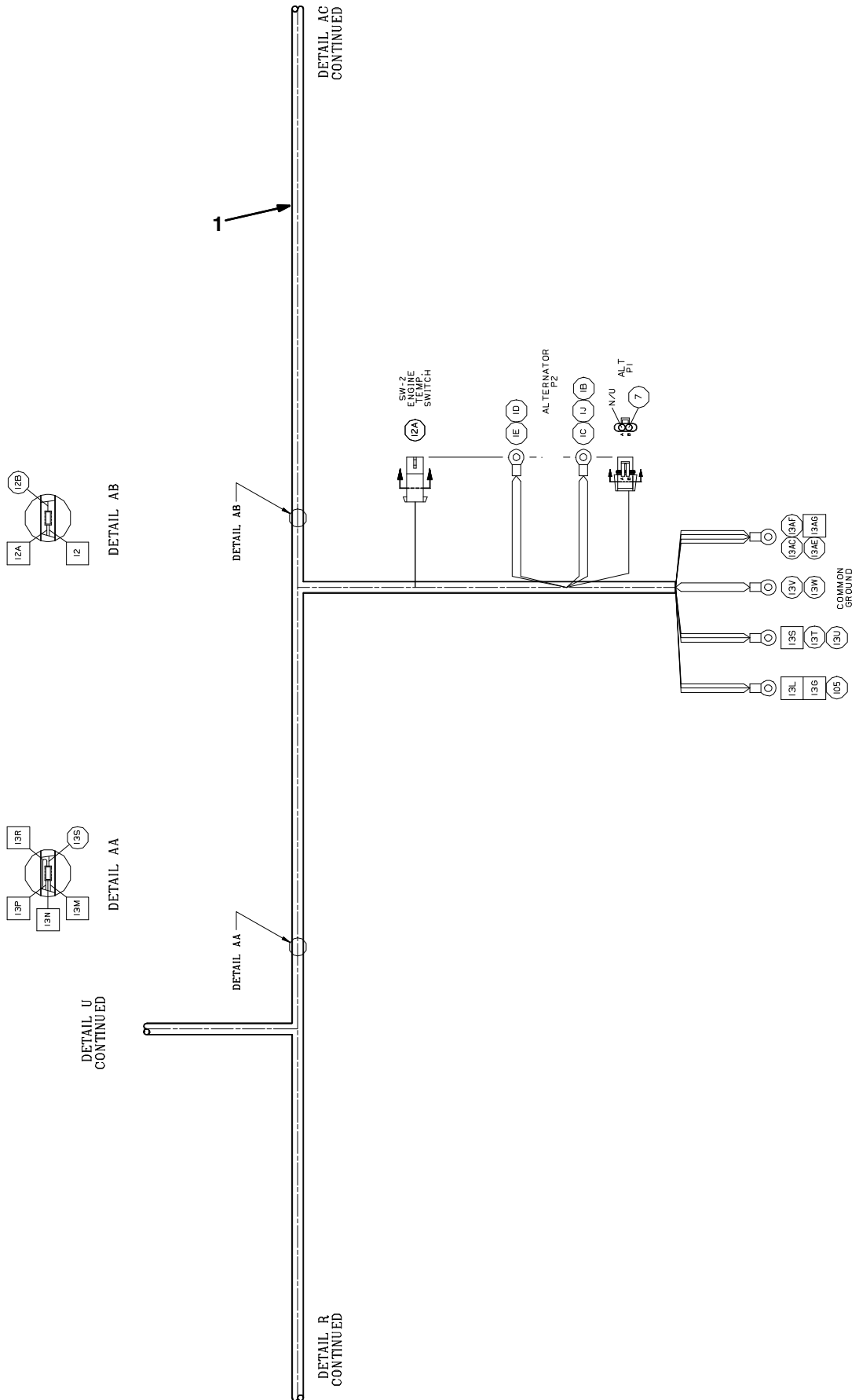


Fig. 65 - Electrical Wire Harness Group, Main

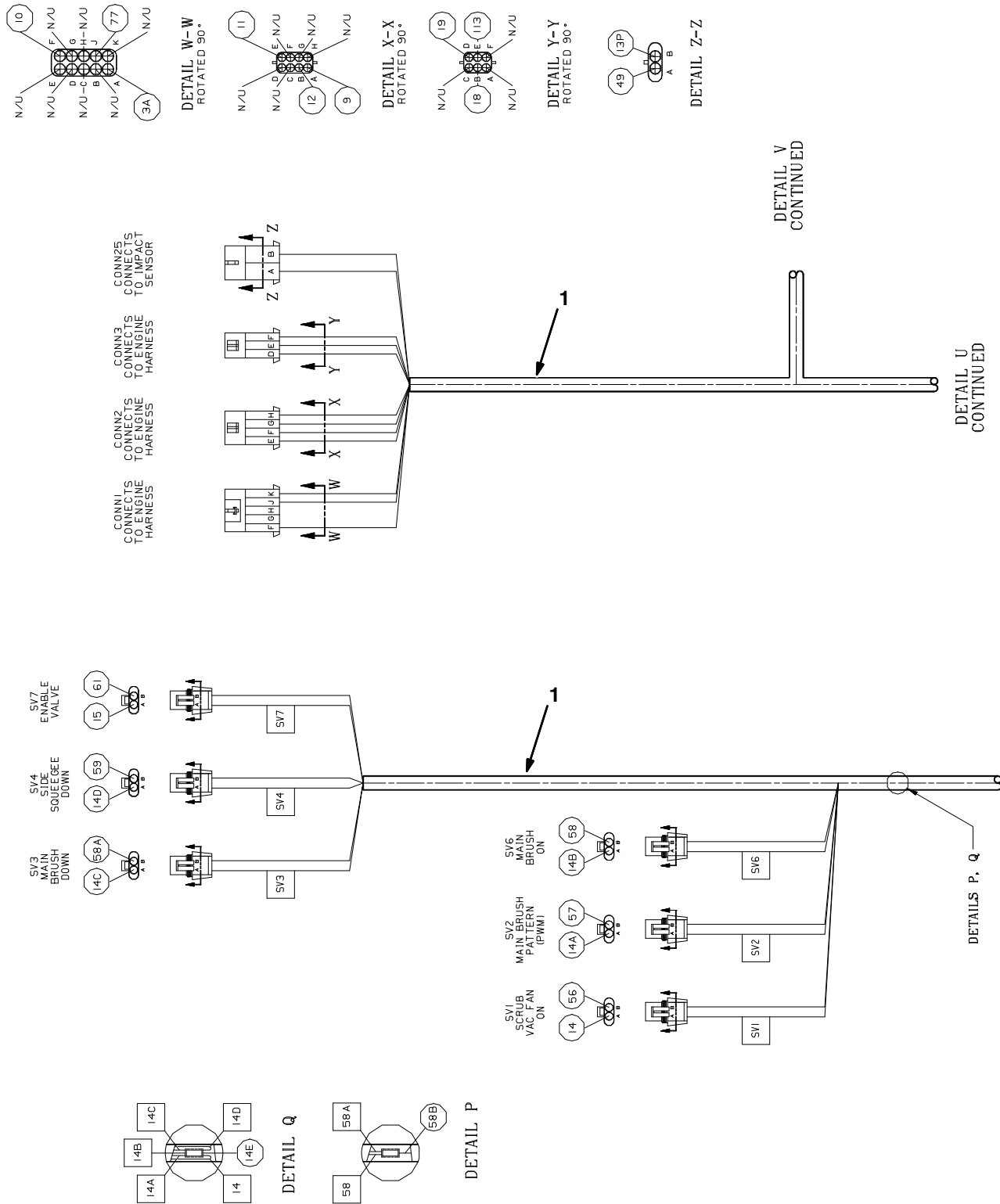


Fig. 65 - Electrical Wire Harness Group, Main

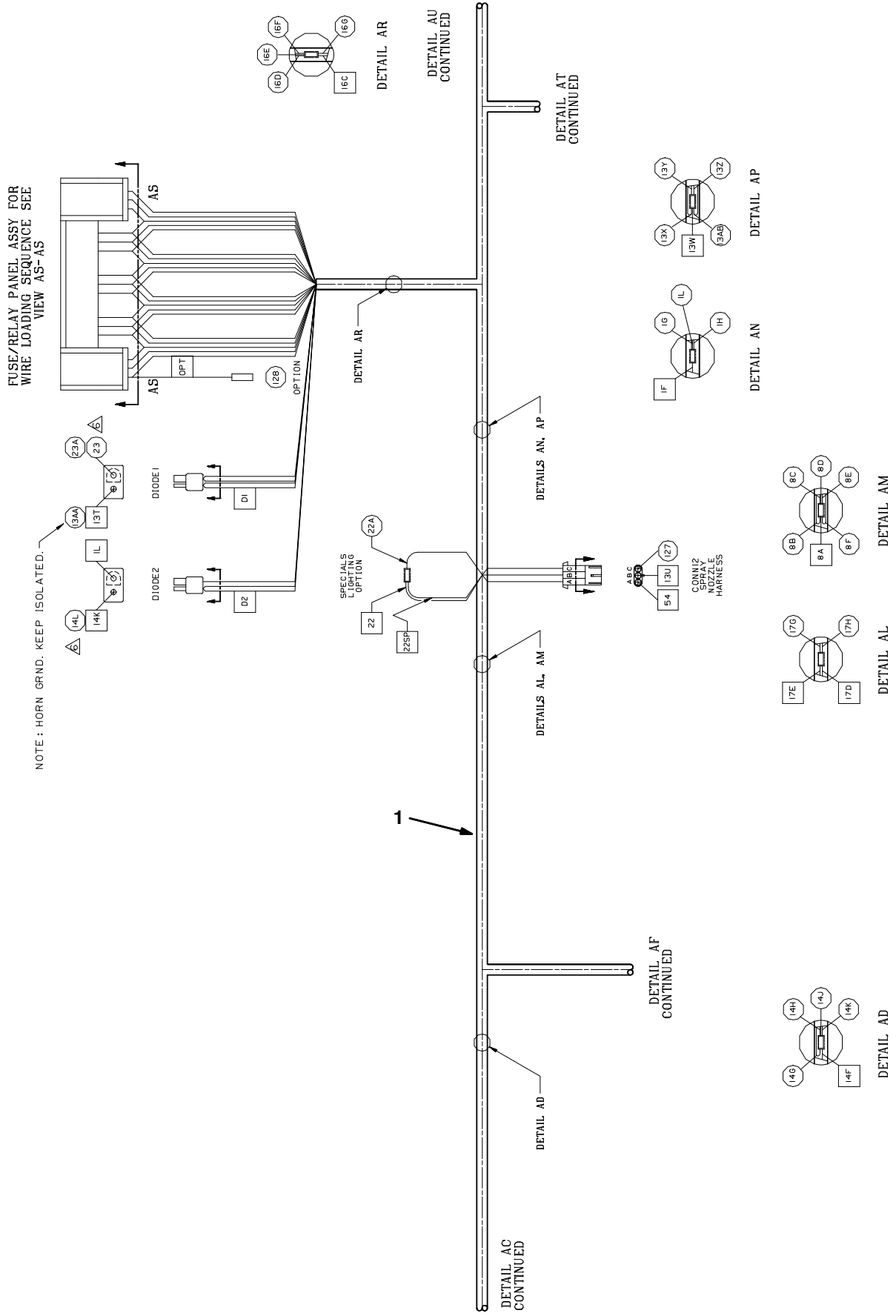


Fig. 65 - Electrical Wire Harness Group, Main

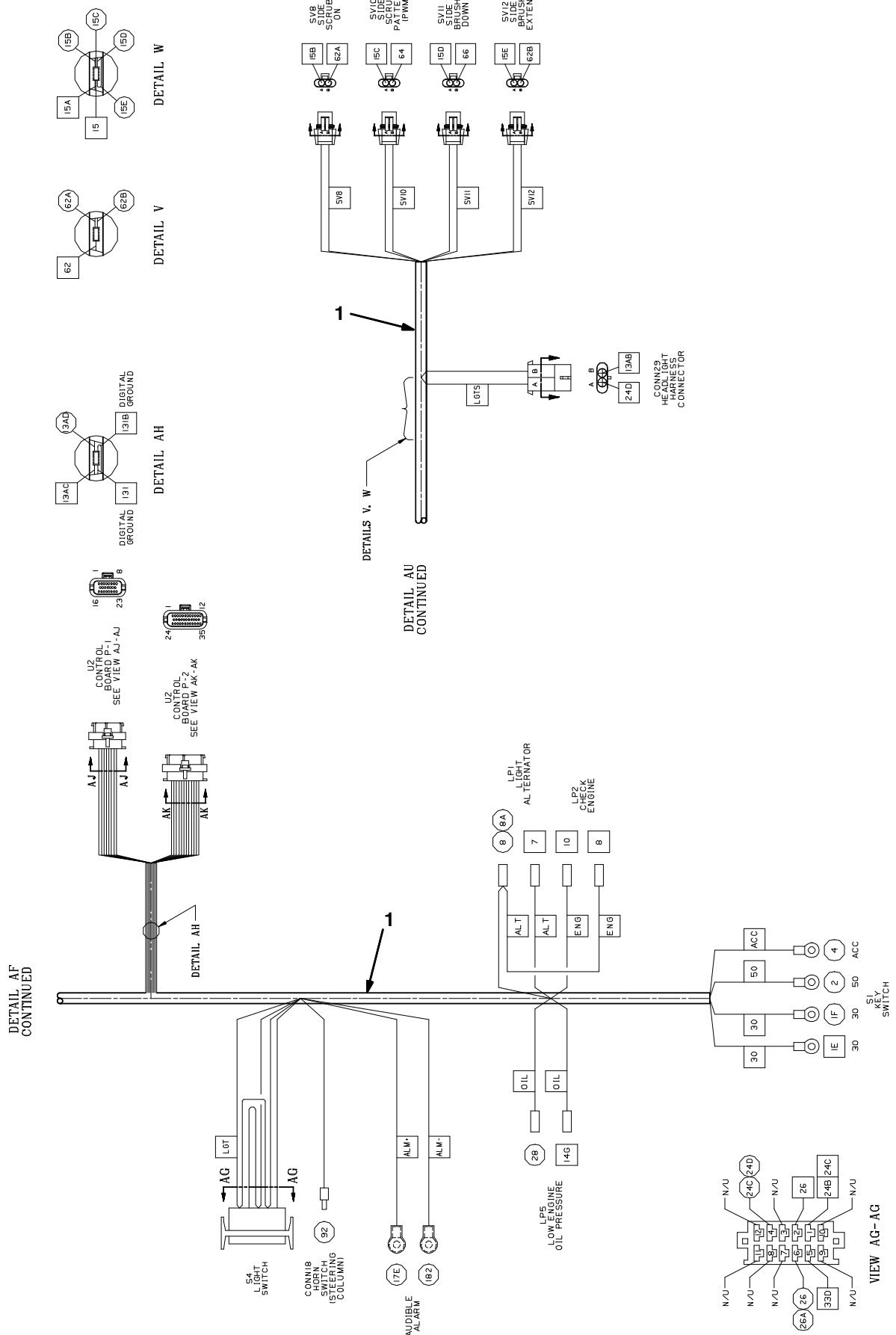


Fig. 65 - Electrical Wire Harness Group, Main

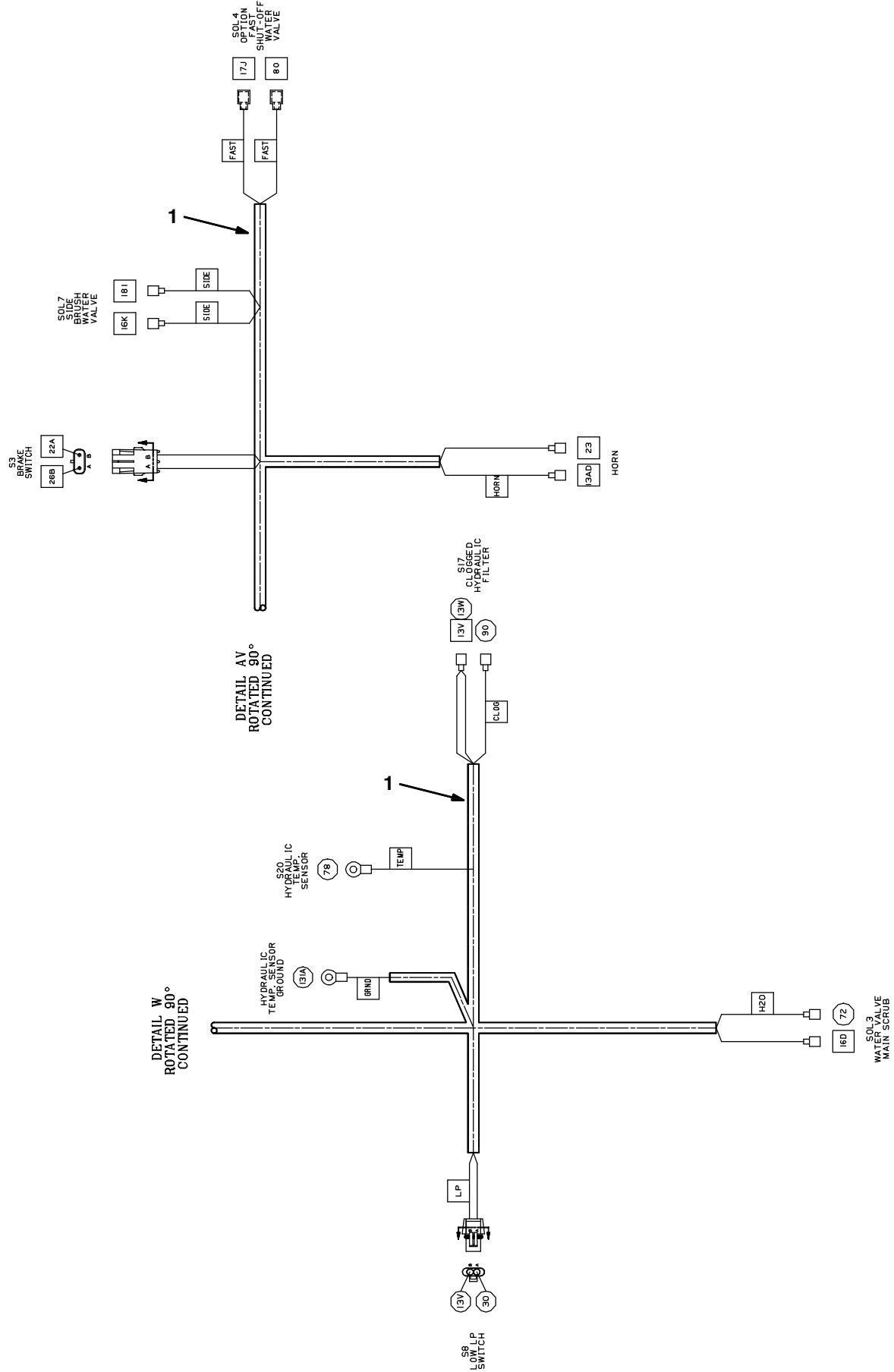
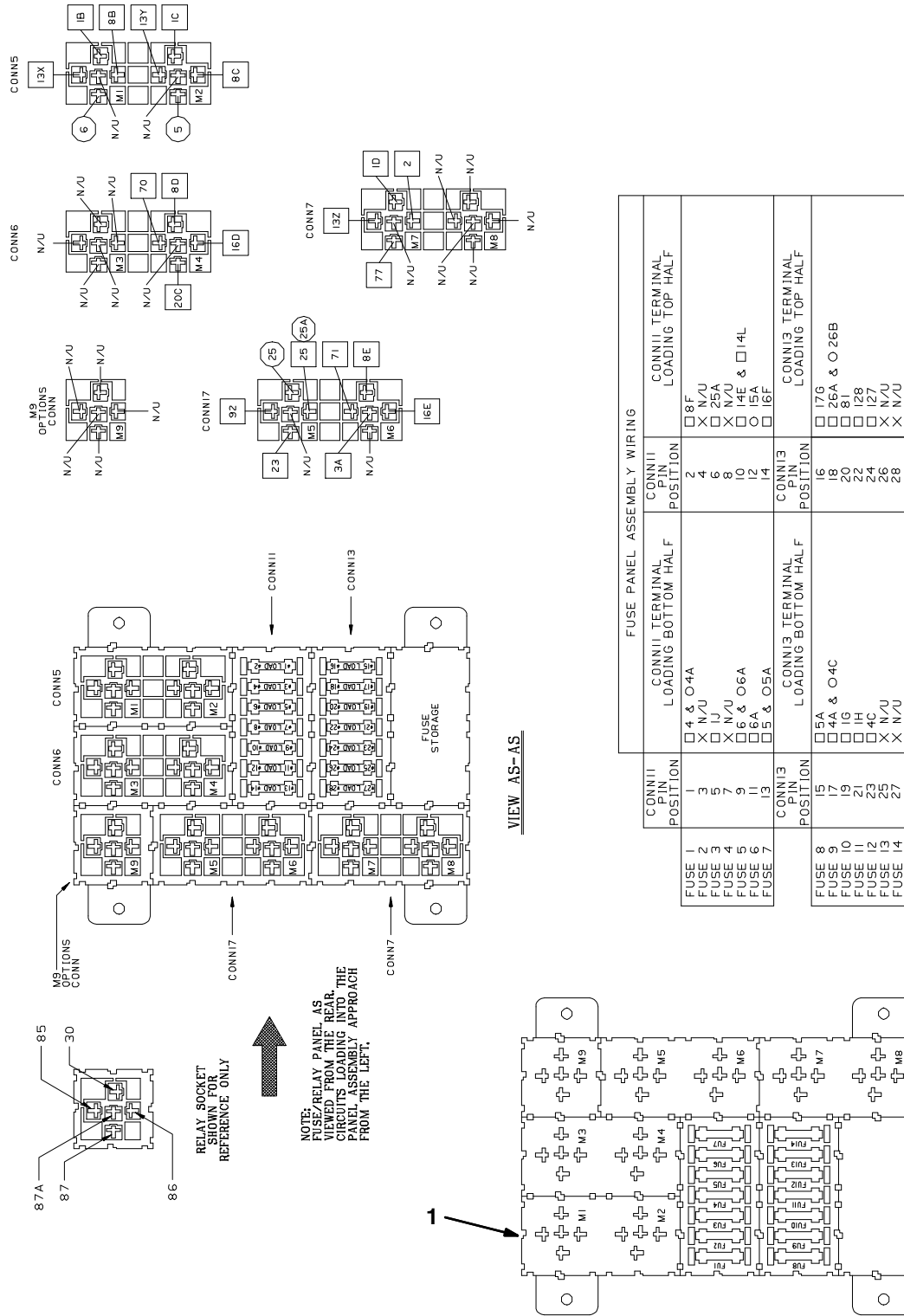
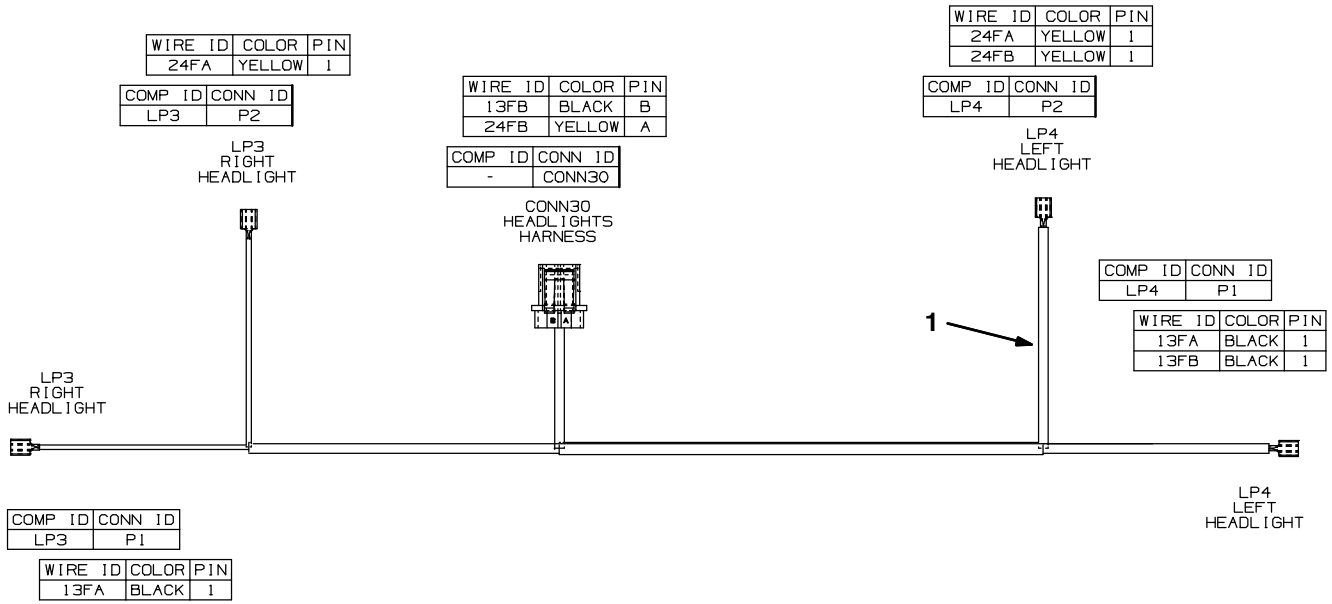


Fig. 65 - Electrical Wire Harness Group, Main



Ref.	Part No.	Serial Number	Description	Qty.
1	1071605	(000000-)	Harness, Main [T20]	1

Fig. 66 – Electrical Wire Harness Group, Headlight



Ref.	Part No.	Serial Number	Description	Qty.
1	1024141	(000000–)	Harness, Headlight [M20 And T20]	1

Fig. 67 - Electrical Wire Harnesses Group, Diesel Engine

Engine Wire Harness

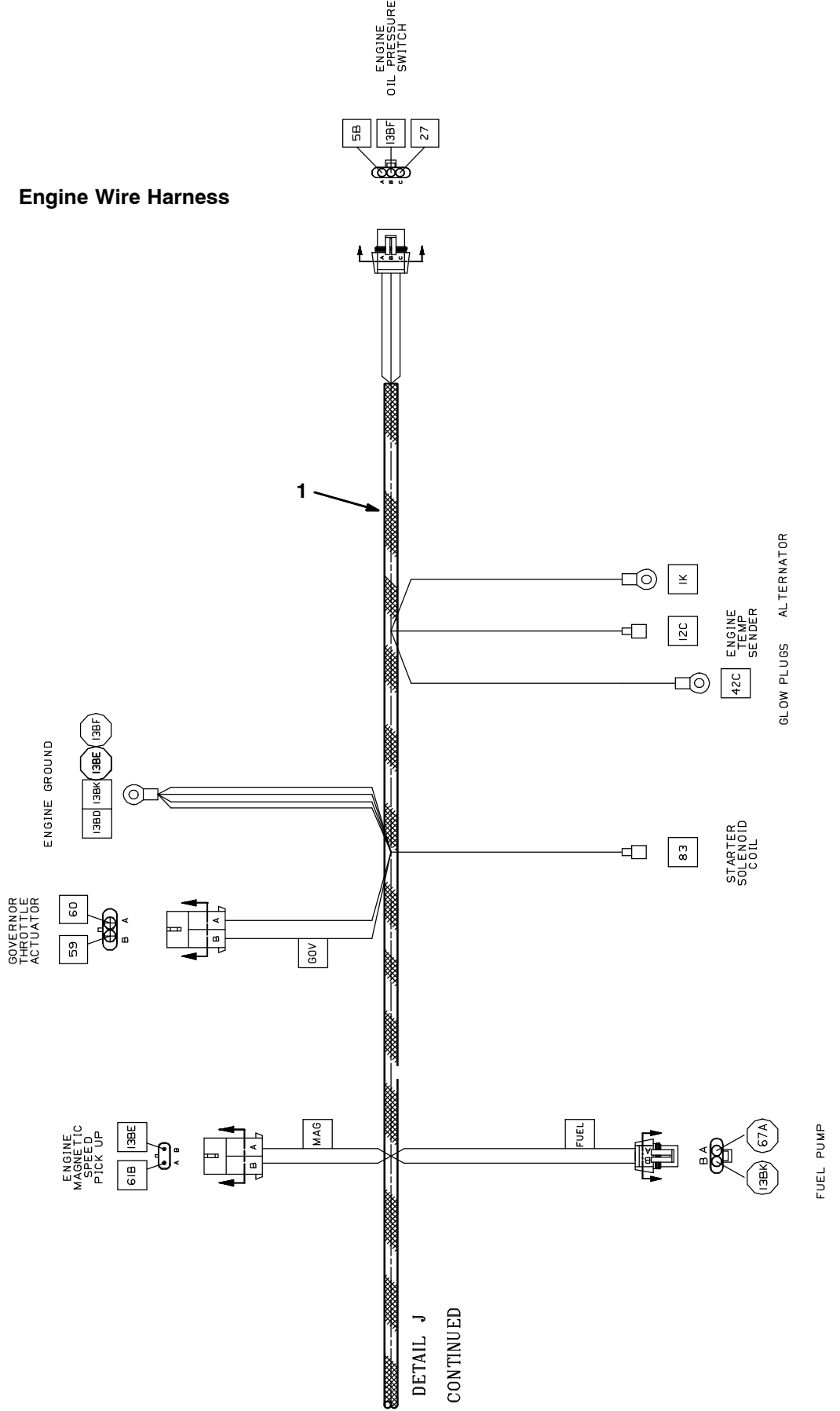


Fig. 67 – Electrical Wire Harnesses Group, Diesel Engine

Ref.	Part No.	Serial Number	Description	Qty.
1	391969	(000000–)	Harness, Engine, Dsl [M20 T20]	1

Fig. 68 – Label Group

WARNING Flammable materials can cause explosion or fire. Do not use flammable materials near tank. **Not Used** Les matériaux inflammables peuvent provoquer des explosions ou incendies. Ne les ramassez pas. **ADVERTENCIA** Los materiales inflamables pueden provocar explosiones o incendios. No utilice materiales inflamables en el depósito(s).

WARNING Raised hopper may fall. Engage hopper support pin. **AVERTISSEMENT** En position relevée, le bac à déchets peut retomber. Engagez la broche du support de bac à déchets. **ADVERTENCIA** La caja colectorá elevada puede caer. Coloque el pasador de apoyo de la caja colectorá.

WARNING Machine emits toxic gases. Serious injury or death can result. Provide adequate ventilation. **AVERTISSEMENT** La machine produit des gaz toxiques. Cas gaz peuvent provoquer des blessures ou la mort. Veillez à ce que l'endroit soit bien aéré. **ADVERTENCIA** La máquina emite gases tóxicos. Pueden provocar lesiones graves o fatales. Asegúrese de que existe suficiente ventilación.

WARNING Strong vacuum. Keep away from fan inlet when fan is running. **Not Used** Potente aspiración. Manténgase alejado de la entrada del ventilador cuando esté funcionando.

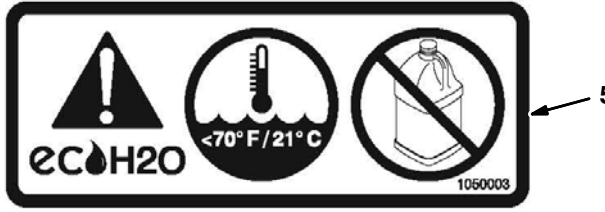
FOR SAFETY Read manual before operating machine. **POUR VOTRE SECURITE** Lisez le manuel avant d'utiliser la machine. **PARA SEGURIDAD** Lea el manual antes de operar la máquina.

WARNING Lift arm pinch point. Stay clear of hoist lift arms. **AVERTISSEMENT** Attention au point d'articulation du bras d'élevage. Ne vous approchez pas des bras d'élevage de la trémie. **ADVERTENCIA** Punto de pivoteamiento del brazo elevador. No se acerque a los brazos elevadores de la caja colectorá.

WARNING Flammable materials or reactive metals can cause explosion or fire. Do not pick up. **AVERTISSEMENT** Les matériaux inflammables ou les métaux réactifs peuvent causer une explosion ou un incendie. Ne les ramassez pas. **ADVERTENCIA** Los materiales inflamables o metales reactivos pueden causar explosiones o incendios. No los recoja.

WARNING Moving belt and fan. Keep away. **AVERTISSEMENT** La courroie et le ventilateur sont en mouvement. Ne vous approchez pas. **ADVERTENCIA** Correa y ventilador en movimiento. Manténgase alejado.

WARNING Machine can emit noise. Hearing protection is required. **AVERTISSEMENT** La machine peut émettre du bruit. Utilisez une protection auditive. **ADVERTENCIA** La máquina puede emitir ruido. Lleve protección para los oídos.

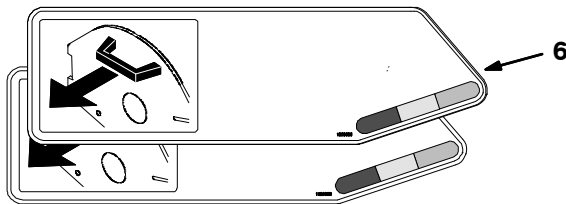
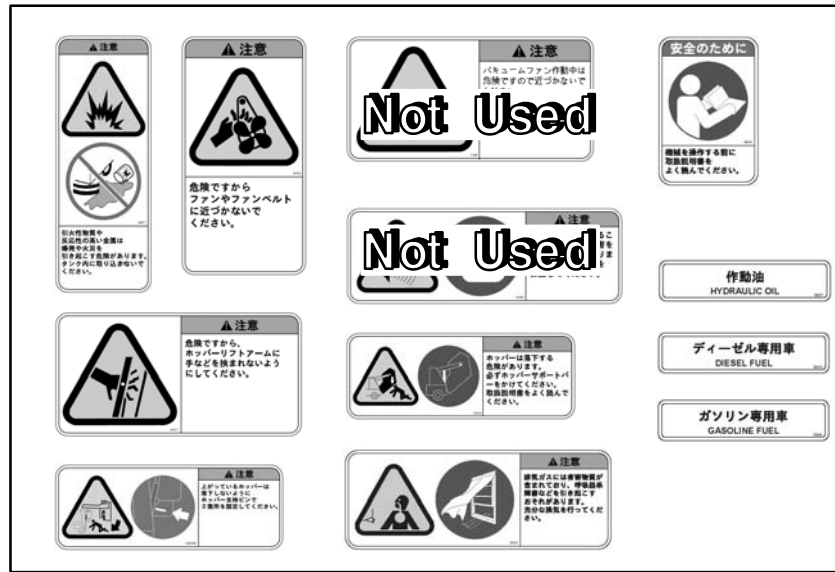


WARNING Burn hazard. Hot surface. Do NOT touch. **AVERTISSEMENT** Risque de brûlures. Surface chaude. Ne pas toucher. **ADVERTENCIA** Peligro de quemaduras. Superficie caliente. NO tocar.

注意 火傷のおそれあり。表面が熱くなっています。さわらないでください。



Fig. 68 – Label Group



T20 – D

Ref.	Part No.	Serial Number	Description	Qty.
1	77221	(000000–)	Label Set, Info/Hzrd, Swpr / Scrbr	1
2	1017141	(000000–)	Label Set, Hi Temp	1
3	1065343	(000000–)	Label, Logo, 05.75L 2Color [ES]	3
4	1065342	(000000–)	Label, Logo, 07.95L 2Color [FaST]	3
5	1050003	(000000–)	Label [User, Attention, ec-H2O]	2
6	1031017	(000000–)	Label Set, Brush Indicator & Removal	1
7	1032450	(000000–)	Label Set, Info/Hzrd, Swpr / Scrbr, Tj (Japan Only)	1
8	1064661	(000000–)	Label, Model, 2Color [T20]	2
9	1062813	(000000–)	Label, Logo, 12.3L 4Color [ec-H2O]	1
10	1064440	(000000–)	Label, Logo, 16.9L 4Color [ec-H2O]	1

SECTION 3

Contents	Page
Fig. 1 – ES Pump Group	3-2
Fig. 2 – ES Tanks Group	3-4
Fig. 3 – Side Brush Motor Group (000000–002115)	3-6
Fig. 4 – Side Brush Motor Group (002116–)	3-8
Fig. 5 – Side Brush Lift Group	3-10
Fig. 6 – Side Brush Solution Control Group	3-12
Fig. 7 – Side Brush Hydraulic Valve Group	3-14
Fig. 8 – Side Brush Hydraulic Hose Group	3-16
Fig. 9 – FaST Solution Pump Group (000000–001742)	3-18
Fig. 10 – FaST Air Pump and Detergent Group (000000–001742)	3-20
Fig. 11 – FaST Foam Filter Group, Cylindrical Scrub Head (000000–001742)	3-22
Fig. 12 – FaST Foam Filter Group, Cylindrical Scrub Head with Side Brush (000000–001742)	3-24
Fig. 13 – FaST Foam Filter Group, Disk Scrub Head (000000–001742)	3-26
Fig. 14 – FaST Foam Filter Group, Disk Scrub Head with Side Brush (000000–001742)	3-28
Fig. 15 – FaST Wire Harness Group (000000–001742)	3-30
Fig. 16 – FaST Pumps and Detergent Group (001743–)	3-32
Fig. 17 – FaST Solution Supply Group, Cylindrical Scrub Head (001743–)	3-34
Fig. 18 – FaST Solution Supply Group with Side Brush, Cylindrical Scrub Head (001743–)	3-36
Fig. 19 – FaST Solution Supply Group, Disk Scrub Head (001743–)	3-38
Fig. 20 – FaST Solution Supply Group with Side Brush, Disk Scrub Head (001743–)	3-40
Fig. 21 – FaST Wire Harness Group (001743–)	3-42

Contents	Page
Fig. 22 – ec–H2O Install Kits	3-43
Fig. 23 – ec–H2O Solution Pump Group	3-44
Fig. 24 – ec–H2O Solution Pump Supply Group	3-46
Fig. 25 – ec–H2O Solution Supply Group, Cylindrical Scrub Head	3-48
Fig. 26 – ec–H2O Solution Supply Group, Cylindrical Scrub Head with Side Brush	3-50
Fig. 27 – ec–H2O Solution Supply Group, Disk Scrub Head	3-52
Fig. 28 – ec–H2O Solution Supply Group, Disk Scrub Head with Side Brush	3-54
Fig. 29 – ec–H2O Wire Harnesses Group	3-56
Fig. 30 – Backup Alarm Kit	3-59
Fig. 31 – Light Kit, Flashing	3-60
Fig. 32 – Light Kit, Strobe	3-62
Fig. 33 – Light Kit, Flashing Overhead Guard	3-64
Fig. 34 – Light Kit, Strobe Overhead Guard	3-65
Fig. 35 – Overhead Guard Kit	3-66
Fig. 36 – Telemetry Group	3-68
Fig. 37 – Telemetry Wire Harness Group	3-70
Fig. 38 – Vacuum Wand Kit	3-72
Fig. 39 – Power Wand Hose Assembly	3-74
Fig. 40 – Power Wand Assembly	3-76
Fig. 41 – Power Wand Pump and Mount Group	3-78
Fig. 42 – Power Wand Pump and Mount Group with Spray Nozzle	3-80
Fig. 43 – Spray Nozzle Kit	3-82
Fig. 44 – Spray Nozzle Kit with Power Wand	3-84
Fig. 45 – Transport Group	3-86
Fig. 46 – Squeegee Guard Kit	3-88
Fig. 47 – Heavy Duty Bumper Kit	3-90
Fig. 48 – Fire Extinguisher Kit	3-91
Fig. 49 – Documentation Group	3-92

Fig. 1 - ES Pump Group

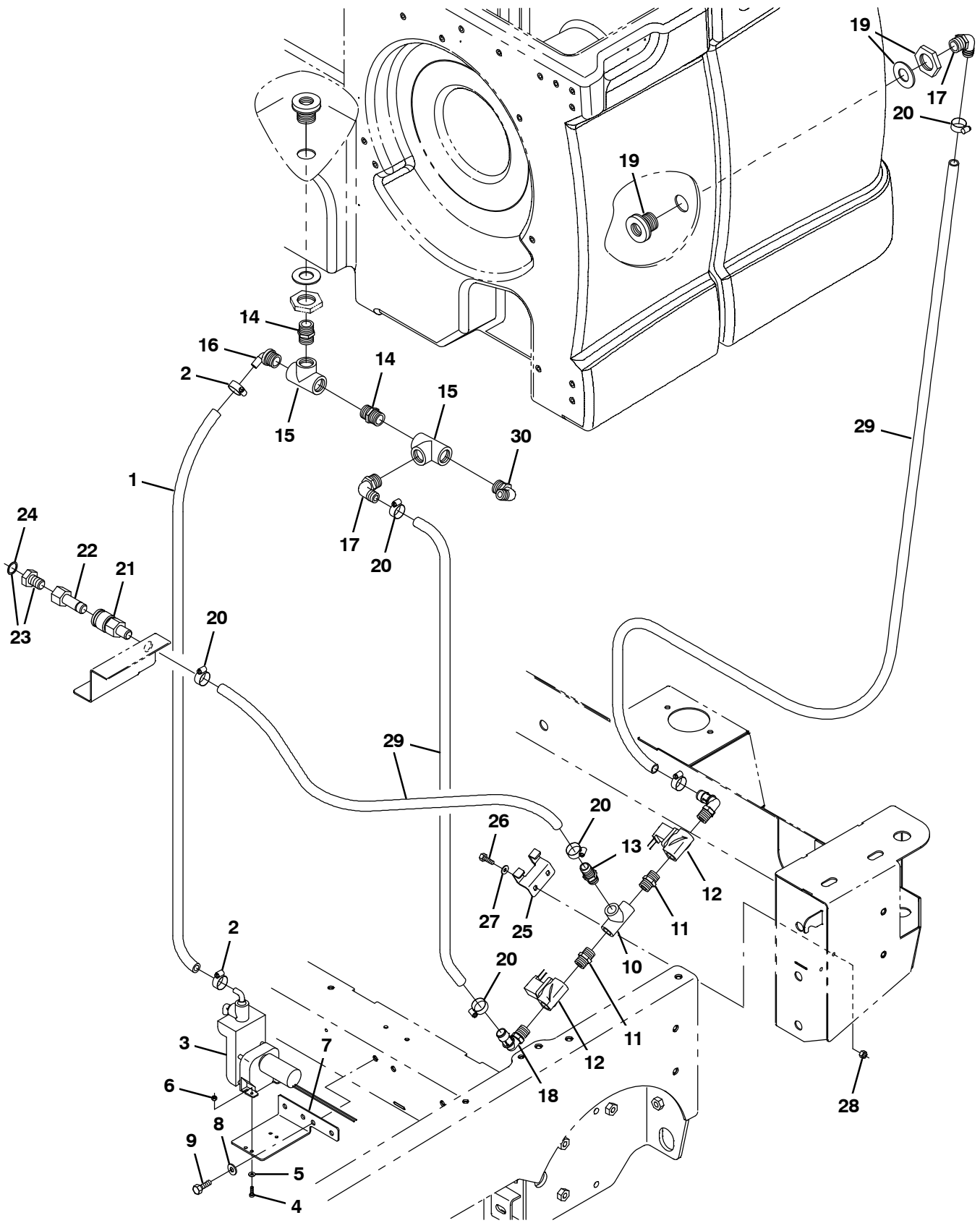


Fig. 1 – ES Pump Group

Ref.	Part No.	Serial Number	Description	Qty.
1	41295	(000000–) Hose, Pvc, Clr, 0.38id 0.56od 48.00l	1
2	43844	(000000–) Clamp, Hose, Wormdrive, 0.25–0.62d, .31w	2
3	73260	(000000–) Pump, Detgt, 14vdc, 150ml/Min 20psi (See Breakdowns)	1
4	24265	(000000–) Screw, Pan, M4 X 0.7 X 16, Ss	2
5	01683	(000000–) Washer, Flat, #10, Ss	2
6	33932	(000000–) Nut, Hex, Lock, M4 X 0.7, NI, Ss	2
7	1021325	(000000–) Bracket, Mtg, Valve	1
8	01685	(000000–) Washer, Flat, 0.31, Ss	2
9	09740	(000000–) Screw, Hex, M8 X 1.25 X 20, Ss	2
10	79497	(000000–) Fitting, Plstc, Tee, Pf08/Pf08/Pf08	1
11	86508	(000000–) Fitting, Plstc, Str, Pm08/Pm08	2
12	73433	(000000–) Valve, Water, Solenoid, 12vdc 0.08pf	2
13	78398	(000000–) Fitting, Plstc, Str, Bm12/Pm08, Nyl	1
14	24544	(000000–) Fitting, Plstc, Str, Pm12/Pm12 1.60l	2
15	42133A	(000000–) Fitting, Plstc, Tee, Pf12/Pf12/Pf12	2
16	79484	(000000–) Fitting, Plstc, E90, Bm06/Pm12, Nyl	1
17	14877	(000000–) Fitting, Plstc, E90, Bm12/Pm12	2
18	63244–2	(000000–) Fitting, Plstc, E90, Bm12/Pm08	2
19	377349	(000000–) Fitting, Plstc, Pf12/Pf12, Bh	1
20	63810	(000000–) Clamp, Hose, Wormdrive, 0.56–1.06d, .56w	6
21	24105	(000000–) Fitting, Brs, Qdc, Bm12/Qf08	1
22	33295	(000000–) Fitting, Brs, Qdc, Pf08 [Parker Bh3f]	1
▽	23	375322	(000000–) Fitting Kit, Hose, Garden	1
▲	24	01316	(000000–) Washer, Flat, 0.66b 1.00d .12, Rbr	1
	25	1016837	(000000–) Bracket, Mtg, Valve	1
	26	08716	(000000–) Screw, Hex, M6 X 1.0 X 20, Ss	2
	27	01684	(000000–) Washer, Flat, 0.25, Ss	2
	28	08712	(000000–) Nut, Hex, Lock, M6 X 1.00, Ss, NI	2
	29	1015044	(000000–) Hose, Afmkt, Pvc, Brd 0.75id 12ft	1
	30	14877	(000000–006330) Fitting, Plstc, E90, Bm12/Pm12	1
	30	73468	(006331–) Fitting, Plstc, E90, Bm10/Pm12	1

Fig. 2 - ES Tanks Group

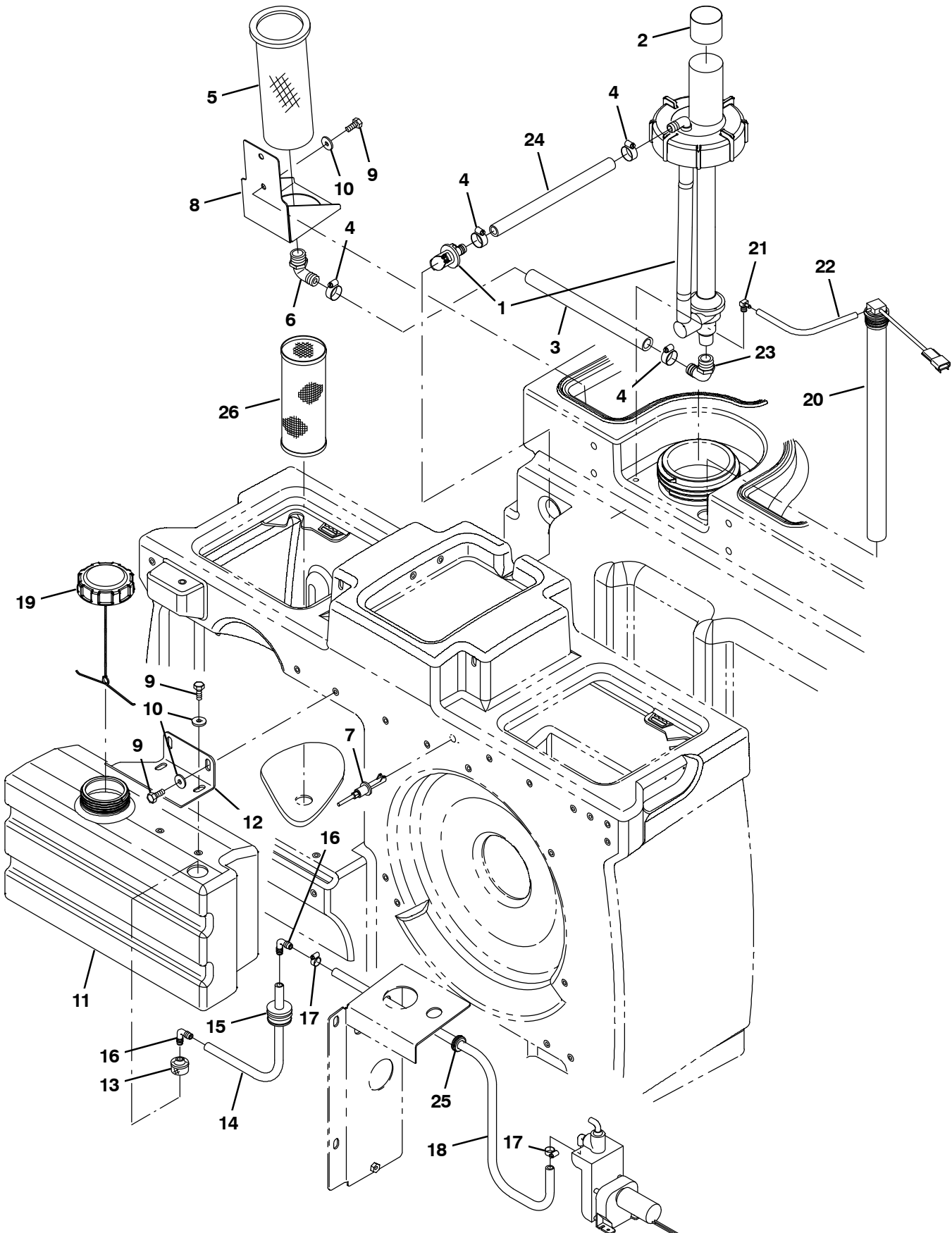


Fig. 2 – ES Tanks Group

Ref.	Part No.	Serial Number	Description	Qty.
1	1021210	(000000–) Pump Assy, Column, Es (See Breakdowns)	1
2	1028697	(000000–) Sleeve, Rbr, 3.50b 3.58d 1.8l	1
3	1015048	(000000–) Hose, Afmkt, Pvc, Brd 0.75id 01ft	1
4	63810	(000000–) Clamp, Hose, Wormdrive, 0.56–1.06d, .56w	4
5	386652	(000000–) Strainer, Soltn, 20 Mesh, Cyl 3.5d 9.5l	1
6	24543	(000000–) Fitting, Plstc, E90, Bm12/Pf12	1
7	385685	(000000–) Sensor, Level, Liq, 14vdc 01a .62–11	1
8	1019636	(000000–) Bracket, Mtg, Strainer	1
9	09740	(000000–) Screw, Hex, M8 X 1.25 X 20, Ss	6
10	1017218	(000000–) Washer, Flat, 0.32b 1.00d .12, Ss	6
11	1022229	(000000–) Tank, Detgt, Trimmed	1
12	1025159	(000000–) Bracket, Mtg, Detgt And Spray Wand	1
13	20952	(000000–) Screen, Pump	1
14	1014974	(000000–) Hose, Afmkt, Pvc, Brd 0.38id 02ft	1
15	20944	(000000–) Grommet, Pye, 0.37id, F/1.5h, .13 Matl	1
16	20951	(000000–) Fitting, Plstc, E90, Bm06/Bm06	2
17	43844	(000000–) Clamp, Hose, Wormdrive, 0.25–0.62d, .31w	2
18	41295	(000000–) Hose, Pvc, Clr, 0.38id 0.56od 48.00l	1
19	1011885	(000000–) Cap, Tank	1
20	1072877	(000000–) Switch Assy, Press, 3.0, 17.5l Tube	1
21	32183	(000000–) Fitting, Brs, E90, Pm02/Bm03	1
22	1031572	(000000–) Hose, Afmkt, Vacuum, 0.16id, 01ft	1
23	14877	(000000–) Fitting, Plstc, E90, Bm12/Pm12	1
24	1015033	(000000–) Hose, Afmkt, Pvc, Brd 0.62ld, 01Ft, Clr	1
25	10632–2	(000000–) Grommet, Rbr, 0.62id, F/0.9h, .12 Matl	1
26	1039019	(000000–) Filter, Soltn, 020mesh, Pm12 3.2d 08.0l	1

Fig. 3 - Side Brush Motor Group (000000-002115)

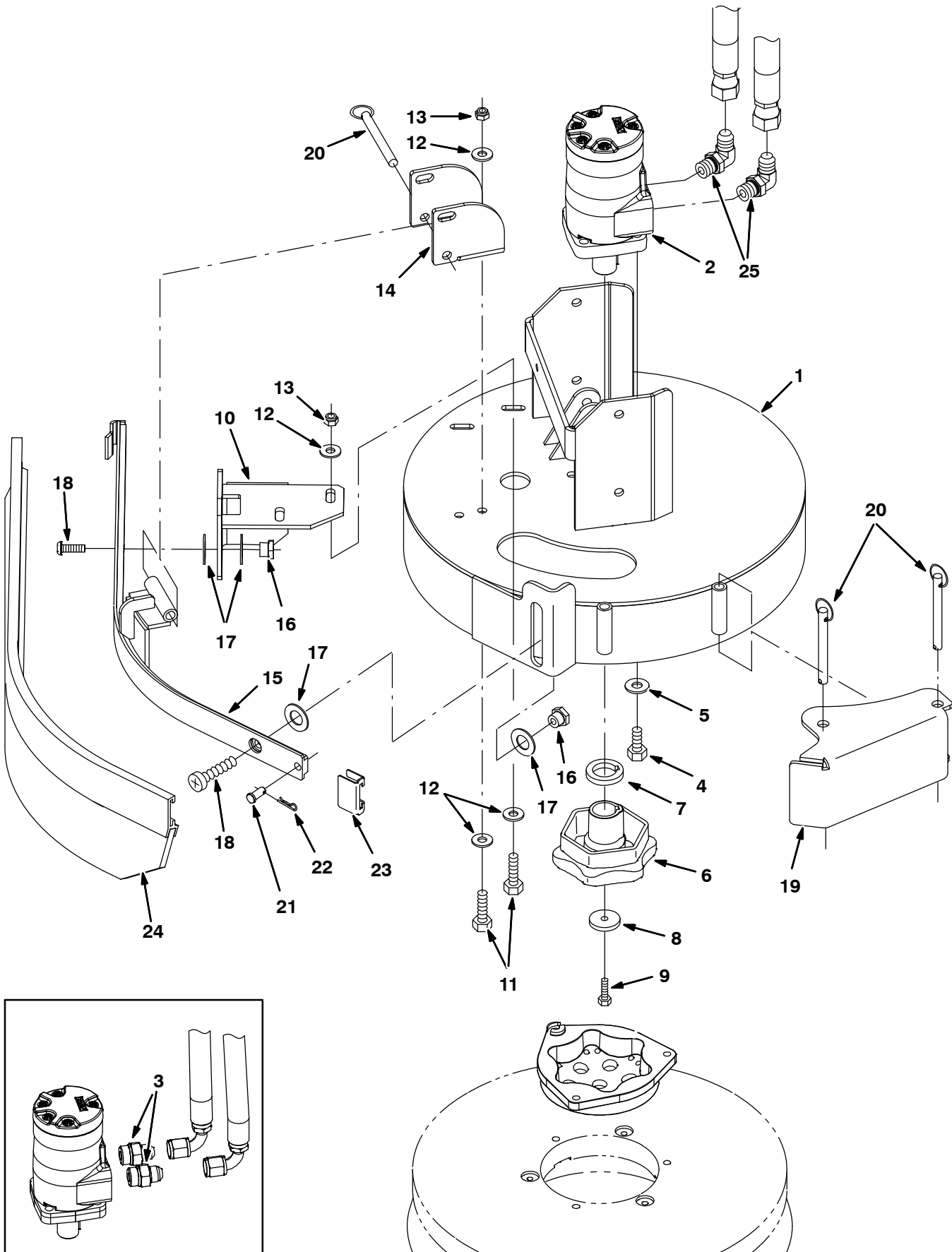


Fig. 3 – Side Brush Motor Group (000000–002115)

Ref.	Part No.	Serial Number	Description	Qty.
1	1021794	(000000–002115)	Bracket Wldt, Mtg, Side Brush	1
2	1029379	(000000–002115)	Motor, Hyd, Gear, Int 08.9 Bi–Dir 2500 (See Breakdowns)	1
3	56692	(000000–001037)	Fitting, Hyd, Str, Jm08/Om10	2
4	01762	(000000–002115)	Screw, Hex, .38–16 X 0.75, NI	4
5	32492	(000000–002115)	Washer, Flat, 0.38 Std	4
6	1042968	(000000–002115)	Hub, Drive, Brush, Disk, 1.00b [6t]	1
7	25611	(000000–002115)	Spacer, Hub, Keyed	1
8	19191	(000000–002115)	Spacer	1
9	25046	(000000–002115)	Screw, Hex, .25–20 X 1.00, 5	1
10	1022135	(000000–002115)	Bracket, Mtg, Sqge	1
11	09010	(000000–002115)	Screw, Hex, M8 X 1.25 X 25, Ss	4
12	01685	(000000–002115)	Washer, Flat, 0.31, Ss	8
13	08713	(000000–002115)	Nut, Hex, Lock, M8 X 1.25, NI, Ss	4
14	1022188	(000000–002115)	Bar, Retainer	1
15	1022111	(000000–002115)	Frame Wldt, Sqge, Side Brush	1
16	1022302	(000000–002115)	Nut, T, M8 X 1.25 X 14.5od X 9.5l	2
17	64425	(000000–002115)	Washer, Thrust, 0.61b 1.25d .06, Fgl	4
18	223470	(000000–002115)	Screw, Btn, M8 X 1.25 X 25, Ss	2
19	1022260	(000000–002115)	Bumper Wldt, Brush, Side	1
20	369359	(000000–002115)	Pin, Hitch, .375d X 3.12l, PI	3
21	46800	(000000–002115)	Pin, Clevis, 0.31d X 0.75l	1
22	08179	(000000–002115)	Pin, Cotter, .094 X 1.00	1
23	86759	(000000–002115)	Retainer, Sqge	1
24	1025005	(000000–002115)	Squeegee Assy, Sba, Linatex	1
24	1027716	(000000–002115)	Squeegee Assy, Sba, Ure	1
25	56821	(001038–002115)	Fitting, Hyd, E90, Jm08/Om10	1

Fig. 4 – Side Brush Motor Group (002116-)

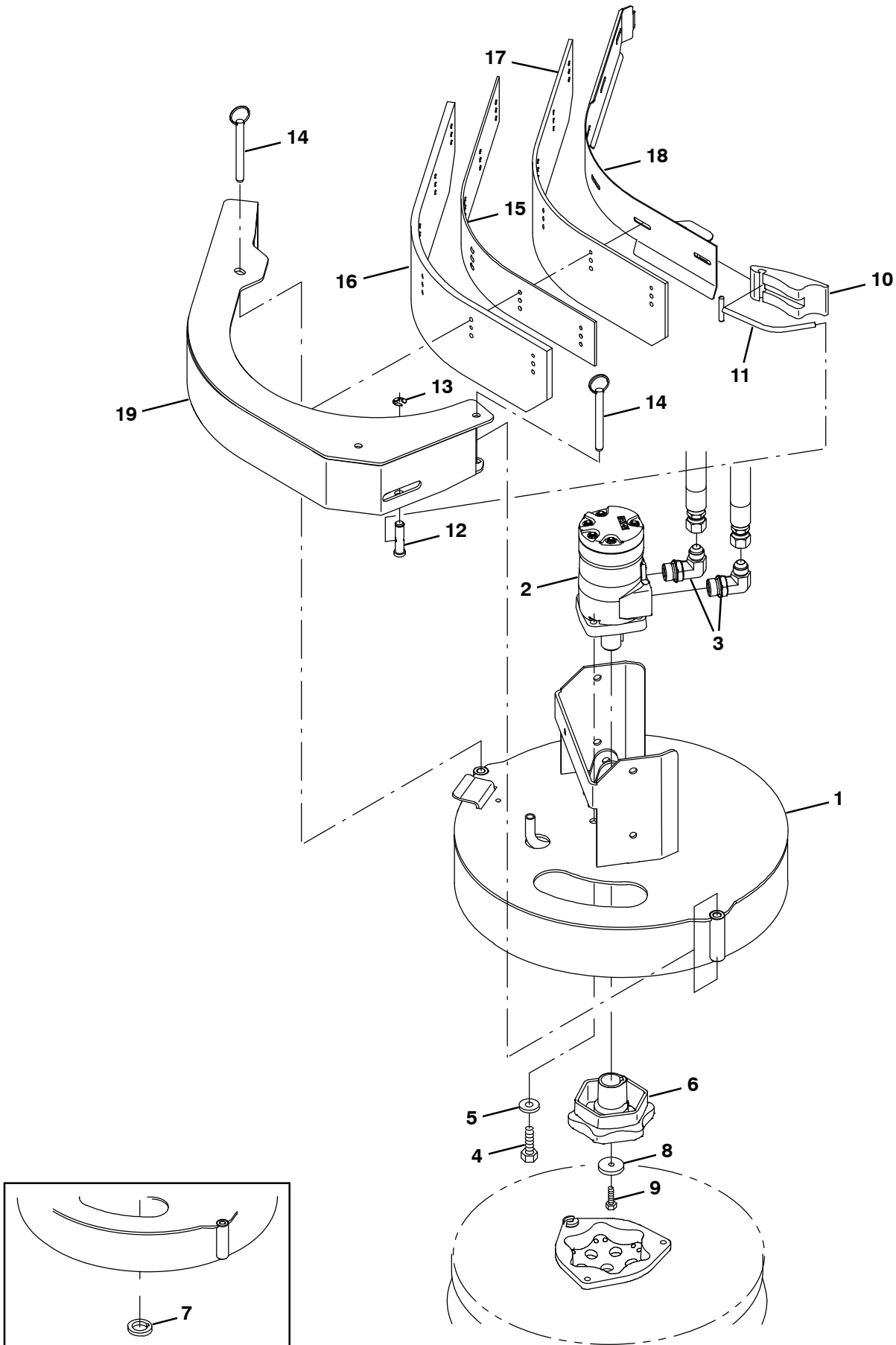


Fig. 4 – Side Brush Motor Group (002116–)

Ref.	Part No.	Serial Number	Description	Qty.	
1	1047002	(002116–)	Bracket Wldt, Mtg, Side Brush Fixed	1	
2	1029379	(002116–002989)	Motor, Hyd, Gear, Int 08.9 Bi-Dir 2500 (See Breakdowns)	1	
▽	2	1068812	(002990–)	Motor, Hyd, Gear, Int 08.9 Bi-Dir 2500	1
▲	22615	(002990–)	Seal Kit, Motor [CI]	1	
3	56821	(002116–)	Fitting, Hyd, E90, Jm08/Om10	2	
4	01762	(002116–)	Screw, Hex, .38–16 X 0.75, NI	4	
5	32492	(002116–)	Washer, Flat, 0.38 Std	4	
6	1042968	(002116–)	Hub, Drive, Brush, Disk, 1.00b [6t]	1	
7	25611	(002116–002989)	Spacer, Hub, Keyed	1	
8	19191	(002116–)	Spacer	1	
9	25046	(002116–)	Screw, Hex, .25–20 X 1.00, 5	1	
10	21601	(002116–)	Cam, Front	1	
11	386298	(002116–)	Pin Wldt, Front	1	
12	21603	(002116–)	Pin, Grvd, 0.43d 01.8l [303ss]	1	
13	24555	(002116–)	Ring, Retaining, Ext, 0.38d, [E-Ring]	1	
14	369359	(002116–)	Pin, Hitch, .375d X 3.12l, PI	2	
15	1046995	(002116–)	Spacer, Sqge, Side Brush, Rbr	1	
16	1046980	(002116–)	Blade, Sqge, Side Brush, Linatex	1	
16	1059091	(002116–)	Blade, Sqge, Side Brush, Urethane	1	
17	1047238	(002116–)	Blade, Sqge, Side Brush, Linatex	1	
17	1059092	(002116–)	Blade, Sqge, Side Brush, Urethane	1	
18	1047060	(002116–)	Plate Wldt, Retainer, Sqge	1	
19	1046976	(002116–)	Bumper Wldt, Brush, Side	1	

Fig. 5 - Side Brush Lift Group

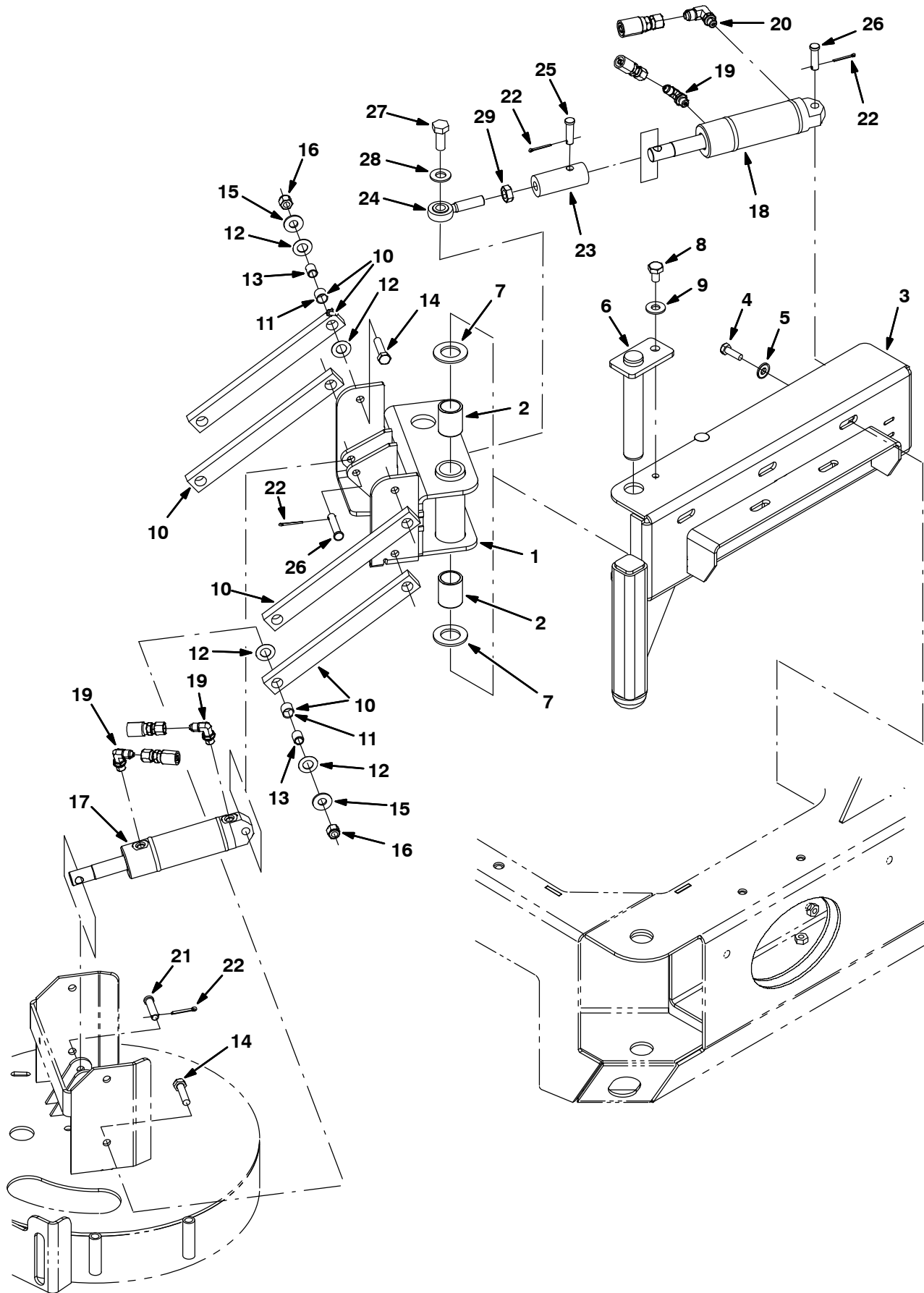


Fig. 5 – Side Brush Lift Group

Ref.	Part No.	Serial Number	Description	Qty.
1	1021439	(000000–) Pivot Wldt, Brush, Side	1
2	71868	(000000–) Bushing, Sleeve, 1.00b 1.13d 1.50l, Fgl	2
3	1021473	(000000–) Channel Wldt, Pivot	1
4	09010	(000000–) Screw, Hex, M8 X 1.25 X 25, Ss	5
5	41186	(000000–) Washer, Flat, Belleville, .31	5
6	1021617	(000000–) Pin Wldt	1
7	71869	(000000–) Washer, Thrust, 1.00b 1.75d 0.13w, Fbr	2
8	16735	(000000–) Screw, Hex, M8 X 1.25 X 16, 8.8	1
9	32491	(000000–) Washer, Flat, 0.31, Std	1
▽	10	63175–1	(000000–) Arm, Link	4
▲	11	63233	(000000–) Bushing, Sleeve, 0.50b 0.59d 0.50l, Bnz	2
	12	59633	(000000–) Bearing, Thrust, 0.53b 1.00d 0.03w	16
	13	1027926	(000000–) Sleeve, P/M, 0.37b 0.50d 0.6l [430ss]	8
	14	36845	(000000–) Screw, Hex, .38–16 X 1.50, Ss	8
	15	01685	(000000–) Washer, Flat, 0.31, Ss	8
	16	59156	(000000–) Nut, Hex, Lock, .38–16, Ni, Ss	8
	17	1038137	(000000–) Cylinder, Hyd, 1.5b 07.8l 02.80strk 2500	1
	18	1038115	(000000–) Cylinder, Hyd, 1.5b 07.8l 02.75strk 2500	1
	19	77097	(000000–) Fitting, Hyd, E90, Jm04/Om04	3
	20	77098	(000000–) Fitting, Hyd, E90, Jm06/Om04	1
	21	29558	(000000–) Pin, Clevis, 0.37d X 1.50l	1
	22	08179	(000000–) Pin, Cotter, .094 X 1.00	4
	23	1021564	(000000–) Adapter, Rod–End, Side Brush	1
	24	71874	(000000–) Rod–End, .50–20rh Mal 0.50b	1
	25	29557	(000000–) Pin, Clevis, 0.37d X 1.31l	1
	26	17461	(000000–) Pin, Clevis, 0.37d X 1.75l	2
	27	41346	(000000–) Screw, Hex, M12 X 1.75 X 30, 8.8	1
	28	32486	(000000–) Washer, Flat, 0.50 Sae	1
	29	48985	(000000–) Nut, Hex, Jam, .50–20	1

Fig. 6 - Side Brush Solution Control Group

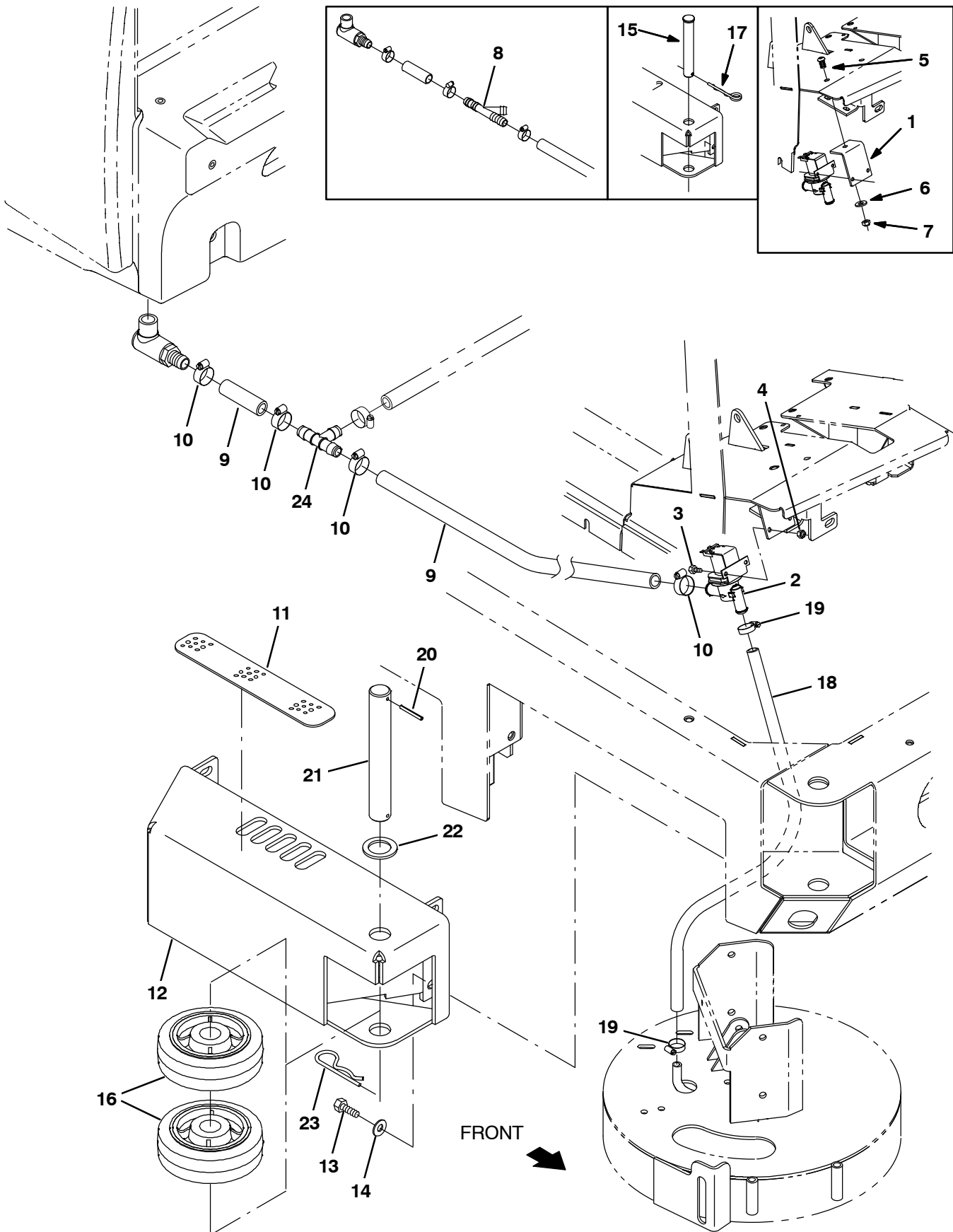


Fig. 6 – Side Brush Solution Control Group

Ref.	Part No.	Serial Number	Description	Qty.
1	1040834	(000000-001602)	Angle, Mtg, Valve	1
2	1022106	(000000-)	Valve Assy, Water, Solenoid, 12vdc	1
3	09738	(000000-)	Screw, Hex, M5 X 0.8 X 12, Ss	2
4	09739	(000000-)	Nut, Hex, Lock, M5 X 0.8, NI, Ss	2
5	17284	(000000-001602)	Screw, Btn, M8 X 1.25 X 16, Ss	1
6	32491	(000000-001602)	Washer, Flat, 0.31, Std	1
7	08713	(000000-001602)	Nut, Hex, Lock, M8 X 1.25, NI, Ss	1
8	393255	(000000-006330)	Fitting, Plstc, Tee, Bm12/Bm12/Bm12	1
9	1015045	(000000-006330)	Hose, Afmkt, Pvc, Brd 0.75id 08ft	1
9	1015032	(006331-)	Hose, Afmkt, Pvc, Brd 0.62id 08ft	1
10	63810	(000000-)	Clamp, Hose, Wormdrive, 0.56-1.06d, .56w	4
11	82839	(000000-)	Tread, Non-Skid, 02.2w 11.5l	1
12	1022318	(000000-)	Guard Wldt, Brush, Side	1
13	12317	(000000-)	Screw, Hex, M10 X 1.5 X 30, Ss	4
14	01686	(000000-)	Washer, Flat, 0.44b 1.00d .08, Ss	4
15	9006334	(000000-002102)	Pin Kit, Wheel, Ci [M20/T20/M30]	1
16	1060130	(000000-)	Wheel, 06.0D 2.00W 1.19B, Gray Rbr	2
17	761490	(000000-002102)	Pin, Cotter, Hair, Dbl	1
18	50178	(000000-)	Hose, Pvc, Clr, 0.50id 0.69od 26.00l	1
19	54333	(000000-)	Clamp, Hose, Wormdrive, 0.31-0.88d, .31w	2
20	23146	(002103-)	Pin, Roll, .187d X 1.62l, .187/.192	1
21	1053838	(002103-)	Pin, 30mmd X 215mml	1
22	47719	(002103-)	Washer, Flat, 1.26b 1.88d .13, Stl	1
23	34411	(002103-)	Pin, Cotter, Hair, 1.00d .178 Wir	1
24	1062116	(006331-)	Fitting, Plstc, Tee, Bm10/Bm10/Bm10, Nyl	1

Fig. 7 – Side Brush Hydraulic Valve Group

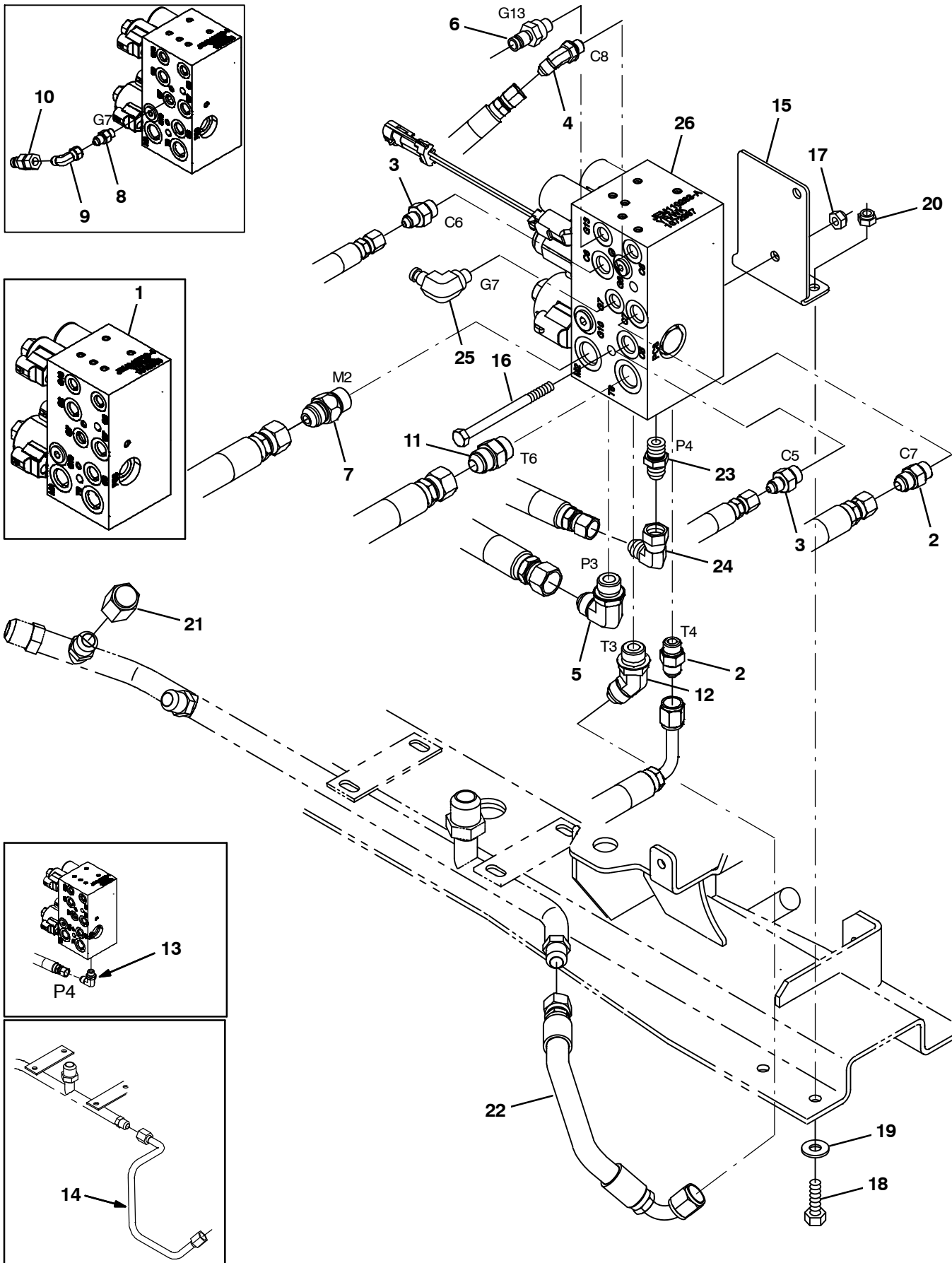


Fig. 7 – Side Brush Hydraulic Valve Group

Ref.	Part No.	Serial Number	Description	Qty.
1	1018938	(000000–001503)	Valve, Cntrl, Hyd [M20 And T20] (See Breakdowns)	1
1	1037805	(001504–005300)	Valve, Hyd, Solenoid 12vdc 3000psi (See Breakdowns)	1
2	56690	(000000–)	Fitting, Hyd, Str, Jm06/Om06	2
3	55685	(000000–)	Fitting, Hyd, Str, Jm04/Om06	2
4	34359	(000000–)	Fitting, Hyd, E45, Jm04/Om04	1
5	44868	(000000–)	Fitting, Hyd, E90, Jm08/Om08	1
6	395973	(000000–)	Fitting, Hyd, Str, Om04/Qm04	1
7	1026119	(000000–)	Valve, Hyd, Check, Jm08/Om08 5000psi	1
8	55586	(000000–002049)	Fitting, Hyd, Str, Jm04/Om04	1
9	39210	(000000–002049)	Fitting, Hyd, E90, Jf04/Jm04	1
10	396476	(000000–002049)	Fitting, Hyd, Str, Jf04/Qm04	1
11	44869	(000000–)	Fitting, Hyd, Str, Jm08/Om08	1
12	42226	(000000–)	Fitting, Hyd, E45, Jm08/Om08	1
13	56820	(000000–001503)	Fitting, Hyd, E90, Jm06/Om06	1
14	1025405	(000000–001040)	Tube, Hyd, 08 Jf08/Jf08	1
15	1045272	(000000–)	Bracket, Valve, Sba [M20 And T20]	1
16	364441	(000000–)	Screw, Hex, M8 X 1.25 X 110, Ss	2
17	08709	(000000–)	Nut, Hex, Lock, M8 X 1.25, NI	2
18	09010	(000000–)	Screw, Hex, M8 X 1.25 X 25, Ss	2
19	32491	(000000–)	Washer, Flat, 0.31, Std	2
20	08713	(000000–)	Nut, Hex, Lock, M8 X 1.25, NI, Ss	2
21	60090	(000000–)	Fitting, Hyd, Cap, Jf08	1
22	1037011	(001041–)	Hose, Hyd, Tc08, Jf08str/Jf08e90, 012.0	1
23	56690	(001504–)	Fitting, Hyd, Str, Jm06/Om06	1
24	47504	(001504–)	Fitting, Hyd, E90, Jf06/Jm06	1
25	395974	(002050–)	Fitting, Hyd, E90, Om04/Qm04	1
26	1072997	(005301–)	Valve, Cntrl, Hyd, Solenoid, 03/16gpm (See Breakdowns)	1

Fig. 8 – Side Brush Hydraulic Hose Group

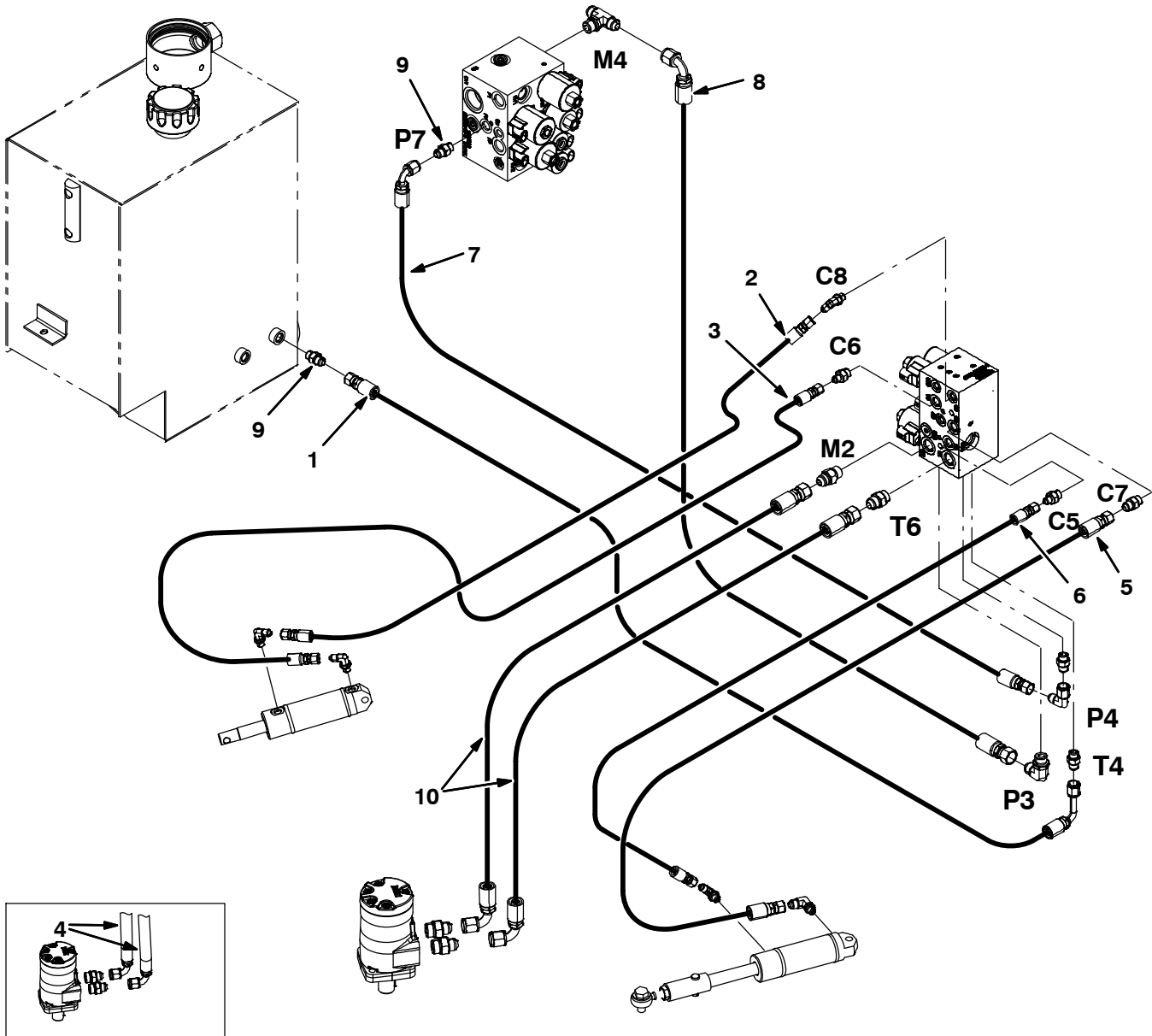


Fig. 8 – Side Brush Hydraulic Hose Group

Ref.	Part No.	Serial Number	Description	Qty.
1	361047	(000000–)	Hose, Hyd, Med06, Jf06e90l/Jf06str,038.0	1
2	1023485	(000000–)	Hose, Hyd, Tc06, Jf06str/Jf06str, 033.0	1
3	1025990	(000000–)	Hose, Hyd, Tc04, Jf04str /Jf04str, 39.0	1
4	1023486	(000000–001037)	Hose, Hyd, Tc08, Jf08e90/Jf08str, 034.0	2
5	1025991	(000000–)	Hose, Hyd, Tc06, Jf06str /Jf06str, 23.0	1
6	1025992	(000000–)	Hose, Hyd, Tc04, Jf04str /Jf04str, 20.0	1
7	1025445	(000000–)	Hose, Hyd, Tc06, Jf06str /Jf06e90, 74.0	1
8	1028270	(000000–)	Hose, Hyd, Tc08, Jf08e90/Jf08str, 084.0	1
9	56690	(000000–)	Fitting, Hyd, Str, Jm06/Om06	2
10	1036965	(001038–)	Hose, Hyd, Tc08, Jf08Str/Jf08Str, 034.0	2

Fig. 9 – FaST Solution Pump Group (000000–001742)

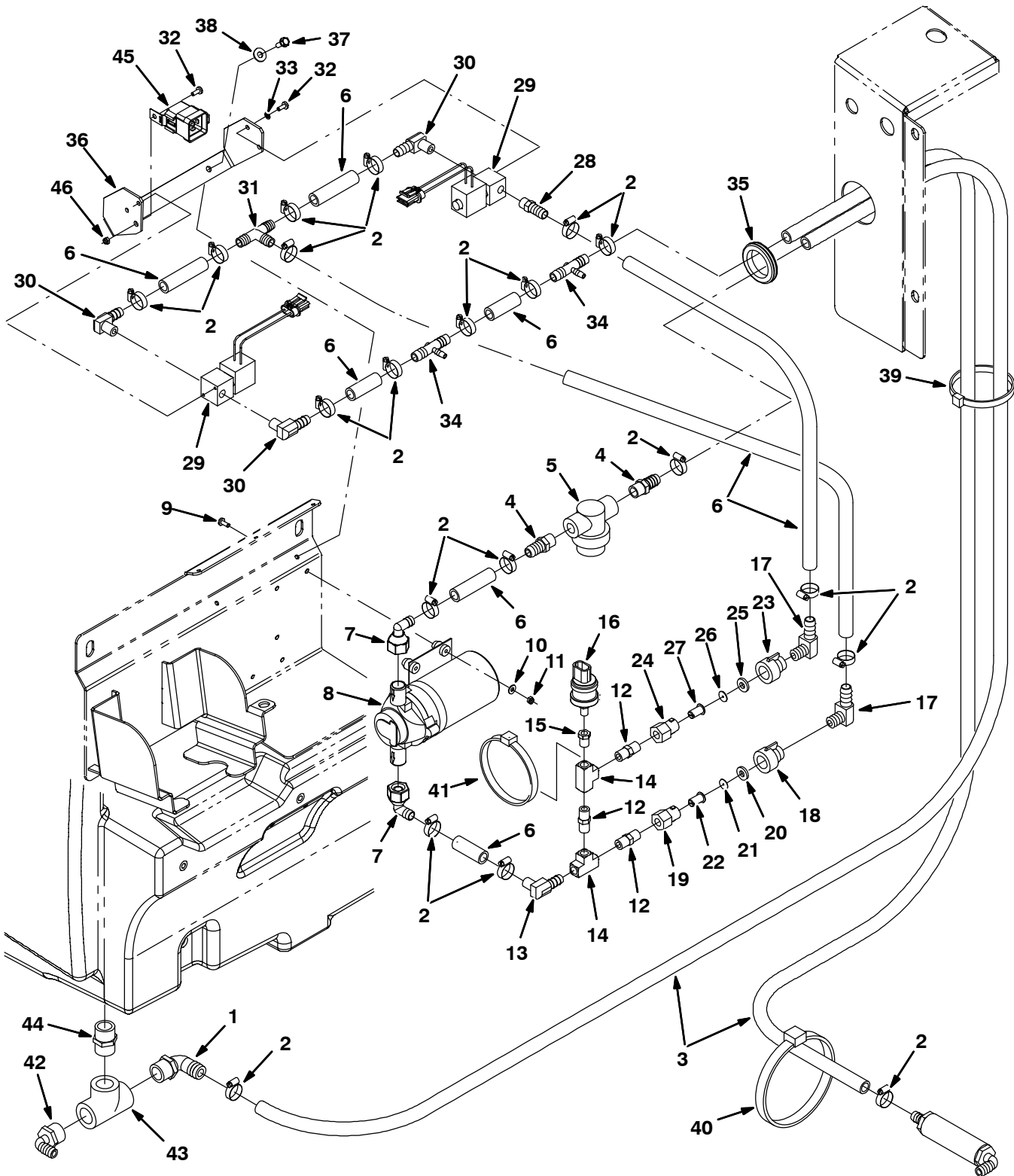


Fig. 9 – FaST Solution Pump Group (000000–001742)

Ref.	Part No.	Serial Number	Description	Qty.	
1	1005552	(000000–001742)	Fitting, Plstc, E90, Bm08/Pm12, Nyl	1	
2	54333	(000000–001742)	Clamp, Hose, Wormdrive, 0.31–0.88d, .31w	1	
3	1011412	(000000–001742)	Hose, Afmkt, Pvc, Brd 0.50id 08ft	1	
4	64743	(000000–001742)	Fitting, Plstc, Str, Bm08/Pm06	2	
5	1005302	(000000–001742)	Filter, In-Line, Pf06/Pf06, 80 Mesh	1	
6	1006401	(000000–001742)	Hose, Afmkt, Pvc, Brd 0.50id 03ft	1	
7	1018499	(000000–001742)	Fitting, Plstc, E90, Bm08/Pf08s, Swivel	2	
8	1030878	(000000–001742)	Pump, Soltn, Ele, 12vdc [W/O Chk Valve]	1	
9	17185	(000000–001742)	Screw, Pan, M5 X 0.8 X 40, Ss	4	
10	01683	(000000–001742)	Washer, Flat, #10, Ss	4	
11	09739	(000000–001742)	Nut, Hex, Lock, M5 X 0.8, NI, Ss	4	
12	398468	(000000–001742)	Fitting, Brs, Str, Pm04/Pm04	3	
13	1010836	(000000–001742)	Fitting, Brs, E90, Bm08/Pm04	1	
14	398474	(000000–001742)	Fitting, Brs, Tee, Pf04/Pf04/Pf04	2	
15	150100	(000000–001742)	Fitting, Brs, Str, Pf02/Pm04	1	
16	1028582	(000000–001742)	Switch, Press, 10psi, Spst	1	
17	1010836	(000000–001742)	Fitting, Brs, E90, Bm08/Pm04	2	
▽	1030864	(000000–001742)	Fitting Assy, Orifice, 0.070b, Pf04/Pf04	1	
▲	18	1005506	(000000–001742)	Fitting, Plstc, Cap, Spray, Pf04	1
▲	19	1005507	(000000–001742)	Fitting, Plstc, Body, Spray, Pf04	1
▲	20	1005508	(000000–001742)	Washer, Flat, 0.34b 0.75d .12 [Viton]	1
▲	21	1018883	(000000–001742)	Plate, Orifice, 0.070id	1
▲	22	1006447	(000000–001742)	Vr, Filter, Screen, 50 Mesh .59d .8l Ss	1
▽	1030863	(000000–001742)	Fitting Assy, Orifice, 0.093b, Pf04/Pf04	1	
▲	23	1005506	(000000–001742)	Fitting, Plstc, Cap, Spray, Pf04	1
▲	24	1005507	(000000–001742)	Fitting, Plstc, Body, Spray, Pf04	1
▲	25	1005508	(000000–001742)	Washer, Flat, 0.34b 0.75d .12 [Viton]	1
▲	26	1018884	(000000–001742)	Plate, Orifice, 0.093id	1
▲	27	1006447	(000000–001742)	Filter, Screen, 50 Mesh .59d .8l Ss	1
28	762249	(000000–001742)	Fitting, Brs, Str, Bm08/Pm04	1	
29	1018098	(000000–001742)	Valve, Water, 12vdc, 6.0mm, 04pf	2	
30	1010836	(000000–001742)	Fitting, Brs, E90, Bm08/Pm04	3	
31	63245–1	(000000–001742)	Fitting, Plstc, Tee, Bm08/Bm08/Bm08	1	
32	09200	(000000–001742)	Screw, Pan, M5 X 0.8 X 12, Ss	5	
33	07514	(000000–001742)	Washer, Lock, Int, #10, Ss	4	
34	1010684	(000000–001742)	Fitting, Plstc, Tee, Bm04/Bm08/Bm08, Br	2	
35	10632–19	(000000–001742)	Grommet, Rbr, 2.13id, F/2.5h, .12 Matl	1	
36	1026074	(000000–001742)	Plate, Hsng [FaST]	1	
37	361339	(000000–001742)	Screw, Hex, M6 X 1.0 X 16, Fmg	4	
38	32490	(000000–001742)	Washer, Flat, 0.25 Std	4	
39	49266	(000000–001742)	Tie, Cable, Nyl, 07.3l .19w 1.8 Max D	1	
40	763116	(000000–001742)	Tie, Cable, Nyl, 15.3l . W 4.5 Max D	1	
41	763114	(000000–001742)	Tie, Cable, 11.3l, 2.75d Max	1	
42	14877	(000000–001742)	Fitting, Plstc, E90, Bm12/Pm12	1	
43	42133A	(000000–001742)	Fitting, Plstc, Tee, Pf12/Pf12/Pf12	1	
44	24544	(000000–001742)	Fitting, Plstc, Str, Pm12/Pm12 1.60l	1	
45	56186	(000000–001742)	Relay, 12vdc, 40a, Spdt N/O	1	
46	09739	(000000–001742)	Nut, Hex, Lock, M5 X 0.8, NI, Ss	1	

Fig. 10 – FaST Air Pump and Detergent Group (000000–001742)

Ref.	Part No.	Serial Number	Description	Qty.
1	1018097	(000000–001742)	Pump, Detgt, 12vdc	1
2	09206	(000000–001742)	Screw, Hex, M4 X 0.7 X 12, 8.8	2
3	02850	(000000–001742)	Nut, Hex, Lock, M4 X 0.7, NI	2
4	1014082	(000000–001742)	Fitting, Brs, E90, Cf03/Pf02	2
5	150525	(000000–001742)	Fitting, Brs, Str, Bm04/Pm02	2
6	11984	(000000–001742)	Fitting, Pipe, E90, Pf02/Pm02	1
7	1014575	(000000–001742)	Clamp, Hose, Plstc .351–.394 Id	8
8	1002898	(000000–001742)	Fitting, Plstc, Str, Bm04, Cplg, Fem	1
9	1002899	(000000–001742)	Fitting, Plstc, Str, Pm04, Cplg, Mal	1
10	1005435	(000000–001742)	Fitting, Plstc, Pipe, Cap, Pf04	1
11	1013902	(000000–001742)	Valve, Check, 0002psi Bm04/Bm04	1
12	1018780	(000000–001742)	Pump, Air, Ele, 12vdc	1
13	1005255	(000000–001742)	Filter Assy, Air, Mold, Ure	1
14	53466	(000000–001742)	Clamp, Cable, Stl, 1.50d X 1.00w, 1h	1
15	76099	(000000–001742)	Screw, Hex, M8 X 1.25 X 25, Fmg	1
16	1026067	(000000–001742)	Bracket Wldt, Mtg [FaST]	1
17	09740	(000000–001742)	Screw, Hex, M8 X 1.25 X 20, Ss	4
18	1017218	(000000–001742)	Washer, Flat, 0.32b 1.00d .12, Ss	4
19	1029118	(000000–001742)	Bracket, Mtg [FaST]	1
20	361339	(000000–001742)	Screw, Hex, M6 X 1.0 X 16, Fmg	2
21	32490	(000000–001742)	Washer, Flat, 0.25 Std	2
22	1033297	(000000–001742)	Cover Wldt [FaST]	1
23	1017022	(000000–001742)	Detergent Pkg, 2 Liter, Sgl [665]	1
24	1006415	(000000–001742)	Hose, Afmkt, Pvc, Clr 0.25id 03ft	1

Fig. 11 – FaST Foam Filter Group, Cylindrical Scrub Head (000000–001742)

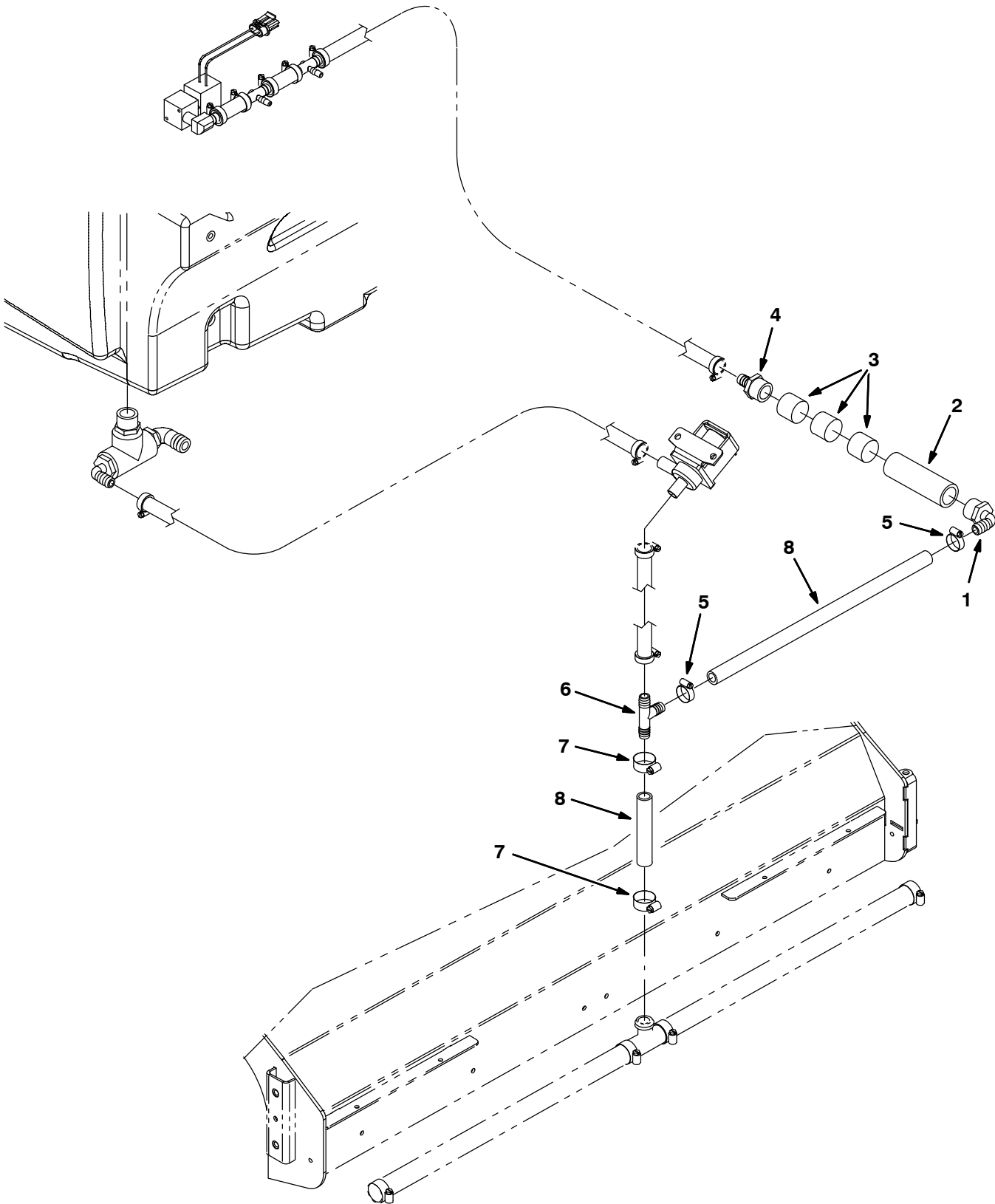


Fig. 11 – FaST Foam Filter Group, Cylindrical Scrub Head (000000–001742)

Ref.	Part No.	Serial Number	Description	Qty.
1	1005552	(000000–001742)	Fitting, Plstc, E90, Bm08/Pm12, Nyl	1
2	1005086	(000000–001742)	Tube, Pvc, Clr, 4.0l [Shc80]	1
3	1002789	(000000–001742)	Filter, Foam, Rbr, 1.20d, 1.0l	3
4	79273–1	(000000–001742)	Fitting, Plstc, Str, Bm08/Pm12	1
5	54333	(000000–001742)	Clamp, Hose, Wormdrive, 0.31–0.88d, .31w	2
6	385644	(000000–001742)	Fitting, Plstc, Tee, Bm08/Bm12/Bm12, Br	1
7	63810	(000000–001742)	Clamp, Hose, Wormdrive, 0.56–1.06d, .56w	2
8	1011521	(000000–001742)	Hose, Afmkt, Pvc, Brd 0.50id 02ft	1

Fig. 12 – FaST Foam Filter Group, Cylindrical Scrub Head with Side Brush (000000–001742)

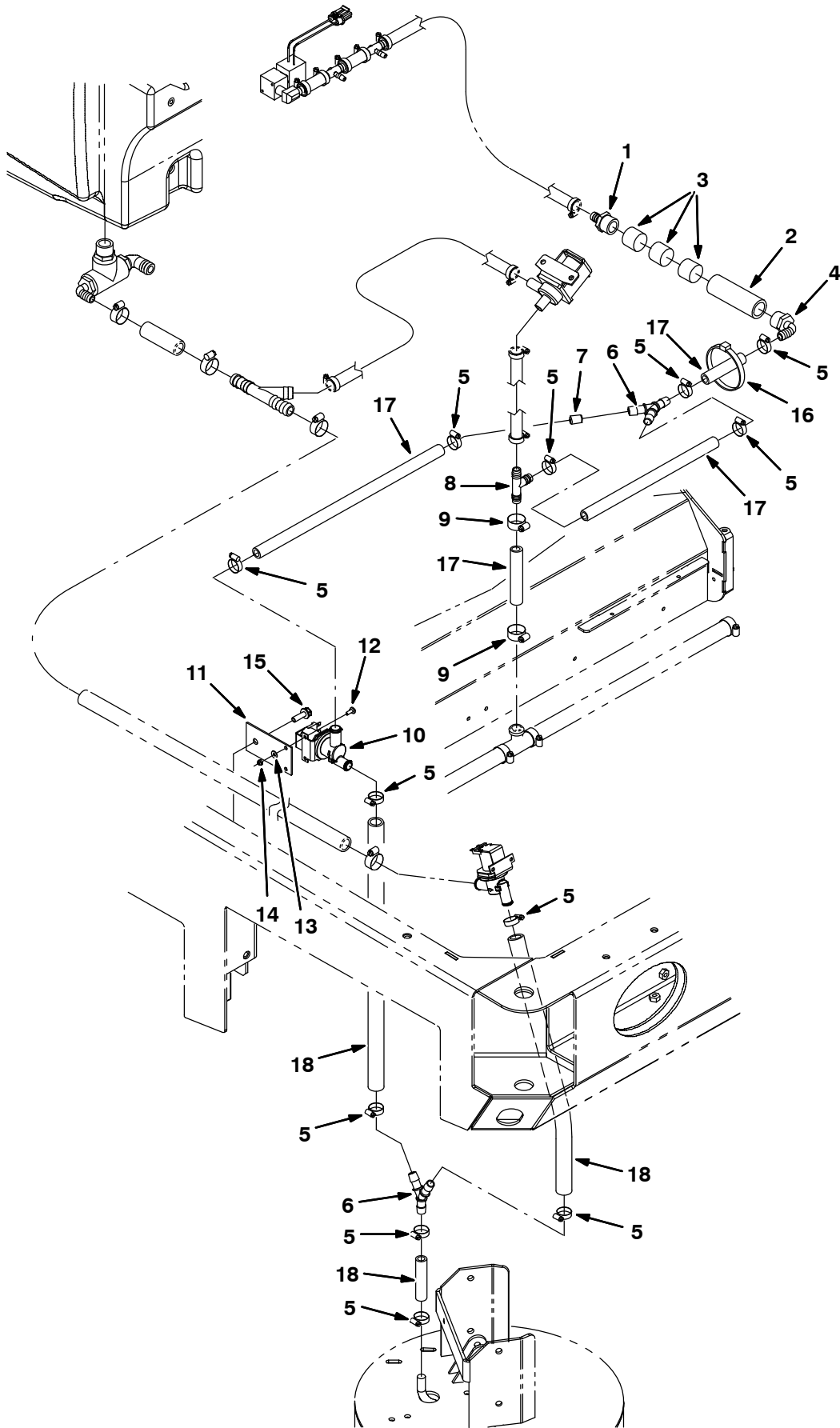


Fig. 12 – FaST Foam Filter Group, Cylindrical Scrub Head with Side Brush (000000–001742)

Ref.	Part No.	Serial Number	Description	Qty.
1	79273-1	(000000–001742)	Fitting, Plstc, Str, Bm08/Pm12	1
2	1005086	(000000–001742)	Tube, Pvc, Clr, 4.0l [Shc80]	1
3	1002789	(000000–001742)	Filter, Foam, Rbr, 1.20d, 1.0l	3
4	1005552	(000000–001742)	Fitting, Plstc, E90, Bm08/Pm12, Nyl	1
5	54333	(000000–001742)	Clamp, Hose, Wormdrive, 0.31–0.88d, .31w	10
6	1010668	(000000–001742)	Fitting, Plstc, Y, Bm08/Bm08/Bm08, Nyl	2
7	1018333	(000000–001742)	Fitting, Plstc, Rst, .50od /.13id	1
8	385644	(000000–001742)	Fitting, Plstc, Tee, Bm08/Bm12/Bm12, Br	1
9	63810	(000000–001742)	Clamp, Hose, Wormdrive, 0.56–1.06d, .56w	2
10	1037825	(000000–001742)	Valve, Solenoid, 12vdc, Water Flow	1
11	1030511	(000000–001742)	Plate, Mtg, Valve	11
12	09200	(000000–001742)	Screw, Pan, M5 X 0.8 X 12, Ss	2
13	01683	(000000–001742)	Washer, Flat, #10, Ss	2
14	09739	(000000–001742)	Nut, Hex, Lock, M5 X 0.8, NI, Ss	2
15	76099	(000000–001742)	Screw, Hex, M8 X 1.25 X 25, Fmg	1
16	763116	(000000–001742)	Tie, Cable, Nyl, 15.3l . W 4.5 Max D	1
17	1011412	(000000–001742)	Hose, Afmkt, Pvc, Brd 0.50id 08ft	1
18	1015067	(000000–001742)	Hose, Afmkt, Pvc, Clr 0.50id 08ft	1

Fig. 13 – FaST Foam Filter Group, Disk Scrub Head (000000-001742)

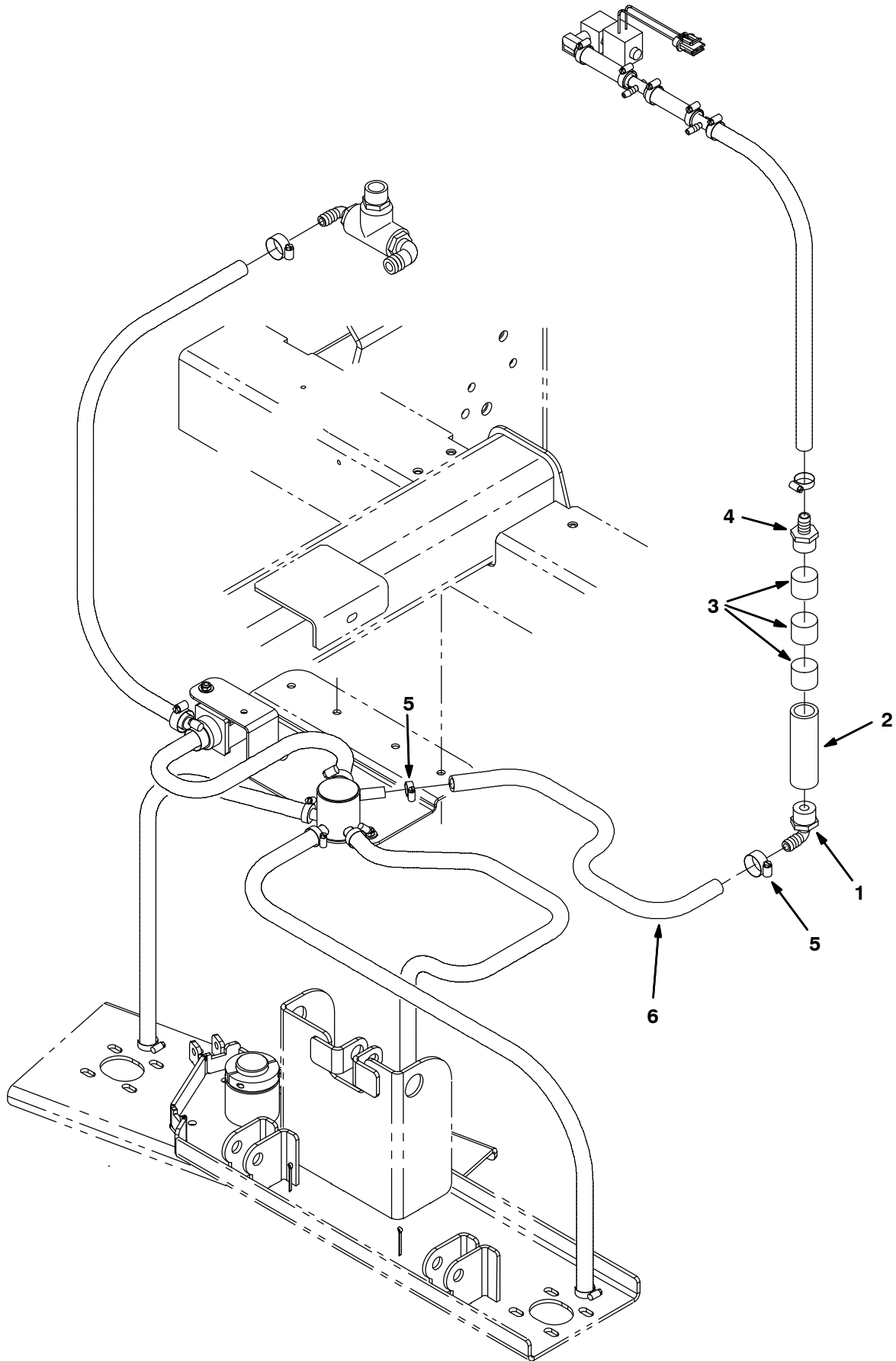


Fig. 13 – FaST Foam Filter Group, Disk Scrub Head (000000–001742)

Ref.	Part No.	Serial Number	Description	Qty.
1	1005552	(000000–001742)	Fitting, Plstc, E90, Bm08/Pm12, Nyl	1
2	1005086	(000000–001742)	Tube, Pvc, Clr, 4.0l [Shc80]	1
3	1002789	(000000–001742)	Filter, Foam, Rbr, 1.20d, 1.0l	3
4	79273–1	(000000–001742)	Fitting, Plstc, Str, Bm08/Pm12	1
5	54333	(000000–001742)	Clamp, Hose, Wormdrive, 0.31–0.88d, .31w	2
6	1011521	(000000–001742)	Hose, Afmkt, Pvc, Brd 0.50id 02ft	1

Fig. 14 - FaST Foam Filter Group, Disk Scrub Head with Side Brush (00000-001742)

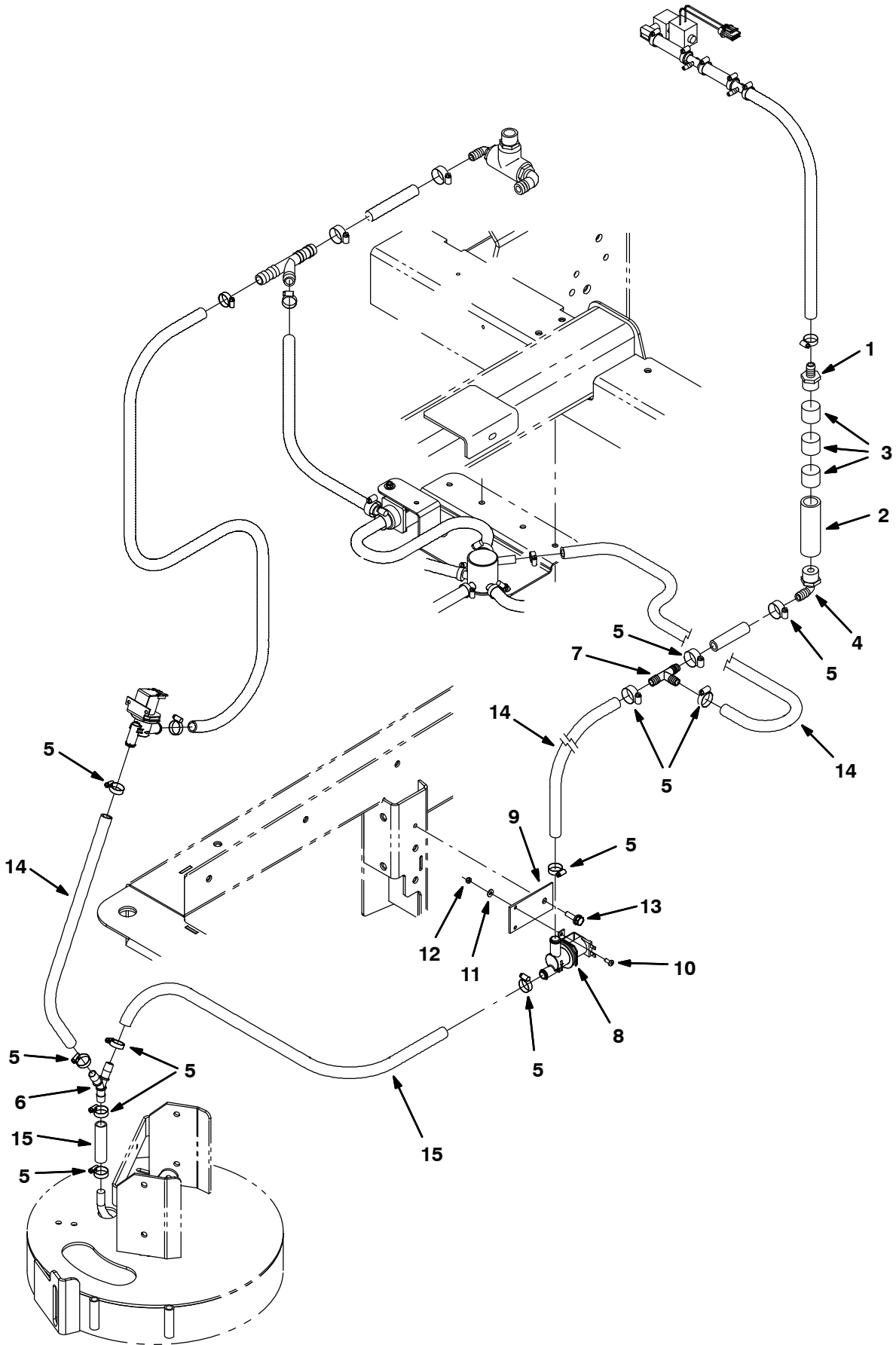


Fig. 14 – FaST Foam Filter Group, Disk Scrub Head with Side Brush (000000–001742)

Ref.	Part No.	Serial Number	Description	Qty.
1	79273-1	(000000–001742)	Fitting, Plstc, Str, Bm08/Pm12	1
2	1005086	(000000–001742)	Tube, Pvc, Clr, 4.0l [Shc80]	1
3	1002789	(000000–001742)	Filter, Foam, Rbr, 1.20d, 1.0l	3
4	1005552	(000000–001742)	Fitting, Plstc, E90, Bm08/Pm12, Nyl	1
5	54333	(000000–001742)	Clamp, Hose, Wormdrive, 0.31–0.88d, .31w	11
6	1010668	(000000–001742)	Fitting, Plstc, Y, Bm08/Bm08/Bm08, Nyl	1
7	63245-1	(000000–001742)	Fitting, Plstc, Tee, Bm08/Bm08/Bm08	1
8	1037825	(000000–001742)	Valve, Solenoid, 12vdc, Water Flow	1
9	1030511	(000000–001742)	Plate, Mtg, Valve	11
10	09200	(000000–001742)	Screw, Pan, M5 X 0.8 X 12, Ss	2
11	01683	(000000–001742)	Washer, Flat, #10, Ss	2
12	09739	(000000–001742)	Nut, Hex, Lock, M5 X 0.8, NI, Ss	2
13	76099	(000000–001742)	Screw, Hex, M8 X 1.25 X 25, Fmg	1
14	1011412	(000000–001742)	Hose, Afmkt, Pvc, Brd 0.50id 08ft	1
15	1015067	(000000–001742)	Hose, Afmkt, Pvc, Clr 0.50id 08ft	1

Fig. 15 – FaST Wire Harness Group (000000-001742)

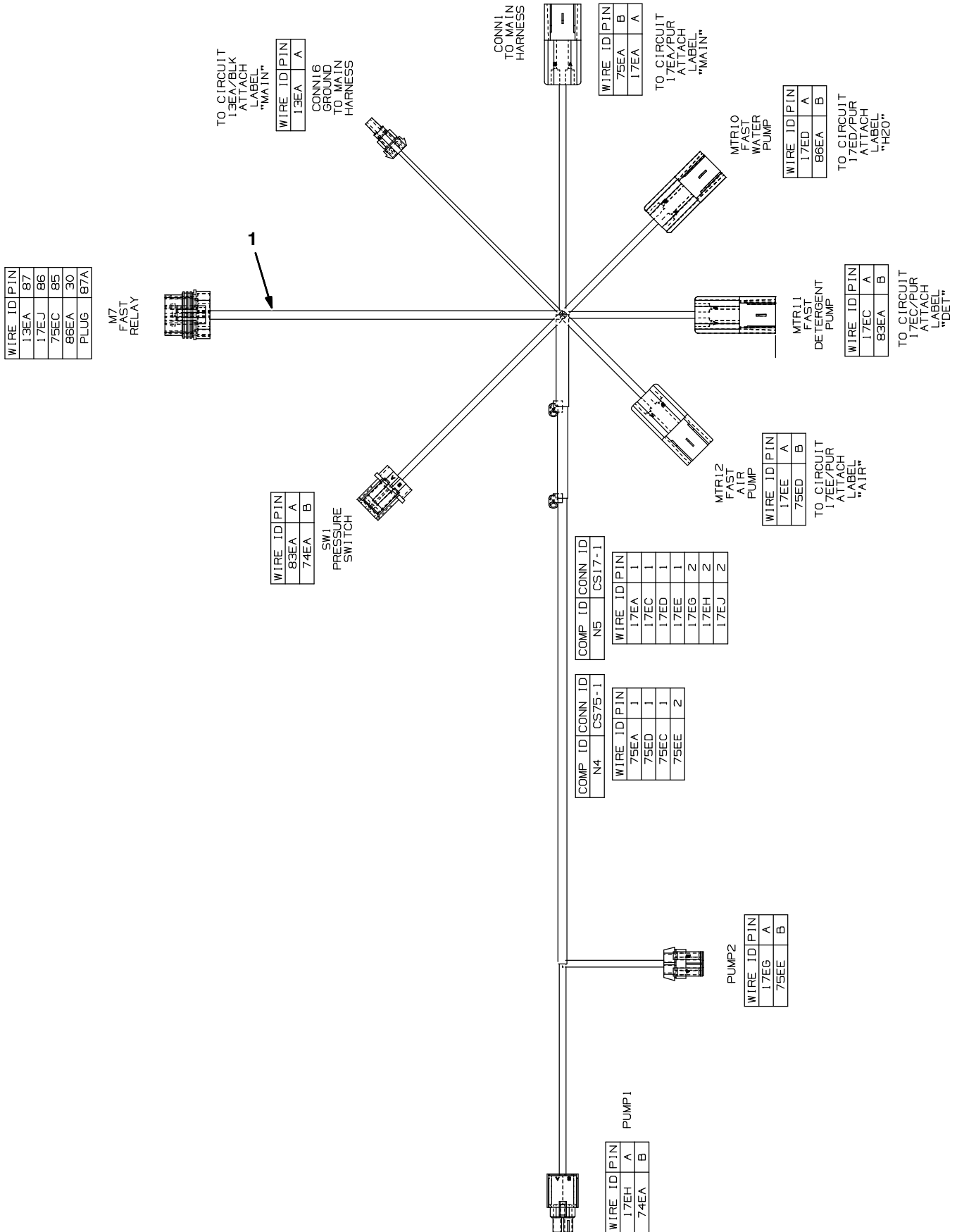


Fig. 15- FaST Wire Harness Group (000000-001742)

Ref.	Part No.	Serial Number	Description	Qty.
1	1019646	(000000-001742)	Harness [FaST, M20 And T20]	1

Fig. 16 – FaST Pumps and Detergent Group (001743–)

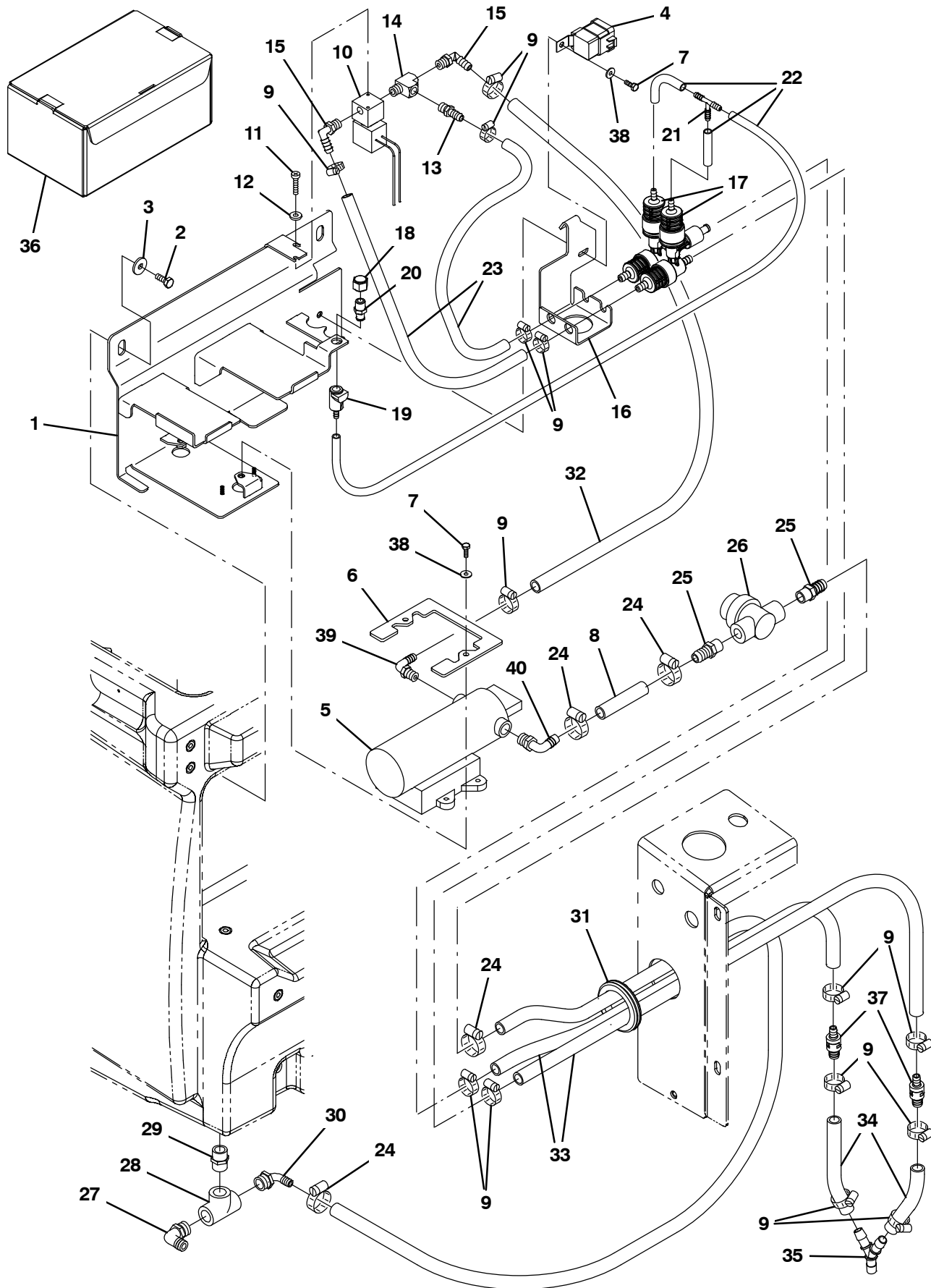


Fig. 16 – FaST Pumps and Detergent Group (001743–)

Ref.	Part No.	Serial Number	Description	Qty.
1	1044342	(001743–)	Bracket Wldt, Mtg [FaST Gen 2+]	1
2	09740	(001743–)	Screw, Hex, M8 X 1.25 X 20, Ss	2
3	1017218	(001743–)	Washer, Flat, 0.32b 1.00d .12, Ss	2
4	56186	(001743–)	Relay, 12vdc, 040a, Spdt No	1
5	1036801	(001743–)	Pump, Soltn, 13.7vdc, 65psi [FaST li+]	1
6	1039357	(001743–)	Bracket, Retainer, Pump	1
7	15678	(001743–)	Screw, Hex, M6 X 1.00 X 16, Ss	3
8	1015047	(001743–)	Hose, Afmkt, Pvc, Brd, 0.75id, 02ft, Clr	1
9	43844	(001743–)	Clamp, Hose, Wormdrive, 0.25–0.62d, .31w	14
10	1018098	(001743–)	Valve, Water, Solenoid, 12vdc 6.0mm Pf04	1
11	09200	(001743–)	Screw, Pan, Phl, M5 X 0.80 X 12, Ss	2
12	01683	(001743–)	Washer, Flat, 10, Ss	2
13	150540	(001743–)	Fitting, Plstc, Str, Bm06/Pm04	1
14	150709	(001743–)	Fitting, Brs, Tee, Pf04/Pf04/Pm04, Run	1
15	57248	(001743–)	Fitting, Plstc, E90, Bm06/Pm04, Nyl	2
16	1044343	(001743–)	Bracket, Mtg [FaST Gen 2+]	1
17	9008868	(001743–)	FaST Kit, Injector [M20/T20/M30 FaST III] (See Breakdown)	2
18	1005435	(001743–)	Fitting, Plstc, Pipe, Cap, Pf04	1
19	1002898	(001743–)	Fitting, Plstc, Str, Bm04, Cplg, Fem	1
20	1002899	(001743–)	Fitting, Plstc, Str, Pm04, Cplg, Mal	2
21	150713	(001743–)	Fitting, Plstc, Tee, Bm04/Bm04/Bm04	1
22	1014986	(001743–)	Hose, Afmkt, Pvc, Clr, 0.25id, 02ft	1
23	1006416	(001743–)	Hose, Afmkt, Pvc, Clr, 0.38id, 03ft	1
24	54333	(001743–)	Clamp, Hose, Wormdrive, 0.31–0.88d, .31w	8
25	150538	(001743–)	Fitting, Plstc, Str, Bm06/Pm06	2
26	1005302	(001743–)	Filter, In-Line, Pf06/Pf06 080mesh 02.6l	1
27	14877	(001743–)	Fitting, Plstc, E90, Bm12/Pm12	1
28	42133A	(001743–)	Fitting, Plstc, Tee, Pf12/Pf12/Pf12	1
29	24544	(001743–)	Fitting, Plstc, Str, Pm12/Pm12 1.60l	1
30	1005552	(001743–)	Fitting, Plstc, E90, Bm08/Pm12, Nyl	1
31	10632–19	(001743–)	Grommet, Rbr, 2.13id, F/2.5h, .12 Matl	1
32	1006400	(001743–)	Hose, Afmkt, Pvc, Brd, 0.38id, 03ft, Clr	1
33	1024237	(001743–)	Hose, Afmkt, Pvc, Wir, 0.50id, 03ft, Clr	1
34	1014929	(001743–)	Hose, Afmkt, Pvc, Clr, 0.38id, 01ft	1
35	1010668	(001743–)	Fitting, Plstc, Y, Bm08/Bm08/Bm08, Nyl	1
36	1017022	(001743–)	Detergent Pkg, 2 Liter, Sgl [665]	1
37	1035794	(001743–)	Valve, Check, 0005psi Bm06/Bm08	2
38	01684	(001743–)	Washer, Flat, 0.27B 0.69D .05, Ss	3
39	1049254	(001743–)	Fitting, Nyl, Qdc, E90, Bm08/ Qm10	1
40	1049259	(001743–)	Fitting, NylY, Qdc, E90, Bm06/ Qm10	1

Fig. 17 – FaST Solution Supply Group, Cylindrical Scrub Head (001743-)

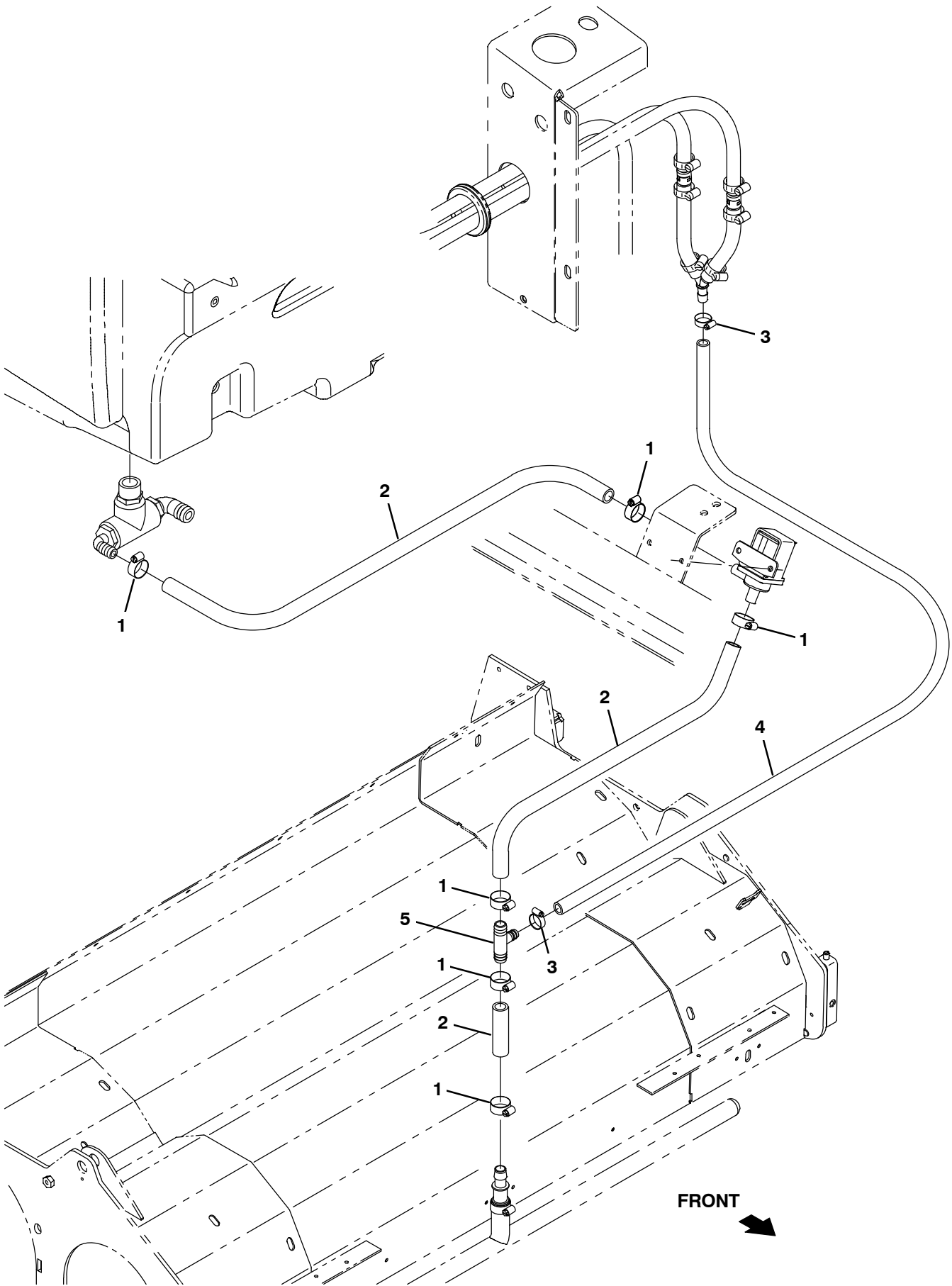


Fig. 17 – FaST Solution Supply Group, Cylindrical Scrub Head (001743–)

Ref.	Part No.	Serial Number	Description	Qty.
1	63810	(001743–)	Clamp, Hose, Wormdrive, 0.56–1.06d, .56w	6
2	1015045	(001743–006330)	Hose, Afmkt, Pvc, Brd, 0.75id, 08ft, Clr	1
2	1015045	(006331–)	Hose, Afmkt, Pvc, Brd, 0.62id, 08ft, Clr	1
3	54333	(001743–)	Clamp, Hose, Wormdrive, 0.31–0.88d, .31w	2
4	1011412	(001743–)	Hose, Afmkt, Pvc, Brd, 0.50id, 08ft, Clr	1
5	385644	(001743–006330)	Fitting, Plstc, Tee, Bm08/Bm12/Bm12, Br	1
5	1015486	(006331–)	Fitting, Plstc, Tee, Bm08/Bm10/Bm10, Br	1

OPTIONS

Fig. 18 – FaST Solution Supply Group with Side Brush, Cylindrical Scrub Head (001743-)

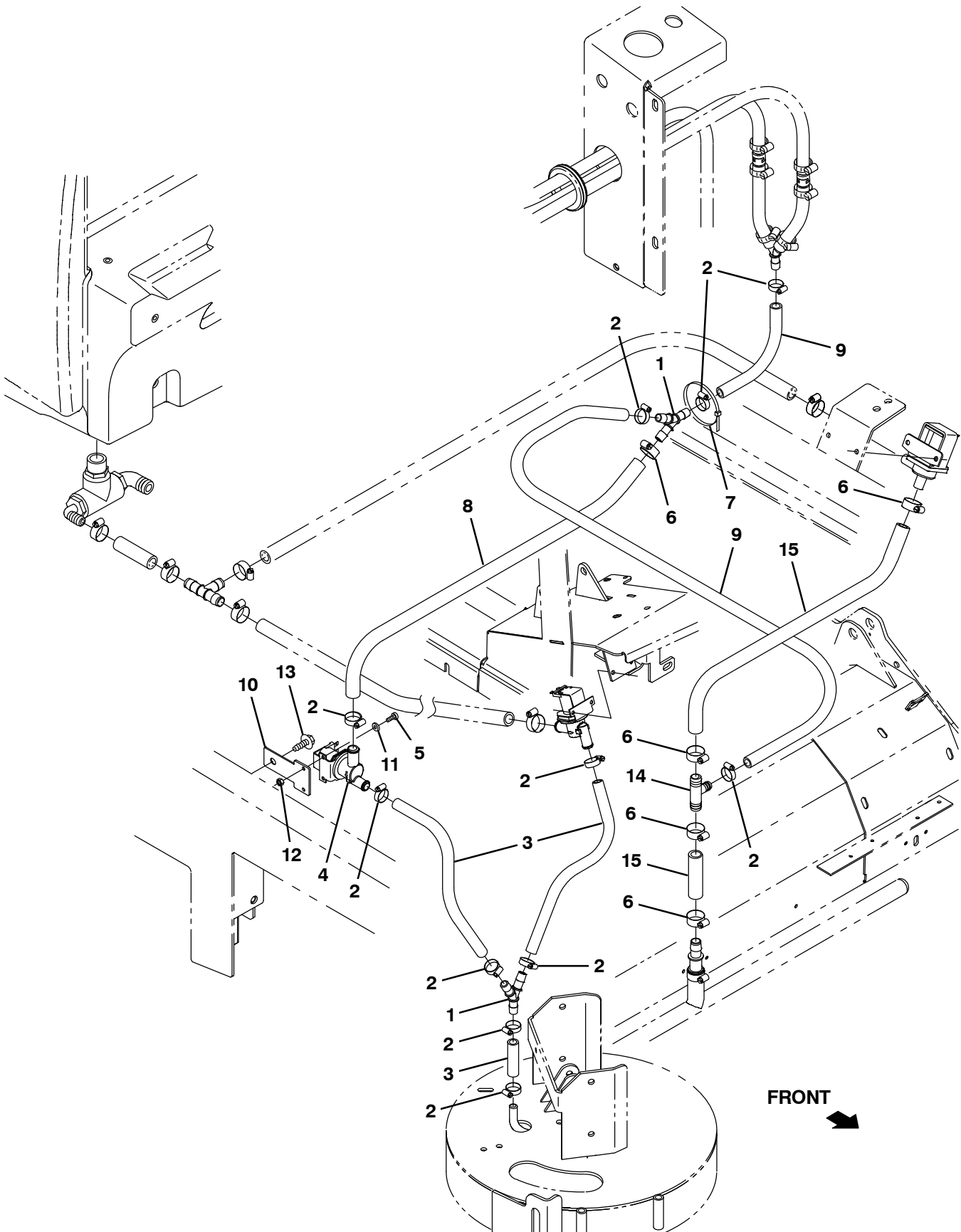


Fig. 18 – FaST Solution Supply Group with Side Brush, Cylindrical Scrub Head (001743–)

Ref.	Part No.	Serial Number	Description	Qty.
1	1010668	(001743–)	Fitting, Plstc, Y, Bm08/Bm08/Bm08, Nyl	2
2	54333	(001743–)	Clamp, Hose, Wormdrive, 0.31–0.88d, .31w	11
3	1015067	(001743–)	Hose, Afmkt, Pvc, Clr, 0.50id, 08ft	1
4	1037825	(001743–)	Valve, Solenoid, 12vdc, Water Flow	1
5	09200	(001743–)	Screw, Pan, Phl, M5 X 0.80 X 12, Ss	2
6	63810	(001743–)	Clamp, Hose, Wormdrive, 0.56–1.06d, .56w	5
7	763116	(001743–)	Tie, Cable, Nyl, 15.3l . W 4.5 Max D	1
8	31543	(001743–)	Hose, Heater, E90, 0.62id, 24.0 4.0	1
9	1011412	(001743–)	Hose, Afmkt, Pvc, Brd, 0.50id, 08ft, Clr	1
10	1030511	(001743–)	Plate, Mtg, Valve	1
11	01683	(001743–)	Washer, Flat, 10, Ss	2
12	09739	(001743–)	Nut, Hex, Lock, M5 X 0.80, NI, Ss	2
13	76099	(001743–)	Screw, Hex, M8 X 1.25 X 25, Fmg	1
14	385644	(001743–006330)	Fitting, Plstc, Tee, Bm08/Bm12/Bm12, Br	1
14	1015486	(006331–)	Fitting, Plstc, Tee, Bm08/Bm10/Bm10, Br	1
15	1006401	(001743–006330)	Hose, Afmkt, Pvc, Brd, 0.50id, 03ft, Clr	1
15	1015026	(006331–)	Hose, Afmkt, Pvc, Brd, 0.62id, 03ft, Clr	1

Fig. 19 – FaST Solution Supply Group, Disk Scrub Head (001743-)

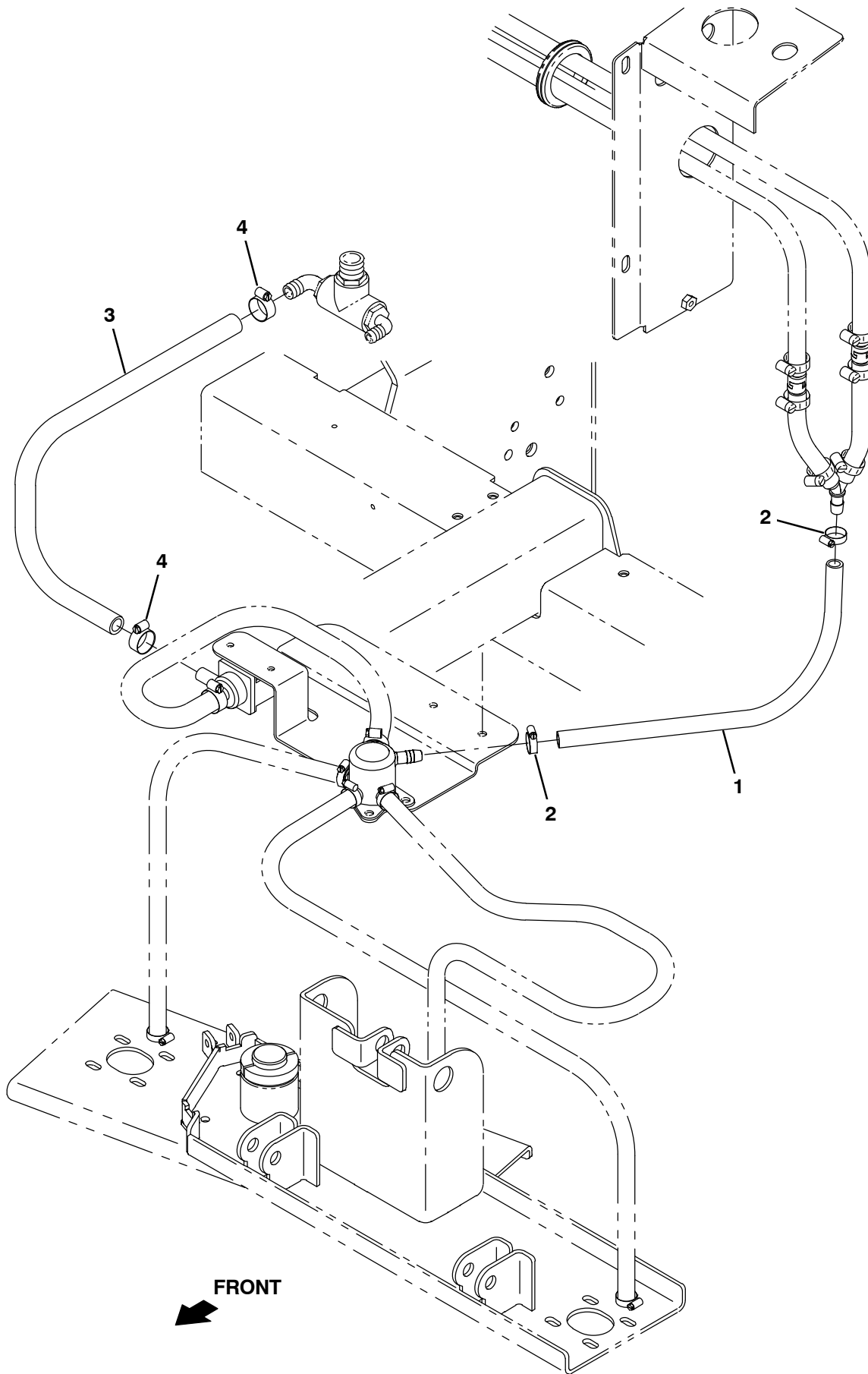


Fig. 19 – FaST Solution Supply Group, Disk Scrub Head (001743–)

Ref.	Part No.	Serial Number	Description	Qty.
1	1011412	(001743–)	Hose, Afmkt, Pvc, Brd, 0.50id, 08ft, Clr	1
2	54333	(001743–)	Clamp, Hose, Wormdrive, 0.31–0.88d, .31w	2
3	1015045	(001743–006330)	Hose, Afmkt, Pvc, Brd, 0.75id, 08ft, Clr	1
3	1015026	(006331–)	Hose, Afmkt, Pvc, Brd, 0.62id, 03ft, Clr	1
4	63810	(001743–)	Clamp, Hose, Wormdrive, 0.56–1.06d, .56w	2

OPTIONS

Fig. 20 – FaST Solution Supply Group with Side Brush, Disk Scrub Head (001743-)

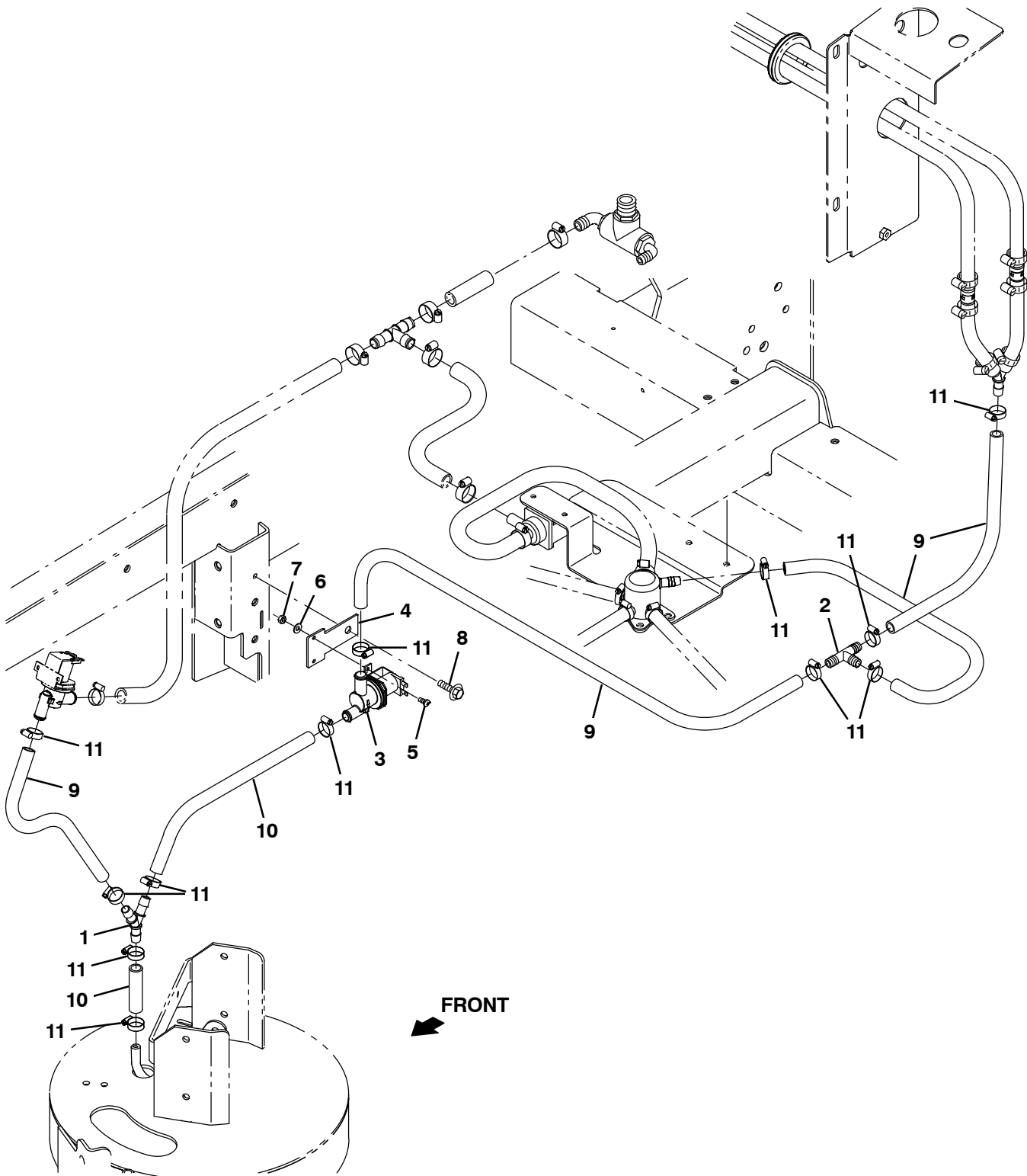
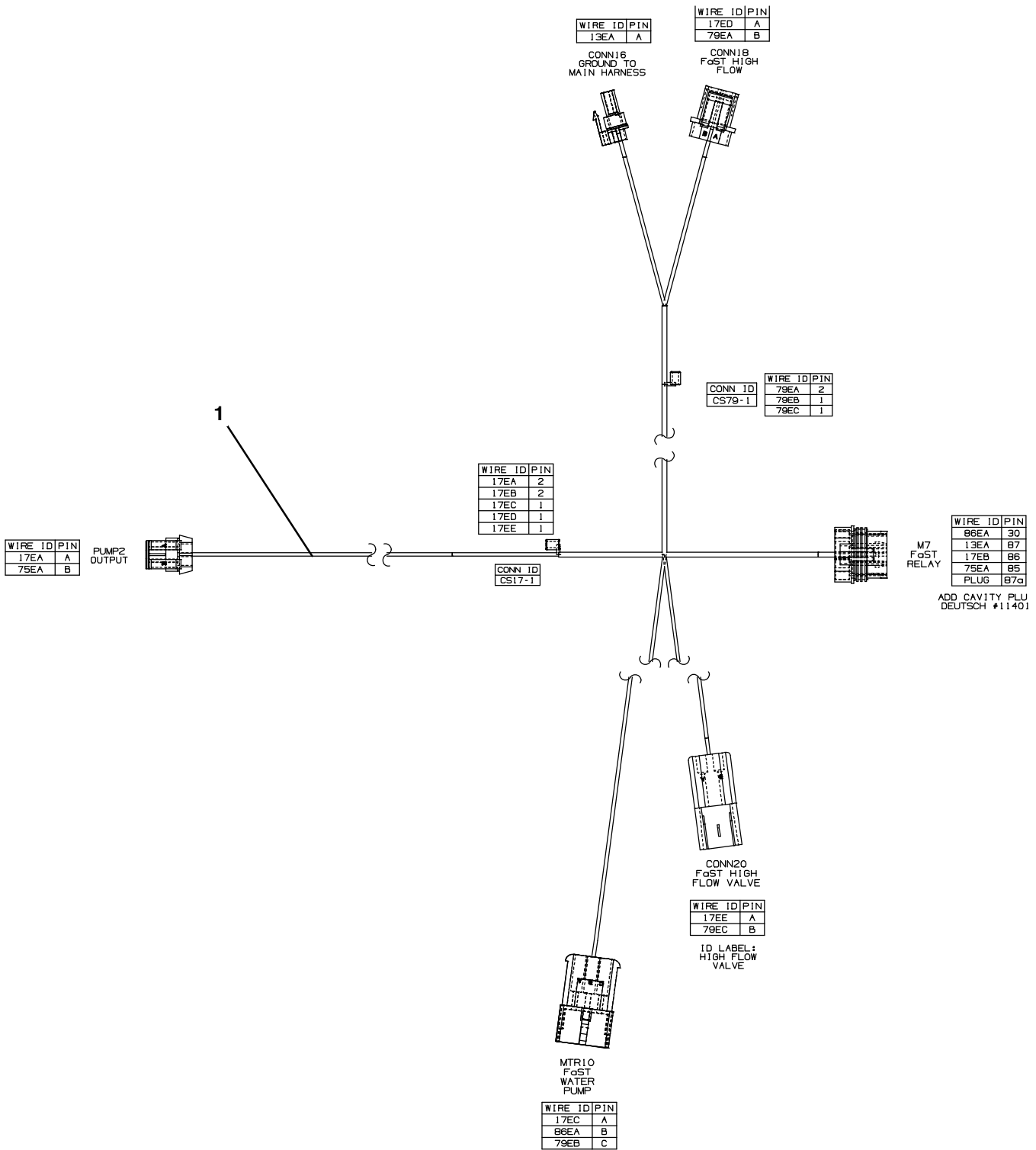


Fig. 20 – FaST Solution Supply Group with Side Brush, Disk Scrub Head (001743–)

Ref.	Part No.	Serial Number	Description	Qty.
1	1010668	(001743–) Fitting, Plstc, Y, Bm08/Bm08/Bm08, Nyl	1
2	63245-1	(001743–) Fitting, Plstc, Tee, Bm08/Bm08/Bm08	1
3	1037825	(001743–) Valve, Solenoid, 12vdc, Water Flow	1
4	1030511	(001743–) Plate, Mtg, Valve	11
5	09200	(001743–) Screw, Pan, Phl, M5 X 0.80 X 12, Ss	2
6	01683	(001743–) Washer, Flat, 10, Ss	2
7	09739	(001743–) Nut, Hex, Lock, M5 X 0.80, NI, Ss	2
8	76099	(001743–) Screw, Hex, M8 X 1.25 X 25, Fmg	1
9	1011412	(001743–) Hose, Afmkt, Pvc, Brd, 0.50id, 08ft, Clr	1
10	1015067	(001743–) Hose, Afmkt, Pvc, Clr, 0.50id, 08ft	1
11	54333	(001743–) Clamp, Hose, Wormdrive, 0.31–0.88d, .31w	11

Fig. 21 – FaST Wire Harness Group (001743–)



354724

Ref.	Part No.	Serial Number	Description	Qty.
1	1037809	(001743–)	Harness, Wire [FaST Gen 2]	1

Fig. 22 - ec-H20 Install Kits

Ref.	Part No.	Serial Number	Description	Qty.
1	9007928	(000000-) ec-H20 Kit, W/ Side Brush, Ci [T20]	1
2	9007929	(000000-) ec-H20 Kit, W/O Side Brush, Ci [T20]	1

Fig. 23 – ec-H2O Solution Pump Group

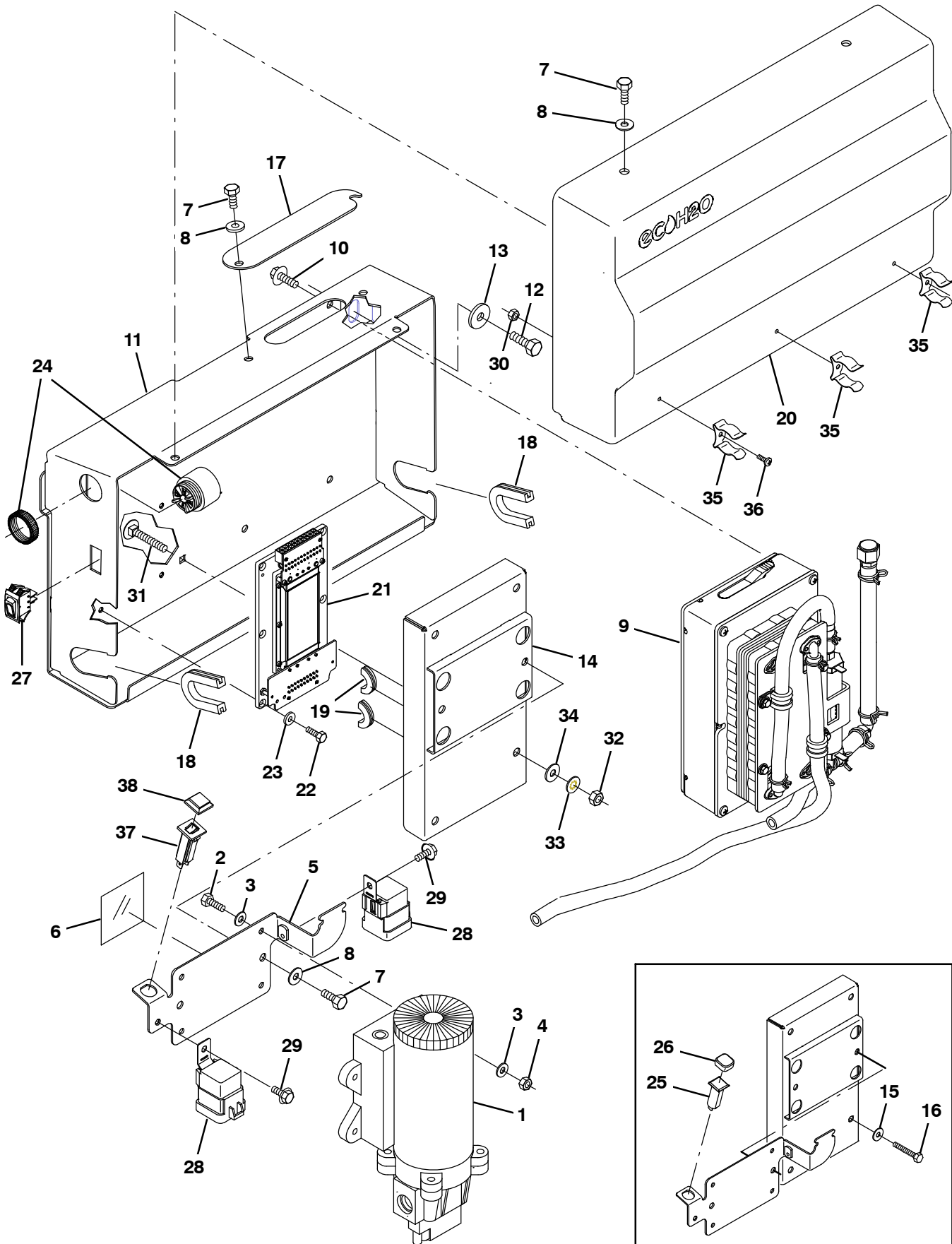


Fig. 23 – ec–H2O Solution Pump Group

Ref.	Part No.	Serial Number	Description	Qty.
1	1060624	(000000–)	Pump, Soltn, Ele, 13.7vdc,12/28psi	1
2	09252	(000000–)	Screw, Hex, M5 X 0.80 X 20, 8.8	4
3	19066	(000000–)	Washer, Flat, 10	8
4	06549	(000000–)	Nut, Hex, Lock, M5 X 0.80, NI	4
5	1060273	(000000–)	Plate, Mtg, Pump	1
6	1059677	(000000–)	Strip, Rbr, 0.06 03.54w 03.5l [Neo/60]	1
7	09744	(000000–)	Screw, Hex, M6 X 1.00 X 12, Ss	6
8	01684	(000000–)	Washer, Flat, 0.27b 0.69d .05, Ss	6
9	9007882	(000000–)	Module Kit, Replmt [Ec–H2O] (See Breakdowns)	1
10	1040467	(000000–)	Screw, Hex, M6 X 1.00 X 20, 9.8, Sems	4
11	1060292	(000000–)	Plate Wldt, Mtg	1
12	09740	(000000–)	Screw, Hex, M8 X 1.25 X 20, Ss	2
13	1017218	(000000–)	Washer, Flat, 0.32b 1.00d .12, Ss	2
14	1060185	(000000–)	Cover Wldt, Power Supply	1
15	01684	(000000–xxxxxx)	Washer, Flat, 0.27b 0.69d .05, Ss	4
16	07805	(000000–xxxxxx)	Screw, Hex, M6 X 1.00 X 35, Ss	4
17	1060291	(000000–)	Plate, Inspection	1
18	1020168	(000000–)	Molding, Afmkt, Trim, Pvc, .08 .11, 01Ft	1
19	10632–4	(000000–)	Grommet, Rbr, 0.62id, F/0.9h, .06 Matl	1
20	1060719	(000000–)	Cover, Trimmed	1
21	1058963	(000000–)	Converter, Ele, 12–36 Vdc	1
22	09206	(000000–)	Screw, Hex, M4 X 0.70 X 12, 8.8	4
23	19065	(000000–)	Washer, Flat, 08	4
24	1052726	(000000–)	Alarm, 9–48vdc, 95 Db(A) [Ec–H2O]	1
25	1053078	(000000–002649)	Circuitbreaker, 2.0a, Resetable	1
26	1046173	(000000–002649)	Boot, Circuitbreaker	1
27	1044393	(000000–)	Switch, Rocker, Spst, Mom	1
28	56186	(000000–)	Relay, 12vdc, 040a, Spdt No	2
29	223198	(000000–)	Screw, Hex, M5 X 0.80 X 10, Fmg	2
30	33932	(000000–)	Nut, Hex, Lock, M4 X 0.70, NI, Ss	3
31	1062804	(xxxxxx–)	Bolt, Carriage, M06 X 1.00 X 40, 4.6	4
32	41359	(xxxxxx–)	Nut, Hex, Std, M6 X 1.00, 8	4
33	32982	(xxxxxx–)	Washer, Lock, Int, 0.25	4
34	32483	(xxxxxx–)	Washer, Flat, 0.25, Sae	4
35	1029057	(000000–)	Clip, Grip, Finger, 0.88–1.25d	3
36	12323	(000000–)	Screw, Pan, Phl, M4 X 0.70 X 20, Ss	3
37	1064183	(002650–)	Circuitbreaker, 02.0a, Resetable	1
38	1064191	(002650–)	Boot, Circuitbreaker	1

Fig. 24 – ec-H2O Solution Pump Supply Group

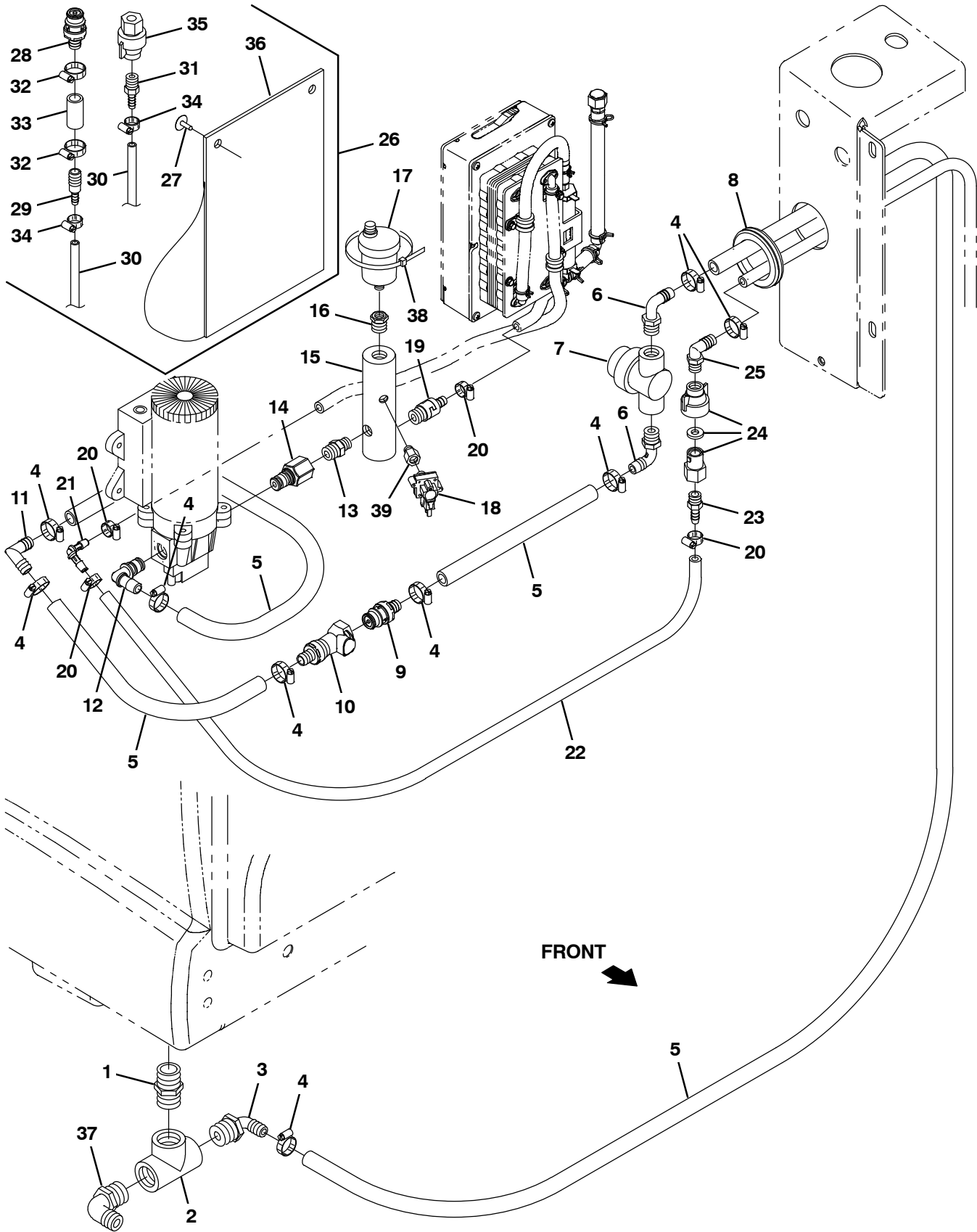


Fig. 24 - ec-H2O Solution Pump Supply Group

Ref.	Part No.	Serial Number	Description	Qty.
1	24544	(000000-) Fitting, Plstc, Str, Pm12/Pm12 1.60l	1
2	42133A	(000000-) Fitting, Plstc, Tee, Pf12/Pf12/Pf12	1
3	1005552	(000000-) Fitting, Plstc, E90, Bm08/Pm12, Nyl	1
4	54333	(000000-) Clamp, Hose, Wormdrive, 0.31-0.88d, .31w	9
5	1011837	(000000-) Hose, Afmkt, Pvc, Brd, 0.50id, 12ft, Clr	1
6	64778	(000000-) Fitting, Plstc, E90, Bm08/Pm06	2
7	1005302	(000000-) Filter, In-Line, Pf06/Pf06 080mesh 02.6l	1
8	10632-19	(000000-) Grommet, Rbr, 2.13id, F/2.5h, .12 Matl	3
9	1017415	(000000-) Insert, Cplg, Qm, Bm08	1
10	1017413	(000000-) Housing, Cplg, Qf / Pm08	1
11	63987-1	(000000-) Fitting, Plstc, E90, Bm08/Bm08	1
12	1049254	(000000-) Fitting, Nyl, Qdc, E90, Bm08/ Qm10	1
13	1059372	(000000-) Fitting, Plstc, Str, Pf06/Qm10, Pvc	1
14	1005219	(000000-) Fitting, Plstc, Str, Pm04/Pm06, Nyl	1
15	1060596	(000000-) Manifold, Water	1
16	24698	(000000-) Fitting, Brs, Str, Pf02/Pm06	1
17	1017386	(000000-) Valve, Vent, Air, Float Type	1
18	1058935	(000000-) Switch, Press, 50 Psi, Pm02	1
19	1060693	(000000-) Valve, Check, 0005psi Pm04/Bm06	1
20	43844	(000000-) Clamp, Hose, Wormdrive, 0.25-0.62d, .31w	4
21	1059391	(000000-) Fitting, Plstc, E90, Bm05/Bm05, Nyl	1
22	1052336	(000000-) Hose, Afmkt, PVC, Brd, 0.31id, 03Ft, Clr	2
23	1052017	(000000-) Fitting, Plstc, Str, Bm05/Pm04	1
24	1071280	(000000-) Fitting Assy, Qdc, Pf04	2
25	65581	(000000-) Fitting, Plstc, E90, Bm08/Pm04	1
▽	26	9014281	(000000-) ec-H2O Kit, Flush, Replmt[M20, M30&T20]	1
▲	27	72968	(000000-) Rivet, Plstc, .250d X 0.90	2
▲	28	1017415	(000000-) Insert, Cplg, Qm, Bm08	1
▲	29	630164	(000000-) Fitting, Plstc, Str, Bm04/Bm08	1
▲	30	1006415	(000000-) Hose, Afmkt, Pvc, Clr, 0.25id, 03ft	2
▲	31	50901	(000000-) Fitting, Plstc, Str, Bm04/Pm04	1
▲	32	54333	(000000-) Clamp, Hose, Wormdrive, 0.31-0.88d, .31w	2
▲	33	1011403	(000000-) Hose, Afmkt, Pvc, Brd, 0.50id, 01ft, Clr	1
▲	34	43844	(000000-) Clamp, Hose, Wormdrive, 0.25-0.62d, .31w	2
▲	35	1071280	(000000-) Fitting Assy, Qdc, Pf04	1
▲	36	48790	(000000-) Pouch	1
	37	14877	(000000-006330) Fitting, Plstc, E90, Bm12/Pm12	1
	37	73468	(006331-) Fitting, Plstc, E90, Bm10/Pm12	1
	38	49266	(000000-) Tie, Cable, Nyl, 07.3l .19w 1.8 Max D	1
	39	1062403	(000000-) Fitting, Brs, Snubber, Pm02/Pf02	1

Fig. 25 - ec-H2O Solution Supply Group, Cylindrical Scrub Head

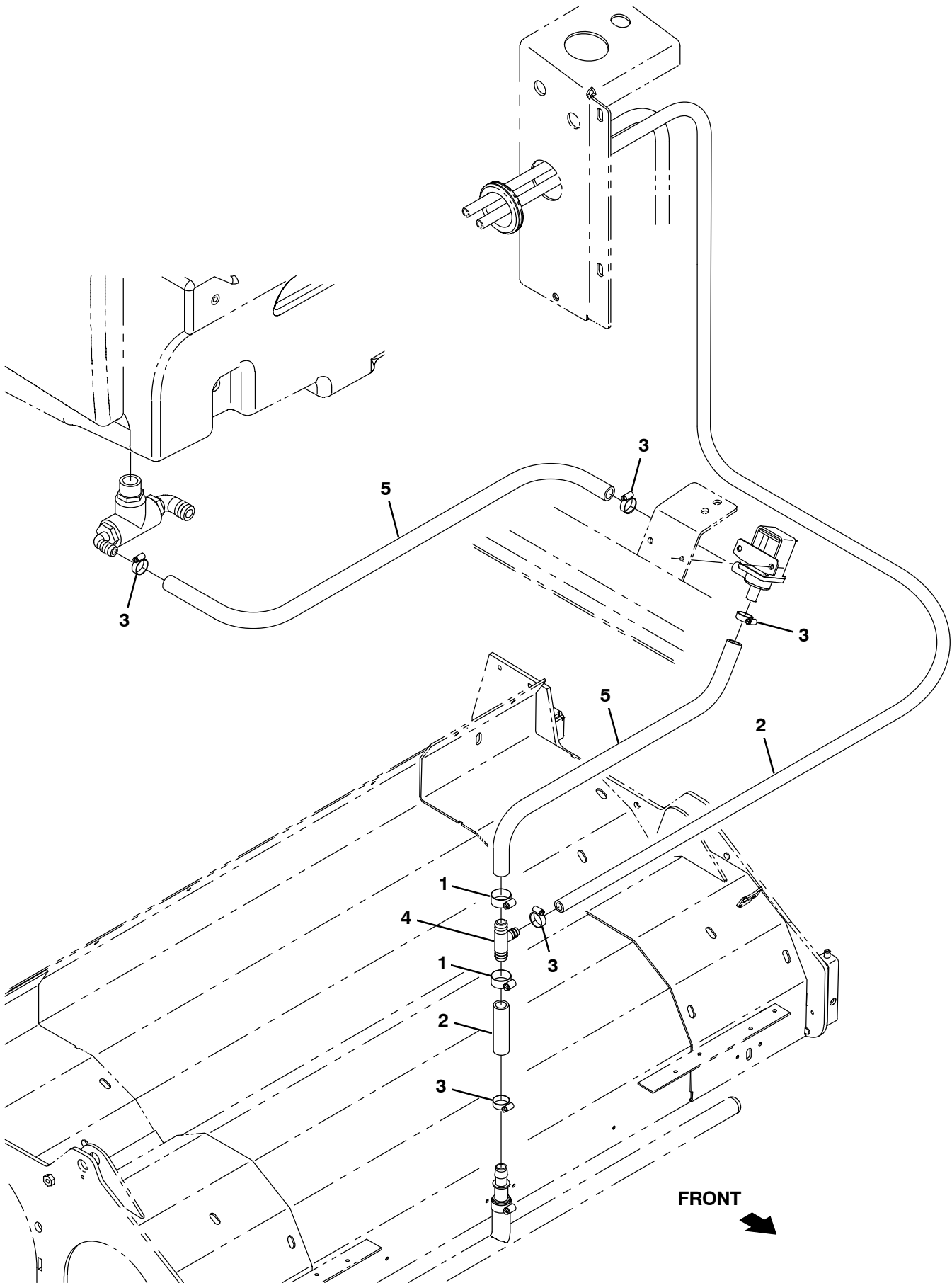


Fig. 25 – ec-H2O Solution Supply Group, Cylindrical Scrub Head

Ref.	Part No.	Serial Number	Description	Qty.
1	63810	(000000–)	Clamp, Hose, Wormdrive, 0.56–1.06d, .56w	2
2	1011837	(000000–)	Hose, Afmkt, Pvc, Brd, 0.50id, 12ft, Clr	1
3	54333	(000000–)	Clamp, Hose, Wormdrive, 0.31–0.88d, .31w	5
4	385644	(000000–006330)	Fitting, Plstc, Tee, Bm08/Bm12/Bm12, Br	1
4	1015486	(006331–)	Fitting, Plstc, Tee, Bm08/Bm10/Bm10, Br	1
5	1015045	(000000–006330)	Hose, Afmkt, Pvc, Brd, 0.75id, 08ft, Clr	1
5	1015032	(006331–)	Hose, Afmkt, Pvc, Brd, 0.62id, 08ft, Clr	1

Fig. 26 – ec-H2O Solution Supply Group, Cylindrical Scrub Head with Side Brush

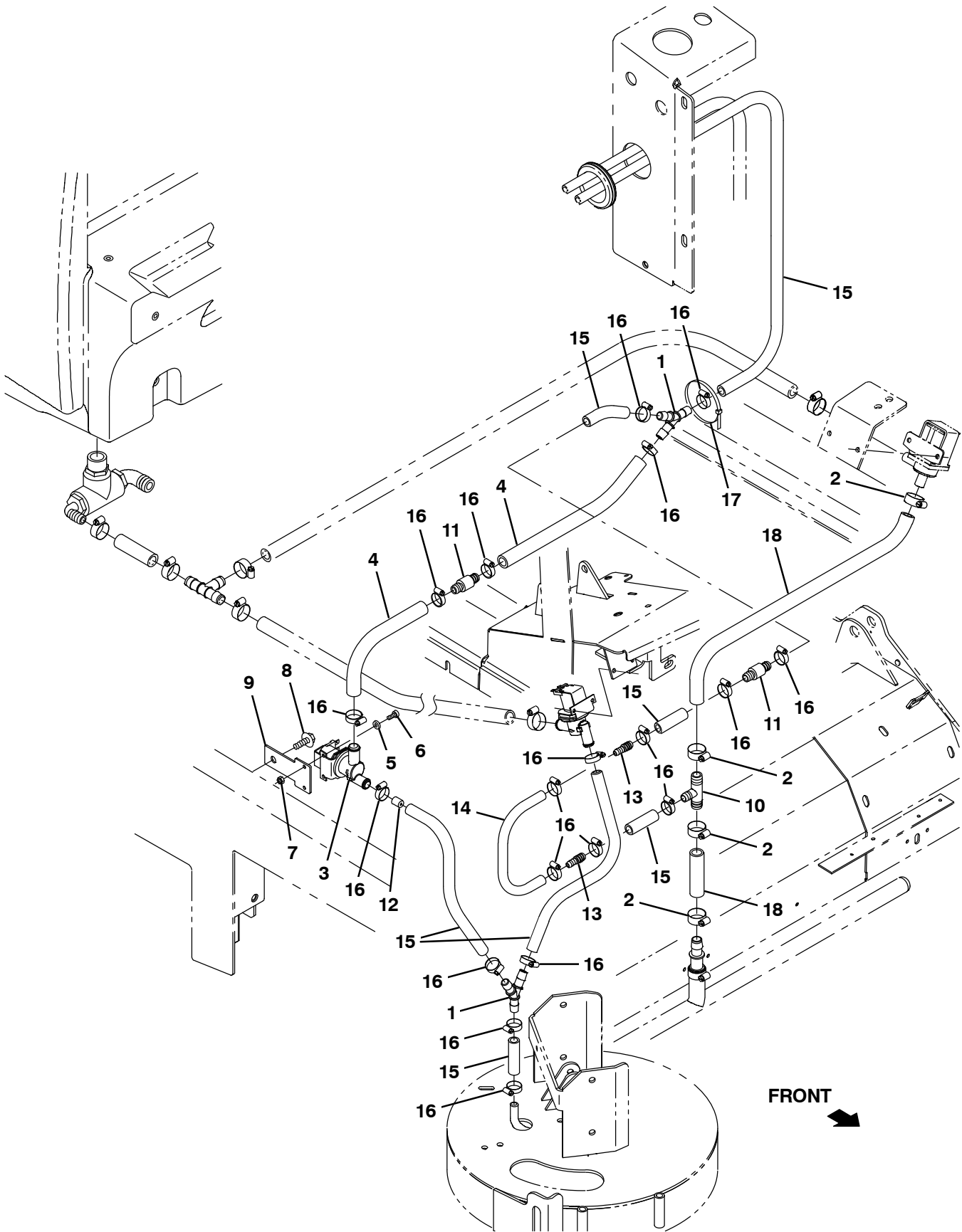


Fig. 26 – ec-H2O Solution Supply Group, Cylindrical Scrub Head with Side Brush

Ref.	Part No.	Serial Number	Description	Qty.
1	1010668	(000000–) Fitting, Plstc, Y, Bm08/Bm08/Bm08, Nyl	1
2	63810	(000000–) Clamp, Hose, Wormdrive, 0.56–1.06d, .56w	4
3	1037825	(000000–) Valve Assy, Water, Solenoid, 12vdc	1
4	31543	(000000–) Hose, Heater, E90, 0.62id, 24.0 4.0	1
5	01683	(000000–) Washer, Flat, 10, Ss	2
6	24196	(000000–) Screw, Pan, Phl, M5 X 0.80 X 20, Ss	2
7	09739	(000000–) Nut, Hex, Lock, M5 X 0.80, NI, Ss	2
8	76099	(000000–) Screw, Hex, M8 X 1.25 X 25, Fmg	1
9	1030511	(000000–) Plate, Mtg, Valve	1
10	385644	(000000–006330) Fitting, Plstc, Tee, Bm08/Bm12/Bm12, Br	1
10	1015486	(006331–) Fitting, Plstc, Tee, Bm08/Bm10/Bm10, Br	1
11	1010614	(000000–) Valve, Check, 2gpm .5psi Bm08/Bm08	2
12	1061045	(000000–) Plug, Restrictor	1
13	222375	(000000–) Fitting, Plstc, Str, Bm06/Bm08	2
14	1014974	(000000–) Hose, Afmkt, Pvc, Brd, 0.38id, 02ft, Clr	1
15	1011412	(000000–) Hose, Afmkt, Pvc, Brd, 0.50id, 08ft, Clr	1
16	54333	(000000–) Clamp, Hose, Wormdrive, 0.31–0.88d, .31w	18
17	763116	(000000–) Tie, Cable, Nyl, 15.3l . W 4.5 Max D	1
18	1015026	(000000–) Hose, Afmkt, Pvc, Brd, 0.62id, 03ft, Clr	1

Fig. 27 – ec-H2O Solution Supply Group, Disk Scrub Head

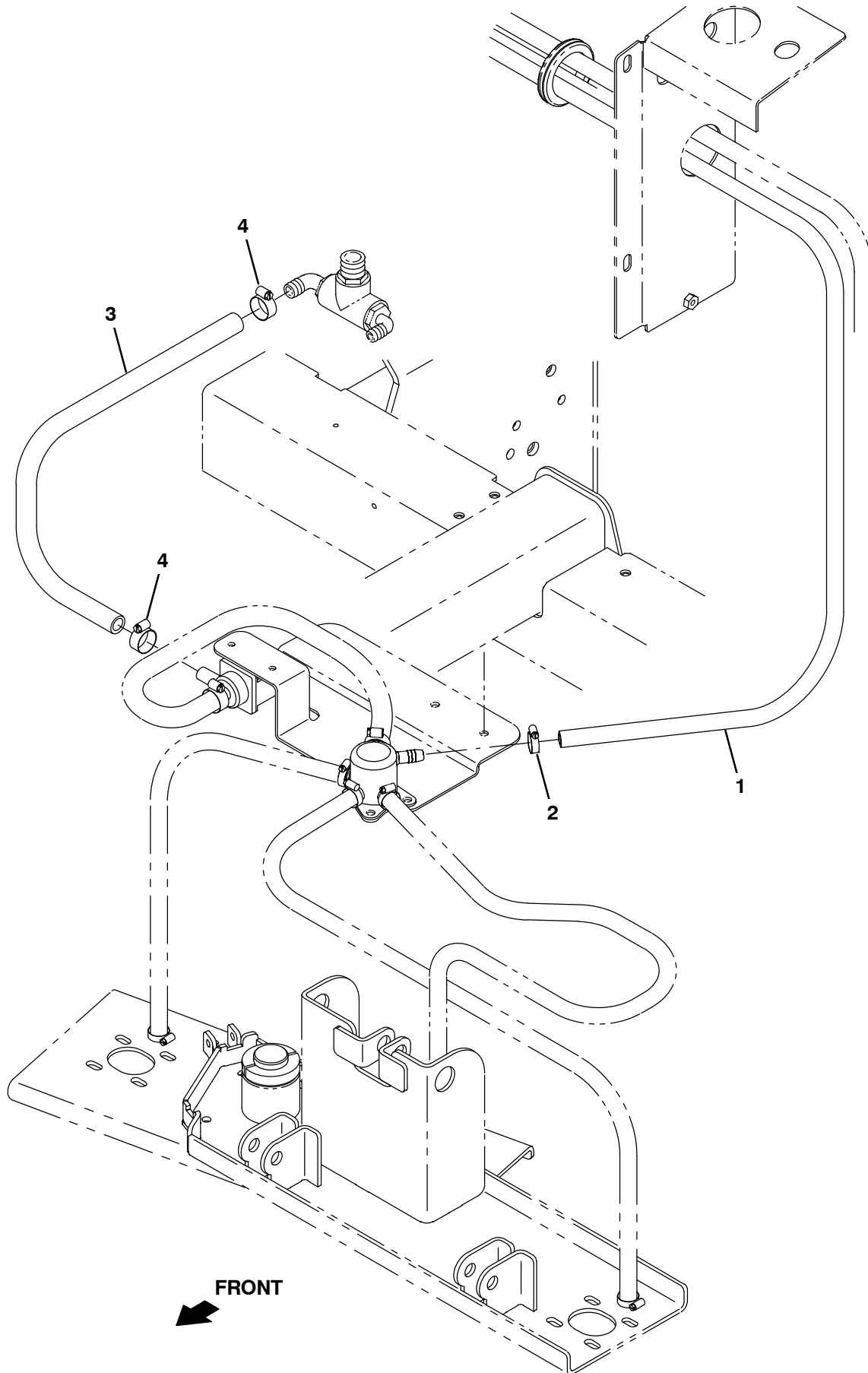


Fig. 27 – ec–H2O Solution Supply Group, Disk Scrub Head

Ref.	Part No.	Serial Number	Description	Qty.
1	1011412	(000000–)	Hose, Afmkt, Pvc, Brd, 0.50ld, 08Ft, Clr	1
2	54333	(000000–)	Clamp, Hose, Wormdrive, 0.31–0.88D, .31W	1
3	1015045	(000000–006330)	Hose, Afmkt, Pvc, Brd, 0.75ld, 08Ft, Clr	1
3	1015026	(006331–)	Hose, Afmkt, Pvc, Brd, 0.62ld, 03Ft, Clr	1
4	63810	(000000–)	Clamp, Hose, Wormdrive, 0.56–1.06D, .56W	2

Fig. 28 – ec-H2O Solution Supply Group, Disk Scrub Head with Side Brush

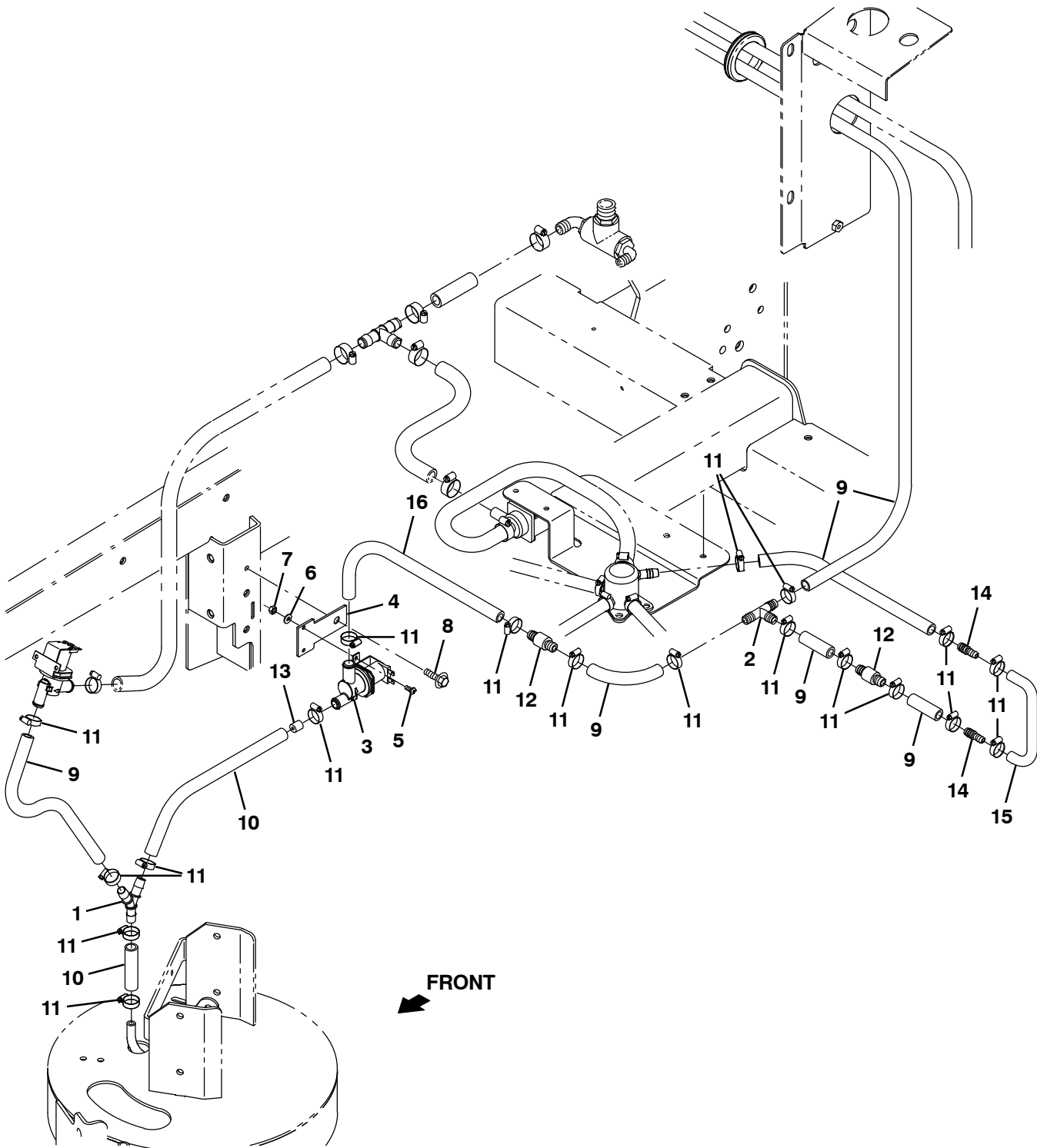


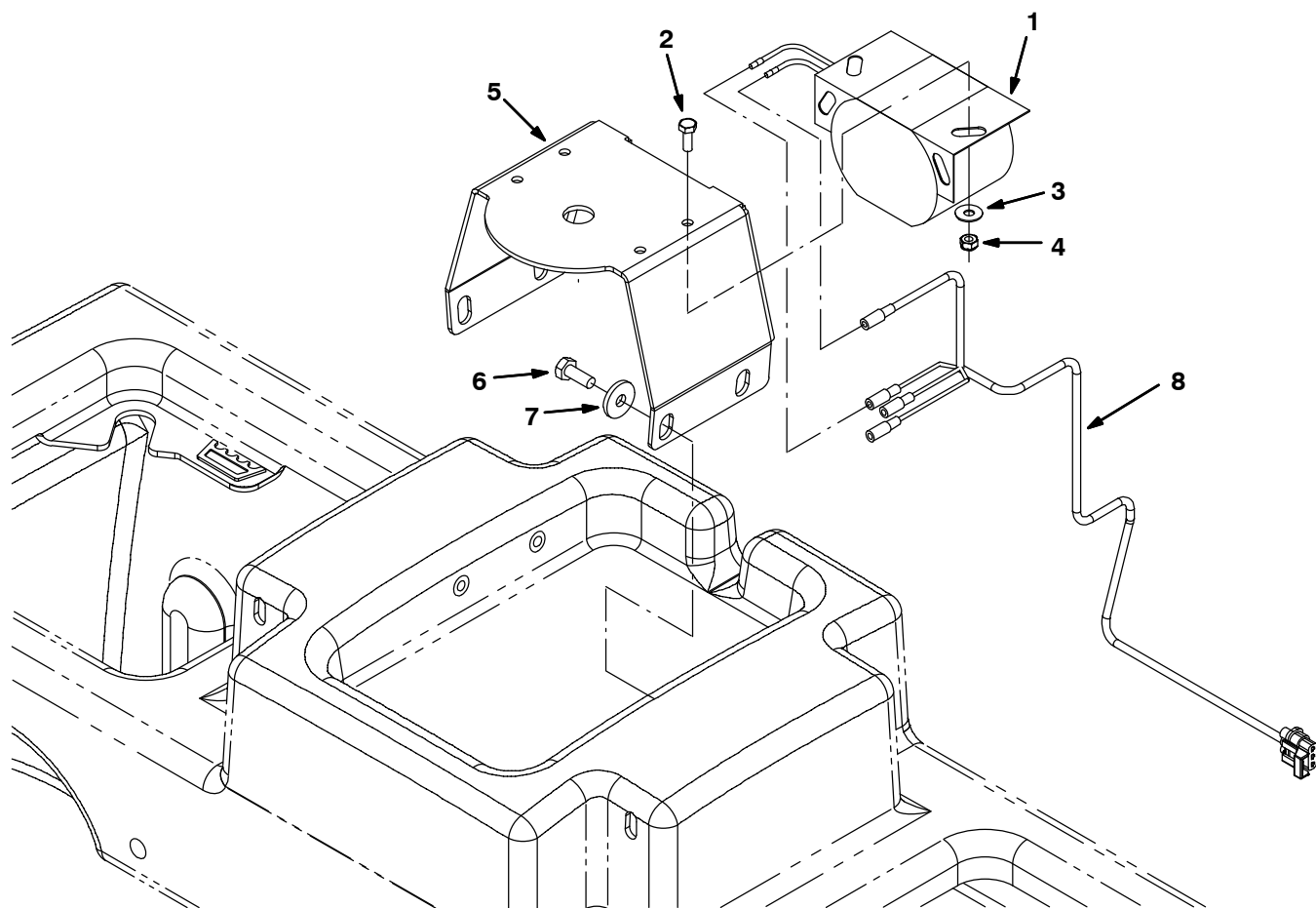
Fig. 28 – ec–H2O Solution Supply Group, Disk Scrub Head with Side Brush

Ref.	Part No.	Serial Number	Description	Qty.
1	1010668	(000000–) Fitting, Plstc, Y, Bm08/Bm08/Bm08, Nyl	1
2	63245–1	(000000–) Fitting, Plstc, Tee, Bm08/Bm08/Bm08	1
3	1037825	(000000–) Valve, Solenoid, 12vdc, Water Flow	1
4	1030511	(000000–) Plate, Mtg, Valve	11
5	09200	(000000–) Screw, Pan, Phl, M5 X 0.80 X 12, Ss	2
6	01683	(000000–) Washer, Flat, 10, Ss	2
7	09739	(000000–) Nut, Hex, Lock, M5 X 0.80, NI, Ss	2
8	76099	(000000–) Screw, Hex, M8 X 1.25 X 25, Fmg	1
9	1011412	(000000–) Hose, Afmkt, Pvc, Brd, 0.50id, 08ft, Clr	1
10	1015067	(000000–) Hose, Afmkt, Pvc, Clr, 0.50id, 08ft	1
11	54333	(000000–) Clamp, Hose, Wormdrive, 0.31–0.88d, .31w	20
12	1010614	(000000–) Valve, Check, 2Gpm .5Psi Bm08/Bm08	2
13	1061045	(000000–) Plug, Rsestricter	1
14	222375	(000000–) Fitting, Plstc, Str, BM06/BM08	2
15	1014974	(000000–) Hose, Afmkt, Pvc, Brd, 0.38ld, 02Ft, Clr	1
16	31543	(000000–) Hose, Heater, E90, 0.62ld, 24.0 4.0	1

Fig. 29 – ec-H20 Wire Harnesses Group

Ref.	Part No.	Serial Number	Description	Qty.
1	1071947	(000000–) Harness, Wire [Ec-H2o, Mako, 2.0l & Dsl]	1
2	1060871	(000000–) Harness, Wire [Ec-H2o]	1
3	1060880	(000000–) Resistor, Ele, Plug [430 , 2w]	1
4	1060881	(000000–) Capacitor, Plug [4700uf, 25v]	1

Fig. 30 – Backup Alarm Kit



354473

Ref.	Part No.	Serial Number	Description	Qty.
▽	9001321	(000000–) Alarm Kit, Backup, Ci [M20 And T20]	1
▲	1 9007131	(000000–) Alarm Assy, Backup, 12/48Vdc	1
▲	2 24196	(000000–) Screw, Pan, Phl, M5 X 0.80 X 20, Ss	2
▲	3 19066	(000000–) Washer, Flat, 10	2
▲	4 09739	(000000–) Nut, Hex, Lock, M5 X 0.80, NI, Ss	2
▲	5 1019445	(000000–) Bracket, Sppt, Strobe Light	1
▲	6 09740	(000000–) Screw, Hex, M8 X 1.25 X 20, Ss	4
▲	7 1017218	(000000–) Washer, Flat, 0.32b 1.00d .12, Ss	4
▲	8 1019971	(000000–) Harness, Warning / Backup [M20 & T20]	1

Fig. 31 - Light Kit, Flashing

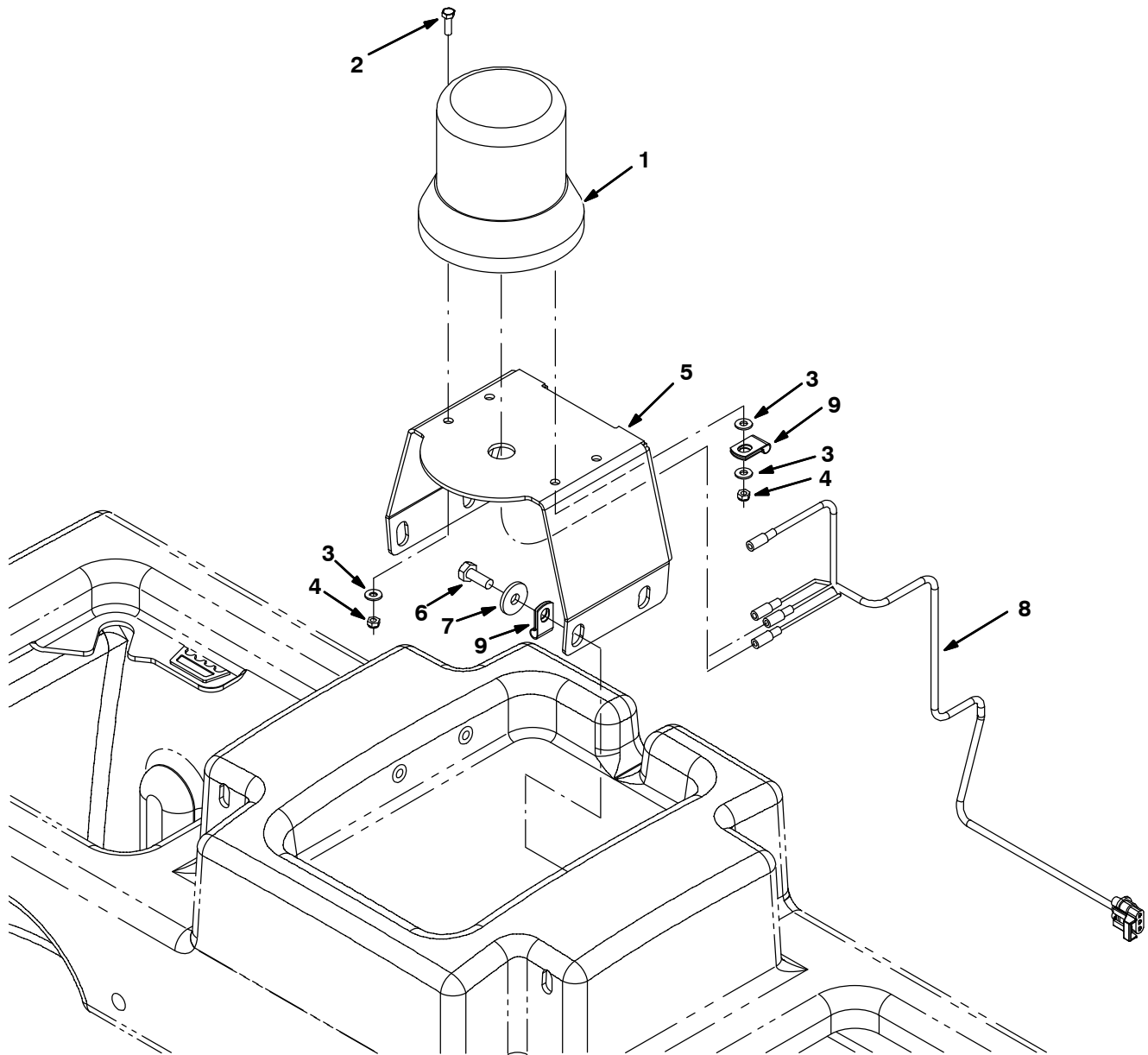


Fig. 31 – Light Kit, Flashing

	Ref.	Part No.	Serial Number	Description	Qty.
▽		9001327	(000000–) Light Kit, Flsh, Ci [M20 And T20]	1
▲▽	1	1017248	(000000–) Lamp, Flasher, Amb [12–48 Vdc]	1
▲▲		9000879	(000000–) Lens, Lamp, Amb, Strobe/Flasher	1
▲▲		9000846	(000000–) Lamp, Bulb, Flsh	1
▲▲		1027800	(000000–) Lens, Blue, Option, F/ Strobe / Flsh Light	1
▲▲		1027798	(000000–) Lens, Red, Option, F/ Strobe / Flsh Light	1
▲		55272	(000000–) Terminal, Bullet, Mal, .157d, 12ga	2
▲	2	24196	(000000–) Screw, Pan, Phl, M5 X 0.80 X 20, Ss	2
▲	3	19066	(000000–) Washer, Flat, 10	2
▲	4	09739	(000000–) Nut, Hex, Lock, M5 X 0.80, NI, Ss	2
▲	5	1019445	(000000–) Bracket, Sppt, Strobe Light	1
▲	6	09740	(000000–) Screw, Hex, M8 X 1.25 X 20, Ss	4
▲	7	1017218	(000000–) Washer, Flat, 0.32b 1.00d .12, Ss	4
▲	8	1019971	(000000–) Harness, Warning / Backup [M20 & T20]	1
▲	9	46236	(000000–) Clamp, Cable, Stl, 0.25D X 0.56W, 1Hole	2

Fig. 32 - Light Kit, Strobe

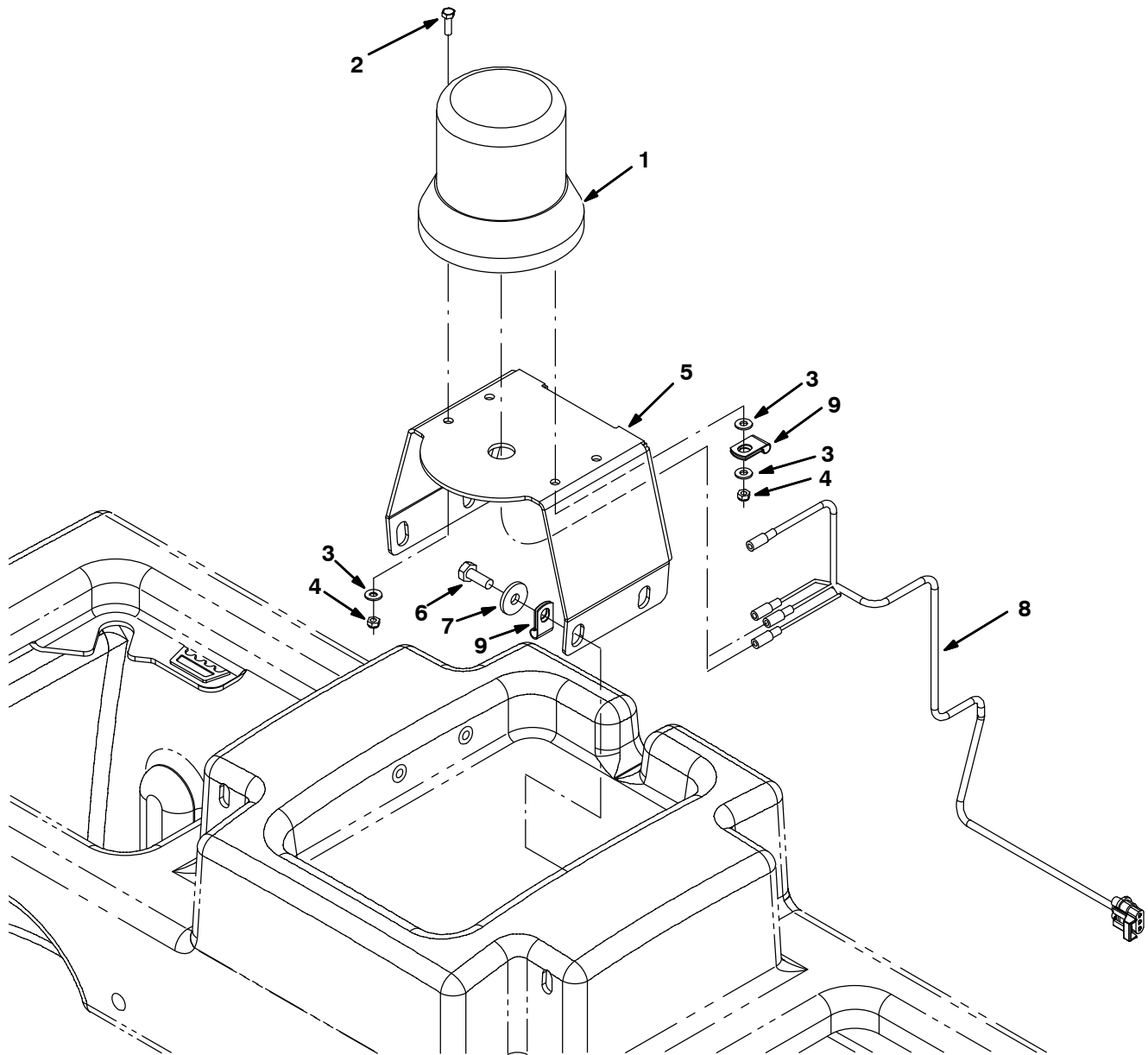
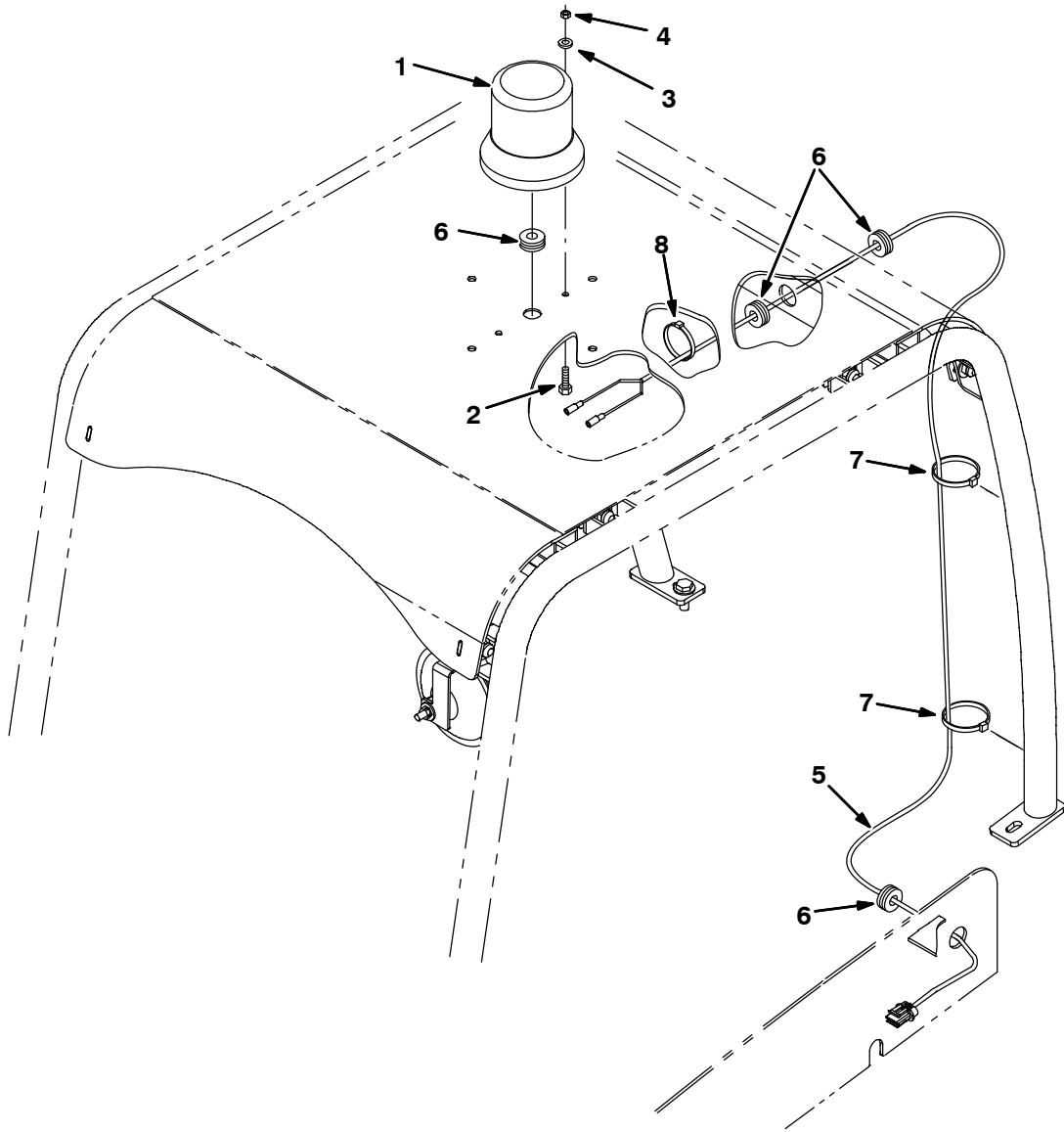


Fig. 32 – Light Kit, Strobe

	Ref.	Part No.	Serial Number	Description	Qty.
▽		9001331	(000000–) Light Kit, Strobe, Ci [M20 And T20]	1
▲▽	1	1017250	(000000–) Lamp Strobe, Amb [12–48 Vdc]	1
▲▲		9000879	(000000–) Lens, Lamp, Amb, Strobe/Flasher	1
▲▲		9000845	(000000–) Lamp, Bulb, Strobe	1
▲▲		1027800	(000000–) Lens, Blue, Option, F/ Strobe / Flsh Light	1
▲▲		1027798	(000000–) Lens, Red, Option, F/ Strobe / Flsh Light	1
▲		55272	(000000–) Terminal, Bullet, Mal, .157d, 12ga	2
▲	2	24196	(000000–) Screw, Pan, Phl, M5 X 0.80 X 20, Ss	2
▲	3	19066	(000000–) Washer, Flat, 10	2
▲	4	09739	(000000–) Nut, Hex, Lock, M5 X 0.80, NI, Ss	2
▲	5	1019445	(000000–) Bracket, Sppt, Strobe Light	1
▲	6	09740	(000000–) Screw, Hex, M8 X 1.25 X 20, Ss	4
▲	7	1017218	(000000–) Washer, Flat, 0.32b 1.00d .12, Ss	4
▲	8	1019971	(000000–) Harness, Warning / Backup [M20 & T20]	1
▲	9	46236	(000000–) Clamp, Cable, Stl, 0.25D X 0.56W, 1Hole	2

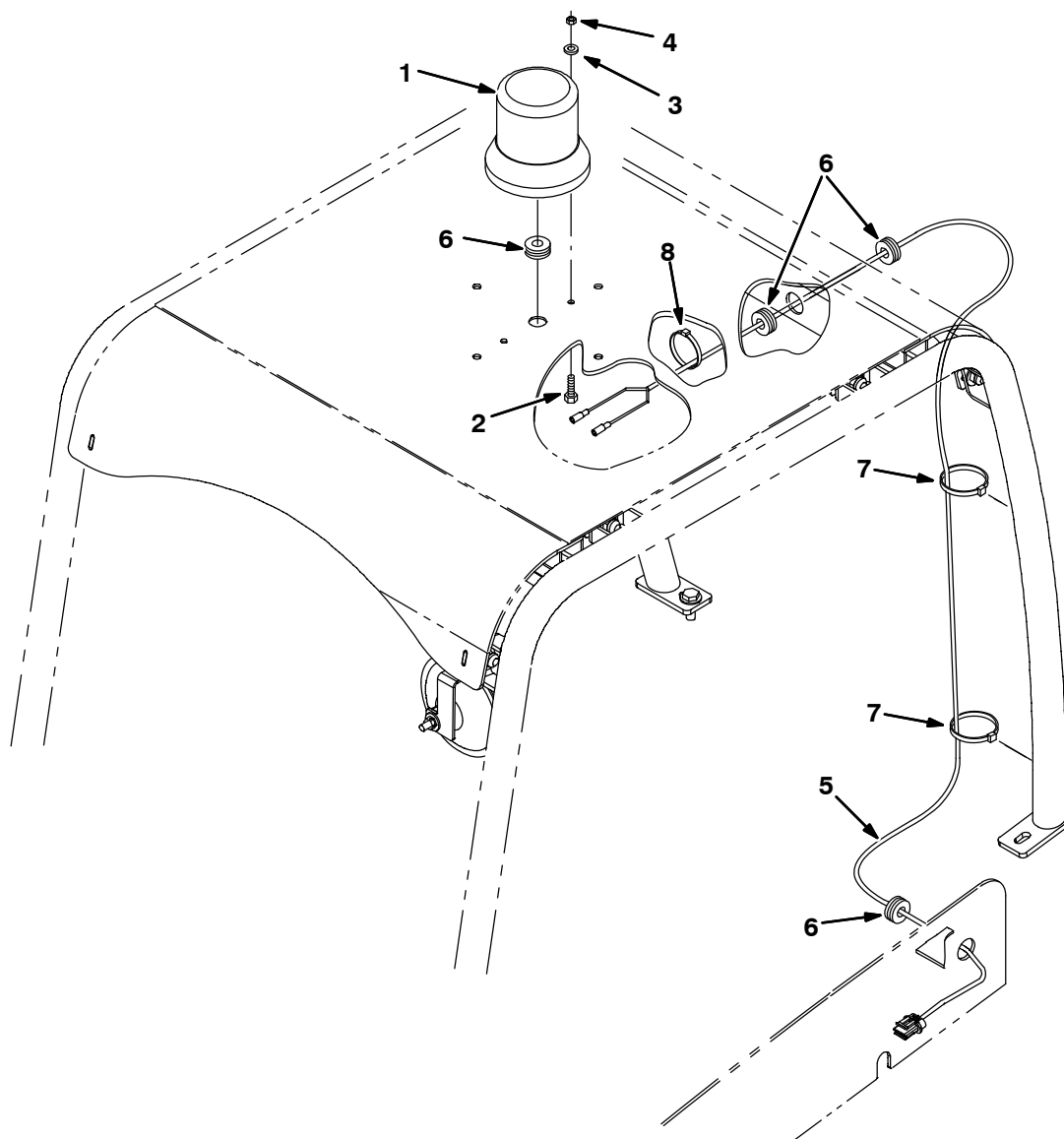
Fig. 33 – Light Kit, Flashing Overhead Guard



354477

Ref.	Part No.	Serial Number	Description	Qty.
▽	9001718	(000000–) Light Kit, Flsh, W/Ohg, Ci[M20 And T20]	1
▲▽	1 1017248	(000000–) Lamp, Flasher, Amb [12–48 Vdc]	1
▲▲	9000879	(000000–) Lens, Lamp, Amb, Strobe/Flasher	1
▲▲	9000846	(000000–) Lamp, Bulb, Flsh	1
▲▲	1027800	(000000–) Lens, Blue, Option, F/ Strobe / Flsh Light	1
▲▲	1027798	(000000–) Lens, Red, Option, F/ Strobe / Flsh Light	1
▲	55272	(000000–) Terminal, Bullet, Mal, .157d, 12ga	2
▲	2 24196	(000000–) Screw, Pan, Phl, M5 X 0.80 X 20, Ss	2
▲	3 19066	(000000–) Washer, Flat, 10	2
▲	4 09739	(000000–) Nut, Hex, Lock, M5 X 0.80, NI, Ss	2
▲	5 1019647	(000000–) Harness, Warning / Ohg [M20]	1
▲	6 10632–17	(000000–) Grommet, Rbr, 0.50id, F/0.8h, .12 Matl	4
▲	7 763115	(000000–) Tie, Cable, 6.0l, 1.25d Max	4
▲	8 49266	(000000–) Tie, Cable, Nyl, 07.3l .19w 1.8 Max D	2

Fig. 34 – Light Kit, Strobe Overhead Guard



354477

Ref.	Part No.	Serial Number	Description	Qty.
▽	9001717	(000000–) Light Kit, Strobe, W/Ohg, Ci [M20 And T20]	1
▲▽	1 1017250	(000000–) Lamp Strobe, Amb [12–48 Vdc]	1
▲▲	9000879	(000000–) Lens, Lamp, Amb, Strobe/Flasher	1
▲▲	9000845	(000000–) Lamp, Bulb, Strobe	1
▲▲	1027800	(000000–) Lens, Blue, Option, F/ Strobe / Flsh Light	1
▲▲	1027798	(000000–) Lens, Red, Option, F/ Strobe / Flsh Light	1
▲	55272	(000000–) Terminal, Bullet, Mal, .157d, 12ga	2
▲	2 24196	(000000–) Screw, Pan, Phl, M5 X 0.80 X 20, Ss	2
▲	3 19066	(000000–) Washer, Flat, 10	2
▲	4 09739	(000000–) Nut, Hex, Lock, M5 X 0.80, NI, Ss	2
▲	5 1019647	(000000–) Harness, Warning / Ohg [M20]	1
▲	6 10632–17	(000000–) Grommet, Rbr, 0.50id, F/0.8h, .12 Matl	4
▲	7 763115	(000000–) Tie, Cable, 6.0l, 1.25d Max	4
▲	8 49266	(000000–) Tie, Cable, Nyl, 07.3l .19w 1.8 Max D	2

Fig. 35 - Overhead Guard Kit

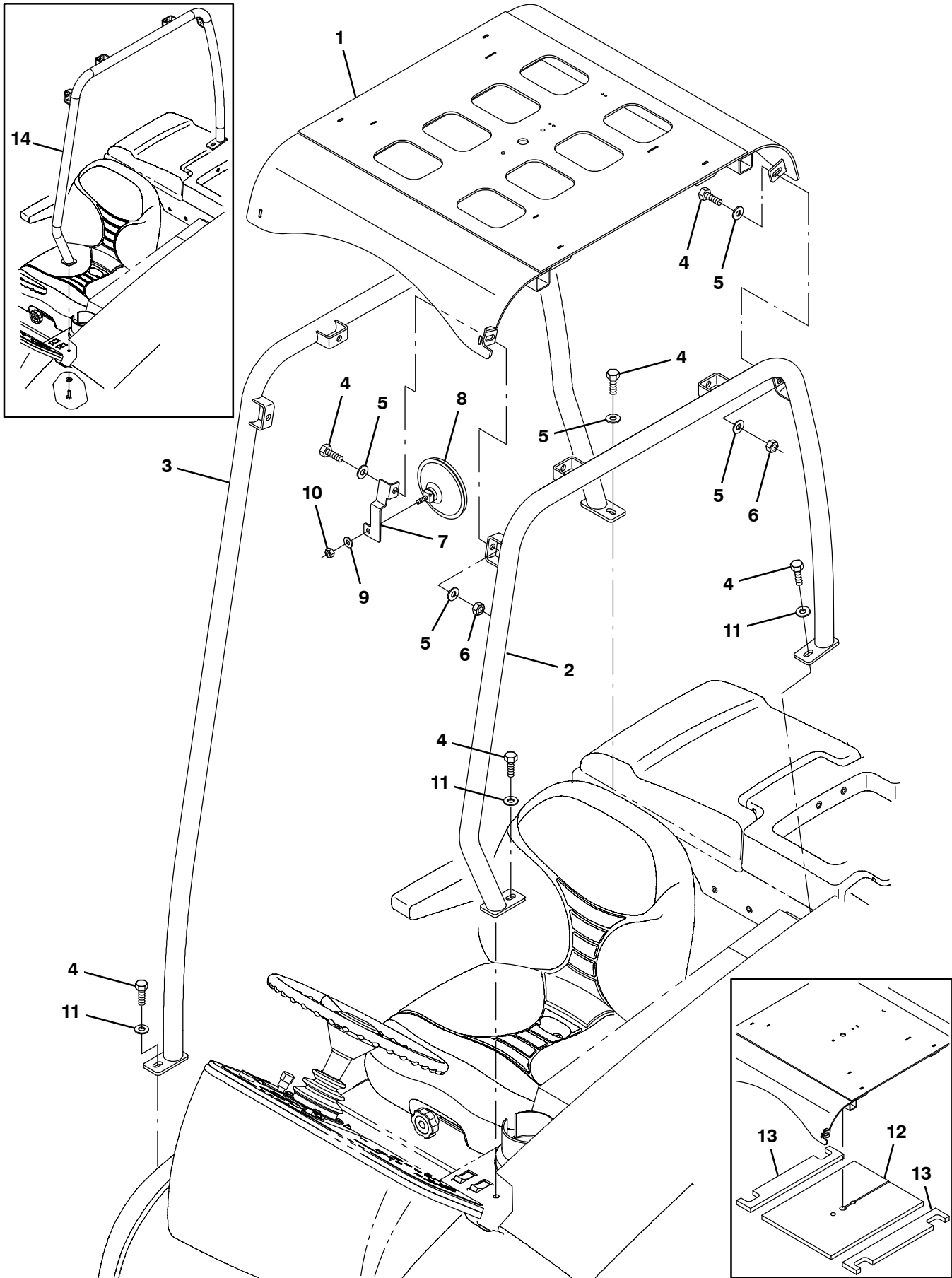


Fig. 35 – Overhead Guard Kit

Ref.	Part No.	Serial Number	Description	Qty.
▽	9001314	(000000–) Ohg Kit, Ci [M20 And T20]	1
▲	1 1022276	(000000–) Guard Wldt, Top, Ohg	1
▲	2 1069241	(002734–) Tube Wldt, Leg, Ohg, Lh, Pntd	1
▲	3 1069253	(000000–) Tube Wldt, Leg, Ohg, Rh, Pntd	1
▲	4 03192	(000000–) Screw, Hex, M10 X 1.5 X 30, 8.8	12
▲	5 32492	(000000–) Washer, Flat, 0.38 Std	17
▲	6 41430	(000000–) Nut, Hex, Lock, M10 X 1.5, NI	8
▲	7 1023879	(000000–) Bracket, Mtg, Mirror, Rearview	1
▲	8 1050295	(000000–) Mirror, Convex, 0.50D	1
▲	9 32491	(000000–) Washer, Flat, 0.31, Std	1
▲	10 19313	(000000–) Nut, Hex, Std, .31–18	1
▲	11 1014563	(000000–) Washer, Flat, 0.40b 1.12d .12, Ss	3
	12 1032830	(000000–005915) Insulation	1
	13 1032831	(000000–005915) Insulation	2
	14 1022265	(000000–002733) Tube Wldt, Leg, Ohg, Lh, Pntd	1

Fig. 36 - Telemetry Group

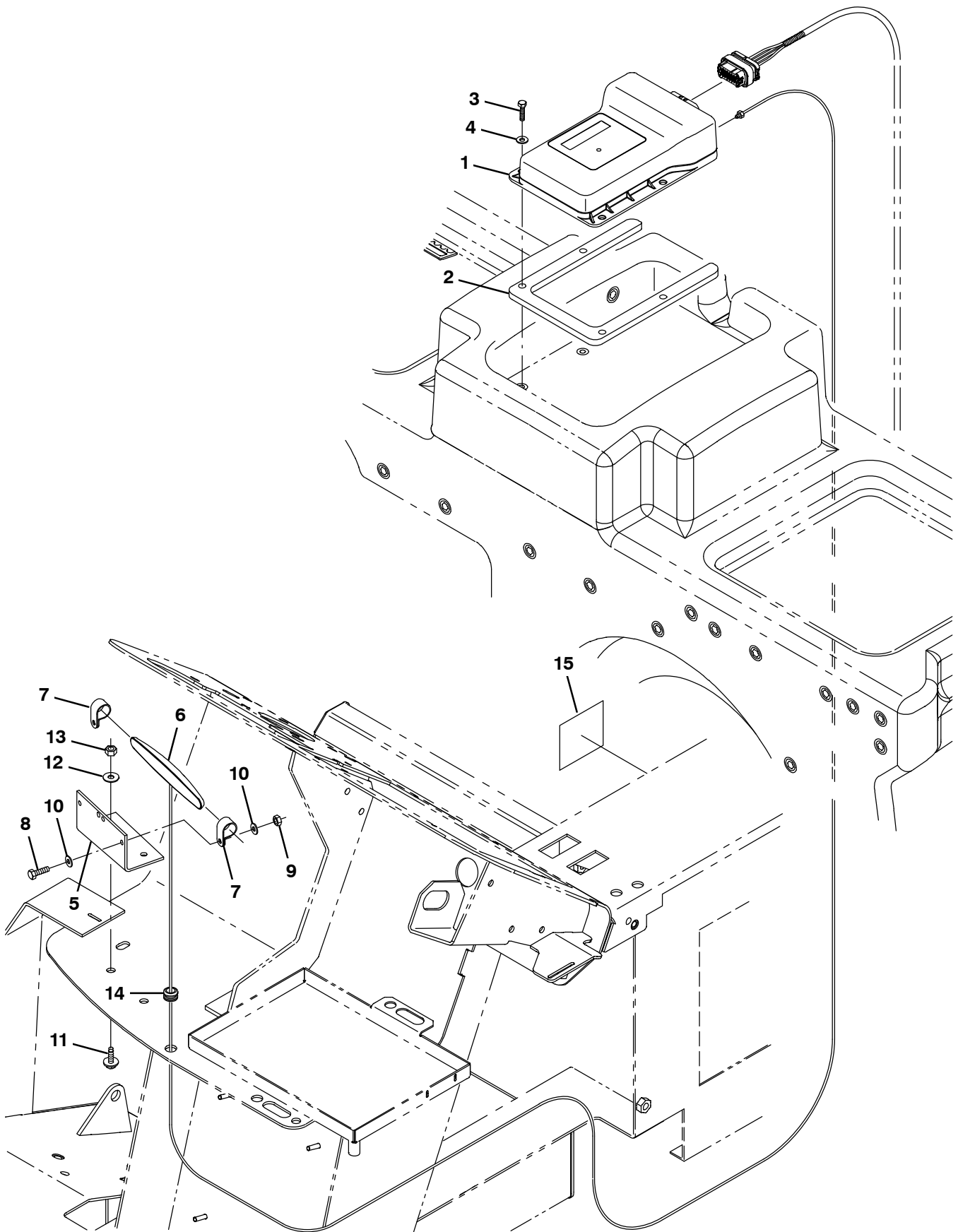


Fig. 36 – Telemetry Group

Ref.	Part No.	Serial Number	Description	Qty.
1	9010085	(000000-) Control Box Assy Kit, Replmt, Telem [USA]	1
1	9010086	(000000-) Control Box Assy Kit, Replmt, Telem [CAN]	1
2	1071062	(000000-) Bracket, Spacer, Controlbox	1
3	09252	(000000-) Screw,Hex, M5 X 0.80 X 29, 8.8	4
4	01683	(000000-) Washer, Flat, 10, Ss	4
5	1070402	(000000-) Angle, mtg, Antenna, Telem	1
6	1070659	(000000-) Antenna, Telem, 70 In [Gprs]	1
7	140916	(000000-) Clamp, Cable, Nyl, 0.62D, Nat	2
8	24199	(000000-) Screw, Hex, M5 X 0.80 X 16, Ss	2
9	06549	(000000-) Nut, Hex, Lock, M5 X 0.80, NI	2
10	01683	(000000-) Washer, Flat, 10, Ss	4
11	1040467	(000000-) Screw, hex, H6 X 1.00 X 20, 9.8, Sems	2
12	01684	(000000-) Washer, Flat, 0.27B 0.69D .05, Ss	2
13	08712	(000000-) Nut, hex, Lock, M6 X 1.00, NI, Ss	2
14	10632-12	(000000-) Grommet, Rbr, 0.38id, F/0.5H, .12 Matl	1
15	1069580	(000000-) Label, Opertnl, Telem [Fcc/lc]	1

Fig. 37 – Telemetry Wire Harness Group

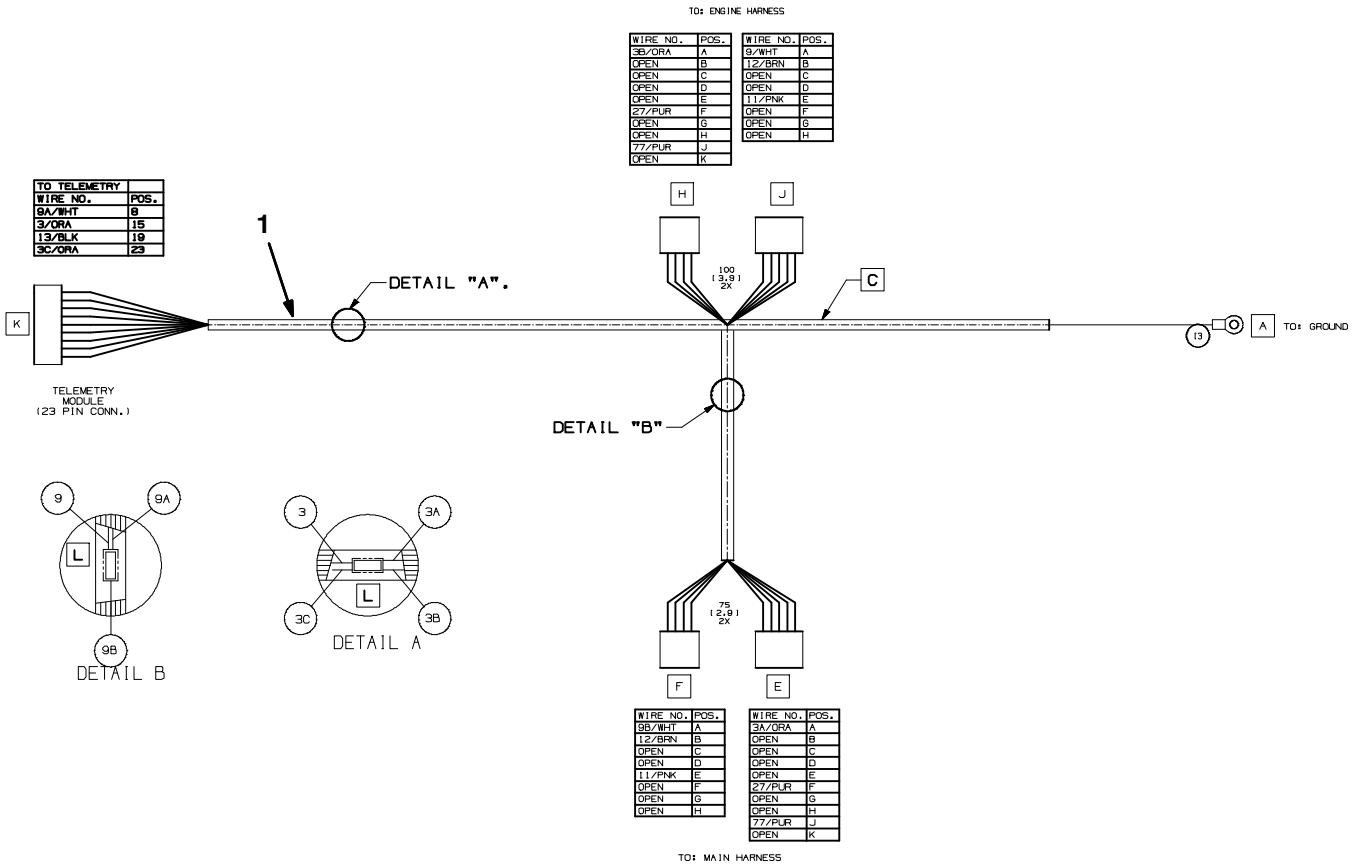


Fig. 37 – Telemetry Wire Harness Group

Ref.	Part No.	Serial Number	Description	Qty.
1	1069876	(000000-) Harness, Wire, Dsl [M20/T20, Telemetry]	1

Fig. 38 – Vacuum Wand Kit

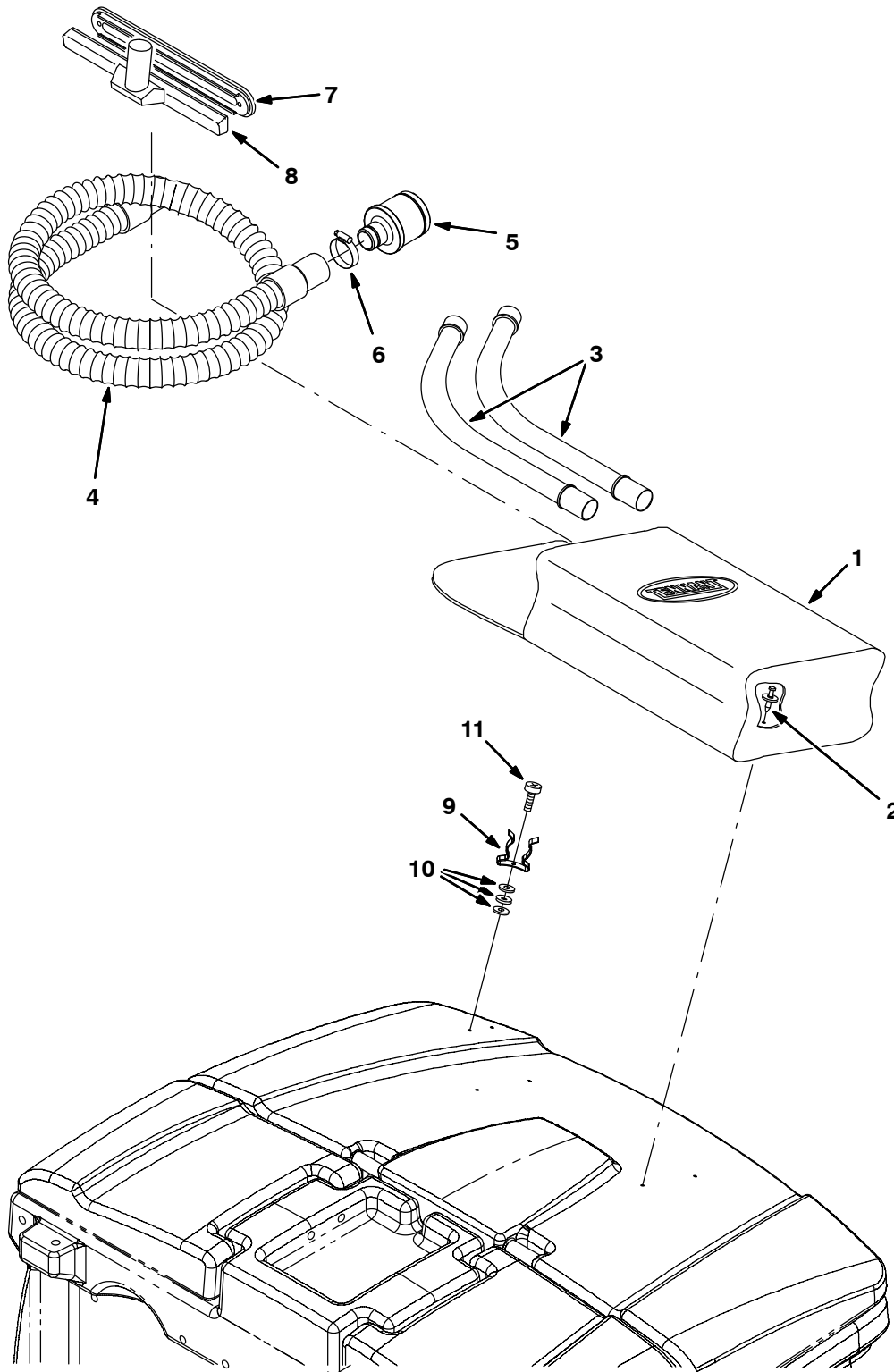


Fig. 38 – Vacuum Wand Kit

	Ref.	Part No.	Serial Number	Description	Qty.
▽		9003134	(000000–) Wand Kit, Vac, Sqge, Ci [T20]	1
▲	1	65580	(000000–) Bag, Power	1
▲	2	72968	(000000–) Rivet, Plstc, .250 X 0.898	4
▲	3	63448	(000000–) Tube, Wand, Vacuum, Metal [1pick=1box]	1
▲	4	86767	(000000–) Hose Assy, W/2cuff, 1.5d 90l 1.5/1.5	1
▲	5	1029396	(000000–) Fitting, Alm, Str, Bm24/Bm48	1
▲	6	79381	(000000–) Clamp, Hose, Wormdrive, 1.25–2.00D, .50W	1
▲	7	63430	(000000–) Shoe, Plstc, Sqge, 14.0	1
▲	8	63451	(000000–) Nozzle, Wand, Plstc, 14.0lg	1
▲	9	67004	(000000–) Clip, Grip, Finger, 1.00–1.88d White,Vyl	2
▲	10	19064	(000000–) Washer, Flat, #06	6
▲	11	55845	(000000–) Screw, Hex, M5 X 0.8 X 16, Fmg	2

Fig. 39 – Power Wand Hose Assembly

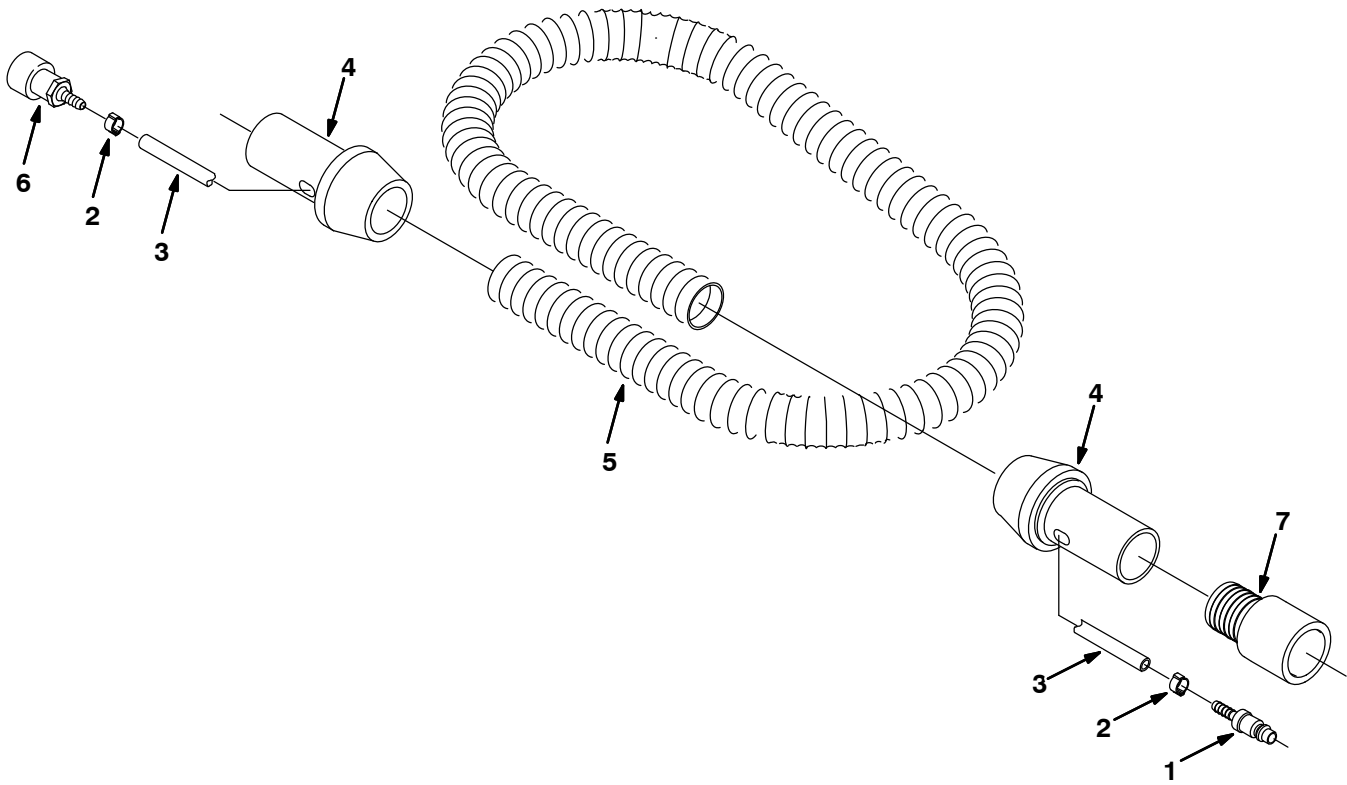


Fig. 39 – Power Wand Hose Assembly

NOTE: Power Wand Kit, Tennant Part Number 9003138, includes; Fig. 39, Fig. 40, and Fig. 41.

NOTE: Power Wand Kit with spray nozzle, Tennant Part Number 9003137, includes; Fig. 39, Fig. 40, and Fig. 42.

	Ref.	Part No.	Serial Number	Description	Qty.
▽		65341	(000000–) Hose Assy, Wand, Power	1
▲	1	578318000	(000000–) Fitting, Stl, Qdc, Bm04	1
▲	2	578160000	(000000–) Clamp, Hose, Ear, 11–13mm, Ss	2
▲	3	578820000	(000000–) Hose, Pvc, Brd, 0.25id 0.44od 157.2l,Clr	1
▲	4	578072000	(000000–) Cuff, Swivel, 1.5 Blk	2
▲	5	578276000	(000000–) Hose, Vacuum, 1.50id X 10ft, Gray	1
▲	6	578071000	(000000–) Fitting, Brs, Qdc, Bm04/Pf04	1
	7	1029396	(000000–) Fitting, Alm, Str, Bm24/Bm48	1

Fig. 40 – Power Wand Assembly

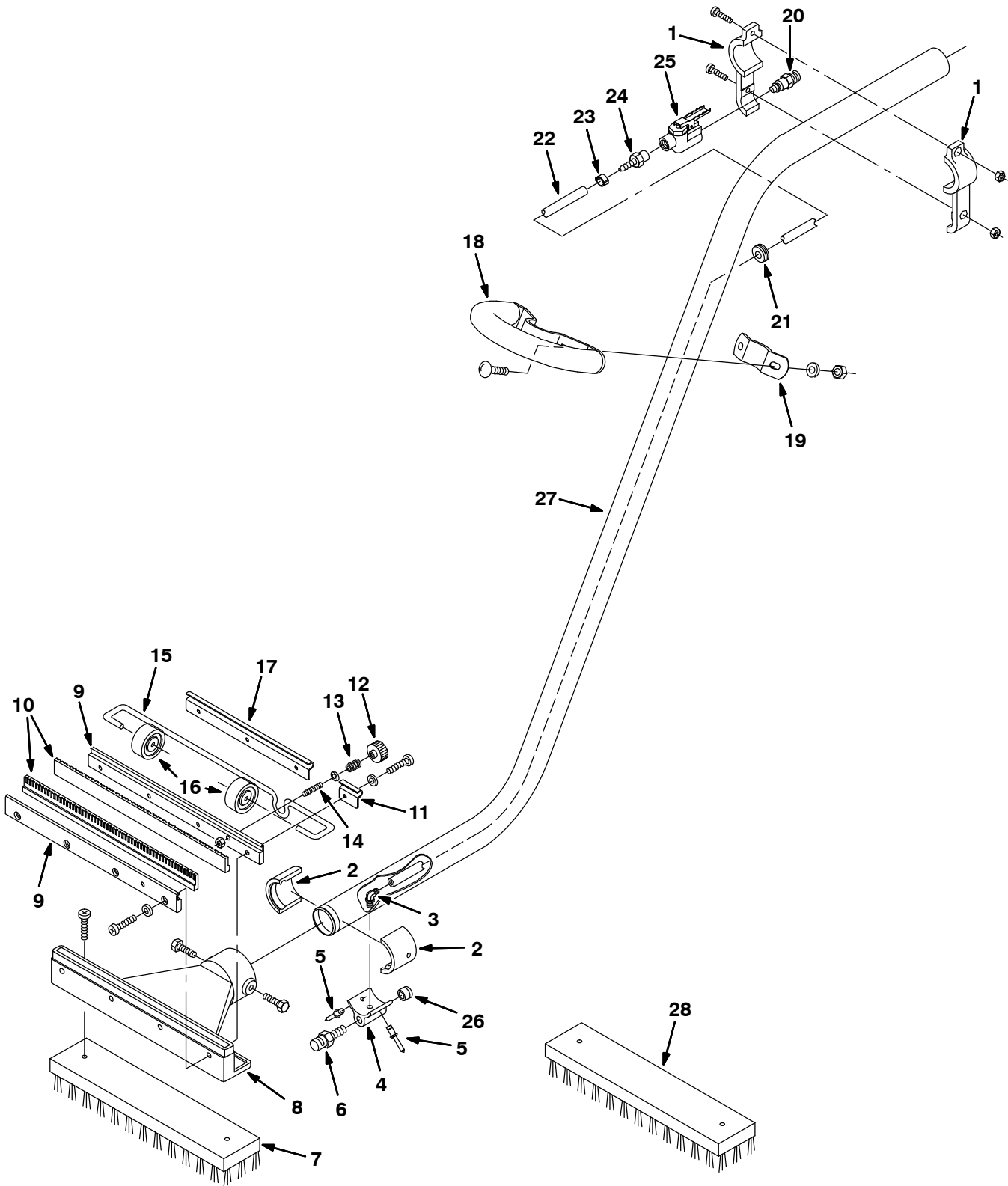


Fig. 40 – Power Wand Assembly

NOTE: Power Wand Kit, Tennant Part Number 9003138, includes; Fig. 39, Fig. 40, and Fig. 41.

NOTE: Power Wand Kit with spray nozzle, Tennant Part Number 9003137, includes; Fig. 39, Fig. 40, and Fig. 42.

Ref.	Part No.	Serial Number	Description	Qty.
▽	65340	(000000–) Wand Assy, Power	1
▲	1 578077000	(000000–) Bracket, Wand, Valve Mtg	1
▲	2 578061000	(000000–) Adapter, Head / Wand [17b/E]	2
▲	3 578214000	(000000–) Fitting, Plstc, E90, Bm04/Pm02	1
▲	4 579112	(000000–) Fitting Spray Nozzle Adapter	1
▲	5 602036000	(000000–) Rivet, Blind [S2500 Drvblock]	2
▲	6 578066000	(000000–) Fitting, Brs, Tip [75, .125k–Jet]	1
▲	7 65610	(000000–) Brush, Power Wand, W/ FaSTener, Pyp	1
▲	8 578063000	(000000–) Head, Wand [17b/E]	1
▲	9 578078000	(000000–) Retainer, Sqge, Wand [17b/E]	2
▲	10 578074000	(000000–) Blade, Sqge, 300.8mml, Wand [17b/E, G]	2
▲	11 578124000	(000000–) Bracket, Axle, 1 Hole [17b/E]	1
▲	12 578439	(000000–) Nut, Thumb, M6 X 1.0, 30d	1
▲	13 578228000	(000000–) Spring, Cmpr, 0.40od .04wir 00.6l, Ss	1
▲	14 578143000	(000000–) Screw, Set, M6 X 1.00 X 40, Ss [Cuppt]	1
▲	15 578126000	(000000–) Axle, Wand [17b/E]	1
▲	16 578125000	(000000–) Wheel, 41.3d 19.1w, Rbr	2
▲	17 578123000	(000000–) Bracket, Axle, 3 Hole [17b/E]	1
▲	18 578155000	(000000–) Handle Wldt, Wand	1
▲	19 578154000	(000000–) Bracket, Wand, Handle	1
▲	20 578091000	(000000–) Fitting, Brs, Qdc, Pm04, Plug	1
▲	21 578164000	(000000–) Grommet, 0.38id, F/0.6h, .06 Matl	1
▲	22 578821000	(000000–) Hose, Pyu, 0.25id 0.38od 1220mml, Blk	1
▲	23 578161000	(000000–) Clamp, Hose, Ear, 8–11mm, Ss	2
▲	24 578094000	(000000–) Fitting, Nyl, Str, Bm04/Pm04	1
▲	25 578064000	(000000–) Valve, Cntrl, Water	1
▲	26 150208	(000000–) Fitting, Brs, Str, Pm02, Plug [Skhd]	1
▲	27 578060000	(000000–) Wand, Dbl Bend, 38.1mmd	1
▲	28 65582	(000000–) Brush, Power Wand, W/ FaSTener, Abr	1

Fig. 41 – Power Wand Pump and Mount Group

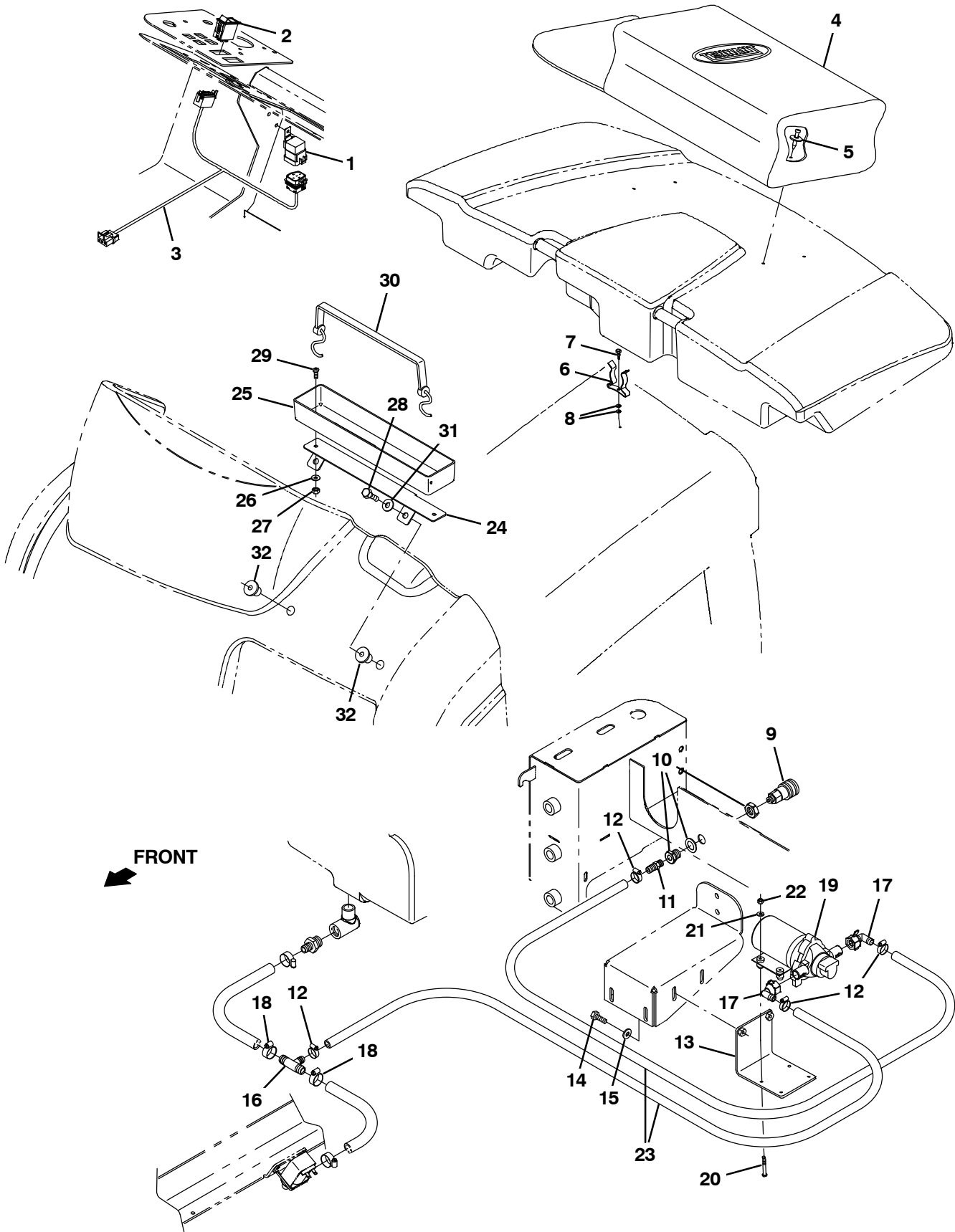


Fig. 41 – Power Wand Pump and Mount Group

NOTE: Power Wand Kit, Tennant Part Number 9003138, includes; Fig. 39, Fig. 40, and Fig. 41.

Ref.	Part No.	Serial Number	Description	Qty.
1	56186	(000000–)	Relay, 12vdc, 040a, Spdt No	1
2	398500	(000000–)	Switch, Rocker, Dpdt, On / None / On	1
3	1021881	(000000–)	Harness, Spray, Nozzle	1
4	65580	(000000–)	Bag, Power	1
5	72968	(000000–)	Rivet, Plstc, .250d X 0.90	4
6	67004	(000000–)	Clip, Grip, Finger, 1.00–1.88d White,Vyl	1
7	09228	(000000–)	Screw, Hex, M4 X 0.7 X 20, 8.8	1
8	19064	(000000–)	Washer, Flat, #06	2
9	65342	(000000–)	Fitting, Brs, Qdc, Pm04/Qf06	1
10	78122	(000000–)	Fitting, Brs, Str, Pf04/Pf04, Bh	1
11	48610	(000000–)	Fitting, Plstc, Str, Bm08/Pm04	1
12	54333	(000000–)	Clamp, Hose, Wormdrive, 0.31–0.88d, .31w	4
13	1023585	(000000–)	Bracket, Mtg, Pump	1
14	09740	(000000–)	Screw, Hex, M8 X 1.25 X 20, Ss	2
15	32491	(000000–)	Washer, Flat, 0.31, Std	2
16	385644	(000000–006330)	Fitting, Plstc, Tee, Bm08/Bm12/Bm12, Br	1
16	1015486	(006331–)	Fitting, Plstc, Tee, Bm08/Bm10/Bm10, Br	1
17	1018499	(000000–)	Fitting, Plstc, E90, Bm08/Pf08s, Swivel	2
18	63810	(000000–)	Clamp, Hose, Wormdrive, 0.56–1.06d, .56w	2
19	1026743	(000000–)	Pump, Diaphragm	1
20	06939	(000000–)	Screw, Pan, M5 X 0.80 X 45, 4.8	4
21	19066	(000000–)	Washer, Flat, #10	4
22	06549	(000000–)	Nut, Hex, Lock, M5 X 0.80, NI	4
23	1011837	(000000–)	Hose, Afmkt, Pvc, Brd, 0.50id, 12ft, Clr	1
24	1030407	(000000–)	Bracket, Mtg, Wand	1
25	61212	(000000–)	Tray	1
26	01684	(000000–)	Washer,Flat 0.25, Ss	2
27	08712	(000000–)	Nut, Hex, Lock, M6 X 1.00, Ss, NI	2
28	21198	(000000–)	Screw, Hex, .38–16 X 1.25, G5	2
29	367770	(000000–)	Screw, Pan, M6 X 1.0 X 16, Ss	2
30	57769	(000000–)	Strap, Rbr, 13.2l [2/S Hooks]	1
31	32492	(000000–)	Washer, Flat, 0.38, Std	2
32	397648	(000000–)	Nut, Isolator, .38–16 Wall Th .015–.437	2

Fig. 42 – Power Wand Pump and Mount Group with Spray Nozzle

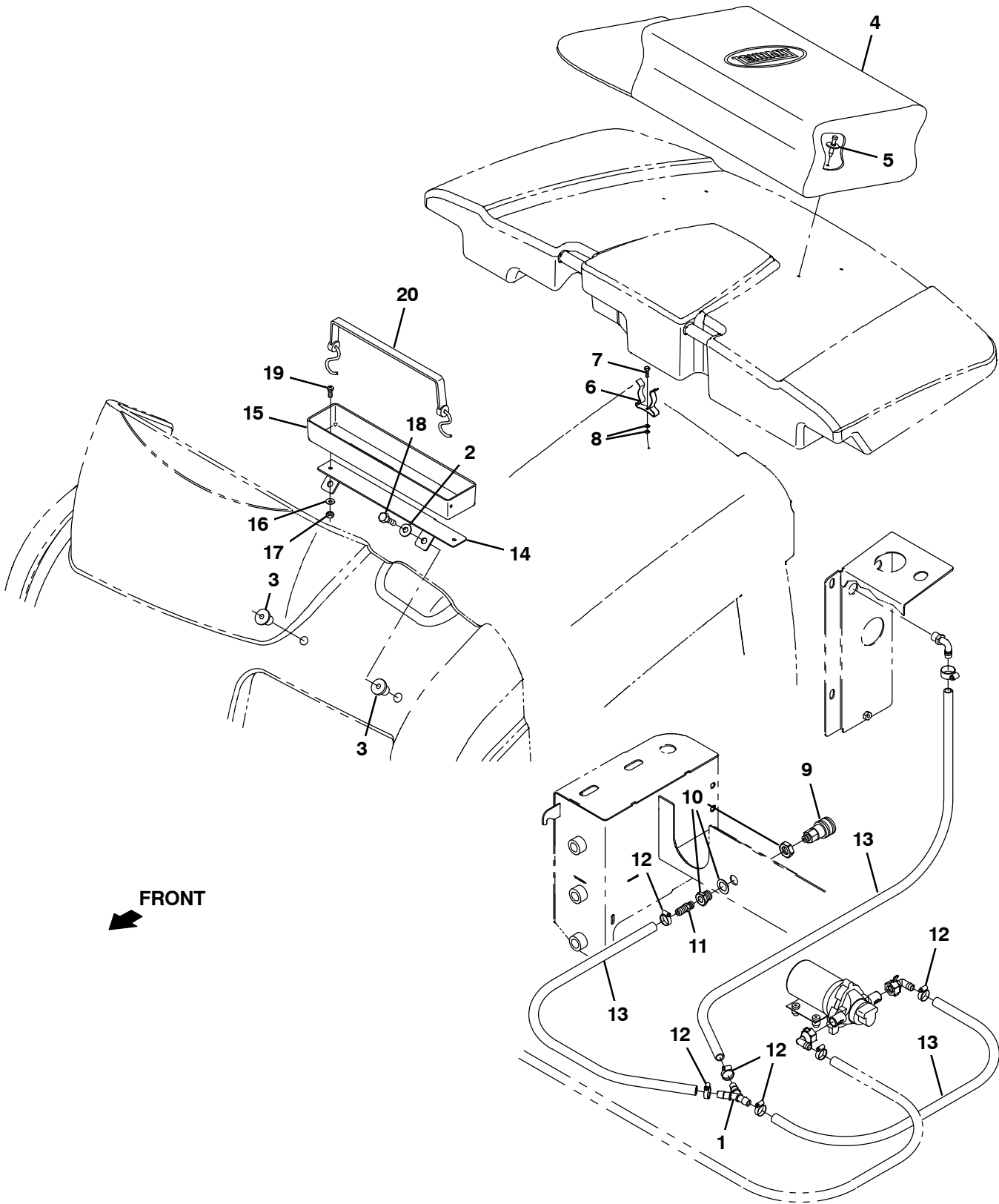


Fig. 42 – Power Wand Pump and Mount Group with Spray Nozzle

NOTE: Power Wand Kit with spray nozzle, Tennant Part Number 9003137, includes; Fig. 39, Fig. 40, and Fig. 42.

Ref.	Part No.	Serial Number	Description	Qty.
1	1010668	(000000–) Fitting, Plstc, Y, Bm08/Bm08/Bm08, Nyl	1
2	32492	(000000–) Washer, Flat, 0.38, Std	2
3	397648	(000000–) Nut, Isolator, .38–16 Wall Th .015–.437	2
4	65580	(000000–) Bag, Power	1
5	72968	(000000–) Rivet, Plstc, .250d X 0.90	4
6	67004	(000000–) Clip, Grip, Finger, 1.00–1.88d White,Vyl	1
7	09228	(000000–) Screw, Hex, M4 X 0.7 X 20, 8.8	1
8	19064	(000000–) Washer, Flat, #06	2
9	65342	(000000–) Fitting, Brs, Qdc, Pm04/Qf06	1
10	78122	(000000–) Fitting, Brs, Str, Pf04/Pf04, Bh	1
11	48610	(000000–) Fitting, Plstc, Str, Bm08/Pm04	1
12	54333	(000000–) Clamp, Hose, Wormdrive, 0.31–0.88d, .31w	4
13	1011837	(000000–) Hose, Afmkt, Pvc, Brd, 0.50id, 12ft, Clr	1
14	1030407	(000000–) Bracket, Mtg, Wand	1
15	61212	(000000–) Tray	1
16	01684	(000000–) Washer,Flat 0.25, Ss	2
17	08712	(000000–) Nut, Hex, Lock, M6 X 1.00, Ss, NI	2
18	21198	(000000–) Screw, Hex, .38–16 X 1.25, G5	2
19	367770	(000000–) Screw, Pan, M6 X 1.0 X 16, Ss	2
20	57769	(000000–) Strap, Rbr, 13.2l [2/S Hooks]	1

Fig. 43 - Spray Nozzle Kit

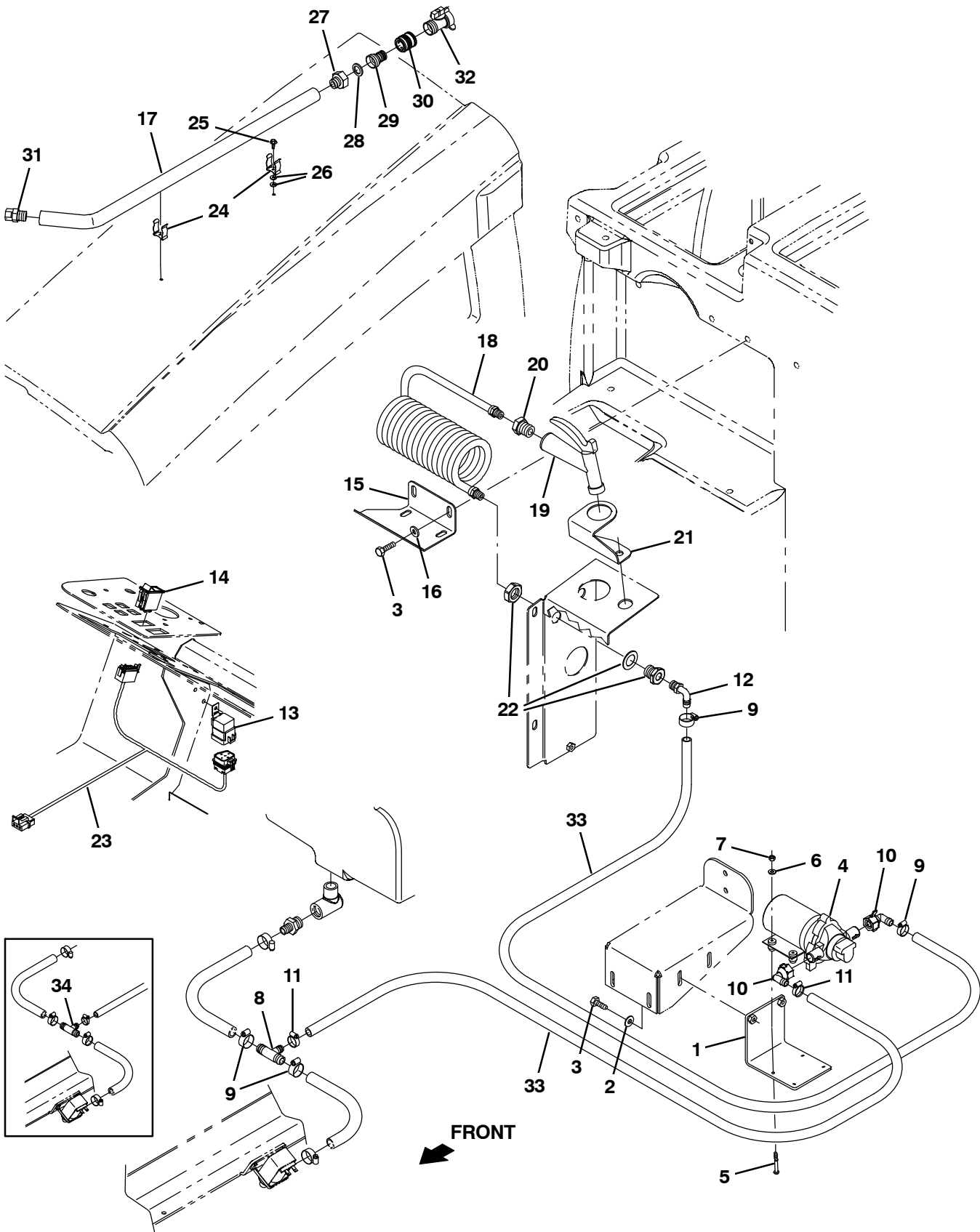


Fig. 43 – Spray Nozzle Kit

Ref.	Part No.	Serial Number	Description	Qty.
▽	9003139	(000000–) Nozzle kit, Spray, Ci [T20]	1
▲	1 1023585	(000000–) Bracket, Mtg, Pump	1
▲	2 32491	(000000–) Washer, Flat, 0.31, Std	2
▲	3 09740	(000000–) Screw, Hex, M8 X 1.25 X 20, Ss	4
▲	4 1026743	(000000–) Pump, Diaphragm	1
▲	5 06939	(000000–) Screw, Pan, M5 X 0.80 X 45, 4.8	4
▲	6 19066	(000000–) Washer, Flat, #10	4
▲	7 06549	(000000–) Nut, Hex, Lock, M5 X 0.80, NI	4
▲	8 1015486	(006331–) Fitting, Plstc, Tee, Bm08/Bm10/Bm10, Br	1
▲	9 63810	(000000–) Clamp, Hose, Wormdrive, 0.56–1.06d, .56w	4
▲	10 1018499	(000000–) Fitting, Plstc, E90, Bm08/Pf08s, Swivel	1
▲	11 54333	(000000–) Clamp, Hose, Wormdrive, 0.31–0.88d, .31w	2
▲	12 64778	(000000–) Fitting, Plstc, E90, Bm08/Pm06	1
▲	13 56186	(000000–) Relay, 12vdc, 040a, Spdt No	1
▲	14 398500	(000000–) Switch, Rocker, Dpdt, On / None / On	1
▲	15 1029790	(000000–) Bracket, Mtg, Spray Wand [FaST, Conv]	1
▲	16 1017218	(000000–) Washer, Flat, 0.32b 1.00d .12, Ss	2
▲	17 1029055	(000000–) Wand, Clean-Out	1
▲	18 1019250	(000000–) Hose, Water, Coil, 0.38id 0.56od	1
▲	19 769785	(000000–) Nozzle, Spray, Gun	1
▲	20 1027976	(000000–) Fitting, Brs, Str, Pf06/Pm12	1
▲	21 1027237	(000000–) Bracket, Mtg, Spray Handle	1
▲	22 1027978	(000000–) Fitting, Brs, Str, Pf06/Pf06 Bh	1
▲	23 1021881	(000000–) Harness, Spray, Nozzle	1
▲	24 1029057	(000000–) Clip, Grip, Finger, .875–1.25	2
▲	25 20394	(000000–) Screw, Hex, #10–16 X 0.62, Fmg [Ab]	2
▲	26 01683	(000000–) Washer, Flat, #10, Ss	4
▲	27 375321	(000000–) Fitting, Brs, Str, Pm08/Garden Hose	1
▲	28 01316	(000000–) Washer, Flat, 0.66b 1.00d .12, Rbr	1
▲	29 1029153	(000000–) Fitting, Brs, Spcl [Garden Hose]	1
▲	30 1029155	(000000–) Coupling, Nozzle, Spray	1
▲	31 1029156	(000000–) Nozzle	1
▲	32 1029399	(000000–) Valve, Shutoff	1
▲	33 1011837	(000000–) Hose, Afmkt, Pvc, Brd, 0.50id, 12ft, Clr	1
▲	34 385644	(000000–006330) Fitting, Plstc, Tee, Bm08/Bm12/Bm12, Br	1

Fig. 44 – Spray Nozzle Kit with Power Wand

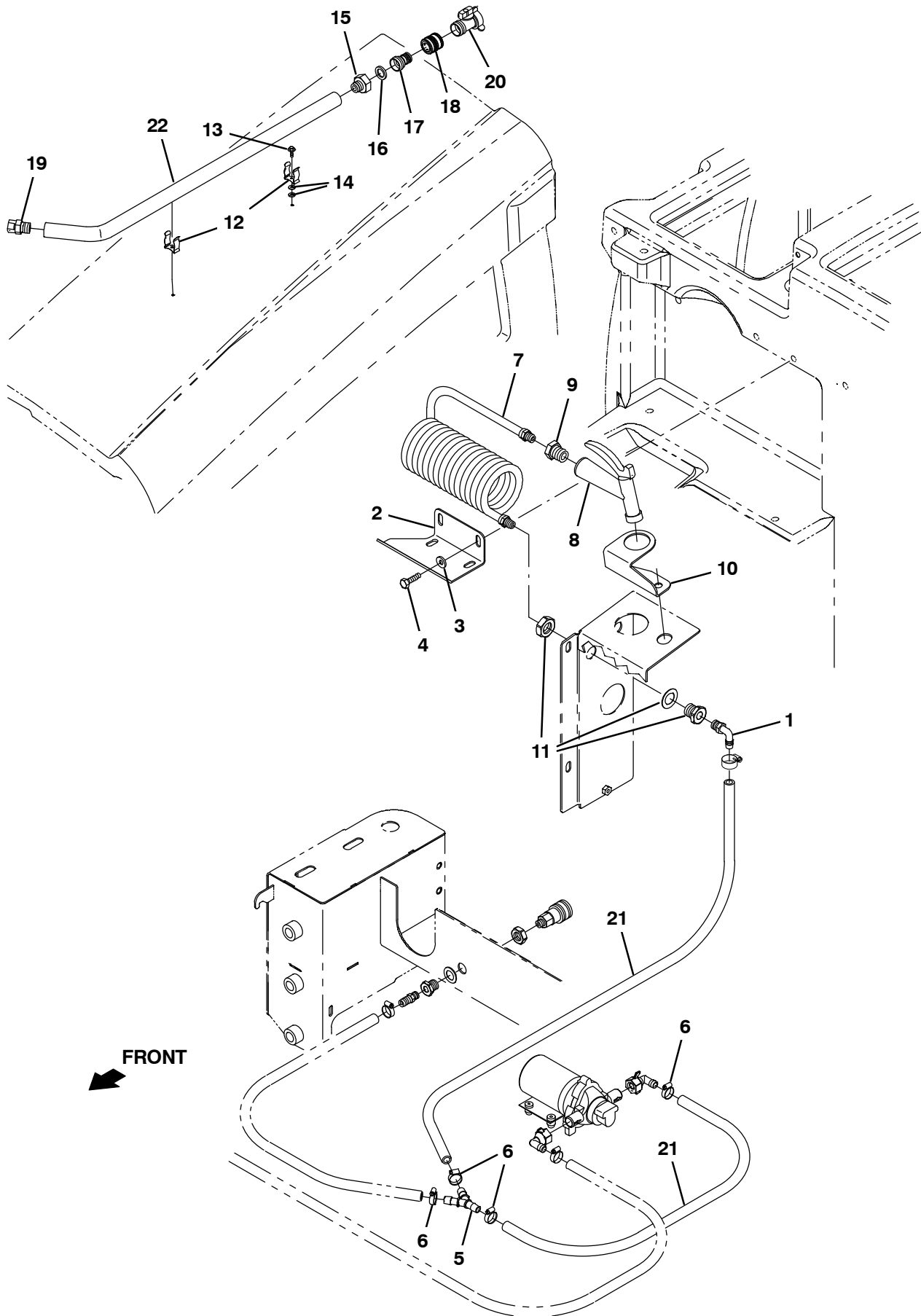


Fig. 44 – Spray Nozzle Kit with Power Wand

Ref.	Part No.	Serial Number	Description	Qty.
▽	9003282	(000000–) Nozzle Kit, Spray, W/Pwr Wand, Ci [T20]	1
▲	1 64778	(000000–) Fitting, Plstc, E90, Bm08/Pm06	1
▲	2 1029790	(000000–) Bracket, Mtg, Spray Wand [FaST, Conv]	1
▲	3 1017218	(000000–) Washer, Flat, 0.32b 1.00d .12, Ss	2
▲	4 09740	(000000–) Screw, Hex, M8 X 1.25 X 20, Ss	2
▲	5 1010668	(000000–) Fitting, Plstc, Y, Bm08/Bm08/Bm08, Nyl	1
▲	6 63810	(000000–) Clamp, Hose, Wormdrive, 0.56–1.06d, .56w	4
▲	7 1019250	(000000–) Hose, Water, Coil, 0.38id 0.56od	1
▲	8 769785	(000000–) Nozzle, Spray, Gun	1
▲	9 1027976	(000000–) Fitting, Brs, Str, Pf06/Pm12	1
▲	10 1027237	(000000–) Bracket, Mtg, Spray Handle	1
▲	11 1027978	(000000–) Fitting, Brs, Str, Pf06/Pf06 Bh	1
▲	12 1029057	(000000–) Clip, Grip, Finger, .875–1.25	2
▲	13 20394	(000000–) Screw, Hex, #10–16 X 0.62, Fmg [Ab]	2
▲	14 01683	(000000–) Washer, Flat, #10, Ss	4
▲	15 375321	(000000–) Fitting, Brs, Str, Pm08/Garden Hose	1
▲	16 01316	(000000–) Washer, Flat, 0.66b 1.00d .12, Rbr	1
▲	17 1029153	(000000–) Fitting, Brs, Spcl [Garden Hose]	1
▲	18 1029155	(000000–) Coupling, Nozzle, Spray	1
▲	19 1029156	(000000–) Nozzle	1
▲	20 1029399	(000000–) Valve, Shutoff	1
▲	21 1011837	(000000–) Hose, Afmkt, Pvc, Brd, 0.50id, 12ft, Clr	1
▲	22 1029055	(000000–) Wand, Clean-Out	1

Fig. 45 - Transport Group

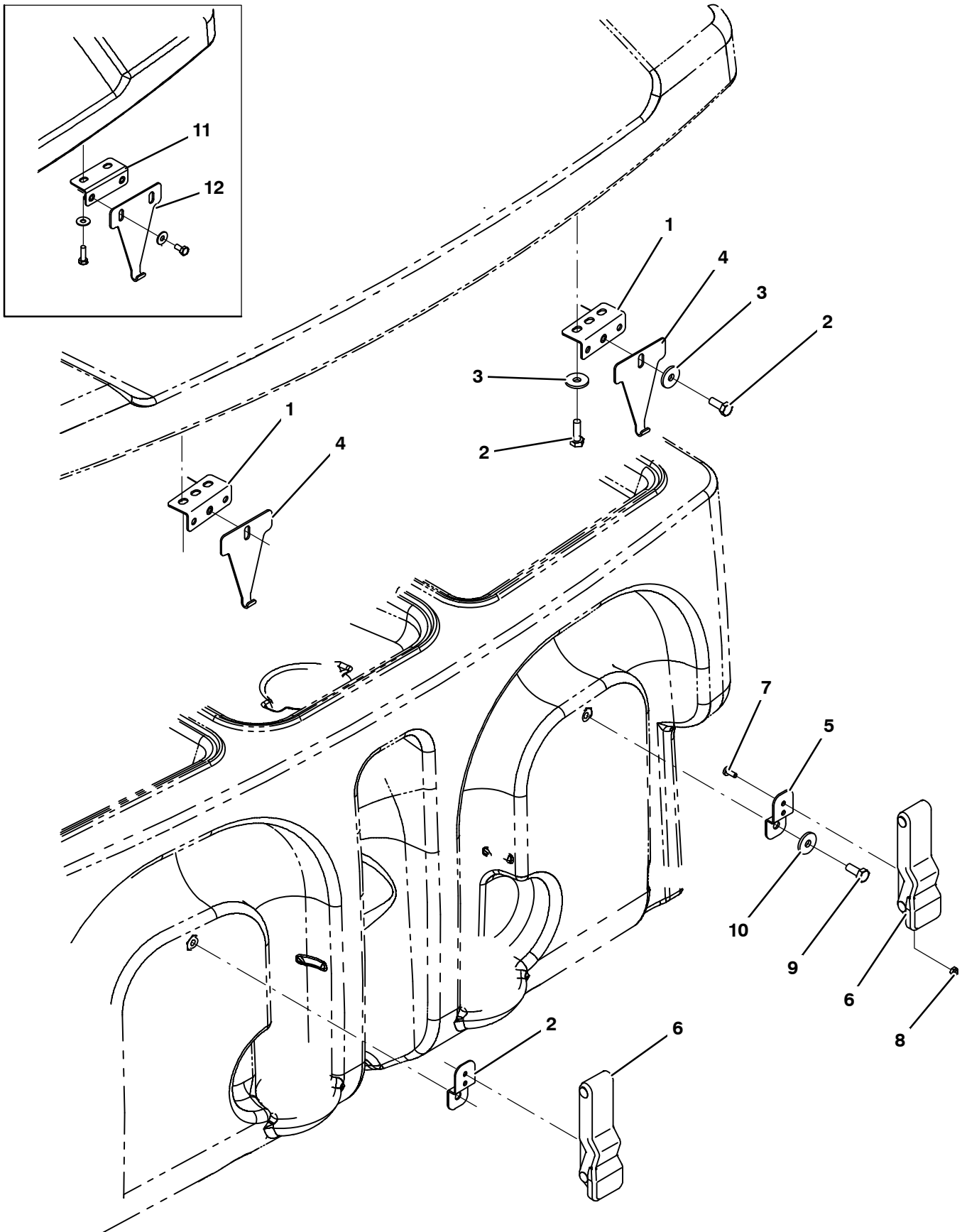


Fig. 45 – Transport Kit

	Ref.	Part No.	Serial Number	Description	Qty.
▽		9003143	(000000–) Transport Kit, Ci [T20]	1
▲	1	1040800	(001717–) Bracket, Latch, Cover	2
▲	2	09744	(000000–) Screw, Hex, M6 X 1.0 X 12, Ss	4
▲	3	01684	(000000–) Washer, Flat, 0.25, Ss	4
▲	4	1040633	(001717–) Plate, Hook, Latch	2
▲	5	1020526	(000000–) Bracket, Retaining, Hose	2
▲	6	360824	(000000–) Latch	2
▲	7	09200	(000000–) Screw, Pan, M5 X 0.8 X 12, Ss	4
▲	8	09739	(000000–) Nut, Hex, Lock, M5 X 0.80, NI, Ss	4
▲	9	393135	(000000–) Screw, Btn, M8 X 1.25 X 20, Blk	2
▲	10	32491	(000000–) Washer, Flat, 0.31, Std	2
	11	1032869	(000000–001716) Bracket, Latch, Cover	2
	12	1032884	(000000–001716) Plate, Hook, Latch	2

Fig. 46 – Squeegee Guard Kit

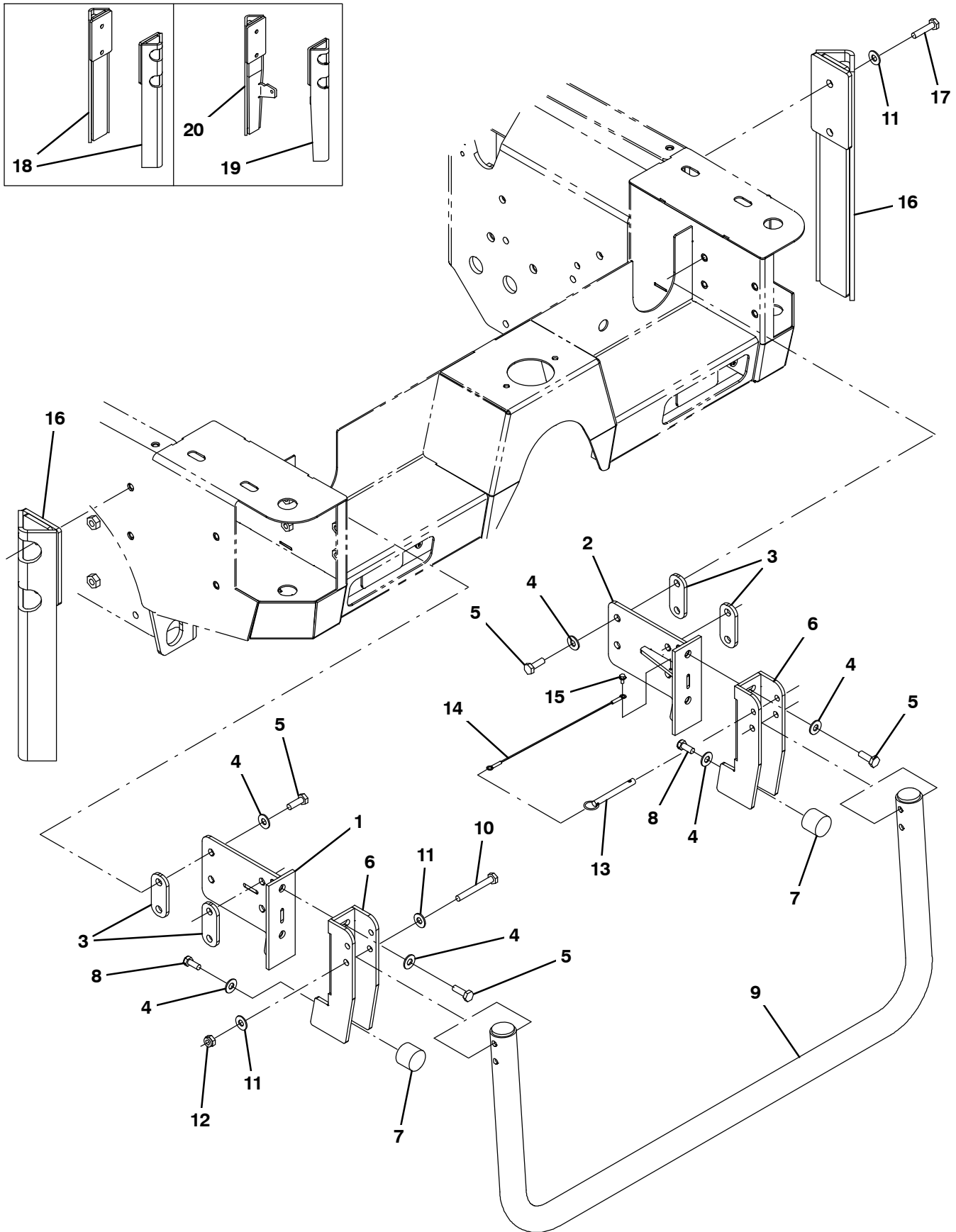
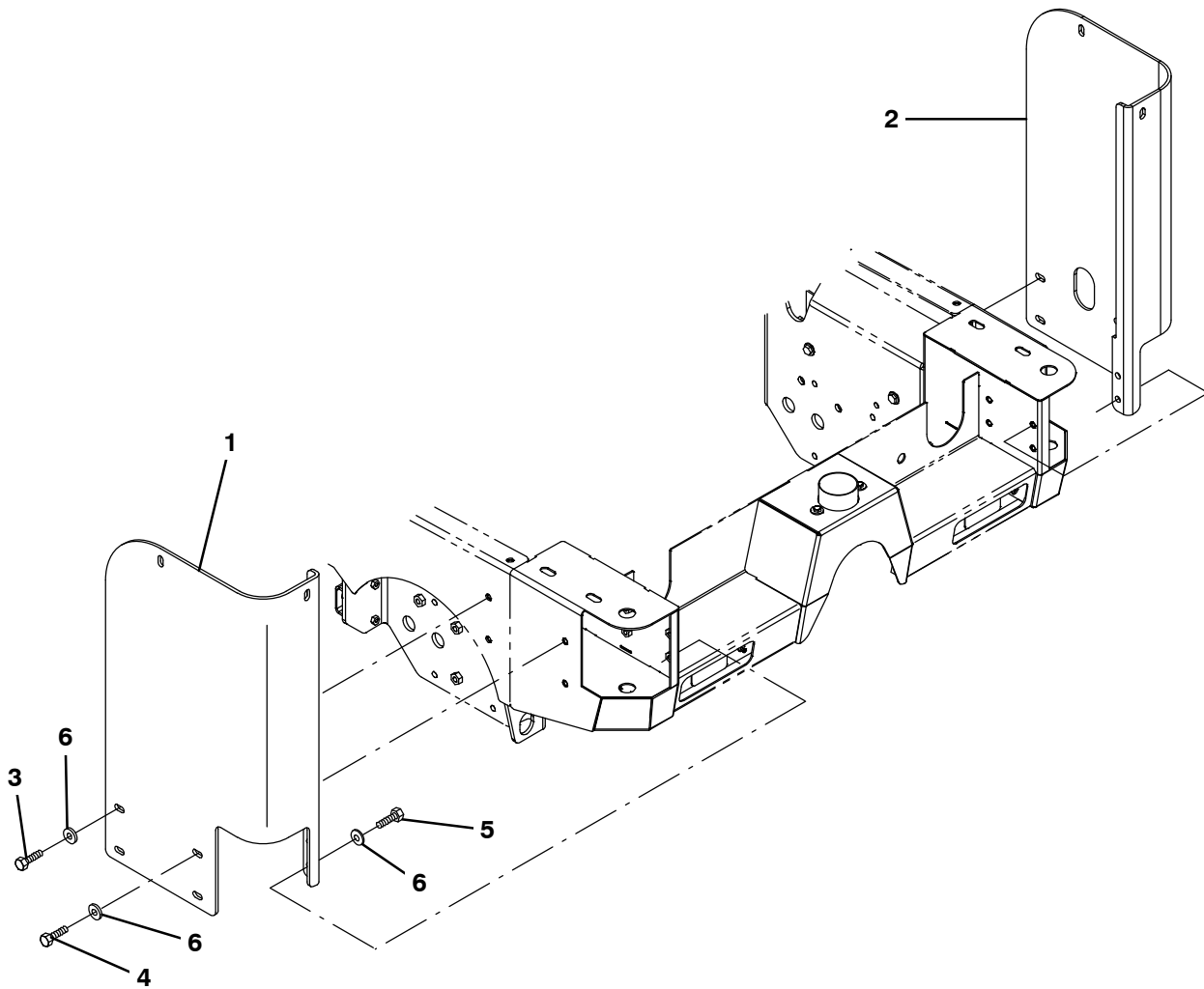


Fig. 46 – Squeegee Guard Kit

Ref.	Part No.	Serial Number	Description	Qty.
▽	9003135	(000000-) Guard Kit, Sqge, Ci [T20]	1
▲	1 1030557	(000000-) Support Wldt, Sqge, Lh Rear	1
▲	2 1030503	(000000-) Support Wldt, Sqge, Rh Rear	1
▲	3 1030522	(000000-) Link, .25 1.4w 3.2l 2/.5h	4
▲	4 01686	(000000-) Washer, Flat, 0.44b 1.00d .08, Ss	14
▲	5 12317	(000000-) Screw, Hex, M10 X 1.5 X 30, Ss	12
▲	6 1030515	(000000-) Channel Wldt, Guard, Sqge	1
▲	7 1024977	(000000-) Bumper, Ure, 1.50d 1.25l	2
▲	8 21196	(000000-) Screw, Hex, .38-16 X 0.88, G5	2
▲	9 1056195	(000000-) Guard Wldt, Pntd [M20/T20]	1
▲	10 06965	(000000-) Screw, Hex, M10 X 1.5 X 80, 8.8	2
▲	11 32492	(000000-) Washer, Flat, 0.38, Std	8
▲	12 41430	(000000-) Nut, Hex, Lock, M10 X 1.5, NI	2
▲	13 369359	(000000-) Pin, Hitch, .375d X 3.12l, PI	1
▲	14 57702	(000000-) Cable, Glv .06d 012.0l .26eye /.26eye	1
▲	15 223198	(000000-) Screw, Hex, M5 X 0.8 X 10, Fmg	1
▲	16 1045444	(xxxxxx-) Guard Wldt, Sqge [M20/T20/M30]	2
▲	17 06962	(000000-) Screw, Hex, M10 X 1.5 X 45, 8.8	4
▲	18 1025663	(000000-001689) Guard Wldt, Sqge Rep.BY1039069	2
▲	19 1040863	(001690-xxxxxx) Guard Wldt, Sqge [M20/T20 LH, M30 RH]	1
▲	20 1040871	(001690-xxxxxx) Guard Wldt, Sqge [M20/T20 RH, M30 LH]	1

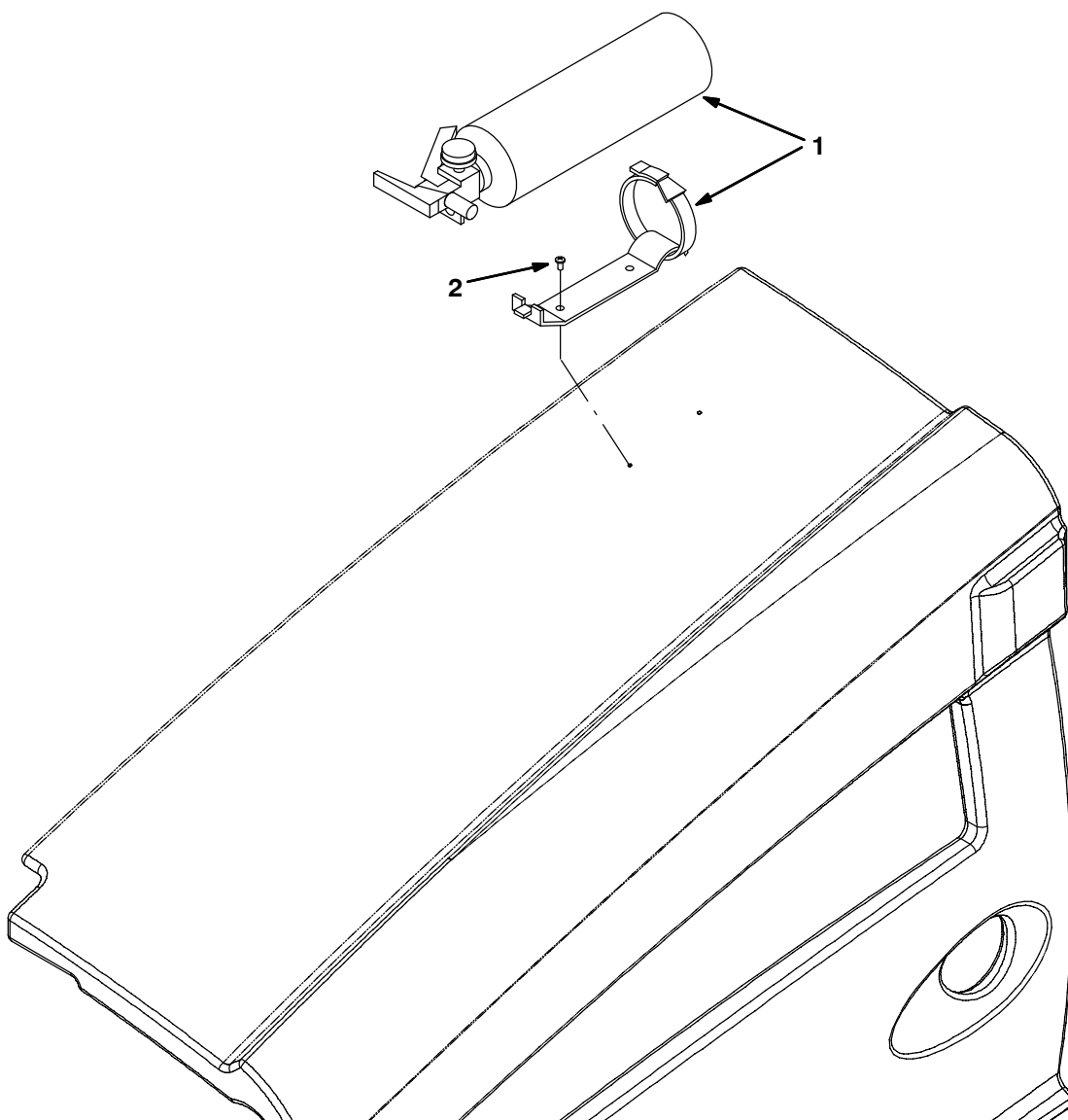
Fig. 47 – Heavy Duty Bumper Kit



354537

Ref.	Part No.	Serial Number	Description	Qty.
▽	9003142	(000000–) Bumper Kit, Hd, Ci [T20]	1
▲	1 1027850	(000000–) Plate, Bmpr, Lh	1
▲	2 1027588	(000000–) Plate, Bmpr, Rh	1
▲	3 06962	(000000–) Screw, Hex, M10 X 1.50 X 45, 8.8	4
▲	4 09028	(000000–) Screw, Hex, M10 X 1.50 X 25, Ss	4
▲	4 03192	(000000–) Screw, Hex, M10 X 1.50 X 30, 8.8	4
▲	4 32492	(000000–) Washer, Flat, 0.38, Std	12

Fig. 48 – Fire Extinguisher Kit



354484

Ref.	Part No.	Serial Number	Description	Qty.
	9001316	(000000–) Extinguisher Kit, Fire, Ci [M20 And T20]	1
1	25312	(000000–) Extinguisher, Fire, 2.5 Lb Dry	1
2	382320	(000000–) Screw, Pan, #12–16 X 0.50, F/ Plstc	2

Fig. 49 – Documentation Group

Ref.	Part No.	Serial Number	Description	Qty.
	331500	(000000–) Manual, Oprtr [T20 Dsl En]	1
	331501	(000000–) Manual, Parts, En [T20 Dsl]	1
	331502	(000000–) Manual, Oprtr [T20 Dsl, Es, Na]	1
	331503	(000000–) Manual, Oprtr [T20 Dsl, Fr, Na]	1
	331475	(000000–) Manual, Service [T20 En]	1
	1035133	(000000–) Video, Oprtr, Dvd [W/Checklist T20]	1
	84660	(000000–) Manual, Eng [Kubo, V1505e]	1
	1037749	(000000–) Instr, Maint, Wall Chart [T20]	1
	9006257	(000000–) Media, Cd–Rom, Training [ec–H2O Tennant]	1



To view, print, order, download the latest Parts manual, other language Operator manuals, and Use and Care Guides (wall charts), visit:

www.tennantco.com/manual

SECTION 4

Contents	Page
Fig. 1 – Extended Scrub Pump Breakdown, 1021210	4-2
Fig. 2 – Hydraulic Motor Breakdown, 379609 ...	4-4
Fig. 3 – Hydraulic Pump Breakdown, 1024251 .	4-6
Fig. 4 – Hydraulic Motor Breakdown, 71729	4-8
Fig. 5 – Hydraulic Motor Breakdown, 1029379 .	4-9
Fig. 6 – Hydraulic Motor Breakdown, 53485 ...	4-10
Fig. 7 – Hydraulic Motor Breakdown, 1024407	4-11
Fig. 8 – Hydraulic Valve Breakdown, 1018938 .	4-12
Fig. 9 – Hydraulic Valve Breakdown, 1020394 .	4-14
Fig. 10 – Hydraulic Valve Breakdown, 1037805 .	4-16
Fig. 11 – Hydraulic Valve Breakdown, 1072997 .	4-18
Fig. 12 – Hydraulic Valve Breakdown, 1072996 .	4-20
Fig. 13 – Hydraulic Steering Valve Breakdown, 1024260	4-22
Fig. 14 – Metering Solution Pump Breakdown, 73260	4-24
Fig. 15 – Water Pump Breakdown, 1026743 ...	4-25
Fig. 16 – ec-H2O Module Assembly Breakdown, 9007882	4-26
Fig. 17 – Seat Breakdown, 1072456	4-28
Fig. 18 – FaST Injector Assembly Breakdown, 9008868	4-30

Fig. 1 – Extended Scrub Pump Breakdown, 1021210

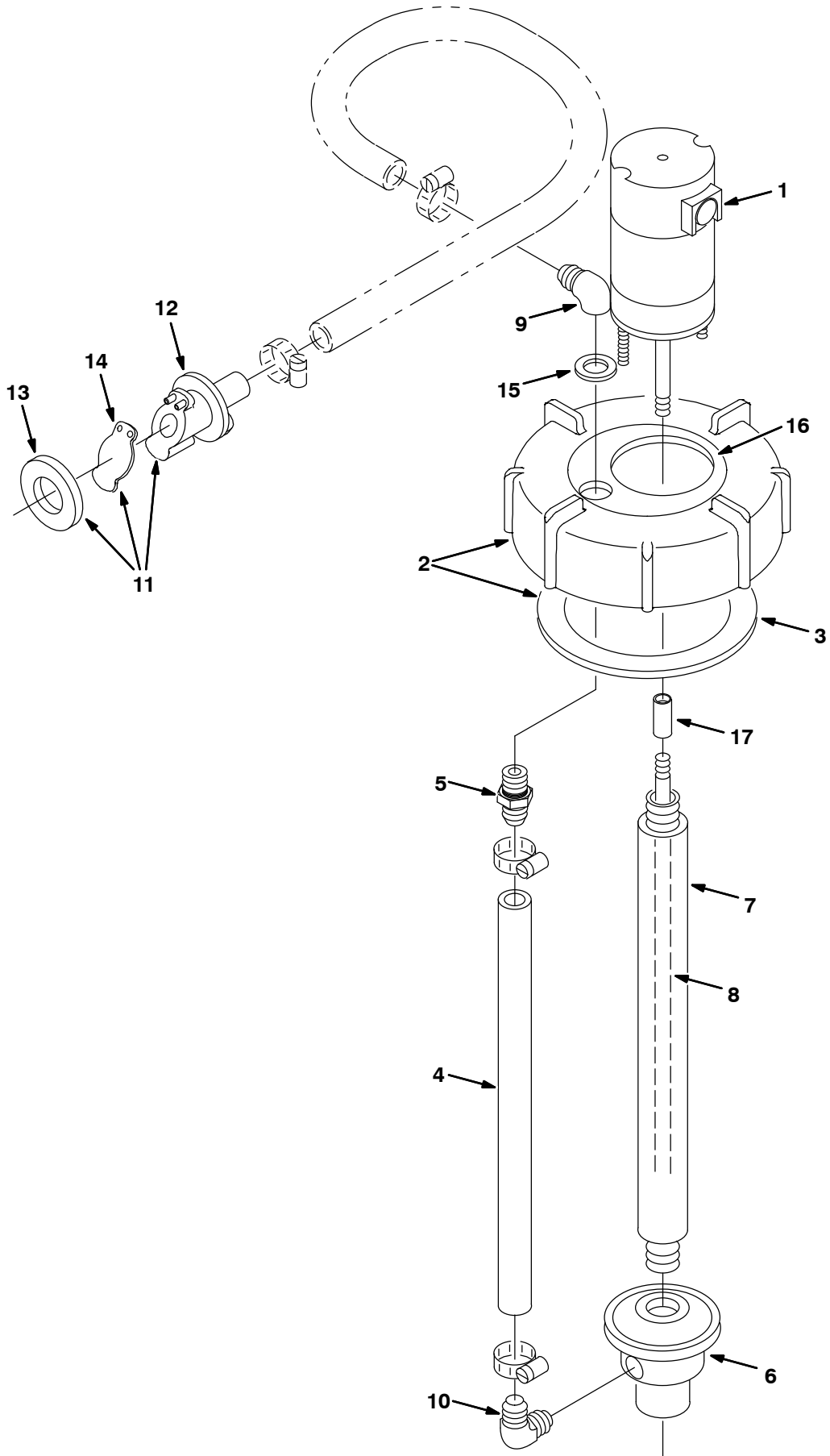


Fig. 1 - Extended Scrub Pump Breakdown, 1021210

	Ref.	Part No.	Serial Number	Description	Qty.
▽		1021210	(000000-) Pump Assy, Column, Es	1
▲▽	1	9002708	(000000-) Motor, Ele, 12vdc, Pump, Water	1
▲▲		78829	(000000-) Kit, Brush, Motor, Ele	1
▲▽	2	24358	(000000-) Cap Assy, Tank, Drain	1
▲▲	3	1031699	(000000-) Gasket, 4.05Id 5.29Od .19 [Buna]	1
▲	4	78833	(000000-) Tube, Vinyl, Pump, Water	1
▲	5	78398	(000000-) Fitting, Plstc, Str, Bm12/Pm08, Nyl	1
▲	6	78843	(000000-) Housing Kit, Pump, Water	1
▲	7	78836	(000000-) Column, Pump, Water	1
▲	8	9002709	(000000-) Shaft, Pump, Water	1
▲	9	78838	(000000-) Fitting, E, Gr	1
▲	10	78839	(000000-) Fitting, Plstc, E90, Pf Bm [Es Pump]	1
▲▽	11	78842	(000000-) Kit, Valve, Check, Pump, Water	1
▲▲	12	78840	(000000-) Valve, Check, Pump, Water	1
▲▲	13	73342	(000000-) Gasket, .25 1.88d 1.0Id [Poron]	1
▲▲	14	78841	(000000-) Flapper, Valve, Pump, Water	1
▲	15	78830	(000000-) Washer, Rbr	1
▲	16	22790	(000000-) Insert, Cap, Mount, Es Pump	1
▲	17	23285	(000000-) Sleeve, Pump, Water	1

Fig. 2 - Hydraulic Motor Breakdown, 379609

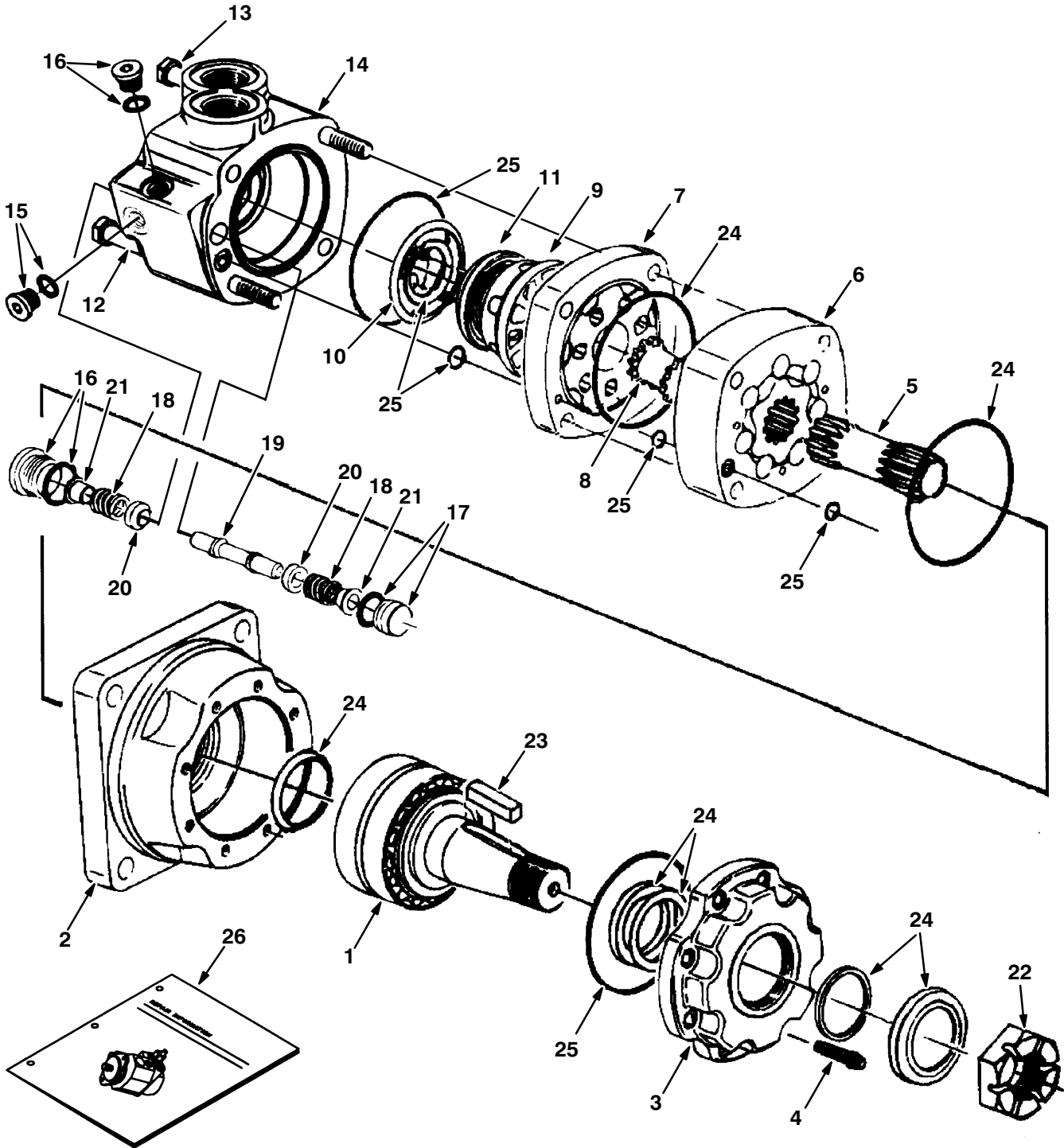


Fig. 2 – Hydraulic Motor Breakdown, 379609

	Ref.	Part No.	Serial Number	Description	Qty.
▽		379609	(000000-) Motor, Hyd, Gear, [Int], 19.0 X 3000	1
▲	1	74165	(000000-) Shaft, Motor, Hyd	1
▲	2	74166	(000000-) Housing, Brg, Motor, Hyd	1
▲	3	74167	(000000-) Retainer, Motor, Hyd	1
▲	4	74168	(000000-) Screw, Cap, Motor, Hyd	8
▲	5	37616	(000000-) Drive, Motor, Hyd	1
▲	6	37756	(000000-) Geroler, Motor, Hyd	1
▲	7	74122	(000000-) Plate, Valve, Motor, Hyd	1
▲	8	52405	(000000-) Valve, Motor, Hyd	1
▲	9	74123	(000000-) Valve, Motor, Hyd	1
▲	10	34178	(000000-) Spring, Motor, Hyd	2
▲	11	38968	(000000-) Ring, Motor, Hyd	1
▲	12	74125	(000000-) Bolt, Motor, Hyd	3
▲	13	38255	(000000-) Bolt, Motor, Hyd	1
▲	14	373297	(000000-) Housing, Valve	1
▲	15	373298	(000000-) Plug	1
▲	16	373260	(000000-) Plug, Pump, Hyd, Gear	2
▲	17	373299	(000000-) Plug	1
▲	18	373291	(000000-) Spring	2
▲	19	373217	(000000-) Piston, Pump, Hyd, Gear	1
▲	20	373226	(000000-) Poppet, Pump, Hyd, Gear	2
▲	21	373236	(000000-) Sleeve, Dashpo, Pump, Hyd, Gear	2
▲	22	45622	(000000-) Nut, Motor, Hyd	1
▲	23	45623	(000000-) Key, Motor, Hyd	1
▲	24	79828	(000000-) Kit, Seal, Motor, Hyd	1
▲	25	33580	(000000-) Kit, Seal, Motor, Hyd	1
	26	79729	(000000-) Instr, Repair, Motor, Hyd, Gear	1

Fig. 3 - Hydraulic Pump Breakdown, 1024251

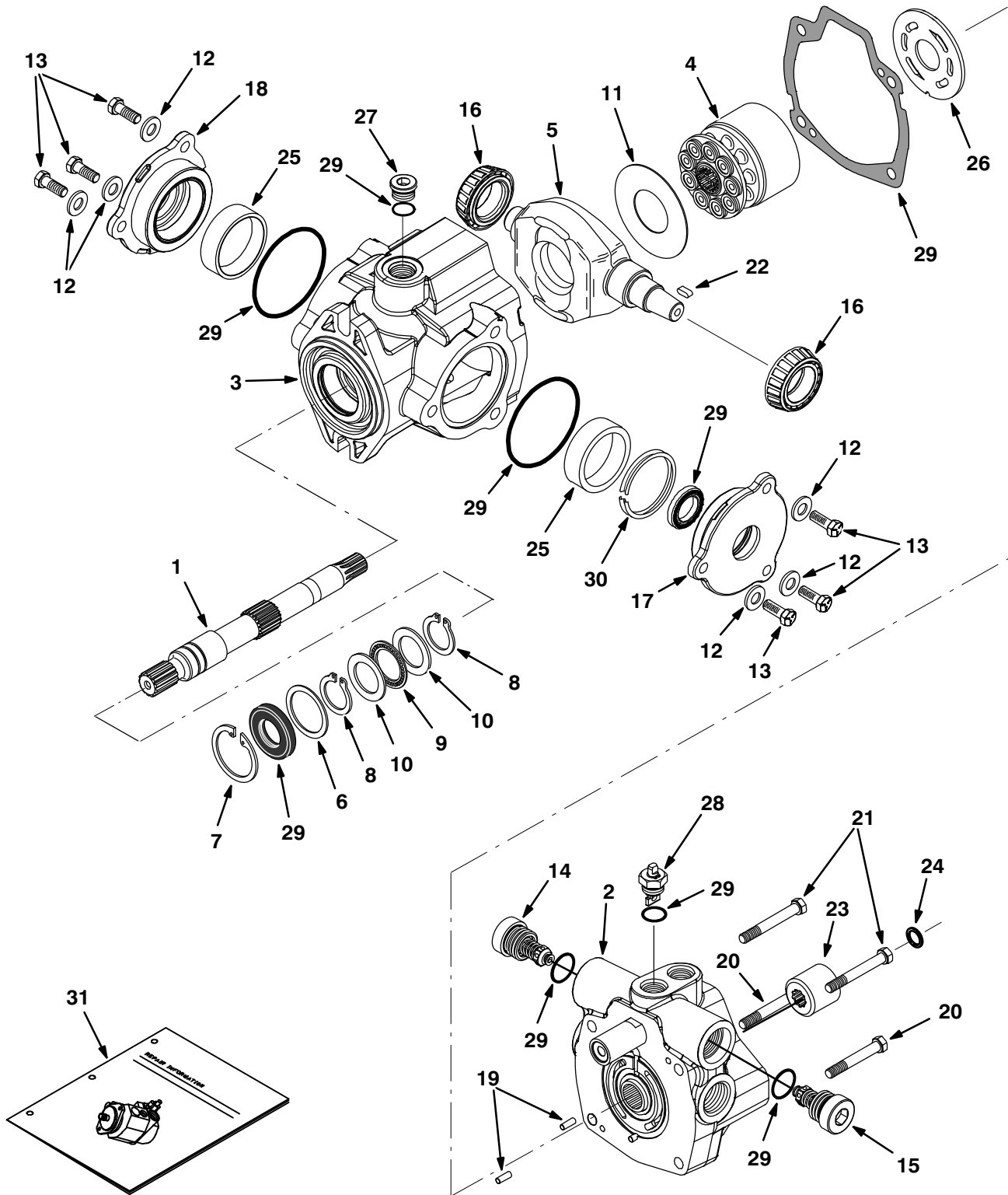
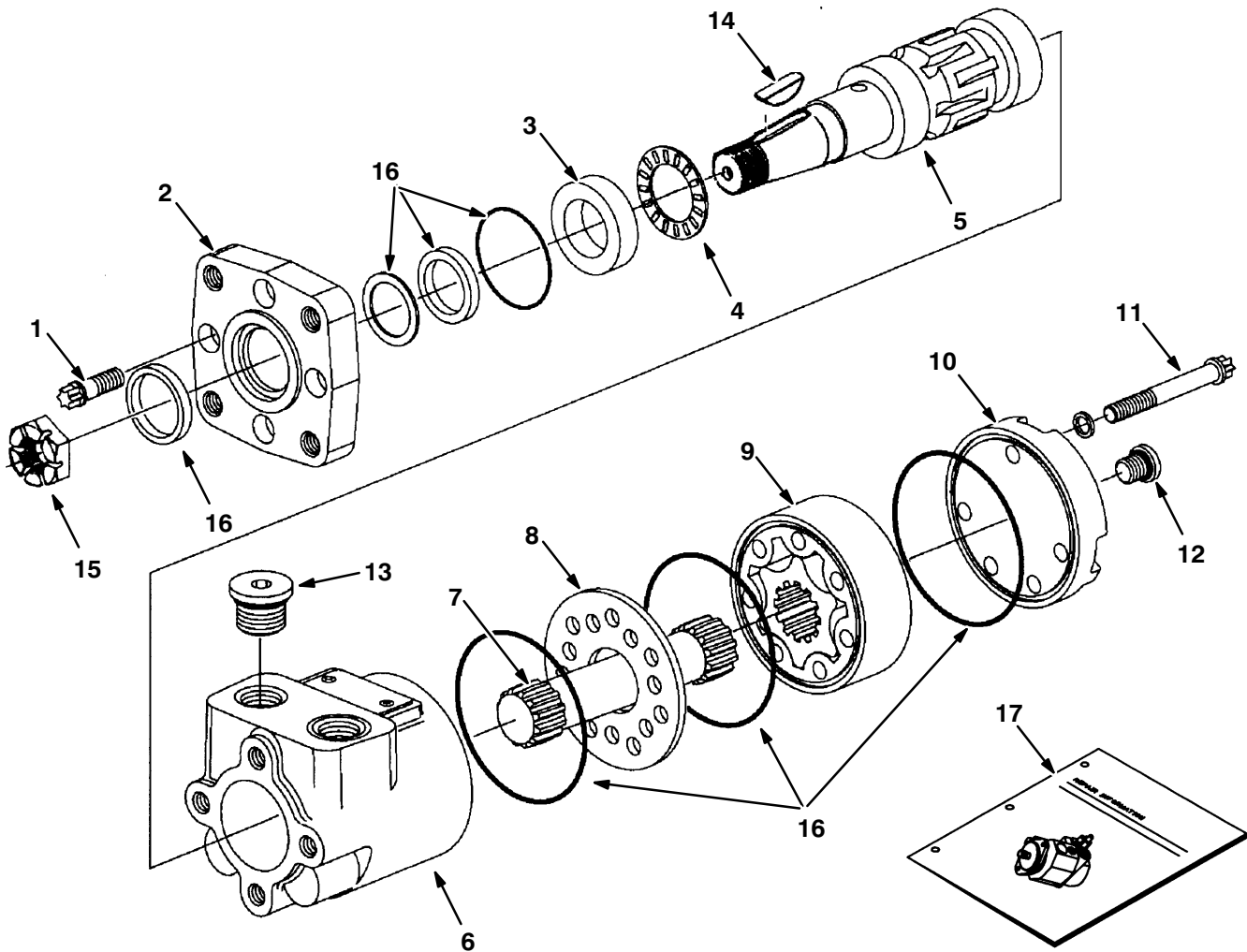


Fig. 3 – Hydraulic Pump Breakdown, 1024251

Ref.	Part No.	Serial Number	Description	Qty.	
▽	1024251	(000000–) Pump, Hyd, Piston, Var, 1.24 4000, Cw	1	
▲	1	373681	(000000–) Shaft, Pump	1
▲	2	373427	(000000–) Cover, End	1
▲	3	373389	(000000–) Housing	1
▲	4	02706	(000000–) Pump Kit, Hyd, Rotating [Cessna]	1
▲	5	373493	(000000–) Plate, Cam	1
▲	6	70096	(000000–) Washer, Flat, Pump, Hyd	1
▲	7	55926	(000000–) Ring, Retaining, Pump, Hyd	1
▲	8	373434	(000000–) Ring, Retaining	2
▲	9	74225	(000000–) Bearing, Thrust, Pump, Hyd	1
▲	10	74226	(000000–) Race, Brg, Pump, Hyd	2
▲	11	373327	(000000–) Insert, Plt, Cam, Pump, Hyd	1
▲	12	373391	(000000–) Washer, Pump, Hyd [En]	6
▲	13	373346	(000000–) Screw, Cap	6
▲	14	373494	(000000–) Valve, Relief, 4000 Psi	1
▲	15	373678	(000000–) Valve, Relief, 3000 Psi	1
▲	16	373317	(000000–) Bearing, Cone, Pump, Hyd	2
▲	17	373393	(000000–) Plate, Cover	1
▲	18	373394	(000000–) Plate, Cover	1
▲	19	70100	(000000–) Pin, Dowel, Pump, Hyd	2
▲	20	373347	(000000–) Screw, Cap	2
▲	21	373348	(000000–) Screw, Cap	2
▲	22	74237	(000000–) Key, Shaft, Pump, Hyd	1
▲	23	373679	(000000–) Coupler, Pump	1
▲	24	373680	(000000–) Ring, Lock	1
▲	25	373395	(000000–) Bearing, Cup	2
▲	26	74180	(000000–) Plate, Valve, Pump, Hyd	1
▲	27	13907	(000000–) Fitting, Hyd, Plug, Om08	1
▲	28	373413	(000000–) Actuator, Valve, By-Pass [En]	1
▲	29	373398	(000000–) Seal Kit, Pump, Hyd	1
▲	30	373402	(000000–) Shim Kit	1
	31	373429	(000000–) Instr, Repair, Pump	1

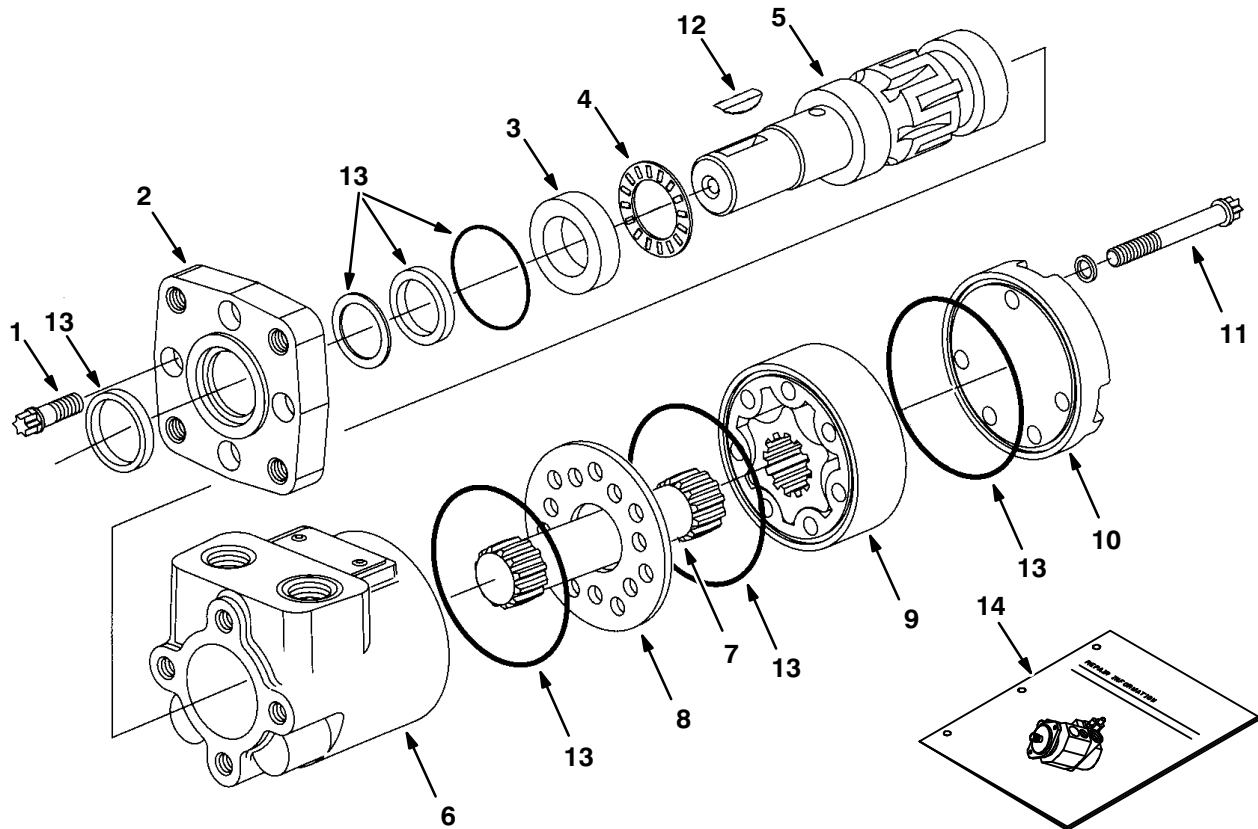
Fig. 4 – Hydraulic Motor Breakdown, 71729



09606-09670 – ALL

Ref.	Part No.	Serial Number	Description	Qty.
▽	71729	(000000-)	Motor, Hyd Gear In 4.5 B 1500	1
▲	1	37555	(000000-) Screw	4
▲	2	31354	(000000-) Flange Mounting	1
▲	3	16695	(000000-) Race Thrust	1
▲	4	45628	(000000-) Thrust Bearing	1
▲	5	31375	(000000-) Shaft, Output	1
▲	6	74100	(000000-) Housingl	1
▲	7	31379	(000000-) Drive	1
▲	8	74094	(000000-) Spacer Plate	1
▲	9	31383	(000000-) Gerotor Set	1
▲	10	74095	(000000-) End Cap	1
▲	11	65241	(000000-) Cap Screw	5
▲	12	74098	(000000-) Plug #4	1
▲	13	74099	(000000-) Plug #10	2
▲	14	00500-15	(000000-) Key-Wdruff 0.25 1.00	1
▲	15	39527	(000000-) Nut-Hxslot .75-16 Pltd	1
▲	16	61490	(000000-) Seal Replmt Kit	1
▲	17	74250	(000000-) Instr. Repair Info, Motor	1

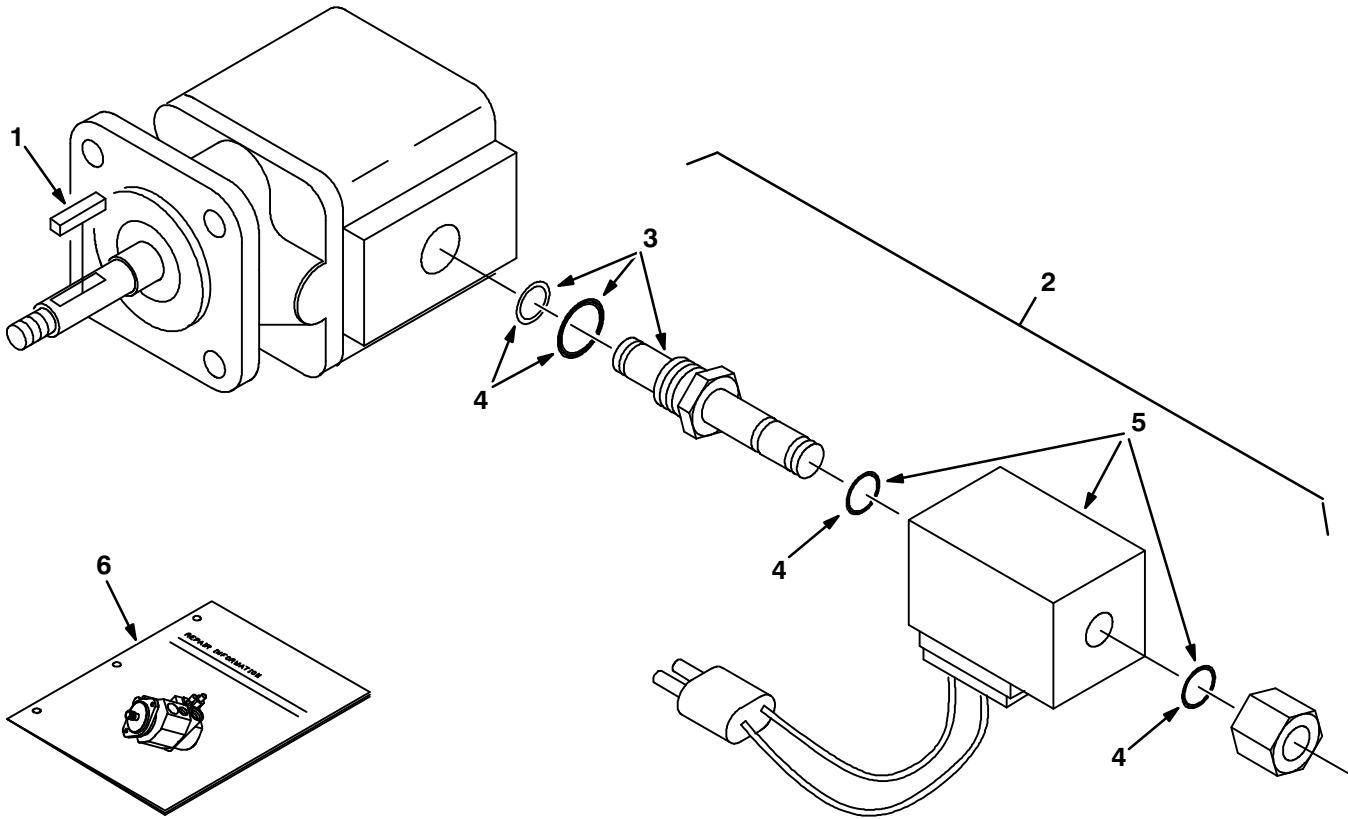
Fig. 5 - Hydraulic Motor Breakdown, 1029379



10859-09670 - ALL

Ref.	Part No.	Serial Number	Description	Qty.	
▽	1029379	(000000-) Motor, Hyd, Gear, Int 08.9 Bi-Dir 2500	1	
▲	1	37555	(000000-) Screw, Motor, Hyd [En]	4
▲	2	31354	(000000-) Flange, Motor, Hyd [En]	1
▲	3	16695	(000000-) Ace, Thrust, Motor, Hyd [En]	1
▲	4	45628	(000000-) Bearing, Thrust	1
▲	5	28854	(000000-) Shaft, Output, Motor, Hyd [En]	1
▲	6	74100	(000000-) Housing, Motor, Hyd [En]	1
▲	7	21955	(000000-) Drive [CI]	1
▲	8	74094	(000000-) Plate, Spacer, Motor, Hyd [En]	1
▲	9	21956	(000000-) Gerotor Set [CI]	1
▲	10	65230	(000000-) End Cap, Motor, Hyd [En]	1
▲	11	21958	(000000-) Cap Screw CI	5
▲	12	00500-15	(000000-) Key, Woodruff, 0.25 1.00 [Asa#0808]	1
▲	13	61490	(000000-) Seal Kit, Motor [CI]	1
▲	14	74250	(000000-) Instr, Motor, Hyd, Repair [En]	1

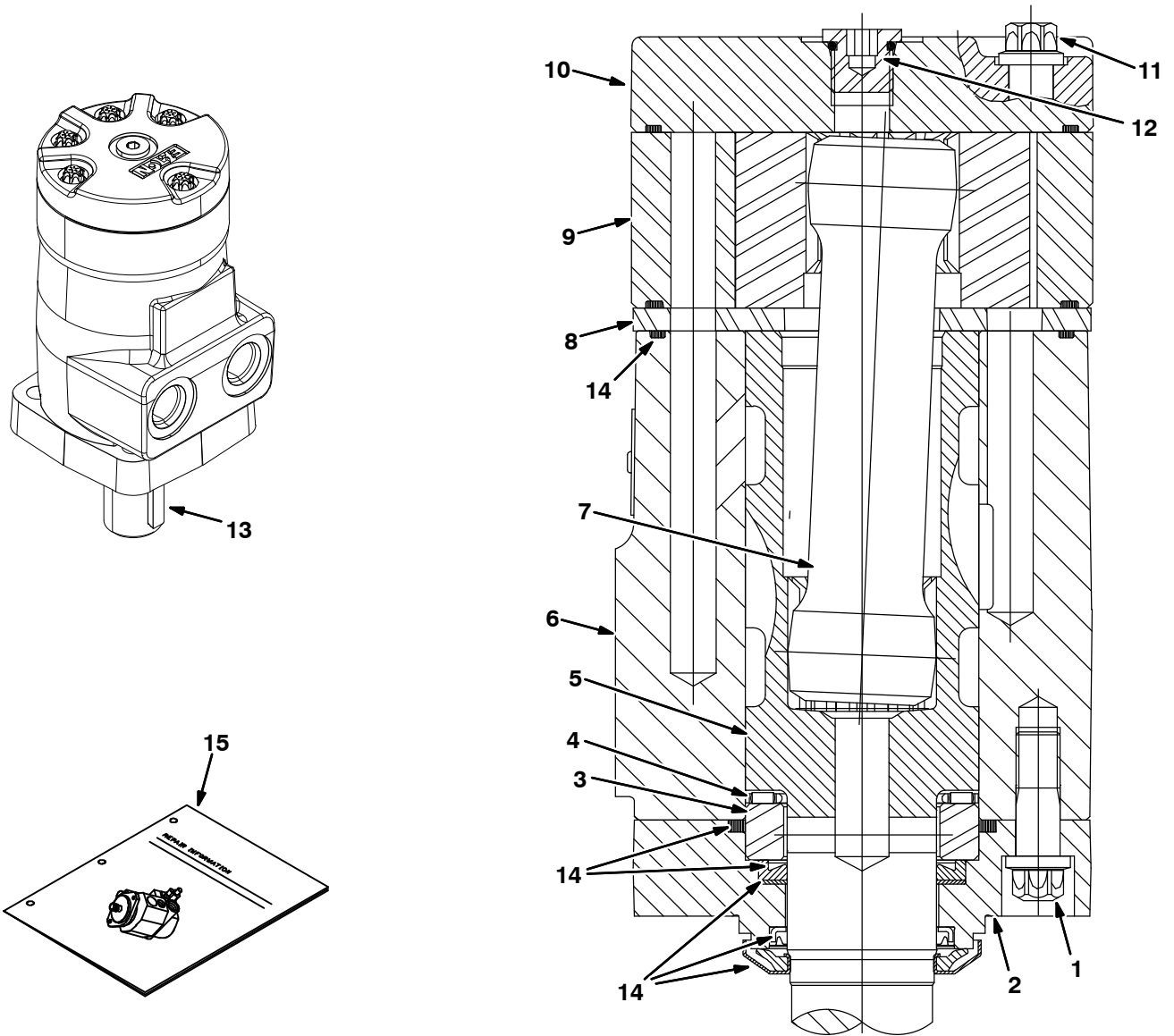
Fig. 6 – Hydraulic Motor Breakdown, 53485



07490 – 09670

Ref.	Part No.	Serial Number	Description	Qty.
▽	53485	(000000–) Motor, Hyd, Gear, Ext 0.19 Rh 3000	1
▲	74233	(000000–) Kit, Seal, Motor, Hyd, Gear[Barns]	1
▲	1 00966	(000000–) Key, Sq, 0.12 X 0.12, 0.75l	1
▲▽	2 54095	(000000–) Valve, Hyd Cartridge 10no/–0	1
▲▲	3 59378	(000000–) Valve Stem, N.O.Valve, Hyd	1
▲▲	4 48813	(000000–) Kit, Seal, Valve, Hyd [Cec]	1
▲▲	5 35493	(000000–) Solenoid, 12v, Valve, Hyd [Cec]	1
	6 IB3614	(000000–) Instr, Seal Kit, Motor	1

Fig. 7 – Hydraulic Motor Breakdown, 1024407



Ref.	Part No.	Serial Number	Description	Qty.
▽	1024407	(000000-)) Motor, Hyd, Gear, Int 09.7 Bi-Dir 2500	1
▲	1 37555	(000000-)) Screw, Motor, Hyd [En]	4
▲	2 22609	(000000-)) Flange	1
▲	3 16695	(000000-)) Ace, Thrust, Motor, Hyd [En]	1
▲	4 45628	(000000-)) Bearing, Thrust	1
▲	5 22614	(000000-)) Shaft, Output, Motor, Hyd	1
▲	6 373674	(000000-)) Housing, Motor, Hyd [En]	1
▲	7 31376	(000000-)) Drive	1
▲	8 74094	(000000-)) Plate, Spacer, Motor, Hyd [En]	1
▲	9 38263	(000000-)) Gerotor, Motor, Hyd	1
▲	10 74101	(000000-)) End Cap, Motor, Hyd [En]	1
▲	11 21960	(000000-)) Screw, Cap, Motor, Hyd	5
▲	12 74098	(000000-)) Fitting, Hyd, Plug, Om04	1
▲	13 00500-15	(000000-)) Key, Woodruff, 0.25 1.00 [Asa#0808]	1
▲	14 22615	(000000-)) Seal Kit, Motor [CI]	1
▲	15 74250	(000000-)) Instr, Motor, Hyd, Repair [En]	1

Fig. 8 - Hydraulic Valve Breakdown, 1018938

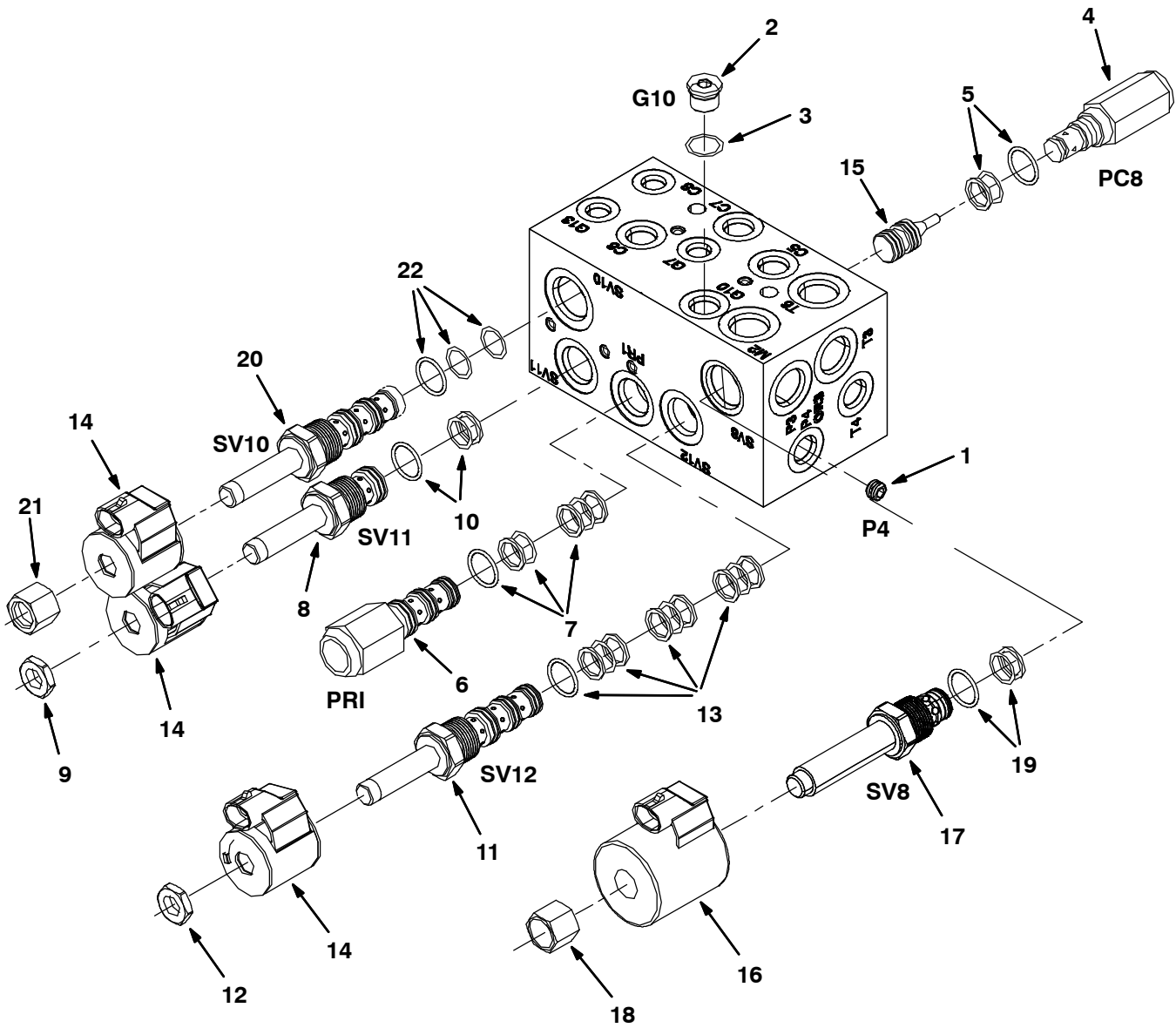


Fig. 8 - Hydraulic Valve Breakdown, 1018938

	Ref.	Part No.	Serial Number	Description	Qty.
▽		1018938	(000000-) Valve, Cntrl, Hyd [M20 And T20] (Repaced by 1037805)	1
▲	1	373633	(000000-) Plug, Orifice, Valve, Hyd, .040	1
▲▽	2	13904	(000000-) Fitting, Plug, Org, #6, Valve [Cec]	1
▲▲	3	77005	(000000-) Seal, Org, .078 X 00.47id #06	1
▲▽	4	373656	(000000-) Valve, Check	1
▲▲	5	373647	(000000-) Seal Kit, Cartridge	1
▲▽	6	373661	(000000-) Valve, Relief	1
▲▲	7	373647	(000000-) Seal Kit, Cartridge	1
▲▽	8	373662	(000000-) Stem, Valve, Hyd	1
▲▲	9	373648	(000000-) Nut, Coil, F/#8	1
▲▲	10	373647	(000000-) Seal Kit, Cartridge	1
▲▽	11	373657	(000000-) Stem, Valve, Hyd, 4w2p	1
▲▲	12	373648	(000000-) Nut, Coil, F/#8	1
▲▲	13	373647	(000000-) Seal Kit, Cartridge	1
▲	14	373640	(000000-) Solenoid, #8, 12vdc	3
▲	15	373658	(000000-) Spool, Pilot, Hyd	1
▲	16	373642	(000000-) Solenoid, #10, 12vdc	1
▲▽	17	373663	(000000-) Valve, Stem, No	1
▲▲	18	373670	(000000-) Nut, Solenoid	1
▲▲	19	373646	(000000-) Seal Kit, Cartridge	1
▲▽	20	373664	(000000-) Cartridge, Psi Cntrl, Valve, Hyd	1
▲▲	21	373673	(000000-) Nut, Solenoid	1
▲▲	22	373672	(000000-) Seal Kit, Cartridge	1

Fig. 9 – Hydraulic Valve Breakdown, 1020394

	Ref.	Part No.	Serial Number	Description	Qty.
▽		1020394	(000000–) Valve, Cntrl, Hyd	1
▲	1	373665	(000000–) Plug, Orifice, Valve, Hyd, .046	1
▲▽	2	74098	(000000–) Fitting, Hyd, Plug, Om04	4
▲▲	3	77003	(000000–) Seal, Org, .072 X 00.35id #04	1
▲▽	4	13904	(000000–) Fitting, Plug, Org, #6, Valve [Cec]	1
▲▲	5	77005	(000000–) Seal, Org, .078 X 00.47id #06	1
▲▽	6	13907	(000000–) Fitting, Hyd, Plug, Om08	2
▲▲	7	77006	(000000–) Seal, Org, .087 X 00.64id #08	2
▲	8	373658	(000000–) Spool, Pilot, Hyd	2
▲▽	9	373631	(000000–) Valve, Check	2
▲▲	10	373647	(000000–) Seal Kit, Cartridge	1
▲▽	11	373666	(000000–) Valve, Relief	2
▲▲	12	373647	(000000–) Seal Kit, Cartridge	1
▲▽	13	373657	(000000–) Stem, Valve, Hyd, 4w2p	2
▲▲	14	373648	(000000–) Nut, Coil, F/#8	1
▲▲	15	373647	(000000–) Seal Kit, Cartridge	1
▲▽	16	373667	(000000–) Stem, Valve, Hyd	1
▲▲	17	373648	(000000–) Nut, Coil, F/#8	1
▲▲	18	373646	(000000–) Seal Kit, Cartridge	1
▲▽	19	373663	(000000–) Valve, Stem, No	2
▲▲	20	373670	(000000–) Nut, Solenoid	1
▲▲	21	373646	(000000–) Seal Kit, Cartridge	1
▲▽	22	373668	(000000–) Valve, Check	1
▲▲	23	373671	(000000–) Seal Kit, Cartridge	1
▲	24	373642	(000000–) Solenoid, #10, 12vdc	3
▲	25	373640	(000000–) Solenoid, #8, 12vdc	3
▲▽	26	373664	(000000–) Cartridge, Psi Cntrl, Valve, Hyd	1
▲▲	27	373673	(000000–) Nut, Solenoid	1
▲▲	28	373672	(000000–) Seal Kit, Cartridge	1
▲	29	373669	(000000–) Plug, Orifice, Valve, Hyd, .063	1

Fig. 10 – Hydraulic Valve Breakdown, 1037805

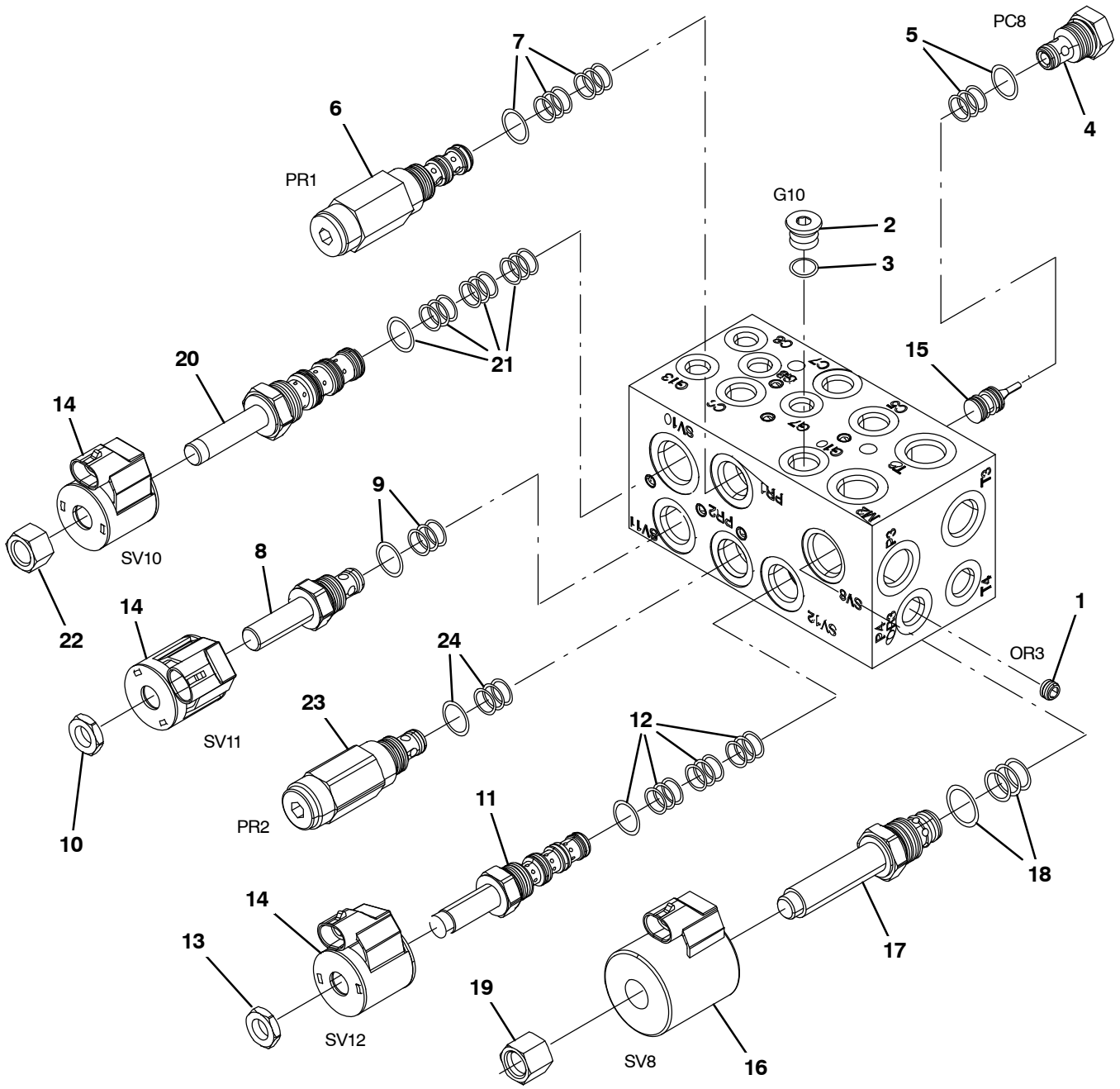


Fig. 10 - Hydraulic Valve Breakdown, 1037805

Ref.	Part No.	Serial Number	Description	Qty.
▽	1037805	(000000-) Valve, Cntrl, Hyd, Solenoid, 03/16gpm	1
▲	1 373633	(000000-) Plug, Orifice, Valve, Hyd, .040	1
▲▽	2 13904	(000000-) Fitting, Plug, Org, #6, Valve [Cec]	1
▲▲	3 77005	(000000-) Seal, Org, .078 X 00.47id 06	1
▲▽	4 373656	(000000-) Valve, Check	1
▲▲	5 373647	(000000-) Seal Kit, Cartridge	1
▲▽	6 373661	(000000-) Valve, Relief	1
▲▲	7 373647	(000000-) Seal Kit, Cartridge	1
▲▽	8 373662	(000000-) Stem, Valve, Hyd	1
▲▲	9 373647	(000000-) Seal Kit, Cartridge	1
▲▲	10 373648	(000000-) Nut, Coil, Nyl Patch	1
▲▽	11 373657	(000000-) Stem, Valve, Hyd [4w2p]	1
▲▲	12 373647	(000000-) Seal Kit, Cartridge	1
▲▲	13 373648	(000000-) Nut, Coil, F/#8	1
▲	14 373640	(000000-) Solenoid, #8, 12vdc	3
▲	15 373658	(000000-) Spool, Pilot, Hyd	1
▲	16 373642	(000000-) Solenoid, #10, 12vdc	1
▲▽	17 373663	(000000-) Valve, Stem, No	1
▲▲	18 373646	(000000-) Seal Kit, Cartridge	1
▲▲	19 373670	(000000-) Nut, Solenoid	1
▲▽	20 373664	(000000-) Cartridge, Psi Cntrl, Valve, Hyd	1
▲▲	21 373672	(000000-) Seal Kit, Cartridge	1
▲▲	22 373673	(000000-) Nut, Solenoid	1
▲▽	23 373683	(000000-) Valve, Relief	1
▲▲	24 373647	(000000-) Seal Kit, Cartridge	1

Fig. 11 – Hydraulic Valve Breakdown, 1072997

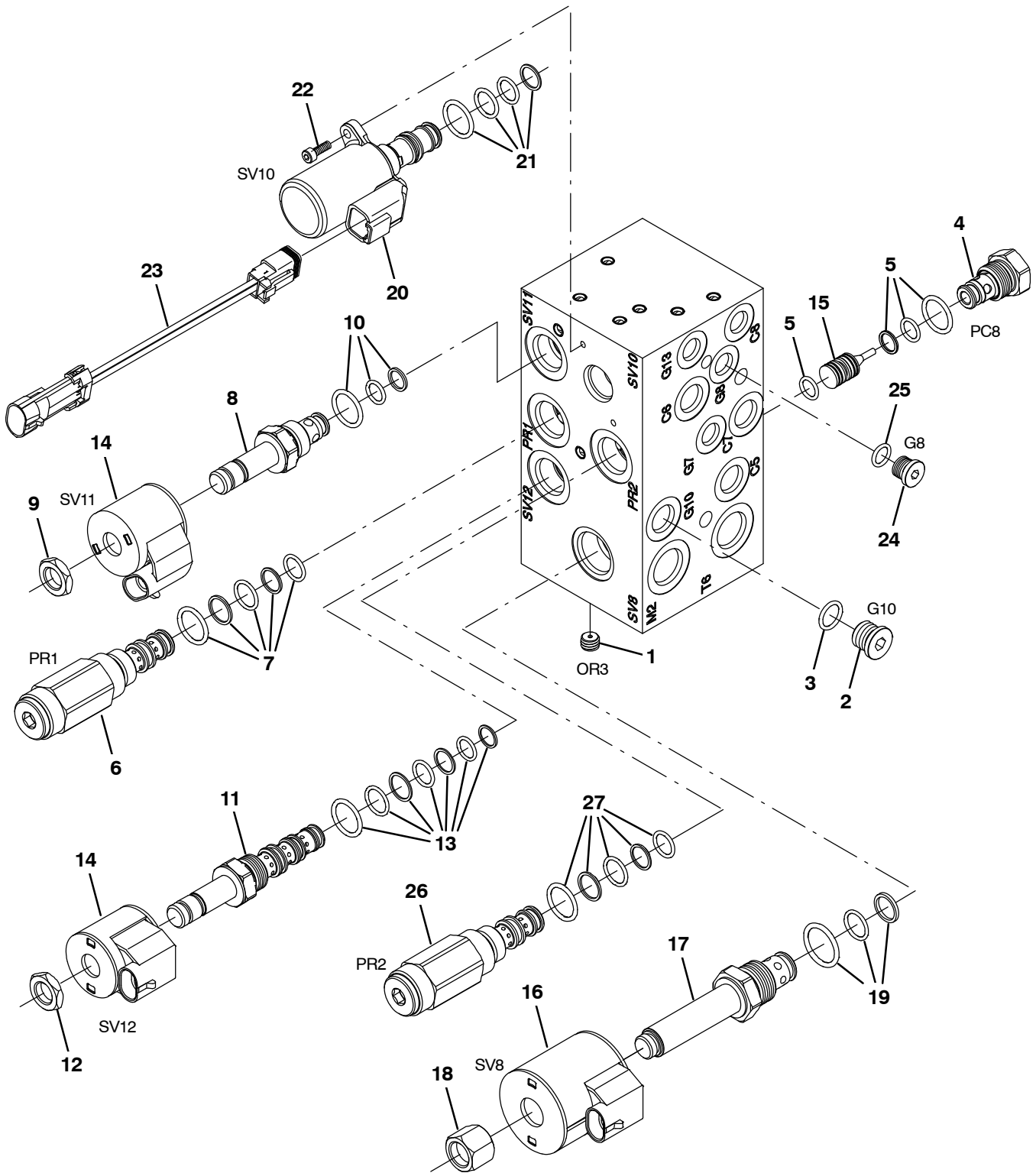


Fig. 11 - Hydraulic Valve Breakdown, 1072997

Ref.	Part No.	Serial Number	Description	Qty.
▽	1072997	(000000-) Valve, Cntrl, Hyd, Solenoid, 03/16gpm	1
▲	1 373633	(000000-) Plug, Orifice, Valve, Hyd, .040	1
▲▽	2 13904	(000000-) Fitting, Plug, Org, #6, Valve [Cec]	1
▲▲	3 77005	(000000-) Seal, Org, .078 X 00.47id 06	1
▲▽	4 373656	(000000-) Valve, Check	1
▲▲	5 373647	(000000-) Seal Kit, Cartridge	1
▲▽	6 373661	(000000-) Valve, Relief	1
▲▲	7 373647	(000000-) Seal Kit, Cartridge	1
▲▽	8 373662	(000000-) Stem, Valve, Hyd	1
▲▲	9 373648	(000000-) Nut, Coil, Nyl Patch	1
▲▲	10 373647	(000000-) Seal Kit, Cartridge	1
▲▽	11 373657	(000000-) Stem, Valve, Hyd [4w2p]	1
▲▲	12 373648	(000000-) Nut, Coil, F/#8	1
▲▲	13 373647	(000000-) Seal Kit, Cartridge	1
▲	14 373640	(000000-) Solenoid, #8, 12vdc	3
▲	15 373658	(000000-) Spool, Pilot, Hyd	1
▲	16 373642	(000000-) Solenoid, #10, 12vdc	1
▲▽	17 373663	(000000-) Valve, Stem, No	1
▲▲	18 373670	(000000-) Nut, Solenoid	1
▲▲	19 373646	(000000-) Seal Kit, Cartridge	1
▲▽	20 9011347	(000000-) Valve Assy [Proportional]	1
▲▲	21 9011343	(000000-) Seal Kit, Valve [Ehpr98]	1
▲▲	22 9011345	(000000-) Screw, Mtg [Ehpr98]	2
▲▲	23 9011346	(000000-) Harness, Jumper [Deutsch To Mpack]	1
▲▽	24 13904	(000000-) Fitting, Plug, Org, #6, Valve [Cec]	1
▲▲	25 77005	(000000-) Seal, Org, .078 X 00.47id 06	1
▲▽	26 373683	(000000-) Valve, Relief	1
▲▲	27 373647	(000000-) Seal Kit, Cartridge	1

Fig. 12 – Hydraulic Valve Breakdown, 1072996

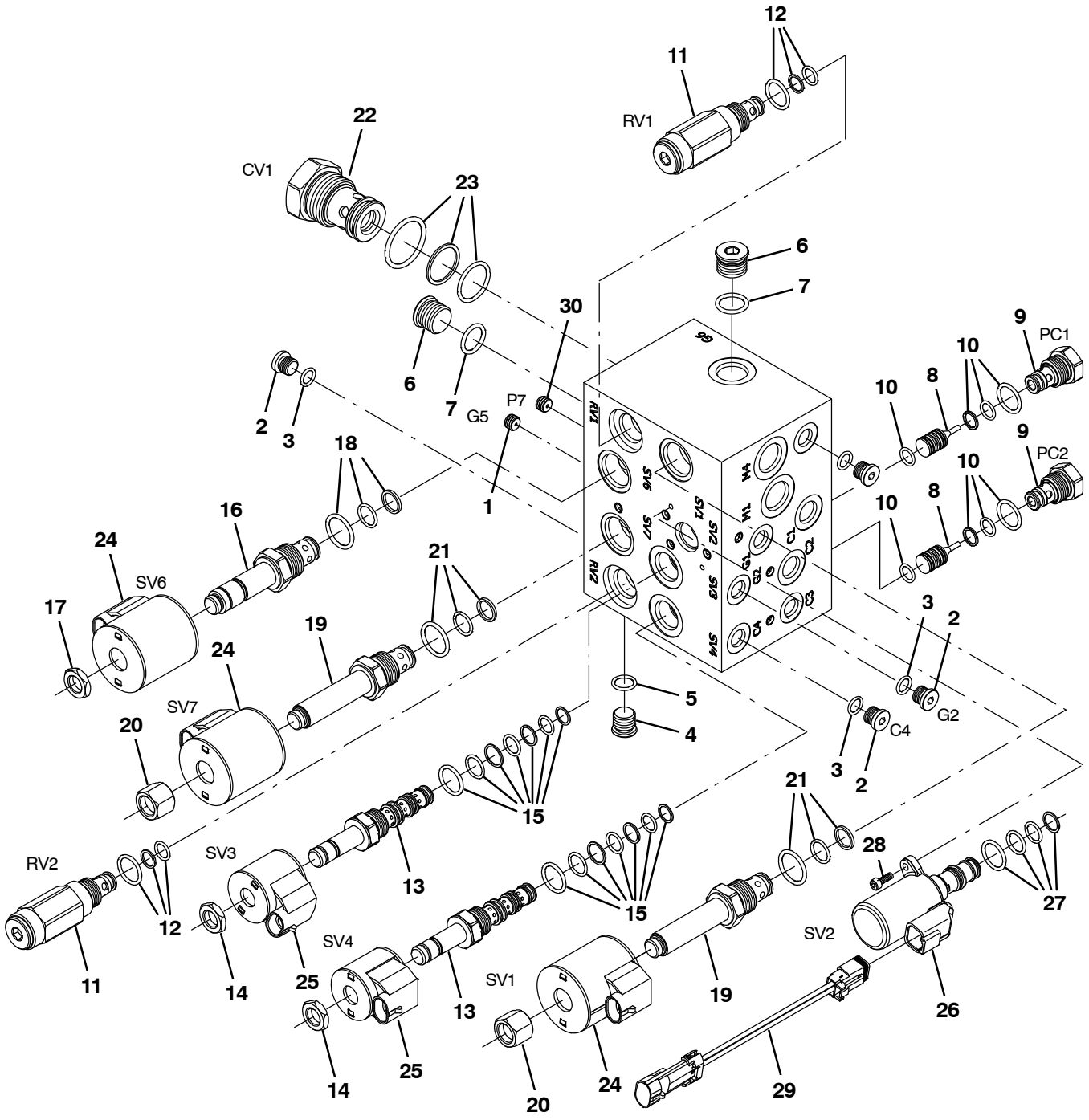


Fig. 12 - Hydraulic Valve Breakdown, 1072996

Ref.	Part No.	Serial Number	Description	Qty.
▽	1072996	(000000-) Valve, Cntrl, Hyd, Solenoid, 12vdc 08gpm	1
▲	1 373665	(000000-) Plug, Orifice, Valve, Hyd, .046	1
▲▽	2 74098	(000000-) Fitting, Hyd, Plug, Om04	4
▲▲	3 77003	(000000-) Seal, Org, .072 X 00.35id #04	1
▲▽	4 13904	(000000-) Fitting, Plug, Org, #6, Valve [Cec]	1
▲▲	5 77005	(000000-) Seal, Org, .078 X 00.47id #06	1
▲▽	6 13907	(000000-) Fitting, Hyd, Plug, Om08	2
▲▲	7 77006	(000000-) Seal, Org, .087 X 00.64id #08	2
▲	8 373658	(000000-) Spool, Pilot, Hyd	2
▲▽	9 373631	(000000-) Valve, Check	2
▲▲	10 373647	(000000-) Seal Kit, Cartridge	1
▲▽	11 373666	(000000-) Valve, Relief	2
▲▲	12 373647	(000000-) Seal Kit, Cartridge	1
▲▽	13 373657	(000000-) Stem, Valve, Hyd, 4w2p	2
▲▲	14 373648	(000000-) Nut, Coil, F/#8	1
▲▲	15 373647	(000000-) Seal Kit, Cartridge	1
▲▽	16 373667	(000000-) Stem, Valve, Hyd	1
▲▲	17 373648	(000000-) Nut, Coil, F/#8	1
▲▲	18 373646	(000000-) Seal Kit, Cartridge	1
▲▽	19 373663	(000000-) Valve, Stem, No	2
▲▲	20 373670	(000000-) Nut, Solenoid	1
▲▲	21 373646	(000000-) Seal Kit, Cartridge	1
▲▽	22 373668	(000000-) Valve, Check	1
▲▲	23 373671	(000000-) Seal Kit, Cartridge	1
▲	24 373642	(000000-) Solenoid, #10, 12vdc	3
▲	25 373640	(000000-) Solenoid, #8, 12vdc	2
▲▽	26 9011347	(000000-) Valve Assy [Proportional]	1
▲▲	27 9011343	(000000-) Seal Kit, Valve [Ehpr98]	1
▲▲	28 9011345	(000000-) Screw, Mtg [Ehpr98]	2
▲▲	29 9011346	(000000-) Harness, Jumper [Deutsch To Mpack]	1
▲	30 373669	(000000-) Plug, Orifice, Valve, Hyd, .063	1

Fig. 13 – Hydraulic Steering Valve Breakdown, 1024260

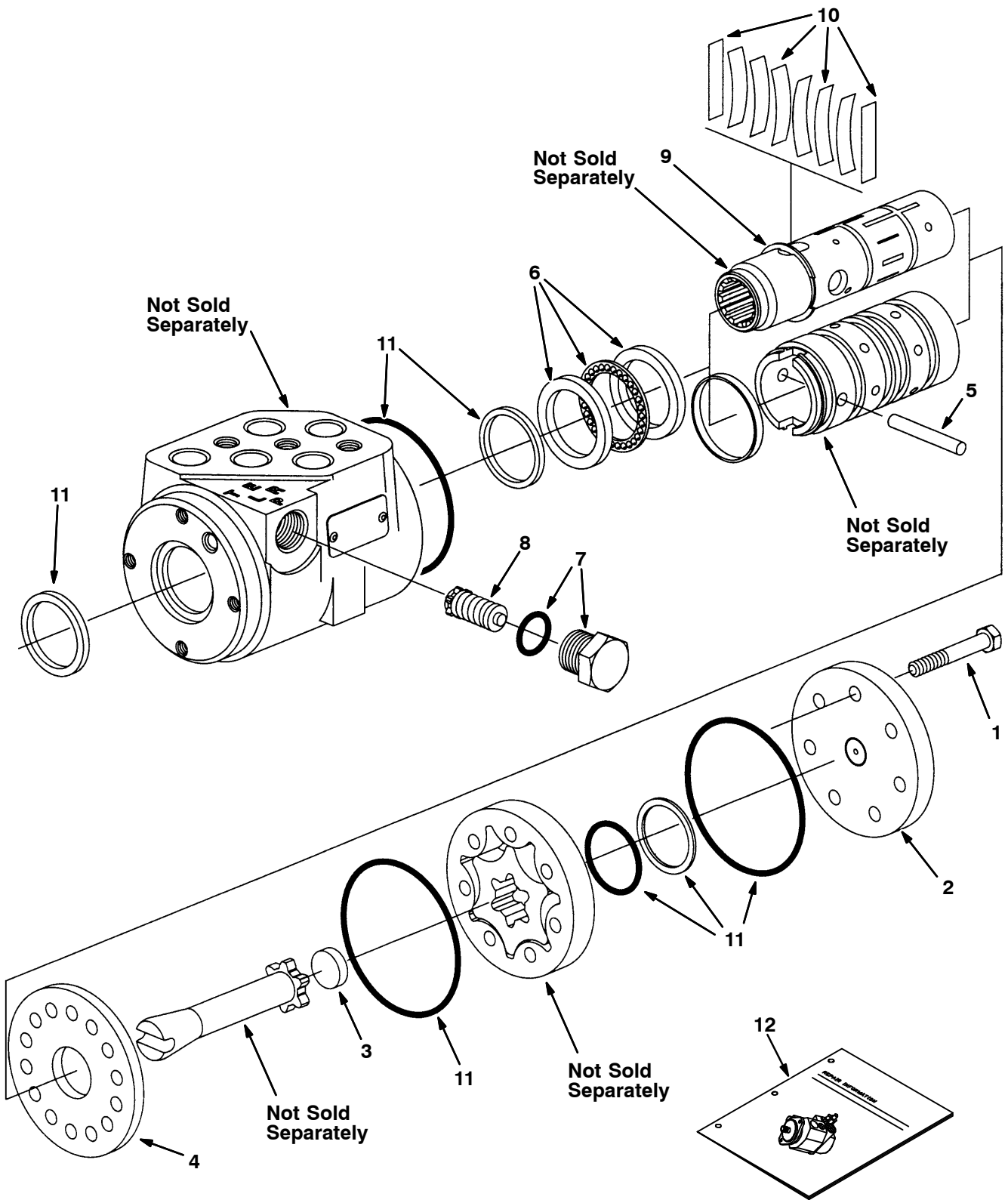
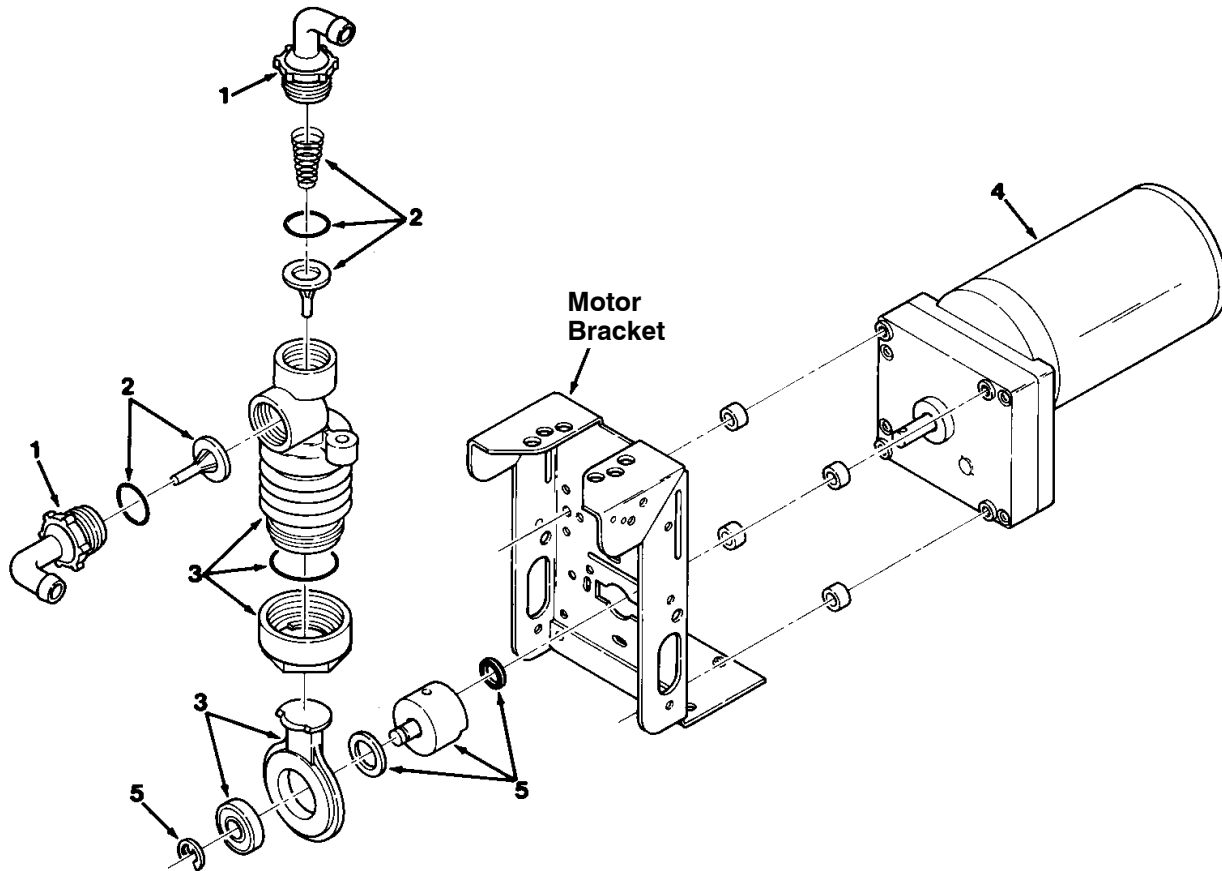


Fig. 13 – Hydraulic Steering Valve Breakdown, 1024260

	Ref.	Part No.	Serial Number	Description	Qty.
▽		1024260	(000000–) Steer–Control, Hyd05, 06.1 2030	1
▲	1	74183	(000000–) Screw, Valve, Steering	7
▲	2	74185	(000000–) Cap, End, Valve, Steering	1
▲	3	74193	(000000–) Spacer, Valve, Steering	1
▲	4	74222	(000000–) Plate, Wear, Steering Valve	1
▲	5	74232	(000000–) Pin, Valve, Steering	1
▲	6	21935	(000000–) Bearing Kit [C]	1
▲	7	21933	(000000–) Plug Assy [C]	1
▲	8	21934	(000000–) Valve Assy, Relief [C]	1
▲	9	74243	(000000–) Ring, Retainer, Steering Valve	1
▲	10	74196	(000000–) Spring Kit, Scu [C]	1
▲	11	74244	(000000–) Seal Kit, Steering [C]	1
▲	12	74245	(000000–) Instr, Valve, Steering, Repair	1

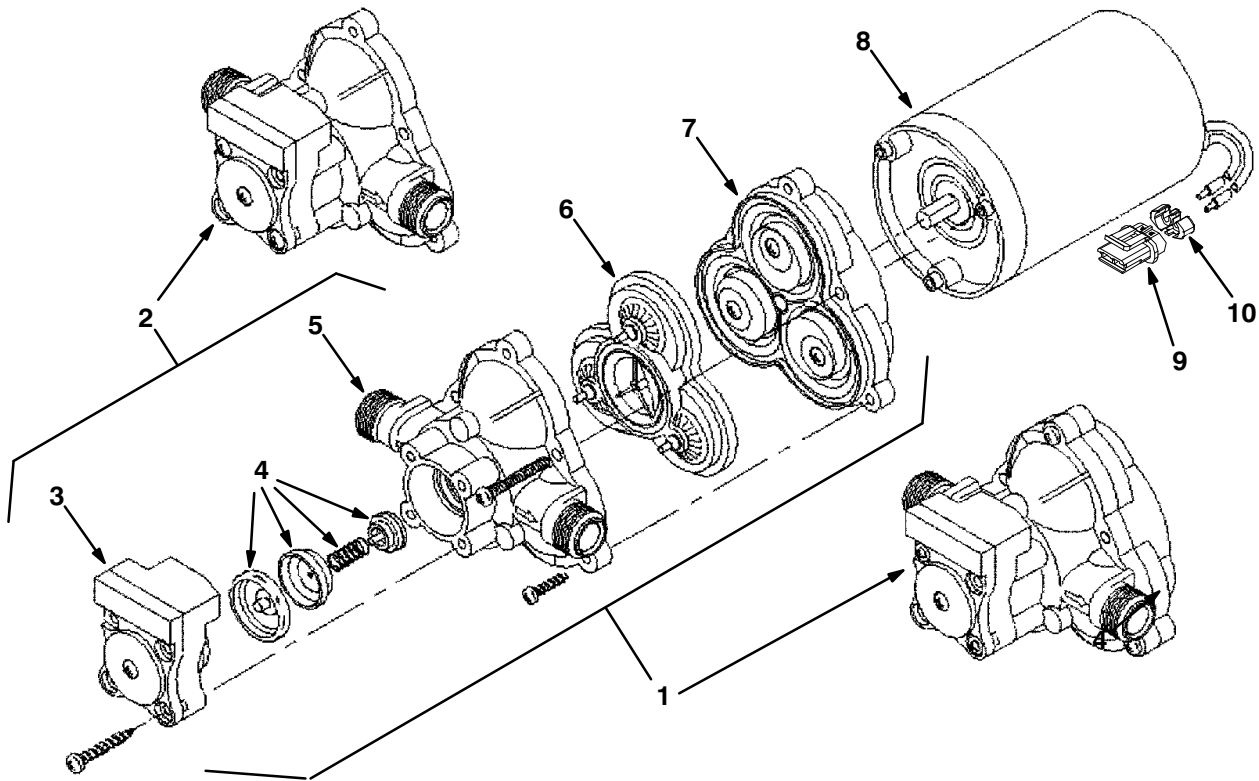
Fig. 14 – Metering Solution Pump Breakdown, 73260



00112 – ALL

Ref.	Part No.	Serial Number	Description	Qty.
▽	73260	(000000–) Pump, Detgt, 14vdc, 150ml/Min 20psi	1
▲	1 63923	(000000–) Tubing Connctr.Kit, Gorman Pmp	1
▲	2 21659	(000000–) Valve Kit, Poppet, Gorman Rupp	1
▲	3 21657	(000000–) Kit, Bellows, Pump, Detgt	1
▲	4 78875	(000000–) Motor, Ele, Gear, 14vdc, Pump, Detgt	1
▲	5 02430	(000000–) Crank Kit, Pump, F/79323, Replmt	1

Fig. 15 – Water Pump Breakdown, 1026743



07490 – 09670

Ref.	Part No.	Serial Number	Description	Qty.
▽	1026743	(000000–) Pump, Diaphragm	1
▲	1	1031802	(000000–) Complete Pump Kit, Pump, Repair,	1
▲	2	1031803	(000000–) Hsg & Switch Kit, Pump, Repair,	1
▲	3	1031796	(000000–) Switch Kit, Pump, Repair,	1
▲	4	1031797	(000000–) Check Valve Kit, Pump, Repair,	1
▲	5	1031798	(000000–) Upper Hsg Kit, Pump, Repair,	1
▲	6	1031799	(000000–) Bypass Valve Kit, Pump, Repair,	1
▲	7	1031800	(000000–) Diaphragm Kit, Pump, Repair,	1
▲	8	1031801	(000000–) Motor Kit, Pump, Repair,	1
▲	9	78950	(000000–) Connector, Fem, 02cav, Mp280 Sealed	1
▲	10	78952	(000000–) Lock, Secondary, 2cav, Mp280 Sealed	1
▲		78951	(000000–) Terminal, Fem, Mp280, Sealed, 18–16ga	2
▲		10917	(000000–) Seal, Wire, 14/16ga [Wp / Mp280 Sealed]	2

Fig. 16 – ec-H2O Module Assembly Breakdown, 9007882

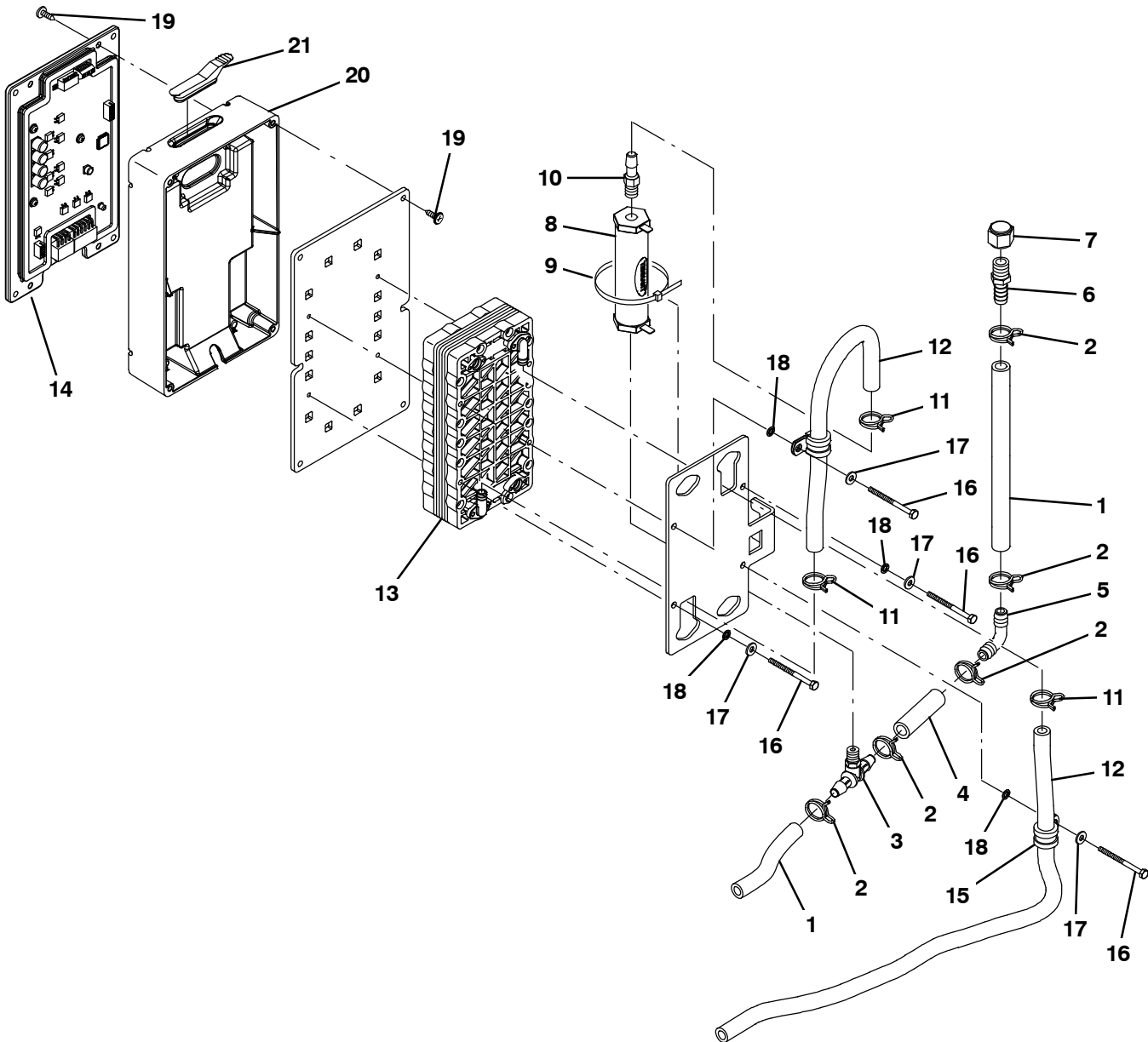


Fig. 16 – ec-H20 Module Assembly Breakdown, 9007882

Ref.	Part No.	Serial Number	Description	Qty.
▽	9007882	(000000–) Module Kit, Replmt [Ec-H20]	1
▲	1 1014974	(000000–) Hose, Afmkt, Pvc, Brd, 0.38id, 02ft, Clr	2
▲	2 607775	(000000–) Clamp, Hose, Wir, .63 – .66, Blk	5
▲	3 1060517	(000000–) Fitting, Plstc, Tee, Bm06/Pm02/Bm06	1
▲	4 1014971	(000000–) Hose, Afmkt, Pvc, Brd, 0.38id, 01ft, Clr	1
▲	5 20951	(000000–) Fitting, Plstc, E90, Bm06/Bm06	1
▲	6 150540	(000000–) Fitting, Plstc, Str, Bm06/Pm04	1
▲	7 1005435	(000000–) Fitting, Plstc, Pipe, Cap, Pf04	1
▲	8 1038159	(000000–) Electrode, Cylindrical	1
▲	9 44961	(000000–) Tie, Cable, Nyl, 14.5l .30w 4.0 Max D	1
▲	10 1060695	(000000–) Fitting, Plstc, Str, Pm02/Bm05	1
▲	11 1053464	(000000–) Clamp, Hose, Wir, .52 – .56, Yel	3
▲	12 1052336	(000000–) Hose, Afmkt, PVC, Brd, 0.31ld, 03Ft, Clr	1
▲	13 1057637	(000000–) Electrode, 5 Plate, High Flow	1
▲	14 9007883	(000000–) Controller Kit, Replmt [Ec-H20]	1
▲	15 1016354	(000000–) Clamp, Cable, Ss, 0.50d X 0.50w [Insul]	2
▲	16 32509	(000000–) Screw, Hex, M4 X 0.70 X 50, Ss	4
▲	17 41579	(000000–) Washer, Flat, 08, Ss	4
▲	18 02938	(000000–) Washer, Lock, Int, 08, Ss	4
▲	19 1018155	(000000–) Screw, Pan, Phl, M5 X 0.80 X 16, Tcut,Ss	8
▲	20 1037032	(000000–) Housing, Bottom	1
▲	21 1054776	(000000–) Grommet, Blind	1

Fig. 17 – Seat Breakdown, 1072456

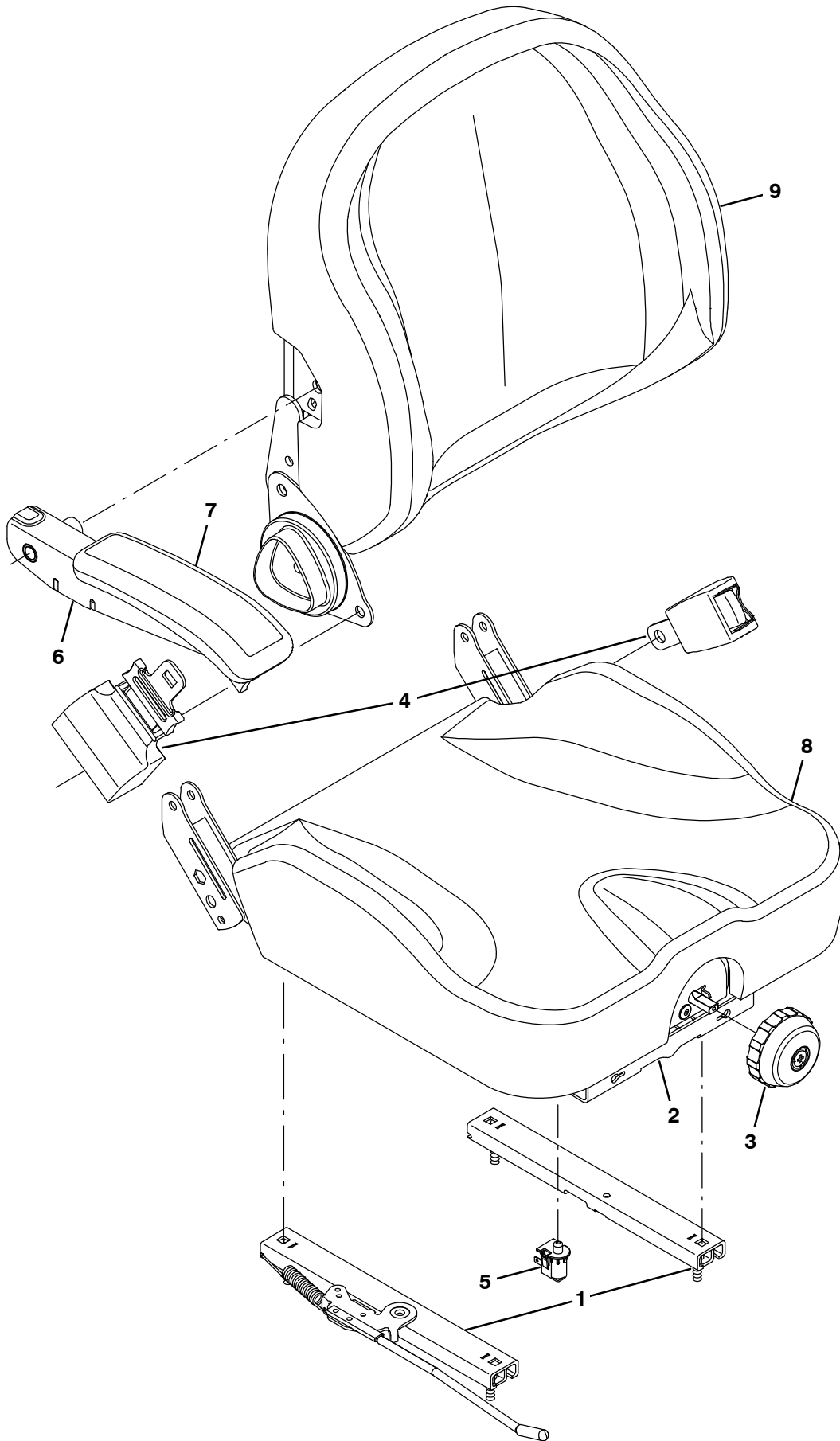
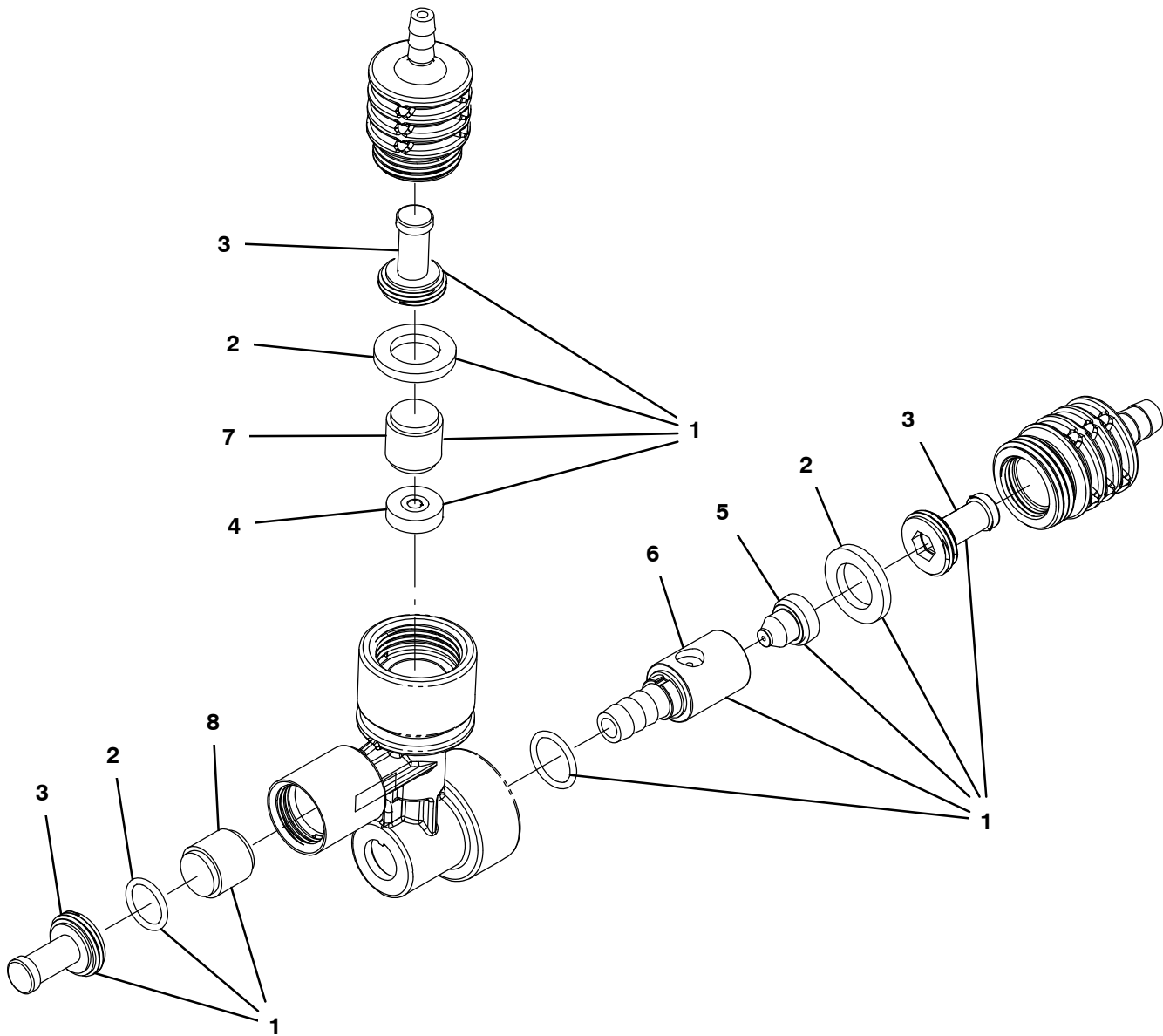


Fig. 17 – Seat Breakdown, 1072456

	Ref.	Part No.	Serial Number	Description	Qty.
▽		1072456	(000000–) Seat	1
▲	1	9012585	(000000–) Track Assy, Slide	1
▲	2	9012587	(000000–) Bellows, Seat	1
▲	3	9012589	(000000–) Knobs, Adjmt, Weight	1
▲	4	9012590	(000000–) Seatbelt	1
▲	5	9012591	(000000–) Switch, Seat	1
▲	6	9012592	(000000–) Armrest	1
▲	7	9012593	(000000–) Pad, Armrest	1
▲	8	9012594	(000000–) Cover, Cushion	1
▲	9	9012595	(000000–) Cover, Backrest	1

Fig. 18 – FaST Injector Assembly Breakdown, 9008868



356271

Ref.	Part No.	Serial Number	Description	Qty.
▽	9008868	(000000–) FaST Kit, Injector [M20/T20/m30 FaST III}	1
▲▽	1 9008757	(000000–) FaST Kit, Ci [inj Reblid, M30/M20 III]	1
▲▲	2 9008848	(000000–) FaST Kit, Seal, injector, Ci [FaST III]	1
▲▲	3 9003009	(000000–) FaST Kit, Ci, Injector Filters[FaST li+]	1
▲▲	4 1059878	(000000–) Plate Assy, Orifice, 0.0105ld, Green	1
▲▲	5 1042710	(000000–) Plug, Orifice, 0.060, Ss [FaST li+]	1
▲▲	6 1059234	(000000–) Insert, :Lrg [Venturi, FaST III]	1
▲▲	7 1030444	(000000–) Valve, Check, 0002psi [FaST li+]	1
▲▲	8 1030441	(000000–) Valve, Check, 0005psi [FaST li+]	1

SECTION 5

Contents	Page
Fig. 1 – Crankcase Group	5-2
Fig. 2 – Oil Pan Group	5-4
Fig. 3 – Cylinder Head Group	5-5
Fig. 4 – Gear Case Group	5-6
Fig. 5 – Water Pump Group	5-8
Fig. 6 – Main Bearing Case Group	5-9
Fig. 7 – Head Cover Group	5-10
Fig. 8 – Manifold Group	5-11
Fig. 9 – Valve, Rocker Arm Group	5-12
Fig. 10 – Fuel Camshaft Group	5-13
Fig. 11 – Camshaft Group	5-14
Fig. 12 – Piston and Crankshaft Group	5-16
Fig. 13 – Flywheel Group	5-18
Fig. 14 – Starter Breakdown, 74405	5-20
Fig. 15 – Nozzle Holder and Glow Plug Group	5-22
Fig. 16 – Injection Pump Group	5-24
Fig. 17 – Injection Pump Breakdown	5-26
Fig. 18 – Idling Group	5-28
Fig. 19 – Speed Control Plate Group	5-29
Fig. 20 – Governor Group	5-30
Fig. 21 – Water Flange Group	5-31

Fig. 1 - Crankcase Group

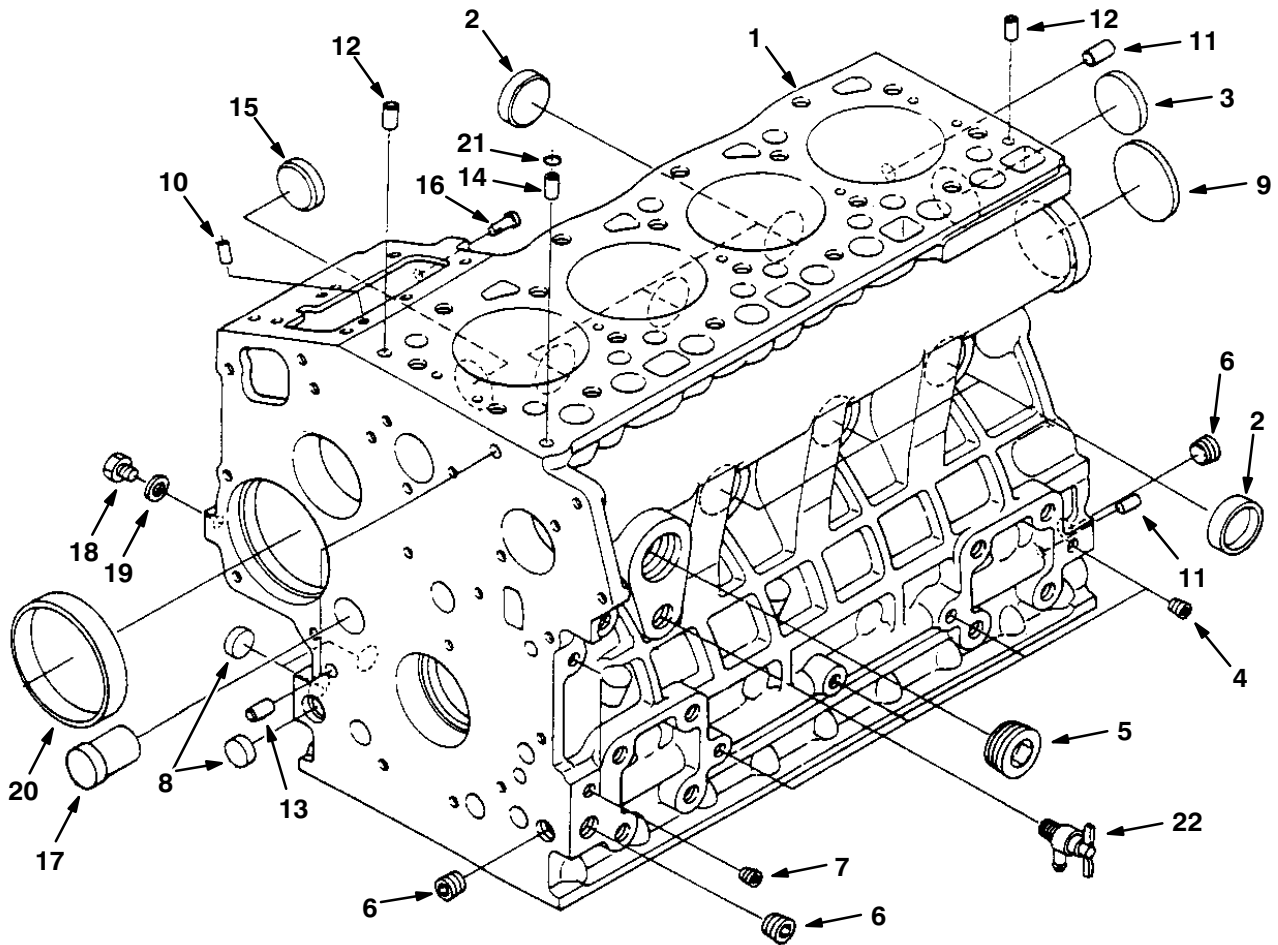
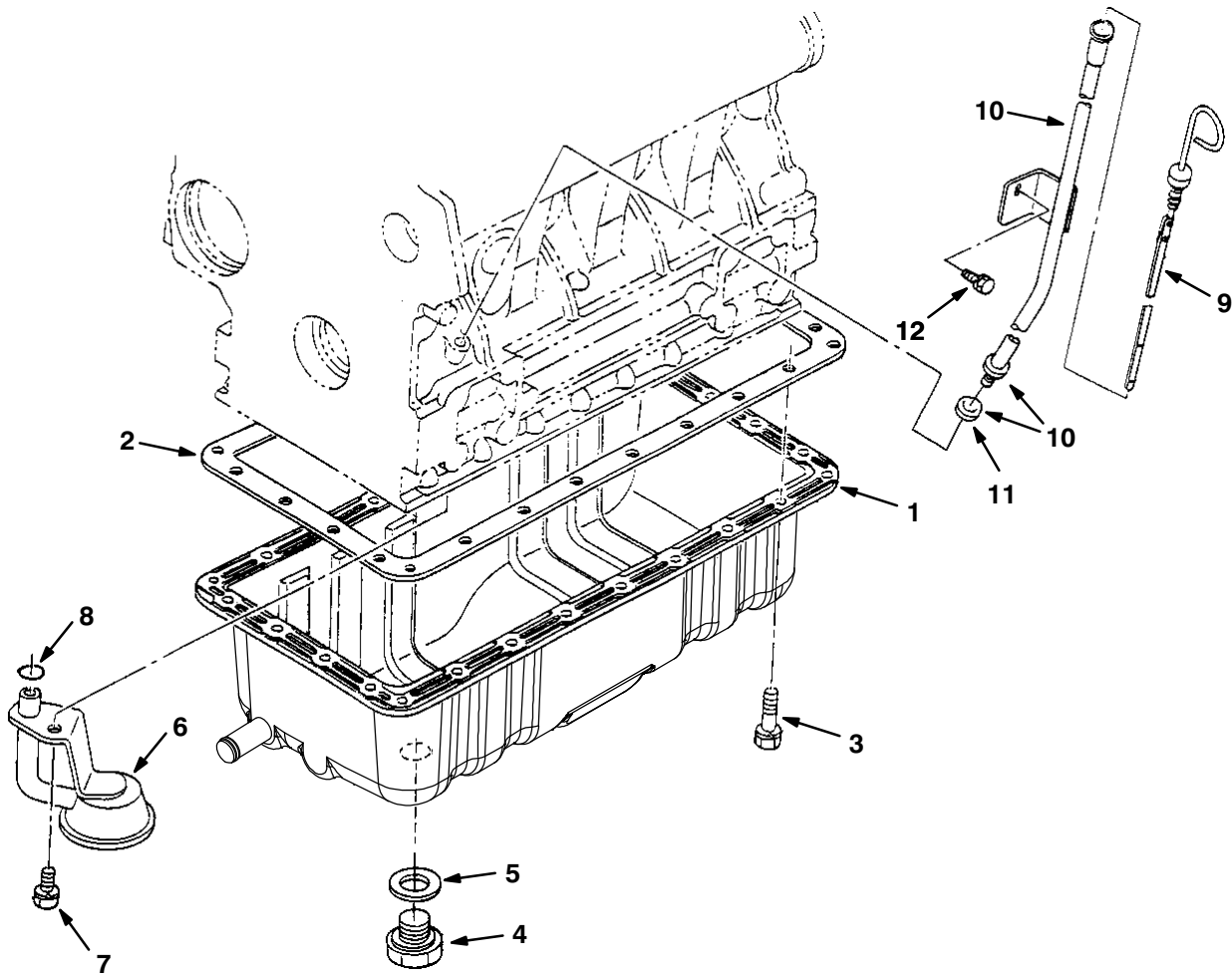


Fig. 1 - Crankcase Group

	Ref.	Part No.	Description	Qty.
▽	1	372920	Crankcase, Compl	1
▲	2	70998	Cap, Sealing	6
▲	3	39087	Cap, Sealing	1
▲	4	39088	Plug	4
▲	5	84647	Plug	1
▲	6	71985	Plug	3
▲	7	39051	Plug	2
▲	8	361436	Plug, Expansion	3
▲	9	71986	Plug, Expansion	1
▲	10	71987	Pin, Straight	2
▲	11	71988	Pin, Straight	2
▲	12	71989	Pin, Straight	2
▲	13	71990	Pin, Pipe	2
▲	14	71991	Pin, Pipe	1
▲	15	71992	Plug	1
▲	16	39105	Pin, Start Spring	1
▲	17	71993	Plug	1
▲	18	39062	Plug	1
▲	19	10895	Gasket	1
▲	20	70887	Bush, Governor Gear	1
	21	39063	O-Ring	1
	22	70888	Assembly Cock, Drain	1

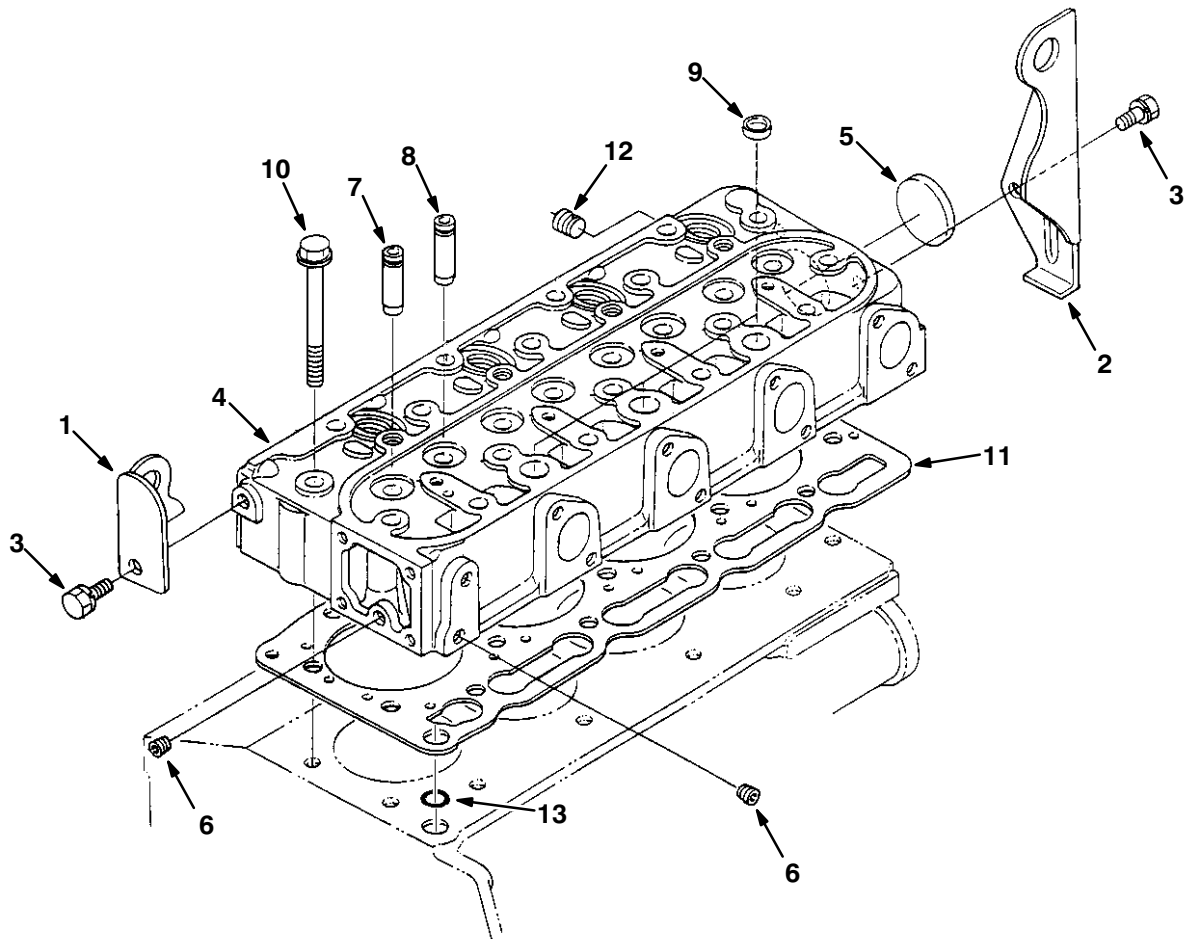
Fig. 2 – Oil Pan Group



07409 – M20, D

Ref.	Part No.	Description	Qty.
1	1023144	Comp. Oil Pan (Rear Sump)	1
2	70889	Gasket, Oil Pan	1
3	71995	Bolt	26
4	70890	Plug, Drain	1
5	70891	Gasket	1
6	9006001	Pump, Oil, Pickup [Sump, Ku]	1
7	39094	Bolt	1
8	41792	O-Ring	1
9	70893	Gauge, Oil	1
▽ 10	361428	Guide Assy, Oil Gauge	1
▲ 11	361366	O-Ring	1
12	39073	Bolt	1
	66187	Gasket Set, Lower	1

Fig. 3 – Cylinder Head Group



07411 – M20, D

Ref.	Part No.	Description	Qty.	
	1	71996	Hook, Engine 1	1
	2	71997	Hook, Engine 2	1
	3	39073	Bolt	2
	4	84631	Head, Cyl, W/O Valves	1
▽	4	372921	Head, Cyl, W/O Valve [Ku]	1
▲	5	51331	Cap, Sealing	1
▲	6	39088	Plug	2
▲	7	70895	Guide, Inlet Valve	4
▲	8	70896	Guide, Exhaust Valve	4
▲	9	71999	Cap, Sealing	3
	10	70897	Bolt, Cylinder Head	18
	11	70899	Gasket, Cyclinder Head	1
		66194	Gasket Set, Upper	1
	12	72010	Plug	1
	13	39063	O-Ring	1

Fig. 4 - Gear Case Group

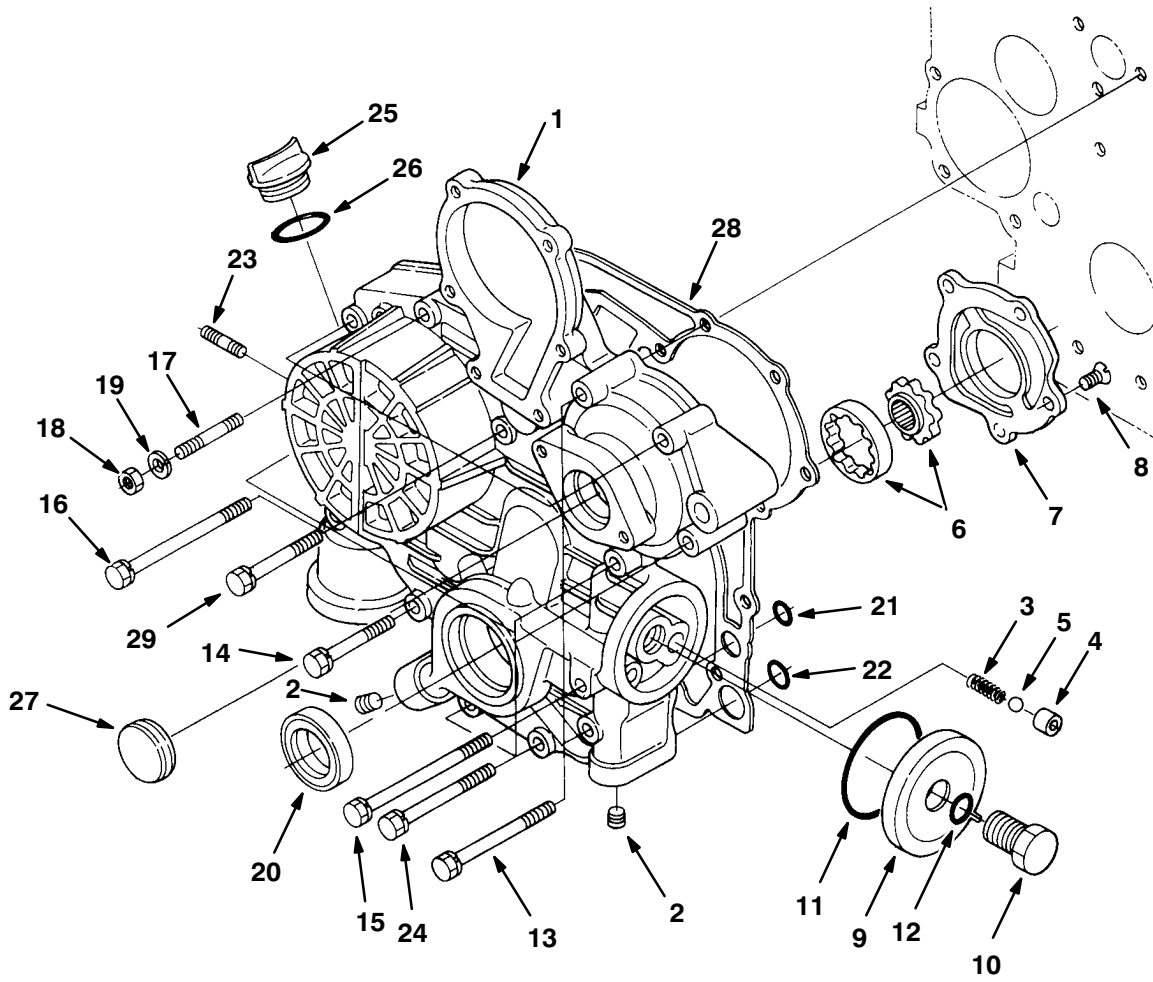
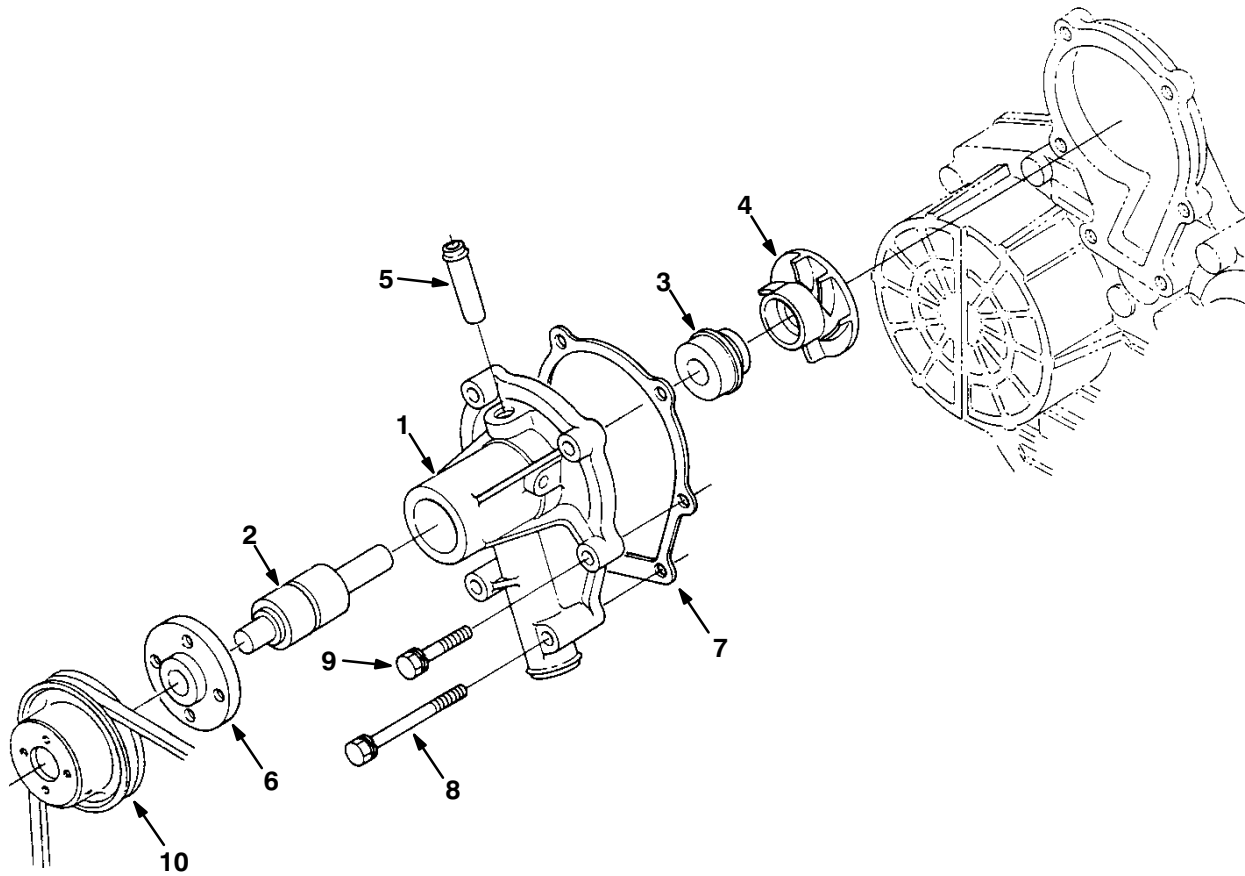


Fig. 4 - Gear Case Group

	Ref.	Part No.	Description	Qty.
▽	1	72011	Comp. Case, Gear	1
▲	2	72012	Plug	4
▲	3	70900	Spring	1
▲	4	70901	Seat, Valve	1
▲	5	70902	Ball	1
▲	6	70903	Assembly Rotor, Oil Pump	1
▲	7	70904	Cover, Oil Pump	1
▲	8	72013	Screw	5
▲	9	70905	Cover	1
▲	10	70906	Bolt	1
▲	11	70907	O-Ring	1
▲	12	39103	O-Ring	1
	13	72995	Bolt	2
	14	72014	Bolt	1
	15	72015	Bolt	2
	16	72016	Bolt	1
	17	72017	Stud	1
	18	39121	Nut	1
	19	39065	Washer, Spring	1
	20	70909	Seal, Oil	1
	21	70910	O-Ring	2
	22	70911	O-Ring	2
	23	72018	Stud	2
	24	72994	Bolt	4
	25	39161	Oil Filter, Plug	1
	26	70913	O-Ring	1
	27	70189	Cover	1
	28	70912	Gasket, Gear Case	1
	29	72993	Bolt	3

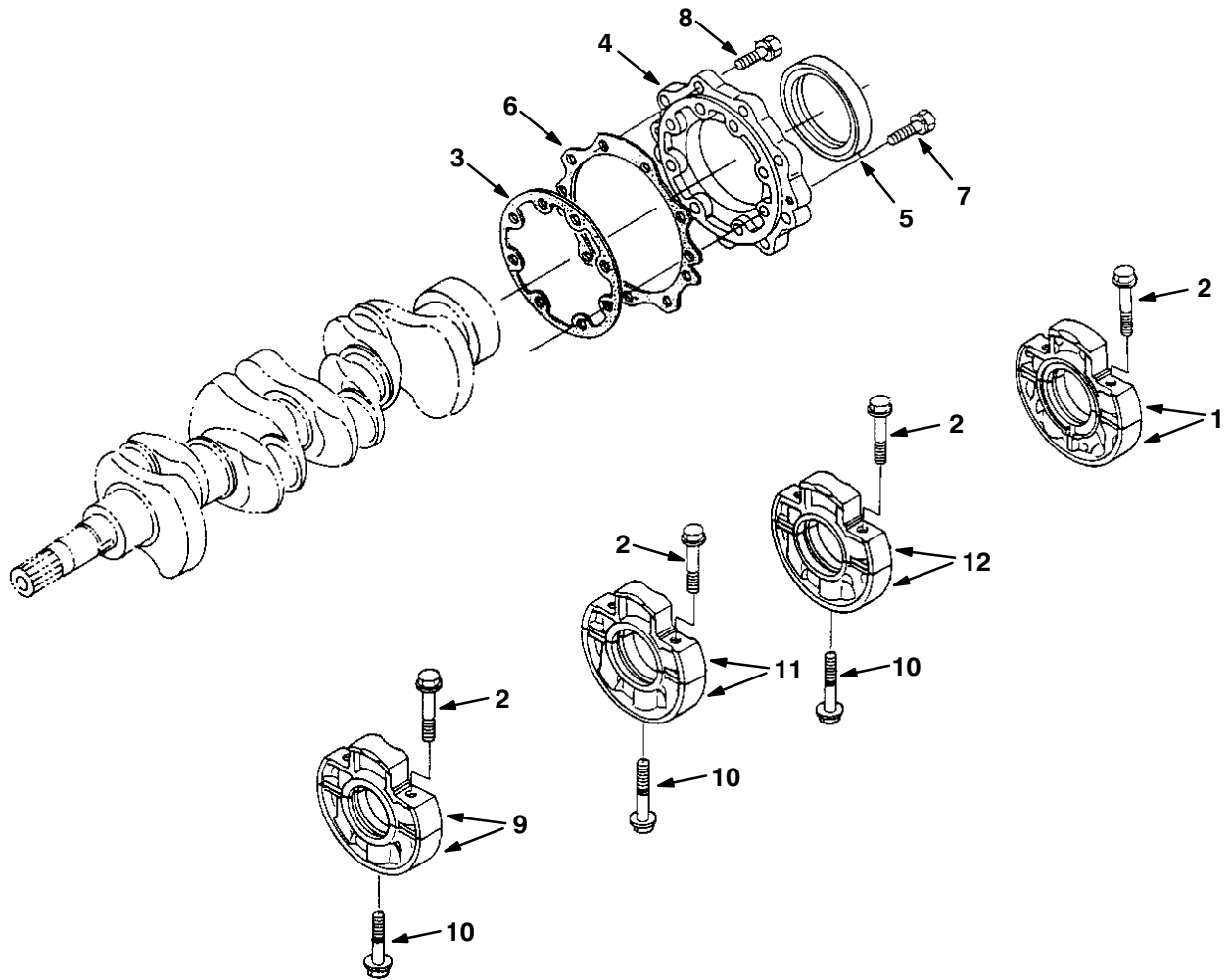
Fig. 5 – Water Pump Group



07415 – M20, D

Ref.	Part No.	Description	Qty.
▽	1 66205	Assembly Pump, Water	1
▲	2 70915	Bearing, Ball	1
▲	3 70916	Assembly Seal, Mechanical	1
▲	4 70917	Impeller, Water Pump	1
▲	5 361440	Fitting, Pipe, Water [Ku]	1
▲	6 70919	Flange, Pump, Water [Ku]	1
▲	7 70920	Gasket, Water Pump	1
	8 72997	Bolt	2
	9 72996	Bolt	4
	10 55847	Pully, Fan	1

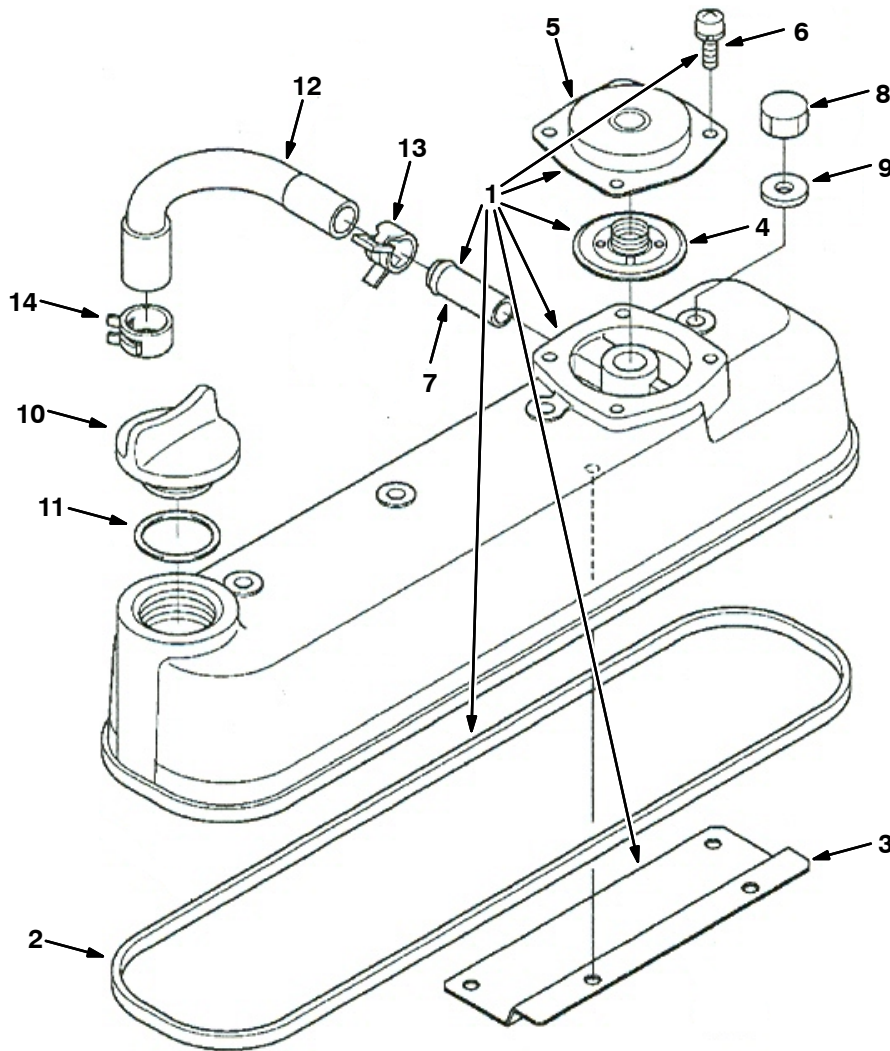
Fig. 6 – Main Bearing Case Group



07417 – M20, D

Ref.	Part No.	Description	Qty.
1	70921	Assembly Case, Main Bearing	1
2	72998	Bolt, Bearing Case 1	8
3	70922	Gasket, Bearing Case	1
4	70923	Cover, Bearing Case	1
5	70924	Seal, Oil	1
6	70925	Gasket, Bearing Case Cover	1
7	72999	Bolt	8
8	39119	Bolt	9
9	70926	Assembly Case, Main Bearing 1	1
10	73479	Bolt, Bearing Case 2	3
11	70927	Assembly Case, Main Bearing 2	1
12	70928	Assembly Case, Main Bearing 3	1

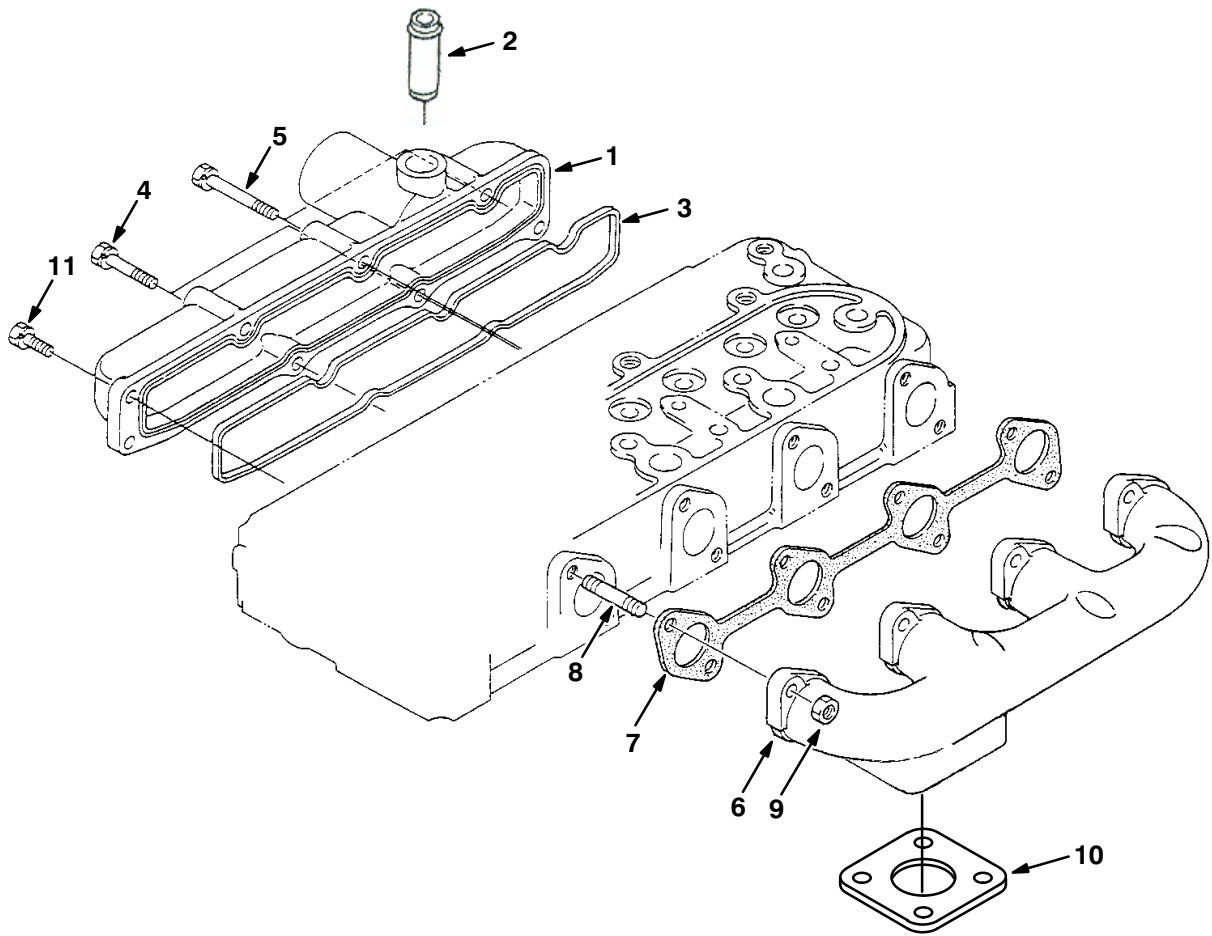
Fig. 7 - Head Cover Group



07419 - M20, D

Ref.	Part No.	Description	Qty.
▽	1 372918	Cover Assy, Head, Cyl	1
▲	2 70929	Gasket, Head Cover	1
▲	3 372912	Shield, Breather	1
▲	4 372928	Valve, Breather, Complt	1
▲	5 372927	Cover, Breather	1
▲	6 372900	Screw, Pan	4
▲	7 30125	Pipe, Water	1
	8 73483	Nut, Cap	4
	9 73484	Gasket	4
	10 361374	Plug, Oil Filler	1
	11 70913	Seal, Org	1
	12 372913	Tube, Breather	1
	13 372901	Clamp, Hose	1
	14 372904	Clamp, Hose	1

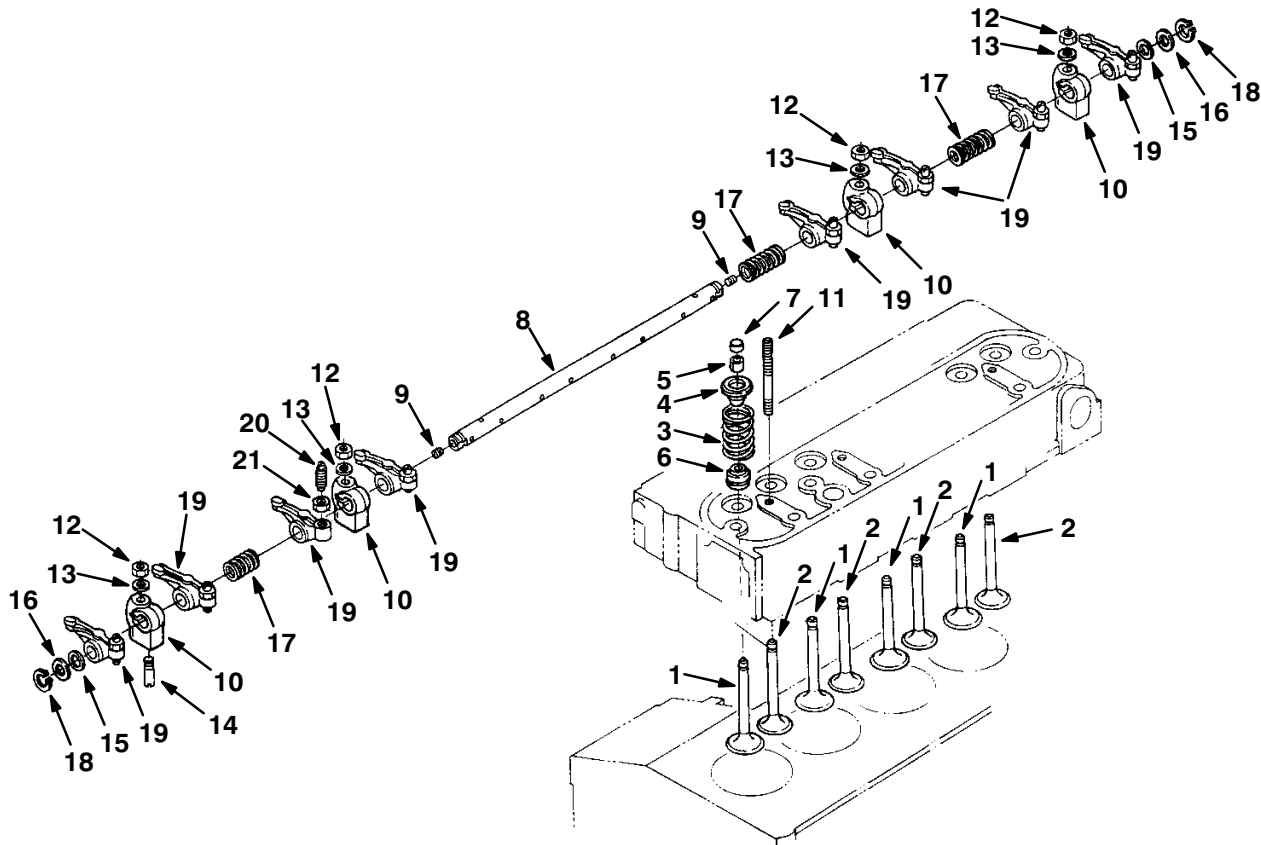
Fig. 8 - Manifold Group



07421 - M20, D

	Ref.	Part No.	Description	Qty.
▽	1	372905	Manifold Assy, Inlet	1
▲	2	73481	Pipe, Breather [Ku]	1
▲	3	70934	Gasket, Manifold, Intake [Ku]	1
	4	72996	Bolt	2
	5	72994	Bolt	3
	6	73487	Manifold, Exhaust, Front, Down	1
	7	70935	Gasket, Ex-manifold	1
	8	73488	Stud	8
	9	361427	Nut	8
	10	51332	Gasket Ku	1
	11	40409	Bolt	3

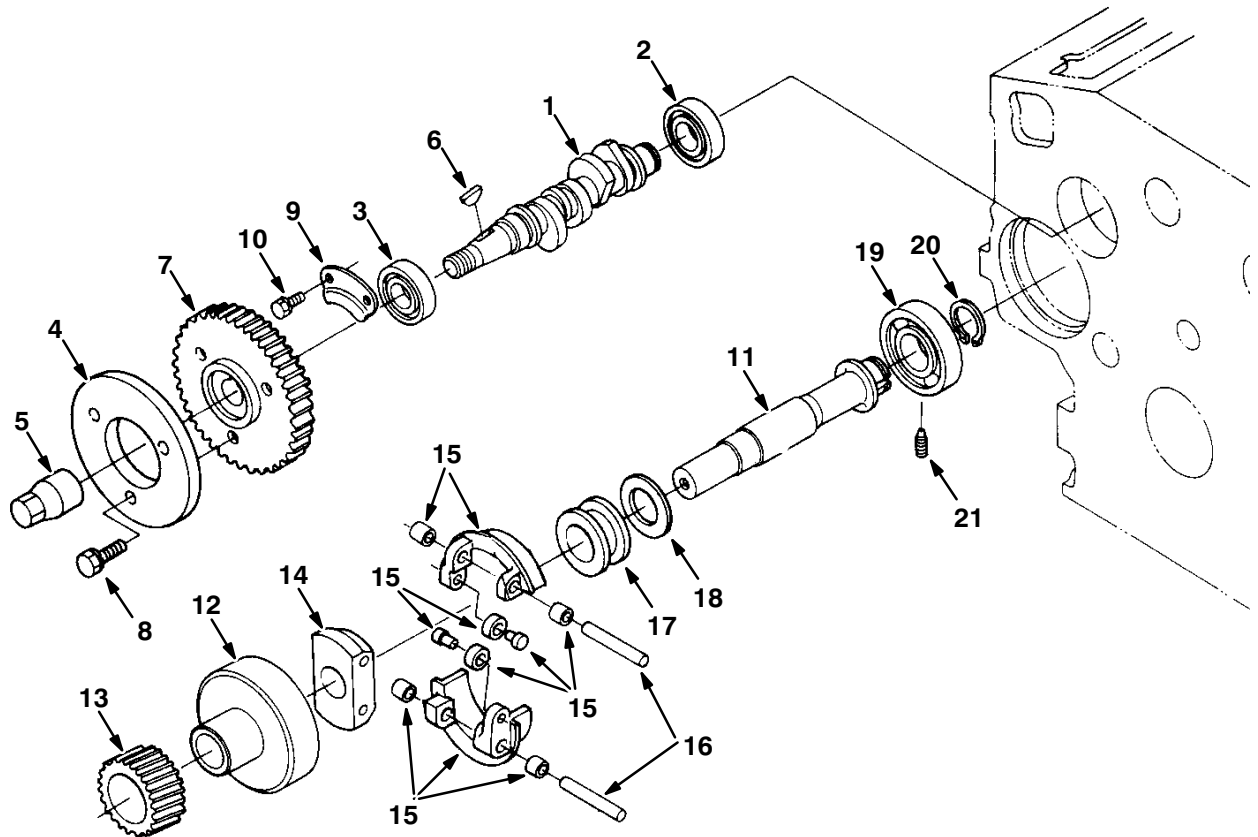
Fig. 9 – Valve, Rocker Arm Group



07423 – M20, D

Ref.	Part No.	Description	Qty.	
1	70936	Valve, Inlet	4	
2	70937	Valve, Exhaust	4	
3	73491	Spring, Valve	8	
4	73492	Retainer, Valve Spring	8	
5	73493	Collet, Valve Spring	8	
6	73494	Seal, Valve Stem	8	
7	361392	Cap, Valve	8	
▽	8	73495	Assembly Shaft, R-arm	1
▲	9	73496	Screw, Set	2
10	73497	Bracket, Rocker Arm	4	
11	73498	Stud	4	
12	73499	Nut	4	
13	73500	Washer, Plain	4	
14	73501	Screw, Set	1	
15	73502	Washer 1	2	
16	73503	Washer 2	2	
17	73504	Spring, Rocker Arm	3	
18	73505	Cir-clip, External	2	
▽	19	73506	Assembly Rocker Arm	8
▲	20	73507	Screw, Adjusting	8
▲	21	73508	Nut	8

Fig. 10 – Fuel Camshaft Group



07441 – M20, D

Ref.	Part No.	Description	Qty.	
1	84636	Camshaft, Fuel	1	
2	70975	Bearing, Ball	1	
3	70976	Bearing, Ball	1	
4	73592	Cam, Fuel	1	
5	73593	Nut, Cap	1	
6	73594	Key, Woodruff	1	
7	73595	Gear, Injection Pump	1	
8	40409	Bolt	3	
9	73596	Stopper	1	
10	71995	Bolt	2	
▽	11	73597	Assembly Shaft, Governor	1
▲	12	73598	Holder, Governor Gear	1
▲	13	73599	Gear, Governor	1
▲	14	73600	Holder,	1
▲	15	73601	Comp. Weight, Governor	2
▲	16	73602	Shaft, Governor Weight	2
▲	17	70977	Sleeve, Governor	1
▲	18	70978	Washer, Thrust	1
	19	70979	Bearing, Ball	1
	20	73603	Cir-clip, Governor Shaft	1
	21	73604	Screw, Set	1

Fig. 11 - Camshaft Group

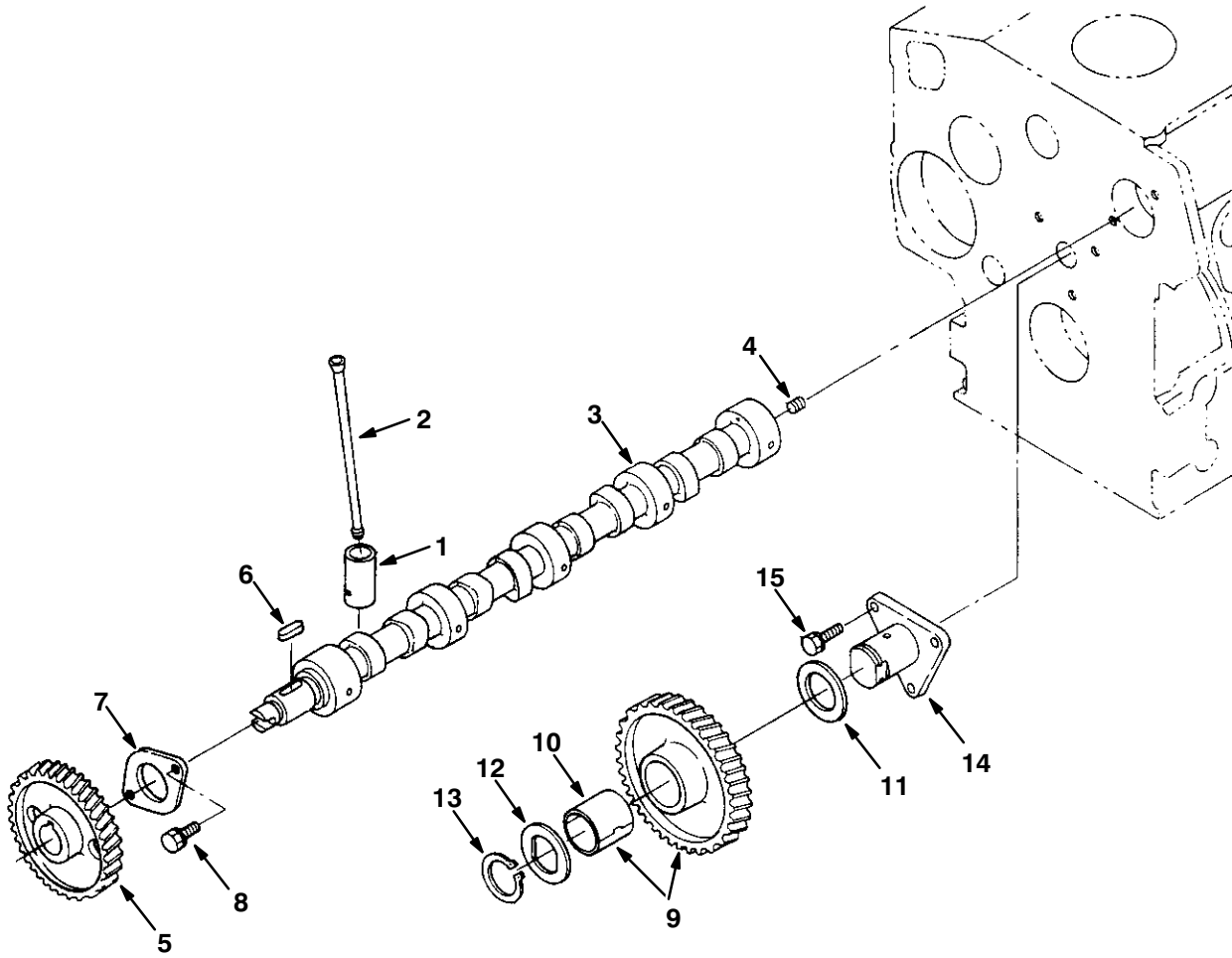


Fig. 11 - Camshaft Group

	Ref.	Part No.	Description	Qty.
	1	12895	Tappet	8
	2	73509	Push Rod	8
▽	3	73510	Assembly Camshaft	1
▲	4	39197	Screw, Set	1
▲	5	73511	Gear, Camshaft	1
▲	6	73512	Key, Feather	1
▲	7	73513	Stopper, Camshaft	1
▲	8	39160	Bolt	2
▽	9	73514	Comp Idle Gear 1	1
▲	10	73515	Bush, Idle Gear	1
	11	73516	Collar, Idle Gear 1	1
	12	73517	Collar, Idle Gear 2	1
	13	73518	Cir-clip, Idle Gear	1
	14	73519	Shaft, Idle Gear 1	1
	15	41973	Bolt	3

Fig. 12 - Piston and Crankshaft Group

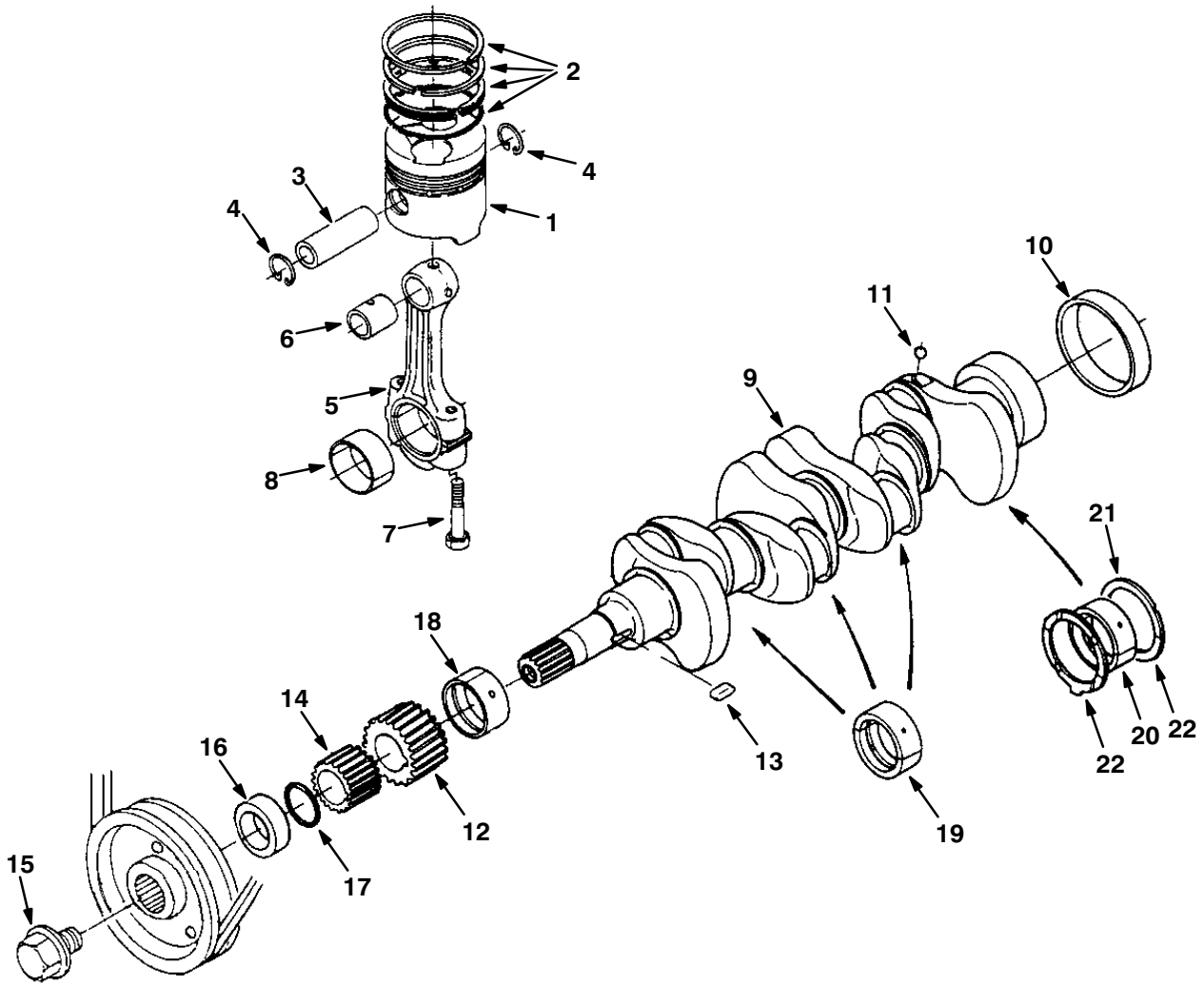


Fig. 12 – Piston and Crankshaft Group

Ref.	Part No.	Description	Qty.	
1	73520	Piston	4	
1	73521	Piston 05	4	
2	70938	Assembly Piston Ring	4	
2	70939	Assembly Piston Ring 05	4	
3	73522	Pin, Piston	4	
4	73523	Cir-clip, Piston Pin	8	
▽	5	73524	Assembly Connecting Rod	4
▲	6	70940	Bush, Piston Pin	4
▲	7	73525	Bolt, Connecting Rod	8
▲	8	70941	Metal, Crankpin	4
▲	8	66204	Metal, Crankpin 02	4
▲	8	66207	Metal, Crankpin 04	4
▽	9	73526	Comp. Crankshaft	1
▲	10	70942	Sleeve, Crankshaft	1
▲	11	73527	Ball	4
▲	12	73528	Gear, Crankshaft	1
▲	13	73529	Key	1
▲	14	73530	Gear, Oil Pump Drive	1
	15	73532	Bolt	1
	16	70943	Collar, Crankshaft	1
	17	70944	O-Ring	1
	18	70945	Metal, Crankshaft 1	1
	18	70946	Metal, Crankshaft1 02	1
	18	70947	Metal, Crankshaft1 04	1
	19	70948	Metal, Crankshaft 2	3
	19	70949	Metal, Crankshaft2 02	3
	19	70950	Metal, Crankshaft2 04	3
	20	70951	Metal, Crankshaft 3	1
	20	70952	Metal, Crankshaft3 02	1
	20	70953	Metal, Crankshaft3 04	1
	21	10844	Metal, Side 1	2
	21	70954	Metal, Side 1 02	2
	21	70955	Metal, Side 1 04	2
	22	10845	Metal, Side 2	2
	22	30121	Metal, Side 2 02	2
	22	30122	Metal, Side 2 04	2

Fig. 13 - Flywheel Group

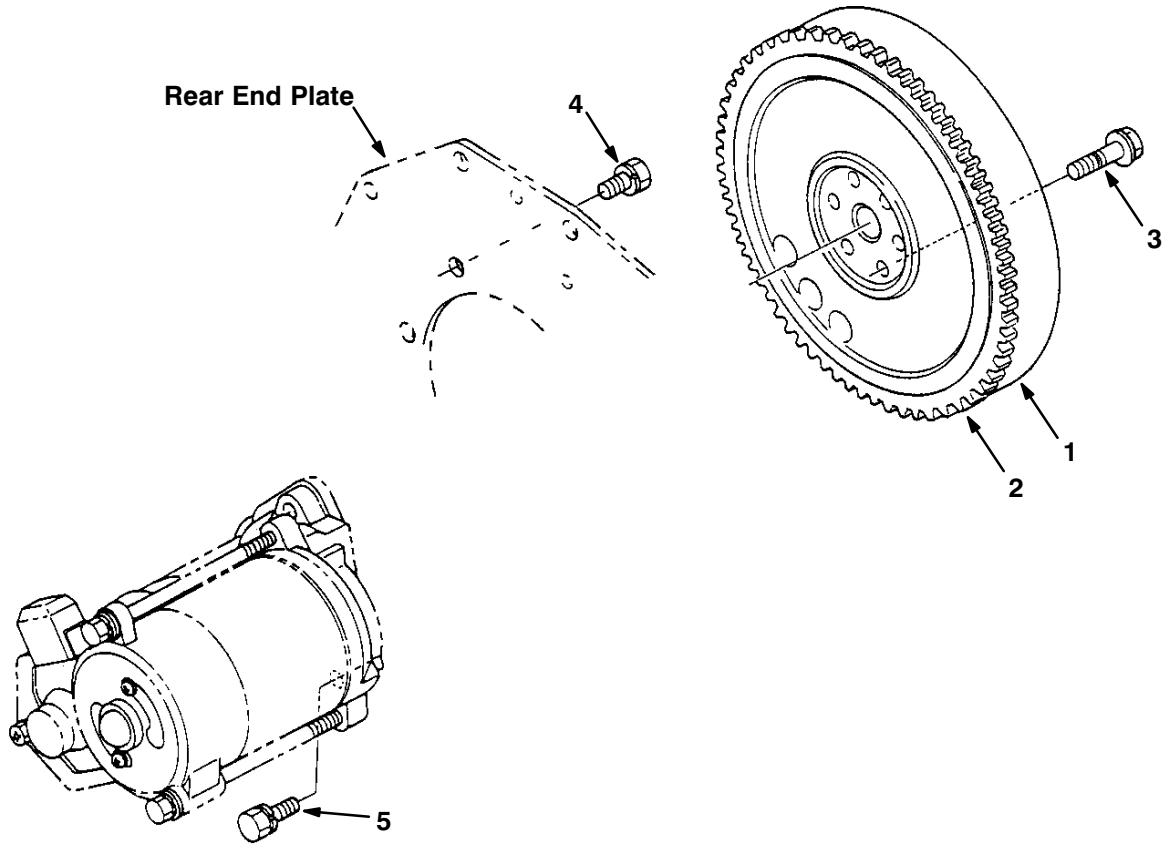


Fig. 13 – Flywheel Group

	Ref.	Part No.	Description	Qty.
▽	1	70956	Comp. Flywheel	1
▲	2	70957	Gear, Ring	1
	3	73533	Bolt, Flywheel	6
	4	73534	Bolt	8
	5	73535	Bolt	2

Fig. 14 – Starter Breakdown, 74405

	Ref.	Part No.	Description	Qty.
▽	1	74405	Assy Starter	1
▲	2	70196	Assy Yoke	1
▲▽	3	70197	Assy Armature	1
▲▲	4	70198	Bearing	1
▲▲	5	70199	Bearing	1
▲	6	70200	Clutch, Over Running	1
▲	7	70201	Frame, Drive End	1
▲	8	70202	Assy Switch, Magneto	1
▲	9	70203	Frame, End	1
▲▽	10	70204	Assy Holder, Brush	1
▲▲	11	70205	Spring, Brush	4
▲	12	70206	Gear	1
▲	13	70207	Retainer	1
▲	14	73545	Roller	5
▲	15	70208	Spring	1
▲	16	73547	Ball	1
▲	17	70209	Bolt	2
▲	18	20433	O-Ring	2
▲	19	70210	Bolt	2
▲	20	20432	Assy Bolt	2
▲	21	70211	Cover	1
▲	22	73551	Nut, Hexagon	1
▲	23	70212	Nut, Hexagon	1
▲	24	70213	Pipe, Drain	1

Fig. 15 – Nozzle Holder and Glow Plug Group

Ref.	Part No.	Description	Qty.	
	1	73554	Pipe, Over Flow	1
	2	73555	Screw	1
	3	40166	Gasket	1
▽	4	361373	Assembly Pipe, Over Flow	1
▲	5	361368	Band, Pipe	2
▽	6	372917	Housing Assy, Nozzle	4
▲	7	70964	Gasket	1
▲	8	20719	Seal, Heat	1
	9	70965	Pipe, Injection 1	1
	10	70966	Pipe, Injection 2	1
	11	70967	Pipe, Injection 3	1
	12	70968	Pipe, Injection 4	1
	13	30131	Clamp, Pipe 1	3
	14	30132	Clamp, Pipe 2	3
	15	84638	Plug, Glow	4
	16	73560	Cord, Glow Plug	1
	17	39508	Screw, With Washer	3

Fig. 16 – Injection Pump Group

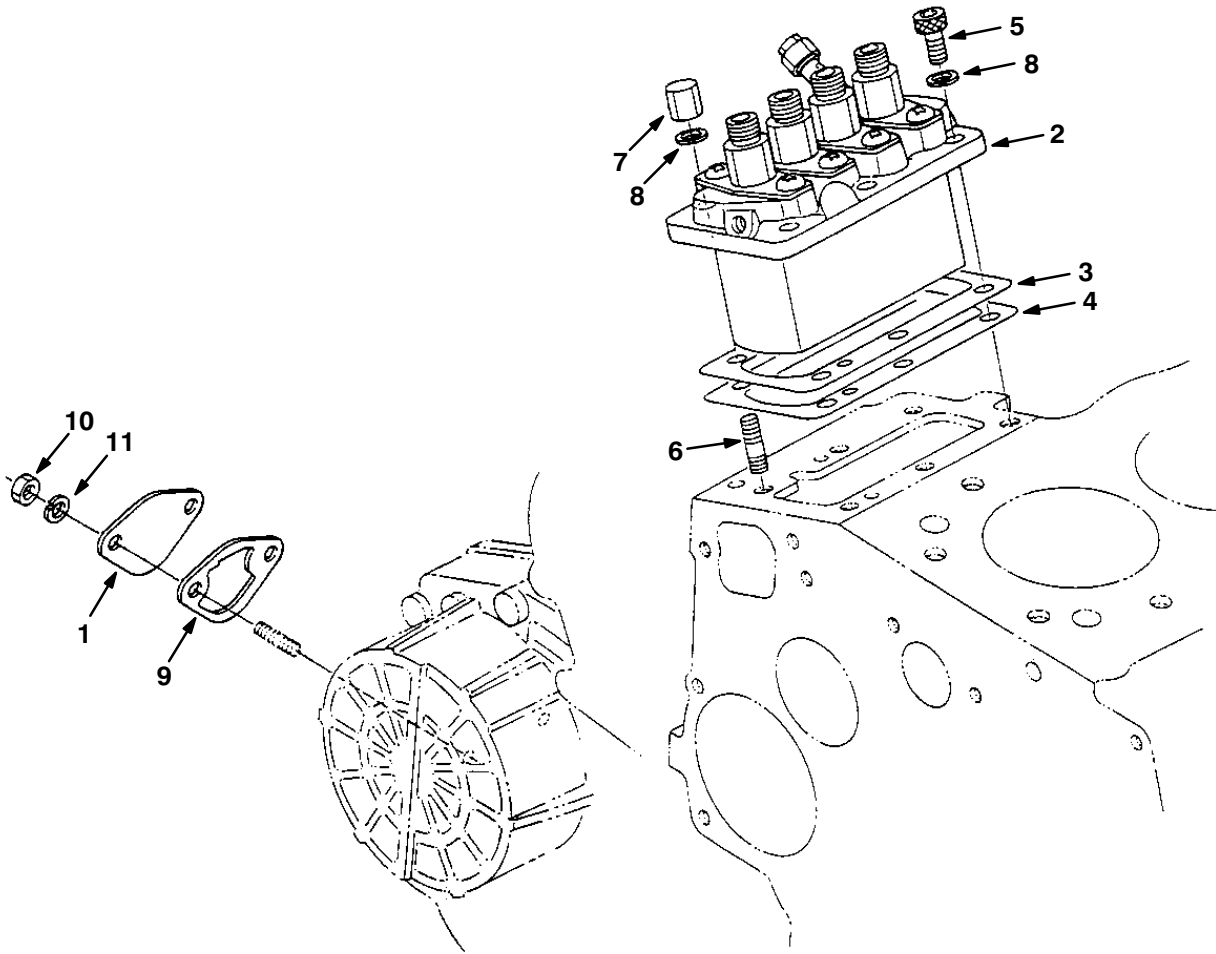


Fig. 16 – Injection Pump Group

Ref.	Part No.	Description	Qty.
1	73565	Fuel Pump Cover Plate	1
2	84635	Assembly Pump, Injection (See Injection Pump Breakdown)	1
3	70972	Shim, Injection Pump 0.20 mm	1
4	70973	Shim, Injection Pump 0.25 mm	2
4	84644	Shim, Injection Pump 0.30 mm	1
5	73561	Bolt	3
6	73562	Stud	3
7	73563	Nut, Cap	3
8	39065	Washer, Spring	6
9	70974	Gasket, Fuel Pump	1
10	39121	Nut	2
11	39065	Washer, Spring	2

Fig. 17 - Injection Pump Breakdown

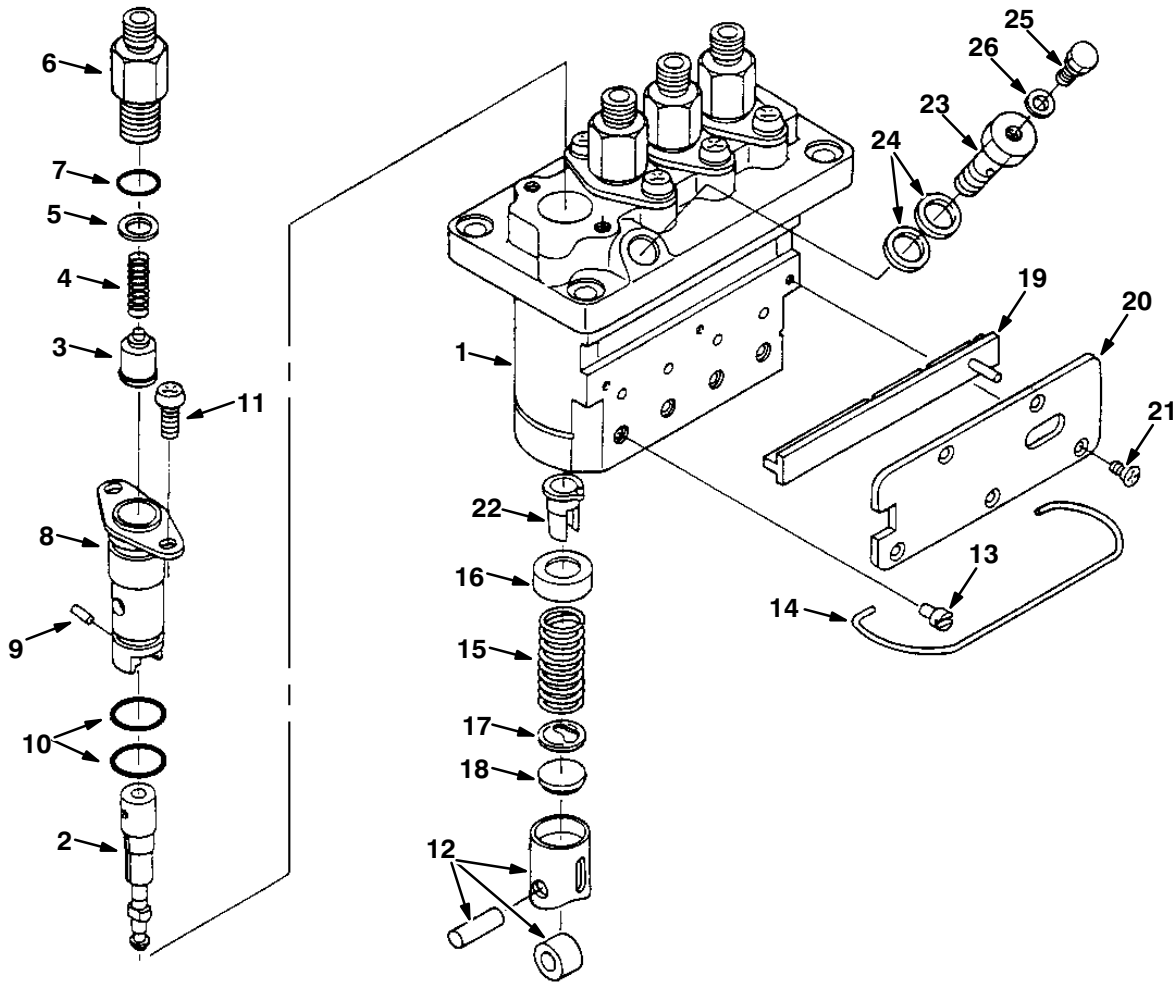
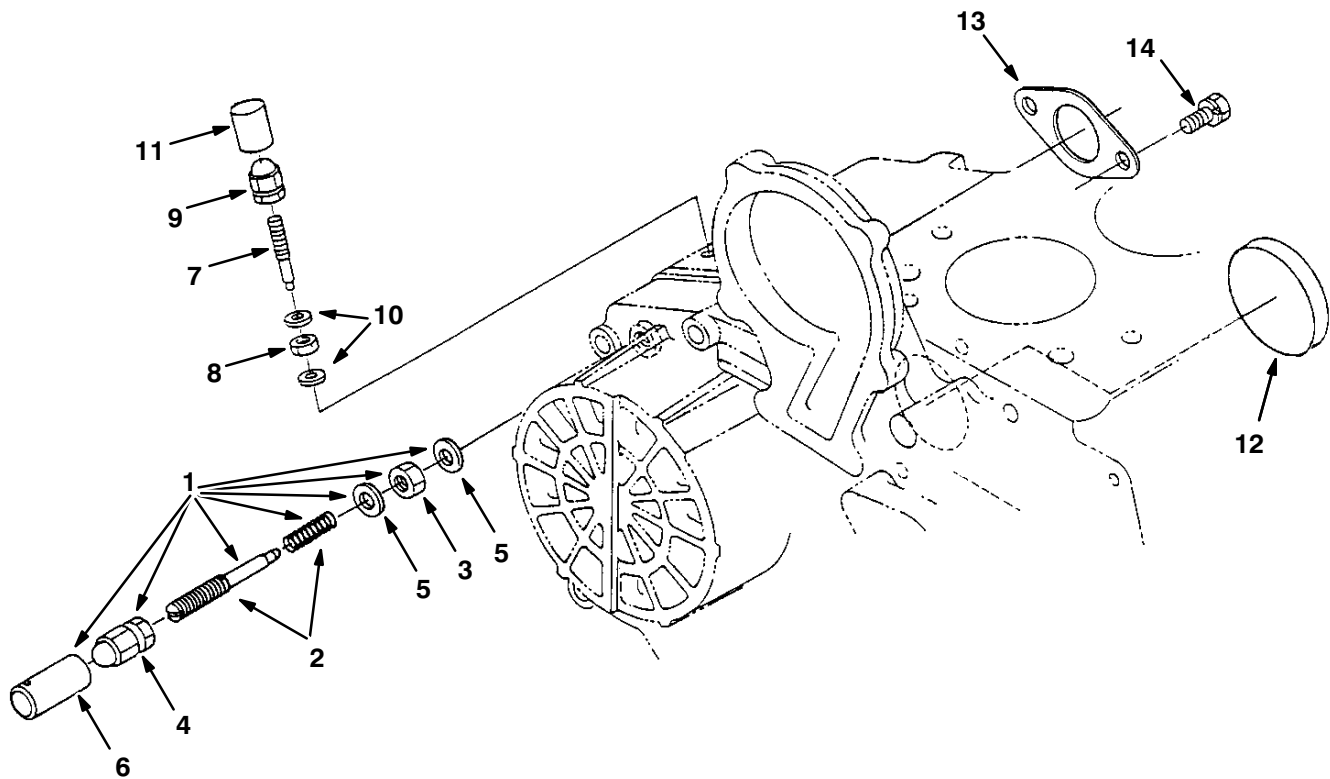


Fig. 17 – Injection Pump Breakdown

	Ref.	Part No.	Description	Qty.
▽	1	84635	Assembly Pump, Injection	1
▲	2	84648	Plunger, Pump	4
▲	3	73567	Valve, Delivery	4
▲	4	73568	Spring, Delivery Valve	4
▲	5	73569	Gasket, Delivery Valve	4
▲	6	73570	Holder, Delivery Valve	4
▲	7	73571	O-Ring	4
▲	8	73572	Flange, Sleeve	4
▲	9	73573	Pin, Joint	4
▲	10	73574	O-Ring	8
▲	11	73575	Screw	8
▲	12	73576	Assembly Tappet	4
▲	13	73577	Pin, Tappet Guide	4
▲	14	73578	Pin, Clamp	1
▲	15	73579	Spring, Plunger	4
▲	16	73580	Seat, Spring Upper	4
▲	17	73581	Seat, Spring Lower	4
▲	18	73582	Shim	1
▲	19	84649	Rack, Control	1
▲	20	84650	Plate	1
▲	21	73585	Screw	5
▲	22	73586	Sleeve, Control	4
▲	23	84651	Screw, Follow	1
▲	24	73588	Gasket	2
▲	25	73589	Screw	1
▲	26	73590	Gasket	1

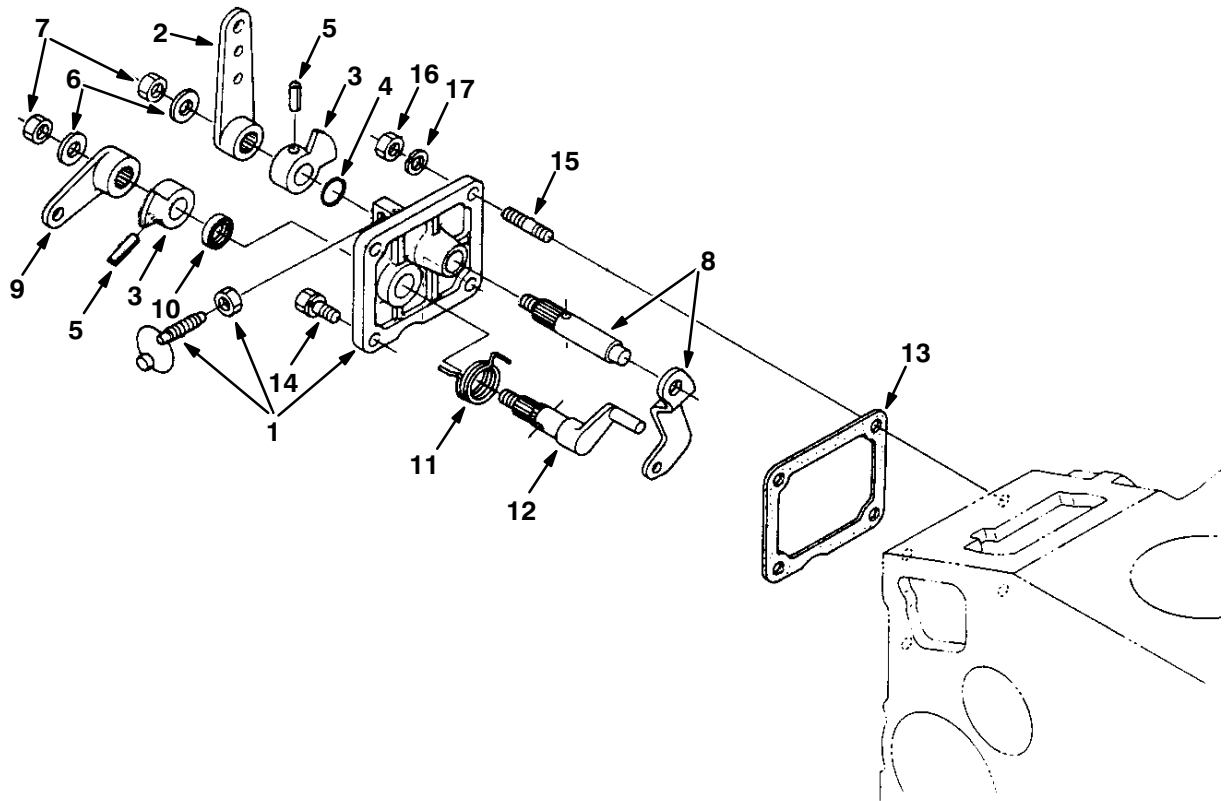
Fig. 18 – Idling Group



07443 – M20, D

	Ref.	Part No.	Description	Qty.
▽	1	70980	Assembly Apparatus, Idle	1
▲	2	73605	Assembly Bolt, Adjusting	1
▲	3	73606	Nut	1
▲	4	73607	Nut, Cap	1
▲	5	40166	Gasket	2
▲	6	30136	Cap	1
	7	73610	Bolt, Adjusting	1
	8	73606	Nut	1
	9	73607	Nut, Cap	1
	10	40166	Gasket	2
	11	30136	Cap	1
	12	70188	Cover	1
	13	70165	Gasket, Thrtl Blk	1
	14	39160	Bolt	2

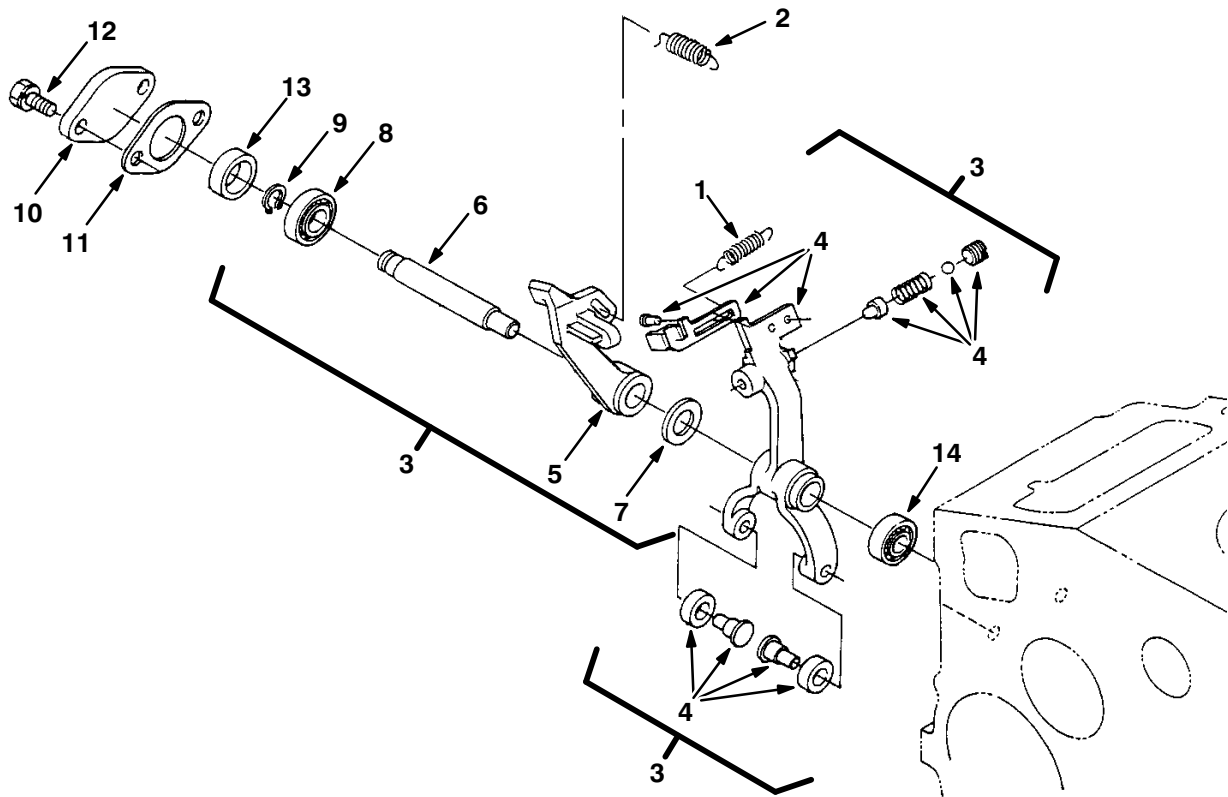
Fig. 19 – Speed Control Plate Group



07445 – M20, D

Ref.	Part No.	Description	Qty.
▽	1 70982	Assembly Plate, Control	1
▲	2 73618	Lever, Speed Control	1
▲	3 73619	Lever, Speed Control	2
▲	4 73620	O-Ring	1
▲	5 40407	Pin, Spring	2
▲	6 73621	Washer, Plain	2
▲	7 73622	Nut	2
▲	8 73623	Comp. Lever, Governor	1
▲	9 73624	Lever, Engine Stop	1
▲	10 70983	Seal, Oil	1
▲	11 73625	Spring, Return	1
▲	12 73626	Shaft, Stop Lever	1
	13 70984	Gasket	1
	14 41973	Bolt	2
	15 72018	Stud	2
	16 39121	Nut	2
	17 39065	Washer, Spring	2

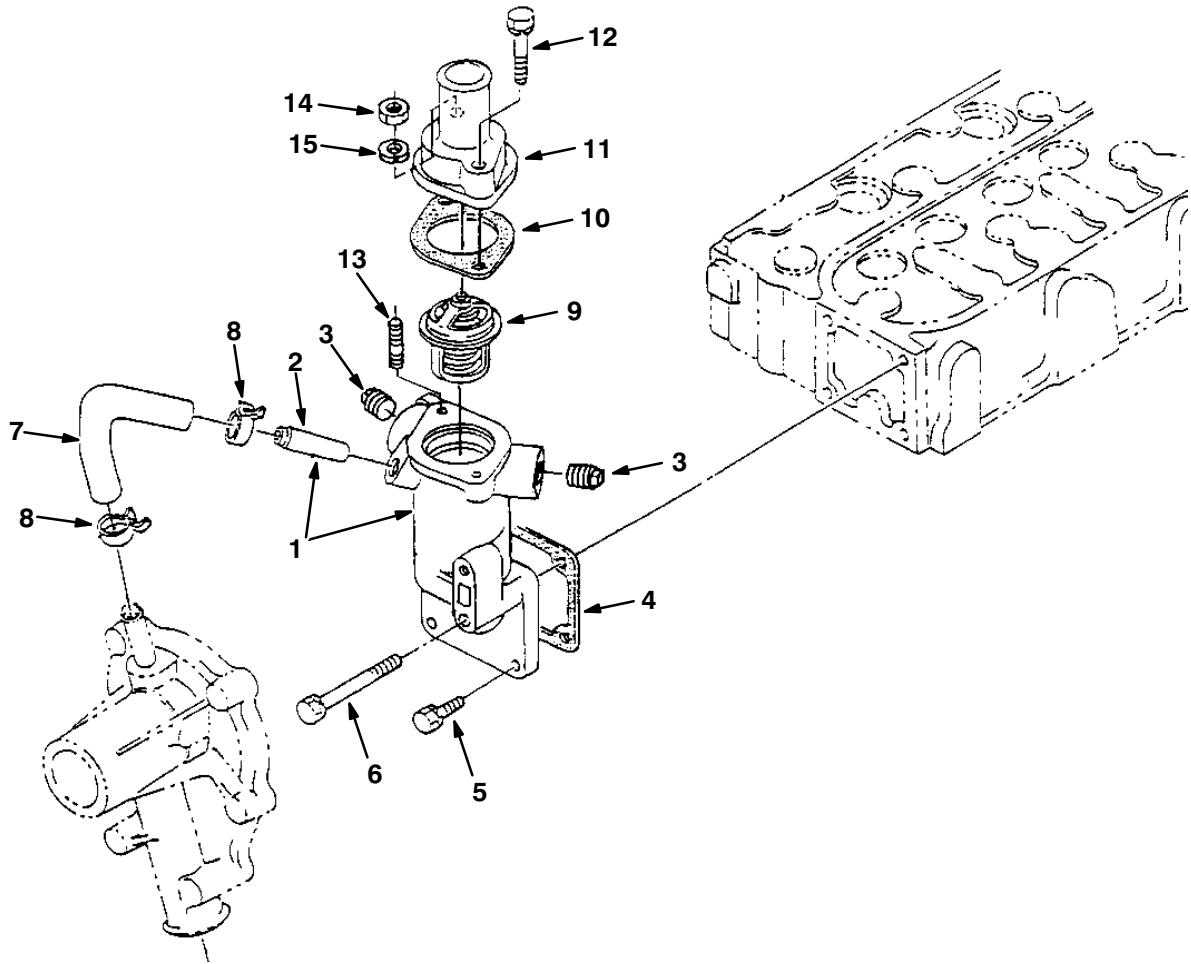
Fig. 20 - Governor Group



07447 - M20, D

Ref.	Part No.	Description	Qty.
1	70985	Spring, Start	1
2	70986	Spring, Governor	1
▽ 3	73627	Assembly Lever, Fork	1
▲ 4	70987	Comp. Lever, Fork 1	1
▲ 5	73628	Lever, Fork 2	1
▲ 6	73629	Shaft, Fork Lever	1
▲ 7	70988	Washer, Plain	1
▲ 8	70989	Bearing, Ball	1
▲ 9	73630	Cir-clip, External	1
10	73631	Cover, Fork Lever Shaft	1
11	361430	Gasket	1
12	39160	Bolt	2
13	70991	Collar 1	1
14	70992	Bearing, Ball	1

Fig. 21 - Water Flange Group



07451 - M20, D

Ref.	Part No.	Description	Qty.
▽	1 368090	Flange, Water [Ku]	1
▲	2 361440	Fitting, Pipe, Water [Ku]	1
	3 73632	Fitting, Pipe, Plug [Ku]	2
	4 70994	Gasket, Hsg, Thermostat [Ku]	1
	5 41973	Bolt, Hex [Ku]	3
	6 72995	Screw, Hex [Ku]	1
	7 73633	Hose, Water [Ku]	1
	8 73634	Clamp, Hose, Heater [Ku]	2
	9 10852	Thermostat, 180deg, 1.7d [Ku]	1
	10 10851	Gasket	1
	11 368091	Housing, Thermostat [Ku]	1
	12 72996	Screw, Hex [Ku]	1
	13 73636	Stud	1
	14 39121	Nut, Hex [Ku]	1
	15 39065	Washer, Lock, Split [Ku]	2

SECTION 6

Contents	Page
Fig. 1 – Crankcase Group	6-2
Fig. 2 – Oil Pan Group	6-4
Fig. 3 – Cylinder Head Group	6-5
Fig. 4 – Gear Case Group	6-6
Fig. 5 – Water Pump Group	6-8
Fig. 6 – Main Bearing Case Group	6-9
Fig. 7 – Head Cover Group	6-10
Fig. 8 – Manifold Group	6-11
Fig. 9 – Valve, Rocker Arm Group	6-12
Fig. 10 – Fuel Camshaft Group	6-13
Fig. 11 – Camshaft Group	6-14
Fig. 12 – Piston and Crankshaft Group	6-16
Fig. 13 – Flywheel Group	6-18
Fig. 14 – Starter Breakdown, 74405	6-19
Fig. 15 – Nozzle Holder and Glow Plug Group .	6-20
Fig. 16 – Nozzle Holder Breakdown	6-21
Fig. 17 – Injection Pump Group	6-22
Fig. 18 – Injection Pump Breakdown	6-24
Fig. 19 – Idling Group	6-26
Fig. 20 – Speed Control Plate Group	6-27
Fig. 21 – Governor Group	6-28
Fig. 22 – Water Flange Group	6-29

Fig. 1 - Crankcase Group

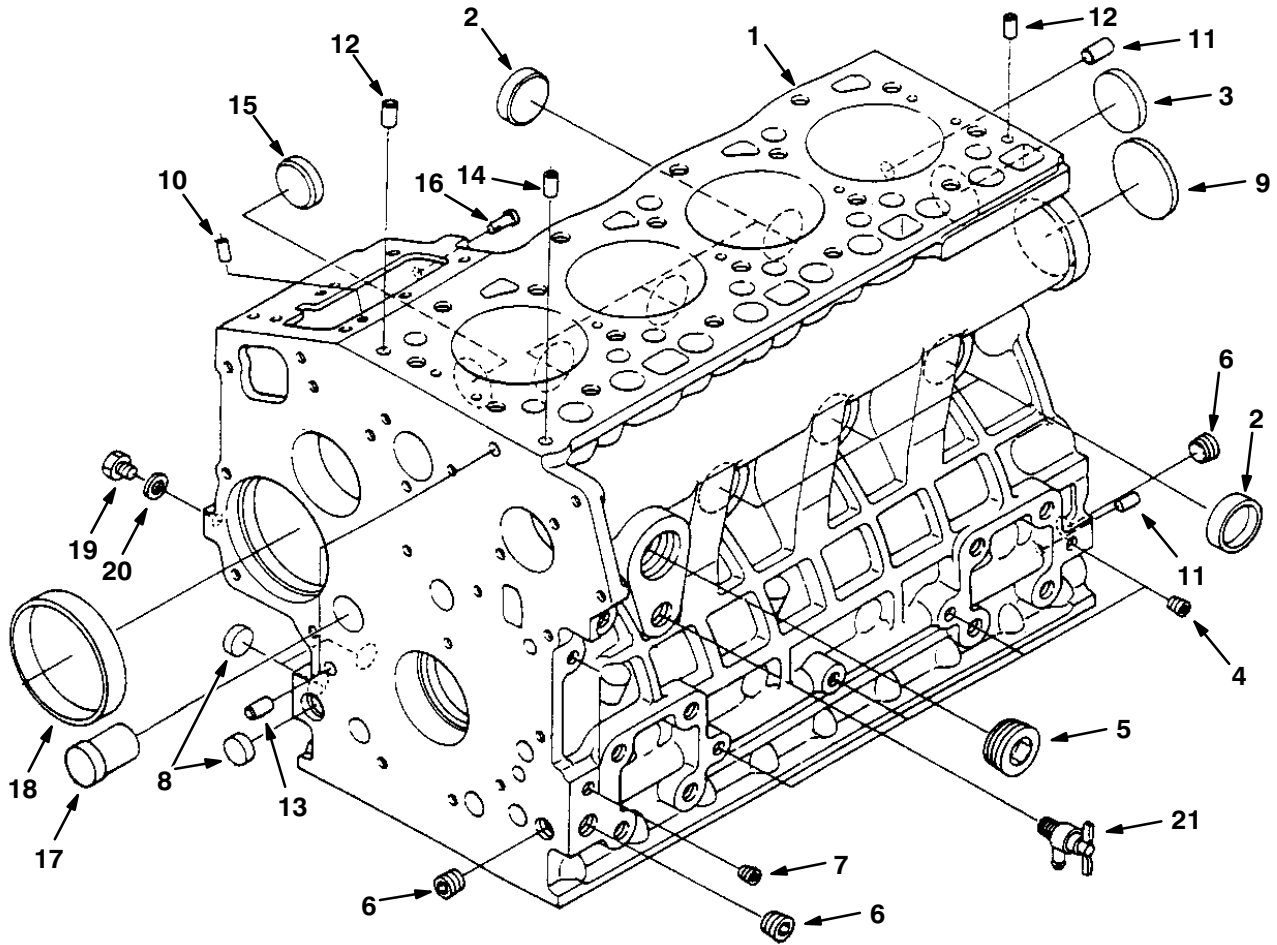
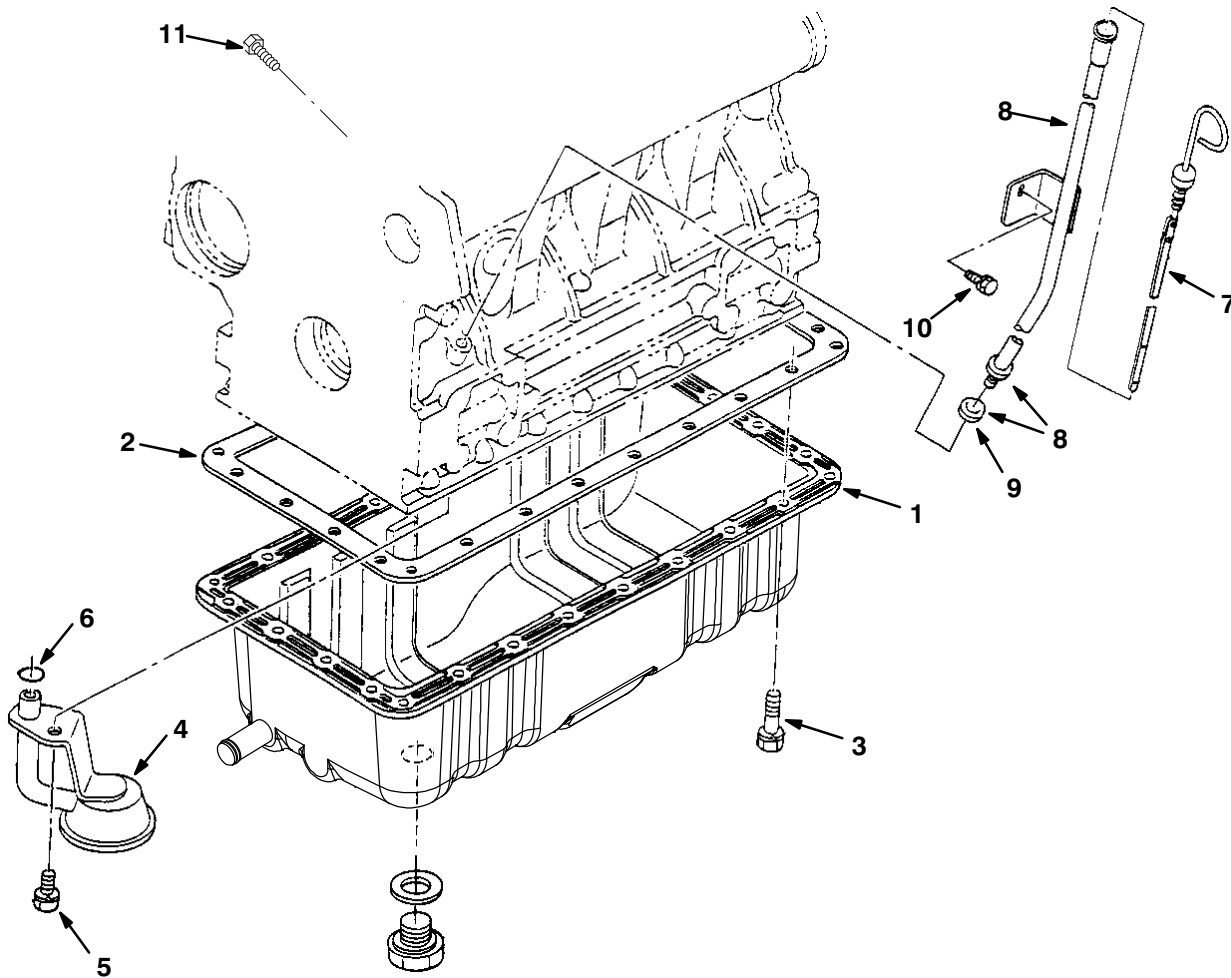


Fig. 1 – Crankcase Group

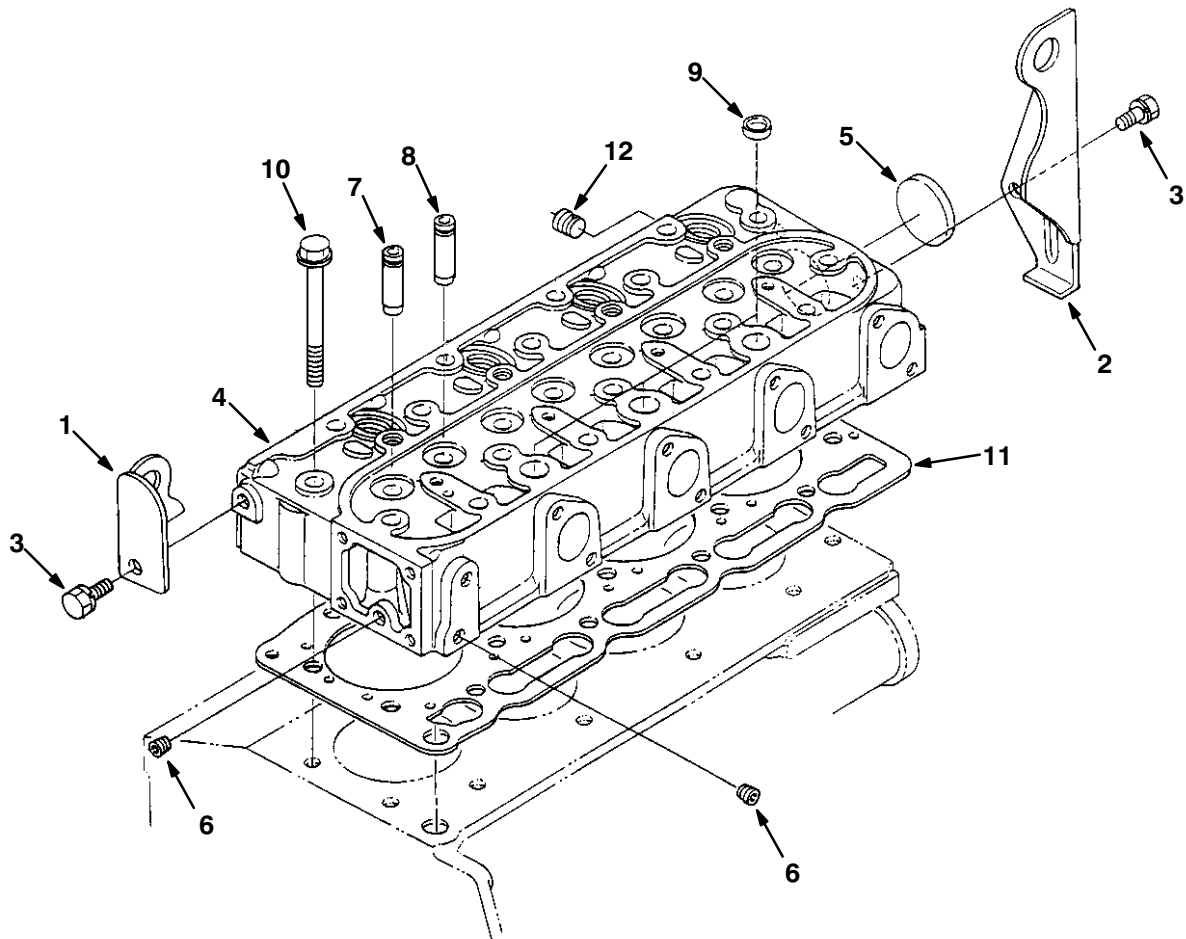
	Ref.	Part No.	Description	Qty.
▽	1	9004335	Crankcase, Complt [Ku]	1
▲	2	70998	Plug, Cup, Sealing [Ku]	6
▲	3	39087	Plug, Cup, Sealing [Ku]	1
▲	4	39088	Fitting, Pipe, Plug [Ku]	4
▲	5	70999	Plug, Eng [Ku]	1
▲	6	71985	Fitting, Pipe, Plug [Ku]	3
▲	7	39051	Fitting, Pipe, Plug [Ku]	2
▲	8	361436	Plug, Cup, Sealing [Ku]	3
▲	9	71986	Plug, Cup, Sealing [Ku]	1
▲	10	71987	Pin, Dowel [Ku]	2
▲	11	71988	Pin, Dowel [Ku]	2
▲	12	9004431	Pin, Straight [Ku]	2
▲	13	71990	Pin, Eng [Ku]	2
▲	14	71991	Tube, Pin [Ku]	1
▲	15	71992	Plug, Cup, Sealing [Ku]	1
▲	16	9004337	Pin, Start, Spring	1
▲	17	71993	Plug, Eng [Ku]	1
▲	18	70887	Bushing, Gear, Gov [Ku]	1
▲	19	39062	Fitting, Plug [Ku]	1
▲	20	393570	Gasket	1
	21	70888	Fitting, Draincock [Ku]	1

Fig. 2 – Oil Pan Group



Ref.	Part No.	Description	Qty.
1	1023144	Pan, Oil, Dsl	1
2	70889	Gasket, Pan, Oil	1
3	9004338	Bolt [Ku]	26
4	9003888	Filter, Oil [Ku]	1
5	39094	Screw, Hex [Ku]	1
6	9004339	O-Ring [Ku]	1
7	9004435	Gauge, Oil [Ku]	1
▽ 8	361428	Dipstick, Oil [Ku]	1
▲ 9	361366	Seal, Org [Ku]	1
10	39073	Screw, Hex [Ku]	1
	66187	Gasket Set	1
11	9004348	Plug, Gauge, Oil [Ku]	1

Fig. 3 – Cylinder Head Group



Ref.	Part No.	Description	Qty.	
	1	71996	Ear, Lifting, Eng [Ku]	1
	2	71997	Ear, Lifting, Eng [Ku]	1
	3	39073	Screw, Hex [Ku]	2
▽	4	9004340	Head, Cylinder [Ku]	1
▲	5	393504	Cap, Sealing	1
▲	6	39088	Fitting, Pipe, Plug [Ku]	2
▲	7	372906	Guide, Valve, Inlet	4
▲	8	372907	Guide, Valve, Exhaust	4
▲	9	361372	Plug, Cup, Sealing [Ku]	3
	10	70897	Screw, Hex, Head, Cyl [Ku]	18
	11	9004341	Gasket, Head, Cyl [Ku]	1
		66194	Gasket Set, Upper	1
	12	72010	Fitting, Pipe, Plug [Ku]	1

Fig. 4 - Gear Case Group

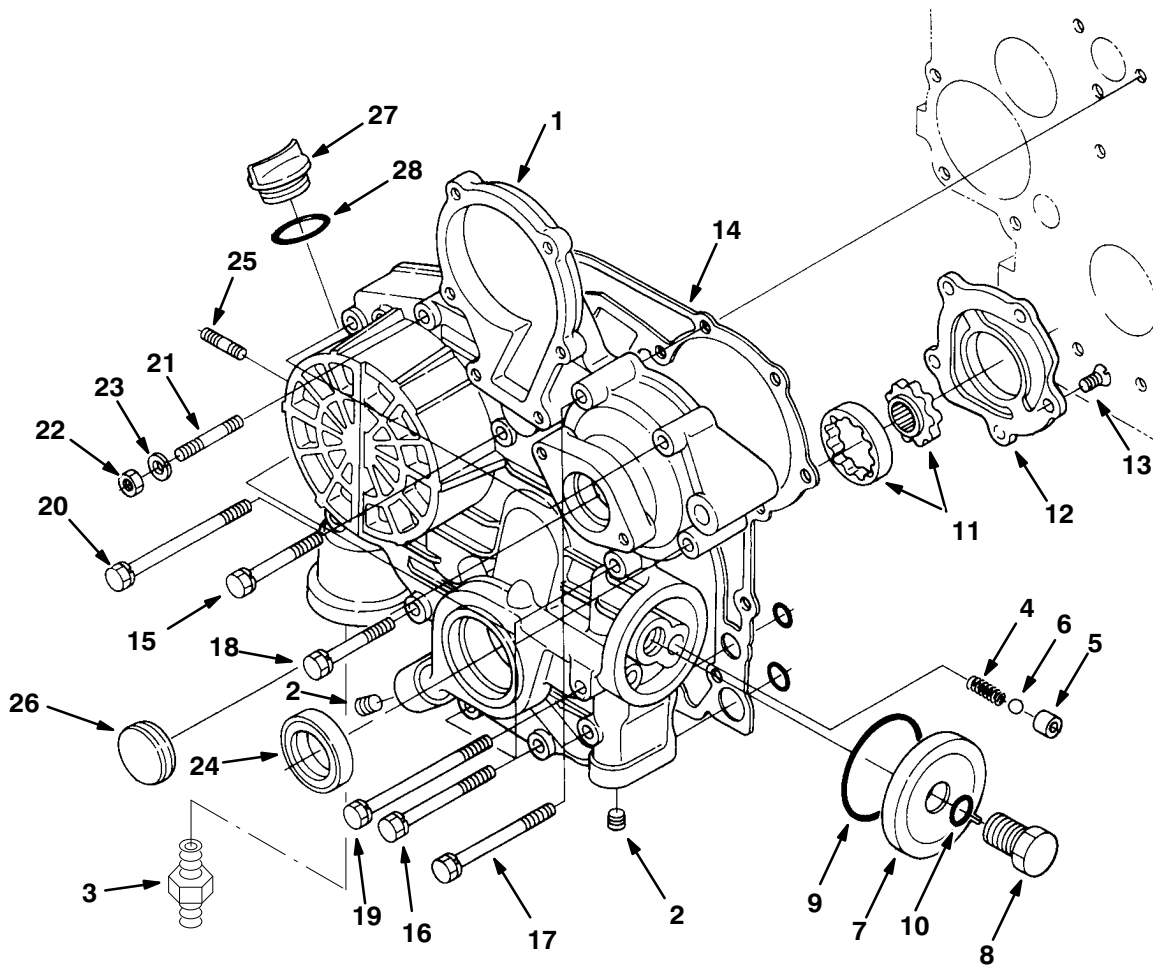
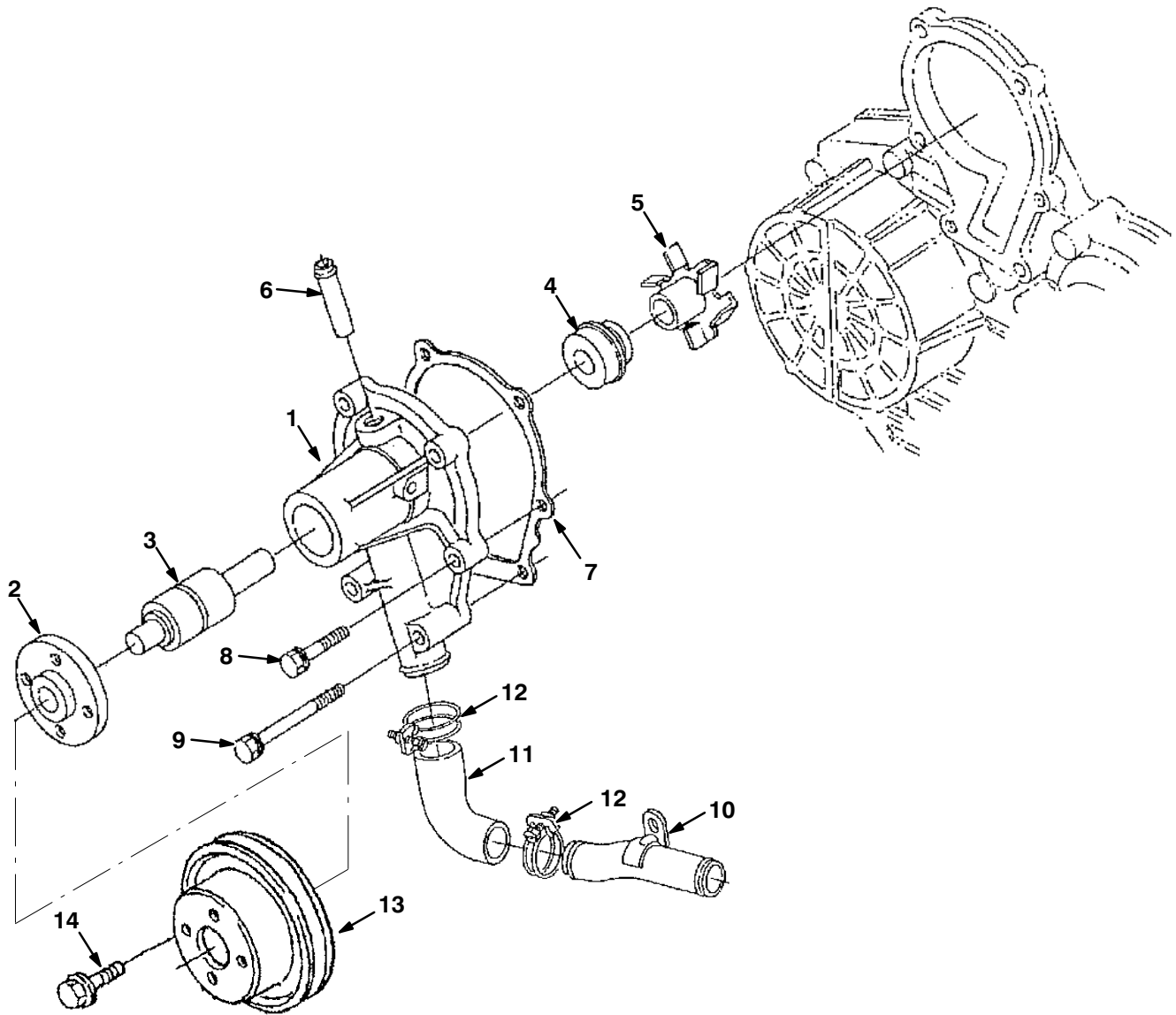


Fig. 4 – Gear Case Group

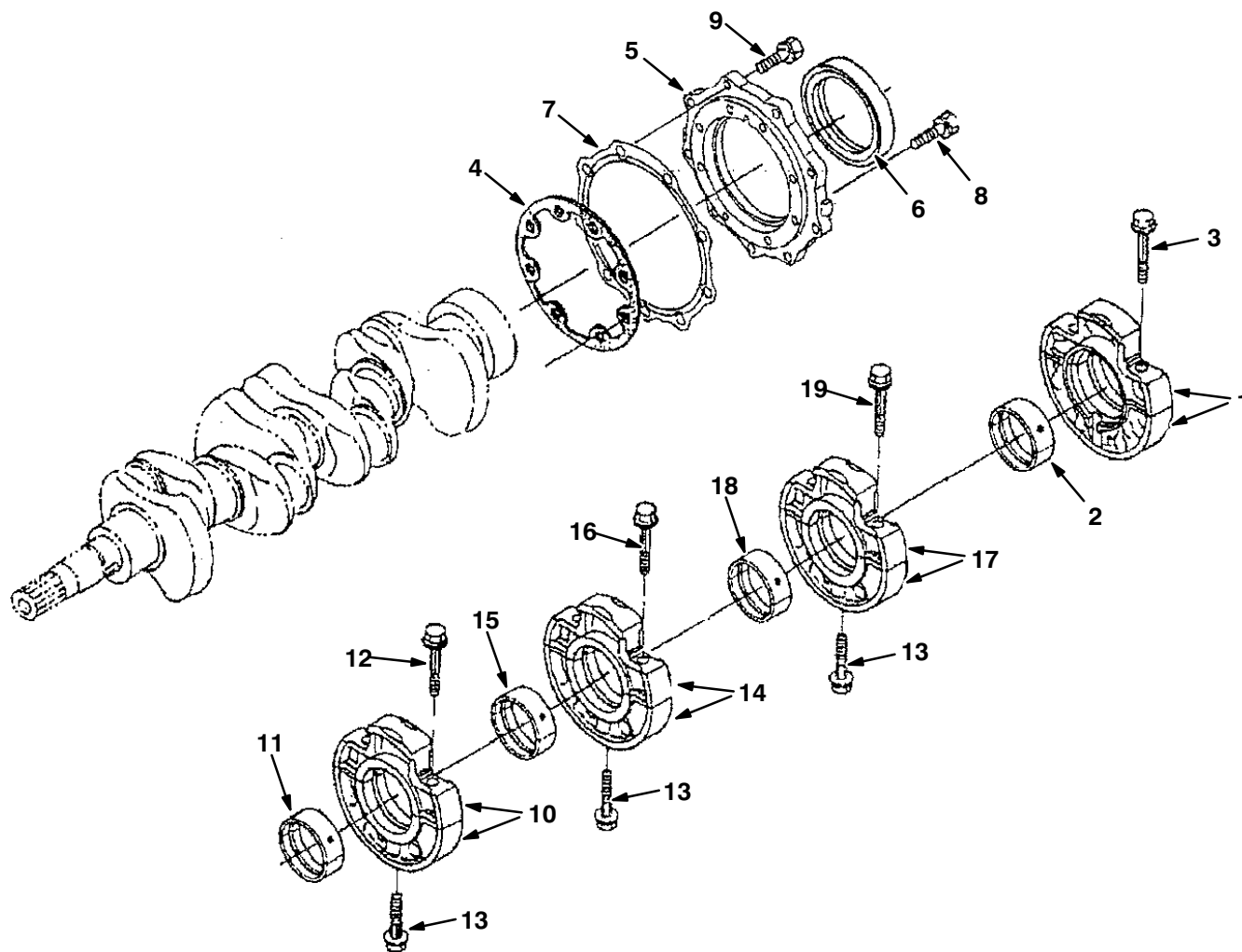
	Ref.	Part No.	Description	Qty.
▽	1	9004432	Crankcase, Comp [Ku]	1
▲	2	361401	Fitting, Pipe, Plug [Ku]	5
▲	3	12916	Fitting, Fltr, Oil [Ku]	1
▲	4	70900	Spring, Cmpr, Relief [Ku]	1
▲	5	70901	Tube, Seat, Valve, Oil [Ku]	1
▲	6	70902	Ball, Relief, Oil [Ku]	1
▲	7	70905	Cover	1
▲	8	70906	Bolt	1
▲	9	70907	Seal, Org [Ku]	1
▲	10	70911	Seal, Org	1
▲	11	70903	Pump, Oil, Eng [Ku]	1
▲	12	70904	Cover, Pump, Oil	1
	13	72013	Screw, Flt [Ku]	5
	14	70912	Gasket, Case, Gear [Ku]	1
	15	72993	Screw, Hex [Ku]	3
	16	384872	Bolt	4
	17	72994	Screw, Hex [Ku]	2
	18	72014	Screw, Hex [Ku]	1
	19	72015	Screw, Hex [Ku]	2
	20	72016	Bolt	1
	21	9004346	Stud [Ku]	1
	22	39121	Nut, Hex [Ku]	1
	23	39065	Washer, Lock, Split [Ku]	1
	24	361389	Seal, Oil, Front [Ku]	1
	25	9004347	Stud [Ku]	2
	26	72019	Cover	1
	27	361374	Cap, Filler, Oil [Ku]	1
	28	70913	Seal, Org	1

Fig. 5 – Water Pump Group



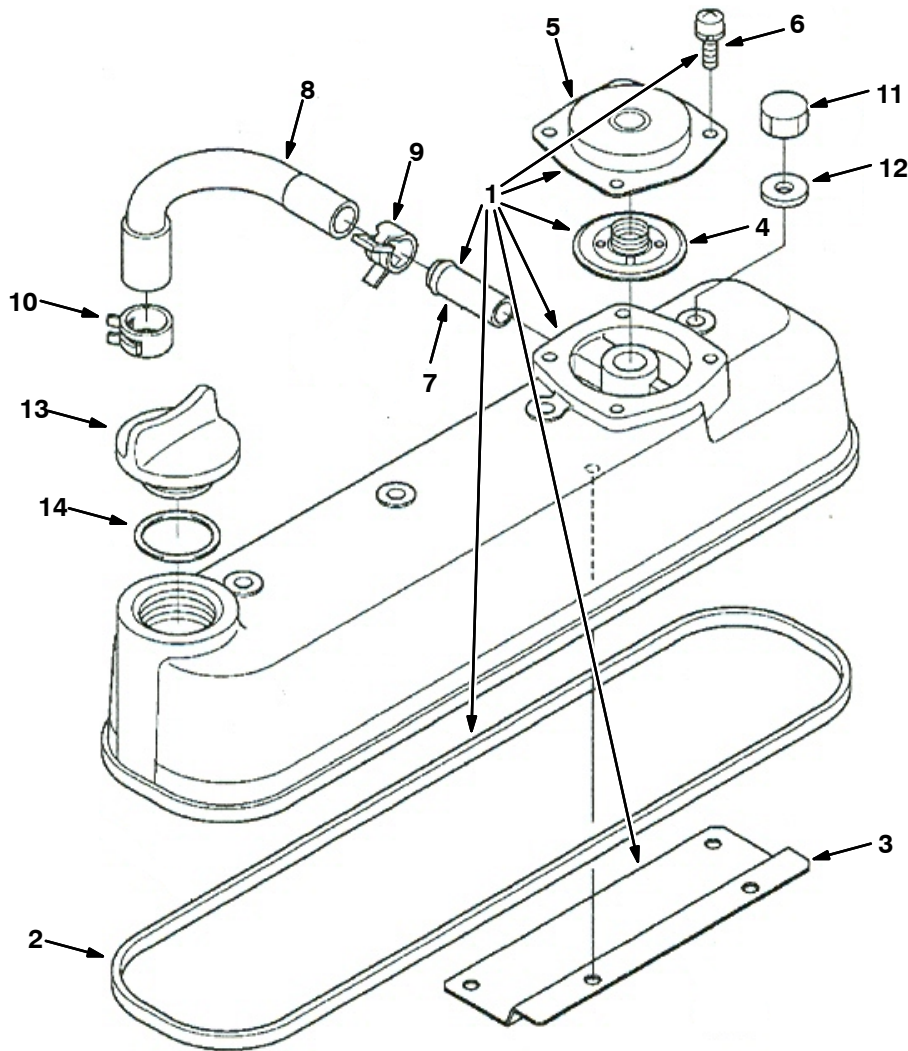
Ref.	Part No.	Description	Qty.	
▽	1	9004402	Pump, Water Assy [Ku]	1
▲	2	70919	Flange, Pump, Water [Ku]	1
▲	3	9004403	Bearing [Ku]	1
▲	4	9004404	Seal, Mechanical Assy [Ku]	1
▲	5	9004405	Impeller, Pump, Water [Ku]	1
▲	6	361440	Fitting, Pipe, Water [Ku]	1
▲	7	70920	Gasket, Pump, Water [Ku]	1
	8	9004406	Bolt [Ku]	4
	9	9004407	Bolt [Ku]	2
	10	9003868	Pipe, Water [Kubota]	1
	11	9003869	Pipe, Water [Kubota]	1
	12	9003870	Clamp [Kubota]	2
	13	55847	Sheave, Fan [Ku]	1
	14	393588	Bolt, Flng	4

Fig. 6 – Main Bearing Case Group



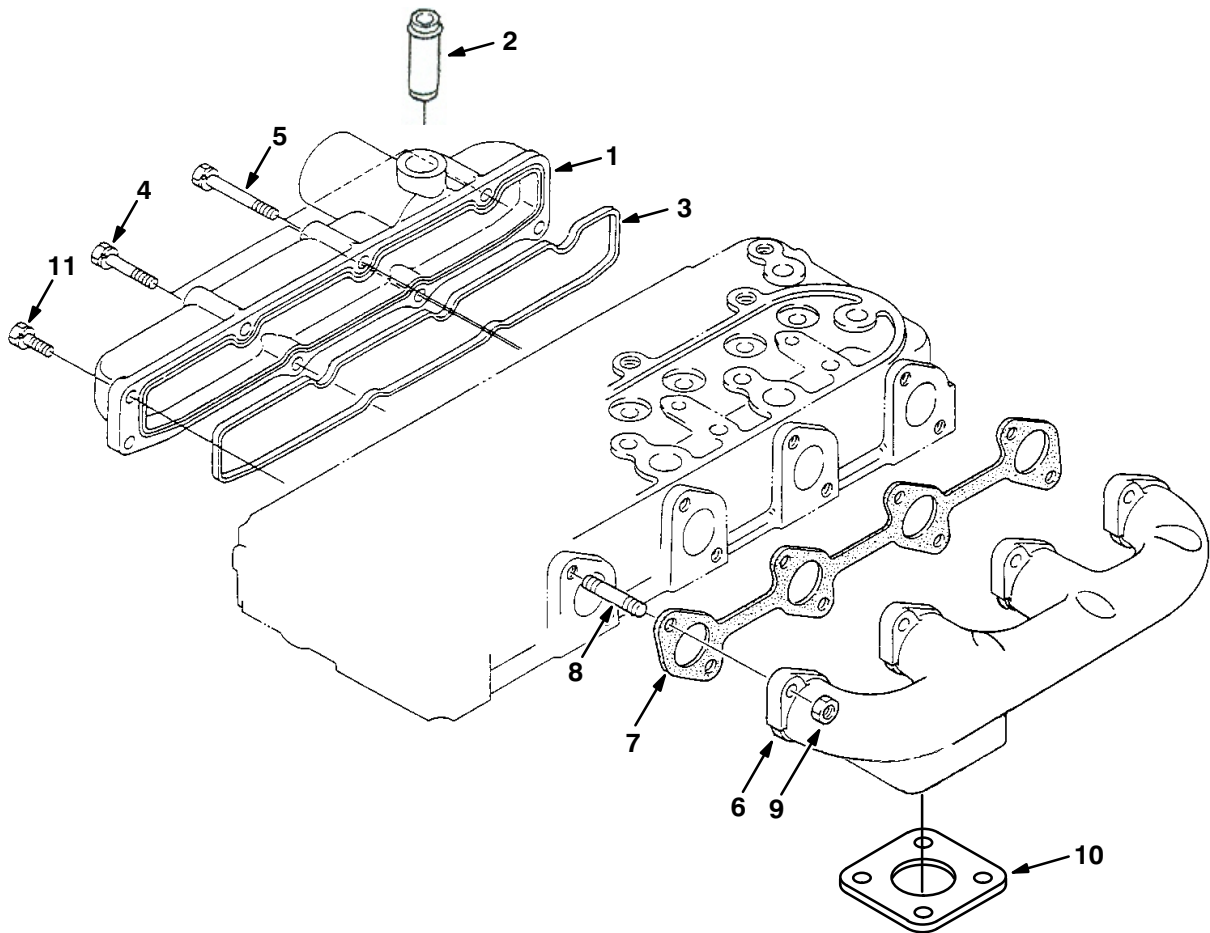
Ref.	Part No.	Description	Qty.	
▽	1	9004349	Bearing, Case [Ku]	1
▲	2	9004436	Crankshaft, Metal [Ku]	1
▲	3	72998	Screw, Hex, Case, Brg, Main [Ku]	2
	4	9004350	Gasket, Bearing, Case [Ku]	1
	5	70923	Cover, Brg Case, Eng [Ku]	1
	6	70924	Seal, Oil, Rear [Ku]	1
	7	70925	Gasket, Case, Gear [Ku]	1
	8	384871	Bolt	8
	9	371017	Bolt	9
▽	10	9004437	Case, Main, Brg Assy	1
▲	11	70948	Bearing, Cshft, Std [Ku]	1
▲	12	72998	Screw, Hex, Case, Brg, Main [Ku]	2
	13	73479	Screw, Hex, Case, Brg, Main [Ku]	3
▽	14	9004438	Case, Main, Brg Assy	1
▲	15	70948	Bearing, Cshft, Std [Ku]	1
▲	16	72998	Screw, Hex, Case, Brg, Main [Ku]	2
▽	17	9004439	Case, Main, Brg Assy	1
▲	18	70948	Bearing, Cshft, Std [Ku]	1
▲	19	72998	Screw, Hex, Case, Brg, Main [Ku]	2

Fig. 7 - Head Cover Group



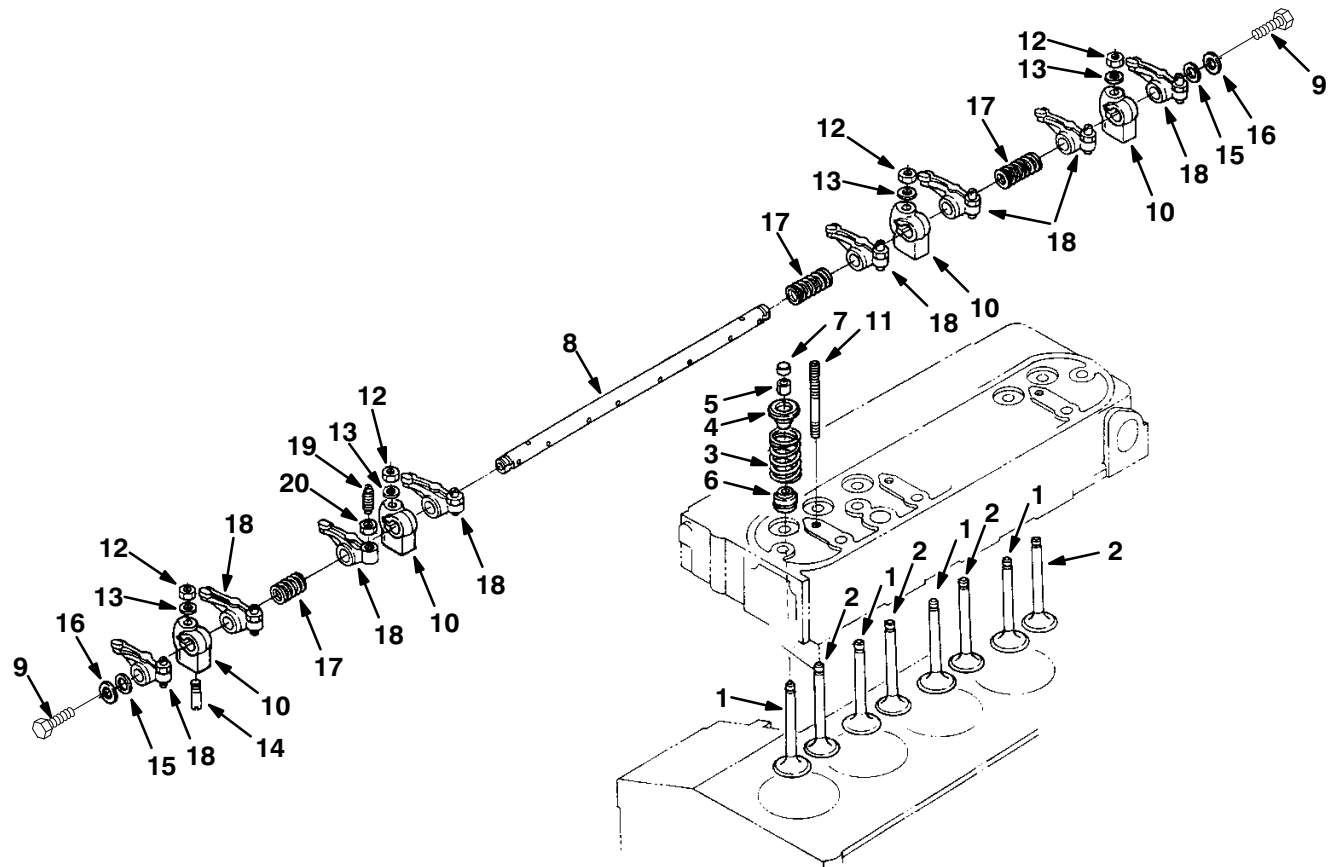
Ref.	Part No.	Description	Qty.	
▽	1	9004433	Cover, Cyl Head Assy [Ku]	1
▲	2	70929	Gasket, Cover, Head, Cyl [Ku]	1
▲	3	372912	Shield, Breather	1
▲	4	372928	Valve, Breather, Complt	1
▲	5	384874	Cover, Breather	1
▲	6	73482	Screw, Hex, W/ Washer [Ku]	4
▲	7	30125	Pipe, Water	1
	8	372913	Tube, Breather	1
	9	372901	Clamp, Hose	1
	10	372904	Clamp, Hose	1
	11	73483	Nut, Hex, Cap	4
	12	73484	Gasket, F/ Bolt [Ku]	4
	13	361374	Cap, Filler, Oil [Ku]	1
	14	70913	Seal, Org	1

Fig. 8 - Manifold Group



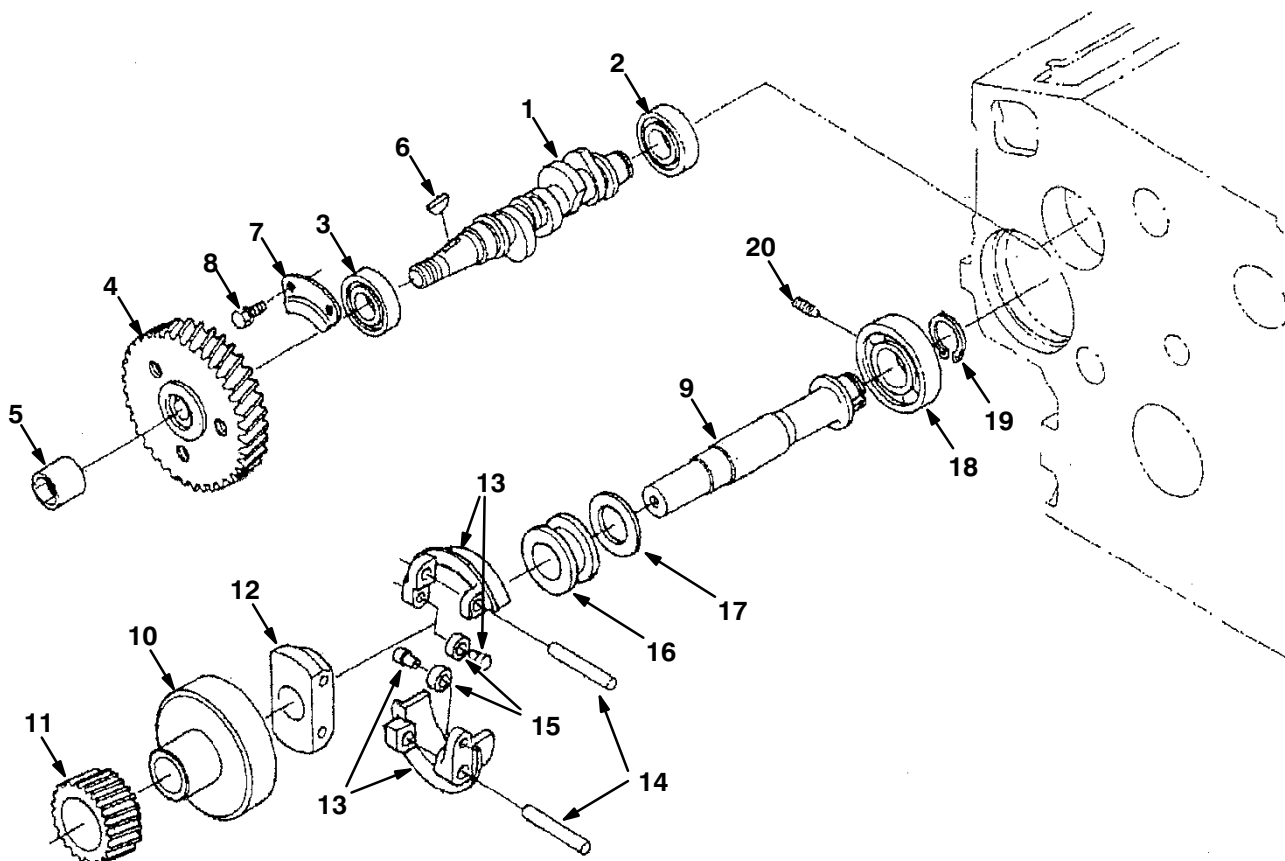
	Ref.	Part No.	Description	Qty.
▽	1	372905	Manifold Assy, Inlet	1
▲	2	73481	Pipe, Breather [Ku]	1
▲	3	70934	Gasket, Manifold, Intake [Ku]	1
	4	9004406	Bolt [Ku]	2
	5	384872	Bolt	3
	6	73487	Manifold, Exhaust [Ku]	1
	7	70935	Gasket, Manifold, Exhaust	1
	8	73488	Stud [Ku]	8
	9	73489	Nut	8
	10	51332	Gasket [Ku]	1
	11	40409	Screw, Hex [Ku]	3

Fig. 9 – Valve, Rocker Arm Group



Ref.	Part No.	Description	Qty.
1	70936	Valve, Intake [Ku]	4
2	70937	Valve, Exhaust [Ku]	4
3	73491	Spring, Valve [Ku]	8
4	73492	Retainer, Spring, Valve [Ku]	8
5	73493	Retainer, Spring [Ku]	8
6	73494	Seal, Stem, Valve [Ku]	8
7	361392	Cap, Valve [Ku]	8
8	9004409	Shaft, Rocker, Arm [Ku]	1
9	393598	Bolt	2
10	73497	Bracket, Mtg, Rocker Arm [Ku]	4
11	73498	Stud [Ku]	4
12	73499	Nut, Hex [Ku]	4
13	73500	Washer, Flat [Ku]	4
14	9004410	Pin, Spring [Ku]	1
15	73502	Washer, Shaft, Rocker [Ku]	2
16	361589	Washer, Flat [Ku]	2
17	73504	Spring, Cmpr, Rocker [Ku]	3
▽ 18	73506	Arm, Rocker [Ku]	8
▲ 19	73507	Screw, Adj, Rocker Arm [Ku]	8
▲ 20	73508	Nut, Hex [Ku]	8

Fig. 10 – Fuel Camshaft Group



Ref.	Part No.	Description	Qty.	
1	84636	Camshaft	1	
2	9004368	Bearing, Ball [Ku]	1	
3	9004369	Bearing, Ball [Ku]	1	
4	9004445	Gear, Injection, Pump [Ku]	1	
5	73593	Nut, Cap, Cam [Ku]	1	
6	73594	Key, Woodruff [Ku]	1	
7	73596	Stopper, Fuel [Ku]	1	
8	41973	Bolt, Hex [Ku]	2	
▽	73597	Shaft, Govnr	1	
▲	9	9004371	Shaft, Governor [Ku]	1
▲	10	73598	Holder, Gear [Ku]	1
▲	11	73599	Gear, Govnr [Ku]	1
▲	12	73600	Holder, Govnr [Ku]	1
▲	13	73601	Weight, Comp, Govnr [Ku]	2
▲	14	73602	Shaft, Govnr [Ku]	2
▲	15	9004372	Shaft, Governor, Weight [Ku]	2
▲	16	70977	Sleeve, Govnr [Ku]	1
▲	17	70978	Washer, Thrust [Ku]	1
18	9004373	Bearing, Ball [Ku]	1	
19	73603	Ring, Snap [Ku]	1	
20	73604	Screw, Set [Ku]	1	

Fig. 11 - Camshaft Group

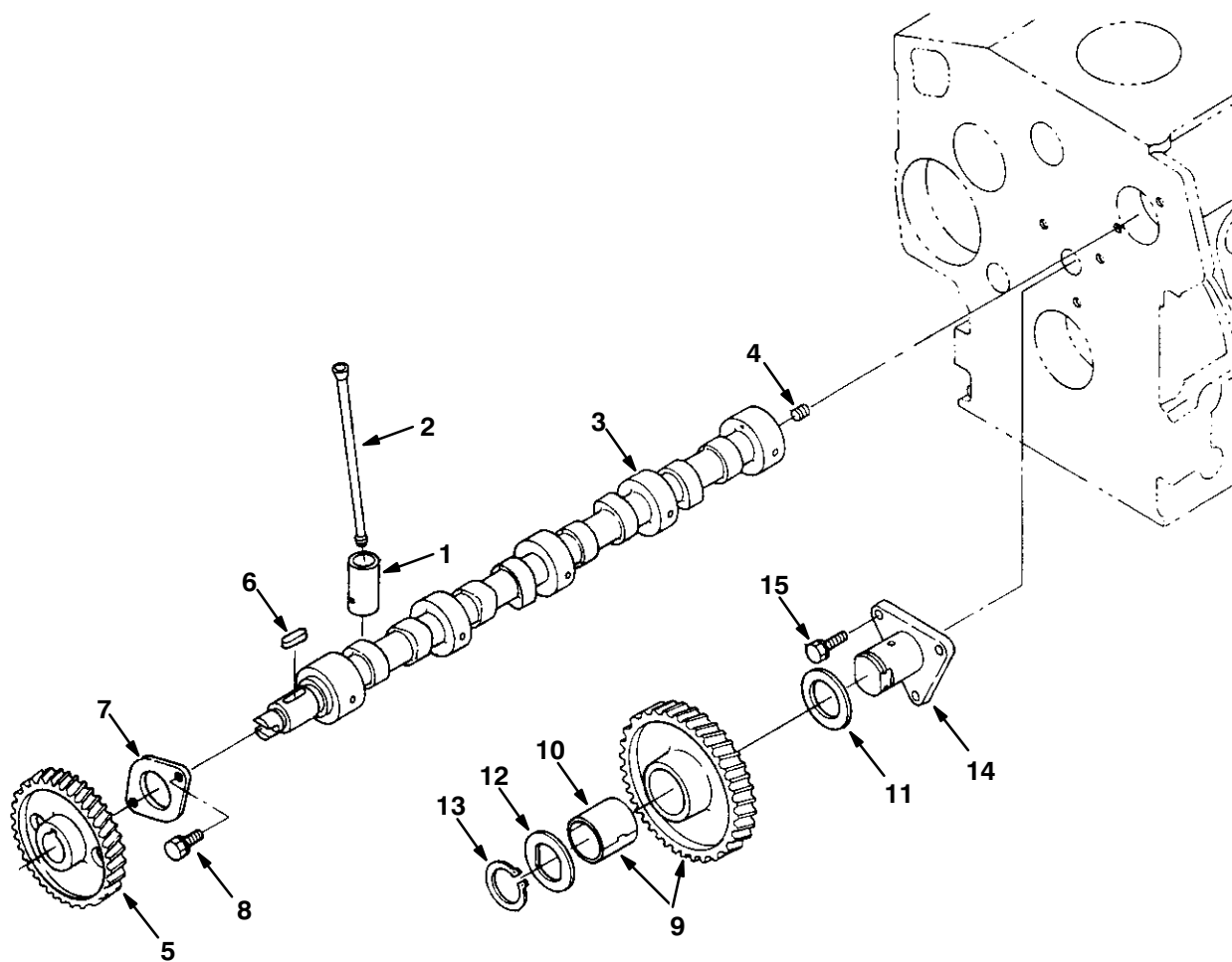


Fig. 11 – Camshaft Group

Ref.	Part No.	Description	Qty.	
	1	9004358	Tappet [Ku]	8
	2	73509	Rod, Push, Valve [Ku]	8
▽	3	9004440	Crankshaft Assy	1
▲	4	39197	Screw, Set [Ku]	1
▲	5	73511	Gear, Camshaft [Ku]	1
▲	6	73512	Key [Ku]	1
▲	7	73513	Stopper, Cam [Ku]	1
▲	8	41973	Bolt, Hex [Ku]	2
▽	9	73514	Gear, Idler, Cam [Ku]	1
▲	10	73515	Bushing, Gear, Idler [Ku]	1
	11	73516	Collar, Gear [Ku]	1
	12	73517	Washer, Collar, Gear [Ku]	1
	13	73518	Ring, Snap [Ku]	1
	14	73519	Shaft, Idler, Gear [Ku]	1
	15	41973	Bolt, Hex [Ku]	3

Fig. 12 - Piston and Crankshaft Group

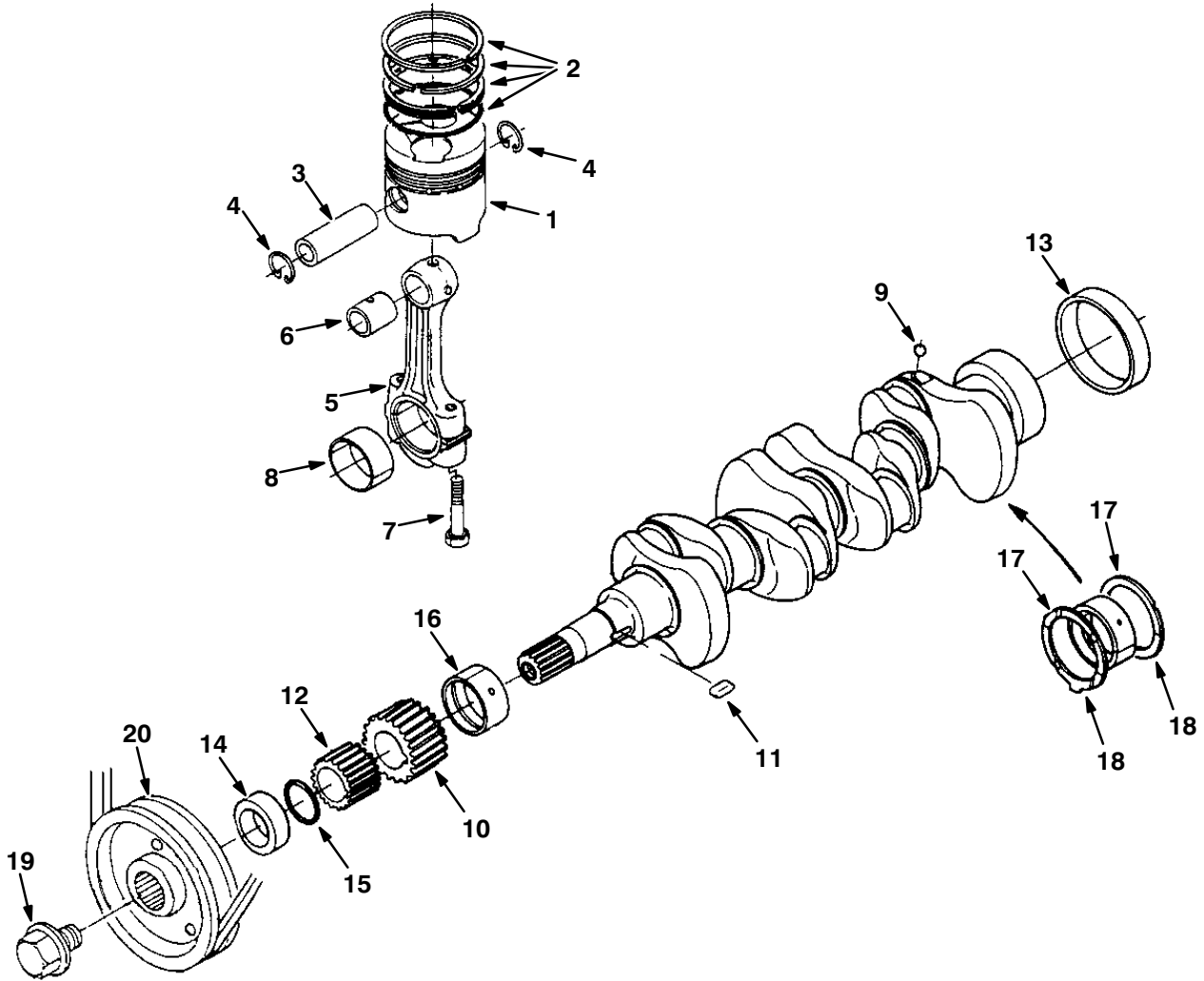
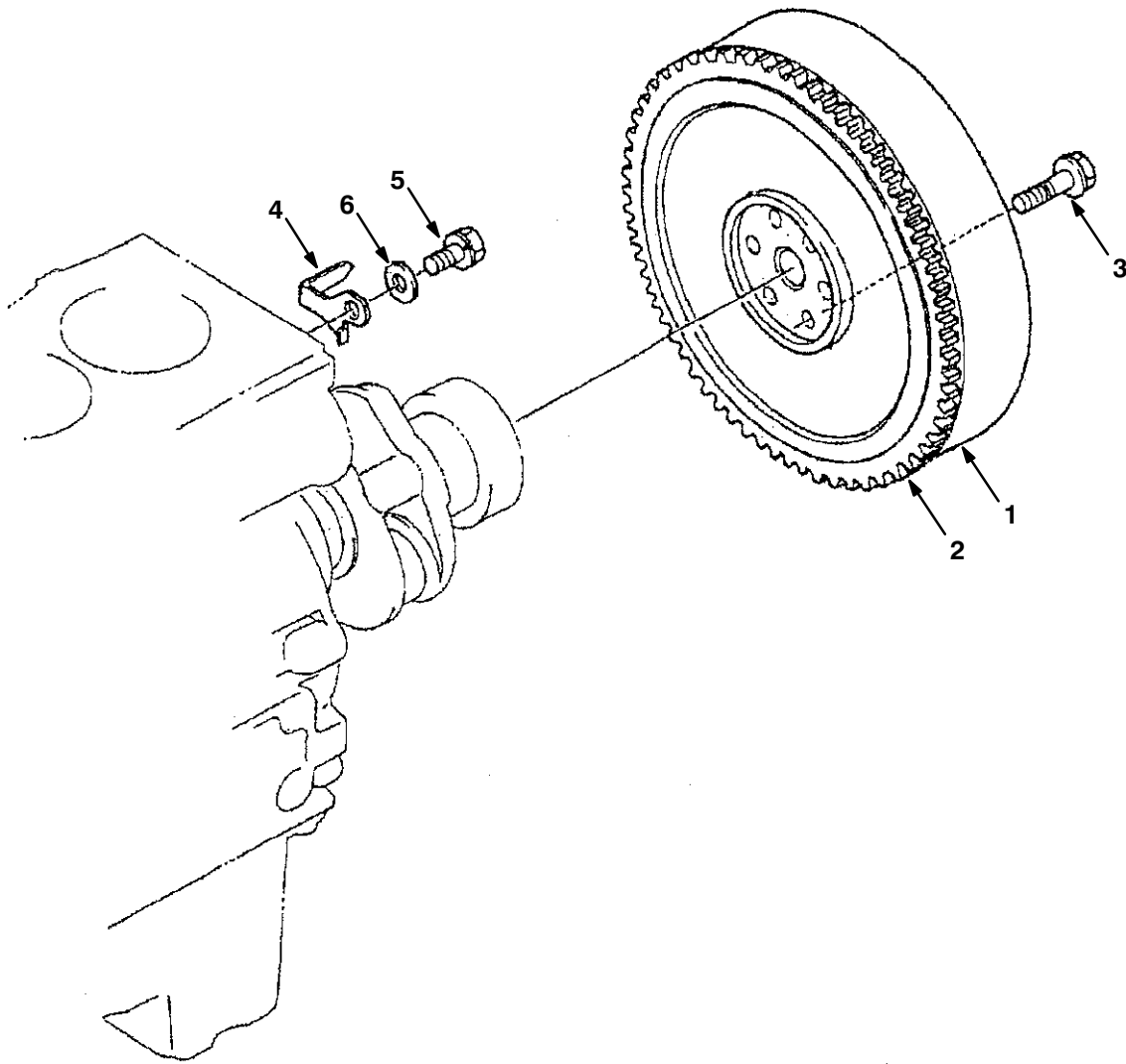


Fig. 12 – Piston and Crankshaft Group

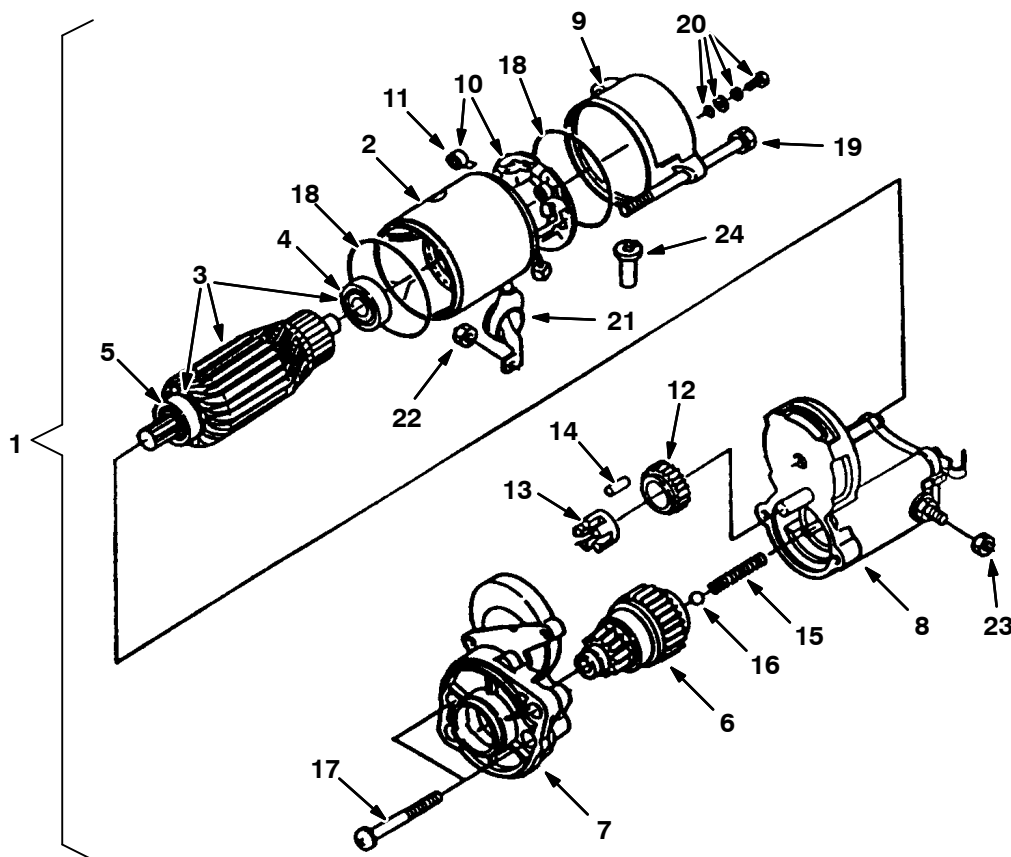
Ref.	Part No.	Description	Qty.	
1	73520	Piston, Eng [Ku]	4	
1	73521	Piston, Eng [Ku]	4	
2	9004361	Ring, Piston Assy [Ku]	4	
2	9004441	Piston, Ring Assy [Ku]	4	
3	73522	Pin, Piston [Ku]	4	
4	73523	Ring, Snap, Piston [Ku]	8	
▽	5	73524	Rod Assy, Connecting [Ku]	4
▲	6	361395	Bushing, Pin, Piston [Ku]16241–21351	4
▲	7	73525	Screw, Rod, Connecting [Ku]	8
▲	8	70941	Bearing, Rod, Connecting, Std [Ku]	4
▲	8	66204	Bearing, Rod, Connecting [–.2mm, Ku]	4
▲	8	66207	Bearing, Rod, Connecting [–.4mm, Ku]	4
▽		73526	Crankshaft	1
▲	9	73527	Ball, Cshft [Ku]	4
▲	10	73528	Gear, Cshft [Ku]	1
▲	11	73529	Key [Ku]	1
▲	12	73530	Gear, Pump, Oil [Ku]	1
▲	13	70942	Bearing, Cshft [Ku]	1
	14	70943	Collar, Crank, Front [Ku]	1
	15	9004363	Ring [Ku]	1
	16	70945	Bearing, Cshft, Std [Ku]	1
	16	70946	Bearing, Cshft, –.2mm [Ku]	1
	16	70947	Bearing, Cshft [Ku]	1
	17	10844	Bearing, Thrust, Std [Ku]	2
	17	70954	Bearing, Thrust [Ku]	2
	17	70955	Bearing, Thrust [–.4mm, Ku]	2
	18	10845	Bearing, Thrust, Std [Ku]	2
	19	73532	Screw, Hex, Cshft [Ku]	2
	20	393400	Sheave, Cshft [Ku]	2

Fig. 13 – Flywheel Group



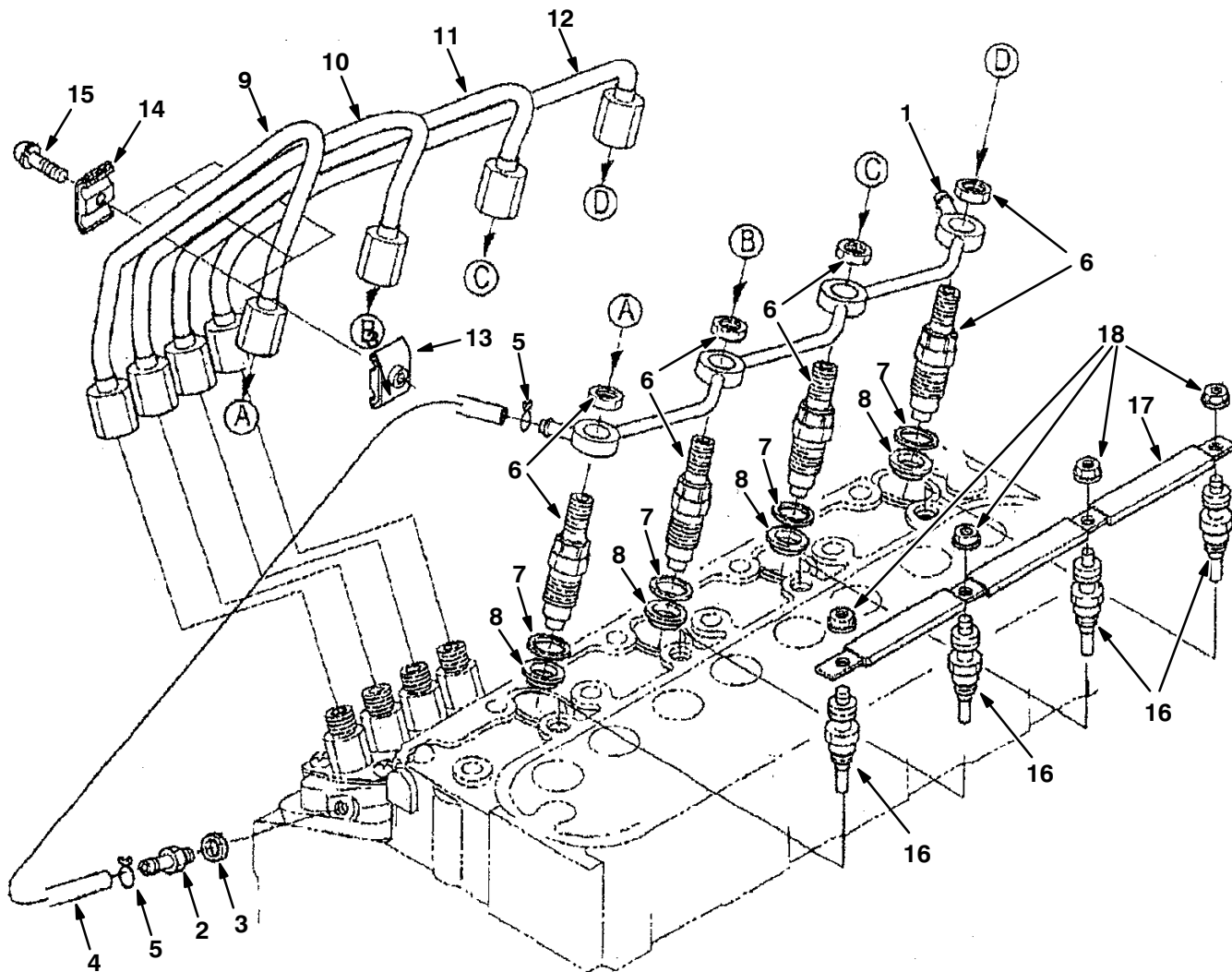
Ref.	Part No.	Description	Qty.
▽	1 70956	Flywheel	1
▲	2 9004442	Gear, Ring [Ku]	1
	3 73533	Screw, Hex, Flywheel [Ku]	6
	4 9003891	Indicator, Timing [Ku]	1
	5 9004443	Bolt [Ku]	1
	6 9004444	Washer, Plain [Ku]	1

Fig. 14 – Starter Breakdown, 74405



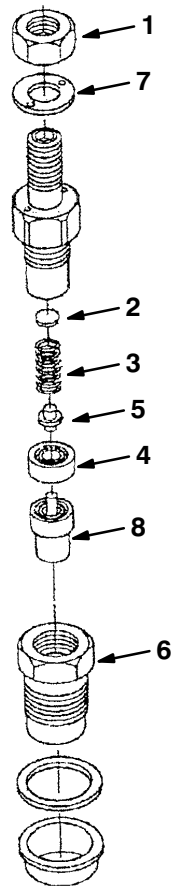
Ref.	Part No.	Description	Qty.	
▽	1	74405	Starter, 12vdc [Kubota]	1
▲	2	70196	Yoke	1
▲▽	3	70197	Armature, Motor [Ku]	1
▲▲	4	70198	Bearing	1
▲▲	5	70199	Bearing	1
▲	6	70200	Clutch	1
▲	7	70201	Frame, End, Drive	1
▲	8	70202	Switch, Magneto [Ku]	1
▲	9	70203	Frame, End	1
▲▽	10	70204	Brushholder	1
▲▲	11	70205	Spring, Brush	4
▲	12	70206	Gear	1
▲	13	70207	Retainer	1
▲	14	73545	Retainer, Gear, Starter [Ku]	5
▲	15	70208	Spring	1
▲	16	73547	Spring, Ext [Ku]	1
▲	17	70209	Bolt	2
▲	18	20433	Seal, Org	2
▲	19	70210	Bolt	2
▲	20	20432	Bolt	2
▲	21	70211	Cover	1
▲	22	73551	Nut, Hex [Ku]	1
▲	23	70212	Nut	1
▲	24	70213	Tube, Drain, Starter	1

Fig. 15 - Nozzle Holder and Glow Plug Group



Ref.	Part No.	Description	Qty.	
1	73554	Pipe, Overflow	1	
2	73555	Fitting, Fuel [Ku]	1	
3	40166	Gasket, F/ Bolt [Ku]	1	
▽	361373	Hose, Fuel [Ku]	1	
▲	4	9004389	Pipe, Fuel, Overflow [Ku]	2
▲	5	9004390	Pipe, Clip [Ku]	4
▽	6	372917	Housing Assy, Nozzle	1
▲	7	9004450	Gasket [Ku]	1
▲	8	9004451	Seal, Heat [Ku]	1
9	70965	Tube, Injector, Pipe #1 [Ku]	1	
10	70966	Tube, Injector, Pipe #2 [Ku]	1	
11	70967	Tube, Injector, Pipe #32 [Ku]	1	
12	70968	Pipe, Injector, # 4	3	
13	30131	Clamp, Tube, Inj, Pipe #1 [Ku]	3	
14	39507	Clamp, Pipe	4	
15	393566	Screw, W / Washer	1	
16	84638	Glowplug [Ku]	3	
17	73560	Cord, Ele, Glowplug	3	
18	9004393	Nut, Flange [Ku]	3	

Fig. 16 – Nozzle Holder Breakdown



	Ref.	Part No.	Description	Qty.
▽		372917	Housing Assy, Nozzle	4
▲	1	9004395	Nut [Ku]	1
▲	2	9004396	Washer, Adjusting [Ku]	1
▲	3	9004397	Nozzle, Spring [Ku]	1
▲	4	388500	Spacer [Ku]	1
▲	5	9004398	Rod, Push [Ku]	1
	6	9004399	Nut, Nozzle [Ku]	1
	7	9004400	Washer, Plain [Ku]	1
	8	9004401	Nozzle [Ku]	1

Fig. 17 - Injection Pump Group

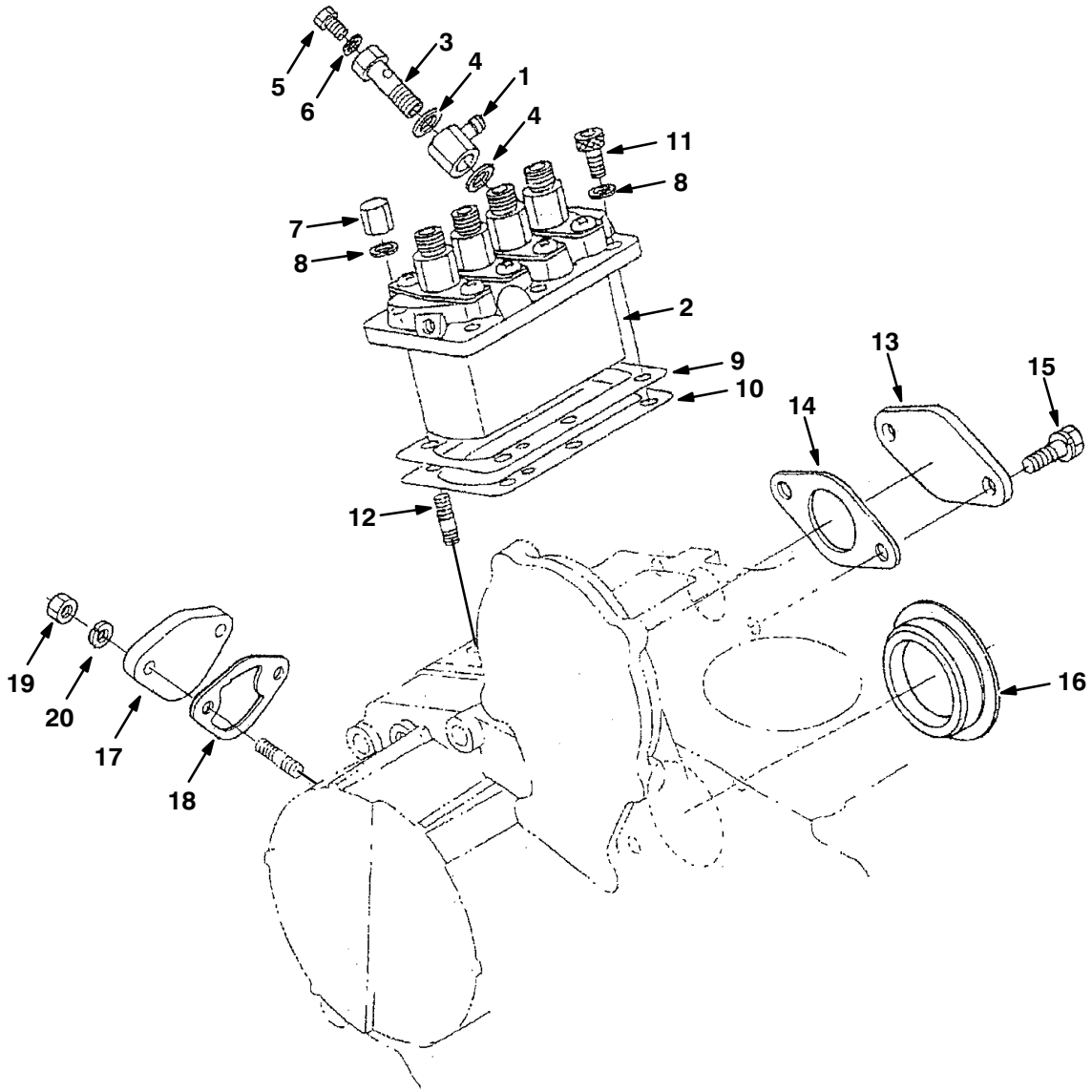


Fig. 17 – Injection Pump Group

	Ref.	Part No.	Description	Qty.
	1	9004376	Eye, Joint [Ku]	1
▽	2	84635	Pump, Injection [Kubo]	1
▲	3	84651	Follower, Screw, Pump, Injection[Ku]	1
▲	4	73588	Gasket, Ftg, Banjo [Ku]	2
▲	5	73589	Screw, Hex [Ku]	1
▲	6	73590	Gasket, F/ Screw [Ku]	1
	7	73563	Nut [Ku]	3
	8	39065	Washer, Lock, Split [Ku]	6
	9	70972	Shim	1
	9	70973	Shim	1
	10	84644	Shim, Pump, Injection	1
	11	73561	Bolt [Ku]	3
	12	73562	Stud [Ku]	3
	13	9004454	Cover, Solenoid [Ku]	1
	14	70165	Gasket, Solenoid, Throttle [Ku]	1
	15	39160	Bolt, Hex [Ku]	2
	16	70188	Cover, Hole, Pump [Ku]	1
	17	73565	Cover, Hole, Pump, Fuel [Ku]	1
	18	70974	Gasket, Pump, Fuel [Ku]	1
	19	39121	Nut, Hex [Ku]	2
	20	39065	Washer, Lock, Split [Ku]	2

Fig. 18 - Injection Pump Breakdown

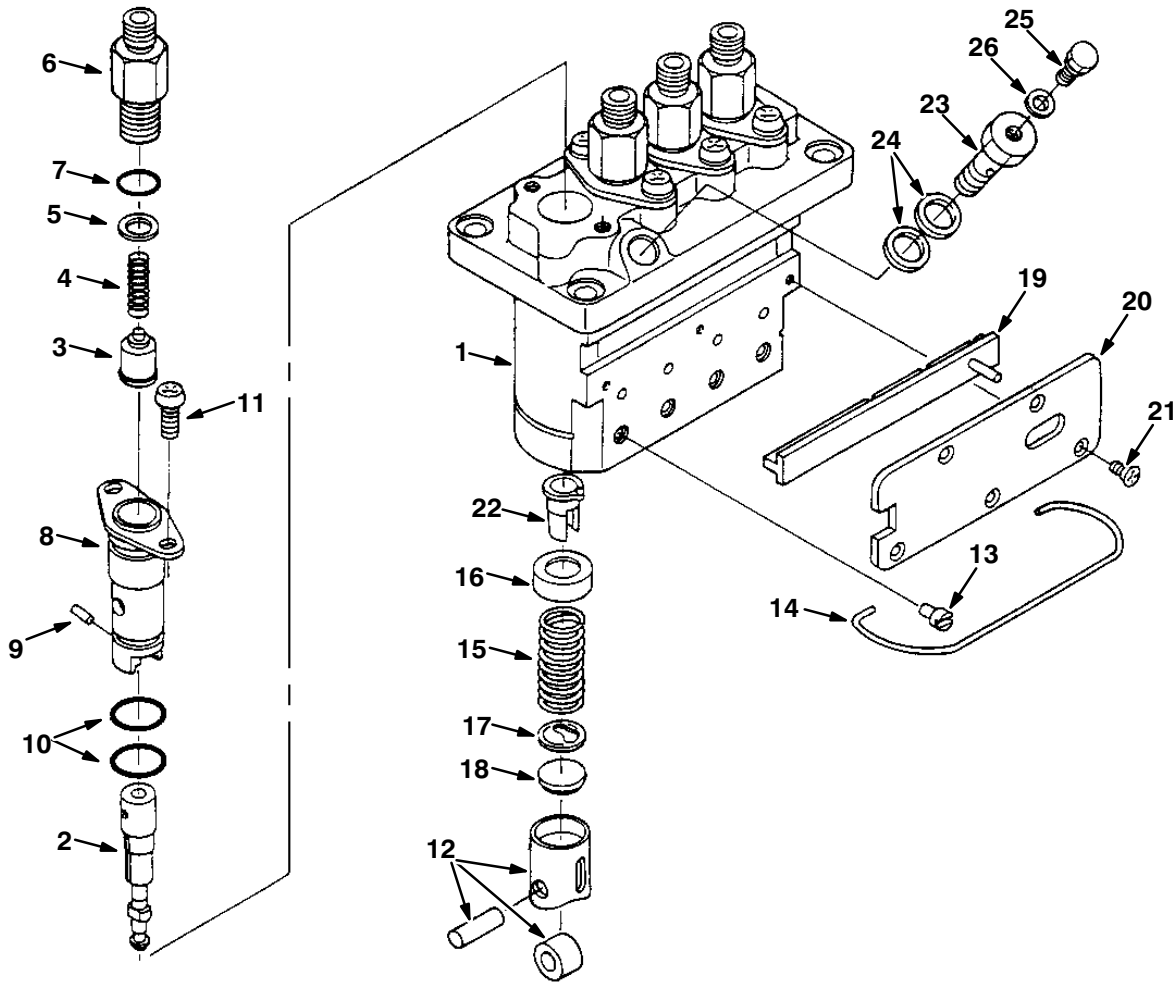
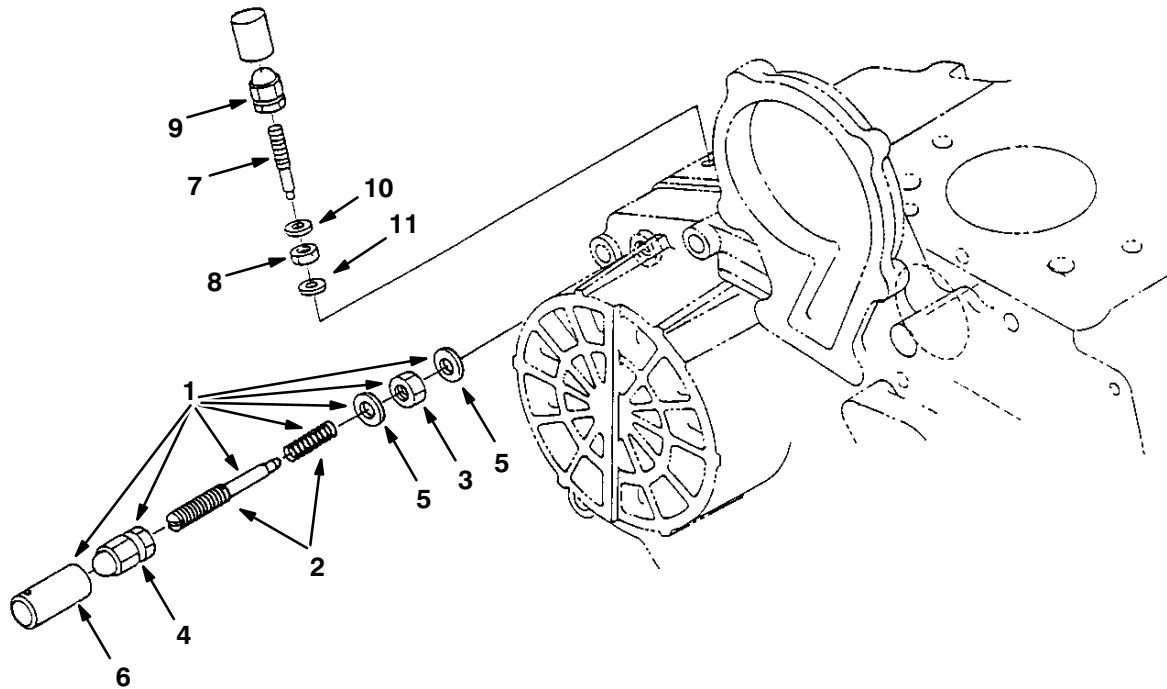


Fig. 18 – Injection Pump Breakdown

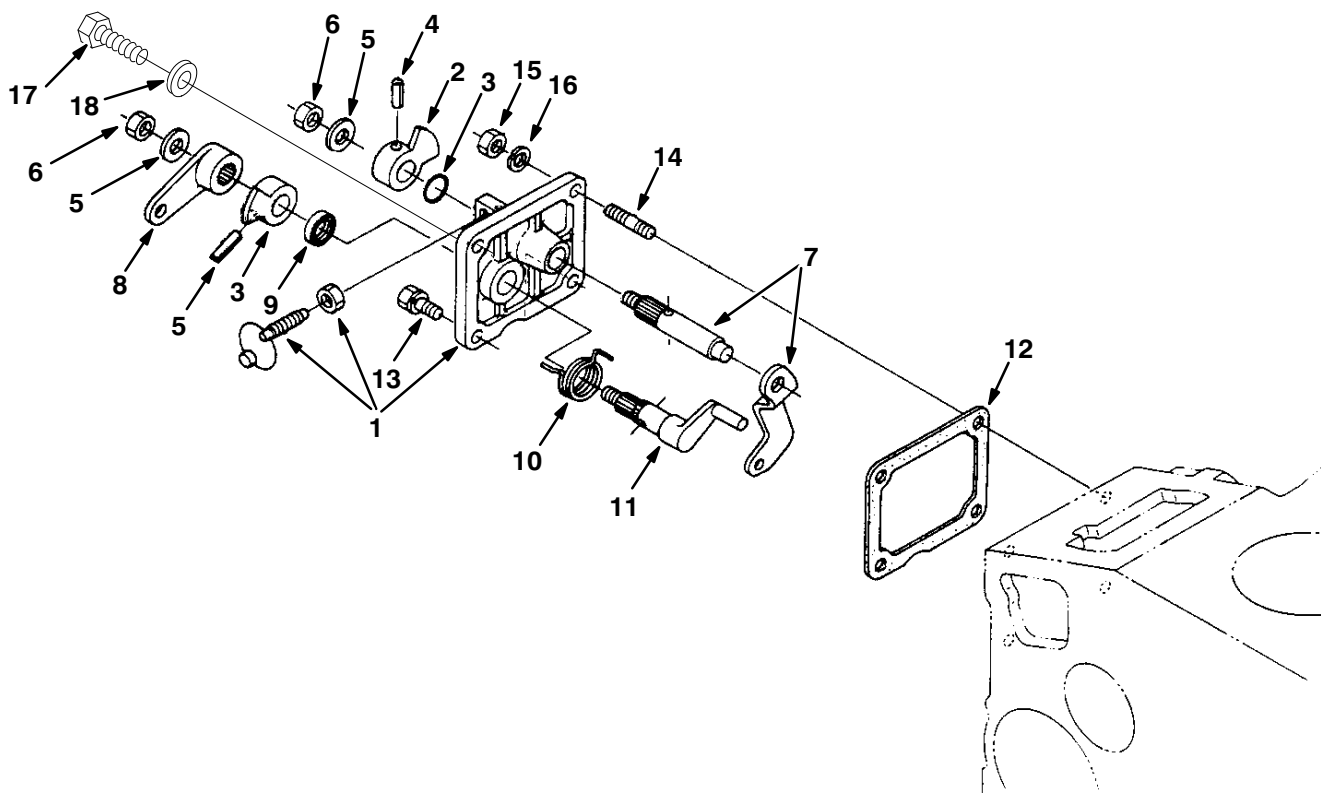
	Ref.	Part No.	Description	Qty.
▽	1	84635	Pump, Injection [Kubo]	1
▲	2	84648	Plunger, Pump, Inj [Ku]	4
▲	3	73567	Valve, Eng [Delivery, Ku]	4
▲	4	73568	Spring, Cmpr, Valve, Injector [Ku]	4
▲	5	73569	Gasket, Valve, Injector [Ku]	4
▲	6	73570	Holder, Valve, Inj [Ku]	4
▲	7	73571	Seal, Org [Ku]	4
▲	8	73572	Flange, Sleeve [Ku]	4
▲	9	73573	Pin, Joint, Inj [Ku]	4
▲	10	73574	Seal, Org [Ku]	8
▲	11	73575	Screw, Hex [Ku]	8
▲	12	73576	Tappet, Pump, Injection [Ku]	4
▲	13	73577	Pin, Tappet [Ku]	4
▲	14	73578	Pin, Clamp	1
▲	15	73579	Spring, Cmpr, Plunger [Ku]	4
▲	16	73580	Seat, Spring, Upper, Injector [Ku]	4
▲	17	73581	Seat, Spring, Lower, Injector [Ku]	4
▲	18	73582	Shim, Tappet, Injection [Ku]	1
▲	19	84649	Control, Fuel	1
▲	20	84650	Plate	1
▲	21	73585	Screw, Pump, Injection [Ku]	5
▲	22	73586	Sleeve, Cntrl, Pump, Injection [Ku]	4
▲	23	84651	Follower, Screw, Pump, Injection [Ku]	1
▲	24	73588	Gasket, Ftg, Banjo [Ku]	2
▲	25	73589	Screw, Hex [Ku]	1
▲	26	73590	Gasket, F/ Screw [Ku]	1

Fig. 19 – Idling Group



Ref.	Part No.	Description	Qty.	
▽	1	9004446	Idling, Apparatus [Ku]	1
▲	2	9004447	Bolt, Adjustment Assy [Ku]	1
▲	3	73606	Nut, Hex [Ku]	1
▲	4	361375	Nut, Cap [Ku]	1
▲	5	40166	Gasket, F/ Bolt [Ku]	2
▲	6	30136	Cap, Screw, Idler [Ku]	1
	7	73610	Screw, Adj, Stop [Ku]	1
	8	9004374	Nut, Lock [Ku]	1
	9	361375	Nut, Cap [Ku]	1
	10	40166	Gasket, F/ Bolt [Ku]	2
	11	9004375	Gasket [Ku]	1

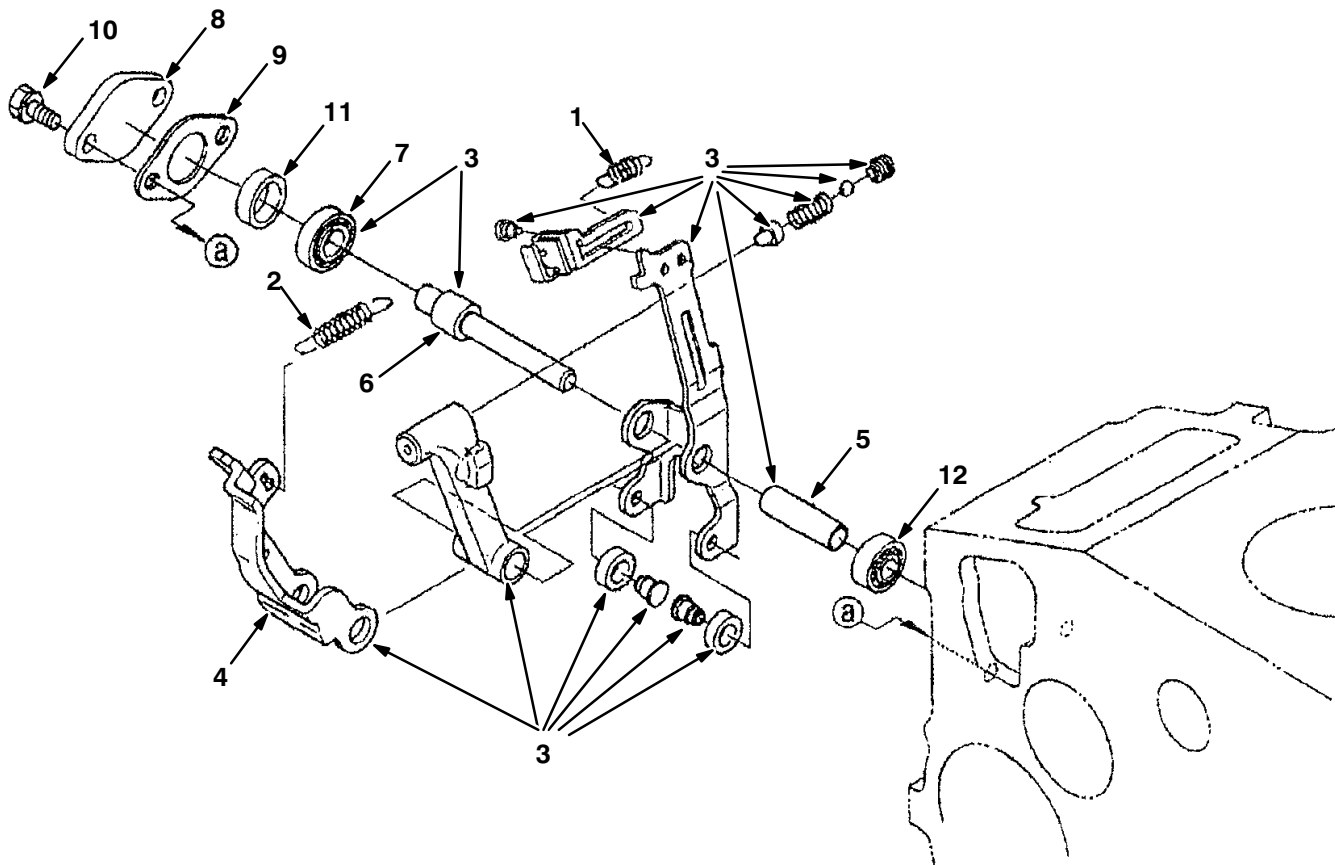
Fig. 20 – Speed Control Plate Group



07445 – M20, D

Ref.	Part No.	Description	Qty.
▽	1	70982 Plate, Cntrl, Spd [Ku]	1
▲	2	73619 Lever, Cntrl, Spd [Ku]	2
▲	3	9004385 O-Ring [Ku]	1
▲	4	40407 Pin, Spring [Ku]	2
▲	5	73621 Washer, Flat [Ku]	2
▲	6	73622 Nut, Hex [Ku]	2
▲	7	73623 Lever, Plate, Cntrl [Ku]	1
▲	8	73624 Lever, Stop [Ku]	1
▲	9	70983 Seal, Oil [Ku]	1
▲	10	73625 Spring, Tors [Ku]	1
▲	11	73626 Shaft, Lever, Spd [Ku]	1
	12	70984 Gasket, Cover, Spd [Ku]	1
	13	41973 Bolt, Hex [Ku]	2
	14	9004386 Stud [Ku]	2
	15	39121 Nut, Hex [Ku]	2
	16	39065 Washer, Lock, Split [Ku]	2
	17	9004449 Bolt [Ku]	1
	18	40166 Gasket, F/ Bolt [Ku]	1

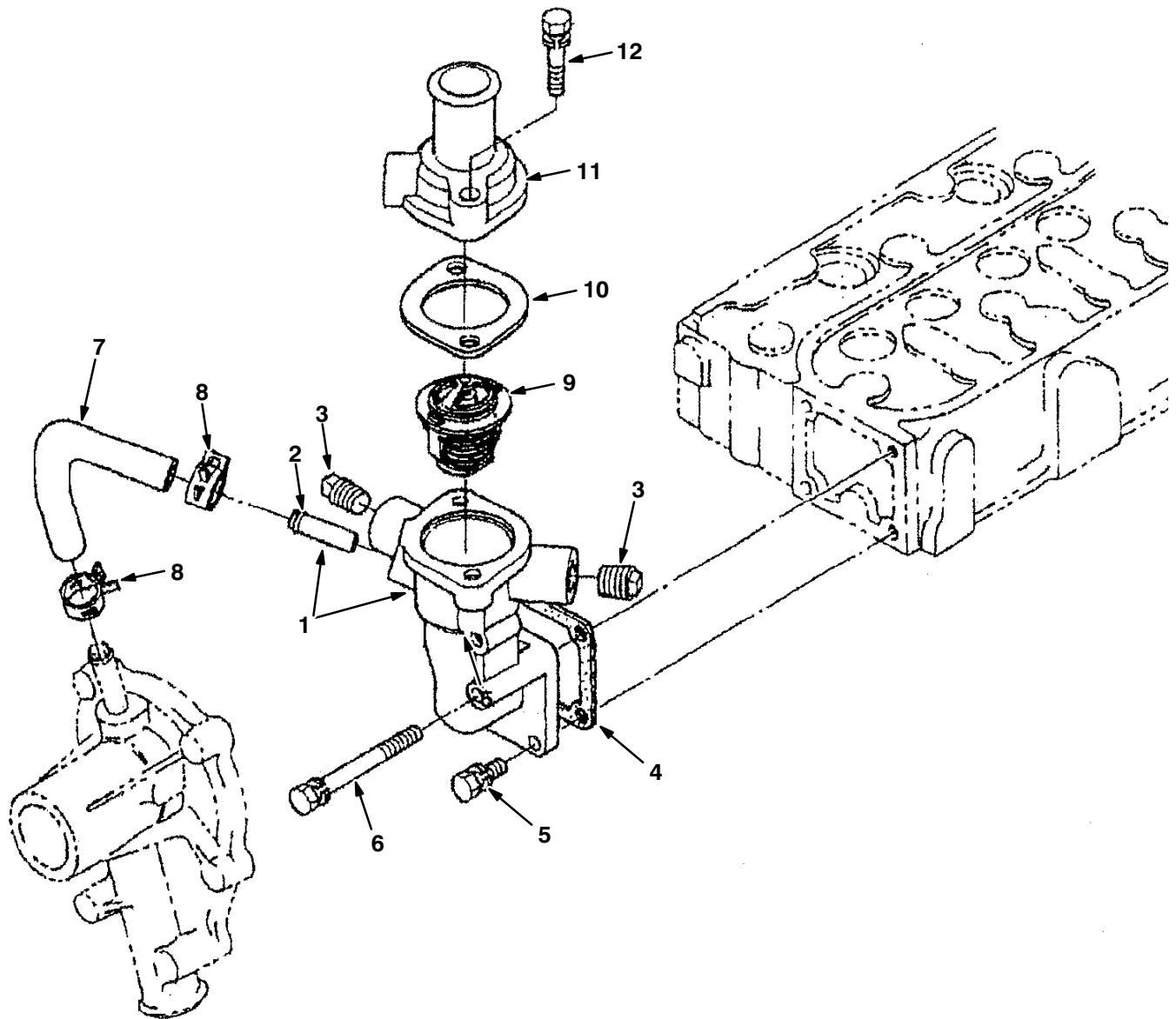
Fig. 21 - Governor Group



07447 - M20, D

Ref.	Part No.	Description	Qty.
1	9004379	Spring, Start [Ku]	1
2	9004448	Spring, Governor [Ku]	1
▽ 3	9004775	Lever Assy, Fork [KU]	1
▲ 4	9004381	Lever, Fork [Ku]	1
▲ 5	9004382	Lever, Fork, Shaft [Ku]	1
▲ 6	9004283	Belt Kit, W/ Installation Tool	1
▲ 7	70989	Bearing, Ball [Ku]	1
8	73631	Cover, Lever, Gov [Ku]	1
9	361430	Gasket, Cover, Gov [Ku]	1
10	71995	Screw, Hex [Ku]	2
11	70991	Collar, Govnr [Ku]	1
12	70992	Bearing, Ball [Ku]	1

Fig. 22 - Water Flange Group



Ref.	Part No.	Description	Qty.	
▽	1	368090	Flange, Water [Ku]	1
▲	2	384859	Pipe, Water, Return	1
	3	73632	Fitting, Pipe, Plug [Ku]	2
	4	70994	Gasket, Hsg, Thermostat [Ku]	1
	5	41973	Bolt, Hex [Ku]	3
	6	384872	Bolt	1
	7	73633	Hose, Water [Ku]	1
	8	73634	Clamp, Hose, Heater [Ku]	2
	9	10852	Thermostat, 180deg, 1.7d [Ku]	1
	10	10851	Gasket	1
	11	368091	Housing, Thermostat [Ku]	1
	12	40418	Bolt [Ku]	2

SECTION 7

CONTENTS		PAGE
PART NUMBER TO PAGE NUMBER CROSS REFERENCE LIST		7-2
PART DESCRIPTION TO PAGE NUMBER CROSS REFERENCE LIST		7-15

CROSS REFERENCE

Part Number	Page Number	Part Number	Page Number	Part Number	Page Number
1011412	3-19, 3-25, 3-29, 3-35, 3-37, 3-39, 3-41, 3-51, 3-53, 3-55	1018208	2-9	1022003	2-65
1011521	3-23, 3-27	1018333	3-25	1022004	2-23
1011837	3-47, 3-49, 3-79, 3-81, 3-83, 3-85	1018499	3-19, 3-79, 3-83	1022031	2-55
1011885	3-5	1018776	2-17	1022069	2-21
1013031	2-39	1018780	3-21	1022105	2-17
10137	1-1	1018883	3-19	1022106	3-13
1013902	3-21	1018884	3-19	1022111	3-7
1014082	3-21	1018938	3-15, 4-13	1022113	2-39
10143	2-49	1019031	2-83	1022135	3-7
1014563	2-41, 2-43, 2-45, 2-103, 3-67	1019146	2-63	1022137	2-93, 2-101
1014575	3-21	1019225	2-9	1022176	2-89
1014705	2-63	1019228	2-17	1022182	2-90
1014929	3-33	1019250	3-83, 3-85	1022188	3-7
1014971	4-27	1019295	1-1	1022229	3-5
1014974	3-5, 3-51, 3-55, 4-27	1019424	2-93, 2-101	1022243	2-55
1014986	3-33	1019445	3-59, 3-61, 3-63	1022260	3-7
1015026	3-37, 3-39, 3-51, 3-53	1019526	2-73	1022265	3-67
1015032	2-95, 3-13, 3-49	1019636	3-5	1022276	3-67
1015033	2-95, 3-5	1019646	3-31	1022302	3-7
1015041	2-41, 2-47	1019647	3-64, 3-65	1022318	3-13
1015044	3-3	1019968	2-43, 2-45	1022345	2-57
1015045	2-95, 2-97, 3-13, 3-35, 3-39, 3-49, 3-53	1019971	3-59, 3-61, 3-63	1022359	2-65
1015047	3-33	1020002	2-63	1022363	2-65
1015048	3-5	1020003	2-63	1022370	2-99
1015067	3-25, 3-29, 3-37, 3-41, 3-55	1020163	2-65	1022377	2-103
1015486	3-35, 3-37, 3-49, 3-51, 3-79, 3-83	1020166	1-1, 2-65	1022545	2-79
1016314	2-35, 2-37	1020168	2-11, 3-45	1022668	2-71
1016354	4-27	1020186	2-23	1022683	2-71
1016827	2-31	1020207	2-65	1022699	2-11
1016837	3-3	1020208	2-65	1022736	2-55
1017022	3-21, 3-33	1020320	2-103	1022779	2-57
1017101	2-90	1020341	2-45	1022787	2-57
1017112	2-4	1020394	2-129, 4-15	1022825	2-83, 2-87
1017126	1-1, 2-31	1020428	2-90	1022831	2-77
1017141	2-155	1020487	2-17	1022846	2-81, 2-85
1017218	2-11, 2-17, 2-23, 2-71, 2-73, 2-89, 2-90, 2-93, 2-99, 2-101, 2-103, 2-105, 2-129, 3-5, 3-21, 3-33, 3-45, 3-59, 3-61, 3-63, 3-83, 3-85	1020526	3-87	1022903	2-75
1017248	3-61, 3-64	1020540	2-11	1022978	2-87
1017250	3-63, 3-65	1020548	2-83	1023063	2-73
1017368	2-4, 2-6	1020744	2-93, 2-101	1023074	2-25
1017386	3-47	1020904	2-11	1023081	2-125
1017413	3-47	1020949	2-33	1023144	5-4, 6-4
1017415	3-47	1021019	2-59, 2-61	1023154	2-41
1017868	1-1, 2-77	1021210	3-5, 4-3	1023180	2-41, 2-47
1017903	2-51	1021265	2-19	1023239	2-77
1017969	2-39	1021290	2-49	1023282	2-25
1018097	3-21	1021325	3-3	1023306	2-83
1018098	3-19, 3-33	1021404	2-79	1023307	2-87
1018155	4-27	1021439	3-11	1023314	2-87
		1021473	3-11	1023334	2-71
		1021497	2-79	1023464	2-13
		1021546	2-79	1023476	2-79
		1021564	3-11	1023482	2-29
		1021579	1-1, 2-127	1023485	3-17
		1021617	3-11	1023486	3-17
		1021789	2-39	1023487	2-115
		1021794	3-7	1023488	2-113
		1021834	2-11	1023491	2-97
		1021881	3-79, 3-83	1023493	2-89
		1021920	2-99	1023497	2-89
		1021991	2-129	1023499	2-17

CROSS REFERENCE

Part Number	Page Number	Part Number	Page Number	Part Number	Page Number
1023502	2-93, 2-101	1025005	1-1, 3-7	1026417	2-73
1023508	2-89	1025041	2-69	1026550	2-29
1023510	2-89	1025092	2-93	1026576	2-49
1023545	2-127	1025100	2-63, 2-69	1026628	2-23
1023569	2-13	1025132	2-127	1026645	2-115
1023585	3-79, 3-83	1025140	2-56	1026665	2-23
1023606	2-115	1025151	2-81, 2-85	1026726	2-23
1023607	2-115	1025159	3-5	1026743	3-79, 3-83, 4-25
1023608	2-113	1025178	2-79	1026759	2-29
1023609	2-113	1025196	2-23	1026804	2-75
1023617	2-59	1025198	2-69	1026806	2-75
1023685	2-71	1025229	2-29	1026825	2-17
1023754	2-103, 2-105	1025254	2-9	1026831	2-73
1023769	2-117, 2-119	1025320	2-69	1026900	2-73
1023810	2-41	1025405	3-15	1027099	2-41
1023853	2-41, 2-47	1025435	2-11	1027103	2-41
1023879	3-67	1025445	3-17	1027108	2-71
1023892	2-33	1025449	2-93, 2-101	1027112	2-41
1023911	1-1, 2-35	1025452	2-93, 2-101	1027143	2-71
1023917	2-71	1025460	2-79	1027147	2-71
1023926	2-19	1025480	2-93, 2-101	1027218	2-11
1023943	2-35	1025487	2-55	1027228	2-49
1024028	2-41	1025495	2-55	1027233	2-57
1024131	2-89	1025544	2-117	1027237	3-83, 3-85
1024141	2-150	1025547	2-115	1027267	2-11
1024175	2-89	1025548	2-117, 2-119	1027269	2-9
1024177	2-23	1025562	2-99	1027273	2-25
1024183	2-17	1025601	2-79	1027284	2-15
1024206	2-35	1025619	2-99	1027290	1-1, 2-90
1024211	2-35	1025620	2-99	1027313	2-57
1024213	2-35	1025663	3-89	1027347	2-9
1024217	2-89	1025736	2-17	1027426	2-89
1024237	3-33	1025806	2-23	1027588	3-90
1024249	2-51	1025826	2-65	1027591	2-25
1024251	2-123, 4-7	1025872	2-103	1027688	2-6
1024260	2-19, 4-23	1025887	2-103	1027692	2-57
1024264	2-35	1025888	2-103	1027697	2-4
1024274	2-49	1025916	2-17	1027716	1-1, 3-7
1024309	2-73	1025968	2-67	1027719	1-1, 2-77
1024357	2-39	1025990	3-17	1027742	2-57
1024380	2-31	1025991	3-17	1027798	3-61, 3-63, 3-64, 3-65
1024407	2-67, 4-11	1025992	3-17	1027800	3-61, 3-63, 3-64, 3-65
1024425	2-17	1026003	2-41	1027810	2-63
1024450	2-73	1026007	2-75	1027850	3-90
1024464	2-17	1026014	2-99	1027916	2-9
1024478	2-19	1026025	2-55	1027922	2-31
1024500	2-23	1026051	2-93, 2-101	1027926	3-11
1024535	2-93, 2-101	1026067	3-21	1027976	3-83, 3-85
1024570	2-65	1026074	3-19	1027978	3-83, 3-85
1024576	2-83, 2-87	1026080	2-59, 2-61	1028049	2-75
1024586	1-1	1026101	2-67	1028074	2-95
1024599	2-93, 2-101	1026119	3-15	1028145	2-115
1024648	2-75	1026130	2-69	1028173	2-99
1024658	2-71	1026142	2-101	1028205	2-97
1024695	2-19	1026195	2-73	1028211	2-99
1024764	2-117	1026222	2-4	1028236	2-77
1024772	2-33	1026223	2-4	1028249	2-71
1024853	2-103	1026316	2-99	1028253	2-9
1024891	2-103	1026319	2-125	1028270	3-17
1024977	3-89	1026352	2-59, 2-61	1028328	2-99

CROSS REFERENCE

Part Number	Page Number	Part Number	Page Number	Part Number	Page Number
1028334	2-71	1030617	2-90	1034282	2-79
1028374	2-77	1030709	2-121	1034764	2-13
1028412	2-23	1030863	3-19	1034765	2-13
1028420	2-35	1030864	3-19	1034766	2-13
1028433	1-1, 2-69	1030878	3-19	1034767	2-17
1028440	2-69	1030910	2-63	1034768	2-13
1028446	2-69	1030911	2-63	1034769	2-13
1028495	2-67	1030969	2-4	1034770	2-13
1028516	2-23	1031011	1-1, 2-81, 2-85	1034878	2-127
1028522	2-99	1031017	2-155	1035044	2-99
1028582	3-19	1031152	2-71	1035068	2-21
1028635	2-83, 2-87	1031206	2-17	1035133	3-92
1028667	2-35	1031217	2-67	1035341	2-35, 2-37
1028690	2-93, 2-101	1031233	2-89	1035727	2-79
1028691	2-93, 2-101	1031235	2-90	1035794	3-33
1028697	3-5	1031286	2-67	1035832	2-11
1028701	2-93, 2-101	1031305	2-71	1035878	2-41
1028769	2-15	1031331	1-1, 2-77	1035976	2-41
1028772	2-15	1031351	2-71	1035997	2-11
1028821	2-125	1031557	2-21	1036240	2-9
1028822	2-125	1031566	2-35, 2-37	1036710	2-115
1028905	2-4	1031572	3-5	1036801	3-33
1028972	2-85	1031610	2-99	1036844	2-37
1028979	2-85	1031665	2-11, 2-15, 2-19	1036847	2-37
1028994	2-39	1031699	2-99, 4-3	1036859	2-37
1029055	3-83, 3-85	1031796	4-25	1036892	2-15, 2-31, 2-43, 2-45
1029057	3-45, 3-83, 3-85	1031797	4-25	1036899	2-121
1029082	2-31	1031798	4-25	1036939	2-117
1029118	3-21	1031799	4-25	1036965	3-17
1029128	2-81	1031800	4-25	1036997	2-95
1029132	2-81	1031801	4-25	1037011	3-15
1029153	3-83, 3-85	1031802	4-25	1037032	4-27
1029155	3-83, 3-85	1031803	4-25	1037042	2-121
1029156	3-83, 3-85	1031823	1-1, 2-81, 2-85	1037346	2-43, 2-45, 2-49
1029185	2-95	1031826	2-9	1037354	2-127
1029362	2-15	1031827	2-9	1037355	2-43, 2-45
1029379	3-7, 3-9, 4-9	1031945	1-1, 2-77	1037749	3-92
1029396	3-73, 3-75	1032010	2-39	1037805	3-15, 4-17
1029399	3-83, 3-85	1032399	2-57	1037809	3-42
1029545	2-21	1032424	2-31	1037825	3-25, 3-29, 3-37, 3-41, 3-51, 3-55
1029652	2-21	1032450	2-155	1037970	2-21
1029689	2-35, 2-37	1032512	2-31	1037971	2-21
1029748	2-90	1032546	2-71	1038035	2-35
1029790	3-83, 3-85	1032701	2-97	1038074	2-95
1029964	2-59, 2-61	1032743	2-59, 2-61	1038115	3-11
1030017	2-11	1032812	2-29	1038137	2-63, 2-83, 2-87, 3-11
1030280	2-99	1032830	3-67	1038159	4-27
1030404	2-113	1032831	3-67	1038258	2-59, 2-61
1030407	3-79, 3-81	1032869	3-87	1038498	2-9
1030441	4-30	1032884	3-87	1038569	2-113
1030444	4-30	1033156	2-23	1038805	2-89, 2-90
1030503	3-89	1033297	3-21	1039019	3-5
1030511	3-25, 3-29, 3-37, 3-41, 3-51, 3-55	1033644	1-1	1039049	2-99
1030515	3-89	1033688	2-41, 2-47	1039064	2-95
1030522	3-89	1033697	2-35, 2-47	1039072	2-99
1030557	3-89	1033897	2-29	1039091	2-9
1030558	2-69	1033901	2-29	1039148	2-113
1030588	2-17, 2-23	1033975	2-11	1039208	2-37
1030593	2-11	1034147	2-79	1039212	2-37
		1034270	2-51		

CROSS REFERENCE

Part Number	Page Number	Part Number	Page Number	Part Number	Page Number
1039348	2-71, 2-83, 2-87	1047238	1-1, 3-9	1059878	4-30
1039357	3-33	1047295	2-11	1060130	2-9, 3-13
1039396	2-65	1048474	2-89, 2-90	1060185	3-45
1039468	2-69	1048512	2-89, 2-90	1060273	3-45
1039469	2-69	1048955	2-17	1060291	3-45
1039521	2-29	1049254	3-33, 3-47	1060292	3-45
1039652	2-99	1049259	3-33	1060517	4-27
1039697	2-99	1049919	2-21	1060521	2-51
1039757	2-89, 2-90	1050003	2-155	1060596	3-47
1040018	2-65	1050295	3-67	1060624	3-45
1040096	2-25	1050436	2-115	1060693	3-47
1040098	2-73	1050437	2-115	1060695	4-27
1040318	2-125, 2-127	1050757	2-25, 2-26	1060716	2-105
1040467	2-19, 2-21, 2-31, 2-41, 2-43, 2-45, 3-45, 3-69	1051026	2-4	1060719	3-45
1040524	2-4	1052017	3-47	1060871	3-58
1040633	3-87	1052124	2-63	1060880	3-58
1040800	3-87	1052164	2-43, 2-45	1060881	3-58
1040834	3-13	1052175	2-43, 2-45	1060942	2-9
1040835	2-31	1052336	3-47, 4-27	1061045	3-51, 3-55
1040841	2-13	1052342	2-63	1061973	2-51
1040863	3-89	1052726	3-45	1061974	2-53
1040871	3-89	1053078	3-45	1062033	2-105
1041391	2-117	1053143	2-43	1062103	2-47
1041822	2-15	1053464	4-27	1062116	3-13
1042003	2-93	1053838	2-9, 3-13	1062403	3-47
1042010	2-101	1054382	2-47	1062566	2-9
1042046	2-97	1054428	2-45	1062804	3-45
1042499	2-6	1054575	2-59, 2-61	1062813	2-155
1042500	2-6	1054610	2-61	10632-12	3-69
1042504	2-6	1054682	2-59	10632-17	3-64, 3-65
1042686	2-63	1054776	4-27	10632-19	3-19, 3-33, 3-47
1042710	4-30	1054857	2-59, 2-61	10632-2	3-5
1042963	2-67	1055139	2-61	10632-4	3-45
1042968	3-7, 3-9	1055588	2-121	1064183	3-45
1044342	3-33	1055590	2-121	1064191	3-45
1044343	3-33	1056195	3-89	1064434	2-45
1044393	3-45	1057637	4-27	1064440	2-155
1045272	3-15	1057643	2-59, 2-61	1064661	2-155
1045316	2-41	1057707	1-1	1065342	2-155
1045433	2-43, 2-45	1057708	1-1	1065343	2-155
1045444	3-89	1057710	1-1	1066893	2-17
1045759	2-121	1057711	1-1	1067700	2-95, 2-97
1045764	2-43, 2-45	1058699	2-45	1068611	2-105
1045940	2-43, 2-45	1058730	2-45	1068613	2-105
1046173	3-45	1058732	2-45	1068644	2-105
1046247	2-43	1058935	3-47	1068811	2-59, 2-61
1046261	2-43	1058963	3-45	1068812	3-9
1046282	2-43	1058996	2-19	1068924	2-67
1046798	2-99	1059091	1-1, 3-9	1069019	1-1
1046801	2-43	1059092	1-1, 3-9	1069020	1-1
1046810	2-26	1059100	2-105	1069241	3-67
1046962	2-43, 2-45	1059234	4-30	1069253	3-67
1046976	3-9	1059343	2-51	1069562	2-63
1046980	1-1, 3-9	1059347	2-53	1069580	3-69
1046995	3-9	1059372	3-47	1069876	3-71
1047002	3-9	1059391	3-47	1070402	3-69
1047060	3-9	1059488	2-31	1070659	3-69
1047098	2-89, 2-90	1059640	2-4	1071061	2-51
1047169	2-11	1059671	2-53	1071062	3-69
		1059677	3-45	1071173	2-125

CROSS REFERENCE

Part Number	Page Number	Part Number	Page Number	Part Number	Page Number
1071195	2-47	150713	3-33	21657	4-24
1071253	2-105	15331	2-21	21659	4-24
1071280	3-47	15539	2-4, 2-6	21851	2-17
1071605	2-149	15648	2-93, 2-101	21852	2-4
1071947	3-58	15675	2-59, 2-61	21933	4-23
1072224	2-25	15678	3-33	21934	4-23
1072456	2-17, 4-29	15687	2-25	21935	4-23
1072815	2-17	16213	2-57	21955	4-9
1072877	3-5	16376	2-25	21956	4-9
1072885	2-99	16411	1-1	21958	4-9
1072996	2-129, 4-21	16412	1-1	21960	4-11
1072997	3-15, 4-19	16462	2-119	222027	2-69
1073487	2-51	16695	4-8, 4-9, 4-11	222210	2-69
1074577	2-105	16735	2-99, 3-11	222267	2-23, 2-89, 2-90
1074807	2-59, 2-61	16931	2-11, 2-17, 2-21, 2-23, 2-31, 2-39, 2-41, 2-43, 2-47, 2-51, 2-55, 2-103	222268	2-73
1075003	2-15			222290	2-49
10844	5-17, 6-17	16953	2-35	222320	2-4
10845	5-17, 6-17	16968	2-15	222321	2-4
10851	5-31, 6-29	17185	2-59, 2-61, 3-19	222322	2-4
10852	5-31, 6-29	17284	3-13	222324	2-4
10895	5-3	17414	2-29, 2-31	222325	2-4
10908	2-4	17461	2-63, 2-69, 2-83, 2-87, 3-11	222326	2-4
10917	4-25			222327	2-4
11399	2-9, 2-41, 2-47, 2-73	17521	2-95	222375	3-51, 3-55
11842	2-57	17980	2-19, 2-125	222496	2-39, 2-59, 2-61, 2-67
11984	3-21	19064	2-41, 3-73, 3-79, 3-81	222505	2-39, 2-71, 2-79
1220185	2-6	19065	2-17, 3-45	222516	2-93, 2-101
1220198	2-4	19066	2-17, 2-23, 2-35, 2-37, 2-49, 3-45, 3-59, 3-61, 3-63, 3-64, 3-65, 3-79, 3-83	22290	2-19
1220221	2-4			223054	2-75
1220235	2-6	19191	2-67, 3-7, 3-9	223080	2-17
1220236	2-6	19252	2-25	223198	2-63, 3-45, 3-89
1220237	2-4	19310	2-25	223470	2-63, 3-7
1220238	2-4	19313	3-67	223599	2-15
1220239	2-4	19583	2-51	22609	4-11
1221543	2-6	19583	2-51	22614	4-11
12295	2-59, 2-61	20170	2-55	22615	3-9, 4-11
12309	2-9, 2-71	20171	2-25	22790	4-3
12317	2-9, 2-89, 3-13, 3-89	20394	2-21, 3-83, 3-85	23146	2-9, 3-13
12323	3-45	20432	5-21, 6-19	23285	4-3
12895	5-15	20433	5-21, 6-19	23498	2-93, 2-101, 2-103
12916	6-7	20719	5-23	23788	2-55
13534	2-59, 2-61	20778	2-49	24012	2-39
13698	2-125	20807	2-97	24105	3-3
13904	4-13, 4-15, 4-17, 4-19, 4-21	20833	1-1, 2-79	24196	3-51, 3-59, 3-61, 3-63, 3-64, 3-65
13907	4-7, 4-15, 4-21	20944	3-5	24199	3-69
140916	3-69	20951	3-5, 4-27	24265	2-23, 3-3
14432	2-33	20952	3-5	24299	2-4, 2-6
14595-1	2-55	21168	2-23, 2-65, 2-71, 2-81, 2-85	24339	2-51
14605	2-55			24358	2-99, 4-3
14838	2-4, 2-6	21196	3-89	24543	3-5
14877	3-3, 3-5, 3-19, 3-33, 3-47	21197	2-57, 2-67	24544	3-3, 3-19, 3-33, 3-47
150006	2-41, 2-47	21198	2-57, 2-123, 3-79, 3-81	24555	2-77, 2-79, 3-9
150100	3-19			24698	3-47
150208	3-77	21601	2-77, 3-9	24976	2-25
150525	3-21	21602	2-77	25046	2-67, 3-7, 3-9
150538	3-33	21603	2-77, 3-9	25122	2-127
150540	3-33, 4-27	21606	2-77	25312	3-91
150709	3-33	21623	2-71	25611	2-67, 3-7, 3-9
				25686	2-59, 2-61

CROSS REFERENCE

Part Number	Page Number	Part Number	Page Number	Part Number	Page Number
25735	2-79, 2-81, 2-85	331503	3-92	364749	2-17
28854	4-9	33295	3-3	364779	2-31
29557	3-11	33333	2-39	364864	2-55
29558	3-11	33373	2-79	364948	2-55
29584	2-75	33580	4-5	364972	2-25
30121	5-17	33595	2-25	364978	2-117
30122	5-17	33612	2-35, 2-37	365009	2-119
30125	5-10, 6-10	33671	2-49	365066	2-31
30131	5-23, 6-20	33932	2-23, 2-57, 2-81, 2-85, 3-3, 3-45	365095	2-95
30132	5-23	34178	4-5	365164	2-95
30136	5-28, 6-26	34359	3-15	365190	2-31
30407	2-43, 2-45	34390	2-67	36643	2-57, 2-103
31354	4-8, 4-9	34411	2-9, 3-13	36644	2-63
31375	4-8	35493	4-10	367591	2-25
31376	4-11	35707	2-35, 2-37, 2-47	367770	2-75, 3-79, 3-81
31379	4-8	360023	2-53	367771	2-71
31383	4-8	360074	2-53	367812	2-45
31525	2-37	360270	2-53	367949	2-89, 2-90
31543	3-37, 3-51, 3-55	360271	2-53	368056	2-25
31613	1-1, 2-127	360272	2-53	368059	2-25
32126	2-51	360273	2-53	368090	5-31, 6-29
32183	2-29, 3-5	360274	2-53	368091	5-31, 6-29
32483	2-17, 2-19, 2-29, 2-33, 2-35, 2-37, 2-39, 2-57, 3-45	360275	2-53	368132	2-41
32485	2-25, 2-33, 2-35, 2-43, 2-45, 2-57, 2-63, 2-79, 2-123	360276	2-53	368391	2-17
32486	2-19, 2-41, 2-53, 3-11	360801	2-83, 2-87, 2-99	36845	3-11
32490	2-11, 2-31, 2-35, 2-41, 2-43, 2-45, 2-49, 2-55, 2-57, 3-19, 3-21	360802	2-53	369359	3-7, 3-9, 3-89
32491	2-9, 2-11, 2-17, 2-19, 2-21, 2-23, 2-26, 2-29, 2-31, 2-35, 2-37, 2-39, 2-41, 2-43, 2-47, 2-51, 2-55, 2-57, 2-59, 2-61, 2-63, 2-69, 2-75, 2-89, 2-93, 2-97, 2-99, 2-101, 2-125, 3-11, 3-13, 3-15, 3-67, 3-79, 3-83, 3-87	360824	3-87	369704	2-49
32492	2-9, 2-17, 2-35, 2-37, 2-43, 2-45, 2-47, 2-57, 2-67, 2-79, 2-89, 3-7, 3-9, 3-67, 3-79, 3-81, 3-89, 3-90	360973	2-90	369745	2-33
32493	2-9, 2-25, 2-26, 2-71	361047	3-17	369746	1-1, 2-33
32509	4-27	361071	2-15	369747	2-33
32746	2-4, 2-6	361073	2-15	370091	2-4
32747	2-4	361075	2-15	370095	2-4
32981	2-29, 2-103	361339	2-55, 2-57, 2-65, 2-69, 3-19, 3-21	370100	2-77
32982	3-45	361366	5-4, 6-4	371017	6-9
32983	2-17	361368	5-23	371972	1-1
32987	2-51	361372	6-5	372900	5-10
32988	2-35, 2-37	361373	5-23, 6-20	372901	5-10, 6-10
331475	3-92	361374	5-10, 6-7, 6-10	372904	5-10, 6-10
331500	3-92	361375	6-26	372905	5-11, 6-11
331501	3-92	361389	6-7	372906	6-5
331502	3-92	361392	5-12, 6-12	372907	6-5
		361395	6-17	372912	5-10, 6-10
		361401	6-7	372913	5-10, 6-10
		361427	5-11	372917	5-23, 6-20, 6-21
		361428	5-4, 6-4	372918	5-10
		361430	5-30, 6-28	372920	5-3
		361436	5-3, 6-3	372921	5-5
		361440	5-8, 5-31, 6-8	372927	5-10
		361589	6-12	372928	5-10, 6-10
		363162	2-77	373217	4-5
		36328	2-71, 2-83, 2-87, 2-105	373226	4-5
		363301	2-77	373236	4-5
		363458	2-9	373260	4-5
		363543	2-95	373291	4-5
		363976	2-11	373297	4-5
		364347	2-55	373298	4-5
		364441	2-77, 3-15	373299	4-5
				373317	4-7
				373327	4-7
				373346	4-7

CROSS REFERENCE

Part Number	Page Number	Part Number	Page Number	Part Number	Page Number
373347	4-7	377349	2-89, 3-3	391969	2-153
373348	4-7	377537	1-1	39197	5-15, 6-15
373389	4-7	377538	1-1	39210	2-61, 2-129, 3-15
373391	4-7	377540	1-1	392171	2-15
373393	4-7	37756	4-5	392609	2-103
373394	4-7	379030	2-69, 2-75	392611	2-35, 2-37
373395	4-7	379609	2-51, 4-5	39277	2-9, 2-11, 2-26, 2-29, 2-35, 2-37, 2-41, 2-93, 2-101, 2-105, 2-125
373398	4-7	379656	2-31	39278	2-57
373402	4-7	379870	2-71, 2-83, 2-87	39279	2-55
373413	4-7	380521	2-25	39281	2-79
373427	4-7	381502	2-55, 2-75	39283	2-11, 2-25, 2-35, 2-37, 2-43, 2-45
373429	4-7	381854	2-119	39284	2-25, 2-33
373434	4-7	381866	2-119	39285	2-43, 2-45
373493	4-7	382099	2-63	39308	2-83, 2-87
373494	4-7	382224	2-55, 2-75	39311	2-11
373631	4-15, 4-21	382320	2-89, 2-90, 2-99, 3-91	393129	2-73
373633	4-13, 4-17, 4-19	382516	2-15	393135	2-81, 2-85, 2-93, 2-101, 3-87
373640	4-13, 4-15, 4-17, 4-19, 4-21	38255	4-5	393215	2-51
373642	4-13, 4-15, 4-17, 4-19, 4-21	38263	4-11	393244	1-1, 2-37
373646	4-13, 4-15, 4-17, 4-19, 4-21	383165	2-15	393255	3-13
373647	4-13, 4-15, 4-17, 4-19, 4-21	384418	2-23, 2-81, 2-85	393370	2-35
373648	4-13, 4-15, 4-17, 4-19, 4-21	384419	2-23	393371	2-35
373656	4-13, 4-17, 4-19	384859	6-29	393400	6-17
373657	4-13, 4-15, 4-17, 4-19, 4-21	384871	6-9	393401	2-25
373658	4-13, 4-15, 4-17, 4-19, 4-21	384872	6-7, 6-11, 6-29	39349	2-11, 2-57, 2-73, 2-83, 2-87, 2-93, 2-101
373661	4-13, 4-17, 4-19	384874	6-10	39350	2-51
373662	4-13, 4-17, 4-19	385644	3-23, 3-25, 3-35, 3-37, 3-49, 3-51, 3-79, 3-83	393504	6-5
373663	4-13, 4-15, 4-17, 4-19, 4-21	385685	2-90, 2-99, 3-5	393566	6-20
373664	4-13, 4-15, 4-17	386088	2-57, 2-83, 2-87	393570	6-3
373665	4-15, 4-21	386264	2-77	393588	6-8
373666	4-15, 4-21	386298	2-77, 3-9	393598	6-12
373667	4-15, 4-21	386652	3-5	39507	6-20
373668	4-15, 4-21	387237	2-77	39508	5-23
373669	4-15, 4-21	387281	2-117	39527	2-59, 2-61, 4-8
373670	4-13, 4-15, 4-17, 4-19, 4-21	387433	2-77	39534	2-103
373671	4-15, 4-21	387500	2-77	395973	2-129, 3-15
373672	4-13, 4-15, 4-17	388153	2-19	395974	2-129, 3-15
373673	4-13, 4-15, 4-17	388500	6-21	396221	2-113
373674	4-11	38968	4-5	396255	2-115
373678	4-7	39005	2-75	396273	2-115
373679	4-7	39051	5-3, 6-3	396278	2-119
373680	4-7	39062	5-3, 6-3	396438	2-115
373681	4-7	39063	5-3, 5-5	396476	2-129, 3-15
373683	4-17, 4-19	39065	5-7, 5-25, 5-29, 5-31, 6-7, 6-23, 6-27	39703-2	1-1, 2-26
374560	2-51	39073	5-4, 5-5, 6-4, 6-5	397648	3-79, 3-81
374563	2-51	39087	5-3, 6-3	397826	2-73
375321	3-83, 3-85	39088	5-3, 5-5, 6-3, 6-5	397914	2-4
375322	3-3	39094	5-4, 6-4	397974	2-4
37555	4-8, 4-9, 4-11	390994	2-89	39811	2-63
37616	4-5	39103	5-7	398279	2-33
376735	2-45	39105	5-3	398468	3-19
		39119	5-9	398474	3-19
		39121	5-7, 5-25, 5-29, 5-31, 6-7, 6-23, 6-27	398500	3-79, 3-83
		391368	2-21	398501	2-15
		39160	5-15, 5-28, 5-30, 6-23	399249	2-4
		39161	5-7		
		391804	2-71		

CROSS REFERENCE

Part Number	Page Number	Part Number	Page Number	Part Number	Page Number
40166	5-23, 5-28, 6-20, 6-26, 6-27	47513	2-105, 2-123	54333	2-29, 2-31, 2-49, 2-97, 3-13, 3-19, 3-23, 3-25, 3-27, 3-29, 3-33, 3-35, 3-37, 3-39, 3-41, 3-47, 3-49, 3-51, 3-53, 3-55, 3-79, 3-81, 3-83
40362	2-127	47522	2-51	54390	2-53
40407	5-29, 6-27	47566	2-31	54607	2-55
40409	5-11, 5-13, 6-11	47585	2-19	54615	2-99
40418	6-29	47719	3-13	54620	2-67
40625	2-125	47801	2-51	54655	2-57
40678	2-125	48079	2-57	54861	2-103
41130	2-103	48126	2-29	54911-16	2-25
41139	2-23	48267	2-29	55272	3-61, 3-63, 3-64, 3-65
41141	2-9, 2-71	48610	3-79, 3-81	55455	2-127
41169	2-57	48790	3-47	55586	2-59, 2-61, 2-129, 3-15
41178	2-17, 2-43, 2-45	48813	4-10	55685	2-127, 3-15
41185	2-71, 2-83, 2-87	48985	2-63, 3-11	55837	2-25
41186	2-37, 2-57, 2-93, 2-101, 2-103, 3-11	49145	2-53	55845	3-73
41187	2-83, 2-87	49266	2-15, 2-31, 2-41, 2-43, 2-45, 2-47, 2-51, 2-61, 2-121, 3-19, 3-47, 3-64, 3-65	55847	5-8, 6-8
41295	3-3, 3-5	49694	2-67	55926	4-7
41315	2-95	49697	2-81, 2-85	56078	2-59, 2-61
41346	3-11	49800	2-17, 2-41	56185	2-19
41359	3-45	49933	2-103, 2-129	56186	2-31, 3-19, 3-33, 3-45, 3-79, 3-83
41361	2-37	50178	3-13	56690	2-19, 2-127, 3-15, 3-17
41399	2-57	50335	2-57	56692	2-105, 3-7
41430	2-25, 2-35, 2-41, 2-43, 2-45, 2-125, 3-67, 3-89	50544	2-95	56820	2-19, 2-129, 3-15
41445	2-83, 2-87	50901	3-47	56821	3-7, 3-9
41579	2-4, 4-27	50902	2-35, 2-47	56835	2-19
41619	2-63, 2-69, 2-75, 2-83, 2-87	51109	2-55	56992	2-15
41792	5-4	51176	2-25	57189	2-103
41973	5-15, 5-29, 5-31, 6-13, 6-15, 6-27, 6-29	51305	2-41, 2-47	57223	2-121
42011	2-37	51331	5-5	57248	3-33
42120	2-63, 2-69	51332	5-11, 6-11	57315	2-51
42133A	3-3, 3-19, 3-33, 3-47	51338	2-51	57702	3-89
42180	2-57	51339	2-51	57769	3-79, 3-81
42223	2-51	51754	2-117	57804	2-49
42226	2-103, 2-129, 3-15	51787	2-125	578060000	3-77
42467	2-57	51824	2-63	578061000	3-77
43555	2-93, 2-101	51869	2-25	578063000	3-77
43844	2-41, 2-47, 2-97, 3-3, 3-5, 3-33, 3-47	52405	4-5	578064000	3-77
44868	2-59, 2-61, 2-67, 2-123, 2-129, 3-15	53029	2-31	578066000	3-77
44869	2-67, 2-123, 2-127, 3-15	53076	2-123	578071000	3-75
44961	4-27	53466	2-9, 2-11, 2-41, 2-47, 2-49, 2-125, 3-21	578072000	3-75
45261	2-71	53485	4-10	578074000	3-77
45622	4-5	53782	2-71	578077000	3-77
45623	4-5	53947	2-57	578078000	3-77
45628	4-8, 4-9, 4-11	53953	2-57	578091000	3-77
46236	3-61, 3-63	54017	2-113	578094000	3-77
46390	2-35	54051	2-51	578123000	3-77
46480	2-129	54052	2-51	578124000	3-77
46481	2-125	54087	2-51	578125000	3-77
46482	2-127, 2-129	54095	4-10	578126000	3-77
46563	2-55	54205	2-57	578143000	3-77
46800	3-7	54274	2-41, 2-43, 2-45, 2-103, 2-105	578154000	3-77
47504	3-15	54275A	2-103	578155000	3-77
47512	2-123			578160000	3-75

CROSS REFERENCE

Part Number	Page Number	Part Number	Page Number	Part Number	Page Number
578161000	3-77	65230	4-9	70889	5-4, 6-4
578164000	3-77	65241	4-8	70890	5-4
578214000	3-77	65340	3-77	70891	5-4
578228000	3-77	65341	3-75	70893	5-4
578276000	3-75	65342	3-79, 3-81	70895	5-5
578318000	3-75	65441	2-57	70896	5-5
578439	3-77	65580	3-73, 3-79, 3-81	70897	5-5, 6-5
578820000	3-75	65581	3-47	70899	5-5
578821000	3-77	65582	3-77	70900	5-7, 6-7
579112	3-77	65610	3-77	70901	5-7, 6-7
57946	2-117	65695	2-59, 2-61	70902	5-7, 6-7
58311	2-55	66187	5-4, 6-4	70903	5-7, 6-7
58494	2-17	66194	5-5, 6-5	70904	5-7, 6-7
58566	2-25	66204	5-17, 6-17	70905	5-7, 6-7
58592	2-127	66205	5-8	70906	5-7, 6-7
58819	2-9, 2-11, 2-56	66207	5-17, 6-17	70907	2-25, 5-7, 6-7
58842	2-51	67004	3-73, 3-79, 3-81	70909	5-7
58979	2-67, 2-99	67555	2-63	70910	5-7
59009	2-55	67767	2-41, 2-57, 2-99	70911	2-25, 5-7, 6-7
59015	2-31	67811	2-123	70912	5-7, 6-7
59156	2-35, 2-37, 3-11	68106	2-25	70913	5-7, 5-10, 6-7, 6-10
59194	2-83	68866	2-57	70915	5-8
59195	2-87	68869	2-49	70916	5-8
59378	4-10	69173	2-67, 2-129	70917	5-8
59577	2-19	69234	2-31, 2-33	70919	5-8, 6-8
59578	2-25	69582	2-55	70920	5-8, 6-8
59633	3-11	69785	2-89	70921	5-9
59668	2-56	70096	4-7	70922	5-9
60090	3-15	70100	4-7	70923	5-9, 6-9
602036000	3-77	70157	2-11, 2-105	70924	5-9, 6-9
60295	2-49	70165	2-25, 5-28, 6-23	70925	5-9, 6-9
607775	4-27	70173	2-31	70926	5-9
61212	3-79, 3-81	70188	5-28, 6-23	70927	5-9
61490	4-8, 4-9	70189	5-7	70928	5-9
62471	2-125	70196	5-21, 6-19	70929	5-10, 6-10
630164	3-47	70197	5-21, 6-19	70934	5-11, 6-11
63175-1	3-11	70198	5-21, 6-19	70935	5-11, 6-11
63233	3-11	70199	5-21, 6-19	70936	5-12, 6-12
63234	2-57	70200	5-21, 6-19	70937	5-12, 6-12
63244-2	3-3	70201	5-21, 6-19	70938	5-17
63245-1	3-19, 3-29, 3-41, 3-55	70202	5-21, 6-19	70939	5-17
63430	3-73	70203	5-21, 6-19	70940	5-17
63448	3-73	70204	5-21, 6-19	70941	5-17, 6-17
63451	3-73	70205	5-21, 6-19	70942	5-17, 6-17
63468	2-79	70206	5-21, 6-19	70943	5-17, 6-17
63810	2-25, 2-95, 2-97, 3-3, 3-5, 3-13, 3-23, 3-25, 3-35, 3-37, 3-39, 3-49, 3-51, 3-53, 3-79, 3-83, 3-85	70207	5-21, 6-19	70944	5-17
63923	4-24	70208	5-21, 6-19	70945	5-17, 6-17
63987-1	2-97, 3-47	70209	5-21, 6-19	70946	5-17, 6-17
64425	2-79, 2-81, 2-83, 2-85, 2-87, 3-7	70210	5-21, 6-19	70947	5-17, 6-17
64743	3-19	70211	5-21, 6-19	70948	5-17, 6-9
64778	3-47, 3-83, 3-85	70212	5-21, 6-19	70949	5-17
65145-1	2-123	70213	5-21, 6-19	70950	5-17
65180	2-79	70563	2-59, 2-61	70951	5-17
65197	2-115	70622	2-19	70952	5-17
65215	2-127	70623	2-19	70953	5-17
		70624	2-67	70954	5-17, 6-17
		70709	2-19	70955	5-17, 6-17
		70717	2-19	70956	5-19, 6-18
		70887	5-3, 6-3	70957	5-19
		70888	5-3, 6-3	70964	5-23

CROSS REFERENCE

Part Number	Page Number	Part Number	Page Number	Part Number	Page Number
70965	5-23, 6-20	72012	5-7	73517	5-15, 6-15
70966	5-23, 6-20	72013	5-7, 6-7	73518	5-15, 6-15
70967	5-23, 6-20	72014	5-7, 6-7	73519	5-15, 6-15
70968	5-23, 6-20	72015	5-7, 6-7	73520	5-17, 6-17
70972	5-25, 6-23	72016	5-7, 6-7	73521	5-17, 6-17
70973	5-25, 6-23	72017	5-7	73522	5-17, 6-17
70974	5-25, 6-23	72018	5-7, 5-29	73523	5-17, 6-17
70975	5-13	72019	6-7	73524	5-17, 6-17
70976	5-13	72926	2-51	73525	5-17, 6-17
70977	5-13, 6-13	72968	3-47, 3-73, 3-79, 3-81	73526	5-17, 6-17
70978	5-13, 6-13	72970	2-19	73527	5-17, 6-17
70979	5-13	72993	5-7, 6-7	73528	5-17, 6-17
70980	5-28	72994	5-7, 5-11, 6-7	73529	5-17, 6-17
70982	5-29, 6-27	72995	5-7, 5-31	73530	5-17, 6-17
70983	5-29, 6-27	72996	5-8, 5-11, 5-31	73532	5-17, 6-17
70984	5-29, 6-27	72997	5-8	73533	5-19, 6-18
70985	5-30	72998	5-9, 6-9	73534	5-19
70986	5-30	72999	5-9	73535	5-19
70987	5-30	73027	2-19	73545	5-21, 6-19
70988	5-30	73260	3-3, 4-24	73547	5-21, 6-19
70989	5-30, 6-28	73281	2-51	73551	5-21, 6-19
70991	5-30, 6-28	73342	4-3	73554	5-23, 6-20
70992	5-30, 6-28	73411	2-57	73555	5-23, 6-20
70994	5-31, 6-29	73433	3-3	73560	5-23, 6-20
70998	5-3, 6-3	73468	3-3, 3-47	73561	5-25, 6-23
70999	6-3	73471	2-41, 2-47	73562	5-25, 6-23
71100	2-75	73479	5-9, 6-9	73563	5-25, 6-23
71101	2-75	73481	5-11, 6-11	73565	5-25, 6-23
71340	2-51	73482	6-10	73567	5-27, 6-25
71341	2-51	73483	5-10, 6-10	73568	5-27, 6-25
71367	2-55	73484	5-10, 6-10	73569	5-27, 6-25
71369	2-63	73487	5-11, 6-11	73570	5-27, 6-25
71385	2-25	73488	5-11, 6-11	73571	5-27, 6-25
71388	2-25, 2-35, 2-37	73489	6-11	73572	5-27, 6-25
71579	2-9, 2-71	73491	5-12, 6-12	73573	5-27, 6-25
71607	2-83, 2-87	73492	5-12, 6-12	73574	5-27, 6-25
71726	2-127	73493	5-12, 6-12	73575	5-27, 6-25
71727	2-129	73494	5-12, 6-12	73576	5-27, 6-25
71729	2-59, 2-61, 4-8	73495	5-12	73577	5-27, 6-25
71735	2-115	73496	5-12	73578	5-27, 6-25
71741	2-115	73497	5-12, 6-12	73579	5-27, 6-25
71868	3-11	73498	5-12, 6-12	73580	5-27, 6-25
71869	3-11	73499	5-12, 6-12	73581	5-27, 6-25
71874	3-11	73500	5-12, 6-12	73582	5-27, 6-25
71941	2-21	73501	5-12	73585	5-27, 6-25
71985	5-3, 6-3	73502	5-12, 6-12	73586	5-27, 6-25
71986	5-3, 6-3	73503	5-12	73588	5-27, 6-23, 6-25
71987	5-3, 6-3	73504	5-12, 6-12	73589	5-27, 6-23, 6-25
71988	5-3, 6-3	73505	5-12	73590	5-27, 6-23, 6-25
71989	5-3	73506	5-12, 6-12	73592	5-13
71990	5-3, 6-3	73507	5-12, 6-12	73593	5-13, 6-13
71991	5-3, 6-3	73508	5-12, 6-12	73594	5-13, 6-13
71992	5-3, 6-3	73509	5-15, 6-15	73595	5-13
71993	5-3, 6-3	73510	5-15	73596	5-13, 6-13
71995	5-4, 5-13, 6-28	73511	5-15, 6-15	73597	5-13, 6-13
71996	5-5, 6-5	73512	5-15, 6-15	73598	5-13, 6-13
71997	5-5, 6-5	73513	5-15, 6-15	73599	5-13, 6-13
71999	5-5	73514	5-15, 6-15	73600	5-13, 6-13
72010	5-5, 6-5	73515	5-15, 6-15	73601	5-13, 6-13
72011	5-7	73516	5-15, 6-15	73602	5-13, 6-13

CROSS REFERENCE

Part Number	Page Number	Part Number	Page Number	Part Number	Page Number
73603	5-13, 6-13	74455	2-41, 2-125	79828	4-5
73604	5-13, 6-13	75456-3	2-103	80288	2-11
73605	5-28	75456-4	2-103	80395	2-77, 2-93, 2-101
73606	5-28, 6-26	75968	2-19	80409	2-79
73607	5-28	760740	2-71	80950	2-79
73610	5-28, 6-26	76099	2-65, 3-21, 3-25, 3-29, 3-37, 3-41, 3-51, 3-55	81582	2-73
73618	5-29	761490	2-9, 3-13	81784	2-83, 2-87
73619	5-29, 6-27	762249	3-19	81952	2-79
73620	5-29	762514	2-49	82727	2-11
73621	5-29, 6-27	762514	2-49	82832	2-51
73622	5-29, 6-27	763090	2-63	82839	3-13
73623	5-29, 6-27	763114	3-19	83874	1-1, 2-77
73624	5-29, 6-27	763115	3-64, 3-65	83879	2-57
73625	5-29, 6-27	763116	2-41, 3-19, 3-25, 3-37, 3-51	84170	2-57
73626	5-29, 6-27	76315	2-105	84597	1-1
73627	5-30	76426	2-99	84631	5-5
73628	5-30	76570	2-25, 2-35, 2-37, 2-93, 2-101	84635	5-25, 5-27, 6-23, 6-25
73629	5-30	76888	2-17	84636	5-13, 6-13
73630	5-30	76955	2-37	84638	5-23, 6-20
73631	5-30, 6-28	76957	2-35	84644	5-25, 6-23
73632	5-31, 6-29	769785	3-83, 3-85	84647	5-3
73633	5-31, 6-29	77003	4-15, 4-21	84648	5-27, 6-25
73634	5-31, 6-29	77005	4-13, 4-15, 4-17, 4-19, 4-21	84649	5-27, 6-25
73636	5-31	77006	4-15, 4-21	84650	5-27, 6-25
73736	2-15	77097	2-67, 2-75, 2-83, 2-87, 2-129, 3-11	84651	5-27, 6-23, 6-25
73737	2-37	77098	2-63, 2-69, 2-105, 3-11	84660	3-92
74027	2-73	77221	2-155	86508	3-3
74077	2-23	77345	2-51	86636	2-99
74090	2-93, 2-101	77347	2-9	86659	2-53
74094	4-8, 4-9, 4-11	77488	2-75	86751	2-55
74095	4-8	78043	2-31	86759	3-7
74098	4-8, 4-11, 4-15, 4-21	78122	3-79, 3-81	86767	3-73
74099	4-8	78398	3-3, 4-3	86866	2-63, 2-69, 2-75
74100	4-8, 4-9	78829	4-3	87536	2-15
74101	4-11	78830	4-3	87631	2-59, 2-61
74122	4-5	78833	4-3	87738	2-31
74123	4-5	78836	4-3	87816	2-83, 2-87
74125	4-5	78838	4-3	87866	1-1, 2-15
74165	4-5	78839	4-3	9000355	2-29
74166	4-5	78840	4-3	9000845	3-63, 3-65
74167	4-5	78841	4-3	9000846	3-61, 3-64
74168	4-5	78842	4-3	9000879	3-61, 3-63, 3-64, 3-65
74180	4-7	78843	4-3	9001314	3-67
74183	4-23	78844	4-3	9001316	3-91
74185	4-23	78845	4-3	9001321	3-59
74193	4-23	78875	4-24	9001327	3-61
74196	4-23	78950	4-25	9001331	3-63
74222	4-23	78951	4-25	9001717	3-65
74225	4-7	78952	4-25	9001718	3-64
74226	4-7	79273-1	3-23, 3-25, 3-27, 3-29	9002382	2-11
74232	4-23	79273-2	2-95, 2-97	9002383	2-11
74233	2-103, 4-10	79380	2-103	9002398	2-127
74237	4-7	79381	2-39, 2-41, 2-47, 3-73	9002401	2-9
74243	4-23	79399	2-25	9002410	2-11
74244	4-23	79484	3-3	9002411	2-39
74245	4-23	79497	3-3	9002412	2-41
74250	4-8, 4-9, 4-11	79506	2-93, 2-101	9002436	2-15
74405	2-25, 5-21, 6-19	79729	4-5	9002437	2-15
74440	2-57			9002670	2-89
74452	2-39			9002684	2-103

CROSS REFERENCE

Part Number	Page Number	Part Number	Page Number	Part Number	Page Number
9002708	4-3	9004371	6-13	9006562	2-121
9002709	4-3	9004372	6-13	9006814	2-43
9003009	4-30	9004373	6-13	9006816	2-43
9003055	2-73	9004374	6-26	9007131	3-59
9003057	2-81, 2-85	9004375	6-26	9007142	2-123
9003058	2-71	9004376	6-23	9007513	2-9
9003059	2-71	9004379	6-28	9007882	3-45, 4-27
9003060	2-75	9004381	6-28	9007883	4-27
9003061	2-67	9004382	6-28	9007914	2-15
9003068	2-90	9004385	6-27	9007915	2-15
9003069	2-89	9004386	6-27	9007928	3-43
9003070	2-90	9004389	6-20	9007929	3-43
9003071	2-89	9004390	6-20	9008248	2-51
9003072	2-99	9004393	6-20	9008757	4-30
9003130	1-1	9004395	6-21	9008848	4-30
9003134	3-73	9004396	6-21	9008868	3-33, 4-30
9003135	3-89	9004397	6-21	9010085	3-69
9003139	3-83	9004398	6-21	9010086	3-69
9003142	3-90	9004399	6-21	9011343	4-19, 4-21
9003143	3-87	9004400	6-21	9011345	4-19, 4-21
9003247	2-67	9004401	6-21	9011346	4-19, 4-21
9003249	2-67	9004402	6-8	9011347	4-19, 4-21
9003282	3-85	9004403	6-8	9012585	4-29
9003313	2-99	9004404	6-8	9012587	4-29
9003424	2-11	9004405	6-8	9012589	4-29
9003427	2-11	9004406	6-8, 6-11	9012590	4-29
9003430	2-11	9004407	6-8	9012591	4-29
9003455	2-103	9004409	6-12	9012592	4-29
9003461	2-103	9004410	6-12	9012593	4-29
9003611	2-29	9004431	6-3	9012594	4-29
9003679	2-9	9004432	6-7	9012595	4-29
9003793	2-93	9004433	6-10	9014281	3-47
9003794	2-101	9004435	6-4	9014662	2-4, 2-6
9003797	2-99	9004436	6-9	9014666	2-4, 2-6
9003868	6-8	9004437	6-9	9014667	2-4
9003869	6-8	9004438	6-9		
9003870	6-8	9004439	6-9		
9003888	6-4	9004440	6-15		
9003891	6-18	9004441	6-17		
9003893	2-99	9004442	6-18		
9003934	2-29	9004443	6-18		
9003958	2-29	9004444	6-18		
9004118	2-89	9004445	6-13		
9004283	6-28	9004446	6-26		
9004335	6-3	9004447	6-26		
9004337	6-3	9004448	6-28		
9004338	6-4	9004449	6-27		
9004339	6-4	9004450	6-20		
9004340	6-5	9004451	6-20		
9004341	6-5	9004454	6-23		
9004346	6-7	9004493	2-77		
9004347	6-7	9004775	6-28		
9004348	6-4	9004881	2-15		
9004349	6-9	9005165	2-89, 2-90		
9004350	6-9	9006001	5-4		
9004358	6-15	9006060	1-1		
9004361	6-17	9006257	3-92		
9004363	6-17	9006334	2-9, 3-13		
9004368	6-13	9006386	2-61		
9004369	6-13	9006398	2-59, 2-61		

PART DESCRIPTION TO PAGE NUMBER CROSS REFERENCE LIST

A

Ace, Thrust, Motor, Hyd [En], 4-9, 4-11
 Actuator, Govnr, Dsl, 2-25
 Actuator, Valve, By-Pass [En], 4-7
 Adapter, Head / Wand [17b/E], 3-77
 Adapter, Actuator, Govnr, Eng, Dsl, 2-25
 Adapter, Rod-End, Side Brush, 3-11
 Alarm Assy, Backup, 12/48Vdc, 3-59
 Alarm Kit, Backup, Ci [M20 And T20], 3-59
 Alarm, 9-48vdc, 95 Db(A) [Ec-H20], 3-45
 Alarm, Warning [Sonalert, St628], 2-49
 Alternator, 12vdc, 075a [Valeo], 2-35, 2-37
 Angle, Brace, Shrd, 2-23
 Angle, Deflector, 2-65
 Angle, mtg, Antenna, Telem, 3-69
 Angle, Mtg, Stl, .12 3.7 3.4 09.11, 2-93, 2-101
 Angle, Mtg, Stl, .12 4.2 2.0 01.41, 2-89
 Angle, Mtg, Stl, .18 2.2 1.9 03.01, 2-89
 Angle, Mtg, Stl, .19 3.1 1.8 01.41, 2-89
 Angle, Mtg, Valve, 2-93, 2-101, 3-13
 Angle, Protector, Lh, 2-75
 Angle, Protector, Rh, 2-75
 Angle, Sppt, Fan, 2-103, 2-105
 Antenna, Telem, 70 In [Gprs], 3-69
 Arm [Positioning], 2-57
 Arm Wldt, Alternator, Dsl, 2-35, 2-37
 Arm Wldt, Lift, Sqge, Lh, 2-87
 Arm Wldt, Safety, Sppt, Seat, .38d 06.5d, 2-17
 Arm Wldt, Safety, Sppt, Seat, .38d 10.11, 2-99
 Arm Wldt, Sqge, Lift, Rh, 2-83
 Arm, Alternator, Dsl, 2-35
 Arm, Cntrl, Pintle, Centering, 2-57
 Arm, Lever, Brake, 4.1 [Knott], 2-53
 Arm, Lift, Head [5700], 2-69
 Arm, Link, 3-11
 Arm, Pinch, 2-93, 2-101
 Arm, Pintle, 2-57
 Arm, Rocker [Ku], 6-12
 Arm, Sqge, Side, Lh, 2-87
 Arm, Sqge, Side, Rh, 2-83
 Armature, Motor [Ku], 6-19
 Armrest, 4-29
 Armrest, Rh, 2-17
 Assembly Apparatus, Idle, 5-28
 Assembly Bolt, Adjusting, 5-28
 Assembly Camshaft, 5-15
 Assembly Case, Main Bearing, 5-9
 Assembly Case, Main Bearing 1, 5-9
 Assembly Case, Main Bearing 2, 5-9
 Assembly Case, Main Bearing 3, 5-9
 Assembly Cock, Drain, 5-3
 Assembly Connecting Rod, 5-17
 Assembly Lever, Fork, 5-30
 Assembly Pipe, Over Flow, 5-23
 Assembly Piston Ring, 5-17
 Assembly Piston Ring 05, 5-17
 Assembly Plate, Control, 5-29
 Assembly Pump, Injection, 5-27

Assembly Pump, Injection (See Injection Pump Breakdown), 5-25
 Assembly Pump, Water, 5-8
 Assembly Rocker Arm, 5-12
 Assembly Rotor, Oil Pump, 5-7
 Assembly Seal, Mechanical, 5-8
 Assembly Shaft, Governor, 5-13
 Assembly Shaft, R-arm, 5-12
 Assembly Tappet, 5-27
 Assy Armature, 5-21
 Assy Bolt, 5-21
 Assy Holder, Brush, 5-21
 Assy Starter, 5-21
 Assy Switch, Magneto, 5-21
 Assy Yoke, 5-21
 Axle, Wand [17b/E], 3-77

B

Bag, Power, 3-73, 3-79, 3-81
 Ball, 5-7, 5-17, 5-21
 Ball, Cshft [Ku], 6-17
 Ball, Relief, Oil [Ku], 6-7
 Band, Pipe, 5-23
 Bar Wldt, Retainer, Sqge, Rear, 2-77
 Bar, Flat, Ss, .06 X .50 X 10.01 2/.19sl, 2-15
 Bar, Flat, Stl 0.19, 01.50 X 04.11, 2-51
 Bar, Flat, Stl 0.38, 01.00 X 03.31, 2-31
 Bar, Retainer, 3-7
 Bar, Rnd, Plstc, 0.31d 12.5l, 2-89, 2-90
 Base, Fltr, Oil [Ku], 2-25
 Battery, Wet, 12vdc 0475cca, 1-1
 Battery, Wet, 12Vdc 0600Cca, 2-49
 Bearing, 5-21, 6-19
 Bearing [Ku], 6-8
 Bearing Kit [CI], 4-23
 Bearing, Ball, 5-8, 5-13, 5-30
 Bearing, Ball [Ku], 6-13, 6-28
 Bearing, Ball, 0.79b 1.85d 0.55w, 2-35
 Bearing, Ball, 0.98b 2.05d 0.59w, 2-59, 2-61
 Bearing, Ball, 1.18b 2.44d 0.63w, 2-53
 Bearing, Case [Ku], 6-9
 Bearing, Cone, 1.38b 0.71w, 2-51
 Bearing, Cone, Pump, Hyd, 4-7
 Bearing, Cshft [Ku], 6-17
 Bearing, Cshft, -.2mm [Ku], 6-17
 Bearing, Cshft, Std [Ku], 6-9, 6-17
 Bearing, Cup, 4-7
 Bearing, Cup, 2.56d 0.55w, 2-51
 Bearing, Flng, 2-Hole, 0.50b, 2-19
 Bearing, Flng, 2hole, 0.50b [Nyl], 2-19
 Bearing, Pillowblock, 1.02b [Solid Pye], 2-55
 Bearing, Rlr, Cam 52 X 14 X 20, 2-71
 Bearing, Rod, Connecting [-.2mm, Ku], 6-17
 Bearing, Rod, Connecting [-.4mm, Ku], 6-17
 Bearing, Rod, Connecting, Std [Ku], 6-17

Bearing, Self Align, 0.75b 1.25d, 2-63, 2-69
 Bearing, Split, 1.00b, 2-55, 2-75
 Bearing, Thrust, 4-9, 4-11
 Bearing, Thrust [-.4mm, Ku], 6-17
 Bearing, Thrust [Ku], 6-17
 Bearing, Thrust, 0.53b 1.00d 0.03w, 3-11
 Bearing, Thrust, 0.75b 1.25d 0.06w, 2-71
 Bearing, Thrust, Pump, Hyd, 4-7
 Bearing, Thrust, Std [Ku], 6-17
 Bellows, Seat, 4-29
 Belt Kit, W/ Installation Tool, 6-28
 Belt, Ribbed, 38.5l, 1-1
 Belt, v, 37.0L [3V], 2-35
 Belt, V, 37.5l [3v], 1-1, 2-35
 Belt, V, 42.0l [Hc41], 1-1, 2-37
 Blade, Sqge, .38 3.55w 038.3l, Ure, 1-1
 Blade, Sqge, .38 3.55w 038.3l, Ure (Option), 2-81, 2-85
 Blade, Sqge, 300.8mml, Wand [17b/E, G], 3-77
 Blade, Sqge, 37.08l Linatex, 1-1, 2-81, 2-85
 Blade, Sqge, Front [Linard], 1-1
 Blade, Sqge, Front, 49.58l [Linard], 2-77
 Blade, Sqge, Front, 49.58l Ure (Option), 2-77
 Blade, Sqge, Front, 49.59l Pyu, 1-1
 Blade, Sqge, Rear, 53.78L Pyu, 1-1
 Blade, Sqge, Rear, 53.78l Ure (Option), 2-77
 Blade, Sqge, Rear, Linatex, 1-1, 2-77
 Blade, Sqge, Side Brush, Linatex, 1-1, 3-9
 Blade, Sqge, Side Brush, Urethane, 1-1, 3-9
 Block, Centering, 2-75
 Bolt, 5-4, 5-5, 5-7, 5-8, 5-9, 5-11, 5-13, 5-15, 5-17, 5-19, 5-21, 5-25, 5-28, 5-29, 5-30, 6-7, 6-9, 6-11, 6-12, 6-19, 6-29
 Bolt [Ku], 6-4, 6-8, 6-11, 6-18, 6-23, 6-27, 6-29
 Bolt, Adjusting, 5-28
 Bolt, Adjustment Assy [Ku], 6-26
 Bolt, Bearing Case 1, 5-9
 Bolt, Carriage, M06 X 1.00 X 40, 4.6, 3-45
 Bolt, Carriage, M10 X 1.5 X 70, 2-79
 Bolt, Connecting Rod, 5-17
 Bolt, Cylinder Head, 5-5
 Bolt, Eye, .25-20 X 1.40 X .25 Eye, 2-57
 Bolt, Eye, M08 X 1.25 X 070mm, 05.50 Eye, 2-83, 2-87
 Bolt, Eye, M8X1.25, 2.75L, 2-57
 Bolt, Flng, 6-8
 Bolt, Flywheel, 5-19
 Bolt, Hex [Ku], 5-31, 6-13, 6-15, 6-23, 6-27, 6-29
 Bolt, Motor, Hyd, 4-5
 Bolt, Shld, .31d X 1.00, .25-20, 2-57
 Bolt, Shld, 1.37d X 5.13l, 1.1-18 Drilled, 2-51

CROSS REFERENCE

- Bolt, Bearing Case 2, 5-9
Boot, .63id .29l .90w, 2-15
Boot, 90deg .50id 1.00id 2.50l, Red, 2-35, 2-37
Boot, Bellows, 3.1l 4.4w 2.8h 1hole, Neo, 2-19
Boot, Circuitbreaker, 3-45
Boot, Switch, Ignition, 2-15
Bracket Wldt, Arm, Lower Cntrl, 2-69
Bracket Wldt, Brush Wrap Mtg, Rh, 2-63
Bracket Wldt, Brush Wrap, Lh, 2-63
Bracket Wldt, Cooler, Hyd Fluid, 2-125
Bracket Wldt, Head, Lower, Lh, 2-69
Bracket Wldt, Head, Lower, Rh, 2-69
Bracket Wldt, Latch, 2-21
Bracket Wldt, Mtg [FaST Gen 2+], 3-33
Bracket Wldt, Mtg [FaST], 3-21
Bracket Wldt, Mtg, Alternator, Dsl, 2-35, 2-37
Bracket Wldt, Mtg, Caster, 2-79
Bracket Wldt, Mtg, Eng, Front, Dsl, 2-25, 2-26
Bracket Wldt, Mtg, Eng, Rear, Dsl, 2-25
Bracket Wldt, Mtg, Side Brush, 3-7
Bracket Wldt, Mtg, Side Brush Fixed, 3-9
Bracket Wldt, Mtg, Sqge, 2-79
Bracket Wldt, Mtg, Tank, 2-11
Bracket Wldt, Pivot, 2-71
Bracket Wldt, Propel, Pintle, 2-57
Bracket Wldt, Steering, Tilt, 2-19
Bracket Wldt, Tilt, Rh, 2-19
Bracket, Angle, Sppt, Shield, 2-69
Bracket, Angle, Stop, 2-71
Bracket, Axle, 1 Hole [17b/E], 3-77
Bracket, Axle, 3 Hole [17b/E], 3-77
Bracket, Clamp, Hose, 2-35, 2-47
Bracket, Cover, 2-43, 2-45
Bracket, Ftg, Bh, 2-41
Bracket, Guide, Shrd, 2-23
Bracket, Keeper, Latch, 2-90
Bracket, Latch, Cover, 2-23, 2-90, 3-87
Bracket, Latch, Keeper [Southco], 2-23
Bracket, Latch, Shrd, Seat, 2-17
Bracket, Lift, Sqge, 2-79
Bracket, Mtg, 2-11
Bracket, Mtg [FaST Gen 2+], 3-33
Bracket, Mtg [FaST], 3-21
Bracket, Mtg, Air Fltr, Dsl, 2-33
Bracket, Mtg, Cable, 2-55
Bracket, Mtg, Coolant, Tank, Dsl [2010], 2-31
Bracket, Mtg, Cover, Recvy Tank, 2-99
Bracket, Mtg, Cyl, 2-83, 2-87
Bracket, Mtg, Detgt And Spray Wand, 3-5
Bracket, Mtg, Ecu [M20/T20 2007], 2-31
Bracket, Mtg, Fan, 2-103
Bracket, Mtg, Fan, Shrd, Lower, Dsl, 2-45
Bracket, Mtg, Fan, Shrd, Upper, Dsl, 2-45
Bracket, Mtg, Fltr, Oil, Remote, 2-25
Bracket, Mtg, Govnr Control, Dsl, 2-31
Bracket, Mtg, Insulation, 2-11
Bracket, Mtg, Latch, Dsl, 2-41
Bracket, Mtg, Latch, Tank Cover, 2-89, 2-90
Bracket, Mtg, Lift, Scb Head, 2-63
Bracket, Mtg, Mirror, Rearview, 3-67
Bracket, Mtg, Motor, 2-103
Bracket, Mtg, Prop Rod, 2-99
Bracket, Mtg, Pump, 3-79, 3-83
Bracket, Mtg, Radiator, 2-43, 2-45
Bracket, Mtg, Rocker Arm [Ku], 6- 12
Bracket, Mtg, Scb Head, Lh, 2-63
Bracket, Mtg, Scb Head, Rh, 2-63
Bracket, Mtg, Sensor, 2-57
Bracket, Mtg, Sheave, Dsl, 2-35
Bracket, Mtg, Skirt, 2-65
Bracket, Mtg, Skirt, Door, Brush, 2-81, 2-85
Bracket, Mtg, Sppt, 2-51
Bracket, Mtg, Spray Handle, 3-83, 3-85
Bracket, Mtg, Spray Wand [FaST, Conv], 3-83, 3-85
Bracket, Mtg, Spring, 2-63
Bracket, Mtg, Sqge, 3-7
Bracket, Mtg, Sqge, Disk Head (Disk Scrub Head), 2-9
Bracket, Mtg, Static Strap, 2-71
Bracket, Mtg, Strainer, 3-5
Bracket, Mtg, Tank, 2-89
Bracket, Mtg, Torque Tube, 2-69
Bracket, Mtg, Valve, 2-95, 3-3
Bracket, Mtg, Valve, Hyd, Scb, 2-129
Bracket, Mtg, Wand, 3-79, 3-81
Bracket, Muffler, Hanger, Front, 2-39
Bracket, Propel, Dsl, 2-57
Bracket, Retainer, Lh, 2-59
Bracket, Retainer, Pump, 3-33
Bracket, Retainer, Rh, 2-61
Bracket, Retainer, Safety, 2-57
Bracket, Retainer, Shield, Heat, 2-39
Bracket, Retainer, Spring, 2-4, 2-6
Bracket, Retaining, Hose, 2-93, 2-101, 3-87
Bracket, Rocker Arm, 5-12
Bracket, Seat, Adj, 2-17
Bracket, Shield, Heat, 2-23
Bracket, Shrd, Fan, Lh, 2-43
Bracket, Shrd, Fan, Rh, 2-43
Bracket, Shrd, Fan, Upper, Dsl, 2-43
Bracket, Shrd, Fan, Upper, Lh, 2-43
Bracket, Shrd, Radiator, Dsl, Ce, 2-45
Bracket, Spacer, Controlbox, 3-69
Bracket, Sppt, 2-43, 2-45, 2-59, 2-61
Bracket, Sppt, Alternator, Dsl, 2-35, 2-37
Bracket, Sppt, Cover, Tank, Recvy, 2-99
Bracket, Sppt, Radiator, Upper, 2-41
Bracket, Sppt, Shield, 2-71
Bracket, Sppt, Strobe Light, 3-59, 3-61, 3-63
Bracket, Spring, 2-71
Bracket, Valve, Sba [M20 And T20], 3-15
Bracket, Valve, Water, 2-97
Bracket, Wand, Handle, 3-77
Bracket, Wand, Valve Mtg, 3-77
Brake Assy, Drum, Mech, 07.0d 1.2w, 2-53
Brkt, Ftg, 2-67
Brush Assy, Disk, Scb, 14.0d, Nylon, 2-4
Brush Assy, Disk, Scb, 14.0d, Polypropylene, 2-4
Brush Assy, Disk, Scb, 14.0d, Super Abrasive, 2-4
Brush Assy, Disk, Scb, 16.0d, Heavy Duty Polypropylene, 2-6
Brush Assy, Disk, Scb, 16.0d, Nylon, 2-6
Brush Assy, Disk, Scb, 16.0d, Super Abrasive, 2-6
Brush Assy, Disk, Scrub, 14.0 D, Polypropylene (Replaced by 1220237), 2-4
Brush Assy, Disk, Scrub, 14.0 D, Soft Nylon (Replaced by 1220238), 2-4
Brush Assy, Disk, Scrub, 14.0 D, Super Abrasive (Replaced by 1220239), 2-4
Brush Assy, Disk, Scrub, 16.0 D, Heavy Duty Polypropylene (Replaced by 1220236), 2-6
Brush Assy, Disk, Scrub, 16.0 D, Super Abrasive (Replaced by 1221543), 2-6
Brush Assy, Disk, Scrub, 16.0D, Nylon (Replaced by 1220235), 2-6
Brush Assy, Disk, Sweep, 24.0d, Polypropylene (Replaced by 1220185), 2-6
Brush Assy, Disk, Swp, 24.0d, Polypropylene, 2-6
Brush Kit, Hub Assy, Drive, Ci [Comm], 2-4
Brush Kit, Hub Assy, Drive, Ci [Hdpe In], 2-4, 2-6
Brush Kit, Hub Assy, Drive, Ci [Uhmw], 2-4, 2-6
Brush, Power Wand, W/ FaSTener, Abr, 3-77
Brush, Power Wand, W/ FaSTener, Pyp, 3-77
Brush, Sweep / Scrub, 40L, Heavy Duty Polypropylene, 2-4
Brush, Sweep / Scrub, 40L, Polyester, 2-4
Brush, Sweep / Scrub, 40L, Polypropylene, 2-4
Brush, Sweep / Scrub, 40L, Super Abrasive, 2-4
Brush, Sweep / Scrub, 40L, Wndw, Super Abrasive, 2-4
Brushholder, 6-19
Bumper Kit, Hd, Ci [T20], 3-90
Bumper Kit, Rear [T20], 2-9
Bumper Wldt, Brush, Side, 3-7, 3-9
Bumper Wldt, Rear, 2-9
Bumper, Rbr, 0.5d 0.16t M5 X 08, 2-57
Bumper, Rbr, 0.6d 0.34t .3d Tip, 2-125
Bumper, Rbr, 1.00d 0.38th M8x1.25, 2-69
Bumper, Sqge, 2-77
Bumper, Ure, 1.50d 1.25l, 3-89
Bush, Governor Gear, 5-3
Bush, Idle Gear, 5-15
Bush, Piston Pin, 5-17
Bushing, Eccentric, Adj, 2-93, 2-101
Bushing, Flng, 0.32b 0.50d 0.24l, Bnz, 2-79

Bushing, Flng, 0.50b 0.59d 0.38l, 2-93, 2-101
 Bushing, Flng, 0.63b 0.75d 0.38l, 2-79, 2-81, 2-85
 Bushing, Flng, 1.50b 1.65d 1.00l, 2-67
 Bushing, Gear, Gov [Ku], 6-3
 Bushing, Gear, Idler [Ku], 6-15
 Bushing, Pin, Piston [Ku]16241-21351, 6-17
 Bushing, Sleeve, 0.37b 0.50d 0.50l, Oib, 2-55
 Bushing, Sleeve, 0.50b 0.59d 0.50l, Bnz, 3-11
 Bushing, Sleeve, 0.62b 0.72d 0.50l, Fgl, 2-79
 Bushing, Sleeve, 0.63b 0.72d 0.38l, 2-83, 2-87
 Bushing, Sleeve, 0.75b 0.88d 0.25l, 2-93, 2-101
 Bushing, Sleeve, 0.78b 0.86d 0.93l, Bnz, 2-53
 Bushing, Sleeve, 1.00b 1.13d 1.50l, Fgl, 3-11
 Button, Cntrl, Horn, 2-19
 Bypass Valve Kit, Pump, Repair,, 4-25

C

Cable, 06ga 16.0l Red .38ring /.38ring, 2-35, 2-37
 Cable, Battery, 02ga 48.0l Red .41ring, 2-49
 Cable, Battery, 02ga 60.0l Blk .41ring, 2-49
 Cable, Glv .06d 012.0l .26eye /.26eye, 3-89
 Cable, Glv .09d 016.5l .38eye /.38eye, 2-21
 Cable, Glv .13d 015.8l .50eye /.50eye, 2-83, 2-87
 Cable, Push / Pull, 063.0l 4.0, .31-24, 2-55
 Cable, Push / Pull, 098.0l .25-28/.25-28, 2-57
 Cable, Ss .12d 013.3l .2clevis /.2clevis, 2-75
 Cam, 2-77
 Cam, Centering, Pintle, 2-57
 Cam, Front, 3-9
 Cam, Fuel, 5-13
 Cam, Plt, Brake [Nickel], 2-53
 Cam, Rear, 2-77
 Camshaft, 6-13
 Camshaft, Fuel, 5-13
 Cap, 5-28
 Cap Assy, Tank, Drain, 2-99, 4-3
 Cap Screw, 4-8
 Cap Screw Cl, 4-9
 Cap, Breather, Hyd, 2.4 Ds, 2-127
 Cap, End, Valve, Steering, 4-23
 Cap, Filler, Oil [Ku], 6-7, 6-10
 Cap, Fuel, Tank, 2-29
 Cap, Hub, Dust 2.57d 0.77l, 2-53
 Cap, Radiator, 14 Psi [Stant], 2-43

Cap, Radiator, 14Psi [Stant], 2-45
 Cap, Radiator, 15psi, 2-41
 Cap, Rbr, 0.50id 1.18l Blk, 2-97
 Cap, Screw, Idler [Ku], 6-26
 Cap, Sealing, 5-3, 5-5, 6-5
 Cap, Tank, 3-5
 Cap, Tank, Fuel, 2.3neck 2.6d, 2-29
 Cap, Valve, 5-12
 Cap, Valve [Ku], 6-12
 Cap, Vinyl, 57mmid X 23mm, 2-59, 2-61
 Capacitor, Plug [4700uf, 25v], 3-58
 Cartridge, Psi Cntrl, Valve, Hyd, 4-13, 4-15, 4-17
 Case, Main, Brg Assy, 6-9
 Caster, Pivot, 2-79
 Catch, Latch, Tank Cover, 2-89, 2-90
 Channel Wldt, Guard, Sqge, 3-89
 Channel Wldt, Pivot, 3-11
 Channel, Shield, Muffler [M20/T20 2007], 2-39
 Channel, Sppt, Tank, 2-89
 Chech Valve Kit, Pump, Repair,, 4-25
 Cir-clip, External, 5-12, 5-30
 Cir-clip, Governor Shaft, 5-13
 Cir-clip, Idle Gear, 5-15
 Cir-clip, Piston Pin, 5-17
 Circuitbreaker, 02.0a, Resetable, 3-45
 Circuitbreaker, 2.0a, Resetable, 3-45
 Clamp [Kubota], 6-8
 Clamp Wldt, Front, 2-77
 Clamp Wldt, Rear, 2-77
 Clamp, Cable, Nyl, 0.62D, Nat, 3-69
 Clamp, Cable, Ss, 0.50d X 0.50w [Insul], 4-27
 Clamp, Cable, Ss, 1.12d X 0.38w, 1h, 2-95
 Clamp, Cable, Ss, 2.50d X 1.00w, 1h, 2-11
 Clamp, Cable, Ss, 2.50d X 1.00w, 1hole, 2-105
 Clamp, Cable, Stil, 0.25D X 0.56W, 1Hole, 3-61, 3-63
 Clamp, Cable, Stil, 0.44d X 0.62w, 1h, 2-125
 Clamp, Cable, Stil, 0.69d X 0.62w, 1h, 2-41, 2-57, 2-99
 Clamp, Cable, Stil, 1.00d X 0.75w, 1h, 2-31, 2-33
 Clamp, Cable, Stil, 1.50d X 1.00w, 1h, 2-11, 2-41, 2-49, 2-125, 3-21
 Clamp, Cable, Stil, 1.50d X 1.00w, 1hole, 2-9, 2-47
 Clamp, Hose, 5-10, 6-10
 Clamp, Hose, Ear, 11-13mm, Ss, 3-75
 Clamp, Hose, Ear, 8-11mm, Ss, 3-77
 Clamp, Hose, Heater [Ku], 5-31, 6-29
 Clamp, Hose, Plstc .351-.394 Id, 3-21
 Clamp, Hose, Wir, .52-.56, Yel, 4-27
 Clamp, Hose, Wir, .63-.66, Blk, 4-27
 Clamp, Hose, Wormdrive, 0.25-0.62d, .31w, 2-41, 2-47, 2-97, 3-3, 3-5, 3-33, 3-47

Clamp, Hose, Wormdrive, 0.31-0.88d, .31w, 2-29, 2-31, 2-49, 2-97, 3-13, 3-19, 3-23, 3-25, 3-27, 3-29, 3-33, 3-35, 3-37, 3-39, 3-41, 3-47, 3-49, 3-51, 3-53, 3-55, 3-79, 3-81, 3-83
 Clamp, Hose, Wormdrive, 0.56-1.06d, .56w, 2-25, 2-95, 2-97, 3-3, 3-5, 3-13, 3-23, 3-25, 3-35, 3-37, 3-39, 3-49, 3-51, 3-53, 3-79, 3-83, 3-85
 Clamp, Hose, Wormdrive, 0.81-1.50d, .50w, 2-41, 2-47, 2-73
 Clamp, Hose, Wormdrive, 0.81-1.50d, .50w (Disk Scrub Head), 2-9
 Clamp, Hose, Wormdrive, 1.25-2.00D, .50W, 2-39, 2-41, 2-47, 3-73
 Clamp, Hose, Wormdrive, 1.81-2.75d, .50w, 2-33
 Clamp, Hose, Wormdrive, 2.50-3.50d, .50w, 2-93, 2-101
 Clamp, Hose, Wormdrive, 3.56-4.50D, .50W, 2-93, 2-101, 2-103
 Clamp, Hose, Wormdrive, 3.75-4.62d, .62w, 2-103
 Clamp, Hyd, 0.50d, 2-59, 2-61
 Clamp, Mtg, Fltr, Air, 2-33
 Clamp, Muffler, 1.62d, 2-39
 Clamp, Pipe, 6-20
 Clamp, Pipe 1, 5-23
 Clamp, Pipe 2, 5-23
 Clamp, Tube, Inj, Pipe #1 [Ku], 6-20
 Clevis, Adj, 0.25 Pin, 0.25-28 Rh, Pl, 2-55
 Clevis, Adj, 0.25pin, 0.25-28left Pl, 2-55
 Clevis, Adj, 0.31pin, 0.31-24, 2-55
 Clip, .250h, Plstc [Pine-tree], 2-23, 2-65, 2-71, 2-81, 2-85
 Clip, Grip, Finger, .875-1.25, 3-83, 3-85
 Clip, Grip, Finger, 0.88-1.25d, 3-45
 Clip, Grip, Finger, 1.00-1.88d White,Vyl, 3-73, 3-79, 3-81
 Clip, Keeper, Open, 2-43, 2-45
 Clip, Retainer, .25d, 2-71
 Clip, Wiper, 2-71
 Clutch, 6-19
 Clutch, Over Running, 5-21
 Collar 1, 5-30
 Collar, Crank, Front [Ku], 6-17
 Collar, Crankshaft, 5-17
 Collar, Gear [Ku], 6-15
 Collar, Govnr [Ku], 6-28
 Collar, Idle Gear 1, 5-15
 Collar, Idle Gear 2, 5-15
 Collar, Split, 1.50b .50w 2/Bolt, 2-67
 Collet, Valve Spring, 5-12
 Column, Pump, Water, 4-3
 Column, Steering, 09.9L 0.86D 36Tooth, 2-19
 Comp Idle Gear 1, 5-15
 Comp. Case, Gear, 5-7
 Comp. Crankshaft, 5-17
 Comp. Flywheel, 5-19
 Comp. Lever, Fork 1, 5-30
 Comp. Lever, Governor, 5-29
 Comp. Oil Pan (Rear Sump), 5-4

CROSS REFERENCE

Comp. Weight, Governor, 5-13
Complete Pump Kit, Pump, Repair,, 4-25
Connector, Fem, 02cav, Mp280 Sealed, 4-25
Contact Kit, W/ Brush [En], 2-19
Control Box Assy Kit, Replmt, Telem [CAN], 3-69
Control Box Assy Kit, Replmt, Telem [USA], 3-69
Control, Fuel, 6-25
Control, Govnr [All Purpose], 2-31
Controller Kit, Replmt [Ec- H20], 4-27
Converter, Ele, 12-36 Vdc, 3-45
Cooler, Hyd, 25gpm 325btu Of12 13x12x2, 2-125
Cord, Ele, Glowplug, 6-20
Cord, Glow Plug, 5-23
Coupler, Pump, 4-7
Coupling, Drive, Flex, 09.5d / 13tooth, 2-25
Coupling, Hose, 2-9
Coupling, Nozzle, Spray, 3-83, 3-85
Coupling, Tube, Vacuum, 2-73
Cover, 5-7, 5-21, 5-28, 6-7, 6-19
Cover Assy, Head, Cyl, 5-10
Cover Kit, Soltn Tank, Rh [M20 & T20], 2-89
Cover Kit, Tank, Recvy, Replmt [T20], 2-99
Cover Kit, Tank, Soltn, Lh, Replmt, 2-90
Cover Kit, Tank, Soltn, Lh, Replmt, Ce (Japan and CE Only), 2-90
Cover Kit, Tank, Soltn, Rh, Replmt, Ce (Japan and CE Only), 2-89
Cover Wldt [FaST], 3-21
Cover Wldt, Power Supply, 3-45
Cover, Backrest, 4-29
Cover, Bearing Case, 5-9
Cover, Breather, 5-10, 6-10
Cover, Brg Case, Eng [Ku], 6-9
Cover, Cushion, 4-29
Cover, Cyl Head Assy [Ku], 6-10
Cover, End, 4-7
Cover, Fork Lever Shaft, 5-30
Cover, Fuse, Block, 2-49
Cover, Hole, Pump [Ku], 6-23
Cover, Hole, Pump, Fuel [Ku], 6-23
Cover, Lever, Gov [Ku], 6-28
Cover, Oil Pump, 5-7
Cover, Pump, Oil, 6-7
Cover, Solenoid [Ku], 6-23
Cover, Tank, 2-99
Cover, Tank, Soltn, Lh, Trimmed, 2-90
Cover, Tank, Soltn, Rh, Trimmed, 2-89
Cover, Tank, Soltn, Rh, Trimmed (Japan and CE Only), 2-89, 2-90
Cover, Trimmed, 3-45
Crank Kit, Pump, F/79323, Replmt, 4-24
Crankcase, Comp [Ku], 6-7
Crankcase, Complt, 5-3
Crankcase, Complt [Ku], 6-3
Crankshaft, 6-17
Crankshaft Assy, 6-15
Crankshaft, Metal [Ku], 6-9
Crossmember Wldt, Lift, 2-79

Crossmember Wldt, Sqge (Disk Scrub Head), 2-9
Cuff, Swivel, 1.5 Blk, 3-75
Cup Holder, Rwk, 2-15
Cylinder, Hyd, 1.5b 07.8l 02.75strk 2500, 3-11
Cylinder, Hyd, 1.5b 07.8l 02.80strk 2500, 2-63, 2-83, 2-87, 3-11
Cylinder, Hyd, 1.5b,07.8l,02.80strk,2500, 2-69, 2-75
Cylinder, Hyd, 2.0b,15.2l,09.00strk,3000, 2-51

D

Detergent Pkg, 2 Liter, Sgl [665], 3-21, 3-33
Device, Centering, Clip On, Tl [Gf Pp], 2-4
Diaphragm Kit, Pump, Repair,, 4-25
Diode, Ele, Plug, 2-49
Dipstick, Oil [Ku], 6-4
Disk, Driver, Pad, W/ Face, 14.0d, 2-4
Door Wldt, Brush, 2-59, 2-61
Door Wldt, Brush, Idler, 2-59, 2-61
Door Wldt, Brush, Lh, 2-87
Door Wldt, Brush, Rh, 2-83
Drive, 4-8, 4-11
Drive [Cl], 4-9
Drive, Motor, Hyd, 4-5
Driver Assy, Pad 14.0 D (Replaced by 1220198), 2-4
Driver Assy, Pad 14.0 D (Replaced by 1220221), 2-4
Driver Assy, Pad, 14.0d, Brush, 2-4
Drum, Cable, Lift, 2-75

E

Ear, Lifting, Eng [Ku], 6-5
ec- H20 Kit, W/ Side Brush, Ci [T20], 3-43
ec- H20 Kit, W/O Side Brush, Ci [T20], 3-43
ec- H20 Kit, Flush, Replmt[M20, M30&T20], 3-47
Electrode, 5 Plate, High Flow, 4-27
Electrode, Cylindrical, 4-27
Element, Fltr, Air [Dn], 1-1, 2-33
Element, Fltr, Air, Safety (Option), 2-33
Element, Fltr, Fuel [Dn], 1-1, 2-31
Element, Fltr, Oil, Eng, Spin-On, 1-1
Element, Fltr, Oil, Spin-On, 2-26
Element, Fltr, Oil, Spin-On [Ku], 1-1
End Cap, 4-8
End Cap, Motor, Hyd [En], 4-9, 4-11
Engine Assy, Dsl, 25hp [Ku V1505 Tier4f] (See Engine Breakdown), 2-25
Engine Assy, Dsl, 37Hp [Ku V1505] (See Engine Breakdown), 2-25
Engine Assy, Dsl, 37hp [Ku] (See Engine Breakdown), 2-25
Extinguisher Kit, Fire, Ci [M20 And T20], 3-91

Extinguisher, Fire, 2.5 Lb Dry, 3-91
Eye, Joint [Ku], 6-23

F

Fan Kit, Scrub, Replmt [M20/T20], 2-103
Fan, Cooling, 14.1d, 6 Blade, 0.5b Taper, 2-35, 2-37
FaST Kit, Ci [inj Rebl, M30/M20 III], 4-30
FaST Kit, Ci, Injector Filters[FaST li+], 4-30
FaST Kit, Injector [M20/T20/M30 FaST III] (See Breakdown), 3-33
FaST Kit, Injector [M20/T20/m30 FaST III], 4-30
FaST Kit, Seal, injector, Ci [FaST III], 4-30
Filter Assy, Air, 2-33
Filter Assy, Air, Mold, Ure, 3-21
Filter Assy, Fuel, Dsl, 2-31
Filter Assy, Hyd, 10mic, 1-1, 2-127
Filter, Foam, Rbr, 1.20d, 1.0l, 3-23, 3-25, 3-27, 3-29
Filter, In-Line, Pf06/Pf06 080mesh 02.6l, 3-33, 3-47
Filter, In-Line, Pf06/Pf06, 80 Mesh, 3-19
Filter, Oil [Ku], 6-4
Filter, Screen, 50 Mesh .59d .8l Ss, 3-19
Filter, Soltn, 020mesh, Pm12 3.2d 08.0l, 3-5
Filter, Soltn, 20mesh, Pm12 3.1d 02.6l, 1-1, 2-90
Fitting Assy, Orifice, 0.070b, Pf04/Pf04, 3-19
Fitting Assy, Orifice, 0.093b, Pf04/Pf04, 3-19
Fitting Assy, Qdc, Pf04, 3-47
Fitting Kit, Hose, Garden, 3-3
Fitting Spray Nozzle Adapter, 3-77
Fitting, Alm, Str, Bm24/Bm48, 3-73, 3-75
Fitting, Brs, E45, Pf02/Pm02, 2-25
Fitting, Brs, E90, Bm08/Pm04, 3-19
Fitting, Brs, E90, Cf03/Pf02, 3-21
Fitting, Brs, E90, Em05/Pm02, 2-31
Fitting, Brs, E90, Em05/Pm04, 2-29
Fitting, Brs, E90, Pm02/Bm03, 2-29, 3-5
Fitting, Brs, Qdc, Bm04/Pf04, 3-75
Fitting, Brs, Qdc, Bm12/Qf08, 3-3
Fitting, Brs, Qdc, Pf08 [Parker Bh3f], 3-3
Fitting, Brs, Qdc, Pm04, Plug, 3-77
Fitting, Brs, Qdc, Pm04/Qf06, 3-79, 3-81
Fitting, Brs, Snubber, Pm02/Pf02, 3-47
Fitting, Brs, Spcl [Garden Hose], 3-83, 3-85
Fitting, Brs, Str, Bm04/Pm02, 3-21
Fitting, Brs, Str, Bm08/Pm04, 3-19
Fitting, Brs, Str, lf05/Pm04, 2-31
Fitting, Brs, Str, Pf02/Pm04, 3-19
Fitting, Brs, Str, Pf02/Pm06, 3-47
Fitting, Brs, Str, Pf04/Pf04, Bh, 3-79, 3-81
Fitting, Brs, Str, Pf04/Pm06, Bshg, 2-41, 2-47
Fitting, Brs, Str, Pf06/Pf06 Bh, 3-83, 3-85
Fitting, Brs, Str, Pf06/Pm12, 3-83, 3-85

- Fitting, Brs, Str, Pm02, Plug [Skhd], 3-77
 Fitting, Brs, Str, Pm04/Pm04, 3-19
 Fitting, Brs, Str, Pm08/Garden Hose, 3-83, 3-85
 Fitting, Brs, Tee, Pf04/Pf04/Pf04, 3-19
 Fitting, Brs, Tee, Pf04/Pf04/Pm04, Run, 3-33
 Fitting, Brs, Tip [75, .125k-Jet], 3-77
 Fitting, Draincock [Ku], 6-3
 Fitting, Draincock, E90, .25npt, 2-41, 2-47
 Fitting, E, Gr, 4-3
 Fitting, Fltr, Oil [Ku], 6-7
 Fitting, Fuel [Ku], 6-20
 Fitting, Grease, Str Pm04 .47l, 2-63, 2-69, 2-79
 Fitting, Grease, Str Pm04 .63l, 2-51
 Fitting, Grease, Str Pm04 .47L, 2-67
 Fitting, Hyd, Cap, Jf06, 2-125
 Fitting, Hyd, Cap, Jf08, 3-15
 Fitting, Hyd, E45, Jf08/Jm08, 2-129
 Fitting, Hyd, E45, Jf10/Jm10, 2-113
 Fitting, Hyd, E45, Jm04/Om04, 3-15
 Fitting, Hyd, E45, Jm04/Om06, 2-51
 Fitting, Hyd, E45, Jm06/Om04, 2-103
 Fitting, Hyd, E45, Jm06/Om06, 2-51
 Fitting, Hyd, E45, Jm08/Om08, 2-103, 2-129, 3-15
 Fitting, Hyd, E45, Jm08/Om10, 2-105, 2-123
 Fitting, Hyd, E45, Jm10/Om12, 2-51
 Fitting, Hyd, E45, Jm12/Om16, 2-127
 Fitting, Hyd, E45, Jm20/Om20, 2-127
 Fitting, Hyd, E90, Jf04/Jm04, 2-61, 2-129, 3-15
 Fitting, Hyd, E90, Jf06/Jm06, 3-15
 Fitting, Hyd, E90, Jf08/Jm08, 2-19, 2-125
 Fitting, Hyd, E90, Jm04/Om04, 2-67, 2-75, 2-83, 2-87, 2-129, 3-11
 Fitting, Hyd, E90, Jm04/Pm02, 2-127
 Fitting, Hyd, E90, Jm06/Om04, 2-63, 2-69, 2-105, 3-11
 Fitting, Hyd, E90, Jm06/Om06, 2-19, 2-129, 3-15
 Fitting, Hyd, E90, Jm06/Om06, L, 2-129
 Fitting, Hyd, E90, Jm06/Om08, 2-123
 Fitting, Hyd, E90, Jm08/Om08, 2-59, 2-61, 2-67, 2-123, 2-129, 3-15
 Fitting, Hyd, E90, Jm08/Om08, L, 2-67, 2-129
 Fitting, Hyd, E90, Jm08/Om10, 3-7, 3-9
 Fitting, Hyd, E90, Jm08/Om16 Metric, 2-25
 Fitting, Hyd, E90, Jm08/Pm08, 2-25
 Fitting, Hyd, E90, Jm10/Om12, 2-123
 Fitting, Hyd, E90, Jm12/Om12, 2-125
 Fitting, Hyd, E90, Jm12/Om12, L, 2-125
 Fitting, Hyd, E90, Om04/Qm04, 2-129, 3-15
 Fitting, Hyd, Plug, Jm08, 2-25
 Fitting, Hyd, Plug, Om04, 4-11, 4-15, 4-21
 Fitting, Hyd, Plug, Om06, 2-127, 2-129
 Fitting, Hyd, Plug, Om06 (Cylindrical Scrub Head Only), 2-127
 Fitting, Hyd, Plug, Om08, 4-7, 4-15, 4-21
 Fitting, Hyd, Plug, Om10, 2-127
 Fitting, Hyd, Rst, Spcl, 2-83, 2-87
 Fitting, Hyd, Str, Jf04/Qm04, 2-129, 3-15
 Fitting, Hyd, Str, Jm04/Om04, 2-59, 2-61, 2-129, 3-15
 Fitting, Hyd, Str, Jm04/Om06, 3-15
 Fitting, Hyd, Str, Jm04/Om06 (Disk Scrub Head Only), 2-127
 Fitting, Hyd, Str, Jm06/Om06, 2-19, 2-127, 3-15, 3-17
 Fitting, Hyd, Str, Jm06/Om06, L, 2-19
 Fitting, Hyd, Str, Jm08/Om06, 2-19
 Fitting, Hyd, Str, Jm08/Om08, 2-67, 2-123, 2-127, 3-15
 Fitting, Hyd, Str, Jm08/Om10, 2-105, 3-7
 Fitting, Hyd, Str, Jm08/Pm08, 2-25
 Fitting, Hyd, Str, Jm10/Om10, 2-129
 Fitting, Hyd, Str, Jm10/Om12, 2-51
 Fitting, Hyd, Str, Jm20/Om16, 2-123
 Fitting, Hyd, Str, Metric, Om10/lf05, 2-31
 Fitting, Hyd, Str, Om04/Qm04, 2-129, 3-15
 Fitting, Hyd, Str, Pf02/Pm04, 2-29, 2-31
 Fitting, Hyd, Str, Pm02/Pm02, 2-31
 Fitting, Hyd, Str, Spcl, 2-25
 Fitting, Hyd, Tee, Jf08/Jm08/Jm08, Br, 2-105
 Fitting, Hyd, Tee, Jm04/Jm04/Om04, Run, 2-67
 Fitting, Hyd, Tee, Jm08/Jm08/Om08, Br, 2-103, 2-129
 Fitting, Nyl, Qdc, E90, Bm08/ Qm10, 3-33, 3-47
 Fitting, Nyl, Str, Bm04/Pm04, 3-77
 Fitting, Nyl, Y, Qdc, E90, Bm06/ Qm10, 3-33
 Fitting, Pipe, E90, Pf02/Pm02, 3-21
 Fitting, Pipe, Plug [Ku], 5-31, 6-3, 6-5, 6-7, 6-29
 Fitting, Pipe, Plug, Pm02, Sq Head, 2-29
 Fitting, Pipe, Plug, Pm08, Sq Head, 2-95
 Fitting, Pipe, Water [Ku], 5-8, 5-31, 6-8
 Fitting, Plstc, Body, Spray, Pf04, 3-19
 Fitting, Plstc, Cap, Pf12 Hex, 2-95
 Fitting, Plstc, Cap, Spray, Pf04, 3-19
 Fitting, Plstc, E90, Bm04/Pm02, 3-77
 Fitting, Plstc, E90, Bm05/Bm05, Nyl, 3-47
 Fitting, Plstc, E90, Bm06/Bm06, 3-5, 4-27
 Fitting, Plstc, E90, Bm06/Pm04, Nyl, 3-33
 Fitting, Plstc, E90, Bm06/Pm12, Nyl, 3-3
 Fitting, Plstc, E90, Bm08/Bm08, 2-97, 3-47
 Fitting, Plstc, E90, Bm08/Pf08s, Swivel, 3-19, 3-79, 3-83
 Fitting, Plstc, E90, Bm08/Pm04, 3-47
 Fitting, Plstc, E90, Bm08/Pm06, 3-47, 3-83, 3-85
 Fitting, Plstc, E90, Bm08/Pm12, Nyl, 3-19, 3-23, 3-25, 3-27, 3-29, 3-33, 3-47
 Fitting, Plstc, E90, Bm10/Pm12, 3-3, 3-47
 Fitting, Plstc, E90, Bm12/Pf12, 3-5
 Fitting, Plstc, E90, Bm12/Pm08, 3-3
 Fitting, Plstc, E90, Bm12/Pm12, 3-3, 3-5, 3-19, 3-33, 3-47
 Fitting, Plstc, E90, Pf Bm [Es Pump], 4-3
 Fitting, Plstc, E90, Pf12/Pm12, 2-89
 Fitting, Plstc, Pf12/Pf12, Bh, 2-89, 3-3
 Fitting, Plstc, Pipe, Cap, Pf04, 3-21, 3-33, 4-27
 Fitting, Plstc, Rst, .50od / .13id, 3-25
 Fitting, Plstc, Str, Bm04, Cplg, Fem, 3-21, 3-33
 Fitting, Plstc, Str, Bm04/Bm08, 3-47
 Fitting, Plstc, Str, Bm04/Pm04, 3-47
 Fitting, Plstc, Str, Bm05/Pm04, 3-47
 Fitting, Plstc, Str, Bm06/Bm08, 3-51, 3-55
 Fitting, Plstc, Str, Bm06/Pm04, 3-33, 4-27
 Fitting, Plstc, Str, Bm06/Pm06, 3-33
 Fitting, Plstc, Str, Bm08/Pm04, 3-79, 3-81
 Fitting, Plstc, Str, Bm08/Pm06, 3-19
 Fitting, Plstc, Str, Bm08/Pm12, 3-23, 3-25, 3-27, 3-29
 Fitting, Plstc, Str, Bm10/Bm10, 2-95
 Fitting, Plstc, Str, Bm10/Bm12, 2-95
 Fitting, Plstc, Str, Bm10/Pm12, 2-95
 Fitting, Plstc, Str, Bm12/Bm12, 2-95
 Fitting, Plstc, Str, Bm12/Pm08, Nyl, 3-3, 4-3
 Fitting, Plstc, Str, Bm12/Pm12, 2-95, 2-97
 Fitting, Plstc, Str, Pf06/Qm10, Pvc, 3-47
 Fitting, Plstc, Str, Pm02/Bm05, 4-27
 Fitting, Plstc, Str, Pm04, Cplg, Mal, 3-21, 3-33
 Fitting, Plstc, Str, Pm04/Pm06, Nyl, 3-47
 Fitting, Plstc, Str, Pm08/Pm08, 3-3
 Fitting, Plstc, Str, Pm12/Pm12 1.60l, 3-3, 3-19, 3-33, 3-47
 Fitting, Plstc, Tee, Bm04/Bm04/Bm04, 3-33
 Fitting, Plstc, Tee, Bm04/Bm08/Bm08, Br, 3-19
 Fitting, Plstc, Tee, Bm06/Pm02/Bm06, 4-27
 Fitting, Plstc, Tee, Bm08/Bm08/Bm08, 3-19, 3-29, 3-41, 3-55
 Fitting, Plstc, Tee, Bm08/Bm10/Bm10, Br, 3-35, 3-37, 3-49, 3-51, 3-79, 3-83
 Fitting, Plstc, Tee, Bm08/Bm12/Bm12, Br, 3-23, 3-25, 3-35, 3-37, 3-49, 3-51, 3-79, 3-83
 Fitting, Plstc, Tee, Bm10/Bm10/Bm10, Nyl, 3-13
 Fitting, Plstc, Tee, Bm12/Bm12/Bm12, 2-95, 3-13
 Fitting, Plstc, Tee, Pf08/Pf08/Pf08, 3-3
 Fitting, Plstc, Tee, Pf12/Pf12/Pf12, 3-3, 3-19, 3-33, 3-47
 Fitting, Plstc, Y, Bm08/Bm08/Bm08, Nyl, 3-25, 3-29, 3-33, 3-37, 3-41, 3-51, 3-55, 3-81, 3-85
 Fitting, Plug [Ku], 6-3
 Fitting, Plug, Org, #6, Valve [Cec], 4-13, 4-15, 4-17, 4-19, 4-21
 Fitting, Stil, Qdc, Bm04, 3-75
 Flange, 4-11
 Flange Mounting, 4-8
 Flange, Motor, Hyd [En], 4-9
 Flange, Pump, Water [Ku], 5-8, 6-8
 Flange, Sleeve, 5-27

CROSS REFERENCE

Flange, Sleeve [Ku], 6-25
Flange, Water [Ku], 5-31, 6-29
Flap, Battery, 2-15
Flapper, Valve, Pump, Water, 4-3
Flywheel, 6-18
Follower, Screw, Pump, Injection[Ku],
6-23, 6-25
Frame Wldt, Hppr, 2-71
Frame Wldt, Main, Replmt [M20 & T20],
2-9
Frame Wldt, Sqge, Lh, 2-85
Frame Wldt, Sqge, Rh, 2-81
Frame Wldt, Sqge, Side Brush, 3-7
Frame, Drive End, 5-21
Frame, End, 5-21, 6-19
Frame, End, Drive, 6-19
Fuel Pump Cover Plate, 5-25
Fuelline, .31d 04.0l 05if/05if, Stil, 2-31
Fuse, 015a, 2-49

G

Gasket, 5-3, 5-4, 5-10, 5-23, 5-27, 5-28,
5-29, 5-30, 5-31, 6-3, 6-29
Gasket [Ku], 6-11, 6-20, 6-26
Gasket Ku, 5-11
Gasket Set, 6-4
Gasket Set, Lower, 5-4
Gasket Set, Upper, 5-5, 6-5
Gasket, .25 1.88d 1.0id [Poron], 4-3
Gasket, 2.00, 07.87w 10.24l, Adh, 2-105
Gasket, 3.23ld 3.63Od .16Th, Ure, 2-99
Gasket, 4.05ld 5.29Od .19 [Buna], 4-3
Gasket, Bearing Case, 5-9
Gasket, Bearing Case Cover, 5-9
Gasket, Bearing, Case [Ku], 6-9
Gasket, Case, Gear [Ku], 6-7, 6-9
Gasket, Cover, Fuse Block, 2-49
Gasket, Cover, Gov [Ku], 6-28
Gasket, Cover, Head, Cyl [Ku], 6-10
Gasket, Cover, Spd [Ku], 6-27
Gasket, Cylinder Head, 5-5
Gasket, Delivery Valve, 5-27
Gasket, Ex-manifold, 5-11
Gasket, F/ Bolt [Ku], 6-10, 6-20, 6-26,
6-27
Gasket, F/ Screw [Ku], 6-23, 6-25
Gasket, Foam, .50, 14.76id 16.54od, Adh,
2-105
Gasket, Ftg, Banjo [Ku], 6-23, 6-25
Gasket, Fuel Pump, 5-25
Gasket, Gear Case, 5-7
Gasket, Head Cover, 5-10
Gasket, Head, Cyl [Ku], 6-5
Gasket, Hsg, Thermostat [Ku], 5-31, 6-29
Gasket, Lid, 2-99
Gasket, Manifold, Exhaust, 6-11
Gasket, Manifold, Intake [Ku], 5-11
Gasket, Manifold, Intake [Ku], 6-11
Gasket, Oil Pan, 5-4
Gasket, Pan, Oil, 6-4
Gasket, Plt, Hose, Vacuum, 2-103
Gasket, Pump, Fuel [Ku], 6-23

Gasket, Pump, Water [Ku], 6-8
Gasket, Sender, Fuel, 2-29
Gasket, Solenoid, Throttle [Ku], 2-25, 6-23
Gasket, Sqge, 1-1, 2-77
Gasket, Tank, Recvy, 2-99
Gasket, Thrftl Blk, 5-28
Gasket, Valve, Injector [Ku], 6-25
Gasket, Water Pump, 5-8
Gasspring, 180lb, 03.0strk, 2-17
Gauge, Oil, 5-4
Gauge, Oil [Ku], 6-4
Gauge, Sensing, Level, 2-127
Gear, 5-21, 6-19
Gear, Camshaft, 5-15
Gear, Camshaft [Ku], 6-15
Gear, Crankshaft, 5-17
Gear, Cshft [Ku], 6-17
Gear, Governor, 5-13
Gear, Govnr [Ku], 6-13
Gear, Idler, Cam [Ku], 6-15
Gear, Injection Pump, 5-13
Gear, Injection, Pump [Ku], 6-13
Gear, Oil Pump Drive, 5-17
Gear, Pump, Oil [Ku], 6-17
Gear, Ring, 5-19
Gear, Ring [Ku], 6-18
Geroler, Motor, Hyd, 4-5
Gerotor Set, 4-8
Gerotor Set [CI], 4-9
Gerotor, Motor, Hyd, 4-11
Glowplug [Ku], 6-20
Grill Wldt, Front, 2-21
Grill, Eng, 2-23
Grill, Side, 2-17
Grip, Handle, 2-93, 2-101
Grip, Handle, .50d 4.0l Yel, 2-71
Grip, Handle, 1.0d 1.5l Blk (Disk Scrub
Head), 2-9
Grip, Handle, 1.25D 1.50L Blk, 2-9
Grommet, 0.38id, F/0.6h, .06 Matl, 3-77
Grommet, Blind, 4-27
Grommet, Pye, 0.37id, F/1.5h, .13 Matl,
3-5
Grommet, Rbr, 0.38id, F/0.5H, .12 Matl,
3-69
Grommet, Rbr, 0.50id, F/0.8h, .12 Matl,
3-64, 3-65
Grommet, Rbr, 0.62id, F/0.9h, .06 Matl,
3-45
Grommet, Rbr, 0.62id, F/0.9h, .12 Matl,
3-5
Grommet, Rbr, 2.13id, F/2.5h, .12 Matl,
3-19, 3-33, 3-47
Guard Kit, Sqge, Ci [T20], 3-89
Guard Kit, Switch, Float, Replmt [T20],
2-99
Guard Wldt, Brush, Side, 3-13
Guard Wldt, Pntd [M20/T20], 3-89
Guard Wldt, Sqge Rep.BY1039069,
3-89
Guard Wldt, Sqge [M20/T20 LH, M30 RH],
3-89

Guard Wldt, Sqge [M20/T20 RH, M30 LH],
3-89
Guard Wldt, Sqge [M20/T20/M30], 3-89
Guard Wldt, Switch, Float, 2-99
Guard Wldt, Top, Ohg, 3-67
Guide Assy, Oil Gauge, 5-4
Guide, Exhaust Valve, 5-5
Guide, Inlet Valve, 5-5
Guide, Rlr, 2-71
Guide, Valve, Exhaust, 6-5
Guide, Valve, Inlet, 6-5

H

Handle Wldt, Drain, 2-99
Handle Wldt, T, Hppr, 2-73
Handle Wldt, Wand, 3-77
Handle, Valve, Pinch, Lh, 2-101
Handle, Valve, Pinch, Rh, 2-93
Harness [FaST, M20 And T20], 3-31
Harness, Engine, Dsl [M20 T20], 2-153
Harness, Headlight [M20 And T20], 2-150
Harness, Jumper [Deutsch To Mpack],
4-19, 4-21
Harness, Main [T20], 2-149
Harness, Spray, Nozzle, 3-79, 3-83
Harness, Warning / Backup [M20 & T20],
3-59, 3-61, 3-63
Harness, Warning / Ohg [M20], 3-64, 3-65
Harness, Wire [Ec- H2o, Mako, 2.0l & Dsl],
3-58
Harness, Wire [Ec- H2o], 3-58
Harness, Wire [FaST Gen 2], 3-42
Harness, Wire, Dsl [M20/T20, Telemetry],
3-71
Head Wldt, Disk, Replmt, Jp (Japn Only),
2-67
Head Wldt, Disk, Std, Replmt, 2-67
Head Wldt, Swing, Lower, 14.0, 2-67
Head, Cyl, W/O Valve [Ku], 5-5
Head, Cyl, W/O Valves, 5-5
Head, Cylinder [Ku], 6-5
Head, Wand [17b/E], 3-77
Headlight, 12vdc, 27watt, 2.1a, Oval (Rpl
by 1060942), 2-9
Headlight, 12Vdc, Oval, Halogen, 2-9
Hinge Kit, Cover, Tank, Recvy, Replmt,
2-99
Hinge Wldt, Door, 2-17, 2-23
Hinge Wldt, Shrd, Lh, 2-23
Hinge Wldt, Shrd, Rh, 2-17
Hinge, .38pin .11 3.5w 06.0l 6/0.38sl, 2-21
Hinge, .50pin .19 4.0w 06.0l 3/0.44sl, 2-83,
2-87
Holder, 5-13
Holder, Delivery Valve, 5-27
Holder, Gear [Ku], 6-13
Holder, Governor Gear, 5-13
Holder, Govnr [Ku], 6-13
Holder, Valve, Inj [Ku], 6-25
Hook, Engine 1, 5-5
Hook, Engine 2, 5-5
Horn, 12vdc, Dbal [Wolo], 2-49

Hose Assy, Sqq, 2-99	Hose, Afmkt, Pvc, Wir, 0.50id, 03ft, Clr, 3-33	Hose, Hyd, Tc04, Jf04str/Jf04str, 036.0, 2-119
Hose Assy, W/1cuff, 1.0d, 030l 1.25/, 2-73	Hose, Afmkt, Vacuum, 0.16id, 01ft, 3-5	Hose, Hyd, Tc04, Jf04Str/Qm06, 028.0, 2-121
Hose Assy, W/2cuff, 1.5d 90l 1.5/1.5, 3-73	Hose, Drain, 3.00id X 48.0l, 2-93, 2-101	Hose, Hyd, Tc06, Jf06e90/Jf06str, 040.0, 2-113
Hose Assy, W/2cuff, 3.0d 14l 3.0/3.0, 2-77	Hose, Flex, 4.00d, 24.0l, 2-103	Hose, Hyd, Tc06, Jf06e90/Jf06str, 104.0, 2-113
Hose Assy, Wand, Power, 3-75	Hose, Fuel [Ku], 6-20	Hose, Hyd, Tc06, Jf06e90/Jf06str, 104.0, 2-113
Hose Kit, Hyd, Propel, Ci [M20/T20], 2-113	Hose, Fuel, 0.18id 29.0l, 2-31	Hose, Hyd, Tc06, Jf06str /Jf06e45, 54.0, 2-117, 2-119
Hose Kit, Hyd, Sqge Lift [T20], 2-121	Hose, Fuel, 0.31id 22.0l, 2-31	Hose, Hyd, Tc06, Jf06str /Jf06e90, 74.0, 3-17
Hose, 0050, 04, lf05str / lm05str, 10.0, 2-31	Hose, Fuel, 0.50id 21.0l, 2-29	Hose, Hyd, Tc06, Jf06str /Jf06str, 23.0, 3-17
Hose, 0300, 08, Jf08str / None, 19.0, 2-25	Hose, Heater, E90, 0.62id, 24.0 4.0, 3-37, 3-51, 3-55	Hose, Hyd, Tc06, Jf06str/Jf06str, 033.0, 3-17
Hose, Afmkt, Coolant Recvy, 05ft, 2-41	Hose, Hyd, Med04, Jf04e90/Jf04str, 016.0, 2-117	Hose, Hyd, Tc06, Jf06Str/Jf06Str, 054.0, 2-117
Hose, Afmkt, Coolant Recvy, 08ft, 2-47	Hose, Hyd, Med06, Jf06e90/Jf06str, 042.0, 2-115	Hose, Hyd, Tc08, Jf08e45/Jf08str, 018.0, 2-117
Hose, Afmkt, Pvc, Brd 0.38id 02ft, 3-5	Hose, Hyd, Med06, Jf06e90/Jf06str,038.0, 3-17	Hose, Hyd, Tc08, Jf08E45/Jf08Str, 026.0, 2-115
Hose, Afmkt, Pvc, Brd 0.50id 02ft, 3-23, 3-27	Hose, Hyd, Med06, Jf06str/Jf06str, 033.0, 2-115	Hose, Hyd, Tc08, Jf08e45/Jf08str, 052.0, 2-119
Hose, Afmkt, Pvc, Brd 0.50id 03ft, 3-19	Hose, Hyd, Med08, Jf08e45/Jf08str, 029.0, 2-117	Hose, Hyd, Tc08, Jf08e45/Jf08str, 26.0, 2-115
Hose, Afmkt, Pvc, Brd 0.50id 08ft, 3-19, 3-25, 3-29	Hose, Hyd, Med08, Jf08e45/Jf08str, 046.0, 2-119	Hose, Hyd, Tc08, Jf08e45/Jf08str, 96.0, 2-113
Hose, Afmkt, Pvc, Brd 0.62id 08ft, 3-13	Hose, Hyd, Med08, Jf08e90/Jf08str, 032.0, 2-25	Hose, Hyd, Tc08, Jf08e90/Jf08str, 020.0, 2-119
Hose, Afmkt, Pvc, Brd 0.62ld, 01Ft, Clr, 3-5	Hose, Hyd, Med08, Jf08e90/Jf08str, 062.0, 2-115	Hose, Hyd, Tc08, Jf08e90/Jf08str, 034.0, 3-17
Hose, Afmkt, Pvc, Brd 0.75id 01ft, 3-5	Hose, Hyd, Med08, Jf08str /Jf08e45, 21.0, 2-115	Hose, Hyd, Tc08, Jf08e90/Jf08str, 046.0, 2-115
Hose, Afmkt, Pvc, Brd 0.75id 03ft, 2-97	Hose, Hyd, Med08, Jf08str/Jf08str, 022.0, 2-117	Hose, Hyd, Tc08, Jf08e90/Jf08str, 084.0, 3-17
Hose, Afmkt, Pvc, Brd 0.75id 08ft, 2-95, 2-97, 3-13	Hose, Hyd, Med10, Jf10str/Jf10str, 41.0, 2-115	Hose, Hyd, Tc08, Jf08e90/Jf08str, 13.0, 2-117
Hose, Afmkt, Pvc, Brd 0.75id 12ft, 3-3	Hose, Hyd, Med12, Jf12e90/Jf12str, 50.0, 2-115	Hose, Hyd, Tc08, Jf08str/Jf08e90, 012.0, 3-15
Hose, Afmkt, PVC, Brd, 0.31ld, 03Ft, Clr, 3-47, 4-27	Hose, Hyd, Med12, Jf12e90/Jf12str, 029.0, 2-115	Hose, Hyd, Tc08, Jf08str/Jf08e90, 031.0, 2-115
Hose, Afmkt, Pvc, Brd, 0.38id, 01ft, Clr, 4-27	Hose, Hyd, Med12, Jf12str/Jf12str, 052.0, 2-115	Hose, Hyd, Tc08, Jf08Str/Jf08Str, 021.0, 2-115
Hose, Afmkt, Pvc, Brd, 0.38id, 02ft, Clr, 3-51, 3-55, 4-27	Hose, Hyd, Med12, Jf12str/Jf12str, 066.0, 2-115	Hose, Hyd, Tc08, Jf08Str/Jf08Str, 034.0, 3-17
Hose, Afmkt, Pvc, Brd, 0.38id, 03ft, Clr, 3-33	Hose, Hyd, Spcl, Jf10e90/Jf10str, 63.0, 2-113	Hose, Hyd, Tc08, Jf08str/Jf08str, 040.0, 2-119
Hose, Afmkt, Pvc, Brd, 0.50id, 01ft, Clr, 3-47	Hose, Hyd, Spcl, Jf10str/Jf10str, 56.5, 2-113	Hose, Hyd, Tc08, Jf08str/Jf08str, 21.0, 2-115
Hose, Afmkt, Pvc, Brd, 0.50id, 03ft, Clr, 3-37	Hose, Hyd, Suc20, Jf20Str/Jf20E90, 030.0, 2-115	Hose, Hyd, Tc08, Jf08str/Jf08str, 48.0, 2-117
Hose, Afmkt, Pvc, Brd, 0.50id, 08ft, Clr, 3-35, 3-37, 3-39, 3-41, 3-51, 3-53, 3-55	Hose, Hyd, Tc 06, Jf06str /Jf06e45, 56.0, 2-117, 2-119	Hose, Hyd, Tc12, Jf12e90/Jf12str, 044.0, 2-115
Hose, Afmkt, Pvc, Brd, 0.50id, 12ft, Clr, 3-47, 3-49, 3-79, 3-81, 3-83, 3-85	Hose, Hyd, Tc04, Jf04e45/Jf04str, 044.0, 2-121	Hose, Hyd, Med04, Jf04str/Jf04str, 066.0, 2-113
Hose, Afmkt, Pvc, Brd, 0.62id, 01ft, Clr, 2-95	Hose, Hyd, Tc04, Jf04e45/Jf04str, 048.0, 2-121	Hose, Hyd, Tc 04, Jf04str /Jf04e45 , 35.0, 2-121
Hose, Afmkt, Pvc, Brd, 0.62id, 03ft, Clr, 3-37, 3-39, 3-51, 3-53	Hose, Hyd, Tc04, Jf04E45/Qm06, 024.0, 2-121	Hose, Intake, Mold, 1.75id 1.75id Dsl, 2-33
Hose, Afmkt, Pvc, Brd, 0.62id, 08ft, Clr, 2-95, 3-35, 3-49	Hose, Hyd, Tc04, Jf04E45/Qm06, 028.0, 2-121	Hose, Intake, Mold, 2.00id [Epdm], 2-33
Hose, Afmkt, Pvc, Brd, 0.75id, 02ft, Clr, 3-33	Hose, Hyd, Tc04, Jf04e90/Jf04str, 020.0, 2-117	Hose, Pvc, Brd, 0.25id 0.44od 157.2l, Clr, 3-75
Hose, Afmkt, Pvc, Brd, 0.75id, 08ft, Clr, 3-35, 3-39, 3-49, 3-53	Hose, Hyd, Tc04, Jf04str /Jf04str, 20.0, 3-17	
Hose, Afmkt, Pvc, Clr 0.25id 03ft, 3-21	Hose, Hyd, Tc04, Jf04str /Jf04str, 39.0, 3-17	
Hose, Afmkt, Pvc, Clr 0.38id 03ft, 2-31		
Hose, Afmkt, Pvc, Clr 0.50id 08ft, 3-25, 3-29		
Hose, Afmkt, Pvc, Clr, 0.25id, 02ft, 3-33		
Hose, Afmkt, Pvc, Clr, 0.25id, 03ft, 3-47		
Hose, Afmkt, Pvc, Clr, 0.38id, 01ft, 3-33		
Hose, Afmkt, Pvc, Clr, 0.38id, 03ft, 3-33		
Hose, Afmkt, Pvc, Clr, 0.50id, 08ft, 3-37, 3-41, 3-55		

CROSS REFERENCE

Hose, Pvc, Clr, 0.38id 0.56od 22.00l, 2-41
Hose, Pvc, Clr, 0.38id 0.56od 48.00l, 3-3, 3-5
Hose, Pvc, Clr, 0.38id 0.56od 022.0l, 2-47
Hose, Pvc, Clr, 0.50id 0.69od 26.00l, 3-13
Hose, Pvc, Clr, 0.50id 0.69od 30.00l, 2-49
Hose, Pyu, 0.25id 0.38od 1220mml, Blk, 3-77
Hose, Radiator, Lower, Dsl, 2-41, 2-47
Hose, Radiator, Lower, Dsl (Cut to fit), 2-47
Hose, Radiator, Upper, Dsl, 2-41, 2-47
Hose, Rbr, E90 1.25id 1.25id 04.2 03.1, 2-41
Hose, Rbr, E90, 1.25id 1.25id 04.2 03.1, 2-47
Hose, Vacuum, 1.50id X 10ft, Gray, 3-75
Hose, Water [Ku], 5-31, 6-29
Hose, Water, Coil, 0.38id 0.56od, 3-83, 3-85
Housing, 4-7
Housing Assy, Nozzle, 5-23, 6-20, 6-21
Housing Assy, Vacfan, Scrbr, 2-103
Housing Kit, Drive, Front, Replmt, 2-51
Housing Kit, Pump, Water, 4-3
Housing Wldt, Brush, Drive, 2-59, 2-61
Housing Wldt, Swp, Scb, 2-63
Housing Wldt, Vacfan, Front [528], 2-103
Housing, Bottom, 4-27
Housing, Brg, Motor, Hyd, 4-5
Housing, Cplg, Qf / Pm08, 3-47
Housing, Fan, Radial Discharge, Sq Inlet, 2-105
Housing, Flywheel, Mach [1505, Kubo], 2-25
Housing, Motor, Hyd [En], 4-9, 4-11
Housing, Sppt, Front Wheel, 2-51
Housing, Thermostat [Ku], 5-31, 6-29
Housing, Valve, 4-5
Housingl, 4-8
Hsg & Switch Kit, Pump, Repair,, 4-25
Hub Assy, Wheel, 5 Bolt 4.50bc Taper B, 2-51
Hub, Drive, Brush, Disk, 1.00b [6t], 2-67, 3-7, 3-9
Hub, Drive, Brush, Disk, 3Hole 5.8Bc, 2-4, 2-6
Hub, Drive, Brush, Disk, 3hole 5.8bc[6t], 2-4, 2-6

I

Idler Assy, Brush, Replmt [M20/T20, M30], 2-59, 2-61
Idling, Apparatus [Ku], 6-26
Impeller, 11.81d X 0.500b, 2-105
Impeller, 9.5d, 18 Bl, 2-103
Impeller, Pump, Water [Ku], 6-8
Impeller, Water Pump, 5-8
Indicator, Press, 60psi, 2-127
Indicator, Timing [Ku], 6-18
Insert, :Lrg [Venturi, FaST III], 4-30
Insert, Cap, Mount, Es Pump, 4-3
Insert, Cplg, Qm, Bm08, 3-47

Insert, Plt, Cam, Pump, Hyd, 4-7
Instr, Maint, Wall Chart [T20], 3-92
Instr, Motor, Hyd, Repair [En], 4-9, 4-11
Instr, Repair, Motor, Hyd, Gear, 4-5
Instr, Repair, Pump, 4-7
Instr, Seal Kit, Motor, 4-10
Instr, Valve, Steering, Repair, 4-23
Instr. Repair Info, Motor, 4-8
Insulation, 3-67
Insulation, Acstc, Rnd, 0.8, 02.5d 0.5h, 2-19
Insulation, Flame-Retardant, 0.5, 2-23, 2-29
Insulation, Flame-Retardant, 0.50, 2-103
Insulation, Flame-retardant, 0.75-0.88, 2-13, 2-17, 2-103
Insulation, Flame-Retardant, 1.0, 2-17
Insulation, Shrd, Eng, Gusset, 2-23
Insulation, Thermal, Hydraulic Blanket, 2-127
Isolator, Rbr, 2-39
Isolator, Vib, .50d, 2-25
Isolator, Vib, Bshg, 1.1d 0.6l .4b 0.78h, 2-41, 2-43, 2-45, 2-103, 2-105

K

Key, 5-17
Key [Ku], 6-15, 6-17
Key-Wdruff 0.25 1.00, 4-8
Key, Feather, 5-15
Key, Ignition [Set Of 2], 1-1, 2-15
Key, Motor, Hyd, 4-5
Key, Shaft, Pump, Hyd, 4-7
Key, Sq, 0.12 X 0.12, 0.50l, 2-35, 2-37
Key, Sq, 0.12 X 0.12, 0.75l, 4-10
Key, Sq, 0.12 X 0.12, 1.00l (Included With Motor), 2-103
Key, Sq, 0.25 X 0.25, 1.25l, 2-59, 2-61
Key, Woodruff, 5-13
Key, Woodruff [Ku], 6-13
Key, Woodruff, 0.25 1.00 [Asa#0808], 4-9, 4-11
Keychain, Rectangle, Parts & Service, 2-15
Kit, Bellows, Pump, Detgt, 4-24
Kit, Brush, Motor, Ele, 4-3
Kit, Seal, Motor, Hyd, 4-5
Kit, Seal, Motor, Hyd, Gear[Barns], 2-103, 4-10
Kit, Seal, Valve, Hyd [Cec], 4-10
Kit, Valve, Check, Pump, Water, 4-3
Knob Assy, Star, 1.12d 3ear M10, 2-79
Knob, Rnd, 1.04d 1.18l .25-20 Yel Plstc, 2-71
Knob, Star, 2.80d 4ear 1.1l .31-18 Pyp, 2-77
Knob, Tee, 2.5x1.0 1.1l 0.38-16 Plstc, 2-19
Knobs, Adjmt, Weight, 4-29

L

Label [User, Attention, ec-H2O], 2-155
Label Kit, Panel, Replmt [T20 ec-H2O only], 2-15
Label Kit, Panel, Replmt [T20], 2-15
Label Set, Brush Indicator & Removal, 2-155
Label Set, Hi Temp, 2-155
Label Set, Info/Hzrd, Swpr / Scrbr, 2-155
Label Set, Info/Hzrd, Swpr / Scrbr, Tj (Japan Only), 2-155
Label, Logo, 05.75L 2Color [ES], 2-155
Label, Logo, 07.95L 2Color [FaST], 2-155
Label, Logo, 12.3L 4Color [ec-H2O], 2-155
Label, Logo, 16.9L 4Color [ec-H2O], 2-155
Label, Model, 2Color [T20], 2-155
Label, Opertnl, Telem [Fcc/lc], 3-69
Label, Switch, Rocker [T20], 2-15
Lamp Strobe, Amb [12-48 Vdc], 3-63, 3-65
Lamp, 12vdc [Speaker], 2-9
Lamp, Bulb, Flsh, 3-61, 3-64
Lamp, Bulb, Strobe, 3-63, 3-65
Lamp, Flasher, Amb [12-48 Vdc], 3-61, 3-64
Lamp, Halogen [Speaker], 2-9
Latch, 2-17, 2-41, 2-59, 2-61, 2-71, 2-89, 2-90, 3-87
Latch Kit, Cover, Soltn, Replmt[M20/T20], 2-89, 2-90
Latch Kit, Disk, Replmt [T20], 2-67
Latch Wldt, Head, Disk, 2-67
Latch, Cover, 2-90
Latch, Door [Southco 91-562-07], 2-23, 2-81, 2-85
Latch, Hook, 2-83, 2-87
Lens, Blue, Option, F/ Strobe / Flsh Light, 3-61, 3-63, 3-64, 3-65
Lens, Lamp, Amb, Strobe/Flasher, 3-61, 3-63, 3-64, 3-65
Lens, Red, Option, F/ Strobe / Flsh Light, 3-61, 3-63, 3-64, 3-65
Lever Assy, Fork [KU], 6-28
Lever, Cntrl, Spd [Ku], 6-27
Lever, Engine Stop, 5-29
Lever, Fork [Ku], 6-28
Lever, Fork 2, 5-30
Lever, Fork, Shaft [Ku], 6-28
Lever, Plate, Cntrl [Ku], 6-27
Lever, Speed Control, 5-29
Lever, Stop [Ku], 6-27
Light Kit, Flsh, Ci [M20 And T20], 3-61
Light Kit, Flsh, W/Ohg, Ci[M20 And T20], 3-64
Light Kit, Strobe, Ci [M20 And T20], 3-63
Light Kit, Strobe, W/Ohg, Ci [M20 And T20], 3-65
Light, Led, .312D, 2 Volt [Tri-Color] (ec-H2O only), 2-15
Light, Panl, 14vdc, , 1.1 X 1.0, 2-15
Light, Tail, 12vdc, 2-9
Link Assy, Rod-End, M12, 2-75
Link, .25 1.4w 3.2l 2/.5h, 3-89
Lip Kit, Debris, Replmt [T20], 2-71

Lock, Secondary, 2cav, Mp280 Sealed, 4-25

M

Magnet, Pickup, 2-25
 Maint Kit, 400hr, Dsl [M20/T20], 1-1
 Manifold Assy, Cntrl, Soltn, 2-97
 Manifold Assy, Inlet, 5-11, 6-11
 Manifold Wldt, Cntrl, Soltn, 2-97
 Manifold, Bar, Spray, 37.5inch, 2-95
 Manifold, Exhaust [Ku], 6-11
 Manifold, Exhaust, Front, Down, 5-11
 Manifold, Water, 3-47
 Manual, Eng [Kubo, V1505e], 3-92
 Manual, Oprtr [T20 Dsl En], 3-92
 Manual, Oprtr [T20 Dsl, Es, Na], 3-92
 Manual, Oprtr [T20 Dsl, Fr, Na], 3-92
 Manual, Parts, En [T20 Dsl], 3-92
 Manual, Service [T20 En], 3-92
 Mat, Floor, 2-11
 Media, Cd-Rom, Training [ec-H2O Tennant], 3-92
 Metal, Crankpin, 5-17
 Metal, Crankpin 02, 5-17
 Metal, Crankpin 04, 5-17
 Metal, Crankshaft 1, 5-17
 Metal, Crankshaft 2, 5-17
 Metal, Crankshaft 3, 5-17
 Metal, Crankshaft1 02, 5-17
 Metal, Crankshaft1 04, 5-17
 Metal, Crankshaft2 02, 5-17
 Metal, Crankshaft2 04, 5-17
 Metal, Crankshaft3 02, 5-17
 Metal, Crankshaft3 04, 5-17
 Metal, Side 1, 5-17
 Metal, Side 1 02, 5-17
 Metal, Side 1 04, 5-17
 Metal, Side 2, 5-17
 Metal, Side 2 02, 5-17
 Metal, Side 2 04, 5-17
 Mirror, Convex, 0.50D, 3-67
 Module Kit, Replmt [Ec-H20], 4-27
 Module Kit, Replmt [Ec-H20] (See Breakdowns), 3-45
 Molding, Afmkt, Trim, Pvc, .08 .11, 01Ft, 3-45
 Molding, Afmkt, Trim, Pvc, .08 .11, 1ft, 2-11
 Motor Kit, Pump, Repair, 4-25
 Motor Kit, Replmt [M20&T20], 2-103
 Motor, Ele, 12vdc, Pump, Water, 4-3
 Motor, Ele, Gear, 14vdc, Pump, Detgt, 4-24
 Motor, Hyd Gear In 4.5 B 1500, 4-8
 Motor, Hyd, Gear, [Int], 19.0 X 3000, 4-5
 Motor, Hyd, Gear, Ext 0.17 Lh 3000, 2-105
 Motor, Hyd, Gear, Ext 0.19 Rh 3000, 4-10
 Motor, Hyd, Gear, Int 04.5 Bi-Dir 1500, 2-59, 2-61
 Motor, Hyd, Gear, Int 04.5 Bi-Dir 1500 (See Breakdowns), 2-59, 2-61

Motor, Hyd, Gear, Int 08.9 Bi-Dir 2500, 3-9, 4-9
 Motor, Hyd, Gear, Int 08.9 Bi-Dir 2500 (See Breakdowns), 3-7, 3-9
 Motor, Hyd, Gear, Int 09.7 Bi-Dir 2500, 2-67, 4-11
 Motor, Hyd, Gear, Int 09.7 Bi-Dir 2500 (See Breakdowns) (Replaced by 1068924), 2-67
 Motor, Hyd, Gear, Int 19.0 Bi-Dir 3000 (See Breakdowns), 2-51
 Motor, Starter, 12vdc [Kubota] (See Engine Breakdown), 2-25
 Mount Wldt, Valve, Pinch, Lh, 2-101
 Mount Wldt, Valve, Pinch, Rh, 2-93
 Muffler, Exhaust, 2-39

N

Nozzle, 3-83, 3-85
 Nozzle [Ku], 6-21
 Nozzle kit, Spray, Ci [T20], 3-83
 Nozzle Kit, Spray, W/Pwr Wand, Ci [T20], 3-85
 Nozzle, Spray, Gun, 3-83, 3-85
 Nozzle, Spring [Ku], 6-21
 Nozzle, Wand, Plstc, 14.0lg, 3-73
 Nut, 5-7, 5-11, 5-12, 5-25, 5-28, 5-29, 6-11, 6-19
 Nut [Ku], 6-21, 6-23
 Nut-Hxslot .75-16 Pltd, 4-8
 Nut, Cap, 5-10, 5-13, 5-25, 5-28
 Nut, Cap [Ku], 6-26
 Nut, Cap, Cam [Ku], 6-13
 Nut, Coil, F/#8, 4-13, 4-15, 4-17, 4-19, 4-21
 Nut, Coil, Nyl Patch, 4-17, 4-19
 Nut, Flange [Ku], 6-20
 Nut, Hex [Ku], 5-31, 6-7, 6-12, 6-19, 6-23, 6-26, 6-27
 Nut, Hex, Cap, 6-10
 Nut, Hex, Flng, M6 X 1.00, 2-43, 2-45
 Nut, Hex, Flng, M8 X 1.25, 2-45, 2-125
 Nut, Hex, Jam, .31-24, 2-55
 Nut, Hex, Jam, .38-24, 2-25
 Nut, Hex, Jam, .50-20, 2-63, 3-11
 Nut, Hex, Jam, .50-20, Lh, 2-63
 Nut, Hex, Jam, M20 X 1.5, 2-19
 Nut, Hex, Lock, .25-20, NI, 2-29, 2-103
 Nut, Hex, Lock, .25-20, NI, Ss, 2-57
 Nut, Hex, Lock, .31-18, NI, 2-17
 Nut, Hex, Lock, .31-18, NI, Thin, 2-17
 Nut, Hex, Lock, .38-16, NI, 2-35, 2-47
 Nut, Hex, Lock, .38-16, NI, Ss, 2-35, 2-37, 3-11
 Nut, Hex, Lock, .38-16, NI, Thin, 2-57, 2-103
 Nut, Hex, Lock, .50-13, NI, Ss, 2-79
 Nut, Hex, Lock, .50-13, NI, Thin, 2-63
 Nut, Hex, Lock, .50-20, NI, Thin, 2-63
 Nut, Hex, Lock, .75-10, NI, 2-51
 Nut, Hex, Lock, #08-32, NI, 2-15

Nut, Hex, Lock, M10 X 1.5, NI, 2-25, 2-35, 2-41, 2-43, 2-45, 2-125, 3-67, 3-89
 Nut, Hex, Lock, M10 X 1.5, NI, Ss, 2-79
 Nut, Hex, Lock, M10 X 1.5, NI, Ss (Disk Scrub Head), 2-9
 Nut, Hex, Lock, M12 X 1.75, NI, Ss, 2-63, 2-69, 2-71, 2-75
 Nut, Hex, Lock, M12 X 1.75, NI, 2-25, 2-26, 2-53
 Nut, Hex, Lock, M4 X 0.7, NI, 2-17, 2-23, 3-21
 Nut, Hex, Lock, M4 X 0.7, NI, Ss, 2-23, 2-57, 2-81, 2-85, 3-3
 Nut, Hex, Lock, M4 X 0.70, NI, 2-41
 Nut, Hex, Lock, M4 X 0.70, NI, Ss, 3-45
 Nut, Hex, Lock, M5 X 0.8, NI, 2-17, 2-49
 Nut, Hex, Lock, M5 X 0.8, NI, Ss, 2-59, 2-61, 2-95, 3-13, 3-19, 3-25, 3-29
 Nut, Hex, Lock, M5 X 0.80, NI, 3-45, 3-69, 3-79, 3-83
 Nut, Hex, Lock, M5 X 0.80, NI, Ss, 3-37, 3-41, 3-51, 3-55, 3-59, 3-61, 3-63, 3-64, 3-65, 3-87
 Nut, Hex, Lock, M6 X 1.0, NI, 2-17, 2-19, 2-21, 2-49, 2-55
 Nut, Hex, Lock, M6 X 1.0, Ss, NI, 2-15, 2-95
 Nut, Hex, Lock, M6 X 1.00, NI, 2-11, 2-31, 2-33, 2-35, 2-37, 2-41, 2-43, 2-45
 Nut, hex, Lock, M6 X 1.00, NI, Ss, 3-69
 Nut, Hex, Lock, M6 X 1.00, Ss, NI, 2-39, 2-65, 2-67, 2-69, 2-71, 2-73, 2-75, 2-97, 2-99, 3-3, 3-79, 3-81
 Nut, Hex, Lock, M8 X 1.25, NI, 2-9, 2-11, 2-23, 2-26, 2-29, 2-35, 2-37, 2-41, 2-47, 2-49, 2-55, 2-57, 2-83, 2-87, 3-15
 Nut, Hex, Lock, M8 X 1.25, NI, Ss, 2-33, 2-39, 2-41, 2-57, 2-59, 2-61, 2-63, 2-67, 2-71, 2-73, 2-75, 2-77, 2-79, 2-81, 2-83, 2-85, 2-87, 2-89, 2-93, 2-101, 2-105, 3-7, 3-13, 3-15
 Nut, Hex, Std, .75-16, 2-53, 2-59, 2-61
 Nut, Hex, Std, 1.12-18, 2-51
 Nut, Hex, Std, M20 X 2.5, 8, 2-59, 2-61
 Nut, Hex, Std, .25-28, 2-55, 2-57
 Nut, Hex, Std, .25-28, Lh, 2-55
 Nut, Hex, Std, .31-18, 3-67
 Nut, Hex, Std, #08-32, 2-25
 Nut, Hex, Std, M12 X 1.75, Ss, 2-83, 2-87, 2-105
 Nut, Hex, Std, M16 X 2.0, 2-21
 Nut, Hex, Std, M5 X 0.8, 8, 2-57
 Nut, Hex, Std, M6 X 1.00, 8, 3-45
 Nut, Hex, Std, M8 X 1.25, 2-11
 Nut, Hex, Std, M8 X 1.25, Brs, 2-37
 Nut, Hex, Std, M8 X 1.25, Ss, 2-57, 2-69, 2-83, 2-87
 Nut, Hexagon, 5-21
 Nut, Isolator, .38-16 Wall Th .015-.437, 3-79, 3-81
 Nut, Lock [Ku], 6-26
 Nut, Low Crown, .50-20, 2-103

CROSS REFERENCE

Nut, Motor, Hyd, 4-5
Nut, Nozzle [Ku], 6-21
Nut, Solenoid, 4-13, 4-15, 4-17, 4-19, 4-21
Nut, T, M10 X 1.50 X 15.80d X 13.0l, 2-81, 2-85
Nut, T, M4 X 0.70, 2-4
Nut, T, M8 X 1.25 X 14.50d X 9.5l, 3-7
Nut, Thumb, M6 X 1.0, 30d, 3-77
Nut, Wheel, .50-20 X 60 Angle, 2-51

O

O-Ring, 5-3, 5-4, 5-5, 5-7, 5-17, 5-21, 5-27, 5-29
O-Ring [Ku], 6-4, 6-27
Ohg Kit, Ci [M20 And T20], 3-67
Oil Filter, Plug, 5-7
Oil, Hyd [El, Iso 100, 01gal], 1-1
Oil, Hyd [El, Iso 100, 05gal], 1-1
Oil, Hyd [El, Iso 32, 01gal], 1-1
Oil, Hyd [El, Iso 32, 05gal], 1-1
Oil, Hyd [El, Iso 68, 01gal], 1-1
Oil, Hyd [El, Iso 68, 05gal], 1-1

P

Pad, Armrest, 4-29
Pad, Buff, 14.0d, Red, 2-4
Pad, High Productivity Stripping, 14.0d, Blk, 2-4
Pad, Pedal, Brake, 3.96l 2.36w 0.75, 2-55
Pad, Polish, 14.0d, White [1pad=1pc], 2-4
Pad, Scb, 14.0d, Blu [1pad=1pc], 2-4
Pad, Stripping, 14.0d, Brown [1pad=1pc], 2-4
Pad, Surf Prep, 14.0D Maroon, [1PICK=1PAD], 2-4
Pad, Tank, Hyd [W/Psa], 2-125, 2-127
Paint, Airdry, Blk, 12oz, 1-1
Paint, Airdry, Gray, 12oz [Enamel], 1-1
Paint, Airdry, Iron Gray, 12oz [Pwdr Coat], 1-1
Paint, Airdry, Off-White, 12oz, 1-1
Paint, Airdry, Teal, 12oz, Solid, 1-1
Pan, Oil, Dsl, 6-4
Panel Kit, Instmt, Replmt [T20 ec-H20 only], 2-15
Panel Kit, Instmt, Replmt [T20], 2-15
Panel Wldt, Adj, 2-11
Panel Wldt, Adj [2007], 2-11
Panel Wldt, Dsl, Replmt, 2-11
Panel Wldt, Dsl, Replmt [W/Fast], 2-11
Panel Wldt, Dsl, Replmt, TJ (Japan only), 2-11
Panel Wldt, Dsl, Replmt, TJ [W/Fast] (Japan only), 2-11
Panel Wldt, Dsl, Replmt, TJ, W/Es (Japan only), 2-11
Panel Wldt, Dsl, W/ Es, Replmt, 2-11
Panel Wldt, Filler, 2-9
Panel, Access, Debris Tray, 2-73
Panel, Access, Door, 2-11

Panel, Access, Floor, 2-11
Panel, Instmt, Rh, Dsl, Replmt, 2-15
Panel, Shrd, Fan, Dsl, 2-41
Pawl, Str, 2-59, 2-61
Pedal, Brake, Lock, 2-55
Pedal, Propel, 2-56
Pin Kit, Wheel, Ci [M20/T20/M30], 2-9, 3-13
Pin Wldt, 3-11
Pin Wldt, Front, 2-77, 3-9
Pin Wldt, Lift (Replaced By 9003478), 2-79
Pin, 0.63d 01.8l, 1/M10h, 2cham, 2-79
Pin, 30mmd X 215mml, 2-9, 3-13
Pin, Clamp, 5-27, 6-25
Pin, Clevis, 0.19d X 0.63l, 2-75
Pin, Clevis, 0.25d X 0.75l, 2-55
Pin, Clevis, 0.25d X 2.44l, 2-75
Pin, Clevis, 0.31d X 0.75l, 3-7
Pin, Clevis, 0.31d X 1.00l, 2-55
Pin, Clevis, 0.37d X 1.31l, 3-11
Pin, Clevis, 0.37d X 1.50l, 3-11
Pin, Clevis, 0.37d X 1.75l, 2-63, 2-69, 2-83, 2-87, 3-11
Pin, Clevis, 0.37d X 2.00l, 2-75
Pin, Clevis, 0.50 D X 4.50l, 2-56
Pin, Clevis, 0.50d X 2.50l, 2-75
Pin, Clevis, 0.62d X 2.12l, 2-69
Pin, Clevis, 0.75d X 2.00l, 2-63, 2-69
Pin, Cotter, .062 X 0.50, 2-55
Pin, Cotter, .062 X 0.75, 2-75
Pin, Cotter, .094 X 1.00, 2-55, 2-69, 2-75, 3-7, 3-11
Pin, Cotter, .094X0.75, 2-75
Pin, Cotter, .125 X 1.00, 2-57, 2-83, 2-87
Pin, Cotter, .125 X 1.25, 2-59, 2-61, 2-69
Pin, Cotter, .125 X 2.00, 2-51
Pin, Cotter, .156 X 1.25, 2-63
Pin, Cotter, .156 X 2.00, 2-53
Pin, Cotter, Hair, 0.31d .058 Wir, 2-17
Pin, Cotter, Hair, 0.38d .072 Wir, 2-63, 2-69, 2-75
Pin, Cotter, Hair, 1.00d .178 Wir, 2-9, 3-13
Pin, Cotter, Hair, Dbl, 2-9, 3-13
Pin, Dowel [Ku], 6-3
Pin, Dowel, Cyl Block [1pk=4], 2-25
Pin, Dowel, Pump, Hyd, 4-7
Pin, Eng [Ku], 6-3
Pin, Grvd, 0.43d 01.8l [303sss], 2-77, 3-9
Pin, Hitch, .375d X 3.12l, Pl, 3-7, 3-9, 3-89
Pin, Joint, 5-27
Pin, Joint, Inj [Ku], 6-25
Pin, Lift, Drain, 2-99
Pin, Locking, Steering, Tilt, 2-19
Pin, Pipe, 5-3
Pin, Piston, 5-17
Pin, Piston [Ku], 6-17
Pin, Roll, .187d X 1.62l, .187/.192, 2-9, 3-13
Pin, Spring, 5-29
Pin, Spring [Ku], 6-12, 6-27
Pin, Start Spring, 5-3
Pin, Start, Spring, 6-3
Pin, Straight, 5-3

Pin, Straight [Ku], 6-3
Pin, Tappet [Ku], 6-25
Pin, Tappet Guide, 5-27
Pin, Valve, Steering, 4-23
Pipe, Breather [Ku], 5-11, 6-11
Pipe, Clip [Ku], 6-20
Pipe, Drain, 5-21
Pipe, Fltr, Oil [Ku], 2-25
Pipe, Fuel, Overflow [Ku], 6-20
Pipe, Injection 1, 5-23
Pipe, Injection 2, 5-23
Pipe, Injection 3, 5-23
Pipe, Injection 4, 5-23
Pipe, Injector, # 4, 6-20
Pipe, Over Flow, 5-23
Pipe, Overflow, 6-20
Pipe, Water, 5-10, 6-10
Pipe, Water [Kubota], 6-8
Pipe, Water, Return, 6-29
Piston, 5-17
Piston 05, 5-17
Piston, Eng [Ku], 6-17
Piston, Pump, Hyd, Gear, 4-5
Piston, Ring Assy [Ku], 6-17
Pivot Wldt, Brush, Side, 3-11
Plate, 5-27, 6-25
Plate Assy, Orifice, 0.0105ld, Green, 4-30
Plate Wldt, Hose, Vacuum, 2-103, 2-105
Plate Wldt, Mtg, 3-45
Plate Wldt, Mtg, Fan, 2-105
Plate Wldt, Retainer, Sqge, 3-9
Plate Wldt, Seat, 2-17
Plate Wldt, Wrap, Brush, 2-63
Plate, Backing, Brake, 2-53
Plate, Bmpr, Lh, 3-90
Plate, Bmpr, Rh, 3-90
Plate, Cam, 4-7
Plate, Cntrl, Spd [Ku], 6-27
Plate, Cover, 4-7
Plate, Guard, Fan Shrd, Dsl, 2-41
Plate, Guard, Fan, Shrd, Dsl, Replmt, 2-41
Plate, Handle, 2-59, 2-61
Plate, Hook, Latch, 3-87
Plate, Hsng [FaST], 3-19
Plate, Inspection, 3-45
Plate, Label, Soltn Tank (ec-H20 only), 2-90
Plate, Mtg, Latch, 2-89, 2-90
Plate, Mtg, Light, 2-15
Plate, Mtg, Prop Rod, 2-99
Plate, Mtg, Pump, 3-45
Plate, Mtg, Seal, 2-21, 2-41
Plate, Mtg, Skirt, Scb Head (Replaced by None), 2-65
Plate, Mtg, Valve, 3-25, 3-29, 3-37, 3-41, 3-51, 3-55
Plate, Orifice, 0.070id, 3-19
Plate, Orifice, 0.093id, 3-19
Plate, Rnd, 2-105
Plate, Seal, Sound, 2-23
Plate, Shield, Heat, Dsl, Replmt, 2-39
Plate, Skirt, Front, 2-65
Plate, Spacer, Motor, Hyd [En], 4-9, 4-11

Plate, Sppt, 2-55, 2-75
 Plate, Stop, Brake, 2-55
 Plate, Valve, Motor, Hyd, 4-5
 Plate, Valve, Pump, Hyd, 4-7
 Plate, Wear, Steering Valve, 4-23
 Plug, 4-5, 5-3, 5-5, 5-7
 Plug #10, 4-8
 Plug #4, 4-8
 Plug Assy [C], 4-23
 Plug Kit, Drain, Recvy, Ci [M20 & T20], 2-99
 Plug Wldt, Drive, Brush, 2-59, 2-61
 Plug Wldt, Drive, Brush, Sweep, 2-59, 2-61
 Plug, Cup, Sealing [Ku], 6-3, 6-5
 Plug, Drain, 5-4
 Plug, Drain, Expandable, 4.75-6.00, 2-99
 Plug, Eng [Ku], 6-3
 Plug, Expansion, 5-3
 Plug, Gauge, Oil [Ku], 6-4
 Plug, Glow, 5-23
 Plug, Hole, Rnd, 0.50h .03-.12, Blk Nyl, 2-15
 Plug, Hole, Rnd, 0.81h, Blk, 2-11
 Plug, Hole, Rnd, 0.88h .03-.12, Blk Nyl, 2-11
 Plug, Hole, Rnd, 1.00h .03-.12, Blk Nyl, 2-11
 Plug, Hole, Rnd, 1.25H .03-.12, Blk Nyl, 2-17
 Plug, Hole, Rnd, 2.50h .03-.25, Blk Nyl, 2-11
 Plug, Hole, Rt, Rocker Switch, .87 X 1.7, 2-15
 Plug, Hole, Soltn Tank, Blk Pyu, 2-89
 Plug, Hose, Pyu, 2-93, 2-101
 Plug, Oil Filler, 5-10
 Plug, Orifice, 0.060, Ss [FaST li+], 4-30
 Plug, Orifice, Valve, Hyd, .040, 4-13, 4-17, 4-19
 Plug, Orifice, Valve, Hyd, .046, 4-15, 4-21
 Plug, Orifice, Valve, Hyd, .063, 4-15, 4-21
 Plug, Pump, Hyd, Gear, 4-5
 Plug, Restrictor, 3-51
 Plug, Rsestricor, 3-55
 Plunger, Pump, 5-27
 Plunger, Pump, Inj [Ku], 6-25
 Poppet, Pump, Hyd, Gear, 4-5
 Pouch, 3-47
 Pully, Fan, 5-8
 Pump Assy, Column, Es, 4-3
 Pump Assy, Column, Es (See Breakdowns), 3-5
 Pump Kit, Hyd, Rotating [Cessna], 4-7
 Pump Kit, Mtg, Aux, Ci [M20 & T20], 2-123
 Pump, Diaphragm, 4-25
 Pump, Air, Ele, 12vdc, 3-21
 Pump, Detgt, 12vdc, 3-21
 Pump, Detgt, 14vdc, 150ml/Min 20psi, 4-24
 Pump, Detgt, 14vdc, 150ml/Min 20psi (See Breakdowns), 3-3
 Pump, Diaphragm, 3-79, 3-83
 Pump, Fuel, 2-31

Pump, Hyd, Piston, Var, 1.24 4000, Cw, 4-7
 Pump, Hyd, Piston, Var, 1.24 4000, Cw (See Breakdowns), 2-123
 Pump, Injection [Kubo], 6-23, 6-25
 Pump, Oil, Eng [Ku], 6-7
 Pump, Oil, Pickup [Sump, Ku], 5-4
 Pump, Soltn, 13.7vdc, 65psi [FaST li+], 3-33
 Pump, Soltn, Ele, 12vdc [W/O Chk Valve], 3-19
 Pump, Soltn, Ele, 13.7vdc, 12/28psi, 3-45
 Pump, Water Assy [Ku], 6-8
 Push Rod, 5-15

R

Race Thrust, 4-8
 Race, Brg, Pump, Hyd, 4-7
 Rack, Control, 5-27
 Radiator Kit, Replmt, Ci, 2-41
 Radiator, W/ Hyd Cooler [Side X Side], 2-43, 2-45
 Receptacle, Lamp [Speaker], 2-9
 Relay, 12vdc, 40a, Spdt N/O, 2-31, 2-49, 3-19
 Relay, 12vdc, 040a, Spdt No, 3-33, 3-45, 3-79, 3-83
 Reservoir, Hyd, 10.0Gal, Replmt, 2-127
 Resistor, Ele, Plug [430, 2w], 3-58
 Retainer, 5-21, 6-19
 Retainer, Boot, Steering Column, 2-19
 Retainer, Gear, Starter [Ku], 6-19
 Retainer, Motor, Hyd, 4-5
 Retainer, Ring, Brake, 2-53
 Retainer, Skirt, 2-65
 Retainer, Skirt, Disk Head, 2-69
 Retainer, Skirt, Front, 2-65
 Retainer, Spring [Ku], 6-12
 Retainer, Spring, Valve [Ku], 6-12
 Retainer, Sqge, 3-7
 Retainer, Sqge, Side, Lh, 2-85
 Retainer, Sqge, Side, Rh, 2-81
 Retainer, Sqge, Wand [17b/E], 3-77
 Retainer, Valve Spring, 5-12
 Ring [Ku], 6-17
 Ring, Lock, 4-7
 Ring, Motor, Hyd, 4-5
 Ring, Mtg, Sqge, .50l, 2-77
 Ring, Piston Assy [Ku], 6-17
 Ring, Retainer, Steering Valve, 4-23
 Ring, Retaining, 4-7
 Ring, Retaining, Ext, 0.38d, [E-Ring], 2-77, 2-79, 3-9
 Ring, Retaining, Ext, 0.50d, Hd, 2-19
 Ring, Retaining, Ext, 0.62d, Hd, 2-79
 Ring, Retaining, Ext, 0.98d, [E-Ring], 2-55
 Ring, Retaining, Ext, 1.00d, Basic, 2-59, 2-61
 Ring, Retaining, Pump, Hyd, 4-7
 Ring, Snap [Ku], 6-13, 6-15
 Ring, Snap, Piston [Ku], 6-17
 Rivet, Blind [S2500 Drvblock], 3-77

Rivet, Blind, .125d X 0.54 X .25d, Alm, 2-89, 2-90
 Rivet, Plstc, .250 X 0.898, 3-73
 Rivet, Plstc, .250d X 0.898, 2-19
 Rivet, Plstc, .250d X 0.90, 3-47, 3-79, 3-81
 Rod, 2-55
 Rod Assy, Connecting [Ku], 6-17
 Rod-End, .25-28rh Fem 0.25b [Teflon], 2-57
 Rod-End, .50-20lh Fem 0.50-20stud, 2-63
 Rod-End, .50-20rh Fem 0.50b, 2-63
 Rod-End, .50-20rh Mal 0.50b, 3-11
 Rod, Latch, 2-71
 Rod, Push [Ku], 6-21
 Rod, Push, Valve [Ku], 6-15
 Rod, Thrd, 2 End, .50-20 04.9l, Rh / Lh, 2-63
 Roller, 5-21
 Roller, Brg, 2-93, 2-101

S

Screen, Pump, 3-5
 Screen, Vacuum, 2-99
 Screw, 4-8, 5-7, 5-23, 5-27
 Screw, Adj, Rocker Arm [Ku], 6-12
 Screw, Adj, Stop [Ku], 6-26
 Screw, Adjusting, 5-12
 Screw, Btn, M8 X 1.25 X 16, Ss, 3-13
 Screw, Btn, M8 X 1.25 X 20, Blk, 2-81, 2-85, 2-93, 2-101, 3-87
 Screw, Btn, M8 X 1.25 X 25, Ss, 2-63, 3-7
 Screw, Btn, M8 X 1.25 X 40, Ss, 2-73
 Screw, Cap, 4-7
 Screw, Cap, Motor, Hyd, 4-5, 4-11
 Screw, Flt [Ku], 6-7
 Screw, Flt, .25-20 X 1.00, Al, 2-103
 Screw, Flt, .38-16 X 1.50, Al, 2-103
 Screw, Flt, M10 X 1.5 X 25, 10.9, 2-81, 2-85
 Screw, Flt, M8 X 1.25 X 25, 2-23
 Screw, Flt, M8 X 1.25 X 30, Ss, 2-93, 2-101
 Screw, Follow, 5-27
 Screw, Hex [Ku], 5-31, 6-4, 6-5, 6-7, 6-11, 6-23, 6-25, 6-28
 Screw, Hex, .25-10 X 0.75, Fmg/a, Ss, 2-99
 Screw, Hex, .25-20 X 1.00, 5, 3-7, 3-9
 Screw, Hex, .25-20 X 1.00, G5, 2-67
 Screw, Hex, .25-20 X 1.75, Ss, 2-57
 Screw, Hex, .25-20 X 2.25, Ss, 2-57
 Screw, Hex, .31-18 X 0.75, Sems, 2-35
 Screw, Hex, .31-18 X 1.00, G5, 2-37
 Screw, Hex, .31-18 X 1.50, G5, 2-35
 Screw, Hex, .31-24 X 0.75, NI, 2-57
 Screw, Hex, .38-16 X 0.75, NI, 2-59, 2-61, 3-7, 3-9
 Screw, Hex, .38-16 X 0.88, G5, 3-89
 Screw, Hex, .38-16 X 1.00, 5, 2-57
 Screw, Hex, .38-16 X 1.00, G5, 2-67
 Screw, Hex, .38-16 X 1.25, 5, 2-123

CROSS REFERENCE

- Screw, Hex, .38-16 X 1.25, G5, 2-57, 3-79, 3-81
- Screw, Hex, .38-16 X 1.50, Ss, 3-11
- Screw, Hex, .38-16 X 2.00, Ss, 2-57
- Screw, Hex, .38-16 X 3.00, G5, 2-35, 2-37, 2-47
- Screw, Hex, .50-13 X 1.50, 5, 2-63
- Screw, Hex, .50-13 X 3.00, Ss18-8, 2-79
- Screw, Hex, .75-10 X 3.25, G5, 2-51
- Screw, Hex, .75-10 X 4.00, 5, 2-51
- Screw, Hex, #10-16 X 0.62, Fmg [Ab], 3-83, 3-85
- Screw, Hex, #10-16 X 0.62, Fmg, [Ab], 2-21
- Screw, Hex, 10-24 X 0.50, Ss, 2-37
- Screw, Hex, Case, Brg, Main [Ku], 6-9
- Screw, Hex, Cshft [Ku], 6-17
- Screw, Hex, Flywheel [Ku], 6-18
- Screw, hex, H6 X 1.00 X 20, 9.8, Sems, 3-69
- Screw, Hex, Head, Cyl [Ku], 6-5
- Screw, Hex, M10 X 1.25 X 25, 8.8, 2-25, 2-43, 2-45
- Screw, Hex, M10 X 1.25 X 35, 8.8, 2-35, 2-37
- Screw, Hex, M10 X 1.5 X 110, 8.8, 2-25
- Screw, Hex, M10 X 1.5 X 16, 8.8, 2-19
- Screw, Hex, M10 X 1.5 X 25, 8.8, 2-11, 2-25, 2-35
- Screw, Hex, M10 X 1.5 X 25, Ss, 2-63, 2-83, 2-87
- Screw, Hex, M10 X 1.5 X 30, 8.8, 3-67
- Screw, Hex, M10 X 1.5 X 30, Ss, 2-9, 2-89, 3-13, 3-89
- Screw, Hex, M10 X 1.5 X 35, 8.8, 2-25, 2-33
- Screw, Hex, M10 X 1.5 X 35, Ss (Disk Scrub Head), 2-9
- Screw, Hex, M10 X 1.5 X 45, 8.8, 3-89
- Screw, Hex, M10 X 1.5 X 80, 8.8, 3-89
- Screw, Hex, M10 X 1.50 X 25, 8.8, 2-37, 2-43, 2-45
- Screw, Hex, M10 X 1.50 X 25, Ss, 3-90
- Screw, Hex, M10 X 1.50 X 30, 8.8, 3-90
- Screw, Hex, M10 X 1.50 X 40, 8.8, 2-43, 2-45
- Screw, Hex, M10 X 1.50 X 45, 8.8, 3-90
- Screw, Hex, M12 X 1.75 X 30, 8.8, 3-11
- Screw, Hex, M12 X 1.75 X 30, Ss, 2-9, 2-71
- Screw, Hex, M12 X 1.75 X 40, 8.8, 2-53, 2-63, 2-69
- Screw, Hex, M12 X 1.75 X 40, Ss, 2-71
- Screw, Hex, M12 X 1.75 X 50, 8.8, 2-9
- Screw, Hex, M12 X 1.75 X 55, Ss, 2-71, 2-83, 2-87
- Screw, Hex, M12 X 1.75 X 60, 8.8, 2-25, 2-69
- Screw, Hex, M16 X 2.0 X 90, 8.8, 2-21
- Screw, Hex, M4 X 0.7 X 12, 8.8, 3-21
- Screw, Hex, M4 X 0.7 X 20, 8.8, 3-79, 3-81
- Screw, Hex, M4 X 0.70 X 12, 8.8, 3-45
- Screw, Hex, M4 X 0.70 X 50, Ss, 4-27
- Screw, Hex, M5 X 0.8 X 10, Fmg, 2-63, 3-89
- Screw, Hex, M5 X 0.8 X 12, Ss, 3-13
- Screw, Hex, M5 X 0.8 X 16, Fmg, 3-73
- Screw, Hex, M5 X 0.8 X 20, 8.8, 2-17, 2-57
- Screw, Hex, M5 X 0.80 X 10, Fmg, 3-45
- Screw, Hex, M5 X 0.80 X 16, Ss, 3-69
- Screw, Hex, M5 X 0.80 X 20, 8.8, 3-45
- Screw, Hex, M6 X 1.0 X 12, Fmg, 2-41, 2-125
- Screw, Hex, M6 X 1.0 X 12, Ss, 3-87
- Screw, Hex, M6 X 1.0 X 16, 8.8, 2-21, 2-31, 2-35, 2-41, 2-49, 2-55
- Screw, Hex, M6 X 1.0 X 16, Fmg, 2-55, 2-57, 2-65, 2-69, 3-19, 3-21
- Screw, Hex, M6 X 1.0 X 20, 8.8, 2-31, 2-33, 2-35
- Screw, Hex, M6 X 1.0 X 20, Ss, 2-39, 2-65, 2-69, 2-71, 2-95, 2-97, 2-99, 3-3
- Screw, Hex, M6 X 1.0 X 25, 8.8, 2-17
- Screw, Hex, M6 X 1.0 X 25, Ss, 2-71, 2-83, 2-87
- Screw, Hex, M6 X 1.0 X 40, 8.8, 2-31
- Screw, Hex, M6 X 1.0 X 55, Ss, 2-67, 2-99
- Screw, Hex, M6 X 1.0 X 60, 8.8, 2-35, 2-55
- Screw, Hex, M6 X 1.00 X 12, Ss, 2-90, 3-45
- Screw, Hex, M6 X 1.00 X 16, 8.8, 2-11
- Screw, Hex, M6 X 1.00 X 16, Ss, 3-33
- Screw, Hex, M6 X 1.00 X 20, 8.8, 2-37
- Screw, Hex, M6 X 1.00 X 20, 9.8, Sems, 2-19, 2-21, 2-31, 2-41, 2-43, 2-45, 3-45
- Screw, Hex, M6 X 1.00 X 20, Ss, 2-83, 2-87
- Screw, Hex, M6 X 1.00 X 25, 9.8 Sems, 2-15, 2-43, 2-45
- Screw, Hex, M6 X 1.00 X 25, 9.8, Sems, 2-31
- Screw, Hex, M6 X 1.00 X 25, Ss, 2-99
- Screw, Hex, M6 X 1.00 X 35, Ss, 3-45
- Screw, Hex, M8 X 1.25 X 110, Ss, 2-77, 3-15
- Screw, Hex, M8 X 1.25 X 130, 8.8, 2-59, 2-61
- Screw, Hex, M8 X 1.25 X 16, 8.8, 2-99, 3-11
- Screw, Hex, M8 X 1.25 X 16, Ss, 2-59, 2-61
- Screw, Hex, M8 X 1.25 X 20, 8.8, 2-11, 2-17, 2-21, 2-23, 2-31, 2-39, 2-41, 2-43, 2-47, 2-51, 2-55, 2-103
- Screw, Hex, M8 X 1.25 X 20, Ss, 2-9, 2-11, 2-17, 2-23, 2-33, 2-41, 2-59, 2-61, 2-63, 2-65, 2-69, 2-71, 2-83, 2-87, 2-89, 2-90, 2-93, 2-99, 2-101, 2-103, 2-105, 2-129, 3-3, 3-5, 3-21, 3-33, 3-45, 3-59, 3-61, 3-63, 3-79, 3-83, 3-85
- Screw, Hex, M8 X 1.25 X 20, Ss, Sems, 2-45
- Screw, Hex, M8 X 1.25 X 25, 8.8, 2-9, 2-11, 2-26, 2-29, 2-35, 2-37, 2-41, 2-93, 2-101, 2-105, 2-125
- Screw, Hex, M8 X 1.25 X 25, 9.8, Sems, 2-43, 2-45, 2-49
- Screw, Hex, M8 X 1.25 X 25, Fmg, 2-65, 3-21, 3-25, 3-29, 3-37, 3-41, 3-51, 3-55
- Screw, Hex, M8 X 1.25 X 25, Ss, 2-57, 2-59, 2-61, 2-69, 2-71, 2-73, 2-89, 2-93, 2-97, 2-101, 2-105, 3-7, 3-11, 3-15
- Screw, Hex, M8 X 1.25 X 30, 8.8, 2-25, 2-35, 2-37, 2-93, 2-101
- Screw, Hex, M8 X 1.25 X 30, 9.8, Sems, 2-127
- Screw, Hex, M8 X 1.25 X 30, Ss, 2-71, 2-75, 2-105
- Screw, Hex, M8 X 1.25 X 35, 8.8, 2-55, 2-93, 2-101
- Screw, Hex, M8 X 1.25 X 35, 9.8, Sems, 2-43, 2-45
- Screw, Hex, M8 X 1.25 X 35, Fl, Ss, 2-105
- Screw, Hex, M8 X 1.25 X 40, Ss, NI, 2-57
- Screw, Hex, M8 X 1.25 X 45, Ss, 2-39, 2-71, 2-79
- Screw, Hex, M8 X 1.25 X 50, 8.8, 2-57
- Screw, Hex, M8 X 1.25 X 50, Ss, 2-67
- Screw, Hex, M8 X 1.25 X 60, 8.8, Fl, 2-11
- Screw, Hex, M8 X 1.25 X 60, Fl, 2-63
- Screw, Hex, M8 X 1.25 X 70, 8.8, 2-55
- Screw, Hex, M8 X 1.25 X 70, Ss, 2-75
- Screw, Hex, M8 X 1.25 X 90, 8.8, 2-79
- Screw, Hex, W/ Washer [Ku], 6-10
- Screw, Motor, Hyd [En], 4-9, 4-11
- Screw, Mtg [Ehpr98], 4-19, 4-21
- Screw, Pan, 5-10
- Screw, Pan, #12-16 X 0.50, F/ Plstc, 2-99, 3-91
- Screw, Pan, 12-16 X 0.50, F/ Plstc (ec-H20 only), 2-90
- Screw, Pan, M4 X 0.7 X 10, Ss, 2-81, 2-85
- Screw, Pan, M4 X 0.7 X 16, 4.8, 2-23
- Screw, Pan, M4 X 0.7 X 16, Ss, 2-23, 3-3
- Screw, Pan, M4 X 0.7 X 25, 4.8, 2-17
- Screw, Pan, M4 X 0.7 X 25, Ss, NI, 2-4
- Screw, Pan, M4 X 0.7 X 35, Ss, 2-4, 2-57
- Screw, Pan, M4 X 0.70 X 16, 4.8, 2-41
- Screw, Pan, M4 X 0.70 X 20, 4.8, 2-9
- Screw, Pan, M5 X 0.8 X 12, Ss, 2-17, 2-23, 2-95, 3-19, 3-25, 3-29, 3-87
- Screw, Pan, M5 X 0.8 X 40, Ss, 2-59, 2-61, 3-19
- Screw, Pan, M5 X 0.80 X 45, 4.8, 3-79, 3-83
- Screw, Pan, M6 X 1.0 X 12, Ss, NI, 2-73
- Screw, Pan, M6 X 1.0 X 16, Ss, 2-75, 3-79, 3-81
- Screw, Pan, M6 X 1.0 X 25, Ss, 2-73
- Screw, Pan, M6 X 1.0 X 35, Ss, 2-4
- Screw, Pan, M6 X 1.0 X 40, Ss, 2-4
- Screw, Pan, M8 X 1.25 X 25, Blk, 2-11, 2-15, 2-19

- Screw, Pan, M8 X 1.25 X 25, Ss, 2-71
 Screw, Pan, Phl, 06-20 X 0.50, Fmg/Ab, 2-23, 2-89, 2-90
 Screw, Pan, Phl, 12-16 X 0.50, F/ Plstc, 2-89, 2-90
 Screw, Pan, Phl, M4 X 0.70 X 20, Ss, 3-45
 Screw, Pan, Phl, M5 X 0.80 X 12, Ss, 3-33, 3-37, 3-41, 3-55
 Screw, Pan, Phl, M5 X 0.80 X 16, Tcut,Ss, 4-27
 Screw, Pan, Phl, M5 X 0.80 X 20, Ss, 3-51, 3-59, 3-61, 3-63, 3-64, 3-65
 Screw, Pan, Phl, M6 X 1.00 X 35, Ss, 2-6
 Screw, Pump, Injection [Ku], 6-25
 Screw, Rod, Connecting [Ku], 6-17
 Screw, Set, 5-12, 5-13, 5-15
 Screw, Set [Ku], 6-13, 6-15
 Screw, Set, M6 X 1.00 X 40, Ss [Cuppt], 3-77
 Screw, Soc, .25-20 X 0.75, Al, 2-19
 Screw, Soc, .50-13 X 1.50, Al, 2-51
 Screw, Soc, M16 X 2.0 X 50, 12.9, 2-51
 Screw, Soc, M6 X 1.00 X 16, 12.9, 2-25, 2-35, 2-37
 Screw, Soc, M8 X 1.25 X 25, 12.9, 2-83, 2-87
 Screw, Soc, M8 X 1.25 X 35, 12.9, 2-83, 2-87
 Screw, Valve, Steering, 4-23
 Screw, W / Washer, 6-20
 Screw, With Washer, 5-23
 Screw,Hex, M5 X 0.80 X 29, 8.8, 3-69
 Seal Kit, Cartridge, 4-13, 4-15, 4-17, 4-19, 4-21
 Seal Kit, Motor [Cl], 3-9, 4-9, 4-11
 Seal Kit, Pump, Hyd, 4-7
 Seal Kit, Steering [Cl], 4-23
 Seal Kit, Valve [Ehpr98], 4-19, 4-21
 Seal Replmt Kit, 4-8
 Seal, Sponge, 0.88 1.00W 43.0L, 2-21
 Seal, Afmkt, Bulb, 90, 0.50d, 02ft, 2-17
 Seal, Afmkt, Bulb, 90, 0.75d F/11ga 02ft, 2-17, 2-23
 Seal, Afmkt, Bulb, 90, 0.75d F/11ga 08ft, 2-11
 Seal, Afmkt, Bulb, Str, 1.0d F/11ga 08ft, 2-21
 Seal, Bulb, Str, .50Hi .50W 047.2L, Adh, 2-89, 2-90
 Seal, Bulb, Str, 0.38h .75w Adh, 52 L, 2-45
 Seal, Drive, Rear, Grease Cav, 2-51
 Seal, Foam, 0.50, 2-11
 Seal, Heat, 5-23
 Seal, Heat [Ku], 6-20
 Seal, Mechanical Assy [Ku], 6-8
 Seal, Oil, 5-7, 5-9, 5-29
 Seal, Oil [Ku], 6-27
 Seal, Oil, Front [Ku], 6-7
 Seal, Oil, Rear [Ku], 6-9
 Seal, Org, 2-25, 5-10, 6-7, 6-10, 6-19
 Seal, Org [Ku], 6-4, 6-7, 6-25
 Seal, Org, .069 X 3.06id, 2-123
 Seal, Org, .072 X 00.35id #04, 4-15, 4-21
 Seal, Org, .078 X 00.47id #06, 4-13, 4-15, 4-21
 Seal, Org, .078 X 00.47id 06, 4-17, 4-19
 Seal, Org, .087 X 00.64id #08, 4-15, 4-21
 Seal, Panl, Instmt, 2-11
 Seal, Plug, Drain [Nitrile], 2-99
 Seal, Radiator, 2-41
 Seal, Radiator, Upper, 2-49
 Seal, Rbr, Clsd, .13, .38w 72.0l, Adh, 2-45
 Seal, Rbr, Clsd, 0.13, Instmt Panl, 2-15
 Seal, Shaft, Drain Plug, 2-99
 Seal, Stem, Valve [Ku], 6-12
 Seal, Valve Stem, 5-12
 Seal, Wiper, 2-71
 Seal, Wire, 14/16ga [Wp / Mp280 Sealed], 4-25
 Seat, 4-29
 Seat (See Breakdowns), 2-17
 Seat, Spring Lower, 5-27
 Seat, Spring Upper, 5-27
 Seat, Spring, Lower, Injector [Ku], 6-25
 Seat, Spring, Upper, Injector [Ku], 6-25
 Seat, Suspension, W/1 Arm And Belt, 2-17
 Seat, Valve, 5-7
 Seatbelt, 4-29
 Seatbelt, Retractable [Deluxe Seat], 2-17
 Send-Unit, Fuel, 2-29
 Send-Unit, Fuel [2007], 2-29
 Send-Unit, Water, Temp, 04npt 113oh/195d, 2-127
 Sensor, Level, Liq, 14vdc 01a .62-11, 2-90, 2-99, 3-5
 Sensor, Spd / Dir, 6-30vdc, 2-57
 Shaft Wldt, Arm, Lift, 2-75
 Shaft Wldt, Brake, 2-55
 Shaft Wldt, Pedal, Brake, 2-55
 Shaft, Brush, Idler, 2-59, 2-61
 Shaft, Fork Lever, 5-30
 Shaft, Governor [Ku], 6-13
 Shaft, Governor Weight, 5-13
 Shaft, Governor, Weight [Ku], 6-13
 Shaft, Govnr, 6-13
 Shaft, Govnr [Ku], 6-13
 Shaft, Idle Gear 1, 5-15
 Shaft, Idler, Gear [Ku], 6-15
 Shaft, Lever, Spd [Ku], 6-27
 Shaft, Motor, Hyd, 4-5
 Shaft, Mtg, Sheave, Dsl, 2-35
 Shaft, Output, 4-8
 Shaft, Output, Motor, Hyd, 4-11
 Shaft, Output, Motor, Hyd [En], 4-9
 Shaft, Pump, 4-7
 Shaft, Pump, Water, 4-3
 Shaft, Rocker, Arm [Ku], 6-12
 Shaft, Stop Lever, 5-29
 Sheave, 01grv, 02.6pd 0.63b [Hc41], 2-35
 Sheave, 01grv, 04.1pd 1.6b [XI], 2-35
 Sheave, 01grv, Rwk 393400 [3v], 2-35
 Sheave, Cshft [Ku], 6-17
 Sheave, Fan [Ku], 6-8
 Shield Kit, Debris, Replmt [T20], 2-71
 Shield Kit, Side, Replmt [T20], 2-81, 2-85
 Shield Wldt, Switch, Float, 2-99
 Shield, Breather, 5-10, 6-10
 Shield, Heat, Dsl, 2-39
 Shield, Tray, Debris [Trimmed], 2-71
 Shim, 5-27, 6-23
 Shim Kit, 4-7
 Shim, Injection Pump 0.20 mm, 5-25
 Shim, Injection Pump 0.25 mm, 5-25
 Shim, Injection Pump 0.30 mm, 5-25
 Shim, Pump, Injection, 6-23
 Shim, Tappet, Injection [Ku], 6-25
 Shim, Washer, 0.88d 0.51b .020, 2-103
 Shim, Washer, 0.88d 0.51b .060, 2-103
 Shock Absorber, 2.3 Strk, 2-57
 Shoe, Brake, 180 X 30mm, 2-53
 Shoe, Plstc, Sqge, 14.0, 3-73
 Shrd Wldt,Fan,Dsl, Replmt [M20/M30/T20], 2-43
 Shrd Wldt,Fan,Dsl, Replmt [TJ], 2-43
 Shroud Assy, Eng, 2-23
 Shroud Wldt, Fan, Dsl, 2-43
 Shroud Wldt, Fan, Eng, Dsl, 2-45
 Shroud, Fan, 2-45
 Shroud, Front, Trimmed, 2-21
 Shroud, Seat, 2-17
 Skirt, Debris, Eng Radiator, 2-41
 Skirt, Fan, Eng, Dsl, 2-43, 2-45
 Skirt, Front, Disk Head, 1-1, 2-69
 Skirt, Neo, .06, 06.85w 27.95l, 08 Hole, 1-1
 Skirt, Neo, .06, 07.63w 51.52l, 11 Hole, 2-65
 Skirt, Neo, .06, 12.00w 45.88l, 07 Hole, 1-1, 2-65
 Skirt, Neo, .18, 10.37w 27.95l, 12 H&S, 1-1
 Sleeve, 0.31b 0.50d 0.3l, Ss, 2-83, 2-87, 2-99
 Sleeve, 0.49b 0.68d 1.2l [304ss], 2-71, 2-83, 2-87
 Sleeve, Cntrl, Pump, Injection [Ku], 6-25
 Sleeve, Control, 5-27
 Sleeve, Crankshaft, 5-17
 Sleeve, Dashpo, Pump, Hyd, Gear, 4-5
 Sleeve, Flng, 0.48b 1.25/0.88d 0.6l, Stl, 2-71
 Sleeve, Governor, 5-13
 Sleeve, Govnr [Ku], 6-13
 Sleeve, Nyl, #37 05.0l, 2-51
 Sleeve, Nyl, 1.22id 14.0l, 2-121
 Sleeve, Nyl, 2.38id 25.0l, 2-51
 Sleeve, P/M, 0.31B 0.44D 1.2L [430Ss], 2-73
 Sleeve, P/M, 0.31b 0.50d 0.3l [430ss], 2-93, 2-101
 Sleeve, P/M, 0.31b 0.50d 0.7l [430ss], 2-77, 2-93, 2-101
 Sleeve, P/M, 0.31b 0.50d 0.9l [430ss], 2-39, 2-59, 2-61, 2-67
 Sleeve, P/M, 0.34b 0.63d 0.6l, Bnz, 2-79
 Sleeve, P/M, 0.34b 0.63d 1.2l, Bnz, 2-77
 Sleeve, P/M, 0.37b 0.50d 0.6l [430ss], 3-11

CROSS REFERENCE

Sleeve, P/M, 0.47b 0.75d 0.5l [430ss],
2-63, 2-69
Sleeve, Pump, Water, 4-3
Sleeve, Rbr, 3.50b 3.58d 1.8l, 3-5
Solenoid, #10, 12vdc, 4-13, 4-15, 4-17,
4-19, 4-21
Solenoid, #8, 12vdc, 4-13, 4-15, 4-17,
4-19, 4-21
Solenoid, 12v, Valve, Hyd [Cec], 4-10
Spacer, 2-67, 3-7, 3-9
Spacer [Ku], 6-21
Spacer Plate, 4-8
Spacer, Fan, 2-37
Spacer, Fan, Dsl [M20/T20], 2-35, 2-37
Spacer, Hub, Keyed, 2-67, 3-7, 3-9
Spacer, Plstc, Ny, 2-17
Spacer, Rlr, 2-71
Spacer, Sqge, Side Brush, Rbr, 3-9
Spacer, Valve, Steering, 4-23
Spool, Pilot, Hyd, 4-13, 4-15, 4-17, 4-19,
4-21
Spring, 4-5, 5-7, 5-21, 6-19
Spring Kit, Flat, Replmt [T20], 2-75
Spring Kit, Scu [CI], 4-23
Spring, Brush, 5-21, 6-19
Spring, Cmpr, 0.97od .11wir 2.5l, 2-71
Spring, Cmpr, 0.40od .04wir 00.6l, Ss,
3-77
Spring, Cmpr, 0.42od .06wir 1.50l, 2-67
Spring, Cmpr, 0.9od .042wir 02.0l, 2-77
Spring, Cmpr, 18.8d, 1.6w, 57.1l, 2-19
Spring, Cmpr, Plunger [Ku], 6-25
Spring, Cmpr, Relief [Ku], 6-7
Spring, Cmpr, Rocker [Ku], 6-12
Spring, Cmpr, Valve, Injector [Ku], 6-25
Spring, Delivery Valve, 5-27
Spring, Dsl, 1.00od 0.50id 1.7l, 2-79
Spring, Ext [Ku], 6-19
Spring, Extn, 0.75od X 0.09wir, 2.5l, 2-83,
2-87
Spring, Extn, 0.75od X 0.12wir, 4.3l, 2-57
Spring, Extn, 1.69od X 0.20wir, 9.5l, 2-75
Spring, Extn, 2.00od 0.25wir 07.5l, 2-63
Spring, Flat, .06 X 4.13 X 6.5l 4 Hole, 2-75
Spring, Flat, Retainer, Screen, 2-73
Spring, Governor, 5-30
Spring, Governor [Ku], 6-28
Spring, Keeper, 2-79
Spring, Motor, Hyd, 4-5
Spring, Plunger, 5-27
Spring, Return, 5-29
Spring, Rocker Arm, 5-12
Spring, Start, 5-30
Spring, Start [Ku], 6-28
Spring, Tors [Ku], 6-27
Spring, Tors, 0.75id .06wir 02.8coil, 2-55
Spring, Tors, 1.13id .12wir 02.3coil Rh,
2-55
Spring, Valve, 5-12
Spring, Valve [Ku], 6-12
Spring, Wir, 0.08d, Brake, Parking, 2-55
Spring, Wir, 0.16d, Brush Retaining, 2-4,
2-6

Spring, Wir, 0.16d, Brush Retaining [T5],
2-4
Spring, Wir, 0.25d, Return, Brake, 2-53
Squeegee Assy, Sba, Linatex, 1-1, 3-7
Squeegee Assy, Sba, Ure, 1-1, 3-7
Squeegee Kit, Rear, Replmt [M20/T20],
2-77
Squeegee Wldt, Rear, 2-77
Starter, 12vdc [Kubota], 6-19
Steer- Control, Hyd#05, 06.1 2030 (See
Breakdowns), 2-19
Steer- Control, Hyd05, 06.1 2030, 4-23
Stem, Valve, Hyd, 4-13, 4-15, 4-17, 4-19,
4-21
Stem, Valve, Hyd [4w2p], 4-17, 4-19
Stem, Valve, Hyd, 4w2p, 4-13, 4-15, 4-21
Stop, Rotation, 2-79
Stopper, 5-13
Stopper, Cam [Ku], 6-15
Stopper, Camshaft, 5-15
Stopper, Fuel [Ku], 6-13
Strainer Wldt, Trough, Debris 4.3w 15.L,
2-73
Strainer, Hyd, 25gpm 100mesh Psi,
2-127
Strainer, Hyd, 25 Gpm 100 Mesh, 1-1
Strainer, Soltn, 20 Mesh, Cyl 3.5d 9.5l,
3-5
Strap, Rbr, 13.2l [2/S Hooks], 3-79, 3-81
Strap, Rbr, Tie-Down, 2/Hooks 19.0l, 2-49
Strap, Sppt, 2-57
Strap, Static, .19 1.1w 25.0l W/ Grommet,
2-71
Strap, Static, W/Grommet, .19 1.1w 25.0l
(Disk Scrub Head), 2-9
Strap, Tank, Gas, 2-29
Strip Mtg, Seal, 2-21
Strip, Non-Slip, 0.50w 06.0l, 2-77
Strip, Rbr, 0.06 03.54w 03.5l [Neo/60],
3-45
Stud, 5-7, 5-11, 5-12, 5-25, 5-29, 5-31
Stud [Ku], 6-7, 6-11, 6-12, 6-23, 6-27
Stud, .31-18 2.75l M8 X 1.25, Ss, 2-77
Stud, Ball, .39d .31-16, Gasspring, 2-17
Stud, Wheel, .50-20 X 1.50l, 0.370th, 2-51
Support Wldt, Sqge, Lh Rear, 3-89
Support Wldt, Sqge, Rh Rear, 3-89
Switch Assy, Press, 3.0, 17.5l Tube, 3-5
Switch Kit, Pump, Repair,, 4-25
Switch, Ignition [Ku], 2-15
Switch, Magneto [Ku], 6-19
Switch, Press, 10psi, Spst, 3-19
Switch, Press, 50 Psi, Pm02, 3-47
Switch, Press, Dpdt 0006psi, 2-25
Switch, Rocker, Dpdt On/Off/On, 2-15
Switch, Rocker, Dpdt, On / None / On,
3-79, 3-83
Switch, Rocker, Spst, Mom, 3-45
Switch, Seat, 4-29
Switch, Seat, No [Delta 6440-04], 2-17
Switch, Thermostat, Water, 2-25, 2-26

T

Tank Kit, Soltn, W/ Bracket, Replmt, 2-89
Tank, Coolant, 03.30w 4.7hi 04.7l, 1liter,
2-47
Tank, Coolant, 03.6W 04.1HI 05.5L, 1Liter,
2-47
Tank, Coolant, 04.7 03.3 4.7deep, 1liter,
2-41
Tank, Detgt, Trimmed, 3-5
Tank, Fuel, 11.2gal [M20/T20], 2-29
Tank, Fuel, 11.2gal, Dsl, Replmt [2007],
2-29
Tank, Fuel, 11.2gal, Dsl, Replmt, Na[08],
2-29
Tank, Fuel, 11.2gal, Dsl, Replmt, Tj[08]
(Japan Only), 2-29
Tank, Recvy, Trimmed, 2-99
Tank, Soltn, W/ Es [T20], 2-89
Tank, Soltn, W/ Label, 2-89
Tappet, 5-15
Tappet [Ku], 6-15
Tappet, Pump, Injection [Ku], 6-25
Terminal, Bullet, Mal, .157d, 12ga, 3-61,
3-63, 3-64, 3-65
Terminal, Fem, Mp280, Sealed, 18-16ga,
4-25
Terminal, Tab, .25 .19h .84l, 2-25
Thermostat, 180deg, 1.7d [Ku], 5-31, 6-29
Thrust Bearing, 4-8
Tie, Cable, 6.0l, 1.25d Max, 3-64, 3-65
Tie, Cable, 11.3l, 2.75d Max, 3-19
Tie, Cable, Nyl, 07.3l .19w 1.8 Max D,
2-15, 2-31, 2-41, 2-43, 2-45, 2-47,
2-51, 2-61, 2-121, 3-19, 3-47, 3-64,
3-65
Tie, Cable, Nyl, 14.5l .30w 4.0 Max D,
4-27
Tie, Cable, Nyl, 15.3l . W 4.5 Max D,
2-41, 3-19, 3-25, 3-37, 3-51
Timer, 12vdc, 10 Sec, 2-31
Tire Assy, Solid, 18.0x6.0 4.5bc/5bolt, 1-1
Tire, Drive, Scrbr, Non-Skid, 18.0X6.0,
2-51
Tire, Drive, Scrbr, Pu, Grey, 18.0X6.0
(Optional Polyurethane), 2-51
Tire, Idler, Scrbr, Blk, 16.0X3.5, 2-53
Tire, Idler, Scrbr, Non-Skid, 16.0x3.5
(Optional), 2-53
Tire, Idler, Scrbr, Pu, Grey, 16.0X3.5
(Optional Polyurethane), 2-53
Track Assy, Slide, 4-29
Transport Kit, Ci [T20], 3-87
Tray, 3-79, 3-81
Tray Kit, Debris, Replmt [T20], 2-73
Tray Wldt, Drip, Dsl, 2-31
Tray Wldt, Drip, Fuel, 2-31
Tray Wldt, Fuel, 2-29
Tray, Debris, Trimmed, 2-73
Tread, Non-Skid, 01.9w 08.0l, 2-9
Tread, Non-Skid, 02.2w 11.5l, 3-13
Tread, Non-Skid, 03.0w 11.6l, 2-9, 2-11,
2-56
Tube Assy, Plug, Drain, 2-99

Tube Kit, Hyd, Case Drain [M20/T20], 2-61
 Tube Kit, Tank, Recvy, Replmt, 2-101
 Tube Kit, Tank, Soltn, Replmt, 2-93
 Tube Wldt, Exhaust, 1.5d, 4 Hole Flng, 2-39
 Tube Wldt, Leg, Ohg, Lh, Pntd, 3-67
 Tube Wldt, Leg, Ohg, Rh, Pntd, 3-67
 Tube Wldt, Plug, Drain, 2-99
 Tube Wldt, Torque, 2-63, 2-69
 Tube Wldt, Vacuum, 2-73
 Tube, 0.38id 0.75od 00.3l, Ss, 2-37
 Tube, 0.50d 0.32b 00.4l, Ss, 2-93, 2-101
 Tube, 00.38d 00.26b 00.3l Stil Plt, 2-57
 Tube, 00.50d 00.38b 00.6l Stil, 2-57
 Tube, Breather, 5-10, 6-10
 Tube, Distribution, Water, 2-95
 Tube, Drain, Starter, 6-19
 Tube, Exhaust, 1.5d, 2-39
 Tube, Exhaust, Dsl, 2-39
 Tube, Hyd, 08 Jf08/Jf08, 3-15
 Tube, Hyd, 08 Jf08/Jm08, 2-59
 Tube, Hyd, Brush Return, W/ Cd [M20/T20], 2-61
 Tube, Hyd, Main Return [G/Lp Mit2013], 2-125
 Tube, Hyd, Main Return [M20], 2-125
 Tube, Hyd, Sqge, 2-125
 Tube, Injector, Pipe #1 [Ku], 6-20
 Tube, Injector, Pipe #2 [Ku], 6-20
 Tube, Injector, Pipe #32 [Ku], 6-20
 Tube, Pin [Ku], 6-3
 Tube, Pvc, Clr, 4.0l [Shc80], 3-23, 3-25, 3-27, 3-29
 Tube, Radiator, Lower, Dsl, 2-41, 2-47
 Tube, Rnd, 1.75d 0.77b 01.1l, Stil, Pntd, 2-51
 Tube, Rnd, 3.00d 2.90b 02.0l, Ss, 2-93, 2-101
 Tube, Seat, Valve, Oil [Ku], 6-7
 Tube, Vacuum, 2-9
 Tube, Vinyl, Pump, Water, 4-3
 Tube, Wand, Vacuum, Metal [1pick=1box], 3-73
 Tubing Connctr.Kit, Gorman Pmp, 4-24

U

Upper Hsg Kit, Pump, Repair,, 4-25

V

Valve Assy [Proportional], 4-19, 4-21
 Valve Assy, Relief [CI], 4-23
 Valve Assy, Water, Solenoid , 12vdc, 2-95, 2-97
 Valve Assy, Water, Solenoid, 12vdc, 3-13, 3-51
 Valve Kit, Poppet, Gorman Rupp, 4-24
 Valve Stem, N.O.Valve, Hyd, 4-10
 Valve, Breather, Complt, 5-10, 6-10
 Valve, Check, 4-13, 4-15, 4-17, 4-19, 4-21

Valve, Check, 0002psi [FaST li+], 4-30
 Valve, Check, 0002psi Bm04/Bm04, 3-21
 Valve, Check, 0005psi [FaST li+], 4-30
 Valve, Check, 0005psi Bm06/Bm08, 3-33
 Valve, Check, 0005psi Pm04/Bm06, 3-47
 Valve, Check, 2gpm .5psi Bm08/Bm08, 3-51, 3-55
 Valve, Check, Pump, Water, 4-3
 Valve, Cntrl, Hyd, 4-15
 Valve, Cntrl, Hyd (See Breakdowns), 2-129
 Valve, Cntrl, Hyd [M20 And T20] (Repaced by 1037805), 4-13
 Valve, Cntrl, Hyd [M20 And T20] (See Breakdowns), 3-15
 Valve, Cntrl, Hyd, Solenoid, 03/16gpm, 4-17, 4-19
 Valve, Cntrl, Hyd, Solenoid, 03/16gpm (See Breakdowns), 3-15
 Valve, Cntrl, Hyd, Solenoid, 12vdc 08gpm, 4-21
 Valve, Cntrl, Hyd, Solenoid, 12vdc 08gpm (See Breakdowns), 2-129
 Valve, Cntrl, Water, 3-77
 Valve, Delivery, 5-27
 Valve, Eng [Delivery, Ku], 6-25
 Valve, Exhaust, 5-12
 Valve, Exhaust [Ku], 6-12
 Valve, Hyd Cartridge 10no/-0, 4-10
 Valve, Hyd, Check, Jm08/Om08 5000psi, 3-15
 Valve, Hyd, Solenoid 12vdc 3000psi (See Breakdowns), 3-15
 Valve, Inlet, 5-12
 Valve, Intake [Ku], 6-12
 Valve, Motor, Hyd, 4-5
 Valve, Relief, 4-13, 4-15, 4-17, 4-19, 4-21
 Valve, Relief, 3000 Psi, 4-7
 Valve, Relief, 4000 Psi, 4-7
 Valve, Shutoff, 3-83, 3-85
 Valve, Solenoid, 12vdc, Water Flow, 3-25, 3-29, 3-37, 3-41, 3-55
 Valve, Stem, No, 4-13, 4-15, 4-17, 4-19, 4-21
 Valve, Vent, Air, Float Type, 3-47
 Valve, Water, 12vdc, 6.0mm, 04pf, 3-19
 Valve, Water, Solenoid, 12vdc 0.08pf, 3-3
 Valve, Water, Solenoid, 12vdc 6.0mm Pf04, 3-33
 Video, Oprtr, Dvd [W/Checklist T20], 3-92
 Vr, Filter, Screen, 50 Mesh .59d .8l Ss, 3-19

W

Wand Assy, Power, 3-77
 Wand Kit, Vac, Sqge, Ci [T20], 3-73
 Wand, Clean-Out, 3-83, 3-85
 Wand, Dbl Bend, 38.1mmd, 3-77
 Washer 1, 5-12
 Washer 2, 5-12
 Washer, Adjusting [Ku], 6-21
 Washer, Belleville, .31, 2-57
 Washer, Collar, Gear [Ku], 6-15

Washer, Flat [Ku], 6-12, 6-27
 Washer, Flat, .781b 1.63od .16, Stil, Blk, 2-51
 Washer, Flat, .78b 1.75d .18, Ss, 2-99
 Washer, Flat, #06, 2-41, 3-73, 3-79, 3-81
 Washer, Flat, #08, 2-17
 Washer, Flat, #08, Ss, 2-4
 Washer, Flat, #10, 2-17, 2-23, 2-35, 2-49, 3-79, 3-83
 Washer, Flat, #10 Ss, 2-57
 Washer, Flat, #10, Ss, 3-3, 3-19, 3-25, 3-29, 3-83, 3-85
 Washer, Flat, 0.25 Fendr, 2-17
 Washer, Flat, 0.25 Sae, 2-17, 2-19
 Washer, Flat, 0.25 Std, 2-49, 2-55, 2-57, 3-19, 3-21
 Washer, Flat, 0.25, Fendr, 2-43, 2-45
 Washer, Flat, 0.25, Sae, 2-29, 2-33, 2-35, 2-37, 2-39, 2-57, 3-45
 Washer, Flat, 0.25, Ss, 2-65, 2-67, 2-69, 2-71, 2-73, 2-95, 2-97, 2-99, 3-3, 3-87
 Washer, Flat, 0.25, Std, 2-11, 2-31, 2-35, 2-41, 2-43, 2-45
 Washer, Flat, 0.27b 0.69d .05, Ss, 2-6, 2-90, 3-33, 3-45, 3-69
 Washer, Flat, 0.31 Sae, 2-11, 2-57, 2-83, 2-87
 Washer, Flat, 0.31 Std, 2-57
 Washer, Flat, 0.31, Sae, 2-73, 2-93, 2-101
 Washer, Flat, 0.31, Ss, 2-33, 2-39, 2-41, 2-65, 2-67, 2-71, 2-75, 2-77, 2-79, 2-83, 2-87, 3-3, 3-7, 3-11
 Washer, Flat, 0.31, Std, 2-9, 2-11, 2-17, 2-19, 2-21, 2-23, 2-26, 2-29, 2-31, 2-35, 2-37, 2-39, 2-41, 2-43, 2-47, 2-51, 2-55, 2-59, 2-61, 2-63, 2-69, 2-75, 2-89, 2-93, 2-97, 2-99, 2-101, 2-125, 3-11, 3-13, 3-15, 3-67, 3-79, 3-83, 3-87
 Washer, Flat, 0.32b 1.00d .12, Ss, 2-11, 2-17, 2-23, 2-71, 2-73, 2-89, 2-90, 2-93, 2-99, 2-101, 2-103, 2-105, 2-129, 3-5, 3-21, 3-33, 3-45, 3-59, 3-61, 3-63, 3-83, 3-85
 Washer, Flat, 0.34b 0.75d .12 [Viton], 3-19
 Washer, Flat, 0.38 Sae, 2-57, 2-63, 2-79, 2-123
 Washer, Flat, 0.38 Std, 2-17, 2-57, 2-79, 3-7, 3-9, 3-67
 Washer, Flat, 0.38, Sae, 2-25, 2-33, 2-35, 2-43, 2-45
 Washer, Flat, 0.38, Std, 2-35, 2-37, 2-43, 2-45, 2-47, 2-67, 2-89, 3-79, 3-81, 3-89, 3-90
 Washer, Flat, 0.38, Std (Disk Scrub Head), 2-9
 Washer, Flat, 0.38b 0.88d .08, Ss, 2-79, 2-105
 Washer, Flat, 0.38b 1.25d .12, Neo, 2-73
 Washer, Flat, 0.40b 1.12d .12, Ss, 2-41, 2-43, 2-45, 2-103, 3-67
 Washer, Flat, 0.41b 1.25d .12, Pye, 2-17

CROSS REFERENCE

Washer, Flat, 0.44b 1.00d .08, Ss, 2-9,
2-71, 2-73, 3-13, 3-89
Washer, Flat, 0.50 Sae, 2-19, 2-53, 3-11
Washer, Flat, 0.50, Sae, 2-41
Washer, Flat, 0.50, Std, 2-9, 2-25, 2-26,
2-71
Washer, Flat, 0.50, Std (Disk Scrub Head),
2-9
Washer, Flat, 0.53b 1.88d .12, Stl, Pl, 2-11,
2-25, 2-77
Washer, Flat, 0.56b 1.38d .11, Ss, 2-63,
2-69, 2-75, 2-83, 2-87
Washer, Flat, 0.62 Sae, 2-21
Washer, Flat, 0.66b 1.00d .12, Rbr, 3-3,
3-83, 3-85
Washer, Flat, 0.69b 1.19d .06, Stl, Pl, 2-79
Washer, Flat, 0.75 Sae, 2-51
Washer, Flat, 0.76b 1.50d .06, Ss, 2-53
Washer, Flat, 0.79b 1.18d .06, Nyl, 2-93,
2-101
Washer, Flat, 0.81b 1.06d .06, Stl, 2-41,
2-43, 2-45
Washer, Flat, 08, 3-45
Washer, Flat, 08, Ss, 4-27
Washer, Flat, 1.10b 1.50d .12, Stl, Pl, 2-37
Washer, Flat, 1.15b 1.75d .08, Stl, 2-15
Washer, Flat, 1.26b 1.88d .13, Stl, 3-13
Washer, Flat, 1.26B 1.88D .13, Stl, Pl, 2-9
Washer, Flat, 1.39b 2.12d .13, Stl, 2-51
Washer, Flat, 10, 2-37, 3-45, 3-59, 3-61,
3-63, 3-64, 3-65
Washer, Flat, 10, Ss, 2-37, 3-33, 3-37,
3-41, 3-51, 3-55, 3-69
Washer, Flat, 2.16b 3.50d .16, Felt, 2-51
Washer, Flat, Belleville, .25, 2-71, 2-83,
2-87
Washer, Flat, Belleville, .31, 2-37, 2-93,
2-101, 2-103, 3-11
Washer, Flat, Belleville, .38, 2-83, 2-87
Washer, Flat, Belleville, .50, 2-71, 2-83,
2-87, 2-105
Washer, Flat, M21.0b X 37d X 3, 2-53
Washer, Flat, Pump, Hyd, 4-7
Washer, Lock, Int-Ext, 0.31, 2-71
Washer, Lock, Int-Ext, 0.31 (Disk Scrub
Head), 2-9
Washer, Lock, Int-Ext, 10, 2-23
Washer, Lock, Int, #10, Ss, 3-19
Washer, Lock, Int, 0.25, 3-45
Washer, Lock, Int, 0.38, 2-35, 2-37
Washer, Lock, Int, 08, Ss, 4-27
Washer, Lock, Split [Ku], 5-31, 6-7, 6-23,
6-27
Washer, Plain, 5-12, 5-29, 5-30
Washer, Plain [Ku], 6-18, 6-21
Washer, Pump, Hyd [En], 4-7
Washer, Rbr, 4-3
Washer, Sealing, 0.28b 0.75d Ss, Neo,
2-99
Washer, Shaft, Rocker [Ku], 6-12
Washer, Shld, Nyl [8-32], 2-15
Washer, Spring, 5-7, 5-25, 5-29
Washer, Thrust, 5-13
Washer, Thrust [Ku], 6-13
Washer, Thrust, 0.34b 1.50d .06, 2-93,
2-101
Washer, Thrust, 0.61b 1.25d .06, Fgl,
2-79, 2-81, 2-83, 2-85, 2-87, 3-7
Washer, Thrust, 1.00b 1.75d 0.13w, Fbr,
3-11
Washer, Flat 0.25, Ss, 2-4, 3-79, 3-81
Weight, Comp, Govnr [Ku], 6-13
Wheel, 06.0D 2.00W 1.19B, Gray Rbr, 2-9,
3-13
Wheel, 3.0d 0.87w 0.44b, Rbr, Pp Core,
2-73
Wheel, 3.0d 1.38w 0.50b, 1-1, 2-79
Wheel, 4.0d 0.89w 0.64b, 2-77
Wheel, 41.3d 19.1w, Rbr, 3-77
Wheel, Steering, 14.3d 0.81b 36tooth,
2-19
Wire, 10ga 16.0l Blk .25ring /.38ring, 2-37

Y

Yoke, 6-19