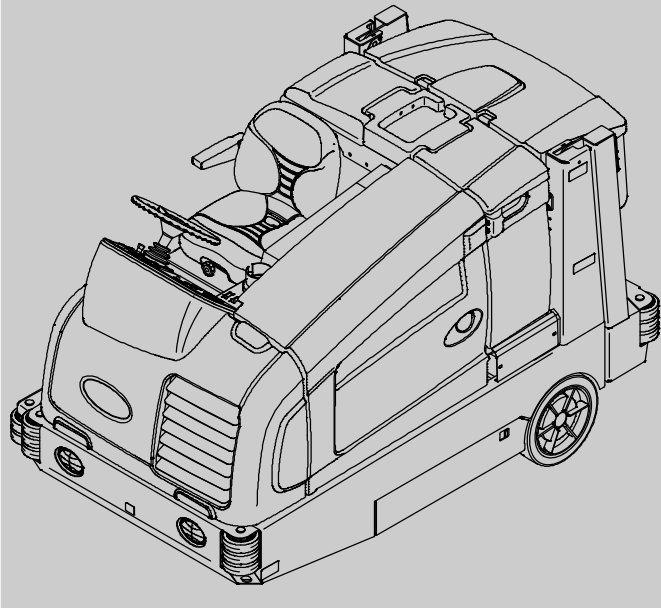
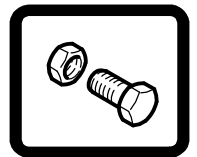




M20

(Diesel)

Scrubber-Sweeper Parts Manual



The Safe Scrubbing Alternative[®]
ES[®] Extended Scrub System
TennantTrue[®] Parts

Hygenic[®] Fully Cleanable Tanks
FloorSmart[®] Integrated Cleaning System
IRIS[®] a Tennant Technology



North America / International

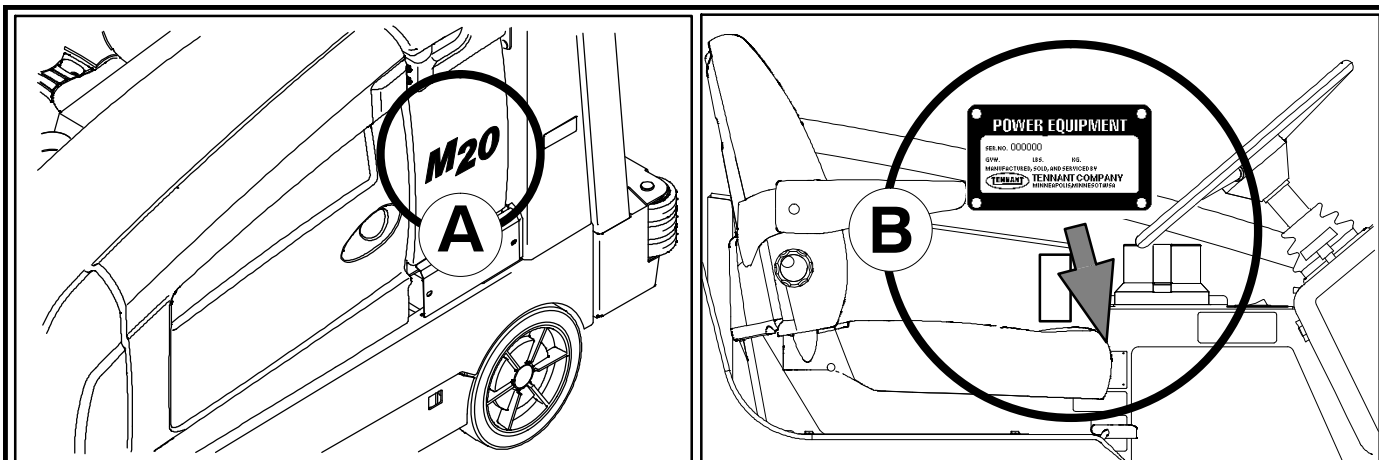


For the latest Parts manuals and other
language Operator manuals, visit:

www.tennantco.com/manuals

331411
Rev. 19 (5-2016)





Ref	Part No.	Serial Number	Description	Qty.
1	82681	(000000—)	Bracket Wldt, Lpg Mount	1
2	63810	(000000—)	Latch Assy, Lpg Tank Mtg, W/Nut	4
3	51839	(000000—)	Nut Adjustable, Lpg Tank Mtg	2
4	49263	(000000—)	Tie, Cable	3
5	82556	(000000—001039)	Bracket, Vaporizer	1
6	54930	(000000—)	Vaporizer, LPG	1

HOW TO ORDER PARTS – See diagram above

Only use TENNANT Company supplied or equivalent parts. Parts and supplies may be ordered online, by phone, by fax or by mail.

Follow the steps below to ensure prompt delivery.

1. **(A)** Identify the machine model.
2. **(B)** Identify the machine serial number from the data plate.
3. **(C)** Ensure the proper serial number is used from the parts list.
4. Identify the part number and quantity. Do not order by page or reference numbers.
5. Provide your name, company name, customer ID number, billing and shipping address, phone number and purchase order number.
6. Provide detail shipping instructions.

(D) ▽ – Identifies an assembly
 ▲ – Identifies parts included in assembly

EN

Please fill out at time of installation for future reference.

Model No. – _____

Serial No. – _____

Machine Options – _____

Sales Rep. – _____

Sales Rep. phone no. – _____

Customer ID Number – _____

Installation Date – _____

Tennant Company
 PO Box 1452
 Minneapolis, MN 55440
 Phone: (800) 553-8033 or (763) 513-2850
 www.tennantco.com

Thermo-Sentry, Touch-N-Go, 1-STEP, Clean-Wedge, Variable Drain Valve, EasyOpen, Grip-N-Go, MaxPro2, Dura-Track, SmartRelease, InstantAccess, Duramer, FaST-PAK, ErgoSpace and Lower Total Cost of Ownership are trademarks of Tennant Company.

Specifications and parts are subject to change without notice.

Original Information, copyright © 2006 – 2016 TENNANT Company, Printed in U.S.A.

CN	<p>如何订购部件 - 参见下表</p> <p>仅使用 TENNANT 公司提供的或同等部件。部件和供应可以在线订购，通过电话、传真或邮件订购。请遵循下面的步骤确保及时交付。</p> <ol style="list-style-type: none"> 1. (A) 确定机器型号。 2. (B) 从数据标签确定机器序列号。 3. (C) 确保使用部件列表中的正确序列号。 4. 确定部件号和数量。 不要按页面或参考编号订购。 5. 提供您的姓名、公司名称、客户 ID 号、付帐和送货地址、电话号码和采购单编号。 6. 提供详细的送货说明。 <hr/> <p>(D) ▽ - 确定组件 ▲ - 确定组件中包含的组件</p>	<p>请在安装时填写供未来参考。</p> <p>型号 - _____</p> <p>序列号 - _____</p> <p>机器选项 - _____</p> <p>销售代表 - _____</p> <p>销售代表电话号码 - _____</p> <p>客户 ID 编号 - _____</p> <p>安装日期 - _____</p>
-----------	--	--

ES	<p>CÓMO SOLICITAR PIEZAS - Consulte el diagrama anterior.</p> <p>Utilice sólo las piezas suministradas por TENNANT Company o piezas equivalentes. Puede solicitar las piezas a través de internet, por teléfono, por fax o por correo.</p> <p>Siga los siguientes pasos para que la entrega sea rápida.</p> <ol style="list-style-type: none"> 1. (A) Indique el modelo de máquina. 2. (B) Indique el número de serie de la etiqueta de datos. 3. (C) Asegúrese de que indica el número de serie correcto de la lista de piezas. 4. Indique la cantidad y el número de la pieza. No realice el pedido indicando el número de página o el de referencia. 5. Incluya su nombre, el nombre de la empresa, el ID de cliente, las direcciones de envío y facturación, el número de teléfono y el número del pedido de compra. 6. Facilite instrucciones de envío. <hr/> <p>(D) ▽ - identifica un conjunto ▲ - identifica piezas de un conjunto</p>	<p>Rellene estos datos cuando realice la instalación para utilizarlos como referencia en el futuro.</p> <p>Nº modelo - _____</p> <p>Nº serie - _____</p> <p>Opciones de la máquina - _____</p> <p>Vendedor - _____</p> <p>Nº teléfono vendedor - _____</p> <p>Nº cliente - _____</p> <p>Fecha de instalación - _____</p>
-----------	--	---

FR	<p>COMMENT COMMANDER DES PIÈCES DÉTACHÉES - Voir le schéma ci-dessus.</p> <p>Utilisez uniquement des pièces fournies par la société TENNANT ou équivalentes. Les pièces et fournitures peuvent être commandées en ligne, par téléphone, fax, ou par courrier.</p> <p>Suivez les étapes ci-dessous pour assurer une livraison rapide.</p> <ol style="list-style-type: none"> 1. (A) Identifiez le modèle de la machine. 2. (B) Identifiez le numéro de série de la machine, à partir de l'étiquette signalétique. 3. (C) Assurez-vous que le numéro de série correct est utilisé à partir de la liste de pièces détachées. 4. Identifiez le numéro de pièce et la quantité. Ne commandez pas par page ou numéros de référence. 5. Fournissez votre nom, le nom de votre société, votre numéro d'identification de client, l'adresse de facturation et d'expédition, le numéro de téléphone et le numéro du bon de commande. 6. Fournissez des instructions d'expédition détaillées. <hr/> <p>(D) ▽ - identifie un assemblage ▲ - identifie les pièces composant l'assemblage</p>	<p>A remplir au moment de l'installation à titre de référence.</p> <p>Nº du modèle - _____</p> <p>Nº de série - _____</p> <p>Options de la machine - _____</p> <p>Agent commercial - _____</p> <p>Nº tél. de l'agent commercial - _____</p> <p>Numéro d'identification client - _____</p> <p>Date d'installation - _____</p>
-----------	--	---

JP	<p>パーツの発注方法 ? 上記の図を参照してください</p> <p>TENNANT社製のパーツまたは同等品のみをお使いください。パーツやサプライ品のご注文は、オンライン、電話、FAX、または手紙でお願いいたします。確実にお届けできるように、以下の情報お知らせください。</p> <ol style="list-style-type: none"> 1. (A) 製品のモデル名をお知らせください。 2. (B) 製品のデータラベルに印刷されているシリアル番号をお知らせください。 3. (C) パーツリストを参照して、シリアル番号が正しいかご確認ください。 4. パーツ番号と数量をお知らせください。マニュアル/カタログのページ番号や参照番号でのご注文はご遠慮ください。 5. お客様のお名前、会社名、顧客ID番号、請求/発送先住所、電話番号、注文書番号をお知らせください。 6. 発送に関するご希望があれば、明記してください。 <hr/> <p>(D) ▽ - アセンブリを示します ▲ - アセンブリに含まれるパーツを示します</p>	<p>後日確認できるように、設置時に記入してください。</p> <p>モデルNo. - _____</p> <p>シリアルNo. - _____</p> <p>製品のオプション - _____</p> <p>販売代理店 - _____</p> <p>販売代理店の電話番号 - _____</p> <p>顧客ID番号 - _____</p> <p>設置日 - _____</p>
-----------	---	---

GENERAL RECOMMENDED MAINTENANCE

General Recommended Maintenance Items

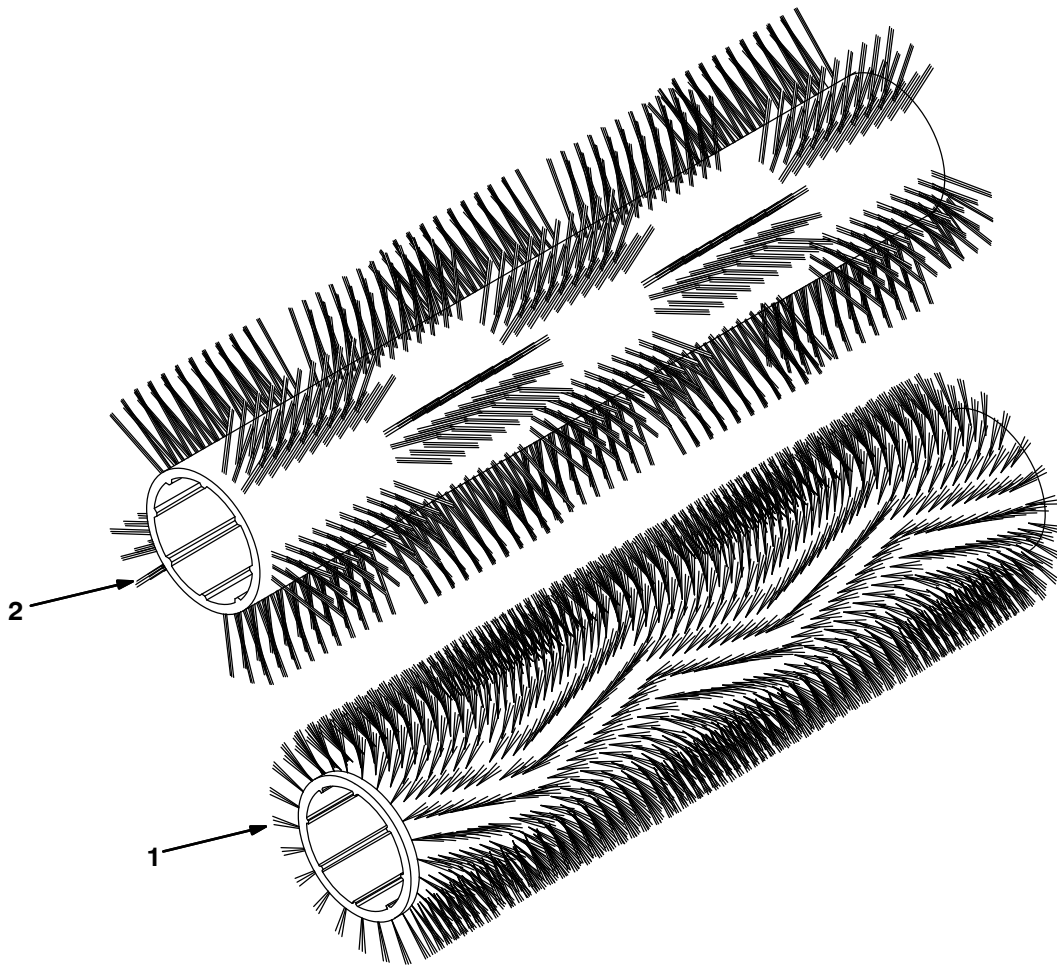
Ref.	Part No.	Serial Number	Description	Qty.
▽	9003130	(000000-002593)	Maint Kit, 400hr, Dsl [M20/T20]	1
▲	369746	(000000-002593)	Element, Fltr, Air [Dn]	1
▲	39703-2	(000000-002593)	Element, Fltr, Oil, Spin-On [Ku]	1
▲	1017126	(000000-002593)	Element, Fltr, Fuel [Dn]	1
▲	1023911	(000000-002593)	Belt, V, 37.5l [3v]	1
▲	31613	(000000-002593)	Strainer, Hyd, 25 Gpm 100 Mesh	1
▲	1021579	(000000-002593)	Filter Assy, Hyd, 10mic	1
▽	9006060	(002594-)	Maint Kit, 400hr, Dsl [M20/T20]	1
▲	369746	(002594-)	Element, Fltr, Air [Dn]	1
▲	39703-2	(002594-)	Element, Fltr, Oil, Spin-On [Ku]	1
▲	1017126	(002594-)	Element, Fltr, Fuel [Dn]	1
▲	31613	(002594-)	Strainer, Hyd, 25 Gpm 100 Mesh	1
▲	1021579	(002594-)	Filter Assy, Hyd, 10mic	1
▲	393244	(002594-)	Belt, V, 42.0L [Hc41]	1
▲	1048295AM	(000000-)	Filter, Panl, Syn, 4.2 X 20.0 X 30.0	1
	1027290	(000000-)	Filter, Soltn, 20mesh, Pm12 3.1d 02.6l	1
	87866	(000000-)	Key, Ignition [Set Of 2]	1
	10143	(000000-)	Battery, Wet, 12vdc 0600cca	1
	20833	(000000-)	Wheel, 3.0d 1.38w 0.50b	2
	1024586	(000000-)	Skirt, Neo, .06, 06.85w 27.95l, 08 Hole	2
	1019295	(000000-)	Skirt, Neo, .18, 10.37w 27.95l, 12 H&S	2
	1020166	(000000-)	Skirt, Neo, .06, 12.00w 45.88l, 07 Hole	1
	1022009	(000000-)	Skirt, Neo, .06, 06.38w 40.86l, 06 Hole	1
	1022007	(000000-)	Skirt, Rbr, .37, 04.50w 40.94l, 06 Hole	1
	1017868	(000000-)	Blade, Sqge, Front, 49.58l [Linard]	1
	1031331	(000000-)	Blade, Sqge, Rear, Linatex	1
	83874	(000000-)	Gasket, Sqge	2
	1031011	(000000-)	Blade, Sqge, .38 3.55w 038.3l, Linatex	2
	1027719	(000000-)	Blade, Sqge, Front, 49.58l Ure	1
	1031945	(000000-)	Blade, Sqge, Rear, 53.78l Ure	1
	1031823	(000000-)	Blade, Sqge, .38 3.55w 038.3l, Ure	2
	1027716	(000000-003076)	Squeegee Assy, Sba, Ure	1
	1059091	(003077-)	Blade, Sqge, Side Brush, Urethane	1
	1059092	(003077-)	Blade, Sqge, Side Brush, Urethane	1
	1025005	(000000-003076)	Squeegee Assy, Sba, Linatex	1
	1046980	(003077-)	Blade, Sqge, Side Brush, Linatex	1
	1047238	(003077-)	Blade, Sqge, Side Brush, Linatex	1
	84597	(000000-)	Tire Assy, Solid, 18.0x6.0 4.5bc/5bolt	1
	16411	(000000-)	Paint, Airdry, Off-White, 12oz	1
	16412	(000000-)	Paint, Airdry, Teal, 12oz, Solid	1
	377540	(000000-)	Paint, Airdry, Blk, 12oz	1
	377538	(000000-)	Paint, Airdry, Gray, 12oz [Enamel]	1
	377537	(000000-)	Paint, Airdry, Iron Gray, 12oz [Pwdr Coat]	1
	1057710	(000000-)	Oil, Hyd [El, Iso 100, 01gal]	1
	1057711	(000000-)	Oil, Hyd [El, Iso 100, 05gal]	1
	1069019	(000000-)	Oil, Hyd [El, Iso 68, 01gal]	1
	1069020	(000000-)	Oil, Hyd [El, Iso 68, 05gal]	1
	1057707	(000000-)	Oil, Hyd [El, Iso 32, 01gal]	1
	1057708	(000000-)	Oil, Hyd [El, Iso 32, 05gal]	1

SECTION 2

Contents	Page
Fig. 1 – Brushes, Replacement, Scrub Head	2-3
Fig. 2 – Brushes, Replacement, Side Brush (000000–xxxxxx)	2-4
Fig. 3 – Brushes, Replacement, Side Brush (yyyyyy–)	2-5
Fig. 4 – Main Frame Group	2-4
Fig. 5 – Operator Station Group	2-6
Fig. 6 – Operator Station Insulation Group	2-8
Fig. 7 – Instrument Panel Group, Diesel	2-10
Fig. 8 – Seat Group	2-12
Fig. 9 – Steering Group	2-14
Fig. 10 – Front Cover Group	2-16
Fig. 11 – Engine Cover Group	2-18
Fig. 12 – Engine and Mount Group, Diesel	2-20
Fig. 13 – Engine Fuel Tank Group, Diesel	2-24
Fig. 14 – Engine Fuel Line Group, Diesel	2-26
Fig. 15 – Engine Air Cleaner Group, Diesel	2-28
Fig. 16 – Engine Alternator Group, Diesel (000000–002547)	2-30
Fig. 17 – Engine Alternator Group, Diesel (002548–)	2-32
Fig. 18 – Engine Muffler Group, Diesel	2-34
Fig. 19 – Engine Radiator Group, Diesel (000000–003038)	2-36
Fig. 20 – Engine Radiator Group, Diesel (003039–006127)	2-38
Fig. 21 – Engine Radiator Group, Diesel (006128–)	2-40
Fig. 22 – Engine Radiator Hose Group, Diesel (003039–)	2-42
Fig. 23 – Battery and Electrical Group	2-44
Fig. 24 – Wheel Group, Front Drive	2-46
Fig. 25 – Wheel Group, Rear	2-48
Fig. 26 – Brake Pedal Linkage Group	2-50
Fig. 27 – Directional Pedal and Linkage Group, Diesel	2-52
Fig. 28 – Hopper Lift Arms Group	2-54
Fig. 29 – Hopper and Debris Screen Group	2-56
Fig. 30 – Hopper Cover and Dust Filter Group	2-58
Fig. 31 – Hopper Bumper Group	2-60
Fig. 32 – Hopper Door Group (000000–003061)	2-62
Fig. 33 – Hopper Door Group (003062–)	2-64
Fig. 34 – Cylindrical Scrub Brush Drive Group, Left Side	2-66
Fig. 35 – Cylindrical Scrub Brush Drive Group, Right Side	2-68
Fig. 36 – Cylindrical Brush Head Lift Group	2-70
Fig. 37 – Cylindrical Brush Head Skirt Group	2-72
Fig. 38 – Squeegee Lift Group, Rear	2-74
Fig. 39 – Squeegee Group, Rear	2-76
Fig. 40 – Squeegee Linkage Group, Rear	2-78
Fig. 41 – Squeegee Group, Right Side	2-80
Fig. 42 – Squeegee Lift Group, Right Side	2-82

Contents	Page
Fig. 43 – Squeegee Group, Left Side	2-84
Fig. 44 – Squeegee Lift Group, Left Side	2-86
Fig. 45 – Solution Tank Group	2-88
Fig. 46 – Solution Tank Drain Group	2-92
Fig. 47 – Solution Control Group	2-94
Fig. 48 – Recovery Tank Group	2-96
Fig. 49 – Recovery Tank Drain Group	2-98
Fig. 50 – Vacuum Fan Group, Scrubbing (000000–006877)	2-100
Fig. 51 – Vacuum Fan Group, Scrubbing (006878–)	2-102
Fig. 52 – Vacuum Fan Group, Sweeping	2-104
Fig. 53 – Hydraulic Schematic (000000–002699)	2-106
Fig. 54 – Hydraulic Schematic (002700–003297)	2-108
Fig. 55 – Hydraulic Schematic (003298–)	2-110
Fig. 56 – Hydraulic Hose Group, Steering and Propel	2-112
Fig. 57 – Hydraulic Hose Group, Pump and Vacuum Fans (000000–006877)	2-114
Fig. 58 – Hydraulic Hose Group, Pump and Vacuum Fans (006878–)	2-116
Fig. 59 – Hydraulic Hose Group, Brush and Hopper	2-118
Fig. 60 – Hydraulic Hose Group, Squeegee Lift	2-120
Fig. 61 – Hydraulic Pumps Group	2-122
Fig. 62 – Hydraulic Cooler and Tubes Group	2-124
Fig. 63 – Hydraulic Reservoir Group	2-126
Fig. 64 – Hydraulic Valves Group (000000–002699)	2-128
Fig. 65 – Hydraulic Valve Group (002700–)	2-130
Fig. 66 – Electrical Schematic (000000–002532)	2-132
Fig. 67 – Electrical Schematic (002533–003478)	2-136
Fig. 68 – Electrical Schematic (003479–)	2-142
Fig. 69 – Electrical Wire Harnesses Group, Main	2-150
Fig. 70 – Electrical Wire Harness Group, Headlight	2-164
Fig. 71 – Electrical Wire Harness Group, Hopper	2-165
Fig. 72 – Electrical Wire Harness Group, Hopper Cover	2-168
Fig. 73 – Electrical Wire Harness Group, Diesel Engine	2-170
Fig. 74 – Label Group	2-173

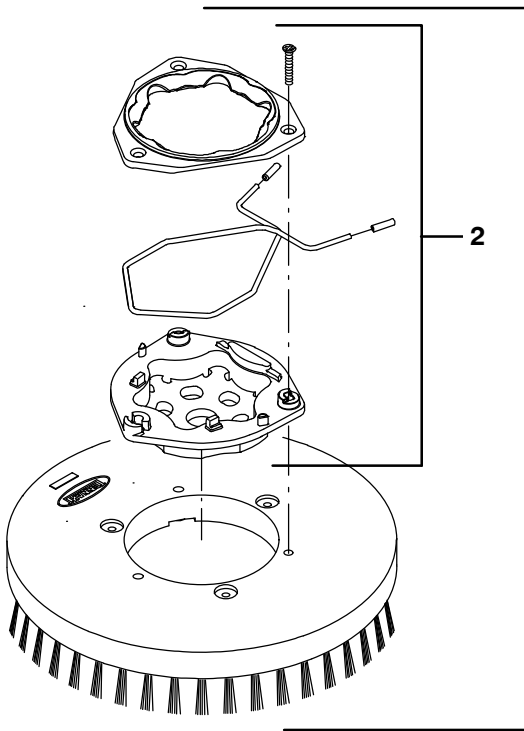
Fig. 1 – Brushes, Replacement, Scrub Head



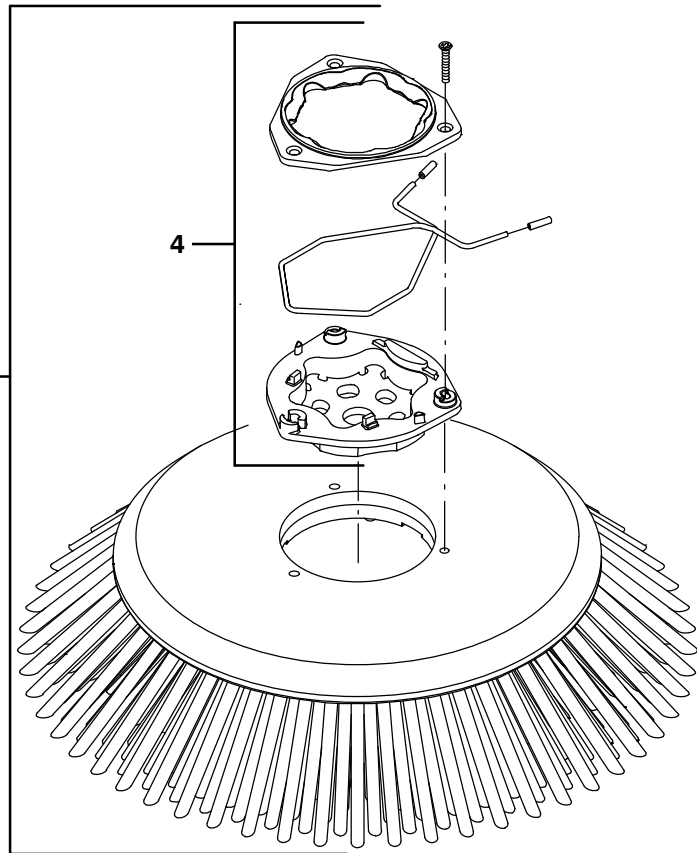
354408 - M20

Ref.	Part No.	Serial Number	Description	Qty.
1	1026223	(000000-)	Brush, Sweep / Scb, 40L, Polypropylene	2
1	1026222	(000000-)	Brush, Sweep / Scb, 40L, Super Abrasive	2
1	1027697	(000000-)	Brush, Sweep / Scb, 40L, Polyester	2
1	1030969	(000000-)	Brush, Sweep / Scb, 40L, Heavy Duty Polypropylene	2
2	1040524	(000000-)	Brush, Sweep / Scb, 40L, Wndw, Polypropylene	1
2	1059640	(000000-)	Brush, Sweep / Scb, 40L, Wndw, Super Abrasive	1

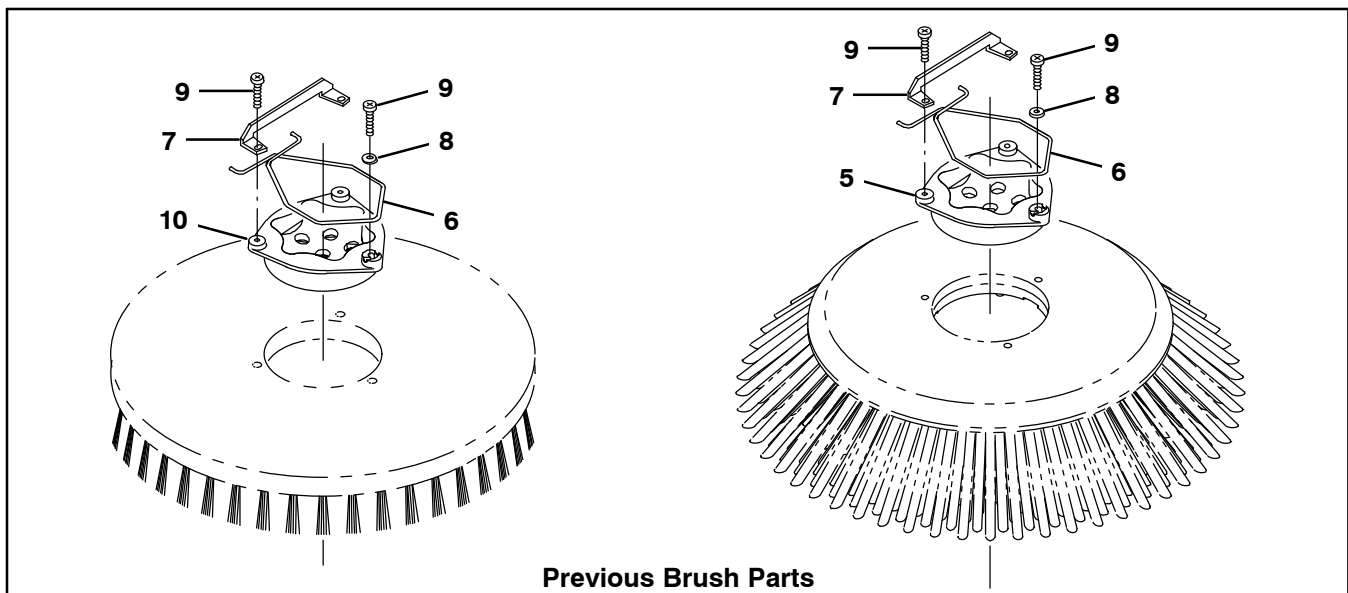
Fig. 2 – Brushes, Replacement, Side Brush



**SCRUBBING
SIDE BRUSH**



**SWEEPING
SIDE BRUSH**



Previous Brush Parts

Fig. 2 – Brushes, Replacement, Side Brush

	Ref.	Part No.	Serial Number	Description	Qty.
▽	1	1220235	(000000–) Brush Assy, Disk, Scb, 16.0d, Nylon	1
▲	2	9014662	(000000–) Brush Kit, Hub Assy, Drive, Ci [Hdpe In]	1
▽	1	1220236	(000000–) Brush Assy, Disk, Scb, 16.0d, Heavy Duty Polypropylene	1
▲	2	9014662	(000000–) Brush Kit, Hub Assy, Drive, Ci [Hdpe In]	1
▽	1	1221543	(000000–) Brush Assy, Disk, Scb, 16.0d, Super Abrasive	1
▲	2	9014662	(000000–) Brush Kit, Hub Assy, Drive, Ci [Hdpe In]	1
▽	3	1220185	(000000–) Brush Assy, Disk, Swp, 24.0d, Polypropylene	1
▲	4	9014666	(000000–) Brush Kit, Hub Assy, Drive, Ci [Uhmw]	1
Previous Brush Parts					
	5	1017368	(000000–) Hub, Drive, Brush, Disk, 3hole 5.8bc	1
	6	14838	(000000–) Spring, Wir, 0.16d, Brush Retaining	1
	7	24299	(000000–) Bracket, Retainer, Spring	1
	8	01684	(000000–) Washer, Flat, 0.27b 0.69d .05, Ss	1
	9	32746	(000000–) Screw, Pan, Phl, M6 X 1.00 X 35, Ss	3
	10	15539	(000000–) Hub, Drive, Brush, Disk, 3hole 5.8bc[6t]	1
		1042500	(000000–) Brush Assy, Disk, Scrub, 16.0 D, Heavy Duty Polypropylene (Replaced by 1220236)	1
		1042504	(000000–) Brush Assy, Disk, Scrub, 16.0 D, Super Abrasive (Replaced by 1221543)	1
		1042499	(000000–) Brush Assy, Disk, Scrub, 16.0D, Nylon (Replaced by 1220235)	1
		1027688	(000000–) Brush Assy, Disk, Sweep, 24.oD, Polypropylene (Replaced by 1220185)	1

Fig. 3 – Main Frame Group

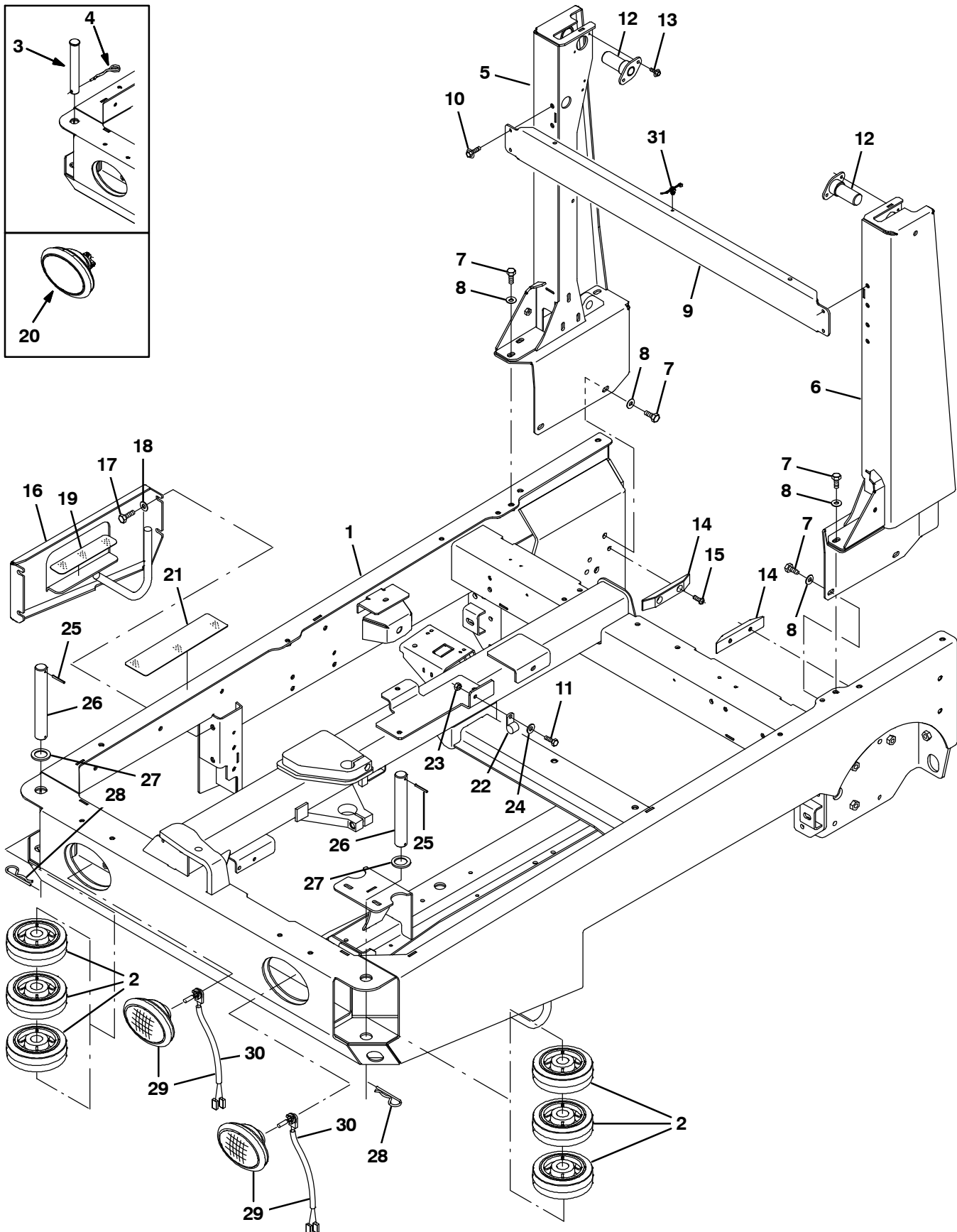


Fig. 3 – Main Frame Group

Ref.	Part No.	Serial Number	Description	Qty.	
1	9002401	(000000–)	Frame Wldt, Main, Replmt [m20 & T20]	1	
2	1060130	(000000–)	Wheel, 06.0D 2.00W 1.19B, Gray Rbr	6	
3	9006334	(000000–003062)	Pin Kit, Wheel, Ci [M20/T20/M30]	2	
4	761490	(000000–003062)	Pin, Cotter, Hair, Dbl	2	
5	9002400	(000000–)	Tower, Wldt, Lift, Rh, Replmt [M20]	1	
6	9002399	(000000–)	Tower, Wldt, Lift, Lh, Replmt [M20]	1	
7	39283	(000000–)	Screw, Hex, M10 X 1.5 X 25, 8.8	10	
8	32492	(000000–)	Washer, Flat, 0.38 Std	10	
9	1017791	(000000–)	Channel, Upper, Tower, Lift	1	
10	1037346	(000000–)	Screw, Hex, M8 X 1.25 X 25, 9.8, Sems	4	
11	39277	(001338–)	Screw, Hex, M8 X 1.25 X 25, 8.8	1	
12	1019251	(000000–)	Pin Wldt, Pivot, Hppr	2	
13	74455	(000000–)	Screw, Hex, M6 X 1.0 X 12, Fmg	4	
14	1021327	(000000–)	Block, Guide, Hppr	2	
15	367771	(000000–)	Screw, Pan, M8 X 1.25 X 25, Ss	4	
16	1027916	(000000–)	Panel Wldt, Filler	1	
17	12317	(000000–)	Screw, Hex, M10 X 1.5 X 30, Ss	4	
18	01686	(000000–)	Washer, Flat, 0.44b 1.00d .08, Ss	4	
19	363458	(000000–)	Tread, Non–Skid, 01.9w 08.0l	1	
▽	20	1019225	(000000–003382)	Headlight, 12vdc, 27watt, 2.1a, Oval (Rpl by 1060942)	2
▲		1031826	(000000–003382)	Lamp, 12vdc [Speaker]	1
▲		1031827	(000000–003382)	Receptacle, Lamp [Speaker]	1
	21	58819	(000000–)	Tread, Non–Skid, 03.0w 11.6l	1
	22	53466	(001338–)	Clamp, Cable, Stl, 1.50d X 1.00w, 1hole	1
	23	08709	(001338–)	Nut, Hex, Lock, M8 X 1.25, NI	1
	24	32491	(001338–)	Washer, Flat, 0.31, Std	1
	25	23146	(003063–)	Pin, Roll, .187d X 1.62l, .187/.192	2
	26	1053838	(003063–)	Pin, 30mmd X 215mml	2
	27	1062566	(003063–)	Washer, Flat, 1.26B 1.88D .13, Stl, PI	2
	28	34411	(003063–)	Pin, Cotter, Hair, 1.00d .178 Wir	2
▽	29	1060942	(003383–)	Headlight, 12Vdc, Oval, Halogen	2
▲	30	9007513	(003383–)	Lamp, Halogen [Speaker]	1
	31	1210807	(000000–)	Wire, Tie [W/.25" Fir Tree Clip]	1

Fig. 4 - Operator Station Group

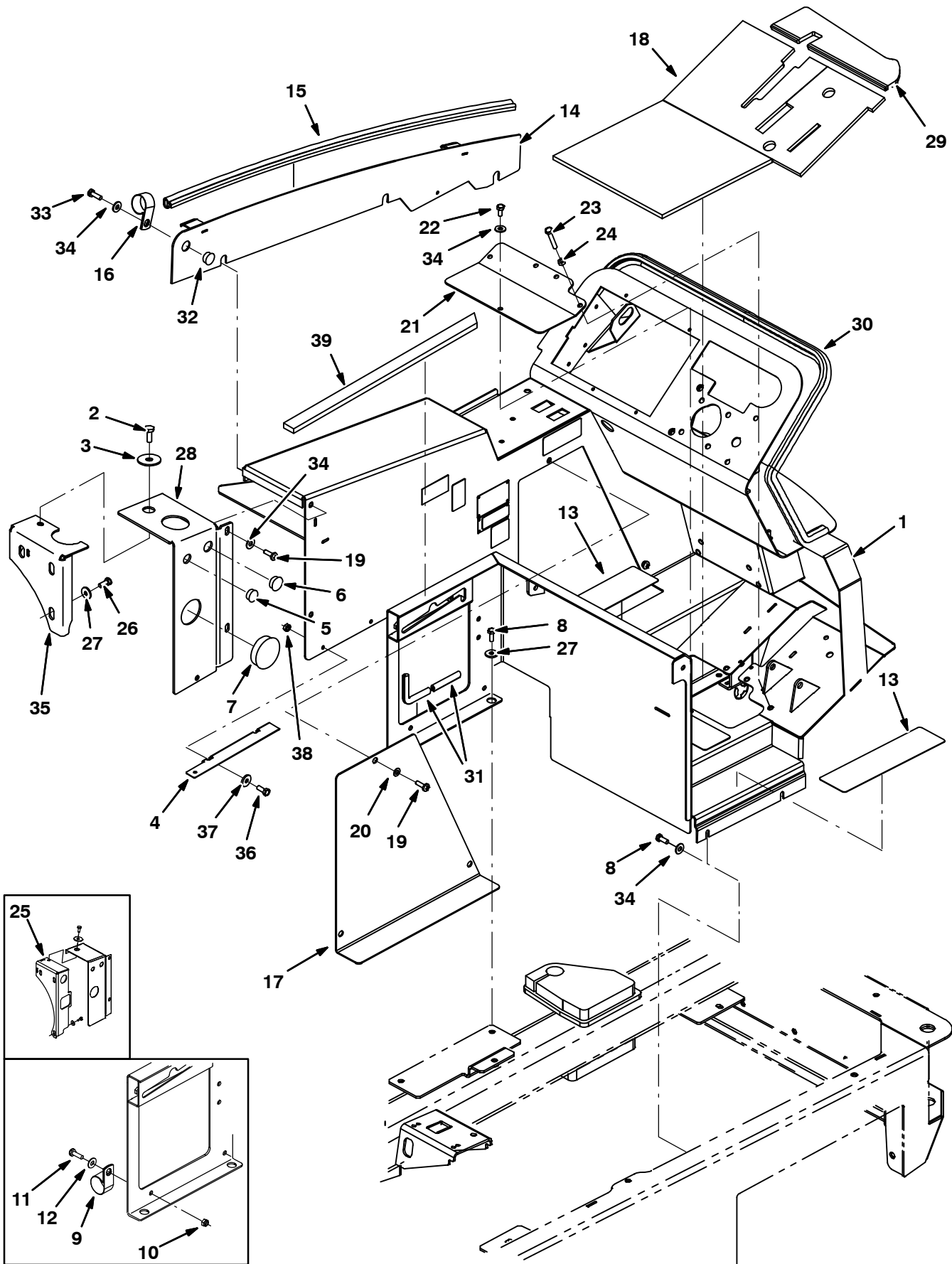


Fig. 4 – Operator Station Group

Ref.	Part No.	Serial Number	Description	Qty.
1	9002410	(000000-) Panel Wldt, Dsl, Replmt	1
1	9002382	(000000-) Panel Wldt, Dsl, Replmt [W/Fast]	1
1	9002383	(000000-) Panel Wldt, Dsl, W/ Es, Replmt	1
1	9003424	(000000-) Panel Wldt, Dsl, Replmt, TJ (Japan only)	1
1	9003427	(000000-) Panel Wldt, Dsl, Replmt, TJ [W/Fast] (Japan only)	1
1	9003430	(000000-) Panel Wldt, Dsl, Replmt, TJ, W/Es (Japan only)	1
2	39283	(000000-) Screw, Hex, M10 X 1.5 X 25, 8.8	1
3	04414	(000000-) Washer, Flat, 0.53b 1.88d .12, Stl, PI	1
4	1047169	(000000-) Bracket, Mtg, Insulation	2
5	82727	(000000-) Plug, Hole, Rnd, 0.88h .03-.12, Blk Nyl	1
6	01493	(000000-) Plug, Hole, Rnd, 1.00h .03-.12, Blk Nyl	1
7	1030017	(000000-) Plug, Hole, Rnd, 2.50h .03-.25, Blk Nyl	1
8	16931	(000000-) Screw, Hex, M8 X 1.25 X 20, 8.8	8
9	70157	(000000-001337) Clamp, Cable, Ss, 2.50d X 1.00w, 1h	1
10	08709	(000000-001337) Nut, Hex, Lock, M8 X 1.25, NI	2
11	39277	(000000-001337) Screw, Hex, M8 X 1.25 X 25, 8.8	7
12	32491	(000000-001337) Washer, Flat, 0.31, Std	18
13	58819	(000000-) Tread, Non-Skid, 03.0w 11.6l	4
14	1025435	(000000-) Panel Wldt, Adj	1
15	1030593	(000000-) Seal, Afmkt, Bulb, 90, 0.75d F/11ga 08ft	1
16	53466	(000000-) Clamp, Cable, Stl, 1.50d X 1.00w, 1h	5
17	1021834	(000000-) Panel, Access, Door	1
18	1027218	(000000-) Mat, Floor	1
19	1031665	(000000-) Screw, Pan, M8 X 1.25 X 25, Blk	4
20	39349	(000000-) Washer, Flat, 0.31 Sae	3
21	1022699	(000000-) Panel, Access, Floor	1
22	16931	(000000-) Screw, Hex, M8 X 1.25 X 20, 8.8	4
23	363976	(000000-) Screw, Hex, M8 X 1.25 X 60, 8.8, FI	1
24	39311	(000000-) Nut, Hex, Std, M8 X 1.25	1
25	1020540	(000000-002412) Bracket Wldt, Mtg, Tank	1
26	09740	(000000-) Screw, Hex, M8 X 1.25 X 20, Ss	3
27	1017218	(000000-) Washer, Flat, 0.32b 1.00d .12, Ss	5
28	1033975	(000000-) Bracket, Mtg	1
29	1027267	(000000-) Mat, Floor	1
30	1020904	(000000-) Seal, Panl, Instmt	1
31	1020168	(000000-) Molding, Afmkt, Trim, Pvc, .08 .11, 1ft	1
32	80288	(002000-) Plug, Hole, Rnd, 0.81h, Blk	1
33	39277	(000000-) Screw, Hex, M8 X 1.25 X 25, 8.8	6
34	32491	(000000-) Washer, Flat, 0.31, Std	17
35	1035997	(002413-) Bracket Wldt, Mtg, Tank	1
36	06942	(000000-) Screw, Hex, M6 X 1.00 X 16, 8.8	2
37	32490	(000000-) Washer, Flat, 0.25, Std	2
38	08708	(000000-) Nut, Hex, Lock, M6 X 1.00, NI	2
39	1047295	(000000-) Seal, Foam, 0.50	1

Fig. 5 – Operator Station Insulation Group

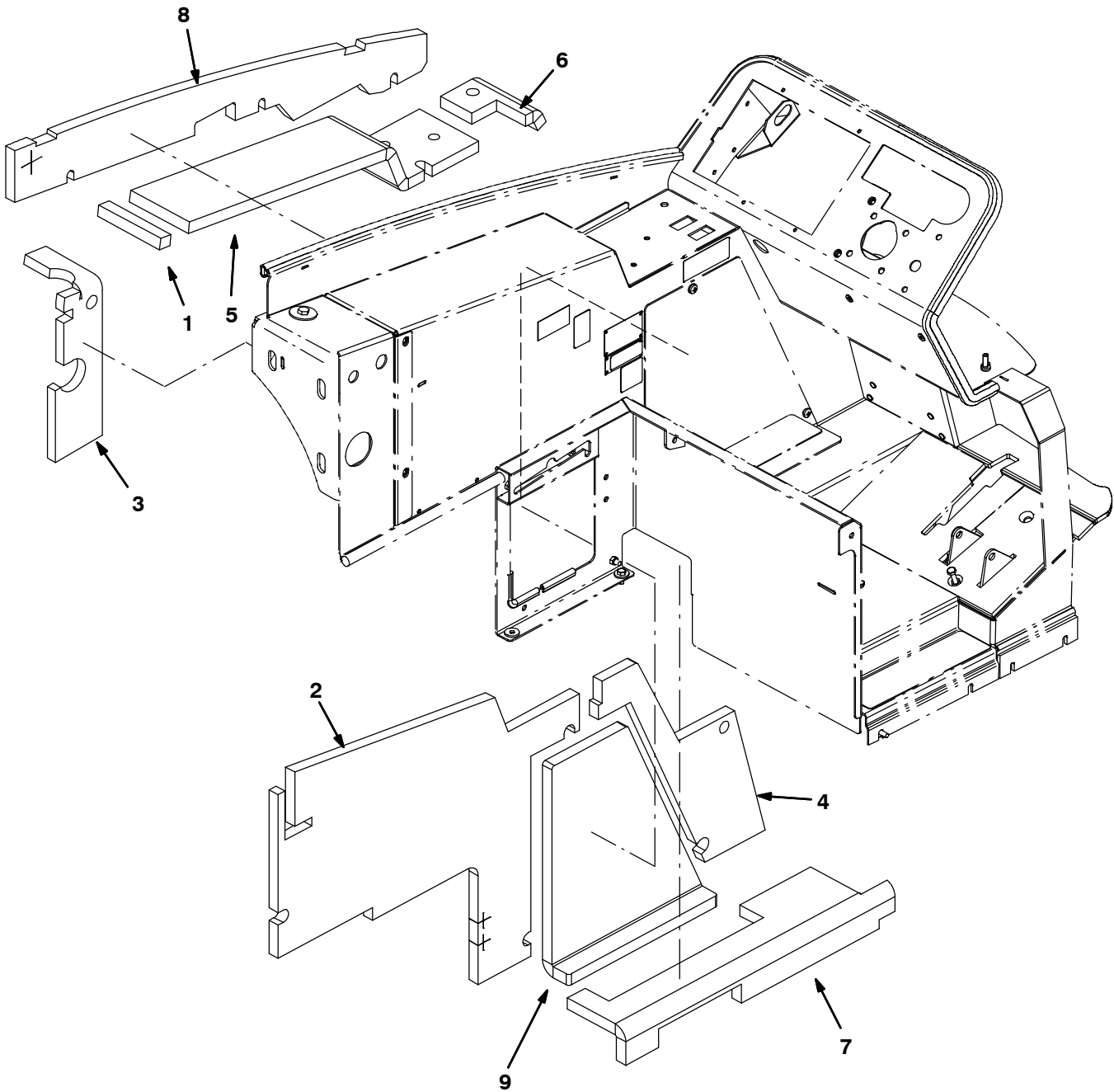


Fig. 5 – Operator Station Insulation Group

Ref.	Part No.	Serial Number	Description	Qty.
1	1034769	(000000–) Insulation, Flame-retardant, 0.75–0.88	1
2	1034765	(000000–) Insulation, Flame-retardant, 0.75–0.88	1
3	1040841	(000000–) Insulation, Flame-Retardant, 0.75–0.88	1
4	1023464	(000000–) Insulation, Flame-Retardant, 0.75–0.88	1
5	1034764	(000000–) Insulation, Flame-retardant, 0.75–0.88	1
6	1034766	(000000–) Insulation, Flame-retardant, 0.75–0.88	1
7	1034768	(000000–) Insulation, Flame-retardant, 0.75–0.88	1
8	1034770	(000000–) Insulation, Flame-retardant, 0.75–0.88	1
9	1023569	(000000–) Insulation, Flame-Retardant, 0.75–0.88	1

Fig. 6 – Instrument Panel Group, Diesel

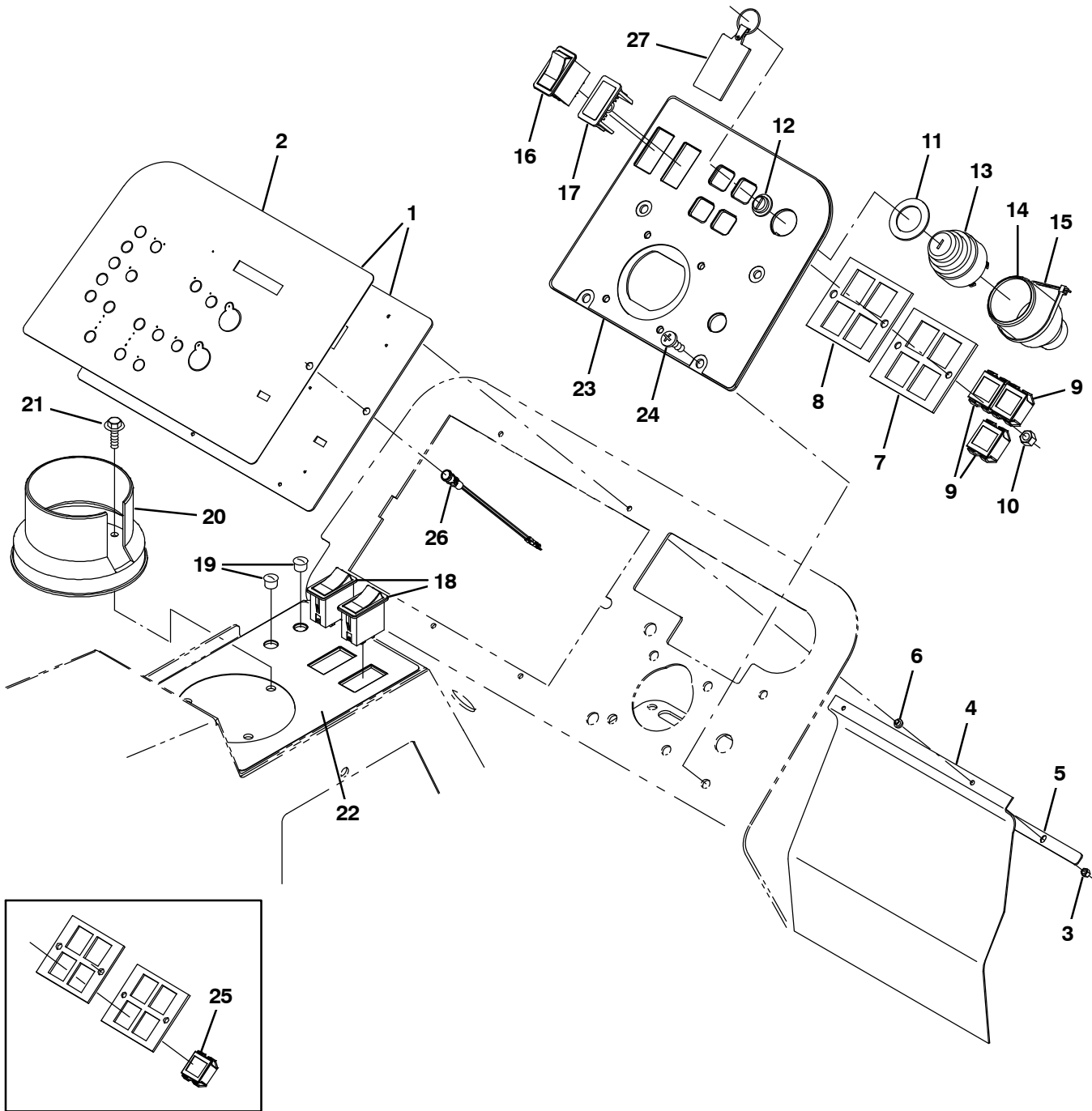


Fig. 6 – Instrument Panel Group, Diesel

	Ref.	Part No.	Serial Number	Description	Qty.
▽	1	9003453	(000000–)	Panel Kit, Instmt, Repair [M20/M30]	1
▲	2	9002435	(000000–)	Label Kit, Panel, Replmt [M20]	1
▽	1	9007912	(000000–)	Panel, Kit, Instmt, Replmt [M20/M30 ec–H20 only]	1
▲	2	9007913	(000000–)	Label Kit, Panel, Replmt [M20/M30 ec–H20 only]	1
	3	16968	(000000–)	Nut, Hex, Lock, #08–32, NI	4
	4	1028769	(000000–)	Flap, Battery	1
	5	1028772	(000000–)	Bar, Flat, Ss, .06 X .50 X 10.0l 2/.19sl	1
	6	1029362	(000000–)	Washer, Shld, Nyl [8–32]	4
	7	361071	(000000–)	Plate, Mtg, Light	1
	8	361073	(000000–)	Seal, Rbr, Clsd, 0.13, Instmt Panl	1
	9	361075	(000000–)	Light, Panl, 14vdc, , 1.1 X 1.0	3
	10	08712	(000000–)	Nut, Hex, Lock, M6 X 1.0, Ss, NI	2
	11	73736	(000000–)	Washer, Flat, 1.15b 1.75d .08, Stl	1
	12	382516	(000000–)	Boot, .63id .29l .90w	1
▽	13	87536	(000000–)	Switch, Ignition [Ku]	1
▲		87866	(000000–)	Key, Ignition [Set Of 2]	1
	14	383165	(000000–)	Boot, Switch, Ignition	1
	15	49266	(000000–)	Tie, Cable, Nyl, 07.3l .19w 1.8 Max D	2
	16	392171	(000000–)	Switch, Rocker, Dpdt On/Off/On	1
	17	398501	(000000–)	Plug, Hole, Rt, Rocker Switch, .87 X 1.7	1
	18	398508	(000000–)	Switch, Rocker, Dpdt Mom/Off/Mom	2
	19	56992	(000000–)	Plug, Hole, Rnd, 0.50h .03–.12, Blk Nyl	1
	20	223599	(000000–)	Cup Holder, Rwk	1
	21	1036892	(000000–)	Screw, Hex, M6 X 1.00 X 25, 9.8 Sems	3
	22	1024287	(000000–)	Label, Switch, Rocker [M20/M30]	1
	23	9004881	(000000–)	Panel, Instmt, Rh, Dsl, Replmt	1
	24	1031665	(000000–)	Screw, Pan, M8 X 1.25 X 25, Blk	4
	25	361075	(000000–002886)	Light, Panl, 14vdc, , 1.1 X 1.0	1
	26	1041822	(000000–)	Light, Led, .312D, 2 Volt [Tri–Color] (ec–H20 only)	1
	27	1075003	(000000–)	Keychain, Rectangle, Parts & Service	1

Fig. 7 - Seat Group

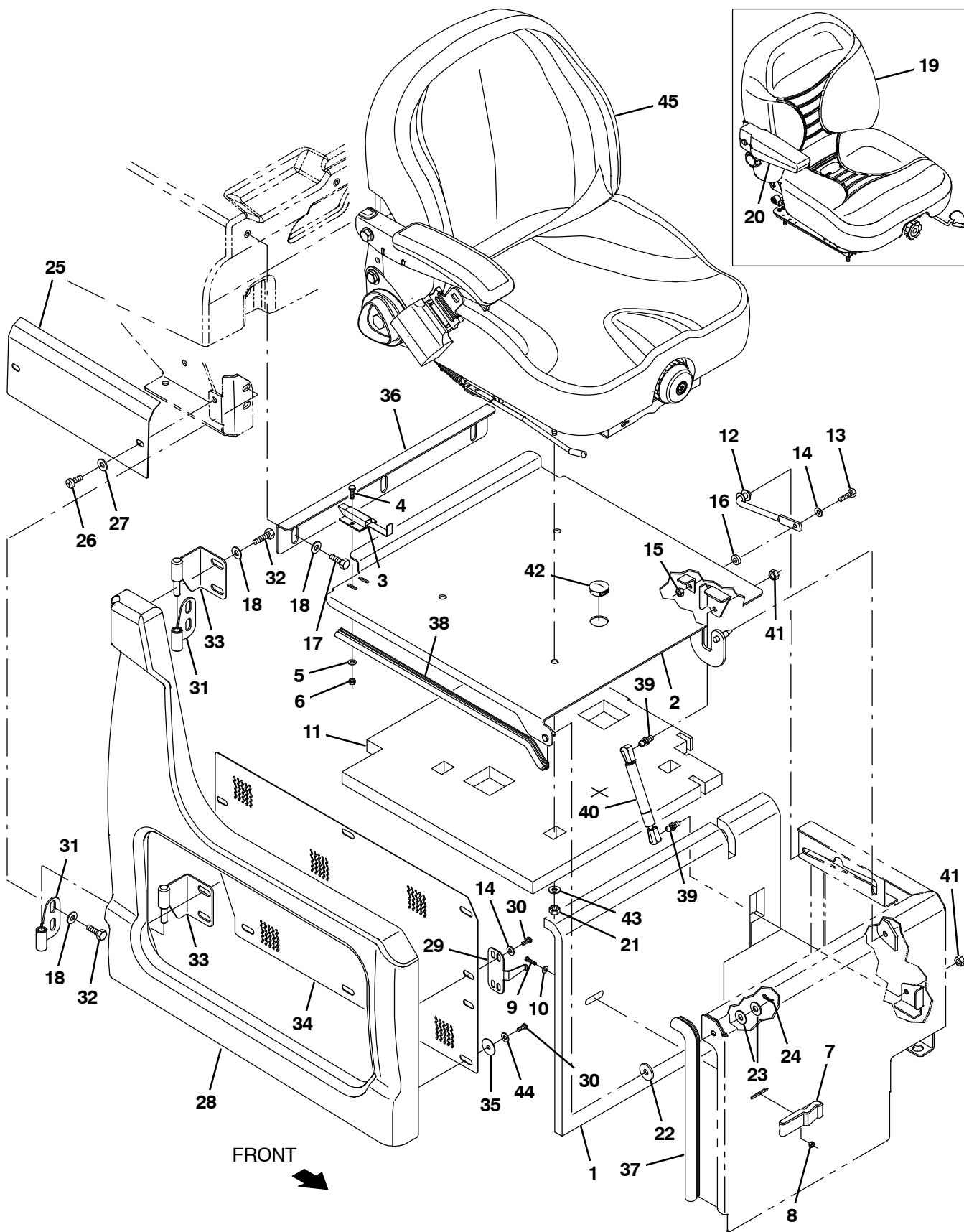


Fig. 7 - Seat Group

Ref.	Part No.	Serial Number	Description	Qty.	
1	1034767	(000000-) Insulation, Flame-retardant, 0.75-0.88	1	
2	1019228	(000000-) Plate Wldt, Seat	1	
3	1025736	(000000-) Latch	1	
4	09252	(000000-) Screw, Hex, M5 X 0.8 X 20, 8.8	2	
5	19066	(000000-) Washer, Flat, #10	2	
6	06549	(000000-) Nut, Hex, Lock, M5 X 0.8, NI	2	
7	49800	(000000-) Latch	1	
8	02850	(000000-) Nut, Hex, Lock, M4 X 0.7, NI	4	
9	06929	(000000-) Screw, Pan, M4 X 0.7 X 25, 4.8	4	
10	19065	(000000-) Washer, Flat, #08	2	
11	1023499	(000000-) Insulation, Flame-Retardant, 1.0	1	
12	223080	(000000-) Arm Wldt, Safety, Sppt, Seat, .38d 06.5d	1	
13	06943	(000000-) Screw, Hex, M6 X 1.0 X 20, 8.8	1	
14	32483	(000000-) Washer, Flat, 0.25 Sae	9	
15	08708	(000000-) Nut, Hex, Lock, M6 X 1.0, NI	1	
16	21851	(000000-) Spacer, Plstc, Ny	1	
17	09740	(000000-) Screw, Hex, M8 X 1.25 X 20, Ss	3	
18	1017218	(000000-) Washer, Flat, 0.32b 1.00d .12, Ss	11	
▽	19	1022105	(000000-006519) Seat, Suspension, W/1 Arm And Belt	1	
▲		1066893	(000000-006519) Seatbelt, Retractable [Deluxe Seat]	1	
▲		1048955	(000000-006519) Switch, Seat, No [Delta 6440-04]	1	
▲	20	1072815	(000000-006519) Armrest, Rh	1	
	21	32983	(000000-) Nut, Hex, Lock, .31-18, NI	4
	22	364749	(000000-) Washer, Flat, 0.41b 1.25d .12, Pye	1
	23	32492	(000000-) Washer, Flat, 0.38 Std	2
	24	08085	(000000-) Pin, Cotter, Hair, 0.31d .058 Wir	1
	25	1022005	(000000-) Cover, Lower	1
	26	1031665	(000000-) Screw, Pan, M8 X 1.25 X 25, Blk	2
	27	39349	(000000-) Washer, Flat, 0.31 Sae	2
	28	1018776	(000000-) Shroud, Seat	1
	29	1026825	(000000-) Bracket, Latch, Shrd, Seat	1
	30	09200	(000000-) Screw, Pan, M5 X 0.8 X 12, Ss	8
	31	1024464	(000000-) Hinge Wldt, Shrd, Rh	2
	32	16931	(000000-) Screw, Hex, M8 X 1.25 X 20, 8.8	8
	33	1024425	(000000-) Hinge Wldt, Shrd, Rh	2
	34	1025916	(000000-) Grill, Side	1
	35	41178	(000000-) Washer, Flat, 0.25 Fendr	6
	36	1020487	(000000-) Bracket, Seat, Adj	1
	37	1030588	(000000-) Seal, Afmkt, Bulb, 90, 0.75d F/11ga 02ft	1
	38	1031206	(000000-) Seal, Afmkt, Bulb, 90, 0.50d, 02ft	1
	39	58494	(001299-) Stud, Ball, .39d .31-16, Gasspring	2
	40	368391	(001299-) Gasspring, 180lb, 03.0strk	1
	41	01760	(001299-) Nut, Hex, Lock, .31-18, NI, Thin	2
	42	76888	(002886-) Plug, Hole, Rnd, 1.25H .03-.12, Blk Nyl	1
	43	32491	(000000-) Washer, Flat, 0.31, Std	4
	44	19066	(000000-) Washer, Flat, 0.25b 0.56d .05, PI, 10	6
	45	1072456	(006520-) Seat (See Breakdowns)	1

Fig. 8 - Steering Group

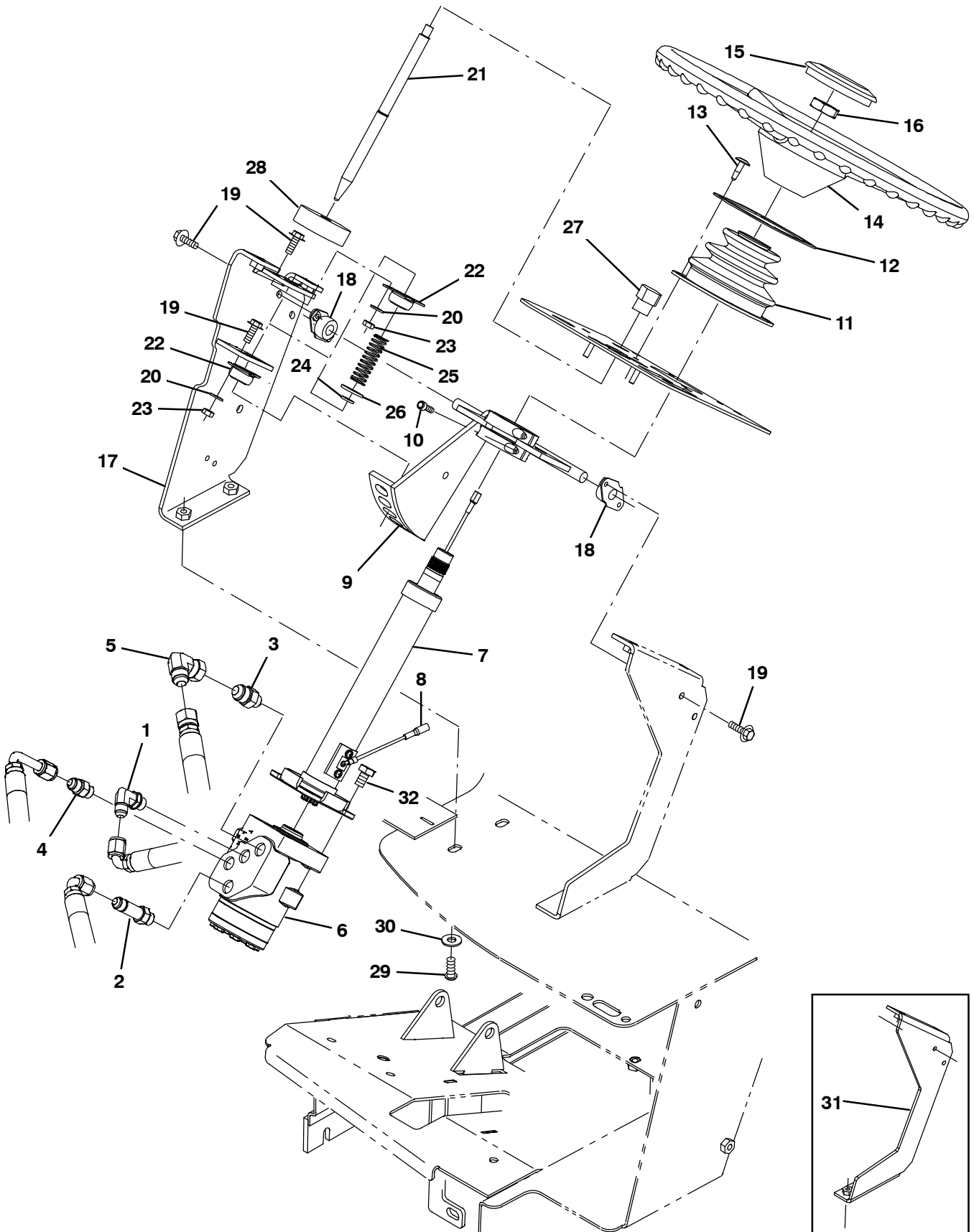


Fig. 8 - Steering Group

Ref.	Part No.	Serial Number	Description	Qty.	
1	56820	(000000-) Fitting, Hyd, E90, Jm06/Om06	1	
2	59577	(000000-) Fitting, Hyd, Str, Jm06/Om06, L	1	
3	56835	(000000-) Fitting, Hyd, Str, Jm08/Om06	1	
4	56690	(000000-) Fitting, Hyd, Str, Jm06/Om06	1	
5	17980	(000000-) Fitting, Hyd, E90, Jf08/Jm08	1	
6	1024260	(000000-) Steer-Control, Hyd#05, 06.1 2030 (See Breakdowns)	1	
▽	7	1021265	(000000-) Column, Steering, 09.9L 0.86D 36Tooth	1
▲	8	388153	(000000-) Contact Kit, W/ Brush [En]	4
▽	9	73027	(000000-) Bracket Wldt, Steering, Tilt	1
▲	10	01681	(000000-) Screw, Soc, .25-20 X 0.75, Al	4
11	70622	(000000-) Boot, Bellows, 3.1l 4.4w 2.8h 1hole, Neo	1	
12	70623	(000000-) Retainer, Boot, Steering Column	1	
13	72970	(000000-) Rivet, Plstc, .250d X 0.898	4	
14	1058996	(000000-) Wheel, Steering, 14.3d 0.81b 36tooth	1	
15	1024478	(000000-) Button, Cntrl, Horn	1	
16	56185	(000000-) Nut, Hex, Jam, M20 X 1.5	1	
17	1024695	(000000-) Bracket Wldt, Tilt, Rh	1	
18	70709	(000000-) Bearing, Flng, 2-Hole, 0.50b	2	
19	1040467	(000000-) Screw, Hex, M6 X 1.00 X 20, 9.8, Sems	8	
20	32483	(000000-) Washer, Flat, 0.25 Sae	4	
21	1023926	(000000-) Pin, Locking, Steering, Tilt	1	
22	47585	(000000-) Bearing, Flng, 2hole, 0.50b [Nyl]	2	
23	08708	(000000-) Nut, Hex, Lock, M6 X 1.0, NI	4	
24	70717	(000000-) Ring, Retaining, Ext, 0.50d, Hd	1	
25	22290	(000000-) Spring, Cmpr, 18.8d, 1.6w, 57.1l	1	
26	32486	(000000-) Washer, Flat, 0.50 Sae	1	
27	04706	(000000-) Knob, Tee, 2.5x1.0 1.1l 0.38-16 Plstc	1	
28	75968	(000000-) Insulation, Acstc, Rnd, 0.8, 02.5d 0.5h	1	
29	1031665	(000000-) Screw, Pan, M8 X 1.25 X 25, Blk	2	
30	32491	(000000-) Washer, Flat, 0.31, Std	2	
31	1024157	(000000-001052) Bracket, Tilt, Lh	1	
32	06960	(000000-) Screw, Hex, M10 X 1.5 X 16, 8.8	4	

Fig. 9 – Front Cover Group

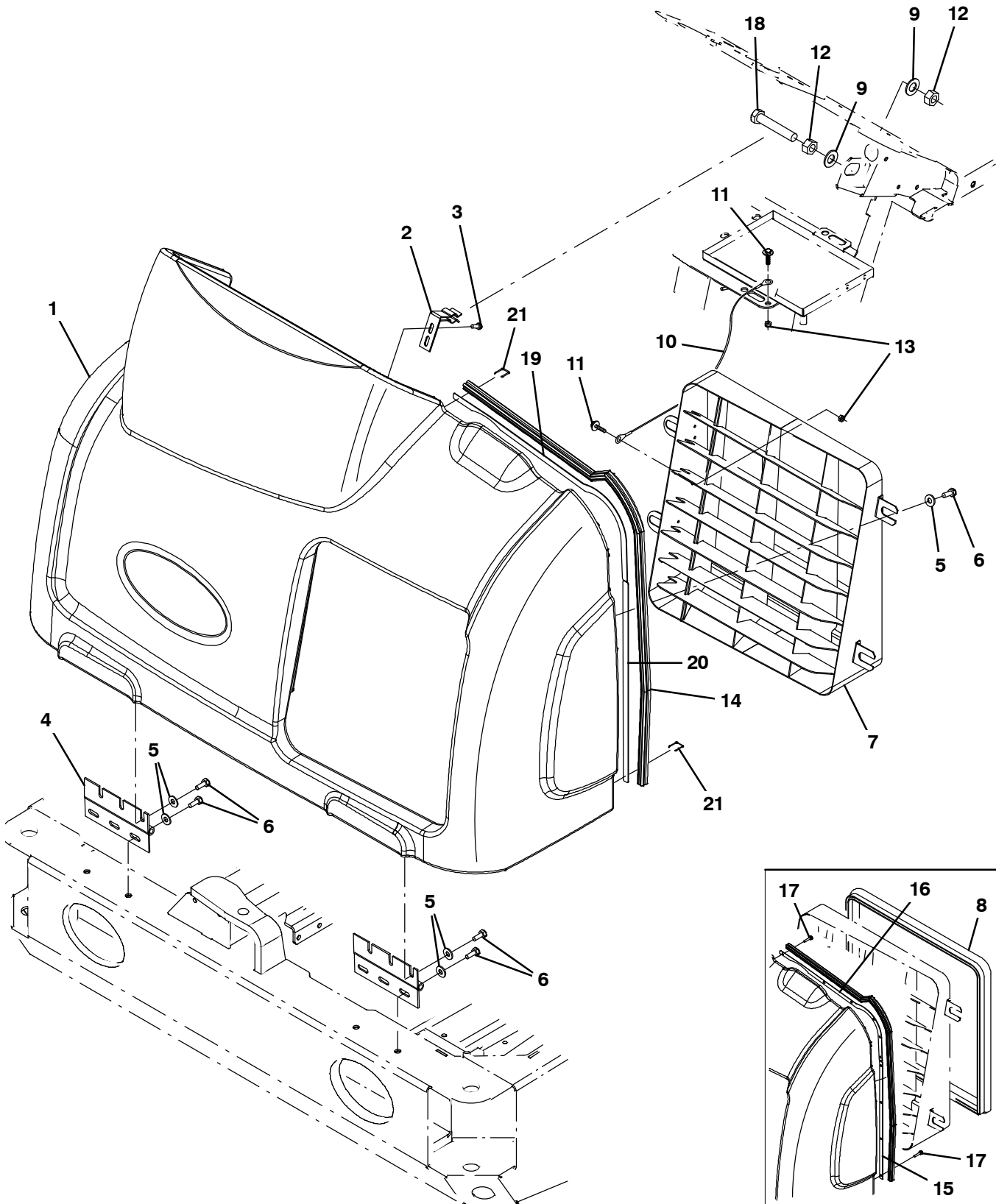


Fig. 9 – Front Cover Group

Ref.	Part No.	Serial Number	Description	Qty.
1	1022069	(000000–) Shroud, Front, Trimmed	1
2	1008916	(000000–) Bracket Wldt, Latch	1
3	06942	(000000–) Screw, Hex, M6 X 1.0 X 16, 8.8	2
4	71941	(000000–) Hinge, .38pin .11 3.5w 06.0l 6/0.38sl	2
5	32491	(000000–) Washer, Flat, 0.31, Std	14
6	16931	(000000–) Screw, Hex, M8 X 1.25 X 20, 8.8	14
7	1035068	(000000–) Grill Wldt, Front	1
8	1031557	(000000–001277) Seal, Afrmkt, Bulb, Str, 1.0d F/11ga 08ft	1
9	15331	(000000–) Washer, Flat, 0.62 Sae	2
10	391368	(000000–) Cable, Glv .09d 016.5l .38eye /.38eye	1
11	1040467	(000000–) Screw, Hex, M6 X 1.00 X 20, 9.8, Sems	2
12	07782	(000000–) Nut, Hex, Std, M16 X 2.0	2
13	08708	(000000–) Nut, Hex, Lock, M6 X 1.0, NI	2
14	1049919	(000000–) Seal, Sponge, 0.88 1.00W 43.0L	1
15	1029652	(000000–002064) Plate, Mtg, Seal	1
16	1029545	(000000–002064) Plate, Mtg, Seal	1
17	20394	(000000–002064) Screw, Hex, #10–16 X 0.62, Fmg, [Ab]	10
18	06988	(000000–) Screw, Hex, M16 X 2.0 X 90, 8.8	1
19	1037970	(002065–) Strip Mtg, Seal	1
20	1037971	(002065–) Strip Mtg, Seal	1

Fig. 10 – Engine Cover Group

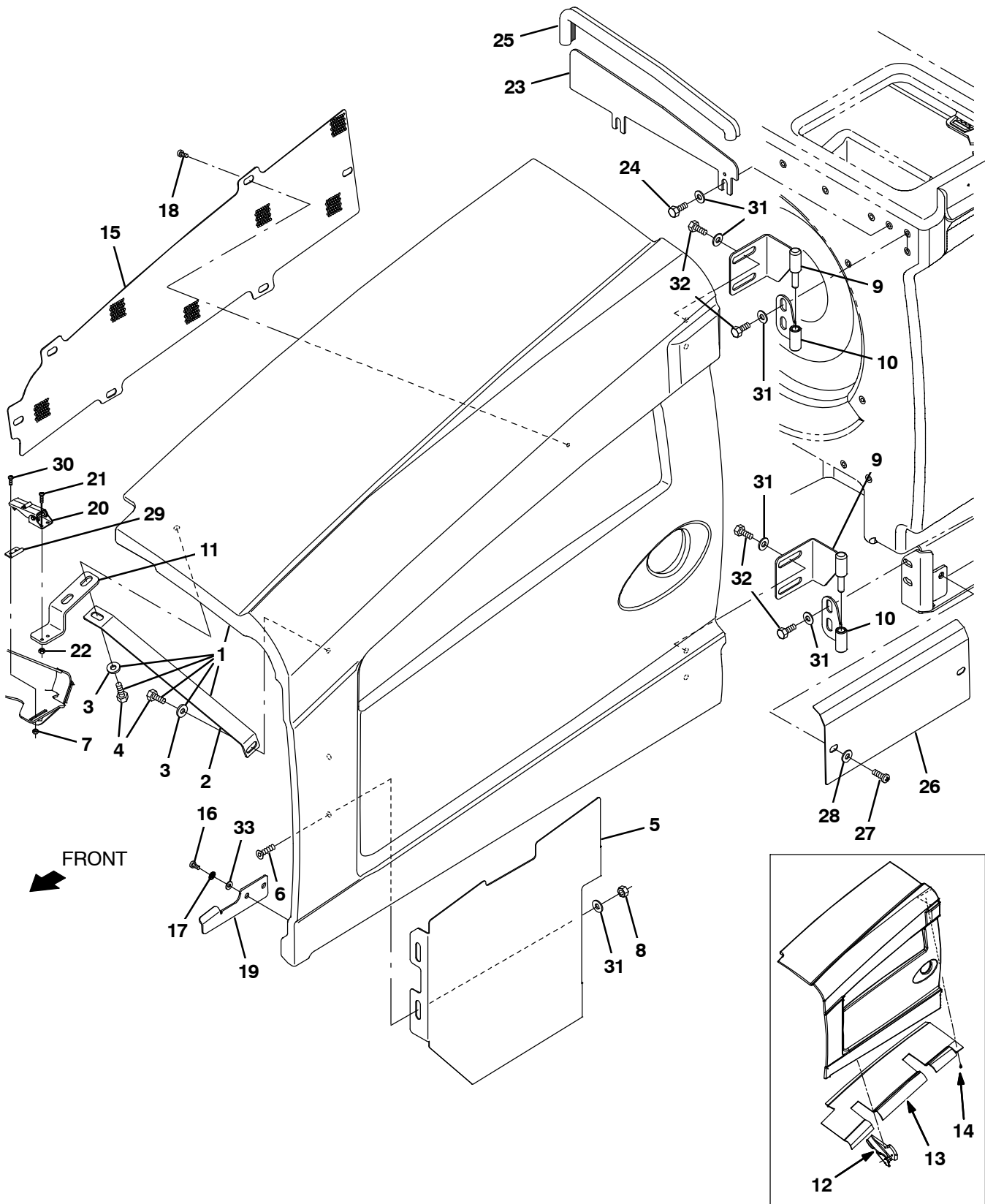


Fig. 10 - Engine Cover Group

Ref.	Part No.	Serial Number	Description	Qty.
▽	1	1033156	(000000-) Shroud Assy, Eng	1
▲	2	1026628	(000000-) Angle, Brace, Shrd	1
▲	3	1017218	(000000-) Washer, Flat, 0.32b 1.00d .12, Ss	2
▲	4	16931	(000000-) Screw, Hex, M8 X 1.25 X 20, 8.8	2
	5	1022004	(000000-) Bracket, Shield, Heat	1
	6	74077	(000000-) Screw, Flt, M8 X 1.25 X 25	4
	7	33932	(000000-) Nut, Hex, Lock, M4 X 0.7, NI, Ss	2
	8	08709	(000000-) Nut, Hex, Lock, M8 X 1.25, NI	4
	9	1024500	(000000-) Hinge Wldt, Shrd, Lh	2
	10	1025196	(000000-) Hinge Wldt, Shrd, Lh	2
	11	1020186	(000000-) Bracket, Latch, Cover	1
	12	1028516	(000000-001327) Insulation, Shrd, Eng, Gusset	1
	13	1026665	(000000-001327) Insulation, Flame-Retardant, 0.5	1
	14	21168	(000000-001327) Clip, .250h, Plstc [Pine-Tree]	14
	15	1026726	(000000-) Grill, Eng	1
	16	09200	(000000-) Screw, Pan, M5 X 0.8 X 12, Ss	2
	17	19066	(000000-) Washer, Flat, #10	2
	18	222267	(000000-) Screw, Pan, Phl, 06-20 X 0.50, Fmg/Ab	6
	19	1028412	(000000-) Bracket, Guide, Shrd	1
	20	384418	(000000-) Latch, Door [Southco 91-562-07]	1
	21	06927	(000000-) Screw, Pan, M4 X 0.7 X 16, 4.8	2
	22	02850	(000000-) Nut, Hex, Lock, M4 X 0.7, NI	2
	23	1025806	(000000-) Plate, Seal, Sound	1
	24	09740	(000000-) Screw, Hex, M8 X 1.25 X 20, Ss	2
	25	1030588	(000000-) Seal, Afrmkt, Bulb, 90, 0.75d F/11ga 02ft	2
	26	1022005	(000000-) Cover, Lower	1
	27	1031665	(000000-) Screw, Pan, M8 X 1.25 X 25, Blk	2
	28	39349	(000000-) Washer, Flat, 0.31 Sae	2
	29	384419	(000000-) Bracket, Latch, Keeper [Southco]	1
	30	24265	(000000-) Screw, Pan, M4 X 0.7 X 16, Ss	2
	31	1017218	(000000-) Washer, Flat, 0.32b 1.00d .12, Ss	15
	32	16931	(000000-) Screw, Hex, M8 X 1.25 X 20, 8.8	7
	33	41139	(000000-) Washer, Lock, Int-Ext, 10	2

Fig. 11 – Engine and Mount Group, Diesel

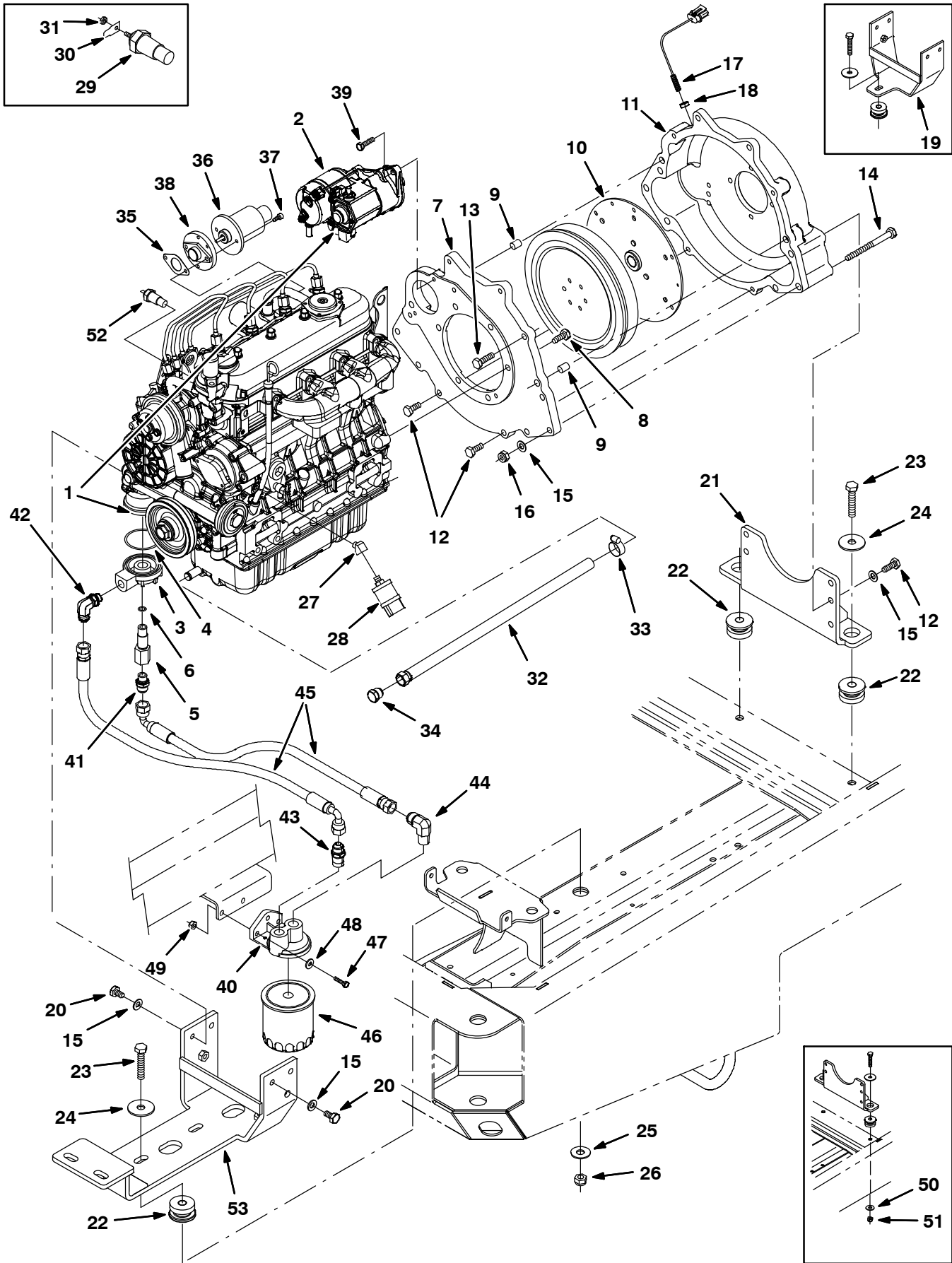


Fig. 11 – Engine and Mount Group, Diesel

Ref.	Part No.	Serial Number	Description	Qty.
▽	1	1072224	(006390–) Engine Assy, Dsl, 25hp [Ku V1505 Tier4f] (See Engine Breakdown)	1
▲	2	74405	(006390–) Motor, Starter, 12vdc [Kubota] (See Engine Breakdown)	1
▽	1	1040096	(002594–006389) Engine Assy, Dsl, 37Hp [Ku V1505] (See Engine Breakdown)	1
▲	2	74405	(002594–006389) Motor, Starter, 12vdc [Kubota] (See Engine Breakdown)	1
▽	1	1027591	(000000–002593) Engine Assy, Dsl, 37hp [Ku] (See Engine Breakdown)	1
▲	2	74405	(000000–002593) Motor, Starter, 12vdc [Kubota] (See Engine Breakdown)	1
	3	368056	(000000–) Base, Fltr, Oil [Ku]	1
	4	70907	(000000–) Seal, Org	1
	5	368059	(000000–) Pipe, Fltr, Oil [Ku]	1
	6	70911	(000000–) Seal, Org	1
	7	55837	(000000–) Housing, Flywheel, Mach [1505, Kubo]	1
	8	07299	(000000–) Screw, Hex, M10 X 1.25 X 25, 8.8	6
	9	54911–16	(000000–) Pin, Dowel, Cyl Block [1pk=4]	2
	10	19252	(000000–) Coupling, Drive, Flex, 09.5d / 13tooth	1
	11	58566	(000000–) Housing, Flywheel, Mach [1505, Kubo]	1
	12	39283	(000000–) Screw, Hex, M10 X 1.5 X 25, 8.8	6
	13	39284	(000000–) Screw, Hex, M10 X 1.5 X 35, 8.8	2
	14	06966	(000000–) Screw, Hex, M10 X 1.5 X 110, 8.8	5
	15	32485	(000000–) Washer, Flat, 0.38, Sae	13
	16	41430	(000000–) Nut, Hex, Lock, M10 X 1.5, NI	5
	17	380521	(000000–) Magnet, Pickup	1
	18	20171	(000000–) Nut, Hex, Jam, .38–24	1
	19	1023282	(000000–003038) Bracket Wldt, Mtg, Eng, Front, Dsl	1
	20	07299	(000000–) Screw, Hex, M10 X 1.25 X 25, 8.8	4
	21	1023074	(000000–) Bracket Wldt, Mtg, Eng, Rear, Dsl	1
	22	51176	(000000–) Isolator, Vib, .50d	3
	23	06972	(000000–) Screw, Hex, M12 X 1.75 X 60, 8.8	3
	24	04414	(000000–) Washer, Flat, 0.53b 1.88d .12, Stl, PI	3
	25	32493	(000000–) Washer, Flat, 0.50, Std	1
	26	08711	(000000–) Nut, Hex, Lock, M12 X 1.75,NI	1
	27	24976	(000000–) Fitting, Brs, E45, Pf02/Pm02	1
	28	79399	(000000–) Switch, Press, Dpdt 0006psi	1
	29	1050757	(000000–002849) Switch, Thermostat, Water	1
	30	68106	(000000–002849) Terminal, Tab, .25 .19h .84l	1
	31	19310	(000000–002849) Nut, Hex, Std, #08–32	1
	32	1027273	(000000–) Hose, 0300, 08, Jf08str / None, 19.0	1
	33	63810	(000000–) Clamp, Hose, Wormdrive, 0.56–1.06d, .56w	1
	34	16376	(000000–) Fitting, Hyd, Plug, Jm08	1
	35	70165	(000000–) Gasket, Solenoid, Throttle [Ku]	1
	36	71385	(000000–) Actuator, Govnr, Dsl	1
	37	71388	(000000–) Screw, Soc, M6 X 1.00 X 16, 12.9	4
	38	393401	(000000–) Adapter, Actuator, Govnr, Eng, Dsl	1
	39	76570	(000000–) Screw, Hex, M8 X 1.25 X 30, 8.8	2
	40	364972	(000000–) Bracket, Mtg, Fltr, Oil, Remote	1
	41	367591	(000000–) Fitting, Hyd, Str, Spcl	1
	42	33595	(000000–) Fitting, Hyd, E90, Jm08/Om16 Metric	1
	43	15687	(000000–) Fitting, Hyd, Str, Jm08/Pm08	1
	44	51869	(000000–) Fitting, Hyd, E90, Jm08/Pm08	1
	45	59578	(000000–) Hose, Hyd, Med08, Jf08e90/Jf08str, 032.0	2

STANDARD PARTS

Fig. 11 – Engine and Mount Group, Diesel

Ref.	Part No.	Serial Number	Description	Qty.
46	39703-2	(000000-) Element, Fitr, Oil, Spin-On	1
47	39277	(000000-) Screw, Hex, M8 X 1.25 X 25, 8.8	2
48	32491	(000000-) Washer, Flat, 0.31, Std	2
49	08709	(000000-) Nut, Hex, Lock, M8 X 1.25, NI	2
50	32493	(000000-001337) Washer, Flat, 0.50, Std	2
51	08711	(000000-001337) Nut, Hex, Lock, M12 X 1.75,NI	3
52	1050757	(002849-) Switch, Thermostat, Water	1
53	1046810	(003039-) Bracket Wldt, Mtg, Eng, Front, Dsl	1

Fig. 12 - Engine Fuel Tank Group, Diesel

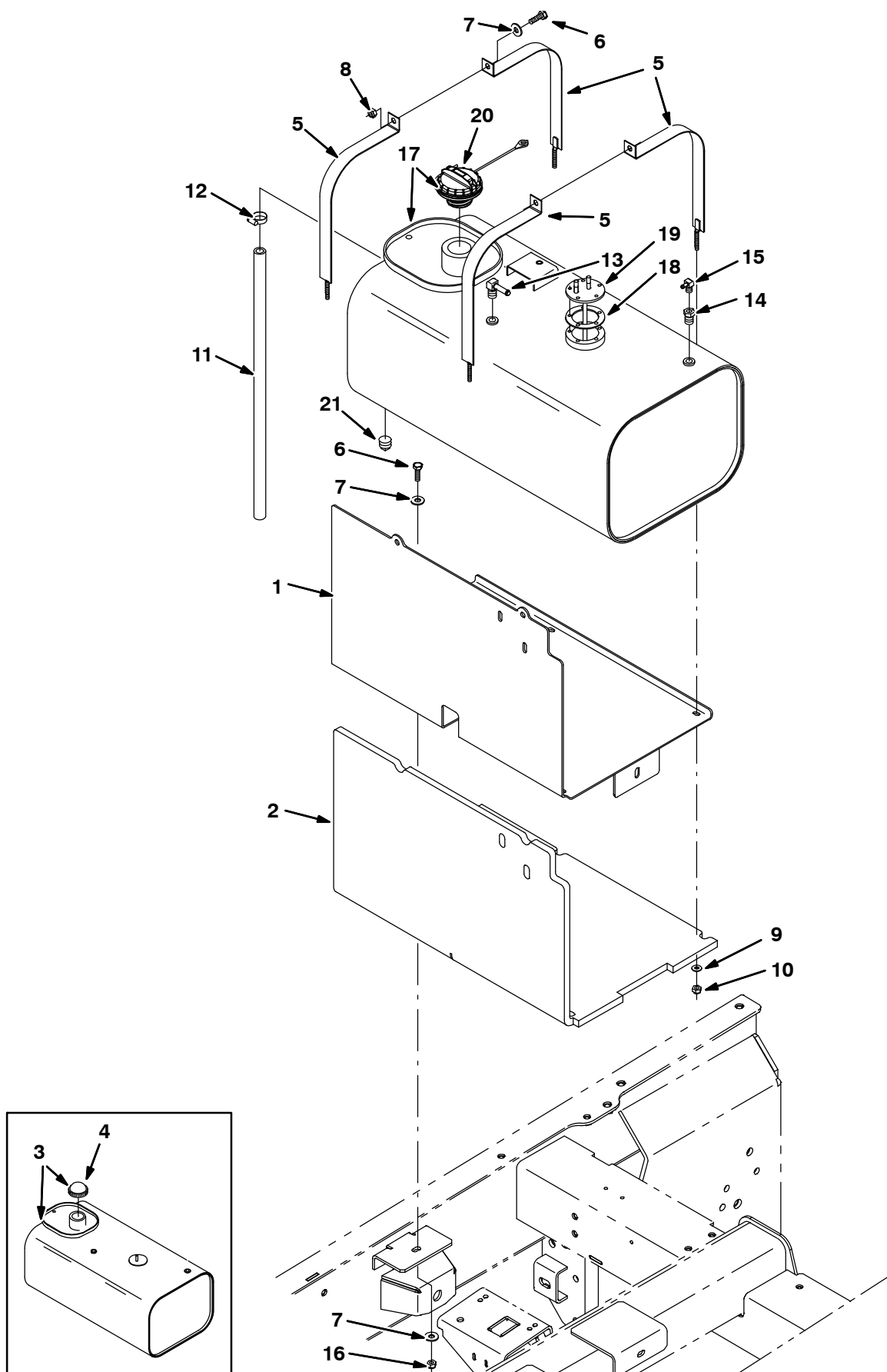


Fig. 12 – Engine Fuel Tank Group, Diesel

Ref.	Part No.	Serial Number	Description	Qty.
	1	1026550	(000000–) Tray Wldt, Fuel	1
	2	1026759	(000000–) Insulation, Flame-Retardant, 0.5	1
▽	3	9003611	(000000–001999) Tank, Fuel, 11.2gal [M20/T20]	1
▲	4	48267	(000000–001999) Cap, Tank, Fuel, 2.3neck 2.6d	1
▲		1039521	(000000–001999) Send-Unit, Fuel	1
	5	1025229	(000000–) Strap, Tank, Gas	4
	6	39277	(000000–) Screw, Hex, M8 X 1.25 X 25, 8.8	4
	7	32491	(000000–) Washer, Flat, 0.31, Std	8
	8	08709	(000000–) Nut, Hex, Lock, M8 X 1.25, NI	2
	9	32483	(000000–) Washer, Flat, 0.25, Sae	4
	10	32981	(000000–) Nut, Hex, Lock, .25–20, NI	4
	11	1023482	(000000–) Hose, Fuel, 0.50id 21.0l	1
	12	54333	(000000–) Clamp, Hose, Wormdrive, 0.31–0.88d, .31w	1
	13	9000355	(000000–) Fitting, Brs, E90, Em05/Pm04	1
	14	17414	(000000–) Fitting, Hyd, Str, Pf02/Pm04	1
	15	32183	(000000–) Fitting, Brs, E90, Pm02/Bm03	1
	16	08709	(000000–) Nut, Hex, Lock, M8 X 1.25, NI	4
▽	17	9003611	(002000–002593) Tank, Fuel, 11.2gal, Dsl, Replmt [2007]	1
▲	18	1033897	(002000–002593) Gasket, Sender, Fuel	1
▲	19	1033901	(002000–002593) Send-Unit, Fuel [2007]	1
▲	20	1032812	(002000–002593) Cap, Fuel, Tank	1
▲	21	48126	(002000–002593) Fitting, Pipe, Plug, Pm02, Sq Head	1
▽	17	9003934	(002594–) Tank, Fuel, 11.2gal, Dsl, Replmt, Na[08]	1
▲	18	1033897	(002594–) Gasket, Sender, Fuel	1
▲	19	1033901	(002594–) Send-Unit, Fuel [2007]	1
▲	20	1032812	(002594–) Cap, Fuel, Tank	1
▲	21	48126	(002594–) Fitting, Pipe, Plug, Pm02, Sq Head	1
▽	17	9003958	(002594–) Tank, Fuel, 11.2gal, Dsl, Replmt, Tj[08] (Japan Only)	1
▲	18	1033897	(002594–) Gasket, Sender, Fuel	1
▲	19	1033901	(002594–) Send-Unit, Fuel [2007]	1
▲	20	1032812	(002594–) Cap, Fuel, Tank	1
▲	21	48126	(002594–) Fitting, Pipe, Plug, Pm02, Sq Head	1

Fig. 13 - Engine Fuel Line Group, Diesel

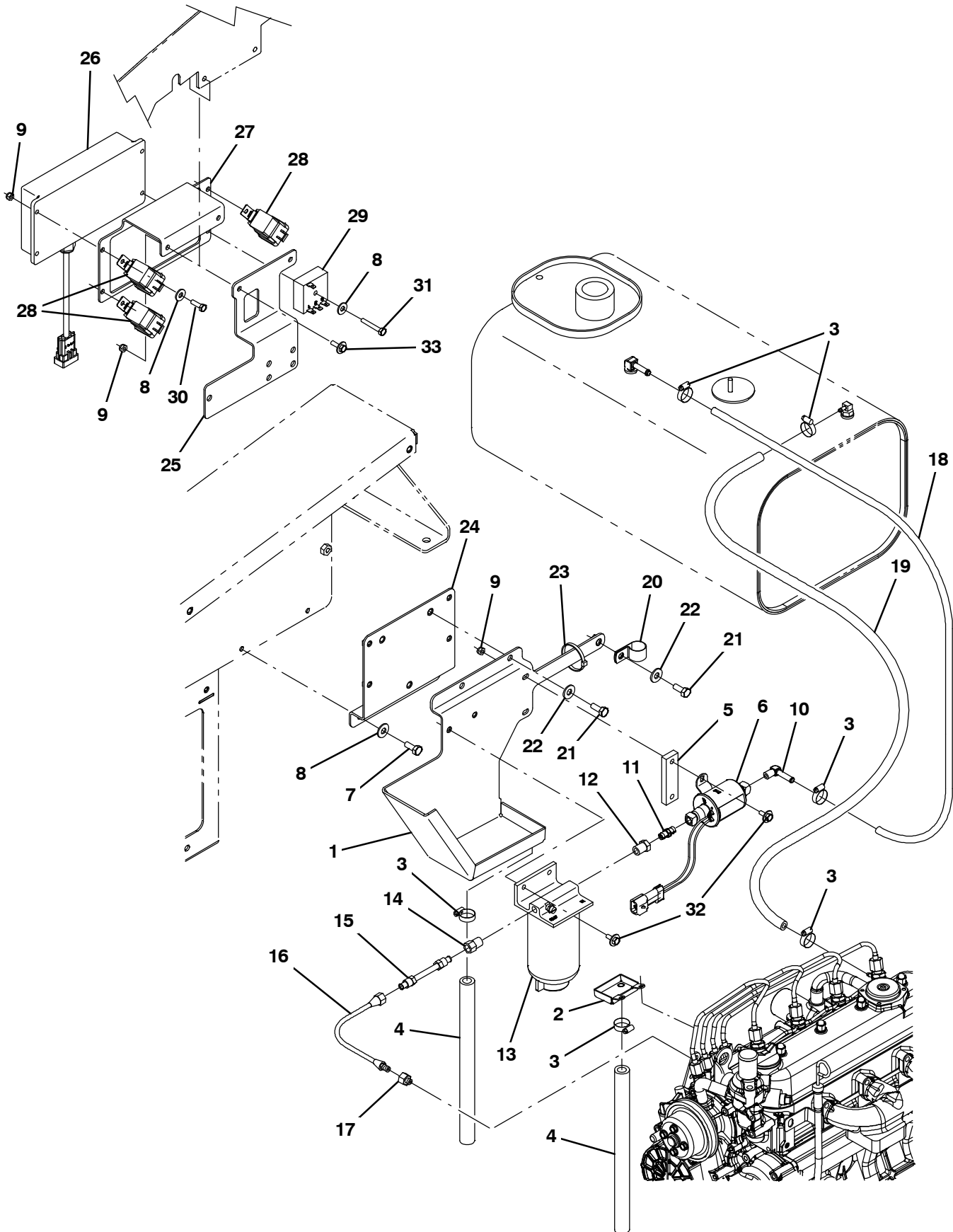


Fig. 13 – Engine Fuel Line Group, Diesel

Ref.	Part No.	Serial Number	Description	Qty.
1	1032512	(000000–) Tray Wldt, Drip, Dsl	1
2	1032424	(000000–) Tray Wldt, Drip, Fuel	1
3	54333	(000000–) Clamp, Hose, Wormdrive, 0.31–0.88d, .31w	6
4	1006416	(000000–) Hose, Afmkt, Pvc, Clr 0.38id 03ft	1
5	364779	(000000–) Bar, Flat, Stl 0.38, 01.00 X 03.3l	1
6	59015	(000000–) Pump, Fuel	1
7	06942	(000000–) Screw, Hex, M6 X 1.0 X 16, 8.8	2
8	32490	(000000–) Washer, Flat, 0.25, Std	6
9	08708	(000000–) Nut, Hex, Lock, M6 X 1.00, NI	10
10	53029	(000000–) Fitting, Brs, E90, Em05/Pm02	1
11	47566	(000000–) Fitting, Hyd, Str, Pm02/Pm02	1
12	17414	(000000–) Fitting, Hyd, Str, Pf02/Pm04	1
▽	13	1016827	(000000–) Filter Assy, Fuel, Dsl	1
▲		1017126	(000000–) Element, Fltr, Fuel [Dn]	1
14	78043	(000000–) Fitting, Brs, Str, lf05/Pm04	1
15	1024380	(000000–) Fuelline, .31d 04.0l 05if/05if, Stl	1
16	70173	(000000–) Hose, 0050, 04, lf05str / lm05str, 10.0	1
17	365066	(000000–) Fitting, Hyd, Str, Metric, Om10/lf05	1
18	87738	(000000–) Hose, Fuel, 0.18id 29.0l	1
19	365190	(000000–) Hose, Fuel, 0.31id 22.0l	1
20	69234	(000000–) Clamp, Cable, Stl, 1.00d X 0.75w, 1h	1
21	16931	(000000–) Screw, Hex, M8 X 1.25 X 20, 8.8	2
22	32491	(000000–) Washer, Flat, 0.31, Std	3
23	49266	(000000–) Tie, Cable, Nyl, 07.3l .19w 1.8 Max D	2
24	1029082	(000000–) Bracket, Mtg, Ecu [M20/T20 2007]	1
25	1059488	(000000–) Bracket, Mtg, Coolant, Tank, Dsl [2010]	1
26	1040835	(000000–) Control, Govnr [All Purpose]	1
27	1027922	(000000–) Bracket, Mtg, Govnr Control, Dsl	1
28	56186	(000000–) Relay, 12vdc, 40a, Spdt N/O	3
29	379656	(000000–) Timer, 12vdc, 10 Sec	1
30	06943	(000000–) Screw, Hex, M6 X 1.0 X 20, 8.8	3
31	06947	(000000–) Screw, Hex, M6 X 1.0 X 40, 8.8	1
32	1040467	(000000–) Screw, Hex, M6 X 1.00 X 20, 9.8, Sems	4
33	1036892	(000000–) Screw, Hex, M6 X 1.00 X 25, 9.8, Sems	2

Fig. 14 - Engine Air Cleaner Group, Diesel

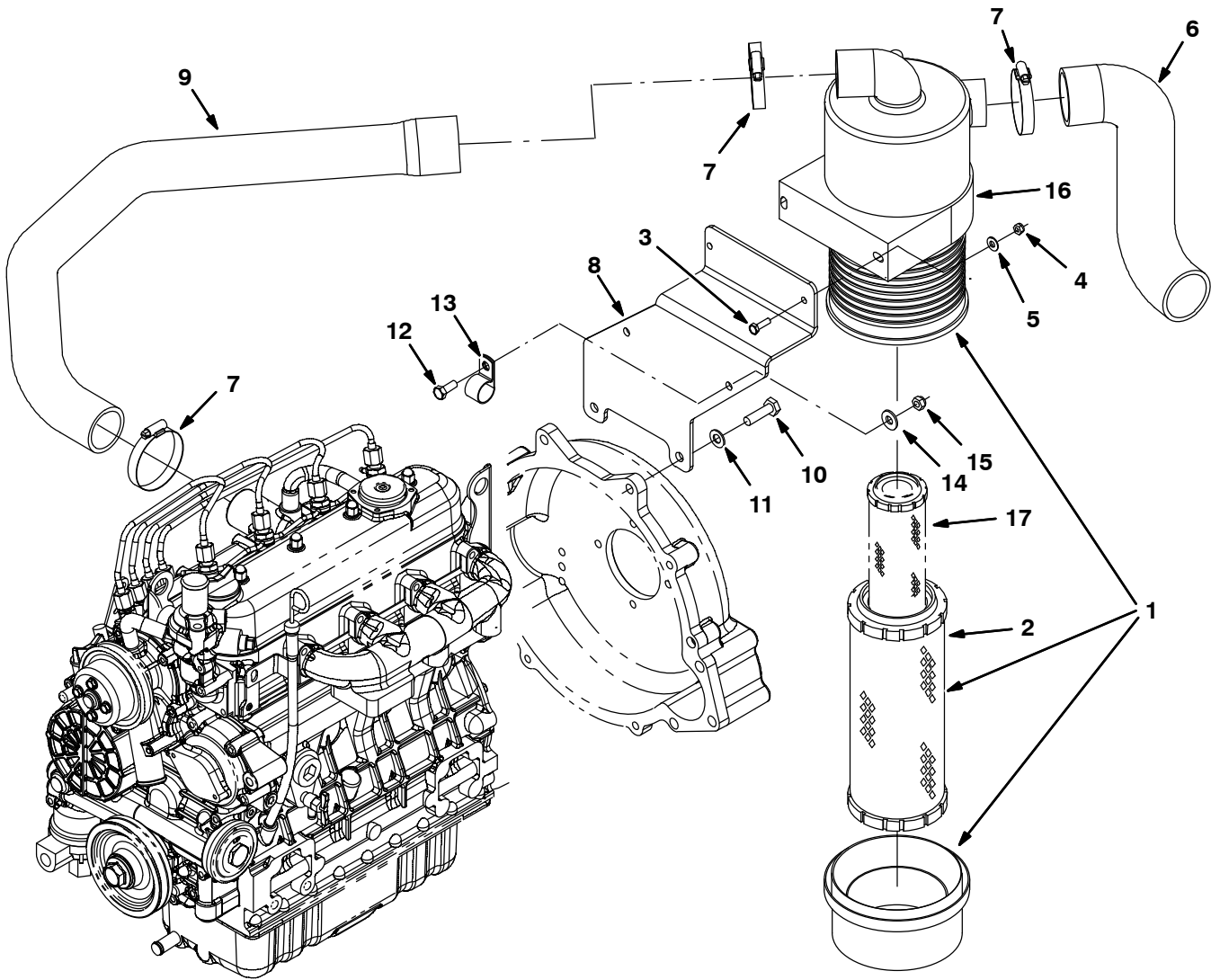


Fig. 14 – Engine Air Cleaner Group, Diesel

	Ref.	Part No.	Serial Number	Description	Qty.
▽	1	369745	(000000–) Filter Assy, Air	1
▲	2	369746	(000000–) Element, Fltr, Air [Dn]	1
	3	06943	(000000–) Screw, Hex, M6 X 1.0 X 20, 8.8	2
	4	08708	(000000–) Nut, Hex, Lock, M6 X 1.00, NI	2
	5	32483	(000000–) Washer, Flat, 0.25, Sae	2
	6	1020949	(000000–) Hose, Intake, Mold, 2.00id [Epdm]	1
	7	14432	(000000–) Clamp, Hose, Wormdrive, 1.81–2.75d, .50w	3
	8	1024772	(000000–) Bracket, Mtg, Air Fltr, Dsl	1
	9	1023892	(000000–) Hose, Intake, Mold, 1.75id 1.75id Dsl	1
	10	39284	(000000–) Screw, Hex, M10 X 1.5 X 35, 8.8	2
	11	32485	(000000–) Washer, Flat, 0.38, Sae	2
	12	09740	(000000–) Screw, Hex, M8 X 1.25 X 20, Ss	1
	13	69234	(000000–) Clamp, Cable, Stl, 1.00d X 0.75w, 1h	1
	14	01685	(000000–) Washer, Flat, 0.31, Ss	1
	15	08713	(000000–) Nut, Hex, Lock, M8 X 1.25, NI, Ss	1
	16	369747	(000000–) Clamp, Mtg, Fltr, Air	1
	17	398279	(000000–) Element, Fltr, Air, Safety (Option)	1

STANDARD PARTS

Fig. 15 - Engine Alternator Group, Diesel (000000-002547)

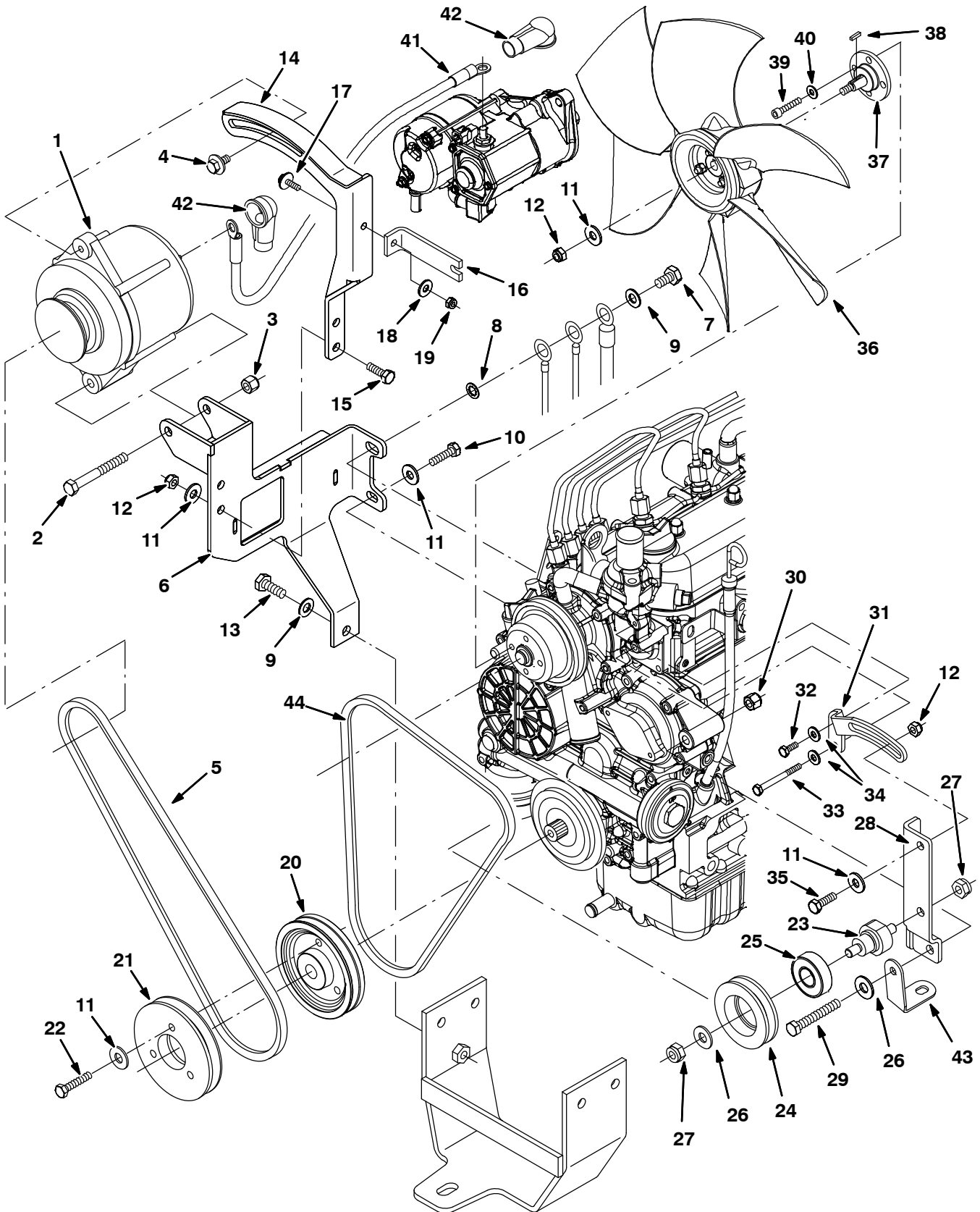


Fig. 15 – Engine Alternator Group, Diesel (000000–002547)

Ref.	Part No.	Serial Number	Description	Qty.
1	392611	(000000–002547)	Alternator, 12vdc, 075a [Valeo]	1
2	35707	(000000–002547)	Screw, Hex, .38–16 X 3.00, G5	1
3	59156	(000000–002547)	Nut, Hex, Lock, .38–16, NI, Ss	1
4	16953	(000000–002547)	Screw, Hex, .31–18 X 0.75, Sems	1
5	1023911	(000000–002547)	Belt, V, 37.5l [3v]	1
6	1023943	(000000–002547)	Bracket Wldt, Mtg, Alternator, Dsl	1
7	33612	(000000–002547)	Screw, Hex, M10 X 1.25 X 35, 8.8	1
8	32988	(000000–002547)	Washer, Lock, Int, 0.38	1
9	32485	(000000–002547)	Washer, Flat, 0.38, Sae	2
10	76570	(000000–002547)	Screw, Hex, M8 X 1.25 X 30, 8.8	1
11	32491	(000000–002547)	Washer, Flat, 0.31, Std	7
12	08709	(000000–002547)	Nut, Hex, Lock, M8 X 1.25, NI	3
13	39283	(000000–002547)	Screw, Hex, M10 X 1.5 X 25, 8.8	1
14	1028667	(000000–002547)	Arm Wldt, Alternator, Dsl	1
15	39277	(000000–002547)	Screw, Hex, M8 X 1.25 X 25, 8.8	2
16	1028420	(000000–002547)	Bracket, Sppt, Alternator, Dsl	1
17	06943	(000000–002547)	Screw, Hex, M6 X 1.0 X 20, 8.8	1
18	32490	(000000–002547)	Washer, Flat, 0.25, Std	1
19	08708	(000000–002547)	Nut, Hex, Lock, M6 X 1.00, NI	1
20	393371	(000000–002547)	Sheave, 01grv, Rwk 393400 [3v]	1
21	393370	(000000–002547)	Sheave, 01grv, 04.1pd 1.6b [XI]	1
22	76957	(000000–002547)	Screw, Hex, .31–18 X 1.50, G5	3
23	1024213	(000000–002547)	Shaft, Mtg, Sheave, Dsl	1
24	1024211	(000000–002547)	Sheave, 01grv, 02.6pd 0.63b [Hc41]	1
25	46390	(000000–002547)	Bearing, Ball, 0.79b 1.85d 0.55w	1
26	32492	(000000–002547)	Washer, Flat, 0.38, Std	2
27	41430	(000000–002547)	Nut, Hex, Lock, M10 X 1.5, NI	2
28	1024206	(000000–002547)	Bracket, Mtg, Sheave, Dsl	1
29	35707	(000000–002547)	Screw, Hex, .38–16 X 3.00, G5	1
30	50902	(000000–002547)	Nut, Hex, Lock, .38–16, NI	1
31	1024264	(000000–002547)	Arm, Alternator, Dsl	1
32	06942	(000000–002547)	Screw, Hex, M6 X 1.0 X 16, 8.8	1
33	06548	(000000–002547)	Screw, Hex, M6 X 1.0 X 60, 8.8	1
34	32483	(000000–002547)	Washer, Flat, 0.25, Sae	4
35	39277	(000000–002547)	Screw, Hex, M8 X 1.25 X 25, 8.8	1
36	1031566	(000000–002547)	Fan, Cooling, 14.1d, 6 Blade, 0.5b Taper	1
37	1035341	(000000–002547)	Spacer, Fan, Dsl [M20/T20]	1
38	00960	(000000–002547)	Key, Sq, 0.12 X 0.12, 0.50l	1
39	71388	(000000–002547)	Screw, Soc, M6 X 1.00 X 16, 12.9	4
40	19066	(000000–002547)	Washer, Flat, #10	4
41	1029689	(000000–002547)	Cable, 06ga 16.0l Red .38ring /.38ring	1
42	1016314	(000000–002547)	Boot, 90deg .50id 1.00id 2.50l, Red	2
43	1033697	(000000–002547)	Bracket, Clamp, Hose	1
44	1038035	(000000–002547)	Belt, v, 37.0L [3V]	1

STANDARD PARTS

Fig. 16 - Engine Alternator Group, Diesel (002548-

)

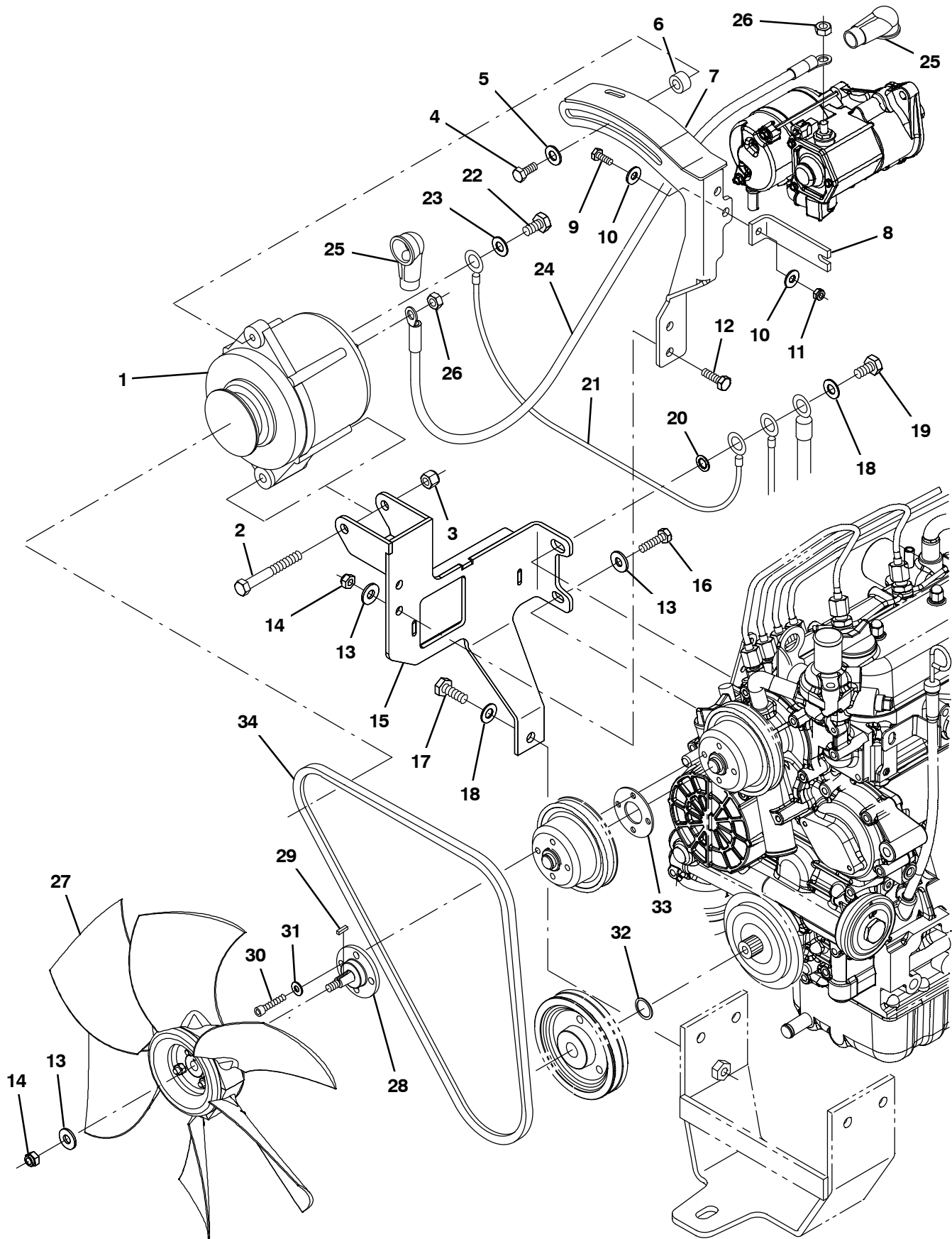


Fig. 16 – Engine Alternator Group, Diesel (002548–)

Ref.	Part No.	Serial Number	Description	Qty.
1	392611	(002548–)	Alternator, 12vdc, 075a [Valeo]	1
2	35707	(002548–)	Screw, Hex, .38–16 X 3.00, G5	1
3	59156	(002548–)	Nut, Hex, Lock, .38–16, NI, Ss	1
4	76955	(002548–)	Screw, Hex, .31–18 X 1.00, G5	1
5	41186	(002548–)	Washer, Flat, Belleville, .31	1
6	73737	(002548–)	Tube, 0.38id 0.75od 00.3l, Ss	1
7	1036847	(002548–)	Arm Wldt, Alternator, Dsl	1
8	1036859	(002548–)	Bracket, Sppt, Alternator, Dsl	1
9	06943	(002548–)	Screw, Hex, M6 X 1.00 X 20, 8.8	1
10	32483	(002548–)	Washer, Flat, 0.25, Sae	2
11	08708	(002548–)	Nut, Hex, Lock, M6 X 1.00, NI	1
12	39277	(002548–)	Screw, Hex, M8 X 1.25 X 25, 8.8	2
13	32491	(002548–)	Washer, Flat, 0.31, Std	4
14	08709	(002548–)	Nut, Hex, Lock, M8 X 1.25, NI	3
15	1036844	(002548–)	Bracket Wldt, Mtg, Alternator, Dsl	1
16	76570	(002548–)	Screw, Hex, M8 X 1.25 X 30, 8.8	1
17	39283	(002548–)	Screw, Hex, M10 X 1.50 X 25, 8.8	1
18	32492	(002548–)	Washer, Flat, 0.38, Std	2
19	33612	(002548–)	Screw, Hex, M10 X 1.25 X 35, 8.8	1
20	32988	(002548–)	Washer, Lock, Int, 0.38	1
21	31525	(002548–)	Wire, 10ga 16.0l Blk .25ring /.38ring	1
22	42011	(002548–)	Screw, Hex, 10–24 X 0.50, Ss	1
23	01683	(002548–)	Washer, Flat, 10, Ss	1
24	1029689	(002548–)	Cable, 06ga 16.0l Red .38ring /.38ring	1
25	1016314	(002548–)	Boot, 90deg .50id 1.00id 2.50l, Red	2
26	41361	(002548–)	Nut, Hex, Std, M8 X 1.25, Brs	2
27	1031566	(002548–)	Fan, Cooling, 14.1d, 6 Blade, 0.5b Taper	1
28	1035341	(002548–)	Spacer, Fan, Dsl [M20/T20]	1
29	00960	(002548–)	Key, Sq, 0.12 X 0.12, 0.50l	1
30	71388	(002548–)	Screw, Soc, M6 X 1.00 X 16, 12.9	4
31	19066	(002548–)	Washer, Flat, 10	4
32	1039208	(002548–)	Washer, Flat, 1.10b 1.50d .12, Stl, PI	1
33	1039212	(002548–)	Spacer, Fan	1
34	393244	(002548–)	Belt, V, 42.0l [Hc41]	1

Fig. 17 - Engine Muffler Group, Diesel

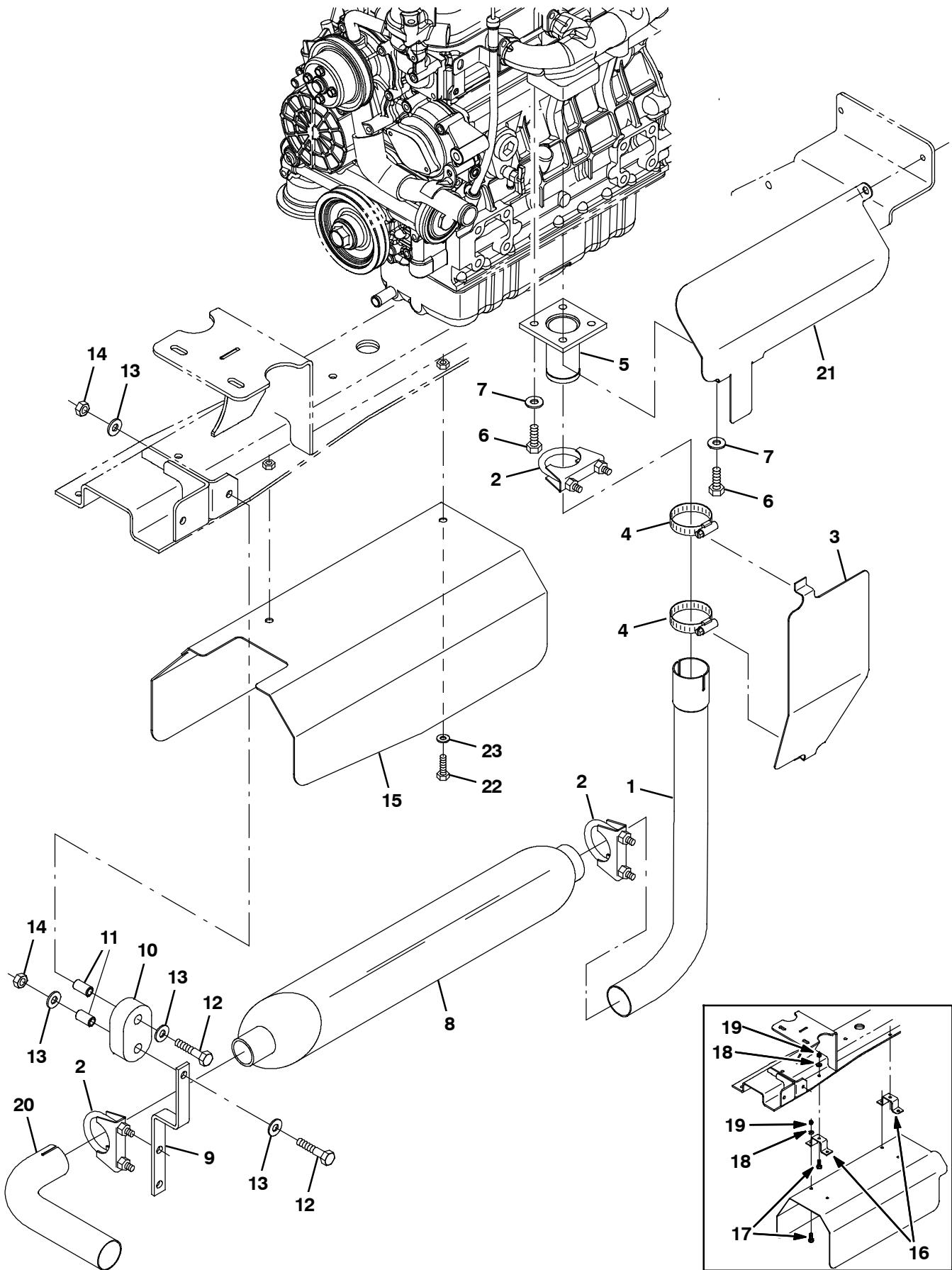


Fig. 17 – Engine Muffler Group, Diesel

Ref.	Part No.	Serial Number	Description	Qty.
1	1024357	(000000–) Tube, Exhaust, Dsl	1
2	24012	(000000–) Clamp, Muffler, 1.62d	3
3	9002411	(000000–) Plate, Shield, Heat, Dsl, Replmt	1
4	79381	(000000–) Clamp, Hose, Wormdrive, 1.25–2.00D, .50W	2
5	74452	(000000–) Tube Wldt, Exhaust, 1.5d, 4 Hole Flng	1
6	16931	(000000–) Screw, Hex, M8 X 1.25 X 20, 8.8	4
7	32491	(000000–) Washer, Flat, 0.31, Std	4
8	33333	(000000–) Muffler, Exhaust	1
9	1017969	(000000–) Bracket, Muffler, Hanger, Front	1
10	1013031	(000000–) Isolator, Rbr	1
11	222496	(000000–) Sleeve, P/M, 0.31b 0.50d 0.9l [430ss]	2
12	222505	(000000–) Screw, Hex, M8 X 1.25 X 45, Ss	2
13	01685	(000000–) Washer, Flat, 0.31, Ss	4
14	08713	(000000–) Nut, Hex, Lock, M8 X 1.25, NI, Ss	2
15	1028994	(000000–) Channel, Shield, Muffler [M20/T20 2007]	1
16	1022113	(000000–001412) Bracket, Retainer, Shield, Heat	2
17	08716	(000000–001412) Screw, Hex, M6 X 1.0 X 20, Ss	6
18	32483	(000000–001412) Washer, Flat, 0.25, Sae	6
19	08712	(000000–001412) Nut, Hex, Lock, M6 X 1.00, Ss, NI	6
20	1021789	(000000–) Tube, Exhaust, 1.5d	1
21	1032010	(000000–) Shield, Heat, Dsl	1
22	08716	(001413–) Screw, Hex, M6 X 1.0 X 20, Ss	2
23	32483	(001413–) Washer, Flat, 0.25, Sae	2

STANDARD PARTS

Fig. 18 - Engine Radiator Group, Diesel (000000-003038)

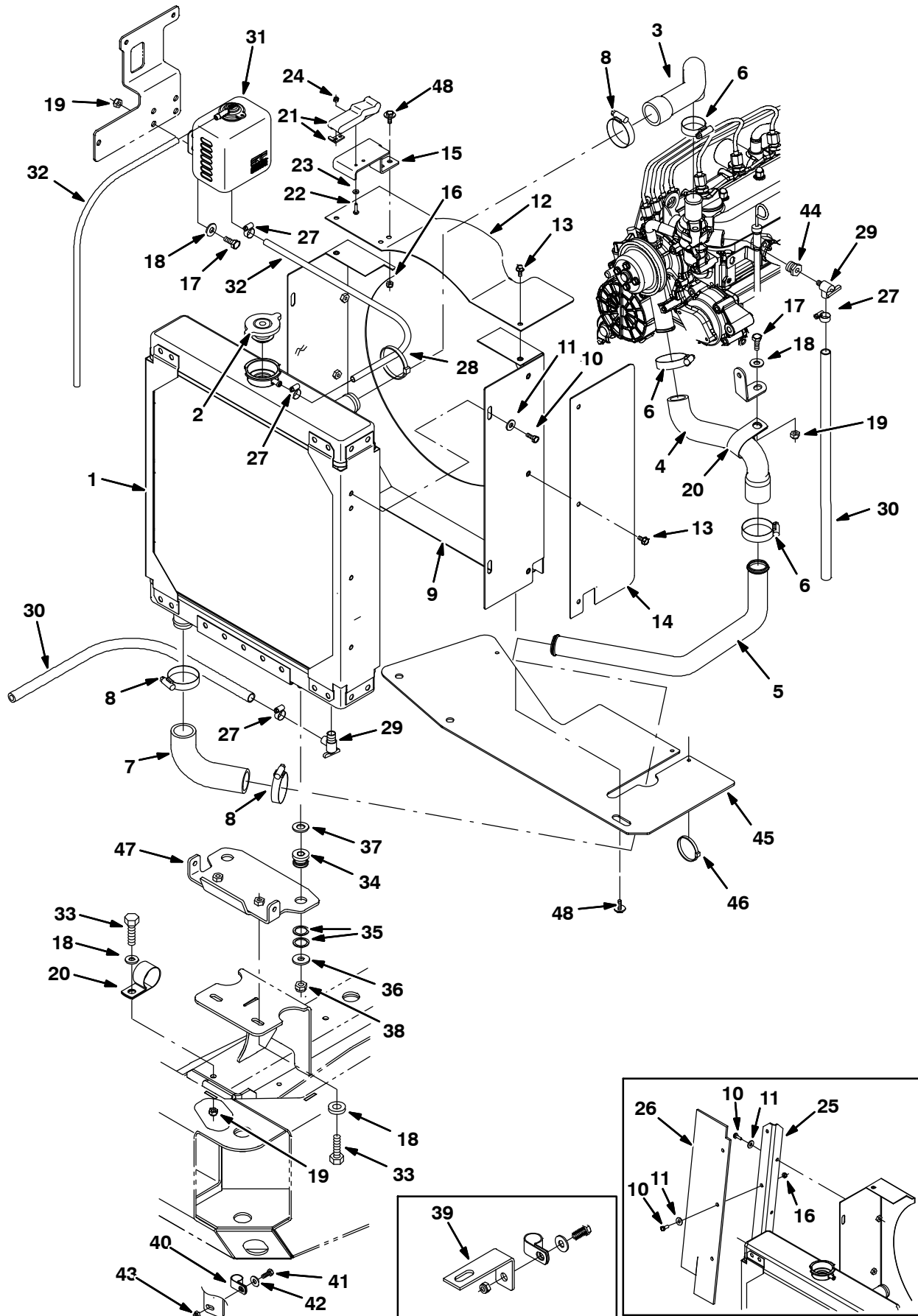


Fig. 18 – Engine Radiator Group, Diesel (000000–003038)

Ref.	Part No.	Serial Number	Description	Qty.
1	1045316	(000000–003038)	Radiator Kit, Replmt, Ci	1
2	368132	(000000–003038)	Cap, Radiator, 15psi	1
3	1023154	(000000–003038)	Hose, Radiator, Upper, Dsl	1
4	1033688	(000000–003038)	Hose, Radiator, Lower, Dsl	1
5	1023180	(000000–003038)	Tube, Radiator, Lower, Dsl	1
6	11399	(000000–003038)	Clamp, Hose, Wormdrive, 0.81–1.50d, .50w	3
7	1007482	(000000–003038)	Hose, Rbr, E90 1.25id 1.25id 04.2 03.1	1
8	79381	(000000–003038)	Clamp, Hose, Wormdrive, 1.25–2.00D, .50W	3
9	1023810	(000000–003038)	Panel, Shrd, Fan, Dsl	1
10	06942	(000000–003038)	Screw, Hex, M6 X 1.0 X 16, 8.8	9
11	32490	(000000–003038)	Washer, Flat, 0.25, Std	9
12	1024028	(000000–003038)	Plate, Guard, Fan Shrd, Dsl	1
13	74455	(000000–003038)	Screw, Hex, M6 X 1.0 X 12, Fmg	5
14	9002412	(000000–003038)	Plate, Guard, Fan, Shrd, Dsl, Replmt	1
15	1027112	(000000–003038)	Bracket, Mtg, Latch, Dsl	1
16	08708	(000000–003038)	Nut, Hex, Lock, M6 X 1.00, NI	5
17	16931	(000000–003038)	Screw, Hex, M8 X 1.25 X 20, 8.8	5
18	32491	(000000–003038)	Washer, Flat, 0.31, Std	8
19	08709	(000000–003038)	Nut, Hex, Lock, M8 X 1.25, NI	6
20	53466	(000000–003038)	Clamp, Cable, Stl, 1.50d X 1.00w, 1h	2
21	49800	(000000–003038)	Latch	1
22	06927	(000000–003038)	Screw, Pan, M4 X 0.70 X 16, 4.8	2
23	19064	(000000–003038)	Washer, Flat, #06	2
24	02850	(000000–003038)	Nut, Hex, Lock, M4 X 0.70, NI	2
25	1027099	(000000–001261)	Plate, Mtg, Seal	1
26	1027103	(000000–001261)	Seal, Radiator	1
27	43844	(000000–003038)	Clamp, Hose, Wormdrive, 0.25–0.62d, .31w	4
28	49266	(000000–003038)	Tie, Cable, Nyl, 07.3l .19w 1.8 Max D	2
29	51305	(000000–003038)	Fitting, Draincock, E90, .25npt	2
30	73471	(000000–003038)	Hose, Pvc, Clr, 0.38id 0.56od 22.00l	2
31	1023853	(000000–003038)	Tank, Coolant, 04.7 03.3 4.7deep, 1liter	1
32	1015041	(000000–003038)	Hose, Afmkt, Coolant Recvy, 05ft	1
33	39277	(000000–003038)	Screw, Hex, M8 X 1.25 X 25, 8.8	3
34	54274	(000000–003038)	Isolator, Vib, Bshg, 1.1d 0.6l .4b 0.78h	2
35	09832	(000000–003038)	Washer, Flat, 0.81b 1.06d .06, Stl	4
36	1014563	(000000–003038)	Washer, Flat, 0.40b 1.12d .12, Ss	2
37	32486	(000000–003038)	Washer, Flat, 0.50, Sae	2
38	41430	(000000–003038)	Nut, Hex, Lock, M10 X 1.5, NI	2
39	1026003	(000000–002241)	Bracket, Ftg, Bh	1
40	67767	(000000–003038)	Clamp, Cable, Stl, 0.69d X 0.62w, 1h	1
41	09740	(000000–003038)	Screw, Hex, M8 X 1.25 X 20, Ss	1
42	01685	(000000–003038)	Washer, Flat, 0.31, Ss	1
43	08713	(000000–003038)	Nut, Hex, Lock, M8 X 1.25, NI, Ss	1
44	150006	(000000–003038)	Fitting, Brs, Str, Pf04/Pm06, Bshg	1
45	1035878	(000000–003038)	Skirt, Debris, Eng Radiator	1
46	763116	(000000–003038)	Tie, Cable, Nyl, 15.3l . W 4.5 Max D	1
47	1035976	(001338–003038)	Bracket, Sppt, Radiator, Upper	1
48	1040467	(000000–003038)	Screw, Hex, M6 X 1.00 X 20, 9.8, Sems	4

Fig. 19 – Engine Radiator Group, Diesel (003039–006127)

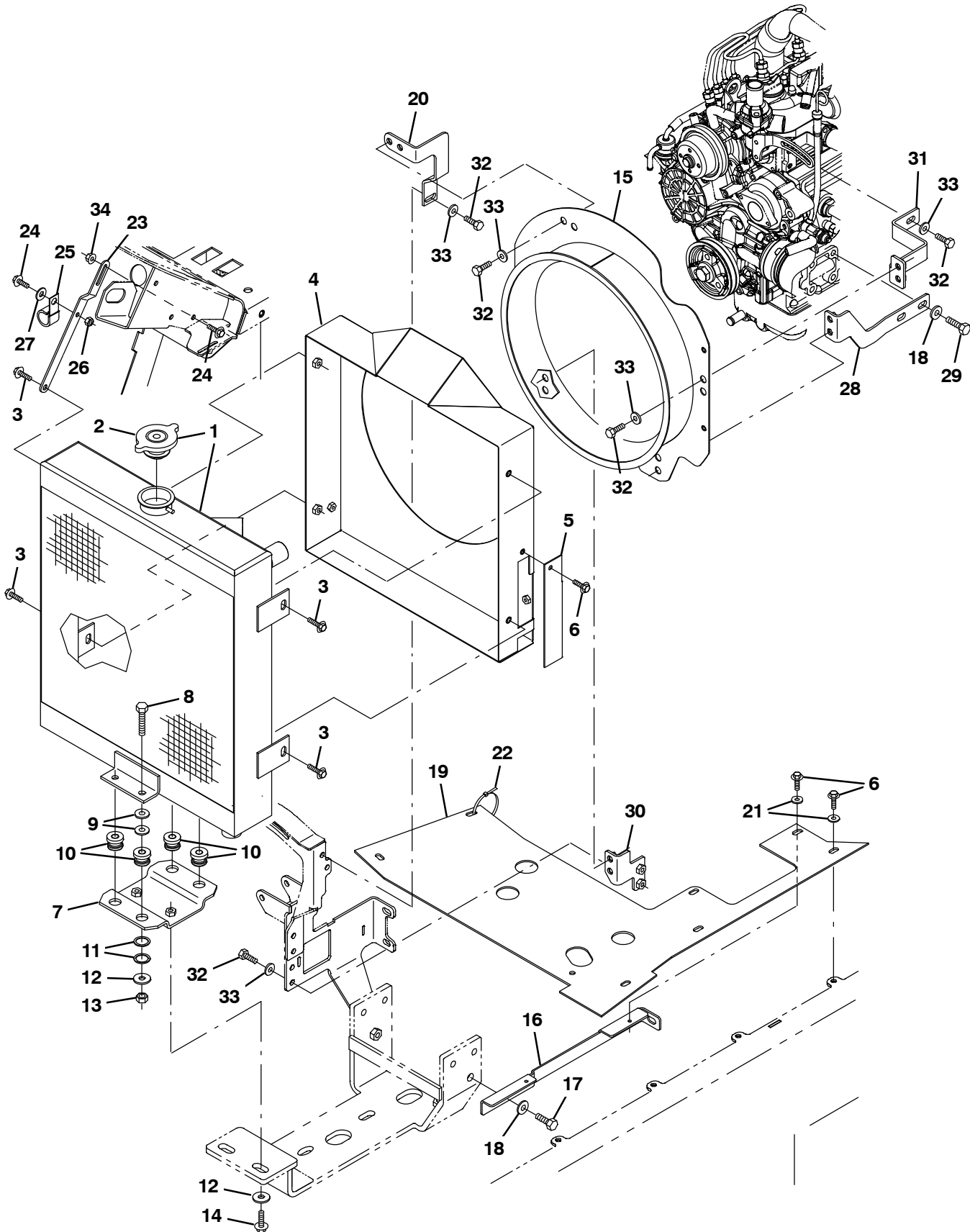


Fig. 19 – Engine Radiator Group, Diesel (003039–006127)

Ref.	Part No.	Serial Number	Description	Qty.
▽ 1	1045940	(003039–006127)	Radiator, W/ Hyd Cooler [Side X Side]	1
▲ 2	1045764	(003039–006127)	Cap, Radiator, 14Psi [Stant]	1
3	1037346	(003039–006127)	Screw, Hex, M8 X 1.25 X 25, 9.8, Sems	4
4	9006814	(003039–006127)	Shrd Wldt,Fan,Dsl, Replmt [M20/M30/T20]	1
4	9006816	(003039–006127)	Shrd Wldt,Fan,Dsl, Replmt [Tj]	1
5	1045433	(003039–006127)	Bracket, Cover	1
6	1036892	(003039–006127)	Screw, Hex, M6 X 1.00 X 25, 9.8 Sems	6
7	1046962	(003039–006127)	Bracket, Mtg, Radiator	1
8	39285	(003039–006127)	Screw, Hex, M10 X 1.50 X 40, 8.8	4
9	32492	(003039–006127)	Washer, Flat, 0.38, Std	8
10	54274	(003039–006127)	Isolator, Vib, Bshg, 1.1d 0.6l .4b 0.78h	4
11	09832	(003039–006127)	Washer, Flat, 0.81b 1.06d .06, Stl	8
12	1014563	(003039–006127)	Washer, Flat, 0.40b 1.12d .12, Ss	6
13	41430	(003039–006127)	Nut, Hex, Lock, M10 X 1.5, NI	4
14	1037355	(003039–006127)	Screw, Hex, M8 X 1.25 X 35, 9.8, Sems	2
15	1046801	(003039–006127)	Shroud Wldt, Fan, Dsl	1
16	1052164	(003039–006127)	Bracket, Sppt	1
17	39283	(003039–006127)	Screw, Hex, M10 X 1.50 X 25, 8.8	1
18	32485	(003039–006127)	Washer, Flat, 0.38, Sae	3
19	1052175	(003039–006127)	Skirt, Fan, Eng, Dsl	1
20	1053143	(003039–006127)	Bracket, Shrd, Fan, Upper, Dsl	1
21	41178	(003039–006127)	Washer, Flat, 0.25, Fendr	3
22	49266	(003039–006127)	Tie, Cable, Nyl, 07.3l .19w 1.8 Max D	2
23	1019968	(003039–006127)	Bracket, Mtg, Radiator	1
24	1040467	(003039–006127)	Screw, Hex, M6 X 1.00 X 20, 9.8, Sems	2
25	30407	(003039–006127)	Clip, Keeper, Open	1
26	08708	(003039–006127)	Nut, Hex, Lock, M6 X 1.00, NI	1
27	32490	(003039–006127)	Washer, Flat, 0.25, Std	1
28	1046247	(003039–006127)	Bracket, Shrd, Fan, Lh	1
29	07299	(003039–006127)	Screw, Hex, M10 X 1.25 X 25, 8.8	2
30	1046261	(003039–006127)	Bracket, Shrd, Fan, Rh	1
31	1046282	(003039–006127)	Bracket, Shrd, Fan, Upper, Lh	1
32	16931	(003039–006127)	Screw, Hex, M8 X 1.25 X 20, 8.8	13
33	32491	(003039–006127)	Washer, Flat, 0.31, Std	13
34	07790	(003039–006127)	Nut, Hex, Flng, M6 X 1.00	1

Fig. 20 – Engine Radiator Group, Diesel (006128–)

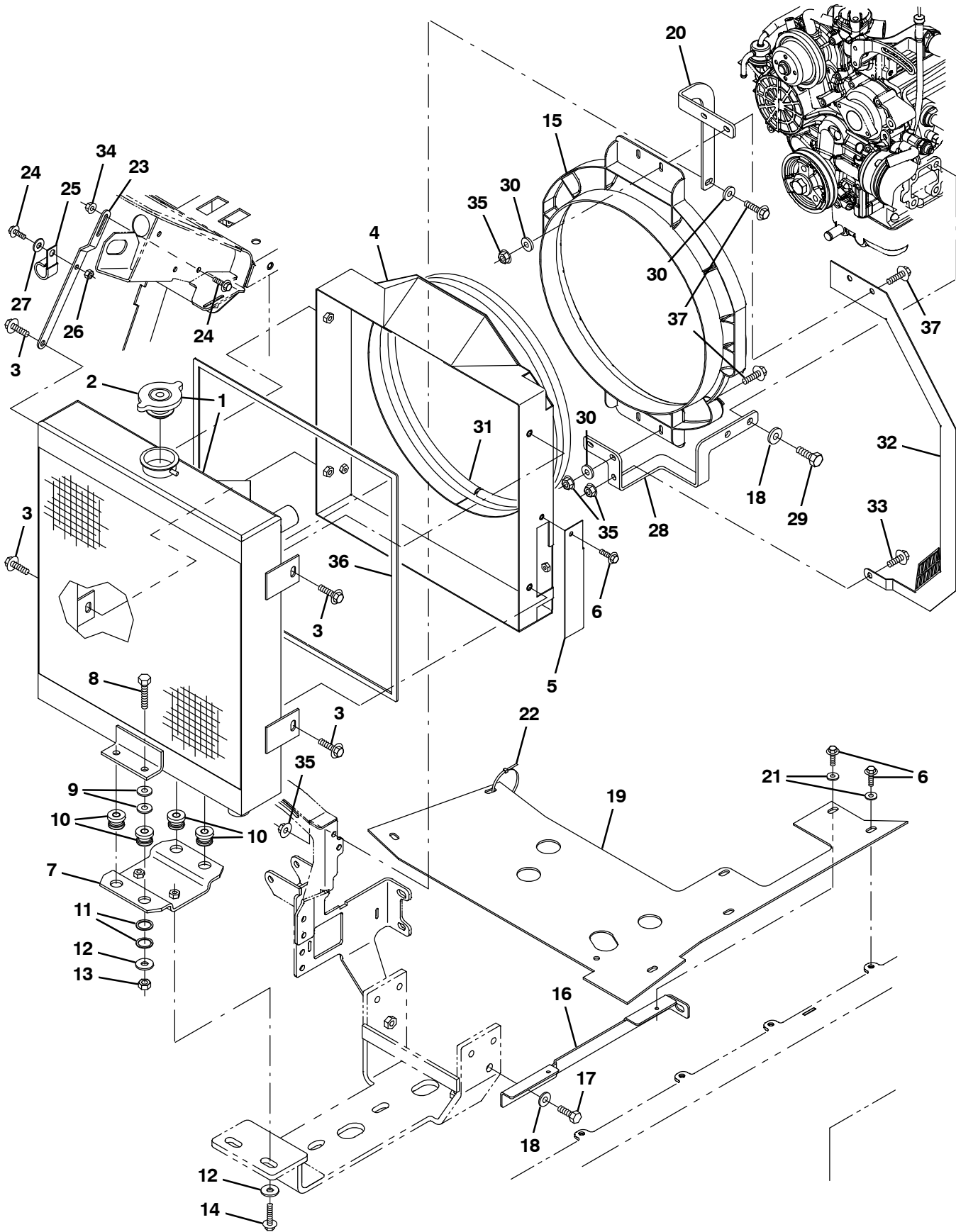


Fig. 20 – Engine Radiator Group, Diesel (006128–)

Ref.	Part No.	Serial Number	Description	Qty.
▽ 1	1045940	(006128–)	Radiator, W/ Hyd Cooler [Side X Side]	1
▲ 2	1045764	(006128–)	Cap, Radiator, 14Psi [Stant]	1
3	1037346	(006128–)	Screw, Hex, M8 X 1.25 X 25, 9.8, Sems	4
4	1058699	(006128–)	Shroud Wldt, Fan, Eng, Dsl	1
5	1045433	(006128–)	Bracket, Cover	1
6	1036892	(006128–)	Screw, Hex, M6 X 1.00 X 25, 9.8 Sems	6
7	1046962	(006128–)	Bracket, Mtg, Radiator	1
8	39285	(006128–)	Screw, Hex, M10 X 1.50 X 40, 8.8	4
9	32492	(006128–)	Washer, Flat, 0.38, Std	8
10	54274	(006128–)	Isolator, Vib, Bshg, 1.1d 0.6l .4b 0.78h	4
11	09832	(006128–)	Washer, Flat, 0.81b 1.06d .06, Stl	8
12	1014563	(006128–)	Washer, Flat, 0.40b 1.12d .12, Ss	6
13	41430	(006128–)	Nut, Hex, Lock, M10 X 1.5, NI	4
14	1037355	(006128–)	Screw, Hex, M8 X 1.25 X 35, 9.8, Sems	2
15	1054428	(006128–)	Shroud, Fan	1
16	1052164	(006128–)	Bracket, Sppt	1
17	39283	(006128–)	Screw, Hex, M10 X 1.50 X 25, 8.8	1
18	32485	(006128–)	Washer, Flat, 0.38, Sae	3
19	1052175	(006128–)	Skirt, Fan, Eng, Dsl	1
20	1058732	(006128–)	Bracket, Mtg, Fan, Shrd, Upper, Dsl	1
21	41178	(006128–)	Washer, Flat, 0.25, Fendr	3
22	49266	(006128–)	Tie, Cable, Nyl, 07.3l .19w 1.8 Max D	2
23	1019968	(006128–)	Bracket, Mtg, Radiator	1
24	1040467	(006128–)	Screw, Hex, M6 X 1.00 X 20, 9.8, Sems	2
25	30407	(006128–)	Clip, Keeper, Open	1
26	08708	(006128–)	Nut, Hex, Lock, M6 X 1.00, NI	1
27	32490	(006128–)	Washer, Flat, 0.25, Std	1
28	1058730	(006128–)	Bracket, Mtg, Fan, Shrd, Lower, Dsl	1
29	07299	(006128–)	Screw, Hex, M10 X 1.25 X 25, 8.8	2
30	32492	(006128–)	Washer, Flat, 0.38, Std	7
31	376735	(006128–)	Seal, Bulb, Str, 0.38h .75w Adh, 52 L	1
32	1064434	(006128–)	Bracket, Shrd, Radiator, Dsl, Ce	1
33	1020341	(006128–)	Screw, Hex, M8 X 1.25 X 20, Ss, Sems	1
34	07790	(006128–)	Nut, Hex, Fing, M6 X 1.00	1
35	07791	(006128–)	Nut, Hex, Fing, M8 X 1.25	6
36	367812	(006128–)	Seal, Rbr, Clsd, .13, .38w 72.0l, Adh	1
37	1037346	(006128–)	Screw, Hex, M8 X 1.25 X 25, 9.8, Sems	5

STANDARD PARTS

Fig. 21 – Engine Radiator Hose Group, Diesel (003039–)

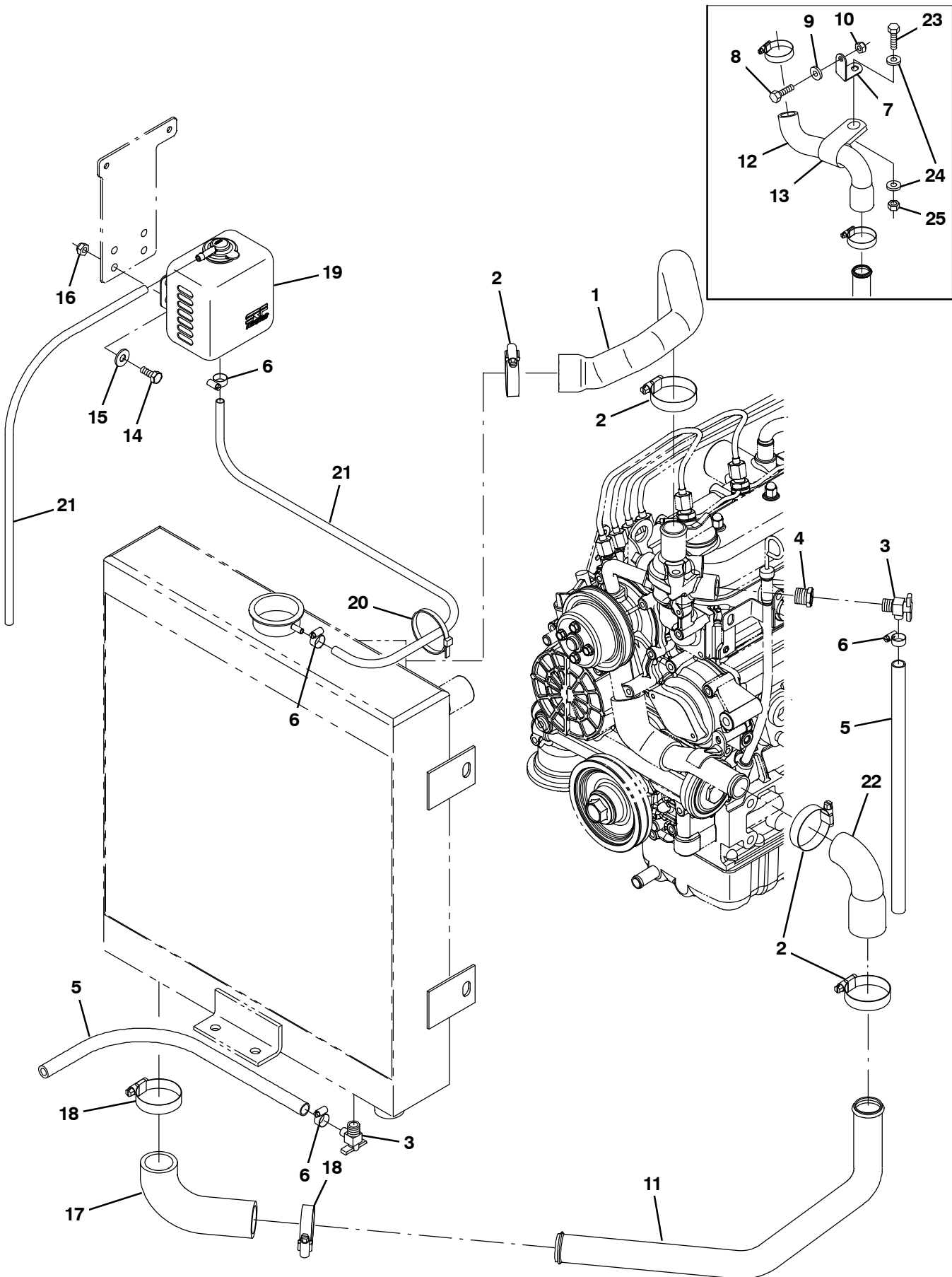


Fig. 21 – Engine Radiator Hose Group, Diesel (003039–)

Ref.	Part No.	Serial Number	Description	Qty.
1	1071195	(003039–)	Hose, Radiator, Upper, Dsl	1
2	11399	(003039–)	Clamp, Hose, Wormdrive, 0.81–1.50d, .50w	4
3	51305	(003039–)	Fitting, Draincock, E90, .25npt	2
4	150006	(003039–)	Fitting, Brs, Str, Pf04/Pm06, Bshg	1
5	73471	(003039–)	Hose, Pvc, Clr, 0.38id 0.56od 022.0l	2
6	43844	(003039–)	Clamp, Hose, Wormdrive, 0.25–0.62d, .31w	4
7	1033697	(003039–xxxxxx)	Bracket, Clamp, Hose	1
8	35707	(003039–xxxxxx)	Screw, Hex, .38–16 X 3.00, G5	1
9	32492	(003039–xxxxxx)	Washer, Flat, 0.38, Std	1
10	50902	(003039–xxxxxx)	Nut, Hex, Lock, .38–16, NI	1
11	1023180	(003039–)	Tube, Radiator, Lower, Dsl	1
12	1033688	(003039–xxxxxx)	Hose, Radiator, Lower, Dsl	1
13	53466	(003039–xxxxxx)	Clamp, Cable, Stl, 1.50d X 1.00w, 1hole	1
14	16931	(003039–)	Screw, Hex, M8 X 1.25 X 20, 8.8	2
15	32491	(003039–)	Washer, Flat, 0.31, Std	2
16	08709	(003039–)	Nut, Hex, Lock, M8 X 1.25, NI	2
17	1007482	(003039–)	Hose, Rbr, E90, 1.25id 1.25id 04.2 03.1	1
18	79381	(003039–)	Clamp, Hose, Wormdrive, 1.25–2.00D, .50W	2
19	1023853	(003039–003122)	Tank, Coolant, 03.30w 4.7hi 04.7l, 1liter	1
19	1054382	(003123–)	Tank, Coolant, 03.6W 04.1HI 05.5L, 1Liter	1
20	49266	(003039–)	Tie, Cable, Nyl, 07.3l .19w 1.8 Max D	2
21	1015041	(003039–)	Hose, Afmkt, Coolant Recvy, 08ft	1
22	1033688	(xxxxxx–003246)	Hose, Radiator, Lower, Dsl (Cut to fit)	1
22	1062103	(003247–)	Hose, Radiator, Lower, Dsl	1
23	16931	(003039–xxxxxx)	Screw, Hex, M8 X 1.25 X 20, 8.8	1
24	32491	(003039–xxxxxx)	Washer, Flat, 0.31, Std	2
25	08709	(003039–xxxxxx)	Nut, Hex, Lock, M8 X 1.25, NI	1

Fig. 22 - Battery and Electrical Group

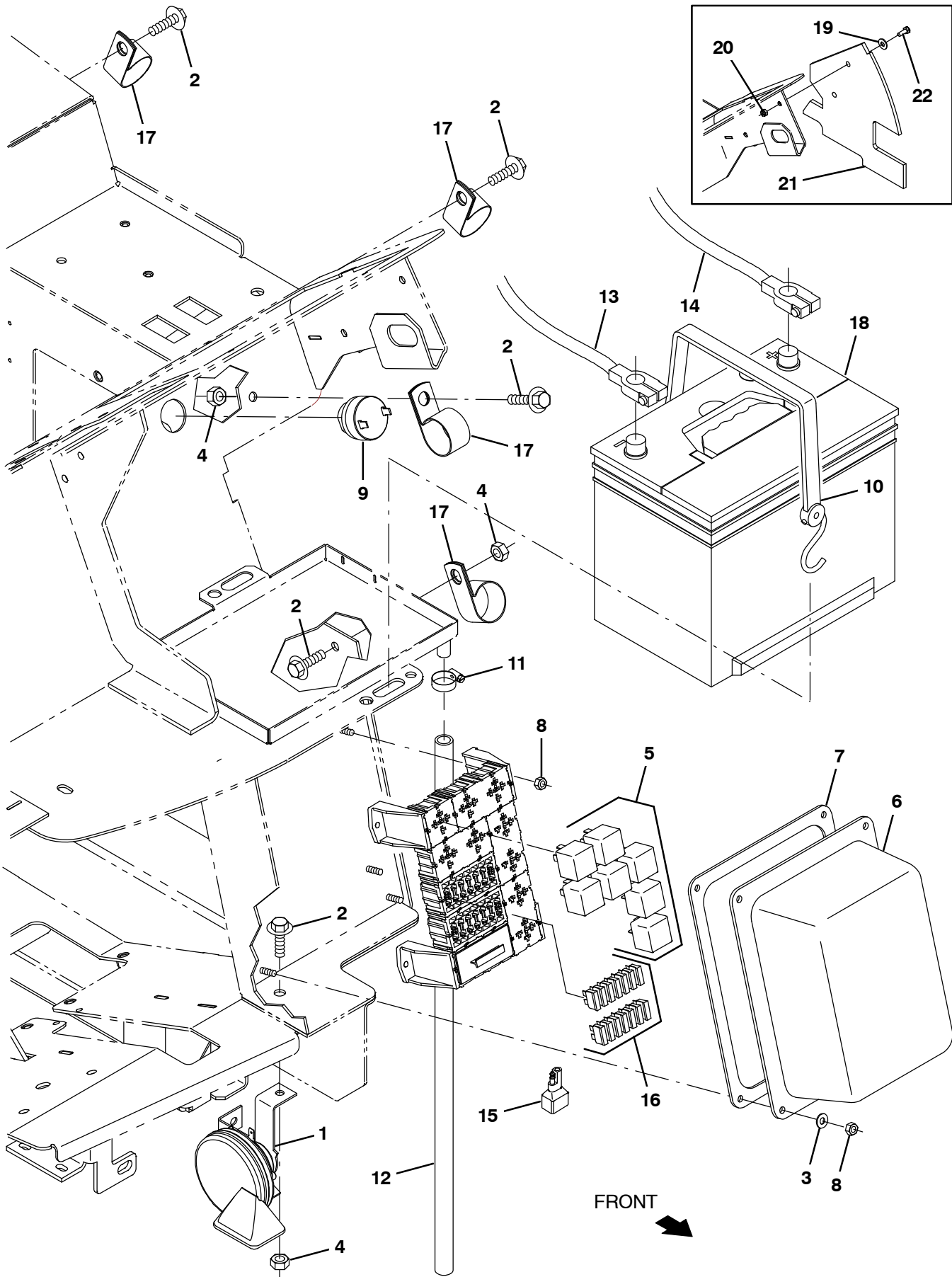


Fig. 22 - Battery and Electrical Group

Ref.	Part No.	Serial Number	Description	Qty.
1	369704	(000000-) Horn, 12vdc, Dba [Wolo]	1
2	1037346	(000000-) Screw, Hex, M8 X 1.25 X 25, 9.8, Sems	5
3	19066	(000000-) Washer, Flat, #10	4
4	08709	(000000-) Nut, Hex, Lock, M8 X 1.25, NI	3
5	57804	(000000-) Relay, 12vdc, 40a, Spdt N/O	7
6	1024274	(000000-) Cover, Fuse, Block	1
7	1026576	(000000-) Gasket, Cover, Fuse Block	1
8	06549	(000000-) Nut, Hex, Lock, M5 X 0.8, NI	8
9	1021290	(000000-) Alarm, Warning [Sonalert, St628]	1
10	33671	(000000-) Strap, Rbr, Tie-Down, 2/Hooks 19.0l	1
11	54333	(000000-) Clamp, Hose, Wormdrive, 0.31-0.88d, .31w	1
12	20778	(000000-) Hose, Pvc, Clr, 0.50id 0.69od 30.00l	1
13	60295	(000000-) Cable, Battery, 02ga 60.0l Blk .41ring	1
14	68869	(000000-) Cable, Battery, 02ga 48.0l Red .41ring	1
15	222290	(000000-) Diode, Ele, Plug	1
16	762514	(000000-) Fuse, 015a	14
17	53466	(000000-) Clamp, Cable, Stl, 1.50d X 1.00w, 1h	4
18	10143	(000000-) Battery, Wet, 12Vdc 0600Cca	1
19	32490	(000000-001278) Washer, Flat, 0.25 Std	2
20	08708	(000000-001278) Nut, Hex, Lock, M6 X 1.0, NI	2
21	1027228	(000000-001278) Seal, Radiator, Upper	1
22	06942	(000000-001278) Screw, Hex, M6 X 1.0 X 16, 8.8	2

Fig. 23 – Wheel Group, Front Drive

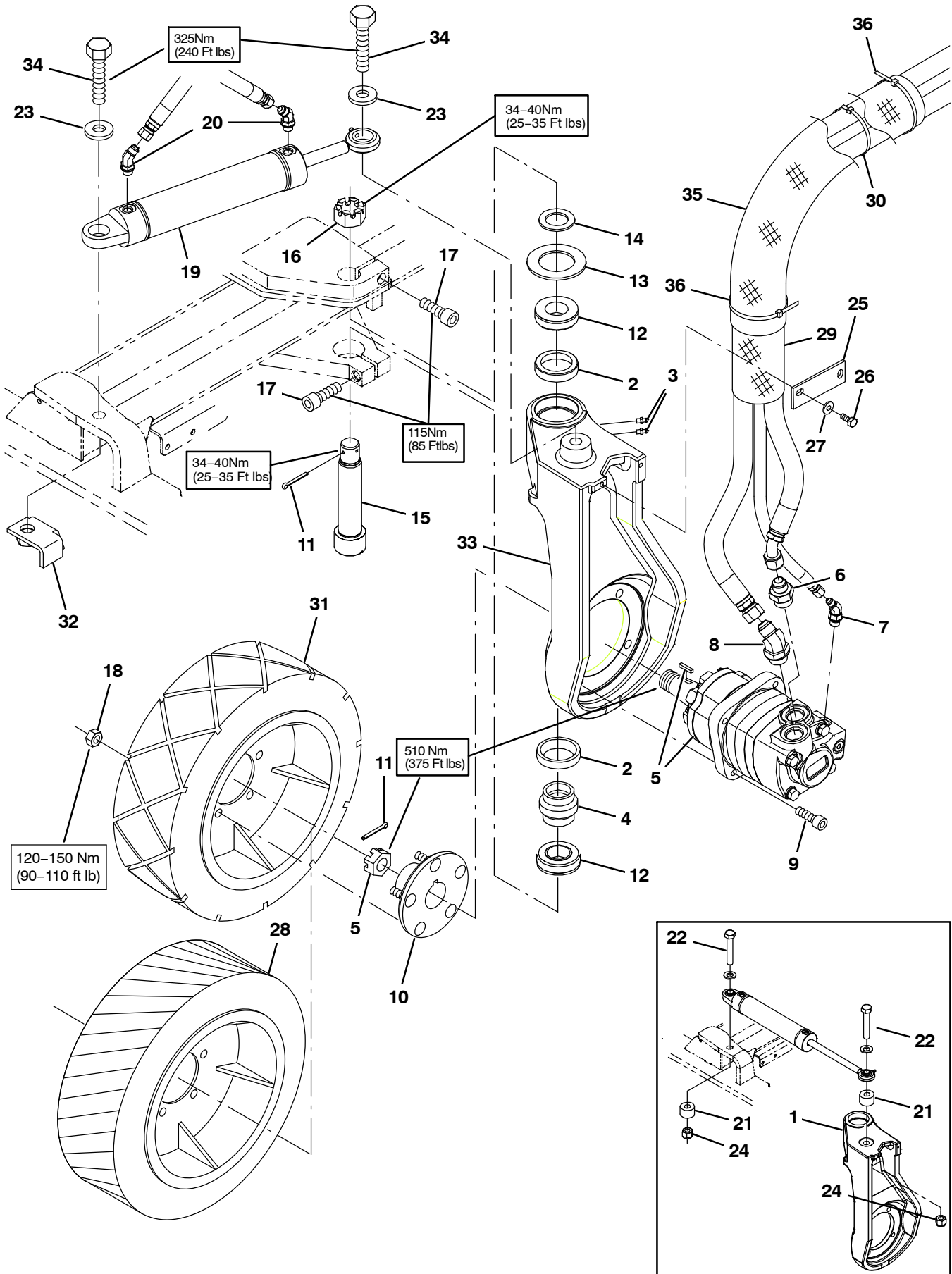


Fig. 23 – Wheel Group, Front Drive

Ref.	Part No.	Serial Number	Description	Qty.	
1	9008248	(000000-003675)	Housing Kit, Drive, Front, Replmt	1	
2	51338	(000000-)	Bearing, Cup, 2.56d 0.55w	2	
3	47801	(000000-)	Fitting, Grease, Str Pm04 .63l	2	
4	374560	(000000-)	Seal, Drive, Rear, Grease Cav	1	
5	379609	(000000-)	Motor, Hyd, Gear, Int 19.0 Bi-Dir 3000 (See Breakdowns)	1	
6	42223	(000000-)	Fitting, Hyd, Str, Jm10/Om12	1	
7	393215	(000000-)	Fitting, Hyd, E45, Jm04/Om06	1	
8	1024249	(000000-)	Fitting, Hyd, E45, Jm10/Om12	1	
9	19583	(000000-)	Screw, Soc, .50-13 X 1.50, Al	4	
▽	10	54087	(000000-)	Hub Assy, Wheel, 5 Bolt 4.50bc Taper B	1
▲		32126	(000000-)	Stud, Wheel, .50-20 X 1.50l, 0.370th	5
	11	08180	(000000-)	Pin, Cotter, .125 X 2.00	2
	12	51339	(000000-)	Bearing, Cone, 1.38b 0.71w	2
	13	374563	(000000-)	Washer, Flat, 2.16b 3.50d .16, Felt	1
	14	54051	(000000-)	Washer, Flat, 1.39b 2.12d .13, Stl	1
	15	73281	(000000-)	Bolt, Shld, 1.37d X 5.13l, 1.1-18 Drilled	1
	16	54052	(000000-)	Nut, Hex, Slted, 1.12-18	1
	17	72926	(000000-)	Screw, Soc, M16 X 2.0 X 50, 12.9	2
	18	24339	(000000-)	Nut, Wheel, .50-20 X 60 Angle	5
	19	1017903	(000000-006885)	Cylinder, Hyd, 2.0b, 15.2l, 09.00strk, 3000	1
	19	1034270	(006886-)	Cylinder, Hyd, 2.0b, 15.2l, 09.00strk, 3000	1
	20	47522	(000000-)	Fitting, Hyd, E45, Jm06/Om06	2
	21	71340	(000000-003675)	Tube, Rnd, 1.75d 0.77b 01.1l, Stl, Pntd	2
	22	71341	(000000-003675)	Screw, Hex, .75-10 X 4.00, 5	2
	23	39350	(000000-006885)	Washer, Flat, 0.75 Sae	2
	23	1073487	(006886-)	Washer, Flat, .781b 1.63od .16, Stl, Blk	2
	24	32987	(000000-003675)	Nut, Hex, Lock, .75-10, NI	2
	25	58842	(000000-)	Bar, Flat, Stl 0.19, 01.50 X 04.1l	1
	26	16931	(000000-)	Screw, Hex, M8 X 1.25 X 20, 8.8	2
	27	32491	(000000-)	Washer, Flat, 0.31, Std	2
	28	1061973	(000000-)	Tire, Drive, Scrbr, Pu, Grey, 18.0X6.0 (Optional Polyurethane)	1
	29	57315	(000000-)	Sleeve, Nyl, #37 05.0l	2
	30	49266	(000000-)	Tie, Cable, Nyl, 07.3l .19w 1.8 Max D	2
	31	1059343	(000000-)	Tire, Drive, Scrbr, Non-Skid, 18.0X6.0	1
	32	1060521	(003676-)	Bracket, Mtg, Sppt	1
	33	1071061	(003676-)	Housing, Sppt, Front Wheel	1
	34	77345	(003676-)	Screw, Hex, .75-10 X 3.25, G5	1
	35	82832	(006000-)	Sleeve, Nyl, 2.38id 25.0l	1
	36	49266	(006000-)	Tie, Cable, Nyl, 07.3l .19w 1.8 Max D	2

Fig. 24 - Wheel Group, Rear

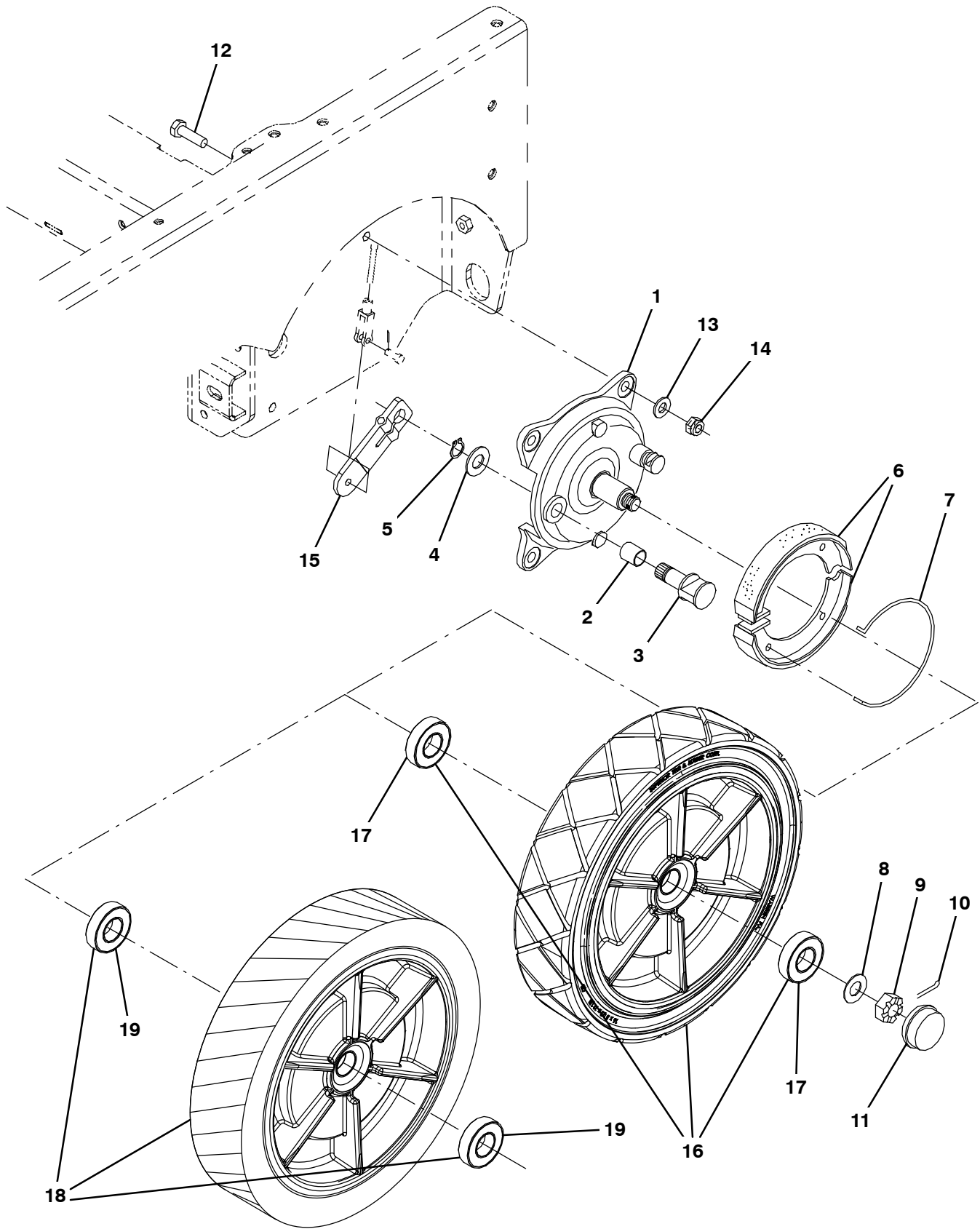


Fig. 24 – Wheel Group, Rear

	Ref.	Part No.	Serial Number	Description	Qty.
▽		360023	(000000–) Brake Assy, Drum, Mech, 07.0d 1.2w	2
▲	1	360270	(000000–) Plate, Backing, Brake	1
▲	2	360271	(000000–) Bushing, Sleeve, 0.78b 0.86d 0.93l, Bnz	1
▲	3	360272	(000000–) Cam, Plt, Brake [Nickel]	1
▲	4	360273	(000000–) Washer, Flat, M21.0b X 37d X 3	1
▲	5	360274	(000000–) Retainer, Ring, Brake	1
▲	6	360275	(000000–) Shoe, Brake, 180 X 30mm	2
▲	7	360276	(000000–) Spring, Wir, 0.25d, Return, Brake	1
	8	49145	(000000–) Washer, Flat, 0.76b 1.50d .06, Ss	2
	9	86659	(000000–) Nut, Hex, Sltd, .75–16	2
	10	08171	(000000–) Pin, Cotter, .156 X 2.00	2
	11	54390	(000000–) Cap, Hub, Dust 2.57d 0.77l	2
	12	06969	(000000–) Screw, Hex, M12 X 1.75 X 40, 8.8	8
	13	32486	(000000–) Washer, Flat, 0.50 Sae	8
	14	08711	(000000–) Nut, Hex, Lock, M12 X 1.75,NI	8
	15	360802	(000000–) Arm, Lever, Brake, 4.1 [Knott]	2
▽	16	1059671	(000000–) Tire, Idler, Scrbr, Blk, 16.0X3.5	2
▲	17	360074	(000000–) Bearing, Ball, 1.18b 2.44d 0.63w	2
▽	16	1059347	(000000–) Tire, Idler, Scrbr, Non–Skid, 16.0x3.5 (Optional)	2
▲	17	360074	(000000–) Bearing, Ball, 1.18b 2.44d 0.63w	2
▽	18	1061974	(000000–) Tire, Idler, Scrbr, Pu, Grey, 16.0X3.5 (Optional Polyurethane)	2
▲	19	360074	(000000–) Bearing, Ball, 1.18b 2.44d 0.63w	2

Fig. 25 - Brake Pedal Linkage Group

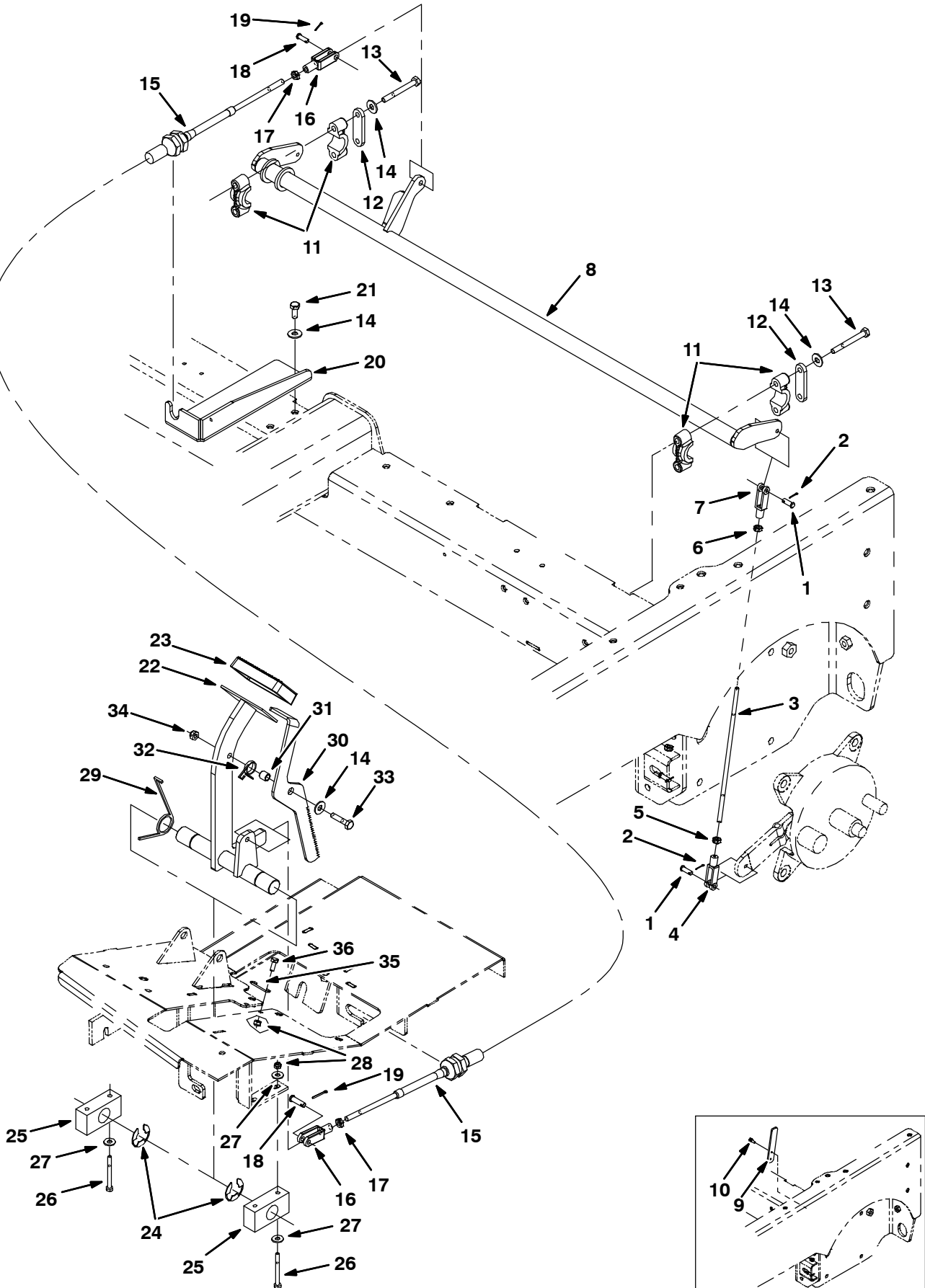
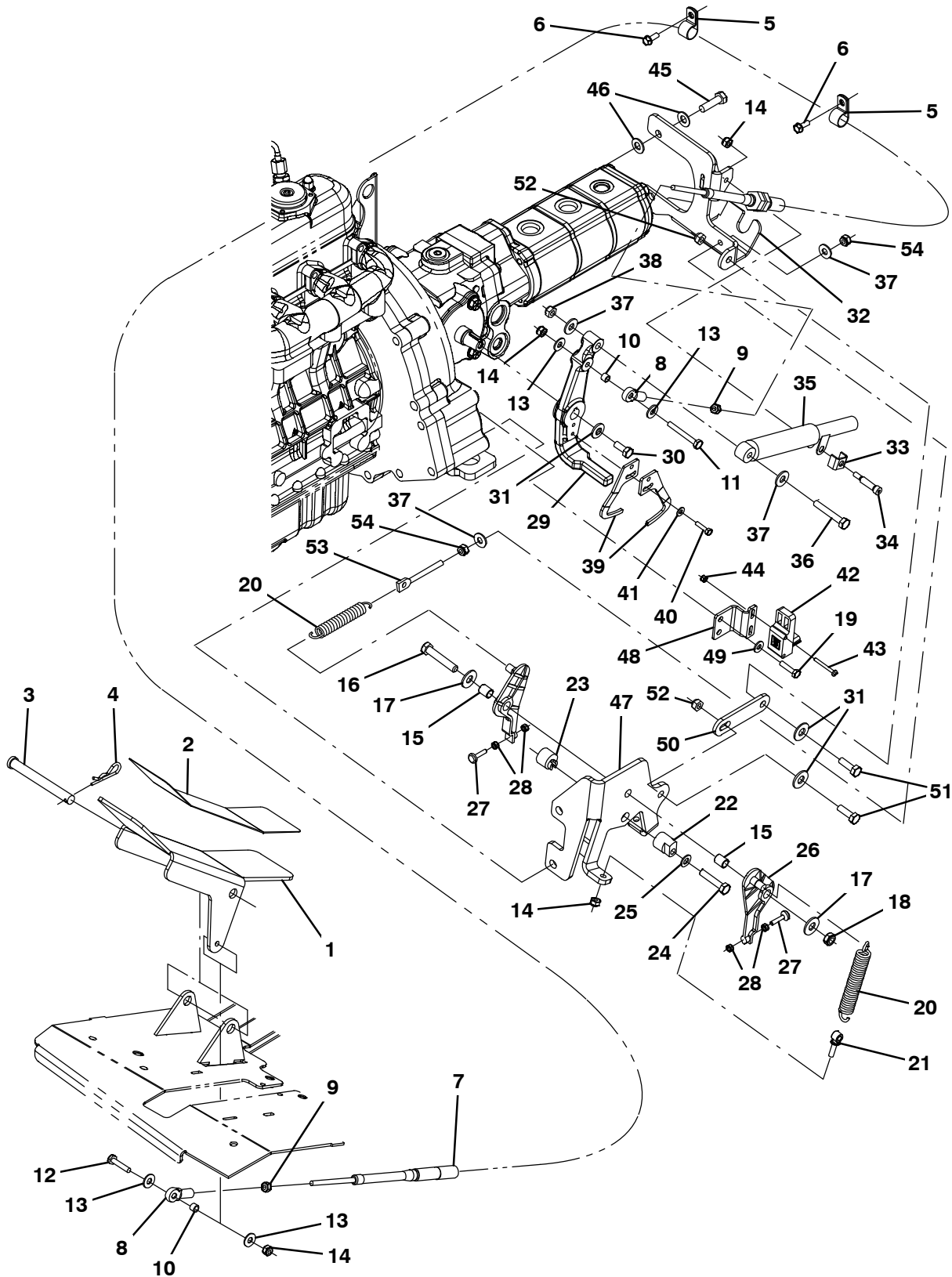


Fig. 25 – Brake Pedal Linkage Group

Ref.	Part No.	Serial Number	Description	Qty.
1	14605	(000000–)	Pin, Clevis, 0.25d X 0.75l	4
2	08170	(000000–)	Pin, Cotter, .062 X 0.50	4
3	364347	(000000–)	Rod	2
4	14595–1	(000000–)	Clevis, Adj, 0.25 Pin, 0.25–28 Rh, Pl	2
5	364948	(000000–)	Nut, Hex, Std, .25–28, Lh	2
6	01714	(000000–)	Nut, Hex, Std, .25–28	2
7	364864	(000000–)	Clevis, Adj, 0.25pin, 0.25–28left Pl	2
8	1022031	(000000–)	Shaft Wldt, Brake	1
9	1026025	(000000–xxxxxx)	Plate, Stop, Brake	2
10	361339	(000000–xxxxxx)	Screw, Hex, M6 X 1.0 X 16, Fmg	4
11	381502	(000000–)	Bearing, Split, 1.00b	4
12	382224	(000000–)	Plate, Sppt	2
13	39279	(000000–)	Screw, Hex, M8 X 1.25 X 70, 8.8	4
14	32491	(000000–)	Washer, Flat, 0.31, Std	7
15	1025495	(000000–)	Cable, Push / Pull, 063.0l 4.0, .31–24	1
16	58311	(000000–)	Clevis, Adj, 0.31pin, 0.31–24	2
17	20170	(000000–)	Nut, Hex, Jam, .31–24	2
18	69582	(000000–)	Pin, Clevis, 0.31d X 1.00l	2
19	08179	(000000–)	Pin, Cotter, .094 X 1.00	2
20	1022736	(000000–)	Bracket, Mtg, Cable	1
21	16931	(000000–)	Screw, Hex, M8 X 1.25 X 20, 8.8	2
22	1022243	(000000–)	Shaft Wldt, Pedal, Brake	1
23	51109	(000000–)	Pad, Pedal, Brake, 3.96l 2.36w 0.75	1
24	23788	(000000–)	Ring, Retaining, Ext, 0.98d, [E–Ring]	2
25	86751	(000000–)	Bearing, Pillowblock, 1.02b [Solid Pye]	2
26	06548	(000000–)	Screw, Hex, M6 X 1.0 X 60, 8.8	4
27	32490	(000000–)	Washer, Flat, 0.25 Std	8
28	08708	(000000–)	Nut, Hex, Lock, M6 X 1.0, NI	6
29	54607	(000000–)	Spring, Tors, 1.13id .12wir 02.3coil Rh	2
30	1025487	(000000–)	Pedal, Brake, Lock	1
31	46563	(000000–)	Bushing, Sleeve, 0.37b 0.50d 0.50l, Oib	1
32	59009	(000000–)	Spring, Tors, 0.75id .06wir 02.8coil	1
33	06955	(000000–)	Screw, Hex, M8 X 1.25 X 35, 8.8	1
34	08709	(000000–)	Nut, Hex, Lock, M8 X 1.25, NI	1
35	71367	(000000–)	Spring, Wir, 0.08d, Brake, Parking	1
36	06942	(000000–)	Screw, Hex, M6 X 1.0 X 16, 8.8	2

Fig. 26 – Directional Pedal and Linkage Group, Diesel



Ref.	Part No.	Serial Number	Description	Qty.
1	1025140	(000000–)	Pedal, Propel	1
2	58819	(000000–)	Tread, Non-Skid, 03.0w 11.6l	1
3	59668	(000000–)	Pin, Clevis, 0.50 D X 4.50l	1

Fig. 26 – Directional Pedal and Linkage Group, Diesel

Ref.	Part No.	Serial Number	Description	Qty.
4	08182	(000000–)	Pin, Cotter, .125 X 1.00	1
5	67767	(000000–)	Clamp, Cable, Stl, 0.69d X 0.62w, 1h	2
6	361339	(000000–)	Screw, Hex, M6 X 1.0 X 16, Fmg	2
7	1022345	(000000–)	Cable, Push / Pull, 098.0l .25–28/.25–28	1
8	68866	(000000–)	Rod–End, .25–28rh Fem 0.25b [Teflon]	2
9	01714	(000000–)	Nut, Hex, Std, .25–28	2
10	65441	(000000–)	Tube, 00.38d 00.26b 00.3l Stl Plt	2
11	41399	(000000–)	Screw, Hex, .25–20 X 2.25, Ss	1
12	42180	(000000–)	Screw, Hex, .25–20 X 1.75, Ss	1
13	32490	(000000–)	Washer, Flat, 0.25 Std	5
14	41169	(000000–)	Nut, Hex, Lock, .25–20, NI, Ss	4
15	63234	(000000–)	Tube, 00.50d 00.38b 00.6l Stl	2
16	42467	(000000–)	Screw, Hex, .38–16 X 2.00, Ss	1
17	32492	(000000–)	Washer, Flat, 0.38 Std	2
18	36643	(000000–)	Nut, Hex, Lock, .38–16, NI, Thin	1
19	21197	(000000–)	Screw, Hex, .38–16 X 1.00, 5	2
20	11842	(000000–)	Spring, Extn, 0.75od X 0.12wir, 4.3l	2
21	48079	(000000–)	Bolt, Eye, .25–20 X 1.40 X .25 Eye	1
22	53947	(000000–)	Cam, Centering, Pintle	1
23	54655	(000000–)	Cam, Centering, Pintle	1
24	74440	(000000–)	Screw, Hex, M8 X 1.25 X 40, Ss, NI	1
25	39349	(000000–)	Washer, Flat, 0.31 Sae	1
26	53953	(000000–)	Arm, Cntrl, Pintle, Centering	2
27	54205	(000000–)	Bumper, Rbr, 0.5d 0.16t M5 X 08	2
28	50335	(000000–)	Nut, Hex, Std, M5 X 0.8, 8	4
29	1027233	(000000–)	Arm, Pintle	1
30	83879	(000000–)	Screw, Hex, .31–24 X 0.75, NI	1
31	41186	(000000–)	Washer, Belleville, .31	3
32	1027313	(000000–)	Bracket Wldt, Propel, Pintle	1
33	84170	(000000–)	Bracket, Retainer, Safety	1
34	16213	(000000–)	Bolt, Shld, .31d X 1.00, .25–20	1
35	73411	(000000–)	Shock Absorber, 2.3 Strk	1
36	39278	(000000–)	Screw, Hex, M8 X 1.25 X 50, 8.8	1
37	32491	(000000–)	Washer, Flat, 0.31 Std	2
38	08709	(000000–)	Nut, Hex, Lock, M8 X 1.25, NI	1
39	1022787	(000000–)	Arm [Positioning]	2
40	09252	(000000–)	Screw, Hex, M5 X 0.8 X 20, 8.8	2
41	01683	(000000–)	Washer, Flat, #10 Ss	2
42	1022779	(000000–)	Sensor, Spd / Dir, 6–30vdc	1
43	09198	(000000–)	Screw, Pan, M4 X 0.7 X 35, Ss	2
44	33932	(000000–)	Nut, Hex, Lock, M4 X 0.7, NI, Ss	2
45	21198	(000000–)	Screw, Hex, .38–16 X 1.25, G5	2
46	32485	(000000–)	Washer, Flat, 0.38 Sae	4
47	1027692	(000000–)	Bracket, Propel, Dsl	1
48	1027742	(000000–)	Bracket, Mtg, Sensor	1
49	32483	(000000–)	Washer, Flat, 0.25, Sae	2
50	1032399	(000000–)	Strap, Sppt	1
51	09010	(000000–)	Screw, Hex, M8 X 1.25 X 25, Ss	2
52	08713	(000000–)	Nut, Hex, Lock, M8 X 1.25, NI, Ss	2
53	386088	(000000–)	Bolt, Eye, M8X1.25, 2.75L	1
54	07786	(000000–)	Nut, Hex, Std, M8 X 1.25, Ss	2

Fig. 27 - Hopper Lift Arms Group

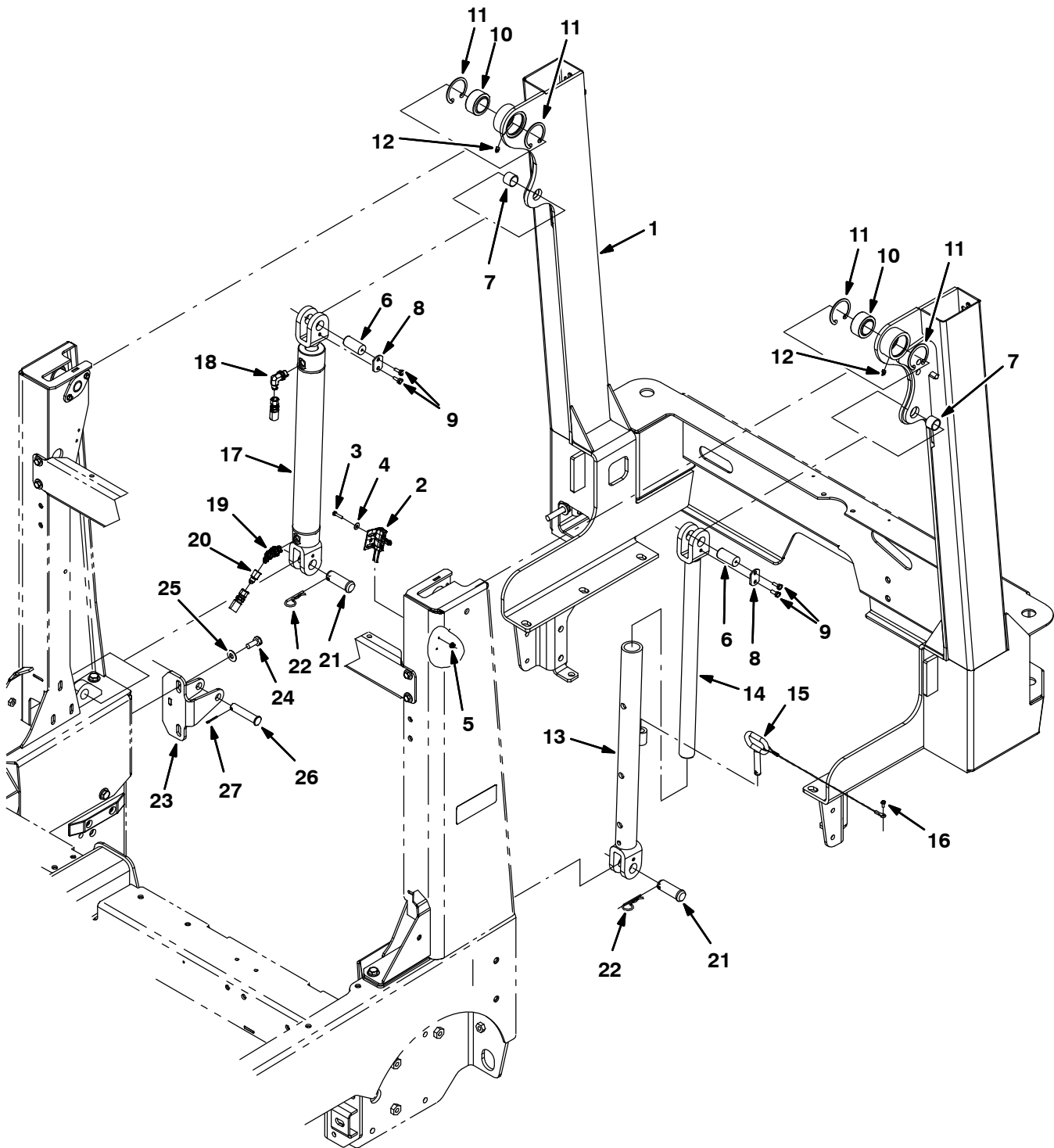


Fig. 27 – Hopper Lift Arms Group

Ref.	Part No.	Serial Number	Description	Qty.
1	1018241	(000000-004292)	Frame Wldt, Lift, Hppr	1
1	1069933	(004293-)	Frame Wldt, Lift, Hppr	1
2	23211	(000000-)	Switch, Snap, 15a No, Rlr	1
3	09252	(000000-)	Screw, Hex, M5 X 0.8 X 20, 8.8	2
4	19066	(000000-)	Washer, Flat, #10	2
5	07789	(000000-)	Nut, Hex, Flng, M5 X 0.8	2
6	1018226	(000000-)	Pin, 0.87d 01.8l, 1/M6 X 1.0, 1cham,Stl	2
7	364587	(000000-)	Bushing, Sleeve, 0.88b 1.00d 0.75l, Bnz	2
8	72897	(000000-)	Plate, Pin, Clevis, Upper	2
9	1040467	(000000-)	Screw, Hex, M6 X 1.0 X 20, 9.8, Sems	4
10	42120-1	(000000-)	Bearing, Self Align, 1.25b 2.00d	2
11	59542	(000000-)	Ring, Retaining, Int, 2.00d	4
12	07259	(000000-)	Fitting, Grease, Str Pm04 .47l	2
13	1018260	(000000-)	Tube Wldt, Arm, Safety	1
14	1018262	(000000-)	Rod Wldt, Arm, Safety	1
15	1018266	(000000-)	Pin, Arm, Safety	1
16	16944	(000000-)	Screw, Hex, M4 X 0.7 X 10, Fmg	1
17	1029646	(000000-)	Cylinder, Hyd, 2.0B 24.1L 15.00Strk 3000	1
18	47638	(000000-)	Fitting, Hyd, E90, Jm04/Om06	1
19	393215	(000000-)	Fitting, Hyd, E45, Jm04/Om06	1
20	1025904	(000000-)	Fitting, Hyd, Rst, Jf04/Jm04, .028	1
21	1018227	(000000-)	Pin, Clevis, 0.88d X 2.25l	2
22	02942	(000000-)	Pin, Cotter, Hair, 0.62d .120 Wir	2
23	1018275	(000000-)	Plate Wldt, Arm, Stop	1
24	09028	(000000-)	Screw, Hex, M10 X 1.5 X 25, Ss	2
25	01686	(000000-)	Washer, Flat, 0.44b 1.00d .08, Ss	2
26	1018276	(000000-)	Pin, Clevis, 0.62d X 2.91l	1
27	08179	(000000-)	Pin, Cotter, .094 X 1.00	1

Fig. 28 - Hopper and Debris Screen Group

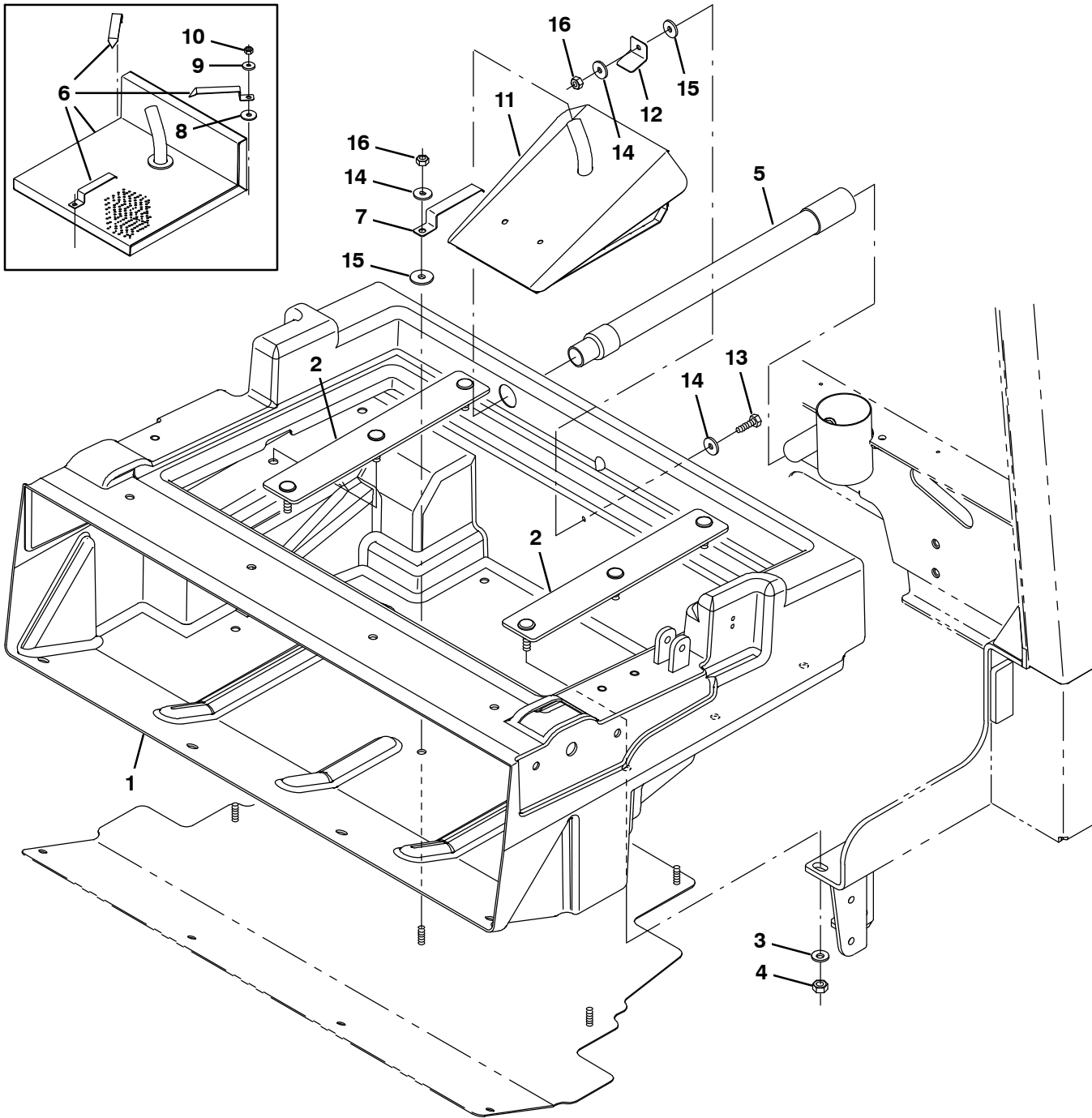


Fig. 28 – Hopper and Debris Screen Group

Ref.	Part No.	Serial Number	Description	Qty.
1	1018300	(000000–) Hopper, Debris, Rm–Hg, Trimmed	1
2	1018272	(000000–) Bar, Mtg, Hppr	2
3	763042	(000000–) Washer, Flat, Belleville, M10	6
4	08714	(000000–) Nut, Hex, Lock, M10 X 1.5, NI, Ss	6
5	1018239	(000000–) Hose Assy, W/1cuff, 1.0d 09l 1.0/	1
6	9003774	(000000–002280) Screen Kit, Hppr, Replmt [M20]	1
7	1044323	(002281–) Spring, Flat, Retainer, Angled Screen	1
8	222268	(000000–002280) Washer, Flat, 0.38b 1.25d .12, Neo	3
9	1017218	(000000–002280) Washer, Flat, 0.32b 1.00d .12, Ss	3
10	08713	(000000–002280) Nut, Hex, Lock, M8 X 1.25, NI, Ss	3
11	1039163	(002281–) Screen Wldt, Hppr	1
12	1039215	(002281–) Angle, Retainer	1
13	09010	(002281–) Screw, Hex, M8 X 1.25 X 25, Ss	1
14	1017218	(002281–) Washer, Flat, 0.32b 1.00d .12, Ss	3
15	222268	(002281–) Washer, Flat, 0.38b 1.25d .12, Neo	2
16	08713	(002281–) Nut, Hex, Lock, M8 X 1.25, NI, Ss	2

Fig. 29 – Hopper Cover and Dust Filter Group

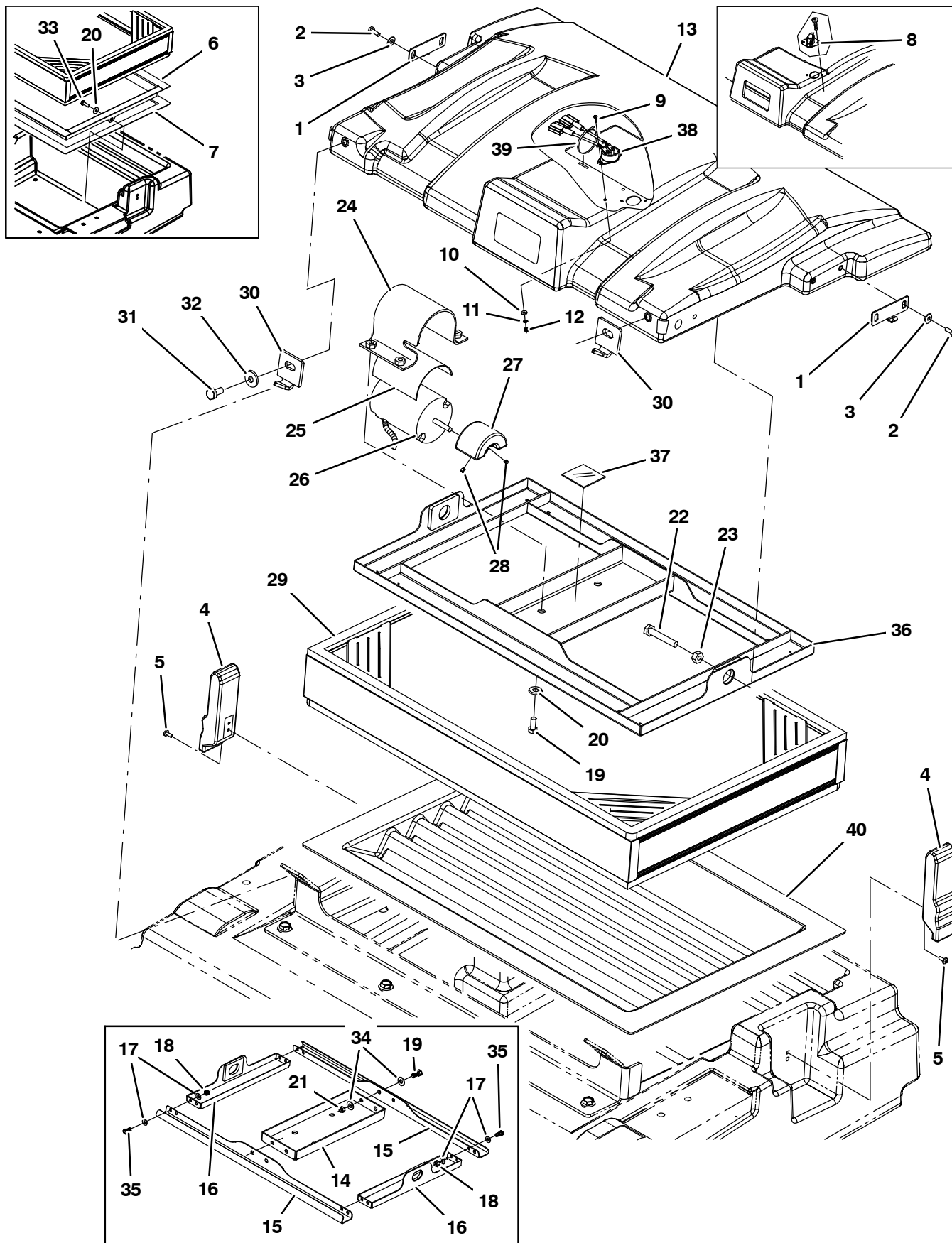


Fig. 29 – Hopper Cover and Dust Filter Group

Ref.	Part No.	Serial Number	Description	Qty.
1	1041984	(000000–)	Bracket, Cover, Hppr	2
2	15678	(000000–)	Screw, Hex, M6 X 1.0 X 16, Ss	4
3	01684	(000000–)	Washer, Flat, 0.25, Ss	4
4	360824	(000000–)	Latch	2
5	09200	(000000–)	Screw, Pan, M5 X 0.8 X 12, Ss	4
6	1033591	(000000–002048)	Tray Wldt, Perma–filter (Replaced By none)	1
7	1015220	(000000–002048)	Seal, Afrmkt, Ure, Adh, 0.38, 0.75w 08ft (Replaced By none)	1
8	9003444	(000000–002040)	Sensor Kit, Repair [Thermo–Sentry, M20]	1
9	06922	(000000–)	Screw, Pan, M3 X 0.5 X 20, 4.8	2
10	19064	(000000–)	Washer, Flat, #06	2
11	32975	(000000–)	Washer, Lock, Int, #06	2
12	01754	(000000–)	Nut, Hex, Std, M3 X 0.5, 8	2
13	1041006	(000000–)	Cover, Hppr	1
14	1018203	(000000–001356)	Plate, Shakr	1
15	360952	(000000–001356)	Plate, Shakr, Bar	2
16	1017944	(000000–001356)	Plate Wldt, Shakr, Side	2
17	32483	(000000–001356)	Washer, Flat, 0.25 Sae	16
18	08712	(000000–001356)	Nut, Hex, Lock, M6 X 1.0, Ss, NI	8
19	09740	(000000–)	Screw, Hex, M8 X 1.25 X 20, Ss	8
20	01685	(000000–)	Washer, Flat, 0.31, Ss	6
21	08713	(000000–)	Nut, Hex, Lock, M8 X 1.25, NI, Ss	4
22	06957	(000000–002040)	Screw, Hex, M8 X 1.25 X 60, 8.8	2
22	06963	(002041–)	Screw, Hex, M10 X 1.50 X 60, 8.8	2
23	39311	(000000–002040)	Nut, Hex, Std, M8 X 1.25	2
23	39312	(002041–)	Nut, Hex, Std, M10 X 1.50	2
24	1037671	(000000–)	Strap, Mtg, Motor, .124.00W	1
25	36658	(000000–)	Strip, Rbr, 0.06 04.00w 05.0l Neo/60	1
26	1041920	(000000–003408)	Motor, Ele [12vdc, Shaker]	1
26	1059542	(003409–)	Motor, Ele 12Vdc, Shakr	1
27	1049242	(000000–003408)	Weight, Eccentric	1
27	1053320	(003409–)	Weight, Eccentric	1
28	20634	(000000–)	Screw, Set, #10–24 X 0.25, NI	2
29	1048295AM	(000000–)	Filter, Panl, Syn, 4.2 X 20.0 X 30.0	1
30	1018207	(000000–)	Bar, Mtg, Hppr Cover	2
31	09291	(000000–)	Screw, Hex, M10 X 1.5 X 20, Ss	2
32	1014563	(000000–)	Washer, Flat, 0.40b 1.12d .12, Ss	2
33	39277	(000000–)	Screw, Hex, M8 X 1.25 X 25, 8.8	2
34	01685	(000000–001356)	Washer, Flat, 0.31, Ss	8
35	15678	(000000–001356)	Screw, Hex, M6 X 1.0 X 16, Ss	8
36	1037235	(001357–)	Shaker Wldt	1
37	36661	(001357–)	Strip, Rbr, 0.06 01.00W 04.0L	1
38	1036611	(002041–003478)	Switch, Temp [160F]	1
38	1056298	(003479–)	Switch, Temp, Sealed, Nc	1
39	763116	(002041–)	Tie, Cable, Nyl, 15.3L . W 4.5 Max D	1
40	1037947	(002140–)	Tray, Perma–Filter	1

Fig. 30 – Hopper Bumper Group

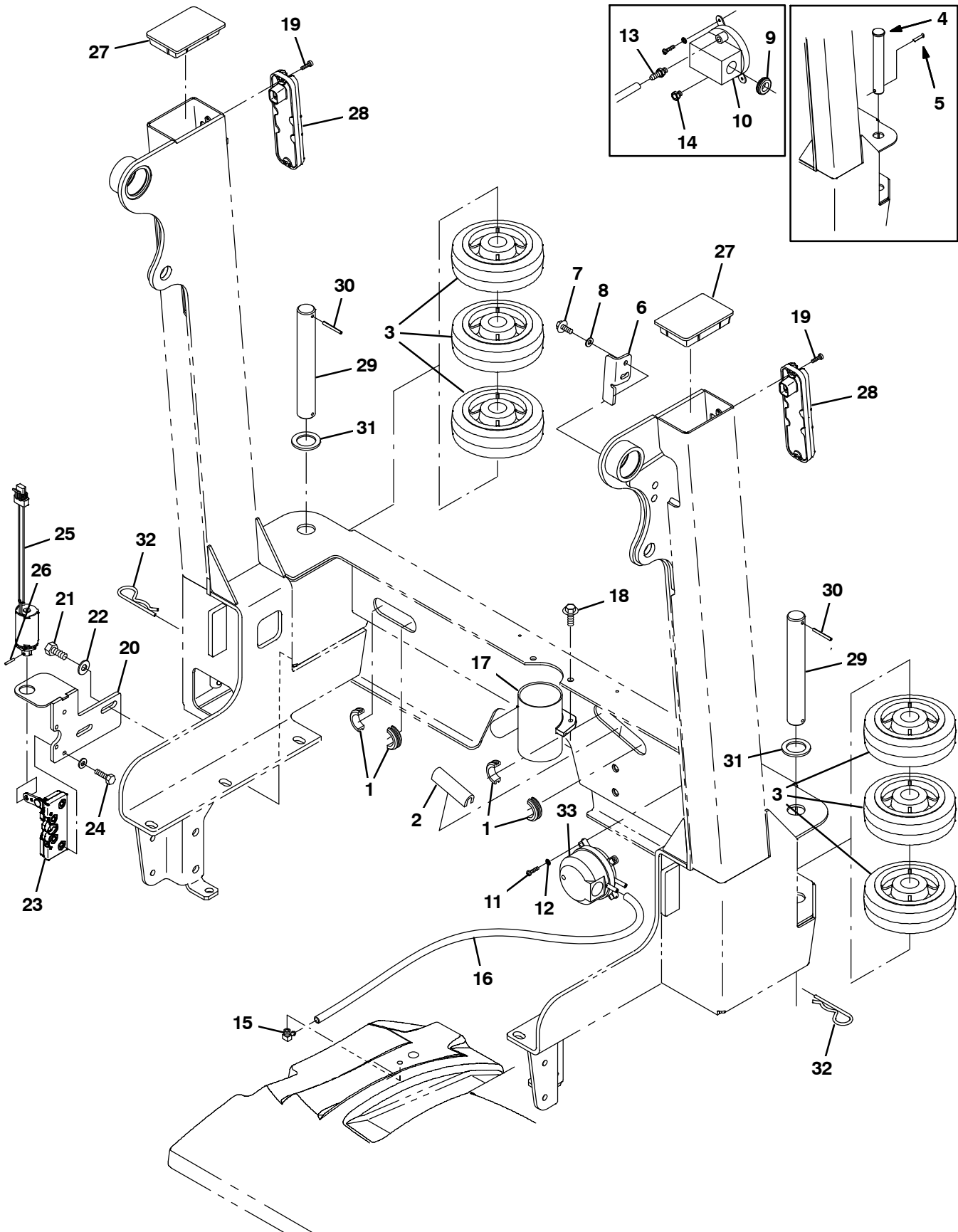


Fig. 30 – Hopper Bumper Group

Ref.	Part No.	Serial Number	Description	Qty.
1	10632-1	(000000-xxxxxx)	Grommet, Rbr, 1.06id, F/1.4h, .19 Matl	2
1	10632-13	(xxxxxx-)	Grommet, Rbr, 1.50id, F/1.8h, .19 Matl	2
2	50646	(000000-)	Molding, Trim, Pvc,.18-.31 07.5l	1
3	1021047	(000000-)	Wheel, 06.0d 2.00w 1.19b, Gray Rbr	6
4	9006334	(000000-003062)	Pin Kit, Wheel, Ci [M20/T20/M30]	2
5	08171	(000000-003062)	Pin, Cotter, .156 X 2.00	2
6	1018240	(000000-)	Bracket, Mtg, Switch	1
7	361339	(000000-)	Screw, Hex, M6 X 1.0 X 16, Fmg	2
8	32483	(000000-)	Washer, Flat, 0.25 Sae	2
9	10632-4	(000000-003259)	Grommet, Rbr, 0.62id, F/0.9h, .06 Matl	1
10	39924	(000000-003259)	Switch, Press, Spdt 0008psi	1
11	12323	(000000-)	Screw, Pan, M4 X 0.7 X 20, Ss	2
12	02938	(000000-)	Washer, Lock, Int, #08, Ss	2
13	40607	(000000-003259)	Fitting, Brs, Str, Bm03/Pm02	1
14	82739	(000000-003259)	Fitting, Brs, Breather [02mp]	1
15	32183	(000000-)	Fitting, Brs, E90, Pm02/Bm03	1
16	1031575	(000000-)	Hose, Afmkt, Vacuum, 0.16id, 03ft	1
17	1036240	(000000-)	Tube, Vacuum	1
18	1037346	(000000-)	Screw, Hex, M8 X 1.25 X 25, 9.8, Sems	2
19	06928	(000000-)	Screw, Pan, M4 X 0.7 X 20, 4.8	4
20	1018280	(000000-)	Plate Wldt, Mtg, Solenoid	1
21	09028	(000000-xxxxxx)	Screw, Hex, M10 X 1.5 X 25, Ss	2
21	12309	(xxxxxx-)	Screw, Hex, M12 X 1.75 X 30, Ss	2
22	32492	(000000-xxxxxx)	Washer, Flat, 0.38 Std	2
22	32486	(xxxxxx-)	Washer, Flat, 0.50, Sae	2
23	21623	(000000-)	Latch	1
24	06944	(000000-)	Screw, Hex, M6 X 1.0 X 25, 8.8	4
25	1018274	(000000-)	Solenoid, Pull, 12vdc, Damper	1
26	20021	(000000-)	Pin, Roll, .125 D X 0.75l, .125/.129	1
27	1018293	(000000-)	Cap, Arm, Lift	2
28	1018208	(000000-)	Light, Tail, 12vdc	2
29	1053838	(003063-)	Pin, 30mmd X 215mml	2
30	23146	(003063-)	Pin, Roll, .187d X 1.62l, .187/.192	2
31	1062566	(003063-)	Washer, Flat, 1.26B 1.88D .13, Stl, Pl	2
32	34411	(003063-)	Pin, Cotter, Hair, 1.00d .178 Wir	2
33	1052885	(003260-)	Switch, Press, Adj [4-16 In Wtr]	1

Fig. 31 - Hopper Door Group (000000-003061)

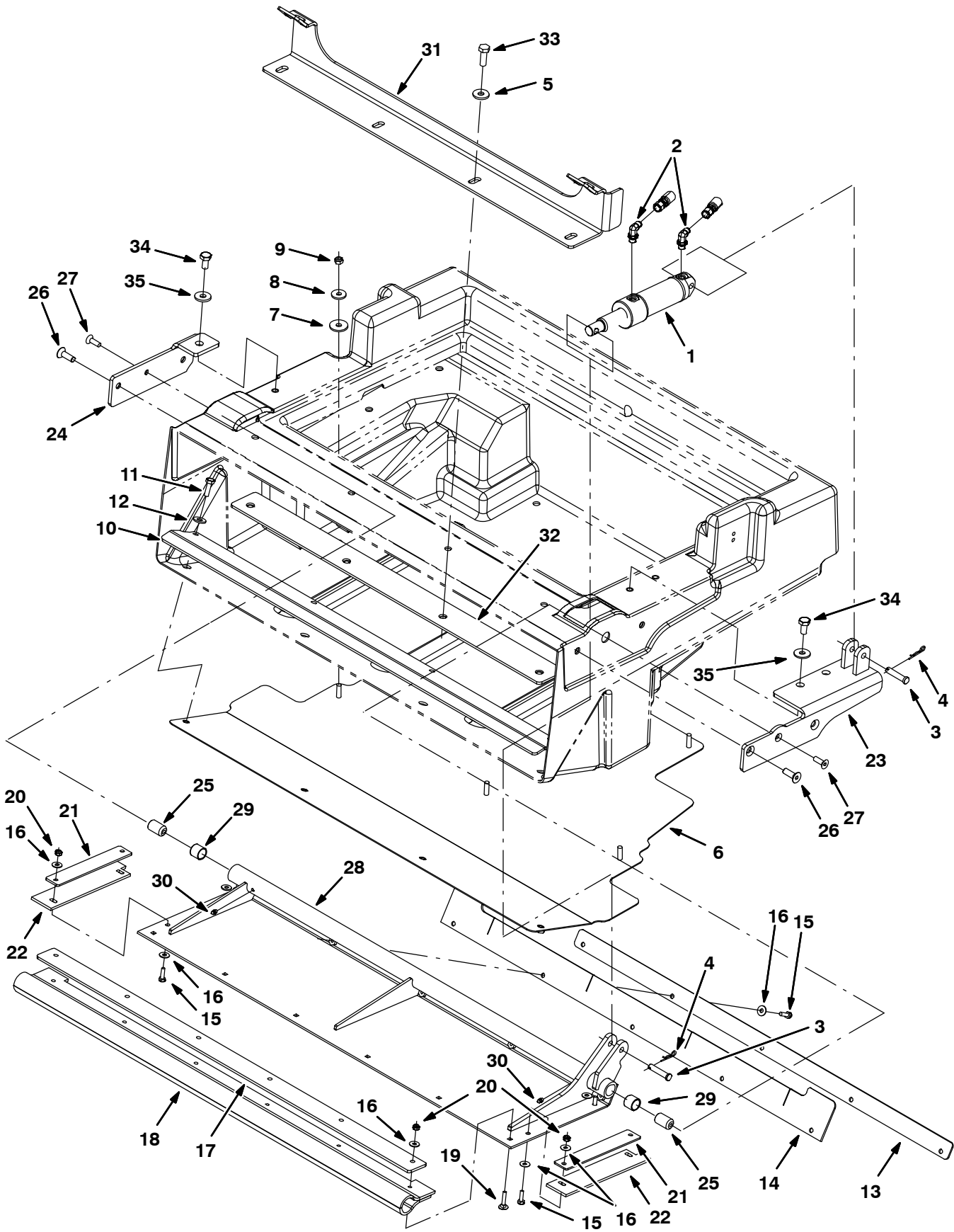


Fig. 31 – Hopper Door Group (000000–003061)

Ref.	Part No.	Serial Number	Description	Qty.
1	1038115	(000000–003061)	Cylinder, Hyd, 1.5b 07.8l 02.75strk 2500	1
2	77097	(000000–003061)	Fitting, Hyd, E90, Jm04/Om04	2
3	17461	(000000–003061)	Pin, Clevis, 0.37d X 1.75l	2
4	08179	(000000–003061)	Pin, Cotter, .094 X 1.00	2
5	1014563	(000000–003061)	Washer, Flat, 0.40b 1.12d .12, Ss	4
6	1018237	(000000–003061)	Plate, Bottom, Hppr	1
7	222268	(000000–003061)	Washer, Flat, 0.38b 1.25d .12, Neo	2
8	1017218	(000000–003061)	Washer, Flat, 0.32b 1.00d .12, Ss	2
9	08713	(000000–003061)	Nut, Hex, Lock, M8 X 1.25, NI, Ss	2
10	1018236	(000000–003061)	Bracket, Lip, Hppr	1
11	09010	(000000–003061)	Screw, Hex, M8 X 1.25 X 25, Ss	4
12	01685	(000000–003061)	Washer, Flat, 0.31, Ss	4
13	1018244	(000000–003061)	Strap, Door, Dump	1
14	1018245	(000000–003061)	Seal, Door, Dump	1
15	08716	(000000–003061)	Screw, Hex, M6 X 1.0 X 20, Ss	9
16	01684	(000000–003061)	Washer, Flat, 0.25, Ss	19
17	1018196	(000000–003061)	Plate, Retainer, Door, Dump	1
18	1018197	(000000–003061)	Seal, Door, Dump	1
19	379791	(000000–003061)	Bolt, Carriage, M06 X 1.0 X 30	6
20	08712	(000000–003061)	Nut, Hex, Lock, M6 X 1.0, Ss, NI	10
21	1018194	(000000–003061)	Strap, Door, Dump, Side	2
22	1018199	(000000–003061)	Seal, Door, Dump, Side	2
23	1018210	(000000–003061)	Bracket Wldt, Pivot, Hppr Door, Lh	1
24	1018202	(000000–003061)	Bracket, Pivot, Hppr Door, Rh	1
25	1018193	(000000–003061)	Bushing, Pivot, Door	2
26	395825	(000000–003061)	Screw, Flt, M10 X 1.5 X 30, Ss 18–8	4
27	07810	(000000–003061)	Screw, Flt, M8 X 1.25 X 25, 10.9	2
28	1016463	(000000–003061)	Door Wldt, Hppr	1
29	64379	(000000–003061)	Bushing, Sleeve, 0.75b 0.88d 0.75l, Tef	2
30	07259	(000000–003061)	Fitting, Grease, Str Pm04 .47l	2
31	1044993	(000000–003061)	Bracket, Cover, Hopper	1
32	1018253	(000000–003061)	Bracket, Cover	1
33	12317	(000000–003061)	Screw, Hex, M10 X 1.5 X 30, Ss	4
34	09291	(000000–003061)	Screw, Hex, M10 X 1.5 X 20, Ss	3
35	1014563	(000000–003061)	Washer, Flat, 0.40b 1.12d .12, Ss	3

Fig. 32 - Hopper Door Group (003062-)

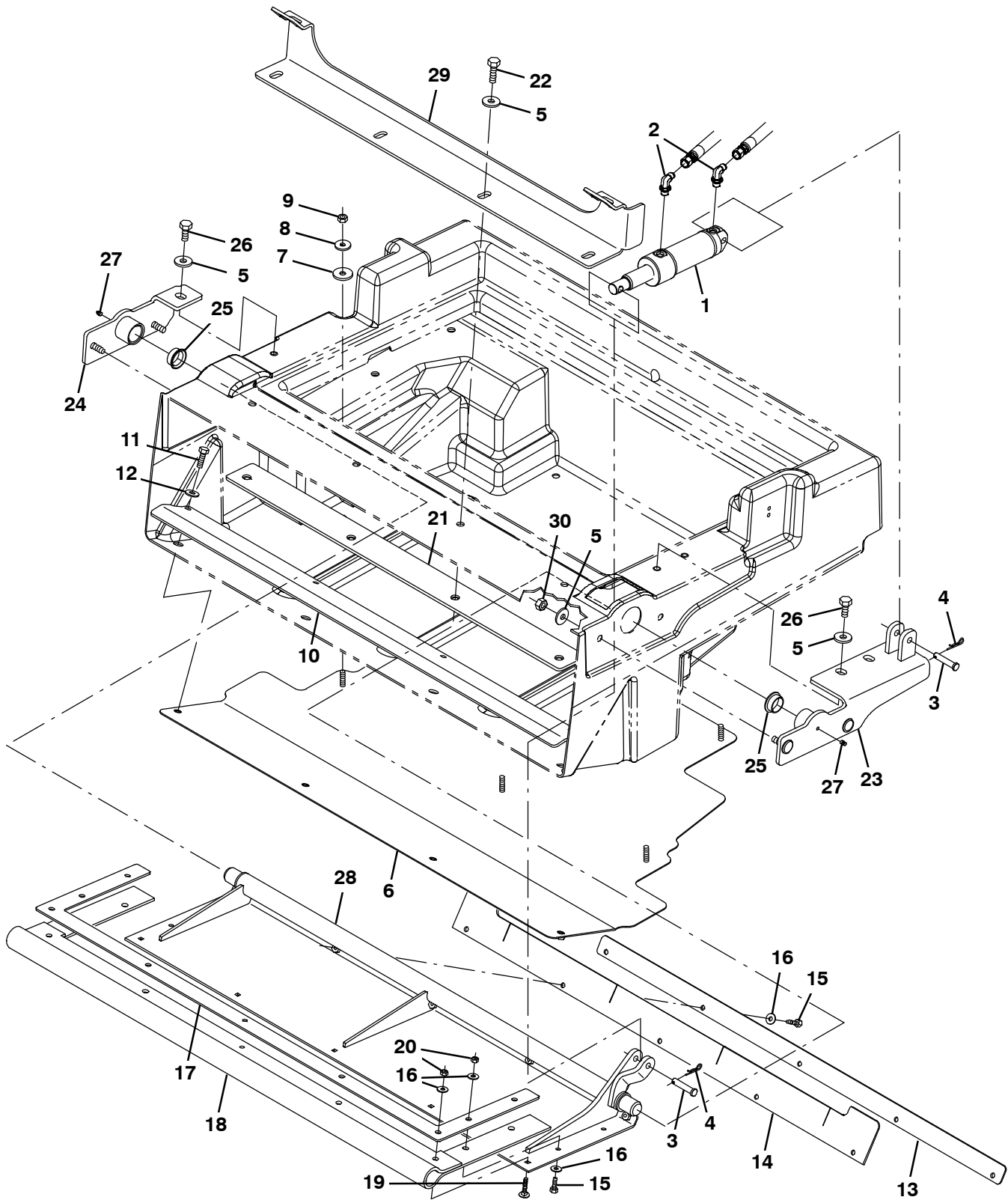


Fig. 32 – Hopper Door Group (003062–)

Ref.	Part No.	Serial Number	Description	Qty.
1	1038115	(003062–)	Cylinder, Hyd, 1.5b 07.8l 02.75strk 2500	1
2	77097	(003062–)	Fitting, Hyd, E90, Jm04/Om04	2
3	17461	(003062–)	Pin, Clevis, 0.37d X 1.75l	2
4	08179	(003062–)	Pin, Cotter, .094 X 1.00	2
5	1014563	(003062–)	Washer, Flat, 0.40b 1.12d .12, Ss	11
6	1018237	(003062–)	Plate, Bottom, Hppr	1
7	222268	(003062–)	Washer, Flat, 0.38b 1.25d .12, Neo	2
8	1017218	(003062–)	Washer, Flat, 0.32b 1.00d .12, Ss	2
9	08713	(003062–)	Nut, Hex, Lock, M8 X 1.25, NI, Ss	2
10	1018236	(003062–)	Bracket, Lip, Hppr	1
11	09010	(003062–)	Screw, Hex, M8 X 1.25 X 25, Ss	4
12	01685	(003062–)	Washer, Flat, 0.31, Ss	4
13	1039155	(003062–)	Strap, Door, Dump	1
14	1018245	(003062–)	Seal, Door, Dump	1
15	08716	(003062–)	Screw, Hex, M6 X 1.0 X 20, Ss	9
16	01684	(003062–)	Washer, Flat, 0.25, Ss	14
17	1039149	(003062–)	Plate, Retainer, Door, Dump	1
18	1039157	(003062–)	Seal, Door, Dump	1
19	379791	(003062–)	Bolt, Carriage, M06 X 1.0 X 30	5
20	08712	(003062–)	Nut, Hex, Lock, M6 X 1.0, Ss, NI	9
21	1018253	(003062–)	Bracket, Cover	1
22	12317	(003062–)	Screw, Hex, M10 X 1.5 X 30, Ss	4
23	1038123	(003062–)	Bracket Wldt, Pivot, Hppr Door, Lh	1
24	1038134	(003062–)	Bracket Wldt, Pivot, Hppr, Rh	1
25	367313	(003062–)	Bushing, Flng, 1.00b 1.13d 0.50l	2
26	09291	(003062–)	Screw, Hex, M10 X 1.5 X 20, Ss	3
27	07259	(003062–)	Fitting, Grease, Str Pm04 .47l	2
28	1039124	(003062–)	Door Wldt, Hppr	1
29	1044993	(003062–)	Bracket, Cover, Hopper	1
30	08714	(003062–)	Nut, Hex, Lock, M10 X 1.5, NI, Ss	4

Fig. 33 – Cylindrical Scrub Brush Drive Group, Left Side

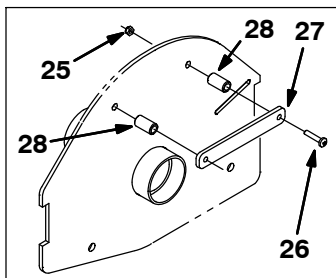
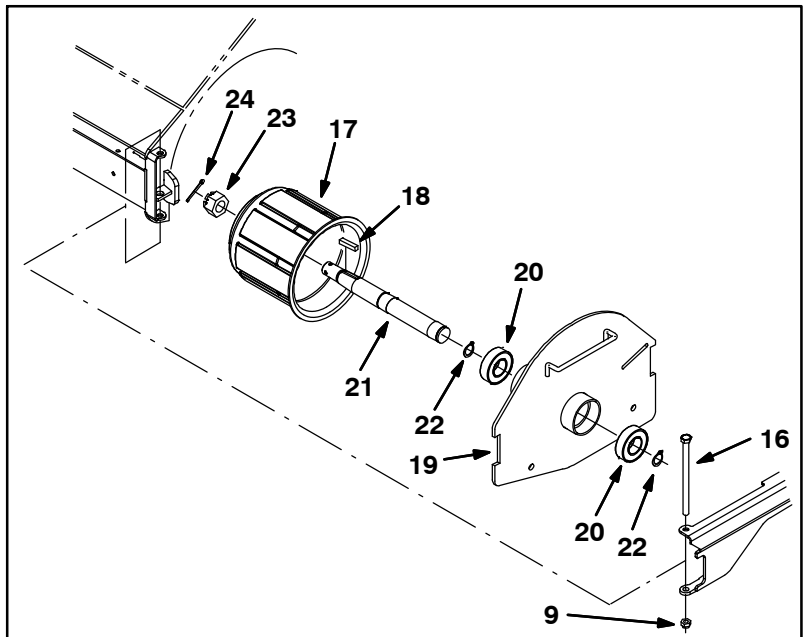
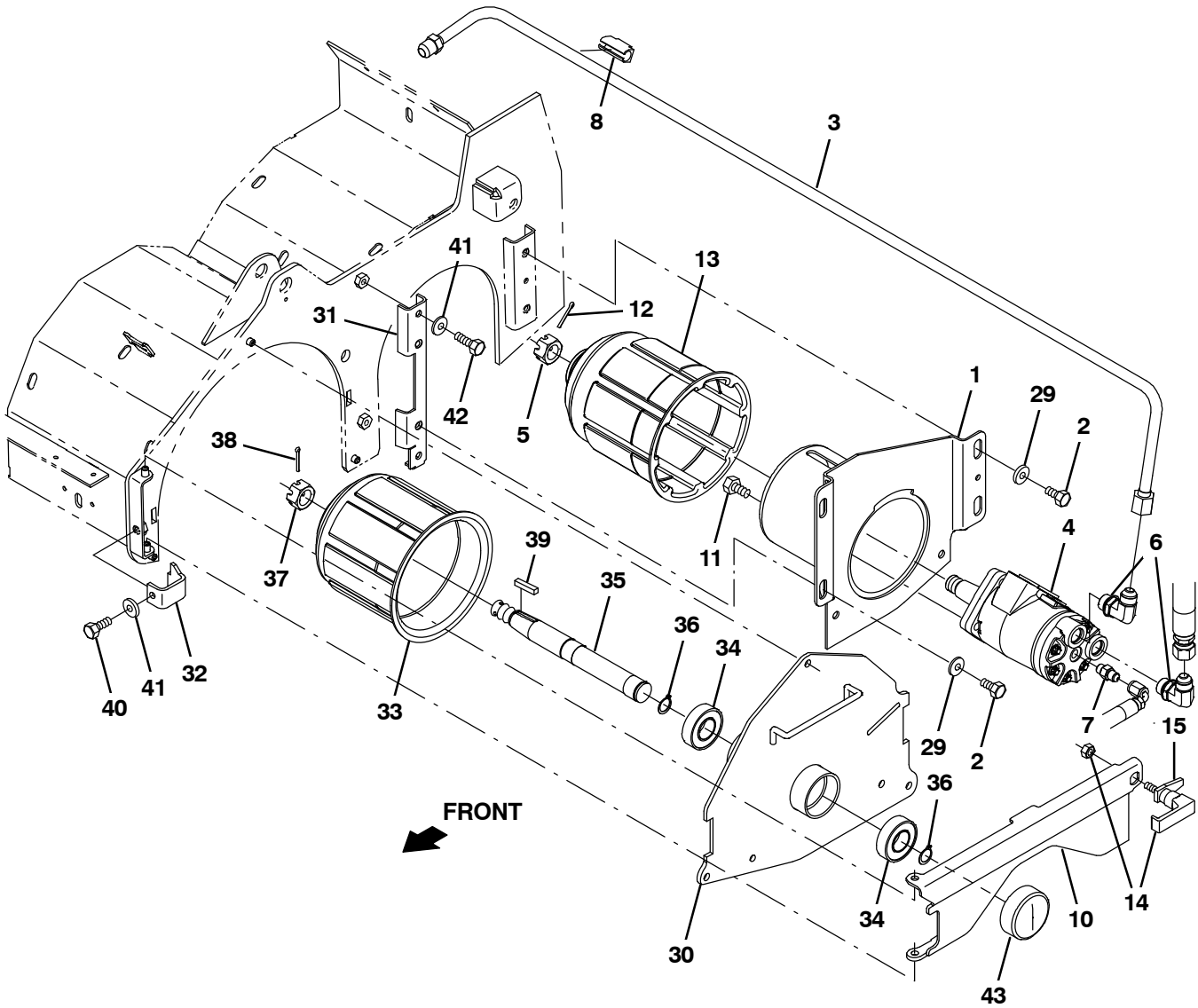


Fig. 33 – Cylindrical Scrub Brush Drive Group, Left Side

Ref.	Part No.	Serial Number	Description	Qty.
	1	1021019	(000000–) Housing Wldt, Brush, Drive	1
	2	15675	(000000–) Screw, Hex, M8 X 1.25 X 16, Ss	4
	3	1023617	(000000–) Tube, Hyd, 08 Jf08/Jm08	1
	4	71729	(000000–004190) Motor, Hyd, Gear, Int 04.5 Bi–Dir 1500 (See Breakdowns)	1
▽	4	1068811	(004191–) Motor, Hyd, Gear, Int 04.5 Bi–Dir 1500	1
▲	5	39527	(000000–) Nut, Hex, Sltd, .75–16	1
	6	44868	(000000–) Fitting, Hyd, E90, Jm08/Om08	2
	7	55586	(000000–) Fitting, Hyd, Str, Jm04/Om04	1
	8	1026080	(000000–) Clamp, Hyd, 0.50d	1
	9	08713	(000000–004185) Nut, Hex, Lock, M8 X 1.25, NI, Ss	1
	10	1029964	(000000–) Door Wldt, Brush	1
	11	01762	(000000–) Screw, Hex, .38–16 X 0.75, NI	4
	12	08175	(000000–) Pin, Cotter, .125 X 1.25	1
	13	87631	(000000–004190) Plug Wldt, Drive, Brush, Sweep	1
	13	1057643	(004191–) Plug Wldt, Drive, Brush, Sweep	1
	14	65695	(000000–) Latch	1
	15	1026352	(000000–) Pawl, Str	1
	16	70563	(000000–004185) Screw, Hex, M8 X 1.25 X 130, 8.8	1
▽		9006398	(000000–004185) Idler Assy, Brush, Replmt [M20/T20, M30]	1
▲	17	25686	(000000–004185) Plug Wldt, Drive, Brush	1
▲	18	00927	(000000–004185) Key, Sq, 0.25 X 0.25, 1.25l	1
▲	19	1038258	(000000–004185) Door Wldt, Brush, Idler	1
▲	20	13534	(000000–004185) Bearing, Ball, 0.98b 2.05d 0.59w	2
▲	21	56078	(000000–004185) Shaft, Brush, Idler	1
▲	22	09005	(000000–004185) Ring, Retaining, Ext, 1.00d, Basic	2
▲	23	12295	(000000–004185) Nut, Hex, Sltd, M20 X 2.5, 8	1
▲	24	08175	(000000–004185) Pin, Cotter, .125 X 1.25	1
	25	09739	(000000–002167) Nut, Hex, Lock, M5 X 0.8, NI, Ss	2
	26	17185	(000000–002167) Screw, Pan, M5 X 0.8 X 40, Ss	2
	27	1032743	(000000–002167) Plate, Handle	1
	28	222496	(000000–002167) Sleeve, P/M, 0.31b 0.50d 0.9l [430ss]	2
	29	32491	(000000–) Washer, Flat, 0.31, Std	4
	30	1054857	(004186–) Door Wldt, Brush, Idler	1
	31	1054575	(004186–) Bracket, Sppt	1
	32	1054682	(004186–) Bracket, Retainer, Lh	1
	33	25686	(004186–) Plug Wldt, Drive, Brush	1
	34	13534	(004186–) Bearing, Ball, 0.98b 2.05d 0.59w	2
	35	56078	(004186–) Shaft, Brush, Idler	1
	36	09005	(004186–) Ring, Retaining, Ext, 1.00d, Basic	2
	37	12295	(004186–) Nut, Hex, Sltd, M20 X 2.5, 8	1
	38	08175	(004186–) Pin, Cotter, .125 X 1.25	1
	39	00927	(004186–) Key, Sq, 0.25 X 0.25, 1.25l	1
	40	09740	(004186–) Screw, Hex, M8 X 1.25 X 20, Ss	1
	41	32491	(004186–) Washer, Flat, 0.31, Std	3
	42	09010	(004186–) Screw, Hex, M8 X 1.25 X 25, Ss	2
	43	1074807	(004186–) Cap, Vinyl, 57mmid X 23mml	1

STANDARD PARTS

Fig. 34 - Cylindrical Scrub Brush Drive Group, Right Side

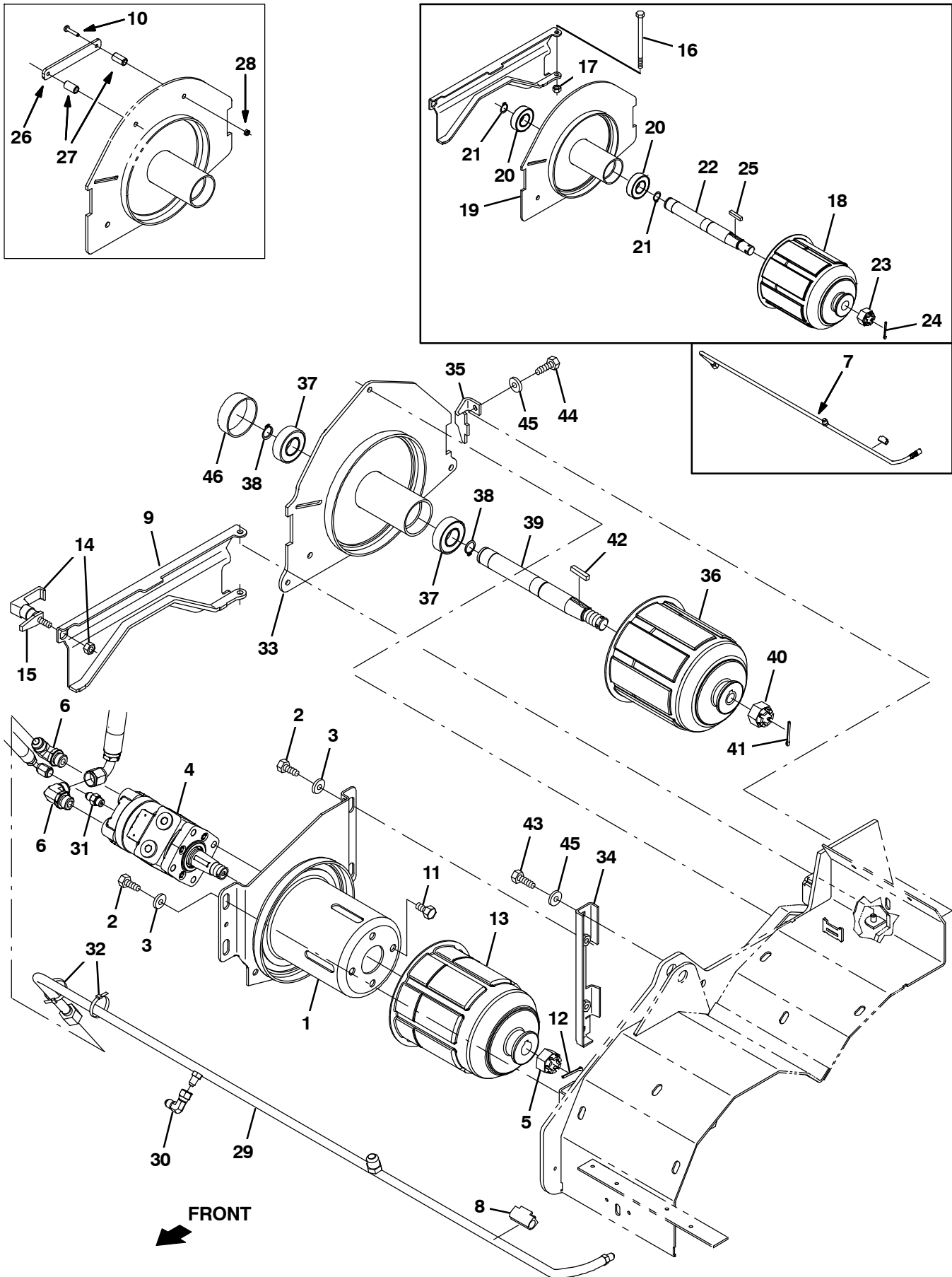


Fig. 34 – Cylindrical Scrub Brush Drive Group, Right Side

Ref.	Part No.	Serial Number	Description	Qty.	
1	1021019	(000000–)	Housing Wldt, Brush, Drive	1	
2	15675	(000000–)	Screw, Hex, M8 X 1.25 X 16, Ss	4	
3	32491	(000000–)	Washer, Flat, 0.31, Std	4	
4	71729	(000000–004190)	Motor, Hyd, Gear, Int 04.5 Bi–Dir 1500 (See Breakdowns)	1	
▽	4	1068811	(004191–)	Motor, Hyd, Gear, Int 04.5 Bi–Dir 1500	1
▲	5	39527	(000000–)	Nut, Hex, Slted, .75–16	1
6	44868	(000000–)	Fitting, Hyd, E90, Jm08/Om08	2	
7	9006386	(000000–003056)	Tube Kit, Hyd, Case Drain [M20/T20]	1	
8	1026080	(000000–)	Clamp, Hyd, 0.50d	1	
9	1029964	(000000–)	Door Wldt, Brush	1	
10	17185	(000000–002167)	Screw, Pan, M5 X 0.8 X 40, Ss	2	
11	01762	(000000–)	Screw, Hex, .38–16 X 0.75, NI	4	
12	08175	(000000–)	Pin, Cotter, .125 X 1.25	1	
13	87631	(000000–004190)	Plug Wldt, Drive, Brush, Sweep	1	
13	1057643	(004191–)	Plug Wldt, Drive, Brush, Sweep	1	
14	65695	(000000–)	Latch	1	
15	1026352	(000000–)	Pawl, Str	1	
16	70563	(000000–004185)	Screw, Hex, M8 X 1.25 X 130, 8.8	1	
17	08713	(000000–004185)	Nut, Hex, Lock, M8 X 1.25, NI, Ss	1	
▽	9006398	(000000–004185)	Idler Assy, Brush, Replmt [M20/T20, M30]	1	
▲	18	25686	(000000–004185)	Plug Wldt, Drive, Brush	1
▲	19	1038258	(000000–004185)	Door Wldt, Brush, Idler	1
▲	20	13534	(000000–004185)	Bearing, Ball, 0.98b 2.05d 0.59w	2
▲	21	09005	(000000–004185)	Ring, Retaining, Ext, 1.00d, Basic	2
▲	22	56078	(000000–004185)	Shaft, Brush, Idler	1
▲	23	12295	(000000–004185)	Nut, Hex, Slted, M20 X 2.5, 8	1
▲	24	08175	(000000–004185)	Pin, Cotter, .125 X 1.25	1
▲	25	00927	(000000–004185)	Key, Sq, 0.25 X 0.25, 1.25l	1
26	1032743	(000000–002167)	Plate, Handle	1	
27	222496	(000000–002167)	Sleeve, P/M, 0.31b 0.50d 0.9l [430ss]	2	
28	09739	(000000–002167)	Nut, Hex, Lock, M5 X 0.8, NI, Ss	2	
29	1055139	(003057–)	Tube, Hyd, Brush Return, W/ Cd [M20/T20]	1	
30	39210	(003057–)	Fitting, Hyd, E90, Jf04/Jm04	1	
31	55586	(003057–)	Fitting, Hyd, Str, Jm04/Om04	1	
32	49266	(003057–)	Tie, Cable, Nyl, 07.3l .19w 1.8 Max D	2	
33	1054857	(004186–)	Door Wldt, Brush, Idler	1	
34	1054575	(004186–)	Bracket, Sppt	1	
35	1054610	(004186–)	Bracket, Retainer, Rh	1	
36	25686	(004186–)	Plug Wldt, Drive, Brush	1	
37	13534	(004186–)	Bearing, Ball, 0.98b 2.05d 0.59w	2	
38	09005	(004186–)	Ring, Retaining, Ext, 1.00d, Basic	2	
39	56078	(004186–)	Shaft, Brush, Idler	1	
40	12295	(004186–)	Nut, Hex, Slted, M20 X 2.5, 8	1	
41	08175	(004186–)	Pin, Cotter, .125 X 1.25	1	
42	00927	(004186–)	Key, Sq, 0.25 X 0.25, 1.25l	1	
43	09010	(004186–)	Screw, Hex, M8 X 1.25 X 25, Ss	2	
44	09740	(004186–)	Screw, Hex, M8 X 1.25 X 20, Ss	1	
45	32491	(004186–)	Washer, Flat, 0.31, Std	3	
46	1074807	(004186–)	Cap, Vinyl, 57mmid X 23mml	1	

Fig. 35 - Cylindrical Brush Head Lift Group

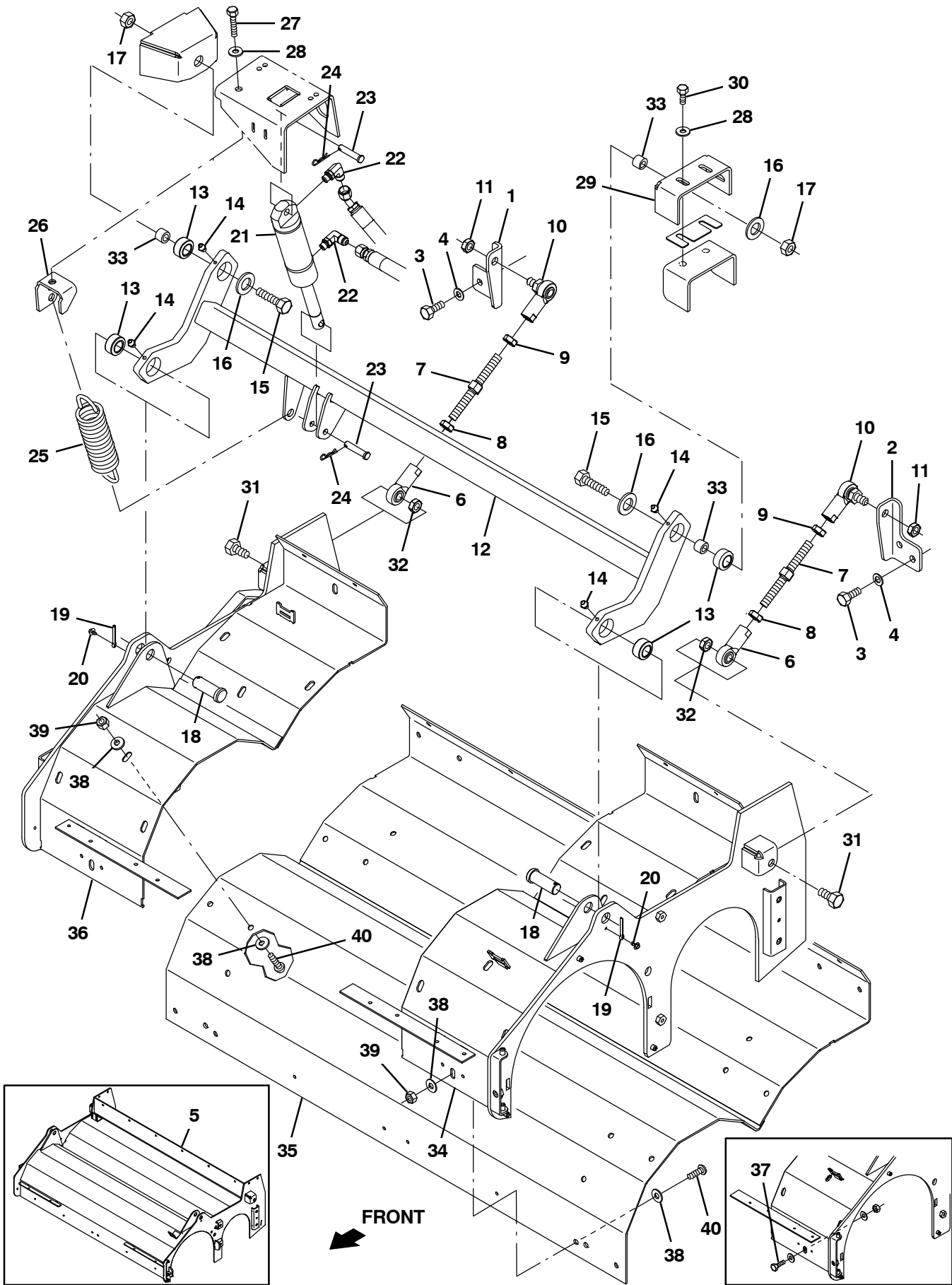


Fig. 35 – Cylindrical Brush Head Lift Group

Ref.	Part No.	Serial Number	Description	Qty.
1	1030910	(000000–)	Bracket, Mtg, Scb Head, Rh	1
2	1030911	(000000–)	Bracket, Mtg, Scb Head, Lh	1
3	09028	(000000–)	Screw, Hex, M10 X 1.5 X 25, Ss	4
4	32485	(000000–)	Washer, Flat, 0.38 Sae	4
5	1020002	(000000–004185)	Housing Wldt, Swp, Scb	1
6	67555	(000000–)	Rod–End, .50–20rh Fem 0.50b	2
7	1014705	(000000–)	Rod, Thrd, 2 End, .50–20 04.9l, Rh / Lh	2
8	48985	(000000–)	Nut, Hex, Jam, .50–20	2
9	71369	(000000–)	Nut, Hex, Jam, .50–20, Lh	2
10	382099	(000000–)	Rod–End, .50–20lh Fem 0.50–20stud	2
11	51824	(000000–)	Nut, Hex, Lock, .50–20, NI, Thin	2
12	1020003	(000000–)	Tube Wldt, Torque	1
13	42120	(000000–)	Bearing, Self Align, 0.75b 1.25d	4
14	07259	(000000–)	Fitting, Grease, Str Pm04 .47l	4
15	06969	(000000–)	Screw, Hex, M12 X 1.75 X 40, 8.8	2
16	41619	(000000–)	Washer, Flat, 0.56b 1.38d .11, Ss	2
17	09741	(000000–)	Nut, Hex, Lock, M12 X 1.75, NI, Ss	2
18	04733–12	(000000–)	Pin, Clevis, 0.75d X 2.00l	2
19	08236	(000000–)	Pin, Cotter, .156 X 1.25	2
20	223198	(000000–)	Screw, Hex, M5 X 0.8 X 10, Fmg	2
21	1038137	(000000–)	Cylinder, Hyd, 1.5b 07.8l 02.80strk 2500	1
22	77098	(000000–)	Fitting, Hyd, E90, Jm06/Om04	2
23	17461	(000000–)	Pin, Clevis, 0.37d X 1.75l	2
24	86866	(000000–)	Pin, Cotter, Hair, 0.38d .072 Wir	2
25	1042686	(000000–)	Spring, Extn, 2.00od 0.25wir 07.5l	1
26	1027810	(000000–)	Bracket, Mtg, Spring	1
27	763090	(000000–)	Screw, Hex, M8 X 1.25 X 60, FI	1
28	32491	(000000–)	Washer, Flat, 0.31, Std	4
29	1019146	(000000–)	Bracket, Mtg, Lift, Scb Head	1
30	09740	(000000–)	Screw, Hex, M8 X 1.25 X 20, Ss	3
31	39811	(000000–)	Screw, Hex, .50–13 X 1.50, 5	2
32	36644	(000000–)	Nut, Hex, Lock, .50–13, NI, Thin	2
33	1025100	(000000–)	Sleeve, P/M, 0.47b 0.75d 0.5l [430ss]	3
34	1052342	(004186–)	Bracket Wldt, Brush Wrap, Lh	1
35	1069562	(004186–)	Plate Wldt, Wrap, Brush	1
36	1052124	(004186–)	Bracket Wldt, Brush Wrap Mtg, Rh	1
37	09740	(004186–00731)	Screw, Hex, M8 X 1.25 X 20, Ss	10
38	32491	(004186–)	Washer, Flat, 0.31, Std	20
39	08713	(004186–)	Nut, Hex, Lock, M8 X 1.25, NI, Ss	10
40	223470	(007372–)	Screw, Btn, M8 X 1.25 X 25, Ss	10

Fig. 36 – Cylindrical Brush Head Skirt Group

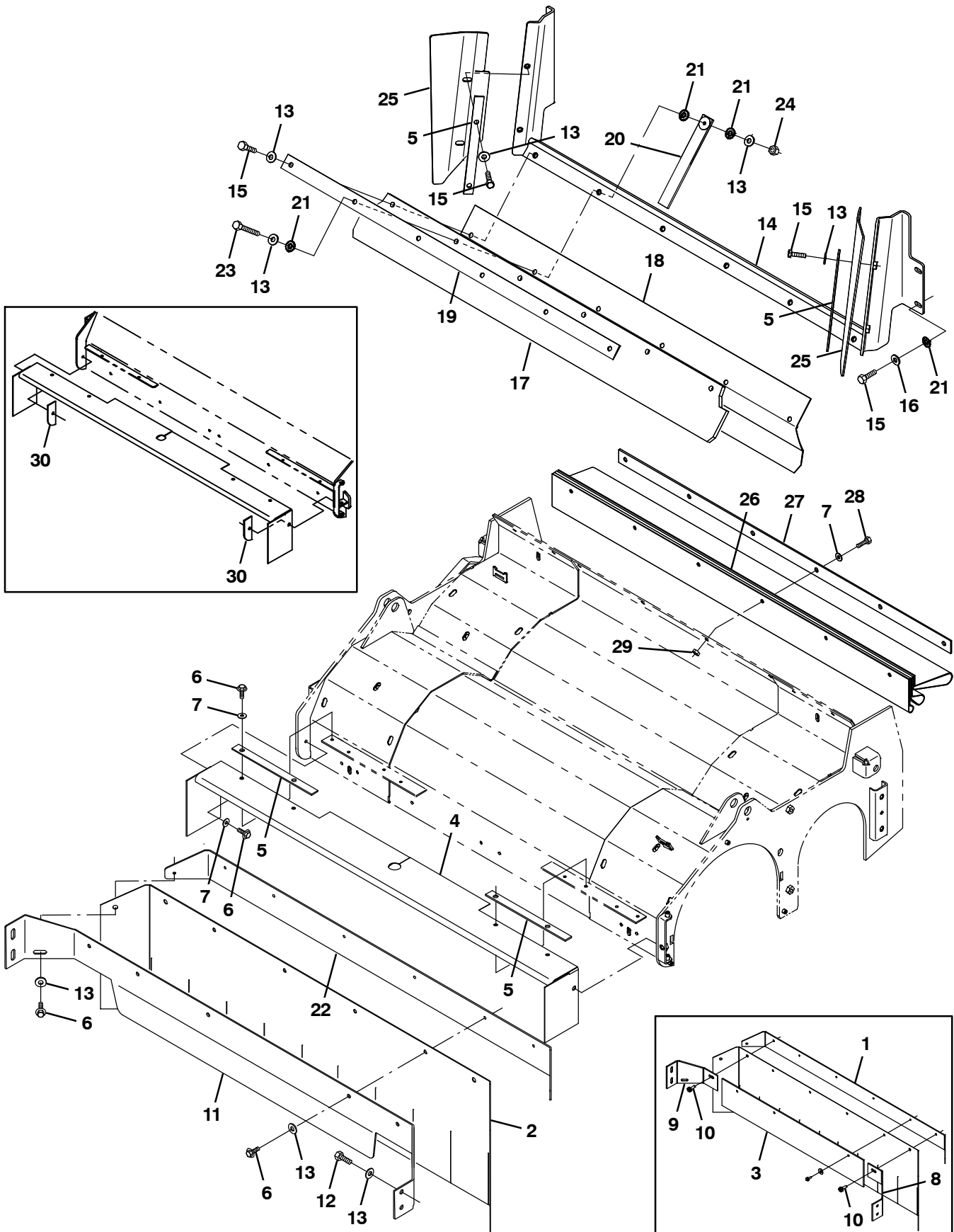


Fig. 36 – Cylindrical Brush Head Skirt Group

Ref.	Part No.	Serial Number	Description	Qty.
1	1020208	(000000-002275)	Plate, Skirt, Front	1
2	1020166	(000000-)	Skirt, Neo, .06, 12.00w 45.88l, 07 Hole	1
3	1020207	(000000-002275)	Retainer, Skirt, Front	1
4	1022363	(000000-)	Skirt, Neo, .06, 07.63w 51.52l, 11 Hole	1
5	1022003	(000000-)	Retainer, Skirt	4
6	361339	(000000-)	Screw, Hex, M6 X 1.0 X 16, Fmg	13
7	01684	(000000-)	Washer, Flat, 0.25, Ss	12
8	1024570	(000000-002275)	Bracket, Mtg, Skirt	1
9	1020163	(000000-002275)	Bracket, Mtg, Skirt	1
10	76099	(000000-002275)	Screw, Hex, M8 X 1.25 X 25, Fmg	4
11	1039396	(002276-)	Bracket, Mtg, Skirt	1
12	09740	(000000-)	Screw, Hex, M8 X 1.25 X 20, Ss	4
13	01685	(000000-)	Washer, Flat, 0.31, Ss	22
14	1022179	(000000-)	Bracket Wldt, Flap, Recirculation	1
15	09010	(000000-)	Screw, Hex, M8 X 1.25 X 25, Ss	13
16	32491	(000000-)	Washer, Flat, 0.31, Std	4
17	1022007	(000000-)	Skirt, Rbr, .37, 04.50w 40.94l, 06 Hole	1
18	1022009	(000000-)	Skirt, Neo, .06, 06.38w 40.86l, 06 Hole	1
19	1020828	(000000-)	Strip, Flap, Recirculation	1
20	1028852	(000000-)	Strap, Static, Afrmkt	1
21	41141	(000000-)	Washer, Lock, Int-Ext, 0.31	7
22	1040018	(002276-)	Plate, Skirt, Front	1
23	33401	(000000-)	Screw, Hex, M8 X 1.25 X 50, Ss, FI	1
24	08713	(000000-)	Nut, Hex, Lock, M8 X 1.25, NI, Ss	1
25	1022165	(000000-)	Skirt, Neo, .12, 05.39w 14.01l, 02 SI	2
26	1026108	(000000-)	Skirt, Neo, .06, 26.99w 40.55l, 36 Hole	1
27	1020828	(000000-)	Strip, Flap, Recirculation	1
28	07805	(000000-)	Screw, Hex, M6 X 1.0 X 35, Ss	6
29	08712	(000000-)	Nut, Hex, Lock, M6 X 1.0, Ss, NI	6
30	1022359	(000000-001284)	Plate, Mtg, Skirt, Scb Head	2

Fig. 37 – Squeegee Lift Group, Rear

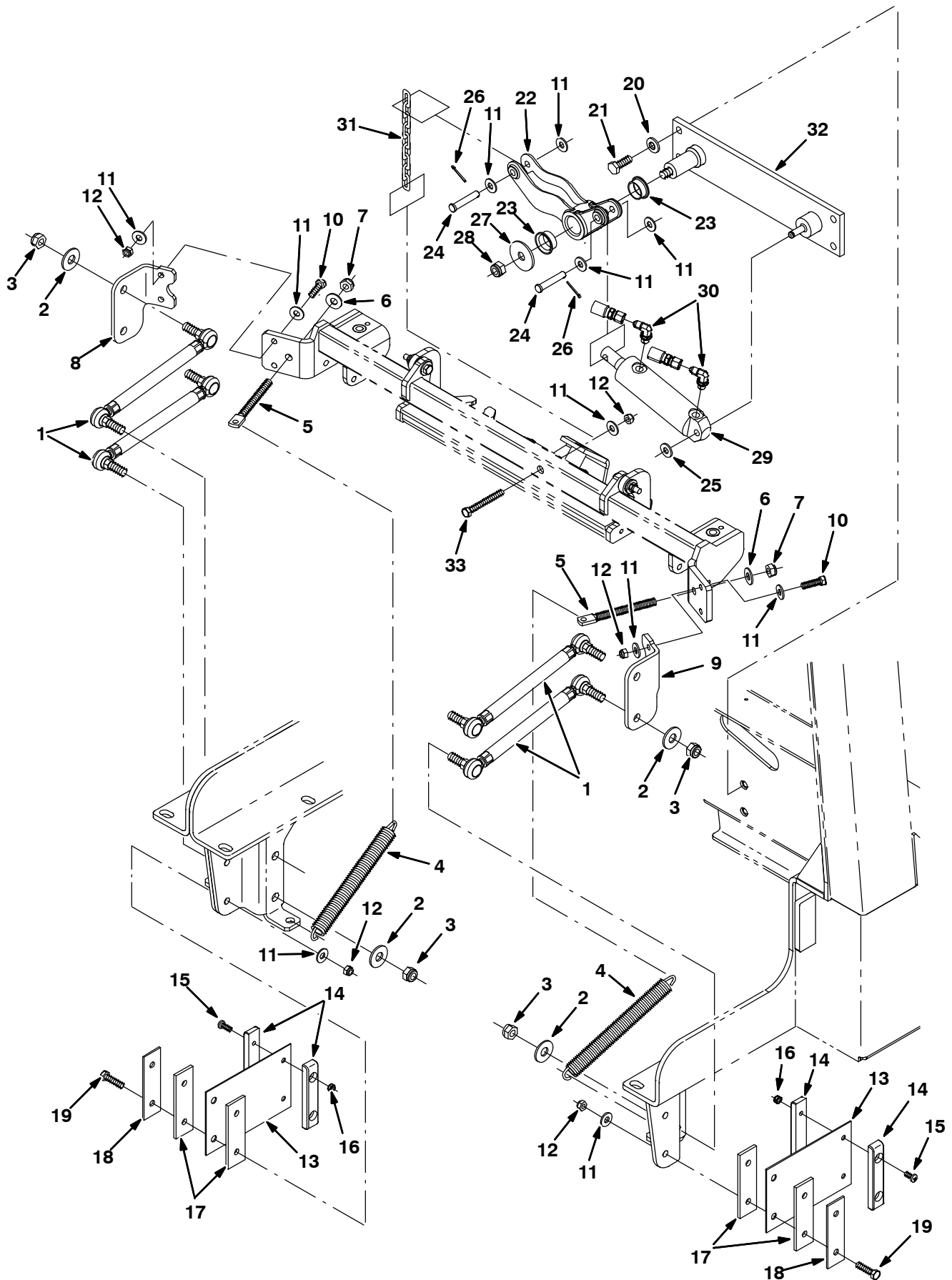


Fig. 37 – Squeegee Lift Group, Rear

Ref.	Part No.	Serial Number	Description	Qty.
1	1026007	(000000–) Link Assy, Rod–End, M12	4
2	41619	(000000–) Washer, Flat, 0.56b 1.38d .11, Ss	8
3	09741	(000000–) Nut, Hex, Lock, M12 X 1.75, NI, Ss	8
4	46785–1	(000000–) Spring, Extn, 0.88od X 0.14wir, 9.0l	2
5	386847	(000000–) Bolt, Eye, M10 X 1.5 X 064mm, 7.10 Eye	2
6	01686	(000000–) Washer, Flat, 0.44b 1.00d .08, Ss	2
7	08714	(000000–) Nut, Hex, Lock, M10 X 1.5, NI, Ss	2
8	1022372	(000000–) Angle, Rh	1
9	1022442	(000000–) Angle, Lh	1
10	09010	(000000–) Screw, Hex, M8 X 1.25 X 25, Ss	4
11	01685	(000000–) Washer, Flat, 0.31, Ss	15
12	08713	(000000–) Nut, Hex, Lock, M8 X 1.25, NI, Ss	9
13	71204	(000000–) Spring, Flt, 0.08th, 4.50w X 07.0l	2
14	1024648	(000000–) Block, Centering	4
15	367770	(000000–) Screw, Pan, M6 X 1.0 X 16, Ss	4
16	08712	(000000–) Nut, Hex, Lock, M6 X 1.0, Ss, NI	4
17	1024641	(000000–) Spacer, Pad, Rbr	4
18	1024703	(000000–) Retainer, Spring	2
19	09023	(000000–) Screw, Hex, M8 X 1.25 X 35, Ss, FI	4
20	41187	(000000–) Washer, Flat, Belleville, .38	4
21	12317	(000000–) Screw, Hex, M10 X 1.5 X 30, Ss	4
22	1025680	(000000–) Bellcrank, Lift, Sqge	1
23	367313	(000000–) Bushing, Flng, 1.00b 1.13d 0.50l	2
24	29584	(000000–) Pin, Clevis, 0.37d X 2.00l	2
25	23524–1	(000000–) Ring, Retaining, Ext, 0.38d, [Selflock]	1
26	08179	(000000–) Pin, Cotter, .094 X 1.00	2
27	04414	(000000–) Washer, Flat, 0.53b 1.88d .12, Stl, PI	1
28	09741	(000000–) Nut, Hex, Lock, M12 X 1.75, NI, Ss	1
29	1038137	(000000–) Cylinder, Hyd, 1.5b 07.8l 02.80strk 2500	1
30	77097	(000000–) Fitting, Hyd, E90, Jm04/Om04	2
31	1023779	(000000–) Chain, Str, 4/0, 08 Link	1
32	1021609	(000000–) Plate Wldt, Lift, Sqge	1
33	06957	(002102–) Screw, Hex, M8 X 1.25 X 60, 8.8	1

Fig. 38 - Squeegee Group, Rear

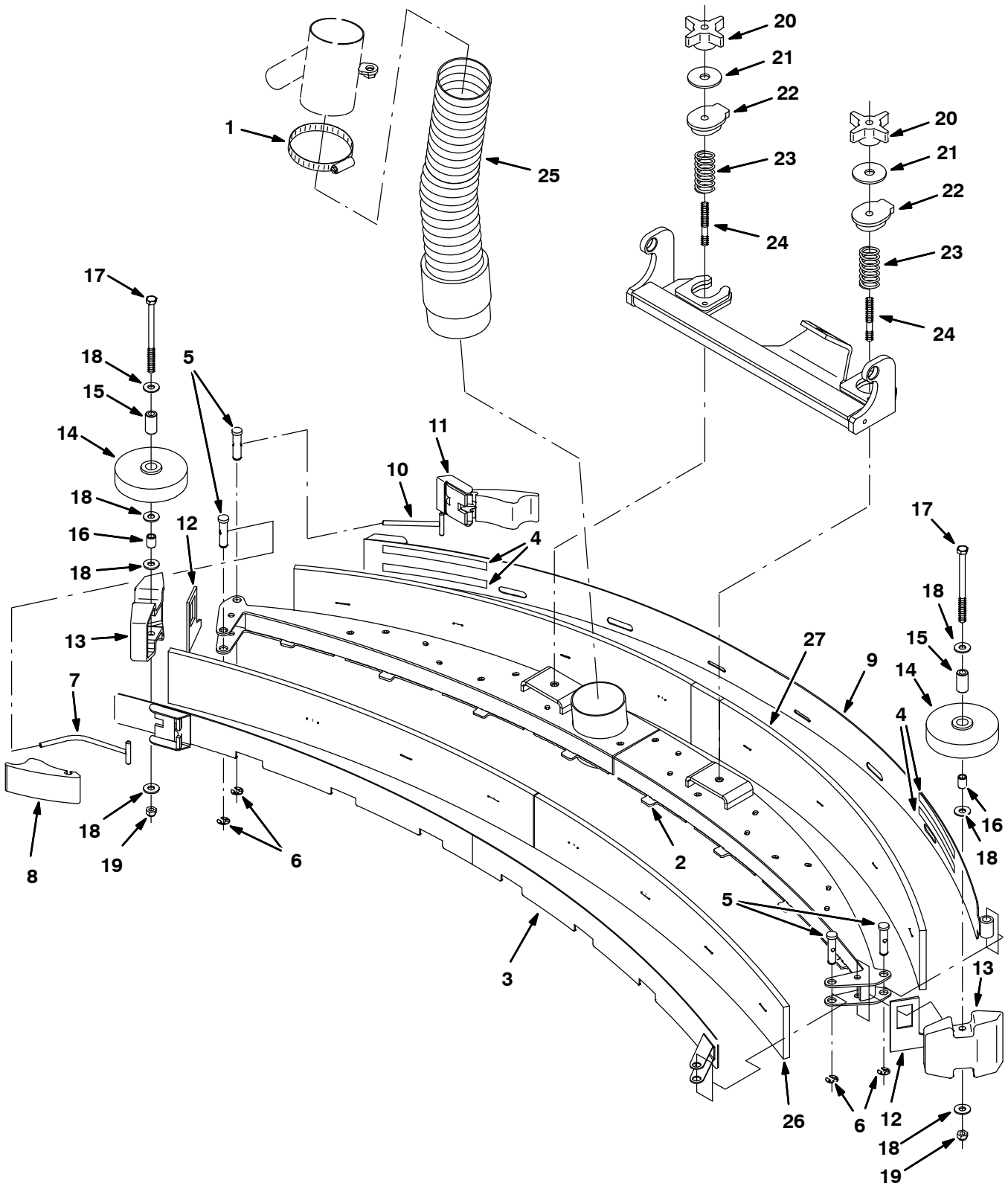


Fig. 38 – Squeegee Group, Rear

Ref.	Part No.	Serial Number	Description	Qty.
	1	43555	(000000–) Clamp, Hose, Wormdrive, 2.50–3.50d, .50w	1
▽		9004493	(000000–) Squeegee Kit, Rear, Replmt [M20/T20]	1
▲	2	1022831	(000000–) Squeegee Wldt, Rear	1
▲	3	1023239	(000000–) Clamp Wldt, Front	1
▲	4	03495	(000000–) Strip, Non–Slip, 0.50w 06.0l	4
▲	5	21603	(000000–) Pin, Grvd, 0.43d 01.8l [303ss]	4
▲	6	24555	(000000–) Ring, Retaining, Ext, 0.38d, [E–Ring]	4
▲	7	386298	(000000–) Pin Wldt, Front	1
▲	8	21601	(000000–) Cam	1
▲	9	1028374	(000000–) Clamp Wldt, Rear	1
▲	10	21606	(000000–) Bar Wldt, Retainer, Sqge, Rear	1
▲	11	21602	(000000–) Cam, Rear	1
▲	12	83874	(000000–) Gasket, Sqge	2
▲	13	386264	(000000–) Bumper, Sqge	2
▲	14	363162	(000000–) Wheel, 4.0d 0.89w 0.64b	2
▲	15	363301	(000000–) Sleeve, P/M, 0.34b 0.63d 1.2l, Bnz	2
▲	16	80395	(000000–) Sleeve, P/M, 0.31b 0.50d 0.7l [430ss]	2
▲	17	364441	(000000–) Screw, Hex, M8 X 1.25 X 110, Ss	2
▲	18	01685	(000000–) Washer, Flat, 0.31, Ss	10
▲	19	08713	(000000–) Nut, Hex, Lock, M8 X 1.25, NI, Ss	2
	20	370100	(000000–) Knob, Star, 2.80d 4ear 1.1l .31–18 Pyp	2
	21	04414	(000000–) Washer, Flat, 0.53b 1.88d .12, Stl, Pl	2
	22	387433	(000000–) Ring, Mtg, Sqge, .50l	2
	23	387500	(000000–) Spring, Cmpr, 0.9od .042wir 02.0l	2
	24	387237	(000000–) Stud, .31–18 2.75l M8 X 1.25, Ss	2
	25	1021511	(000000–) Hose, Vacuum, 19.0l	1
	26	1017868	(000000–) Blade, Sqge, Front, 49.58l [Linard]	1
	26	1027719	(000000–) Blade, Sqge, Front, 49.58l Ure (Option)	1
	27	1031331	(000000–) Blade, Sqge, Rear, Linatex	1
	27	1031945	(000000–) Blade, Sqge, Rear, 53.78l Ure (Option)	1

Fig. 39 - Squeegee Linkage Group, Rear

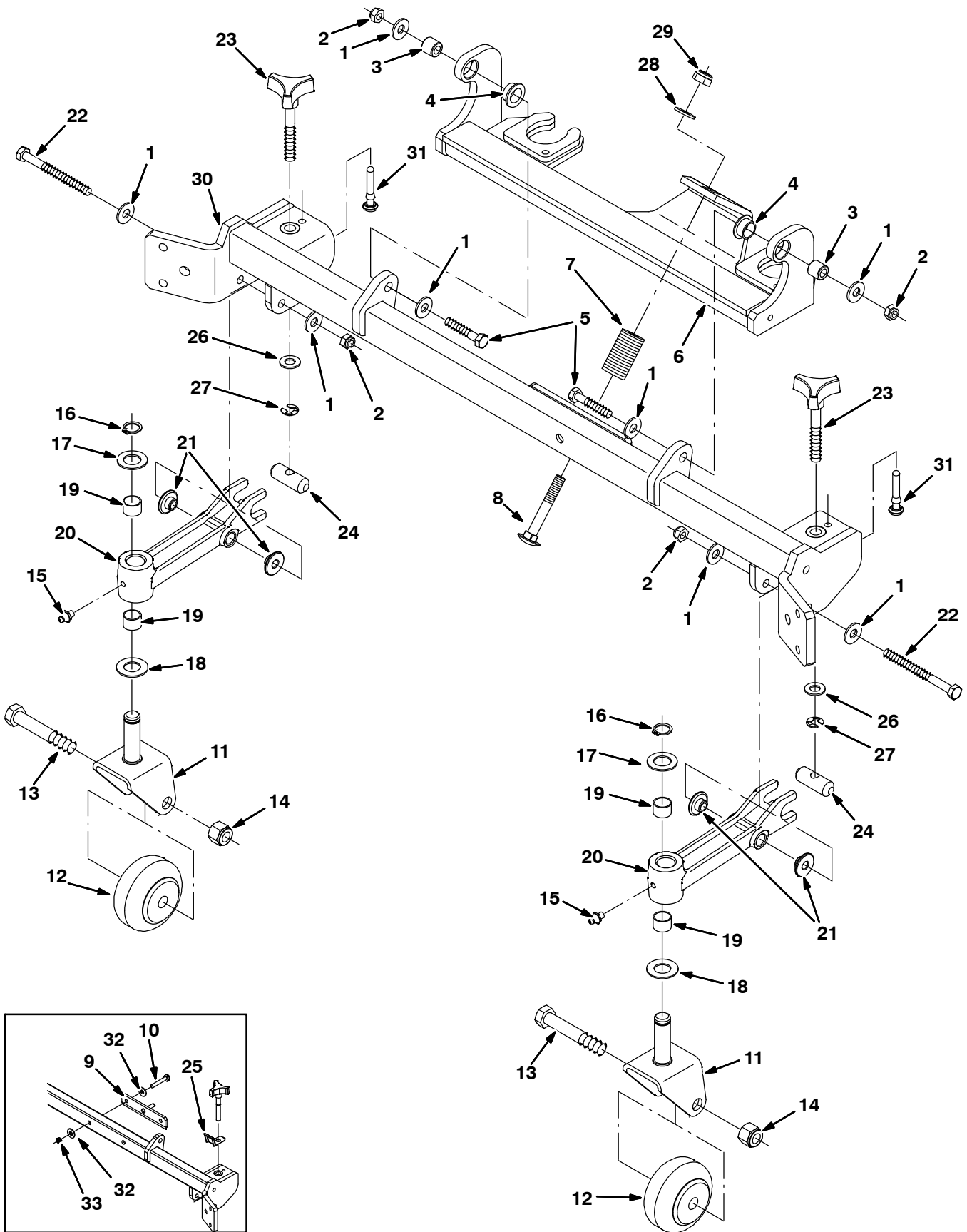


Fig. 39 – Squeegee Linkage Group, Rear

Ref.	Part No.	Serial Number	Description	Qty.
1	01685	(000000–)	Washer, Flat, 0.31, Ss	6
2	08713	(000000–)	Nut, Hex, Lock, M8 X 1.25, NI, Ss	4
3	80409	(000000–)	Sleeve, P/M, 0.34b 0.63d 0.6l, Bnz	2
4	25735	(000000–)	Bushing, Fling, 0.63b 0.75d 0.38l	2
5	222505	(000000–)	Screw, Hex, M8 X 1.25 X 45, Ss	2
6	1023476	(000000–)	Bracket Wldt, Mtg, Sqge	1
7	65180	(000000–)	Spring, Dsl, 1.00od 0.50id 1.7l	1
8	1025601	(000000–)	Bolt, Carriage, M10 X 1.5 X 70	1
9	1034147	(000000–002101)	Pin Wldt, Lift (Replaced by 9003478)	1
10	222505	(000000–002101)	Screw, Hex, M8 X 1.25 X 45, Ss	2
11	1021404	(000000–)	Bracket Wldt, Mtg, Caster	2
12	20833	(000000–)	Wheel, 3.0d 1.38w 0.50b	2
13	81952	(000000–)	Screw, Hex, .50–13 X 3.00, Ss18–8	2
14	02931	(000000–)	Nut, Hex, Lock, .50–13, NI, Ss	2
15	07259	(000000–)	Fitting, Grease, Str Pm04 .47l	2
16	33373	(000000–)	Ring, Retaining, Ext, 0.62d, Hd	2
17	63468	(000000–)	Washer, Flat, 0.69b 1.19d .06, Stl, Pl	2
18	64425	(000000–)	Washer, Thrust, 0.61b 1.25d .06, Fgl	2
19	07449	(000000–)	Bushing, Sleeve, 0.62b 0.72d 0.50l, Fgl	4
20	1025460	(000000–)	Caster, Pivot	2
21	80950	(000000–)	Bushing, Fling, 0.32b 0.50d 0.24l, Bnz	4
22	39281	(000000–)	Screw, Hex, M8 X 1.25 X 90, 8.8	2
23	1021546	(000000–)	Knob Assy, Star, 1.12d 3ear M10	2
24	1021497	(000000–)	Pin, 0.63d 01.8l, 1/M10h, 2cham	2
25	1022545	(000000–002049)	Spring, Keeper	2
26	32485	(000000–)	Washer, Flat, 0.38 Sae	2
27	24555	(000000–)	Ring, Retaining, Ext, 0.38d, [E–Ring]	2
28	1014563	(000000–)	Washer, Flat, 0.40b 1.12d .12, Ss	1
29	08714	(000000–)	Nut, Hex, Lock, M10 X 1.5, NI, Ss	1
30	1034149	(000000–)	Crossmember Wldt [M20]	1
31	1035727	(002050–)	Stop, Rotation	2
32	01685	(000000–002101)	Washer, Flat, 0.31, Ss	4
33	08713	(000000–002101)	Nut, Hex, Lock, M8 X 1.25, NI, Ss	2

Fig. 40 - Squeegee Group, Right Side

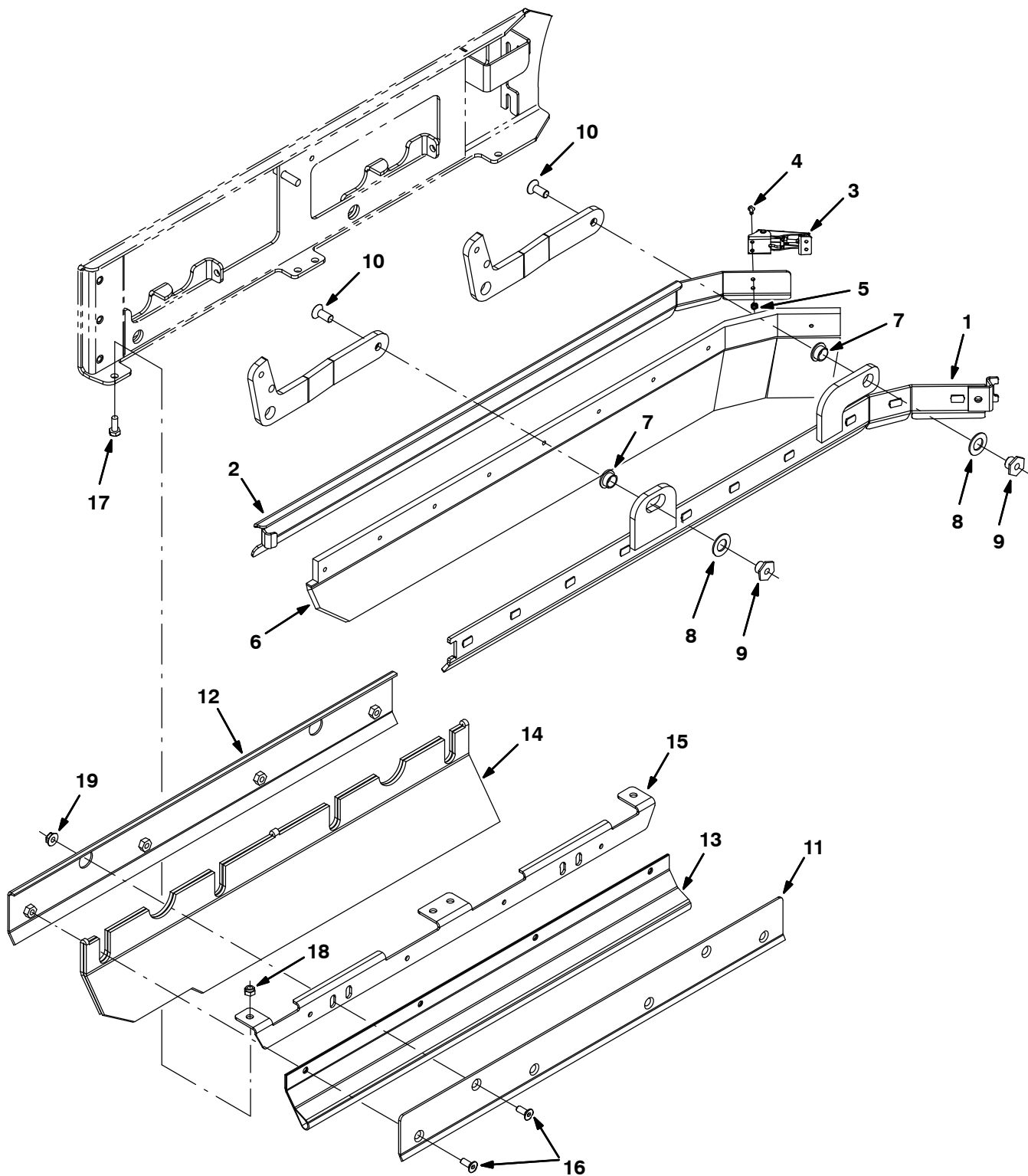


Fig. 40 – Squeegee Group, Right Side

Ref.	Part No.	Serial Number	Description	Qty.
1	1029132	(000000–) Frame Wldt, Sqge, Rh	1
2	1029128	(000000–) Retainer, Sqge, Side, Rh	1
3	384418	(000000–) Latch, Door [Southco 91–562–07]	1
4	49697	(000000–) Screw, Pan, M4 X 0.7 X 10, Ss	2
5	33932	(000000–) Nut, Hex, Lock, M4 X 0.7, NI, Ss	2
6	1031011	(000000–) Blade, Sqge, .38 3.55w 038.3l, Linatex	1
6	1031823	(000000–) Blade, Sqge, .38 3.55w 038.3l, Ure (Option)	1
7	25735	(000000–) Bushing, Flng, 0.63b 0.75d 0.38l	2
8	64425	(000000–) Washer, Thrust, 0.61b 1.25d .06, Fgl	2
9	1022846	(000000–) Nut, T, M10 X 1.50 X 15.8od X 13.0l	2
10	09081	(000000–) Screw, Flt, M10 X 1.5 X 25, 10.9	2
11	1024584	(000000–) Bracket, Mtg, Skirt, Brush Door	1
12	1024651	(000000–) Bracket, Mtg, Skirt, Door	1
13	1024586	(000000–) Skirt, Neo, .06, 06.85w 27.95l, 08 Hole	1
14	1019295	(000000–) Skirt, Neo, .18, 10.37w 27.95l, 12 H&S	1
15	1025151	(000000–) Bracket, Mtg, Skirt, Door, Brush	1
16	222463	(000000–) Screw, Flt, M8 X 1.25 X 20, Blk	6
17	393135	(000000–) Screw, Btn, M8 X 1.25 X 20, Blk	4
18	08713	(000000–) Nut, Hex, Lock, M8 X 1.25, NI, Ss	4
19	07791	(000000–) Nut, Hex, Flng, M8 X 1.25	2

Fig. 41 - Squeegee Lift Group, Right Side

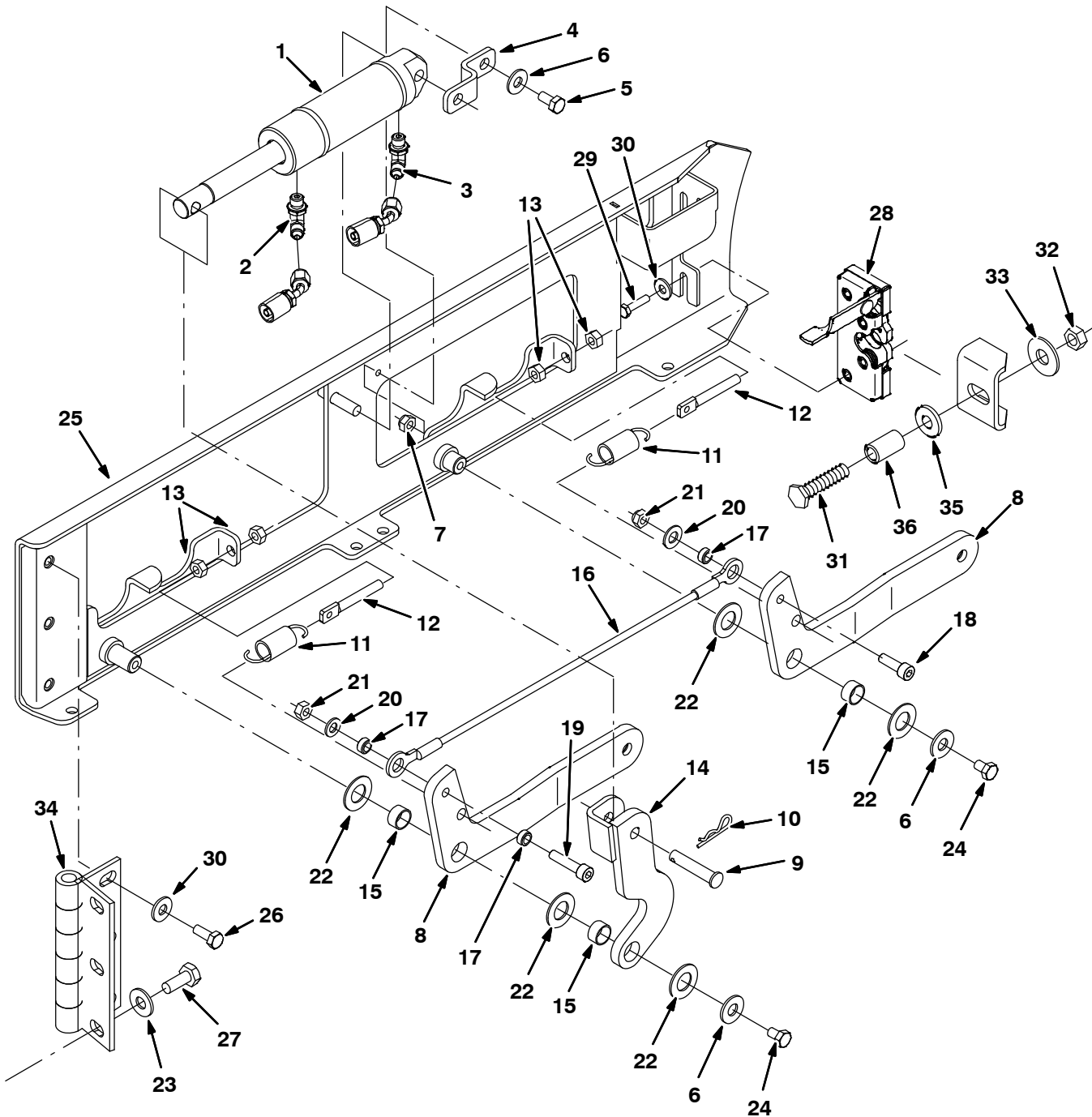


Fig. 41 – Squeegee Lift Group, Right Side

Ref.	Part No.	Serial Number	Description	Qty.
1	1038137	(000000–) Cylinder, Hyd, 1.5b 07.8l 02.80strk 2500	1
2	77097	(000000–) Fitting, Hyd, E90, Jm04/Om04	1
3	1028635	(000000–) Fitting, Hyd, Rst, Spcl	1
4	1022825	(000000–) Bracket, Mtg, Cyl	1
5	08716	(000000–) Screw, Hex, M6 X 1.00 X 20, Ss	1
6	01685	(000000–) Washer, Flat, 0.31, Ss	3
7	08713	(000000–) Nut, Hex, Lock, M8 X 1.25, NI, Ss	1
8	1020548	(000000–) Arm, Sqge, Side, Rh	2
9	17461	(000000–) Pin, Clevis, 0.37D X 1.75L	1
10	08182	(000000–) Pin, Cotter, .125 X 1.00	1
11	87816	(000000–) Spring, Extn, 0.75od X 0.09wir, 2.5l	2
12	386088	(000000–) Bolt, Eye, M08 X 1.25 X 070mm, 05.50 Eye	2
13	07786	(000000–) Nut, Hex, Std, M8 X 1.25, Ss	4
14	1023306	(000000–) Arm Wldt, Sqge, Lift, Rh	1
15	71607	(000000–) Bushing, Sleeve, 0.63b 0.72d 0.38l	3
16	81784	(000000–) Cable, Glv .13d 015.8l .50eye /.50eye	1
17	360801	(000000–) Sleeve, 0.31b 0.50d 0.3l, Ss	3
18	39308	(000000–) Screw, Soc, M8 X 1.25 X 25, 12.9	1
19	41445	(000000–) Screw, Soc, M8 X 1.25 X 35, 12.9	1
20	39349	(000000–) Washer, Flat, 0.31 Sae	2
21	08709	(000000–) Nut, Hex, Lock, M8 X 1.25, NI	2
22	64425	(000000–) Washer, Thrust, 0.61b 1.25d .06, Fgl	5
23	41187	(000000–) Washer, Flat, Belleville, .38	3
24	09740	(000000–) Screw, Hex, M8 X 1.25 X 20, Ss	2
25	1019031	(000000–) Door Wldt, Brush, Rh	1
26	09028	(000000–) Screw, Hex, M10 X 1.5 X 25, Ss	3
27	09740	(000000–) Screw, Hex, M8 X 1.25 X 20, Ss	3
28	59194	(000000–) Latch, Hook	1
29	09007	(000000–) Screw, Hex, M6 X 1.0 X 25, Ss	2
30	41185	(000000–) Washer, Flat, Belleville, .25	5
31	379870	(000000–) Screw, Hex, M12 X 1.75 X 55, Ss	1
32	07788	(000000–) Nut, Hex, Std, M12 X 1.75, Ss	1
33	41619	(000000–) Washer, Flat, 0.56b 1.38d .11, Ss	1
34	1024576	(000000–) Hinge, .50pin .19 4.0w 06.0l 3/0.44sl	1
35	36328	(000000–) Washer, Flat, Belleville, .50	1
36	1039348	(000000–) Sleeve, 0.49b 0.68d 1.2l [304ss]	1

Fig. 42 – Squeegee Group, Left Side

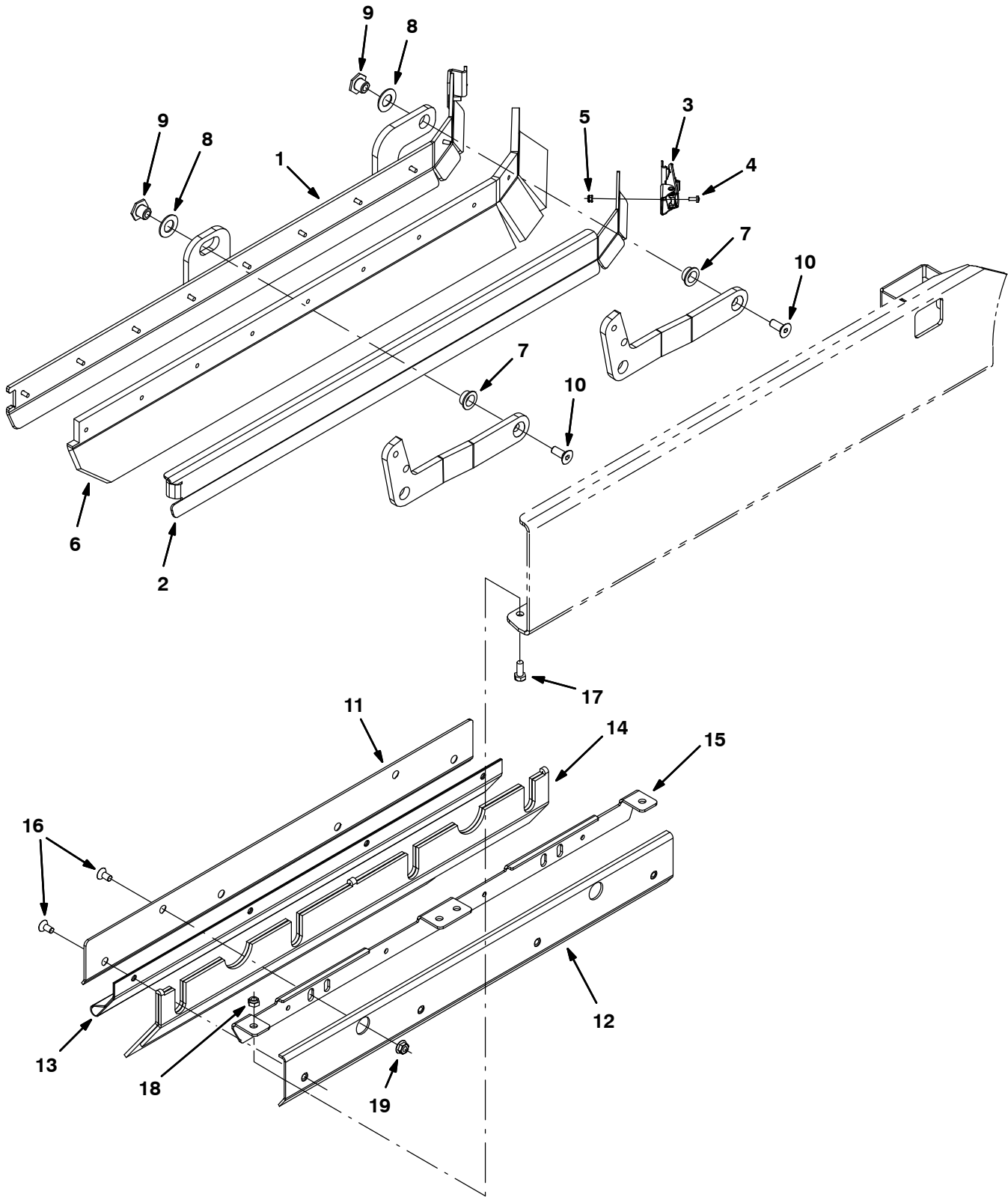


Fig. 42 - Squeegee Group, Left Side

Ref.	Part No.	Serial Number	Description	Qty.
1	1028972	(000000-) Frame Wldt, Sqge, Lh	1
2	1028979	(000000-) Retainer, Sqge, Side, Lh	1
3	384418	(000000-) Latch, Door [Southco 91- 562- 07]	1
4	49697	(000000-) Screw, Pan, M4 X 0.7 X 10, Ss	2
5	33932	(000000-) Nut, Hex, Lock, M4 X 0.7, NI, Ss	2
6	1031011	(000000-) Blade, Sqge, .38 3.55w 038.3l, Linatex	1
6	1031823	(000000-) Blade, Sqge, .38 3.55w 038.3l, Ure (Option)	1
7	25735	(000000-) Bushing, Flng, 0.63b 0.75d 0.38l	2
8	64425	(000000-) Washer, Thrust, 0.61b 1.25d .06, Fgl	2
9	1022846	(000000-) Nut, T, M10 X 1.50 X 15.8od X 13.0l	2
10	09081	(000000-) Screw, Flt, M10 X 1.5 X 25, 10.9	2
11	1024584	(000000-) Bracket, Mtg, Skirt, Brush Door	1
12	1024651	(000000-) Bracket, Mtg, Skirt, Door	1
13	1024586	(000000-) Skirt, Neo, .06, 06.85w 27.95l, 08 Hole	1
14	1019295	(000000-) Skirt, Neo, .18, 10.37w 27.95l, 12 H&S	1
15	1025151	(000000-) Bracket, Mtg, Skirt, Door, Brush	1
16	222463	(000000-) Screw, Flt, M8 X 1.25 X 20, Blk	6
17	393135	(000000-) Screw, Btn, M8 X 1.25 X 20, Blk	4
18	08713	(000000-) Nut, Hex, Lock, M8 X 1.25, NI, Ss	4
19	07791	(000000-) Nut, Hex, Flng, M8 X 1.25	2

Fig. 43 - Squeegee Lift Group, Left Side

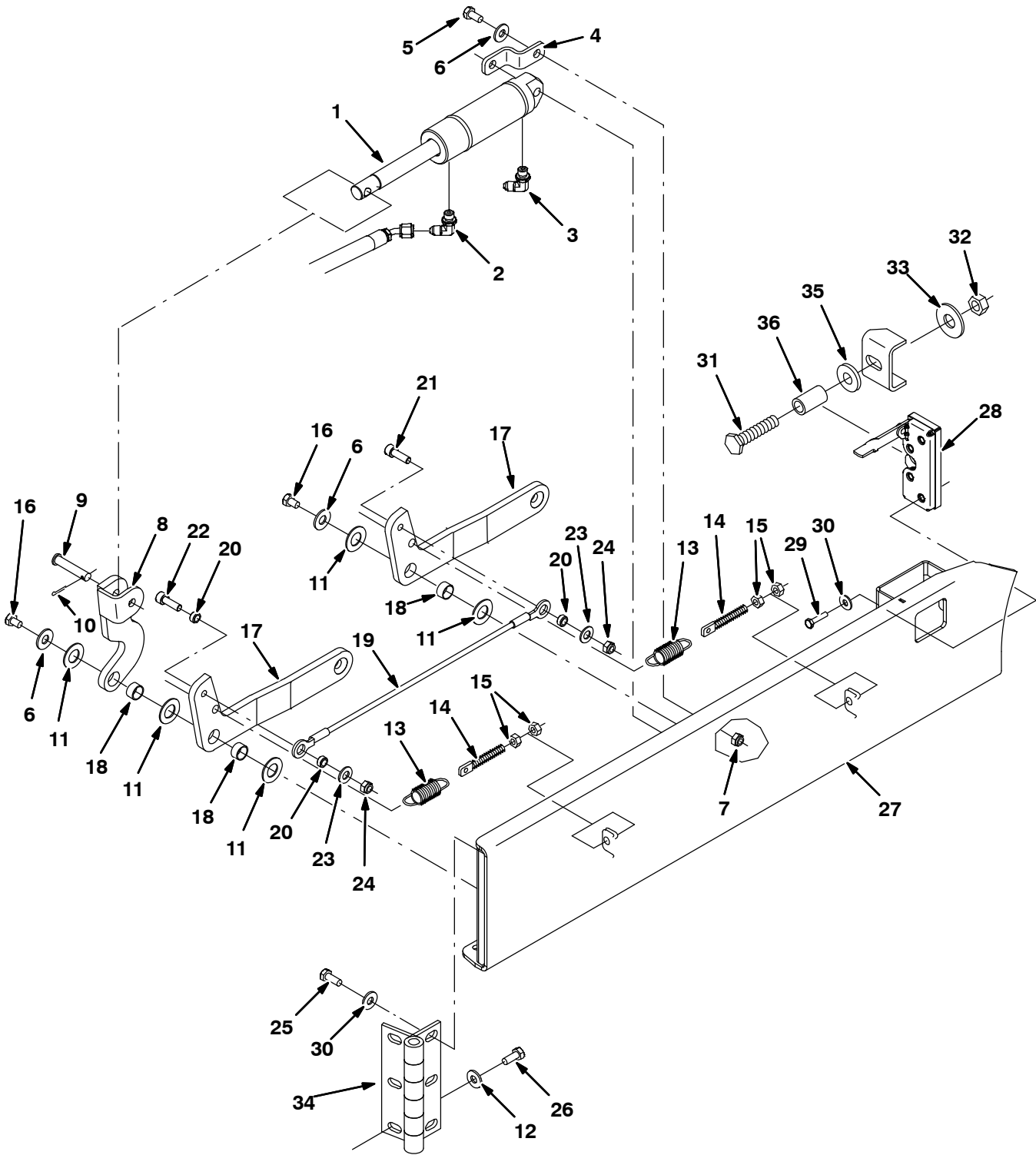


Fig. 43 – Squeegee Lift Group, Left Side

Ref.	Part No.	Serial Number	Description	Qty.
1	1038137	(000000–) Cylinder, Hyd, 1.5b 07.8l 02.80strk 2500	1
2	77097	(000000–) Fitting, Hyd, E90, Jm04/Om04	1
3	1028635	(000000–) Fitting, Hyd, Rst, Spcl	1
4	1022825	(000000–) Bracket, Mtg, Cyl	1
5	08716	(000000–) Screw, Hex, M6 X 1.00 X 20, Ss	1
6	01685	(000000–) Washer, Flat, 0.31, Ss	3
7	08713	(000000–) Nut, Hex, Lock, M8 X 1.25, NI, Ss	1
8	1022978	(000000–) Arm Wldt, Lift, Sqge, Lh	1
9	17461	(000000–) Pin, Clevis, 0.37D X 1.75L	1
10	08182	(000000–) Pin, Cotter, .125 X 1.00	1
11	64425	(000000–) Washer, Thrust, 0.61b 1.25d .06, Fgl	5
12	41187	(000000–) Washer, Flat, Belleville, .38	3
13	87816	(000000–) Spring, Extn, 0.75od X 0.09wir, 2.5l	2
14	386088	(000000–) Bolt, Eye, M08 X 1.25 X 070mm, 05.50 Eye	2
15	07786	(000000–) Nut, Hex, Std, M8 X 1.25, Ss	4
16	09740	(000000–) Screw, Hex, M8 X 1.25 X 20, Ss	2
17	1023307	(000000–) Arm, Sqge, Side, Lh	2
18	71607	(000000–) Bushing, Sleeve, 0.63b 0.72d 0.38l	3
19	81784	(000000–) Cable, Glv .13d 015.8l .50eye /.50eye	1
20	360801	(000000–) Sleeve, 0.31b 0.50d 0.3l, Ss	3
21	39308	(000000–) Screw, Soc, M8 X 1.25 X 25, 12.9	1
22	41445	(000000–) Screw, Soc, M8 X 1.25 X 35, 12.9	1
23	39349	(000000–) Washer, Flat, 0.31 Sae	2
24	08709	(000000–) Nut, Hex, Lock, M8 X 1.25, NI	2
25	09028	(000000–) Screw, Hex, M10 X 1.5 X 25, Ss	3
26	09740	(000000–) Screw, Hex, M8 X 1.25 X 20, Ss	6
27	1023314	(000000–) Door Wldt, Brush, Lh	1
28	59195	(000000–) Latch, Hook	1
29	09007	(000000–) Screw, Hex, M6 X 1.0 X 25, Ss	2
30	41185	(000000–) Washer, Flat, Belleville, .25	5
31	379870	(000000–) Screw, Hex, M12 X 1.75 X 55, Ss	1
32	07788	(000000–) Nut, Hex, Std, M12 X 1.75, Ss	1
33	41619	(000000–) Washer, Flat, 0.56b 1.38d .11, Ss	1
34	1024576	(000000–) Hinge, .50pin .19 4.0w 06.0l 3/0.44sl	1
35	36328	(000000–) Washer, Flat, Belleville, .50	1
36	1039348	(000000–) Sleeve, 0.49b 0.68d 1.2l [304ss]	1

Fig. 44 – Solution Tank Group

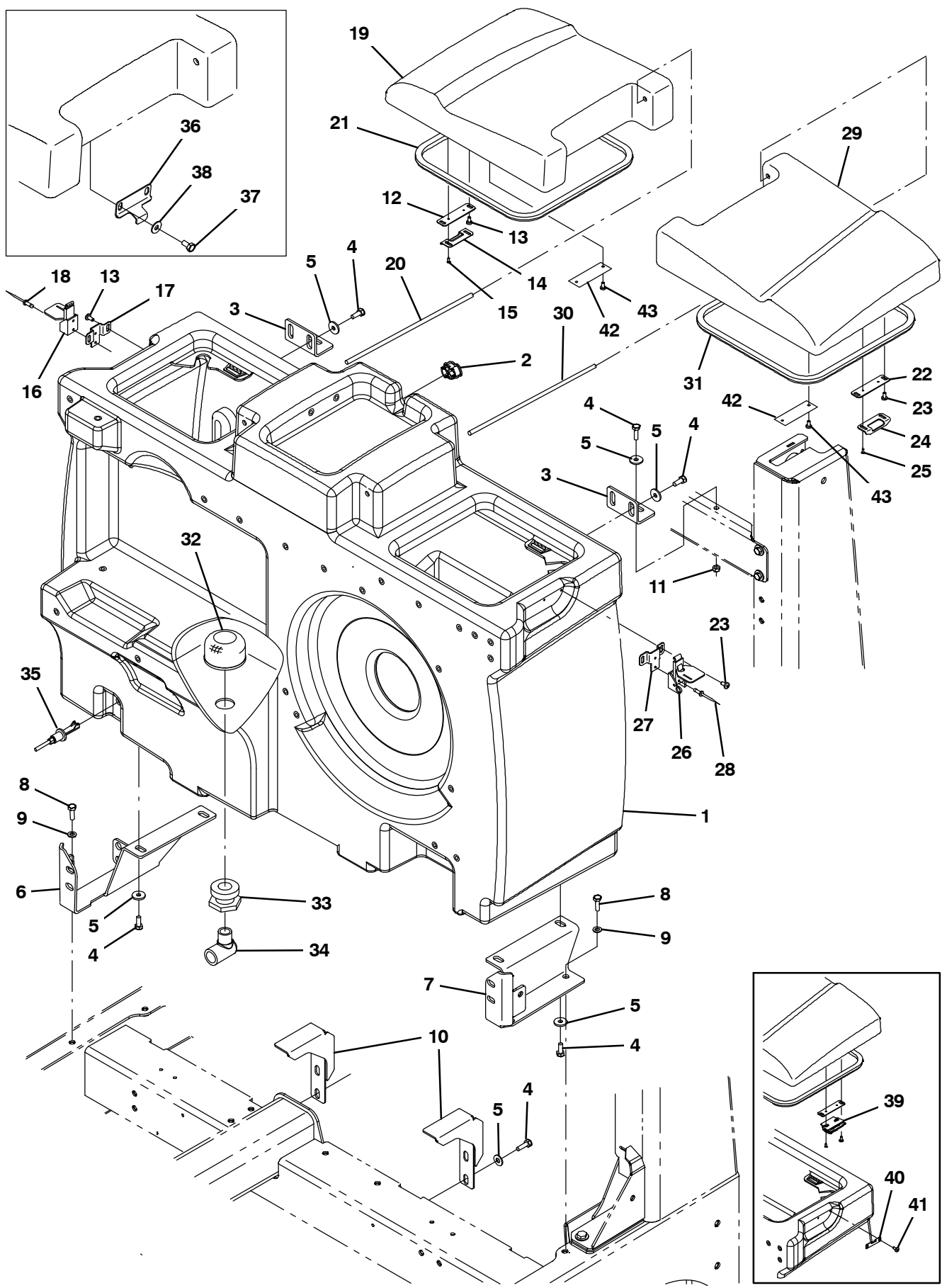


Fig. 44 – Solution Tank Group

Ref.	Part No.	Serial Number	Description	Qty.
1	1027381	(002413–)	Tank, Soltn, W/ Label [M20]	1
1	9004117	(000000–002412)	Tank Kit, Soltn, W/ Bracket, Replmt	1
2	390994	(000000–)	Plug, Hole, Soltn Tank, Blk Pyu	1
3	1020209	(000000–)	Angle, Sppt, Tank, Rear	2
4	09740	(000000–)	Screw, Hex, M8 X 1.25 X 20, Ss	12
5	1017218	(000000–)	Washer, Flat, 0.32b 1.00d .12, Ss	12
6	1040306	(000000–)	Bracket Wldt, Tank, Soltn, Rh	1
7	1024591	(000000–)	Bracket, Tank, Soltn, Lh	1
8	09010	(000000–)	Screw, Hex, M8 X 1.25 X 25, Ss	4
9	39349	(000000–)	Washer, Flat, 0.31 Sae	4
10	1024389	(000000–)	Bracket, Soltn, Tank, Cntr	2
11	08713	(000000–)	Nut, Hex, Lock, M8 X 1.25, NI, Ss	2
▽	9003069	(000000–)	Cover Kit, Soltn Tank, Rh [M20 & T20]	1
▲▽	9005165	(000000–)	Latch Kit, Cover, Soltn, Replmt[M20/T20]	1
▲▲	12 1039757	(002426–)	Plate, Mtg, Latch	1
▲▲	13 382320	(000000–)	Screw, Pan, Phl, 12–16 X 0.50, F/ Plstc	4
▲▲	14 1048474	(002798–)	Catch, Latch, Tank Cover	1
▲▲	15 222267	(002798–)	Screw, Pan, Phl, 06–20 X 0.50, Fmg/Ab	2
▲▲	16 367949	(002798–)	Latch	1
▲▲	17 1048512	(002798–)	Bracket, Mtg, Latch, Tank Cover	1
▲▲	18 08875	(002798–)	Rivet, Blind, .125d X 0.54 X .25d, Alm	2
▲	19 1022176	(000000–)	Cover, Tank, Soltn, Rh, Trimmed	1
▲	20 1047098	(000000–)	Bar, Rnd, Plstc, 0.31d 12.5l	1
▲	21 1038805	(000000–)	Seal, Bulb, Str, .50Hi .50W 047.2L, Adh	1
▽	9003071	(000000–)	Cover Kit, Tank, Soltn, Rh, Replmt, Ce (Japan and CE Only)	1
▲▽	9005165	(000000–)	Latch Kit, Cover, Soltn, Replmt[M20/T20]	1
▲▲	12 1039757	(002426–)	Plate, Mtg, Latch	1
▲▲	13 382320	(000000–)	Screw, Pan, Phl, 12–16 X 0.50, F/ Plstc	4
▲▲	14 1048474	(002798–)	Catch, Latch, Tank Cover	1
▲▲	15 222267	(002798–)	Screw, Pan, Phl, 06–20 X 0.50, Fmg/Ab	2
▲▲	16 367949	(002798–)	Latch	1
▲▲	17 1048512	(002798–)	Bracket, Mtg, Latch, Tank Cover	1
▲▲	18 08875	(002798–)	Rivet, Blind, .125d X 0.54 X .25d, Alm	2
▲	19 1031233	(000000–)	Cover, Tank, Soltn, Rh, Trimmed, Ce (Japan and CE Only)	1
▲	20 1047098	(000000–)	Bar, Rnd, Plstc, 0.31d 12.5l	1
▲	21 1038805	(000000–)	Seal, Bulb, Str, .50Hi .50W 047.2L, Adh	1

(CONTINUED)

STANDARD PARTS

Fig. 44 – Solution Tank Group

Ref.	Part No.	Serial Number	Description	Qty.
▽	9003068	(000000–) Cover Kit, Tank, Soltn, Lh, Replmt	1
▲▽	9005165	(000000–) Latch Kit, Cover, Soltn, Replmt[M20/T20]	1
▲▲	22 1039757	(002426–) Plate, Mtg, Latch	1
▲▲	23 382320	(000000–) Screw, Pan, Phl, 12–16 X 0.50, F/ Plstc	4
▲▲	24 1048474	(002798–) Catch, Latch, Tank Cover	1
▲▲	25 222267	(002798–) Screw, Pan, Phl, 06–20 X 0.50, Fmg/Ab	2
▲▲	26 367949	(002798–) Latch	1
▲▲	27 1048512	(002798–) Bracket, Mtg, Latch, Tank Cover	1
▲▲	28 08875	(002798–) Rivet, Blind, .125d X 0.54 X .25d, Alm	2
▲	29 1022182	(000000–) Cover, Tank, Soltn, Lh, Trimmed	1
▲	30 1047098	(000000–) Bar, Rnd, Plstc, 0.31d 12.5l	1
▲	31 1038805	(000000–) Seal, Bulb, Str, .50Hi .50W 047.2L, Adh	1
▽	9003070	(000000–) Cover Kit, Tank, Soltn, Lh, Replmt, Ce (Japan and CE Only)	1
▲▽	9005165	(000000–) Latch Kit, Cover, Soltn, Replmt[M20/T20]	1
▲▲	22 1039757	(002426–) Plate, Mtg, Latch	1
▲▲	23 382320	(000000–) Screw, Pan, Phl, 12–16 X 0.50, F/ Plstc	4
▲▲	24 1048474	(002798–) Catch, Latch, Tank Cover	1
▲▲	25 222267	(002798–) Screw, Pan, Phl, 06–20 X 0.50, Fmg/Ab	2
▲▲	26 367949	(002798–) Latch	1
▲▲	27 1048512	(002798–) Bracket, Mtg, Latch, Tank Cover	1
▲▲	28 08875	(002798–) Rivet, Blind, .125d X 0.54 X .25d, Alm	2
▲	29 1031235	(000000–) Cover, Tank, Soltn, Lh, Trimmed, Ce (Japan and CE Only)	1
▲	30 1047098	(000000–) Bar, Rnd, Plstc, 0.31d 12.5l	1
▲	31 1038805	(000000–) Seal, Bulb, Str, .50Hi .50W 047.2L, Adh	1
	32 1027290	(000000–) Filter, Soltn, 20mesh, Pm12 3.1d 02.6l	1
	33 377349	(000000–) Fitting, Plstc, Pf12/Pf12, Bh	1
	34 69785	(000000–) Fitting, Plstc, E90, Pf12/Pm12	1
	35 385685	(000000–) Sensor, Level, Liq, 14vdc 01a .62–11	1
	36 1020428	(000000–002425)	Bracket, Latch, Cover	2
	37 09744	(000000–002425)	Screw, Hex, M6 X 1.00 X 12, Ss	4
	38 01684	(000000–002425)	Washer, Flat, 0.27b 0.69d .05, Ss	4
	39 1030617	(002426–002797)	Latch, Cover	2
	40 1029748	(002426–002797)	Bracket, Keeper, Latch	2
	41 382320	(002426–002797)	Screw, Pan, Phl, 12–16 X 0.50, F/ Plstc	4
	42 1017101	(000000–) Plate, Label, Soltn Tank (ec–H20 only)	2
	43 360973	(000000–) Screw, Pan, 12–16 X 0.50, F/ Plstc (ec–H20 only)	4

Fig. 45 – Solution Tank Drain Group

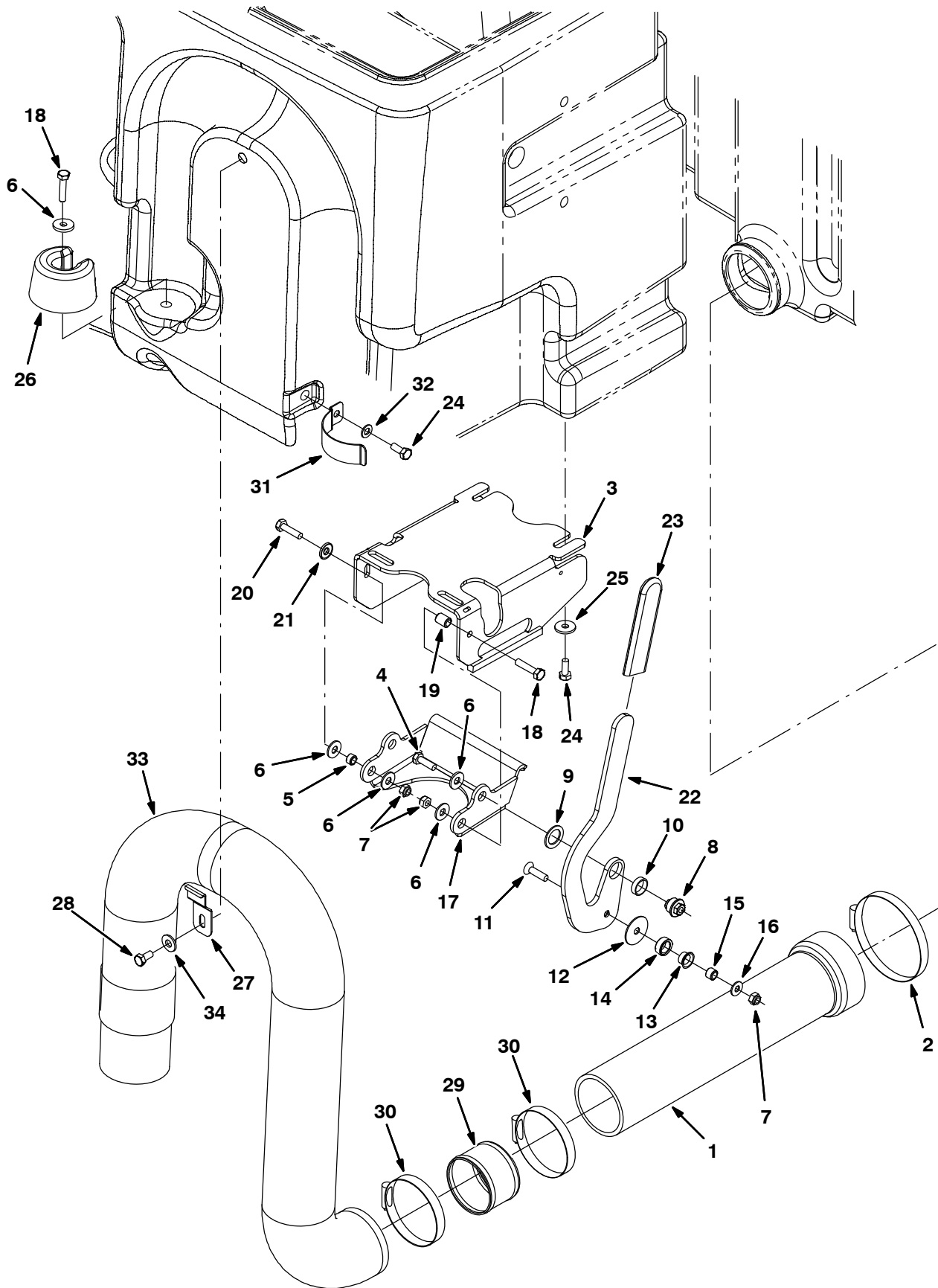


Fig. 45 – Solution Tank Drain Group

Ref.	Part No.	Serial Number	Description	Qty.
1	9003793	(000000–) Tube Kit, Tank, Soltn, Replmt	1
2	23498	(000000–) Clamp, Hose, Wormdrive, 3.56–4.50d, .50w	1
3	1042003	(000000–) Mount Wldt, Valve, Pinch, Rh	1
4	39277	(000000–) Screw, Hex, M8 X 1.25 X 25, 8.8	1
5	222516	(000000–) Sleeve, P/M, 0.31b 0.50d 0.3l [430ss]	1
6	32491	(000000–) Washer, Flat, 0.31, Std	5
7	08713	(000000–) Nut, Hex, Lock, M8 X 1.25, NI, Ss	3
8	1024599	(000000–) Bushing, Eccentric, Adj	1
9	1026051	(000000–) Washer, Flat, 0.79b 1.18d .06, Nyl	1
10	74090	(000000–) Bushing, Sleeve, 0.75b 0.88d 0.25l	1
11	79506	(000000–) Screw, Flt, M8 X 1.25 X 30, Ss	1
12	1028701	(000000–) Washer, Thrust, 0.34b 1.50d .06	1
13	15648	(000000–) Bushing, Flng, 0.50b 0.59d 0.38l	1
14	1028691	(000000–) Roller, Brg	1
15	1028690	(000000–) Tube, 0.50d 0.32b 00.4l, Ss	1
16	1017218	(000000–) Washer, Flat, 0.32b 1.00d .12, Ss	1
17	1024535	(000000–) Arm, Pinch	1
18	06955	(000000–) Screw, Hex, M8 X 1.25 X 35, 8.8	2
19	80395	(000000–) Sleeve, P/M, 0.31b 0.50d 0.7l [430ss]	1
20	76570	(000000–) Screw, Hex, M8 X 1.25 X 30, 8.8	1
21	41186	(000000–) Washer, Flat, Belleville, .31	1
22	1026727	(000000–) Handle, Valve, Pinch, Rh	1
23	1023502	(000000–) Grip, Handle	1
24	09740	(000000–) Screw, Hex, M8 X 1.25 X 20, Ss	5
25	1017218	(000000–) Washer, Flat, 0.32b 1.00d .12, Ss	4
26	1022137	(000000–) Plug, Hose, Pyu	1
27	1025480	(000000–) Bracket, Retaining, Hose	1
28	15675	(000000–) Screw, Hex, M8 X 1.25 X 16, Ss	1
29	1041953	(000000–) Tube, 2.90id 3.00od 02.4l, Ss	2
30	43555	(000000–) Clamp, Hose, Wormdrive, 2.50–3.50d, .50w	2
31	1024558	(000000–) Strap, Retaining, Hose	1
32	39349	(000000–) Washer, Flat, 0.31 Sae	1
33	1019424	(000000–) Hose, Drain, 3.00id X 48.0l	1
34	01685	(000000–) Washer, Flat, 0.31, Ss	2

Fig. 46 - Solution Control Group

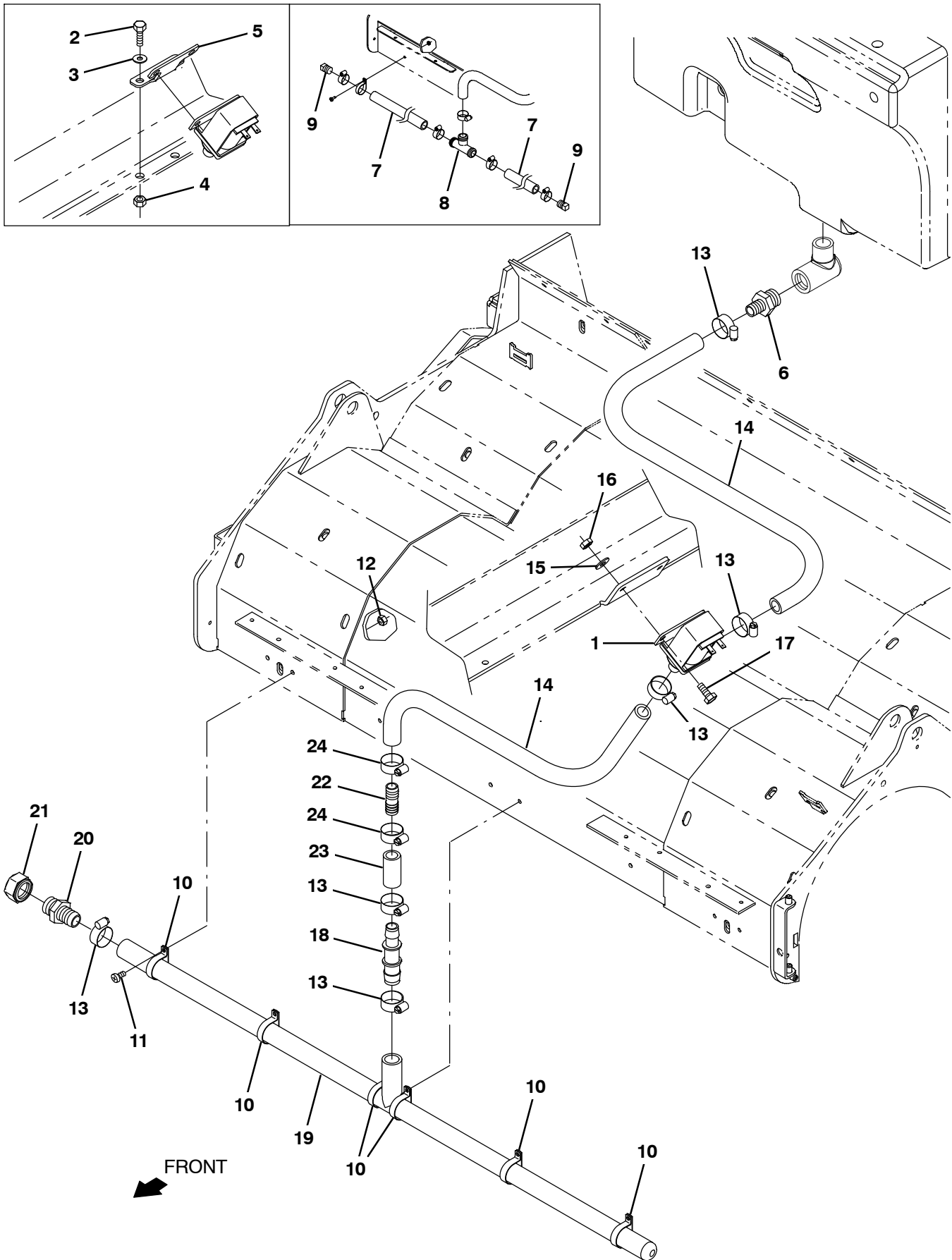


Fig. 46 – Solution Control Group

Ref.	Part No.	Serial Number	Description	Qty.
1	1067700	(000000–)	Valve Assy, Water, Solenoid , 12vdc	1
2	08716	(000000–002241)	Screw, Hex, M6 X 1.0 X 20, Ss	2
3	01684	(000000–002241)	Washer, Flat, 0.25, Ss	2
4	08712	(000000–002241)	Nut, Hex, Lock, M6 X 1.0, Ss, NI	2
5	1028074	(000000–002241)	Bracket, Mtg, Valve	1
6	79273–2	(000000–007259)	Fitting, Plstc, Str, Bm12/Pm12	1
6	365095	(007260–)	Fitting, Plstc, Str, Bm10/Pm12	1
7	1029185	(000000–002143)	Tube, Distribution, Water	2
8	41315	(000000–002143)	Fitting, Plstc, Tee, Bm12/Bm12/Bm12	1
9	17521	(000000–002143)	Fitting, Pipe, Plug, Pm08, Sq Head	2
10	50544	(000000–)	Clamp, Cable, Ss, 1.12d X 0.38w, 1h	6
11	09200	(000000–)	Screw, Pan, M5 X 0.8 X 12, Ss	6
12	09739	(000000–)	Nut, Hex, Lock, M5 X 0.8, NI, Ss	6
13	63810	(000000–)	Clamp, Hose, Wormdrive, 0.56–1.06d, .56w	8
14	1015045	(000000–007259)	Hose, Afmkt, Pvc, Brd 0.75id 08ft	1
14	1015032	(007260–)	Hose, Afmkt, Pvc, Brd, 0.62id, 08ft, Clr	1
15	01684	(000000–)	Washer, Flat, 0.25, Ss	2
16	08712	(000000–)	Nut, Hex, Lock, M6 X 1.0, Ss, NI	2
17	08716	(000000–)	Screw, Hex, M6 X 1.0 X 20, Ss	2
18	1038074	(002144–007259)	Fitting, Plstc, Str, Bm12/Bm12	1
18	363543	(007260–)	Fitting, Plstc, Str, Bm10/Bm12	1
19	1036997	(002144–)	Manifold, Bar, Spray, 37.5inch	1
20	79273–2	(002144–)	Fitting, Plstc, Str, Bm12/Pm12	1
21	1039064	(002144–)	Fitting, Plstc, Cap, Pf12 Hex	1
22	365164	(007260–)	Fitting, Plstc, Str, Bm10/Bm10	1
23	1015033	(007260–)	Hose, Afmkt, Pvc, Brd, 0.62id, 01ft, Clr	1
24	63810	(007260–)	Clamp, Hose, Wormdrive, 0.56–1.06d, .56w	2

Fig. 47 – Recovery Tank Group

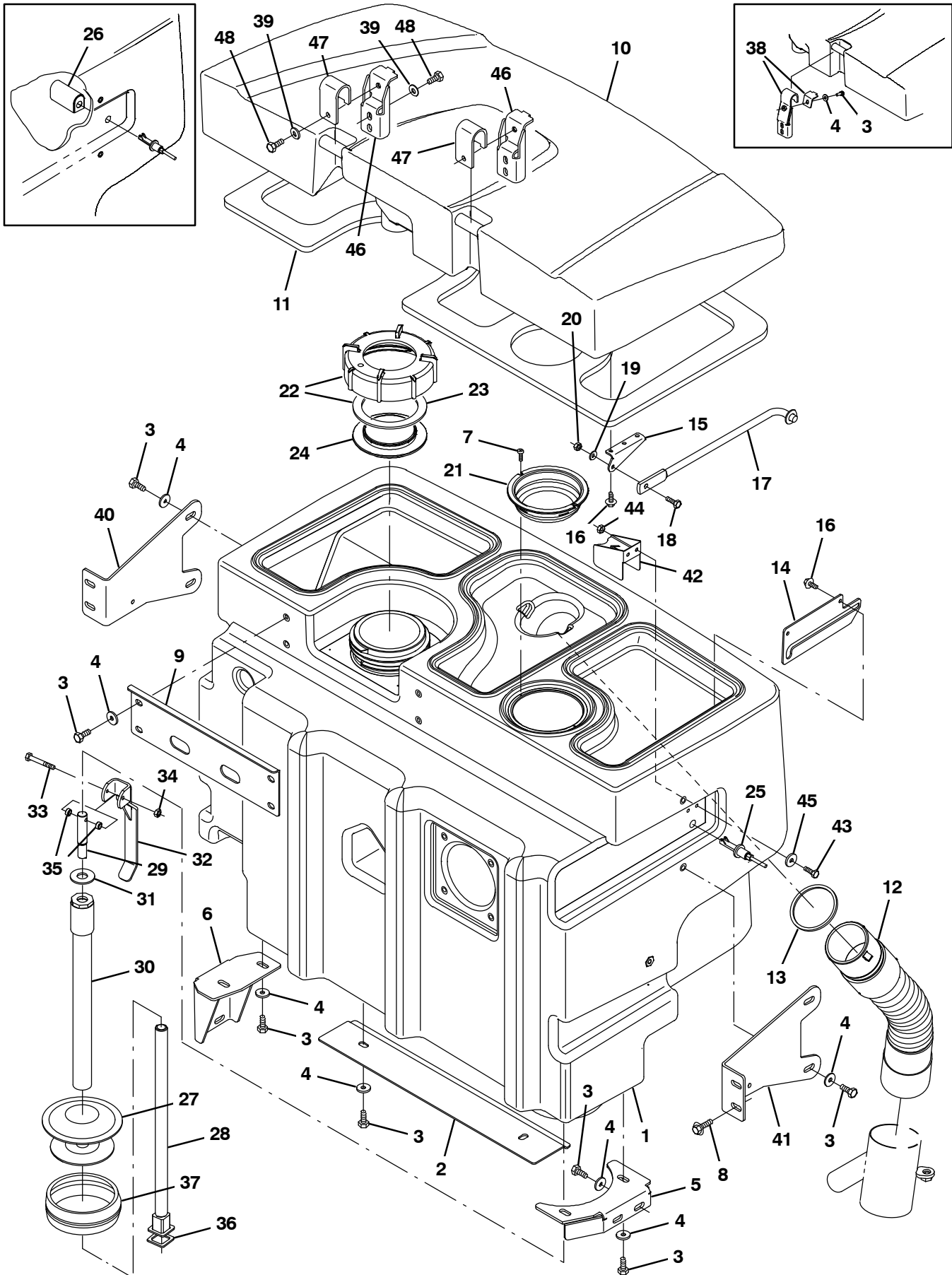


Fig. 47 – Recovery Tank Group

Ref.	Part No.	Serial Number	Description	Qty.
1	1021419	(000000–) Tank, Recvy, Trimmed	1
2	1024403	(000000–) Plate, Tank, Bottom	1
3	09740	(000000–) Screw, Hex, M8 X 1.25 X 20, Ss	17
4	1017218	(000000–) Washer, Flat, 0.32b 1.00d .12, Ss	15
5	1020335	(000000–) Bracket, Sppt, Tank, Lh	1
6	1020331	(000000–) Bracket, Sppt, Tank, Rh	1
7	382320	(000000–) Screw, Pan, #12–16 X 0.50, F/ Plstc	2
8	1037346	(000000–) Screw, Hex, M8 X 1.25 X 25, 9.8, Sems	4
9	1021090	(000000–) Plate, Sppt, Tank	1
10	1022167	(000000–) Cover, Tank, Recvy, Trimmed	1
11	1021879	(000000–) Gasket, Cover, Recvy Tank	1
12	1031610	(000000–) Hose Assy, Sqge	1
13	1021920	(000000–) Gasket, 3.23id 3.63od .16th, Ure	1
14	1025620	(000000–) Plate, Mtg, Prop Rod	1
15	1025619	(000000–) Bracket, Mtg, Prop Rod	1
16	1046798	(000000–) Screw, Hex, .25–14 X 0.75, Fmg/Ab, Ss	4
17	54615	(000000–) Arm Wldt, Safety, Sppt, Seat, .38d 10.11	1
18	08716	(000000–) Screw, Hex, M6 X 1.0 X 20, Ss	1
19	01684	(000000–) Washer, Flat, 0.25, Ss	1
20	08712	(000000–) Nut, Hex, Lock, M6 X 1.0, Ss, NI	1
21	1026014	(000000–) Screen, Vacuum	1
▽	22	24358	(000000–) Cap Assy, Tank, Drain	1
▲	23	1031699	(000000–) Gasket, 4.05id 5.29od .19 [Buna]	1
	24	86636	(000000–) Cover, Tank	1
	25	385685	(000000–) Sensor, Level, Liq, 14vdc 01a .62–11	1
	26	9003449	(000000–002024) Cover Kit, Switch, Float, Repair	1
▽		9003313	(000000–) Plug Kit, Drain, Recvy, Ci [M20 & T20]	1
▲	27	1022370	(000000–) Plug, Drain, Expandable, 4.75–6.00	1
▲	28	1028328	(000000–) Tube Wldt, Plug, Drain	1
▲	29	1028173	(000000–) Pin, Lift, Drain	1
▲	30	1072885	(000000–) Tube Assy, Plug, Drain	1
▲	31	1028522	(000000–) Washer, Flat, .78b 1.75d .18, Ss	1
▲	32	1028211	(000000–) Handle Wldt, Drain	1
▲	33	58979	(000000–) Screw, Hex, M6 X 1.0 X 55, Ss	1
▲	34	08712	(000000–) Nut, Hex, Lock, M6 X 1.0, Ss, NI	1
▲	35	360801	(000000–) Sleeve, 0.31b 0.50d 0.3l, Ss	2
▲	36	1035044	(000000–) Seal, Shaft, Drain Plug	1
▲	37	1039652	(000000–) Seal, Plug, Drain, Nitrile	1
	38	9003893	(000000–002418) Hinge Kit, Cover, Tank, Recvy, Replmt	2
	39	32491	(002419–) Washer, Flat, 0.31, Std	6
	40	1038941	(000000–) Bracket, Sppt, Tank, Rh	1
	41	1038927	(000000–) Bracket, Sppt, Tank, Lh	1
	42	1037816	(002025–) Bracket, Protector, Float Switch	1
	43	09007	(002025–) Screw, Hex, M6 X 1.00 X 25, Ss	2
	44	08712	(002025–) Nut, Hex, Lock, M6 X 1.00, Ss, NI	2
	45	76426	(002025–) Washer, Sealing, 0.28b 0.75d Ss, Neo	2
	46	1039072	(002419–) Bracket, Sppt, Cover, Tank, Recvy	2
	47	1039049	(002419–) Bracket, Mtg, Cover, Recvy Tank	2
	48	16735	(002419–) Screw, Hex, M8 X 1.25 X 16, 8.8	6

Fig. 48 – Recovery Tank Drain Group

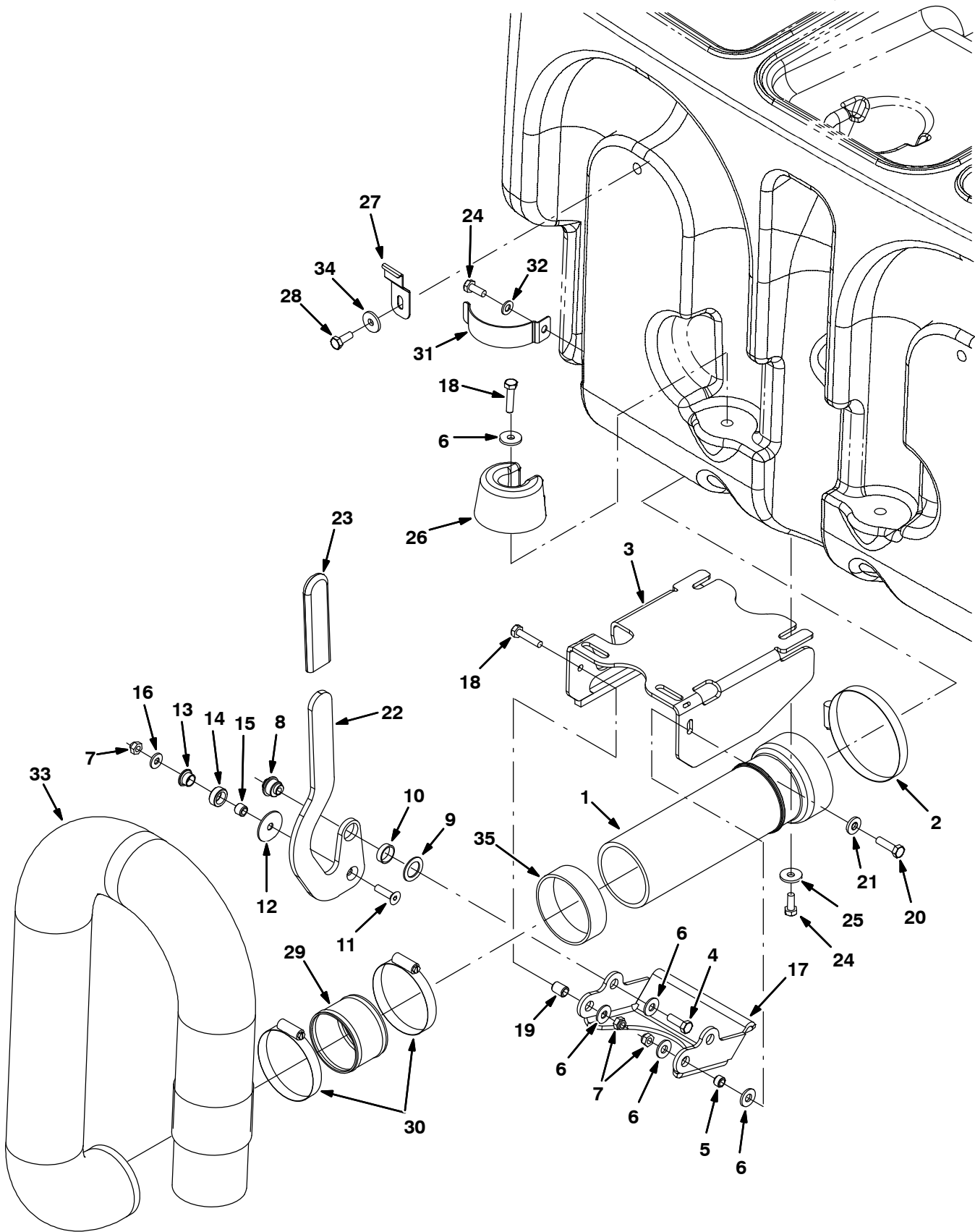


Fig. 48 – Recovery Tank Drain Group

Ref.	Part No.	Serial Number	Description	Qty.
1	9003794	(000000–) Tube Kit, Tank, Recvy, Replmt	1
2	23498	(000000–) Clamp, Hose, Wormdrive, 3.56–4.50d, .50w	1
3	1042010	(000000–) Mount Wldt, Valve, Pinch, Lh	1
4	39277	(000000–) Screw, Hex, M8 X 1.25 X 25, 8.8	1
5	222516	(000000–) Sleeve, P/M, 0.31b 0.50d 0.3l [430ss]	1
6	32491	(000000–) Washer, Flat, 0.31, Std	5
7	08713	(000000–) Nut, Hex, Lock, M8 X 1.25, NI, Ss	3
8	1024599	(000000–) Bushing, Eccentric, Adj	1
9	1026051	(000000–) Washer, Flat, 0.79b 1.18d .06, Nyl	1
10	74090	(000000–) Bushing, Sleeve, 0.75b 0.88d 0.25l	1
11	79506	(000000–) Screw, Flt, M8 X 1.25 X 30, Ss	1
12	1028701	(000000–) Washer, Thrust, 0.34b 1.50d .06	1
13	15648	(000000–) Bushing, Flng, 0.50b 0.59d 0.38l	1
14	1028691	(000000–) Roller, Brg	1
15	1028690	(000000–) Tube, 0.50d 0.32b 00.4l, Ss	1
16	1017218	(000000–) Washer, Flat, 0.32b 1.00d .12, Ss	1
17	1024535	(000000–) Arm, Pinch	1
18	06955	(000000–) Screw, Hex, M8 X 1.25 X 35, 8.8	2
19	80395	(000000–) Sleeve, P/M, 0.31b 0.50d 0.7l [430ss]	1
20	76570	(000000–) Screw, Hex, M8 X 1.25 X 30, 8.8	1
21	41186	(000000–) Washer, Flat, Belleville, .31	1
22	1027039	(000000–) Handle, Valve, Pinch, Lh	1
23	1023502	(000000–) Grip, Handle	1
24	09740	(000000–) Screw, Hex, M8 X 1.25 X 20, Ss	5
25	1017218	(000000–) Washer, Flat, 0.32b 1.00d .12, Ss	2
26	1022137	(000000–) Plug, Hose, Pyu	2
27	1025480	(000000–) Bracket, Retaining, Hose	1
28	15675	(000000–) Screw, Hex, M8 X 1.25 X 16, Ss	1
29	1041953	(000000–) Tube, 2.90id 3.00od 02.4l, Ss	1
30	43555	(000000–) Clamp, Hose, Wormdrive, 2.50–3.50d, .50w	2
31	1024558	(000000–) Strap, Retaining, Hose	1
32	39349	(000000–) Washer, Flat, 0.31 Sae	1
33	1019424	(000000–) Hose, Drain, 3.00id X 48.0l	1
34	01685	(000000–) Washer, Flat, 0.31, Ss	2
35	1031309	(000000–) Tube, Acrylic, Hose, Pinch	1

Fig. 49 – Vacuum Fan Group, Scrubbing (000000–006877)

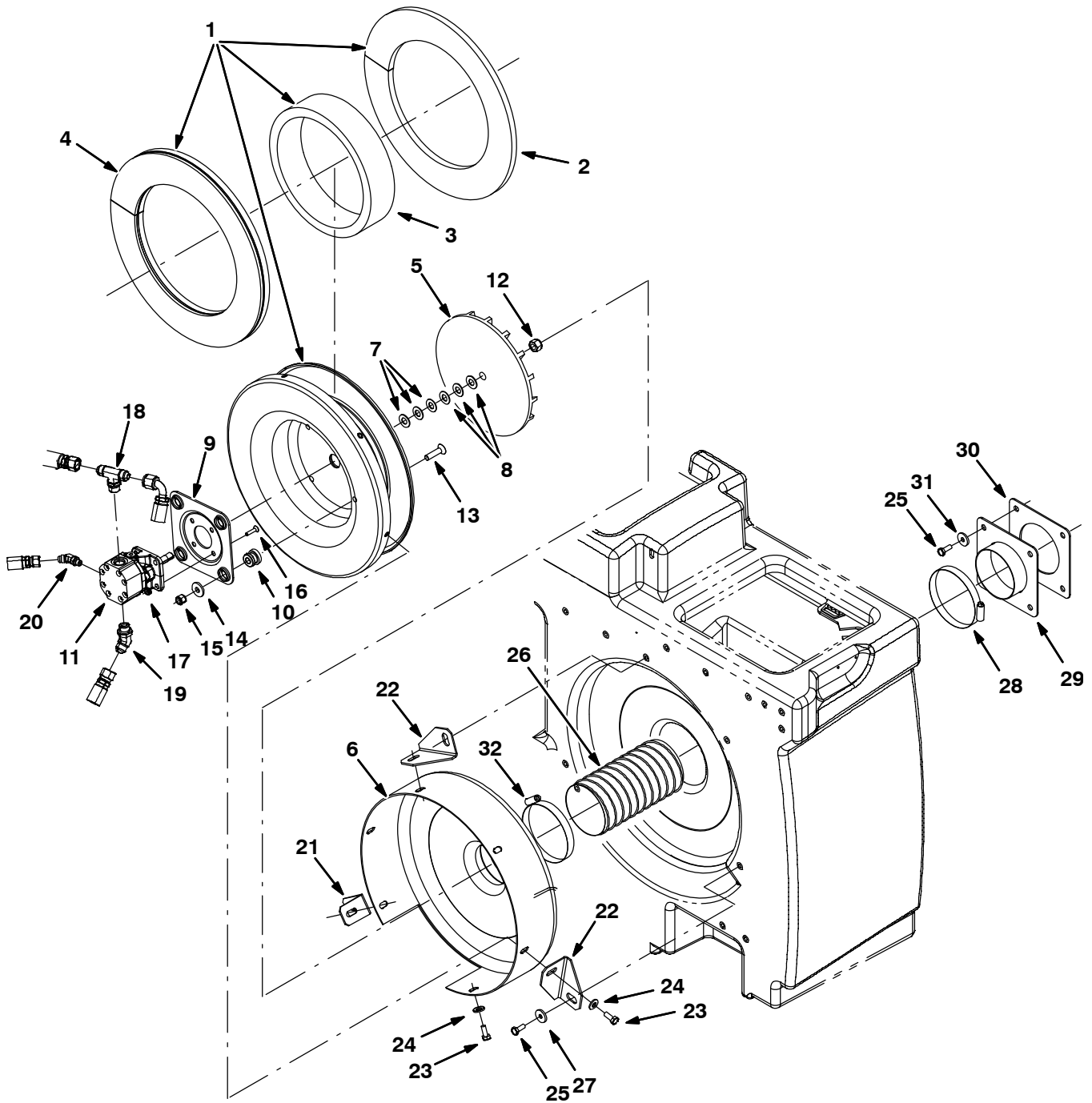


Fig. 49 – Vacuum Fan Group, Scrubbing (000000–006877)

Ref.	Part No.	Serial Number	Description	Qty.
▽	9003455	(000000–006877)	Fan Kit, Scrub, Replmt [M20/T20]	1
▲▽	1 9002684	(000000–006877)	Housing Assy, Vacfan, Scrbr	1
▲▲	2 1025888	(000000–006877)	Insulation, Flame-Retardant, 0.50	1
▲▲	3 1025887	(000000–006877)	Insulation, Flame-Retardant, 0.75–0.88	1
▲▲	4 1025872	(000000–006877)	Insulation, Flame-Retardant, 0.75–0.88	1
▲	5 1041815	(000000–006877)	Impeller, 9.5" Dia, 18 Blade (Machined)	1
▲	6 57189	(000000–006877)	Housing Wldt, Vacfan, Front [528]	1
▲	7 75456-3	(000000–006877)	Shim, Washer, 0.88d 0.51b .020	3
▲	8 75456-4	(000000–006877)	Shim, Washer, 0.88d 0.51b .060	3
▲	9 54275A	(000000–006877)	Bracket, Mtg, Motor	1
▲	10 54274	(000000–006877)	Isolator, Vib, Bshg, 1.1d 0.6l .4b 0.78h	4
▲▽	11 9003461	(000000–006877)	Motor Kit, Replmt [M20&T20]	1
▲▲	00954	(000000–006877)	Key, Sq, 0.12 X 0.12, 1.00l (Included With Motor)	1
▲▲	74233	(000000–006877)	Kit, Seal, Motor, Hyd, Gear[Barns]	1
▲▲	12 41130	(000000–006877)	Nut, Low Crown, .50–20	1
▲▲	13 54861	(000000–006877)	Screw, Flt, .38–16 X 1.50, Al	4
▲▲	14 1014563	(000000–006877)	Washer, Flat, 0.40b 1.12d .12, Ss	4
▲▲	15 36643	(000000–006877)	Nut, Hex, Lock, .38–16, NI, Thin	4
▲▲	16 39534	(000000–006877)	Screw, Flt, .25–20 X 1.00, Al	4
▲▲	17 32981	(000000–006877)	Nut, Hex, Lock, .25–20, NI	4
▲▲	18 49933	(000000–006877)	Fitting, Hyd, Tee, Jm08/Jm08/Om08, Br	1
▲▲	19 42226	(000000–006877)	Fitting, Hyd, E45, Jm08/Om08	1
▲▲	20 392609	(000000–006877)	Fitting, Hyd, E45, Jm06/Om04	1
▲	21 1020320	(000000–006877)	Angle, Sppt, Fan	1
▲	22 1024891	(000000–006877)	Bracket, Mtg, Fan	2
▲	23 16931	(000000–006877)	Screw, Hex, M8 X 1.25 X 20, 8.8	6
▲	24 41186	(000000–006877)	Washer, Flat, Belleville, .31	6
	25 09740	(000000–006877)	Screw, Hex, M8 X 1.25 X 20, Ss	7
	26 1022377	(000000–006877)	Hose, Air-Intk, Flex 4.00id 24.0l	1
	27 1014563	(000000–006877)	Washer, Flat, 0.40b 1.12d .12, Ss	3
	28 79380	(000000–006877)	Clamp, Hose, Wormdrive, 3.75–4.62d, .62w	1
	29 1023754	(000000–006877)	Plate Wldt, Hose, Vacuum	1
	30 1024853	(000000–006877)	Gasket, Plt, Hose, Vacuum	1
	31 1017218	(000000–006877)	Washer, Flat, 0.32b 1.00d .12, Ss	4
	32 23498	(000000–006877)	Clamp, Hose, Wormdrive, 3.56–4.50D, .50W	1

STANDARD PARTS

Fig. 50 – Vacuum Fan Group, Scrubbing (006878-)

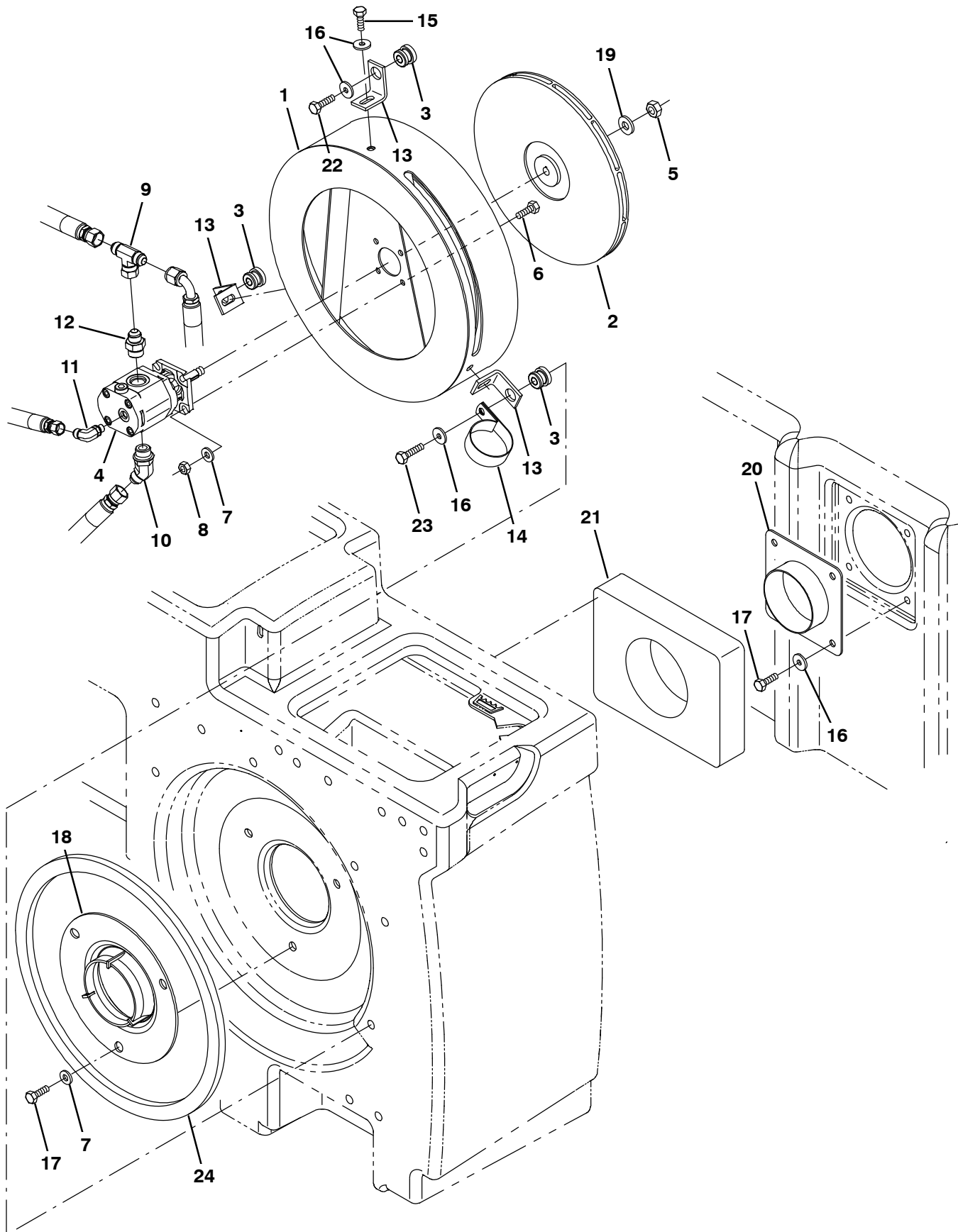


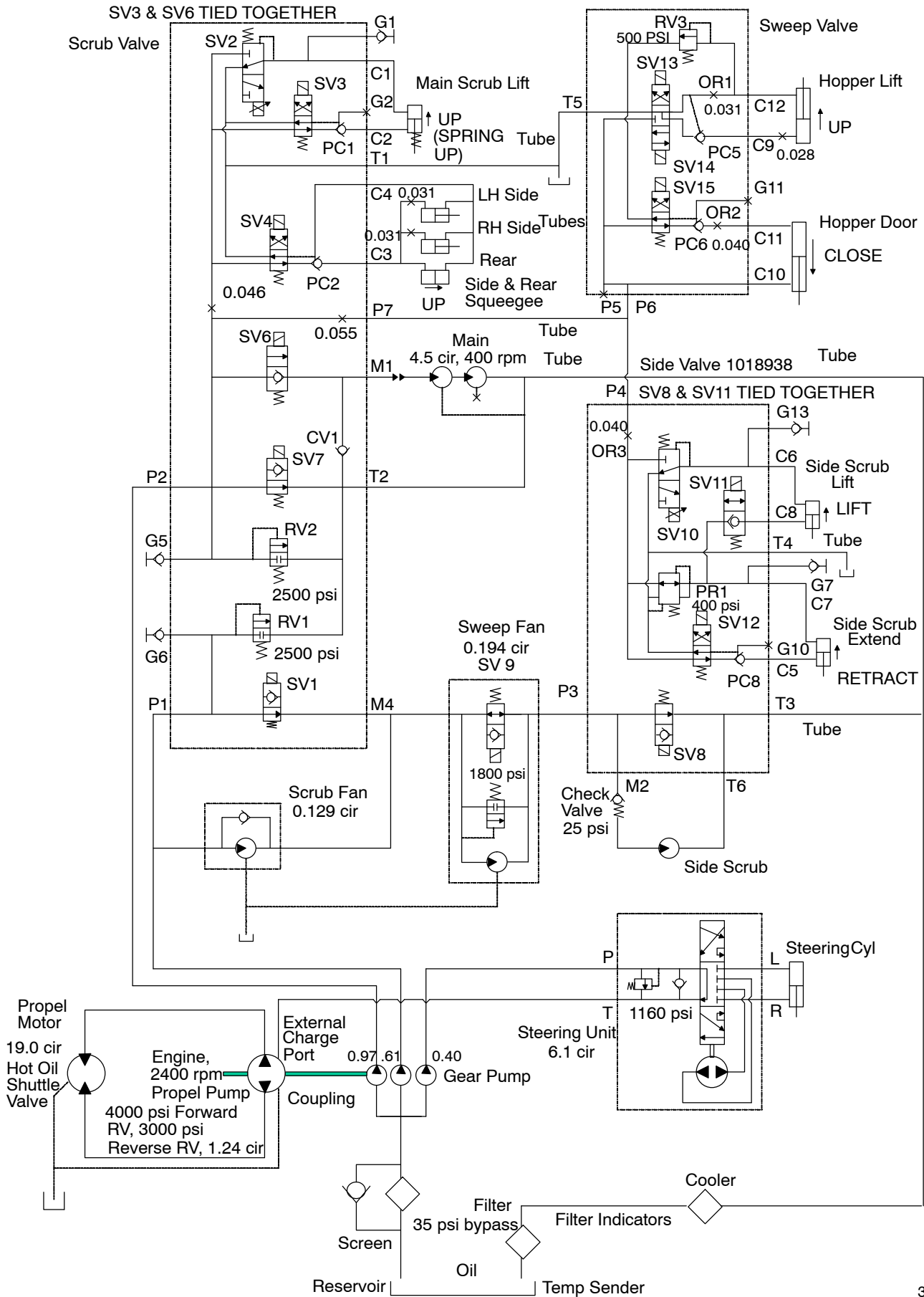
Fig. 50 – Vacuum Fan Group, Scrubbing (006878–)

Ref.	Part No.	Serial Number	Description	Qty.
1	1068611	(006878–)	Plate Wldt, Mtg, Fan	1
2	1062033	(006878–)	Impeller, 11.81d X 0.500b	1
3	54274	(006878–)	Isolator, Vib, Bshg, 1.1d 0.6l .4b 0.78h	3
4	1071253	(006878–)	Motor, Hyd, Gear, Ext 0.17 Lh 3000	1
5	07788	(006878–)	Nut, Hex, Std, M12 X 1.75, Ss	1
6	09010	(006878–)	Screw, Hex, M8 X 1.25 X 25, Ss	4
7	01685	(006878–)	Washer, Flat, 0.38b 0.88d .08, Ss	7
8	08713	(006878–)	Nut, Hex, Lock, M8 X 1.25, NI, Ss	4
9	76315	(006878–)	Fitting, Hyd, Tee, Jf08/Jm08/Jm08, Br	1
10	47513	(006878–)	Fitting, Hyd, E45, Jm08/Om10	1
11	77098	(006878–)	Fitting, Hyd, E90, Jm06/Om04	1
12	56692	(006878–)	Fitting, Hyd, Str, Jm08/Om10	1
13	1068644	(006878–)	Angle, Sppt, Fan	3
14	70157	(006878–)	Clamp, Cable, Ss, 2.50d X 1.00w, 1hole	1
15	39277	(006878–)	Screw, Hex, M8 X 1.25 X 25, 8.8	3
16	1017218	(006878–)	Washer, Flat, 0.32b 1.00d .12, Ss	10
17	09740	(006878–)	Screw, Hex, M8 X 1.25 X 20, Ss	7
18	1059100	(006878–)	Housing, Fan, Radial Discharge, Sq Inlet	1
19	36328	(006878–)	Washer, Flat, Belleville, .50	1
20	1023754	(006878–)	Plate Wldt, Hose, Vacuum	1
21	1060716	(006878–)	Gasket, 2.00, 07.87w 10.24l, Adh	1
22	09011	(006878–)	Screw, Hex, M8 X 1.25 X 30, Ss	2
23	09023	(006878–)	Screw, Hex, M8 X 1.25 X 35, Fl, Ss	1
24	1068613	(006878–)	Gasket, Foam, .50, 14.76id 16.54od, Adh	1

Fig. 51 – Vacuum Fan Group, Sweeping

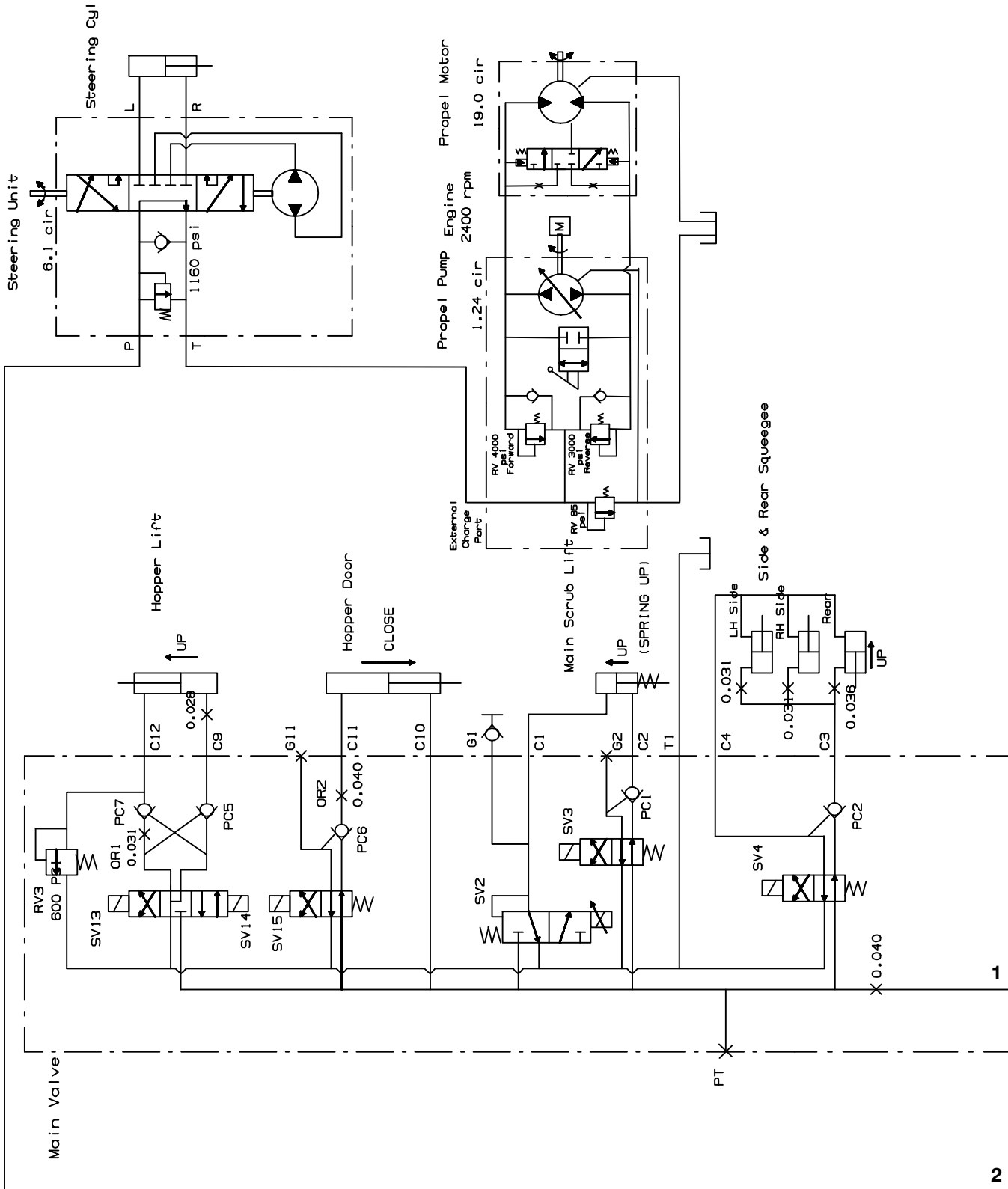
Ref.	Part No.	Serial Number	Description	Qty.
▽	1	9002683	(000000–) Housing Assy, Vacfan, Swpr	1
▲	2	59967	(000000–) Seal, Ure, 0.38 0.75w 13.2l Adh	1
▲	3	59735	(000000–) Seal, Ure, 0.38 0.75w 33.0l Adh	1
	4	1018216	(000000–) Fan Wldt, Vac, Inlet	1
	5	34323	(000000–) Screw, Hex, .25–20 X 0.75, NI	4
	6	41178	(000000–) Washer, Flat, 0.25 Fender	4
	7	74454	(000000–) Impeller, 9.00d X 1.40w X 0.376b	1
	8	31241	(000000–) Nut, Hex, Lock, .31–24, NI, Thin	1
	9	32485	(000000–) Washer, Flat, 0.38 Sae	1
	10	59649	(000000–) Isolator, Vib, Bshg, 1.1d 0.6l .4b 0.78h	3
	11	1034388	(000000–006877) Bar, Isolator, Vacfan [M20 2007]	1
	11	1074010	(006878–) Bar, Isolator, Vacfan [M20]	1
	12	39285	(000000–) Screw, Hex, M10 X 1.5 X 40, 8.8	3
	13	41430	(000000–) Nut, Hex, Lock, M10 X 1.5, NI	3
	14	54275A	(000000–) Bracket, Mtg, Motor	1
	15	54274	(000000–) Isolator, Vib, Bshg, 1.1d 0.6l .4b 0.78h	4
	16	53485	(000000–006877) Motor, Hyd, Gear, [Ex] .194 R 3000 (See Breakdowns)	1
	17	39534	(000000–) Screw, Flt, Soc, .25–20 X 1.00, AI	4
	18	32981	(000000–) Nut, Hex, Lock, .25–20, NI	4
	19	50960	(000000–006877) Fitting, Hyd, Str, Jm06/Om04	1
	20	42215	(000000–) Fitting, Hyd, Tee, Jf06/Jm06/Jm06, Run	1
	21	44868	(000000–001337) Fitting, Hyd, E90, Jm08/Om08	1
	22	44869	(000000–001337) Fitting, Hyd, Str, Jm08/Om08	1
	23	1025756	(000000–) Muffler, Vacfan, 4.0id	1
	24	23498	(000000–) Clamp, Hose, Wormdrive, 3.56–4.50d, .50w	3
	25	1025841	(000000–) Tube, Transition, Casting	1
	26	1018209	(000000–) Gasket, Hppr, Transition	1
	27	1037346	(000000–) Screw, Hex, M8 X 1.25 X 25, 9.8, Sems	2
	28	44869	(000000–) Fitting, Hyd, Str, Jm08/Om08	1
	29	1018252	(000000–) Hose, Flex, Vacuum, 3.5d 32.0l	1
	30	32483	(006878–) Washer, Flat, 0.25, Sae	4
	31	36643	(000000–) Nut, Hex, Lock, .38–16, NI, Thin	4
	32	1014563	(000000–) Washer, Flat, 0.40b 1.12d .12, Ss	10
	33	44868	(000000–) Fitting, Hyd, E90, Jm08/Om08	1
	34	1071240	(006878–) Motor, Hyd, Gear, Ext 0.17 Lh 3000	1
	35	77098	(006878–) Fitting, Hyd, E90, Jm06/Om04	1

Fig. 52 - Hydraulic Schematic (000000-002699)



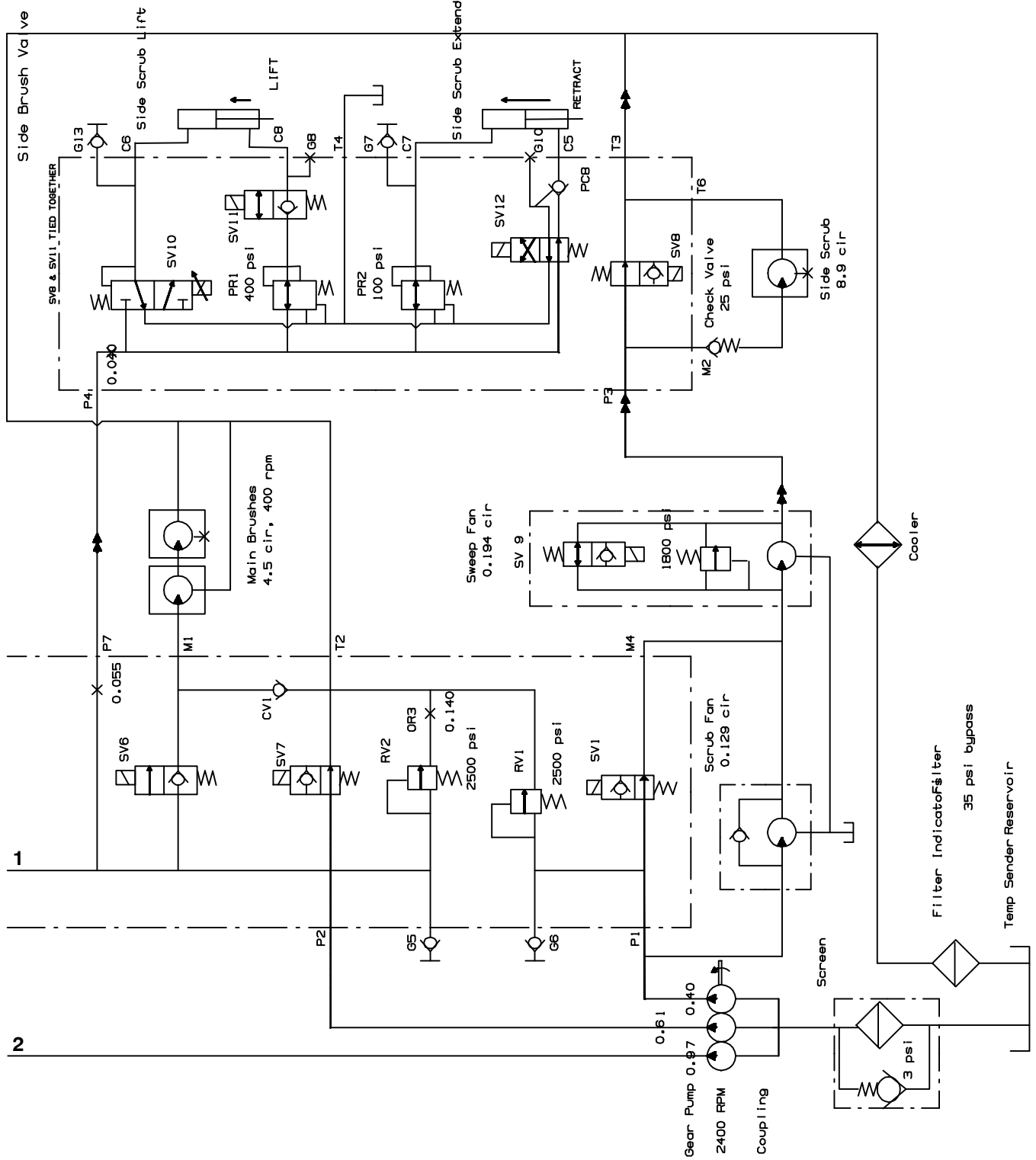
35445c

Fig. 53 – Hydraulic Schematic (002700-003297)



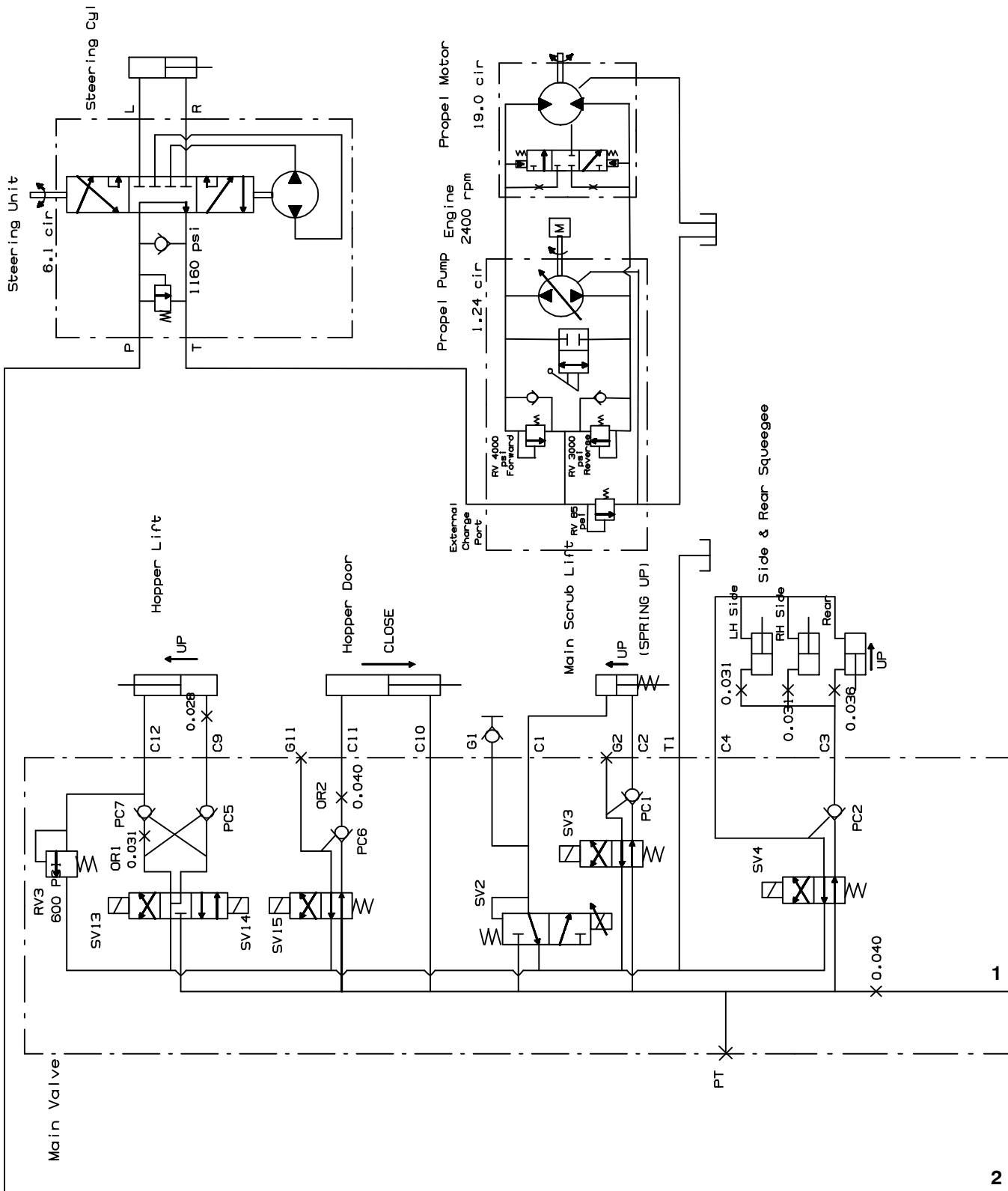
354453, 1018547 – M20

Fig. 53 - Hydraulic Schematic (002700-003297)



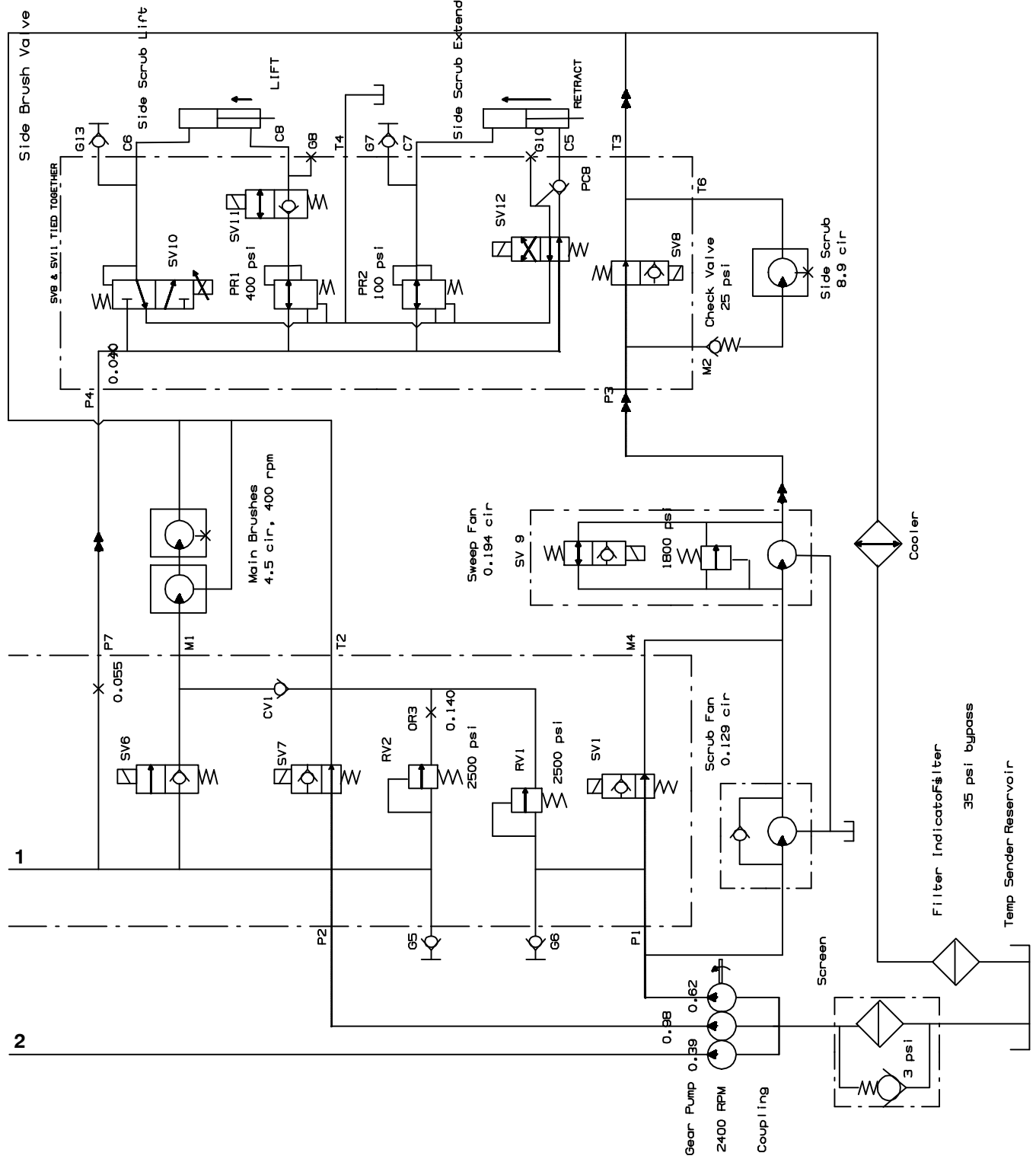
354453, 1018547 - M20

Fig. 54 – Hydraulic Schematic (003298-)



354453, 1018547 – M20

Fig. 54 - Hydraulic Schematic (003298-)



354453, 1018547 - M20

Fig. 55 – Hydraulic Hose Group, Steering and Propel

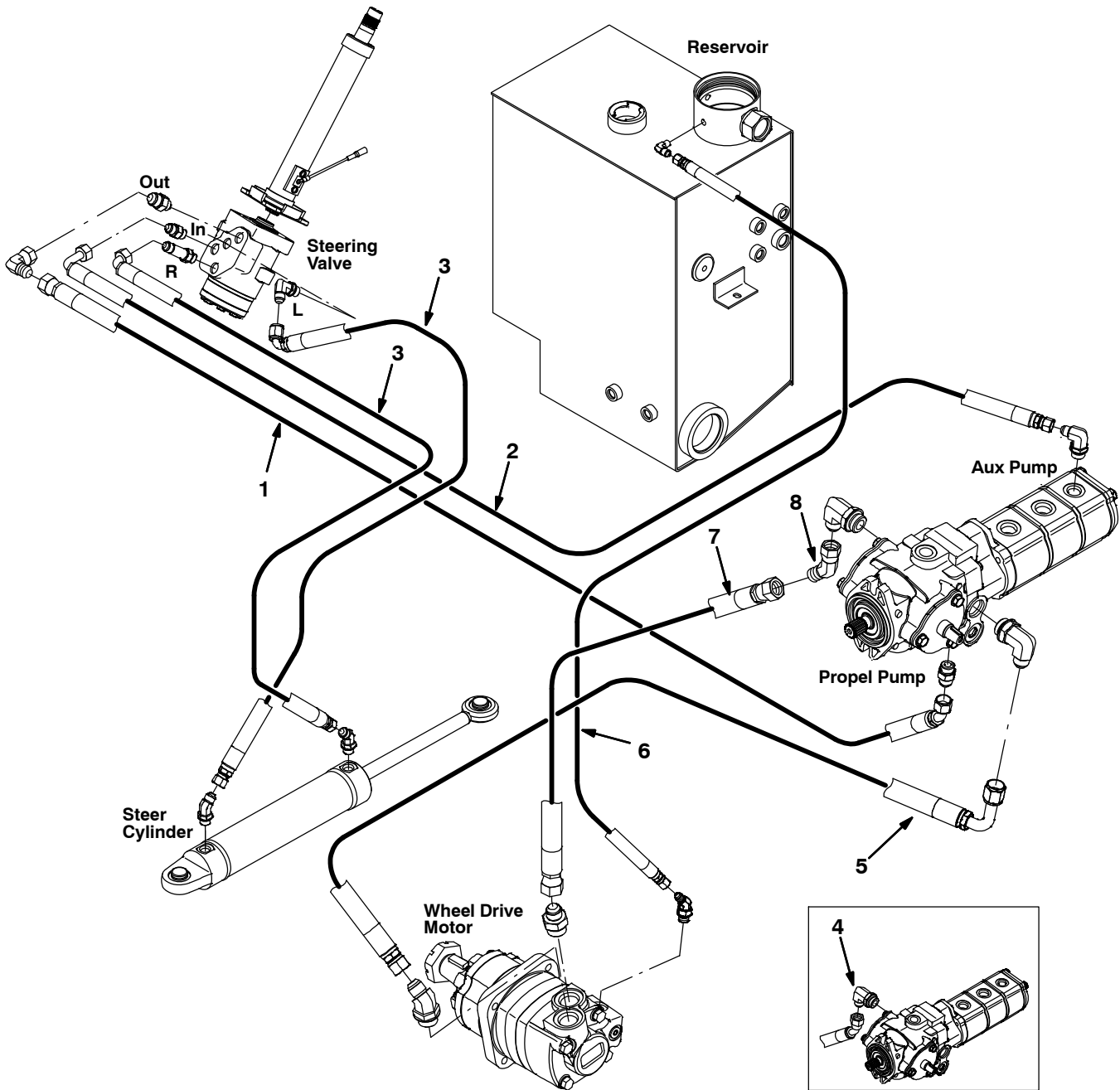


Fig. 55 – Hydraulic Hose Group, Steering and Propel

Ref.	Part No.	Serial Number	Description	Qty.
1	1023609	(000000–)	Hose, Hyd, Tc08, Jf08e45/Jf08str, 96.0	1
2	1023608	(000000–)	Hose, Hyd, Tc06, Jf06e90/Jf06str, 104.0	1
3	396221	(000000–)	Hose, Hyd, Tc06, Jf06e90/Jf06str, 040.0	2
4	1039148	(000000–002183)	Hose Kit, Hyd, Propel, Ci [M20/T20]	1
5	1023488	(000000–)	Hose, Hyd, Spcl, Jf10e90/Jf10str, 63.0	1
6	1030404	(000000–)	Hose, Hyd,Med04, Jf04str/Jf04str, 066.0	1
7	1038569	(002184–)	Hose, Hyd, Spcl, Jf10str/Jf10str, 56.5	1
8	54017	(002184–)	Fitting, Hyd, E45, Jf10/Jm10	1

STANDARD PARTS

Fig. 56 – Hydraulic Hose Group, Pump and Vacuum Fans (000000–006877)

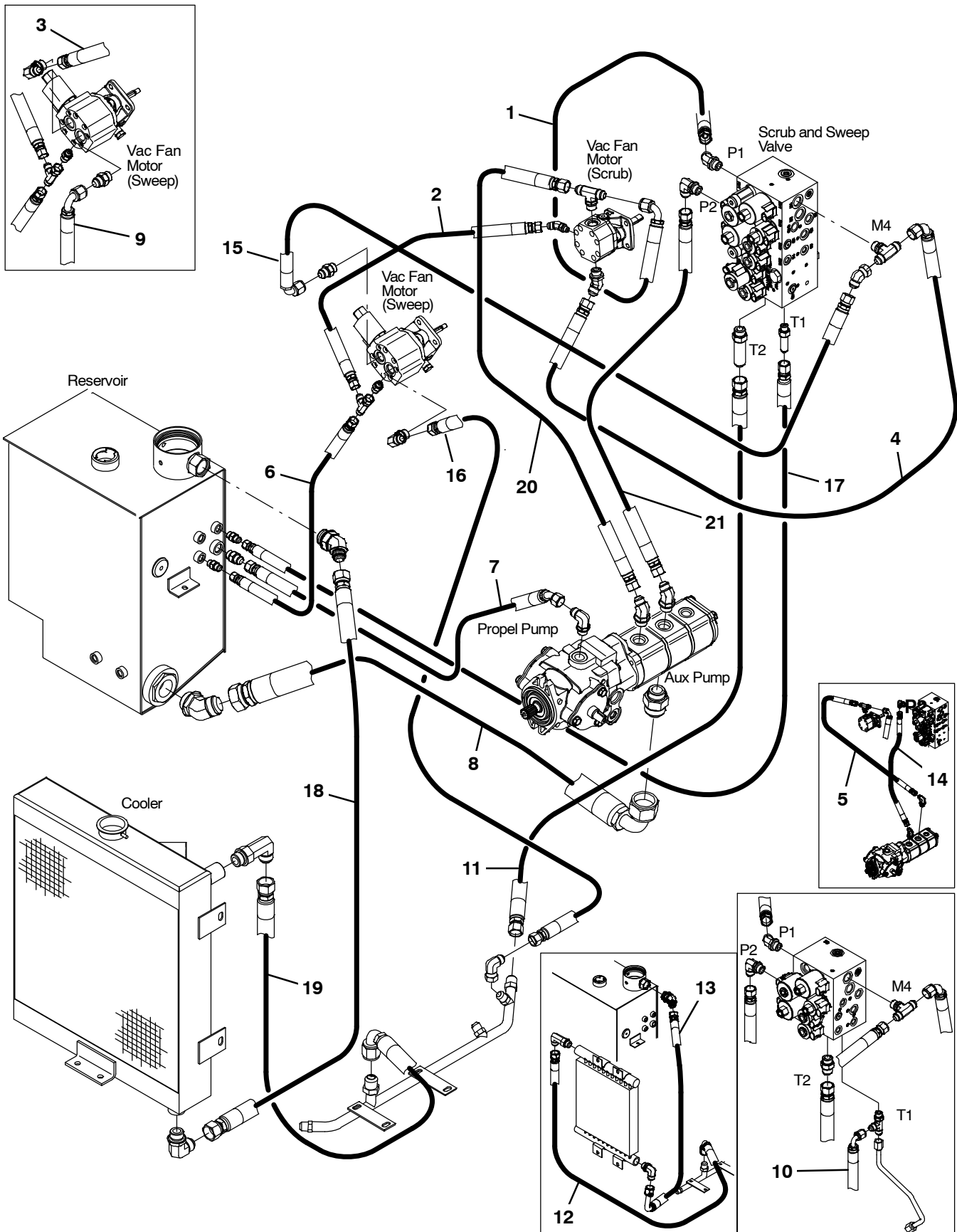


Fig. 56 – Hydraulic Hose Group, Pump and Vacuum Fans (000000–006877)

Ref.	Part No.	Serial Number	Description	Qty.
1	71741	(000000–006877)	Hose, Hyd, Tc08, Jf08e90/Jf08str, 046.0	1
2	361044	(000000–006877)	Hose, Hyd, Med06, Jf06str/Jf06str, 018.0	1
3	381862	(000000–001337)	Hose, Hyd, Tc08, Jf08str/Jf08str, 024.0	1
4	396255	(000000–006877)	Hose, Hyd, Tc08, Jf08str/Jf08e90, 031.0	1
5	1026645	(000000–003297)	Hose, Hyd, Tc08, Jf08e45/Jf08str, 26.0	1
6	16431	(000000–006877)	Hose, Hyd, Med06, Jf06str/Jf06str, 022.0	1
7	1023607	(000000–006877)	Hose, Hyd, Med08, Jf08str /Jf08e45, 21.0	1
8	1036710	(000000–006877)	Hose, Hyd, Suc20, Jf20str /Jf20e90, 30.0	1
9	396266	(000000–001337)	Hose, Hyd, Med08, Jf08e90/Jf08str, 031.0	1
10	71735	(000000–002699)	Hose, Hyd, Med06, Jf06e90/Jf06str, 042.0	1
11	1025547	(000000–002699)	Hose, Hyd, Med10, Jf10str/Jf10str, 41.0	1
11	1040655	(002700–006877)	Hose, Hyd, Med10, Jf10Str/Jf10Str, 036.0	1
12	396438	(000000–003038)	Hose, Hyd, Tc12, Jf12e90/Jf12str, 044.0	1
13	1028145	(000000–003038)	Hose, Hyd, Med12, Jf12str/Jf12str , 66.0	1
14	1023606	(000000–003297)	Hose, Hyd, Tc08, Jf08str/Jf08str, 21.0	1
15	381858	(001338–002699)	Hose, Hyd, Tc08, Jf08e90/Jf08str, 024.0	1
15	1040216	(002700–006877)	Hose, Hyd, Tc08, Jf08E90/Jf08Str, 029.0	1
16	1036945	(001338–006877)	Hose, Hyd, Tc08, Jf08str/Jf08str, 031.0	1
17	71556	(002700–006877)	Hose, Hyd, Med06, Jf06Str/Jf06Str, 042.0	1
18	1052834	(003039–006877)	Hose, Hyd, Med12, Jf12str/Jf12str, 060.0	1
19	1050436	(003039–006877)	Hose, Hyd, Med12, Jf12e90/Jf12str, 029.0	1
20	1026645	(003298–006877)	Hose, Hyd, Tc08, Jf08E45/Jf08Str, 026.0	1
21	1023606	(003298–006877)	Hose, Hyd, Tc08, Jf08Str/Jf08Str, 021.0	1

STANDARD PARTS

Fig. 57 – Hydraulic Hose Group, Pump and Vacuum Fans (006878-)

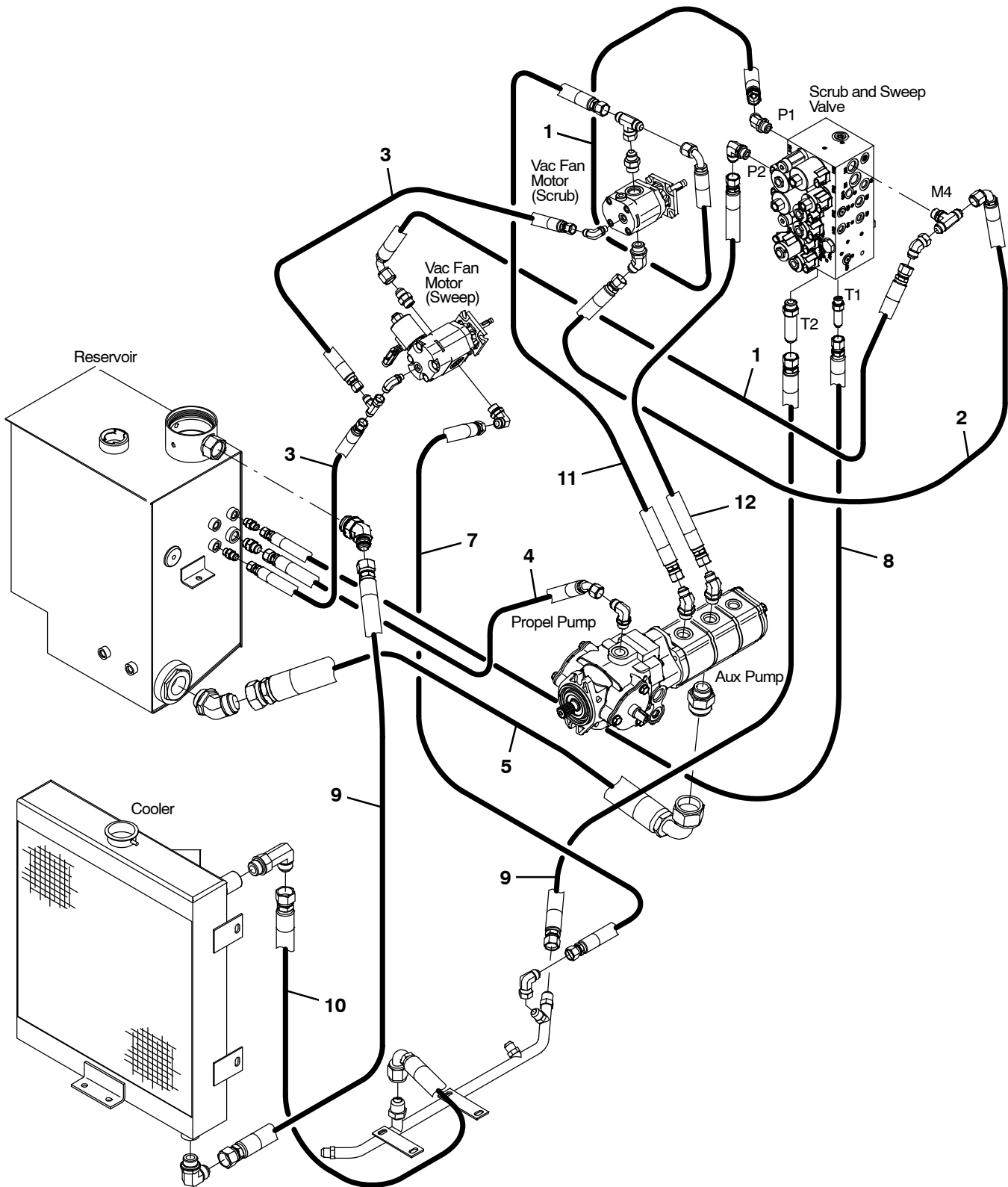


Fig. 57 – Hydraulic Hose Group, Pump and Vacuum Fans (006878–)

Ref.	Part No.	Serial Number	Description	Qty.
1	71741	(006878–)	Hose, Hyd, Tc08, Jf08e90/Jf08str, 046.0	2
2	396255	(006878–)	Hose, Hyd, Tc08, Jf08str/Jf08e90, 031.0	1
3	16431	(006878–)	Hose, Hyd, Med06, Jf06str/Jf06str, 022.0	1
4	1023607	(006878–)	Hose, Hyd, Med08, Jf08str /Jf08e45, 21.0	1
5	1036710	(006878–)	Hose, Hyd, Suc20, Jf20str /Jf20e90, 30.0	1
6	1040655	(006878–)	Hose, Hyd, Med10, Jf10Str/Jf10Str, 036.0	1
7	1036945	(006878–)	Hose, Hyd, Tc08, Jf08str/Jf08str, 031.0	1
8	71556	(006878–)	Hose, Hyd, Med06, Jf06Str/Jf06Str, 042.0	1
9	1052834	(006878–)	Hose, Hyd, Med12, Jf12str/Jf12str, 060.0	1
10	1050436	(006878–)	Hose, Hyd, Med12, Jf12e90/Jf12str, 029.0	1
11	1026645	(006878–)	Hose, Hyd, Tc08, Jf08E45/Jf08Str, 026.0	1
12	1023606	(006878–)	Hose, Hyd, Tc08, Jf08Str/Jf08Str, 021.0	1

Fig. 58 – Hydraulic Hose Group, Brush and Hopper

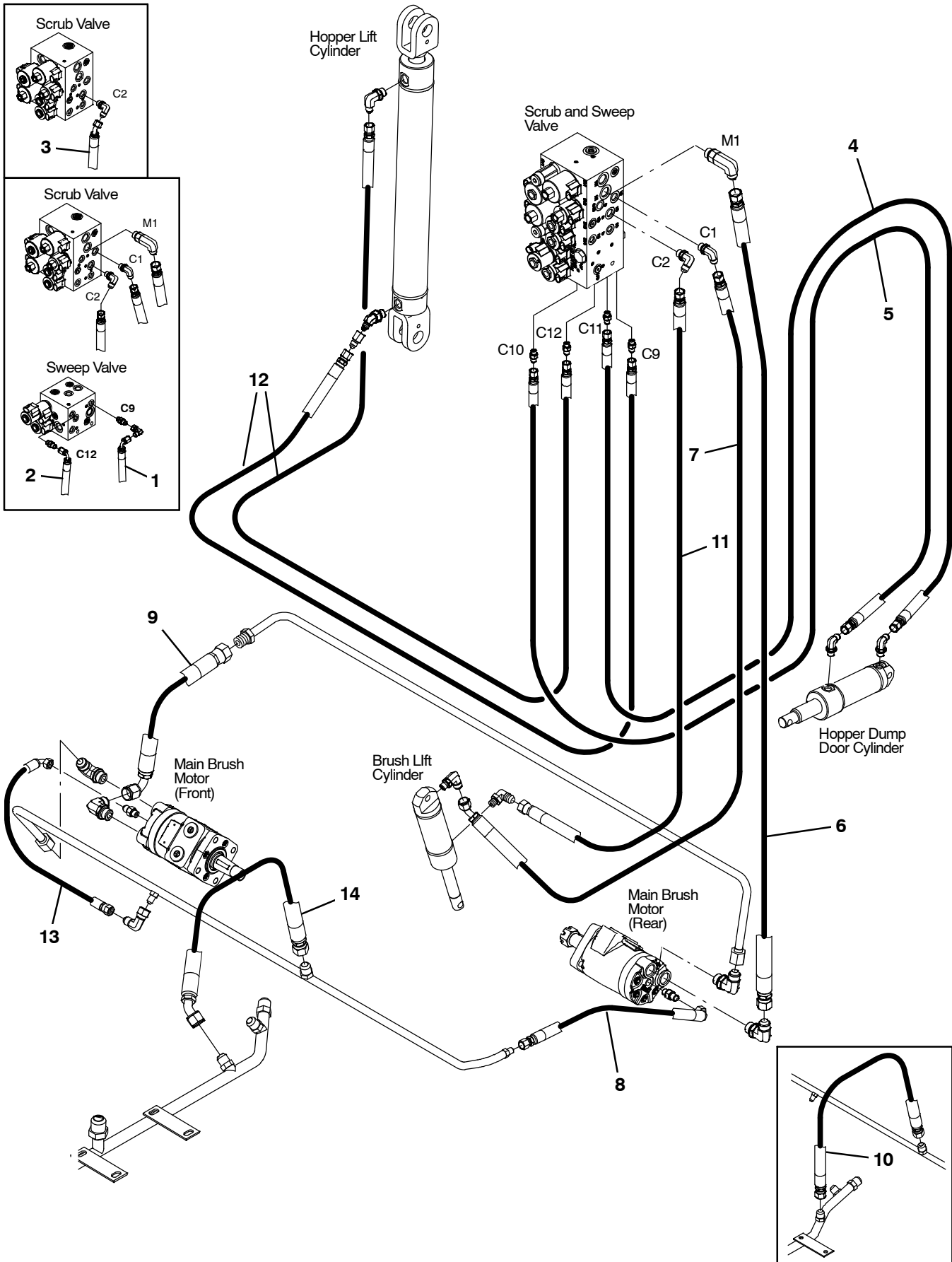


Fig. 58 – Hydraulic Hose Group, Brush and Hopper

Ref.	Part No.	Serial Number	Description	Qty.
1	1027320	(000000-002699)	Hose, Hyd, Tc04, Jf04str /Jf04e90, 88.0	1
2	1027321	(000000-002699)	Hose, Hyd, Tc04, Jf04str /Jf04e90, 70.0	1
3	1025548	(000000-001337)	Hose, Hyd, Tc06, Jf06str /Jf06e45, 54.0	1
4	1026733	(000000-002699)	Hose, Hyd, Spcl, Jf04str/Jf04str, 115.0	1
4	1042775	(002700-)	Hose, Hyd, Spcl, Jf04str/Jf04str, 133.0	1
5	1024688	(000000-002699)	Hose, Hyd, Spcl, Jf04str/Jf04str, 121.0	1
5	1042776	(002700-)	Hose, Hyd, Spcl, Jf04str/Jf04str, 127.0	1
6	1024764	(000000-)	Hose, Hyd, Tc08, Jf08str/Jf08str, 48.0	1
7	1023769	(000000-)	Hose, Hyd, Tc 06, Jf06str /Jf06e45, 56.0	1
8	57946	(000000-)	Hose, Hyd, Med04, Jf04e90/Jf04str, 016.0	1
9	1025544	(000000-)	Hose, Hyd, Tc08, Jf08e90/Jf08str, 13.0	1
10	51754	(000000-005999)	Hose, Hyd, Med08, Jf08str/Jf08str, 022.0	1
11	1036939	(001338-)	Hose, Hyd, Tc06, Jf06str/Jf06str, 054.0	1
12	1040628	(002700-)	Hose, Hyd, Tc04, Jf04str/Jf04str, 096.0	2
13	387281	(003057-)	Hose, Hyd, Tc04, Jf04e90/Jf04str, 020.0	1
14	364978	(006000-006697)	Hose, Hyd, Med08, Jf08e45/Jf08str, 029.0	1
14	1041391	(006698-)	Hose, Hyd, Tc08, Jf08e45/Jf08str, 018.0	1

Fig. 59 – Hydraulic Hose Group, Squeegee Lift

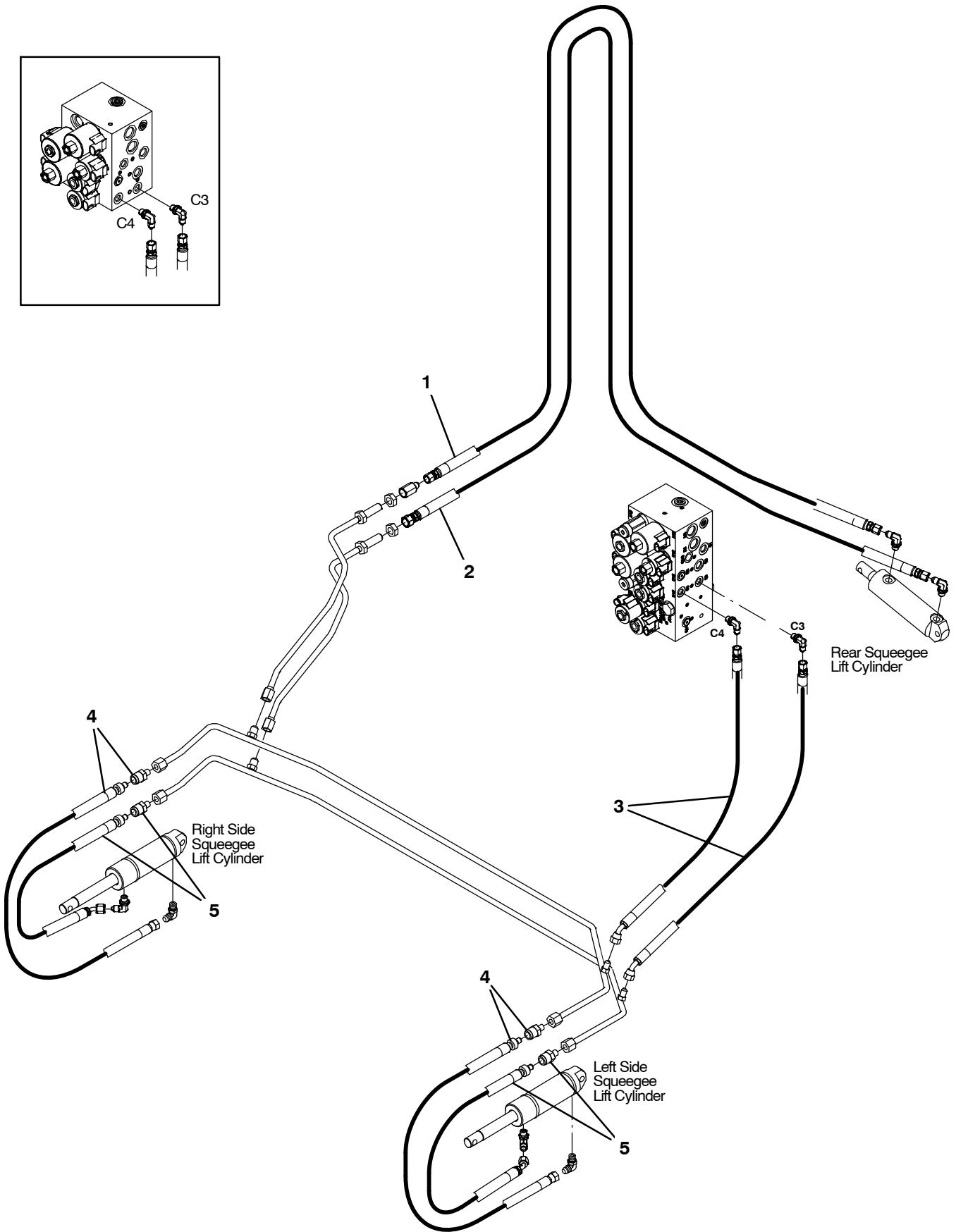


Fig. 59 – Hydraulic Hose Group, Squeegee Lift

Ref.	Part No.	Serial Number	Description	Qty.
1	1024688	(000000–) Hose, Hyd, Spcl, Jf04str/Jf04str, 121.0	1
2	1025551	(000000–) Hose, Hyd, Spcl, Jf04str/Jf06str, 125.0	1
3	1030709	(000000–) Hose, Hyd, Tc 04, Jf04str /Jf04e45 , 35.0	2
4	1037042	(000000–002555) Hose, Hyd, Tc04, Jf04e45/Qm06, 028.0	2
4	1045759	(002556–) Hose, Hyd, Tco4, Jf04Str/Qm06, 028.0	2
5	1037053	(000000–) Hose, Hyd, Tc04, Jf04e45/Qm06, 026.0	2

Fig. 60 – Hydraulic Pumps Group

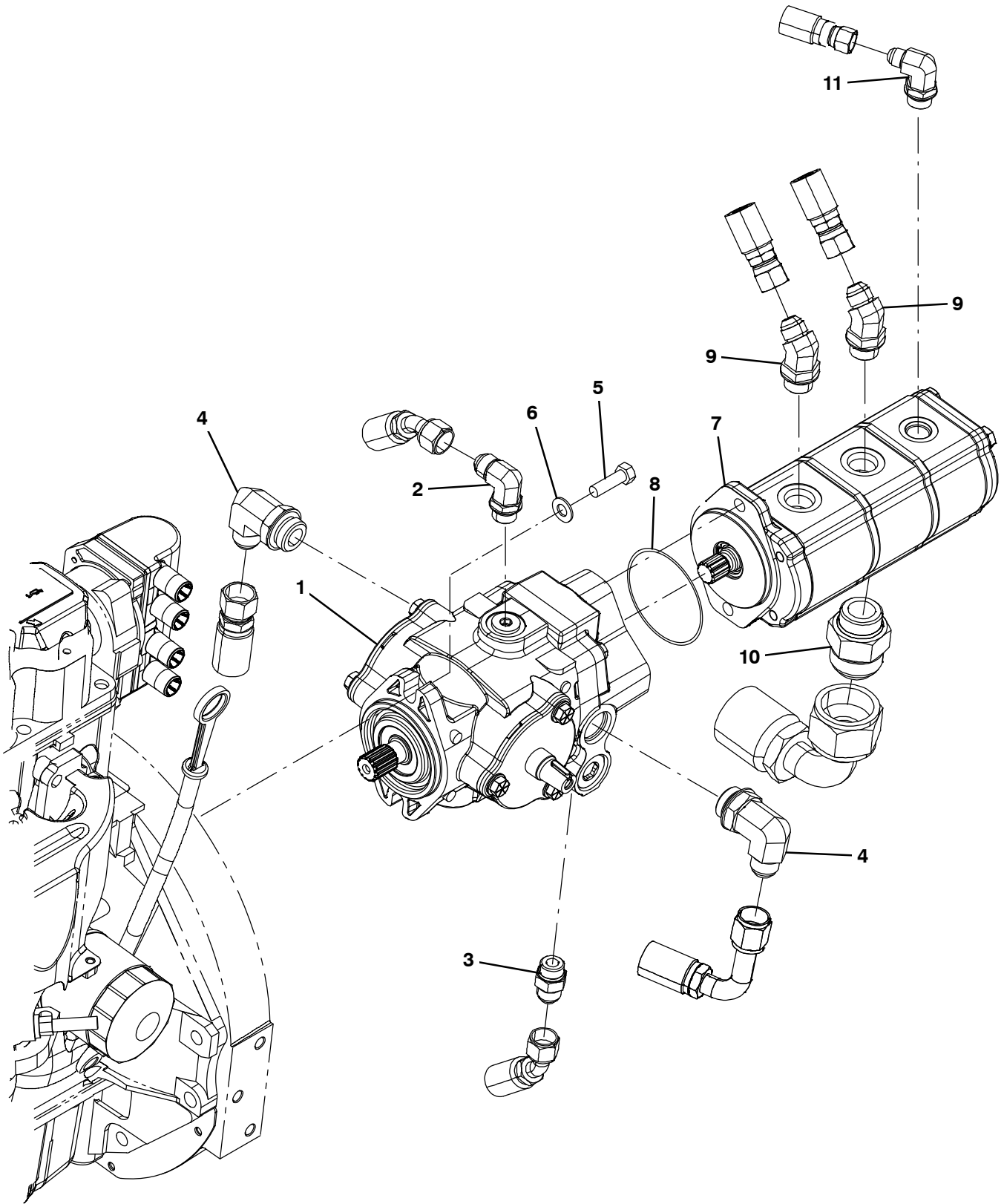


Fig. 60 – Hydraulic Pumps Group

Ref.	Part No.	Serial Number	Description	Qty.
1	1024251	(000000–) Pump, Hyd, Piston, Var, 1.24 4000, Cw (See Breakdowns)	1
2	44868	(000000–) Fitting, Hyd, E90, Jm08/Om08	1
3	44869	(000000–) Fitting, Hyd, Str, Jm08/Om08	1
4	53076	(000000–) Fitting, Hyd, E90, Jm10/Om12	2
5	21198	(000000–) Screw, Hex, .38–16 X 1.25, 5	2
6	32485	(000000–) Washer, Flat, 0.38 Sae	2
7	9007142	(000000–) Pump Kit, Mtg, Aux, Ci [M20 & T20]	1
8	65145–1	(000000–) Seal, Org, .069 X 3.06id	1
9	47513	(000000–) Fitting, Hyd, E45, Jm08/Om10	2
10	67811	(000000–) Fitting, Hyd, Str, Jm20/Om16	1
11	47512	(000000–) Fitting, Hyd, E90, Jm06/Om08	1

Fig. 61 – Hydraulic Cooler and Tubes Group

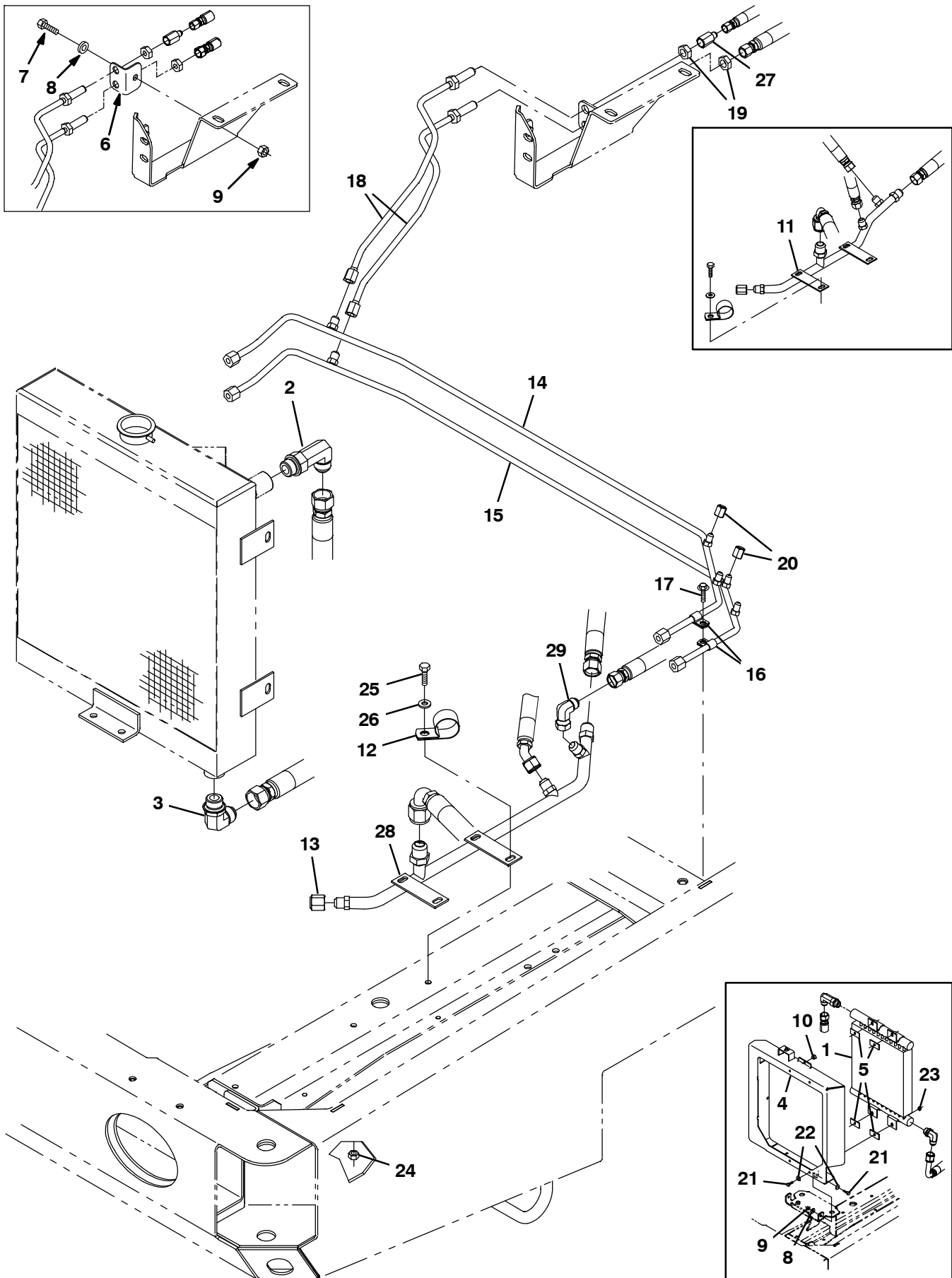


Fig. 61 – Hydraulic Cooler and Tubes Group

Ref.	Part No.	Serial Number	Description	Qty.
1	13698	(000000-003038)	Cooler, Hyd, 25gpm 325btu Of12 13x12x2	1
2	46481	(000000-)	Fitting, Hyd, E90, Jm12/Om12	1
3	62471	(000000-)	Fitting, Hyd, E90, Jm12/Om12, L	1
4	1026319	(000000-003038)	Bracket Wldt, Cooler, Hyd Fluid	1
5	1040318	(000000-003038)	Pad, Tank, Hyd [W/Psa]	4
6	1026647	(000000-xxxxxx)	Angle, Mtg, Stl, .12 1.6 1.6 02.2l	1
7	39283	(000000-xxxxxx)	Screw, Hex, M10 X 1.5 X 25, 8.8	1
8	32492	(000000-xxxxxx)	Washer, Flat, 0.38 Std	1
9	41430	(000000-xxxxxx)	Nut, Hex, Lock, M10 X 1.5, NI	1
10	51787	(000000-003038)	Bumper, Rbr, 0.6d 0.34t .3d Tip	1
11	1036959	(000000-005999)	Tube, Hyd, Main Return	1
12	53466	(000000-)	Clamp, Cable, Stl, 1.50d X 1.00w, 1h	1
13	60090	(000000-)	Fitting, Hyd, Cap, Jf08	1
14	1028821	(000000-)	Tube, Hyd, Sqge	1
15	1028822	(000000-)	Tube, Hyd, Sqge	1
16	40678	(000000-)	Clamp, Cable, Stl, 0.44d X 0.62w, 1h	2
17	74455	(000000-)	Screw, Hex, M6 X 1.0 X 12, Fmg	1
18	1028823	(000000-)	Tube, Hyd, Rear Sqge [M20]	2
19	35904	(000000-)	Nut, Ftg, Hyd, 0.56-18	2
20	50161	(000000-)	Fitting, Hyd, Cap, Jf04	2
21	39277	(000000-003038)	Screw, Hex, M8 X 1.25 X 25, 8.8	8
22	32491	(000000-003038)	Washer, Flat, 0.31, Std	8
23	07791	(000000-003038)	Nut, Hex, FIng, M8 X 1.25	8
24	41430	(000000-)	Nut, Hex, Lock, M10 X 1.5, NI	2
25	39277	(000000-)	Screw, Hex, M8 X 1.25 X 25, 8.8	2
26	32491	(000000-)	Washer, Flat, 0.31, Std	2
27	47752	(000000-)	Fitting, Hyd, Str, Jf06/Jm04	1
28	1071173	(006000-)	Tube, Hyd, Main Return [G/Lp Mit2013]	1
29	17980	(006000-)	Fitting, Hyd, E90, Jf08/Jm08	1

Fig. 62 – Hydraulic Reservoir Group

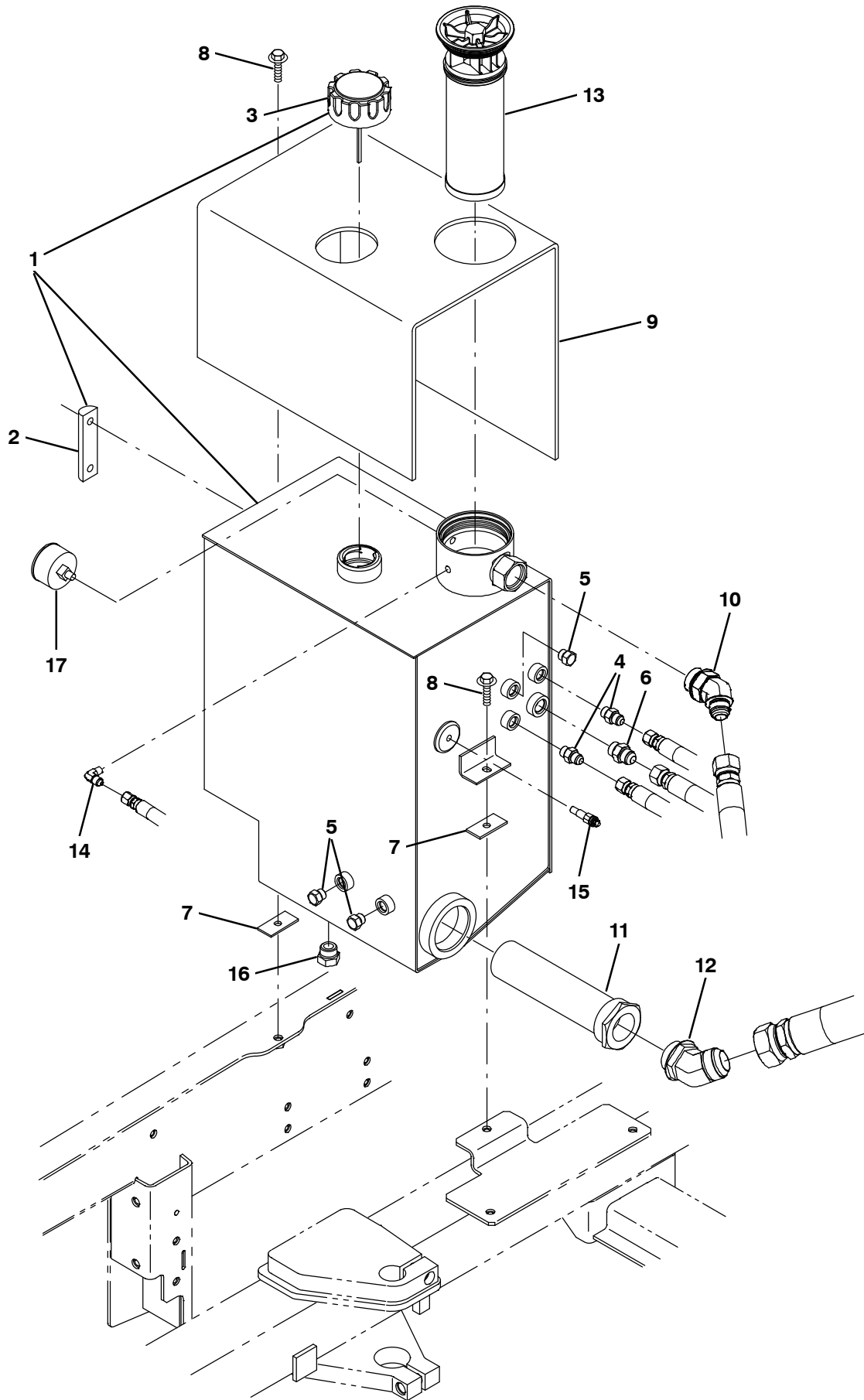


Fig. 62 - Hydraulic Reservoir Group

	Ref.	Part No.	Serial Number	Description	Qty.
▽	1	9002398	(000000-) Reservoir, Hyd, 10.0Gal, Replmt	1
▲	2	65215	(000000-) Gauge, Sensing, Level	1
▲	3	25122	(000000-) Cap, Breather, Hyd, 2.4 Ds	1
	4	56690	(000000-) Fitting, Hyd, Str, Jm06/Om06	2
	5	46482	(000000-) Fitting, Hyd, Plug, Om06	3
	6	44869	(000000-) Fitting, Hyd, Str, Jm08/Om08	1
	7	1040318	(000000-) Pad, Tank, Hyd [W/Psa]	2
	8	1037354	(000000-) Screw, Hex, M8 X 1.25 X 30, 9.8, Sems	2
	9	1034878	(000000-) Insulation, Thermal, Hydraulic Blanket	1
	10	1023545	(000000-) Fitting, Hyd, E45, Jm12/Om16	1
	11	31613	(000000-) Strainer, Hyd, 25gpm 100mesh Psi	1
	12	71726	(000000-) Fitting, Hyd, E45, Jm20/Om20	1
	13	1021579	(000000-) Filter Assy, Hyd, 10mic	1
	14	55455	(000000-) Fitting, Hyd, E90, Jm04/Pm02	1
	15	58592	(000000-) Send-Unit, Water, Temp, 04npt 113oh/195d	1
	16	40362	(000000-) Fitting, Hyd, Plug, Om10	1
	17	1025132	(000000-) Indicator, Press, 60psi	1

Fig. 63 - Hydraulic Valves Group (000000-002699)

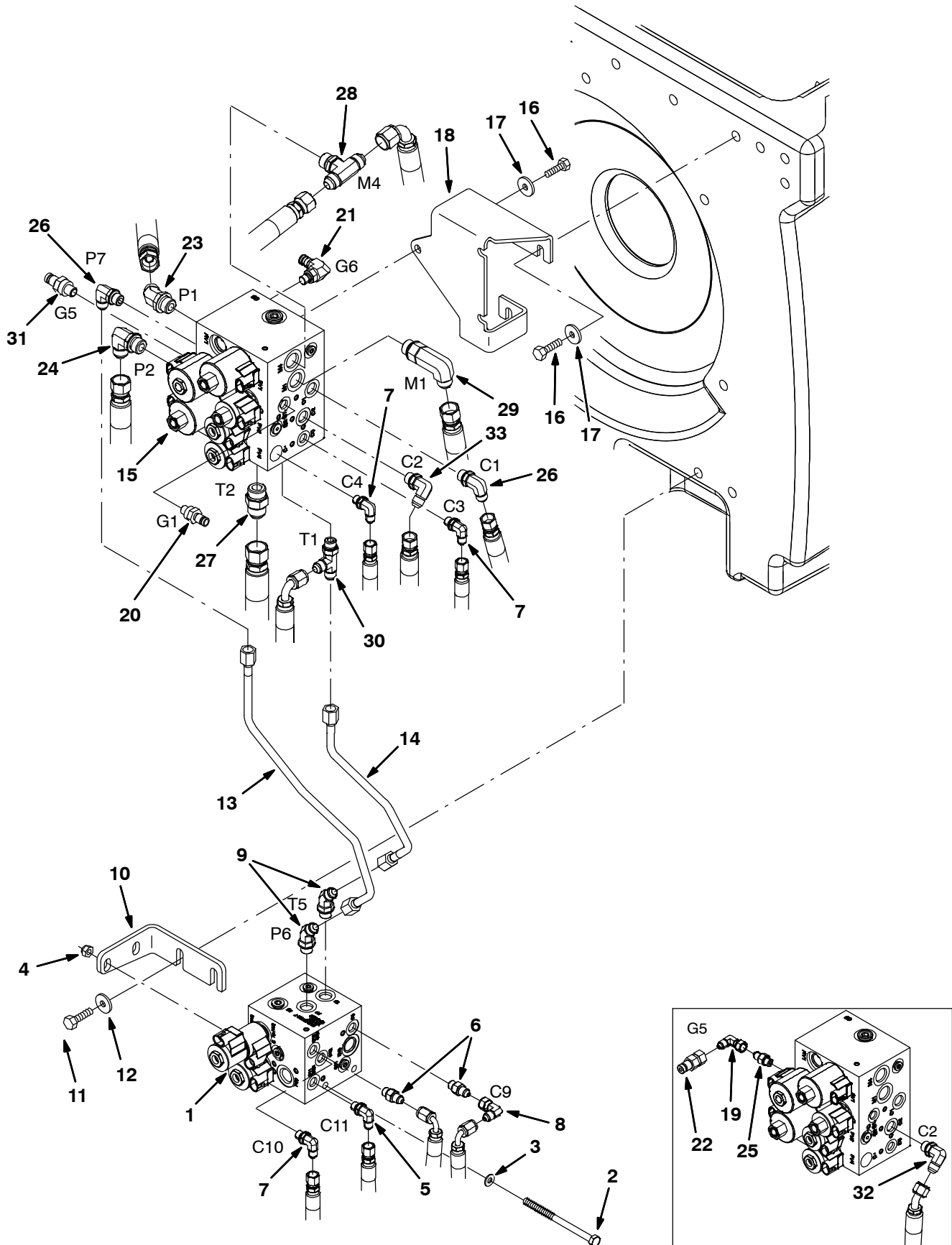


Fig. 63 – Hydraulic Valves Group (000000–002699)

Ref.	Part No.	Serial Number	Description	Qty.
1	1018936	(000000–002699)	Valve, Cntrl, Hyd [M20] (See Breakdowns)	1
2	49883	(000000–002699)	Screw, Hex, M8 X 1.25 X 120, 8.8, FI	2
3	32491	(000000–002699)	Washer, Flat, 0.31, Std	2
4	08709	(000000–002699)	Nut, Hex, Lock, M8 X 1.25, NI	2
5	77097	(000000–002699)	Fitting, Hyd, E90, Jm04/Om04	2
6	55586	(000000–002699)	Fitting, Hyd, Str, Jm04/Om04	2
7	77097	(000000–002699)	Fitting, Hyd, E90, Jm04/Om04	2
8	39210	(000000–002699)	Fitting, Hyd, E90, Jf04/Jm04	1
9	47522	(000000–002699)	Fitting, Hyd, E45, Jm06/Om06	2
10	1020708	(000000–002699)	Bracket, Mtg, Valve, Hyd, Swp	1
11	09740	(000000–002699)	Screw, Hex, M8 X 1.25 X 20, Ss	2
12	1017218	(000000–002699)	Washer, Flat, 0.32b 1.00d .12, Ss	2
13	1022482	(000000–002699)	Tube, Hyd, Swp	1
14	1022484	(000000–002699)	Tube, Hyd, Swp	1
15	1020394	(000000–002699)	Valve, Cntrl, Hyd (See Breakdowns)	1
16	09740	(000000–002699)	Screw, Hex, M8 X 1.25 X 20, Ss	6
17	1017218	(000000–002699)	Washer, Flat, 0.32b 1.00d .12, Ss	6
18	1021991	(000000–002699)	Bracket, Mtg, Valve, Hyd, Scb	1
19	39210	(000000–001271)	Fitting, Hyd, E90, Jf04/Jm04	1
20	395973	(000000–002699)	Fitting, Hyd, Str, Om04/Qm04	1
21	395974	(000000–002699)	Fitting, Hyd, E90, Om04/Qm04	1
22	396476	(000000–001271)	Fitting, Hyd, Str, Jf04/Qm04	1
23	42226	(000000–002699)	Fitting, Hyd, E45, Jm08/Om08	1
24	44868	(000000–002699)	Fitting, Hyd, E90, Jm08/Om08	1
25	55586	(000000–001271)	Fitting, Hyd, Str, Jm04/Om04	1
26	56820	(000000–002699)	Fitting, Hyd, E90, Jm06/Om06	2
27	46480	(000000–002699)	Fitting, Hyd, Str, Jm10/Om10	1
28	49933	(000000–002699)	Fitting, Hyd, Tee, Jm08/Jm08/Om08, Br	1
29	69173	(000000–002699)	Fitting, Hyd, E90, Jm08/Om08, L	1
30	76316	(000000–002699)	Fitting, Hyd, Tee, Jm06/Jm06/Om06, Run	1
31	395973	(001272–026999)	Fitting, Hyd, Str, Om04/Qm04	1
32	56820	(000000–001337)	Fitting, Hyd, E90, Jm06/Om06	1
33	71727	(001338–026999)	Fitting, Hyd, E90, Jm06/Om06, L	1

Fig. 64 – Hydraulic Valve Group (002700-)

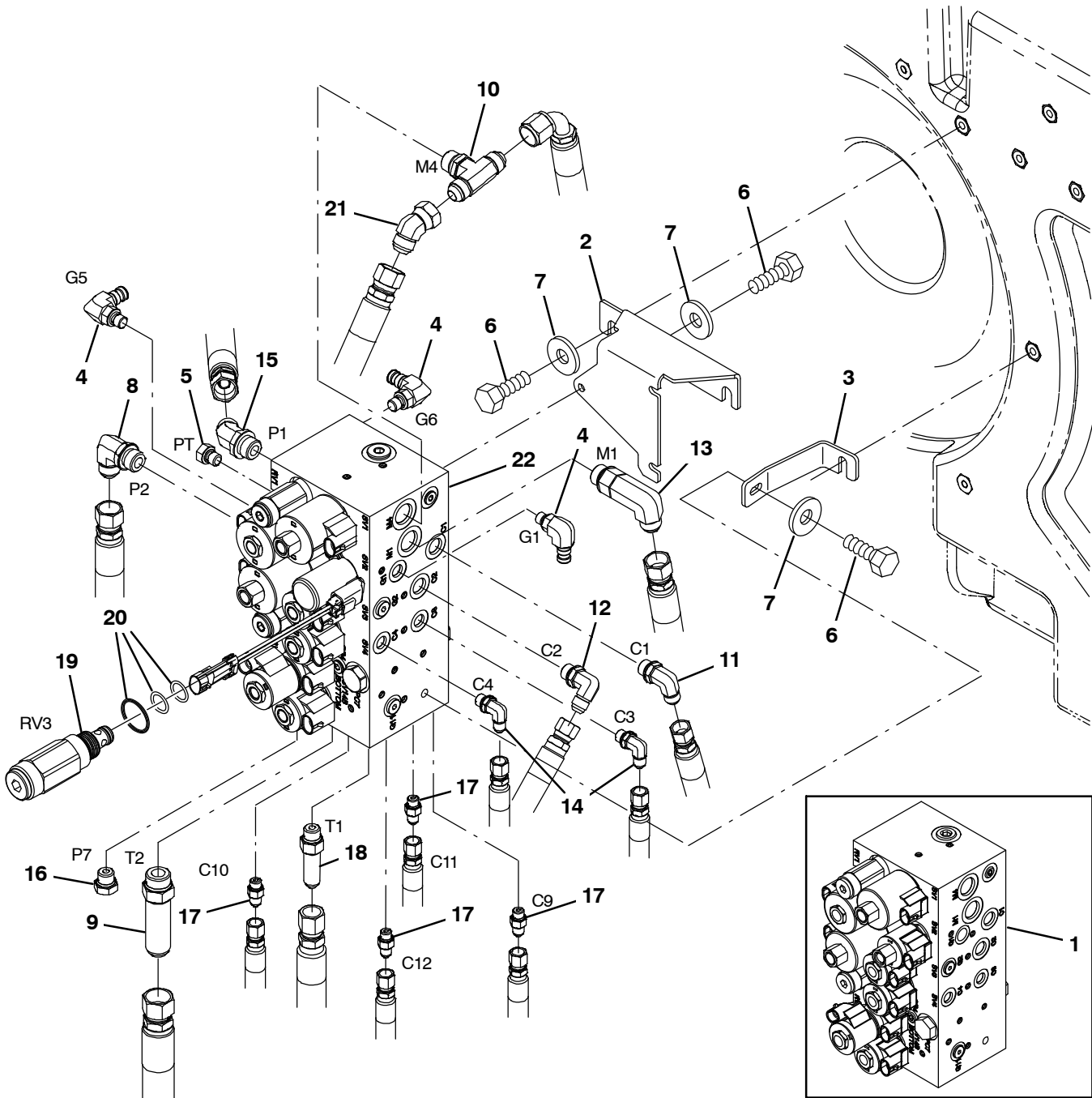
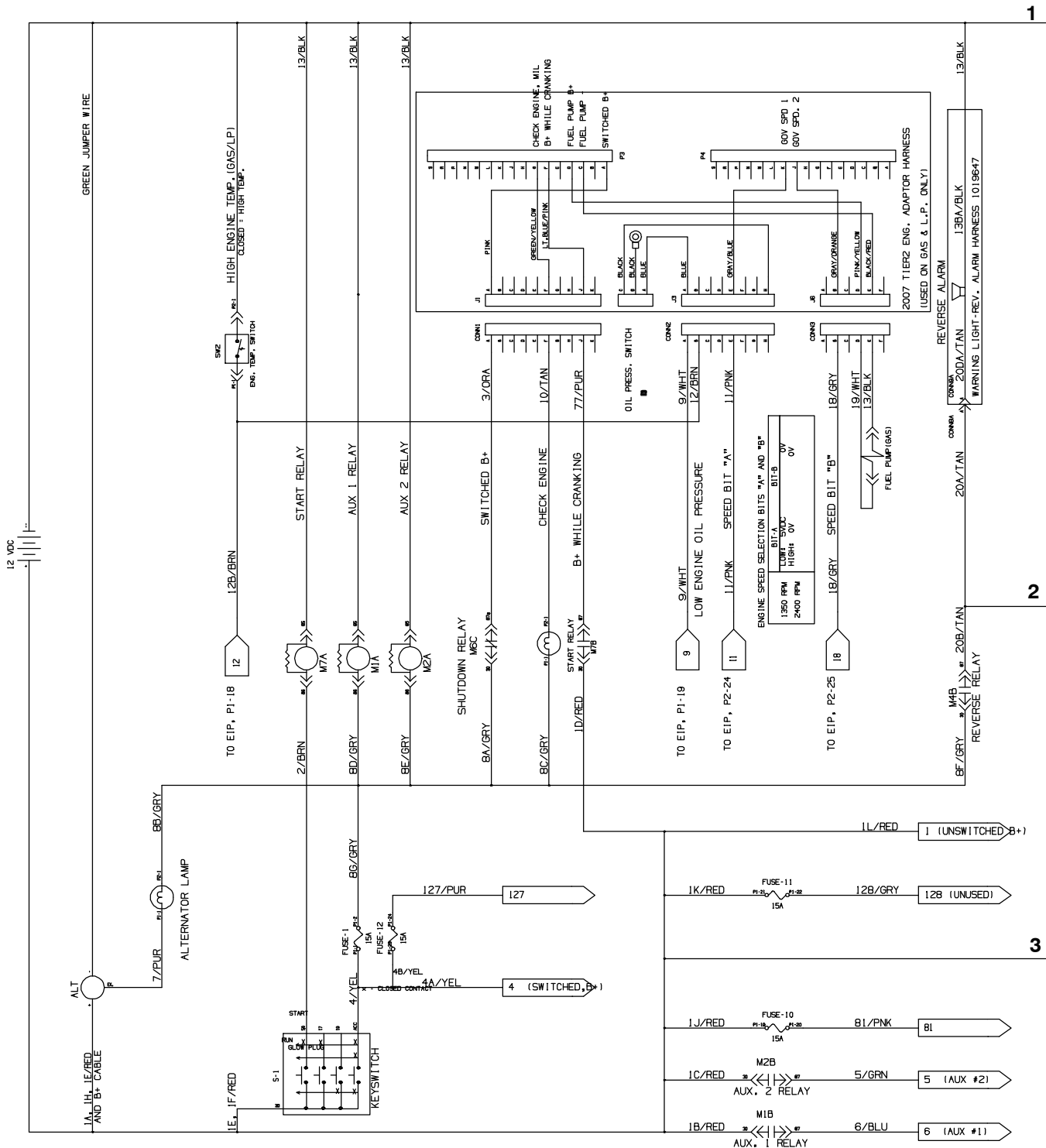


Fig. 64 – Hydraulic Valve Group (002700–)

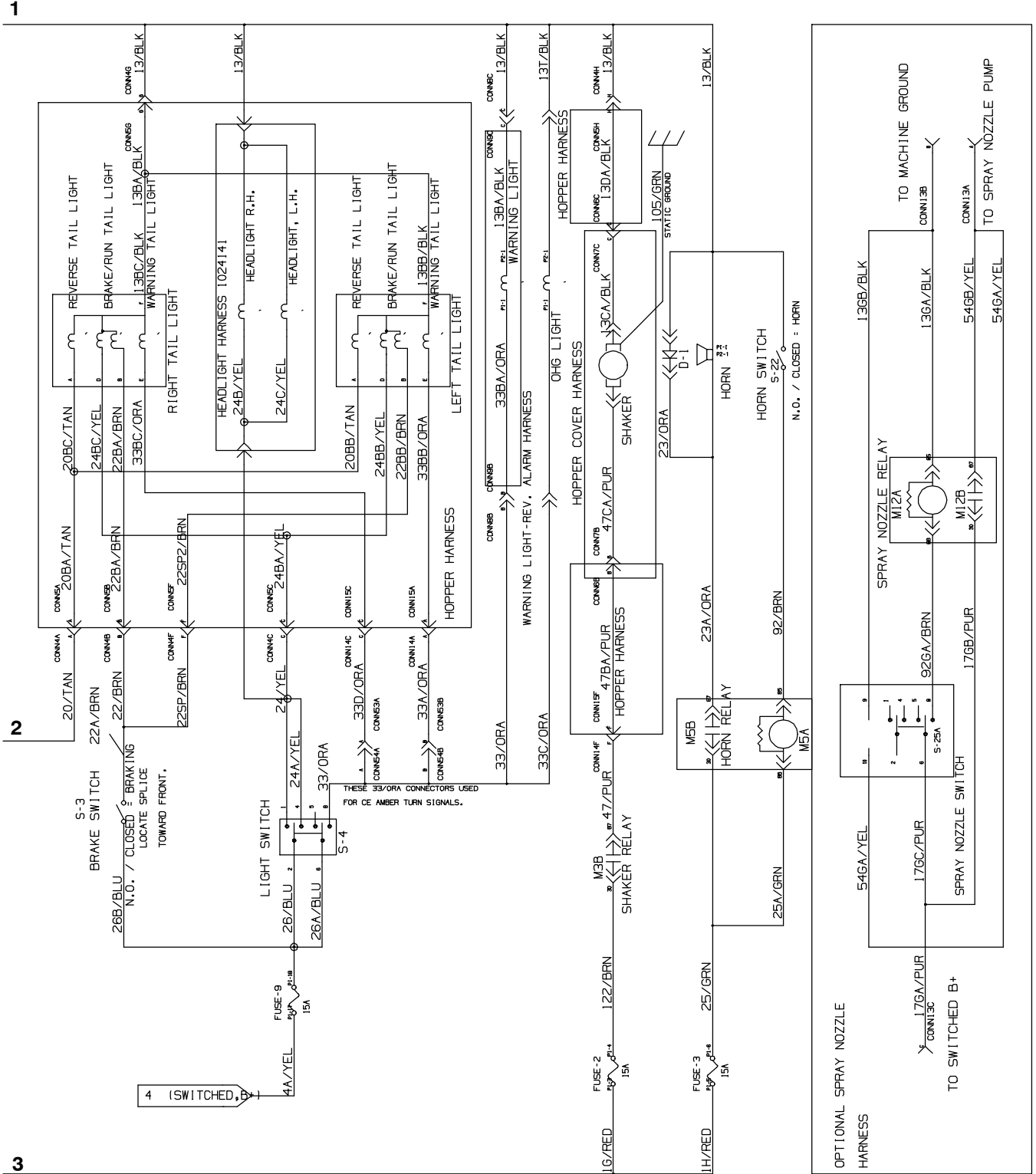
Ref.	Part No.	Serial Number	Description	Qty.
1	1038566	(002700–006286)	Valve, Hyd, Solenoid, 12vdc (See Breakdowns)	1
2	1039789	(002700–)	Bracket, Mtg, Valve [Combined]	1
3	1040117	(002700–)	Bracket, Mtg, Valve, Lower	1
4	395974	(002700–)	Fitting, Hyd, E90, Om04/Qm04	3
5	33812	(002700–)	Fitting, Hyd, Plug, Om04	1
6	09740	(002700–)	Screw, Hex, M8 X 1.25 X 20, Ss	8
7	1017218	(002700–)	Washer, Flat, 0.32b 1.00d .12, Ss	8
8	69173	(002700–)	Fitting, Hyd, E90, Jm08/Om08, Long	1
9	1040876	(002700–)	Fitting, Hyd, Str, Jm10/Om10, Long	1
10	49933	(002700–)	Fitting, Hyd, Tee, Jm08/Jm08/Om08, Br	1
11	56820	(002700–)	Fitting, Hyd, E90, Jm06/Om06	1
12	71727	(002700–)	Fitting, Hyd, E90, Jm06/Om06, Long	1
13	69173	(002700–)	Fitting, Hyd, E90, Jm08/Om08, Long	1
14	77097	(002700–)	Fitting, Hyd, E90, Jm04/Om04	2
15	42226	(002700–)	Fitting, Hyd, E45, Jm08/Om08	1
16	46482	(002700–)	Fitting, Hyd, Plug, Om06	1
17	55586	(002700–)	Fitting, Hyd, Str, Jm04/Om04	4
18	59577	(002700–)	Fitting, Hyd, Str, Jm06/Om06, Long	1
19	1044367	(002700–)	Valve, Relief, 0600Psi	1
20	373647	(002700–)	Seal Kit, Cartridge	1
21	07797	(006000–)	Fitting, Hyd, E45, Jf08/Jm08	1
22	1072995	(006287–)	Valve, Cntrl, Hyd, Solenoid, 12vdc 10gpm (See Breakdowns)	1

Fig. 65 – Electrical Schematic (000000-002532)



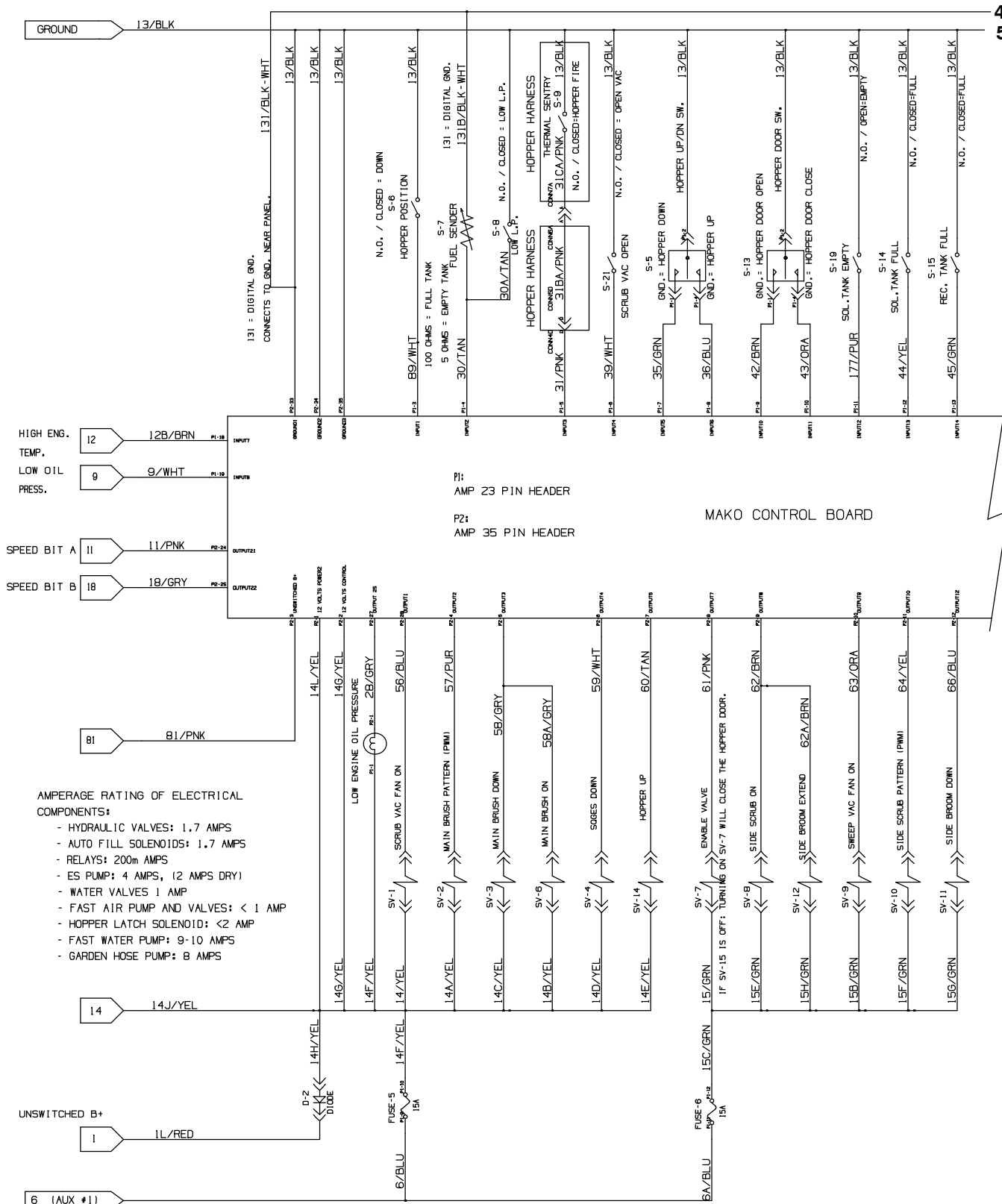
1018547 – 354458

Fig. 65 - Electrical Schematic (00000-002532)



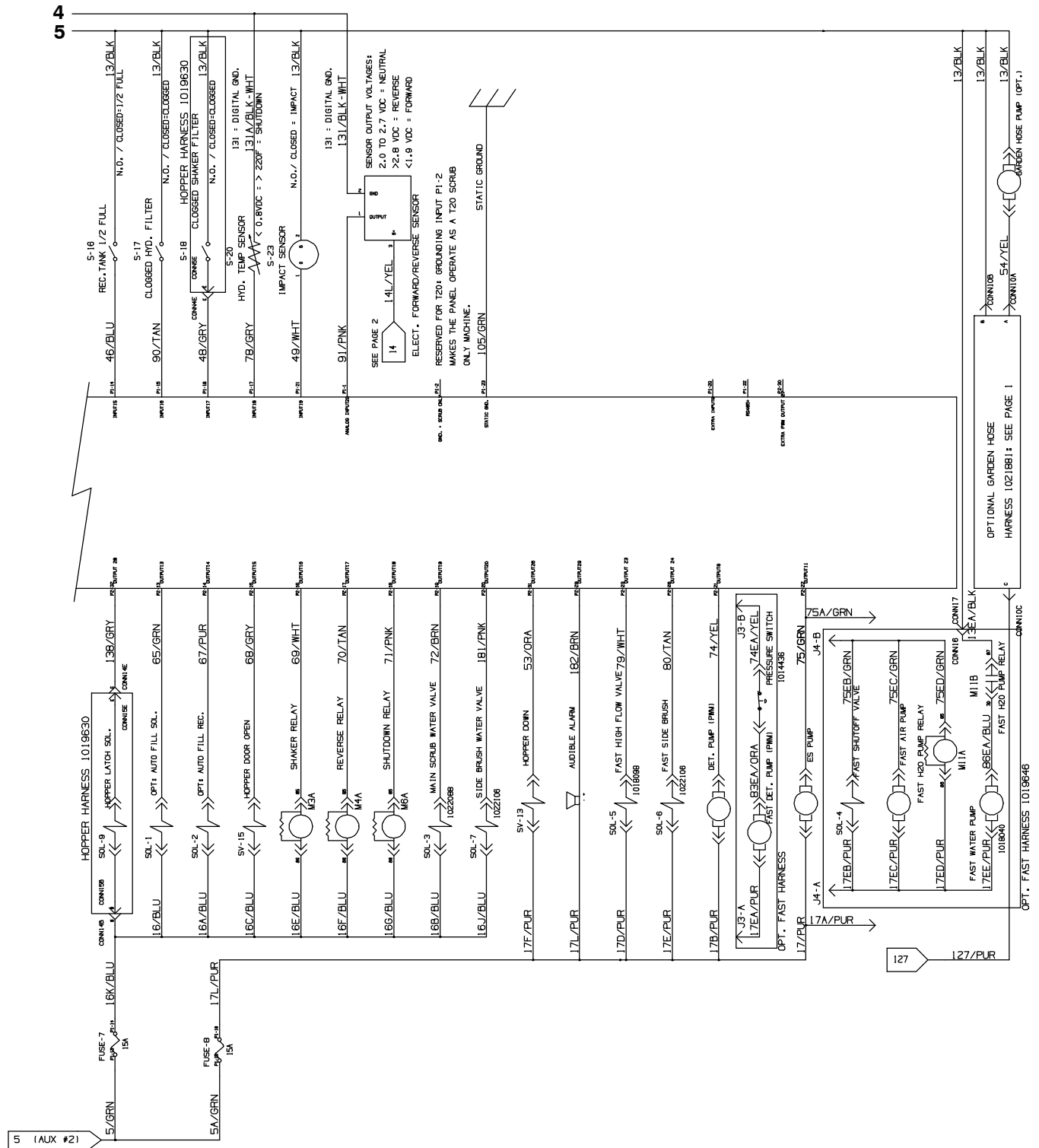
1018547

Fig. 65 - Electrical Schematic (00000-002532)



1018547

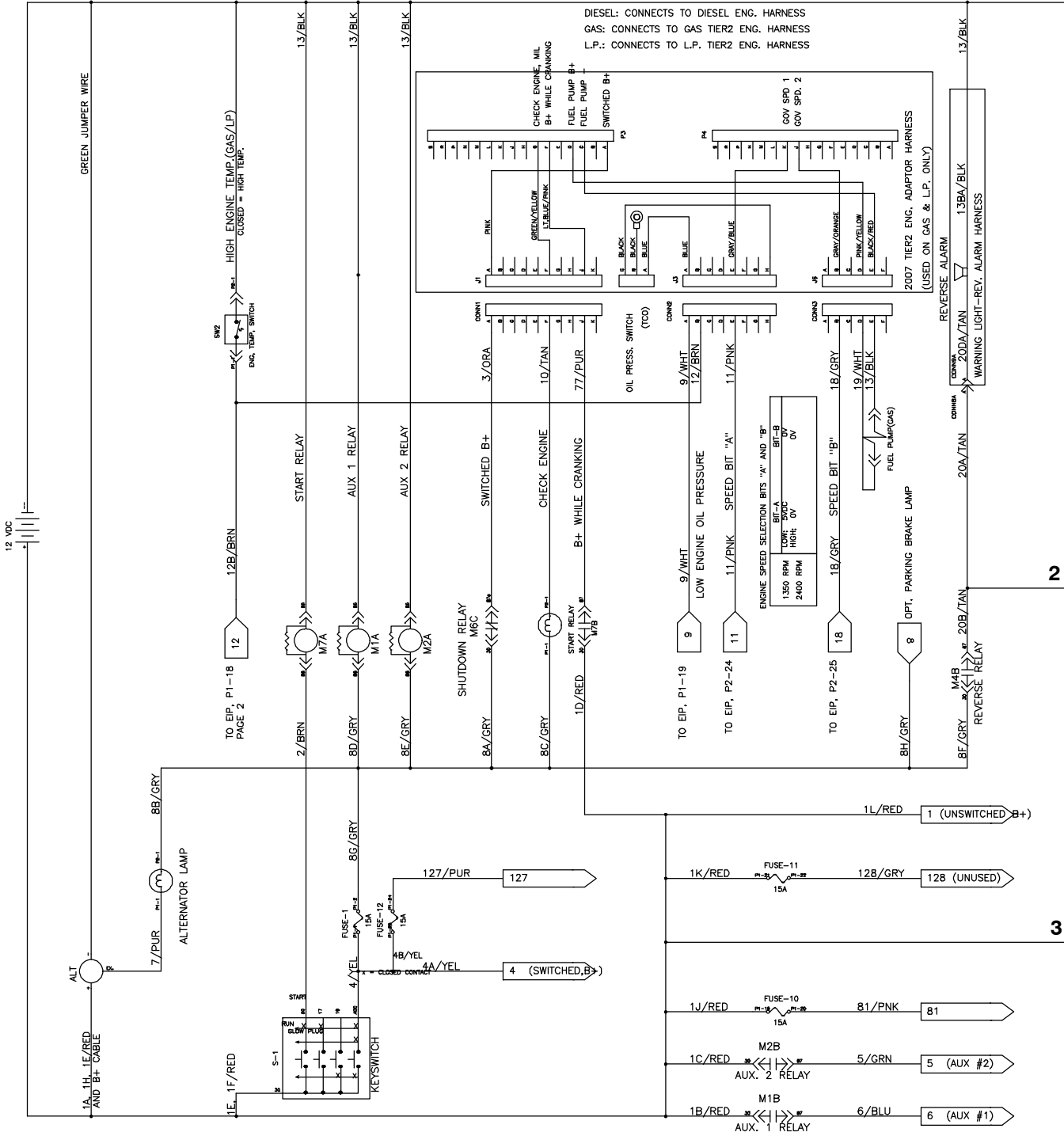
Fig. 65 - Electrical Schematic (00000-002532)



1018547

Fig. 66 - Electrical Schematic (002533-003478)

1

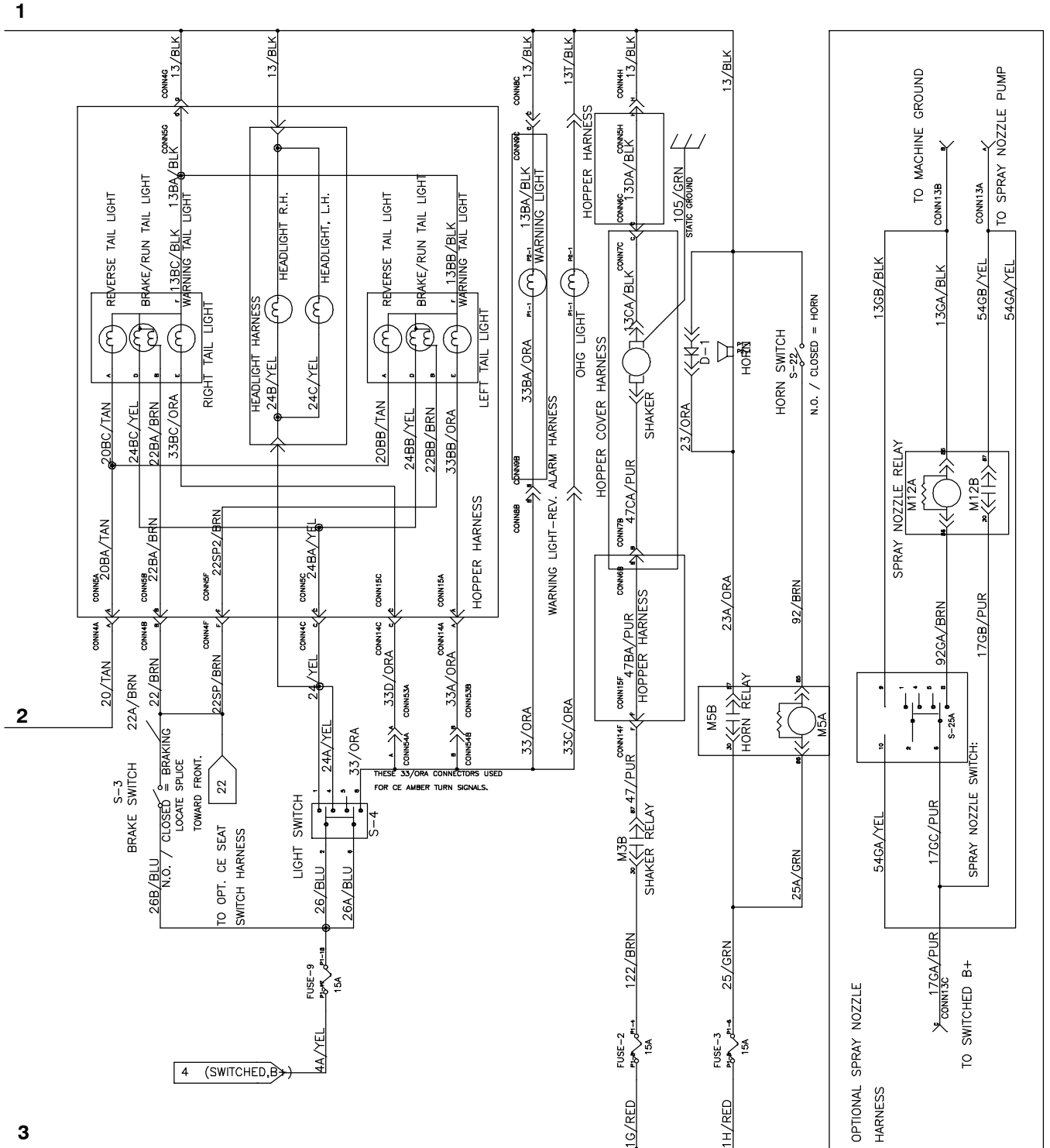


2

3

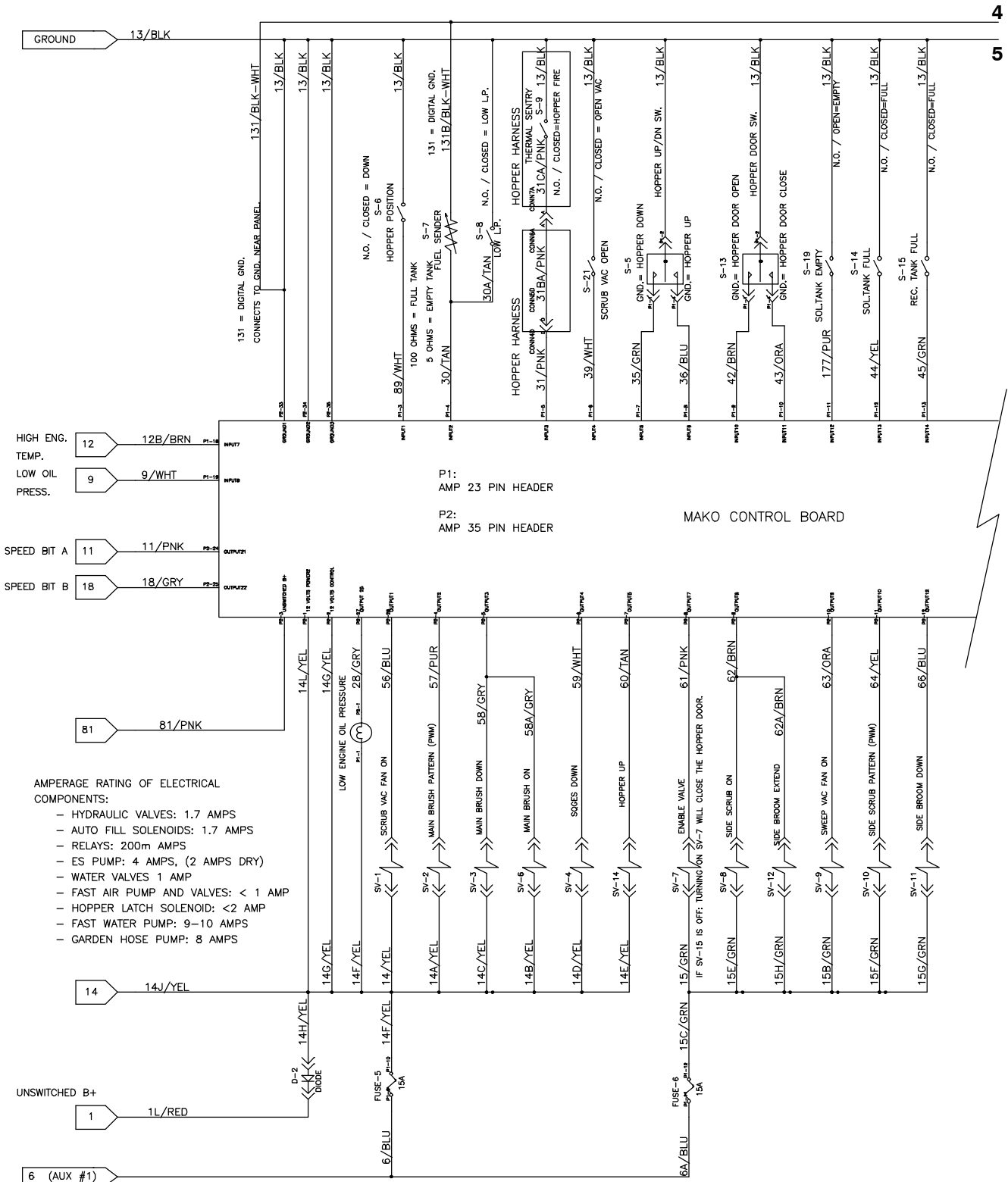
1018547 - 354458

Fig. 66 - Electrical Schematic (002533-003478)



1018547 - 354458

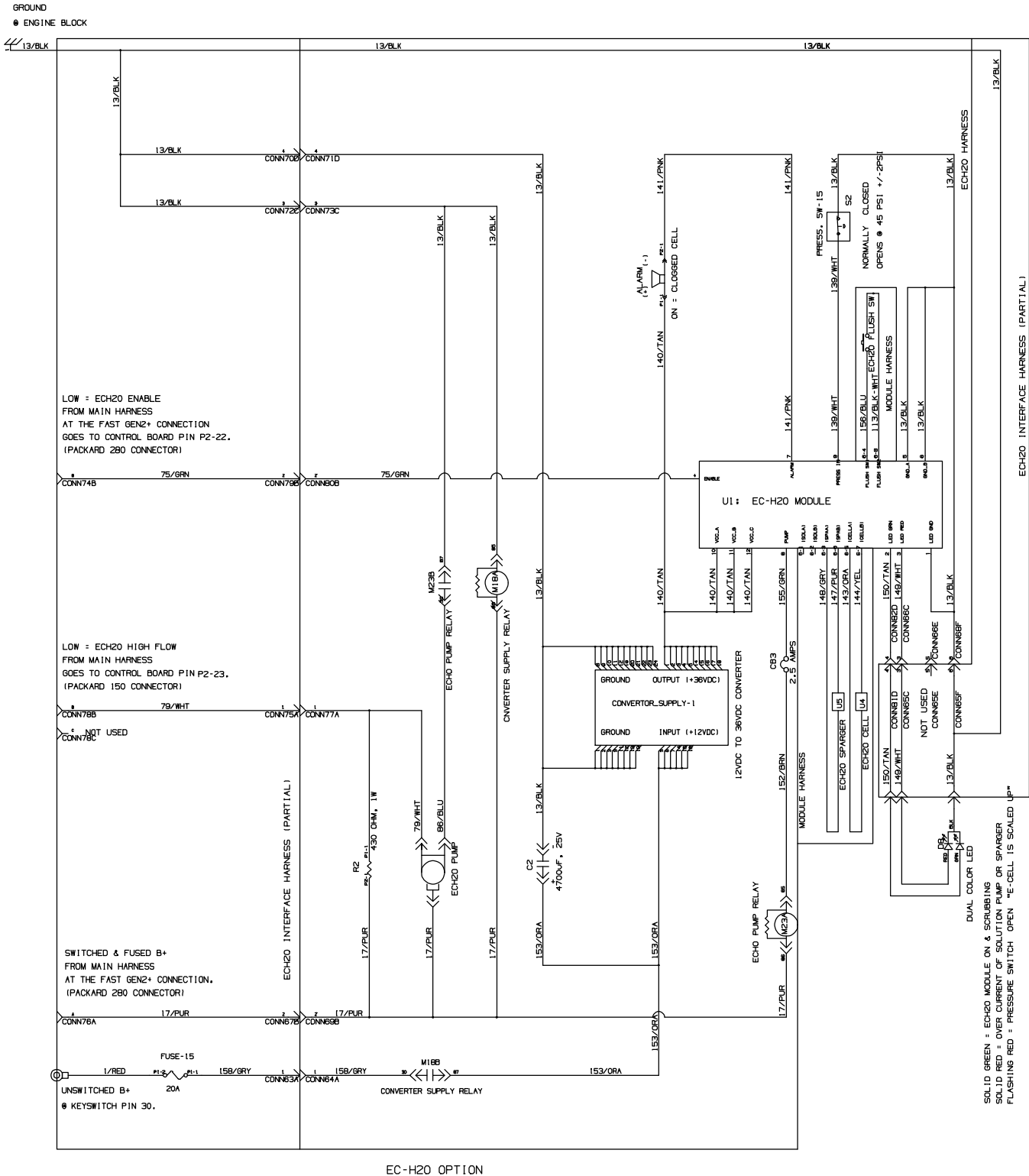
Fig. 66 – Electrical Schematic (002533–003478)



- AMPERAGE RATING OF ELECTRICAL COMPONENTS:**
- HYDRAULIC VALVES: 1.7 AMPS
 - AUTO FILL SOLENOIDS: 1.7 AMPS
 - RELAYS: 200m AMPS
 - ES PUMP: 4 AMPS, (2 AMPS DRY)
 - WATER VALVES 1 AMP
 - FAST AIR PUMP AND VALVES: < 1 AMP
 - HOPPER LATCH SOLENOID: <2 AMP
 - FAST WATER PUMP: 9-10 AMPS
 - GARDEN HOSE PUMP: 8 AMPS

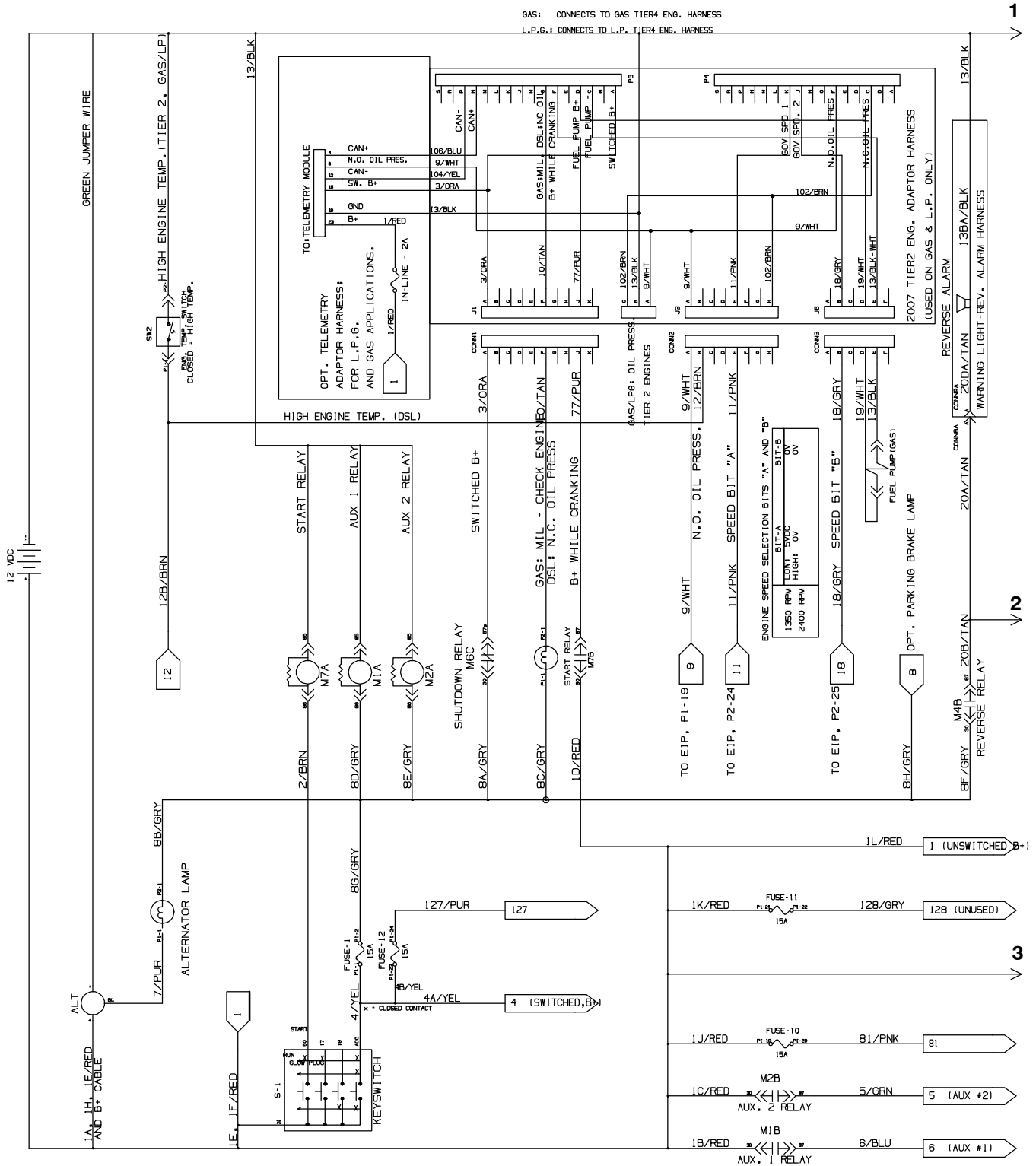
1018547 - 354458

Fig. 66 – Electrical Schematic (002533-003478)



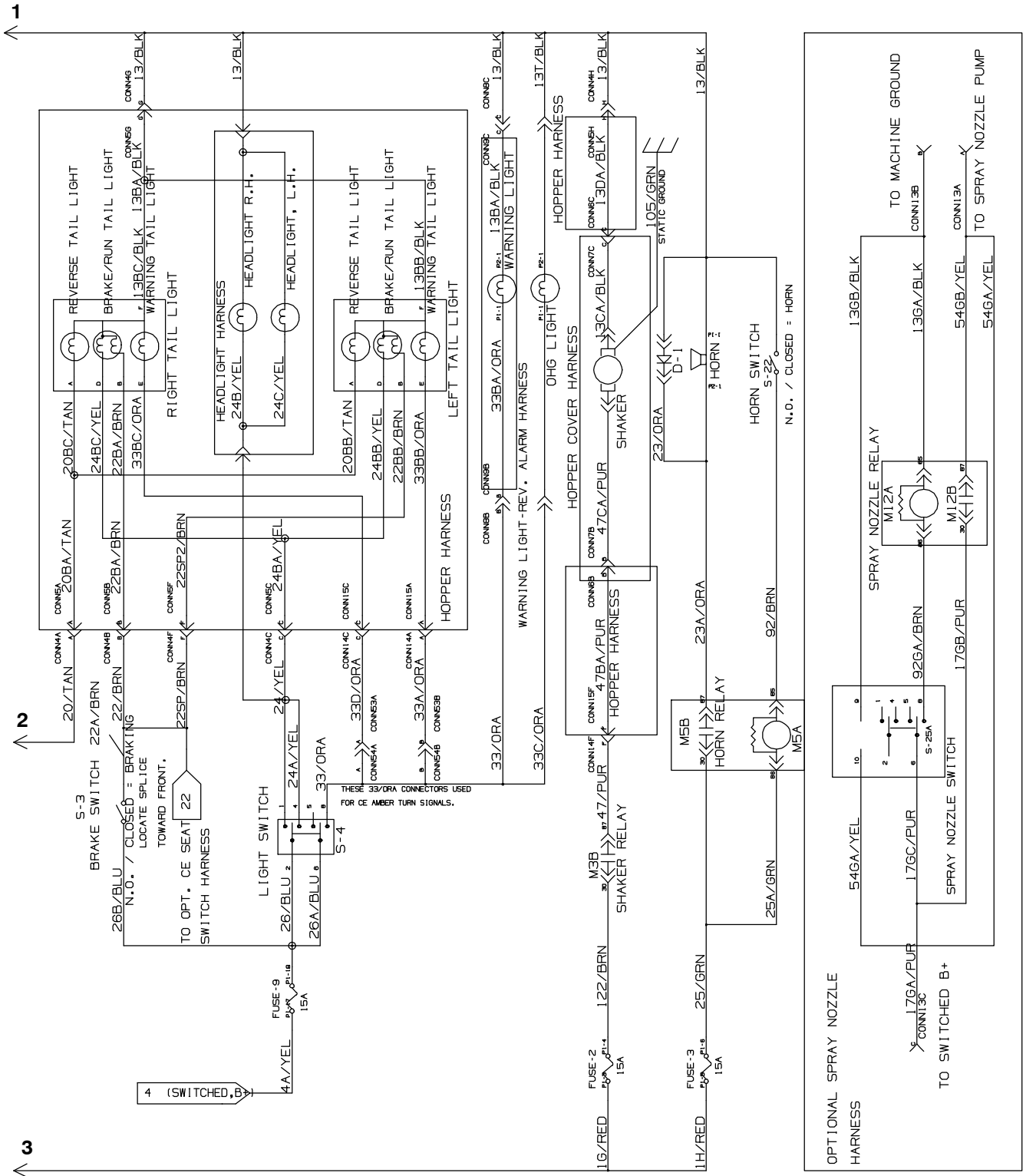
1018547 - 354458

Fig. 67 - Electrical Schematic (003479-)



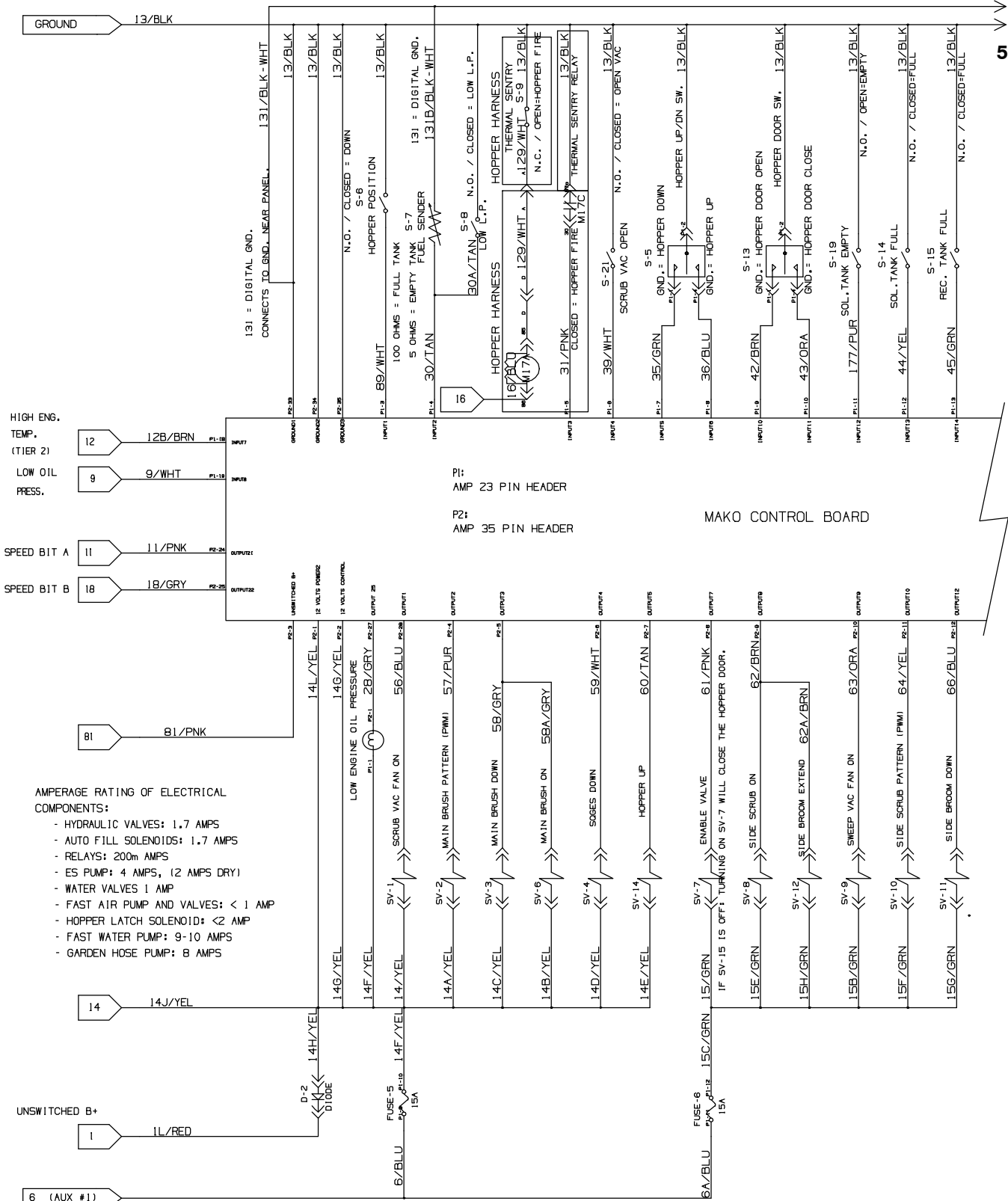
1018547 - 354458

Fig. 67 - Electrical Schematic (003479-)



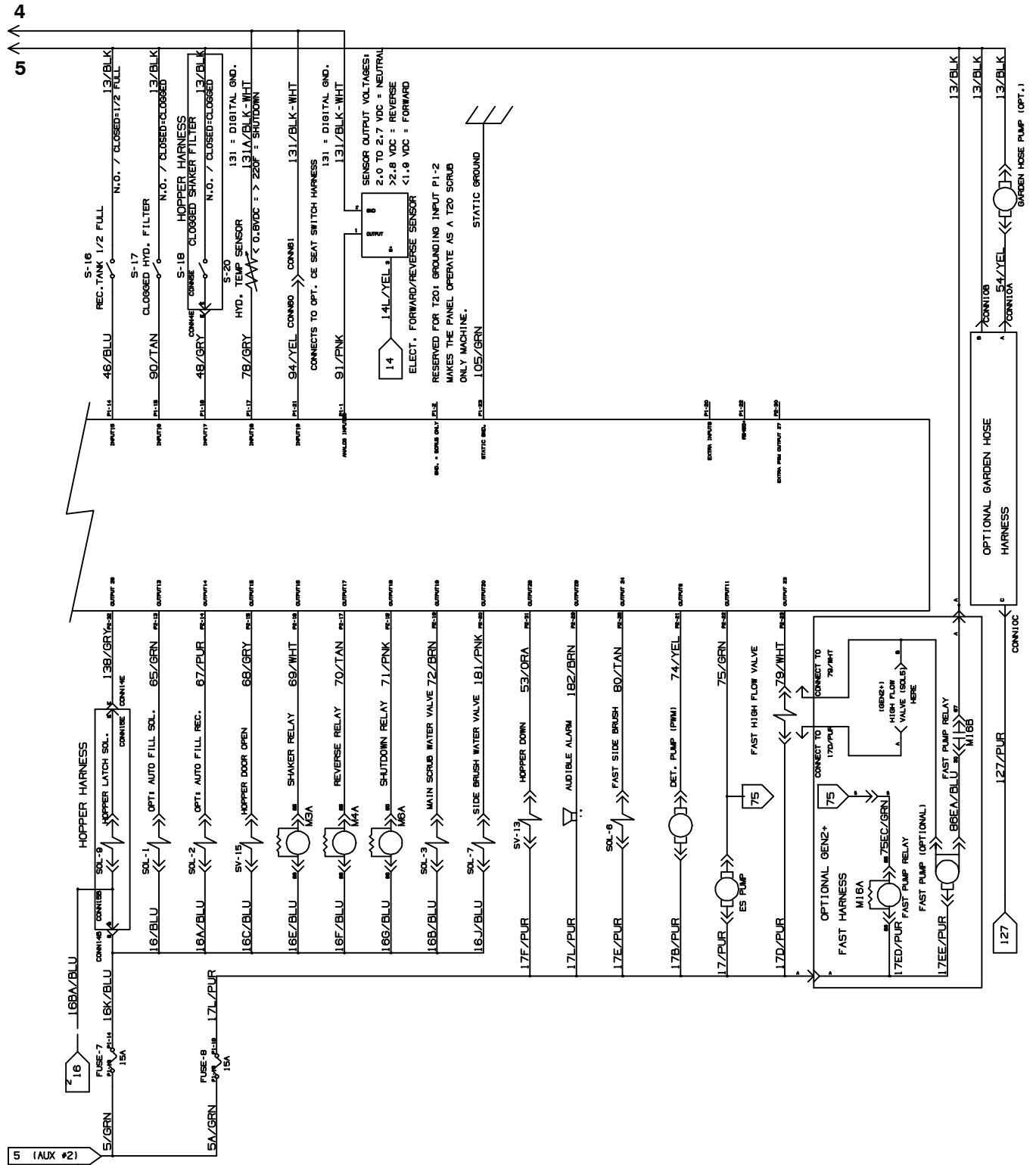
1018547 - 354458

Fig. 67 – Electrical Schematic (003479–)



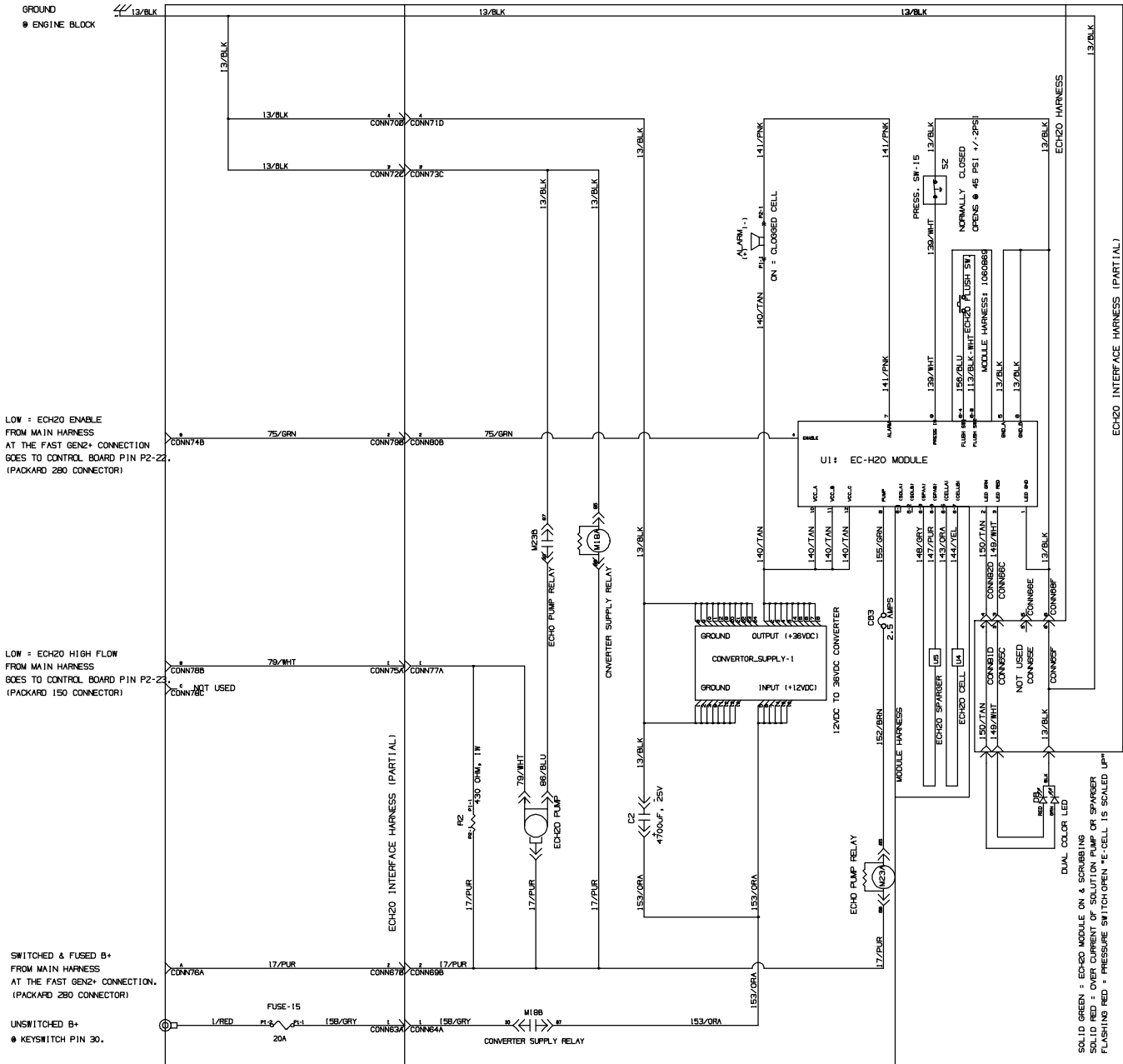
1018547 - 354458

Fig. 67 - Electrical Schematic (003479-)



1018547 - 354458

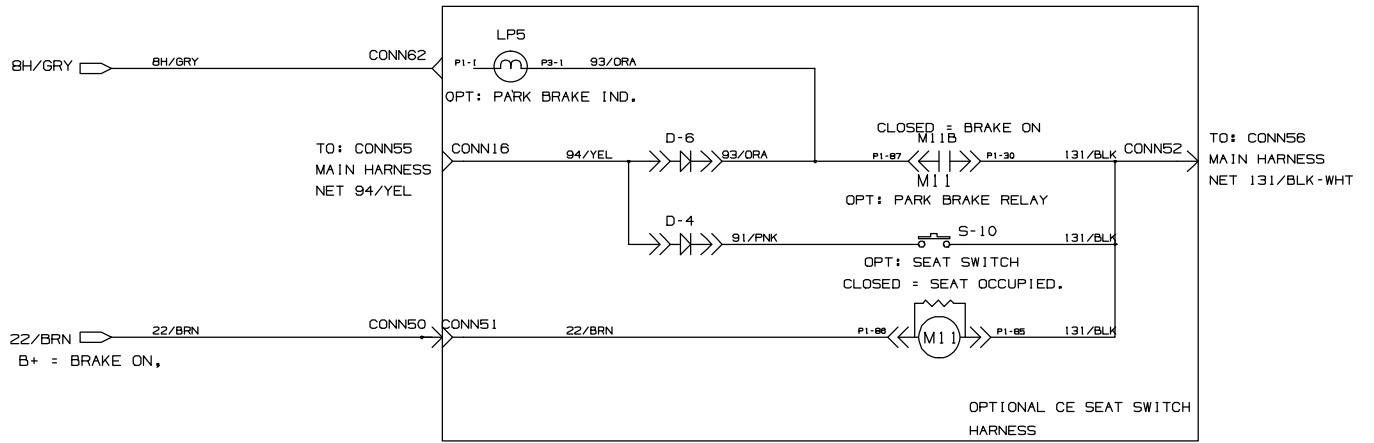
Fig. 67 – Electrical Schematic (003479-)



EC-H2O OPTION

1018547 - 354458

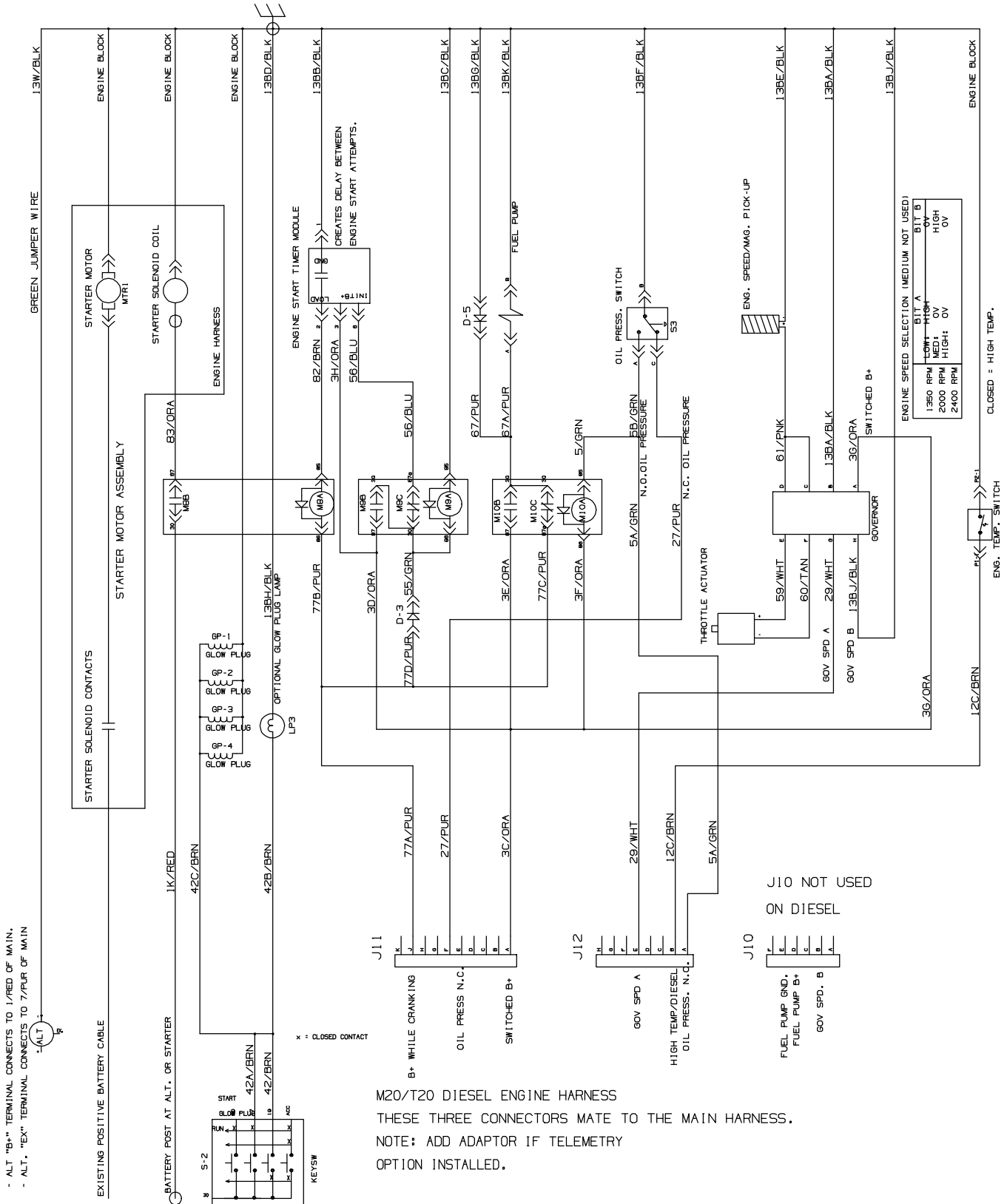
Fig. 67 – Electrical Schematic (003479-)



OPTIONAL CE SEAT SWITCH SHUTDOWN CIRCUIT.

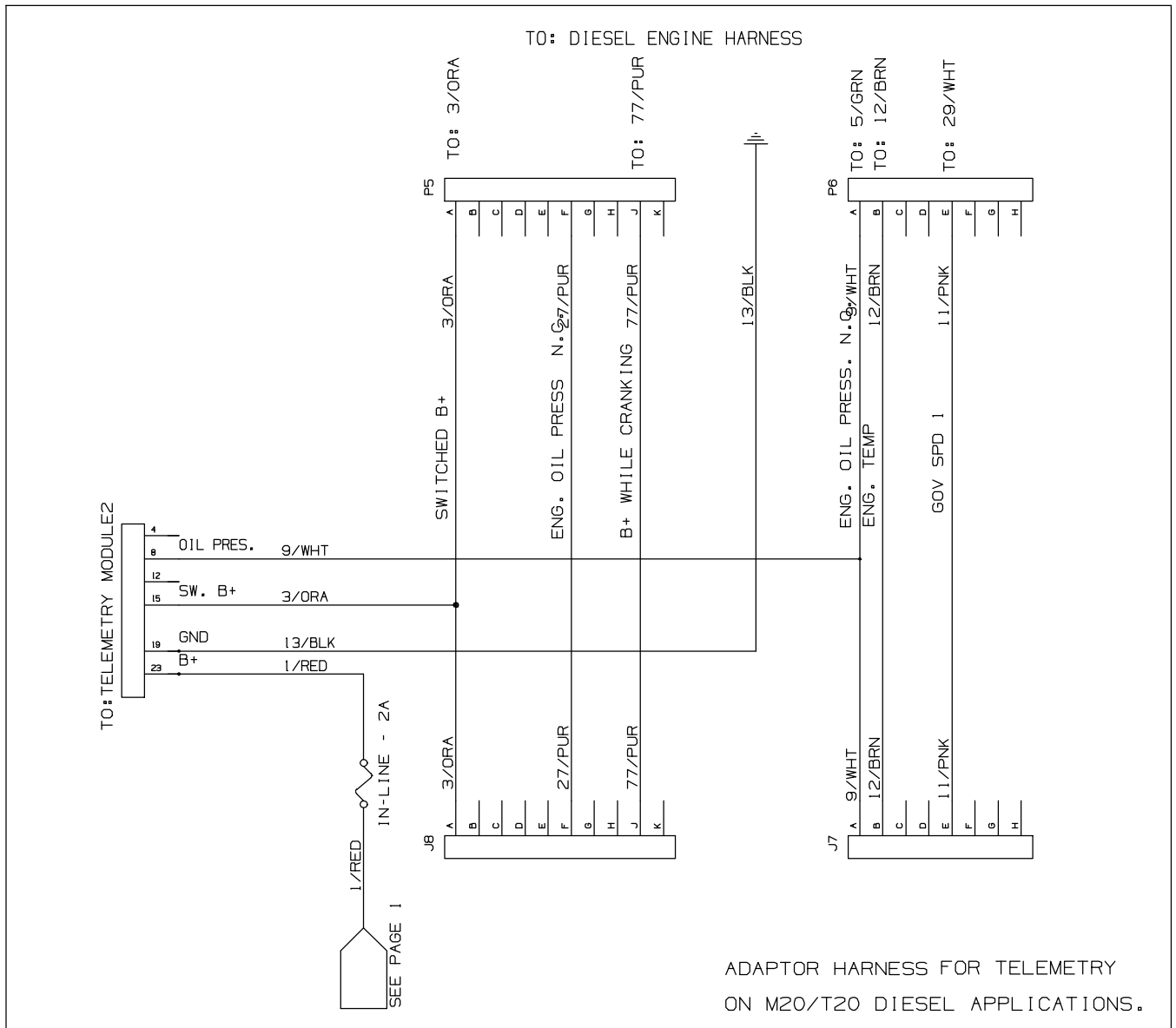
1018547 – 354458

Fig. 67 – Electrical Schematic (003479–)



1018547 - 354458

Fig. 67 - Electrical Schematic (003479-)



1018547 - 354458

Fig. 68 - Electrical Wire Harnesses Group, Main

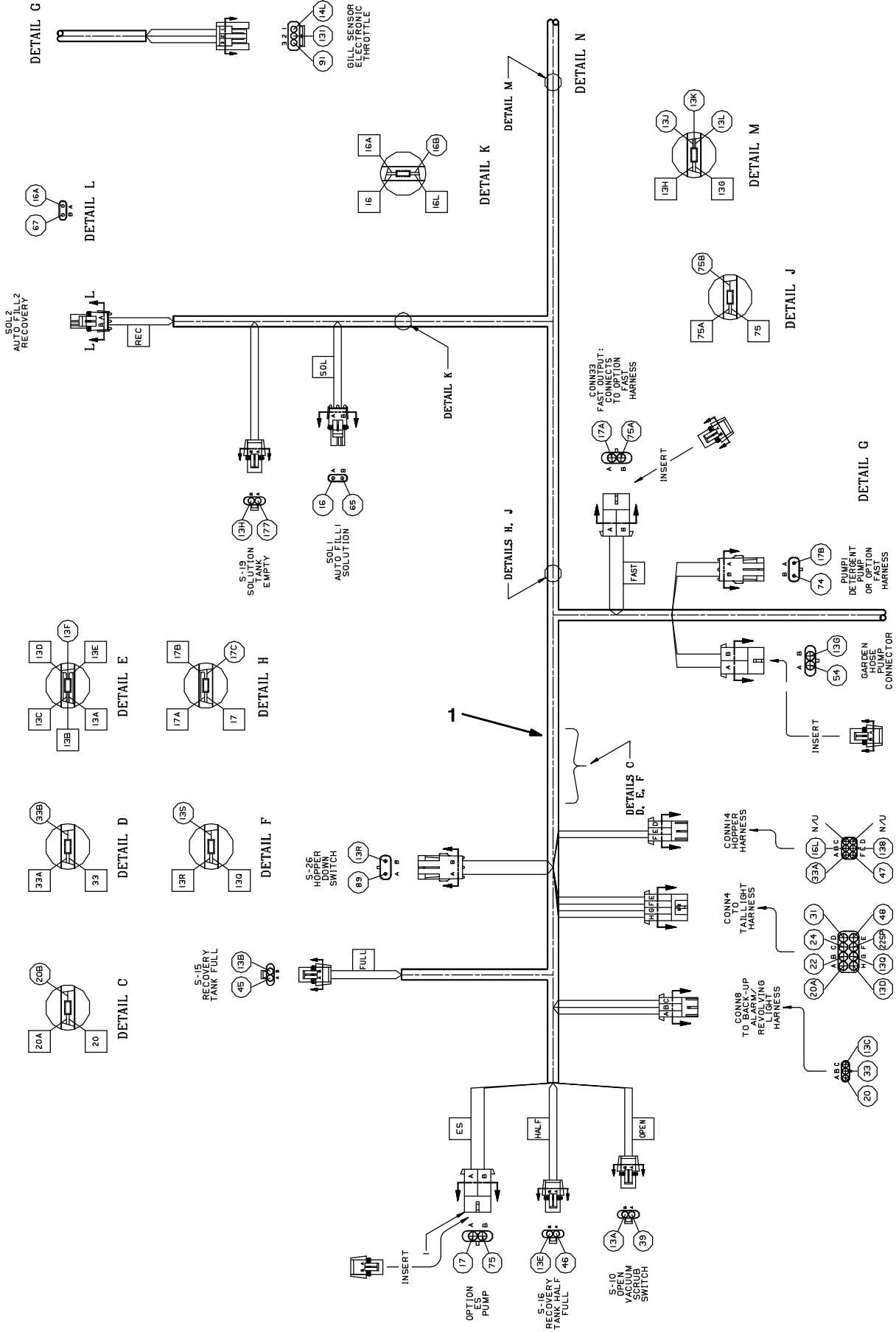


Fig. 68 - Electrical Wire Harness Group, Main

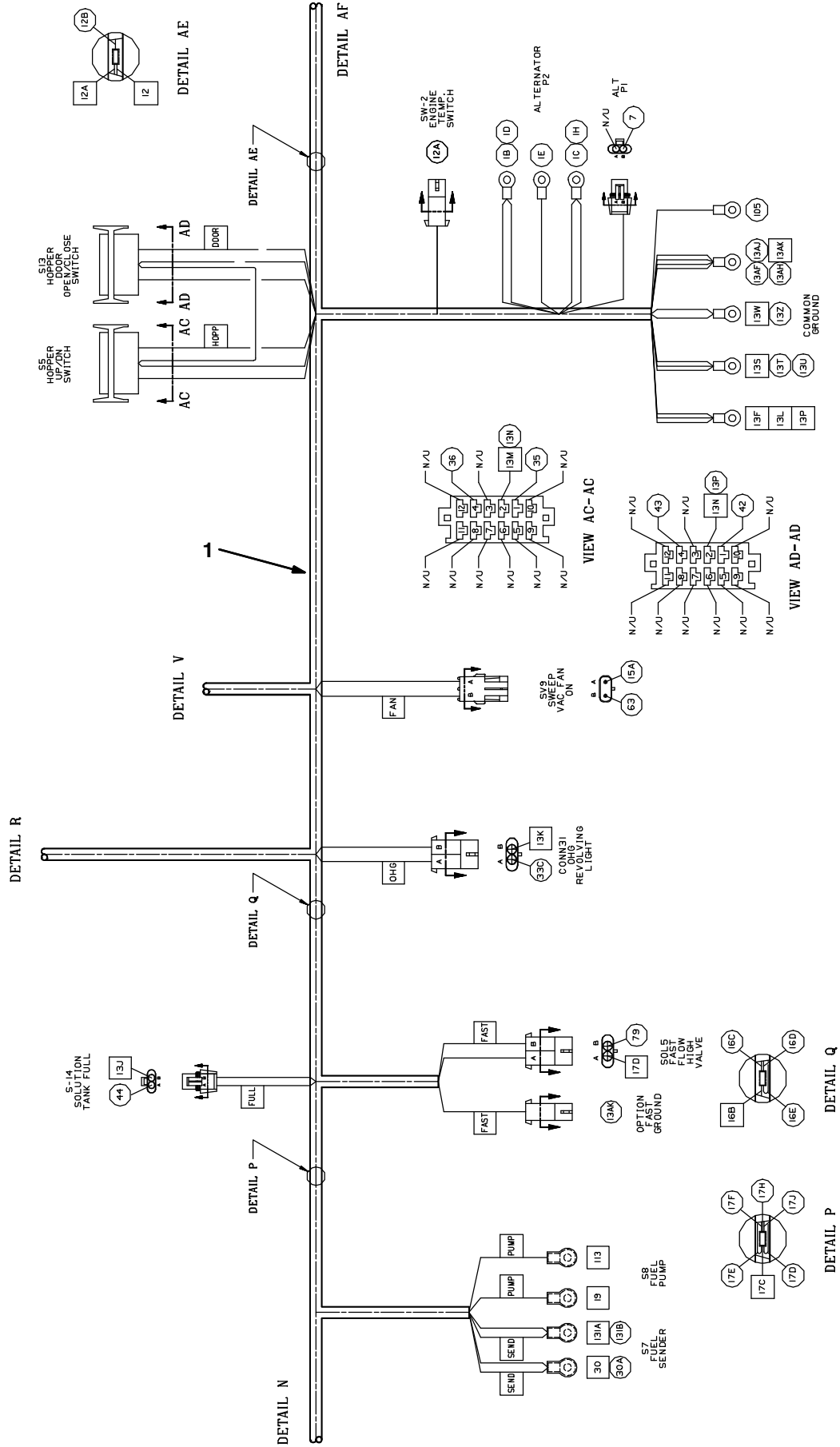


Fig. 68 - Electrical Wire Harness Group, Main

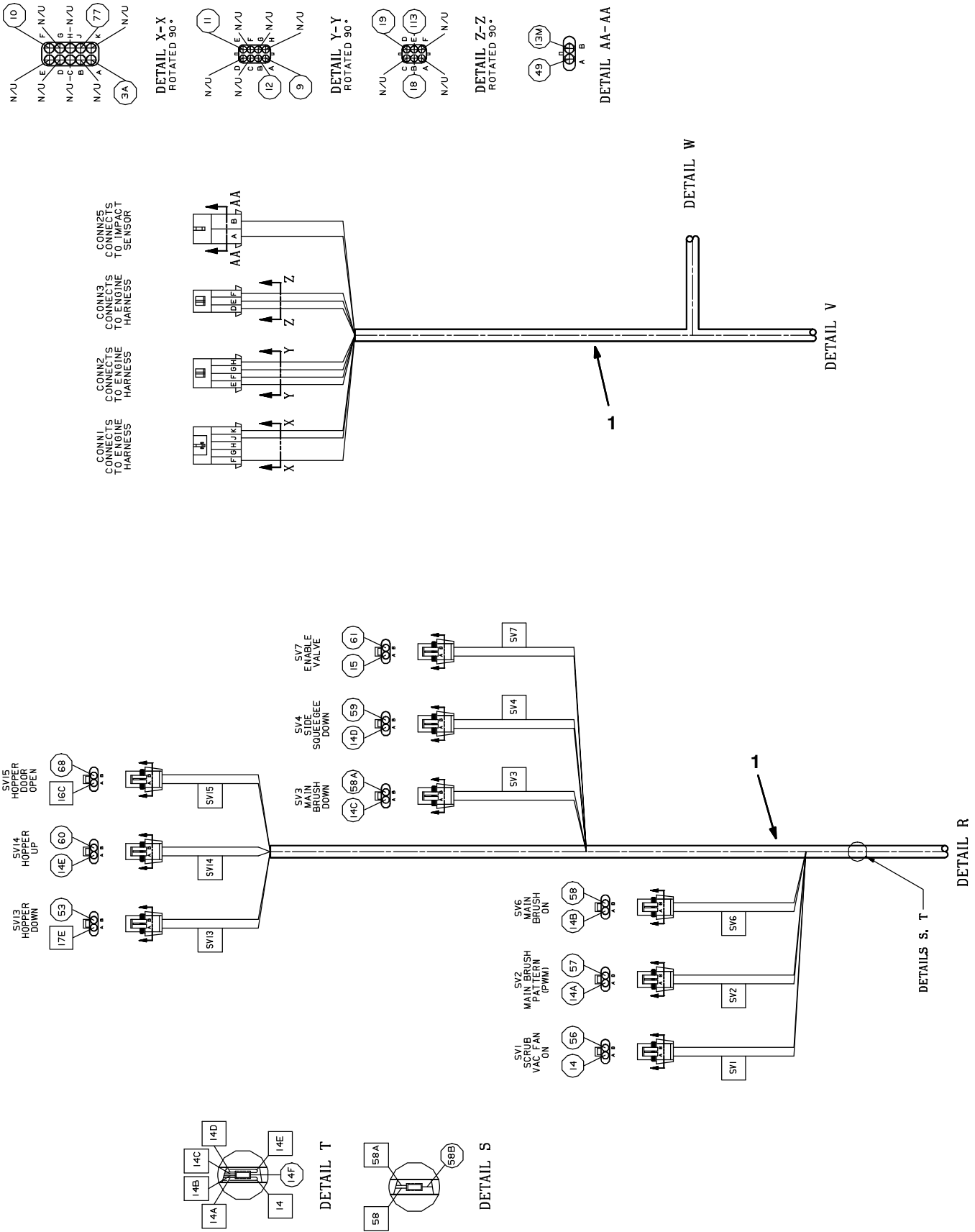


Fig. 68 - Electrical Wire Harness Group, Main

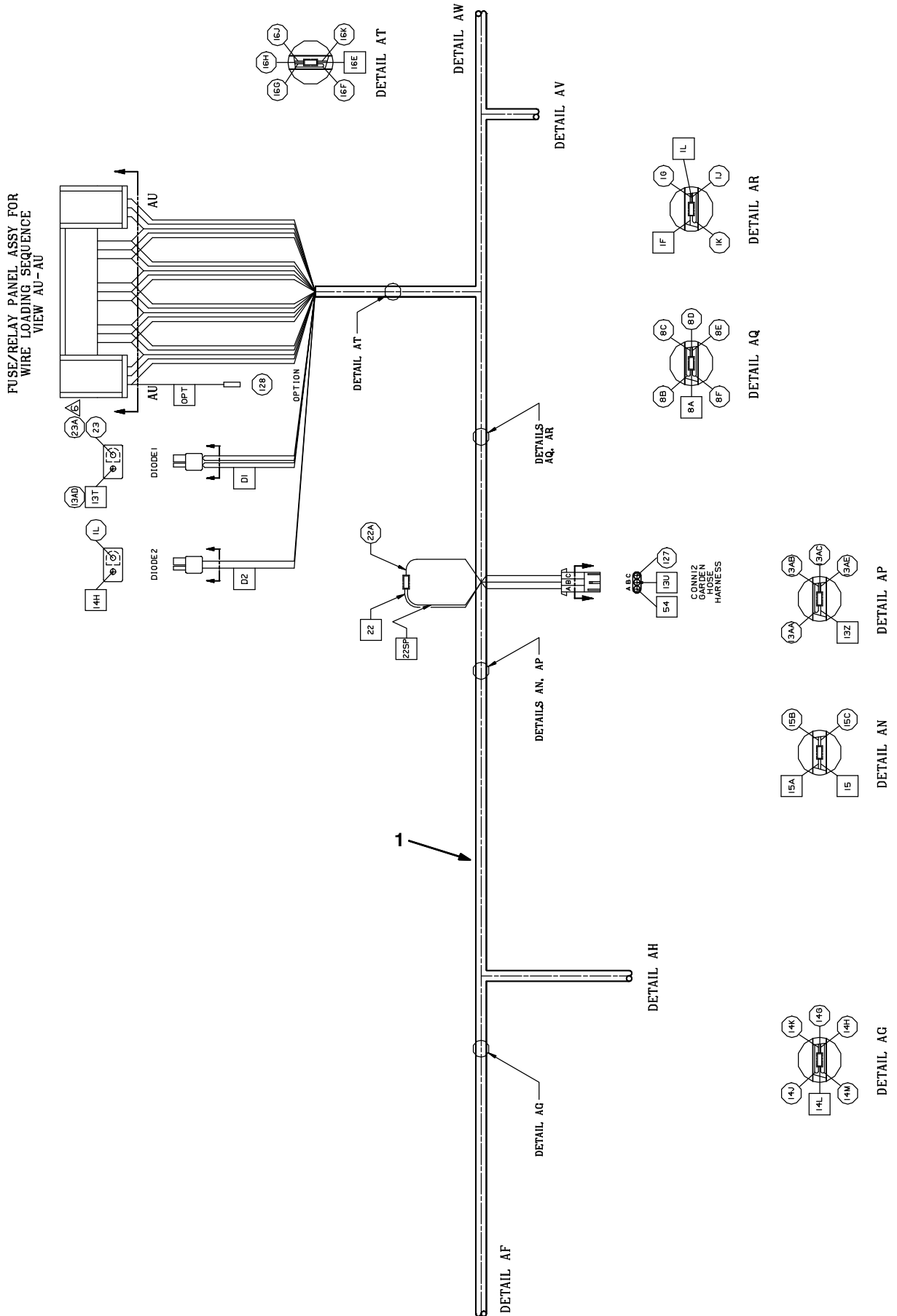


Fig. 68 - Electrical Wire Harness Group, Main

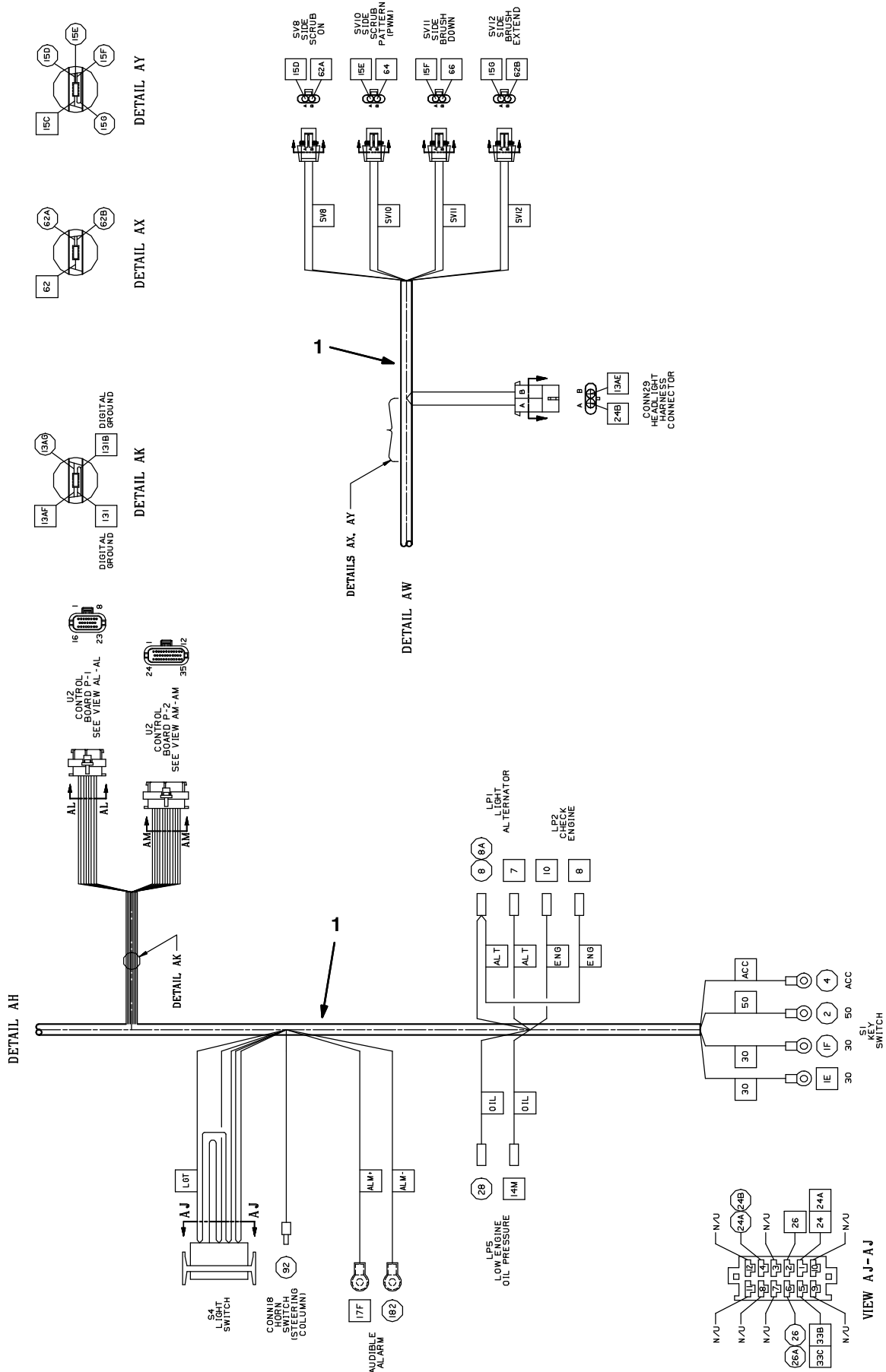


Fig. 68 - Electrical Wire Harness Group, Main

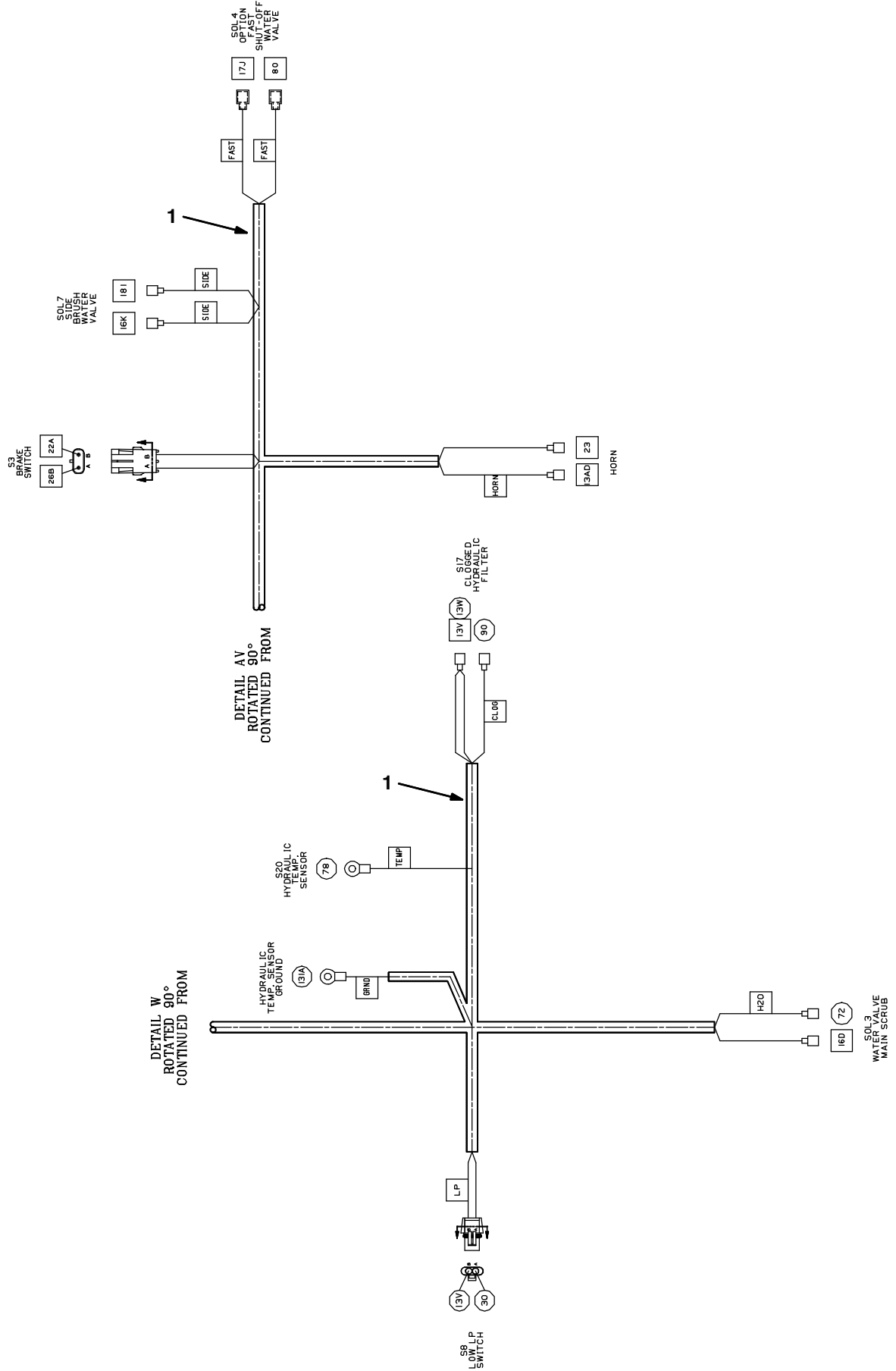
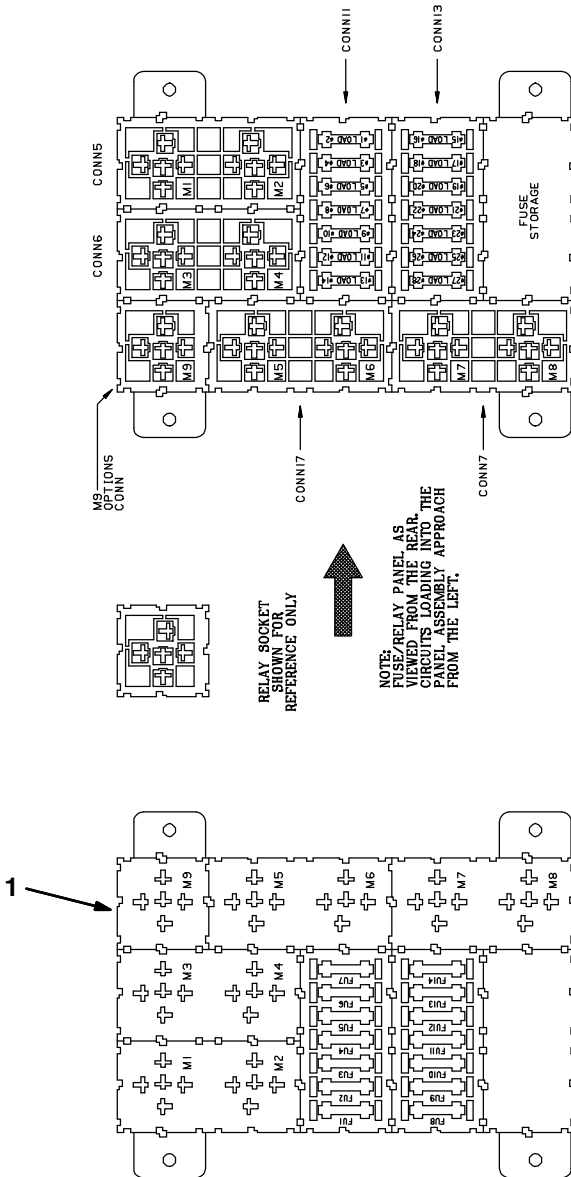
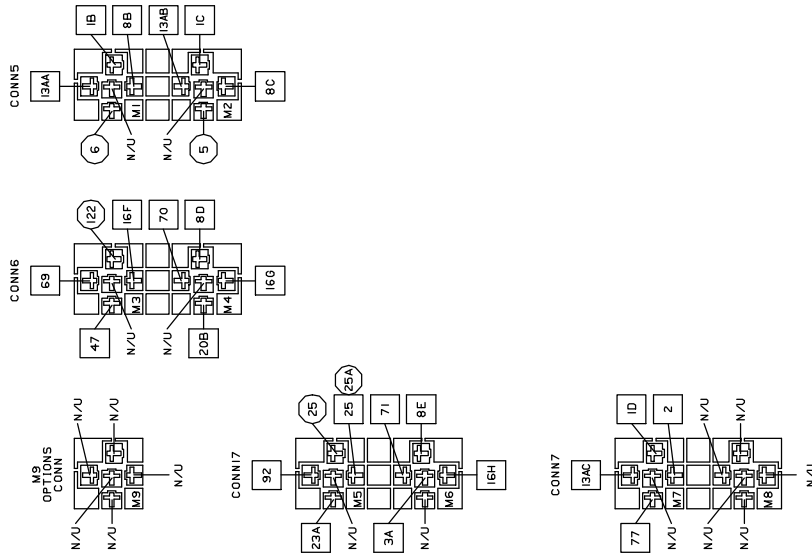


Fig. 68 - Electrical Wire Harness Group, Main



VIEW-AU-AU

FUSE PANEL ASSEMBLY WIRING			
CONN11 PIN POSITION	CONN11 TERMINAL LOADING BOTTOM HALF	CONN11 PIN POSITION	CONN11 TERMINAL LOADING TOP HALF
FUSE 1	<input type="checkbox"/> 4 & O4A	2	<input type="checkbox"/> 8F
FUSE 2	<input type="checkbox"/> 1G	4	<input type="checkbox"/> 122
FUSE 3	<input type="checkbox"/> 1H	6	<input type="checkbox"/> 25A
FUSE 4	<input checked="" type="checkbox"/> N/U	8	<input checked="" type="checkbox"/> N/U
FUSE 5	<input checked="" type="checkbox"/> 6 & O6A	10	<input type="checkbox"/> 14F & 14G
FUSE 6	<input type="checkbox"/> 6A	12	<input type="checkbox"/> 15B
FUSE 7	<input type="checkbox"/> 5 & O5A	14	<input type="checkbox"/> 16J
CONN13 PIN POSITION	CONN13 TERMINAL LOADING BOTTOM HALF	CONN13 PIN POSITION	CONN13 TERMINAL LOADING TOP HALF
FUSE 8	<input type="checkbox"/> 5A	16	<input type="checkbox"/> 17H
FUSE 9	<input type="checkbox"/> 4A & O4C	18	<input type="checkbox"/> 26A & O26B
FUSE 10	<input type="checkbox"/> 1J	20	<input type="checkbox"/> 128
FUSE 11	<input type="checkbox"/> 2J	22	<input type="checkbox"/> 127
FUSE 12	<input checked="" type="checkbox"/> 4C	24	<input checked="" type="checkbox"/> N/U
FUSE 13	<input checked="" type="checkbox"/> N/U	26	<input checked="" type="checkbox"/> N/U
FUSE 14	<input checked="" type="checkbox"/> N/U	28	<input checked="" type="checkbox"/> N/U

Fig. 68 - Electrical Wire Harness Group, Main

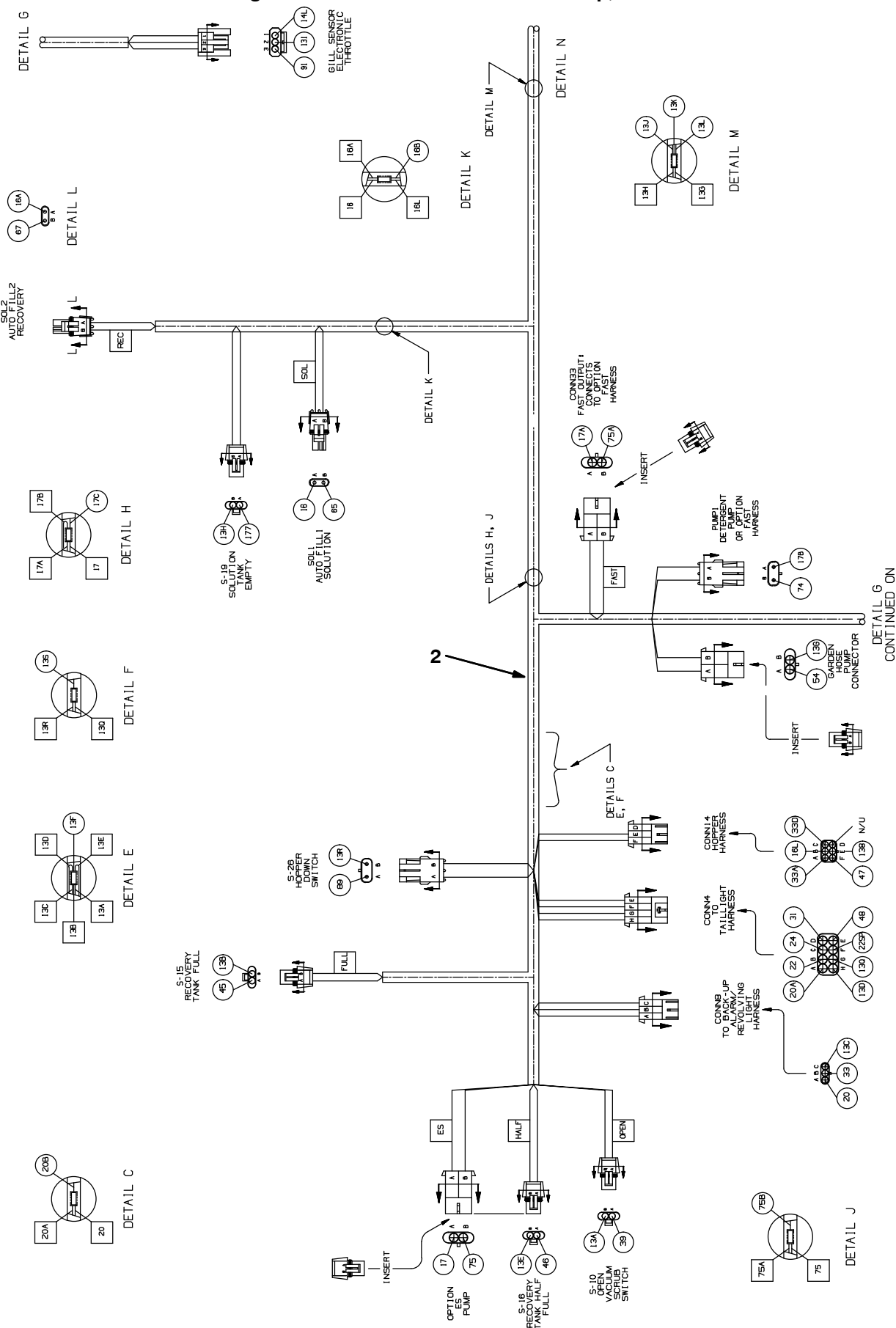


Fig. 68 - Electrical Wire Harness Group, Main

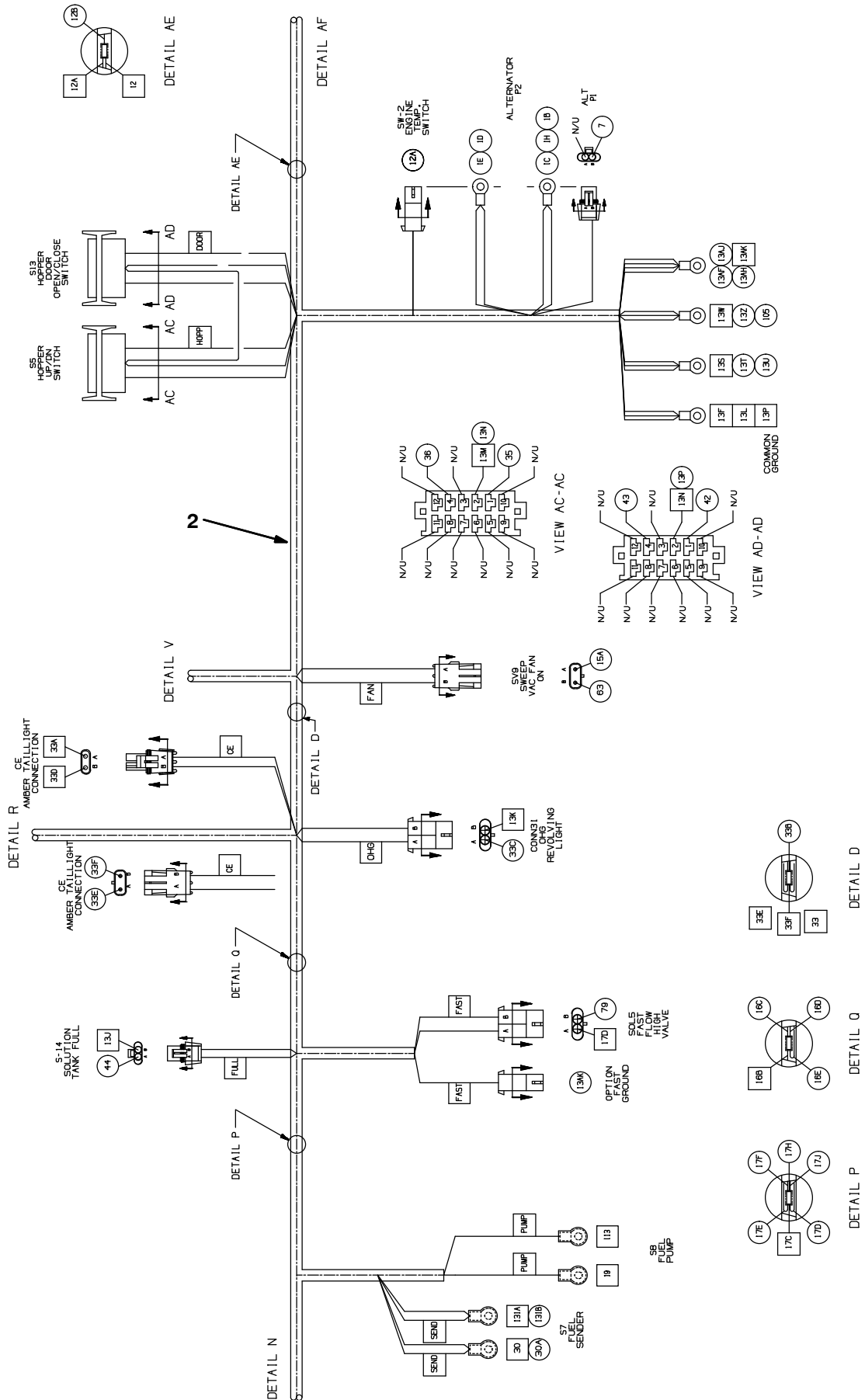


Fig. 68 - Electrical Wire Harness Group, Main

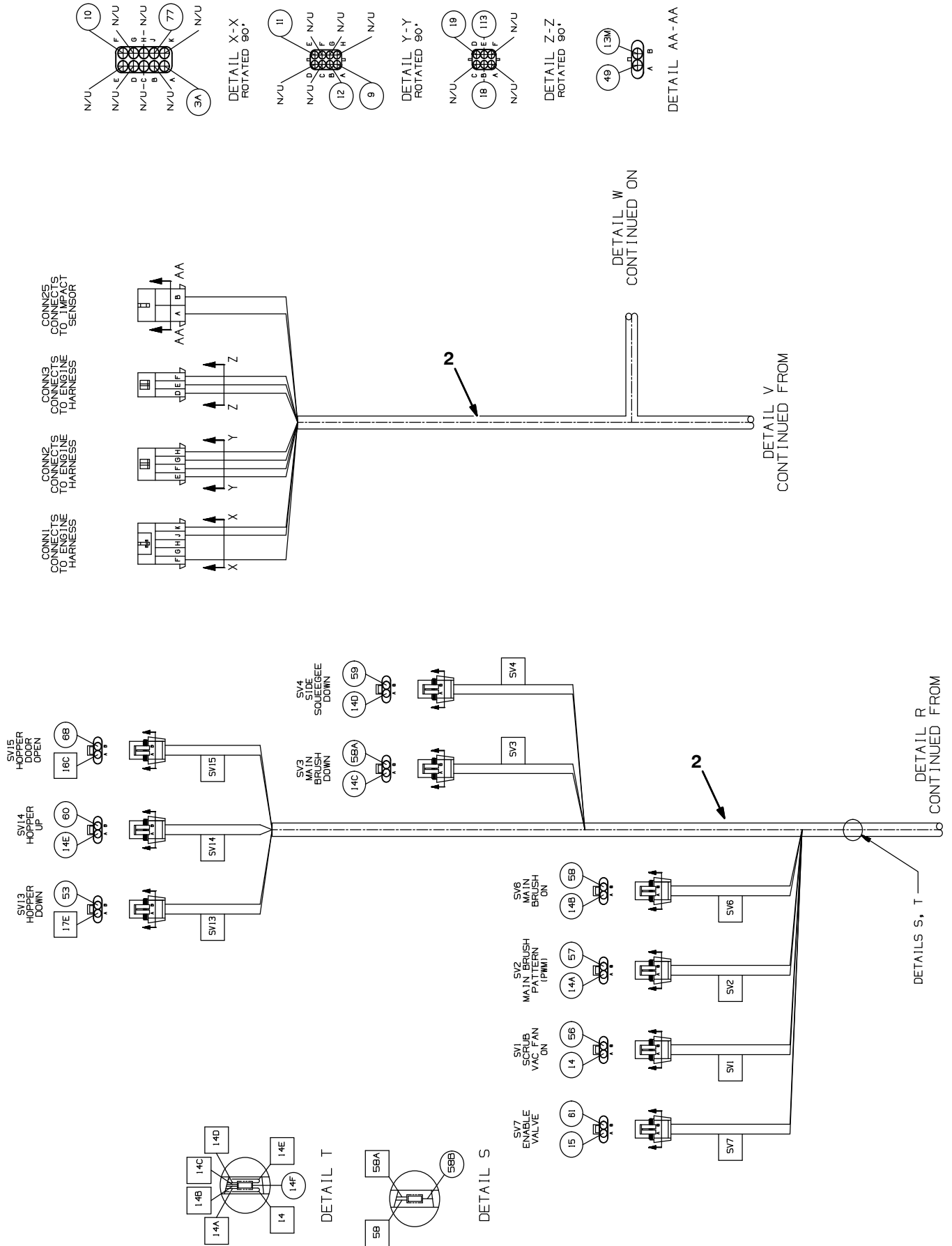


Fig. 68 - Electrical Wire Harness Group, Main

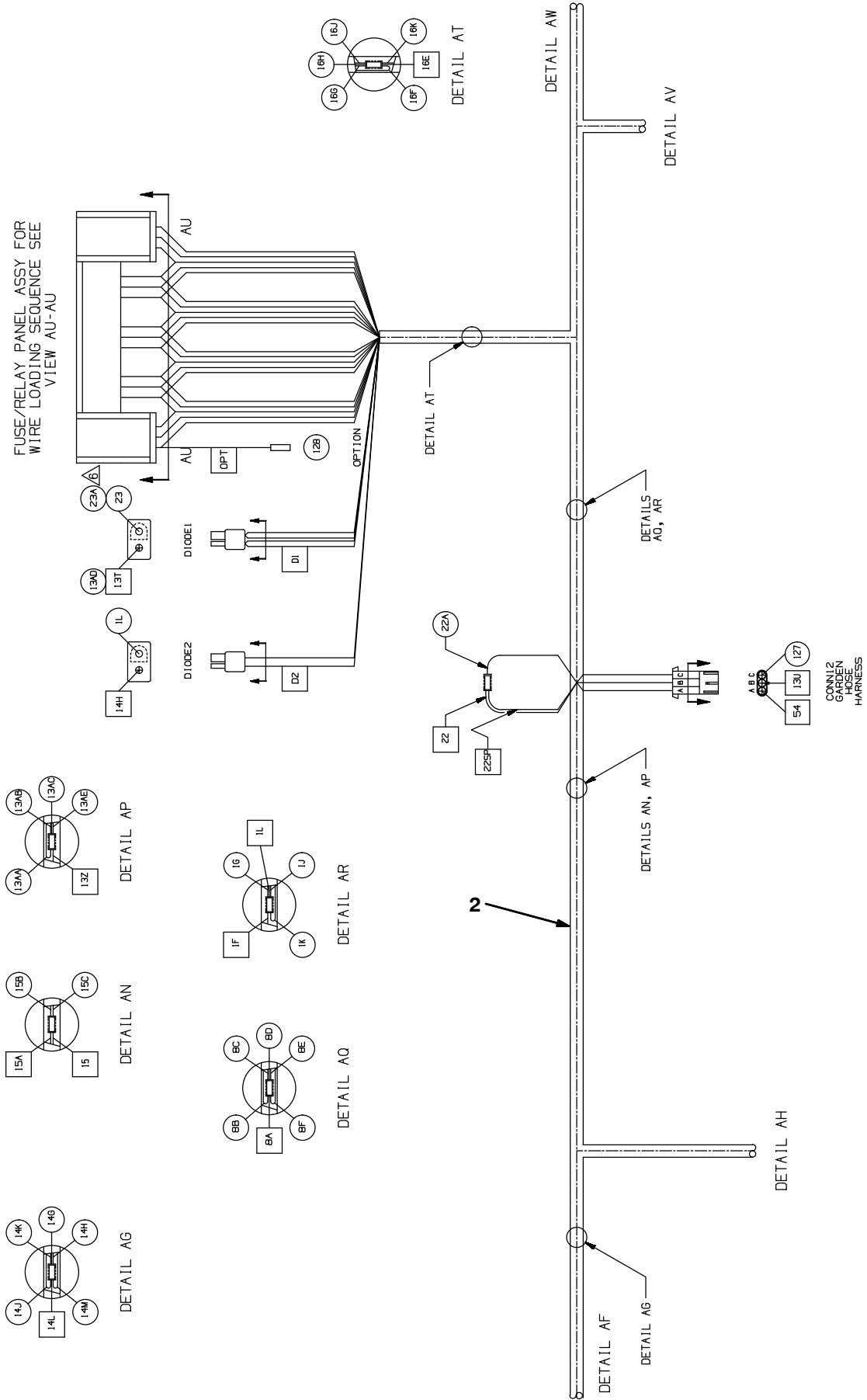


Fig. 68 - Electrical Wire Harness Group, Main

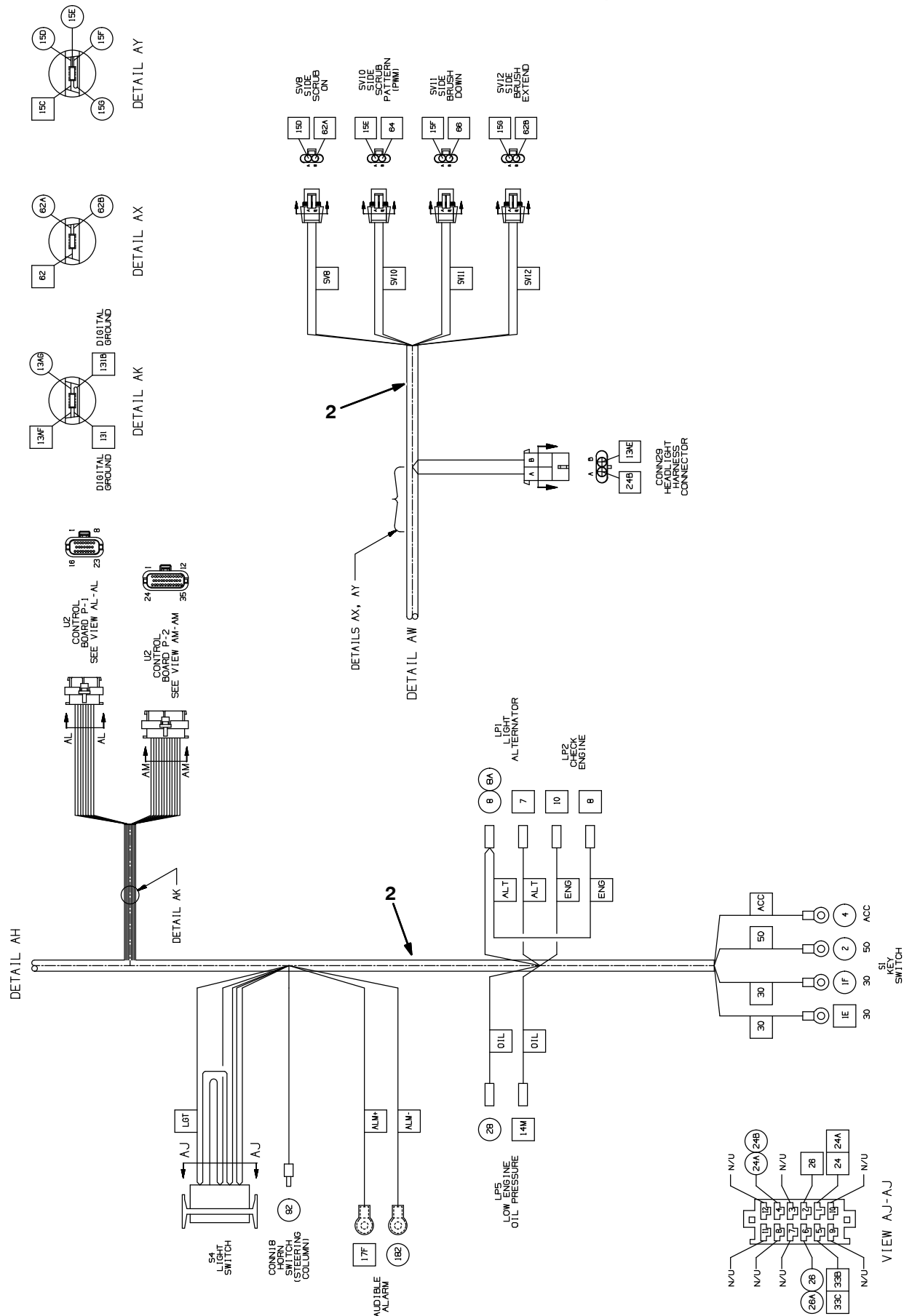


Fig. 68 - Electrical Wire Harness Group, Main

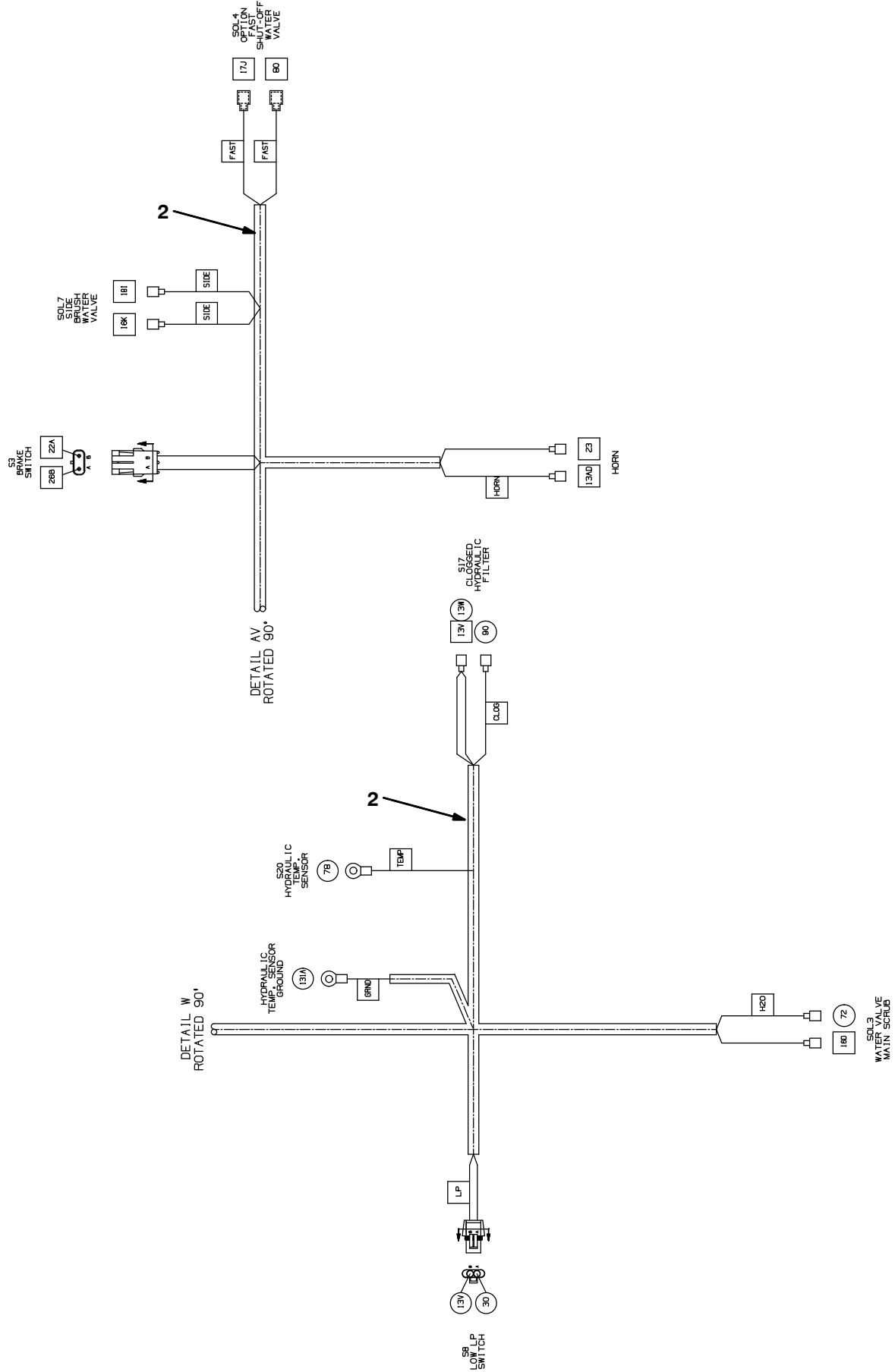
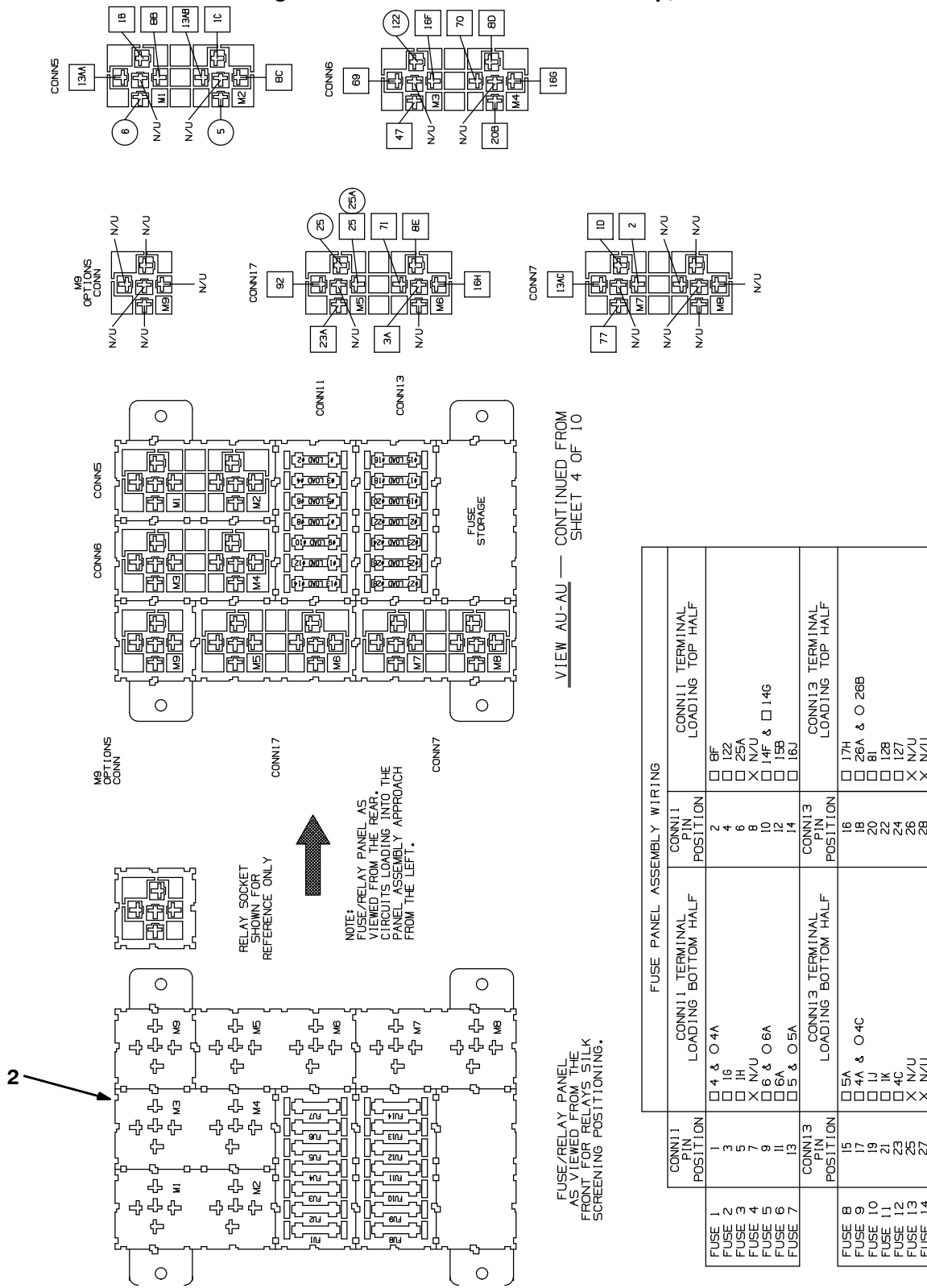
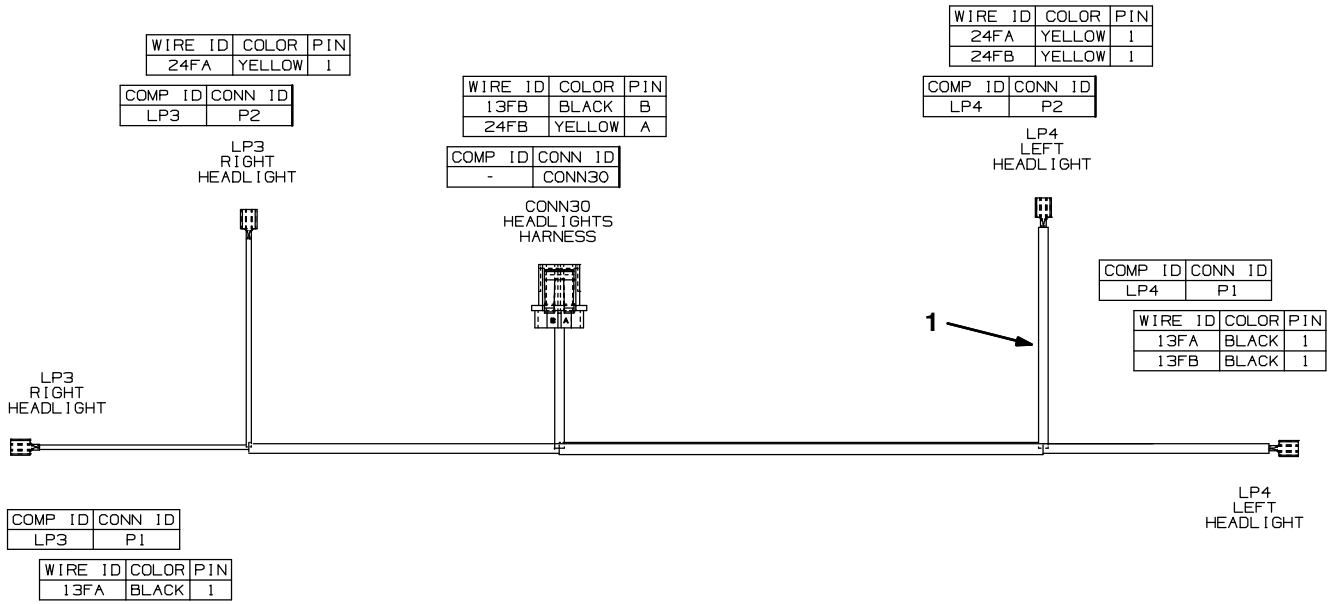


Fig. 68 - Electrical Wire Harness Group, Main



Ref.	Part No.	Serial Number	Description	Qty.
1	1018549	(000000-002273)	Harness, Main [M20]	1
2	1071603	(002274-)	Harness, Main [M20]	1

Fig. 69 – Electrical Wire Harness Group, Headlight



Ref.	Part No.	Serial Number	Description	Qty.
1	1024141	(000000-)	Harness, Headlight [M20 And T20]	1

Fig. 70 – Electrical Wire Harness Group, Hopper

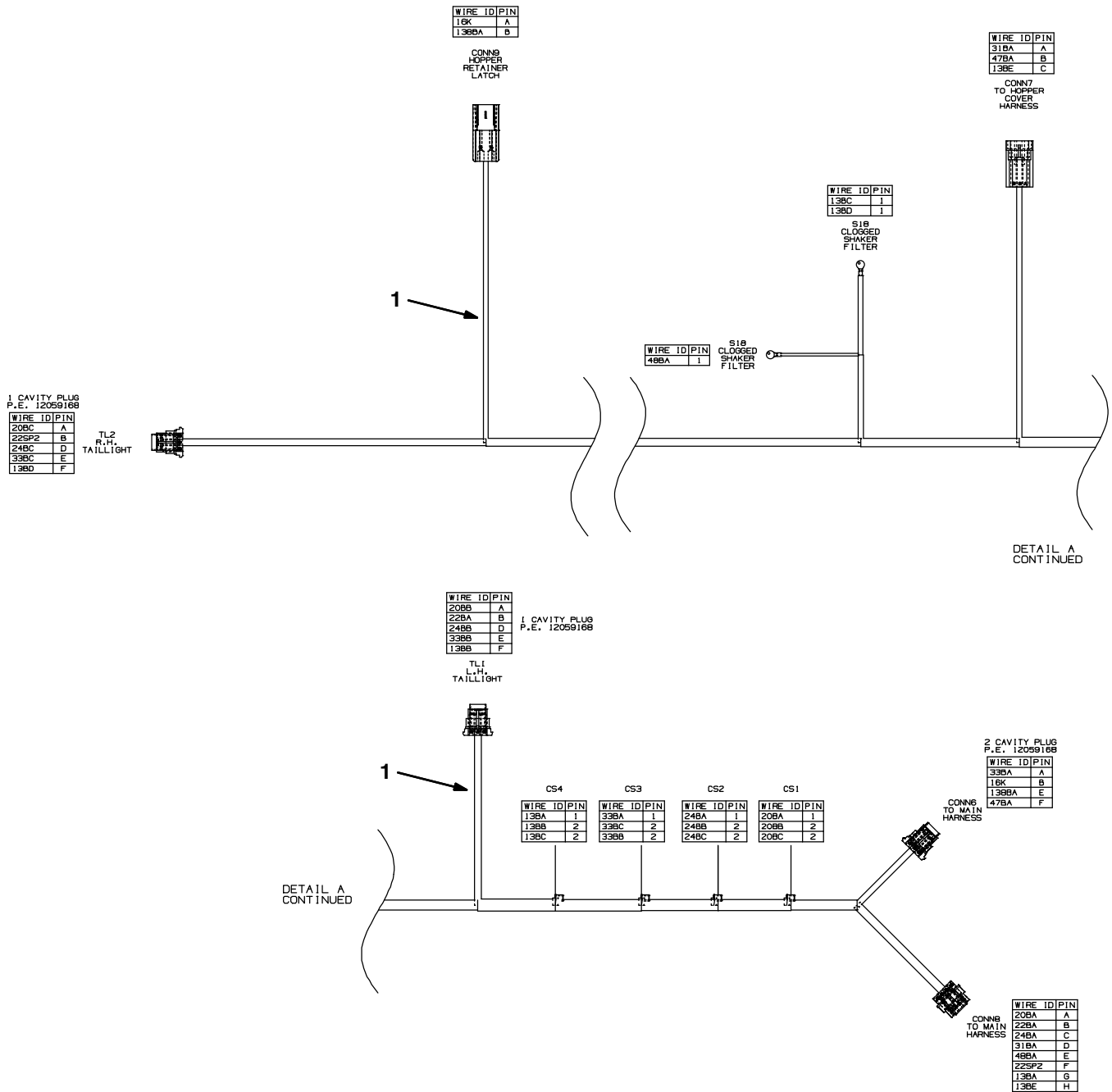


Fig. 70 – Electrical Wire Harness Group, Hopper

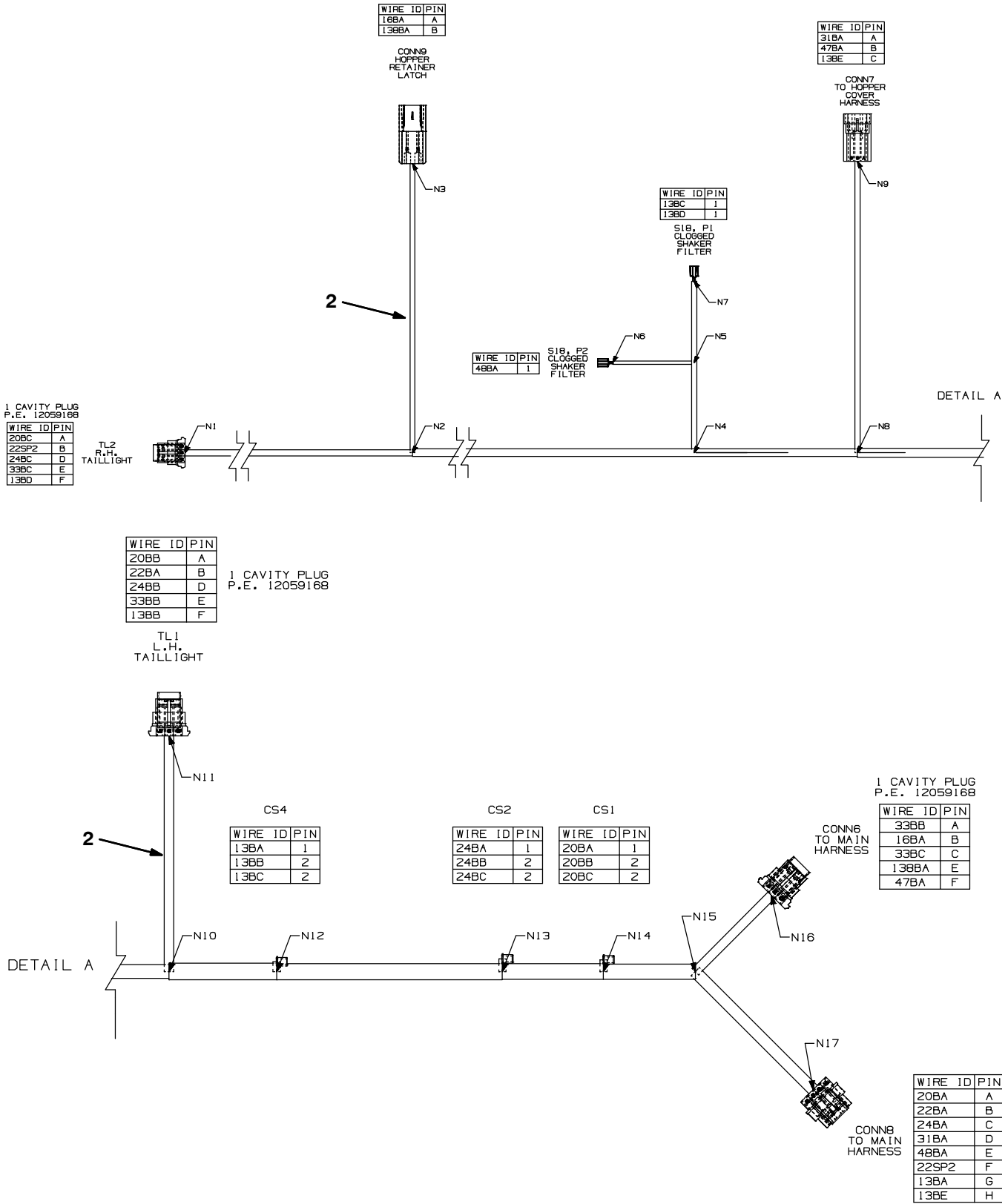
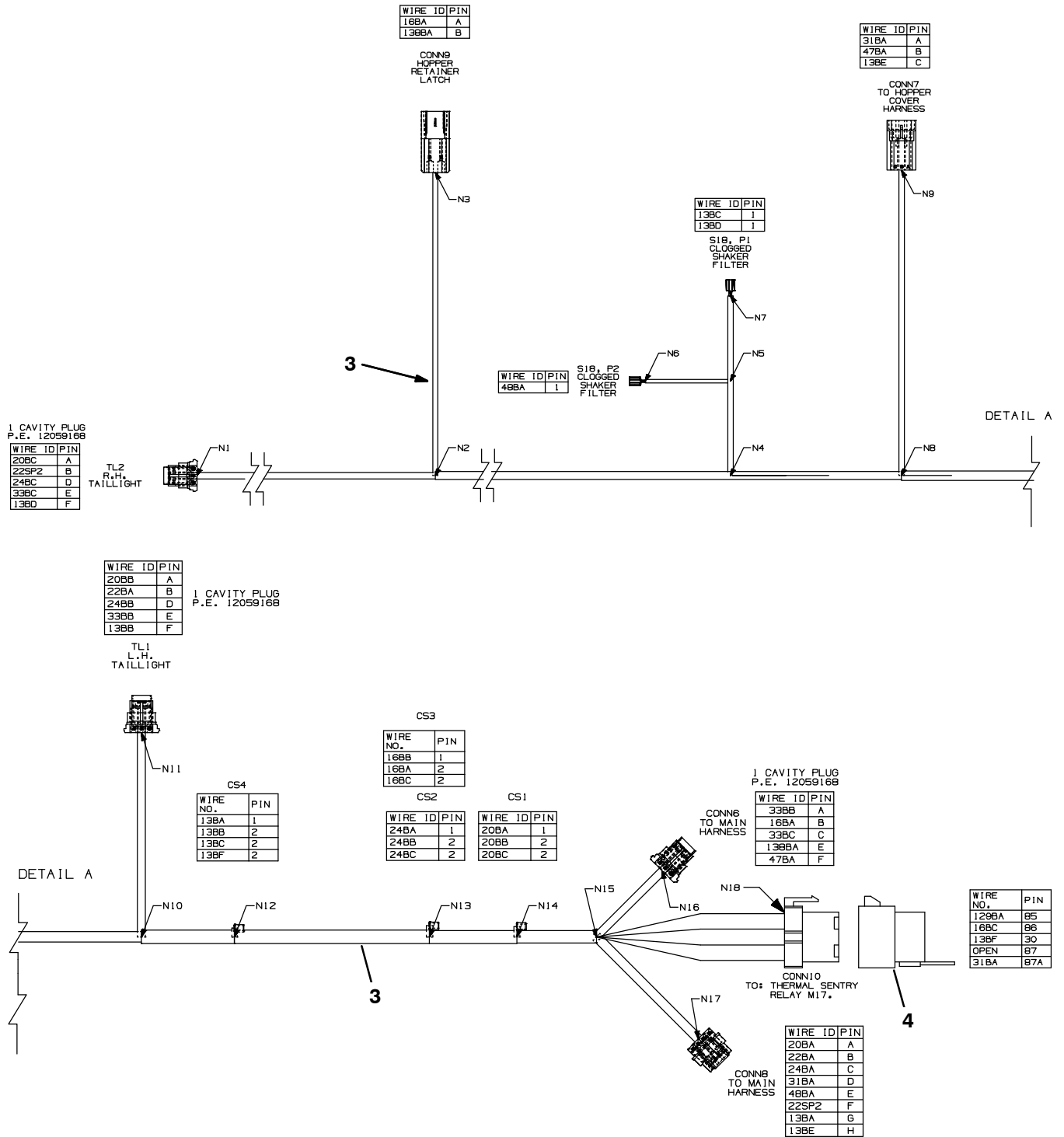


Fig. 70 – Electrical Wire Harness Group, Hopper



356253 – M20, M30

Ref.	Part No.	Serial Number	Description	Qty.
1	1019630	(000000-002273)	Harness, Hppr [M20]	1
2	1033624	(002274-003478)	Harness, Hppr [M20/M30]	1
3	1064371	(003479-)	Harness, Hppr [M20/M30]	1
4	56186	(003479-)	Relay, 12vdc, 040a, Spdt No	1

Fig. 71 - Electrical Wire Harness Group, Hopper Cover

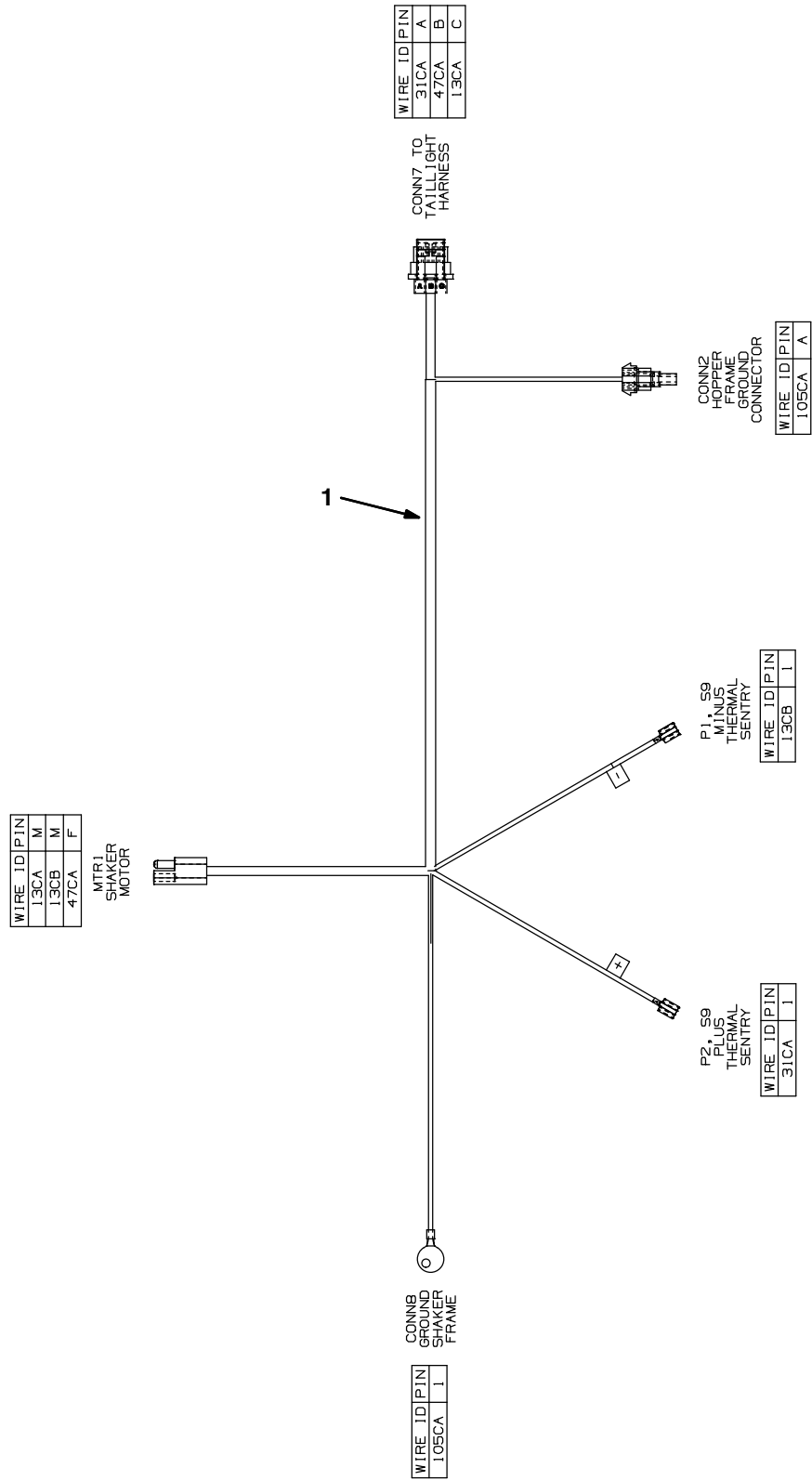
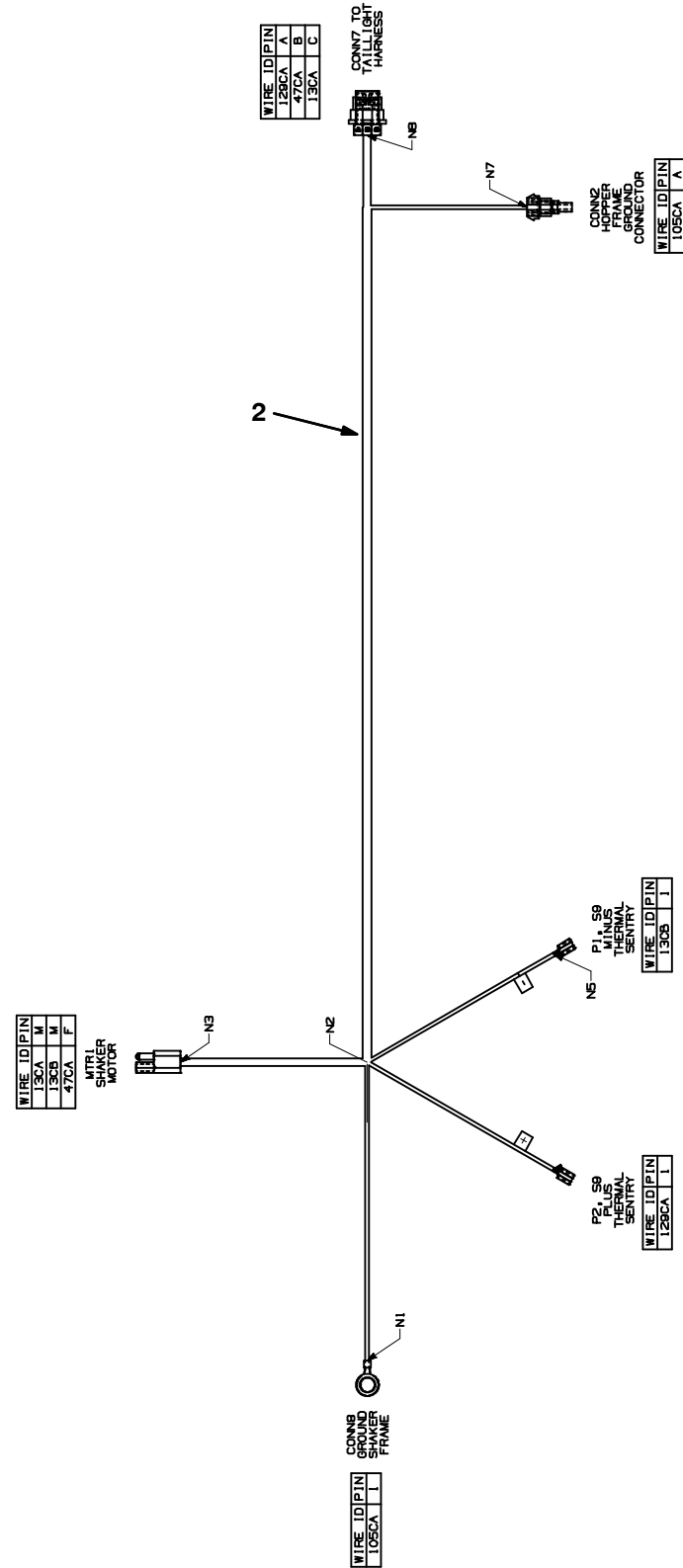


Fig. 71 – Electrical Wire Harness Group, Hopper Cover



354389-354459

Ref.	Part No.	Serial Number	Description	Qty.
1	1019950	(000000-003478)	Harness, Hppr, Cover [M20]	1
2	1064370	(003479-)	Harness, Hppr, Cover [M20]	1

Fig. 72 – Electrical Wire Harness Group, Diesel Engine

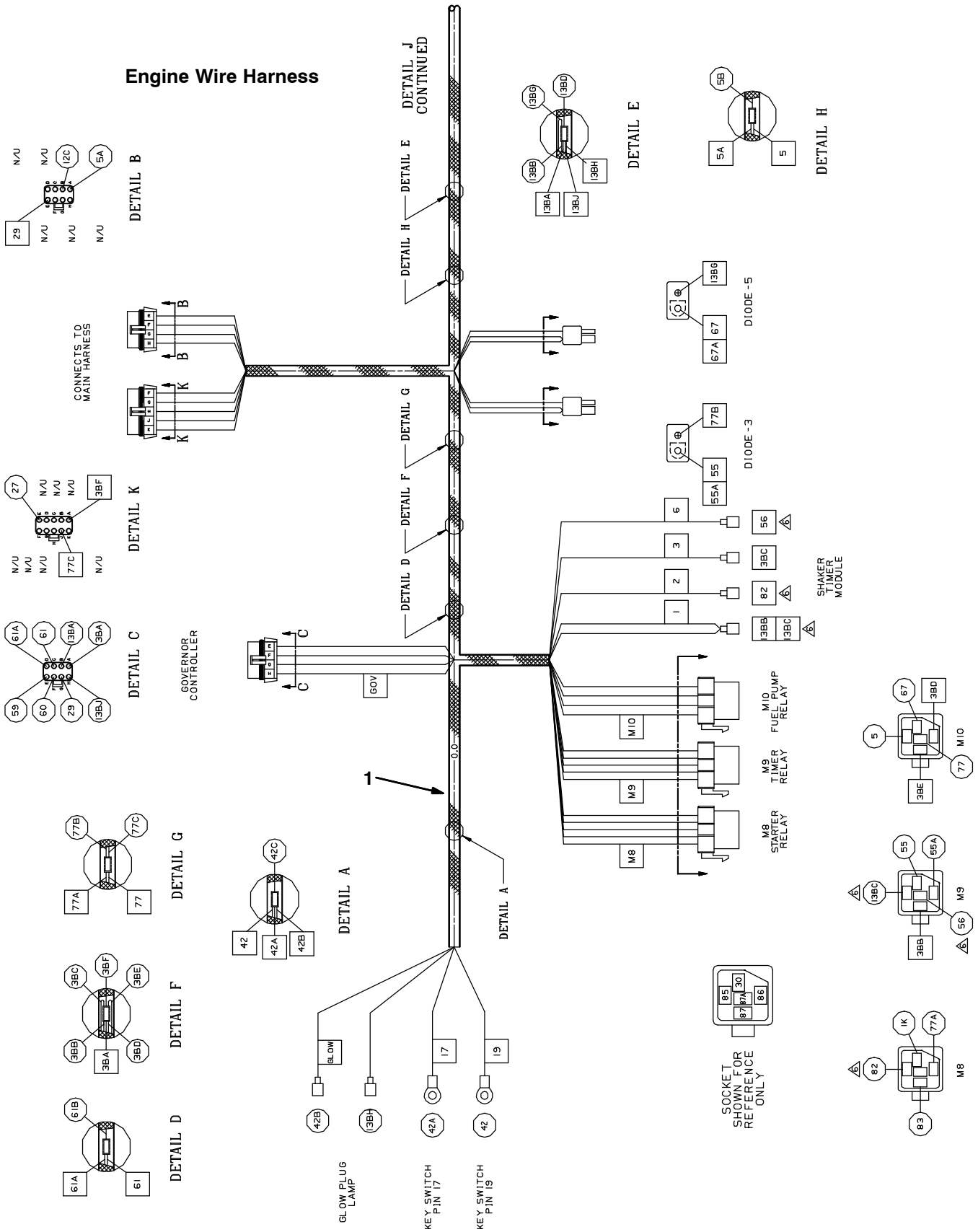


Fig. 72 - Electrical Wire Harness Group, Diesel Engine

Engine Wire Harness

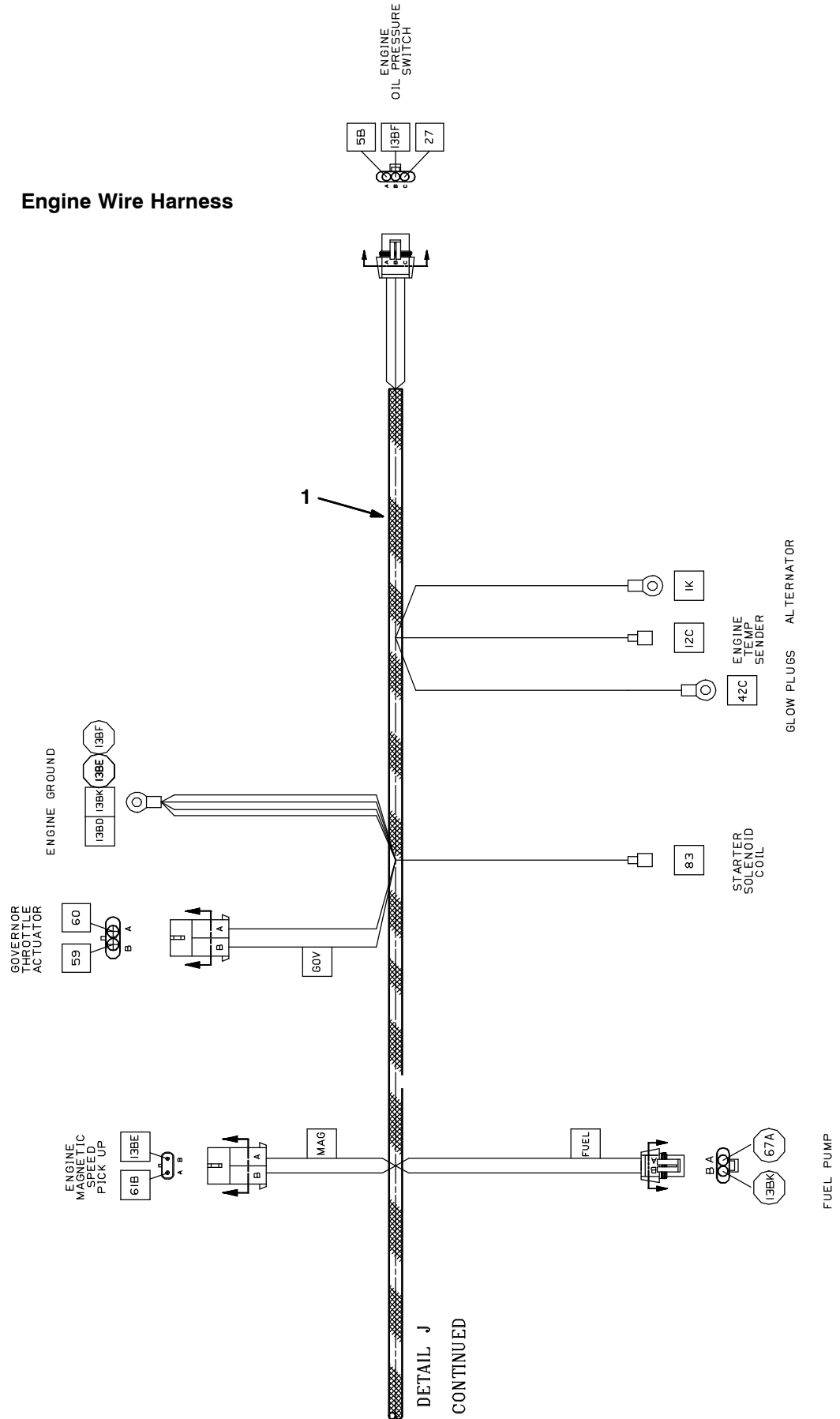


Fig. 72 - Electrical Wire Harness Group, Diesel Engine

Ref.	Part No.	Serial Number	Description	Qty.
1	391969	(000000-) Harness, Engine, Dsl [M20 T20]	1

Fig. 73 – Label Group

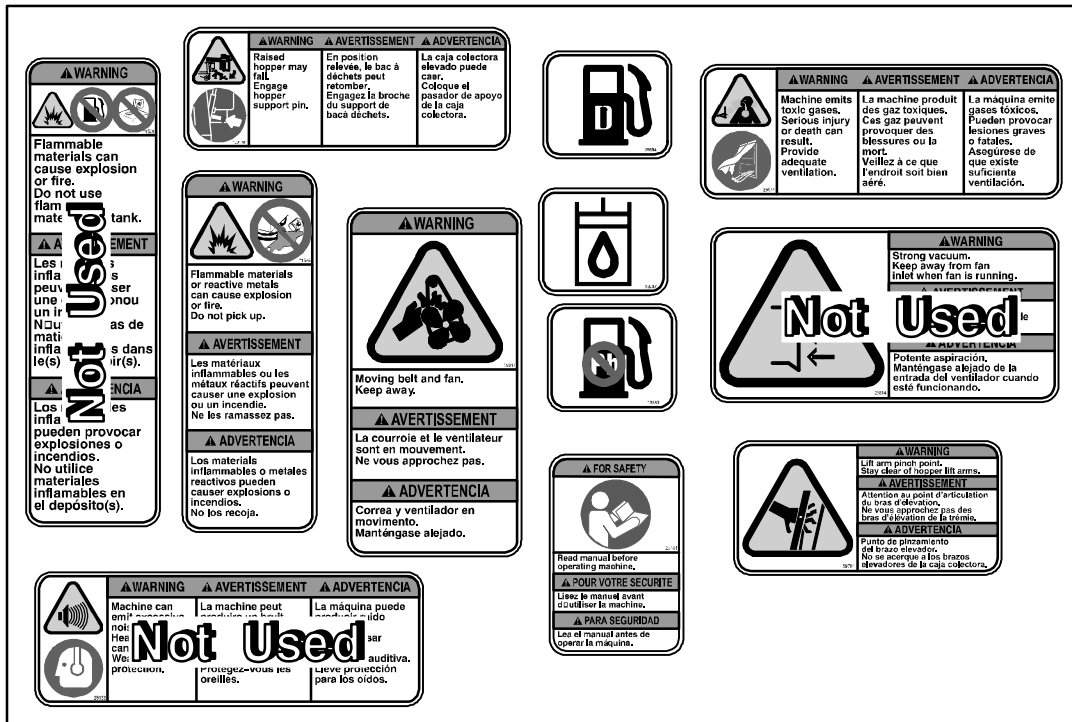
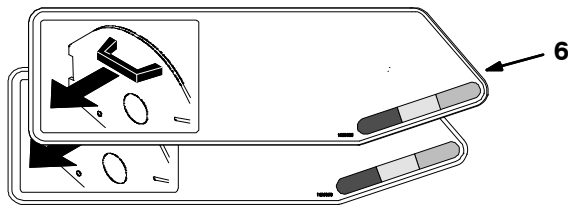


Fig. 73 – Label Group



M20 – D

Ref.	Part No.	Serial Number	Description	Qty.
1	77221	(000000–)	Label Set, Info/Hzrd, Swpr / Scrbr	1
2	1017141	(000000–)	Label Set, Hi Temp	1
3	1065343	(000000–)	Label, Logo, 05.75L 2Color [ES]	3
4	1065342	(000000–)	Label, Logo, 07.95L 2Color [FaST]	3
5	1050003	(000000–)	Label [User, Attention, ec-H2O]	2
6	1031017	(000000–)	Label Set, Brush Indicator & Removal	1
7	1032450	(000000–)	Label Set, Info/Hzrd, Swpr / Scrbr, Tj (Japan Only)	1
8	1064662	(000000–)	Label, Model, 2Color [M20]	2
9	1062813	(000000–)	Label, Logo, 12.3L 4Color [ec-H2O]	1
10	1064440	(000000–)	Label, Logo, 16.9L 4Color [ec-H2O]	1

SECTION 3

Contents	Page
Fig. 1 – ES Pump Group	3-2
Fig. 2 – ES Tanks Group	3-4
Fig. 3 – Side Brush Motor Group (000000–003076)	3-6
Fig. 4 – Side Brush Motor Group (003077–)	3-8
Fig. 5 – Side Brush Lift Group	3-10
Fig. 6 – Side Brush Solution Control Group ...	3-12
Fig. 7 – Side Brush Hydraulic Valve Group ...	3-14
Fig. 8 – Side Brush Hydraulic Hose Group ...	3-16
Fig. 9 – FaST Solution Pump Group (000000–002532)	3-18
Fig. 10 – FaST Air Pump and Detergent Group (000000–002532)	3-20
Fig. 11 – FaST Foam Filter Group (000000–002532)	3-22
Fig. 12 – FaST Foam Filter Group, Side Brush (000000–002532)	3-24
Fig. 13 – FaST Wire Harness Group (000000–002532)	3-26
Fig. 14 – FaST Pumps and Detergent Group (002533–)	3-28
Fig. 15 – FaST Solution Supply Group (002533–)	3-30
Fig. 16 – FaST Solution Supply Group with Side Brush (002533–)	3-32
Fig. 17 – FaST Wire Harness Group (002533–)	3-34
Fig. 18 – ec–H2O Solution Pump Group	3-36
Fig. 19 – ec–H2O Solution Pump Supply Group .	3-38
Fig. 20 – ec–H2O Solution Supply Group	3-40
Fig. 21 – ec–H2O Solution Supply Group with Side Brush	3-42
Fig. 22 – ec–H2O Wire Harnesses Group	3-44
Fig. 23 – Backup Alarm Kit	3-47
Fig. 24 – Light Kit, Flashing	3-48
Fig. 25 – Light Kit, Revolving	3-50
Fig. 26 – Light Kit, Flashing Overhead Guard .	3-52
Fig. 27 – Light Kit, Revolving Overhead Guard .	3-53
Fig. 28 – Overhead Guard Kit	3-54
Fig. 29 – Telemetry Group	3-56
Fig. 30 – Telemetry Wire Harness Group	3-58
Fig. 31 – Vacuum Wand Kit (000000–002406) ..	3-60
Fig. 32 – Vacuum Wand Kit (002407–) ...	3-62
Fig. 33 – Spray Nozzle Kit	3-64
Fig. 34 – Transport Kit	3-66
Fig. 35 – Squeegee Guard Kit	3-68
Fig. 36 – Fire Extinguisher Kit	3-70
Fig. 37 – Documentation Group	3-71

Fig. 1 - ES Pump Group

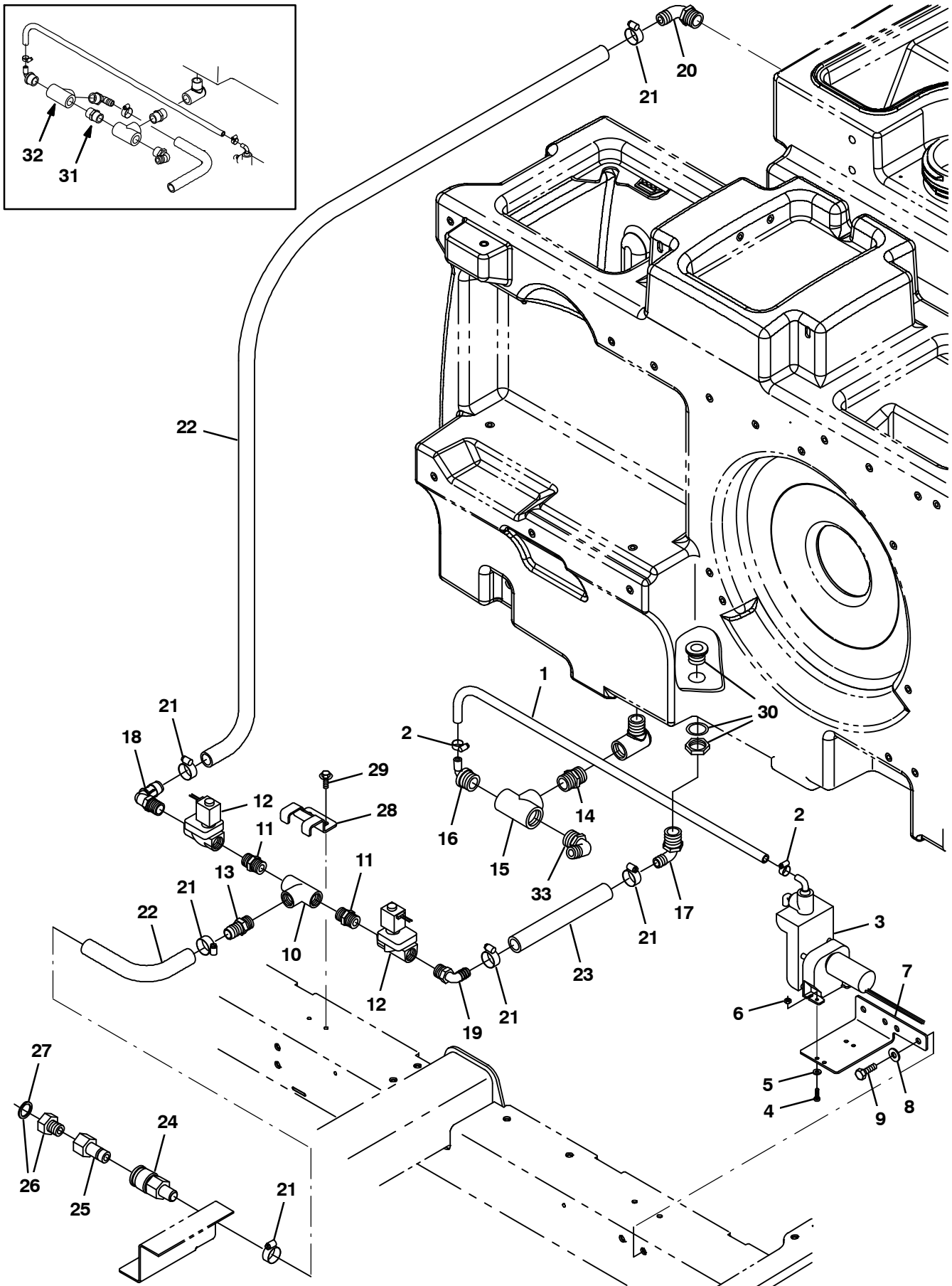


Fig. 1 – ES Pump Group

Ref.	Part No.	Serial Number	Description	Qty.	
1	41295	(000000–) Hose, Pvc, Clr, 0.38id 0.56od 48.00l	1	
2	43844	(000000–) Clamp, Hose, Wormdrive, 0.25–0.62d, .31w	2	
3	73260	(000000–) Pump, Detgt, 14vdc, 150ml/Min 20psi (See Breakdowns)	1	
4	24265	(000000–) Screw, Pan, M4 X 0.7 X 16, Ss	2	
5	01683	(000000–) Washer, Flat, #10, Ss	2	
6	33932	(000000–) Nut, Hex, Lock, M4 X 0.7, NI, Ss	2	
7	1021325	(000000–) Bracket, Mtg, Valve	1	
8	01685	(000000–) Washer, Flat, 0.31, Ss	2	
9	09740	(000000–) Screw, Hex, M8 X 1.25 X 20, Ss	2	
10	79497	(000000–) Fitting, Plstc, Tee, Pf08/Pf08/Pf08	1	
11	86508	(000000–) Fitting, Plstc, Str, Pm08/Pm08	2	
12	73433	(000000–) Valve, Water, Solenoid, 12vdc 0.08pf	2	
13	78398	(000000–) Fitting, Plstc, Str, Bm12/Pm08, Nyl	1	
14	24544	(000000–) Fitting, Plstc, Str, Pm12/Pm12 1.60l	1	
15	42133A	(000000–) Fitting, Plstc, Tee, Pf12/Pf12/Pf12	1	
16	79484	(000000–) Fitting, Plstc, E90, Bm06/Pm12, Nyl	1	
17	73468	(000000–) Fitting, Plstc, E90, Bm10/Pm12	1	
18	63244–2	(000000–) Fitting, Plstc, E90, Bm12/Pm08	1	
19	630371	(000000–) Fitting, Plstc, E90, Bm10/Pm08	1	
20	14877	(000000–) Fitting, Plstc, E90, Bm12/Pm12	1	
21	63810	(000000–) Clamp, Hose, Wormdrive, 0.56–1.06d, .56w	6	
22	1015045	(000000–) Hose, Afmkt, Pvc, Brd 0.75id 08ft	1	
23	369811	(000000–) Hose, Pvc, Brd, 0.62id 0.88od 09.00l	1	
24	24105	(000000–) Fitting, Brs, Qdc, Bm12/Qf08	1	
25	33295	(000000–) Fitting, Brs, Qdc, Pf08 [Parker Bh3f]	1	
▽	26	375322	(000000–) Fitting Kit, Hose, Garden	1
▲	27	01316	(000000–) Washer, Flat, 0.66b 1.00d .12, Rbr	1
	28	1016837	(000000–) Bracket, Mtg, Valve	1
	29	361339	(000000–) Screw, Hex, M6 X 1.0 X 16, Fmg	2
	30	377349	(xxxxxx–) Fitting, Plstc, Pf12/Pf12, Bh	1
	31	24544	(000000–xxxxxx) Fitting, Plstc, Str, Pm12/Pm12 1.60l	1
	32	42133A	(000000–xxxxxx) Fitting, Plstc, Tee, Pf12/Pf12/Pf12	1
	33	14877	(000000–007259) Fitting, Plstc, E90, Bm12/Pm12	1
	33	73468	(007260–) Fitting, Plstc, E90, Bm10/Pm12	1

Fig. 2 - ES Tanks Group

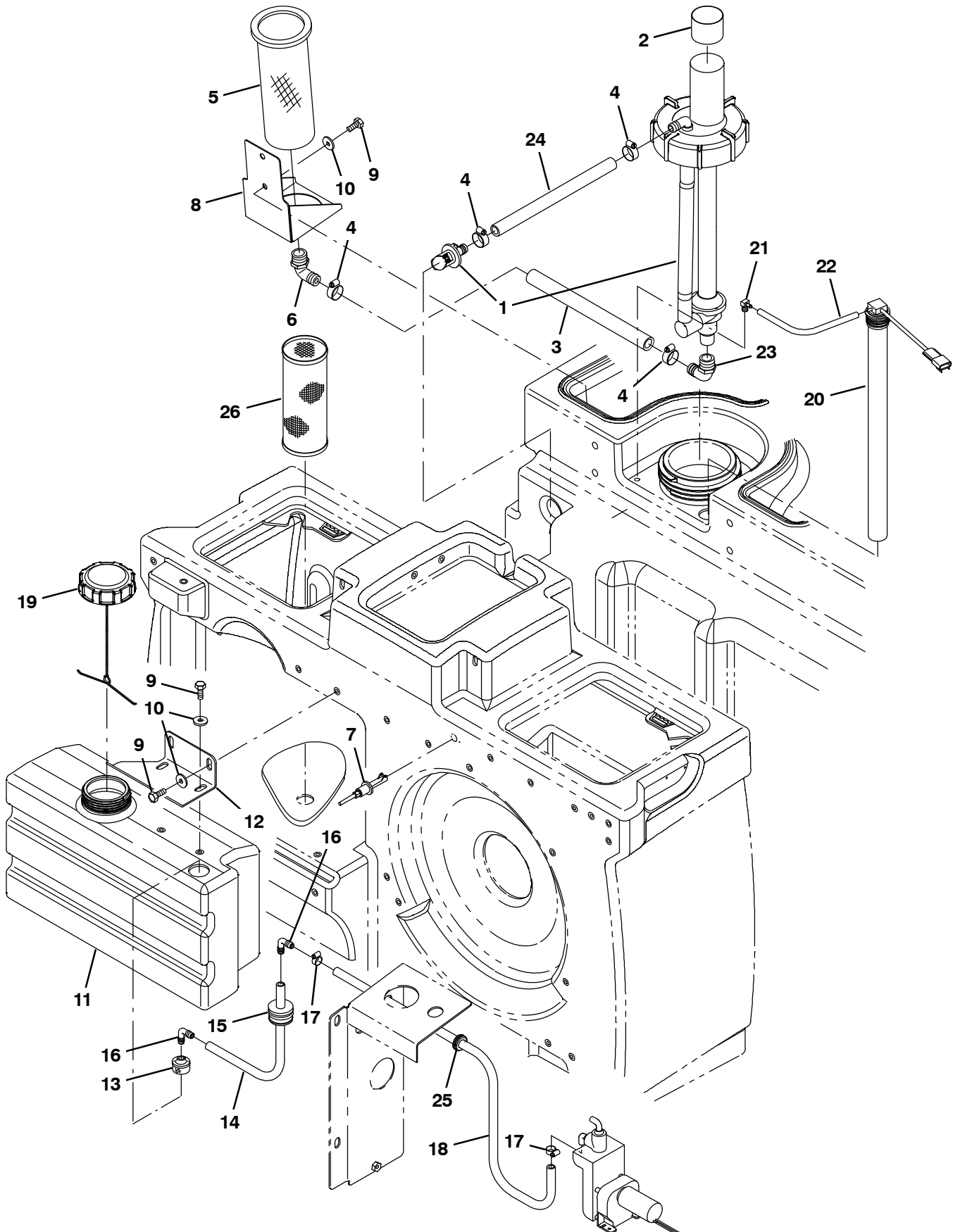


Fig. 2 – ES Tanks Group

Ref.	Part No.	Serial Number	Description	Qty.
1	1021210	(000000-) Pump Assy, Column, Es (See Breakdowns)	1
2	1028697	(000000-) Sleeve, Rbr, 3.50b 3.58d 1.8l	1
3	1015048	(000000-) Hose, Afmkt, Pvc, Brd 0.75id 01ft	1
4	63810	(000000-) Clamp, Hose, Wormdrive, 0.56-1.06d, .56w	4
5	386652	(000000-) Strainer, Soltn, 20 Mesh, Cyl 3.5d 9.5l	1
6	24543	(000000-) Fitting, Plstc, E90, Bm12/Pf12	1
7	385685	(000000-) Sensor, Level, Liq, 14vdc 01a .62-11	1
8	1019636	(000000-) Bracket, Mtg, Strainer	1
9	09740	(000000-) Screw, Hex, M8 X 1.25 X 20, Ss	6
10	1017218	(000000-) Washer, Flat, 0.32b 1.00d .12, Ss	6
11	1022229	(000000-) Tank, Detgt, Trimmed	1
12	1025159	(000000-) Bracket, Mtg, Detgt And Spray Wand	1
13	20952	(000000-) Screen, Pump	1
14	1014974	(000000-) Hose, Afmkt, Pvc, Brd 0.38id 02ft	1
15	20944	(000000-) Grommet, Pye, 0.37id, F/1.5h, .13 Matl	1
16	20951	(000000-) Fitting, Plstc, E90, Bm06/Bm06	2
17	43844	(000000-) Clamp, Hose, Wormdrive, 0.25-0.62d, .31w	2
18	41295	(000000-) Hose, Pvc, Clr, 0.38id 0.56od 48.00l	1
19	1011885	(000000-) Cap, Tank	1
20	1072877	(000000-) Switch Assy, Press, 3.0, 17.5l Tube	1
21	32183	(000000-) Fitting, Brs, E90, Pm02/Bm03	1
22	1031572	(000000-) Hose, Afmkt, Vacuum, 0.16id, 01ft	1
23	14877	(000000-) Fitting, Plstc, E90, Bm12/Pm12	1
24	1015033	(000000-) Hose, Afmkt, Pvc, Brd 0.62ld, 01Ft, Clr	1
25	10632-2	(000000-) Grommet, Rbr, 0.62id, F/0.9h, .12 Matl	1
26	1039019	(000000-) Filter, Soltn, 020mesh, Pm12 3.2d 08.0l	1

Fig. 3 - Side Brush Motor Group (000000-003076)

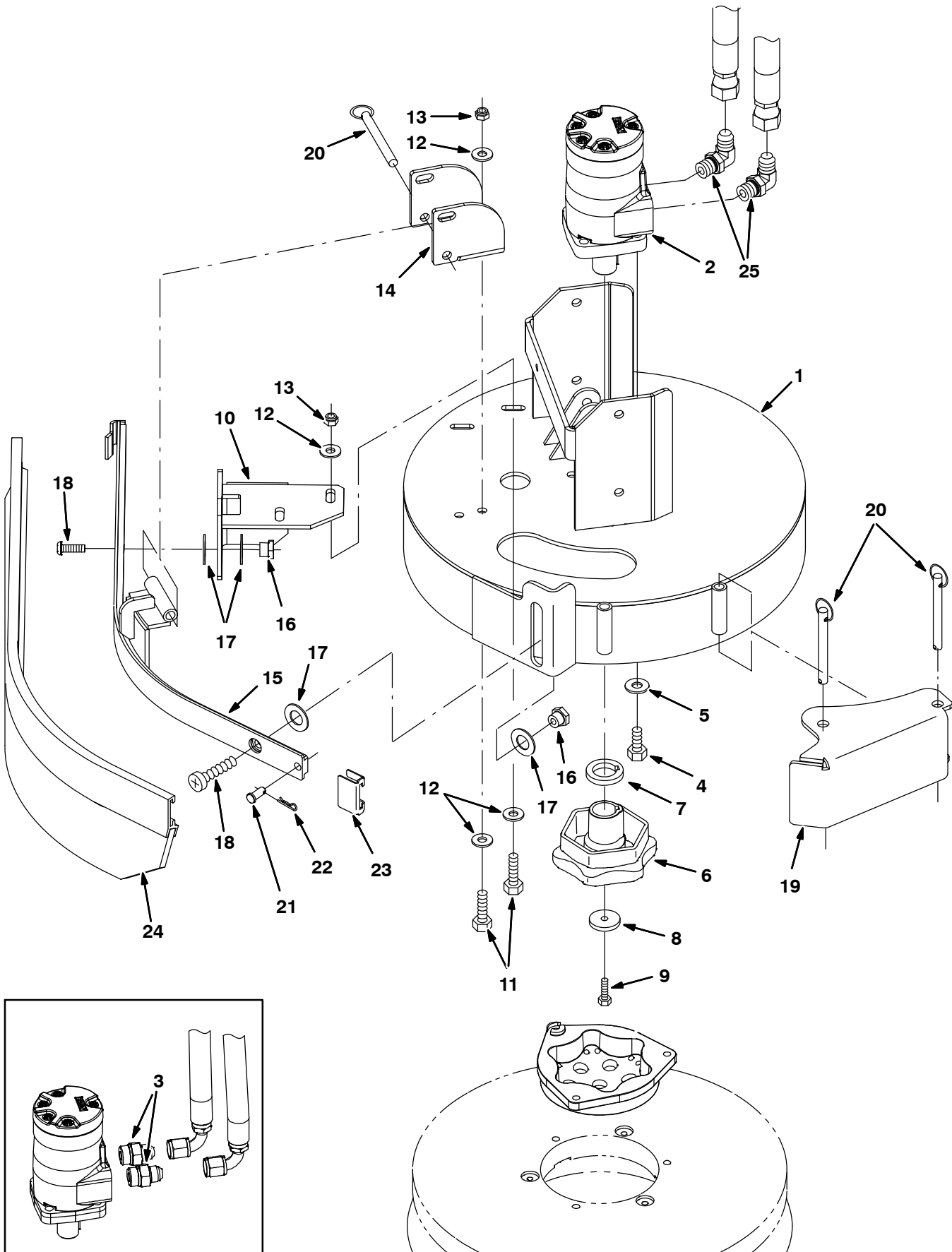


Fig. 3 – Side Brush Motor Group (000000–003076)

Ref.	Part No.	Serial Number	Description	Qty.
1	1021794	(000000–003076)	Bracket Wldt, Mtg, Side Brush	1
2	1029379	(000000–003076)	Motor, Hyd, Gear, Int 08.9 Bi–Dir 2500 (See Breakdowns)	1
3	56692	(000000–001337)	Fitting, Hyd, Str, Jm08/Om10	2
4	01762	(000000–003076)	Screw, Hex, .38–16 X 0.75, NI	4
5	32492	(000000–003076)	Washer, Flat, 0.38 Std	4
6	1042968	(000000–003076)	Hub, Drive, Brush, Disk, 1.00b [6t]	1
7	25611	(000000–003076)	Spacer, Hub, Keyed	1
8	19191	(000000–003076)	Spacer	1
9	25046	(000000–003076)	Screw, Hex, .25–20 X 1.00, 5	1
10	1022135	(000000–003076)	Bracket, Mtg, Sqge	1
11	09010	(000000–003076)	Screw, Hex, M8 X 1.25 X 25, Ss	4
12	01685	(000000–003076)	Washer, Flat, 0.31, Ss	8
13	08713	(000000–003076)	Nut, Hex, Lock, M8 X 1.25, NI, Ss	4
14	1022188	(000000–003076)	Bar, Retainer	1
15	1022111	(000000–003076)	Frame Wldt, Sqge, Side Brush	1
16	1022302	(000000–003076)	Nut, T, M8 X 1.25 X 14.5od X 9.5l	2
17	64425	(000000–003076)	Washer, Thrust, 0.61b 1.25d .06, Fgl	4
18	223470	(000000–003076)	Screw, Btn, M8 X 1.25 X 25, Ss	2
19	1022260	(000000–003076)	Bumper Wldt, Brush, Side	1
20	369359	(000000–003076)	Pin, Hitch, .375d X 3.12l, PI	3
21	46800	(000000–003076)	Pin, Clevis, 0.31d X 0.75l	1
22	08179	(000000–003076)	Pin, Cotter, .094 X 1.00	1
23	86759	(000000–003076)	Retainer, Sqge	1
24	1025005	(000000–003076)	Squeegee Assy, Sba, Linatex	1
24	1027716	(000000–003076)	Squeegee Assy, Sba, Ure	1
25	56821	(001338–003076)	Fitting, Hyd, E90, Jm08/Om10	1

Fig. 4 – Side Brush Motor Group (003077-)

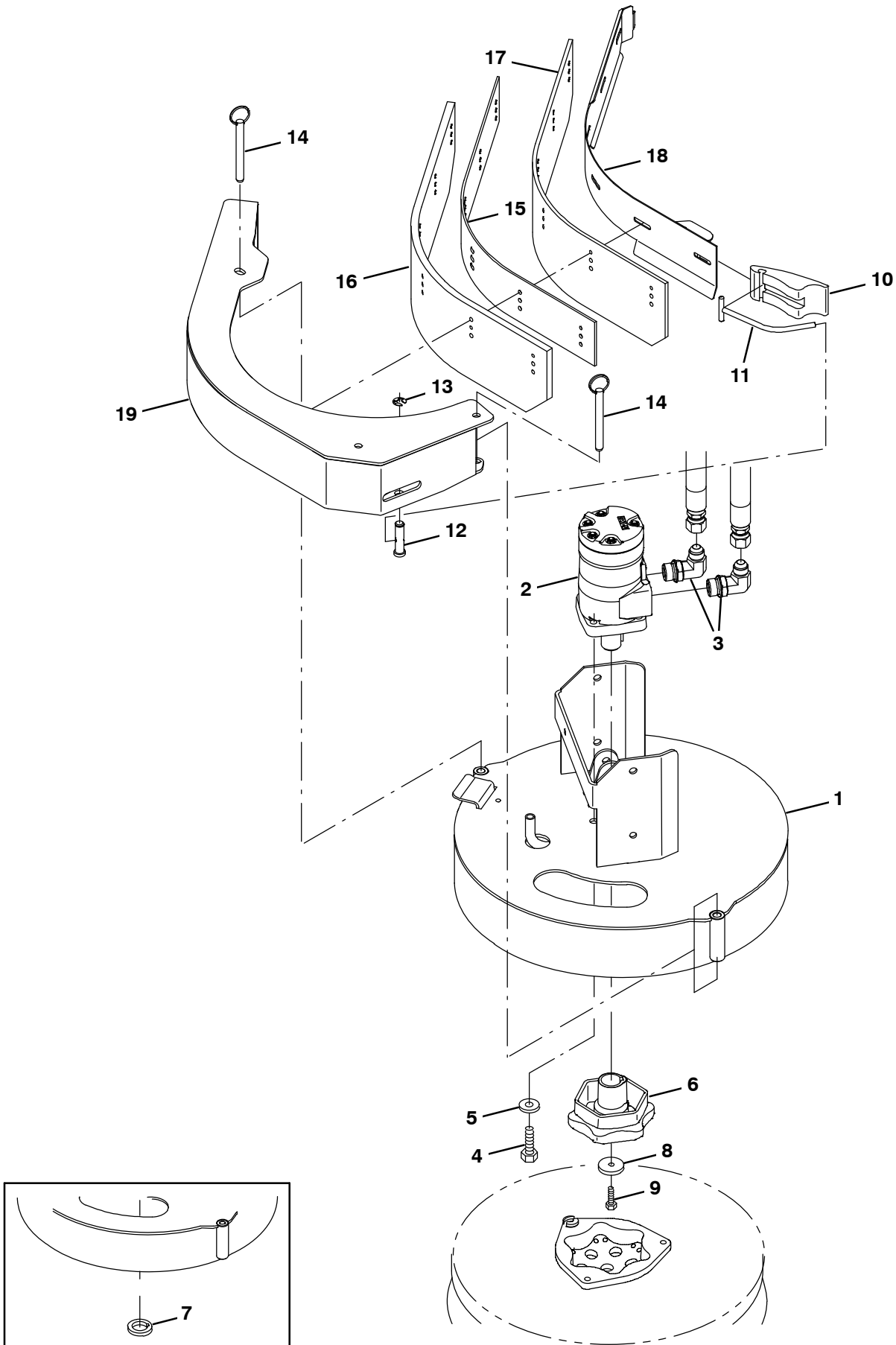


Fig. 4 – Side Brush Motor Group (003077–)

Ref.	Part No.	Serial Number	Description	Qty.	
1	1047002	(003077–)	Bracket Wldt, Mtg, Side Brush Fixed	1	
2	1029379	(003077–004189)	Motor, Hyd, Gear, Int 08.9 Bi-Dir 2500 (See Breakdowns)	1	
▽	2	1068812	(004190–)	Motor, Hyd, Gear, Int 08.9 Bi-Dir 2500	1
▲	22615	(004190–)	Seal Kit, Motor [CI]	1	
3	56821	(003077–)	Fitting, Hyd, E90, Jm08/Om10	2	
4	01762	(003077–)	Screw, Hex, .38–16 X 0.75, NI	4	
5	32492	(003077–)	Washer, Flat, 0.38 Std	4	
6	1042968	(003077–)	Hub, Drive, Brush, Disk, 1.00b [6t]	1	
7	25611	(003077–004189)	Spacer, Hub, Keyed	1	
8	19191	(003077–)	Spacer	1	
9	25046	(003077–)	Screw, Hex, .25–20 X 1.00, 5	1	
10	21601	(003077–)	Cam, Front	1	
11	386298	(003077–)	Pin Wldt, Front	1	
12	21603	(003077–)	Pin, Grvd, 0.43d 01.8l [303ss]	1	
13	24555	(003077–)	Ring, Retaining, Ext, 0.38d, [E-Ring]	1	
14	369359	(003077–)	Pin, Hitch, .375d X 3.12l, PI	2	
15	1046995	(003077–)	Spacer, Sqge, Side Brush, Rbr	1	
16	1046980	(003077–)	Blade, Sqge, Side Brush, Linatex	1	
16	1059091	(003077–)	Blade, Sqge, Side Brush, Urethane	1	
17	1047238	(003077–)	Blade, Sqge, Side Brush, Linatex	1	
17	1059092	(003077–)	Blade, Sqge, Side Brush, Urethane	1	
18	1047060	(003077–)	Plate Wldt, Retainer, Sqge	1	
19	1046976	(003077–)	Bumper Wldt, Brush, Side	1	

Fig. 5 - Side Brush Lift Group

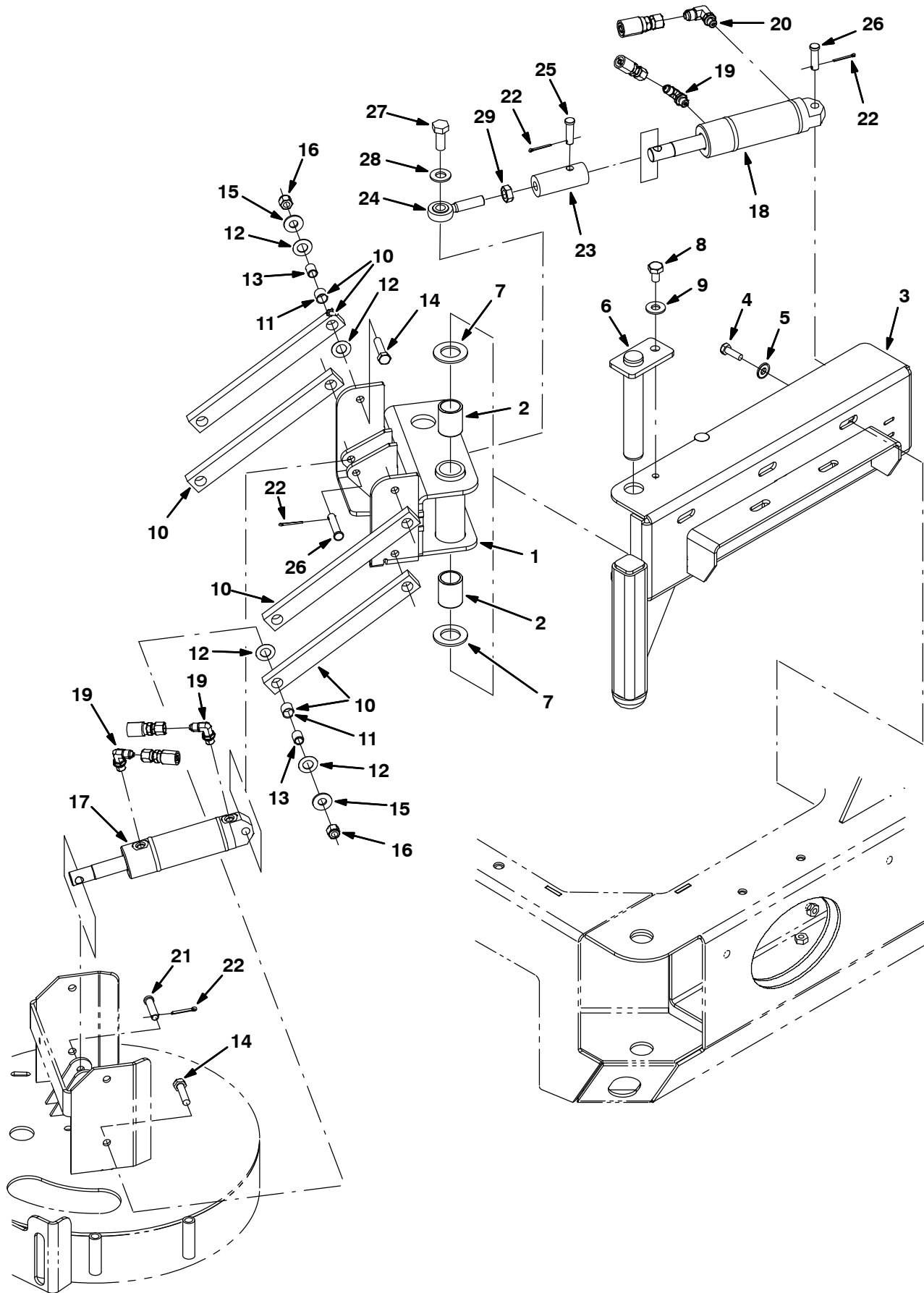


Fig. 5 – Side Brush Lift Group

Ref.	Part No.	Serial Number	Description	Qty.
1	1021439	(000000–) Pivot Wldt, Brush, Side	1
2	71868	(000000–) Bushing, Sleeve, 1.00b 1.13d 1.50l, Fgl	2
3	1021473	(000000–) Channel Wldt, Pivot	1
4	09010	(000000–) Screw, Hex, M8 X 1.25 X 25, Ss	5
5	41186	(000000–) Washer, Flat, Belleville, .31	5
6	1021617	(000000–) Pin Wldt	1
7	71869	(000000–) Washer, Thrust, 1.00b 1.75d 0.13w, Fbr	2
8	16735	(000000–) Screw, Hex, M8 X 1.25 X 16, 8.8	1
9	32491	(000000–) Washer, Flat, 0.31, Std	1
▽	10	63175–1	(000000–) Arm, Link	4
▲	11	63233	(000000–) Bushing, Sleeve, 0.50b 0.59d 0.50l, Bnz	2
	12	59633	(000000–) Bearing, Thrust, 0.53b 1.00d 0.03w	16
	13	1027926	(000000–) Sleeve, P/M, 0.37b 0.50d 0.6l [430ss]	8
	14	36845	(000000–) Screw, Hex, .38–16 X 1.50, Ss	8
	15	01685	(000000–) Washer, Flat, 0.31, Ss	8
	16	59156	(000000–) Nut, Hex, Lock, .38–16, Ni, Ss	8
	17	1038137	(000000–) Cylinder, Hyd, 1.5b 07.8l 02.80strk 2500	1
	18	1038115	(000000–) Cylinder, Hyd, 1.5b 07.8l 02.75strk 2500	1
	19	77097	(000000–) Fitting, Hyd, E90, Jm04/Om04	3
	20	77098	(000000–) Fitting, Hyd, E90, Jm06/Om04	1
	21	29558	(000000–) Pin, Clevis, 0.37d X 1.50l	1
	22	08179	(000000–) Pin, Cotter, .094 X 1.00	4
	23	1021564	(000000–) Adapter, Rod–End, Side Brush	1
	24	71874	(000000–) Rod–End, .50–20rh Mal 0.50b	1
	25	29557	(000000–) Pin, Clevis, 0.37d X 1.31l	1
	26	17461	(000000–) Pin, Clevis, 0.37d X 1.75l	2
	27	41346	(000000–) Screw, Hex, M12 X 1.75 X 30, 8.8	1
	28	32486	(000000–) Washer, Flat, 0.50 Sae	1
	29	48985	(000000–) Nut, Hex, Jam, .50–20	1

Fig. 6 - Side Brush Solution Control Group

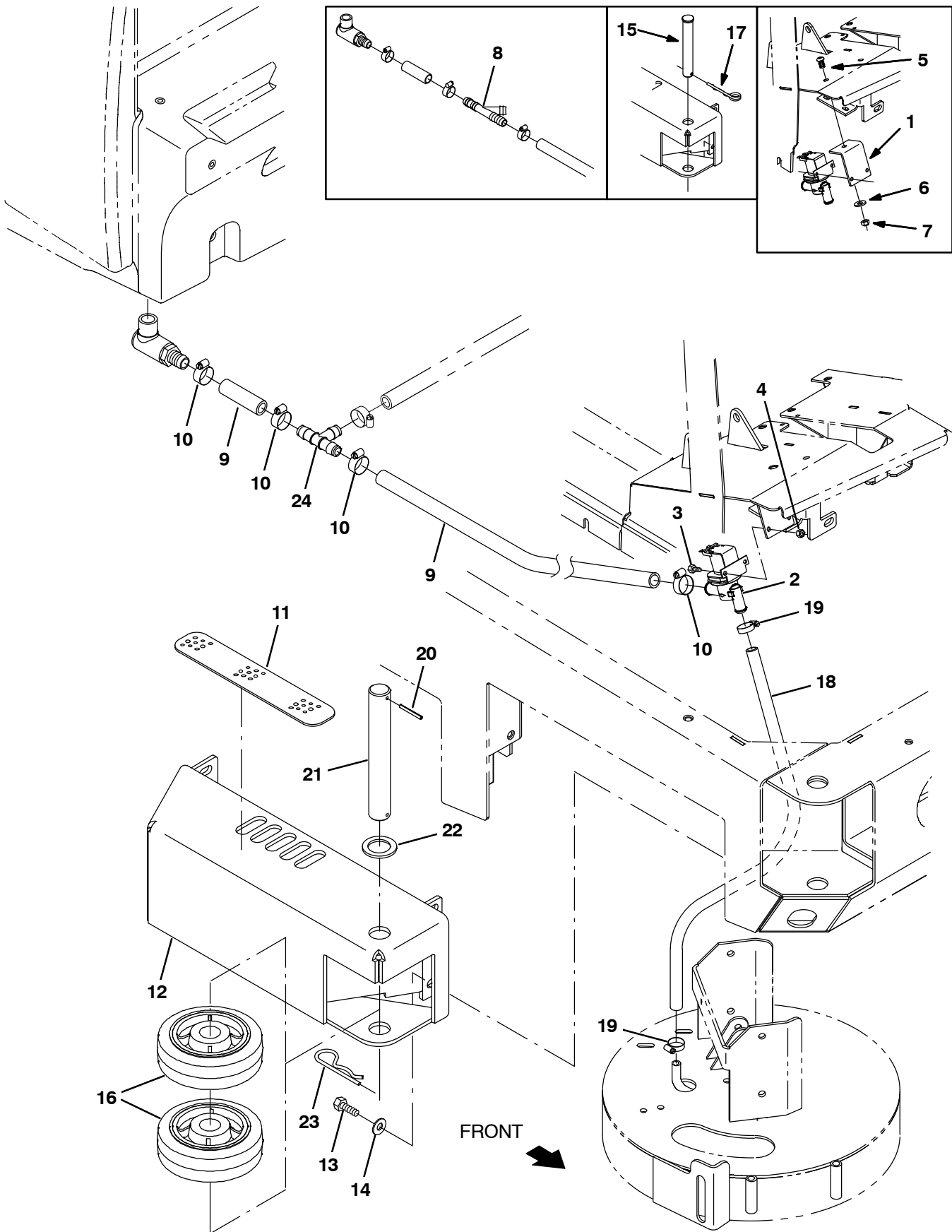


Fig. 6 – Side Brush Solution Control Group

Ref.	Part No.	Serial Number	Description	Qty.
1	1040834	(000000-002241)	Angle, Mtg, Valve	1
2	1022106	(000000-)	Valve Assy, Water, Solenoid, 12vdc	1
3	09738	(000000-)	Screw, Hex, M5 X 0.8 X 12, Ss	2
4	09739	(000000-)	Nut, Hex, Lock, M5 X 0.8, NI, Ss	2
5	17284	(000000-002241)	Screw, Btn, M8 X 1.25 X 16, Ss	1
6	32491	(000000-002241)	Washer, Flat, 0.31, Std	1
7	08713	(000000-002241)	Nut, Hex, Lock, M8 X 1.25, NI, Ss	1
8	393255	(000000-007259)	Fitting, Plstc, Tee, Bm12/Bm12/Bm12	1
9	1015045	(000000-007259)	Hose, Afmkt, Pvc, Brd 0.75id 08ft	1
9	1015032	(007260-)	Hose, Afmkt, Pvc, Brd 0.62id 08ft	1
10	63810	(000000-)	Clamp, Hose, Wormdrive, 0.56-1.06d, .56w	4
11	82839	(000000-)	Tread, Non-Skid, 02.2w 11.5l	1
12	1022318	(000000-)	Guard Wldt, Brush, Side	1
13	12317	(000000-)	Screw, Hex, M10 X 1.5 X 30, Ss	4
14	01686	(000000-)	Washer, Flat, 0.44b 1.00d .08, Ss	4
15	9006334	(000000-003062)	Pin Kit, Wheel, Ci [M20/T20/M30]	1
16	1060130	(000000-)	Wheel, 06.0D 2.00W 1.19B, Gray Rbr	2
17	761490	(000000-003062)	Pin, Cotter, Hair, Dbl	1
18	50178	(000000-)	Hose, Pvc, Clr, 0.50id 0.69od 26.00l	1
19	54333	(000000-)	Clamp, Hose, Wormdrive, 0.31-0.88d, .31w	2
20	23146	(003063-)	Pin, Roll, .187d X 1.62l, .187/.192	1
21	1053838	(003063-)	Pin, 30mmd X 215mml	1
22	47719	(003063-)	Washer, Flat, 1.26b 1.88d .13, Stl	1
23	34411	(003063-)	Pin, Cotter, Hair, 1.00d .178 Wir	1
24	1062116	(007260-)	Fitting, Plstc, Tee, Bm10/Bm10/Bm10, Nyl	1

Fig. 7 – Side Brush Hydraulic Valve Group

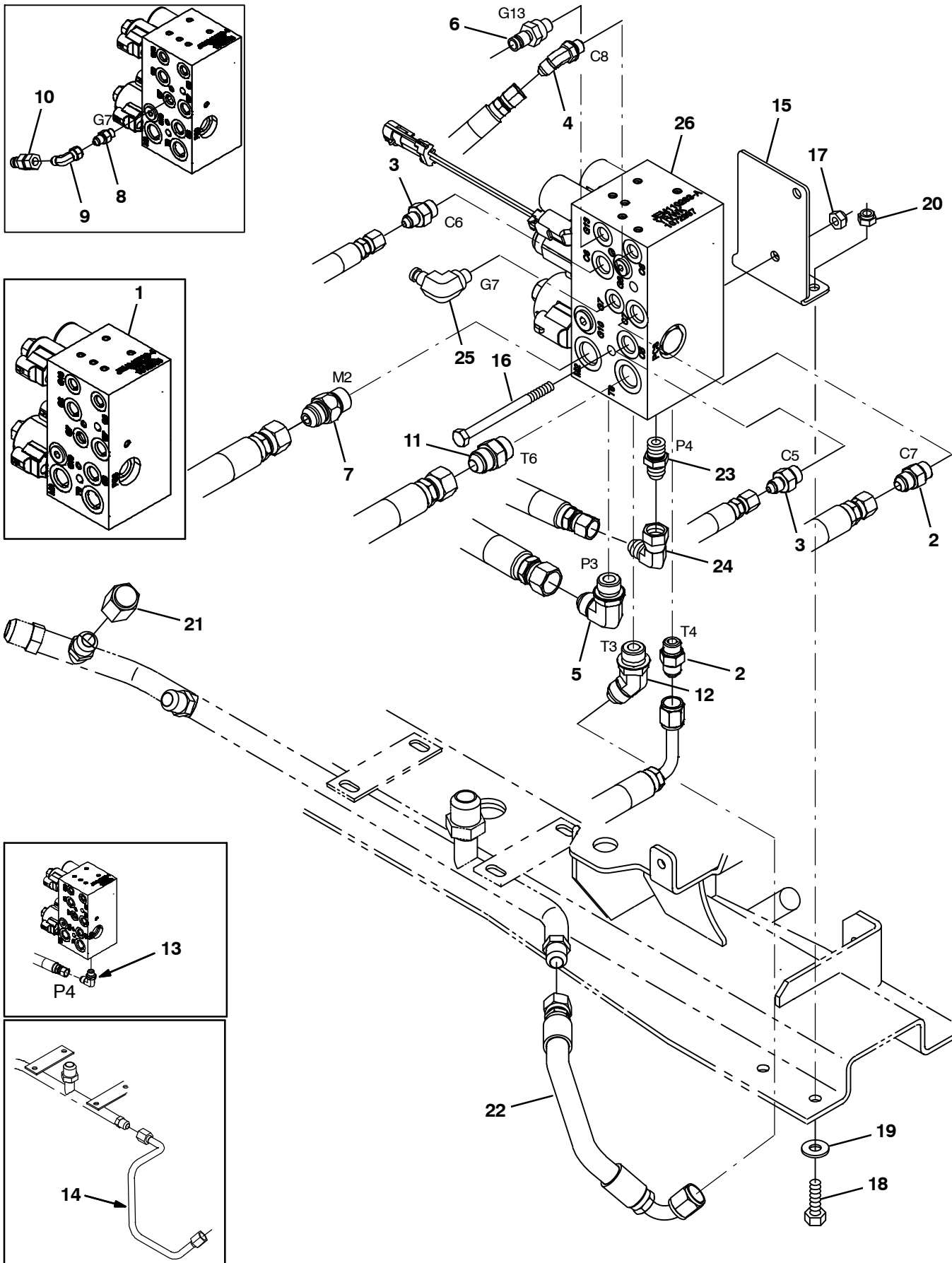


Fig. 7 – Side Brush Hydraulic Valve Group

Ref.	Part No.	Serial Number	Description	Qty.
1	1018938	(000000-002015)	Valve, Cntrl, Hyd [M20 And T20] (See Breakdowns)	1
1	1037805	(002016-006286)	Valve, Hyd, Solenoid 12vdc 3000psi (See Breakdowns)	1
2	56690	(000000-)	Fitting, Hyd, Str, Jm06/Om06	2
3	55685	(000000-)	Fitting, Hyd, Str, Jm04/Om06	2
4	34359	(000000-)	Fitting, Hyd, E45, Jm04/Om04	1
5	44868	(000000-)	Fitting, Hyd, E90, Jm08/Om08	1
6	395973	(000000-)	Fitting, Hyd, Str, Om04/Qm04	1
7	1026119	(000000-)	Valve, Hyd, Check, Jm08/Om08 5000psi	1
8	55586	(000000-002951)	Fitting, Hyd, Str, Jm04/Om04	1
9	39210	(000000-002951)	Fitting, Hyd, E90, Jf04/Jm04	1
10	396476	(000000-002951)	Fitting, Hyd, Str, Jf04/Qm04	1
11	44869	(000000-)	Fitting, Hyd, Str, Jm08/Om08	1
12	42226	(000000-)	Fitting, Hyd, E45, Jm08/Om08	1
13	56820	(000000-002015)	Fitting, Hyd, E90, Jm06/Om06	1
14	1025405	(000000-001357)	Tube, Hyd, 08 Jf08/Jf08	1
15	1045272	(000000-)	Bracket, Valve, Sba [M20 And T20]	1
16	364441	(000000-)	Screw, Hex, M8 X 1.25 X 110, Ss	2
17	08709	(000000-)	Nut, Hex, Lock, M8 X 1.25, NI	2
18	09010	(000000-)	Screw, Hex, M8 X 1.25 X 25, Ss	2
19	32491	(000000-)	Washer, Flat, 0.31, Std	2
20	08713	(000000-)	Nut, Hex, Lock, M8 X 1.25, NI, Ss	2
21	60090	(000000-)	Fitting, Hyd, Cap, Jf08	1
22	1037011	(001358-)	Hose, Hyd, Tc08, Jf08str/Jf08e90, 012.0	1
23	56690	(002016-)	Fitting, Hyd, Str, Jm06/Om06	1
24	47504	(002016-)	Fitting, Hyd, E90, Jf06/Jm06	1
25	395974	(002952-)	Fitting, Hyd, E90, Om04/Qm04	1
26	1072997	(006287-)	Valve, Cntrl, Hyd, Solenoid, 03/16gpm (See Breakdowns)	1

Fig. 8 – Side Brush Hydraulic Hose Group

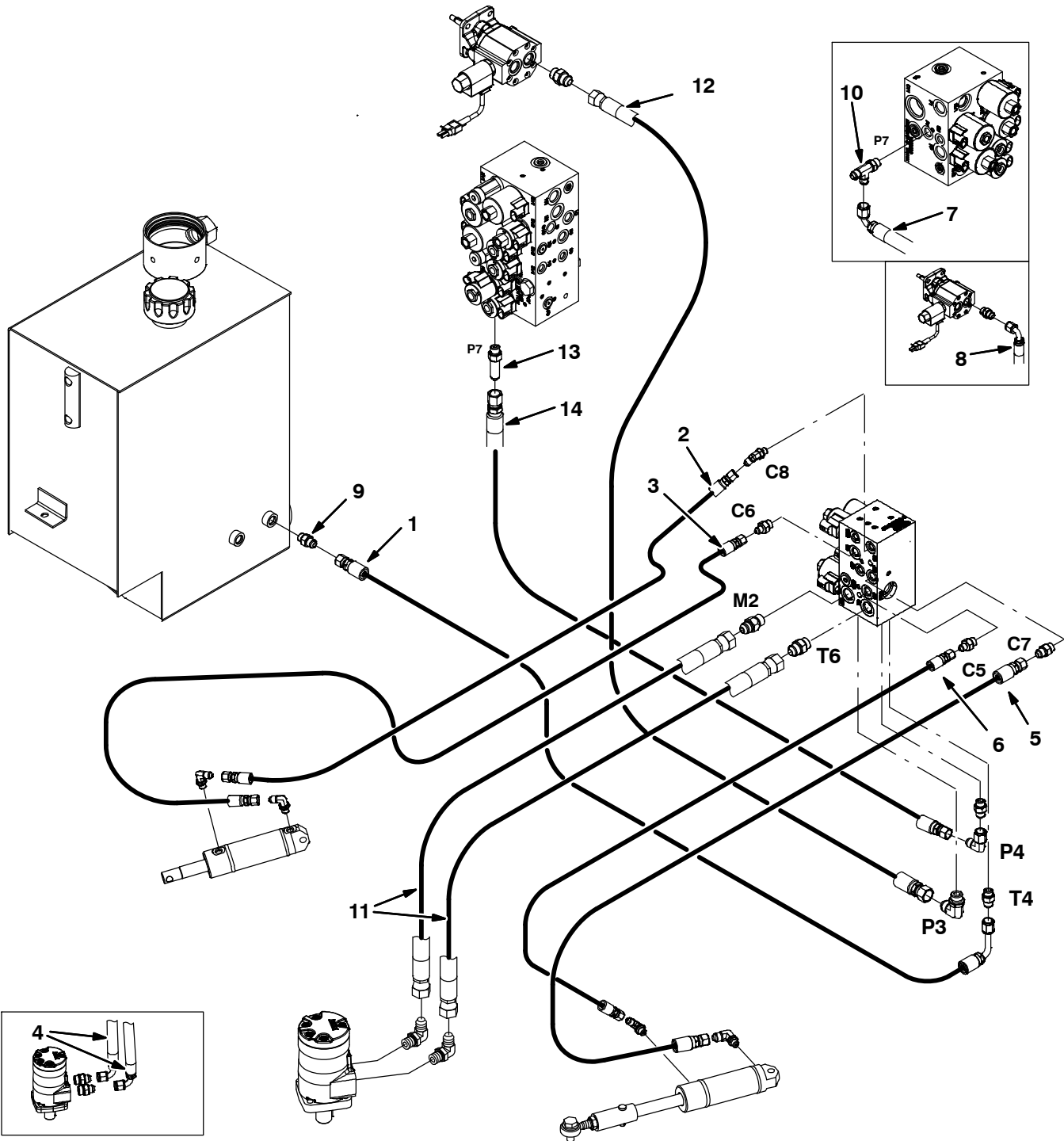


Fig. 8 – Side Brush Hydraulic Hose Group

Ref.	Part No.	Serial Number	Description	Qty.
1	361047	(000000–)	Hose, Hyd, Med06, Jf06e90l/Jf06str,038.0	1
2	1023485	(000000–)	Hose, Hyd, Tc06, Jf06str/Jf06str, 033.0	1
3	1025990	(000000–)	Hose, Hyd, Tc04, Jf04str /Jf04str, 39.0	1
4	1023486	(000000–001337)	Hose, Hyd, Tc08, Jf08e90/Jf08str, 034.0	2
5	1025991	(000000–)	Hose, Hyd, Tc06, Jf06str /Jf06str, 23.0	1
6	1025992	(000000–)	Hose, Hyd, Tc04, Jf04str /Jf04str, 20.0	1
7	1025445	(000000–002699)	Hose, Hyd, Tc06, Jf06str /Jf06e90, 74.0	1
8	365004	(000000–001337)	Hose, Hyd, Tc08, Jf08e90/Jf08str, 056.0	1
9	56690	(000000–)	Fitting, Hyd, Str, Jm06/Om06	1
10	76316	(000000–002699)	Fitting, Hyd, Tee, Jm06/Jm06/Om06, Run	1
11	1036965	(001338–)	Hose, Hyd, Tc08, Jf08str/Jf08str, 034.0	1
12	1036944	(001338–005999)	Hose, Hyd, Tc08, Jf08str/Jf08str, 056.0	1
12	1036946	(006000–)	Hose, Hyd, Tc08, Jf08str/Jf08str, 084.0	1
13	59577	(002700–)	Fitting, Hyd, Str, Jm06/Om06, Long	1
14	377236	(002700–005999)	Hose, Hyd, Tc06, Jf06Str/Jf06Str, 062.0	1
14	1041389	(006000–)	Hose, Hyd, Tc06, Jf06str/Jf06str, 086.0	1

Fig. 9 – FaST Solution Pump Group (000000–002532)

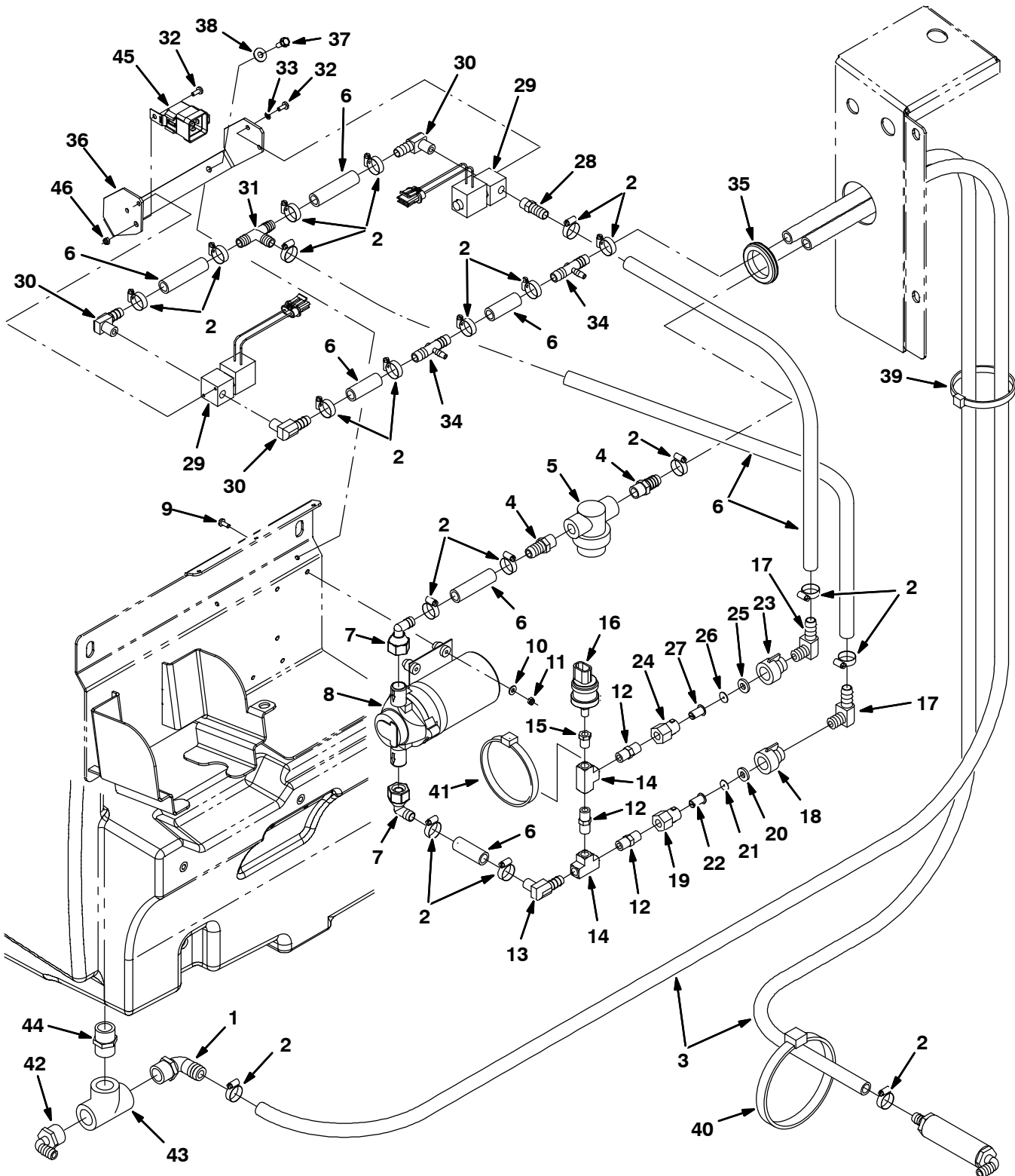


Fig. 9 – FaST Solution Pump Group (000000–002532)

Ref.	Part No.	Serial Number	Description	Qty.	
1	1005552	(000000–002532)	Fitting, Plstc, E90, Bm08/Pm12, Nyl	1	
2	54333	(000000–002532)	Clamp, Hose, Wormdrive, 0.31–0.88d, .31w	1	
3	1011412	(000000–002532)	Hose, Afmkt, Pvc, Brd 0.50id 08ft	1	
4	64743	(000000–002532)	Fitting, Plstc, Str, Bm08/Pm06	2	
5	1005302	(000000–002532)	Filter, In-Line, Pf06/Pf06, 80 Mesh	1	
6	1006401	(000000–002532)	Hose, Afmkt, Pvc, Brd 0.50id 03ft	1	
7	1018499	(000000–002532)	Fitting, Plstc, E90, Bm08/Pf08s, Swivel	2	
8	1030878	(000000–002532)	Pump, Soltn, Ele, 12vdc [W/O Chk Valve]	1	
9	17185	(000000–002532)	Screw, Pan, M5 X 0.8 X 40, Ss	4	
10	01683	(000000–002532)	Washer, Flat, #10, Ss	4	
11	09739	(000000–002532)	Nut, Hex, Lock, M5 X 0.8, NI, Ss	4	
12	398468	(000000–002532)	Fitting, Brs, Str, Pm04/Pm04	3	
13	1010836	(000000–002532)	Fitting, Brs, E90, Bm08/Pm04	1	
14	398474	(000000–002532)	Fitting, Brs, Tee, Pf04/Pf04/Pf04	2	
15	150100	(000000–002532)	Fitting, Brs, Str, Pf02/Pm04	1	
16	1028582	(000000–002532)	Switch, Press, 10psi, Spst	1	
17	1010836	(000000–002532)	Fitting, Brs, E90, Bm08/Pm04	2	
▽	1030864	(000000–002532)	Fitting Assy, Orifice, 0.070b, Pf04/Pf04	1	
▲	18	1005506	(000000–002532)	Fitting, Plstc, Cap, Spray, Pf04	1
▲	19	1005507	(000000–002532)	Fitting, Plstc, Body, Spray, Pf04	1
▲	20	1005508	(000000–002532)	Washer, Flat, 0.34b 0.75d .12 [Viton]	1
▲	21	1018883	(000000–002532)	Plate, Orifice, 0.070id	1
▲	22	1006447	(000000–002532)	Filter, Screen, 50 Mesh .59d .8l Ss	1
▽	1030863	(000000–002532)	Fitting Assy, Orifice, 0.093b, Pf04/Pf04	1	
▲	23	1005506	(000000–002532)	Fitting, Plstc, Cap, Spray, Pf04	1
▲	24	1005507	(000000–002532)	Fitting, Plstc, Body, Spray, Pf04	1
▲	25	1005508	(000000–002532)	Washer, Flat, 0.34b 0.75d .12 [Viton]	1
▲	26	1018884	(000000–002532)	Plate, Orifice, 0.093id	1
▲	27	1006447	(000000–002532)	Filter, Screen, 50 Mesh .59d .8l Ss	1
28	762249	(000000–002532)	Fitting, Brs, Str, Bm08/Pm04	1	
29	1018098	(000000–002532)	Valve, Water, 12vdc, 6.0mm, 04pf	2	
30	1010836	(000000–002532)	Fitting, Brs, E90, Bm08/Pm04	3	
31	63245–1	(000000–002532)	Fitting, Plstc, Tee, Bm08/Bm08/Bm08	1	
32	09200	(000000–002532)	Screw, Pan, M5 X 0.8 X 12, Ss	5	
33	07514	(000000–002532)	Washer, Lock, Int, #10, Ss	4	
34	1010684	(000000–002532)	Fitting, Plstc, Tee, Bm04/Bm08/Bm08, Br	2	
35	10632–19	(000000–002532)	Grommet, Rbr, 2.13id, F/2.5h, .12 Matl	1	
36	1026074	(000000–002532)	Plate, Hsng [FaST]	1	
37	361339	(000000–002532)	Screw, Hex, M6 X 1.0 X 16, Fmg	4	
38	32490	(000000–002532)	Washer, Flat, 0.25 Std	4	
39	49266	(000000–002532)	Tie, Cable, Nyl, 07.3l .19w 1.8 Max D	1	
40	763116	(000000–002532)	Tie, Cable, Nyl, 15.3l . W 4.5 Max D	1	
41	763114	(000000–002532)	Tie, Cable, 11.3l, 2.75d Max	1	
42	14877	(000000–002532)	Fitting, Plstc, E90, Bm12/Pm12	1	
43	42133A	(000000–002532)	Fitting, Plstc, Tee, Pf12/Pf12/Pf12	1	
44	24544	(000000–002532)	Fitting, Plstc, Str, Pm12/Pm12 1.60l	1	
45	56186	(000000–002532)	Relay, 12vdc, 40a, Spdt N/O	1	
46	09739	(000000–002532)	Nut, Hex, Lock, M5 X 0.8, NI, Ss	1	

Fig. 10 – FaST Air Pump and Detergent Group (000000-002532)

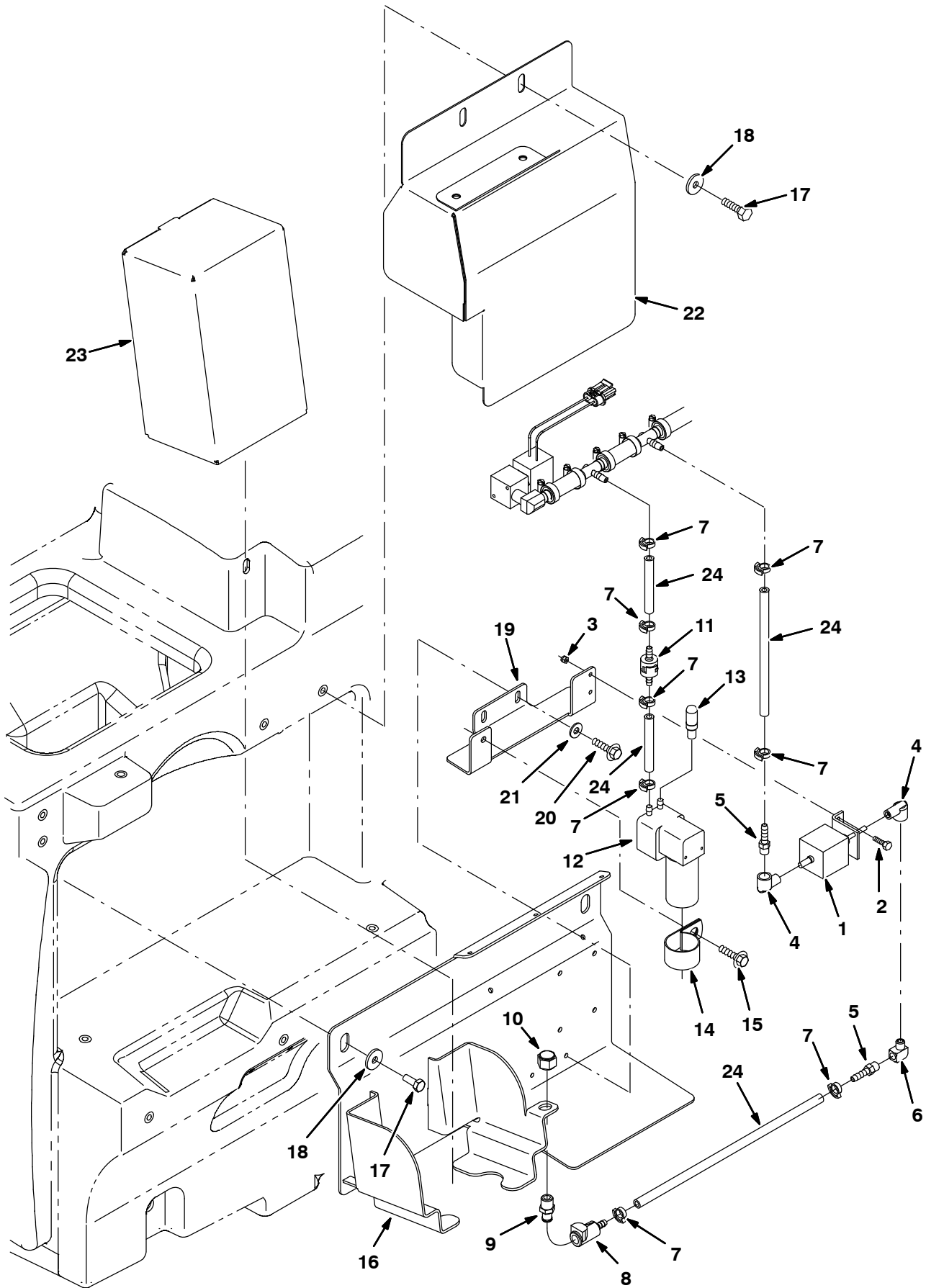


Fig. 10 – FaST Air Pump and Detergent Group (000000–002532)

Ref.	Part No.	Serial Number	Description	Qty.
1	1018097	(000000–002532)	Pump, Detgt, 12vdc	1
2	09206	(000000–002532)	Screw, Hex, M4 X 0.7 X 12, 8.8	2
3	02850	(000000–002532)	Nut, Hex, Lock, M4 X 0.7, NI	2
4	1014082	(000000–002532)	Fitting, Brs, E90, Cf03/Pf02	2
5	150525	(000000–002532)	Fitting, Brs, Str, Bm04/Pm02	2
6	11984	(000000–002532)	Fitting, Pipe, E90, Pf02/Pm02	1
7	1014575	(000000–002532)	Clamp, Hose, Plstc .351–.394 Id	8
8	1002898	(000000–002532)	Fitting, Plstc, Str, Bm04, Cplg, Fem	1
9	1002899	(000000–002532)	Fitting, Plstc, Str, Pm04, Cplg, Mal	1
10	1005435	(000000–002532)	Fitting, Plstc, Pipe, Cap, Pf04	1
11	1013902	(000000–002532)	Valve, Check, 0002psi Bm04/Bm04	1
12	1018780	(000000–002532)	Pump, Air, Ele, 12vdc	1
13	1005255	(000000–002532)	Filter Assy, Air, Mold, Ure	1
14	53466	(000000–002532)	Clamp, Cable, Stl, 1.50d X 1.00w, 1h	1
15	76099	(000000–002532)	Screw, Hex, M8 X 1.25 X 25, Fmg	1
16	1026067	(000000–002532)	Bracket Wldt, Mtg [FaST]	1
17	09740	(000000–002532)	Screw, Hex, M8 X 1.25 X 20, Ss	4
18	1017218	(000000–002532)	Washer, Flat, 0.32b 1.00d .12, Ss	4
19	1029118	(000000–002532)	Bracket, Mtg [FaST]	1
20	361339	(000000–002532)	Screw, Hex, M6 X 1.0 X 16, Fmg	2
21	32490	(000000–002532)	Washer, Flat, 0.25 Std	2
22	1033297	(000000–002532)	Cover Wldt [FaST]	1
23	1017022	(000000–002532)	Detergent Pkg, 2 Liter, Sgl [665]	1
24	1006415	(000000–002532)	Hose, Afmkt, Pvc, Clr 0.25id 03ft	1

Fig. 11 – FaST Foam Filter Group (000000–002532)

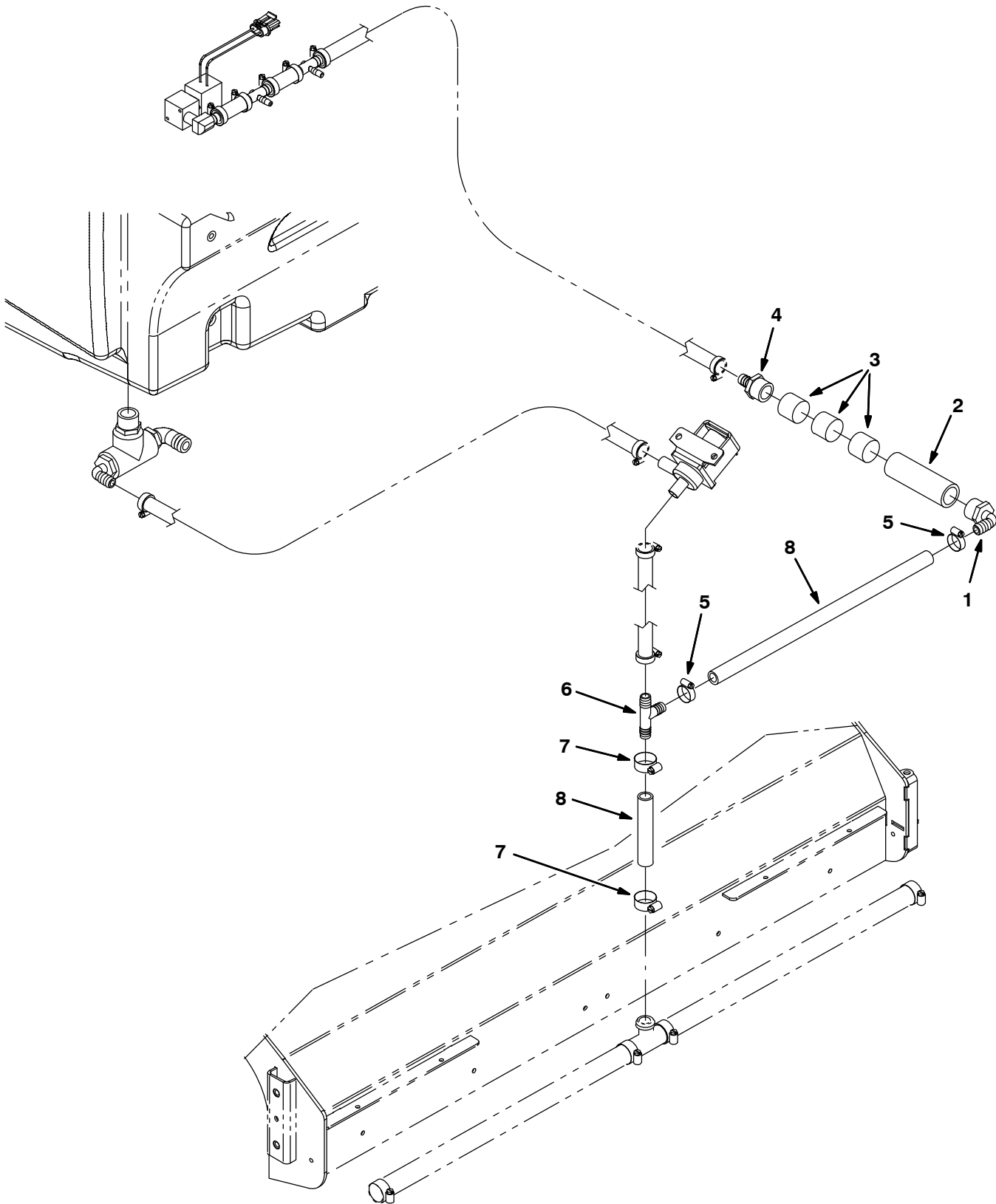


Fig. 11 – FaST Foam Filter Group (000000–002532)

Ref.	Part No.	Serial Number	Description	Qty.
1	1005552	(000000–002532)	Fitting, Plstc, E90, Bm08/Pm12, Nyl	1
2	1005086	(000000–002532)	Tube, Pvc, Clr, 4.0l [Shc80]	1
3	1002789	(000000–002532)	Filter, Foam, Rbr, 1.20d, 1.0l	3
4	79273–1	(000000–002532)	Fitting, Plstc, Str, Bm08/Pm12	1
5	54333	(000000–002532)	Clamp, Hose, Wormdrive, 0.31–0.88d, .31w	2
6	385644	(000000–002532)	Fitting, Plstc, Tee, Bm08/Bm12/Bm12, Br	1
7	63810	(000000–002532)	Clamp, Hose, Wormdrive, 0.56–1.06d, .56w	2
8	1011521	(000000–002532)	Hose, Afmkt, Pvc, Brd 0.50id 02ft	1

Fig. 12 - FaST Foam Filter Group, Side Brush (00000-002532)

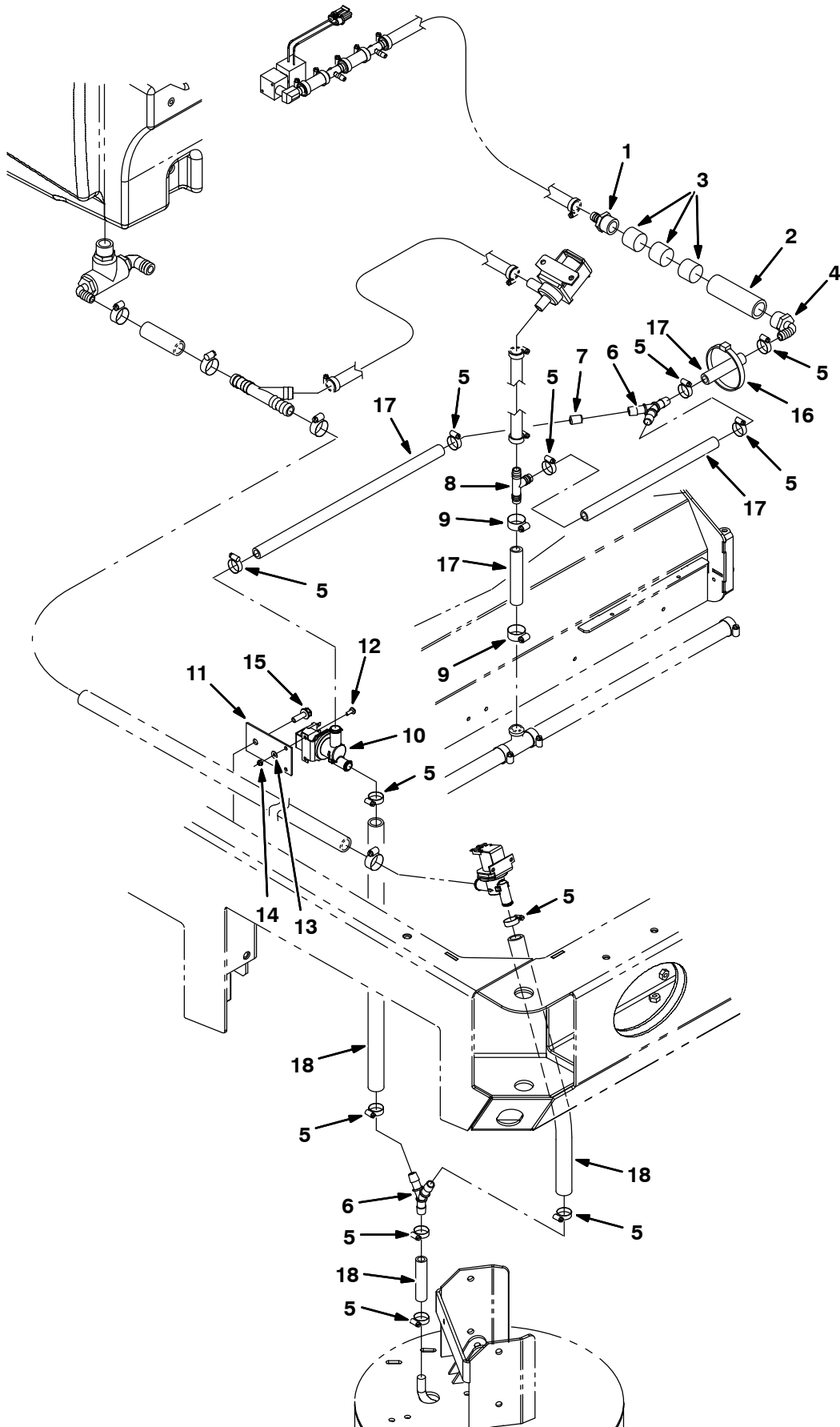


Fig. 12 – FaST Foam Filter Group, Side Brush (000000–002532)

Ref.	Part No.	Serial Number	Description	Qty.
1	79273-1	(000000–002532)	Fitting, Plstc, Str, Bm08/Pm12	1
2	1005086	(000000–002532)	Tube, Pvc, Clr, 4.0l [Shc80]	1
3	1002789	(000000–002532)	Filter, Foam, Rbr, 1.20d, 1.0l	3
4	1005552	(000000–002532)	Fitting, Plstc, E90, Bm08/Pm12, Nyl	1
5	54333	(000000–002532)	Clamp, Hose, Wormdrive, 0.31–0.88d, .31w	10
6	1010668	(000000–002532)	Fitting, Plstc, Y, Bm08/Bm08/Bm08, Nyl	2
7	1018333	(000000–002532)	Fitting, Plstc, Rst, .50od /.13id	1
8	385644	(000000–002532)	Fitting, Plstc, Tee, Bm08/Bm12/Bm12, Br	1
9	63810	(000000–002532)	Clamp, Hose, Wormdrive, 0.56–1.06d, .56w	2
10	1037825	(000000–002532)	Valve, Solenoid, 12vdc, Water Flow	1
11	1030511	(000000–002532)	Plate, Mtg, Valve	11
12	09200	(000000–002532)	Screw, Pan, M5 X 0.8 X 12, Ss	2
13	01683	(000000–002532)	Washer, Flat, #10, Ss	2
14	09739	(000000–002532)	Nut, Hex, Lock, M5 X 0.8, NI, Ss	2
15	76099	(000000–002532)	Screw, Hex, M8 X 1.25 X 25, Fmg	1
16	763116	(000000–002532)	Tie, Cable, Nyl, 15.3l . W 4.5 Max D	1
17	1011412	(000000–002532)	Hose, Afmkt, Pvc, Brd 0.50id 08ft	1
18	1015067	(000000–002532)	Hose, Afmkt, Pvc, Clr 0.50id 08ft	1

Fig. 13 – FaST Wire Harness Group (000000-002532)

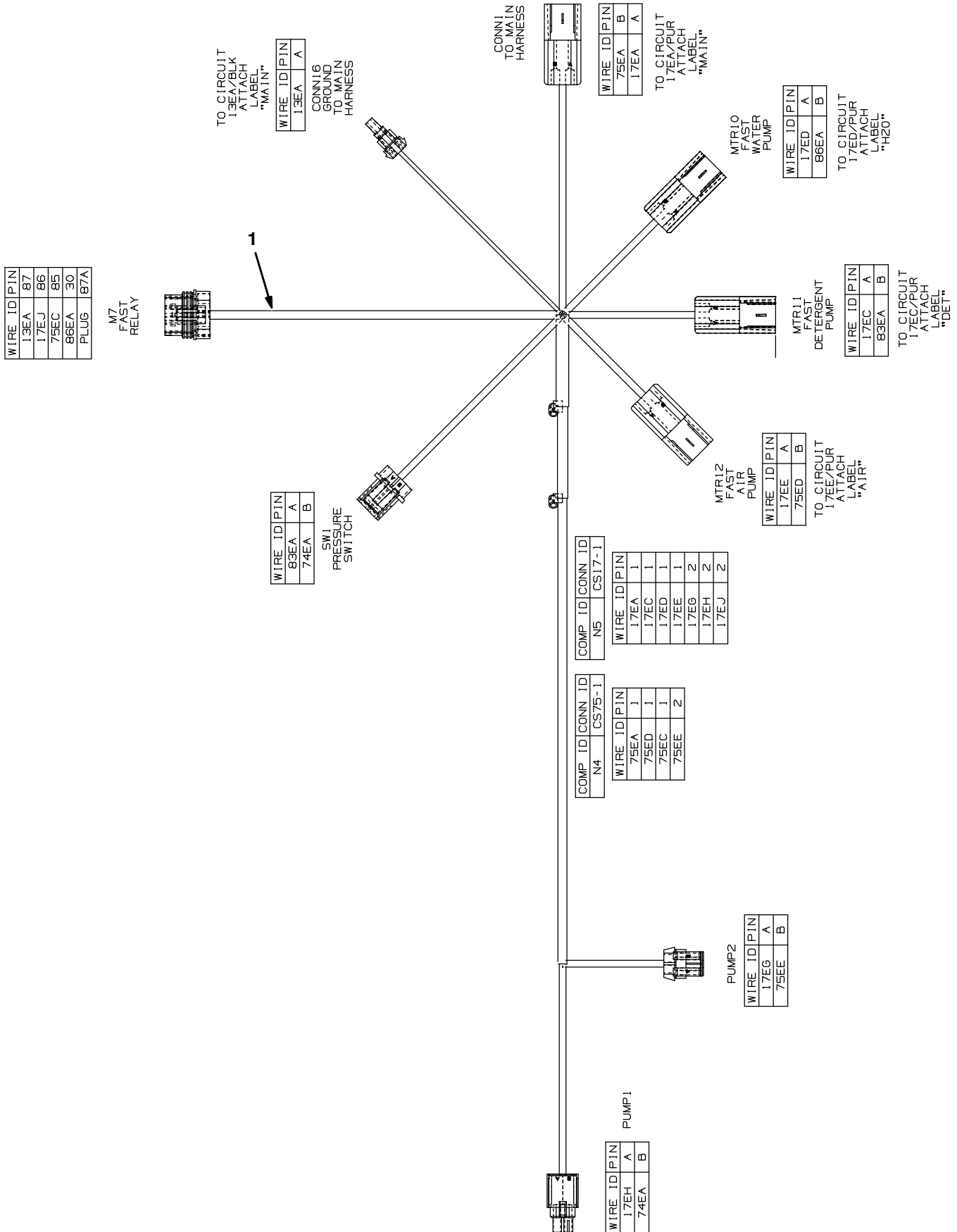


Fig. 13 - FaST Wire Harness Group (000000-002532)

Ref.	Part No.	Serial Number	Description	Qty.
1	1019646	(000000-002532)	Harness [FaST, M20 And T20]	1

Fig. 14 - FaST Pumps and Detergent Group (002533-)

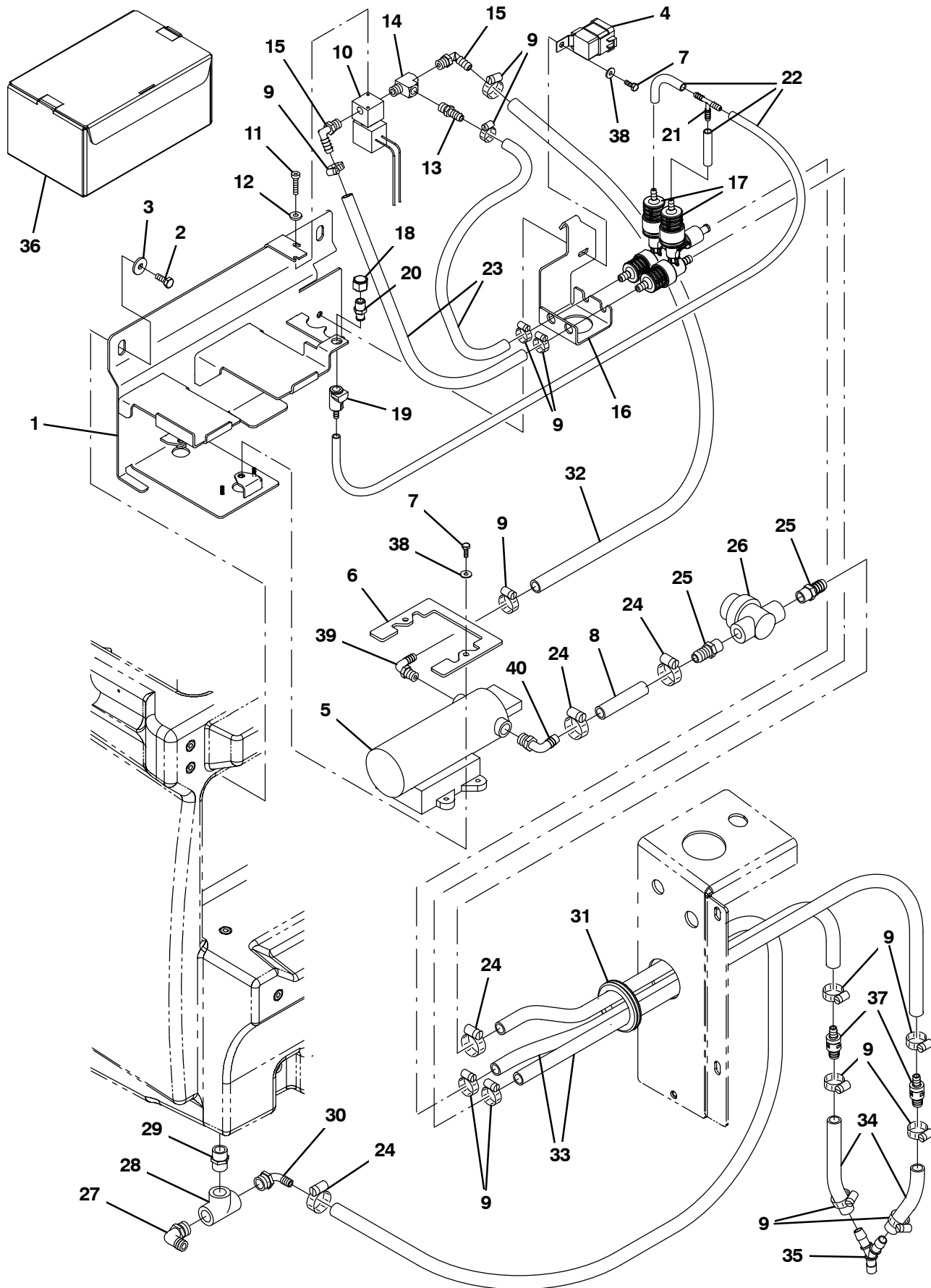


Fig. 14 – FaST Pumps and Detergent Group (002533–)

Ref.	Part No.	Serial Number	Description	Qty.
1	1044342	(002533–)	Bracket Wldt, Mtg [FaST Gen 2+]	1
2	09740	(002533–)	Screw, Hex, M8 X 1.25 X 20, Ss	2
3	1017218	(002533–)	Washer, Flat, 0.32b 1.00d .12, Ss	2
4	56186	(002533–)	Relay, 12vdc, 040a, Spdt No	1
5	1036801	(002533–)	Pump, Soltn, 13.7vdc, 65psi [FaST li+]	1
6	1039357	(002533–)	Bracket, Retainer, Pump	1
7	15678	(002533–)	Screw, Hex, M6 X 1.00 X 16, Ss	3
8	1011403	(002533–)	Hose, Afmkt, Pvc, Brd, 0.50ld, 01Ft, Clr	1
9	43844	(002533–)	Clamp, Hose, Wormdrive, 0.25–0.62d, .31w	14
10	1018098	(002533–)	Valve, Water, Solenoid, 12vdc 6.0mm Pf04	1
11	09200	(002533–)	Screw, Pan, Phl, M5 X 0.80 X 12, Ss	2
12	01683	(002533–)	Washer, Flat, 10, Ss	2
13	150540	(002533–)	Fitting, Plstc, Str, Bm06/Pm04	1
14	150709	(002533–)	Fitting, Brs, Tee, Pf04/Pf04/Pm04, Run	1
15	57248	(002533–)	Fitting, Plstc, E90, Bm06/Pm04, Nyl	2
16	1044343	(002533–)	Bracket, Mtg [FaST Gen 2+]	1
17	9008868	(002533–)	FaST Kit, Injector [M20/T20/M30 FaST III] (See Breakdowns)	2
18	1005435	(002533–)	Fitting, Plstc, Pipe, Cap, Pf04	1
19	1002898	(002533–)	Fitting, Plstc, Str, Bm04, Cplg, Fem	1
20	1002899	(002533–)	Fitting, Plstc, Str, Pm04, Cplg, Mal	2
21	150713	(002533–)	Fitting, Plstc, Tee, Bm04/Bm04/Bm04	1
22	1014986	(002533–)	Hose, Afmkt, Pvc, Clr, 0.25id, 02ft	1
23	1006416	(002533–)	Hose, Afmkt, Pvc, Clr, 0.38id, 03ft	1
24	54333	(002533–)	Clamp, Hose, Wormdrive, 0.31–0.88d, .31w	8
25	150538	(002533–)	Fitting, Plstc, Str, Bm06/Pm06	2
26	1005302	(002533–)	Filter, In-Line, Pf06/Pf06 080mesh 02.6l	1
27	14877	(002533–007259)	Fitting, Plstc, E90, Bm12/Pm12	1
27	73468	(007260–)	Fitting, Plstc, E90, Bm10/Pm12	1
28	42133A	(002533–)	Fitting, Plstc, Tee, Pf12/Pf12/Pf12	1
29	24544	(002533–)	Fitting, Plstc, Str, Pm12/Pm12 1.60l	1
30	1005552	(002533–)	Fitting, Plstc, E90, Bm08/Pm12, Nyl	1
31	10632–19	(002533–)	Grommet, Rbr, 2.13id, F/2.5h, .12 Matl	1
32	1006400	(002533–)	Hose, Afmkt, Pvc, Brd, 0.38id, 03ft, Clr	1
33	1024237	(002533–)	Hose, Afmkt, Pvc, Wir, 0.50id, 03ft, Clr	1
34	1014929	(002533–)	Hose, Afmkt, Pvc, Clr, 0.38id, 01ft	1
35	1010668	(002533–)	Fitting, Plstc, Y, Bm08/Bm08/Bm08, Nyl	1
36	1017022	(002533–)	Detergent, Pkg, 2 Liter, Sgl [665]	1
37	1035794	(002533–)	Valve, Check, 0005psi Bm06/Bm08	2
38	01684	(002533–)	Washer, Flat, 0.27B 0.69D .05, Ss	3
39	1049254	(002533–)	Fitting, Nyl, Qdc, E90, Bm08/ Qm10	1
40	1049259	(002533–)	Fitting, NylY, Qdc, E90, Bm06/ Qm10	1

Fig. 15 – FaST Solution Supply Group (002533-)

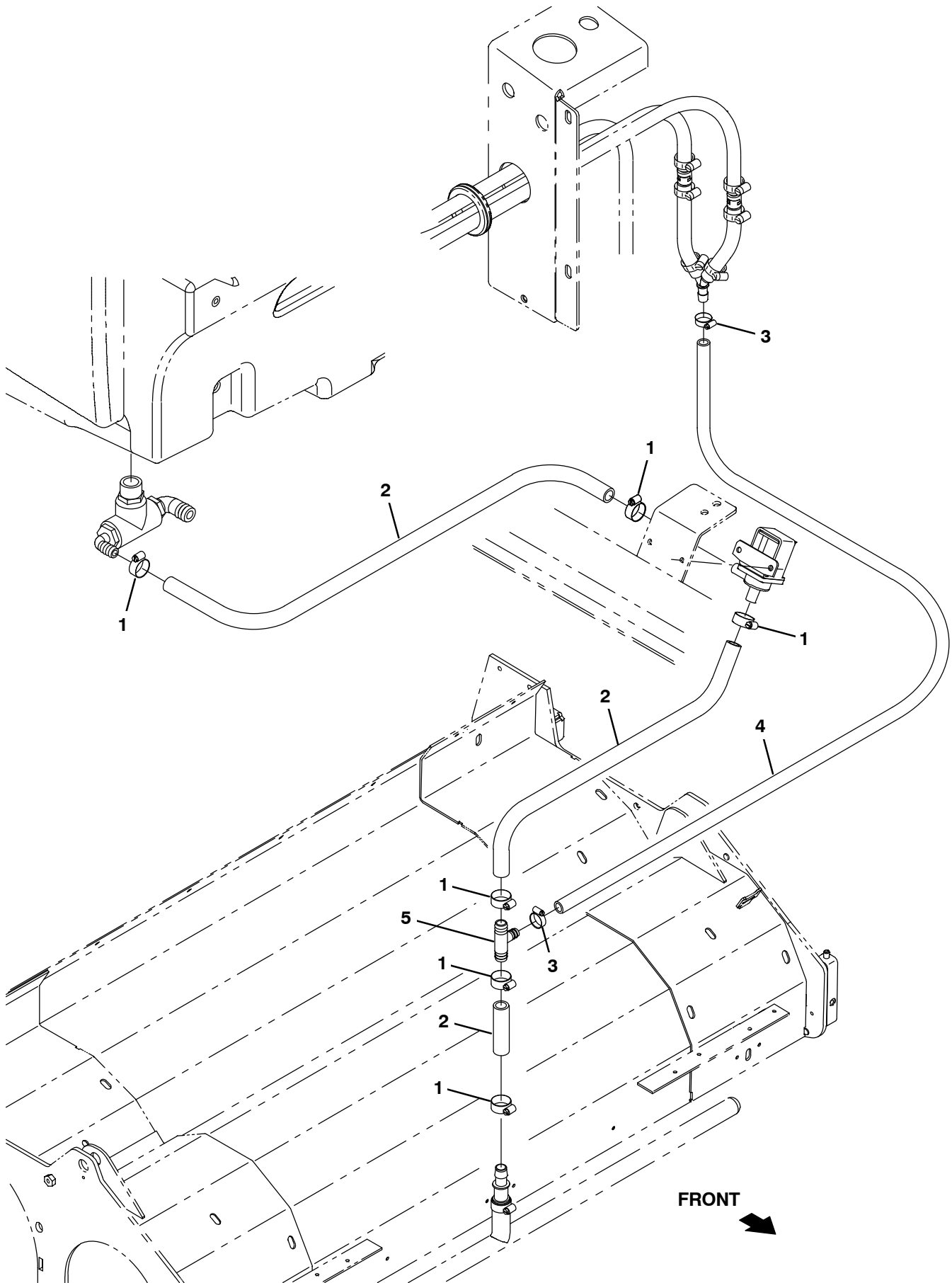


Fig. 15 – FaST Solution Supply Group (002533–)

Ref.	Part No.	Serial Number	Description	Qty.
1	63810	(002533–)	Clamp, Hose, Wormdrive, 0.56–1.06d, .56w	6
2	1015045	(002533–007259)	Hose, Afmkt, Pvc, Brd, 0.75id, 08ft, Clr	1
2	1015032	(007260–)	Hose, Afmkt, Pvc, Brd, 0.62id, 08ft, Clr	1
3	54333	(002533–)	Clamp, Hose, Wormdrive, 0.31–0.88d, .31w	2
4	1011412	(002533–)	Hose, Afmkt, Pvc, Brd, 0.50id, 08ft, Clr	1
5	385644	(002533–007259)	Fitting, Plstc, Tee, Bm08/Bm12/Bm12, Br	1
5	1015486	(007260–)	Fitting, Plstc, Tee, Bm08/Bm10/Bm10, Br	1

Fig. 16 – FaST Solution Supply Group with Side Brush (002533-)

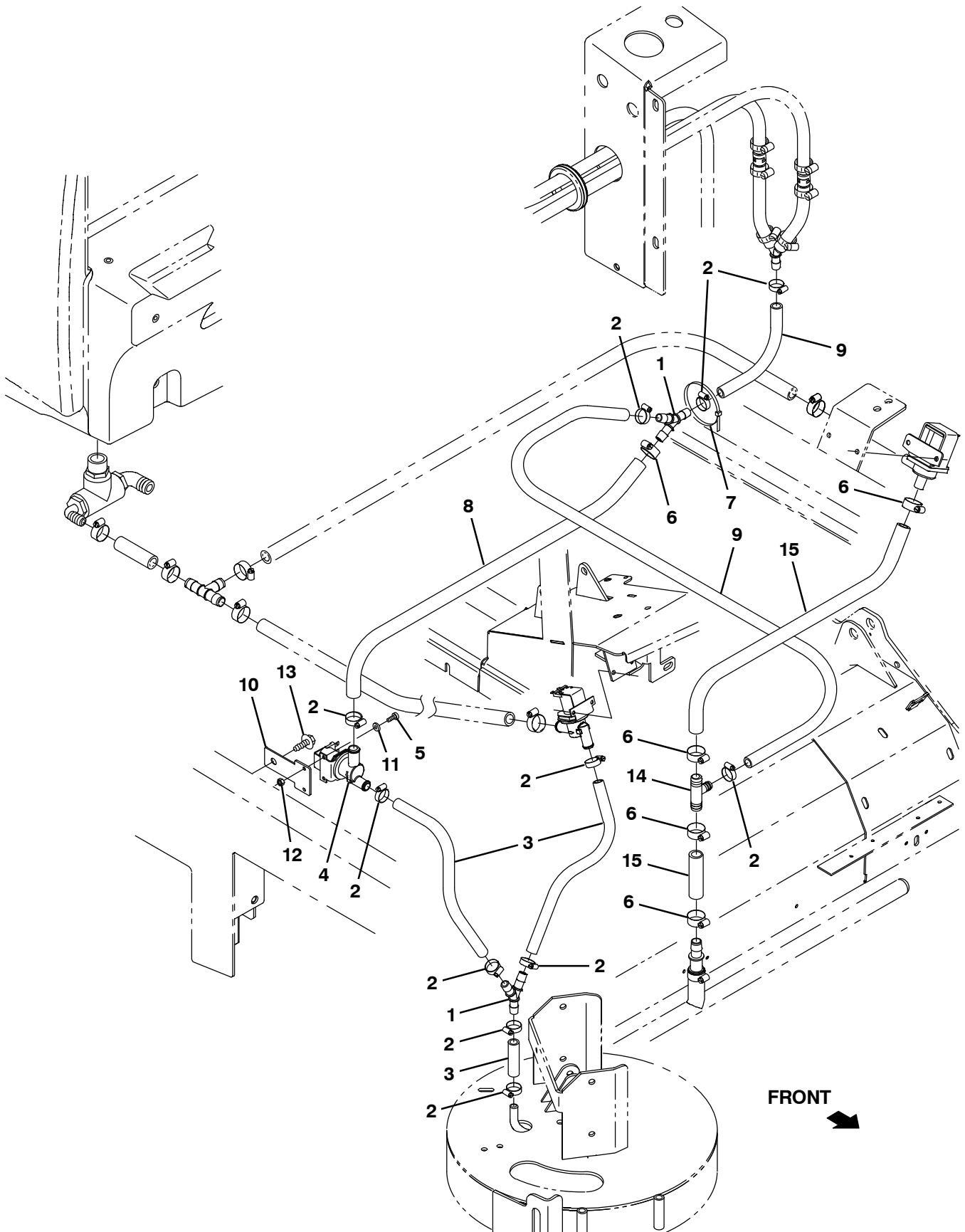


Fig. 16 – FaST Solution Supply Group with Side Brush (002533–)

Ref.	Part No.	Serial Number	Description	Qty.
1	1010668	(002533–)	Fitting, Plstc, Y, Bm08/Bm08/Bm08, Nyl	2
2	54333	(002533–)	Clamp, Hose, Wormdrive, 0.31–0.88d, .31w	11
3	1015067	(002533–)	Hose, Afmkt, Pvc, Clr, 0.50id, 08ft	1
4	1037825	(002533–)	Valve, Solenoid, 12vdc, Water Flow	1
5	09200	(002533–)	Screw, Pan, Phl, M5 X 0.80 X 12, Ss	2
6	63810	(002533–)	Clamp, Hose, Wormdrive, 0.56–1.06d, .56w	5
7	763116	(002533–)	Tie, Cable, Nyl, 15.3l . W 4.5 Max D	1
8	31543	(002533–)	Hose, Heater, E90, 0.62id, 24.0 4.0	1
9	1011412	(002533–)	Hose, Afmkt, Pvc, Brd, 0.50id, 08ft, Clr	1
10	1030511	(002533–)	Plate, Mtg, Valve	1
11	01683	(002533–)	Washer, Flat, 10, Ss	2
12	09739	(002533–)	Nut, Hex, Lock, M5 X 0.80, NI, Ss	2
13	76099	(002533–)	Screw, Hex, M8 X 1.25 X 25, Fmg	1
14	385644	(002533–007259)	Fitting, Plstc, Tee, Bm08/Bm12/Bm12, Br	1
14	1015486	(007260–)	Fitting, Plstc, Tee, Bm08/Bm10/Bm10, Br	1
15	1006401	(002533–007259)	Hose, Afmkt, Pvc, Brd, 0.50id, 03ft, Clr	1
15	1015026	(007260–)	Hose, Afmkt, Pvc, Brd, 0.62id, 03ft, Clr	1

Fig. 17 – FaST Wire Harness Group (002533-)

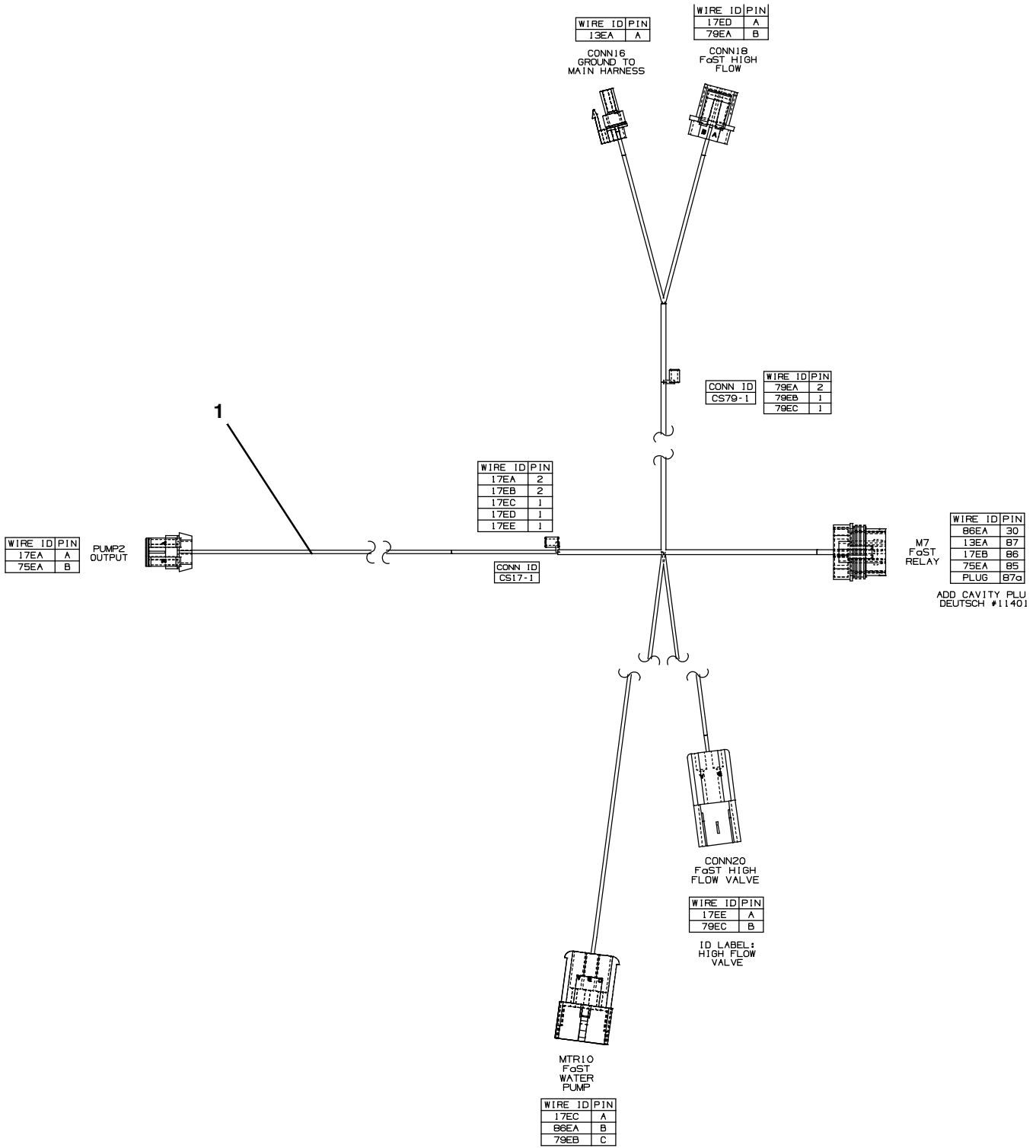


Fig. 17 – FaST Wire Harness Group (002533–)

Ref.	Part No.	Serial Number	Description	Qty.
1	1037809	(002533–)	Harness, Wire [FaST Gen 2]	1

Fig. 18 – ec-H2O Solution Pump Group

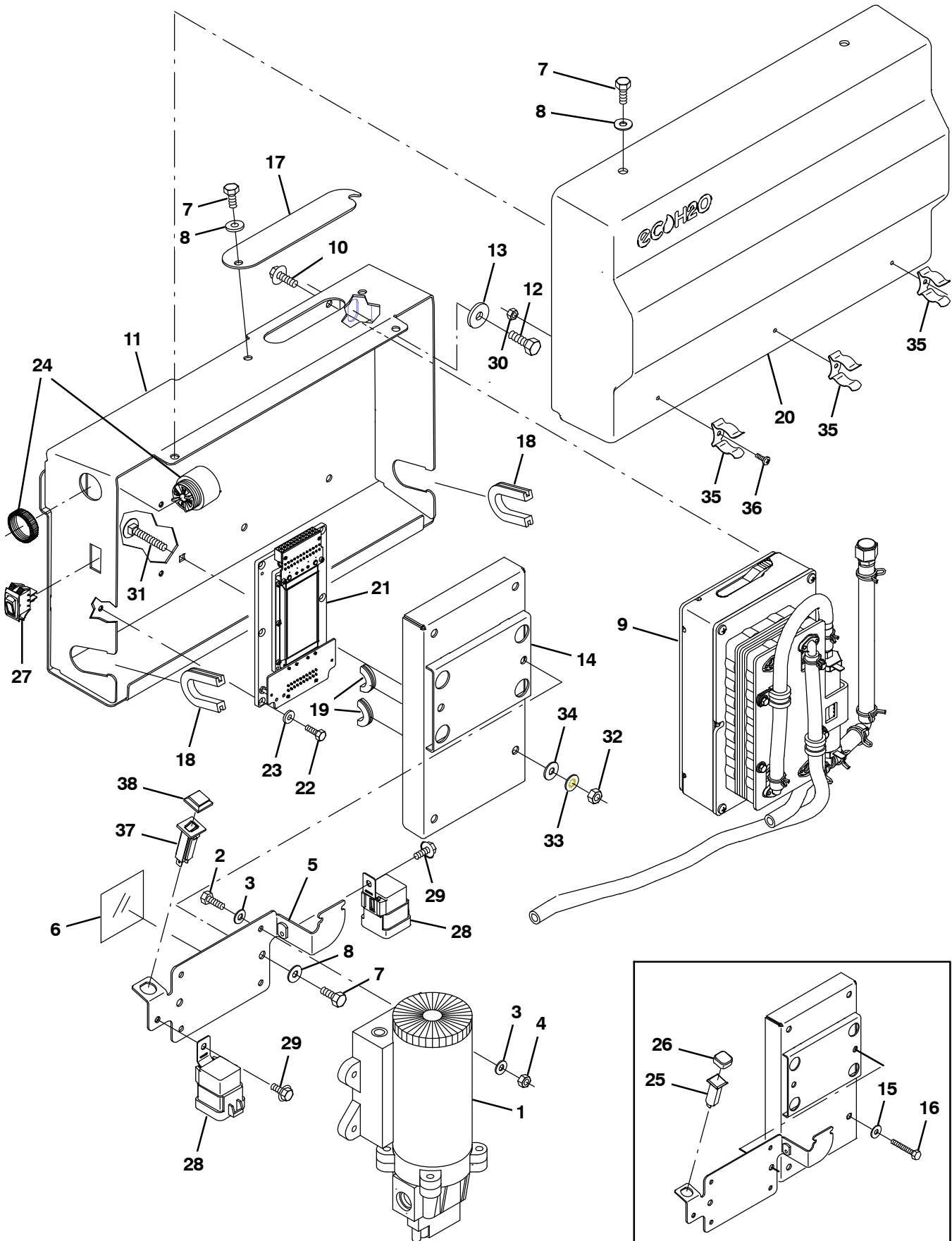


Fig. 18 – ec–H2O Solution Pump Group

Ref.	Part No.	Serial Number	Description	Qty.
1	1060624	(000000–)	Pump, Soltn, Ele, 13.7vdc,12/28psi	1
2	09252	(000000–)	Screw, Hex, M5 X 0.80 X 20, 8.8	4
3	19066	(000000–)	Washer, Flat, 10	8
4	06549	(000000–)	Nut, Hex, Lock, M5 X 0.80, NI	4
5	1060273	(000000–)	Plate, Mtg, Pump	1
6	1059677	(000000–)	Strip, Rbr, 0.06 03.54w 03.5l [Neo/60]	1
7	09744	(000000–)	Screw, Hex, M6 X 1.00 X 12, Ss	6
8	01684	(000000–)	Washer, Flat, 0.27b 0.69d .05, Ss	6
9	9007882	(000000–)	Module Kit, Replmt [Ec–H2O] (See Breakdowns)	1
10	1040467	(000000–)	Screw, Hex, M6 X 1.00 X 20, 9.8, Sems	4
11	1060292	(000000–)	Plate Wldt, Mtg	1
12	09740	(000000–)	Screw, Hex, M8 X 1.25 X 20, Ss	2
13	1017218	(000000–)	Washer, Flat, 0.32b 1.00d .12, Ss	2
14	1060185	(000000–)	Cover Wldt, Power Supply	1
15	01684	(000000–xxxxxx)	Washer, Flat, 0.27b 0.69d .05, Ss	4
16	07805	(000000–xxxxxx)	Screw, Hex, M6 X 1.00 X 35, Ss	4
17	1060291	(000000–)	Plate, Inspection	1
18	1020168	(000000–)	Molding, Afmkt, Trim, Pvc, .08 .11, 01Ft	1
19	10632–4	(000000–)	Grommet, Rbr, 0.62id, F/0.9h, .06 Matl	1
20	1060719	(000000–)	Cover, Trimmed	1
21	1058963	(000000–)	Converter, Ele, 12–36 Vdc	1
22	09206	(000000–)	Screw, Hex, M4 X 0.70 X 12, 8.8	4
23	19065	(000000–)	Washer, Flat, 08	4
24	1052726	(000000–)	Alarm, 9–48vdc, 95 Db(A) [Ec–H2O]	1
25	1053078	(000000–003658)	Circuitbreaker, 2.0a, Resetable	1
26	1046173	(000000–003658)	Boot, Circuitbreaker	1
27	1044393	(000000–)	Switch, Rocker, Spst, Mom	1
28	56186	(000000–)	Relay, 12vdc, 040a, Spdt No	2
29	223198	(000000–)	Screw, Hex, M5 X 0.80 X 10, Fmg	2
30	33932	(000000–)	Nut, Hex, Lock, M4 X 0.70, NI, Ss	3
31	1062804	(xxxxxx–)	Bolt, Carriage, M06 X 1.00 X 40, 4.6	4
32	41359	(xxxxxx–)	Nut, Hex, Std, M6 X 1.00, 8	4
33	32982	(xxxxxx–)	Washer, Lock, Int, 0.25	4
34	32483	(xxxxxx–)	Washer, Flat, 0.25, Sae	4
35	1029057	(000000–)	Clip, Grip, Finger, 0.88–1.25d	3
36	12323	(000000–)	Screw, Pan, Phl, M4 X 0.70 X 20, Ss	3
37	1064183	(003659–)	Circuitbreaker, 02.0a, Resetable	1
38	1064191	(003659–)	Boot, Circuitbreaker	1

Fig. 19 – ec-H2O Solution Pump Supply Group

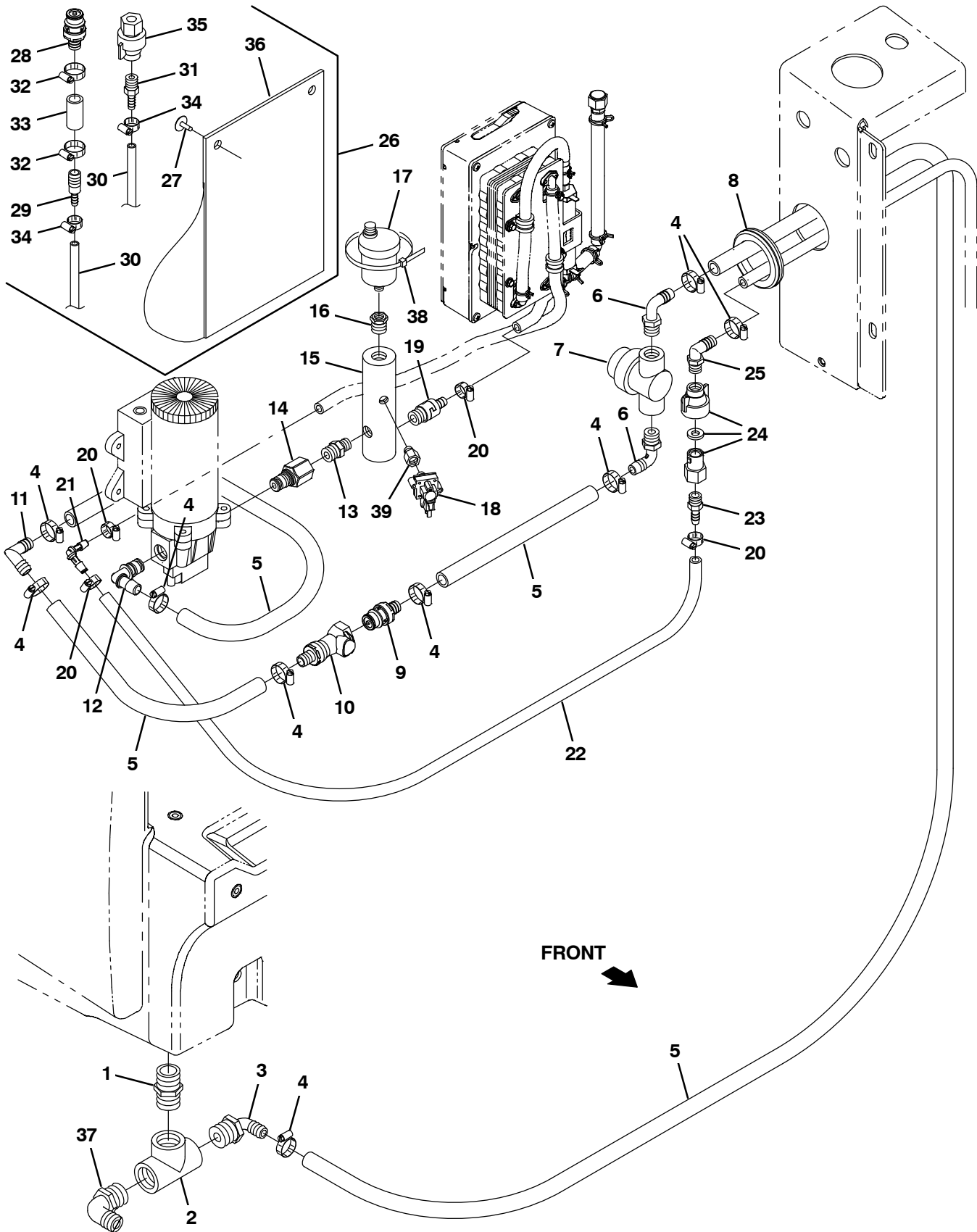


Fig. 19 – ec-H2O Solution Pump Supply Group

Ref.	Part No.	Serial Number	Description	Qty.
1	24544	(000000–)	Fitting, Plstc, Str, Pm12/Pm12 1.60l	1
2	42133A	(000000–)	Fitting, Plstc, Tee, Pf12/Pf12/Pf12	1
3	1005552	(000000–)	Fitting, Plstc, E90, Bm08/Pm12, Nyl	1
4	54333	(000000–)	Clamp, Hose, Wormdrive, 0.31–0.88d, .31w	9
5	1011837	(000000–)	Hose, Afmkt, Pvc, Brd, 0.50id, 12ft, Clr	1
6	64778	(000000–)	Fitting, Plstc, E90, Bm08/Pm06	2
7	1005302	(000000–)	Filter, In-Line, Pf06/Pf06 080mesh 02.6l	1
8	10632-19	(000000–)	Grommet, Rbr, 2.13id, F/2.5h, .12 Matl	3
9	1017415	(000000–)	Insert, Cplg, Qm, Bm08	1
10	1017413	(000000–)	Housing, Cplg, Qf / Pm08	1
11	63987-1	(000000–)	Fitting, Plstc, E90, Bm08/Bm08	1
12	1049254	(000000–)	Fitting, Nyl, Qdc, E90, Bm08/ Qm10	1
13	1059372	(000000–)	Fitting, Plstc, Str, Pf06/Qm10, Pvc	1
14	1005219	(000000–)	Fitting, Plstc, Str, Pm04/Pm06, Nyl	1
15	1060596	(000000–)	Manifold, Water	1
16	24698	(000000–)	Fitting, Brs, Str, Pf02/Pm06	1
17	1017386	(000000–)	Valve, Vent, Air, Float Type	1
18	1058935	(000000–)	Switch, Press, 50 Psi, Pm02	1
19	1060693	(000000–)	Valve, Check, 0005psi Pm04/Bm06	1
20	43844	(000000–)	Clamp, Hose, Wormdrive, 0.25–0.62d, .31w	4
21	1059391	(000000–)	Fitting, Plstc, E90, Bm05/Bm05, Nyl	1
22	1052336	(000000–)	Hose, Afmkt, PVC, Brd, 0.31id, 03Ft, Clr	2
23	1052017	(000000–)	Fitting, Plstc, Str, Bm05/Pm04	1
24	1071280	(000000–)	Fitting Assy, Qdc, Pf04	1
25	65581	(000000–)	Fitting, Plstc, E90, Bm08/Pm04	1
▽	26	9014281	(000000–) ec-H2O Kit, Flush, Replmt[M20, M30&T20]	1
▲	27	72968	(000000–) Rivet, Plstc, .250d X 0.90	2
▲	28	1017415	(000000–) Insert, Cplg, Qm, Bm08	1
▲	29	630164	(000000–) Fitting, Plstc, Str, Bm04/Bm08	1
▲	30	1006415	(000000–) Hose, Afmkt, Pvc, Clr, 0.25id, 03ft	2
▲	31	50901	(000000–) Fitting, Plstc, Str, Bm04/Pm04	1
▲	32	54333	(000000–) Clamp, Hose, Wormdrive, 0.31–0.88d, .31w	2
▲	33	1011403	(000000–) Hose, Afmkt, Pvc, Brd, 0.50id, 01ft, Clr	1
▲	34	43844	(000000–) Clamp, Hose, Wormdrive, 0.25–0.62d, .31w	2
▲	35	1071280	(000000–) Fitting Assy, Qdc, Pf04	1
▲	36	48790	(000000–) Pouch	1
	37	14877	(000000-007259) Fitting, Plstc, E90, Bm12/Pm12	1
	37	73468	(007260–) Fitting, Plstc, E90, Bm10/Pm12	1
	38	49266	(000000–) Tie, Cable, Nyl, 07.3l .19w 1.8 Max D	1
	39	1062403	(000000–) Fitting, Brs, Snubber, Pm02/Pf02	1

Fig. 20 - ec-H2O Solution Supply Group

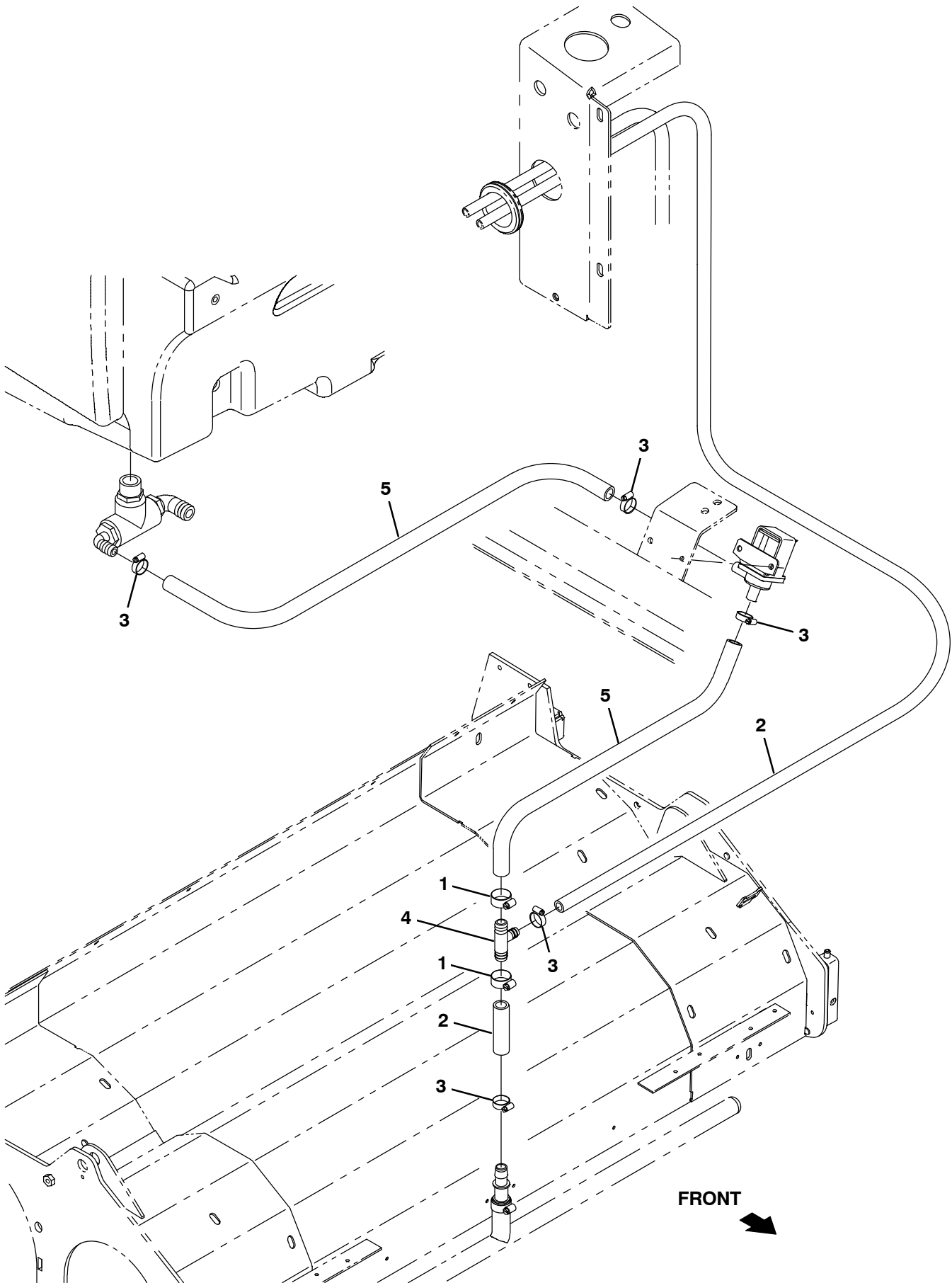


Fig. 20 – ec-H2O Solution Supply Group

Ref.	Part No.	Serial Number	Description	Qty.
1	63810	(000000–)	Clamp, Hose, Wormdrive, 0.56–1.06d, .56w	2
2	1011837	(000000–)	Hose, Afmkt, Pvc, Brd, 0.50id, 12ft, Clr	1
3	54333	(000000–)	Clamp, Hose, Wormdrive, 0.31–0.88d, .31w	5
4	385644	(000000–007259)	Fitting, Plstc, Tee, Bm08/Bm12/Bm12, Br	1
4	1015486	(007260–)	Fitting, Plstc, Tee, Bm08/Bm10/Bm10, Br	1
5	1015045	(000000–007259)	Hose, Afmkt, Pvc, Brd, 0.75id, 08ft, Clr	1
5	1015032	(007260–)	Hose, Afmkt, Pvc, Brd, 0.62id, 08ft, Clr	1

Fig. 21 – ec-H2O Solution Supply Group with Side Brush

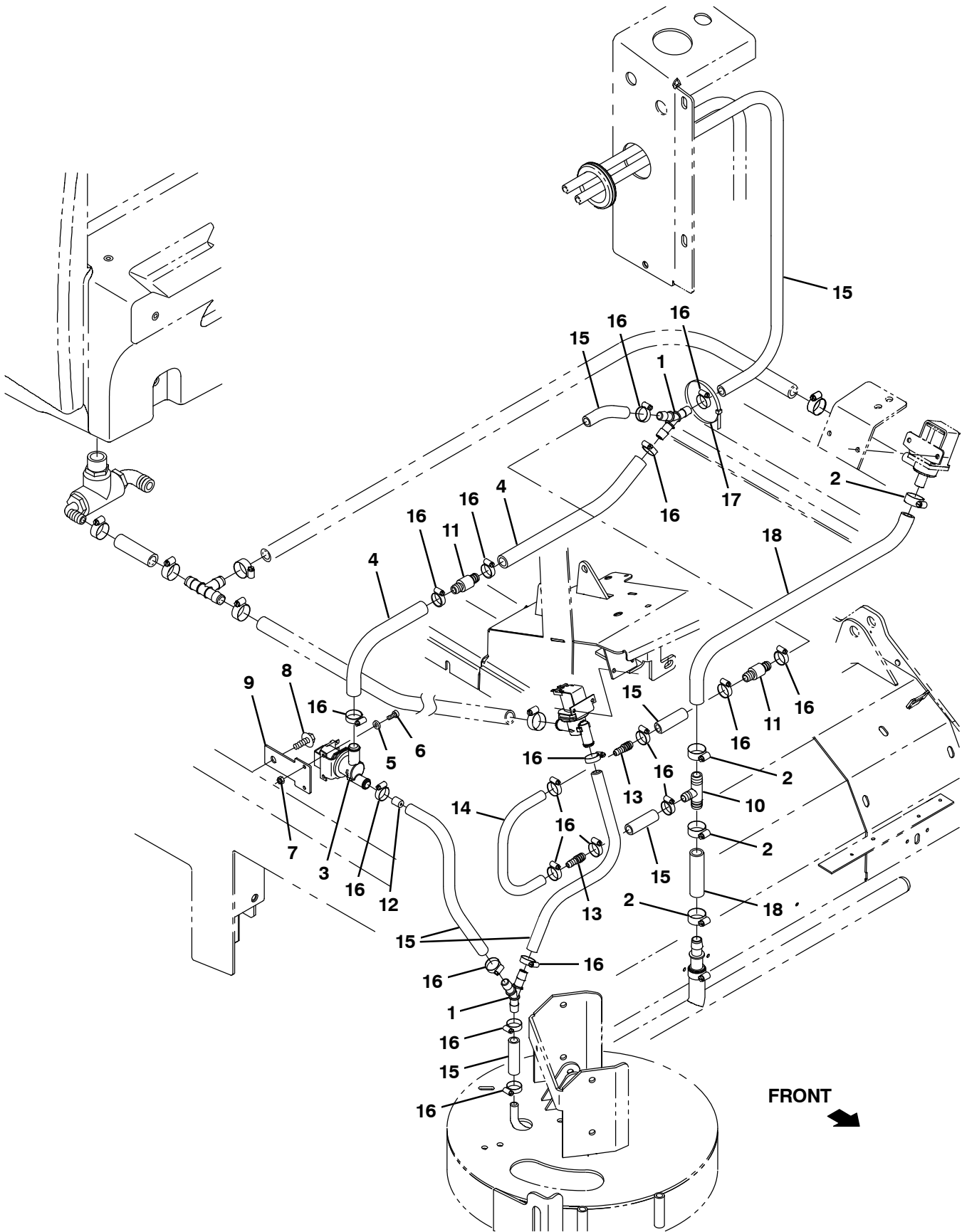


Fig. 21 – ec-H2O Solution Supply Group with Side Brush

Ref.	Part No.	Serial Number	Description	Qty.
1	1010668	(000000–) Fitting, Plstc, Y, Bm08/Bm08/Bm08, Nyl	1
2	63810	(000000–) Clamp, Hose, Wormdrive, 0.56–1.06d, .56w	4
3	1037825	(000000–) Valve Assy, Water, Solenoid, 12vdc	1
4	31543	(000000–) Hose, Heater, E90, 0.62id, 24.0 4.0	1
5	01683	(000000–) Washer, Flat, 10, Ss	2
6	24196	(000000–) Screw, Pan, Phl, M5 X 0.80 X 20, Ss	2
7	09739	(000000–) Nut, Hex, Lock, M5 X 0.80, NI, Ss	2
8	76099	(000000–) Screw, Hex, M8 X 1.25 X 25, Fmg	1
9	1030511	(000000–) Plate, Mtg, Valve	1
10	385644	(000000–007259) Fitting, Plstc, Tee, Bm08/Bm12/Bm12, Br	1
10	1015486	(007260–) Fitting, Plstc, Tee, Bm08/Bm10/Bm10, Br	1
11	1010614	(000000–) Valve, Check, 2gpm .5psi Bm08/Bm08	2
12	1061045	(000000–) Plug, Restrictor	1
13	222375	(000000–) Fitting, Plstc, Str, Bm06/Bm08	2
14	1014974	(000000–) Hose, Afmkt, Pvc, Brd, 0.38id, 02ft, Clr	1
15	1011412	(000000–) Hose, Afmkt, Pvc, Brd, 0.50id, 08ft, Clr	1
16	54333	(000000–) Clamp, Hose, Wormdrive, 0.31–0.88d, .31w	18
17	763116	(000000–) Tie, Cable, Nyl, 15.3l . W 4.5 Max D	1
18	1015026	(000000–) Hose, Afmkt, Pvc, Brd, 0.62id, 03ft, Clr	1

Fig. 22 - ec-H20 Wire Harnesses Group

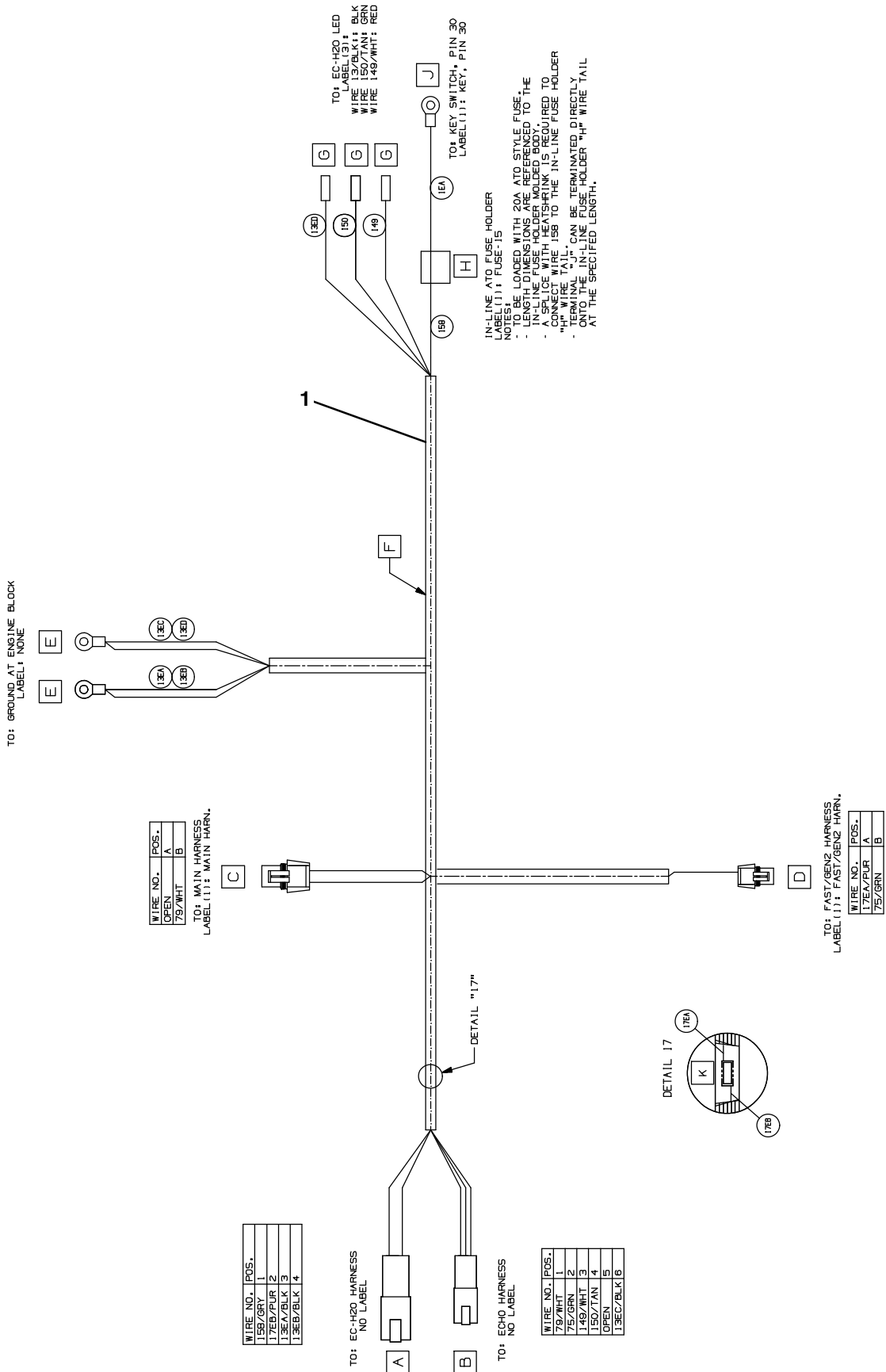
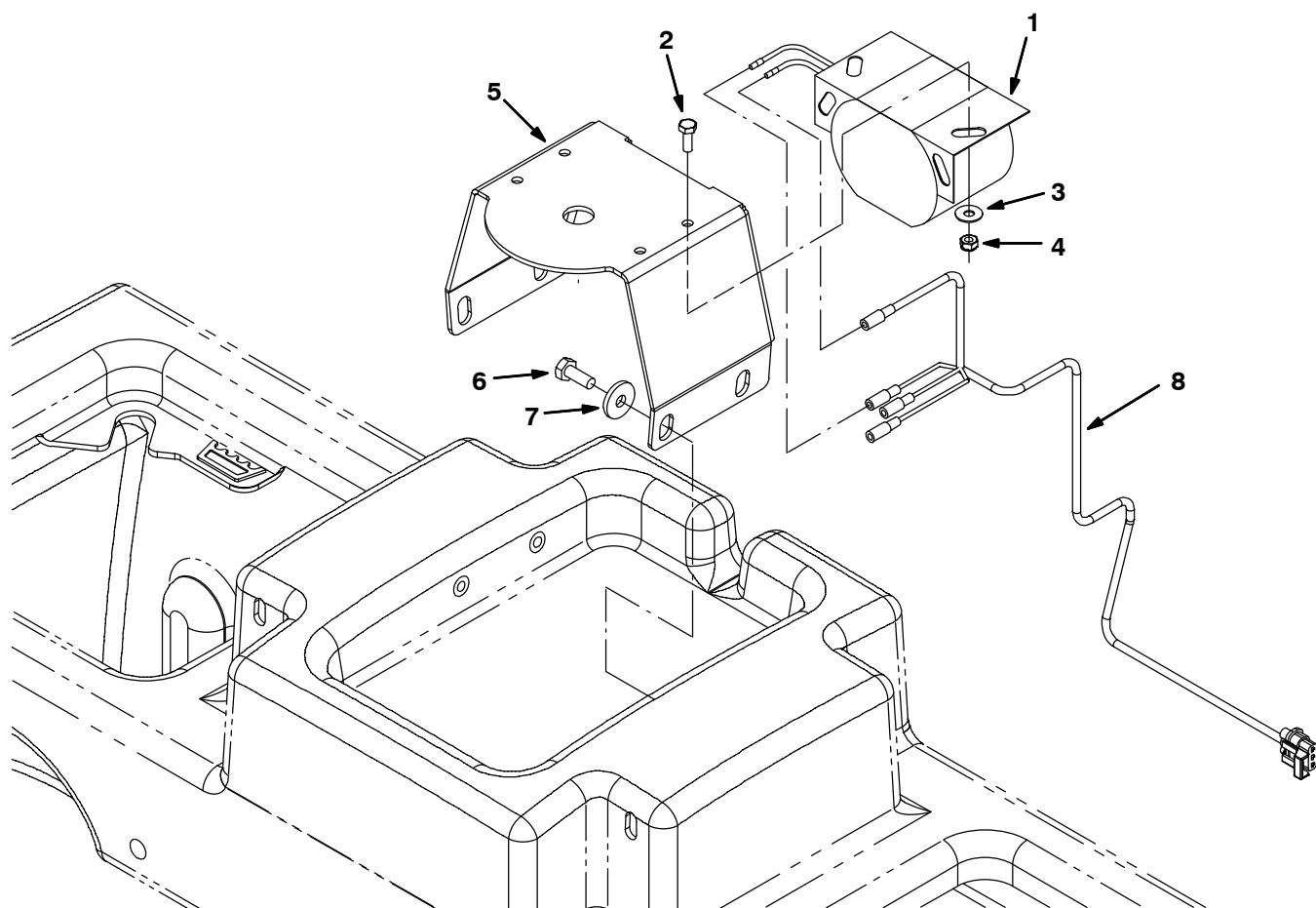


Fig. 22 – ec-H20 Wire Harnesses Group

Ref.	Part No.	Serial Number	Description	Qty.
1	1071947	(000000–) Harness, Wire [Ec-H2o, Mako, 2.0l & Dsl]	1
2	1060871	(000000–) Harness, Wire [Ec-H2o]	1
3	1060880	(000000–) Resistor, Ele, Plug [430 , 2w]	1
4	1060881	(000000–) Capacitor, Plug [4700uf, 25v]	1

Fig. 23 – Backup Alarm Kit



354473

Ref.	Part No.	Serial Number	Description	Qty.
▽	9001321	(000000–) Alarm Kit, Backup, Ci [M20 And T20]	1
▲	1 9007131	(000000–) Alarm Assy, Backup, 12/48Vdc	1
▲	2 24196	(000000–) Screw, Pan, Phl, M5 X 0.80 X 20, Ss	2
▲	3 19066	(000000–) Washer, Flat, 10	2
▲	4 09739	(000000–) Nut, Hex, Lock, M5 X 0.80, NI, Ss	2
▲	5 1019445	(000000–) Bracket, Sppt, Strobe Light	1
▲	6 09740	(000000–) Screw, Hex, M8 X 1.25 X 20, Ss	4
▲	7 1017218	(000000–) Washer, Flat, 0.32b 1.00d .12, Ss	4
▲	8 1019971	(000000–) Harness, Warning / Backup [M20 & T20]	1

Fig. 24 - Light Kit, Flashing

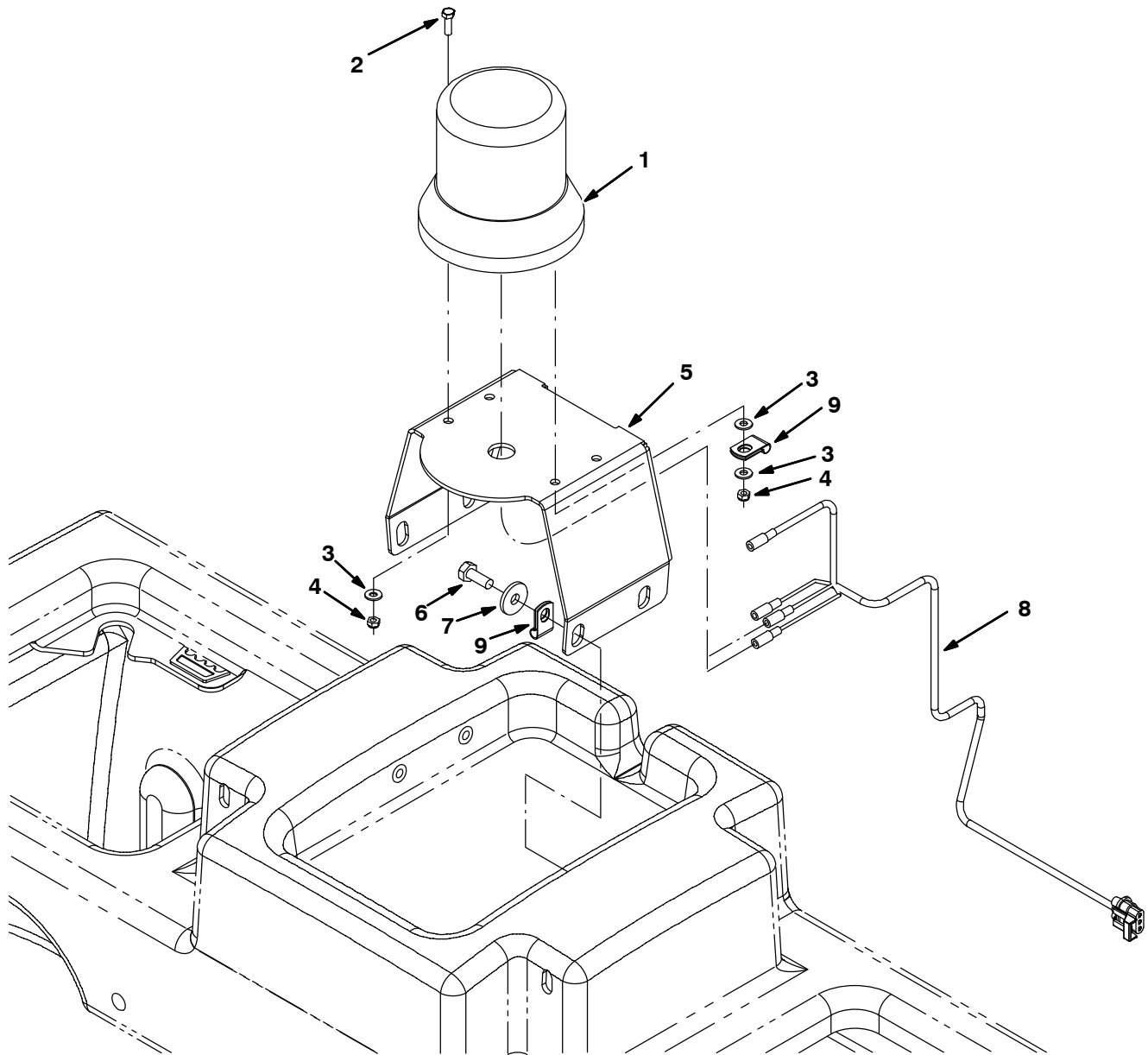


Fig. 24 – Light Kit, Flashing

	Ref.	Part No.	Serial Number	Description	Qty.
▽		9001327	(000000–) Light Kit, Flsh, Ci [M20 And T20]	1
▲▽	1	1017248	(000000–) Lamp, Flasher, Amb [12–48 Vdc]	1
▲▲		9000879	(000000–) Lens, Lamp, Amb, Strobe/Flasher	1
▲▲		9000846	(000000–) Lamp, Bulb, Flsh	1
▲▲		1027800	(000000–) Lens, Blue, Option, F/ Strobe / Flsh Light	1
▲▲		1027798	(000000–) Lens, Red, Option, F/ Strobe / Flsh Light	1
▲		55272	(000000–) Terminal, Bullet, Mal, .157d, 12ga	2
▲	2	24196	(000000–) Screw, Pan, Phl, M5 X 0.80 X 20, Ss	2
▲	3	19066	(000000–) Washer, Flat, 10	2
▲	4	09739	(000000–) Nut, Hex, Lock, M5 X 0.80, NI, Ss	2
▲	5	1019445	(000000–) Bracket, Sppt, Strobe Light	1
▲	6	09740	(000000–) Screw, Hex, M8 X 1.25 X 20, Ss	4
▲	7	1017218	(000000–) Washer, Flat, 0.32b 1.00d .12, Ss	4
▲	8	1019971	(000000–) Harness, Warning / Backup [M20 & T20]	1
▲	9	46236	(000000–) Clamp, Cable, Stl, 0.25D X 0.56W, 1Hole	2

Fig. 25 - Light Kit, Strobe

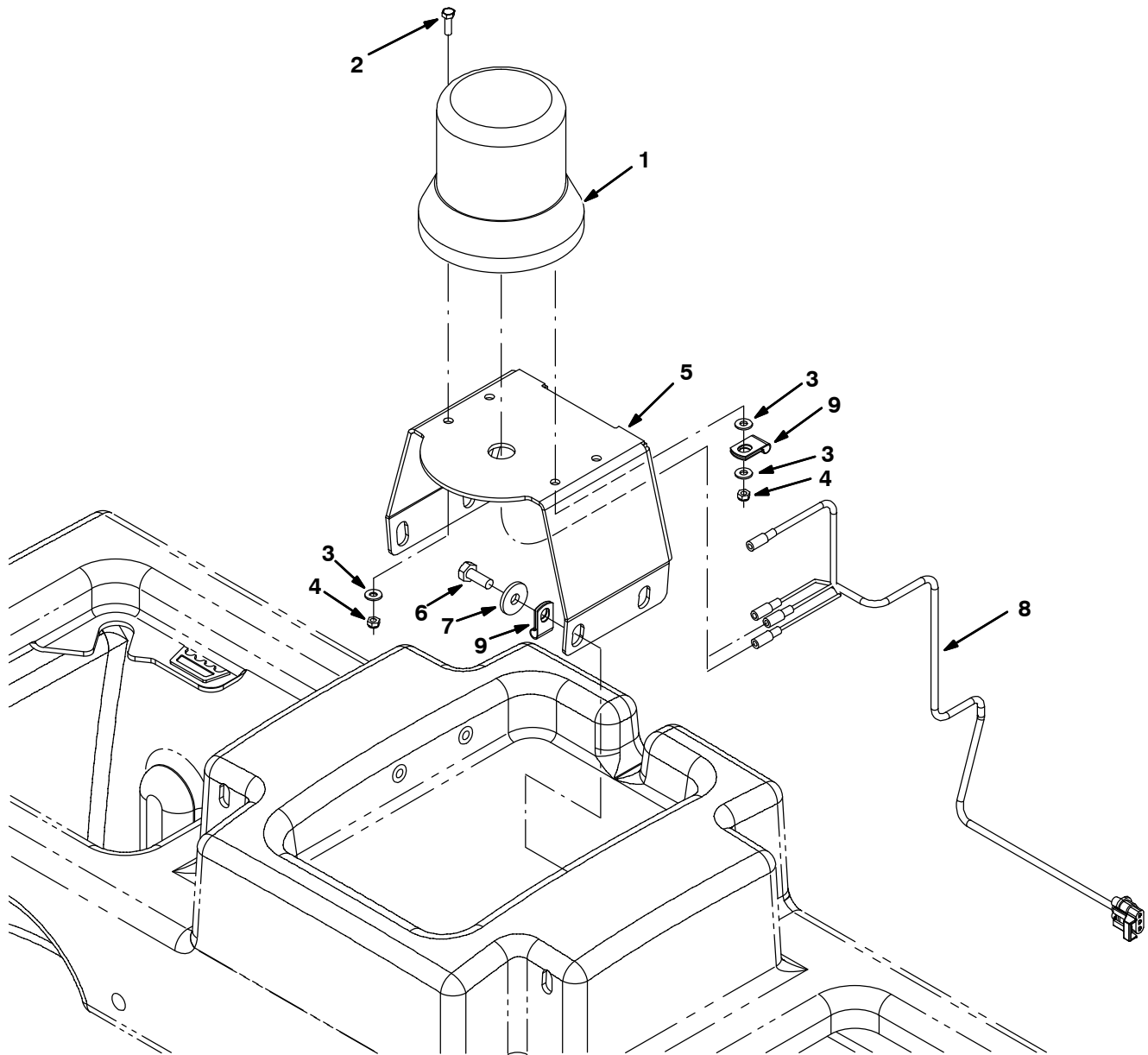
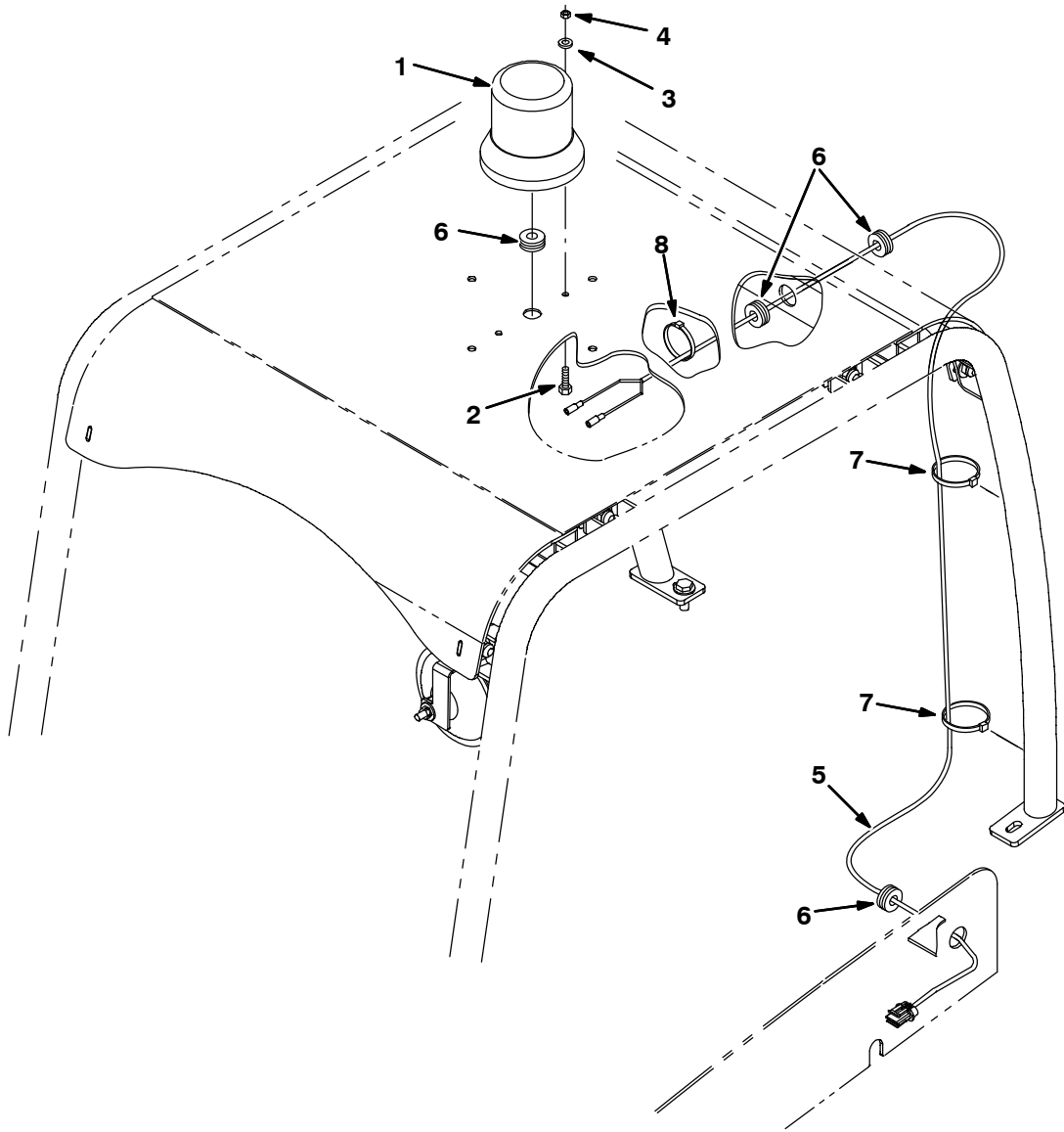


Fig. 25 - Light Kit, Strobe

	Ref.	Part No.	Serial Number	Description	Qty.
▽		9001331	(000000-) Light Kit, Strobe, Ci [M20 And T20]	1
▲▽	1	1017250	(000000-) Lamp Strobe, Amb [12-48 Vdc]	1
▲▲		9000879	(000000-) Lens, Lamp, Amb, Strobe/Flasher	1
▲▲		9000845	(000000-) Lamp, Bulb, Strobe	1
▲▲		1027800	(000000-) Lens, Blue, Option, F/ Strobe / Flsh Light	1
▲▲		1027798	(000000-) Lens, Red, Option, F/ Strobe / Flsh Light	1
▲		55272	(000000-) Terminal, Bullet, Mal, .157d, 12ga	2
▲	2	24196	(000000-) Screw, Pan, Phl, M5 X 0.80 X 20, Ss	2
▲	3	19066	(000000-) Washer, Flat, 10	2
▲	4	09739	(000000-) Nut, Hex, Lock, M5 X 0.80, NI, Ss	2
▲	5	1019445	(000000-) Bracket, Sppt, Strobe Light	1
▲	6	09740	(000000-) Screw, Hex, M8 X 1.25 X 20, Ss	4
▲	7	1017218	(000000-) Washer, Flat, 0.32b 1.00d .12, Ss	4
▲	8	1019971	(000000-) Harness, Warning / Backup [M20 & T20]	1
▲	9	46236	(000000-) Clamp, Cable, Stl, 0.25D X 0.56W, 1Hole	2

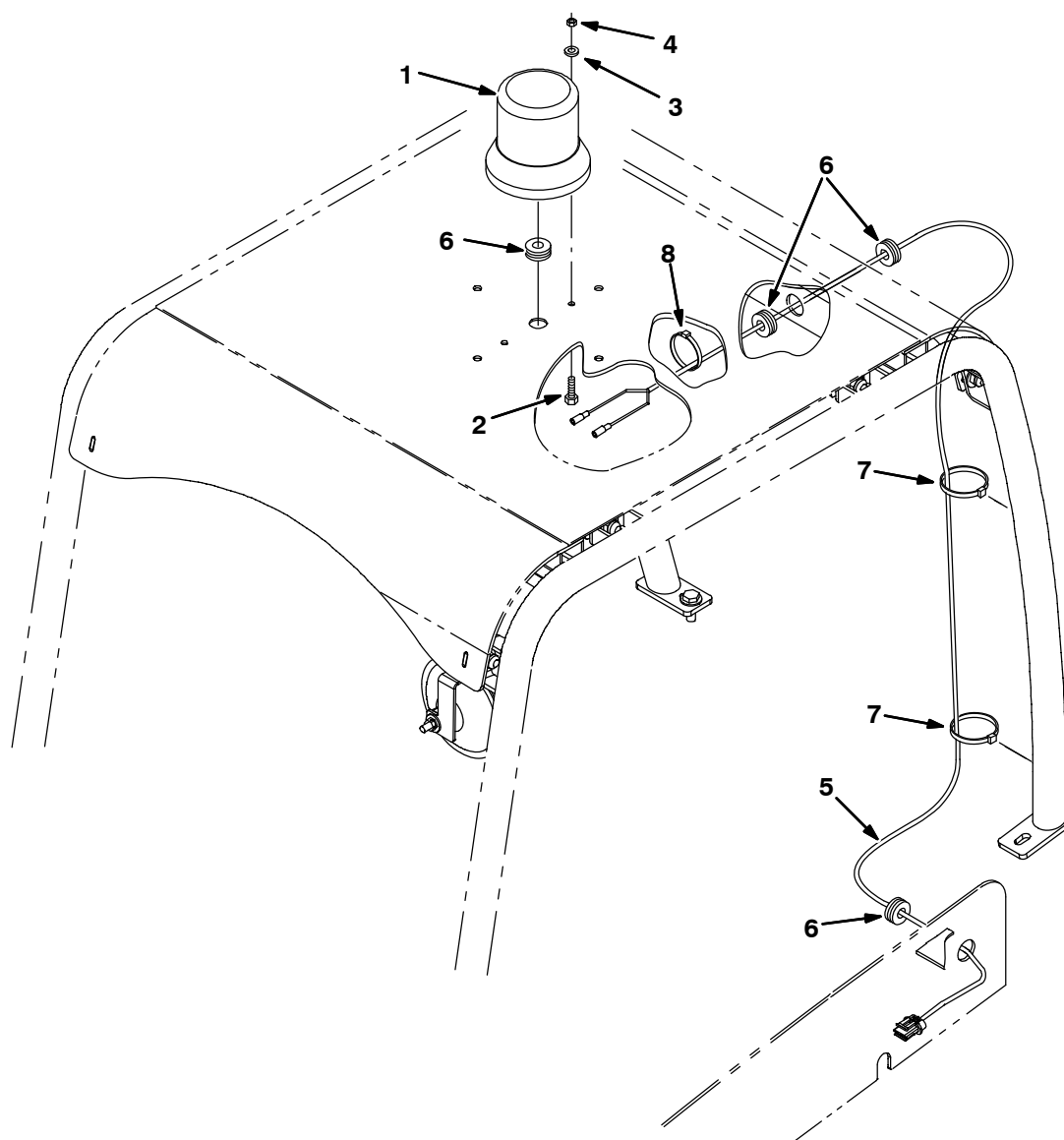
Fig. 26 – Light Kit, Flashing Overhead Guard



354477

Ref.	Part No.	Serial Number	Description	Qty.
▽	9001718	(000000–) Light Kit, Flsh, W/Ohg, Ci[M20 And T20]	1
▲▽	1 1017248	(000000–) Lamp, Flasher, Amb [12–48 Vdc]	1
▲▲	9000879	(000000–) Lens, Lamp, Amb, Strobe/Flasher	1
▲▲	9000846	(000000–) Lamp, Bulb, Flsh	1
▲▲	1027800	(000000–) Lens, Blue, Option, F/ Strobe / Flsh Light	1
▲▲	1027798	(000000–) Lens, Red, Option, F/ Strobe / Flsh Light	1
▲	55272	(000000–) Terminal, Bullet, Mal, .157d, 12ga	2
▲	2 24196	(000000–) Screw, Pan, Phl, M5 X 0.80 X 20, Ss	2
▲	3 19066	(000000–) Washer, Flat, 10	2
▲	4 09739	(000000–) Nut, Hex, Lock, M5 X 0.80, NI, Ss	2
▲	5 1019647	(000000–) Harness, Warning / Ohg [M20]	1
▲	6 10632–17	(000000–) Grommet, Rbr, 0.50id, F/0.8h, .12 Matl	4
▲	7 763115	(000000–) Tie, Cable, 6.0l, 1.25d Max	4
▲	8 49266	(000000–) Tie, Cable, Nyl, 07.3l .19w 1.8 Max D	2

Fig. 27 – Light Kit, Strobe Overhead Guard



354477

Ref.	Part No.	Serial Number	Description	Qty.
▽	9001717	(000000–) Light Kit, Strobe, W/Ohg, Ci [M20 And T20]	1
▲▽	1 1017250	(000000–) Lamp Strobe, Amb [12–48 Vdc]	1
▲▲	9000879	(000000–) Lens, Lamp, Amb, Strobe/Flasher	1
▲▲	9000845	(000000–) Lamp, Bulb, Strobe	1
▲▲	1027800	(000000–) Lens, Blue, Option, F/ Strobe / Flsh Light	1
▲▲	1027798	(000000–) Lens, Red, Option, F/ Strobe / Flsh Light	1
▲	55272	(000000–) Terminal, Bullet, Mal, .157d, 12ga	2
▲	2 24196	(000000–) Screw, Pan, Phl, M5 X 0.80 X 20, Ss	2
▲	3 19066	(000000–) Washer, Flat, 10	2
▲	4 09739	(000000–) Nut, Hex, Lock, M5 X 0.80, NI, Ss	2
▲	5 1019647	(000000–) Harness, Warning / Ohg [M20]	1
▲	6 10632–17	(000000–) Grommet, Rbr, 0.50id, F/0.8h, .12 Matl	4
▲	7 763115	(000000–) Tie, Cable, 6.0l, 1.25d Max	4
▲	8 49266	(000000–) Tie, Cable, Nyl, 07.3l .19w 1.8 Max D	2

Fig. 28 – Overhead Guard Kit

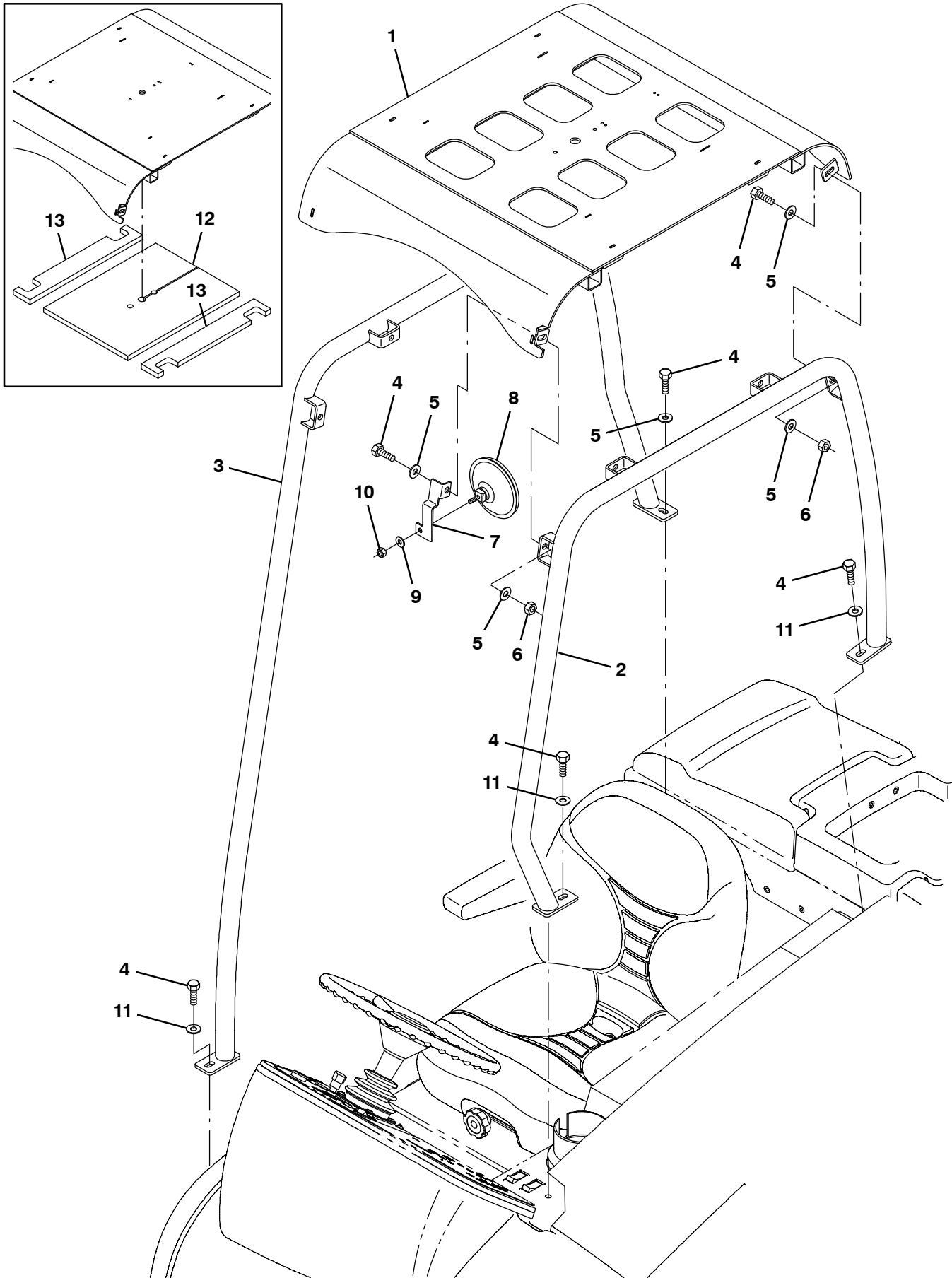


Fig. 28 – Overhead Guard Kit

	Ref.	Part No.	Serial Number	Description	Qty.
▽		9001314	(000000–) Ohg Kit, Ci [M20 And T20]	1
▲	1	1022276	(000000–) Guard Wldt, Top, Ohg	1
▲	2	1069241	(000000–) Tube Wldt, Leg, Ohg, Lh, Pntd	1
▲	3	1069253	(000000–) Tube Wldt, Leg, Ohg, Rh, Pntd	1
▲	4	03192	(000000–) Screw, Hex, M10 X 1.5 X 30, 8.8	12
▲	5	32492	(000000–) Washer, Flat, 0.38 Std	17
▲	6	41430	(000000–) Nut, Hex, Lock, M10 X 1.5, NI	8
▲	7	1023879	(000000–) Bracket, Mtg, Mirror, Rearview	1
▲	8	1050295	(000000–) Mirror, Convex, 0.50D	1
▲	9	32491	(000000–) Washer, Flat, 0.31, Std	1
▲	10	19313	(000000–) Nut, Hex, Std, .31–18	1
▲	11	1014563	(000000–) Washer, Flat, 0.40b 1.12d .12, Ss	3
	12	1032830	(000000–006913) Insulation	1
	13	1032831	(000000–006913) Insulation	2

Fig. 29 – Telemetry Group

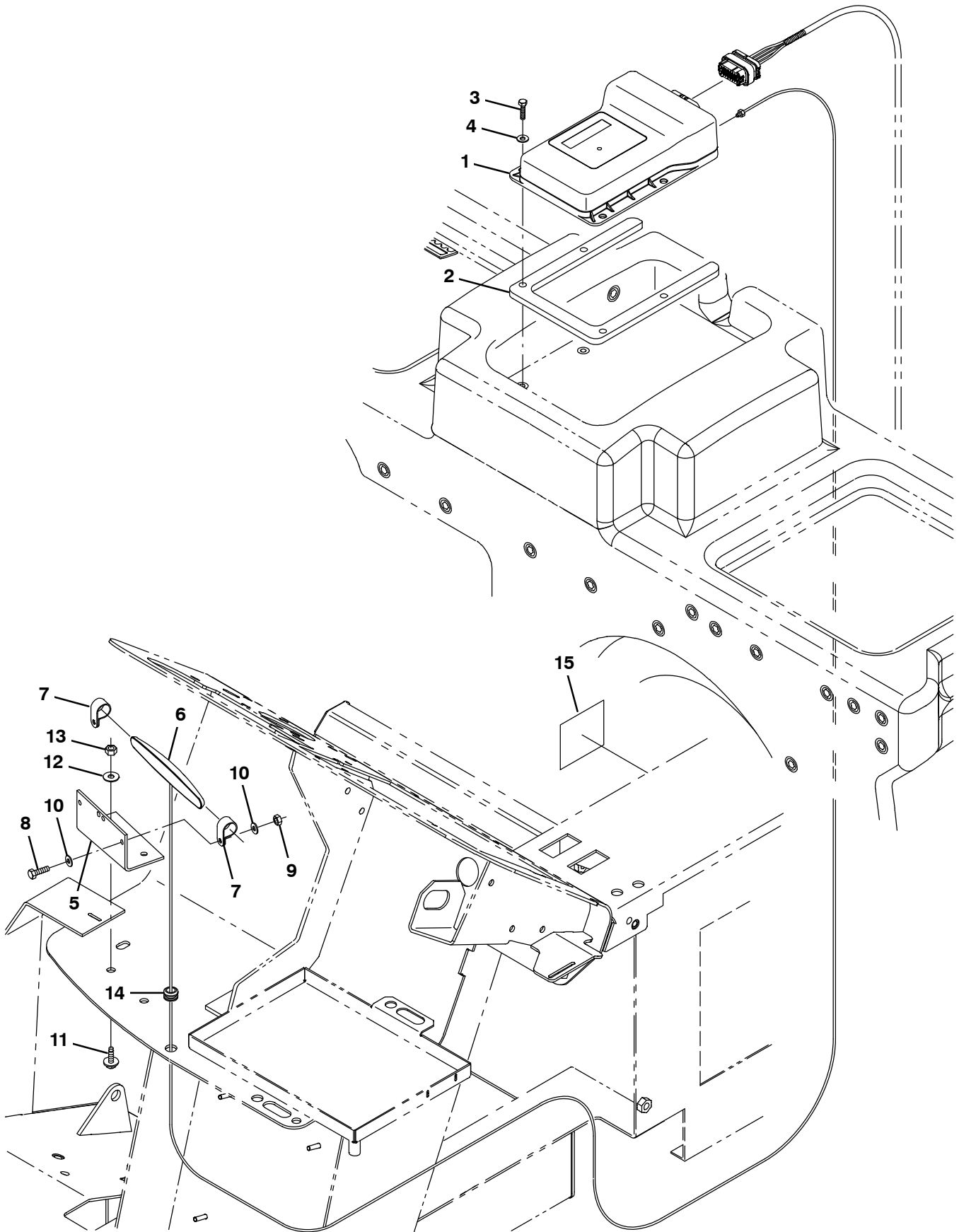


Fig. 29 – Telemetry Group

Ref.	Part No.	Serial Number	Description	Qty.
1	9010085	(000000-) Control Box Assy Kit, Replmt, Telem [USA]	1
1	9010086	(000000-) Control Box Assy Kit, Replmt, Telem [CAN]	1
2	1071062	(000000-) Bracket, Spacer, Controlbox	1
3	09252	(000000-) Screw, Hex, M5 X 0.80 X 20, 8.8	4
4	01683	(000000-) Washer, Flat, 10, Ss	4
5	1070402	(000000-) Angle, Mtg, Antenna, Telem	1
6	1070659	(000000-) Antenna, Telem, 70 In [Gprs]	1
7	140916	(000000-) Clamp, Cable, Nyl, 0.62D, Nat	2
8	24199	(000000-) Screw, Hex, M5 X 0.80 X 16, Ss	2
9	06549	(000000-) Nut, Hex, Lock, M5 X 0.80, NI	2
10	01683	(000000-) Washer, Flat, 10, Ss	4
11	1040467	(000000-) Screw, Hex, M6 X 1.00 X 20, 9.8, Sems	2
12	01684	(000000-) Washer, Flat, 0.27B 0.69D .05, Ss	2
13	08712	(000000-) Nut, Hex, Lock, M6 X 1.00, NI, Ss	2
14	10632-12	(000000-) Grommet, Rbr, 0.38id, F/0.5H, .12 Matl	1
15	1069580	(000000-) Label, Opertnl, Telem [Fcc/lc]	1

Fig. 30 – Telemetry Wire Harness Group

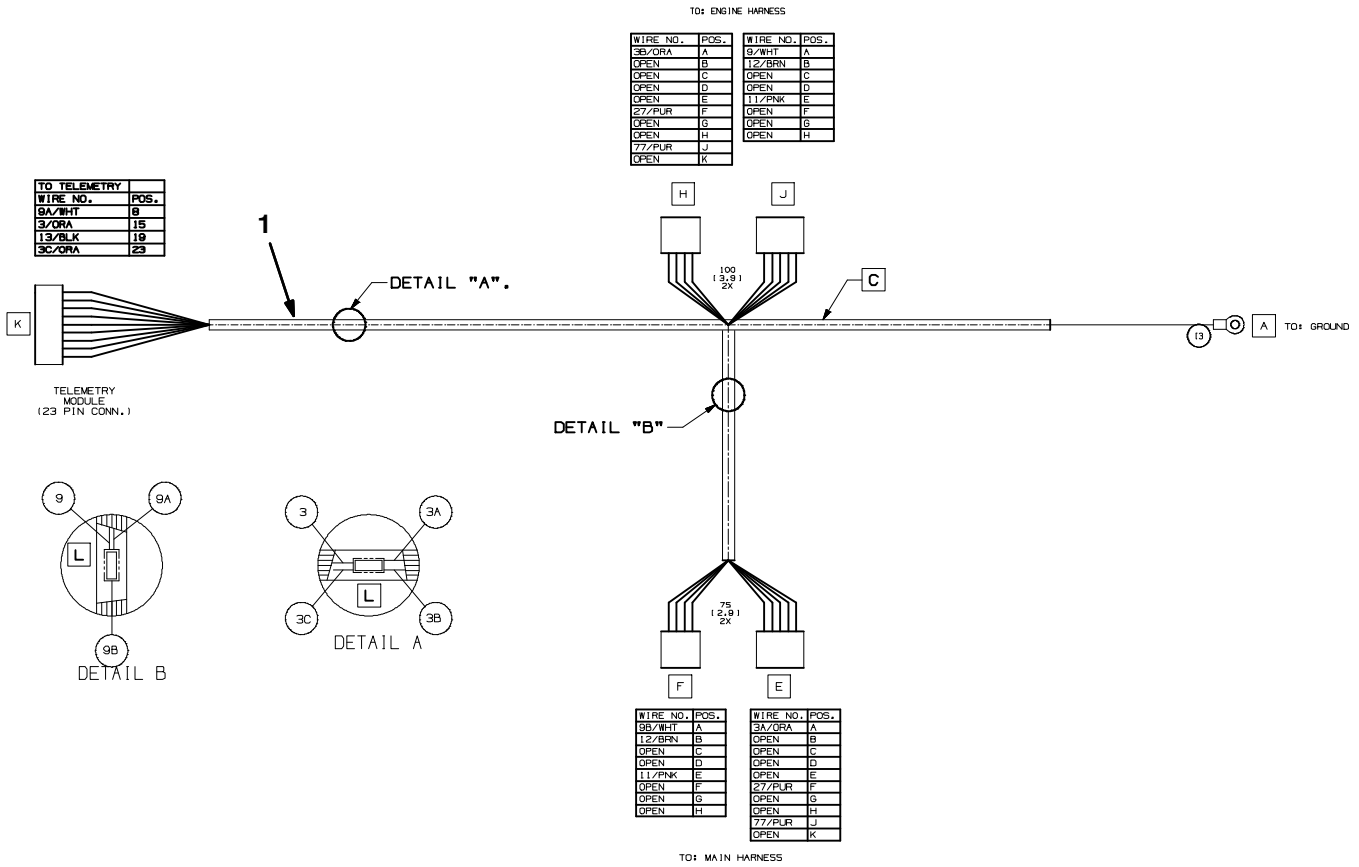


Fig. 30 – Telemetry Wire Harness Group

Ref.	Part No.	Serial Number	Description	Qty.
1	1069876	(000000-) Harness, Wire, Dsl [M20/T20, Telemetry]	1

Fig. 31 – Vacuum Wand Kit (000000-002406)

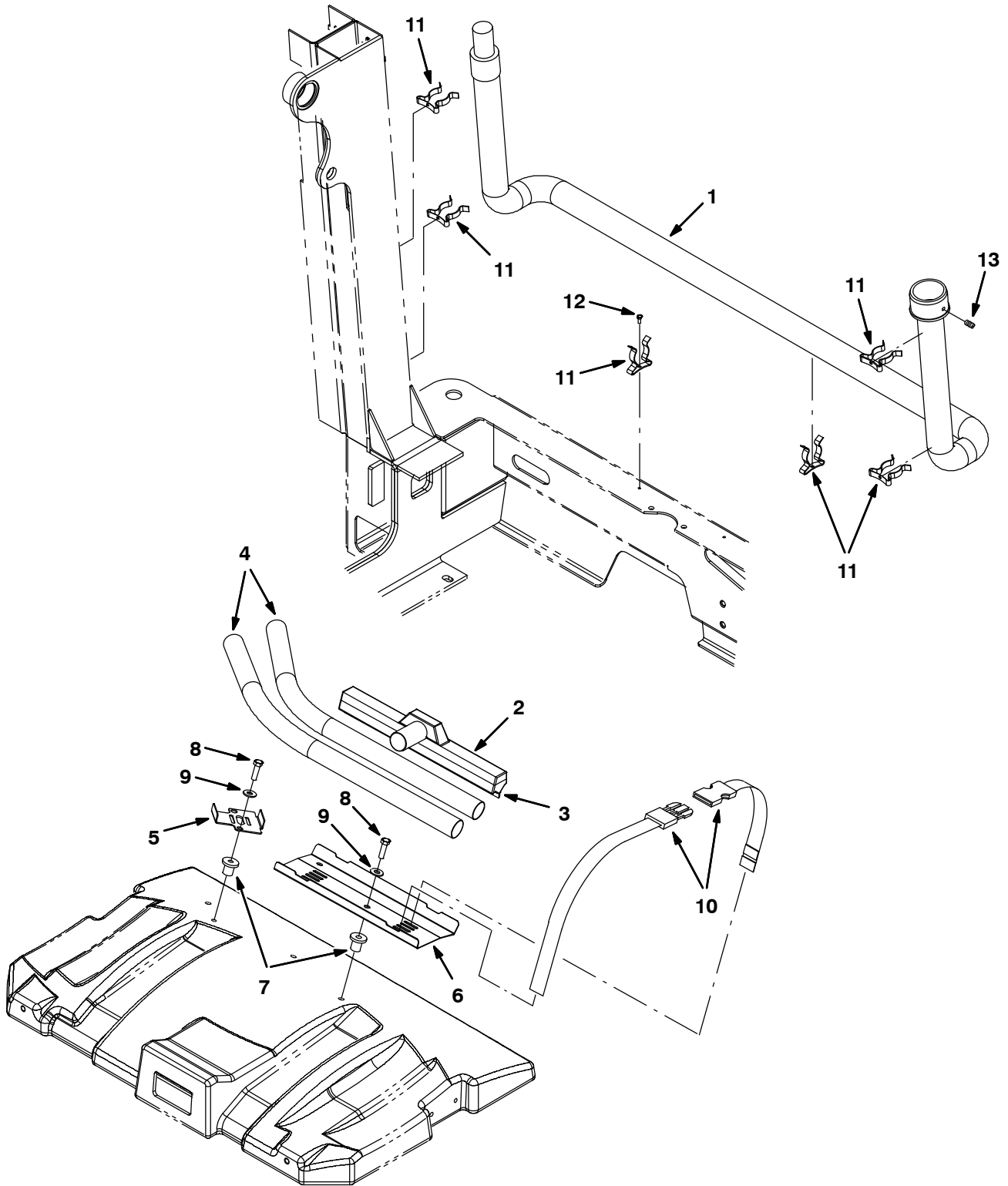


Fig. 31 – Vacuum Wand Kit (000000–002406)

	Ref.	Part No.	Serial Number	Description	Qty.
▽		9001334	(000000–002406)	Wand Kit, Vacuum, Ci [M20]	1
▲	1	69657	(000000–002406)	Hose Assy, W/2cuff, 1.5d 84l [Vacwand]	1
▲	2	63451	(000000–002406)	Nozzle, Wand, Plstc, 14.0lg	1
▲	3	63430	(000000–002406)	Shoe, Plstc, Sqge, 14.0	1
▲	4	63448	(000000–002406)	Tube, Wand, Vacuum, Metal [1pick=1box]	1
▲	5	1030549	(000000–002406)	Bracket, Mtg, Vacuum Wand	1
▲	6	1026146	(000000–002406)	Plate, Mtg, Vacuum Wand	1
▲	7	397648	(000000–002406)	Nut, Isolator, .38–16 Wall Th .015–.437	4
▲	8	21198	(000000–002406)	Screw, Hex, .38–16 X 1.25, 5	4
▲	9	32492	(000000–002406)	Washer, Flat, 0.38 Std	4
▲	10	367974	(000000–002406)	Strap, Pyp, 0.07 1.0w 18.5l, W/ Buckle	3
▲	11	67004	(000000–002406)	Clip, Grip, Finger, 1.00–1.88d White, Vyl	6
▲	12	55845	(000000–002406)	Screw, Hex, M5 X 0.8 X 16, Fmg	6
▲	13	69659	(000000–002406)	Plunger	1

Fig. 32 – Vacuum Wand Kit (002407-)

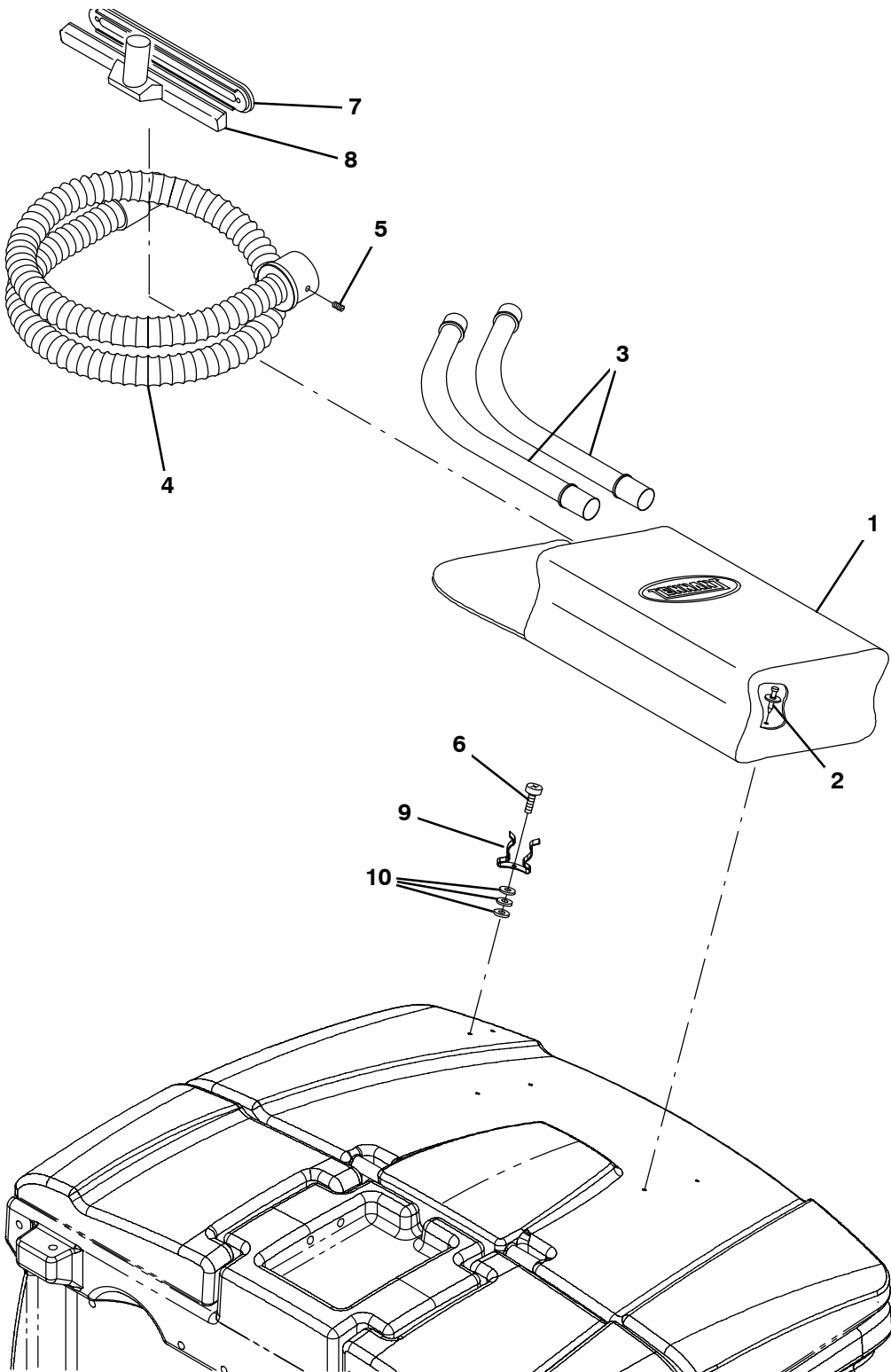


Fig. 32 – Vacuum Wand Kit (002407–)

	Ref.	Part No.	Serial Number	Description	Qty.
▽		9001334	(002407–)	Wand Kit, Vacuum, Ci [M20]	1
▲	1	65580	(002407–)	Bag, Power	1
▲	2	72968	(002407–)	Rivet, Plstc, .250d X 0.90	4
▲	3	63448	(002407–)	Tube, Wand, Vacuum, Metal	1
▲	4	69657	(002407–)	Hose Assy, W/2cuff, 1.5d 084l [Vacwand]	1
▲	5	69659	(002407–)	Plunger	1
▲	6	55845	(002407–)	Screw, Hex, M5 X 0.80 X 16, Fmg	2
▲	7	63430	(002407–)	Shoe, Plstc, Sqge, 14.0	1
▲	8	63451	(002407–)	Nozzle, Wand, Plstc, 14.0l	1
▲	9	67004	(002407–)	Clip, Grip, Finger, 1.00–1.88d White,Vyl	2
▲	10	19064	(002407–)	Washer, Flat, 06	6

Fig. 33 - Spray Nozzle Kit

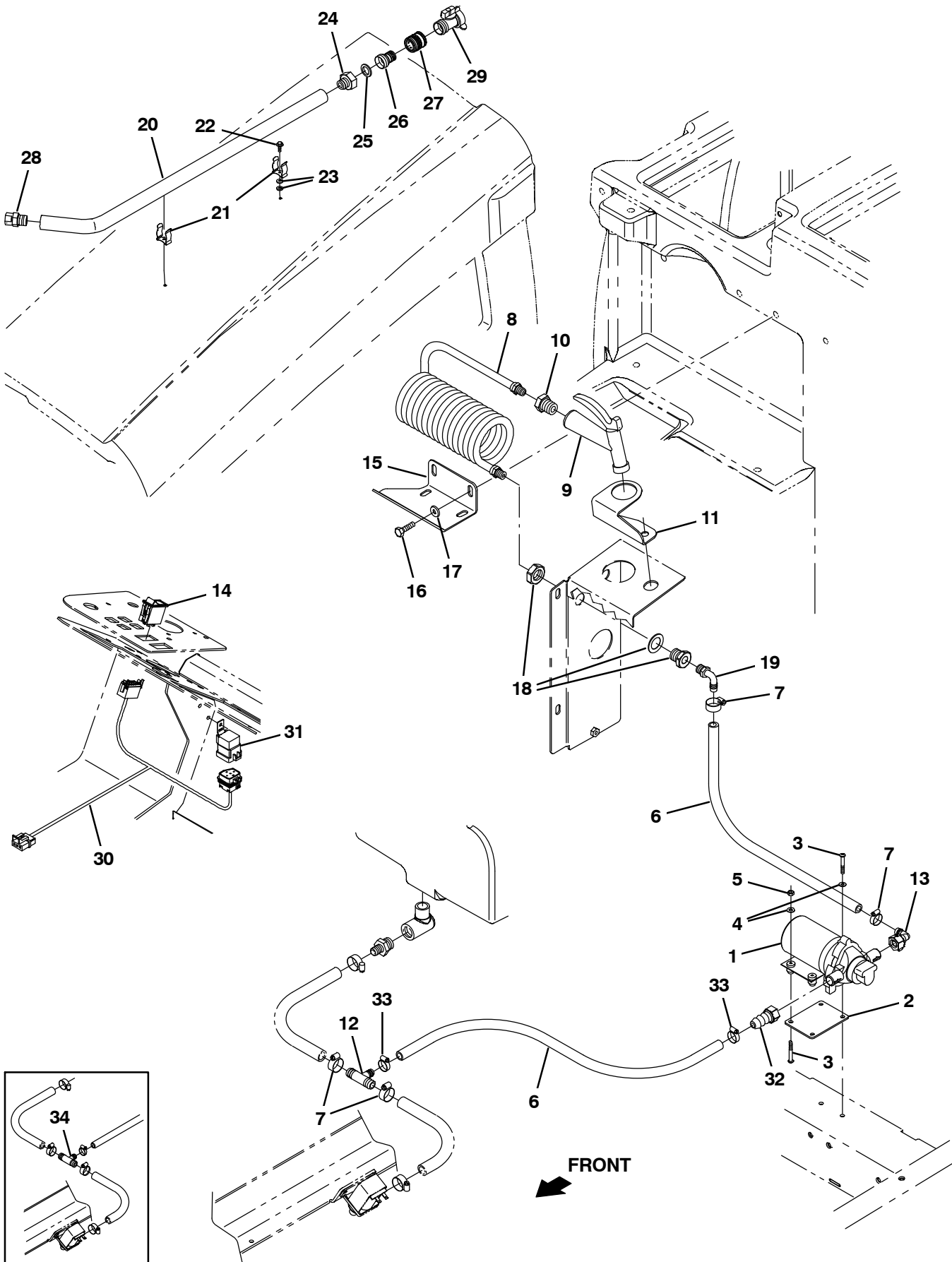


Fig. 33 – Spray Nozzle Kit

Ref.	Part No.	Serial Number	Description	Qty.
▽	9001310	(000000–) Nozzle Kit, Spray, Ci	1
▲	1 1026743	(000000–) Pump, Diaphragm (See Breakdowns)	1
▲	2 1027007	(000000–) Plate, Mtg, Pump	1
▲	3 06939	(000000–) Screw, Pan, M5 X 0.80 X 45, 4.8	4
▲	4 19066	(000000–) Washer, Flat, #10	4
▲	5 06549	(000000–) Nut, Hex, Lock, M5 X 0.80, NI	2
▲	6 1015045	(000000–) Hose, Afmkt, Pvc, Brd, 0.75id, 08ft, Clr	1
▲	7 63810	(000000–) Clamp, Hose, Wormdrive, 0.56–1.06d, .56w	4
▲	8 1019250	(000000–) Hose, Water, Coil	1
▲	9 769785	(000000–) Nozzle, Spray, Gun	1
▲	10 1027976	(000000–) Fitting, Brs, Str, Pf06/Pm12	1
▲	11 1027237	(000000–) Bracket, Mtg, Spray Handle	1
▲	12 1015486	(007260–) Fitting, Plstc, Tee, Bm08/Bm10/Bm10, Br	1
▲	13 1018499	(000000–) Fitting, Plstc, E90, Bm08/Pf08s, Swivel	1
▲	14 398500	(000000–) Switch, Rocker, Dpdt On/None/On	1
▲	15 1029790	(000000–) Bracket, Mtg, Spray Wand [FaST, Conv]	1
▲	16 09740	(000000–) Screw, Hex, M8 X 1.25 X 20, Ss	2
▲	17 1017218	(000000–) Washer, Flat, 0.32b 1.00d .12, Ss	2
▲	18 1027978	(000000–) Fitting, Brs, Str, Pf06/Pf06 Bh	1
▲	19 64778	(000000–) Fitting, Plstc, E90, Bm08/Pm06	1
▲	20 1029055	(000000–) Wand, Clean-Out	1
▲	21 1029057	(000000–) Clip, Grip, Finger, .875–1.25	2
▲	22 20394	(000000–) Screw, Hex, #10–16 X 0.62, Fmg [Ab]	2
▲	23 01683	(000000–) Washer, Flat, #10, Ss	4
▲	24 375321	(000000–) Fitting, Brs, Str, Pm08/Garden Hose	1
▲	25 01316	(000000–) Washer, Flat, 0.66b 1.00d .12, Rbr	1
▲	26 1029153	(000000–) Nipple, Hose	1
▲	27 1029155	(000000–) Coupling, Nozzle, Spray	1
▲	28 1029156	(000000–) Nozzle	1
▲	29 1029399	(000000–) Valve, Shutoff	1
▲	30 1021881	(000000–) Harness, Spray, Nozzle	1
▲	31 56186	(000000–) Relay, 12vdc, 40a, Spdt N/O	1
▲	32 1018495	(000000–) Fitting, Plstc, Str, Bm08/Pf08s, Swivel	1
▲	33 54333	(000000–) Clamp, Hose, Wormdrive, 0.31–0.88d, .31w	2
▲	34 385644	(000000–007259) Fitting, Plstc, Tee, Bm08/Bm12/Bm12, Br	1

Fig. 34 – Transport Kit

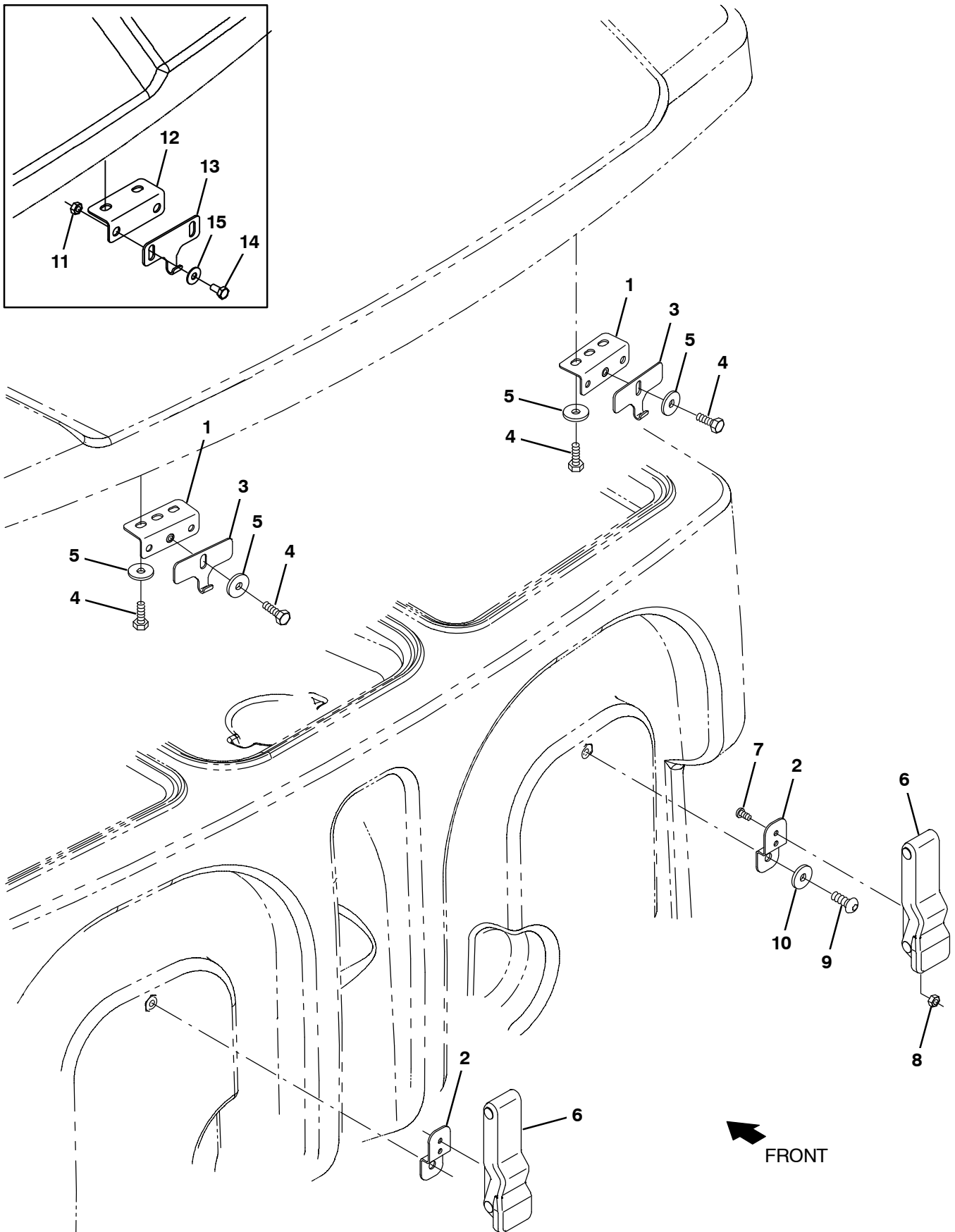


Fig. 34 – Transport Kit

	Ref.	Part No.	Serial Number	Description	Qty.
▽		9014867	(002473–) Transport Kit, Ci [M20/M30}	1
▲	1	1040800	(002473–) Bracket, Latch, Cover	2
▲	2	1020526	(000000–) Bracket, Retaining, Hose	2
▲	3	1040634	(002473–) Plate, Hook, Latch	2
▲	4	09744	(002473–) Screw, Hex, M6 X 1.00 X 12, Ss	6
▲	5	01684	(002473–) Washer, Flat, 0.27b 0.69d .05, Ss	6
▲	6	360824	(000000–) Latch	2
▲	7	09200	(000000–) Screw, Pan, Phl, M5 X 0.80 X 12, Ss	4
▲	8	09739	(000000–) Nut, Hex, Lock, M5 X 0.80, NI, Ss	4
▲	9	393135	(000000–) Screw, Btn, M8 X 1.25 X 20, Blk	2
▲	10	32491	(000000–) Washer, Flat, 0.31, Std	2
	11	08712	(000000–002472) Nut, Hex, Lock, M6 X 1.00, NI, Ss	4
	12	1032869	(000000–002472) Bracket, Latch, Cover	2
	13	1032896	(000000–002472) Plate, Hook, Latch, [M20]	2
	14	09744	(000000–002472) Screw, Hex, M6 X 1.0 X 12, Ss	4
	15	01684	(000000–002472) Washer, Flat, 0.25, Ss	4

Fig. 35 – Squeegee Guard Kit

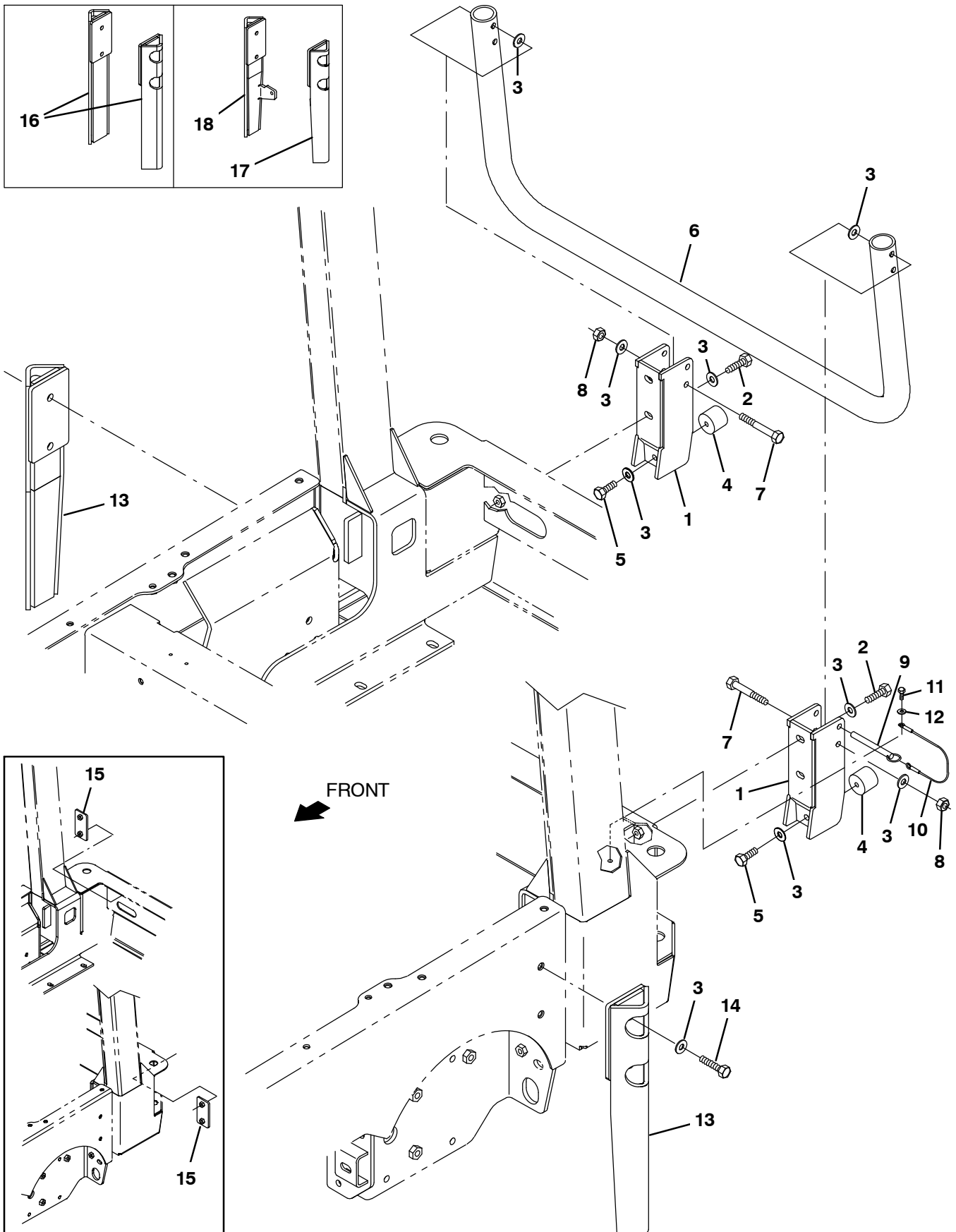
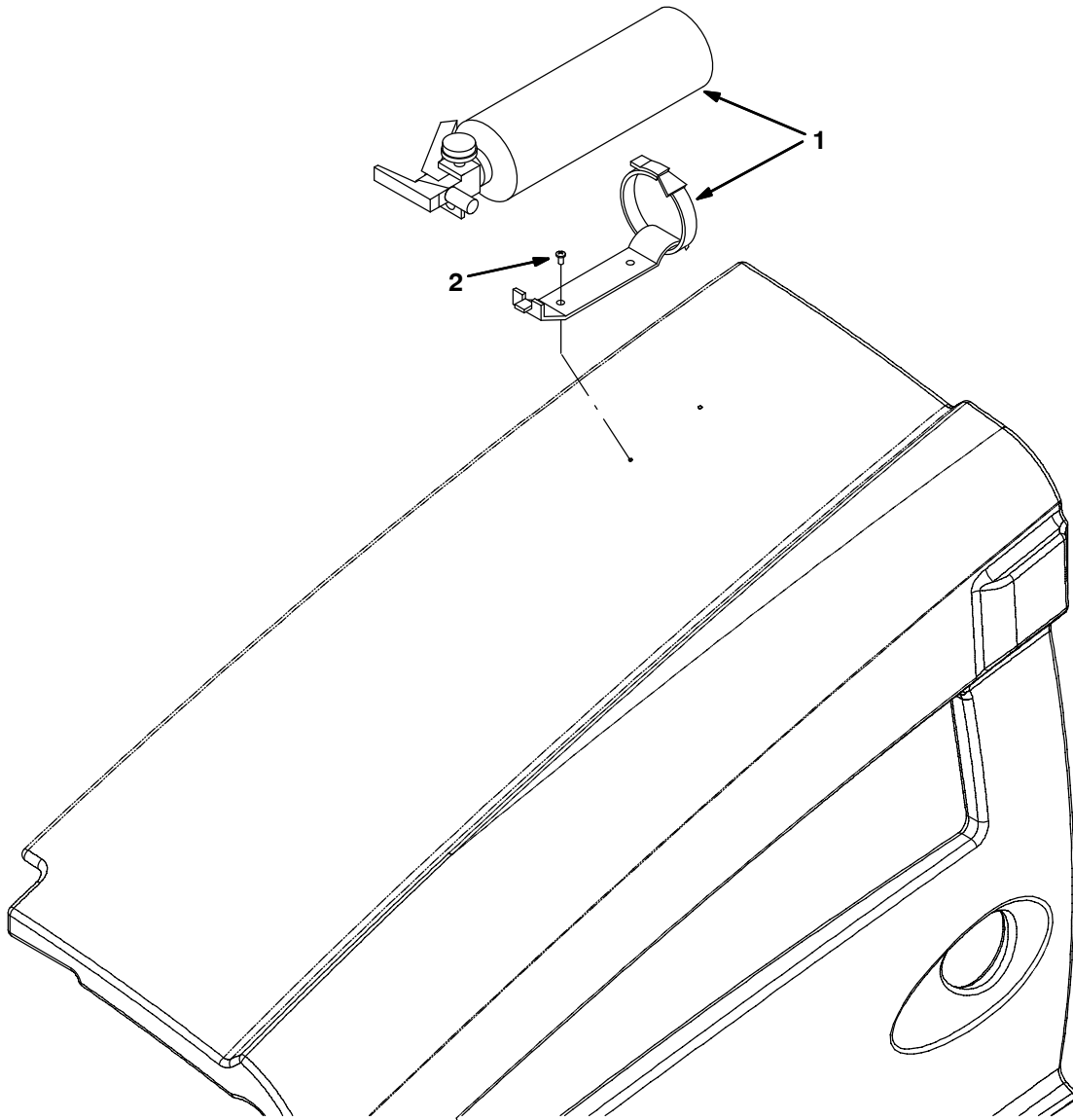


Fig. 35 – Squeegee Guard Kit

Ref.	Part No.	Serial Number	Description	Qty.
▽	9001338	(000000-) Guard Kit, Sqge, Ci [M20]	1
▲	1 1027560	(000000-) Bracket Wldt, Guard, Sqge	2
▲	2 39284	(000000-) Screw, Hex, M10 X 1.5 X 35, 8.8	4
▲	3 32492	(000000-) Washer, Flat, 0.38 Std	14
▲	4 1024977	(000000-) Bumper, Ure, 1.50d 1.25l	2
▲	5 21196	(000000-) Screw, Hex, .38-16 X 0.88, 5	2
▲	6 1056195	(000000-) Guard Wldt, Pntd [M20/T20]	1
▲	7 06965	(000000-) Screw, Hex, M10 X 1.5 X 80, 8.8	2
▲	8 41430	(000000-) Nut, Hex, Lock, M10 X 1.5, NI	2
▲	9 369359	(000000-) Pin, Hitch, .375d X 3.12l, PI	1
▲	10 57702	(000000-) Cable, Glv .06d 012.0l .26eye /.26eye	1
▲	11 09738	(000000-) Screw, Hex, M5 X 0.8 X 12, Ss	1
▲	12 01683	(000000-) Washer, Flat, #10, Ss	1
▲	13 1045444	(xxxxxx-) Guard Wldt, Sqge [M20/T20/M30]	2
▲	14 06962	(000000-) Screw, Hex, M10 X 1.5 X 45, 8.8	4
	15 1029543	(000000-004292) Plate, Mtg	2
	16 1025663	(000000-002435) Guard Wldt, Sqge	2
	17 1040863	(002436-xxxxxx) Guard Wldt, Sqge [M20/T20 Lh, M30 Rh]	1
	18 1040871	(002436-xxxxxx) Guard Wldt, Sqge [M20/T20 Rh, M30 Lh]	1

Fig. 36 – Fire Extinguisher Kit



354484

Ref.	Part No.	Serial Number	Description	Qty.
	9001316	(000000–) Extinguisher Kit, Fire, Ci [M20 And T20]	1
1	25312	(000000–) Extinguisher, Fire, 2.5 Lb Dry	1
2	382320	(000000–) Screw, Pan, #12–16 X 0.50, F/ Plstc	2

Fig. 37 – Documentation Group

Ref.	Part No.	Serial Number	Description	Qty.
	331410	(000000–) Manual, Oprtr [M20 Dsl En]	1
	1032578	(000000–) Instr, Maint, Wall Chart [M20]	1
	331411	(000000–) Manual, Parts [M20 Dsl En/Jp]	1
	331412	(000000–) Manual, Oprtr [M20 Dsl Es]	1
	331413	(000000–) Manual, Oprtr [M20 Dsl Fr]	1
	331385	(000000–) Manual, Service [M20 En]	1
	1027759	(000000–) Video, Oprtr, Dvd [W/Checklist M20]	1
	84660	(000000–) Manual, Eng [Kubo, V1505e]	1
	9006257	(000000–) Media, Cd–Rom, Training [ec–H2O Tennant]	1



To view, print, order, download the latest Parts manual, other language Operator manuals, and Use and Care Guides (wall charts), visit:

www.tennantco.com/manual

SECTION 4

Contents	Page
Fig. 1 – Extended Scrub Pump Breakdown, 1021210	4-2
Fig. 2 – Hydraulic Motor Breakdown, 379609 ...	4-4
Fig. 3 – Hydraulic Pump Breakdown, 1024251 ..	4-6
Fig. 4 – Hydraulic Motor Breakdown, 71729	4-8
Fig. 5 – Hydraulic Motor Breakdown, 1029379 ..	4-9
Fig. 6 – Hydraulic Motor Breakdown, 53485 ...	4-10
Fig. 7 – Hydraulic Valve Breakdown, 1018936 .	4-11
Fig. 8 – Hydraulic Valve Breakdown, 1018938 .	4-12
Fig. 9 – Hydraulic Valve Breakdown, 1037805 .	4-14
Fig. 10 – Hydraulic Valve Breakdown, 1072997 .	4-16
Fig. 11 – Hydraulic Valve Breakdown, 1020394 .	4-18
Fig. 12 – Hydraulic Valve Breakdown, 1038566 .	4-20
Fig. 13 – Hydraulic Valve Breakdown, 1072995 .	4-22
Fig. 14 – Hydraulic Steering Valve Breakdown, 1024260	4-24
Fig. 15 – Metering Solution Pump Breakdown, 73260	4-26
Fig. 16 – Water Pump Breakdown, 1026743 ...	4-27
Fig. 17 – ec-H2O Module Assembly Breakdown, 9007882	4-28
Fig. 18 – Seat Breakdown, 1072456	4-30
Fig. 19 – FaST Injector Assembly Breakdown, 9008868	4-32

Fig. 1 – Extended Scrub Pump Breakdown, 1021210

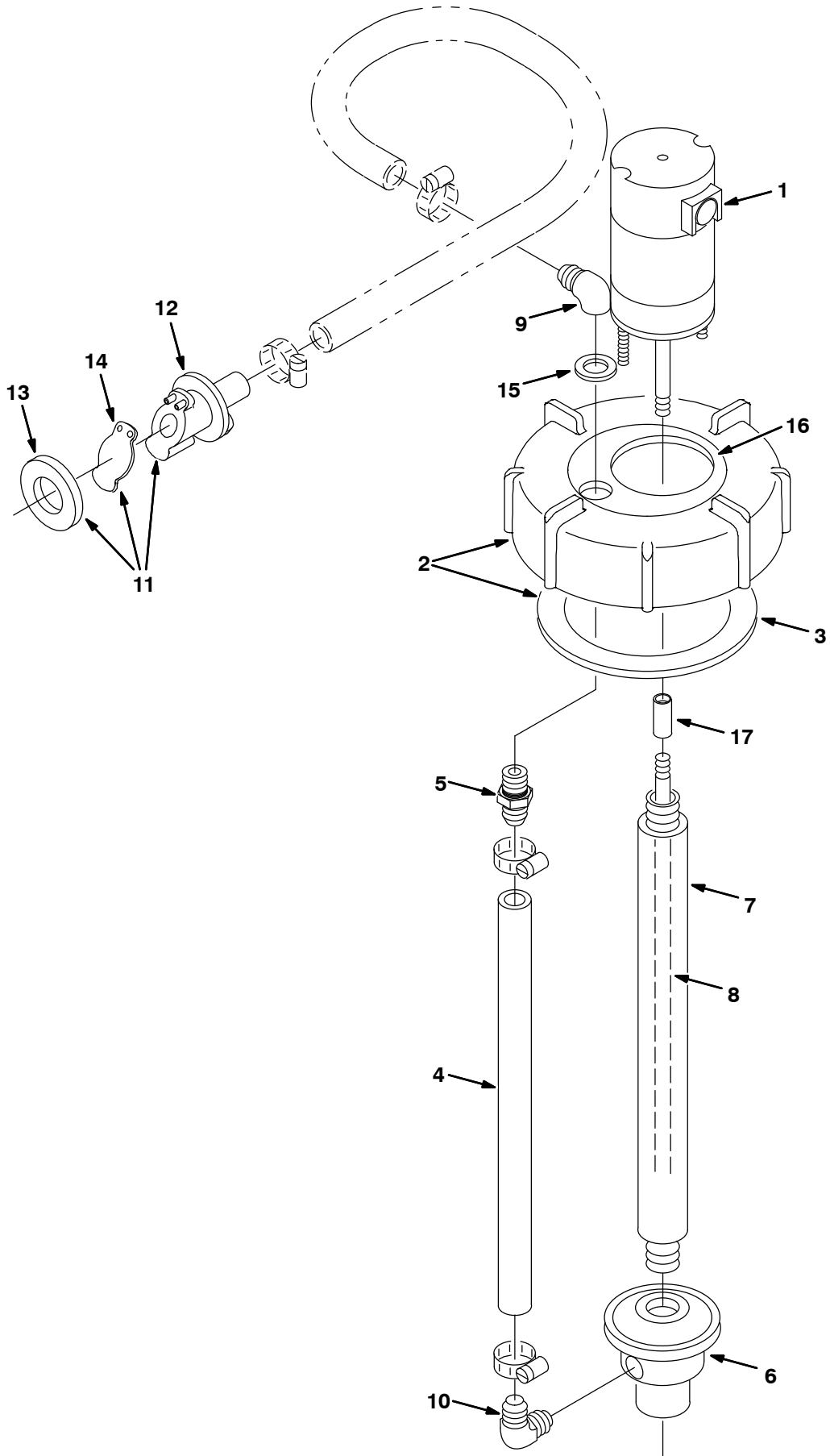


Fig. 1 - Extended Scrub Pump Breakdown, 1021210

	Ref.	Part No.	Serial Number	Description	Qty.
▽		1021210	(000000-) Pump Assy, Column, Es	1
▲▽	1	9002708	(000000-) Motor, Ele, 12vdc, Pump, Water	1
▲▲		78829	(000000-) Kit, Brush, Motor, Ele	1
▲▽	2	24358	(000000-) Cap Assy, Tank, Drain	1
▲▲	3	1031699	(000000-) Gasket, 4.05id 5.29od .19 [Buna]	1
▲	4	78833	(000000-) Tube, Vinyl, Pump, Water	1
▲	5	78398	(000000-) Fitting, Plstc, Str, Bm12/Pm08, Nyl	1
▲	6	78843	(000000-) Housing Kit, Pump, Water	1
▲	7	78836	(000000-) Column, Pump, Water	1
▲	8	9002709	(000000-) Shaft, Pump, Water	1
▲	9	78838	(000000-) Fitting, E, Gr	1
▲	10	78839	(000000-) Fitting, Plstc, E90, Pf Bm [Es Pump]	1
▲▽	11	78842	(000000-) Kit, Valve, Check, Pump, Water	1
▲▲	12	78840	(000000-) Valve, Check, Pump, Water	1
▲▲	13	73342	(000000-) Gasket, .25 1.88d 1.0id [Poron]	1
▲▲	14	78841	(000000-) Flapper, Valve, Pump, Water	1
▲	15	78830	(000000-) Washer, Rbr	1
▲	16	22790	(000000-) Insert, Cap, Mount, Es Pump	1
▲	17	23285	(000000-) Sleeve, Pump, Water	1

Fig. 2 - Hydraulic Motor Breakdown, 379609

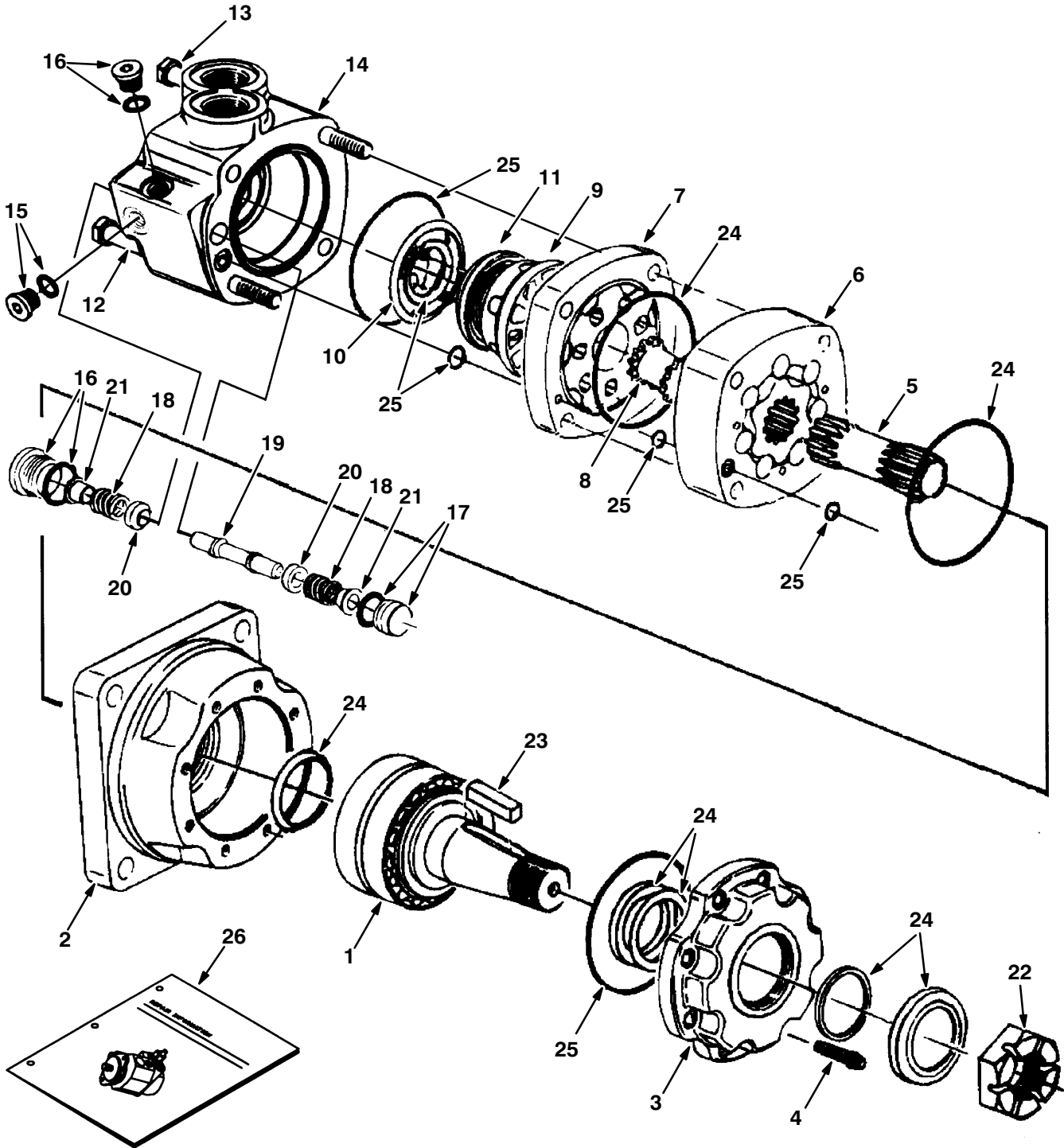


Fig. 2 – Hydraulic Motor Breakdown, 379609

	Ref.	Part No.	Serial Number	Description	Qty.
▽		379609	(000000-) Motor, Hyd, Gear, [Int], 19.0 X 3000	1
▲	1	74165	(000000-) Shaft, Motor, Hyd	1
▲	2	74166	(000000-) Housing, Brg, Motor, Hyd	1
▲	3	74167	(000000-) Retainer, Motor, Hyd	1
▲	4	74168	(000000-) Screw, Cap, Motor, Hyd	8
▲	5	37616	(000000-) Drive, Motor, Hyd	1
▲	6	37756	(000000-) Geroler, Motor, Hyd	1
▲	7	74122	(000000-) Plate, Valve, Motor, Hyd	1
▲	8	52405	(000000-) Valve, Motor, Hyd	1
▲	9	74123	(000000-) Valve, Motor, Hyd	1
▲	10	34178	(000000-) Spring, Motor, Hyd	2
▲	11	38968	(000000-) Ring, Motor, Hyd	1
▲	12	74125	(000000-) Bolt, Motor, Hyd	3
▲	13	38255	(000000-) Bolt, Motor, Hyd	1
▲	14	373297	(000000-) Housing, Valve	1
▲	15	373298	(000000-) Plug	1
▲	16	373260	(000000-) Plug, Pump, Hyd, Gear	2
▲	17	373299	(000000-) Plug	1
▲	18	373291	(000000-) Spring	2
▲	19	373217	(000000-) Piston, Pump, Hyd, Gear	1
▲	20	373226	(000000-) Poppet, Pump, Hyd, Gear	2
▲	21	373236	(000000-) Sleeve, Dashpo, Pump, Hyd, Gear	2
▲	22	45622	(000000-) Nut, Motor, Hyd	1
▲	23	45623	(000000-) Key, Motor, Hyd	1
▲	24	79828	(000000-) Kit, Seal, Motor, Hyd	1
▲	25	33580	(000000-) Kit, Seal, Motor, Hyd	1
	26	79729	(000000-) Instr, Repair, Motor, Hyd, Gear	1

Fig. 3 - Hydraulic Pump Breakdown, 1024251

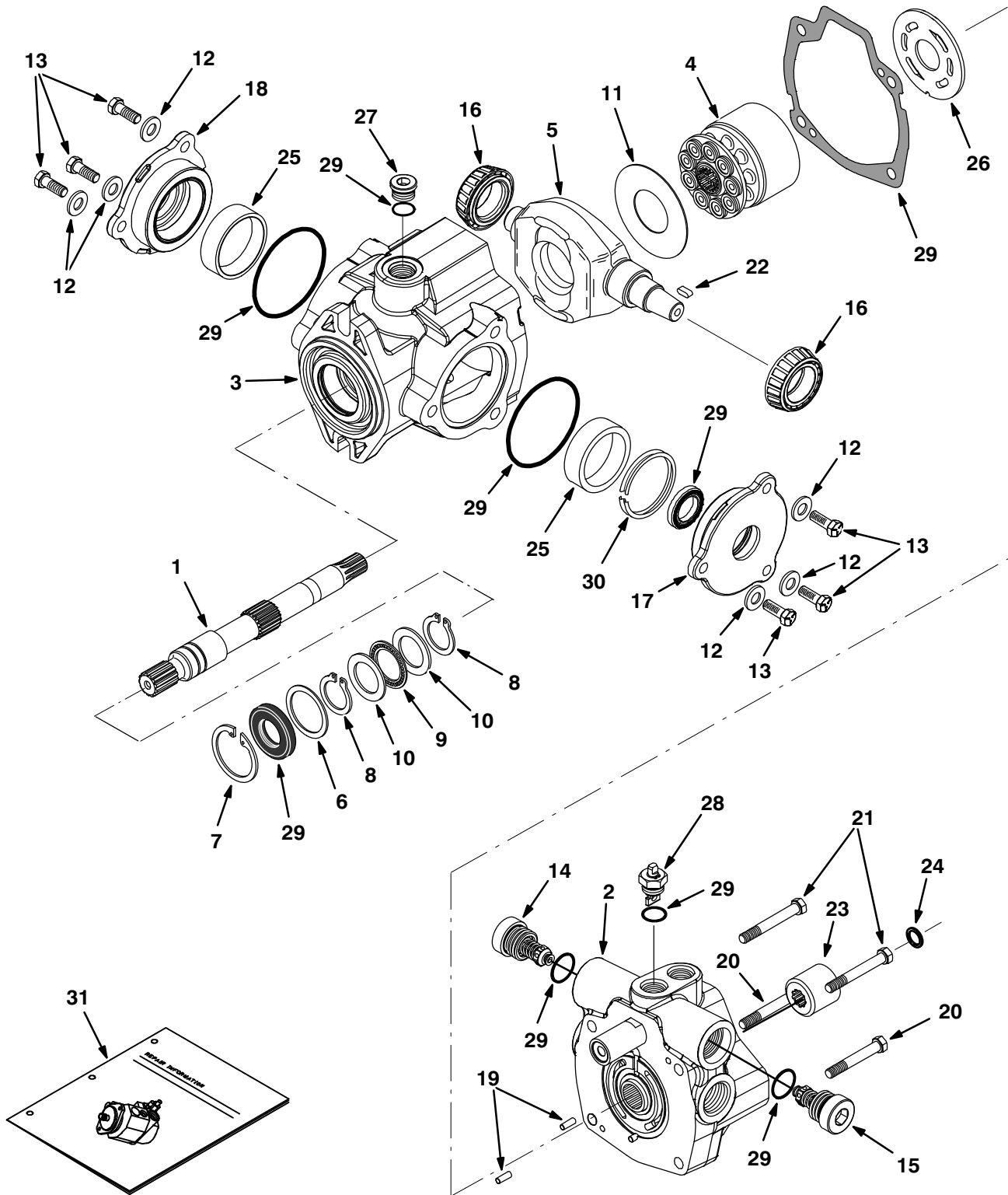
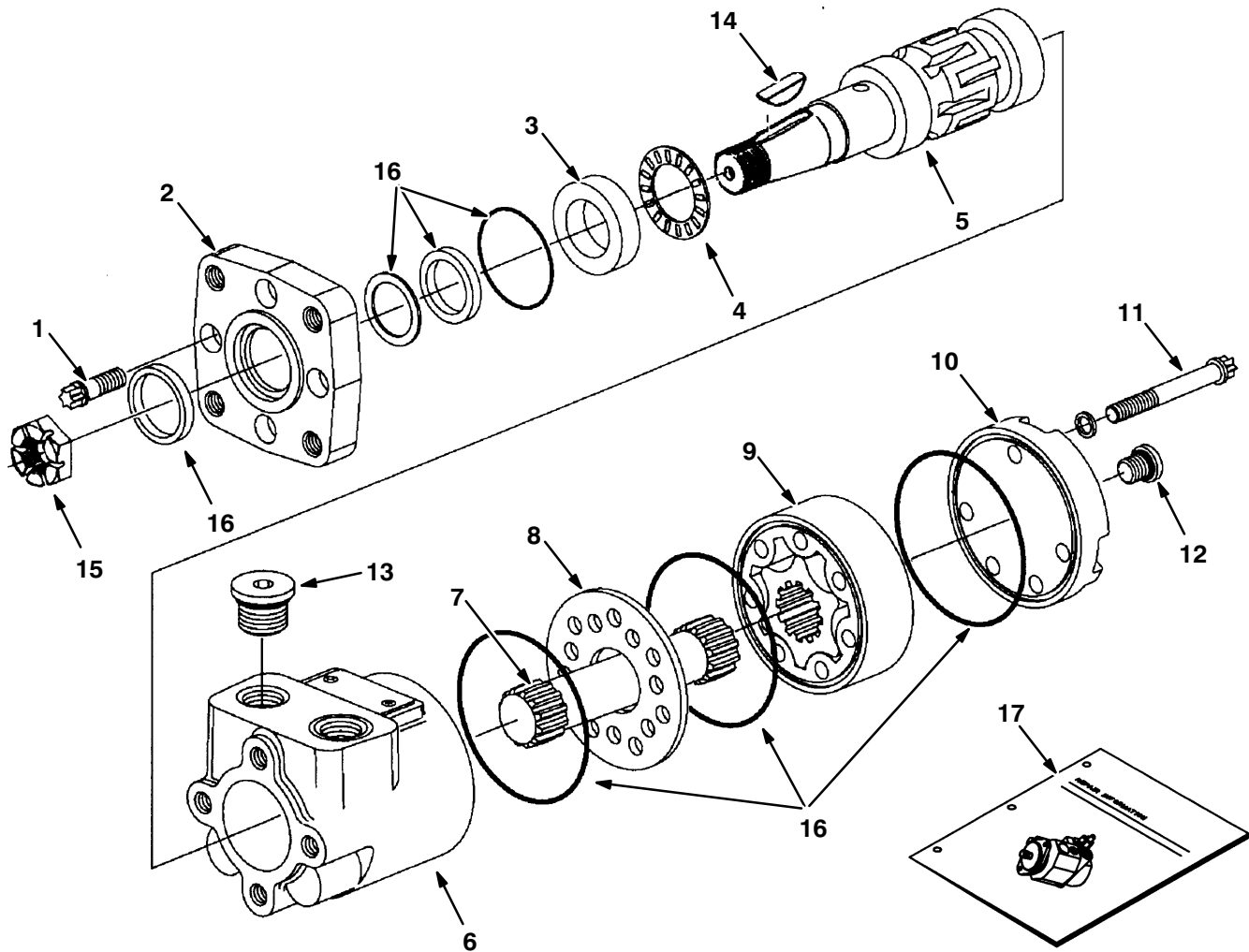


Fig. 3 – Hydraulic Pump Breakdown, 1024251

Ref.	Part No.	Serial Number	Description	Qty.	
▽	1024251	(000000–) Pump, Hyd, Piston, Var, 1.24 4000, Cw	1	
▲	1	373681	(000000–) Shaft, Pump	1
▲	2	373427	(000000–) Cover, End	1
▲	3	373389	(000000–) Housing	1
▲	4	02706	(000000–) Pump Kit, Hyd, Rotating [Cessna]	1
▲	5	373493	(000000–) Plate, Cam	1
▲	6	70096	(000000–) Washer, Flat, Pump, Hyd	1
▲	7	55926	(000000–) Ring, Retaining, Pump, Hyd	1
▲	8	373434	(000000–) Ring, Retaining	2
▲	9	74225	(000000–) Bearing, Thrust, Pump, Hyd	1
▲	10	74226	(000000–) Race, Brg, Pump, Hyd	2
▲	11	373327	(000000–) Insert, Plt, Cam, Pump, Hyd	1
▲	12	373391	(000000–) Washer, Pump, Hyd [En]	6
▲	13	373346	(000000–) Screw, Cap	6
▲	14	373494	(000000–) Valve, Relief, 4000 Psi	1
▲	15	373678	(000000–) Valve, Relief, 3000 Psi	1
▲	16	373317	(000000–) Bearing, Cone, Pump, Hyd	2
▲	17	373393	(000000–) Plate, Cover	1
▲	18	373394	(000000–) Plate, Cover	1
▲	19	70100	(000000–) Pin, Dowel, Pump, Hyd	2
▲	20	373347	(000000–) Screw, Cap	2
▲	21	373348	(000000–) Screw, Cap	2
▲	22	74237	(000000–) Key, Shaft, Pump, Hyd	1
▲	23	373679	(000000–) Coupler, Pump	1
▲	24	373680	(000000–) Ring, Lock	1
▲	25	373395	(000000–) Bearing, Cup	2
▲	26	74180	(000000–) Plate, Valve, Pump, Hyd	1
▲	27	13907	(000000–) Fitting, Hyd, Plug, Om08	1
▲	28	373413	(000000–) Actuator, Valve, By-Pass [En]	1
▲	29	373398	(000000–) Seal Kit, Pump, Hyd	1
▲	30	373402	(000000–) Shim Kit	1
	31	373429	(000000–) Instr, Repair, Pump	1

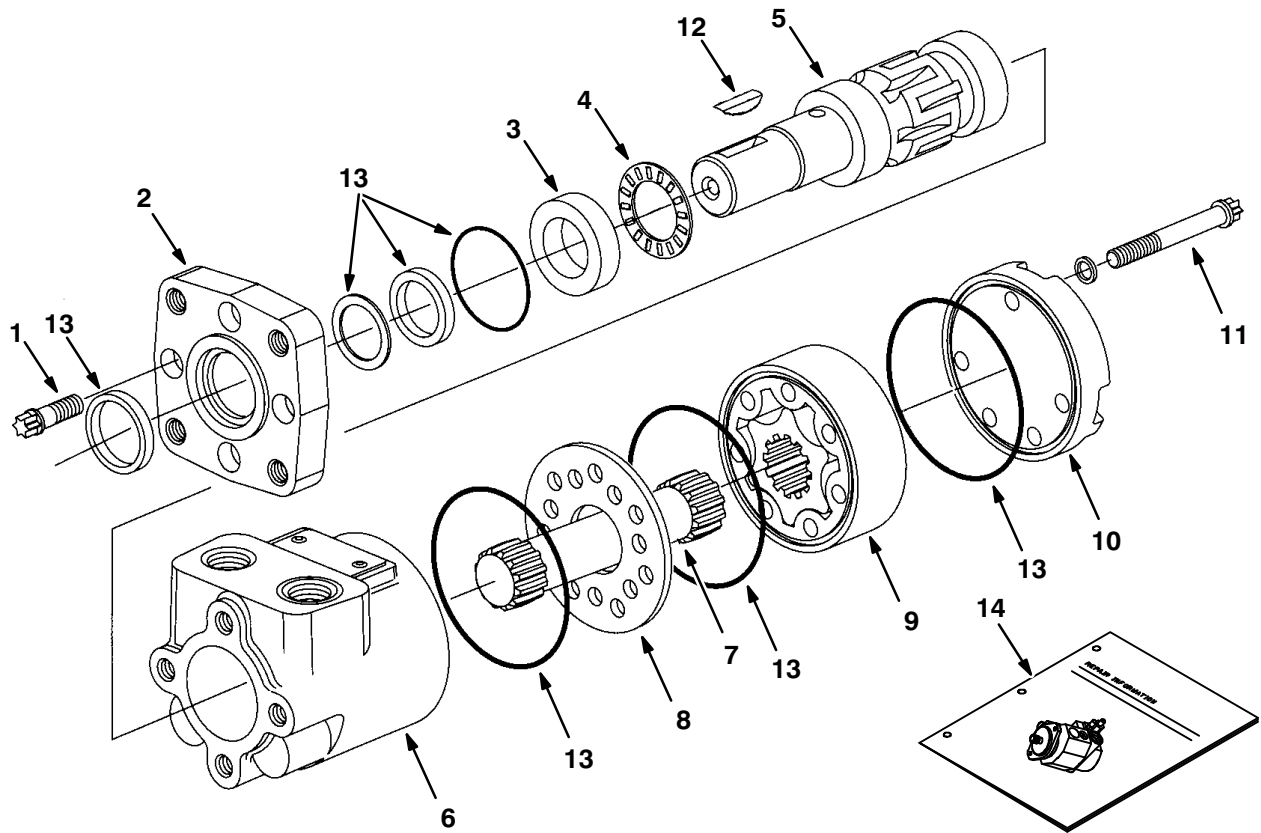
Fig. 4 – Hydraulic Motor Breakdown, 71729



09606-09670 – ALL

Ref.	Part No.	Serial Number	Description	Qty.
▽	71729	(000000-)	Motor, Hyd Gear In 4.5 B 1500	1
▲	1	37555	(000000-) Screw	4
▲	2	31354	(000000-) Flange Mounting	1
▲	3	16695	(000000-) Race Thrust	1
▲	4	45628	(000000-) Thrust Bearing	1
▲	5	31375	(000000-) Shaft, Output	1
▲	6	74100	(000000-) Housingl	1
▲	7	31379	(000000-) Drive	1
▲	8	74094	(000000-) Spacer Plate	1
▲	9	31383	(000000-) Gerotor Set	1
▲	10	74095	(000000-) End Cap	1
▲	11	65241	(000000-) Cap Screw	5
▲	12	74098	(000000-) Plug #4	1
▲	13	74099	(000000-) Plug #10	2
▲	14	00500-15	(000000-) Key-Wdruff 0.25 1.00	1
▲	15	39527	(000000-) Nut-Hxslot .75-16 Pltd	1
▲	16	61490	(000000-) Seal Replmt Kit	1
▲	17	74250	(000000-) Instr. Repair Info, Motor	1

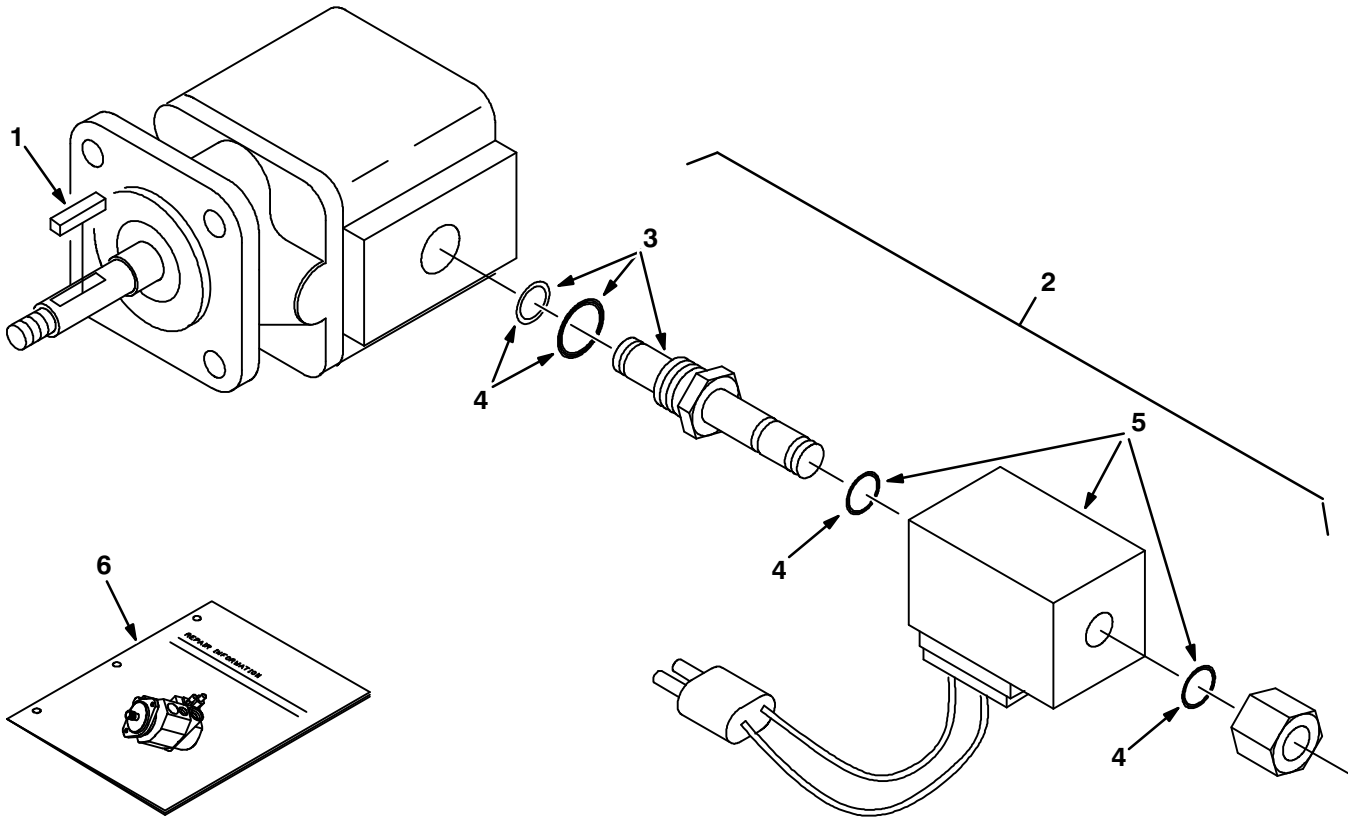
Fig. 5 - Hydraulic Motor Breakdown, 1029379



10859-09670 - ALL

Ref.	Part No.	Serial Number	Description	Qty.	
▽	1029379	(000000-) Motor, Hyd, Gear, Int 08.9 Bi-Dir 2500	1	
▲	1	37555	(000000-) Screw, Motor, Hyd [En]	4
▲	2	31354	(000000-) Flange, Motor, Hyd [En]	1
▲	3	16695	(000000-) Ace, Thrust, Motor, Hyd [En]	1
▲	4	45628	(000000-) Bearing, Thrust	1
▲	5	28854	(000000-) Shaft, Output, Motor, Hyd [En]	1
▲	6	74100	(000000-) Housing, Motor, Hyd [En]	1
▲	7	21955	(000000-) Drive [CI]	1
▲	8	74094	(000000-) Plate, Spacer, Motor, Hyd [En]	1
▲	9	21956	(000000-) Gerotor Set [CI]	1
▲	10	65230	(000000-) End Cap, Motor, Hyd [En]	1
▲	11	21958	(000000-) Cap Screw CI	5
▲	12	00500-15	(000000-) Key, Woodruff, 0.25 1.00 [Asa#0808]	1
▲	13	61490	(000000-) Seal Kit, Motor [CI]	1
▲	14	74250	(000000-) Instr, Motor, Hyd, Repair [En]	1

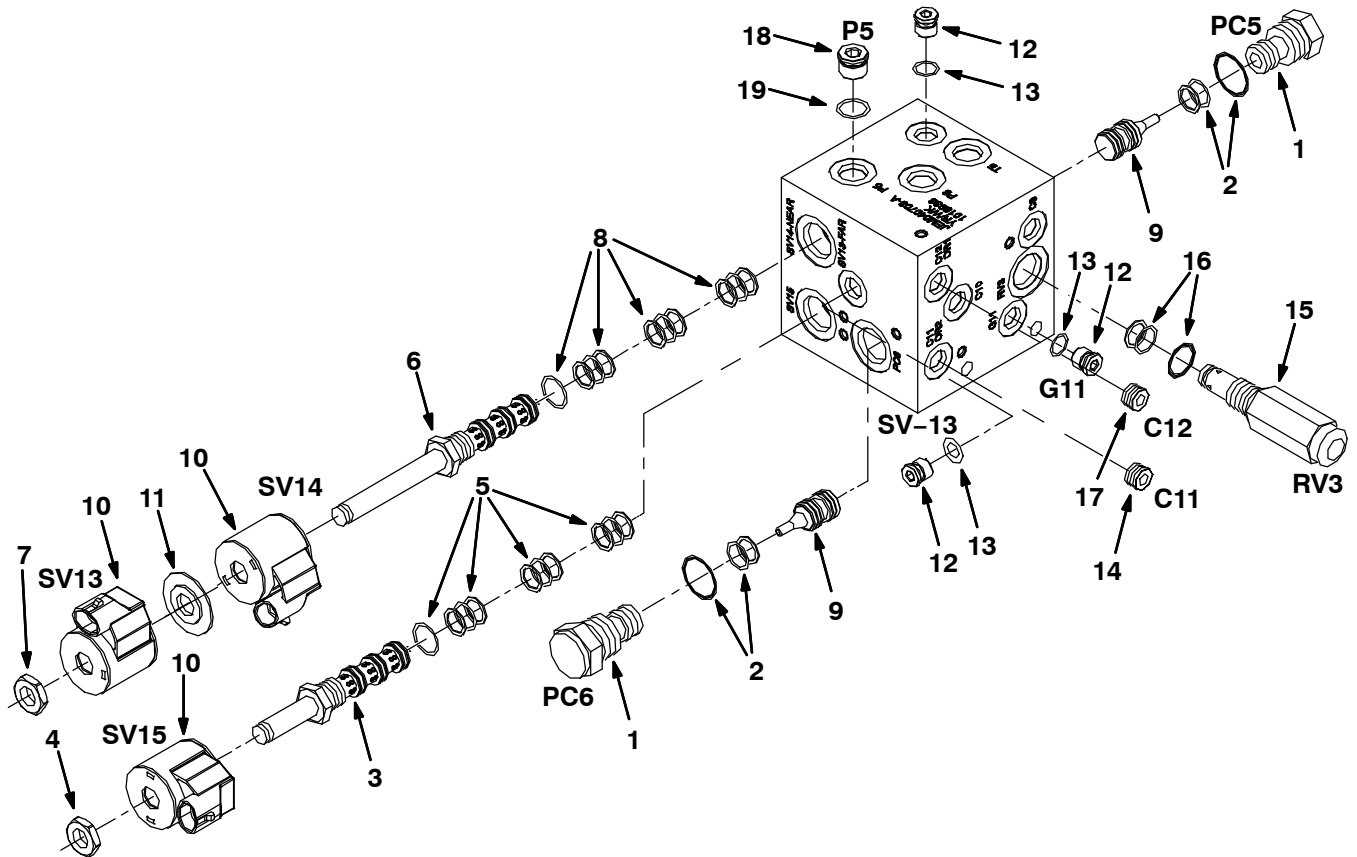
Fig. 6 – Hydraulic Motor Breakdown, 53485



07490 – 09670

Ref.	Part No.	Serial Number	Description	Qty.
▽	53485	(000000–) Motor, Hyd, Gear, Ext 0.19 Rh 3000	1
▲	74233	(000000–) Kit, Seal, Motor, Hyd, Gear[Barns]	1
▲	1 00966	(000000–) Key, Sq, 0.12 X 0.12, 0.75l	1
▲▽	2 54095	(000000–) Valve, Hyd Cartridge 10no/-0	1
▲▲	3 59378	(000000–) Valve Stem, N.O.Valve, Hyd	1
▲▲	4 48813	(000000–) Kit, Seal, Valve, Hyd [Cec]	1
▲▲	5 35493	(000000–) Solenoid, 12v, Valve, Hyd [Cec]	1
	6 IB3614	(000000–) Instr, Seal Kit, Motor	1

Fig. 7 – Hydraulic Valve Breakdown, 1018936



ALL

Ref.	Part No.	Serial Number	Description	Qty.	
▽	1018936	(000000–) Valve, Cntrl, Hyd [M20]	1	
▲▽	1	373656	(000000–) Valve, Check	2
▲▲	2	373647	(000000–) Seal Kit, Cartridge	1
▲▽	3	373657	(000000–) Stem, Valve, Hyd, 4w2p	1
▲▲	4	373648	(000000–) Nut, Coil, F/#8	1
▲▲	5	373647	(000000–) Seal Kit, Cartridge	1
▲▽	6	373637	(000000–) Valve, Cntrl, Solenoid	1
▲▲	7	373648	(000000–) Nut, Coil, F/#8	1
▲▲	8	373647	(000000–) Seal Kit, Cartridge	1
▲	9	373658	(000000–) Spool, Pilot, Hyd	2
▲	10	373640	(000000–) Solenoid, #8, 12vdc	3
▲	11	373639	(000000–) Spacer, Coil, #8	1
▲▽	12	74098	(000000–) Fitting, Hyd, Plug, Om04	3
▲▲	13	77003	(000000–) Seal, Org, .072 X 00.35id #04	1
▲	14	373633	(000000–) Vr, Plug, Orifice, Valve, Hyd, .040	1
▲▽	15	373659	(000000–) Valve, Hyd, Relief	1
▲▲	16	373647	(000000–) Seal Kit, Cartridge	1
▲	17	373660	(000000–) Plug, Orifice, Valve, Hyd, .030	1
▲▽	18	13904	(000000–) Fitting, Plug, Org, #6, Valve [Cec]	1
▲▲	19	77005	(000000–) Seal, Org, .078 X 00.47id #06	1

Fig. 8 - Hydraulic Valve Breakdown, 1018938

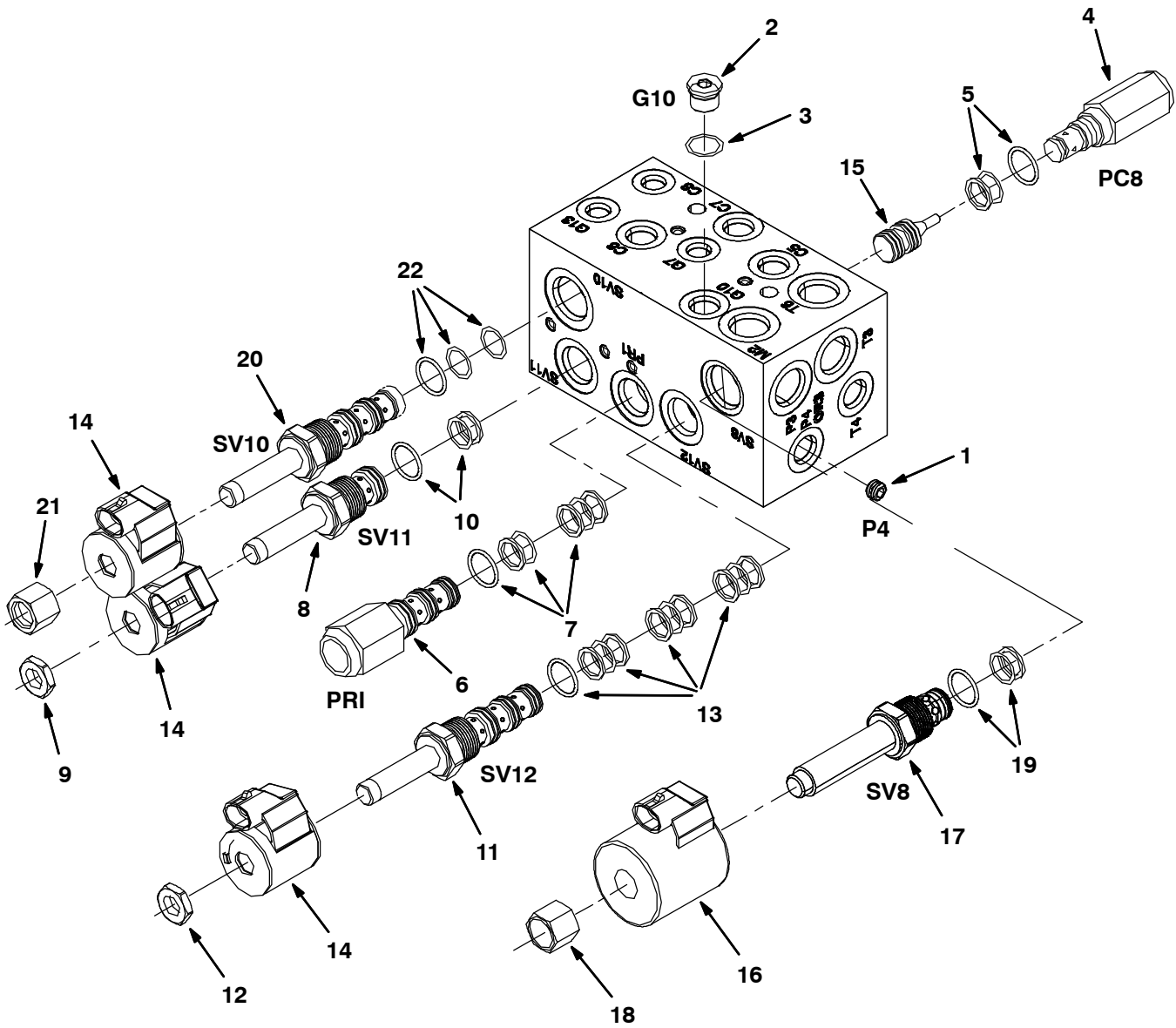


Fig. 8 - Hydraulic Valve Breakdown, 1018938

	Ref.	Part No.	Serial Number	Description	Qty.
▽		1018938	(000000-) Valve, Cntrl, Hyd [M20 And T20] (Replaced by 1037805)	1
▲	1	373633	(000000-) Plug, Orifice, Valve, Hyd, .040	1
▲▽	2	13904	(000000-) Fitting, Plug, Org, #6, Valve [Cec]	1
▲▲	3	77005	(000000-) Seal, Org, .078 X 00.47id #06	1
▲▽	4	373656	(000000-) Valve, Check	1
▲▲	5	373647	(000000-) Seal Kit, Cartridge	1
▲▽	6	373661	(000000-) Valve, Relief	1
▲▲	7	373647	(000000-) Seal Kit, Cartridge	1
▲▽	8	373662	(000000-) Stem, Valve, Hyd	1
▲▲	9	373648	(000000-) Nut, Coil, F/#8	1
▲▲	10	373647	(000000-) Seal Kit, Cartridge	1
▲▽	11	373657	(000000-) Stem, Valve, Hyd, 4w2p	1
▲▲	12	373648	(000000-) Nut, Coil, F/#8	1
▲▲	13	373647	(000000-) Seal Kit, Cartridge	1
▲	14	373640	(000000-) Solenoid, #8, 12vdc	3
▲	15	373658	(000000-) Spool, Pilot, Hyd	1
▲	16	373642	(000000-) Solenoid, #10, 12vdc	1
▲▽	17	373663	(000000-) Valve, Stem, No	1
▲▲	18	373670	(000000-) Nut, Solenoid	1
▲▲	19	373646	(000000-) Seal Kit, Cartridge	1
▲▽	20	373664	(000000-) Cartridge, Psi Cntrl, Valve, Hyd	1
▲▲	21	373673	(000000-) Nut, Solenoid	1
▲▲	22	373672	(000000-) Seal Kit, Cartridge	1

Fig. 9 - Hydraulic Valve Breakdown, 1037805

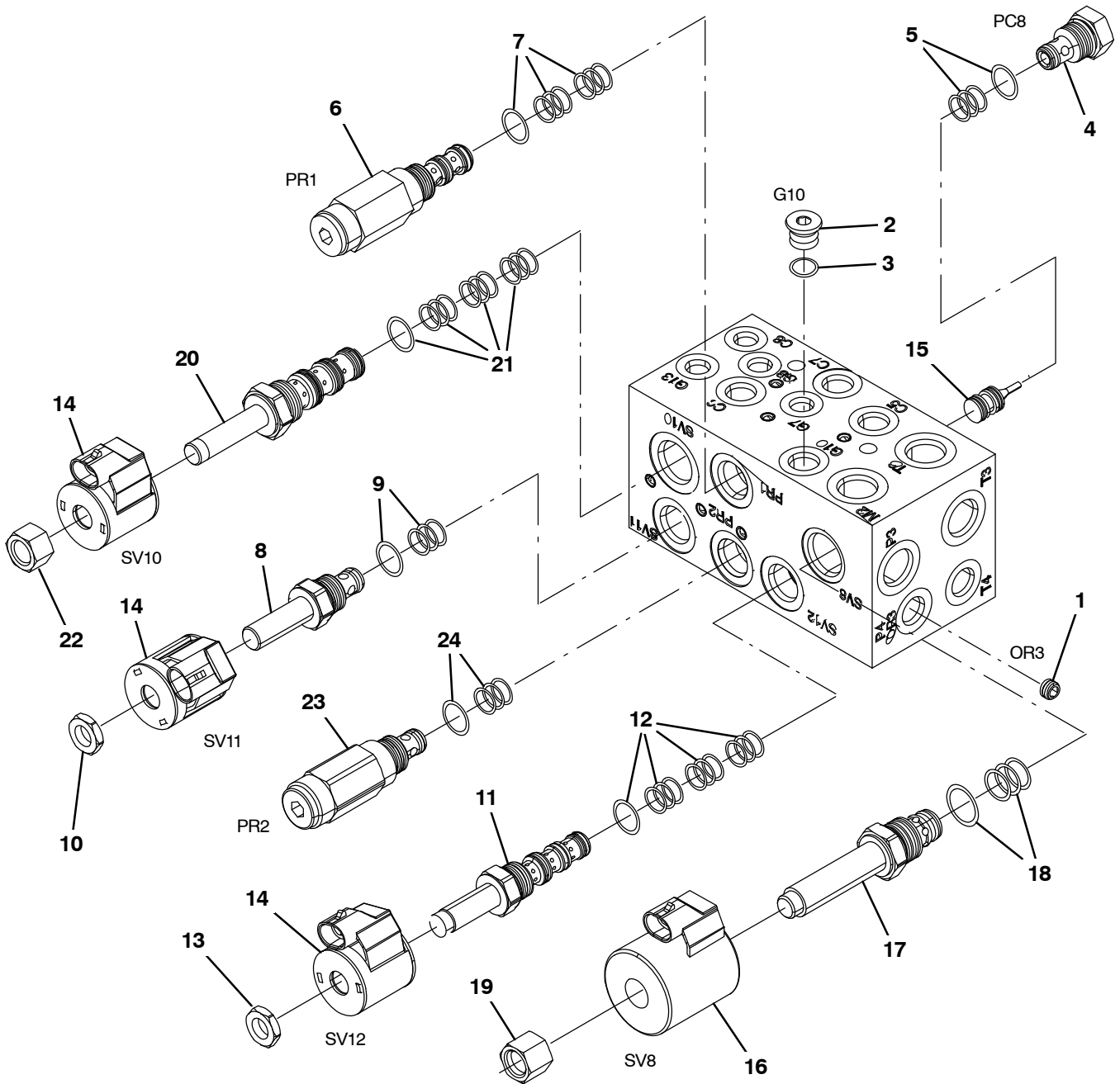


Fig. 9 – Hydraulic Valve Breakdown, 1037805

Ref.	Part No.	Serial Number	Description	Qty.
▽	1037805	(000000–) Valve, Cntrl, Hyd, Solenoid, 03/16gpm	1
▲	1 373633	(000000–) Plug, Orifice, Valve, Hyd, .040	1
▲▽	2 13904	(000000–) Fitting, Plug, Org, #6, Valve [Cec]	1
▲▲	3 77005	(000000–) Seal, Org, .078 X 00.47id 06	1
▲▽	4 373656	(000000–) Valve, Check	1
▲▲	5 373647	(000000–) Seal Kit, Cartridge	1
▲▽	6 373661	(000000–) Valve, Relief	1
▲▲	7 373647	(000000–) Seal Kit, Cartridge	1
▲▽	8 373662	(000000–) Stem, Valve, Hyd	1
▲▲	9 373647	(000000–) Seal Kit, Cartridge	1
▲▲	10 373648	(000000–) Nut, Coil, Nyl Patch	1
▲▽	11 373657	(000000–) Stem, Valve, Hyd [4w2p]	1
▲▲	12 373647	(000000–) Seal Kit, Cartridge	1
▲▲	13 373648	(000000–) Nut, Coil, F/#8	1
▲	14 373640	(000000–) Solenoid, #8, 12vdc	3
▲	15 373658	(000000–) Spool, Pilot, Hyd	1
▲	16 373642	(000000–) Solenoid, #10, 12vdc	1
▲▽	17 373663	(000000–) Valve, Stem, No	1
▲▲	18 373646	(000000–) Seal Kit, Cartridge	1
▲▲	19 373670	(000000–) Nut, Solenoid	1
▲▽	20 373664	(000000–) Cartridge, Psi Cntrl, Valve, Hyd	1
▲▲	21 373672	(000000–) Seal Kit, Cartridge	1
▲▲	22 373673	(000000–) Nut, Solenoid	1
▲▽	23 373683	(000000–) Valve, Relief	1
▲▲	24 373647	(000000–) Seal Kit, Cartridge	1

Fig. 10 – Hydraulic Valve Breakdown, 1072997

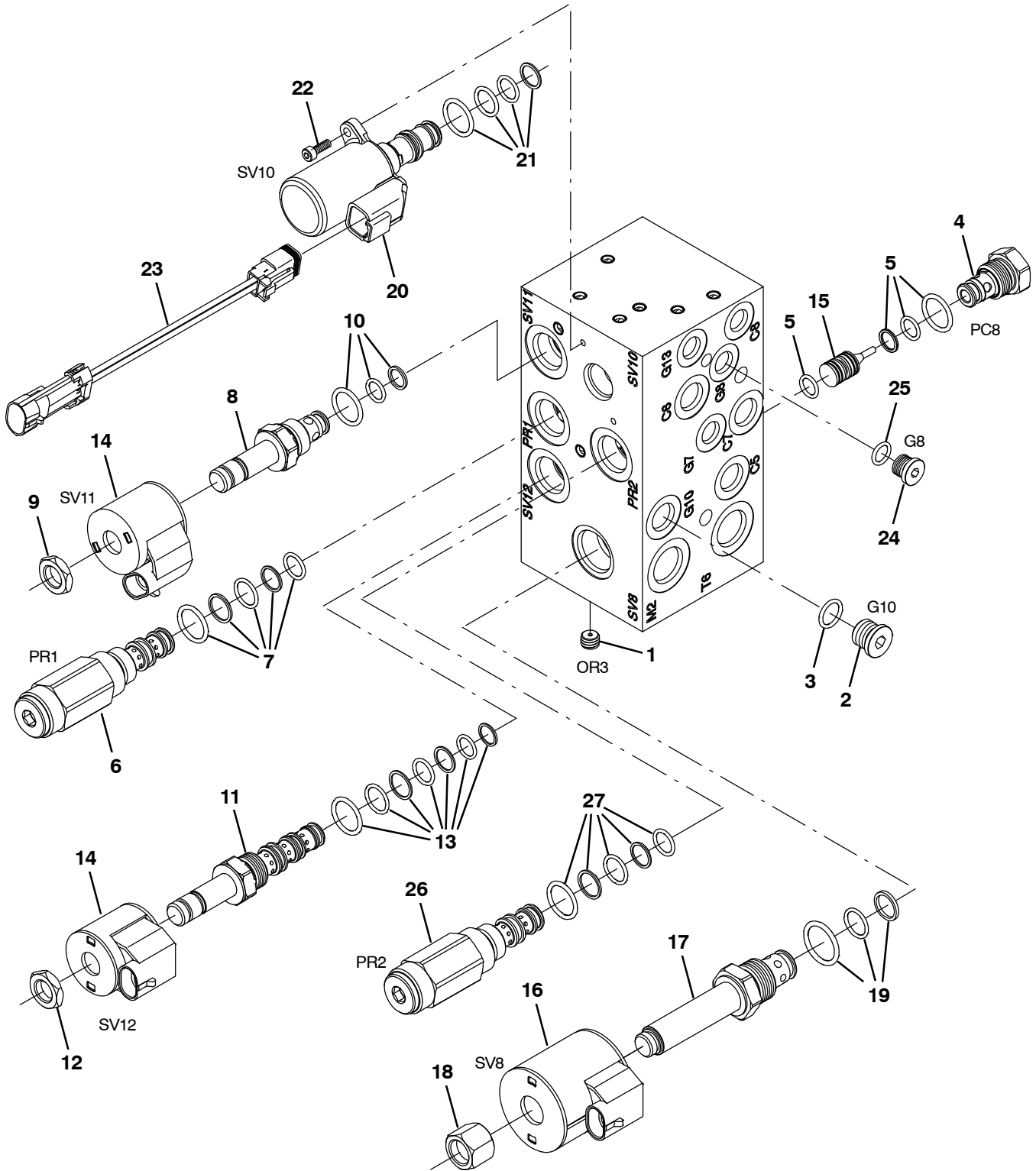


Fig. 10 - Hydraulic Valve Breakdown, 1072997

Ref.	Part No.	Serial Number	Description	Qty.
▽	1072997	(000000-) Valve, Cntrl, Hyd, Solenoid, 03/16gpm	1
▲	1 373633	(000000-) Plug, Orifice, Valve, Hyd, .040	1
▲▽	2 13904	(000000-) Fitting, Plug, Org, #6, Valve [Cec]	1
▲▲	3 77005	(000000-) Seal, Org, .078 X 00.47id 06	1
▲▽	4 373656	(000000-) Valve, Check	1
▲▲	5 373647	(000000-) Seal Kit, Cartridge	1
▲▽	6 373661	(000000-) Valve, Relief	1
▲▲	7 373647	(000000-) Seal Kit, Cartridge	1
▲▽	8 373662	(000000-) Stem, Valve, Hyd	1
▲▲	9 373648	(000000-) Nut, Coil, Nyl Patch	1
▲▲	10 373647	(000000-) Seal Kit, Cartridge	1
▲▽	11 373657	(000000-) Stem, Valve, Hyd [4w2p]	1
▲▲	12 373648	(000000-) Nut, Coil, F/#8	1
▲▲	13 373647	(000000-) Seal Kit, Cartridge	1
▲	14 373640	(000000-) Solenoid, #8, 12vdc	3
▲	15 373658	(000000-) Spool, Pilot, Hyd	1
▲	16 373642	(000000-) Solenoid, #10, 12vdc	1
▲▽	17 373663	(000000-) Valve, Stem, No	1
▲▲	18 373670	(000000-) Nut, Solenoid	1
▲▲	19 373646	(000000-) Seal Kit, Cartridge	1
▲▽	20 9011347	(000000-) Valve Assy [Proportional]	1
▲▲	21 9011343	(000000-) Seal Kit, Valve [Ehpr98]	1
▲▲	22 9011345	(000000-) Screw, Mtg [Ehpr98]	2
▲▲	23 9011346	(000000-) Harness, Jumper [Deutsch To Mpack]	1
▲▽	24 13904	(000000-) Fitting, Plug, Org, #6, Valve [Cec]	1
▲▲	25 77005	(000000-) Seal, Org, .078 X 00.47id 06	1
▲▽	26 373683	(000000-) Valve, Relief	1
▲▲	27 373647	(000000-) Seal Kit, Cartridge	1

Fig. 11 - Hydraulic Valve Breakdown, 1020394

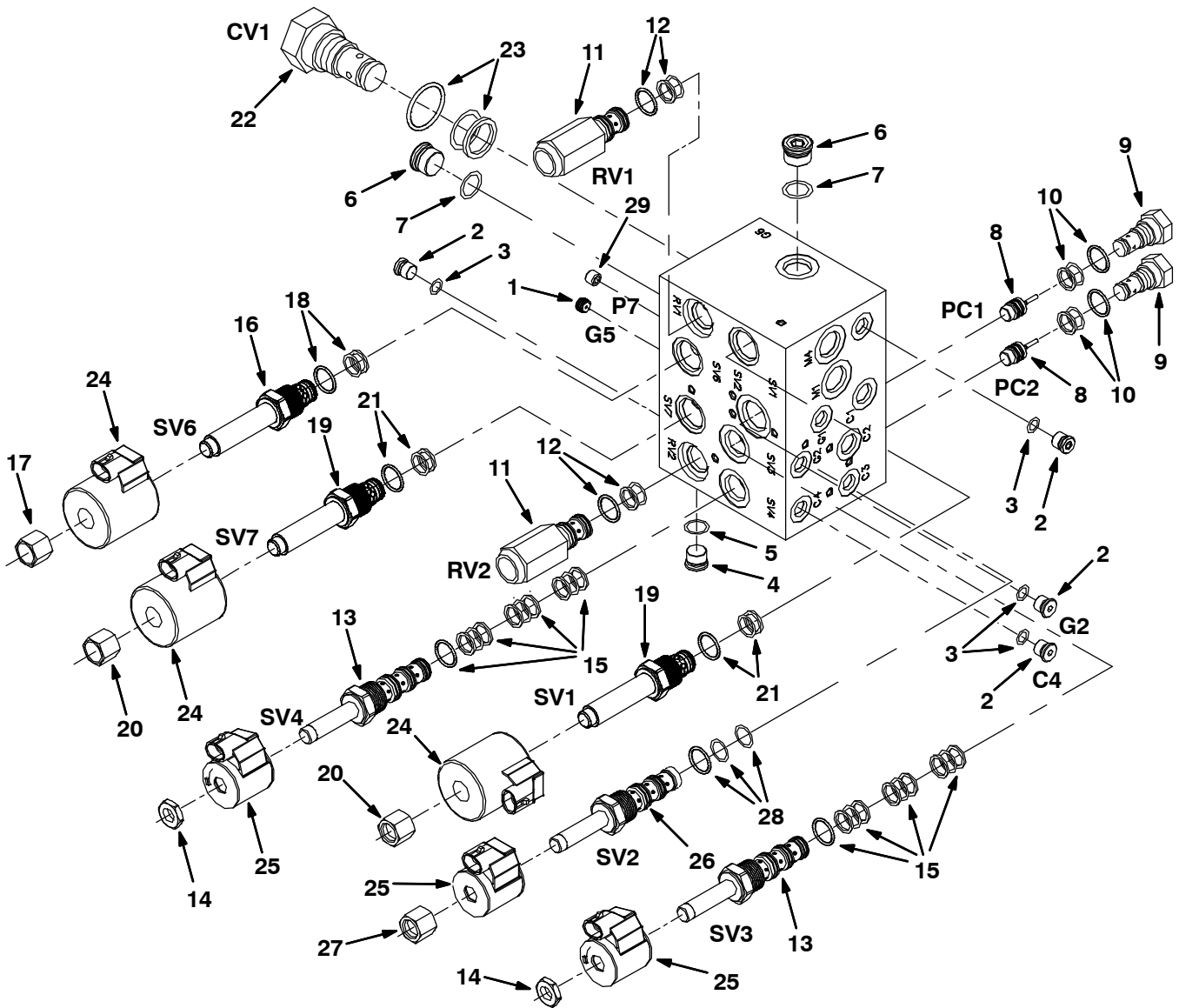


Fig. 11 – Hydraulic Valve Breakdown, 1020394

	Ref.	Part No.	Serial Number	Description	Qty.
▽		1020394	(000000–) Valve, Cntrl, Hyd	1
▲	1	373665	(000000–) Plug, Orifice, Valve, Hyd, .046	1
▲▽	2	74098	(000000–) Fitting, Hyd, Plug, Om04	4
▲▲	3	77003	(000000–) Seal, Org, .072 X 00.35id #04	1
▲▽	4	13904	(000000–) Fitting, Plug, Org, #6, Valve [Cec]	1
▲▲	5	77005	(000000–) Seal, Org, .078 X 00.47id #06	1
▲▽	6	13907	(000000–) Fitting, Hyd, Plug, Om08	2
▲▲	7	77006	(000000–) Seal, Org, .087 X 00.64id #08	2
▲	8	373658	(000000–) Spool, Pilot, Hyd	2
▲▽	9	373631	(000000–) Valve, Check	2
▲▲	10	373647	(000000–) Seal Kit, Cartridge	1
▲▽	11	373666	(000000–) Valve, Relief	2
▲▲	12	373647	(000000–) Seal Kit, Cartridge	1
▲▽	13	373657	(000000–) Stem, Valve, Hyd, 4w2p	2
▲▲	14	373648	(000000–) Nut, Coil, F/#8	1
▲▲	15	373647	(000000–) Seal Kit, Cartridge	1
▲▽	16	373667	(000000–) Stem, Valve, Hyd	1
▲▲	17	373648	(000000–) Nut, Coil, F/#8	1
▲▲	18	373646	(000000–) Seal Kit, Cartridge	1
▲▽	19	373663	(000000–) Valve, Stem, No	2
▲▲	20	373670	(000000–) Nut, Solenoid	1
▲▲	21	373646	(000000–) Seal Kit, Cartridge	1
▲▽	22	373668	(000000–) Valve, Check	1
▲▲	23	373671	(000000–) Seal Kit, Cartridge	1
▲	24	373642	(000000–) Solenoid, #10, 12vdc	3
▲	25	373640	(000000–) Solenoid, #8, 12vdc	3
▲▽	26	373664	(000000–) Cartridge, Psi Cntrl, Valve, Hyd	1
▲▲	27	373673	(000000–) Nut, Solenoid	1
▲▲	28	373672	(000000–) Seal Kit, Cartridge	1
▲	29	373669	(000000–) Plug, Orifice, Valve, Hyd, .063	1

Fig. 12 – Hydraulic Valve Breakdown, 1038566

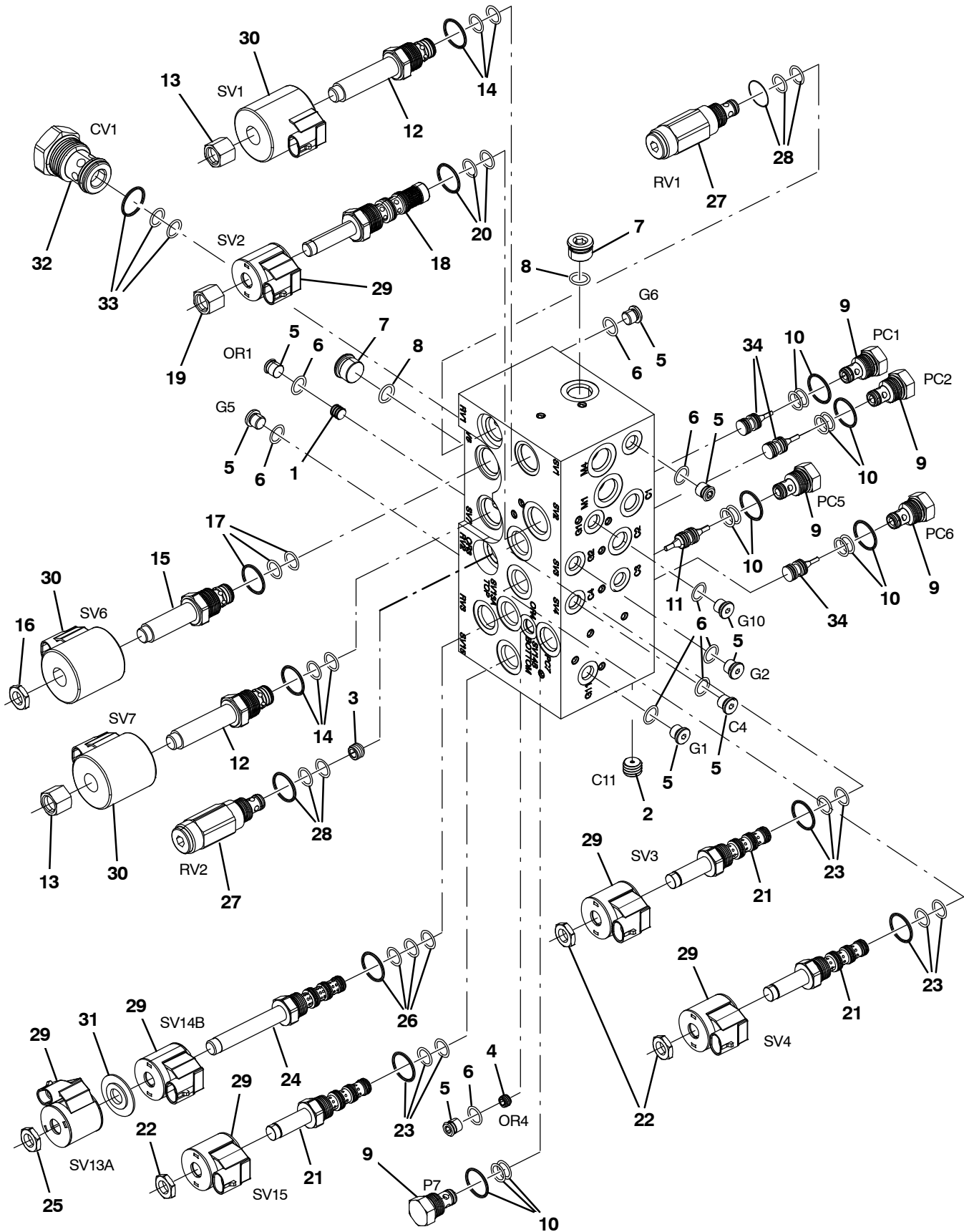


Fig. 12 - Hydraulic Valve Breakdown, 1038566

Ref.	Part No.	Serial Number	Description	Qty.
▽	1038566	(000000-) Valve, Hyd, Solenoid, 12vdc	1
▲	1 373665	(000000-) Plug, Orifice, Valve, Hyd, .046	1
▲	2 373633	(000000-) Plug, Orifice, Valve, Hyd, .040	1
▲	3 9004475	(000000-) Plug Orifice, Valve, Hyd, .140	1
▲	4 373660	(000000-) Plug, Orifice, Valve, Hyd, .030	1
▲▽	5 74098	(000000-) Fitting, Hyd, Plug, Om04	9
▲▲	6 77003	(000000-) Seal, Org, .072 X 00.35id #04	1
▲▽	7 13904	(000000-) Fitting, Plug, Org, #6, Valve [Cec]	2
▲▲	8 77005	(000000-) Seal, Org, .078 X 00.47id #06	1
▲▽	9 373656	(000000-) Valve, Check	5
▲▲	10 373647	(000000-) Seal Kit, Cartridge	1
▲	11 373688	(000000-) Spool, Pilot, Dual, Hyd	1
▲▽	12 373663	(000000-) Valve, Stem, No	2
▲▲	13 373670	(000000-) Nut, Solenoid	1
▲▲	14 373671	(000000-) Seal Kit, Cartridge	1
▲▽	15 373667	(000000-) Stem, Valve, Hyd	1
▲▲	16 373648	(000000-) Nut, Coil, F/#8	1
▲▲	17 373671	(000000-) Seal Kit, Cartridge	1
▲▽	18 373664	(000000-) Cartridge, Psi Cntrl, Valve, Hyd	1
▲▲	19 373673	(000000-) Nut, Solenoid	1
▲▲	20 373672	(000000-) Seal Kit, Cartridge	1
▲▽	21 373657	(000000-) Stem, Valve, Hyd [4w2p]	3
▲▲	22 373648	(000000-) Nut, Coil, F/#8	1
▲▲	23 373647	(000000-) Seal Kit, Cartridge	1
▲▽	24 373637	(000000-) Valve, Cntrl, Solenoid	1
▲▲	25 373684	(000000-) Nut, Coil, Nyl Patch	2
▲▲	26 373671	(000000-) Seal Kit, Cartridge	1
▲▽	27 373666	(000000-) Valve, Relief	2
▲▲	28 373647	(000000-) Seal Kit, Cartridge	1
▲	29 373640	(000000-) Solenoid, #8, 12vdc	6
▲	30 373642	(000000-) Solenoid, #10, 12vdc	3
▲	31 373639	(000000-) Spacer, Coil, #8	1
▲▽	32 373668	(000000-) Valve, Check	1
▲▲	33 373671	(000000-) Seal Kit, Cartridge	1
▲	34 373658	(000000-) Spool, Pilot, Hyd	3

Fig. 13 – Hydraulic Valve Breakdown, 1072995

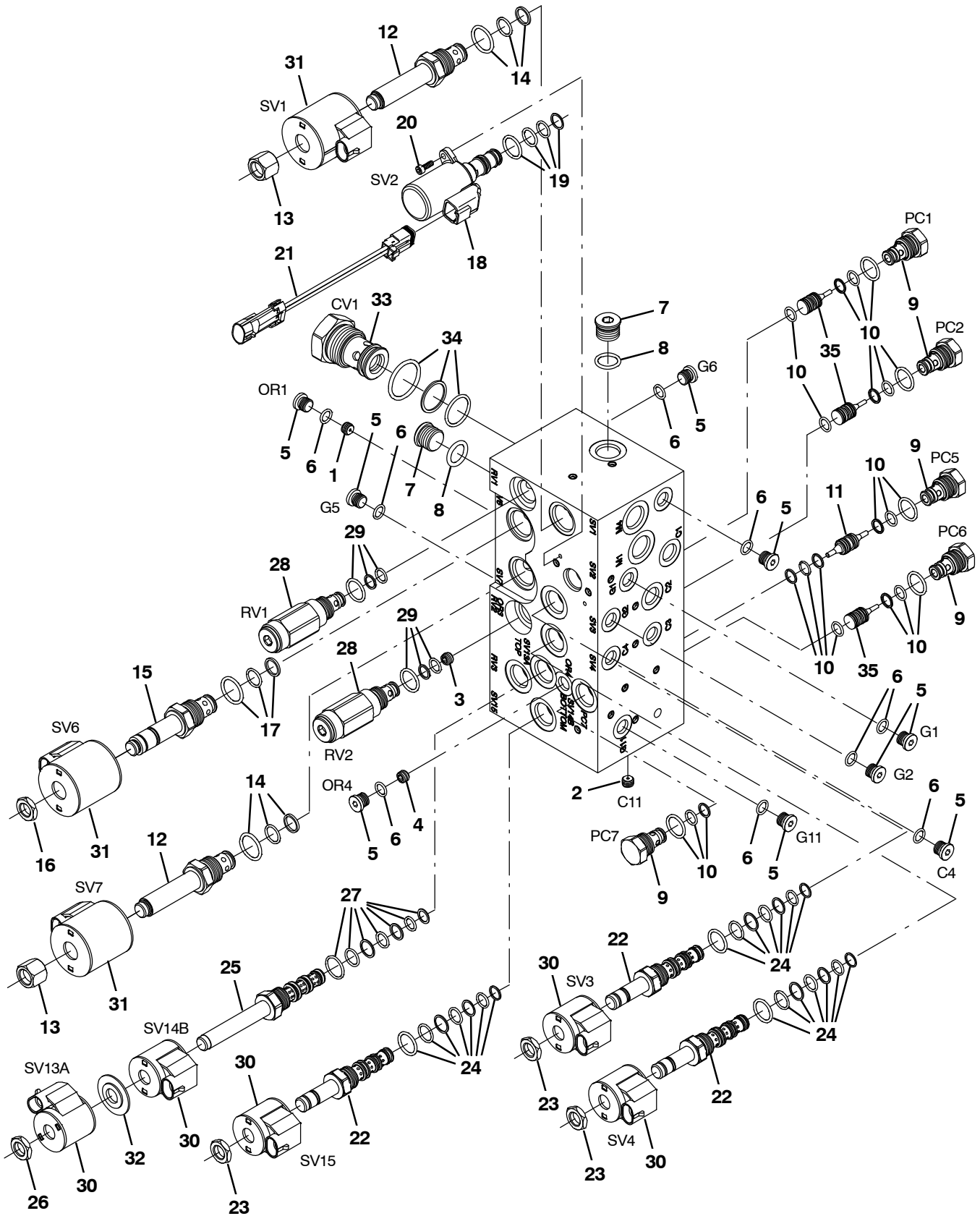


Fig. 13 – Hydraulic Valve Breakdown, 1072995

Ref.	Part No.	Serial Number	Description	Qty.
▽	1072995	(000000–) Valve, Cntrl, Hyd, Solenoid, 12vdc 10gpm	1
▲	1 373665	(000000–) Plug, Orifice, Valve, Hyd, .046	1
▲	2 373633	(000000–) Plug, Orifice, Valve, Hyd, .040	1
▲	3 9004475	(000000–) Plug Orifice, Valve, Hyd, .140	1
▲	4 373660	(000000–) Plug, Orifice, Valve, Hyd, .030	1
▲▽	5 74098	(000000–) Fitting, Hyd, Plug, Om04	9
▲▲	6 77003	(000000–) Seal, Org, .072 X 00.35id #04	1
▲▽	7 13904	(000000–) Fitting, Plug, Org, #6, Valve [Cec]	2
▲▲	8 77005	(000000–) Seal, Org, .078 X 00.47id #06	1
▲▽	9 373656	(000000–) Valve, Check	5
▲▲	10 373647	(000000–) Seal Kit, Cartridge	1
▲	11 373688	(000000–) Spool, Pilot, Dual, Hyd	1
▲▽	12 373663	(000000–) Valve, Stem, No	2
▲▲	13 373670	(000000–) Nut, Solenoid	1
▲▲	14 373671	(000000–) Seal Kit, Cartridge	1
▲▽	15 373667	(000000–) Stem, Valve, Hyd	1
▲▲	16 373648	(000000–) Nut, Coil, F/#8	1
▲▲	17 373671	(000000–) Seal Kit, Cartridge	1
▲▽	18 9011347	(000000–) Valve Assy [Proportional]	1
▲▲	19 9011343	(000000–) Seal Kit, Valve [Ehpr98]	1
▲▲	20 9011345	(000000–) Screw, Mtg [Ehpr98]	2
▲▲	21 9011346	(000000–) Harness, Jumper [Deutsch To Mpack]	1
▲▽	22 373657	(000000–) Stem, Valve, Hyd [4w2p]	3
▲▲	23 373648	(000000–) Nut, Coil, F/#8	1
▲▲	24 373647	(000000–) Seal Kit, Cartridge	1
▲▽	25 373637	(000000–) Valve, Cntrl, Solenoid	1
▲▲	26 373684	(000000–) Nut, Coil, Nyl Patch	2
▲▲	27 373671	(000000–) Seal Kit, Cartridge	1
▲▽	28 373666	(000000–) Valve, Relief	2
▲▲	29 373647	(000000–) Seal Kit, Cartridge	1
▲	30 373640	(000000–) Solenoid, #8, 12vdc	5
▲	31 373642	(000000–) Solenoid, #10, 12vdc	3
▲	32 373639	(000000–) Spacer, Coil, #8	1
▲▽	33 373668	(000000–) Valve, Check	1
▲▲	34 373671	(000000–) Seal Kit, Cartridge	1
▲	35 373658	(000000–) Spool, Pilot, Hyd	3

Fig. 14 – Hydraulic Steering Valve Breakdown, 1024260

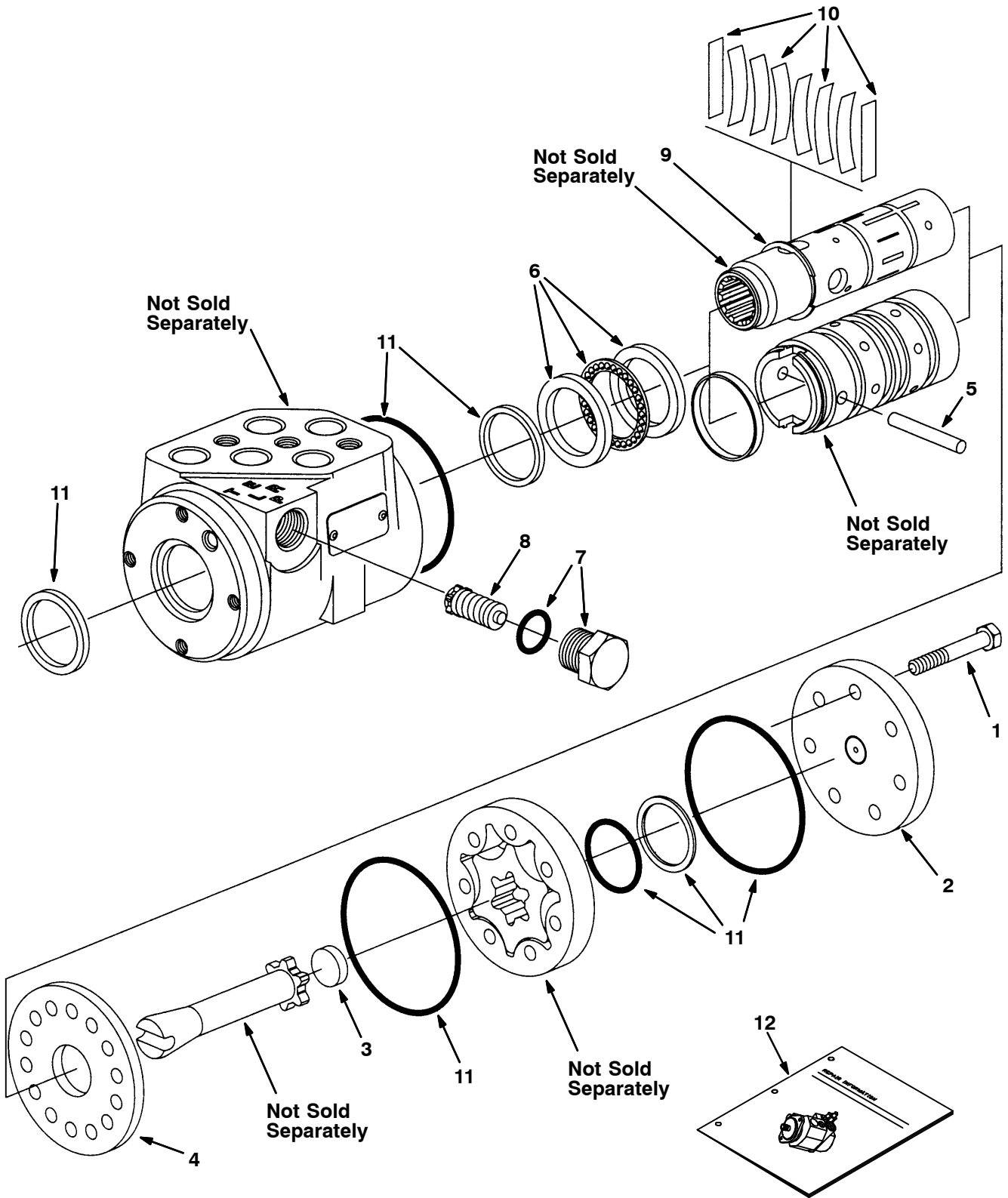
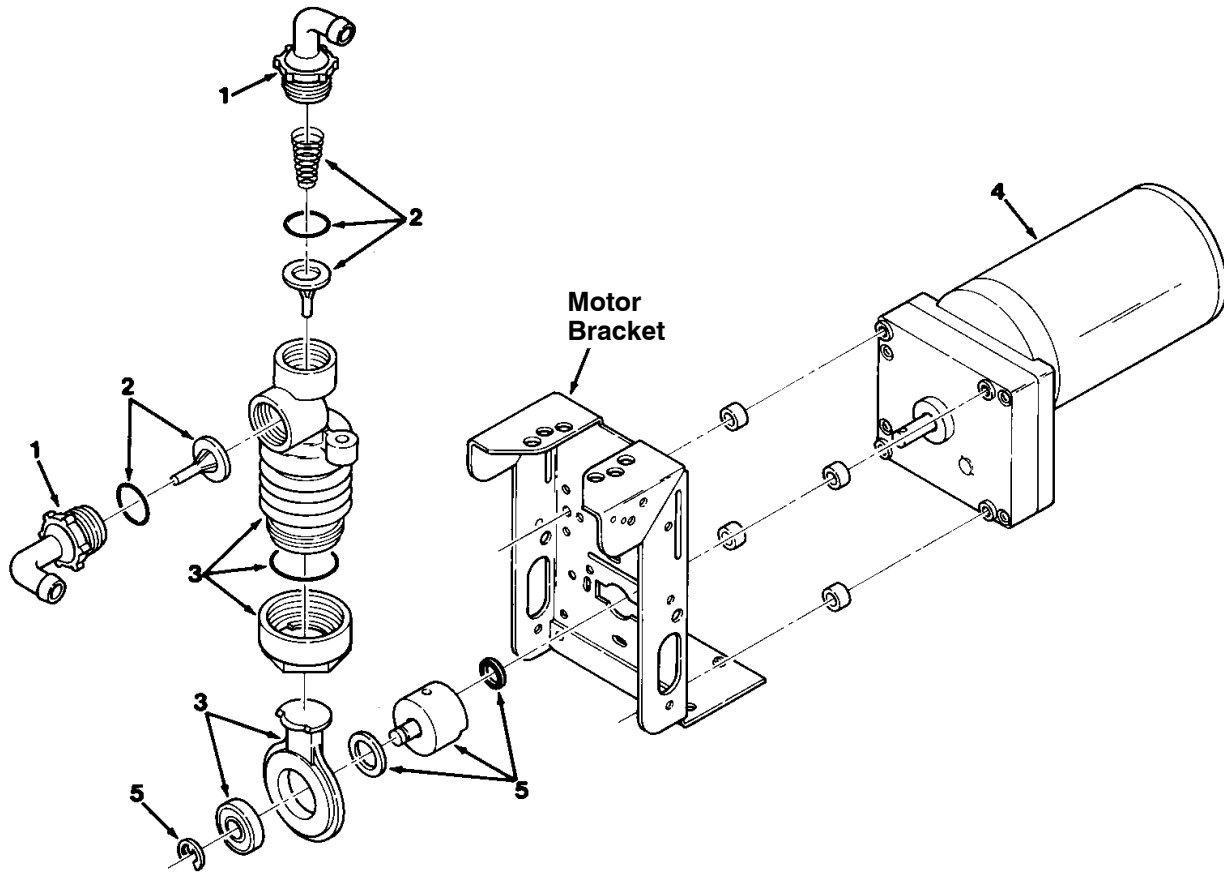


Fig. 14 – Hydraulic Steering Valve Breakdown, 1024260

	Ref.	Part No.	Serial Number	Description	Qty.
▽		1024260	(000000–) Steer–Control, Hyd05, 06.1 2030	1
▲	1	74183	(000000–) Screw, Valve, Steering	7
▲	2	74185	(000000–) Cap, End, Valve, Steering	1
▲	3	74193	(000000–) Spacer, Valve, Steering	1
▲	4	74222	(000000–) Plate, Wear, Steering Valve	1
▲	5	74232	(000000–) Pin, Valve, Steering	1
▲	6	21935	(000000–) Bearing Kit [C]	1
▲	7	21933	(000000–) Plug Assy [C]	1
▲	8	21934	(000000–) Valve Assy, Relief [C]	1
▲	9	74243	(000000–) Ring, Retainer, Steering Valve	1
▲	10	74196	(000000–) Spring Kit, Scu [C]	1
▲	11	74244	(000000–) Seal Kit, Steering [C]	1
▲	12	74245	(000000–) Instr, Valve, Steering, Repair	1

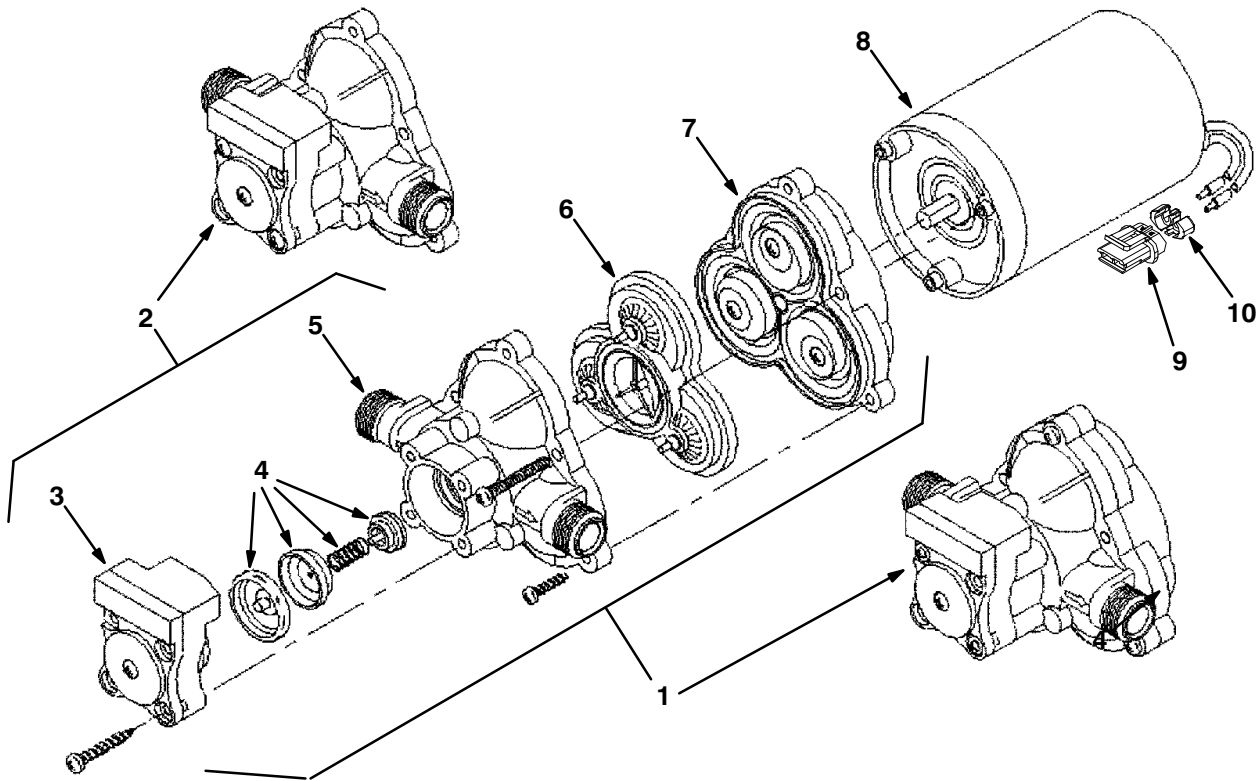
Fig. 15 – Metering Solution Pump Breakdown, 73260



00112 – ALL

Ref.	Part No.	Serial Number	Description	Qty.
▽	73260	(000000–) Pump, Detgt, 14vdc, 150ml/Min 20psi	1
▲	1 63923	(000000–) Tubing Connctr.Kit, Gorman Pmp	1
▲	2 21659	(000000–) Valve Kit, Poppet, Gorman Rupp	1
▲	3 21657	(000000–) Kit, Bellows, Pump, Detgt	1
▲	4 78875	(000000–) Motor, Ele, Gear, 14vdc, Pump, Detgt	1
▲	5 02430	(000000–) Crank Kit, Pump, F/79323, Replmt	1

Fig. 16 – Water Pump Breakdown, 1026743



07490 – 09670

Ref.	Part No.	Serial Number	Description	Qty.
▽	1026743	(000000–) Pump, Diaphragm	1
▲	1	1031802	(000000–) Complete Pump Kit, Pump, Repair,	1
▲	2	1031803	(000000–) Hsg & Switch Kit, Pump, Repair,	1
▲	3	1031796	(000000–) Switch Kit, Pump, Repair,	1
▲	4	1031797	(000000–) Chech Valve Kit, Pump, Repair,	1
▲	5	1031798	(000000–) Upper Hsg Kit, Pump, Repair,	1
▲	6	1031799	(000000–) Bypass Valve Kit, Pump, Repair,	1
▲	7	1031800	(000000–) Diaphragm Kit, Pump, Repair,	1
▲	8	1031801	(000000–) Motor Kit, Pump, Repair,	1
▲	9	78950	(000000–) Connector, Fem, 02cav, Mp280 Sealed	1
▲	10	78952	(000000–) Lock, Secondary, 2cav, Mp280 Sealed	1
▲		78951	(000000–) Terminal, Fem, Mp280, Sealed, 18–16ga	2
▲		10917	(000000–) Seal, Wire, 14/16ga [Wp / Mp280 Sealed]	2

Fig. 17 – ec-H2O Module Assembly Breakdown, 9007882

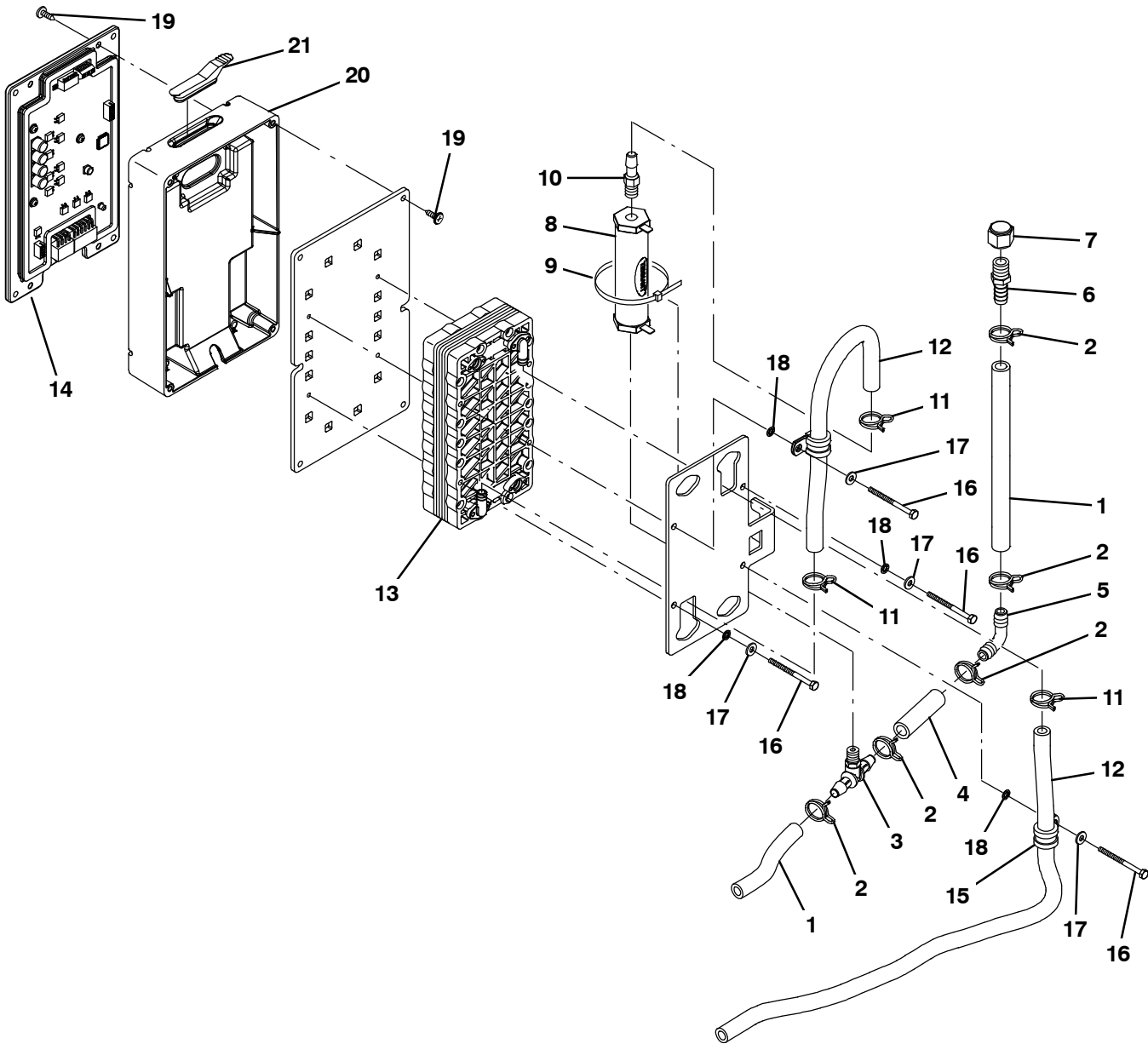


Fig. 17 – ec-H20 Module Assembly Breakdown, 9007882

	Ref.	Part No.	Serial Number	Description	Qty.
▽		9007882	(000000–) Module Kit, Replmt [Ec-H20]	1
▲	1	1014974	(000000–) Hose, Afmkt, Pvc, Brd, 0.38id, 02ft, Clr	2
▲	2	607775	(000000–) Clamp, Hose, Wir, .63 – .66, Blk	5
▲	3	1060517	(000000–) Fitting, Plstc, Tee, Bm06/Pm02/Bm06	1
▲	4	1014971	(000000–) Hose, Afmkt, Pvc, Brd, 0.38id, 01ft, Clr	1
▲	5	20951	(000000–) Fitting, Plstc, E90, Bm06/Bm06	1
▲	6	150540	(000000–) Fitting, Plstc, Str, Bm06/Pm04	1
▲	7	1005435	(000000–) Fitting, Plstc, Pipe, Cap, Pf04	1
▲	8	1038159	(000000–) Electrode, Cylindrical	1
▲	9	44961	(000000–) Tie, Cable, Nyl, 14.5l .30w 4.0 Max D	1
▲	10	1060695	(000000–) Fitting, Plstc, Str, Pm02/Bm05	1
▲	11	1053464	(000000–) Clamp, Hose, Wir, .52 – .56, Yel	3
▲	12	1052336	(000000–) Hose, Afmkt, PVC, Brd, 0.31ld, 03Ft, Clr	1
▲	13	1057637	(000000–) Electrode, 5 Plate, High Flow	1
▲	14	9007883	(000000–) Controller Kit, Replmt [Ec-H20]	1
▲	15	1016354	(000000–) Clamp, Cable, Ss, 0.50d X 0.50w [Insul]	2
▲	16	32509	(000000–) Screw, Hex, M4 X 0.70 X 50, Ss	4
▲	17	41579	(000000–) Washer, Flat, 08, Ss	4
▲	18	02938	(000000–) Washer, Lock, Int, 08, Ss	4
▲	19	1018155	(000000–) Screw, Pan, Phl, M5 X 0.80 X 16, Tcut,Ss	8
▲	20	1037032	(000000–) Housing, Bottom	1
▲	21	1054776	(000000–) Grommet, Blind	1

Fig. 18 – Seat Breakdown, 1072456

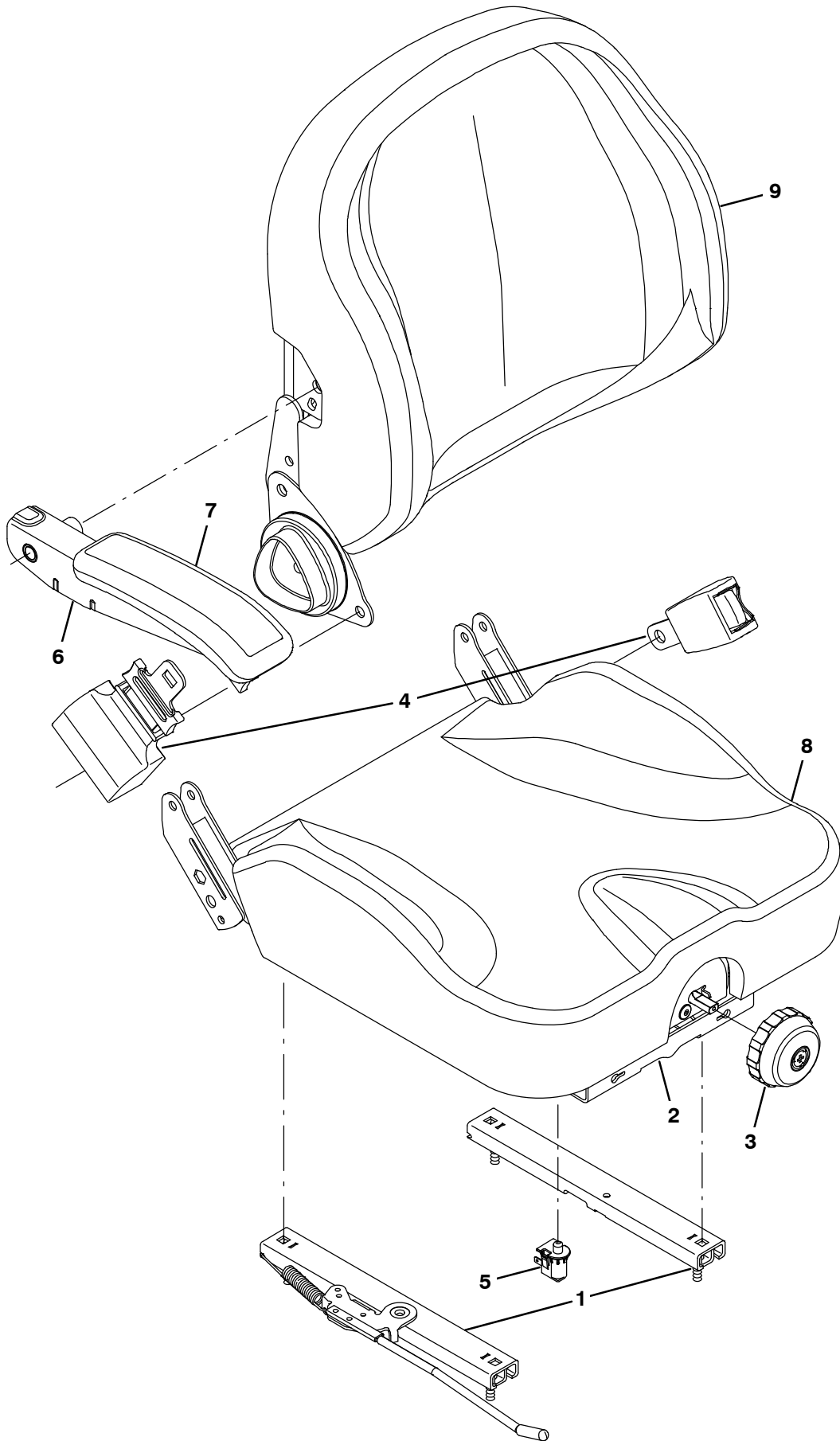
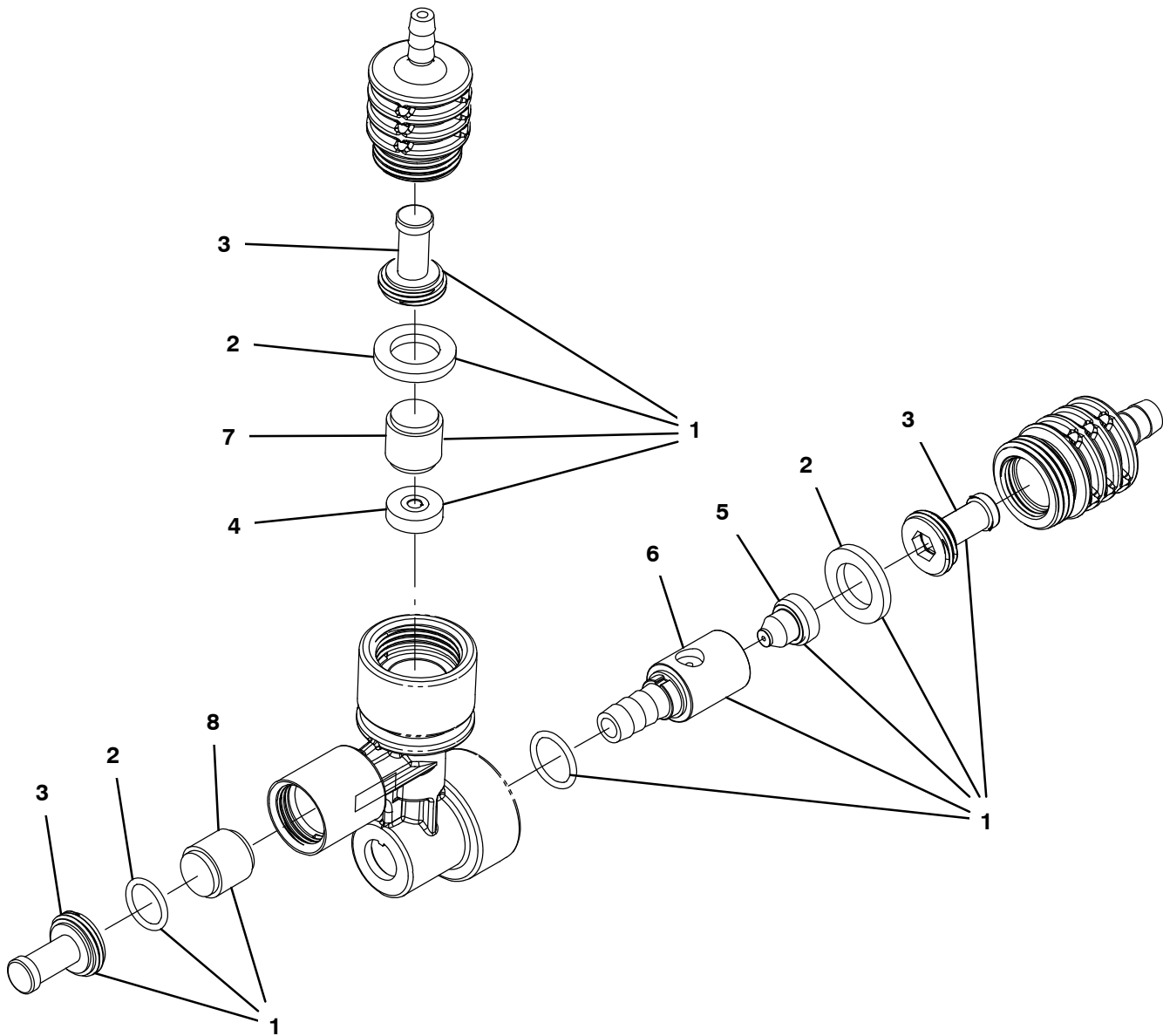


Fig. 18 – Seat Breakdown, 1072456

	Ref.	Part No.	Serial Number	Description	Qty.
▽		1072456	(000000–) Seat	1
▲	1	9012585	(000000–) Track Assy, Slide	1
▲	2	9012587	(000000–) Bellows, Seat	1
▲	3	9012589	(000000–) Knobs, Adjmt, Weight	1
▲	4	9012590	(000000–) Seatbelt	1
▲	5	9012591	(000000–) Switch, Seat	1
▲	6	9012592	(000000–) Armrest	1
▲	7	9012593	(000000–) Pad, Armrest	1
▲	8	9012594	(000000–) Cover, Cushion	1
▲	9	9012595	(000000–) Cover, Backrest	1

Fig. 19 – FaST Injector Assembly Breakdown, 9008868



356271

Ref.	Part No.	Serial Number	Description	Qty.
▽	9008868	(000000–) FaST Kit, Injector [M20/T20/m30 FaST III}	1
▲▽	1 9008757	(000000–) FaST Kit, Ci [inj Reblid, M30/M20 III]	1
▲▲	2 9008848	(000000–) FaST Kit, Seal, injector, Ci [FaST III]	1
▲▲	3 9003009	(000000–) FaST Kit, Ci, Injector Filters[FaST li+]	1
▲▲	4 1059878	(000000–) Plate Assy, Orifice, 0.0105ld, Green	1
▲▲	5 1042710	(000000–) Plug, Orifice, 0.060, Ss [FaST li+]	1
▲▲	6 1059234	(000000–) Insert, :Lrg [Venturi, FaST III]	1
▲▲	7 1030444	(000000–) Valve, Check, 0002psi [FaST li+]	1
▲▲	8 1030441	(000000–) Valve, Check, 0005psi [FaST li+]	1

SECTION 5

Contents	Page
Fig. 1 – Crankcase Group	5-2
Fig. 2 – Oil Pan Group	5-4
Fig. 3 – Cylinder Head Group	5-5
Fig. 4 – Gear Case Group	5-6
Fig. 5 – Water Pump Group	5-8
Fig. 6 – Main Bearing Case Group	5-9
Fig. 7 – Head Cover Group	5-10
Fig. 8 – Manifold Group	5-11
Fig. 9 – Valve, Rocker Arm Group	5-12
Fig. 10 – Fuel Camshaft Group	5-13
Fig. 11 – Camshaft Group	5-14
Fig. 12 – Piston and Crankshaft Group	5-16
Fig. 13 – Flywheel Group	5-18
Fig. 14 – Starter Breakdown, 74405	5-20
Fig. 15 – Nozzle Holder and Glow Plug Group	5-22
Fig. 16 – Injection Pump Group	5-24
Fig. 17 – Injection Pump Breakdown	5-26
Fig. 18 – Idling Group	5-28
Fig. 19 – Speed Control Plate Group	5-29
Fig. 20 – Governor Group	5-30
Fig. 21 – Water Flange Group	5-31

Fig. 1 - Crankcase Group

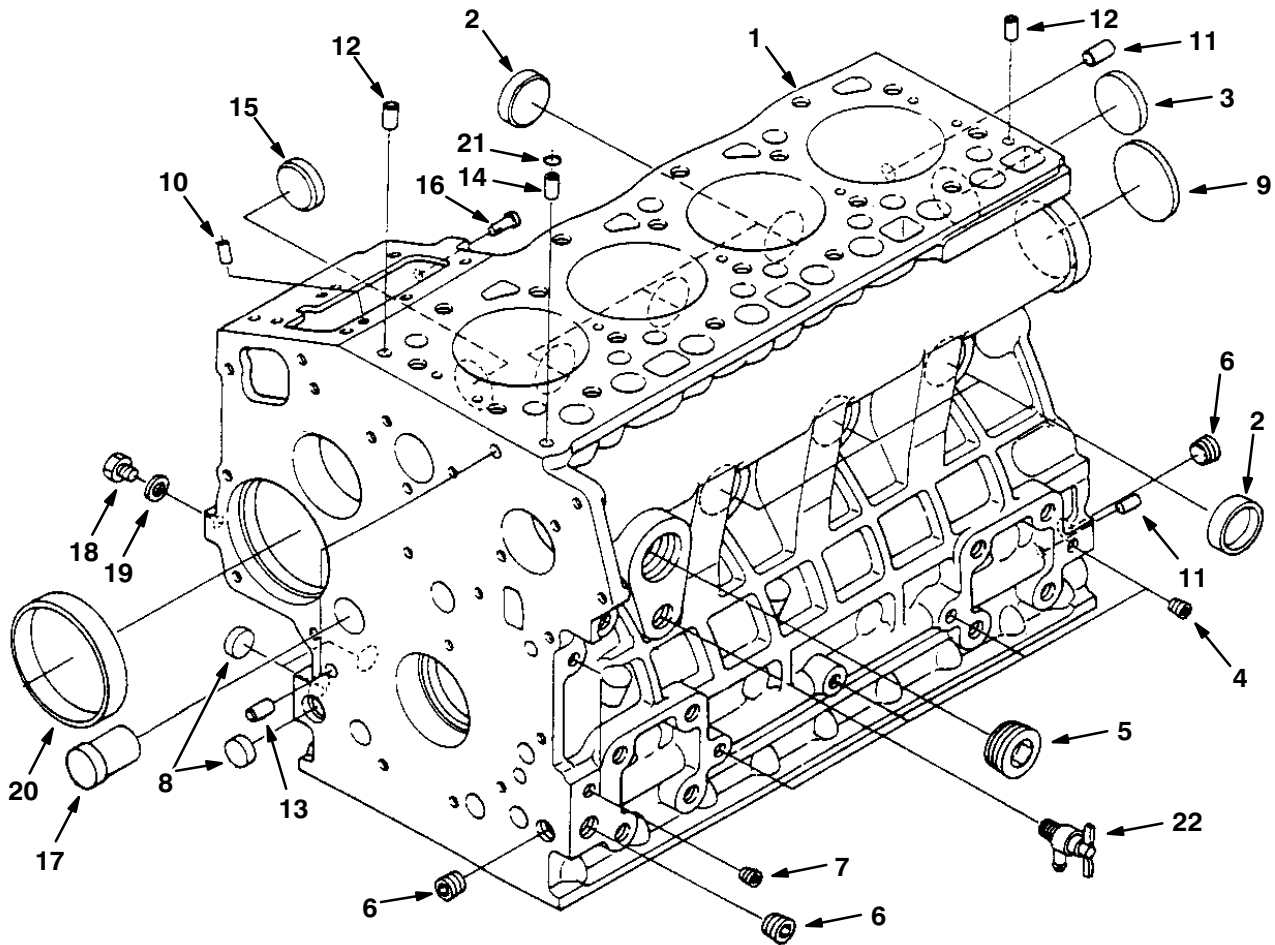
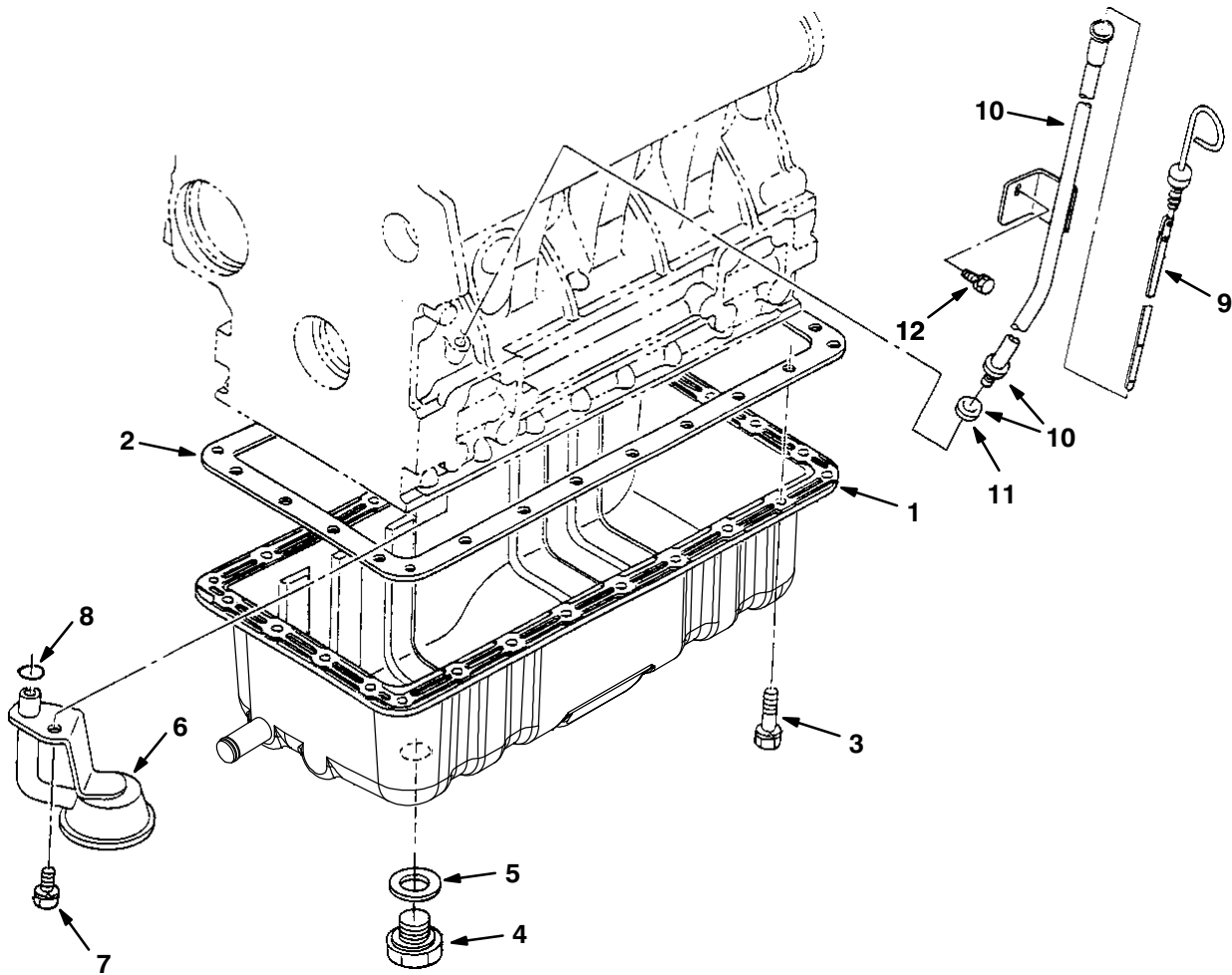


Fig. 1 - Crankcase Group

	Ref.	Part No.	Description	Qty.
▽	1	372920	Crankcase, Complt	1
▲	2	70998	Cap, Sealing	6
▲	3	39087	Cap, Sealing	1
▲	4	39088	Plug	4
▲	5	84647	Plug	1
▲	6	71985	Plug	3
▲	7	39051	Plug	2
▲	8	361436	Plug, Expansion	3
▲	9	71986	Plug, Expansion	1
▲	10	71987	Pin, Straight	2
▲	11	71988	Pin, Straight	2
▲	12	71989	Pin, Straight	2
▲	13	71990	Pin, Pipe	2
▲	14	71991	Pin, Pipe	1
▲	15	71992	Plug	1
▲	16	39105	Pin, Start Spring	1
▲	17	71993	Plug	1
▲	18	39062	Plug	1
▲	19	10895	Gasket	1
▲	20	70887	Bush, Governor Gear	1
	21	39063	O-Ring	1
	22	70888	Assembly Cock, Drain	1

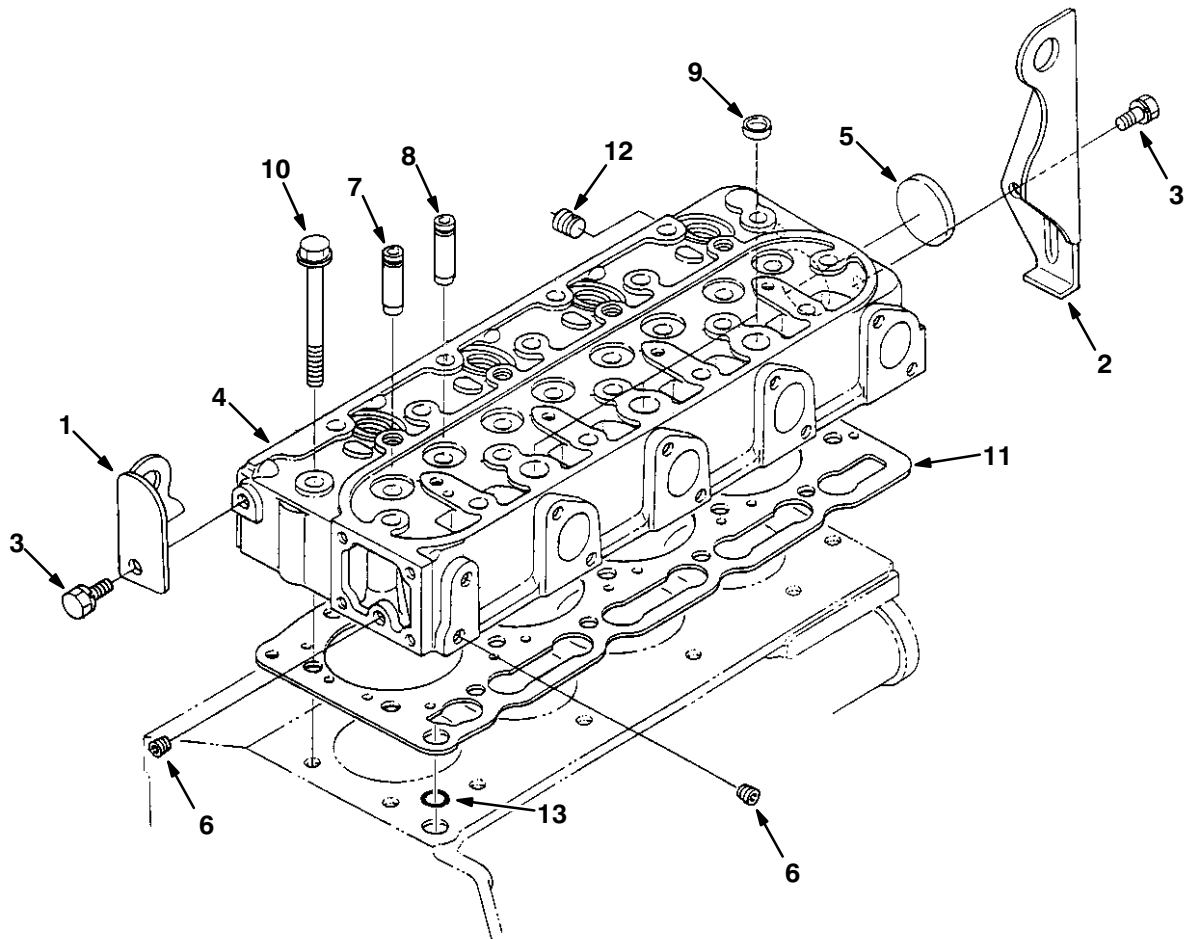
Fig. 2 – Oil Pan Group



07409 – M20, D

Ref.	Part No.	Description	Qty.
1	1023144	Comp. Oil Pan (Rear Sump)	1
2	70889	Gasket, Oil Pan	1
3	71995	Bolt	26
4	70890	Plug, Drain	1
5	70891	Gasket	1
6	9006001	Pump, Oil, Pickup [Sump, Ku]	1
7	39094	Bolt	1
8	41792	O-Ring	1
9	70893	Gauge, Oil	1
▽ 10	361428	Guide Assy, Oil Gauge	1
▲ 11	361366	O-Ring	1
12	39073	Bolt	1
	66187	Gasket Set, Lower	1

Fig. 3 – Cylinder Head Group



07411 – M20, D

Ref.	Part No.	Description	Qty.	
1	71996	Hook, Engine 1	1	
2	71997	Hook, Engine 2	1	
3	39073	Bolt	2	
4	84631	Head, Cyl, W/O Valves	1	
▽	4	372921	Head, Cyl, W/O Valve [Ku]	1
▲	5	51331	Cap, Sealing	1
▲	6	39088	Plug	2
▲	7	70895	Guide, Inlet Valve	4
▲	8	70896	Guide, Exhaust Valve	4
▲	9	71999	Cap, Sealing	3
10	70897	Bolt, Cylinder Head	18	
11	70899	Gasket, Cyclinder Head	1	
	66194	Gasket Set, Upper	1	
12	72010	Plug	1	
13	39063	O-Ring	1	

Fig. 4 - Gear Case Group

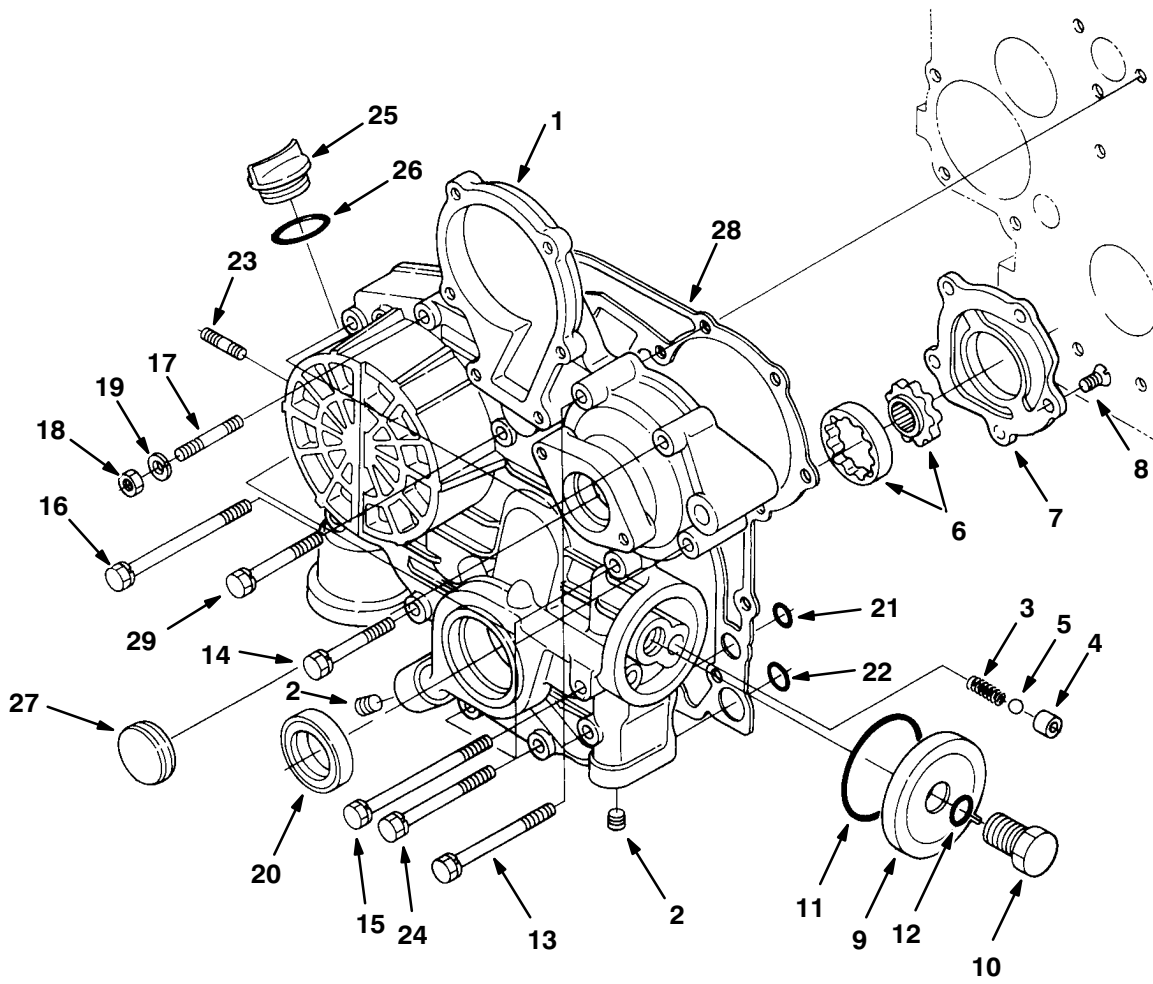
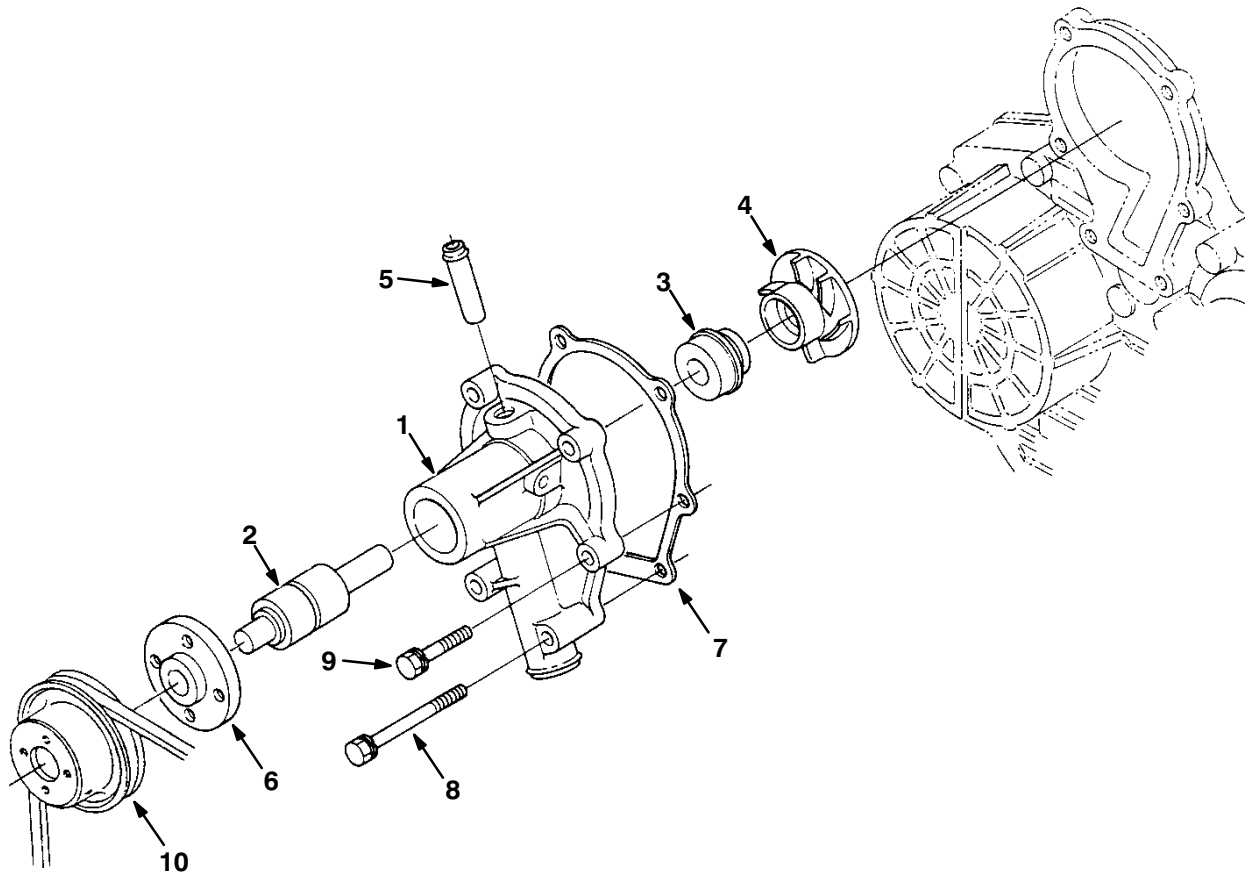


Fig. 4 - Gear Case Group

	Ref.	Part No.	Description	Qty.
▽	1	72011	Comp. Case, Gear	1
▲	2	72012	Plug	4
▲	3	70900	Spring	1
▲	4	70901	Seat, Valve	1
▲	5	70902	Ball	1
▲	6	70903	Assembly Rotor, Oil Pump	1
▲	7	70904	Cover, Oil Pump	1
▲	8	72013	Screw	5
▲	9	70905	Cover	1
▲	10	70906	Bolt	1
▲	11	70907	O-Ring	1
▲	12	39103	O-Ring	1
	13	72995	Bolt	2
	14	72014	Bolt	1
	15	72015	Bolt	2
	16	72016	Bolt	1
	17	72017	Stud	1
	18	39121	Nut	1
	19	39065	Washer, Spring	1
	20	70909	Seal, Oil	1
	21	70910	O-Ring	2
	22	70911	O-Ring	2
	23	72018	Stud	2
	24	72994	Bolt	4
	25	39161	Oil Filter, Plug	1
	26	70913	O-Ring	1
	27	70189	Cover	1
	28	70912	Gasket, Gear Case	1
	29	72993	Bolt	3

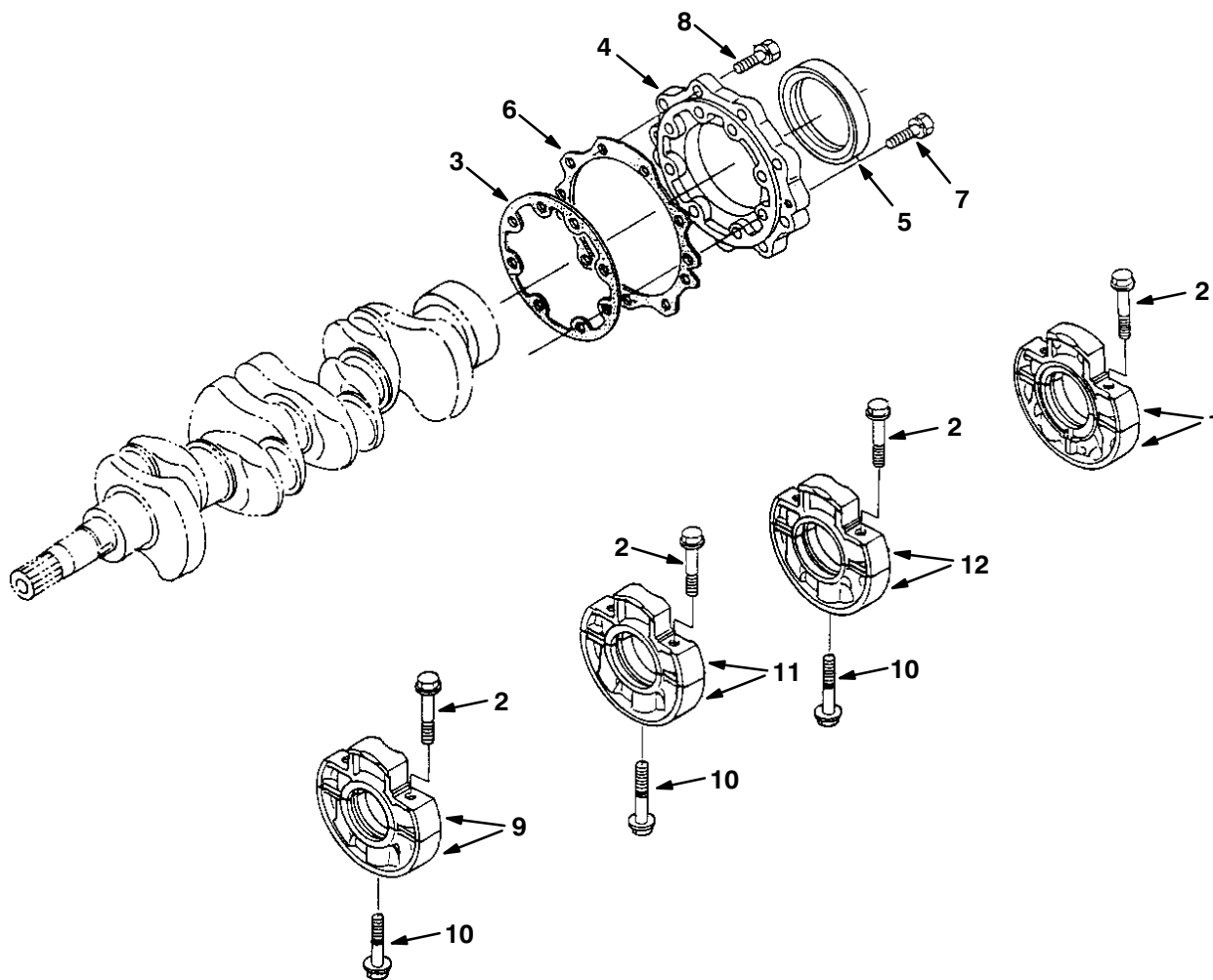
Fig. 5 – Water Pump Group



07415 – M20, D

Ref.	Part No.	Description	Qty.
▽	1 66205	Assembly Pump, Water	1
▲	2 70915	Bearing, Ball	1
▲	3 70916	Assembly Seal, Mechanical	1
▲	4 70917	Impeller, Water Pump	1
▲	5 361440	Fitting, Pipe, Water [Ku]	1
▲	6 70919	Flange, Pump, Water [Ku]	1
▲	7 70920	Gasket, Water Pump	1
	8 72997	Bolt	2
	9 72996	Bolt	4
	10 55847	Pully, Fan	1

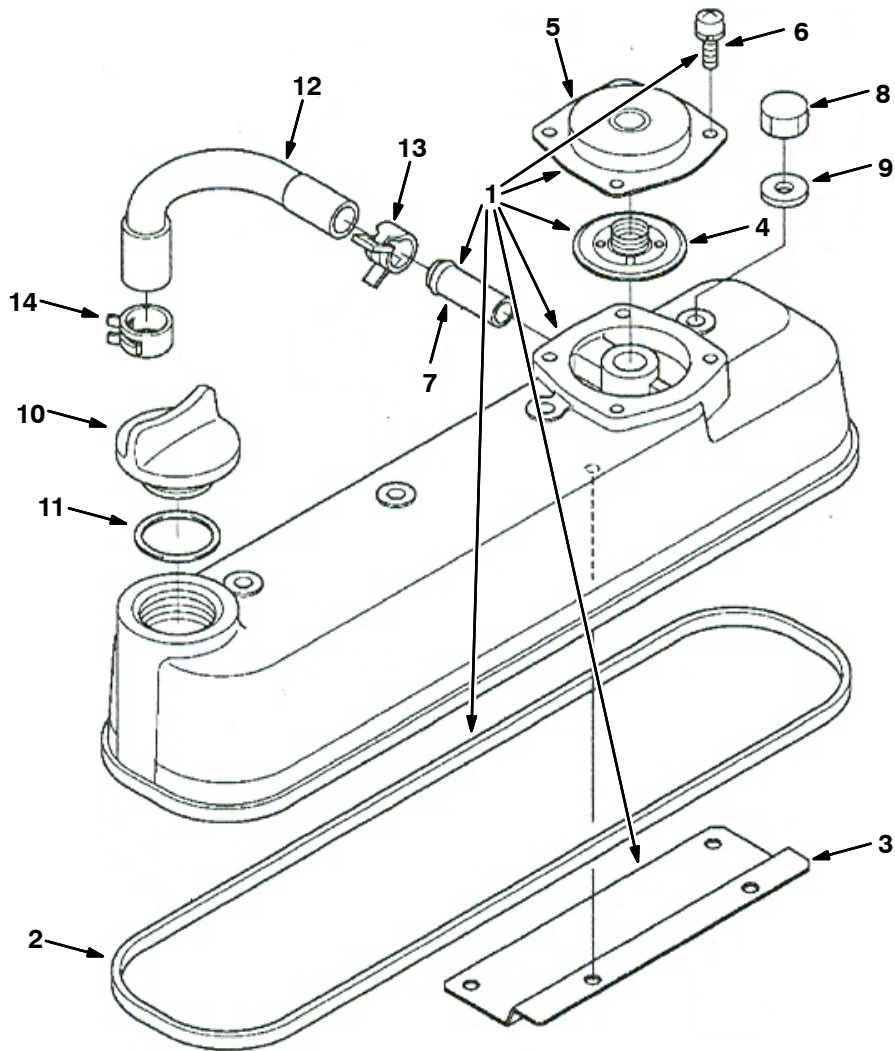
Fig. 6 – Main Bearing Case Group



07417 – M20, D

Ref.	Part No.	Description	Qty.
1	70921	Assembly Case, Main Bearing	1
2	72998	Bolt, Bearing Case 1	8
3	70922	Gasket, Bearing Case	1
4	70923	Cover, Bearing Case	1
5	70924	Seal, Oil	1
6	70925	Gasket, Bearing Case Cover	1
7	72999	Bolt	8
8	39119	Bolt	9
9	70926	Assembly Case, Main Bearing 1	1
10	73479	Bolt, Bearing Case 2	3
11	70927	Assembly Case, Main Bearing 2	1
12	70928	Assembly Case, Main Bearing 3	1

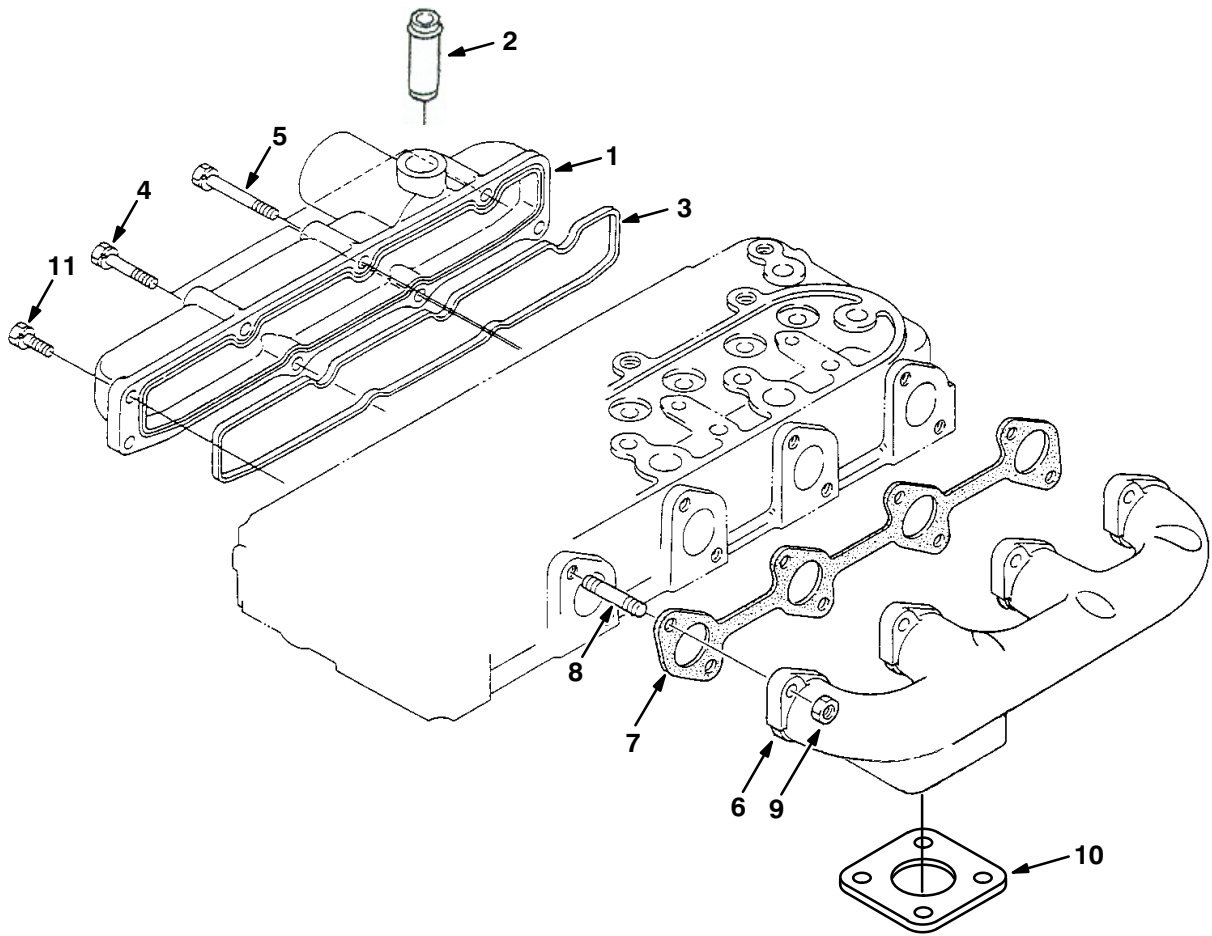
Fig. 7 - Head Cover Group



07419 - M20, D

Ref.	Part No.	Description	Qty.	
▽	1	372918	Cover Assy, Head, Cyl	1
▲	2	70929	Gasket, Head Cover	1
▲	3	372912	Shield, Breather	1
▲	4	372928	Valve, Breather, Complt	1
▲	5	372927	Cover, Breather	1
▲	6	372900	Screw, Pan	4
▲	7	30125	Pipe, Water	1
	8	73483	Nut, Cap	4
	9	73484	Gasket	4
	10	361374	Plug, Oil Filler	1
	11	70913	Seal, Org	1
	12	372913	Tube, Breather	1
	13	372901	Clamp, Hose	1
	14	372904	Clamp, Hose	1

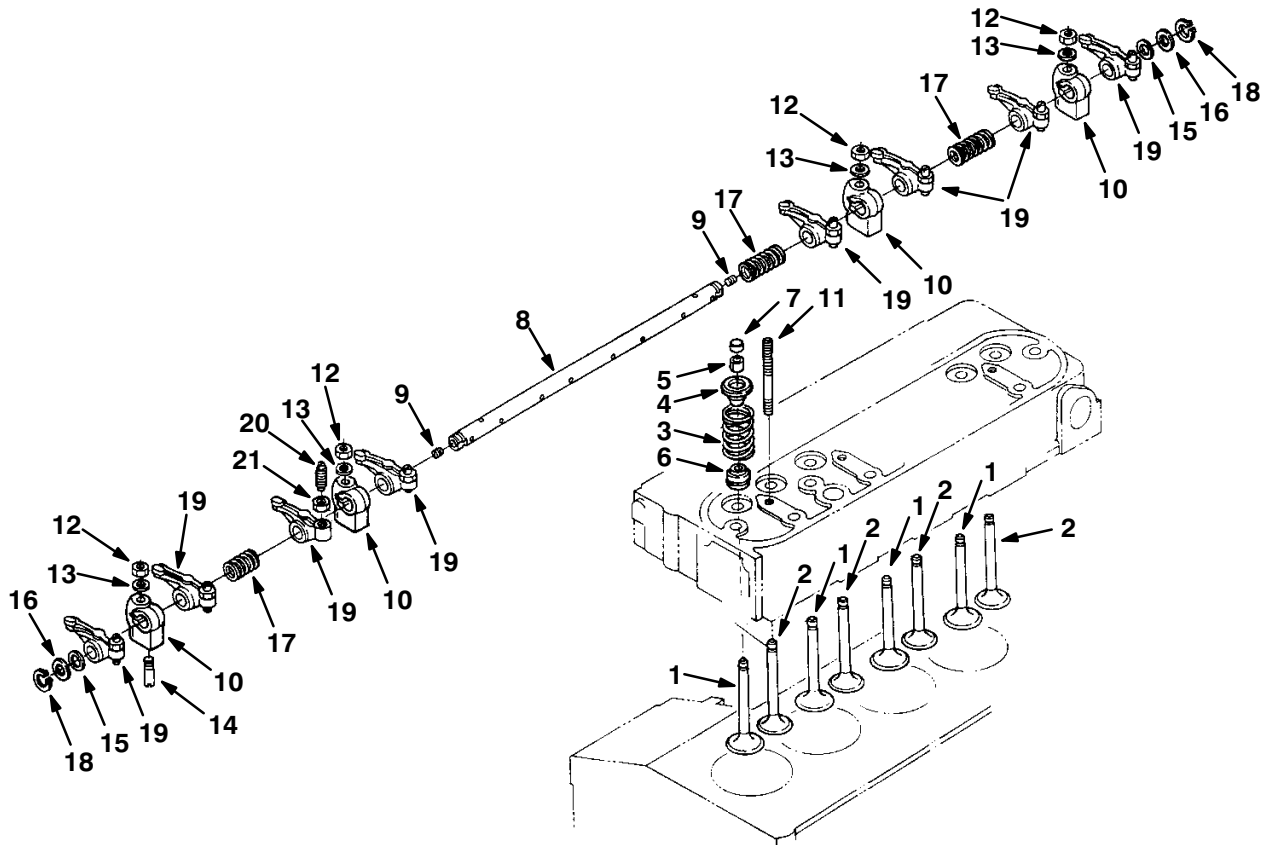
Fig. 8 - Manifold Group



07421 - M20, D

Ref.	Part No.	Description	Qty.	
▽	1	372905	Manifold Assy, Inlet	1
▲	2	73481	Pipe, Breather [Ku]	1
▲	3	70934	Gasket, Manifold, Intake [Ku]	1
	4	72996	Bolt	2
	5	72994	Bolt	3
	6	73487	Manifold, Exhaust, Front, Down	1
	7	70935	Gasket, Ex-manifold	1
	8	73488	Stud	8
	9	361427	Nut	8
	10	51332	Gasket Ku	1
	11	40409	Bolt	3

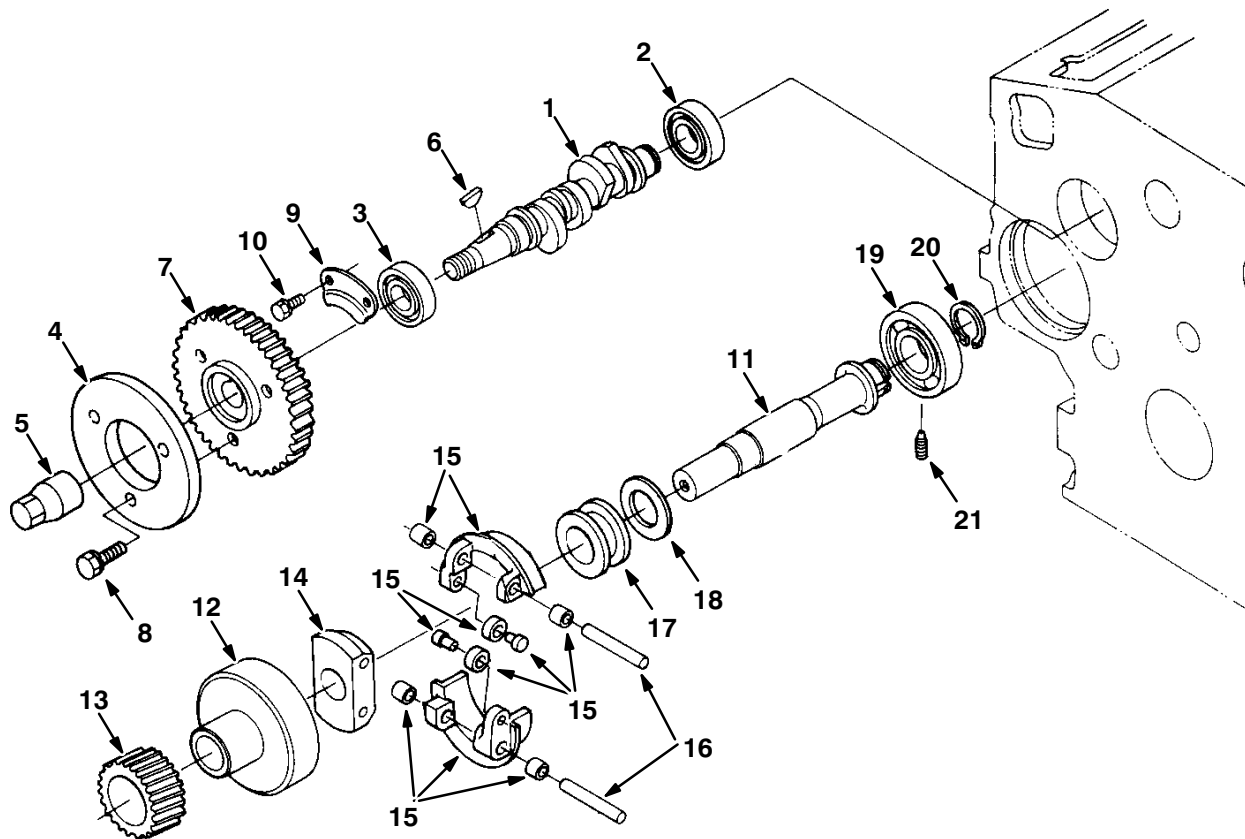
Fig. 9 – Valve, Rocker Arm Group



07423 – M20, D

Ref.	Part No.	Description	Qty.	
1	70936	Valve, Inlet	4	
2	70937	Valve, Exhaust	4	
3	73491	Spring, Valve	8	
4	73492	Retainer, Valve Spring	8	
5	73493	Collet, Valve Spring	8	
6	73494	Seal, Valve Stem	8	
7	361392	Cap, Valve	8	
▽	8	73495	Assembly Shaft, R-arm	1
▲	9	73496	Screw, Set	2
10	73497	Bracket, Rocker Arm	4	
11	73498	Stud	4	
12	73499	Nut	4	
13	73500	Washer, Plain	4	
14	73501	Screw, Set	1	
15	73502	Washer 1	2	
16	73503	Washer 2	2	
17	73504	Spring, Rocker Arm	3	
18	73505	Cir-clip, External	2	
▽	19	73506	Assembly Rocker Arm	8
▲	20	73507	Screw, Adjusting	8
▲	21	73508	Nut	8

Fig. 10 – Fuel Camshaft Group



07441 – M20, D

Ref.	Part No.	Description	Qty.	
1	84636	Camshaft, Fuel	1	
2	70975	Bearing, Ball	1	
3	70976	Bearing, Ball	1	
4	73592	Cam, Fuel	1	
5	73593	Nut, Cap	1	
6	73594	Key, Woodruff	1	
7	73595	Gear, Injection Pump	1	
8	40409	Bolt	3	
9	73596	Stopper	1	
10	71995	Bolt	2	
▽	11	73597	Assembly Shaft, Governor	1
▲	12	73598	Holder, Governor Gear	1
▲	13	73599	Gear, Governor	1
▲	14	73600	Holder,	1
▲	15	73601	Comp. Weight, Governor	2
▲	16	73602	Shaft, Governor Weight	2
▲	17	70977	Sleeve, Governor	1
▲	18	70978	Washer, Thrust	1
19	70979	Bearing, Ball	1	
20	73603	Cir-clip, Governor Shaft	1	
21	73604	Screw, Set	1	

Fig. 11 - Camshaft Group

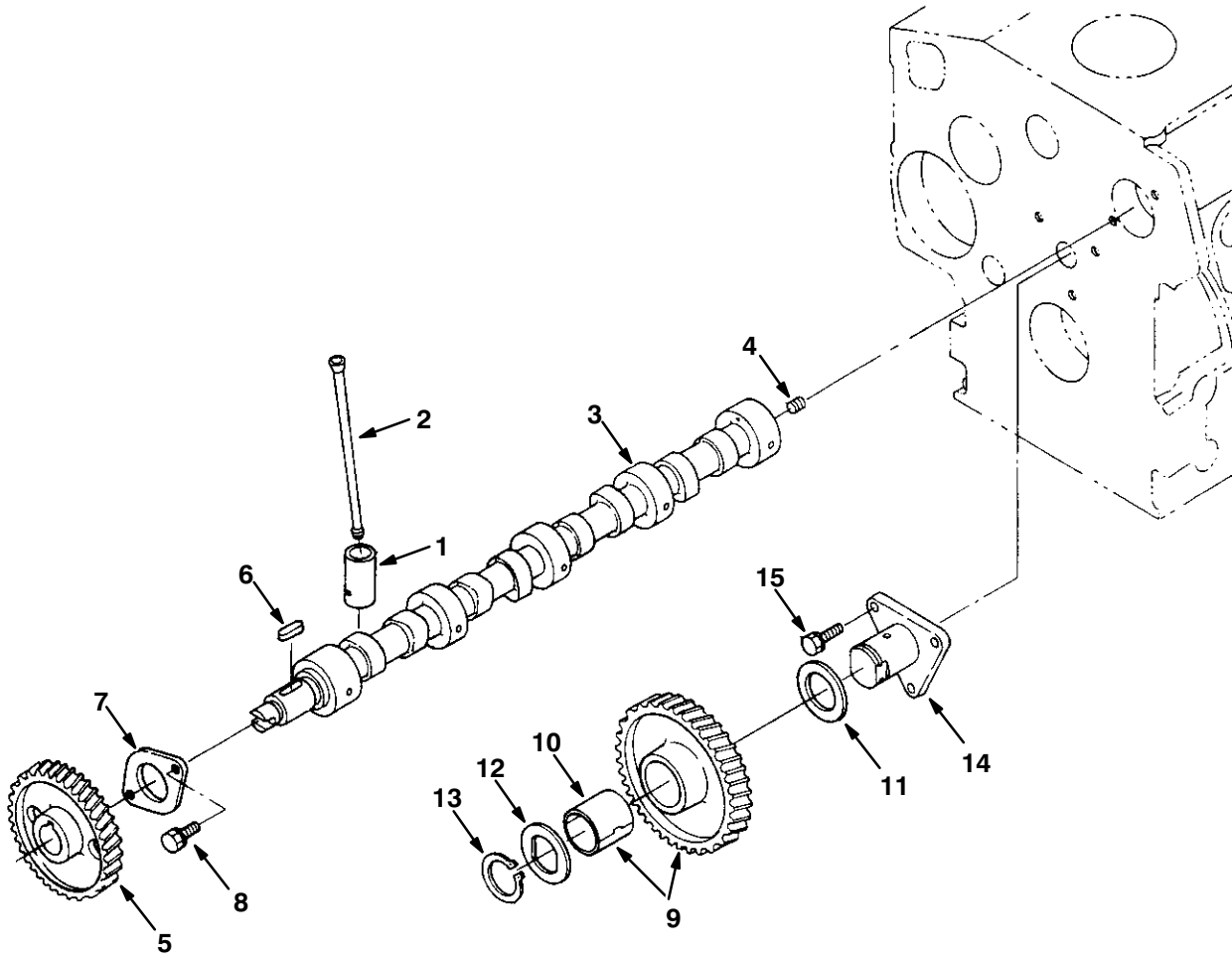


Fig. 11 - Camshaft Group

	Ref.	Part No.	Description	Qty.
	1	12895	Tappet	8
	2	73509	Push Rod	8
▽	3	73510	Assembly Camshaft	1
▲	4	39197	Screw, Set	1
▲	5	73511	Gear, Camshaft	1
▲	6	73512	Key, Feather	1
▲	7	73513	Stopper, Camshaft	1
▲	8	39160	Bolt	2
▽	9	73514	Comp Idle Gear 1	1
▲	10	73515	Bush, Idle Gear	1
	11	73516	Collar, Idle Gear 1	1
	12	73517	Collar, Idle Gear 2	1
	13	73518	Cir-clip, Idle Gear	1
	14	73519	Shaft, Idle Gear 1	1
	15	41973	Bolt	3

Fig. 12 - Piston and Crankshaft Group

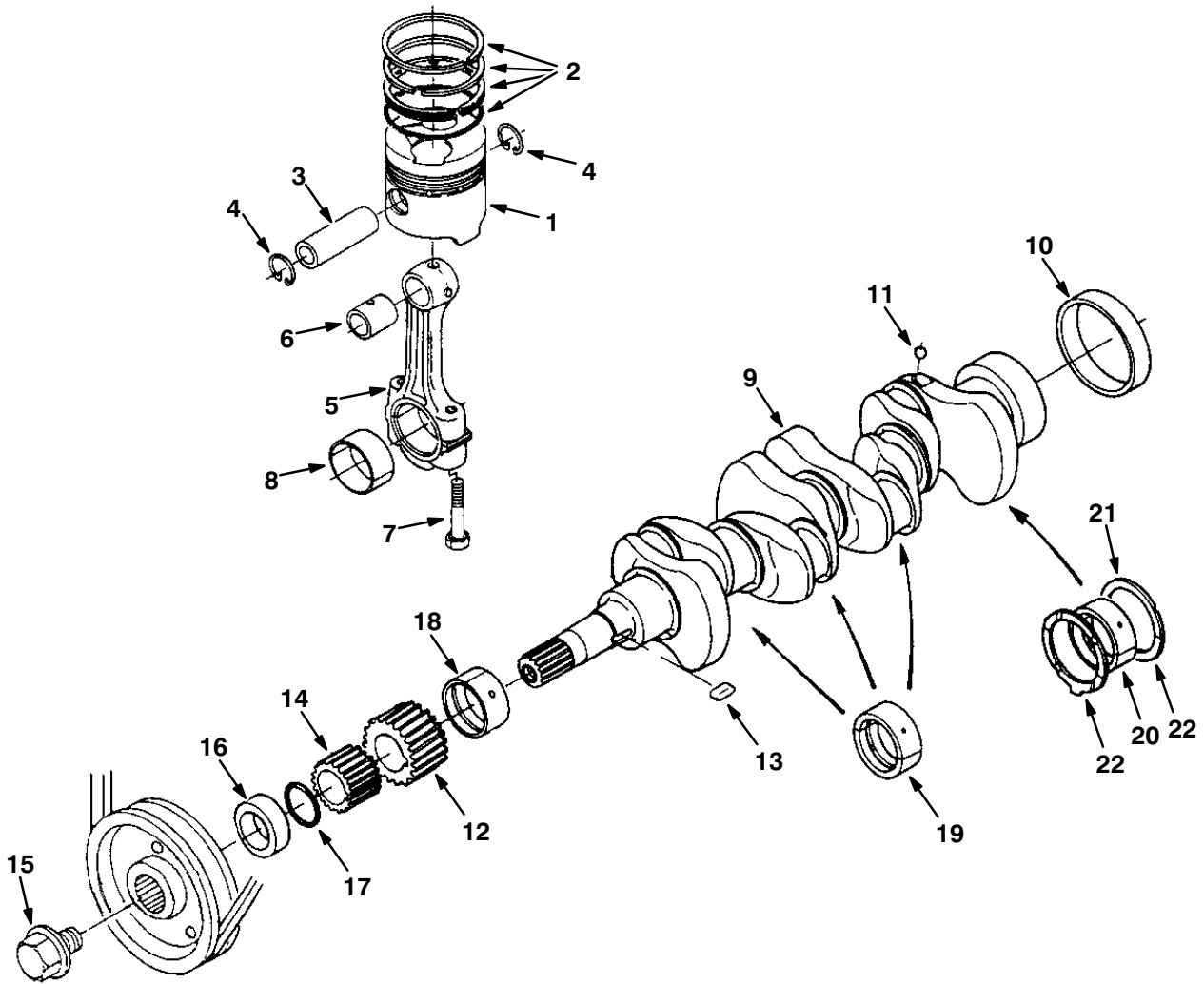


Fig. 12 – Piston and Crankshaft Group

Ref.	Part No.	Description	Qty.	
1	73520	Piston	4	
1	73521	Piston 05	4	
2	70938	Assembly Piston Ring	4	
2	70939	Assembly Piston Ring 05	4	
3	73522	Pin, Piston	4	
4	73523	Cir-clip, Piston Pin	8	
▽	5	73524	Assembly Connecting Rod	4
▲	6	70940	Bush, Piston Pin	4
▲	7	73525	Bolt, Connecting Rod	8
▲	8	70941	Metal, Crankpin	4
▲	8	66204	Metal, Crankpin 02	4
▲	8	66207	Metal, Crankpin 04	4
▽	9	73526	Comp. Crankshaft	1
▲	10	70942	Sleeve, Crankshaft	1
▲	11	73527	Ball	4
▲	12	73528	Gear, Crankshaft	1
▲	13	73529	Key	1
▲	14	73530	Gear, Oil Pump Drive	1
	15	73532	Bolt	1
	16	70943	Collar, Crankshaft	1
	17	70944	O-Ring	1
	18	70945	Metal, Crankshaft 1	1
	18	70946	Metal, Crankshaft1 02	1
	18	70947	Metal, Crankshaft1 04	1
	19	70948	Metal, Crankshaft 2	3
	19	70949	Metal, Crankshaft2 02	3
	19	70950	Metal, Crankshaft2 04	3
	20	70951	Metal, Crankshaft 3	1
	20	70952	Metal, Crankshaft3 02	1
	20	70953	Metal, Crankshaft3 04	1
	21	10844	Metal, Side 1	2
	21	70954	Metal, Side 1 02	2
	21	70955	Metal, Side 1 04	2
	22	10845	Metal, Side 2	2
	22	30121	Metal, Side 2 02	2
	22	30122	Metal, Side 2 04	2

Fig. 13 – Flywheel Group

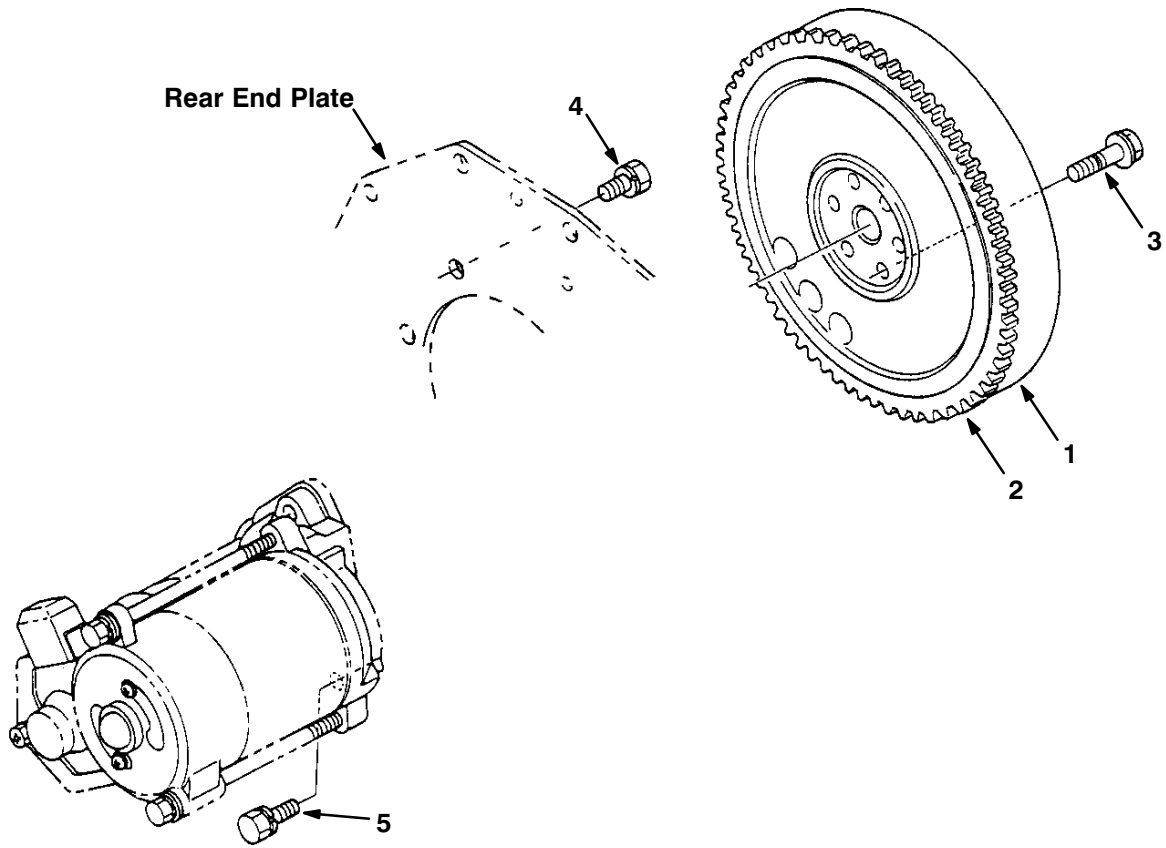


Fig. 13 – Flywheel Group

	Ref.	Part No.	Description	Qty.
▽	1	70956	Comp. Flywheel	1
▲	2	70957	Gear, Ring	1
	3	73533	Bolt, Flywheel	6
	4	73534	Bolt	8
	5	73535	Bolt	2

Fig. 14 - Starter Breakdown, 74405

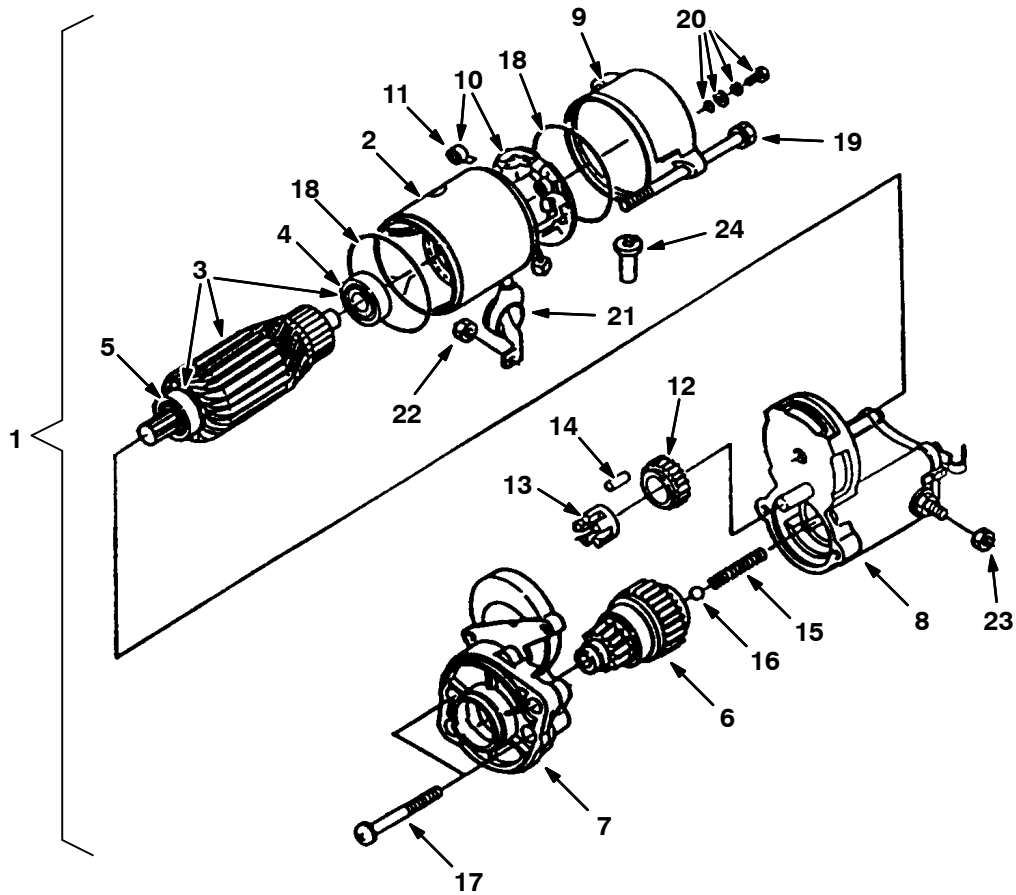


Fig. 14 – Starter Breakdown, 74405

	Ref.	Part No.	Description	Qty.
▽	1	74405	Assy Starter	1
▲	2	70196	Assy Yoke	1
▲▽	3	70197	Assy Armature	1
▲▲	4	70198	Bearing	1
▲▲	5	70199	Bearing	1
▲	6	70200	Clutch, Over Running	1
▲	7	70201	Frame, Drive End	1
▲	8	70202	Assy Switch, Magneto	1
▲	9	70203	Frame, End	1
▲▽	10	70204	Assy Holder, Brush	1
▲▲	11	70205	Spring, Brush	4
▲	12	70206	Gear	1
▲	13	70207	Retainer	1
▲	14	73545	Roller	5
▲	15	70208	Spring	1
▲	16	73547	Ball	1
▲	17	70209	Bolt	2
▲	18	20433	O-Ring	2
▲	19	70210	Bolt	2
▲	20	20432	Assy Bolt	2
▲	21	70211	Cover	1
▲	22	73551	Nut, Hexagon	1
▲	23	70212	Nut, Hexagon	1
▲	24	70213	Pipe, Drain	1

Fig. 15 - Nozzle Holder and Glow Plug Group

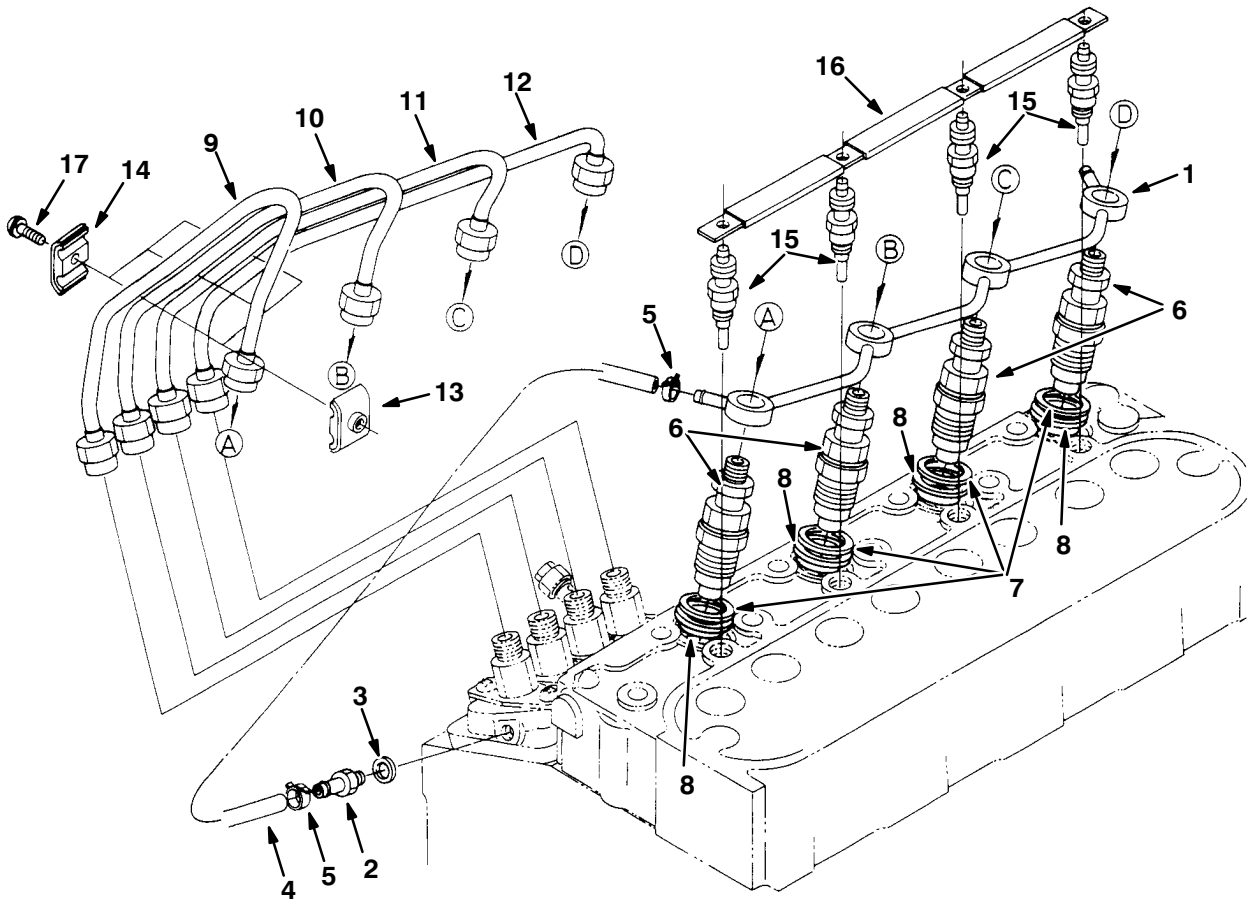


Fig. 15 – Nozzle Holder and Glow Plug Group

Ref.	Part No.	Description	Qty.	
	1	73554	Pipe, Over Flow	1
	2	73555	Screw	1
	3	40166	Gasket	1
▽	4	361373	Assembly Pipe, Over Flow	1
▲	5	361368	Band, Pipe	2
▽	6	372917	Housing Assy, Nozzle	4
▲	7	70964	Gasket	1
▲	8	20719	Seal, Heat	1
	9	70965	Pipe, Injection 1	1
	10	70966	Pipe, Injection 2	1
	11	70967	Pipe, Injection 3	1
	12	70968	Pipe, Injection 4	1
	13	30131	Clamp, Pipe 1	3
	14	30132	Clamp, Pipe 2	3
	15	84638	Plug, Glow	4
	16	73560	Cord, Glow Plug	1
	17	39508	Screw, With Washer	3

Fig. 16 – Injection Pump Group

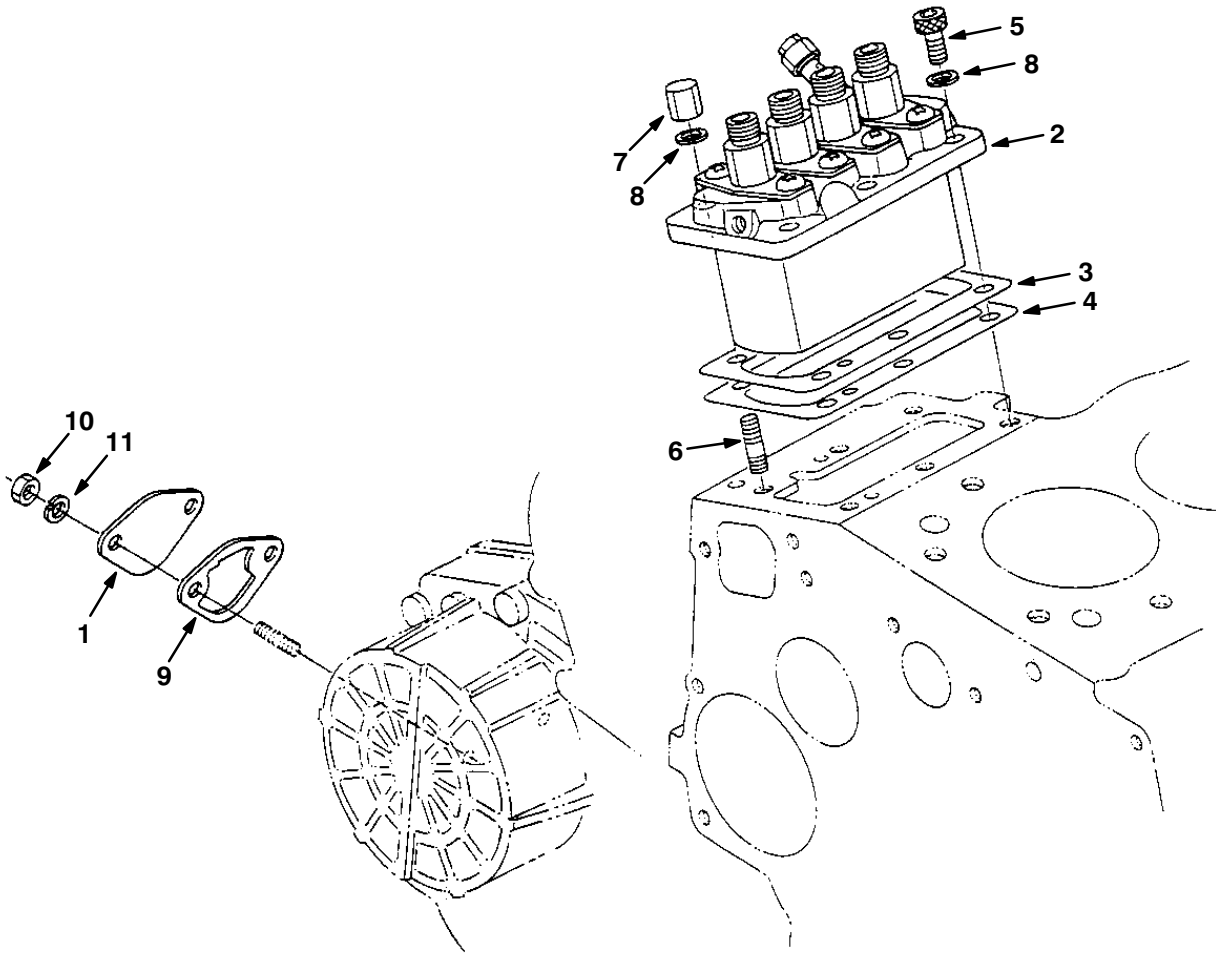


Fig. 16 – Injection Pump Group

Ref.	Part No.	Description	Qty.
1	73565	Fuel Pump Cover Plate	1
2	84635	Assembly Pump, Injection (See Injection Pump Breakdown)	1
3	70972	Shim, Injection Pump 0.20 mm	1
4	70973	Shim, Injection Pump 0.25 mm	2
4	84644	Shim, Injection Pump 0.30 mm	1
5	73561	Bolt	3
6	73562	Stud	3
7	73563	Nut, Cap	3
8	39065	Washer, Spring	6
9	70974	Gasket, Fuel Pump	1
10	39121	Nut	2
11	39065	Washer, Spring	2

Fig. 17 - Injection Pump Breakdown

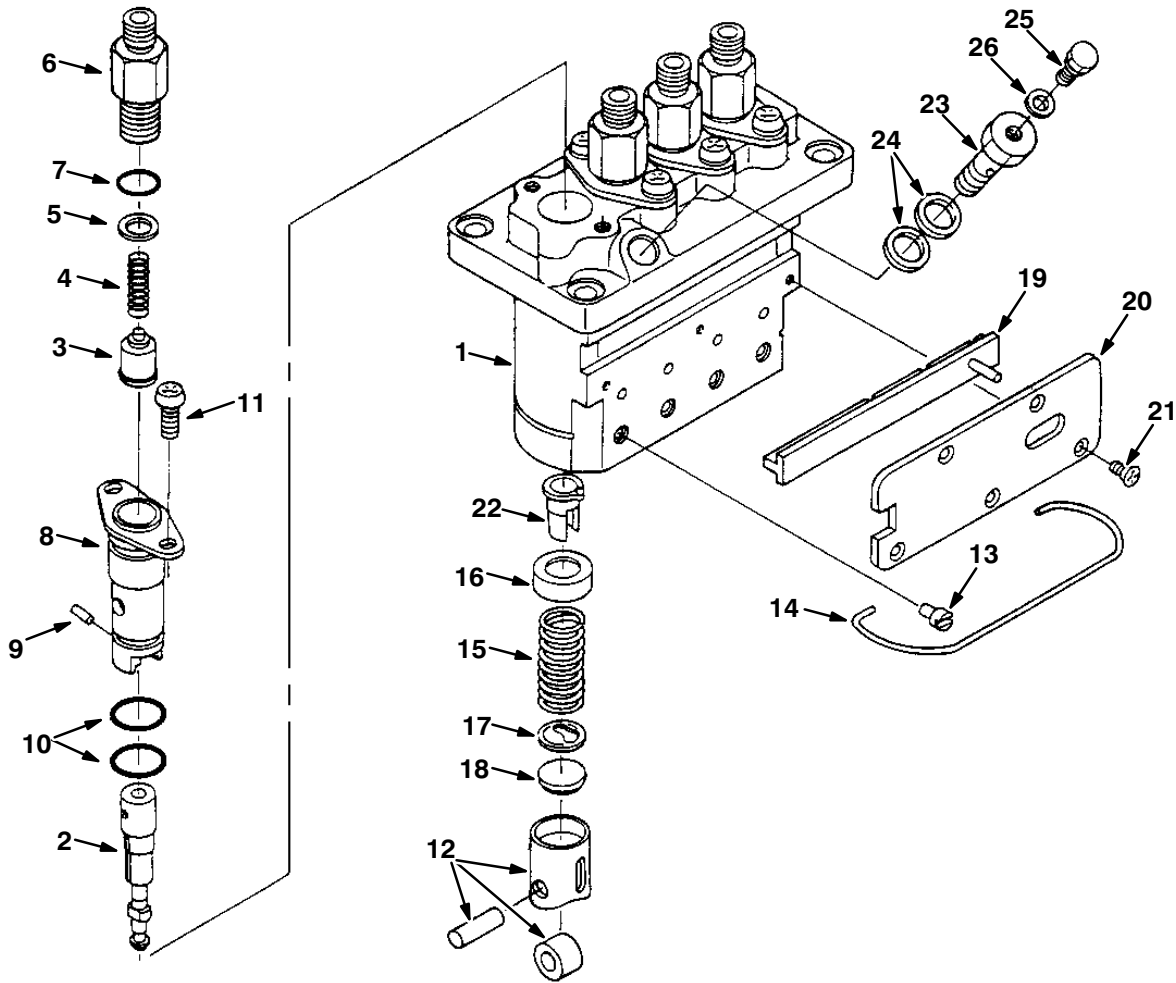
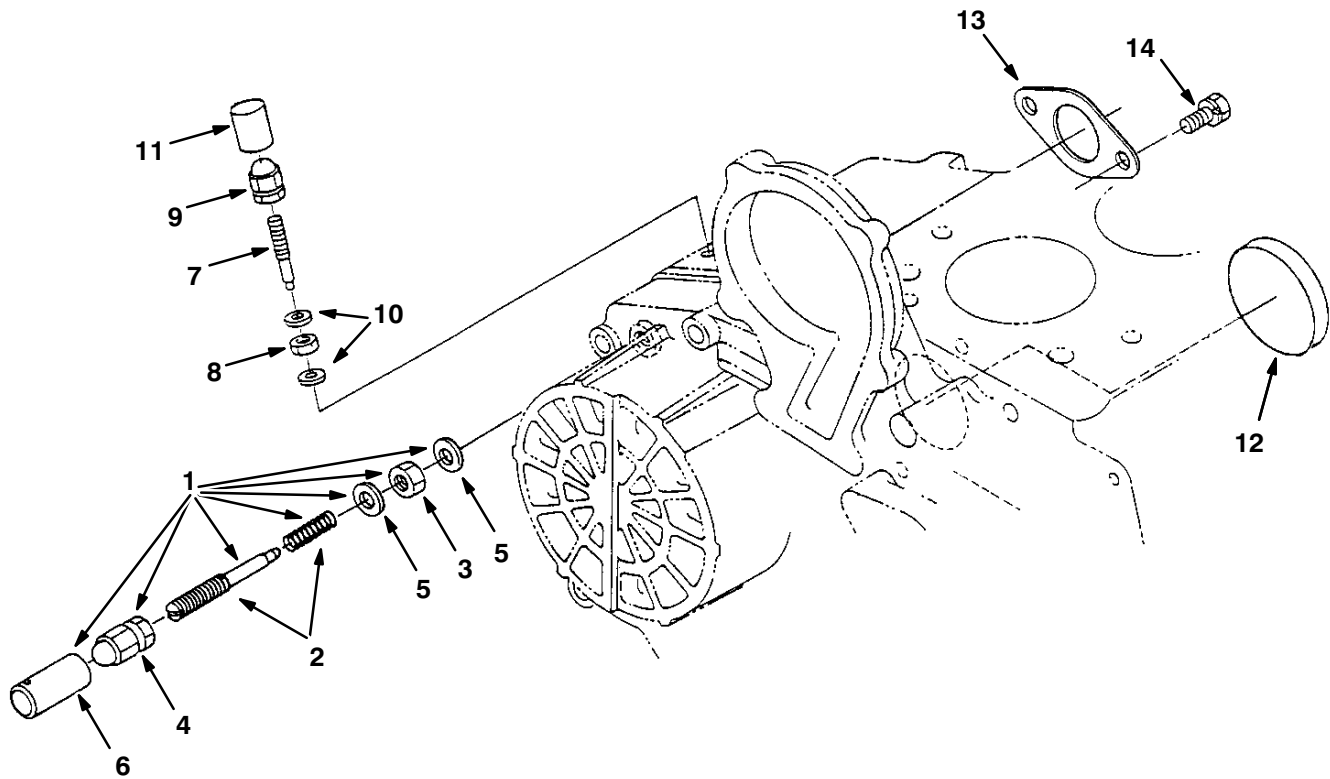


Fig. 17 – Injection Pump Breakdown

	Ref.	Part No.	Description	Qty.
▽	1	84635	Assembly Pump, Injection	1
▲	2	84648	Plunger, Pump	4
▲	3	73567	Valve, Delivery	4
▲	4	73568	Spring, Delivery Valve	4
▲	5	73569	Gasket, Delivery Valve	4
▲	6	73570	Holder, Delivery Valve	4
▲	7	73571	O-Ring	4
▲	8	73572	Flange, Sleeve	4
▲	9	73573	Pin, Joint	4
▲	10	73574	O-Ring	8
▲	11	73575	Screw	8
▲	12	73576	Assembly Tappet	4
▲	13	73577	Pin, Tappet Guide	4
▲	14	73578	Pin, Clamp	1
▲	15	73579	Spring, Plunger	4
▲	16	73580	Seat, Spring Upper	4
▲	17	73581	Seat, Spring Lower	4
▲	18	73582	Shim	1
▲	19	84649	Rack, Control	1
▲	20	84650	Plate	1
▲	21	73585	Screw	5
▲	22	73586	Sleeve, Control	4
▲	23	84651	Screw, Follow	1
▲	24	73588	Gasket	2
▲	25	73589	Screw	1
▲	26	73590	Gasket	1

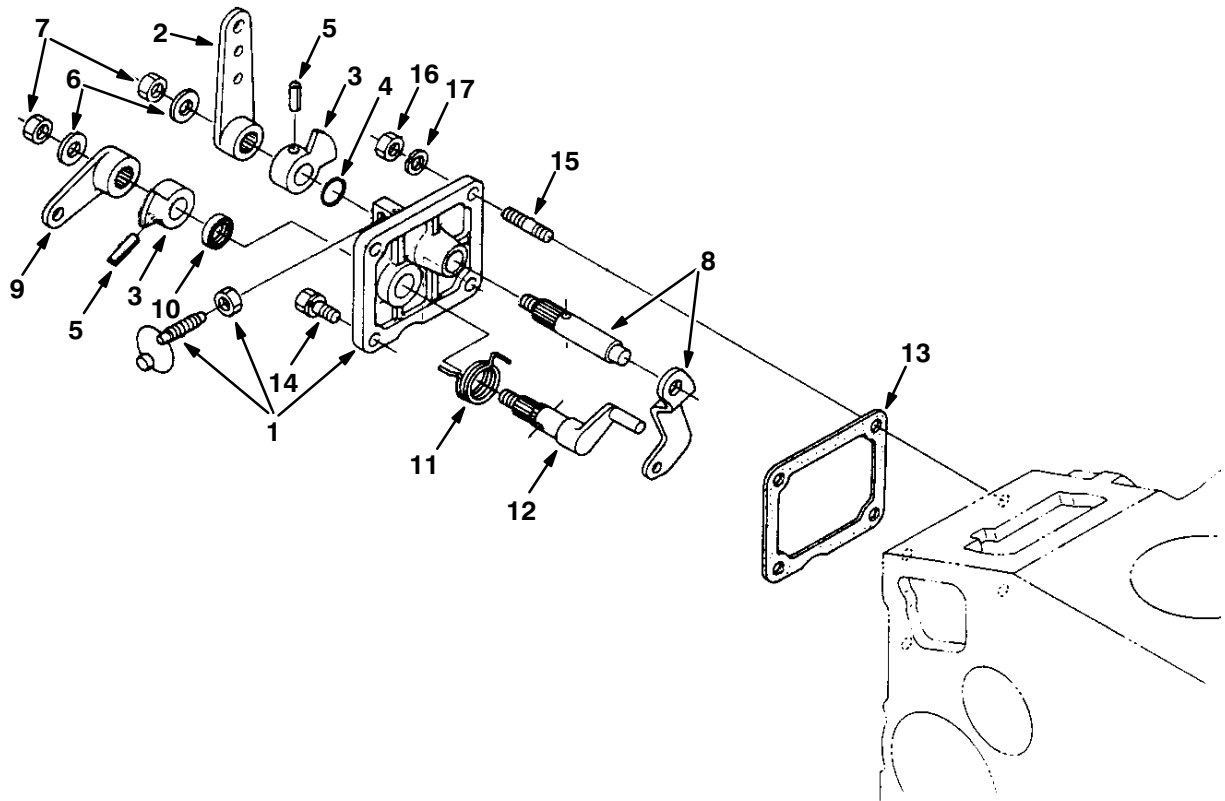
Fig. 18 – Idling Group



07443 – M20, D

Ref.	Part No.	Description	Qty.	
▽	1	70980	Assembly Apparatus, Idle	1
▲	2	73605	Assembly Bolt, Adjusting	1
▲	3	73606	Nut	1
▲	4	73607	Nut, Cap	1
▲	5	40166	Gasket	2
▲	6	30136	Cap	1
	7	73610	Bolt, Adjusting	1
	8	73606	Nut	1
	9	73607	Nut, Cap	1
	10	40166	Gasket	2
	11	30136	Cap	1
	12	70188	Cover	1
	13	70165	Gasket, Thrtl Blk	1
	14	39160	Bolt	2

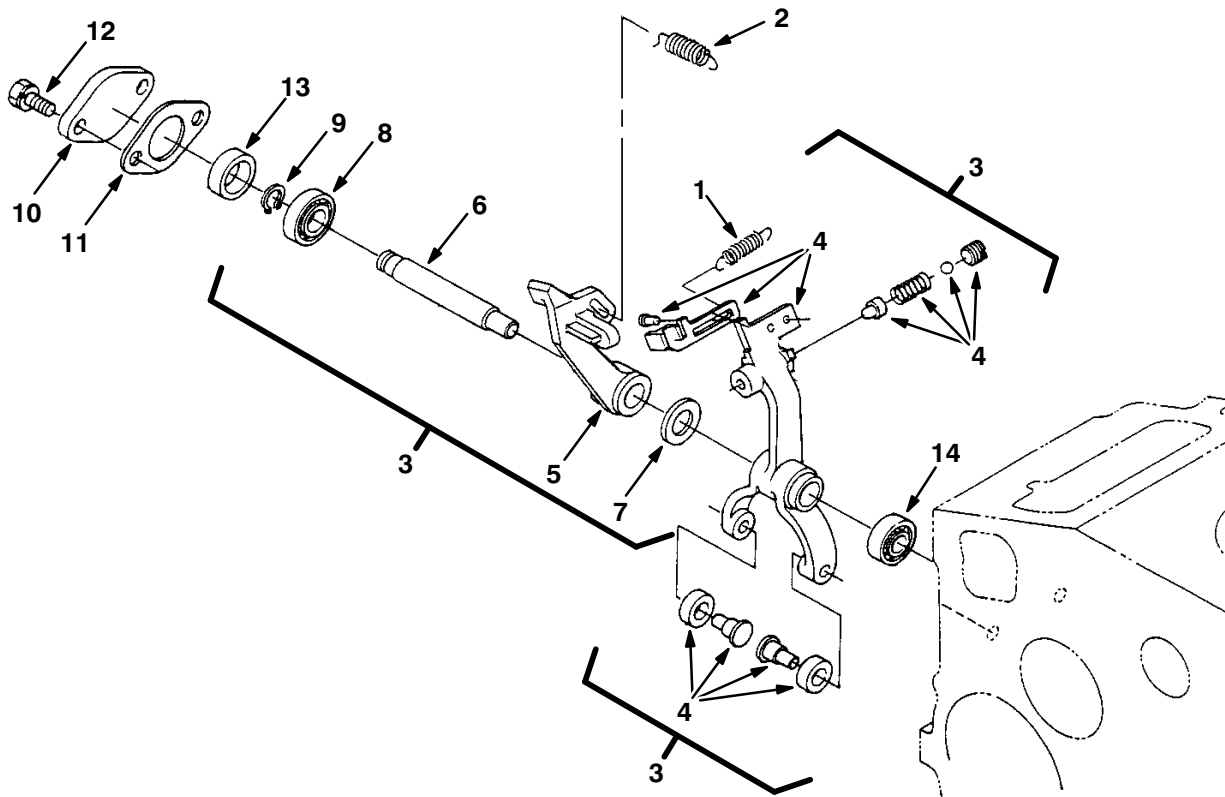
Fig. 19 – Speed Control Plate Group



07445 – M20, D

Ref.	Part No.	Description	Qty.	
▽	1	70982	Assembly Plate, Control	1
▲	2	73618	Lever, Speed Control	1
▲	3	73619	Lever, Speed Control	2
▲	4	73620	O-Ring	1
▲	5	40407	Pin, Spring	2
▲	6	73621	Washer, Plain	2
▲	7	73622	Nut	2
▲	8	73623	Comp. Lever, Governor	1
▲	9	73624	Lever, Engine Stop	1
▲	10	70983	Seal, Oil	1
▲	11	73625	Spring, Return	1
▲	12	73626	Shaft, Stop Lever	1
	13	70984	Gasket	1
	14	41973	Bolt	2
	15	72018	Stud	2
	16	39121	Nut	2
	17	39065	Washer, Spring	2

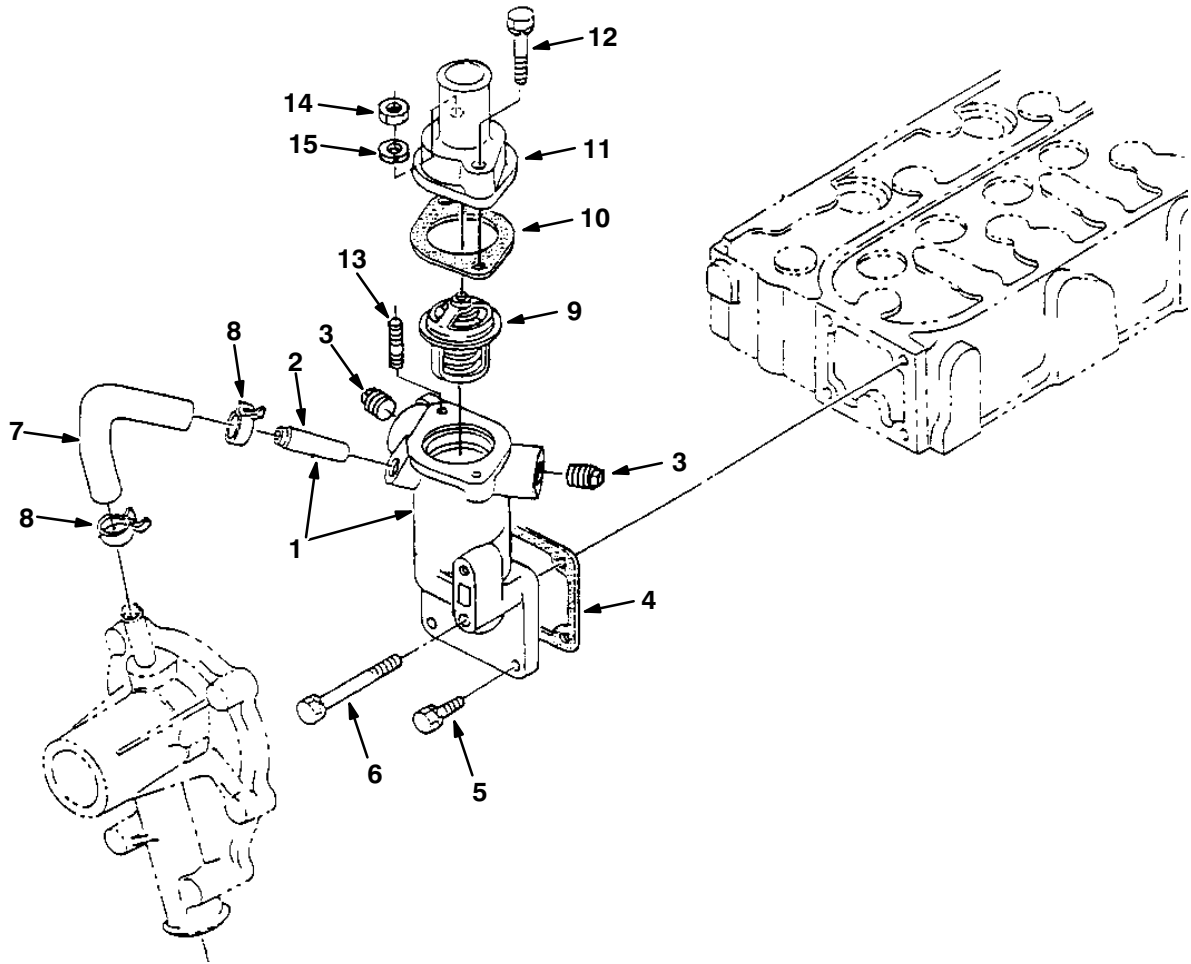
Fig. 20 – Governor Group



07447 – M20, D

Ref.	Part No.	Description	Qty.
1	70985	Spring, Start	1
2	70986	Spring, Governor	1
▽ 3	73627	Assembly Lever, Fork	1
▲ 4	70987	Comp. Lever, Fork 1	1
▲ 5	73628	Lever, Fork 2	1
▲ 6	73629	Shaft, Fork Lever	1
▲ 7	70988	Washer, Plain	1
▲ 8	70989	Bearing, Ball	1
▲ 9	73630	Cir-clip, External	1
10	73631	Cover, Fork Lever Shaft	1
11	361430	Gasket	1
12	39160	Bolt	2
13	70991	Collar 1	1
14	70992	Bearing, Ball	1

Fig. 21 - Water Flange Group



07451 - M20, D

Ref.	Part No.	Description	Qty.
▽	1 368090	Flange, Water [Ku]	1
▲	2 361440	Fitting, Pipe, Water [Ku]	1
	3 73632	Fitting, Pipe, Plug [Ku]	2
	4 70994	Gasket, Hsg, Thermostat [Ku]	1
	5 41973	Bolt, Hex [Ku]	3
	6 72995	Screw, Hex [Ku]	1
	7 73633	Hose, Water [Ku]	1
	8 73634	Clamp, Hose, Heater [Ku]	2
	9 10852	Thermostat, 180deg, 1.7d [Ku]	1
	10 10851	Gasket	1
	11 368091	Housing, Thermostat [Ku]	1
	12 72996	Screw, Hex [Ku]	1
	13 73636	Stud	1
	14 39121	Nut, Hex [Ku]	1
	15 39065	Washer, Lock, Split [Ku]	2

SECTION 6

Contents	Page
Fig. 1 – Crankcase Group	6-2
Fig. 2 – Oil Pan Group	6-4
Fig. 3 – Cylinder Head Group	6-5
Fig. 4 – Gear Case Group	6-6
Fig. 5 – Water Pump Group	6-8
Fig. 6 – Main Bearing Case Group	6-9
Fig. 7 – Head Cover Group	6-10
Fig. 8 – Manifold Group	6-11
Fig. 9 – Valve, Rocker Arm Group	6-12
Fig. 10 – Fuel Camshaft Group	6-13
Fig. 11 – Camshaft Group	6-14
Fig. 12 – Piston and Crankshaft Group	6-16
Fig. 13 – Flywheel Group	6-18
Fig. 14 – Starter Breakdown, 74405	6-19
Fig. 15 – Nozzle Holder and Glow Plug Group .	6-20
Fig. 16 – Nozzle Holder Breakdown	6-21
Fig. 17 – Injection Pump Group	6-22
Fig. 18 – Injection Pump Breakdown	6-24
Fig. 19 – Idling Group	6-26
Fig. 20 – Speed Control Plate Group	6-27
Fig. 21 – Governor Group	6-28
Fig. 22 – Water Flange Group	6-29

Fig. 1 - Crankcase Group

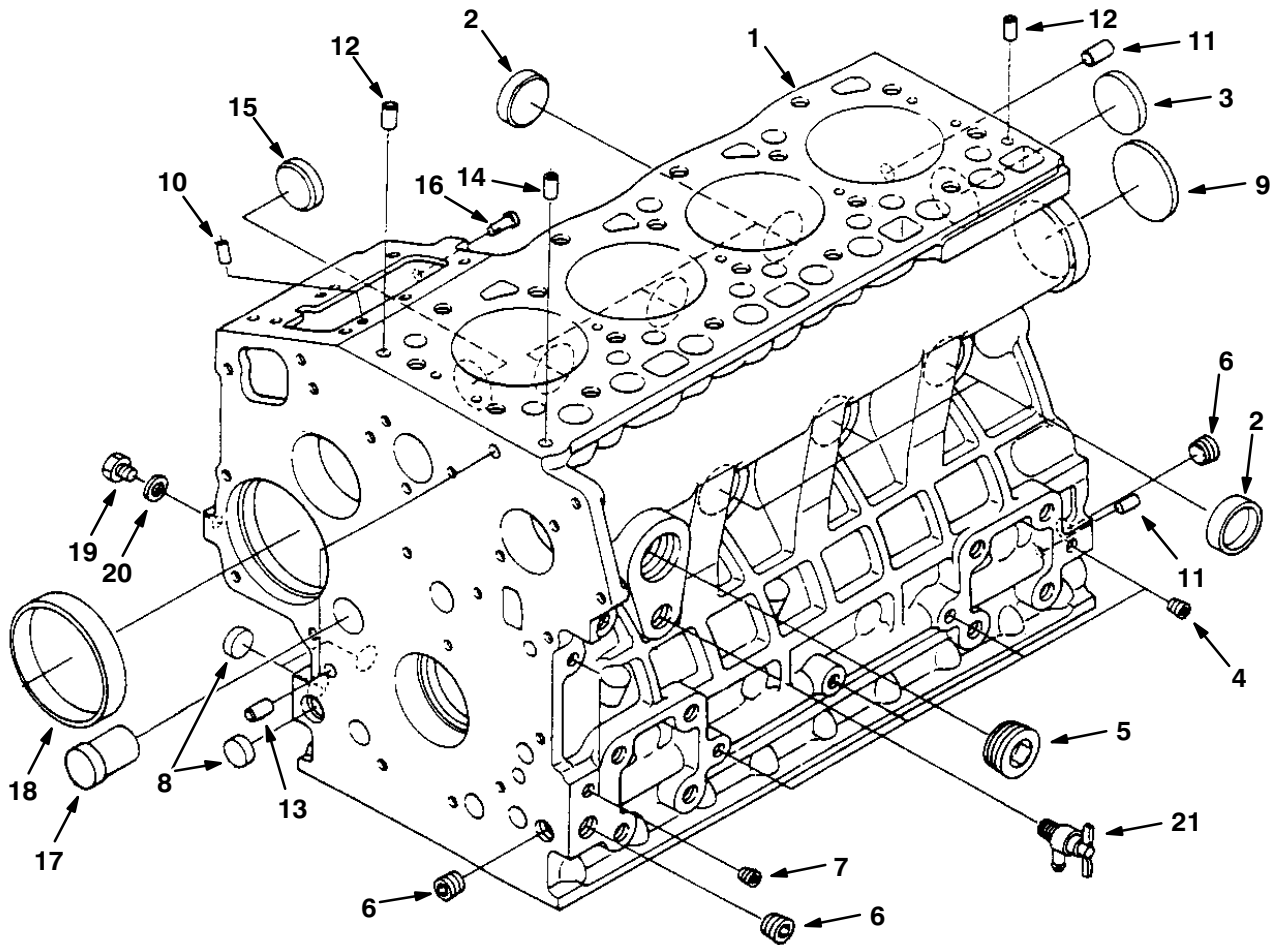
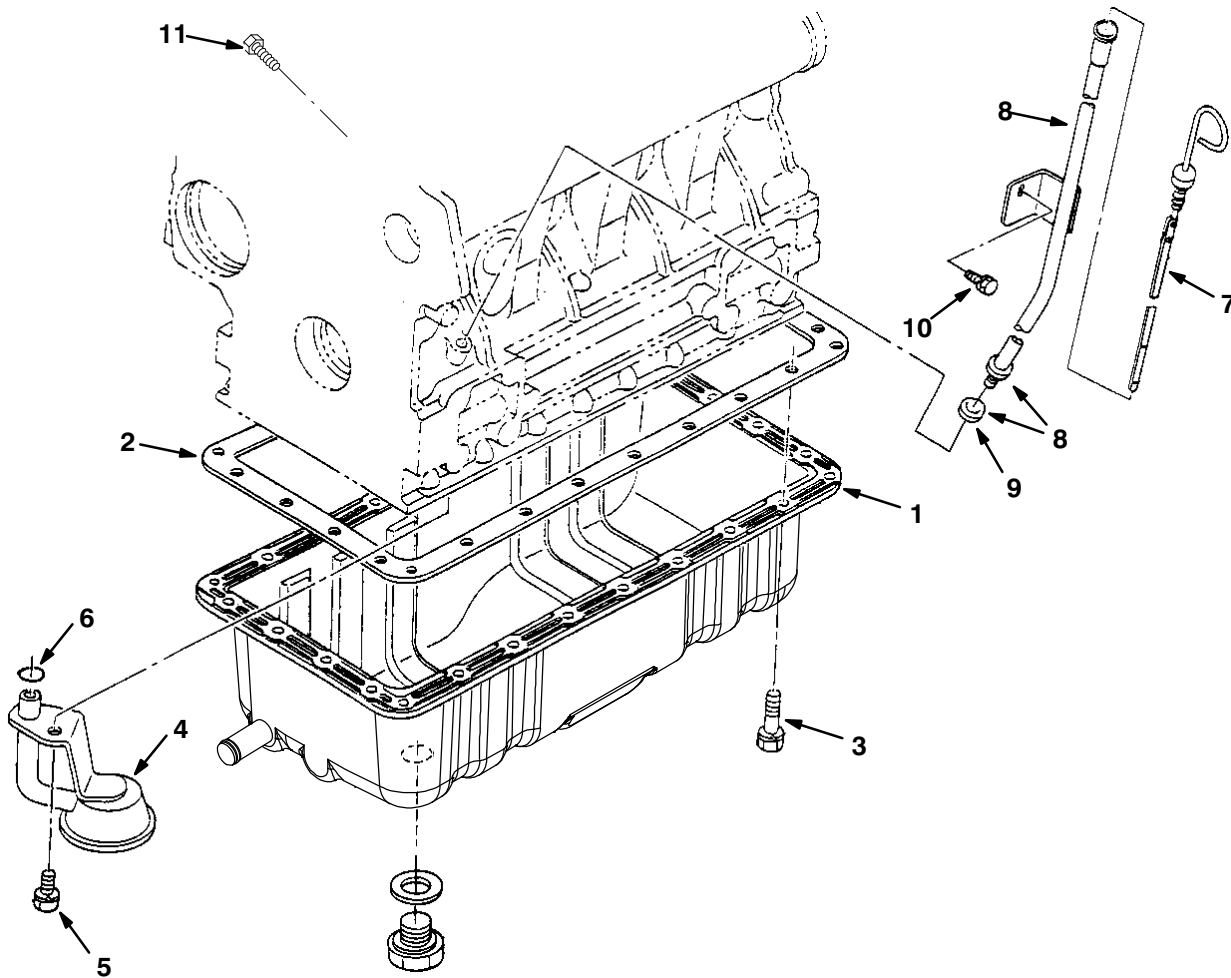


Fig. 1 – Crankcase Group

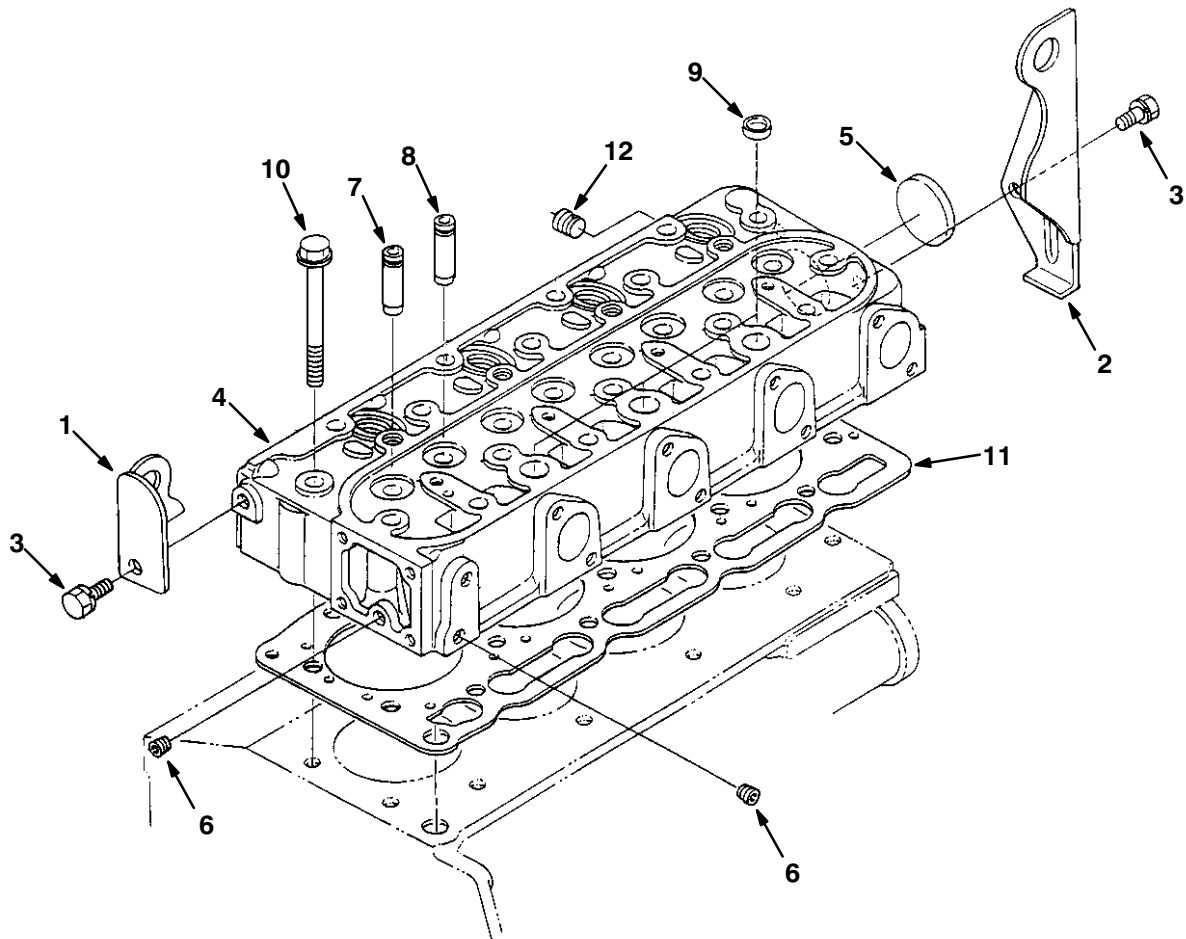
	Ref.	Part No.	Description	Qty.
▽	1	9004335	Crankcase, Complt [Ku]	1
▲	2	70998	Plug, Cup, Sealing [Ku]	6
▲	3	39087	Plug, Cup, Sealing [Ku]	1
▲	4	39088	Fitting, Pipe, Plug [Ku]	4
▲	5	70999	Plug, Eng [Ku]	1
▲	6	71985	Fitting, Pipe, Plug [Ku]	3
▲	7	39051	Fitting, Pipe, Plug [Ku]	2
▲	8	361436	Plug, Cup, Sealing [Ku]	3
▲	9	71986	Plug, Cup, Sealing [Ku]	1
▲	10	71987	Pin, Dowel [Ku]	2
▲	11	71988	Pin, Dowel [Ku]	2
▲	12	9004431	Pin, Straight [Ku]	2
▲	13	71990	Pin, Eng [Ku]	2
▲	14	71991	Tube, Pin [Ku]	1
▲	15	71992	Plug, Cup, Sealing [Ku]	1
▲	16	9004337	Pin, Start, Spring	1
▲	17	71993	Plug, Eng [Ku]	1
▲	18	70887	Bushing, Gear, Gov [Ku]	1
▲	19	39062	Fitting, Plug [Ku]	1
▲	20	393570	Gasket	1
	21	70888	Fitting, Draincock [Ku]	1

Fig. 2 – Oil Pan Group



Ref.	Part No.	Description	Qty.
1	1023144	Pan, Oil, Dsl	1
2	70889	Gasket, Pan, Oil	1
3	9004338	Bolt [Ku]	26
4	9003888	Filter, Oil [Ku]	1
5	39094	Screw, Hex [Ku]	1
6	9004339	O-Ring [Ku]	1
7	9004435	Gauge, Oil [Ku]	1
▽ 8	361428	Dipstick, Oil [Ku]	1
▲ 9	361366	Seal, Org [Ku]	1
10	39073	Screw, Hex [Ku]	1
	66187	Gasket Set	1
11	9004348	Plug, Gauge, Oil [Ku]	1

Fig. 3 – Cylinder Head Group



Ref.	Part No.	Description	Qty.	
	1	71996	Ear, Lifting, Eng [Ku]	1
	2	71997	Ear, Lifting, Eng [Ku]	1
	3	39073	Screw, Hex [Ku]	2
▽	4	9004340	Head, Cylinder [Ku]	1
▲	5	393504	Cap, Sealing	1
▲	6	39088	Fitting, Pipe, Plug [Ku]	2
▲	7	372906	Guide, Valve, Inlet	4
▲	8	372907	Guide, Valve, Exhaust	4
▲	9	361372	Plug, Cup, Sealing [Ku]	3
	10	70897	Screw, Hex, Head, Cyl [Ku]	18
	11	9004341	Gasket, Head, Cyl [Ku]	1
		66194	Gasket Set, Upper	1
	12	72010	Fitting, Pipe, Plug [Ku]	1

Fig. 4 - Gear Case Group

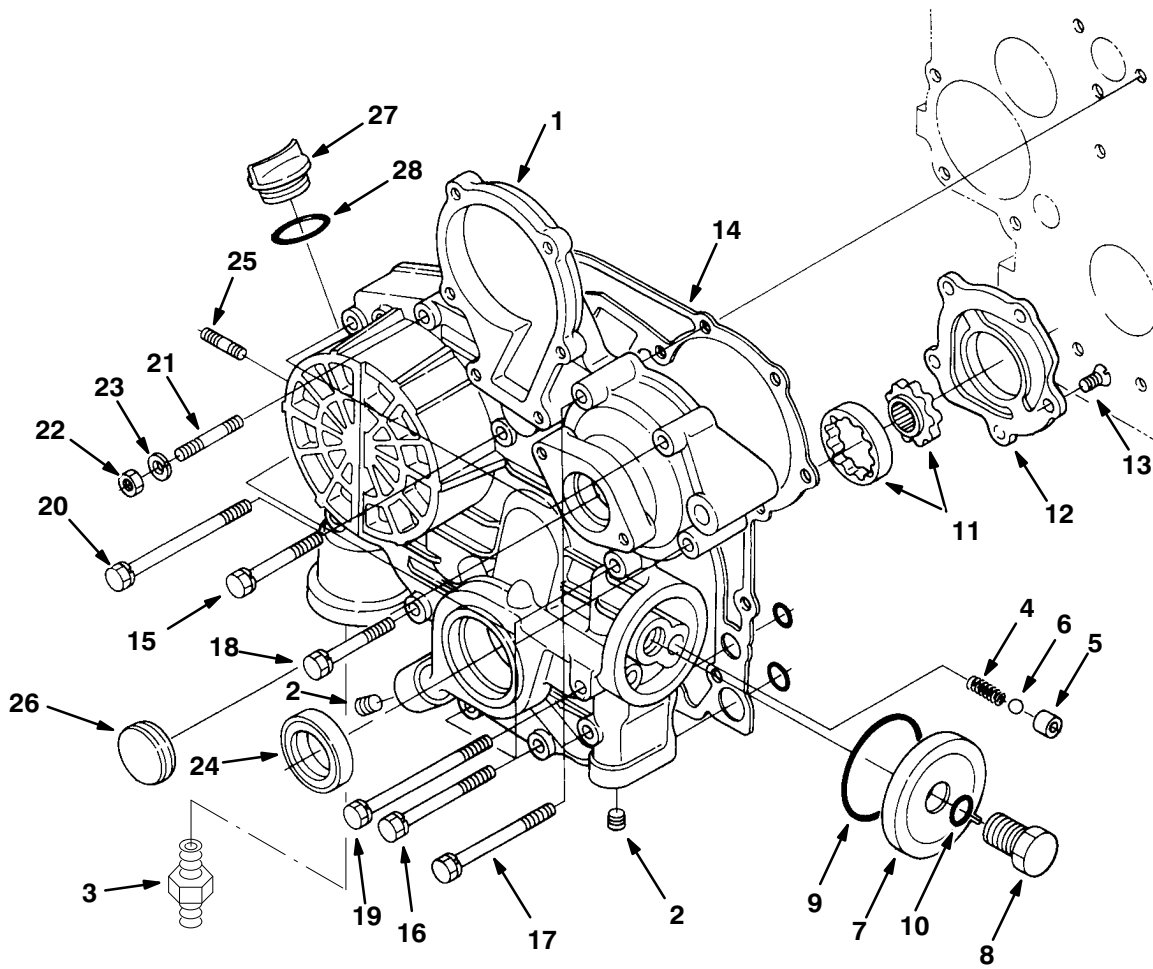
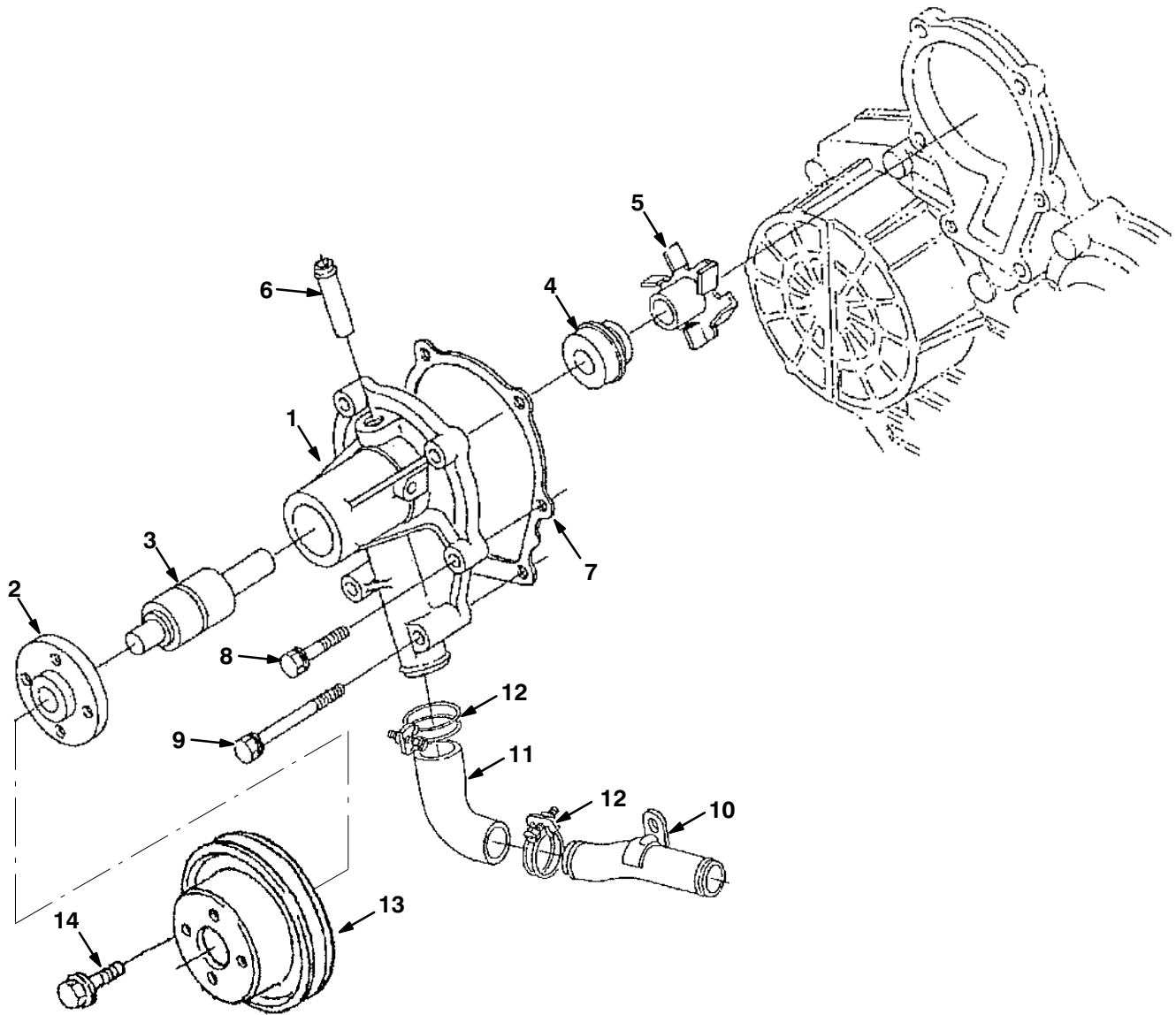


Fig. 4 – Gear Case Group

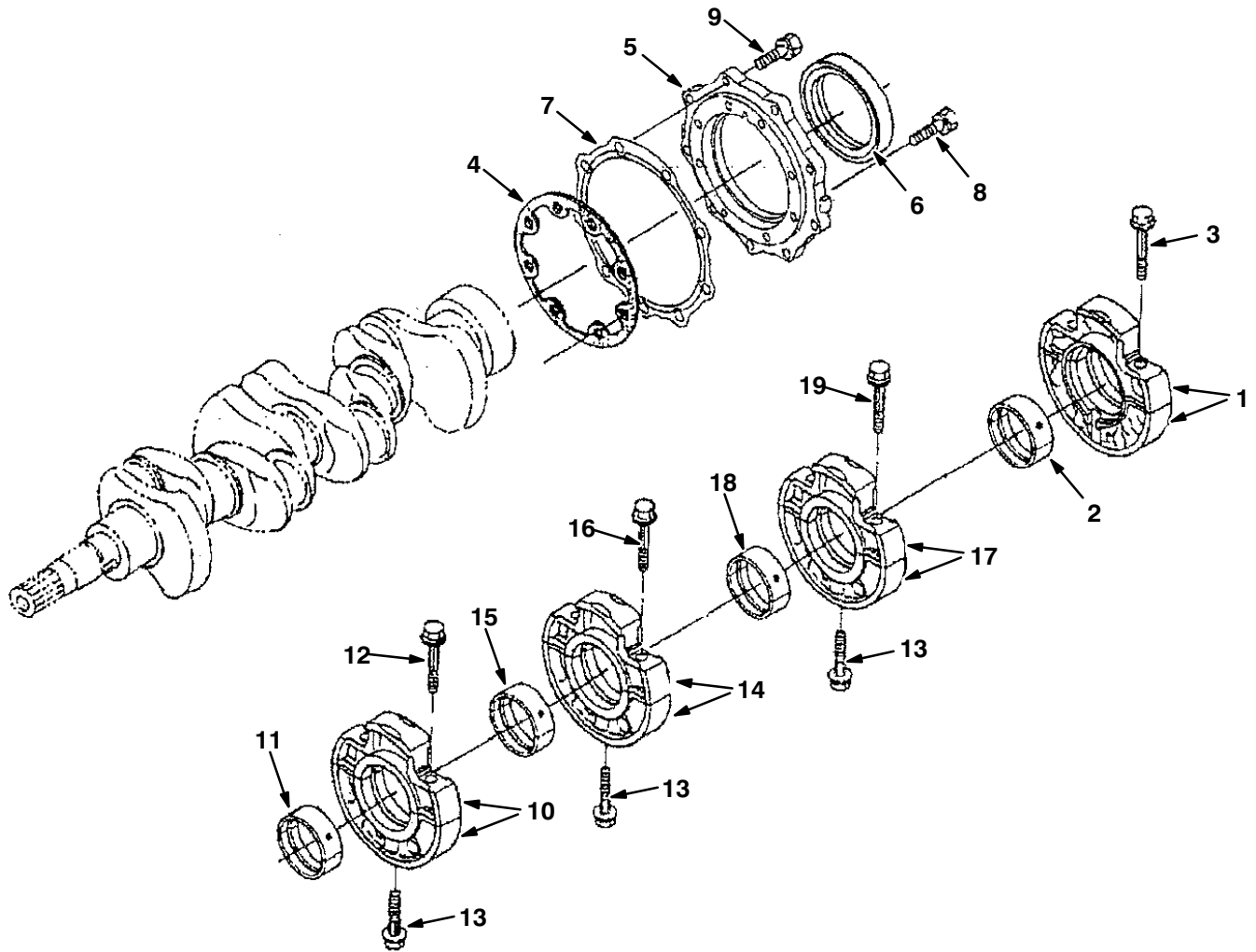
	Ref.	Part No.	Description	Qty.
▽	1	9004432	Crankcase, Comp [Ku]	1
▲	2	361401	Fitting, Pipe, Plug [Ku]	5
▲	3	12916	Fitting, Fltr, Oil [Ku]	1
▲	4	70900	Spring, Cmpr, Relief [Ku]	1
▲	5	70901	Tube, Seat, Valve, Oil [Ku]	1
▲	6	70902	Ball, Relief, Oil [Ku]	1
▲	7	70905	Cover	1
▲	8	70906	Bolt	1
▲	9	70907	Seal, Org [Ku]	1
▲	10	70911	Seal, Org	1
▲	11	70903	Pump, Oil, Eng [Ku]	1
▲	12	70904	Cover, Pump, Oil	1
	13	72013	Screw, Flt [Ku]	5
	14	70912	Gasket, Case, Gear [Ku]	1
	15	72993	Screw, Hex [Ku]	3
	16	384872	Bolt	4
	17	72994	Screw, Hex [Ku]	2
	18	72014	Screw, Hex [Ku]	1
	19	72015	Screw, Hex [Ku]	2
	20	72016	Bolt	1
	21	9004346	Stud [Ku]	1
	22	39121	Nut, Hex [Ku]	1
	23	39065	Washer, Lock, Split [Ku]	1
	24	361389	Seal, Oil, Front [Ku]	1
	25	9004347	Stud [Ku]	2
	26	72019	Cover	1
	27	361374	Cap, Filler, Oil [Ku]	1
	28	70913	Seal, Org	1

Fig. 5 – Water Pump Group



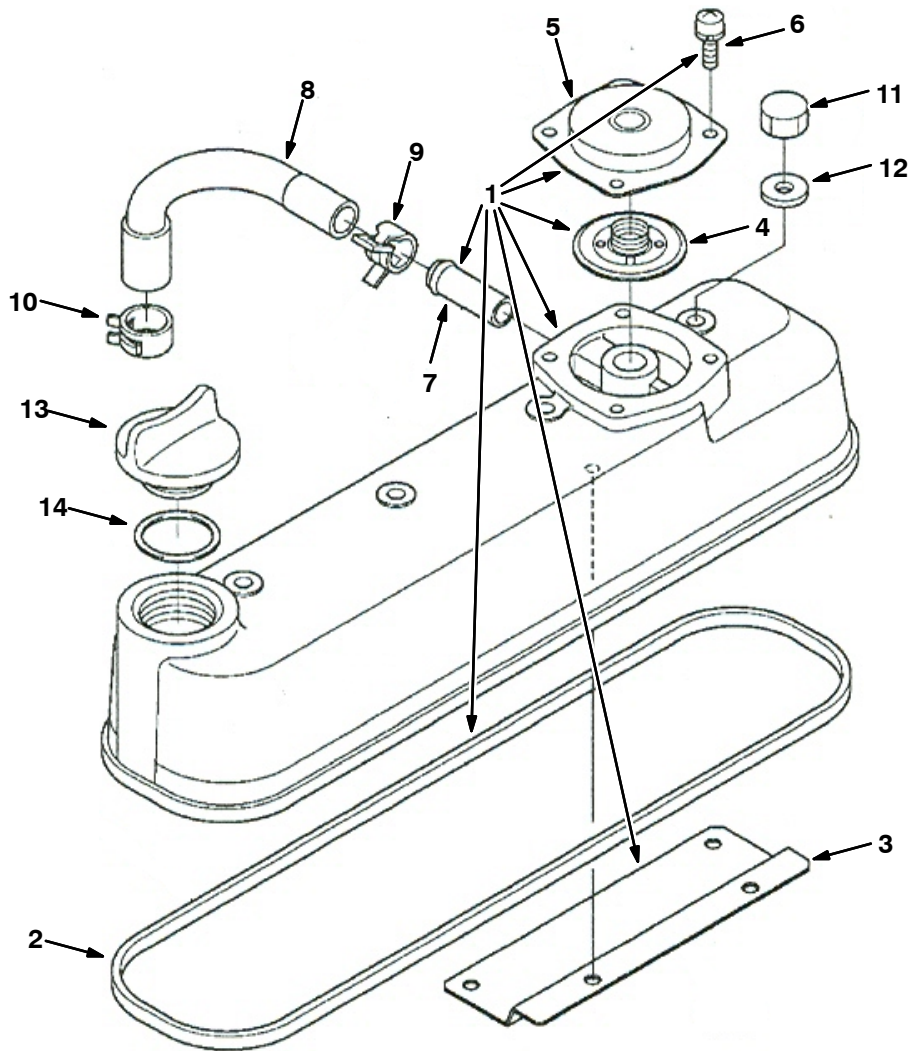
Ref.	Part No.	Description	Qty.	
▽	1	9004402	Pump, Water Assy [Ku]	1
▲	2	70919	Flange, Pump, Water [Ku]	1
▲	3	9004403	Bearing [Ku]	1
▲	4	9004404	Seal, Mechanical Assy [Ku]	1
▲	5	9004405	Impeller, Pump, Water [Ku]	1
▲	6	361440	Fitting, Pipe, Water [Ku]	1
▲	7	70920	Gasket, Pump, Water [Ku]	1
	8	9004406	Bolt [Ku]	4
	9	9004407	Bolt [Ku]	2
	10	9003868	Pipe, Water [Kubota]	1
	11	9003869	Pipe, Water [Kubota]	1
	12	9003870	Clamp [Kubota]	2
	13	55847	Sheave, Fan [Ku]	1
	14	393588	Bolt, Flng	4

Fig. 6 – Main Bearing Case Group



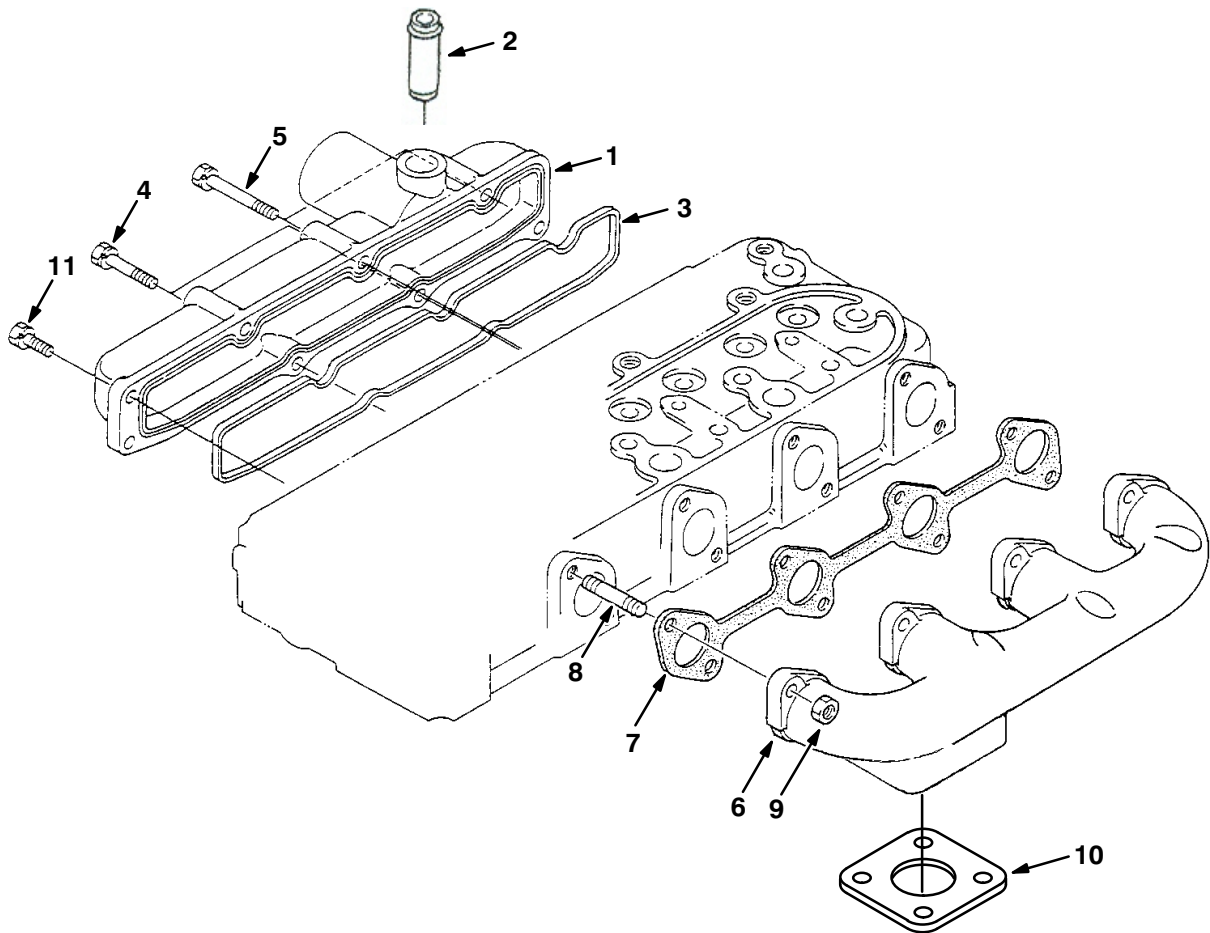
Ref.	Part No.	Description	Qty.	
▽	1	9004349	Bearing, Case [Ku]	1
▲	2	9004436	Crankshaft, Metal [Ku]	1
▲	3	72998	Screw, Hex, Case, Brg, Main [Ku]	2
	4	9004350	Gasket, Bearing, Case [Ku]	1
	5	70923	Cover, Brg Case, Eng [Ku]	1
	6	70924	Seal, Oil, Rear [Ku]	1
	7	70925	Gasket, Case, Gear [Ku]	1
	8	384871	Bolt	8
	9	371017	Bolt	9
▽	10	9004437	Case, Main, Brg Assy	1
▲	11	70948	Bearing, Cshft, Std [Ku]	1
▲	12	72998	Screw, Hex, Case, Brg, Main [Ku]	2
	13	73479	Screw, Hex, Case, Brg, Main [Ku]	3
▽	14	9004438	Case, Main, Brg Assy	1
▲	15	70948	Bearing, Cshft, Std [Ku]	1
▲	16	72998	Screw, Hex, Case, Brg, Main [Ku]	2
▽	17	9004439	Case, Main, Brg Assy	1
▲	18	70948	Bearing, Cshft, Std [Ku]	1
▲	19	72998	Screw, Hex, Case, Brg, Main [Ku]	2

Fig. 7 - Head Cover Group



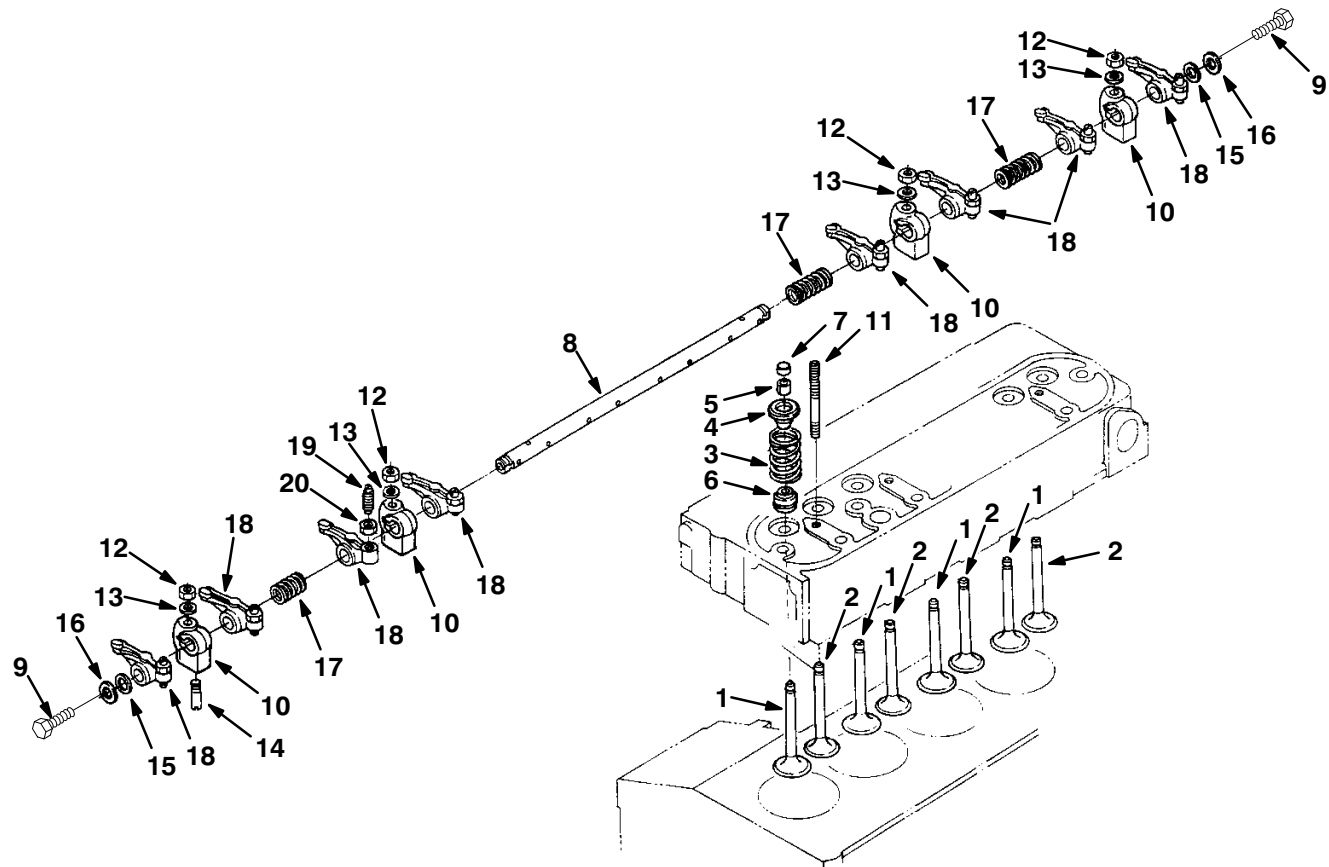
Ref.	Part No.	Description	Qty.	
▽	1	9004433	Cover, Cyl Head Assy [Ku]	1
▲	2	70929	Gasket, Cover, Head, Cyl [Ku]	1
▲	3	372912	Shield, Breather	1
▲	4	372928	Valve, Breather, Complt	1
▲	5	384874	Cover, Breather	1
▲	6	73482	Screw, Hex, W/ Washer [Ku]	4
▲	7	30125	Pipe, Water	1
	8	372913	Tube, Breather	1
	9	372901	Clamp, Hose	1
	10	372904	Clamp, Hose	1
	11	73483	Nut, Hex, Cap	4
	12	73484	Gasket, F/ Bolt [Ku]	4
	13	361374	Cap, Filler, Oil [Ku]	1
	14	70913	Seal, Org	1

Fig. 8 - Manifold Group



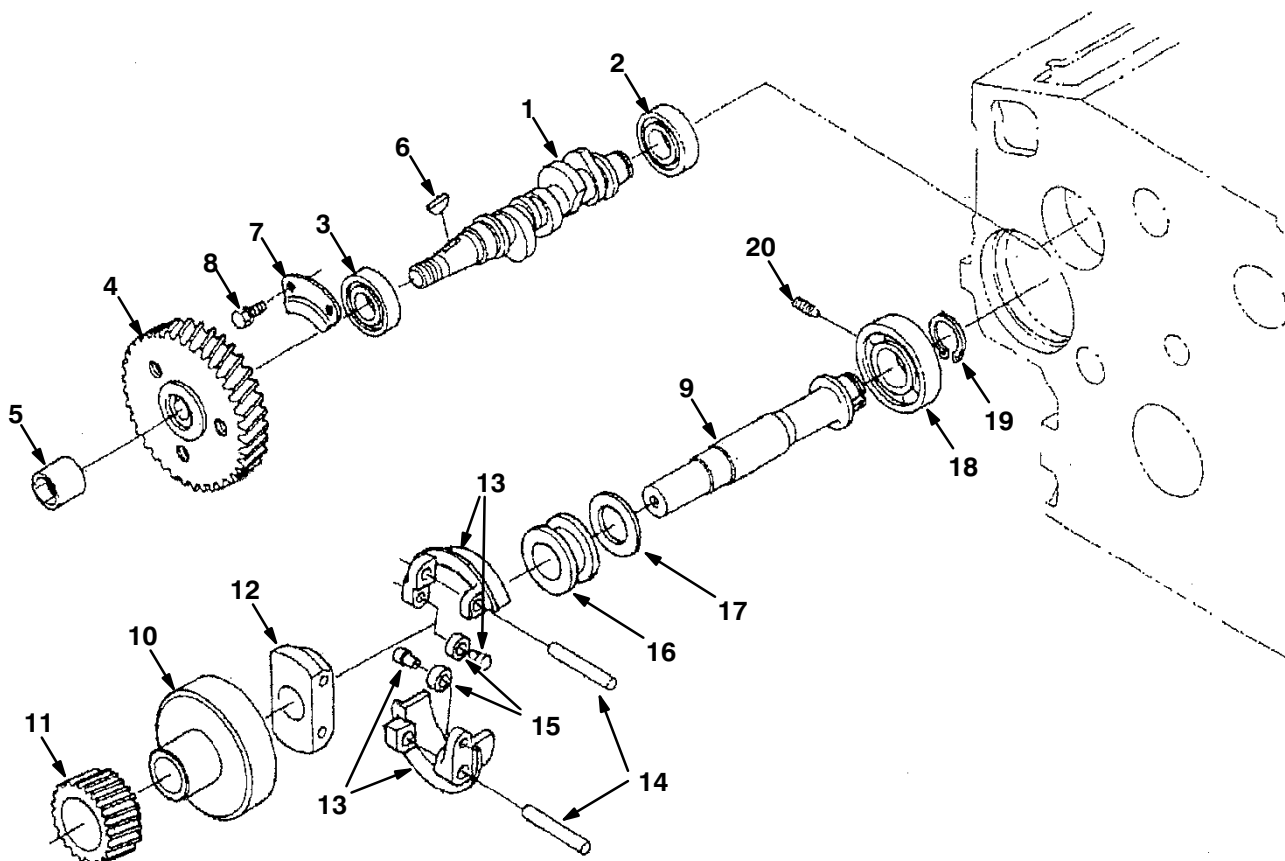
Ref.	Part No.	Description	Qty.	
▽	1	372905	Manifold Assy, Inlet	1
▲	2	73481	Pipe, Breather [Ku]	1
▲	3	70934	Gasket, Manifold, Intake [Ku]	1
	4	9004406	Bolt [Ku]	2
	5	384872	Bolt	3
	6	73487	Manifold, Exhaust [Ku]	1
	7	70935	Gasket, Manifold, Exhaust	1
	8	73488	Stud [Ku]	8
	9	73489	Nut	8
	10	51332	Gasket [Ku]	1
	11	40409	Screw, Hex [Ku]	3

Fig. 9 – Valve, Rocker Arm Group



Ref.	Part No.	Description	Qty.
1	70936	Valve, Intake [Ku]	4
2	70937	Valve, Exhaust [Ku]	4
3	73491	Spring, Valve [Ku]	8
4	73492	Retainer, Spring, Valve [Ku]	8
5	73493	Retainer, Spring [Ku]	8
6	73494	Seal, Stem, Valve [Ku]	8
7	361392	Cap, Valve [Ku]	8
8	9004409	Shaft, Rocker, Arm [Ku]	1
9	393598	Bolt	2
10	73497	Bracket, Mtg, Rocker Arm [Ku]	4
11	73498	Stud [Ku]	4
12	73499	Nut, Hex [Ku]	4
13	73500	Washer, Flat [Ku]	4
14	9004410	Pin, Spring [Ku]	1
15	73502	Washer, Shaft, Rocker [Ku]	2
16	361589	Washer, Flat [Ku]	2
17	73504	Spring, Cmpr, Rocker [Ku]	3
▽ 18	73506	Arm, Rocker [Ku]	8
▲ 19	73507	Screw, Adj, Rocker Arm [Ku]	8
▲ 20	73508	Nut, Hex [Ku]	8

Fig. 10 – Fuel Camshaft Group



Ref.	Part No.	Description	Qty.	
1	84636	Camshaft	1	
2	9004368	Bearing, Ball [Ku]	1	
3	9004369	Bearing, Ball [Ku]	1	
4	9004445	Gear, Injection, Pump [Ku]	1	
5	73593	Nut, Cap, Cam [Ku]	1	
6	73594	Key, Woodruff [Ku]	1	
7	73596	Stopper, Fuel [Ku]	1	
8	41973	Bolt, Hex [Ku]	2	
▽	73597	Shaft, Govnr	1	
▲	9	9004371	Shaft, Governor [Ku]	1
▲	10	73598	Holder, Gear [Ku]	1
▲	11	73599	Gear, Govnr [Ku]	1
▲	12	73600	Holder, Govnr [Ku]	1
▲	13	73601	Weight, Comp, Govnr [Ku]	2
▲	14	73602	Shaft, Govnr [Ku]	2
▲	15	9004372	Shaft, Governor, Weight [Ku]	2
▲	16	70977	Sleeve, Govnr [Ku]	1
▲	17	70978	Washer, Thrust [Ku]	1
18	9004373	Bearing, Ball [Ku]	1	
19	73603	Ring, Snap [Ku]	1	
20	73604	Screw, Set [Ku]	1	

Fig. 11 - Camshaft Group

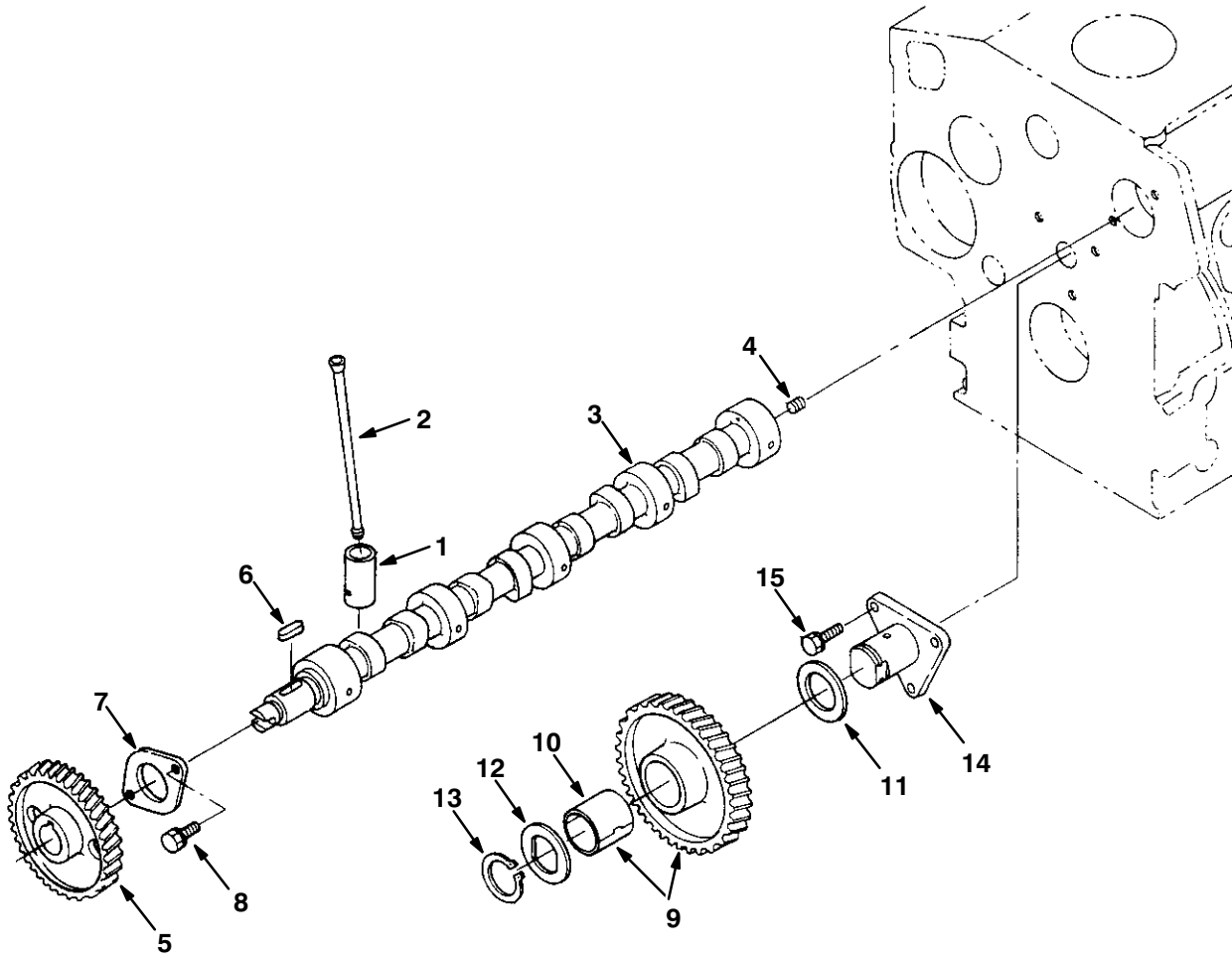


Fig. 11 – Camshaft Group

Ref.	Part No.	Description	Qty.	
	1	9004358	Tappet [Ku]	8
	2	73509	Rod, Push, Valve [Ku]	8
▽	3	9004440	Crankshaft Assy	1
▲	4	39197	Screw, Set [Ku]	1
▲	5	73511	Gear, Camshaft [Ku]	1
▲	6	73512	Key [Ku]	1
▲	7	73513	Stopper, Cam [Ku]	1
▲	8	41973	Bolt, Hex [Ku]	2
▽	9	73514	Gear, Idler, Cam [Ku]	1
▲	10	73515	Bushing, Gear, Idler [Ku]	1
	11	73516	Collar, Gear [Ku]	1
	12	73517	Washer, Collar, Gear [Ku]	1
	13	73518	Ring, Snap [Ku]	1
	14	73519	Shaft, Idler, Gear [Ku]	1
	15	41973	Bolt, Hex [Ku]	3

Fig. 12 - Piston and Crankshaft Group

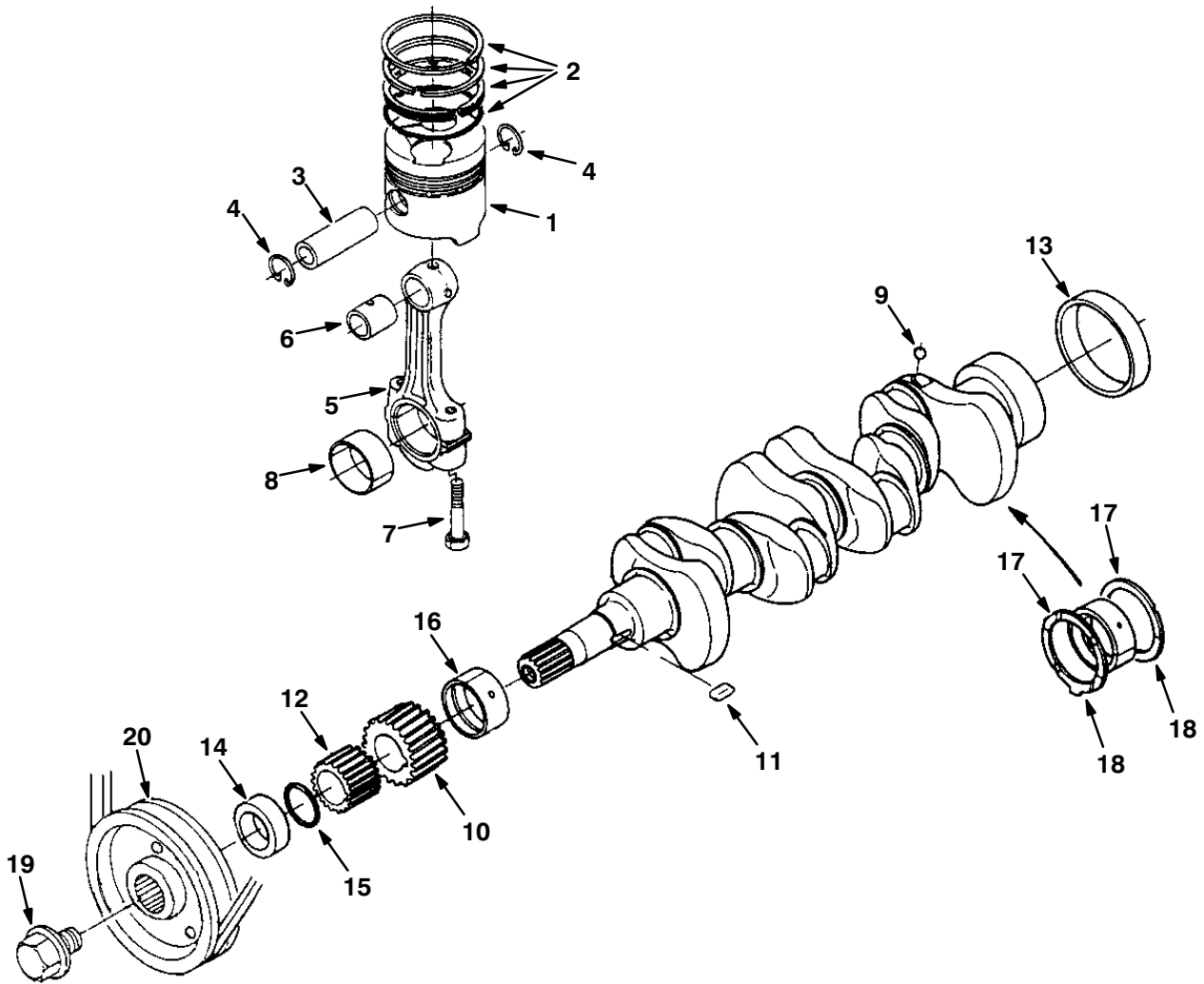
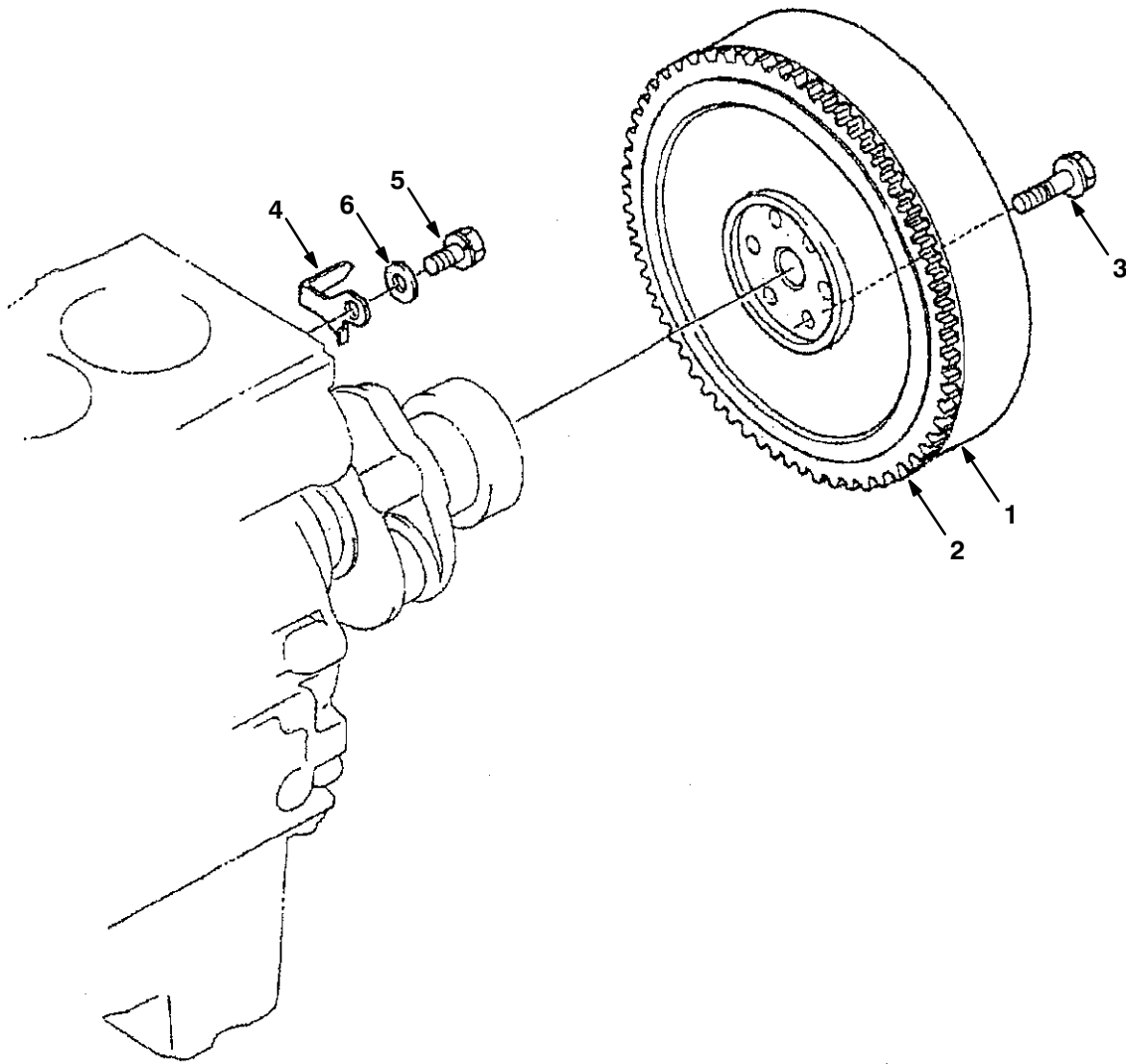


Fig. 12 – Piston and Crankshaft Group

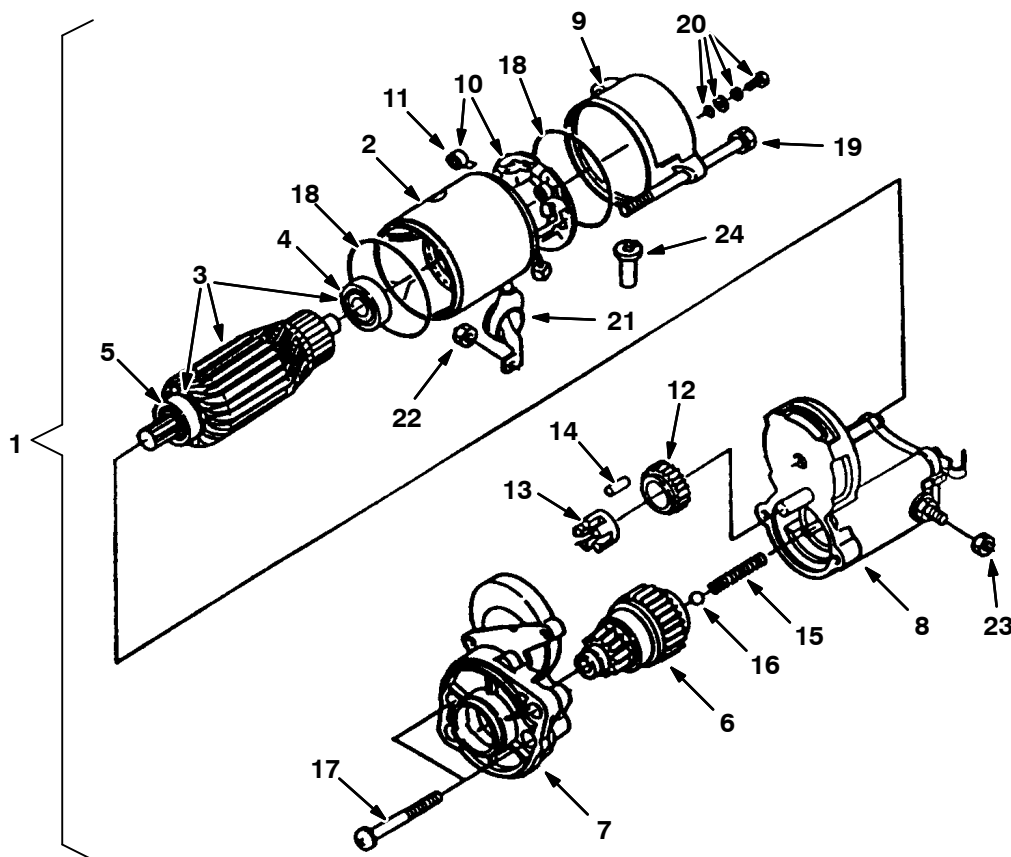
Ref.	Part No.	Description	Qty.	
	1	73520	Piston, Eng [Ku]	4
	1	73521	Piston, Eng [Ku]	4
	2	9004361	Ring, Piston Assy [Ku]	4
	2	9004441	Piston, Ring Assy [Ku]	4
	3	73522	Pin, Piston [Ku]	4
	4	73523	Ring, Snap, Piston [Ku]	8
▽	5	73524	Rod Assy, Connecting [Ku]	4
▲	6	361395	Bushing, Pin, Piston [Ku]16241–21351	4
▲	7	73525	Screw, Rod, Connecting [Ku]	8
▲	8	70941	Bearing, Rod, Connecting, Std [Ku]	4
▲	8	66204	Bearing, Rod, Connecting [–.2mm, Ku]	4
▲	8	66207	Bearing, Rod, Connecting [–.4mm, Ku]	4
▽		73526	Crankshaft	1
▲	9	73527	Ball, Cshft [Ku]	4
▲	10	73528	Gear, Cshft [Ku]	1
▲	11	73529	Key [Ku]	1
▲	12	73530	Gear, Pump, Oil [Ku]	1
▲	13	70942	Bearing, Cshft [Ku]	1
	14	70943	Collar, Crank, Front [Ku]	1
	15	9004363	Ring [Ku]	1
	16	70945	Bearing, Cshft, Std [Ku]	1
	16	70946	Bearing, Cshft, –.2mm [Ku]	1
	16	70947	Bearing, Cshft [Ku]	1
	17	10844	Bearing, Thrust, Std [Ku]	2
	17	70954	Bearing, Thrust [Ku]	2
	17	70955	Bearing, Thrust [–.4mm, Ku]	2
	18	10845	Bearing, Thrust, Std [Ku]	2
	19	73532	Screw, Hex, Cshft [Ku]	2
	20	393400	Sheave, Cshft [Ku]	2

Fig. 13 – Flywheel Group



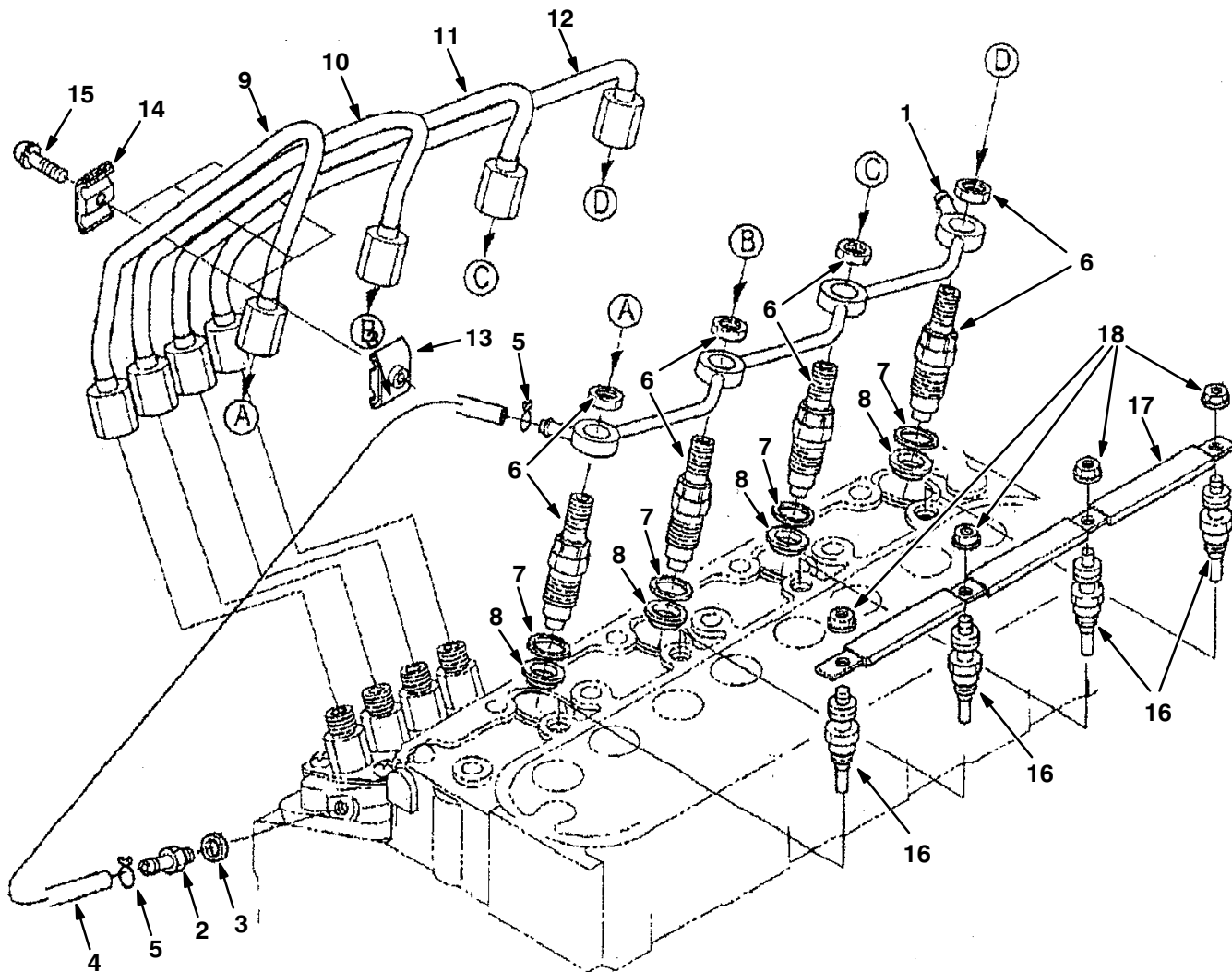
	Ref.	Part No.	Description	Qty.
▽	1	70956	Flywheel	1
▲	2	9004442	Gear, Ring [Ku]	1
	3	73533	Screw, Hex, Flywheel [Ku]	6
	4	9003891	Indicator, Timing [Ku]	1
	5	9004443	Bolt [Ku]	1
	6	9004444	Washer, Plain [Ku]	1

Fig. 14 – Starter Breakdown, 74405



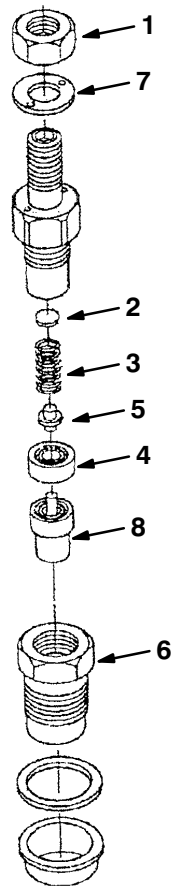
Ref.	Part No.	Description	Qty.	
▽	1	74405	Starter, 12vdc [Kubota]	1
▲	2	70196	Yoke	1
▲▽	3	70197	Armature, Motor [Ku]	1
▲▲	4	70198	Bearing	1
▲▲	5	70199	Bearing	1
▲	6	70200	Clutch	1
▲	7	70201	Frame, End, Drive	1
▲	8	70202	Switch, Magneto [Ku]	1
▲	9	70203	Frame, End	1
▲▽	10	70204	Brushholder	1
▲▲	11	70205	Spring, Brush	4
▲	12	70206	Gear	1
▲	13	70207	Retainer	1
▲	14	73545	Retainer, Gear, Starter [Ku]	5
▲	15	70208	Spring	1
▲	16	73547	Spring, Ext [Ku]	1
▲	17	70209	Bolt	2
▲	18	20433	Seal, Org	2
▲	19	70210	Bolt	2
▲	20	20432	Bolt	2
▲	21	70211	Cover	1
▲	22	73551	Nut, Hex [Ku]	1
▲	23	70212	Nut	1
▲	24	70213	Tube, Drain, Starter	1

Fig. 15 - Nozzle Holder and Glow Plug Group



Ref.	Part No.	Description	Qty.	
1	73554	Pipe, Overflow	1	
2	73555	Fitting, Fuel [Ku]	1	
3	40166	Gasket, F/ Bolt [Ku]	1	
▽	361373	Hose, Fuel [Ku]	1	
▲	4	9004389	Pipe, Fuel, Overflow [Ku]	2
▲	5	9004390	Pipe, Clip [Ku]	4
▽	6	372917	Housing Assy, Nozzle	1
▲	7	9004450	Gasket [Ku]	1
▲	8	9004451	Seal, Heat [Ku]	1
9	70965	Tube, Injector, Pipe #1 [Ku]	1	
10	70966	Tube, Injector, Pipe #2 [Ku]	1	
11	70967	Tube, Injector, Pipe #32 [Ku]	1	
12	70968	Pipe, Injector, # 4	3	
13	30131	Clamp, Tube, Inj, Pipe #1 [Ku]	3	
14	39507	Clamp, Pipe	4	
15	393566	Screw, W / Washer	1	
16	84638	Glowplug [Ku]	3	
17	73560	Cord, Ele, Glowplug	3	
18	9004393	Nut, Flange [Ku]	3	

Fig. 16 – Nozzle Holder Breakdown



Ref.	Part No.	Description	Qty.
▽	372917	Housing Assy, Nozzle	4
▲	1 9004395	Nut [Ku]	1
▲	2 9004396	Washer, Adjusting [Ku]	1
▲	3 9004397	Nozzle, Spring [Ku]	1
▲	4 388500	Spacer [Ku]	1
▲	5 9004398	Rod, Push [Ku]	1
	6 9004399	Nut, Nozzle [Ku]	1
	7 9004400	Washer, Plain [Ku]	1
	8 9004401	Nozzle [Ku]	1

Fig. 17 - Injection Pump Group

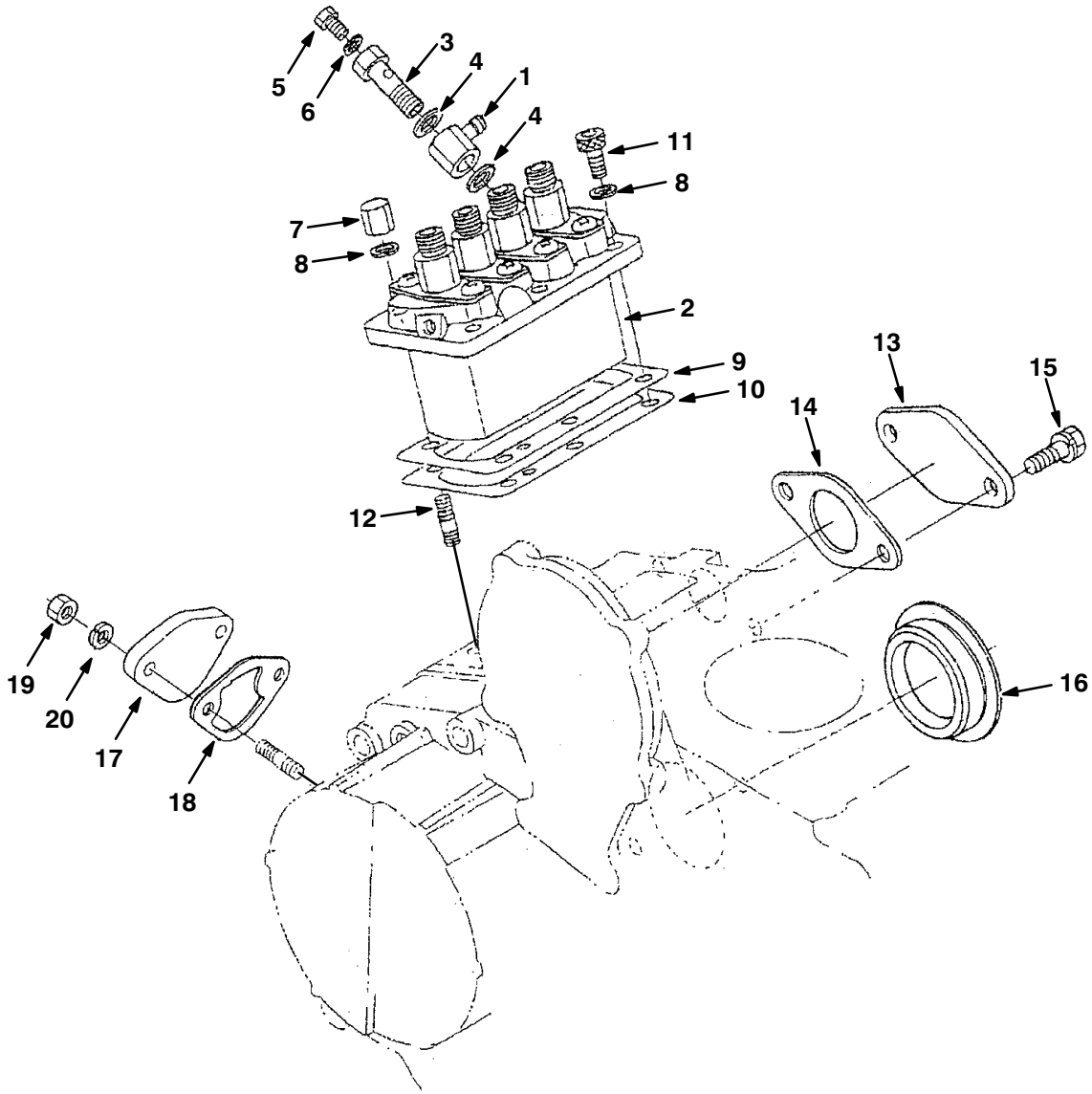


Fig. 17 – Injection Pump Group

	Ref.	Part No.	Description	Qty.
	1	9004376	Eye, Joint [Ku]	1
▽	2	84635	Pump, Injection [Kubo]	1
▲	3	84651	Follower, Screw, Pump, Injection[Ku]	1
▲	4	73588	Gasket, Ftg, Banjo [Ku]	2
▲	5	73589	Screw, Hex [Ku]	1
▲	6	73590	Gasket, F/ Screw [Ku]	1
	7	73563	Nut [Ku]	3
	8	39065	Washer, Lock, Split [Ku]	6
	9	70972	Shim	1
	9	70973	Shim	1
	10	84644	Shim, Pump, Injection	1
	11	73561	Bolt [Ku]	3
	12	73562	Stud [Ku]	3
	13	9004454	Cover, Solenoid [Ku]	1
	14	70165	Gasket, Solenoid, Throttle [Ku]	1
	15	39160	Bolt, Hex [Ku]	2
	16	70188	Cover, Hole, Pump [Ku]	1
	17	73565	Cover, Hole, Pump, Fuel [Ku]	1
	18	70974	Gasket, Pump, Fuel [Ku]	1
	19	39121	Nut, Hex [Ku]	2
	20	39065	Washer, Lock, Split [Ku]	2

Fig. 18 - Injection Pump Breakdown

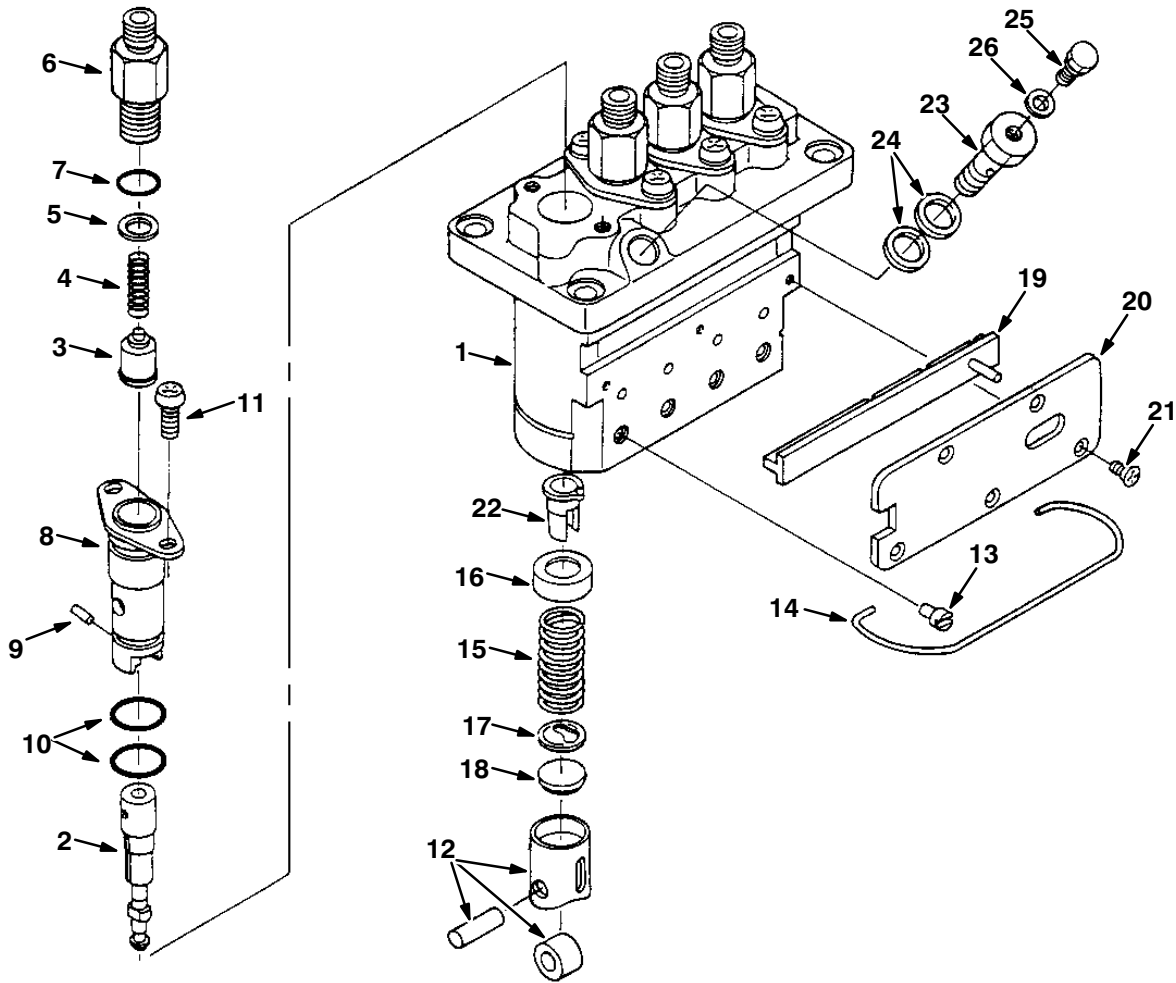
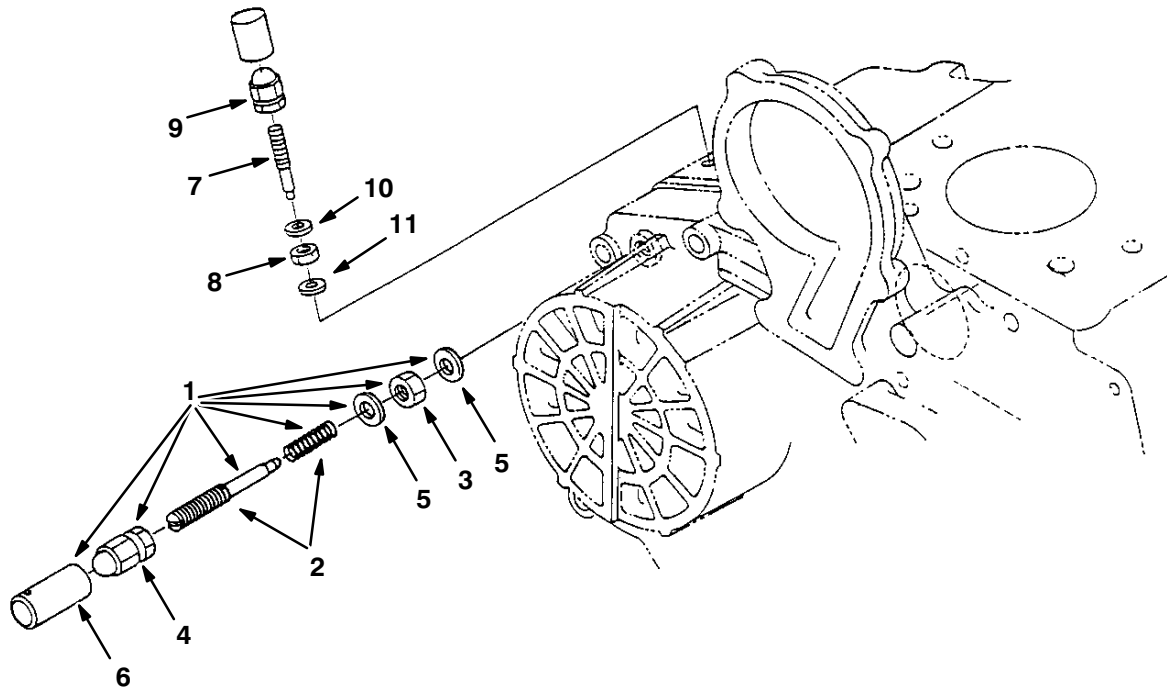


Fig. 18 – Injection Pump Breakdown

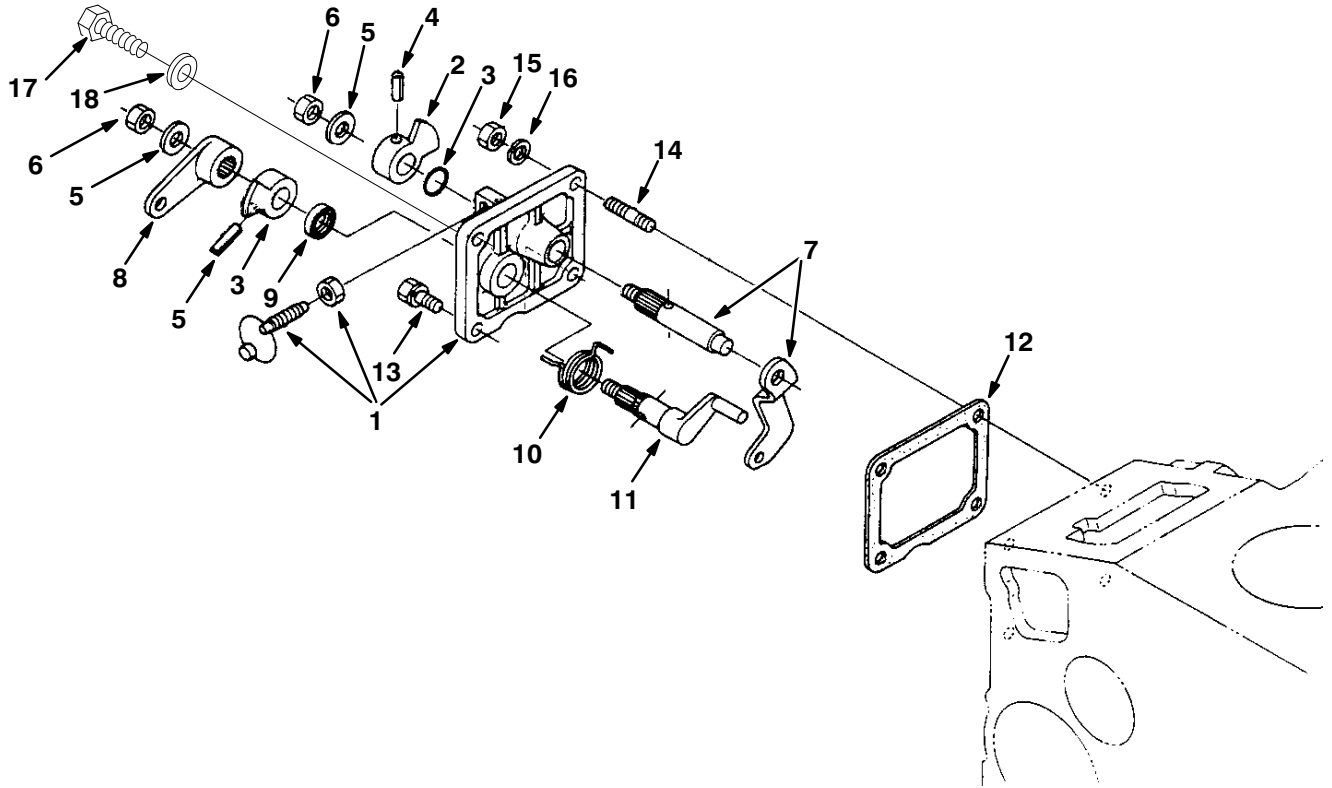
	Ref.	Part No.	Description	Qty.
▽	1	84635	Pump, Injection [Kubo]	1
▲	2	84648	Plunger, Pump, Inj [Ku]	4
▲	3	73567	Valve, Eng [Delivery, Ku]	4
▲	4	73568	Spring, Cmpr, Valve, Injector [Ku]	4
▲	5	73569	Gasket, Valve, Injector [Ku]	4
▲	6	73570	Holder, Valve, Inj [Ku]	4
▲	7	73571	Seal, Org [Ku]	4
▲	8	73572	Flange, Sleeve [Ku]	4
▲	9	73573	Pin, Joint, Inj [Ku]	4
▲	10	73574	Seal, Org [Ku]	8
▲	11	73575	Screw, Hex [Ku]	8
▲	12	73576	Tappet, Pump, Injection [Ku]	4
▲	13	73577	Pin, Tappet [Ku]	4
▲	14	73578	Pin, Clamp	1
▲	15	73579	Spring, Cmpr, Plunger [Ku]	4
▲	16	73580	Seat, Spring, Upper, Injector [Ku]	4
▲	17	73581	Seat, Spring, Lower, Injector [Ku]	4
▲	18	73582	Shim, Tappet, Injection [Ku]	1
▲	19	84649	Control, Fuel	1
▲	20	84650	Plate	1
▲	21	73585	Screw, Pump, Injection [Ku]	5
▲	22	73586	Sleeve, Cntrl, Pump, Injection [Ku]	4
▲	23	84651	Follower, Screw, Pump, Injection [Ku]	1
▲	24	73588	Gasket, Ftg, Banjo [Ku]	2
▲	25	73589	Screw, Hex [Ku]	1
▲	26	73590	Gasket, F/ Screw [Ku]	1

Fig. 19 – Idling Group



Ref.	Part No.	Description	Qty.	
▽	1	9004446	Idling, Apparatus [Ku]	1
▲	2	9004447	Bolt, Adjustment Assy [Ku]	1
▲	3	73606	Nut, Hex [Ku]	1
▲	4	361375	Nut, Cap [Ku]	1
▲	5	40166	Gasket, F/ Bolt [Ku]	2
▲	6	30136	Cap, Screw, Idler [Ku]	1
	7	73610	Screw, Adj, Stop [Ku]	1
	8	9004374	Nut, Lock [Ku]	1
	9	361375	Nut, Cap [Ku]	1
	10	40166	Gasket, F/ Bolt [Ku]	2
	11	9004375	Gasket [Ku]	1

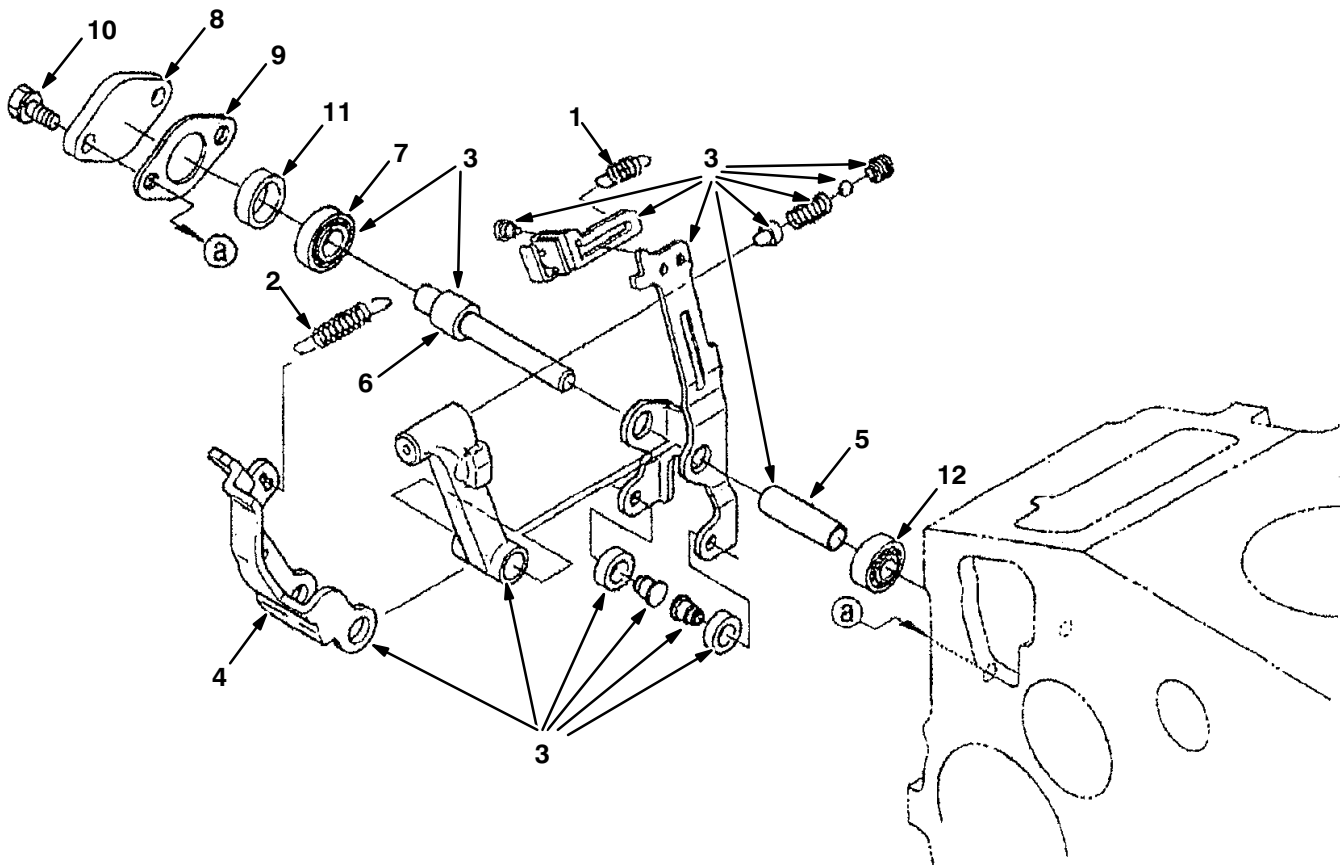
Fig. 20 – Speed Control Plate Group



07445 – M20, D

Ref.	Part No.	Description	Qty.
▽	1	70982 Plate, Cntrl, Spd [Ku]	1
▲	2	73619 Lever, Cntrl, Spd [Ku]	2
▲	3	9004385 O-Ring [Ku]	1
▲	4	40407 Pin, Spring [Ku]	2
▲	5	73621 Washer, Flat [Ku]	2
▲	6	73622 Nut, Hex [Ku]	2
▲	7	73623 Lever, Plate, Cntrl [Ku]	1
▲	8	73624 Lever, Stop [Ku]	1
▲	9	70983 Seal, Oil [Ku]	1
▲	10	73625 Spring, Tors [Ku]	1
▲	11	73626 Shaft, Lever, Spd [Ku]	1
	12	70984 Gasket, Cover, Spd [Ku]	1
	13	41973 Bolt, Hex [Ku]	2
	14	9004386 Stud [Ku]	2
	15	39121 Nut, Hex [Ku]	2
	16	39065 Washer, Lock, Split [Ku]	2
	17	9004449 Bolt [Ku]	1
	18	40166 Gasket, F/ Bolt [Ku]	1

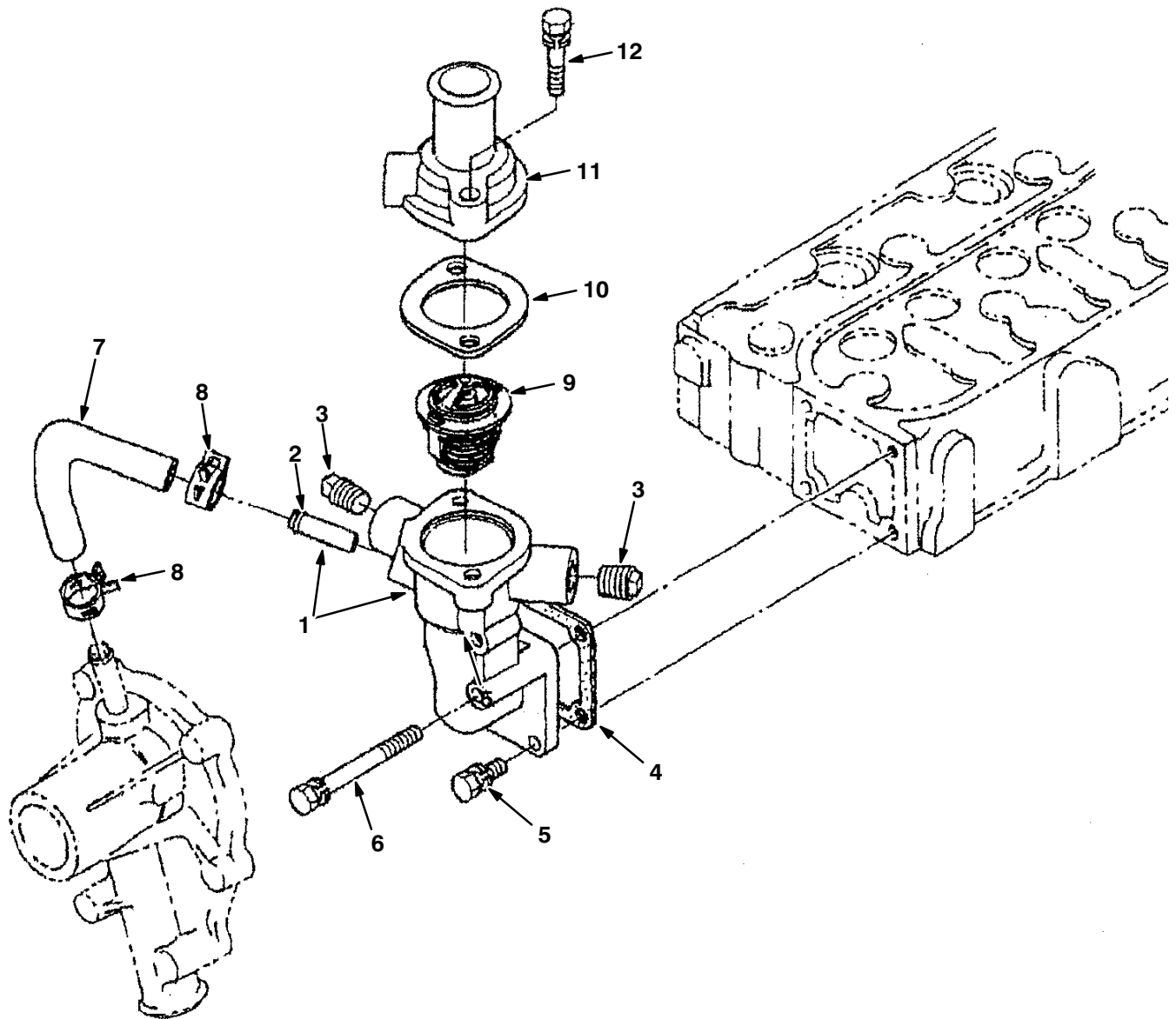
Fig. 21 - Governor Group



07447 - M20, D

Ref.	Part No.	Description	Qty.
1	9004379	Spring, Start [Ku]	1
2	9004448	Spring, Governor [Ku]	1
▽ 3	9004775	Lever Assy, Fork [KU]	1
▲ 4	9004381	Lever, Fork [Ku]	1
▲ 5	9004382	Lever, Fork, Shaft [Ku]	1
▲ 6	9004283	Belt Kit, W/ Installation Tool	1
▲ 7	70989	Bearing, Ball [Ku]	1
8	73631	Cover, Lever, Gov [Ku]	1
9	361430	Gasket, Cover, Gov [Ku]	1
10	71995	Screw, Hex [Ku]	2
11	70991	Collar, Govnr [Ku]	1
12	70992	Bearing, Ball [Ku]	1

Fig. 22 - Water Flange Group



Ref.	Part No.	Description	Qty.	
▽	1	368090	Flange, Water [Ku]	1
▲	2	384859	Pipe, Water, Return	1
	3	73632	Fitting, Pipe, Plug [Ku]	2
	4	70994	Gasket, Hsg, Thermostat [Ku]	1
	5	41973	Bolt, Hex [Ku]	3
	6	384872	Bolt	1
	7	73633	Hose, Water [Ku]	1
	8	73634	Clamp, Hose, Heater [Ku]	2
	9	10852	Thermostat, 180deg, 1.7d [Ku]	1
	10	10851	Gasket	1
	11	368091	Housing, Thermostat [Ku]	1
	12	40418	Bolt [Ku]	2

SECTION 7

CONTENTS		PAGE
PART NUMBER TO PAGE NUMBER CROSS REFERENCE LIST		7-2
PART DESCRIPTION TO PAGE NUMBER CROSS REFERENCE LIST		7-15

CROSS REFERENCE

PART NUMBER TO PAGE NUMBER CROSS REFERENCE LIST

Part Number	Page Number	Part Number	Page Number	Part Number	Page Number
IB3614	4-10	06972	2-23	09028	2-57, 2-63, 2-73, 2-85, 2-89
00500-15	4-8, 4-9	06988	2-19	09081	2-83, 2-87
00927	2-69, 2-71	07259	2-57, 2-65, 2-67, 2-73, 2-81	09198	2-55
00954	2-103	07299	2-23, 2-41, 2-43	09200	2-15, 2-21, 2-61, 2-97, 3-19, 3-25, 3-29, 3-33, 3-67
00960	2-33, 2-35	07449	2-81	09206	3-21, 3-37
00966	4-10	07514	3-19	09252	2-15, 2-55, 2-57, 3-37, 3-57
01316	3-3, 3-65	07782	2-19	09291	2-61, 2-65, 2-67
01493	2-9	07786	2-55, 2-85, 2-89	09738	3-13, 3-69
01681	2-17	07788	2-85, 2-89, 2-105	09739	2-69, 2-71, 2-97, 3-13, 3-19, 3-25, 3-33, 3-43, 3-47, 3-49, 3-51, 3-52, 3-53, 3-67
01683	2-35, 2-55, 3-3, 3-19, 3-25, 3-29, 3-33, 3-43, 3-57, 3-65, 3-69	07789	2-57	09740	2-9, 2-15, 2-21, 2-31, 2-39, 2-61, 2-69, 2-71, 2-73, 2-75, 2-85, 2-89, 2-91, 2-95, 2-99, 2-101, 2-103, 2-105, 2-109, 2-111, 2-113, 2-115, 2-117, 2-119, 2-121, 2-123, 2-125, 2-127, 2-129, 2-131, 2-133, 3-3, 3-5, 3-21, 3-29, 3-37, 3-47, 3-49, 3-51, 3-65
01684	2-5, 2-61, 2-65, 2-67, 2-75, 2-92, 2-97, 2-99, 3-29, 3-37, 3-57, 3-67	07790	2-41, 2-43		
01685	2-31, 2-37, 2-39, 2-61, 2-65, 2-67, 2-75, 2-77, 2-79, 2-81, 2-85, 2-89, 2-95, 2-101, 2-105, 3-3, 3-7, 3-11	07791	2-43, 2-83, 2-87, 2-127		
01686	2-7, 2-57, 2-77, 3-13	07797	2-133		
01714	2-53, 2-55	07805	2-75, 3-37		
01754	2-61	07810	2-65		
01760	2-15	08085	2-15		
01762	2-69, 2-71, 3-7, 3-9	08170	2-53		
02430	4-26	08171	2-51, 2-63		
02706	4-7	08175	2-69, 2-71		
02850	2-15, 2-21, 2-39, 3-21	08179	2-53, 2-57, 2-65, 2-67, 2-77, 3-7, 3-11		
02931	2-81	08180	2-49		
02938	2-63, 4-29	08182	2-55, 2-85, 2-89	09741	2-73, 2-77
02942	2-57	08236	2-73	09744	2-92, 3-37, 3-67
03192	3-55	08708	2-9, 2-15, 2-17, 2-19, 2-29, 2-31, 2-33, 2-35, 2-39, 2-41, 2-43, 2-47, 2-53	09832	2-39, 2-41, 2-43
03495	2-79	08709	2-7, 2-9, 2-21, 2-24, 2-27, 2-33, 2-35, 2-39, 2-45, 2-47, 2-53, 2-55, 2-85, 2-89, 2-131, 3-15	1002789	3-23, 3-25
04414	2-9, 2-23, 2-77, 2-79	08711	2-23, 2-24, 2-51	1002898	3-21, 3-29
04706	2-17	08712	2-13, 2-37, 2-61, 2-65, 2-67, 2-75, 2-77, 2-97, 2-99, 3-57, 3-67	1002899	3-21, 3-29
04733-12	2-73	08713	2-31, 2-37, 2-39, 2-55, 2-59, 2-61, 2-65, 2-67, 2-69, 2-71, 2-73, 2-75, 2-77, 2-79, 2-81, 2-83, 2-85, 2-87, 2-89, 2-91, 2-95, 2-101, 2-105, 3-7, 3-13, 3-15	1005086	3-23, 3-25
06548	2-33, 2-53			1005219	3-39
06549	2-15, 2-47, 3-37, 3-57, 3-65			1005255	3-21
06922	2-61			1005302	3-19, 3-29, 3-39
06927	2-21, 2-39			1005435	3-21, 3-29, 4-29
06928	2-63			1005506	3-19
06929	2-15			1005507	3-19
06939	3-65			1005508	3-19
06942	2-9, 2-19, 2-29, 2-33, 2-39, 2-47, 2-53			1005552	3-19, 3-23, 3-25, 3-29, 3-39
06943	2-15, 2-29, 2-31, 2-33, 2-35	08714	2-59, 2-67, 2-77, 2-81	1006400	3-29
06944	2-63	08716	2-37, 2-65, 2-67, 2-85, 2-89, 2-97, 2-99	1006401	3-19, 3-33
06947	2-29	08875	2-91, 2-92	1006415	3-21, 3-39
06955	2-53, 2-95, 2-101	09005	2-69, 2-71	1006416	2-29, 3-29
06957	2-61, 2-77	09007	2-85, 2-89, 2-99	1006447	3-19
06960	2-17	09010	2-55, 2-59, 2-65, 2-67, 2-69, 2-71, 2-75, 2-77, 2-91, 2-105, 3-7, 3-11, 3-15	1007482	2-39, 2-45
06962	3-69			1008916	2-19
06963	2-61			1010614	3-43
06965	3-69	09011	2-105	1010668	3-25, 3-29, 3-33, 3-43
06966	2-23	09023	2-77, 2-105	1010684	3-19
06969	2-51, 2-73			1010836	3-19
				1011403	3-29, 3-39
				1011412	3-19, 3-25, 3-31, 3-33, 3-43
				1011521	3-23
				1011837	3-39, 3-41
				1011885	3-5
				1013031	2-37

CROSS REFERENCE

Part Number	Page Number	Part Number	Page Number	Part Number	Page Number
1013902	3-21	1018208	2-63	1020320	2-103
1014082	3-21	1018209	2-107	1020331	2-99
10143	1-1, 2-47	1018210	2-65	1020335	2-99
1014563	2-39, 2-41, 2-43, 2-61, 2-65, 2-67, 2-81, 2-103, 2-107, 3-55	1018216	2-107	1020341	2-43
1014575	3-21	1018226	2-57	1020394	2-131, 4-19
1014705	2-73	1018227	2-57	1020428	2-92
1014929	3-29	1018236	2-65, 2-67	1020487	2-15
1014971	4-29	1018237	2-65, 2-67	1020526	3-67
1014974	3-5, 3-43, 4-29	1018239	2-59	1020540	2-9
1014986	3-29	1018240	2-63	1020548	2-85
1015026	3-33, 3-43	1018241	2-57	1020708	2-131
1015032	2-97, 3-13, 3-31, 3-41	1018244	2-65	1020828	2-75
1015033	2-97, 3-5	1018245	2-65, 2-67	1020904	2-9
1015041	2-39, 2-45	1018252	2-107	1020949	2-31
1015045	2-97, 3-3, 3-13, 3-31, 3-41, 3-65	1018253	2-65, 2-67	1021019	2-69, 2-71
1015048	3-5	1018260	2-57	1021047	2-63
1015067	3-25, 3-33	1018262	2-57	1021090	2-99
1015220	2-61	1018266	2-57	1021210	3-5, 4-3
1015486	3-31, 3-33, 3-41, 3-43, 3-65	1018272	2-59	1021265	2-17
1016314	2-33, 2-35	1018274	2-63	1021290	2-47
1016354	4-29	1018275	2-57	1021325	3-3
1016463	2-65	1018276	2-57	1021327	2-7
1016827	2-29	1018280	2-63	1021404	2-81
1016837	3-3	1018293	2-63	1021419	2-99
1017022	3-21, 3-29	1018300	2-59	1021439	3-11
1017101	2-92	1018333	3-25	1021473	3-11
1017126	1-1, 2-29	1018495	3-65	1021497	2-81
1017141	2-176	1018499	3-19, 3-65	1021511	2-79
1017218	2-9, 2-15, 2-21, 2-59, 2-65, 2-67, 2-91, 2-95, 2-99, 2-101, 2-103, 2-105, 2-131, 2-133, 3-5, 3-21, 3-29, 3-37, 3-47, 3-49, 3-51, 3-65	1018549	2-165	1021546	2-81
1017248	3-49, 3-52	1018776	2-15	1021564	3-11
1017250	3-51, 3-53	1018780	3-21	1021579	1-1, 2-129
1017368	2-5	1018883	3-19	1021609	2-77
1017386	3-39	1018884	3-19	1021617	3-11
1017413	3-39	1018936	2-131, 4-11	1021789	2-37
1017415	3-39	1018938	3-15, 4-13	1021794	3-7
1017791	2-7	1019031	2-85	1021834	2-9
1017868	1-1, 2-79	1019146	2-73	1021879	2-99
1017903	2-49	1019225	2-7	1021881	3-65
1017944	2-61	1019228	2-15	1021920	2-99
1017969	2-37	1019250	3-65	1021991	2-131
1018097	3-21	1019251	2-7	1022003	2-75
1018098	3-19, 3-29	1019295	1-1, 2-83, 2-87	1022004	2-21
1018155	4-29	1019424	2-95, 2-101	1022005	2-15, 2-21
1018193	2-65	1019445	3-47, 3-49, 3-51	1022007	1-1, 2-75
1018194	2-65	1019630	2-169	1022009	1-1, 2-75
1018196	2-65	1019636	3-5	1022031	2-53
1018197	2-65	1019646	3-27	1022069	2-19
1018199	2-65	1019647	3-52, 3-53	1022105	2-15
1018202	2-65	1019950	2-171	1022106	3-13
1018203	2-61	1019968	2-41, 2-43	1022111	3-7
1018207	2-61	1019971	3-47, 3-49, 3-51	1022113	2-37
		1020002	2-73	1022135	3-7
		1020003	2-73	1022137	2-95, 2-101
		1020163	2-75	1022165	2-75
		1020166	1-1, 2-75	1022167	2-99
		1020168	2-9, 3-37	1022176	2-91
		1020186	2-21	1022179	2-75
		1020207	2-75	1022182	2-92
		1020208	2-75	1022188	3-7
		1020209	2-91	1022229	3-5

CROSS REFERENCE

Part Number	Page Number	Part Number	Page Number	Part Number	Page Number
1022243	2-53	1024206	2-33	1025680	2-77
1022260	3-7	1024211	2-33	1025736	2-15
1022276	3-55	1024213	2-33	1025756	2-107
1022302	3-7	1024237	3-29	1025806	2-21
1022318	3-13	1024249	2-49	1025841	2-107
1022345	2-55	1024251	2-125, 4-7	1025872	2-103
1022359	2-75	1024260	2-17, 4-25	1025887	2-103
1022363	2-75	1024264	2-33	1025888	2-103
1022370	2-99	1024274	2-47	1025904	2-57
1022372	2-77	1024287	2-13	1025916	2-15
1022377	2-103	1024357	2-37	1025990	3-17
1022442	2-77	1024380	2-29	1025991	3-17
1022482	2-131	1024389	2-91	1025992	3-17
1022484	2-131	1024403	2-99	1026003	2-39
1022545	2-81	1024425	2-15	1026007	2-77
1022699	2-9	1024464	2-15	1026014	2-99
1022736	2-53	1024478	2-17	1026025	2-53
1022779	2-55	1024500	2-21	1026051	2-95, 2-101
1022787	2-55	1024535	2-95, 2-101	1026067	3-21
1022825	2-85, 2-89	1024558	2-95, 2-101	1026074	3-19
1022831	2-79	1024570	2-75	1026080	2-69, 2-71
1022846	2-83, 2-87	1024576	2-85, 2-89	1026108	2-75
1022978	2-89	1024584	2-83, 2-87	1026119	3-15
1023074	2-23	1024586	1-1, 2-83, 2-87	1026146	3-61
1023144	5-4, 6-4	1024591	2-91	1026222	2-3
1023154	2-39	1024599	2-95, 2-101	1026223	2-3
1023180	2-39, 2-45	1024641	2-77	1026319	2-127
1023239	2-79	1024648	2-77	1026352	2-69, 2-71
1023282	2-23	1024651	2-83, 2-87	1026550	2-27
1023306	2-85	1024688	2-121, 2-123	1026576	2-47
1023307	2-89	1024695	2-17	1026628	2-21
1023314	2-89	1024703	2-77	1026645	2-117, 2-119
1023464	2-11	1024764	2-121	1026647	2-127
1023476	2-81	1024772	2-31	1026665	2-21
1023482	2-27	1024853	2-103	1026726	2-21
1023485	3-17	1024891	2-103	1026727	2-95
1023486	3-17	1024977	3-69	1026733	2-121
1023488	2-115	1025005	1-1, 3-7	1026743	3-65, 4-27
1023499	2-15	1025100	2-73	1026759	2-27
1023502	2-95, 2-101	1025132	2-129	1026825	2-15
1023545	2-129	1025140	2-54	1027007	3-65
1023569	2-11	1025151	2-83, 2-87	1027039	2-101
1023606	2-117, 2-119	1025159	3-5	1027099	2-39
1023607	2-117, 2-119	1025196	2-21	1027103	2-39
1023608	2-115	1025229	2-27	1027112	2-39
1023609	2-115	1025405	3-15	1027218	2-9
1023617	2-69	1025435	2-9	1027228	2-47
1023754	2-103, 2-105	1025445	3-17	1027233	2-55
1023769	2-121	1025460	2-81	1027237	3-65
1023779	2-77	1025480	2-95, 2-101	1027267	2-9
1023810	2-39	1025487	2-53	1027273	2-23
1023853	2-39, 2-45	1025495	2-53	1027290	1-1, 2-92
1023879	3-55	1025544	2-121	1027313	2-55
1023892	2-31	1025547	2-117	1027320	2-121
1023911	1-1, 2-33	1025548	2-121	1027321	2-121
1023926	2-17	1025551	2-123	1027381	2-91
1023943	2-33	1025601	2-81	1027560	3-69
1024028	2-39	1025619	2-99	1027591	2-23
1024141	2-166	1025620	2-99	1027688	2-5
1024157	2-17	1025663	3-69	1027692	2-55

CROSS REFERENCE

Part Number	Page Number	Part Number	Page Number	Part Number	Page Number
1027697	2-3	1030017	2-9	1033697	2-33, 2-45
1027716	1-1, 3-7	1030404	2-115	1033897	2-27
1027719	1-1, 2-79	1030441	4-32	1033901	2-27
1027742	2-55	1030444	4-32	1033975	2-9
1027759	3-71	1030511	3-25, 3-33, 3-43	1034147	2-81
1027798	3-49, 3-51, 3-52, 3-53	1030549	3-61	1034149	2-81
1027800	3-49, 3-51, 3-52, 3-53	1030588	2-15, 2-21	1034270	2-49
1027810	2-73	1030593	2-9	1034388	2-107
1027916	2-7	1030617	2-92	1034764	2-11
1027922	2-29	1030709	2-123	1034765	2-11
1027926	3-11	1030863	3-19	1034766	2-11
1027976	3-65	1030864	3-19	1034767	2-15
1027978	3-65	1030878	3-19	1034768	2-11
1028074	2-97	1030910	2-73	1034769	2-11
1028145	2-117	1030911	2-73	1034770	2-11
1028173	2-99	1030969	2-3	1034878	2-129
1028211	2-99	1031011	1-1, 2-83, 2-87	1035044	2-99
1028328	2-99	1031017	2-176	1035068	2-19
1028374	2-79	1031206	2-15	1035341	2-33, 2-35
1028412	2-21	1031233	2-91	1035727	2-81
1028420	2-33	1031235	2-92	1035794	3-29
1028516	2-21	1031309	2-101	1035878	2-39
1028522	2-99	1031331	1-1, 2-79	1035976	2-39
1028582	3-19	1031557	2-19	1035997	2-9
1028635	2-85, 2-89	1031566	2-33, 2-35	1036240	2-63
1028667	2-33	1031572	3-5	1036611	2-61
1028690	2-95, 2-101	1031575	2-63	1036710	2-117, 2-119
1028691	2-95, 2-101	1031610	2-99	1036801	3-29
1028697	3-5	1031665	2-9, 2-13, 2-15, 2-17, 2-21	1036844	2-35
1028701	2-95, 2-101	1031699	2-99, 4-3	1036847	2-35
1028769	2-13	1031796	4-27	1036859	2-35
1028772	2-13	1031797	4-27	1036892	2-13, 2-29, 2-41, 2-43
1028821	2-127	1031798	4-27	1036939	2-121
1028822	2-127	1031799	4-27	1036944	3-17
1028823	2-127	1031800	4-27	1036945	2-117, 2-119
1028852	2-75	1031801	4-27	1036946	3-17
1028972	2-87	1031802	4-27	1036959	2-127
1028979	2-87	1031803	4-27	1036965	3-17
1028994	2-37	1031823	1-1, 2-83, 2-87	1036997	2-97
1029055	3-65	1031826	2-7	1037011	3-15
1029057	3-37, 3-65	1031827	2-7	1037032	4-29
1029082	2-29	1031945	1-1, 2-79	1037042	2-123
1029118	3-21	1032010	2-37	1037053	2-123
1029128	2-83	1032399	2-55	1037235	2-61
1029132	2-83	1032424	2-29	1037346	2-7, 2-41, 2-43, 2-47, 2-63, 2-99, 2-107
1029153	3-65	1032450	2-176	1037354	2-129
1029155	3-65	1032512	2-29	1037355	2-41, 2-43
1029156	3-65	1032578	3-71	1037671	2-61
1029185	2-97	1032743	2-69, 2-71	1037805	3-15, 4-15
1029362	2-13	1032812	2-27	1037809	3-35
1029379	3-7, 3-9, 4-9	1032830	3-55	1037816	2-99
1029399	3-65	1032831	3-55	1037825	3-25, 3-33, 3-43
1029543	3-69	1032869	3-67	1037947	2-61
1029545	2-19	1032896	3-67	1037970	2-19
1029646	2-57	1033156	2-21	1037971	2-19
1029652	2-19	1033297	3-21	1038035	2-33
1029689	2-33, 2-35	1033591	2-61	1038074	2-97
1029748	2-92	1033624	2-169	1038115	2-65, 2-67, 3-11
1029790	3-65	1033688	2-39, 2-45	1038123	2-67
1029964	2-69, 2-71				

CROSS REFERENCE

Part Number	Page Number	Part Number	Page Number	Part Number	Page Number
1038134	2-67	1042499	2-5	1053143	2-41
1038137	2-73, 2-77, 2-85, 2-89, 3-11	1042500	2-5	1053320	2-61
1038159	4-29	1042504	2-5	1053464	4-29
1038258	2-69, 2-71	1042686	2-73	1053838	2-7, 2-63, 3-13
1038566	2-133, 4-21	1042710	4-32	1054382	2-45
1038569	2-115	1042775	2-121	1054428	2-43
1038805	2-91, 2-92	1042776	2-121	1054575	2-69, 2-71
1038927	2-99	1042968	3-7, 3-9	1054610	2-71
1038941	2-99	1044323	2-59	1054682	2-69
1039019	3-5	1044342	3-29	1054776	4-29
1039049	2-99	1044343	3-29	1054857	2-69, 2-71
1039064	2-97	1044367	2-133	1055139	2-71
1039072	2-99	1044393	3-37	1056195	3-69
1039124	2-67	1044993	2-65, 2-67	1056298	2-61
1039148	2-115	1045272	3-15	1057637	4-29
1039149	2-67	1045316	2-39	1057643	2-69, 2-71
1039155	2-67	1045433	2-41, 2-43	1057707	1-1
1039157	2-67	1045444	3-69	1057708	1-1
1039163	2-59	1045759	2-123	1057710	1-1
1039208	2-35	1045764	2-41, 2-43	1057711	1-1
1039212	2-35	1045940	2-41, 2-43	1058699	2-43
1039215	2-59	1046173	3-37	1058730	2-43
1039348	2-85, 2-89	1046247	2-41	1058732	2-43
1039357	3-29	1046261	2-41	1058935	3-39
1039396	2-75	1046282	2-41	1058963	3-37
1039521	2-27	1046798	2-99	1058996	2-17
1039652	2-99	1046801	2-41	1059091	1-1, 3-9
1039757	2-91, 2-92	1046810	2-24	1059092	1-1, 3-9
1039789	2-133	1046962	2-41, 2-43	1059100	2-105
1040018	2-75	1046976	3-9	1059234	4-32
1040096	2-23	1046980	1-1, 3-9	1059343	2-49
1040117	2-133	1046995	3-9	1059347	2-51
1040216	2-117	1047002	3-9	1059372	3-39
1040306	2-91	1047060	3-9	1059391	3-39
1040318	2-127, 2-129	1047098	2-91, 2-92	1059488	2-29
1040467	2-17, 2-19, 2-29, 2-39, 2-41, 2-43, 2-57, 3-37, 3-57	1047169	2-9	1059542	2-61
1040524	2-3	1047238	1-1, 3-9	1059640	2-3
1040628	2-121	1047295	2-9	1059671	2-51
1040634	3-67	1048295AM	1-1, 2-61	1059677	3-37
1040655	2-117, 2-119	1048474	2-91, 2-92	1059878	4-32
1040800	3-67	1048512	2-91, 2-92	1060130	2-7, 3-13
1040834	3-13	1048955	2-15	1060185	3-37
1040835	2-29	1049242	2-61	1060273	3-37
1040841	2-11	1049254	3-29, 3-39	1060291	3-37
1040863	3-69	1049259	3-29	1060292	3-37
1040871	3-69	1049919	2-19	1060517	4-29
1040876	2-133	1050003	2-176	1060521	2-49
1041006	2-61	1050295	3-55	1060596	3-39
1041389	3-17	1050436	2-117, 2-119	1060624	3-37
1041391	2-121	1050757	2-23, 2-24	1060693	3-39
1041815	2-103	1052017	3-39	1060695	4-29
1041822	2-13	1052124	2-73	1060716	2-105
1041920	2-61	1052164	2-41, 2-43	1060719	3-37
1041953	2-95, 2-101	1052175	2-41, 2-43	1060871	3-46
1041984	2-61	1052336	3-39, 4-29	1060880	3-46
1042003	2-95	1052342	2-73	1060881	3-46
1042010	2-101	1052726	3-37	1060942	2-7
		1052834	2-117, 2-119	1061045	3-43
		1052885	2-63	1061973	2-49
		1053078	3-37	1061974	2-51

CROSS REFERENCE

Part Number	Page Number	Part Number	Page Number	Part Number	Page Number
1062033	2-105	10844	5-17, 6-17	17185	2-69, 2-71, 3-19
1062103	2-45	10845	5-17, 6-17	17284	3-13
1062116	3-13	10851	5-31, 6-29	17414	2-27, 2-29
1062403	3-39	10852	5-31, 6-29	17461	2-65, 2-67, 2-73, 2-85, 2-89, 3-11
1062566	2-7, 2-63	10895	5-3	17521	2-97
1062804	3-37	10917	4-27	17980	2-17, 2-127
1062813	2-176	11399	2-39, 2-45	19064	2-39, 2-61, 3-63
10632-1	2-63	11842	2-55	19065	2-15, 3-37
10632-12	3-57	11984	3-21	19066	2-15, 2-21, 2-33, 2-35, 2-47, 2-57, 3-37, 3-47, 3-49, 3-51, 3-52, 3-53, 3-65
10632-13	2-63	1210807	2-7	19191	3-7, 3-9
10632-17	3-52, 3-53	1220185	2-5	19252	2-23
10632-19	3-19, 3-29, 3-39	1220235	2-5	19310	2-23
10632-2	3-5	1220236	2-5	19313	3-55
10632-4	2-63, 3-37	1221543	2-5	19583	2-49
1064183	3-37	12295	2-69, 2-71	20021	2-63
1064191	3-37	12309	2-63	20170	2-53
1064370	2-171	12317	2-7, 2-65, 2-67, 2-77, 3-13	20171	2-23
1064371	2-169	12323	2-63, 3-37	20394	2-19, 3-65
1064434	2-43	12895	5-15	20432	5-21, 6-19
1064440	2-176	12916	6-7	20433	5-21, 6-19
1064662	2-176	13534	2-69, 2-71	20634	2-61
1065342	2-176	13698	2-127	20719	5-23
1065343	2-176	13904	4-11, 4-13, 4-15, 4-17, 4-19, 4-21, 4-23	20778	2-47
1066893	2-15	13907	4-7, 4-19	20833	1-1, 2-81
1067700	2-97	140916	3-57	20944	3-5
1068611	2-105	14432	2-31	20951	3-5, 4-29
1068613	2-105	14595-1	2-53	20952	3-5
1068644	2-105	14605	2-53	21168	2-21
1068811	2-69, 2-71	14838	2-5	21196	3-69
1068812	3-9	14877	3-3, 3-5, 3-19, 3-29, 3-39	21197	2-55
1069019	1-1	150006	2-39, 2-45	21198	2-55, 2-125, 3-61
1069020	1-1	150100	3-19	21601	2-79, 3-9
1069241	3-55	150525	3-21	21602	2-79
1069253	3-55	150538	3-29	21603	2-79, 3-9
1069562	2-73	150540	3-29, 4-29	21606	2-79
1069580	3-57	150709	3-29	21623	2-63
1069876	3-59	150713	3-29	21657	4-26
1069933	2-57	15331	2-19	21659	4-26
1070402	3-57	15539	2-5	21851	2-15
1070659	3-57	15648	2-95, 2-101	21933	4-25
1071061	2-49	15675	2-69, 2-71, 2-95, 2-101	21934	4-25
1071062	3-57	15678	2-61, 3-29	21935	4-25
1071173	2-127	15687	2-23	21955	4-9
1071195	2-45	16213	2-55	21956	4-9
1071240	2-107	16376	2-23	21958	4-9
1071253	2-105	16411	1-1	222267	2-21, 2-91, 2-92
1071280	3-39	16412	1-1	222268	2-59, 2-65, 2-67
1071603	2-165	16431	2-117, 2-119	222290	2-47
1071947	3-46	16695	4-8, 4-9	222375	3-43
1072224	2-23	16735	2-99, 3-11	222463	2-83, 2-87
1072456	2-15, 4-31	16931	2-9, 2-15, 2-19, 2-21, 2-29, 2-37, 2-39, 2-41, 2-45, 2-49, 2-53, 2-103	222496	2-37, 2-69, 2-71
1072815	2-15	16944	2-57	222505	2-37, 2-81
1072877	3-5	16953	2-33	222516	2-95, 2-101
1072885	2-99	16968	2-13	22290	2-17
1072995	2-133, 4-23			223080	2-15
1072997	3-15, 4-17			223198	2-73, 3-37
1073487	2-49				
1074010	2-107				
1074807	2-69, 2-71				
1075003	2-13				

CROSS REFERENCE

Part Number	Page Number	Part Number	Page Number	Part Number	Page Number
223470	2-73, 3-7	32490	2-9, 2-29, 2-33, 2-39, 2-41, 2-43, 2-47, 2-53, 2-55, 3-19, 3-21	360952	2-61
223599	2-13			360973	2-92
22615	3-9	32491	2-7, 2-9, 2-15, 2-17, 2-19, 2-24, 2-27, 2-29, 2-33, 2-35, 2-37, 2-39, 2-41, 2-45, 2-49, 2-53, 2-55, 2-69, 2-71, 2-73, 2-75, 2-95, 2-99, 2-101, 2-127, 2-131, 3-11, 3-13, 3-15, 3-55, 3-67	361044	2-117
22790	4-3			361047	3-17
23146	2-7, 2-63, 3-13	32492	2-7, 2-15, 2-33, 2-35, 2-41, 2-43, 2-45, 2-55, 2-63, 2-127, 3-7, 3-9, 3-55, 3-61, 3-69	361071	2-13
23211	2-57			361073	2-13
23285	4-3	32493	2-23, 2-24	361075	2-13
23498	2-95, 2-101, 2-103, 2-107	32509	4-29	361339	2-53, 2-55, 2-63, 2-75, 3-3, 3-19, 3-21
23524-1	2-77	32746	2-5	361366	5-4, 6-4
23788	2-53	32975	2-61	361368	5-23
24012	2-37	32981	2-27, 2-103, 2-107	361372	6-5
24105	3-3	32982	3-37	361373	5-23, 6-20
24196	3-43, 3-47, 3-49, 3-51, 3-52, 3-53	32983	2-15	361374	5-10, 6-7, 6-10
24199	3-57	32987	2-49	361375	6-26
24265	2-21, 3-3	32988	2-33, 2-35	361389	6-7
24299	2-5	331385	3-71	361392	5-12, 6-12
24339	2-49	331410	3-71	361395	6-17
24358	2-99, 4-3	331411	3-71	361401	6-7
24543	3-5	331412	3-71	361427	5-11
24544	3-3, 3-19, 3-29, 3-39	331413	3-71	361428	5-4, 6-4
24555	2-79, 2-81, 3-9	33295	3-3	361430	5-30, 6-28
24698	3-39	33333	2-37	361436	5-3, 6-3
24976	2-23	33373	2-81	361440	5-8, 5-31, 6-8
25046	3-7, 3-9	33401	2-75	361589	6-12
25122	2-129	33580	4-5	363162	2-79
25312	3-70	33595	2-23	36328	2-85, 2-89, 2-105
25611	3-7, 3-9	33612	2-33, 2-35	363301	2-79
25686	2-69, 2-71	33671	2-47	363458	2-7
25735	2-81, 2-83, 2-87	33812	2-133	363543	2-97
28854	4-9	33932	2-21, 2-55, 2-83, 2-87, 3-3, 3-37	363976	2-9
29557	3-11	34178	4-5	364347	2-53
29558	3-11	34323	2-107	364441	2-79, 3-15
29584	2-77	34359	3-15	364587	2-57
30121	5-17	34411	2-7, 2-63, 3-13	364749	2-15
30122	5-17	35493	4-10	364779	2-29
30125	5-10, 6-10	35707	2-33, 2-35, 2-45	364864	2-53
30131	5-23, 6-20	35904	2-127	364948	2-53
30132	5-23	360023	2-51	364972	2-23
30136	5-28, 6-26	360074	2-51	364978	2-121
30407	2-41, 2-43	360270	2-51	365004	3-17
31241	2-107	360271	2-51	365066	2-29
31354	4-8, 4-9	360272	2-51	365095	2-97
31375	4-8	360273	2-51	365164	2-97
31379	4-8	360274	2-51	365190	2-29
31383	4-8	360275	2-51	36643	2-55, 2-103, 2-107
31525	2-35	360276	2-51	36644	2-73
31543	3-33, 3-43	360801	2-85, 2-89, 2-99	36658	2-61
31613	1-1, 2-129	360802	2-51	36661	2-61
32126	2-49	360824	2-61, 3-67	367313	2-67, 2-77
32183	2-27, 2-63, 3-5			367591	2-23
32483	2-15, 2-17, 2-27, 2-31, 2-33, 2-35, 2-37, 2-55, 2-61, 2-63, 2-107, 3-37			367770	2-77
32485	2-23, 2-31, 2-33, 2-41, 2-43, 2-55, 2-73, 2-81, 2-107, 2-125			367771	2-7
32486	2-17, 2-39, 2-51, 2-63, 3-11			367812	2-43
				367949	2-91, 2-92
				367974	3-61
				368056	2-23
				368059	2-23
				368090	5-31, 6-29
				368091	5-31, 6-29

CROSS REFERENCE

Part Number	Page Number	Part Number	Page Number	Part Number	Page Number
368132	2-39	373646	4-13, 4-15, 4-17, 4-19	382516	2-13
368391	2-15	373647	2-133, 4-11, 4-13, 4-15, 4-17, 4-19, 4-21, 4-23	38255	4-5
36845	3-11	373648	4-11, 4-13, 4-15, 4-17, 4-19, 4-21, 4-23	383165	2-13
369359	3-7, 3-9, 3-69	373656	4-11, 4-13, 4-15, 4-17, 4-21, 4-23	384418	2-21, 2-83, 2-87
369704	2-47	373657	4-11, 4-13, 4-15, 4-17, 4-19, 4-21, 4-23	384419	2-21
369745	2-31	373658	4-11, 4-13, 4-15, 4-17, 4-19, 4-21, 4-23	384859	6-29
369746	1-1, 2-31	373659	4-11	384871	6-9
369747	2-31	373660	4-11, 4-21, 4-23	384872	6-7, 6-11, 6-29
369811	3-3	373661	4-13, 4-15, 4-17	384874	6-10
370100	2-79	373662	4-13, 4-15, 4-17	385644	3-23, 3-25, 3-31, 3-33, 3-41, 3-43, 3-65
371017	6-9	373663	4-13, 4-15, 4-17, 4-19, 4-21, 4-23	385685	2-92, 2-99, 3-5
372900	5-10	373664	4-13, 4-15, 4-19, 4-21	386088	2-55, 2-85, 2-89
372901	5-10, 6-10	373665	4-19, 4-21, 4-23	386264	2-79
372904	5-10, 6-10	373666	4-19, 4-21, 4-23	386298	2-79, 3-9
372905	5-11, 6-11	373667	4-19, 4-21, 4-23	386652	3-5
372906	6-5	373668	4-19, 4-21, 4-23	386847	2-77
372907	6-5	373669	4-19	387237	2-79
372912	5-10, 6-10	373670	4-13, 4-15, 4-17, 4-19, 4-21, 4-23	387281	2-121
372913	5-10, 6-10	373671	4-19, 4-21, 4-23	387433	2-79
372917	5-23, 6-20, 6-21	373672	4-13, 4-15, 4-19, 4-21	387500	2-79
372918	5-10	373673	4-13, 4-15, 4-19, 4-21	388153	2-17
372920	5-3	373678	4-7	388500	6-21
372921	5-5	373679	4-7	38968	4-5
372927	5-10	373680	4-7	39051	5-3, 6-3
372928	5-10, 6-10	373681	4-7	39062	5-3, 6-3
373217	4-5	373683	4-15, 4-17	39063	5-3, 5-5
373226	4-5	373684	4-21, 4-23	39065	5-7, 5-25, 5-29, 5-31, 6-7, 6-23, 6-27
373236	4-5	373688	4-21, 4-23	39073	5-4, 5-5, 6-4, 6-5
373260	4-5	374560	2-49	39087	5-3, 6-3
373291	4-5	374563	2-49	39088	5-3, 5-5, 6-3, 6-5
373297	4-5	375321	3-65	39094	5-4, 6-4
373298	4-5	375322	3-3	390994	2-91
373299	4-5	37555	4-8, 4-9	39103	5-7
373317	4-7	37616	4-5	39105	5-3
373327	4-7	376735	2-43	39119	5-9
373346	4-7	377236	3-17	39121	5-7, 5-25, 5-29, 5-31, 6-7, 6-23, 6-27
373347	4-7	377349	2-92, 3-3	391368	2-19
373348	4-7	377537	1-1	39160	5-15, 5-28, 5-30, 6-23
373389	4-7	377538	1-1	39161	5-7
373391	4-7	377540	1-1	391969	2-174
373393	4-7	37756	4-5	39197	5-15, 6-15
373394	4-7	379609	2-49, 4-5	39210	2-71, 2-131, 3-15
373395	4-7	379656	2-29	392171	2-13
373398	4-7	379791	2-65, 2-67	392609	2-103
373402	4-7	379870	2-85, 2-89	392611	2-33, 2-35
373413	4-7	380521	2-23	39277	2-7, 2-9, 2-24, 2-27, 2-33, 2-35, 2-39, 2-61, 2-95, 2-101, 2-105, 2-127
373427	4-7	381502	2-53	39278	2-55
373429	4-7	381858	2-117	39279	2-53
373434	4-7	381862	2-117	39281	2-81
373493	4-7	382099	2-73	39283	2-7, 2-9, 2-23, 2-33, 2-35, 2-41, 2-43, 2-127
373494	4-7	382224	2-53	39284	2-23, 2-31, 3-69
373631	4-19	382320	2-91, 2-92, 2-99, 3-70	39285	2-41, 2-43, 2-107
373633	4-11, 4-13, 4-15, 4-17, 4-21, 4-23			39308	2-85, 2-89
373637	4-11, 4-21, 4-23				
373639	4-11, 4-21, 4-23				
373640	4-11, 4-13, 4-15, 4-17, 4-19, 4-21, 4-23				
373642	4-13, 4-15, 4-17, 4-19, 4-21, 4-23				

CROSS REFERENCE

Part Number	Page Number	Part Number	Page Number	Part Number	Page Number
39311	2-9, 2-61	41315	2-97	49266	2-13, 2-29, 2-39, 2-41,
39312	2-61	41346	3-11		2-43, 2-45, 2-49, 2-71,
393135	2-83, 2-87, 3-67	41359	3-37		3-19, 3-39, 3-52, 3-53
393215	2-49, 2-57	41361	2-35	49697	2-83, 2-87
393244	1-1, 2-35	41399	2-55	49800	2-15, 2-39
393255	3-13	41430	2-23, 2-33, 2-39, 2-41,	49883	2-131
393370	2-33		2-43, 2-107, 2-127,	49933	2-103, 2-131, 2-133
393371	2-33		3-55, 3-69	50161	2-127
393400	6-17	41445	2-85, 2-89	50178	3-13
393401	2-23	41579	4-29	50335	2-55
39349	2-9, 2-15, 2-21, 2-55,	41619	2-73, 2-77, 2-85, 2-89	50544	2-97
	2-85, 2-89, 2-91, 2-95,	41792	5-4	50646	2-63
	2-101	41973	5-15, 5-29, 5-31, 6-13,	50901	3-39
39350	2-49		6-15, 6-27, 6-29	50902	2-33, 2-45
393504	6-5	42011	2-35	50960	2-107
393566	6-20	42120	2-73	51109	2-53
393570	6-3	42120-1	2-57	51176	2-23
393588	6-8	42133A	3-3, 3-19, 3-29, 3-39	51305	2-39, 2-45
393598	6-12	42180	2-55	51331	5-5
39507	6-20	42215	2-107	51332	5-11, 6-11
39508	5-23	42223	2-49	51338	2-49
39527	2-69, 2-71, 4-8	42226	2-103, 2-131, 2-133,	51339	2-49
39534	2-103, 2-107		3-15	51754	2-121
395825	2-65	42467	2-55	51787	2-127
395973	2-131, 3-15	43555	2-79, 2-95, 2-101	51824	2-73
395974	2-131, 2-133, 3-15	43844	2-39, 2-45, 3-3, 3-5,	51869	2-23
396221	2-115		3-29, 3-39	52405	4-5
396255	2-117, 2-119	44868	2-69, 2-71, 2-107,	53029	2-29
396266	2-117		2-125, 2-131, 3-15	53076	2-125
396438	2-117	44869	2-107, 2-125, 2-129,	53466	2-7, 2-9, 2-39, 2-45,
396476	2-131, 3-15		3-15		2-47, 2-127, 3-21
39703-2	1-1, 2-24	44961	4-29	53485	2-107, 4-10
397648	3-61	45622	4-5	53947	2-55
39811	2-73	45623	4-5	53953	2-55
398279	2-31	45628	4-8, 4-9	54017	2-115
398468	3-19	46236	3-49, 3-51	54051	2-49
398474	3-19	46390	2-33	54052	2-49
398500	3-65	46480	2-131	54087	2-49
398501	2-13	46481	2-127	54095	4-10
398508	2-13	46482	2-129, 2-133	54205	2-55
39924	2-63	46563	2-53	54274	2-39, 2-41, 2-43,
40166	5-23, 5-28, 6-20,	46785-1	2-77		2-103, 2-105, 2-107
	6-26, 6-27	46800	3-7	54275A	2-103, 2-107
40362	2-129	47504	3-15	54333	2-27, 2-29, 2-47, 3-13,
40407	5-29, 6-27	47512	2-125		3-19, 3-23, 3-25, 3-29,
40409	5-11, 5-13, 6-11	47513	2-105, 2-125		3-31, 3-33, 3-39, 3-41,
40418	6-29	47522	2-49, 2-131		3-43, 3-65
40607	2-63	47566	2-29	54390	2-51
40678	2-127	47585	2-17	54607	2-53
41130	2-103	47638	2-57	54615	2-99
41139	2-21	47719	3-13	54655	2-55
41141	2-75	47752	2-127	54861	2-103
41169	2-55	47801	2-49	54911-16	2-23
41178	2-15, 2-41, 2-43,	48079	2-55	55272	3-49, 3-51, 3-52, 3-53
	2-107	48126	2-27	55455	2-129
41185	2-85, 2-89	48267	2-27	55586	2-69, 2-71, 2-131,
41186	2-35, 2-55, 2-95,	48790	3-39		2-133, 3-15
	2-101, 2-103, 3-11	48813	4-10	55685	3-15
41187	2-77, 2-85, 2-89	48985	2-73, 3-11	55837	2-23
41295	3-3, 3-5	49145	2-51	55845	3-61, 3-63

CROSS REFERENCE

Part Number	Page Number	Part Number	Page Number	Part Number	Page Number
55847	5-8, 6-8	63923	4-26	70622	2-17
55926	4-7	63987-1	3-39	70623	2-17
56078	2-69, 2-71	64379	2-65	70709	2-17
56185	2-17	64425	2-81, 2-83, 2-85, 2-87, 2-89, 3-7	70717	2-17
56186	2-29, 2-169, 3-19, 3-29, 3-37, 3-65	64743	3-19	70887	5-3, 6-3
56690	2-17, 2-129, 3-15, 3-17	64778	3-39, 3-65	70888	5-3, 6-3
56692	2-105, 3-7	65145-1	2-125	70889	5-4, 6-4
56820	2-17, 2-131, 2-133, 3-15	65180	2-81	70890	5-4
56821	3-7, 3-9	65215	2-129	70891	5-4
56835	2-17	65230	4-9	70893	5-4
56992	2-13	65241	4-8	70895	5-5
57189	2-103	65441	2-55	70896	5-5
57248	3-29	65580	3-63	70897	5-5, 6-5
57315	2-49	65581	3-39	70899	5-5
57702	3-69	65695	2-69, 2-71	70900	5-7, 6-7
57804	2-47	66187	5-4, 6-4	70901	5-7, 6-7
57946	2-121	66194	5-5, 6-5	70902	5-7, 6-7
58311	2-53	66204	5-17, 6-17	70903	5-7, 6-7
58494	2-15	66205	5-8	70904	5-7, 6-7
58566	2-23	66207	5-17, 6-17	70905	5-7, 6-7
58592	2-129	67004	3-61, 3-63	70906	5-7, 6-7
58819	2-7, 2-9, 2-54	67555	2-73	70907	2-23, 5-7, 6-7
58842	2-49	67767	2-39, 2-55	70909	5-7
58979	2-99	67811	2-125	70910	5-7
59009	2-53	68106	2-23	70911	2-23, 5-7, 6-7
59015	2-29	68866	2-55	70912	5-7, 6-7
59156	2-33, 2-35, 3-11	68869	2-47	70913	5-7, 5-10, 6-7, 6-10
59194	2-85	69173	2-131, 2-133	70915	5-8
59195	2-89	69234	2-29, 2-31	70916	5-8
59378	4-10	69582	2-53	70917	5-8
59542	2-57	69657	3-61, 3-63	70919	5-8, 6-8
59577	2-17, 2-133, 3-17	69659	3-61, 3-63	70920	5-8, 6-8
59578	2-23	69785	2-92	70921	5-9
59633	3-11	70096	4-7	70922	5-9
59649	2-107	70100	4-7	70923	5-9, 6-9
59668	2-54	70157	2-9, 2-105	70924	5-9, 6-9
59735	2-107	70165	2-23, 5-28, 6-23	70925	5-9, 6-9
59967	2-107	70173	2-29	70926	5-9
60090	2-127, 3-15	70188	5-28, 6-23	70927	5-9
60295	2-47	70189	5-7	70928	5-9
607775	4-29	70196	5-21, 6-19	70929	5-10, 6-10
61490	4-8, 4-9	70197	5-21, 6-19	70934	5-11, 6-11
62471	2-127	70198	5-21, 6-19	70935	5-11, 6-11
630164	3-39	70199	5-21, 6-19	70936	5-12, 6-12
630371	3-3	70200	5-21, 6-19	70937	5-12, 6-12
63175-1	3-11	70201	5-21, 6-19	70938	5-17
63233	3-11	70202	5-21, 6-19	70939	5-17
63234	2-55	70203	5-21, 6-19	70940	5-17
63244-2	3-3	70204	5-21, 6-19	70941	5-17, 6-17
63245-1	3-19	70205	5-21, 6-19	70942	5-17, 6-17
63430	3-61, 3-63	70206	5-21, 6-19	70943	5-17, 6-17
63448	3-61, 3-63	70207	5-21, 6-19	70944	5-17
63451	3-61, 3-63	70208	5-21, 6-19	70945	5-17, 6-17
63468	2-81	70209	5-21, 6-19	70946	5-17, 6-17
63810	2-23, 2-97, 3-3, 3-5, 3-13, 3-23, 3-25, 3-31, 3-33, 3-41, 3-43, 3-65	70210	5-21, 6-19	70947	5-17, 6-17
		70211	5-21, 6-19	70948	5-17, 6-9
		70212	5-21, 6-19	70949	5-17
		70213	5-21, 6-19	70950	5-17
		70563	2-69, 2-71	70951	5-17
				70952	5-17

CROSS REFERENCE

Part Number	Page Number	Part Number	Page Number	Part Number	Page Number
70953	5-17	71996	5-5, 6-5	73511	5-15, 6-15
70954	5-17, 6-17	71997	5-5, 6-5	73512	5-15, 6-15
70955	5-17, 6-17	71999	5-5	73513	5-15, 6-15
70956	5-19, 6-18	72010	5-5, 6-5	73514	5-15, 6-15
70957	5-19	72011	5-7	73515	5-15, 6-15
70964	5-23	72012	5-7	73516	5-15, 6-15
70965	5-23, 6-20	72013	5-7, 6-7	73517	5-15, 6-15
70966	5-23, 6-20	72014	5-7, 6-7	73518	5-15, 6-15
70967	5-23, 6-20	72015	5-7, 6-7	73519	5-15, 6-15
70968	5-23, 6-20	72016	5-7, 6-7	73520	5-17, 6-17
70972	5-25, 6-23	72017	5-7	73521	5-17, 6-17
70973	5-25, 6-23	72018	5-7, 5-29	73522	5-17, 6-17
70974	5-25, 6-23	72019	6-7	73523	5-17, 6-17
70975	5-13	72897	2-57	73524	5-17, 6-17
70976	5-13	72926	2-49	73525	5-17, 6-17
70977	5-13, 6-13	72968	3-39, 3-63	73526	5-17, 6-17
70978	5-13, 6-13	72970	2-17	73527	5-17, 6-17
70979	5-13	72993	5-7, 6-7	73528	5-17, 6-17
70980	5-28	72994	5-7, 5-11, 6-7	73529	5-17, 6-17
70982	5-29, 6-27	72995	5-7, 5-31	73530	5-17, 6-17
70983	5-29, 6-27	72996	5-8, 5-11, 5-31	73532	5-17, 6-17
70984	5-29, 6-27	72997	5-8	73533	5-19, 6-18
70985	5-30	72998	5-9, 6-9	73534	5-19
70986	5-30	72999	5-9	73535	5-19
70987	5-30	73027	2-17	73545	5-21, 6-19
70988	5-30	73260	3-3, 4-26	73547	5-21, 6-19
70989	5-30, 6-28	73281	2-49	73551	5-21, 6-19
70991	5-30, 6-28	73342	4-3	73554	5-23, 6-20
70992	5-30, 6-28	73411	2-55	73555	5-23, 6-20
70994	5-31, 6-29	73433	3-3	73560	5-23, 6-20
70998	5-3, 6-3	73468	3-3, 3-29, 3-39	73561	5-25, 6-23
70999	6-3	73471	2-39, 2-45	73562	5-25, 6-23
71204	2-77	73479	5-9, 6-9	73563	5-25, 6-23
71340	2-49	73481	5-11, 6-11	73565	5-25, 6-23
71341	2-49	73482	6-10	73567	5-27, 6-25
71367	2-53	73483	5-10, 6-10	73568	5-27, 6-25
71369	2-73	73484	5-10, 6-10	73569	5-27, 6-25
71385	2-23	73487	5-11, 6-11	73570	5-27, 6-25
71388	2-23, 2-33, 2-35	73488	5-11, 6-11	73571	5-27, 6-25
71556	2-117, 2-119	73489	6-11	73572	5-27, 6-25
71607	2-85, 2-89	73491	5-12, 6-12	73573	5-27, 6-25
71726	2-129	73492	5-12, 6-12	73574	5-27, 6-25
71727	2-131, 2-133	73493	5-12, 6-12	73575	5-27, 6-25
71729	2-69, 2-71, 4-8	73494	5-12, 6-12	73576	5-27, 6-25
71735	2-117	73495	5-12	73577	5-27, 6-25
71741	2-117, 2-119	73496	5-12	73578	5-27, 6-25
71868	3-11	73497	5-12, 6-12	73579	5-27, 6-25
71869	3-11	73498	5-12, 6-12	73580	5-27, 6-25
71874	3-11	73499	5-12, 6-12	73581	5-27, 6-25
71941	2-19	73500	5-12, 6-12	73582	5-27, 6-25
71985	5-3, 6-3	73501	5-12, 6-12	73585	5-27, 6-25
71986	5-3, 6-3	73502	5-12, 6-12	73586	5-27, 6-25
71987	5-3, 6-3	73503	5-12	73588	5-27, 6-23, 6-25
71988	5-3, 6-3	73504	5-12, 6-12	73589	5-27, 6-23, 6-25
71989	5-3	73505	5-12	73590	5-27, 6-23, 6-25
71990	5-3, 6-3	73506	5-12, 6-12	73592	5-13
71991	5-3, 6-3	73507	5-12, 6-12	73593	5-13, 6-13
71992	5-3, 6-3	73508	5-12, 6-12	73594	5-13, 6-13
71993	5-3, 6-3	73509	5-15, 6-15	73595	5-13
71995	5-4, 5-13, 6-28	73510	5-15	73596	5-13, 6-13

CROSS REFERENCE

Part Number	Page Number	Part Number	Page Number	Part Number	Page Number
73597	5-13, 6-13	74245	4-25	79381	2-37, 2-39, 2-45
73598	5-13, 6-13	74250	4-8, 4-9	79399	2-23
73599	5-13, 6-13	74405	2-23, 5-21, 6-19	79484	3-3
73600	5-13, 6-13	74440	2-55	79497	3-3
73601	5-13, 6-13	74452	2-37	79506	2-95, 2-101
73602	5-13, 6-13	74454	2-107	79729	4-5
73603	5-13, 6-13	74455	2-7, 2-39, 2-127	79828	4-5
73604	5-13, 6-13	75456-3	2-103	80288	2-9
73605	5-28	75456-4	2-103	80395	2-79, 2-95, 2-101
73606	5-28, 6-26	75968	2-17	80409	2-81
73607	5-28	76099	2-75, 3-21, 3-25, 3-33, 3-43	80950	2-81
73610	5-28, 6-26	761490	2-7, 3-13	81784	2-85, 2-89
73618	5-29	762249	3-19	81952	2-81
73619	5-29, 6-27	762514	2-47	82727	2-9
73620	5-29	763042	2-59	82739	2-63
73621	5-29, 6-27	763090	2-73	82832	2-49
73622	5-29, 6-27	763114	3-19	82839	3-13
73623	5-29, 6-27	763115	3-52, 3-53	83874	1-1, 2-79
73624	5-29, 6-27	763116	2-39, 2-61, 3-19, 3-25, 3-33, 3-43	83879	2-55
73625	5-29, 6-27	76315	2-105	84170	2-55
73626	5-29, 6-27	76316	2-131, 3-17	84597	1-1
73627	5-30	76426	2-99	84631	5-5
73628	5-30	76570	2-23, 2-33, 2-35, 2-95, 2-101	84635	5-25, 5-27, 6-23, 6-25
73629	5-30	76888	2-15	84636	5-13, 6-13
73630	5-30	76955	2-35	84638	5-23, 6-20
73631	5-30, 6-28	76957	2-33	84644	5-25, 6-23
73632	5-31, 6-29	769785	3-65	84647	5-3
73633	5-31, 6-29	77003	4-11, 4-19, 4-21, 4-23	84648	5-27, 6-25
73634	5-31, 6-29	77005	4-11, 4-13, 4-15, 4-17, 4-19, 4-21, 4-23	84649	5-27, 6-25
73636	5-31	77006	4-19	84650	5-27, 6-25
73736	2-13	770097	2-65, 2-67, 2-77, 2-85, 2-89, 2-131, 2-133, 3-11	84651	5-27, 6-23, 6-25
73737	2-35	77098	2-73, 2-105, 2-107, 3-11	84660	3-71
74077	2-21	77221	2-176	86508	3-3
74090	2-95, 2-101	77345	2-49	86636	2-99
74094	4-8, 4-9	78043	2-29	86659	2-51
74095	4-8	78398	3-3, 4-3	86751	2-53
74098	4-8, 4-11, 4-19, 4-21, 4-23	78829	4-3	86759	3-7
74099	4-8	78830	4-3	86866	2-73
74100	4-8, 4-9	78833	4-3	87536	2-13
74122	4-5	78836	4-3	87631	2-69, 2-71
74123	4-5	78838	4-3	87738	2-29
74125	4-5	78839	4-3	87816	2-85, 2-89
74165	4-5	78840	4-3	87866	1-1, 2-13
74166	4-5	78841	4-3	9000355	2-27
74167	4-5	78842	4-3	9000845	3-51, 3-53
74168	4-5	78843	4-3	9000846	3-49, 3-52
74180	4-7	78875	4-26	9000879	3-49, 3-51, 3-52, 3-53
74183	4-25	78950	4-27	9001310	3-65
74185	4-25	78951	4-27	9001314	3-55
74193	4-25	78952	4-27	9001316	3-70
74196	4-25	79273-1	3-23, 3-25	9001321	3-47
74222	4-25	79273-2	2-97	9001327	3-49
74225	4-7	79380	2-103	9001331	3-51
74226	4-7			9001334	3-61, 3-63
74232	4-25			9001338	3-69
74233	2-103, 4-10			9001717	3-53
74237	4-7			9001718	3-52
74243	4-25			9002382	2-9
74244	4-25			9002383	2-9
				9002398	2-129

CROSS REFERENCE

Part Number	Page Number	Part Number	Page Number	Part Number	Page Number
9002399	2-7	9004375	6-26	9007142	2-125
9002400	2-7	9004376	6-23	9007513	2-7
9002401	2-7	9004379	6-28	9007882	3-37, 4-29
9002410	2-9	9004381	6-28	9007883	4-29
9002411	2-37	9004382	6-28	9007912	2-13
9002412	2-39	9004385	6-27	9007913	2-13
9002435	2-13	9004386	6-27	9008248	2-49
9002683	2-107	9004389	6-20	9008757	4-32
9002684	2-103	9004390	6-20	9008848	4-32
9002708	4-3	9004393	6-20	9008868	3-29, 4-32
9002709	4-3	9004395	6-21	9010085	3-57
9003009	4-32	9004396	6-21	9010086	3-57
9003068	2-92	9004397	6-21	9011343	4-17, 4-23
9003069	2-91	9004398	6-21	9011345	4-17, 4-23
9003070	2-92	9004399	6-21	9011346	4-17, 4-23
9003071	2-91	9004400	6-21	9011347	4-17, 4-23
9003130	1-1	9004401	6-21	9012585	4-31
9003313	2-99	9004402	6-8	9012587	4-31
9003424	2-9	9004403	6-8	9012589	4-31
9003427	2-9	9004404	6-8	9012590	4-31
9003430	2-9	9004405	6-8	9012591	4-31
9003444	2-61	9004406	6-8, 6-11	9012592	4-31
9003449	2-99	9004407	6-8	9012593	4-31
9003453	2-13	9004409	6-12	9012594	4-31
9003455	2-103	9004410	6-12	9012595	4-31
9003461	2-103	9004431	6-3	9014281	3-39
9003611	2-27	9004432	6-7	9014662	2-5
9003774	2-59	9004433	6-10	9014666	2-5
9003793	2-95	9004435	6-4	9014867	3-67
9003794	2-101	9004436	6-9		
9003868	6-8	9004437	6-9		
9003869	6-8	9004438	6-9		
9003870	6-8	9004439	6-9		
9003888	6-4	9004440	6-15		
9003891	6-18	9004441	6-17		
9003893	2-99	9004442	6-18		
9003934	2-27	9004443	6-18		
9003958	2-27	9004444	6-18		
9004117	2-91	9004445	6-13		
9004283	6-28	9004446	6-26		
9004335	6-3	9004447	6-26		
9004337	6-3	9004448	6-28		
9004338	6-4	9004449	6-27		
9004339	6-4	9004450	6-20		
9004340	6-5	9004451	6-20		
9004341	6-5	9004454	6-23		
9004346	6-7	9004475	4-21, 4-23		
9004347	6-7	9004493	2-79		
9004348	6-4	9004775	6-28		
9004349	6-9	9004881	2-13		
9004350	6-9	9005165	2-91, 2-92		
9004358	6-15	9006001	5-4		
9004361	6-17	9006060	1-1		
9004363	6-17	9006257	3-71		
9004368	6-13	9006334	2-7, 2-63, 3-13		
9004369	6-13	9006386	2-71		
9004371	6-13	9006398	2-69, 2-71		
9004372	6-13	9006814	2-41		
9004373	6-13	9006816	2-41		
9004374	6-26	9007131	3-47		

PART DESCRIPTION TO PAGE NUMBER CROSS REFERENCE LIST

A

Ace, Thrust, Motor, Hyd [En], 4-9
 Actuator, Govnr, Dsl, 2-23
 Actuator, Valve, By-Pass [En], 4-7
 Adapter, Actuator, Govnr, Eng, Dsl, 2-23
 Adapter, Rod-End, Side Brush, 3-11
 Alarm Assy, Backup, 12/48Vdc, 3-47
 Alarm Kit, Backup, Ci [M20 And T20], 3-47
 Alarm, 9-48vdc, 95 Db(A) [Ec-H20], 3-37
 Alarm, Warning [Sonalert, St628], 2-47
 Alternator, 12vdc, 075a [Valeo], 2-33, 2-35
 Angle, Brace, Shrd, 2-21
 Angle, Lh, 2-77
 Angle, Mtg, Antenna, Telem, 3-57
 Angle, Mtg, Stl, .12 1.6 1.6 02.2l, 2-127
 Angle, Mtg, Valve, 3-13
 Angle, Retainer, 2-59
 Angle, Rh, 2-77
 Angle, Sppt, Fan, 2-103, 2-105
 Angle, Sppt, Tank, Rear, 2-91
 Antenna, Telem, 70 In [Gprs], 3-57
 Arm [Positioning], 2-55
 Arm Wldt, Alternator, Dsl, 2-33, 2-35
 Arm Wldt, Lift, Sqge, Lh, 2-89
 Arm Wldt, Safety, Sppt, Seat, .38d 06.5d, 2-15
 Arm Wldt, Safety, Sppt, Seat, .38d 10.1l, 2-99
 Arm Wldt, Sqge, Lift, Rh, 2-85
 Arm, Alternator, Dsl, 2-33
 Arm, Cntrl, Pintle, Centering, 2-55
 Arm, Lever, Brake, 4.1 [Knott], 2-51
 Arm, Link, 3-11
 Arm, Pinch, 2-95, 2-101
 Arm, Pintle, 2-55
 Arm, Rocker [Ku], 6-12
 Arm, Sqge, Side, Lh, 2-89
 Arm, Sqge, Side, Rh, 2-85
 Armature, Motor [Ku], 6-19
 Armrest, 4-31
 Armrest, Rh, 2-15
 Assembly Apparatus, Idle, 5-28
 Assembly Bolt, Adjusting, 5-28
 Assembly Camshaft, 5-15
 Assembly Case, Main Bearing, 5-9
 Assembly Case, Main Bearing 1, 5-9
 Assembly Case, Main Bearing 2, 5-9
 Assembly Case, Main Bearing 3, 5-9
 Assembly Cock, Drain, 5-3
 Assembly Connecting Rod, 5-17
 Assembly Lever, Fork, 5-30
 Assembly Pipe, Over Flow, 5-23
 Assembly Piston Ring, 5-17
 Assembly Piston Ring 05, 5-17
 Assembly Plate, Control, 5-29
 Assembly Pump, Injection, 5-27
 Assembly Pump, Injection (See Injection Pump Breakdown), 5-25
 Assembly Pump, Water, 5-8
 Assembly Rocker Arm, 5-12
 Assembly Rotor, Oil Pump, 5-7

Assembly Seal, Mechanical, 5-8
 Assembly Shaft, Governor, 5-13
 Assembly Shaft, R-arm, 5-12
 Assembly Tappet, 5-27
 Assy Armature, 5-21
 Assy Bolt, 5-21
 Assy Holder, Brush, 5-21
 Assy Starter, 5-21
 Assy Switch, Magneto, 5-21
 Assy Yoke, 5-21

B

Bag, Power, 3-63
 Ball, 5-7, 5-17, 5-21
 Ball, Cshft [Ku], 6-17
 Ball, Relief, Oil [Ku], 6-7
 Band, Pipe, 5-23
 Bar Wldt, Retainer, Sqge, Rear, 2-79
 Bar, Flat, Ss, .06 X .50 X 10.0l 2/.19sl, 2-13
 Bar, Flat, Stl 0.19, 01.50 X 04.1l, 2-49
 Bar, Flat, Stl 0.38, 01.00 X 03.3l, 2-29
 Bar, Isolator, Vacfan [M20 2007], 2-107
 Bar, Isolator, Vacfan [M20], 2-107
 Bar, Mtg, Hppr, 2-59
 Bar, Mtg, Hppr Cover, 2-61
 Bar, Retainer, 3-7
 Bar, Rnd, Plstc, 0.31d 12.5l, 2-91, 2-92
 Base, Fitr, Oil [Ku], 2-23
 Battery, Wet, 12Vdc 0600Cca, 1-1, 2-47
 Bearing, 5-21, 6-19
 Bearing [Ku], 6-8
 Bearing Kit [CI], 4-25
 Bearing, Ball, 5-8, 5-13, 5-30
 Bearing, Ball [Ku], 6-13, 6-28
 Bearing, Ball, 0.79b 1.85d 0.55w, 2-33
 Bearing, Ball, 0.98b 2.05d 0.59w, 2-69, 2-71
 Bearing, Ball, 1.18b 2.44d 0.63w, 2-51
 Bearing, Case [Ku], 6-9
 Bearing, Cone, 1.38b 0.71w, 2-49
 Bearing, Cone, Pump, Hyd, 4-7
 Bearing, Cshft [Ku], 6-17
 Bearing, Cshft, -.2mm [Ku], 6-17
 Bearing, Cshft, Std [Ku], 6-9, 6-17
 Bearing, Cup, 4-7
 Bearing, Cup, 2.56d 0.55w, 2-49
 Bearing, Fing, 2-Hole, 0.50b, 2-17
 Bearing, Fing, 2hole, 0.50b [Nyl], 2-17
 Bearing, Pillowblock, 1.02b [Solid Pye], 2-53
 Bearing, Rod, Connecting [-.2mm, Ku], 6-17
 Bearing, Rod, Connecting [-.4mm, Ku], 6-17
 Bearing, Rod, Connecting, Std [Ku], 6-17
 Bearing, Self Align, 0.75b 1.25d, 2-73
 Bearing, Self Align, 1.25b 2.00d, 2-57
 Bearing, Split, 1.00b, 2-53
 Bearing, Thrust, 4-9

Bearing, Thrust [-.4mm, Ku], 6-17
 Bearing, Thrust [Ku], 6-17
 Bearing, Thrust, 0.53b 1.00d 0.03w, 3-11
 Bearing, Thrust, Pump, Hyd, 4-7
 Bearing, Thrust, Std [Ku], 6-17
 Bellcrank, Lift, Sqge, 2-77
 Bellows, Seat, 4-31
 Belt Kit, W/ Installation Tool, 6-28
 Belt, v, 37.0L [3V], 2-33
 Belt, V, 37.5l [3v], 1-1, 2-33
 Belt, V, 42.0l [Hc41], 1-1, 2-35
 Blade, Sqge, .38 3.55w 038.3l, Linatex, 1-1, 2-83, 2-87
 Blade, Sqge, .38 3.55w 038.3l, Ure, 1-1
 Blade, Sqge, .38 3.55w 038.3l, Ure (Option), 2-83, 2-87
 Blade, Sqge, Front, 49.58l [Linard], 2-79
 Blade, Sqge, Front, 49.58l Linatex, 1-1
 Blade, Sqge, Front, 49.58l Ure, 1-1
 Blade, Sqge, Front, 49.58l Ure (Option), 2-79
 Blade, Sqge, Rear, 53.78l Ure, 1-1
 Blade, Sqge, Rear, 53.78l Ure (Option), 2-79
 Blade, Sqge, Rear, Linatex, 1-1, 2-79
 Blade, Sqge, Side Brush, Linatex, 1-1, 3-9
 Blade, Sqge, Side Brush, Urethane, 1-1, 3-9
 Block, Centering, 2-77
 Block, Guide, Hppr, 2-7
 Bolt, 5-4, 5-5, 5-7, 5-8, 5-9, 5-11, 5-13, 5-15, 5-17, 5-19, 5-21, 5-25, 5-28, 5-29, 5-30, 6-7, 6-9, 6-11, 6-12, 6-19, 6-29
 Bolt [Ku], 6-4, 6-8, 6-11, 6-18, 6-23, 6-27, 6-29
 Bolt, Adjusting, 5-28
 Bolt, Adjustment Assy [Ku], 6-26
 Bolt, Bearing Case 1, 5-9
 Bolt, Carriage, M06 X 1.0 X 30, 2-65, 2-67
 Bolt, Carriage, M06 X 1.00 X 40, 4.6, 3-37
 Bolt, Carriage, M10 X 1.5 X 70, 2-81
 Bolt, Connecting Rod, 5-17
 Bolt, Cylinder Head, 5-5
 Bolt, Eye, .25-20 X 1.40 X .25 Eye, 2-55
 Bolt, Eye, M08 X 1.25 X 070mm, 05.50 Eye, 2-85, 2-89
 Bolt, Eye, M10 X 1.5 X 064mm, 7.10 Eye, 2-77
 Bolt, Eye, M8X1.25, 2.75L, 2-55
 Bolt, Fing, 6-8
 Bolt, Flywheel, 5-19
 Bolt, Hex [Ku], 5-31, 6-13, 6-15, 6-23, 6-27, 6-29
 Bolt, Motor, Hyd, 4-5
 Bolt, Shld, .31d X 1.00, .25-20, 2-55
 Bolt, Shld, 1.37d X 5.13l, 1.1-18 Drilled, 2-49
 Bolt, Bearing Case 2, 5-9
 Boot, .63id .29l .90w, 2-13

CROSS REFERENCE

- Boot, 90deg .50id 1.00id 2.50l, Red, 2-33, 2-35
Boot, Bellows, 3.1l 4.4w 2.8h 1hole, Neo, 2-17
Boot, Circuitbreaker, 3-37
Boot, Switch, Ignition, 2-13
Bracket Wldt, Brush Wrap Mtg, Rh, 2-73
Bracket Wldt, Brush Wrap, Lh, 2-73
Bracket Wldt, Cooler, Hyd Fluid, 2-127
Bracket Wldt, Flap, Recirculation, 2-75
Bracket Wldt, Guard, Sqge, 3-69
Bracket Wldt, Latch, 2-19
Bracket Wldt, Mtg [FaST Gen 2+], 3-29
Bracket Wldt, Mtg [FaST], 3-21
Bracket Wldt, Mtg, Alternator, Dsl, 2-33, 2-35
Bracket Wldt, Mtg, Caster, 2-81
Bracket Wldt, Mtg, Eng, Front, Dsl, 2-23, 2-24
Bracket Wldt, Mtg, Eng, Rear, Dsl, 2-23
Bracket Wldt, Mtg, Side Brush, 3-7
Bracket Wldt, Mtg, Side Brush Fixed, 3-9
Bracket Wldt, Mtg, Sqge, 2-81
Bracket Wldt, Mtg, Tank, 2-9
Bracket Wldt, Pivot, Hppr Door, Lh, 2-65, 2-67
Bracket Wldt, Pivot, Hppr, Rh, 2-67
Bracket Wldt, Propel, Pintle, 2-55
Bracket Wldt, Steering, Tilt, 2-17
Bracket Wldt, Tank, Soltn, Rh, 2-91
Bracket Wldt, Tilt, Rh, 2-17
Bracket, Clamp, Hose, 2-33, 2-45
Bracket, Cover, 2-41, 2-43, 2-65, 2-67
Bracket, Cover, Hopper, 2-65, 2-67
Bracket, Cover, Hppr, 2-61
Bracket, Ftg, Bh, 2-39
Bracket, Guide, Shrd, 2-21
Bracket, Keeper, Latch, 2-92
Bracket, Latch, Cover, 2-21, 2-92, 3-67
Bracket, Latch, Keeper [Southco], 2-21
Bracket, Latch, Shrd, Seat, 2-15
Bracket, Lip, Hppr, 2-65, 2-67
Bracket, Mtg, 2-9
Bracket, Mtg [FaST Gen 2+], 3-29
Bracket, Mtg [FaST], 3-21
Bracket, Mtg, Air Fitr, Dsl, 2-31
Bracket, Mtg, Cable, 2-53
Bracket, Mtg, Coolant, Tank, Dsl [2010], 2-29
Bracket, Mtg, Cover, Recvy Tank, 2-99
Bracket, Mtg, Cyl, 2-85, 2-89
Bracket, Mtg, Detgt And Spray Wand, 3-5
Bracket, Mtg, Ecu [M20/T20 2007], 2-29
Bracket, Mtg, Fan, 2-103
Bracket, Mtg, Fan, Shrd, Lower, Dsl, 2-43
Bracket, Mtg, Fan, Shrd, Upper, Dsl, 2-43
Bracket, Mtg, Fltr, Oil, Remote, 2-23
Bracket, Mtg, Govnr Control, Dsl, 2-29
Bracket, Mtg, Insulation, 2-9
Bracket, Mtg, Latch, Dsl, 2-39
Bracket, Mtg, Latch, Tank Cover, 2-91, 2-92
Bracket, Mtg, Lift, Scb Head, 2-73
Bracket, Mtg, Mirror, Rearview, 3-55
Bracket, Mtg, Motor, 2-103, 2-107
Bracket, Mtg, Prop Rod, 2-99
Bracket, Mtg, Radiator, 2-41, 2-43
Bracket, Mtg, Rocker Arm [Ku], 6-12
Bracket, Mtg, Scb Head, Lh, 2-73
Bracket, Mtg, Scb Head, Rh, 2-73
Bracket, Mtg, Sensor, 2-55
Bracket, Mtg, Sheave, Dsl, 2-33
Bracket, Mtg, Skirt, 2-75
Bracket, Mtg, Skirt, Brush Door, 2-83, 2-87
Bracket, Mtg, Skirt, Door, 2-83, 2-87
Bracket, Mtg, Skirt, Door, Brush, 2-83, 2-87
Bracket, Mtg, Sppt, 2-49
Bracket, Mtg, Spray Handle, 3-65
Bracket, Mtg, Spray Wand [FaST, Conv], 3-65
Bracket, Mtg, Spring, 2-73
Bracket, Mtg, Sqge, 3-7
Bracket, Mtg, Strainer, 3-5
Bracket, Mtg, Switch, 2-63
Bracket, Mtg, Vacuum Wand, 3-61
Bracket, Mtg, Valve, 2-97, 3-3
Bracket, Mtg, Valve [Combined], 2-133
Bracket, Mtg, Valve, Hyd, Scb, 2-131
Bracket, Mtg, Valve, Hyd, Swp, 2-131
Bracket, Mtg, Valve, Lower, 2-133
Bracket, Muffler, Hanger, Front, 2-37
Bracket, Pivot, Hppr Door, Rh, 2-65
Bracket, Propel, Dsl, 2-55
Bracket, Protector, Float Switch, 2-99
Bracket, Retainer, Lh, 2-69
Bracket, Retainer, Pump, 3-29
Bracket, Retainer, Rh, 2-71
Bracket, Retainer, Safety, 2-55
Bracket, Retainer, Shield, Heat, 2-37
Bracket, Retainer, Spring, 2-5
Bracket, Retaining, Hose, 2-95, 2-101, 3-67
Bracket, Rocker Arm, 5-12
Bracket, Seat, Adj, 2-15
Bracket, Shield, Heat, 2-21
Bracket, Shrd, Fan, Lh, 2-41
Bracket, Shrd, Fan, Rh, 2-41
Bracket, Shrd, Fan, Upper, Dsl, 2-41
Bracket, Shrd, Fan, Upper, Lh, 2-41
Bracket, Shrd, Radiator, Dsl, Ce, 2-43
Bracket, Soltn, Tank, Cntr, 2-91
Bracket, Spacer, Controlbox, 3-57
Bracket, Sppt, 2-41, 2-43, 2-69, 2-71
Bracket, Sppt, Alternator, Dsl, 2-33, 2-35
Bracket, Sppt, Cover, Tank, Recvy, 2-99
Bracket, Sppt, Radiator, Upper, 2-39
Bracket, Sppt, Strobe Light, 3-47, 3-49, 3-51
Bracket, Sppt, Tank, Lh, 2-99
Bracket, Sppt, Tank, Rh, 2-99
Bracket, Tank, Soltn, Lh, 2-91
Bracket, Tilt, Lh, 2-17
Bracket, Valve, Sba [M20 And T20], 3-15
Brake Assy, Drum, Mech, 07.0d 1.2w, 2-51
Brush Assy, Disk, Scb, 16.0d, Heavy Duty Polypropylene, 2-5
Brush Assy, Disk, Scb, 16.0d, Nylon, 2-5
Brush Assy, Disk, Scb, 16.0d, Super Abrasive, 2-5
Brush Assy, Disk, Scrub, 16.0 D, Heavy Duty Polypropylene (Replaced by 1220236), 2-5
Brush Assy, Disk, Scrub, 16.0 D, Super Abrasive (Replaced by 1221543), 2-5
Brush Assy, Disk, Scrub, 16.0D, Nylon (Replaced by 1220235), 2-5
Brush Assy, Disk, Sweep, 24.0d, Polypropylene (Replaced by 1220185), 2-5
Brush Assy, Disk, Swp, 24.0d, Polypropylene, 2-5
Brush Kit, Hub Assy, Drive, Ci [Hdpe In], 2-5
Brush Kit, Hub Assy, Drive, Ci [Uhmw], 2-5
Brush, Sweep / Scb, 40L, Heavy Duty Polypropylene, 2-3
Brush, Sweep / Scb, 40L, Polyester, 2-3
Brush, Sweep / Scb, 40L, Polypropylene, 2-3
Brush, Sweep / Scb, 40L, Super Abrasive, 2-3
Brush, Sweep / Scb, 40L, Wndw, Super Abrasive, 2-3
Brush, Sweep / Scb, 40L, Wndw, Polypropylene, 2-3
Brushholder, 6-19
Bumper Wldt, Brush, Side, 3-7, 3-9
Bumper, Rbr, 0.5d 0.16t M5 X 08, 2-55
Bumper, Rbr, 0.6d 0.34t .3d Tip, 2-127
Bumper, Sqge, 2-79
Bumper, Ure, 1.50d 1.25l, 3-69
Bush, Governor Gear, 5-3
Bush, Idle Gear, 5-15
Bush, Piston Pin, 5-17
Bushing, Eccentric, Adj, 2-95, 2-101
Bushing, Flng, 0.32b 0.50d 0.24l, Bnz, 2-81
Bushing, Flng, 0.50b 0.59d 0.38l, 2-95, 2-101
Bushing, Flng, 0.63b 0.75d 0.38l, 2-81, 2-83, 2-87
Bushing, Flng, 1.00b 1.13d 0.50l, 2-67, 2-77
Bushing, Gear, Gov [Ku], 6-3
Bushing, Gear, Idler [Ku], 6-15
Bushing, Pin, Piston [Ku]16241-21351, 6-17
Bushing, Pivot, Door, 2-65
Bushing, Sleeve, 0.37b 0.50d 0.50l, Oib, 2-53
Bushing, Sleeve, 0.50b 0.59d 0.50l, Bnz, 3-11
Bushing, Sleeve, 0.62b 0.72d 0.50l, Fgl, 2-81
Bushing, Sleeve, 0.63b 0.72d 0.38l, 2-85, 2-89
Bushing, Sleeve, 0.75b 0.88d 0.25l, 2-95, 2-101

Bushing, Sleeve, 0.75b 0.88d 0.75l, Tef, 2-65
 Bushing, Sleeve, 0.78b 0.86d 0.93l, Bnz, 2-51
 Bushing, Sleeve, 0.88b 1.00d 0.75l, Bnz, 2-57
 Bushing, Sleeve, 1.00b 1.13d 1.50l, Fgl, 3-11
 Button, Cntrl, Horn, 2-17
 Bypass Valve Kit, Pump, Repair,, 4-27

C

Cable, 06ga 16.0l Red .38ring /.38ring, 2-33, 2-35
 Cable, Battery, 02ga 48.0l Red .41ring, 2-47
 Cable, Battery, 02ga 60.0l Blk .41ring, 2-47
 Cable, Glv .06d 012.0l .26eye /.26eye, 3-69
 Cable, Glv .09d 016.5l .38eye /.38eye, 2-19
 Cable, Glv .13d 015.8l .50eye /.50eye, 2-85, 2-89
 Cable, Push / Pull, 063.0l 4.0, .31-24, 2-53
 Cable, Push / Pull, 098.0l .25-28/.25-28, 2-55
 Cam, 2-79
 Cam, Centering, Pintle, 2-55
 Cam, Front, 3-9
 Cam, Fuel, 5-13
 Cam, Plt, Brake [Nickel], 2-51
 Cam, Rear, 2-79
 Camshaft, 6-13
 Camshaft, Fuel, 5-13
 Cap, 5-28
 Cap Assy, Tank, Drain, 2-99, 4-3
 Cap Screw, 4-8
 Cap Screw Cl, 4-9
 Cap, Arm, Lift, 2-63
 Cap, Breather, Hyd, 2.4 Ds, 2-129
 Cap, End, Valve, Steering, 4-25
 Cap, Filler, Oil [Ku], 6-7, 6-10
 Cap, Fuel, Tank, 2-27
 Cap, Hub, Dust 2.57d 0.77l, 2-51
 Cap, Radiator, 14Psi [Stant], 2-41, 2-43
 Cap, Radiator, 15psi, 2-39
 Cap, Screw, Idler [Ku], 6-26
 Cap, Sealing, 5-3, 5-5, 6-5
 Cap, Tank, 3-5
 Cap, Tank, Fuel, 2.3neck 2.6d, 2-27
 Cap, Valve, 5-12
 Cap, Valve [Ku], 6-12
 Cap, Vinyl, 57mmid X 23mml, 2-69, 2-71
 Capacitor, Plug [4700uf, 25v], 3-46
 Cartridge, Psi Cntrl, Valve, Hyd, 4-13, 4-15, 4-19, 4-21
 Case, Main, Brg Assy, 6-9
 Caster, Pivot, 2-81
 Catch, Latch, Tank Cover, 2-91, 2-92
 Chain, Str, 4/0, 08 Link, 2-77
 Channel Wldt, Pivot, 3-11

Channel, Shield, Muffler [M20/T20 2007], 2-37
 Channel, Upper, Tower, Lift, 2-7
 Chech Valve Kit, Pump, Repair,, 4-27
 Cir-clip, External, 5-12, 5-30
 Cir-clip, Governor Shaft, 5-13
 Cir-clip, Idle Gear, 5-15
 Cir-clip, Piston Pin, 5-17
 Circuitbreaker, 02.0a, Resetable, 3-37
 Circuitbreaker, 2.0a, Resetable, 3-37
 Clamp [Kubota], 6-8
 Clamp Wldt, Front, 2-79
 Clamp Wldt, Rear, 2-79
 Clamp, Cable, Nyl, 0.62D, Nat, 3-57
 Clamp, Cable, Ss, 0.50d X 0.50w [Insul], 4-29
 Clamp, Cable, Ss, 1.12d X 0.38w, 1h, 2-97
 Clamp, Cable, Ss, 2.50d X 1.00w, 1h, 2-9
 Clamp, Cable, Ss, 2.50d X 1.00w, 1hole, 2-105
 Clamp, Cable, Stil, 0.25D X 0.56W, 1Hole, 3-49, 3-51
 Clamp, Cable, Stil, 0.44d X 0.62w, 1h, 2-127
 Clamp, Cable, Stil, 0.69d X 0.62w, 1h, 2-39, 2-55
 Clamp, Cable, Stil, 1.00d X 0.75w, 1h, 2-29, 2-31
 Clamp, Cable, Stil, 1.50d X 1.00w, 1h, 2-9, 2-39, 2-47, 2-127, 3-21
 Clamp, Cable, Stil, 1.50d X 1.00w, 1hole, 2-7, 2-45
 Clamp, Hose, 5-10, 6-10
 Clamp, Hose, Heater [Ku], 5-31, 6-29
 Clamp, Hose, Plstc .351-.394 Id, 3-21
 Clamp, Hose, Wir, .52-.56, Yel, 4-29
 Clamp, Hose, Wir, .63-.66, Blk, 4-29
 Clamp, Hose, Wormdrive, 0.25-0.62d, .31w, 2-39, 2-45, 3-3, 3-5, 3-29, 3-39
 Clamp, Hose, Wormdrive, 0.31-0.88d, .31w, 2-27, 2-29, 2-47, 3-13, 3-19, 3-23, 3-25, 3-29, 3-31, 3-33, 3-39, 3-41, 3-43, 3-65
 Clamp, Hose, Wormdrive, 0.56-1.06d, .56w, 2-23, 2-97, 3-3, 3-5, 3-13, 3-23, 3-25, 3-31, 3-33, 3-41, 3-43, 3-65
 Clamp, Hose, Wormdrive, 0.81-1.50d, .50w, 2-39, 2-45
 Clamp, Hose, Wormdrive, 1.25-2.00D, .50W, 2-37, 2-39, 2-45
 Clamp, Hose, Wormdrive, 1.81-2.75d, .50w, 2-31
 Clamp, Hose, Wormdrive, 2.50-3.50d, .50w, 2-79, 2-95, 2-101
 Clamp, Hose, Wormdrive, 3.56-4.50d, .50w, 2-95, 2-101, 2-103, 2-107
 Clamp, Hose, Wormdrive, 3.75-4.62d, .62w, 2-103
 Clamp, Hyd, 0.50d, 2-69, 2-71
 Clamp, Mtg, Fltr, Air, 2-31
 Clamp, Muffler, 1.62d, 2-37
 Clamp, Pipe, 6-20
 Clamp, Pipe 1, 5-23

Clamp, Pipe 2, 5-23
 Clamp, Tube, Inj, Pipe #1 [Ku], 6-20
 Clevis, Adj, 0.25 Pin, 0.25-28 Rh, Pl, 2-53
 Clevis, Adj, 0.25pin, 0.25-28left Pl, 2-53
 Clevis, Adj, 0.31pin, 0.31-24, 2-53
 Clip, .250h, Plstc [Pine-Tree], 2-21
 Clip, Grip, Finger, .875-1.25, 3-65
 Clip, Grip, Finger, 0.88-1.25d, 3-37
 Clip, Grip, Finger, 1.00-1.88d White,Vyl, 3-61, 3-63
 Clip, Keeper, Open, 2-41, 2-43
 Clutch, 6-19
 Clutch, Over Running, 5-21
 Collar 1, 5-30
 Collar, Crank, Front [Ku], 6-17
 Collar, Crankshaft, 5-17
 Collar, Gear [Ku], 6-15
 Collar, Govnr [Ku], 6-28
 Collar, Idle Gear 1, 5-15
 Collar, Idle Gear 2, 5-15
 Collet, Valve Spring, 5-12
 Column, Pump, Water, 4-3
 Column, Steering, 09.9L 0.86D 36Tooth, 2-17
 Comp Idle Gear 1, 5-15
 Comp. Case, Gear, 5-7
 Comp. Crankshaft, 5-17
 Comp. Flywheel, 5-19
 Comp. Lever, Fork 1, 5-30
 Comp. Lever, Governor, 5-29
 Comp. Oil Pan (Rear Sump), 5-4
 Comp. Weight, Governor, 5-13
 Complete Pump Kit, Pump, Repair,, 4-27
 Connector, Fem, 02cav, Mp280 Sealed, 4-27
 Contact Kit, W/ Brush [En], 2-17
 Control Box Assy Kit, Replmt, Telem [CAN], 3-57
 Control Box Assy Kit, Replmt, Telem [USA], 3-57
 Control, Fuel, 6-25
 Control, Govnr [All Purpose], 2-29
 Controller Kit, Replmt [Ec-H20], 4-29
 Converter, Ele, 12-36 Vdc, 3-37
 Cooler, Hyd, 25gpm 325btu Of12 13x12x2, 2-127
 Cord, Ele, Glowplug, 6-20
 Cord, Glow Plug, 5-23
 Coupler, Pump, 4-7
 Coupling, Drive, Flex, 09.5d / 13tooth, 2-23
 Coupling, Nozzle, Spray, 3-65
 Cover, 5-7, 5-21, 5-28, 6-7, 6-19
 Cover Assy, Head, Cyl, 5-10
 Cover Kit, Soltn Tank, Rh [M20 & T20], 2-91
 Cover Kit, Switch, Float, Repair, 2-99
 Cover Kit, Tank, Soltn, Lh, Replmt, 2-92
 Cover Kit, Tank, Soltn, Lh, Replmt, Ce (Japan and CE Only), 2-92
 Cover Kit, Tank, Soltn, Rh, Replmt, Ce (Japan and CE Only), 2-91
 Cover Wldt [FaST], 3-21
 Cover Wldt, Power Supply, 3-37

CROSS REFERENCE

Cover, Backrest, 4-31
Cover, Bearing Case, 5-9
Cover, Breather, 5-10, 6-10
Cover, Brg Case, Eng [Ku], 6-9
Cover, Cushion, 4-31
Cover, Cyl Head Assy [Ku], 6-10
Cover, End, 4-7
Cover, Fork Lever Shaft, 5-30
Cover, Fuse, Block, 2-47
Cover, Hole, Pump [Ku], 6-23
Cover, Hole, Pump, Fuel [Ku], 6-23
Cover, Hppr, 2-61
Cover, Lever, Gov [Ku], 6-28
Cover, Lower, 2-15, 2-21
Cover, Oil Pump, 5-7
Cover, Pump, Oil, 6-7
Cover, Solenoid [Ku], 6-23
Cover, Tank, 2-99
Cover, Tank, Recvy, Trimmed, 2-99
Cover, Tank, Soltn, Lh, Trimmed, 2-92
Cover, Tank, Soltn, Lh, Trimmed, Ce
(Japan and CE Only), 2-92
Cover, Tank, Soltn, Rh, Trimmed, 2-91
Cover, Tank, Soltn, Rh, Trimmed, Ce
(Japan and CE Only), 2-91
Cover, Trimmed, 3-37
Crank Kit, Pump, F/79323, Replmt, 4-26
Crankcase, Comp [Ku], 6-7
Crankcase, Complt, 5-3
Crankcase, Complt [Ku], 6-3
Crankshaft, 6-17
Crankshaft Assy, 6-15
Crankshaft, Metal [Ku], 6-9
Crossmember Wldt [M20], 2-81
Cup Holder, Rwk, 2-13
Cylinder, Hyd, 1.5b 07.8l 02.75strk 2500,
2-65, 2-67, 3-11
Cylinder, Hyd, 1.5b 07.8l 02.80strk 2500,
2-73, 2-77, 2-85, 2-89, 3-11
Cylinder, Hyd, 2.0B 24.1L 15.00Strk 3000,
2-57
Cylinder, Hyd, 2.0b,15.2l,09.00strk,3000,
2-49

D

Detergent Pkg, 2 Liter, Sgl [665], 3-21
Detergent, Pkg, 2 Liter, Sgl [665], 3-29
Diaphragm Kit, Pump, Repair,, 4-27
Diode, Ele, Plug, 2-47
Dipstick, Oil [Ku], 6-4
Door Wldt, Brush, 2-69, 2-71
Door Wldt, Brush, Idler, 2-69, 2-71
Door Wldt, Brush, Lh, 2-89
Door Wldt, Brush, Rh, 2-85
Door Wldt, Hppr, 2-65, 2-67
Drive, 4-8
Drive [C], 4-9
Drive, Motor, Hyd, 4-5

E

Ear, Lifting, Eng [Ku], 6-5
ec-H2O Kit, Flush, Replmt[M20,
M30&T20], 3-39
Electrode, 5 Plate, High Flow, 4-29
Electrode, Cylindrical, 4-29
Element, Fltr, Air [Dn], 1-1, 2-31
Element, Fltr, Air, Safety (Option), 2-31
Element, Fltr, Fuel [Dn], 1-1, 2-29
Element, Fltr, Oil, Spin-On, 2-24
Element, Fltr, Oil, Spin-On [Ku], 1-1
End Cap, 4-8
End Cap, Motor, Hyd [En], 4-9
Engine Assy, Dsl, 25hp [Ku V1505 Tier4f]
(See Engine Breakdown), 2-23
Engine Assy, Dsl, 37Hp [Ku V1505]
(See Engine Breakdown), 2-23
Engine Assy, Dsl, 37hp [Ku] (See Engine
Breakdown), 2-23
Extinguisher Kit, Fire, Ci [M20 And T20],
3-70
Extinguisher, Fire, 2.5 Lb Dry, 3-70
Eye, Joint [Ku], 6-23

F

Fan Kit, Scrub, Replmt [M20/T20], 2-103
Fan Wldt, Vac, Inlet, 2-107
Fan, Cooling, 14.1d, 6 Blade, 0.5b Taper,
2-33, 2-35
FaST Kit, Ci [inj Reblnd, M30/M20 III], 4-32
FaST Kit, Ci, Injector Filters[FaST li+],
4-32
FaST Kit, Injector [M20/T20/M30 FaST III]
(See Breakdowns), 3-29
FaST Kit, Injector [M20/T20/m30 FaST III],
4-32
FaST Kit, Seal, injector, Ci [FaST III], 4-32
Filter Assy, Air, 2-31
Filter Assy, Air, Mold, Ure, 3-21
Filter Assy, Fuel, Dsl, 2-29
Filter Assy, Hyd, 10mic, 1-1, 2-129
Filter, Foam, Rbr, 1.20d, 1.0l, 3-23, 3-25
Filter, In-Line, Pf06/Pf06 080mesh 02.6l,
3-29, 3-39
Filter, In-Line, Pf06/Pf06, 80 Mesh, 3-19
Filter, Oil [Ku], 6-4
Filter, Panl, Syn, 4.2 X 20.0 X 30.0, 1-1,
2-61
Filter, Screen, 50 Mesh .59d .8l Ss, 3-19
Filter, Soltn, 020mesh, Pm12 3.2d 08.0l,
3-5
Filter, Soltn, 20mesh, Pm12 3.1d 02.6l,
1-1, 2-92
Fitting Assy, Orifice, 0.070b, Pf04/Pf04,
3-19
Fitting Assy, Orifice, 0.093b, Pf04/Pf04,
3-19
Fitting Assy, Qdc, Pf04, 3-39
Fitting Kit, Hose, Garden, 3-3
Fitting, Brs, Breather [02mp], 2-63
Fitting, Brs, E45, Pf02/Pm02, 2-23
Fitting, Brs, E90, Bm08/Pm04, 3-19
Fitting, Brs, E90, Cf03/Pf02, 3-21
Fitting, Brs, E90, Em05/Pm02, 2-29
Fitting, Brs, E90, Em05/Pm04, 2-27
Fitting, Brs, E90, Pm02/Bm03, 2-27, 2-63,
3-5
Fitting, Brs, Qdc, Bm12/Qf08, 3-3
Fitting, Brs, Qdc, Pf08 [Parker Bh3f], 3-3
Fitting, Brs, Snubber, Pm02/Pf02, 3-39
Fitting, Brs, Str, Bm03/Pm02, 2-63
Fitting, Brs, Str, Bm04/Pm02, 3-21
Fitting, Brs, Str, Bm08/Pm04, 3-19
Fitting, Brs, Str, lf05/Pm04, 2-29
Fitting, Brs, Str, Pf02/Pm04, 3-19
Fitting, Brs, Str, Pf02/Pm06, 3-39
Fitting, Brs, Str, Pf04/Pm06, Bshg, 2-39,
2-45
Fitting, Brs, Str, Pf06/Pf06 Bh, 3-65
Fitting, Brs, Str, Pf06/Pm12, 3-65
Fitting, Brs, Str, Pm04/Pm04, 3-19
Fitting, Brs, Str, Pm08/Garden Hose, 3-65
Fitting, Brs, Tee, Pf04/Pf04/Pf04, 3-19
Fitting, Brs, Tee, Pf04/Pf04/Pm04, Run,
3-29
Fitting, Draincock [Ku], 6-3
Fitting, Draincock, E90, .25npt, 2-39, 2-45
Fitting, E, Gr, 4-3
Fitting, Fltr, Oil [Ku], 6-7
Fitting, Fuel [Ku], 6-20
Fitting, Grease, Str Pm04 .47l, 2-57, 2-65,
2-67, 2-73, 2-81
Fitting, Grease, Str Pm04 .63l, 2-49
Fitting, Hyd, Cap, Jf04, 2-127
Fitting, Hyd, Cap, Jf08, 2-127, 3-15
Fitting, Hyd, E45, Jf08/Jm08, 2-133
Fitting, Hyd, E45, Jf10/Jm10, 2-115
Fitting, Hyd, E45, Jm04/Om04, 3-15
Fitting, Hyd, E45, Jm04/Om06, 2-49, 2-57
Fitting, Hyd, E45, Jm06/Om04, 2-103
Fitting, Hyd, E45, Jm06/Om06, 2-49, 2-131
Fitting, Hyd, E45, Jm08/Om08, 2-103,
2-131, 2-133, 3-15
Fitting, Hyd, E45, Jm08/Om10, 2-105,
2-125
Fitting, Hyd, E45, Jm10/Om12, 2-49
Fitting, Hyd, E45, Jm12/Om16, 2-129
Fitting, Hyd, E45, Jm20/Om20, 2-129
Fitting, Hyd, E90, Jf04/Jm04, 2-71, 2-131,
3-15
Fitting, Hyd, E90, Jf06/Jm06, 3-15
Fitting, Hyd, E90, Jf08/Jm08, 2-17, 2-127
Fitting, Hyd, E90, Jm04/Om04, 2-65, 2-67,
2-77, 2-85, 2-89, 2-131, 2-133, 3-11
Fitting, Hyd, E90, Jm04/Om06, 2-57
Fitting, Hyd, E90, Jm04/Pm02, 2-129
Fitting, Hyd, E90, Jm06/Om04, 2-73,
2-105, 2-107, 3-11
Fitting, Hyd, E90, Jm06/Om06, 2-17,
2-131, 2-133, 3-15
Fitting, Hyd, E90, Jm06/Om06, L, 2-131
Fitting, Hyd, E90, Jm06/Om06, Long,
2-133
Fitting, Hyd, E90, Jm06/Om08, 2-125

- Fitting, Hyd, E90, Jm08/Om08, 2-69, 2-71, 2-107, 2-125, 2-131, 3-15
 Fitting, Hyd, E90, Jm08/Om08, L, 2-131
 Fitting, Hyd, E90, Jm08/Om08, Long, 2-133
 Fitting, Hyd, E90, Jm08/Om10, 3-7, 3-9
 Fitting, Hyd, E90, Jm08/Om16 Metric, 2-23
 Fitting, Hyd, E90, Jm08/Pm08, 2-23
 Fitting, Hyd, E90, Jm10/Om12, 2-125
 Fitting, Hyd, E90, Jm12/Om12, 2-127
 Fitting, Hyd, E90, Jm12/Om12, L, 2-127
 Fitting, Hyd, E90, Om04/Qm04, 2-131, 2-133, 3-15
 Fitting, Hyd, Plug, Jm08, 2-23
 Fitting, Hyd, Plug, Om04, 2-133, 4-11, 4-19, 4-21, 4-23
 Fitting, Hyd, Plug, Om06, 2-129, 2-133
 Fitting, Hyd, Plug, Om08, 4-7, 4-19
 Fitting, Hyd, Plug, Om10, 2-129
 Fitting, Hyd, Rst, Jf04/Jm04, .028, 2-57
 Fitting, Hyd, Rst, Spcl, 2-85, 2-89
 Fitting, Hyd, Str, Jf04/Qm04, 2-131, 3-15
 Fitting, Hyd, Str, Jf06/Jm04, 2-127
 Fitting, Hyd, Str, Jm04/Om04, 2-69, 2-71, 2-131, 2-133, 3-15
 Fitting, Hyd, Str, Jm04/Om06, 3-15
 Fitting, Hyd, Str, Jm06/Om04, 2-107
 Fitting, Hyd, Str, Jm06/Om06, 2-17, 2-129, 3-15, 3-17
 Fitting, Hyd, Str, Jm06/Om06, L, 2-17
 Fitting, Hyd, Str, Jm06/Om06, Long, 2-133, 3-17
 Fitting, Hyd, Str, Jm08/Om06, 2-17
 Fitting, Hyd, Str, Jm08/Om08, 2-107, 2-125, 2-129, 3-15
 Fitting, Hyd, Str, Jm08/Om10, 2-105, 3-7
 Fitting, Hyd, Str, Jm08/Pm08, 2-23
 Fitting, Hyd, Str, Jm10/Om10, 2-131
 Fitting, Hyd, Str, Jm10/Om10, Long, 2-133
 Fitting, Hyd, Str, Jm10/Om12, 2-49
 Fitting, Hyd, Str, Jm20/Om16, 2-125
 Fitting, Hyd, Str, Metric, Om10/lf05, 2-29
 Fitting, Hyd, Str, Om04/Qm04, 2-131, 3-15
 Fitting, Hyd, Str, Pf02/Pm04, 2-27, 2-29
 Fitting, Hyd, Str, Pm02/Pm02, 2-29
 Fitting, Hyd, Str, Spcl, 2-23
 Fitting, Hyd, Tee, Jf06/Jm06/Jm06, Run, 2-107
 Fitting, Hyd, Tee, Jf08/Jm08/Jm08, Br, 2-105
 Fitting, Hyd, Tee, Jm06/Jm06/Om06, Run, 2-131, 3-17
 Fitting, Hyd, Tee, Jm08/Jm08/Om08, Br, 2-103, 2-131, 2-133
 Fitting, Nyl, Qdc, E90, Bm08/ Qm10, 3-29, 3-39
 Fitting, Nyl/Y, Qdc, E90, Bm06/ Qm10, 3-29
 Fitting, Pipe, E90, Pf02/Pm02, 3-21
 Fitting, Pipe, Plug [Ku], 5-31, 6-3, 6-5, 6-7, 6-29
 Fitting, Pipe, Plug, Pm02, Sq Head, 2-27
 Fitting, Pipe, Plug, Pm08, Sq Head, 2-97
 Fitting, Pipe, Water [Ku], 5-8, 5-31, 6-8
 Fitting, Plstc, Body, Spray, Pf04, 3-19
 Fitting, Plstc, Cap, Pf12 Hex, 2-97
 Fitting, Plstc, Cap, Spray, Pf04, 3-19
 Fitting, Plstc, E90, Bm05/Bm05, Nyl, 3-39
 Fitting, Plstc, E90, Bm06/Bm06, 3-5, 4-29
 Fitting, Plstc, E90, Bm06/Pm04, Nyl, 3-29
 Fitting, Plstc, E90, Bm06/Pm12, Nyl, 3-3
 Fitting, Plstc, E90, Bm08/Bm08, 3-39
 Fitting, Plstc, E90, Bm08/Pf08s, Swivel, 3-19, 3-65
 Fitting, Plstc, E90, Bm08/Pm04, 3-39
 Fitting, Plstc, E90, Bm08/Pm06, 3-39, 3-65
 Fitting, Plstc, E90, Bm08/Pm12, Nyl, 3-19, 3-23, 3-25, 3-29, 3-39
 Fitting, Plstc, E90, Bm10/Pm08, 3-3
 Fitting, Plstc, E90, Bm10/Pm12, 3-3, 3-29, 3-39
 Fitting, Plstc, E90, Bm12/Pf12, 3-5
 Fitting, Plstc, E90, Bm12/Pm08, 3-3
 Fitting, Plstc, E90, Bm12/Pm12, 3-3, 3-5, 3-19, 3-29, 3-39
 Fitting, Plstc, E90, Pf Bm [Es Pump], 4-3
 Fitting, Plstc, E90, Pf12/Pm12, 2-92
 Fitting, Plstc, Pf12/Pf12, Bh, 2-92, 3-3
 Fitting, Plstc, Pipe, Cap, Pf04, 3-21, 3-29, 4-29
 Fitting, Plstc, Rst, .50od /.13id, 3-25
 Fitting, Plstc, Str, Bm04, Cplg, Fem, 3-21, 3-29
 Fitting, Plstc, Str, Bm04/Bm08, 3-39
 Fitting, Plstc, Str, Bm04/Pm04, 3-39
 Fitting, Plstc, Str, Bm05/Pm04, 3-39
 Fitting, Plstc, Str, Bm06/Bm08, 3-43
 Fitting, Plstc, Str, Bm06/Pm04, 3-29, 4-29
 Fitting, Plstc, Str, Bm06/Pm06, 3-29
 Fitting, Plstc, Str, Bm08/Pf08s, Swivel, 3-65
 Fitting, Plstc, Str, Bm08/Pm06, 3-19
 Fitting, Plstc, Str, Bm08/Pm12, 3-23, 3-25
 Fitting, Plstc, Str, Bm10/Bm10, 2-97
 Fitting, Plstc, Str, Bm10/Bm12, 2-97
 Fitting, Plstc, Str, Bm10/Pm12, 2-97
 Fitting, Plstc, Str, Bm12/Bm12, 2-97
 Fitting, Plstc, Str, Bm12/Pm08, Nyl, 3-3, 4-3
 Fitting, Plstc, Str, Bm12/Pm12, 2-97
 Fitting, Plstc, Str, Pf06/Qm10, Pvc, 3-39
 Fitting, Plstc, Str, Pm02/Bm05, 4-29
 Fitting, Plstc, Str, Pm04, Cplg, Mal, 3-21, 3-29
 Fitting, Plstc, Str, Pm04/Pm06, Nyl, 3-39
 Fitting, Plstc, Str, Pm08/Pm08, 3-3
 Fitting, Plstc, Str, Pm12/Pm12 1.60l, 3-3, 3-19, 3-29, 3-39
 Fitting, Plstc, Tee, Bm04/Bm04/Bm04, 3-29
 Fitting, Plstc, Tee, Bm04/Bm08/Bm08, Br, 3-19
 Fitting, Plstc, Tee, Bm06/Pm02/Bm06, 4-29
 Fitting, Plstc, Tee, Bm08/Bm08/Bm08, 3-19
 Fitting, Plstc, Tee, Bm08/Bm10/Bm10, Br, 3-31, 3-33, 3-41, 3-43, 3-65
 Fitting, Plstc, Tee, Bm08/Bm12/Bm12, Br, 3-23, 3-25, 3-31, 3-33, 3-41, 3-43, 3-65
 Fitting, Plstc, Tee, Bm10/Bm10/Bm10, Nyl, 3-13
 Fitting, Plstc, Tee, Bm12/Bm12/Bm12, 2-97, 3-13
 Fitting, Plstc, Tee, Pf08/Pf08/Pf08, 3-3
 Fitting, Plstc, Tee, Pf12/Pf12/Pf12, 3-3, 3-19, 3-29, 3-39
 Fitting, Plstc, Y, Bm08/Bm08/Bm08, Nyl, 3-25, 3-29, 3-33, 3-43
 Fitting, Plug [Ku], 6-3
 Fitting, Plug, Org, #6, Valve [Cec], 4-11, 4-13, 4-15, 4-17, 4-19, 4-21, 4-23
 Flange Mounting, 4-8
 Flange, Motor, Hyd [En], 4-9
 Flange, Pump, Water [Ku], 5-8, 6-8
 Flange, Sleeve, 5-27
 Flange, Sleeve [Ku], 6-25
 Flange, Water [Ku], 5-31, 6-29
 Flap, Battery, 2-13
 Flapper, Valve, Pump, Water, 4-3
 Flywheel, 6-18
 Follower, Screw, Pump, Injection[Ku], 6-23, 6-25
 Frame Wldt, Lift, Hppr, 2-57
 Frame Wldt, Main, Replmt [m20 & T20], 2-7
 Frame Wldt, Sqge, Lh, 2-87
 Frame Wldt, Sqge, Rh, 2-83
 Frame Wldt, Sqge, Side Brush, 3-7
 Frame, Drive End, 5-21
 Frame, End, 5-21, 6-19
 Frame, End, Drive, 6-19
 Fuel Pump Cover Plate, 5-25
 Fuelline, .31d 04.0l 05if/05if, Stl, 2-29
 Fuse, 015a, 2-47

G

- Gasket, 5-3, 5-4, 5-10, 5-23, 5-27, 5-28, 5-29, 5-30, 5-31, 6-3, 6-29
 Gasket [Ku], 6-11, 6-20, 6-26
 Gasket Ku, 5-11
 Gasket Set, 6-4
 Gasket Set, Lower, 5-4
 Gasket Set, Upper, 5-5, 6-5
 Gasket, .25 1.88d 1.0id [Poron], 4-3
 Gasket, 2.00, 07.87w 10.24l, Adh, 2-105
 Gasket, 3.23id 3.63od .16th, Ure, 2-99
 Gasket, 4.05id 5.29od .19 [Buna], 2-99, 4-3
 Gasket, Bearing Case, 5-9
 Gasket, Bearing Case Cover, 5-9
 Gasket, Bearing, Case [Ku], 6-9
 Gasket, Case, Gear [Ku], 6-7, 6-9
 Gasket, Cover, Fuse Block, 2-47
 Gasket, Cover, Gov [Ku], 6-28
 Gasket, Cover, Head, Cyl [Ku], 6-10
 Gasket, Cover, Recvy Tank, 2-99

CROSS REFERENCE

Gasket, Cover, Spd [Ku], 6-27
Gasket, Cyclinder Head, 5-5
Gasket, Delivery Valve, 5-27
Gasket, Ex-manifold, 5-11
Gasket, F/ Bolt [Ku], 6-10, 6-20, 6-26, 6-27
Gasket, F/ Screw [Ku], 6-23, 6-25
Gasket, Foam, .50, 14.76id 16.54od, Adh, 2-105
Gasket, Ftg, Banjo [Ku], 6-23, 6-25
Gasket, Fuel Pump, 5-25
Gasket, Gear Case, 5-7
Gasket, Head Cover, 5-10
Gasket, Head, Cyl [Ku], 6-5
Gasket, Hppr, Transition, 2-107
Gasket, Hsg, Thermostat [Ku], 5-31, 6-29
Gasket, Manifold, Exhaust, 6-11
Gasket, Manifold, Intake [Ku], 5-11
Gasket, Manifold, Intake [Ku], 6-11
Gasket, Oil Pan, 5-4
Gasket, Pan, Oil, 6-4
Gasket, Plt, Hose, Vacuum, 2-103
Gasket, Pump, Fuel [Ku], 6-23
Gasket, Pump, Water [Ku], 6-8
Gasket, Sender, Fuel, 2-27
Gasket, Solenoid, Throttle [Ku], 2-23, 6-23
Gasket, Sqge, 1-1, 2-79
Gasket, Thrtl Blk, 5-28
Gasket, Valve, Injector [Ku], 6-25
Gasket, Water Pump, 5-8
Gasspring, 180lb, 03.0strk, 2-15
Gauge, Oil, 5-4
Gauge, Oil [Ku], 6-4
Gauge, Sensing, Level, 2-129
Gear, 5-21, 6-19
Gear, Camshaft, 5-15
Gear, Camshaft [Ku], 6-15
Gear, Crankshaft, 5-17
Gear, Cshft [Ku], 6-17
Gear, Governor, 5-13
Gear, Govnr [Ku], 6-13
Gear, Idler, Cam [Ku], 6-15
Gear, Injection Pump, 5-13
Gear, Injection, Pump [Ku], 6-13
Gear, Oil Pump Drive, 5-17
Gear, Pump, Oil [Ku], 6-17
Gear, Ring, 5-19
Gear, Ring [Ku], 6-18
Geroler, Motor, Hyd, 4-5
Gerotor Set, 4-8
Gerotor Set [Cl], 4-9
Glowplug [Ku], 6-20
Grill Wldt, Front, 2-19
Grill, Eng, 2-21
Grill, Side, 2-15
Grip, Handle, 2-95, 2-101
Grommet, Blind, 4-29
Grommet, Pye, 0.37id, F/1.5h, .13 Matl, 3-5
Grommet, Rbr, 0.38id, F/0.5H, .12 Matl, 3-57
Grommet, Rbr, 0.50id, F/0.8h, .12 Matl, 3-52, 3-53

Grommet, Rbr, 0.62id, F/0.9h, .06 Matl, 2-63, 3-37
Grommet, Rbr, 0.62id, F/0.9h, .12 Matl, 3-5
Grommet, Rbr, 1.06id, F/1.4h, .19 Matl, 2-63
Grommet, Rbr, 1.50id, F/1.8h, .19 Matl, 2-63
Grommet, Rbr, 2.13id, F/2.5h, .12 Matl, 3-19, 3-29, 3-39
Guard Kit, Sqge, Ci [M20], 3-69
Guard Wldt, Sqge, 3-69
Guard Wldt, Brush, Side, 3-13
Guard Wldt, Pntd [M20/T20], 3-69
Guard Wldt, Sqge [M20/T20 Lh, M30 Rh], 3-69
Guard Wldt, Sqge [M20/T20 Rh, M30 Lh], 3-69
Guard Wldt, Sqge [M20/T20/M30], 3-69
Guard Wldt, Top, Ohg, 3-55
Guide Assy, Oil Gauge, 5-4
Guide, Exhaust Valve, 5-5
Guide, Inlet Valve, 5-5
Guide, Valve, Exhaust, 6-5
Guide, Valve, Inlet, 6-5

H

Handle Wldt, Drain, 2-99
Handle, Valve, Pinch, Lh, 2-101
Handle, Valve, Pinch, Rh, 2-95
Harness [FaST, M20 And T20], 3-27
Harness, Engine, Dsl [M20 T20], 2-174
Harness, Headlight [M20 And T20], 2-166
Harness, Hppr [M20], 2-169
Harness, Hppr [M20/M30], 2-169
Harness, Hppr, Cover [M20], 2-171
Harness, Jumper [Deutsch To Mpack], 4-17, 4-23
Harness, Main [M20], 2-165
Harness, Spray, Nozzle, 3-65
Harness, Warning / Backup [M20 & T20], 3-47, 3-49, 3-51
Harness, Warning / Ohg [M20], 3-52, 3-53
Harness, Wire [Ec- H2o, Mako, 2.0l & Dsl], 3-46
Harness, Wire [Ec- H2o], 3-46
Harness, Wire [FaST Gen 2], 3-35
Harness, Wire, Dsl [M20/T20, Telemetry], 3-59
Head, Cyl, W/O Valve [Ku], 5-5
Head, Cyl, W/O Valves, 5-5
Head, Cylinder [Ku], 6-5
Headlight, 12vdc, 27watt, 2.1a, Oval (Rpl by 1060942), 2-7
Headlight, 12Vdc, Oval, Halogen, 2-7
Hinge Kit, Cover, Tank, Recvy, Replmt, 2-99
Hinge Wldt, Shrd, Lh, 2-21
Hinge Wldt, Shrd, Rh, 2-15
Hinge, .38pin .11 3.5w 06.0l 6/0.38sl, 2-19
Hinge, .50pin .19 4.0w 06.0l 3/0.44sl, 2-85, 2-89
Holder,, 5-13
Holder, Delivery Valve, 5-27
Holder, Gear [Ku], 6-13
Holder, Governor Gear, 5-13
Holder, Govnr [Ku], 6-13
Holder, Valve, Inj [Ku], 6-25
Hook, Engine 1, 5-5
Hook, Engine 2, 5-5
Hopper, Debris, Rm-Hg, Trimmed, 2-59
Horn, 12vdc, Dba [Wolo], 2-47
Hose Assy, Sqge, 2-99
Hose Assy, W/1cuff, 1.0d 09l 1.0/, 2-59
Hose Assy, W/2cuff, 1.5d 084l [Vacwand], 3-63
Hose Assy, W/2cuff, 1.5d 84l [Vacwand], 3-61
Hose Kit, Hyd, Propel, Ci [M20/T20], 2-115
Hose, 0050, 04, lf05str / lm05str, 10.0, 2-29
Hose, 0300, 08, Jf08str / None, 19.0, 2-23
Hose, Afmkt, Coolant Recvy, 05ft, 2-39
Hose, Afmkt, Coolant Recvy, 08ft, 2-45
Hose, Afmkt, Pvc, Brd 0.38id 02ft, 3-5
Hose, Afmkt, Pvc, Brd 0.50id 02ft, 3-23
Hose, Afmkt, Pvc, Brd 0.50id 03ft, 3-19
Hose, Afmkt, Pvc, Brd 0.50id 08ft, 3-19, 3-25
Hose, Afmkt, Pvc, Brd 0.62id 08ft, 3-13
Hose, Afmkt, Pvc, Brd 0.62id, 01Ft, Clr, 3-5
Hose, Afmkt, Pvc, Brd 0.75id 01ft, 3-5
Hose, Afmkt, Pvc, Brd 0.75id 08ft, 2-97, 3-3, 3-13
Hose, Afmkt, PVC, Brd, 0.31id, 03Ft, Clr, 3-39, 4-29
Hose, Afmkt, Pvc, Brd, 0.38id, 01ft, Clr, 4-29
Hose, Afmkt, Pvc, Brd, 0.38id, 02ft, Clr, 3-43, 4-29
Hose, Afmkt, Pvc, Brd, 0.38id, 03ft, Clr, 3-29
Hose, Afmkt, Pvc, Brd, 0.50id, 01ft, Clr, 3-29, 3-39
Hose, Afmkt, Pvc, Brd, 0.50id, 03ft, Clr, 3-33
Hose, Afmkt, Pvc, Brd, 0.50id, 08ft, Clr, 3-31, 3-33, 3-43
Hose, Afmkt, Pvc, Brd, 0.50id, 12ft, Clr, 3-39, 3-41
Hose, Afmkt, Pvc, Brd, 0.62id, 01ft, Clr, 2-97
Hose, Afmkt, Pvc, Brd, 0.62id, 03ft, Clr, 3-33, 3-43
Hose, Afmkt, Pvc, Brd, 0.62id, 08ft, Clr, 2-97, 3-31, 3-41
Hose, Afmkt, Pvc, Brd, 0.75id, 08ft, Clr, 3-31, 3-41, 3-65
Hose, Afmkt, Pvc, Clr 0.25id 03ft, 3-21
Hose, Afmkt, Pvc, Clr 0.38id 03ft, 2-29
Hose, Afmkt, Pvc, Clr 0.50id 08ft, 3-25
Hose, Afmkt, Pvc, Clr, 0.25id, 02ft, 3-29
Hose, Afmkt, Pvc, Clr, 0.25id, 03ft, 3-39
Hose, Afmkt, Pvc, Clr, 0.38id, 01ft, 3-29

- Hose, Afrmkt, Pvc, Clr, 0.38id, 03ft, 3-29
Hose, Afrmkt, Pvc, Clr, 0.50id, 08ft, 3-33
Hose, Afrmkt, Pvc, Wir, 0.50id, 03ft, Clr, 3-29
Hose, Afrmkt, Vacuum, 0.16id, 01ft, 3-5
Hose, Afrmkt, Vacuum, 0.16id, 03ft, 2-63
Hose, Air-Intk, Flex 4.00id 24.0l, 2-103
Hose, Drain, 3.00id X 48.0l, 2-95, 2-101
Hose, Flex, Vacuum, 3.5d 32.0l, 2-107
Hose, Fuel [Ku], 6-20
Hose, Fuel, 0.18id 29.0l, 2-29
Hose, Fuel, 0.31id 22.0l, 2-29
Hose, Fuel, 0.50id 21.0l, 2-27
Hose, Heater, E90, 0.62id, 24.0 4.0, 3-33, 3-43
Hose, Hyd, Med04, Jf04e90/Jf04str, 016.0, 2-121
Hose, Hyd, Med06, Jf06e90/Jf06str, 042.0, 2-117
Hose, Hyd, Med06, Jf06e90l/Jf06str,038.0, 3-17
Hose, Hyd, Med06, Jf06str/Jf06str, 018.0, 2-117
Hose, Hyd, Med06, Jf06str/Jf06str, 022.0, 2-117, 2-119
Hose, Hyd, Med06, Jf06Str/Jf06Str, 042.0, 2-117, 2-119
Hose, Hyd, Med08, Jf08e45/Jf08str, 029.0, 2-121
Hose, Hyd, Med08, Jf08e90/Jf08str, 031.0, 2-117
Hose, Hyd, Med08, Jf08e90/Jf08str, 032.0, 2-23
Hose, Hyd, Med08, Jf08str /Jf08e45, 21.0, 2-117, 2-119
Hose, Hyd, Med08, Jf08str/Jf08str, 022.0, 2-121
Hose, Hyd, Med10, Jf10str/Jf10str, 41.0, 2-117
Hose, Hyd, Med10, Jf10Str/Jf10Str, 036.0, 2-117, 2-119
Hose, Hyd, Med12, Jf12e90/Jf12str, 029.0, 2-117, 2-119
Hose, Hyd, Med12, Jf12str/Jf12str, 060.0, 2-117, 2-119
Hose, Hyd, Spcl, Jf04str/Jf04str, 115.0, 2-121
Hose, Hyd, Spcl, Jf04str/Jf04str, 121.0, 2-121, 2-123
Hose, Hyd, Spcl, Jf04str/Jf04str, 127.0, 2-121
Hose, Hyd, Spcl, Jf04str/Jf04str, 133.0, 2-121
Hose, Hyd, Spcl, Jf04str/Jf06str, 125.0, 2-123
Hose, Hyd, Spcl, Jf10e90/Jf10str, 63.0, 2-115
Hose, Hyd, Spcl, Jf10str/Jf10str, 56.5, 2-115
Hose, Hyd, Suc20, Jf20str /Jf20e90, 30.0, 2-117, 2-119
Hose, Hyd, Tc 06, Jf06str /Jf06e45, 56.0, 2-121
Hose, Hyd, Tc04, Jf04e45/Qm06, 026.0, 2-123
Hose, Hyd, Tc04, Jf04e45/Qm06, 028.0, 2-123
Hose, Hyd, Tc04, Jf04e90/Jf04str, 020.0, 2-121
Hose, Hyd, Tc04, Jf04str /Jf04e90, 70.0, 2-121
Hose, Hyd, Tc04, Jf04str /Jf04e90, 88.0, 2-121
Hose, Hyd, Tc04, Jf04str /Jf04str, 20.0, 3-17
Hose, Hyd, Tc04, Jf04str /Jf04str, 39.0, 3-17
Hose, Hyd, Tc04, Jf04str/Jf04str, 096.0, 2-121
Hose, Hyd, Tc06, Jf06e90/Jf06str, 040.0, 2-115
Hose, Hyd, Tc06, Jf06e90/Jf06str, 104.0, 2-115
Hose, Hyd, Tc06, Jf06str /Jf06e45, 54.0, 2-121
Hose, Hyd, Tc06, Jf06str /Jf06e90, 74.0, 3-17
Hose, Hyd, Tc06, Jf06str /Jf06str, 23.0, 3-17
Hose, Hyd, Tc06, Jf06str/Jf06str, 033.0, 3-17
Hose, Hyd, Tc06, Jf06str/Jf06str, 054.0, 2-121
Hose, Hyd, Tc06, Jf06Str/Jf06Str, 062.0, 3-17
Hose, Hyd, Tc06, Jf06str/Jf06str, 086.0, 3-17
Hose, Hyd, Tc08, Jf08e45/Jf08str, 018.0, 2-121
Hose, Hyd, Tc08, Jf08E45/Jf08Str, 026.0, 2-117, 2-119
Hose, Hyd, Tc08, Jf08e45/Jf08str, 26.0, 2-117
Hose, Hyd, Tc08, Jf08e45/Jf08str, 96.0, 2-115
Hose, Hyd, Tc08, Jf08e90/Jf08str, 024.0, 2-117
Hose, Hyd, Tc08, Jf08E90/Jf08Str, 029.0, 2-117
Hose, Hyd, Tc08, Jf08e90/Jf08str, 034.0, 3-17
Hose, Hyd, Tc08, Jf08e90/Jf08str, 046.0, 2-117, 2-119
Hose, Hyd, Tc08, Jf08e90/Jf08str, 056.0, 3-17
Hose, Hyd, Tc08, Jf08e90/Jf08str, 13.0, 2-121
Hose, Hyd, Tc08, Jf08str/Jf08e90, 012.0, 3-15
Hose, Hyd, Tc08, Jf08str/Jf08e90, 031.0, 2-117, 2-119
Hose, Hyd, Tc08, Jf08Str/Jf08Str, 021.0, 2-117, 2-119
Hose, Hyd, Tc08, Jf08str/Jf08str, 024.0, 2-117
Hose, Hyd, Tc08, Jf08str/Jf08str, 031.0, 2-117, 2-119
Hose, Hyd, Tc08, Jf08str/Jf08str, 034.0, 3-17
Hose, Hyd, Tc08, Jf08str/Jf08str, 056.0, 3-17
Hose, Hyd, Tc08, Jf08str/Jf08str, 084.0, 3-17
Hose, Hyd, Tc08, Jf08str/Jf08str, 21.0, 2-117
Hose, Hyd, Tc08, Jf08str/Jf08str, 48.0, 2-121
Hose, Hyd, Tc12, Jf12e90/Jf12str, 044.0, 2-117
Hose, Hyd, Tco4, Jf04Str/Qm06, 028.0, 2-123
Hose, Hyd,Med04, Jf04str/Jf04str, 066.0, 2-115
Hose, Hyd,Med12, Jf12str/Jf12str , 66.0, 2-117
Hose, Hyd,Tc 04, Jf04str /Jf04e45 , 35.0, 2-123
Hose, Intake, Mold, 1.75id 1.75id Dsl, 2-31
Hose, Intake, Mold, 2.00id [Epdm], 2-31
Hose, Pvc, Brd, 0.62id 0.88od 09.00l, 3-3
Hose, Pvc, Clr, 0.38id 0.56od 22.00l, 2-39
Hose, Pvc, Clr, 0.38id 0.56od 48.00l, 3-3, 3-5
Hose, Pvc, Clr, 0.38id 0.56od 022.0l, 2-45
Hose, Pvc, Clr, 0.50id 0.69od 26.00l, 3-13
Hose, Pvc, Clr, 0.50id 0.69od 30.00l, 2-47
Hose, Radiator, Lower, Dsl, 2-39, 2-45
Hose, Radiator, Lower, Dsl (Cut to fit), 2-45
Hose, Radiator, Upper, Dsl, 2-39, 2-45
Hose, Rbr, E90 1.25id 1.25id 04.2 03.1, 2-39
Hose, Rbr, E90, 1.25id 1.25id 04.2 03.1, 2-45
Hose, Vacuum, 19.0l, 2-79
Hose, Water [Ku], 5-31, 6-29
Hose, Water, Coil, 3-65
Housing, 4-7
Housing Assy, Nozzle, 5-23, 6-20, 6-21
Housing Assy, Vacfan, Scrbr, 2-103
Housing Assy, Vacfan, Swpr, 2-107
Housing Kit, Drive, Front, Replmt, 2-49
Housing Kit, Pump, Water, 4-3
Housing Wldt, Brush, Drive, 2-69, 2-71
Housing Wldt, Swp, Scb, 2-73
Housing Wldt, Vacfan, Front [528], 2-103
Housing, Bottom, 4-29
Housing, Brg, Motor, Hyd, 4-5
Housing, Cplg, Qf / Pm08, 3-39
Housing, Fan, Radial Discharge, Sq Inlet, 2-105
Housing, Flywheel, Mach [1505, Kubo], 2-23
Housing, Motor, Hyd [En], 4-9
Housing, Sppt, Front Wheel, 2-49
Housing, Thermostat [Ku], 5-31, 6-29
Housing, Valve, 4-5
Housingl, 4-8
Hsg & Switch Kit, Pump, Repair,, 4-27

CROSS REFERENCE

Hub Assy, Wheel, 5 Bolt 4.50bc Taper B, 2-49
Hub, Drive, Brush, Disk, 1.00b [6t], 3-7, 3-9
Hub, Drive, Brush, Disk, 3hole 5.8bc, 2-5
Hub, Drive, Brush, Disk, 3hole 5.8bc[6t], 2-5

I

Idler Assy, Brush, Replmt [M20/T20, M30], 2-69, 2-71
Idling, Apparatus [Ku], 6-26
Impeller, 11.81d X 0.500b, 2-105
Impeller, 9.00d X 1.40w X 0.376b, 2-107
Impeller, 9.5" Dia, 18 Blade (Machined), 2-103
Impeller, Pump, Water [Ku], 6-8
Impeller, Water Pump, 5-8
Indicator, Press, 60psi, 2-129
Indicator, Timing [Ku], 6-18
Insert, :Lrg [Venturi, FaST III], 4-32
Insert, Cap, Mount, Es Pump, 4-3
Insert, Cplg, Qm, Bm08, 3-39
Insert, Plt, Cam, Pump, Hyd, 4-7
Instr, Maint, Wall Chart [M20], 3-71
Instr, Motor, Hyd, Repair [En], 4-9
Instr, Repair, Motor, Hyd, Gear, 4-5
Instr, Repair, Pump, 4-7
Instr, Seal Kit, Motor, 4-10
Instr, Valve, Steering, Repair, 4-25
Instr. Repair Info, Motor, 4-8
Insulation, 3-55
Insulation, Acstc, Rnd, 0.8, 02.5d 0.5h, 2-17
Insulation, Flame-Retardant, 0.5, 2-21, 2-27
Insulation, Flame-Retardant, 0.50, 2-103
Insulation, Flame-Retardant, 0.75-0.88, 2-11, 2-15, 2-103
Insulation, Flame-Retardant, 1.0, 2-15
Insulation, Shrd, Eng, Gusset, 2-21
Insulation, Thermal, Hydraulic Blanket, 2-129
Isolator, Rbr, 2-37
Isolator, Vib, .50d, 2-23
Isolator, Vib, Bshg, 1.1d 0.6l .4b 0.78h, 2-39, 2-41, 2-43, 2-103, 2-105, 2-107

K

Key, 5-17
Key [Ku], 6-15, 6-17
Key-Wdruff 0.25 1.00, 4-8
Key, Feather, 5-15
Key, Ignition [Set Of 2], 1-1, 2-13
Key, Motor, Hyd, 4-5
Key, Shaft, Pump, Hyd, 4-7
Key, Sq, 0.12 X 0.12, 0.50l, 2-33, 2-35
Key, Sq, 0.12 X 0.12, 0.75l, 4-10
Key, Sq, 0.12 X 0.12, 1.00l (Included With Motor), 2-103

Key, Sq, 0.25 X 0.25, 1.25l, 2-69, 2-71
Key, Woodruff, 5-13
Key, Woodruff [Ku], 6-13
Key, Woodruff, 0.25 1.00 [Asa#0808], 4-9
Keychain, Rectangle, Parts & Service, 2-13
Kit, Bellows, Pump, Detgt, 4-26
Kit, Brush, Motor, Ele, 4-3
Kit, Seal, Motor, Hyd, 4-5
Kit, Seal, Motor, Hyd, Gear[Barns], 2-103, 4-10
Kit, Seal, Valve, Hyd [Cec], 4-10
Kit, Valve, Check, Pump, Water, 4-3
Knob Assy, Star, 1.12d 3ear M10, 2-81
Knob, Star, 2.80d 4ear 1.1l .31-18 Pyp, 2-79
Knob, Tee, 2.5x1.0 1.1l 0.38-16 Plstc, 2-17
Knobs, Adjmt, Weight, 4-31

L

Label [User, Attention, ec-H2O], 2-176
Label Kit, Panel, Replmt [M20], 2-13
Label Kit, Panel, Replmt [M20/M30 ec-H2O only], 2-13
Label Set, Brush Indicator & Removal, 2-176
Label Set, Hi Temp, 2-176
Label Set, Info/Hzrd, Swpr / Scrbr, 2-176
Label Set, Info/Hzrd, Swpr / Scrbr, Tj (Japan Only), 2-176
Label, Logo, 05.75L 2Color [ES], 2-176
Label, Logo, 07.95L 2Color [FaST], 2-176
Label, Logo, 12.3L 4Color [ec-H2O], 2-176
Label, Logo, 16.9L 4Color [ec-H2O], 2-176
Label, Model, 2Color [M20], 2-176
Label, Opertnl, Telem [Fcc/lc], 3-57
Label, Switch, Rocker [M20/M30], 2-13
Lamp Strobe, Amb [12-48 Vdc], 3-51, 3-53
Lamp, 12vdc [Speaker], 2-7
Lamp, Bulb, Flsh, 3-49, 3-52
Lamp, Bulb, Strobe, 3-51, 3-53
Lamp, Flasher, Amb [12-48 Vdc], 3-49, 3-52
Lamp, Halogen [Speaker], 2-7
Latch, 2-15, 2-39, 2-61, 2-63, 2-69, 2-71, 2-91, 2-92, 3-67
Latch Kit, Cover, Soltn, Replmt[M20/T20], 2-91, 2-92
Latch, Cover, 2-92
Latch, Door [Southco 91-562-07], 2-21, 2-83, 2-87
Latch, Hook, 2-85, 2-89
Lens, Blue, Option, F/ Strobe / Flsh Light, 3-49, 3-51, 3-52, 3-53
Lens, Lamp, Amb, Strobe/Flasher, 3-49, 3-51, 3-52, 3-53
Lens, Red, Option, F/ Strobe / Flsh Light, 3-49, 3-51, 3-52, 3-53
Lever Assy, Fork [KU], 6-28
Lever, Cntrl, Spd [Ku], 6-27
Lever, Engine Stop, 5-29

Lever, Fork [Ku], 6-28
Lever, Fork 2, 5-30
Lever, Fork, Shaft [Ku], 6-28
Lever, Plate, Cntrl [Ku], 6-27
Lever, Speed Control, 5-29
Lever, Stop [Ku], 6-27
Light Kit, Flsh, Ci [M20 And T20], 3-49
Light Kit, Flsh, W/Ohg, Ci[M20 And T20], 3-52
Light Kit, Strobe, Ci [M20 And T20], 3-51
Light Kit, Strobe, W/Ohg, Ci [M20 And T20], 3-53
Light, Led, .312D, 2 Volt [Tri-Color] (ec-H2O only), 2-13
Light, Panl, 14vdc, , 1.1 X 1.0, 2-13
Light, Tail, 12vdc, 2-63
Link Assy, Rod-End, M12, 2-77
Lock, Secondary, 2cav, Mp280 Sealed, 4-27

M

Magnet, Pickup, 2-23
Maint Kit, 400hr, Dsl [M20/T20], 1-1
Manifold Assy, Inlet, 5-11, 6-11
Manifold, Bar, Spray, 37.5inch, 2-97
Manifold, Exhaust [Ku], 6-11
Manifold, Exhaust, Front, Down, 5-11
Manifold, Water, 3-39
Manual, Eng [Kubo, V1505e], 3-71
Manual, Oprtr [M20 Dsl En], 3-71
Manual, Oprtr [M20 Dsl Es], 3-71
Manual, Oprtr [M20 Dsl Fr], 3-71
Manual, Parts [M20 Dsl En/Jp], 3-71
Manual, Service [M20 En], 3-71
Mat, Floor, 2-9
Media, Cd-Rom, Training [ec-H2O Tennant], 3-71
Metal, Crankpin, 5-17
Metal, Crankpin 02, 5-17
Metal, Crankpin 04, 5-17
Metal, Crankshaft 1, 5-17
Metal, Crankshaft 2, 5-17
Metal, Crankshaft 3, 5-17
Metal, Crankshaft 1 02, 5-17
Metal, Crankshaft 1 04, 5-17
Metal, Crankshaft 2 02, 5-17
Metal, Crankshaft 2 04, 5-17
Metal, Crankshaft 3 02, 5-17
Metal, Crankshaft 3 04, 5-17
Metal, Side 1, 5-17
Metal, Side 1 02, 5-17
Metal, Side 1 04, 5-17
Metal, Side 2, 5-17
Metal, Side 2 02, 5-17
Metal, Side 2 04, 5-17
Mirror, Convex, 0.50D, 3-55
Module Kit, Replmt [Ec-H2O], 4-29
Module Kit, Replmt [Ec-H2O] (See Breakdowns), 3-37
Molding, Afmkt, Trim, Pvc, .08 .11, 01Ft, 3-37
Molding, Afmkt, Trim, Pvc, .08 .11, 1ft, 2-9

Molding, Trim, Pvc, .18- .31 07.5l, 2-63
 Motor Kit, Pump, Repair, 4-27
 Motor Kit, Replmt [M20&T20], 2-103
 Motor, Ele [12vdc, Shaker], 2-61
 Motor, Ele 12Vdc, Shagr, 2-61
 Motor, Ele, 12vdc, Pump, Water, 4-3
 Motor, Ele, Gear, 14vdc, Pump, Detgt,
 4-26
 Motor, Hyd Gear In 4.5 B 1500, 4-8
 Motor, Hyd, Gear, [Ex] .194 R 3000 (See
 Breakdowns), 2-107
 Motor, Hyd, Gear, [Int], 19.0 X 3000, 4-5
 Motor, Hyd, Gear, Ext 0.17 Lh 3000, 2-105,
 2-107
 Motor, Hyd, Gear, Ext 0.19 Rh 3000, 4-10
 Motor, Hyd, Gear, Int 04.5 Bi- Dir 1500,
 2-69, 2-71
 Motor, Hyd, Gear, Int 04.5 Bi- Dir 1500
 (See Breakdowns), 2-69, 2-71
 Motor, Hyd, Gear, Int 08.9 Bi- Dir 2500,
 3-9, 4-9
 Motor, Hyd, Gear, Int 08.9 Bi- Dir 2500
 (See Breakdowns), 3-7, 3-9
 Motor, Hyd, Gear, Int 19.0 Bi- Dir 3000
 (See Breakdowns), 2-49
 Motor, Starter, 12vdc [Kubota] (See Engine
 Breakdown), 2-23
 Mount Wldt, Valve, Pinch, Lh, 2-101
 Mount Wldt, Valve, Pinch, Rh, 2-95
 Muffler, Exhaust, 2-37
 Muffler, Vacfan, 4.0id, 2-107

N

Nipple, Hose, 3-65
 Nozzle, 3-65
 Nozzle [Ku], 6-21
 Nozzle Kit, Spray, Ci, 3-65
 Nozzle, Spray, Gun, 3-65
 Nozzle, Spring [Ku], 6-21
 Nozzle, Wand, Plstc, 14.0l, 3-63
 Nozzle, Wand, Plstc, 14.0lg, 3-61
 Nut, 5-7, 5-11, 5-12, 5-25, 5-28, 5-29,
 6-11, 6-19
 Nut [Ku], 6-21, 6-23
 Nut-Hxslot .75-16 Pltd, 4-8
 Nut, Cap, 5-10, 5-13, 5-25, 5-28
 Nut, Cap [Ku], 6-26
 Nut, Cap, Cam [Ku], 6-13
 Nut, Coil, F/#8, 4-11, 4-13, 4-15, 4-17,
 4-19, 4-21, 4-23
 Nut, Coil, Nyl Patch, 4-15, 4-17, 4-21, 4-23
 Nut, Flange [Ku], 6-20
 Nut, Ftg, Hyd, 0.56-18, 2-127
 Nut, Hex [Ku], 5-31, 6-7, 6-12, 6-19,
 6-23, 6-26, 6-27
 Nut, Hex, Cap, 6-10
 Nut, Hex, Flng, M5 X 0.8, 2-57
 Nut, Hex, Flng, M6 X 1.00, 2-41, 2-43
 Nut, Hex, Flng, M8 X 1.25, 2-43, 2-83,
 2-87, 2-127
 Nut, Hex, Jam, .31-24, 2-53
 Nut, Hex, Jam, .38-24, 2-23

Nut, Hex, Jam, .50-20, 2-73, 3-11
 Nut, Hex, Jam, .50-20, Lh, 2-73
 Nut, Hex, Jam, M20 X 1.5, 2-17
 Nut, Hex, Lock, .25-20, NI, 2-27, 2-103,
 2-107
 Nut, Hex, Lock, .25-20, NI, Ss, 2-55
 Nut, Hex, Lock, .31-18, NI, 2-15
 Nut, Hex, Lock, .31-18, NI, Thin, 2-15
 Nut, Hex, Lock, .31-24, NI, Thin, 2-107
 Nut, Hex, Lock, .38-16, NI, 2-33, 2-45
 Nut, Hex, Lock, .38-16, NI, Ss, 2-33, 2-35,
 3-11
 Nut, Hex, Lock, .38-16, NI, Thin, 2-55,
 2-103, 2-107
 Nut, Hex, Lock, .50-13, NI, Ss, 2-81
 Nut, Hex, Lock, .50-13, NI, Thin, 2-73
 Nut, Hex, Lock, .50-20, NI, Thin, 2-73
 Nut, Hex, Lock, .75-10, NI, 2-49
 Nut, Hex, Lock, #08-32, NI, 2-13
 Nut, Hex, Lock, M10 X 1.5, NI, 2-23, 2-33,
 2-39, 2-41, 2-43, 2-107, 2-127, 3-55,
 3-69
 Nut, Hex, Lock, M10 X 1.5, NI, Ss, 2-59,
 2-67, 2-77, 2-81
 Nut, Hex, Lock, M12 X 1.75, NI, Ss, 2-73,
 2-77
 Nut, Hex, Lock, M12 X 1.75, NI, 2-23, 2-24,
 2-51
 Nut, Hex, Lock, M4 X 0.7, NI, 2-15, 2-21,
 3-21
 Nut, Hex, Lock, M4 X 0.7, NI, Ss, 2-21,
 2-55, 2-83, 2-87, 3-3
 Nut, Hex, Lock, M4 X 0.70, NI, 2-39
 Nut, Hex, Lock, M4 X 0.70, NI, Ss, 3-37
 Nut, Hex, Lock, M5 X 0.8, NI, 2-15, 2-47
 Nut, Hex, Lock, M5 X 0.8, NI, Ss, 2-69,
 2-71, 2-97, 3-13, 3-19, 3-25
 Nut, Hex, Lock, M5 X 0.80, NI, 3-37, 3-57,
 3-65
 Nut, Hex, Lock, M5 X 0.80, NI, Ss, 3-33,
 3-43, 3-47, 3-49, 3-51, 3-52, 3-53,
 3-67
 Nut, Hex, Lock, M6 X 1.0, NI, 2-15, 2-17,
 2-19, 2-47, 2-53
 Nut, Hex, Lock, M6 X 1.0, Ss, NI, 2-13,
 2-61, 2-65, 2-67, 2-75, 2-77, 2-97,
 2-99
 Nut, Hex, Lock, M6 X 1.00, NI, 2-9, 2-29,
 2-31, 2-33, 2-35, 2-39, 2-41, 2-43
 Nut, Hex, Lock, M6 X 1.00, NI, Ss, 3-57,
 3-67
 Nut, Hex, Lock, M6 X 1.00, Ss, NI, 2-37,
 2-99
 Nut, Hex, Lock, M8 X 1.25, NI, 2-7, 2-9,
 2-21, 2-24, 2-27, 2-33, 2-35, 2-39,
 2-45, 2-47, 2-53, 2-55, 2-85, 2-89,
 2-131, 3-15
 Nut, Hex, Lock, M8 X 1.25, NI, Ss, 2-31,
 2-37, 2-39, 2-55, 2-59, 2-61, 2-65,
 2-67, 2-69, 2-71, 2-73, 2-75, 2-77,
 2-79, 2-81, 2-83, 2-85, 2-87, 2-89,
 2-91, 2-95, 2-101, 2-105, 3-7, 3-13,
 3-15

Nut, Hex, Slted, .75-16, 2-51, 2-69, 2-71
 Nut, Hex, Slted, 1.12-18, 2-49
 Nut, Hex, Slted, M20 X 2.5, 8, 2-69, 2-71
 Nut, Hex, Std, .25-28, 2-53, 2-55
 Nut, Hex, Std, .25-28, Lh, 2-53
 Nut, Hex, Std, .31-18, 3-55
 Nut, Hex, Std, #08-32, 2-23
 Nut, Hex, Std, M10 X 1.50, 2-61
 Nut, Hex, Std, M12 X 1.75, Ss, 2-85, 2-89,
 2-105
 Nut, Hex, Std, M16 X 2.0, 2-19
 Nut, Hex, Std, M3 X 0.5, 8, 2-61
 Nut, Hex, Std, M5 X 0.8, 8, 2-55
 Nut, Hex, Std, M6 X 1.00, 8, 3-37
 Nut, Hex, Std, M8 X 1.25, 2-9, 2-61
 Nut, Hex, Std, M8 X 1.25, Brs, 2-35
 Nut, Hex, Std, M8 X 1.25, Ss, 2-55, 2-85,
 2-89
 Nut, Hexagon, 5-21
 Nut, Isolator, .38-16 Wall Th .015-.437,
 3-61
 Nut, Lock [Ku], 6-26
 Nut, Low Crown, .50-20, 2-103
 Nut, Motor, Hyd, 4-5
 Nut, Nozzle [Ku], 6-21
 Nut, Solenoid, 4-13, 4-15, 4-17, 4-19, 4-21,
 4-23
 Nut, T, M10 X 1.50 X 15.8od X 13.0l, 2-83,
 2-87
 Nut, T, M8 X 1.25 X 14.5od X 9.5l, 3-7
 Nut, Wheel, .50-20 X 60 Angle, 2-49

O

O-Ring, 5-3, 5-4, 5-5, 5-7, 5-17, 5-21,
 5-27, 5-29
 O-Ring [Ku], 6-4, 6-27
 Ohg Kit, Ci [M20 And T20], 3-55
 Oil Filter, Plug, 5-7
 Oil, Hyd [El, Iso 100, 01gal], 1-1
 Oil, Hyd [El, Iso 100, 05gal], 1-1
 Oil, Hyd [El, Iso 32, 01gal], 1-1
 Oil, Hyd [El, Iso 32, 05gal], 1-1
 Oil, Hyd [El, Iso 68, 01gal], 1-1
 Oil, Hyd [El, Iso 68, 05gal], 1-1

P

Pad, Armrest, 4-31
 Pad, Pedal, Brake, 3.96l 2.36w 0.75, 2-53
 Pad, Tank, Hyd [W/Psa], 2-127, 2-129
 Paint, Airdry, Blk, 12oz, 1-1
 Paint, Airdry, Gray, 12oz [Enamel], 1-1
 Paint, Airdry, Iron Gray, 12oz [Pwdr Coat],
 1-1
 Paint, Airdry, Off-White, 12oz, 1-1
 Paint, Airdry, Teal, 12oz, Solid, 1-1
 Pan, Oil, Dsl, 6-4
 Panel Kit, Instmt, Repair [M20/M30], 2-13
 Panel Wldt, Adj, 2-9
 Panel Wldt, Dsl, Replmt, 2-9
 Panel Wldt, Dsl, Replmt [W/Fast], 2-9

CROSS REFERENCE

- Panel Wldt, Dsl, Replmt, TJ (Japan only), 2-9
Panel Wldt, Dsl, Replmt, TJ [W/Fast] (Japan only), 2-9
Panel Wldt, Dsl, Replmt, TJ, W/Es (Japan only), 2-9
Panel Wldt, Dsl, W/ Es, Replmt, 2-9
Panel Wldt, Filler, 2-7
Panel, Access, Door, 2-9
Panel, Access, Floor, 2-9
Panel, Instmt, Rh, Dsl, Replmt, 2-13
Panel, Kit, Instmt, Replmt [M20/M30 ec- H20 only], 2-13
Panel, Shrd, Fan, Dsl, 2-39
Pawl, Str, 2-69, 2-71
Pedal, Brake, Lock, 2-53
Pedal, Propel, 2-54
Pin Kit, Wheel, Ci [M20/T20/M30], 2-7, 2-63, 3-13
Pin Wldt, 3-11
Pin Wldt, Front, 2-79, 3-9
Pin Wldt, Lift (Replaced by 9003478), 2-81
Pin Wldt, Pivot, Hppr, 2-7
Pin, 0.63d 01.8l, 1/M10h, 2cham, 2-81
Pin, 0.87d 01.8l, 1/M6 X 1.0, 1cham,Stl, 2-57
Pin, 30mmd X 215mml, 2-7, 2-63, 3-13
Pin, Arm, Safety, 2-57
Pin, Clamp, 5-27, 6-25
Pin, Clevis, 0.25d X 0.75l, 2-53
Pin, Clevis, 0.31d X 0.75l, 3-7
Pin, Clevis, 0.31d X 1.00l, 2-53
Pin, Clevis, 0.37d X 1.31l, 3-11
Pin, Clevis, 0.37d X 1.50l, 3-11
Pin, Clevis, 0.37d X 1.75l, 2-65, 2-67, 2-73, 2-85, 2-89, 3-11
Pin, Clevis, 0.37d X 2.00l, 2-77
Pin, Clevis, 0.50 D X 4.50l, 2-54
Pin, Clevis, 0.62d X 2.91l, 2-57
Pin, Clevis, 0.75d X 2.00l, 2-73
Pin, Clevis, 0.88d X 2.25l, 2-57
Pin, Cotter, .062 X 0.50, 2-53
Pin, Cotter, .094 X 1.00, 2-53, 2-57, 2-65, 2-67, 2-77, 3-7, 3-11
Pin, Cotter, .125 X 1.00, 2-55, 2-85, 2-89
Pin, Cotter, .125 X 1.25, 2-69, 2-71
Pin, Cotter, .125 X 2.00, 2-49
Pin, Cotter, .156 X 1.25, 2-73
Pin, Cotter, .156 X 2.00, 2-51, 2-63
Pin, Cotter, Hair, 0.31d .058 Wir, 2-15
Pin, Cotter, Hair, 0.38d .072 Wir, 2-73
Pin, Cotter, Hair, 0.62d .120 Wir, 2-57
Pin, Cotter, Hair, 1.00d .178 Wir, 2-7, 2-63, 3-13
Pin, Cotter, Hair, Dbl, 2-7, 3-13
Pin, Dowel [Ku], 6-3
Pin, Dowel, Cyl Block [1pk=4], 2-23
Pin, Dowel, Pump, Hyd, 4-7
Pin, Eng [Ku], 6-3
Pin, Grvd, 0.43d 01.8l [303ss], 2-79, 3-9
Pin, Hitch, .375d X 3.12l, Pl, 3-7, 3-9, 3-69
Pin, Joint, 5-27
Pin, Joint, Inj [Ku], 6-25
Pin, Lift, Drain, 2-99
Pin, Locking, Steering, Tilt, 2-17
Pin, Pipe, 5-3
Pin, Piston, 5-17
Pin, Piston [Ku], 6-17
Pin, Roll, .125 D X 0.75l, .125/.129, 2-63
Pin, Roll, .187d X 1.62l, .187/.192, 2-7, 2-63, 3-13
Pin, Spring, 5-29
Pin, Spring [Ku], 6-12, 6-27
Pin, Start Spring, 5-3
Pin, Start, Spring, 6-3
Pin, Straight, 5-3
Pin, Straight [Ku], 6-3
Pin, Tappet [Ku], 6-25
Pin, Tappet Guide, 5-27
Pin, Valve, Steering, 4-25
Pipe, Breather [Ku], 5-11, 6-11
Pipe, Clip [Ku], 6-20
Pipe, Drain, 5-21
Pipe, Fltr, Oil [Ku], 2-23
Pipe, Fuel, Overflow [Ku], 6-20
Pipe, Injection 1, 5-23
Pipe, Injection 2, 5-23
Pipe, Injection 3, 5-23
Pipe, Injection 4, 5-23
Pipe, Injector, # 4, 6-20
Pipe, Over Flow, 5-23
Pipe, Overflow, 6-20
Pipe, Water, 5-10, 6-10
Pipe, Water [Kubota], 6-8
Pipe, Water, Return, 6-29
Piston, 5-17
Piston 05, 5-17
Piston, Eng [Ku], 6-17
Piston, Pump, Hyd, Gear, 4-5
Piston, Ring Assy [Ku], 6-17
Pivot Wldt, Brush, Side, 3-11
Plate, 5-27, 6-25
Plate Assy, Orifice, 0.0105ld, Green, 4-32
Plate Wldt, Arm, Stop, 2-57
Plate Wldt, Hose, Vacuum, 2-103, 2-105
Plate Wldt, Lift, Sqge, 2-77
Plate Wldt, Mtg, 3-37
Plate Wldt, Mtg, Fan, 2-105
Plate Wldt, Mtg, Solenoid, 2-63
Plate Wldt, Retainer, Sqge, 3-9
Plate Wldt, Seat, 2-15
Plate Wldt, Shakr, Side, 2-61
Plate Wldt, Wrap, Brush, 2-73
Plate, Backing, Brake, 2-51
Plate, Bottom, Hppr, 2-65, 2-67
Plate, Cam, 4-7
Plate, Cntrl, Spd [Ku], 6-27
Plate, Cover, 4-7
Plate, Guard, Fan Shrd, Dsl, 2-39
Plate, Guard, Fan, Shrd, Dsl, Replmt, 2-39
Plate, Handle, 2-69, 2-71
Plate, Hook, Latch, 3-67
Plate, Hook, Latch, [M20], 3-67
Plate, Hsng [FaST], 3-19
Plate, Inspection, 3-37
Plate, Label, Soltn Tank (ec- H20 only), 2-92
Plate, Mtg, 3-69
Plate, Mtg, Latch, 2-91, 2-92
Plate, Mtg, Light, 2-13
Plate, Mtg, Prop Rod, 2-99
Plate, Mtg, Pump, 3-37, 3-65
Plate, Mtg, Seal, 2-19, 2-39
Plate, Mtg, Skirt, Scb Head, 2-75
Plate, Mtg, Vacuum Wand, 3-61
Plate, Mtg, Valve, 3-25, 3-33, 3-43
Plate, Orifice, 0.070ld, 3-19
Plate, Orifice, 0.093ld, 3-19
Plate, Pin, Clevis, Upper, 2-57
Plate, Retainer, Door, Dump, 2-65, 2-67
Plate, Seal, Sound, 2-21
Plate, Shakr, 2-61
Plate, Shakr, Bar, 2-61
Plate, Shield, Heat, Dsl, Replmt, 2-37
Plate, Skirt, Front, 2-75
Plate, Spacer, Motor, Hyd [En], 4-9
Plate, Sppt, 2-53
Plate, Sppt, Tank, 2-99
Plate, Stop, Brake, 2-53
Plate, Tank, Bottom, 2-99
Plate, Valve, Motor, Hyd, 4-5
Plate, Valve, Pump, Hyd, 4-7
Plate, Wear, Steering Valve, 4-25
Plug, 4-5, 5-3, 5-5, 5-7
Plug #10, 4-8
Plug #4, 4-8
Plug Assy [CI], 4-25
Plug Kit, Drain, Recvy, Ci [M20 & T20], 2-99
Plug Orifice, Valve, Hyd, .140, 4-21, 4-23
Plug Wldt, Drive, Brush, 2-69, 2-71
Plug Wldt, Drive, Brush, Sweep, 2-69, 2-71
Plug, Cup, Sealing [Ku], 6-3, 6-5
Plug, Drain, 5-4
Plug, Drain, Expandable, 4.75-6.00, 2-99
Plug, Eng [Ku], 6-3
Plug, Expansion, 5-3
Plug, Gauge, Oil [Ku], 6-4
Plug, Glow, 5-23
Plug, Hole, Rnd, 0.50h .03- .12, Blk Nyl, 2-13
Plug, Hole, Rnd, 0.81h, Blk, 2-9
Plug, Hole, Rnd, 0.88h .03- .12, Blk Nyl, 2-9
Plug, Hole, Rnd, 1.00h .03- .12, Blk Nyl, 2-9
Plug, Hole, Rnd, 1.25H .03- .12, Blk Nyl, 2-15
Plug, Hole, Rnd, 2.50h .03- .25, Blk Nyl, 2-9
Plug, Hole, Rt, Rocker Switch, .87 X 1.7, 2-13
Plug, Hole, Soltn Tank, Blk Pyu, 2-91
Plug, Hose, Pyu, 2-95, 2-101
Plug, Oil Filler, 5-10
Plug, Orifice, 0.060, Ss [FaST li+], 4-32
Plug, Orifice, Valve, Hyd, .030, 4-11, 4-21, 4-23

Plug, Orifice, Valve, Hyd, .040, 4-13, 4-15, 4-17, 4-21, 4-23
 Plug, Orifice, Valve, Hyd, .046, 4-19, 4-21, 4-23
 Plug, Orifice, Valve, Hyd, .063, 4-19
 Plug, Pump, Hyd, Gear, 4-5
 Plug, Restrictor, 3-43
 Plunger, 3-61, 3-63
 Plunger, Pump, 5-27
 Plunger, Pump, Inj [Ku], 6-25
 Poppet, Pump, Hyd, Gear, 4-5
 Pouch, 3-39
 Pully, Fan, 5-8
 Pump Assy, Column, Es, 4-3
 Pump Assy, Column, Es (See Breakdowns), 3-5
 Pump Kit, Hyd, Rotating [Cessna], 4-7
 Pump Kit, Mtg, Aux, Ci [M20 & T20], 2-125
 Pump, Diaphragm, 4-27
 Pump, Air, Ele, 12vdc, 3-21
 Pump, Detgt, 12vdc, 3-21
 Pump, Detgt, 14vdc, 150ml/Min 20psi, 4-26
 Pump, Detgt, 14vdc, 150ml/Min 20psi (See Breakdowns), 3-3
 Pump, Diaphragm (See Breakdowns), 3-65
 Pump, Fuel, 2-29
 Pump, Hyd, Piston, Var, 1.24 4000, Cw, 4-7
 Pump, Hyd, Piston, Var, 1.24 4000, Cw (See Breakdowns), 2-125
 Pump, Injection [Kubo], 6-23, 6-25
 Pump, Oil, Eng [Ku], 6-7
 Pump, Oil, Pickup [Sump, Ku], 5-4
 Pump, Soltn, 13.7vdc, 65psi [FaST li+], 3-29
 Pump, Soltn, Ele, 12vdc [W/O Chk Valve], 3-19
 Pump, Soltn, Ele, 13.7vdc, 12/28psi, 3-37
 Pump, Water Assy [Ku], 6-8
 Push Rod, 5-15

R

Race Thrust, 4-8
 Race, Brg, Pump, Hyd, 4-7
 Rack, Control, 5-27
 Radiator Kit, Replmt, Ci, 2-39
 Radiator, W/ Hyd Cooler [Side X Side], 2-41, 2-43
 Receptacle, Lamp [Speaker], 2-7
 Relay, 12vdc, 40a, Spdt N/O, 2-29, 2-47, 3-19, 3-65
 Relay, 12vdc, 040a, Spdt No, 2-169, 3-29, 3-37
 Reservoir, Hyd, 10.0Gal, Replmt, 2-129
 Resistor, Ele, Plug [430 , 2w], 3-46
 Retainer, 5-21, 6-19
 Retainer, Boot, Steering Column, 2-17
 Retainer, Gear, Starter [Ku], 6-19
 Retainer, Motor, Hyd, 4-5
 Retainer, Ring, Brake, 2-51
 Retainer, Skirt, 2-75

Retainer, Skirt, Front, 2-75
 Retainer, Spring, 2-77
 Retainer, Spring [Ku], 6-12
 Retainer, Spring, Valve [Ku], 6-12
 Retainer, Sqge, 3-7
 Retainer, Sqge, Side, Lh, 2-87
 Retainer, Sqge, Side, Rh, 2-83
 Retainer, Valve Spring, 5-12
 Ring [Ku], 6-17
 Ring, Lock, 4-7
 Ring, Motor, Hyd, 4-5
 Ring, Mtg, Sqge, .50l, 2-79
 Ring, Piston Assy [Ku], 6-17
 Ring, Retainer, Steering Valve, 4-25
 Ring, Retaining, 4-7
 Ring, Retaining, Ext, 0.38d, [E-Ring], 2-79, 2-81, 3-9
 Ring, Retaining, Ext, 0.38d, [Selflock], 2-77
 Ring, Retaining, Ext, 0.50d, Hd, 2-17
 Ring, Retaining, Ext, 0.62d, Hd, 2-81
 Ring, Retaining, Ext, 0.98d, [E-Ring], 2-53
 Ring, Retaining, Ext, 1.00d, Basic, 2-69, 2-71
 Ring, Retaining, Int, 2.00d, 2-57
 Ring, Retaining, Pump, Hyd, 4-7
 Ring, Snap [Ku], 6-13, 6-15
 Ring, Snap, Piston [Ku], 6-17
 Rivet, Blind, .125d X 0.54 X .25d, Alm, 2-91, 2-92
 Rivet, Plstc, .250d X 0.898, 2-17
 Rivet, Plstc, .250d X 0.90, 3-39, 3-63
 Rod, 2-53
 Rod Assy, Connecting [Ku], 6-17
 Rod Wldt, Arm, Safety, 2-57
 Rod-End, .25-28rh Fem 0.25b [Teflon], 2-55
 Rod-End, .50-20lh Fem 0.50-20stud, 2-73
 Rod-End, .50-20rh Fem 0.50b, 2-73
 Rod-End, .50-20rh Mal 0.50b, 3-11
 Rod, Push [Ku], 6-21
 Rod, Push, Valve [Ku], 6-15
 Rod, Thrd, 2 End, .50-20 04.9l, Rh / Lh, 2-73
 Roller, 5-21
 Roller, Brg, 2-95, 2-101

S

Screen Kit, Hppr, Replmt [M20], 2-59
 Screen Wldt, Hppr, 2-59
 Screen, Pump, 3-5
 Screen, Vacuum, 2-99
 Screw, 4-8, 5-7, 5-23, 5-27
 Screw, Adj, Rocker Arm [Ku], 6-12
 Screw, Adj, Stop [Ku], 6-26
 Screw, Adjusting, 5-12
 Screw, Btn, M8 X 1.25 X 16, Ss, 3-13
 Screw, Btn, M8 X 1.25 X 20, Blk, 2-83, 2-87, 3-67
 Screw, Btn, M8 X 1.25 X 25, Ss, 2-73, 3-7
 Screw, Cap, 4-7

Screw, Cap, Motor, Hyd, 4-5
 Screw, Flt [Ku], 6-7
 Screw, Flt, .25-20 X 1.00, Al, 2-103
 Screw, Flt, .38-16 X 1.50, Al, 2-103
 Screw, Flt, M10 X 1.5 X 25, 10.9, 2-83, 2-87
 Screw, Flt, M10 X 1.5 X 30, Ss 18-8, 2-65
 Screw, Flt, M8 X 1.25 X 20, Blk, 2-83, 2-87
 Screw, Flt, M8 X 1.25 X 25, 2-21
 Screw, Flt, M8 X 1.25 X 25, 10.9, 2-65
 Screw, Flt, M8 X 1.25 X 30, Ss, 2-95, 2-101
 Screw, Flt, Soc, .25-20 X 1.00, Al, 2-107
 Screw, Follow, 5-27
 Screw, Hex [Ku], 5-31, 6-4, 6-5, 6-7, 6-11, 6-23, 6-25, 6-28
 Screw, Hex, .25-14 X 0.75, Fmg/Ab, Ss, 2-99
 Screw, Hex, .25-20 X 0.75, Ni, 2-107
 Screw, Hex, .25-20 X 1.00, 5, 3-7, 3-9
 Screw, Hex, .25-20 X 1.75, Ss, 2-55
 Screw, Hex, .25-20 X 2.25, Ss, 2-55
 Screw, Hex, .31-18 X 0.75, Sems, 2-33
 Screw, Hex, .31-18 X 1.00, G5, 2-35
 Screw, Hex, .31-18 X 1.50, G5, 2-33
 Screw, Hex, .31-24 X 0.75, Ni, 2-55
 Screw, Hex, .38-16 X 0.75, Ni, 2-69, 2-71, 3-7, 3-9
 Screw, Hex, .38-16 X 0.88, 5, 3-69
 Screw, Hex, .38-16 X 1.00, 5, 2-55
 Screw, Hex, .38-16 X 1.25, 5, 2-125, 3-61
 Screw, Hex, .38-16 X 1.25, G5, 2-55
 Screw, Hex, .38-16 X 1.50, Ss, 3-11
 Screw, Hex, .38-16 X 2.00, Ss, 2-55
 Screw, Hex, .38-16 X 3.00, G5, 2-33, 2-35, 2-45
 Screw, Hex, .50-13 X 1.50, 5, 2-73
 Screw, Hex, .50-13 X 3.00, Ss18-8, 2-81
 Screw, Hex, .75-10 X 3.25, G5, 2-49
 Screw, Hex, .75-10 X 4.00, 5, 2-49
 Screw, Hex, #10-16 X 0.62, Fmg [Ab], 3-65
 Screw, Hex, #10-16 X 0.62, Fmg, [Ab], 2-19
 Screw, Hex, 10-24 X 0.50, Ss, 2-35
 Screw, Hex, Case, Brg, Main [Ku], 6-9
 Screw, Hex, Cshft [Ku], 6-17
 Screw, Hex, Flywheel [Ku], 6-18
 Screw, Hex, Head, Cyl [Ku], 6-5
 Screw, Hex, M10 X 1.25 X 25, 8.8, 2-23, 2-41, 2-43
 Screw, Hex, M10 X 1.25 X 35, 8.8, 2-33, 2-35
 Screw, Hex, M10 X 1.5 X 110, 8.8, 2-23
 Screw, Hex, M10 X 1.5 X 16, 8.8, 2-17
 Screw, Hex, M10 X 1.5 X 20, Ss, 2-61, 2-65, 2-67
 Screw, Hex, M10 X 1.5 X 25, 8.8, 2-7, 2-9, 2-23, 2-33, 2-127
 Screw, Hex, M10 X 1.5 X 25, Ss, 2-57, 2-63, 2-73, 2-85, 2-89
 Screw, Hex, M10 X 1.5 X 30, 8.8, 3-55

CROSS REFERENCE

- Screw, Hex, M10 X 1.5 X 30, Ss, 2-7, 2-65, 2-67, 2-77, 3-13
- Screw, Hex, M10 X 1.5 X 35, 8.8, 2-23, 2-31, 3-69
- Screw, Hex, M10 X 1.5 X 40, 8.8, 2-107
- Screw, Hex, M10 X 1.5 X 45, 8.8, 3-69
- Screw, Hex, M10 X 1.5 X 80, 8.8, 3-69
- Screw, Hex, M10 X 1.50 X 25, 8.8, 2-35, 2-41, 2-43
- Screw, Hex, M10 X 1.50 X 40, 8.8, 2-41, 2-43
- Screw, Hex, M10 X 1.50 X 60, 8.8, 2-61
- Screw, Hex, M12 X 1.75 X 30, 8.8, 3-11
- Screw, Hex, M12 X 1.75 X 30, Ss, 2-63
- Screw, Hex, M12 X 1.75 X 40, 8.8, 2-51, 2-73
- Screw, Hex, M12 X 1.75 X 55, Ss, 2-85, 2-89
- Screw, Hex, M12 X 1.75 X 60, 8.8, 2-23
- Screw, Hex, M16 X 2.0 X 90, 8.8, 2-19
- Screw, Hex, M4 X 0.7 X 10, Fmg, 2-57
- Screw, Hex, M4 X 0.7 X 12, 8.8, 3-21
- Screw, Hex, M4 X 0.70 X 12, 8.8, 3-37
- Screw, Hex, M4 X 0.70 X 50, Ss, 4-29
- Screw, Hex, M5 X 0.8 X 10, Fmg, 2-73
- Screw, Hex, M5 X 0.8 X 12, Ss, 3-13, 3-69
- Screw, Hex, M5 X 0.8 X 16, Fmg, 3-61
- Screw, Hex, M5 X 0.8 X 20, 8.8, 2-15, 2-55, 2-57
- Screw, Hex, M5 X 0.80 X 10, Fmg, 3-37
- Screw, Hex, M5 X 0.80 X 16, Fmg, 3-63
- Screw, Hex, M5 X 0.80 X 16, Ss, 3-57
- Screw, Hex, M5 X 0.80 X 20, 8.8, 3-37, 3-57
- Screw, Hex, M6 X 1.0 X 12, Fmg, 2-7, 2-39, 2-127
- Screw, Hex, M6 X 1.0 X 12, Ss, 3-67
- Screw, Hex, M6 X 1.0 X 16, 8.8, 2-19, 2-29, 2-33, 2-39, 2-47, 2-53
- Screw, Hex, M6 X 1.0 X 16, Fmg, 2-53, 2-55, 2-63, 2-75, 3-3, 3-19, 3-21
- Screw, Hex, M6 X 1.0 X 16, Ss, 2-61
- Screw, Hex, M6 X 1.0 X 20, 8.8, 2-15, 2-29, 2-31, 2-33
- Screw, Hex, M6 X 1.0 X 20, 9.8, Sems, 2-57
- Screw, Hex, M6 X 1.0 X 20, Ss, 2-37, 2-65, 2-67, 2-97, 2-99
- Screw, Hex, M6 X 1.0 X 25, 8.8, 2-63
- Screw, Hex, M6 X 1.0 X 25, Ss, 2-85, 2-89
- Screw, Hex, M6 X 1.0 X 35, Ss, 2-75
- Screw, Hex, M6 X 1.0 X 40, 8.8, 2-29
- Screw, Hex, M6 X 1.0 X 55, Ss, 2-99
- Screw, Hex, M6 X 1.0 X 60, 8.8, 2-33, 2-53
- Screw, Hex, M6 X 1.00 X 12, Ss, 2-92, 3-37, 3-67
- Screw, Hex, M6 X 1.00 X 16, 8.8, 2-9
- Screw, Hex, M6 X 1.00 X 16, Ss, 3-29
- Screw, Hex, M6 X 1.00 X 20, 8.8, 2-35
- Screw, Hex, M6 X 1.00 X 20, 9.8, Sems, 2-17, 2-19, 2-29, 2-39, 2-41, 2-43, 3-37, 3-57
- Screw, Hex, M6 X 1.00 X 20, Ss, 2-85, 2-89
- Screw, Hex, M6 X 1.00 X 25, 9.8 Sems, 2-13, 2-41, 2-43
- Screw, Hex, M6 X 1.00 X 25, 9.8, Sems, 2-29
- Screw, Hex, M6 X 1.00 X 25, Ss, 2-99
- Screw, Hex, M6 X 1.00 X 35, Ss, 3-37
- Screw, Hex, M8 X 1.25 X 110, Ss, 2-79, 3-15
- Screw, Hex, M8 X 1.25 X 120, 8.8, Fl, 2-131
- Screw, Hex, M8 X 1.25 X 130, 8.8, 2-69, 2-71
- Screw, Hex, M8 X 1.25 X 16, 8.8, 2-99, 3-11
- Screw, Hex, M8 X 1.25 X 16, Ss, 2-69, 2-71, 2-95, 2-101
- Screw, Hex, M8 X 1.25 X 20, 8.8, 2-9, 2-15, 2-19, 2-21, 2-29, 2-37, 2-39, 2-41, 2-45, 2-49, 2-53, 2-103
- Screw, Hex, M8 X 1.25 X 20, Ss, 2-9, 2-15, 2-21, 2-31, 2-39, 2-61, 2-69, 2-71, 2-73, 2-75, 2-85, 2-89, 2-91, 2-95, 2-99, 2-101, 2-103, 2-105, 2-131, 2-133, 3-3, 3-5, 3-21, 3-29, 3-37, 3-47, 3-49, 3-51, 3-65
- Screw, Hex, M8 X 1.25 X 20, Ss, Sems, 2-43
- Screw, Hex, M8 X 1.25 X 25, 8.8, 2-7, 2-9, 2-24, 2-27, 2-33, 2-35, 2-39, 2-61, 2-95, 2-101, 2-105, 2-127
- Screw, Hex, M8 X 1.25 X 25, 9.8, Sems, 2-7, 2-41, 2-43, 2-47, 2-63, 2-99, 2-107
- Screw, Hex, M8 X 1.25 X 25, Fmg, 2-75, 3-21, 3-25, 3-33, 3-43
- Screw, Hex, M8 X 1.25 X 25, Ss, 2-55, 2-59, 2-65, 2-67, 2-69, 2-71, 2-75, 2-77, 2-91, 2-105, 3-7, 3-11, 3-15
- Screw, Hex, M8 X 1.25 X 30, 8.8, 2-23, 2-33, 2-35, 2-95, 2-101
- Screw, Hex, M8 X 1.25 X 30, 9.8, Sems, 2-129
- Screw, Hex, M8 X 1.25 X 30, Ss, 2-105
- Screw, Hex, M8 X 1.25 X 35, 8.8, 2-53, 2-95, 2-101
- Screw, Hex, M8 X 1.25 X 35, 9.8, Sems, 2-41, 2-43
- Screw, Hex, M8 X 1.25 X 35, Fl, Ss, 2-105
- Screw, Hex, M8 X 1.25 X 35, Ss, Fl, 2-77
- Screw, Hex, M8 X 1.25 X 40, Ss, Ni, 2-55
- Screw, Hex, M8 X 1.25 X 45, Ss, 2-37, 2-81
- Screw, Hex, M8 X 1.25 X 50, 8.8, 2-55
- Screw, Hex, M8 X 1.25 X 50, Ss, Fl, 2-75
- Screw, Hex, M8 X 1.25 X 60, 8.8, 2-61, 2-77
- Screw, Hex, M8 X 1.25 X 60, 8.8, Fl, 2-9
- Screw, Hex, M8 X 1.25 X 60, Fl, 2-73
- Screw, Hex, M8 X 1.25 X 70, 8.8, 2-53
- Screw, Hex, M8 X 1.25 X 90, 8.8, 2-81
- Screw, Hex, W/ Washer [Ku], 6-10
- Screw, Motor, Hyd [En], 4-9
- Screw, Mtg [Ehpr98], 4-17, 4-23
- Screw, Pan, 5-10
- Screw, Pan, #12-16 X 0.50, F/ Plstc, 2-99, 3-70
- Screw, Pan, 12-16 X 0.50, F/ Plstc (ec-H20 only), 2-92
- Screw, Pan, M3 X 0.5 X 20, 4.8, 2-61
- Screw, Pan, M4 X 0.7 X 10, Ss, 2-83, 2-87
- Screw, Pan, M4 X 0.7 X 16, 4.8, 2-21
- Screw, Pan, M4 X 0.7 X 16, Ss, 2-21, 3-3
- Screw, Pan, M4 X 0.7 X 20, 4.8, 2-63
- Screw, Pan, M4 X 0.7 X 20, Ss, 2-63
- Screw, Pan, M4 X 0.7 X 25, 4.8, 2-15
- Screw, Pan, M4 X 0.7 X 35, Ss, 2-55
- Screw, Pan, M4 X 0.70 X 16, 4.8, 2-39
- Screw, Pan, M5 X 0.8 X 12, Ss, 2-15, 2-21, 2-61, 2-97, 3-19, 3-25
- Screw, Pan, M5 X 0.8 X 40, Ss, 2-69, 2-71, 3-19
- Screw, Pan, M5 X 0.80 X 45, 4.8, 3-65
- Screw, Pan, M6 X 1.0 X 16, Ss, 2-77
- Screw, Pan, M8 X 1.25 X 25, Blk, 2-9, 2-13, 2-15, 2-17, 2-21
- Screw, Pan, M8 X 1.25 X 25, Ss, 2-7
- Screw, Pan, Phl, 06-20 X 0.50, Fmg/Ab, 2-21, 2-91, 2-92
- Screw, Pan, Phl, 12-16 X 0.50, F/ Plstc, 2-91, 2-92
- Screw, Pan, Phl, M4 X 0.70 X 20, Ss, 3-37
- Screw, Pan, Phl, M5 X 0.80 X 12, Ss, 3-29, 3-33, 3-67
- Screw, Pan, Phl, M5 X 0.80 X 16, Tcut,Ss, 4-29
- Screw, Pan, Phl, M5 X 0.80 X 20, Ss, 3-43, 3-47, 3-49, 3-51, 3-52, 3-53
- Screw, Pan, Phl, M6 X 1.00 X 35, Ss, 2-5
- Screw, Pump, Injection [Ku], 6-25
- Screw, Rod, Connecting [Ku], 6-17
- Screw, Set, 5-12, 5-13, 5-15
- Screw, Set [Ku], 6-13, 6-15
- Screw, Set, #10-24 X 0.25, Ni, 2-61
- Screw, Soc, .25-20 X 0.75, Al, 2-17
- Screw, Soc, .50-13 X 1.50, Al, 2-49
- Screw, Soc, M16 X 2.0 X 50, 12.9, 2-49
- Screw, Soc, M6 X 1.00 X 16, 12.9, 2-23, 2-33, 2-35
- Screw, Soc, M8 X 1.25 X 25, 12.9, 2-85, 2-89
- Screw, Soc, M8 X 1.25 X 35, 12.9, 2-85, 2-89
- Screw, Valve, Steering, 4-25
- Screw, W / Washer, 6-20
- Screw, With Washer, 5-23
- Seal Kit, Cartridge, 2-133, 4-11, 4-13, 4-15, 4-17, 4-19, 4-21, 4-23
- Seal Kit, Motor [CI], 3-9, 4-9
- Seal Kit, Pump, Hyd, 4-7
- Seal Kit, Steering [CI], 4-25
- Seal Kit, Valve [Ehpr98], 4-17, 4-23
- Seal Replmt Kit, 4-8
- Seal, Sponge, 0.88 1.00W 43.0L, 2-19
- Seal, Afmkt, Bulb, 90, 0.50d, 02ft, 2-15

- Seal, Afmkt, Bulb, 90, 0.75d F/11ga 02ft, 2-15, 2-21
 Seal, Afmkt, Bulb, 90, 0.75d F/11ga 08ft, 2-9
 Seal, Afmkt, Bulb, Str, 1.0d F/11ga 08ft, 2-19
 Seal, Afmkt, Ure, Adh, 0.38, 0.75w 08ft (Replaced By none), 2-61
 Seal, Bulb, Str, .50Hi .50W 047.2L, Adh, 2-91, 2-92
 Seal, Bulb, Str, 0.38h .75w Adh, 52 L, 2-43
 Seal, Door, Dump, 2-65, 2-67
 Seal, Door, Dump, Side, 2-65
 Seal, Drive, Rear, Grease Cav, 2-49
 Seal, Foam, 0.50, 2-9
 Seal, Heat, 5-23
 Seal, Heat [Ku], 6-20
 Seal, Mechanical Assy [Ku], 6-8
 Seal, Oil, 5-7, 5-9, 5-29
 Seal, Oil [Ku], 6-27
 Seal, Oil, Front [Ku], 6-7
 Seal, Oil, Rear [Ku], 6-9
 Seal, Org, 2-23, 5-10, 6-7, 6-10, 6-19
 Seal, Org [Ku], 6-4, 6-7, 6-25
 Seal, Org, .069 X 3.06id, 2-125
 Seal, Org, .072 X 00.35id #04, 4-11, 4-19, 4-21, 4-23
 Seal, Org, .078 X 00.47id #06, 4-11, 4-13, 4-19, 4-21, 4-23
 Seal, Org, .078 X 00.47id 06, 4-15, 4-17
 Seal, Org, .087 X 00.64id #08, 4-19
 Seal, Panl, Instmt, 2-9
 Seal, Plug, Drain, Nitrile, 2-99
 Seal, Radiator, 2-39
 Seal, Radiator, Upper, 2-47
 Seal, Rbr, Clsd, .13, .38w 72.0l, Adh, 2-43
 Seal, Rbr, Clsd, 0.13, Instmt Panl, 2-13
 Seal, Shaft, Drain Plug, 2-99
 Seal, Stem, Valve [Ku], 6-12
 Seal, Ure, 0.38 0.75w 13.2l Adh, 2-107
 Seal, Ure, 0.38 0.75w 33.0l Adh, 2-107
 Seal, Valve Stem, 5-12
 Seal, Wire, 14/16ga [Wp / Mp280 Sealed], 4-27
 Seat, 4-31
 Seat (See Breakdowns), 2-15
 Seat, Spring Lower, 5-27
 Seat, Spring Upper, 5-27
 Seat, Spring, Lower, Injector [Ku], 6-25
 Seat, Spring, Upper, Injector [Ku], 6-25
 Seat, Suspension, W/1 Arm And Belt, 2-15
 Seat, Valve, 5-7
 Seatbelt, 4-31
 Seatbelt, Retractable [Deluxe Seat], 2-15
 Send-Unit, Fuel, 2-27
 Send-Unit, Fuel [2007], 2-27
 Send-Unit, Water, Temp, 04npt 113oh/195d, 2-129
 Sensor Kit, Repair [Thermo-Sentry, M20], 2-61
 Sensor, Level, Liq, 14vdc 01a .62- 11, 2-92, 2-99, 3-5
 Sensor, Spd / Dir, 6-30vdc, 2-55
 Shaft Wldt, Brake, 2-53
 Shaft Wldt, Pedal, Brake, 2-53
 Shaft, Brush, Idler, 2-69, 2-71
 Shaft, Fork Lever, 5-30
 Shaft, Governor [Ku], 6-13
 Shaft, Governor Weight, 5-13
 Shaft, Governor, Weight [Ku], 6-13
 Shaft, Govnr, 6-13
 Shaft, Govnr [Ku], 6-13
 Shaft, Idle Gear 1, 5-15
 Shaft, Idler, Gear [Ku], 6-15
 Shaft, Lever, Spd [Ku], 6-27
 Shaft, Motor, Hyd, 4-5
 Shaft, Mtg, Sheave, Dsl, 2-33
 Shaft, Output, 4-8
 Shaft, Output, Motor, Hyd [En], 4-9
 Shaft, Pump, 4-7
 Shaft, Pump, Water, 4-3
 Shaft, Rocker, Arm [Ku], 6-12
 Shaft, Stop Lever, 5-29
 Shaker Wldt, 2-61
 Sheave, 01grv, 02.6pd 0.63b [Hc41], 2-33
 Sheave, 01grv, 04.1pd 1.6b [Xl], 2-33
 Sheave, 01grv, Rwk 393400 [3v], 2-33
 Sheave, Cshft [Ku], 6-17
 Sheave, Fan [Ku], 6-8
 Shield, Breather, 5-10, 6-10
 Shield, Heat, Dsl, 2-37
 Shim, 5-27, 6-23
 Shim Kit, 4-7
 Shim, Injection Pump 0.20 mm, 5-25
 Shim, Injection Pump 0.25 mm, 5-25
 Shim, Injection Pump 0.30 mm, 5-25
 Shim, Pump, Injection, 6-23
 Shim, Tappet, Injection [Ku], 6-25
 Shim, Washer, 0.88d 0.51b .020, 2-103
 Shim, Washer, 0.88d 0.51b .060, 2-103
 Shock Absorber, 2.3 Strk, 2-55
 Shoe, Brake, 180 X 30mm, 2-51
 Shoe, Plstc, Sqge, 14.0, 3-61, 3-63
 Shrd Wldt, Fan, Dsl, Replmt [M20/M30/T20], 2-41
 Shrd Wldt, Fan, Dsl, Replmt [Tj], 2-41
 Shroud Assy, Eng, 2-21
 Shroud Wldt, Fan, Dsl, 2-41
 Shroud Wldt, Fan, Eng, Dsl, 2-43
 Shroud, Fan, 2-43
 Shroud, Front, Trimmed, 2-19
 Shroud, Seat, 2-15
 Skirt, Debris, Eng Radiator, 2-39
 Skirt, Fan, Eng, Dsl, 2-41, 2-43
 Skirt, Neo, .06, 06.38w 40.86l, 06 Hole, 1-1, 2-75
 Skirt, Neo, .06, 06.85w 27.95l, 08 Hole, 1-1, 2-83, 2-87
 Skirt, Neo, .06, 07.63w 51.52l, 11 Hole, 2-75
 Skirt, Neo, .06, 12.00w 45.88l, 07 Hole, 1-1, 2-75
 Skirt, Neo, .06, 26.99w 40.55l, 36 Hole, 2-75
 Skirt, Neo, .12, 05.39w 14.01l, 02 Sl, 2-75
 Skirt, Neo, .18, 10.37w 27.95l, 12 H&S, 1-1, 2-83, 2-87
 Skirt, Rbr, .37, 04.50w 40.94l, 06 Hole, 1-1, 2-75
 Sleeve, 0.31b 0.50d 0.3l, Ss, 2-85, 2-89, 2-99
 Sleeve, 0.49b 0.68d 1.2l [304ss], 2-85, 2-89
 Sleeve, Cntrl, Pump, Injection [Ku], 6-25
 Sleeve, Control, 5-27
 Sleeve, Crankshaft, 5-17
 Sleeve, Dashpo, Pump, Hyd, Gear, 4-5
 Sleeve, Governor, 5-13
 Sleeve, Govnr [Ku], 6-13
 Sleeve, Nyl, #37 05.0l, 2-49
 Sleeve, Nyl, 2.38id 25.0l, 2-49
 Sleeve, P/M, 0.31b 0.50d 0.3l [430ss], 2-95, 2-101
 Sleeve, P/M, 0.31b 0.50d 0.7l [430ss], 2-79, 2-95, 2-101
 Sleeve, P/M, 0.31b 0.50d 0.9l [430ss], 2-37, 2-69, 2-71
 Sleeve, P/M, 0.34b 0.63d 0.6l, Bnz, 2-81
 Sleeve, P/M, 0.34b 0.63d 1.2l, Bnz, 2-79
 Sleeve, P/M, 0.37b 0.50d 0.6l [430ss], 3-11
 Sleeve, P/M, 0.47b 0.75d 0.5l [430ss], 2-73
 Sleeve, Pump, Water, 4-3
 Sleeve, Rbr, 3.50b 3.58d 1.8l, 3-5
 Solenoid, #10, 12vdc, 4-13, 4-15, 4-17, 4-19, 4-21, 4-23
 Solenoid, #8, 12vdc, 4-11, 4-13, 4-15, 4-17, 4-19, 4-21, 4-23
 Solenoid, 12v, Valve, Hyd [Cec], 4-10
 Solenoid, Pull, 12vdc, Damper, 2-63
 Spacer, 3-7, 3-9
 Spacer [Ku], 6-21
 Spacer Plate, 4-8
 Spacer, Coil, #8, 4-11, 4-21, 4-23
 Spacer, Fan, 2-35
 Spacer, Fan, Dsl [M20/T20], 2-33, 2-35
 Spacer, Hub, Keyed, 3-7, 3-9
 Spacer, Pad, Rbr, 2-77
 Spacer, Plstc, Ny, 2-15
 Spacer, Sqge, Side Brush, Rbr, 3-9
 Spacer, Valve, Steering, 4-25
 Spool, Pilot, Dual, Hyd, 4-21, 4-23
 Spool, Pilot, Hyd, 4-11, 4-13, 4-15, 4-17, 4-19, 4-21, 4-23
 Spring, 4-5, 5-7, 5-21, 6-19
 Spring Kit, Scu [C], 4-25
 Spring, Brush, 5-21, 6-19
 Spring, Cmpr, 0.9od .042wir 02.0l, 2-79
 Spring, Cmpr, 18.8d, 1.6w, 57.1l, 2-17
 Spring, Cmpr, Plunger [Ku], 6-25
 Spring, Cmpr, Relief [Ku], 6-7
 Spring, Cmpr, Rocker [Ku], 6-12
 Spring, Cmpr, Valve, Injector [Ku], 6-25
 Spring, Delivery Valve, 5-27
 Spring, Dsl, 1.00od 0.50id 1.7l, 2-81
 Spring, Ext [Ku], 6-19

CROSS REFERENCE

Spring, Extn, 0.75od X 0.09wir, 2.5l, 2-85, 2-89
Spring, Extn, 0.75od X 0.12wir, 4.3l, 2-55
Spring, Extn, 0.88od X 0.14wir, 9.0l, 2-77
Spring, Extn, 2.00od 0.25wir 07.5l, 2-73
Spring, Flat, Retainer, Angled Screen, 2-59
Spring, Flt, 0.08th, 4.50w X 07.0l, 2-77
Spring, Governor, 5-30
Spring, Governor [Ku], 6- 28
Spring, Keeper, 2-81
Spring, Motor, Hyd, 4-5
Spring, Plunger, 5-27
Spring, Return, 5-29
Spring, Rocker Arm, 5-12
Spring, Start, 5-30
Spring, Start [Ku], 6- 28
Spring, Tors [Ku], 6- 27
Spring, Tors, 0.75id .06wir 02.8coil, 2-53
Spring, Tors, 1.13id .12wir 02.3coil Rh, 2-53
Spring, Valve, 5-12
Spring, Valve [Ku], 6- 12
Spring, Wir, 0.08d, Brake, Parking, 2-53
Spring, Wir, 0.16d, Brush Retaining, 2-5
Spring, Wir, 0.25d, Return, Brake, 2-51
Squeegee Assy, Sba, Linatex, 1-1, 3-7
Squeegee Assy, Sba, Ure, 1-1, 3-7
Squeegee Kit, Rear, Replmt [M20/T20], 2-79
Squeegee Wldt, Rear, 2-79
Starter, 12vdc [Kubota], 6- 19
Steer- Control, Hyd#05, 06.1 2030 (See Breakdowns), 2-17
Steer- Control, Hyd05, 06.1 2030, 4-25
Stem, Valve, Hyd, 4-13, 4-15, 4-17, 4-19, 4-21, 4-23
Stem, Valve, Hyd [4w2p], 4-15, 4-17, 4-21, 4-23
Stem, Valve, Hyd, 4w2p, 4-11, 4-13, 4-19
Stop, Rotation, 2-81
Stopper, 5-13
Stopper, Cam [Ku], 6- 15
Stopper, Camshaft, 5-15
Stopper, Fuel [Ku], 6- 13
Strainer, Hyd, 25gpm 100mesh Psi, 2-129
Strainer, Hyd, 25 Gpm 100 Mesh, 1-1
Strainer, Soltn, 20 Mesh, Cyl 3.5d 9.5l, 3-5
Strap, Door, Dump, 2-65, 2-67
Strap, Door, Dump, Side, 2-65
Strap, Mtg, Motor, .124.00W, 2-61
Strap, Pyp, 0.07 1.0w 18.5l, W/ Buckle, 3-61
Strap, Rbr, Tie- Down, 2/Hooks 19.0l, 2-47
Strap, Retaining, Hose, 2-95, 2-101
Strap, Sppt, 2-55
Strap, Static, Afmkt, 2-75
Strap, Tank, Gas, 2-27
Strip Mtg, Seal, 2-19
Strip, Flap, Recirculation, 2-75
Strip, Non- Slip, 0.50w 06.0l, 2-79
Strip, Rbr, 0.06 01.00W 04.0L, 2-61

Strip, Rbr, 0.06 03.54w 03.5l [Neo/60], 3-37
Strip, Rbr, 0.06 04.00w 05.0l Neo/60, 2-61
Stud, 5-7, 5-11, 5-12, 5-25, 5-29, 5-31
Stud [Ku], 6- 7, 6- 11, 6- 12, 6- 23, 6- 27
Stud, .31- 18 2.75l M8 X 1.25, Ss, 2-79
Stud, Ball, .39d .31- 16, Gasspring, 2-15
Stud, Wheel, .50- 20 X 1.50l, 0.370th, 2-49
Switch Assy, Press, 3.0, 17.5l Tube, 3-5
Switch Kit, Pump, Repair,, 4-27
Switch, Ignition [Ku], 2-13
Switch, Magneto [Ku], 6- 19
Switch, Press, 10psi, Spst, 3-19
Switch, Press, 50 Psi, Pm02, 3-39
Switch, Press, Adj [4- 16 In Wtr], 2-63
Switch, Press, Dpdt 0006psi, 2-23
Switch, Press, Spdt 0008psi, 2-63
Switch, Rocker, Dpdt Mom/Off/Mom, 2-13
Switch, Rocker, Dpdt On/None/On, 3-65
Switch, Rocker, Dpdt On/Off/On, 2-13
Switch, Rocker, Spst, Mom, 3-37
Switch, Seat, 4-31
Switch, Seat, No [Delta 6440- 04], 2-15
Switch, Snap, 15a No, Rlr, 2-57
Switch, Temp [160F], 2-61
Switch, Temp, Sealed, Nc, 2-61
Switch, Thermostat, Water, 2-23, 2-24

T

Tank Kit, Soltn, W/ Bracket, Replmt, 2-91
Tank, Coolant, 03.30w 4.7hi 04.7l, 1liter, 2-45
Tank, Coolant, 03.6W 04.1HI 05.5L, 1Liter, 2-45
Tank, Coolant, 04.7 03.3 4.7deep, 1liter, 2-39
Tank, Detgt, Trimmed, 3-5
Tank, Fuel, 11.2gal [M20/T20], 2-27
Tank, Fuel, 11.2gal, Dsl, Replmt [2007], 2-27
Tank, Fuel, 11.2gal, Dsl, Replmt, Na[08], 2-27
Tank, Fuel, 11.2gal, Dsl, Replmt, Tj[08] (Japan Only), 2-27
Tank, Recvy, Trimmed, 2-99
Tank, Soltn, W/ Label [M20], 2-91
Tappet, 5-15
Tappet [Ku], 6- 15
Tappet, Pump, Injection [Ku], 6- 25
Terminal, Bullet, Mal, .157d, 12ga, 3-49, 3-51, 3-52, 3-53
Terminal, Fem, Mp280, Sealed, 18- 16ga, 4-27
Terminal, Tab, .25 .19h .84l, 2-23
Thermostat, 180deg, 1.7d [Ku], 5-31, 6- 29
Thrust Bearing, 4-8
Tie, Cable, 6.0l, 1.25d Max, 3-52, 3-53
Tie, Cable, 11.3l, 2.75d Max, 3-19
Tie, Cable, Nyl, 07.3l .19w 1.8 Max D, 2-13, 2-29, 2-39, 2-41, 2-43, 2-45, 2-49, 2-71, 3-19, 3-39, 3-52, 3-53
Tie, Cable, Nyl, 14.5l .30w 4.0 Max D, 4-29
Tie, Cable, Nyl, 15.3l . W 4.5 Max D, 2-39, 3-19, 3-25, 3-33, 3-43
Tie, Cable, Nyl, 15.3L . W 4.5 Max D, 2-61
Timer, 12vdc, 10 Sec, 2-29
Tire Assy, Solid, 18.0x6.0 4.5bc/5bolt, 1-1
Tire, Drive, Scrbr, Non- Skid, 18.0X6.0, 2-49
Tire, Drive, Scrbr, Pu, Grey, 18.0X6.0 (Optional Polyurethane), 2-49
Tire, Idler, Scrbr, Blk, 16.0X3.5, 2-51
Tire, Idler, Scrbr, Non- Skid, 16.0x3.5 (Optional), 2-51
Tire, Idler, Scrbr, Pu, Grey, 16.0X3.5 (Optional Polyurethane), 2-51
Tower, Wldt, Lift, Lh, Replmt [M20], 2-7
Tower, Wldt, Lift, Rh, Replmt [M20], 2-7
Track Assy, Slide, 4-31
Transport Kit, Ci [M20/M30], 3-67
Tray Wldt, Drip, Dsl, 2-29
Tray Wldt, Drip, Fuel, 2-29
Tray Wldt, Fuel, 2-27
Tray Wldt, Perma- filter (Replaced By none), 2-61
Tray, Perma- Filter, 2-61
Tread, Non- Skid, 01.9w 08.0l, 2-7
Tread, Non- Skid, 02.2w 11.5l, 3-13
Tread, Non- Skid, 03.0w 11.6l, 2-7, 2-9, 2-54
Tube Assy, Plug, Drain, 2-99
Tube Kit, Hyd, Case Drain [M20/T20], 2-71
Tube Kit, Tank, Recvy, Replmt, 2-101
Tube Kit, Tank, Soltn, Replmt, 2-95
Tube Wldt, Arm, Safety, 2-57
Tube Wldt, Exhaust, 1.5d, 4 Hole Flng, 2-37
Tube Wldt, Leg, Ohg, Lh, Pntd, 3-55
Tube Wldt, Leg, Ohg, Rh, Pntd, 3-55
Tube Wldt, Plug, Drain, 2-99
Tube Wldt, Torque, 2-73
Tube, 0.38id 0.75od 00.3l, Ss, 2-35
Tube, 0.50d 0.32b 00.4l, Ss, 2-95, 2-101
Tube, 00.38d 00.26b 00.3l Stl Plt, 2-55
Tube, 00.50d 00.38b 00.6l Stl, 2-55
Tube, 2.90id 3.00od 02.4l, Ss, 2-95, 2-101
Tube, Acrylic, Hose, Pinch, 2-101
Tube, Breather, 5-10, 6- 10
Tube, Distribution, Water, 2-97
Tube, Drain, Starter, 6- 19
Tube, Exhaust, 1.5d, 2-37
Tube, Exhaust, Dsl, 2-37
Tube, Hyd, 08 Jf08/Jf08, 3-15
Tube, Hyd, 08 Jf08/Jm08, 2-69
Tube, Hyd, Brush Return, W/ Cd [M20/T20], 2-71
Tube, Hyd, Main Return, 2-127
Tube, Hyd, Main Return [G/Lp Mit2013], 2-127
Tube, Hyd, Rear Sqge [M20], 2-127
Tube, Hyd, Sqge, 2-127
Tube, Hyd, Swp, 2-131

Tube, Injector, Pipe #1 [Ku], 6-20
 Tube, Injector, Pipe #2 [Ku], 6-20
 Tube, Injector, Pipe #32 [Ku], 6-20
 Tube, Pin [Ku], 6-3
 Tube, Pvc, Clr, 4.0l [Shc80], 3-23, 3-25
 Tube, Radiator, Lower, Dsl, 2-39, 2-45
 Tube, Rnd, 1.75d 0.77b 01.1l, Stil, Pntd, 2-49
 Tube, Seat, Valve, Oil [Ku], 6-7
 Tube, Transition, Casting, 2-107
 Tube, Vacuum, 2-63
 Tube, Vinyl, Pump, Water, 4-3
 Tube, Wand, Vacuum, Metal, 3-63
 Tube, Wand, Vacuum, Metal [1pick=1box], 3-61
 Tubing Connctr.Kit, Gorman Pmp, 4-26

U

Upper Hsg Kit, Pump, Repair,, 4-27

V

Valve Assy [Proportional], 4-17, 4-23
 Valve Assy, Relief [CI], 4-25
 Valve Assy, Water, Solenoid , 12vdc, 2-97
 Valve Assy, Water, Solenoid, 12vdc, 3-13, 3-43
 Valve Kit, Poppet, Gorman Rupp, 4-26
 Valve Stem, N.O.Valve, Hyd, 4-10
 Valve, Breather, Complt, 5-10, 6-10
 Valve, Check, 4-11, 4-13, 4-15, 4-17, 4-19, 4-21, 4-23
 Valve, Check, 0002psi [FaST li+], 4-32
 Valve, Check, 0002psi Bm04/Bm04, 3-21
 Valve, Check, 0005psi [FaST li+], 4-32
 Valve, Check, 0005psi Bm06/Bm08, 3-29
 Valve, Check, 0005psi Pm04/Bm06, 3-39
 Valve, Check, 2gpm .5psi Bm08/Bm08, 3-43
 Valve, Check, Pump, Water, 4-3
 Valve, Cntrl, Hyd, 4-19
 Valve, Cntrl, Hyd (See Breakdowns), 2-131
 Valve, Cntrl, Hyd [M20 And T20] (Replaced by 1037805), 4-13
 Valve, Cntrl, Hyd [M20 And T20] (See Breakdowns), 3-15
 Valve, Cntrl, Hyd [M20], 4-11
 Valve, Cntrl, Hyd [M20] (See Breakdowns), 2-131
 Valve, Cntrl, Hyd, Solenoid, 03/16gpm, 4-15, 4-17
 Valve, Cntrl, Hyd, Solenoid, 03/16gpm (See Breakdowns), 3-15
 Valve, Cntrl, Hyd, Solenoid, 12vdc 10gpm, 4-23
 Valve, Cntrl, Hyd, Solenoid, 12vdc 10gpm (See Breakdowns), 2-133
 Valve, Cntrl, Solenoid, 4-11, 4-21, 4-23
 Valve, Delivery, 5-27
 Valve, Eng [Delivery, Ku], 6-25
 Valve, Exhaust, 5-12

Valve, Exhaust [Ku], 6-12
 Valve, Hyd Cartridge 10no/- 0, 4-10
 Valve, Hyd, Check, Jm08/Om08 5000psi, 3-15
 Valve, Hyd, Relief, 4-11
 Valve, Hyd, Solenoid 12vdc 3000psi (See Breakdowns), 3-15
 Valve, Hyd, Solenoid, 12vdc, 4-21
 Valve, Hyd, Solenoid, 12vdc (See Breakdowns), 2-133
 Valve, Inlet, 5-12
 Valve, Intake [Ku], 6-12
 Valve, Motor, Hyd, 4-5
 Valve, Relief, 4-13, 4-15, 4-17, 4-19, 4-21, 4-23
 Valve, Relief, 0600Psi, 2-133
 Valve, Relief, 3000 Psi, 4-7
 Valve, Relief, 4000 Psi, 4-7
 Valve, Shutoff, 3-65
 Valve, Solenoid, 12vdc, Water Flow, 3-25, 3-33
 Valve, Stem, No, 4-13, 4-15, 4-17, 4-19, 4-21, 4-23
 Valve, Vent, Air, Float Type, 3-39
 Valve, Water, 12vdc, 6.0mm, 04pf, 3-19
 Valve, Water, Solenoid, 12vdc 0.08pf, 3-3
 Valve, Water, Solenoid, 12vdc 6.0mm Pf04, 3-29
 Video, Oprtr, Dvd [W/Checklist M20], 3-71
 Vr, Plug, Orifice, Valve, Hyd, .040, 4-11

W

Wand Kit, Vacuum, Ci [M20], 3-61, 3-63
 Wand, Clean- Out, 3-65
 Washer 1, 5-12
 Washer 2, 5-12
 Washer, Adjusting [Ku], 6-21
 Washer, Belleville, .31, 2-55
 Washer, Collar, Gear [Ku], 6-15
 Washer, Flat [Ku], 6-12, 6-27
 Washer, Flat, .781b 1.63od .16, Stil, Blk, 2-49
 Washer, Flat, .78b 1.75d .18, Ss, 2-99
 Washer, Flat, #06, 2-39, 2-61
 Washer, Flat, #08, 2-15
 Washer, Flat, #10, 2-15, 2-21, 2-33, 2-47, 2-57, 3-65
 Washer, Flat, #10 Ss, 2-55
 Washer, Flat, #10, Ss, 3-3, 3-19, 3-25, 3-65, 3-69
 Washer, Flat, 0.25 Fender, 2-107
 Washer, Flat, 0.25 Fendr, 2-15
 Washer, Flat, 0.25 Sae, 2-15, 2-17, 2-61, 2-63
 Washer, Flat, 0.25 Std, 2-47, 2-53, 2-55, 3-19, 3-21
 Washer, Flat, 0.25, Fendr, 2-41, 2-43
 Washer, Flat, 0.25, Sae, 2-27, 2-31, 2-33, 2-35, 2-37, 2-55, 2-107, 3-37
 Washer, Flat, 0.25, Ss, 2-61, 2-65, 2-67, 2-75, 2-97, 2-99, 3-67

Washer, Flat, 0.25, Std, 2-9, 2-29, 2-33, 2-39, 2-41, 2-43
 Washer, Flat, 0.25b 0.56d .05, Pl, 10, 2-15
 Washer, Flat, 0.27B 0.69D .05, Ss, 2-5, 2-92, 3-29, 3-37, 3-57, 3-67
 Washer, Flat, 0.31 Sae, 2-9, 2-15, 2-21, 2-55, 2-85, 2-89, 2-91, 2-95, 2-101
 Washer, Flat, 0.31 Std, 2-55
 Washer, Flat, 0.31, Ss, 2-31, 2-37, 2-39, 2-61, 2-65, 2-67, 2-75, 2-77, 2-79, 2-81, 2-85, 2-89, 2-95, 2-101, 3-3, 3-7, 3-11
 Washer, Flat, 0.31, Std, 2-7, 2-9, 2-15, 2-17, 2-19, 2-24, 2-27, 2-29, 2-33, 2-35, 2-37, 2-39, 2-41, 2-45, 2-49, 2-53, 2-69, 2-71, 2-73, 2-75, 2-95, 2-99, 2-101, 2-127, 2-131, 3-11, 3-13, 3-15, 3-55, 3-67
 Washer, Flat, 0.32b 1.00d .12, Ss, 2-9, 2-15, 2-21, 2-59, 2-65, 2-67, 2-91, 2-95, 2-99, 2-101, 2-103, 2-105, 2-131, 2-133, 3-5, 3-21, 3-29, 3-37, 3-47, 3-49, 3-51, 3-65
 Washer, Flat, 0.34b 0.75d .12 [Viton], 3-19
 Washer, Flat, 0.38 Sae, 2-55, 2-73, 2-81, 2-107, 2-125
 Washer, Flat, 0.38 Std, 2-7, 2-15, 2-55, 2-63, 2-127, 3-7, 3-9, 3-55, 3-61, 3-69
 Washer, Flat, 0.38, Sae, 2-23, 2-31, 2-33, 2-41, 2-43
 Washer, Flat, 0.38, Std, 2-33, 2-35, 2-41, 2-43, 2-45
 Washer, Flat, 0.38b 0.88d .08, Ss, 2-105
 Washer, Flat, 0.38b 1.25d .12, Neo, 2-59, 2-65, 2-67
 Washer, Flat, 0.40b 1.12d .12, Ss, 2-107
 Washer, Flat, 0.40b 1.12d .12, Ss, 2-39, 2-41, 2-43, 2-61, 2-65, 2-67, 2-81, 2-103, 3-55
 Washer, Flat, 0.41b 1.25d .12, Pye, 2-15
 Washer, Flat, 0.44b 1.00d .08, Ss, 2-7, 2-57, 2-77, 3-13
 Washer, Flat, 0.50 Sae, 2-17, 2-51, 3-11
 Washer, Flat, 0.50, Sae, 2-39, 2-63
 Washer, Flat, 0.50, Std, 2-23, 2-24
 Washer, Flat, 0.53b 1.88d .12, Stil, Pl, 2-9, 2-23, 2-77, 2-79
 Washer, Flat, 0.56b 1.38d .11, Ss, 2-73, 2-77, 2-85, 2-89
 Washer, Flat, 0.62 Sae, 2-19
 Washer, Flat, 0.66b 1.00d .12, Rbr, 3-3, 3-65
 Washer, Flat, 0.69b 1.19d .06, Stil, Pl, 2-81
 Washer, Flat, 0.75 Sae, 2-49
 Washer, Flat, 0.76b 1.50d .06, Ss, 2-51
 Washer, Flat, 0.79b 1.18d .06, Nyl, 2-95, 2-101
 Washer, Flat, 0.81b 1.06d .06, Stil, 2-39, 2-41, 2-43
 Washer, Flat, 06, 3-63
 Washer, Flat, 08, 3-37
 Washer, Flat, 08, Ss, 4-29
 Washer, Flat, 1.10b 1.50d .12, Stil, Pl, 2-35

CROSS REFERENCE

Washer, Flat, 1.15b 1.75d .08, Stl, 2-13
Washer, Flat, 1.26b 1.88d .13, Stl, 3-13
Washer, Flat, 1.26B 1.88D .13, Stl, Pl, 2-7,
2-63
Washer, Flat, 1.39b 2.12d .13, Stl, 2-49
Washer, Flat, 10, 2-35, 3-37, 3-47, 3-49,
3-51, 3-52, 3-53
Washer, Flat, 10, Ss, 2-35, 3-29, 3-33,
3-43, 3-57
Washer, Flat, 2.16b 3.50d .16, Felt, 2-49
Washer, Flat, Belleville, .25, 2-85, 2-89
Washer, Flat, Belleville, .31, 2-35, 2-95,
2-101, 2-103, 3-11
Washer, Flat, Belleville, .38, 2-77, 2-85,
2-89
Washer, Flat, Belleville, .50, 2-85, 2-89,
2-105
Washer, Flat, Belleville, M10, 2-59
Washer, Flat, M21.0b X 37d X 3, 2-51
Washer, Flat, Pump, Hyd, 4-7
Washer, Lock, Int-Ext, 0.31, 2-75
Washer, Lock, Int-Ext, 10, 2-21
Washer, Lock, Int, #06, 2-61
Washer, Lock, Int, #08, Ss, 2-63
Washer, Lock, Int, #10, Ss, 3-19
Washer, Lock, Int, 0.25, 3-37
Washer, Lock, Int, 0.38, 2-33, 2-35
Washer, Lock, Int, 08, Ss, 4-29
Washer, Lock, Split [Ku], 5-31, 6-7, 6-23,
6-27
Washer, Plain, 5-12, 5-29, 5-30
Washer, Plain [Ku], 6-18, 6-21
Washer, Pump, Hyd [En], 4-7
Washer, Rbr, 4-3
Washer, Sealing, 0.28b 0.75d Ss, Neo,
2-99
Washer, Shaft, Rocker [Ku], 6-12
Washer, Shld, Nyl [8-32], 2-13
Washer, Spring, 5-7, 5-25, 5-29
Washer, Thrust, 5-13
Washer, Thrust [Ku], 6-13
Washer, Thrust, 0.34b 1.50d .06, 2-95,
2-101
Washer, Thrust, 0.61b 1.25d .06, Fgl,
2-81, 2-83, 2-85, 2-87, 2-89, 3-7
Washer, Thrust, 1.00b 1.75d 0.13w, Fbr,
3-11
Weight, Comp, Govnr [Ku], 6-13
Weight, Eccentric, 2-61
Wheel, 06.0D 2.00W 1.19B, Gray Rbr, 2-7,
2-63, 3-13
Wheel, 3.0d 1.38w 0.50b, 1-1, 2-81
Wheel, 4.0d 0.89w 0.64b, 2-79
Wheel, Steering, 14.3d 0.81b 36tooth,
2-17
Wire, 10ga 16.0l Blk .25ring /.38ring, 2-35
Wire, Tie [W/.25" Fir Tree Clip], 2-7

Y

Yoke, 6-19