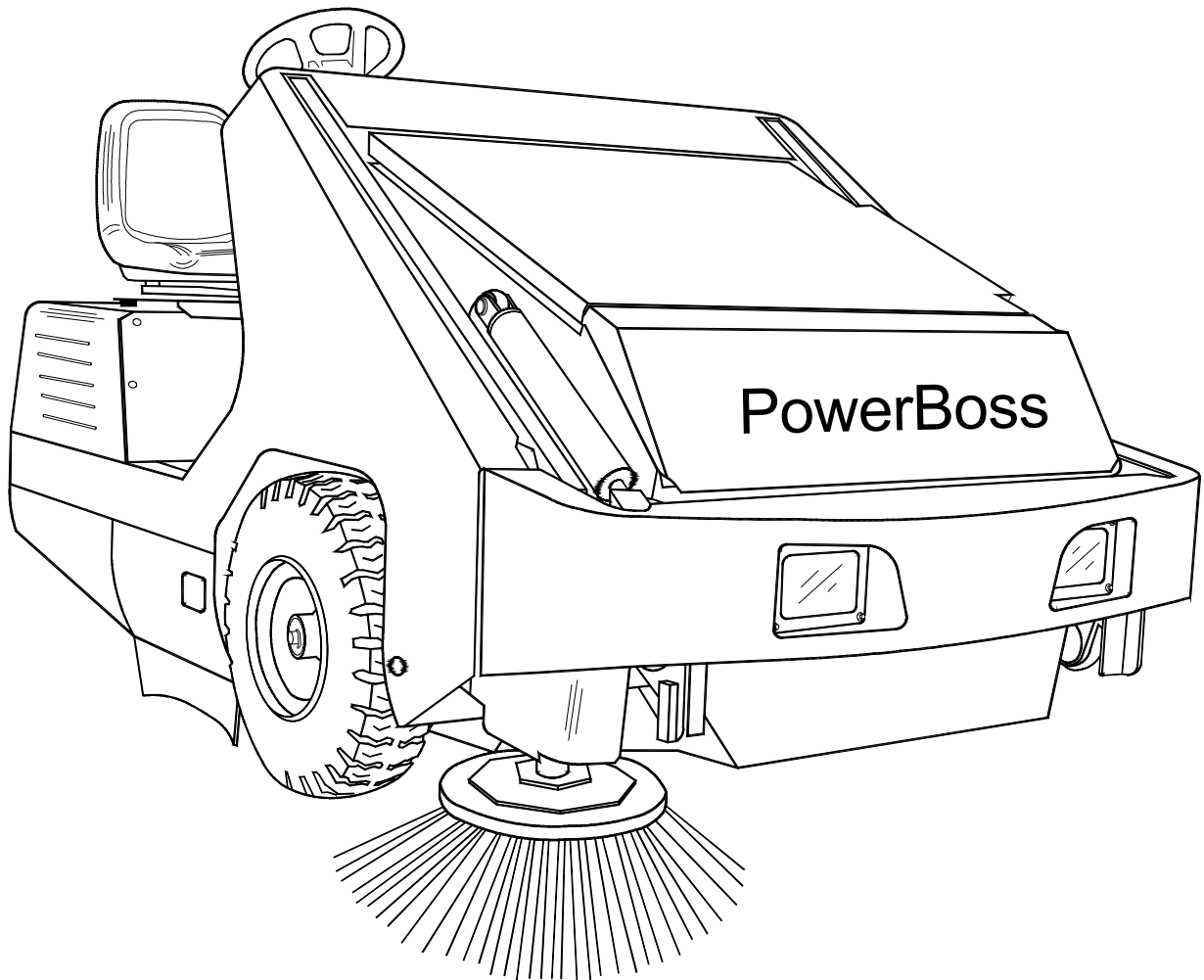


**PowerBoss**<sup>®</sup>  
The Power of Clean

## Armadillo

**SW/9XR, SW/9XV, AM9D, AM9LPG**

# Parts Manual



PowerBoss, Inc.

A Member Of The Hako Group

## Feedback

Thank you for your purchase of the now industry standard for sweepers. PowerBoss Takes great pride in offering the most dependable, reliable and best value in industrial sweepers and sweeper scrubbers.

Our publishing department would like to hear from you. If you see any errors, omissions or something that needs clarification in this parts manual, please let us know. We are working hard towards perfection in our corner of the process. Please fill out the form below on how you found our manual, or you may contact us via e-mail or good old fashion telephone. The contact information is at the bottom of this page.

\*Name: \_\_\_\_\_

\*Title: \_\_\_\_\_

\*Company Name: \_\_\_\_\_

\*Address: \_\_\_\_\_

\*Telephone: \_\_\_\_\_

E-Mail: \_\_\_\_\_

Comments:

PowerBoss, Inc.

Publishing Manager

175 Anderson Street

Aberdeen, North Carolina 28315

Phone: 800-982-7141 / 910-944-2105

Fax: 800-277-7141 / 910-944-7409

E-mail address: [morrison.b@minutemanintl.com](mailto:morrison.b@minutemanintl.com)

# Notes

-----

-----

-----

-----

-----

-----

-----

-----

-----

-----

-----

-----

-----

-----

-----

This manual is for every current **PowerBoss** Armadillo 9X series sweeper. It provides the parts lists for your new machine.

This manual covers all standard SW/9X machine variations.

The machine will provide excellent service. However, the best results will be obtained if:

- The machine is operated with reasonable care.
- The machine is maintained regularly per maintenance schedule provided.
- The machine is maintained with **PowerBoss Inc.** supplied or equivalent parts.

All right side and left side references to the machine (except for engines) are determined by facing the direction of forward travel. The front of the engine faces the rear of the machine. Some hardware considered to be common or locally available has been omitted from the parts section to make the manual clearer. Be sure to use equivalent hardware when replacement becomes necessary.

Parts may be ordered by phone or mail from any **PowerBoss** parts and service center. Before ordering parts or supplies be sure to have your machine model number and serial number handy. Fill out the data block below for future reference.

<b>MACHINE DATA</b> <i>Fill out at installation</i>
<i>Serial Number:</i> _____
<i>Engine Serial Number:</i> _____
<i>Sales Rep.:</i> _____
<i>Date of Install:</i> _____
<i>Manual p/n: 4100000 rev A</i>

**Acknowledgments:** Technical information provided by Engine Power Source; Kubota Corp., Zenith Power Systems.

All information contained in this manual is current at the time of printing However, PowerBoss Reserves the right to make changes at any time without notice.

©2007, PowerBoss, Inc., Printed in USA

All rights reserved. This manual may not be copied or reproduced in any form, without the written permission of PowerBoss, Inc.

## Standard Abbreviations

°C-Degrees Celsius	INFO-Information
°F-Degrees Fahrenheit	INT-Internal or Interior
12V-12 Volts DC	LG-Long
AR-Abrasion Resistant	LH-Left Hand
ASSY-Assembly	LPG-Liquefied Petroleum Gas
ATO-Standard Auto Fuse Type	LP-Liquefied Petroleum
Also called ATC	M8x1-Indicates Metric threads, 8mm Dia with a 1mm thread pitch
BHSCS-Button Head Screw SS	MM-Millimeters
BLK-Black	MNT-Mount
BLT-Belt	MS-Mid Size
BR-Brass or Broom or Brush	OD-Outside Diameter
BRM-Broom	PLTD-Plated
BRKT-Bracket	PNTD-Painted
CB-Curb Broom	REV-Reverse
CCW-Counter Clockwise	RH-Right Hand
CG13-Nissan Gas/LP Engine	ROT-Rotation
CI-Cubic Inch	RTR-Rotary Trash Relocator
CW-Clockwise Rotation	SCR-Screw
CYL-Cylinder	SC-Scrubber
DEG-Degrees	SP-Service Part
DIA-Diameter	SPDT-Single Pole Double Throw
DPDT-Double Pole Double Throw	SPST-Single Pole Single Throw
ELEC-Electric	SS-Stainless Steel
ES-Elastic Stop, also Nyloc	STR-Straight
Also: Engine Swing	ST-Straight
EXT-Exterior or Extended	SUB-Sub Assembly
FI-Fuel Injection	SW/A-Sweeper/Armadillo
FS-Full Size	THD-Thread
FTG-Fitting	THK-Thick
FWD-Forward	THRU-Through
GAL-US Gallon (3.79 Liters)	UNC-Unified Nat'l Coarse Threads
GOV-Governor	UNF-Unified Nat'l Fine Threads
HD-Head	V1505-Kubota Diesel Engine
HD-Heavy Duty	W/-With
HOP-Hopper	WELD-Weldment
HSS-High Speed Steel	W/O-Without
HT-High Temperature	ZP-Zinc Plated
HT-Height	
HYD-Hydraulic	
ID-Identification	
ID-Inside Diameter	
IMP-Impeller	

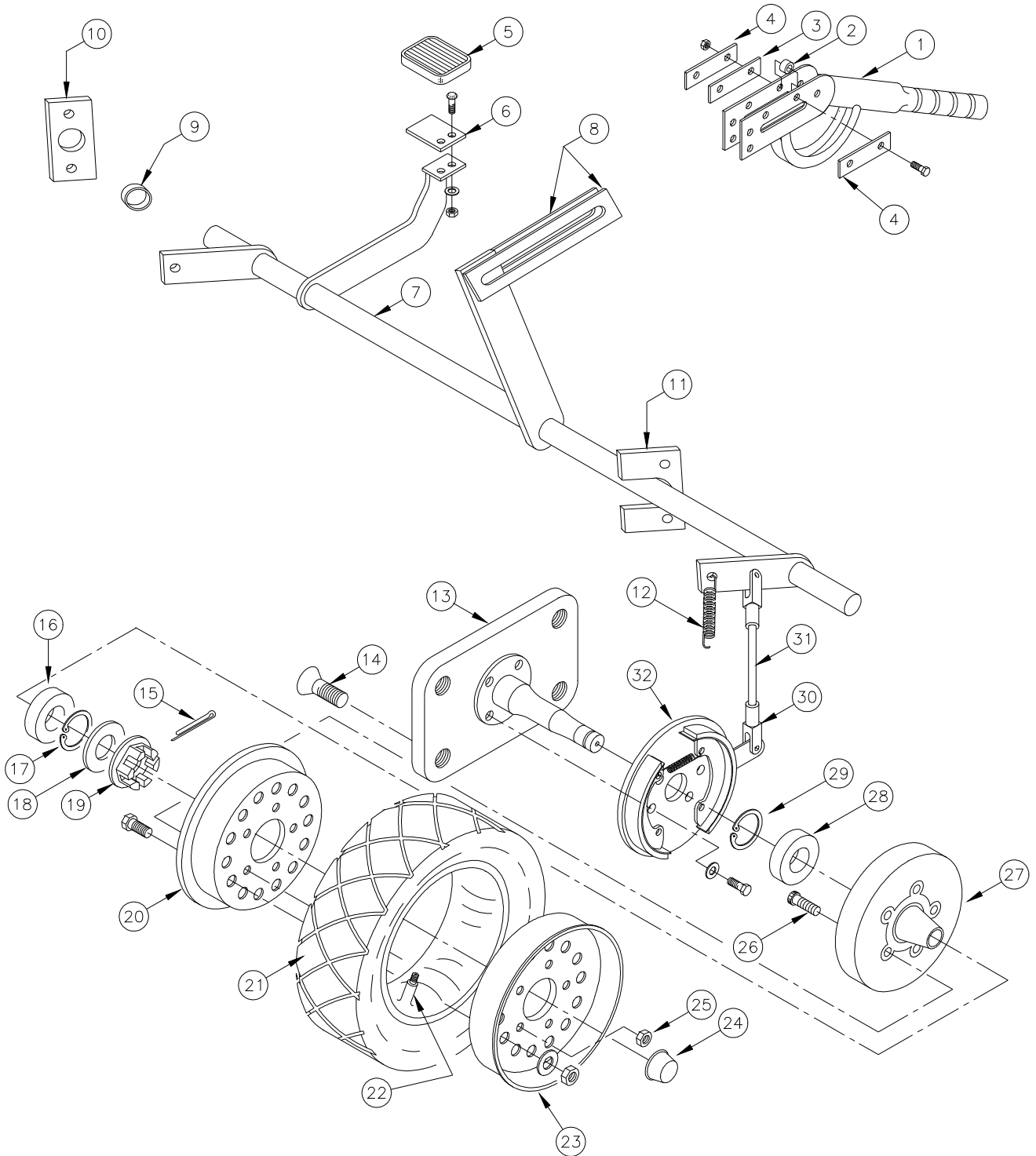
## Table of Contents

Front Brakes, Tires & Axles .....	8
9XV Hydraulic Brakes.....	10
Nissan CG13 Gas/LP Engine .....	16
9X Nissan Tier II LPG Fuel System .....	18
9X Nissan Tier II LPG Vaporizer .....	20
9X Nissan Tier II Gasoline Fuel System .....	22
Gas/LP Air Cleaner Assembly .....	24
Gas/LP Radiator Assembly .....	26
Nissan CG13 Tier II Exhaust System .....	28
Nissan CG13 Tier I Exhaust System .....	30
Kubota Diesel Exhaust System .....	31
Kubota V1505 Diesel Engine .....	32
Diesel Air Cleaner Assembly .....	34
Diesel Radiator Assembly .....	36
Main & Axillary Hydraulic Pumps, Fwd/Rev Mechanism .....	38
Drive Motor & Steering System .....	40
9XR Instrument Panel .....	42
9XV & AM9D Instrument Panel .....	44
Hydraulic Power Steering .....	46
Side Broom Assembly .....	48
9XR Frame .....	52
9XV Frame .....	54
Rear Grill & Side Door .....	56
Seat Clip .....	58
Diesel Console .....	60
Gas/LP Console .....	62
Engine Cover .....	64
Hopper without Impeller .....	66
Hopper with Impeller .....	68
9XV/AM9D Hopper .....	70

## Table of Contents Continued

Front Bumper.....	72
Engine Pivot, Gas/LP & Diesel .....	74
9XV PowerSwing .....	76
9XR Lift Arms .....	78
9XV Lift Arms .....	80
Hydraulic Reservoir .....	82
Hydraulic Control Valve .....	84
Main Broom .....	86
Fuel Tank, Gas & Diesel .....	88
9XR Gasket Mount .....	89
9XV Gasket Mount .....	90
Hydraulic Impeller .....	92
Directional Linkage .....	94
Brooms - Main & Side .....	96
 <b>Options:</b>	
Heavy Duty Side Broom Guard.....	98
Back Up Alarm.....	99
Ergo Cab.....	100
Strobe Light.....	102
Heavy Duty Air Cleaner.....	103
 <b>Schematics:</b>	
Electrical & Hydraulic.....	104
 9XR Spares.....	 110
9XV & AM9D Spares.....	113

# 9XR Brakes, Tires & Axles

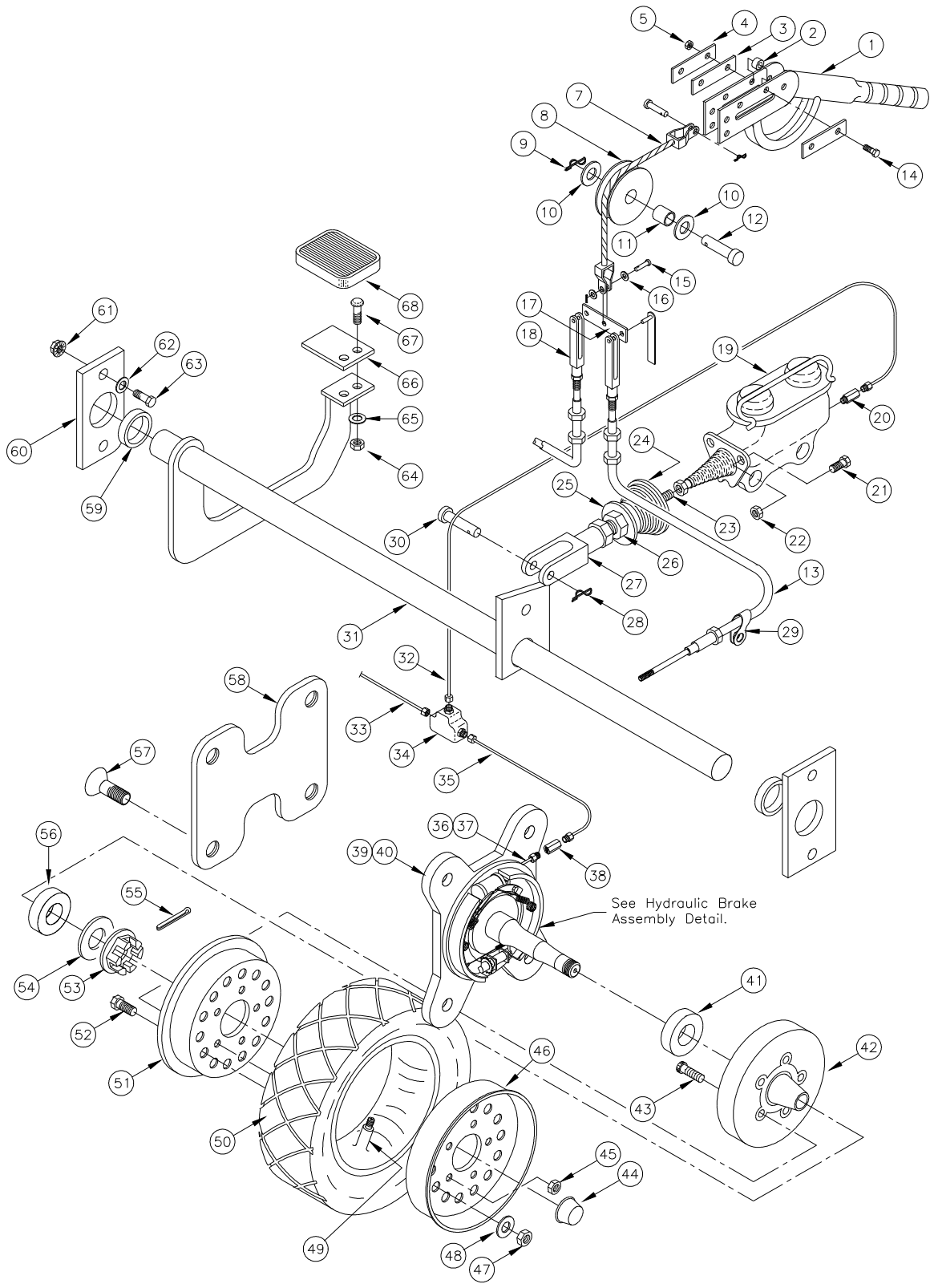




# 9XR Brakes, Tires & Axles

Item	Part no.	Qty.	Description
1	3334173	1	LEVER-HAND BRAKE
2	3307241	2	SPACER-HAND BRAKE CYLINDRICAL
3	3307273	1	SPACER-HAND BRAKE FLAT
4	3307895	2	SPACER-HAND BRAKE THIN
5	3300413	1	PAD-RUBBER BRAKE PEDAL
6	3307274	1	PLATE-BRAKE PAD MOUNTING
7	3333948	1	ASSY-MANUAL BRAKE BAR
8	3334087	2	BAR-PARKING BRAKE SLIDER 9X
9	3307239	2	BEARING-.88IDx1.00ODx.50LG
10	3307233	2	MOUNT-.88 DIA BEARING
11	3334060	1	SUPPORT-MANUAL BRAKE BAR
12	3334098	2	SPRING-3/4" DIA EXTENSION
13	3334058	2	WELDMENT-FRONT AXLE LH&RH 9XR
-	3334064	1	ASSEMBLY-AXLE 7" BRAKE RH SW/9XR SUB (INCLUDES 13, 30, 31, & 32)
-	3334065	1	ASSEMBLY-AXLE 7" BRAKE LH SW/9XR SUB (INCLUDES 13, 30, 31, & 32)
14	3400011	8	SCR-FLAT HEAD 5/8-11x1.00 ZP
15	3400120	2	PIN-COTTER, 5/32x2.00 ZP
16	3300467	2	BEARING-BALL 2.44 OD x 1.18 ID
17	3300473	2	RING-RETAINING, INTERNAL 2.44"
18	3307352	2	WASHER-1.016 IDx1.50 OD x .25 THK
19	3400076	2	NUT-JAM HEX SLOTTED 1"-14 ZP
20	3307254	2	RIM-FRONT INNER SW/A PAINTED
21	3307252	2	TIRE-PNEUMATIC 650x10
22	3307253	2	TUBE-TIRE INNER, 650x10
23	3307255	2	RIM-FRONT OUTER SW/A PAINTED
24	3300369	2	CAP-HUB, 2.44" DIA
25	3300411	10	NUT-WHEEL LUG, 1/2-20 UNF
26	3307242	10	STUD-WHEEL, 1/2-20x1.75 LG
27	3318288	2	HUB-MANUAL/HYD BRAKE, PAINTED
28	3307238	2	BEARING-INNER WHEEL SW/A
29	3307237	2	RING-RETAINING, INT INNER WHEEL SW/A
30	3307642	4	CLEVIS-5/16, ZP
31	3334061	2	ROD-MANUAL BRAKE ADJUST SW/9XR
32	3334059	2	BRAKE-7" MANUAL SW/9XR LH&RH

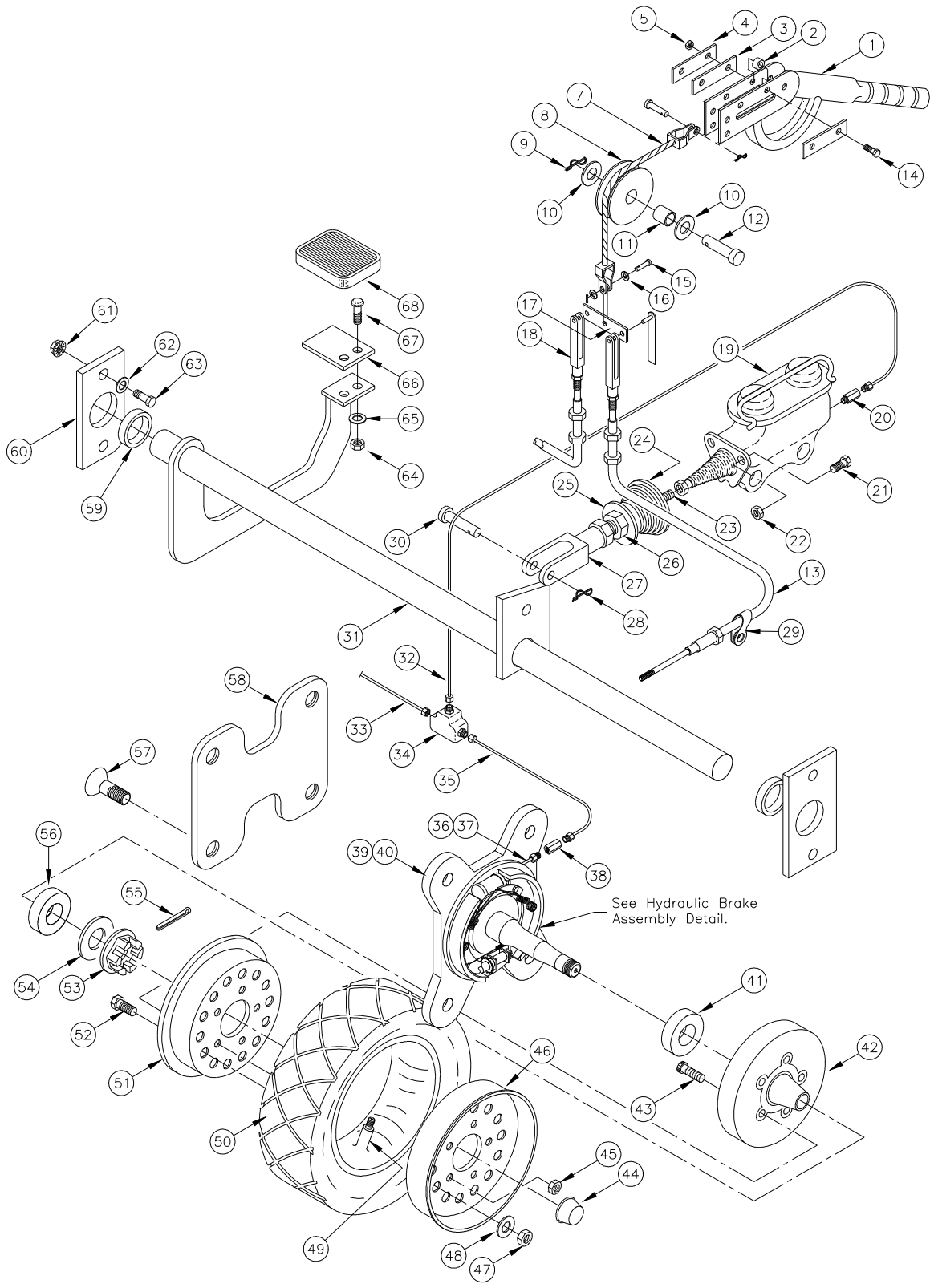
# 9XV Brakes, Hydraulic



# 9XV Brakes, Hydraulic - Continued next page

Item	Part no.	Qty.	Description
1	3334173	1	LEVER-HAND BRAKE SW/A
2	3307241	1	SPACER-HAND BRAKE ZP SW/A
3	3307273	1	BAR-HAND BRAKE SPACER, ZP SW/A
4	3307895	1	SPACER-THIN HAND BRAKE, ZP
5	3400079	1	NUT-HEX 3/8-16 ES ZP
7	3307632	1	CABLE-CENTER BRAKE, SW/A
8	3300367	1	PULLEY-2.50 DIA, BUSHED, BRAKE
9	3400125	1	PIN-COTTER 3/8 RUE-RING
10	3400088	2	WASHER-FLAT 5/16 IDx.688 ODx.065 THK
11	3303552	1	SLEEVE-HAND BRAKE ZP
12	3400185	1	PIN-CLEVIS 5/16x1-1/4 ZP
13	3321452	2	CABLE-8" PARKING BRAKE (HAND)
14	3400473	1	SCR-HEX,3/8-16x3.00 ZP F'THD
15	3400118	1	PIN-CLEVIS 5/16x7/8 ZP
16	3400088	1	WASHER-FLAT 5/16 IDx.688 ODx.065 THK
17	3307232	1	BAR-BRAKE EQUALIZER ZP SW/A
18	3321470	2	CLEVIS-BRAKE 8MM
19	3316717	1	CYLINDER-BRAKE MASTER, ARMA
20	3307638	1	FTG-REDUCER NAPA #7909
21	3400028	1	SCR-HEX,3/8-16x1.50 ZP
22	3400079	1	NUT-HEX 3/8-16 ES ZP
23	3307235	1	ROD-BRAKE MASTER CYLINDER, ZP
24	3313109	1	SPRING-PEDAL RETURN
25	3400278	4	WASHER-FENDER 3/8
26	3400075	2	NUT-HEX JAM 3/8-24 ZP
27	3301447	1	CLEVIS-CABLECRAFT AC-218
28	3400125	1	PIN-COTTER 3/8 RUE-RING
29	3332271	1	CLAMP-3/8 DIA INSULATED HALF (STRAP)
30	3400117	1	PIN-CLEVIS 3/8x1-1/8, ZP
31	3307224	1	WELDMENT-BRAKE TORQUE ARM PAINTED
32	3307637	1	ASSEMBLY-BRAKE LINE CENTER SW/A
33	3321457	1	BRAKE LINE-ARMA RH LONG
34	3306307	1	FTG-TEE HYD BRAKE
35	3321459	1	BRAKE LINE-ARMA LH LONG
36	3321455	1	BRAKE LINE-ARMA LH, SHORT
37	3321456	1	BRAKE LINE-ARMA RH, SHORT
38	3306308	1	FTG-COUPLING, 3/16" OD HYD BRAKE, BRASS
39	3321468	1	ASSEMBLY-8" HYDRAULIC BRAKE LH (INCLUDES ITEMS 13, 57 & 58)
40	3321469	1	ASSEMBLY-8" HYDRAULIC BRAKE RH (INCLUDES ITEMS 13, 57 & 58)
41	3307238	1	BEARING-INNER WHEEL SW/A
42	3332483	1	BRAKE-DRUM 8" ARMA PAINTED
43	3307242	10	STUD-WHEEL, 1/2-20x1.75 LG
44	3300369	1	CAP-HUB, 2.44" DIA, ZP
45	3300411	5	NUT-WHEEL LUG, 1/2-20 UNF
46	3307255	1	RIM-FRONT OUTER SW/A PNTD

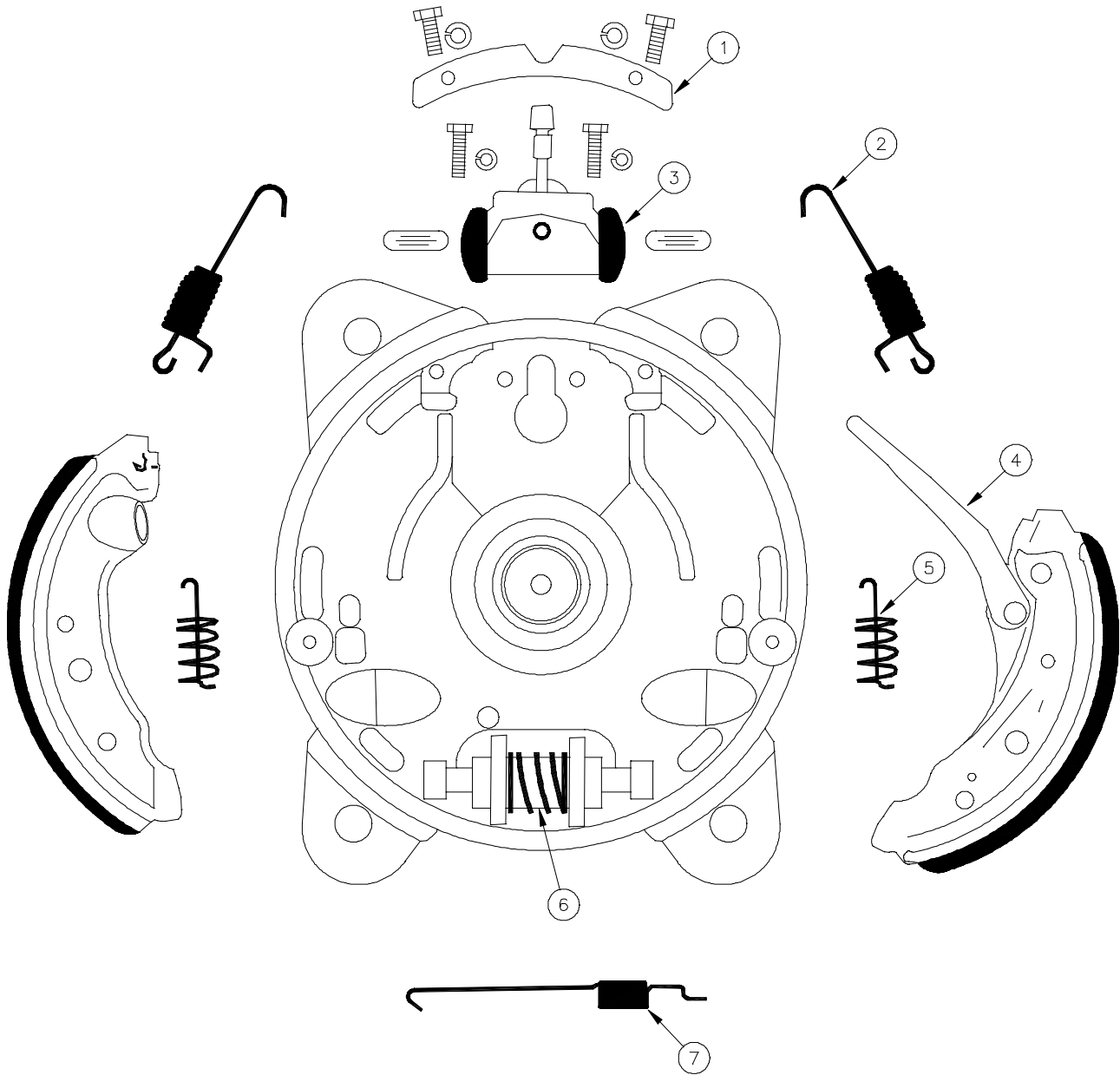
# 9XV Brakes, Hydraulic



## 9XV Brakes, Hydraulic

Item	Part no.	Qty.	Description
47	3400066	10	NUT-HEX 7/16-14 ZP
48	3400099	10	WASHER-LOCK 7/16 SPLIT ZP
49	3307253	2	TUBE-TIRE INNER, 650x10
50	3307252	2	TIRE-PNEUMATIC 650x10
51	3307254	1	RIM-FRONT INNER SW/A PNTD
52	3400015	10	SCR-FLT, 7/16-14x1.50, SOC ZP
53	3400076	1	NUT-HEX JAM SLOTTED, 1-14 ZP
54	3307352	1	WASHER-1.016 IDx1.50 ODx.25 THK
55	3400120	1	PIN-COTTER 5/32 DIAx2.00 LG, ZP
56	3300467	1	BEARING-BALL 2.44 ODx1.18 ID
57	3400011	4	SCR-FLT, 5/8-11x1.00, SOC ZP
58	3321453	1	PLT-8" BRAKE MOUNT RH&LH
59	3307239	2	BEARING-.88IDx1.00ODx.50LG
60	3307233	2	MOUNT-.88 DIA BEARING, ZP SW/A
61	3400392	1	NUT-FLANGE LOCK 3/8-16
62	3400385	1	WASHER-CONICAL SPRING 3/8
63	3400029	1	SCR-HEX, 3/8-16x1.25 ZP
64	3400071	1	NUT-HEX 1/4-20 ZP
65	3400103	2	WASHER-LOCK 1/4 SPLIT ZP
66	3307274	1	PLATE-BRAKE PAD MOUNTING
67	3400010	2	SCR-CAR, 1/4-20x0.75 ZP
68	3300413	1	PAD-RUBBER BRAKE PEDAL

# 9XV Brakes, Hydraulic Assembly Detail

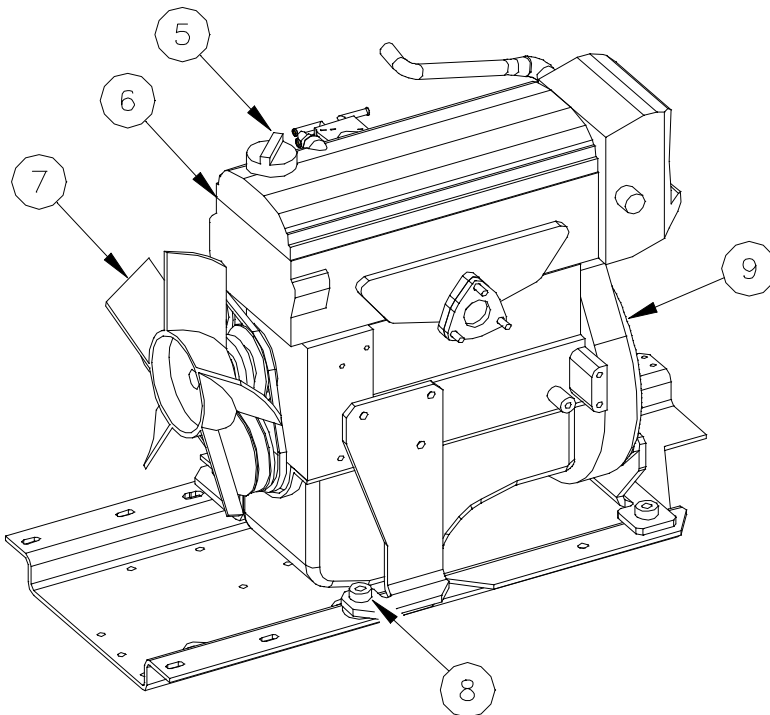
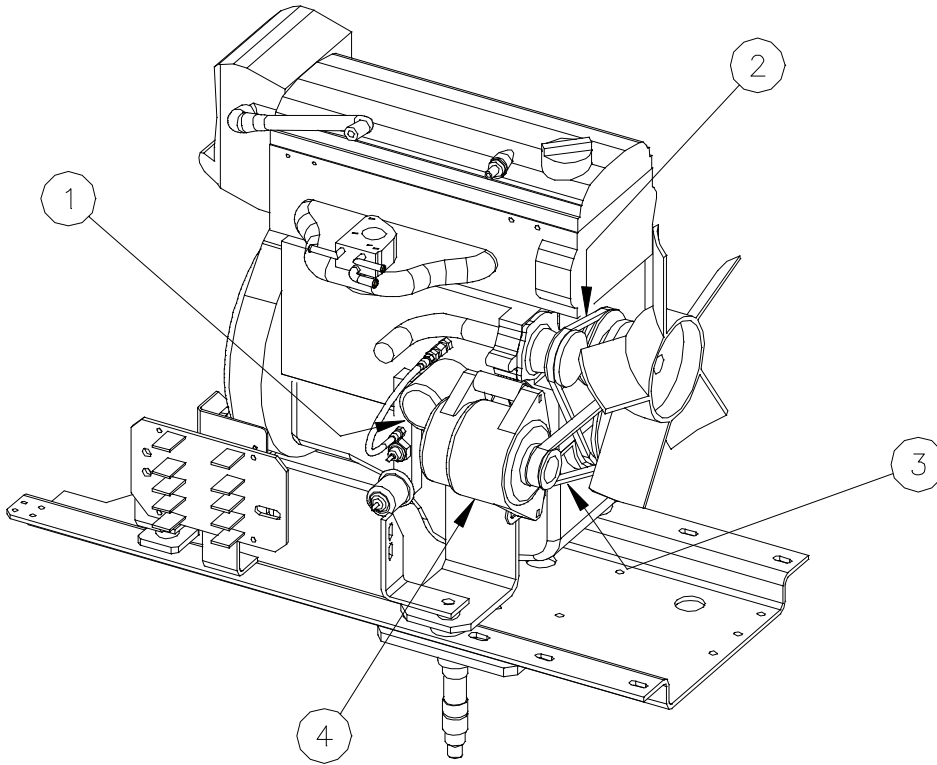


## 9XV Brakes, Hydraulic Assembly Detail

Item	Part no.	Qty.	Description
1	3321462	1	RETAINER-BRAKE 8" PLATE
2	3321465	2	SPRING-TENSION
3	3321461	1	ASSEMBLY-WHEEL CYLINDER, 8" BRAKE
4	3321467	1	BRAKE SHOE SET-8" LH (SHOWN)
4	3334766	1	BRAKE SHOE SET-8" RH (NOT SHOWN)
5	3321466	2	SPRING-HOLD DOWN
6	3321463	1	ASSEMBLY-MANUAL BRAKE ADJUSTER
7	3321464	1	SPRING-RETURN, 8" BRAKE
-	3321450	1	BRAKE-ASSEMBLY, 8" ARMA LH (ALL PARTS)
-	3321471	1	BRAKE-ASSEMBLY, 8" ARMA RH (ALL PARTS)

NOTE: Brake shoe sets, item 4, include both shoes.

# 9X Nissan CG13 Engine



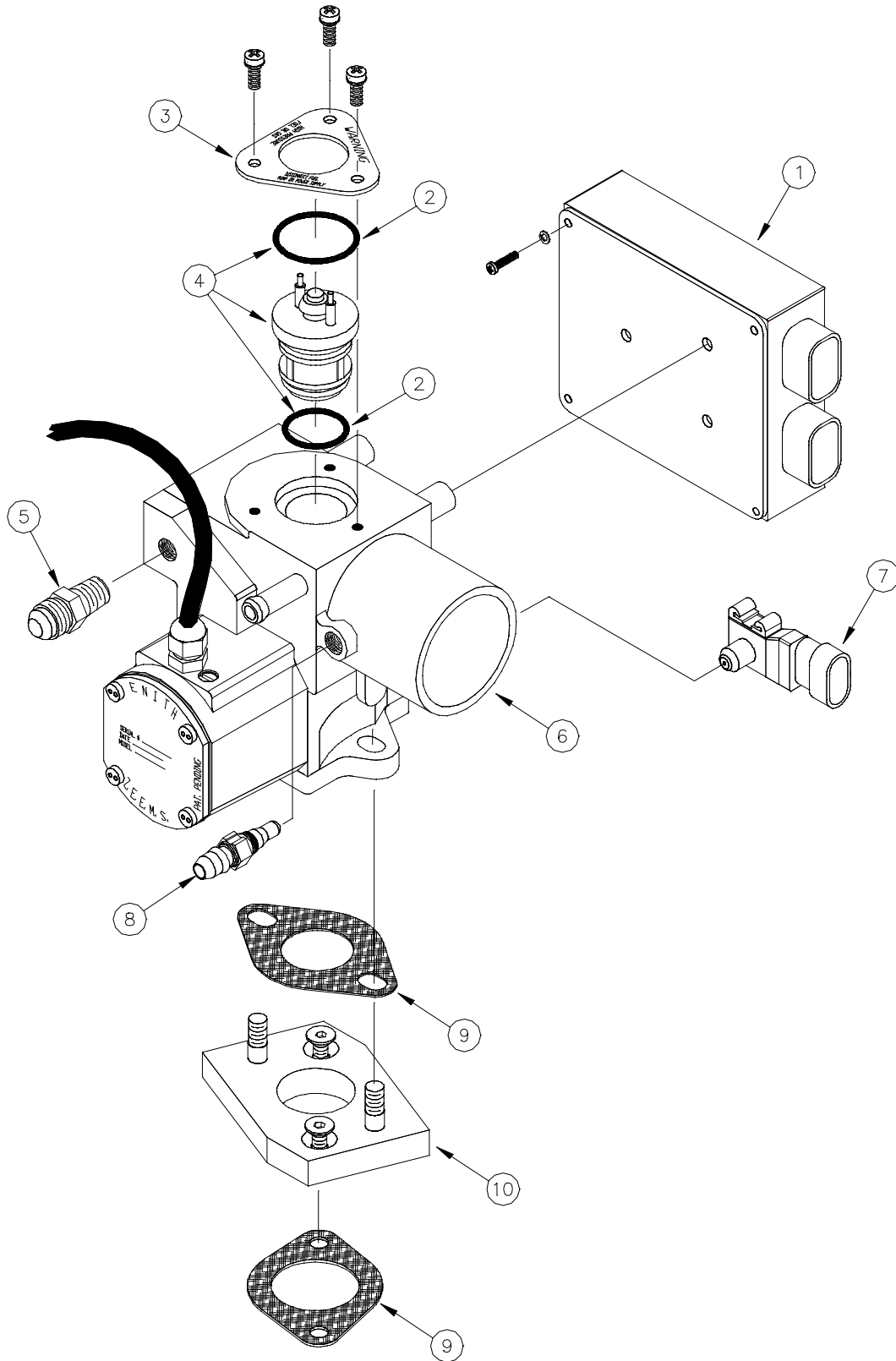


## 9X Nissan CG13 Engine

Item	Part no.	Qty.	Description
1	3336187	1	FILTER-NISSAN CG13 OIL
2	3336441	1	BELT-NISSAN CG13 FAN
3	3336442	1	BELT-NISSAN CG13 ALTERNATOR (SP)
4	3336137	1	ALTERNATOR-NISSAN CG13 (SP)
5	3336184	1	CAP-NISSAN CG13 OIL FILL
6	3336216	1	GASKET-VALVE COVER, NISSAN CG13
7	3336170	1	FAN-NISSAN CG13 COOLING
8	3300464	4	ISOLATOR-RUBBER, 1.24 DIAx1.25 LG
9	3334066	1	COUPLING-PUMP DRIVE NISSAN CG13
-	3336104	1	STARTER-NISSAN CG13 (NOT SHOWN)
-	3336154	4	SPARK PLUG-NISSAN CG13, NGK BKR5E-11 (NOT SHOWN)
-	3336150	1	IGNITION WIRES-NISSAN CG13 (SP) (NOT SHOWN)
-	3336162	1	CAP-NISSAN CG13 DISTRIBUTOR, (SP) (NOT SHOWN)
-	3336160	1	ROTOR-DISTRIBUTOR NISSAN CG13/H25 (NOT SHOWN)
-	3336167	1	THERMOSTAT-NISSAN CG13 180°F, (82°C) (NOT SHOWN)
-	3336168	1	TENSIONER-NISSAN CG13 FAN BELT (SP) (NOT SHOWN)
-	3336169	1	BEARING ASSEMBLY-NISSAN CG13 FAN DRIVE (SP) (NOT SHOWN)
-	3336151	1	COIL-NISSAN CG13 IGNITION (SP) (NOT SHOWN)

NOTE: The fan is considered the front of the engine. It is toward the rear of the machine.  
For more information consult the Nissan CG13 engine manual.

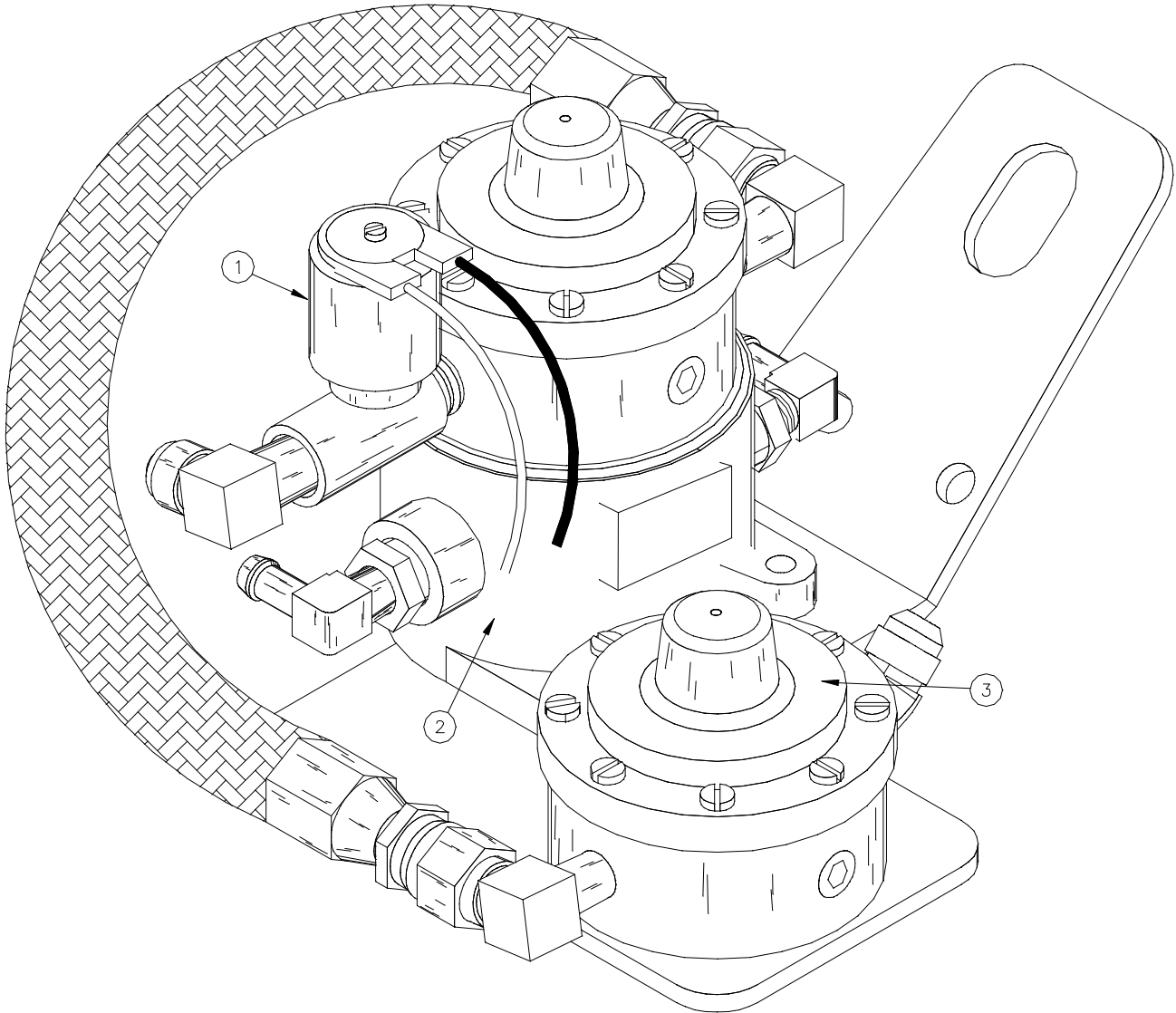
# 9X Nissan CG13 Tier II LPG Fuel System



## 9X Nissan CG13 Tier II LPG Fuel System

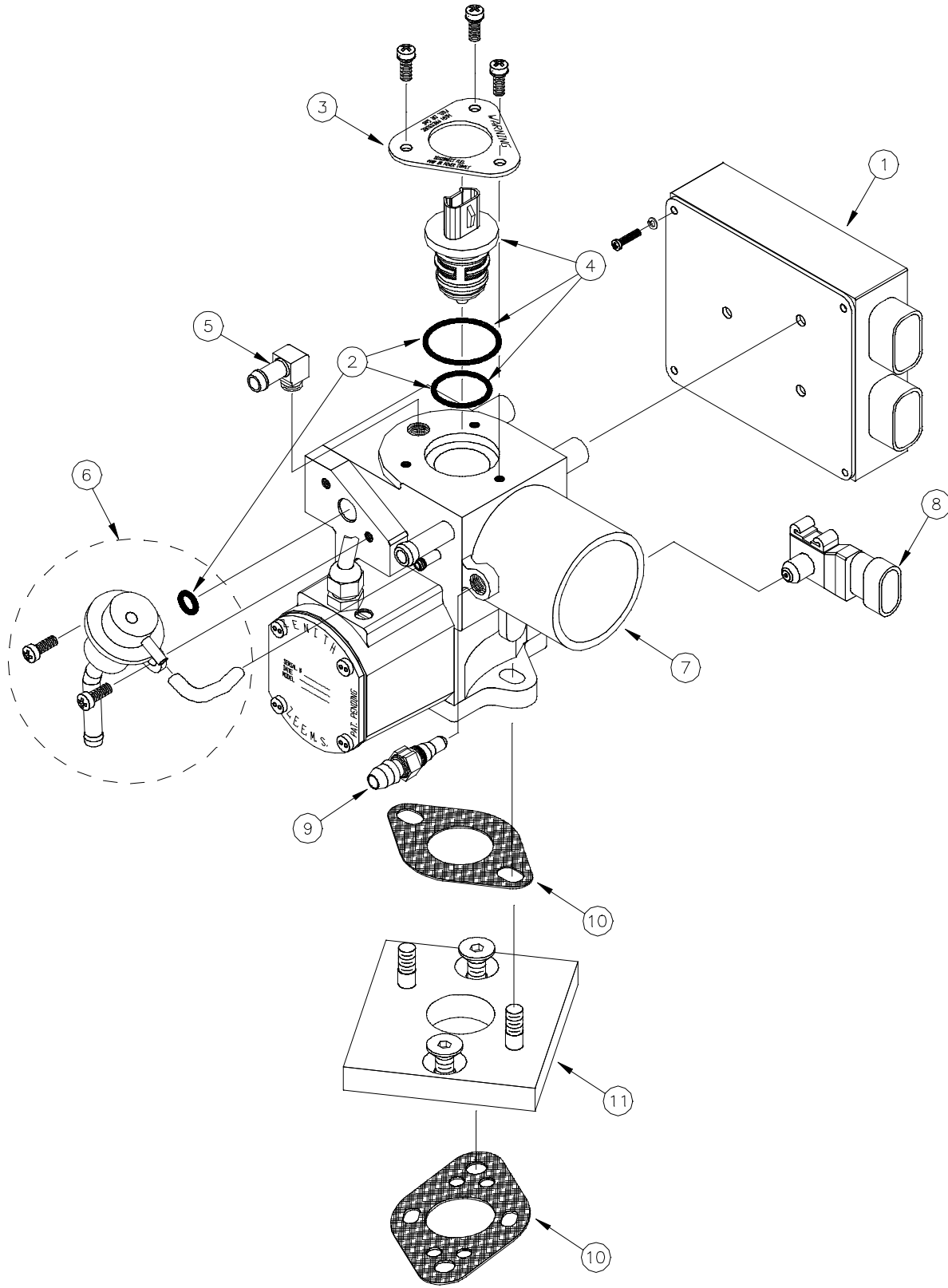
Item	Part no.	Qty.	Description
1	3334327	1	ECU-ZENITH CG13 LPG COMPLIANT, ARMA
2	3336577	1	ORING KIT-LPG INJECTOR, NISSAN CG13
3	3336566	1	INJECTOR-MOUNTING PLATE & SCREWS
4	3336576	1	INJECTOR-LP GAS W/2 O-RINGS
5	3336578	1	FTG-LPG THROTTLE BODY FUEL INLET
6	3334392	1	ASSY-THROTTLE BODY W/O ECU NISSAN CG13 LPG COMPLIANT
7	3334854	1	SENSOR-MAP, CG13 TIER II, LPG/GAS
8	3336568	1	SENSOR-CG13-AIR TEMPERATURE, NISSAN
9	3336562	1	GASKET KIT-CG13 THROTTLE BODY, NISSAN
10	3336561	1	MANIFOLD ADAPTER KIT, NISSAN CG13 (INCLUDES 9 +HARDWARE)
-	3333699	1	FUEL SYSTEM ZENITH 9XLP NISSAN CG13 (INCLUDES PARTS 1 -8)

# 9X Nissan CG13 Tier II LPG Vaporizer Assembly



<b>Item</b>	<b>Part no.</b>	<b>Qty.</b>	<b>Description</b>
1	3336589	1	SOLENOID-LPG LOCKOFF (SP)
2	3334343	1	VAPORIZER-LPG NISSAN CG13, COMPLIANT
3	3334342	1	REGULATOR-LPG, NISSAN CG13 COMPLIANT
-	3336584	1	FILTER-LPG FUEL, NISSAN CG13 (NOT SHOWN)

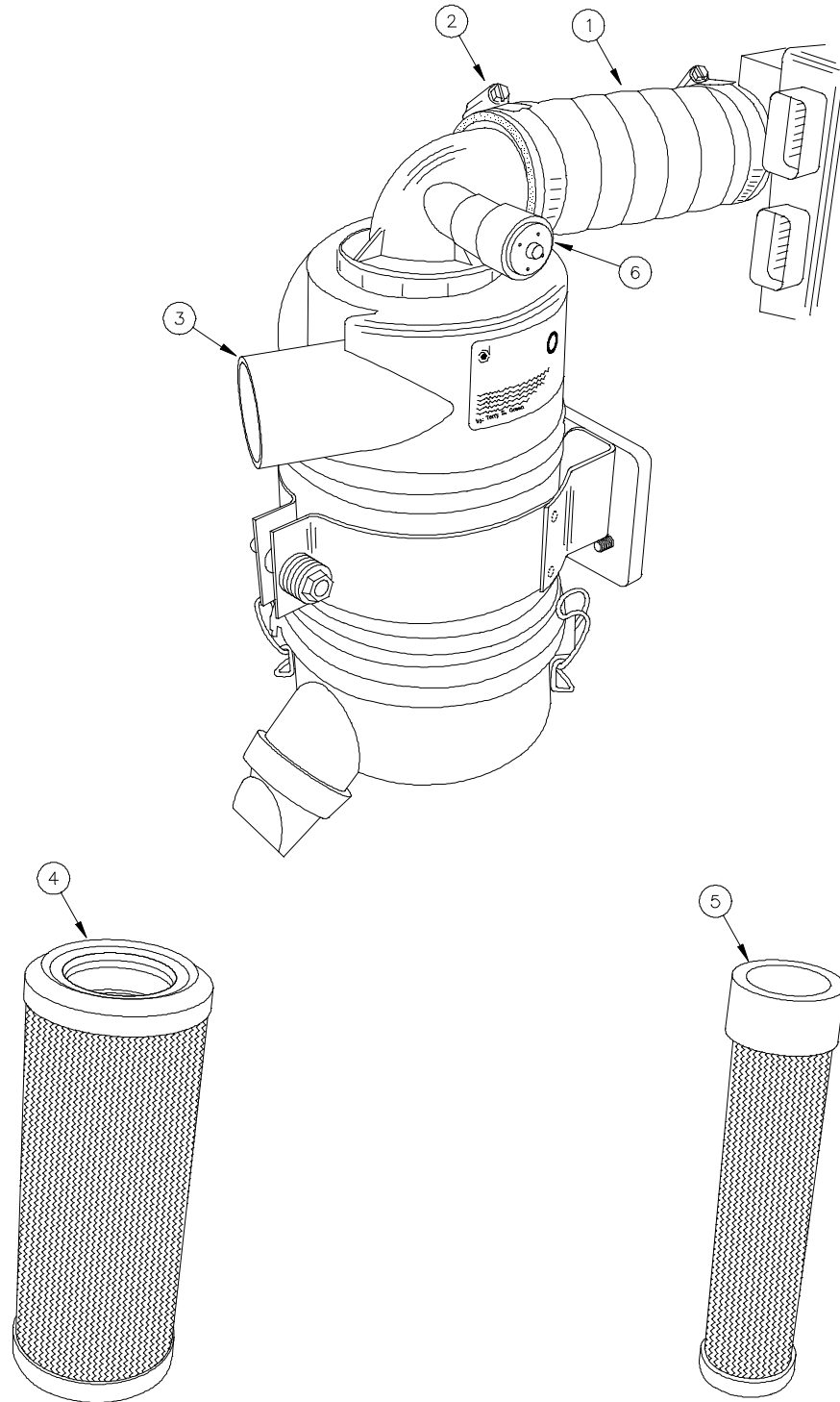
# 9X Nissan CG13 Tier II Gasoline Fuel System



## 9X Nissan CG13 Tier II Gasoline Fuel System

Item	Part no.	Qty.	Description
1	3334328	1	ECU-ZENITH CG13 GAS TIER II ARMA
2	3336564	1	ORING KIT-INJECTOR & PRESSURE REGULATOR, CG13 (SP)
3	3336566	1	INJECTOR-MOUNTING PLATE & SCREWS
4	3334536	1	INJECTOR-CG13 GAS TIER II WITH O-RINGS
5	3336567	1	FTG-GASOLINE FUEL INLET, NISSAN CG13
6	3336565	1	REGULATOR-GAS PRES WITH O-RING&HOSE, CG13
7	3334391	1	ASSEMBLY-THROTTLE BODY W/O ECU NISSAN CG13 LPG TIER II
8	3334854	1	SENSOR-MAP, CG13 TIER II, LPG/GAS
9	3336568	1	SENSOR-CG13-AIR TEMPERATURE, NISSAN
10	3336562	1	GASKET KIT-CG13 THROTTLE BODY, NISSAN
11	3336561	1	MANIFOLD ADAPTER KIT, NISSAN CG13 (INCLUDES 10 +HARDWARE)
-	3333698	1	FUEL SYSTEM ZENITH 9XLP NISSAN CG13 (INCLUDES PARTS 4 THRU 9)

# 9X Air Cleaner Assembly, Gas/LP

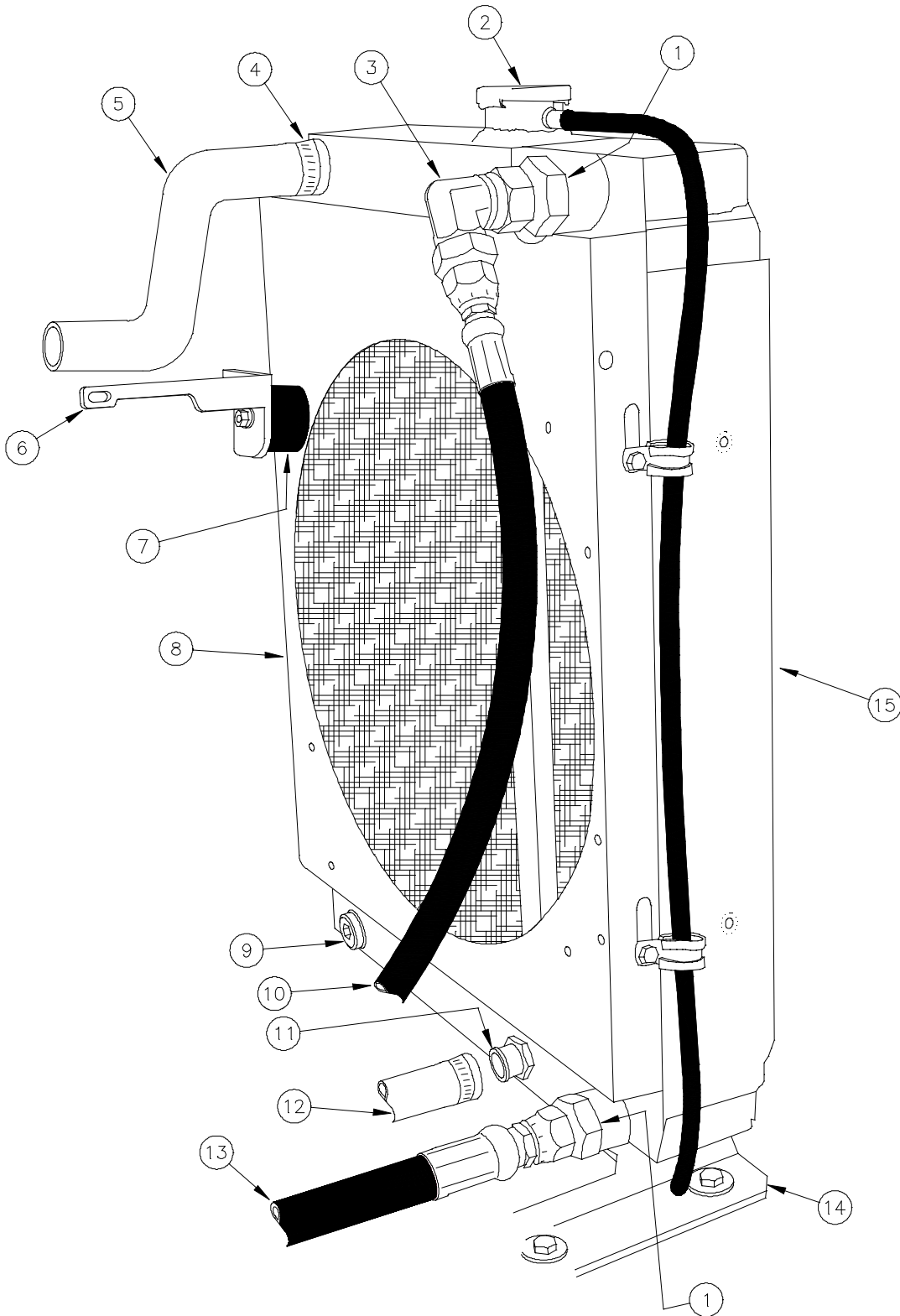




## 9X Air Cleaner Assembly, Gas/LP

Item	Part no.	Qty.	Description
1	3333604	1	HOSE-AIR CLEANER NISSAN CG13
2	3312189	2	CLAMP-HOSE 2" NOMINAL SS WORM
3	3317917	1	AIR CLEANER-RADIAL SEAL FPG STYLE
4	3321143	1	ELEMENT-AIR CLEANER, PRIMARY
5	3322572	1	ELEMENT-AIR CLEANER, SAFETY
6	3303991	1	INDICATOR-AIR CLEANER RESTRICTION

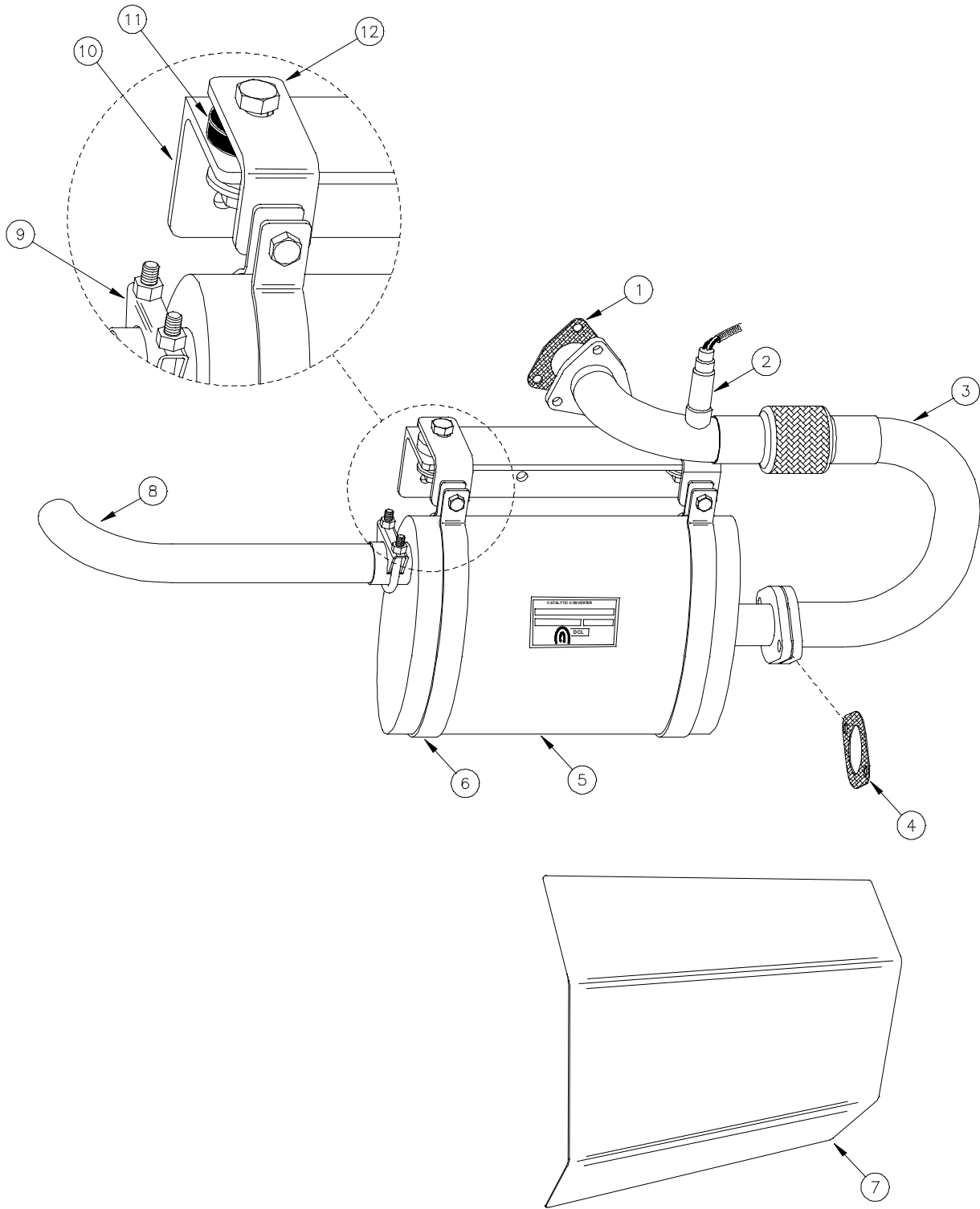
# 9X Radiator - Nissan CG13



## 9X Radiator - Nissan CG13

Item	Part no.	Qty.	Description
1	3402003	1	FTG-ADAPTER STRAIGHT #12 TO #16
2	3336527	1	RADIATOR CAP
3	3400636	1	FTG-ADAPTOR SWIVEL NUT ELBOW
4	3303255	4	CLAMP-HOSE 1.75 DIA NOMINAL
5	3336523	1	HOSE-UPPER RADIATOR, GAS/LP
6	3334444	1	MOUNT-RADIATOR CG13 GAS/LP
7	3334445	1	ISOLATOR-RADIATOR MOUNT, GAS/LP
8	3336522	1	SHROUD-CG13/KUBOTA 1505 RADIATOR
9	3333488	1	FTG-PLUG, RADIATOR
10	3334240	1	HOSE-HYD, 1/2 AR 48.00 #12ST #8 90°
11	3333489	1	FTG-RADIATOR HOSE
12	3336524	1	HOSE-LOWER RADIATOR NISSAN CG13 GAS/LP
13	3334239	1	HOSE-HYD, 3/4AR 163.00 #12ST #12ST
14	3333259	1	MOUNT-RADIATOR HYD W/COOLER
15	3336103	1	RADIATOR-OIL COOLER COMBO

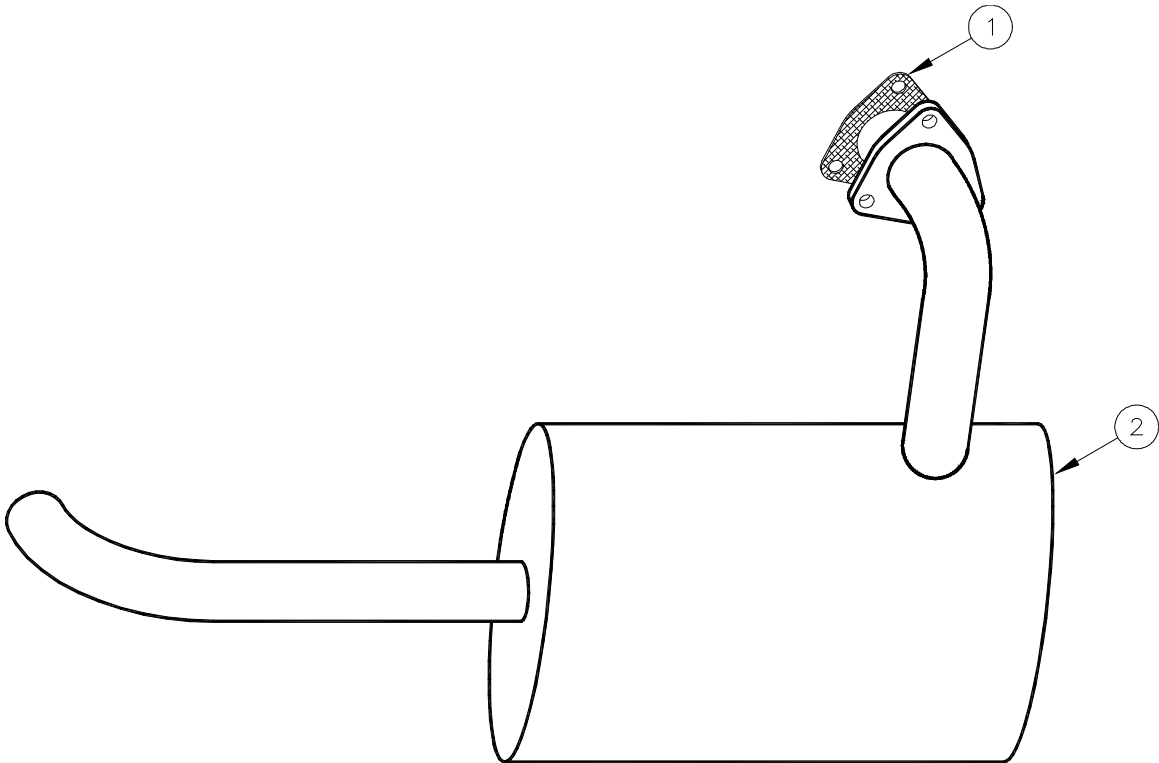
# 9X Exhaust - Nissan CG13, Tier II



## 9X Exhaust - Nissan CG13, Tier II

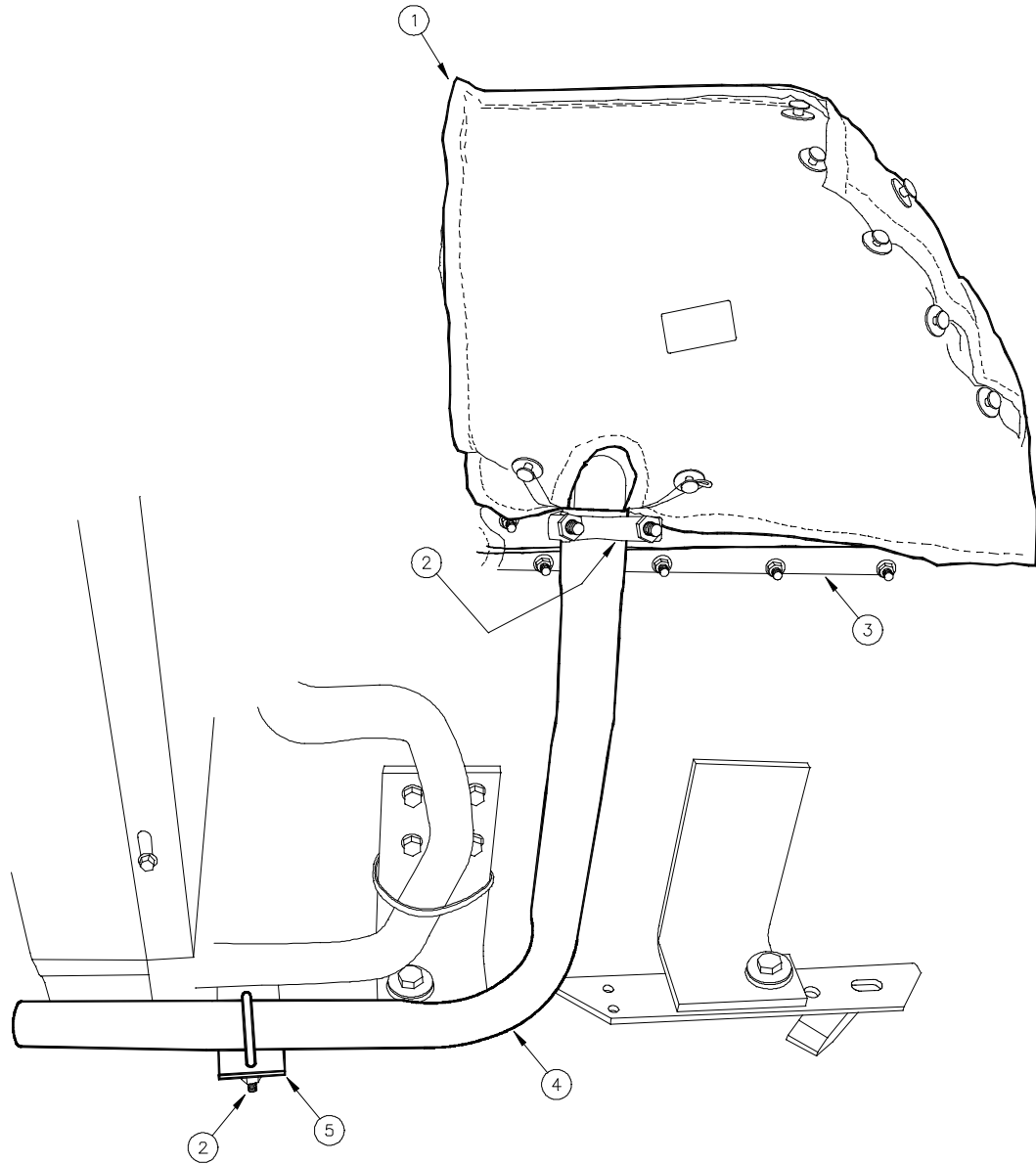
Item	Part no.	Qty.	Description
1	3336540	1	GASKET-EXHAUST, 3 HOLE
2	3334228	1	SENSOR-NISSAN OXYGEN
3	3334246	1	WELDMENT-EXHAUST MANIFOLD TUBE, CG13 9X
4	3333656	1	GASKET-EXHAUST, 2 HOLE
5	3333618	1	CATALYTIC CONVERTER-MINE X
6	3334242	2	BAND-MUFFLER, CG13
7	3333890	1	HEAT SHIELD, 9X STAINLESS STEEL
8	3334241	1	TAILPIPE-NISSAN CG13 9X
9	3303118	1	CLAMP-EXHAUST, 1.63" DIA.
10	3334244	1	MOUNT-CG13 MUFFLER
11	3334245	2	ISOLATOR-RUBBER
12	3334243	2	BRACKET-CG13 EXHAUST

# 9X Exhaust - Nissan CG13, Tier I



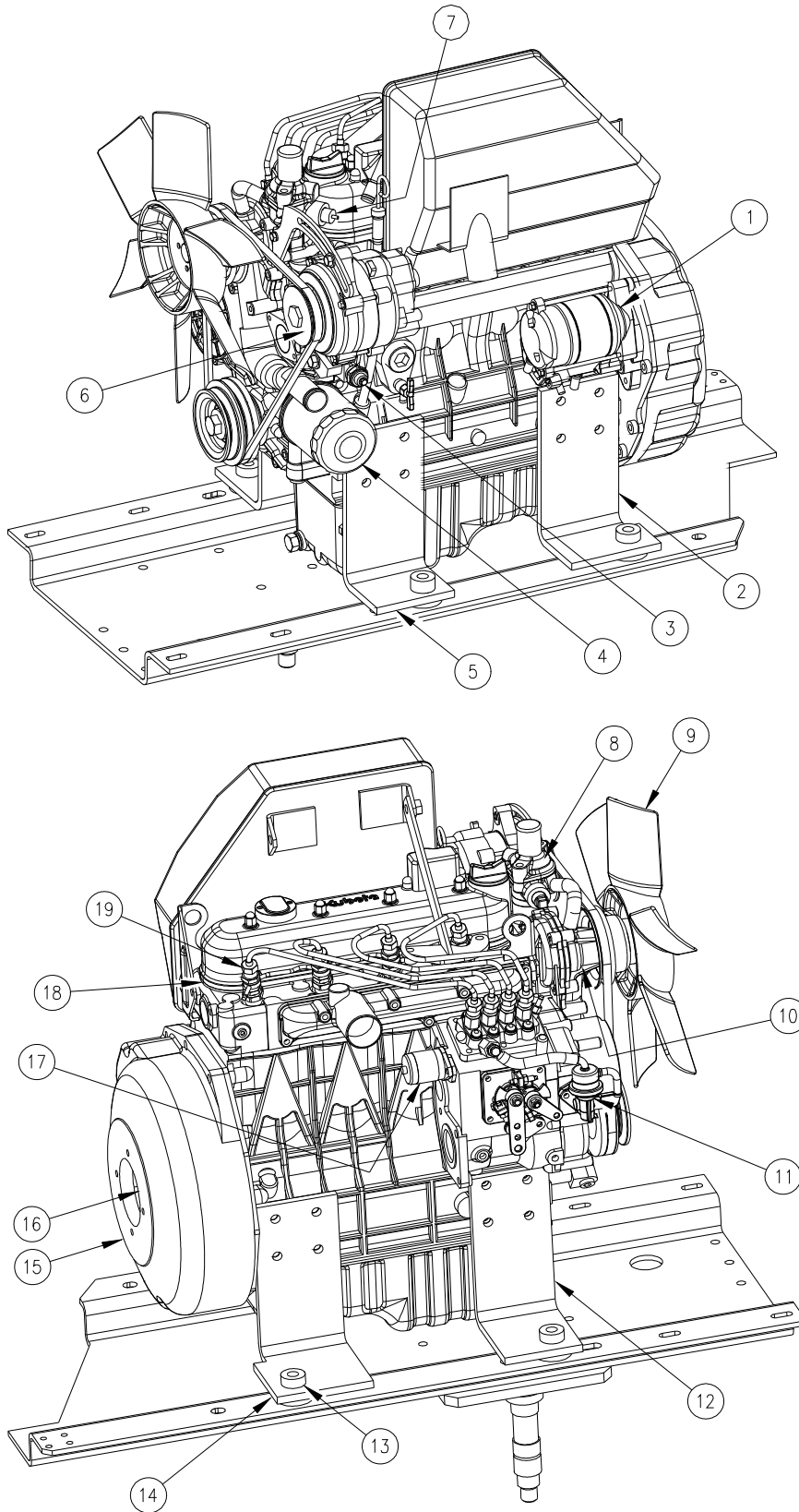
Item	Part no.	Qty.	Description
1	3336534	1	GASKET-EXHUAST PIPE, 3 HOLE
2	3336540	1	MUFFLER-NISSAN CG13 NONCOMPLIANT

# 9X Exhaust - Kubota V1505 Diesel



Item	Part no.	Qty.	Description
1	3330629	1	BLANKET-KUBOTA V1505 BOX EXHAUST
2	3301641	2	CLAMP-EXHAUST, 1.50 DIA.
3	3330627	1	MUFFLER-KUBOTA V1505 BOX
4	3316960	1	PIPE-EXHAUST, KUBOTA V1505
5	3318874	1	MOUNT-9X EXHAUST PIPE

# V1505 Kubota Diesel Engine



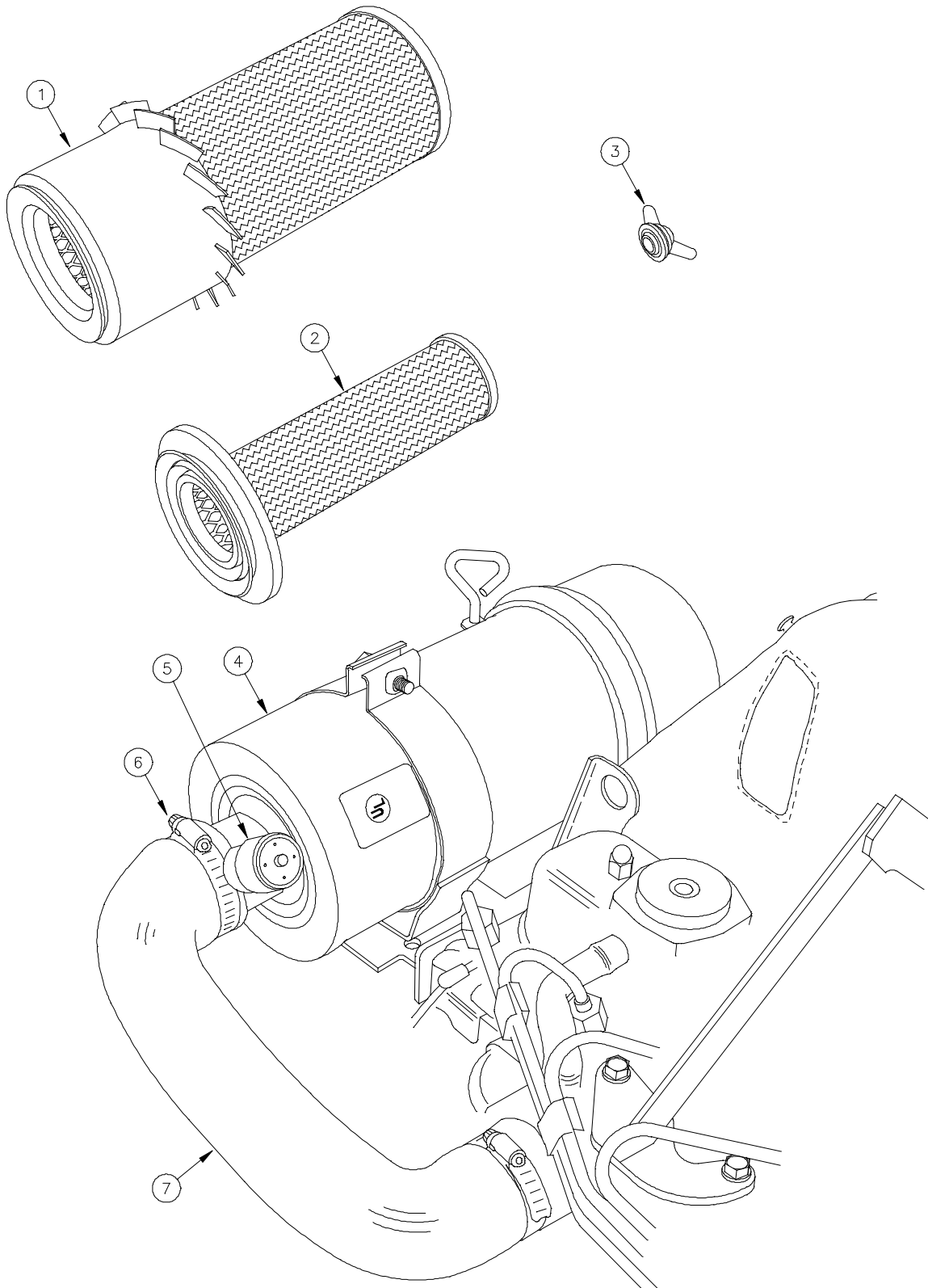


# V1505 Kubota Diesel Engine

Item	Part no.	Qty.	Description
1	3330402	1	STARTER-KUBOTA V1505, 12V
2	3316962	1	MOUNT-MOTOR, INNER LEFT REAR 9X V1505 KUBOTA DIESEL
3	3341069	1	SENDER-OIL PRESSURE 12V, 9XR
3	3300387	1	SENDER-OIL PRESSURE 12V, 9XV & AM9D
4	3324129	1	FILTER-OIL, 1505/905 KUBOTA DIESEL
5	3316961	1	MOUNT-MOTOR, LEFT FRONT 9XT V1505 KUBOTA DIESEL
6	3329875	1	ALTERNATOR-KUBOTA V1505
7	3341070	1	SENDER-TEMPERATURE 12V, 9XR
7	3301441	1	SENDER-TEMPERATURE A12,A15,& KUBOTA 9XV & AM9D
8	3350446	1	THERMOSTAT-KUBOTA V1505 & V2203
9	3330210	1	FAN-KUBOTA V1505 ENGINE (SP) 1 PIECE
10	3330792	1	PUMP-WATER, KUBOTA V1505
-	3330793	1	GASKET-KUBOTA V1505 WATER PUMP (SP)
11	3330692	1	PUMP-FUEL, KUBOTA V1505 DIESEL
12	3316964	1	MOUNT-MOTOR, RIGHT FRONT 9X V1505 KUBOTA DIESEL
13	3300464	4	ISOLATOR-RUBBER, 1.24 DIAx1.25 LG
14	3316963	1	MOUNT-MOTOR, RIGHT REAR 9X V1505 KUBOTA DIESEL
15	3329957	1	BELL HOUSING-KUBOTA V1505 DIESEL (PUMP MOUNT)
16	3329956	1	COUPLING-KUBOTA DIESEL V1505/D905 HAYES (SP)
17	3334549	1	SOLENOID-FUEL SHUT-OFF W/JUMPER
18	3334278	1	GASKET-VALVE COVER KUBOTA V1505 DIESEL
19	3330106	1	INJECTOR-KUBOTA V1505 DIESEL
-	3329867	1	BELT-KUBOTA V1505 V (NOT NUMBERED)
-	3350329	1	BRACKET-HOSE RETAINER, FRONT, KUBOTA V1505 DIESEL (NOT SHOWN)
-	3333301	1	BRACKET-HOSE RETAINER, REAR, KUBOTA V1505 DIESEL (NOT SHOWN)

NOTE: The fan is considered the front of the engine. It is toward the rear of the machine.  
For more information consult the Kubota V1505 engine manual.

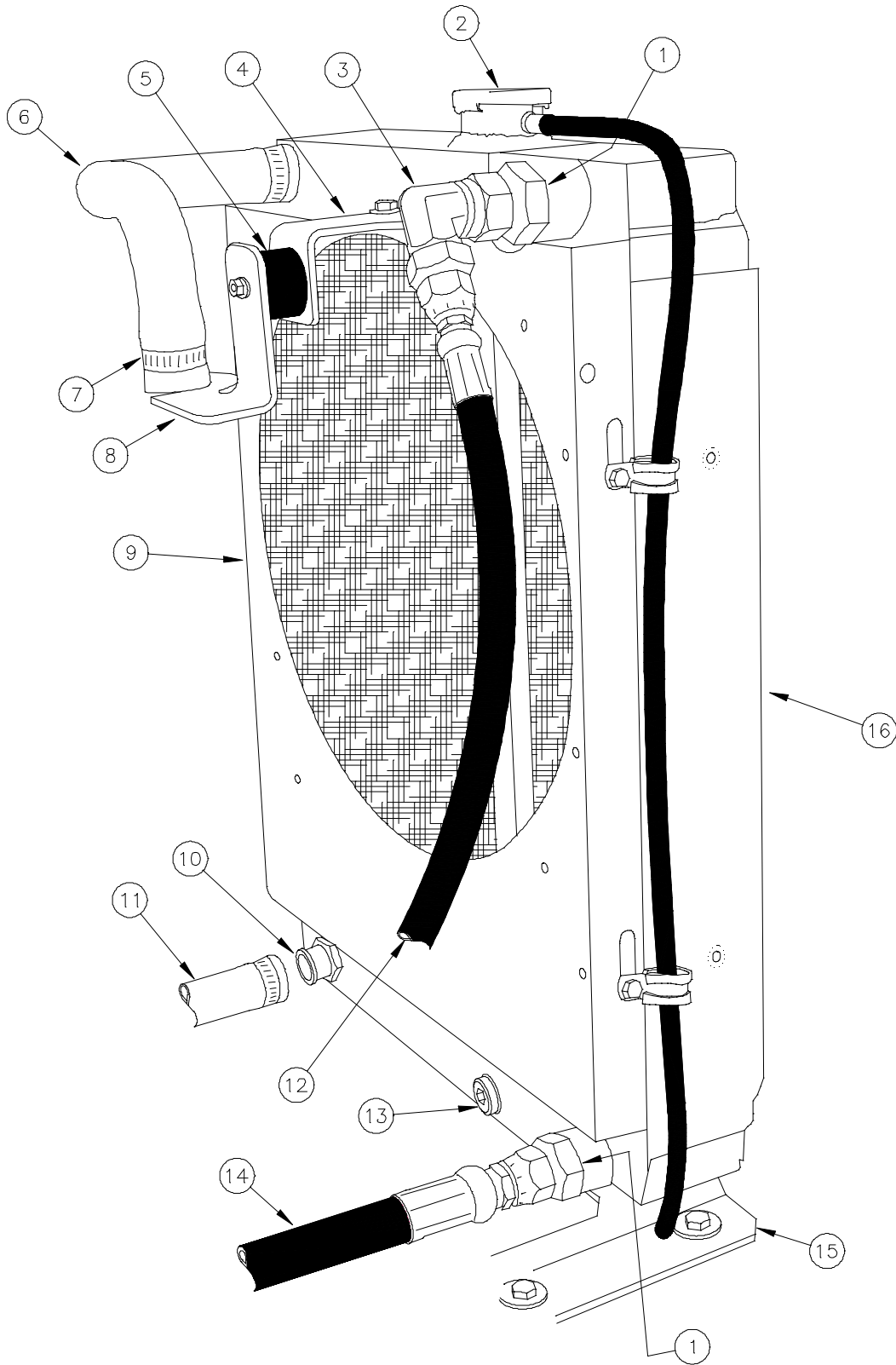
# 9X Air Cleaner Assembly, Diesel



## 9X Air Cleaner Assembly, Diesel

Item	Part no.	Qty.	Description
1	3302842	1	ELEMENT-AIR CLEANER, PRIMARY
2	3302597	1	ELEMENT-AIR CLEANER, SAFETY
3	3303827	1	NUT-WING, DONALDSON AIR CLEANER
4	3303081	1	ASSEMBLY-DONALDSON HEAVY DUTY AIR CLEANER
5	3303991	1	INDICATOR-AIR CLEANER RESTRICTION
6	3044112	2	CLAMP-HOSE, $\phi$ 2.5" SS
7	3333965	1	HOSE-RUBBER AIR INTAKE "U" V1505

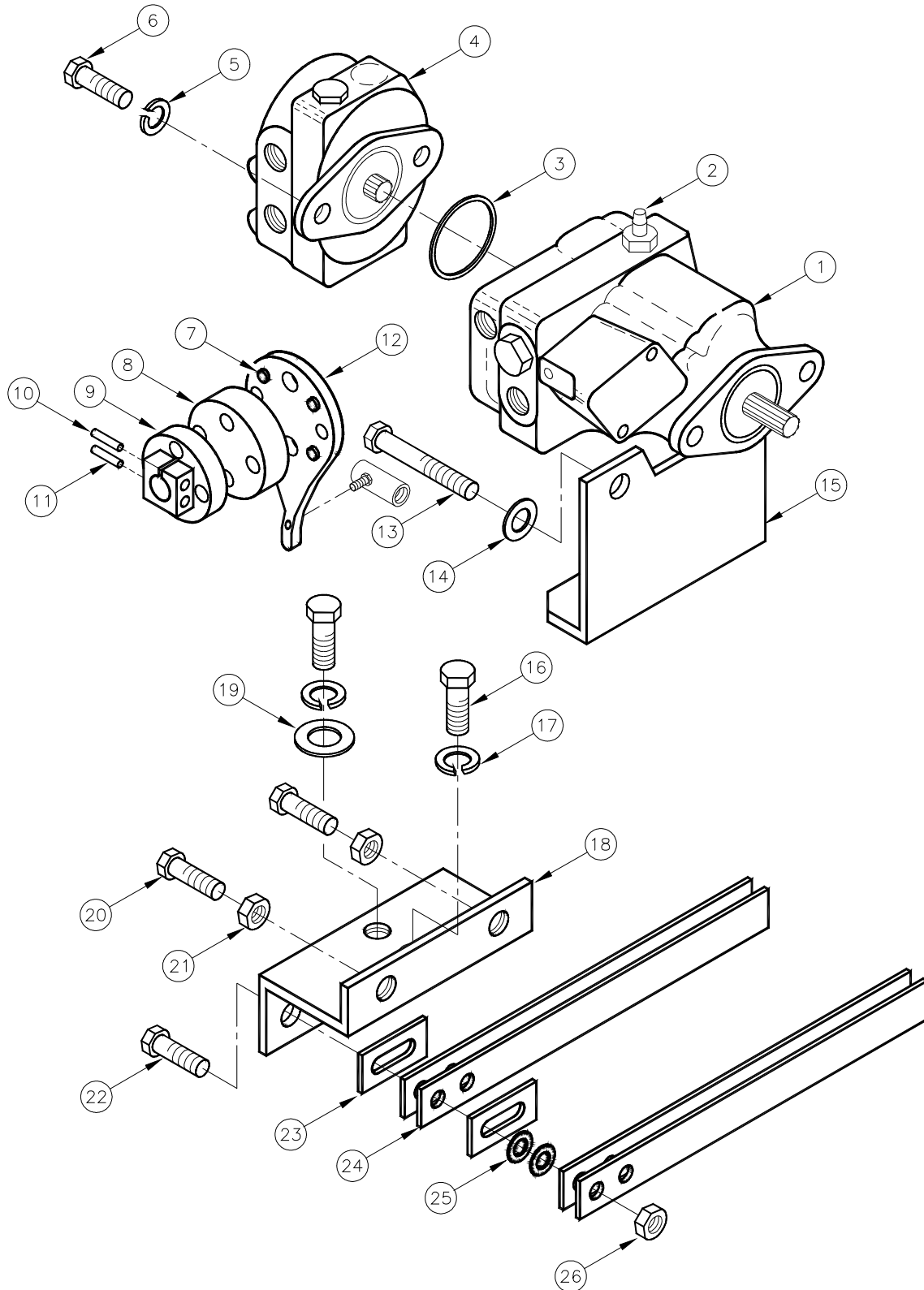
# 9X Radiator - Kubota V1505 Diesel



## 9X Radiator - Kubota V1505 Diesel

Item	Part no.	Qty.	Description
1	3402003	1	FTG-ADAPTER STRAIGHT #12 TO #16
2	3336527	1	RADIATOR CAP
3	3400636	1	FTG-ADAPTOR SWIVEL NUT ELBOW
4	3334427	1	MOUNT-UPPER RADIATOR KUBOTA 1505
5	3334426	1	ISOLATOR-RUBBER, 1.56 ODx1.00 LG, 5/16x5/8 LG STUDS
6	3332643	2	HOSE-UPPER RADIATOR, KUBOTA 1505
7	3303255	4	CLAMP-HOSE 1.75 DIA NOMINAL
8	3334428	1	MOUNT-LOWER RADIATOR, KUBOTA
9	3336522	1	SHROUD-CG13/KUBOTA 1505 RADIATOR
10	3333489	1	FTG-RADIATOR HOSE
11	3332644	2	HOSE-LOWER RADIATOR KUBOTA 1505
12	3334240	2	HOSE-HYD, 1/2 AR 48.00 #12ST #8 90°
13	3333488	1	FTG-PLUG, RADIATOR
14	3334239	1	HOSE-HYD, 3/4AR 163.00 #12ST #12ST
15	3333259	1	MOUNT-RADIATOR HYD W/COOLER
16	3336103	1	RADIATOR-OIL COOLER COMBO

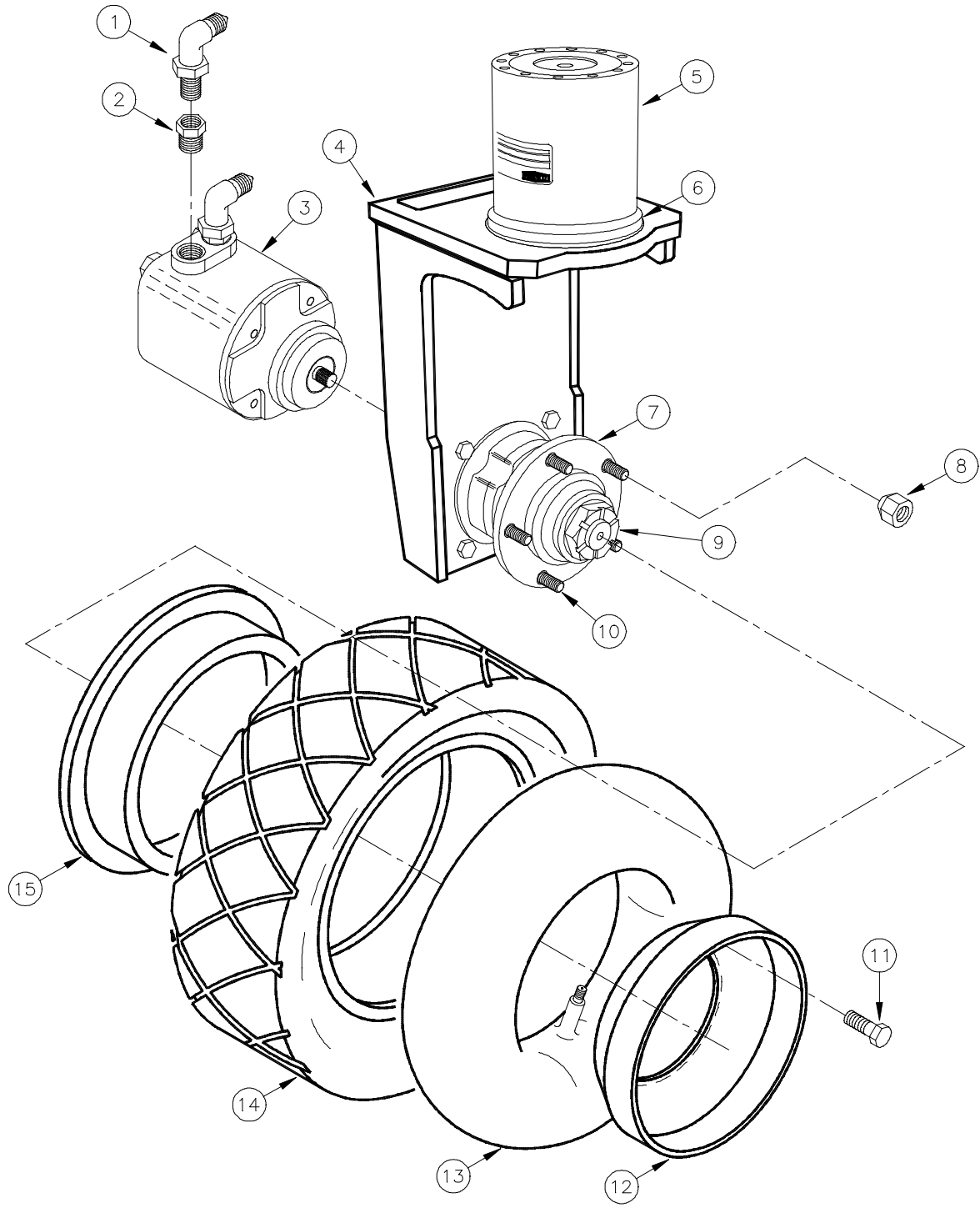
# 9X Hydraulic Pumps & Fwd/Rev Mechanism



# 9X Hydraulic Pumps & Fwd/Rev Mechanism

Item	Part no.	Qty.	Description
1	3303581	1	PUMP-MAIN HYDRAULIC, VD FS
2	3310054	1	VALVE-HYDRAULIC TOW, OPTION (FTG)
3	3303711	1	ORING-STATIC SEAL 3.239 ID
4	3321397	1	PUMP-HYDRAULIC AUX W/FLOW DIR GAS/LP
5	3400101	1	WASHER-LOCK 3/8 SPLIT ZP
6	3400029	1	SCR-HEX, 3/8-16x1.25 ZP
7	3300526	4	BUMPER-RUBBER 1/4 IDx1/8 THK
8	3301507	1	COUPLING-RUBBER, DIR CONTROL
9	3301544	1	WELDMENT-DISC FWD/REV ZP
10	3400027	1	SCR-HEX,3/8-16x1.75 ZP
11	3400173	1	SCR-HEX,1/4-20x1.75 ZP
12	3307219	1	PLATE-DIRECTIONAL CONTROL ZP SW/A
13	3400028	1	SCR-HEX,3/8-16x1.50 ZP
14	3400385	1	WASHER-CONICAL SPRING 3/8
15	3312231	1	MOUNT-FWD/REV & MAIN HYD PUMP, ZP
16	3400036	1	SCR-HEX, 5/16-18x0.75 ZP
17	3400102	1	WASHER-LOCK 5/16 SPLIT ZP
18	3302115	1	BRACKET-FWD/REV ZP
19	3400088	1	WASHER-FLAT 5/16 IDx.688 ODx.065 THK
20	3400228	1	SCR-HEX, 5/16-24x1.5 ZP FULL THD
21	3400069	1	NUT-HEX 5/16-24 ZP
22	3400149	1	SCR-HEX,1/4-20x1.50 ZP
23	3303918	2	SPACER-FWD/REV BRACKET ZP
24	3300543	4	SPRING-FWD/REV RETURN
25	3400089	4	WASHER-FLAT 1/4 STANDARD ZP
26	3400081	1	NUT-HEX 1/4-20 ES ZP

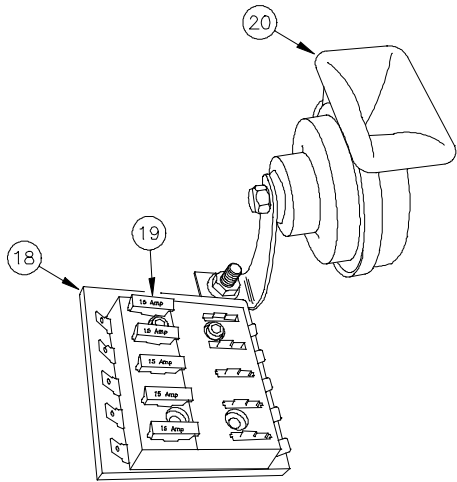
# 9X Drive Motor & Steering System



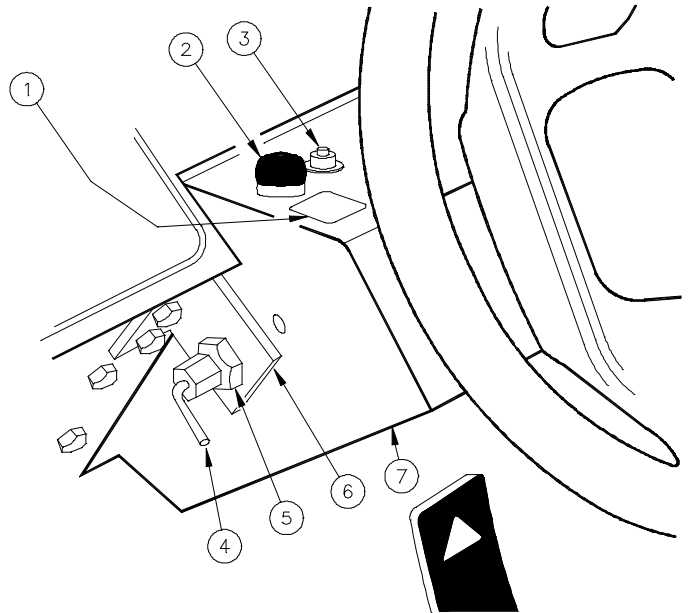


## 9X Drive Motor & Steering System

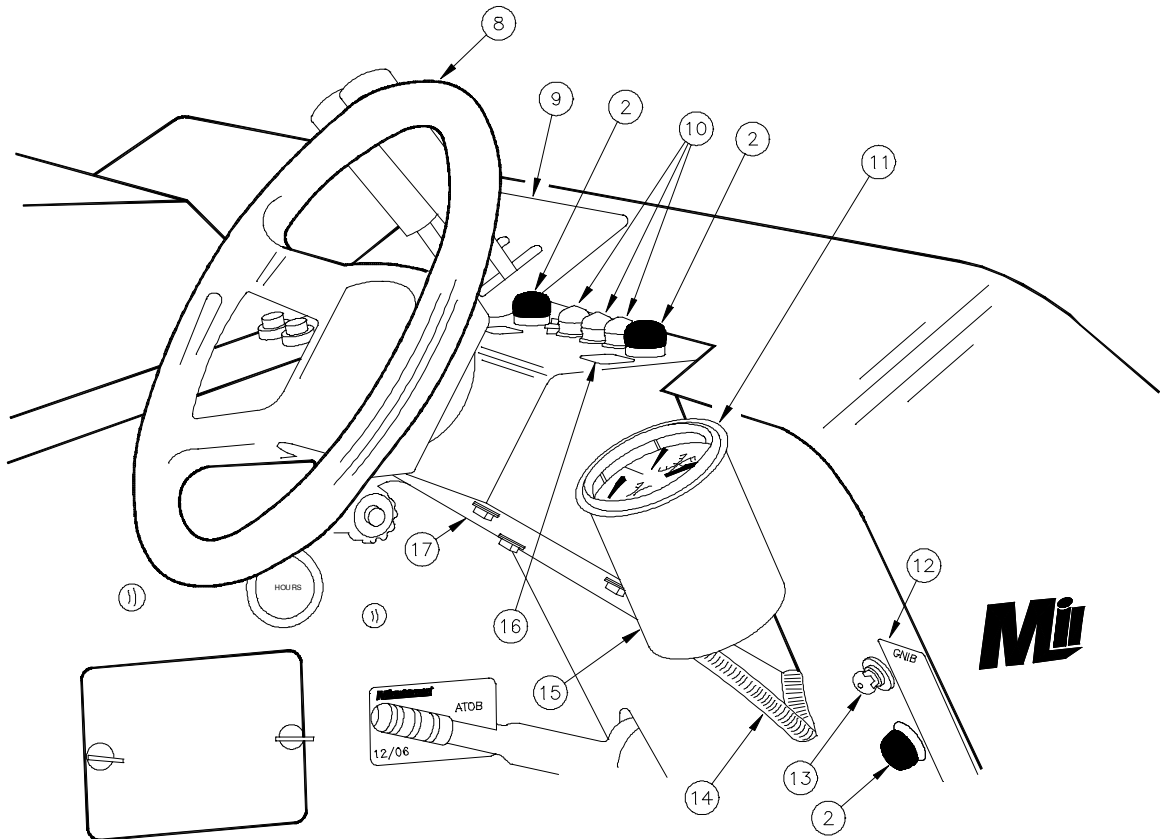
Item	Part no.	Qty.	Description
-	3321423	-	ASSEMBLY-REAR STEERING FORK SUB
1	3400158	2	FTG-45° 7/8-14 TO #8
2	3400168	2	FTG-ADAPTER 1 1/16-12 EXT TO
-	3400212	1	FTG-ADAPTER 7/16-20 TO #4 (NOT SHOWN)
3	3306809	1	MOTOR-HYD, 4000 SERIES PAINTED
4	3321409	1	WELDMENT=-REAR STEERING FORK, HELAC (9X)
5	3321422	1	ACTUATOR-L10 SERIES 180° ROTARY, HELAC
6	3334360	2	SEAL-VS130 HELAC ROTARY ACTUATOR
7	3307347	1	HUB-REAR SW/A PAINTED
8	3300411	5	NUT-WHEEL LUG, 1/2-20 UNF
9	3400224	1	NUT-HEX SLOTTED 1 1/4-18 (SP)
10	3307348	5	STUD-WHEEL, 1/2-20x1.63 (REAR SW/A)
11	3400015	5	SCR-FLAT,7/16-14X1.50, SOCKET ZP
12	3307259	1	RIM-REAR OUTER SW/A
13	3307257	1	TUBE-TIRE INNER, 600x9
14	3307256	1	TIRE-PNEUMATIC 690x9
15	3307258	1	RIM-REAR INNER SW/A
-	3307021	1	ASSY-TIRE REAR PNEUMATIC 8/9/10X (INCLUDES 12, 13, 14, 15)



On Fire Wall



Left Side

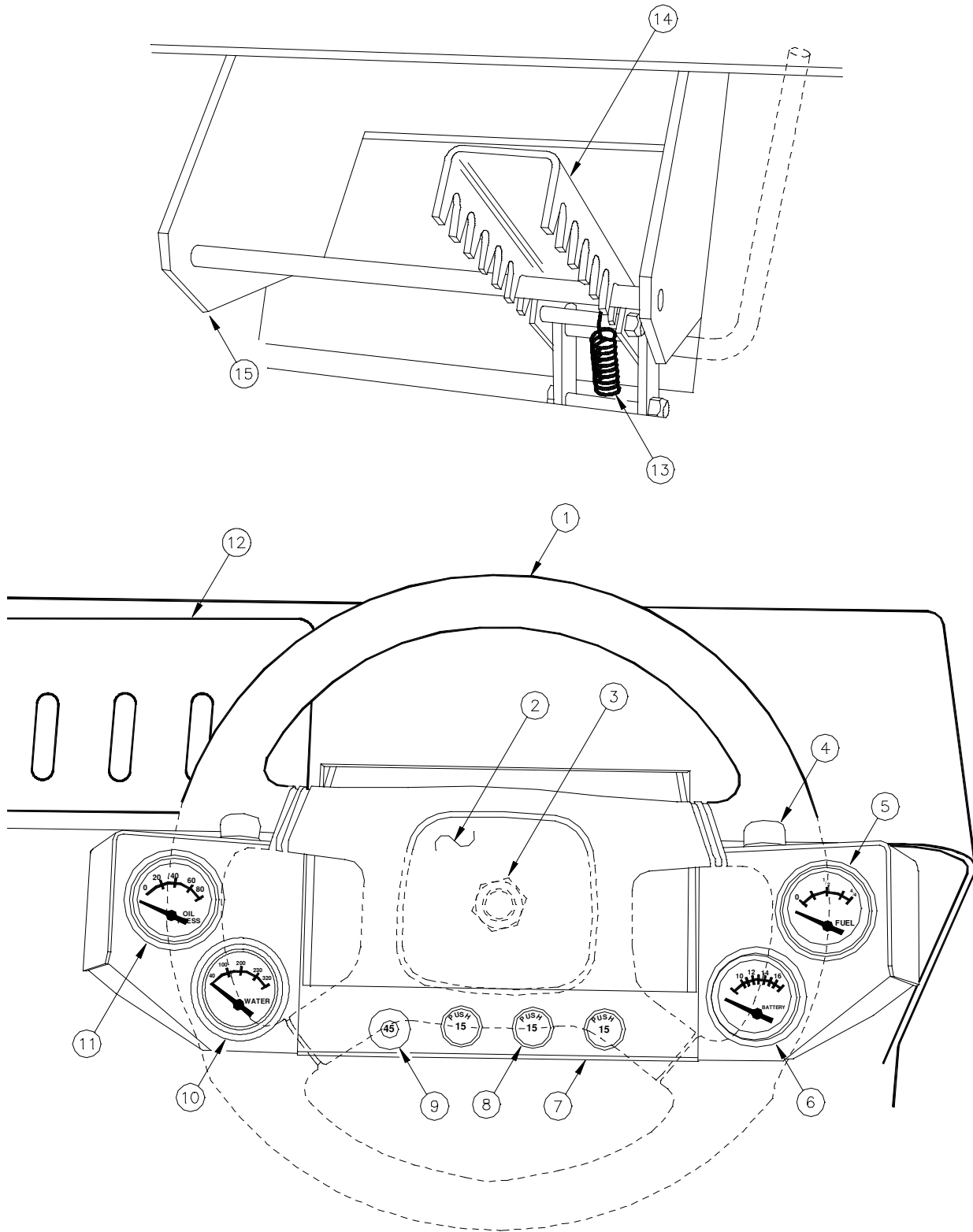


# 9XR Instrument Panel etc.



Item	Part no.	Qty.	Description
1	3302520	1	DECAL-"FILTER SHAKER"
2	3300441	2	SWITCH-MOMENTARY 12V
3	3026924	1	CIRCUIT BREAKER-45 AMP
4	3337002	1	PIN-QUICK RELEASE PLUNGER
5	3400192	2	NUT-JAM, 5/8-11 ZP (ONE SHOWN)
6	3332453	1	MOUNT-TILT STEERING PIN, 9XR
7	3333714	1	WELDMENT-TILT STEERING
8	3318220	1	STEERING WHEEL-W/COVER SW/9X
9	3333735	1	DECAL-FRONT PANEL 9XR
10	3304090	3	CIRCUIT BREAKER-15 AMP
-	3304195	3	BOOT-CIRCUIT BREAKER (SHOWN W/#10)
11	3333721	1	GAUGE-4 IN 1, 3.50" DIA
12	3307599	1	DECAL-IGNITION SW/A
13	3307610	1	SWITCH-IGNITION 12V
-	3301854	1	DECAL-"CAUTION" (NOT SHOWN)
-	3322733	1	DECAL-"WEAR PARTS REFERENCE" (NOT SHOWN)
14	3333720	1	HARNES-INSTUMENT PANEL
15	3333719	1	WELDMENT-GAUGE MOUNT
16	3302525	1	DECAL-"HORN"
17	3333717	1	COVER-TILT STEERING
18	3322599	1	FUSE BLOCK-ATO, 10 POSITION
19	3322601	5	FUSE-15 AMP AUTOMOTIVE PUSH IN
20	3300379	1	HORN-AUTOMOTIVE 12V STANDARD

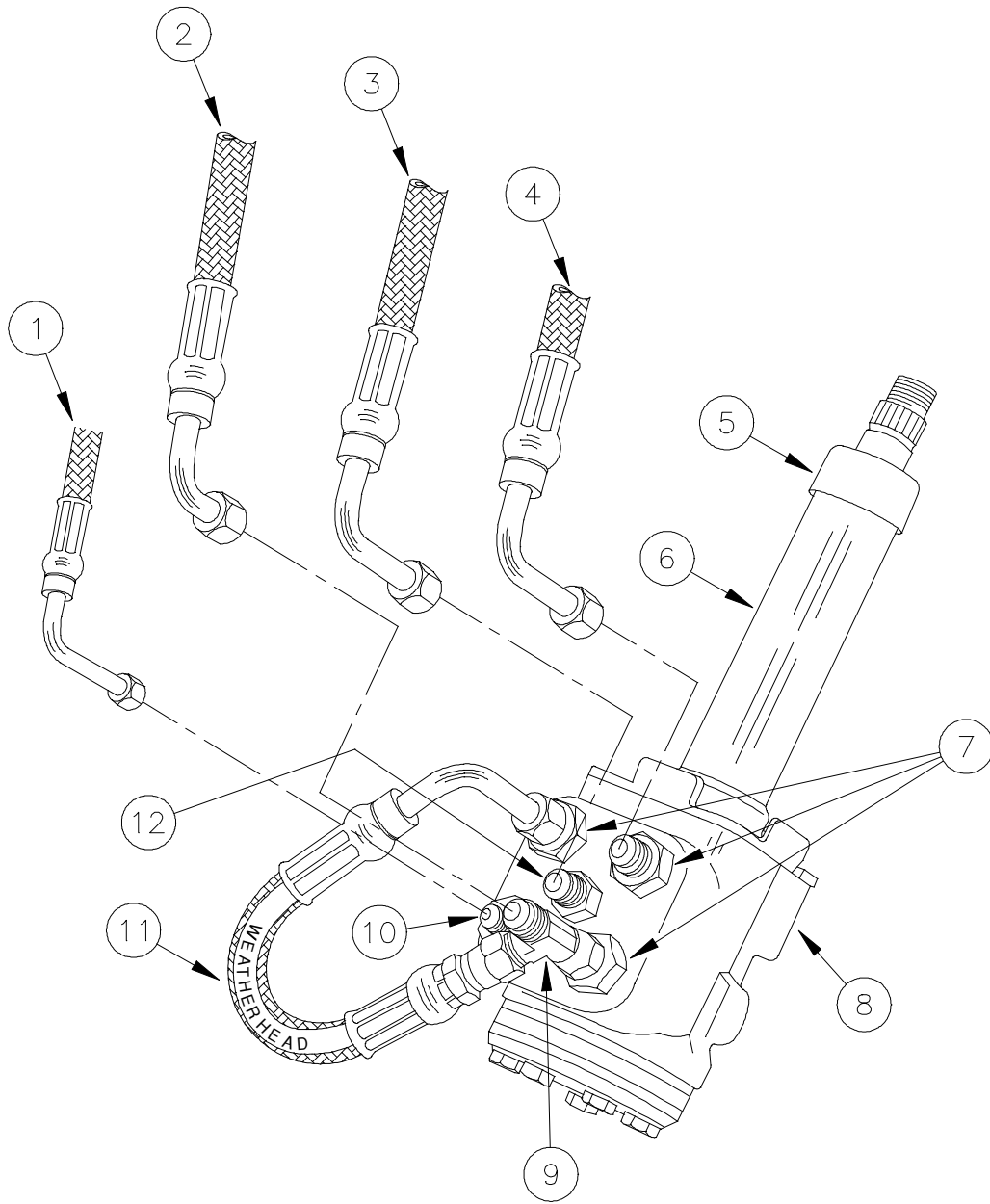
# 9XV & AM9D Instrument Panel



## 9XV & AM9D Instrument Panel

Item	Part no.	Qty.	Description
1	3318220	1	STEERING WHEEL-W/COVER SW/9X
2	3336540	1	COVER-STEERING WHEEL
3	3401075	1	NUT-JAM, M18x1.50 6H
4	3300441	2	SWITCH-MOMENTARY 12V
5	3300382	1	GAUGE-FUEL LEVEL, 2" DIA, 12V
-	3301822	1	PLUG-PLASTIC 2" DIA, (USED IN PLACE OF #5 ON LP UNITS)
6	3309779	1	GAUGE-VOLTMETER, 2" DIA, 12V
7	3307617	1	WELDMENT-INSTRUMENT PANEL 9XV/AM9D
-	3307630	2	COVER-INSTRUMENT PANEL, ZP, 9XV/AM9D (NOT SHOWN)
8	3304090	3	CIRCUIT BREAKER-15 AMP
-	3304195	3	BOOT-CIRCUIT BREAKER (INSTALLED ON #8)
9	3026924	1	CIRCUIT BREAKER-45 AMP
10	3300384	1	GAUGE-WATER TEMPERATURE, 2", 12V
11	3300383	1	GAUGE-OIL PRESSURE, 2", 12V
12	3307594	1	DECAL-FRONT PANEL 9XV & AM9D
13	3307815	1	SPRING-EXTENSION, TILT STEERING
14	3307163	1	WELDMENT-LATCHING TILTSTEER
15	3307158	1	WELDMENT-TILT STEER MOUNT SW/A PAINTED

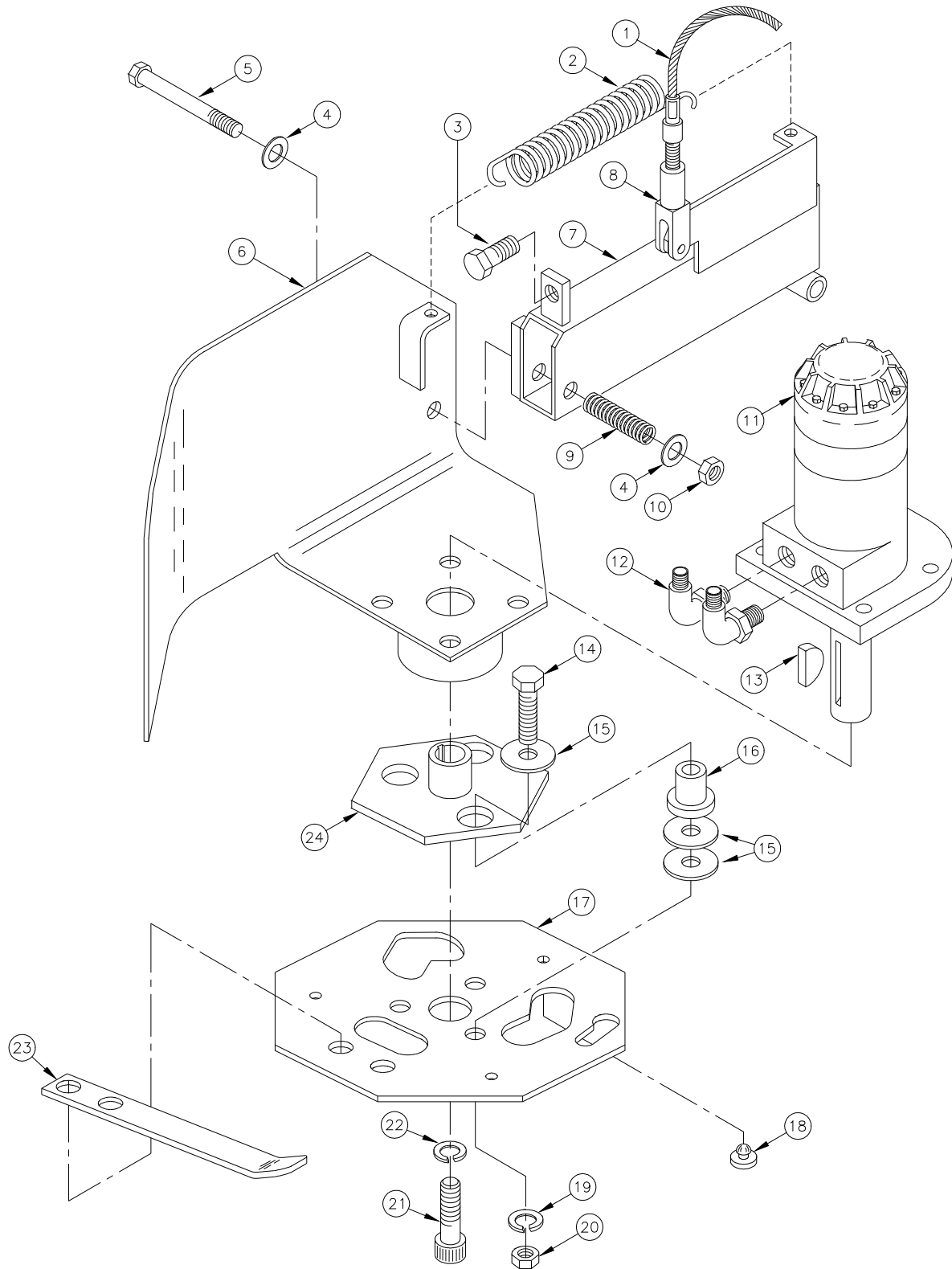
# 9X Hydraulic Power Steering



## 9X Hydraulic Power Steering

Item	Part no.	Qty.	Description
1	3333910	1	HOSE-1/4 HT 67.00" LONG ST#4 90° #4
2	3316449	1	HOSE-3/8 AR 105.00" LONG ST#6 90° S#6
3	3316440	1	HOSE-3/8 AR 105.00" LONG ST#6 90° #6
4	3316336	1	HOSE-3/8 AR 105.00" LONG ST#6 90° #6
5	3324015	1	BOOT-STEERING COLUMN RUBBER
6	3316900	1	STEERING COLUMN-POWER STEERING
7	3400648	3	FTG-ADAPTER ST THD 3/4-16 TO #6
8	3321433	1	STEERING UNIT-HYD POWER BEYOND
9	3400851	1	FTG-TEE (6R6X-S)
10	3400150	1	FTG-STR 3/4-16 TO #4
11	3334159	1	HOSE-3/8 AR 10.00" LONG ST#6 90L#6
12	3400635	1	FTG-ADAPTOR CONNECTOR 9/16-18

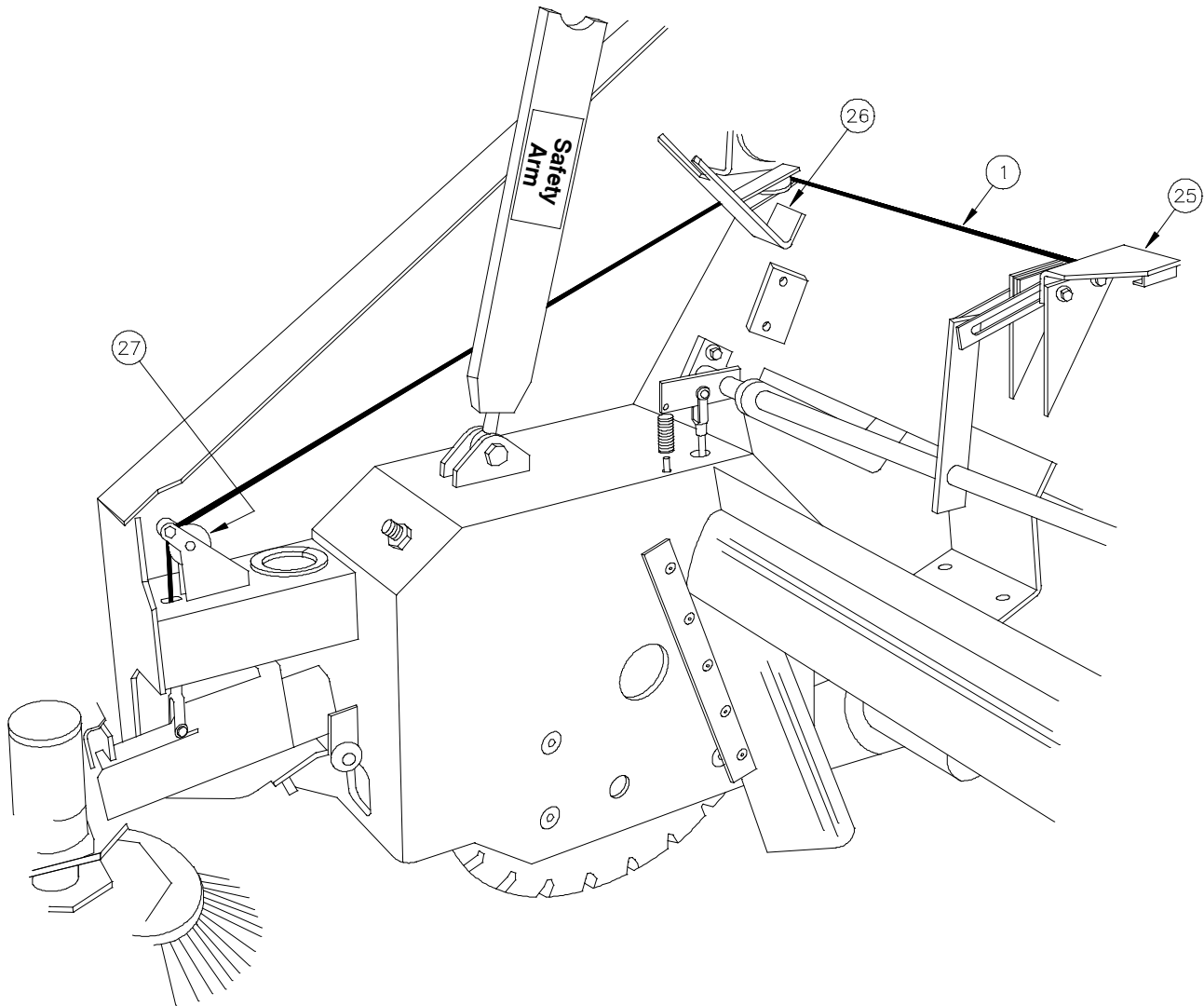
# 9X Side Broom







Item	Part no.	Qty.	Description
1	3307868	1	CABLE-SIDE BROOM SW/A, 86.75"
2	3302599	1	SPRING-EXT LOOPS-IN-LINE ZP
3	3400029	1	SCR-HEX,3/8-16X1.25 ZP
4	3400087	4	WASHER-FLAT 3/8 STANDARD ZP
5	3400258	1	SCR-HEX,3/8-24X4.00 ZP
6	3307654	1	WELDMENT-RH SIDE BROOM MOUNT PAINTED
-	3309782	1	WELDMENT-LH SIDE BROOM MOUNT PAINTED (OPTIONAL LH ASSEMBLY)
7	3307527	1	WELDMENT-RH CURB BROOM ARM PAINTED
-	3309778	1	WELDMENT-LH CURB BROOM ARM PAINTED (OPTIONAL LH ASSEMBLY)
8	3307642	1	CLEVIS-5/16 ZP
9	3306179	2	SPRING-COMPRESSION, CURB BROOM
10	3400342	1	NUT-HEX 3/8-24 ES ZP
11	3316897	1	MOTOR-HYD CURB BROOM
12	3400155	1	FTG-90° 7/8-14 TO #8
13	3330338	1	KEY-SHAFT D-FOSS CB/MB/SC MTRS
14	3400028	3	SCR-HEX,3/8-16x1.50 ZP
15	3400278	9	WASHER-FENDER 3/8
16	3300465	3	ISOLATOR-RUBBER (.375IDx.81OD)
17	3301262	1	PLATE-GIMBAL SC HD ZP
18	3300526	3	BUMPER-RUBBER 1/4IDx1/8 THK
19	3400101	3	WASHER-LOCK 3/8 SPLIT ZP
20	3400068	3	NUT-HEX 3/8-16 ZP
21	3400049	1	SCR-SOCKET HEAD,1/4-20X0.75 ZP NYLOCK
22	3400103	1	WASHER-LOCK 1/4 SPLIT ZP
23	3302058	1	BAR-CURB BROOM RETAINER ZP
24	3300875	1	WELDMENT-DRIVE HUB SC BR PAINTED
25	3307861	1	WELDMENT-PULLEY MOUNT #3 PNTD
26	3307865	1	WELDMENT-SAFETY ARM RETAINER/PULLEY MOUNT PAINTED
27	3300368	1	PULLEY-PLASTIC φ2", φ.25" GROOVE

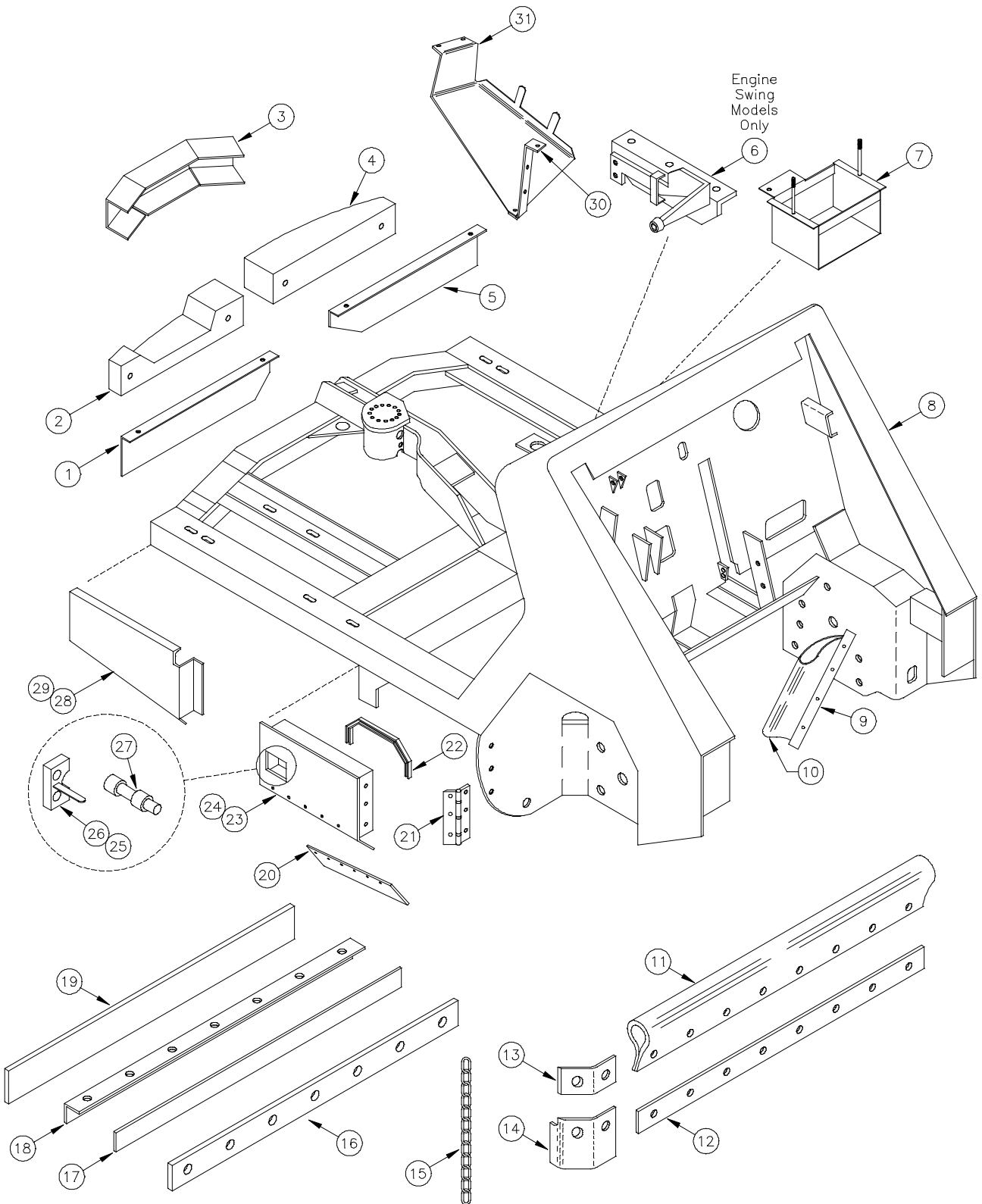


9XR Shown with Manual Brakes

# 9X Side Broom

Item	Part no.	Qty.	Description
1	3307868	1	CABLE-SIDE BROOM SW/A, 86.75"
2	3302599	1	SPRING-EXT LOOPS-IN-LINE ZP
3	3400029	1	SCR-HEX,3/8-16X1.25 ZP
4	3400087	4	WASHER-FLAT 3/8 STANDARD ZP
5	3400258	1	SCR-HEX,3/8-24X4.00 ZP
6	3307654	1	WELDMENT-RH SIDE BROOM MOUNT PAINTED
-	3309782	1	WELDMENT-LH SIDE BROOM MOUNT PAINTED (OPTIONAL LH ASSEMBLY)
7	3307527	1	WELDMENT-RH CURB BROOM ARM PAINTED
-	3309778	1	WELDMENT-LH CURB BROOM ARM PAINTED (OPTIONAL LH ASSEMBLY)
8	3307642	1	CLEVIS-5/16 ZP
9	3306179	2	SPRING-COMPRESSION, CURB BROOM
10	3400342	1	NUT-HEX 3/8-24 ES ZP
11	3316897	1	MOTOR-HYD CURB BROOM
12	3400155	1	FTG-90° 7/8-14 TO #8
13	3330338	1	KEY-SHAFT D-FOSS CB/MB/SC MTRS
14	3400028	3	SCR-HEX,3/8-16x1.50 ZP
15	3400278	9	WASHER-FENDER 3/8
16	3300465	3	ISOLATOR-RUBBER (.375IDx.81OD)
17	3301262	1	PLATE-GIMBAL SC HD ZP
18	3300526	3	BUMPER-RUBBER 1/4IDx1/8 THK
19	3400101	3	WASHER-LOCK 3/8 SPLIT ZP
20	3400068	3	NUT-HEX 3/8-16 ZP
21	3400049	1	SCR-SOCKET HEAD,1/4-20X0.75 ZP NYLOCK
22	3400103	1	WASHER-LOCK 1/4 SPLIT ZP
23	3302058	1	BAR-CURB BROOM RETAINER ZP
24	3300875	1	WELDMENT-DRIVE HUB SC BR PAINTED
25	3307861	1	WELDMENT-PULLEY MOUNT #3 PNTD
26	3307865	1	WELDMENT-SAFETY ARM RETAINER/PULLEY MOUNT PAINTED
27	3300368	1	PULLEY-PLASTIC φ2", φ.25" GROOVE

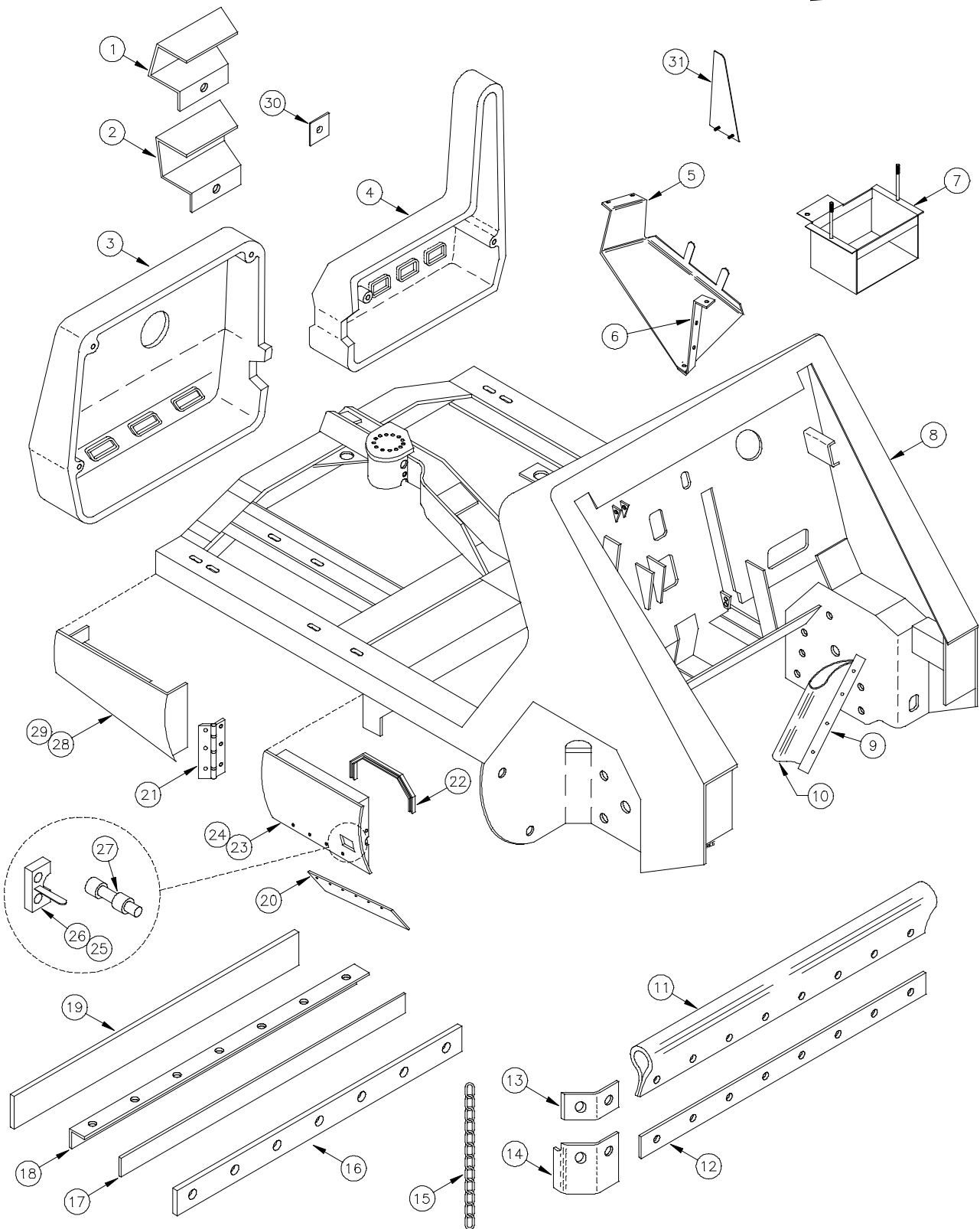
# 9XR Frame



# 9XR Frame

Item	Part no.	Qty.	Description
1	3333711	1	PANEL-RH REAR SW/9XR
2	3309707	1	COUNTERWEIGHT-RH PAINTED
3	3332147	1	COVER-COUNTER WEIGHT CENTER
4	3301046	1	COUNTERWEIGHT-LH PAINTED
5	3333712	1	PANEL-LH REAR SW/9XR
6	3317117	1	ASSEMBLY-ENGINE LOCK SUB
7	3321296	1	WELDMENT-BATTERY BOX (MODELS W/ENGINE SWING)
7	3322117	1	WELDMENT-BATTERY BOX - W/O ENGINE SWING MODELS (NOT SHOWN)
8	3321432	1	WELDMENT-FRAME 9XT (HELAC)
9	3315203	2	RETAINER-HOPPER SIDE SEAL
10	3318143	2	FLAP-RUBBER HOPPER/FRAME SIDE
11	3307276	1	SEAL-FRAME HOPPER HORIZONTAL SW/A
12	3307281	1	STRAP-FRAME HOP FLAP PAINTED SW/A
13	3307287	1	STRAP-BROOM CORNER FLAP PAINTED
14	3307286	1	FLAP-BROOM CHAMBER CORNER SW/A
15	3307658	1	CHAIN-FRAME GROUNDING
16	3307283	1	STRAP-REAR FEED FLAP PAINTED SW/A
17	3307279	1	FLAP-REAR FEED SW/A
18	3307282	1	ANGLE-REAR FLAP PAINTED SW/A
19	3307278	1	FLAP-REAR HOPPER, SW/A
20	3333705	2	FLAP-BROOM DOOR SW/9XR
21	3307275	2	HINGE-BROOM DOOR SW/A PNTD
22	3318739	3'	WEATHERSTRIPPING-RUBBER SPONGE
23	3333702	1	SUB-BROOM DOOR RH SW/9XR
-	3333703	1	DOOR-BROOM RH SW/9XR
24	3333706	1	SUB-BROOM DOOR LH SW/9XR
-	3333707	1	DOOR-BROOM LH SW/9XR
25	3307246	1	LATCH-LH BROOM DOOR SW/A
26	3307247	1	LATCH-RH BROOM DOOR SW/A
27	3307248	2	BOLT-STRIKER BROOM DOOR LATCH
28	3333709	1	SKIRT-RH SIDE SW/9XR
29	3333710	1	SKIRT-LH SIDE SW/9XR
30	3307792	1	BAR-HOSE PAN SUPPORT SW/A PAINTED
31	3307791	1	PAN-HOSE SW/A PAINTED

# 9XV Frame

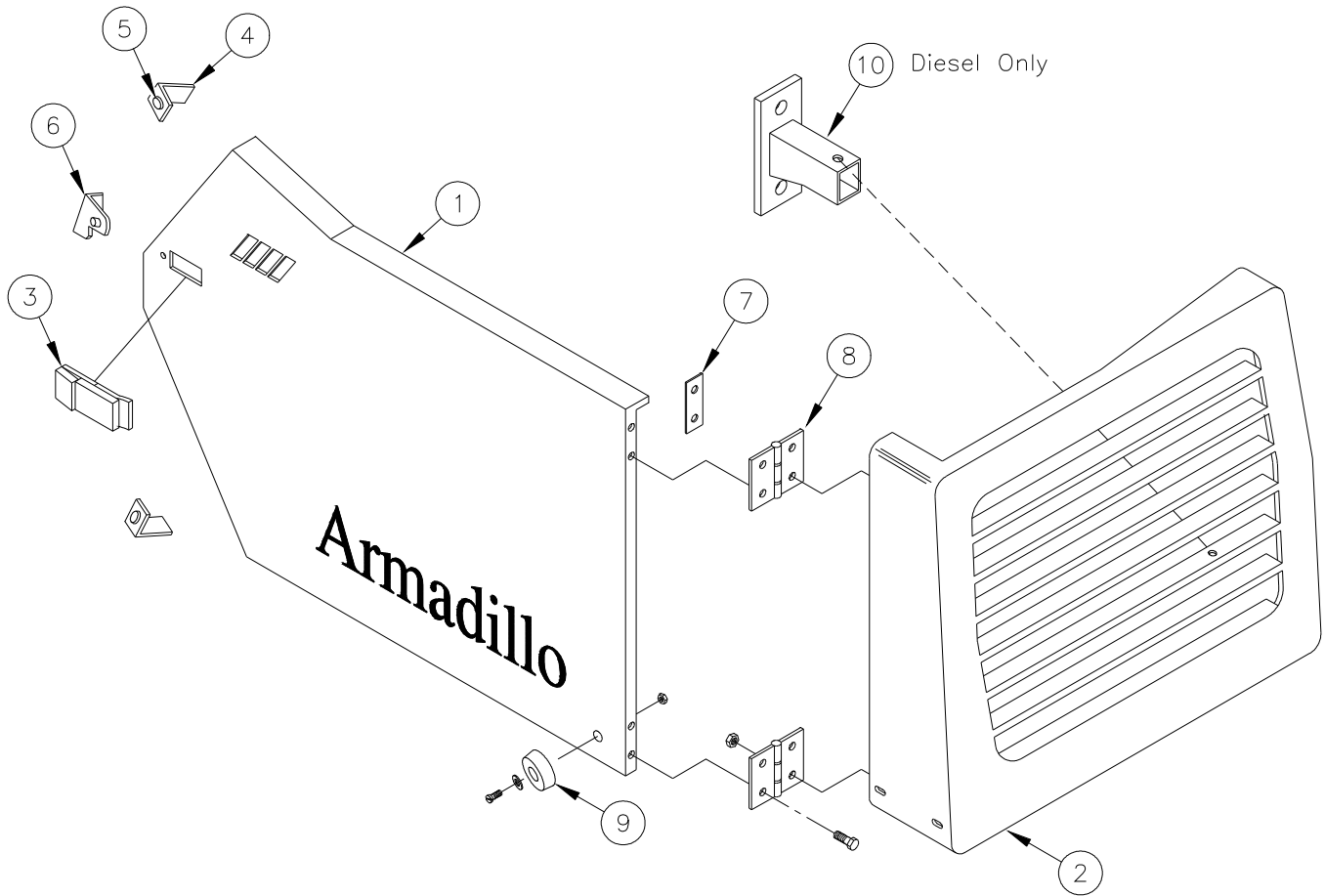


# 9XV Frame



Item	Part no.	Qty.	Description
1	3307804	1	COVER-UPPER CASTING SW/A
2	3307810	1	COVER-LOWER CASTING PAINTED
3	3307320	1	COUNTERWEIGHT-RH MACHINED PAINTED (GAS/DIESEL MODELS, SHOWN)
-	3307835	1	COUNTERWEIGHT-RH LPG PAINTED (LPG MODELS, NOT SHOWN)
4	3307321	1	COUNTERWEIGHT-LH MACHINED PAINTED
5	3307791	1	PAN-HOSE SW/A PAINTED
6	3307792	1	BAR-HOSE PAN SUPPORT SW/A PAINTED
7	3321296	1	WELDMENT-BATTERY BOX (MODELS W/SWING)
8	3321432	1	WELDMENT-FRAME 9XT (HELAC)
9	3315203	2	RETAINER-HOPPER SIDE SEAL
10	3318143	2	SEAL-RUBBER HOPPER/FRAME SIDE
11	3307276	1	SEAL-FRAME HOPPER HORIZONTAL SW/A
12	3307281	1	STRAP-FRAME HOP FLAP PAINTED SW/A
13	3307287	1	STRAP-BROOM CORNER FLAP PAINTED
14	3307286	1	FLAP-BROOM CHAMBER CORNER SW/A
15	3307658	1	CHAIN-FRAME GROUNDING
16	3307283	1	STRAP-REAR FEED FLAP PAINTED SW/A
17	3307279	1	FLAP-REAR FEED SW/A
18	3307282	1	ANGLE-REAR FLAP PAINTED SW/A
19	3307278	1	FLAP-REAR HOPPER, SW/A
20	3307280	2	FLAP-MAIN BROOM DOOR SW/9X
21	3307275	2	HINGE-BROOM DOOR SW/A PNTD
22	3318739	3'	WEATHERSTRIPPING-RUBBER SPONGE
23	3307025	1	ASSEMBLY-BROOM DOOR RH 8/9/10X SUB
-	3307265	1	WELDMENT-DOOR, RH BROOM, SW/A PAINTED (DOOR ONLY)
24	3307024	1	ASSEMBLY-BROOM DOOR LH 8/9/10X SUB (NOT SHOWN)
-	3307266	1	WELDMENT-DOOR, LH BROOM, SW/A PAINTED (DOOR ONLY, NOT SHOWN)
25	3307246	1	LATCH-LH BROOM DOOR SW/A (NOT SHOWN)
26	3307247	1	LATCH-RH BROOM DOOR SW/A
27	3307248	2	BOLT-STRIKER BROOM DOOR LATCH
28	3307520	1	WELDMENT-SKIRT LH REAR SIDE PAINTED (NOT SHOWN)
29	3307519	1	WELDMENT-SKIRT RH REAR SIDE PAINTED
30	3307831	1	BACKING-CASTING COVER PAINTED
31	3307799	1	WELDMENT-CORNER GUARD SW/A PAINTED

# 9X Rear Grill & Side Door

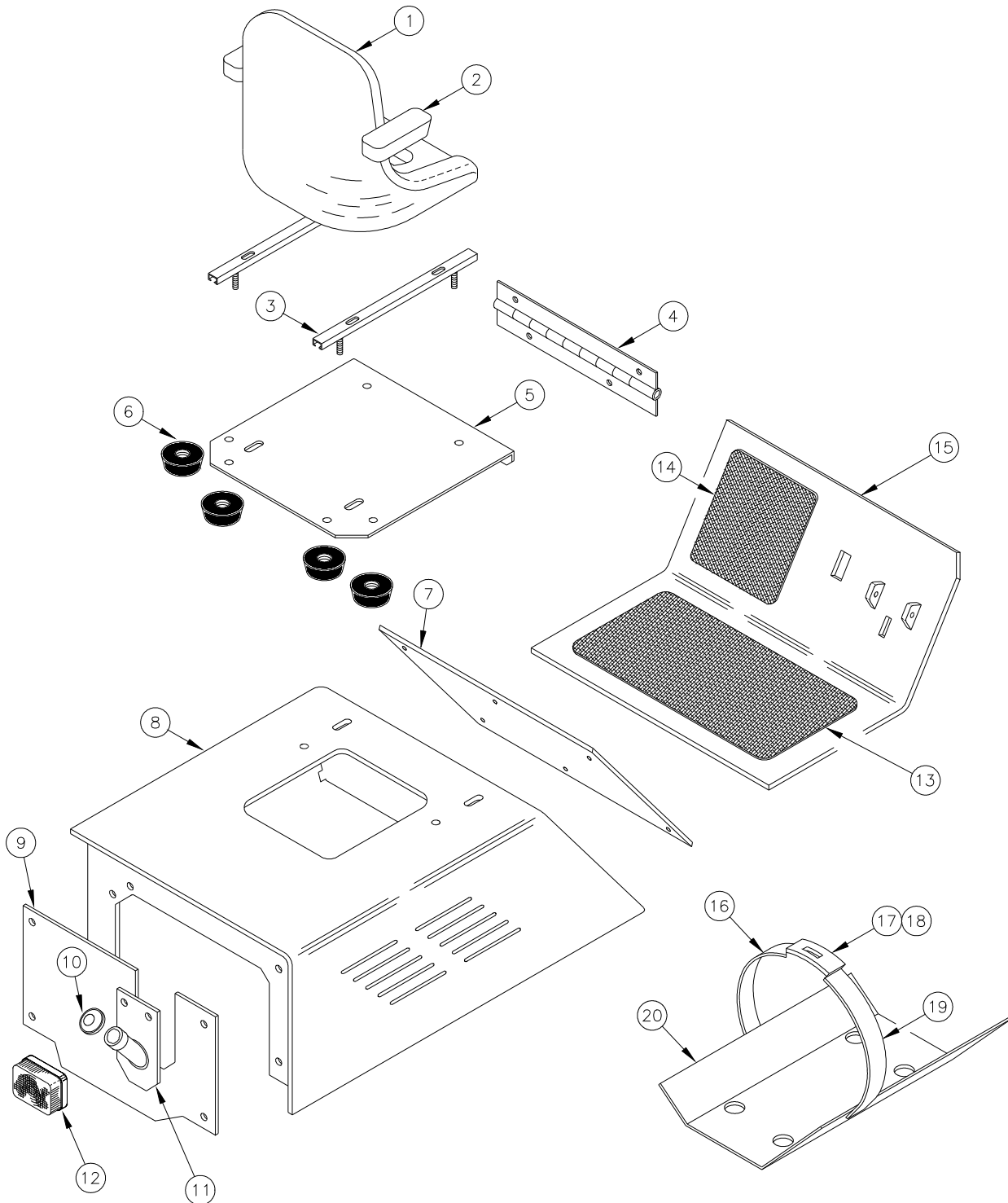




## 9X Rear Grill & Side Door

Item	Part no.	Qty.	Description
1	3307510	1	WELDMENT-SIDE DOOR SW/A PAINTED
2	3307470	1	WELDMENT-RADIATOR GUARD SW/A
3	3300380	1	LATCH ASSY-#C2-10-301-50
4	3307515	2	STOP-90° SIDE DOOR, W/BUMPER
5	3300526	2	BUMPER-RUBBER 1/4IDx1/8 THK
6	3307529	1	WELDMENT-DOOR STRIKE SW/A ZP
7	3307560	-	SPACER-METAL, 0.060" THK SIDE DOOR SW/A (USE AS REQUIRED)
8	3307513	2	HINGE-SIDE DOOR SW/A PAINTED
9	3302482	1	BUMPER-RUBBER, 1.5" DIA, 5/8 THK
10	3329814	1	WELDMENT-DIESEL EXHAUST EXTENSION (DIESEL MODELS ONLY)

# 9X Seat Clip



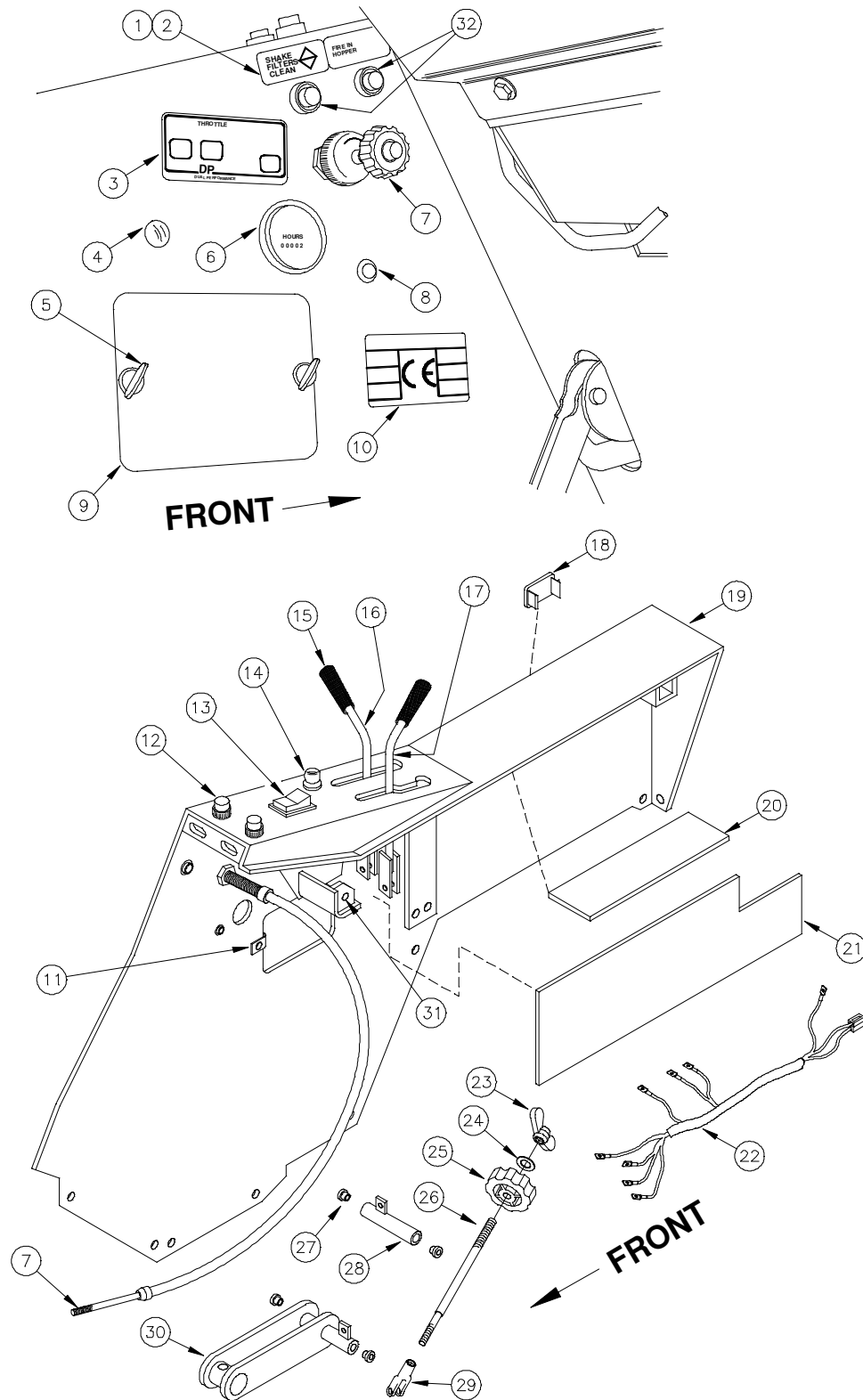
9, 10 & 11 for Gas/Diesel models.

16, 17, 18, 19 & 20 for LP models.

# 9X Seat Clip

Item	Part no.	Qty.	Description
1	3312417	1	ASSEMBLY-SEAT V818 ADJ W/ARMREST
2	3315245	1	ARMREST KIT-THREE HOLE
3	3316891	1	KIT-ADJUSTABLE SEAT TRACK
4	3309028	1	HINGE-SEAT MOUNT UNIVERSAL PNTD (9XR SHOWN)
-	3307420	1	MOUNT-SEAT, LH PIVOT PNTD (9XV & AM9D, NOT SHOWN)
-	3307419	1	MOUNT-SEAT, RH PIVOT PNTD (9XV & AM9D, NOT SHOWN)
5	3333729	1	MOUNT-SEAT (9XR SHOWN)
-	3307416	1	WELDMENT-SEAT MOUNT, XV & AM9D PNTD (NOT SHOWN)
6	3302482	4	BUMPER-RUBBER, 1.5" DIA, 5/8 THK (QTY OF 2 ON 9XV & AM9D)
7	3333733	1	WELDMENT-ACCESS PLATE SEAT CLIP
8	3316902	1	WELDMENT-SEAT CLIP SW/A
9	3309716	1	PANEL-REAR COVER SW/8X & 9X PNTD
10	3332788	1	CAP-GAS TANK, SW/A
11	3332679	1	WELD-FUEL FILL SW/AM-9D
12	3303204	2	LIGHT-COMBINATION TAIL, 12V
13	3307588	1	FLOOR MAT-LARGE SW/A
14	3307587	1	FLOOR MAT-SMALL SW/A
15	3307302	1	WELDMENT-FLOOR PAN SW/A PAINTED
-	3307912	-	ASSEMBLY-LP TANK MOUNT SUB, PAINTED (INCLUDES 16, 17, 18, 19 & 20)
16	3334346	1	STRAP-LATCH MOUNT SW/A LP TANK
17	281075	1	LATCH-ZP
18	3334347	1	MOUNT-LP LATCH KEEPER
19	3334345	1	STRAP-CATCH MOUNT SW/A LP TANK
20	3334344	1	WELD-LPG TANK MOUNT, PNTD

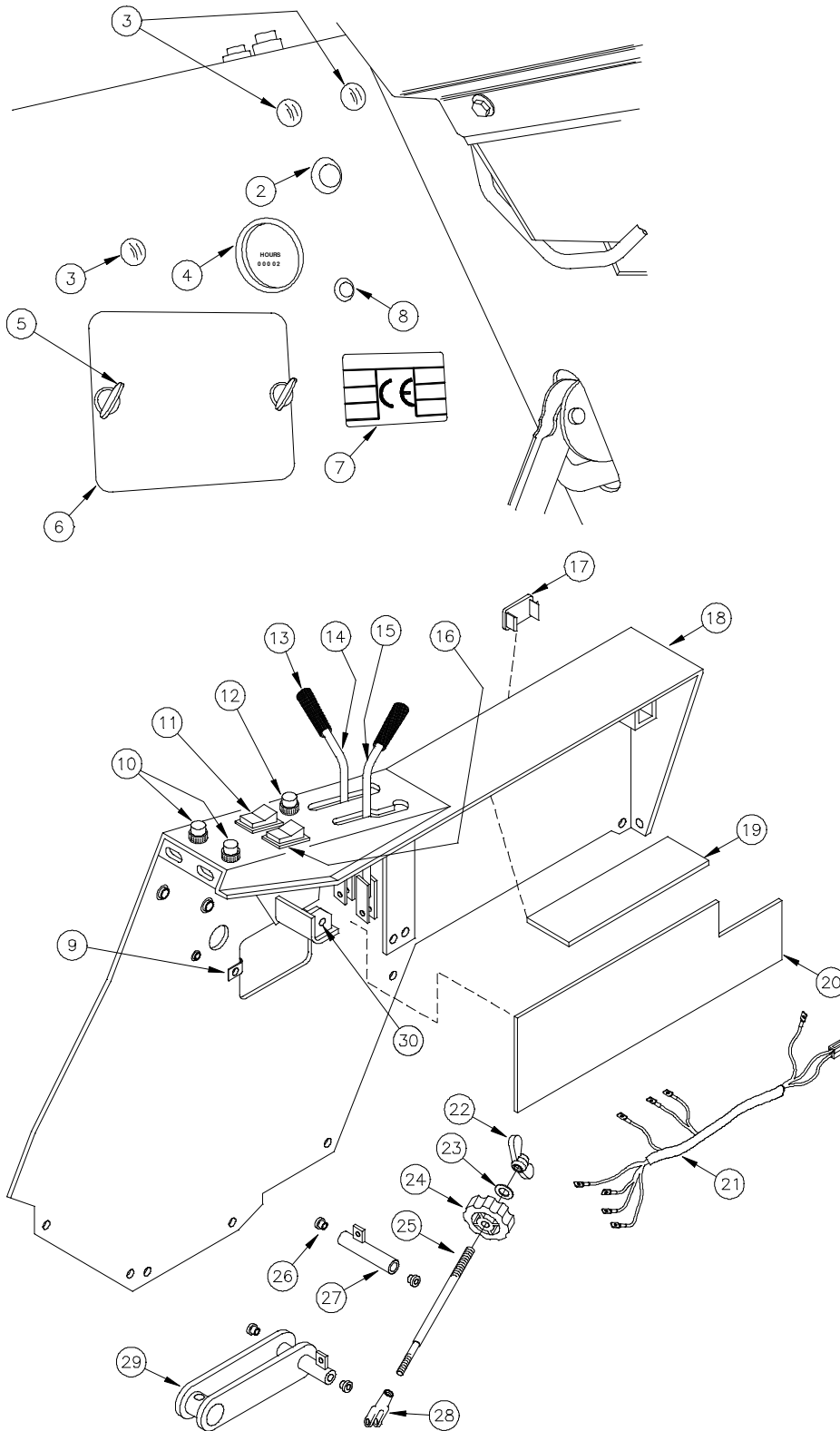
# 9XR & 9XV Diesel Console



## 9XR & 9XV Diesel Console

Item	Part no.	Qty.	Description
1	3302518	1	DECAL-SHAKE FILTERS OPTION (9XV & AM9D ONLY)
2	3302521	1	DECAL-FIRE IN HOPPER (9XV & AM9D ONLY)
3	3307597	1	DECAL-THROTTLE SW/A (LEXAN)
4	3301669	1	PLUG-PLASTIC, $\phi 11/16$
5	3301147	2	SCR-5/16 ACME THD, WING HEAD, ZP
6	3300385	1	GAUGE-HR METER W/HEX NUT 10-24
7	3321179	1	CABLE-THROTTLE SW/A
8	3330020	1	PLUG-PLASTIC HOLE BPF $\phi 7/16$
9	3307554	1	COVER-BROOM ADJUSTMENT, SW/A PAINTED
10	3335800	1	ID PLATE-SERIAL# INFO (Alum, Decal )
11	3301155	2	CLIPNUT-5/16-18 ZP
12	3301553	2	LIGHT-5/8 DIA, RED, 12V (TRASH RELOC.)
13	3307552	1	SWITCH-SPDT ROCKER
14	3300441	1	SWITCH-MOMENTARY STARTER, 12V
15	3300558	2	KNOB-PLASTIC TAPERED #145 BLACK
16	3307615	1	WELDMENT-LEVER CURB BROOM ZP
17	3307211	1	WELDMENT-LEVER, MAIN BROOM SW/A
18	3323529	1	PLUG-CARLING CONTURA SWITCH (W/O ENGINE SWING ONLY)
19	3307401	1	WELDMENT-CONSOLE, DRIVER SIDE
20	3307846	1	INSULATION-CONSOLE TOP
21	3307847	1	INSULATION-CONSOLE SIDE
22	3307750	1	HARNESS-CONSOLE SW/A GAS/LP
23	3400084	1	NUT-WING 1/2-13 ZP
24	3400091	1	WASHER-FENDER 1/2 ZP
25	3300352	1	KNOB-MAIN BROOM LIFT ADJUSTMENT
26	3307213	1	ROD-LIFT MAIN BROOM ZP
27	3300414	4	BUSHING-PLASTIC 3/8IDx1/2OD
28	3307614	1	WELDMENT-PIVOT SIDE BROOM LIFT ZP
29	3301447	1	CLEVIS-CABLECRAFT AC-218
30	3307209	1	WELDMENT-PIVOT MAIN BROOM LIFT PAINTED
31	3300376	1	STUD-BALL, GAS SPRING, 5/16-18 (HIDDEN FROM VIEW)
32	3301553	2	LIGHT-5/8 DIA, RED, 12V (9XV MODELS ONLY)
-	3334825	1	DECAL-SW/A CONSOLE, DIESEL (NOT SHOWN)

# 9XR & 9XV Gas/LP Console

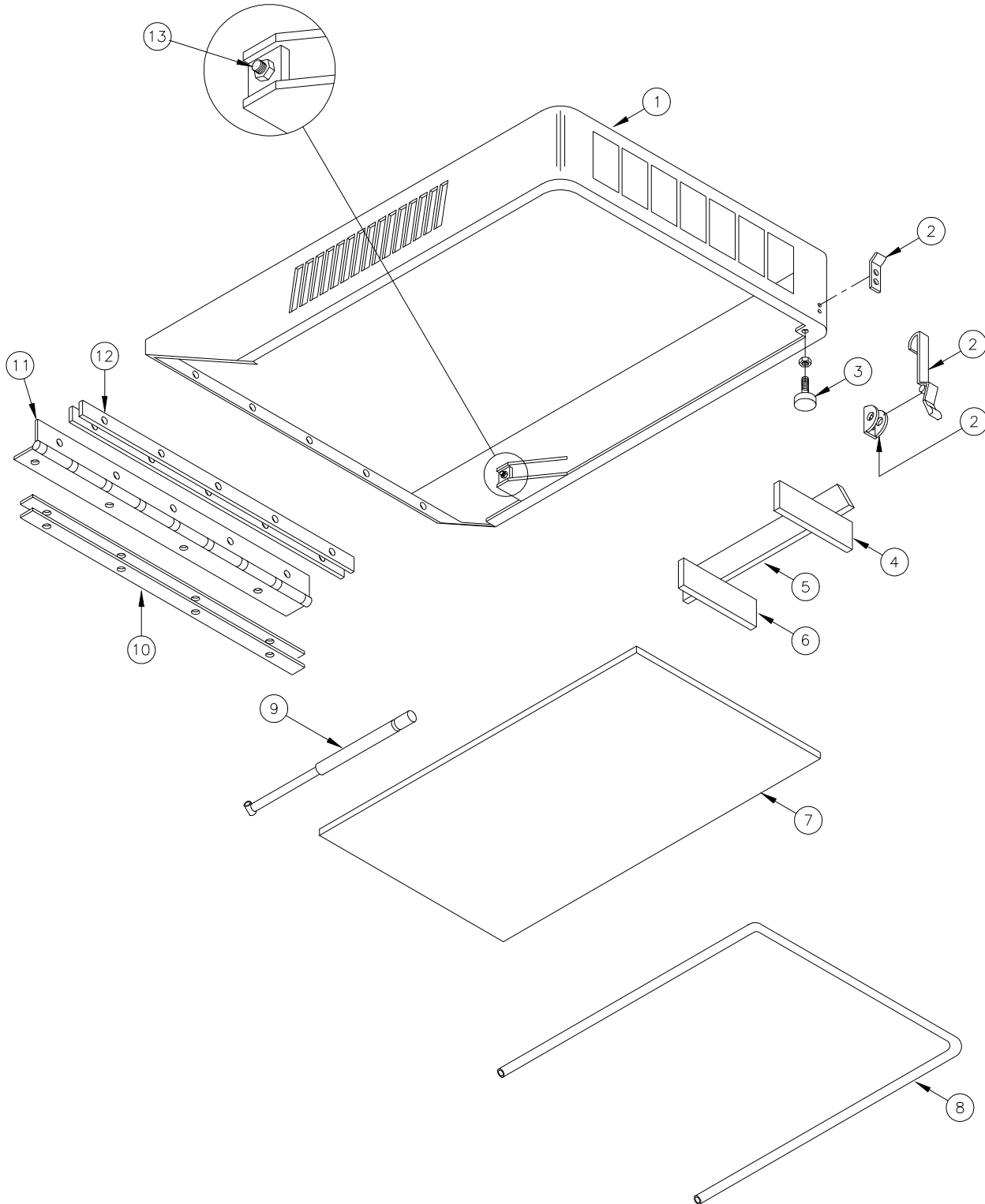


## 9XR & 9XV Gas/LP Console

Item	Part no.	Qty.	Description
1	NONE		NONE
2	3330356	1	PLUG-PLASTIC HOLE, $\phi$ 3/4, 7 GA
3	3301669	3	PLUG-PLASTIC, $\phi$ 11/16
4	3300385	1	GAUGE-HR METER W/HEX NUT 10-24
5	3301147	2	SCR-5/16 ACME THD, WING HEAD, ZP
6	3307554	1	COVER-BROOM ADJUSTMENT, SW/A PAINTED
7	3335800	1	ID PLATE-SERIAL# INFO (Alum, Decal )
8	3330020	1	PLUG-PLASTIC HOLE, BPF $\phi$ 7/16
9	3301155	2	CLIPNUT-5/16-18 ZP
10	3301553	2	LIGHT-5/8 DIA, RED, 12V (TRASH RELOC.)
11	3315818	1	SWITCH-ROCKER, CARLING, SPDT, BLK
12	3333635	1	LIGHT-INDICATOR AMBER, 12V, 5/8 DIA
13	3300558	2	KNOB-PLASTIC TAPERED #145 BLACK
14	3307615	1	WELDMENT-LEVER CURB BROOM ZP
15	3307211	1	WELDMENT-LEVER, MAIN BROOM SW/A
16	3307552	1	SWITCH-SPDT ROCKER
17	3323529	1	PLUG-CARLING CONTURA SWITCH (W/O ENGINE SWING)
18	3307401	1	WELDMENT-CONSOLE, DRIVER SIDE
19	3307846	1	INSULATION-CONSOLE TOP
20	3307847	1	INSULATION-CONSOLE SIDE
21	3307750	1	HARNESS-CONSOLE SW/A GAS/LP/DIESEL
22	3400084	1	NUT-WING 1/2-13 ZP
23	3400091	1	WASHER-FENDER 1/2 ZP
24	3300352	1	KNOB-MAIN BROOM LIFT ADJUSTMENT
25	3307213	1	ROD-LIFT MAIN BROOM ZP
26	3300414	4	BUSHING-PLASTIC 3/8IDx1/2OD
27	3307614	1	WELDMENT-PIVOT SIDE BROOM LIFT ZP
28	3301447	1	CLEVIS-CABLECRAFT AC-218
29	3307209	1	WELDMENT-PIVOT MAIN BROOM LIFT PAINTED
30	3300376	1	STUD-BALL, GAS SPRING, 5/16-18 (HIDDEN FROM VIEW)
-	3307591	1	DECAL-SW/A CONSOLE, LP/GAS (NOT SHOWN)

# 9X Engine Cover

Ball is on opposite or inside.

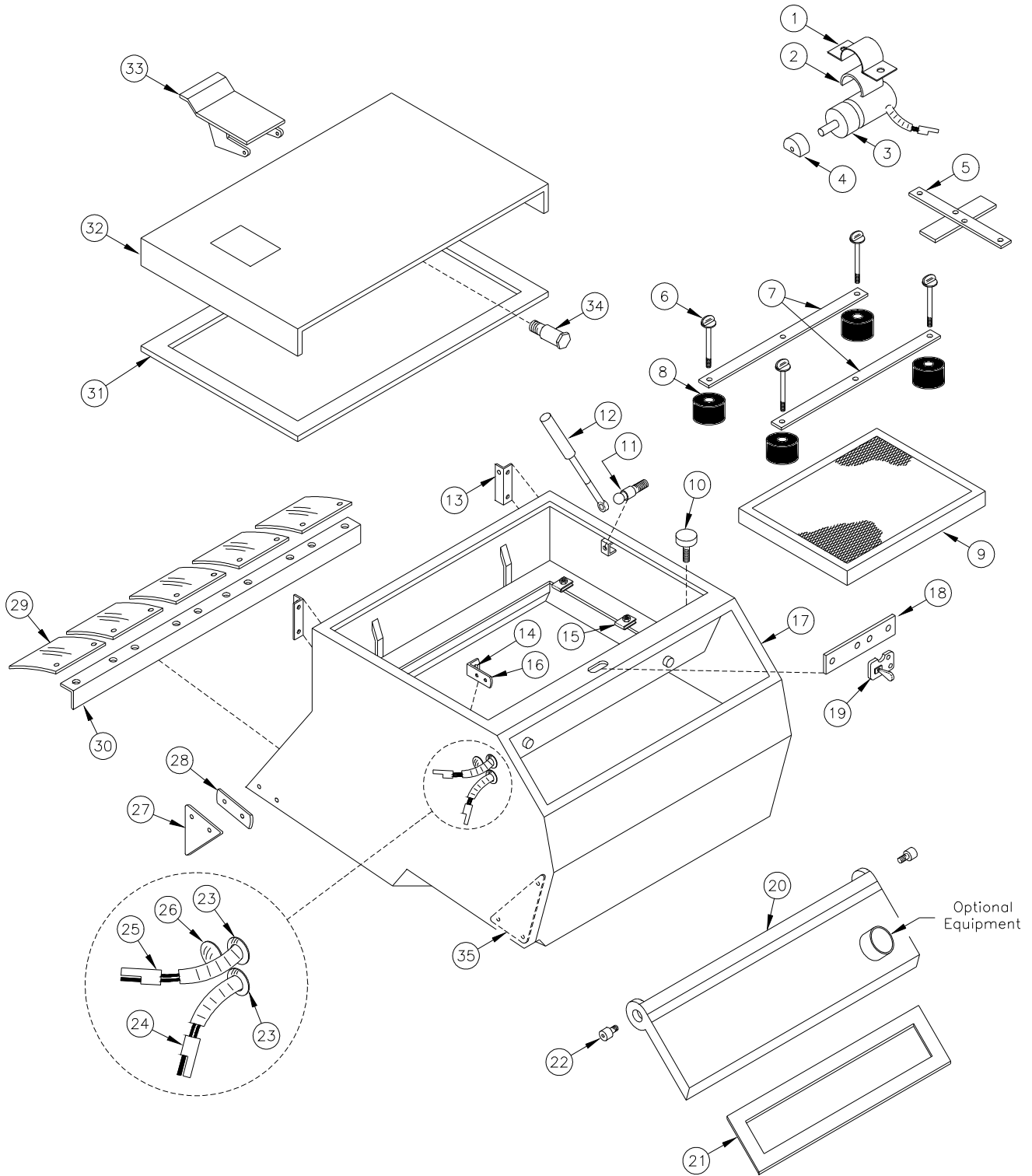




## 9X Engine Cover

Item	Part no.	Qty.	Description
1	3335761	1	WELDMENT-ENGINE COVER 9X
2	3307719	1	LATCH-RUBBER SOFT #C7-10
3	3307639	1	LEVELER-5/16-18x1.5", 1" DIA,
4	3335769	1	INSULATION-ENGINE COVER BACK 9X
5	3335767	1	INSULATION-ENGINE COVER LH 9X
6	3335766	1	INSULATION-ENGINE COVER RH 9X
7	3335768	1	INSULATION-ENGINE COVER TOP 9X
8	3500198	9'	SEAL-TRIM (SD-109) 90°
9	3308767	1	SPRING-GAS 8" STROKE, 19.7" EXT (100LBF)
10	3307504	2	SPACER-HINGE ENGINE COVER PAINTED
11	3307503	1	HINGE-ENGINE COVER SW/A PAINTED
12	3307561	1	SPACER-SIDE HINGE ENGINE COVER PAINTED
13	3300376	1	STUD-BALL, GAS SPRING, 5/16-18 THRD, .391 DIA.

# 9XR Hopper w/o Impeller

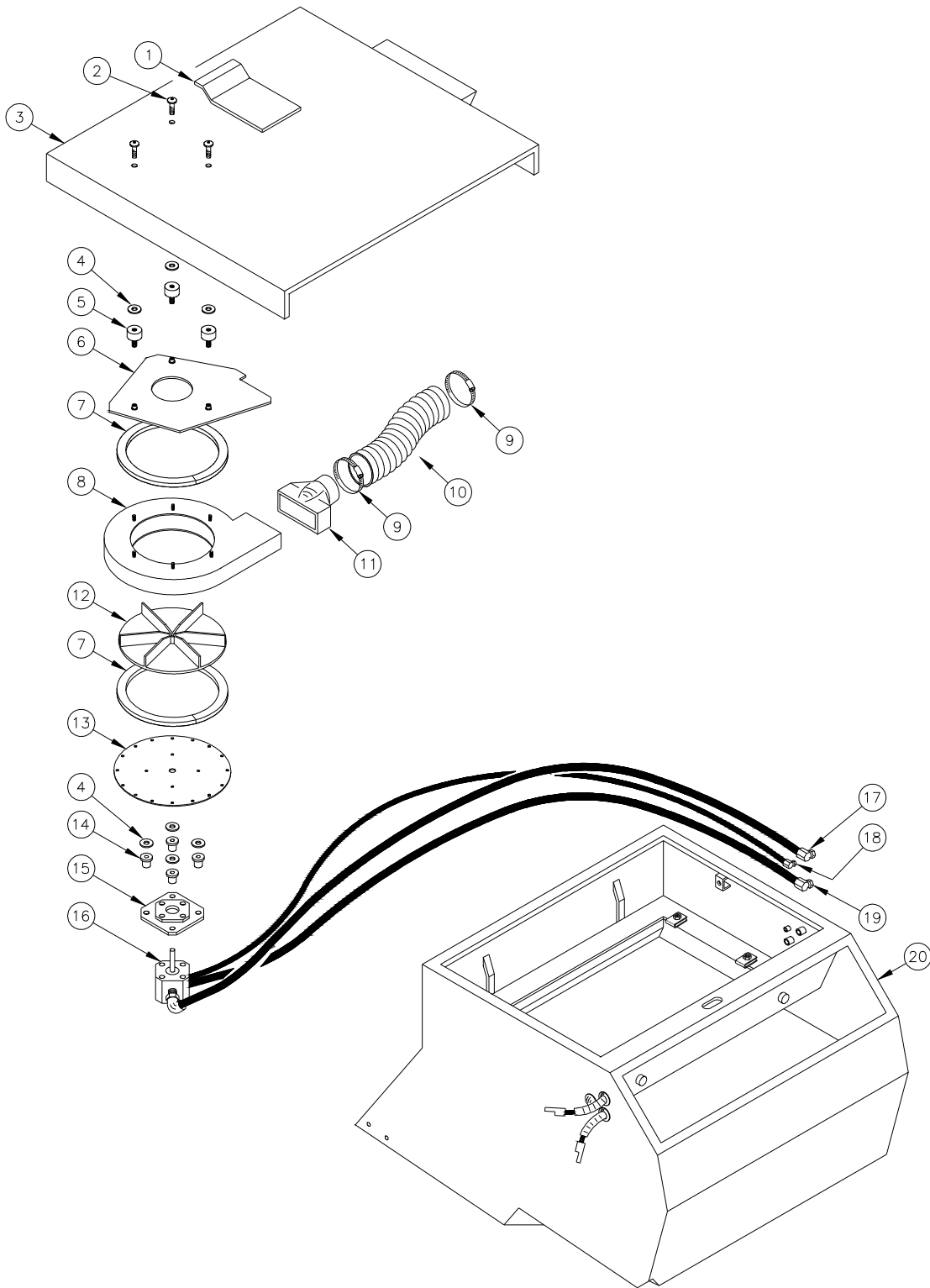


# 9XR Hopper w/o Impeller - continued next page

Item	Part no.	Qty.	Description
1	3300915	1	RETAINER-SHAKER MOTOR PAINTED
2	3300904	1	ISOLATOR-NEOPRENE, SHAKER MOTOR
3	3300424	1	MOTOR-SHAKER FILTER, 12V
4	3301053	1	WEIGHT-SHAKER MOTOR ECCENTRIC, PNTD
5	3322519	1	WELDMENT-FILTER SHAKER MOUNT
6	3400962	4	SCR-THUMB, 5/16-18x4, ZP
7	3309724	2	BAR-RETAINER, FILTER DUST SW/A PNTD
8	3307850	4	ISOLATOR-RUBBER, .25IDx1ODx.50THK, SW/A
9	3334165	1	FILTER-POLYESTER HOPPER 8X9XR (31x24x3.19)
10	3400355	2	SCR-LEVEL BOLT, 3/8-16x2.50ZP
-	3304624	2	CAP-RUBBER BUMPER, (USED WITH #10 ABOVE)
11	3300376	4	STUD-BALL, GAS SPRING, 5/16-18 THRD, .391 DIA.
12	3305006	2	SPRING-GAS 5" STROKE, 14.5" EXTENDED (100 LBF)
13	3307469	2	HINGE-FILTER COVER, PAINTED, SW/A
14	3311564	1	GROMMET-RUBBER, 1/2 ID
-	3301736	1	SWITCH-MERCURY, 12V, $\phi$ 3/8 HD (SP) (MOUNTS IN #14, NOT SHOWN)
15	3306424	4	CLIPNUT-5/16-18 FULLBODY
16	3302037	1	BRACKET-UPPER SWITCH ZP
17	3333723	1	WELDMENT-HOPPER SW/9XR
18	3307468	1	BAR-FILTER LATCH, ZP, SW/A
19	3307247	1	LATCH-RH BROOM DOOR SW/A
20	3333726	1	WELDMENT-LID HOPPER, SW/9XR (NOT SHOWN)
20	3334464	1	WELDMENT-LID HOPPER SW/9XR W/VAC OPTION
21	3318739	10'	WEATHERSTRIPPING-RUBBER SPONGE
22	3400170	2	SCR-HSS 1/2x.31, ZP
23	3311564	2	GROMMET-RUBBER, 1/2 ID
24	3332773	1	HARNESS-RTR SENSOR, HOPPER
25	3302033	1	HARNESS-HD GROUP WIRE
26	3301669	1	PLUG-PLASTIC, 11/16 DIA
27	3307842	2	FLAP-HOPPER SIDE SW/A
28	3307843	2	RETAINER-FLAP HOPPER SIDE ZP
29	3307720	5	FLAP-HOPPER FRONT SW/A
30	3307721	1	RETAINER-HOPPER FLAP SW/A PAINTED
31	3500198	11'-2"	SEAL-TRIM (SD-109) 90° MOUNT
32	3333724	1	WELDMENT-HOOD, HOPPER, SW/9XR
33	3302273	1	WELDMENT-COVER, WET SWEEP HOPPER
-	3302312	1	LATCH-WET SWEEP SPRING (IN #33)
-	3302269	1	WELDMENT-MOUNTING BRAKET, WET SWEEP, PAINTED (IN #33)
-	3302317	1	GASKET-WET SWEEP (IN #33)
-	3304160	2	SPRING-EXTENTION, .43 DIAx2.00 LG (IN #33)
34	3307248	1	BOLT-STRIKER BROOM DOOR LATCH
35	3307743	2	PLATE-HOPPER BACKING PNTD

# 9XR Hopper Group w/Impeller

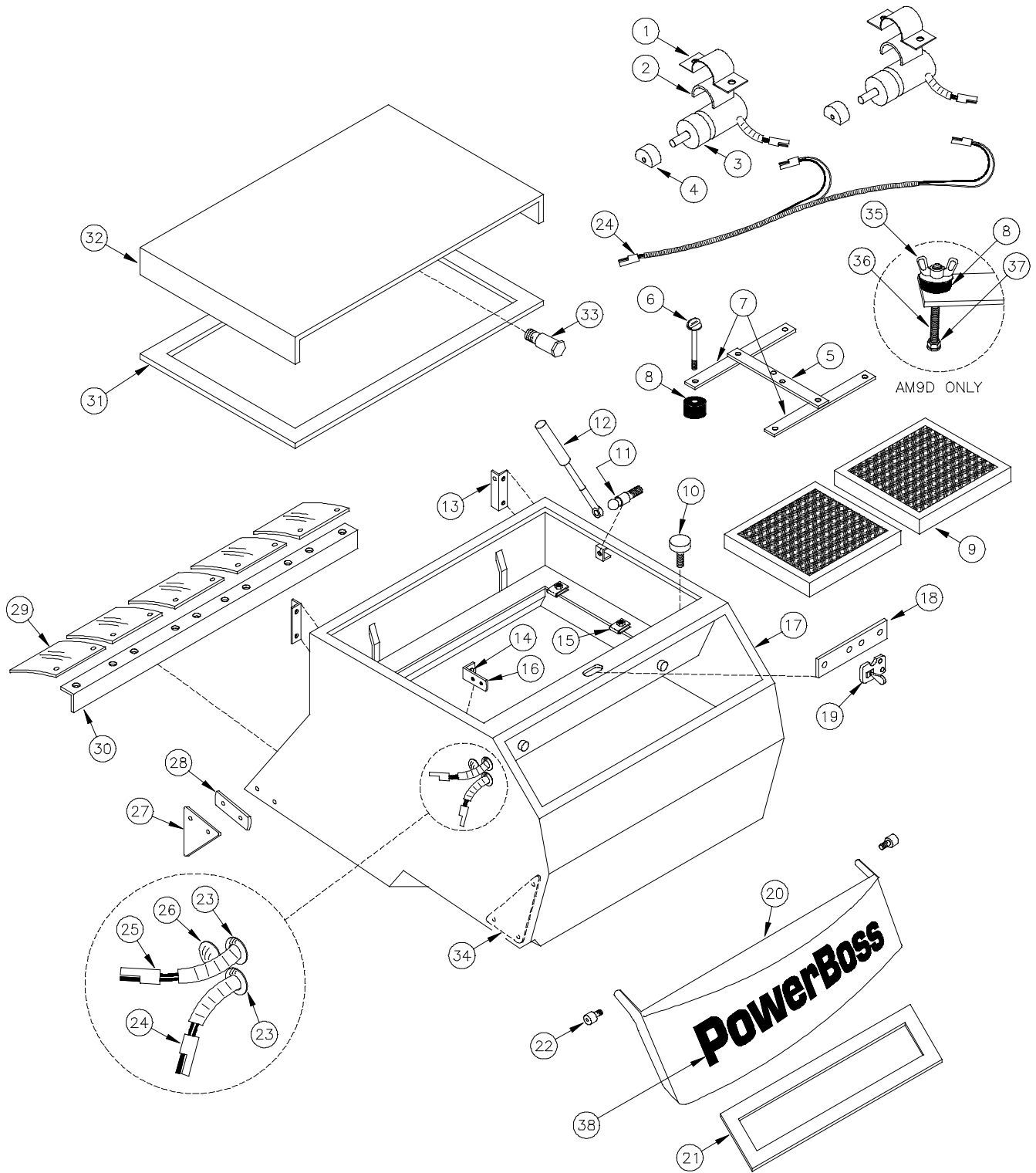
Refer to previous page for parts not shown.



# 9XR Hopper Group w/Impeller

Item	Part no.	Qty.	Description
1	3302273	1	WELDMENT-COVER, WET SWEEP HOPPER
-	3302312	1	LATCH-WET SWEEP SPRING (IN #1)
-	3302269	1	WELDMENT-MOUNTING BRAKET, WET SWEEP, PAINTED (IN #1)
-	3302317	1	GASKET-WET SWEEP (IN #1)
-	3304160	2	SPRING-EXTENTION, .43 DIAx2.00 LG (IN #1)
2	3401029	3	SCR-BHSCS .375-16X.625, SS
3	3334450	1	WELD-HOOD HOPPER IMPELLER SW/A
4	3307187	6	SPACER-IMPELLER ZP SW/A
5	3333915	3	ISOLATOR-RUBBER, 1.5" DIA x1" LG, 3/8-16 THD
6	3334492	1	PLATE-IMPELLER MNT SW/A
-	3322186	3	INSERT-3/8-16 UNC (INCLUDED WITH #6)
7	3500246	72"	GASKET-OPEN CELL, 1/8x3/4
8	3307004	1	SHROUD-IMPELLER SW/A PNTD
9	3300351	2	CLAMP-HOSE, 4.5" DIA, SS
10	3338227	1	HOSE-IMPELLER EXHAUST, 3.5 DIAx30 LG
11	3315347	1	TRANSITION-PLASTIC IMPELLER EXHAUST (9X)
12	3307003	1	IMPELLER-8.88" DIA, ARMA BALANCED, ALUMINUM
13	3322121	1	MOUNT-IMPELLER MOTOR, CIRCULAR
14	3300465	3	ISOLATOR-RUBBER (.375IDx.81OD)
15	3307152	1	WELDMENT-IMPELLER MOTOR MOUNTT PAINTED
16	3316832	1	MOTOR-HYD, .323CI, CCW ROT, IMPELLER
17	3334506	1	HOSE-HYD, #8 IMP TO HOPPER 55"
18	3334508	1	HOSE-HYD, #4 IMP TO HOPPER 53"
19	3334507	1	HOSE-HYD, #8 IMP TO HOPPER 53"
20	3334447	1	WELDMENT-HOPPER SW/A

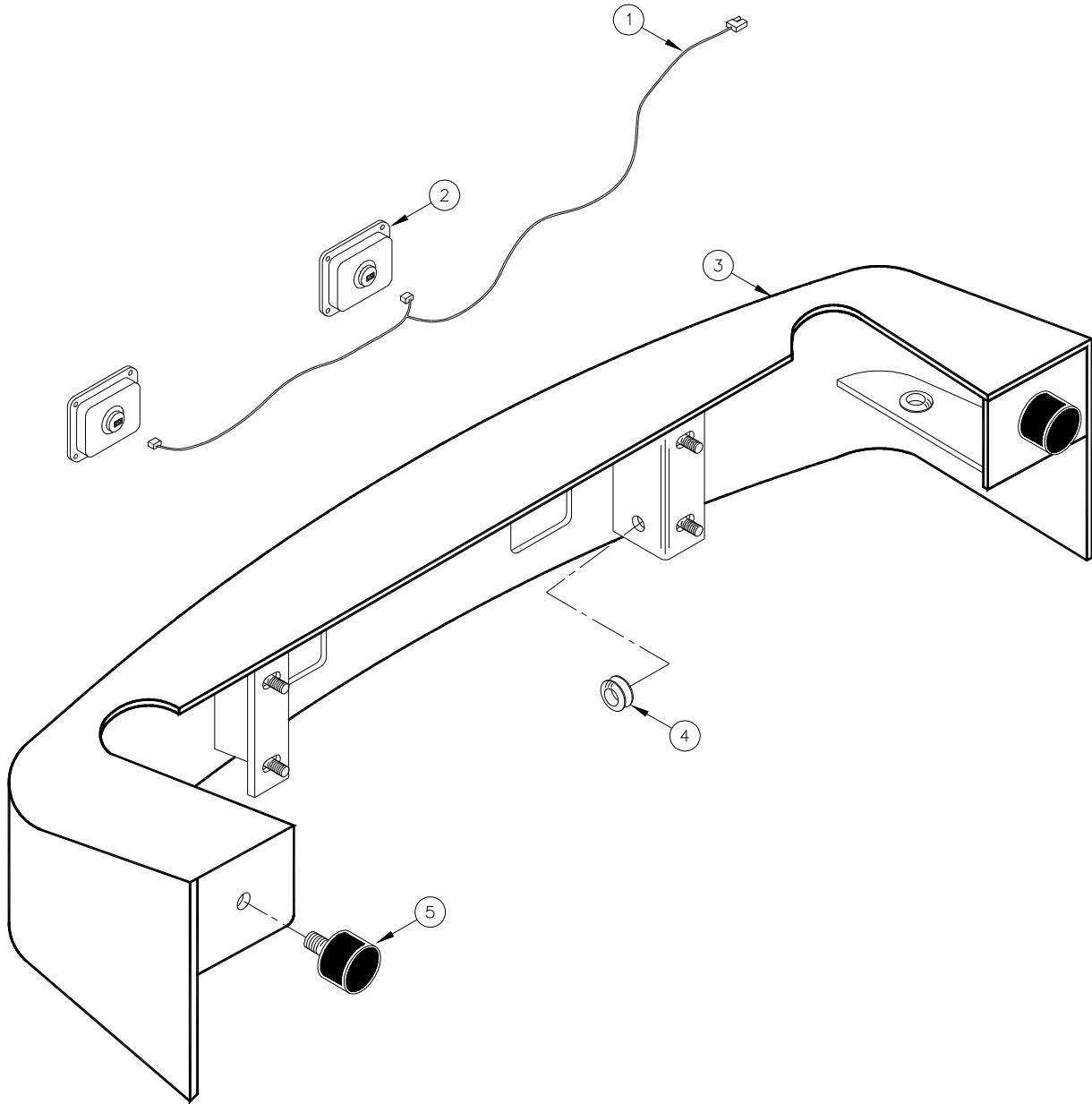
# 9XV/AM9D Hopper



# 9XV/AM9D Hopper

Item	Part no.	Qty.	Description
1	3300915	2	RETAINER-SHAKER MOTOR PAINTED
2	3300904	2	ISOLATOR-NEOPRENE, SHAKER MOTOR
3	3300424	2	MOTOR-SHAKER FILTER, 12V
4	3301053	2	WEIGHT-SHAKER MOTOR ECCENTRIC, PAINTED
5	3300919	2	BAR-FILTER RETAINER PNTD
6	3400962	8	SCR-THUMB, 5/16-18x4, ZP
7	3300917	4	BAR-FILTER SHAKER SW/A PAINTED
8	3307850	8	ISOLATOR-RUBBER, .25IDx1ODx.50THK, SW/A
9	3334070	2	FILTER-POLYESTER HOPPER 9XDLX (24x18x3.19)
10	3400355	2	SCR-LEVEL BOLT, 3/8-16x2.50ZP
-	3304624	2	CAP-RUBBER BUMPER, (USED WITH #10 ABOVE)
11	3300376	4	STUD-BALL, GAS SPRING, 5/16-18 THRD, .391 DIA.
12	3305006	2	SPRING-GAS 5" STROKE, 14.5" EXTENDED (100 LBF)
13	3307469	2	HINGE-FILTER COVER, PAINTED, SW/A
14	3311564	1	GROMMET-RUBBER, 1/2 ID
-	3301736	1	SWITCH-MERCURY, 12V, $\phi$ 3/8 HD (SP) (MOUNTS IN #14, NOT SHOWN)
15	3306424	8	CLIPNUT-5/16-18 FULLBODY
16	3302037	1	BRACKET-UPPER SWITCH ZP
17	3333723	1	WELDMENT-HOPPER SW/9XR
18	3307468	1	BAR-FILTER LATCH, ZP, SW/A
19	3307247	1	LATCH-RH BROOM DOOR SW/A
20	3316862	1	WELDMENT-HOPPER LID, SW/9XV
21	3318739	10'	WEATHERSTRIPPING-RUBBER SPONGE
22	3400170	2	SCR-HSS 1/2x.31, ZP
23	3311564	2	GROMMET-RUBBER, 1/2 ID
24	3332773	1	HARNESS-RTR SENSOR, HOPPER
25	3302033	1	HARNESS-HD GROUP WIRE
26	3301669	1	PLUG-PLASTIC, 11/16 DIA
27	3307842	2	FLAP-HOPPER SIDE SW/A
28	3307843	2	RETAINER-FLAP HOPPER SIDE ZP
29	3307720	5	FLAP-HOPPER FRONT SW/A
30	3307721	1	RETAINER-HOPPER FLAP SW/A PAINTED
31	3500198	11'-2"	SEAL-TRIM (SD-109) 90° MOUNT
32	3333724	1	WELDMENT-HOOD, HOPPER, SW/9XR
33	3307248	1	BOLT-STRIKER BROOM DOOR LATCH
34	3307743	2	PLATE-HOPPER BACKING PAINTED
35	3334678	8	NUT-WING 5/16-18 NYLON INSERT
36	3334676	8	ROD-5/16-18x4.63, FILTER TIE DOWN
37	3400070	8	NUT-HEX 5/16-18 ZP
-	3400278	8	WASHER-FENDER 3/8 (SHOWN BUT NOT NUMBERED)
-	3400102	8	WASHER-LOCK 5/16 SPLIT ZP (SHOWN BUT NOT NUMBERED)
38	3307581	1	DECAL-"POWERBOSS" LOGO

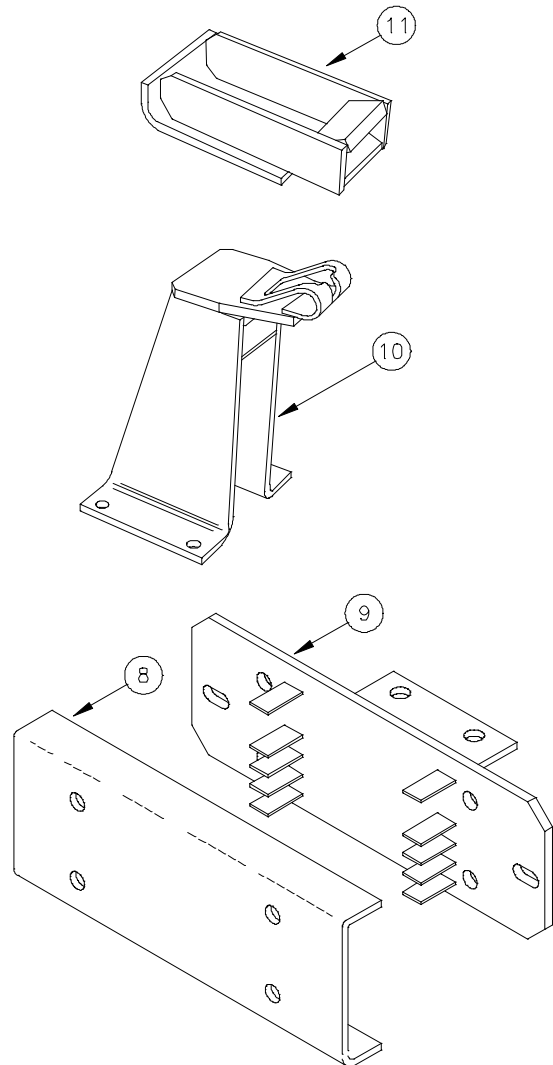
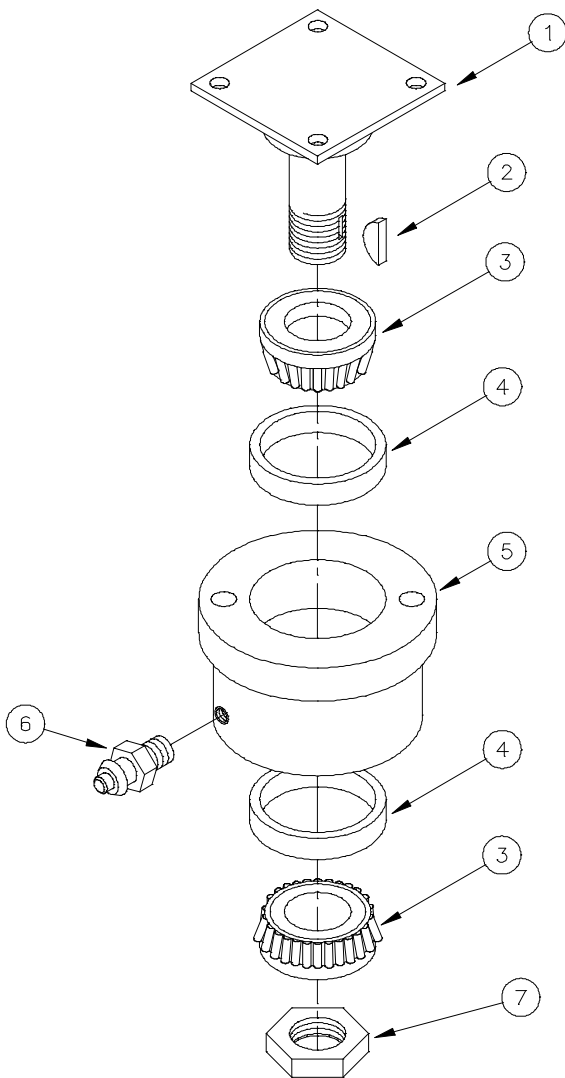
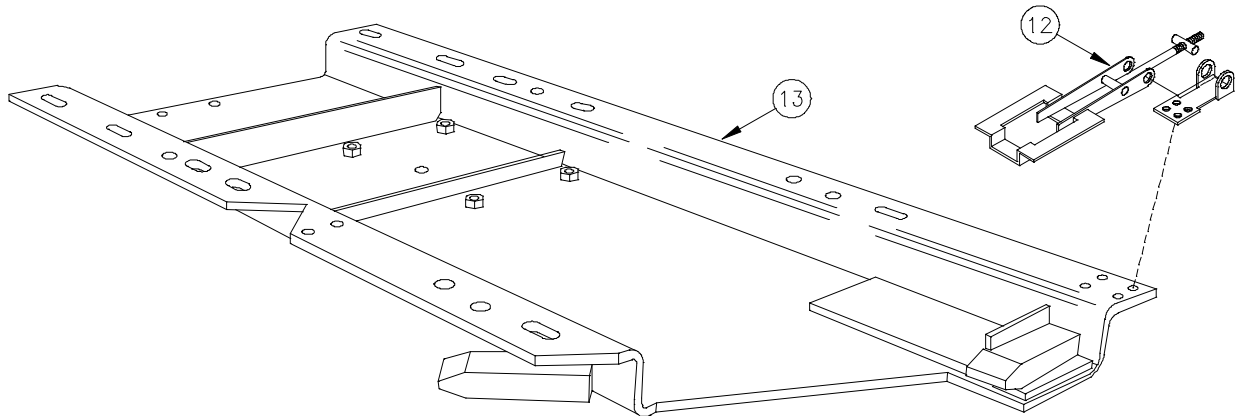
# 9X Front Bumper





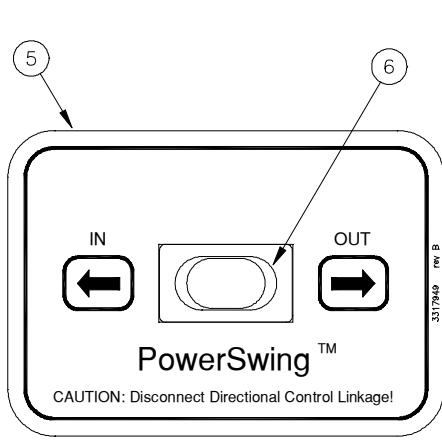
Item	Part no.	Qty.	Description
1	3316880	1	HARNESS-FRONT BUMPER HEADLIGHT
2	3315839	2	HEADLIGHT-HALOGEN 12V, FLUSH MOUNT
-	3315869	-	BULB-HALOGEN REPLACEMENT (NOT SHOWN)
3	3316865	1	BUMPER-9X FRONT
4	3311564	2	GROMMET-1/2" ID RUBBER
5	3316871	2	BUMPER-RUBBER, 1.50" DIA

# 9X Engine Pivot

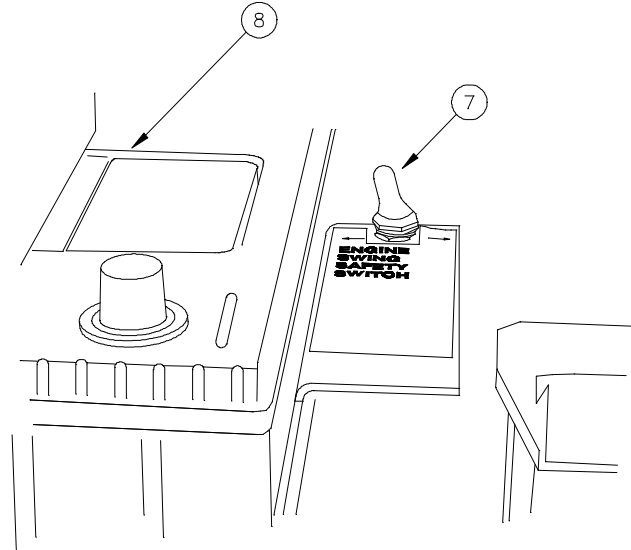


## 9X Engine Pivot

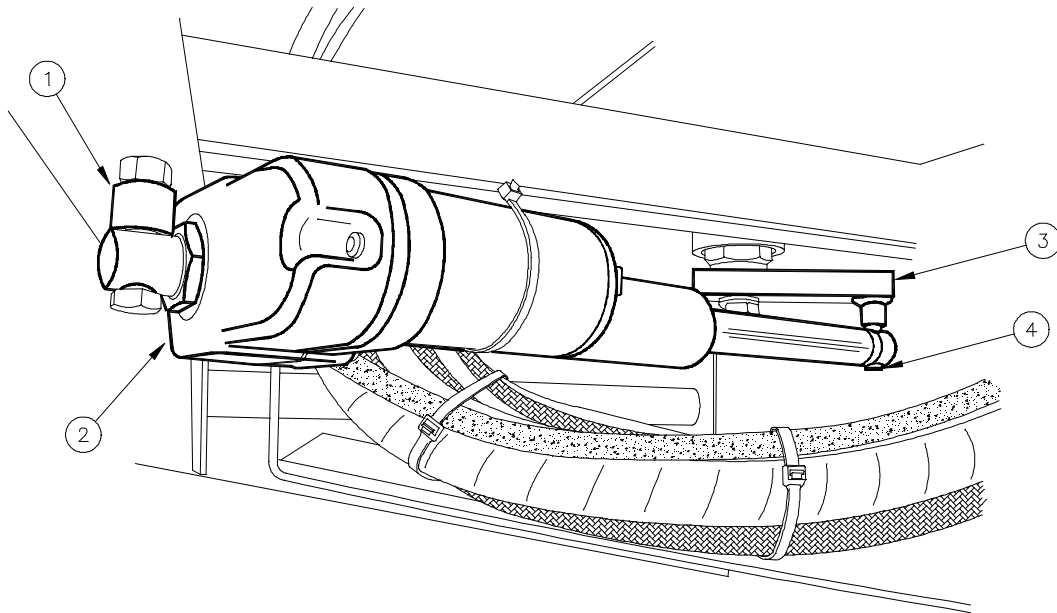
Item	Part no.	Qty.	Description
1	3307327	1	WELDMENT-ENGINE PIVOT PLATE SW/A PAINTED
2	3301718	1	KEY-1/4x1/4x.75
3	3300471	1	BEARING-TAPERED ROLCONE W/SEAL
4	3300470	1	BEARING-TAPERED ROL CUP
5	3307326	1	BEARING MOUNT-ENGINE PIVOT SW/A PAINTED
6	3400012	1	FTG-GREASE, $\phi 3/16$
7	3400083	1	NUT-HEX JAM, 1 1/4-12 ES ZP
8	3333303	1	COVER-HOSE RETAINER SHORT PNTD
9	3333302	1	WELDMENT-HOSE RETAINER SW/A
10	3307357	1	WELDMENT-ENGINE CATCH OUTER PAINTED SW/A
11	3307362	1	WELDMENT-ENGINE CATCH INNER PAINTED SW/A
12	3307377	1	LATCH-ENGINE ZP, SW/A
13	3307356	1	WELDMENT-ENGINE PAN SW/9X



On console next to seat.



Switch is standard on 9XR as well.



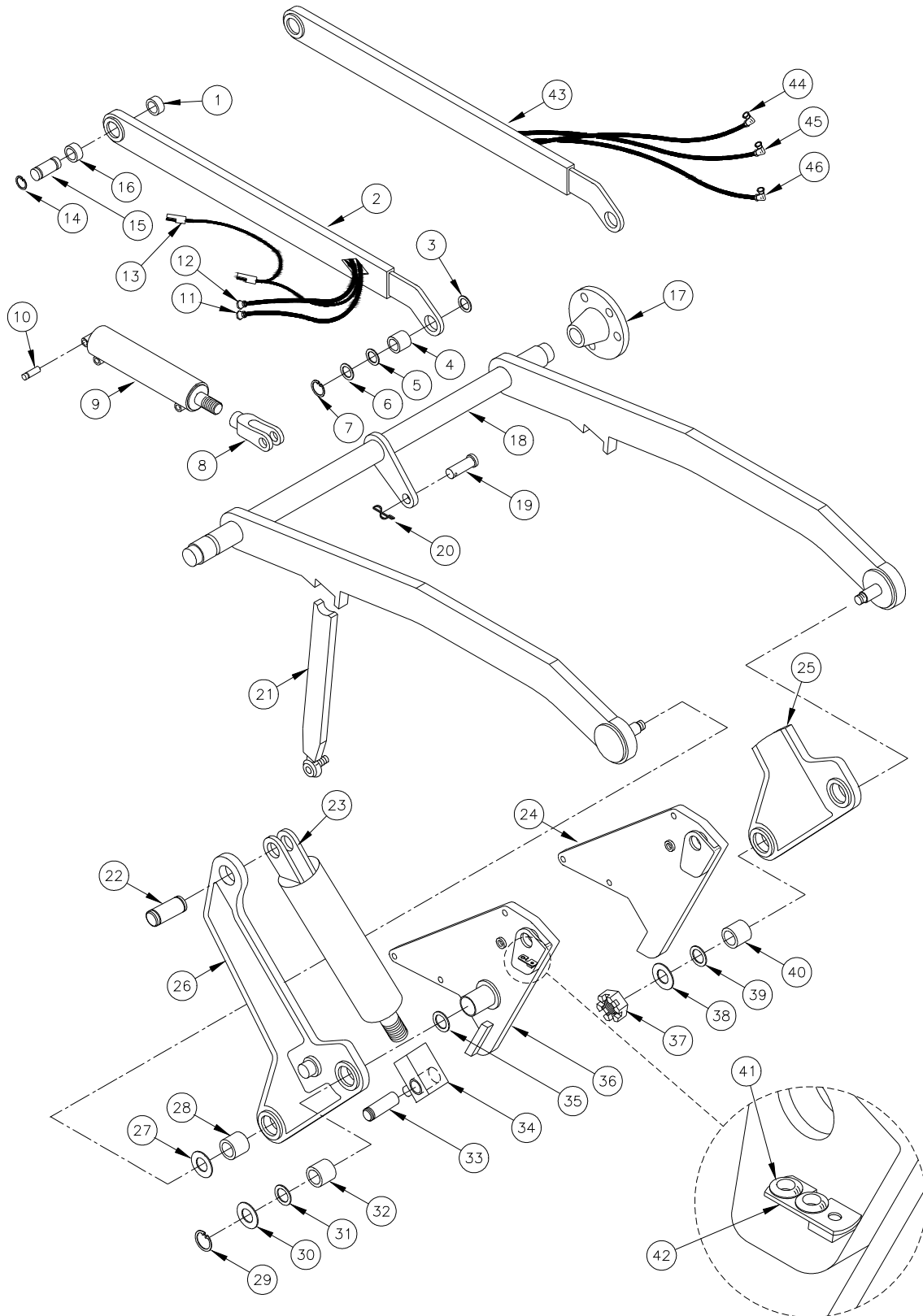
# 9XV PowerSwing



Item	Part no.	Qty.	Description
1	3307841	1	SPACER-ACTUATOR ENGINE PAINTED
2	3307374	1	ACTUATOR-ENGINE SWING 12V, SW/A
3	3307371	1	WELDMENT-ENGINE SWING ARM SW/A PAINTED
4	3302207	1	RING-RETAINING, EXTERNAL $\phi$ .50"
5	3317949	1	DECAL-POWERSWING, 3.3x4.7, LEXAN, DARK GRAY
6	3307553	1	SWITCH-ROCKER ENGINE SWING, SW/A
7	3329812	1	SWITCH-TOGGLE SPDT GEN PURPOSE
8	3300440	1	BATTERY-GAS/DIESEL, 12V, 650 CCA, 125 MIN RESERVE

# 9XR Lift Arms

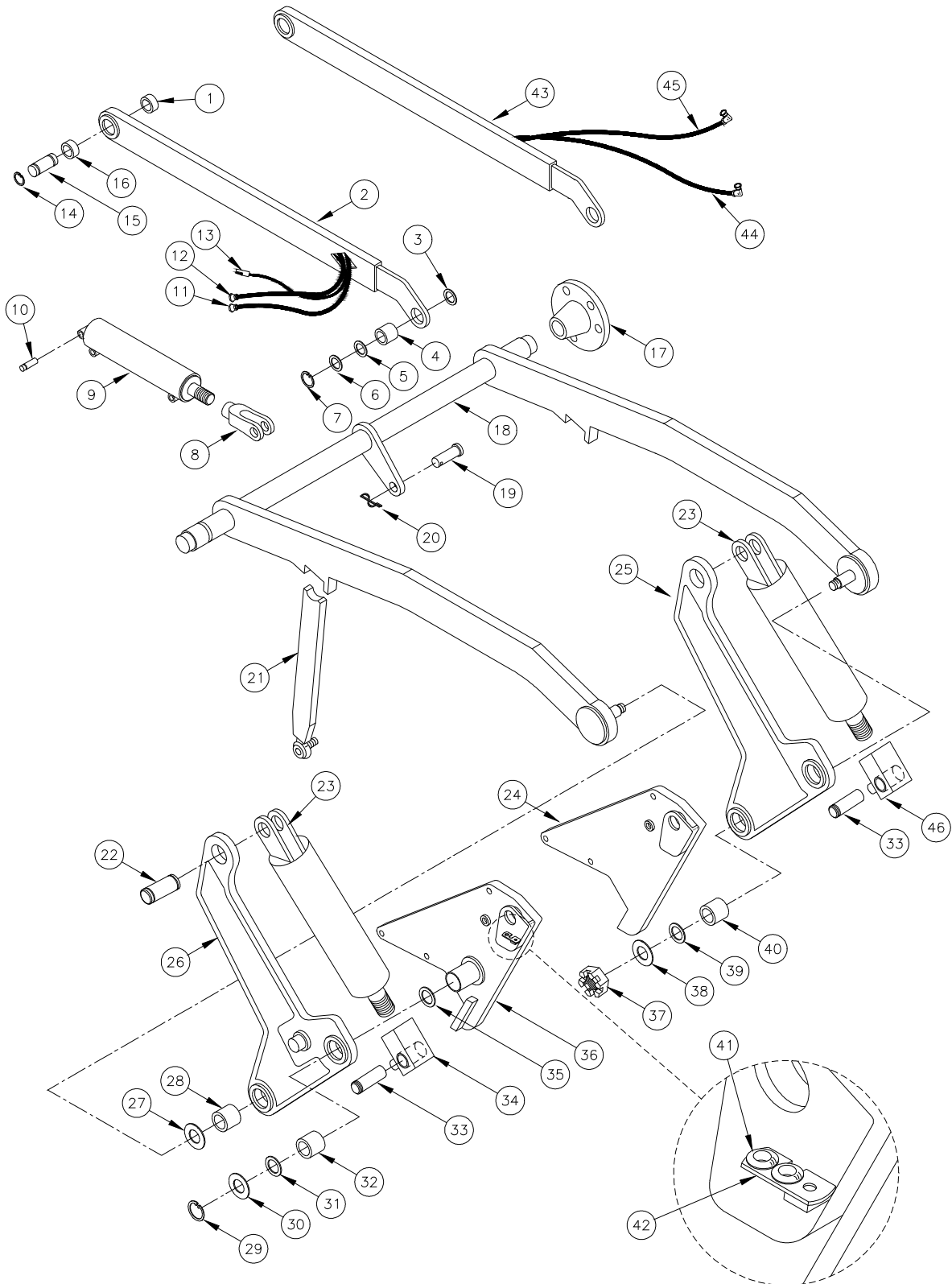
Items 44, 45 & 46 for units with hopper mounted impeller.



# 9XR Lift Arms

Item	Part no.	Qty.	Description
1	3300837	2	BEARING-1.12 ODx1.00 IDx.75
2	3334557	1	ASSEMBLY-RH SECONDARY ARM 8X,9X SUB
-	3334551	1	WELDMENT-RH UPPER LIFT ARM SW/A
3	3400177	2	BEARING-THRUST 2.06 IDx3.25 OD
4	3300836	2	BEARING-2.18 ODx2.00 IDx.75
5	3400177	2	BEARING-THRUST 2.06 IDx3.25 OD
6	3300882	2	WASHER-HD 3.25 ODx2.00 ID
7	3301709	2	RING-RETAINING, EXT 2.00 DIA
8	3301370	1	CLEVIS-HYD CYLINDER, PAINTED (SP)
9	3307243	1	CYLINDER-HYD HOPPER LIFT
10	3307408	1	PIN-LOWER LIFT CYLINDER, ZP SW/A
11	3307675	1	HOSE-HYD, 1/4 AR 98.00 ST#5 90S#4
12	3307674	1	HOSE-HYD, 1/4 AR 108.00 ST#5 90S#4
13	3332772	1	HARNES-WIRING LIFT SW/A
14	3301998	4	RING-RETAINING, EXT .940 DIA
15	3307430	2	PIN-UPPER LIFT ARM, .998 DIA, ZP
16	3300837	2	BEARING-1.12 ODx1.00 IDx.75
17	3307605	2	ASSEMBLY-DUMP ARM MOUNT PAINTED
18	3307305	1	WELDMENT-HOPPER LIFT ARM PAINTED
19	3400107	1	PIN-CLEVIS 1.00 DIAx2-5/8 LG, ZP
20	3400120	1	PIN-COTTER 5/32 DIAx2.00 LG, ZP
21	3331359	1	ASSEMBLY-SAFETY ARM W/BALL JOINT
22	3307607	1	PIN-ROTATION CYL, .998 DIA, ZP
23	3316890	1	CYLINDER-HYD, ROTATION SINGLE SW/A
24	3317363	1	PIVOT-HOPPER LH ARMA PNTD
25	3332416	1	ASSEMBLY-HOPPER ROTATION HYD CYLINDER MOUNT SW9XR SUB
-	3332415	1	ARM-HOPPER ROTATION, SW/9XR
26	3307074	1	ASSEMBLY-RH HYD CYLINDER MOUNT, 8X/9X/10X SUB
-	3317366	1	ARM-HOPPER ROTATION, ARMA RH PAINTED
27	3300882	2	WASHER-HD 3.25 ODx2.00 ID
28	3300840	2	BEARING-2.18 ODx2.00 IDx1.50
29	3301709	2	RING-RETAINING, EXT 2.00 DIA
30	3300882	2	WASHER-HD 3.25 ODx2.00 ID
31	3400177	2	BEARING-THRUST 2.06 IDx3.25 OD
32	3300840	2	BEARING-2.18 ODx2.00 IDx1.50
33	3307606	1	PIN-FRONT ROTATION CYL, .998 DIA, ZP
34	3317119	1	ASSEMBLY-BLOCK ROTATION 8/9/10X
35	3400177	2	BEARING-THRUST 2.06 IDx3.25 OD
36	3317364	1	PIVOT-HOPPER RH ARMA
37	3400076	2	NUT-HEX JAM SLOTTED, 1-14 ZP
38	3300879	2	WASHER-HD 3.25 ODx1.00 ID
39	3400177	2	BEARING-THRUST 2.06 IDx3.25 OD
40	3300840	2	BEARING-2.18 ODx2.00 IDx1.50
41	3301665	2	GROMMET-RUBBER, 1/8" PANEL THK, 3/8" ID
42	3307738	1	MOUNT-RTR SENSOR, SW/A, ZP
43	3334496	1	ASSEMBLY-LH SECONDARY ARM SW/9XR SUB
-	3334454	1	WELDMENT-LH UPPER LIFT ARM
44	3334502	1	HOSE-HYD, HOPPER TO HYD VALVE
45	3334503	1	HOSE-HYD, HOPPER TO MAIN BROOM
46	3334505	1	HOSE-HYD, HOPPER TO HYD VALVE

# 9XV Lift Arms

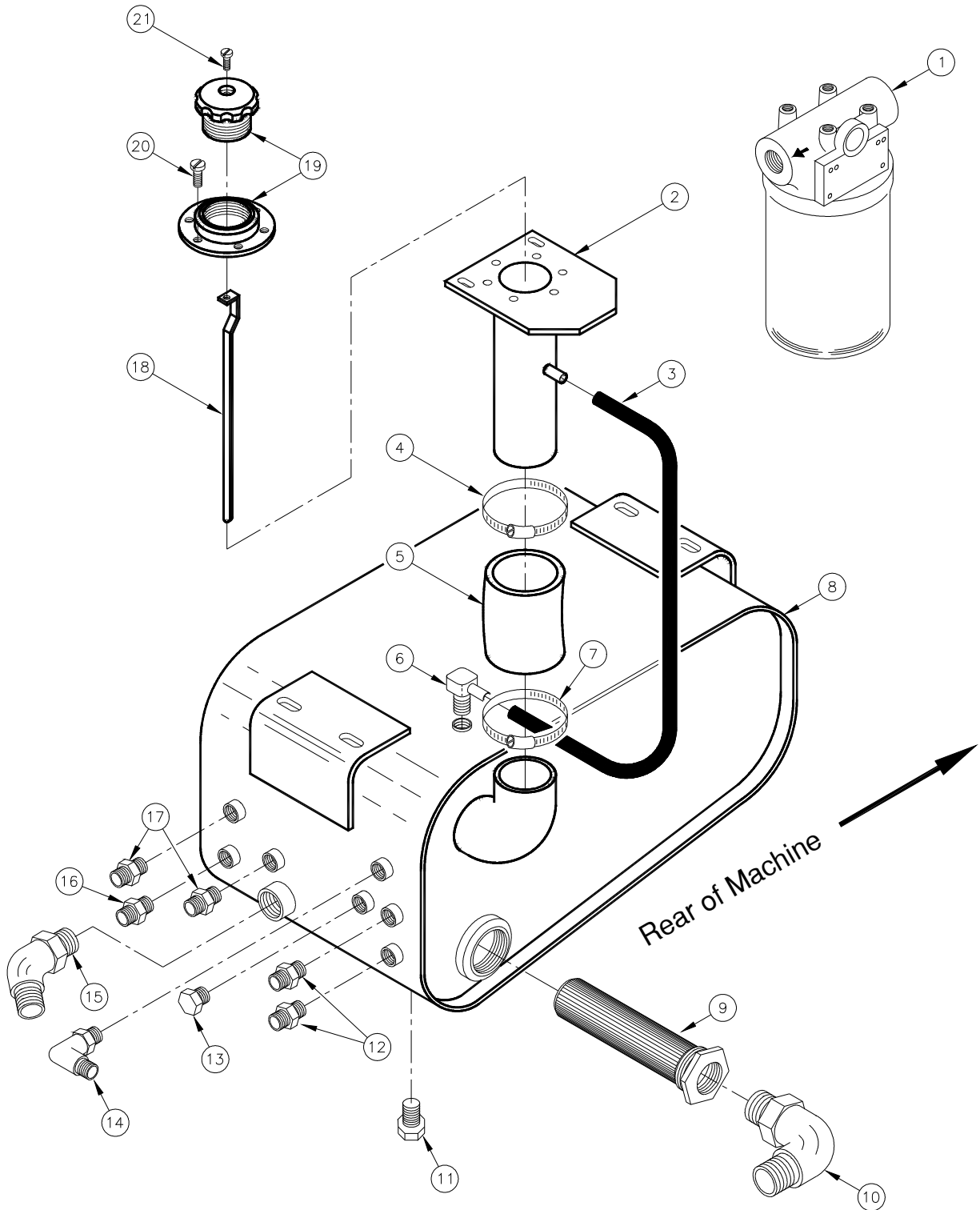




# 9XV Lift Arms

Item	Part no.	Qty.	Description
1	3300837	2	BEARING-1.12 ODx1.00 IDx.75
2	3334557	1	ASSEMBLY-RH SECONDARY ARM 8X,9X SUB
-	3334551	1	WELDMENT-RH UPPER LIFT ARM SW/A
3	3400177	2	BEARING-THRUST 2.06 IDx3.25 OD
4	3300836	2	BEARING-2.18 ODx2.00 IDx.75
5	3400177	2	BEARING-THRUST 2.06 IDx3.25 OD
6	3300882	2	WASHER-HD 3.25 ODx2.00 ID
7	3301709	2	RING-RETAINING, EXT 2.00 DIA
8	3301370	1	CLEVIS-HYD CYLINDER, PAINTED (SP)
9	3307243	1	CYLINDER-HYD HOPPER LIFT
10	3307408	1	PIN-LOWER LIFT CYLINDER, ZP SW/A
11	3307675	1	HOSE-HYD, 1/4 AR 98.00 ST#5 90S#4
12	3307674	1	HOSE-HYD, 1/4 AR 108.00 ST#5 90S#4
13	3332772	1	HARNES- WIRING LIFT SW/A
14	3301998	4	RING-RETAINING, EXT .940 DIA
15	3307430	2	PIN-UPPER LIFT ARM, .998 DIA, ZP
16	3300837	2	BEARING-1.12 ODx1.00 IDx.75
17	3307605	2	ASSEMBLY-DUMP ARM MOUNT PAINTED
18	3307305	1	WELDMENT-HOPPER LIFT ARM PAINTED
19	3400107	1	PIN-CLEVIS 1.00 DIAx2-5/8 LG, ZP
20	3400120	1	PIN-COTTER 5/32 DIAx2.00 LG, ZP
21	3331359	1	ASSEMBLY-SAFETY ARM W/BALL JOINT
22	3307607	2	PIN-ROTATION CYL, .998 DIA, ZP
23	3307323	2	CYLINDER-ROTATION SW/A PAINTED
24	3317363	1	PIVOT-HOPPER LH ARMA PAINTED
25	3307075	1	ASSEMBLY-LH HYD CYLINDER MOUNT, SUB (#25 WITH BEARINGS ETC.)
-	3317367	1	ARM-ROTATING ARMA LH PAINTED
26	3307074	1	ASSEMBLY-RH HYD CYLINDER MOUNT, SUB (#26 WITH BEARINGS ETC.)
-	3317366	1	ARM-HOPPER ROTATION, ARMA RH PAINTED
27	3300882	2	WASHER-HD 3.25 ODx2.00 ID
28	3300840	2	BEARING-2.18 ODx2.00 IDx1.50
29	3301709	2	RING-RETAINING, EXT 2.00 DIA
30	3300882	2	WASHER-HD 3.25 ODx2.00 ID
31	3400177	2	BEARING-THRUST 2.06 IDx3.25 OD
32	3300840	2	BEARING-2.18 ODx2.00 IDx1.50
33	3307606	2	PIN-FRONT ROTATION CYL, .998 DIA, ZP
34	3317119	1	ASSEMBLY-BLOCK ROTATION RH 8/9/10X
35	3400177	2	BEARING-THRUST 2.06 IDx3.25 OD
36	3317364	1	PIVOT-HOPPER RH ARMA
37	3400076	2	NUT-HEX JAM SLOTTED, 1-14 ZP
38	3300879	2	WASHER-HD 3.25 ODx1.00 ID
39	3400177	2	BEARING-THRUST 2.06 IDx3.25 OD
40	3300840	2	BEARING-2.18 ODx2.00 IDx1.50
41	3301665	2	GROMMET-RUBBER, 1/8" PANEL THK, 3/8" ID
42	3307738	1	MOUNT-RTR SENSOR, SW/A, ZP
43	3334554	1	ASSEMBLY-LH SECONDARY ARM 9X DELUXE
44	3307664	1	HOSE-HYD, 1/4 AR 120.00 ST#5 ST#4
45	3307665	1	HOSE-HYD, 1/4 AR 104.00 ST#5 ST#4
46	3317124	1	ASSEMBLY-BLOCK ROTATION LH 8/9/10X

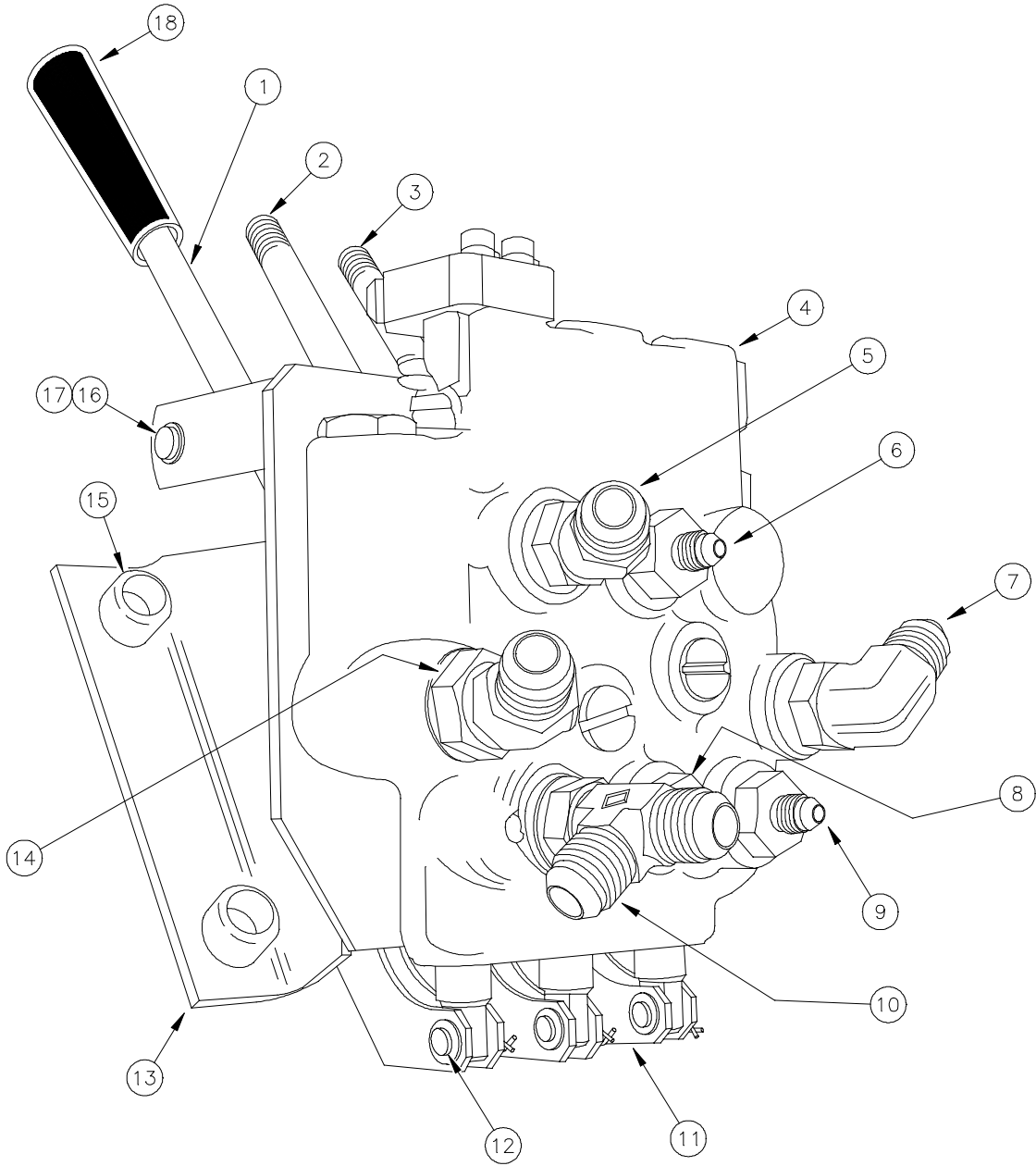
# 9X Hydraulic Reservoir



# 9X Hydraulic Reservoir

Item	Part no.	Qty.	Description
1	3322509	1	SUB-HYD FILTER SW/9X (FILTER, MOUNT & FITTINGS)
-	3300359	1	FILTER-HYDRUALIC OIL (FILTER ONLY)
-	3304899	1	FTG-ADAPTER, 3/4-16 TO 1/2 OD TUBE (NOT SHOWN)
-	3400167	1	FTG-ADAPTER, 1 1/6-12 EXT TO (NOT SHOWN)
-	3400632	1	FTG-ADAPTER, RUN TEE 1-1/16-12 (NOT SHOWN)
-	3400636	1	FTG-ADAPTER, SWIVEL NUT 90° ELBOW (NOT SHOWN)
2	3310072	1	WELDMENT-HYD FILL TUBE
3	3302703	1	HOSE-VACUUM LINE, 1/8
4	3044112	1	CLAMP-HOSE, SS, 2.50 MAX WORM
5	3303577	1	HOSE-RUBBER, 2.00IDx3.50 LG
6	3307778	1	FTG-90° 1/8MPTx1/4 BARB
7	3044112	1	CLAMP-HOSE, SS, 2.50 MAX WORM
8	3335759	1	RESERVOIR-HYDRAULIC, 7.5 US GAL (8X,9X,10X)
9	3307573	1	STRAINER-HYDRAULIC TM-15
10	3401009	1	FTG-90° DEG MALE ELBOW
11	3400164	1	FTG-PLUG 3/4-16 O RING
12	3304899	2	FTG-ADAPTER 3/4-16 TO 1/2 OD TUBE
13	3400453	1	FTG-PLUG 9/16-18 O-RING STEEL
14	3400152	1	FTG-90° 1/2-20 TO #5
15	3332571	1	FTG-STR THREAD O RING 45° EL
16	3400871	1	FTG-C5315 X 6 X 5
17	3306875	2	FTG-ADAPTOR 1/2-20 TO 5/16 OD
18	3307580	1	DIPSTICK-HYD RESEVOIR SW/A
19	3305576	1	ASSEMBLY-HYD OIL FILTER BREATHER
20	3400044	6	SCR-HEX,#10-32X0.75 ZP
21	3400045	1	SCR-PAN,#8-32X0.62,SLT ZP

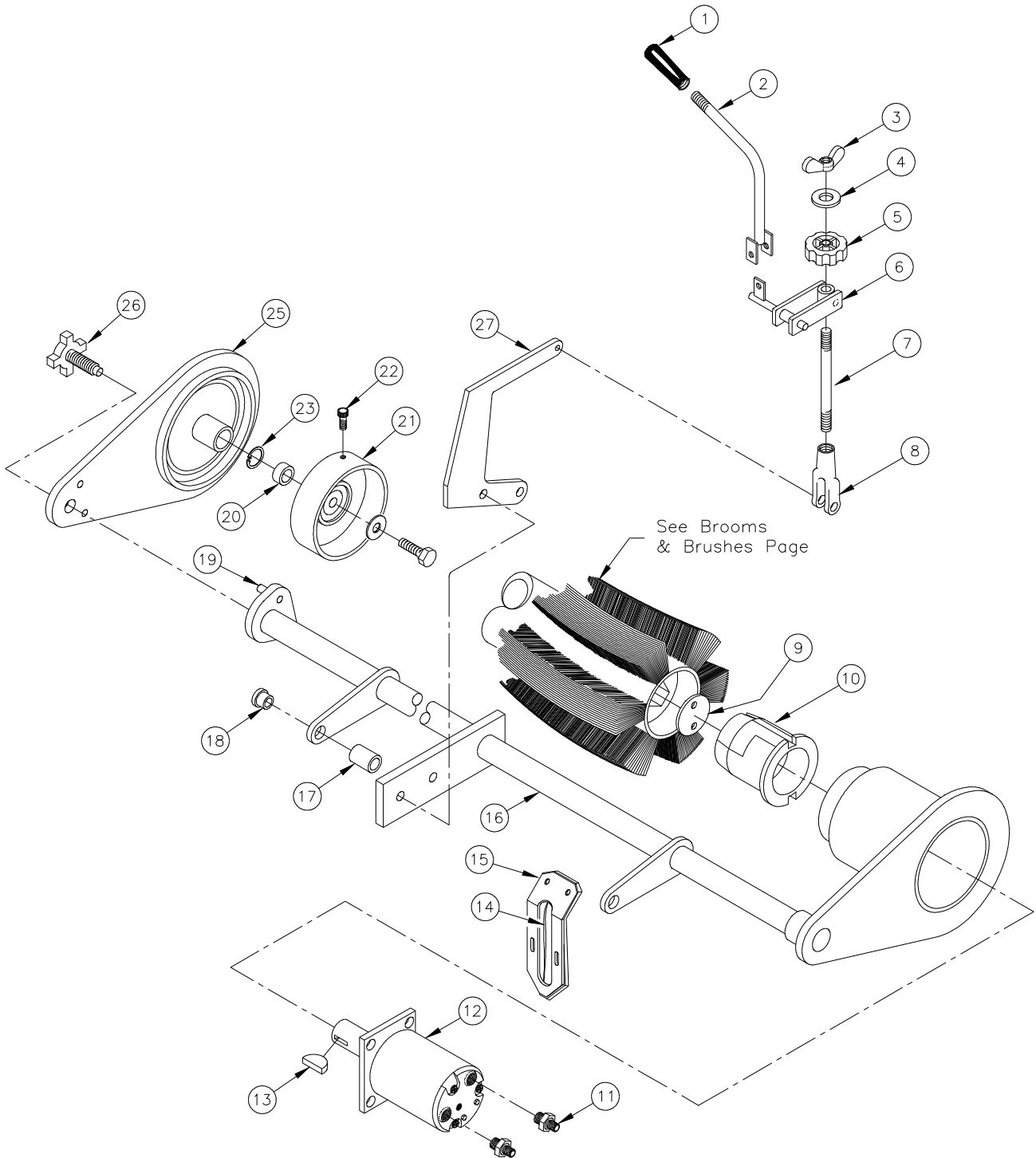
# 9X Hydraulic Control Valve



# 9X Hydraulic Control Valve

Item	Part no.	Qty.	Description
1	3307201	1	WELDMENT-CONTROL VALVE HANDLE #1 ZP
-	3303996	2	BEARING-PLASTIC 3/8IDx1/2ODx3/4LG (NOT SHOWN)
2	3307202	1	WELDMENT-CONTROL VALVE HANDLE #2 ZP
-	3303996	2	BEARING-PLASTIC 3/8IDx1/2ODx3/4LG (NOT SHOWN)
3	3307203	1	WELDMENT-CONTROL VALVE HANDLE #3 ZP
-	3303996	2	BEARING-PLASTIC 3/8IDx1/2ODx3/4LG (NOT SHOWN)
4	3307433	1	VALVE-HYD CONTROL 3-SPOOL
5	3400157	1	FTG-45° 3/4-16 TO #8
6	3400150	1	FTG-STR 3/4-16 TO #4
-	3301683	1	ORIFICE-BRASS #334, φ.043", "A", HYDRAULIC, 3/4-16 THD (USED WITH #6)
7	3400155	1	FTG-90° 7/8-14 TO #8
8	3400150	1	FTG-STR 3/4-16 TO #4
-	3309354	1	ORIFICE-BRASS #332, φ.041", HYDRAULIC, 3/4-16 THD (USED WITH #8)
9	3400150	1	FTG-STR 3/4-16 TO #4
-	3301683	1	ORIFICE-BRASS #334, φ.043", "A", HYDRAULIC, 3/4-16 THD (USED WITH #9)
10	3400163	1	FTG-TEE OFFSET 3/4-16 TO #8
11	3307206	6	LINK-HYD VALVE ZP
12	3400426	3	PIN-CLEVIS, 3/16x3/4 ZP
-	3400425	3	PIN-CLEVIS, 1/4x5/8 ZP (USED ON UPPER END, NOT SHOWN)
13	3307196	1	WELDMENT CONTROL VALVE MOUNT
14	3400158	1	FTG-45° 7/8-14 TO #8
15	3300465	4	ISOLATOR-RUBBER (.375IDx.81OD)
16	3300884	1	ROD-PIVOT CONTROL VALVE ZP
17	3300548	2	RING-RETAINING, EXT. φ.375
18	3300558	3	KNOB-PLASTIC TAPERED #145 BLACK

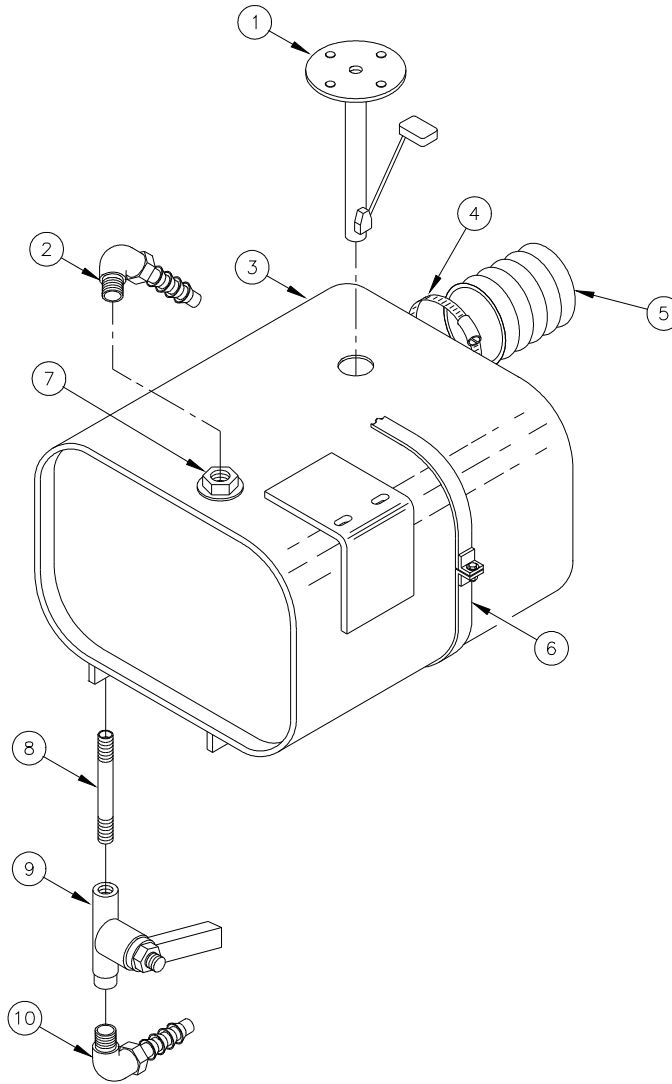
# 9X Main Broom



## 9X Main Broom

Item	Part no.	Qty.	Description
1	3300558	1	KNOB-PLASTIC TAPERED #145 BLACK
2	3307211	1	WELDMENT-MAIN BROOM LEVER SW/A
3	3400084	1	NUT-WING 1/2-13 ZP
4	3400091	1	WASHER-FENDER 1/2 ZP
5	3300352	1	KNOB-MAIN BROOOM LIFT ADJUST
6	3307209	1	WELDMENT-MAIN BROOM PIVOT LIFT PAINTED
7	3307213	1	ROD-LIFT MAIN BROOM ZP
8	3301447	1	CLEVIS-CABLECRAFT AC-218
9	3301285	1	RETAINER-MAIN BROOM DRIVER HUB, ZP
10	3301050	1	HUB-MAIN BROOM DRIVE PAINTED
11	3400151	1	FTG-STRAIGHT 7/8-14 TO #8
12	3316898	1	MOTOR-HYD MAIN BROOM (MS/FS/7X/SWA)
13	3330338	1	KEY-SHAFT D-FOSS CB/MB/SC MOTORS
14	3307337	3'	GASKET-MAIN BROOM ARM SW/A
15	3307338	3'	RETAINER-GASKET MAIN BROOM ARM ZP
16	3307207	1	WELDMENT-MAIN BROOM ARM SW/A PAINTED
17	3307181	1	SPACER-MAIN BROOM SW/A ZP
18	3300432	2	BUSHING-FL-52-4
19	3300021	2	PIN-DOWL φ.38x1.25 LONG
20	3305667	1	BEARING-MAIN BROOM
21	3305642	1	HUB-BROOM IDLER PAINTED
22	3400047	1	SCR-SOCKET, 5/16-18x0.75 ZP
23	3305666	1	RING-RETAINING MAIN BROOM
25	3305795	1	WELDMENT-ARM MAIN BROOM IDLER WB PNTD
26	3400748	1	KNOB-HAND 1/2-13x1-1/2 DOG POINT
27	3307214	1	PLATE-LIFT ARM MAIN BROOM PAINTED

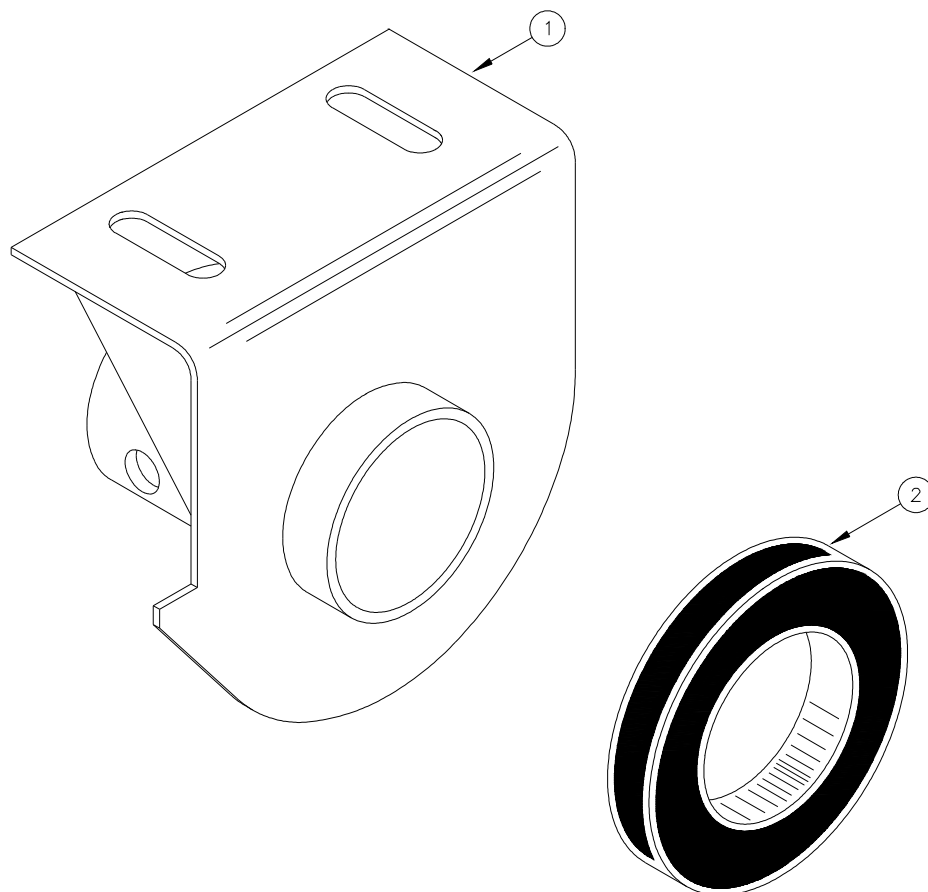
# 9X Fuel Tank - Gas/Diesel



Item	Part no.	Qty.	Description
1	3300388	1	SENDER-FUEL W/CORK GASKET
2	3400793	1	FTG-90° 3/8 BARBx1/4 NPT
2	3307778	1	FTG-90° 1/8MPTx1/4 BARB (FOR DIESEL NOT SHOWN)
3	3307575	1	TANK-FUEL, 7.64 US GAL, SW/A
4	3044112	1	CLAMP-HOSE, SS, 2.50 MAX
5	3303577	1	HOSE-RUBBER, 2.00IDx3.50 LG
6	3307731	1	STRAP-FUEL TANK SW/A (PAINTED)
7	3304622	1	FTG-REDUCER 1/4 MPTx1/8 FPT
8	3400498	1	FTG-BRASS NIPPLE, 1/4 NPTx2.0 LG
9	3400499	1	VALVE-MINATURE 1/4 FPT BALL
10	3400793	1	FTG-90° 3/8 BARBx1/4 NPT

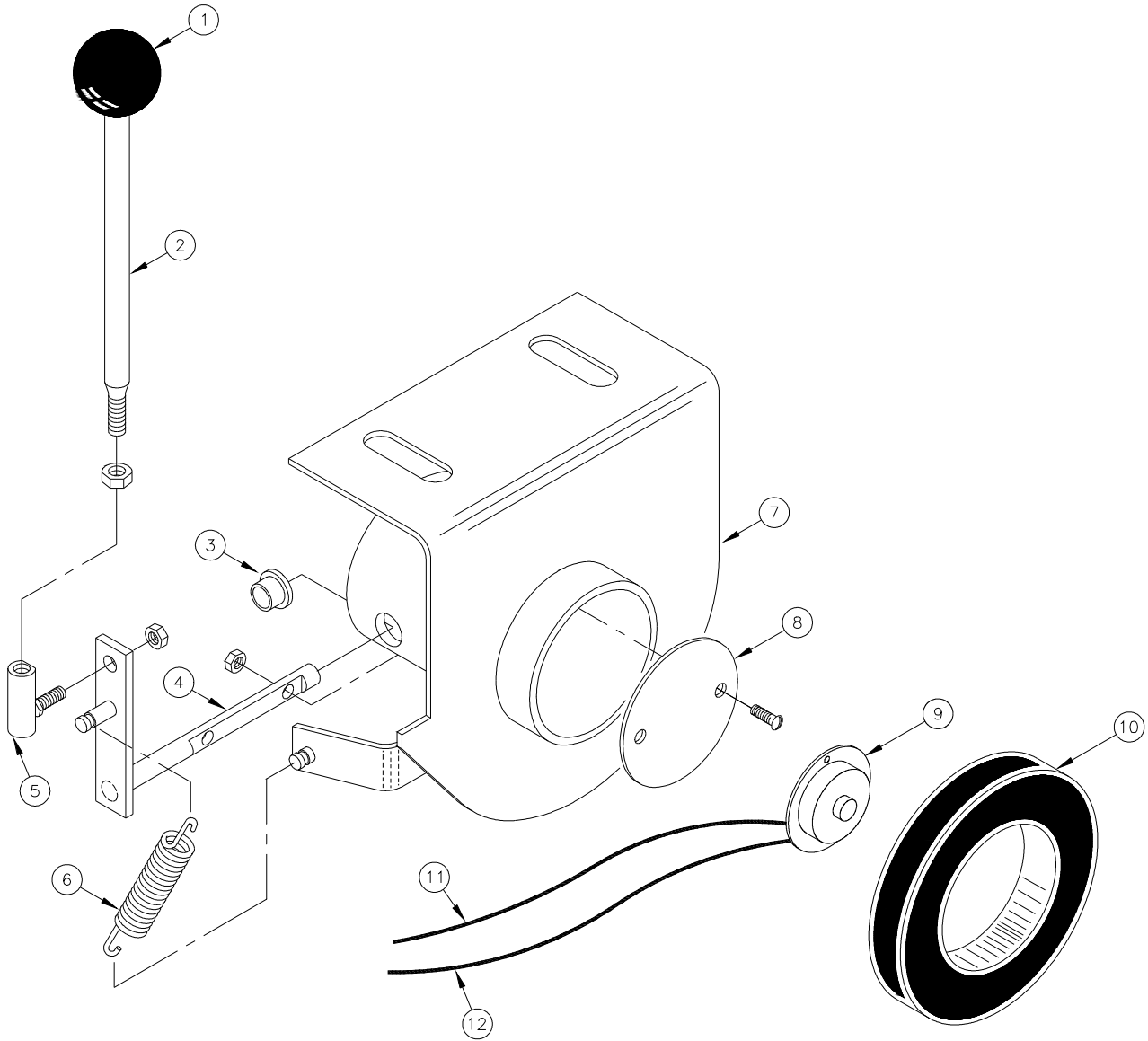


# 9XR Gasket Mount



Item	Part no.	Qty.	Description
1	3318473	1	WELDMENT-GASKET MOUNT
2	3342111	1	GASKET-IMPELLER DUST

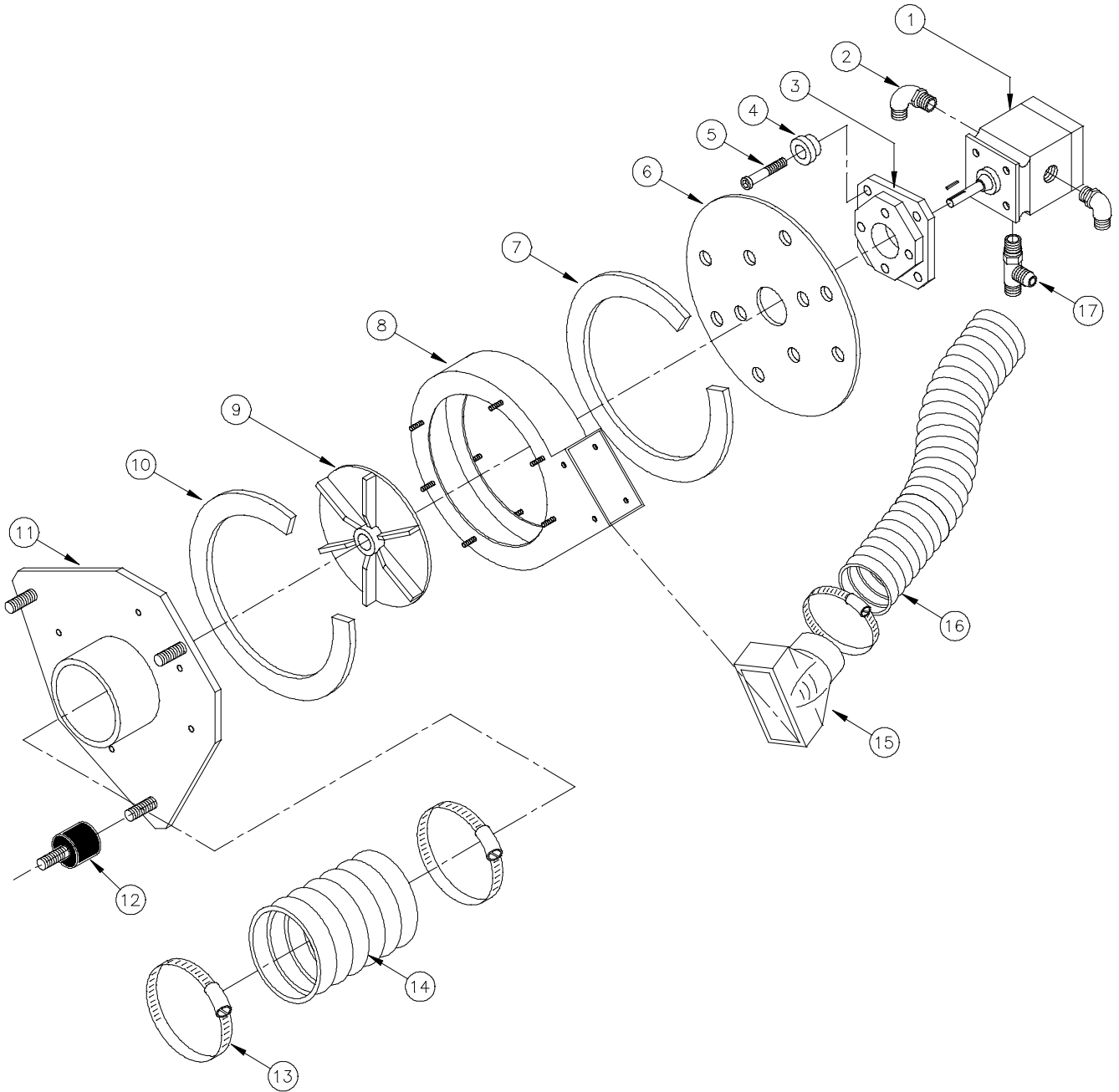
# 9XV Gasket Mount



## 9XV Gasket Mount

Item	Part no.	Qty.	Description
1	3300563	1	KNOB-PLASTIC BALL 1" DIA, BLACK
2	3307173	1	ROD-IMPELLER BAFFLE
3	3300414	2	BUSHING-PLASTIC, 3/8IDx1/2OD
4	3307155	1	WELDMENT-GASKET MOUNT BAFFLE
5	3301199	1	BALL JOINT-1/4-28
6	3304160	1	SPRING-EXTENSION, 2.00 LG
7	3307182	1	WELDMENT-GASKET MOUNT, PAINTED
8	3301498	1	DAMPER-HOPPER SHUTOFF, ZP
9	3303003	1	DETECTOR-HEAT, 135°F TRIP (57°C), THERMOSTATIC TYPE
10	3307005	1	GASKET-IMPELLER SW/A
11	3310099	1	HARNESS-FIRE IN HOPPER INDICATOR
12	3317148	1	HARNESS-FIRE IN HOPPER INDICATOR
-	3303729	1	GROMMET-RUBBER, .25IDx.56ODx.12 GROOVE (NOT SHOWN)

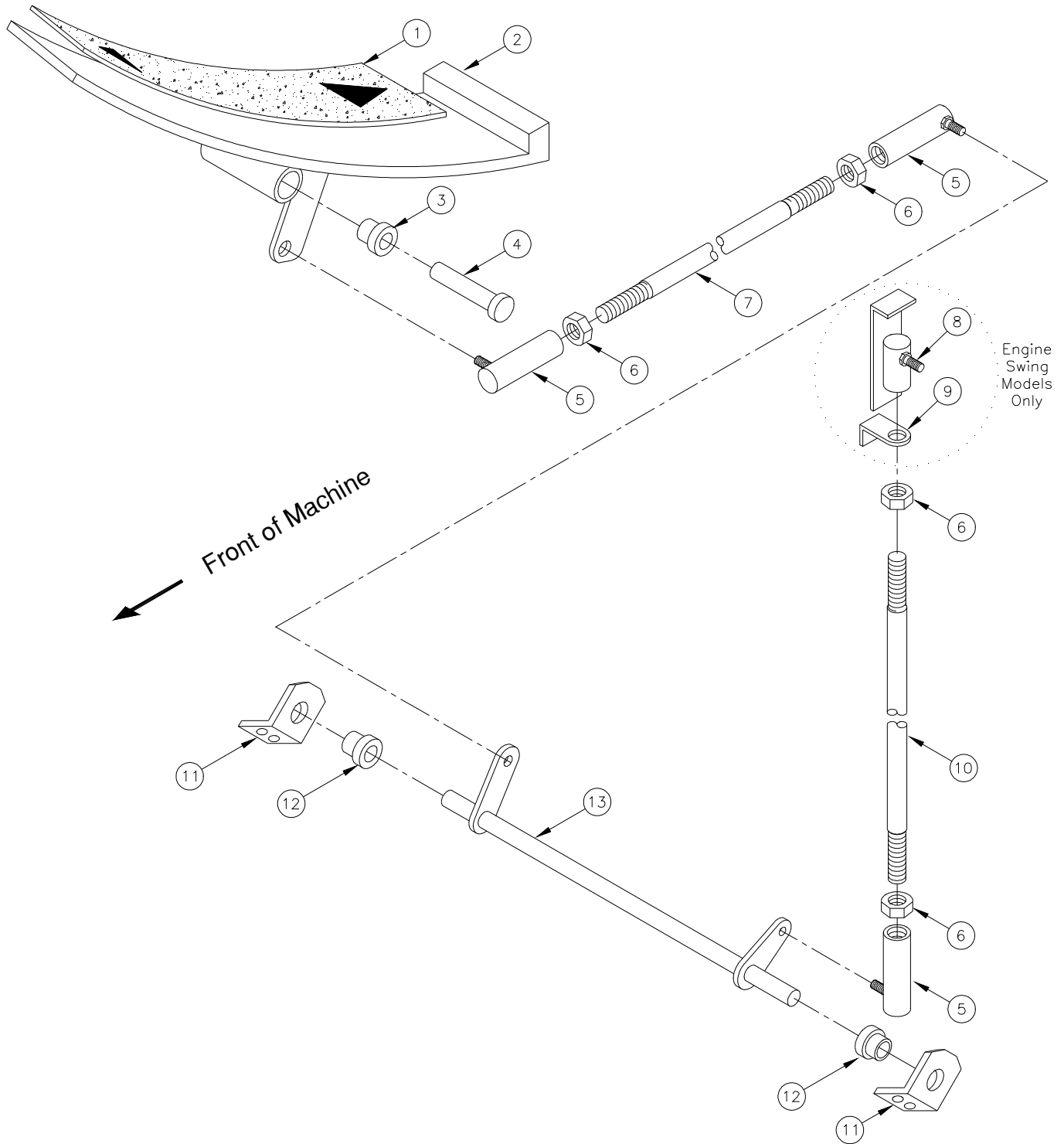
# 9X Impeller



## 9X Impeller

Item	Part no.	Qty.	Description
1	3316832	1	MOTOR-HYDRAULIC, .323CI, CCW ROTATION, IMPELLER
2	3400154	2	FTG-90° 3/4-16 TO #8
3	3307152	1	MOUNT-IMPELLER MOTOR
4	3300465	4	ISOLATOR-RUBBER, .375 IDx.81 OD
5	3400028	4	SCR-HEX 3/8-16x1.50" ZP
6	3322121	1	MOUNT-IMPELLER MOTOR, CIRCULAR
7	3500246	2.5	GASKET-OPEN CELL 1/8x3/4
8	3307004	1	SHROUD-IMPELLER, SW/A PAINTED
9	3307003	1	IMPELLER-8.88" DIA, ARMA BALANCED
10	3500246	2.5	GASKET-OPEN CELL 1/8x3/4
11	3308765	1	INTAKE-IMPELLER MOUNTING 9X
12	3333915	3	ISOLATOR-RUBBER, φ1.5x1" LG, 3/8-16 THREAD
13	3300351	3	CLAMP-HOSE, 4.5" DIA, SS
14	3307767	1	HOSE-IMPELLER, φ4"x7.5" LONG
15	3315347	1	TRANSITION-PLASTIC IMPELLER EXHAUST
16	3318203	1	HOSE-IMPELLER EXHAUST, 3.5"IDx62" LONG
17	3400844	1	FTG-STRAIGHT THREAD ORING RUN TEE

# 9X Directional Linkage



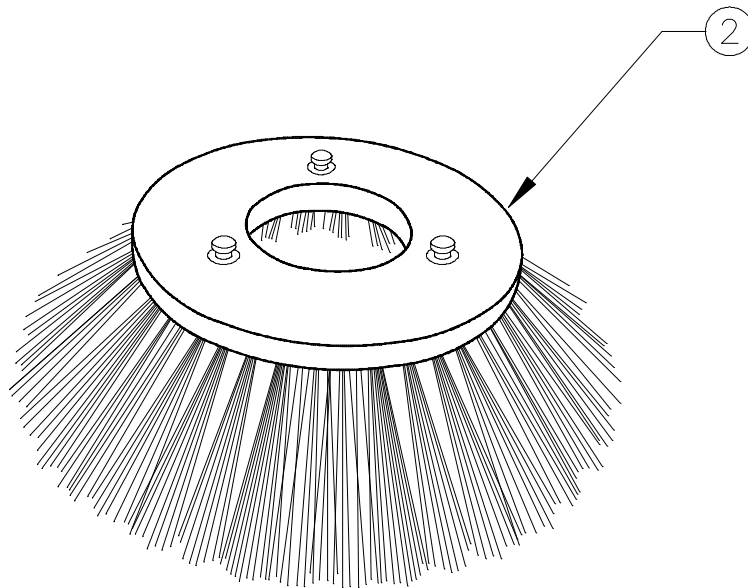
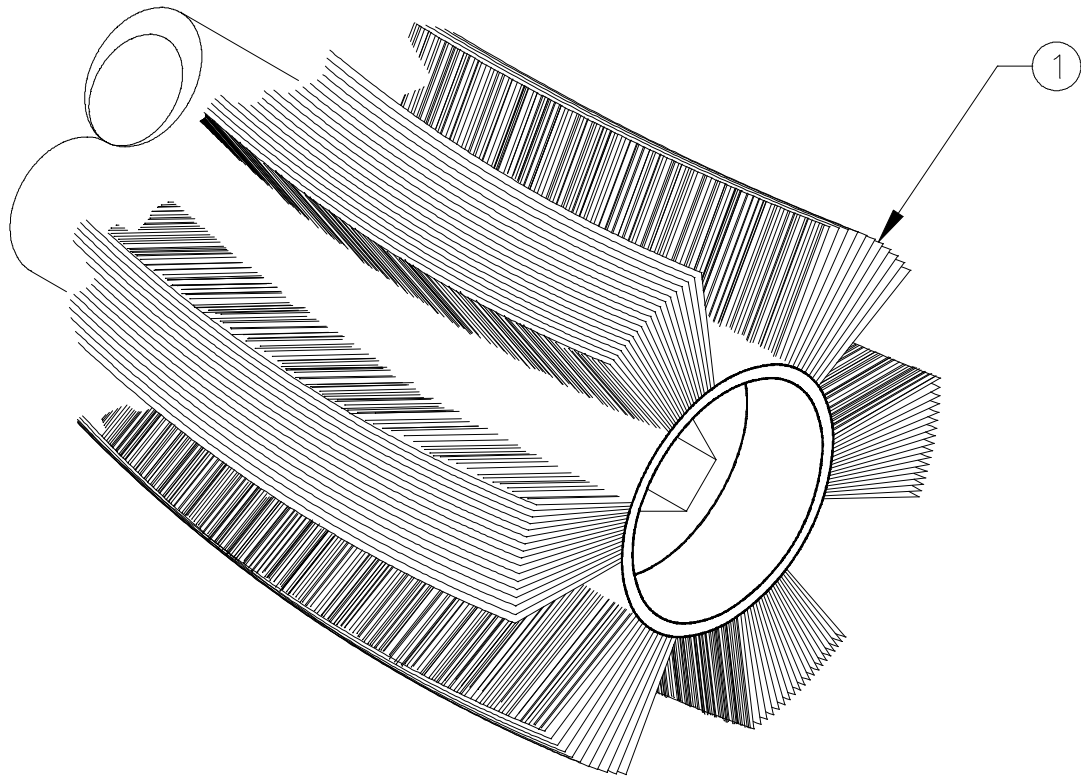
## 9X Directional Linkage

Item	Part no.	Qty.	Description
1	3300544	1	PAD-FOOT PEDAL
2	3300737	1	FOOTPEDAL
3	3300414	2	BUSHING-PLASTIC FLANGED, .375IDx.50OD
4	3400114	1	PIN-CLEVIS, 3/8x4
5	3300461	2	BALL JOINT-3/8-24
6	3400075	4	NUT-JAM, 3/8-24
7	3307222	1	ROD-DIRECTIONAL CONTROL, DIESEL
7	3307221	1	ROD-DIRECTIONAL CONTROL, GAS/LP (NOT SHOWN)
8	3307611	1	QUICK RELEASE- FWD/REV - <b>ES &amp; POWERSWING UNITS</b>
9	3307613	1	HANDLE-QUICK RELEASE - <b>ES &amp; POWERSWING UNITS</b>
10	3307938	1	ROD-DIRECTIONAL CONTROL DIESEL
10	3316228	1	ROD-DIRECTIONAL CONTROL GAS/LP (NOT SHOWN)
11	3307223	2	MOUNT-DIRECTIONAL CONTROL BUSHING
12	3307220	2	BUSHING-PLASTIC FLANGED, .76IDx.88OD
13	3307215	1	DIRECTIONAL TORQUE TUBE

# Brooms - Main & Side



Note: Side brooms also called curb brooms.







Item	Part no.	Qty.	Description
1	3305818	1	BROOM-48" HIGH DEN FIBER & WIRE
1	3305812	1	BROOM-48" NYLON
1	3305665	1	BROOM-48" HIGH DENSITY NYLON
1	3305814	1	BROOM-48" NYLON CHEVRON (PATROL)
1	3315315	1	BROOM-48" STIFF NYLON
1	3305663	1	BROOM-48" PROEX & WIRE
1	3305824	1	BROOM-48" CRINKLE WIRE
1	3332456	1	BROOM-48" STIFF POLY & WIRE
2	3300308	1	BROOM-SIDE 24" WHITE NYLON
2	3300306	1	BROOM-SIDE 24" DIA. BLACK POLY
2	3300309	1	BROOM-SIDE 26" WHITE NYLON
2	3300307	1	BROOM-SIDE 26" BLACK POLY
2	3300311	1	BROOM-SIDE 26" WIRE

### Main Broom User's Guide

**Proex & Wire** - Slightly encrusted soilage & dusty conditions. High heat.

**Nylon** - General purpose broom with long life bristles.

**Poly Proex** - All purpose broom that stands up well on rough surfaces.

**High Density Nylon** - Highly effective for small particle soilage. Severe dust environments.

**Crinkle Wire** - Stiff bristles for compacted grime, oil, grease or mud. Fair to good broom life.

**Natural Fiber & Wire** - Good all around broom. Good for high heat applications.

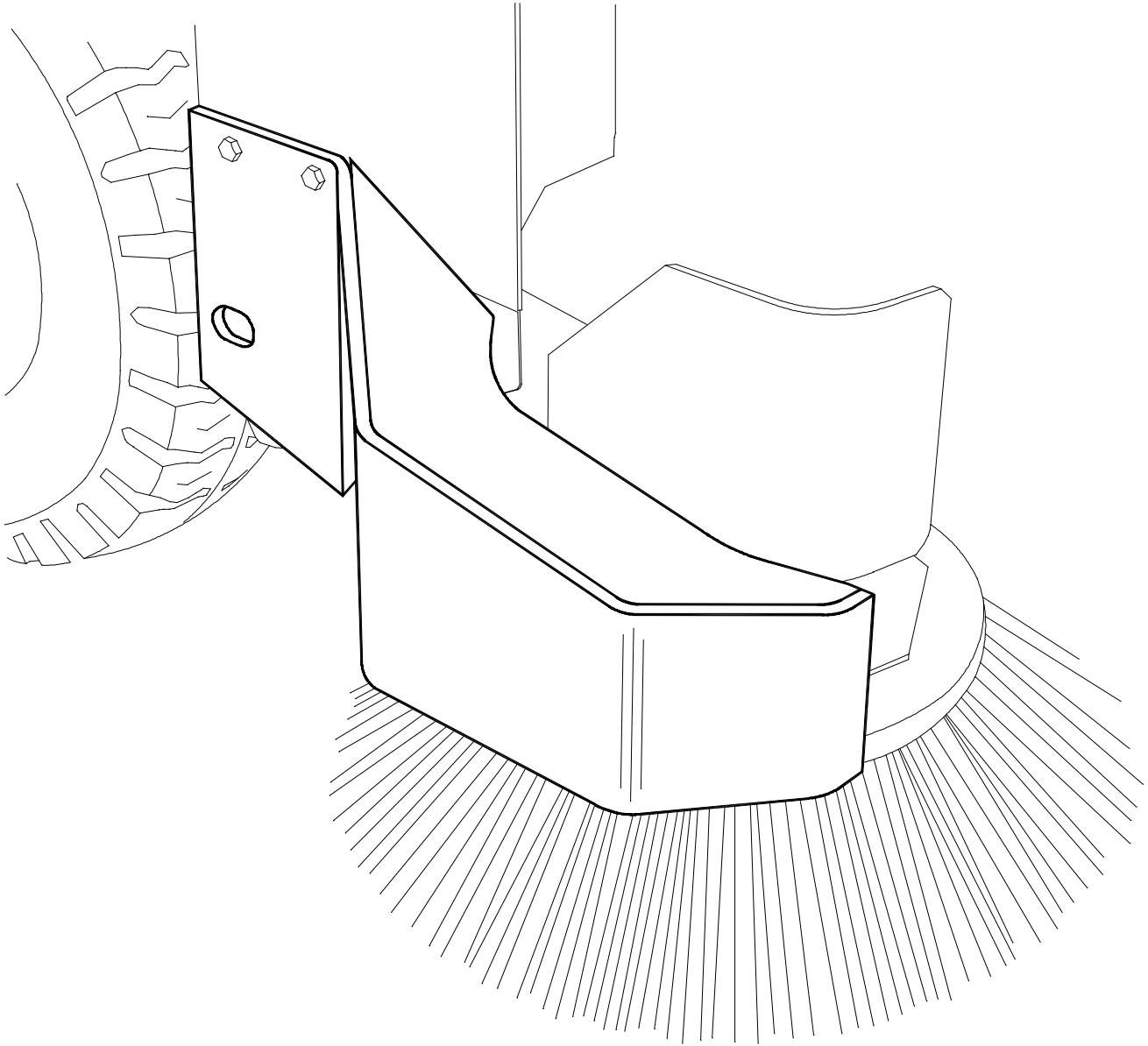
### Side Broom User's Guide

**Poly** - Stiff bristles for aggressive sweeping of mainly heavy litter. Not suited for high heat.

**Nylon** - Provides longest life. Recommended for tough sweeping jobs.

**Wire (flat)** - For areas of heavy grease build up or scarifying action. Used in high heat applications.

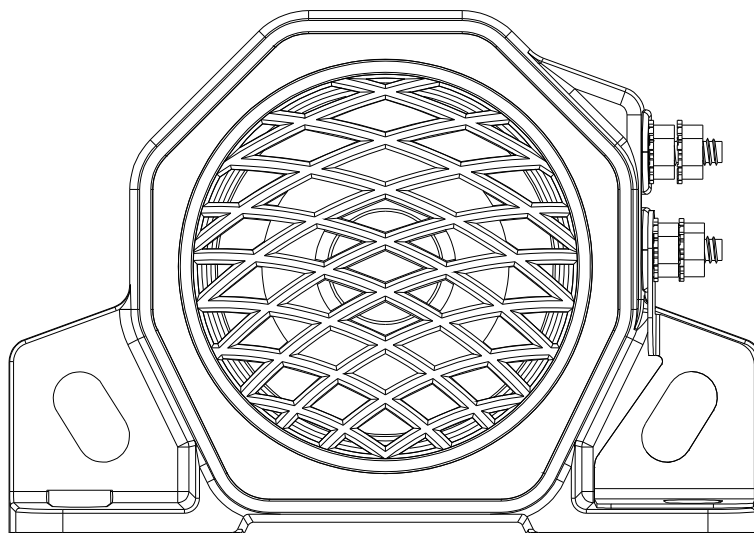
Option - HD RH Side Broom Guard - 3317302



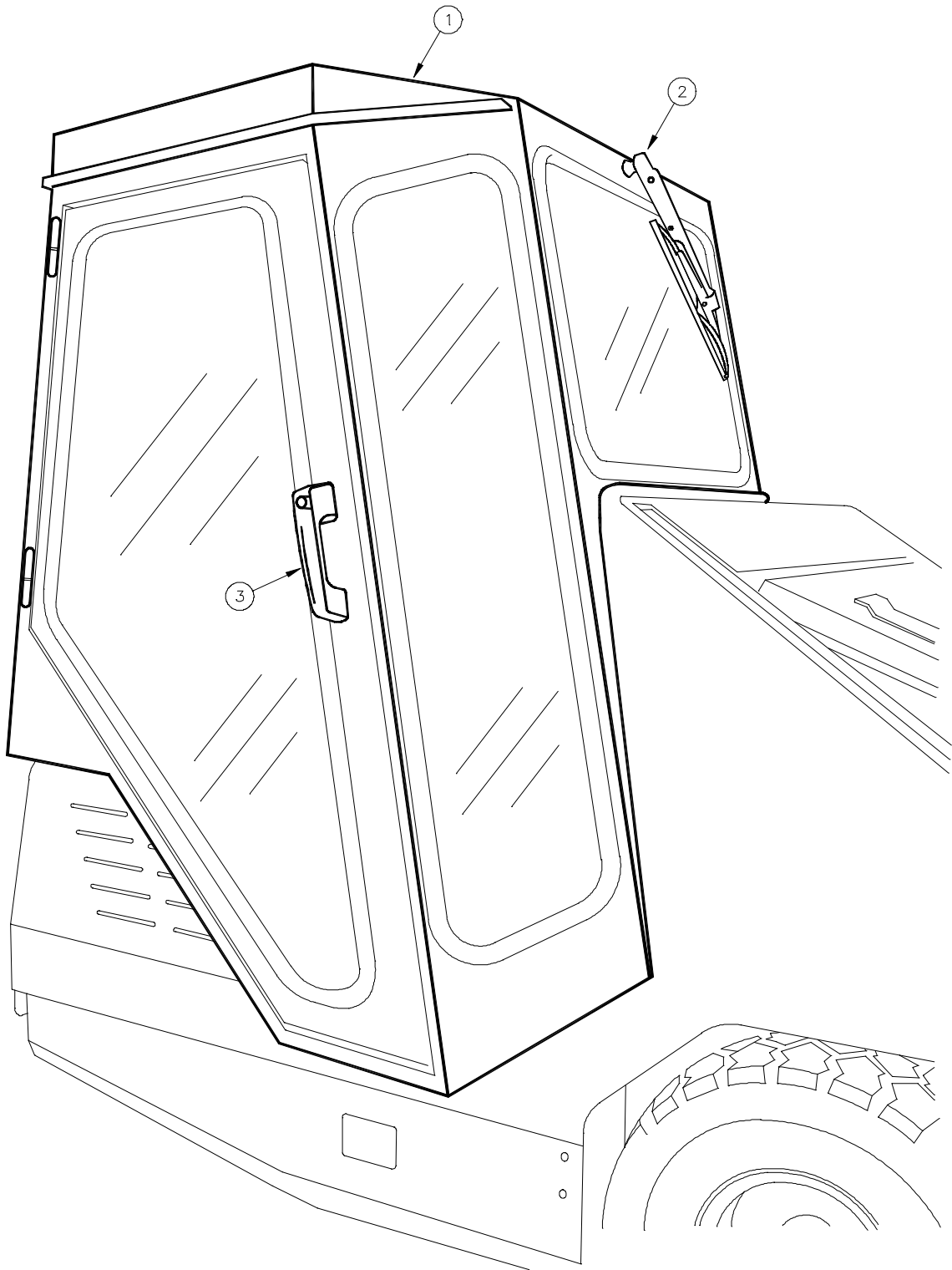
HD LH Side Broom Guard - 3330755 (not shown)

**Option - Back Up Alarm - 3303002** (horn only)

Switch at foot pedal p/n 3026886 (Not Shown)



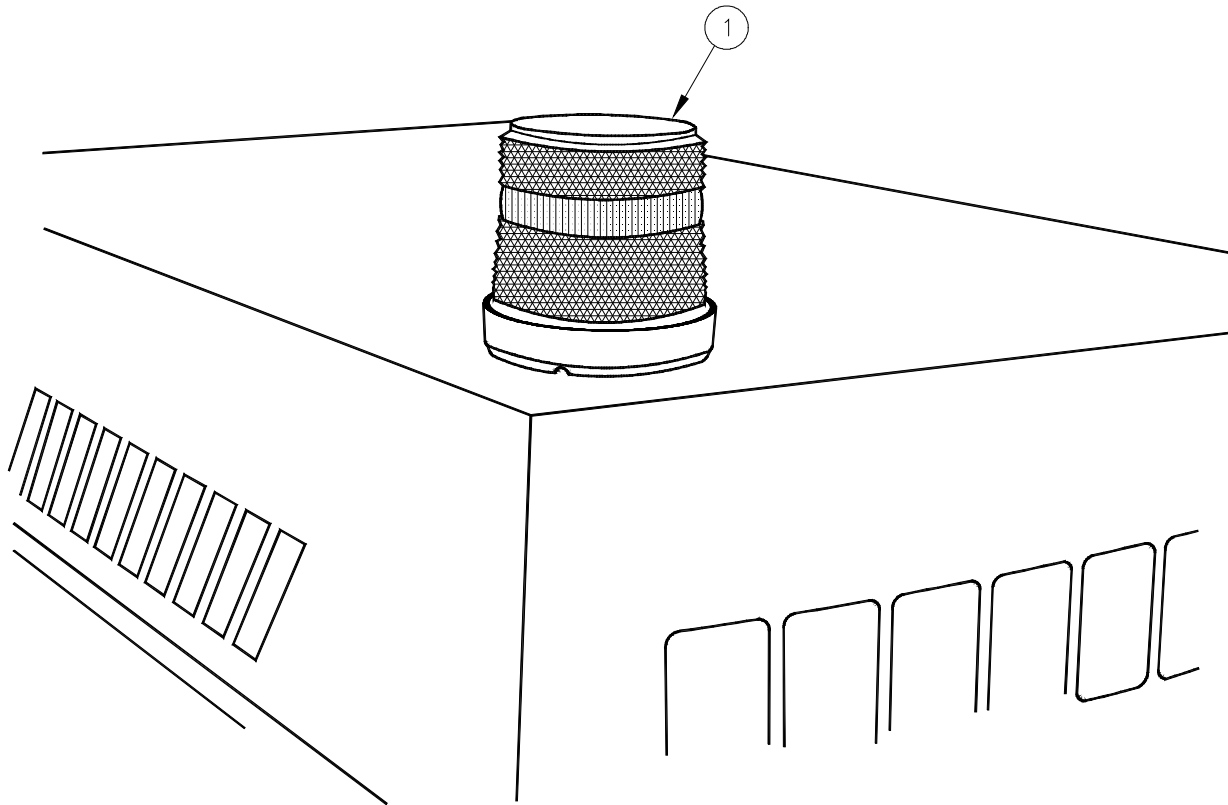
# Option - Ergonomic Cab w/Windshield Wiper



## Option - Ergonomic Cab w/Windshield Wiper

Item	Part no.	Qty.	Description
1	3316630	1	CAB-ERGO 8X9X10X, PAINTED
2	3330799	1	WIPER ARM 11-16" ERGO
-	3330798	1	WIPER BLADE 14" ERGO (NOT NUMBERED)
-	3330797	1	MOTOR-ERGO CAB WIPER (NOT SHOWN)
3	3330533	1	LATCH-ROTARY, RH ERGO CAB DOOR

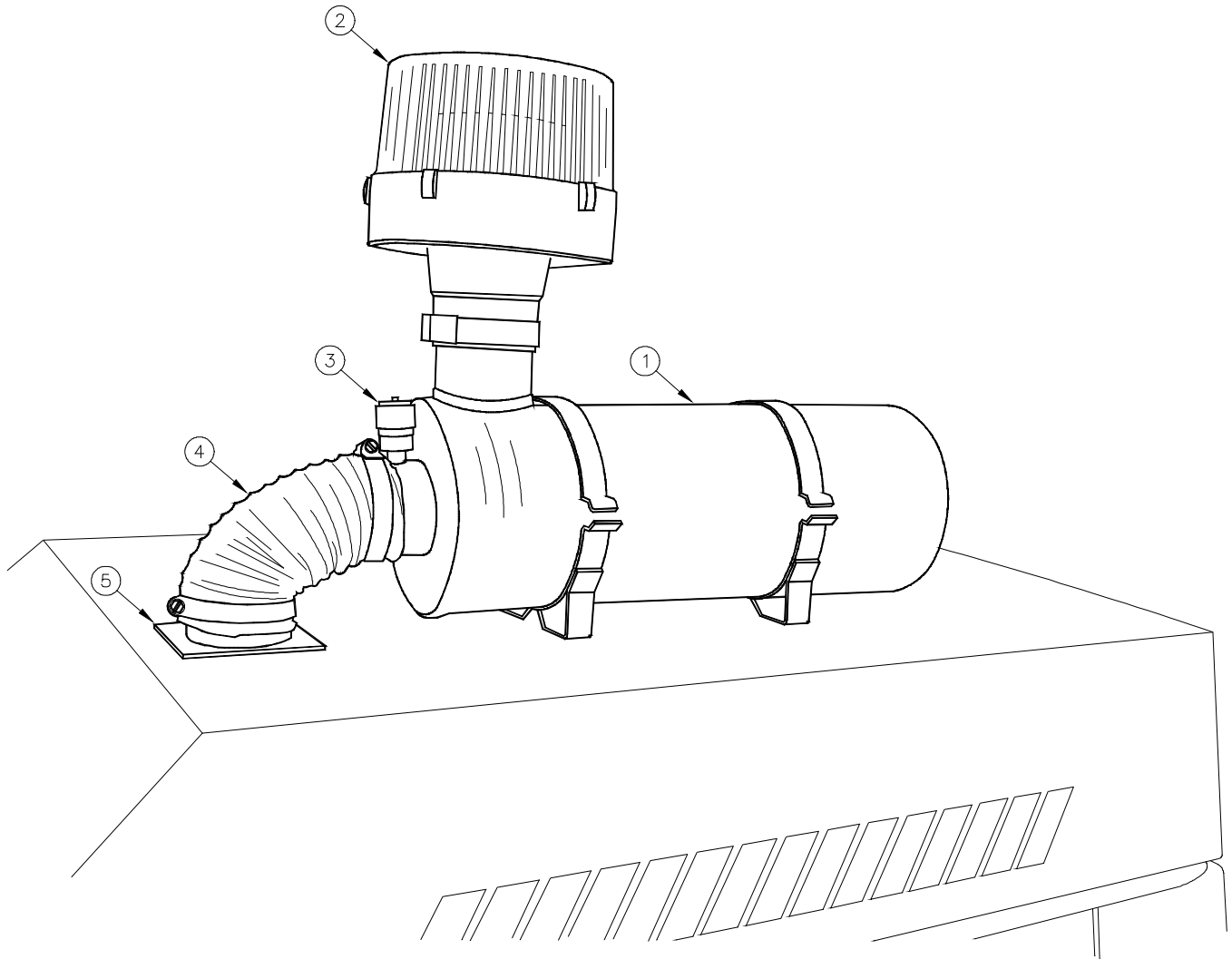
## Option - Strobe Light



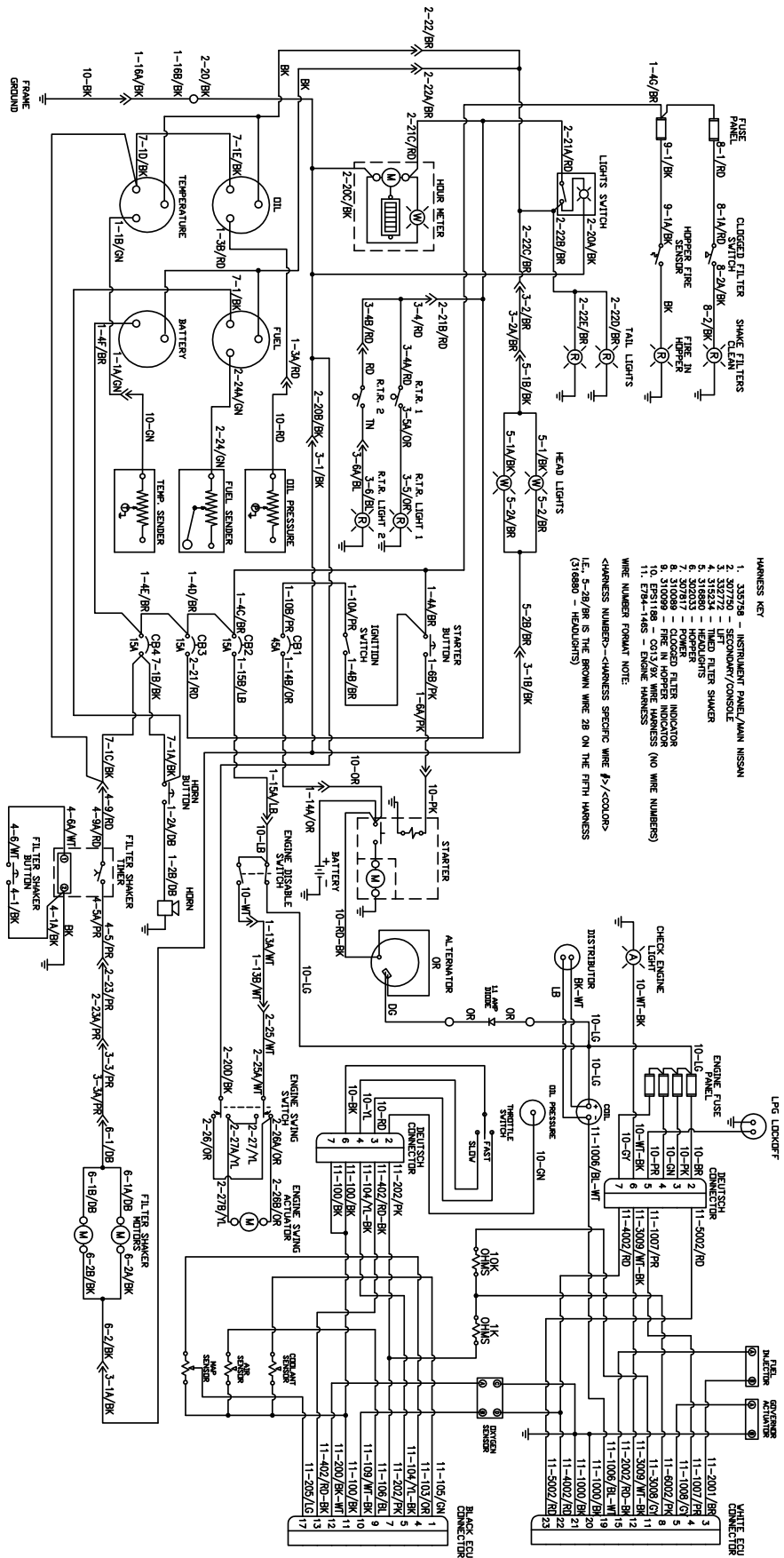
Shown mounted on engine cover. May also be inverted & mounted on over head guard.

Item	Part no.	Qty.	Description
1	3302629	1	LIGHT-SAFETY RED STROBE 12V (LIGHT ONLY)
1	3301817	1	LIGHT-STROBE AMBER 12-80V (LIGHT ONLY)
1	3302630	1	LIGHT-SAFETY BLUE STROB 12-80V (LIGHT ONLY)
-	3316104	1	HARNESS-EMERGENCY LIGHTS, STROBES (NOT SHOWN)
-	3322601	1	FUSE-15 AMP AUTOMOTIVE PUSH IN (NOT SHOWN)

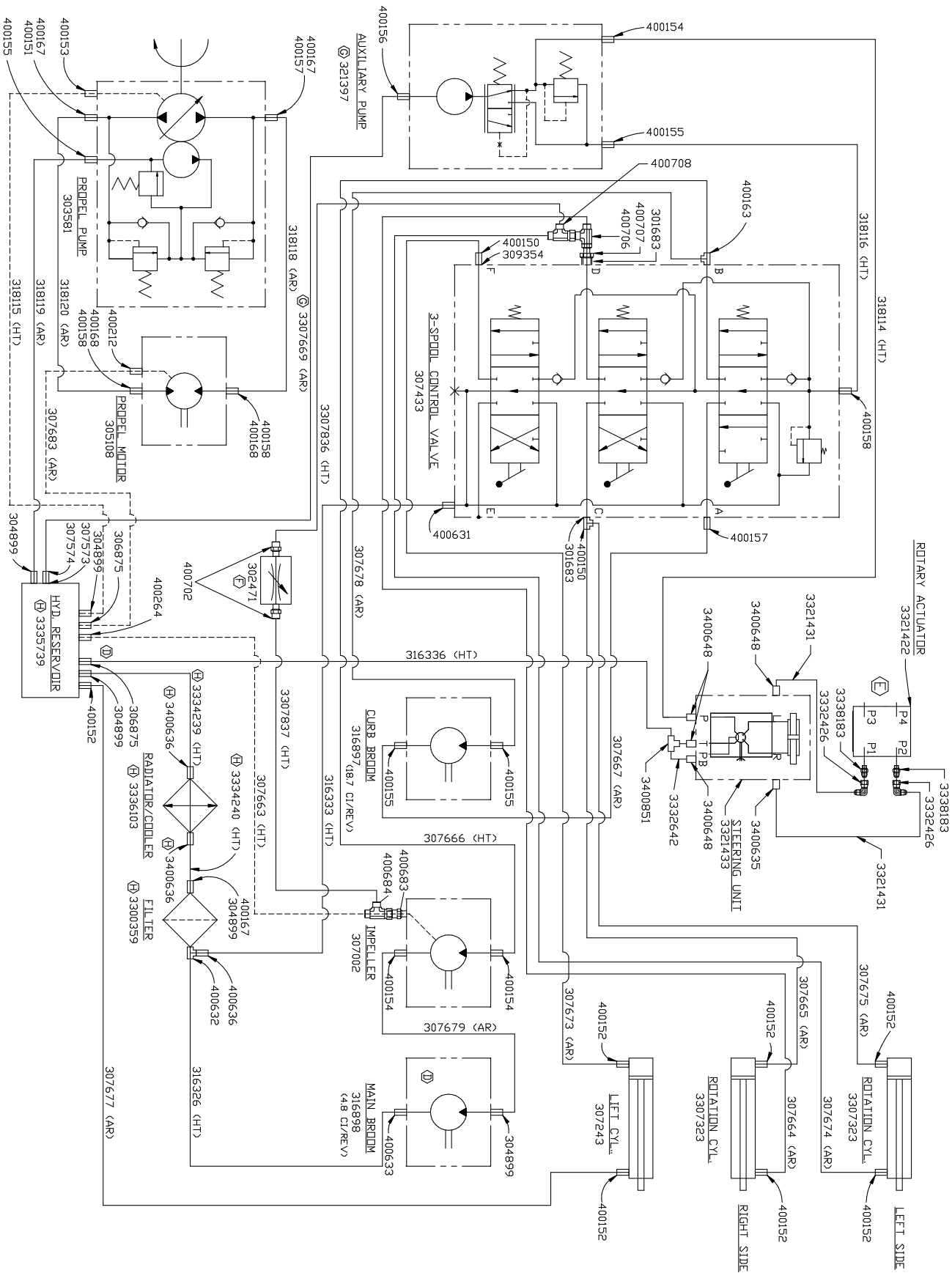
# Option - Heavy Duty Air Cleaner



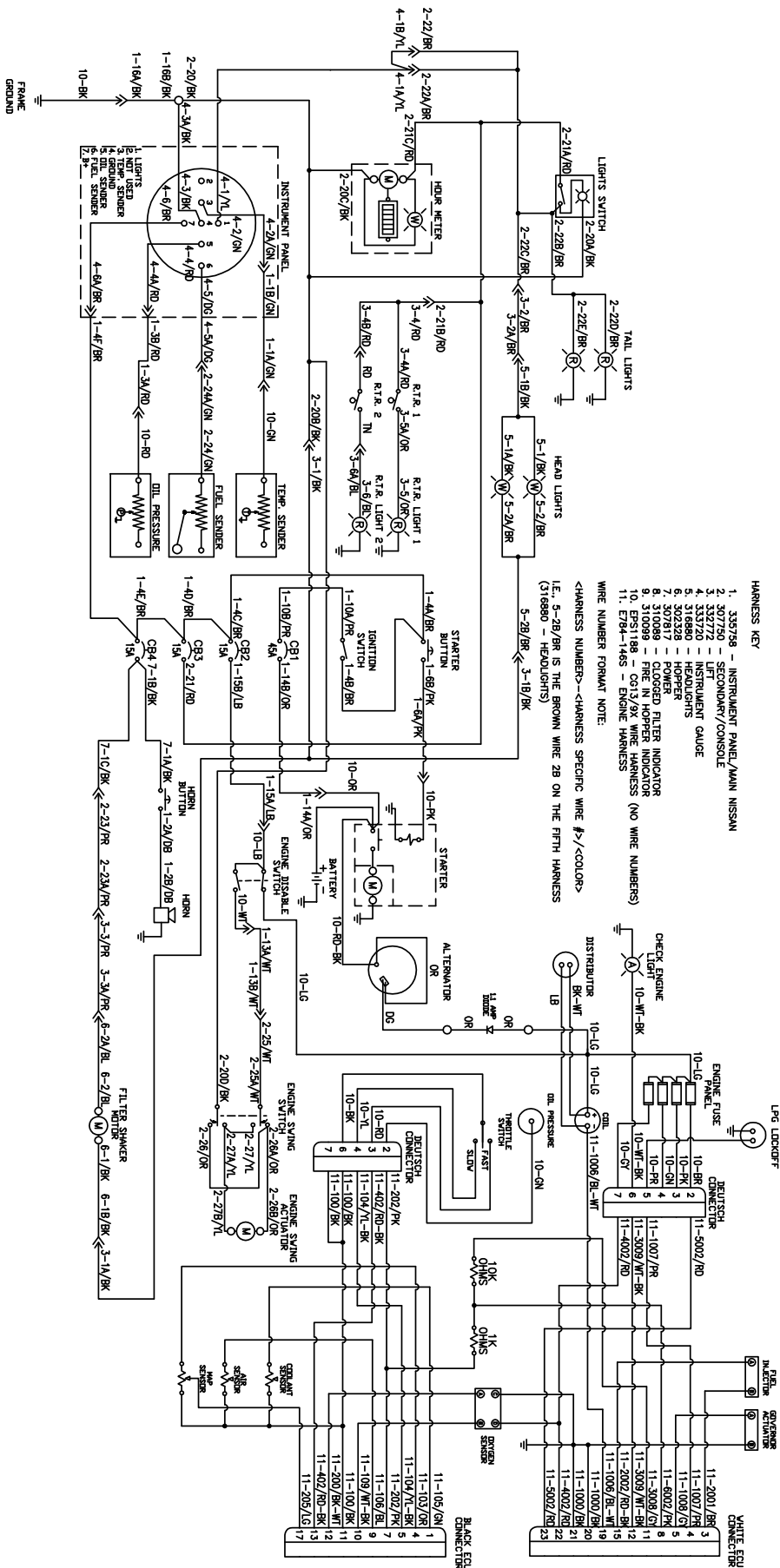
Item	Part no.	Qty.	Description
1	3331036	1	AIR CLEANER-HEAVY DUTY
2	3331035	1	AIR CLEANER-TURBO 2 MODEL #13, HEAVY DUTY
3	3303991	1	INDICATOR-AIR CLEANER RESTRICTION
4	3332509	1	HOSE-3" IDx18" LG, HD AIR CLEANER
5	3332508	1	WELDMENT-2" DIA, AIR HOSE CONNECTOR
-	3332568	1	ELEMENT-AIR CLEANER, MAIN OR PRIMARY (NOT SHOWN)
-	3332567	1	ELEMENT-AIR CLEANER, SECONDARY OR SAFETY (NOT SHOWN)
-	3311797	1	CUFF-2" HOSE (NOT SHOWN)
-	3317909	1	HOSE-2" DIAx36" LONG (NOT SHOWN)
-	3333769	1	DECAL-UNHOOK AIR CLEANER HOSE B4 ENGINE SWING (NOT SHOWN)

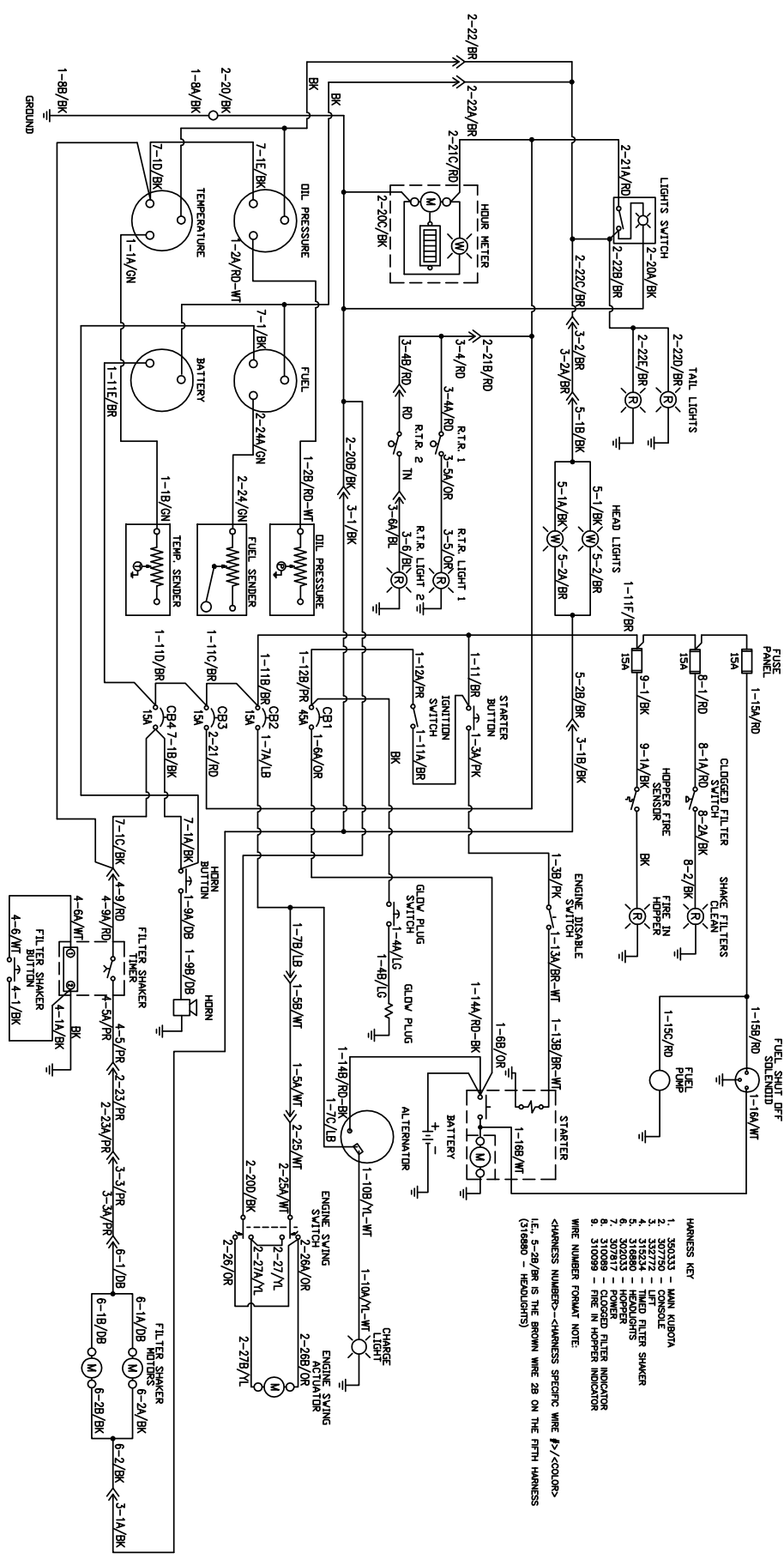






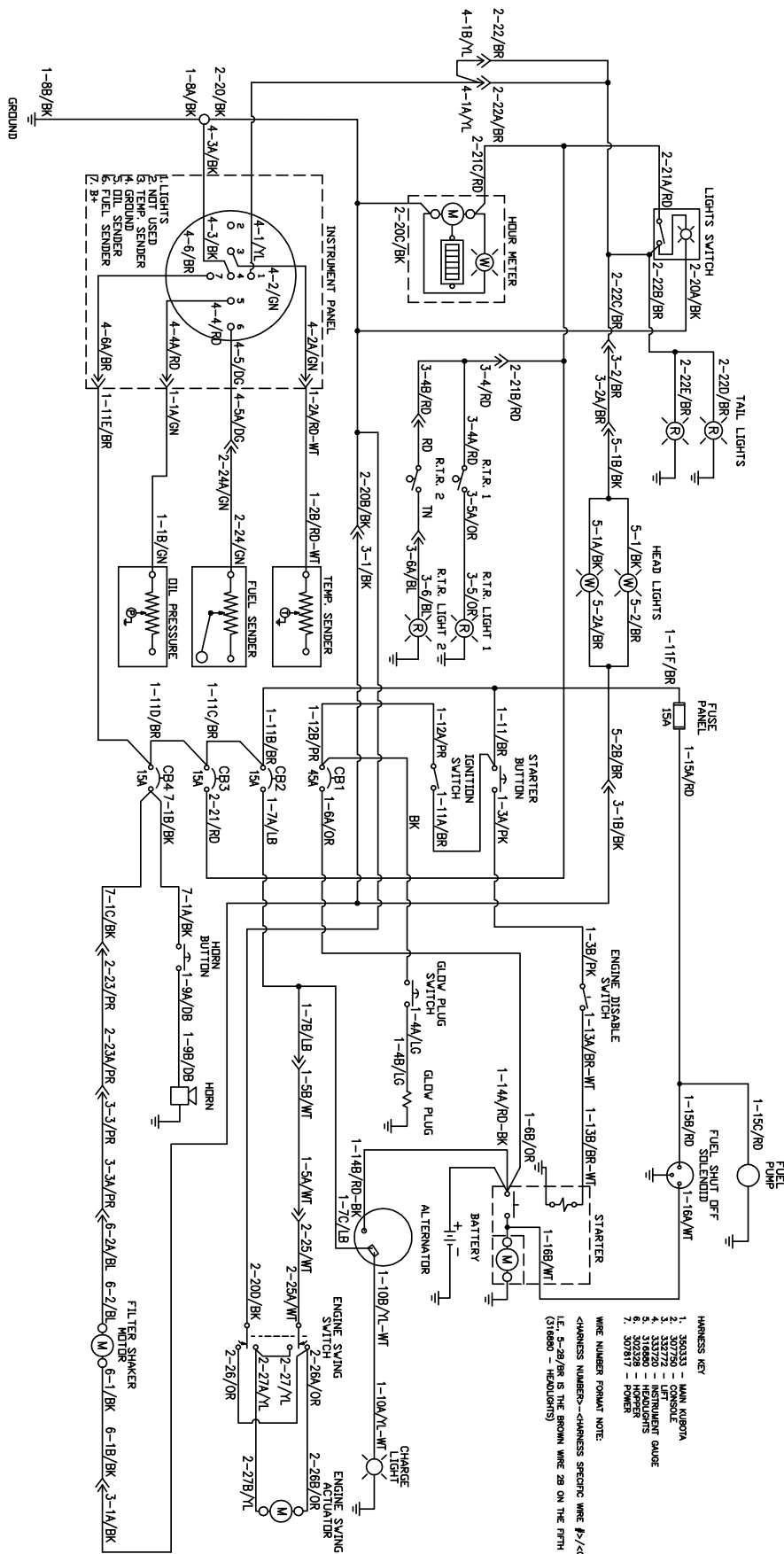
Schematic, 9XV Hydraulic, p/n 3318199





- HARNES KEY**
- 1. 350333 - MAIN KUBOTA
  - 2. 307750 - CONSOLE
  - 3. 315234 - TILED FILTER SHAKER
  - 4. 316880 - HEADLIGHTS
  - 5. 307817 - POWER
  - 6. 310099 - CLOSED FILTER INDICATOR
  - 7. 310099 - FIRE IN HOPPER INDICATOR
  - 8. 310099 - FIRE IN HOPPER INDICATOR
  - 9. 310099 - FIRE IN HOPPER INDICATOR
- WIRE NUMBER FORMAT NOTE:**
- <DASHES NUMBERS>-<DASHES SPECIFIC WIRE #>/<COLOR>**  
 (E.G., 5-28/BR IS THE BROWN WIRE 28 ON THE FIFTH HARNES (316880 - HEADLIGHTS))

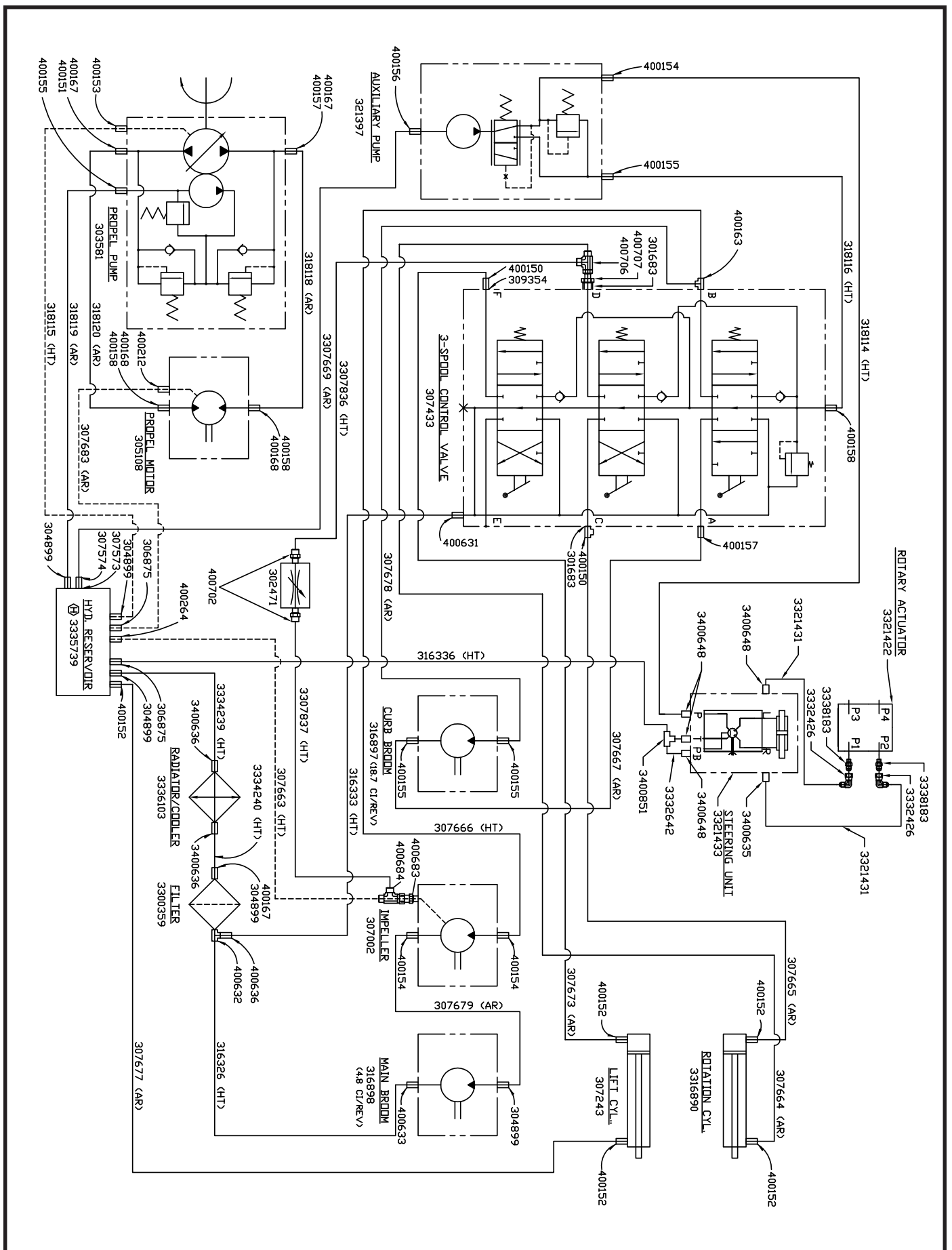
Schematic, 9XV, AM9D, Electrical, Kubota V1505, p/n 3334845



**HARNES KEY**

- 1. 350333 - MAIN KUBOTA
- 2. 307729 - CONSOLE
- 3. 333725 - INSTRUMENT GAUGE
- 4. 318690 - HEADLIGHTS
- 5. 307817 - POWER

**WIRE NUMBER FORMAT NOTE:**  
 <dash>WIRE NUMBER</dash>-<dash>HARNES SPECIFIC WIRE #</dash>/<dash>COLOR</dash>  
 I.E., 5-2B/BR IS THE BROWN WIRE 2B ON THE FIFTH HARNES (318690 - HEADLIGHTS)



Schematic, Hydraulic, 9XR, AM9D, AM9LPG, p/n 3334847

## 9XR Spare Parts for Gas, LPG & Diesel Models

Wear items replacement parts based on 795-Seven Hundred & Ninety Five hours of annual usage per Unit.  
(3) Three hours/day (5) Five days per week making a 265-Two Hundred & Sixty Five day work calendar.

PART #	DESCRIPTION	Additional Info	QTY/REQ
	<b>MAIN BROOM SKIRTS, FLAPS, &amp; SEALS</b>		
3333705	Flap Broom Door		2
3307720	Flap Hopper Front SW/A		5
3307842	Flap Hopper Side SW/A		2
3307278	Flap Rear Feed SW/A Inner		1
3307273	Flap Rear SW/A Outer		1
3307276	Seal Hopper Frame		1
3318143	Seal Hopper Side		2
3318739	Gasket Weather Stripping for Broom Door	With adhesive Backing order per foot cut to fit	3.0' ft
3318739	Gasket Weather Stripping for Hopper Lid		9.0' ft
3318739	Gasket Weather Stripping for Hopper Hood		11.0' ft
	<b>TIRES</b>		
	<b>FRONT</b>	<b>650x10</b>	
3307252	Pneumatic	STANDARD	2
3307253	Inner Tube		2
3307330	Soft Shoe	OPTIONAL	2
3307324	Solid	OPTIONAL	2
	<b>REAR</b>	<b>690x9</b>	
3307256	Pneumatic	STANDARD	1
3307257	Inner Tube		1
3307331	Soft Shoe	OPTIONAL	1
3307325	Solid	OPTIONAL	1
	<b>FILTERS DUST CONTROL</b>		
3334165	Dust Control Panel Filter Poly	CURRENT STANDARD	1
3309701	Dust Control Panel Filter Paper		1
	<b>FILTERS ENGINE AIR CLEANER</b>		
3302842	Element Primary	DEISEL ENGINE	1
3302597	Element Safety	DEISEL ENGINE	1
3321143	Element Primary Radial Seal	LP / GASOLINE	1
3322572	Element Safety Radial Seal	LP / GASOLINE	1
	<b>FILTERS ENGINE OIL</b>		
3336187	Nissan CG13	LP / GASOLINE	1
3324129	Kubota V-1505	DEISEL ENGINE	1
	<b>FILTERS ENGINE FUEL</b>		
3303324	Kubota V1505	DEISEL ENGINE	1
3336584	Nissan CG13	LP	1
3336573	Nissan CG13	GASOLINE	1
	<b>FILTERS HYDRAULIC</b>		
3300359	Hydraulic Oil Filter		1
3305978	Hydraulic Reservoir Breather Cap		1

PART #	DESCRIPTION	Additional Info	QTY/REQ
<b>NISSAN CG13 IGNITION COMPONENTS</b>			
3336154	Spark Plug	CG13	4
3336150	High Tension Wire Set	CG13	1
3336160	Rotor Distributor	CG13	1
3336159	Cap Distributor	CG13	1
<b>V BELTS</b>			
3336441	Nissan CG13	WATER PUMP	1
3336442		ALTERNATOR	1
3329867	Kubota V1505		1
<b>KUBOTA V1505</b>			
3330795	Glow Plugs		4
3334549	Solenoid Shut Down Kit		1
<b>COUPLER ENGINE PUMP DRIVE</b>			
3329956	Kubota V1505		1
3334066	Nissan CG13		1
<b>HYDRAULIC COMPONENT SEAL KITS</b>		<b>Manufacture Number</b>	
3324169	Seal Kit Used For Danfoss Main Broom & Side Broom Motors matching these numbers ?	DH315151-2258 DH315151-2048	1
3305975	Seal Kit Used For Eaton Main Broom & Side Broom Motors matching these numbers ?	101-1015-009 101-2036-009	1
3309292	Shaft Seal for Impeller Motor	1010174	1
3316101	Seal Kit for Main Pump	70141-RES-02	1
3321399	Seal Kit for Auxiliary Pump	26210-RAB	1
3321160	Seal Kit for Orbital Steering Motor Pre Rotary Steer	OSPB-150-0027	1
3334281	Seal Kit for Orbital Steering Motor With Rotary Steer	150-3172	1
3324103	Seal Kit for Hydraulic Control Valve	30503-AAV	1
3303953	Seal Kit for Drive Motor	All 4000 Series Motors	1
3316629	Seal Kit for Kaydon Goldstar Lift Cylinder	A278CY02	1
3332528	Seal Kit for Kaydon Goldstar Rotation Cylinder	A278CY08	1
<b>ELECTRICAL COMPONENTS</b>			
<b>LIGHTS</b>			
3315839	Headlight Complete		2
3315869	Bulb Replacement For Headlight		2
3303204	Tail light		2
3334179	Tail light Replacement Bulb		2
3303479	Tail light Replacement Lens		2
3301553	RTR Lights (RED)	Hopper Position Lights # 1 & # 2	2
3333635	Check Engine Light (Amber)		1
	Gasoline & LP Units Only Not required on units before June 2004		
<b>BREAKER CIRCUIT</b>			
3026924	Circuit Breaker 45amp		1
3304090	Circuit Breaker 15amp		3

# 9XR Spare Parts for Gas, LPG & Diesel Models Continued



PART #	DESCRIPTION	Additional Info	QTY/REQ
<b>CONTROL SWITCHES, PUSH BUTTONS &amp; ROCKERS</b>			
3329812	Switch Three Position Toggle Engine Disable	Located @ the battery box	1
3300441	Button Momentary	For Starter, Horn, Glow Plugs, Shaker	4
3307552	Rocker Head / Tail Lights	I / O	1
3307553	Rocker Power Swing	Optional	1
3315818	Rocker Engine Three Speed	Gas / LP	1
<b>IGNITION SWITCH</b>			
3307610	Gas / LP / Diesel		1
<b>GAUGE 4 IN 1</b>			
3333721	Oil Pressure Gauge	PSI	1
	Water Temperature Gauge	F°	1
	Battery Charge Gauge	VOLTS	1
	Fuel Gauge		1
3300385	Hour Meter		1
<b>MISCELLANEOUS</b>			
3307374	Engine Swing Actuator	Optional	1
3303327	Clogged Filter Vacuum Switch	Optional	1
3321292	Time Filter Relay	Optional	1
3300379	Horn		1
3322599	Fuse Panel Block		1
3300424	Shaker Motor		1
3321179	Cable Throttle	Diesel Only	1
3330692	Pump Fuel Mechanical	V1505 Diesel Only	1
<b>HYDRAULIC COMPONENTS</b>			
<b>PUMPS</b>			
3303581	Main Pump	For Propulsion	1
3321397	Auxiliary	For Brush, Lift, Steering & Dust Control	1
<b>CYLINDERS</b>			
3307243	Lift		1
3316890	Rotation		2
<b>MOTORS</b>			
3316897	Side Broom		1
3316898	Main Broom		1
3316832	Impeller		1
3321151	Drive		1
3321433	Orbital Steering Unit	Motor Under Steering Wheel	1
3307433	Control Valve		1
3321422	Actuator Rotary Steering	Motor Above Steering Fork	1



# 9XV, AM9D Spare Parts Gas, LPG, Diesel Models Cont.



PART #	DESCRIPTION	Additional Info	QTY/REQ
<b>MAIN BROOM SKIRTS, FLAPS, &amp; SEALS</b>			
3307280	Flap Broom Door		2
3307720	Flap Hopper Front SW/A		5
3307842	Flap Hopper Side SW/A		2
3307278	Flap Rear Feed SW/A Inner		1
3307273	Flap Rear SW/A Outer		1
3307276	Seal Hopper Frame		1
3318143	Seal Hopper Side		2
3318739	Gasket Weather Stripping for Broom Door	With adhesive Backing order per foot cut to fit	3.0' ft
3318739	Gasket Weather Stripping for Hopper Lid		8.6' ft
3500198	Gasket Weather Stripping for Hopper Hood		11.16' ft
<b>TIRES</b>			
<b>FRONT</b>		<b>650x10</b>	
3307252	Pneumatic	STANDARD	2
3307253	Inner Tube		2
3307330	Soft Shoe	OPTIONAL	2
3307324	Solid	OPTIONAL	2
<b>REAR</b>		<b>690x9</b>	
3307256	Pneumatic	STANDARD	1
3307257	Inner Tube		1
3307331	Soft Shoe	OPTIONAL	1
3307325	Solid	OPTIONAL	1
<b>FILTERS DUST CONTROL</b>			
3334070	Dust Control Panel Filter Poly	CURRENT STANDARD	2
3307432	Dust Control Panel Filter Paper		2
<b>FILTERS ENGINE AIR CLEANER</b>			
3302842	Element Primary	DEISEL ENGINE	1
3302597	Element Safety	DEISEL ENGINE	1
3321143	Element Primary Radial Seal	LP / GASOLINE	1
3322572	Element Safety Radial Seal	LP / GASOLINE	1
<b>FILTERS ENGINE OIL</b>			
3336187	Nissan CG13	LP / GASOLINE	1
3324129	Kubota V-1505	DEISEL ENGINE	1
<b>FILTERS ENGINE FUEL</b>			
3303324	Kubota V1505	DEISEL ENGINE	1
3336584	Nissan CG13	LP	1
3336573	Nissan CG13	GASOLINE	1
<b>FILTERS HYDRAULIC</b>			
3300359	Hydraulic Oil Filter		1
3305978	Hydraulic Reservoir Breather Cap		1

9XV, AM9D Spare Parts Gas, LPG, Diesel Models Cont.



PART #	DESCRIPTION	Additional Info	QTY/REQ
<b>NISSAN CG13 IGNITION COMPONENTS</b>			
3336154	Spark Plug	CG13	4
3336150	High Tension Wire Set	CG13	1
3336160	Rotor Distributor	CG13	1
3336159	Cap Distributor	CG13	1
<b>V BELTS</b>			
3336441	Nissan CG13	WATER PUMP	1
3336442		ALTERNATOR	1
3329867	Kubota V1505		1
<b>KUBOTA V1505</b>			
3330795	Glow Plugs		4
3334549	Shut Down Solenoid Kit		1
<b>COUPLER ENGINE PUMP DRIVE</b>			
3329956	Kubota V1505		1
3334066	Nissan CG13		1
<b>HYDRAULIC COMPONENT SEAL KITS</b>		<b>Manufacture Number</b>	
3324169	Seal Kit Used For Danfoss Main Broom & Side Broom Motors matching these numbers ?	DH315151-2258 DH315151-2048	1
3305975	Seal Kit Used For Eaton Main Broom & Side Broom Motors matching these numbers ?	101-1015-009 101-2036-009	1
3309292	Shaft Seal for Impeller Motor	1010174	1
3316101	Seal Kit for Main Pump	70141-RES-02	1
3321399	Seal Kit for Auxiliary Pump	26210-RAB	1
3321160	Seal Kit for Orbital Steering Motor Pre Rotary Steer	OSP B-150-0027	1
3334281	Seal Kit for Orbital Steering Motor With Rotary Steer	150-3172	1
3324103	Seal Kit for Hydraulic Control Valve	30503-AAV	1
3303953	Seal Kit for Drive Motor	All 4000 Series Motors	1
3316629	Seal Kit for Kaydon Goldstar Lift Cylinder	A278CY02	1
3321269	Seal Kit for Kaydon Goldstar Rotation Cylinder	A278CY07	1
<b>ELECTRICAL COMPONENTS</b>			
<b>LIGHTS</b>			
3315839	Headlight Complete		2
3315869	Bulb Replacement For Headlight		2
3303204	Tail light		2
3334179	Tail light Replacement Bulb		2
3303479	Tail light Replacement Lens		2
3301553	RTR Lights (RED)	Clog Filter, Hopper fire, Hopper #1&#2	4
3333635	Check Engine Light (Amber)	Not required on units before June	1
3301345	Instrument Lights		4

9XV, AM9D Spare Parts Gas, LPG, Diesel Models Cont.

PART #	DESCRIPTION	Additional Info	QTY/REQ
	<b>BREAKER CIRCUIT</b>		
3026924	Circuit Breaker 45amp		1
3304090	Circuit Breaker 15amp		3
	<b>CONTROL SWITCHES, PUSH BUTTONS &amp; ROCKERS</b>		
3329812	Switch Three Position Toggle Engine Disable	Located @ the battery box	1
3307590	Switch Interlock Type Engine Disable		1
3300441	Button Momentary	For Starter,Horn,Glow Plugs,Shaker	4
3307552	Rocker Head / Tail Lights	I / O	1
3307553	Rocker Power Swing	Momentary	1
3315818	Rocker Engine Three Speed	Gas / LP	1
	<b>IGNITION SWITCH</b>		
3307610	Gas / LP / Diesel		1
	<b>GAUGES</b>		
3300383	Oil Pressure Gauge	PSI	1
3300384	Water Temperature Gauge	F°	1
3309779	Battery Charge Gauge	VOLTS	1
3300382	Fuel Gauge		1
3300385	Hour Meter		1
	<b>MISCELLANEOUS</b>		
3307374	Engine Swing Actuator		1
3303327	Clogged Filter Vacuum Switch		1
3321292	Time Filter Relay		1
3300379	Horn		1
3322599	Fuse Panel Block		1
3300424	Shaker Motor		1
3321179	Cable Throttle	Diesel Only	1
	<b>HYDRAULIC COMPONENTS</b>		
	<b>PUMPS</b>		
3303581	Main Pump	For Propulsion	1
3321397	Auxiliary	For Brush, Lift, Steering & Dust Control	1
	<b>CYLINDERS</b>		
3307243	Lift		1
3307323	Rotation		2
	<b>MOTORS</b>		
3316897	Side Broom		1
3316898	Main Broom		1
3316832	Impeller		1
3306809	Drive		1
3316899	Orbital Steering Unit	Pre Rotary Steering	1
3321433	Orbital Steering Unit	With Rotary Steering	1
3307433	Control Valve		1

**PowerBoss is a full line manufacturer of sweepers and scrubbers for industrial facilities.**

**PowerBoss, Inc.  
175 Anderson Street  
Aberdeen, North Carolina 28315 USA**

For warranty questions please e-mail [warranty@powerboss.com](mailto:warranty@powerboss.com) or call Warranty support at 800-982-7141

For technical questions please e-mail [techsupport@powerboss.com](mailto:techsupport@powerboss.com) or call Technical support at 800-982-7141

For Product information or specifications please visit our web site <http://www.powerboss.com/> or contact PowerBoss customer support at 800-982-7141

## Product Warranty

### **MACHINE MODELS: SW/9XV, SW/9XR, AM9D, AM9LPG**

PowerBoss warrants to the original purchaser, that the PowerBoss machine will be free from defects in materials and workmanship for a period of forty-eight (48) months or 2,800 operating hours whichever comes first; the engine warranty extends to 60 months or 3000 hours. Written notice of any claimed defect must be given to PowerBoss within the warranty period and within thirty (30) days after such defect is discovered. Liability under this warranty is limited to either replacing or repairing, at PowerBoss's election, any part or parts deemed defective after examination by PowerBoss or an Authorized Service Representative.

For one hundred eighty (180) days from date of installation, PowerBoss will provide repair labor at no charge, solely through an Authorized Service Representative. Thereafter, labor will be charged. Labor coverage is extended only to those items on which service was performed, and which failed as a result of defects in materials or workmanship. Normal preventative maintenance or adjustments, wearable parts, such as but not limited to flaps, filters, seals, spark plugs or similar items are not eligible for warranty coverage; parts or labor. Brushes are prorated against defects in materials or workmanship for twelve (12) months; hoses are warranted for six (6) months.

Travel is eligible for warranty consideration the first thirty (30) days after installation. The same provisions and exclusions apply to travel coverage as to labor and part eligibility.

This warranty does not extend to any PowerBoss machine, or its parts, that have been subject to misuse, accident or improper handling, installation, maintenance or application, nor does it extend to PowerBoss machine and/or parts which have been repaired or altered outside PowerBoss's plant or the facility of Authorized Service Representative.

Only authorized PowerBoss replacement parts purchased from PowerBoss, are eligible for warranty consideration and are warranted against defects in materials and workmanship for the duration of the units warranty or (30) days, whichever is longer (Exception being wearable parts, such as but not limited to flaps, filters, seals, spark plugs or similar items. These items are to be free of defects in materials and workmanship when received and are not eligible for additional warranty consideration). Damage to or as a result of, utilization of parts not authorized by or purchased from PowerBoss is not eligible for warranty reimbursement; parts or labor.

The warranty set forth herein is in lieu of and excludes any and all other warranties, express or implied, arising by operation of law or otherwise, including, but not limited to, any implied warranty of merchantability or fitness for a particular purpose, and customer waives any obligation or liability of PowerBoss arising in tort or strict liability in tort, or for loss or use, revenue or profit with respect to PowerBoss machine and/or parts for any liability of customer to any third party or for other direct, incidental or consequential damages.