

Parts Catalog

Collector 34

Model Battery



Table of Contents

Side broom cpl. part 1 (97104618-1 6404-20)	4
Side broom cpl. part 2 (97104618-2)	6
Frame - Wheels (97104566)	8
Covering B (97104855)	10
Travel drive, part 1 (97104723-1)	12
Travel drive, part 2 (97104723-2)	14
Electric equipment 24V PB collector 34B (97116289)	16
Brake system (97104780).....	20
Main sweeper group (97104574 6404-20).....	22
Filter system E (97104806)	28
Hopper H 800 (97104632)	30
Handle - Control element (97104624)	34
Labels B (97116248)	36

This manual covers all standard Collector 34 models:

Model No.

The machine will provide excellent service. However, the best results will be obtained if:

- The machine is operated with reasonable care.
- The machine is maintained regularly per the maintenance schedule in the instruction manual provided.
- The machine is maintained with PowerBoss OEM supplied or equivalent parts.

All right side and left side references to the machine are determined by facing the direction of forward travel. Parts may be ordered by phone or mail from any PowerBoss parts and service center. Before ordering parts or supplies be sure to have your machine model number and serial number handy.

Fill out the data block below for future reference.

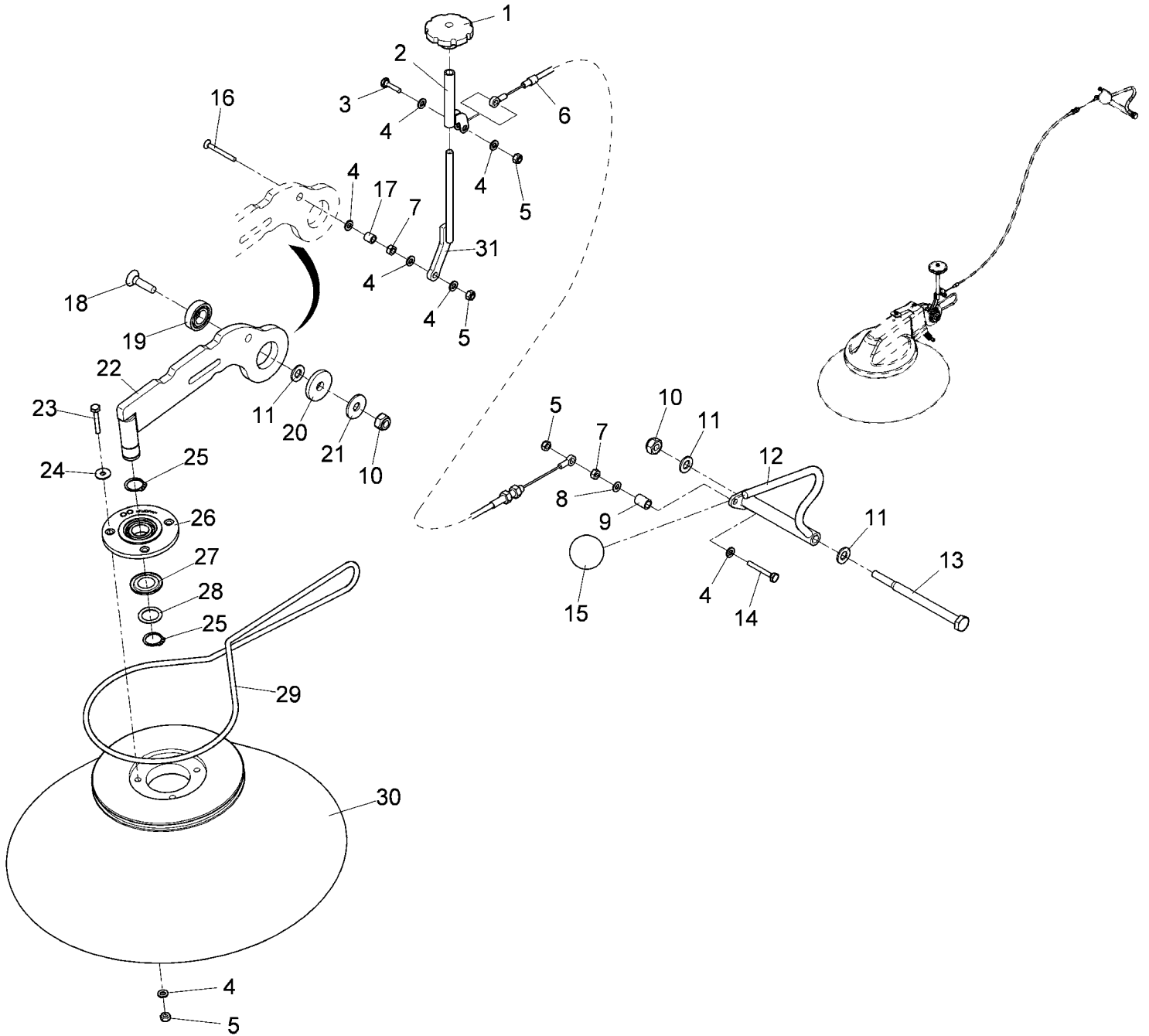
MACHINE DATA Fill Out At Installation	
Model:	Collector 34
Serial Number:	_____
Sales Rep or Dealer	_____
Date of Install:	_____
Manual p/n:	4100045

All information contained in this manual is current at the time of printing However,PowerBoss Reserves the right to make changes at any time without notice.

© 2011, Powerboss, Inc., Printed in USA

All rights reserved. This manual may not be copied or reproduced in any form, without the written permission of PowerBoss,Inc.

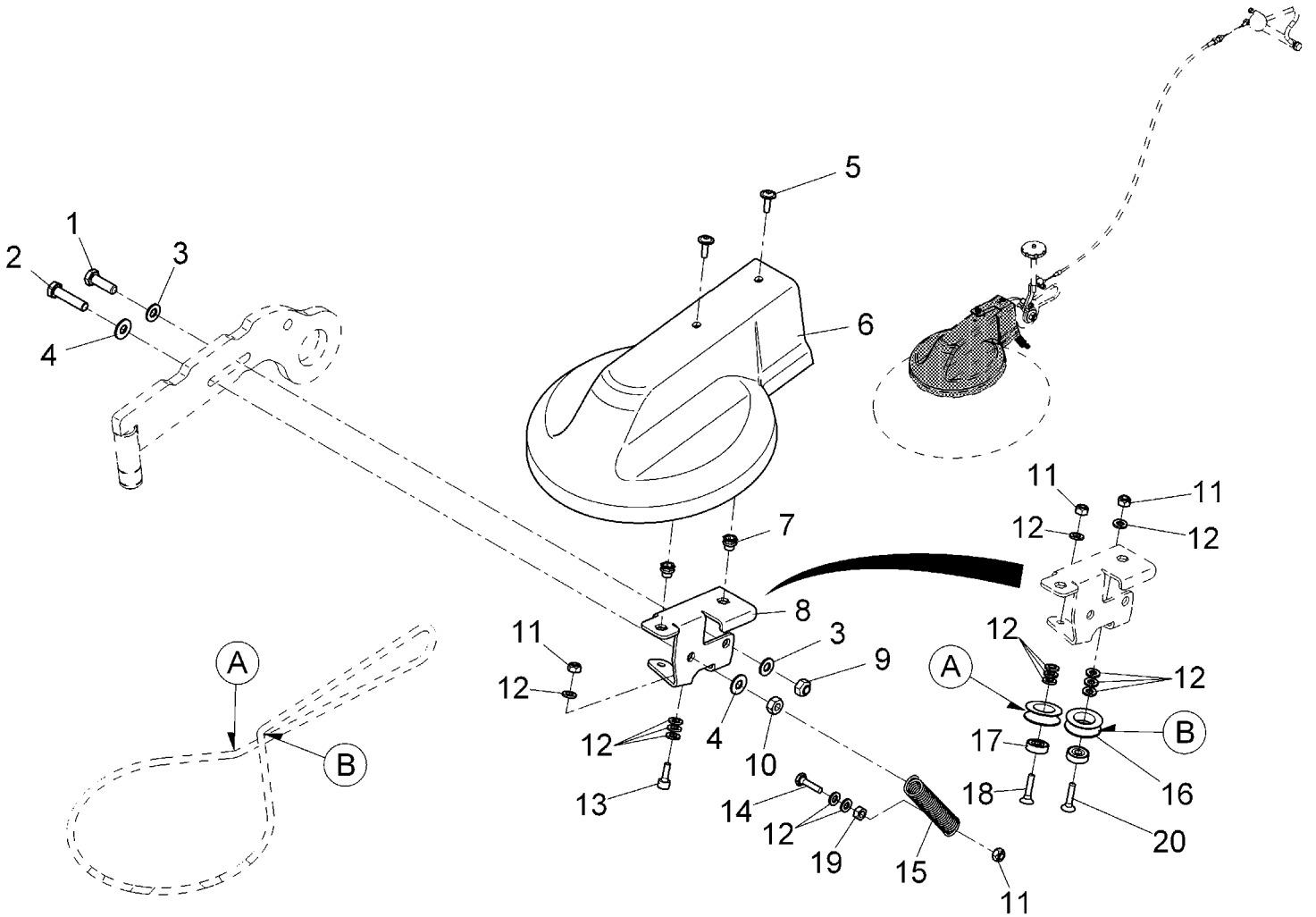
Side broom cpl. part 1 (97104618-1 6404-20)



Side broom cpl. part 1 (97104618-1 6404-20)

Item	Part number	Description	Qty.	Remarks
1	00522330	Hand wheel	1	
2	01271280	Adjusting pipe	1	
3	00154070	Hex.bolt	1	
4	00053730	Washer	8	
5	00051520	Hexagon nut	6	
6	01179680	Bowden cable	1	
7	00053330	Hexagon nut	2	
8	00740280	Washer	1	
9	01130170	Bush	1	
10	00051500	Hexagon nut	2	
11	00053760	Washer	3	
12	01179640	Operating element	1	
13	00504920	Hex.bolt	1	
14	00535110	Hex.bolt	1	
15	00741150	Ball button	1	
16	00109500	Countersunk screw	1	
17	01271310	Bushing	1	
18	01111700	Countersunk screw	1	
19	00106300	Deep groove ball bearing	1	
20	00047080	Washer	1	
21	00046520	Washer	1	
22	01179670	Side broom arm	1	
23	00053290	Hexagon screw	3	
24	00135120	Washer	3	
25	00054310	Retaining ring	2	
26	01173010	Flange bearing	1	
27	00537310	Ring	1	
28	00153700	Adjusting washer	1	
29	01179690	Round belt	1	
30	01270920	Side broom PES	1	
31	01271290	Adjusting rod L.H.	1	

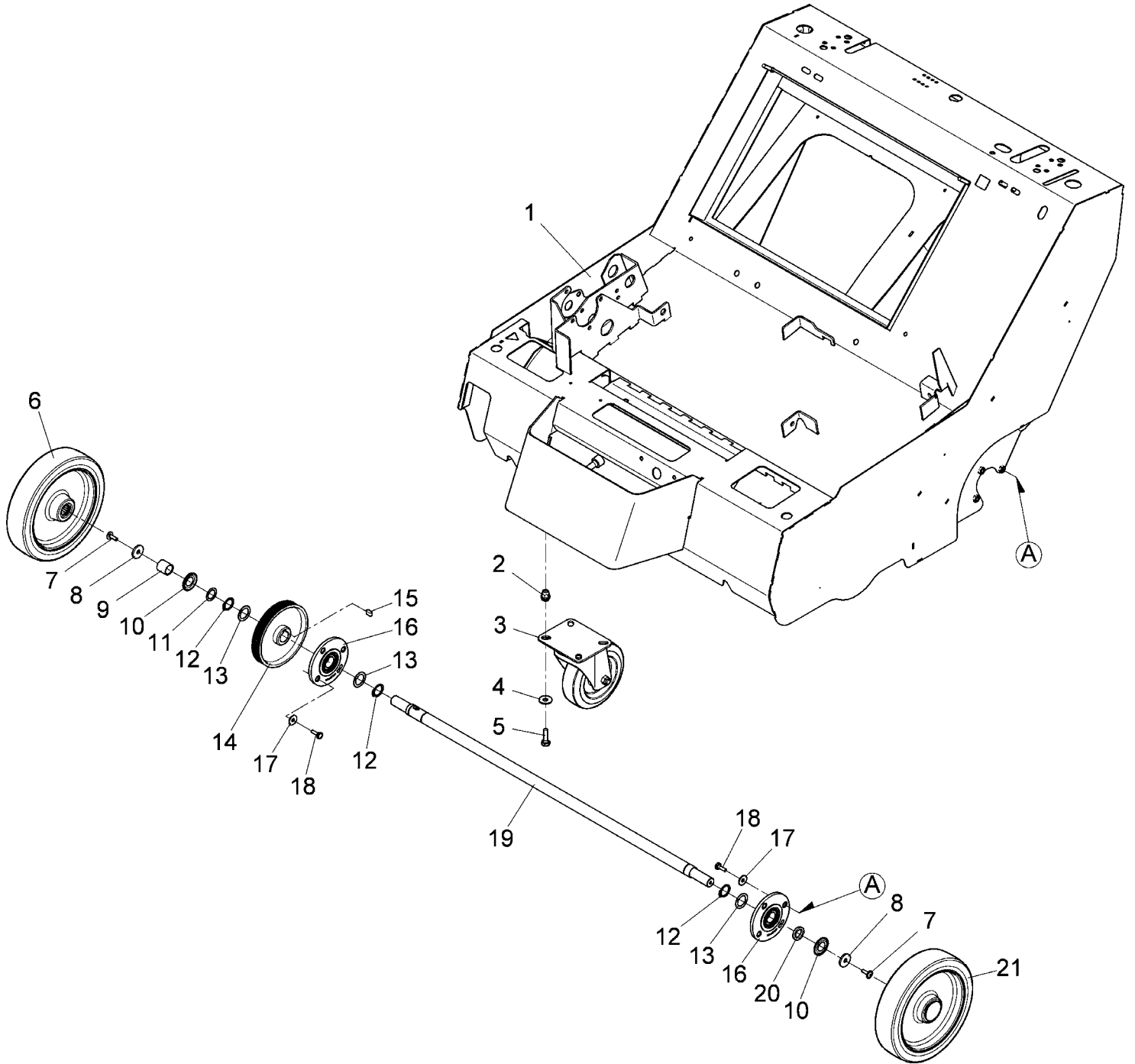
Side broom cpl. part 2 (97104618-2)



Side broom cpl. part 2 (97104618-2)

Item	Part number	Description	Qty.	Remarks
1	00053100	Hexagon screw	1	
2	00054690	Hexagon screw	1	
3	00074230	Washer	2	
4	00740090	Detent edged washer	2	
5	01015340	Lens flange screw	2	
6	01179650	Covering	1	
7	01271300	Nut	2	
8	01179660	Roll holder	1	
9	00051510	Hexagon nut	1	
10	00053350	Hexagon nut	1	
11	00051520	Hexagon nut	4	
12	00053730	Washer	14	
13	00136910	Cylinder head screw	1	
14	00053030	Hexagon screw	1	
15	01131000	Pull spring	1	
16	01179700	Deflection roller	2	
17	01175800	Grooved ball bearing	2	
18	00551160	Countersunk screw	2	
19	00053330	Hexagon nut	1	
20	00529260	Countersunk screw	1	

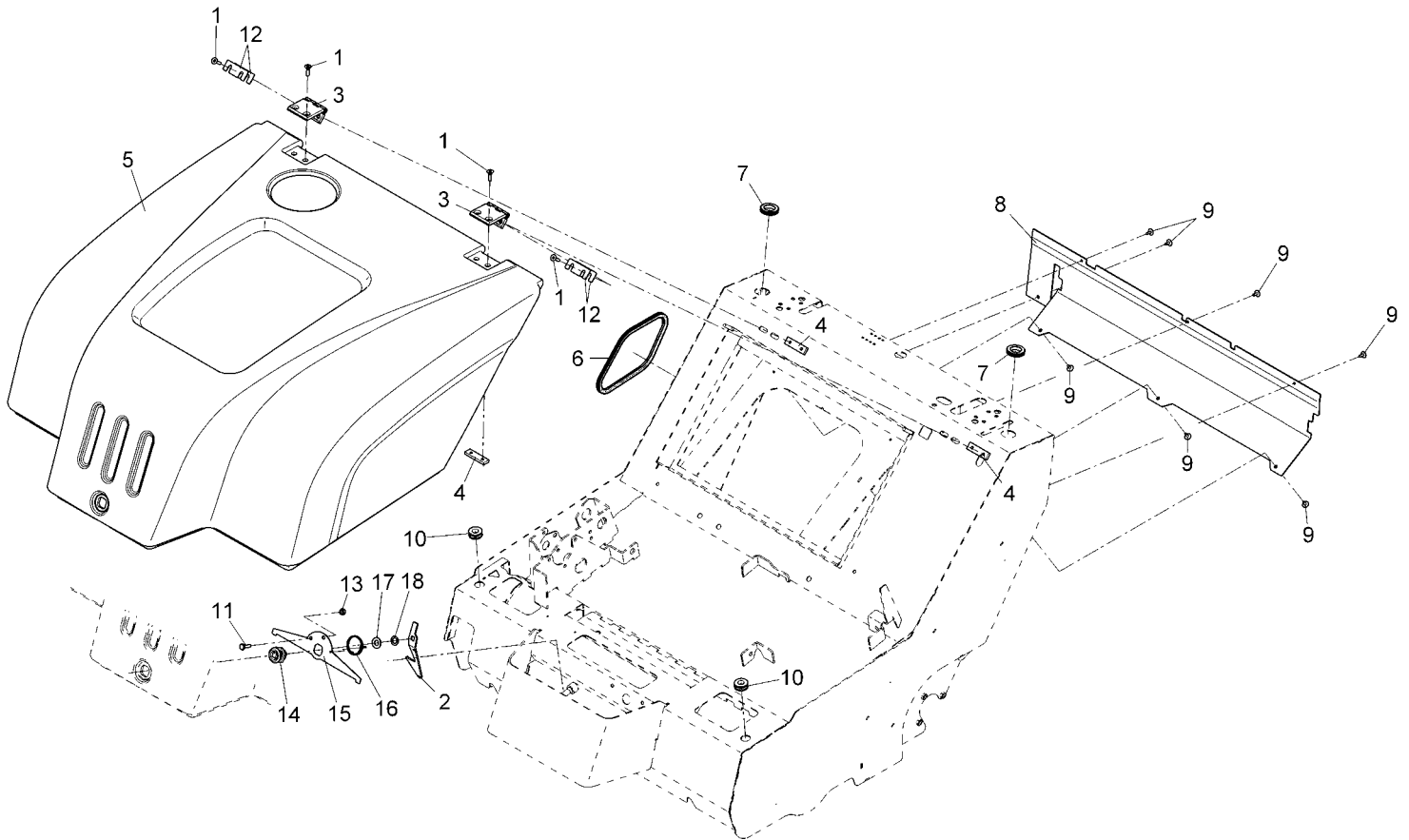
Frame - Wheels (97104566)



Frame - Wheels (97104566)

Item	Part number	Description	Qty.	Remarks
1	03009670	Chassis	1	
2	01111990	Nut	4	
3	00911800	Steering roller	1	
4	00740080	Washer	4	
5	00053100	Hexagon screw	4	
6	01179550	Wheel R.H.	1	
7	01015340	Lens flange screw	2	
8	00874340	Washer	2	
9	00041450	Inner ring	2	
10	00102410	Ring	2	
11	00125680	Adjusting washer	1	
12	00054310	Retaining ring	3	
13	00153700	Adjusting washer	3	
14	01179560	Belt pulley	1	
15	00133060	Fitting key	1	
16	01173010	Flange bearing	2	
17	00135120	Washer	6	
18	00053010	Hex.bolt	6	
19	01271950	Shaft	1	
20	01271320	Sleeve	1	
21	01179540	Wheel L.H.	1	

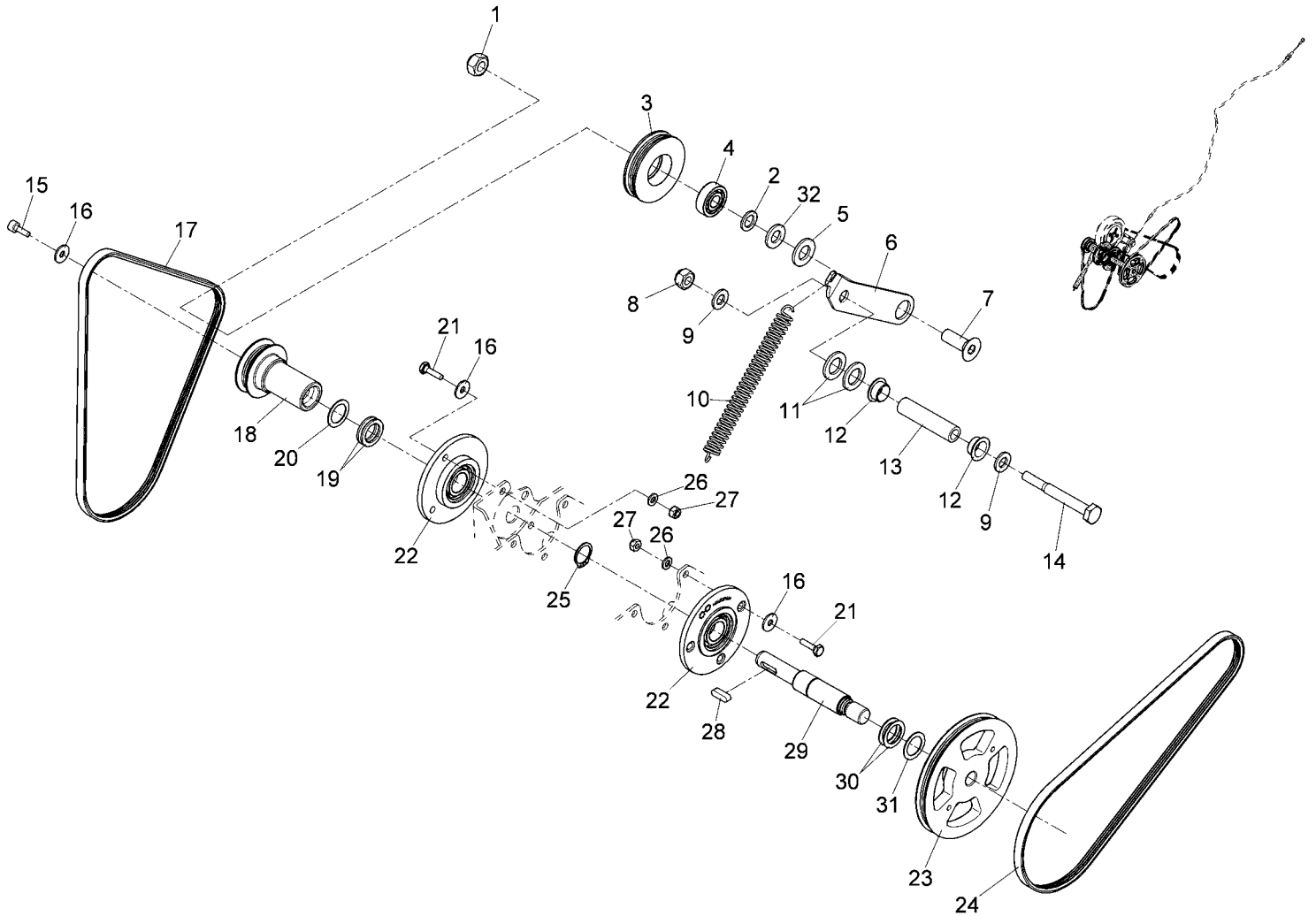
Covering B (97104855)



Covering B (97104855)

Item	Part number	Description	Qty.	Remarks
1	01271620	Countersunk screw	8	
2	01271020	Hook	1	
3	01179820	Hinge	2	
4	00740440	Plate	4	
5	01270960	Hood	1	
6	00721090	Edge protection	440 mm	
7	00902030	Cable sleeve	2	
8	01179840	Covering rear	1	
9	00747160	Tapping screw	7	
10	00027190	Cable sleeve	2	
11	00053020	Hexagon screw	2	
12	01271640	Sheet metal	4	
13	00051520	Hexagon nut	2	
14	00121730	Sash fastener	1	
15	01271010	Sash fastener sheet metal	1	
16	01271030	Torsion spring	1	
17	00053760	Washer	1	
18	00130290	Adjusting washer	1	

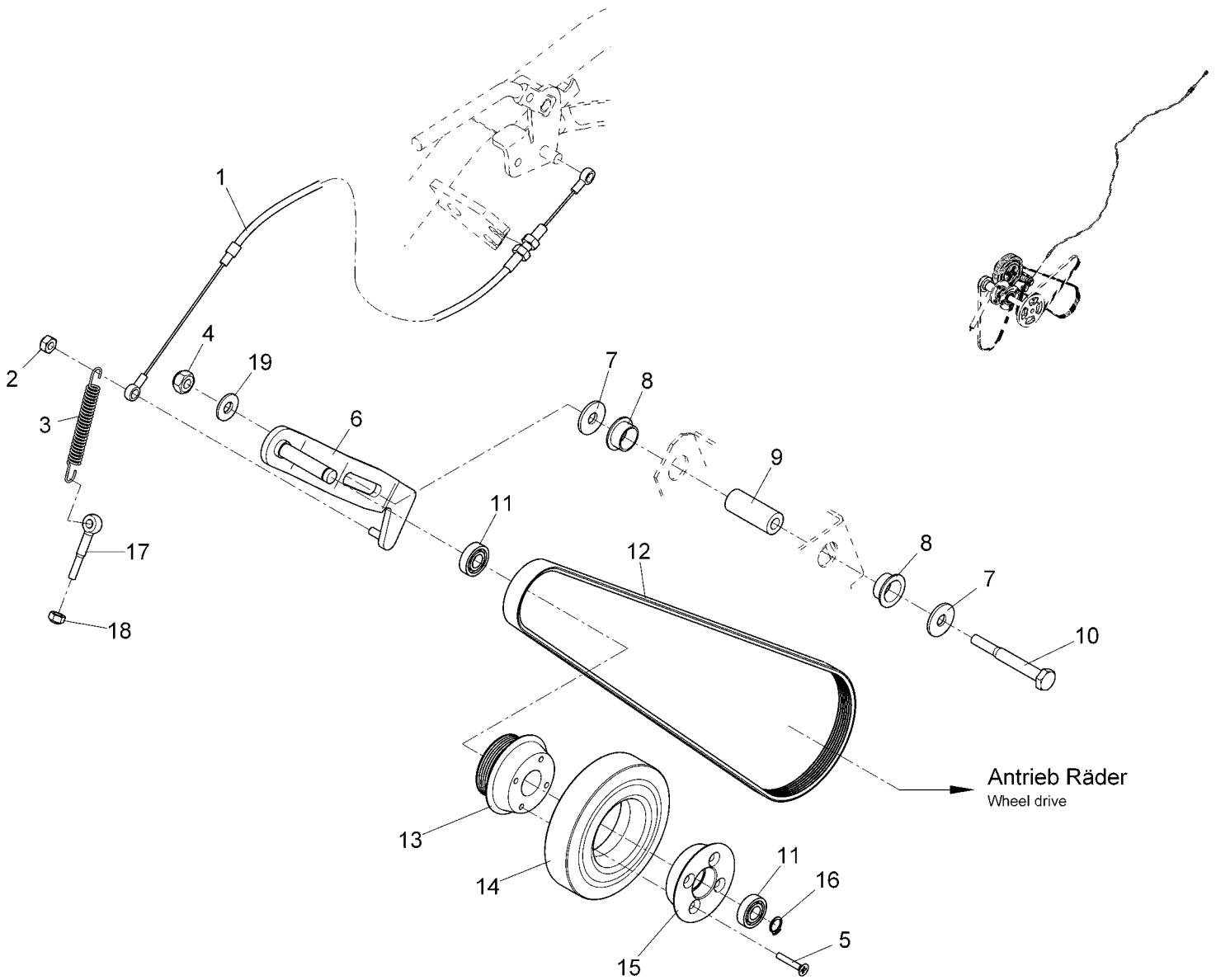
Travel drive, part 1 (97104723-1)



Travel drive, part 1 (97104723-1)

Item	Part number	Description	Qty.	Remarks
1	00051490	Hexagon nut	1	
2	00156720	Washer	1	
3	01152600	Pulley	1	
4	00126330	Deep groove ball bearing	1	
5	00053780	Washer	1	
6	01179770	Clamping lever	1	
7	00734400	Countersunk screw	1	
8	00051500	Hexagon nut	1	
9	00053760	Washer	2	
10	01130130	Pull spring	1	
11	00127290	Washer	2	
12	01055290	Plain bearing bush	2	
13	01271480	Bearing bush	1	
14	00157410	Hex.bolt	1	
15	00136910	Cylinder head screw	1	
16	00135120	Washer	7	
17	01176250	Ribbed band	1	
18	01179760	Belt pulley	1	
19	00136510	Supporting ring	2	
20	00153700	Adjusting washer	1	
21	00053020	Hexagon screw	6	
22	01173010	Flange bearing	2	
23	01179750	Belt pulley	1	
24	01179730	Ribbed band	1	
25	00054310	Retaining ring	1	
26	00053730	Washer	6	
27	00051520	Hexagon nut	6	
28	00121640	Feather key	1	
29	01271460	Shaft	1	
30	00152530	Adjusting washer	2	
31	00101760	Adjusting washer	1	
32	00053770	Washer	1	

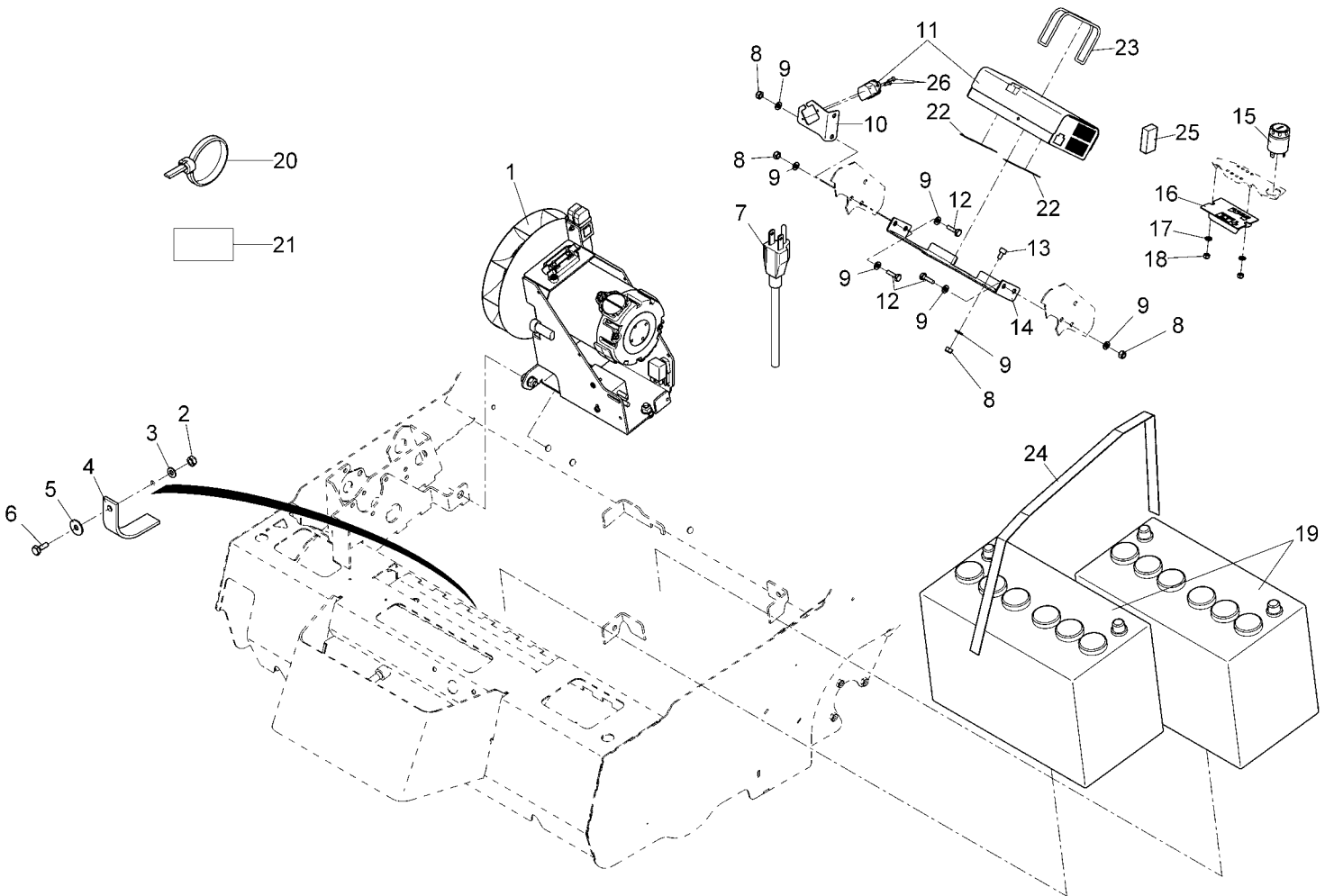
Travel drive, part 2 (97104723-2)



Travel drive, part 2 (97104723-2)

Item	Part number	Description	Qty.	Remarks
1	01179790	Bowden cable	1	
2	00051510	Hexagon nut	1	
3	00705310	Tension spring	1	
4	00051500	Hexagon nut	1	
5	00529260	Countersunk screw	4	
6	01179710	Retainer	1	
7	00046520	Washer	3	
8	01130470	Slide bearing bush	2	
9	01271470	Bushing	1	
10	00107600	Hex.bolt	1	
11	00124830	Deep groove ball bearing	2	
12	01179720	Ribbed band	1	
13	01179780	Belt pulley	1	
14	00911860	Tyre	1	
15	00958780	Rim	1	
16	00072440	Circlip	1	
17	00706170	Eye bolt	1	
18	00051510	Hexagon nut	1	
19	00870090	Detent edged washer	1	

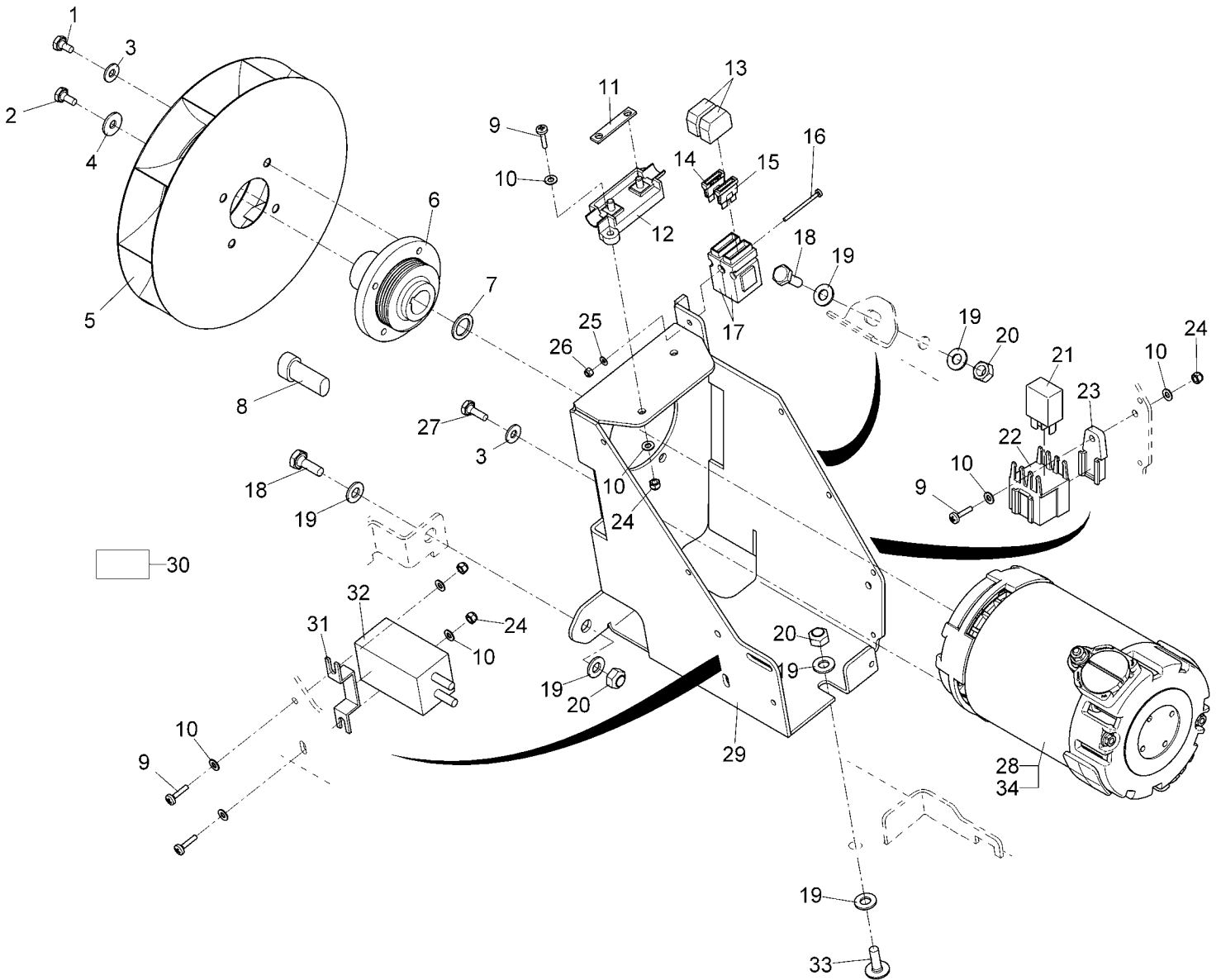
Electric equipment 24V PB collector 34B (97116289)



Electric equipment 24V PB collector 34B (97116289)

Item	Part number	Description	Qty.	Remarks
1	97104871	Motor group E 24V	Page	18
2	00051510	Hexagon nut	1	
3	00074230	Washer	1	
4	01271050	Ground strap	1	
5	00042900	Washer	1	
6	00053090	Hexagon screw	1	
7	01271820	Power cable	1	
8	00051520	Hexagon nut	6	
9	00053730	Washer	11	
10	01271710	Angle	1	
11	01270990	On-board charger	1	
12	00053020	Hexagon screw	5	
13	00134200	Socket head screw	1	
14	01271720	Retainer	1	
15	00021710	Key switch	1	
16	01178800	Signal transmitter 12V-24V	1	
17	00053720	Washer	2	
18	00051340	Hexagon nut	2	
19	99742700	Block battery	2	
20	00121150	Cable tie	25	
21	XXXXXXXX	no part-No. til yet	1	97109979 Cable set
22	00748620	Gasket Tesamoll	90 mm	
23	01171850	O-ring	1	
24	01271730	Tension band	1	
25	01031010	Foam rubber self sticking	40 mm	
26	01271740	Tapping screw	2	

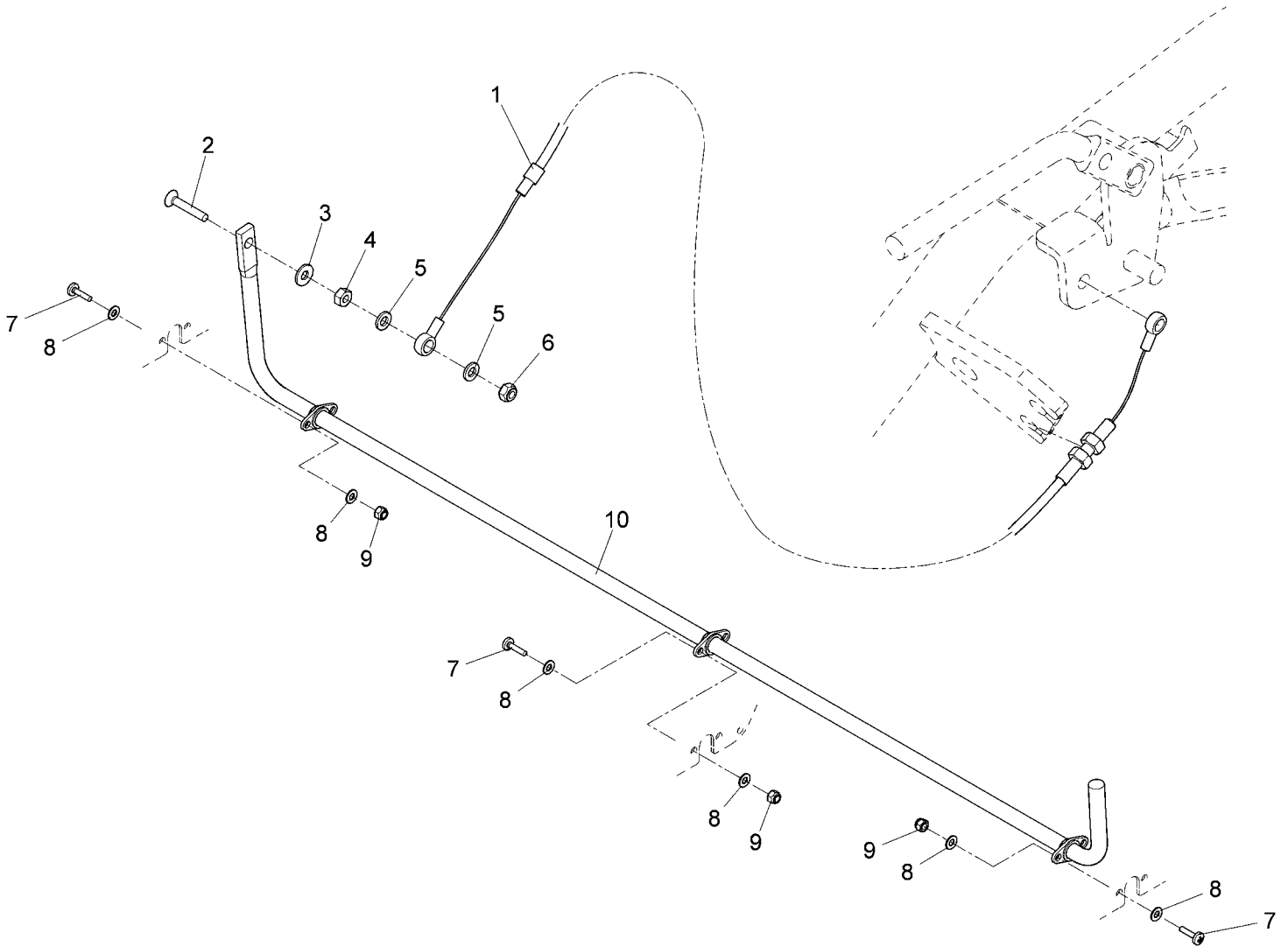
Motor group E 24V (97104871)



Motor group E 24V (97104871)

Item	Part number	Description	Qty.	Remarks
1	00025260	Hexagon screw	4	
2	00104500	Hexagon screw	1	
3	00730940	Detent edged washer	8	
4	00135120	Washer	1	
5	00661680	Fan wheel	1	
6	01270950	Belt pulley	1	
7	00020610	Supporting ring	1	
8	01135470	pin housing	1	
9	00731550	Fillister-head screw	5	
10	00053710	Washer	10	
11	00903550	Fuse	1	
12	00903510	Fuse holder	1	
13	00133570	Lens cap	2	
14	00733630	Fuse	1	
15	00906120	Fuse	1	
16	00101580	Fillister-head screw	1	
17	00733650	Fuse holder	2	
18	00053090	Hexagon screw	2	
19	00074230	Washer	6	
20	00051510	Hexagon nut	3	
21	01271000	Relay	1	
22	01271830	Relay base	1	
23	01271780	Retainer	1	
24	00133830	Hex. Nut	5	
25	00553740	Washer	1	
26	00022200	Hex. Nut	1	
27	00053010	Hex.bolt	4	
28	01270930	Motor 24V-600W	1	
29	01271790	Retainer	1	
30	XXXXXXXX	no part-No. til yet	1	97114250 Wiring harness
31	03003420	Mounting kit for solenoid	1	
32	01131420	Solenoid	1	
33	01000670	Lens flange screw	1	
34	01131670	Set carbon brush	1	

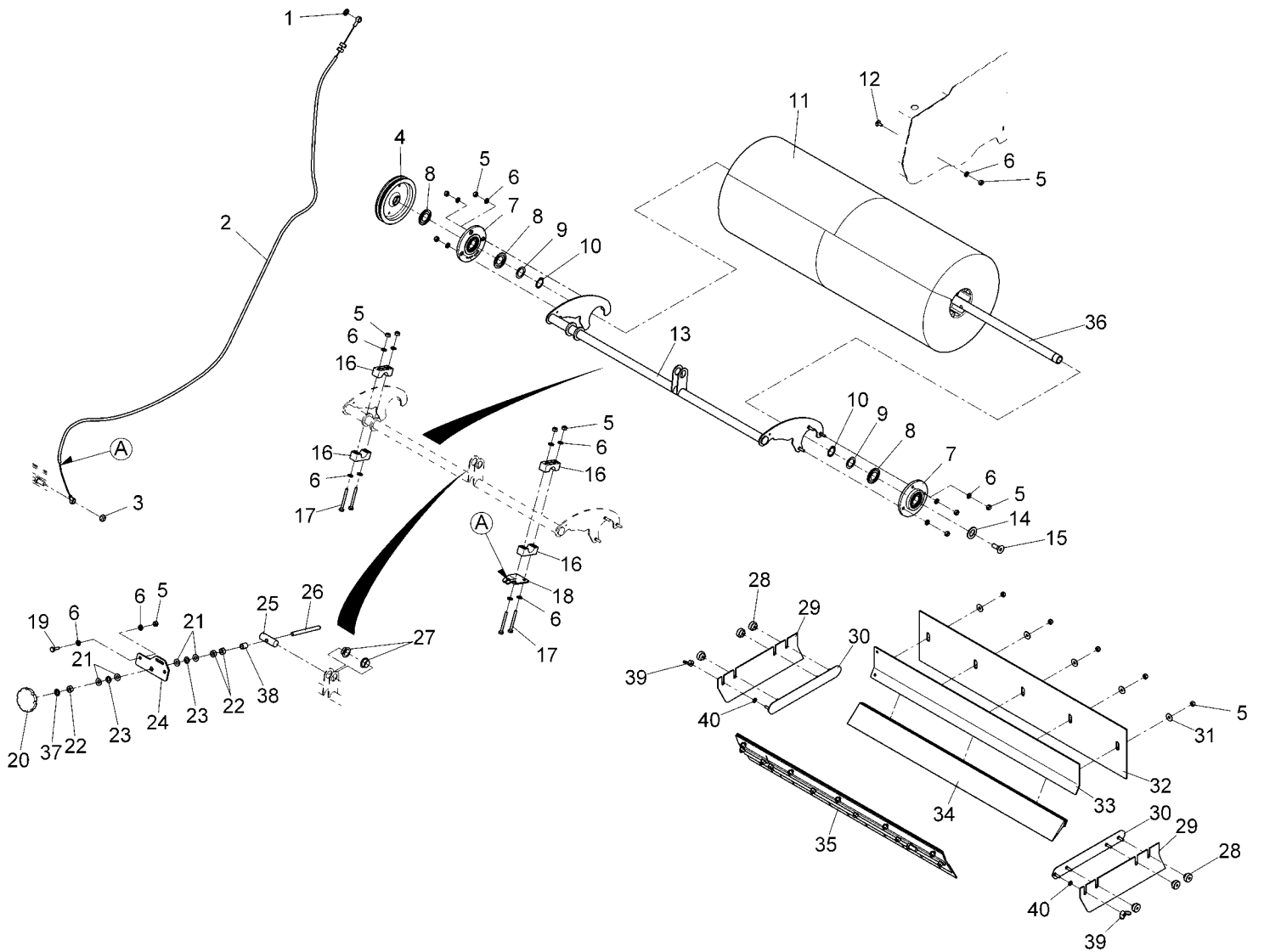
Brake system (97104780)



Brake system (97104780)

Item	Part number	Description	Qty.	Remarks
1	01176740	Bowden cable	1	
2	00529260	Countersunk screw	1	
3	00730940	Detent edged washer	1	
4	00053330	Hexagon nut	1	
5	00053730	Washer	2	
6	00051520	Hexagon nut	1	
7	01072260	Fillister-head screw	6	
8	00053710	Washer	12	
9	00133830	Hex. Nut	6	
10	01179850	Brake	1	

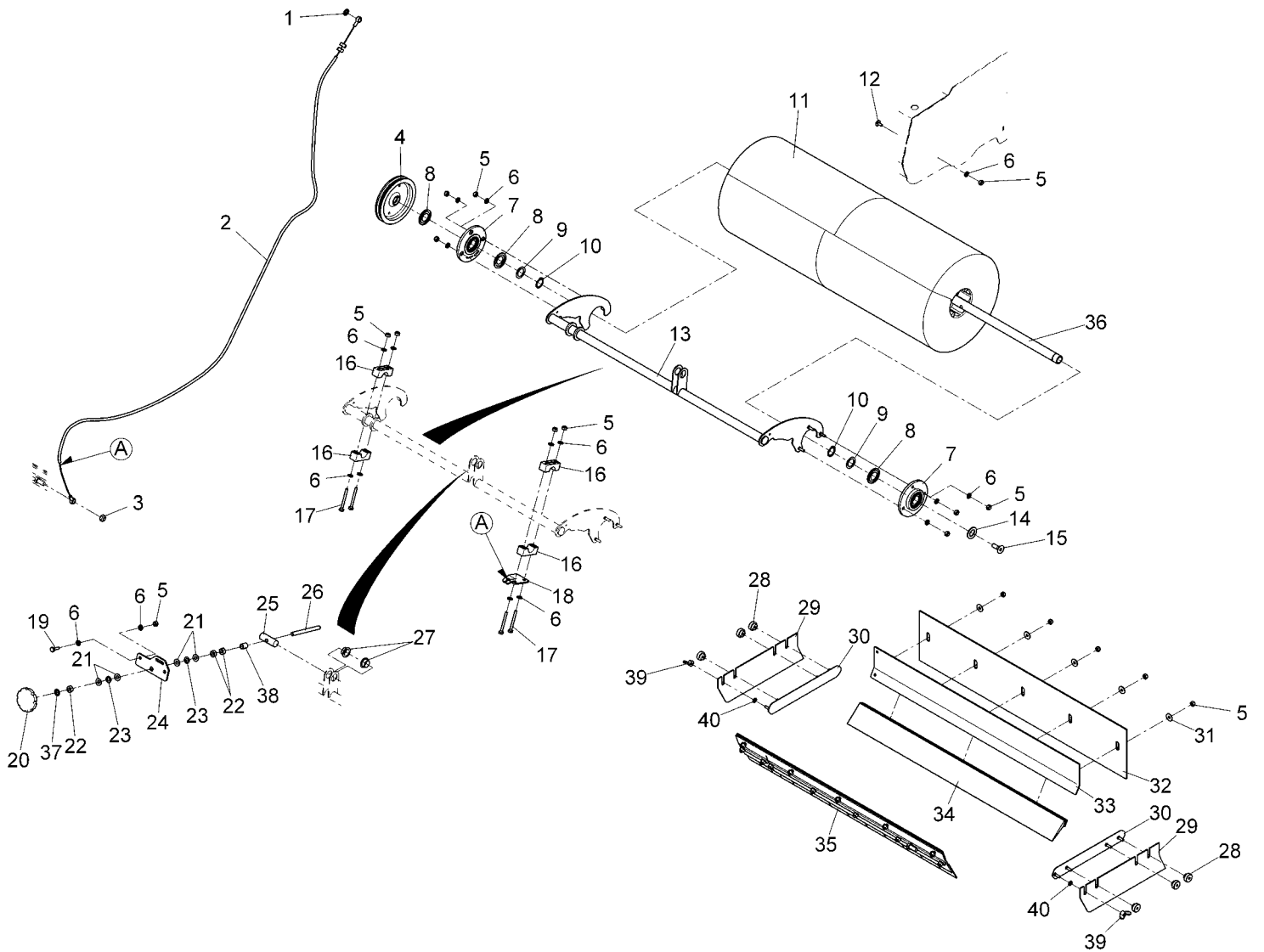
Main sweeper group (97104574 6404-20)



Main sweeper group (97104574 6404-20)

Item	Part number	Description	Qty.	Remarks
1	00854420	Thrust washer	2	
2	01179630	Bowden cable	1	
3	00051510	Hexagon nut	1	
4	01271040	Belt pulley	1	
5	00051520	Hexagon nut	19	
6	00053730	Washer	22	
7	01173010	Flange bearing	2	
8	00537310	Ring	3	
9	00153700	Adjusting washer	2	
10	00054310	Retaining ring	2	
11	01272110	Sweeper roller H800	1	
12	01000850	Lens flange screw	2	
13	01179600	Broom rocker	1	
14	00127290	Washer	1	
15	01059150	Countersunk screw	1	
16	01271360	Bearing seat	4	
17	00053060	Hex.bolt	4	
18	01271960	Retainer	1	
19	00053020	Hexagon screw	2	
20	00480430	Hand wheel	1	
21	00074230	Washer	5	
22	00053350	Hexagon nut	3	
23	00053850	Spring washer	2	
24	01271350	Reinforcement	1	
25	01271370	Bolt	1	
26	01271380	Stud screw	1	
27	01055290	Plain bearing bush	2	
28	00903210	Knurled nut	8	
29	01179610	Sealing strip	2	
30	01271340	Sheet metal	2	
31	00135120	Washer	5	
32	01179620	Broom apron rear	1	
33	01271970	Angle plate	1	
34	00461460	Edge protection	670 mm	
35	97104707	Retractable apron	Page 26	
36	01179590	Broom shaft	1	

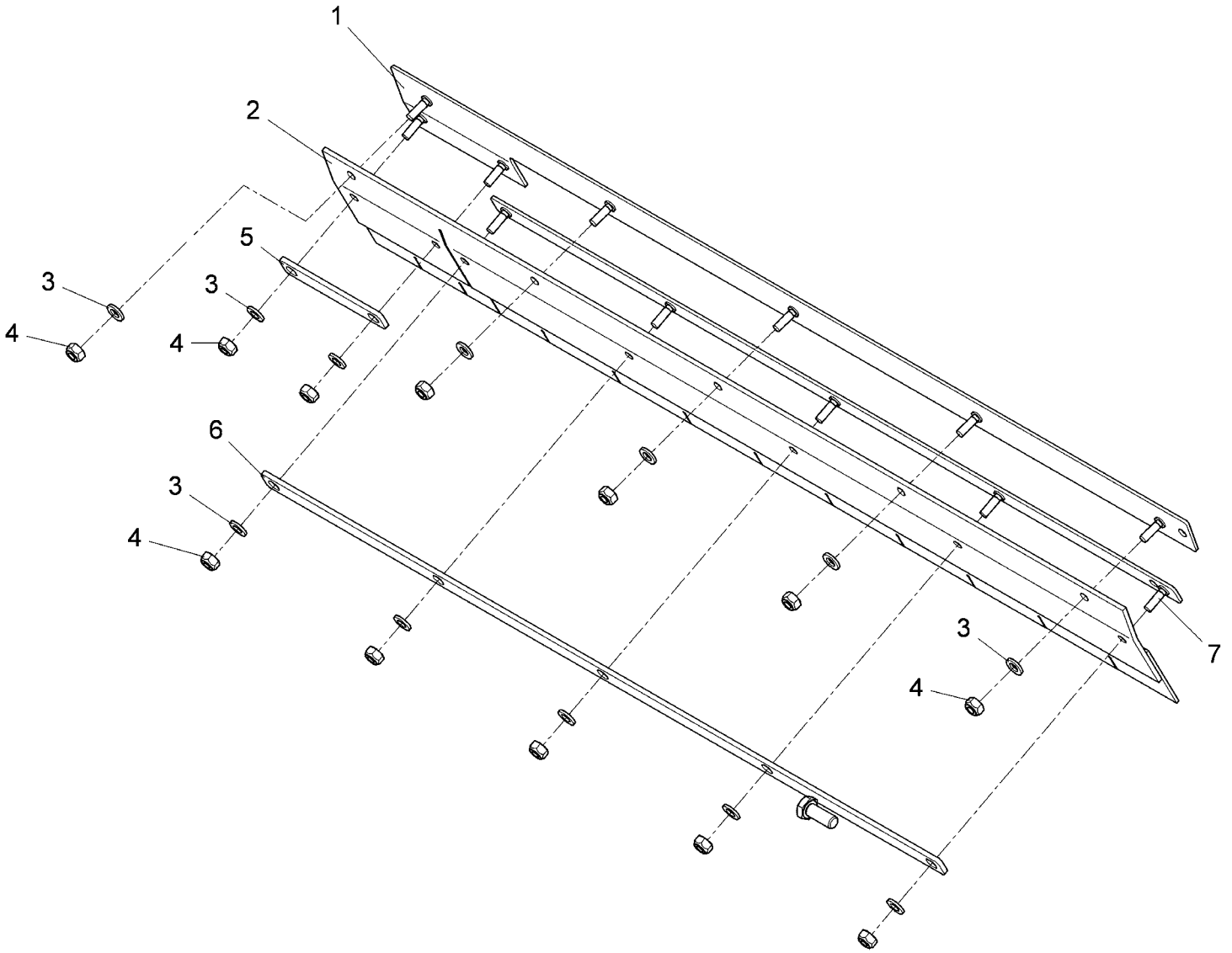
Main sweeper group (97104574 6404-20)



Main sweeper group (97104574 6404-20)

Item	Part number	Description	Qty.	Remarks
37	01144660	toothed locked washer	1	
38	01111390	Sleeve	1	
39	00054020	Wing nut	2	
40	01072030	Toothed washer	2	

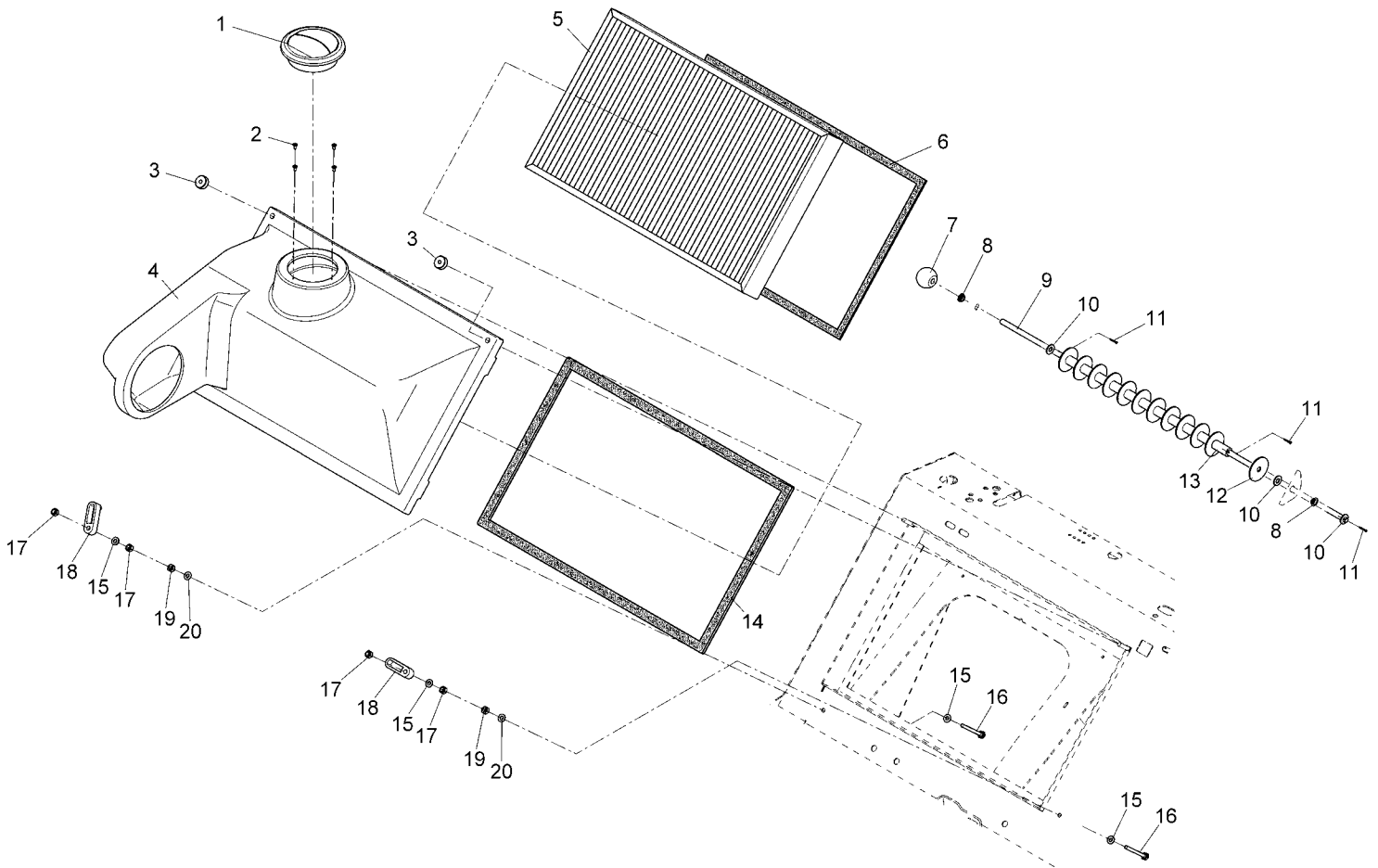
Retractable apron (97104707)



Retractable apron (97104707)

Item	Part number	Description	Qty.	Remarks
1	01271980	Sheet metal	1	
2	01179570	Broom apron front	1	
3	00053730	Washer	12	
4	00051520	Hexagon nut	12	
5	01271990	Sheet metal	1	
6	01179580	Sheet metal	1	
7	01272000	Holding plate	1	

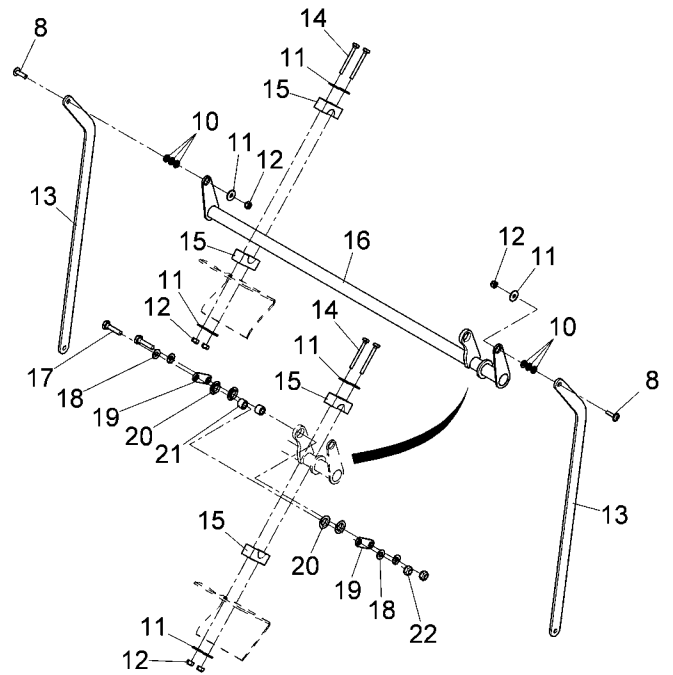
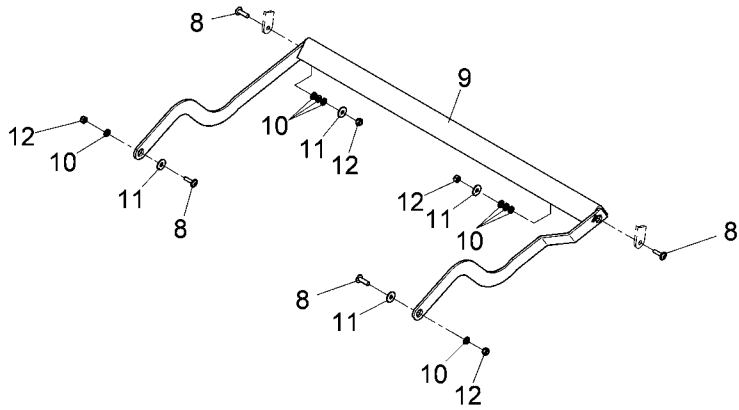
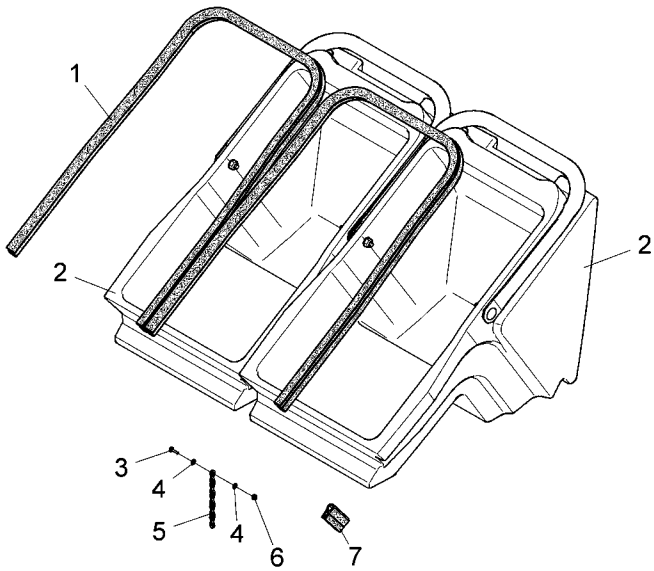
Filter system E (97104806)



Filter system E (97104806)

Item	Part number	Description	Qty.	Remarks
1	00391480	Air nozzle	1	
2	01073600	Tapping screw	4	
3	00903210	Knurled nut	2	
4	01270940	Filter cover	1	
5	00911850	Plate filter	1	
6	00881980	Sealing tape	1580 mm	
7	00122230	Ball button	1	
8	01271610	Slide bearing bush	2	
9	01271690	Rod	1	
10	00074230	Washer	3	
11	00054860	Cotter pin	3	
12	01271680	Washer	13	
13	01271700	Bushing	12	
14	01130200	Gasket	1580 mm	
15	00053730	Washer	4	
16	00053060	Hex.bolt	2	
17	00051520	Hexagon nut	4	
18	00968190	Toggle	2	
19	00053330	Hexagon nut	2	
20	00740280	Washer	2	

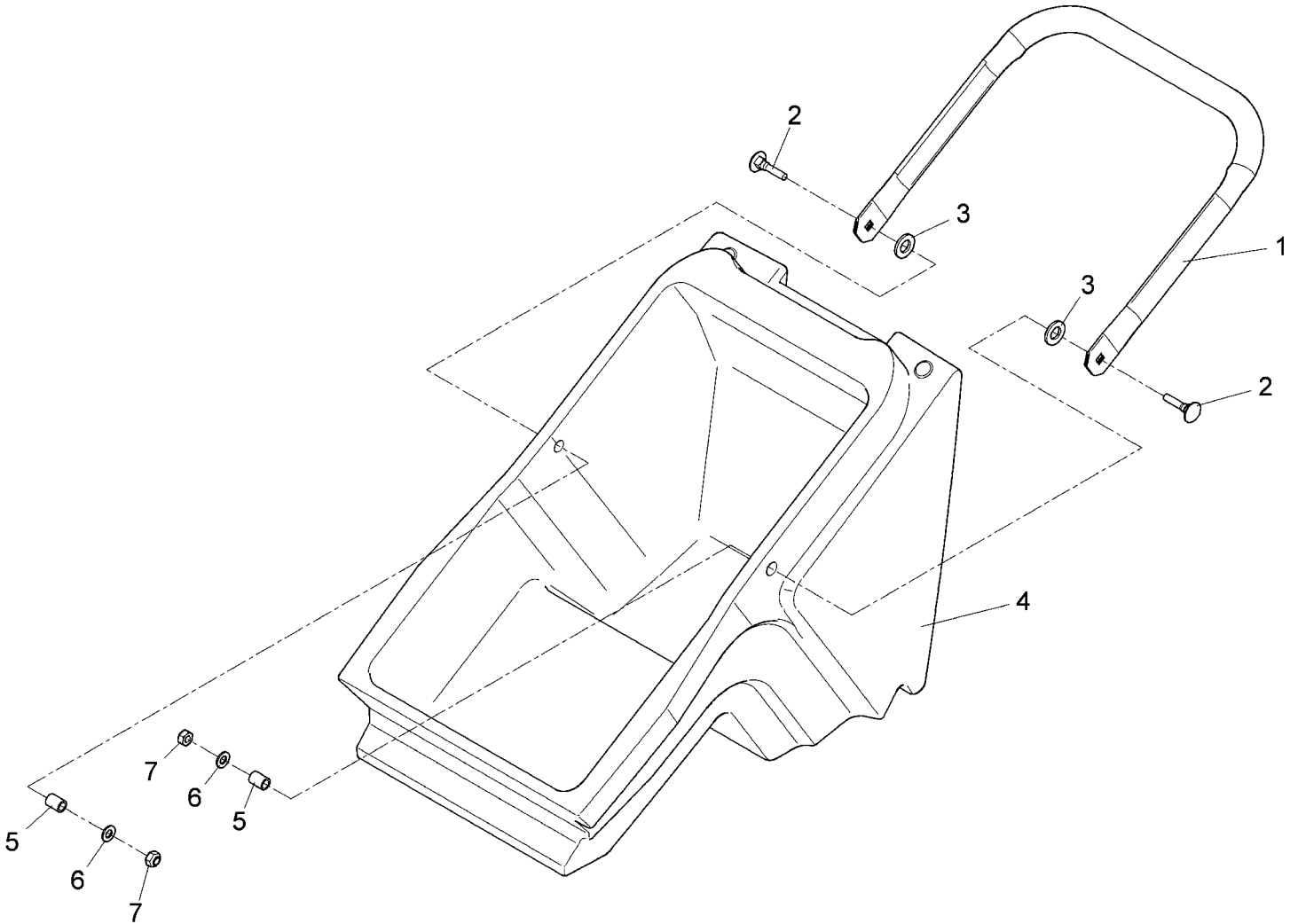
Hopper H 800 (97104632)



Hopper H 800 (97104632)

Item	Part number	Description	Qty.	Remarks
1	00750430	Edge protection	2630 mm	
2	97104715	Hopper cpl.	Page	32
3	01072260	Fillister-head screw	1	
4	00053710	Washer	2	
5	00042830	Grounding chain	1	
6	00133830	Hex. Nut	1	
7	01052820	Edge protection	60 mm	
8	01092780	Lens flange screw	6	
9	01179530	Lever	1	
10	00053730	Washer	20	
11	00135120	Washer	14	
12	00051520	Hexagon nut	10	
13	01271510	Truss	2	
14	00053060	Hex.bolt	4	
15	01271360	Bearing seat	4	
16	01272010	Shaft	1	
17	00053110	Hexagon screw	2	
18	00074230	Washer	4	
19	01271500	Sheet metal	2	
20	01055150	Plain bearing bush	4	
21	01271490	Bearing bush	2	
22	00051510	Hexagon nut	2	

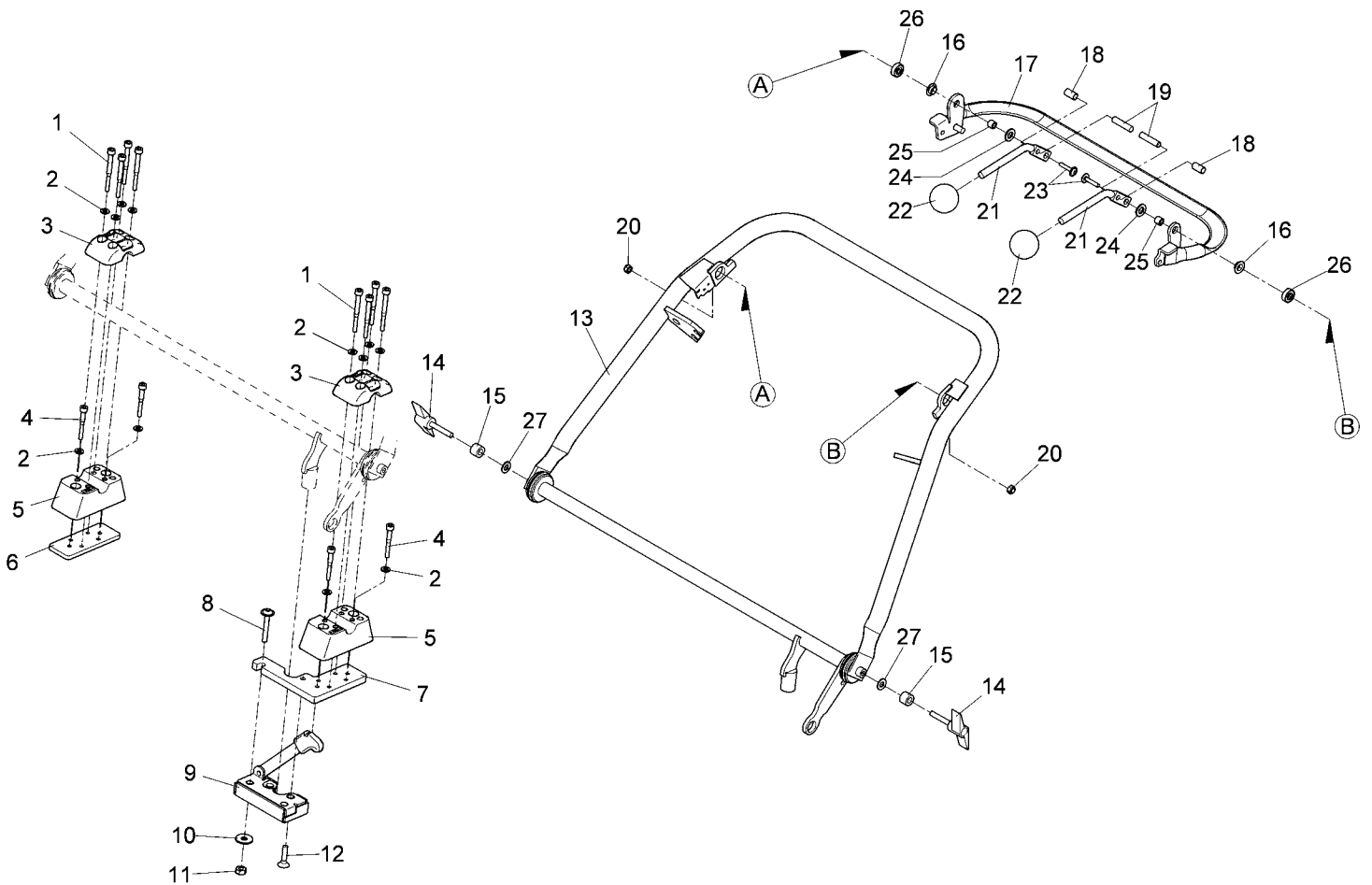
Hopper cpl. (97104715)



Hopper cpl. (97104715)

Item	Part number	Description	Qty.	Remarks
1	01179510	Tube bow	1	
2	00078920	Screw	2	
3	00053770	Washer	2	
4	01179520	Litter hopper	1	
5	01130170	Bush	2	
6	00042900	Washer	2	
7	00051510	Hexagon nut	2	

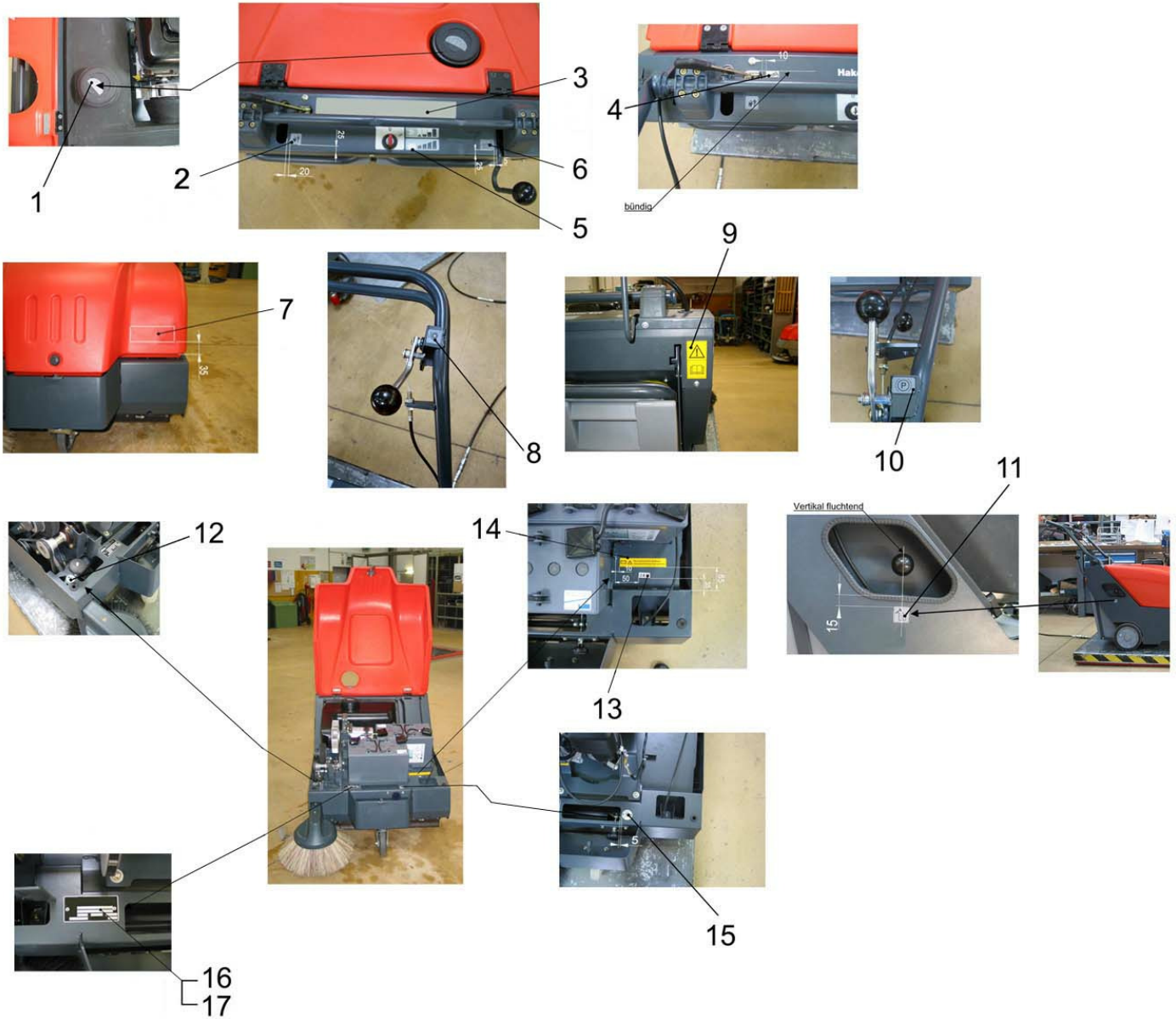
Handle - Control element (97104624)



Handle - Control element (97104624)

Item	Part number	Description	Qty.	Remarks
1	01271540	Socket head screw	8	
2	00053730	Washer	12	
3	01179450	Retainer upper	2	
4	01143070	Socket head screw	4	
5	01179460	Retainer lower	2	
6	01271550	Retaining plate	1	
7	01271560	Thread base plate	1	
8	01271570	Lens flange screw	1	
9	01179480	Door lock	1	
10	01122240	washer	1	
11	00051510	Hexagon nut	1	
12	01223150	Countersunk screw	1	
13	01179440	Arbor	1	
14	00905560	Wing	2	
15	00974400	Bushing	2	
16	01111140	Slide bearing bush	2	
17	01179470	Control lever	1	
18	01064890	Hose	17 mm	
19	01272020	Threaded bolt	2	
20	00051520	Hexagon nut	2	
21	01179490	Lever	2	
22	00741150	Ball button	2	
23	01082530	Lens flange screw	2	
24	01271590	Starting disk	2	
25	01271580	Bushing	2	
26	01175800	Grooved ball bearing	2	
27	00740310	Washer	2	

Labels B (97116248)



Labels B (97116248)

Item	Part number	Description	Qty.	Remarks
1	01270860	Decal BYPASS-FLAP	1	
2	01270880	Decal LITTER HOPPER	1	
3	03009790	Decal COLLECTOR 34	1	
4	03008790	Backing film	1	
5	01271770	Foil	1	
6	01270890	Decal SIDE BROOM	1	
7	03008510	Decal POWER BOSS	1	
8	01270850	Decal BRUSH APRON	1	
9	01071710	Decal "Instruction manual"	1	
10	01131550	Lable brake	1	
11	01270900	Decal SHAKING	1	
12	01130650	Decal SIDE BROOM ADJUSTMENT	1	
13	00871160	Decal 24V	1	
14	01270840	Decal MAINTENANCE FREE BATTERY	1	
15	03001180	Decal	1	
16	03008410	Type plate POWERBOSS	1	
17	00504370	Blind rivet	2	

Warranty Information

Revision F
 Effective November 1, 2008
 PowerBoss Made Simple Industrial Limited Warranty

Minuteman International owner of PowerBoss warrants to the original purchaser/user that the product is free from defects in workmanship and materials under normal use. PowerBoss will, at its option, repair or replace without charge, parts that fail under normal use and service when operated and maintained in accordance with the applicable operation and instruction manuals. All warranty claims must be submitted through and approved by factory authorized repair stations.

This warranty does not apply to normal wear, or to items whose life is dependent on their use and care. Parts not manufactured by PowerBoss are covered by and subject to the warranties and/or guarantees of their manufacturers. Please contact Minuteman International for procedures in warranty claims against these manufacturers.

Special warning to purchaser -- Use of replacement parts not manufactured by PowerBoss or its designated licensees, will void all warranties expressed or implied. A potential health hazard exists without original equipment replacement.

All warranted items become the sole property of Minuteman International or PowerBoss or its original manufacturer, whichever the case may be.

PowerBoss disclaims any implied warranty, including the warranty of merchantability and the warranty of fitness for a particular purpose. PowerBoss assumes no responsibility for any special, incidental or consequential damages.

This limited warranty is applicable only in the U.S.A. and Canada, and is extended only to the original user/purchaser of this product. Customers outside the U.S.A. and Canada should contact their local distributor for export warranty policies. PowerBoss is not responsible for costs or repairs performed by persons other than those specifically authorized by PowerBoss. This warranty does not apply to damage from transportation, alterations by unauthorized persons, misuse or abuse of the equipment, use of non-compatible chemicals, or damage to property, or loss of income due to malfunctions of the product. If a difficulty develops with this machine, you should contact the dealer from whom it was purchased.

This warranty gives you specific legal rights, and you may have other rights, which vary from state to state. Some states do not allow the exclusion or limitation of special, incidental or consequential damages, or limitations on how long an implied warranty lasts, so the above exclusions and limitations may not apply to you.

	Travel*	Labor	Parts	Engine	Extended Warranty	Costs
Walk behinds						
Battery sweepers	Ninety days	One year	One year	N/A	2 years Parts + Labor (or 2000 Hours)	2%
IC sweepers	Ninety days	One year	One year	Through manufacturer	2 years Parts + Labor (or 2000 Hours)	2%
Battery scrubbers	Ninety days	Two years	Three years	N/A	3 Years Parts + Labor (or 3000 Hours)	2%
Riders						
Battery scrubbers	Ninety days	Two years	Three years/2000 hrs	N/A	3 Years Parts + Labor (or 3000 Hours)	2%
IC sweeper/scrubbers	Ninety days	Six months	Two years/2000 hrs	Two years/3000 hrs**	2 years Parts + Labor (or 2000 Hours)	3%
IC sweepers	Ninety days	Six months	Four years/3000 hrs	Five years/3000 hrs**	4 Years Parts + 2 Years Labor (or 4000 Hours)	3%
Exceptions						
Apex series sweeper	Ninety days	One year	One year/1000 hrs	One year/1000 hrs**	2 years Parts + Labor (or 2000 Hours)	3%
6X sweeper	Ninety days	Six months	Two years/2000 hrs	Two years/2000 hours**	2 years Parts + Labor (or 2000 Hours)	3%

Tank Bladders Eight years/ no additional labor
Polypropylene plastic tanks Ten years/ no additional labor
Batteries 0-3 months full replacement, 4-12 prorated credit
Chargers One-year replacement
Replacement parts Ninety days

*Two-hour cap

**Through engine manufacturer. See section 3 of warranty manual for engine warranty exceptions

*** Based upon dealer's certification status

Extended Warranty MUST be signed up within 30 days of delivery to End User (Dealer has 1Year from Receiving Machine to Sign up extended Warranty)

Extended Warranty Cost is based on Invoice Price multiplied by the Percentage listed in the Extended Warranty Column

All above labor and travel reimbursed at 65 or 75% of the published shop rate.



“The Power of Clean”

PowerBoss Is A Full Line Manufacturer Of Sweepers and Scrubbers For Industrial Facilities.

PowerBoss, Inc 175 Anderson Street P.O. Box 1227- Aberdeen North Carolina 28315

Phone: 800-982-7141 - Fax: 1-800-277-7141 Local: 910-944-2105 Fax: 910-944-7409 e-mail: techsupport@powerboss.com

A Member Of The Hako Group