

Parts Catalog

Admiral 35 Rider Scrubber



Table of Contents

Frame (99774413BT10)	4
Covering (99774413BT20)	6
Dash board with covering (99774413BT30)	10
Dash board (99774413BT40)	12
Driver's seat with covering (97122303)	14
Steering assy (99774413BT60)	16
Front Wheel (97066088)	18
Front Wheel (97103816)	20
Accelerator pedal - Parking brake (99774413BT80)	22
Travel drive (97067193 BIS 080614)	26
Travel drive (97067193 AB 080615)	30
Hopper - Membran wall (97122311-1)	34
Suck-off system (hopper) (97099758)	38
Cover (hopper) (97122311-2)	40
Water infeed - Connection tools (99774413BT130)	42
Brush case (99774413BT140)	44
Brush pressure setting assy (99774413BT150)	46
Brush lifting assy (99774413BT161)	50
Spraying guard (99774413BT170)	52
Squeegee 110cm (until eng.no.: 0018) (99774413BT180)	54
Squeegee 110cm (from eng.no.: 0019 until appr. 3/2012) (99774413BT190)	63
Squeegee 1100 mm cpl. (from appr. 4/2012) (97115596)	78
Electric (part 1) (97099709-1)	82
Electric (Part 2) (97099709-2A)	86
Electric (Part 2) (97099709-2B)	90
Labels Admiral 36 (97100085)	94
Pre-sweeper unit (7604) part 1 (99760400BT10)	96
Pre-sweeper unit (7604) part 2 (99760400BT20)	100
Lifting B910 (7618) (99760400BT40)	104

This manual covers all standard Admiral 35 models:

Model No.

The machine will provide excellent service. However, the best results will be obtained if:

- The machine is operated with reasonable care.
- The machine is maintained regularly per the maintenance schedule in the instruction manual provided.
- The machine is maintained with PowerBoss OEM supplied or equivalent parts.

All right side and left side references to the machine are determined by facing the direction of forward travel. Parts may be ordered by phone or mail from any PowerBoss parts and service center. Before ordering parts or supplies be sure to have your machine model number and serial number handy.

Fill out the data block below for future reference.

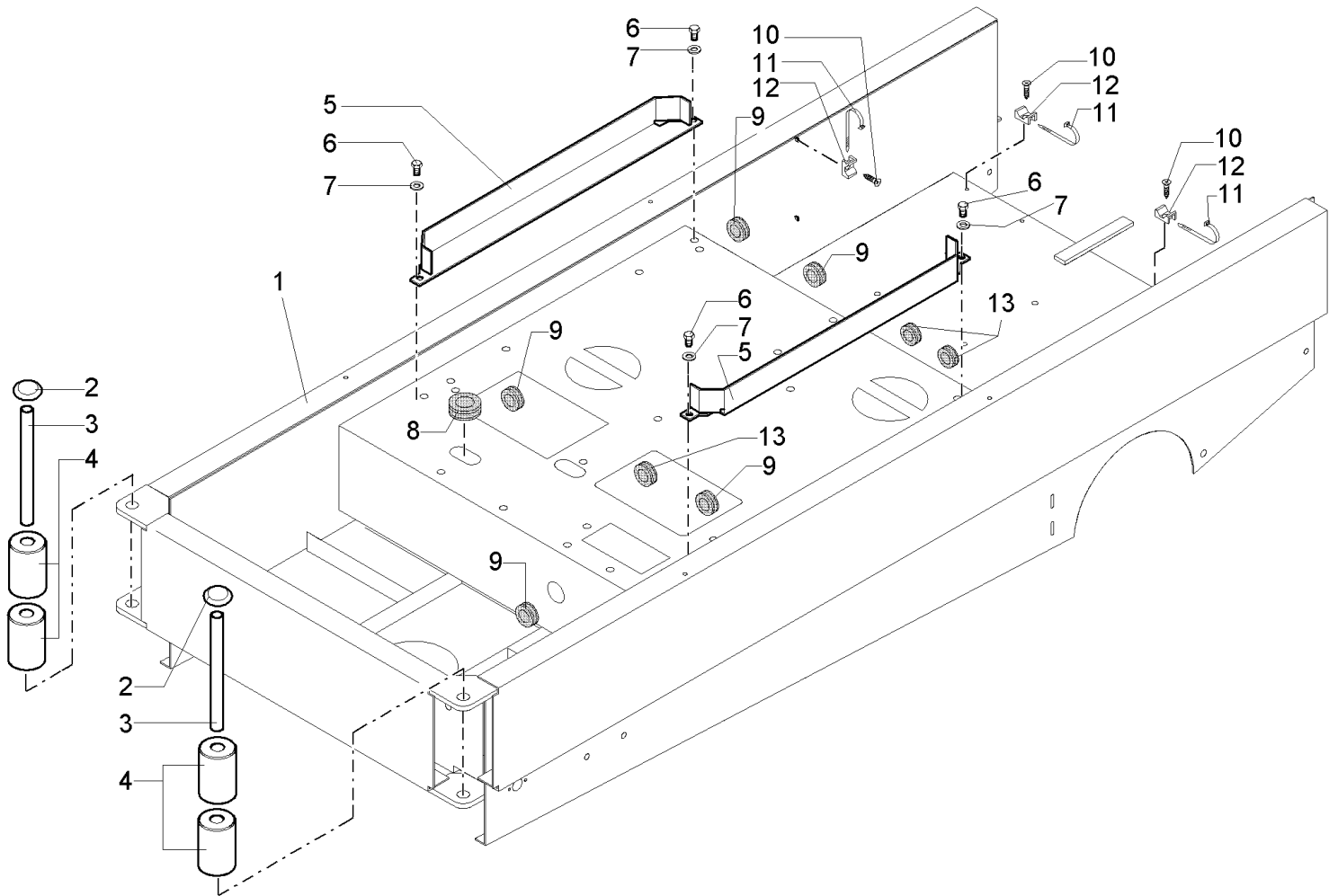
MACHINE DATA Fill Out At Installation	
Model:	Admiral 35
Serial Number:	_____
Sales Rep or Dealer	_____
Date of Install:	_____
Manual p/n:	4100018

All information contained in this manual is current at the time of printing However, PowerBoss Reserves the right to make changes at any time without notice.

© 2013, Powerboss, Inc., Printed in USA

All rights reserved. This manual may not be copied or reproduced in any form, without the written permission of PowerBoss, Inc.

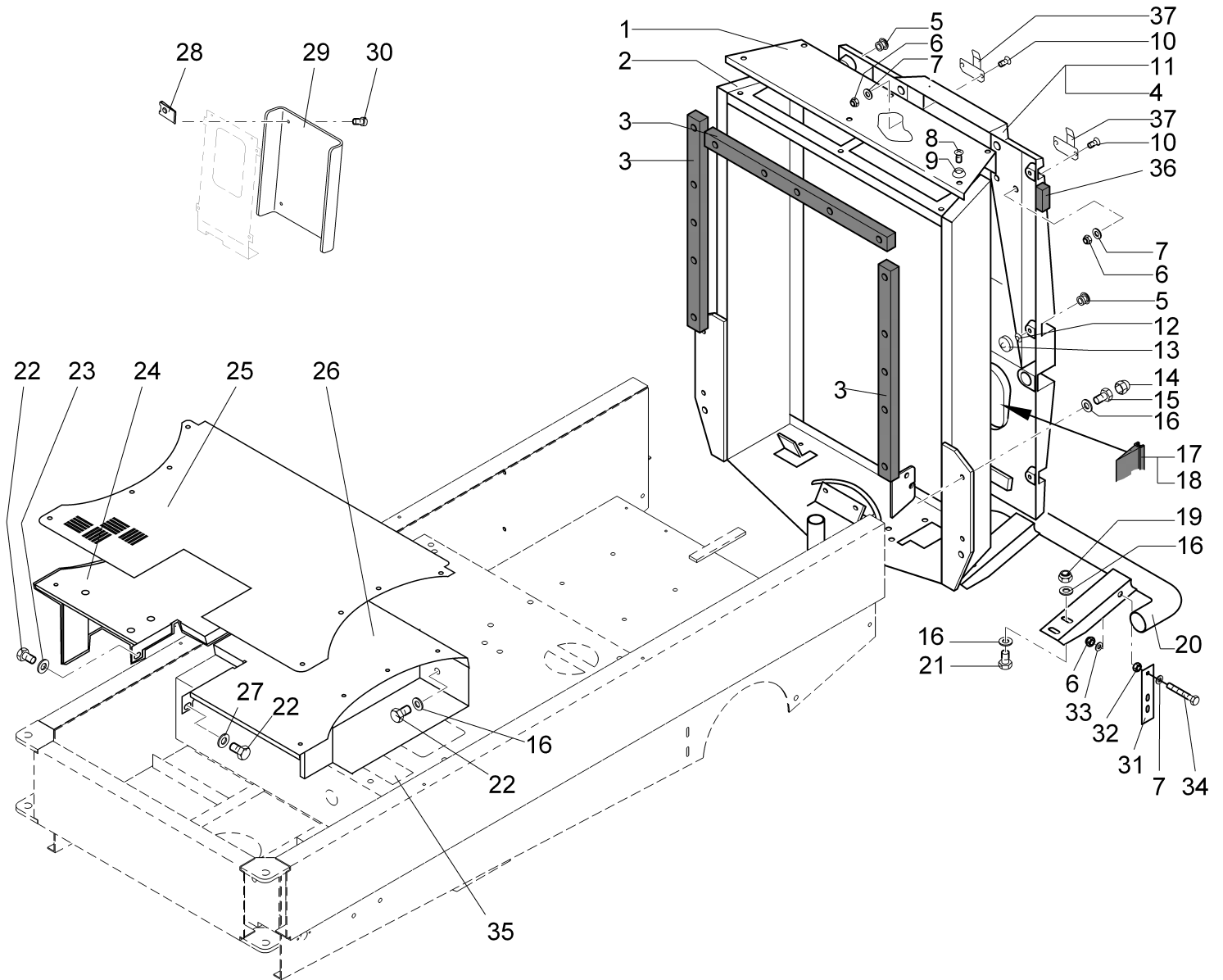
Frame (99774413BT10)



Frame (99774413BT10)

Item	Part number	Description	Qty.	Unit	Remarks
1	03003340	Frame		PC	
2	00072270	Thrust washer		PC	
3	00741740	Bolt		PC	
4	01057290	Rejecting role		PC	
5	01055620	Mounting plate		PC	
6	00864230	Hex.bolt		PC	
7	00053750	Washer		PC	
8	00902020	Cable sleeve		PC	
9	01073520	Hose nozzle		PC	
10	00134850	Tapping screw		PC	
11	00121010	Cable tie		PC	
12	00780710	Socket		PC	
13	00555440	Cable sleeve		PC	

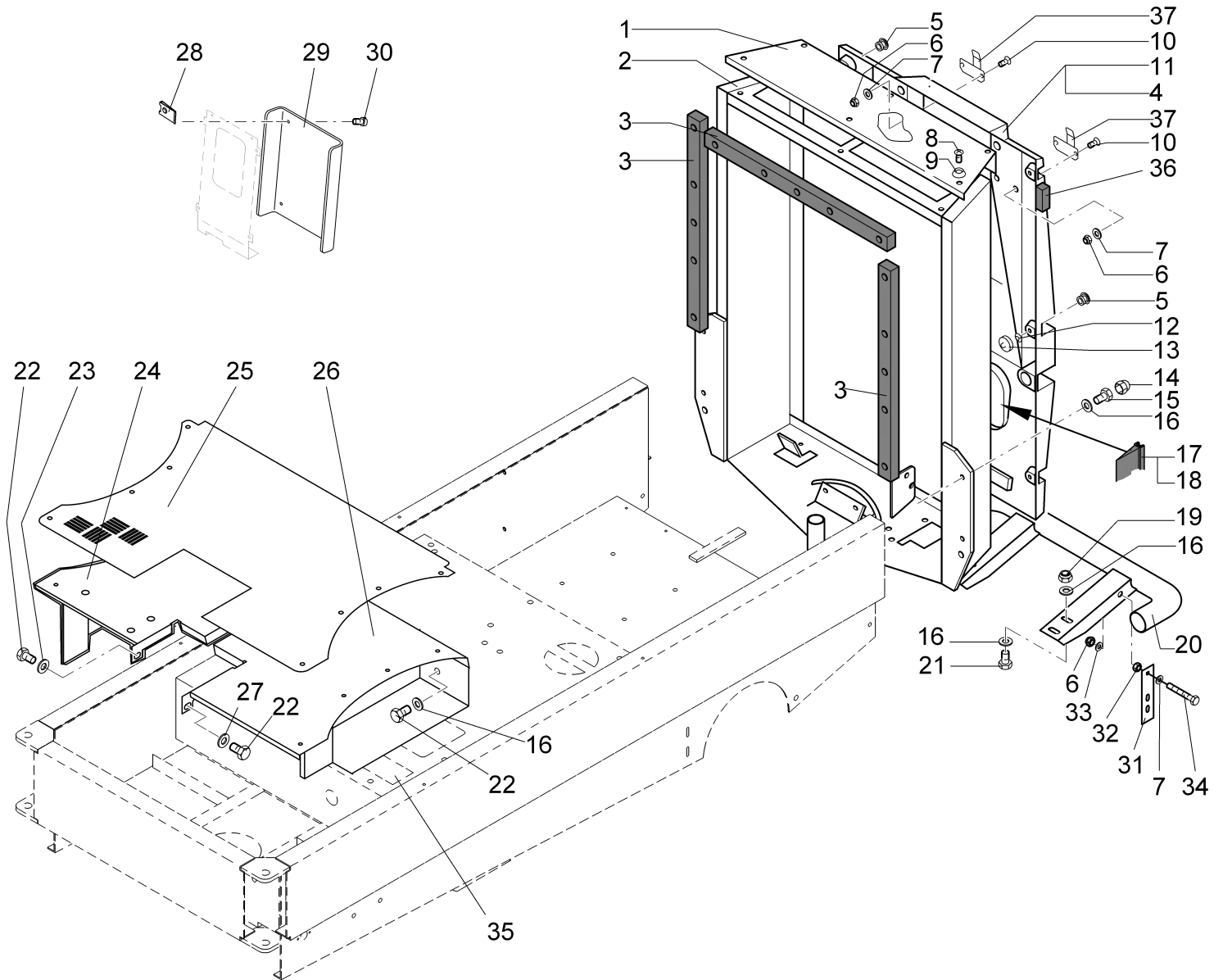
Covering (99774413BT20)



Covering (99774413BT20)

Item	Part number	Description	Qty.	Unit	Remarks
1	01055630	Cover plate	1	PC	
2	01055640	Capping piece	1	PC	
3	00651150	Seal	3	PC	
4	00073800	Drain plug	1	PC	
5	00742760	Locking pin	6	PC	
6	00051340	Hex. Nut	7	PC	
7	00053720	Washer	7	PC	
8	00073160	Countersunk screw	6	PC	
9	00076210	Annular plate	6	PC	
10	00053530	Lens head screw	4	PC	
11	01055650	Rear wall	1	PC	
12	00742780	Retaining ring	6	PC	
13	00742770	Fastener	6	PC	
14	00131610	Lens cap	4	PC	
15	00053090	Hexagon screw	4	PC	
16	00053750	Washer	12	PC	
17	00461460	Edge protection	0,280	M	
18	00461460	Edge protection	0,350	M	
19	00051510	Hex. Nut	4	PC	
20	01055660	Bumper	1	PC	
21	00053100	Hexagon screw	4	PC	
22	00864230	Hex.bolt	1	PC	
23	00902280	Washer	1	PC	
24	03003600	Access plate, R.H.	1	PC	
25	01055670	Floor mat	1	PC	
26	03003610	Access plate, L.H.	1	PC	
27	00902280	Washer	1	PC	
28	00903540	Snap nut	4	PC	
29	01055680	Cover	1	PC	
30	00905520	Screw	4	PC	
31	01073670	Rubber strap	1	PC	
32	00053320	Hex. Nut	1	PC	
33	00555520	Washer	1	PC	
34	01074360	Cylinder head screw	1	PC	
35	01276010	Decal	2	PC	
36	01076230	Sealing tape black	1,200	M	

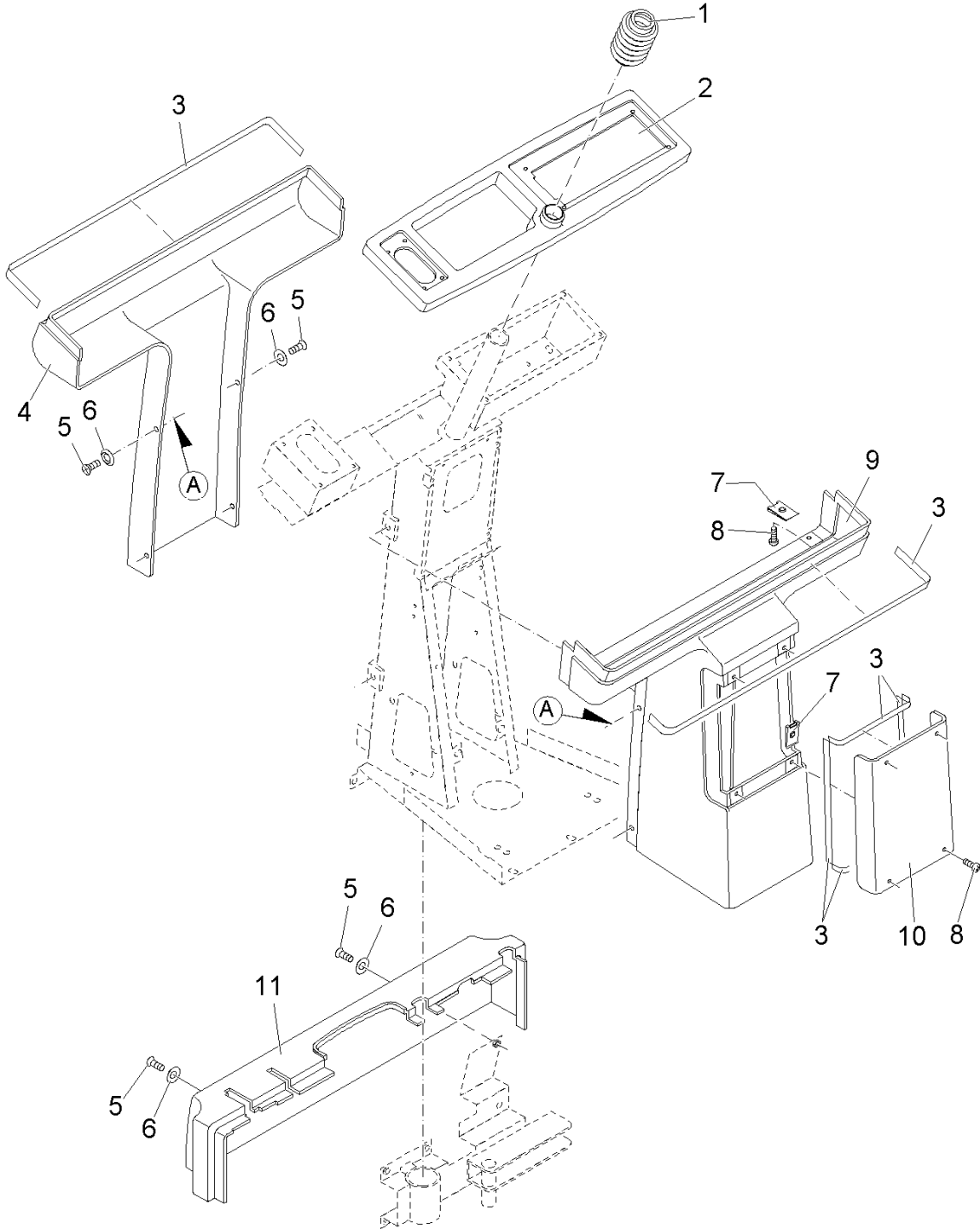
Covering (99774413BT20)



Covering (99774413BT20)

Item	Part number	Description	Qty.	Unit	Remarks
37	01077860	Hook	2	PC	

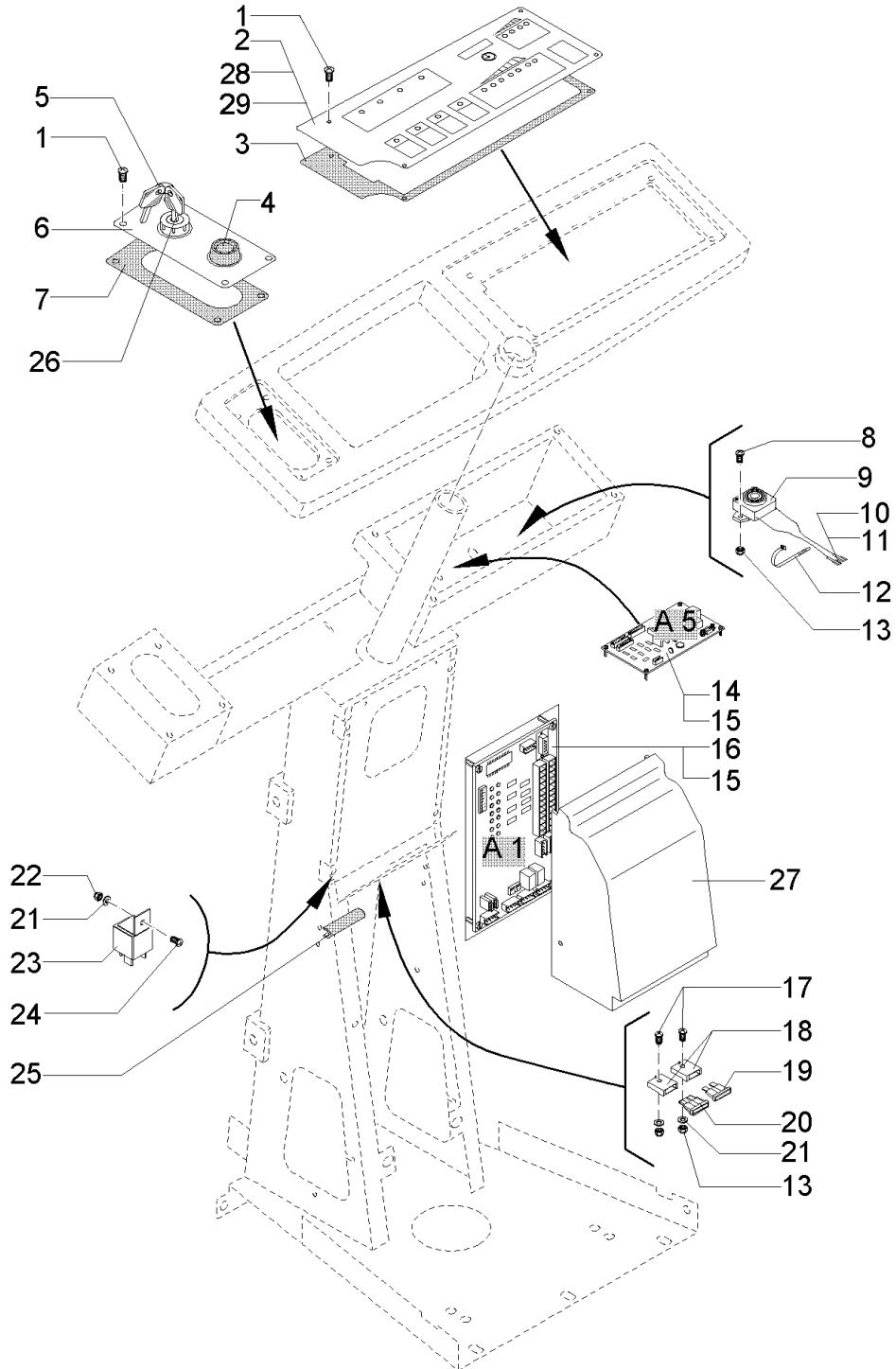
Dash board with covering (99774413BT30)



Dash board with covering (99774413BT30)

Item	Part number	Description	Qty.	Unit	Remarks
1	01054880	Bellows		PC	
2	01054870	Tower cover		PC	
3	01075290	Gasket TESAMOLL		M	
4	01055690	Front covering		PC	
5	00154680	Countersunk screw		PC	
6	00157690	Annular plate		PC	
7	00903540	Snap nut		PC	
8	00905520	Screw		PC	
9	01055700	Cover		PC	
10	01055680	Cover		PC	
11	01055710	Spoiler		PC	

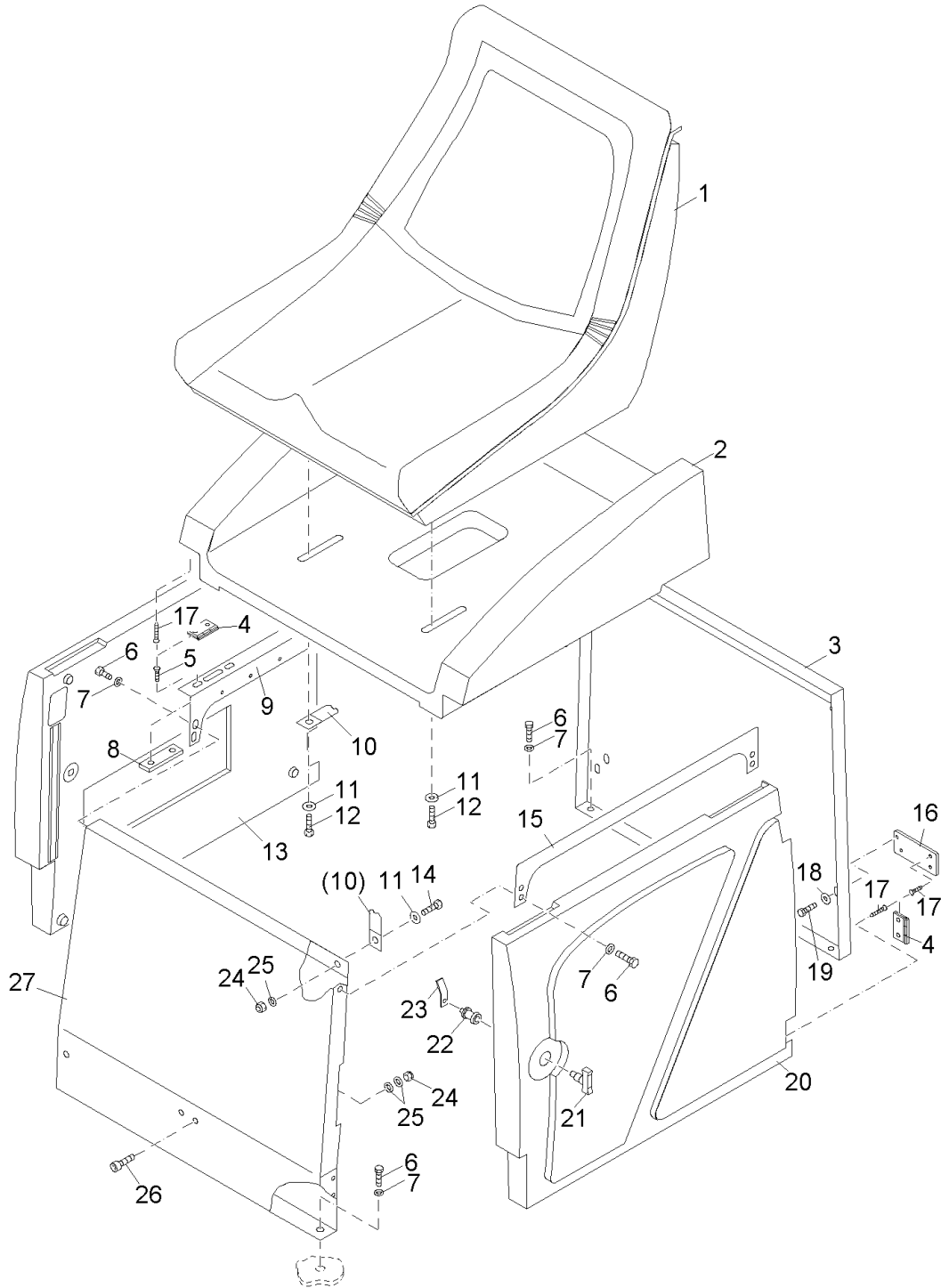
Dash board (99774413BT40)



Dash board (99774413BT40)

Item	Part number	Description	Qty.	Unit	Remarks
1	00731550	Fillister-head screw	4	PC	
2	00712220	Control panel standard	1	PC	
3	01055370	Seal	1	PC	
4	00133770	Press switch	1	PC	
5	00021710	Key switch	1	PC	
6	01055380	Switch plate	1	PC	
7	01055390	Seal	1	PC	
8	00535780	Fillister-head screw	2	PC	
9	00745850	Signal transmitter	1	PC	
10	00903180	Male-housing	1	PC	
11	00903170	Tab	1	PC	
12	00121010	Cable tie	1	PC	
13	00022200	Hex. Nut	4	PC	
14	00712200	Turning module	1	PC	
15	00745840	Print plate holder	8	PC	
16	01175790	Control module	1	PC	
17	00504550	Fillister-head screw	2	PC	
18	00509560	Fuse holder	2	PC	
19	00733630	Fuse	1	PC	
20	00906120	Fuse	1	PC	
21	00747400	Washer	3	PC	
22	00022200	Hex. Nut	1	PC	
23	00965030	Relay	1	PC	
24	00157110	Tapping screw	1	PC	
25	00721090	Edge protection	1	M	
26	00745890	Set (2pc.) key	1	PR	
27	01070460	Cover	1	PC	
28	01055050	Instrument panel	1	PC	
29	01076630	Ribbon cable	1	PC	

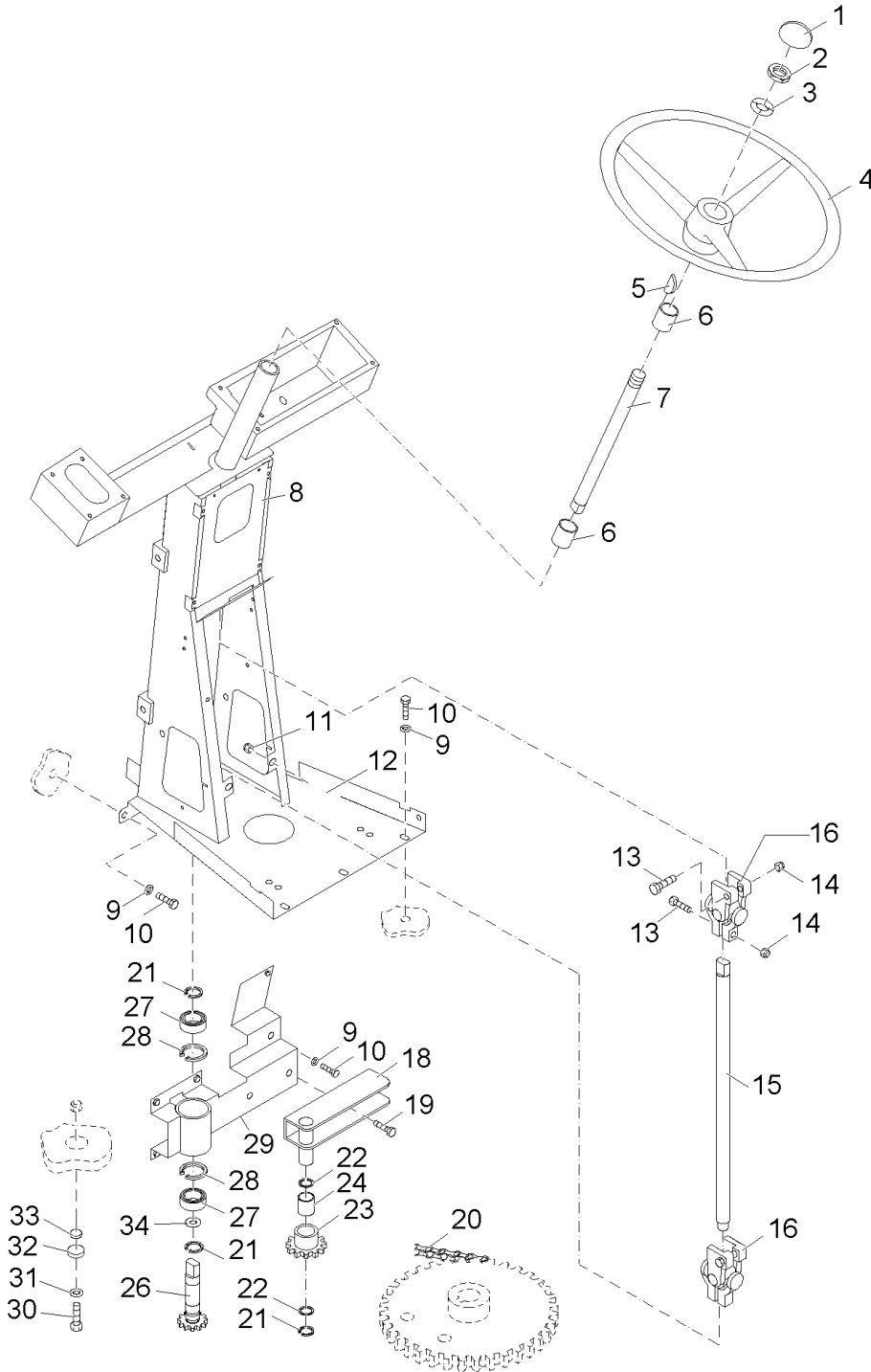
Driver's seat with covering (97122303)



Driver's seat with covering (97122303)

Item	Part number	Description	Qty.	Unit	Remarks
1	00016240	Seat		PC	
2	01055720	Seat console		PC	
3	03003620	Partition		PC	
4	00029230	Hinge		PC	
5	00157740	Countersunk screw		PC	
6	00053080	Hexagon screw		PC	
7	00053750	Washer		PC	
8	00853680	Bracket		PC	
9	01055730	Support angle		PC	
10	01055740	Belt		PC	
11	00042900	Washer		PC	
12	00532680	Hex.bolt		PC	
13	01055750	Battery door R.H.		PC	
14	00553690	Hex.bolt		PC	
15	01055760	Sheet metal		PC	
16	01055770	Plate		PC	
17	00126040	Countersunk screw		PC	
18	00555520	Washer		PC	
19	00054680	Hex.bolt		PC	
20	01055780	Battery door L.H.		PC	
21	01055790	Toggle		PC	
22	01055800	Housing		PC	
23	01055810	Door lock		PC	
24	00051510	Hex. Nut		PC	
25	00053750	Washer		PC	
26	00154410	Cylinder head screw		PC	
27	03003630	Front wall		PC	

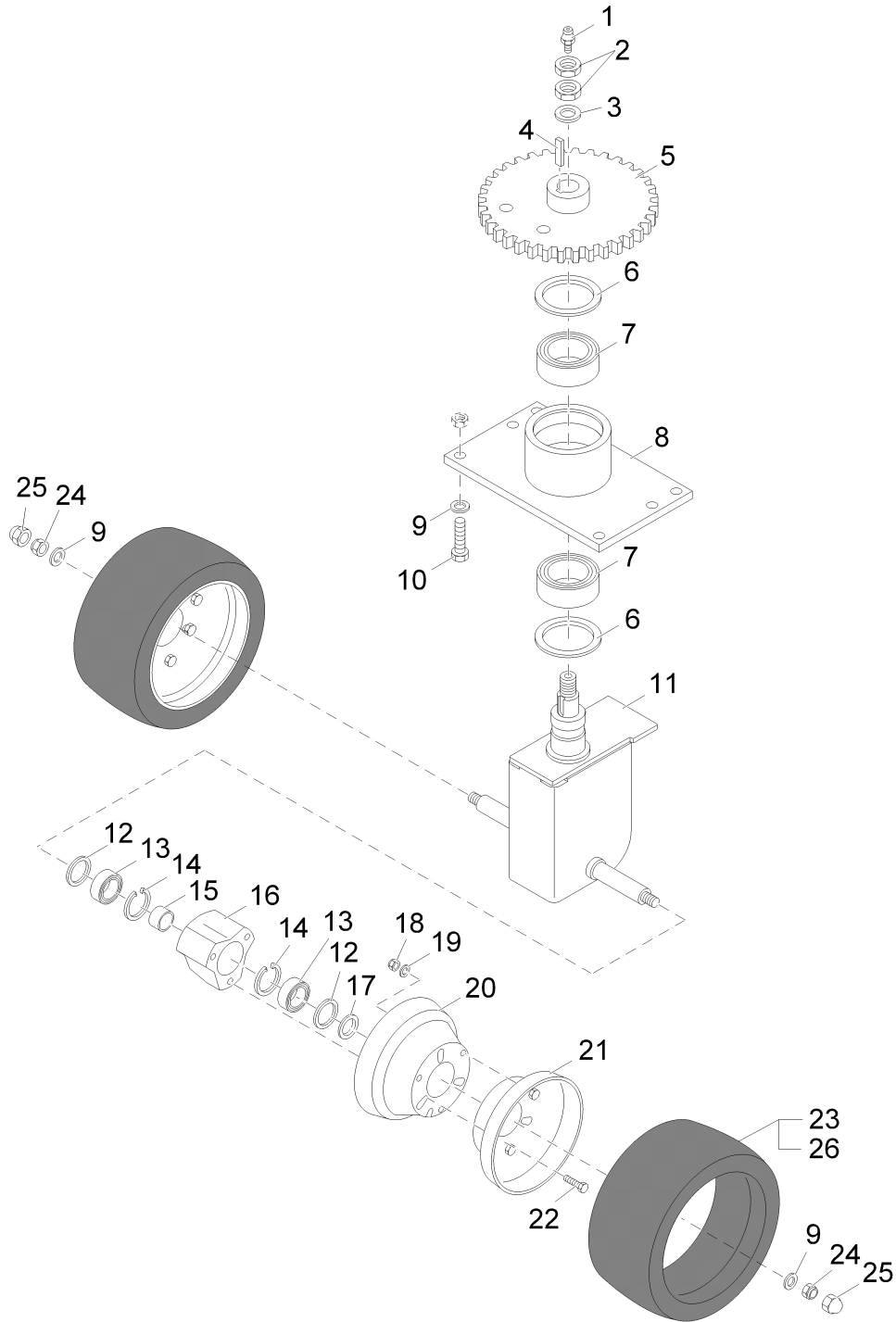
Steering assy (99774413BT60)



Steering assy (99774413BT60)

Item	Part number	Description	Qty.	Unit	Remarks
1	00852310	Cap		PC	
2	00074350	Hex. Nut		PC	
3	00075290	Toothed washer		PC	
4	00770220	Steering wheel		PC	
5	00153600	Woodruff key		PC	
6	00956130	Bushing		PC	
7	01055820	Steering shaft		PC	
8	03003640	Frame, steering		PC	
9	00053750	Washer		PC	
10	00053080	Hexagon screw		PC	
11	00051500	Hex. Nut		PC	
12	00108590	Socket head screw		PC	
13	00054690	Hexagon screw		PC	
14	00051510	Hex. Nut		PC	
15	01055830	Steering shaft		PC	
16	00746040	Cardan joint		PC	
18	03003650	Tension lever		PC	
19	00959310	Hex.bolt		PC	
20	01054930	Roller chain		PC	
21	00054310	Retaining ring		PC	
22	00153700	Adjusting washer		PC	
23	00701180	Chain wheel		PC	
24	00734550	DU-Drying socket		PC	
26	01054920	Chain wheel shaft		PC	
27	00046250	Deep groove ball bearing		PC	
28	00154440	Retaining ring		PC	
29	03003660	Bracket		PC	
30	00054830	Hex.bolt		PC	
31	00132610	Washer		PC	
32	01057650	Rubber buffer		PC	
33	01057660	Bushing		PC	
34	00046430	Adjusting washer		PC	

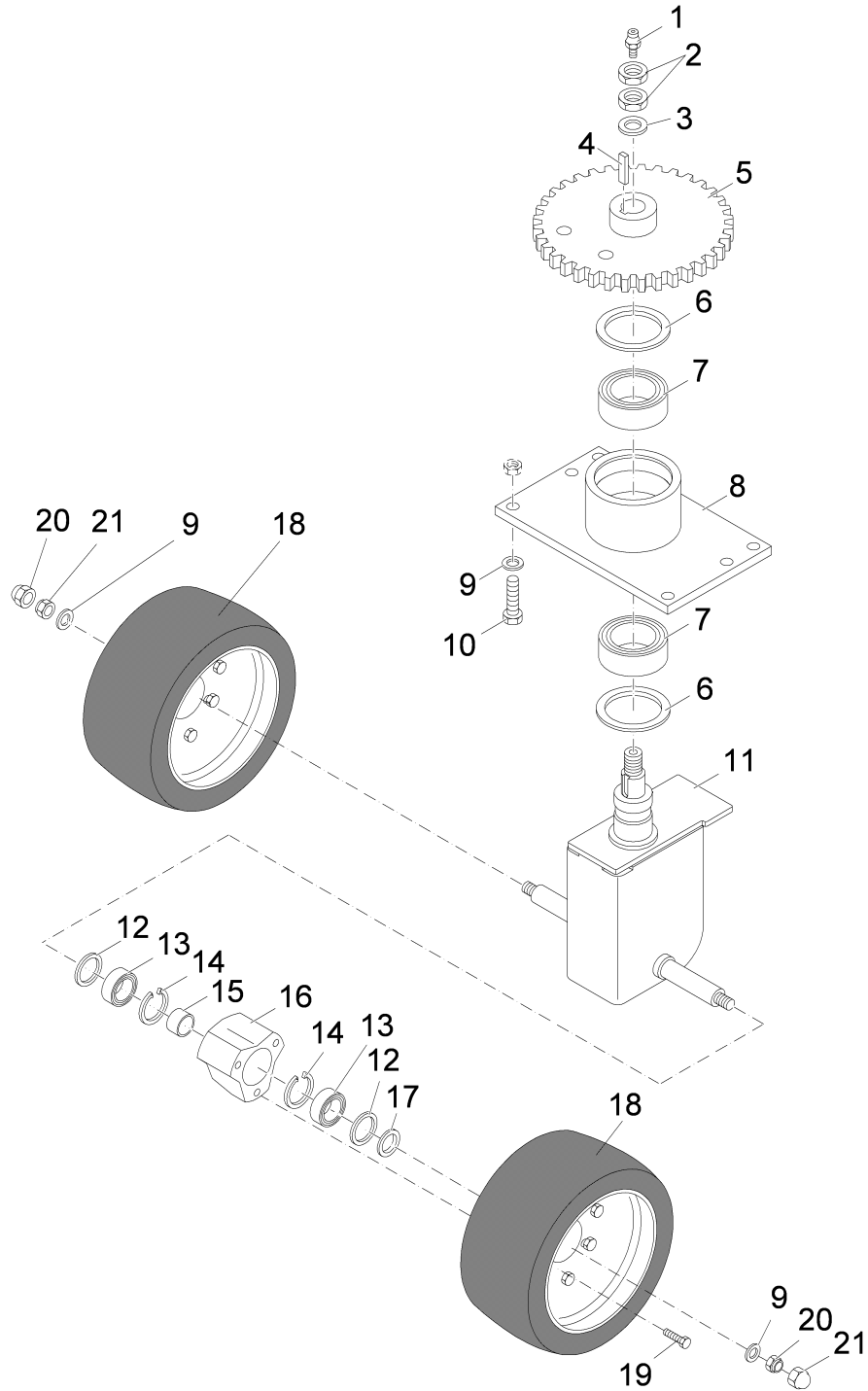
Front Wheel (97066088) 1999-09-01 --> 2008-05-31



Front Wheel (97066088) 1999-09-01 --> 2008-05-31

Item	Part number	Description	Qty.	Unit	Remarks
1	00045910	Lubricating nipple	1	PC	
2	00736010	Hex. Nut	2	PC	
3	00053800	Washer	1	PC	
4	00747530	Feather key	1	PC	
5	00752520	Chain wheel washer	1	PC	
6	00746270	Ring	2	PC	
7	00137930	Cone roller bearing	2	PC	
8	03003670	Bearing frame	1	PC	
9	00053770	Washer	6	PC	
10	00053200	Hex.bolt	4	PC	
11	01054850	Wheel trunk	1	PC	
12	00702470	Ring	4	PC	
13	00046250	Deep groove ball bearing	4	PC	
14	00154440	Retaining ring	4	PC	
15	00928140	Bushing	2	PC	
16	00928130	Gear hub	2	PC	
17	00928150	Ring	2	PC	
18	00051520	Hex. Nut	6	PC	
19	00053730	Washer	6	PC	
20	00060400	Rim half	2	PC	
21	00060210	Rim half	2	PC	
22	00959310	Hex.bolt	6	PC	
23	01056130	Wheel	1	PC	complete; please order also pos.20 and 21 if needed, because supplied rims don't fit.
24	00051490	Hex. Nut	2	PC	
25	01031540	protection cap	2	PC	
26	00411670	Tyre	2	PC	Optional

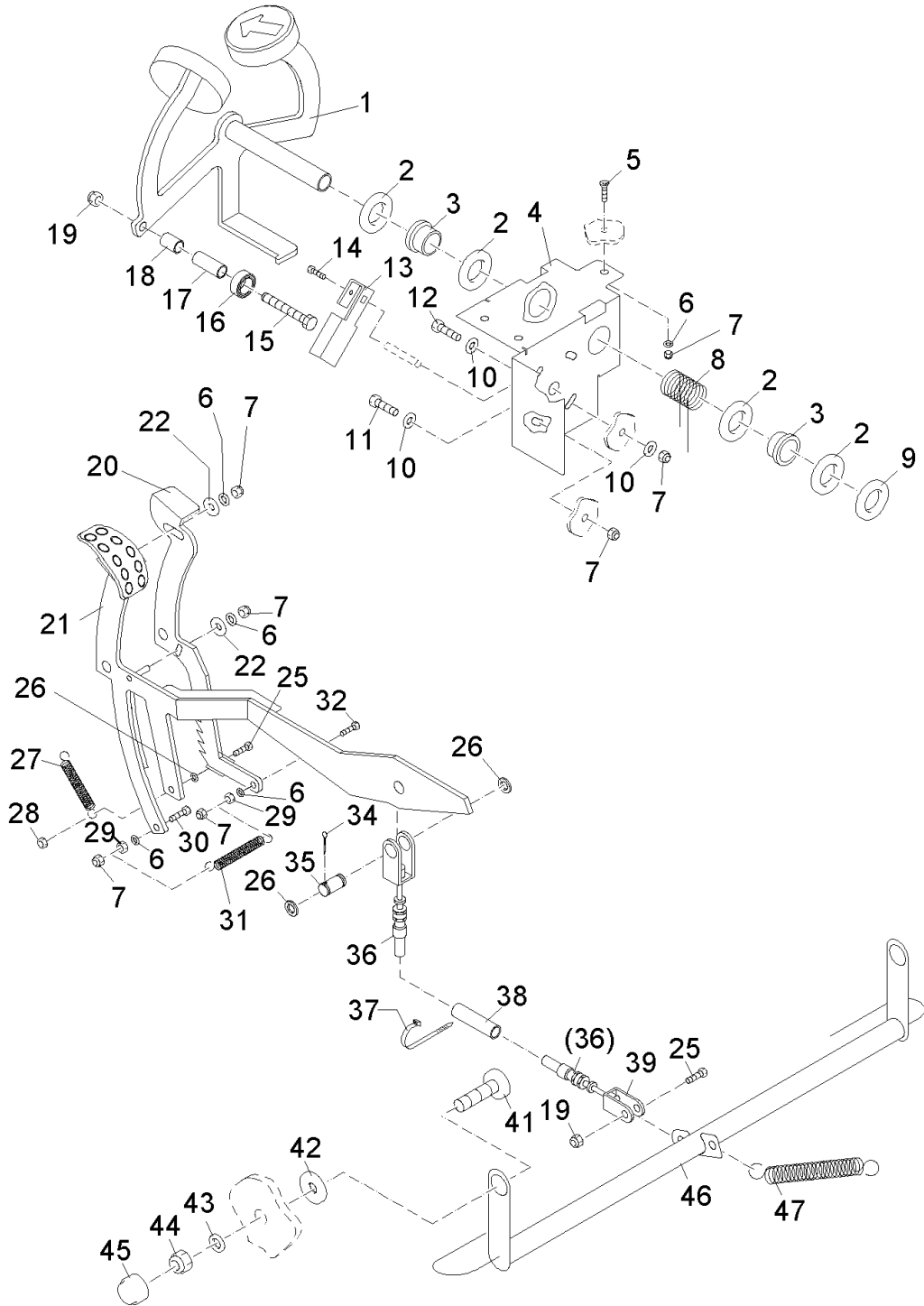
Front Wheel (97103816) 2008-06-01 -->



Front Wheel (97103816) 2008-06-01 -->

Item	Part number	Description	Qty.	Unit	Remarks
1	00045910	Lubricating nipple	1	PC	
2	00736010	Hex. Nut	2	PC	
3	00053800	Washer	1	PC	
4	00747530	Feather key	1	PC	
5	00752520	Chain wheel washer	1	PC	
6	00746270	Ring	2	PC	
7	00137930	Cone roller bearing	2	PC	
8	03003670	Bearing frame	1	PC	
9	00053770	Washer	6	PC	
10	00053200	Hex.bolt	4	PC	
11	01054850	Wheel trunk	1	PC	
12	00702470	Ring	4	PC	
13	00046250	Deep groove ball bearing	4	PC	
14	00154440	Retaining ring	4	PC	
15	00928140	Bushing	2	PC	
16	00928130	Gear hub	2	PC	
17	00928150	Ring	2	PC	
18	01071220	Wheel	2	PC	
19	01171260	Hexagon screw	6	PC	
20	00051490	Hex. Nut	2	PC	
21	01031540	protection cap	2	PC	

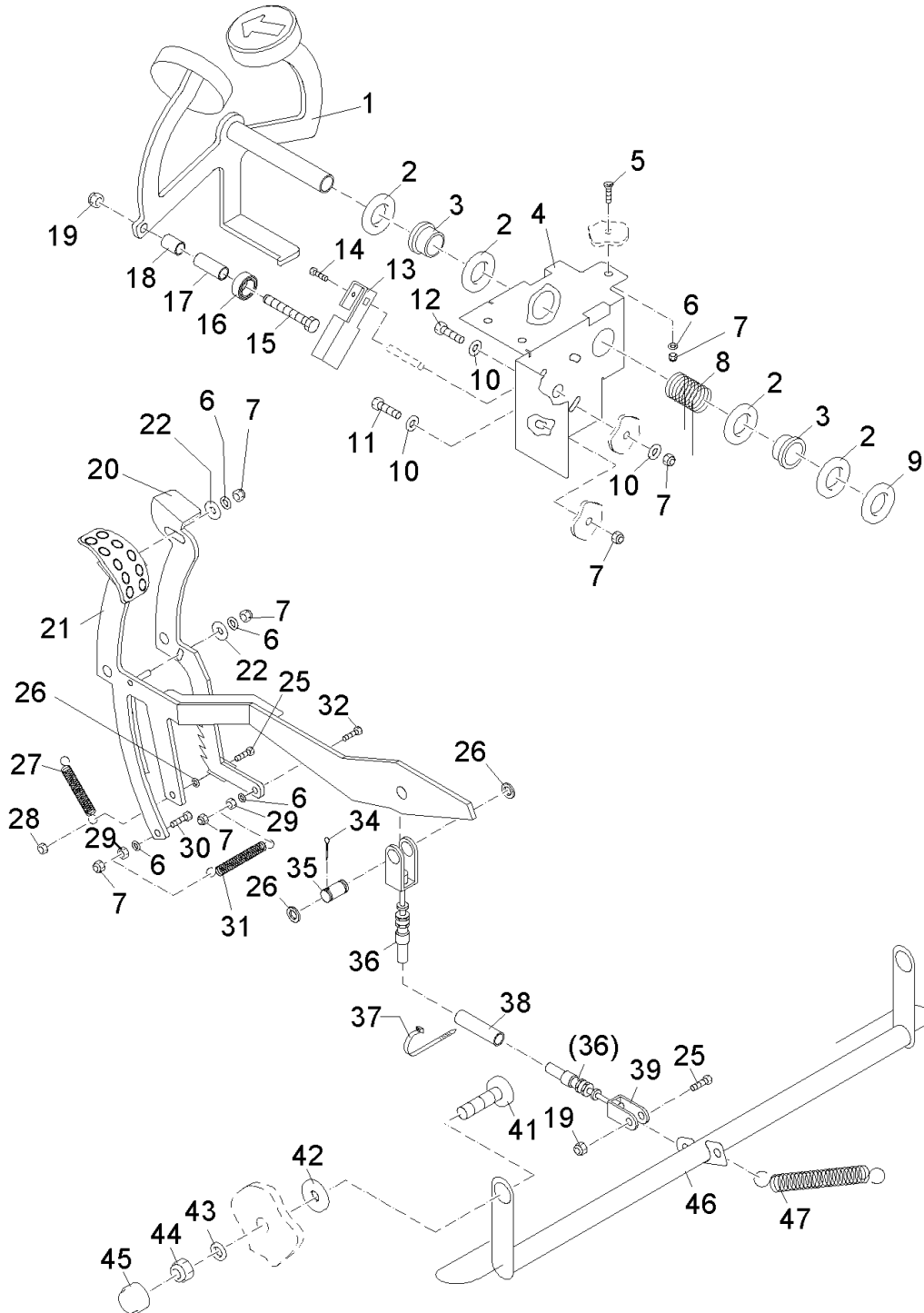
Accelerator pedal - Parking brake (99774413BT80)



Accelerator pedal - Parking brake (99774413BT80)

Item	Part number	Description	Qty.	Unit	Remarks
1	01055860	Pedal		PC	
2	00053800	Washer		PC	
3	00872370	Bushing		PC	
4	03003680	Carrier metal		PC	
5	00872460	Countersunk screw		PC	
6	00053730	Washer		PC	
7	00051520	Hex. Nut		PC	
8	01054890	Bending spring		PC	
9	00872300	Thrust washer		PC	
10	00135120	Washer		PC	
11	00053020	Hexagon screw		PC	
12	00053010	Hex.bolt		PC	
13	01055870	Contact maker		PC	
14	00695680	Fillister-head screw		PC	
15	00020370	Hexagon screw		PC	
16	00957630	Deep groove ball bearing		PC	
17	00153460	Spreader tube		PC	
18	00856360	Pipe		PC	
19	00051510	Hex. Nut		PC	
20	01055880	Unblocking pedal		PC	
21	01055890	Brake pedal		PC	
22	00055590	Adjusting washer		PC	
25	00053100	Hexagon screw		PC	
26	00053750	Washer		PC	
27	01055930	Tension spring		PC	
28	00053350	Hex. Nut		PC	
29	00053330	Hex. Nut		PC	
30	00053030	Hexagon screw		PC	
31	00536950	Tension spring		PC	
32	00053040	Hex.bolt		PC	
34	00054860	Cotter pin		PC	
35	00055030	Bolt		PC	
36	01054910	Bowden cable		PC	
37	00121010	Cable tie		PC	
38	00711670	Hose		M	
39	00027110	Fork yoke		PC	

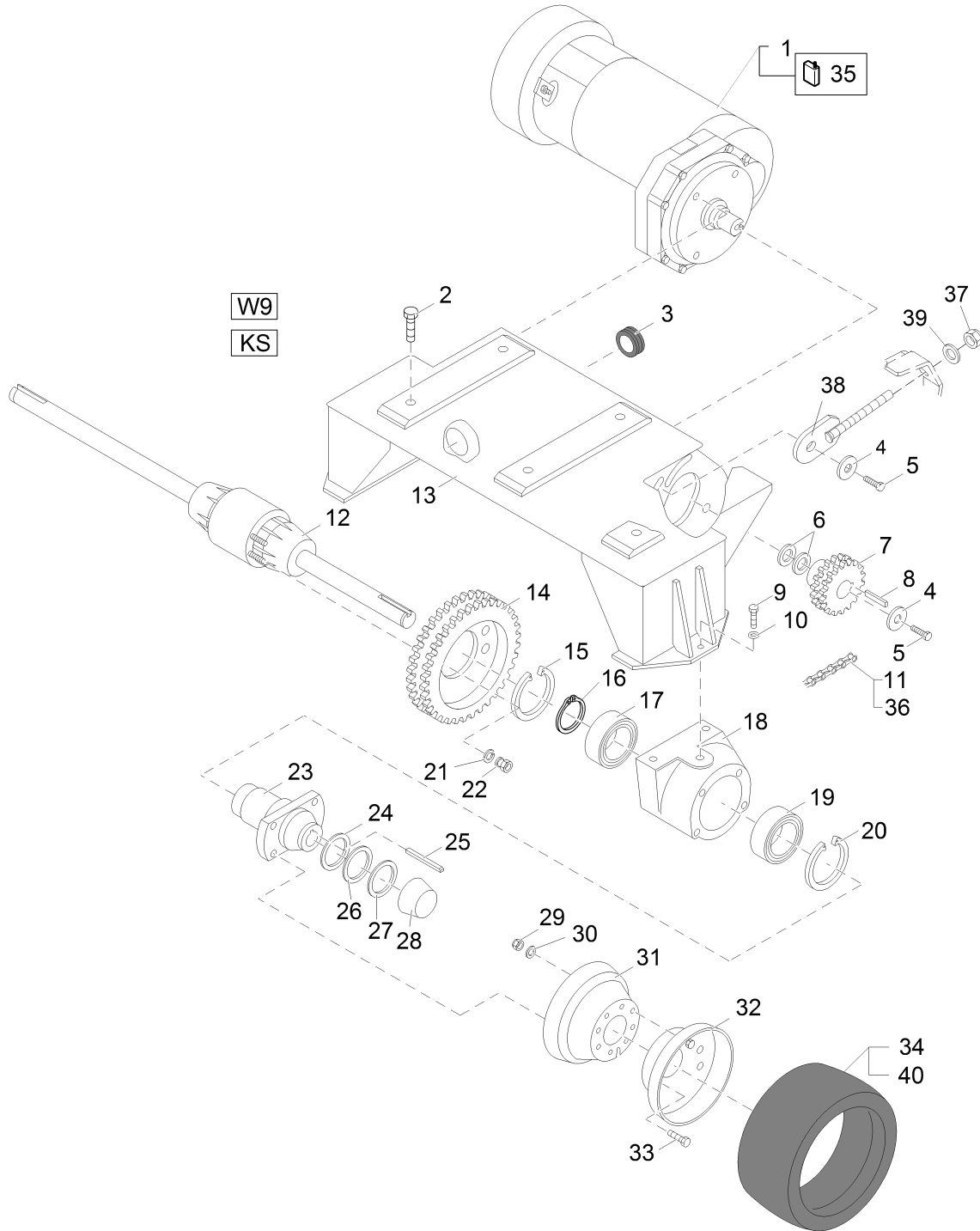
Accelerator pedal - Parking brake (99774413BT80)



Accelerator pedal - Parking brake (99774413BT80)

Item	Part number	Description	Qty.	Unit	Remarks
41	00862650	Eccentric cam		PC	
42	00743200	Washer		PC	
43	00053770	Washer		PC	
44	00051490	Hex. Nut		PC	
45	01031540	protection cap		PC	
46	03003690	Brake bow		PC	
47	00862750	Tension spring		PC	

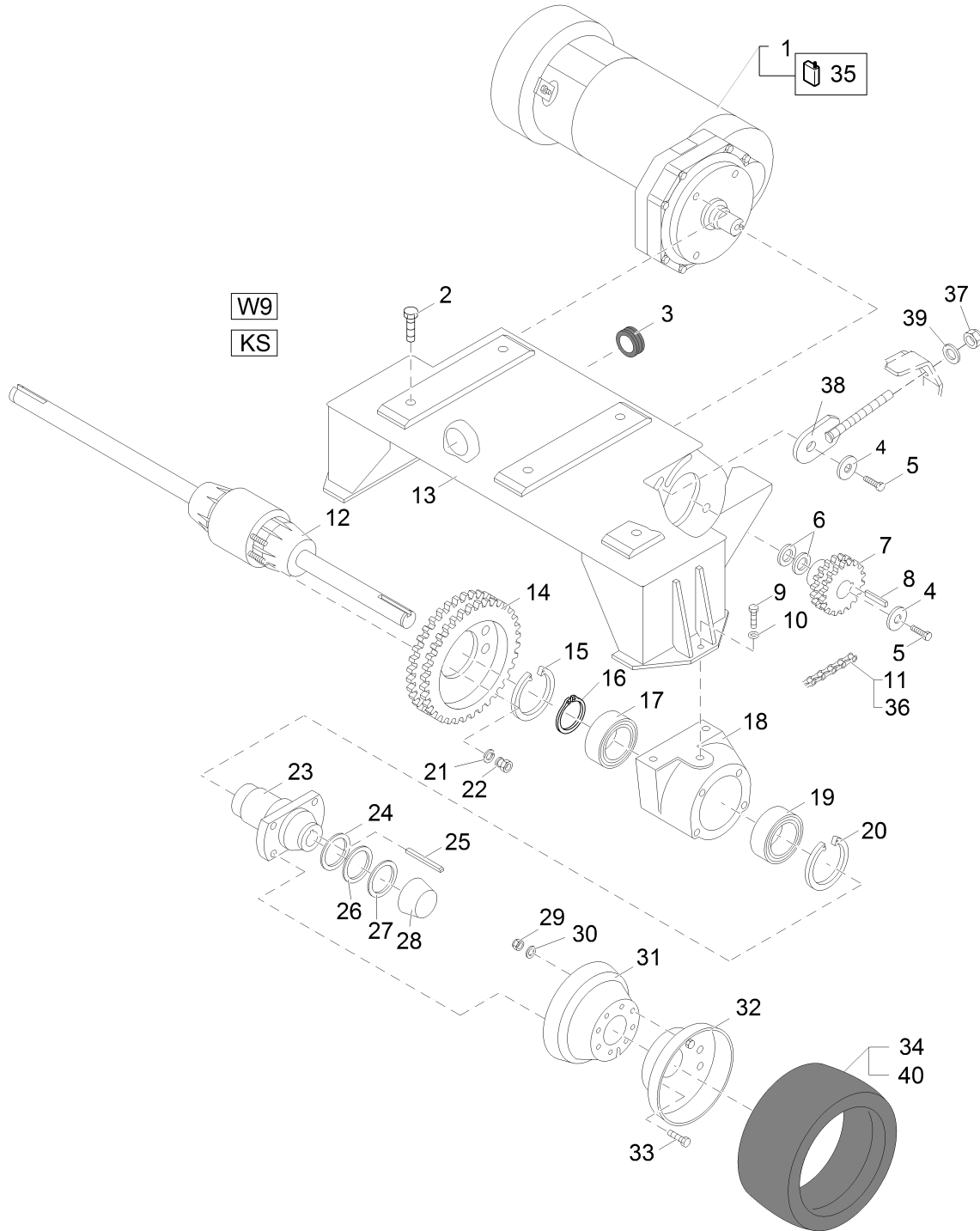
Travel drive (97067193 BIS 080614) 1999-09-01 --> 2008-06-14



Travel drive (97067193 BIS 080614) 1999-09-01 --> 2008-06-14

Item	Part number	Description	Qty.	Unit	Remarks
1	00671800	Engine	1	PC	
2	00959310	Hex.bolt	4	PC	
3	01073520	Hose nozzle	1	PC	
4	00879170	Washer	8	PC	
5	00131730	Hex.bolt	4	PC	
6	00053810	Washer	2	PC	
7	00901570	Chain wheel	1	PC	
8	00059480	Feather key	1	PC	
9	00053090	Hexagon screw	6	PC	
10	00740090	Detent edged washer	6	PC	
11	01054860	Roller chain	1	PC	
12	01055900	Differential axle	1	PC	
13	01074060	Bearing frame	1	PC	
14	00291960	Chain wheel	1	PC	
15	00121720	Retaining ring	2	PC	
16	00043560	Retaining ring	2	PC	
17	00731210	Deep groove ball bearing	2	PC	
18	00861650	Housing	2	PC	
19	00029750	Deep groove ball bearing	2	PC	
20	00137320	Retaining ring	2	PC	
21	00127680	Lock washer	4	PC	
22	00861670	Special nut	4	PC	
23	00861660	Hub	2	PC	
24	00153700	Adjusting washer	2	PC	
25	00059480	Feather key	1	PC	
26	00046430	Adjusting washer	2	PC	
27	00059490	Thrust washer	2	PC	
28	00127160	Cap	2	PC	
29	00051520	Hex. Nut	6	PC	
30	00053730	Washer	6	PC	
31	00621710	Rim	2	PC	
32	00621690	Rim half	2	PC	
33	00959310	Hex.bolt	6	PC	
34	01056130	Wheel	1	PC	complete; please order also pos.20 and 21 if needed, because supplied rims don't fit.

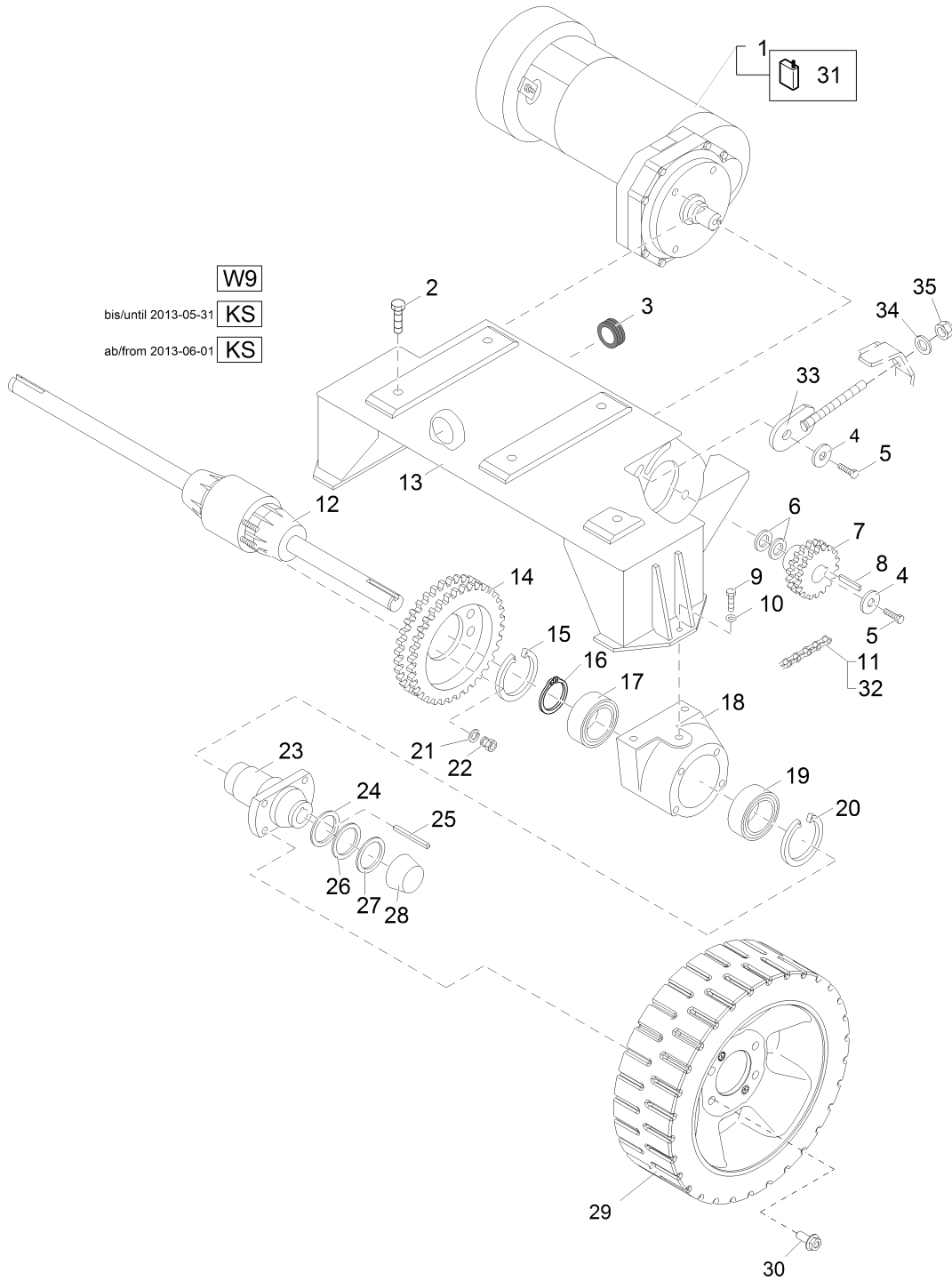
Travel drive (97067193 BIS 080614) 1999-09-01 --> 2008-06-14



Travel drive (97067193 BIS 080614) 1999-09-01 --> 2008-06-14

Item	Part number	Description	Qty.	Unit	Remarks
35	00553060	Set (4pc.) carbon brush	1	PC	
36	00963390	Connection piece	1	PC	
37	00051510	Hex. Nut	1	PC	
38	01076150	Motor tensioner	1	PC	
39	00053750	Washer	1	PC	
40	00411670	Tyre	2	PC	Optional
KS	03013510	Cable loom	1	PC	
W9	---	Spare part on request	1		97067581 Wiring harness W9

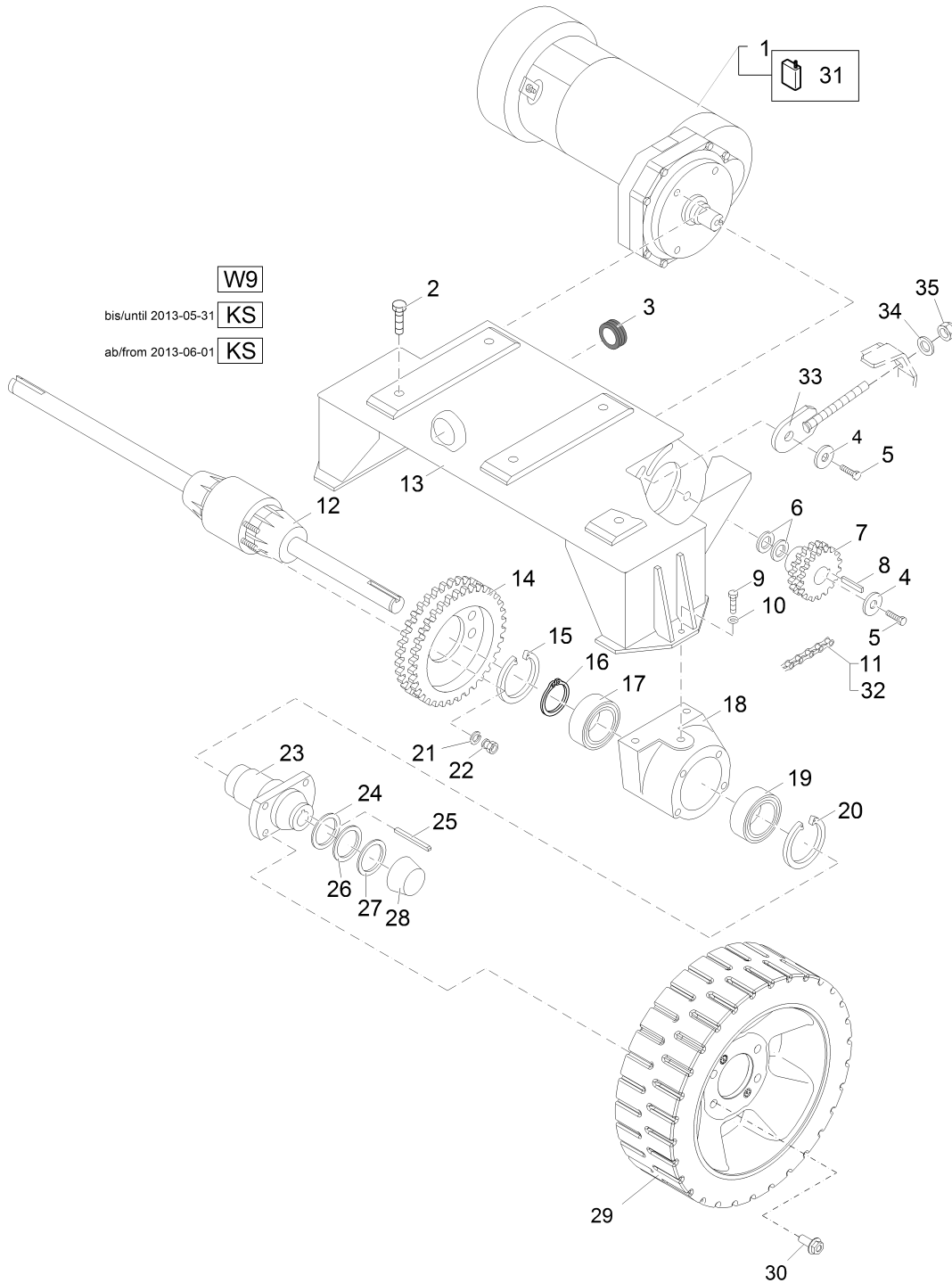
Travel drive (97067193 AB 080615) 2008-06-15 -->



Travel drive (97067193 AB 080615) 2008-06-15 -->

Item	Part number	Description	Qty.	Unit	Remarks
1	00671800	Engine	1	PC	
2	00959310	Hex.bolt	4	PC	
3	01073520	Hose nozzle	1	PC	
4	00879170	Washer	8	PC	
5	00131730	Hex.bolt	4	PC	
6	00053810	Washer	2	PC	
7	00901570	Chain wheel	1	PC	
8	00059480	Feather key	1	PC	
9	00053090	Hexagon screw	6	PC	
10	00740090	Detent edged washer	6	PC	
11	01054860	Roller chain	1	PC	
12	01055900	Differential axle	1	PC	
13	01074060	Bearing frame	1	PC	
14	00291960	Chain wheel	1	PC	
15	00121720	Retaining ring	2	PC	
16	00043560	Retaining ring	2	PC	
17	00731210	Deep groove ball bearing	2	PC	
18	00861650	Housing	2	PC	
19	00029750	Deep groove ball bearing	2	PC	
20	00137320	Retaining ring	2	PC	
21	00127680	Lock washer	4	PC	
22	00861670	Special nut	4	PC	
23	00861660	Hub	2	PC	
24	00153700	Adjusting washer	2	PC	
25	00059480	Feather key	1	PC	
26	00046430	Adjusting washer	2	PC	
27	00059490	Thrust washer	2	PC	
28	00127160	Cap	2	PC	
29	01071180	Wheel	2	PC	
30	01171260	Hexagon screw	8	PC	
31	00553060	Set (4pc.) carbon brush	1	PC	
32	00963390	Connection piece	1	PC	
33	01076150	Motor tensioner	1	PC	
34	00053750	Washer	1	PC	
35	00051510	Hex. Nut	1	PC	
KSa	03013510	Cable loom	1	PC	until 2013-05-31

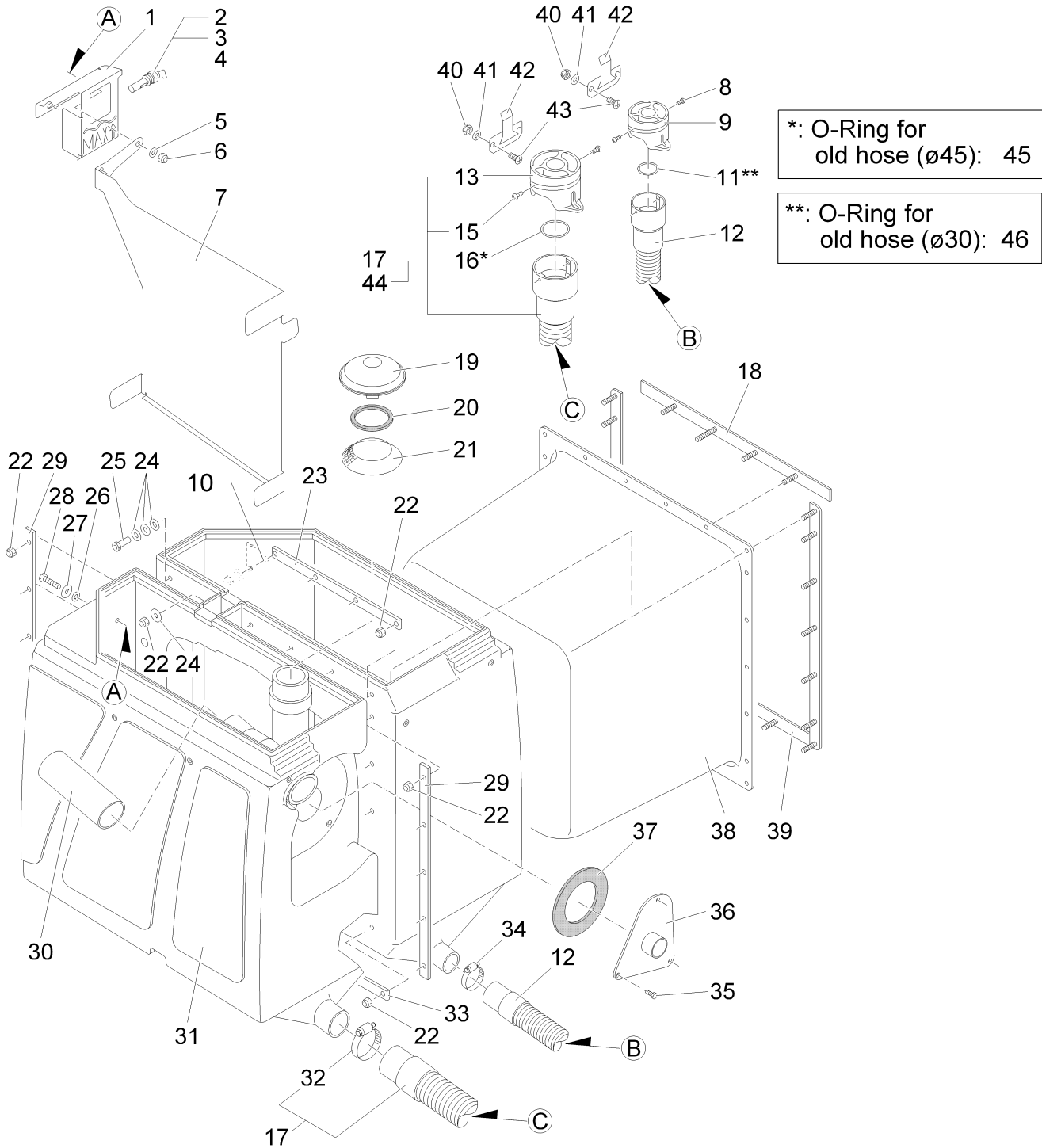
Travel drive (97067193 AB 080615) 2008-06-15 -->



Travel drive (97067193 AB 080615) 2008-06-15 -->

Item	Part number	Description	Qty.	Unit	Remarks
KSn	03013620	Cable loom	1	PC	from 2013-06-01
W9	---	Spare part on request	1		97067581 Wiring harness W9

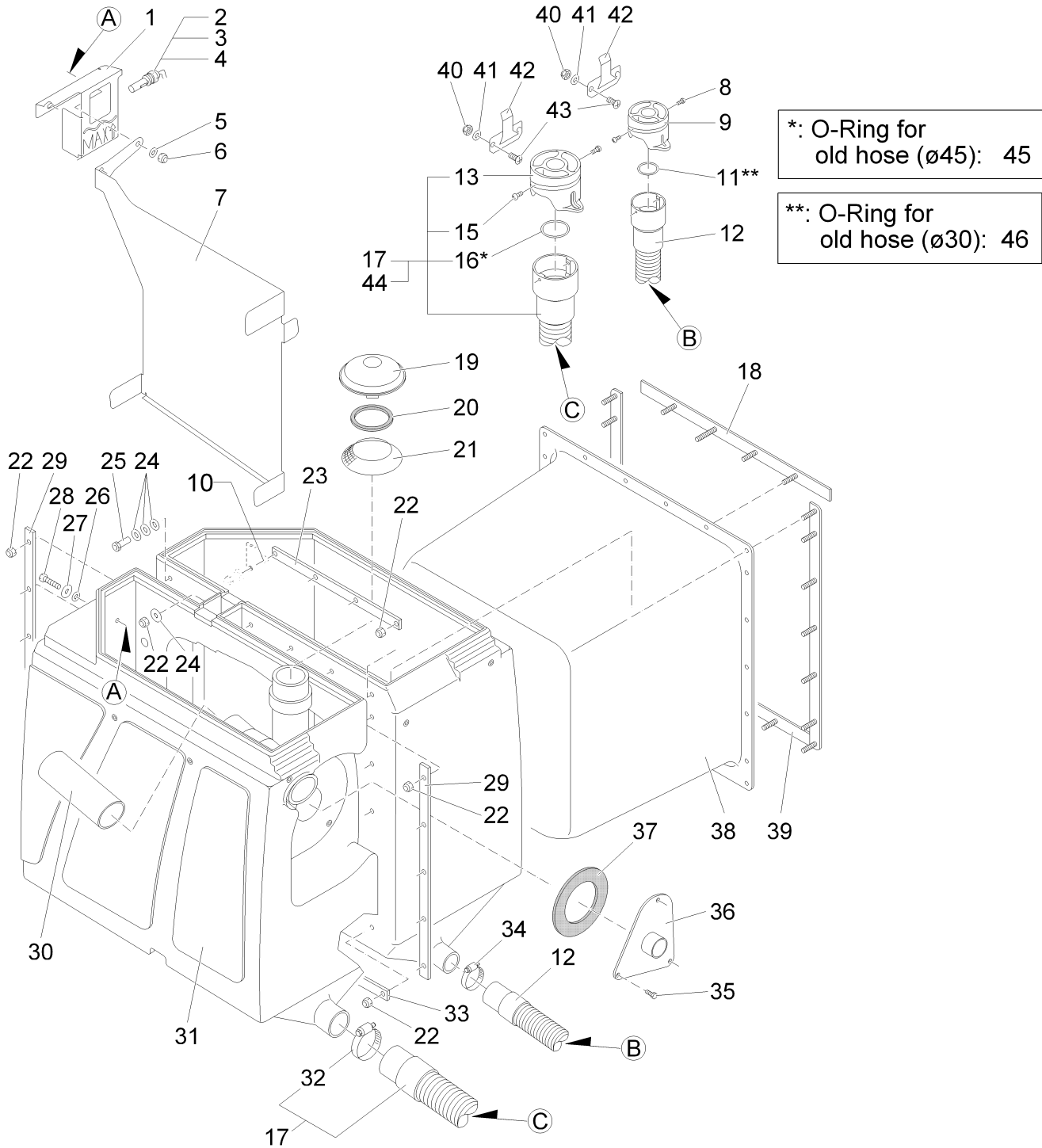
Hopper - Membran wall (97122311-1)



Hopper - Membran wall (97122311-1)

Item	Part number	Description	Qty.	Unit	Remarks
1	00563420	Angle	1	PC	
2	00861620	Float switch	1	PC	
3	00903170	Tab	2	PC	
4	00903180	Male-housing	1	PC	
5	00101550	Washer	2	PC	
6	00101540	Hex. Nut	2	PC	
7	00821920	Sheet metal	1	PC	
8	00906100	Fillister-head screw	2	PC	
9	00906110	Cover	1	PC	
10	00046500	Hex. Nut	1	PC	
11	01079300	O-Ring	1	PC	
12	00341000	Hose	1	PC	
13	00142230	Cover	1	PC	
15	00108650	Fillister-head screw	2	PC	
16	01177960	O-Ring	1	PC	
17	00360820	Hose	1	PC	incl. Pos. 13,15,16,32
18	00622460	Prop	1	PC	
19	00874570	Rain cap	1	PC	
20	00070980	Foam rubber ring	2	PC	
21	00511300	Filter screen	1	PC	
22	00051510	Hex. Nut	21	PC	
23	00744920	Prop	1	PC	
24	00042900	Washer	7	PC	
25	01072860	Nut	1	PC	
26	00854650	Washer	2	PC	
27	00902280	Washer	3	PC	
28	00523810	Hex.bolt	2	PC	
29	00066440	Prop	2	PC	
30	00744930	Pipe	1	PC	
31	00036450	Tank	1	PC	
32	00732130	Hose clamp	1	PC	
33	00066430	Prop	1	PC	
34	00751160	Hose clamp	1	PC	
35	00053010	Hex.bolt	5	PC	
36	00712110	Flange	1	PC	
37	00130570	Seal	1	PC	

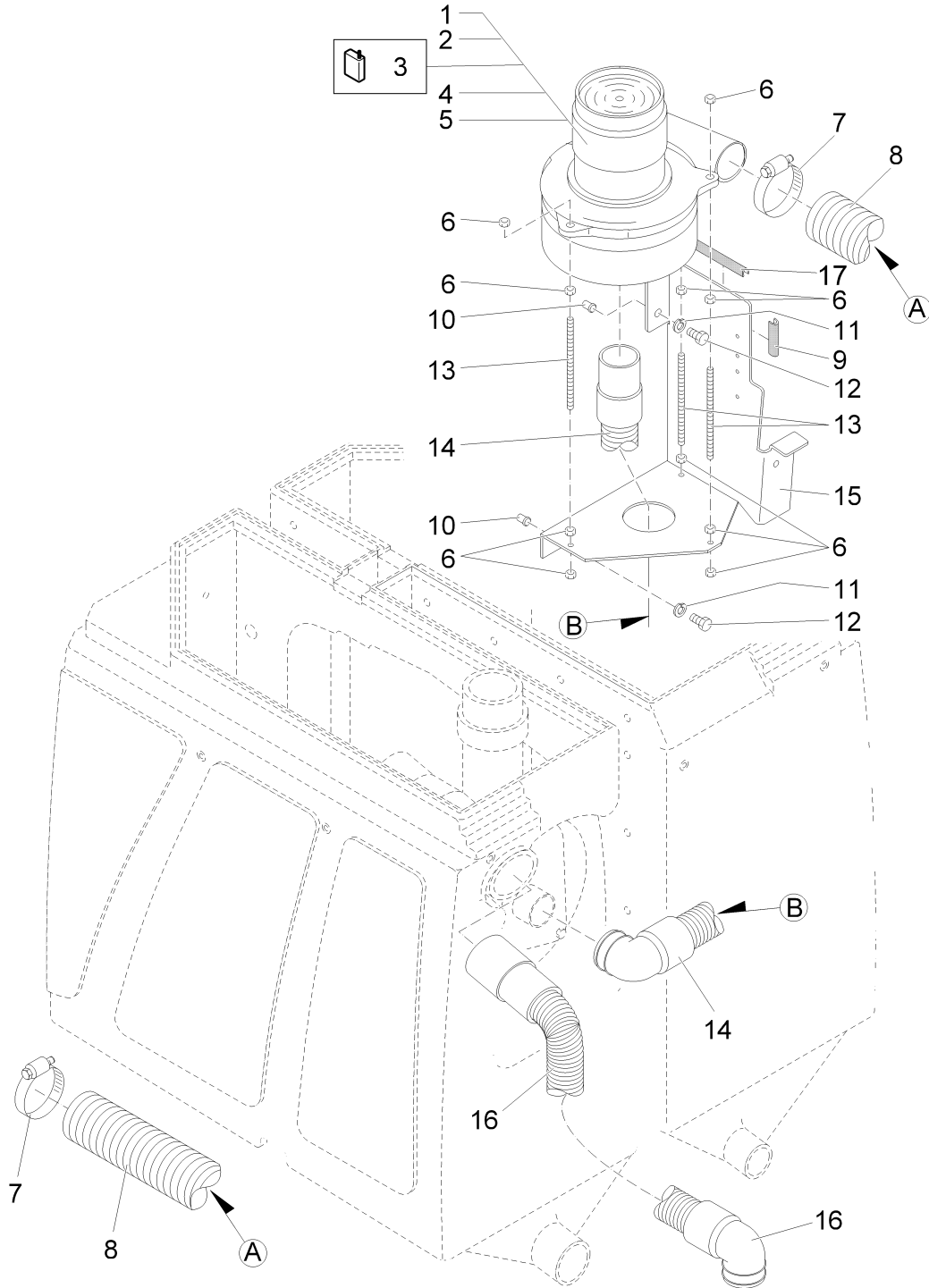
Hopper - Membran wall (97122311-1)



Hopper - Membran wall (97122311-1)

Item	Part number	Description	Qty.	Unit	Remarks
38	00600560	Membran wall	1	PC	
39	00262190	Frame	1	PC	
40	00051340	Hex. Nut	4	PC	
41	00053720	Washer	4	PC	
42	01077860	Hook	2	PC	
43	00053530	Lens head screw	4	PC	
44	01170060	Decal FOUL WATER	1	PC	
45	00041540	O-ring	2	PC	for old version of hoses
46	00107270	O-ring	2	PC	for old version of hoses

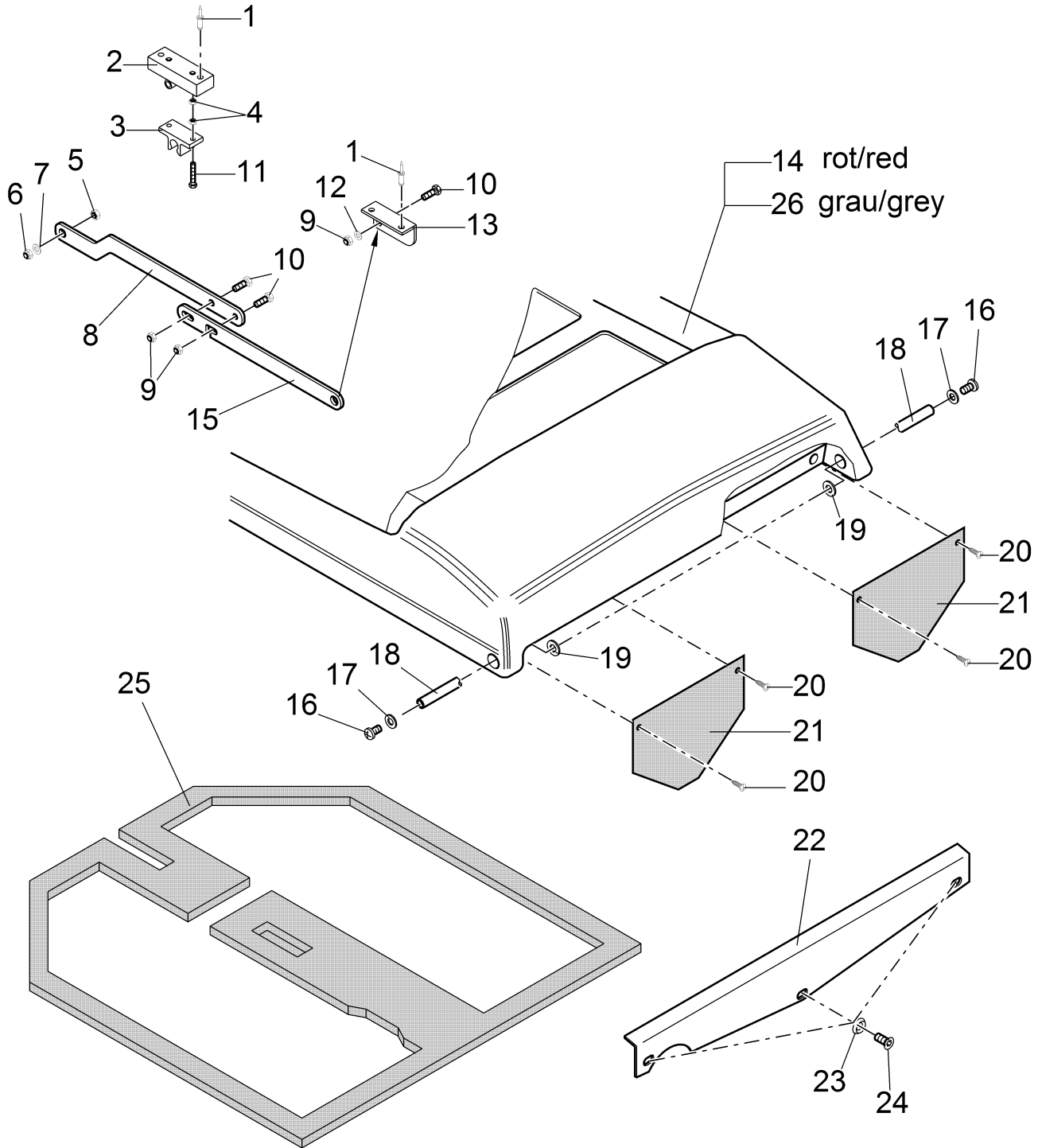
Suck-off system (hopper) (97099758)



Suck-off system (hopper) (97099758)

Item	Part number	Description	Qty.	Unit	Remarks
1	00543510	Induction engine	1	PC	
2	00904050	Toroidal core	1	PC	
3	00048840	Carbon brush	2	PC	
4	00903190	Tab	1	PC	
5	00903180	Male-housing	1	PC	
6	00053330	Hex. Nut	12	PC	
7	00732130	Hose clamp	2	PC	
8	00340990	Exhaust air hose	1	PC	
9	00721090	Edge protection	40mm	M	
10	00552770	Rivet nut	3	PC	
11	00053410	Lock washer	3	PC	
12	00053080	Hexagon screw	3	PC	
13	01075960	threaded bolt	3	PC	
14	00360840	Hose	1	PC	
15	00712130	Support	1	PC	
16	01079310	Hose	1	PC	
17	00721090	Edge protection	100mm	M	

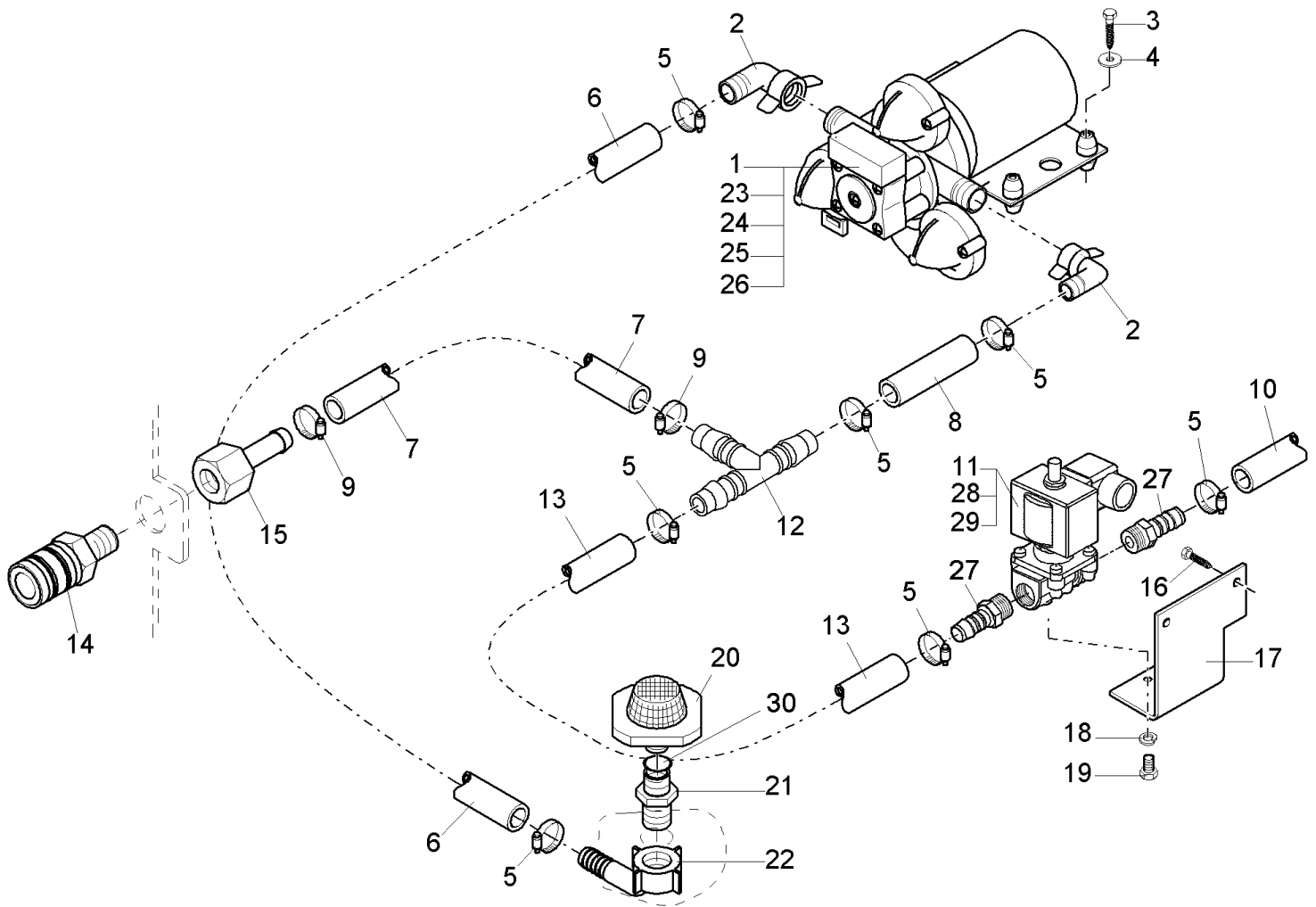
Cover (hopper) (97122311-2)



Cover (hopper) (97122311-2)

Item	Part number	Description	Qty.	Unit	Remarks
1	00902170	Rivet		PC	
2	00074000	Support		PC	
3	00100460	Clamp		PC	
4	00053320	Hex. Nut		PC	
5	00046500	Hex. Nut		PC	
6	00051510	Hex. Nut		PC	
7	00053750	Washer		PC	
8	00743720	Prop		PC	
9	00051520	Hex. Nut		PC	
10	00053020	Hexagon screw		PC	
11	00874650	Hex.bolt		PC	
12	00053730	Washer		PC	
13	00744900	Angle		PC	
14	01055920	Cap tank		PC	red
15	00743730	Prop		PC	
16	00051320	Fillister-head screw		PC	
17	00135120	Washer		PC	
18	00262210	Rod		PC	
19	00695300	Washer		PC	
20	00059470	Tapping screw		PC	
21	00744910	Plate		PC	
22	00662270	Sheet metal		PC	
23	00042900	Washer		PC	
24	00872460	Countersunk screw		PC	
25	00262200	Seal		PC	
26	01276190	Tank cap		PC	grey

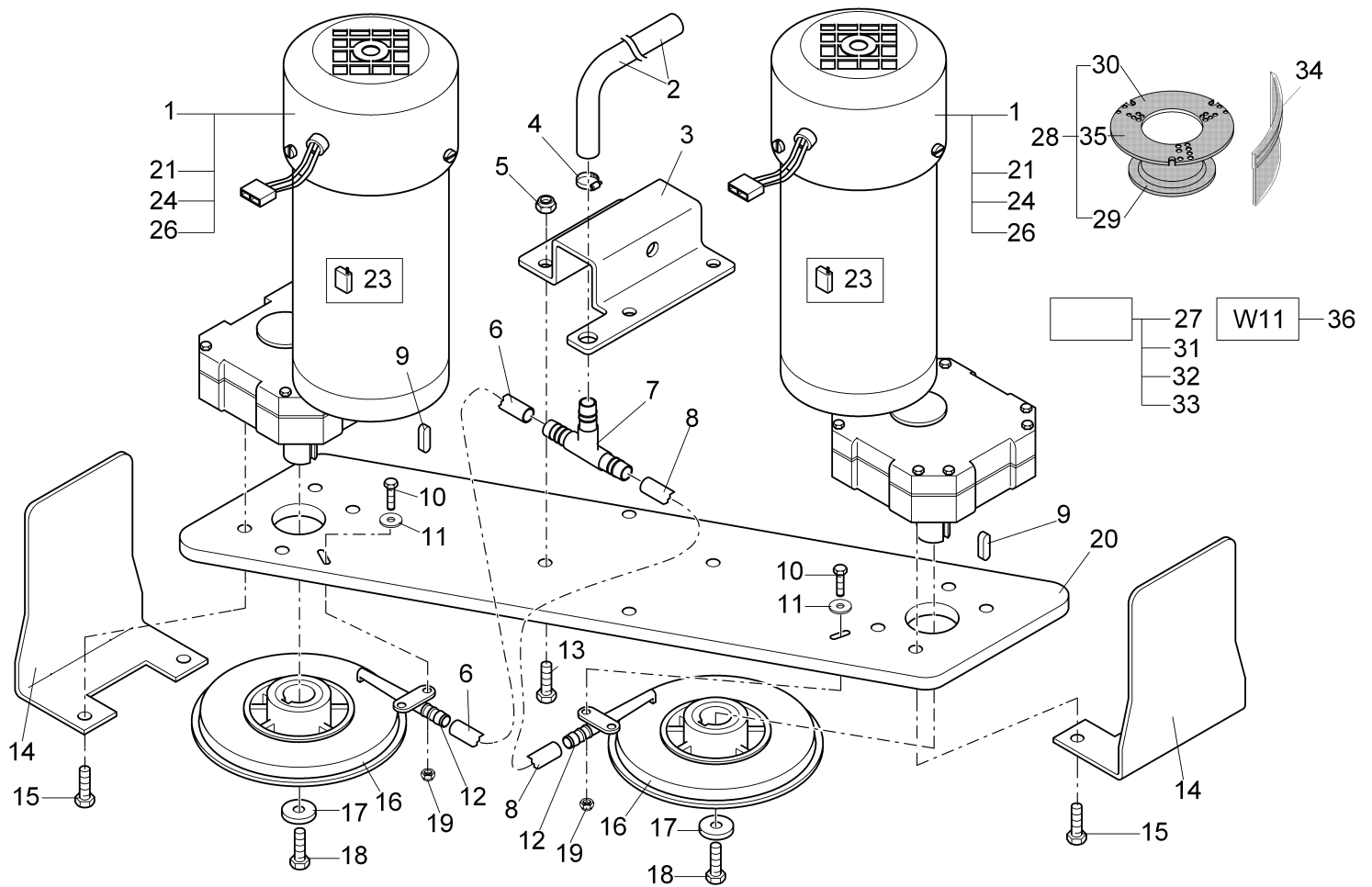
Water infeed - Connection tools (99774413BT130)



Water infeed - Connection tools (99774413BT130)

Item	Part number	Description	Qty.	Unit	Remarks
1	00543750	Pump	1	PC	
2	00154140	Screwed angle fitting	2	PC	
3	00104950	Tapping screw	4	PC	
4	00135120	Washer	4	PC	
5	00874590	Hose clamp	7	PC	
6	00200170	PVC hose	1	M	
7	00711670	Hose	1	M	
8	00200170	PVC hose	1	M	
9	00074300	Hose clamp	2	PC	
10	00200170	PVC hose	1	M	
11	01071000	Electrovalve	1	PC	
12	00862620	T-reducing fitting	1	PC	
13	00200170	PVC hose	1	M	
14	00552590	Quick hitch	1	PC	
15	00552600	Hose nipple	1	PC	
16	00104950	Tapping screw	2	PC	
17	00745830	Support	1	PC	
18	00154240	Lock washer	2	PC	
19	00058580	Hex.bolt	2	PC	
20	00861610	Filter	1	PC	
21	00876620	Double nipple	1	PC	
22	00862610	Screwed angle fitting	1	PC	
23	00903190	Tab	1	PC	
24	00083650	Plastic cover	1	PC	
25	00559670	Case	1	PC	
26	00083640	Plastic cover	1	PC	
27	00976140	Screwing in connecting piece	2	PC	
28	00053710	Washer	2	PC	
29	03006960	Sealing compound		PC	
30	00870890	O-ring oil resistant	1	PC	

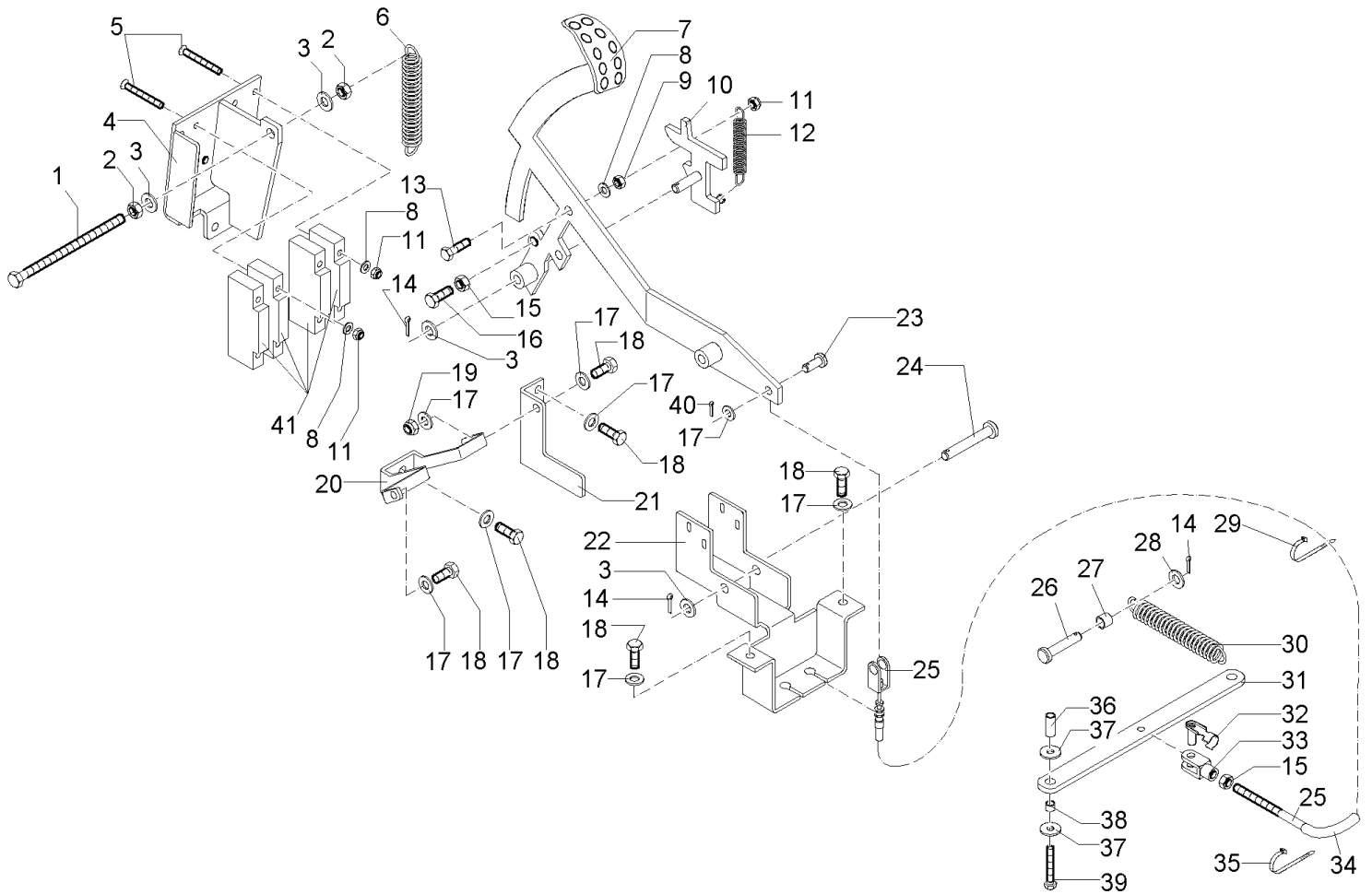
Brush case (99774413BT140)



Brush case (99774413BT140)

Item	Part number	Description	Qty.	Unit	Remarks
1	00671800	Engine		PC	
2	00200170	PVC hose		M	
3	00744940	Support		PC	
4	00874590	Hose clamp		PC	
5	00051500	Hex. Nut		PC	
6	00180190	Hose		M	
7	00901310	T-reducer muff		PC	
8	00180190	Hose		M	
9	00059480	Feather key		PC	
10	00053030	Hexagon screw		PC	
11	00135120	Washer		PC	
12	00861700	Spray tube		PC	
13	00053160	Hexagon screw		PC	
14	01053020	Angle		PC	
15	00053100	Hexagon screw		PC	
16	00512400	Carrier		PC	
17	00879170	Washer		PC	
18	00053090	Hexagon screw		PC	
19	00051520	Hex. Nut		PC	
20	00712120	Plate		PC	
21	00112200	Fan hood		PC	
23	00553060	Set (4pc.) carbon brush		PC	
24	00696710	Pin housing		PC	
26	00696740	Gasket		PC	
27	99754800	Drive plate 460	1	PC	
28	00712010	Center-lock, cpl.	1	PC	
29	00681490	Center-lock, upper part	1	PC	
30	00681500	Center-lock, lower part	1	PC	
31	99754900	Pad brown	1	PC	
32	99755000	Pad black	1	PC	
33	99755100	Pad red	1	PC	
34	00721980	Spraying guard	1	PC	
35	00961490	Self tapping screw	3	PC	
36	03010630	Wiring harness W11	1	PC	

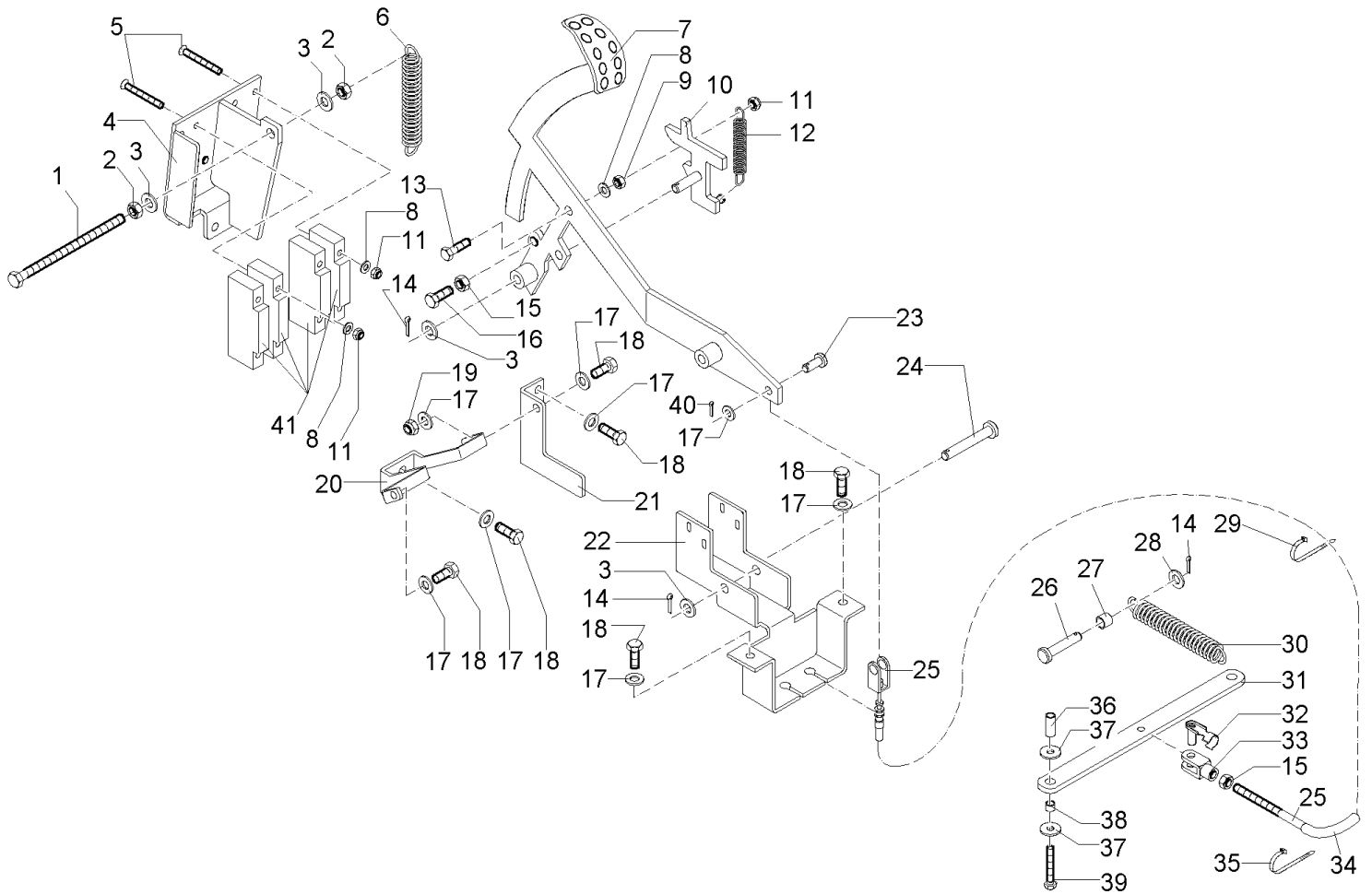
Brush pressure setting assy (99774413BT150)



Brush pressure setting assy (99774413BT150)

Item	Part number	Description	Qty.	Unit	Remarks
1	00964200	Hex.bolt		PC	
2	00053360	Hex. Nut		PC	
3	00053760	Washer		PC	
4	03003700	Angle		PC	
5	00127360	Countersunk screw		PC	
6	01055930	Tension spring		PC	
7	01055940	Pedal		PC	
8	00053730	Washer		PC	
9	00053330	Hex. Nut		PC	
10	01055950	Switching lever		PC	
11	00051520	Hex. Nut		PC	
12	00055620	Tension spring		PC	
13	00053040	Hex.bolt		PC	
14	00553580	Cotter pin		PC	
15	00053350	Hex. Nut		PC	
16	00053100	Hexagon screw		PC	
17	00053750	Washer		PC	
18	00053090	Hexagon screw		PC	
19	00051510	Hex. Nut		PC	
20	03003710	Locking bow		PC	
21	03003720	Locking angle		PC	
22	01055960	Pedal mounting		PC	
23	00055030	Bolt		PC	
24	00556290	Bolt		PC	
25	01055970	Bowden cable		PC	
26	00879630	Bolt		PC	
27	00553660	Spreader tube		PC	
28	00053770	Washer		PC	
29	00959390	Cable tie		PC	
30	00705570	Tension spring		PC	
31	00743710	Lever		PC	
32	00706030	Bolt		PC	
33	00027110	Fork yoke		PC	
34	00711670	Hose		M	
35	00121010	Cable tie		PC	
36	00855240	Bushing		PC	

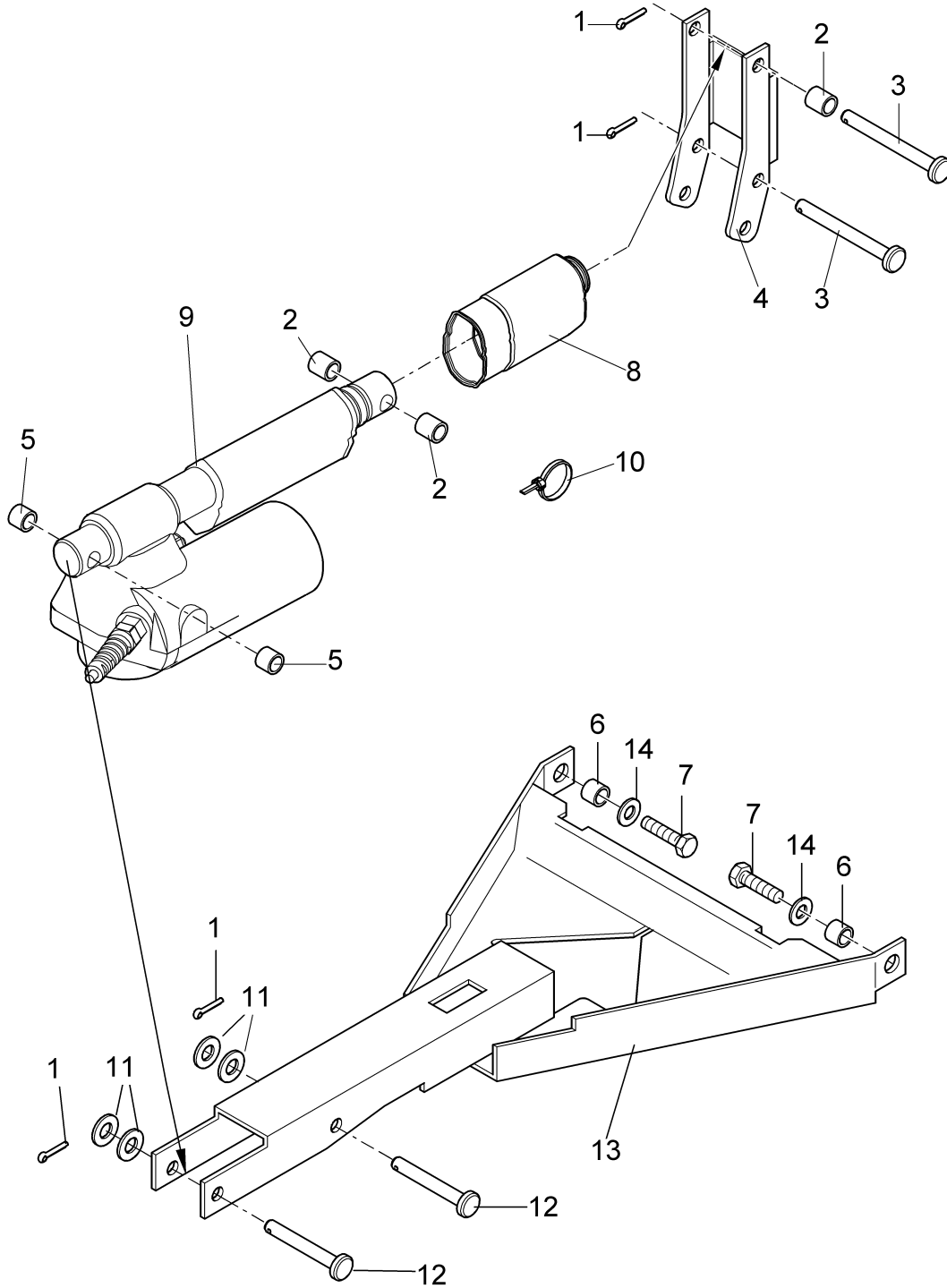
Brush pressure setting assy (99774413BT150)



Brush pressure setting assy (99774413BT150)

Item	Part number	Description	Qty.	Unit	Remarks
37	00042900	Washer		PC	
38	00557730	Spreader tube		PC	
39	00041600	Hex.bolt		PC	
40	00054860	Cotter pin		PC	
41	01055980	Block		PC	

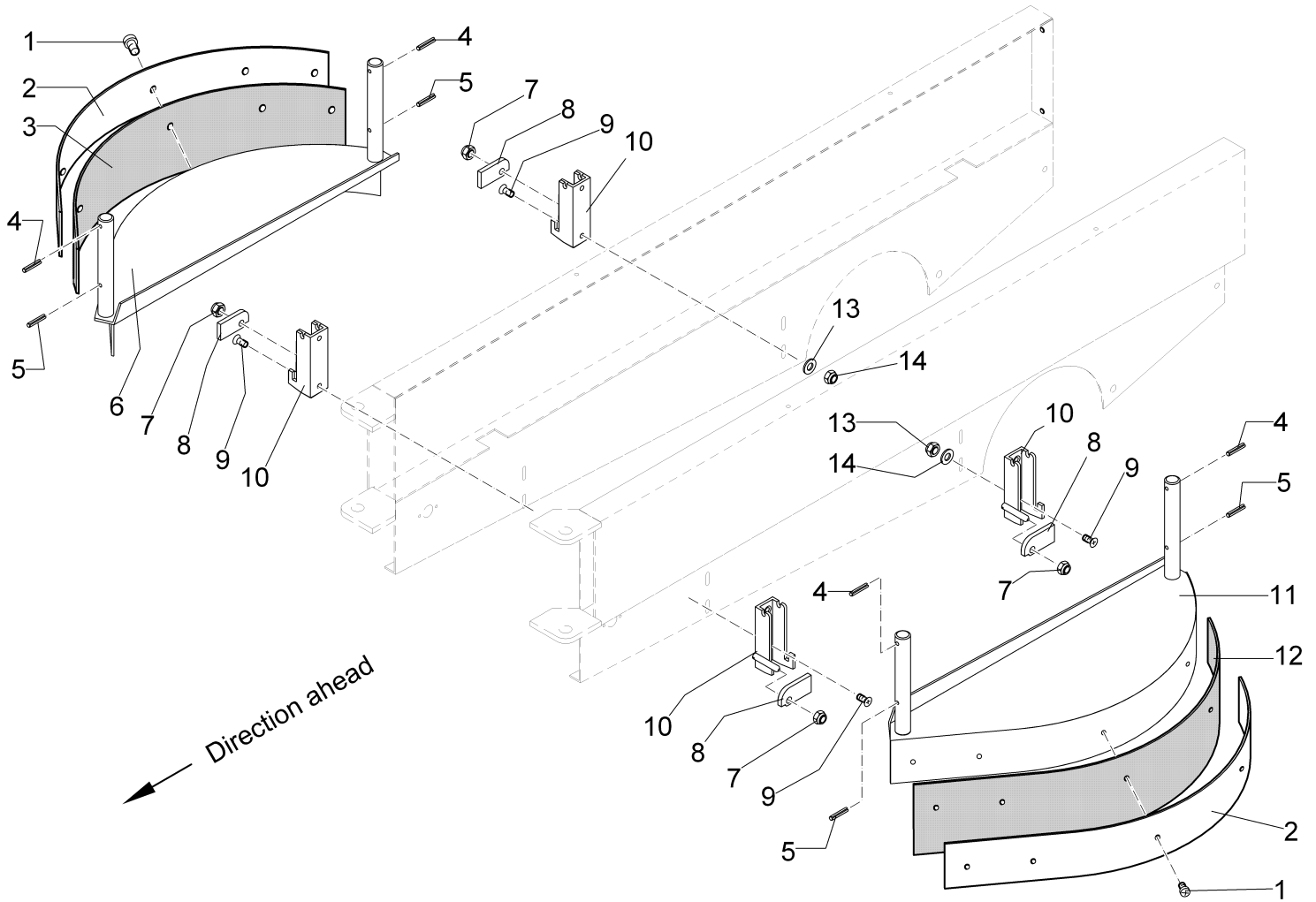
Brush lifting assy (99774413BT161)



Brush lifting assy (99774413BT161)

Item	Part number	Description	Qty.	Unit	Remarks
1	00553580	Cotter pin	4	PC	
2	00553660	Spreader tube	3	PC	
3	00879630	Bolt	2	PC	
4	00742790	Lever	1	PC	
5	00523340	Pipe	2	PC	
6	00865090	Pipe	2	PC	
7	00053110	Hexagon screw	2	PC	
8	01078420	Dust cover	1	PC	
9	01074350	Regulating motor	1	PC	
10	00121150	Cable tie	1	PC	
11	00053770	Washer	4	PC	
12	00851560	Bolt	1	PC	
13	01072770	Support, cpl.	1	PC	
14	00053750	Washer	2	PC	

Spraying guard (99774413BT170)





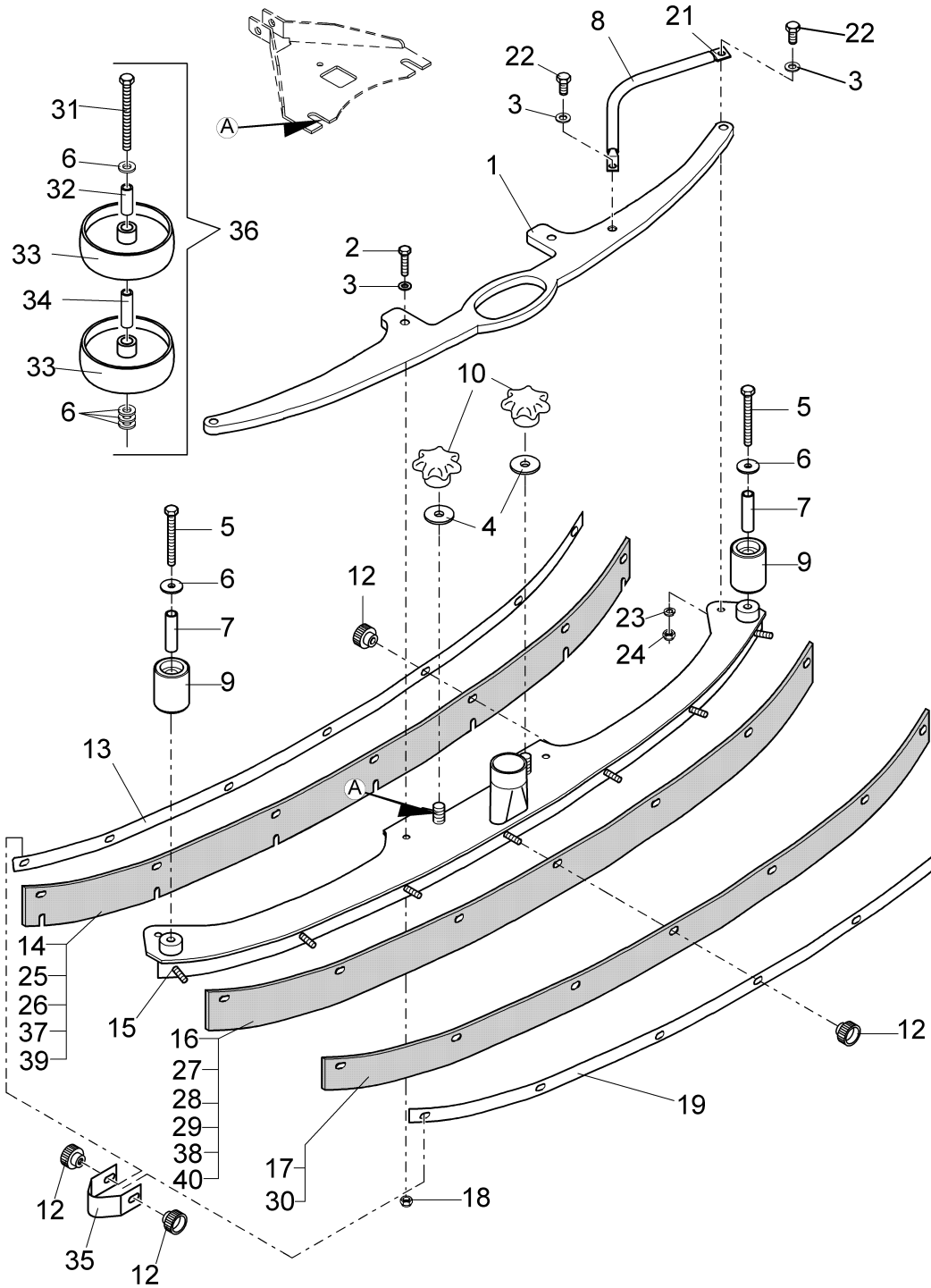
Spraying guard (99774413BT170)

Item	Part number	Description	Qty.	Unit	Remarks
1	00556950	Fillister-head screw		PC	
2	01057300	Sheet metal		PC	
3	01055990	Sealing strip R.H.		PC	
4	00861020	Dowel pin		PC	
5	00072450	Dowel pin		PC	
6	01056010	Hoop guard right		PC	
7	00051510	Hex. Nut		PC	
8	01056030	Lock latch		PC	
9	00154680	Countersunk screw		PC	
10	01056040	Support		PC	
11	01056020	Hoop guard left		PC	
12	01056000	Sealing strip L.H.		PC	
13	00051520	Hex. Nut		PC	
14	00053730	Washer		PC	

Squeegee 110cm (until eng.no.: 0018) (99774413BT180)

Assembly	Description	Page
97043707	Squeegee 110 cm	55
97069736	Lifting assy for suction base unit	59
97070031	Pendulum damper	61

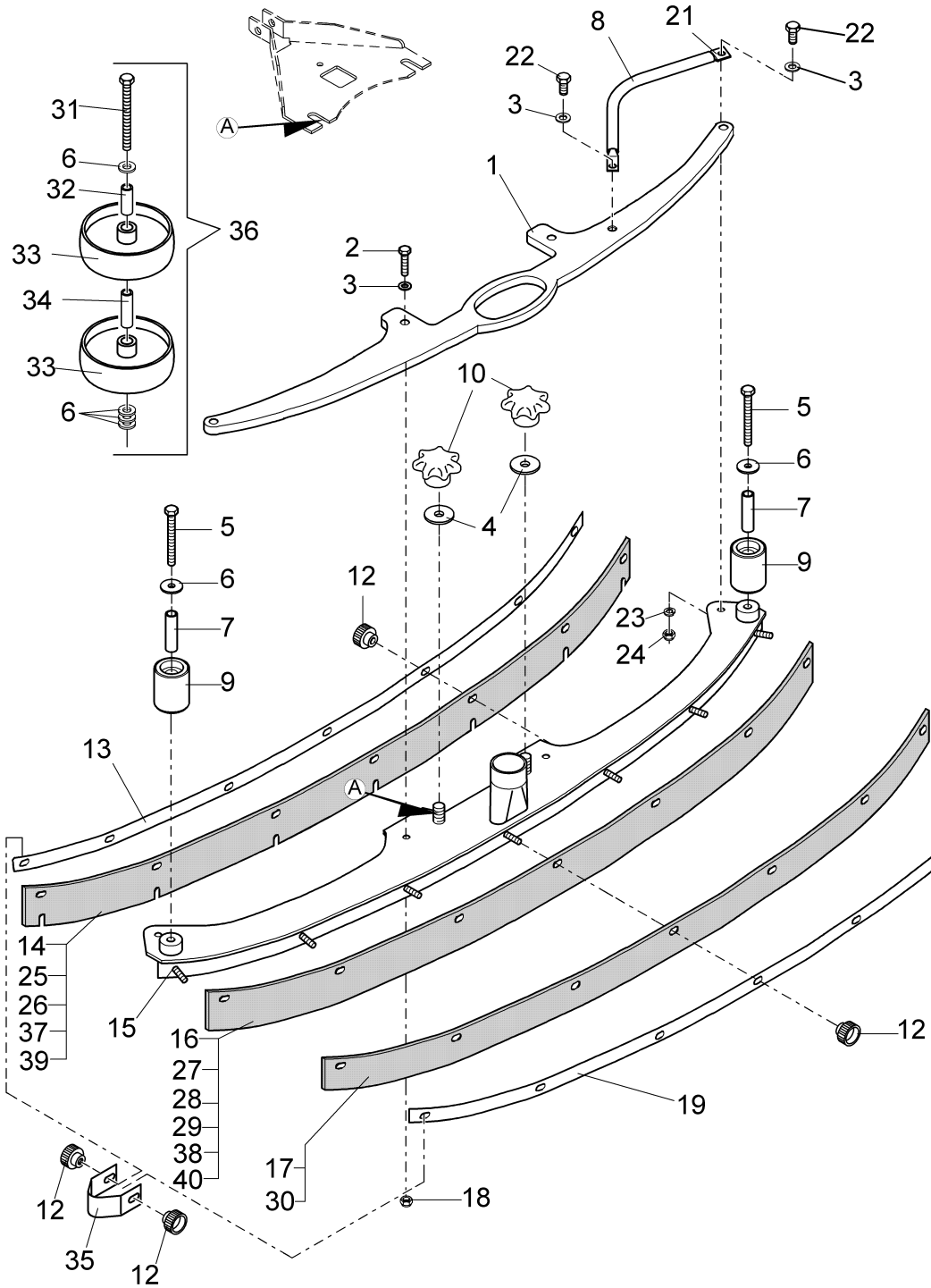
Squeegee 110 cm (97043707)



Squeegee 110 cm (97043707)

Item	Part number	Description	Qty.	Unit	Remarks
1	00034820	Sheet metal	1	PC	
2	00053110	Hexagon screw	2	PC	
3	00053750	Washer	6	PC	
4	00972060	Disk wheel	2	PC	
5	00557600	Hex.bolt	2	PC	
6	00042900	Washer	10	PC	
7	00976580	Pipe	2	PC	
8	00911270	Hose	1	M	
9	00976590	Roller	2	PC	
10	01179360	Star handle yellow	2	PC	
12	00903210	Knurled nut	18	PC	
13	00246020	Fitting strip	1	PC	
14	00651420	sealing strip front, standard	1	PC	
15	00036410	Squeegee	1	PC	
16	00651390	Sealing strip, rear standard	1	PC	
17	00651410	Supporting border	1	PC	
18	00051510	Hex. Nut	2	PC	
19	00246010	Fitting strip	1	PC	
21	00911260	Handle	1	PC	
22	00864230	Hex.bolt	2	PC	
23	00053410	Lock washer	1	PC	
24	00046500	Hex. Nut	1	PC	
25	00442480	Sealing strip front, resistant to oil	1	PC	
26	01050370	Sealing strip, front, high	1	PC	
27	00442440	Sealing strip rear, resistant to oil	1	PC	
28	00442540	Sealing strip, rear, soft	1	PC	
29	01050380	Sealing strip, rear, high	1	PC	
30	00442460	Supporting border, resistant to oil	1	PC	
31	00746390	Hex.bolt	2	PC	
32	00047560	Distance tube	2	PC	
33	01050750	Wheel	4	PC	
34	00974250	Spacer piece	2	PC	
35	01050760	U-bow	2	PC	
36	01050530	Retool set squeegee	1	PC	
37	01075930	Slot strip PUR	1	PC	
38	01075940	Sealing strip rear PUR	1	PC	

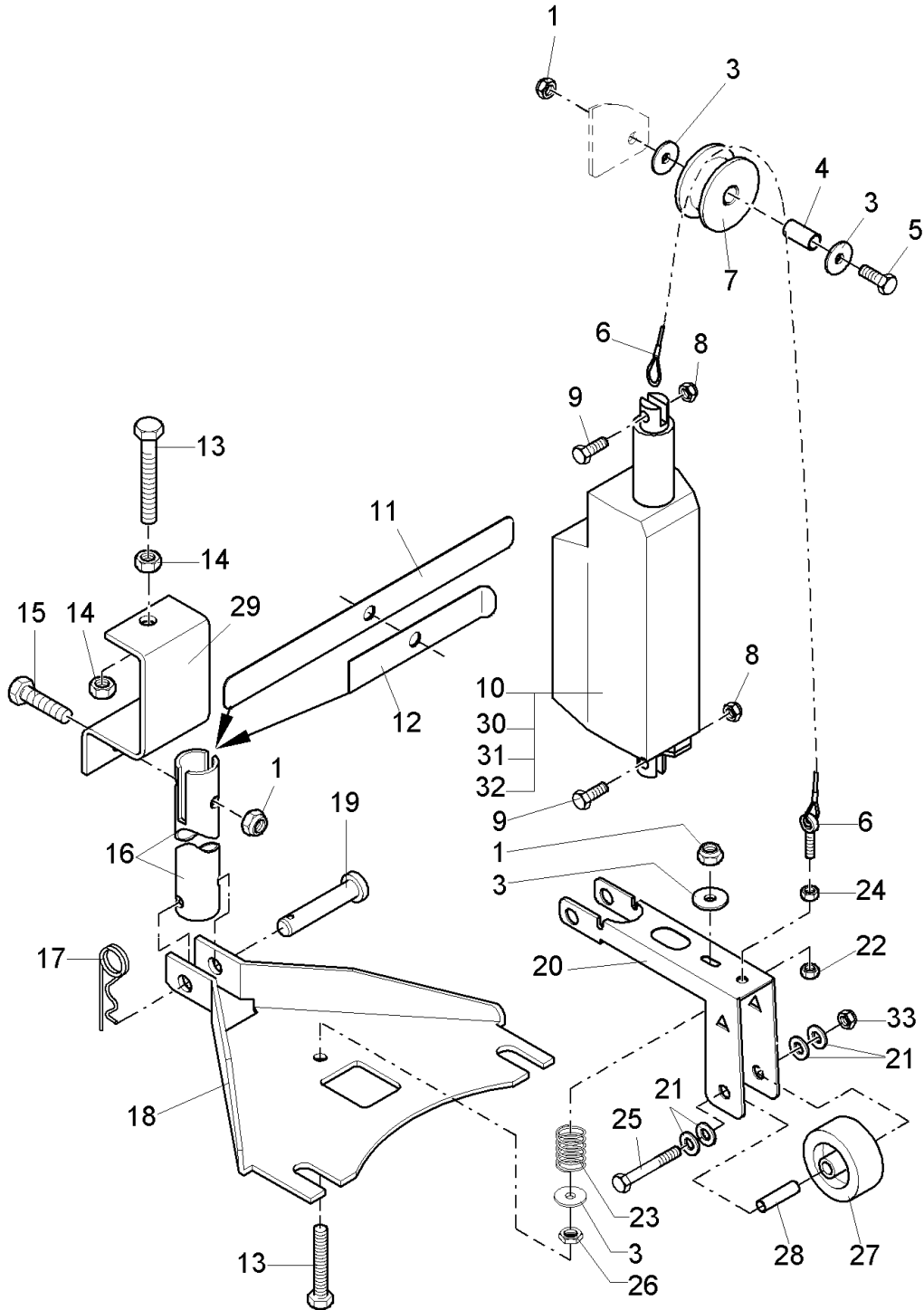
Squeegee 110 cm (97043707)



Squeegee 110 cm (97043707)

Item	Part number	Description	Qty.	Unit	Remarks
39	01077020	Sealing strip front	1	PC	
40	01077030	Sealing strip rear	1	PC	

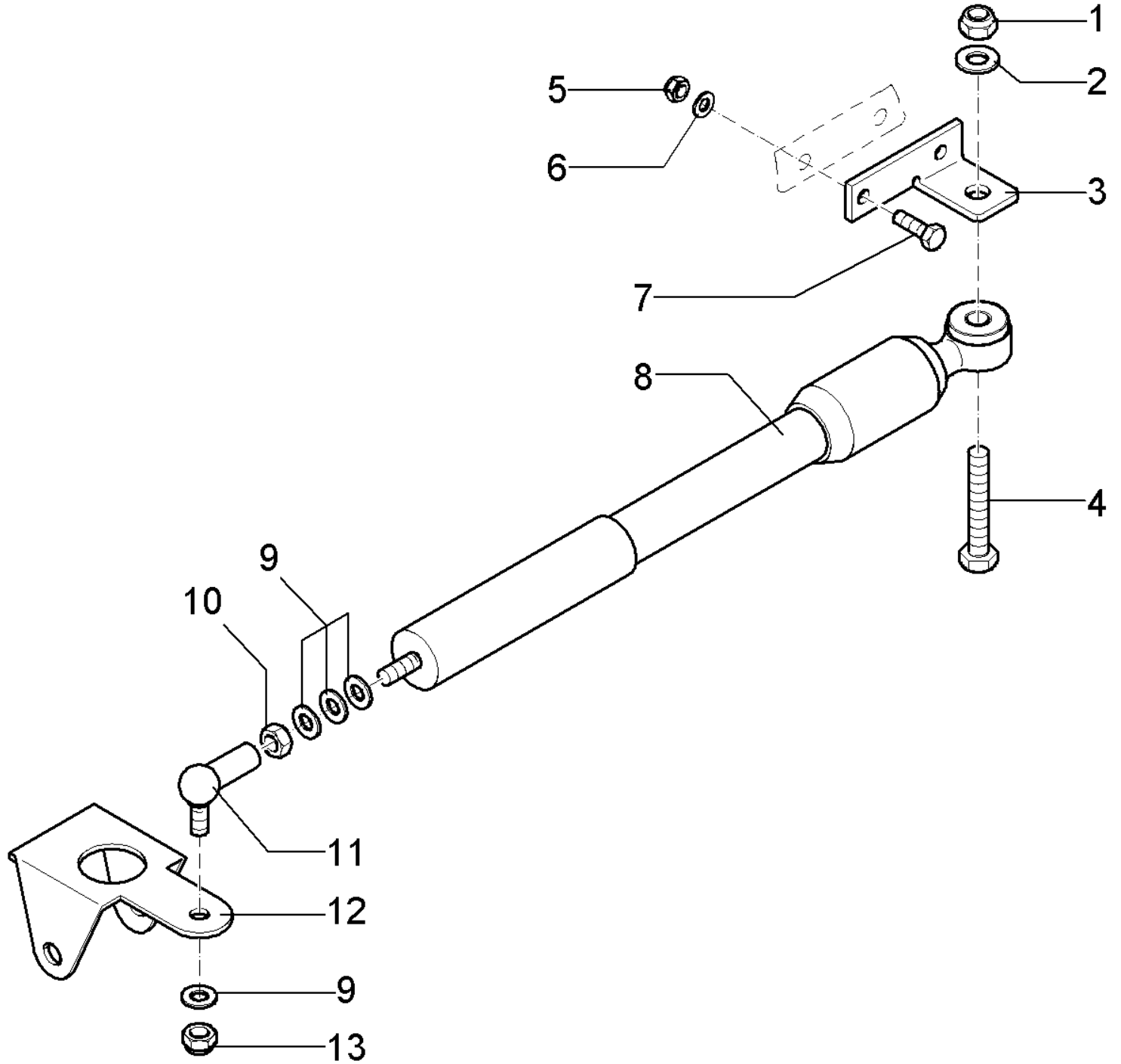
Lifting assy for suction base unit (97069736)



Lifting assy for suction base unit (97069736)

Item	Part number	Description	Qty.	Unit	Remarks
1	00051510	Hex. Nut		PC	
3	00042900	Washer		PC	
4	00855240	Bushing		PC	
5	00133700	Hexagon screw		PC	
6	01054900	Pull of the rope		PC	
7	00972140	Roller		PC	
8	00051500	Hex. Nut		PC	
9	00123690	Hex.bolt		PC	
10	00712430	Lifting element		PC	
11	00500290	flat spring		PC	
12	00158400	Spring		PC	
13	00053260	Hex.bolt		PC	
14	00053350	Hex. Nut		PC	
15	00041600	Hex.bolt		PC	
16	00745810	Pipe		PC	
17	00744820	Spring cotter		PC	
18	01054980	Support		PC	
19	00556290	Bolt		PC	
20	01054990	U-profil		PC	
21	00854210	Washer		PC	
22	00051520	Hex. Nut		PC	
23	00550870	Cyl.compression spring		PC	
24	00053330	Hex. Nut		PC	
25	00047910	Hex.bolt		PC	
26	00046500	Hex. Nut		PC	
27	00902580	Wheel		PC	
28	00902560	Bushing		PC	
29	00745820	Angle		PC	
30	00874660	Micro switch		PC	
31	00903180	Male-housing		PC	
32	00903190	Tab		PC	
33	00102140	Hex. Nut		PC	

Pendulum damper (97070031)



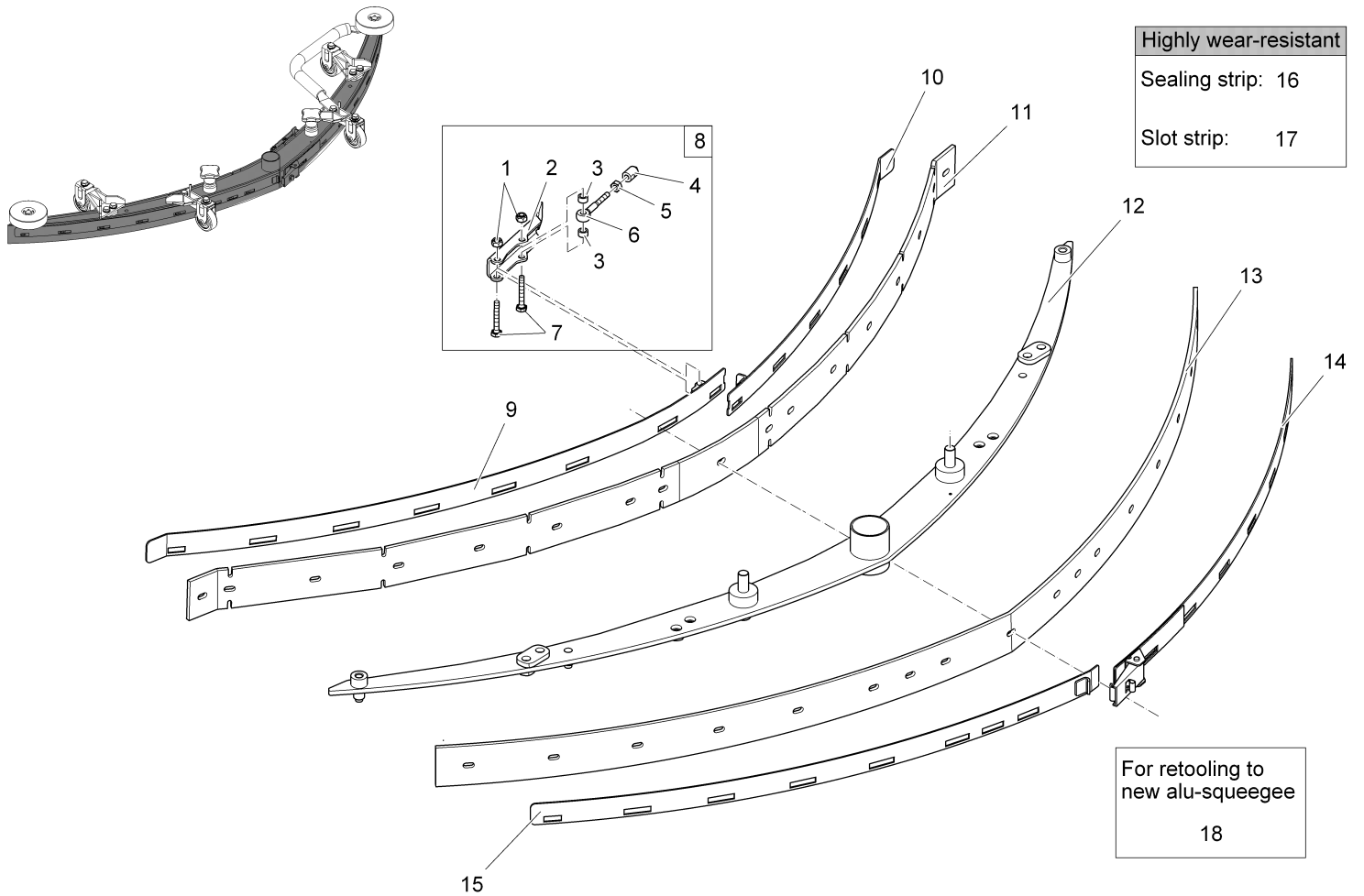
Pendulum damper (97070031)

Item	Part number	Description	Qty.	Unit	Remarks
1	00051500	Hex. Nut		PC	
2	00053760	Washer		PC	
3	01056070	Support plate		PC	
4	00052510	Hex.bolt		PC	
5	00051520	Hex. Nut		PC	
6	00053730	Washer		PC	
7	00053020	Hexagon screw		PC	
8	00271420	Damper		PC	
9	00053750	Washer		PC	
10	00053350	Hex. Nut		PC	
11	00527690	Angle joint		PC	
12	01056080	U-panel		PC	
13	00051510	Hex. Nut		PC	

Squeegee 110cm (from eng.no.: 0019 until appr. 3/2012) (99774413BT190)

Assembly	Description	Page
97096234-1	Squeegee 110cm part 1 (until appr. 3/2012)	64
97096234-2	Squeegee 110cm part 2 (until appr. 3/2012)	66
97099725	Lifting assy for suction base unit	68

Squeegee 110cm part 1 (until appr. 3/2012) (97096234-1)



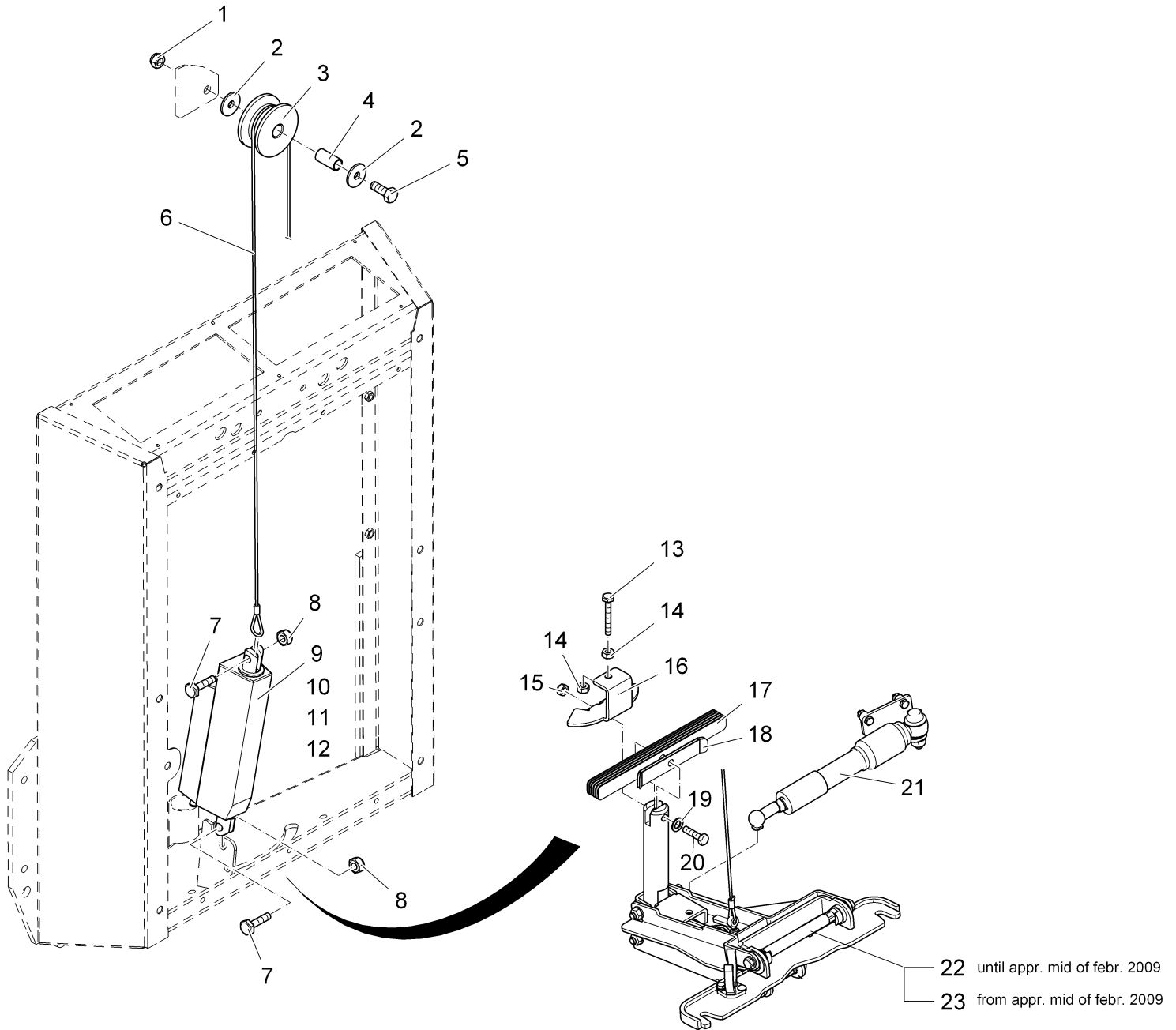
Squeegee 110cm part 1 (until appr. 3/2012) (97096234-1)

Item	Part number	Description	Qty.	Unit	Remarks
1	01017660	Hex. Nut	2	PC	
2	01077580	Lever	1	PC	
3	01077590	Bushing	2	PC	
4	01078090	Pressure piece	1	PC	
5	00902250	Hex. Nut	1	PC	
6	01077500	Eye bolt	1	PC	
7	01079890	Hexagon screw	2	PC	
8	00009010	Lock suction unit	1	PC	
9	01079880	Front tension band	1	PC	
10	01079870	Front tension band	1	PC	
11	01079790	Slot strip	1	PC	
12	01079900	Suction unit 1110mm	1	PC	
13	01079780	Sealing strip	1	PC	
14	01079910	Rear tension band	1	PC	
15	01079920	Rear tension band	1	PC	
16	01179200	Sealing strip	1	PC	or 110cm squeegee
17	01179190	Slot strip	1	PC	or 110cm squeegee
18	00009480	Suction unit kit 1100mm	1	PC	for retooling to new alu-squeegee

Squeegee 110cm part 2 (until appr. 3/2012) (97096234-2)

Item	Part number	Description	Qty.	Unit	Remarks
1	01078690	Hexagon screw	4	PC	
2	00101550	Washer	12	PC	
3	01071740	Hex.bolt	4	PC	
4	01079080	Spacer	22	PC	
5	01077810	Fixed castor	4	PC	
6	01079080	Spacer	2	PC	
7	01059530	Hexagon screw	2	PC	
8	00902280	Washer	2	PC	
9	00879030	Pipe	2	PC	
10	01171790	Deflector roller	2	PC	
11	01079930	Bracket	1	PC	
12	00911270	Hose	305 mm	M	
13	01179360	Star handle yellow	2	PC	
14	00972060	Disk wheel	2	PC	
15	01079070	Fixed castor	2	PC	

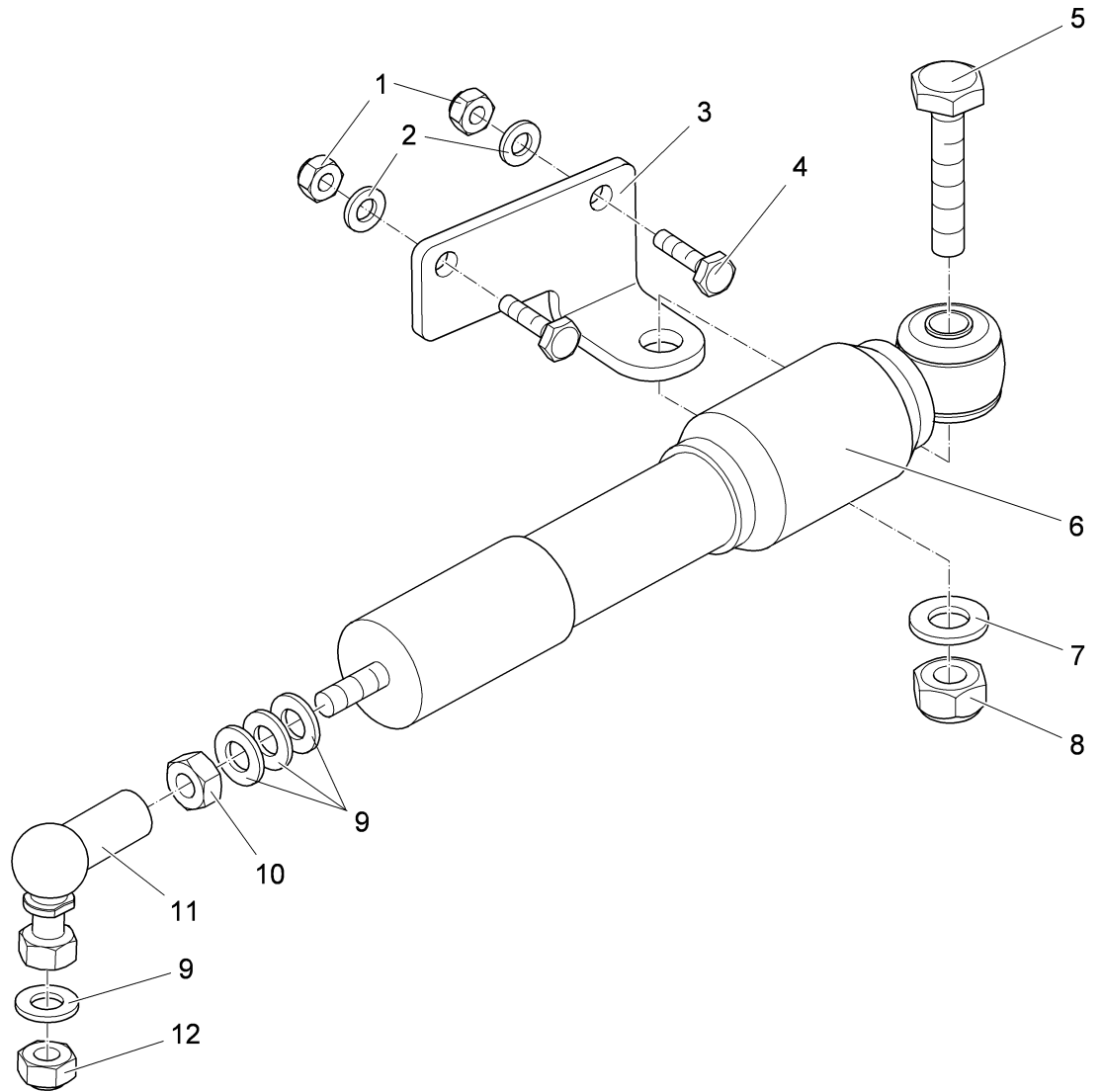
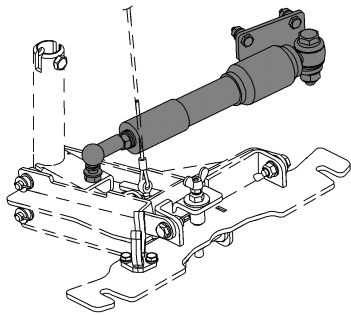
Lifting assy for suction base unit (97099725)



Lifting assy for suction base unit (97099725)

Item	Part number	Description	Qty.	Unit	Remarks
1	00051510	Hex. Nut	1	PC	
2	00042900	Washer	1	PC	
3	00972140	Roller	1	PC	
4	00855240	Bushing	1	PC	
5	00133700	Hexagon screw	1	PC	
6	01079980	Linkage	1	PC	
7	00123690	Hex.bolt	1	PC	
8	00051500	Hex. Nut	1	PC	
9	00712430	Lifting element	1	PC	
10	00874660	Micro switch	1	PC	
11	00903180	Male-housing	1	PC	
12	00903170	Tab	2	PC	
13	00053260	Hex.bolt	1	PC	
14	00053350	Hex. Nut	2	PC	
15	00051510	Hex. Nut	1	PC	
16	01170640	Angle	1	PC	
17	00500290	flat spring	6	PC	
18	00158400	Spring	2	PC	
19	00053750	Washer	1	PC	
20	00041600	Hex.bolt	1	PC	
21	97099261	Damper	Page	70	
22	97099766	Lifting	Page	72	
23	97106439	Lifting	Page	76	

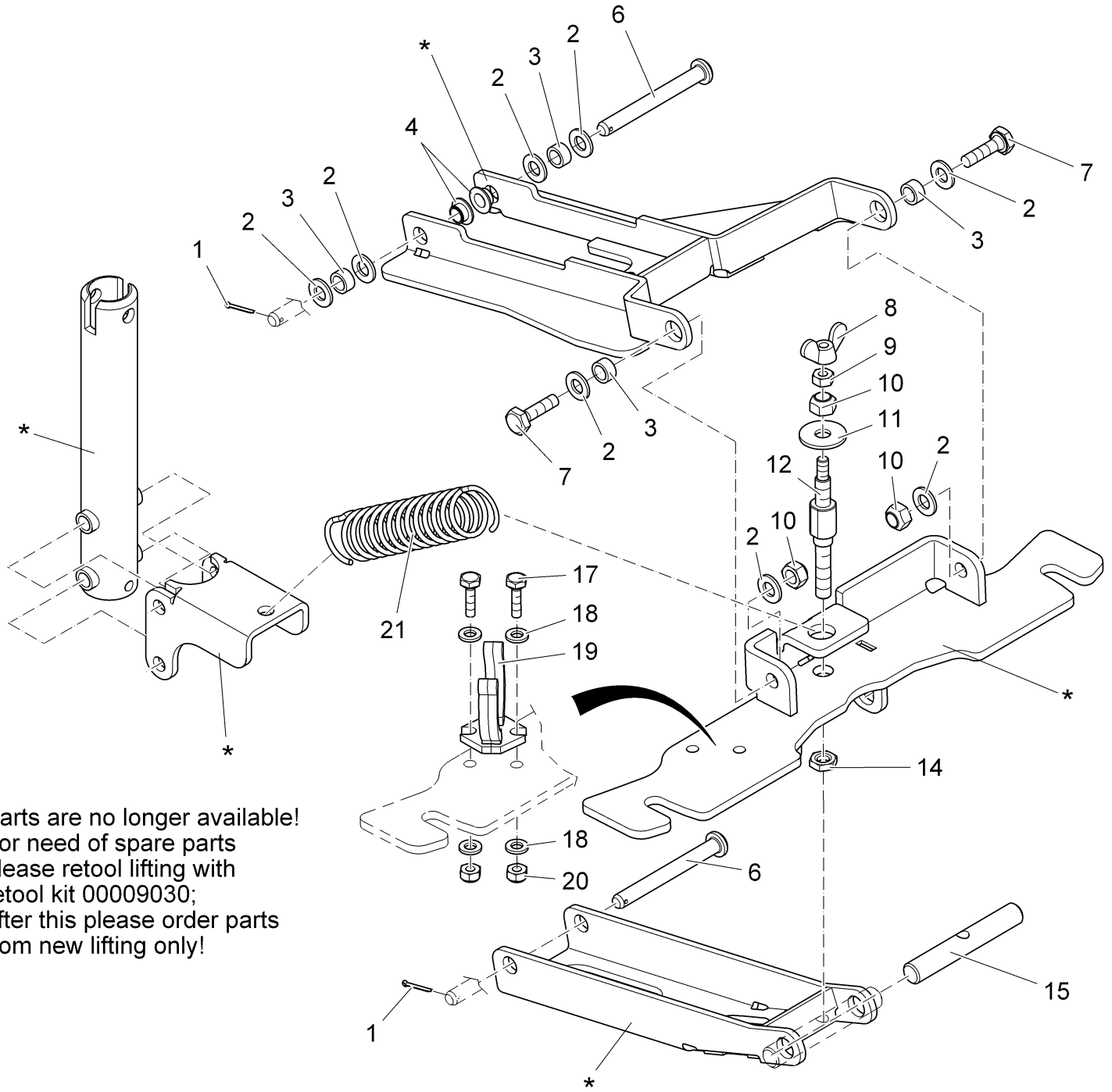
Damper (97099261)



Damper (97099261)

Item	Part number	Description	Qty.	Unit	Remarks
1	00051520	Hex. Nut	2	PC	
2	00053730	Washer	2	PC	
3	01170690	Angle	1	PC	
4	00053020	Hexagon screw	2	PC	
5	00052510	Hex.bolt	1	PC	
6	00271420	Damper	1	PC	
7	00053760	Washer	1	PC	
8	00051500	Hex. Nut	1	PC	
9	00053750	Washer	4	PC	
10	00053350	Hex. Nut	1	PC	
11	00527690	Angle joint	1	PC	
12	00051510	Hex. Nut	1	PC	

Lifting (97099766) 1900-01-01 --> 2009-02-14

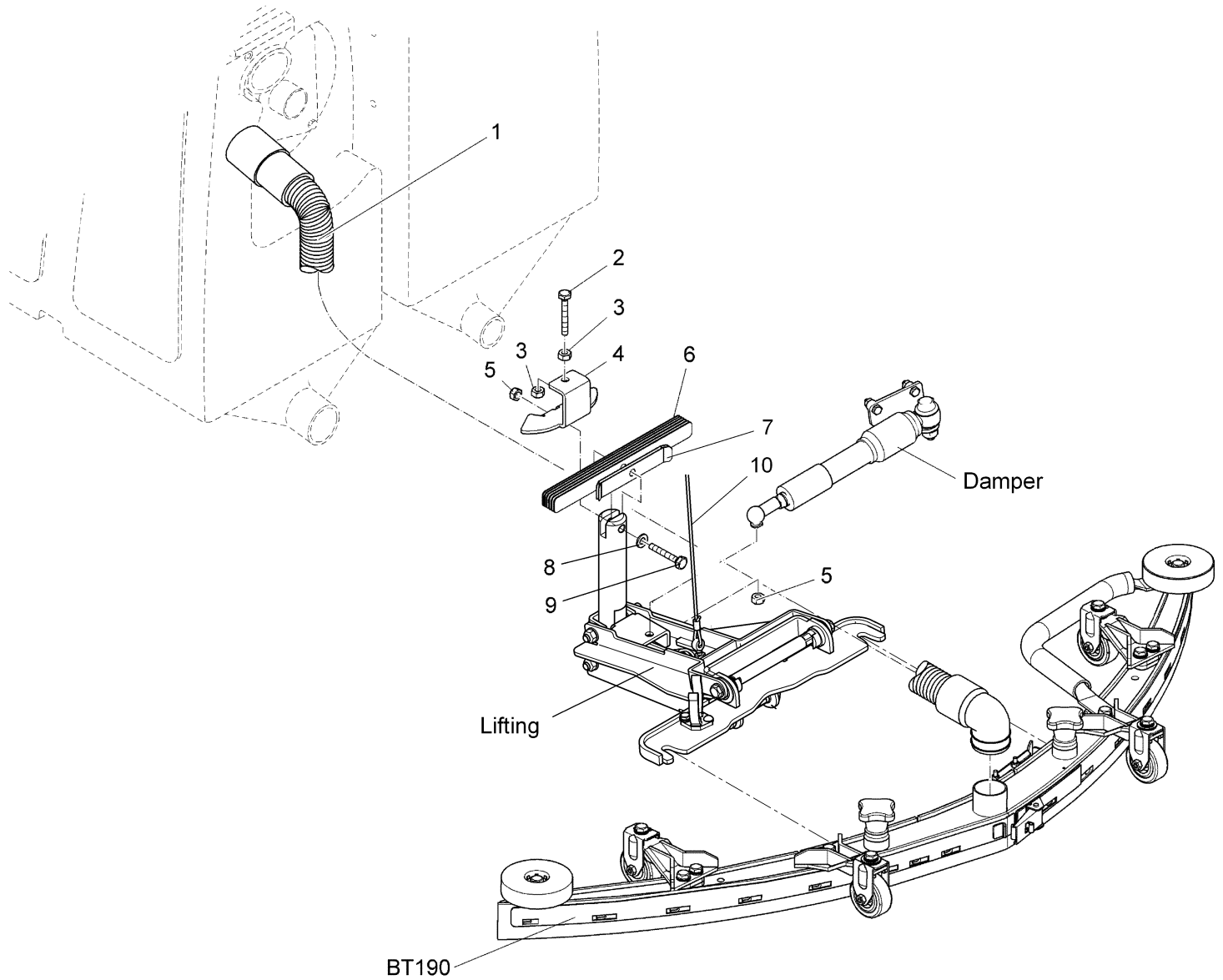


*: Parts are no longer available!
For need of spare parts
please retool lifting with
retool kit 00009030;
after this please order parts
from new lifting only!

Lifting (97099766) 1900-01-01 --> 2009-02-14

Item	Part number	Description	Qty.	Unit	Remarks
1	00054860	Cotter pin	2	PC	
2	00053750	Washer	10	PC	
3	01077700	Bushing	4	PC	
4	01078230	Slide bearing bush	4	PC	
6	01078220	Bolt	2	PC	
7	00053100	Hexagon screw	2	PC	
8	00054020	Wing nut	1	PC	
9	00053330	Hex. Nut	1	PC	
10	00051510	Hex. Nut	3	PC	
11	00042900	Washer	1	PC	
12	01077850	Threaded pin	1	PC	
14	00046500	Hex. Nut	1	PC	
15	01077680	Bolt	1	PC	
17	00053020	Hexagon screw	2	PC	
18	00053730	Washer	4	PC	
19	01078120	Hose support	1	PC	
20	00051520	Hex. Nut	3	PC	
21	01078150	Tension spring	1	PC	
KIT	00009030	Retool kit LIFTING SUCTION UNIT B910	Page	74	

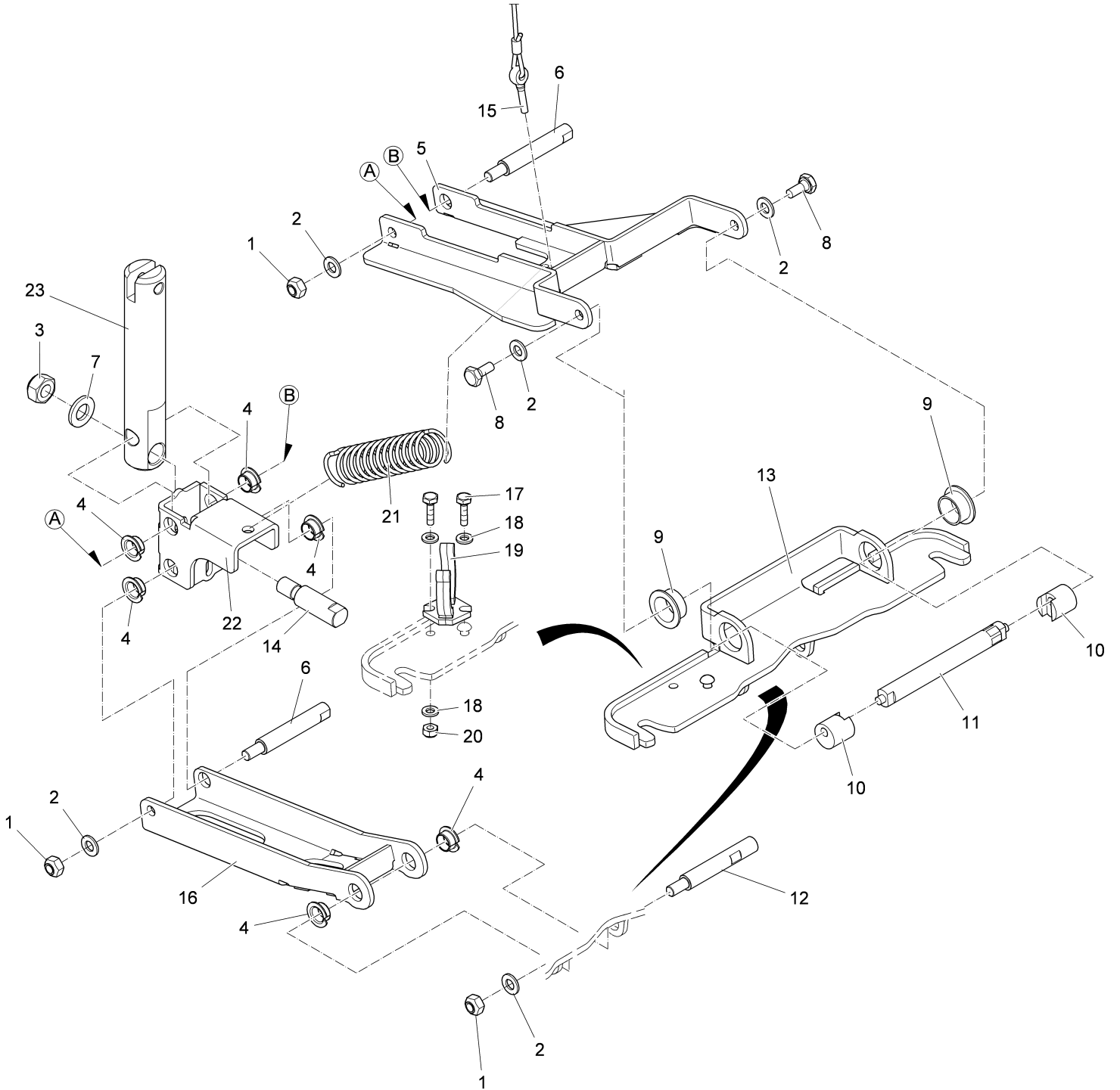
Retool kit LIFTING SUCTION UNIT B910 (00009030)



Retool kit LIFTING SUCTION UNIT B910 (00009030)

Item	Part number	Description	Qty.	Unit	Remarks
1	01079310	Hose	1	PC	
2	00053260	Hex.bolt	1	PC	
3	00053350	Hex. Nut	2	PC	
4	01170640	Angle	1	PC	
5	00051510	Hex. Nut	1	PC	
6	00500290	flat spring	6	PC	
7	00158400	Spring	2	PC	
8	00053750	Washer	8	PC	
9	00041600	Hex.bolt	1	PC	
10	01079980	Linkage	1	PC	

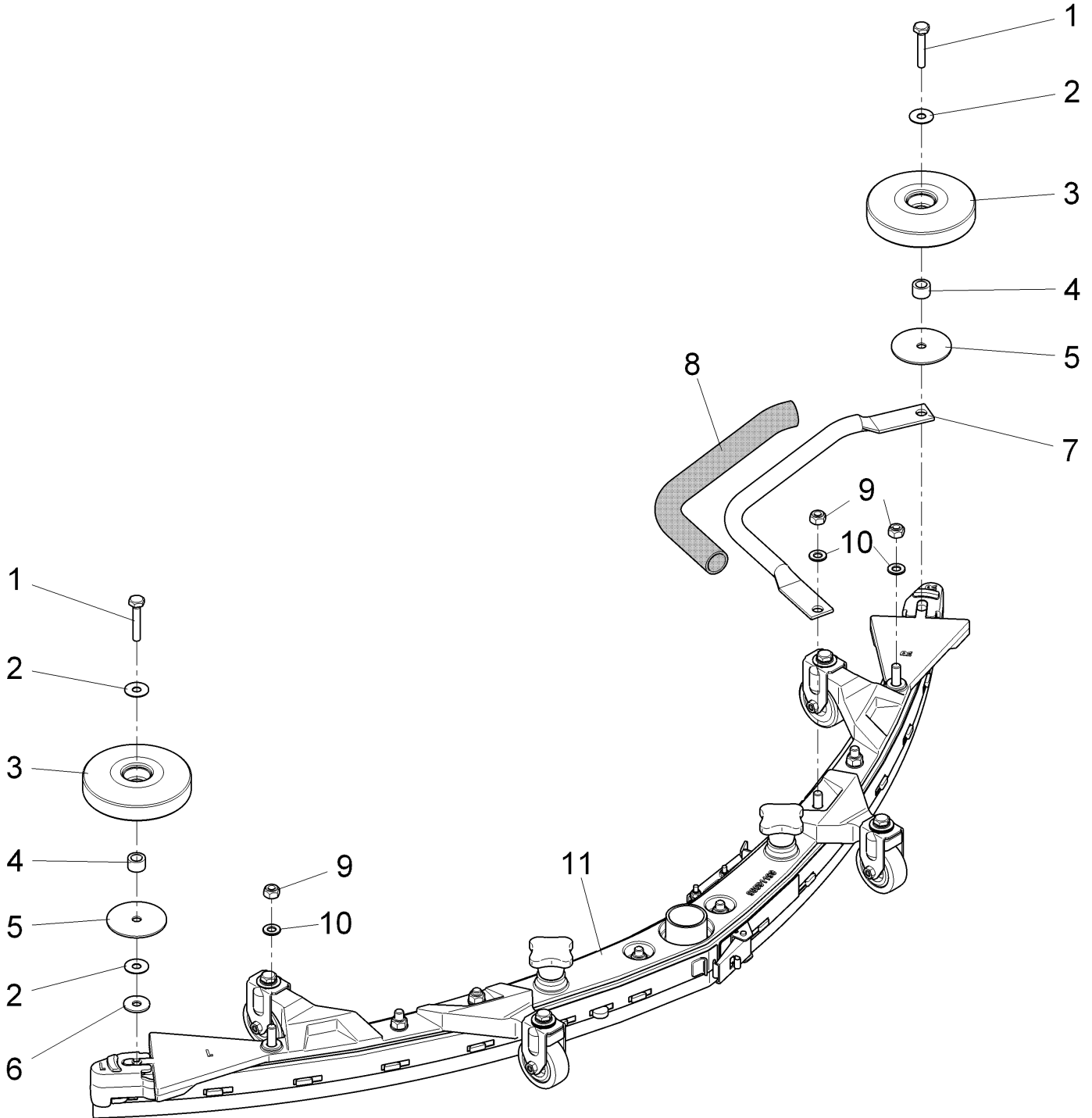
Lifting (97106439) 2009-02-15 -->



Lifting (97106439) 2009-02-15 -->

Item	Part number	Description	Qty.	Unit	Remarks
1	00051510	Hex. Nut	3	PC	
2	00053750	Washer	5	PC	
3	00051490	Hex. Nut	1	PC	
4	01171330	Slide bearing bush	6	PC	
5	01178370	Angle	1	PC	
6	01178380	Threaded bolt	2	PC	
7	00053770	Washer	1	PC	
8	01071740	Hex.bolt	2	PC	
9	01130470	Slide bearing bush	2	PC	
10	01171370	Excentric	2	PC	
11	01171360	Shaft	1	PC	
12	01171540	Threaded bolt	1	PC	
13	01171310	Sheet metal	1	PC	
14	01178390	Threaded bolt	1	PC	
15	01079980	Linkage	1	PC	
16	01178400	Truss	1	PC	
17	00053020	Hexagon screw	1	PC	
18	00053730	Washer	2	PC	
19	01078120	Hose support	1	PC	
20	00051520	Hex. Nut	1	PC	
21	01078150	Tension spring	1	PC	
22	01178410	Round part	1	PC	
23	01178420	Shaft	1	PC	

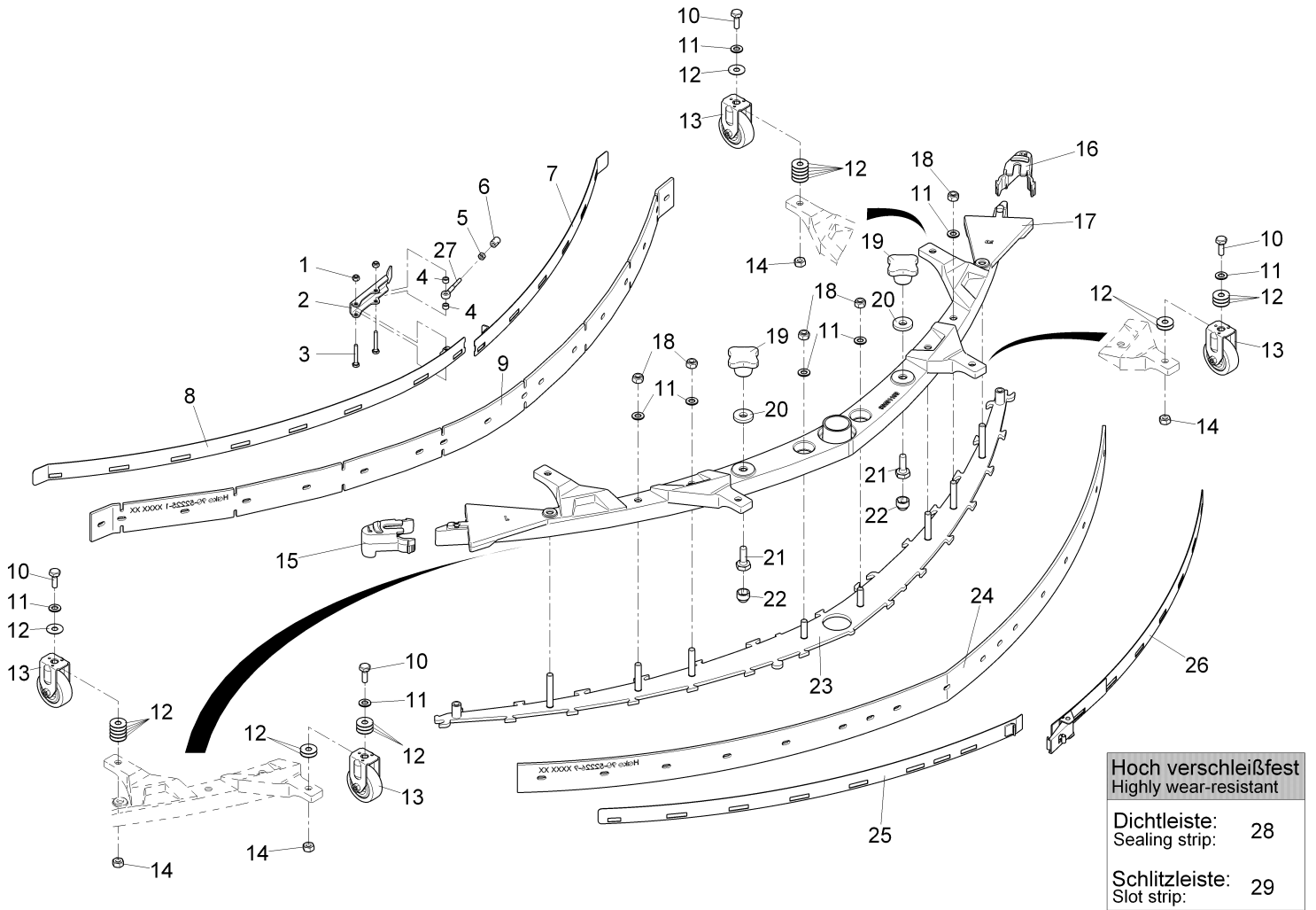
Squeegee 1100 mm cpl. (from appr. 4/2012) (97115596)



Squeegee 1100 mm cpl. (from appr. 4/2012) (97115596)

Item	Part number	Description	Qty.	Unit	Remarks
1	00059460	Hex.bolt	2	PC	
2	01079080	Spacer	3	PC	
3	01171790	Deflector roller	2	PC	
4	00879030	Pipe	2	PC	
5	01178290	Conical spring washer	2	PC	
6	00902280	Washer	1	PC	
7	01275650	Bracket	1	PC	
8	00911270	Hose	0,290	M	
9	00101540	Hex. Nut	3	PC	
10	00101550	Washer	3	PC	
11	97099287	Squeegee 1100 mm	Page	80	

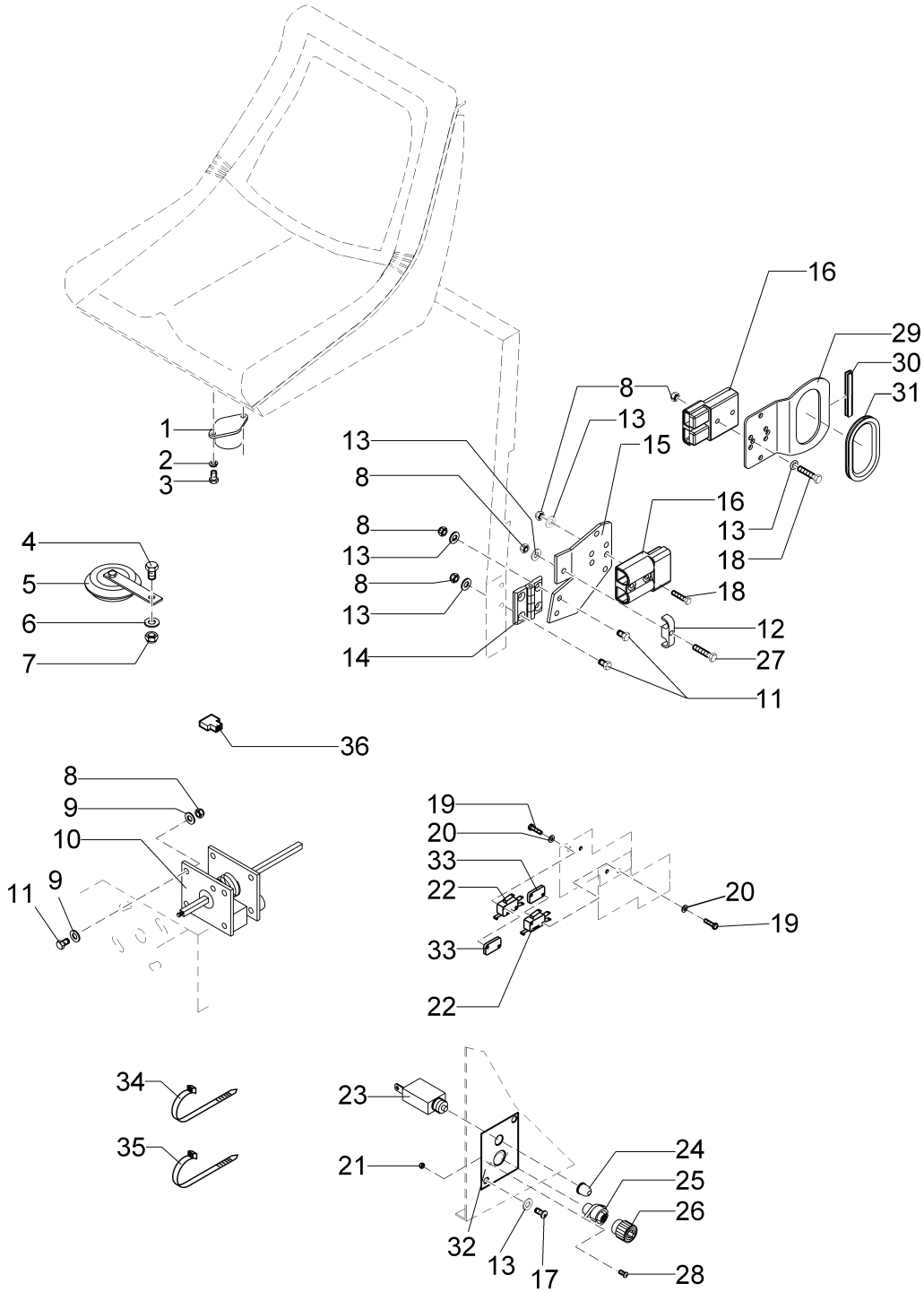
Squeegee 1100 mm (97099287)



Squeegee 1100 mm (97099287)

Item	Part number	Description	Qty.	Unit	Remarks
1	01017660	Hex. Nut	2	PC	
2	01077580	Lever	1	PC	
3	01079890	Hexagon screw	2	PC	
4	01077590	Bushing	2	PC	
5	00902250	Hex. Nut	1	PC	
6	01078090	Pressure piece	1	PC	
7	01079870	Front tension band	1	PC	
8	01079880	Front tension band	1	PC	
9	01079790	Slot strip	1	PC	
10	01162510	Hexagon screw	4	PC	
11	00101550	Washer	10	PC	
12	01079080	Spacer	22	PC	
13	01077810	Fixed castor	4	PC	
14	00971400	Hex. Nut	4	PC	
15	01178320	Protection cap L.H.	1	PC	
16	01178310	Protection cap R.H.	1	PC	
17	01275660	Suction unit body	1	PC	
18	00101540	Hex. Nut	5	PC	
19	01179360	Star handle yellow	2	PC	
20	00972060	Disk wheel	2	PC	
21	01019850	Hexagon screw	2	PC	
22	00131610	Lens cap	2	PC	
23	01275640	Base plate	1	PC	
24	01079780	Sealing strip	1	PC	
25	01079920	Rear tension band	1	PC	
26	01079910	Rear tension band	1	PC	
27	01077500	Eye bolt	1	PC	
28	01179200	Sealing strip	1	PC	
29	01179190	Slot strip	1	PC	

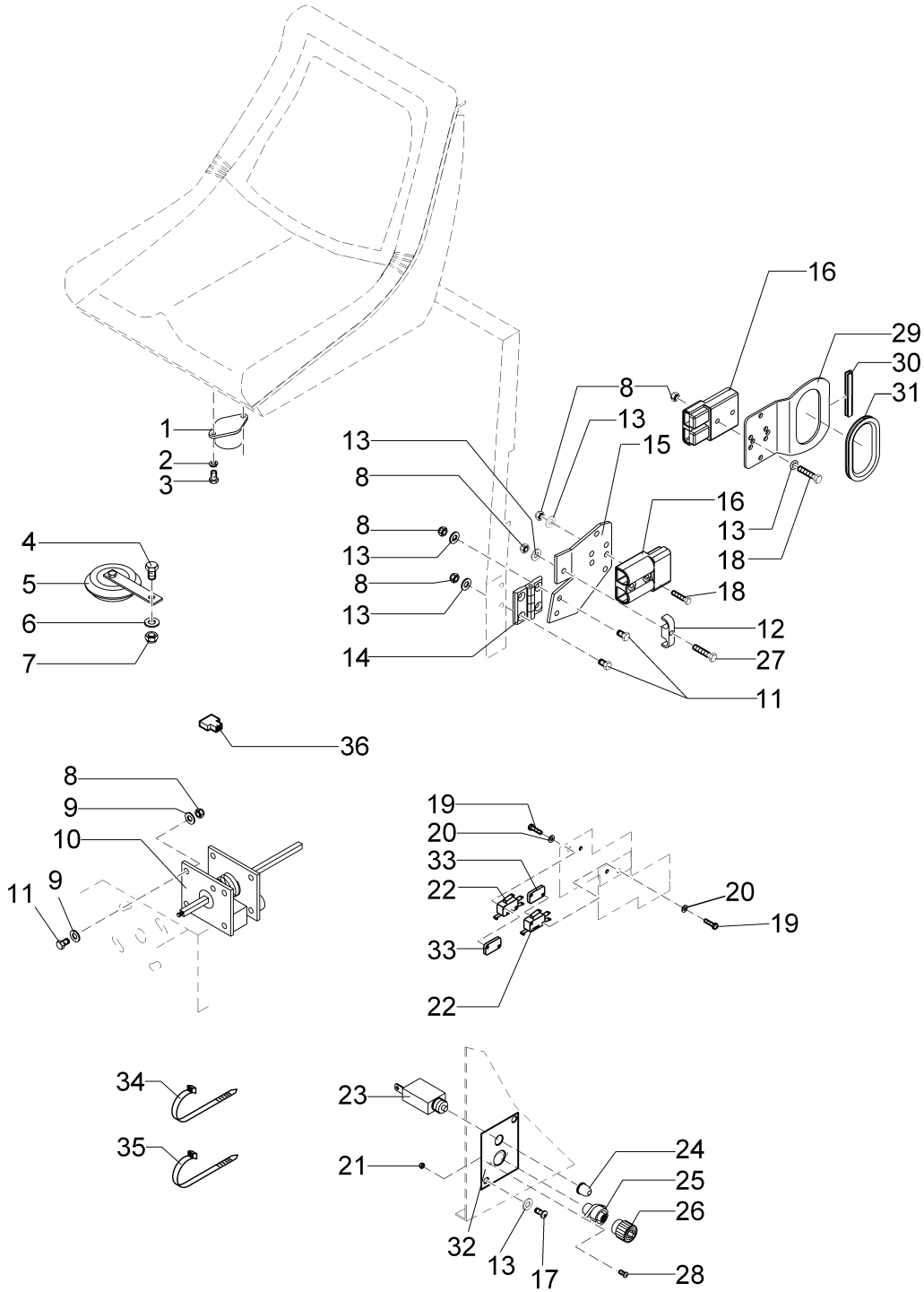
Electric (part 1) (97099709-1)



Electric (part 1) (97099709-1)

Item	Part number	Description	Qty.	Unit	Remarks
1	00905240	Contact switch for seat	1	PC	
2	00905250	Lock washer	2	PC	
3	00522140	Hex.bolt	2	PC	
4	00053090	Hexagon screw	2	PC	
5	00852420	Signal horn	1	PC	
6	00053750	Washer	1	PC	
7	00051510	Hex. Nut	1	PC	
8	00051520	Hex. Nut	7	PC	
9	00135120	Washer	4	PC	
10	00712190	Switch unit	1	PC	
11	00053020	Hexagon screw	4	PC	
12	00748300	Clamp	1	PC	
13	00053730	Washer	7	PC	
14	00740450	Hinge	1	PC	
15	03003730	Retainer	1	PC	
16	01075720	Connector	2	PC	
17	00556950	Fillister-head screw	2	PC	
18	00053290	Hexagon screw	2	PC	
19	00022180	Hex.bolt	2	PC	
20	00747400	Washer	4	PC	
21	00022200	Hex. Nut	2	PC	
22	00975510	Micro switch	2	PC	
23	00041140	Protective switch (Overvoltage)	1	PC	
24	00902480	Lens cap	1	PC	
25	00059670	Socket	1	PC	
26	00059680	Lens cap	1	PC	
27	00053040	Hex.bolt	1	PC	
28	00504550	Fillister-head screw	2	PC	
29	---	Spare part on request	1		90559865 Handle
30	00721090	Edge protection	700mm	M	
31	00721090	Edge protection	2220m m	M	
32	03003740	Plate	1	PC	
33	01074840	Thread base plate	2	PC	
34	00121010	Cable tie	30	PC	
35	00967760	Cable tie	6	PC	

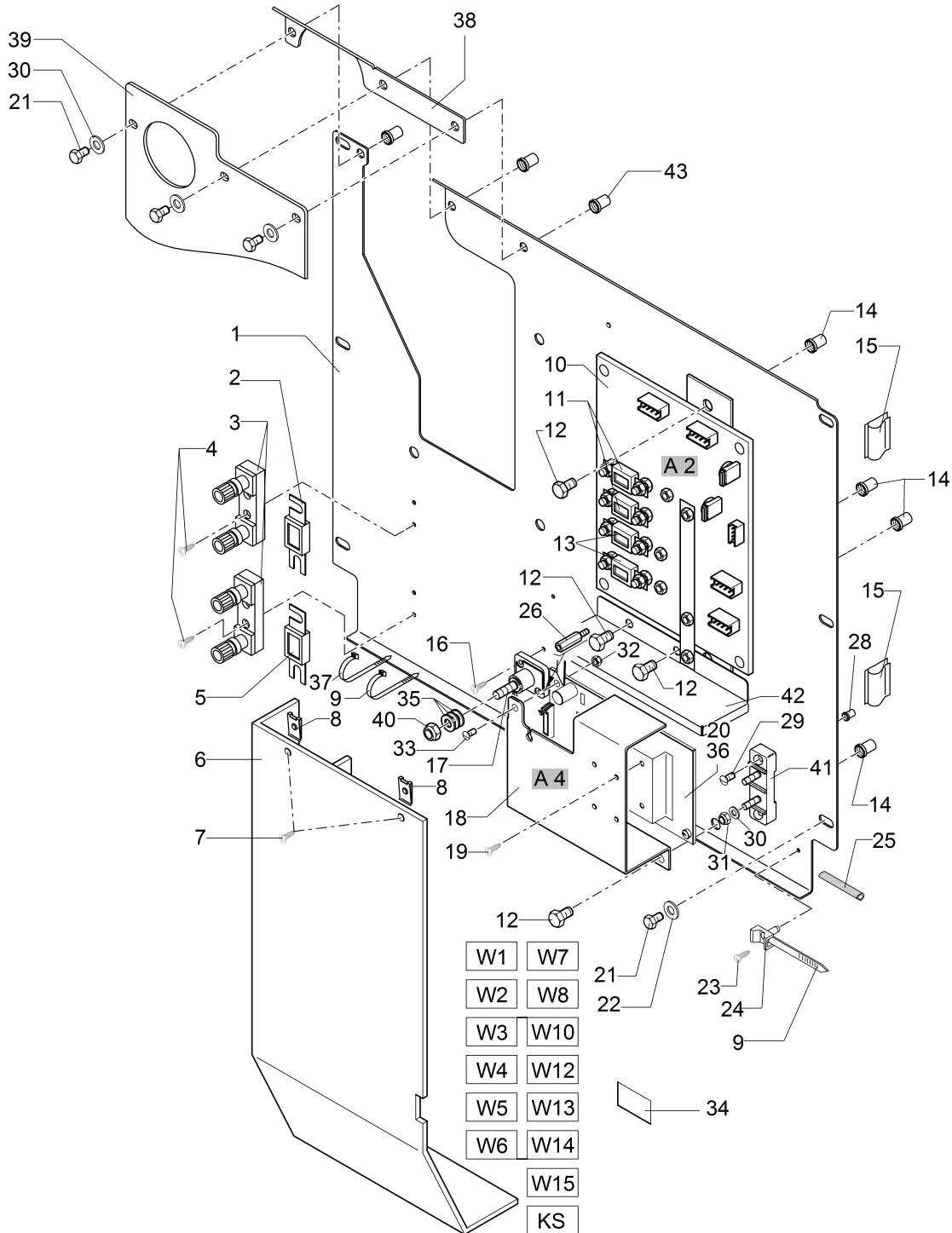
Electric (part 1) (97099709-1)



Electric (part 1) (97099709-1)

Item	Part number	Description	Qty.	Unit	Remarks
36	00108370	Plug in connector	1	PC	

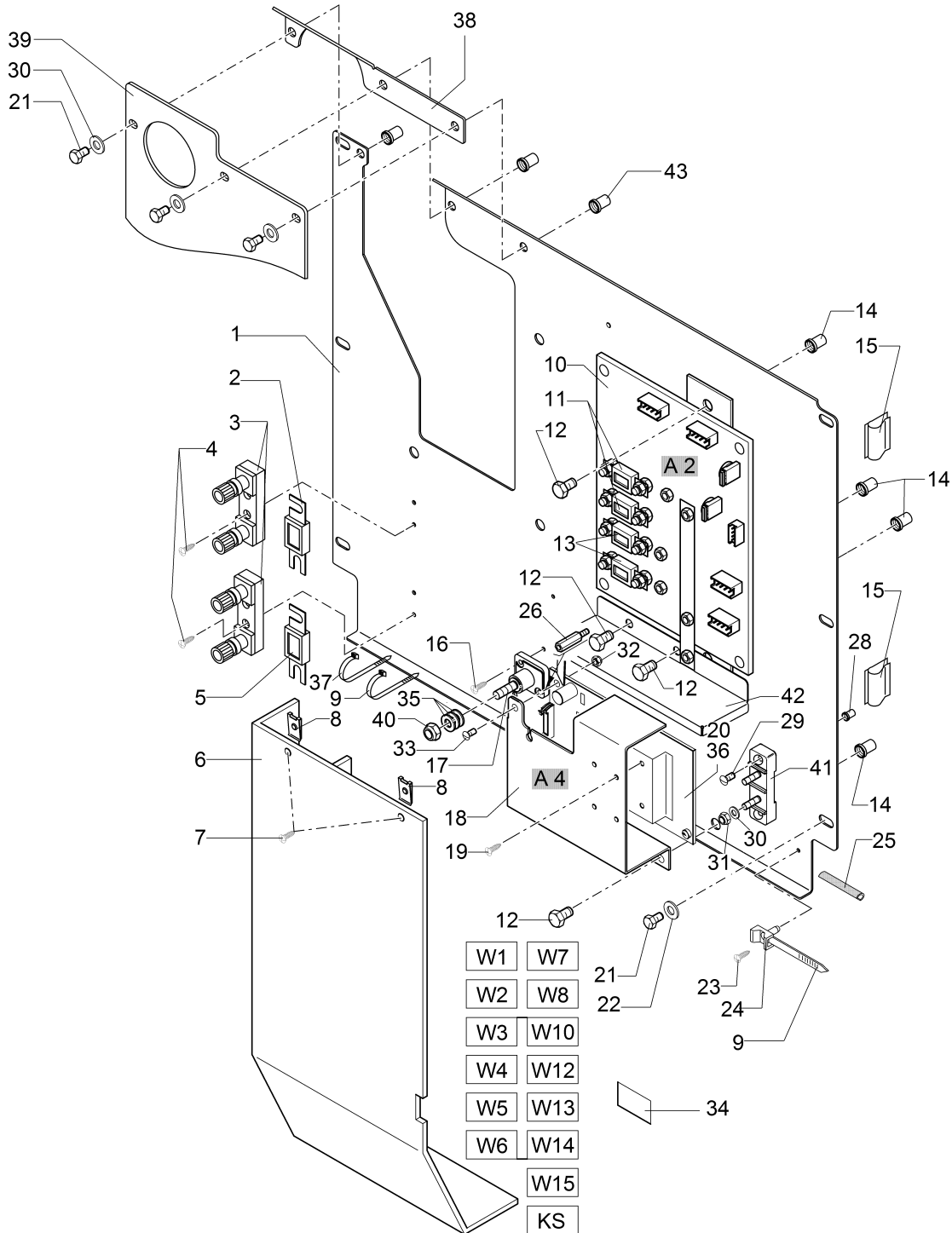
Electric (Part 2) (97099709-2A) 1999-09-01 --> 2013-05-31



Electric (Part 2) (97099709-2A) 1999-09-01 --> 2013-05-31

Item	Part number	Description	Qty.	Unit	Remarks
1	03003750	Control panel	1	PC	
2	01056100	Fuse	1	PC	
3	00121440	Fuse holder	2	PC	
4	00157110	Tapping screw	6	PC	
5	00059580	Fuse	1	PC	
6	00712150	Dust cover	1	PC	
7	00538900	Tapping screw	2	PC	
8	00903540	Snap nut	2	PC	
9	00121010	Cable tie	2	PC	
10	00752920	Module	1	PC	
11	00876690	Fuse	2	PC	
12	00151810	Hexagon screw	4	PC	
13	00744700	Fuse	2	PC	
14	00552770	Rivet nut	4	PC	
15	00020650	Cable clip	2	PC	
16	00157110	Tapping screw	6	PC	
17	00744670	Single clamp	1	PC	
18	03003760	Cooling plate	1	PC	
19	00132360	lens head screw M4x10	4	PC	
20	00009590	Retool kit DRIVING CONTROL	1	PC	Drive ctrl. CURTIS is no longer available! If needed please order this kit and mount it! After that the spare parts of BOM 97067201-2B are valid!
21	00025260	Hexagon screw	5	PC	
22	00135120	Washer	5	PC	
23	00134850	Tapping screw	1	PC	
24	00780710	Socket	1	PC	
25	00721090	Edge protection	0,050	M	
26	01074370	Spacer bolt	1	PC	
28	00523260	Riveting nut	2	PC	
29	00073160	Countersunk screw	2	PC	
30	00053730	Washer	2	PC	
31	00051520	Hex. Nut	1	PC	
32	00133830	Hex. Nut	1	PC	
33	00132360	lens head screw M4x10	1	PC	

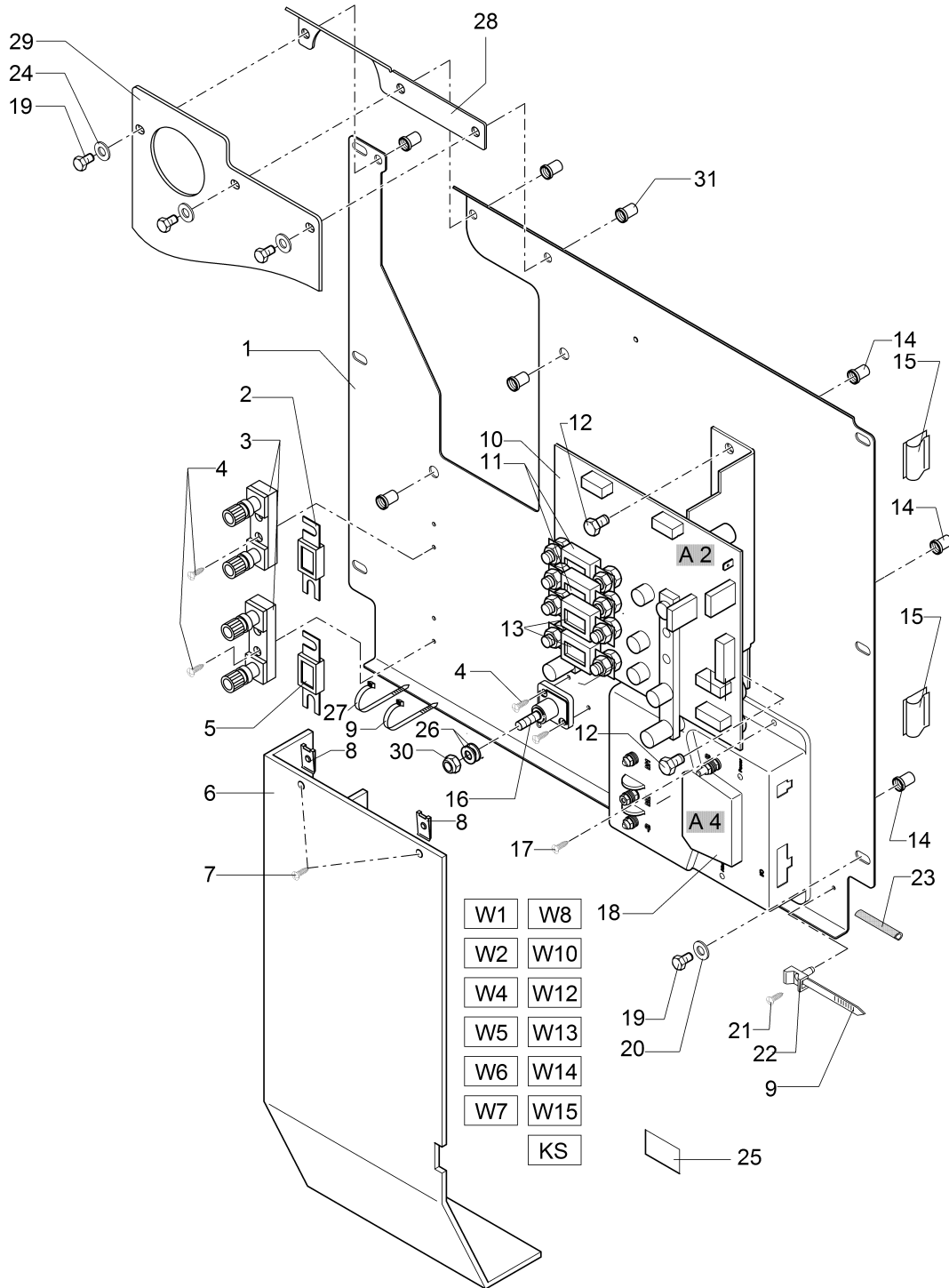
Electric (Part 2) (97099709-2A) 1999-09-01 --> 2013-05-31



Electric (Part 2) (97099709-2A) 1999-09-01 --> 2013-05-31

Item	Part number	Description	Qty.	Unit	Remarks
34	03003000	Transparency	2	PC	
35	00053750	Washer	3	PC	
36	01075430	indicator diode	1	PC	
37	00967760	Cable tie	1	PC	
38	01174780	Sheet metal	1	PC	
39	01174790	Splash guard	1	PC	
40	00051510	Hex. Nut	1	PC	
41	00152830	Clamp strip	1	PC	
42	01174800	Sheet metal	1	PC	
43	00133120	Nut	3	PC	
KS	03013430	Cable loom	1	PC	
W1	---	Spare part on request	1		97067508 Wiring harness W1
W2	---	Spare part on request	1		97067516 Wiring harness W2
W3	03013370	Wiring harness W3	1	PC	
W4	---	Spare part on request	1		97067532 Wiring harness W4
W5	---	Spare part on request	1		97067540 Wiring harness W5
W6	03013380	Wiring harness W6	1	PC	
W7	03013390	Wiring harness W7	1	PC	
W8	---	Spare part on request	1		97067573 Wiring harness W8
W10	---	Spare part on request	1		97067599 Wiring harness W10
W12	03013360	Wiring harness W12	1	PC	
W13	---	Spare part on request	1		97067623 Wiring harness W13
W14	---	Spare part on request	1		97067631 Wiring harness W14
W15	---	Spare part on request	1		97069892 Wiring harness W15

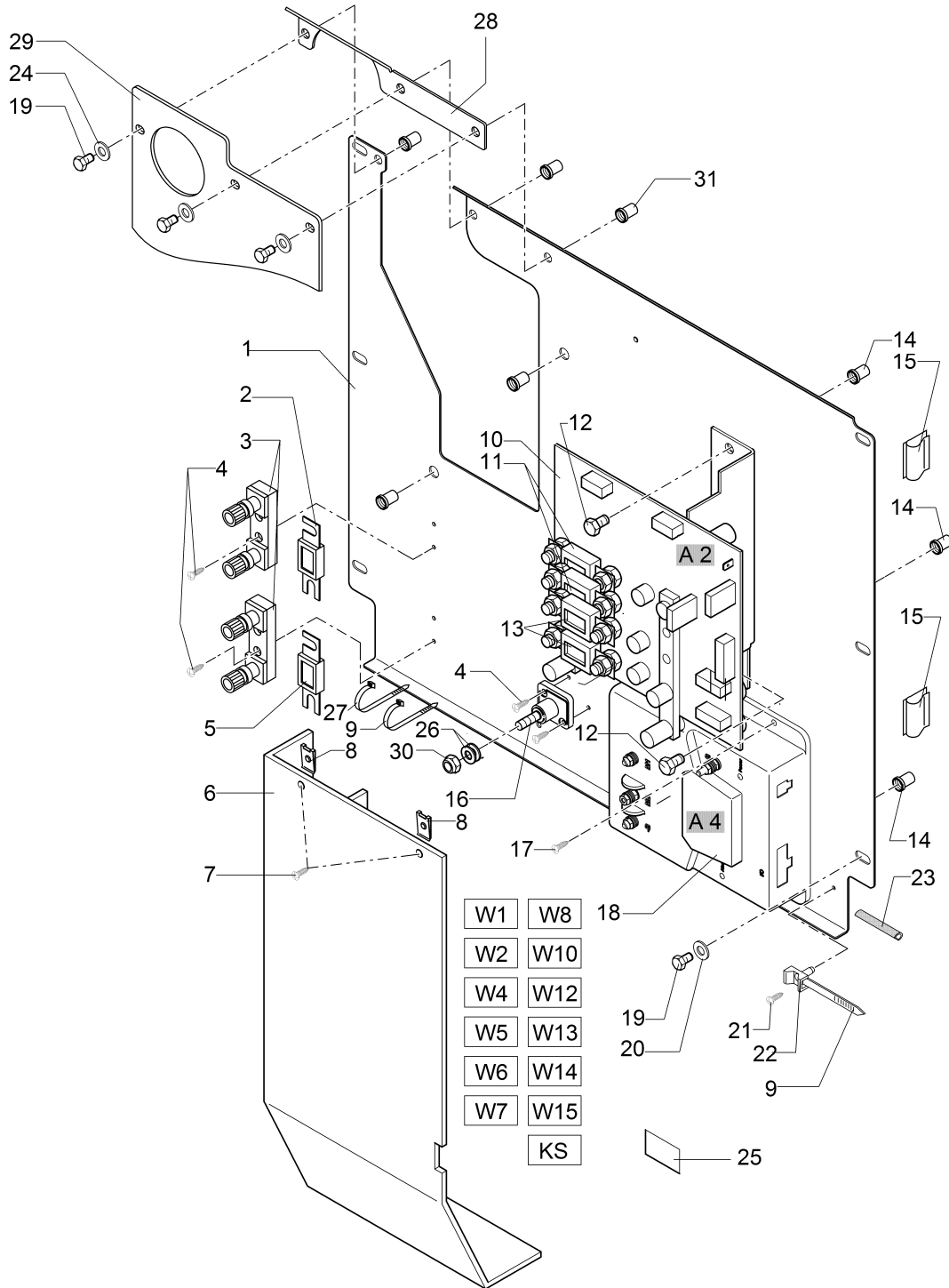
Electric (Part 2) (97099709-2B) 2013-06-01 -->



Electric (Part 2) (97099709-2B) 2013-06-01 -->

Item	Part number	Description	Qty.	Unit	Remarks
1	---	Spare part on request	1		96142989 Control panel
2	01056100	Fuse	1	PC	
3	00121440	Fuse holder	2	PC	
4	00157110	Tapping screw	6	PC	
5	00059580	Fuse	1	PC	
6	00712150	Dust cover	1	PC	
7	00538900	Tapping screw	2	PC	
8	00903540	Snap nut	2	PC	
9	00121010	Cable tie	2	PC	
10	00752920	Module	1	PC	
11	00876690	Fuse	2	PC	
12	00151810	Hexagon screw	2	PC	
13	00744700	Fuse	2	PC	
14	00552770	Rivet nut	5	PC	
15	00020650	Cable clip	2	PC	
16	00744670	Single clamp	1	PC	
17	00052620	Fillister-head screw	4	PC	
18	01276290	Driving control ITALSEA	1	PC	
19	00025260	Hexagon screw	5	PC	
20	00135120	Washer	5	PC	
21	00134850	Tapping screw	2	PC	
22	00780710	Socket	1	PC	
23	00721090	Edge protection	0,050	M	
24	00053730	Washer	3	PC	
25	03003000	Transparency	2	PC	
26	00053750	Washer	3	PC	
27	00967760	Cable tie	1	PC	
28	01174780	Sheet metal	1	PC	
29	01174790	Splash guard	1	PC	
30	00051510	Hex. Nut	1	PC	
31	00133120	Nut	3	PC	
KS	03013500	Cable loom	1	PC	
W1	---	Spare part on request	1		97067508 Wiring harness W1
W2	---	Spare part on request	1		97067516 Wiring harness W2
W4	---	Spare part on request	1		97067532 Wiring harness W4
W5	---	Spare part on request	1		97067540 Wiring harness W5

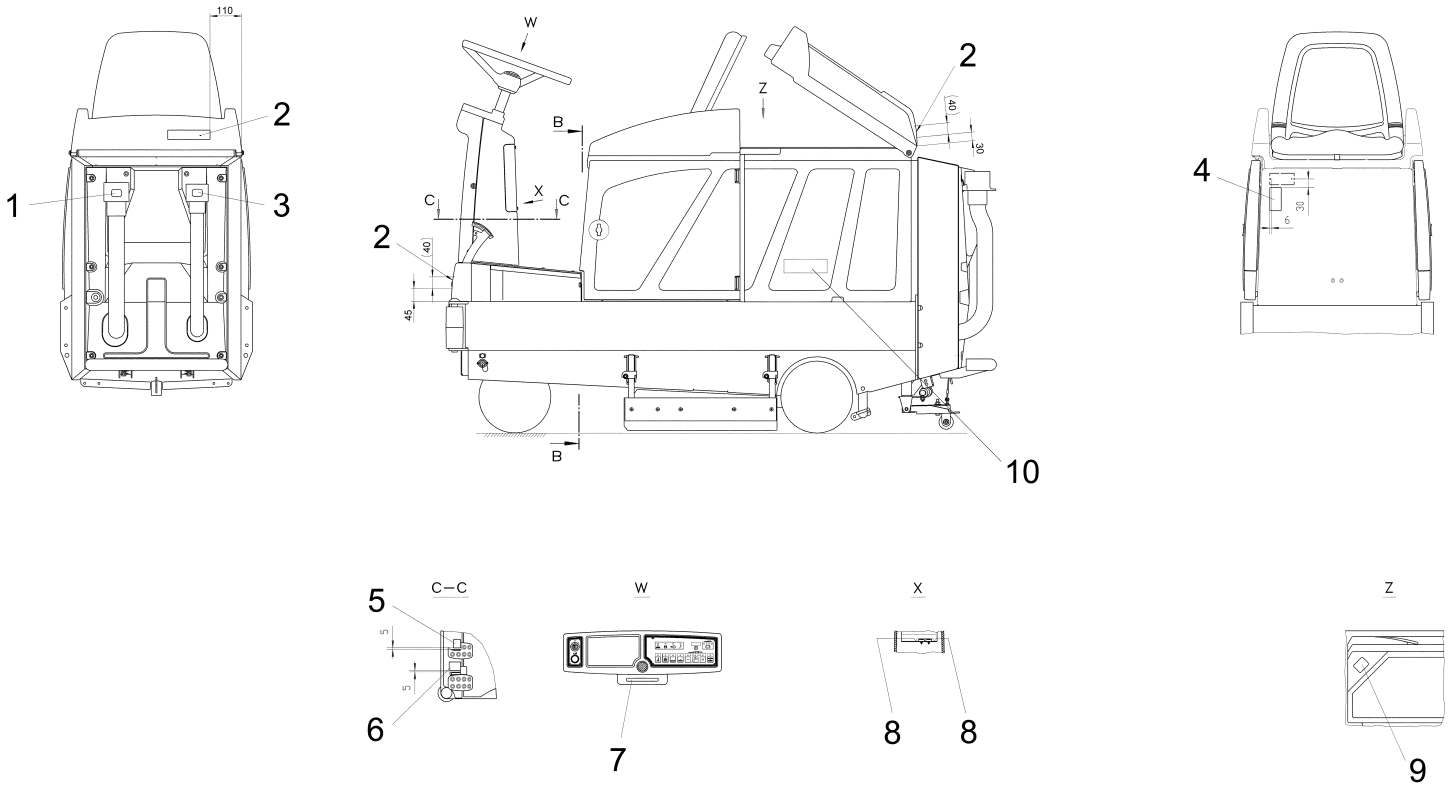
Electric (Part 2) (97099709-2B) 2013-06-01 -->



Electric (Part 2) (97099709-2B) 2013-06-01 -->

Item	Part number	Description	Qty.	Unit	Remarks
W6	03013480	Wiring harness W6	1	PC	
W7	03013490	Wiring harness W7	1	PC	
W8	---	Spare part on request	1		97067573 Wiring harness W8
W10	---	Spare part on request	1		97067599 Wiring harness W10
W12	03013470	Wiring harness W12	1	PC	
W13	---	Spare part on request	1		97067623 Wiring harness W13
W14	---	Spare part on request	1		97067631 Wiring harness W14
W15	---	Spare part on request	1		97069892 Wiring harness W15

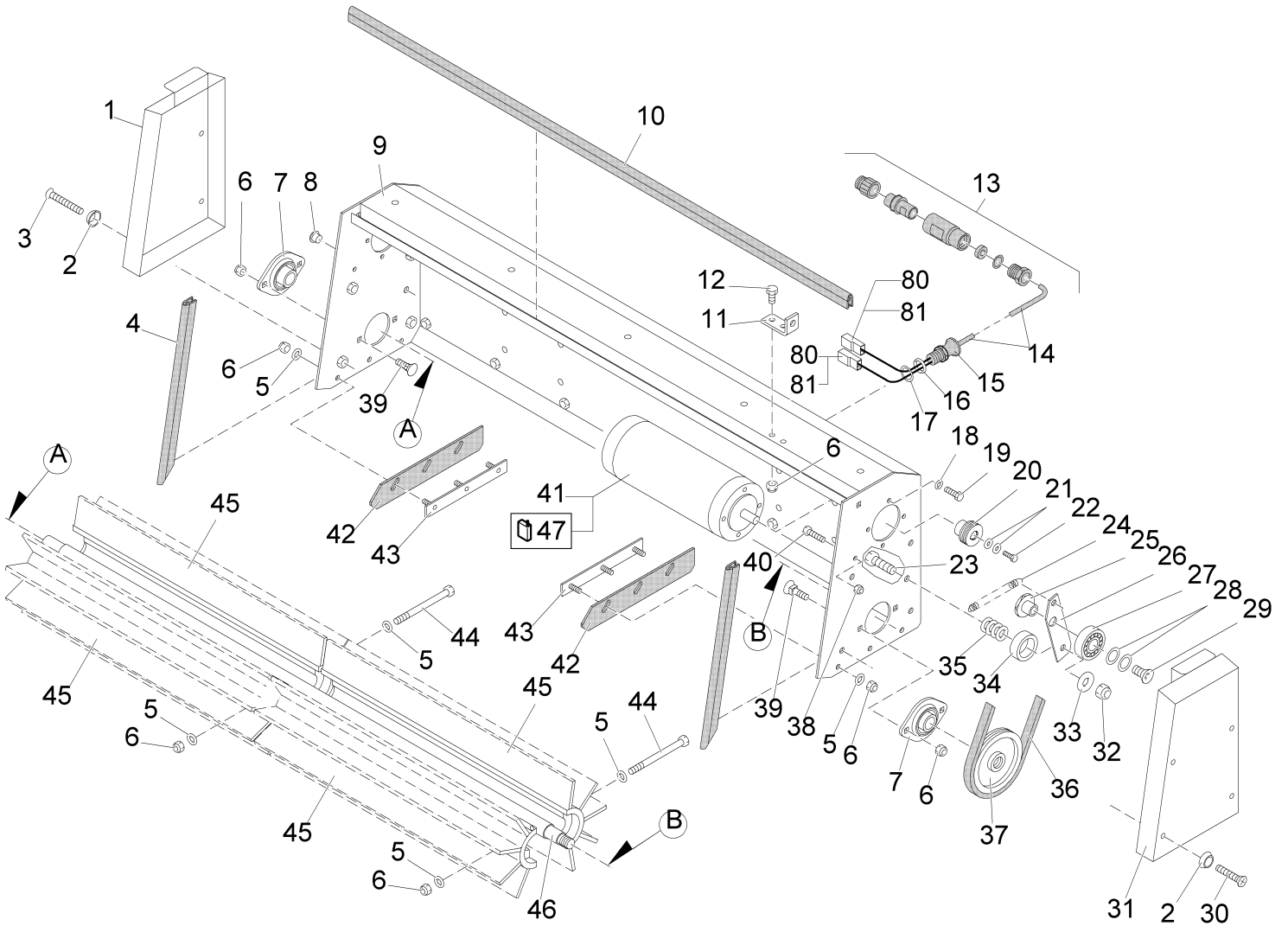
Labels Admiral 36 (97100085)



Labels Admiral 36 (97100085)

Item	Part number	Description	Qty.	Unit	Remarks
1	01170060	Decal FOUL WATER	1	PC	
2	03008390	Decal POWERBOSS	1	PC	
3	01170150	Decal SOLUTION TANK	1	PC	
4	01071710	Decal "Instruction manual"	1	PC	
5	01074580	Decal BRUSH PRESSURE	1	PC	
6	01131560	Decal PARKING BRAKE	1	PC	
7	03008010	Decal ADMIRAL SERIES	1	PC	
8	03003000	Transparency	2	PC	"5A"
9	01074400	Decal caustic solution tank	1	PC	
10	03008960	Decal ADMIRAL 36	1	PC	

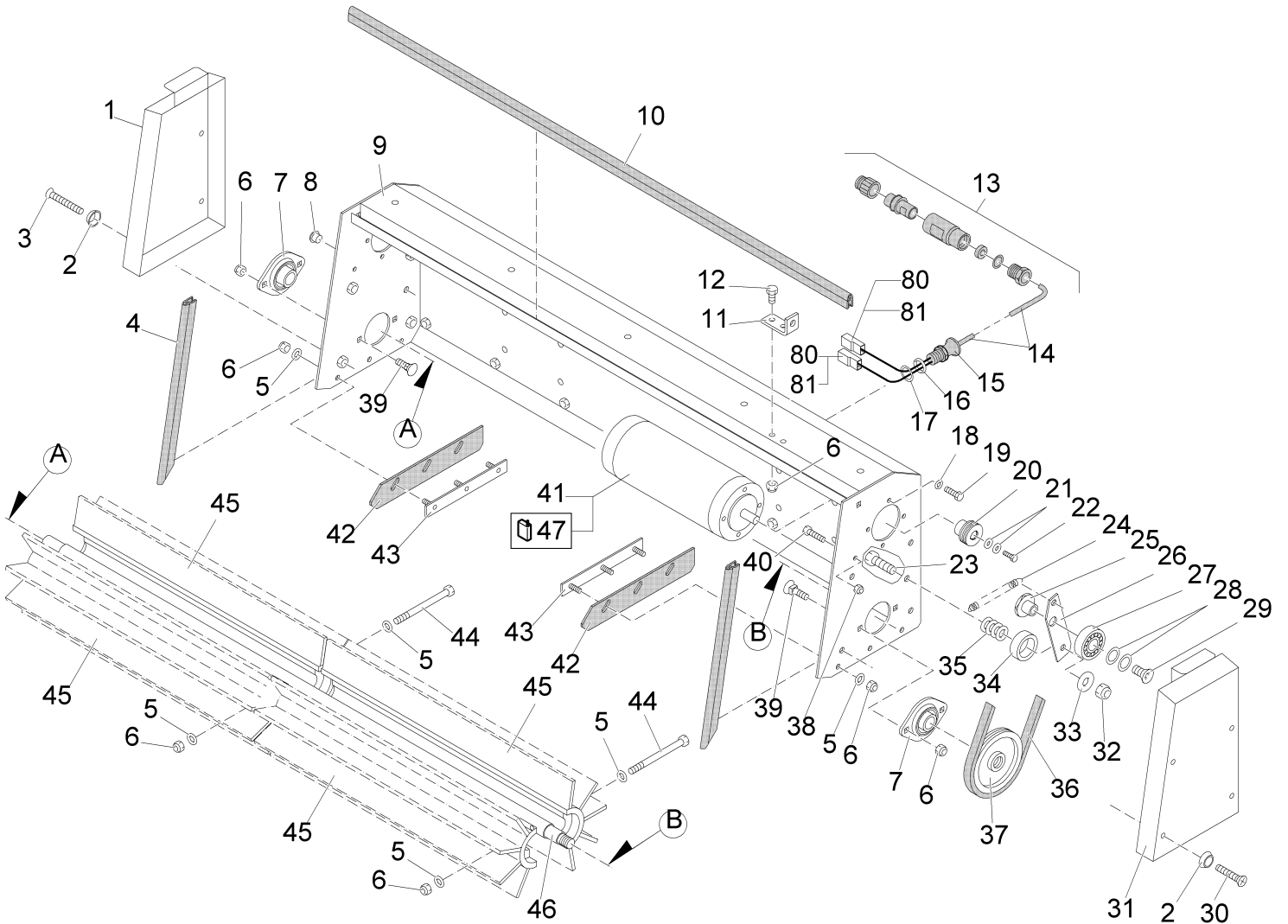
Pre-sweeper unit (7604) part 1 (99760400BT10)



Pre-sweeper unit (7604) part 1 (99760400BT10)

Item	Part number	Description	Qty.	Unit	Remarks
1	01056550	Cover, right	1	PC	
2	00157690	Annular plate	18	PC	
3	00529260	Countersunk screw	4	PC	
4	00800100	Edge protection	2x890 mm	M	
5	00053730	Washer	18	PC	
6	00051520	Hex. Nut	18	PC	
7	00059770	Flange bearing	2	PC	
8	00902300	Drain plug	3	PC	
9	01056570	Housing	1	PC	
10	00800100	Edge protection	1040m m	M	
11	00875790	Angle	1	PC	
12	00104500	Hexagon screw	2	PC	
13	00059760	Connector	1	PC	
14	03010460	Wiring harness	1	PC	
15	00964270	Screw connection	1	PC	
16	00057720	O-ring oil resistant	1	PC	
17	00538350	Adjusting washer	1	PC	
18	00053720	Washer	4	PC	
19	00054410	Hex.bolt	3	PC	
20	01056590	Belt pulley	1	PC	
21	00557150	Washer	2	PC	
22	00023080	Hex.bolt	1	PC	
23	00053100	Hexagon screw	1	PC	
24	00046980	Tension spring	1	PC	
25	00705300	Special nut	1	PC	
26	01056680	Tension lever	1	PC	
27	00126330	Deep groove ball bearing	1	PC	
28	00046720	Adjusting washer	2	PC	
29	00705440	Countersunk screw	1	PC	
30	00529260	Countersunk screw	4	PC	
31	01056600	Cover, left	1	PC	
32	00051510	Hex. Nut	9	PC	
33	00042900	Washer	1	PC	
34	00866130	Ring	1	PC	

Pre-sweeper unit (7604) part 1 (99760400BT10)

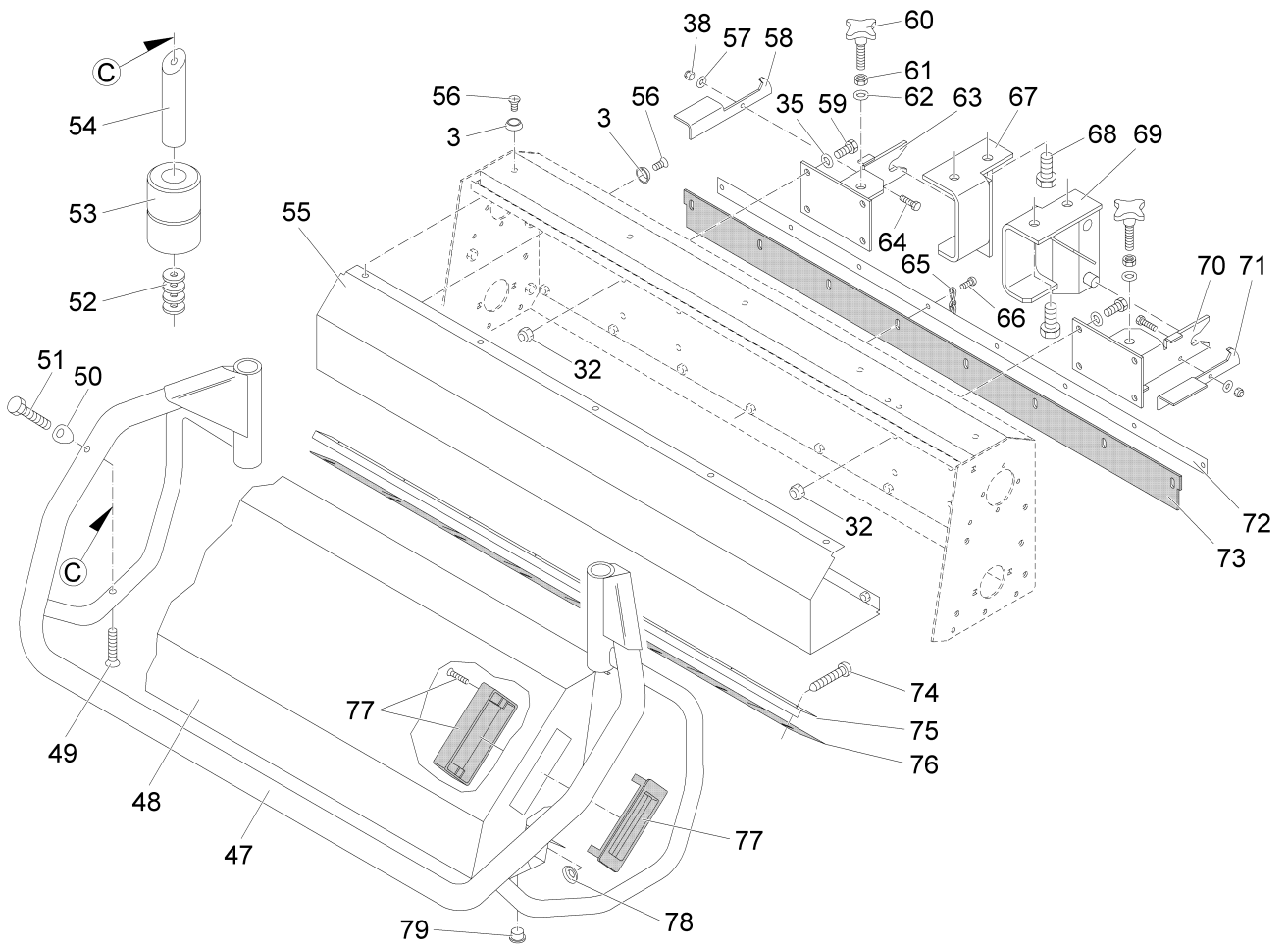


Pre-sweeper unit (7604) part 1 (99760400BT10)

Item	Part number	Description	Qty.	Unit	Remarks
35	00053750	Washer	14	PC	
36	00142110	Wedge rib belt	1	PC	
37	00059790	Belt pulley	1	PC	
38	00051340	Hex. Nut	4	PC	
39	00076540	Screw	2	PC	
40	00109540	Hex.bolt	1	PC	
41	00981100	PM-motor	1	PC	
42	00059780	Sealing strip	2	PC	
43	00875710	Metal strip	2	PC	
44	00155200	Hex.bolt	6	PC	
45	00370640	Half tray (sweeper roller)	4	PC	
46	00245300	Pipe	1	PC	
47	01057310	Carbon brush holder	1	PC	
80	00559670	Case	2	PC	
81	00083640	Plastic cover	2	PC	

Pre-sweeper unit (7604) part 2 (99760400BT20)

Ⓑ

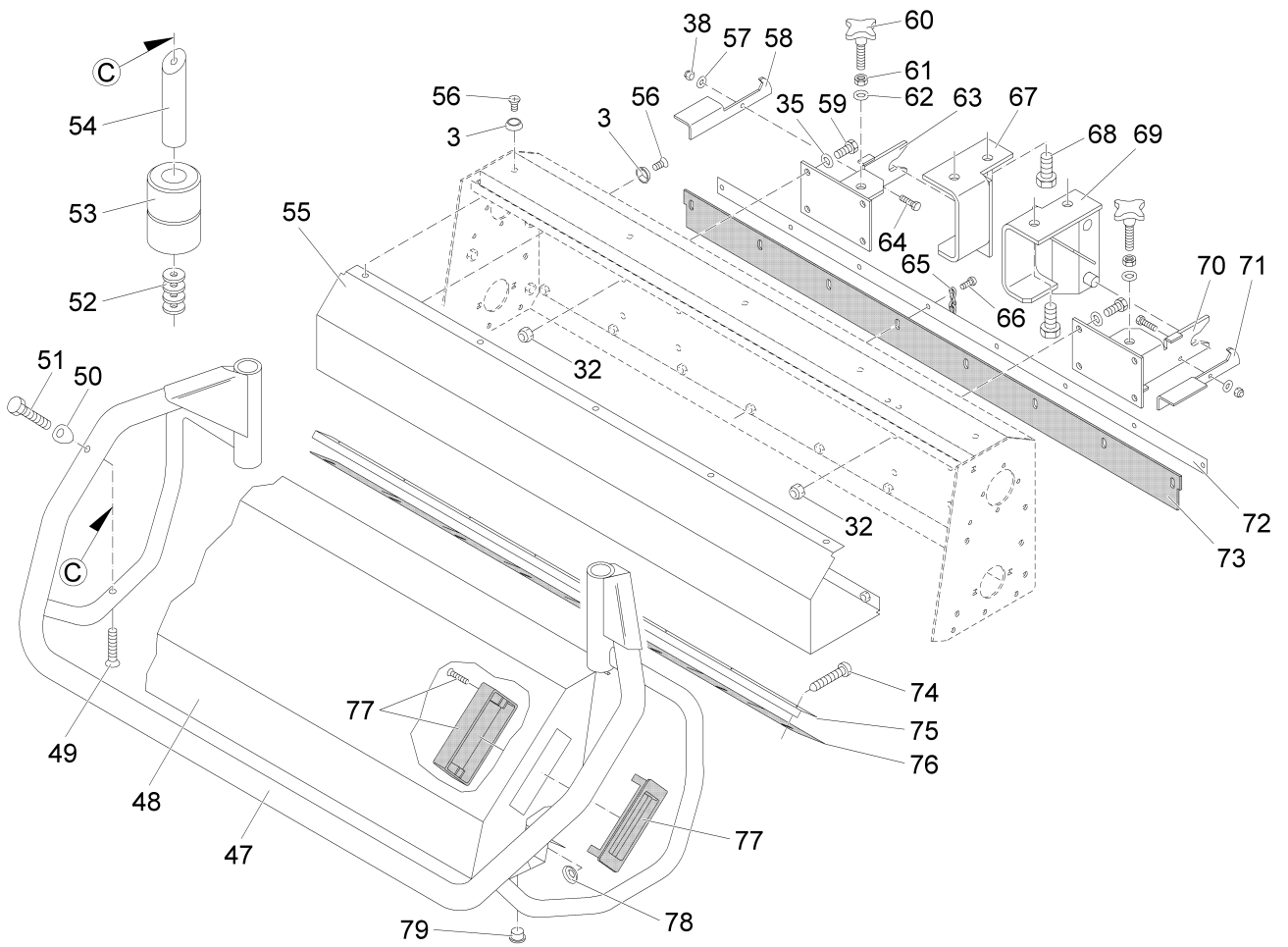


Pre-sweeper unit (7604) part 2 (99760400BT20)

Item	Part number	Description	Qty.	Unit	Remarks
3	00157690	Annular plate	18	PC	
32	00051510	Hex. Nut	9	PC	
35	00053750	Washer	14	PC	
38	00051340	Hex. Nut	4	PC	
47	00036420	Protective frame	1	PC	
48	00018600	Tank	1	PC	
49	00903480	Countersunk screw	2	PC	
50	00748400	Washer	2	PC	
51	00053130	Hexagon screw	2	PC	
52	00879170	Washer	4	PC	
53	00071000	Roller	2	PC	
54	00070990	Bolt	2	PC	
55	00245290	Profiled sheet	1	PC	
56	00871440	Countersunk screw	11	PC	
57	00555520	Washer	4	PC	
58	00046970	Click	1	PC	
59	00553690	Hex.bolt	8	PC	
60	00059820	Star-handle bolt	2	PC	
61	00053360	Hex. Nut	2	PC	
62	00053760	Washer	2	PC	
63	00821720	Mounting plate	1	PC	
64	00106160	Hex.bolt	2	PC	
65	00042830	Grounding chain	1	PC	
66	00108650	Fillister-head screw	8	PC	
67	00421830	Holder R.H.	1	PC	
68	00053190	Hex.bolt	4	PC	
69	00421810	Holder L.H.	1	PC	
70	00821700	Mounting plate	1	PC	
71	00046990	Click	1	PC	
72	00245150	Sheet metal	1	PC	
73	00512410	Sealing strip	1	PC	
74	00157110	Tapping screw	8	PC	
75	00245310	Angle plate	1	PC	
76	00512380	Sealing rim	1	PC	
77	00421820	Handle grip	2	PC	
78	00047000	Snap nut	8	PC	

Pre-sweeper unit (7604) part 2 (99760400BT20)

Ⓑ

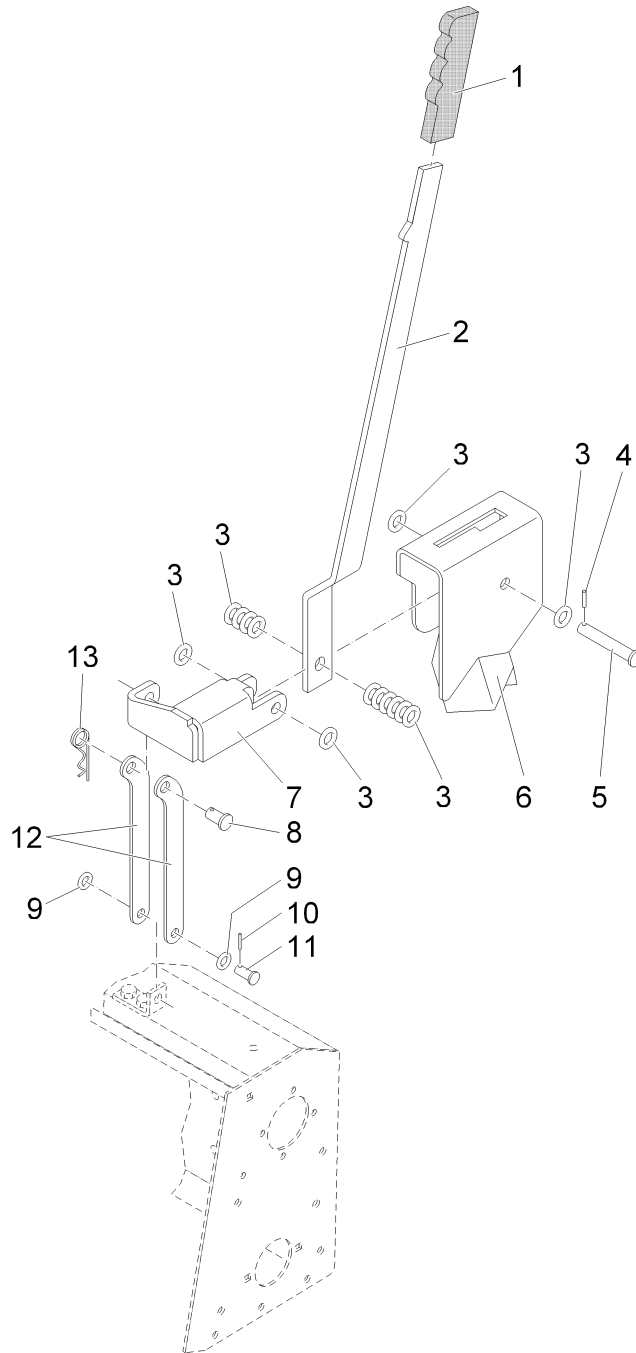


Pre-sweeper unit (7604) part 2 (99760400BT20)

Item	Part number	Description	Qty.	Unit	Remarks
79	00902300	Drain plug	3	PC	

Lifting B910 (7618) (99760400BT40)

Admiral 35



Lifting B910 (7618) (99760400BT40)

Item	Part number	Description	Qty.	Unit	Remarks
1	00552970	Handle	1	PC	
2	01056630	Lever	1	PC	
3	00053760	Washer	14	PC	
4	00551410	Cotter pin	1	PC	
5	01056640	Bolt	1	PC	
6	01056650	Gear shifting gate	1	PC	
7	01056660	Handle	1	PC	
8	00138400	Bolt	1	PC	
9	00053750	Washer	2	PC	
10	00054860	Cotter pin	1	PC	
11	00055030	Bolt	1	PC	
12	01056670	Bracket	2	PC	
13	00741270	Spring cotter	1	PC	

Warranty Information

Revision F
Effective November 1, 2008
PowerBoss Made Simple Industrial Limited Warranty

Minuteman International owner of PowerBoss warrants to the original purchaser/user that the product is free from defects in workmanship and materials under normal use. PowerBoss will, at its option, repair or replace without charge, parts that fail under normal use and service when operated and maintained in accordance with the applicable operation and instruction manuals. All warranty claims must be submitted through and approved by factory authorized repair stations.

This warranty does not apply to normal wear, or to items whose life is dependent on their use and care. Parts not manufactured by PowerBoss are covered by and subject to the warranties and/or guarantees of their manufacturers. Please contact Minuteman International for procedures in warranty claims against these manufacturers.

Special warning to purchaser -- Use of replacement parts not manufactured by PowerBoss or its designated licensees, will void all warranties expressed or implied. A potential health hazard exists without original equipment replacement.

All warranted items become the sole property of Minuteman International or PowerBoss or its original manufacturer, whichever the case may be.

PowerBoss disclaims any implied warranty, including the warranty of merchantability and the warranty of fitness for a particular purpose. PowerBoss assumes no responsibility for any special, incidental or consequential damages.

This limited warranty is applicable only in the U.S.A. and Canada, and is extended only to the original user/purchaser of this product. Customers outside the U.S.A. and Canada should contact their local distributor for export warranty policies. PowerBoss is not responsible for costs or repairs performed by persons other than those specifically authorized by PowerBoss. This warranty does not apply to damage from transportation, alterations by unauthorized persons, misuse or abuse of the equipment, use of non-compatible chemicals, or damage to property, or loss of income due to malfunctions of the product. If a difficulty develops with this machine, you should contact the dealer from whom it was purchased.

This warranty gives you specific legal rights, and you may have other rights, which vary from state to state. Some states do not allow the exclusion or limitation of special, incidental or consequential damages, or limitations on how long an implied warranty lasts, so the above exclusions and limitations may not apply to you.

	Travel*	Labor	Parts	Engine	Extended Warranty	Costs
Walk behinds						
Battery sweepers	Ninety days	One year	One year	N/A	2 years Parts + Labor (or 2000 Hours)	2%
IC sweepers	Ninety days	One year	One year	Through manufacturer	2 years Parts + Labor (or 2000 Hours)	2%
Battery scrubbers	Ninety days	Two years	Three years	N/A	3 Years Parts + Labor (or 3000 Hours)	2%
Riders						
Battery scrubbers	Ninety days	Two years	Three years/2000 hrs	N/A	3 Years Parts + Labor (or 3000 Hours)	2%
IC sweeper/scrubbers	Ninety days	Six months	Two years/2000 hrs	Two years/3000 hrs**	2 years Parts + Labor (or 2000 Hours)	3%
IC sweepers	Ninety days	Six months	Four years/3000 hrs	Five years/3000 hrs**	4 Years Parts + 2 Years Labor (or 4000 Hours)	3%
Exceptions						
Apex series sweeper	Ninety days	One year	One year/1000 hrs	One year/1000 hrs**	2 years Parts + Labor (or 2000 Hours)	3%
6X sweeper	Ninety days	Six months	Two years/2000 hrs	Two years/2000 hours**	2 years Parts + Labor (or 2000 Hours)	3%

Tank Bladders Eight years/ no additional labor
Polypropylene plastic tanks Ten years/ no additional labor
Batteries 0-3 months full replacement, 4-12 prorated credit
Chargers One-year replacement
Replacement parts Ninety days

*Two-hour cap

**Through engine manufacturer. See section 3 of warranty manual for engine warranty exceptions

*** Based upon dealer's certification status

Extended Warranty MUST be signed up within 30 days of delivery to End User (Dealer has 1Year from Receiving Machine to Sign up extended Warranty)

Extended Warranty Cost is based on Invoice Price multiplied by the Percentage listed in the Extended Warranty Column

All above labor and travel reimbursed at 65 or 75% of the published shop rate.



“The Power of Clean”

PowerBoss Is A Full Line Manufacturer Of Sweepers and Scrubbers For Industrial Facilities.

PowerBoss, Inc 175 Anderson Street P.O. Box 1227- Aberdeen North Carolina 28315

Phone: 800-982-7141 - Fax: 1-800-277-7141 Local: 910-944-2105 Fax: 910-944-7409 e-mail: techsupport@powerboss.com

A Member Of The Hako Group