

# PARTS



**Volume I**

**NH RAPTOR AND NH 200 OSPREY**

**Parts Manual**

# Table of Contents

---

Raptor	
Broom	4
Fan	6
Frame and Hopper	8
Hydraulics	11
Pick-up head	12
Pump and Controls	13
Tool Box and Water System	14
NH 200 Osprey	
Broom	17
Fan	19
Frame and Hopper	21
Hydraulics	24
Pick-up head	25
Pump and Controls	26
Tool Box and Water System	28
Exploded Views and Schematics	
Pick-up Head Exploded View	29
Broom Exploded View	31
Belt Routing Diagram	32
Electrical Schematic	33
Hydraulic Schematic	35

# RAPTOR



# Broom



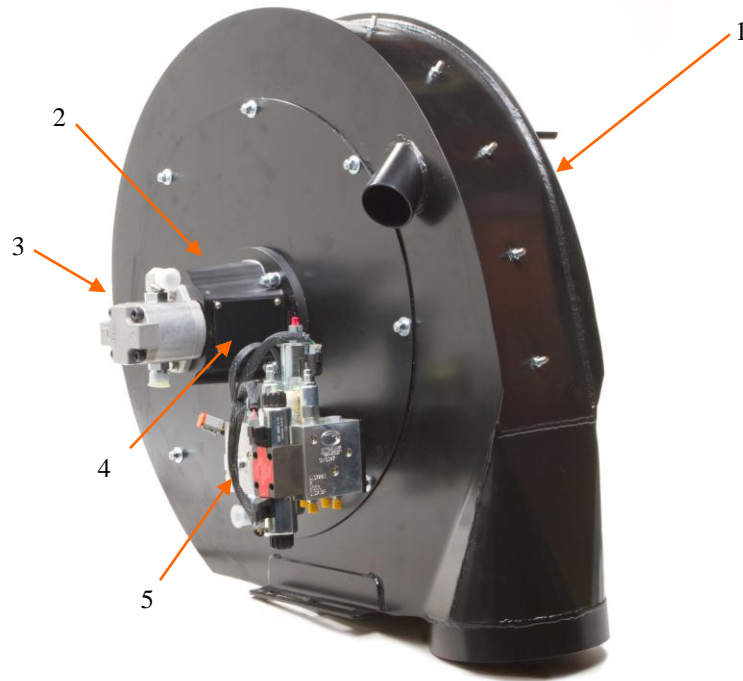
DRIVER SIDE BROOM ASSEMBLY			
#	QTY	DESCRIPTION	PART NUMBER
1	1	Frame Mount	CB-1820
2	1	Cylinder	HY-1002
3	1	Turnbuckle	CB-1300
4	1	Arm	CB-1000
5	1	Inline Check Valve	HY-1707
6	1	Spring	CB-1400
7	1	Eyebolt	HW-1036
8	1	Dish	CB-1100
9	1	Motor Mount	CB-1200
10	1	Motor	HY-1426
11	1	Replacement Brush	CB-1500



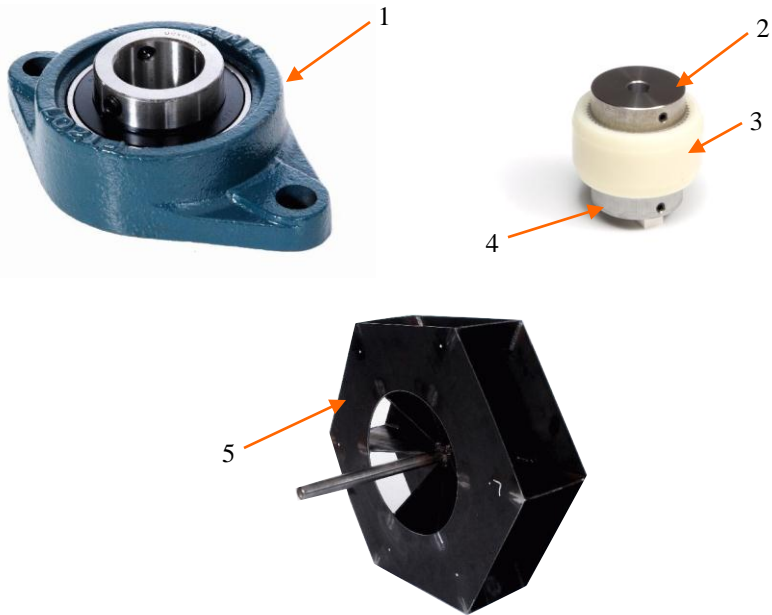
PASSENGER SIDE BROOM ASSEMBLY			
#	QTY	DESCRIPTION	PART NUMBER
1	1	Frame Mount	CB-1825
2	1	Cylinder	HY-1002
3	1	Arm	CB-1010
4	1	Inline Check Valve	HY-1707
5	1	Spring	CB-1400
6	1	Turnbuckle	CB-1350
7	1	Eyebolt	HW-1036
8	1	Motor Mount	CB-1200
9	1	Motor	HY-1426
10	1	Dish	CB-1100
11	1	Replacement Brush	CB-1500

# Fan

---

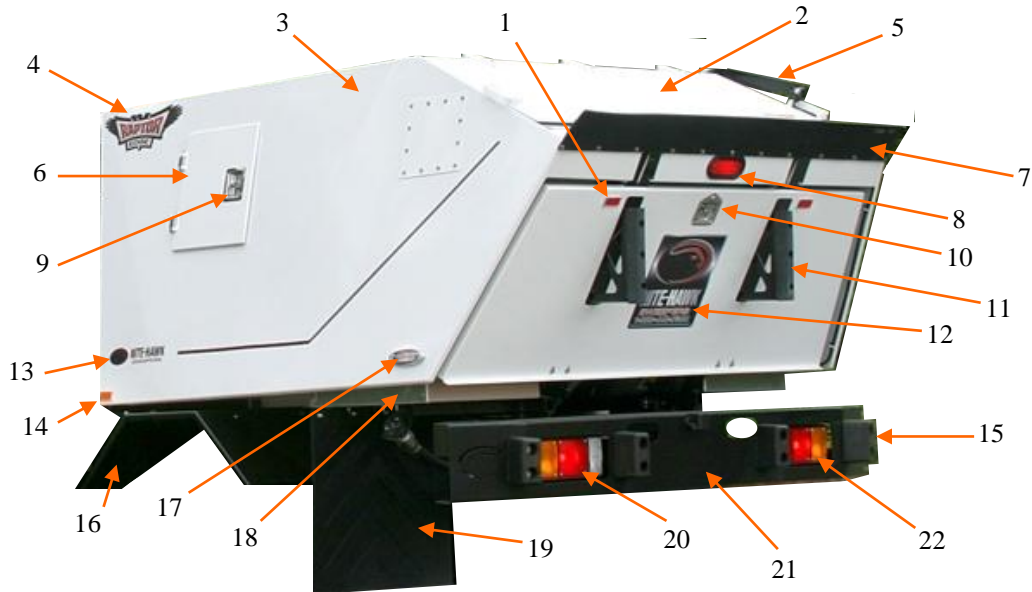


FAN HOUSING ASSEMBLY			
#	QTY	DESCRIPTION	PART NUMBER
1	1	Complete Fan Housing	FN-1353
2	1	Motor Adapter	FN-0175
3	1	Motor Adapter Cover Plate	FN-0176
4	1	Motor	HY-1444
5	1	Valve Manifold	HY-1160



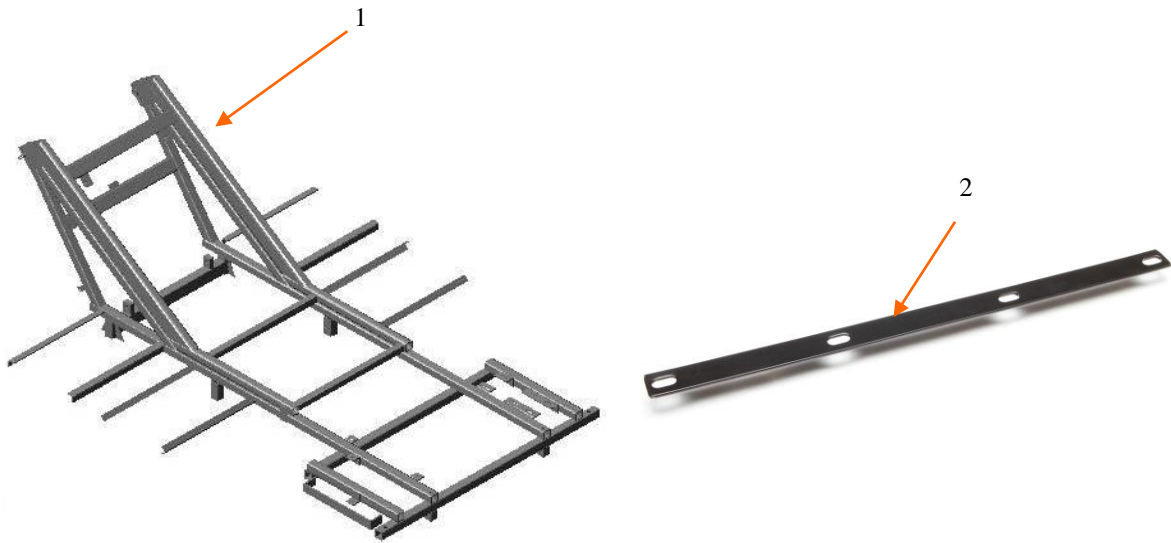
MISC FAN PARTS			
#	QTY	DESCRIPTION	PART NUMBER
1	2	Bearing	BT-1101
2	1	Motor Coupler Half	BT-1854
3	1	Coupler	BT-1853
4	1	Fan Coupler Half	BT-1851
5	1	Fan Turbine	FN-1003

# Frame and Hopper



HOPPER ASSEMBLY							
#	QTY	DESCRIPTION	PART NUMBER	#	QTY	DESCRIPTION	PART NUMBER
1	1	Red Reflector	EL-1012	12	1	NiteHawk Decal	ST-1200
2	1	Dump Door Complete	DR-1252	13	1	Back Door Complete	DR-1073
3	1	Raptor Hopper	HR-1177	14	1	Amber Reflector	EL-1002
4	1	Raptor Edge Decal	ST-1501	15	1	Dock Bumper	BP-1005
5	1	Door Lift Handle	DR-1750	16	1	Dual Wheel Fender	DP-1000
6	1	Side Door Complete	DR-1452	17	1	Side LED Marker Light	EL-1014
7	1	Whale Tail	IP-0200	18	1	Tool Tray	TL-1001
8	1	Rear Oval Marker Light	EL-1015	19	1	Dual Wheel Mud Flap	IP-1700
9	1	Side Door Latch	HW-1902	20	1	Driver Rear Combo Light	EL-3050
10	1	Back Door Latch	HW-1900	21	1	Rear Bumper	BP-1100
11	1	Dumpster Bumper	DR-0058	22	1	Pass Rear Combo Light	EL-3060





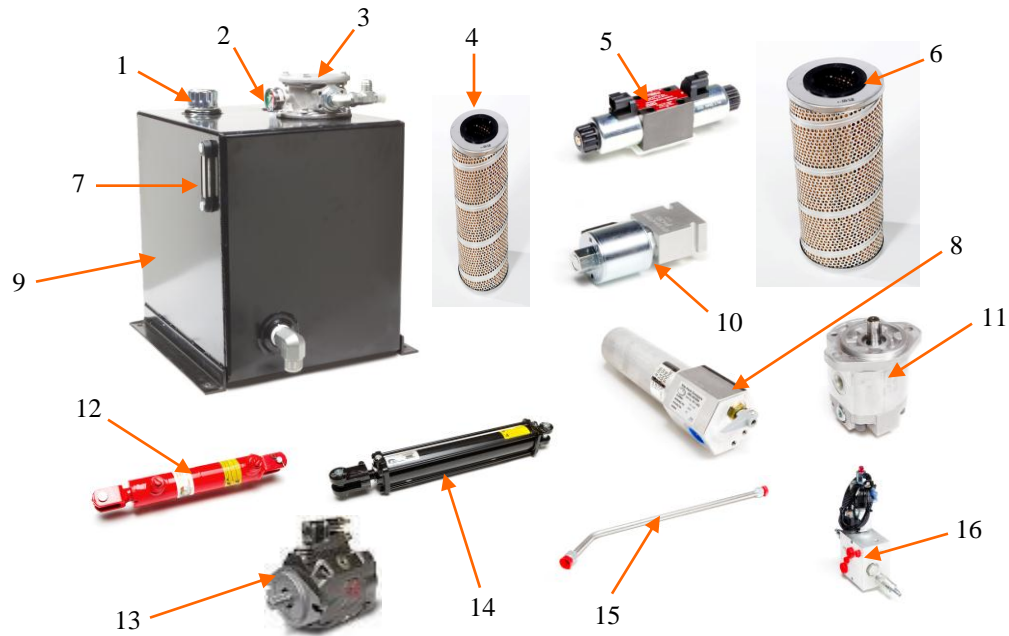
**MISC FRAME AND HOPPER PARTS**

#	QTY	DESCRIPTION	PART NUMBER
1	1	Raptor Edge Frame	DP-1808
2	1	Dual Wheel Mud Flap Bracket	DP-1302



MISC FRAME AND HOPPER PARTS			
#	QTY	DESCRIPTION	PART NUMBER
1	1	Intake Seal Holder	DP-1920
2	1	Hopper Safety Stand	ST-1300
3	1	Hopper Drain Screen	HR-1080
4	1	LED Bar Light	EL-1017
5	1	Front Bumper Assembly	BP-1120
6	1	Hopper Screen	HR-1500
7	1	Side Hose Intake Cap Plate	SH-1009

# Hydraulics



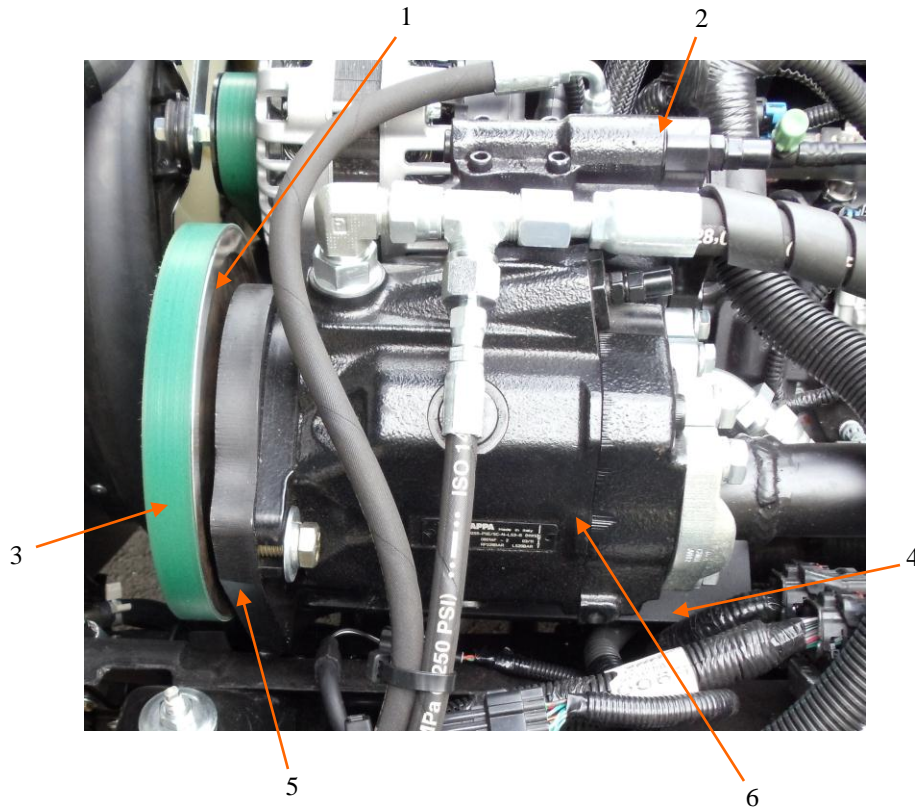
HYDRAULICS							
#	QTY	DESCRIPTION	PART NUMBER	#	QTY	DESCRIPTION	PART NUMBER
1	1	Breather Cap	HY-1201	9	1	Hydraulic Fluid Reservoir	RS-2001
2	1	Return Filter Indicator	HY-1303	10	1	Proportion Control Valve	HY-1750
3	1	Return Filter Housing	HY-1302	11	1	Fan Hydraulic Motor	HY-1441
4	1	Pressure Filter Element	HY-1350	12	1	Head/Broom Cylinder	HY-1002
5	1	DO3 Valve Head/Hopper	HY-1704	13	1	Hydraulic Pump	HY-1551
6	1	Return Filter Element	HY-1300	14	1	Hopper Dump Cylinder	HY-1005
7	1	Level Temp Gauge	HY-1250	15	1	Suction Tube Header	HS-1670
8	1	Pressure Filter Housing	HY-1352	16	1	Pass. Broom Manifold	HY-1170

# Pick-up Head

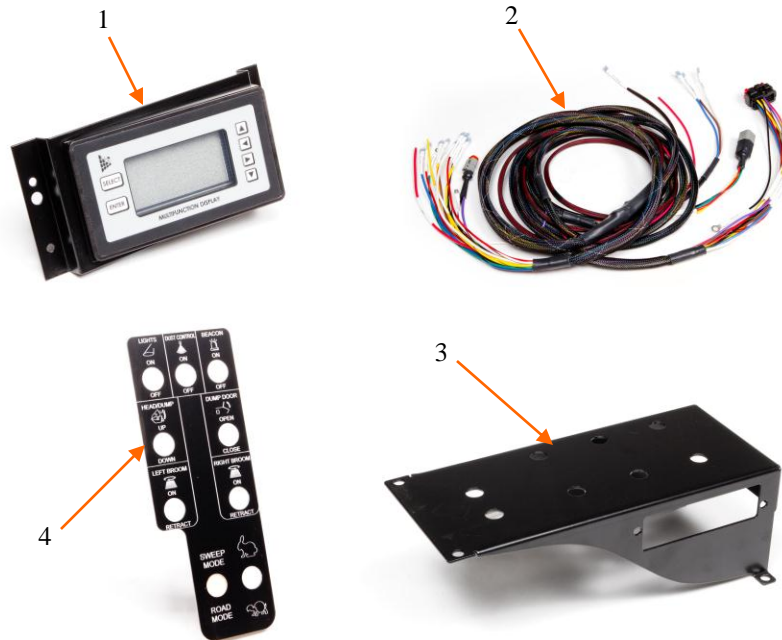


PICK-UP HEAD			
#	QTY	DESCRIPTION	PART NUMBER
1	1	Pick-up Head Complete	PU-1006
2	1	Skid Plate	PU-0212
3	1	Skid	PU-1601
4	1	Drag Bar Mount	PU-1872
5	1	Upstop Pad	US-1900
6	1	Drag Bar Shim	PU-1750
7	1	Skid Spacer	PU-1602
8	1	Flap Set	PU-1900
9	1	Upstop	US-1554
10	1	Drag Bar	PU-1707
11	1	Suction and Blow Hose	HS-1052

# Pump and Controls



RAPTOR PUMP ASSEMBLY			
#	QTY	DESCRIPTION	PART NUMBER
1	1	Pulley	BT-1414
2	1	Remote Compensator	HY-1507
3	1	Belt	BT-1018
4	1	Hydraulic Pump Shield	PM-2101
5	1	Hydraulic Pump Bracket	PM-1890
6	1	Hydraulic Pump	HY-1551



RAPTOR CONTROLS			
#	QTY	DESCRIPTION	PART NUMBER
1	1	Raptor Display	CT-1300
2	1	Raptor Wire Harness	EL-1250
3	1	Raptor Control Panel	CT-1276
4	2	Raptor Control Panel Label	EL-1410

# Tool Box and Water System



TOOL BOX AND WATER SYSTEM			
#	QTY	DESCRIPTION	PART NUMBER
1	1	Vertical Tool Box Assembly	TL-1500
2	1	Tool Box Latch	HW-1900
3	1	Water Tank	WA-1002
4	1	Water Tank Lid	WA-1050
5	1	Water Tank Strap	WA-1200
6	1	Water Nozzle Mount	WA-1600
7	9	Water Spray Nozzle	WA-1511
8	1	Raptor Front Spray Bar	WA-1312
9	1	Water Pump	WA-1500
10	1	Water Strainer	WA-1501

# NH 200 OSPREY





# Broom



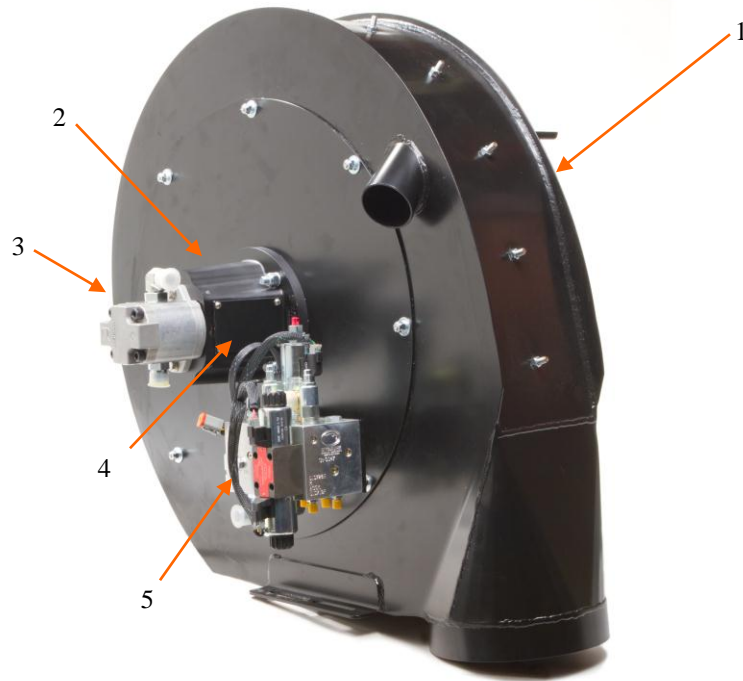
BROOM ASSEMBLY			
#	QTY	DESCRIPTION	PART NUMBER
1	1	Frame Mount	CB-1620
2	1	Cylinder	HY-1002
3	1	Turnbuckle	CB-1300
4	1	Arm	CB-1000
5	1	Inline Check Valve	HY-1707
6	1	Spring	CB-1400
7	1	Eyebolt	HW-1035
8	1	Dish	CB-1100
9	1	Motor Mount	CB-1200
10	1	Motor	HY-1426
11	1	Replacement Brush	CB-1501



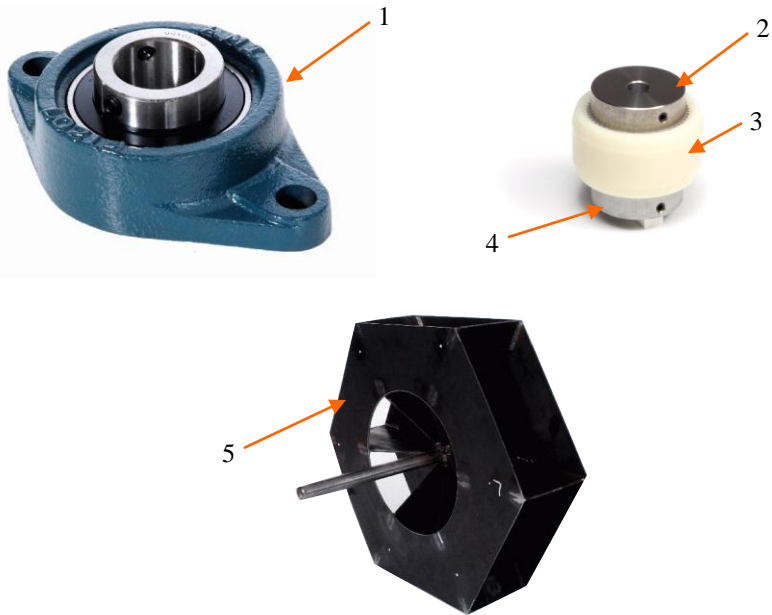
PASSENGER SIDE BROOM ASSEMBLY			
#	QTY	DESCRIPTION	PART NUMBER
1	1	Frame Mount	CB-1607
2	1	Cylinder	HY-1002
3	1	Arm	CB-1010
4	1	Inline Check Valve	HY-1707
5	1	Spring	CB-1400
6	1	Turnbuckle	CB-1350
7	1	Eyebolt	HW-1036
8	1	Motor Mount	CB-1200
9	1	Motor	HY-1426
10	1	Dish	CB-1100
11	1	Replacement Brush	CB-1501

# Fan

---

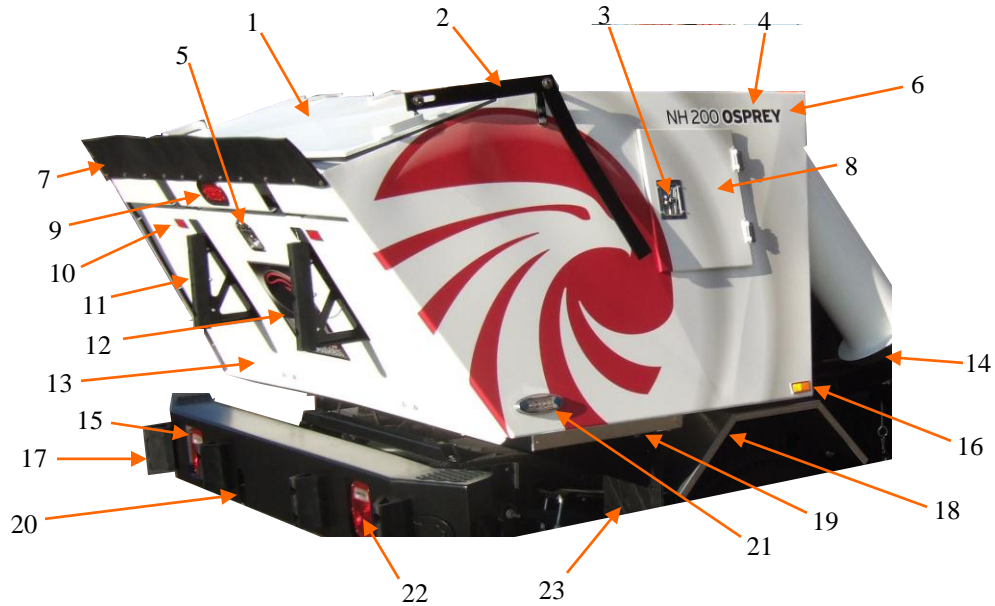


FAN HOUSING ASSEMBLY			
#	QTY	DESCRIPTION	PART NUMBER
1	1	Complete Fan Housing	FN-1353
2	1	Motor Adapter	FN-0175
3	1	Motor Adapter Cover Plate	FN-0176
4	1	Motor	HY-1444
5	1	Valve Manifold	HY-1160

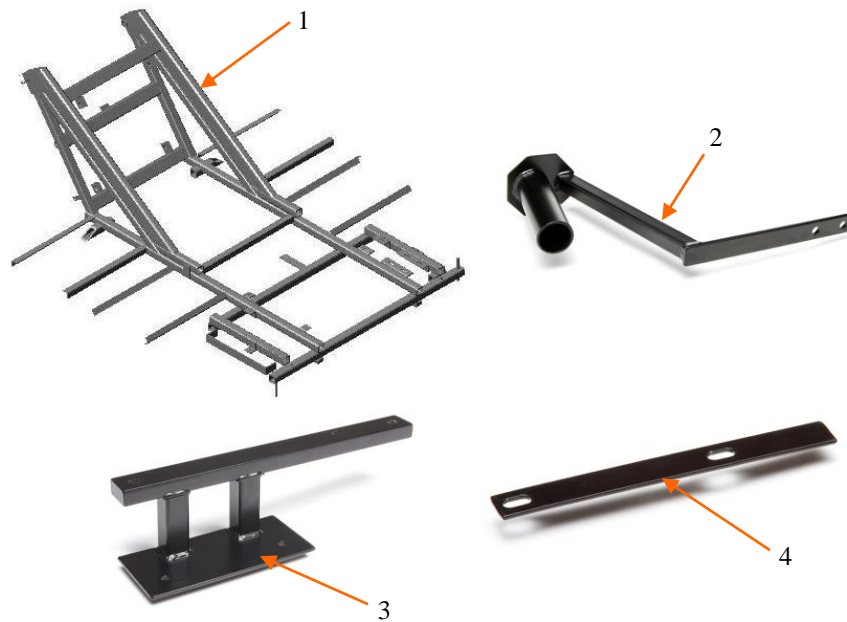


MISC FAN PARTS			
#	QTY	DESCRIPTION	PART NUMBER
1	2	Bearing	BT-1101
2	1	Motor Coupler Half	BT-1854
3	1	Coupler	BT-1853
4	1	Fan Coupler Half	BT-1851
5	1	Fan Turbine	FN-1003

# Frame and Hopper



OSPREY HOPPER ASSEMBLY							
#	QTY	DESCRIPTION	PART NUMBER	#	QTY	DESCRIPTION	PART NUMBER
1	1	Dump Door Complete	DR-1252	13	1	Back Door Complete	DR-1073
2	1	Door Lift Handle	DR-1755	14	1	Intake Seal	SE-1500
3	1	Side Door Latch	HW-1902	15	1	Driver Rear Combo Light	EL-1051
4	1	NH 200 Osprey Decal	ST-1410	16	1	Amber Reflector	EL-1002
5	1	Back Door Latch	HW-1900	17	1	Dock Bumper	BP-1005
6	1	Osprey Hopper	HR-1164	18	1	Single Wheel Fender	DP-1001
7	1	Whale Tail	IP-0200	19	1	Tool Tray	TL-1001
8	1	Side Door Complete	DR-1452	20	1	Rear Bumper	BP-1510
9	1	Rear Oval Marker Light	EL-1015	21	1	Side LED Marker Light	EL-1014
10	1	Red Reflector	EL-1012	22	1	Pass Rear Combo Light	EL-1050
11	1	Dumpster Bumper	DR-0058	23	1	Mud Flap	IP-1701
12	1	NiteHawk Decal	ST-1200				

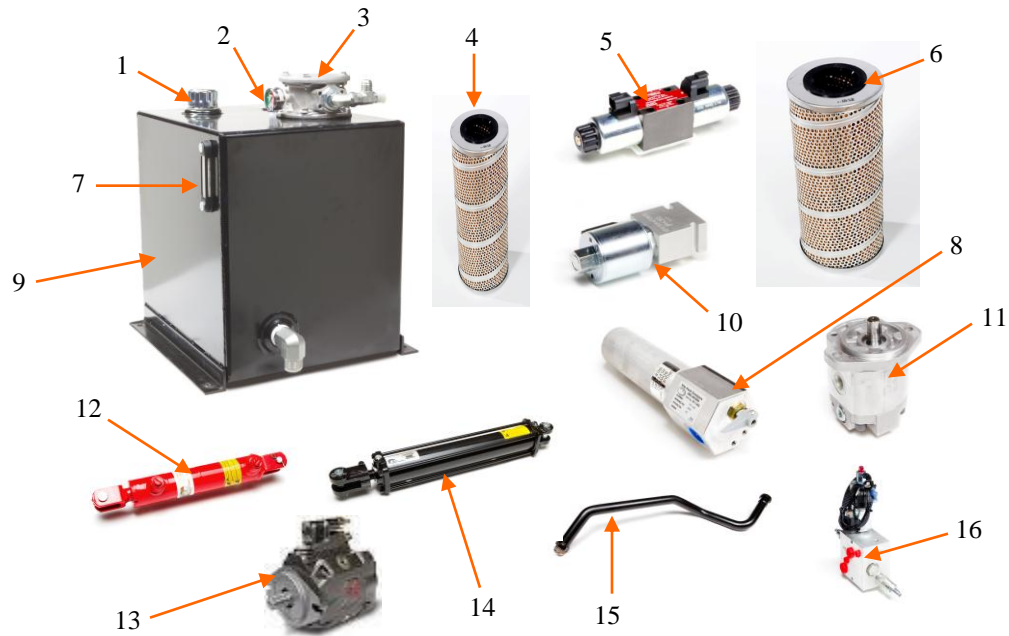


FRAME ASSEMBLY			
#	QTY	DESCRIPTION	PART NUMBER
1	1	Osprey Frame	DP-1514
2	1	Side Blower Tube Holder	DP-1952
3	1	Frame Adapter	DP-1900
4	1	Mud Flap Bracket	DP-1300



MISC FRAME AND HOPPER PARTS			
#	QTY	DESCRIPTION	PART NUMBER
1	1	Intake Seal Holder	DP-1920
2	1	Hopper Safety Stand	ST-1300
3	1	Hopper Drain Screen	HR-1080
4	1	LED Bar Light	EL-1017
5	1	Front Bumper Assembly	BP-2141
6	1	Hopper Screen	HR-1202
7	1	Side Hose Intake Cap Plate	SH-1009

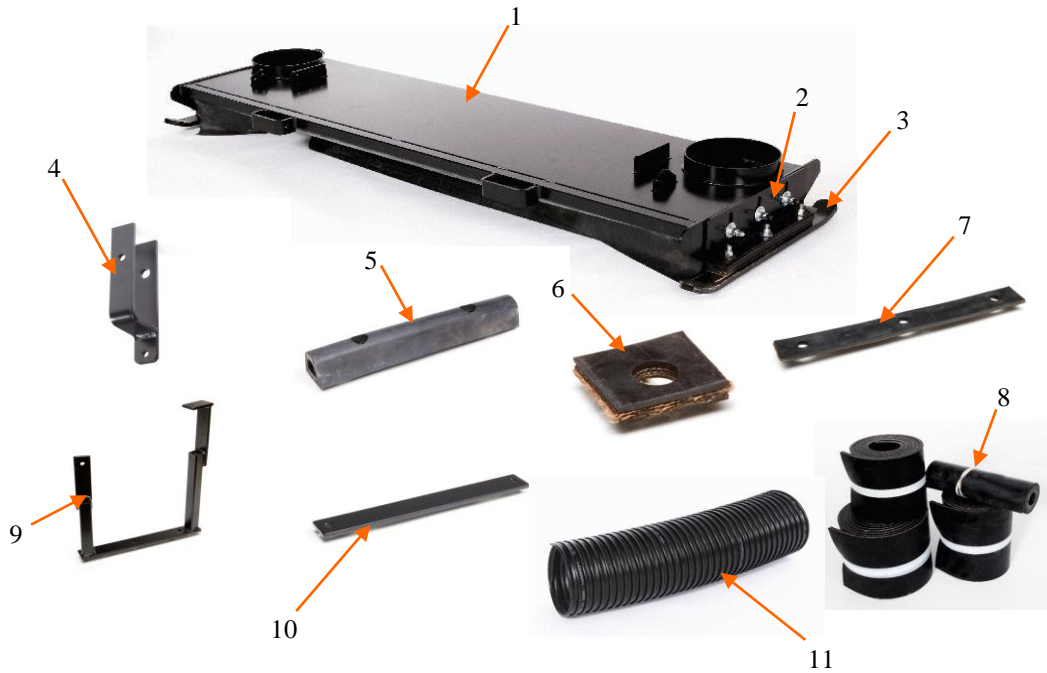
# Hydraulics



HYDRAULICS							
#	QTY	DESCRIPTION	PART NUMBER	#	QTY	DESCRIPTION	PART NUMBER
1	1	Breather Cap	HY-1201	9	1	Hydraulic Fluid Reservoir	RS-2001
2	1	Return Filter Indicator	HY-1303	10	1	Proportion Control Valve	HY-1750
3	1	Return Filter Housing	HY-1302	11	1	Fan Hydraulic Motor	HY-1441
4	1	Pressure Filter Element	HY-1350	12	1	Head/Broom Cylinder	HY-1002
5	1	DO3 Valve Head/Hopper	HY-1704	13	1	Hydraulic Pump	HY-1551
6	1	Return Filter Element	HY-1300	14	1	Hopper Dump Cylinder	HY-1004
7	1	Level Temp Gauge	HY-1250	15	1	Suction Tube Header	HS-1890
8	1	Pressure Filter Housing	HY-1352	16	1	Pass. Broom Manifold	HY-1170



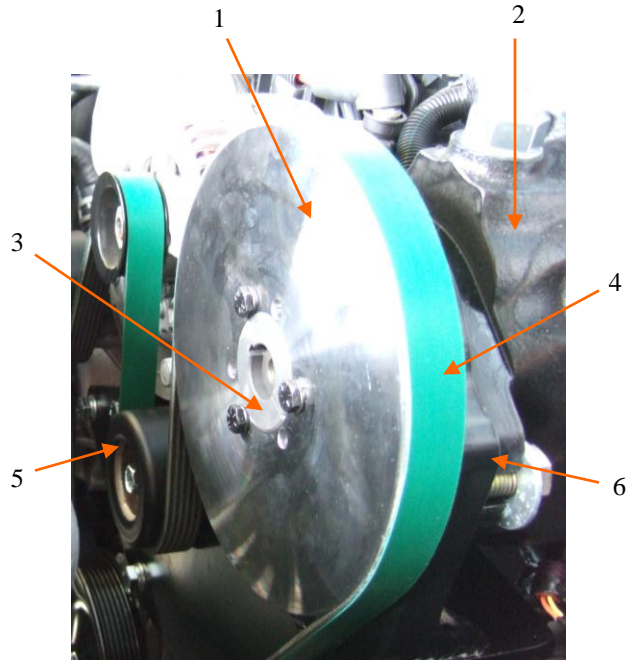
# Pick-up Head



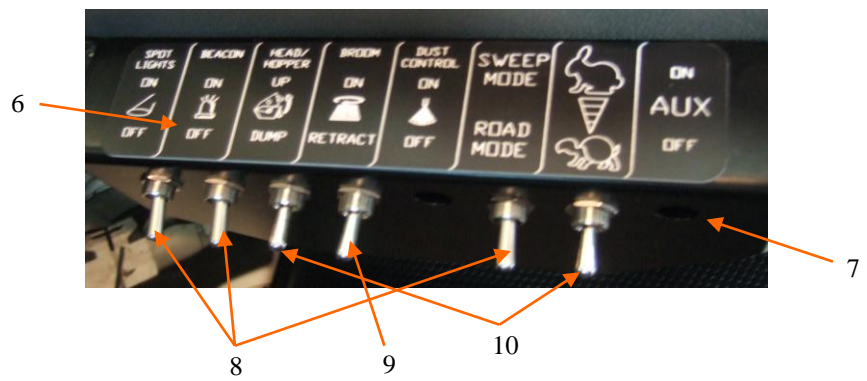
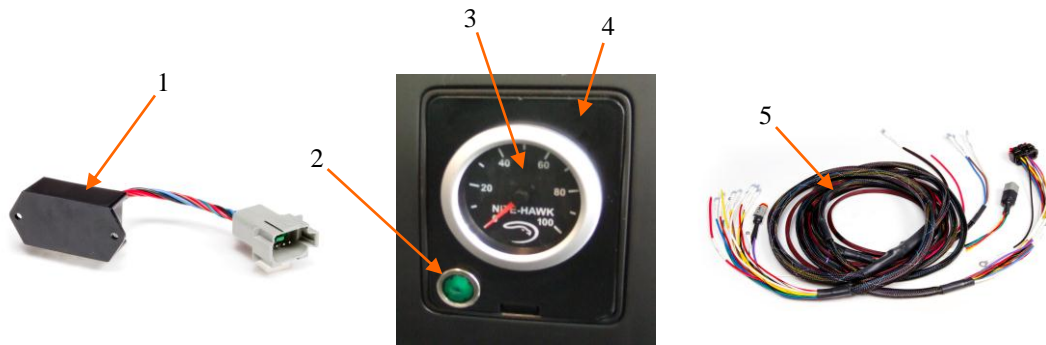
PICK-UP HEAD			
#	QTY	DESCRIPTION	PART NUMBER
1	1	Pick-up Head Complete	PU-1006
2	1	Skid Plate	PU-0212
3	1	Skid	PU-1601
4	1	Drag Bar Mount	PU-1891
5	1	Upstop Pad	US-1900
6	1	Drag Bar Shim	PU-1750
7	1	Skid Spacer	PU-1602
8	1	Flap Set	PU-1900
9	1	Upstop	US-1012
10	1	Drag Bar	PU-1707
11	1	Suction and Blow Hose	HS-1052

# Pump and Controls

---

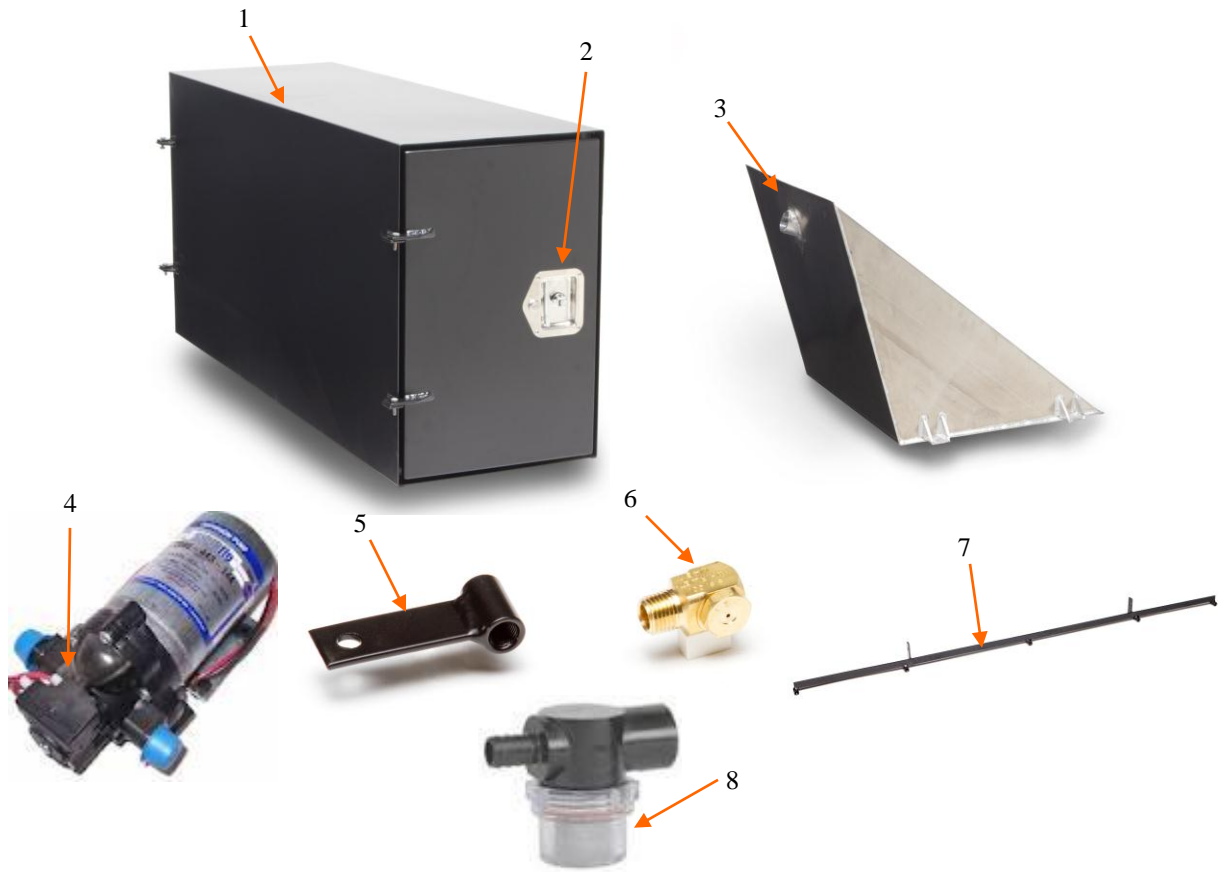


OSPREY PUMP ASSEMBLY			
#	QTY	DESCRIPTION	PART NUMBER
1	1	Pulley	BT-1414
2	1	Hydraulic Pump	HY-1551
3	1	Bushing	BT-1205
4	1	Belt	BT-1015
5	1	Idler Pulley	BT-1705
6	1	Hydraulic Pump Bracket	PM-1970



OSPREY CONTROLS			
#	QTY	DESCRIPTION	PART NUMBER
1	1	Osprey Controller	CT-1375
2	1	Sweep Mode Indicator Light	EL-1010
3	1	Power Level Gauge	CT-1350
4	1	Gauge Bracket	CT-1322
5	1	Wire Harness	EL-1251
6	1	Osprey Control Panel Label	EL-1415
7	1	Osprey Control Panel	CT-1291
8	3	On-Off Switch	EL-1101
9	1	Mom On-Off-On Switch	EL-1103
10	2	Mom On-Off-Mom On Switch	EL-1100

# Tool Box and Water System

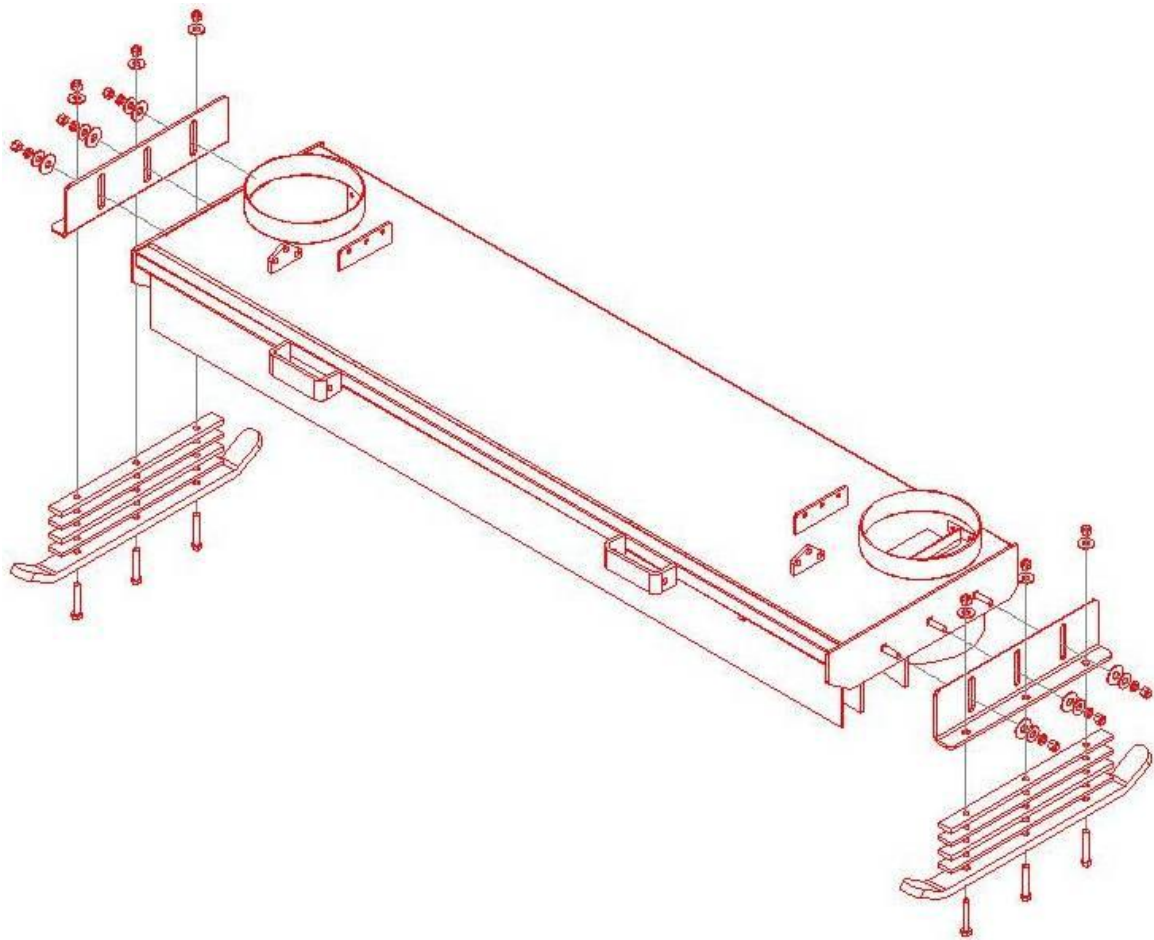


TOOL BOX AND WATER SYSTEM			
#	QTY	DESCRIPTION	PART NUMBER
1	1	Osprey Tool Box Assembly	TL-1100
2	1	Tool Box Latch	HW-1900
3	1	Water Tank	WA-1003
4	1	Water Pump	WA-1500
5	1	Water Nozzle Mount	WA-1600
6	9	Water Spray Nozzle	WA-1511
7	1	Osprey Front Spray Bar	WA-1306
8	1	Water Strainer	WA-1501

# Exploded Views and Schematics

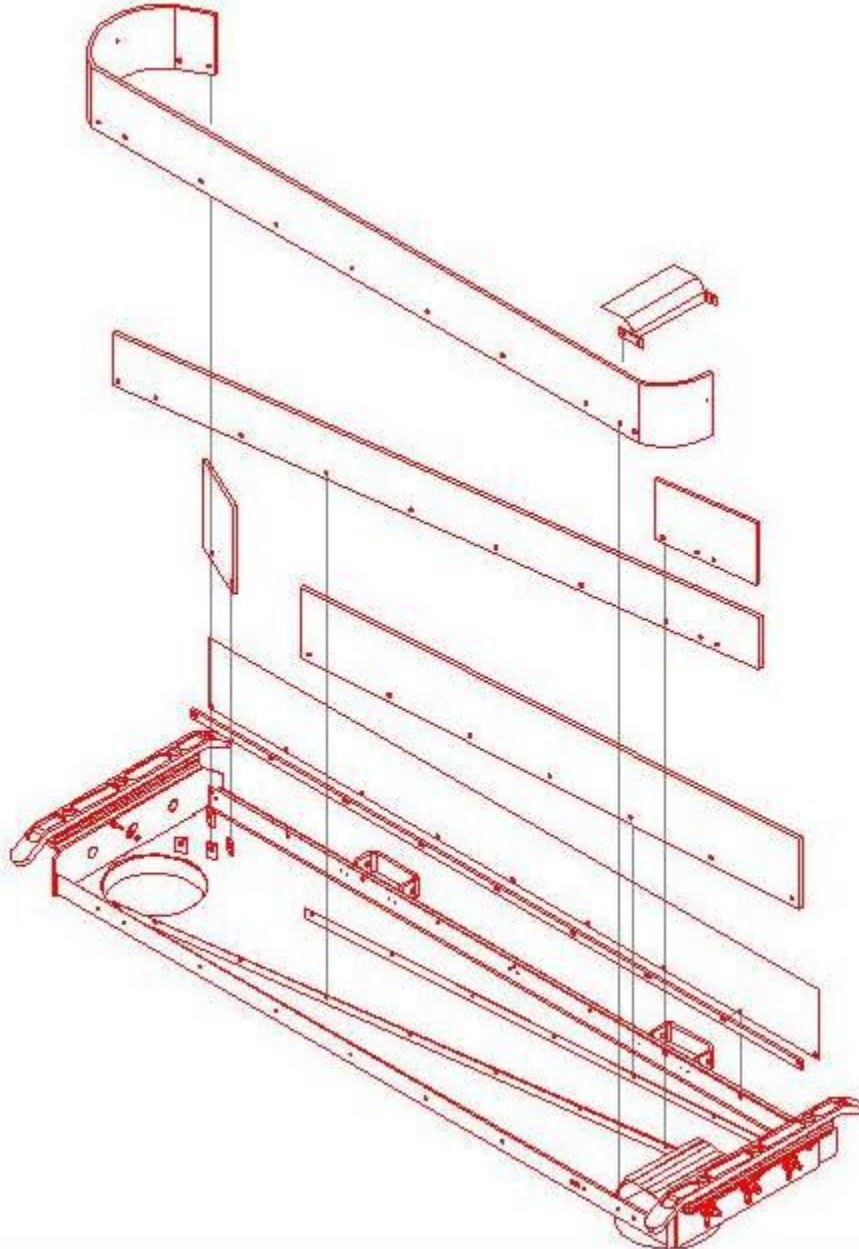
---

## Pick-up Head Raptor and Osprey Top



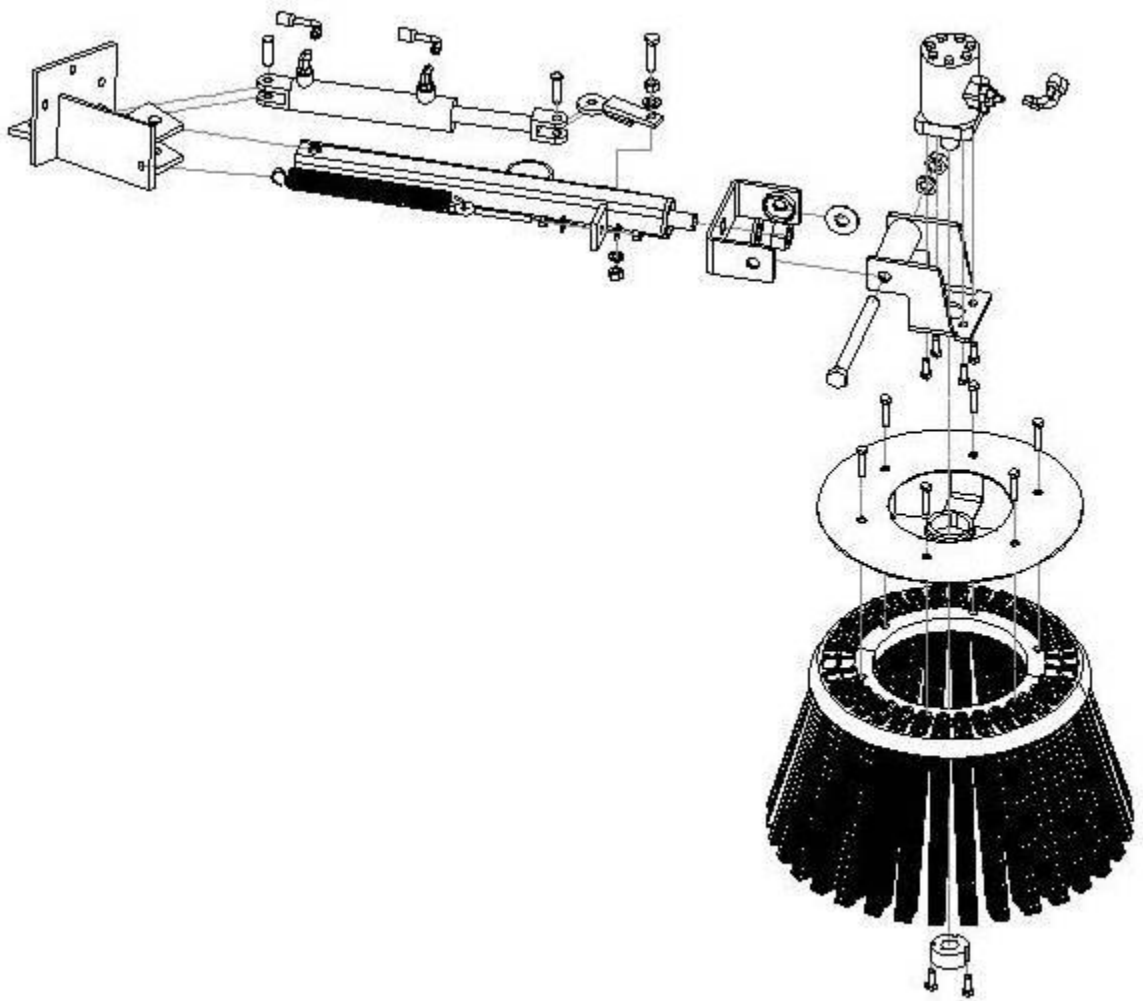
---

## Pick-up Head Raptor and Osprey Bottom



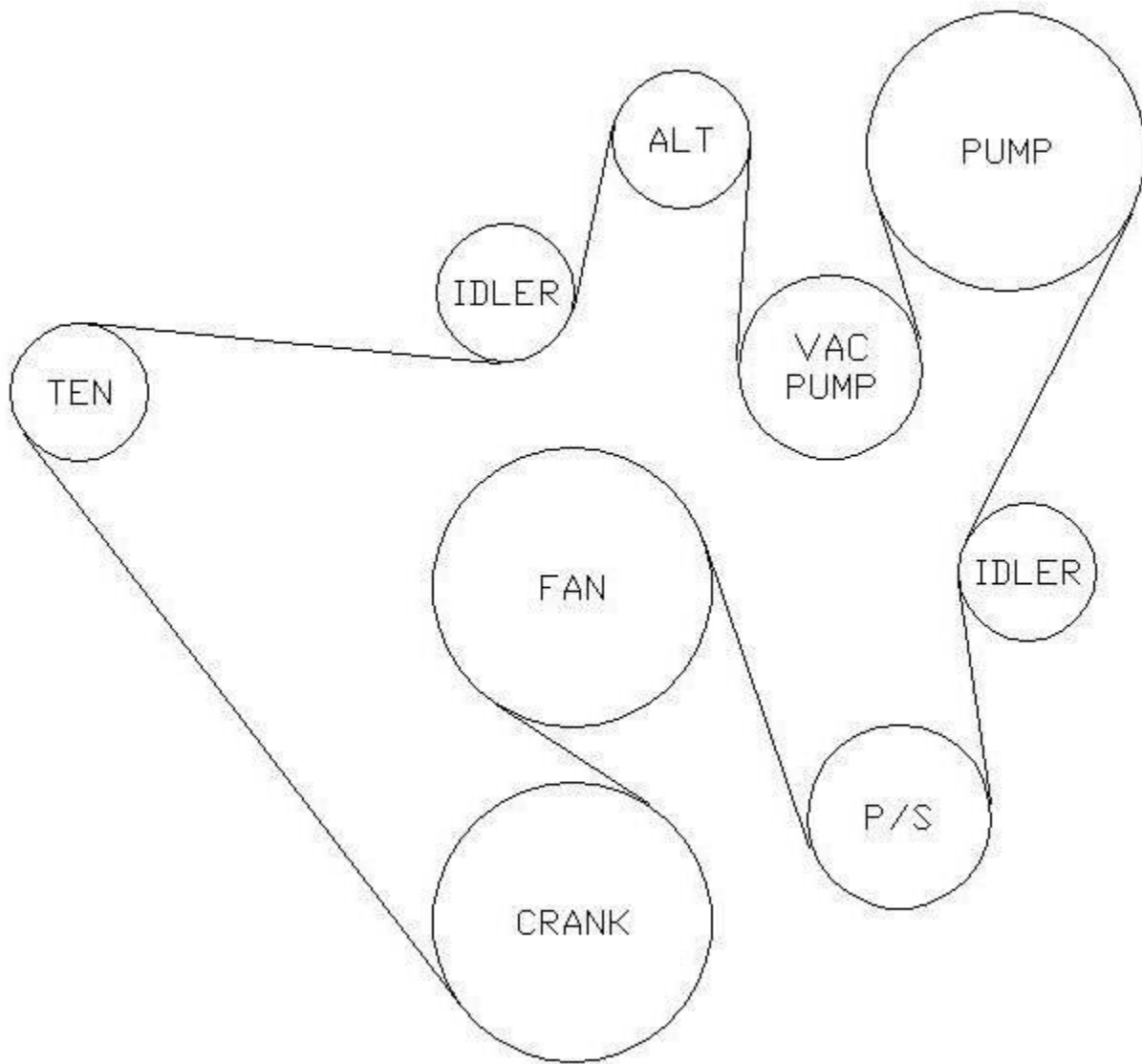
---

## Broom Raptor and Osprey



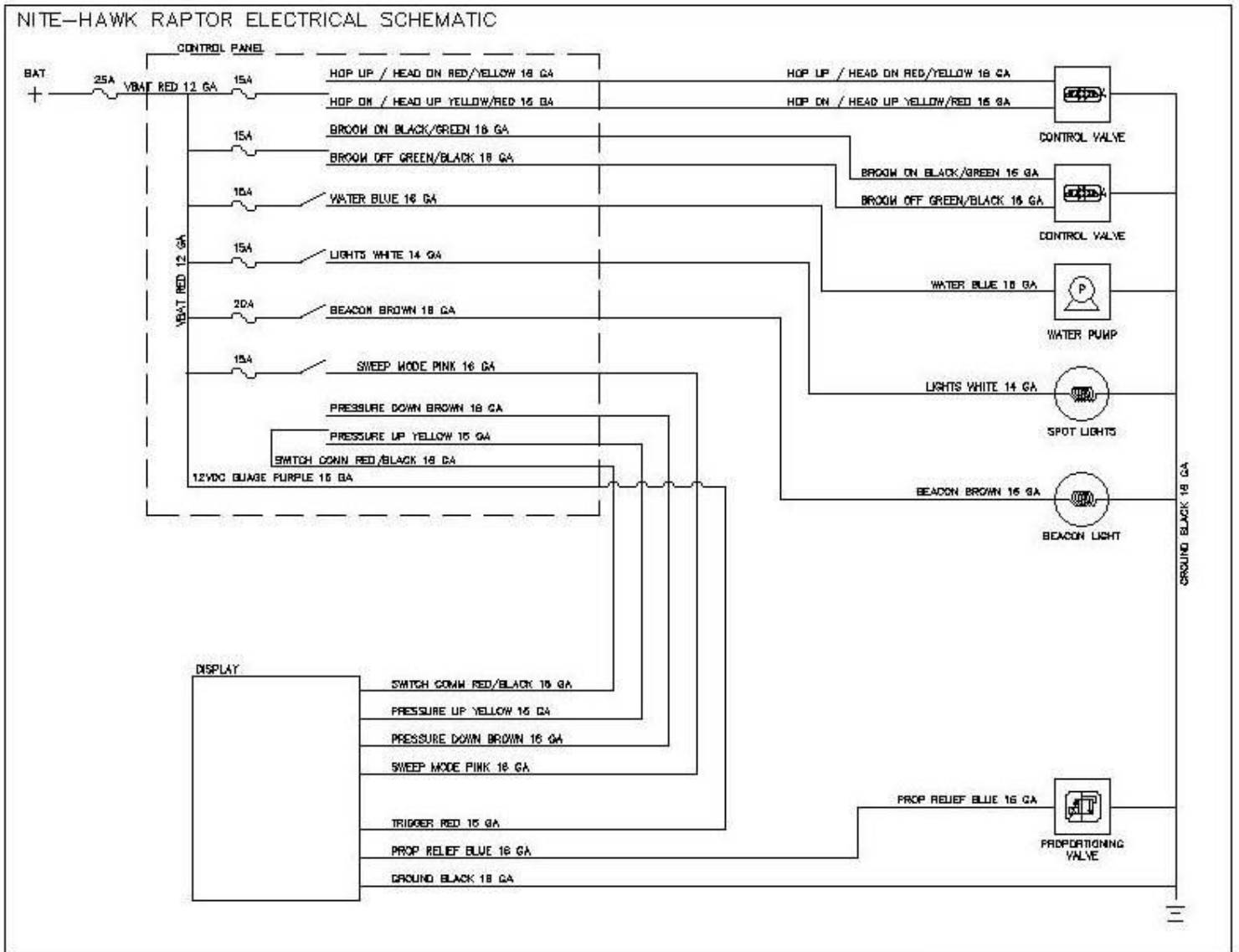
---

## Belt Routing Raptor and Osprey

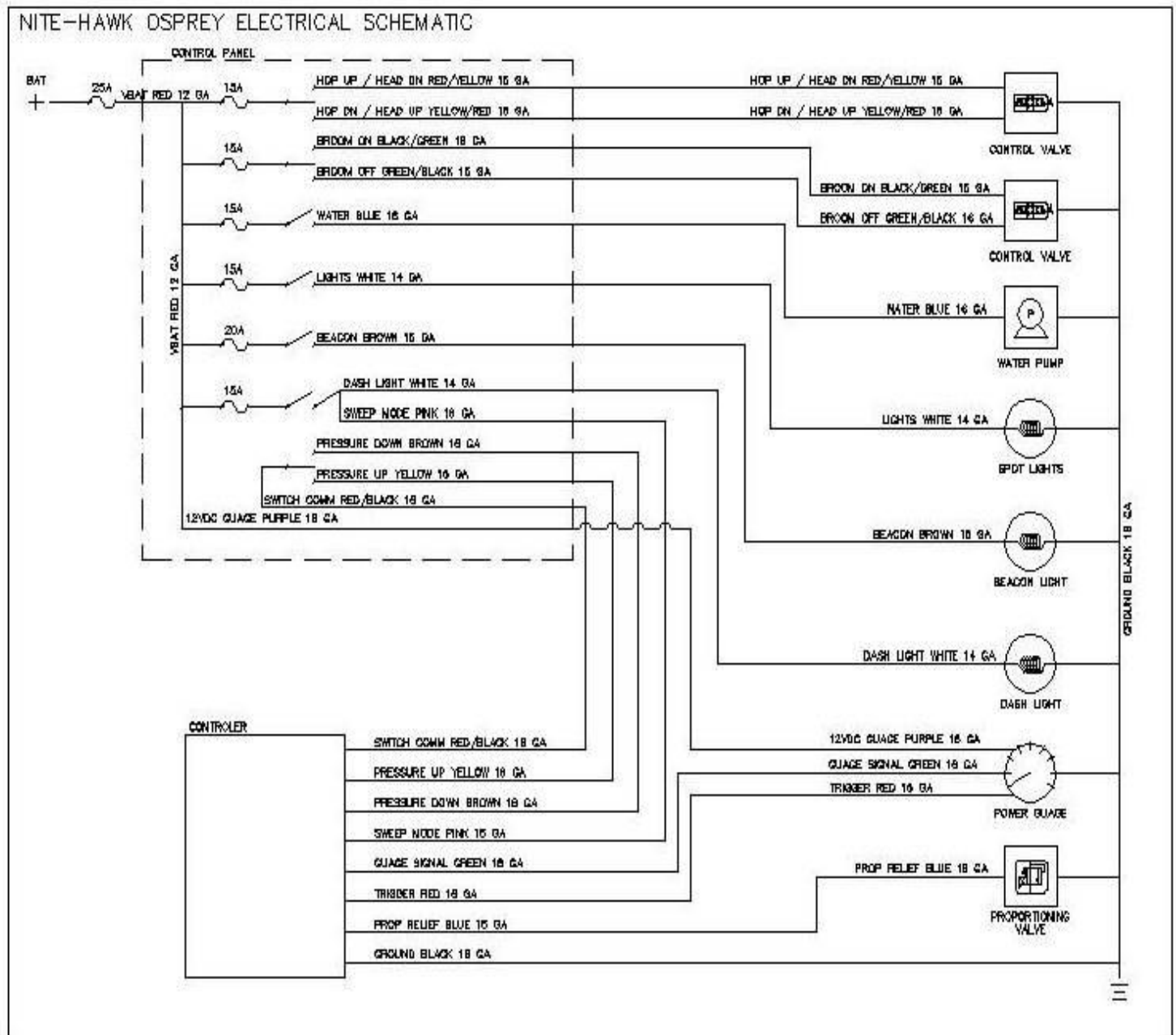




# Electrical Schematic Raptor



# Electrical Schematic Osprey



---

## Hydraulic Schematic Raptor and Osprey

