



650RS

CONTACT US

☎ 800.626.7835

✉ Contact@HammerHeadClean.com

🌐 HammerHeadClean.com

**SPARE PARTS
MANUAL**

**Model: Hammerhead 650RS Walk Behind Scrubber Model
No.: E26-BT, E26QP-BT**

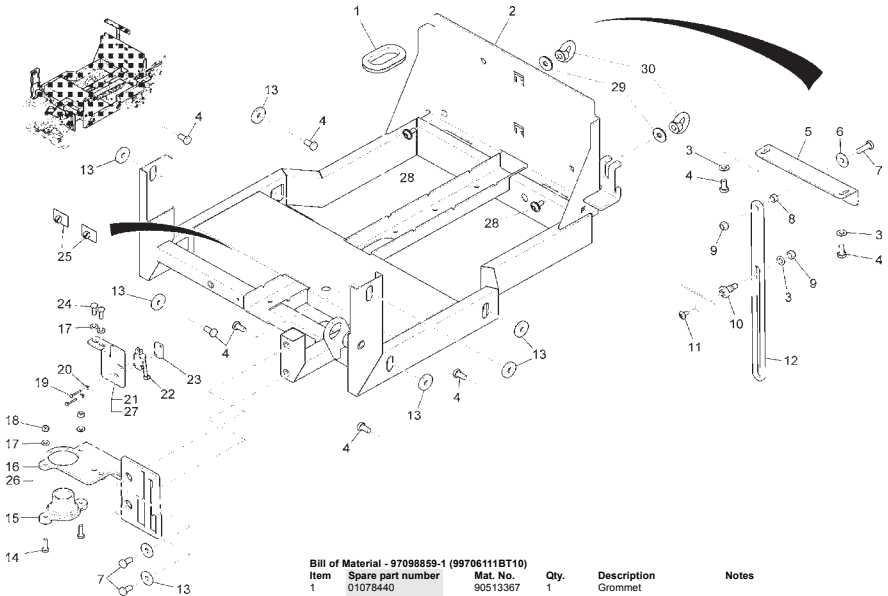
For Safety When Servicing or Maintaining Machine

- Stop on level surface.
- Disconnect the power to the machine by pulling the red Battery Connector located under the recovery tank near the batteries.
- Avoid moving parts. Do not wear loose jackets, shirts, or sleeves when working on machine.
- Avoid contact with battery acid. Battery acid can cause burns. When working on or around batteries, wear protective clothing and safety glasses. Remove metal jewelry. Do not lay tools or metal objects on top of batteries.
- Do not clean machine with a pressure washer.
- Authorized personnel must perform repairs and maintenance. Use Minuteman supplied replacement parts.

Table of Contents

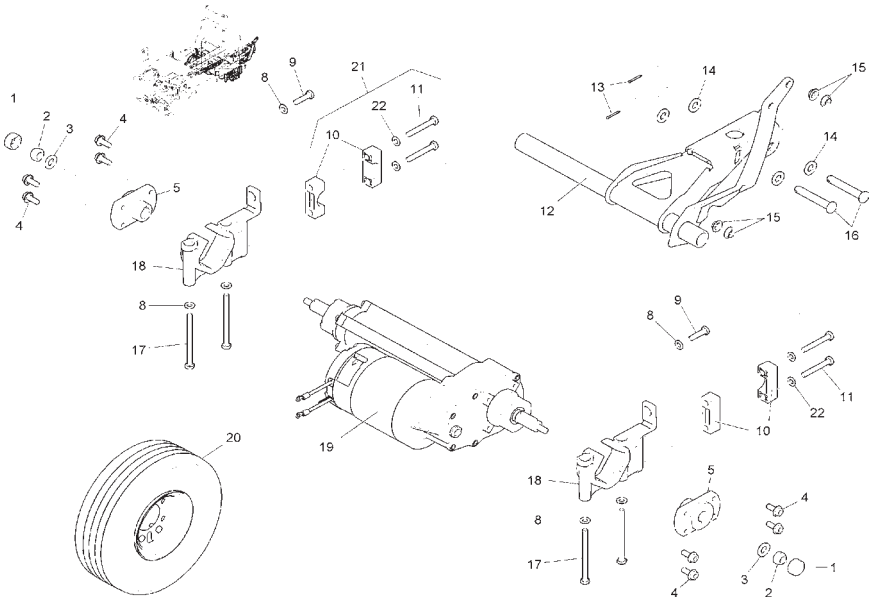
Chassis Assembly I	1
Chassis Assembly II	2
Chassis Assembly III	5
Water Feed System Subassembly	6
Lift Pedal Subassembly	7
Brush Pressure Adjustment Subassembly	8
Squeegee Connection Subassembly I	9
Squeegee Connection Subassembly II	10
Battery Tray Assembly	13
Solution Tank Assembly	14
Recovery Tank Assembly	15
Vacuum Motor Assembly	16
Squeegee Lift Handle Assembly	17
Squeegee Assembly I	18
Squeegee Assembly II	19
Control Panel Assembly	20
Console Subassembly	21
Electrical Assembly I	22
Retainer Subassembly	23
Electrical Assembly II	24
Battery Charger Assembly	25
Deck Cover Assembly	26
Solution Control Assembly	27
Machine Labels	28
Disc Scrub Deck Assembly I	29
Disc Scrub Deck Assembly II	30
PART II- UPDATES	36

Chassis Assembly I



Item	Spare part number	Mat. No.	Qty.	Description	Notes
1	01078440	90513367	1	Grommet	
2	03007640	96116405	1	Chassis	
3	00053750	12310041	7	Washer	
4	00053080	11038197	14	Hexagon screw	
5	01077760	90503160	1	Retainer	
6	00042900	12332029	3	Washer	
7	00053100	11038247	3	Hexagon screw	
8	01077700	90473158	1	Bushing	
9	00051510	12040051	2	Hexagon nut	
10	01077820	90513243	1	Bushing	
11	01072520	11177179	1	Lens flange screw	
12	01077740	90495268	1	Sheet metal	
13	00047990	12515086	10	Disk wheel	
14	00053020	11038098	2	Hexagon screw	
15	01077780	90508391	1	Bushing	
16	01078460	96114327	1	Sheet metal	until approx. June 2007
17	00053730	12310033	4	Washer	
18	00051520	12040044	2	Hexagon nut	
19	00022180	11039088	2	Hex.bolt	
20	00553740	12310132	2	Washer	
21	01078470	90513359	1	Retainer	until approx. June 2007
22	00975510	90308002	1	Micro switch	
23	01074940	90471483	1	Thread base plate	
24	00053010	11038072	2	Hex.bolt	
25	01143190	17526070	2	Cable clip	
26	01079680	96117387	1	Sheet metal	from approx. July 2007
27	01170010	90528787	1	Retainer	from approx. July 2007
28	01006820	11177128	2	Lens flange screw	
29	00042900	12332029	2	Washer	
30	01078450	12160024	2	Nut	

Chassis Assembly II



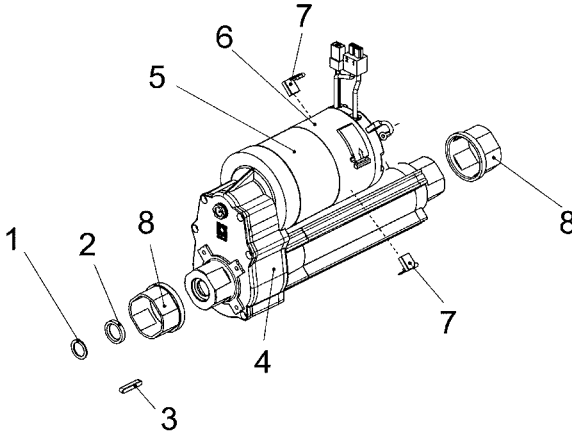
Bill of Material - 97098859-2 (9970611BT20)

Item	Spare part number	Mat. No.	Qty.	Description
1	01031540	15592058	2	Protection cap
2	00051490	12040077	2	Hexagon nut
3	00053770	12310066	2	Washer
4	00959310	11717022	8	Hex.bolt
5	01078010	90510116	2	Hub
8	00053750	12310041	8	Washer
9	00053110	11038254	2	Hexagon screw
10	01078020	90481664	4	Block
11	00053260	11038296	4	Hex.bolt
12	01078030	96111869	1	Lever
13	00553590	13260136	2	Cotter pin
14	00053770	12310066	4	Washer
15	01077510	14895478	4	Slide bearing bush
16	01078040	13328851	2	Bolt
17	00053140	11032273	4	Hex.bolt
18	01078480	90512092	2	Bearing AMER
19	01079400	90531609	1	Traction drive
20	90523309			Wheels
21	00008980	97057814	1	Block
22	00042900	12332029	4	Washer

Notes

ITEM HAS SUBASSEMBLIES
 ITEM HAS SUBASSEMBLIES
 incl. Items 10, 11, 22. Please order kit, it's necessary to exchange all 4 blocks

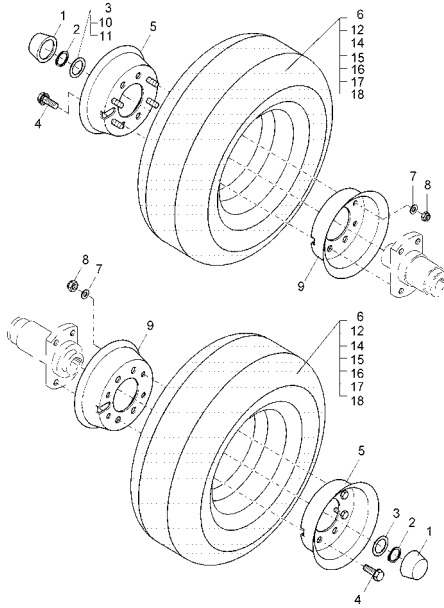
Chassis Assembly II
Traction Drive Motor Subassembly



Bill of Material - 01079400 (9970611BT21)

Item	Spare part number	Mat. No.	Qty.	Description
1	01077430	01077430	2	Washer
2	01077420	01077420	3	Gasket
3	01077410	01077410	2	Fitting key
4	01077390	01077390	1	Gear box with shaft
5	01170790	01170790	1	Motor
6	01077360	01077360	1	Covering
7	01077350	01077350	4	Carbon brush
8	01077400	01077400	2	Bushing
9	01077380	01077380	4	Nut

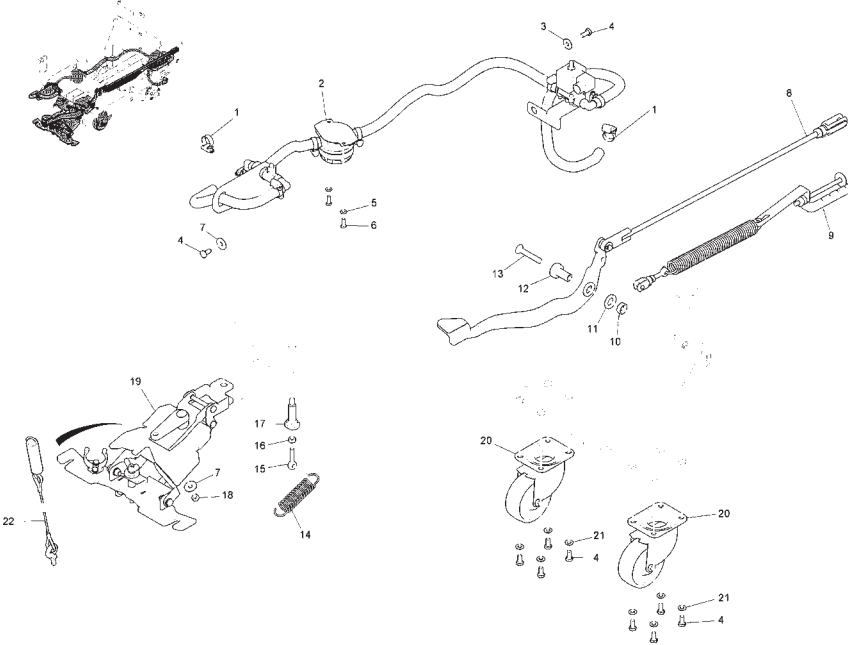
Chassis Assembly II
Wheel Subassembly



Bill of Material - 90523309 (9970611BT22)

Item	Spare part number	Mat. No.	Description
1	00127160	90053000	Cap
2	00059490	12640082	Thrust washer
3	00153700	12335170	Adjusting washer
4	00959310	11717022	Hex.bolt
5	00621690	96057013	Rim
6	00770190	90180084	Tire
7	00053730	12310033	Washer
8	00051520	12040044	Hexagon nut
9	00621710	90251869	Rim
10	00046430	12336012	Adjusting washer
11	00136510	12334058	Supporting ring
12	00320810	90006727	Hose
14	00411670	90275082	Tyre
15	00621690	96057013	Rim
16	00621710	90251869	Rim
17	00051520	12040044	Hexagon nut
18	00053730	12310033	Washer

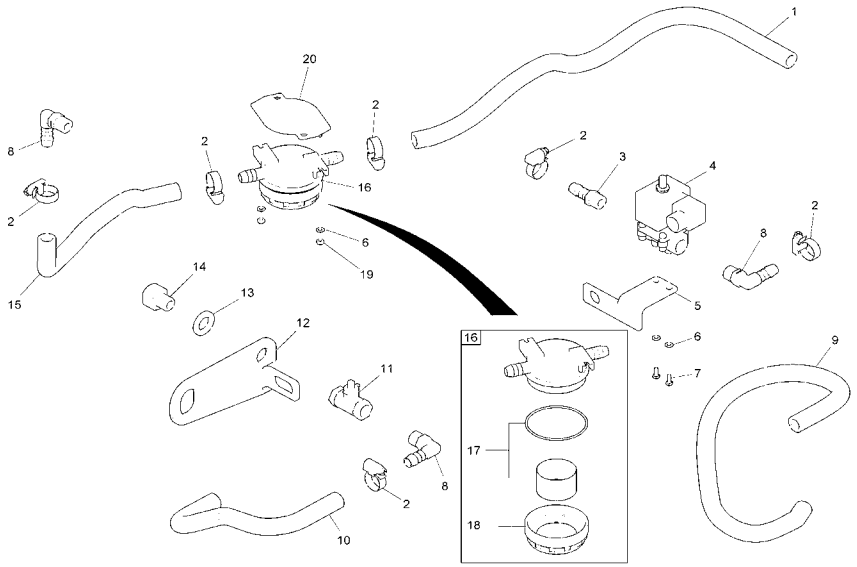
Chassis Assembly III



Bill of Material - 99706111BT30

Item	Spare part number	Mat. No.	Qty.	Description	Note
1	01015350	17533159	2	Hose clamp	
2	99706111BT31		1	Water feed system	DO NOT ORDER, ITEM HAS SUBASSEMBLIES
3	00042900	12332029	1	Washer	
4	00053080	11038197	2	Hexagon screw	
5	00053730	12310033	2	Washer	
6	00053910	11038072	2	Hex.bolt	
7	00042900	12332029	2	Washer	
8	99706111BT32		1	Lifting pedal	DO NOT ORDER, ITEM HAS SUBASSEMBLIES
9	99706111BT33		1	Brush pression adjustment	DO NOT ORDER, ITEM HAS SUBASSEMBLIES
10	01077790	90509027	1	Pipe	
11	00053790	12310082	1	Washer	
12	01077800	90509522	1	Bushing	
13	01078140	11225620	1	Countersunk screw	
14	01078150	90523333	1	Tension spring	
15	00735690	11518180	1	Eye bolt	
16	00053350	12022059	1	Hexagon nut	
17	01077830	90513573	1	Pivot	
18	00051510	12040051	1	Hexagon nut	
19	03008100		1	Squeegee connection	DO NOT ORDER, ITEM HAS SUBASSEMBLIES
20	01077840	90515131	2	Steering roller	
21	00053750	12310041	2	Washer	
22	01077980	96112370	1	Linkage	

Chassis Assembly III
Water Feed System Subassembly



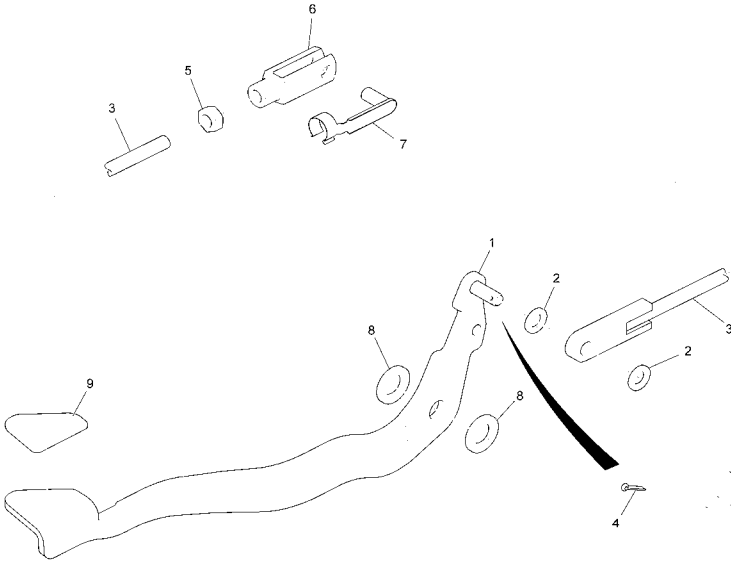
Bill of Material - 97090161 (99706118T31)

Item	Spare part number	Mat. No.	Qty.	Description
1	00200170	25842055	560mm	PVC hose
2	01015350	17533159	6	Hose clamp
3	00976140	90310665	1	Screwing in connecting piece
4	01071000	90435595	1	Electrovalve
5	XXXXXXXXXX	90513896	1	Retainer
6	00053710	12310017	4	Washer
7	00058580	11038965	2	Hex bolt
8	00020020	90174970	3	Angle socket
9	00200170	25842055	540mm	PVC hose
10	00200170	25842055	280mm	PVC hose
11	00956340	90521576	1	Ball valve
12	XXXXXXXXXX	90507344	1	Sheet metal
13	00053790	12310082	1	Washer
14	01077630	90517657	1	Screw
15	00200170	25842055	340mm	PVC hose
16	01077170	90522640	1	Water filter
17	01079170	01079170	1	filter cartridge
18	01076500	01076500	1	Screw cap
19	00133830	12040028	2	Hex. Nut
20	01078510	96115035	1	Sheet metal

Notes

cpl. with o-ring

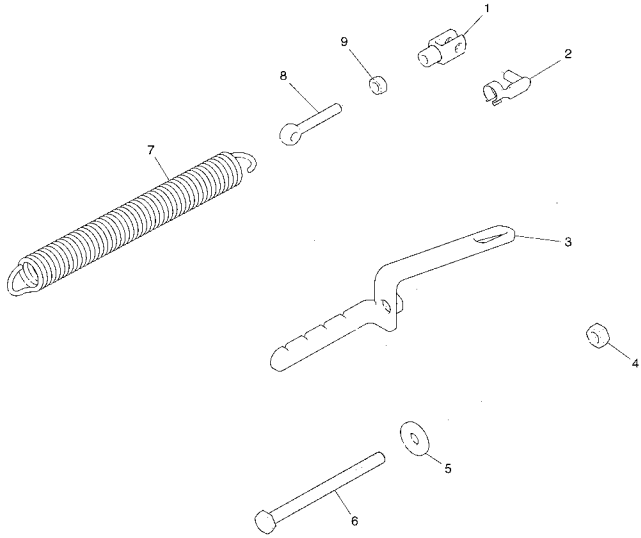
Chassis Assembly III
Lift Pedal Subassembly



Bill of Material - 97093181 (99706111BT32)

Item	Spare part number	Mat. No.	Qty.	Description
1	01170020	96117361	1	Lifting pedal
2	00053760	12310058	2	Washer
3	01077930	96111877	1	Rod
4	00551410	13280110	1	Cotter pin
5	00053390	12022067	1	Hexagon nut
6	00925430	16055063	1	Fork yoke
7	00925420	13390042	1	Bolt
8	01078240	90510017	2	Washer
9	01078560	90518580	1	Decal

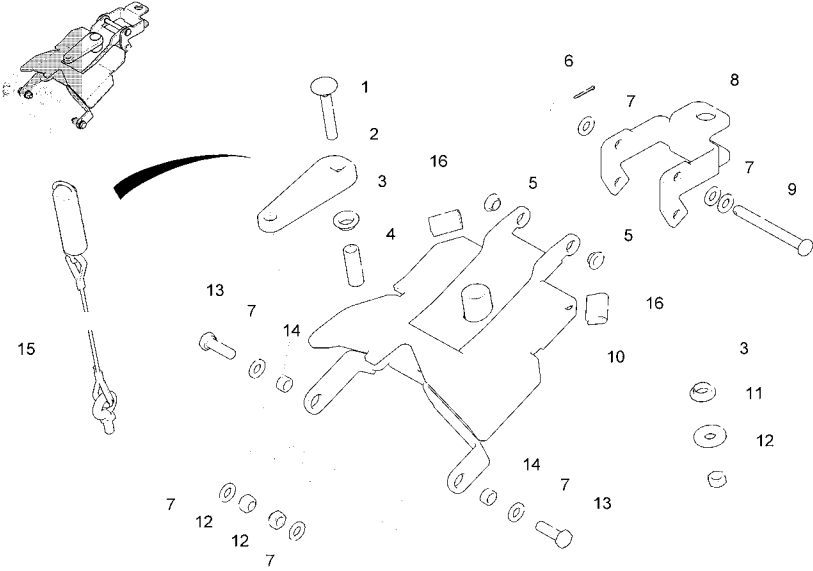
Chassis Assembly III
 Brush Pressure Adjustment Subassembly



Bill of Material - 97094791 (99706111BT33)

Item	Spare part number	Mat. No.	Qty.	Description
1	00151440	16055089	1	Fork yoke
2	00151400	13390059	1	Bolt
3	01078500	96111505	1	Sheet metal
4	00053390	12022067	1	Hexagon nut
5	00046520	12332037	1	Washer
6	01031550	11039716	1	Hexagon screw
7	01077770	90504242	1	Tension spring
8	00706170	11518016	1	Eye bolt
9	00053350	12022059	1	Hexagon nut

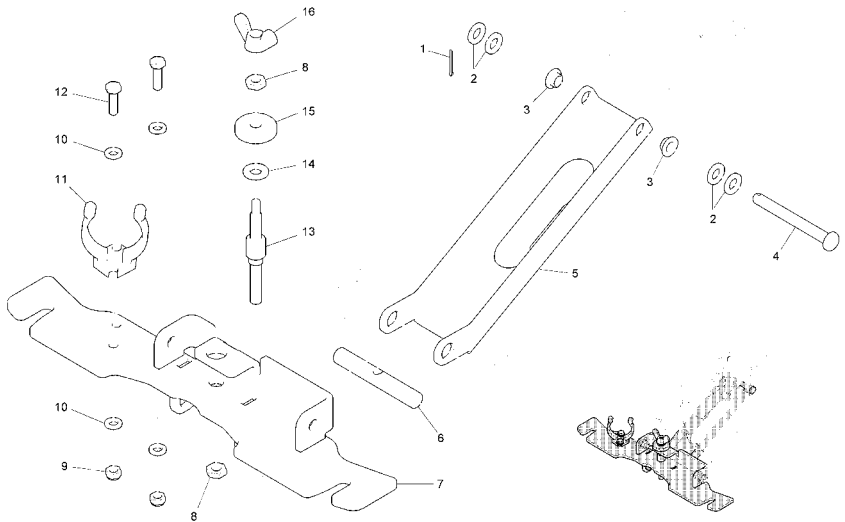
Chassis Assembly III
Squeegee Connection Subassembly I



Bill of Material - 03008100BT10

Item	Spare part number	Mat. No.	Qty.	Description
1	01130940	11620564	1	Cup head square neck bolt
2	01170040	90521790	1	Sheet metal
3	01077510	14895478	2	Slide bearing bush
4	01170180	90204702	1	Pipe
5	01078230	14895460	2	Slide bearing bush
6	00054960	13280078	1	Cotter pin
7	00053750	12310041	5	Washer
8	01079260	90634710	1	Round part
9	01078220	13328935	1	Bolt
10	01079290	96117569	1	Sheet metal
11	00042900	12332029	1	Washer
12	00051510	12040051	3	Hexagon nut
13	00053100	11038247	2	Hexagon screw
14	01077700	90473158	2	Bushing
15	01077980	96112370	1	Linkage
16	00161240	25562024	1	Edge protection

Chassis Assembly III
Squeegee Connection Subassembly II

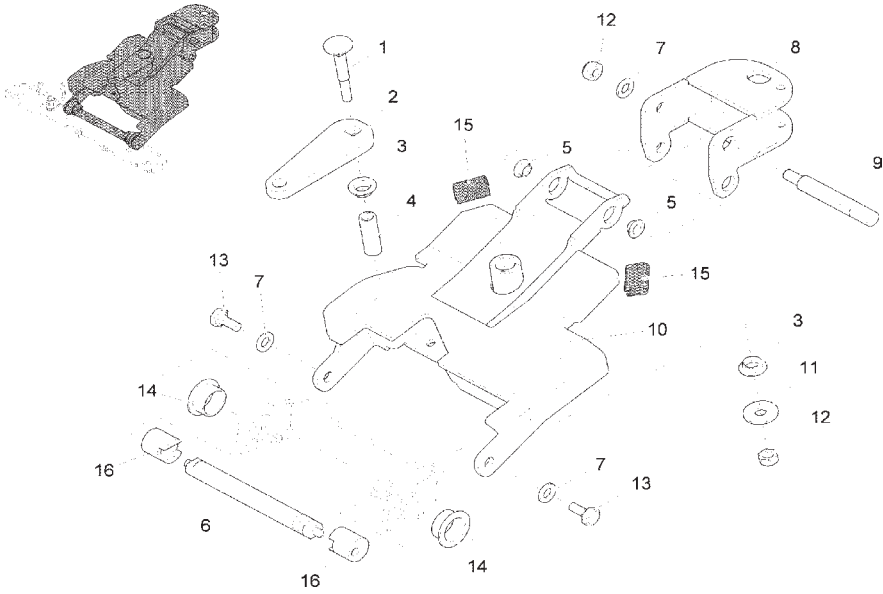


Bill of Material - 97099915-2 Squeegee connection (until appr. 15. Apr. 2008)

Item	Spare part number	Mat. No.	Qty.	Description
1	00054980	13280078	1	Cotter pin
2	00053750	12310041	1	Washer
3	01078230	14895460	2	Slide bearing bush
4	01170050	13328935	1	Bolt
5	01079320	90495805	1	Draft link
6	01077680	90467886	1	Bolt
7	01079330	96110242	1	Sheet metal
8	00046500	12012019	2	Hex. Nut
9	00051520	12040044	2	Hexagon nut
10	00053730	12310033	4	Washer
11	01078120	90533251	1	Hose support
12	00053020	11038098	2	Hexagon screw
13	01077850	90515149	1	Threaded pin
14	00042900	12332029	1	Washer
15	00051510	12040051	1	Hexagon nut
16	00054020	12158028	1	Wing nut
17	00053330	12022042	1	Hexagon nut

Chassis Assembly III

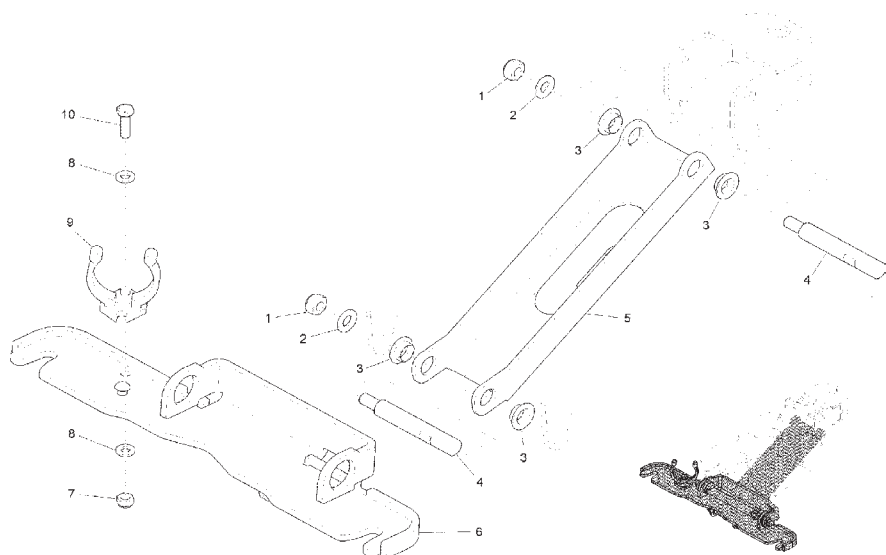
Squeegee Connection Subassembly I



Bill of Material - 03008100BT10 Squeegee connection (from appr. 15. Apr. 2008)

Item	Spare part number	Mat. No.	Qty.	Description
1	01130940	11620564	1	Cup head square neck bolt
2	01170040	90521790	1	Sheet metal
3	01077510	14895478	2	Slide bearing bush
4	01171550	90547896	1	Bushing
5	01171330	14895197	2	Slide bearing bush
6	01171360	90546847	1	Shaft
7	00101550	12310264	3	Washer
8	01171290	96119938	1	Round part
9	01171540	90547381	3	Threaded bolt
10	01171300	96120985	1	Sheet metal
11	00042900	12332029	1	Washer
12	00101540	12040259	4	Hexagon nut
13	01071740	11039609	2	Hex bolt
14	01130470	14895361	2	Slide bearing bush
15	00161240	25582024	60mm	Edge protection
16	01171370	90547399	2	Excentric

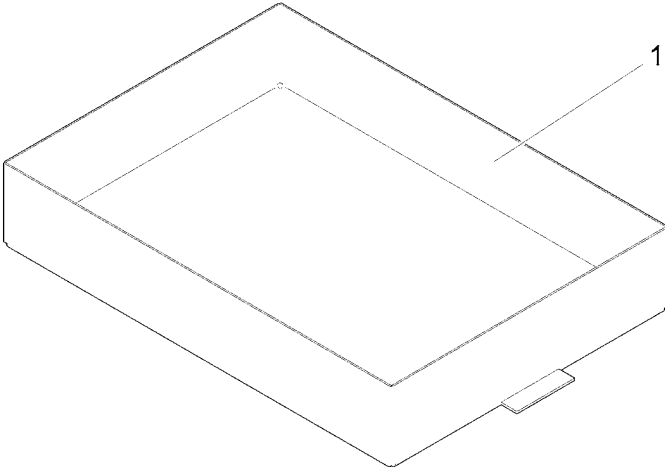
Chassis Assembly III
Squeegee Connection Subassembly II



Bill of Material - 03008100BT20 Squeegee connection (from appr. 15. Apr. 2008)

Item	Spare part number	Mat. No.	Qty.	Description
1	00101540	12040259	2	Hexagon nut
2	00101550	12310264	2	Washer
3	01171330	14895197	2	Slide bearing bush
4	01171540	90547381	3	Threaded bolt
5	01171280	90543521	1	Draft link
6	01171310	96120993	1	Sheet metal
7	00051520	12040044	1	Hexagon nut
8	00053730	12310033	2	Washer
9	01078120	90503251	1	Hose support
10	00053020	11038098	1	Hexagon screw

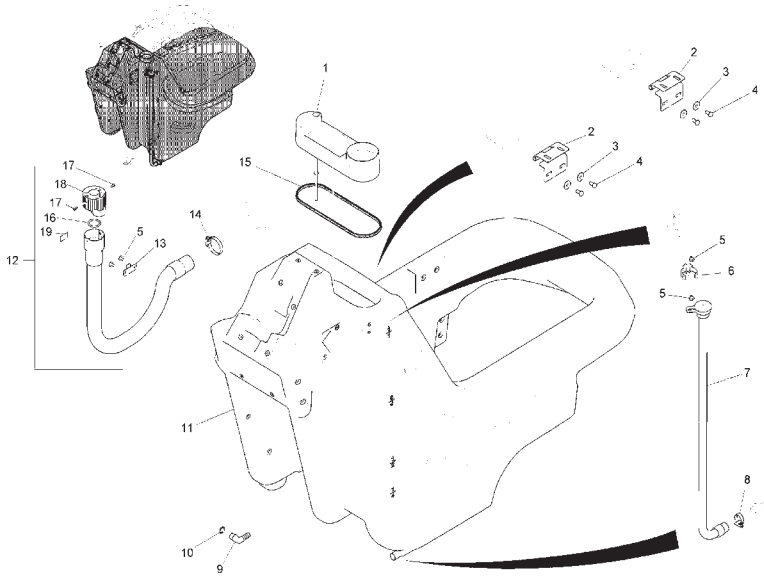
Battery Tray Assembly



Bill of Material - 99706131BT40

Item	Spare part number	Mat. No.	Qty.	Description
1	03007960	96117643	1	Battery Tray

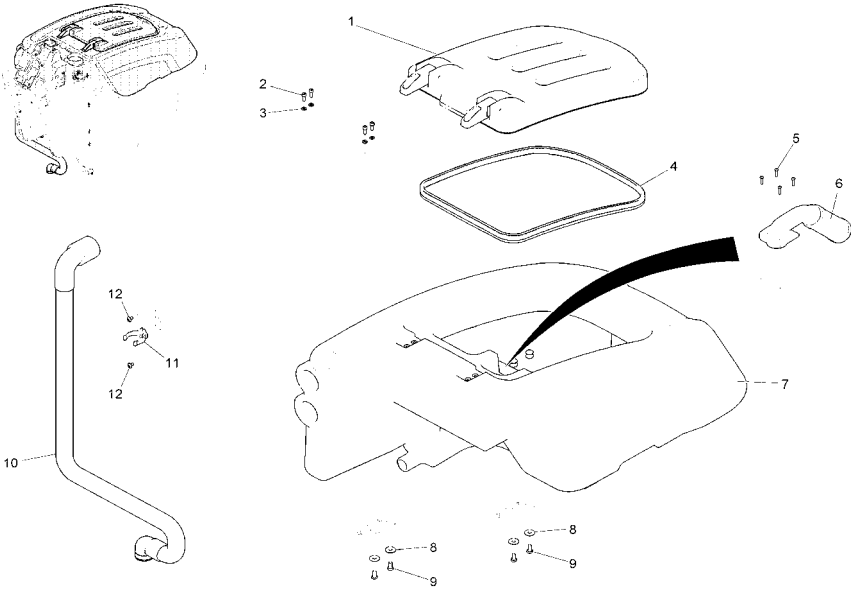
Solution Tank Assembly



Bill of Material - 97100143-1 (99706111BT50)

Item	Spare part number	Mat. No.	Qty.	Description
1	01078100	96114061	1	Fresh water cap
2	01078110	90496910	2	Hinge
3	00042900	12332029	4	Washer
4	00053090	11038197	4	Hexagon screw
5	01072520	11177179	4	Lens flange screw
6	01078120	90503251	1	Hose support
7	01077910	96109541	1	Hose
8	01161690	17533290	1	Clamp
9	00020020	90174970	1	Angle socket
10	00057720	15289149	1	O-Ring oil resistant
11	01170700	96117734	1	Fresh water tank
12	01077960	97090096	1	Foul water hose
13	01077890	90517574	1	Hook
14	00751160	17533043	1	Hose clamp
15	00721090	25583022	710mm	Edge protection
16	01079300	15282072	1	O-Ring
17	00906100	11175395	2	Fillister-head screw
18	00906110	90304528	1	Cover
19	01170060	17264888	1	Decal FOUL WATER

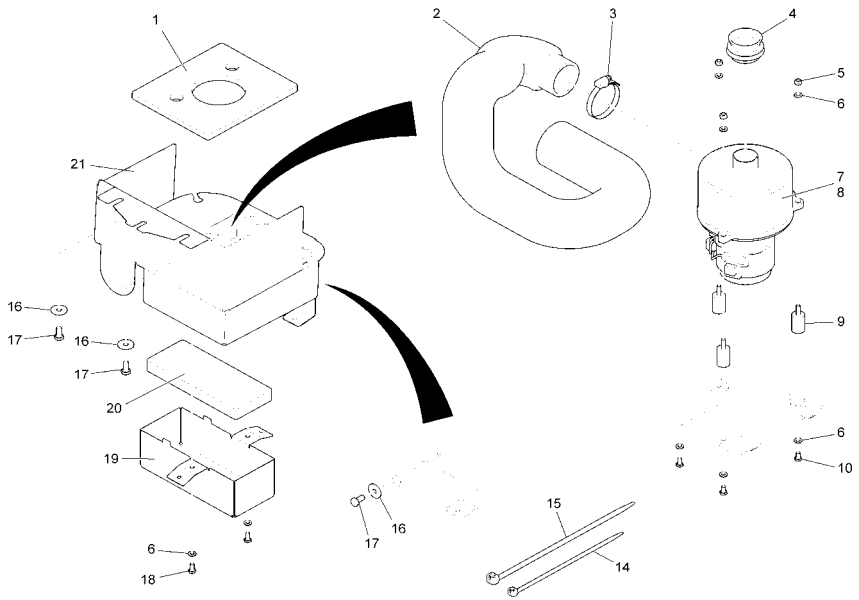
Recovery Tank Assembly



Bill of Material - 97100143BT

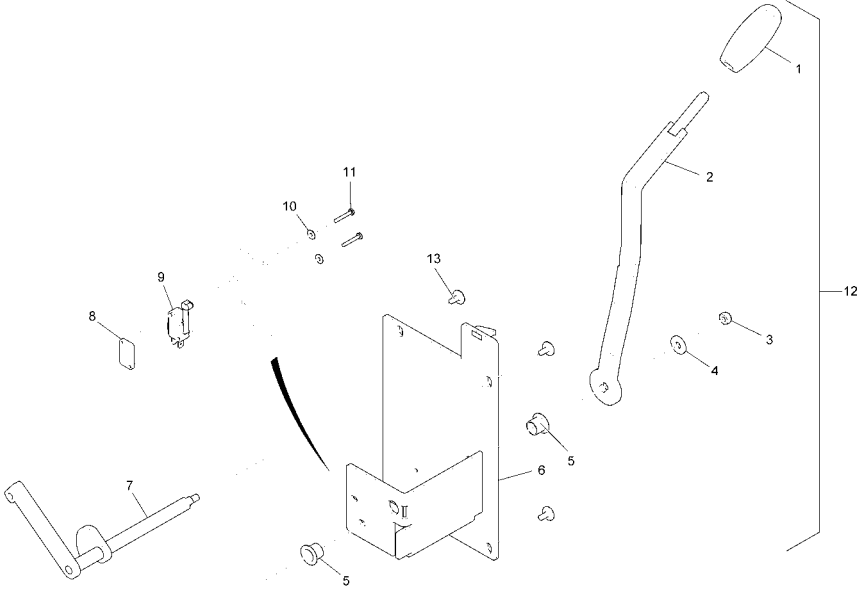
Item	Spare part number	Mat. No.	Qty.	Description
1	01077390	97092951	1	Cover
2	00136910	11126166	4	Cylinder head screw
3	00053730	12310033	4	Washer
4	01071770	25510512	1	Sealing profile
5	01078160	11709151	4	Screw
6	01078250	97093843	1	Filter unit
7	96117726BT	96117726BT	1	Hopper
8	00042900	12332029	4	Washer
9	00053080	11038197	4	Hexagon screw
10	01077920	96111349	1	Suction hose
11	01078120	90503251	1	Hose support
12	01072520	11177179	2	Lens flange screw

Vacuum Motor Assembly



Item	Spare part number	Mat. No.	Qty.	Description
1	01079740	90523945	1	Insulation mat
2	01077900	90519737	1	Hose
3	00732130	17533027	1	Hose clamp
4	01078180	90503657	1	Connection
5	00051520	12040044	3	Hexagon nut
6	00053730	12310033	8	Washer
7	01079350	97096200	1	Suction motor
8	01074610	01074610	4	Carbon brush
9	01078190	90518457	3	Buffer
10	00025280	11038056	3	Hexagon screw
11	00104500	11038054	2	Hexagon screw
12	00967760	90156688	4	Cable tie
13	00042900	12332029	3	Washer
14	00053080	11038197	3	Hexagon screw
15	00104500	11038054	2	Hexagon screw
16	01079750	90519653	1	Cover
17	01079730	90519745	1	Insulation mat
18	03007810	96114301	1	Sheet metal

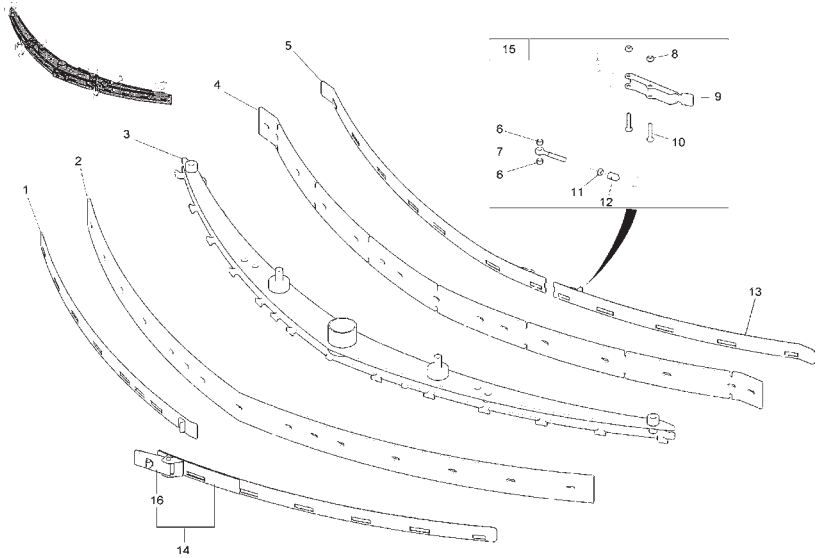
Squeegee Lift Handle Assembly



Bill of Material - 97102479 (99706111BT80)

Item	Spare part number	Mat. No.	Qty.	Description
1	00705560	17143025	1	Handle
2	01079160	96117825	1	Lever
3	00051520	12040044	1	Hexagon nut
4	00135120	12332011	1	Washer
5	01071440	14895288	2	Plain bearing bush
6	01079710	96110804	1	Support plate
7	01079720	96110705	1	Shaft with cam
8	01074840	90471483	1	Thread base plate
9	00975510	90306002	1	Micro switch
10	00747400	12332110	2	Washer
11	00022180	11039088	2	Hex.bolt
12	00009000	97092340	1	Lifting suction unit
13	01072520	11177179	4	Lens flange screw

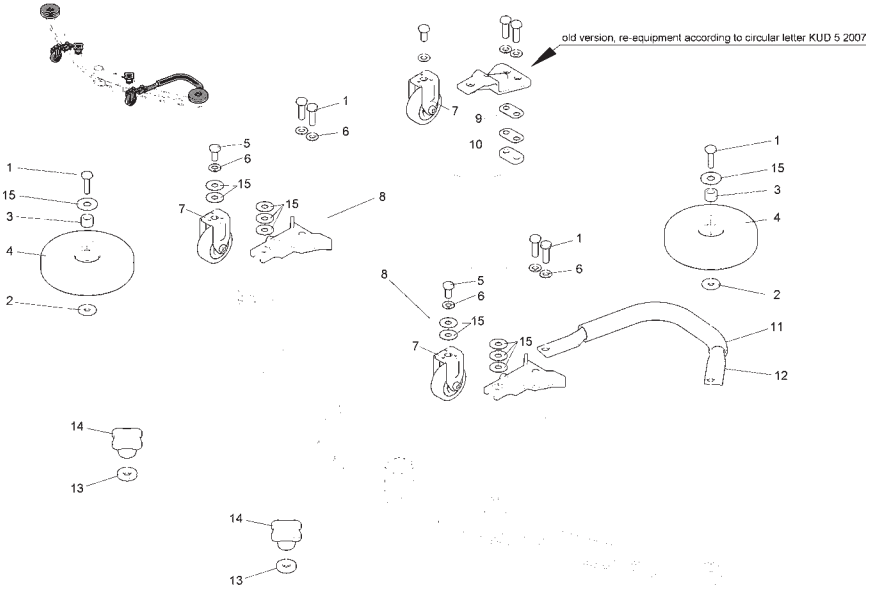
Squeegee Assembly I



Bill of Material - 97094502-1 (99706111BT100)

Item	Spare part number	Mat. No.	Qty.	Description
1	01077660	96113410	1	Rear tension band
2	01077480	90494139	1	Sealing strip
3	01077940	96113279	1	Suction unit
4	01077470	90493560	1	Slot strip
5	01077650	96113402	1	Front tension band
6	01077590	90514506	2	Bushing
7	01077500	11518313	1	Eye bolt
8	01017860	12040283	2	Hex. Nut
9	01077580	90535758	1	Lever
10	01079890	11039765	2	Hexagon screw
11	00902250	12022430	1	Hex. Nut
12	01078900	90513631	1	Pressure piece
13	01077640	96113303	1	Front tension band
14	01077670	96113428	1	Rear tension band
15	00009010	97057459	1	Lock suction unit
16	01171610	17383209	1	Lock

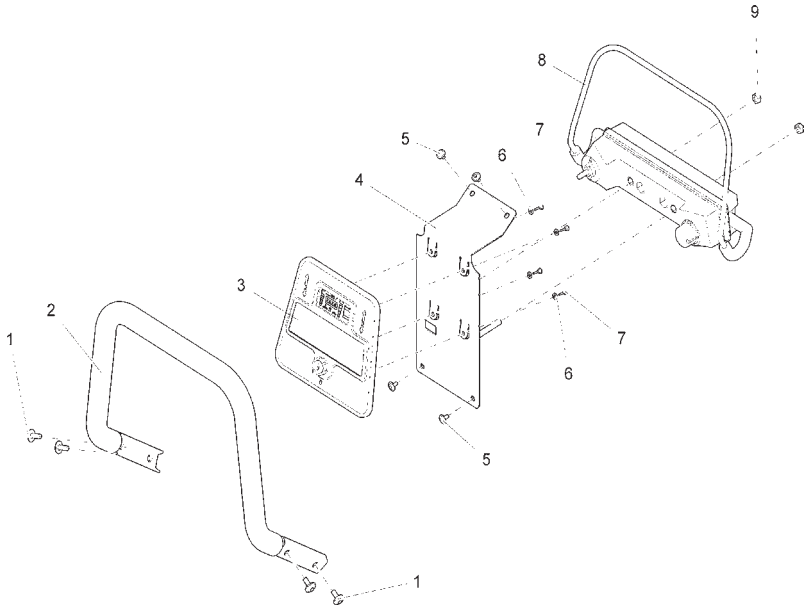
Squeegee Assembly II



Bill of Material - 97094502-2 (9706111BT110)

Item	Spare part number	Mat. No.	Qty.	Description
1	01059530	11039567	6	Hexagon screw
2	00902280	12332136	4	Washer
3	00879030	90199019	2	Pipe
4	01171790	90548397	2	Deflector roller
5	01071740	11039609	2	Hex.bolt
6	00101550	12310264	6	Washer
7	01077810	90513094	2	Fixed castor
8	01079070	97098842	2	Fixed castor
9	01077610	90514993	4	Distance piece
10	01077630	90514936	2	Distance piece
11	00911270	25842105	1	Hose
12	01077620	90515461	1	Bracket
13	00972090	12515094	2	Disk wheel
14	00866720	17133026	2	Star handle
15	01079080	90531112	10	Spacer

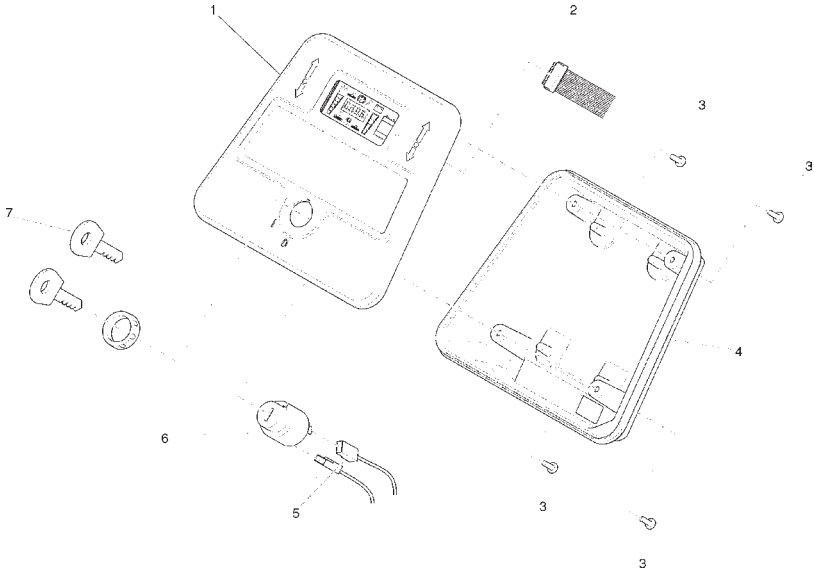
Control Panel Assembly



Bill of Material - 97098477 (99706118T120)

Item	Spare part number	Mat. No.	Qty.	Description	Notes
1	01074320	11177187	4	Lens flange screw	
2	01079760	90494501	1	Handle bar	
3	97093801			Console cpl.	DO NOT ORDER, ITEM HAS SUBASSEMBLIES
4	01079770	96117585	1	Sheet metal	
5	01072520	11177179	4	Lens flange screw	
6	00874720	12310272	4	Washer	
7	00961490	11709011	4	Self tapping screw	
8	01079950	97096069	1	Ball system	
9	00051510	12040051	2	Hexagon nut	

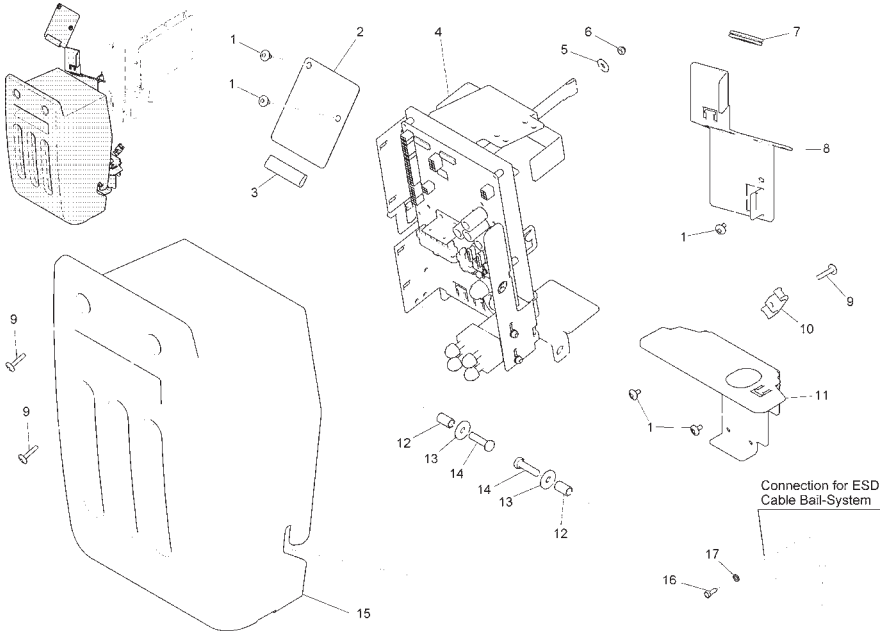
Control Panel Assembly
Console Subassembly



Bill of Material - 97093801 (9970611BT120-1)

Item	Spare part number	Mat. No.	Qty.	Description
1	01078920	97057152	1	Console
2	01078930	90511130	1	Ribbon cable
3	01078860	11702123	4	Screw
4	01078940	90499492	1	Console
5	01078950	90518150	1	Cable key switch
6	00021710	90323437	1	Key switch
7	00745890	00745890	1	Set (2pc.) key

Electrical Assembly I

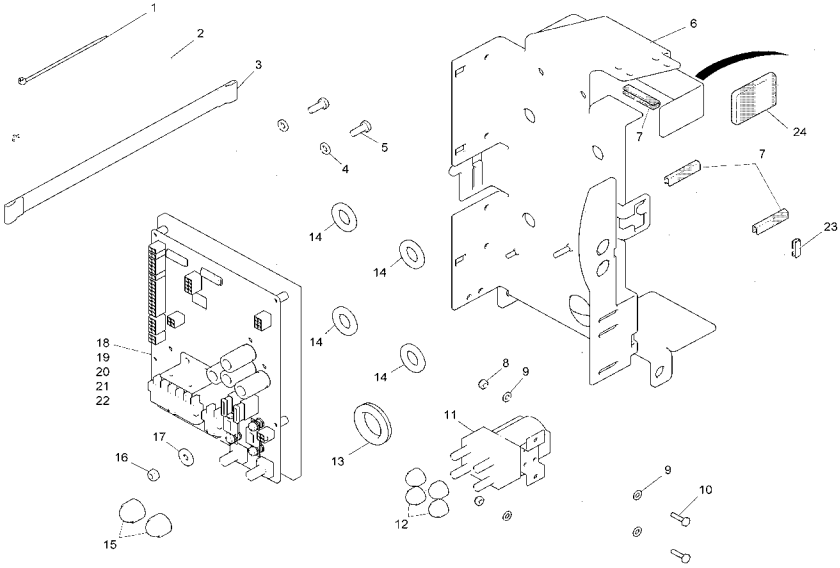


Bill of Material - 97098990-1 (9970611BT130)

Item	Spare part number	Mat. No.	Qty.	Description
1	01072520	11177179	5	Lens flange screw
2	01076570	90509803	1	Sheet metal
3	00161240	25582024	1	Edge protection
4	97099006		1	Retainer cpl.
5	00153200	12347027	1	Washer
6	00051520	12040044	1	Hexagon nut
7	01070980	15585259	1	Cable sleeve
8	01078580	90511338	1	Sheet metal
9	01082530	11177161	3	Lens flange screw
10	01073420	17521048	1	Clamp
11	01078590	90529165	1	Clamping plate
12	01078260	90499377	2	Bushing
13	00042900	12332029	2	Washer
14	00053110	11038254	2	Hexagon screw
15	01078270	96114996	1	Covering
16	01073850	11412046	1	Tapping screw
17	00857150	12518080	1	Lock washer

DO NOT ORDER, ITEM HAS SUBASSEMBLIES

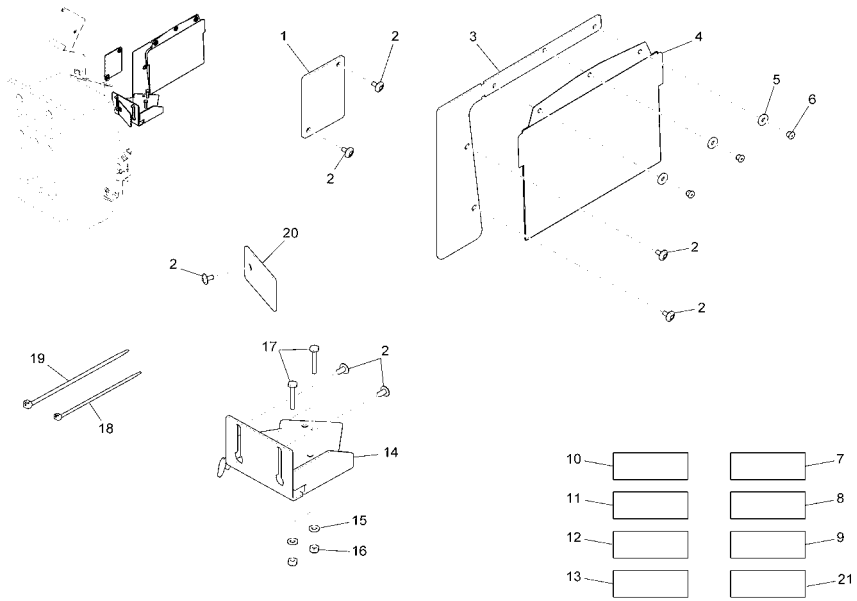
Electrical Assembly I
Retainer Subassembly



Bill of Material - 97099006 (99706118T130-1)

Item	Spare part number	Mat. No.	Qty.	Description
1	00967760	90156688	4	Cable tie
2	00121150	90114810	8	Cable tie
3	01077380	90517699	1	Webbing
4	00053730	12310033	2	Washer
5	00053010	11038072	2	Hex.bolt
6	01078640	96117668	1	Retainer
7	00721090	25583022	120mm	Edge protection
8	00051340	12040036	2	Hexagon nut
9	00053720	12310025	4	Washer
10	00054410	11038049	2	Hex.bolt
11	00707360	90331026	1	Solenoid
12	00131610	15592033	4	Lens cap
13	01079690	15595259	1	Bushing
14	01078240	90510017	4	Washer
15	00747210	15592041	2	Lens cap
16	00051520	12040044	1	Hexagon nut
17	00135120	12332011	1	Washer
18	01171100	97057764	1	Controller HIGH 8-fet BAIL-KUD
19	00972420	00972420	1	Strip fuse
20	00902440	00902440	1	Strip fuse
21	00733830	19731082	1	Fuse
22	00972430	00972430	1	Fuse
23	00721090	25583022	30mm	Edge protection
24	01074240	90463746	2	Cap

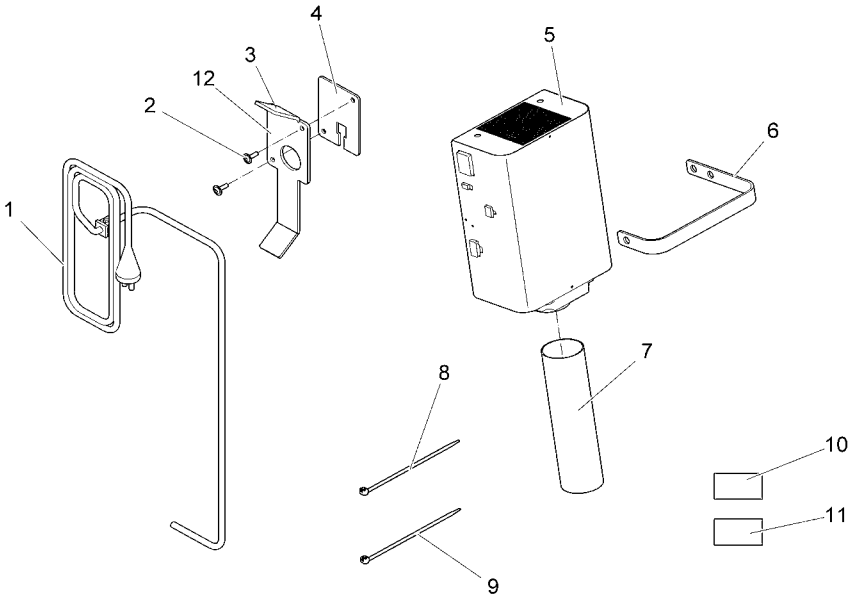
Electrical Assembly II



Bill of Material - 97098990-2 (99706111BT14)

Item	Spare part number	Mat. No.	Qty.	Description
1	01078600	90518119	1	Covering
2	01072520	11177179	7	Lens flange screw
3	01078610	90511346	1	Sheet metal
4	01078290	90465774	1	Bag
5	00555620	12332052	3	Washer
6	01078290	13165196	3	Blind rivet
7	03006850	97094247	1	Wiring harness W1
8	03007770	97094254	1	Wiring harness
9	03007800	97099089	1	Wiring harness
10	03007790	97099063	1	Wiring harness
11	03006880	97095624	1	Wiring harness W11
12	03006890	97094387	1	Set of cables
13	03006900	97095657	1	Set of cables battery
14	01078620	90512146	1	Sheet metal
15	00053730	12310033	2	Washer
16	00051520	12040044	2	Hexagon nut
17	00535110	11038817	2	Hex.bolt
18	00121150	90114810	12	Cable tie
19	00967760	90156688	18	Cable tie
20	01078630	90511320	1	Sheet metal
21	03007780	97098048	1	Cable loom

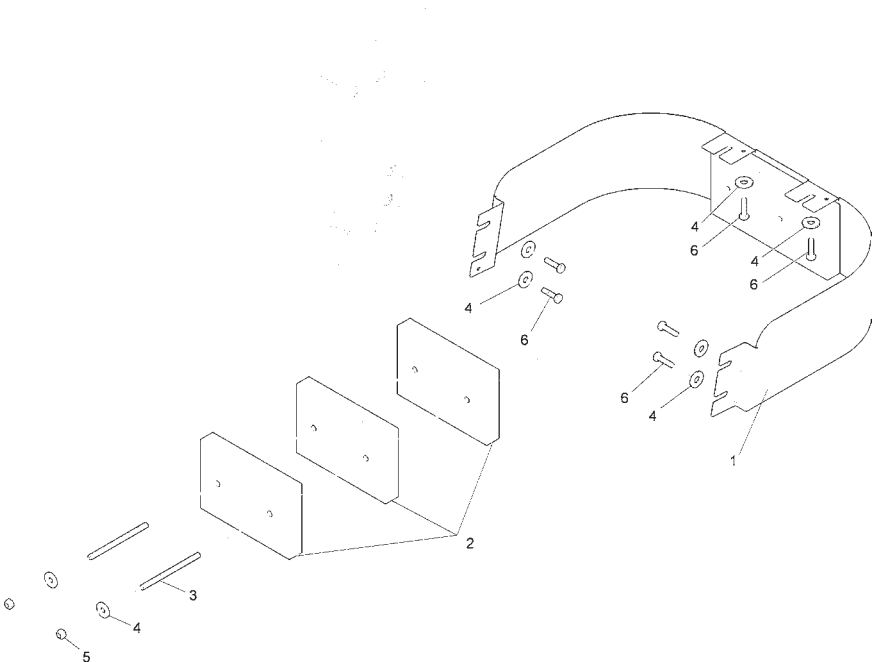
Battery Charger Assembly



Bill of Material - 97099436 (99706118T160)

Item	Spare part number	Mat. No.	Qty.	Description
1	01079380	90532987	1	Power cable
2	01017640	11177060	2	Lens flange screw
3	01074240	90463746	2	Cap
4	01079360	90532266	1	Covering
5	01079370	96117197	1	On-board charger
6	01077870	90517665	1	Tension band
7	01078320	90512575	3	Hose
8	00121150	90114810	8	Cable tie
9	00967760	90156688	1	Cable tie
10	03006770	97094304	1	Wire harness W6
11	03006840	97094346	1	Wiring harness W8
12	01079390	90532258	1	Cable retainer

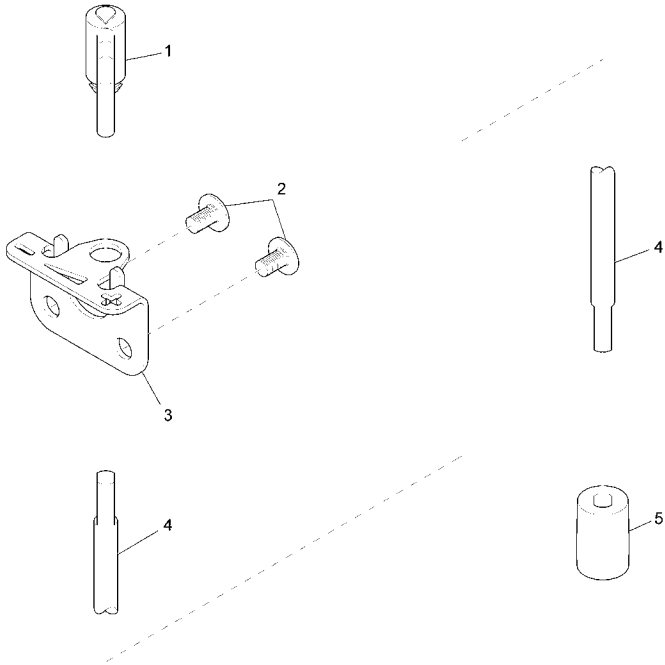
Deck Cover Assembly



Bill of Material - 97096648 (9970611BT170)

Item	Spare part number	Mat. No.	Qty.	Description
1	0306980	96115084	1	Covering
2	XXXXXXXX	96118674	3	Weight
3	01078410	90539255	2	Threaded rod
4	00042900	12332029	2	Washer
5	00051510	12040051	2	Hexagon nut
6	00053080	11038197	6	Hexagon screw

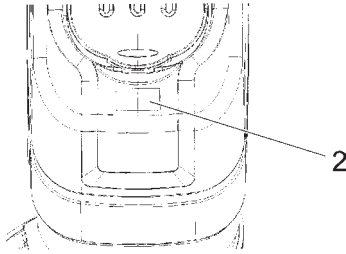
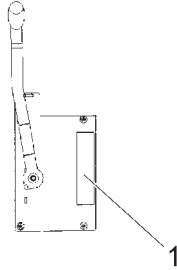
Solution Control Assembly



Bill of Material - 97092597 (99706111BT180)

Item	Spare part number	Mat. No.	Qty.	Description
1	01078370	90502436	1	Lever
2	01072520	11177179	2	Lens flange screw
3	01078380	90502444	1	Sheet metal
4	01078390	90502618	1	Shaft
5	01078400	90502428	1	Connecting piece

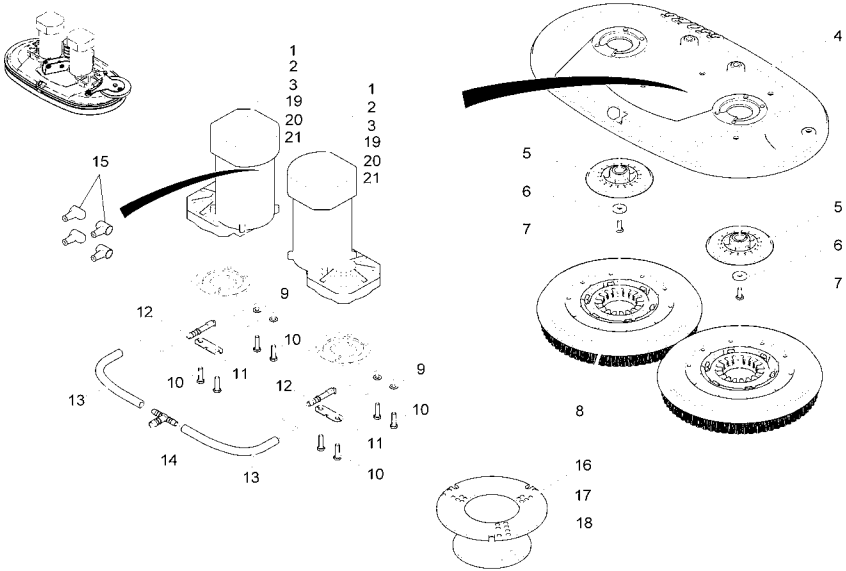
Machine Labels



Labels (99706111BT190)

Item	Part Number	Description	Qty.	Notes
1	17267212	Decal Details	1	
2	715648	Bortek Decal	1	

Disc Scrub Deck Assembly I



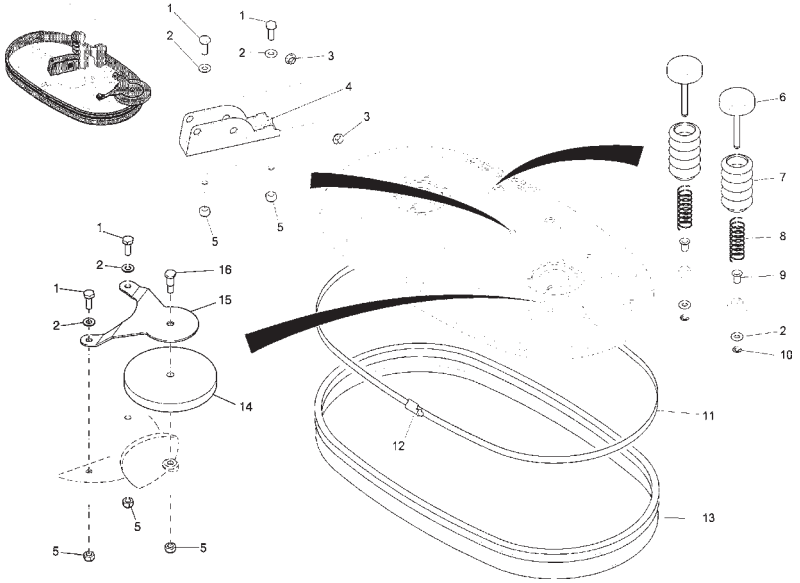
Bill of Material - 97092191-1-7061-11 (99706111BT200)

Item	Spare part number	Mat. No.	Qty.	Description
1	01077180	90507476	2	Motor
2	01077230	01077230	2	Fitting key
3	01077240	01077240	1	Set (4pc.) Carbon brush
4	03008050	90503178	1	Housing
5	00512400	90324369	2	Carrier
6	00879170	90209537	2	Washer
7	00053090	11038213	2	Hexagon screw
8	97100820	97100820	2	Pad Driver Assembly, 13"
9	00101550	12310264	4	Washer
10	00053110	11038254	8	Hexagon screw
11	01077750	90500216	2	Sheet metal
12	01078330	90500265	2	Spray tube
13	00180190	25842014	2	Hose
14	00901310	90275157	1	T-reducer muff
15	01078070	90524174	4	Protection cap
16	00681500	90364365	1	Center-lock, lower part
17	00961490	11709011	6	Self tapping screw
18	00681490	90364373	1	Center-lock, upper part
19	01077250	01077250	1	Spring
20	01077210	01077210	1	Gear
21	01077220	01077220	1	Circlip

For proper brush selection for your application please contact:

Parts Support
1-800-626-7835
 or e-mail parts@bortekindustries.com

Disc Scrub Deck Assembly II



Bill of Material - 97092191-2 (99706111BT210)

Item	Spare part number	Mat. No.	Qty.	Description
1	00053310	11038346	4	Hexagon screw
2	01140500	12310298	6	Washer
3	01171330	14895197	2	Slide bearing bush
4	01170390	90538752	1	Retainer
5	00051500	12040069	5	Hexagon nut
6	01078000	96112388	2	Ejector
7	01078350	90500232	2	Bellow
8	01078340	90500208	2	Compression spring
9	01078360	14895437	2	Slide bearing bush
10	00046280	12640033	2	Thrust washer
11	00712300	17528548	1	Tension band
12	00901390	17528555	1	Tension band lock
13	01077490	90539784	1	Sealing strip
14	01078060	90500224	1	Deflector roller
15	01077560	90500273	1	Retainer
16	01077570	90507831	1	Screw

Notes

Notes

PART 2 - UPDATED PARTS INFORMATION

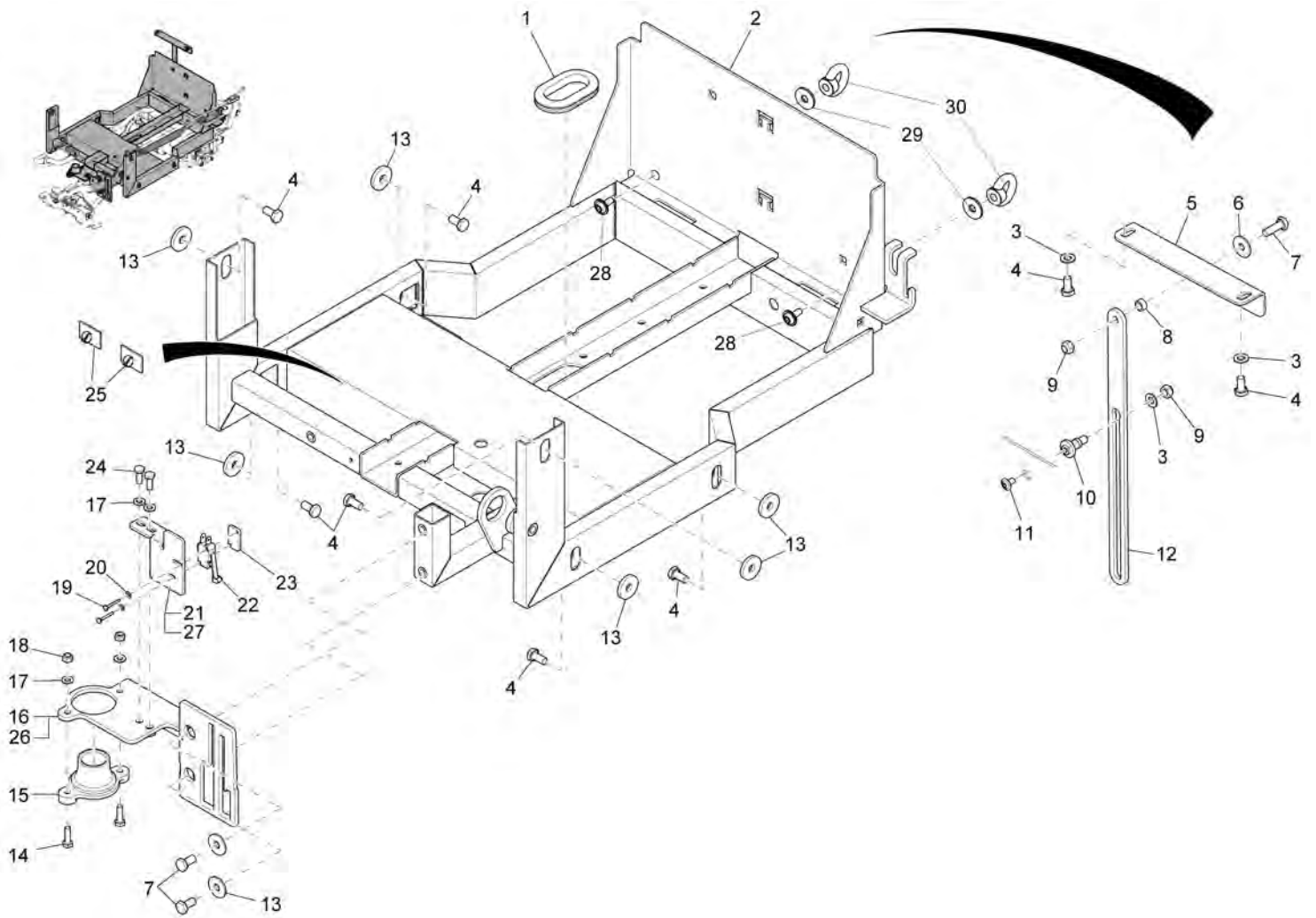
For Safety When Servicing or Maintaining Machine

- Stop on level surface.
- Disconnect the power to the machine by pulling the red Battery Connector located under the recovery tank near the batteries.
- Avoid moving parts. Do not wear loose jackets, shirts, or sleeves when working on machine.
- Avoid contact with battery acid. Battery acid can cause burns. When working on or around batteries, wear protective clothing and safety glasses. Remove metal jewelry. Do not lay tools or metal objects on top of batteries.
- Do not clean machine with a pressure washer.
- Authorized personnel must perform repairs and maintenance. Use Minuteman supplied replacement parts.

Table of Contents

Cassis cpl. part 1	4
Chassis cpl. part 2	6
Chassis, cpl. part 3	12
Battery tray	30
Hopper cpl. part1	32
Hopper cpl. part2	34
Suction	36
Squeegee operation (Available! No.: 00009000)	38
Squeegee 950mm	41
Squeegee 950mm, cpl. (Available! No.: 01178270)	48
Operation handle	52
Electric part 1	56
Electrics part 2	60
Battery charger 24V 22A	62
Cover cpl.	64
Water dosing	66
Labels	68
Brush head TB 650 part 1	70
Brush head (DB 650) part 2	72

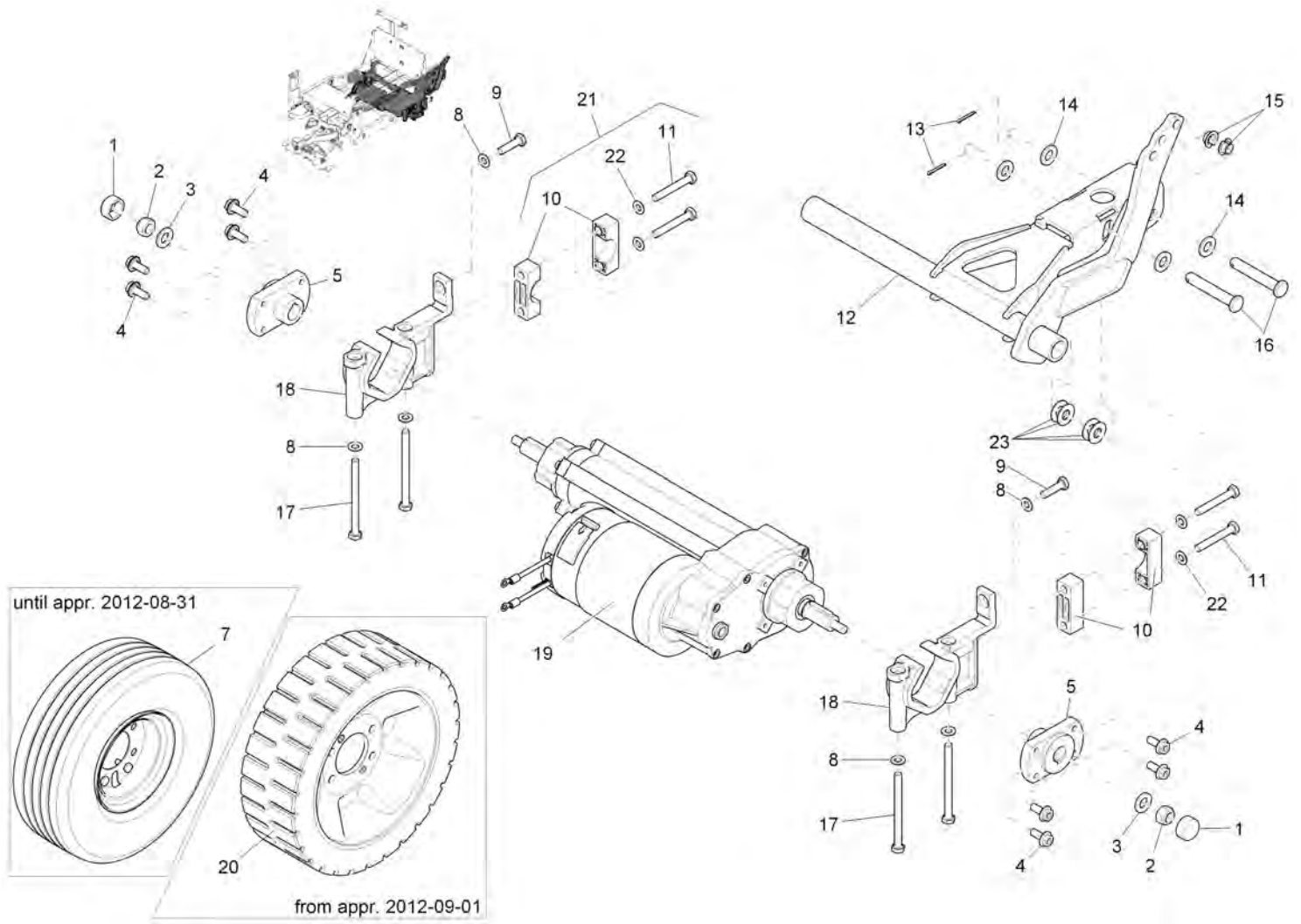
Cassis cpl. part 1
Rev.D 09/12



Cassis cpl. part 1 (97098859-1)
Rev.D 09/12

Item	Spare part number	Description	Qty.	Unit	Remarks
1	90513367	Grommet	1		
2	96116405	Chassis	1		
3	12310041	Washer	7		
4	11038197	Hexagon screw	14		
5	90503160	Retainer	1		
6	12332029	Washer	3		
7	11038247	Hexagon screw	1		
8	90473158	Bushing	1		
9	12040051	Hex. Nut	2		
10	90513243	Bushing	1		
11	11177179	Lens flange screw	1		
12	90495268	Sheet metal	1		
13	12515086	Disk wheel	10		
14	11038098	Hexagon screw	2		
15	90508391	Bushing	1		
16	96117387	Sheet metal	1		until ca. June 2007
17	12310033	Washer	4		
18	12040044	Hex. Nut	2		
19	11039088	Hex.bolt	2		
20	12310132	Washer	2		
21	01078470	Retainer	1		until ca. June 2007
22	90636234	Micro switch	1		
23	90471483	Thread base plate	1		
24	11038072	Hex.bolt	2		
25	17526070	Cable clip	2		
26	96117387	Sheet metal	1		from ca. July 2007
27	90540931	Retainer	1		from ca. July 2007
28	11177128	Lens flange screw	2		
29	12332029	Washer	2		
30	12160024	Nut	2		

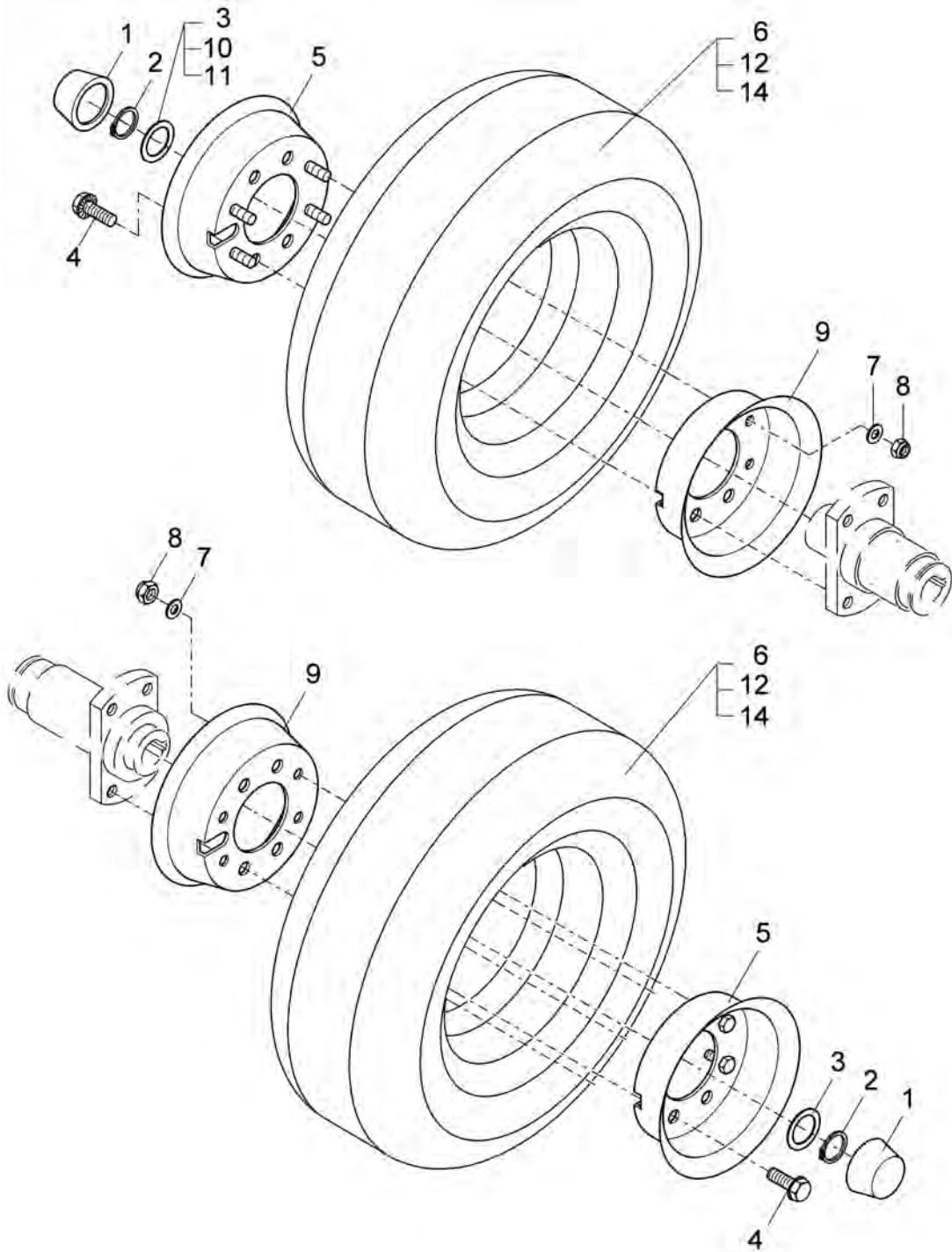
Chassis cpl. part 2
Rev.D 09/12



Chassis cpl. part 2 (97098859-2)
 Rev.D 09/12

Item	Spare part number	Description	Qty.	Unit	Remarks
1	15592058	protection cap	2		
2	12040077	Hex. Nut	2		
3	12310066	Washer	2		
4	11717203	Hexagon screw	8		
5	01078010	Hub	2		
7	90523309 7061-11	Wheels (See Page 8)	Page	8	
8	12310041	Washer	8		
9	11038254	Hexagon screw	2		
10	90547811	Block	4		from appr. march 2008; if you want to exchange older blocks, please order Pos. 21!
11	11038296	Hex.bolt	4		
12	96120738	Lever	1		
13	13280136	Cotter pin	2		
14	12310066	Washer	4		
15	14895478	Slide bearing bush	4		
16	13328851	Bolt	2		
17	11032273	Hex.bolt	4		
18	90512062	Bearing AMER	2		
19	90531609	Traction drive	Page	10	
20	96118849	Wheel	2		from appr. 2012-09-01!
21	00008980	Block	1		incl. Pos.1011,22: please order kit because it's necessary to exchange all 4 blocks
22	12332029	Washer	4		
23	14898019	Approach disk	4		

Wheels
Rev.D 09/12

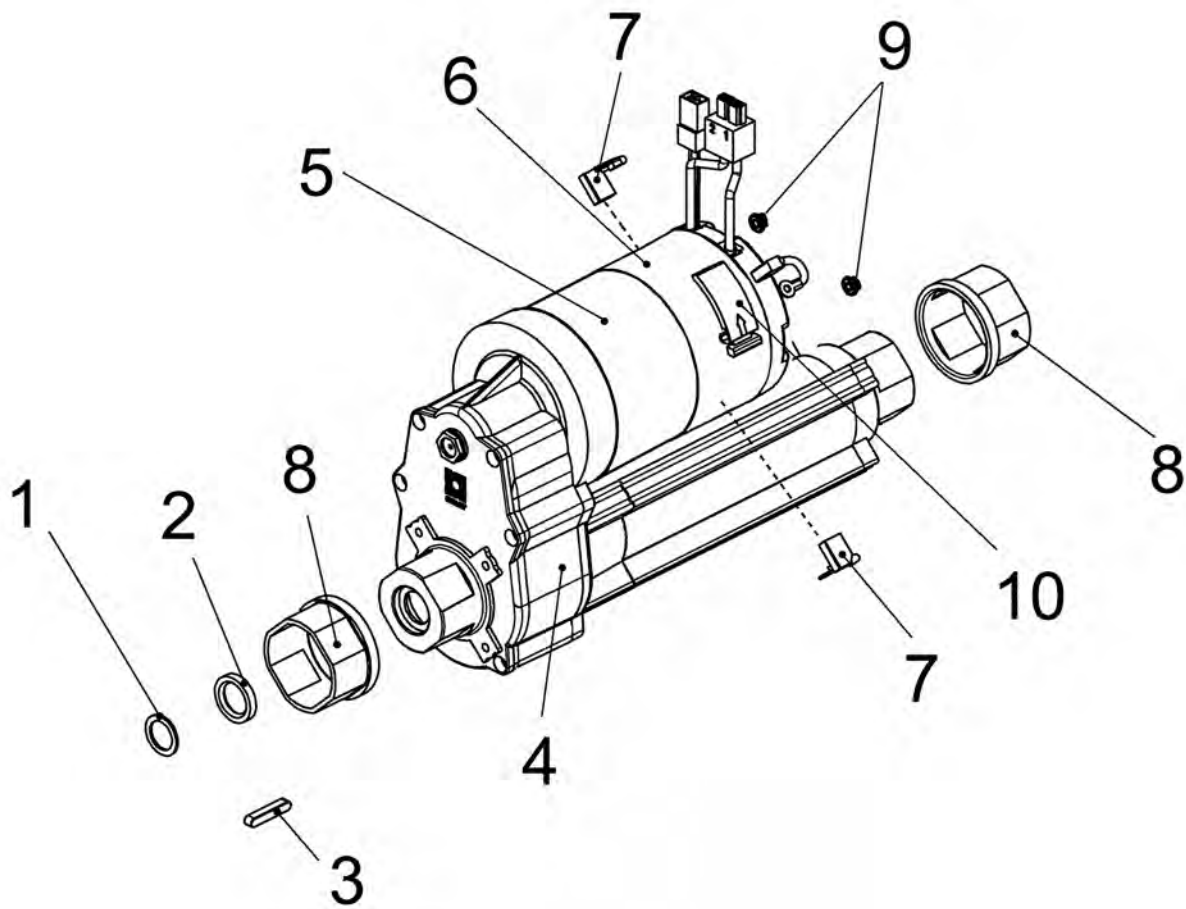


Wheels (90523309 7061-11)

Rev.D 09/12

Item	Spare part number	Description	Qty.	Unit	Remarks
1	00127160	Cap	2		
2	00059490	Thrust washer	2		
3	00153700	Adjusting washer	2		
4	11717022	Hex.bolt	4		
5	96057013	Rim half	1		
6	00770190	Tire, Pneumatic	1		
7	12310033	Washer	4		
8	12040044	Hex. Nut	4		
9	90251869	Rim	1		
10	00046430	Adjusting washer	2		
11	00136510	Supporting ring	2		
12	00320810	Hose	1		
14	00106050	Rubber washer	1		

Traction drive
Rev.D 09/12

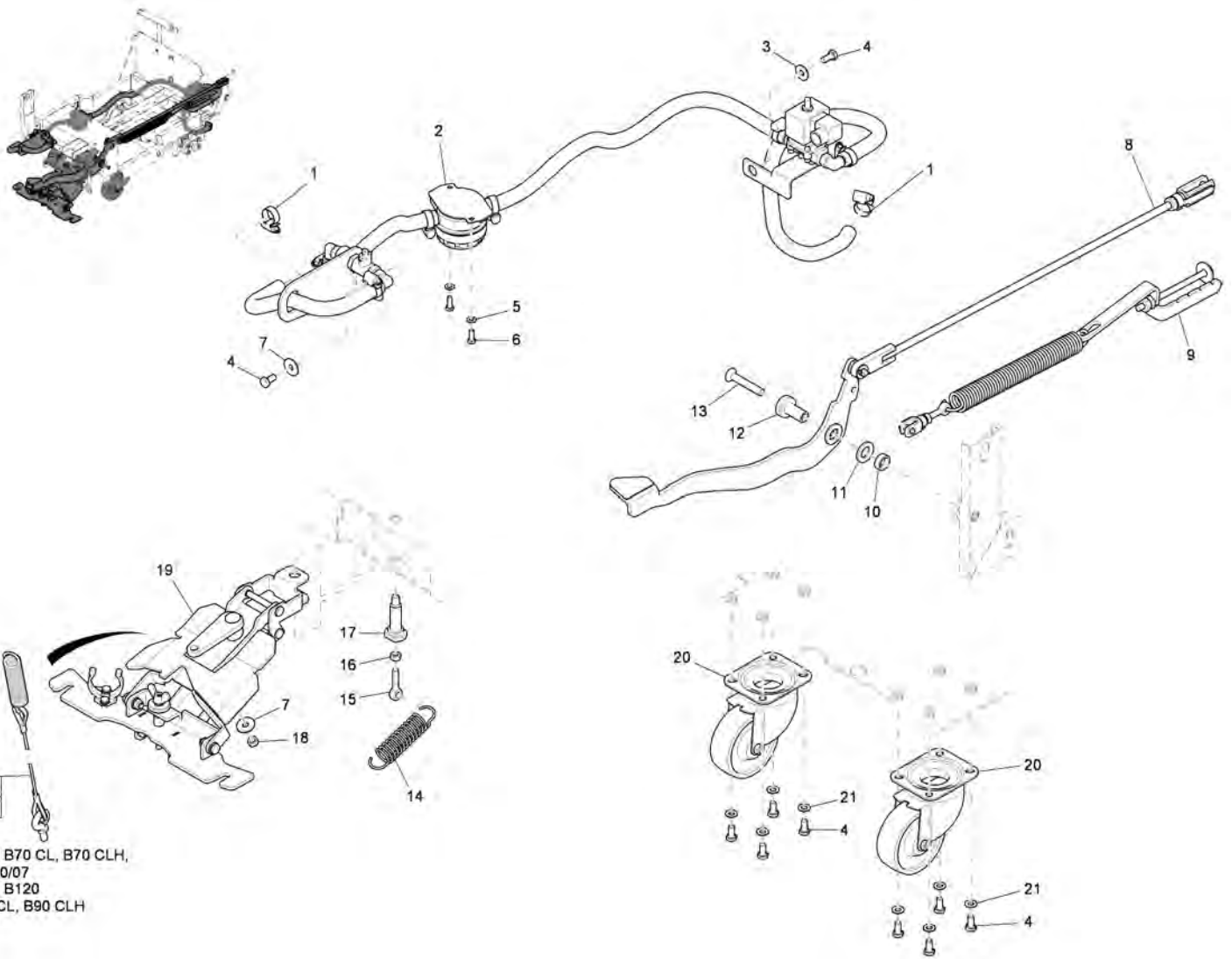


Traction drive (01079400)

Rev.D 09/12

Item	Spare part number	Description	Qty.	Unit	Remarks
1	01077430	Washer	2		
2	01077420	Gasket	3		
3	01077410	Fitting key	2		
4	01077390	Gear box with shaft	1		
5	01170790	Motor	1		
6	01077360	Covering	1		
7	01077350	Carbon brush	4		
8	01077400	Bushing	2		
9	01077380	Nut	4		
10	01173630	Mounting clip	1		

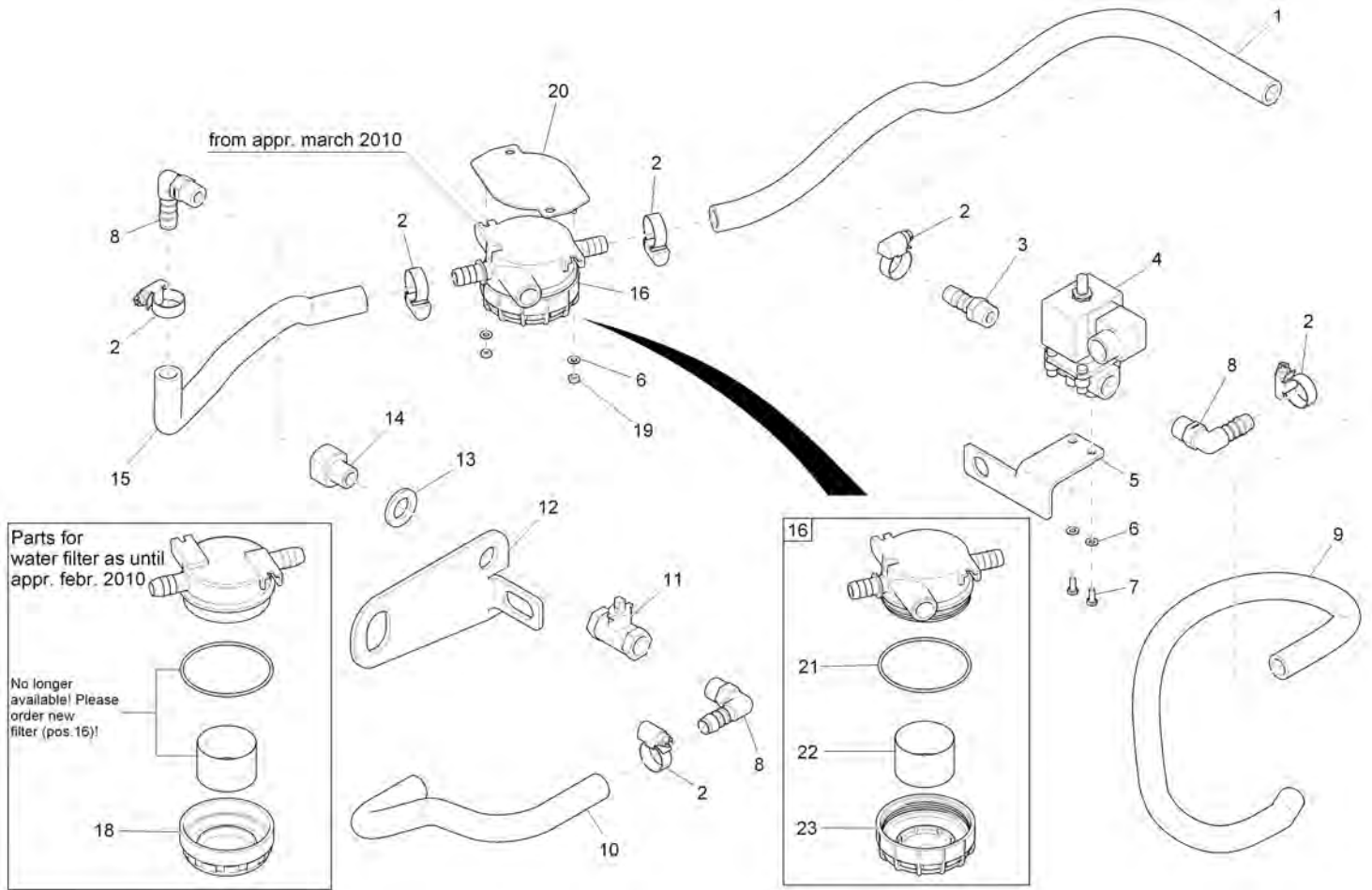
Chassis, cpl. part 3
 Rev.D 09/12



Chassis, cpl. part 3 (97098859-3)
 Rev.D 09/12

Item	Spare part number	Description	Qty.	Unit	Remarks
1	3302144	Hose clamp	2		
2	97090161	Water supply	Page	14	
3	12332029	Washer			
4	11038197	Hexagon screw	2		
5	12310033	Washer	2		
6	11038072	Hex.bolt	2		
7	12332029	Washer	2		
8	97093181	Lifting pedal	Page	16	
9	97094791	Brush pression adjustment	Page	18	
10	90509027	Pipe	1		
11	12310082	Washer	1		
12	90509522	Bushing	1		
13	11225620	Countersunk screw	1		
14	90523333	Tension spring	1		
15	11518180	Eye bolt	1		
16	12022059	Hex. Nut	1		
17	90513573	Pivot	1		
18	12040051	Hex. Nut	1		
19	03008100	Squeegee connection (Available! No.: 03008100)	Page	20	
20	90515131	Steering roller	2		
21	12310041	Washer	2		
22	096112370	Linkage For E26	1		with B 70, B70 CL,B70 CLH, B650/07, MMAN E 26, Phoenix 26
23					
24					

Water supply
Rev.D 09/12

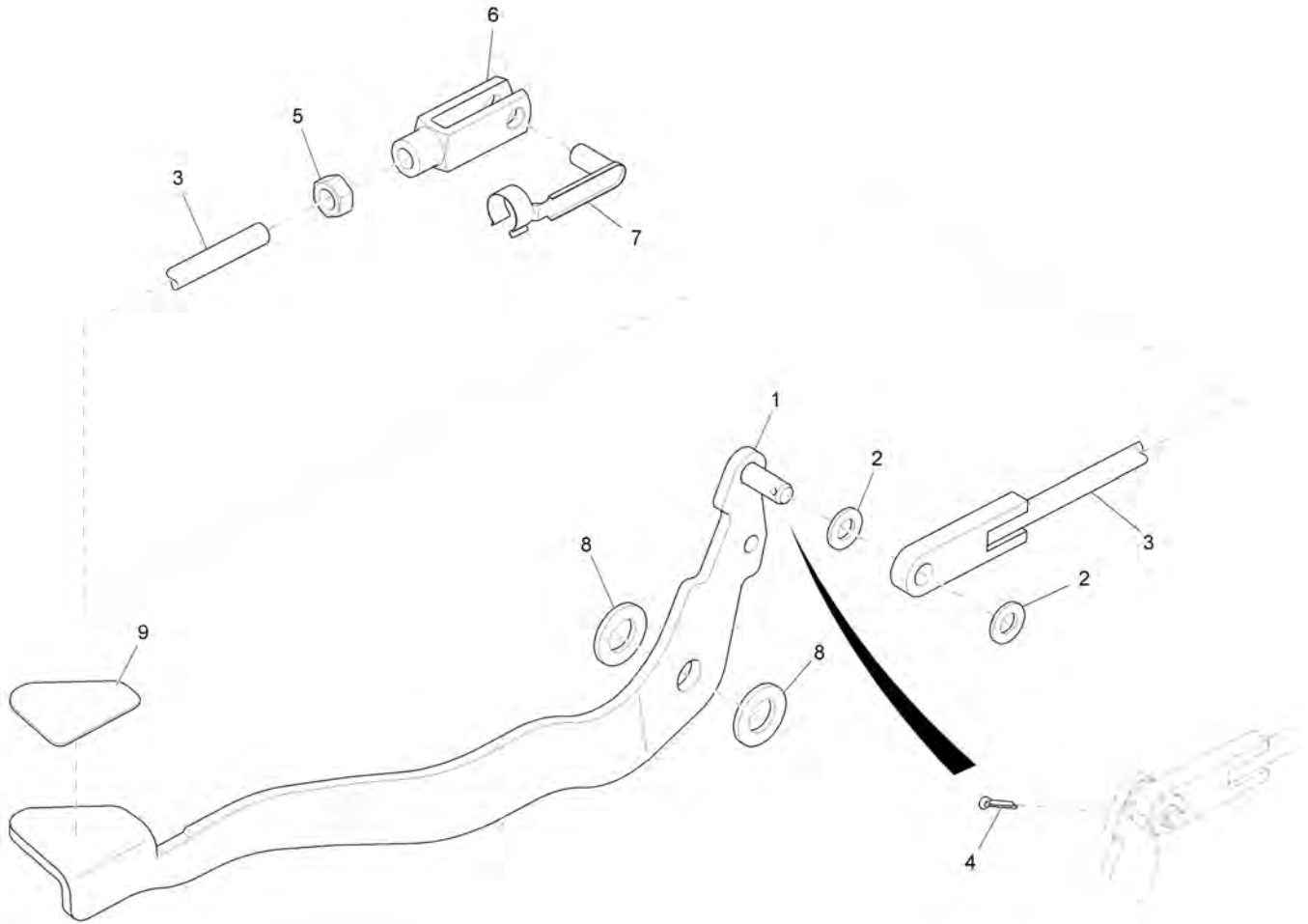


Water supply (97090161)

Rev.D 09/12

Item	Spare part number	Description	Qty.	Unit	Remarks
1	25842055	PVC hose - Sold by the meter	0,560	M	
2	3302144	Hose clamp	6		
3	90310665	Screwed plug	1		
4	90435595	Electrovalve	1		
5	90540956	Retainer	1		
6	12310017	Washer	4		
7	11038965	Hex.bolt	2		
8	90174970	Angle socket	3		
9	25842055	PVC hose - Sold by the meter	0,540	M	
10	25842055	PVC hose - Sold by the meter	0,280	M	
11	90521576	Ball cock	1		
12	90507344	Sheet metal	1		
13	12310082	Washer	1		
14	90517657	Screw	1		
15	25842055	PVC hose - Sold by the meter	0,340	M	
16	97113377	Water filter	1		
18	01076500	Screw cap	1		
19	12040028	Hex. Nut	2		
20	96115035	Sheet metal	1		
21	15282155	O-ring	1		
22	90542549	Strainer	1		
23	90576778	Filter cover	1		

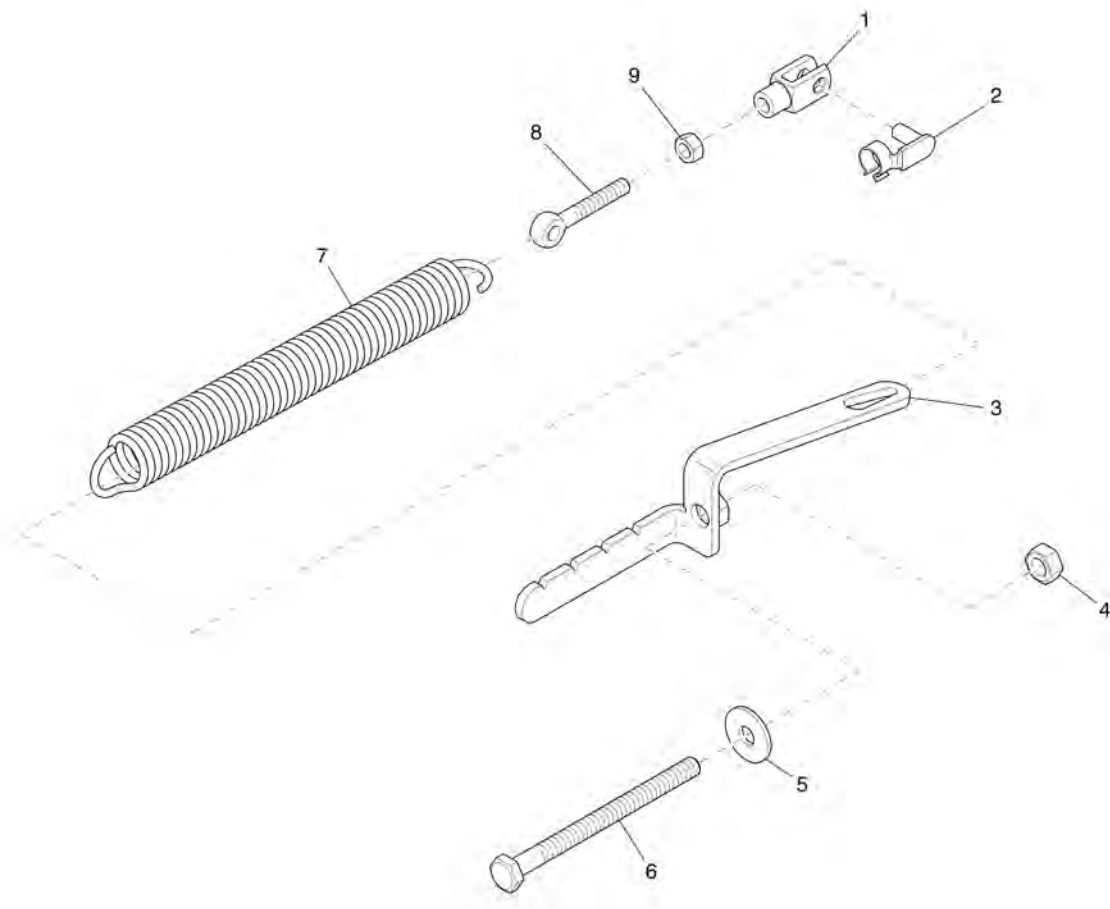
Lifting pedal
Rev.D 09/12



Lifting pedal (97093181)
Rev.D 09/12

Item	Spare part number	Description	Qty.	Unit	Remarks
1	96117361	Lifting pedal	1		
2	12310058	Washer	2		
3	96111877	Rod	1		
4	13280110	Cotter pin	1		
5	12022067	Hex. Nut	1		
6	16055063	Fork yoke	1		
7	13390042	Bolt	1		
8	90510017	Washer	2		
9	90518580	Decal	1		

Brush pression adjustment
Rev.D 09/12



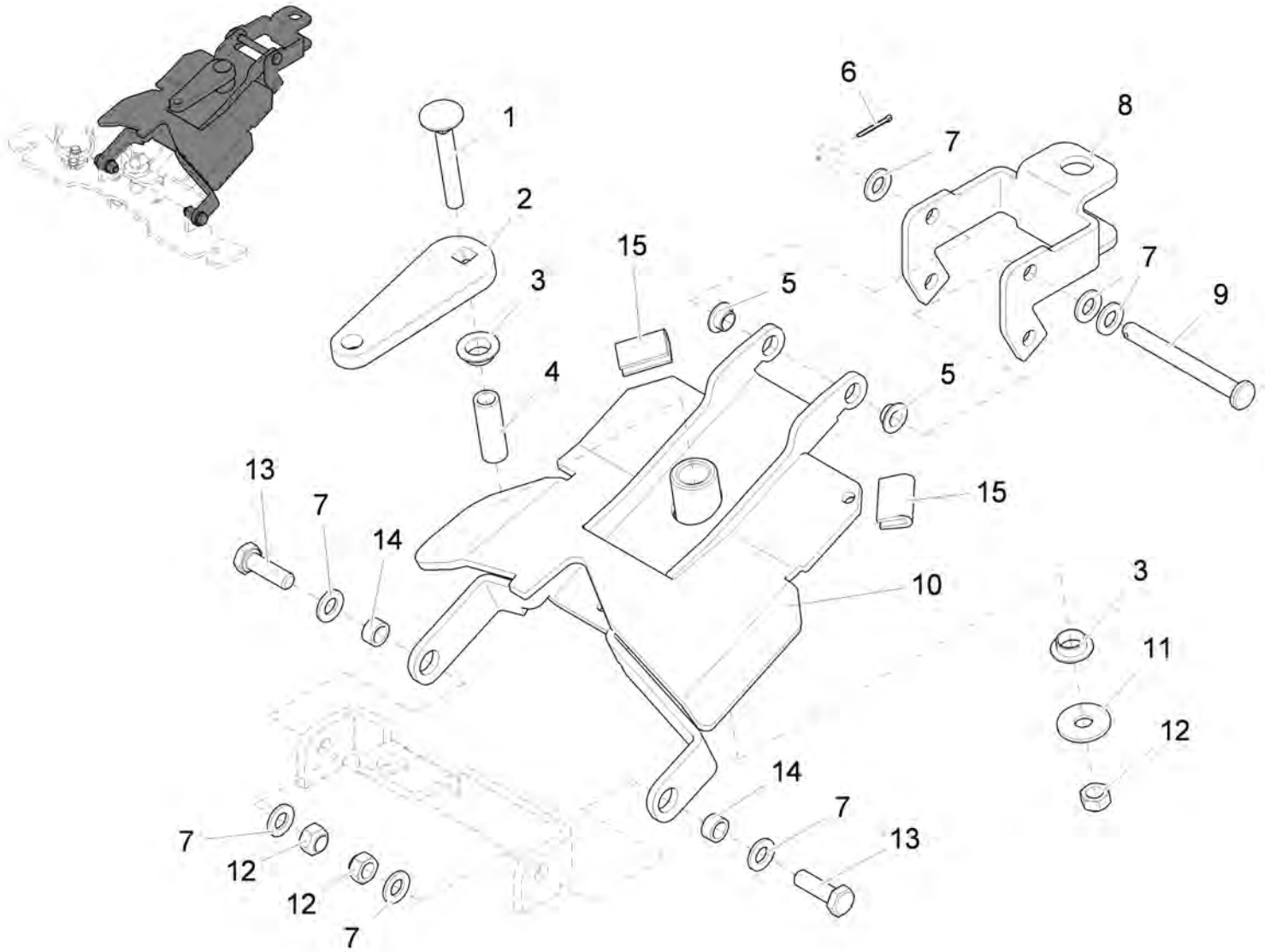
Brush pression adjustment (97094791)
Rev.D 09/12

Item	Spare part number	Description	Qty.	Unit	Remarks
1	16055089	Fork yoke	1		
2	13390059	Bolt	1		
3	96111505	Sheet metal	1		
4	12022067	Hex. Nut	1		
5	12332037	Washer	1		
6	11039716	Hexagon screw	1		
7	90504242	Tension spring	1		
8	11518016	Eye bolt	1		
9	12022059	Hex. Nut	1		

Squeegee connection (Available! No.: 03008100) (03008100)
Rev.D 09/12

Assembly	Description	Page
97099915-1	Squeegee connection (until appr. 15. Apr. 2008) part 1	21
97099915-2	Squeegee connection (until appr. 15. Apr. 2008) part 2	23
03008100BT10	Squeegee connection (from appr. 15. Apr. 2008) part 1	25
03008100BT20	Squeegee connection (from appr. 15. Apr. 2008) part 2	27

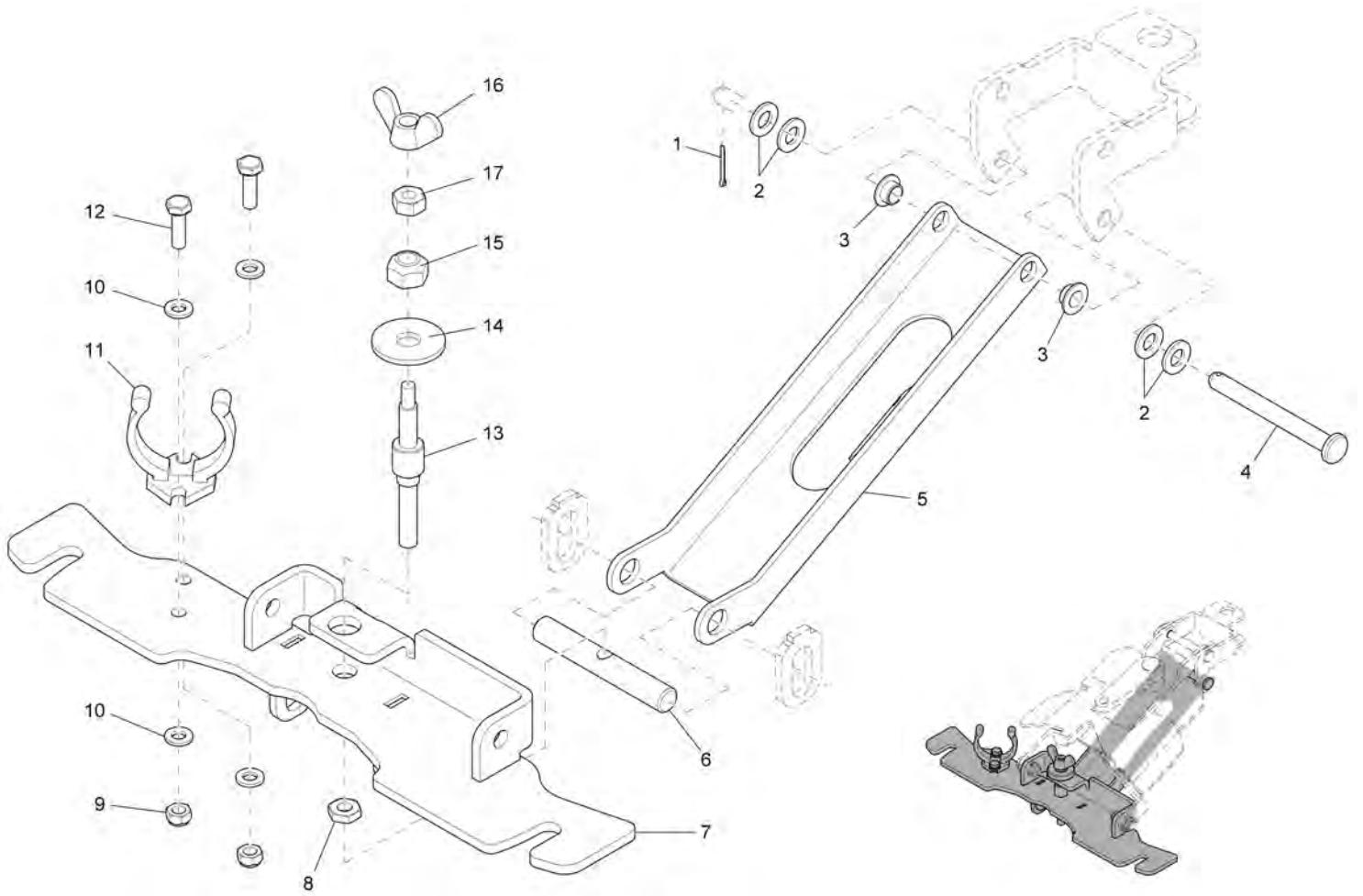
Squeegee connection (until appr. 15. Apr. 2008) part 1
Rev.D 09/12



**Squeegee connection (until appr. 15. Apr. 2008) part 1
(97099915-1)
Rev.D 09/12**

Item	Spare part number	Description	Qty.	Unit	Remarks
1	11620564	Cup head square neck bolt	1		
2	90521790	Sheet metal	1		
3	14895478	Slide bearing bush	2		
4	90204702	Pipe	1		
5	14895460	Slide bearing bush	2		
6	13280078	Cotter pin	1		
7	12310041	Washer	5		
8	90534710	Round part	1		
9	01078220	Bolt	1		
10	01079290	Sheet metal	1		
11	12332029	Washer	1		
12	12040051	Hex. Nut	3		
13	11038247	Hexagon screw	2		
14	90473158	Bushing	2		
15	25582024	Edge protection - Sold by the meter	1	M	

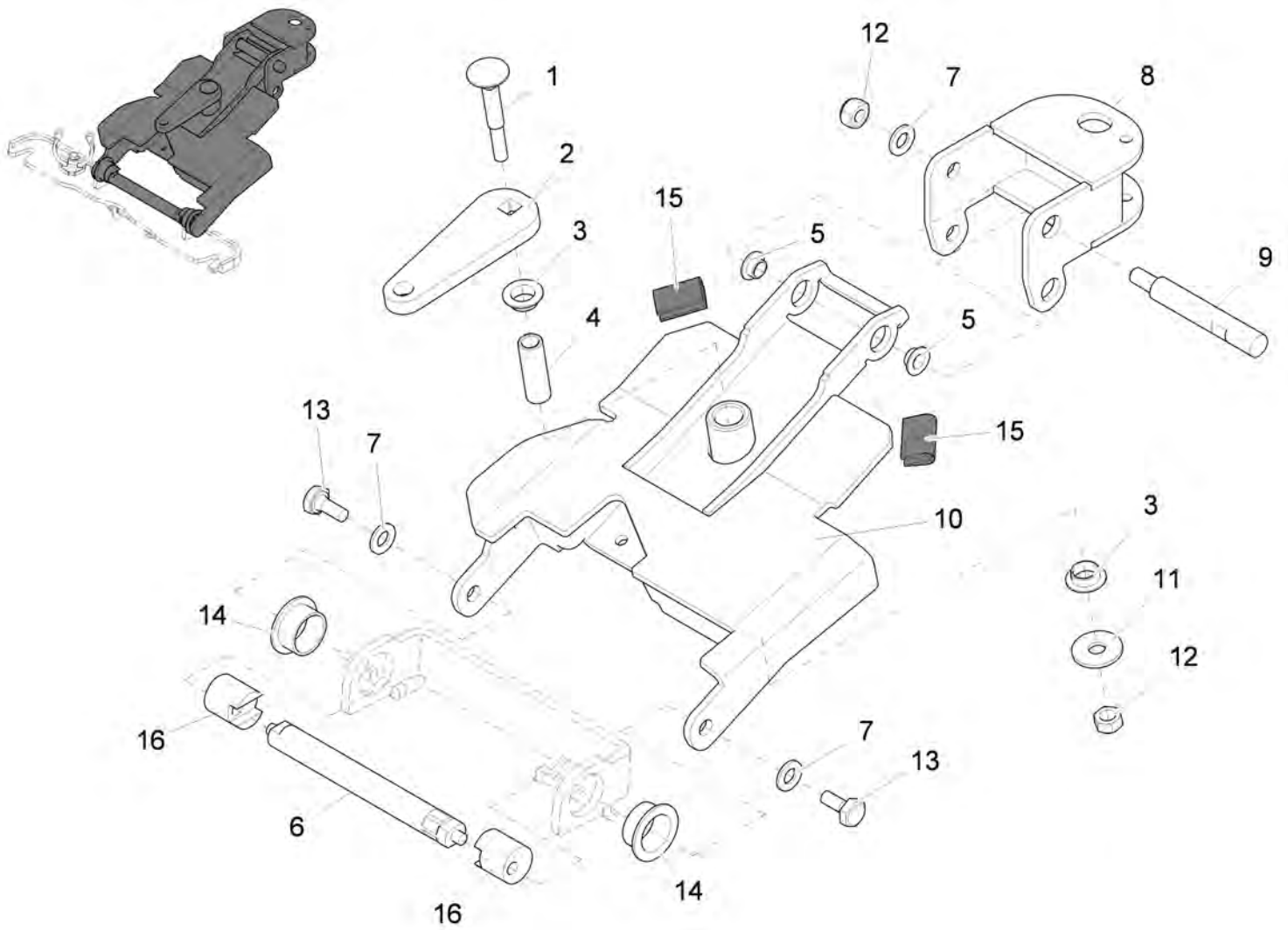
Squeegee connection (until appr. 15. Apr. 2008) part 2
Rev.D 09/12



Squeegee connection (until appr. 15. Apr. 2008) part 2
(97099915-2)
 Rev.D 09/12

Item	Spare part number	Description	Qty.	Unit	Remarks
1	13280078	Cotter pin	1		
2	12310041	Washer	1		
3	14895460	Slide bearing bush	2		
4	13328935	Bolt	1		
5	90495805	Draft link	1		
6	90467686	Bolt	1		
7	96110242	Sheet metal	1		
8	12012019	Hex. Nut	2		
9	12040044	Hex. Nut	2		
10	12310033	Washer	4		
11	90503251	Hose support	1		
12	11038098	Hexagon screw	2		
13	90515149	Threaded pin	1		
14	12332029	Washer	1		
15	12040051	Hex. Nut	1		
16	12158028	Wing nut	1		
17	12022042	Hex. Nut	1		

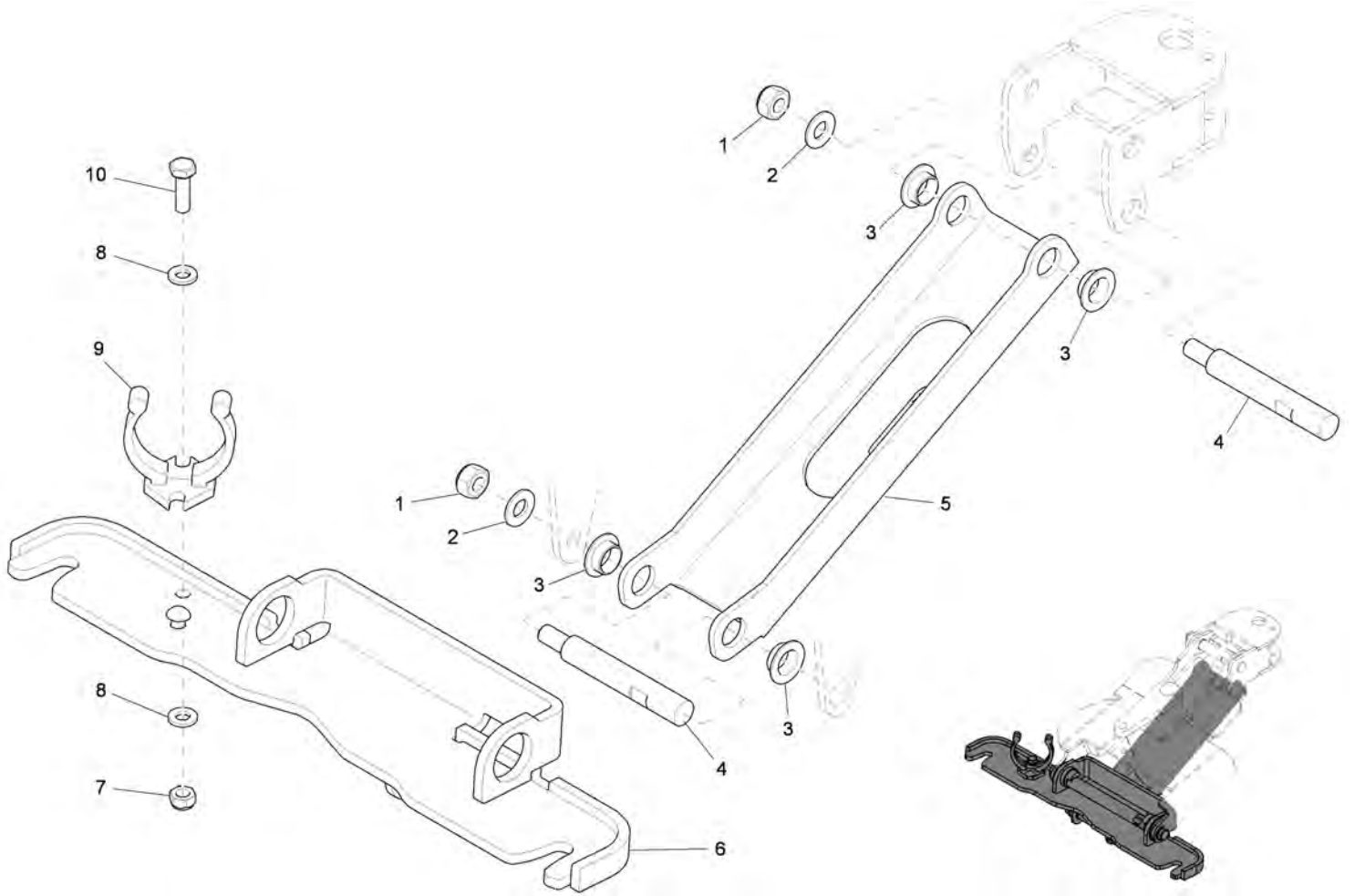
Squeegee connection (from appr. 15. Apr. 2008) part 1
Rev.D 09/12



**Squeegee connection (from appr. 15. Apr. 2008) part 1
(03008100BT10)
Rev.D 09/12**

Item	Spare part number	Description	Qty.	Unit	Remarks
1	11620564	Cup head square neck bolt	1		
2	90521790	Sheet metal	1		
3	14895478	Slide bearing bush	2		
4	01171550	Bushing	1		
5	14895197	Slide bearing bush	2		
6	01171360	Shaft	1		
7	730609	Washer	3		
8	96119938	Round part	1		
9	90547381	Threaded bolt	1		
10	01171300	Sheet metal	1		
11	12332029	Washer	1		
12	12040259	Hex. Nut	2		
13	11039609	Hex.bolt	2		
14	14895361	Slide bearing bush	2		
15	25582024	Edge protection - Sold bt the meter	60mm		
16	90547399	Eccentric cam	2		

Squeegee connection (from appr. 15. Apr. 2008) part 2
Rev.D 09/12

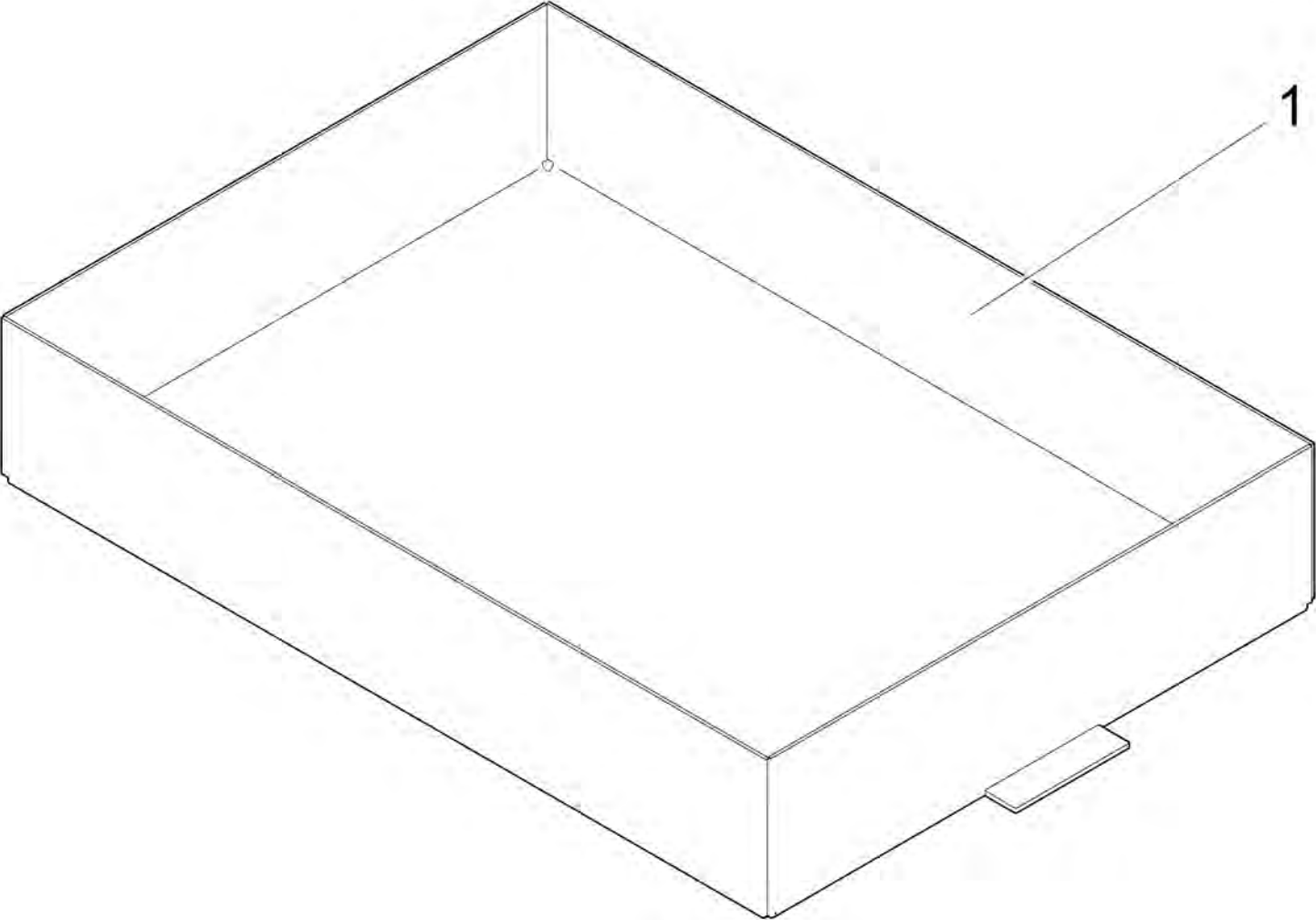


**Squeegee connection (from appr. 15. Apr. 2008) part 2
(03008100BT20)
Rev.D 09/12**

Item	Spare part number	Description	Qty.	Unit	Remarks
1	12040259	Hex. Nut	2		
2	730609	Washer	2		
3	14895197	Slide bearing bush	2		
4	90547381	Threaded bolt	3		
5	90543521	Draft link	1		
6	96120993	Sheet metal	1		
7	12040044	Hex. Nut	1		
8	12310033	Washer	2		
9	90503251	Hose support	1		
10	11038098	Hexagon screw	1		

Battery tray

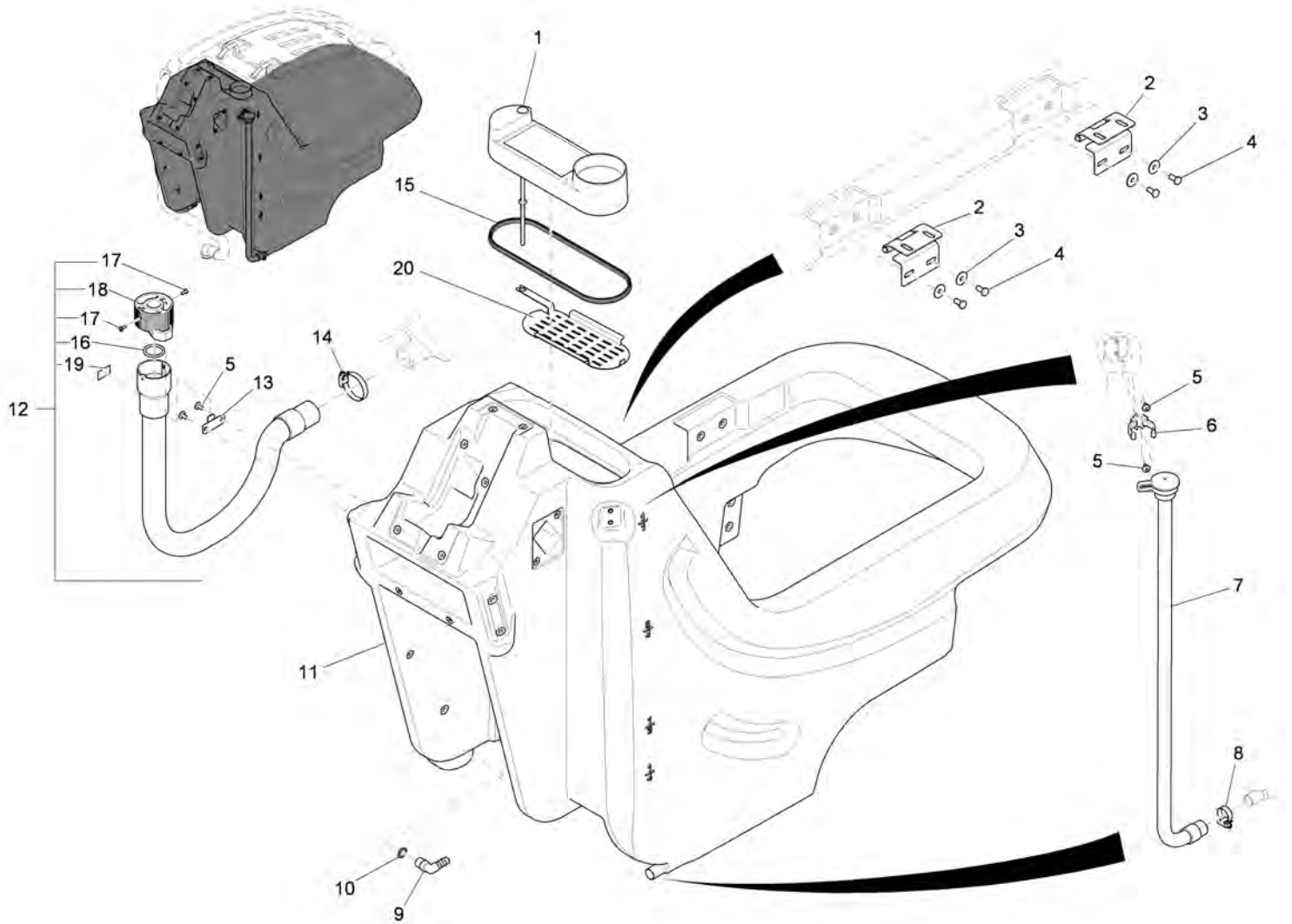
Rev.D 09/12



Battery tray (99706111BT40)
Rev.D 09/12

Item	Spare part number	Description	Qty.	Unit	Remarks
1	03007960	Battery tray	1		

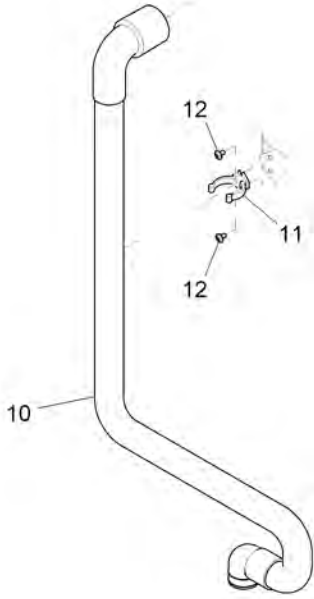
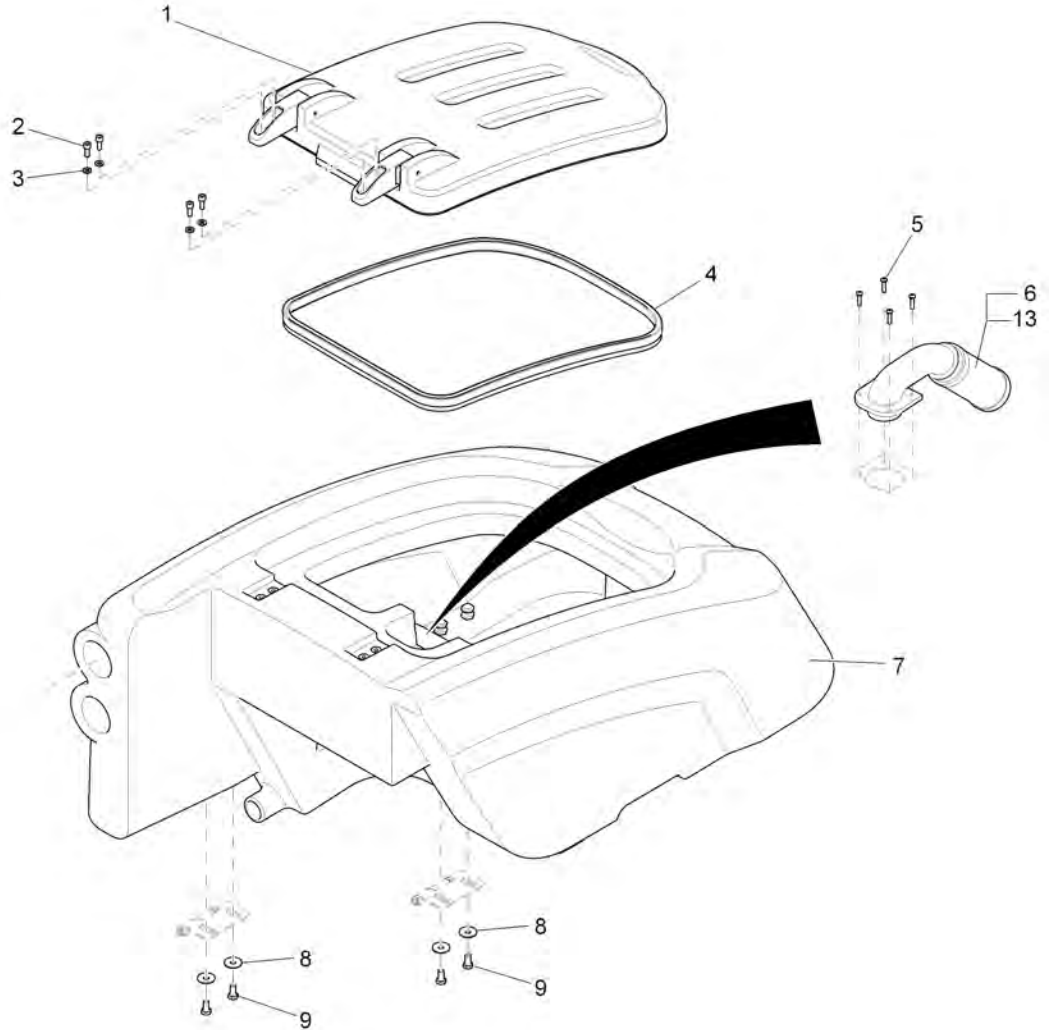
Hopper cpl. part1
Rev.D 09/12



Hopper cpl. part1 (97100143-1)
Rev.D 09/12

Item	Spare part number	Description	Qty.	Unit	Remarks
1	96114061	Fresh water cap	1		
2	90496910	Hinge	2		
3	12332029	Washer	4		
4	11038197	Hexagon screw	4		
5	11177179	Lens flange screw	4		
6	90503251	Hose support	1		
7	96109541	Hose	1		
8	3300535	Clamp	1		
9	90174970	Angle socket	1		
10	15286149	O-ring oil resistant	1		
11	01170700	Fresh water tank	1		
12	97090096	Foul water hose	1		
13	90517574	Hook	1		
14	760245	Hose clamp	1		
15	2558322	Edge protection - Sold by the meter	710mm		
16	15282072	O-Ring	1		
17	11175395	Fillister-head screw	2		
18	90304528	Cover	1		
19	17264888	Decal FOUL WATER	1		
20	01177520	Strainer	1		

Hopper cpl. part2
Rev.D 09/12

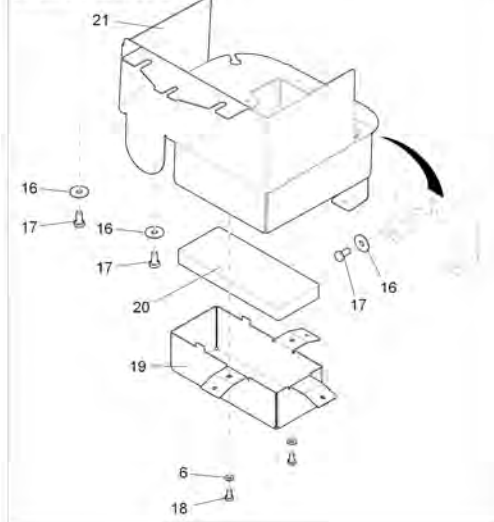


Hopper cpl. part2 (97100143-2)
Rev.D 09/12

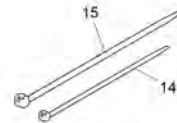
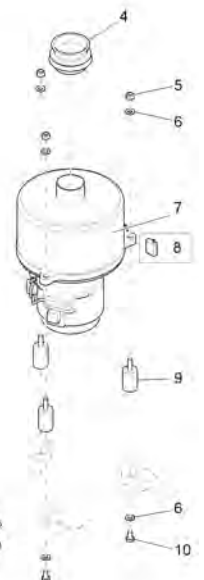
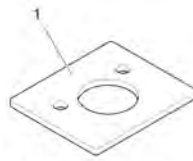
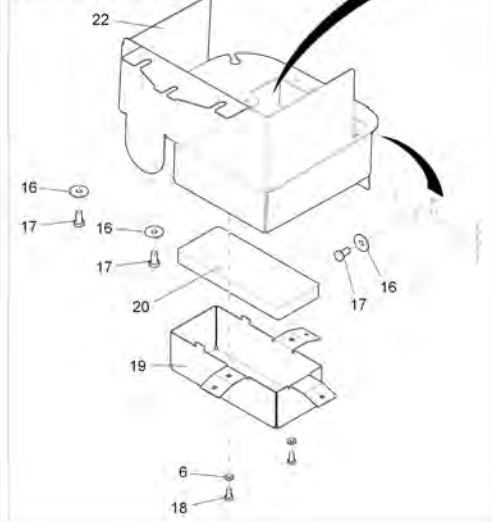
Item	Spare part number	Description	Qty.	Unit	Remarks
1	97106645	Cover	1		
2	11136166	Cylinder head screw	4		
3	12310033	Washer	4		
4	25510512	Sealing profile - Sold by the meter	1580 mm		
5	11709151	Screw	4		
6	97118731	Filter unit	1		
7	96117726	Dirt container	1		
8	12332029	Washer	4		
9	11038197	Hexagon screw	4		
10	96130901	Suction hose	1		
11	90503251	Hose support	1		
12	11177179	Lens flange screw	2		
13	01274860	O-ring	1		

Suction
Rev.D 09/12

bis ca./until appr. 2012-10-31



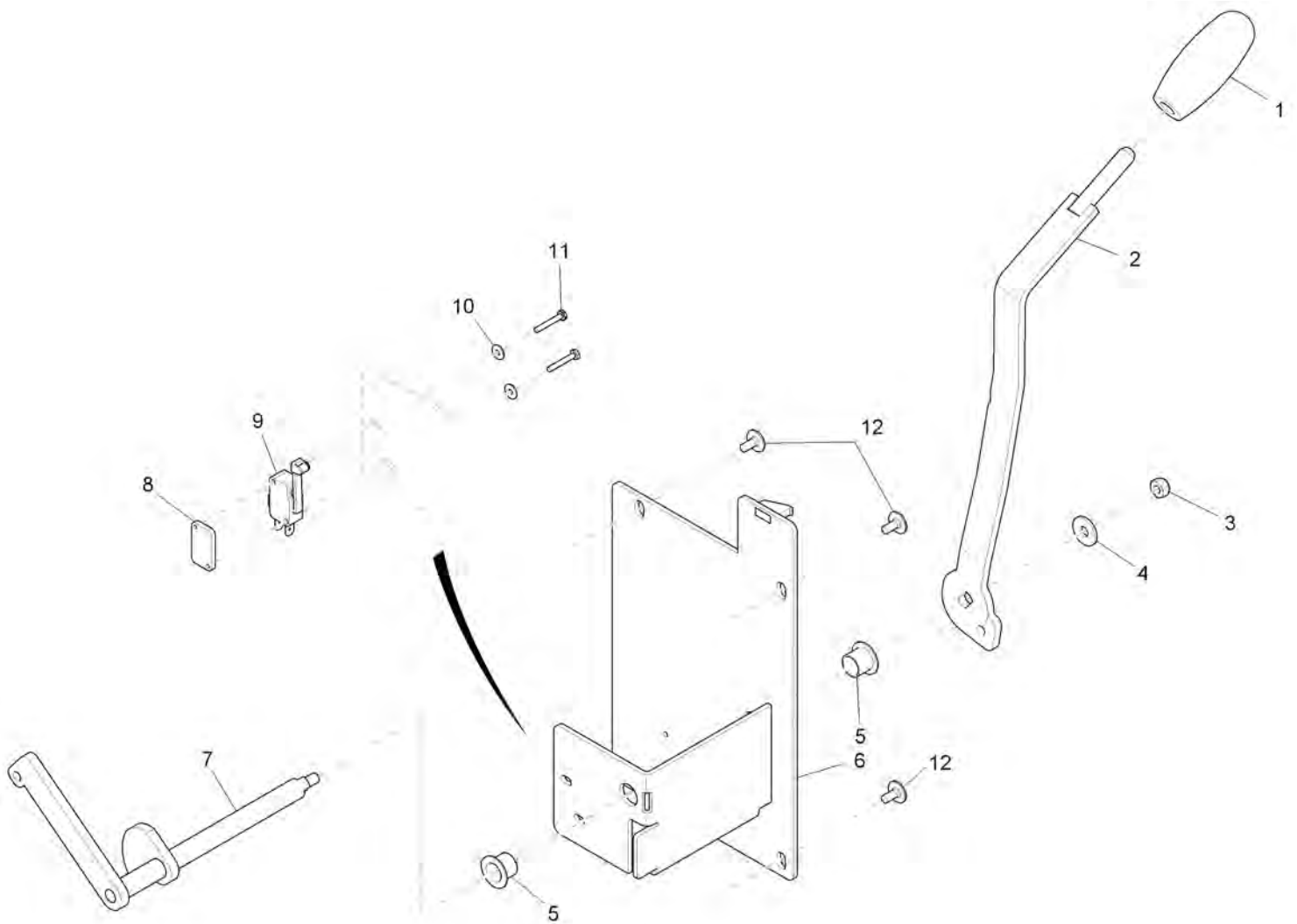
ab ca./from appr. 2012-11-01



Suction (97092811)
Rev.D 09/12

Item	Spare part number	Description	Qty.	Unit	Remarks
1	90523945	Insulation mat	1		
2	90519737	Hose	1		
3	00732130	Hose clamp	1		
4	01078180	Connection	1		
5	12040044	Hex. Nut	3		
6	12310033	Washer	8		
7	97096200	Suction motor	1		
8	00048840	Carbon brush	4		
9	90518457	Buffer	3		
10	00554850	Hex.bolt	3		
14	828062	Cable tie	1		
15	361218	Cable tie	4		
16	12332029	Washer	3		
17	11038197	Hexagon screw	3		
18	11038064	Hexagon screw	2		
19	90519653	Cover	1		
20	90519745	Insulation mat	1		
21	96114301	Sheet metal	1		
22	03012470	Sheet metal	1		

Squeegee operation (Available! No.: 00009000)
Rev.D 09/12



Squeegee operation (Available! No.: 00009000) (00009000)
Rev.D 09/12

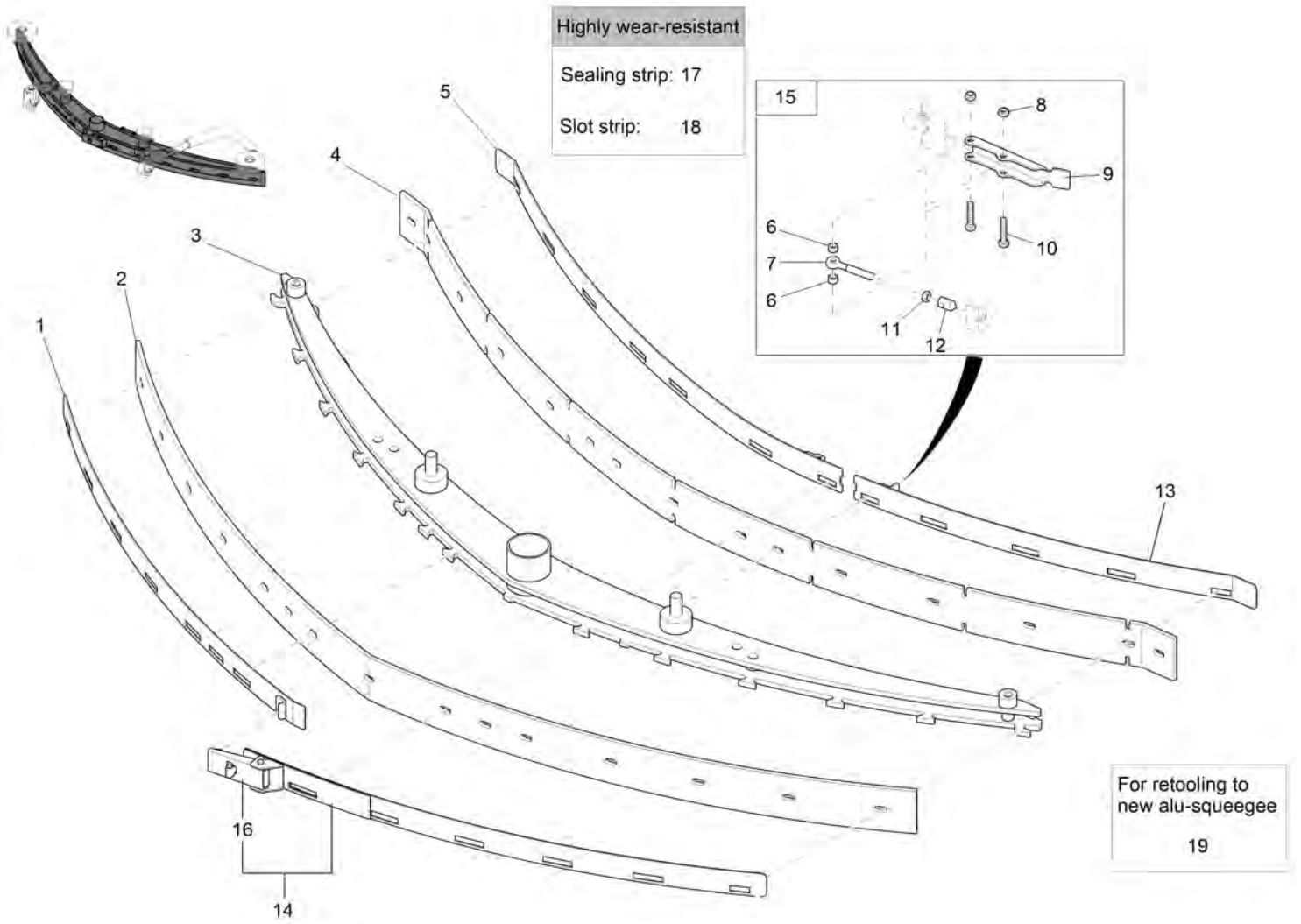
Item	Spare part number	Description	Qty.	Unit	Remarks
1	17143025	Handle	1		
2	96119581	Lever	1		
3	12040044	Hex. Nut	1		
4	12332011	Washer	1		
5	14895288	Plain bearing bush	2		
6	96118971	Support plate	1		
7	96110705	Shaft with cam	1		
8	90471483	Thread base plate	1		
9	90636234	Micro switch	1		
10	12332110	Washer	2		
11	11039088	Hex.bolt	2		
12	11177179	Lens flange screw	4		

Squeegee 950mm (97094502)
(1900-01-01 -> 2009-09-30)
Rev.D 09/12

Old Style Squeegee

Assembly	Description	Page
97094502-1	Squeegee 95cm part 1	42
97094502-2	Squeegee 95cm part 2	44

Old Style Squeegee

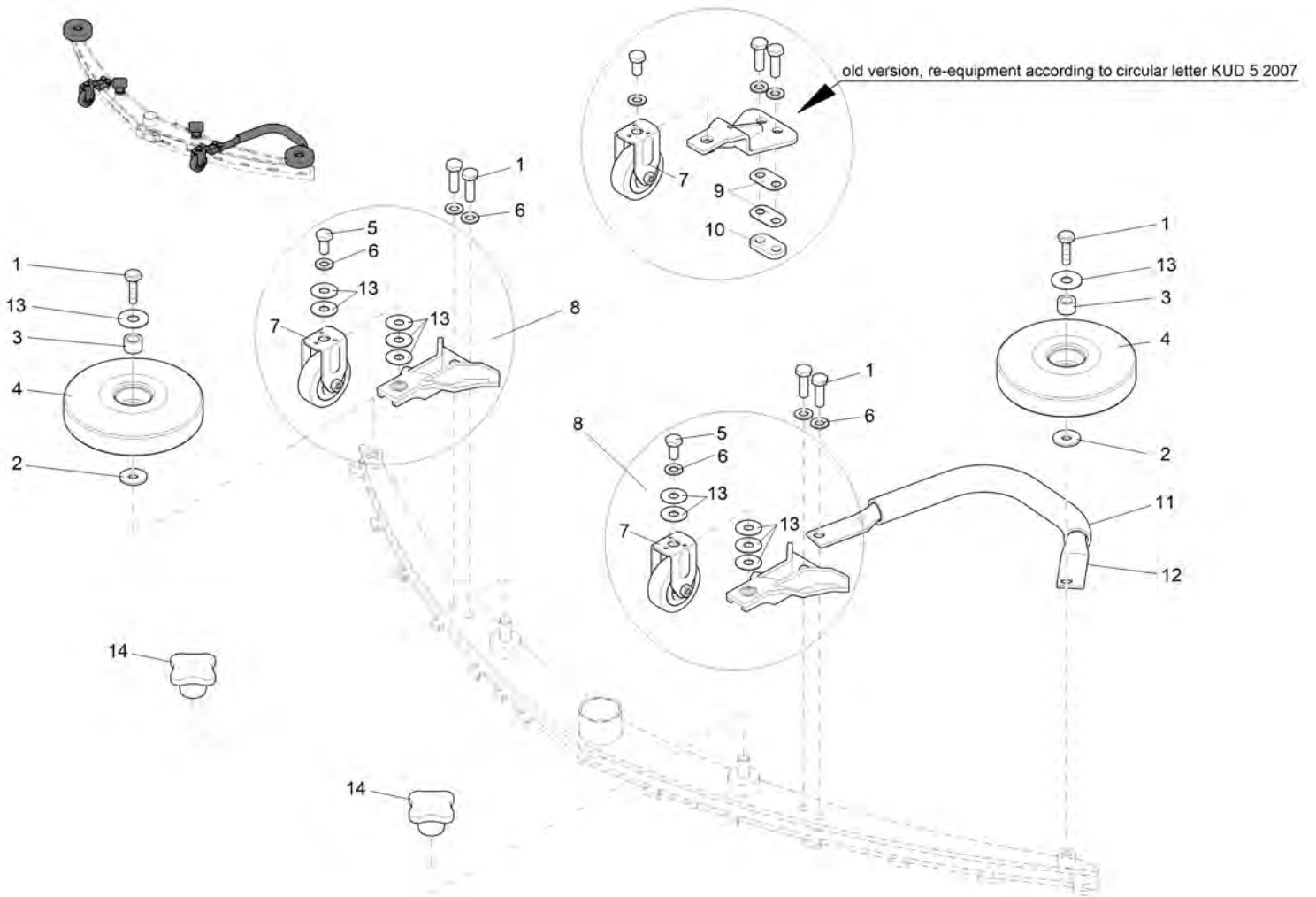


Squeegee 95cm part 1 (97094502-1)
 (2008-03-01 -> 2009-09-30)
 Rev.D 09/12

Old Style Squeegee

Item	Spare part number	Description	Qty.	Unit	Remarks
1	11039567	Rear tension band	1		
2	90494139	Squeegee Blade, Rear	1		
3	01077940	Suction unit replaced By 172539-E26	1		
3	--	No longer available!	1		Squeegee (01077940) is no longer available! Please order pos. 19 uniquely and retool it! Afterwards order from BOM 01178270, please!
4	90493560	Squeegee Blade, Front	1		
5	172448	Front tension band with latch	1		
6	90514506	Bushing	2		
7	11518313	Eye bolt	1		
8	12040283	Hex. Nut	2		
9	172234	Lever	1		
10	11039765	Hexagon screw	2		
11	12022430	Hex. Nut	1		
12	90513631	Pressure piece	1		
13	96125828	Front tension band	1		
14	96125851	Rear tension band	1		
15	00009010	Lock suction unit	1		
16	17383209	Lock	1		
17	01179180	Squeegee Blade, Rear Linatex	1		for 95cm squeegee
18	01179170	Squeegee Blade, Front Linatex	1		for 95cm squeegee
19	172538	Complete Squeegee Assembly	1		Not shown

Old Style Squeegee



Squeegee 95cm part 2 (97094502-2)
(2008-03-01 -> 2009-09-30)
Rev.D 09/12

Old Style Squeegee

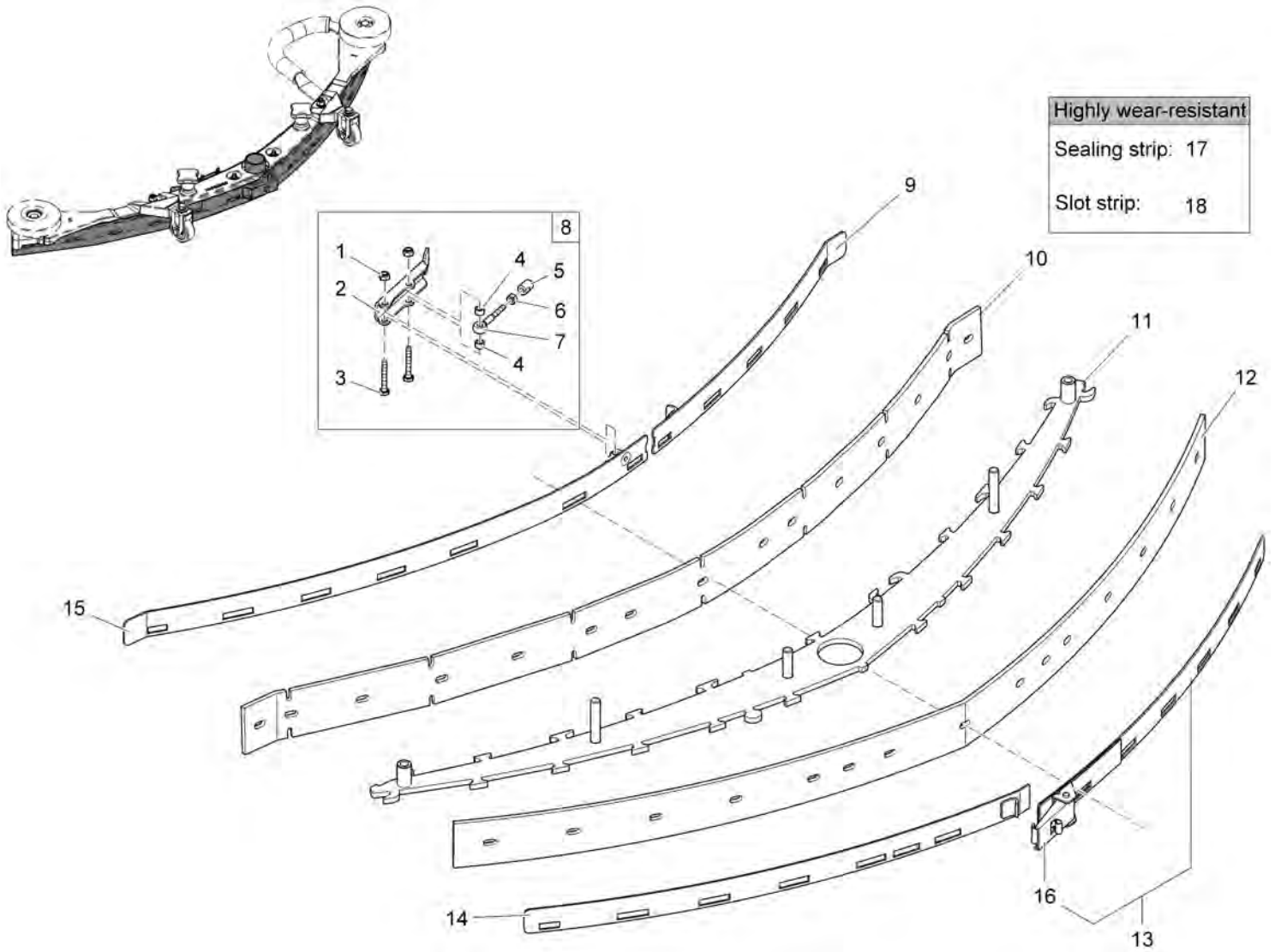
Item	Spare part number	Description	Qty.	Unit	Remarks
1	11039567	Hexagon screw	6		
2	12332136	Washer	2		
3	90199019	Pipe	2		
4	90548397	Deflector roller	2		
5	01071740	Hex.bolt	2		
6	730609	Washer	4		
7	90513094	Fixed castor	2		
8	90513094	Fixed castor	2		
9	01077610	Distance piece	2		
10	09051496	Distance piece	1		
11	25842105	Hose	0,250		
12	90515461	Bracket	1		
13	90531112	Spacer	10		
14	01274760	Star handle yellow	2		

Squeegee 950mm, cpl. (Available! No.: 01178270) (01178270)
(2009-10-01 ->)
Rev.D 09/12

New Style Squeegee

Assembly	Description	Page
01178270-1	Squeegee 950mm part 1 For reference only, not a part number	45
01178270-2	Squeegee 950mm part 2 For reference only, not a part number	47

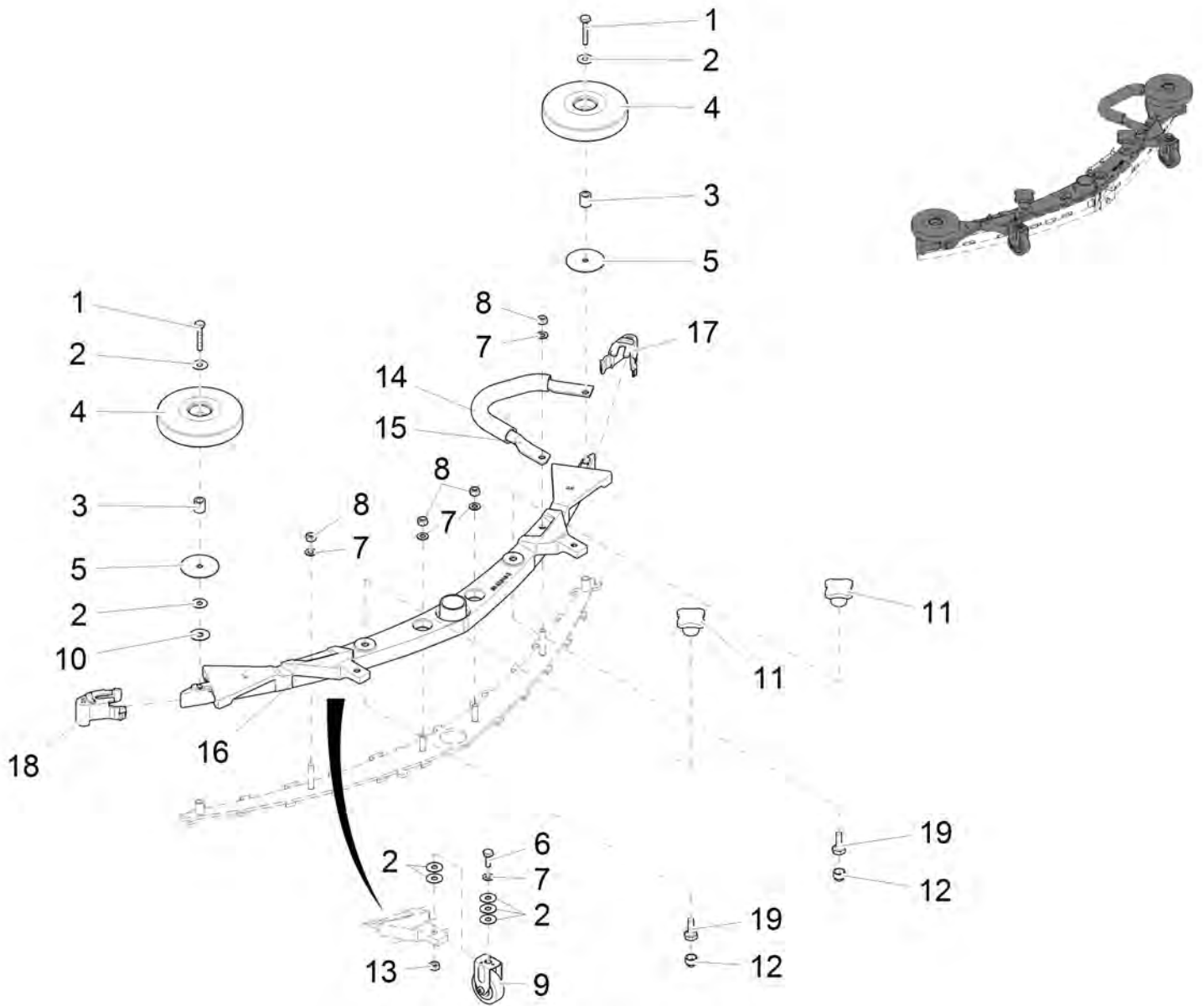
New Style Squeegee



New Style Squeegee

Item	Spare part number	Description	Qty.	Unit	Remarks
1	12040283	Hex. Nut	2		
2	172234	Lever	1		
3	11039765	Hexagon screw	2		
4	90514506	Bushing	2		
5	90513631	Pressure piece	1		
6	12022430	Hex. Nut	1		
7	11518313	Eye bolt	1		
8	00009010	Lock suction unit	1		
9	96125828	Front tension band	1		
10	90493560	Squeegee Blade, Front	1		
11	01178350	Base plate	1		
12	90494139	Squeegee Blade, Rear	1		
13	96125851	Rear tension band	1		
14	96125844	Rear tension band	1		
15	172448	Front tension band with latch	1		
16	17383209	Lock	1		
17	01179180	Squeegee Blade, Rear Linatex	1		for 95cm squeegee
18	01179170	Squeegee Blade, Front Linatex	1		for 95cm squeegee

New Style Squeegee

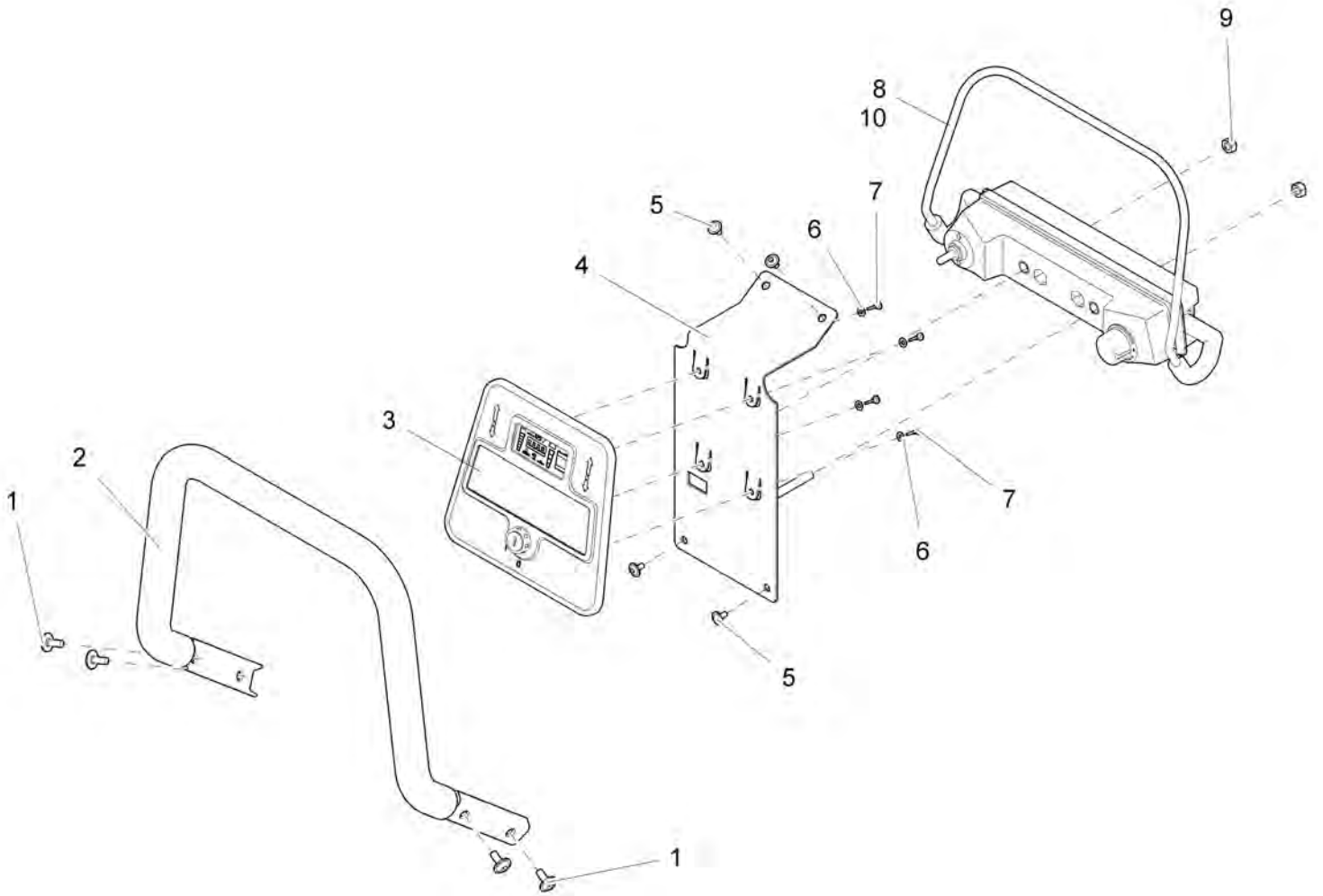


Squeegee 950mm part 2 (01178270-2)
 Rev.D 09/12

New Style Squeegee

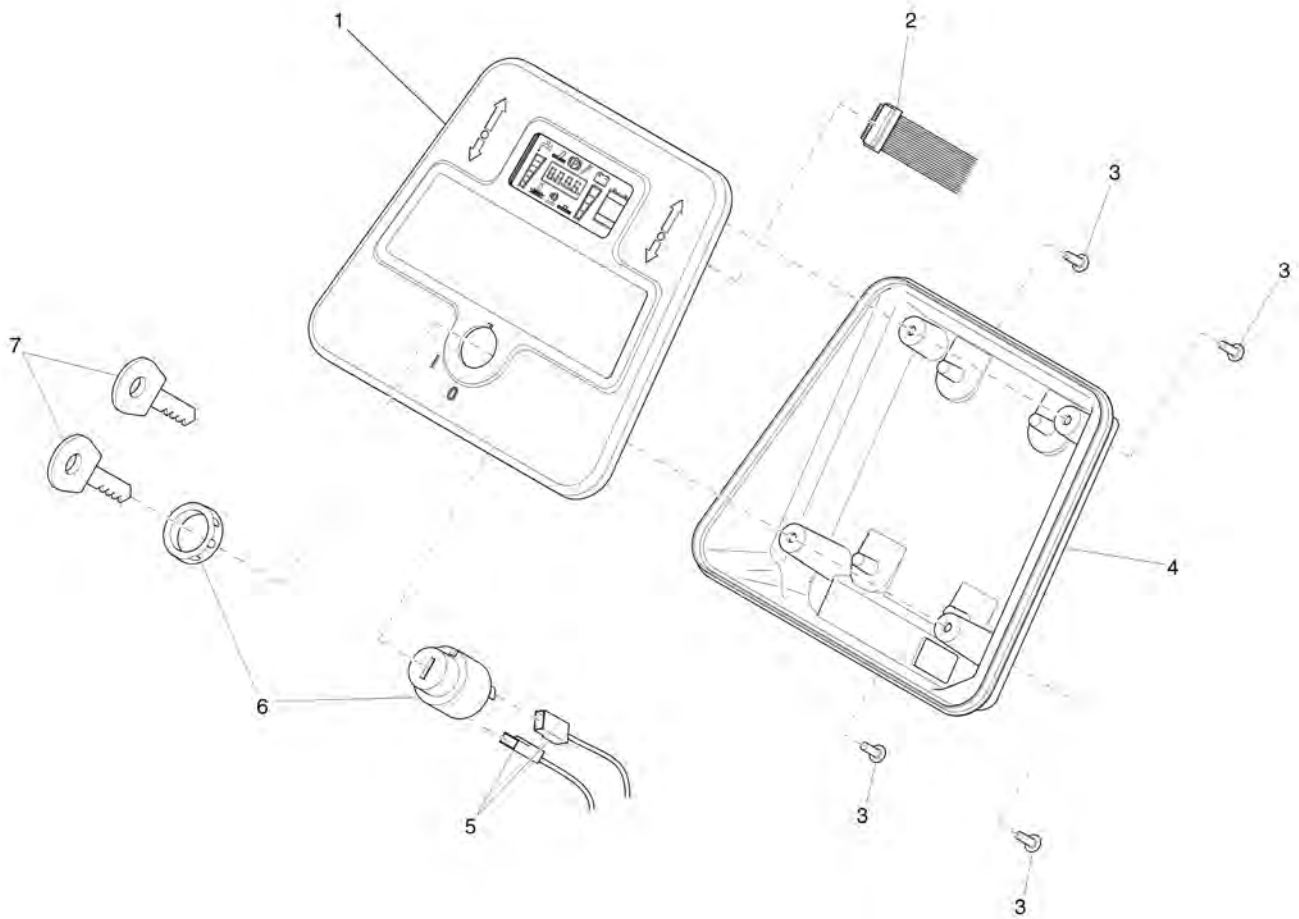
Item	Spare part number	Description	Qty.	Unit	Remarks
1	00059460	Hex.bolt	2		
2	90531112	Spacer	13		
3	90194019	Pipe	2		
4	90548397	Deflector roller	2		
5	01178290	Conical spring washer	2		
6	01162510	Hexagon screw	2		
7	730609	Washer	6		
8	12040259	Hex. Nut	4		
9	90513094	Fixed castor	2		
10	12332136	Washer	1		
11	01274760	Star handle yellow	2		
12	15592033	Lens cap	2		
13	00971400	Hex. Nut	2		
14	25842105	Hose - Sold By The Meter	0,260	M	
15	90550641	Bracket	1		
16	90523044	Suction unit body 950mm	1		
17	90546235	Protection cap R.H.	1		
18	90546243	Protection cap L.H.	1		
19	11039328	Hexagon screw	2		

Operation handle
Rev.D 09/12



Operation handle (97099477)
Rev.D 09/12

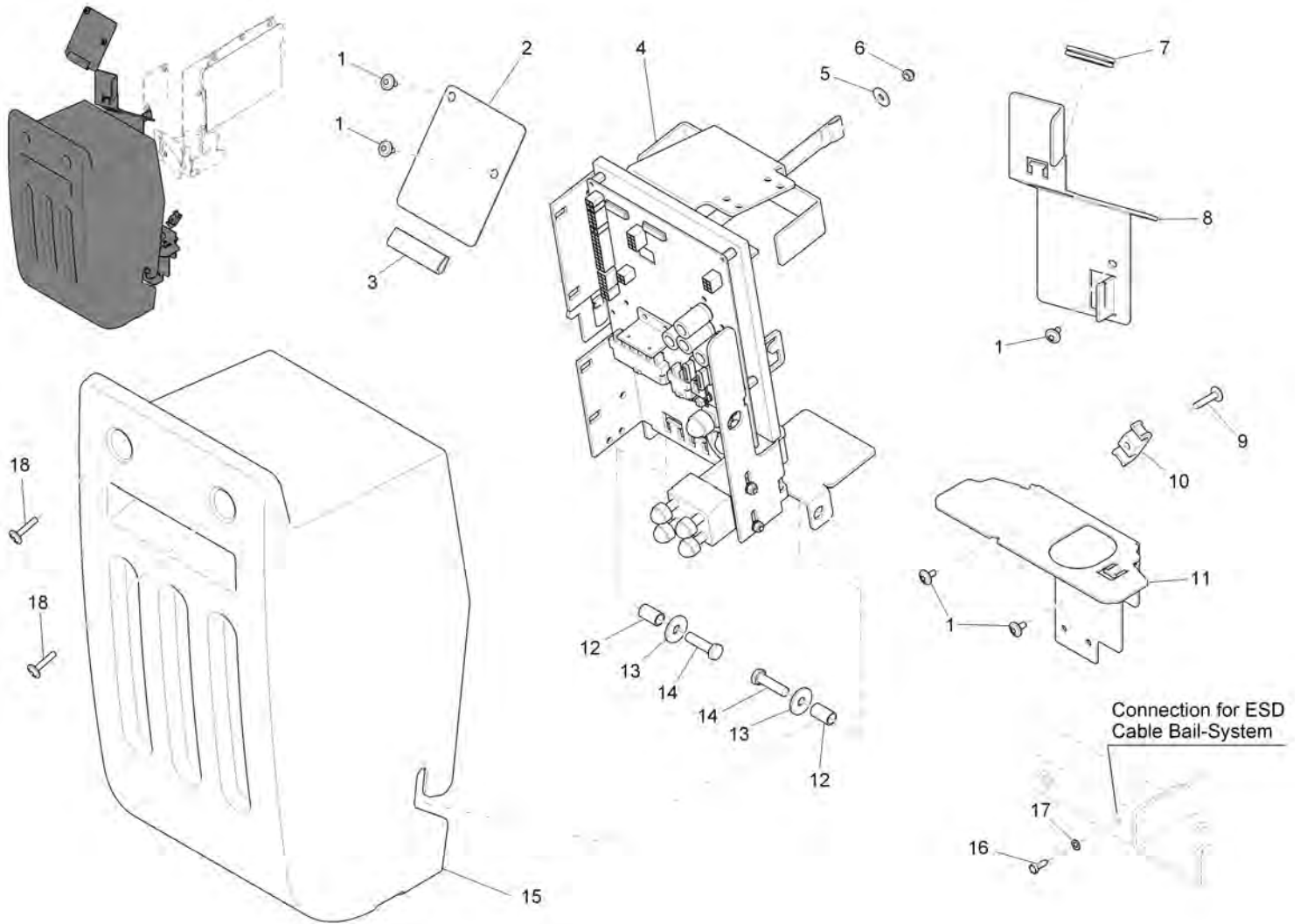
Item	Spare part number	Description	Qty.	Unit	Remarks
1	11177187	Lens flange screw	4		
2	96122286	Handle bar	1		
3	97093801	Console cpl.	Page	54	
4	96117585	Sheet metal	1		
5	11177179	Lens flange screw	4		
6	12310272	Washer	4		
7	11709011	Screw	4		
8	97096069	Bail system	1		
9	12040051	Hex. Nut	2		
10	01276970	Rubber cap	2		



Console cpl. (97093801)
Rev.D 09/12

Item	Spare part number	Description	Qty.	Unit	Remarks
1	01078920	Console	1		
2	90511130	Ribbon cable	1		
3	11702123	Screw	4		
4	01078940	Console	1		
5	90518150	Cable key switch	1		
6	90323437	Key switch	1		
7	00745890	Set (2pc.) key	1		

Electric part 1
Rev.D 09/12

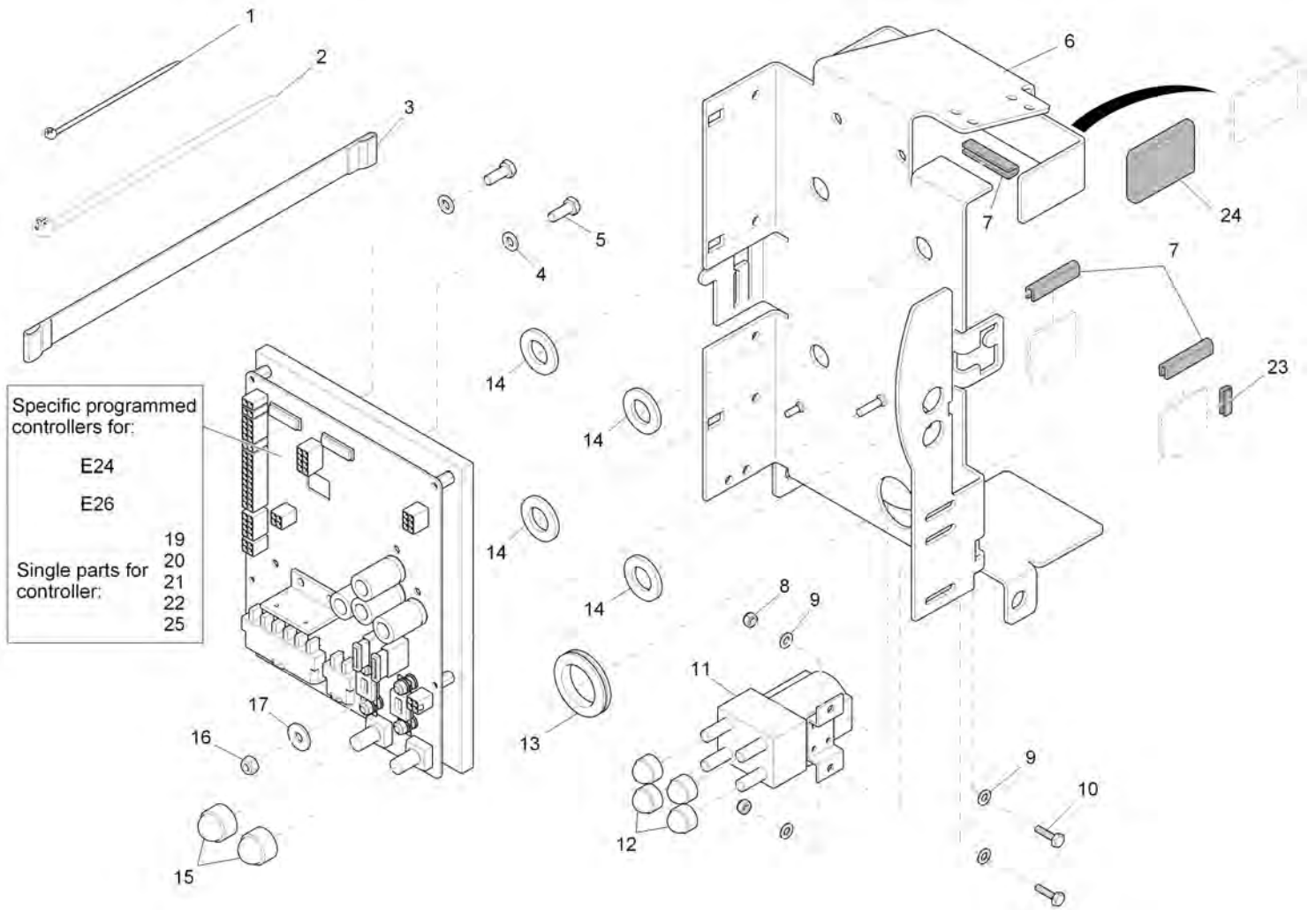


Electric part 1 (97098990-1)

Rev.D 09/12

Item	Spare part number	Description	Qty.	Unit	Remarks
1	11177179	Lens flange screw	5		
2	90509803	Sheet metal	1		
3	25582024	Edge protection - Sold by the meter	1		
4	97099006	Retainer cpl.	Page	58	
5	12347027	Washer	1		
6	12040044	Hex. Nut	1		
7	15595259	Bushing	1		
8	90511338	Sheet metal	1		
9	11177161	Lens flange screw	1		
10	17521048	Clamp	1		
11	01078590	Clamping plate	1		
12	90449377	Bushing	2		
13	12332029	Washer	2		
14	11038254	Hexagon screw	2		
15	01078270	Covering	1		
16	01073850	Tapping screw	1		
17	12518080	Lock washer	1		
18	11177261	Lens flange screw	2		

Retainer cpl.
Rev.D 09/12

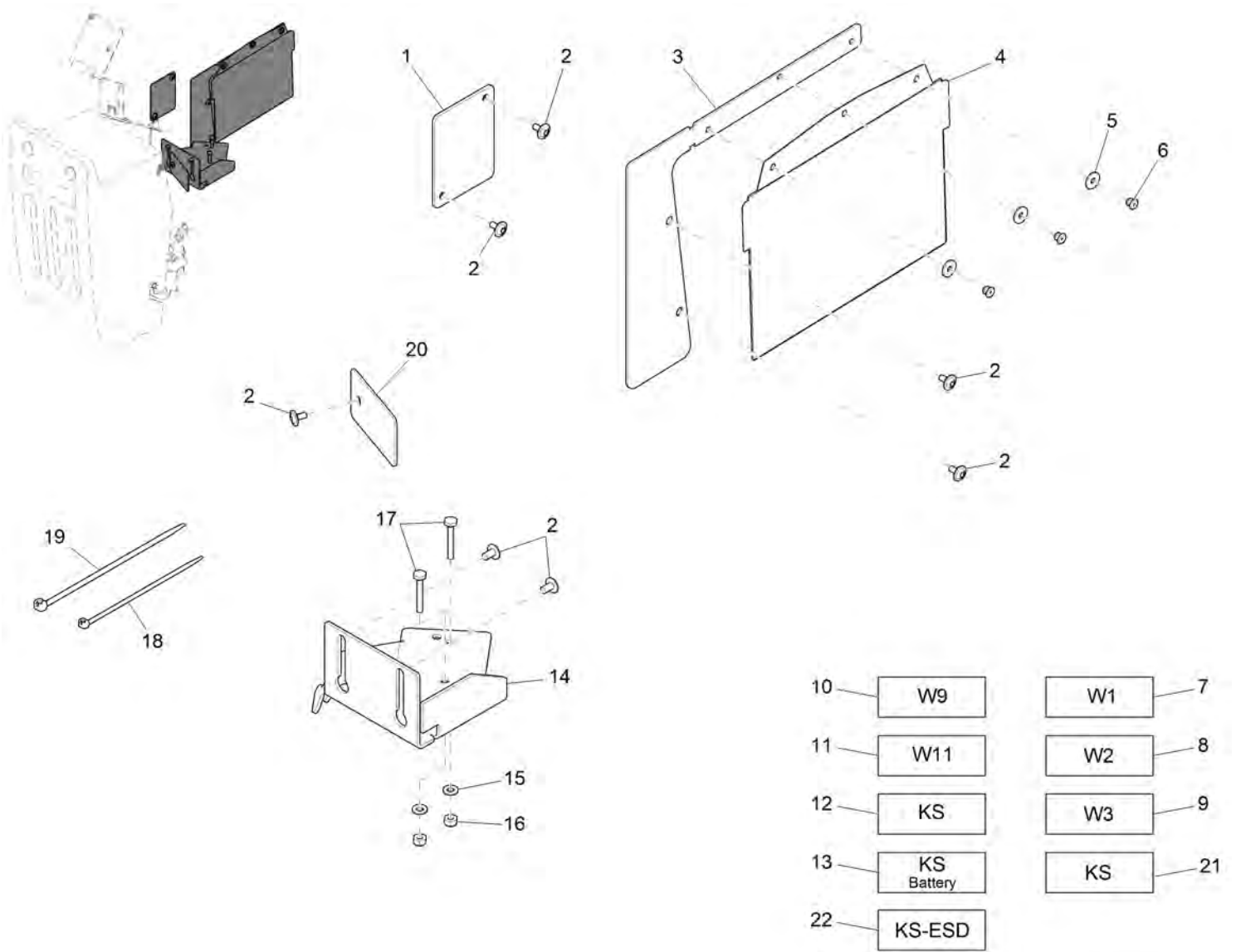


Retainer cpl. (97099006)

Rev.D 09/12

Item	Spare part number	Description	Qty.	Unit	Remarks
1	361218	Cable tie	4		
2	828062	Cable tie	8		
3	90517699	Webbing	1		
4	12310033	Washer	2		
5	11038072	Hex.bolt	2		
6	96118963	Retainer	1		
7	25583022	Edge protection - Sold By The Meter	120mm		
8	12040036	Hex. Nut	2		
9	12310025	Washer	4		
10	11038049	Hex.bolt	2		
11	90331026	Solenoid switch	1		
12	15592033	Lens cap	4		
13	15595259	Bushing	1		
14	90510017	Washer	4		
15	15592041	Lens cap	2		
16	12040044	Hex. Nut	1		
17	12332011	Washer	1		
19	00059580	Fuse			
20	00902440	Fuse			
21	00733630	Fuse			
22	00972430	Fuse link			
23	25583022	Edge protection - Sold By The Meter	30mm		
24	90463746	Cap	2		
25	00906120	Fuse			
E26	01079140-E26	Main Controller for the 26"	1		Programmed specifically for E26

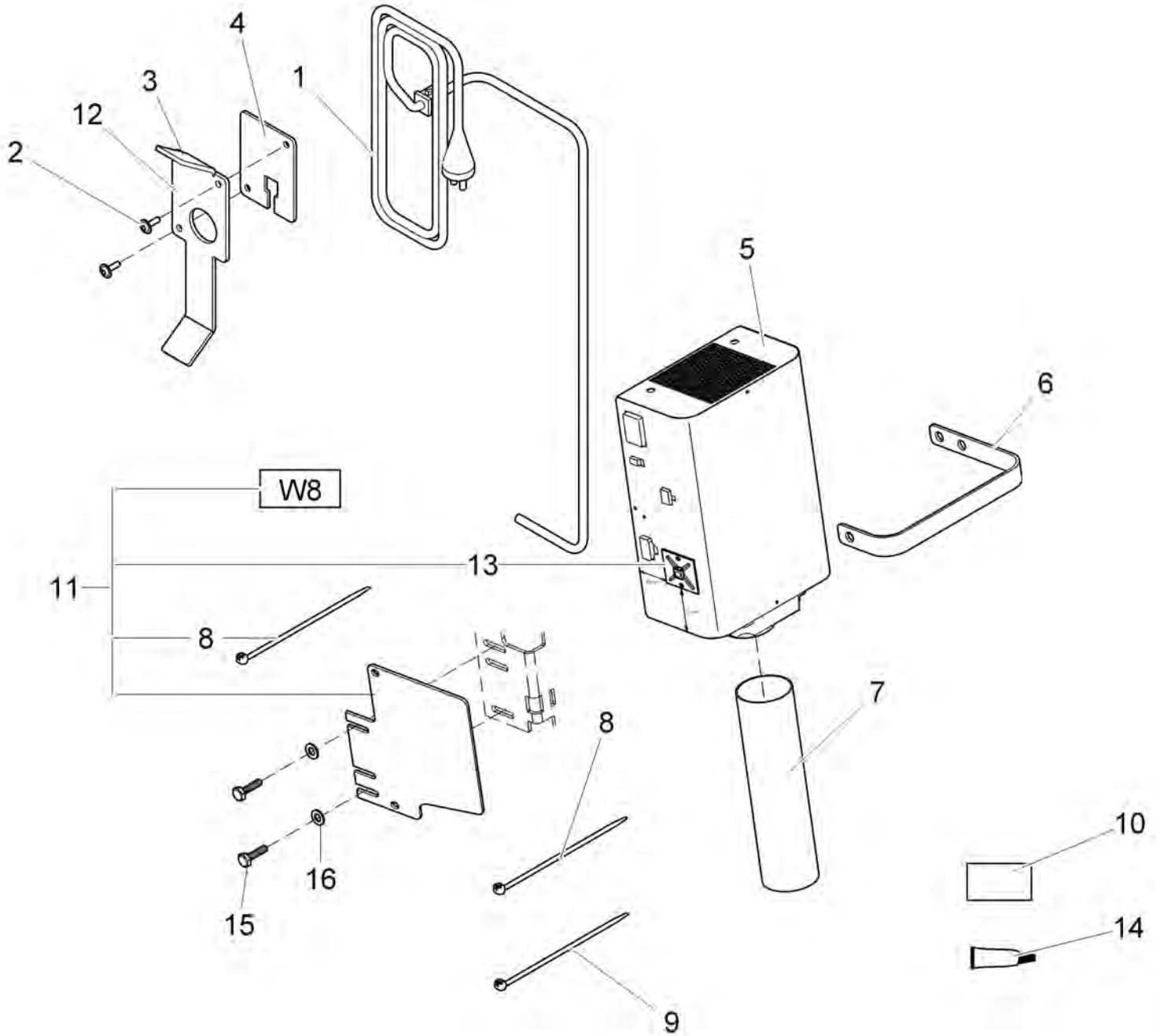
Electrics part 2
 Rev.D 09/12



Electrics part 2 (97098990-2)
Rev.D 09/12

Item	Spare part number	Description	Qty.	Unit	Remarks
1	90518119	Cover	1		
2	11177179	Lens flange screw	7		
3	90511346	Sheet metal	1		
4	90465774	Bag	1		
5	12332052	Washer	3		
6	13165196	Blind rivet	3		
7	97101349	Wiring harness W1	1		
8	97094254	Wiring harness W2	1		
9	03007800	Wiring harness W3	1		
10	03007790	Wiring harness W9	1		
11	97101414	Wiring harness W11	1		
12	97101489	Set of cables	1		
13	97101497	Set of cables battery	1		
14	90512146	Sheet metal	1		
15	12340033	Washer	2		
16	12040044	Hex. Nut	2		
17	00535110	Hex.bolt	2		
18	828062	Cable tie	12		
19	361218	Cable tie	18		
20	90511320	Sheet metal	1		
21	97101471	Cable loom	1		
22	---	Spare part on request	1		97125231 Cable loom ESD

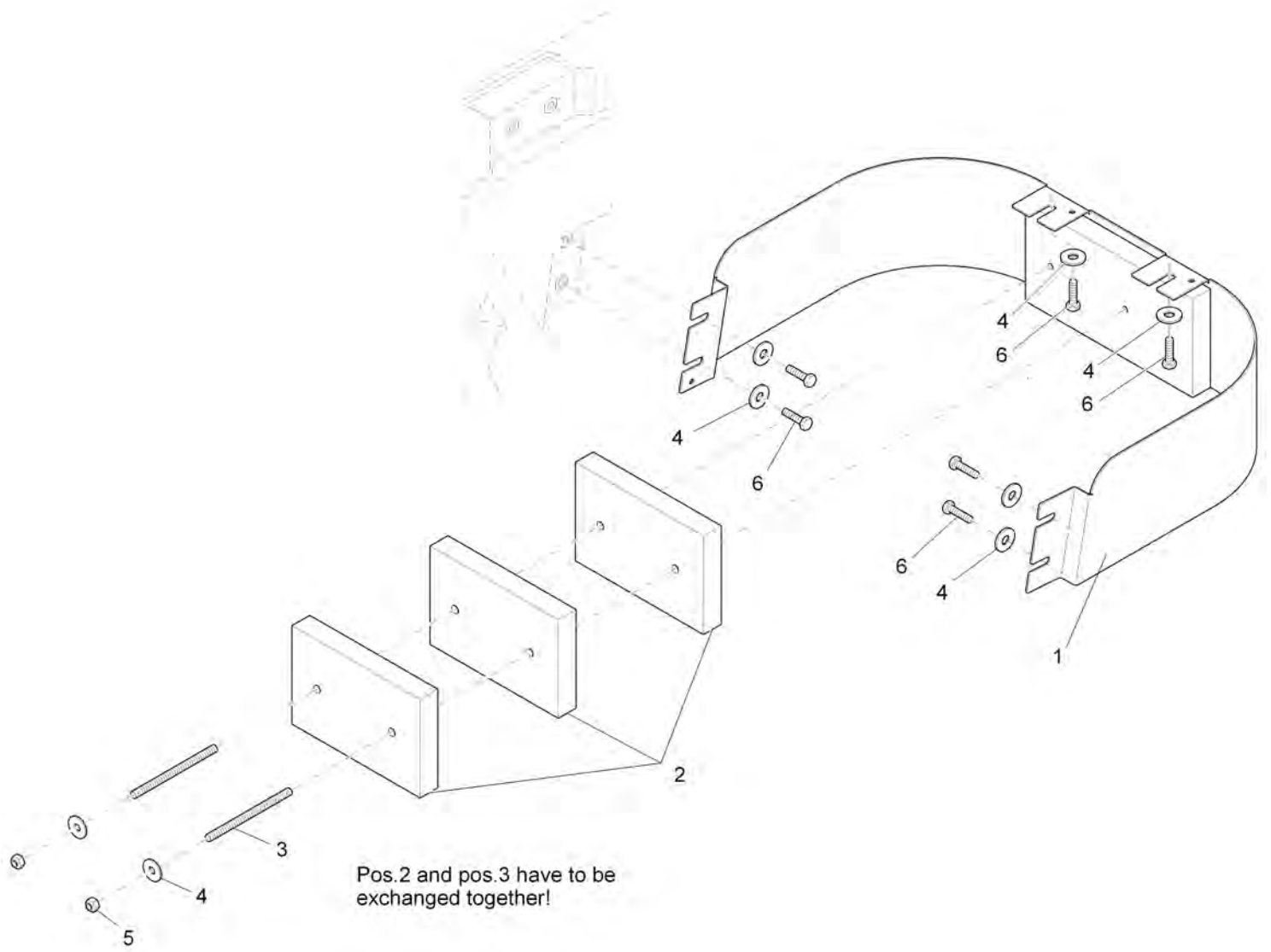
Battery charger 24V 22A
Rev.D 09/12



Battery charger 24V 22A (97099436)

Rev.D 09/12

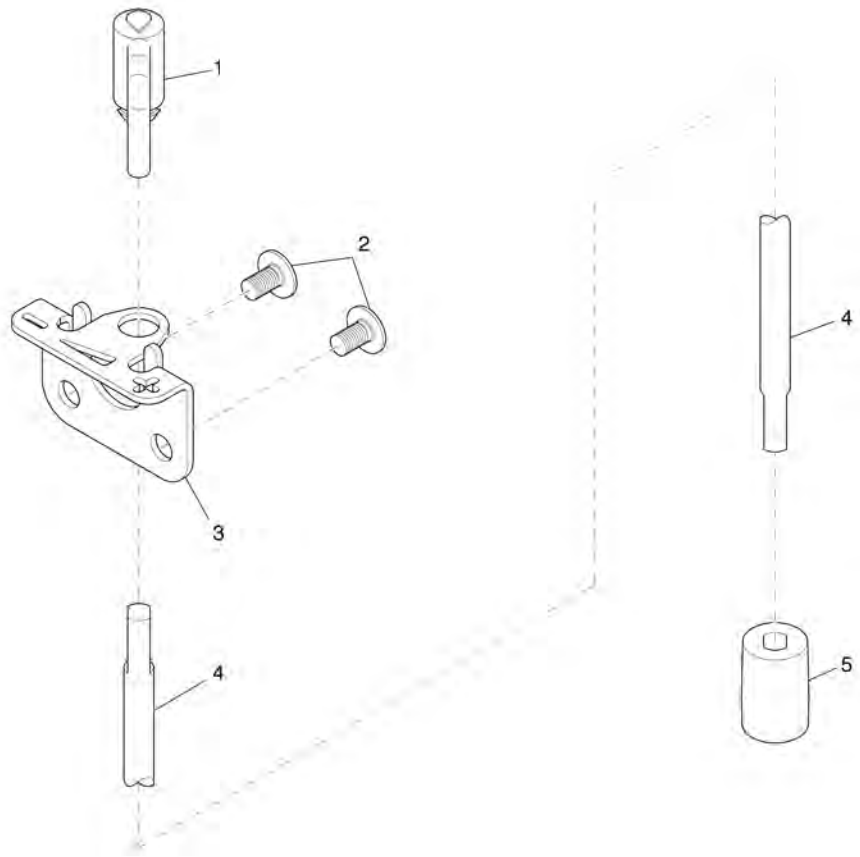
Item	Spare part number	Description	Qty.	Unit	Remarks
1	90532987	Power cable	1		
2	11177060	Lens flange screw	2		
3	90463746	Cap	2		To stick on pos.12 with Loctite!
4	90533266	Cover	1		
5	97059398K	On-board charger 24V 22A	1		
6	01077870	Tension band	1		
7	01078320	Hose	3		
8	00121150	Cable tie	8		
9	00967760	Cable tie	1		
10	03006770	Wire harness W6	1		
11	9705398K	Retool kit BATTERY CHARGER 22A	1		Use with old style charger #96126537
12	01079390	Cable retainer	1		
13	17526120	Attachment base	1		
14	28030104	Grease .34 oz	1		
15	11038049	Hex.bolt	1		
16	12310025	Washer	1		
W8	97094346	Old style harness- Used with 96126537	1		



Cover cpl. (97096648)
(1900-01-01 -> 2012-10)
Rev.D 09/12

Item	Spare part number	Description	Qty.	Unit	Remarks
1	96115084	Covering	1		
2	90530692	Weight	3		
3	01078410	Threaded rod	2		
4	12332029	Washer	6		
5	012040051	Hex. Nut	2		
6	11038197	Hexagon screw	6		

Water dosing
Rev.D 09/12

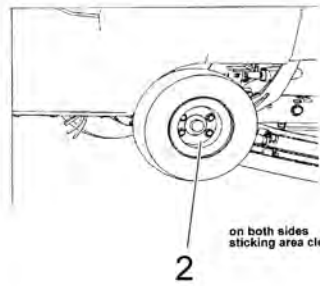
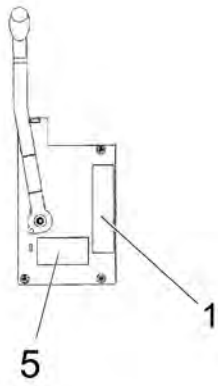


Water dosing (97092597)

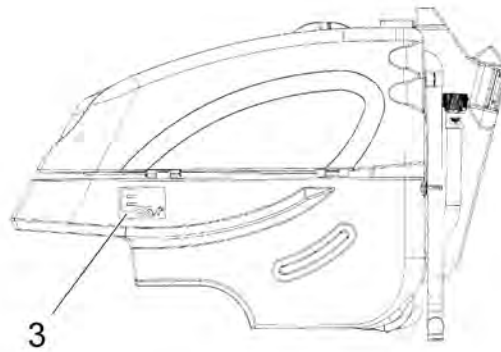
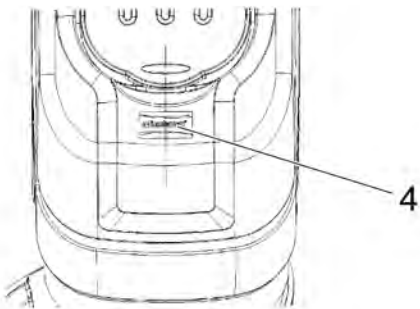
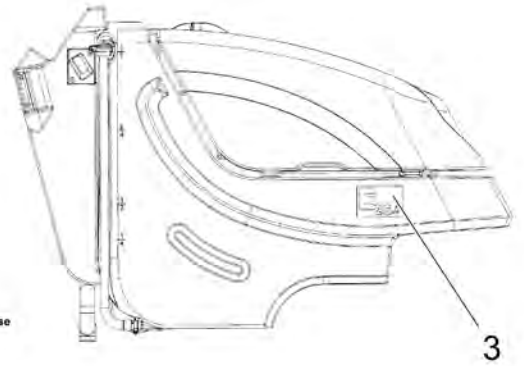
Rev.D 09/12

Item	Spare part number	Description	Qty.	Unit	Remarks
1	90502436	Lever	1		
2	11177179	Lens flange screw	2		
3	90502444	Sheet metal	1		
4	90502618	Shaft	1		
5	90502428	Connecting piece	1		

Labels
Rev.D 09/12



on both sides
sticking area clean and free of grease

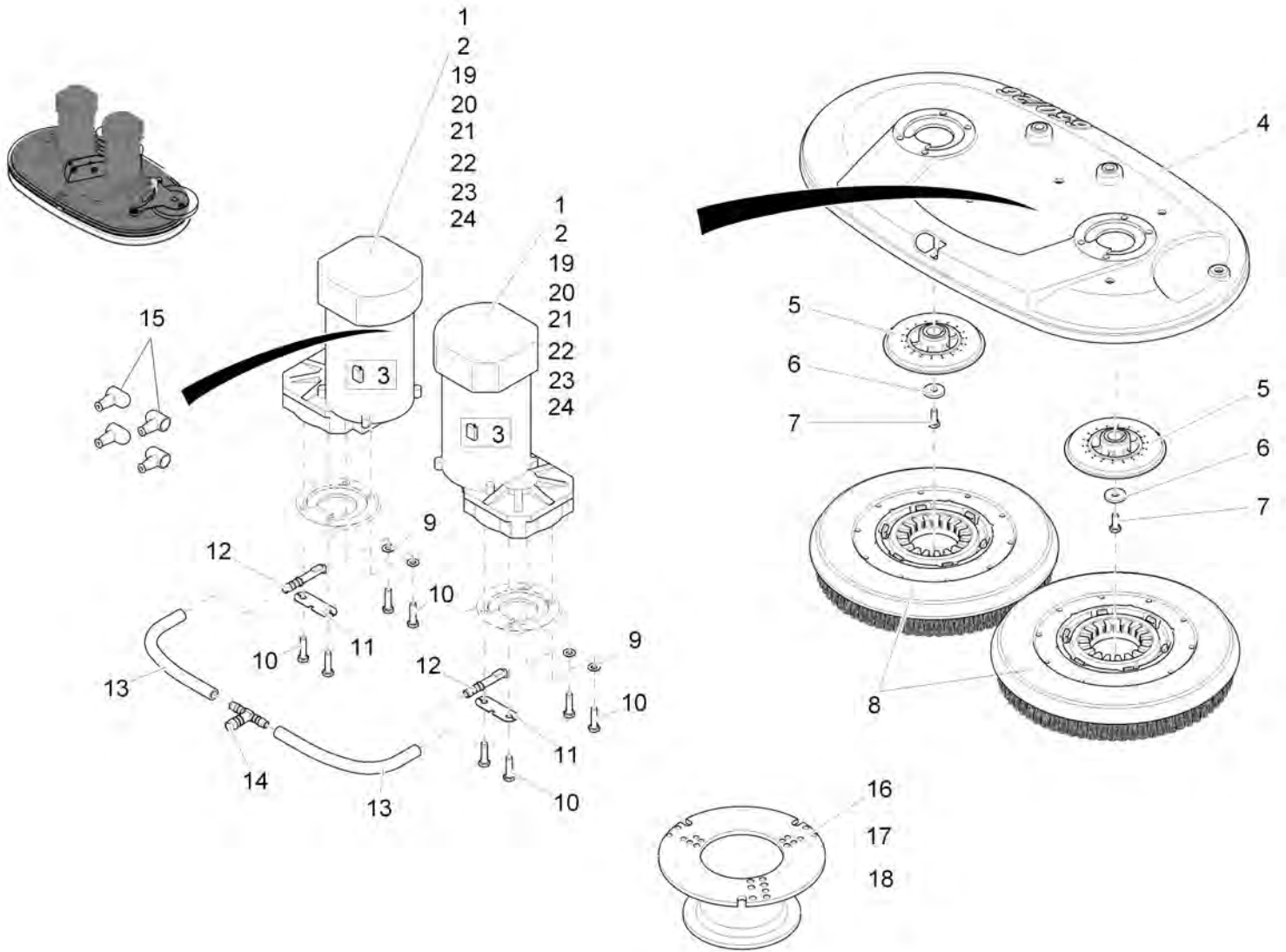


Labels (99706111BT190)

Rev.D 09/12

Item	Spare part number	Description	Qty.	Unit	Remarks
1	17267212	Decal DETAILS	1		
2	17267220	Decal 4,5bar	1		
3	17205121	Decal E26	2		
4	715914	Decal MINUTEMAN	1		
5	17212194	Type plate MINUTEMAN USA	1		

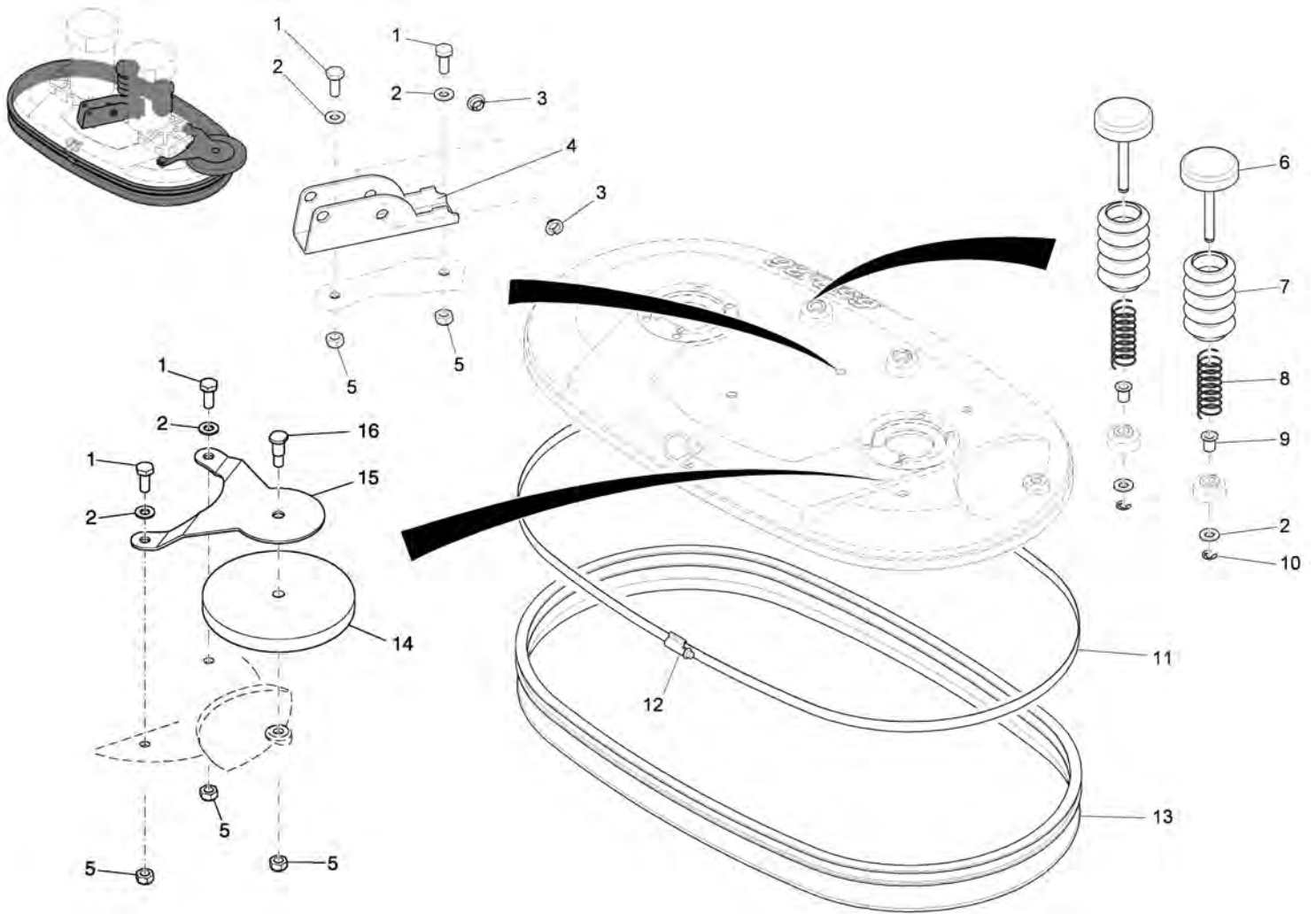
Brush head TB 650 part 1
Rev.D 09/12



Brush head TB 650 part 1 (97112189-1)
Rev.D 09/12

Item	Spare part number	Description	Qty.	Unit	Remarks
1	90507476	Motor SCOTT 550W	2		
2	01077230	Fitting key	2		
3	01077240	Set (4pc.) Carbon brush	1		
4	90503178	Housing	1		
5	00512400	Carrier	2		
6	90209537	Washer	2		
7	11038213	Hexagon screw	2		
8		See Brush/Driver options in the price list	1		
9	730609	Washer	4		
10	11038254	Hexagon screw	8		
11	90500216	Sheet metal	2		
12	90500265	Spray tube	2		
13	25842014	Hose	2		
14	90275157	T-reducer muff	1		
15	90524174	Protection cap	4		
16	90364365	Center-lock, Base part	1		
17	11709011	Screw	3		
18	90364373	Center-lock,Removable Part	1		
19	01077250	Spring	1		
20	01077210	Gear	1		
21	01077220	Circlip	1		
22	01178440	Set (2pc.) covering of carbon brushes	1		
23	01178450	Covering fan wheels	1		
24	01178460	Bolt	1		

Brush head (DB 650) part 2
Rev.D 09/12



Brush head (DB 650) part 2 (97112189-2)
Rev.D 09/12

Item	Spare part number	Description	Qty.	Unit	Remarks
1	11038346	Hexagon screw	4		
2	12310298	Washer	6		
3	14895197	Slide bearing bush	2		
4	90547894	Retainer	1		
5	12040069	Hex. Nut	5		
6	96112388	Ejector	2		
7	01078350	Bellow	2		
8	90500208	Compression spring	2		
9	14895437	Slide bearing bush	2		
10	12640033	Thrust washer	2		
11	17528548	Tension band	1,840		
12	17528555	Tension band lock	1		
13	90539784	Sealing strip	1		
14	90500224	Deflector roller	1		
15	90500273	Retainer	1		
16	90507831	Screw	1		




ENGINEERED SIMPLICITY®

CONTACT US

 800.626.7835

 Contact@HammerHeadClean.com

 HammerHeadClean.com