



Supplies



Equipment



Rentals



Parts



Service



# SPARE PARTS CATALOGUE

## CONTACT US

800.6.Bortek

717.737.7591

Orders@BortekIndustries.com

BortekIndustries.com/CUSTOMERLINK



# HAMMERHEAD™

# 650RDX / 700RSX

The contained descriptions in the present publication are not binding. The Manufacturer therefore reserves itself the right to bring in whatever moment possible organs changes, details or supplies of accessories, that it holds convenient for an improvement, or for any demand of constructive or commercial character.

The partial reproduction of the texts and diagrammes contained in the present catalog, is forbidden by law.

The Manufacturer reserves itself the right to bring changes of technical character and/or of endowment. The images are meant of pure reference and not binding in terms of design and endowment.

## SYMBOLS USED IN THE MANUAL

### INTRODUCTION

This catalogue is intended to serve as a guide for the ordering of spare parts and is designed to facilitate rapid identification of the machine in all its versions and to rapid location of its component parts.

### HOW TO ORDER

For the purpose of simplifying stock searching and the delivery of spare parts, we would ask our customers to observe the following standard procedures, at all times specifying:

- a) the model and part number of the machine;
- b) the position number and the number of the table of chart in which the parts appear;
- c) ordering code and part name;
- d) quantity of parts required;
- e) precise address and company status of the purchaser placing the order, complete with address for delivery of the goods;
- f) shipping means required.

#### SYMBOLOLOGY USED IN THE CATALOGUE

000000000 →

- Code used up to the indicated serial number

000000000 →

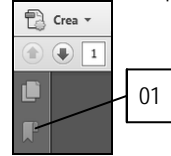
- Code used from the indicated serial number

## RAPID CONSULTATION (ELECTRONIC FORMAT)

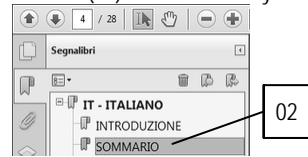
For a rapid consultation of the electronic document, use "Bookmarks" and "Page Links"

### Bookmarks:

Activate the "Bookmarks" panel of the interface browser, clicking on the icon associated with it (01), the icon can vary depending on the version of the Acrobat display.



Display the bookmarks in the desired language, selecting from IT-EN-FR-DE-ES. To display the desired page, just click on the title in the browser (02) and it will send you to the desired destination.



### Page Links:

In the Document Summary, to display the desired page just click on the corresponding page number, and it will send you to the desired destination.



## SUMMARY

<a href="#">PAG. 04</a>	SINGLE BRUSH BASE ASSEMBLY 650RDX
<a href="#">PAG. 06</a>	SINGLE BRUSH BASE ASSEMBLY 700RSX
<a href="#">PAG. 08</a>	SINGLE BRUSH BASE ASSEMBLY 700RSX
<a href="#">PAG. 10</a>	HOPPER ASSEMBLY 700RSX
<a href="#">PAG. 12</a>	COVER RIGHT ASSEMBLY 700RSX
<a href="#">PAG. 14</a>	BRUSHES CONTROL ASSEMBLY 650RDX
<a href="#">PAG. 16</a>	BRUSHES CONTROL ASSEMBLY 700RSX
<a href="#">PAG. 18</a>	SHOCK STAND ASSEMBLY 700RSX
<a href="#">PAG. 20</a>	SQUEEGEE ASSEMBLY L=990 AL.
<a href="#">PAG. 22</a>	SQUEEGEE ASSEMBLY (OPTIONAL) L=990 OPZIONALE
<a href="#">PAG. 24</a>	SQUEEGEE ASSEMBLY (OPTIONAL) L=950 AL. OPZIONALE
<a href="#">PAG. 26</a>	SQUEEGEE CONTROL ASSEMBLY
<a href="#">PAG. 28</a>	FRAME ASSEMBLY
<a href="#">PAG. 30</a>	BRAKE AND WHEELS ASSY
<a href="#">PAG. 32</a>	TRACTION WHEEL
<a href="#">PAG. 34</a>	TANKS ASSEMBLY 650RDX
<a href="#">PAG. 38</a>	TANKS ASSEMBLY 700RSX
<a href="#">PAG. 40</a>	FRONT COVER ASSEMBLY
<a href="#">PAG. 44</a>	SOLUTION TANKS ASSEMBLY 650RDX
<a href="#">PAG. 46</a>	SOLUTION TANKS ASSEMBLY 700RSX
<a href="#">PAG. 48</a>	RECOVERY TANKS ASSEMBLY 650RDX
<a href="#">PAG. 50</a>	RECOVERY TANKS ASSEMBLY 700RSX
<a href="#">PAG. 52</a>	SUCTION HEAD
<a href="#">PAG. 54</a>	WATER PLANT 650RDX
<a href="#">PAG. 56</a>	WATER PLANT 700RSX
<a href="#">PAG. 58</a>	ELECTRONICAL COMPONENT
<a href="#">PAG. 60</a>	OPTIONAL UNIT CHARGER
<a href="#">PAG. 62</a>	OPTIONAL GROUP FLASHING
<a href="#">PAG. 64</a>	OPTIONAL FAST FILLING SYSTEM

---

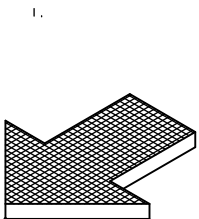
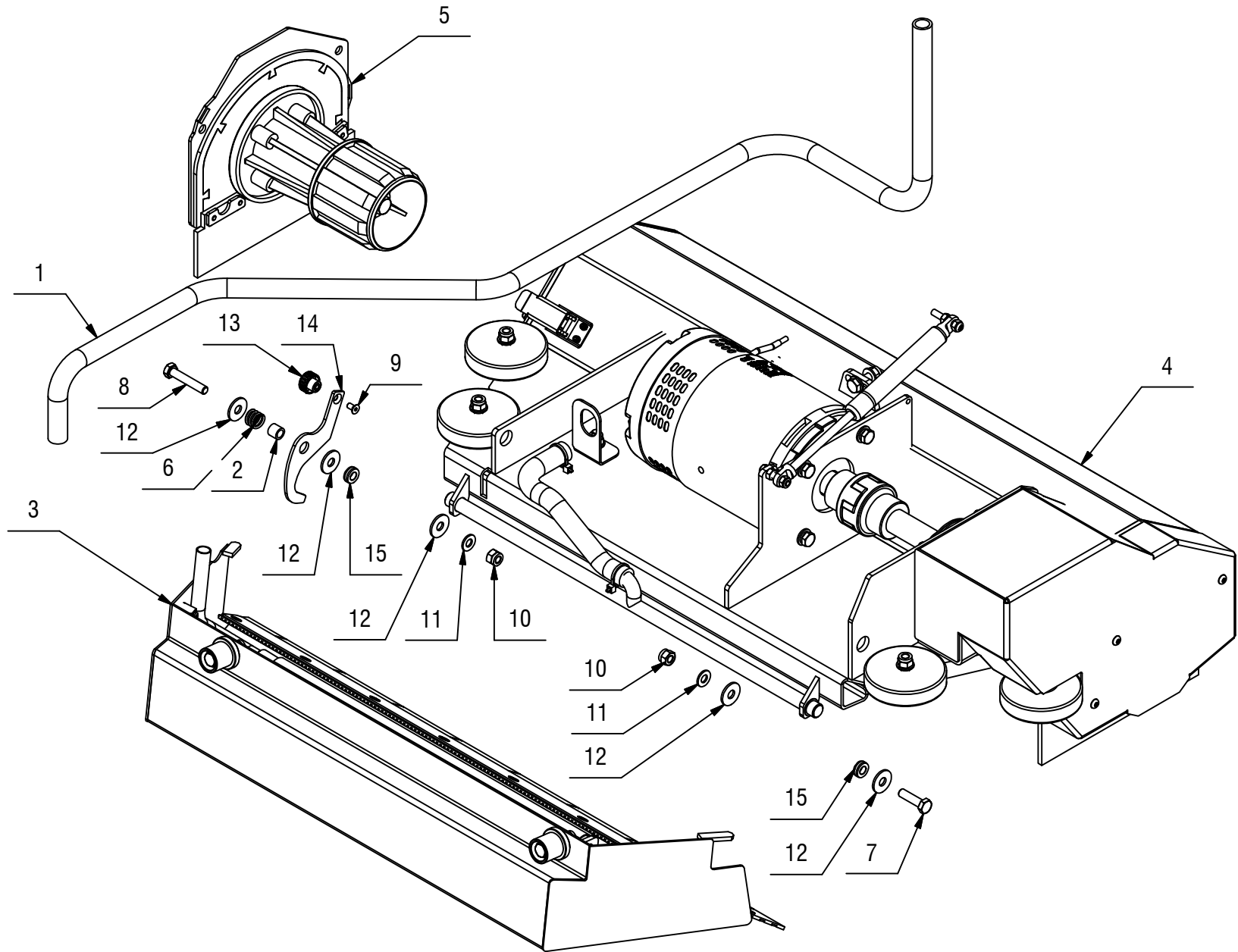


**CR-01 BRUSHES BASE ASSEMBLY 650RDX****01**

COMPONENT	CODE	QUANTITY	DENOMINATION	COMPONENT	CODE	QUANTITY	DENOMINATION
1	202116	2	SHEATH	39	428247	1	DISTRIBUTOR
2	203245	2	SPACER	40	428364	1	GEARED MOTOR ASSEMBLY
3	203268	2	PLAQUE	41	430738	1	BASE COVER
4	209269	3	WHEEL	42	430739	1	BASE COVER
5	216281	1	SUPPORT	43	430830	1	GEARED MOTOR
6	216307	2	PIPE	44	432020	1	FLANGE
7	217607	2	PIPE	45	432021	1	FLANGE
8	218994	1	BRUSHES BASE				
9	218998	2	PLAQUE				
10	219011	1	SUPPORT				
11	219253	1	PIPE				
12	407645	2	SCREW				
13	407663	8	SCREW				
14	407666	9	SCREW				
15	407976	3	SPACER				
16	408128	2	SPRING				
17	408656	3	SCREW				
18	408670	1	SCREW				
19	408848	2	SCREW				
20	409046	1	NUT				
21	409080	2	LOCK NUT				
22	409082	3	LOCK NUT				
23	409085	2	LOCK NUT				
24	409151	6	WASHER				
25	409160	26	WASHER				
26	409164	1	LOCK WASHER				
27	409175	2	WASHER				
28	409191	1	WASHER				
29	410274	2	CLAMP				
30	410292	4	CLAMP				
31	410349	1	CONNECTOR				
32	410393	2	SUPPORT				
33	410455	1	FORK				
34	410463	1	CLIP				
35	412133	1	SCREW				
36	418158	1	CAP				
37	422186	2	FITTING				
38	425817	4	COVER				

**CR-01 BRUSH BASE ASSEMBLY 700RSX**

01

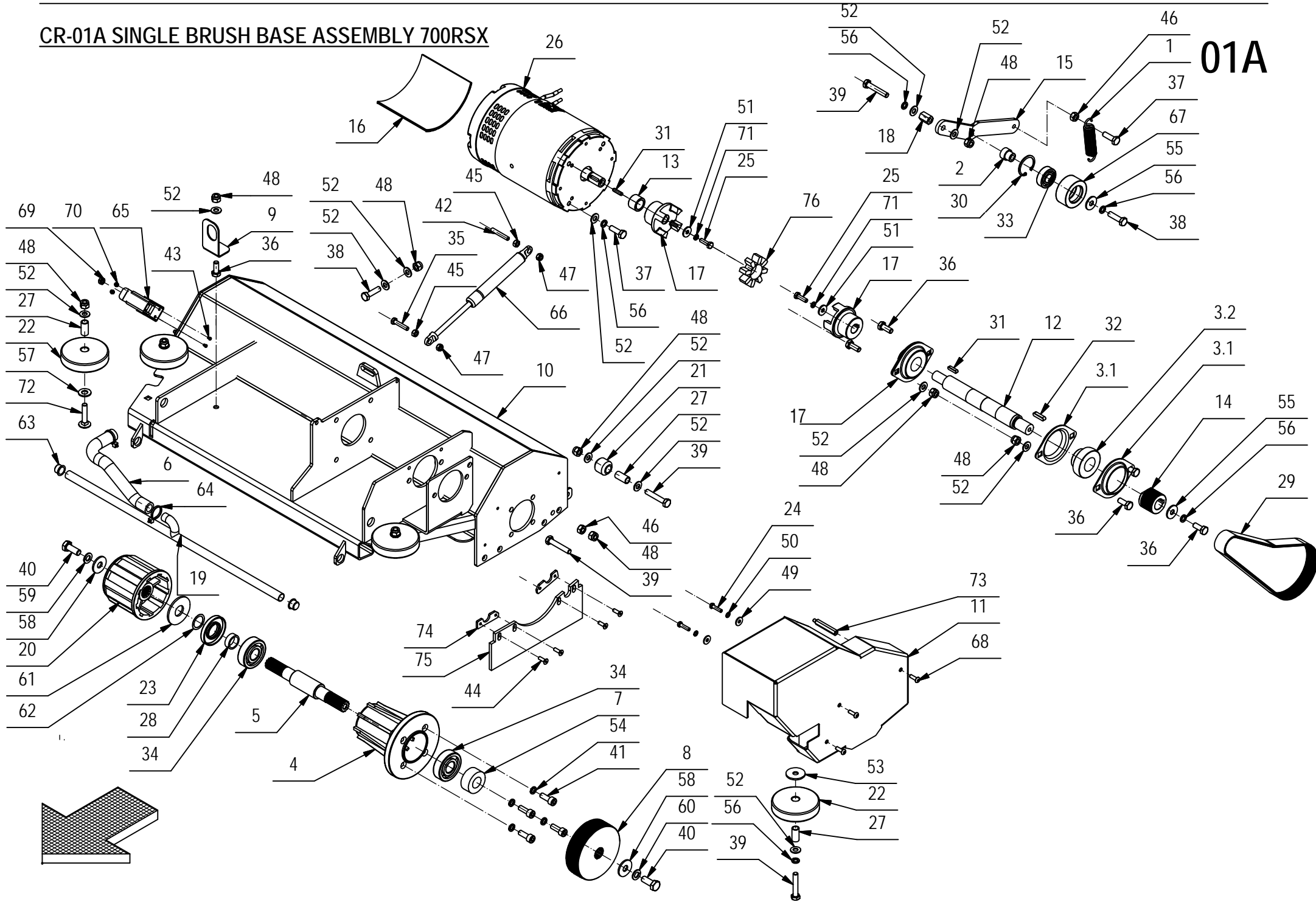


**CR-01 BRUSH BASE ASSEMBLY 700RSX**

COMPONENT	CODE	QUANTITY	DENOMINATION
1	202189	1	PIPE
2	202451	1	SPACER
3	219844	1	ASSEMBLY HOPPER
4	219845	1	BRUSHES BASE ASSEMBLY
5	219846	1	ASSEMBLY COVER RIGHT
6	407625	1	SPRING
7	408677	1	SCREW
8	408695	1	SCREW
9	408962	1	SCREW
10	409088	2	LOCK NUT
11	409177	2	WASHER
12	409185	5	WASHER
13	410221	1	HANDWHEEL
14	431772	1	BLADE
15	431773	2	BUSHING

# CR-01A SINGLE BRUSH BASE ASSEMBLY 700RSX

# 01A



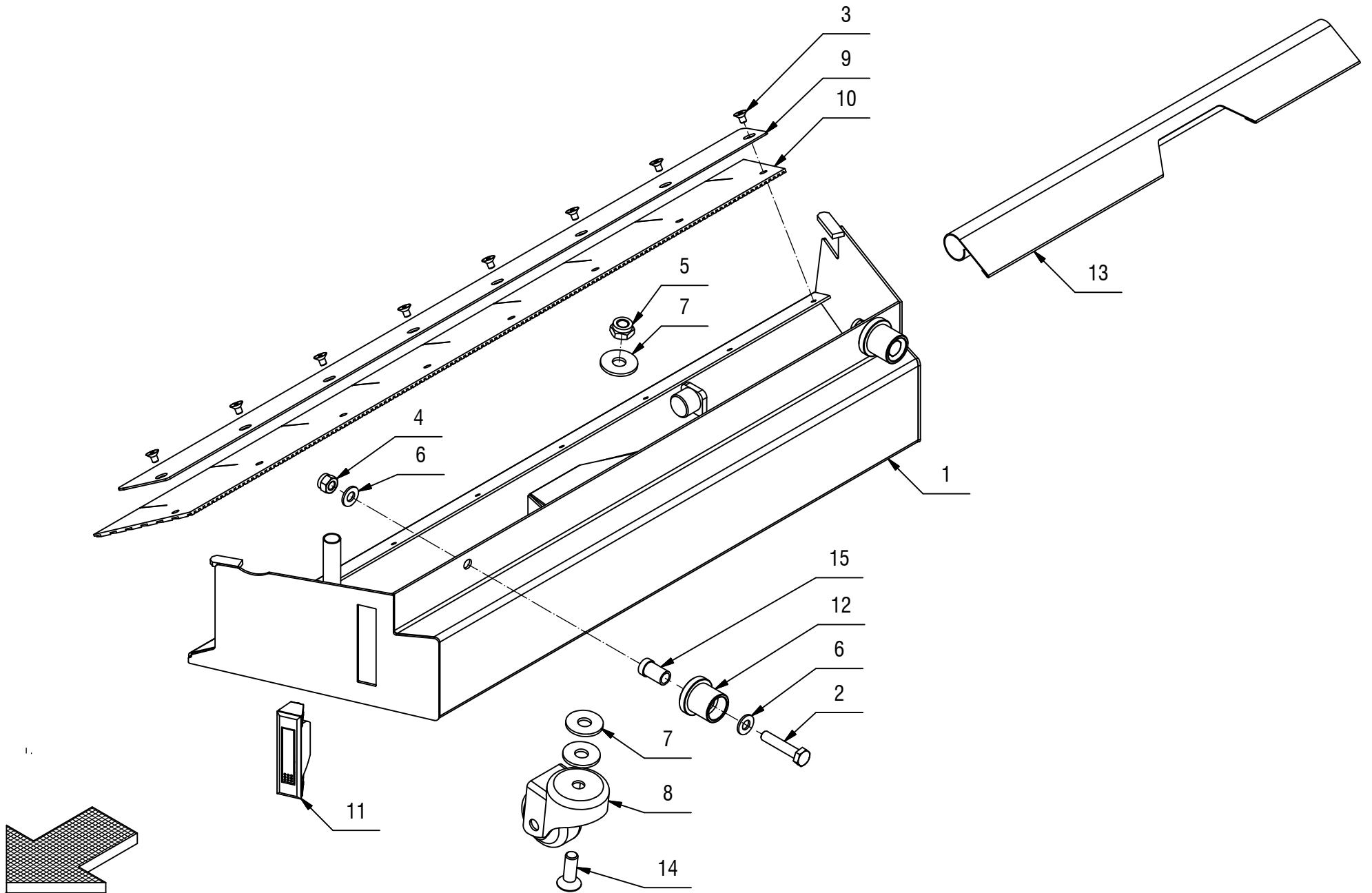


**CR-01A SINGLE BRUSH BASE ASSEMBLY 700RSX****01A**

COMPONENT	CODE	QUANTITY	DENOMINATION	COMPONENT	CODE	QUANTITY	DENOMINATION
1	202478	1	SPRING	38	408677	2	SCREW
2	203779	1	PIN	39	408695	5	SCREW
3	204351	2	SUPPORT	40	408741	2	SCREW
3.1	415660	2	FLANGE	41	408817	4	SCREW
3.2	415661	1	BEARING	42	408905	1	DOWEL
4	206077	1	BEARING SUPPORT	43	408922	4	SCREW
5	206078	1	SHAFT	44	408957	4	SCREW
6	209533	1	PIPE	45	409040	2	NUT
7	210094	1	SPACER	46	409049	2	NUT
8	210273	1	PULLEY	47	409082	2	LOCK NUT
9	216281	1	SUPPORT	48	409088	13	LOCK NUT
10	219831	1	BRUSH BASE	49	409152	2	WASHER
11	219832	1	BASE COVER	50	409155	2	WASHER
12	219833	1	SHAFT	51	409161	2	WASHER
13	219834	1	SPACER	52	409177	23	WASHER
14	219835	1	PULLEY	53	409180	1	WASHER
15	219836	1	BLADE	54	409181	4	LOCK WASHER
16	219837	1	GASKET	55	409185	2	WASHER
17	220030	2	UNIVERSAL JOINT	56	409187	8	WASHER
18	220031	1	SPACER	57	409192	3	WASHER
19	220032	1	PIPE	58	409195	2	WASHER
20	400598	1	HUB	59	409196	1	LOCK WASHER
21	400835	2	WHEEL	60	409200	1	LOCK WASHER
22	405708	4	WHEEL	61	409225	1	WASHER
23	407617	1	OIL SEAL	62	409240	1	SHIM
24	407650	2	SCREW	63	409832	2	CAP
25	407667	2	SCREW	64	410274	2	CLAMP
26	407709	1	MOTOR	65	410329	2	HOOK
27	408021	6	BUSHING	66	410570	1	GAS SHOCK ABSORBER
28	408066	1	BUSHING	67	415243	1	ROLLER
29	408326	1	BELT	68	415849	3	SCREW
30	408341	1	SEEGER RING	69	415887	2	NUT
31	408402	2	KEY	70	415897	4	LOCK NUT
32	408411	1	KEY	71	415945	2	WASHER
33	408427	1	BEARING	72	429081	3	SCREW
34	408437	2	BEARING	73	431730	3	PIN
35	408659	1	SCREW	74	431736	2	BLADE
36	408671	6	SCREW	75	431737	1	SPLASH GUARD
37	408675	5	SCREW	76	432264	1	FLEXIBLE COUPLING

CR-01B GROUP DRAWER OF HARVEST 700RSX

01B

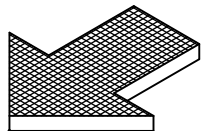
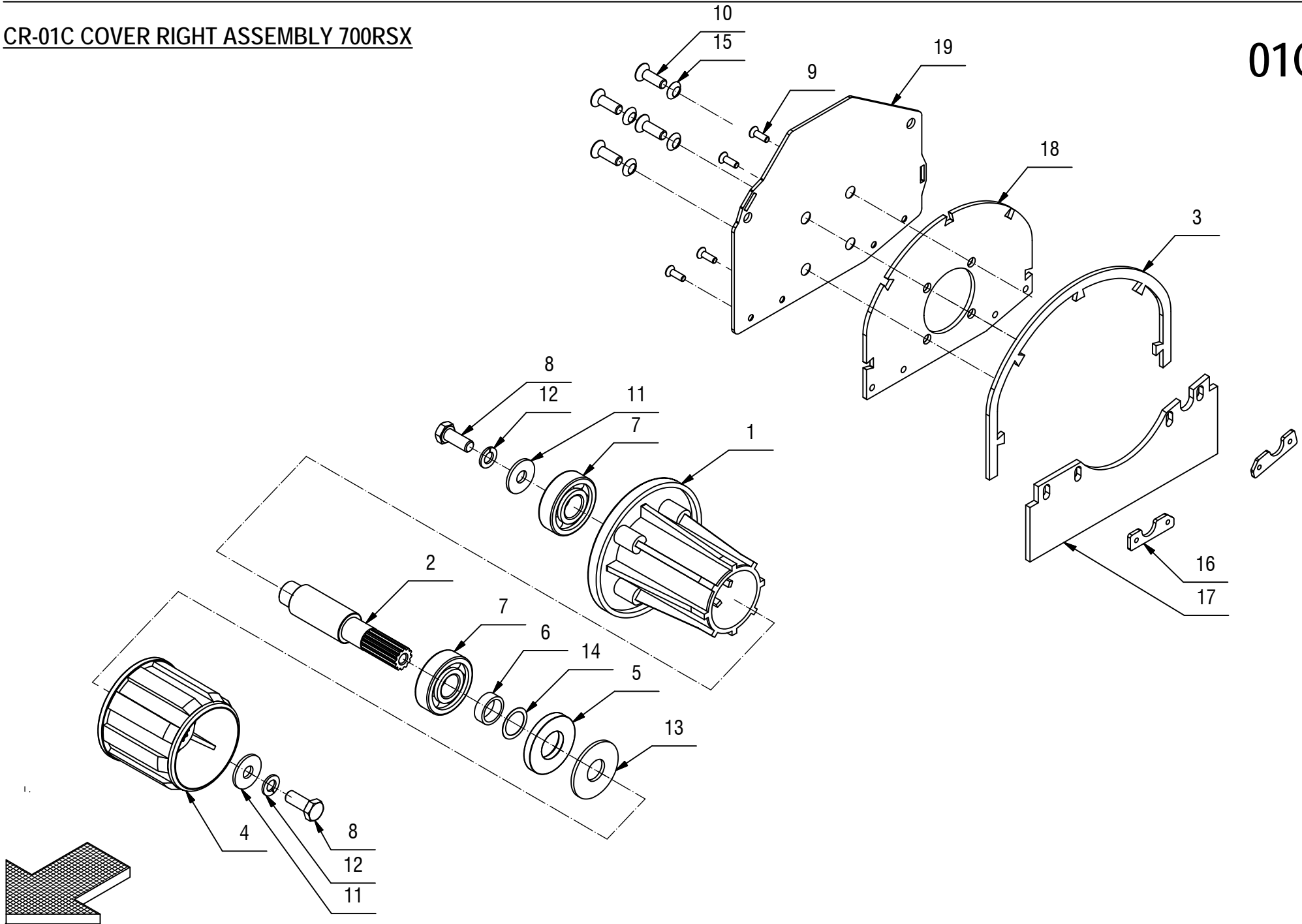


**CR-01B GROUP DRAWER OF HARVEST 700RSX****01B**

COMPONENT	CODE	QUANTITY	DENOMINATION
1	219838	1	HOPPER
2	408680	2	SCREW
3	408964	8	SCREW
4	409088	2	LOCK NUT
5	409091	1	LOCK NUT
6	409177	4	WASHER
7	409195	3	WASHER
8	420962	1	CASTOR WHEEL
9	431763	1	BLADE
10	431766	1	SPLASH GUARD
11	431767	1	HANDLE
12	431768	2	WHEEL
13	431790	1	FILTER
14	432273	1	SCREW
15	432283	2	BUSHING

CR-01C COVER RIGHT ASSEMBLY 700RSX

01C

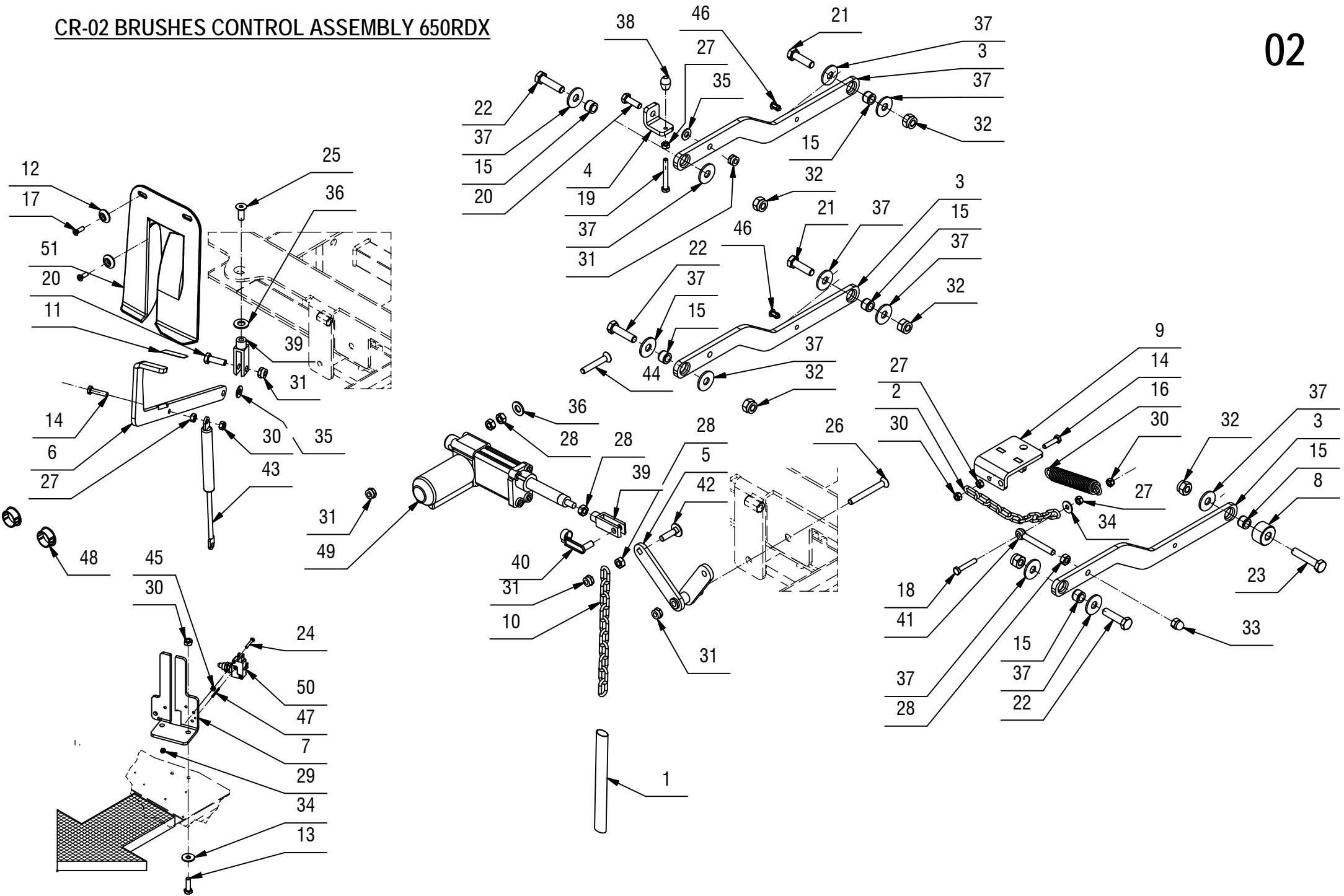


CR-01C COVER RIGHT ASSEMBLY 700RSX

COMPONENT	CODE	QUANTITY	DENOMINATION
1	206077	1	BEARING SUPPORT
2	206079	1	SHAFT
3	219847	1	GASKET
4	400598	1	HUB
5	407617	1	OIL SEAL
6	408066	1	BUSHING
7	408437	2	BEARING
8	408741	2	SCREW
9	408957	4	SCREW
10	408993	4	SCREW
11	409195	2	WASHER
12	409200	2	LOCK WASHER
13	409225	1	WASHER
14	409240	1	SHIM
15	409346	4	LOCK WASHER
16	431736	2	BLADE
17	431737	1	SPLASH GUARD
18	431770	1	BLADE
19	431771	1	BLADE

**CR-02 BRUSHES CONTROL ASSEMBLY 650RDX**

02



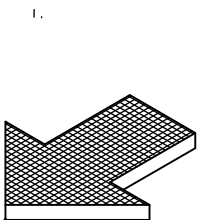
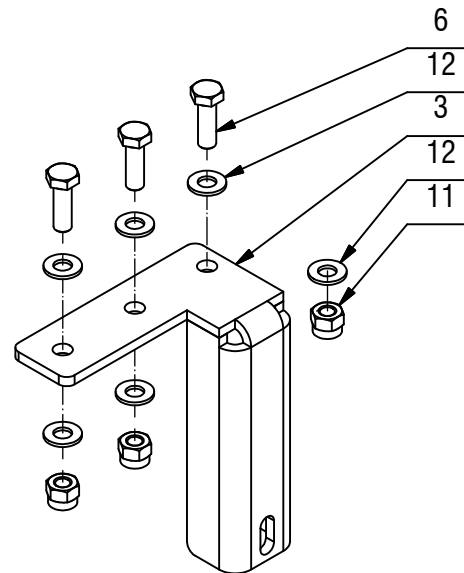
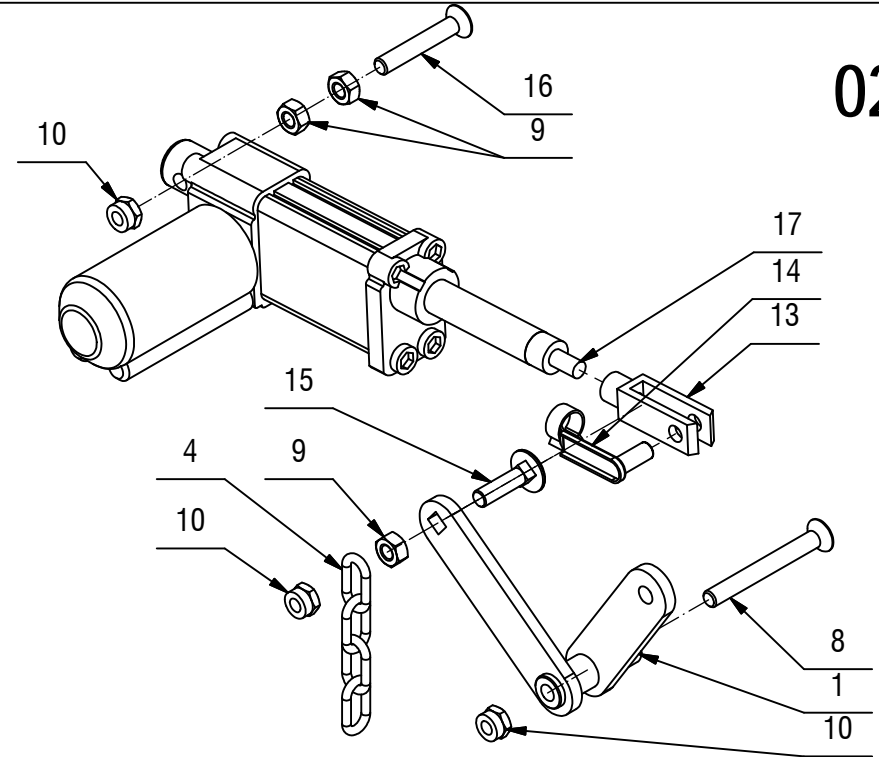
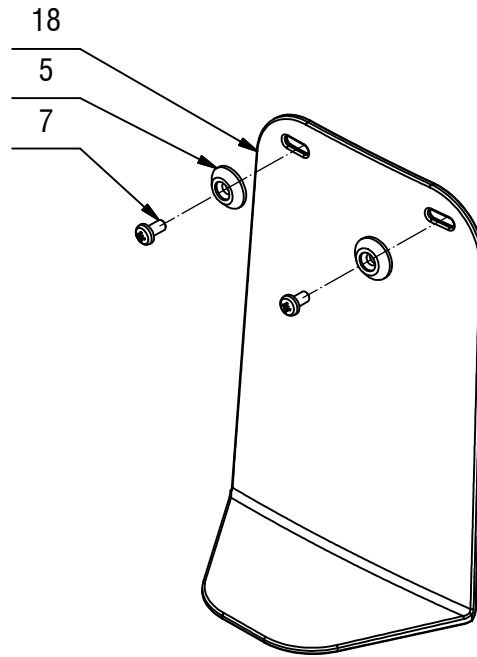
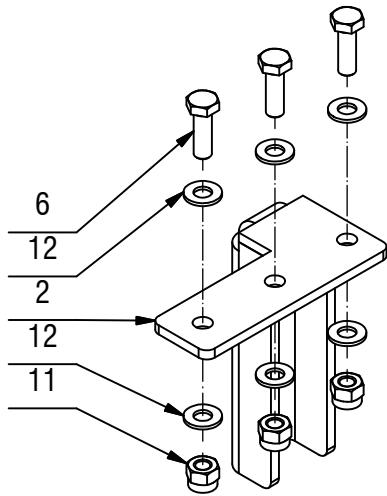
## CR-02 BRUSHES CONTROL ASSEMBLY 650RDX

02

COMPONENT	CODE	QUANTITY	DENOMINATION	COMPONENT	CODE	QUANTITY	DENOMINATION
1	202123	1	SHEATH	39	410456	2	FORK
2	206100	1	CHAIN	40	410464	1	PIN
3	218940	3	ARM	41	410547	1	TIE ROD
4	218958	1	SUPPORT	42	412133	1	SCREW
5	218964	1	LEVER	43	414748	1	GAS SHOCK ABSORBER
6	218993	1	LEVER	44	415831	1	SCREW
7	219118	1	SUPPORT	45	415882	1	NUT
8	219180	1	SPACER	46	415952	2	RIVET
9	219181	1	SUPPORT	47	415956	1	SPRING PIN
10	219251	1	CHAIN	48	416075	2	CAP
11	219590	1	TAPE	49	426429	1	ACTUATOR
12	400250	2	SPECIAL WASHER	50	427429	1	MICROSWITCH
13	407666	2	SCREW	51	431284	1	COVER
14	407669	2	SCREW				
15	408038	6	BUSHING				
16	408110	1	SPRING				
17	408516	2	SCREW				
18	408651	1	SCREW				
19	408656	1	SCREW				
20	408674	2	SCREW				
21	408714	2	SCREW				
22	408715	3	SCREW				
23	408724	1	SCREW				
24	408834	1	SCREW				
25	408981	1	SCREW				
26	408995	1	SCREW				
27	409040	4	NUT				
28	409046	5	NUT				
29	409077	1	LOCK NUT				
30	409082	5	LOCK NUT				
31	409085	5	LOCK NUT				
32	409089	6	LOCK NUT				
33	409110	1	CAP NUT M8 ZNT				
34	409160	3	WASHER				
35	409175	2	WASHER				
36	409191	2	WASHER				
37	409194	11	WASHER				
38	409859	1	RUBBER CAP				

# CR-02 BRUSHES CONTROL ASSEMBLY 700RSX

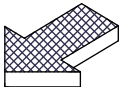
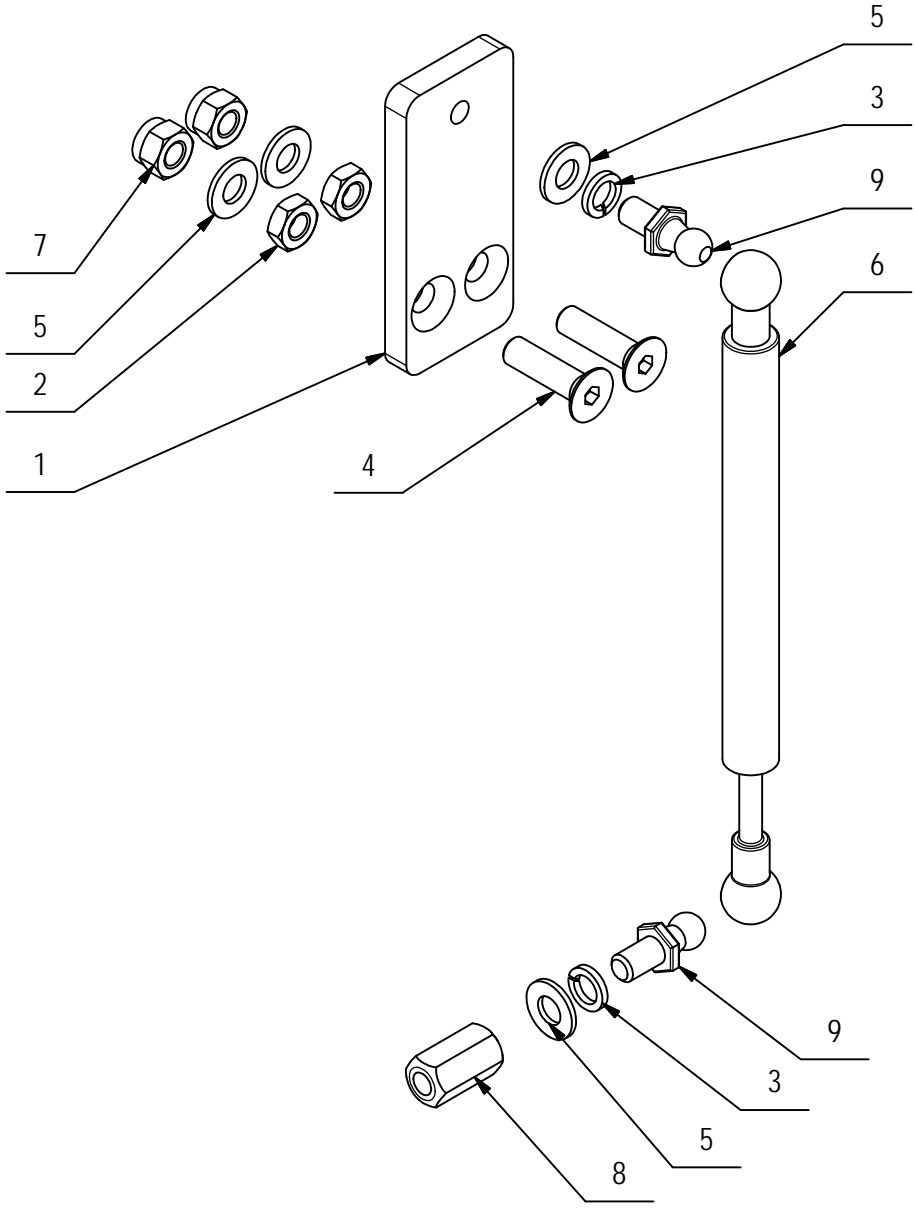
# 02





CR-02 BRUSHES CONTROL ASSEMBLY 700RSX

COMPONENT	CODE	QUANTITY	DENOMINATION
1	218964	1	LEVER
2	219852	1	RIGHT SUPPORT
3	219853	1	LEFT SUPPORT
4	220076	1	CHAIN
5	400250	2	SPECIAL WASHER
6	408674	6	SCREW
7	408848	2	SCREW
8	408995	1	SCREW
9	409046	3	NUT
10	409085	3	LOCK NUT
11	409086	6	LOCK NUT
12	409175	12	WASHER
13	410456	1	FORK
14	410464	1	PIN
15	412133	1	SCREW
16	415831	1	SCREW
17	426429	1	ACTUATOR
18	431285	1	COVER

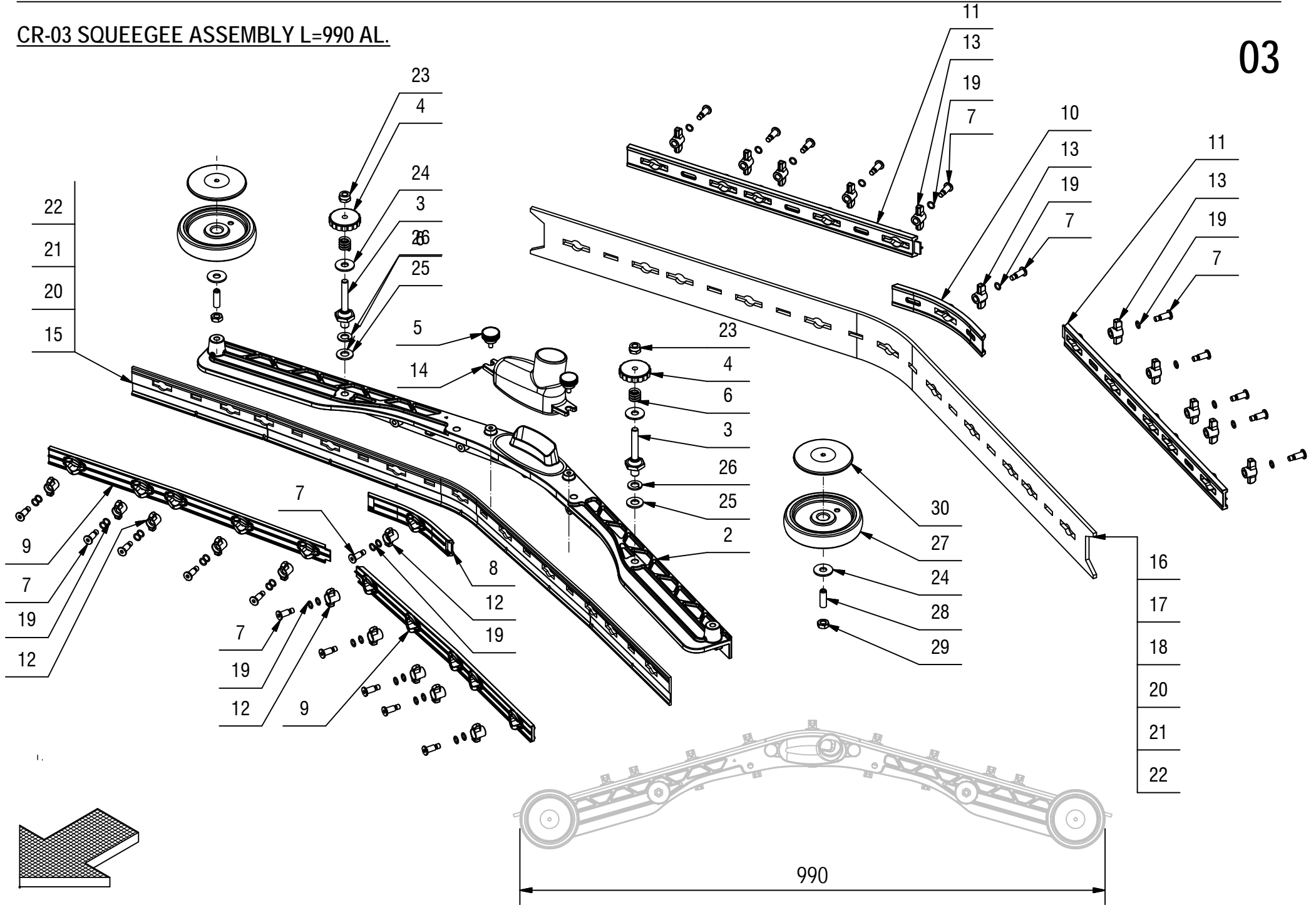


## CR-02A DAMPER KIT 700RSX

COMPONENT	CODE	QUANTIT	DENOMINATION
1	438401	1	SUPPORT
2	409048	2	NUT
3	415946	2	LOCK WASHER
4	408997	2	SCREW
5	409177	4	WASHER
6	433953	1	DUMPER
7	409088	2	LOCK NUT
8	415888	1	NUT
9	433899	2	STUD

**CR-03 SQUEEGEE ASSEMBLY L=990 AL.**

**03**

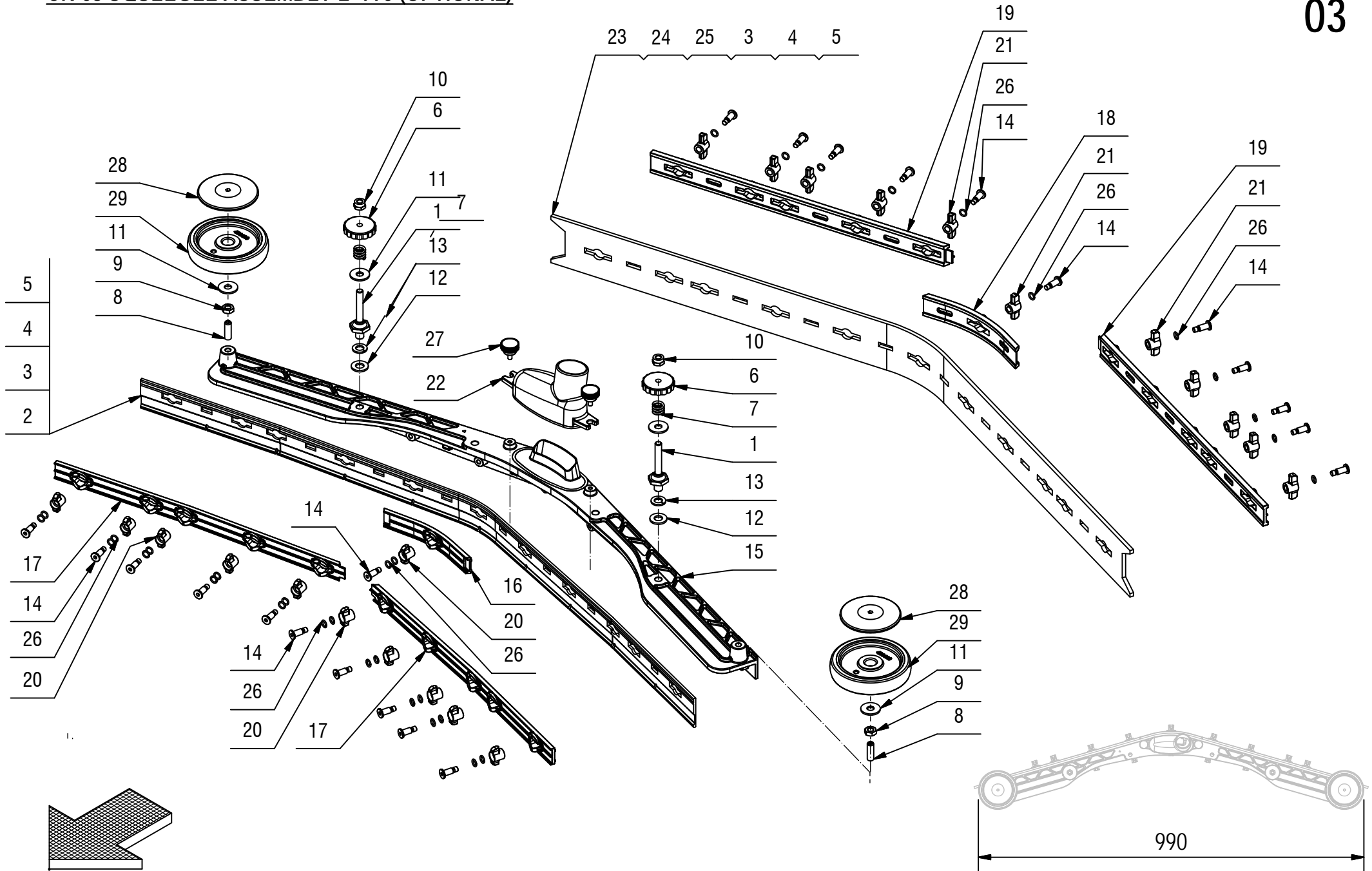


**CR-03 SQUEEGEE ASSEMBLY L=990 AL.**

COMPONENT	CODE	QUANTITY	DENOMINATION
1	222790	1	SQUEEGEE ASSEMBLY
2	436780	1	SQUEEGEE
3	219372	2	STUD BOLT
4	400112	2	HANDWHEEL
5	435330	2	KNOB
6	408098	2	SPRING
7	430903	22	PIN
8	430944	1	FRONT BLADE
9	430947	2	FRONT BLADE
10	430949	1	REAR BLADE
11	430952	2	REAR BLADE
12	430954	11	WING NUT
13	430955	11	WING NUT
14	430957	1	OPENING
15	219376	1	FRONT RUBBER
16	430970	1	REAR RUBBER
17	431050	1	REAR RUBBER
18	431051	1	REAR RUBBER
19	431633	33	WASHER
20	219457	1	KIT RUBBER
21	219458	1	KIT RUBBER
22	219459	1	KIT RUBBER
23	409087	2	LOCK NUT
24	409185	4	WASHER
25	409192	2	WASHER
26	409200	2	LOCK WASHER
27	436120	2	BUMPER
28	408913	2	DOWEL
29	409048	2	NUT
30	436119	2	BUSHING

# CR-03 SQUEEGEE ASSEMBLY L=990 (OPTIONAL)

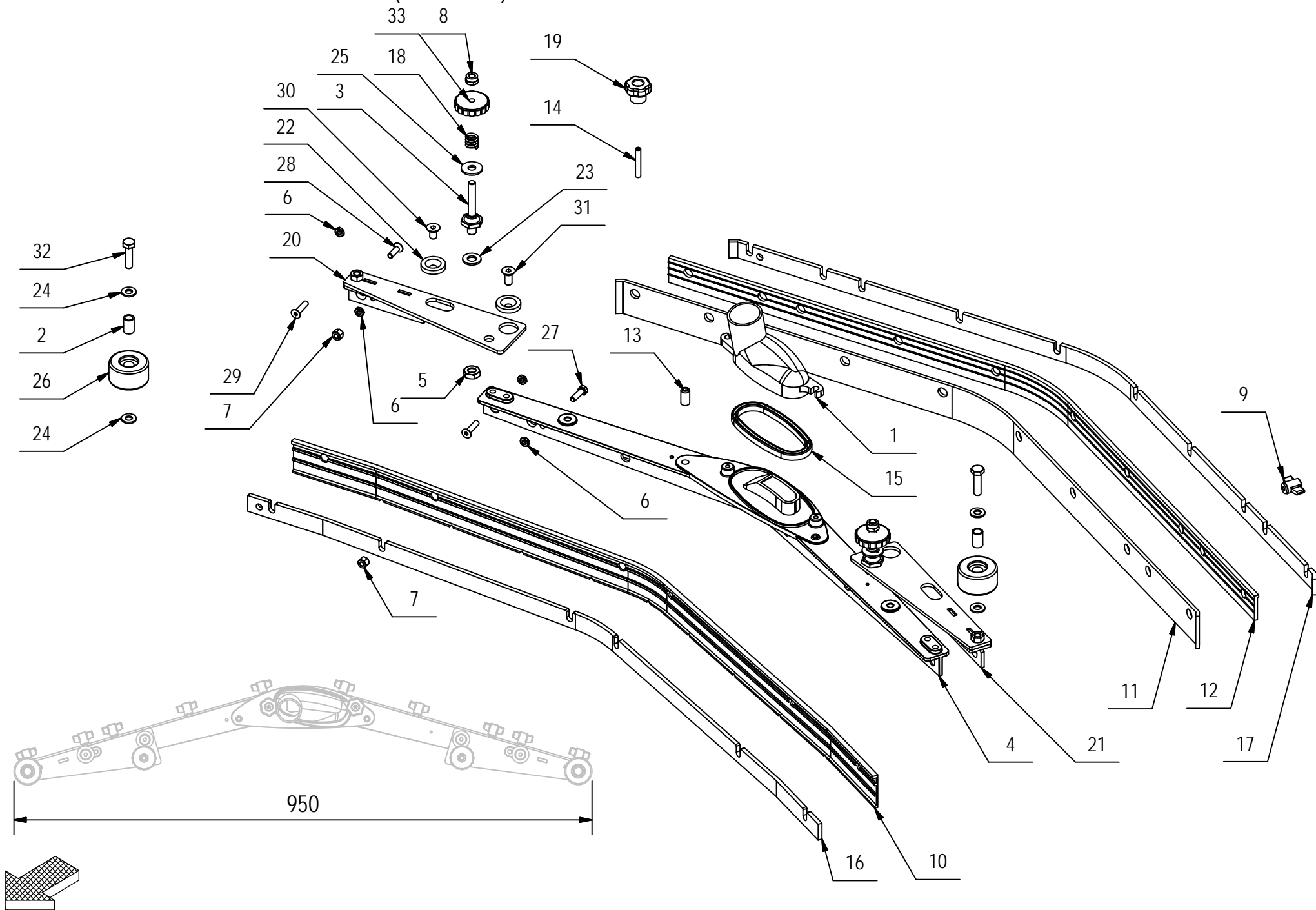
03



**CR-03 SQUEEGEE ASSEMBLY L=990 (OPTIONAL)**

COMPONENT	CODE	QUANTITY	DENOMINATION
1	219372	2	STUD BOLT
2	219376	1	FRONT RUBBER
3	219457	1	KIT RUBBER
4	219458	1	KIT RUBBER
5	219459	1	KIT RUBBER
6	400112	2	HANDWHEEL
7	408098	2	SPRING
8	408913	2	DOWEL
9	409048	2	NUT
10	409087	2	LOCK NUT
11	409185	4	WASHER
12	409192	2	WASHER
13	409200	2	LOCK WASHER
14	430903	22	PIN
15	430942	1	SQUEEGEE BODY
16	430944	1	FRONT BLADE
17	430947	2	FRONT BLADE
18	430949	1	REAR BLADE
19	430952	2	REAR BLADE
20	430954	11	WING NUT
21	430955	11	WING NUT
22	430957	1	OPENING
23	430970	1	REAR RUBBER
24	431050	1	REAR RUBBER
25	431051	1	REAR RUBBER
26	431633	33	WASHER
27	435330	2	KNOB
28	436119	2	BUSHING
29	436120	2	BUMPER
30	219381	1	SQUEEGEE ASSEMBLY

# CR-03 SQUEEGEE ASSEMBLY L=950 AL (OPTIONAL)



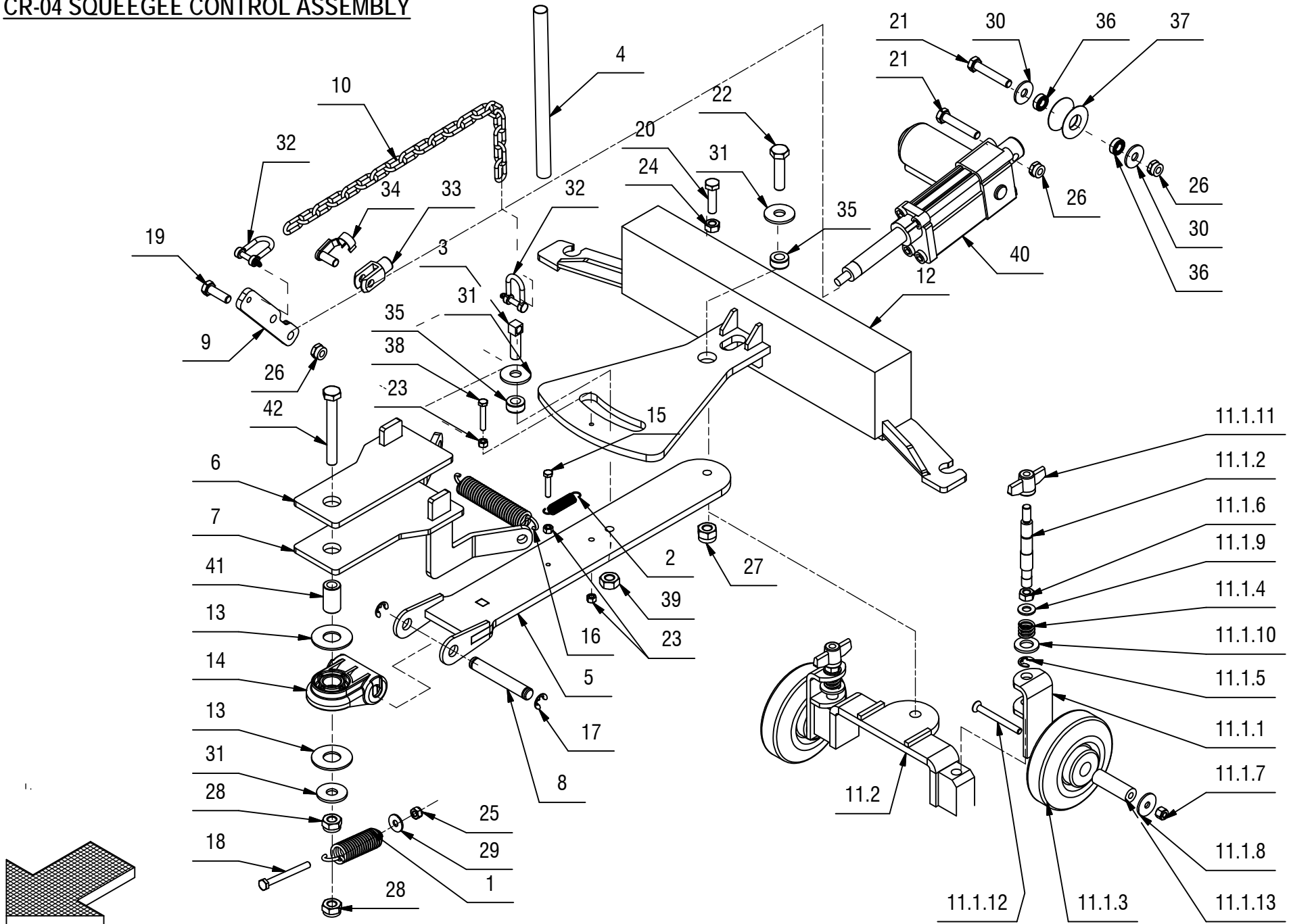


## CR-03 SQUEEGEE ASSEMBLY L=950 AL (OPTIONAL)

COMONENT	CODE	QUANTITY	DESCRIPTION
1	400722	1	OPENING
2	408033	2	BUSHING
3	219372	2	STUD BOLT
4	210349	1	SQUEEGEE BODY
5	415903	2	NUT
6	409045	16	NUT
7	409083	6	NUT
8	409087	2	LOCK NUT
9	410231	10	WING NUT
10	209707	1	FRONT RUBBER
11	406183	1	CENTRAL RUBBER
12	209708	1	REAR RUBBER
13	420953	2	DOWEL
14	408905	2	DOWEL
15	405471	1	GASKET OPENING
16	210048	1	BLADE
17	210049	1	BLADE
18	408098	2	SPRING
19	410230	2	KNOB
20	434033	1	EXTENSION
21	434034	1	EXTENSION
22	210511	4	WASHER
23	409192	2	WASHER
24	409175	4	WASHER
25	409185	2	WASHER
26	405707	2	WHEEL
27	407667	4	SCREW
28	408967	2	SCREW
29	408972	10	SCREW
30	408980	2	SCREW
31	408988	2	SCREW
32	408676	2	SCREW
33	400112	2	HANDWHEEL

# CR-04 SQUEEGEE CONTROL ASSEMBLY

04

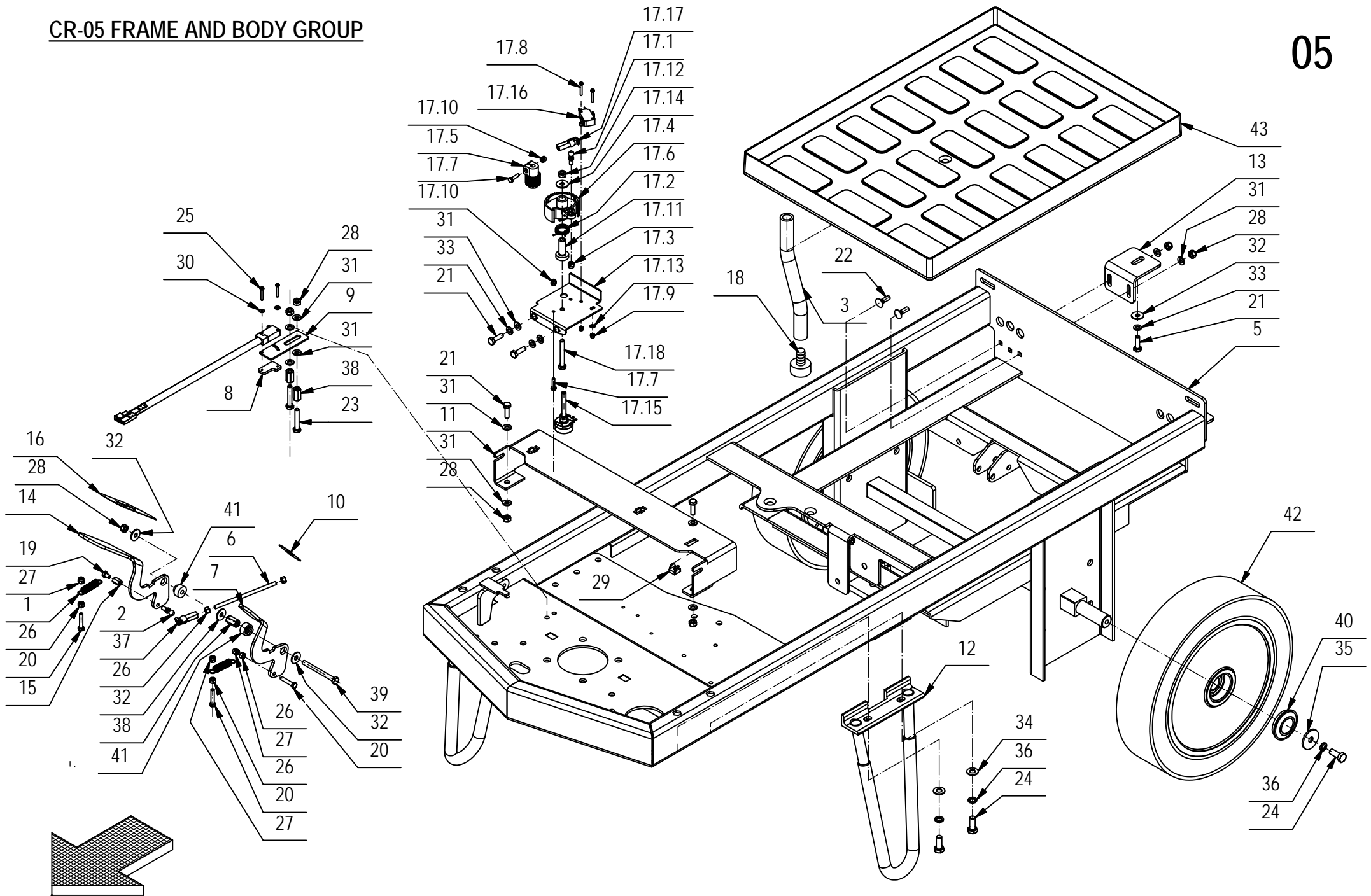


**CR-04 SQUEEGEE CONTROL ASSEMBLY****04**

COMPONENT	CODE	QUANTITY	DENOMINATION	COMPONENT	CODE	QUANTITY	DENOMINATION
1	202479	1	TRACTION SPRING	24	409046	1	NUT
2	202480	1	SPRING	25	409082	1	LOCK NUT
3	203412	1	SPECIAL SCREW	26	409085	3	LOCK NUT
4	217530	1	SHEATH	27	409089	1	LOCK NUT
5	218923	1	ARM	28	409090	2	LOCK NUT
6	218929	1	PLAQUE	29	409160	1	WASHER
7	218932	1	PLAQUE	30	409179	2	WASHER
8	218934	1	PIN	31	409194	3	WASHER
9	218966	1	LEVER	32	410325	2	SPLIT PIN
10	219248	1	CHAIN	33	410452	1	FORK
11	223082	1	ADJUSTING SQUEEGEE KIT INNOVA	34	410459	1	PIN
11.1	223081	2	SUPPORT WHEEL ASSY	35	411769	2	BUSHING
11.1.1	203289	1	SUPPORT	36	411950	2	BEARING
11.1.2	400724	1	PIN	37	415242	1	ROLLER
11.1.3	405689	1	WHEEL	38	415716	1	SCREW
11.1.4	407625	1	SPRING	39	415889	1	NUT
11.1.5	408371	1	RING	40	426429	1	ACTUATOR
11.1.6	409046	1	NUT	41	430353	1	BUSHING
11.1.7	409083	1	NUT	42	430812	1	SCREW
11.1.8	409170	1	WASHER				
11.1.9	409175	1	WASHER				
11.1.10	409201	1	WASHER				
11.1.11	410237	1	WING NUT				
11.1.12	415830	1	SCREW				
11.1.13	437792	1	BUSHING				
11.2	437782	1	COUPLING				
12	223096	1	ARM				
13	400639	2	SPECIAL WASHER				
14	400838	1	COUPLING				
15	407651	1	SCREW				
16	408110	1	SPRING				
17	408371	2	RING				
18	408658	1	SCREW				
19	408674	1	SCREW				
20	408676	1	SCREW				
21	408681	2	SCREW				
22	408715	1	SCREW				
23	409036	3	NUT				

# CR-05 FRAME AND BODY GROUP

# 05

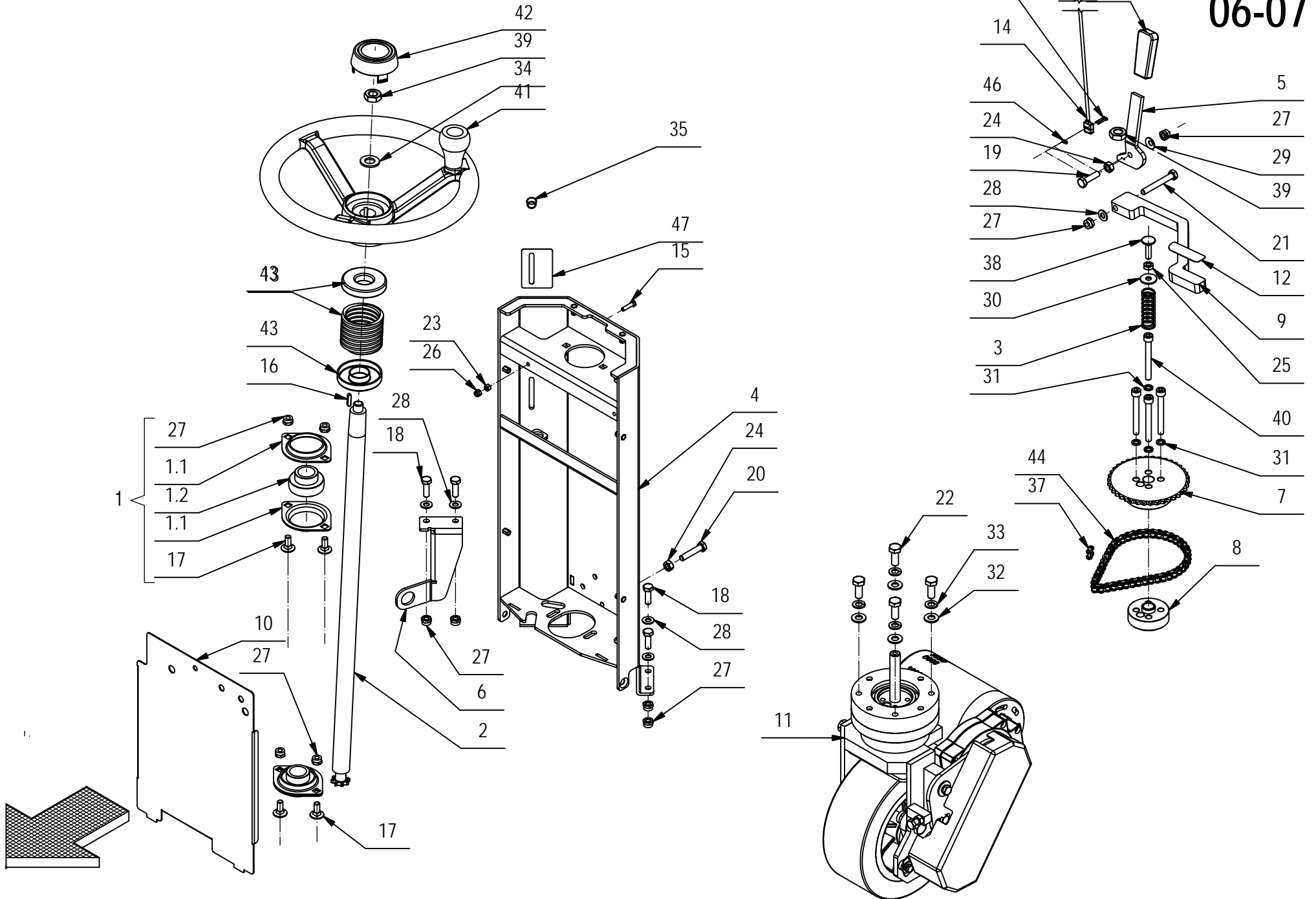


**CR-05 FRAME AND BODY GROUP****05**

COMPONENT	CODE	QUANTITY	DENOMINATION	COMPONENT	CODE	QUANTITY	DENOMINATION
1	202480	2	SPRING	21	407666	6	SCREW
2	203279	1	PIN	22	408620	4	SCREW
3	209533	1	PIPE	23	408651	2	SCREW
4	216691	1	MICROSWITCH	24	408670	6	SCREW
5	218885	1	FRAME	25	408834	2	SCREW
6	218967	1	ROD	26	409036	5	NUT
7	218991	1	PEDAL	27	409080	3	LOCK NUT
8	219111	1	SUPPORT	28	409082	9	LOCK NUT
9	219117	1	SUPPORT	29	409118	3	CAGE NUT
10	219399	1	TAPE	30	409139	2	WASHER
11	219490	1	SUPPORT	31	409156	14	WASHER
12	219786	2	SUPPORT	32	409160	5	WASHER
13	221158	2	SUPPORT	33	409164	4	LOCK WASHER
14	221159	1	PEDAL	34	409175	4	WASHER
15	221170	1	SPECIAL NUT	35	409180	2	WASHER
16	221180	1	TAPE	36	409181	6	LOCK WASHER
17	223302	1	DRIVE CONTROL ASSY	37	410316	1	ADJUSTABLE HEAD
17.1	203279	1	PIN	38	411966	3	NUT
17.2	210183	1	BUSHING	39	415722	1	SCREW
17.3	218012	1	SUPPORT	40	429840	2	COVER
17.4	400678	1	CAM WHEEL	41	430441	2	BUSHING
17.5	400679	1	PINION	42	430836	2	WHEEL
17.6	407596	1	SPRING	43	430990	1	BATTERY BASE
17.7	408639	2	SCREW				
17.8	408834	2	SCREW				
17.9	409077	2	LOCK NUT				
17.10	409078	2	LOCK NUT				
17.11	409081	1	LOCK NUT				
17.12	409082	1	LOCK NUT				
17.13	409139	1	WASHER				
17.14	409160	1	WASHER				
17.15	409249	1	POTENTIOMETER				
17.16	409491	1	MICROSWITCH				
17.17	410316	1	ADJUSTABLE HEAD				
17.18	415723	1	SCREW				
18	400651	1	PLUG				
19	407643	1	SCREW				
20	407651	3	SCREW				

# CR-06/07 BRAKE AND WHEELS ASSEMBLY

## 06-07

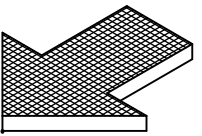
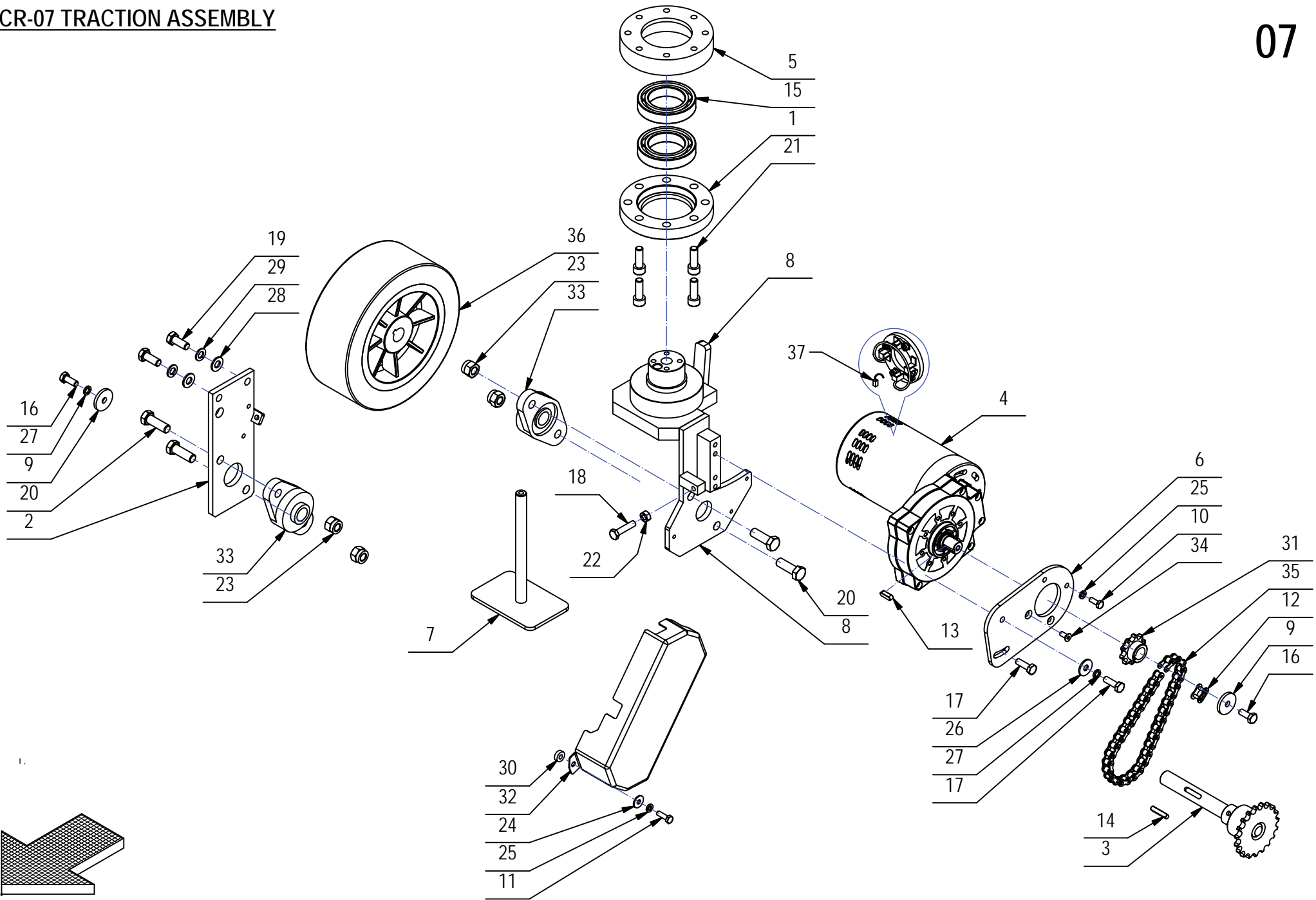


**CR-06/07 BRAKE AND WHEELS ASSEMBLY****06-07**

COMPONENT	CODE	QUANTITY	DENOMINATION	COMPONENT	CODE	QUANTITY	DENOMINATION
1	204351	2	SUPPORT	37	411947	1	JOINT CHAIN
1.1	415660	2	FLANGE	38	412133	1	SCREW
1.2	415661	1	BEARING	39	415895	1	SCREW
2	212460	1	SHAFT	40	418302	4	SCREW
3	215490	1	SPRING	41	425415	1	STEERING WHEEL
4	218954	1	STEERING COLUMN	42	425416	1	PLUG
5	218990	1	LEVER	43	429782	2	COLLAR
6	218992	1	SUPPORT	44	430881	1	CHAIN
7	219050	1	PINION	45	435420	2	SCREW
8	219051	1	SPACER	46	435421	2	NUT
9	219056	1	BRAKE PEDAL	47	436398	1	DECAL
10	219119	1	SUPPORT				
11	219322	1					
12	219400	1	TAPE				
13	219552	1	BELLOWS				
14	222013	1	MICROSWITCH				
15	407647	2	SCREW				
16	408402	1	KEY				
17	408626	4	SCREW				
18	408674	4	SCREW				
19	408676	1	SCREW				
20	408679	1	SCREW				
21	408693	1	SCREW				
22	408711	4	SCREW				
23	409036	2	NUT				
24	409046	2	NUT				
25	409054	1	NUT				
26	409080	2	LOCK NUT				
27	409085	10	LOCK NUT				
28	409175	5	WASHER				
29	409178	1	CUPPED WASHER				
30	409179	1	WASHER				
31	409181	4	LOCK WASHER				
32	409191	4	WASHER				
33	409196	4	LOCK WASHER				
34	409211	1	WASHER				
35	409828	1	CAP				
36	410251	1	KNOB				

# CR-07 TRACTION ASSEMBLY

# 07



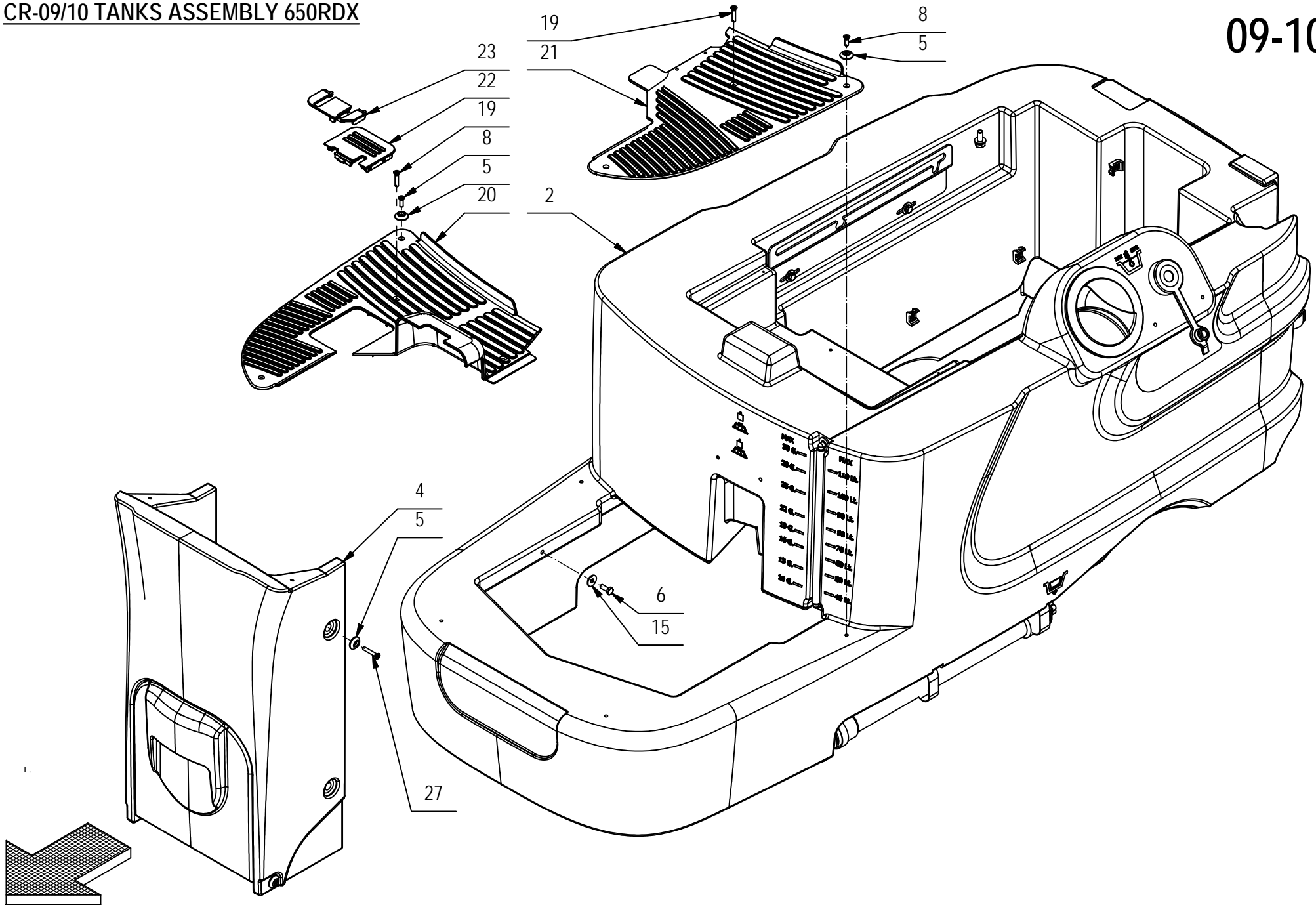


**CR-07 TRACTION ASSEMBLY**

COMPONENT	CODE	QUANTITY	DENOMINATION
1	203981	1	SUPPORT
2	204296	1	PLAQUE
3	212381	1	PIN
4	212394	1	GEARED MOTOR
5	212552	1	HUB
6	212972	1	PLAQUE
7	218968	1	BRAKE PLATE
8	219320	1	SUPPORT WHEELS
9	400167	2	WASHER
10	407663	2	SCREW
11	407666	3	SCREW
12	408380	1	JOINT CHAIN
13	408410	1	KEY
14	408412	1	KEY
15	408450	2	BEARING
16	408670	2	SCREW
17	408674	2	SCREW
18	408678	1	SCREW
19	408711	2	SCREW
20	408746	4	SCREW
21	408824	4	SCREW
22	409046	1	NUT
23	409093	4	NUT
24	409160	3	WASHER
25	409164	5	LOCK WASHER
26	409179	1	WASHER
27	409181	2	LOCK WASHER
28	409191	2	WASHER
29	409196	2	LOCK WASHER
30	411760	3	SPACER
31	414749	1	PINION
32	415497	1	COVER
33	415675	2	BEARING SUPPORT
34	415822	2	SCREW
35	420861	1	CHAIN
36	430857	1	POLYURETHANE WHEEL
37	422462	4	CARBON BRUSH MOTOR

CR-09/10 TANKS ASSEMBLY 650RDX

09-10

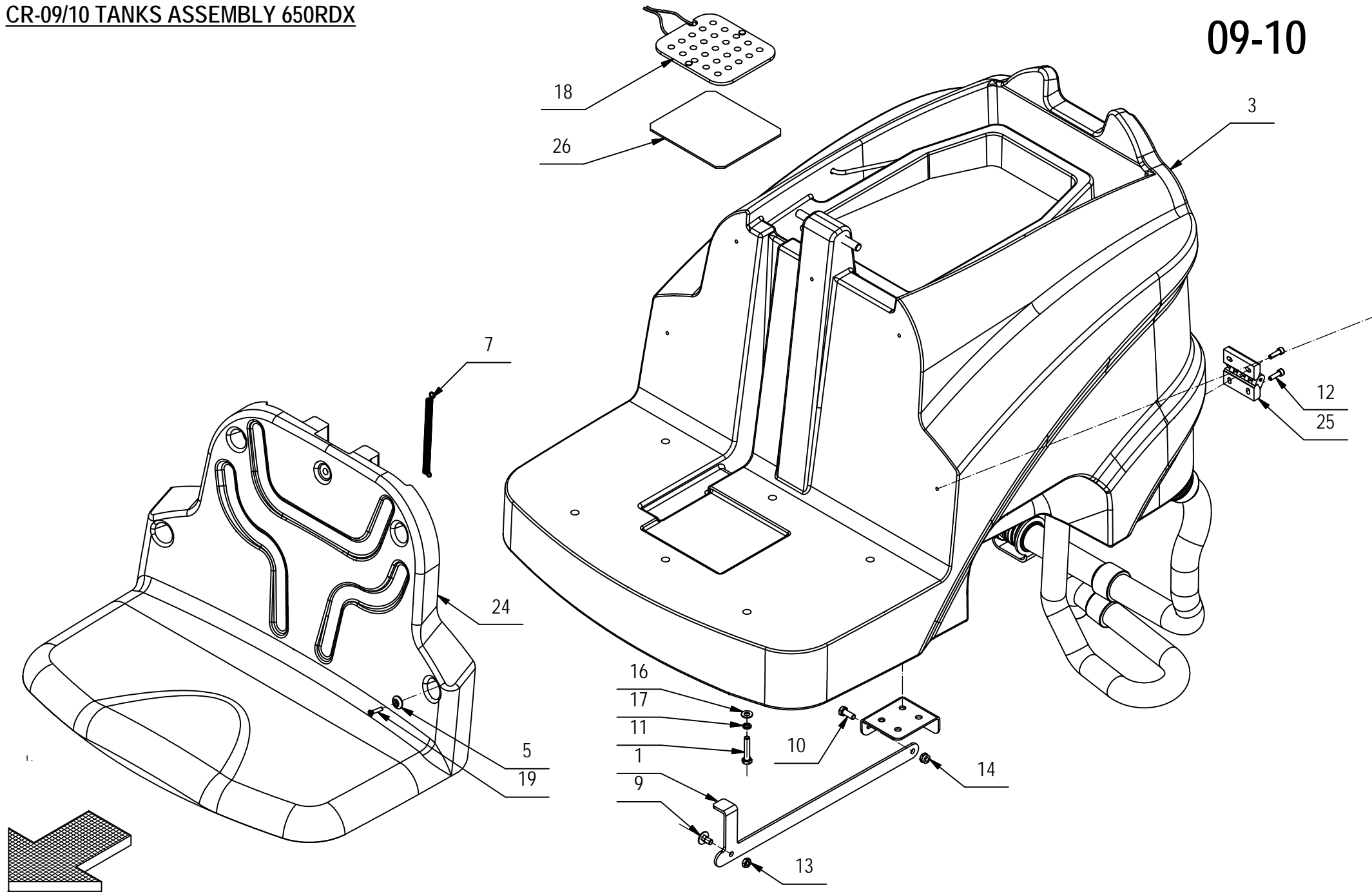


CR-09/10 TANKS ASSEMBLY 650RDX

COMPONENT	CODE	QUANTITY	DENOMINATION
1	219491	1	PROP
2	224009	1	SOLUTION TANK ASSEMBLY
3	224010	1	RECOVERY TANK ASSEMBLY
4	224011	1	INSTRUMENT BOARD ASSEMBLY
5	400250	13	SPECIAL WASHER
6	407663	2	SCREW
7	408123	1	SPRING
8	408516	4	SCREW
9	408625	1	SCREW
10	408670	1	SCREW
11	408679	4	SCREW
12	408796	8	SCREW
13	409054	1	NUT
14	409085	1	LOCK NUT
15	409160	2	WASHER
16	409175	4	WASHER
17	409181	4	LOCK WASHER
18	409503	1	MICROSWITCH
19	415802	8	SCREW
20	431280	1	BOTTOM PLATE
21	431281	1	BOTTOM PLATE
22	431282	1	BOTTOM PLATE
23	431283	1	BOTTOM PLATE
24	439507	1	SEAT
25	434159	2	HINGE
26	434201	1	RUBBER
27	435407	4	SCREW

**CR-09/10 TANKS ASSEMBLY 650RDX**

**09-10**

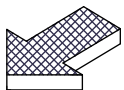
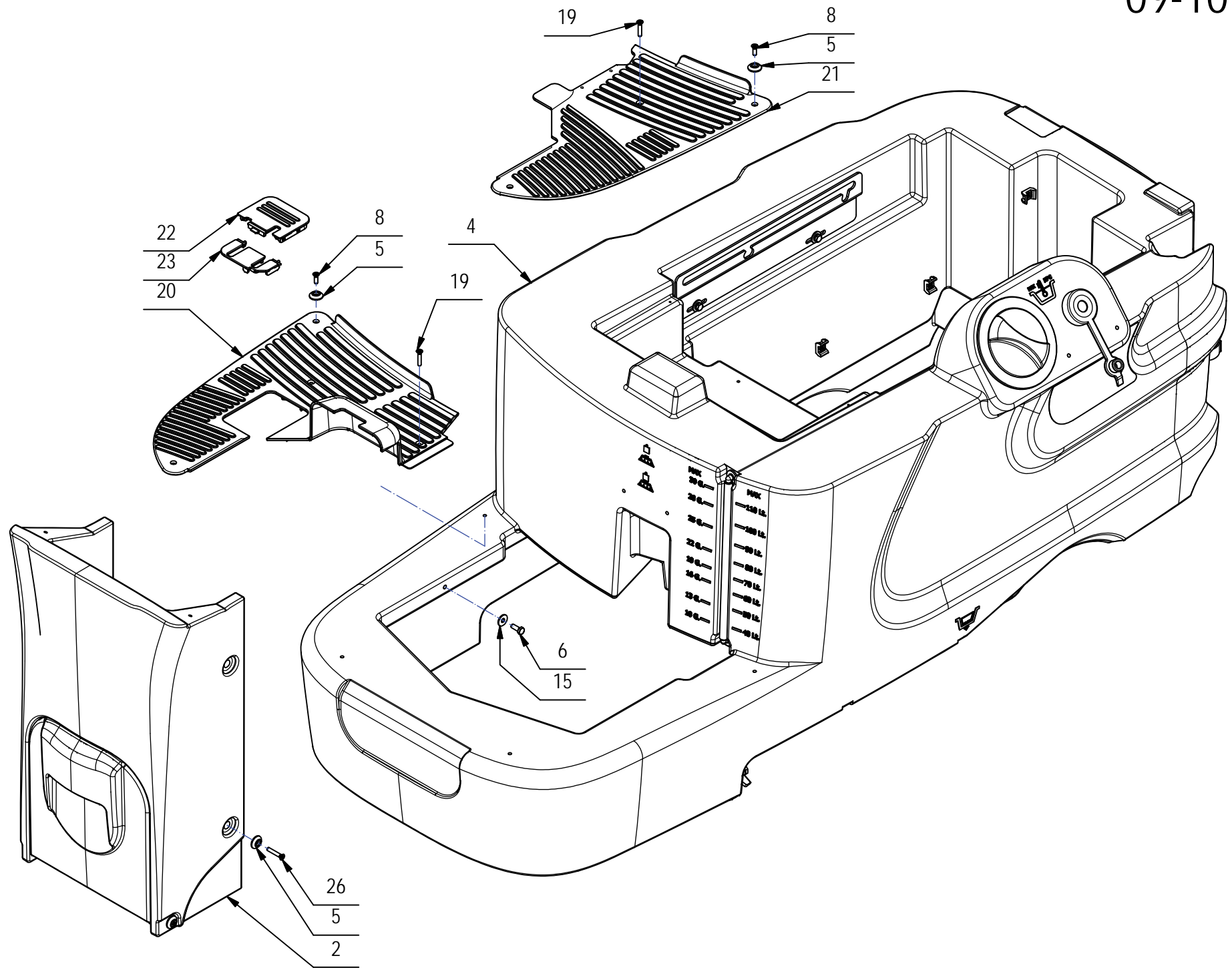


CR-09/10 TANKS ASSEMBLY 650RDX

COMPONENT	CODE	QUANTITY	DENOMINATION
1	219491	1	PROP
2	224009	1	SOLUTION TANK ASSEMBLY
3	224010	1	RECOVERY TANK ASSEMBLY
4	224011	1	INSTRUMENT BOARD ASSEMBLY
5	400250	13	SPECIAL WASHER
6	407663	2	SCREW
7	408123	1	SPRING
8	408516	4	SCREW
9	408625	1	SCREW
10	408670	1	SCREW
11	408679	4	SCREW
12	408796	8	SCREW
13	409054	1	NUT
14	409085	1	LOCK NUT
15	409160	2	WASHER
16	409175	4	WASHER
17	409181	4	LOCK WASHER
18	409503	1	MICROSWITCH
19	415802	8	SCREW
20	431280	1	BOTTOM PLATE
21	431281	1	BOTTOM PLATE
22	431282	1	BOTTOM PLATE
23	431283	1	BOTTOM PLATE
24	439507	1	SEAT
25	434159	2	HINGE
26	434201	1	RUBBER
27	435407	4	SCREW

# CR-09/10 TANKS ASSEMBLY 700RSX

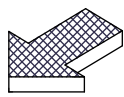
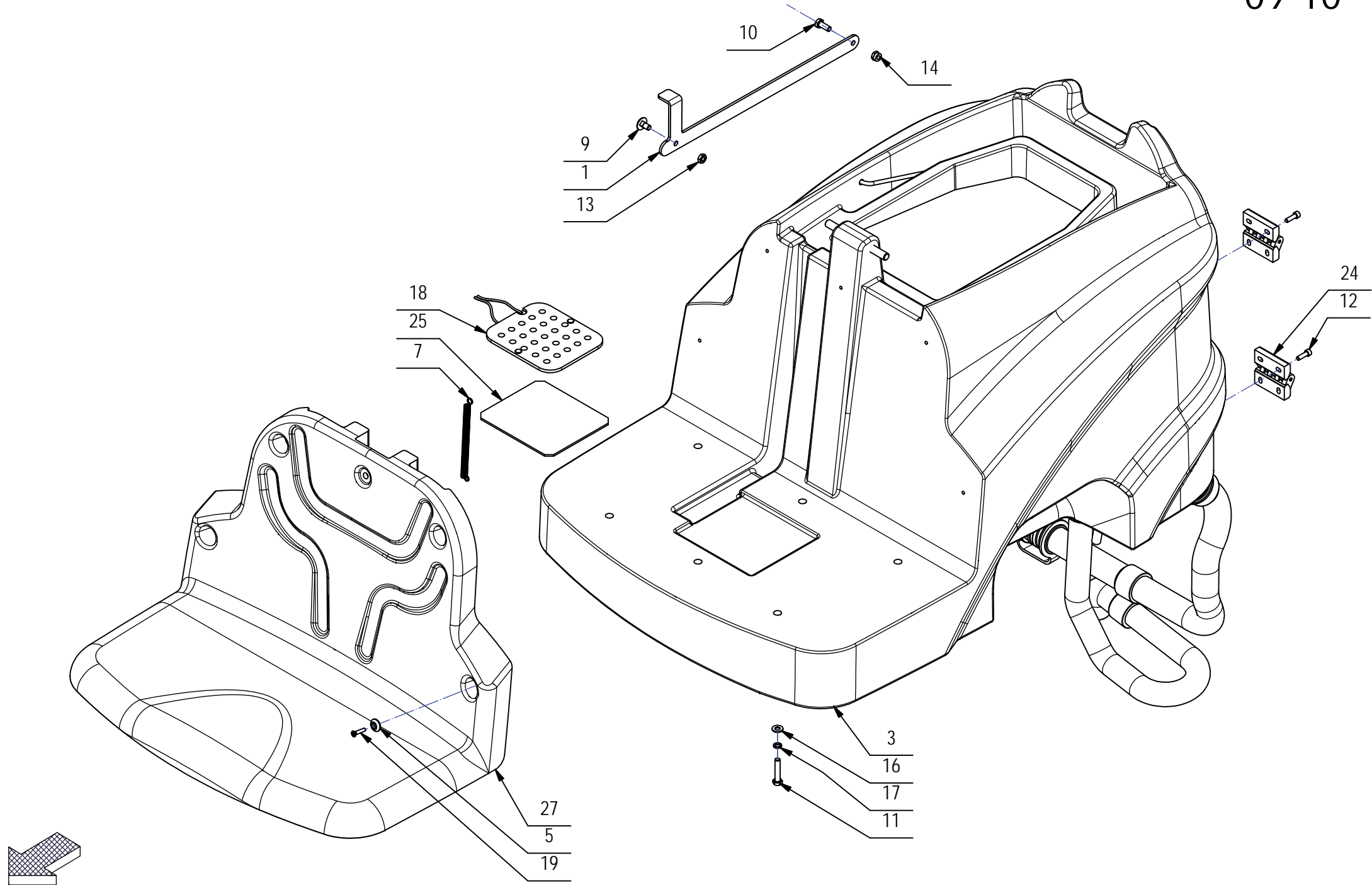
# 09-10



## CR-09/10 TANKS ASSEMBLY 700RSX

COMPONENT	CODE	QUANTIT	DENOMINATION
1	219491	1	PROP
2	224011	1	INSTRUMENT BOARD ASSEMBLY
3	224019	1	RECOVERY TANK ASSEMBLY
4	224020	1	SOLUTION TANK ASSEMBLY
5	400250	13	SPECIAL WASHER
6	407663	2	SCREW
7	408123	1	SPRING
8	408516	4	SCREW
9	408625	1	SCREW
10	408670	1	SCREW
11	408679	4	SCREW
12	408796	8	SCREW
13	409054	1	NUT
14	409085	1	LOCK NUT
15	409160	2	WASHER
16	409175	4	WASHER
17	409181	4	LOCK WASHER
18	409503	1	MICROSWITCH
19	415802	8	SCREW
20	431280	1	BOTTOM PLATE
21	431281	1	BOTTOM PLATE
22	431282	1	BOTTOM PLATE
23	431283	1	BOTTOM PLATE
24	434159	2	HINGE
25	434201	1	RUBBER
26	435407	4	SCREW
27	439507	1	SEAT

CR-09/10 TANKS ASSEMBLY 700RSX



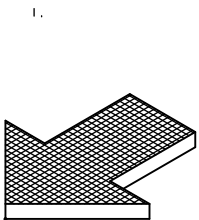
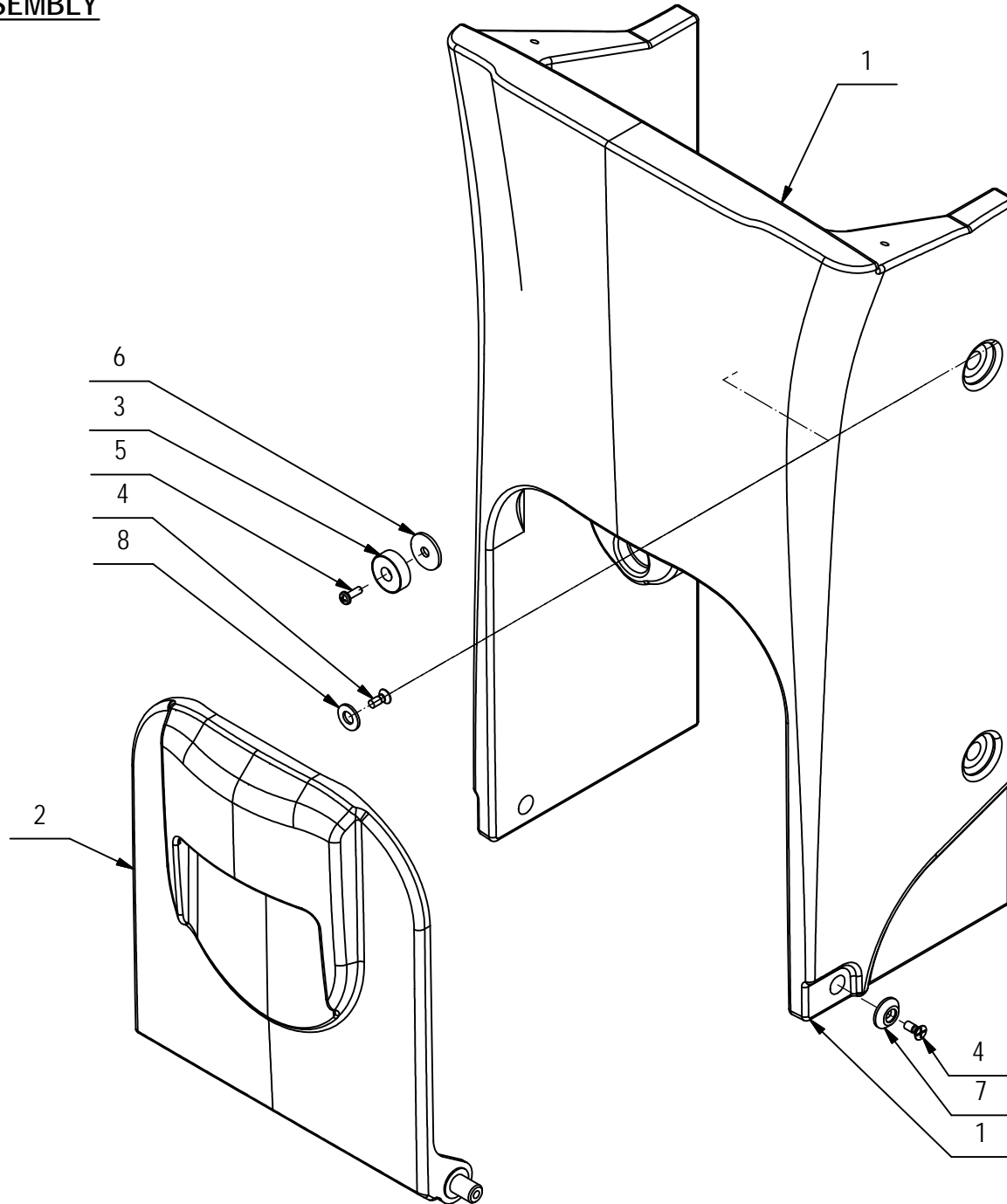


## CR-09/10 TANKS ASSEMBLY 700RSX

COMPONENT	CODE	QUANTIT	DENOMINATION
1	219491	1	PROP
2	224011	1	INSTRUMENT BOARD ASSEMBLY
3	224019	1	RECOVERY TANK ASSEMBLY
4	224020	1	SOLUTION TANK ASSEMBLY
5	400250	13	SPECIAL WASHER
6	407663	2	SCREW
7	408123	1	SPRING
8	408516	4	SCREW
9	408625	1	SCREW
10	408670	1	SCREW
11	408679	4	SCREW
12	408796	8	SCREW
13	409054	1	NUT
14	409085	1	LOCK NUT
15	409160	2	WASHER
16	409175	4	WASHER
17	409181	4	LOCK WASHER
18	409503	1	MICROSWITCH
19	415802	8	SCREW
20	431280	1	BOTTOM PLATE
21	431281	1	BOTTOM PLATE
22	431282	1	BOTTOM PLATE
23	431283	1	BOTTOM PLATE
24	434159	2	HINGE
25	434201	1	RUBBER
26	435407	4	SCREW
27	439507	1	SEAT

CR-09/10A FRONT ASSEMBLY

09-10A

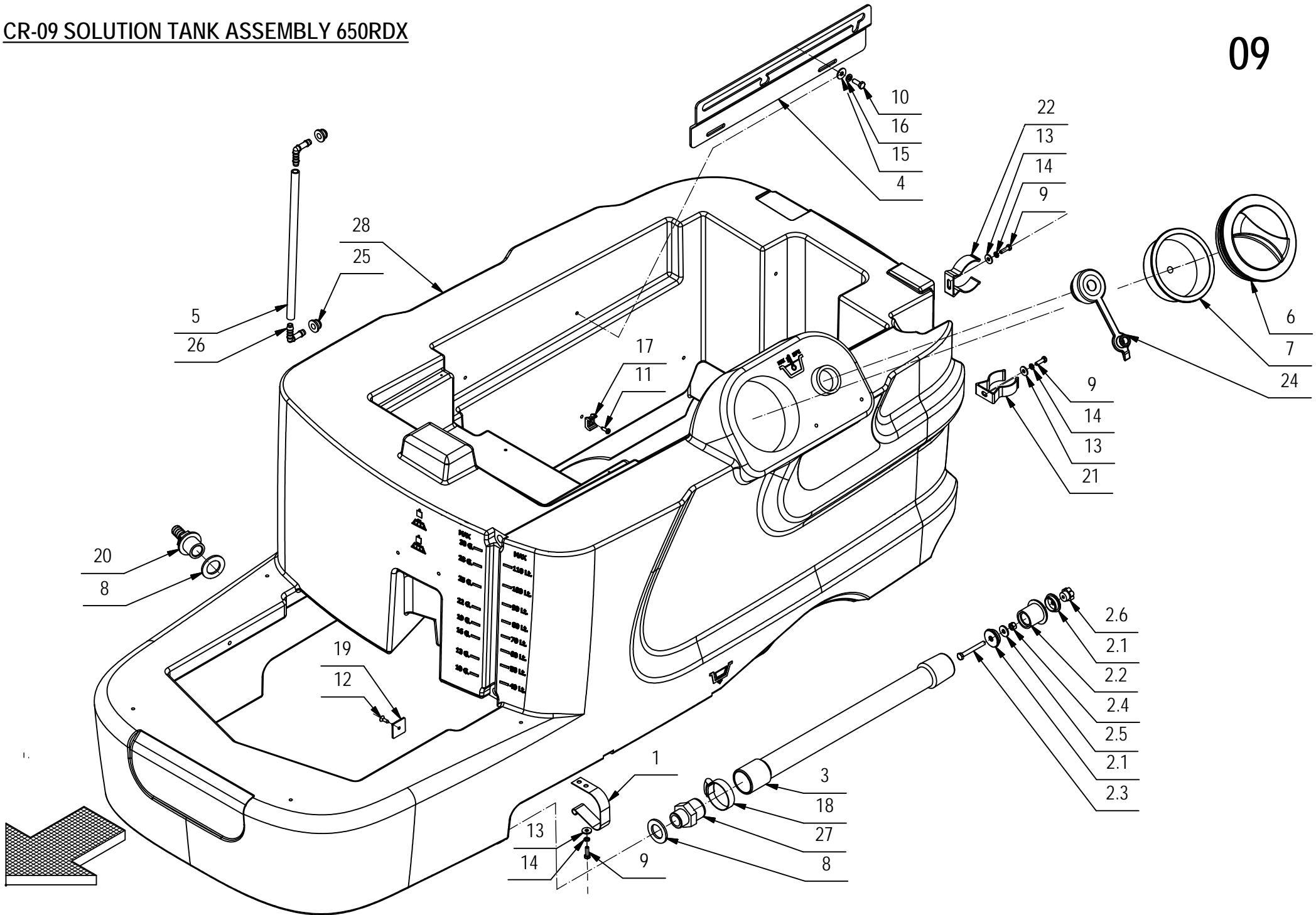


**CR-09/10A FRONT ASSEMBLY****09-10A**

COMPONENT	CODE	QUANTITY	DENOMINATION
1	439506	1	INSTRUMENT BOARD
2	434157	1	DOOR
3	427113	1	MAGNET
4	415750	3	SCREW
5	415778	1	SCREW
6	409162	1	WASHER
7	400250	2	SPECIAL WASHER
8	409175	1	WASHER

**CR-09 SOLUTION TANK ASSEMBLY 650RDX**

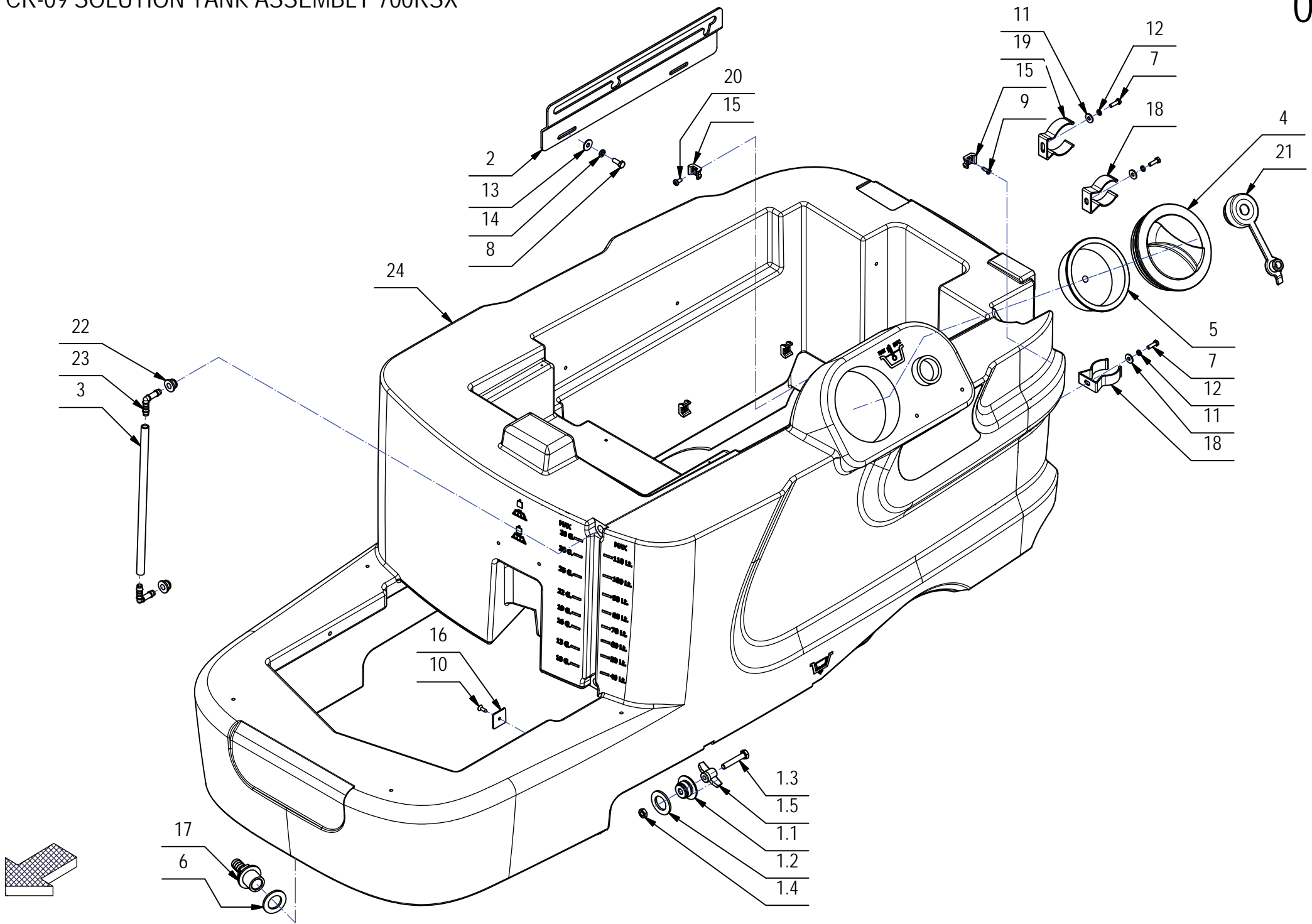
**09**



CR-09 SOLUTION TANK ASSEMBLY 650RDX

COMPONENT	CODE	QUANTITY	DENOMINATION
1	203595	2	COUPLER
2	204356	1	PLUG EXHAUST PIPE
2.1	400157	2	FLANGE FILTERHOLDER
2.2	400158	1	BODY
2.3	408657	1	SCREW
2.4	409041	1	NUT
2.5	409161	1	WASHER
2.6	410223	1	KNOB
3	213150	1	EXHAUST PIPE
4	219347	1	SUPPORT
5	221186	1	PIPE
6	400728	1	THREADED COVER
7	405416	1	FILTER
8	405919	2	GASKET
9	407645	5	SCREW
10	407663	2	SCREW
11	408880	5	SCREW
12	408954	1	LOCK SCREW
13	409151	5	WASHER
14	409154	5	WASHER
15	409160	2	WASHER
16	409164	2	LOCK WASHER
17	409819	6	SUPPORT PLATE
18	410290	1	CLAMP
19	410327	1	SUPPORT PLATE
20	410374	1	CONNECTOR
21	412123	2	SPRING
22	414747	1	SPRING
23	418311	1	SCREW
24	426342	1	CAP
25	428561	2	GASKET
26	428562	2	ELBOW
27	431535	1	FITTING
28	439504	1	SOLUTION TANK

# CR-09 SOLUTION TANK ASSEMBLY 700RSX

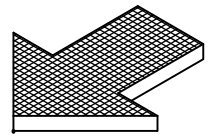
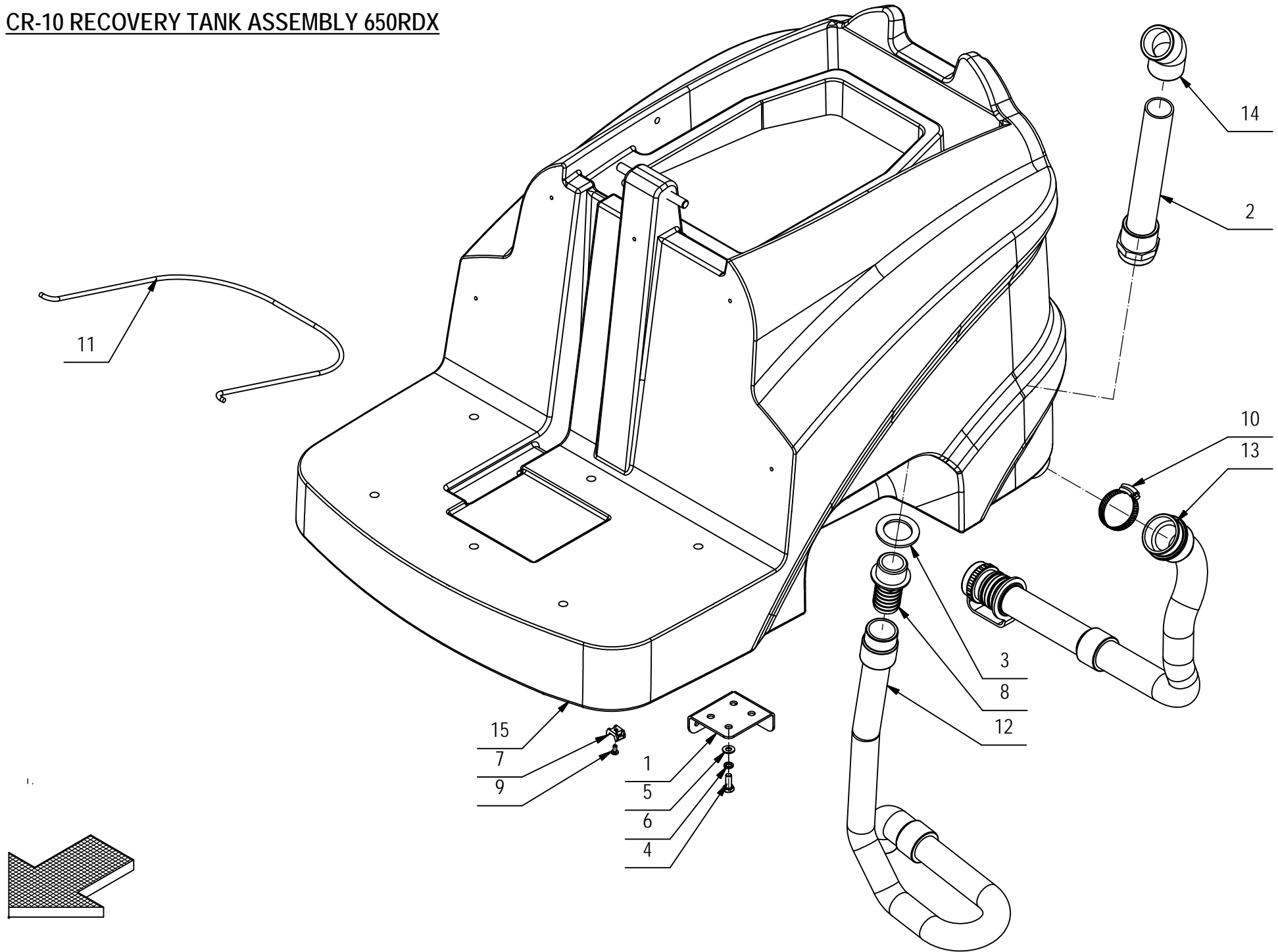


## CR-09 SOLUTION TANK ASSEMBLY 700RSX

COMPONENT	CODE	QUANTIT	DENOMINATION
1	206822	1	PLUG
1.1	400855	1	
1.2	405919	1	GASKET
1.3	408695	1	SCREW
1.4	409048	1	NUT
1.5	410237	1	WING NUT
2	219347	1	SUPPORT
3	221186	1	PIPE
4	400728	1	THREADED COVER
5	405416	1	FILTER
6	405919	1	GASKET
7	407645	3	SCREW
8	407663	2	SCREW
9	408880	5	SCREW
10	408954	1	LOCK SCREW
11	409151	3	WASHER
12	409154	3	WASHER
13	409160	2	WASHER
14	409164	2	LOCK WASHER
15	409819	6	SUPPORT PLATE
16	410327	1	SUPPORT PLATE
17	410374	1	CONNECTOR
18	412123	2	SPRING
19	414747	1	SPRING
20	418311	1	SCREW
21	426342	1	CAP
22	428561	2	GASKET
23	428562	2	ELBOW
24	439504	1	SOLUTION TANK

**CR-10 RECOVERY TANK ASSEMBLY 650RDX**

**10**

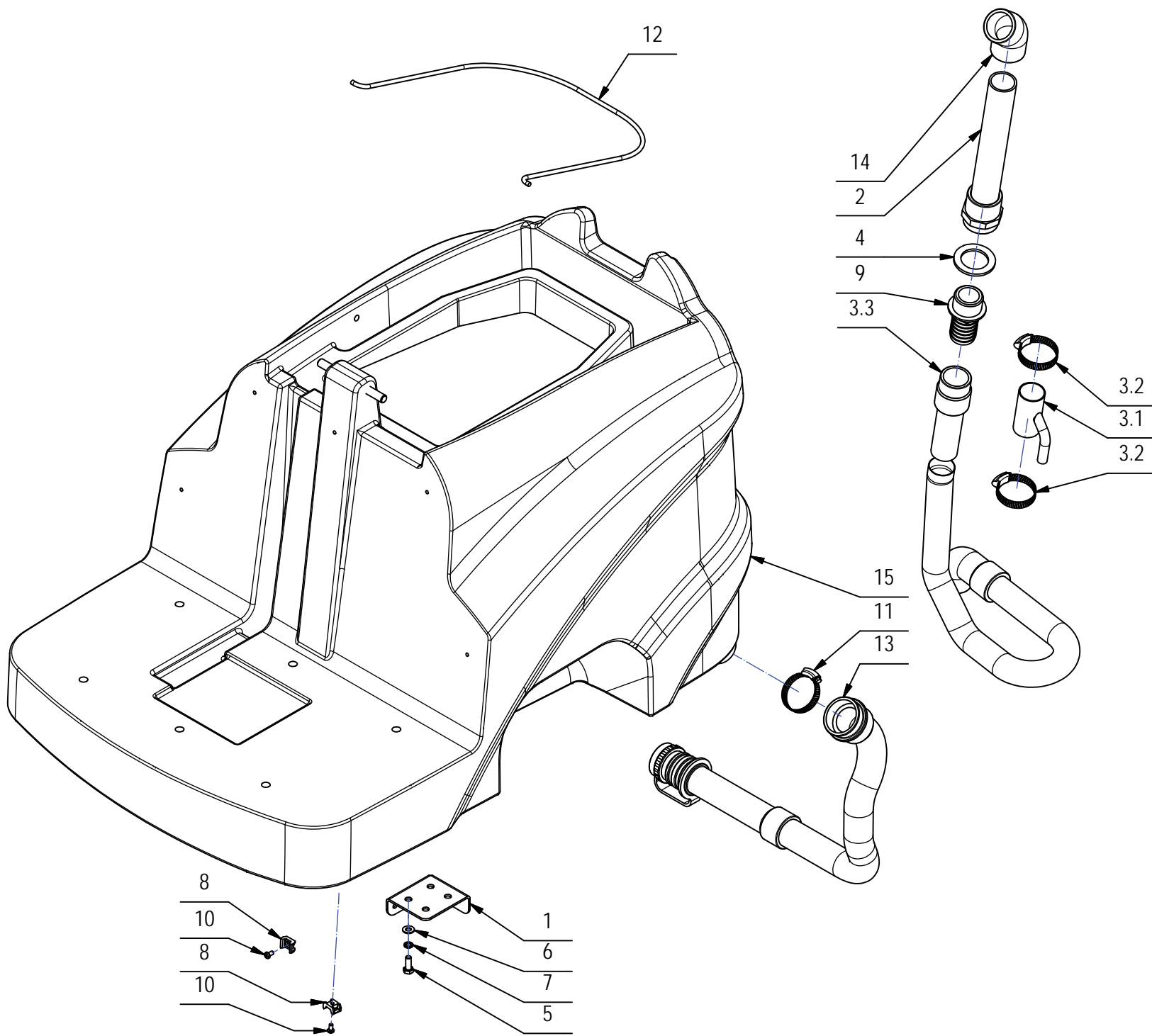




**CR-10 RECOVERY TANK ASSEMBLY 650RDX**

COMPONENT	CODE	QUANTITY	DENOMINATION
1	221181	1	SUPPORT
2	221184	1	PIPE
3	405960	1	GASKET
4	408670	4	SCREW
5	409175	4	WASHER
6	409181	4	LOCK WASHER
7	409819	5	SUPPORT PLATE
8	410397	1	FITTING
9	418311	5	SCREW
10	420512	1	SCREW CLAMP
11	430908	1	PROP FOR COVER
12	432091	1	SUCTION HOSE
13	434151	1	PIPE
14	434659	1	FITTING
15	439505	1	RECOVERY TANK

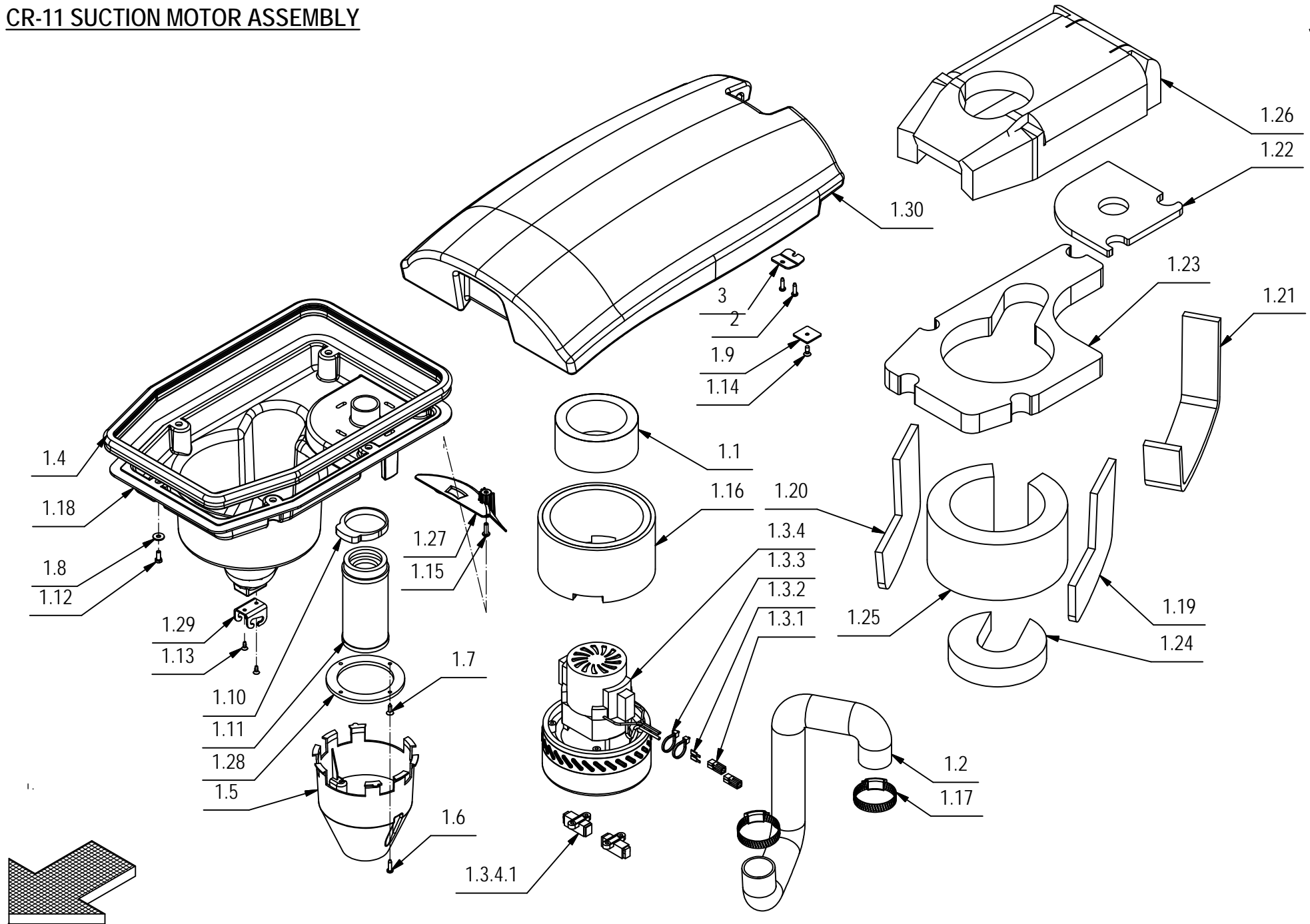
# CR-10 RECOVERY TANK ASSEMBLY 700RSX



## CR-10 RECOVERY TANK ASSEMBLY 700RSX

COMPONENT	CODE	QUANTIT	DENOMINATION
1	221181	1	SUPPORT
2	221184	1	PIPE
3	223690	1	SUCTION HOSE
3.1	216040	1	FLANGE
3.2	420512	2	SCREW CLAMP
3.3	432091	1	SUCTION HOSE
4	405960	1	GASKET
5	408670	4	SCREW
6	409175	4	WASHER
7	409181	4	LOCK WASHER
8	409819	5	SUPPORT PLATE
9	410397	1	FITTING
10	418311	5	SCREW
11	420512	1	SCREW CLAMP
12	430908	1	PROP FOR COVER
13	434151	1	PIPE
14	434659	1	FITTING
15	439505	1	RECOVERY TANK

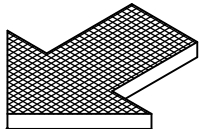
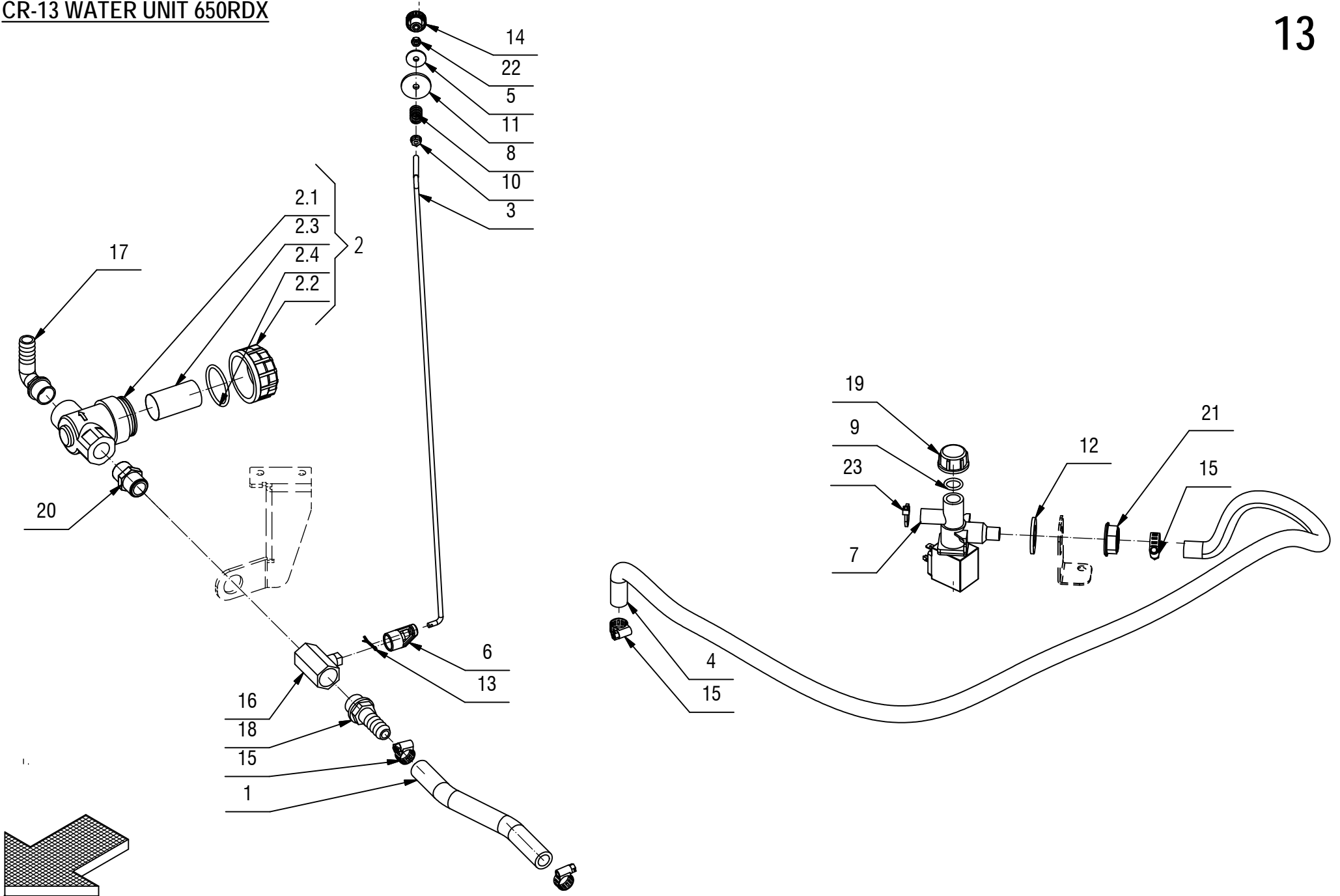
# CR-11 SUCTION MOTOR ASSEMBLY



**CR-11 SUCTION MOTOR ASSEMBLY**

COMPONENT	CODE	QUANTITY	DENOMINATION
1	224016	1	ASSEMBLY SUCTION SYSTEM
1.1	216250	1	DEADENING HOSE
1.2	218330	1	SUCTION HOSE
1.3	219723	1	SUCTION MOTOR
1.3.1	409660	2	CONNECTOR
1.3.2	409661	2	CONTACT
1.3.3	410274	2	CLAMP
1.3.4	430959	1	SUCTION MOTOR
1.3.4.1	424210	2	CARBON BRUSH MOTOR
1.4	221276	1	PROFILE
1.5	400727	1	FLOAT PROTECTION
1.6	408881	2	SCREW
1.7	408954	2	LOCK SCREW
1.8	409152	5	WASHER
1.9	410327	1	SUPPORT PLATE
1.10	411988	1	CLAMP
1.11	412363	1	FILTER ASSEMBLY
1.12	415717	5	SCREW
1.13	415747	2	SCREW
1.14	415750	1	SCREW
1.15	415849	1	SCREW
1.16	420025	1	ANTINOISE
1.17	420512	2	SCREW CLAMP
1.18	426312	1	COVER
1.19	426334	1	DEADENING
1.20	426335	1	DEADENING
1.21	426336	1	DEADENING
1.22	426337	1	DEADENING
1.23	426338	1	DEADENING
1.24	426339	1	DEADENING
1.25	426340	1	DEADENING
1.26	426341	1	DEADENING
1.27	426872	1	SUPPORT
1.28	426884	1	COMPENSATOR RING
1.29	429952	1	HOOK
1.30	439509	1	COVER
2	408881	4	SCREW
3	426314	2	PLAQUE

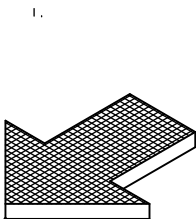
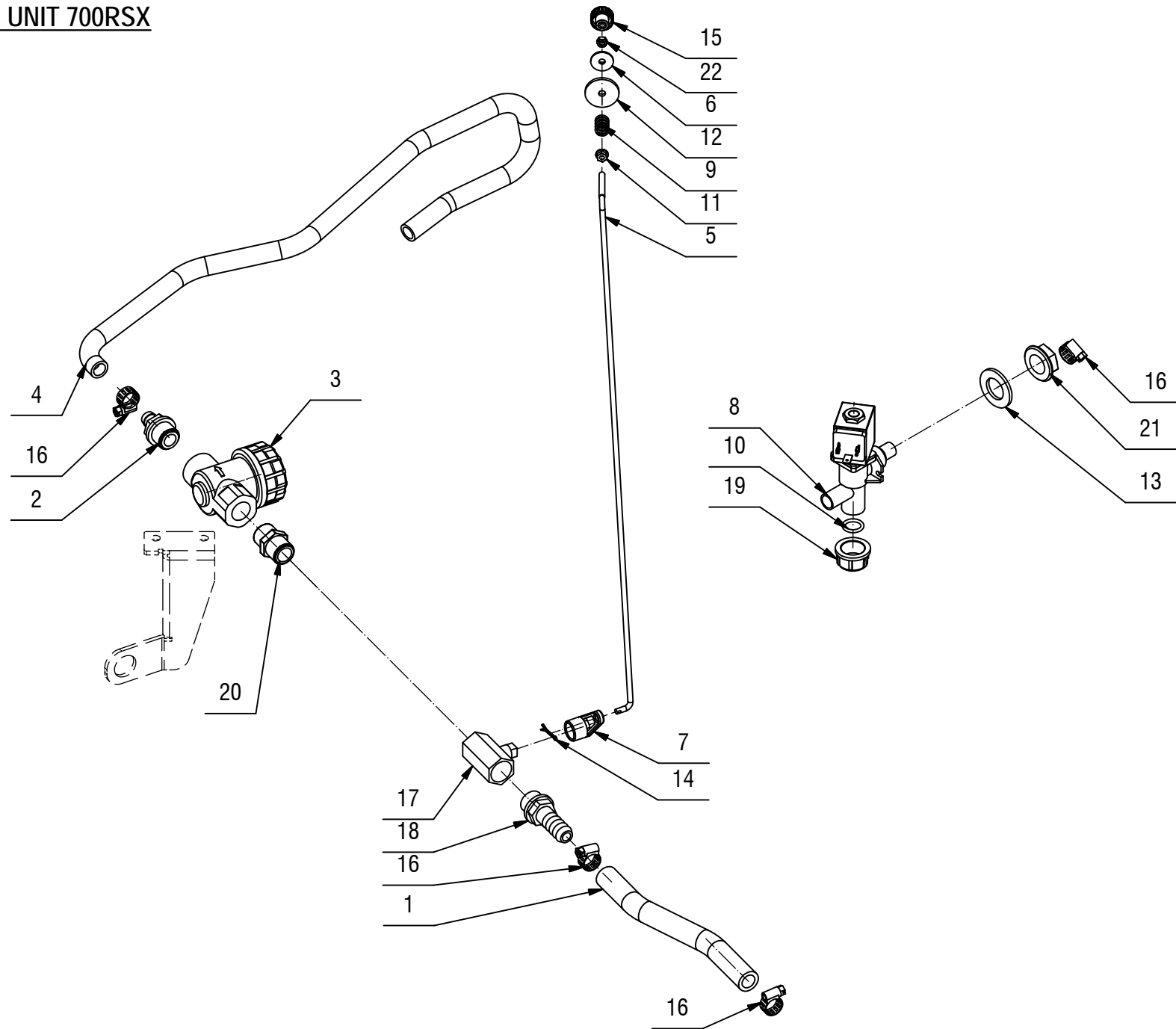
**CR-13 WATER UNIT 650RDX**



**CR-13 WATER UNIT 650RDX**

COMPONENT	CODE	QUANTITY	DENOMINATION
1	209533	1	PIPE
2	212616	1	FILTER ASSEMBLY
2.1	420947	1	FILTER
2.2	420948	1	COVER
2.3	420949	1	FILTER CARTRIDGE
2.4	420950	1	GASKET
3	219363	1	ROD
4	209623	1	PIPE
5	400250	1	SPECIAL WASHER
6	400854	1	COCK LEVER
7	407887	1	SOLENOID VALVE
8	408094	1	SPRING
9	408595	1	GASKET
10	409124	1	NUT
11	409166	1	WASHER
12	409230	1	WASHER
13	409383	1	SPLIT PIN
14	410221	1	HANDWHEEL
15	410292	4	CLAMP
16	410330	1	COCK
17	410339	1	CONNECTOR
18	410371	1	CONNECTOR 1/2X16
19	410409	1	PLUG
20	410420	1	NIPPLE
21	410442	1	RING NUT
22	417267	1	NUT
23	410274	1	CLAMP

**CR-13 WATER UNIT 700RSX**

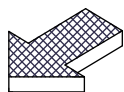
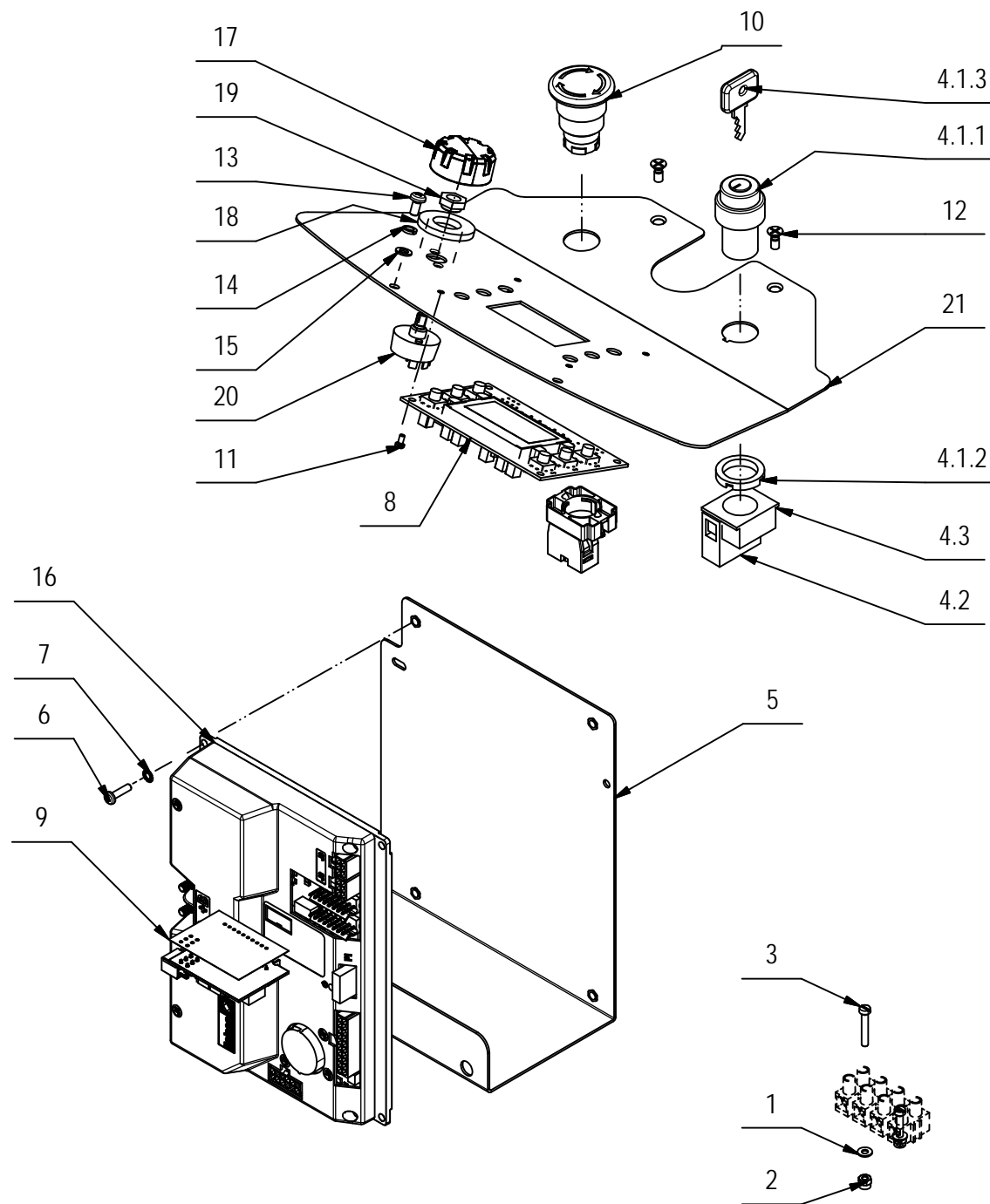




**CR-13 WATER UNIT 700RSX**

COMPONENT	CODE	QUANTITY	DENOMINATION
1	209533	1	PIPE
2	210541	1	CONNECTOR
3	212616	1	FILTER ASSEMBLY
4	218100	1	PIPE
5	219363	1	ROD
6	400250	1	SPECIAL WASHER
7	400854	1	COCK LEVER
8	407887	1	SOLENOID VALVE
9	408094	1	SPRING
10	408595	1	GASKET
11	409124	1	NUT
12	409166	1	WASHER
13	409230	1	WASHER
14	409383	1	SPLIT PIN
15	410221	1	HANDWHEEL
16	410292	4	CLAMP
17	410330	1	COCK
18	410371	1	CONNECTOR 1/2X16
19	410409	1	PLUG
20	410420	1	NIPPLE
21	410442	1	RING NUT
22	417267	1	NUT

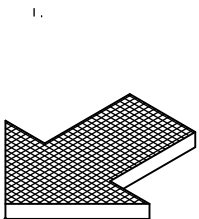
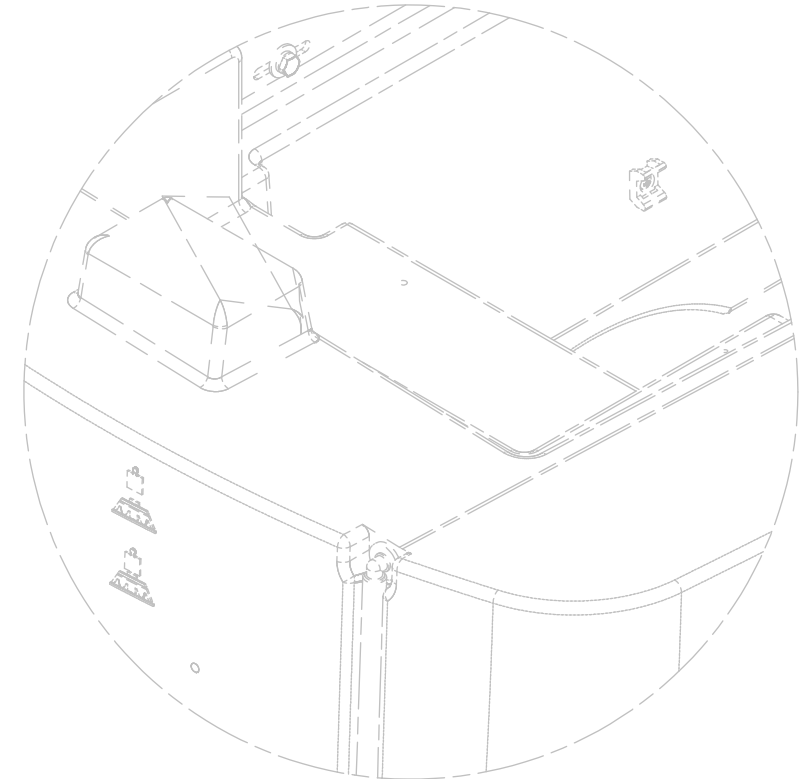
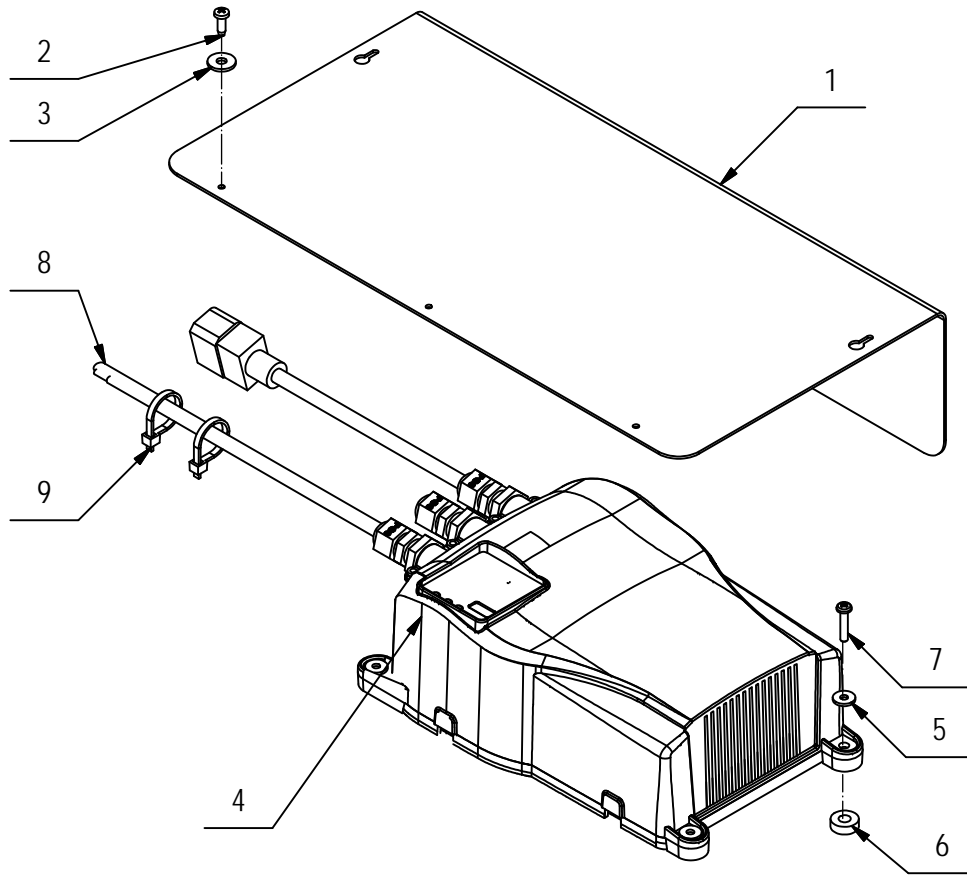
# CR-14 ELECTRIC COMPONENTS ASSEMBLY



## CR-14 ELECTRIC COMPONENTS ASSEMBLY

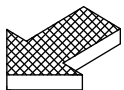
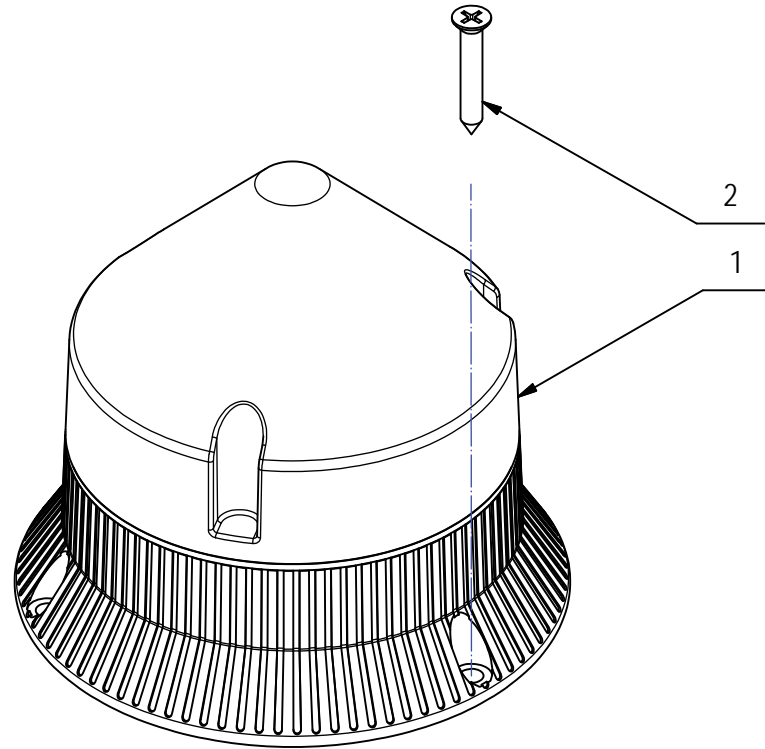
COMPONENT	CODE	QUANTIT	DENOMINATION
1	409142	2	WASHER
2	409078	2	LOCK NUT
3	408773	2	SCREW
4	210516	1	KEY
4.1	409261	1	SWITCH WITH KEY
4.1.1	409261	1	SWITCH BODY
4.1.2	409261	1	SWITCH RING
4.1.3	409297	1	KEY
4.2	409246	1	CONTACT FOR SWITCH
4.3	409262	1	FLANGE
5	437074	1	SUPPORT
6	408846	4	SCREW
7	417982	4	WASHER
8	438386	1	CARD
9	437945	2	ACTUATORS PCB
10	435489	1	PUSH BUTTON
11	430833	4	SCREW
12	415750	2	SCREW
13	418311	2	SCREW
14	409154	2	WASHER
15	409150	2	WASHER
16	438385	1	CONTROL CARD
17	438998	1	TWIST GRIP
18	438700	1	GASKET
19	438581	1	BUSHING
20	430901	1	COMMUTATOR
21	438387	1	INSTRUMENT BOARD

CR-16 GROUP OPTIONAL CHARGER



**CR-16 GROUP OPTIONAL CHARGER**

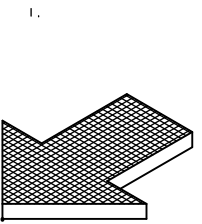
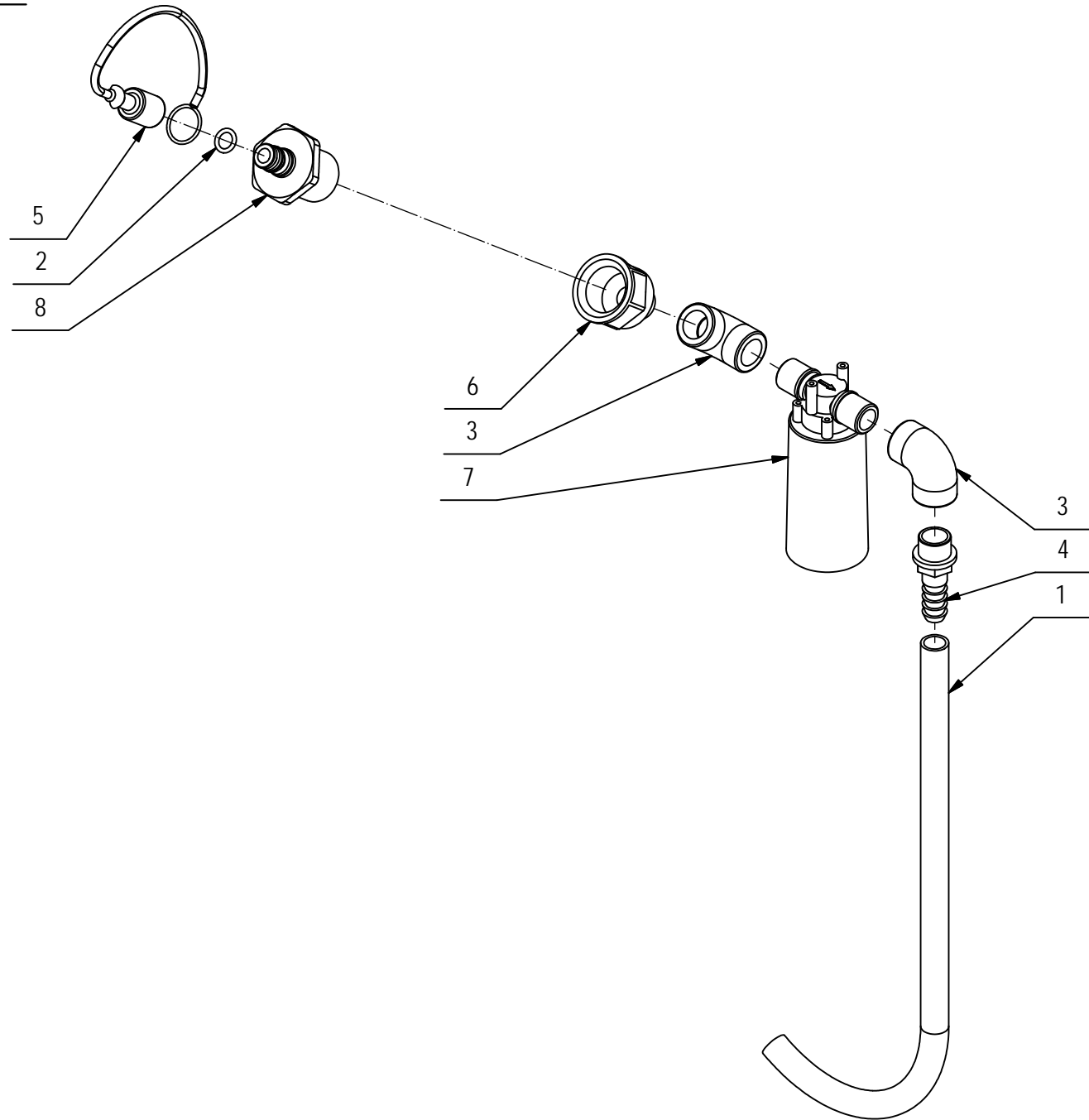
COMPONENT	CODE	QUANTITY	DENOMINATION
1	434211	1	SPLASH GUARD
2	408880	5	SCREW
3	409151	3	WASHER
4	434207	1	BATTERY CHARGER
5	409144	4	WASHER
6	411760	4	SPACER
7	415782	4	SCREW
8	223917	1	TERMIC SHEATH
9	410275	2	CLAMP



## CR-17 OPTIONAL GROUP FLASHING

COMPONE	CODE	QUANTI	DENOMINATION
1	416068	1	WINKING LIGHT
2	408867	3	SCREW

CR-18 OPTIONAL QUICK FILL KIT





**CR-18 OPTIONAL QUICK FILL KIT****18**

COMPONENT	CODE	QUANTITY	DENOMINATION
1	202158	1	PIPE
2	408592	1	O-RING
3	410340	2	ELBOW
4	410371	1	CONNECTOR
5	429698	1	CAP
6	431793	1	REDUCTION
7	431794	1	FLOAT
8	431795	1	MALE COUPLING



NOTE

A series of horizontal dashed lines for writing notes, spanning the width of the page.



NOTE

A series of horizontal dashed lines for writing notes, spanning the width of the page.

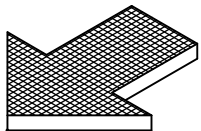
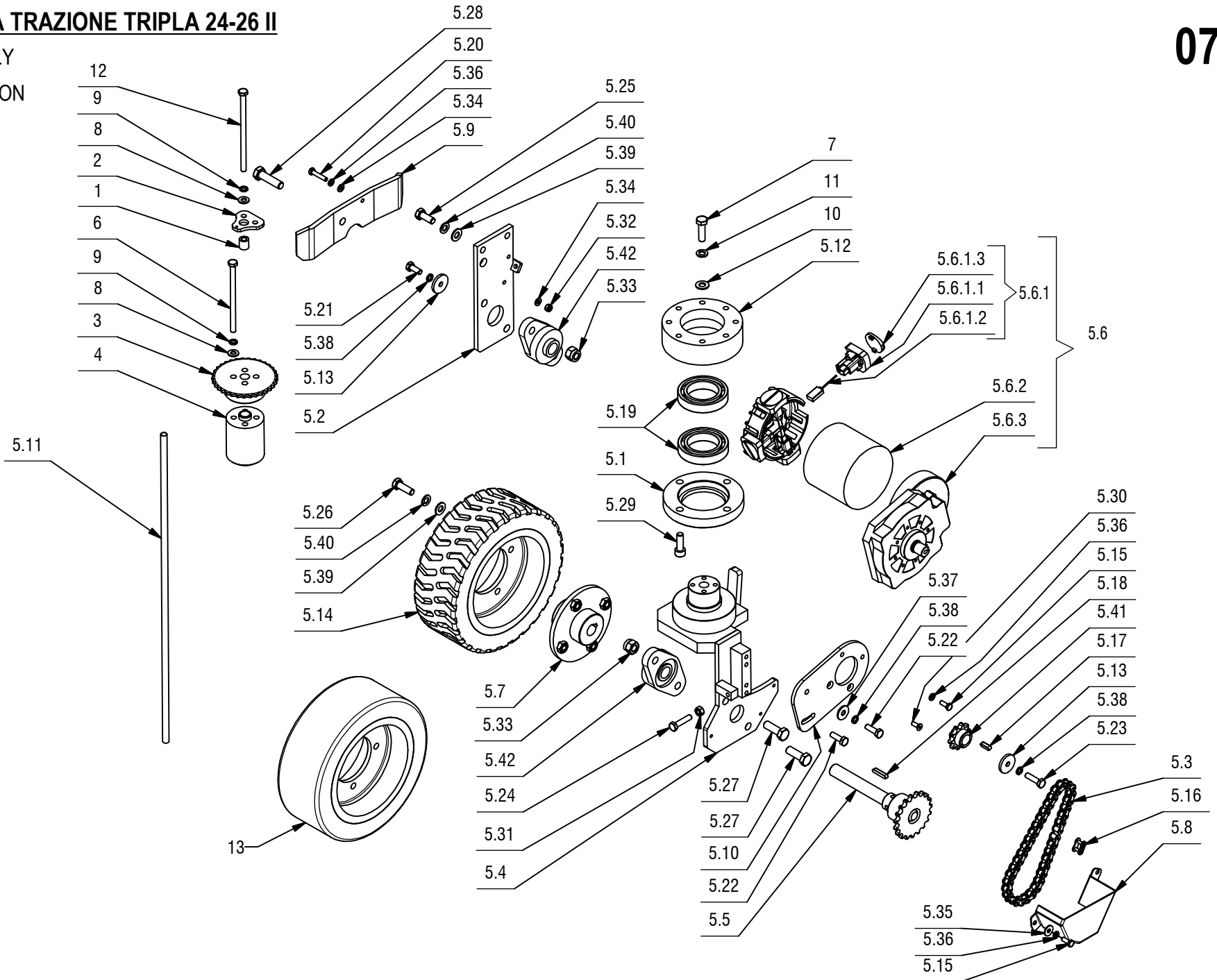


NOTE

A series of horizontal dashed lines for writing notes, spanning the width of the page.

**CR-07 GR. RUOTA TRAZIONE TRIPLA 24-26 II**

TRACTION ASSEMBLY  
 GROUPE DE TRACTION  
 ANTRIEBSGRUPE  
 GRUPO TRACCION

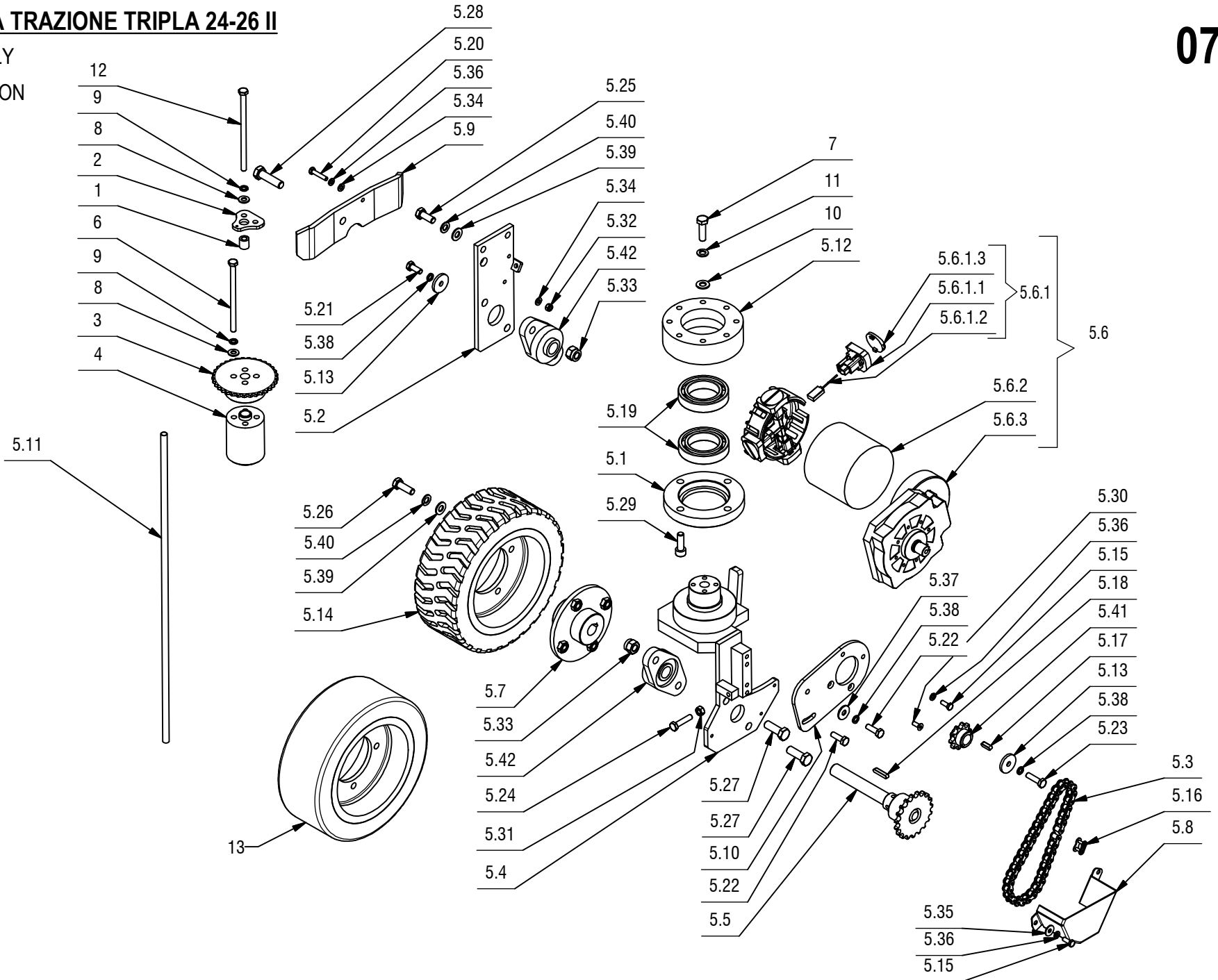


**CR-07 GR. RUOTA TRAZIONE TRIPLA 24-26 II**

POS.	CODICE	QTÀ	DESCRIZIONE	DENOMINATION	DESCRIPTION	BENENNUNG	DESCRIPCION
1	212551	2	DISTANZIALE CAMMA RIDUZIONE VELOCITA	SPACER	ENTRETOISE	DISTANZHUELSE	DISTANCIADOR
2	212553	1	CAMMA REGOLAZIONE VELOCITA	CAM	CAME	NOCKEN	LEVA
3	215480	1	PIGNONE 3/8" x 7/32" Z=33	PINION	PIGNON	RITZEL	PIÑON
4	215482	1	DISTANZIALE MOZZO RUOTA TRAZIONE	SPACER	ENTRETOISE	DISTANZHÜLSE	DISTANCIADOR
5	215569	1	PREM. RUOTA TRAZIONE TRIPLA 24-26 II	DRIVING GEAR ASSEMBLY	GROUPE ROUE MOTRICE	TREIBENDES RADGRUPPE	GRUPO RUEDA MOTRIZ
5.1	203981	1	SUPPORTO CUSCINETTO	SUPPORT	SUPPORT	HALTERUNG	SOPORTE
5.2	204296	1	PIASTRA SUPPORTO RUOTA	PLAQUE	PLAQUE	BEFESTIGUNGSAUFLAGE	PLACA
5.3	212377	1	CATENA 1/2" x 5/16" N°19 PASSI	CHAIN	CHAINE	KETTE	CADENA
5.4	212380	1	SUPPORTO RUOTA TRAZIONE	SUPPORT	SUPPORT	HALTERUNG	SOPORTE
5.5	212381	1	PERNO RUOTA TRAZIONE Z=19 DIN8187	PIN	AXE	BOLZEN	PERNO
5.6	212394	1	MOTORIDUTTORE MRP6 40	GEARED MOTOR	MOTO-REDUCTEUR	GETRIEBEMOTOR	MOTORREDUCTOR
5.6.1	422911	1	CALOTTA SPAZZOLE	CARBON BRUSH HOLDER ASSY	PORTE-CHARBON COMPLET	KOHLEHALTERUNG KOMPLETT	PORTAESCOBILLAS COMPLETO
5.6.1.1	422912	4	TUBOLARE PORTA SPAZZOLA MOTORE	CARBON BRUSH HOLDER	PORTE-CHARBON	KOHLEBÜRSTENHALTERUNG	PORTAESCOBILLAS
5.6.1.2	422913	4	SPAZZOLA MOTORE	CARBON BRUSH MOTOR	CHARBON MOTEUR	KOHLEBÜRSTE	ESCOBILLA MOTOR
5.6.1.3	422914	4	TAPPO SPAZZOLA MOTORE	CAP	CAPUCHON	KAPPE	TAPON
5.6.2	422915	1	MOTORE PER MOTORIDUTTORE	MOTOR	MOTEUR	MOTOR	MOTOR
5.6.3	422916	1	RIDUTTORE	REDUCTION GEAR ASSEMBLY	REDUCTEUR COMPLET	GETRIEBE KOMPLETT	REDUCTOR COMPLETO
5.7	212395	1	MOZZO RUOTA TRAZIONE.	WHEEL HUB	MOYEU ROUE	RADNABE	CUBO DE RUEDA
5.8	212690	1	CARTER CATENA MOTRICE	COVER	CARTER	ABDECKUNG	CARTER
5.9	212692	1	LEVA COMANDO PERNO TERGIPAVIMENTO	LEVER	LEVIER	HEBEL	PALANCA
5.10	212972	1	PIASTRA MOTORE	PLAQUE	PLAQUE	BEFESTIGUNGSAUFLAGE	PLACA
5.11	213872	1	GUAINA NERA D=10 L=600	SHEATH	GAINE	SCHUTZMANTEL	VAINA
5.12	215483	1	MOZZO PIANTONE TRIPLA 24-26 II	HUB	MOYEU	NABE	CUBO
5.13	400167	2	RONDELLA 8,2x32x4	WASHER	RONDELLE	UNTERLAGSCHEIBE	ARANDELA
5.14	405723	1	RUOTA D=250 L=90 ANTITRACCIA GRIGIA	WHEEL	ROUE	RAD	RUEDA
5.15	407663	5	VITE M6x16 TE UNI 5739 ZINC	SCREW	VIS	SCHRAUBE	TORNILLO
5.16	408380	1	GIUNTO CATENA DA 1/2	JOINT CHAIN	ATTACHE RAPIDE CHAINE	KETTENSCHLOSS	ACOPLAMIENTO CADENA
5.17	408410	1	CHIAVETTA 6x6x20 UNI 6604/A	KEY	CLAVETTE	KEIL	CLAVIJA
5.18	408412	1	LINGUETTA 6X6X30 UNI 6604/A	KEY	CLAVETTE	KEIL	CLAVIJA
5.19	408450	2	CUSCINETTO 6010 2RS 50x80x16	BEARING	ROULEMENT	LAGER	COJINETE
5.20	408659	1	VITE M6x30 TE UNI 5739 ZINC	SCREW	VIS	SCHRAUBE	TORNILLO
5.21	408670	1	VITE M8x20 TE UNI 5739 ZINC	SCREW	VIS	SCHRAUBE	TORNILLO
5.22	408674	2	VITE M8x25 TE UNI 5739 ZINC	SCREW	VIS	SCHRAUBE	TORNILLO
5.23	408676	1	VITE M8x30 TE UNI 5739 ZINC	SCREW	VIS	SCHRAUBE	TORNILLO
5.24	408678	1	VITE M8X35 TE UNI 5739 ZINC	SCREW	VIS	SCHRAUBE	TORNILLO
5.25	408711	2	VITE M10X25 TE UNI 5739 ZINC	SCREW	VIS	SCHRAUBE	TORNILLO

**CR-07 GR. RUOTA TRAZIONE TRIPLA 24-26 II**

TRACTION ASSEMBLY  
 GROUPE DE TRACTION  
 ANTRIEBSGRUPE  
 GRUPO TRACCION



**CR-07 GR. RUOTA TRAZIONE TRIPLA 24-26 II****07**

POS.	CODICE	QTÀ	DESCRIZIONE	DENOMINATION	DESCRIPTION	BENENNUNG	DESCRIPCION
5.26	408712	4	VITE M10X30 TE UNI 5739 ZINC	SCREW	VIS	SCHRAUBE	TORNILLO
5.27	408746	3	VITE M12X35 TE UNI 5739 ZINC	SCREW	VIS	SCHRAUBE	TORNILLO
5.28	408747	1	VITE M12X45 TE UNI5737 FP ZINC	SCREW	VIS	SCHRAUBE	TORNILLO
5.29	408824	4	VITE M10x30 TCEI UNI5931 ZINC	SCREW	VIS	SCHRAUBE	TORNILLO
5.30	408966	2	VITE M6x16 TPSEI UNI 5933 ZINC	SCREW	VIS	SCHRAUBE	TORNILLO
5.31	409046	1	DADO M8x6,5 UNI 5588 ZINC	NUT	ECROU	MUTTER	TUERCA
5.32	409082	1	DADO M6x6 AUTOBL UNI 7474 ZINC	LOCK NUT	ECROU AUTOFREINES	SICHERUNGSMUTTER	TUERCA AUTOBLOCANTE
5.33	409093	4	DADO M12x15 AUTOBL. UNI7473 ZINC	NUT	ECROU	MUTTER	TUERCA
5.34	409156	2	ROSETTA 6x12x1,6 UNI 6592 ZINC	WASHER	RONDELLE	UNTERLAGSCHEIBE	ARANDELA
5.35	409160	3	ROSETTA 6x18x1,5 UNI 6593 ZINC	WASHER	RONDELLE	UNTERLAGSCHEIBE	ARANDELA
5.36	409164	6	ROSETTA GROVER 6x2,5x1,8 ASA B27 ZINC	LOCK WASHER	RONDELLE FREIN	ZAHNSCHEIBE	ARANDELLA DENTADA
5.37	409179	1	ROSETTA 9x24x2,5 UNI 6593 ZINC	WASHER	RONDELLE	UNTERLAGSCHEIBE	ARANDELA
5.38	409181	3	ROSETTA GROWER 8x13x2,2 ZINC	LOCK WASHER	RONDELLE FREIN	ZAHNSCHEIBE	ARANDELLA DENTADA
5.39	409191	6	ROSETTA 10X21X2 UNI 6592 ZINC	WASHER	RONDELLE	UNTERLAGSCHEIBE	ARANDELA
5.40	409196	6	ROSETTA GROWER 10x18x2,2 ZINC	LOCK WASHER	RONDELLE FREIN	ZAHNSCHEIBE	ARANDELLA DENTADA
5.41	414749	1	PIGNONE 1/2" x 5/16 Z=10	PINION	PIGNON	RITZEL	PIÑON
5.42	415675	2	SUPPORTO CUSCINETTO UCFL 204 N	BEARING SUPPORT	SUPPORT ROULEMENT	LAGERHALTERUNG	SOPORTE COJINETE
6	408689	2	VITE M8x130 TE UNI5737 FP ZINC	SCREW	VIS	SCHRAUBE	TORNILLO
7	408714	4	VITE M10x35 TE UNI 5739 ZINC	SCREW	VIS	SCHRAUBE	TORNILLO
8	409175	4	ROSETTA 8x17x1.6 UNI 6592 ZINC.	WASHER	RONDELLE	UNTERLAGSCHEIBE	ARANDELA
9	409181	4	ROSETTA GROWER 8x13x2,2 ZINC	LOCK WASHER	RONDELLE FREIN	ZAHNSCHEIBE	ARANDELLA DENTADA
10	409191	4	ROSETTA 10X21X2 UNI 6592 ZINC	WASHER	RONDELLE	UNTERLAGSCHEIBE	ARANDELA
11	415925	4	ROSETTA M10 UNI1751 ZN GROWER	LOCK WASHER	RONDELLE FREIN	ZAHNSCHEIBE	ARANDELLA DENTADA
12	425208	2	VITE TE M8x150 UNI5737 Zn	SCREW	VIS	SCHRAUBE	TORNILLO
13	405458	1	RUOTA D=250 L=90 ANTISKID	ANTISKID WHEEL	ROUE ANTISKID	ANTISKIDRAD	RUEDA DE ANTISKID





## HEADQUARTERS

4713 Old Gettysburg Road  
Mechanicsburg, PA 17055 USA

## CONTACT US

☎ 800.6.Bortek

☎ 717.737.7591

✉ [Orders@BortekIndustries.com](mailto:Orders@BortekIndustries.com)

🌐 [BortekIndustries.com](http://BortekIndustries.com) **CUSTOMER LINK**

# SWEEPERLAND.COM

For best results  
always use specially  
formulated Sanifil  
cleaning detergents.

