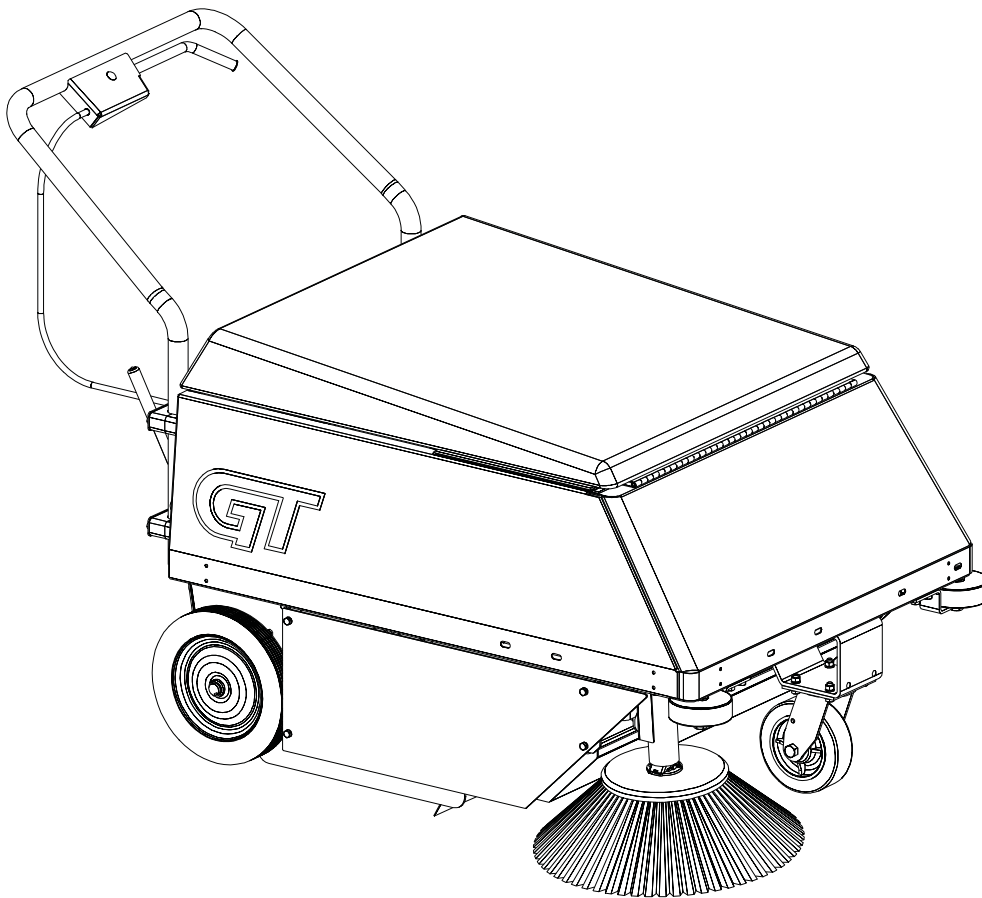




MODELS:

GT Sweeper

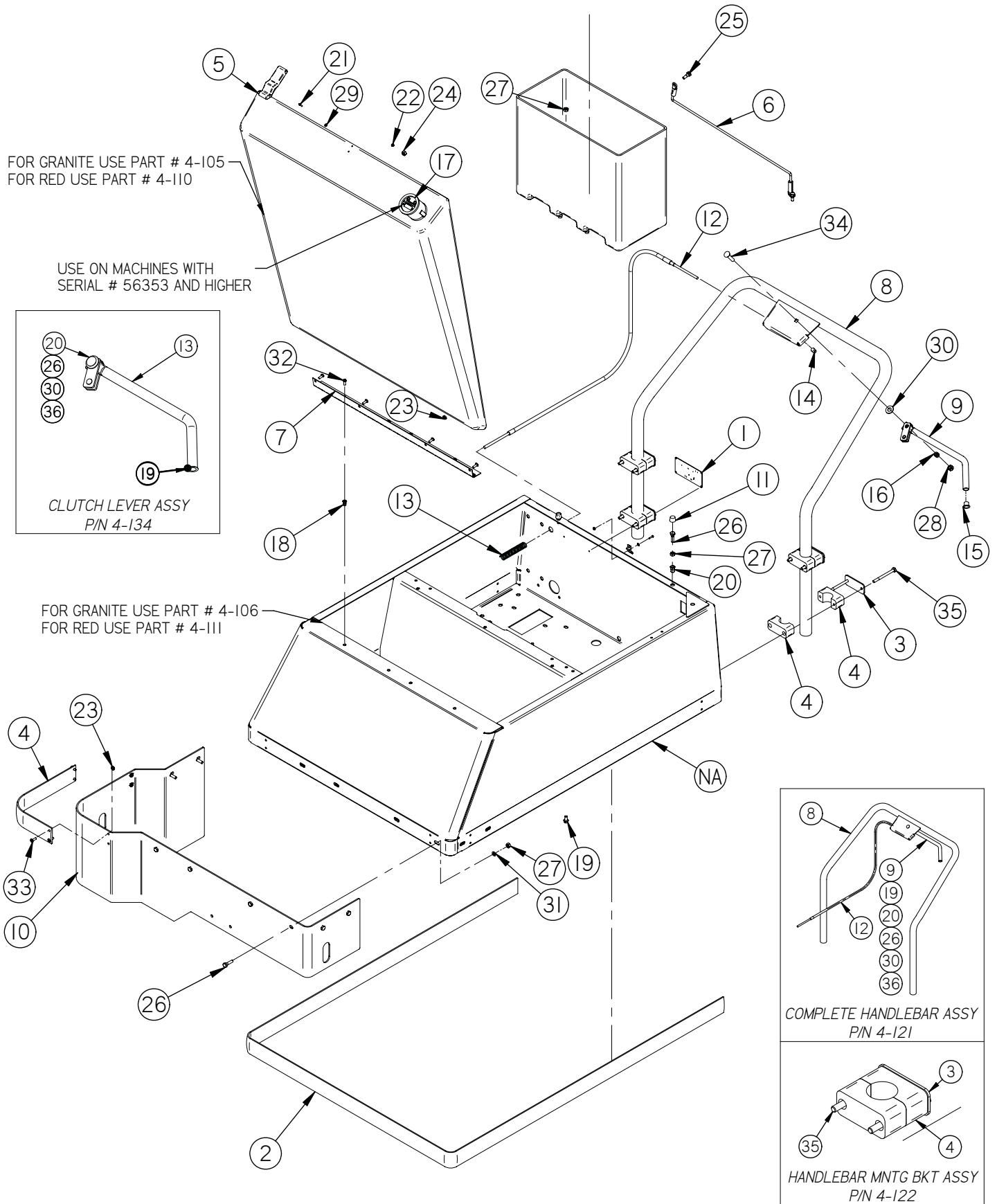


| |
|---|
|  |
| Read the Operators Manual before using the machine. |
|  |
| Read the Safety Messages before servicing machine. |

Upper Body Assembly4
 Air System6
 Lower Body Assembly8
 Side Broom Assembly10
 Main Broom Assembly < 57285.....12
 Main Broom Assembly > 57285.....14
 Drive System16
 Power Supply18
 Common Wear Parts20
 Suggested Parts Inventory21

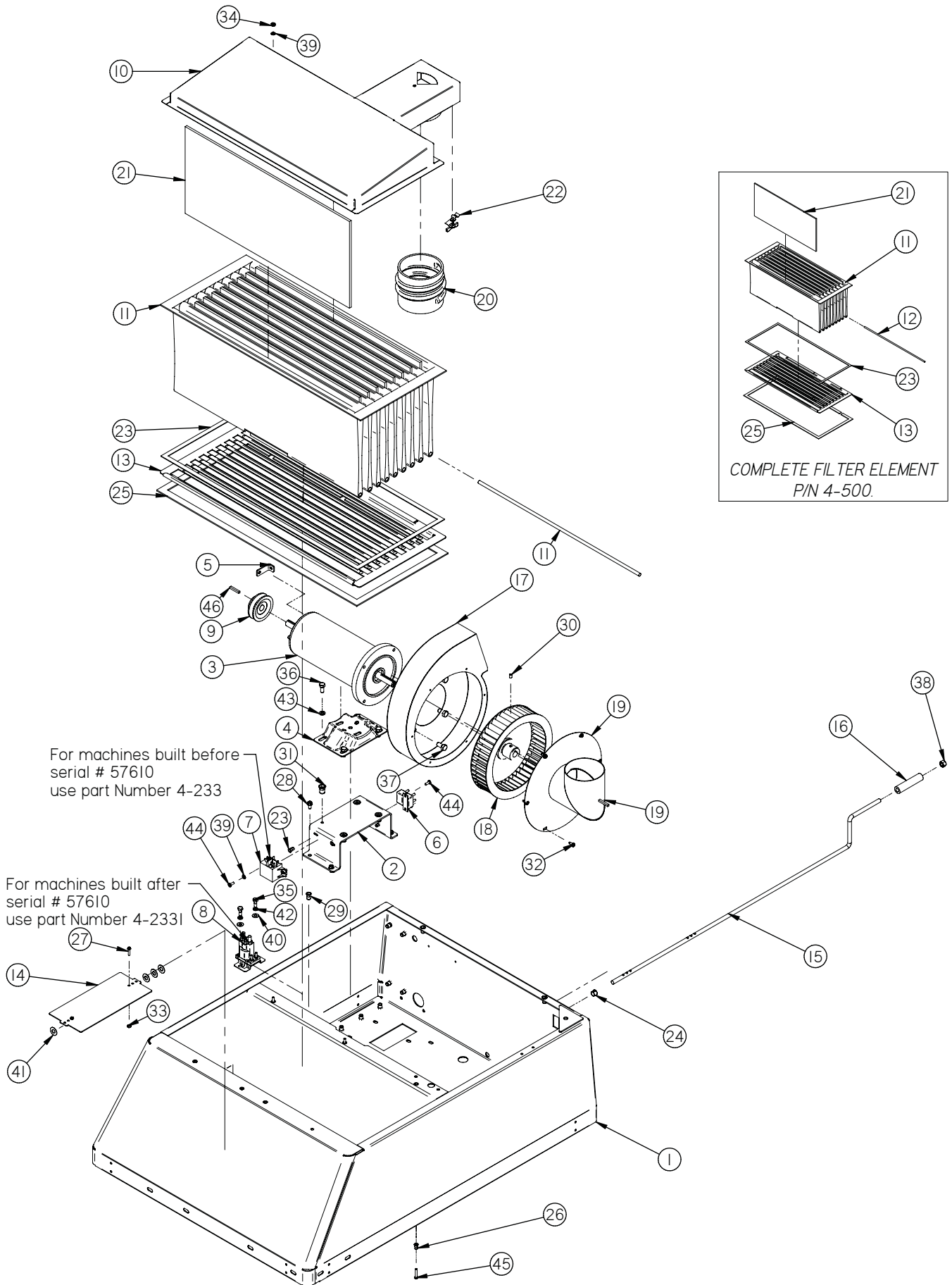
4

Upper Body Assembly

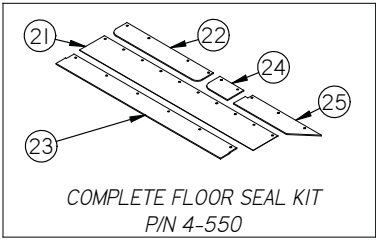
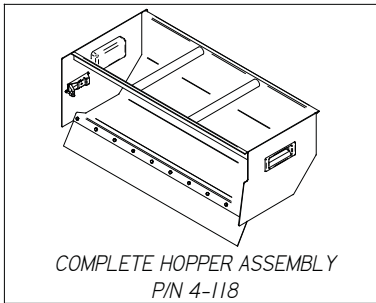
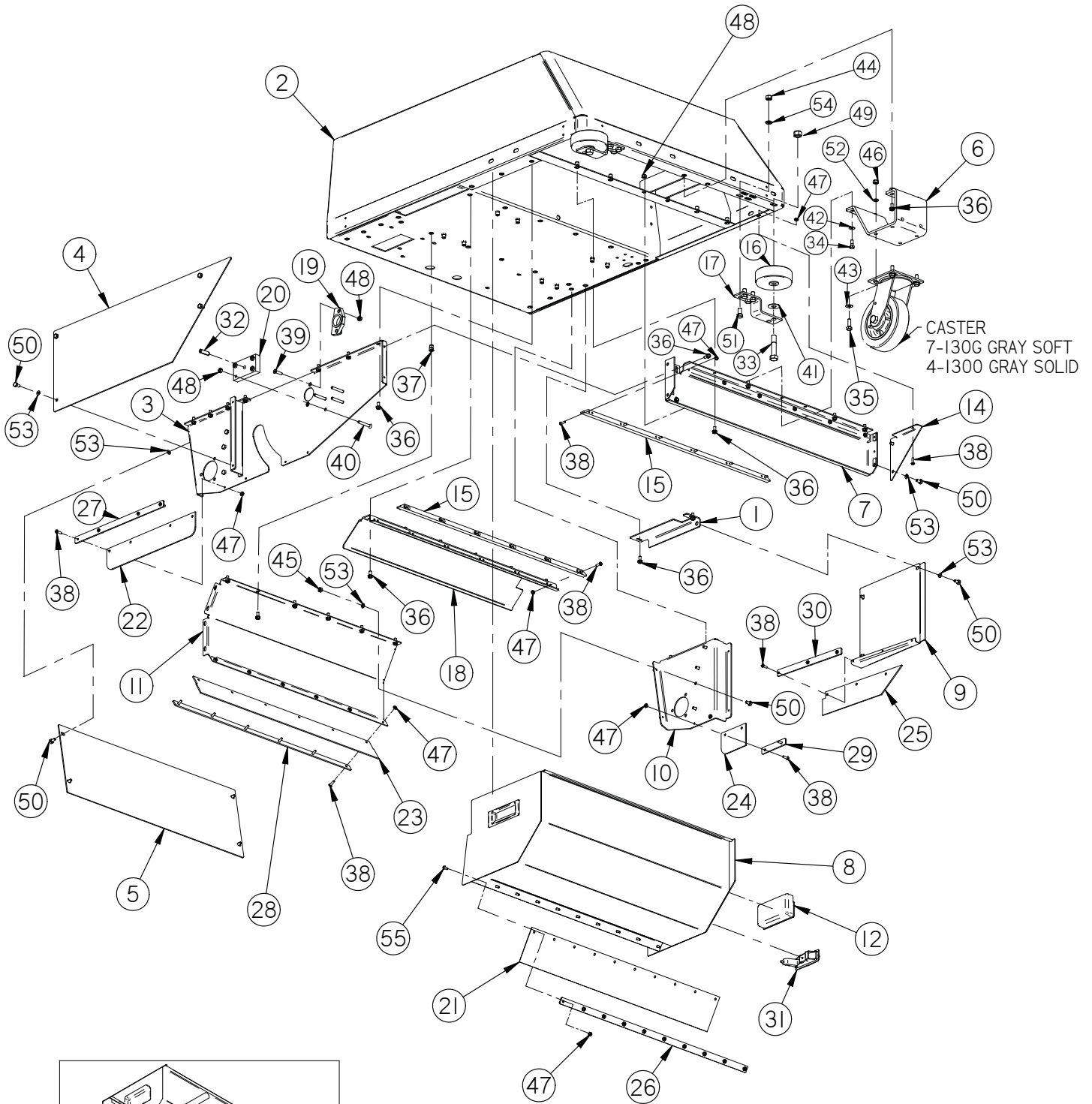


| Item | Part No. | Description | Comments | Qty |
|------|-----------|----------------------------|--|-----|
| 1 | 4-101 | SERIAL NUMBER PLATE | | 1 |
| 2 | 4-112 | 2" BLK STRIP BUMPER | 12 FT SECTION | 1 |
| 3 | 4-122A | HANDLEBAR MTG BKT | 4-122 INCL. 4-122A, 4-122B, & HARDWARE | 2 |
| 4 | 4-122B | BLACK PLASTIC CLAMP | 4-122 INCL. 4-122A, 4-122B, & HARDWARE | 3 |
| 5 | 4-124 | LATCH | COMPLETE 2 PC WITH RIVETS | 1 |
| 6 | 4-126A | HOOD CABLE | | 1 |
| 7 | 4-131 | HINGE 23 3/4" SS | | 1 |
| 8 | 4-132 | HANDLE BAR WELDMENT | P/N 4-121 INCL. ITEMS 12,13,16,19,20,26,30, & 36 | 1 |
| 9 | 4-134A | CLUTCH LEVER | P/N 4-134 INCL. ITEMS 19,20,26,30,& 36 | 1 |
| 10 | 4-140 | BUMPER | INCLUDES HARDWARE (OPTIONAL) | 1 |
| 11 | 4-170 | RUBBER HOOD STOP | | 1 |
| 12 | 4-370 | CLUTCH/BRAKE CABLE | | 1 |
| 13 | 4-371 | CLUTCH CABLE RETURN SPRING | | 1 |
| 14 | 4-379 | CLUTCH CABLE ADJ. NUT | | 1 |
| 15 | 4-387 | TUBE PLUG | | 1 |
| 16 | 4-388 | CLUTCH TENSION SPRING | | 1 |
| 17 | 4-4855 | 12 V BATTERY METER | | 1 |
| 18 | H-1032HCN | HCN #10-32 | | 7 |
| 19 | H-19901 | FB CASHD 1/4"-20 X 1/2" | | 1 |
| 20 | H-250HCN | HCN 1/4"-20 | | 50 |
| 21 | H-28679 | PPH #4-40 X 1/2" | | 1 |
| 22 | H-37006 | NYLOK #4-40 | | 1 |
| 23 | H-37015 | NYLOK #10-32 | | 2 |
| 24 | H-37018 | NYLOK 1/4"-20 | | 1 |
| 25 | H-70003 | HCS 1/4"-20 X 3/4" SS | | 1 |
| 26 | H-70005 | HCS 1/4"- 20 X 1" SS | | 2 |
| 27 | H-70710 | HN 1/4"- 20 SS | | 3 |
| 28 | H-70861 | NYLOK 5/16" - 18 SS | | 1 |
| 29 | H-71004 | FW 1/8" X 5/16" SS | | 1 |
| 30 | H-71017 | FW 3/8 ID X 7/8 OD SS | | 1 |
| 31 | H-71063 | LW 1/4" SS | | 1 |
| 32 | H-72515 | PPH #10-32 X 1/2" S/S | | 1 |
| 33 | H-72683 | FHP #10-32 X 5/8" SS | | 1 |
| 34 | H-74432 | CB 5/16"- 18 X 1-1/2" SS | | 1 |
| 35 | H-77015 | HCS 1/4"- 20 X 3.0" SS | | 2 |

6 Air System

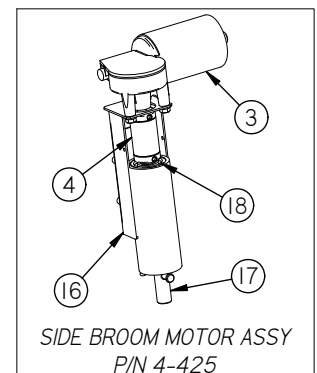
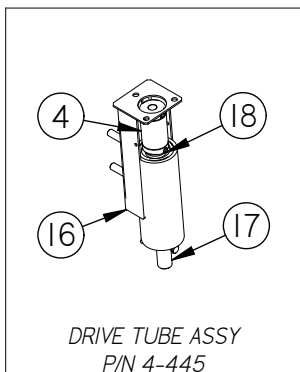
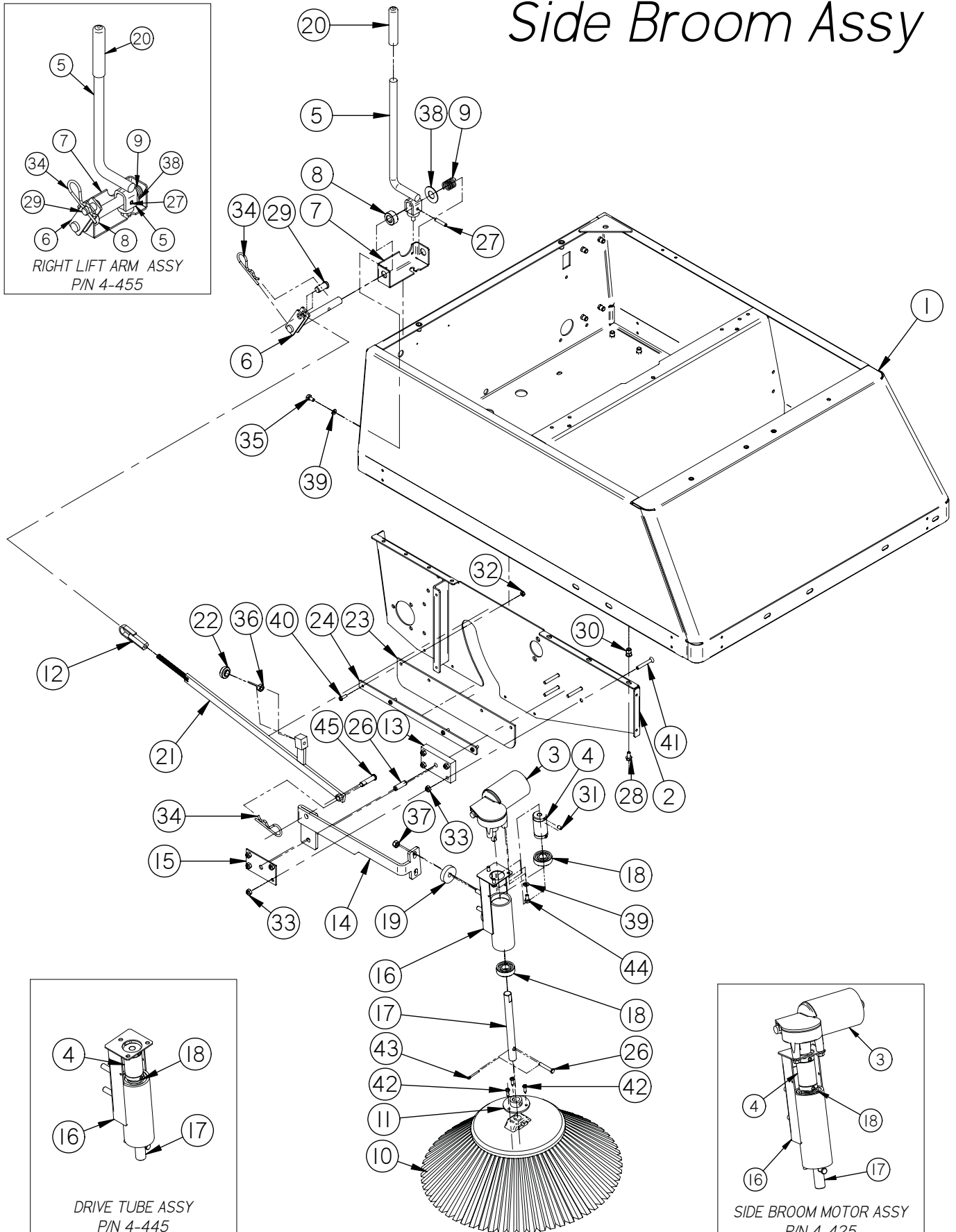
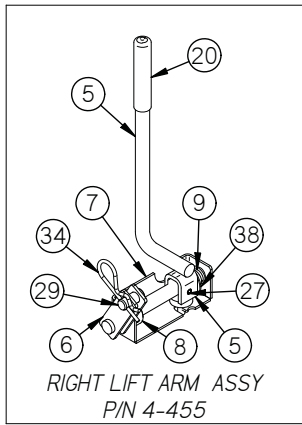


| Item | Part No. | Description | Comments | Qty |
|------|---------------|-------------------------|--------------------------------------|-----|
| 1 | 4-111 | MAIN BODY | | 1 |
| 2 | 4-125 | MOTOR MOUNTING BRACKET | | 1 |
| 3 | 4-201 | 12V,TWIN SHAFT MOTOR | | 1 |
| 4 | 4-201B | MOTOR CRADLE | | 1 |
| 5 | 4-210 | TERMINAL CLIP | | 1 |
| 6 | 4-232 | CIR. BREAKER - 12V/80A | | 1 |
| 7 | 4-233 | RELAY, 12-V | | 1 |
| 8 | 4-233I | RELAY, 12V | | 1 |
| 9 | 4-301 | MAIN DRIVE PULLEY | | 1 |
| 10 | 4-501 | FILTER HOOD | | 1 |
| 11 | 4-502 | FILTER ELEMENT | P/N 4-502 INCL. P/N 4-502K, SEAL KIT | 1 |
| 12 | 4-503A | FILTER WEIGHT ROD | P/N 4-503 INCL. SET OF 9 RODS | 9 |
| 13 | 4-505 | FILTER GRILL | | 1 |
| 14 | 4-506 | FILTER BEATER BAR | | 1 |
| 15 | 4-507 | BEATER BAR | | 1 |
| 16 | 4-509 | BEATER BAR HANDLE | | 1 |
| 17 | 4-511 | BLOWER HOUSING | | 1 |
| 18 | 4-512 | BLOWER WHEEL | | 1 |
| 19 | 4-513 | BLOWER DOOR | | 1 |
| 20 | 4-520A | BLOWER HOSE | | 1 |
| 21 | 4-521A | FILTER SEPARATOR | P/N 4-521 INCL. SET OF 9 SEPARATORS | 9 |
| 22 | 4-522 | DOOR LATCH | INCLUDES SET OF 2 | 1 |
| 23 | H-002 | 1/2" DBL SIDED TAPE | P/N 4-502K INCL. P/N H-002 & H-048 | 1 |
| 24 | H-00287 | .375 HEYCO COLLAR | | 1 |
| 25 | H-048 | 3/16" PVC FOAM | P/N 4-502K INCL. P/N H-002 & H-048 | 1 |
| 26 | H-1032HCN | HCN #10-32 | | 15 |
| 27 | H-10436-00107 | FB #8-32 X 3/4" | | 1 |
| 28 | H-19901 | FB CASHD 1/4"-20 X 1/2" | | 1 |
| 29 | H-250HCN | HCN 1/4"-20 | | 50 |
| 30 | H-25328 | SSS CP 1/4"-20 X 3/8" | | 1 |
| 31 | H-312HCN | HCN 5/16"-18 | | 4 |
| 32 | H-31810 | HW #10 X 1/2 | | 1 |
| 33 | H-37012 | NYLOK #8-32 | | 1 |
| 34 | H-37408 | KN #10-32 | | 1 |
| 35 | H-70003 | HCS 1/4"-20 X 3/4" SS | | 2 |
| 36 | H-70053 | HCS 5/16"- 18 X 3/4" SS | | 1 |
| 37 | H-70103 | HCS 3/8"-16 X 3/4" SS | | 1 |
| 38 | H-70862 | NYLOK 3/8"-16 SS | | 1 |
| 39 | H-71009 | FW #10 SS | | 2 |
| 40 | H-71013 | FW 1/4 ID X 5/8 OD SS | | 2 |
| 41 | H-71017 | FW 3/8 ID X 7/8 OD SS | | 1 |
| 42 | H-71063 | LW 1/4" SS | | 2 |
| 43 | H-71065 | LW 5/16" SS | | 1 |
| 44 | H-72515 | PPH #10-32 X 1/2" S/S | | 2 |
| 45 | H-72536 | PPH #10-32 X 1" S/S | | 1 |
| 46 | H-KI4320 | 3/16" X 1 1/4" KEY | | 2 |



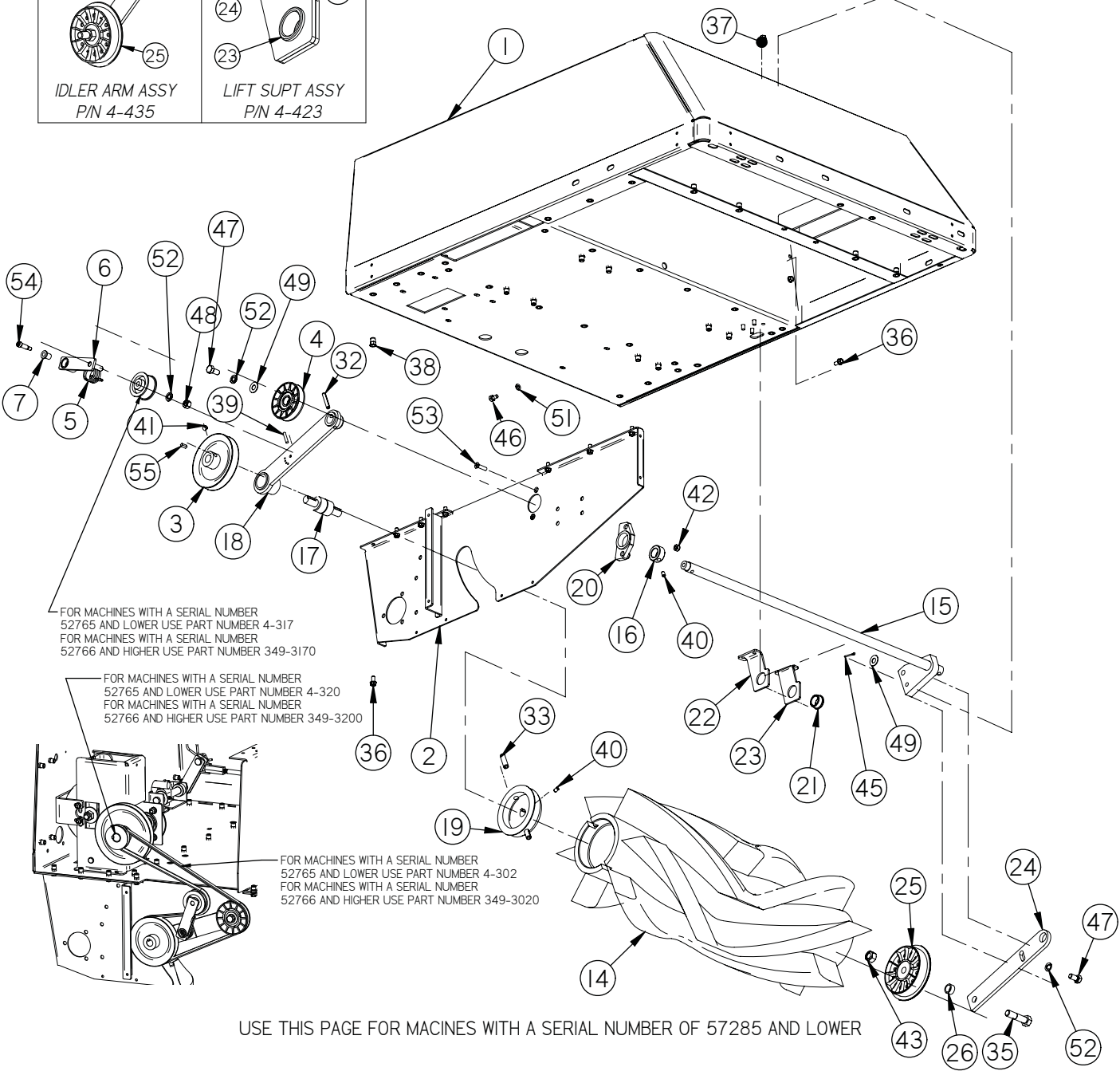
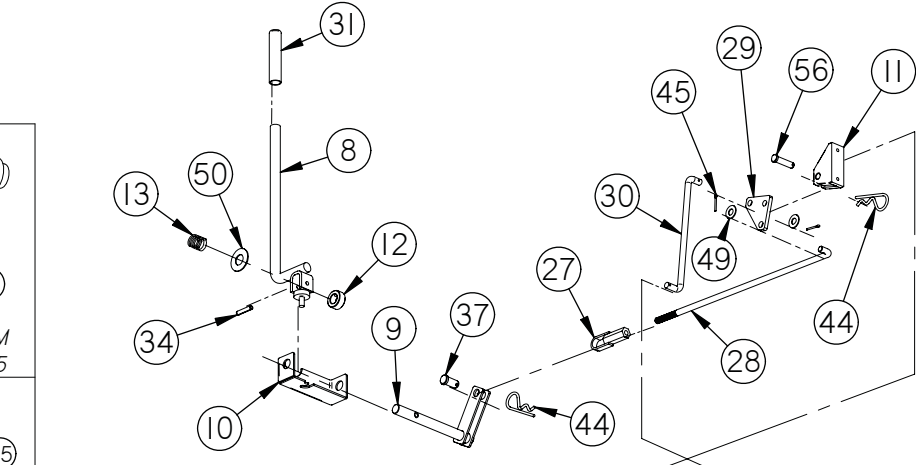
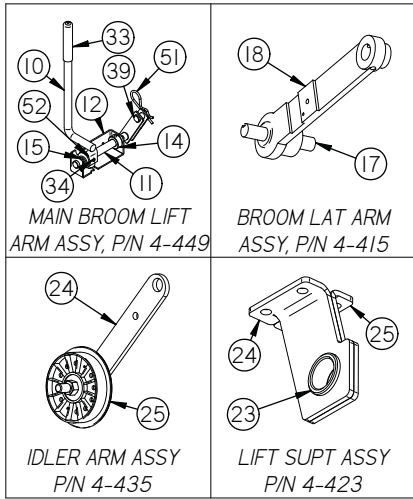
| Item | Part No. | Description | Comments | Qty |
|------|--------------|--------------------------|--|-----|
| 1 | 4-108 | DOOR MNT ANGLE | | 1 |
| 2 | 4-111 | MAIN BODY | | 1 |
| 3 | 4-113 | R. INNER SIDE PANEL | | 1 |
| 4 | 4-114 | SKIRT PLATE, RT | | 1 |
| 5 | 4-115 | SKIRT PLATE REAR | | 1 |
| 6 | 4-116 | CASTER MTG BRACKET | | 1 |
| 7 | 4-117 | FRONT CROSS PANEL | 4-118 INCL. 4-118B, 4-127, 5-130, SEALS & HARDWARE | 1 |
| 8 | 4-118B | HOPPER BODY | | 1 |
| 9 | 4-119 | BROOM ACCESS HATCH | | 1 |
| 10 | 4-120 | REAR INNER PANEL, LT | | 1 |
| 11 | 4-123 | INNER CURVED PANEL | | 1 |
| 12 | 4-127 | HANDLE | | 2 |
| 14 | 4-135 | L.F. PANEL GUSSET | | 1 |
| 15 | 4-141 | HDPE HOPPER SLIDE | | 2 |
| 16 | 4-142 | ROLLER | | 2 |
| 17 | 4-143 | ROLLER BRACKET | | 2 |
| 18 | 4-384 | ATTENUATOR | | 1 |
| 19 | 4-421 | SUPPORT BLOCK | | 1 |
| 20 | 4-441 | BROOM MOUNTING BLOCK | | 1 |
| 21 | 4-514 | HOPPER FLOOR SEAL | P/N 4-550 INCLUDES: ITEMS 21,22,23,24, & 25 | 1 |
| 22 | 4-515 | RIGHT FLOOR SEAL | | 1 |
| 23 | 4-516 | REAR FLOOR SEAL | | 1 |
| 24 | 4-517 | CORNER FLOOR SEAL | | 1 |
| 25 | 4-518 | BROOM FLOOR SEAL | | 1 |
| 26 | 4-525 | HOPPER SEAL STRIP | | 1 |
| 27 | 4-526 | RH SEAL STRIP | | 1 |
| 28 | 4-527 | REAR SEAL STRIP | | 1 |
| 29 | 4-528 | CORNER SEAL STRIP | | 1 |
| 30 | 4-529 | CURTAIN CLAMP | | 1 |
| 31 | 5-130 | DOOR LATCH | | 1 |
| 32 | H-10436-0105 | 3/8" X 1 1/4" SPRING PIN | | 1 |
| 33 | H-77205 | HCS 1/2"-13 X 1" SS | | 2 |
| 34 | H-70003 | HCS 1/4"-20 X 5/8" SS | | 2 |
| 35 | H-70055 | HCS 5/16"- 18 X 1" SS | | 4 |
| 36 | H-19901 | FB CASHD 1/4"-20 X 1/2" | | 29 |
| 37 | H-250HCN | HCN 1/4"-20 | | 50 |
| 38 | H-72517 | PPH #10-32 X 5/8" SS | | 28 |
| 39 | H-72710 | FHP 1/4"- 20 X 1" SS | | 2 |
| 40 | H-72716 | FHP 1/4"- 20 X 1-3/4" | | 4 |
| 41 | H-71021 | FW 1/2 ID X 1-1/4 OD SS | | 2 |
| 42 | H-71013 | FW 1/4 ID X 5/8 OD SS | | 2 |
| 43 | H-71015 | FW 5/16 ID X 3/4 OD SS | | 4 |
| 44 | H-70712 | HN 3/8"-16 SS | | 8 |
| 45 | H-70710 | HN 1/4"- 20 SS | | 8 |
| 46 | H-70711 | HN 5/16"- 18 SS | | 4 |
| 47 | H-37015 | NYLOK #10-32 | | 35 |
| 48 | H-37018 | NYLOK 1/4"-20 | | 8 |
| 49 | H-37030 | NYLOK 1/2"-13 | | 2 |
| 50 | H-70001 | HCS 1/4"-20 X 1/2 SS" | | 21 |
| 51 | H-70103 | HCS 3/8"-16 X 3/4" SS | | 8 |
| 52 | H-71065 | LW 5/16" SS | | 4 |
| 53 | H-71063 | LW 1/4" SS | | 23 |
| 54 | H-71067 | LW 3/8" SS | | 8 |
| 55 | H-71671 | HXMS #10-32 X 1/2" SS | | 10 |

Side Broom Assy



| Item | Part No. | Description | Comments | Qty |
|------|--------------|----------------------------------|--|-----|
| 1 | 4-111 | MAIN BODY | | 1 |
| 2 | 4-113 | R. INNER SIDE PANEL | | 1 |
| 3 | 4-220 | SIDE BROOM MOTOR | P/N 4-425 INCL. ITEMS 3,15,16,17,18 & HARDWARE | 1 |
| 4 | 4-223 | BROOM SAFETY DRIVE CPLG | | 1 |
| 5 | 4-376 | BROOM LIFT LEVER | P/N 4-455 INCL. ITEMS 4,5,6,7,8,19 & HARDWARE | 1 |
| 6 | 4-378 | BROOM LIFT SHAFT | | 1 |
| 7 | 4-381 | LIFT LEVER BASE, RT | | 1 |
| 8 | 4-385 | LIFT LEVER COLLAR | | 1 |
| 9 | 4-386 | LIFT LEVER SPRING | | 1 |
| 10 | 4-402 | SIDE BROOM POLYPROPYLENE | P/N 4-402 INCLUDES P/N 4-404 | 1 |
| 11 | 4-404 | SIDE BROOM CLUTCH PLATE | P/N 4-402 INCLUDES P/N 4-404 | 1 |
| 12 | 4-436 | ADJ. BROOM LIFT | | 1 |
| 13 | 4-441 | BROOM MOUNTING BLOCK | | 1 |
| 14 | 4-442 | SIDE BROOM ARM | | 1 |
| 15 | 4-443 | BROOM RETAINING PLATE | | 1 |
| 16 | 4-445A | BROOM MOTOR MOUNT | P/N 4-445 INCL. ITEMS 15,16,17,18 & HARDWARE | 1 |
| 17 | 4-445B | BROOM SHAFT | | 1 |
| 18 | 4-445C | DRIVE TUBE BEARING | | 2 |
| 19 | 4-446 | GROMMET-3/8 ID X 1-1/2 OD X .375 | | 2 |
| 20 | 4-448 | HANDLE GRIP | | 1 |
| 21 | 4-456 | SIDE BROOM LONG LINK | | 1 |
| 22 | 4-457 | ADJUSTMENT KNOB | | 1 |
| 23 | 4-515 | RIGHT FLOOR SEAL | | 1 |
| 24 | 4-526 | RH SEAL STRIP | | 1 |
| 25 | H-00105 | 3/8" X 1 1/4" SPRING PIN | | 1 |
| 26 | H-0156730 | 1/4" X 1 1/2" CLEVIS PIN | | 1 |
| 27 | H-10436-0010 | 1/4" X 1 1/4" SPRING PIN | | 1 |
| 28 | H-19901 | FB CASHD 1/4"-20 X 1/2" | | 7 |
| 29 | H-2250- 218 | 1/2" X 1" CLEVIS PIN | | 1 |
| 30 | H-250HCN | HCN 1/4"-20 | | 50 |
| 31 | H-25328 | SSS CP 1/4"-20 X 3/8" | | 2 |
| 32 | H-37015 | NYLOK #10-32 | | 4 |
| 33 | H-37018 | NYLOK 1/4"-20 | | 8 |
| 34 | H-45285 | HITCH PIN CLIP 9 | | 2 |
| 35 | H-70001 | HCS 1/4"-20 X 1/2 SS" | | 2 |
| 36 | H-70711 | HN 5/16"- 18 SS | | 1 |
| 37 | H-70861 | NYLOK 5/16" - 18 SS | | 2 |
| 38 | H-71025 | FW 5/8 ID X 1-1/2 OD SS | | 1 |
| 39 | H-71063 | LW 1/4" SS | | 4 |
| 40 | H-72517 | PPH #10-32 X 5/8" SS | | 4 |
| 41 | H-72716 | FHP 1/4"- 20 X 1-3/4" | | 4 |
| 42 | H-72916 | PPH SMS #8 X 3/4" SS | | 3 |
| 43 | H-HAIR4 | #4 HAIR PIN | | 1 |
| 44 | H-M82550 | HCS M6-1.0 X 14 SS | | 3 |
| 45 | H-ZCPI54 | 3/8" X 1 1/2" CLEVIS PIN | | 1 |

12 Main Broom Assembly < 57285



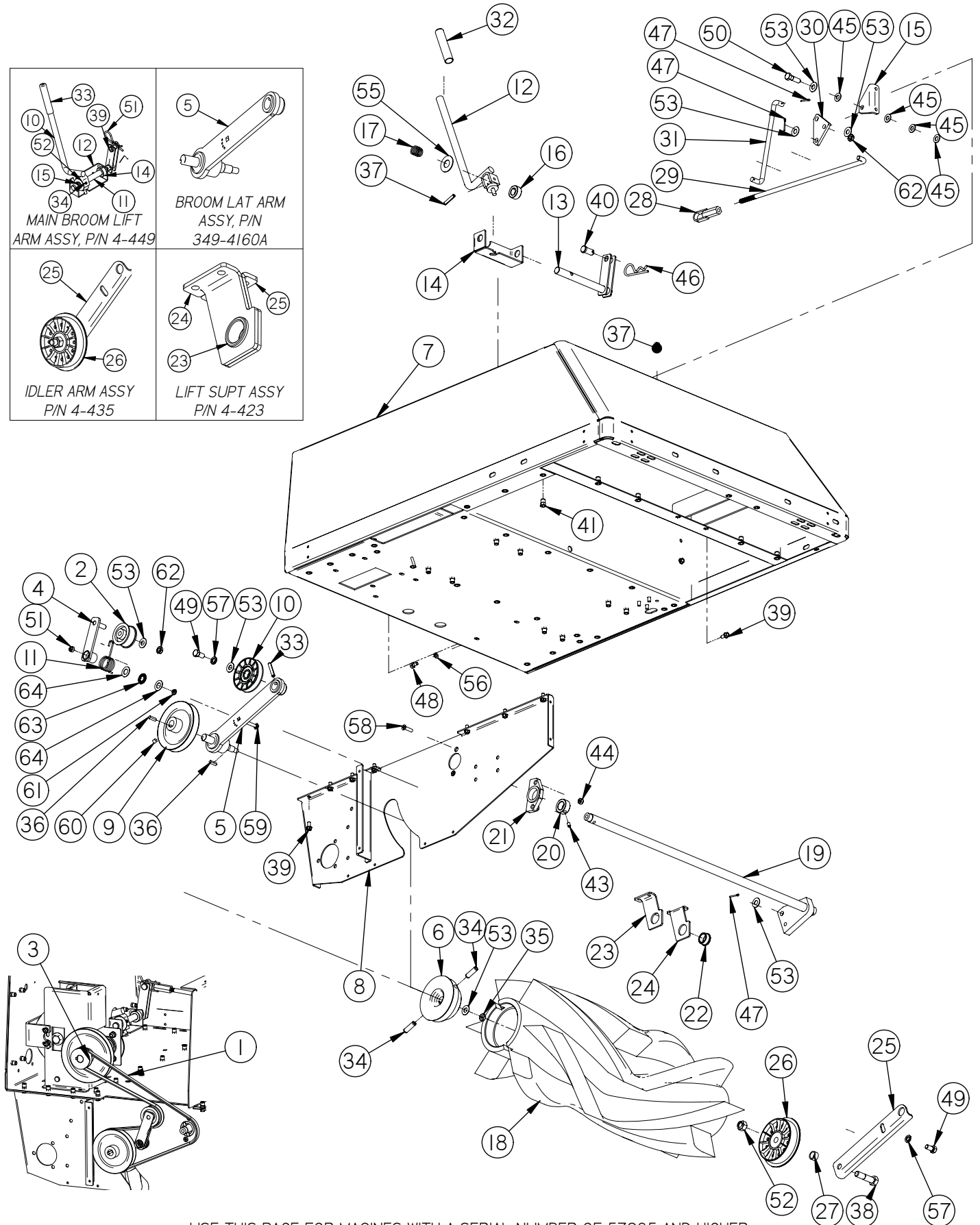
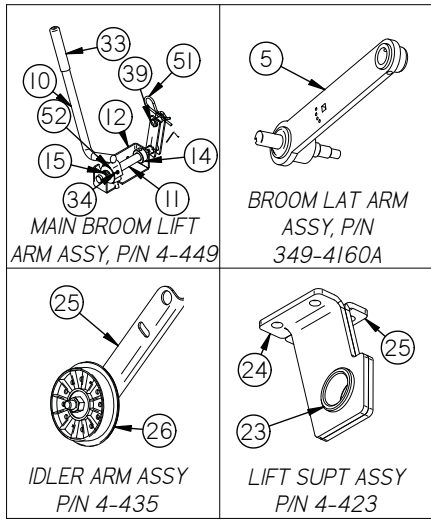
FOR MACHINES WITH A SERIAL NUMBER
52765 AND LOWER USE PART NUMBER 4-317
FOR MACHINES WITH A SERIAL NUMBER
52766 AND HIGHER USE PART NUMBER 349-3170

FOR MACHINES WITH A SERIAL NUMBER
52765 AND LOWER USE PART NUMBER 4-320
FOR MACHINES WITH A SERIAL NUMBER
52766 AND HIGHER USE PART NUMBER 349-3200

FOR MACHINES WITH A SERIAL NUMBER
52765 AND LOWER USE PART NUMBER 4-302
FOR MACHINES WITH A SERIAL NUMBER
52766 AND HIGHER USE PART NUMBER 349-3020

USE THIS PAGE FOR MACINES WITH A SERIAL NUMBER OF 57285 AND LOWER

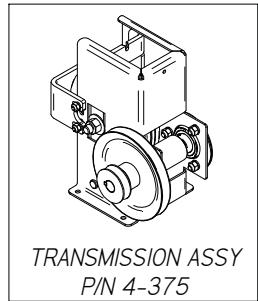
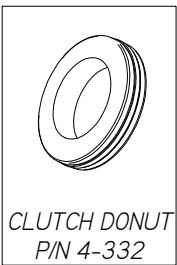
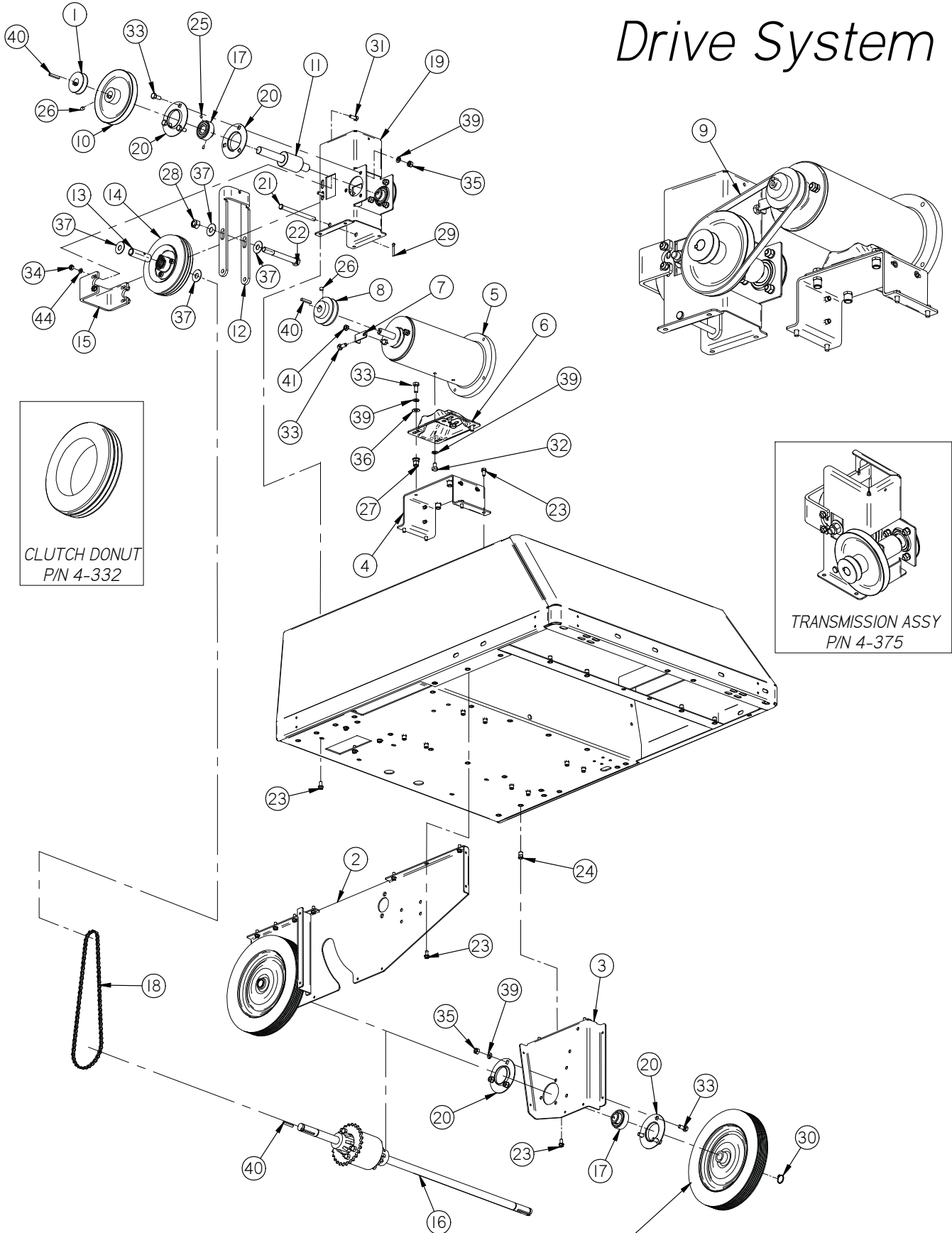
| Item | Part No. | Description | Comments | Qty |
|------|--------------|------------------------------|---|-----|
| 1 | 4-111 | MAIN BODY | | 1 |
| 2 | 4-113 | R. INNER SIDE PANEL | | 1 |
| 3 | 4-316 | BROOM DRIVE PULLEY | | 1 |
| 4 | 4-318 | IDLER PULLEY | | 1 |
| 5 | 4-319 | TENSION SPRING | | 1 |
| 6 | 4-360 | REVERSE IDLER ARM | | 1 |
| 7 | 4-366 | BUSHING, IDLER ARM | | 1 |
| 8 | 4-376 | BROOM LIFT LEVER | | 1 |
| 9 | 4-377 | BROOM LIFT SHAFT | | 1 |
| 10 | 4-380 | LIFT LEVER BASE, LT | | 1 |
| 11 | 4-382 | ROTARY LINK BASE | | 1 |
| 12 | 4-385 | LIFT LEVER COLLAR | | 1 |
| 13 | 4-386 | LIFT LEVER SPRING | | 1 |
| 14 | 4-401US | 26" MAIN BROOM | | 1 |
| 15 | 4-410 | BROOM SUSP. ARM | | 1 |
| 16 | 4-410A | 3/4" SHAFT COLLAR | | 1 |
| 17 | 4-412 | BROOM DRIVE BEARING | | 1 |
| 18 | 4-416 | MAIN BROOM LAT. ARM | P/N 4-415 INCL. P/N 4-412 & P/N 4-416 | 1 |
| 19 | 4-420 | BROOM DRIVER | P/N 4-415 INCL. P/N 4-412 & P/N 4-416 | 1 |
| 20 | 4-421 | SUPPORT BLOCK | INCLUDES: KEY, SET SCREWS, AND ROLL PINS | 1 |
| 21 | 4-4230 | 3/4" X 1" X 1/2" FLG BEARING | | 1 |
| 22 | 4-423B-L | SUPPORT BRACKET TABS | P/N 4-423 INCL. P/N 4-423B-L, 4-423B-R & 4-4230 | 1 |
| 23 | 4-423B-R | SUPPORT BRACKET TABS | P/N 4-423 INCL. P/N 4-423B-L, 4-423B-R & 4-4230 | 1 |
| 24 | 4-430 | IDLER ARM | P/N 4-423 INCL. P/N 4-423B-L, 4-423B-R & 4-4230 | 1 |
| 25 | 4-432 | IDLER DRUM | P/N 4-435 INCL. 4-430, 4-432, 4-432A, & HARDWARE | 1 |
| 26 | 4-432A | IDLER DRUM SPACER | P/N 4-435 INCL. 4-430, 4-432, 4-432A, & HARDWARE | 1 |
| 27 | 4-436 | ADJ. BROOM LIFT | P/N 4-435 INCL. 4-430, 4-432, 4-432A, & HARDWARE | 1 |
| 28 | 4-437 | BROOM LONG LINK | P/N 4-449 INCL. ITEMS: 10,11,12,14,15,33,34,39,51,52 & HDWE | 1 |
| 29 | 4-438 | BROOM ROTARY LINK | | 1 |
| 30 | 4-439 | BROOM CRANK LINK | | 1 |
| 31 | 4-448 | HANDLE GRIP | | 1 |
| 32 | H-00103 | 1/4" X 1 1/2" SPRING PIN | | 1 |
| 33 | H-00105 | 3/8" X 1 1/4" SPRING PIN | | 2 |
| 34 | H-10436-0010 | 1/4" X 1 1/4" SPRING PIN | | 1 |
| 35 | H-13211 | HCS 1/2"-13 X 2" | | 1 |
| 36 | H-19901 | FB CASHD 1/4"-20 X 1/2" | | 12 |
| 37 | H-2250- 218 | 1/2" X 1" CLEVIS PIN | | 1 |
| 38 | H-250HCN | HCN 1/4"-20 | | 50 |
| 39 | H-25283 | SSS CP #10-32 X 1" | | 1 |
| 40 | H-25328 | SSS CP 1/4"-20 X 3/8" | | 3 |
| 41 | H-25435 | SSS CP 5/16" X 1/4" | | 1 |
| 42 | H-37018 | NYLOK 1/4"-20 | | 3 |
| 43 | H-37030 | NYLOK 1/2"-13 | | 1 |
| 44 | H-45285 | HITCH PIN CLIP 9 | | 2 |
| 45 | H-65035 | 3/32" X 7/8" COTTER PIN | | 3 |
| 46 | H-70001 | HCS 1/4"-20 X 1/2 SS" | | 2 |
| 47 | H-70103 | HCS 3/8"-16 X 3/4" SS | | 2 |
| 48 | H-70712 | HN 3/8"-16 SS | | 1 |
| 49 | H-71017 | FW 3/8 ID X 7/8 OD SS | | 4 |
| 50 | H-71025 | FW 5/8 ID X 1-1/2 OD SS | | 1 |
| 51 | H-71063 | LW 1/4" SS | | 2 |
| 52 | H-71067 | LW 3/8" SS | | 3 |
| 53 | H-72710 | FHP 1/4"- 20 X 1" SS | | 2 |
| 54 | H-74107 | SB 5/16" X 3/4" SS | | 1 |
| 55 | H-K1432 | 3/16" X 1/2" KEY | | 1 |
| 56 | H-ZCPI54 | 3/8" X 1 1/2" CLEVIS PIN | | 1 |



USE THIS PAGE FOR MACINES WITH A SERIAL NUMBER OF 57285 AND HIGHER

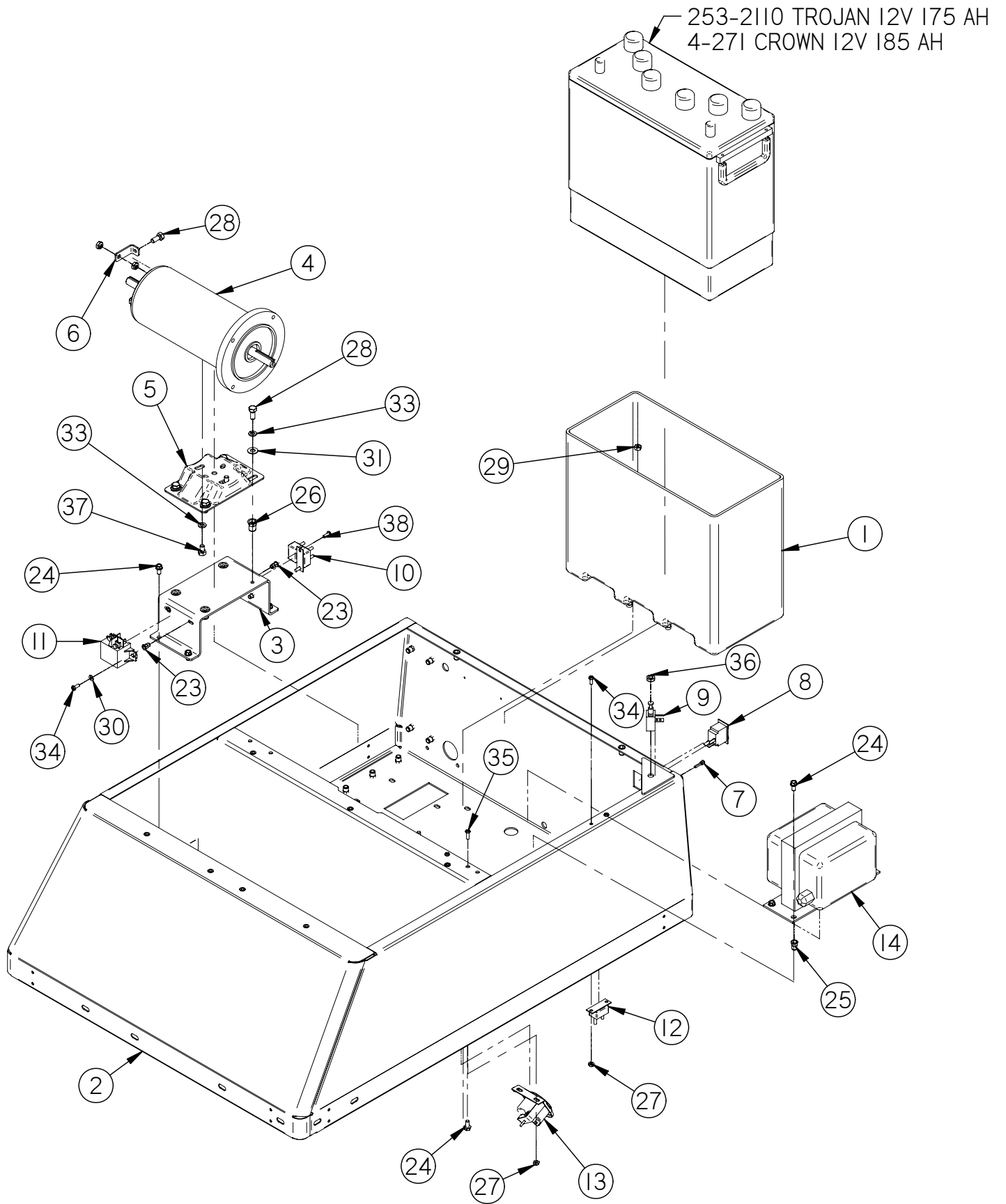
| Item | Part No. | Description | Comments | Qty |
|------|--------------|-------------------------------------|---|-----|
| 1 | 349-3020 | MAIN BROOM BELT | | 1 |
| 2 | 349-3170 | IDLER PULLEY | | 1 |
| 3 | 349-3200 | BROOM DRIVE PULLEY | | 1 |
| 4 | 349-3600 | REVERSE IDLER ARM | | 1 |
| 5 | 349-4160A | MAIN BROOM LAT ARM W/BEARING | | 1 |
| 6 | 349-4200 | BROOM DRIVER | | 1 |
| 7 | 4-111 | MAIN BODY | | 1 |
| 8 | 4-113 | R. INNER SIDE PANEL | | 1 |
| 9 | 4-316 | BROOM DRIVE PULLEY | | 1 |
| 10 | 4-318 | IDLER PULLEY | | 1 |
| 11 | 4-319 | TENSION SPRING | | 1 |
| 12 | 4-376 | BROOM LIFT LEVER | | 1 |
| 13 | 4-377 | BROOM LIFT SHAFT | | 1 |
| 14 | 4-380 | LIFT LEVER BASE, LT | | 1 |
| 15 | 4-382 | ROTARY LINK BASE | | 1 |
| 16 | 4-385 | LIFT LEVER COLLAR | | 1 |
| 17 | 4-386 | LIFT LEVER SPRING | | 1 |
| 18 | 4-401US | 26" MAIN BROOM | | 1 |
| 19 | 4-410 | BROOM SUSP. ARM | | 1 |
| 20 | 4-410A | 3/4" SHAFT COLLAR | | 1 |
| 21 | 4-421 | SUPPORT BLOCK | INCLUDES: KEY, SET SCREWS, AND ROLL PINS | 1 |
| 22 | 4-4230 | 3/4" X 1" X 1/2" FLG BEARING | | 1 |
| 23 | 4-423B-L | SUPPORT BRACKET TABS | P/N 4-423 INCL. P/N 4-423B-L, 4-423B-R & 4-4230 | 1 |
| 24 | 4-423B-R | SUPPORT BRACKET TABS | P/N 4-423 INCL. P/N 4-423B-L, 4-423B-R & 4-4230 | 1 |
| 25 | 4-430 | IDLER ARM | P/N 4-423 INCL. P/N 4-423B-L, 4-423B-R & 4-4230 | 1 |
| 26 | 4-432 | IDLER DRUM | P/N 4-435 INCL. 4-430, 4-432, 4-432A, & HARDWARE | 1 |
| 27 | 4-432A | IDLER DRUM SPACER | P/N 4-435 INCL. 4-430, 4-432, 4-432A, & HARDWARE | 1 |
| 28 | 4-436 | ADJ. BROOM LIFT | P/N 4-435 INCL. 4-430, 4-432, 4-432A, & HARDWARE | 1 |
| 29 | 4-437 | BROOM LONG LINK | P/N 4-449 INCL. ITEMS: 10,11,12,14,15,33,34,39,51,52 & HDWE | 1 |
| 30 | 4-438 | BROOM ROTARY LINK | | 1 |
| 31 | 4-439 | BROOM CRANK LINK | | 1 |
| 32 | 4-448 | HANDLE GRIP | | 1 |
| 33 | H-00103 | 1/4" X 1 1/2" SPRING PIN | | 1 |
| 34 | H-00105 | 3/8" X 1 1/4" SPRING PIN | | 2 |
| 35 | H-0171004 | JNYL 3/8- 24 SS | | 1 |
| 36 | H-0953152 | 3/16" X 3/4" KEY | | 2 |
| 37 | H-10436-0010 | 1/4" X 1 1/4" SPRING PIN | | 1 |
| 38 | H-13211 | HCS 1/2"-13 X 2" | | 1 |
| 39 | H-19901 | FB CASHD 1/4"-20 X 1/2" | | 12 |
| 40 | H-2250- 218 | 1/2" X 1" CLEVIS PIN | | 1 |
| 41 | H-250HCN | HCN 1/4"-20 | | 50 |
| 42 | H-25283 | SSS CP #10-32 X 1" | | 1 |
| 43 | H-25328 | SSS CP 1/4"-20 X 3/8" | | 1 |
| 44 | H-37018 | NYLOK 1/4"-20 | | 3 |
| 45 | H-4440024 | FW 3/8" X 3/4" NYLON | | 4 |
| 46 | H-45285 | HITCH PIN CLIP 9 | | 1 |
| 47 | H-65035 | 3/32" X 7/8" COTTER PIN | | 3 |
| 48 | H-70001 | HCS 1/4"-20 X 1/2 SS" | | 2 |
| 49 | H-70103 | HCS 3/8"-16 X 3/4" SS | | 2 |
| 50 | H-70107 | HCS 3/8"- 16 X 1-1/4" SS | | 1 |
| 51 | H-70860 | NYLOK 1/4"- 20 SS | | 1 |
| 52 | H-70864 | NYLOK 1/2"-13 SS | | 1 |
| 53 | H-71017 | FW 3/8 ID X 7/8 OD SS | | 7 |
| 54 | H-71021 | FW 1/2 ID X 1-1/4 OD SS | | 1 |
| 55 | H-71025 | FW 5/8 ID X 1-1/2 OD SS | | 1 |
| 56 | H-71063 | LW 1/4" SS | | 2 |
| 57 | H-71067 | LW 3/8" SS | | 2 |
| 58 | H-72710 | FHP 1/4"- 20 X 1" SS | | 2 |
| 59 | H-74421 | CB 1/4"- 20 X 1-1/4" SS | | 1 |
| 60 | H-81983 | 5/16" X 1/4" KURL SET SCREW | | 1 |
| 61 | H-NJ04C | JNYL 1/4" - 20 SS | | 1 |
| 62 | H-NJ06C | JNYL 3/8- 16 SS | | 2 |
| 63 | M-5909K3I | NEEDLE ROLLER THRUST BEARING | | 1 |
| 64 | M-5909K44 | NEEDLE ROLLER THRUST BEARING WASHER | | 2 |

Drive System



For Black wheel use p/n 4-6180
For Grey Non marking use p/n 4-6185

| Item | Part No. | Description | Comments | Qty |
|------|----------|----------------------------|--|-----|
| 1 | 349-3200 | BROOM DRIVE PULLEY | | 1 |
| 2 | 4-113 | R. INNER SIDE PANEL | | 1 |
| 3 | 4-120 | REAR INNER PANEL, LT | | 1 |
| 4 | 4-125 | MOTOR MOUNTING BRACKET | | 1 |
| 5 | 4-201 | 12V,TWIN SHAFT MOTOR | | 1 |
| 6 | 4-201B | MOTOR CRADLE | | 1 |
| 7 | 4-210 | TERMINAL CLIP | | 1 |
| 8 | 4-301 | MAIN DRIVE PULLEY | | 1 |
| 9 | 4-311 | BELT, 4L260 | | 1 |
| 10 | 4-312 | TRANS INPUT PULLEY | P/N 4-375 INCL. COMPLETE TRANSMISSION ASSY | 1 |
| 11 | 4-313 | REAR WHEEL CAPSTAN | | 1 |
| 12 | 4-314 | CLUTCH MTG BRACKET | | 1 |
| 13 | 4-321 | PIVOT BOLT W/SLEEVE | | 1 |
| 14 | 4-330 | CLUTCH WHEEL ASSY | CLUTCH DONUT ORDERED SEPARATE IS P/N 4-332 | 1 |
| 15 | 4-340 | BRAKE SHOE | | 1 |
| 16 | 4-350 | DIFFERENTIAL AXLE | | 1 |
| 17 | 4-352 | BEARING | | 2 |
| 18 | 4-354 | DRIVE CHAIN W/ MASTER LINK | (OPTIONAL) | 1 |
| 19 | 4-362-01 | TRANS. HOUSING | | 1 |
| 20 | 4-364A | FLANGE, 1.75" ID | P/N 4-364 INCLUDES SET OF 2 | 4 |
| 21 | H-00135 | 3/8" X 4-1/2" CLEVIS PIN | | 1 |
| 22 | H-15220 | HB 1/2"-13 X 4 1/4" | | 1 |
| 23 | H-19901 | FB CASHD 1/4"-20 X 1/2" | | 4 |
| 24 | H-250HCN | HCN 1/4"-20 | | 50 |
| 25 | H-25153 | SSS CP #8-32 X 1/4 " | | 1 |
| 26 | H-25435 | SSS CP 5/16" X 1/4" | | 2 |
| 27 | H-312HCN | HCN 5/16"-18 | | 1 |
| 28 | H-37130 | NYLOK 1/2"-13 | | 1 |
| 29 | H-65076 | 1/8" X 1" COTTER PIN | | 1 |
| 30 | H-68015 | SNAPRING 3/4" | | 1 |
| 31 | H-70003 | HCS 1/4"-20 X 3/4" SS | | 1 |
| 32 | H-70051 | HCS 5/16"- 18 X 1/2" | | 1 |
| 33 | H-70053 | HCS 5/16"- 18 X 3/4" SS | | 4 |
| 34 | H-70710 | HN 1/4"- 20 SS | | 1 |
| 35 | H-70711 | HN 5/16"- 18 SS | | 2 |
| 36 | H-71015 | FW 5/16 ID X 3/4 OD SS | | 1 |
| 37 | H-71021 | FW 1/2 ID X 1-1/4 OD SS | | 4 |
| 38 | H-71063 | LW 1/4" SS | | 1 |
| 39 | H-71065 | LW 5/16" SS | | 4 |
| 40 | H-K14320 | 3/16" X 1 1/4" KEY | | 3 |
| 41 | H-NJ05C | JNYL 5/16"- 18 SS | | 1 |



| Item | Part No. | Description | Comments | Qty |
|------|-----------|---|------------------|-----|
| 1 | 4-0000 | 34/3300 BATTERY TRAY | | 1 |
| 2 | 4-111 | MAIN BODY | | 1 |
| 3 | 4-125 | MOTOR MOUNTING BRACKET | | 1 |
| 4 | 4-201 | 12V,TWIN SHAFT MOTOR | | 1 |
| 5 | 4-201B | MOTOR CRADLE | | 1 |
| 6 | 4-210 | TERMINAL CLIP | | 1 |
| 7 | 4-227 | LOW BATTERY LIGHT | | 1 |
| 8 | 4-229 | 3 POS ROCKER SWITCH | | 1 |
| 9 | 4-231 | SAFETY SHUT OFF SWITCH | | 1 |
| 10 | 4-232 | CIR. BREAKER - 12V/80A | | 1 |
| 11 | 4-233 | RELAY, 12-V | | 1 |
| 12 | 4-235 | CIR. BREAKER - 12V/6A | | 1 |
| 13 | 4-240 | HOUR METER | | 1 |
| 14 | 4-244 | BATTERY CHARGER | | 1 |
| 15 | 4-251 | SUB-LEAD, BATTERY TO GREY 50 CONN. | <i>NOT SHOWN</i> | 1 |
| 16 | 4-251N | SUB-LEAD, BATTERY TO GREY 50 CONN. | <i>NOT SHOWN</i> | 1 |
| 17 | 4-252 | SUB-HARNESS, GREY 50 TO 80 AMP BREAKER | <i>NOT SHOWN</i> | 1 |
| 18 | 4-253 | SUB-HARNESS, 80 AMP BREAKER TO SOLENOID | <i>NOT SHOWN</i> | 1 |
| 19 | 4-254 | SUB-LEAD, SOLENOID TO MAIN MOTOR | <i>NOT SHOWN</i> | 1 |
| 20 | 4-255 | SUB-HARNESS, MAIN WIRING HARNESS | <i>NOT SHOWN</i> | 1 |
| 21 | 4-256 | GREY 50 CONNECTOR WITH CONTACTS | <i>NOT SHOWN</i> | 2 |
| 22 | 4-260 | CONNECTOR, GREY 50 | <i>NOT SHOWN</i> | 2 |
| 23 | H-1032HCN | HCN #10-32 | | 11 |
| 24 | H-19901 | FB CASHD 1/4"-20 X 1/2" | | 12 |
| 25 | H-250HCN | HCN 1/4"-20 | | 50 |
| 26 | H-312HCN | HCN 5/16"-18 | | 4 |
| 27 | H-37015 | NYLOK #10-32 | | 4 |
| 28 | H-70053 | HCS 5/16"- 18 X 3/4" SS | | 5 |
| 29 | H-70710 | HN 1/4"- 20 SS | | 4 |
| 30 | H-71009 | FW #10 SS | | 2 |
| 31 | H-71015 | FW 5/16 ID X 3/4 OD SS | | 4 |
| 32 | H-71063 | LW 1/4" SS | | 3 |
| 33 | H-71065 | LW 5/16" SS | | 6 |
| 34 | H-72515 | PPH #10-32 X 1/2" S/S | | 6 |
| 35 | H-72517 | PPH #10-32 X 5/8" SS | | 2 |
| 36 | H-NJ06C | JNYL 3/8- 16 SS | | 1 |
| 37 | HHCS - SS | HCS 5/16"- 18 X 1/2" | | 2 |

CYLINDRICAL BROOMS:

| BROOM TYPE | PART #'S |
|---------------|----------|
| Poly | 4-401 |
| Nylon | 4-401N |
| Carpet Broom | 4-401NN |
| Poly & Steel | 4-401S |
| Union | 4-401U |
| Union & Steel | 4-401US |

SIDE BROOMS:

| SIDE BROOM TYPE | PART#S |
|-----------------|--------|
| Poly | 4-402 |
| Poly & Steel | 4-402S |

FILTER KITS:

| FILTER TYPE | PART#'S |
|---|---------|
| Standard Filter Assembly <small>(Includes Tape Seal Kit, Grill, and Filter)</small> | 4-500 |
| Standard Filter Kit <small>(Includes Tape Seal Kit and Filter)</small> | 4-502D |
| 1 Micron Filter | 4-502 |
| 0.2 Micron Filter | 4-502F |
| Nomex Filter | 4-502N |
| Filter Tape Seal Kit | 4-502K |

SEAL KITS:

| SEAL KIT | PART#'S |
|-------------------|---------|
| Neoprene Seal Set | 4-550 |

GT Suggested Parts Inventory

| Quantity | Part # | Description |
|----------|--------|--------------------------|
| 1 | 7-130B | Front Caster |
| 2 | 4-358 | Rear HD Wheel |
| 2 | 4-353 | Rear Wheel |
| 1 | 4-124 | Hood Latch |
| 1 | 4-150D | Sticker Set |
| 2 | 4-2006 | GT Sticker |
| 1 | 4-227 | Low Battery Light |
| 1 | 4-500 | Filter Replacement |
| 1 | 4-550 | Seal Replacement |
| 1 | 4-244 | Charger |
| 1 | 4-302 | Belt |
| 1 | 4-311 | Belt |
| 1 | 4-229 | Red Rocker Switch |
| 1 | 4-402 | Side Broom Polypropylene |

BLANK
THIS PAGE WAS INTENTIONALLY LEFT BLANK

BLANK
THIS PAGE WAS INTENTIONALLY LEFT BLANK



1711 South Street
Racine, WI 53404
www.tomcatequip.com
Tel. US: 800-450-9824
Tel. Int: (001) 262-681-6470