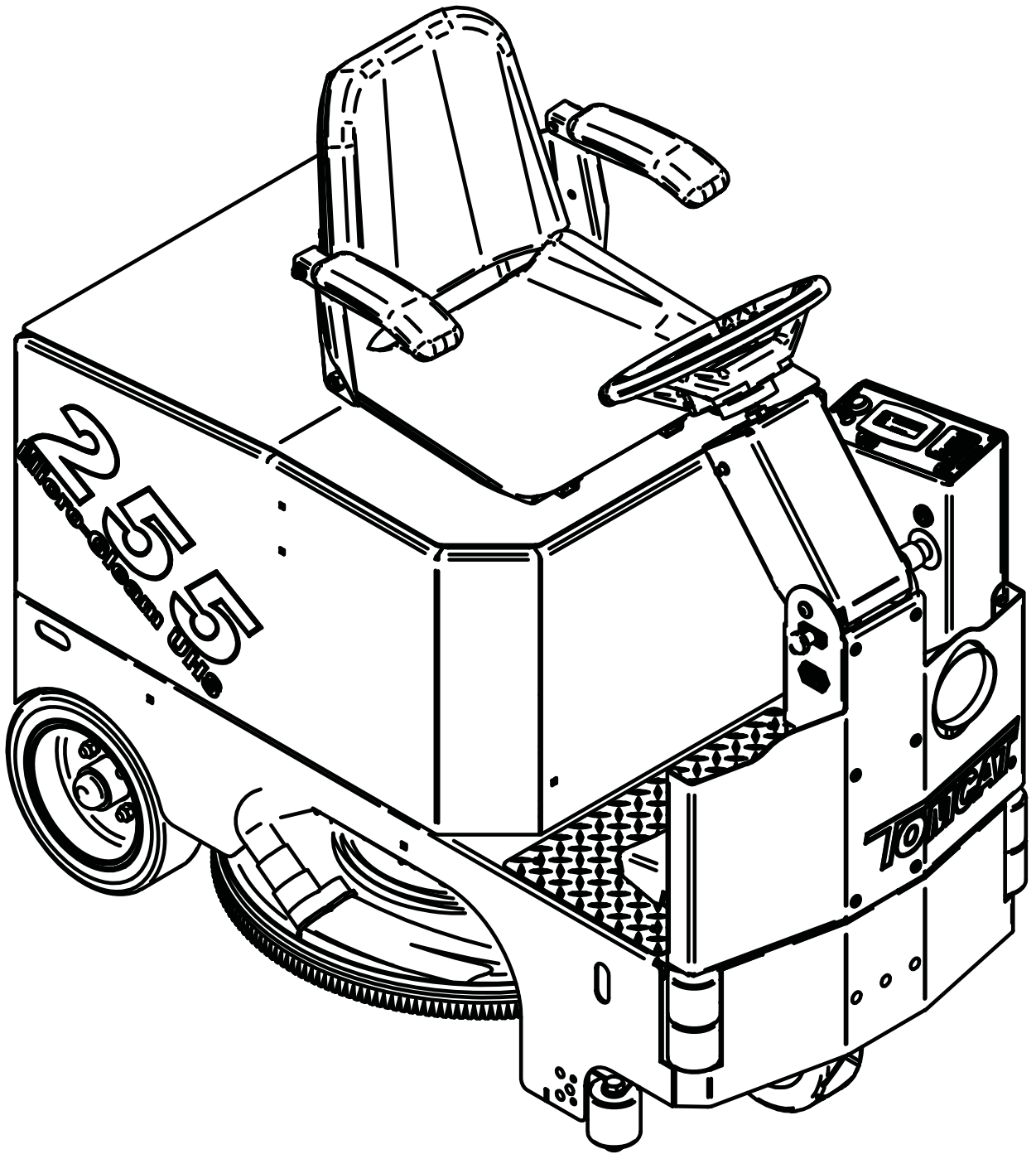


Version 14.1118

PARTS MANUAL

255 BURNISHER

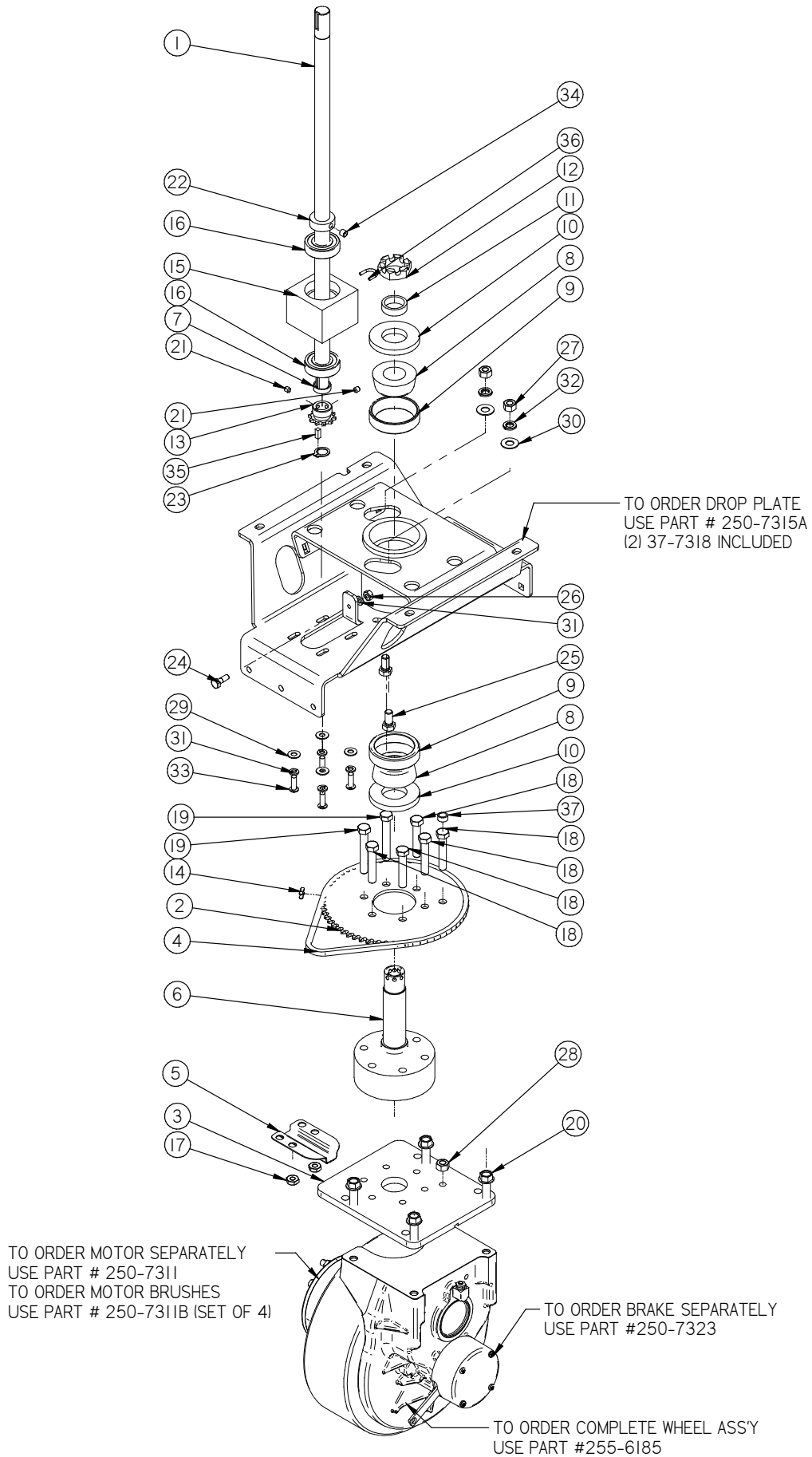


R.P.S. Corporation
Phone: 1-800-450-9824
P.O. Box 241
Racine, Wisconsin 53401

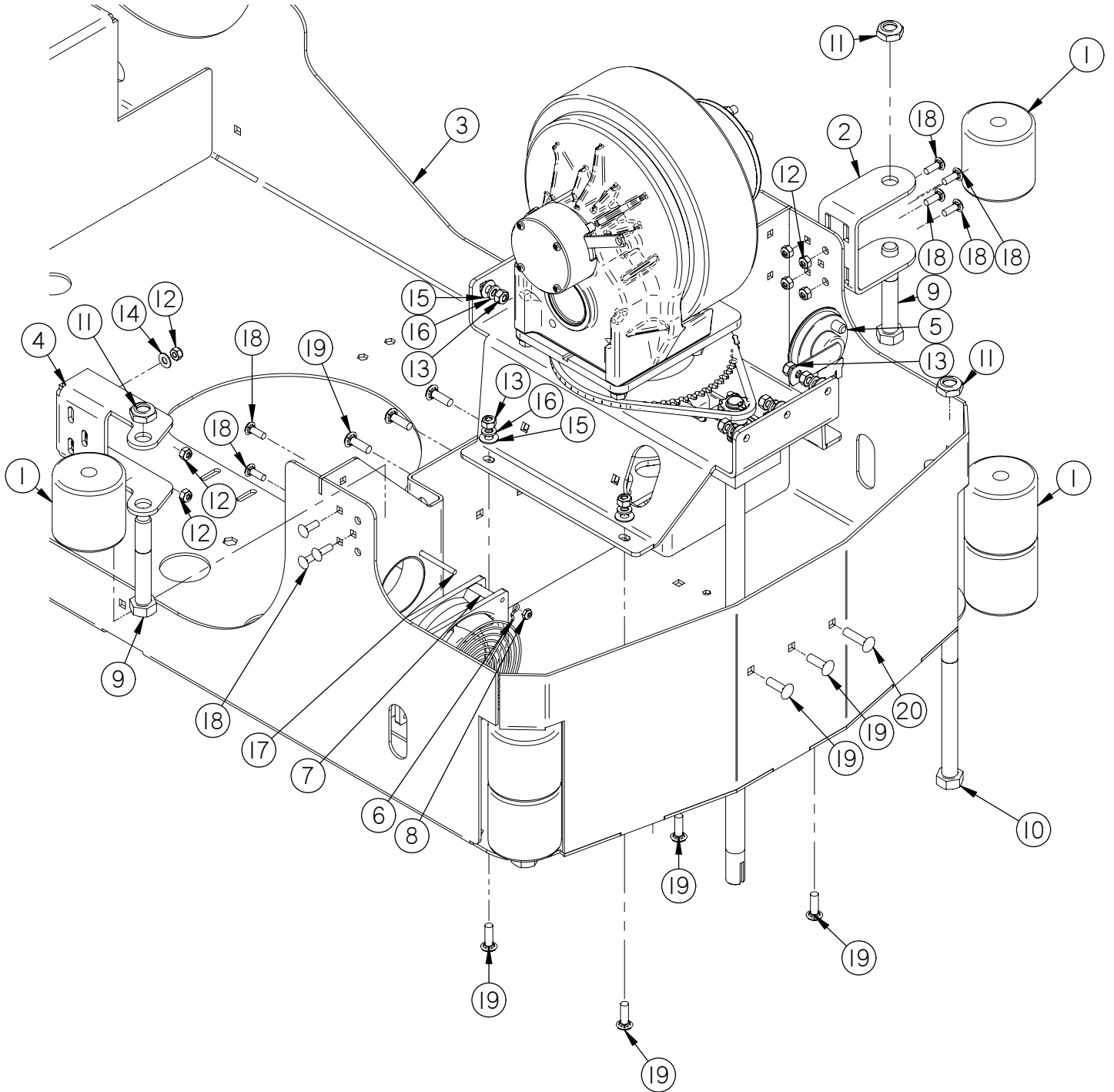
Front Wheel Assembly.....4
Wheels and Rollers6
Rear Axle and Vac Motor.....8
Rear Axle and Vac Motor.....9
27” Burnisher Deck.....10
27” Old Belt Drive Burnisher Deck.....12
Burnisher Actuator14
Burnisher Actuator16
Deck and Actuator Tower.....18
Steering20
Central Command - Current Style22
Central Command - Old Style.....24
Steering Tower, Central Command, and Apron26
Batteries, Seat, and Filter Box.....28
Common wear parts30
Suggested parts inventory.....31

4

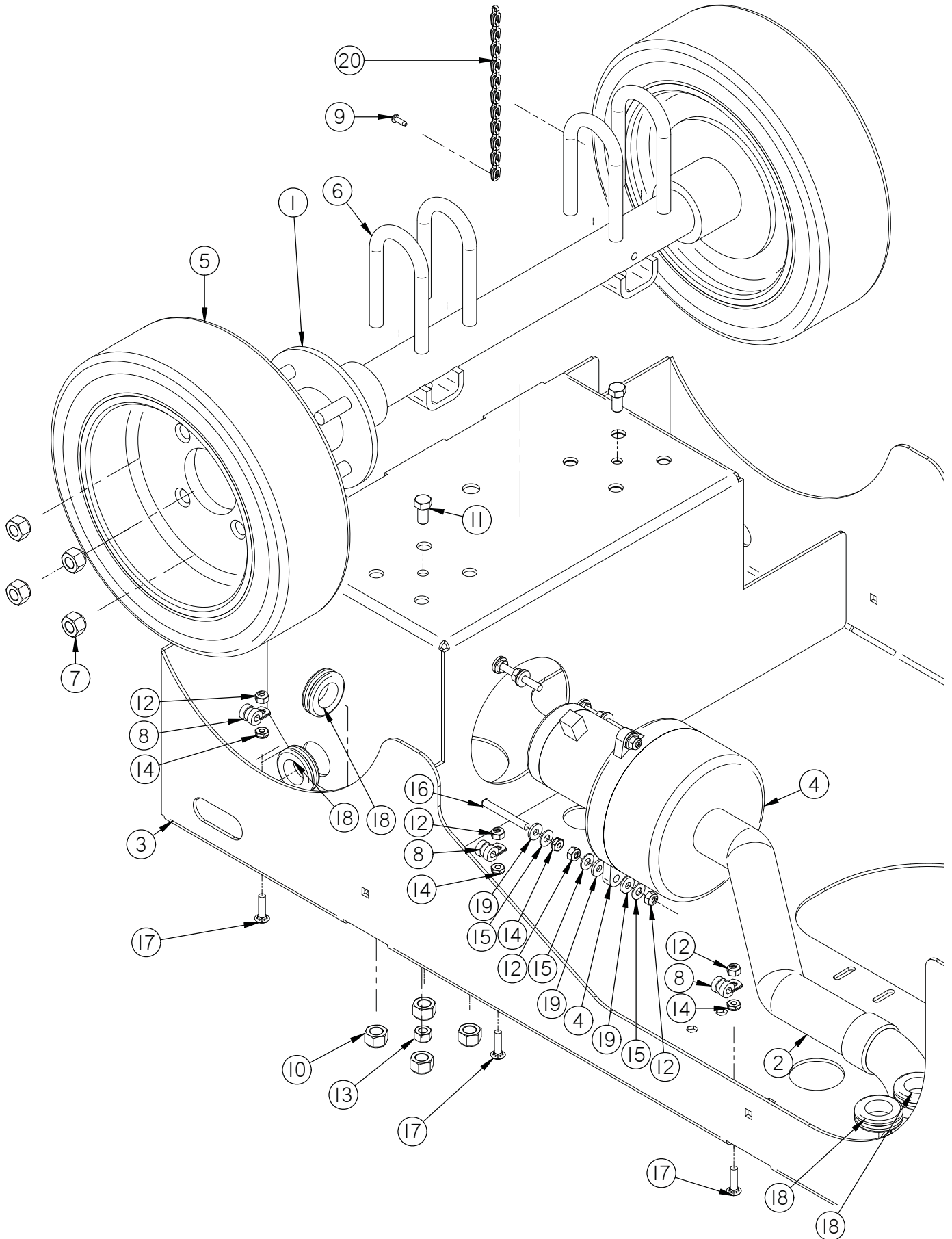
Front Wheel Assembly



| Item | Part No. | Part Description | Qty. |
|------|------------|--|------|
| 1 | 250-7120 | STEERING SHAFT, LOWER | 1 |
| 2 | 250-7314 | 60 TOOTH STEERING SPROCKET | 1 |
| 3 | 250-7326 | PIVOT PLATE | 1 |
| 4 | 250-7327 | STEERING CHAIN | 1 |
| 5 | 250-7328 | WIRE GUIDE | 1 |
| 6 | 250-7332 | STEERING SPINDLE | 1 |
| 7 | 290-1218 | SPACER 7/8" OD. X 3/4" ID X 1/4" LG | 1 |
| 8 | 37-7317 | TAPERED ROLLER BEARING | 2 |
| 9 | 37-7318 | BEARING CAP | 2 |
| 10 | 37-7319 | STEERING SHAFT SEAL | 2 |
| 11 | 37-7320 | PRE LOAD SLEEVE | 1 |
| 12 | 37-7321 | SLOTTED NUT, 2.0 - 12 | 1 |
| 13 | 5-826 | 10 TOOTH SPROCKET | 1 |
| 14 | 5-831 | MASTER LINK | 1 |
| 15 | 8-723 | BEARING BLOCK | 1 |
| 16 | 8-723B | BEARING | 2 |
| 17 | H-0171004 | JNYL 3/8- 24 SS | 2 |
| 18 | H-0172949 | HCS 3/8"- 24 X 2" SS FULL THREADED | 5 |
| 19 | H-0172951 | HCS 3/8"- 24 X 2-1/2" SS FULL THREADED | 2 |
| 20 | H-11115680 | FB CASHD M10-1.5 X 30mm | 4 |
| 21 | H-25379 | SETSCREW, KCP, 1/4"-20 X 1/4" | 2 |
| 22 | H-33376 | SHAFT COLLAR, 3/4" ID X 9/16 LG | 1 |
| 23 | H-68013 | SNAPRING 5/8" | 1 |
| 24 | H-70003 | HCS 1/4"-20 X 3/4" SS | 1 |
| 25 | H-70103 | HCS 3/8"-16 X 3/4" SS | 2 |
| 26 | H-70710 | HN 1/4"- 20 SS | 1 |
| 27 | H-70712 | HN 3/8"-16 SS | 2 |
| 28 | H-70732 | HN 3/8"- 24 SS | 1 |
| 29 | H-71013 | FW 1/4 ID X 5/8 OD SS | 4 |
| 30* | H-71017 | FW 3/8 ID X 7/8 OD SS | 2 |
| 31 | H-71063 | LW 1/4" SS | 5 |
| 32 | H-71067 | LW 3/8" SS | 2 |
| 33 | H-73754 | BHSCS 1/4 - 20 X 3/4" SS | 4 |
| 34 | H-81983 | 5/16" X 1/4" KURL SET SCREW | 1 |
| 35 | H-K1432 | 3/16" X 1/2" KEY | 1 |
| 36 | M-938IT24 | S-HOOK | 1 |
| 37 | T-050B0025 | 5/16 ID x 1/4" LG BLACK HOSE | 1 |

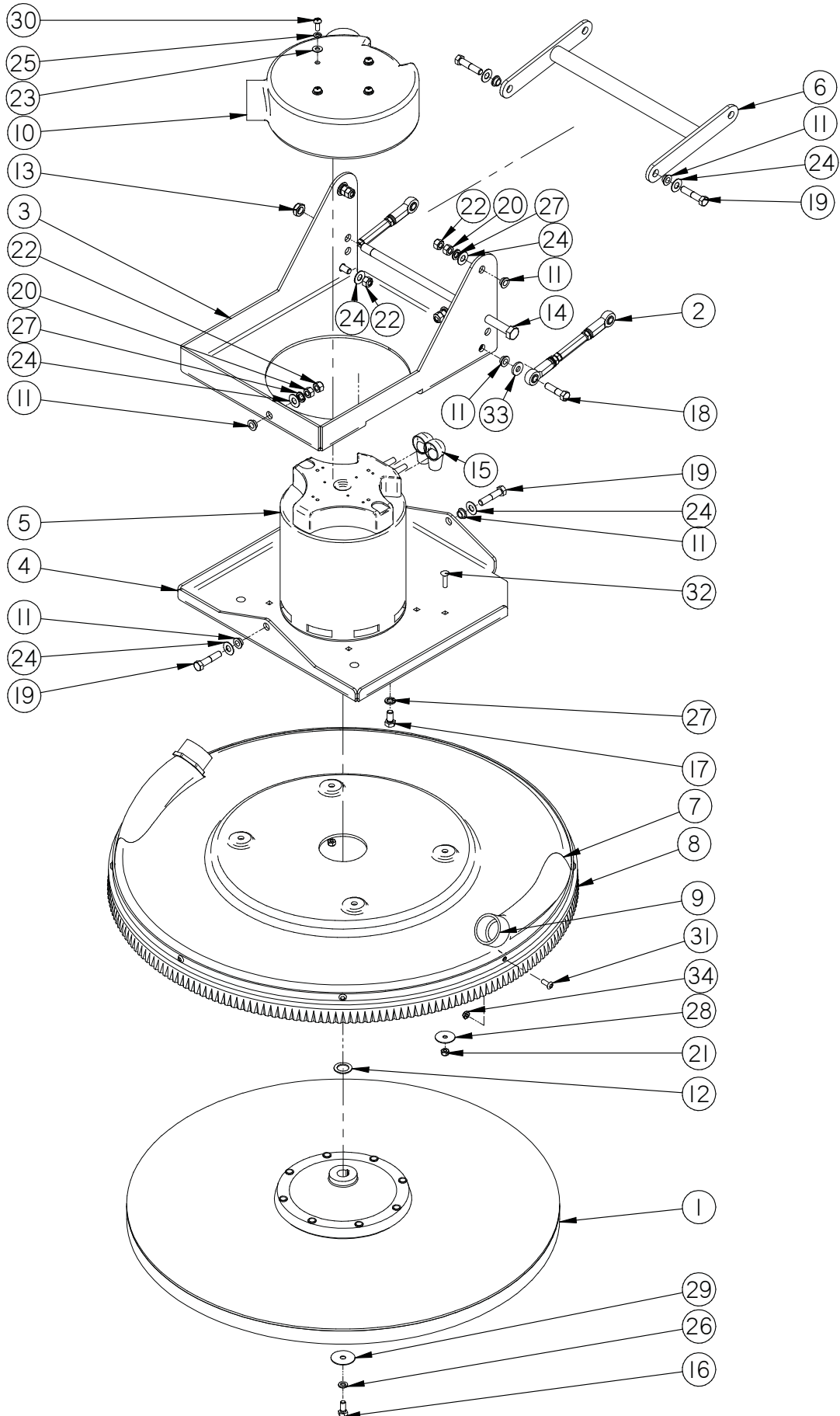


| Item | Part No. | Part Description | Qty. |
|------|-----------|--------------------------|------|
| 1 | 21-1127 | ROLLER | 6 |
| 2 | 22-1126 | ROLLER BRACKET | 1 |
| 3 | 255-1100 | MAIN FRAME | 1 |
| 4 | 290-1128 | LOWER ROLLER BRACKET | 1 |
| 5 | 370-2940 | HORN | 1 |
| 6 | 5-212A | FAN GUARD | 1 |
| 7 | 5-218 | 48 VOLT COOLING FAN | 1 |
| 8 | H-0129155 | JNYL #10-32, 18-8 S/S | 3 |
| 9 | H-11319 | HB 5/8"- 11 X 4" | 2 |
| 10 | H-11333 | HB 5/8"- 11 X 7" | 2 |
| 11 | H-37038 | JNYL 5/8"- 11 | 4 |
| 12 | H-70860 | NYLOK 1/4"- 20 SS | 9 |
| 13 | H-70861 | NYLOK 5/16" - 18 SS | 7 |
| 14 | H-71013 | FW 1/4 ID X 5/8 OD SS | 3 |
| 15 | H-71015 | FW 5/16 ID X 3/4 OD SS | 6 |
| 16 | H-71065 | LW 5/16" SS | 6 |
| 17 | H-72556 | PPH #10-32 X 2" SS | 4 |
| 18 | H-74419 | CB 1/4"- 20 X .75" SS | 9 |
| 19 | H-74430 | CB 5/16"- 18 X 1" SS | 9 |
| 20 | H-74431 | CB 5/16"- 18 X 1-1/4" SS | 1 |



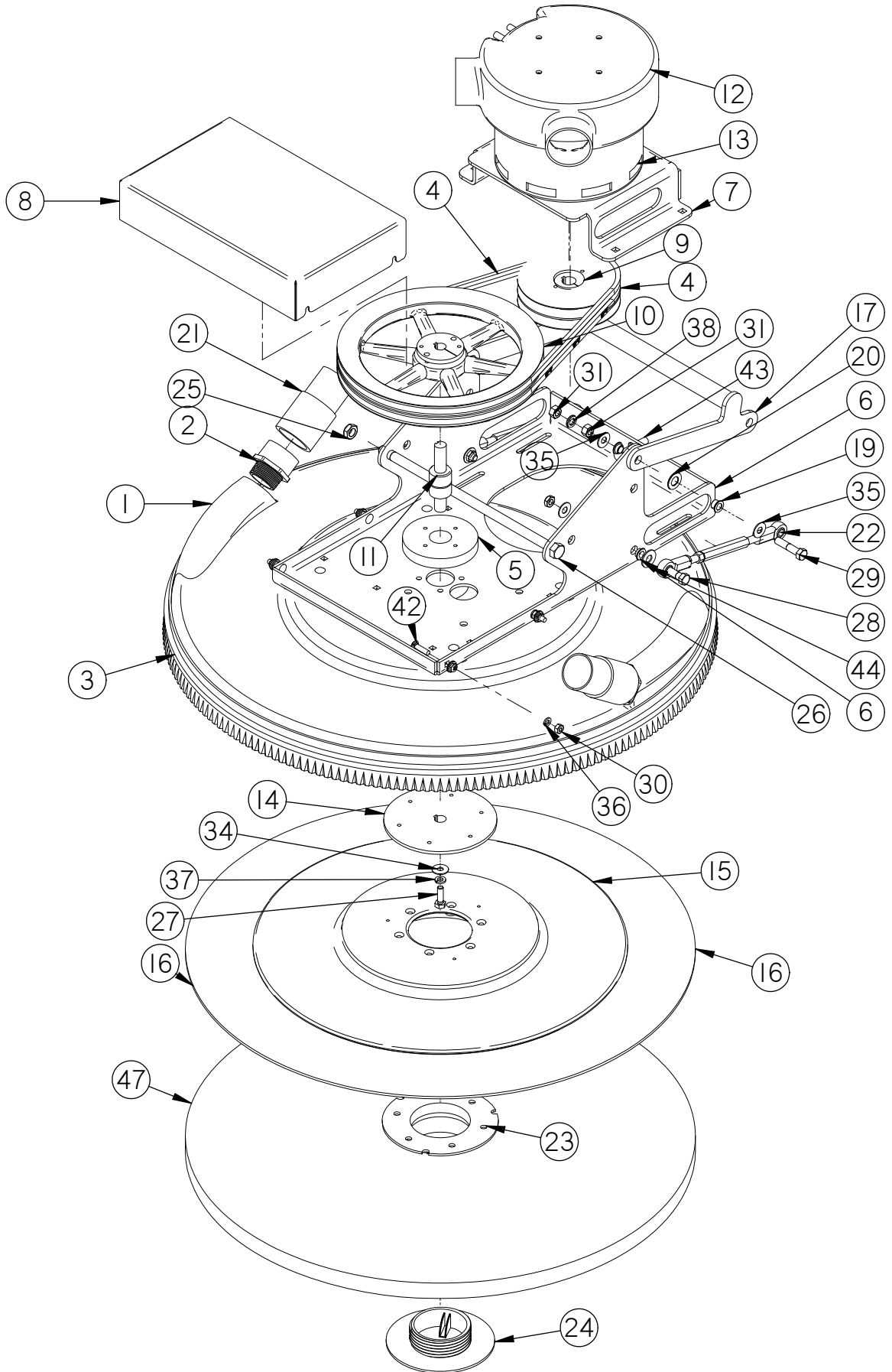
| Item | Part No. | Part Description | Qty. |
|------|---------------|-------------------------------------|------|
| 1 | 250-6040 | 250 REAR AXLE | 1 |
| 2 | 255-0114 | VAC TO VAC BOX HOSE | 1 |
| 3 | 255-1100 | MAIN FRAME | 1 |
| 4 | 255-5250 | 36V VAC MOTOR, TANGENTIAL W/SNORKEL | 1 |
| 5 | 255-6180 | REAR WHEEL (GRAY) (NO TREAD) | 2 |
| 6 | 290-6186 | 1/2-20 X 1-1/4 " U BOLT | 4 |
| 7 | 290-6187 | LUG NUT, 1/2"- 20 | 8 |
| 8 | H-0127288 | 3/8" LOOP CLAMP | 3 |
| 9 | H-31810 | #10-16 X 1/2 DRILL TAP | 1 |
| 10 | H-37130 | NYLOK 1/2"-13 | 8 |
| 11 | H-70103 | HCS 3/8"-16 X 3/4" SS | 2 |
| 12 | H-70860 | NYLOK 1/4"- 20 SS | 9 |
| 13 | H-70862 | NYLOK 3/8"-16 SS | 2 |
| 14 | H-70925 | KN 1/4-20 S/S | 6 |
| 15 | H-71013 | FW 1/4 ID X 5/8 OD SS | 9 |
| 16 | H-74397 | CB 1/4"- 20 X 2-1/4" SS | 3 |
| 17 | H-74420 | CB 1/4"- 20 X 1.0" SS | 3 |
| 18 | H-9307K74 | GROMMET, 1" ID X 1-3/4" OD BUNA-N | 4 |
| 19 | M-90130A029 | .25" NEOPRENE WASHER | 9 |
| 20 | T-360824SI000 | 10" GOLD GROUDING CHAIN | 1 |

10 27" Burnisher Deck



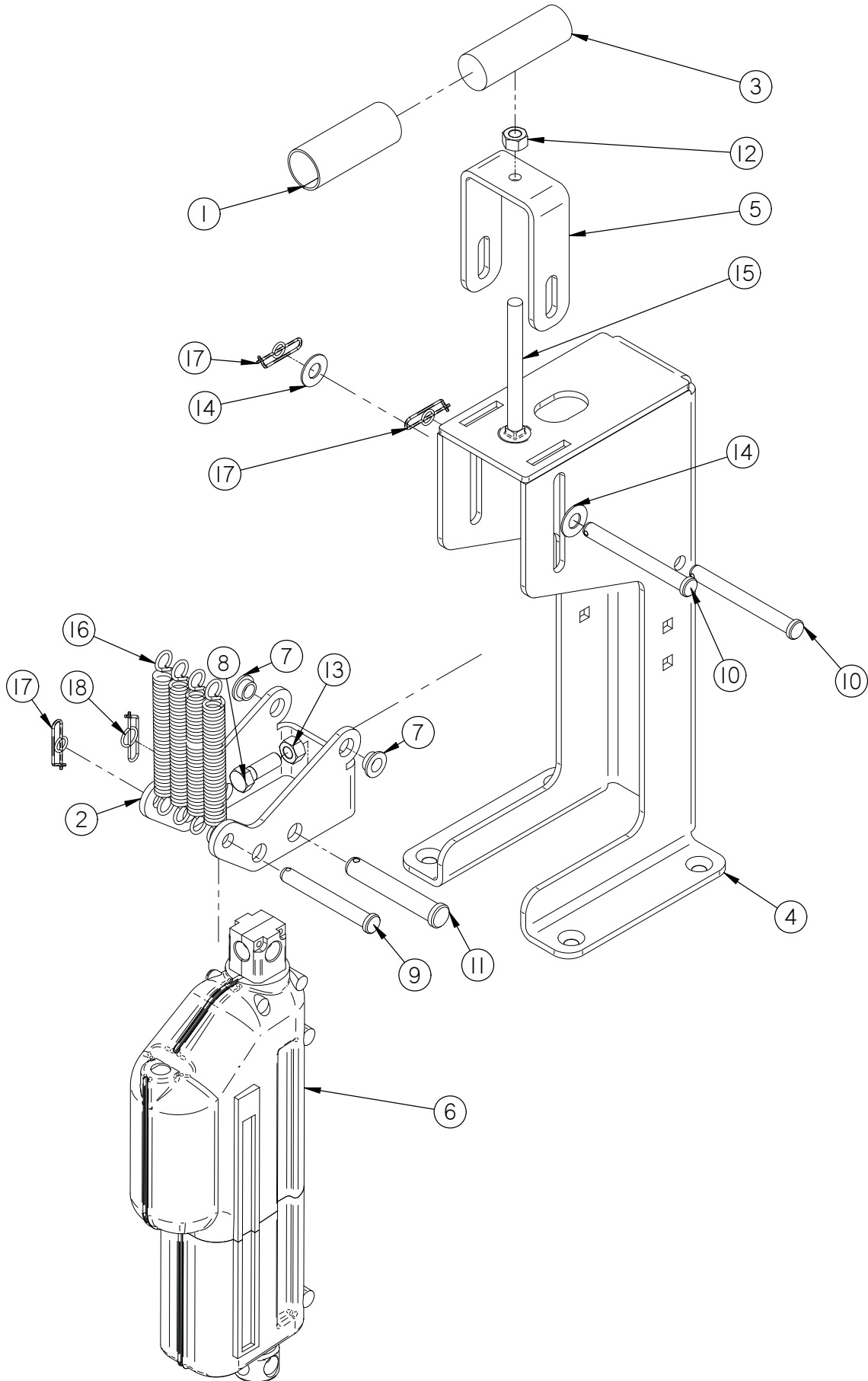
| Item | Part No. | Part Description | Qty. |
|------|-----------|-------------------------------------|------|
| 1 | 200-9568 | 27" BURNISHER PAD DRIVER | 1 |
| 2 | 253-8440 | ADJUSTABLE LATERAL ARM | 2 |
| 3 | 255-4020 | UPPER TILT DECK | 1 |
| 4 | 255-4021 | LOWER TILT DECK | 1 |
| 5 | 255-9506 | MOTOR, 36V 85 AMPS 1600 RPM 3.25 HP | 1 |
| 6 | 255-9587 | LATERAL LIFTING BRACKET | 1 |
| 7 | 275-0001 | 27" BURNISHER SHROUD | 1 |
| 8 | 275-0016 | SHROUD CURTAIN | 1 |
| 9 | 275-1201 | 1-1/4 NPT TO 2" OD ADAPTER | 2 |
| 10 | 275-9501 | MOTOR COVER | 1 |
| 11 | 290-1233 | 3/8" ID, 1/2" OD, 1/4" LG BEARING | 10 |
| 12 | H-00222 | FW 3/4" ID X 1 1/8" OD X 3/32" SS | 1 |
| 13 | H-0129159 | JNYL, 1/2"-13, 18-8 SS | 1 |
| 14 | H-15237 | HCS 1/2"- 13 X 13" GRADE 8 | 1 |
| 15 | H-40031 | BATTERY BOOT | 2 |
| 16 | H-70091 | HCS 5/16"- 24 X 3/4" SS | 1 |
| 17 | H-70102 | HCS 3/8"-16 X 5/8" SS | 4 |
| 18 | H-70109 | HCS 3/8"- 16 X 1-1/2" SS | 2 |
| 19 | H-70110 | HCS 3/8"- 16 X 1-3/4" SS | 4 |
| 20 | H-70712 | HN 3/8"-16 SS | 4 |
| 21 | H-70860 | NYLOK 1/4"- 20 SS | 4 |
| 22 | H-70862 | NYLOK 3/8"-16 SS | 6 |
| 23 | H-71013 | FW 1/4 ID X 5/8 OD SS | 4 |
| 24 | H-71017 | FW 3/8 ID X 7/8 OD SS | 10 |
| 25 | H-71063 | LW 1/4" SS | 4 |
| 26 | H-71065 | LW 5/16" SS | 1 |
| 27 | H-71067 | LW 3/8" SS | 8 |
| 28 | H-71213 | FNW 1/4" X 1-1/4" SS | 4 |
| 29 | H-71215 | FNW 5/16 ID X 1-1/2 OD SS | 1 |
| 30 | H-72588 | PPH 1/4-20 X 5/8" SS | 4 |
| 31 | H-73753 | BHSCS 1/4 - 20 X 5/8" SS | 9 |
| 32 | H-74420 | CB 1/4"- 20 X 1.0" SS | 4 |
| 33 | H-98025 | FW 3/8" GRADE 8 | 2 |
| 34 | H-NJ04C | JNYL 1/4" - 20 SS | 9 |

12 27" Old Belt Drive Burnisher Deck



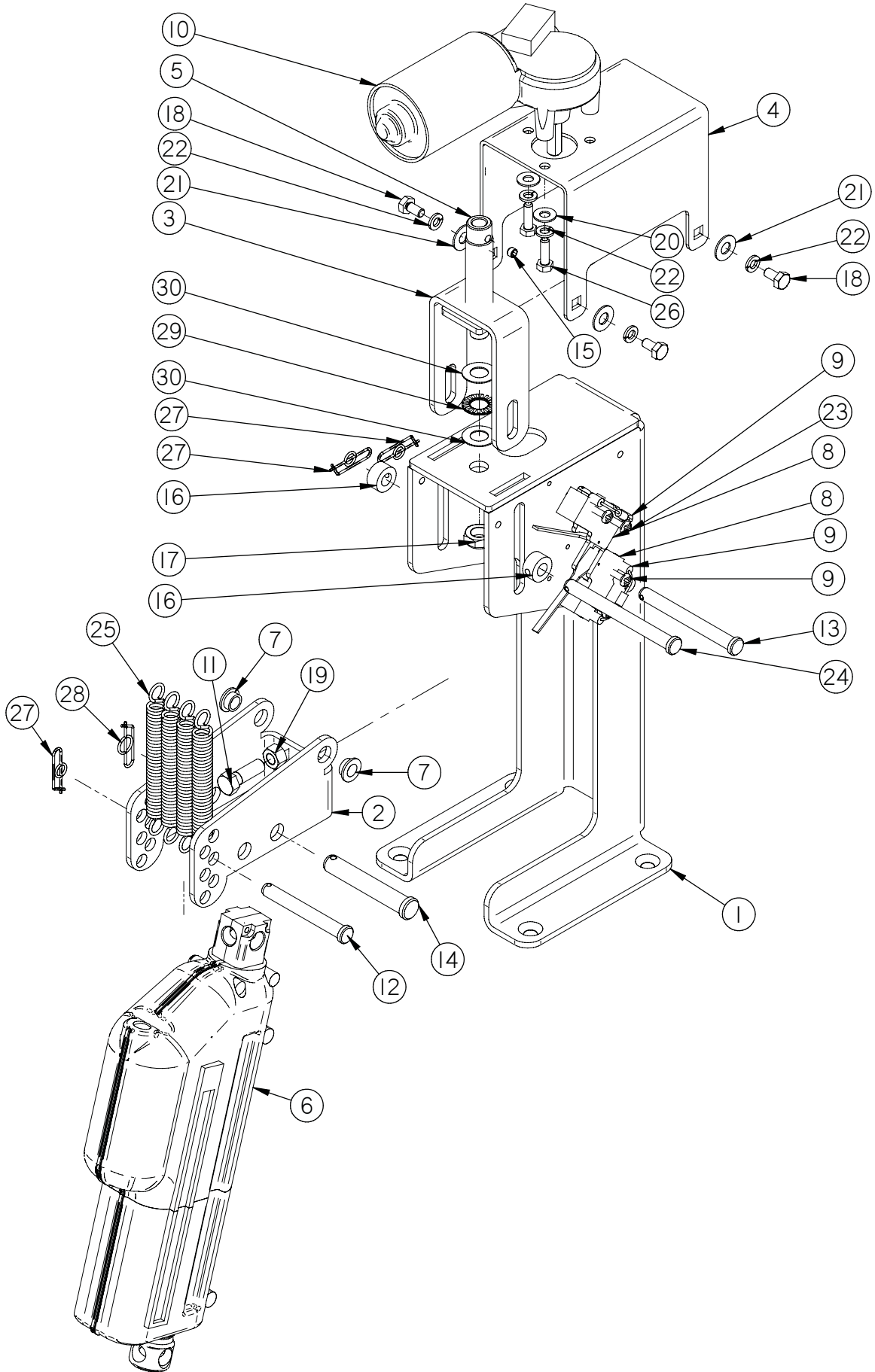
| Item | Part No. | Part Description | Qty |
|------|-----------------------|---|-----|
| 1 | 275-0001 | 27" BURNISHER SHROUD | 1 |
| 2 | 275-0004 | 1-1/4 NPT TO 2" OD ADAPTER | 2 |
| 3 | 275-0016 | SHROUD CURTAIN | 1 |
| 4 | 275-3010 | PAD DRIVER BELT | 2 |
| 5 | 275-3050 | BEARING HOUSING | 1 |
| 6 | 275-4020 | SINGLE PAD BURNISHER DECK | 1 |
| 7 | 275-4021 | MOTOR ADJUSTMENT BRACKET | 1 |
| 8 | 275-4022 | BELT GUARD | 1 |
| 9 | 275-8215 | DH2550 5.5" PULLEY | 1 |
| 10 | 275-8225 | 11" PULLEY | 1 |
| 11 | 275-8240 | DRIVE BEARING | 1 |
| 12 | 275-9501 | MOTOR COVER | 1 |
| 13 | 275-9506 | BURNISHER MOTOR 36V 2500 RPM 78 AMP | 1 |
| 14 | 275-9568 | PAD DRIVER | 1 |
| 15 | 275-9569 | DISK RISER | 1 |
| 16 | 275-9576 | 27" DRIVER PLATE | 1 |
| 17 | 275-9586 | LATERAL LIFTING BRACKET | 1 |
| 18* | 290-1233 | 3/8" ID, 1/2" OD, 1/4" LG BEARING | 4 |
| 19 | 290-1245 | 3/8" ID, 1/2" OD, 3/8" LG, FLANGE BEARING | 2 |
| 20 | 290-1247 | BRONZE THRUST BEARING, .50" ID X 1.0" OD X 1/16" TH | 2 |
| 21 | 290-7212 | 1-1/2" - 2" HOSE CUFF | 2 |
| 22 | 290-9587 | ADJUSTABLE LATERAL ARM | 2 |
| 23 | 40-434A | DRIVER LOCK | 1 |
| 24 | 40-434B | DRIVER SCREW IN PAD LOCK | 1 |
| 25 | H-0129159 | JNYL, 1/2"-13, 18-8 SS | 1 |
| 26 | H-15237 | HCS 1/2"- 13 X 13" GRADE 8 | 1 |
| 27 | H-70055 | HCS 5/16"- 18 X 1" SS | 1 |
| 28 | H-70107 | HCS 3/8"- 16 X 1-1/4" SS | 2 |
| 29 | H-70110 | HCS 3/8"- 16 X 1-3/4" SS | 2 |
| 30 | H-70710 | HN 1/4"- 20 SS | 4 |
| 31 | H-70712 | HN 3/8"-16 SS | 4 |
| 32* | H-70860 | NYLOK 1/4"- 20 SS | 1 |
| 33* | H-71013 | FNW 1/4" X 5/8" SS | 8 |
| 34 | H-71016 | FW 5/16" X 7/8" SS | 1 |
| 35 | H-71017 | FW 3/8" X 7/8" SS | 6 |
| 36 | H-71063 | LW 1/4" SS | 4 |
| 37 | H-71065 | LW 5/16" SS | 1 |
| 38 | H-71067 | LW 3/8" SS | 2 |
| 39* | H-71212 | FNW 1/4" X 1" SS | 4 |
| 40* | H-72710 | FHP 1/4"- 20 X 1" SS | 1 |
| 41* | H-74418 | CB 1/4"- 20 X 5/8" S/S | 4 |
| 42 | H-74420 | CB 1/4"- 20 X 1.0" SS | 4 |
| 43 | H-74439 | CB 3/8"- 16 X 2.0" SS | 1 |
| 44 | H-99001 | FW 3/8" SS | 2 |
| 45* | H-NJ04C | JNYL 1/4" - 20 SS | 8 |
| 46* | H-NJ06C | JNYL 3/8- 16 SS | 2 |
| 47 | SEE COMMON WEAR PARTS | 27" BURNISHER PAD | 1 |

14 Burnisher Actuator

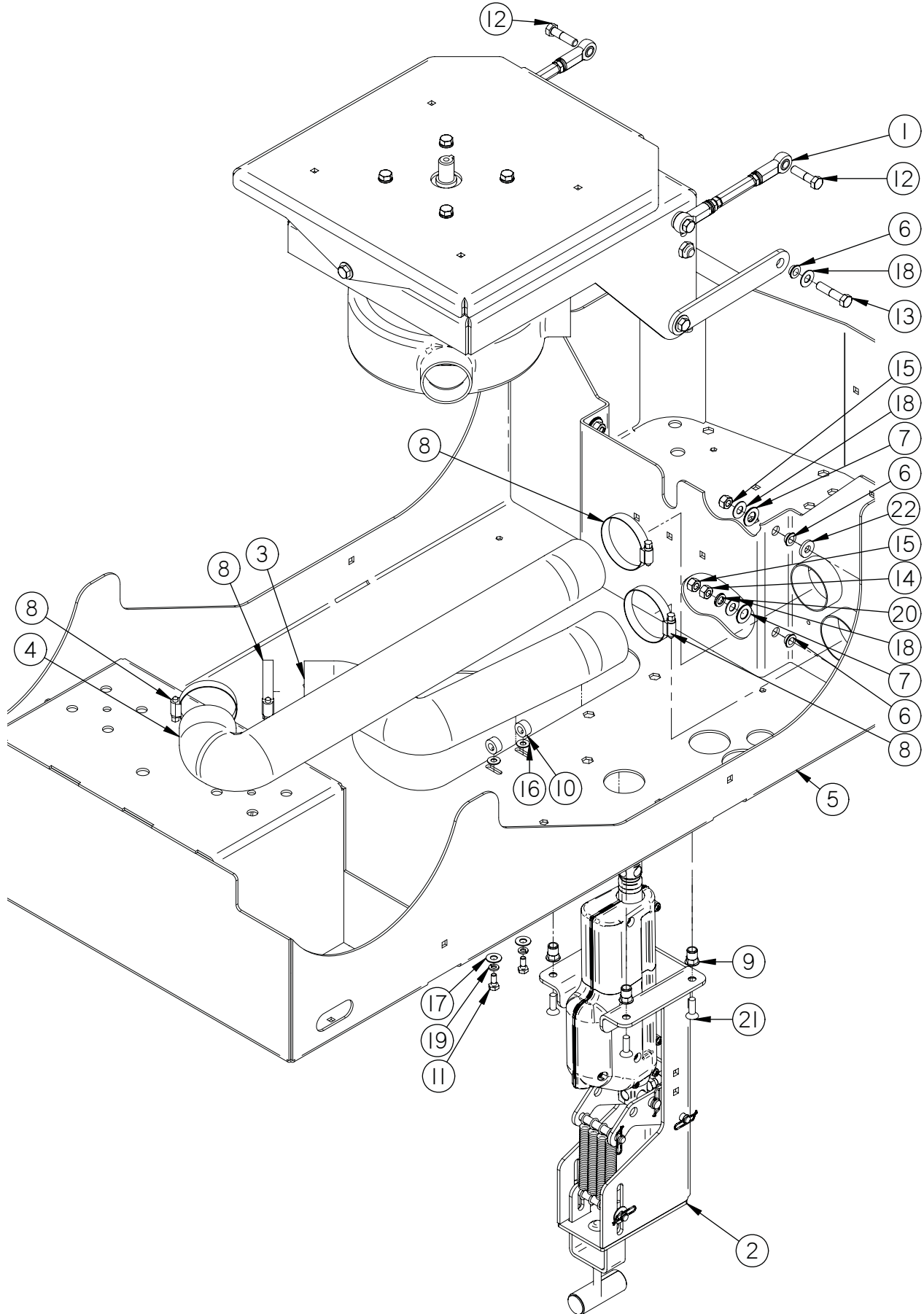


| Item | Part No. | Part Description | Qty. |
|------|-----------|-------------------------------------|------|
| 1 | 200-0999 | DOWN PRESSURE STICKER | 1 |
| 2 | 255-1082 | ACTUATOR PIVOT | 1 |
| 3 | 275-0999 | HANDLE | 1 |
| 4 | 275-1081 | ACTUATOR UPRIGHT | 1 |
| 5 | 275-1083 | ACTUATOR SPRING AJUSTMENT BRACKET | 1 |
| 6 | 275-2210 | 6" STROKE 36V ACTUATOR 1000 LB LOAD | 1 |
| 7 | 290-1233 | 3/8" ID, 1/2" OD, 1/4" LG BEARING | 2 |
| 8 | H-01219 | HCS 3/8"- 24 X 1 1/8" SS | 1 |
| 9 | H-0156756 | CLEVIS PIN 3/8" x 3.00" | 1 |
| 10 | H-0156758 | 3/8" X 3-1/2" CLEVIS PIN | 2 |
| 11 | H-0156775 | 1/2" X 3" CLEVIS PIN | 1 |
| 12 | H-70712 | HN 3/8"-16 SS | 1 |
| 13 | H-70732 | HN 3/8"- 24 SS | 1 |
| 14 | H-71017 | FW 3/8 ID X 7/8 OD SS | 2 |
| 15 | H-74443 | CB 3/8"- 16 X 4.0" SS | 1 |
| 16 | H-96544 | SPRING, 4-1/8" LG, 9/16 OD, (42E) | 4 |
| 17 | H-RUE14 | 3/8" RUE RING COTTER | 3 |
| 18 | H-RUE22 | 1/2" RUE RING COTTER | 1 |

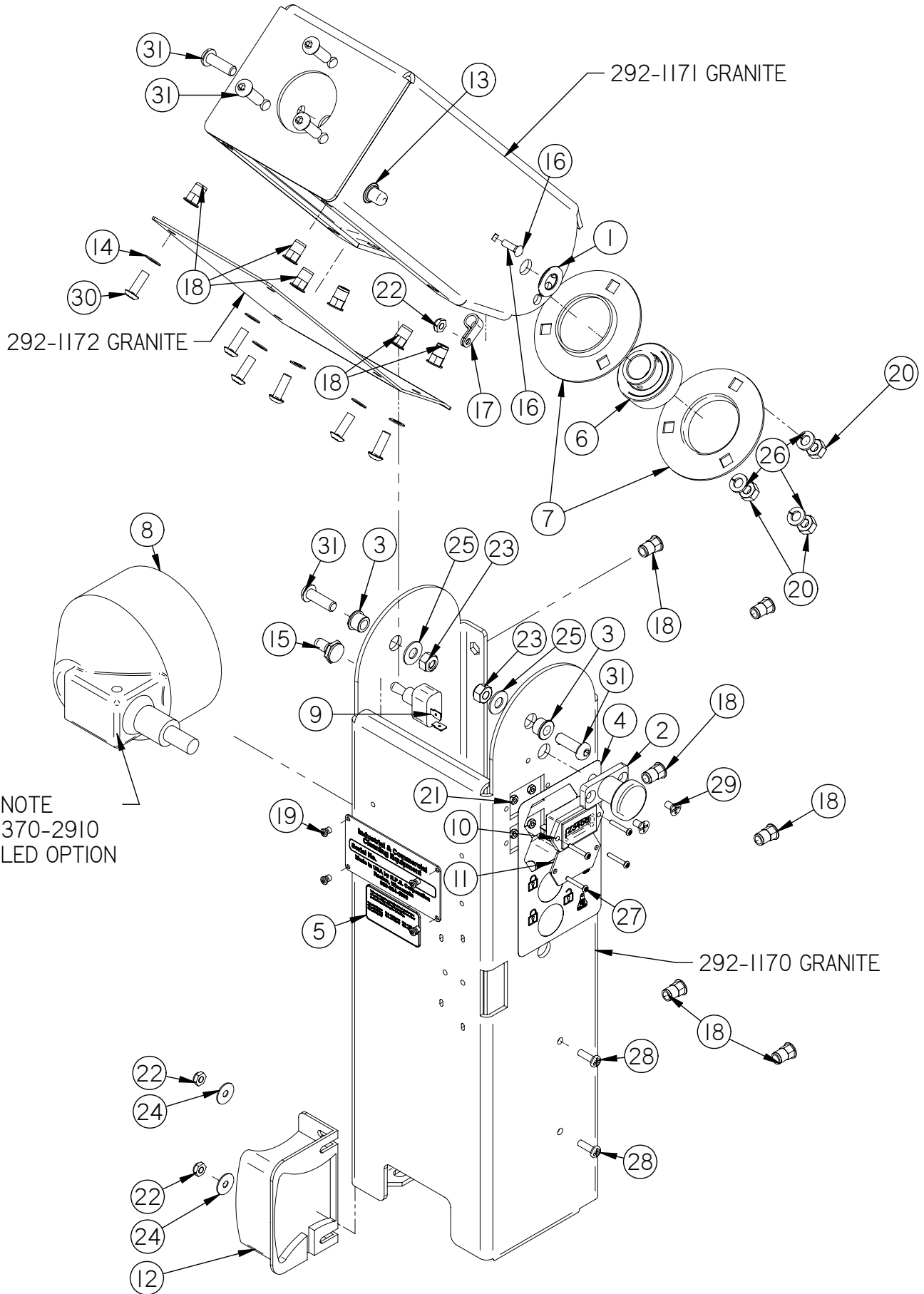
16 Burnisher Actuator



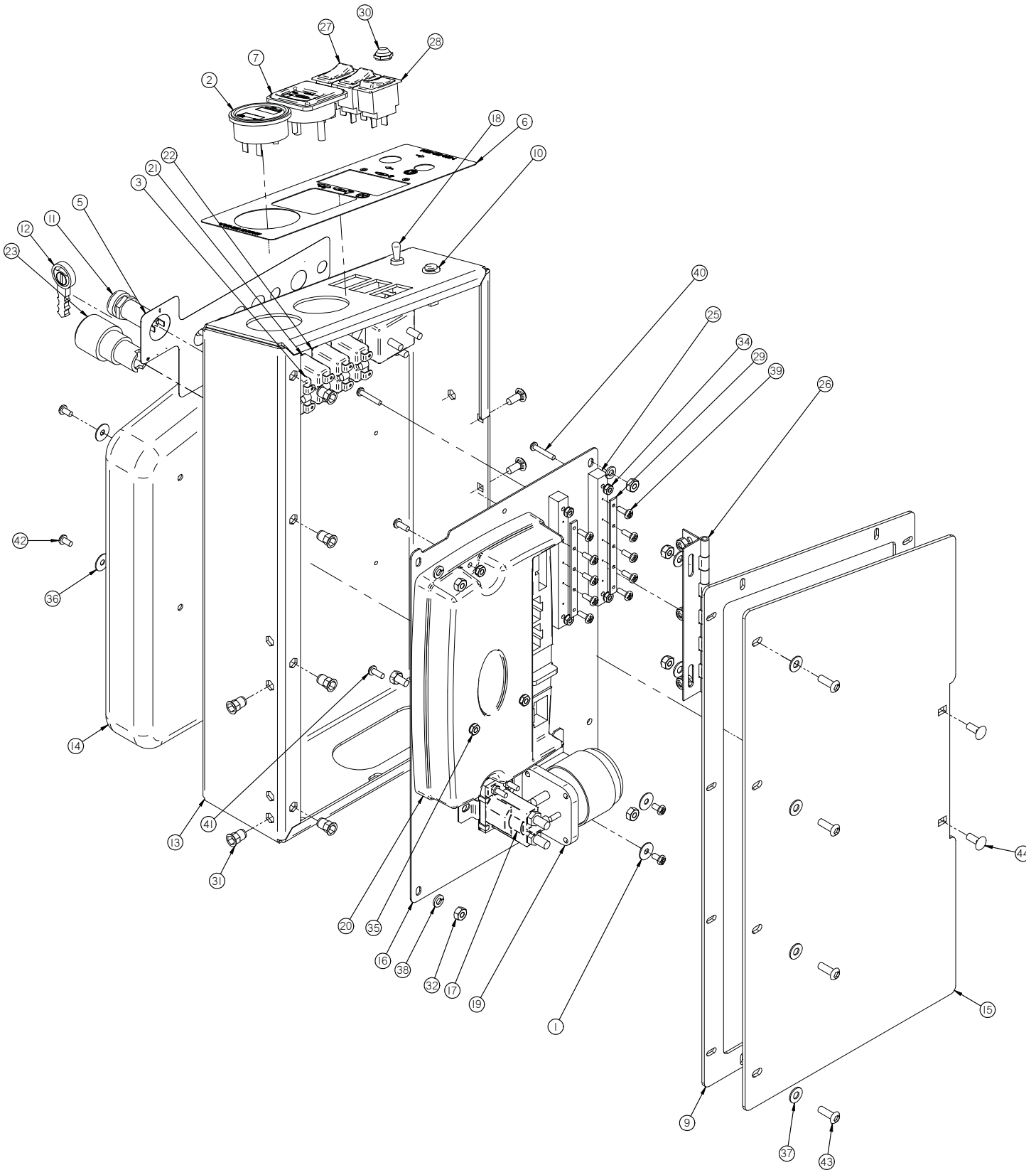
| Item | Part No. | Part Description | Qty. |
|------|-----------|-------------------------------------|------|
| 1 | 255-1081 | ACTUATOR UPRIGHT | 1 |
| 2 | 255-1082 | ACTUATOR PIVOT | 1 |
| 3 | 255-1083 | SPRING AJUSTMENT BRACKET | 1 |
| 4 | 255-1084 | MOTOR MOUNT | 1 |
| 5 | 255-1086 | ACTUATOR ADJUSTMENT SHAFT | 1 |
| 6 | 275-2210 | 6" STROKE 36V ACTUATOR 1000 LB LOAD | 1 |
| 7 | 290-1233 | 3/8" ID, 1/2" OD, 1/4" LG BEARING | 2 |
| 8 | 5-223 | LIMIT SWITCH | 2 |
| 9 | 5-270 | EMF SUPP DIODE | 2 |
| 10 | 8-220 | SIDE BROOM MOTOR | 1 |
| 11 | H-01219 | HCS 3/8"- 24 X 1 1/8" SS | 1 |
| 12 | H-0156756 | CLEVIS PIN 3/8" x 3.00" | 1 |
| 13 | H-0156758 | 3/8" X 3-1/2" CLEVIS PIN | 1 |
| 14 | H-0156775 | 1/2" X 3" CLEVIS PIN | 1 |
| 15 | H-25379 | SETSCREW, KCP, 1/4"-20 X 1/4" | 1 |
| 16 | H-33372 | SHAFT COLLAR, 3/8" ID | 2 |
| 17 | H-37032 | JNYL, 1/2"-13, NTE | 1 |
| 18 | H-70001 | HCS 1/4"-20 X 1/2 SS" | 4 |
| 19 | H-70732 | HN 3/8"- 24 SS | 1 |
| 20 | H-71013 | FW 1/4 ID X 5/8 OD SS | 2 |
| 21 | H-71015 | FW 5/16 ID X 3/4 OD SS | 4 |
| 22 | H-71063 | LW 1/4" SS | 6 |
| 23 | H-72418 | PPH #8-32 X 1" S/S | 4 |
| 24 | H-923903 | 3/8" X 4" CLEVIS PIN | 1 |
| 25 | H-96545 | SPRING, 4-1/8" LG, 9/16 OD, (42E) | 4 |
| 26 | H-M82550 | HCS M6-1.0 X 20 SS | 2 |
| 27 | H-RUE14 | 3/8" RUE RING COTTER | 3 |
| 28 | H-RUE22 | 1/2" RUE RING COTTER | 1 |
| 29 | M-5909K31 | NEEDLE ROLLER THRUST BEARING | 1 |
| 30 | M-5909K44 | NEEDLE ROLLER THRUST BEARING WASHER | 2 |



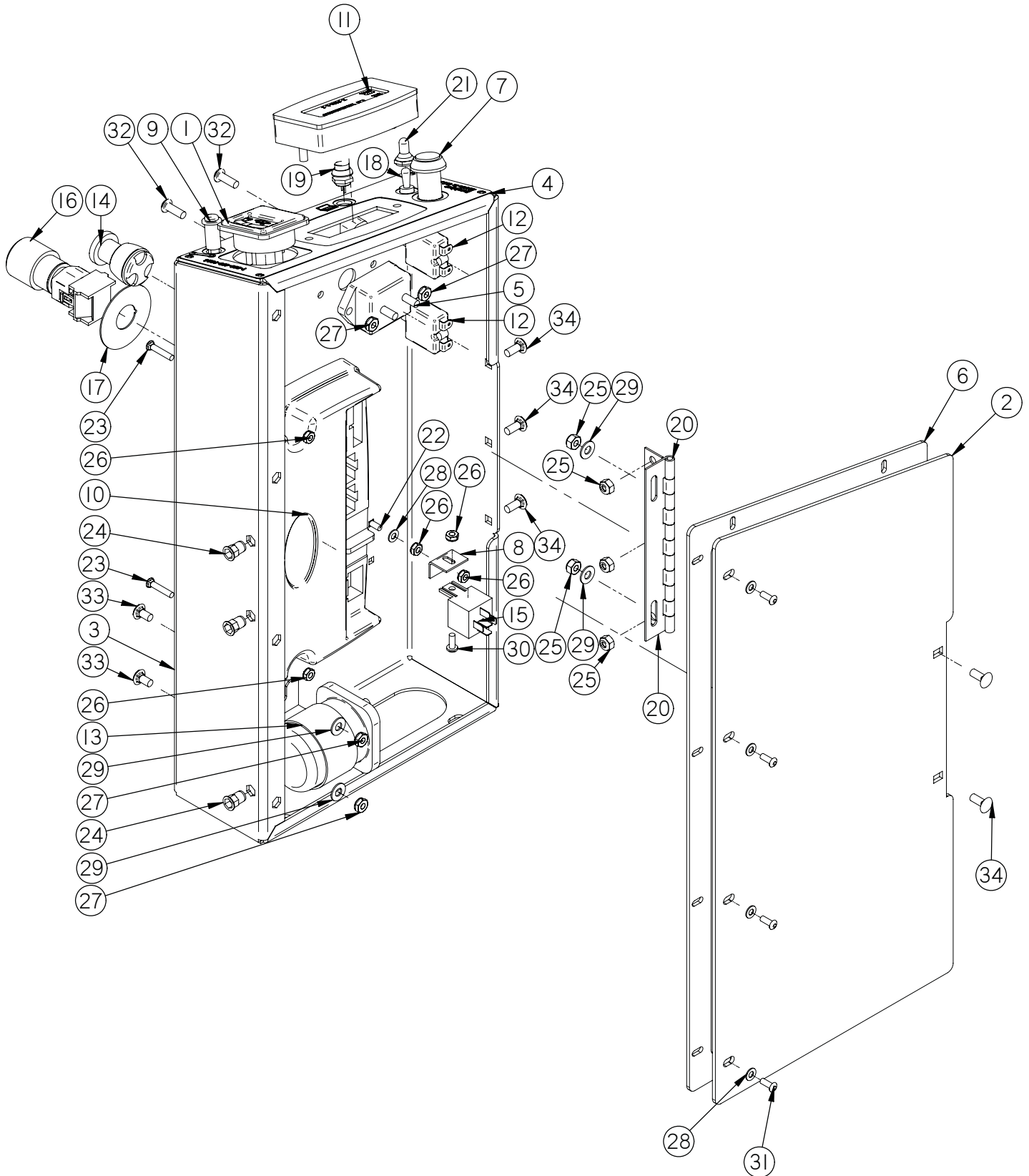
| Item | Part No. | Part Description | Qty. |
|------|-----------|---|------|
| 1 | | TILT BURNISHER DECK | 1 |
| 2 | | ACTUATOR TOWER | 1 |
| 3 | 255-0116 | CLEAN AIR INTAKE HOSE | 1 |
| 4 | 255-0117 | CLEAN AIR INTAKE HOSE | 1 |
| 5 | 255-1100 | MAIN FRAME | 1 |
| 6 | 290-1233 | 3/8" ID, 1/2" OD, 1/4" LG BEARING | 6 |
| 7 | 290-1247 | BRONZE THRUST BEARING, .50" ID X 1.0" OD X 1/16" TH | 4 |
| 8 | H-0427617 | CLAMP 2" - 3" | 4 |
| 9 | H-312NCNL | HCS 5/16"-18 LG | 4 |
| 10 | H-33372 | SHAFT COLLAR, 3/8" ID | 2 |
| 11 | H-70002 | HCS 1/4"-20 X 5/8" SS | 2 |
| 12 | H-70109 | HCS 3/8"- 16 X 1-1/2" SS | 2 |
| 13 | H-70110 | HCS 3/8"- 16 X 1-3/4" SS | 2 |
| 14 | H-70712 | HN 3/8"-16 SS | 2 |
| 15 | H-70862 | NYLOK 3/8"-16 SS | 4 |
| 16 | H-71013 | FW 1/4 ID X 5/8 OD SS | 2 |
| 17 | H-71015 | FW 5/16 ID X 3/4 OD SS | 2 |
| 18 | H-71017 | FW 3/8 ID X 7/8 OD SS | 6 |
| 19 | H-71063 | LW 1/4" SS | 2 |
| 20 | H-71067 | LW 3/8" SS | 2 |
| 21 | H-73908 | FHSCS 5/16"- 18 X 1" SS | 4 |
| 22 | H-98025 | FW 3/8" GRADE 8 | 2 |



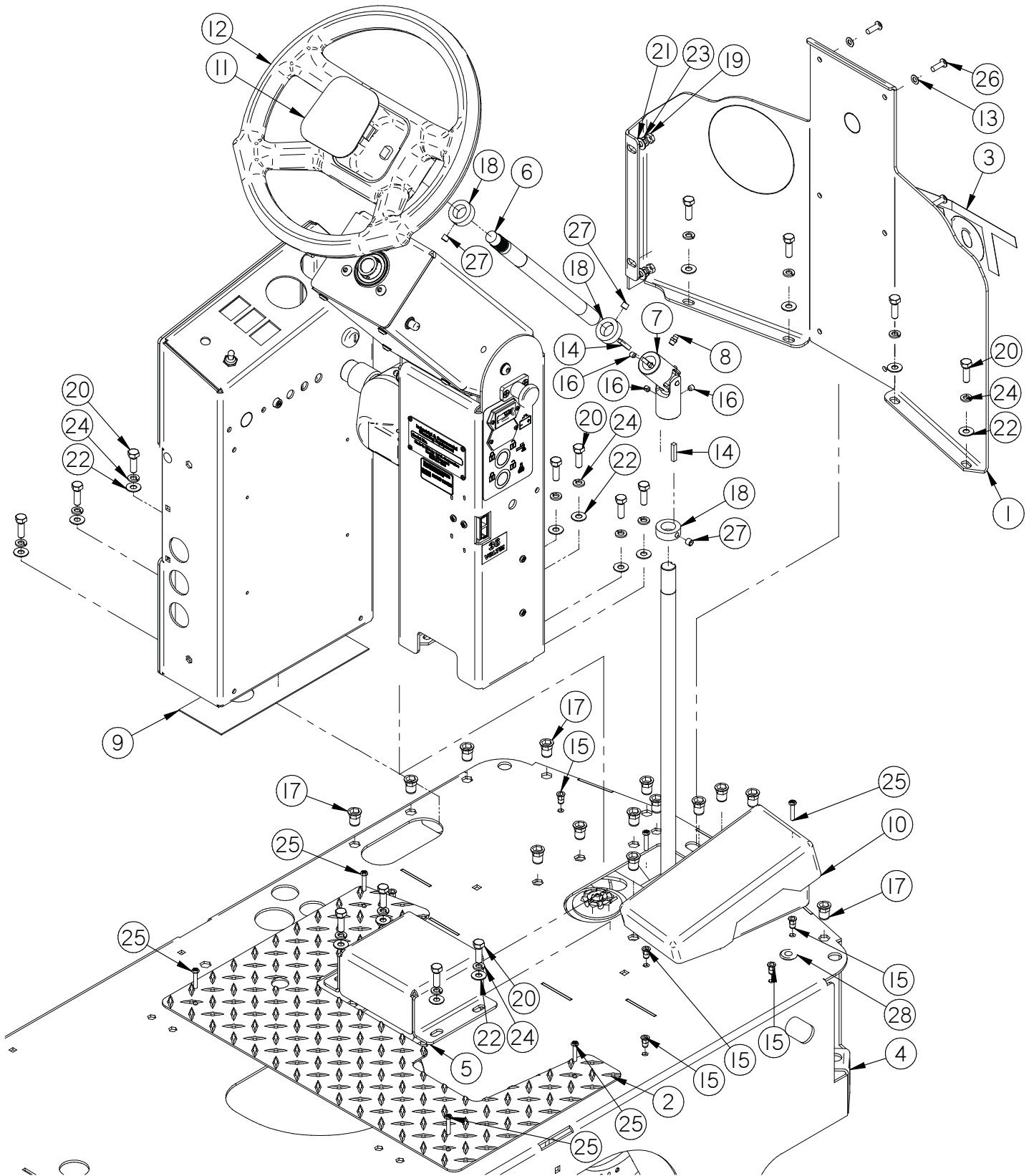
| Item | Part No. | Part Description | Qty. |
|------|-----------|---|------|
| 1 | 290-1247 | BRONZE THRUST BEARING, .50" ID X 1.0" OD X 1/16" TH | 2 |
| 2 | 290-7050 | INDEX PLUNGER | 1 |
| 3 | 370-1245 | BUSHING | 2 |
| 4 | 370-7204 | METER STICKER | 1 |
| 5 | 370-7206 | PATENT PLATE | 1 |
| 6 | 4-352 | BEARING | 1 |
| 7 | 4-364A | FLANGE, 1.75" ID | 2 |
| 8 | 430-2910 | 36V HEADLIGHT | 1 |
| 9 | 5-892 | TOGGLE, ON-OFF SPST | 1 |
| 10 | 8-262 | HOUR METER | 1 |
| 11 | 8-263 | METER PLUG | 1 |
| 12 | 8-292 | BACKUP ALARM | 1 |
| 13 | 8-294B | PUSH BUTTON SWITCH, SILVER | 1 |
| 14 | H-00282 | FW 1/4" NYLON | 6 |
| 15 | H-01200 | PROTECTIVE BOOT, TOGGLE SWITCH, (BLACK) | 1 |
| 16 | H-0172519 | CB #10-32 X 5/8" SS | 1 |
| 17 | H-02239 | 3/8" NYLON LOOP CLAMP | 1 |
| 18 | H-250HCN | HCN 1/4"-20 | 12 |
| 19 | H-41007 | AB4-3A BLIND RIVET | 4 |
| 20 | H-70711 | HN 5/16" - 18 SS | 4 |
| 21 | H-70854 | NYLOK #4-40 SS | 4 |
| 22 | H-70858 | NYLOK #10-32 SS | 3 |
| 23 | H-70861 | NYLOK 5/16" - 18 SS | 2 |
| 24 | H-71010 | FW #10 ID X 11/16 OD SS | 2 |
| 25 | H-71015 | FW 5/16 ID X 3/4 OD SS | 2 |
| 26 | H-71065 | LW 5/16" SS | 4 |
| 27 | H-72490 | PPH #4-40 X 3/4" S/S | 4 |
| 28 | H-72517 | PPH #10-32 X 5/8" SS | 2 |
| 29 | H-72681 | FHP #10-32 X 3/8" SS | 2 |
| 30 | H-73754 | BHSCS 1/4 - 20 X 3/4" SS | 6 |
| 31 | H-73780 | BHSCS 5/16-18 X 1 | 6 |



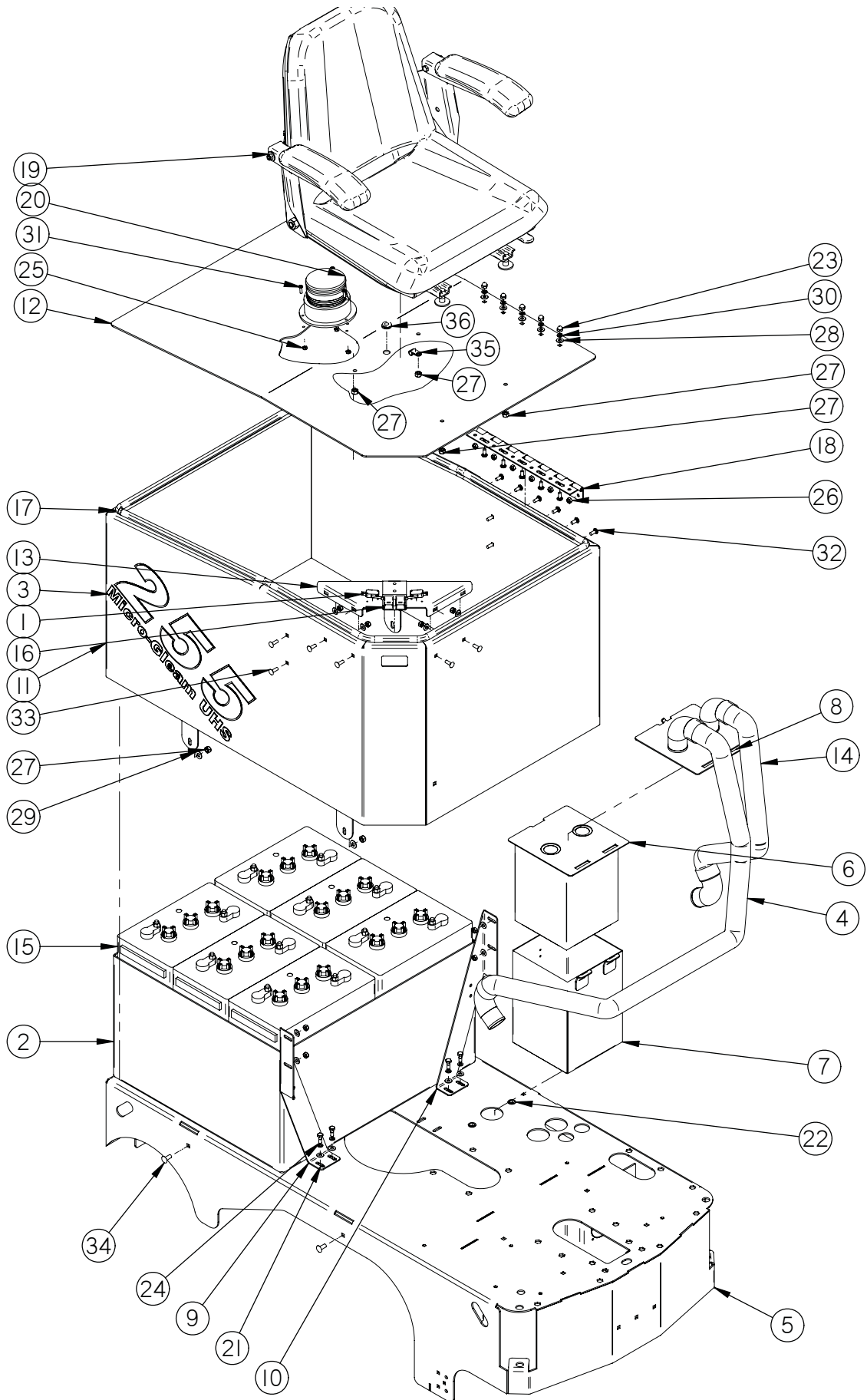
| Item | Part No. | Part Description | Qty. |
|------|-----------|--|------|
| 1 | | | 2 |
| 2 | 190-4855 | 24V BATTERY AND HOUR METER | 1 |
| 3 | 190-9609 | FUSE, RESETTABLE, 40 AMP | 1 |
| 4* | 250-7290 | 36V BATTERY WARNING PLATE | 1 |
| 5 | 255-1500 | 255 CONTROL PANEL STICKER, FRONT | 1 |
| 6 | 255-2013 | 255 CONTROL PANEL STICKER, TOP | 1 |
| 7 | 275-0013 | 0 TO 100 AMP GAUGE 0-75 G 75-90 Y 90-100 R | 1 |
| 8* | 275-8000 | 80 AMP BREAKER | 1 |
| 9 | 290-2004 | ACCESS COVER GASKET | 1 |
| 10 | 290-2300 | LOW SOLUTION (AMBER) | 1 |
| 11 | 290-234 | KEY SWITCH (WITH KEY) | 1 |
| 12 | 290-234A | KEY SET (REPLACE) | 1 |
| 13 | 349-2010 | CONTROL PANEL | 1 |
| 14 | 370-0002 | OPERATORS MANUAL HOLDER | 1 |
| 15 | 370-2001 | ACCESS COVER | 1 |
| 16 | 370-2006 | HARDWARE PANEL | 1 |
| 17 | 370-2331 | RELAY, 36V, SMALL W/FLAT MTG PLATE | 1 |
| 18 | 370-8210 | SWITCH, TOGGLE, ON/ON (DPDT) | 1 |
| 19 | 390-2331 | 36V 200 AMP RELAY | 1 |
| 20 | 390-2899 | CONTROLLER V4 | 1 |
| 21 | 390-9610 | FUSE, RESETTABLE, 10 AMP, 50V DC MAX | 1 |
| 22 | 390-9615 | FUSE, RESETTABLE, 15 AMP, 50V DC MAX | 2 |
| 23 | 5-300 | EMERGENCY SHUT OFF | 1 |
| 24* | 5-302 | EMERGENCY CONTACT BLACK | 1 |
| 25 | 7-287 | BUSS BAR UHMW | 2 |
| 26 | 8-180 | HINGE, 6-7/8" S/S | 1 |
| 27 | 8-231 | SWITCH, ON-OFF ROCKER SPST | 2 |
| 28 | 8-233 | OFF-MOM SPST | 1 |
| 29 | E-5HBB | 5 HOLE BUSS BAR | 2 |
| 30 | H-11196 | PROTECTIVE BOOT, TOGGLE SWITCH, (RED) | 1 |
| 31 | H-250HCN | HCN 1/4"-20 | 8 |
| 32 | H-70710 | HN 1/4"- 20 SS | 8 |
| 33* | H-70860 | NYLOK 1/4"- 20 SS | 5 |
| 34 | H-70922 | KN #8-32 | 4 |
| 35 | H-70923 | KN #10-32 SS | 3 |
| 36 | H-71010 | FW #10 ID X 11/16 OD SS | 4 |
| 37 | H-71013 | FW 1/4 ID X 5/8 OD SS | 6 |
| 38 | H-71063 | LW 1/4" SS | 4 |
| 39 | H-72398 | PPH #8-32 X 1/2" S/S | 10 |
| 40 | H-72418 | PPH #8-32 X 1" S/S | 4 |
| 41 | H-72515 | PPH #10-32 X 1/2" S/S | 3 |
| 42 | H-73742 | PPH #10-32 X 3/8" S/S | 4 |
| 43 | H-73754 | BHSCS 1/4 - 20 X 3/4" SS | 8 |
| 44 | H-74418 | CB 1/4"- 20 X 5/8" S/S | 5 |
| 45* | H-9307K74 | GROMMET, 1" ID X 1-3/4" OD BUNA-N | 3 |



| Item | Part No. | Part Description | Qty. |
|------|-----------|---------------------------------------|------|
| 1 | 275-0013 | 0 TO 100 AMP GAUGE | 1 |
| 2 | 275-2001 | ACCESS COVER | 1 |
| 3 | 275-2010 | CONTROL PANEL | 1 |
| 4 | 275-2013 | CONTROL PANEL TOP PLATE | 1 |
| 5 | 275-8000 | 80 AMP BREAKER | 1 |
| 6 | 290-2004 | ACCESS COVER GASKET | 1 |
| 7 | 290-2015 | ONE TOUCH BUTTON | 1 |
| 8 | 290-2020 | BRACKET | 1 |
| 9 | 290-2300 | LOW SOLUTION (AMBER) | 1 |
| 10 | 290-2890 | COMPUTER CONTROL V2 | 1 |
| 11 | 290-2891 | LCD SCREEN | 1 |
| 12 | 290-8370 | FUSE, RESETTABLE, 50 AMP, 50V DC MAX | 2 |
| 13 | 390-2331 | 36V 200 AMP RELAY | 1 |
| 14 | 4-234 | KEY SWITCH | 1 |
| 15 | 5-293 | 15 AMP RELAY | 1 |
| 16 | 5-300 | EMERGENCY SHUT OFF | 1 |
| 17 | 5-301 | EMERGENCY LEGEND PLATE | 1 |
| 18 | 5-892 | TOGGLE, ON-OFF SPST | 2 |
| 19 | 7-229 | PUSH BUTTON SWITCH | 1 |
| 20 | 8-180 | HINGE, 6-7/8" S/S | 1 |
| 21 | H-01196 | PROTECTIVE BOOT, TOGGLE SWITCH, (RED) | 1 |
| 22 | H-0172518 | CB #10-32 X 1/2" SS | 1 |
| 23 | H-0172521 | CB #10-32 X 1" SS | 2 |
| 24 | H-250HCN | HCN 1/4"-20 | 3 |
| 25 | H-70860 | NYLOK 1/4"- 20 SS | 5 |
| 26 | H-70923 | KN #10-32 SS | 5 |
| 27 | H-70925 | KN 1/4-20 S/S | 4 |
| 28 | H-71009 | FW #10 SS | 5 |
| 29 | H-71013 | FW 1/4 ID X 5/8 OD SS | 4 |
| 30 | H-72515 | PPH #10-32 X 1/2" S/S | 1 |
| 31 | H-73743 | BHSCS 10-32 X 1/2" SS | 4 |
| 32 | H-73754 | BHSCS 1/4 - 20 X 3/4" SS | 2 |
| 33 | H-74417 | CB 1/4"- 20 X .5" SS | 2 |
| 34 | H-74418 | CB 1/4"- 20 X 5/8" S/S | 5 |



| Item | Part No. | Part Description | Qty. |
|------|-----------|------------------------------------|------|
| 1 | 250-1180 | FRONT APRON | 1 |
| 2 | 250-1610 | NON SKID FLOOR PLATE | 1 |
| 3 | 250-7201 | MOLD ON TOMCAT STICKER | 1 |
| 4 | 255-1100 | MAIN FRAME | 1 |
| 5 | 290-1173 | DRIVE COVER | 1 |
| 6 | 290-7090 | STEERING SHAFT, UPPER | 1 |
| 7 | 290-7110 | U-JOINT | 1 |
| 8 | 290-7111 | 1/4-28 ZERK FITTING | 1 |
| 9 | 370-2004 | CENTRAL COMMAND DUST CURTAIN | 1 |
| 10 | 8-290 | FOOT PEDAL | 1 |
| 11 | 8-701A | STEERING COVER | 1 |
| 12 | 8-703 | STEERING WHEEL | 1 |
| 13 | H-00282 | FW 1/4" NYLON | 6 |
| 14 | H-01125 | 3/16" X 1" KEY | 2 |
| 15 | H-02309 | HCN #10-32, LG CRIMP | 6 |
| 16 | H-25379 | SETSCREW, KCP, 1/4"-20 X 1/4" | 3 |
| 17 | H-312NCNL | HCN 5/16"-18 LG | 15 |
| 18 | H-33376 | SHAFT COLLAR, 3/4" ID X 9/16 LG | 3 |
| 19 | H-70003 | HCS 1/4"-20 X 3/4" SS | 2 |
| 20 | H-70055 | HCS 5/16"- 18 X 1" SS | 15 |
| 21 | H-71013 | FW 1/4 ID X 5/8 OD SS | 2 |
| 22 | H-71015 | FW 5/16 ID X 3/4 OD SS | 15 |
| 23 | H-71063 | LW 1/4" SS | 2 |
| 24 | H-71065 | LW 5/16" SS | 15 |
| 25 | H-72536 | PPH #10-32 X 1" S/S | 6 |
| 26 | H-73754 | BHSCS 1/4 - 20 X 3/4" SS | 6 |
| 27 | H-81983 | 5/16" X 1/4" KURL SET SCREW | 3 |
| 28 | M-9307K23 | GROMMET, 3/8 ID X 7/8 OD X 1/8 TH. | 1 |



| Item | Part No. | Part Description | Qty. |
|------|-----------|---|------|
| 1 | 21-2230 | MICRO SWITCH | 2 |
| 2 | 255-0000 | 255 BATTERY BOX | 1 |
| 3 | 255-0001 | 255 STICKER | 2 |
| 4 | 255-0115 | SHROUD HOSE | 1 |
| 5 | 255-1100 | MAIN FRAME | 1 |
| 6 | 255-1102 | FILTER BAG | 1 |
| 7 | 255-1105 | VAC BOX | 1 |
| 8 | 255-1106 | VAC BOX LID | 1 |
| 9 | 255-1202 | SUPPORT STRAP, (RH) | 1 |
| 10 | 255-1203 | SUPPRT STRAP (LH) | 1 |
| 11 | 255-9514 | BATTERY COMPARTMENT | 1 |
| 12 | 255-9515 | BATTERY COMPARTMENT LID | 1 |
| 13 | 255-9516 | CHARGER BRACKET | 1 |
| 14 | 290-0115 | SHROUD HOSE | 1 |
| 15 | 290-2110 | L 16 H BATTERY 6 VOLT 395 AH | 6 |
| 16 | 390-2576 | 350 GREY CONNECTOR WITH I/O CONTACTS | 1 |
| 17 | 390-4101 | PUSH-ON RUBBER GASKET 78" LG | 1 |
| 18 | 430-1225 | 13" SS HINGE | 1 |
| 19 | 8-143 | SEAT WITH ARM RESTS | 1 |
| 20 | 8-293 | STROBE LIGHT | 1 |
| 21 | H-00918 | HCN 1/4"-20 LG | 4 |
| 22 | H-312NCNL | HCN 5/16"-18 LG | 2 |
| 23 | H-37708 | 1/4-20 LC ACORN NUT | 5 |
| 24 | H-70003 | HCS 1/4"-20 X 3/4" SS | 4 |
| 25 | H-70858 | NYLOK #10-32 SS | 3 |
| 26 | H-70860 | NYLOK 1/4"- 20 SS | 14 |
| 27 | H-70861 | NYLOK 5/16" - 18 SS | 8 |
| 28 | H-71013 | FW 1/4 ID X 5/8 OD SS | 17 |
| 29 | H-71015 | FW 5/16 ID X 3/4 OD SS | 4 |
| 30 | H-71063 | LW 1/4" SS | 9 |
| 31 | H-72517 | PPH #10-32 X 5/8" SS | 3 |
| 32 | H-74418 | CB 1/4"- 20 X 5/8" S/S | 11 |
| 33 | H-74419 | CB 1/4"- 20 X .75" SS | 8 |
| 34 | H-74429 | CB 5/16"- 18 X 3/4" SS | 4 |
| 35 | H-8863 | 3/8" VINYL LOOP CLAMP | 1 |
| 36 | M-9307K23 | GROMMET, RUBBER 3/8 ID X 7/8 OD X 1/8 TH. | 1 |

Common wear parts

| <u>Pad</u> | <u>Pad Function</u> | <u>Results</u> | <u>20" Part Number</u> | <u>27" Part Number</u> |
|--------------------------------|---|---|------------------------|------------------------|
| Image ultra high speed - beige | Ultra high speed High speed buffing And burnishing. | For high speed buffing and burnishing. For frequent burnishing on soft to medium finishes. | 20-4221 | 27-4221 |
| Luster life - blue | Ultra high speed buffing and burnishing. | For burnishing soft floor finishes. May be used on a daily basis. Ideally suited for top dressing highly polished floors. | 20-4222 | 27-4222 |
| Combo ultra high speed | Ultra high speed buffing and burnishing. | Blended polyester and natural fibers. For frequent burnishing on medium finishes. | 20-4223 | 27-4223 |
| Porko ultra high speed | Ultra high speed buffing and burnishing. | Blended natural fiber pad. For frequent minimal burnishing on hard finishes. | 20-4224 | 27-4224 |
| Porko elite | Ultra high speed buffing and burnishing. | Blended natural fiber pad works on all UHS machines. For minimal burnishing on medium to hard finishes. | 20-4225 | 27-4225 |
| Porko plus | Ultra high speed buffing and burnishing. | High content of natural fibers. Ideal for minimal burnishing on hard finishes. | 20-4226 | 27-4226 |

255 Suggested Parts Inventory

| Quantity | Part # | Description |
|----------|----------|-------------------------|
| 2 | 255-6180 | Rear Wheel |
| 2 | 275-3010 | Pad Driver Belt |
| 1 | 290-2891 | LCD Screen |
| 1 | 290-2015 | One-Touch Button |
| 1 | 7-229 | Push Button Switch |
| 1 | 275-2013 | Control Panel Top Plate |
| 1 | 250-7201 | Tomcat Sticker |
| 1 | 255-1102 | Filter Bag |
| 2 | 255-0001 | 255 Stickers |
| 1 | 8-290 | Foot Pedal |
| 1 | H-01196 | Red Boot |

BLANK
THIS PAGE WAS INTENTIONALLY LEFT BLANK

BLANK
THIS PAGE WAS INTENTIONALLY LEFT BLANK



1711 South Street
Racine, WI 53404
www.rpscorporation.com
Tel. US: 800-634-4060
Tel. Int: (001) 262-681-3583