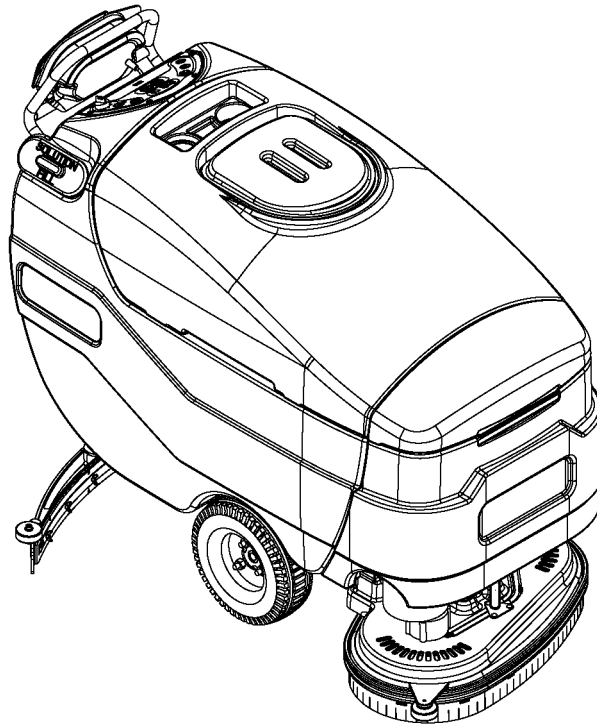


Warrior ST™, Warrior™ EcoFlex



PARTS LIST

Standard Models:

**56315036(28D), 56315037(32D), 56315038(28C), 56315039(32C-C),
56307250(28D-C), 56315538(28D-C), 56315539, 56315786(32D-C),
56315540(28C-C)**

Obsolete AXP Models:

**56315040(X28D-C), 56315041(X32D-C), 56315541(X28C-C),
56315542(X32C-C)**

EcoFlex Models:

**56381014(X28D-C), 56381015, 56381023(X32D-C), 56381024(X28C-C),
56381028(X32C-C)**



Advance

DESCRIPTION	PAGE
Chassis System	2-3
Chassis System - Squeegee Linkage Assy before SN1926624	4-5
Chassis System - Squeegee Linkage Assy after SN1926623	6-7
Decal System.....	8-9
Recovery System.....	10-11
Scrub System - Disk before SN1000025514	12-13
Scrub System - Disk after SN1000025514	14-15
Scrub System - Cylindrical.....	16-17
Solution - Electrical System-1 - EcoFlex™	18-19
Solution - Electrical System-2 - EcoFlex™	20-21
Solution - Electrical System-1 - STD	22-23
Solution - Electrical System-2 - STD	24-25
Chemical Assy - EcoFlex™	26-27
Paddle Assy	28-29
Squeegee Assy.....	30-31
Ladder Diagram - before September 2009	32-33
Ladder Diagram - after September 2009	34-35
Optional Kits & Accessories.....	36
Brush Selector Guide-Disk	37
Brush Selector Guide-Cylindrical	38
Squeegee Blade Selector Guide	39

WHEN ORDERING PARTS

- * Use the part numbers from the "Ref. No." columns in this parts list.
- * Specify the model and serial number of the machine.
- * Use the space below to record the model and serial number for future reference.

Model _____ Serial No. _____

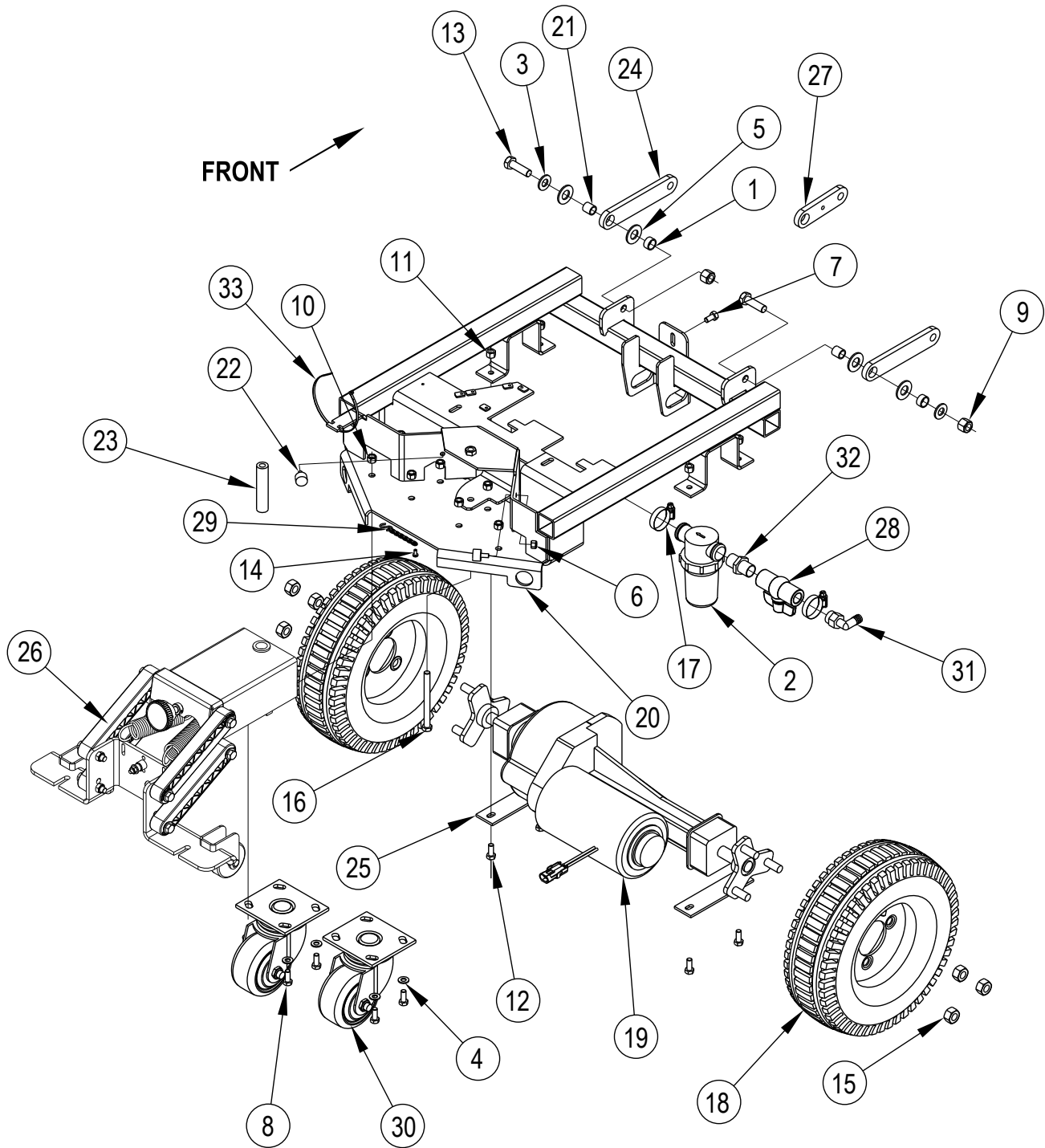
CHASSIS SYSTEM

05-4

2

Warrior ST™, Warrior™ EcoFlex™

05-5

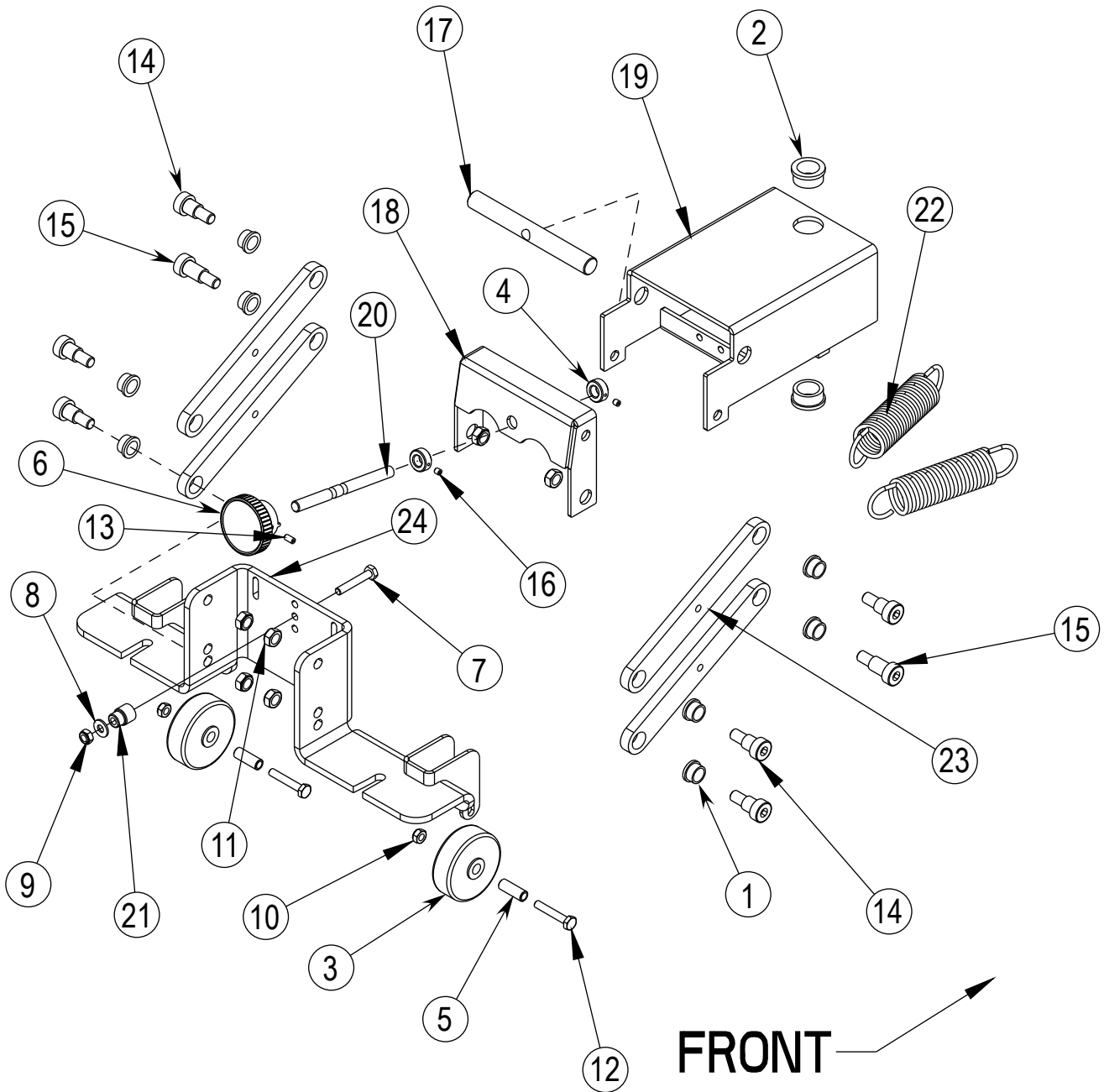


05-4	CHASSIS SYSTEM			
11-10	Warrior ST™, Warrior™ EcoFlex™			3

Item	Ref. No.	Qty	Description
1	56370878	2	Bearing, Sleeve
2	56412173	1	Solution Filter
3	56001879	2	Wsh, Flt SAE 1/2
4	56001939	10	Wsh, Flt SAE 5/16
5	56002022	4	Wsh, Flt SAE 5/8
6	56002708	2	Nut, Hex Nyl Loc 1/4-20
7	56003012	3	Scr, Hex SS 5/16-18 X .75
8	56003179	8	Scr, Hex Thd To Hd M8-1.25 X 20mm
9	56003312	2	Nut, Hex Nyl Loc M12-1.75
10	56003389	8	Nut, Hex Nyl Loc M8-1.25
11	56003405	4	Nut, Hex Nyl Loc SS M8-1.25
12	56003435	4	Scr, Hex SS M8-1.25 X 20mm
13	56003637	2	Scr, Hex M12-1.75 X 40mm
14	56009030	1	Scr, Pan Phil Thd Form 10-24 X .38
15	56009116	6	Nut, Hex Hvy 1/2-20
16	56009241	1	Scr, Hex 3/8-16 X 4.25
17	56131601	2	Clamp, Hose SAE #16
18	56315171	1	Kit, Drive Wheel TSBUS2010-1074 (Before February 2011)
18	56315177	2	Wheel, Drive (After February 2011)
	9096219000	2	Wheel, Polyurethane-Traction (optional)
19	56382500	1	Transaxle, 36v (M1)
*	56315676	1	Motor
*	56315677	4	Carbon Brush
*	56315678	2	Neoprene Mounting Sleeve
*	56380164	1	Kit-Coupling
*	56380511	A/R	Kit-Hub Transaxle TSBUS2008-1023 / TSBUS2009-1042
*	56381779	1	Transaxle Service Kit TSBUS2011-0004
20	56315073	1	Weldment, Chassis
21	56315080	2	Bushing
22	56315111	2	Cylindrical Mount
23	56315154	1	Bushing, Spacer
24	56315179	2	Linkage Arm
25	56315202	2	Plate, Transaxle Mount TSBUS2010-1074
26	56315210	1	Assembly, Squeegee Linkage Large
27	56315239	1	Linkage Arm NOTE 1
28	56381475	1	Ball Valve
29	56315691	1	Ground Chain
30	56365555	2	Caster Swivel 4.0x2.0
31	56409152	1	Barb, 90 Elbow 1/2 X 1/2npt
32	56412182	1	Nipple, Hex 3/4-14
33	56478523	1	Tie, Cable

* = Not Shown

NOTE 1: As of October 2008 56315239 is no longer used in production. If you need to replace this item please order Kit 56109540.



05-4	CHASSIS SYSTEM - SQUEEGEE LINKAGE ASSY BEFORE SN1926624		
11-10	Warrior ST™, Warrior™ EcoFlex™		5

Item	Ref. No.	Qty	Description
	56315210	1	Squeegee Linkage Assembly
1	56185264	8	Bearing, Flange
2	56250414	2	Bearing, Flange
3	56324350	2	Wheel
4	56331076	2	Collar
5	56315580	2	Bushing
6	56475480	1	Knob
7	56001833	1	Scr, Hex 1/4-20 X 1.50
8	56002098	1	Wsh, Flt SAE 1/4
9	56002840	1	Nut, Hex Nyl Loc-Thin 1/4-20
10	56002850	2	Nut, Hex Nyl Loc-Thin SS 1/4-20
11	56003219	8	Nut, Hex Nyl Loc SS 3/8-16
12	56002901	2	Scr, Hex SS 1/4-20 X 1.50
13	56003123	1	Scr, Soc Set 10-2 4x .38
14	56003682	6	Scr, Soc Shd .50 X .50 X 3/8-16
15	56003692	2	Scr, Soc Shd .50 X .75 X 3/8-16
16	56009084	2	Scr, Soc Set Loc 10-24 X .19
17	56315082	1	Pin
18		1	Bracket, Squeegee Level
19	56315208	1	Weldment, Squeegee Large
20	56315240	1	Rod, Adjustment
21	56315245	1	Bushing, Squeegee Cable
22	56315295	2	Spring, Extension
23	56315338	4	Linkage Arm
24	56315698	1	Weldment, Squeegee Mount TSBUS2006-915

05-4	CHASSIS SYSTEM - SQUEEGEE LINKAGE ASSY AFTER SN1926623		
11-10	Warrior ST™, Warrior™ EcoFlex™		7

Item	Ref. No.	Qty	Description
	56315210	1	Squeegee Linkage Assembly
1	56324350	2	Wheel
2	56331076	2	Collar
3	56315580	2	Bushing
4	56475480	1	Knob
5	56001833	1	Scr, Hex 1/4-20 X 1.50
6	56002063	14	Wsh, Flt SAE 3/8
7	56002091	8	Scr, Hex 3/8-16 X 2.00
8	56002098	1	Wsh, Flt SAE 1/4
9	56002840	1	Nut, Hex Nyl Loc-Thin 1/4-20
10	56002850	2	Nut, Hex Nyl Loc-Thin SS 1/4-20
11	56003219	8	Nut, Hex Nyl Loc SS 3/8-16
12	56002880	2	Scr, Hex SS 1/4-20 X 1.75
13	56003123	1	Scr, Soc Set 10-2 4x .38
14	56009084	2	Scr, Soc Set Loc 10-24 X .19
15	56250414	2	Bearing, Flange
16	56315941	4	Linkage Arm, Molded
17	56315067	6	Spacer, Phenolic
18	56315068	2	Spacer, Phenolic
19	56315082	1	Pin
20	56315208	1	Weldment, Squeegee Large
21	56315240	1	Rod, Adjustment
22	56315245	1	Bushing, Squeegee Cable
23	56315295	2	Spring, Extension
24	56315698	1	Weldment, Squeegee Mount TSBUS2006-915
25	56315713	1	Bracket, Squeegee Level
26	56002940	2	Wsh, Flt SAE SS 5/8

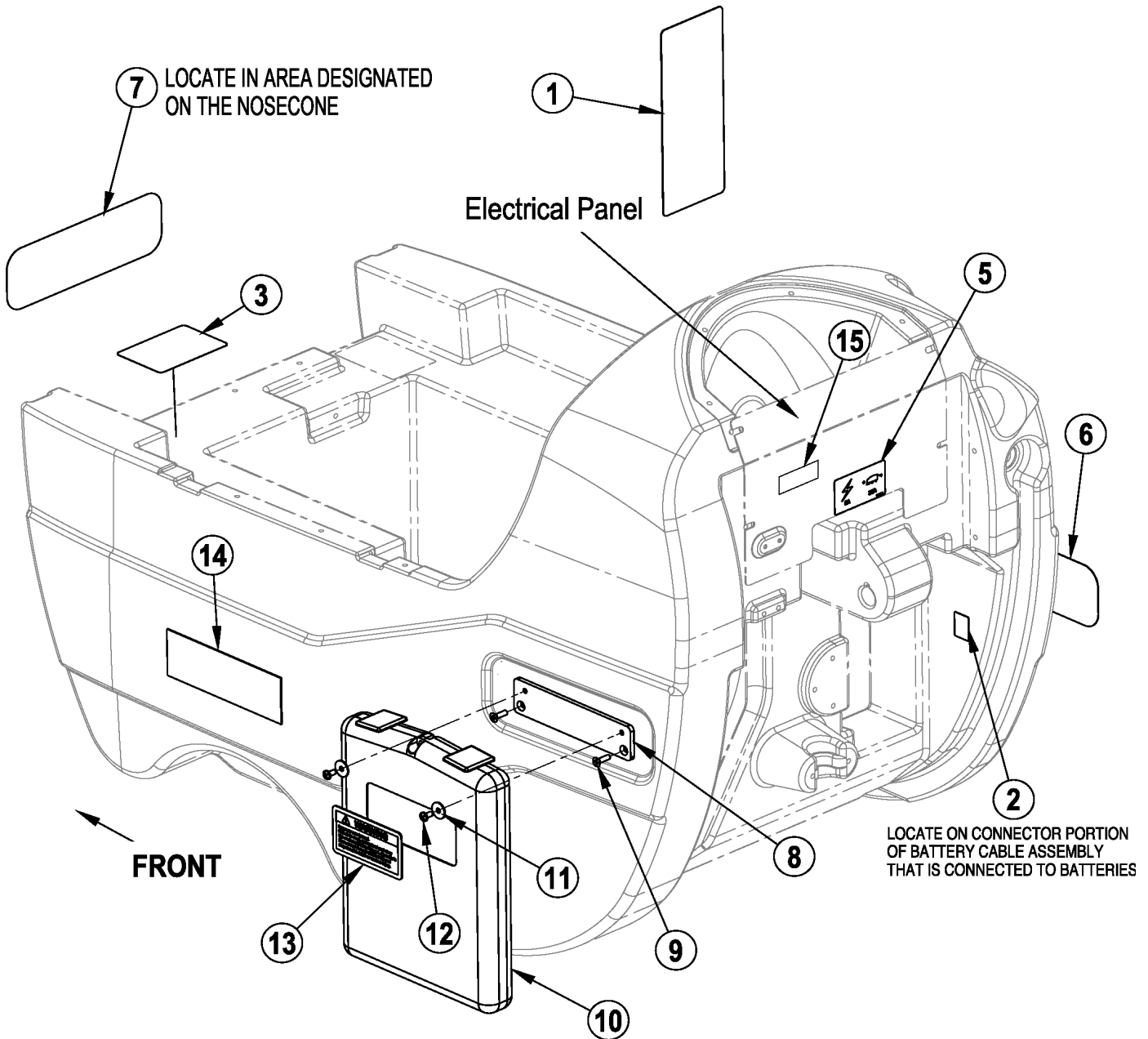
DECAL SYSTEM

05-4

8

Warrior ST™, Warrior™ EcoFlex™

10-2



05-4	DECAL SYSTEM		
10-2	Warrior ST™, Warrior™ EcoFlex™		9

Item	Ref. No.	Qty	Description
1	56014601	1	Decal, Caution
2	56016324	1	Decal, Charger
3	56015259	1	Decal, Battery Wiring
5	56016690	1	Decal, Circuit Breaker
6	56016726	2	Decal, Warrior AXP NOTE 1
	56381114	2	Decal-Warrior EcoFlex NOTE 2
	56016727	2	Decal, Warrior ST
7	56016730	1	Decal, Advance
8	56315954	1	Bracket (only used on model 56307250)
9	56003086	2	Scr, Flt Phil SS 1/4-20 x .88 (only used on model 56307250)
10	56306120	1	Box, Waterproof (only used on model 56307250)
11	56009002	2	Wsh, Flt .266 x .906 x .060 (only used on model 56307250)
12	56009069	2	Scr, Pan Phil Loc 1/4-20 x .50 (only used on model 56307250)
13	56306144	1	Decal, Warning (only used on model 56307250)
14	56315953	2	Decal (only used on model 56307250)
15	56014450	1	Decal, Patent Numbers

NOTE 1: Only used on AXP models.

NOTE 2: Only used on EcoFlex models. AXP models are no longer in production and have been replaced by EcoFlex models.

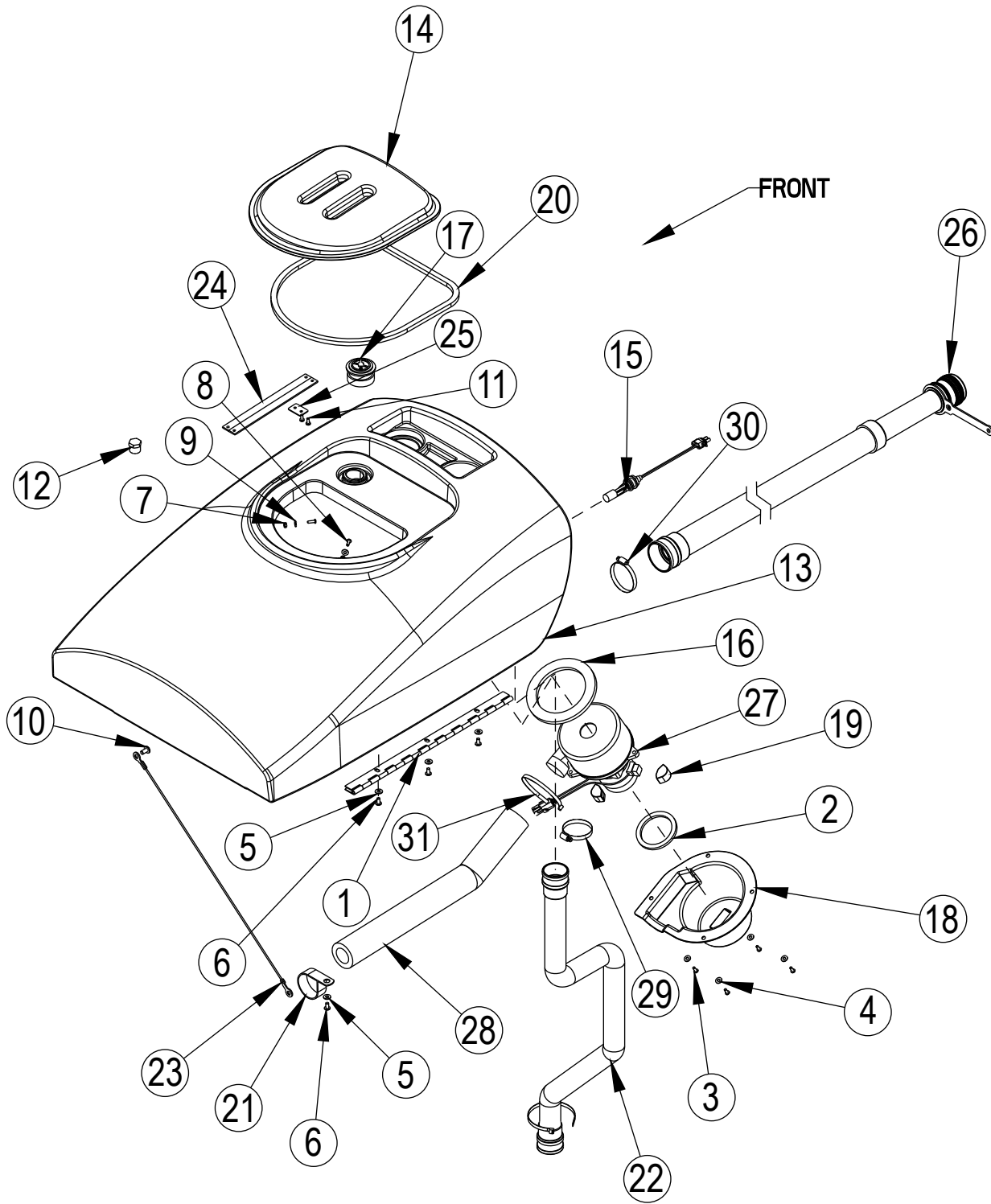
RECOVERY SYSTEM

05-4

10

Warrior ST™, Warrior™ EcoFlex™

08-4



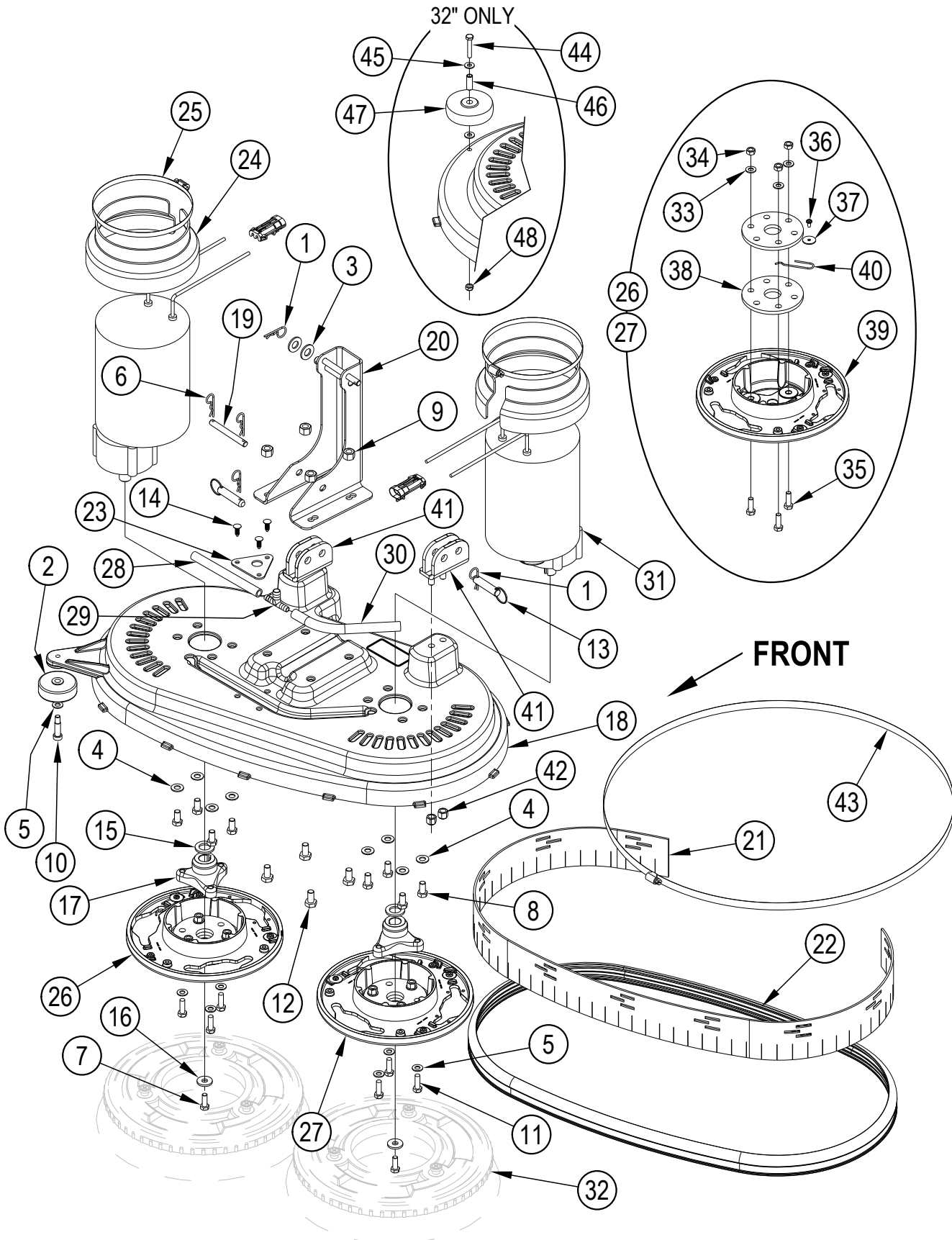
Item	Ref. No.	Qty	Description
1	56315694	1	Hinge
2	56412154	1	Gasket, Vacuum Duct
3	56001993	4	Scr, Pan Phil 10-24 X .50
4	56002053	4	Wsh, Flt STD #10
5	56002098	4	Wsh, Flt SAE 1/4
6	56002145	4	Scr, Pan Phil 1/4-20 X .50
7	56002849	2	Nut, Hex Nyl Loc-Thin Ss 10-24
8	56002896	2	Scr, Pan Phil SS 10-24 X .62
9	56002919	2	Wsh, Flt STD SS #10
10	56003003	1	Scr, Pan Phil 5/16-18 X .62
11	56009005	2	Scr, Pan Phil SS Type B 10-16 X .75
12	56305464	1	Plug, 3/4 Hex Pipe NOTE 1
13	56315406	1	Tank, Recovery (grey) TSBUS2006-938 / TSBUS2007-952
	56315428	1	Tank, Recovery (green / model 56307250 only)
14	56315176	1	Cover, Recovery Tank
15	56315096	1	Switch, Electromagnetic
16	56315098	1	Gasket
17	56315099	1	Screen, Fan Inlet
18	56315102	1	Shroud, Vac Motor
19	56315141	3	Mount, Vibration
20	56315220	1	Gasket, Recovery Lid
21	56315257	1	Clamp, P
22	56315268	1	Vac Hose Assy.
23	56315272	1	Cable Assy
24	56315303	2	Retaining, Strap
25	56315346	1	Plate
26	56381940	1	Drain Hose NOTE 2
*	56601411	1	Drain Hose Cap Kit
*	56601413	1	Drain Hose kit NOTE 2
**	56601410	1	Drain Hose Extension
27	56391208	1	Vac Motor Assy (M4)
*	56377001	1	Carbon Brush Set of 2
28	56315375	1	Foam, Acoustical
**	56315597	1	Sound Reduction Kit
29	56440213	1	Clamp, Hose SAE #32
30	56456797	1	Clamp, Hose SAE #36
31	56477613	2	Tie, Cable

* = Not Shown

** = Optional (Not Included)

NOTE 1: Not used after March 2008.

NOTE 2: Drain Hoses 56315638 and 56601405 have been replaced by Drain Hose 56381940 in production. When replacing 56315638 or 56601405 you need to order Drain Hose Kit 56601413.



Item	Ref. No.	Qty	Description	Item	Ref. No.	Qty	Description
1	56002959	3	Pin, Cotter Hair NOTE 3	26		1	Lug, Counterclockwise (33-40) TSBUS2009-1039
2	56324350	1	Wheel (28")	27		1	Lug, Clockwise (33-40) TSBUS2009-1039
3	56001879	2	Wsh, Flt SAE 1/2 NOTE 3	28	56396195	1	Hose, PVC .38id X 6.00
4	56002910	8	Wsh, Flt SAE SS 3/8	29	56397300	1	Tee, Barb
5	56002938	7	Wsh, Flt SAE SS 5/16	30	56397301	1	Hose, PVC .375
6	56003120	2	Pin, Cotter Hair .0915 X .375	31	56397316	2	Motor / Gear Unit Assembly 36v (M2 / M3) TSBUS2010-1059
7	56003335	2	Scr, Hex Loc SS 5/16-18 X .88	[]	56397139	4	Carbon Brush NOTE 4
8	56003338	8	Scr, Hex Loc SS 3/8-16 X .75	[]	56397138	4	Brush Spring NOTE 4
9	56003438	4	Nut, Hex Nyl Loc SS M10-1.5	[]	56380637	1	Brush Board Assy NOTE 4
10	56003472	1	Scr, Soc Shd .38 X 1.00 X 5/16-18 (28")	32	NA	NA	See Brush Selector Guide
11	56003477	6	Scr, Hex Loc SS M8-1 X 25mm		56505808	2	Brush Midlite 14 (model 56307250 only)
12	56003533	4	Scr, Hex SS M10-1.5 X 20mm	33	56002938	3	Wsh, Flt SAE SS 5/16
13	56003679	2	Pin, Ring .50 X 1.63	34	56003405	3	Nut, Hex Nyl Loc SS M8-1.25
14	56003693	3	Rivet, Nylon Tree Push-In (.218)	35	56003639	3	Scr, Hex Hd SS M8-1.25 x 30mm
15	56009022	2	Wsh, Flt .754 X 1.250 X .120	36	56009030	1	Scr, Pan Phil Thd Form 10-24 x .38
16	56009107	2	Wsh, Flt SS .378 X 1.000 X .120	37	56009096	1	Wsh, Flt .193 x .875 x .060
17	56314108	2	Hub, Drive	38	56407053	2	Thermoid Disk
18	56315588	1	Scrub Deck, Disc, Cast (28") NOTE 1	39	56314030	1	Brush Holder
	56315859	1	Scrub Deck, Disc, Cast (32") NOTE 1	40	56397081	1	Spring Retainer
19	56315161	1	Pin	41	56315373	2	Weld't, Deck Mount Brkt NOTE 1
20	56315719	1	Weld't, Actuator Bracket NOTE 1	42	56002769	4	Nut, Hex Nyl Loc 3/8-16 NOTE 1
21	56315274	1	Skirt, Rubber (28")	43	56315759	1	Band Clamp (28")
	56315626	1	Skirt, Rubber (32")		56315761	1	Band Clamp (32")
22	56315754	1	Bumper, Extruded (28") NOTE 2	44	56002880	1	Scr, Hex Loc SS 1/4-20 X 1.75 (32")
	56315755	1	Bumper, Extruded (32") NOTE 2	45	56002859	2	Wsh, Flt SAE SS 1/4 (32")
23	56315339	1	Bracket	46	56315580	1	Bushing, Stainless (32")
24	56315648	2	Shroud, Motor	47	56049261	1	Wheel (32")
25	56355488	2	Clamp, Hose SAE #96	48	56002850	1	Nut, Hex Nyl Loc-Thin Ss 1/4-20 (32")

[] = Not Shown

NOTE 1: The Deck Casting (item #18) has been redesigned. The old style castings (56315053 - 28" & 56315052 - 32") are no longer available. If you have a machine built prior to this change (**old style deck assembly DOES NOT include item 41**) and need to replace one of these deck castings you need to order one of the kits listed below. These kits include items (9, 12, 14, 18, 20, 41, 42).

Old Deck	Order Kit
56315053 (28")	56315727
56315052 (32")	56315728

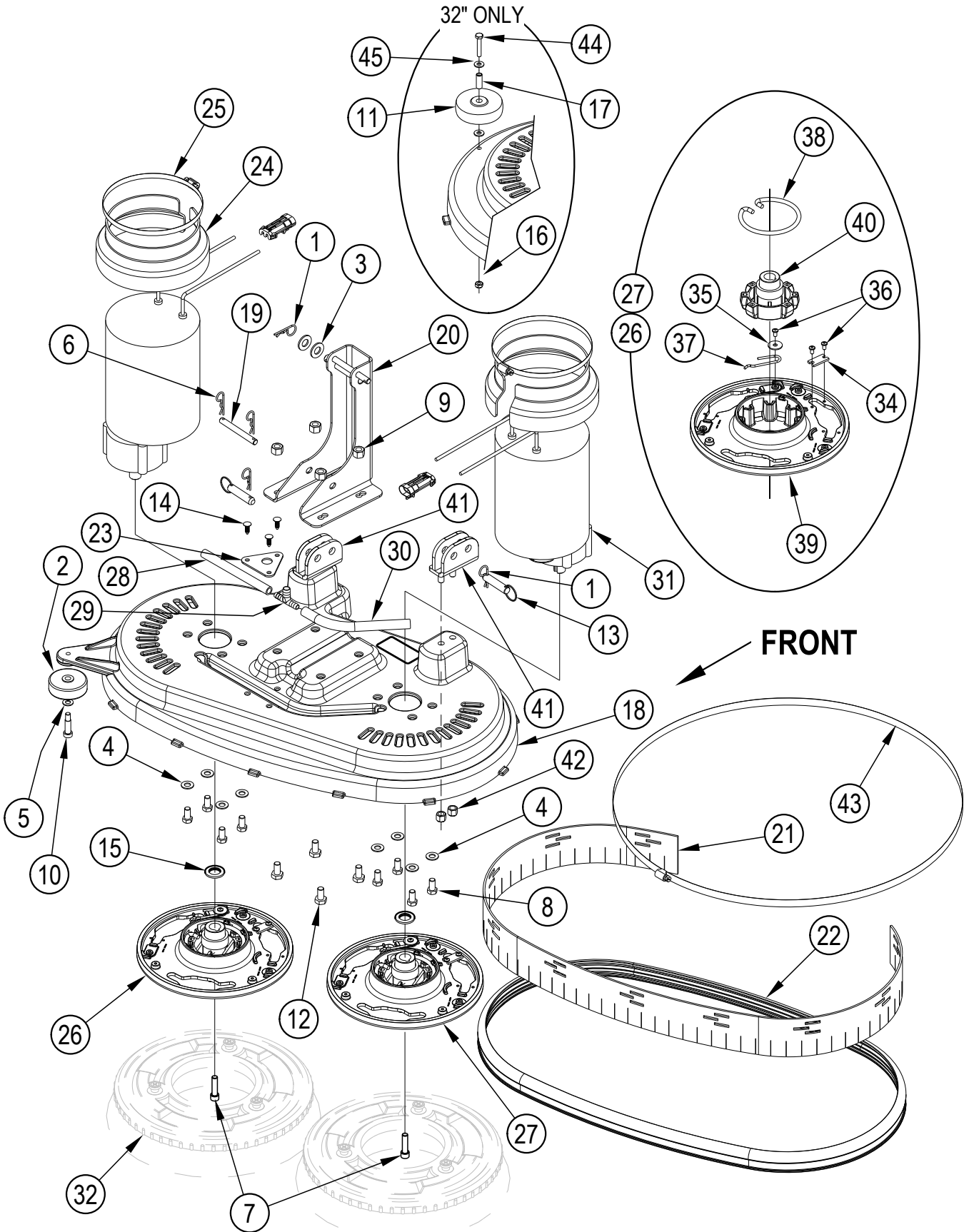
NOTE 2: Extruded Bumpers PNs **56315318** & **56315627** are obsolete. If you need to replace one of these bumpers please order one of the kits listed below.

Old Bumper	Order Kit
56315318 (28")	56315764
56315627 (32")	56315765

NOTE 3: As of October 2008 a new upper deck linkage arm (**56315836**) is being used in production. The new design does not use item #3 and the quantity of item #1 is reduced to 2.

NOTE 4: If your Motor / Gear Unit Assembly has a serial tag from Imperial Electric order (4) Carbon Brushes 56397139 or (4) Brush Springs 56397138.

If your Motor / Gear Unit Assembly has a serial tag from Nilfisk-Advance order Brush Board Assy 56380637.



Item	Ref. No.	Qty	Description	Item	Ref. No.	Qty	Description
1	56002959	2	Pin, Cotter Hair	26	56109651	1	Brush Plate Assy, Counterclockwise (33-40)
2	56324350	1	Wheel (28")	27	56109652	1	Brush Plate Assy, Clockwise (33-40)
3	56001879	2	Wsh, Flt SAE 1/2	28	56396195	1	Hose, PVC .38id X 6.00
4	56002910	8	Wsh, Flt SAE SS 3/8	29	56397300	1	Tee, Barb
5	56002938	1	Wsh, Flt SAE SS 5/16	30	56397301	1	Hose, PVC .375
6	56003120	2	Pin, Cotter Hair .0915 X .375	31	56397316	2	Motor / Gear Unit Assembly 36v (M2 / M3) TSBUS2010-1059
7	56002131	2	Scr, Soc Hd 5/16 - 18 x 1.25	[]	56397139	4	Carbon Brush NOTE 1
8	56003338	8	Scr, Hex Loc SS 3/8-16 X .75	[]	56397138	4	Brush Spring NOTE 1
9	56003438	4	Nut, Hex Nyl Loc SS M10-1.5	[]	56380637	1	Brush Board Assy NOTE 1
10	56003472	1	Scr, Soc Shd .38 X 1.00 X 5/16-18 (28")	32	NA	NA	See Brush Selector Guide
11	56049261	1	Wheel (32")	56505808	2	Brush Midlite 14 (model 56307250 only)	
12	56003533	4	Scr, Hex SS M10-1.5 X 20mm	33#			DELETED
13	56003679	2	Pin, Ring .50 X 1.63	34	366455	1	Plate, Stop
14	56003693	3	Rivet, Nylon Tree Push-In (.218)	35	56009002	1	Wsh, Flt .266 x .906 x .060
15	56009022	2	Wsh, Flt .754 X 1.250 X .120	36	56009247	3	Scr, Pan Phil Plastite 10-14 x .38
16	56002850	1	Nut, Hex Nyl Loc-Thin Ss 1/4-20 (32")	37	56109653	1	Spring Retainer
17	56315580	1	Bushing, Stainless (32")	38	56601056	1	Spring, Brush Holder
18	56315588	1	Scrub Deck, Disc, Cast (28")	39	56601118	1	Brush Plate
	56315859	1	Scrub Deck, Disc, Cast (32")	40#	56112521	1	Gimbal-Collar Assembly
19	56315161	1	Pin	41	56315373	2	Weld't, Deck Mount Brkt
20	56315719	1	Weld't, Actuator Bracket	42	56002769	4	Nut, Hex Nyl Loc 3/8-16
21	56315274	1	Skirt, Rubber (28")	43	56315759	1	Band Clamp (28")
	56315626	1	Skirt, Rubber (32")		56315761	1	Band Clamp (32")
22	56315754	1	Bumper, Extruded (28")	44	56002880	1	Scr, Hex Loc SS 1/4-20 X 1.75 (32")
	56315755	1	Bumper, Extruded (32")	45	56002859	2	Wsh, Flt SAE SS 1/4 (32")
23	56315339	1	Bracket				[] = Not Shown
24	56315648	2	Shroud, Motor				# = Revised or new since last update
25	56355488	2	Clamp, Hose SAE #96				

NOTE 1: If your Motor / Gear Unit Assembly has a serial tag from Imperial Electric order (4) Carbon Brushes 56397139 or (4) Brush Springs 56397138.
If your Motor / Gear Unit Assembly has a serial tag from Nilfisk-Advance order Brush Board Assy 56380637.

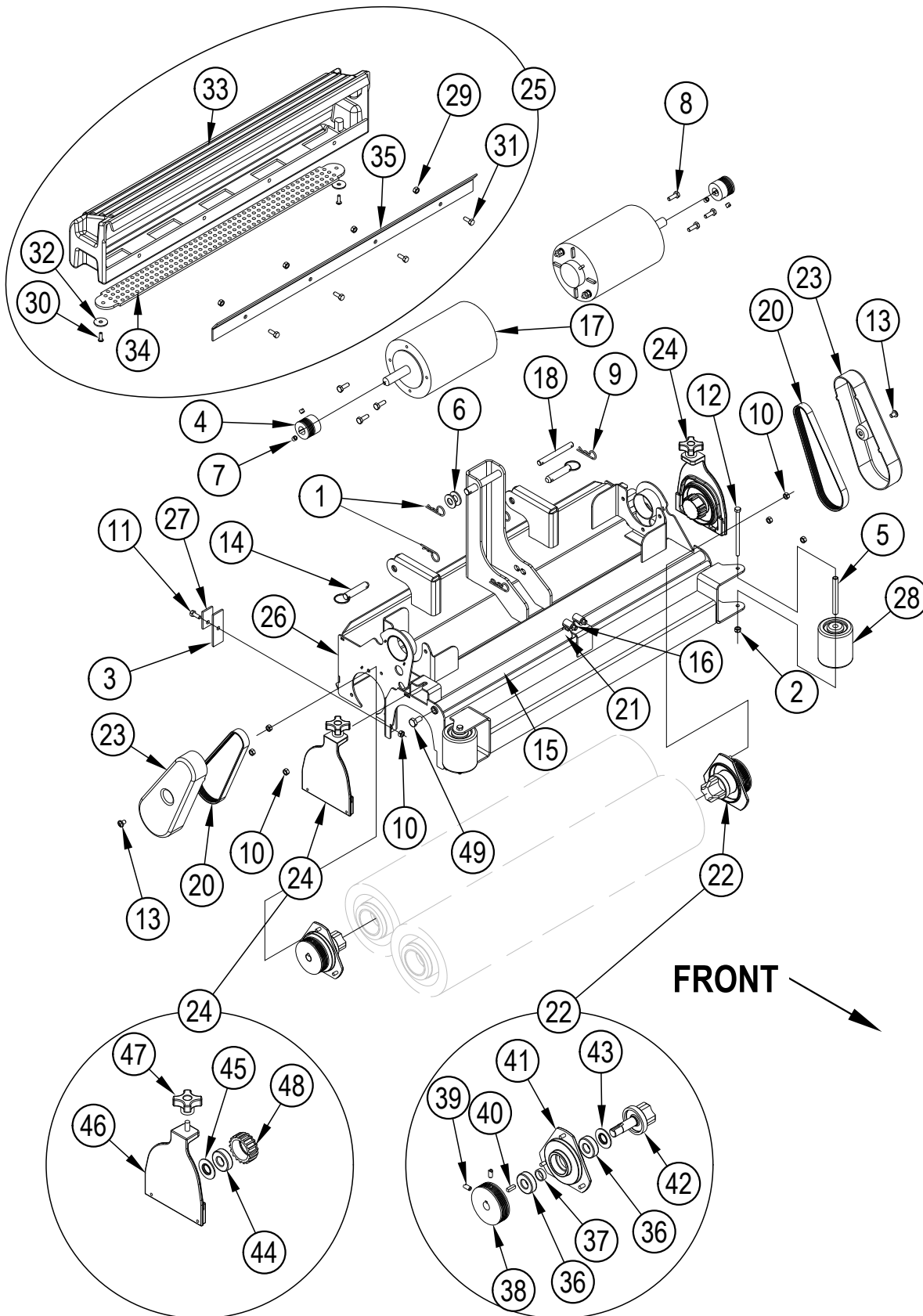
SCRUB SYSTEM - CYLINDRICAL

05-4

16

Warrior ST™, Warrior™ EcoFlex™

12-2



Item	Ref. No.	Qty	Description
1	56002959	3	Pin, Cotter Hair NOTE 1
2	56003403	2	Nut, Hex Nyl Loc M6-1.00
3	56407391	2	Blade
4	56407433	2	Sheave, Poly-V
5	56412176	2	Bushing
6	56001879	6	Wsh, Flt SAE 1/2 NOTE 1
7	56002086	4	Scr, Soc Set Loc 5/16-18x.25
8	56002948	6	Scr, Hex Hd Loc 1/4-20x.75
9	56003120	2	Pin, Cotter Hair .0915 X .375
10	56003426	8	Nut, Hex Nyl Loc SS M6x1.0
11	56003431	2	Scr, Hex Hd SS M6-1.0x16mm
12	56003492	2	Scr, Hex M6-1.0x95mm
13	56003603	2	Scr, Pan Phil Thd Form 1/4-20x.38
14	56003679	2	Pin, Ring .50 X 1.63
15	56315355	2	Manifold, PVC (28")
	56315647	2	Manifold, PVC (32")
16	56219932	2	Clamp, Hose SAE #6
17	56315611	2	Motor, 36 Vdc, .75 Hp, 1800 RPM (M2 / M3)
[]	56412287	1	Brush / Spring Kit NOTE 2
[]	56380003	1	Brush / Spring Kit NOTE 2
18	56315161	1	Pin
19	56315320	2	Harness, Brush (Not Shown)
20	56315321	2	Belt, Auto Tension
21	56262549	1	Tee, Barb
22#	56407559	2	Drive End Assy (#36-43)
23	56315445	2	Cover, Belt
24#	56314445	2	Idler End Assy (#44-48)
25	56315459	1	Hopper Assembly (28" / #29-35)
	56315616	1	Hopper Assembly (32" / #29-35)
26	56315470	1	Housing, Weld't (28")
	56315620	1	Housing, Weld't (32")
27	56410214	2	Strap
28	56412459	2	Wheel
29	56003426	4	Nut, Hex Nyl Loc SS M6-1.00
30	56002896	2	Scr, Pan Phil SS 10-24 x .62
31	56003431	4	Scr, Hex Hd SS M6-1.00 x 16mm
32	56009060	2	Wsh, Flt SS .260 x 1.00 x .074
33	56315460	1	Hopper (28")
	56315621	1	Hopper (32")
34	56315464	1	Hopper Screen (28")
	56315618	1	Hopper Screen (32")
35	56315467	1	Hopper Bracket (28")
	56315617	1	Hopper Bracket (32")
36	56106070	2	Bearing, Ball
37	56407389	1	Spacer
38	56407442	1	Sheave, Poly-V
39	56002119	2	Scr, Soc Set Loc 1/4-20 x .50
40	56003237	1	Key, Sq., 19 x .62
41#	56381765	1	Bearing Plate
42	56109527	1	Spindle
43	56407558	1	Washer, Bearing
44	56106070	1	Bearing, Ball
45	56407558	1	Washer, Bearing
46	56315447	1	Idler Bearing Plate
47#	56407303	1	Knob
48	56407551	1	Hub
49	56002992	2	Scr, Hex SS 5/16-18 x .50

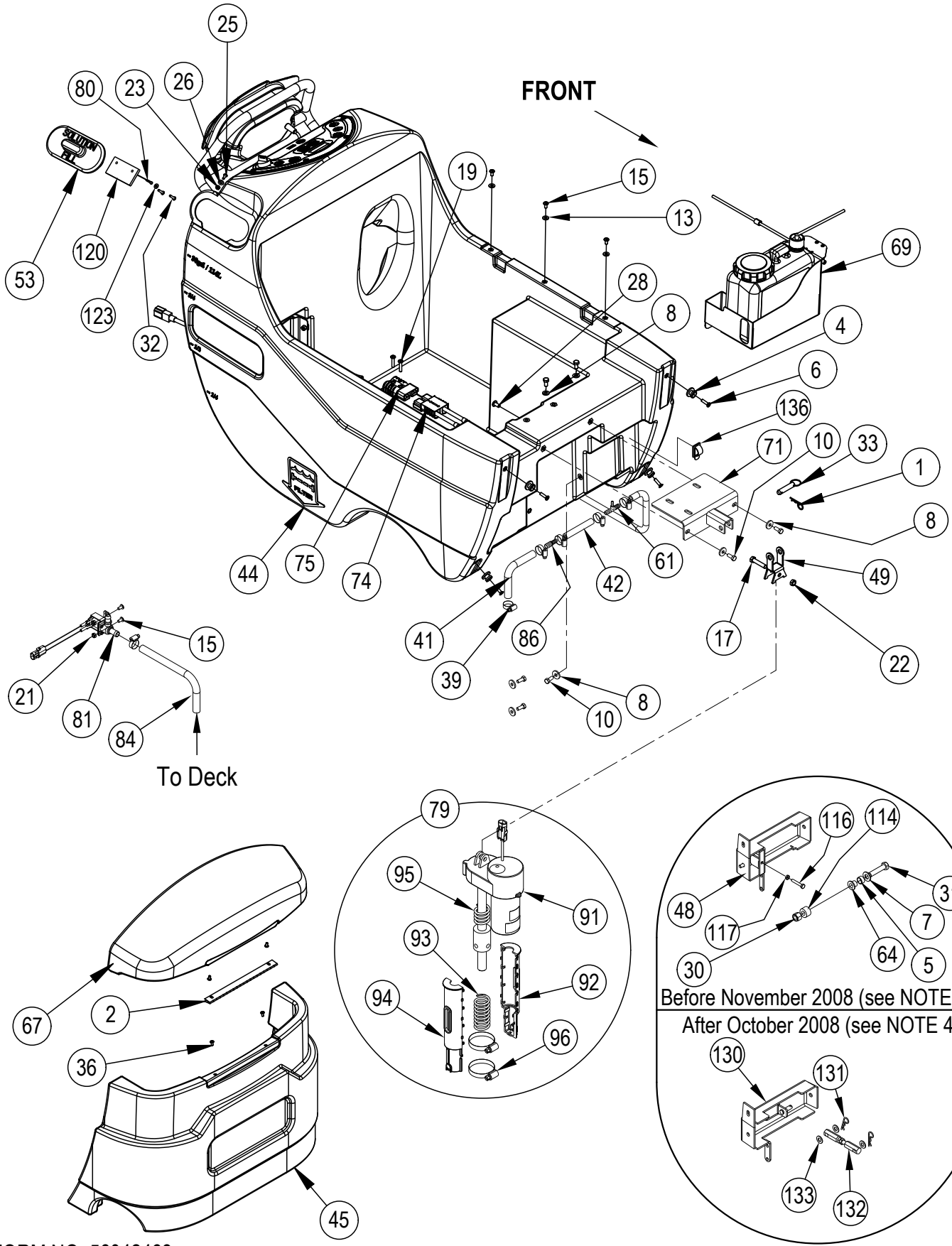
[] = Not Shown

= Revised or new since last update

NOTE 1: As of October 2008 a new upper deck linkage arm (56315836) is being used in production. The quantity of item #1 is reduced to 2 and the quantity of item #6 is reduced to 4.

NOTE 2: If your cylindrical scrub motor has a serial tag from Scott Motors Co. order Brush / Spring Kit 56412287.

If your cylindrical scrub motor has a serial tag from Nilfisk-Advance order Brush / Spring Kit 56380003.



Item	Ref. No.	Qty	Description	Item	Ref. No.	Qty	Description
1	56002959	1	Pin, Cotter Hair	67	56315609	1	Cover, Chemical Tank (grey)
2	56302168	1	Hinge		56315432	1	Cover, Chemical Tank (green / model 56307250 only)
4	56365777	4	Lug, Brush Driver	69	56315645	1	Chemical Tank Assy NOTE 8
5		1	Bearing, Sleeve NOTE 4		56381104	1	Chemical Tank Assy NOTE 9
6	56001832	4	Scr, Flt Phil 1/4-20 X 1.00	71	56315744	1	Weldment, Actuator Mount TSBUS2006-940
7		1	Wsh, Flt SAE 1/2 NOTE 4	74	56315686	1	Charge Connector Assy (to batteries)
8	56009122	7	Wsh, Flt .344 X .938 X .125	75	56315687	2	Charge Connector Assy (to electrical box)
10	56002667	7	Scr, Hex 5/16-18 X .75	79	56109595	1	Lift Actuator Assembly (91-96) NOTE 7 / TSBUS2009-1040
13	56002098	6	Wsh, Flt SAE 1/4	80	56410254	1	Wire Rope, 6 Inch TSBUS2007-967
15	56002145	7	Scr, Pan Phil 1/4-20 X .50	81	56397215	1	Solenoid Valve Assy. 36v
17	56002684	1	Scr, Hex 3/8-16 X 1.75	84	56409462	1	Hose, Spiral .500
19	56002825	2	Scr, Pan Phil 1/4-20 X 1.25	86	56418669	1	Reducer, Barb
21	56002840	2	Nut, Hex Nyl Loc-Thin 1/4-20 NOTE 2	91	56109597	1	Actuator (M5)
22	56002841	1	Nut, Hex Nyl Loc-Thin 3/8-16	[]	56109596	1	Plastic Nut
23	56002849	1	Nut, Hex Nyl Loc-Thin Ss 10-24	[]	56109636	1	Spring Housing Kit
25	56002896	1	Scr, Pan Phil SS 10-24 X .62	92	56109547	1	Spring Housing Bottom
26	56002919	1	Wsh, Flt Std Ss #10	93	56420018	1	Compression Spring
28	56003003	1	Scr, Pan Phil 5/16-18 X .62	94	56109546	1	Spring Housing Top
30		1	Nut, Hex Nyl Loc M12-1.75 NOTE 4	95	56412071	1	Compression Spring
31		1	Scr, Hex M12-1.75 X 35mm NOTE 4	96	56329145	2	Clamp-Hose SAE #24
32	56009006	2	Scr, Pan Phil SS Type B 10-16 X 1.00	114		1	Bushing NOTE 4
33	56003679	1	Pin, Ring .50 X 1.63	116		1	Scr, Hex Thd to Hd 1/4-20 x 1.50 NOTE 4
36	56009139	4	Scr, Pan Phil Loc 10-24 X .38	117		1	Nut, Hex Jam 1/4-20 NOTE 4
39	56219932	5	Clamp, Hose SAE #6	120	56315166	1	Plate
41	56262180	1	Hose, Spiral .500	123	56002916	2	Wsh, Flt SAE SS #10
42	56302015	1	Hose, Spiral .375	130	56109524	1	Pivot Weldt. NOTE 4
44	56315733	1	Tank, Solution (grey) TSBUS2006-940	131	56003120	2	Pin, Cotter Hair .0915 x .375 NOTE 4
[]	56109560	1	Solution Tank Kit (grey) NOTE 6	132	56315836	1	Turnbuckle Assy NOTE 4
	56315429	1	Tank, Solution (green / model 56307250 only)	133	56002063	3	Wsh, Flt SAE 3/8 NOTE 4
[]	56109562	1	Solution Tank Kit (green / model 56307250 only) NOTE 6	136	7-13-07096	1	Clamp-Adjustable
45	56315087	1	Nose Cone (grey)				[] = Not Shown
	56315433	1	Nose Cone (green / model 56307250 only)				
48		1	Pivot Weld't. TSBUS2006-940 NOTE 4				
49	56315191	1	Yoke, Actuator				
53	56315219	1	Cover, Solution Fill TSBUS2007-967				
61	56315265	1	Tee, Barb				
64		1	Bushing NOTE 4				

NOTE 2: As of serial number 2059967 the following items (56002962, 56364527, 56002840, 56003266, 56315193, 56315236 & 56315245) are no longer used in production. If you need to replace any of these items please order the following group of parts (56315730, 56009117, 56003223, 56001854 / items 126 through 129) in a quantity of 1 each.

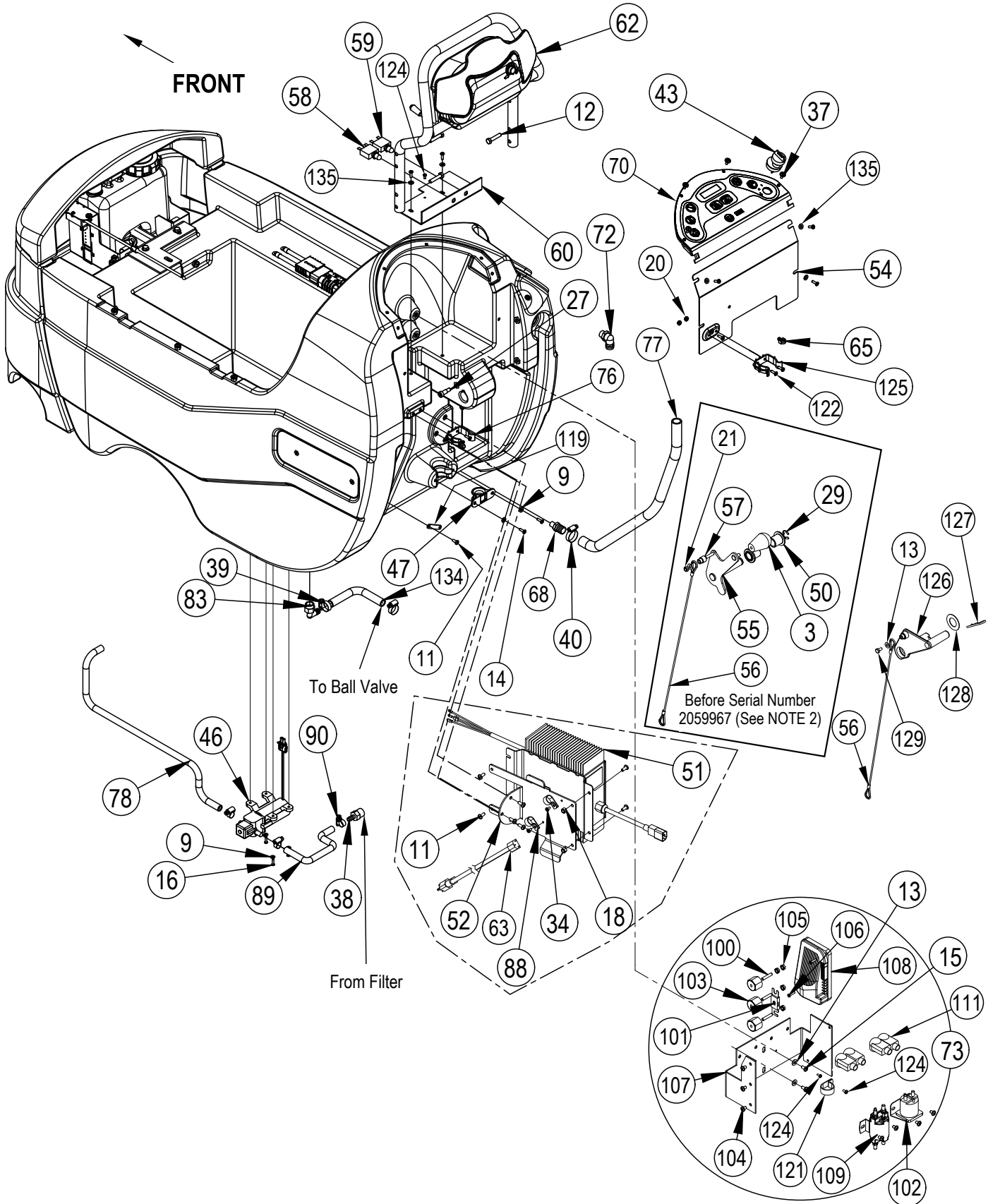
NOTE 4: As of October 2008 the following items (56370878, 56001879, 56003312, 56003708, 56315736, 56315380, 56315479, 56003709, 56009087) are no longer used in production. If you need to replace any of these items please order Kit 56109540.

NOTE 6: If replacing the solution tank on a machine with the old style squeegee lift level (56315236), please order Solution Tank Kit 56109560 for grey models or Solution Tank Kit 56109562 for green models.

NOTE 7: Actuator 56109595 replaces actuator 56396049 as of September 2009.

NOTE 8: Only used on AXP models.

NOTE 9: Only used on EcoFlex models. AXP models are no longer in production and have been replaced by EcoFlex models.



Item	Ref. No.	Qty	Description	Item	Ref. No.	Qty	Description
3	56364527	1	Knob NOTE 2	68	56315634	1	Barb, Adaptor 3/4 X 1/2 Npt
9	56001954	5	Wsh, Flt SAE #10	70	56315657	1	Control Panel Assy TSBUS2007-952 / TSBUS2007-958 / NOTE 8
11	56002066	8	Scr, Pan Phil 1/4-20 X .62		56381082	1	Control Panel Assy NOTE 9
12	56002094	4	Scr, Hex 5/16-18 X 1.50	72	56315683	1	Barb, 90 Elbow 3/4 X 3/8npt
13	56002098	6	Wsh, Flt SAE 1/4	73	56315684	1	Assembly, Electrical Box (34, 100-111 & 121)
14	56002124	10	Scr, Pan Phil 10-24 X .62	76	56331154	1	Clamp, Plastic
15	56002145	7	Scr, Pan Phil 1/4-20 X .50	77	56379139	1	Hose, PVC
16	56002146	3	Scr, Pan Phil 8-32 X .62	78	56391802	1	Hose, Spiral .375
18	56002708	4	Nut, Hex Nyl Loc 1/4-20	83	56409152	1	Barb, 90 Elbow 1/2 X 1/2npt
20	56002832	2	Nut, Hex Nyl Loc-Thin 10-24 NOTE 3	88	56486112	2	Clamp, P
21	56002840	2	Nut, Hex Nyl Loc-Thin 1/4-20 NOTE 2	89	56249682	1	Spiral, Hose X .375
27	56002962	1	Scr, Soc Shd .38 X .62 X 5/16-18 NOTE 2	90	56756364	6	Clamp, Hose SAE #4
29	56003266	1	Ring, Ret Ext Type E 0.75 Dia. NOTE 2	100	56009203	3	Stud, 1/4-20
34	56009030	2	Scr, Pan Phil Thd Form 10-24 X .38	101	56412089	1	Fuse, 150 Amp
37	56009206	4	Scr, Truss Phil-Blk 10-24x.50	102	56395455	1	Contactora 36v (K2 / Vac Motor)
38	56051207	1	Barb, Adaptor 3/8 X 1/2 Npt	103	56469858	3	Standoff, Insulated
39	56219932	5	Clamp, Hose SAE #6	104	56002462	7	Scr, Pan Phil 1/4-20 X .38
40	56244969	1	Clamp, Hose SAE #12	105	56002561	4	Nut, Hex W/ Shprf 1/4-20
43	56303553	1	Key Switch Assy (S3)	106	56003698	2	Scr, Pan Phil Thd Form 8-32 X .75
[]	56303526	A/R	Set of 2 Keys	107	56315182	1	Panel, Electrical
	56380488	1	Key Switch Assy (model 56307250 only)	108	56315692	1	Controller, Speed TSBUS2007-958
	56508699	A/R	Replacement Key (model 56307250 only)	109	56397250	1	Solenoid, Spdt 36v (K1 / Brush Motor)
46	56315108	1	Pump, Solution (M5)	111	2-00-04203	4	Insulator, Terminal
47	56315121	1	Guide, Cable	119	56249884	1	Plate
50	56315193	2	Bushing, Flange NOTE 2	121	56410166	1	Clamp, P
51#	56315774	1	Charger, On-Board 36v NOTE 1 / NOTE 10	122	56001993	2	Scr, Pan Phil 10-24 x .50
[]#	56315747	1	Thermister Repair Kit for 56315774	124	56009030	3	Scr, Pan Phil Thd Form 10-24 X .38
52	56315206	1	Bracket, Charger	125	56396199	1	Clamp, Plastic
54	56109502	1	Panel, Electrical NOTE 3	126	56315730	1	Lever, Squeegee Lift NOTE 2 / TSBUS2008-1021
55	56315236	1	Weldment, Squeegee Lift NOTE 2 / TSBUS2008-1021	127	56003223	1	Pin, Cot Hair NOTE 2
56	56315243	1	Cable Assy	128	56009117	1	Wsh, Flt 1.03 x 1.85 x .48 NOTE 2
57	56315245	1	Bushing, Squeegee Cable NOTE 2	129	56001854	1	Scr, Hex 1/4-20 x .50 NOTE 2
58	56315255	1	Circuit Breaker, 5 Amp	134	56262561	1	Hose, Spiral .50
59	56315256	1	Circuit Breaker, 30 Amp	135	56002053	6	Wsh, Flt STD #10
60	56109553	1	Plate, Circuit Breaker NOTE 5				
62	56315266	1	Assembly, Paddle TSBUS2007-958				
63	56315270	1	Charger Cord, US				
65	56315382	1	Clip, Conduit				

[] = Not Shown

= Revised or new since last update

NOTE 1: Starting with Charger serial # CP360614027995 the charger software can be programmed with a computer and the QuiQ Programmer kit 56315732.

NOTE 2: As of serial number 2059967 the following items (56002962, 56364527, 56002840, 56003266, 56315193, 56315236 & 56315245) are no longer used in production. If you need to replace any of these items please order the following group of parts (56315730, 56009117, 56003223, 56001854 / items 126 through 129) in a quantity of 1 each.

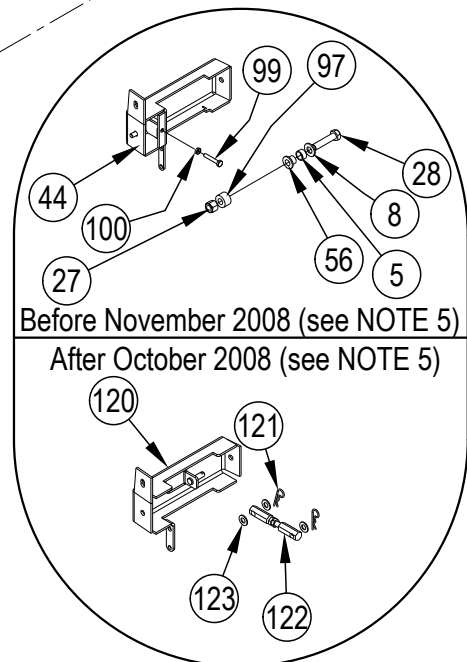
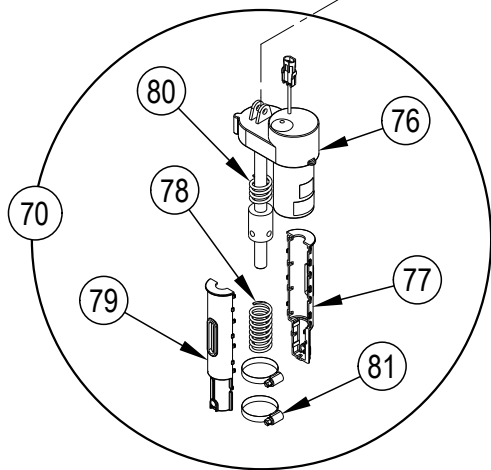
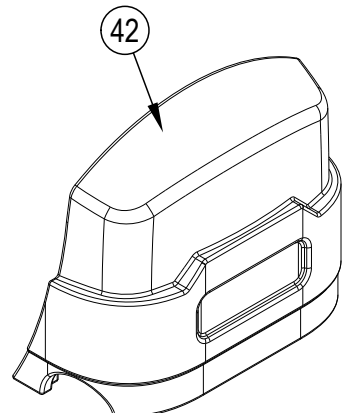
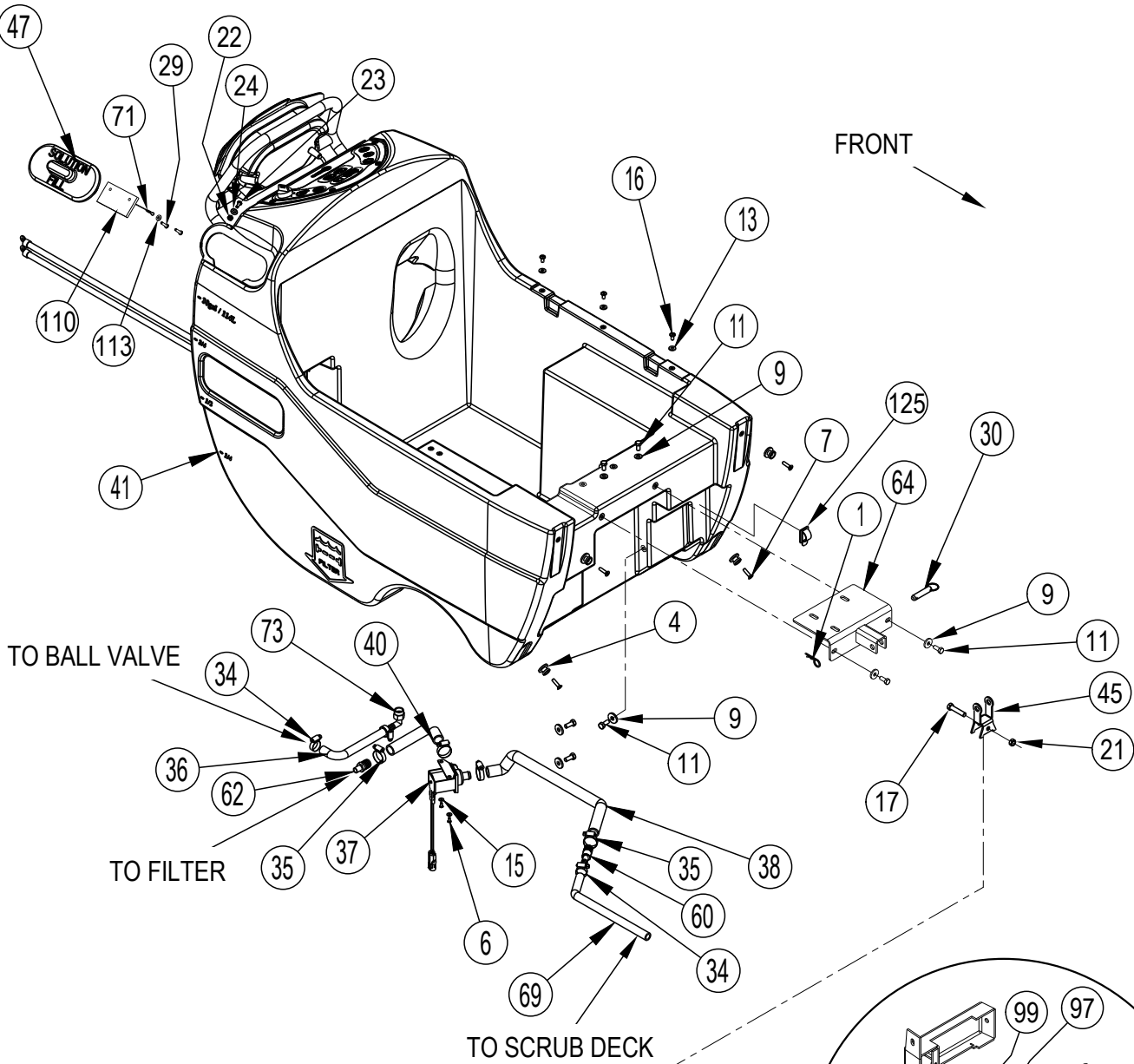
NOTE 3: As of serial number 2059967 the following items (56002832, 56315222 & 56412285) are no longer used in production. If you need to replace 56315222 or 56412285 please order 56109502.

NOTE 5: 56315259 and 56315532 are no longer used in production. If you need to replace either of these items please order 56109553.

NOTE 8: Only used on AXP models.

NOTE 9: Only used on EcoFlex models. AXP models are no longer in production and have been replaced by EcoFlex models.

NOTE 10: TSBUS2006-931 / TSBUS2007-979 / TSBUS2008-984 / TSBUS2008-1003 / TSBUS2008-1008



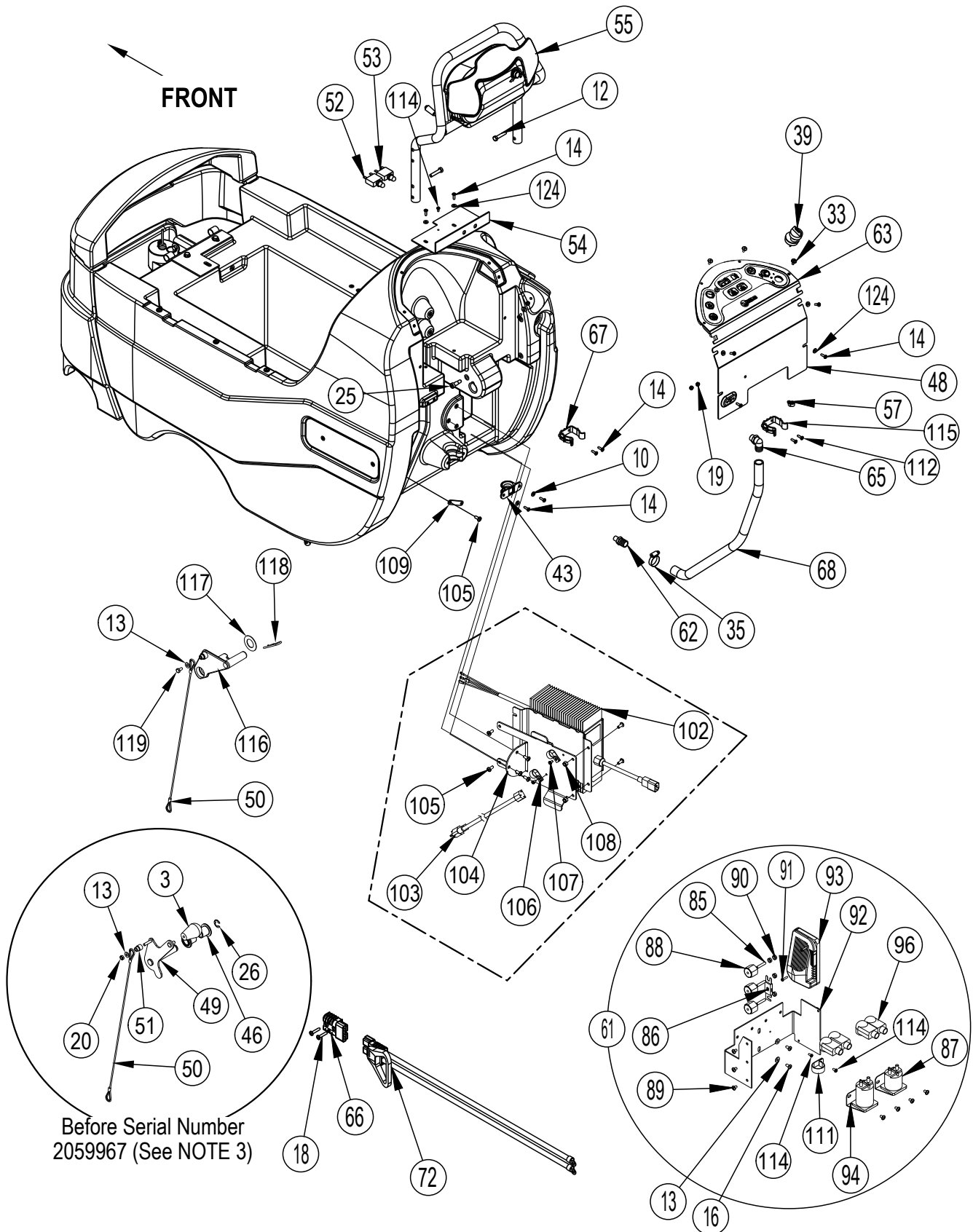
Item	Ref. No.	Qty	Description	Item	Ref. No.	Qty	Description
1	56002959	1	Pin, Cotter Hair	44		1	Pivot Weld't. TSBUS2006-940 / NOTE 5
4	56365777	4	Lug, Brush Driver	45	56315191	1	Yoke, Actuator
5		1	Bearing, Sleeve NOTE 5	47	56315219	1	Cover, Solution Fill TSBUS2007-967
6	56001818	2	Scr, Pan Phil 8-32 X .38	56		1	Bushing NOTE 5
7	56001832	4	Scr, Flt Phil 1/4-20 X 1.00	60	56315625	1	Barb, Coupler 1/2 X 3/4
8		1	Wsh, Flt SAE 1/2 NOTE 5	62	56315634	2	Barb, Adaptor 3/4 X 1/2 NPT
9	56009122	7	Wsh, Flt .344 x .938 x .125	64	56315744	1	Weldment, Actuator Mount TSBUS2006-940
11	56002667	7	Scr, Hex 5/16-18 X .75	69	56387302	1	Hose, Solution
13	56002098	6	Wsh, Flt SAE 1/4	70	56109595	1	Lift Actuator Assembly (76-80) NOTE 8 / TSBUS2009-1040
15	56002140	2	Wsh, Flt SAE #8	71	56410254	1	Wire Rope, 6 Inch TSBUS2007-967
16	56002145	5	Scr, Pan Phil 1/4-20 X .50	73	56409152	1	Barb, 90 Elbow 1/2 X 1/2npt
17	56002684	1	Scr, Hex 3/8-16 X 1.75	76	56109597	1	Actuator (M5)
21	56002841	1	Nut, Hex Nyl Loc-Thin 3/8-16	[]	56109596	1	Plastic Nut
22	56002849	1	Nut, Hex Nyl Loc-Thin SS 10-24	[]	56109636	1	Spring Housing Kit
23	56002896	1	Scr, Pan Phil Ss 10-24 X .62	77	56109547	1	Spring Housing Bottom
24	56002919	1	Wsh, Flt Std Ss #10	78	56420018	1	Compression Spring
27		1	Nut, Hex Nyl Loc M12-1.75 NOTE 5	79	56109546	1	Spring Housing Top
28		1	Scr, Hex M12-1.75 X 35mm NOTE 5	80	56412071	1	Compression Spring
29	56009006	2	Scr, Pan Phil SS Type B 10-16 X 1.00	81	56329145	2	Clamp-Hose SAE #24
30	56003679	1	Pin, Ring .50 X 1.63	97		1	Bushing NOTE 5
34	56219932	3	Clamp, Hose SAE #6	99		1	Scr, Hex Thd to Hd 1/4-20 x 1.50 NOTE 5
35	56244969	5	Clamp, Hose SAE #12	100		1	Nut, Hex Jam 1/4-20 NOTE 5
36	56262561	1	Hose, Spiral .500	110	56315166	1	Plate
37	56303275	1	Solenoid Valve Assy	113	56002916	2	Wsh, Flt SAE SS #10
38	56303394	1	Hose, Spiral .750 X 25"	120	56109524	1	Pivot Weldt. NOTE 5
40	56305318	1	Hose, Spiral .750 X 10.5"	121	56003120	2	Pin, Cotter Hair .0915 x .375 NOTE 5
41	56315733	1	Tank, Solution TSBUS2006-940	122	56315836	1	Turnbuckle Assy NOTE 5
[]	56109560	1	Solution Tank Kit (grey) NOTE 7	123	56002063	3	Wsh, Flt SAE 3/8 NOTE 5
42	56315949	1	Nose Cone	125	7-13-07096	1	Clamp-Adjustable

[] = Not Shown

NOTE 5: As of October 2008 the following items (56370878, 56001879, 56003312, 56003708, 56315736, 56315380, 56315479, 56003709, 56009087) are no longer used in production. If you need to replace any of these items please order Kit 56109540.

NOTE 7: If replacing the solution tank on a machine with the old style squeegee lift level (56315236), please order Solution Tank Kit 56109560.

NOTE 8: Actuator 56109595 replaces actuator 56396049 as of September 2009.



Item	Ref. No.	Qty	Description	Item	Ref. No.	Qty	Description
3	56364527	1	Knob NOTE 3	67	56331154	1	Clamp, Plastic
10	56001954	2	Wsh, Flt SAE #10	68	56379139	1	Hose, PVC
12	56002094	4	Scr, Hex 5/16-18 X 1.50	72	56398000	1	Connector Assy (To batteries)
13	56002098	6	Wsh, Flt SAE 1/4 NOTE 3	85	56009203	3	Stud, 1/4-20
14	56002124	10	Scr, Pan Phil 10-24 X .62	86	56412089	1	Fuse, 150 Amp
16	56002145	5	Scr, Pan Phil 1/4-20 X .50	87	56395455	1	Contactora 36v (K2 / Vac Motor)
18	56002825	2	Scr, Pan Phil 1/4-20 X 1.25	88	56469858	3	Standoff, Insulated
19	56002832	2	Nut, Hex Nyl Loc-Thin 10-24 NOTE 4	89	56002462	7	Scr, Pan Phil 1/4-20 X .38
20	56002840	1	Nut, Hex Nyl Loc-Thin 1/4-20 NOTE 3	90	56002561	4	Nut, Hex W/ Shprf 1/4-20
25	56002962	1	Scr, Soc Shd .38 X .62 X 5/16-18 NOTE 2	91	56003698	2	Scr, Pan Phil Thd Form 8-32 X .75
26	56003266	1	Ring, Ret Ext Type E 0.75 Dia. NOTE 3	92	56315182	1	Panel, Electrical
33	56009206	4	Scr, Truss Phil-Blk 10-24x.50	93	56315692	1	Controller, Speed TSBUS2006-950
35	56244969	5	Clamp, Hose SAE #12	94	56395453	1	Contactora 36v (K1 / Brush Motor) TSBUS2008-1020
39	56303553	1	Key Switch Assembly (S3)	96	2-00-04203	4	Insulator, Terminal
[]	56303526	A/R	Set of 2 Keys	102#	56315774	1	Charger, Onboard 36V NOTE 1 / NOTE 2 / NOTE 9
43	56315121	1	Guide, Cable	[]#	56315747	1	Thermister Repair Kit for 56315774
46	56315193	2	Bushing, Flange NOTE 3	103	56315270	1	Charger Cord, US NOTE 1
48	56109502	1	Panel, Electrical NOTE 4	104	56315206	1	Bracket, Charger NOTE 1
49	56315236	1	Weldment, Squeegee Lift NOTE 3 / TSBUS2008-1021	105	56002066	8	Scr, Pan Phil 1/4-20 x .62 NOTE 1
50	56315243	1	Cable Assy NOTE 3	106	56486112	2	Clamp, P NOTE 1
51	56315245	1	Bushing, Squeegee Cable NOTE 3	107	56009030	2	Scr, Pan Phil Thd Form 10-24 x .38 NOTE 1
52	56315255	1	Circuit Breaker, 5 Amp	108	56002708	4	Nut, Hex Nyl Loc 1/4-20 NOTE 1
53	56315256	1	Circuit Breaker, 30 Amp	109	56249884	1	Plate
54	56109553	1	Plate, Circuit Breaker NOTE 6	111	56410166	1	Clamp, P
55	56315266	1	Assembly, Paddle TSBUS2006-950	112	56001993	2	Scr, Pan Phil 10-24 x .50
57	56315382	1	Clip, Conduit	114	56009030	3	Scr, Pan Phil Thd Form 10-24 x .38
61	56315628	1	Assembly, Electrical Box (85-96, 111 & 114)	115	56396199	1	Clamp, Plastic
62	56315634	2	Barb, Adaptor 3/4 X 1/2 NPT	116	56315730	1	Lever, Squeegee Lift NOTE 3 / TSBUS2008-1021
63	56316213	1	Control Panel Assy Kit TSBUS2006-938 / TSBUS2006-950	117	56009117	1	Wsh, Flt 1.03 x 1.85 x .48 NOTE 3
65	56315683	1	Barb, 90 Elbow 3/4 X 3/8npt	118	56003223	1	Pin, Cot Hair NOTE 3
66	56315687	1	Charge Connector Assy (To electrical box)	119	56001854	1	Scr, Hex 1/4-20 x .50 NOTE 3
				124	56002053	6	Wsh, Flt STD #10

[] = Not Shown

= Revised or new since last update

NOTE 1: These items are only used on the following models: 56315039, 56315538, 56315539, 56315540.

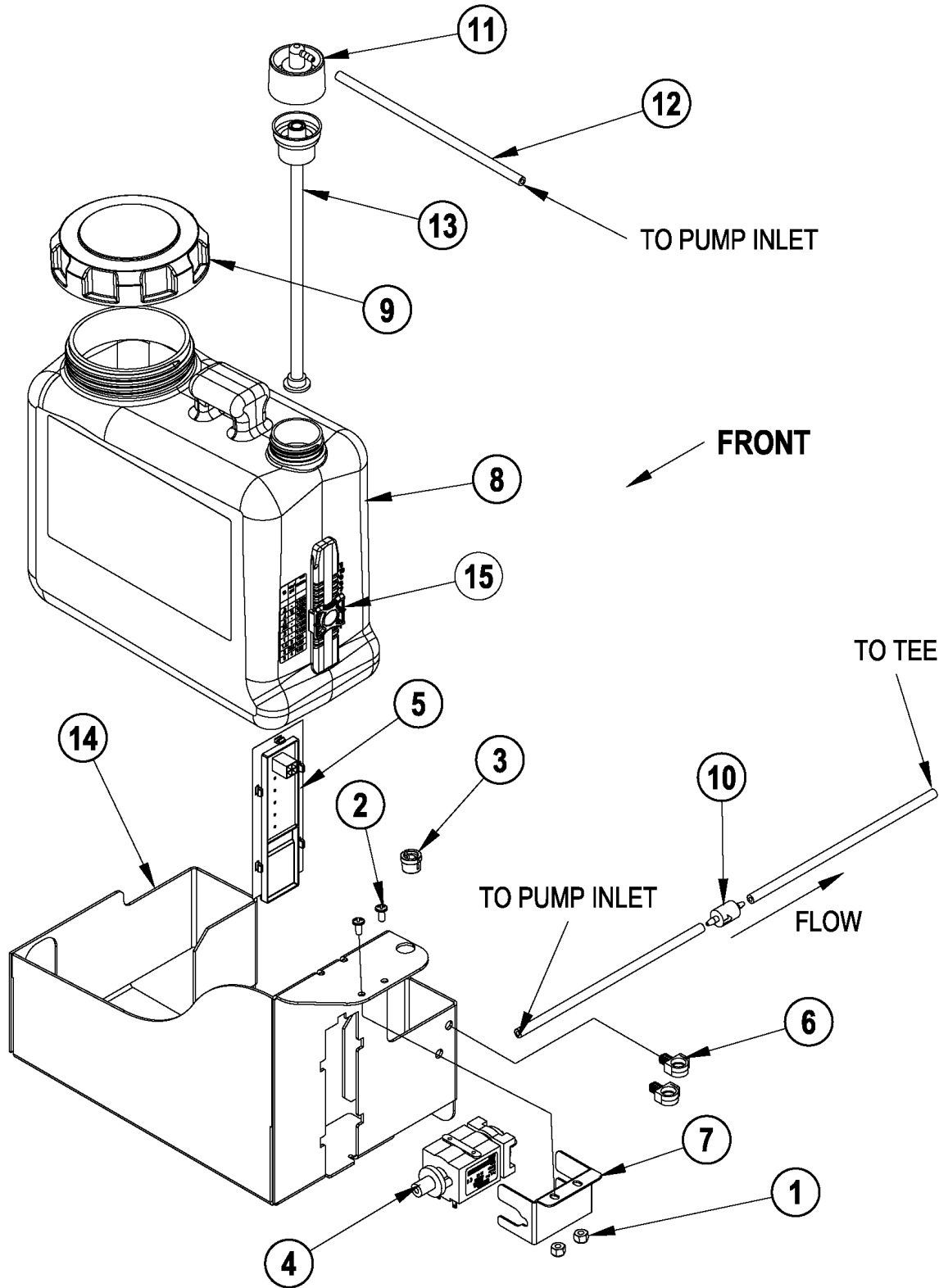
NOTE 2: Starting with Charger serial # CP360614027995 the charger software can be programmed with a computer and the QuiQ Programmer kit 56315732.

NOTE 3: As of serial number 2059967 the following items (56002962, 56364527, 56002840, 56003266, 56315193, 56315236 & 56315245) are no longer used in production. If you need to replace any of these items please order the following group of parts (56315730, 56009117, 56003223, 56001854 / items 116 through 119) in a quantity of 1 each.

NOTE 4: As of serial number 2059967 the following items (56002832, 56315222 & 56412285) are no longer used in production. If you need to replace 56315222 or 56412285 please order 56109502.

NOTE 6: 56315259 and 56315532 are no longer used in production. If you need to replace either of these items please order 56109553.

NOTE 9: **TSBUS2006-931 / TSBUS2007-979 / TSBUS2008-984 / TSBUS2008-1003 / TSBUS2008-1008**



05-4	CHEMICAL ASSY - EcoFlex™		
10-2	Warrior ST™, Warrior™ EcoFlex™		27

Item	Ref. No.	Qty	Description
	56315645	1	Chemical Tank Assy NOTE 1
	56381104	1	Chemical Tank Assy NOTE 2
1	56002877	2	Nut, Hex Nyl Loc SS 8-32
2	56003018	2	Scr, Pan Phil SS 8-32 X .38
3	56003699	1	Bushing, 1/4 Id Snub
4	56315241	1	Pump, Chemical
5	56315340	1	Chemical Sensor Assy NOTE 1
6	56315382	2	Clip, Conduit
7	56315476	1	Bracket, Chemical Pump
8	56315502	1	Chemical Bottle Assy NOTE 1
**	56315503	A/R	Chemical Bottle Assy (8, 9, 13) NOTE 1
	56601544	1	Chemical Bottle Assy NOTE 2
**	56601545	A/R	Chemical Bottle Assy (8, 9, 13) NOTE 2
9	56315517	1	Cap, Raw
10	56315522	1	Check Valve, 1/8 Barb, 125 PSI
11	56315523	1	Cap, Dry Break, 1/8 Barb, 90°
12	56315524	3	Hose, Chemical Resistant, 7"
13	56315527	1	Insert, Dry Break
14	56315644	1	Bracket, Tank Mounting
15	56315511	1	Indicator Assy NOTE 1

** = Optional, Not Included

NOTE 1: Only used on AXP models.

NOTE 2: Only used on EcoFlex models. AXP models are no longer in production and have been replaced by EcoFlex models.

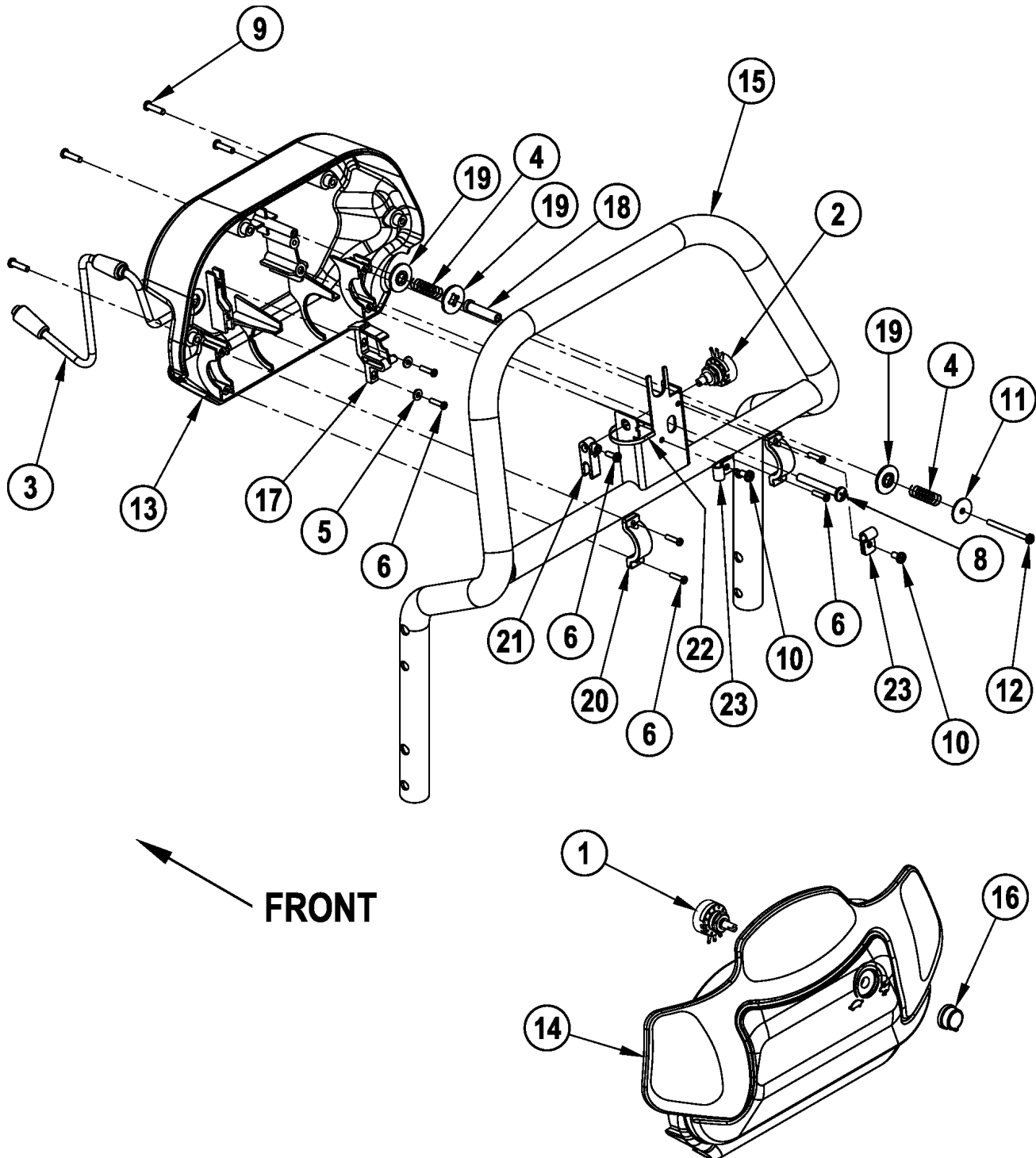
PADDLE ASSY

05-4

28

Warrior ST™, Warrior™ EcoFlex™

09-9



05-4

PADDLE ASSY

10-2

Warrior ST™, Warrior™ EcoFlex™

29

Item	Ref. No.	Qty	Description
	56315266	1	Assembly, Paddle TSBUS2006-925 / TSBUS2006-950 / TSBUS2007-958
1	56396197	1	Potentiometer, 100k (R2)
2	56397029	1	Potentiometer, 5k (R1)
3	56315231	1	Harness, Handle
4	56325654	2	Spring, Compression
5	56002006	2	Wsh, Flt SAE #6
6	56003197	7	Scr, Pan Phil Plastite 6-18x.62
8	56003527	1	Scr, Pan Phil Plastite 1/4-10x2.00
9	56003545	4	Scr, Pan Phil Plastite 8-10x.75
10	56009030	2	Scr, Pan Phil Thd Form 10-24x.38
11	56009096	1	Wsh, Flt .193 X .875 X .060
12	56009287	1	Scr, Pan Phil Type B 8x2.00
13	56109716	1	Paddle, Back Cover
14	56315230	1	Paddle, Front Cover
15	56315251	1	Weldment, Handle Bar
16	56315280	1	Knob
17	56397015	1	Cam Controller
18	56397109	1	Sleeve
19	56397170	3	Washer, Plastic
20	56397171	2	Clamp
21	56109648	1	Potentiometer Fork
22	56478246	1	Tie, Cable
23	56481890	2	Clamp, P

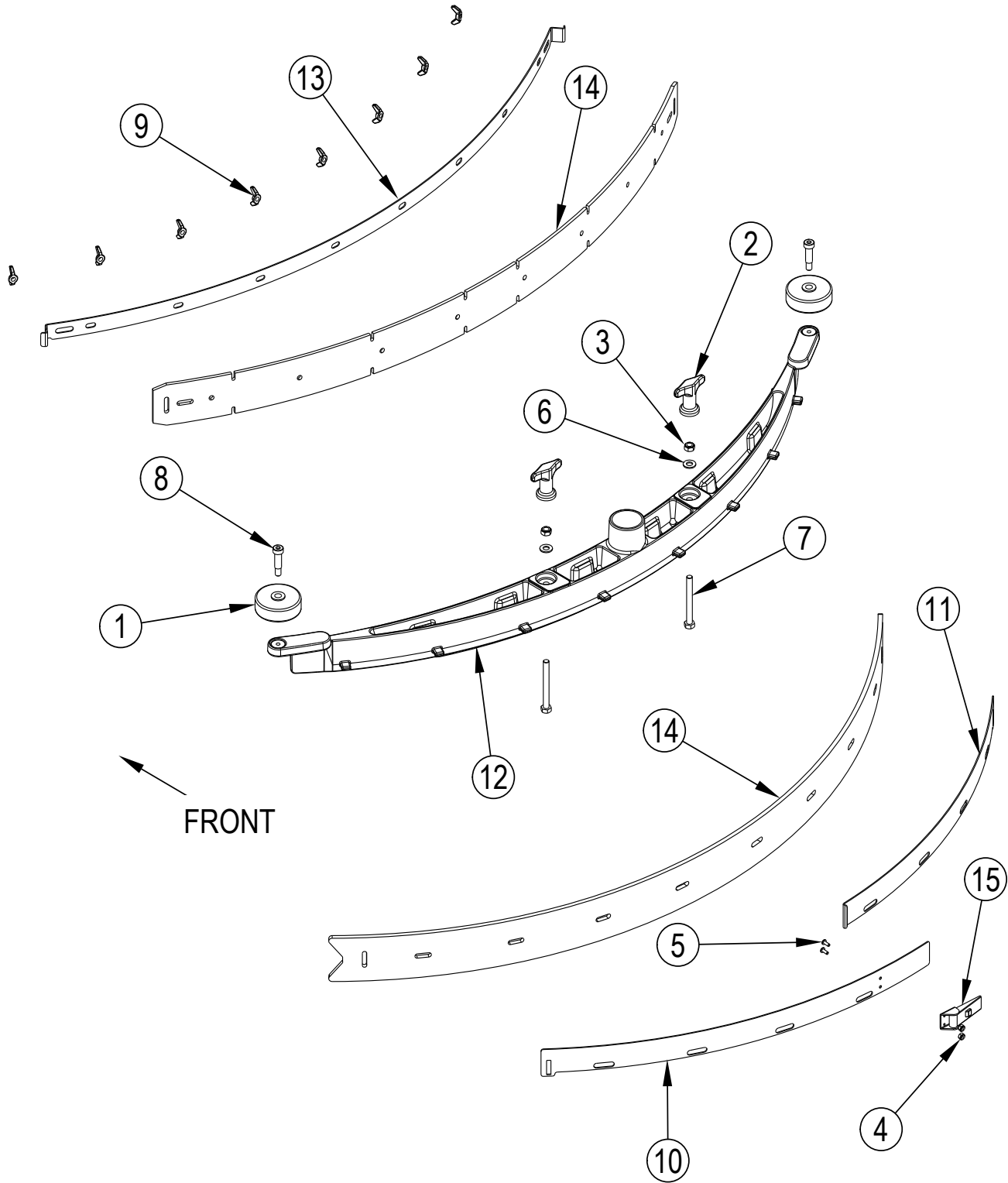
SQUEEGEE ASSY

05-4

30

Warrior ST™, Warrior™ EcoFlex™

09-9



Item	Ref. No.	Qty	Description
	56315632	1	Squeegee Assembly "D" (STD on <u>all models</u> except 28" & 32" cylindrical) NOTE 2
	56314697	1	Squeegee Assembly "D" (STD <u>only</u> on 28" & 32" cylindrical) NOTE 2
	56315291	1	Squeegee Assembly "B" (Narrow Isle Option) NOTE 2
	56315290	1	Squeegee Assembly "C" (Narrow Isle Option) NOTE 2
1	56324350	2	Wheel
2	56370711	2	Nut, Thumb
3	56002851	2	Nut, Hex Nyl Loc-Thin Ss 5/16-18
4	56002907	2	Nut, Hex Nyl Loc SS 6-32
5	56002909	2	Scr, Pan Phil SS 6-32 X .38
6	56002938	2	Wsh, Flt Sae SS 5/16
7	56003736	2	Scr, Hex Thd to Hd SS 5/16-18 X 3.00
8	56003472	2	Scr, Soc Shd .38 X 1.00 X 5/16-18
9	56009111	8	Nut, Wing SS 1/4-20
10	56109667	1	Strap, Left Rear "D" (used on 56315632 & 56314697) NOTE 2 / TSBUS2009-1037
	56109664	1	Strap, Left Rear "C" (used on 56315290) NOTE 2 / TSBUS2009-1037
	56109660	1	Strap, Left Rear "B" (used on 56315291) NOTE 2 / TSBUS2009-1037
11	56109668	1	Strap, Right Rear "D" (used on 56315632 & 56314697) NOTE 2 / TSBUS2009-1037
	56109665	1	Strap, Right Rear "C" (used on 56315290) NOTE 2 / TSBUS2009-1037
	56109661	1	Strap, Right Rear "B" (used on 56315291) NOTE 2 / TSBUS2009-1037
12	56314694	1	Squeegee Tool, Cast "D" (used on 56315632 & 56314697)
	56314325	1	Squeegee Tool, Cast "C" (used on 56315290)
	56314271	1	Squeegee Tool, Cast "B" (used on 56315291)
13	56314696	1	Strap, Front "D" (used on 56315632 & 56314697) NOTE 2
	56314322	1	Strap, Front "C" (used on 56315290) NOTE 2
	56314028	1	Strap, Front "B" (used on 56315291) NOTE 2
14	56315674	1	Kit, Gum Rubber Squeegee Blade "D" (used on 56315632) NOTE 1
	56314865	1	Kit, Red Gum Rubber Squeegee Blade "D" (used on 56314697) NOTE 1
	56315348	1	Kit, Gum Rubber Squeegee Blade "C" (used on 56315290) NOTE 1
	56315347	1	Kit, Gum Rubber Squeegee Blade "B" (used on 56315291) NOTE 1
15	56471194	1	Latch Assembly
			"D" Squeegee Blade Kits for 56315632 & 56314697
	56315674	1	Kit, Gum Rubber Squeegee Blade "D" NOTE 1
**	56314865	1	Kit, Red Gum Rubber Squeegee Blade "D" NOTE 1
**	56315856	1	Kit, PU Squeegee Blade "D" NOTE 1
			"C" Squeegee Blade Kits for 56315290
	56315348	1	Kit, Gum Rubber Squeegee Blade "C" NOTE 1
**	56315352	1	Kit, Red Gum Rubber Squeegee Blade "C" NOTE 1
**	56315855	1	Kit, PU Squeegee Blade "C" NOTE 1
			"B" Squeegee Blade Kits for 56315291
	56315347	1	Kit, Gum Rubber Squeegee Blade "B" NOTE 1
**	56315351	1	Kit, Red Gum Rubber Squeegee Blade "B" NOTE 1
**	56315854	1	Kit, PU Squeegee Blade "B" NOTE 1

** = Optional, Not Included

NOTE 1: All squeegee blade kits include both front and rear squeegee blades.

NOTE 2: To replace all squeegee straps as a set order one of the three following Strap Kits:

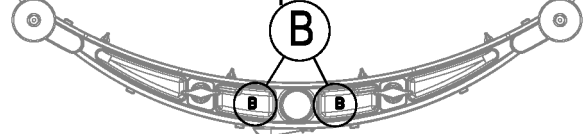
56109669-Strap Kit-D (for Squeegee Assy 56315632 or 56314697)

56109666-Strap Kit-C (for Squeegee Assy 56315290)

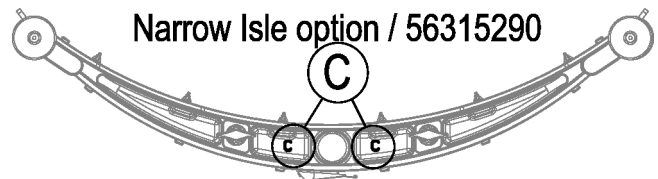
56109662-Strap Kit-B (for Squeegee Assy 56315291)

These kits include both rear straps, front strap and the latch.

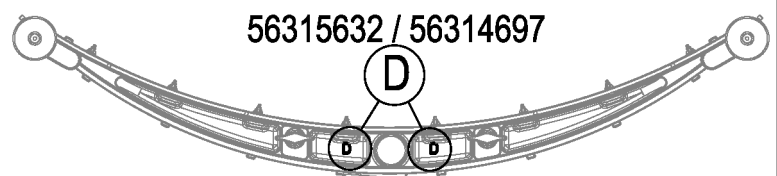
Narrow Isle option / 56315291

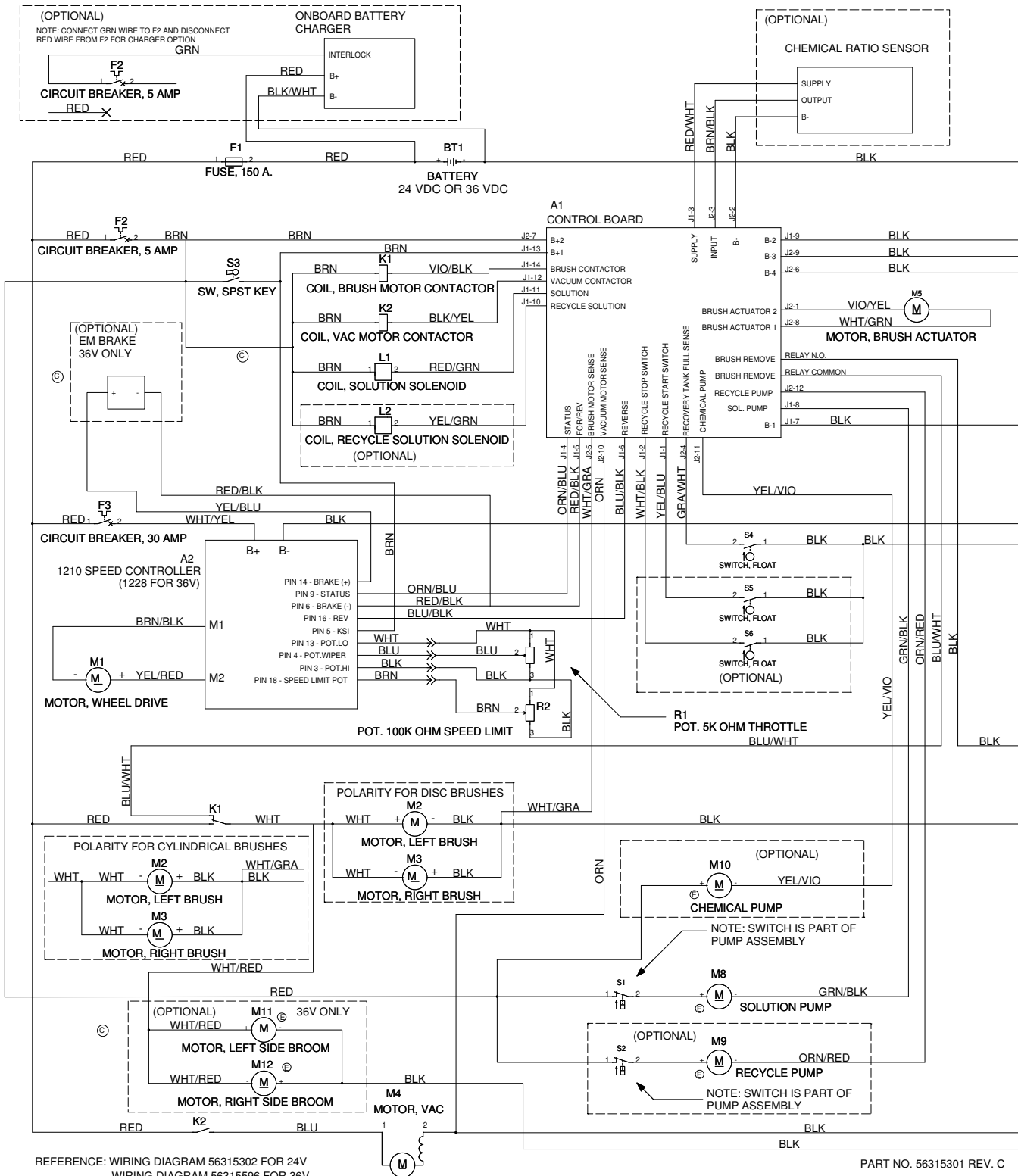


Narrow Isle option / 56315290



56315632 / 56314697





REFERENCE: WIRING DIAGRAM 56315302 FOR 24V
WIRING DIAGRAM 56315596 FOR 36V

PART NO. 56315301 REV. C

Item	Ref. No.	Qty	Description
A1	56315657	1	Control Panel-FM TSBUS2007-952 / TSBUS2007-958
	56316213	1	Control Panel-LC TSBUS2006-938 / TSBUS2006-950
A2	56315692	1	Speed Control TSBUS2006-950 / TSBUS2007-958
BT1	56391391	6	Battery, 6V, 305AH (model 56307250 only)
F1	56412089	1	Fuse, 150 Amp
F2	56315255	1	Circuit Breaker, 5 Amp
F3	56315256	1	Circuit Breaker, 30 Amp
K1	56397250	1	Contactors, Brush Motor (AXP™ Models)
	56395453	1	Contactors, Brush Motor (STD Models) TSBUS2008-1020
K2	56395455	1	Contactors, Vac Motor (All Models)
L1	56397215	1	Solenoid, Solution
L2	56397215	1	Solenoid, Recycle Solution (Optional)
M1	56382500	1	Transaxle, 36v
*	56315676	1	Motor
*	56315677	4	Carbon Brush
*	56315678	2	Neoprene Mounting Sleeve
M2	56397316	1	Motor, Left Brush (Disk) TSBUS2010-1059
*	56397139	4	Carbon Brush NOTE 2
*	56397138	4	Brush Spring NOTE 2
*	56380637	1	Brush Board Assy NOTE 2
	56315611	1	Motor, Left Brush (Cylindrical)
*	56412287	1	Brush / Spring Kit NOTE 3
*	56380003	1	Brush / Spring Kit NOTE 3
M3	56397316	1	Motor, Right Brush (Disk) TSBUS2010-1059
*	56397139	4	Carbon Brush NOTE 2
*	56397138	4	Brush Spring NOTE 2
*	56380637	1	Brush Board Assy NOTE 2
	56315611	1	Motor, Left Brush (Cylindrical)
*	56412287	1	Brush / Spring Kit NOTE 3
*	56380003	1	Brush / Spring Kit NOTE 3
M4	56391208	1	Vac Motor Assy
*	56377001	1	Carbon Brush Set of 2
M5	56109597	1	Motor, Brush Actuator TSBUS2009-1040
*	56109596	1	Plastic Nut
M8	56315108	1	Pump, Solution
M9	56315107	1	Pump, Recycle (Optional)
M10	56315241	1	Pump, Chemical (Optional)
M11	56315383	1	Motor and Gear Unit (Optional)
M12	56315383	1	Motor and Gear Unit (Optional)
R1	56397029	1	Potentiometer, 5K Ohm, Throttle
R2	56396197	1	Potentiometer, 100K Ohm, Speed Limit
S1	NA	1	Part of M7
S2	NA	1	Part of M8
S3	56303553	1	Switch, Key
*	56303526	A/R	Set of 2 Replacement Keys
	56380488	1	Key Switch Assy (model 56307250 only)
	56508699	A/R	Replacement Key (model 56307250 only)
S4	56315096	1	Switch, Float
S5	56315096	1	Switch, Float (Optional / Recycle Start)
S6	56315096	1	Switch, Float (Optional / Recycle Stop)
*#	56315774	1	Charger, Onboard 36V (Onboard Charger Models Only) NOTE 1 TSBUS2006-931 / TSBUS2007-979 / TSBUS2008-984 TSBUS2008-1003 / TSBUS2008-1008
*#	56315747	1	Thermister Repair Kit for 56315774
*	56315340	1	Chemical Ratio Sensor (AXP™ Models Only)
*	56109673	1	Harness, Main TSBUS2006-926 / TSBUS2007-955
*	56315750	1	Vacuum Harness TSBUS2007-955
*	56416445	3	Cable Assy 4 AWG (Battery Cables)
*	56456460	2	Cable Assy 4 X 12 (Battery Cables)
*	56372673	12	Boot, Battery Post
*	56478246	12	Tie, Cable
*	56314119	2	Spacer, Battery

* = Not Shown

= Revised or new since last update

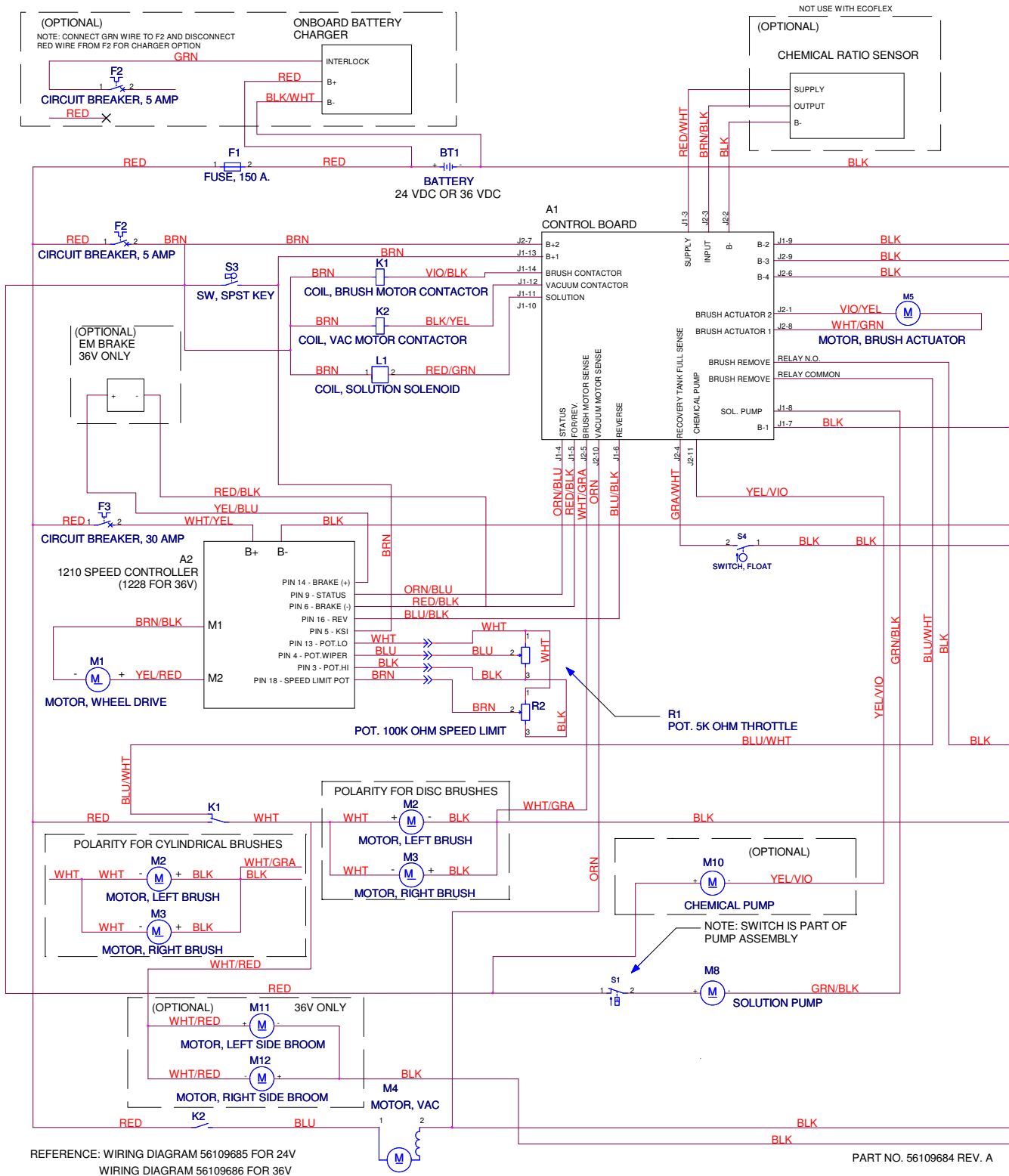
NOTE 1: Starting with Charger serial # CP360614027995 the charger software can be programmed with a computer and the QuiQ Programmer kit 56315732.

NOTE 2: If your Motor / Gear Unit Assembly has a serial tag from Imperial Electric order (4) Carbon Brushes 56397139 or (4) Brush Springs 56397138.

If your Motor / Gear Unit Assembly has a serial tag from Nilfisk-Advance order Brush Board Assy 56380637.

NOTE 3: If your cylindrical scrub motor has a serial tag from Scott Motors Co. order Brush / Spring Kit 56412287.

If your cylindrical scrub motor has a serial tag from Nilfisk-Advance order Brush / Spring Kit 56380003.



Item	Ref. No.	Qty	Description
A1	56315657	1	Control Panel-FM TSBUS2007-952 / TSBUS2007-958 / NOTE 4
	56381082	1	Control Panel Assy NOTE 5
	56316213	1	Control Panel-LC TSBUS2006-938 / TSBUS2006-950
A2	56315692	1	Speed Control TSBUS2006-950 / TSBUS2007-958
BT1	56391391	6	Battery, 6V, 305AH (model 56307250 only)
F1	56412089	1	Fuse, 150 Amp
F2	56315255	1	Circuit Breaker, 5 Amp
F3	56315256	1	Circuit Breaker, 30 Amp
K1	56397250	1	Contactora, Brush Motor (EcoFlex™ Models)
	56395453	1	Contactora, Brush Motor (STD Models) TSBUS2008-1020
K2	56395455	1	Contactora, Vac Motor (All Models)
L1	56397215	1	Solenoid, Solution
L2	56397215	1	Solenoid, Recycle Solution (Optional)
M1	56382500	1	Transaxle, 36v
*	56315676	1	Motor
*	56315677	4	Carbon Brush
*	56315678	2	Neoprene Mounting Sleeve
M2	56397316	1	Motor, Left Brush (Disk) TSBUS2010-1059
*	56397139	4	Carbon Brush NOTE 2
*	56397138	4	Brush Spring NOTE 2
*	56380637	1	Brush Board Assy NOTE 2
	56315611	1	Motor, Left Brush (Cylindrical)
*	56412287	1	Brush / Spring Kit NOTE 3
*	56380003	1	Brush / Spring Kit NOTE 3
M3	56397316	1	Motor, Right Brush (Disk) TSBUS2010-1059
*	56397139	4	Carbon Brush NOTE 2
*	56397138	4	Brush Spring NOTE 2
*	56380637	1	Brush Board Assy NOTE 2
	56315611	1	Motor, Left Brush (Cylindrical)
*	56412287	1	Brush / Spring Kit NOTE 3
*	56380003	1	Brush / Spring Kit NOTE 3
M4	56391208	1	Vac Motor Assy
*	56377001	1	Carbon Brush Set of 2
M5	56109597	1	Motor, Brush Actuator TSBUS2009-1040
*	56109596	1	Plastic Nut
M8	56315108	1	Pump, Solution
M10	56315241	1	Pump, Chemical (Optional)
M11	56315383	1	Motor and Gear Unit (Optional)
M12	56315383	1	Motor and Gear Unit (Optional)
R1	56397029	1	Potentiometer, 5K Ohm, Throttle
R2	56396197	1	Potentiometer, 100K Ohm, Speed Limit
S1	NA	1	Part of M7
S2	NA	1	Part of M8
S3	56303553	1	Switch, Key
*	56303526	A/R	Set of 2 Replacement Keys
	56380488	1	Key Switch Assy (model 56307250 only)
	56508699	A/R	Replacement Key (model 56307250 only)
S4	56315096	1	Switch, Float
S5	56315096	1	Switch, Float (Optional / Recycle Start)
S6	56315096	1	Switch, Float (Optional / Recycle Stop)
*#	56315774	1	Charger, Onboard 36V (Onboard Charger Models Only) NOTE 1 TSBUS2006-931 / TSBUS2007-979 / TSBUS2008-984 TSBUS2008-1003 / TSBUS2008-1008
*#	56315747	1	Thermister Repair Kit for 56315774
*	56315340	1	Chemical Ratio Sensor (AXP™ Models Only)
*	56109673	1	Harness, Main TSBUS2006-926 / TSBUS2007-955
*	56315750	1	Vacuum Harness TSBUS2007-955
*	56416445	3	Cable Assy 4 AWG (Battery Cables)
*	56456460	2	Cable Assy 4 X 12 (Battery Cables)
*	56372673	12	Boot, Battery Post
*	56478246	12	Tie, Cable
*	56314119	2	Spacer, Battery

* = Not Shown

= Revised or new since last update

NOTE 1: Starting with Charger serial # CP360614027995 the charger software can be programmed with a computer and the QuiQ Programmer kit 56315732.

NOTE 2: If your Motor / Gear Unit Assembly has a serial tag from Imperial Electric order (4) Carbon Brushes 56397139 or (4) Brush Springs 56397138.

If your Motor / Gear Unit Assembly has a serial tag from Nilfisk-Advance order Brush Board Assy 56380637.

NOTE 3: If your cylindrical scrub motor has a serial tag from Scott Motors Co. order Brush / Spring Kit 56412287.

If your cylindrical scrub motor has a serial tag from Nilfisk-Advance order Brush / Spring Kit 56380003.

NOTE 4: Only used on AXP models.

NOTE 5: Only used on EcoFlex models. AXP models are no longer in production and have been replaced by EcoFlex models.

OPTIONAL KITS & ACCESSORIES

05-4

36

Warrior ST™, Warrior™ EcoFlex™

11-10

Ref. No.	Qty	Description	Ref. No.	Qty	Description
Kits			28" Disk Scrub Brushes		
**	56112141	A/R Kit-Vac Wand With Tote Bag	**	56505800	2 Short Trim Pad Holder
**	56315732	A/R QuiQ Programmer Kit NOTE 2 TSBUS2007-979	**	56505195	2 Pad Retainer for 56505750
**	56315681	A/R Kit, Electromagnetic Brake	**	56505805	2 ProLite
**	56315597	A/R Kit, Sound Reduction	**	56505804	2 Prolene
**	9096219000	2 Wheel, Polyurethane - Traction	**	56505806	2 Union Mix
**	56315669	A/R Kit, 28" Disk Deck Assy	**	56505803	2 AgLite Grit 500
**	56315670	A/R Kit, 32" Disk Deck Assy	**	56505807	2 MidGrit 240
**	56315671	A/R Kit, 28" Cyl Deck Assy	**	56505808	2 MidLite Grit 180
**	56315672	A/R Kit, 32" Cyl Deck Assy	**	56505802	2 Dyna Grit 80
**	56314981	A/R Battery Watering Kit	**	56505801	2 Magna Grit 46
NOTE: Replacement parts for the kits listed above can be found on each kit's associated instruction sheet.			32" Disk Scrub Brushes		
Kits for "D" Squeegee 56315632 & 56314697			**	56505830	2 Short Trim Pad Holder
**	56315674	1 Kit, Gum Rubber Squeegee Blade "D" NOTE 1	**	56505195	2 Pad Retainer for 56505750
**	56314865	1 Kit, Red Gum Rubber Squeegee Blade "D" NOTE 1	**	56505835	2 ProLite
**	56315856	1 Kit, PU Squeegee Blade "D" NOTE 1	**	56505834	2 Prolene
**	56109669	1 Strap Kit-D	**	56505836	2 Union Mix
Kits for "C" Squeegee 56315290			**	56505833	2 AgLite Grit 500
**	56315348	1 Kit, Gum Rubber Squeegee Blade "C" NOTE 1	**	56505837	2 MidGrit 240
**	56315352	1 Kit, Red Gum Rubber Squeegee Blade "C" NOTE 1	**	56505838	2 MidLite Grit 180
**	56315855	1 Kit, PU Squeegee Blade "C" NOTE 1	**	56505832	2 Dyna Grit 80
**	56109666	1 Strap Kit-C	**	56505831	2 Magna Grit 46
Kits for "B" Squeegee 56315291			28" Cylindrical Scrub Brushes		
**	56315347	1 Kit, Gum Rubber Squeegee Blade "B" NOTE 1	**	56412191	2 Soft Nylon
**	56315351	1 Kit, Red Gum Rubber Squeegee Blade "B" NOTE 1	**	56412192	2 Hard Nylon
**	56315854	1 Kit, PU Squeegee Blade "B" NOTE 1	**	56412046	2 Prolene
**	56109662	1 Strap Kit-B	**	56412193	2 MidLite Grit 180
Accessories			**	56412194	2 Dyna Grit 80
**	56315316	A/R Tote Bag	**	56412195	2 Magna Grit 46
**	56409441	A/R Programmer, 1307 User	32" Cylindrical Scrub Brushes		
**	56409823	A/R Programmer Cable	**	56407473	2 Soft Nylon
**	56397453	6 Indicator, Battery Level (1 per battery)	**	56407474	2 Hard Nylon
**	56044373	A/R Literature Pack (Prior to introduction of EcoFlex)	**	56407475	2 Prolene
**	56044588	A/R Literature Pack (After introduction of EcoFlex)	**	56407476	2 MidLite Grit 180
			**	56407477	2 Dyna Grit 80
			**	56407478	2 Magna Grit 46

** = Optional, Not Included

NOTE 1: All squeegee blade kits include both front and rear squeegee blades.

NOTE 2: Starting with Charger serial # CP360614027995 the charger software can be programmed with a computer and the QuiQ Programmer kit 56315732.

We provide brushes and pad holders that will give you the best possible performance between machine and floor. Following are descriptions of the materials and their applications.

- ProLite:** Bristles are made from light-duty polypropylene for general scrubbing when you do not want to scratch or remove finish from the floor. Recommended for use in place of red pads.
- Prolene:** Polypropylene material for medium-duty scrubbing on concrete, terrazzo and vinyl floor tile. Recommended for use in place of green or blue pads.
- Union Mix:** Medium grade natural fibers for polishing finished floors with standard-speed equipment. Recommended for use in place of white pads.
- AgLite Grit 500:** For light scrubbing when used wet; buffing or polishing when used dry on urethane coated, sealed concrete or other resilient hard surface floors. Recommended for use in place of red or white pads.
- MidGrit 240:** For general purpose scrubbing when you need a lighter action for sealed or unsealed concrete, stone, terrazzo, quarry tile and other resilient hard floor surfaces. Recommended for use in place of green or blue pads.
- MidLite Grit 180:** For general purpose scrubbing of sealed or unsealed concrete, stone, terrazzo, quarry tile and other resilient hard floor surfaces. Recommended for use in place of green or blue pads.
- Dyna Grit 80:** For aggressive, heavy-duty scrubbing or stripping of floors. Recommended for use in place of brown pads.
- Magna Grit 46:** For extreme heavy-duty scrubbing or stripping of floors. This brush has extra large diameter silicon carbide grit impregnated synthetic bristles. Recommended for use in place of black pads.
- Short Trim Pad Holder:** Made with a structural foam block and center ring for correct pad centering. It has a "shower feed" design for getting solution to the floor.

28" BRUSHES

56505800 - Short Trim Pad Holder
 56505195 - Pad Retainer for 56505800
 56505805 - ProLite
 56505804 - Prolene
 56505806 - Union Mix
 56505803 - AgLite Grit 500
 56505807 - MidGrit 240
 56505808 - MidLite Grit 180
 56505802 - Dyna Grit 80
 56505801 - Magna Grit 46

32" BRUSHES

56505830 - Short Trim Pad Holder
 56505195 - Pad Retainer for 56505830
 56505835 - ProLite
 56505834 - Prolene
 56505836 - Union Mix
 56505833 - AgLite Grit 500
 56505837 - MidGrit 240
 56505838 - MidLite Grit 180
 56505832 - Dyna Grit 80
 56505831 - Magna Grit 46

DISC BRUSH APPLICATION GUIDE (SUGGESTION ONLY)

	46	80	180	240	500			Union
Application	Grit	Grit	Grit	Grit	Grit	Prolene	Prolite	Mix
Stripping:								
Concrete	X	X						
Terrazzo	X	X						
Ceramic/Quarry tile		X						
Vinyl tile		X						
General Scrubbing:								
Concrete	X	X	X	X		X		
Terrazzo			X	X	X	X		
Ceramic/Quarry tile			X	X	X	X		
Marble					X		X	
Vinyl tile			X		X	X		
Raised-rubber tile					X		X	
Polishing:								
Raised Disc Tile								X
Marble								X
Vinyl tile								X

BRUSH SELECTOR GUIDE - CYLINDRICAL

05-4

38**Warrior ST™, Warrior™ EcoFlex™**

10-4

We provide brushes and pad holders that will give you the best possible performance between machine and floor. Following are descriptions of the materials and their applications.

Soft Nylon: Least aggressive brush available. Used on soft-finish floors where a more aggressive brush would leave scratch marks, or in applications requiring very light cleaning.

Stiff Nylon: Cleaning action similar to polypropylene. More durable and wear-resistant than polypropylene.

Prolene: Low cost, yet effective in cleaning many common floor surfaces.

MidLite Grit 180: Least aggressive grit brush. Used for daily cleaning of hard-finished floors.

Dyna Grit 80: Medium aggressive grit brush. Good all-around brush for medium to heavy buildup removal. Can also be used for general stripping operations.

Magna Grit 46: Most aggressive grit brush. Used primarily to clean heavy buildup on concrete floors in factories, or for heavy stripping of finish.

28" BRUSHES

56412191 - Soft Nylon
 56412192 - Hard Nylon
 56412046 - Prolene
 56412193 - MidLite Grit 180
 56412194 - Dyna Grit 80
 56412195 - Magna Grit 46

32" BRUSHES

56407473 - Soft Nylon
 56407474 - Hard Nylon
 56407475 - Prolene
 56407476 - MidLite Grit 180
 56407477 - Dyna Grit 80
 56407478 - Magna Grit 46

CYLINDRICAL BRUSH APPLICATION GUIDE (SUGGESTION ONLY)

Application	46 Grit	80 Grit	180 Grit	Polypropylene	Stiff Nylon	Soft Nylon
Stripping:						
Concrete	X	X				
Terrazzo	X	X				
Ceramic/Quarry tile		X				
Vinyl tile		X				
General Scrubbing:						
Concrete	X	X	X	X	X	
Terrazzo			X	X	X	X
Ceramic/Quarry tile			X	X	X	X
Marble			X		X	X
Vinyl tile			X	X	X	X
Raised-rubber tile			X			X

Gum Rubber: Provides superior wiping action on tile, terrazzo, and polished floors.

Red Gum Rubber: Provides longest life on finished or unfinished concrete floors.

Polyurethane: Oil resistance provides superior life in applications with oily floors.

SQUEEGEE BLADE APPLICATION GUIDE(SUGGESTION ONLY)

Performance Traits	Gum Rubber (Natural Rubber)	Red Gum Rubber (Natural Rubber)	Polyurethane/ Pentathane
Resilience	X		X
Tear Strength	X		X
Abrasion Resistance	X	X	X
Wear Resistance		X	X
Low Temp Flexibility	X	X	
High Temp Flexibility	X		X
Ozone Resistance			
Chemical Resistance			X
Applications			
Oil Resistant Applications			X
General Purpose	X	X	X
Hot Water Applications		X	X
Chemical Applications			X
Color	Tan	Red	Translucent



Nilfisk-Advance Equipamentos de Limpeza Ltda.
Av. Dep. Emílio Carlos, 2.499 - Bairro do Limão - 02721-200
São Paulo - SP - Brasil
www.nilfisk-advance.ind.br
www.plataforma.ind.br
Tel.: (11) 3959-0300
Fax: (11) 3959-0306
©2012 Nilfisk-Advance, Inc.



14600 21st Avenue North
Plymouth, MN 55447-3408
www.advance-us.com
Phone: 800-989-2235
Fax: 800-989-6566
©2012 Nilfisk-Advance, Inc.

A Nilfisk-Advance Brand