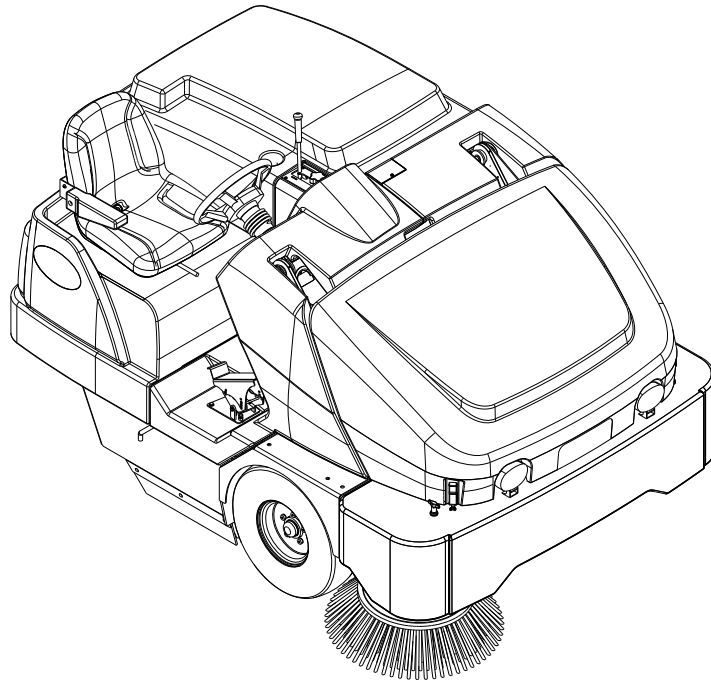
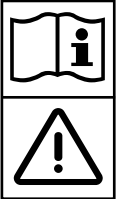


SW8000



**Instructions For Use - Original Instructions / Instrucciones de uso
Mode d'emploi / Manual de Utilização**

**Models: 56107503 (4 cyl LPG), 56107501 (4 cyl Gasoline / Petrol), 56107505 (4 cyl Diesel)
56107509 (4 cyl LPG / cab), 56107507 (4 cyl Gasoline / Petrol / cab), 56107511 (4 cyl Diesel / cab)**



Advance

A-English
B-Español
C-Français
D-Português

TABLE OF CONTENTS

	Page
Introduction.....	A-2
Parts and Service	A-2
Nameplate	A-3
Uncrating the Machine.....	A-3
Cautions and Warnings	A-4
General Information.....	A-5
Know Your Machine	A-6 – A-9
Preparing the Machine for Use	
Pre-Operational Checklist.....	A-10
Main Broom	A-10
Fuel.....	A-10
Operating the Machine	
Before Starting the Machine	A-11
Starting the Diesel Engine	A-11
Starting the Gasoline / Petrol Engine	A-11
Starting the LPG Engine.....	A-11
Sweeping.....	A-12
Emptying the Hopper.....	A-12
After Using the Machine	
After Use.....	A-13
Shutting Down the Diesel & Gasoline / Petrol Engine	A-13
Shutting Down the LPG Engine.....	A-13
Maintenance	
Maintenance Schedule	A-13
Main Broom Maintenance.....	A-14
Side Broom Maintenance	A-16
Hopper Dust Control Filter.....	A-18
Engine Radiator and Hydraulic Radiator Cleaning	A-18
Hydraulic Oil	A-19
Engine Oil.....	A-19
Engine Coolant.....	A-19
Engine Air Filter	A-19
Circuit Breaker Location	A-20
Troubleshooting.....	A-21
Accessories / Options	A-23
Technical Specifications	A-23

INTRODUCTION

This manual will help you get the most from your **Advance Sweeper**. Read it thoroughly before operating the machine.

Note: Bold numbers in parentheses indicate an item illustrated on pages 6-9.

PARTS AND SERVICE

Repairs, when required, should be performed by Advance service personnel using Advance original replacement parts and accessories. Call Advance for repair parts or service. Please specify the Model and Serial Number when discussing your machine.

MODIFICATIONS

Modifications and additions to the cleaning machine which affect capacity and safe operation shall not be performed by the customer or user without prior written approval from Nilfisk-Advance Inc. Unapproved modifications will void the machine warranty and make the customer liable for any resulting accidents.

NAME PLATE

The Model and Serial Number of your machine are shown on the Nameplate on the right side of the machine. This information is needed when ordering repair parts for the machine. Use the space below to note the Model and Serial Number of your machine for future reference.

MODEL _____

SERIAL NUMBER _____

UNCRATING THE MACHINE - IF APPLICABLE

Upon delivery, carefully inspect the shipping crate and the machine for damage. If damage is evident, save all parts of the shipping crate so that they can be inspected by the trucking company that delivered the machine. Contact the trucking company immediately to file a freight damage claim.

- 1 After removing the crate, remove the wooden blocks next to the wheels.
- 2 Check the engine oil and coolant levels.
- 3 Check the hydraulic oil level.
- 4 Read the instructions in the Preparing the Machine For Use section of this manual, then fill the fuel tank.
- 5 Place a ramp next to the front end of the pallet.
- 6 Read the instructions in the Operating Controls and Operating the Machine sections of this manual and start the engine. Slowly drive the machine forward down the ramp to the floor. Keep your foot lightly on the brake pedal until the machine is off the pallet.


CAUTION!

Use extreme CAUTION when operating this sweeper. Be certain that you are thoroughly familiar with all of the operating instructions prior to using this sweeper. If you have any questions, contact your supervisor or your local Advance Industrial Dealer.

In the event of an accident or equipment breakdown, do not attempt to correct the problem. Have a qualified company mechanic or an authorized Advance Dealer Service person make any necessary corrections to the equipment.

Use extreme care when working on this machine. Neckties, loose clothing, long hair, rings and bracelets can get caught in moving parts. Turn the Key Switch (TT) OFF, remove the Key, set the Parking Brake (F) and disconnect the battery before working on the machine. Use good common sense, practice good safety habits and pay attention to the yellow decals on this machine.

Drive the machine slowly on inclines. Use the Brake Pedal (F) to control machine speed while descending inclines. DO NOT turn the machine on an incline; drive straight up or down.

 The maximum rated incline during transport is 20%.

* Note: Reference the separately supplied engine manufacturer's maintenance and operator manual for more detailed engine specification and service data.

WARNING!

The Products sold with this Manual contain or may contain chemicals that are known to certain governments (such as the State of California, as identified in its Proposition 65 Regulatory Warning Law) to cause cancer, birth defects or other reproductive harm. In certain locations (including the State of California) purchasers of these Products that place them in service at an employment job site or a publicly accessible space are required by regulation to make certain notices, warnings or disclosures regarding the chemicals that are or may be contained in the Products at or about such work sites. It is the purchaser's responsibility to know the content of, and to comply with, any laws and regulations relating to the use of these Products in such environments. The Manufacturer disclaims any responsibility to advise purchasers of any specific requirements that may be applicable to the use of the Products in such environments.

CAUTIONS AND WARNINGS

SYMBOLS

Advance uses the symbols below to signal potentially dangerous conditions. Always read this information carefully and take the necessary steps to protect personnel and property.

DANGER!

Is used to warn of immediate hazards that will cause severe personal injury or death.

WARNING!

Is used to call attention to a situation that could cause severe personal injury.

CAUTION!

Is used to call attention to a situation that could cause minor personal injury or damage to the machine or other property.



Read all instructions before using.

GENERAL SAFETY INSTRUCTIONS

Specific Cautions and Warnings are included to warn you of potential danger of machine damage or bodily harm.

This machine is only suitable for commercial use, for example at manufacturing plants, warehouses, cement block & brick facilities, parking garages, municipal parks, entertainment and transportation facilities.

DANGER!

* This machine emits exhaust gases (carbon monoxide) that can cause serious injury or death, always provide adequate ventilation when using machine.

WARNING!

- * This machine shall be used only by properly trained and authorized persons.
- * This machine is not intended for use by persons (including children) with reduced physical, sensory or mental capabilities, or lack of experience and knowledge.
- * While on ramps or inclines, avoid sudden stops. Avoid abrupt sharp turns. Use low speed down ramps.
- * To avoid hydraulic oil injection or injury always wear appropriate clothing and eye protection when working with or near hydraulic system.
- * Turn the key switch off (O) and disconnect the batteries before servicing electrical components.
- * Never work under a machine without safety blocks or stands to support the machine.
- * Do not dispense flammable cleaning agents, operate the machine on or near these agents, or operate in areas where flammable liquids exist.
- * Only use the brushes provided with the appliance or those specified in the instruction manual. The use of other brushes may impair safety.
- * Do not use the machine without a falling object protective structure (FOPS) in areas where it is likely that the operator is hit by falling objects.
- * Machines shall be parked safely.
- * The machine shall be inspected by a qualified person regularly, in particular regarding the LPG container and their connections, as required for safe operation by regional or national regulations.
- * Observe the Gross Vehicle Weight, GVW, of the machine when loading, driving, lifting or supporting the machine.

CAUTION!

- * This machine is not approved for use on public paths or roads.
- * This machine is only approved for hard surface use.
- * This machine is not suitable for picking up hazardous dust.
- * When operating this machine, ensure that third parties, particularly children, are not endangered.
- * Before performing any service function, carefully read all instructions pertaining to that function.
- * Do not leave the machine unattended without first turning the key switch off (O), removing the key and applying the parking brake.
- * Turn the key switch off (O) and remove the key, before changing the brushes, and before opening any access panels.
- * Take precautions to prevent hair, jewelry, or loose clothing from becoming caught in moving parts.
- * Before use, all doors and hoods should be properly latched.
- * The battery must be removed from the machine before the machine is scrapped. The disposal of the battery should be safely done in accordance with your local environmental regulations.
- * Do not use on surfaces having a gradient exceeding that marked on the machine.
- * All doors and covers are to be positioned as indicated in the instruction manual before using the machine.

SAVE THESE INSTRUCTIONS

HOPPER SAFETY SUPPORT

⚠ WARNING!

Make sure the Hopper Safety Support (5) is in place whenever attempting to do any maintenance work under or near the raised hopper. The Hopper Safety Support (5) holds the hopper in the raised position to allow work to be performed under the hopper. **NEVER** rely on the machine's hydraulic components to safely support the hopper.

JACKING THE MACHINE

⚠ CAUTION!

Never work under a machine without safety stands or blocks to support the machine.

- When jacking the machine, do so at designated locations (Do Not jack on the hopper) - see jacking locations (8).

TRANSPORTING THE MACHINE

⚠ CAUTION!

Before transporting the machine on an open truck or trailer, make sure that...

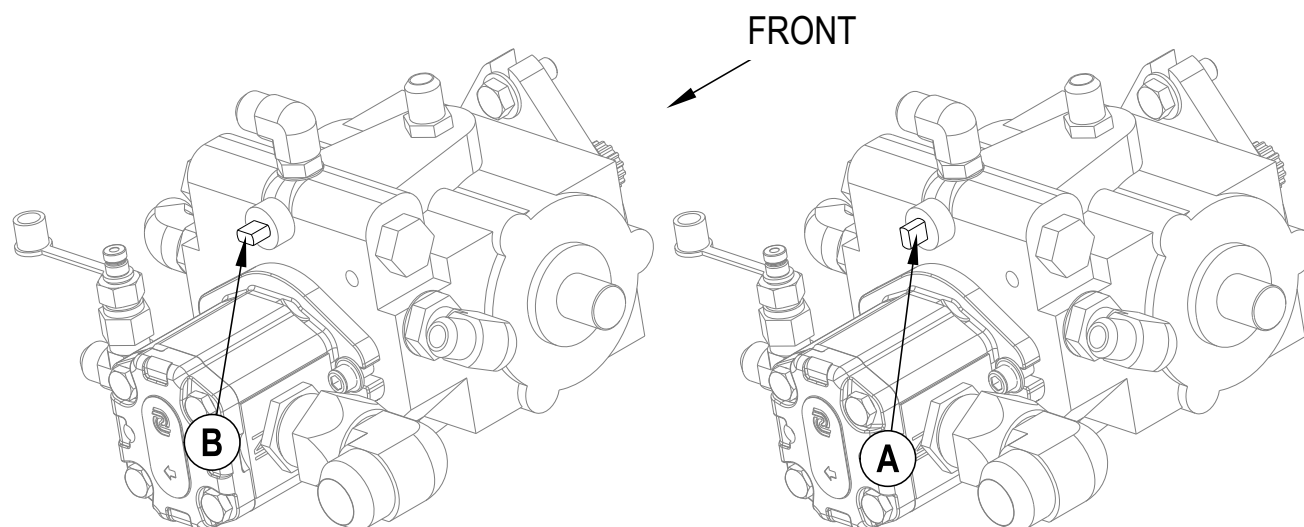
- All access doors are latched securely
- The machine is tied down securely.
- The machine parking brake is set.

TOWING OR PUSHING A DISABLED MACHINE

The machine's drive propelling pump is manufactured with an adjustable tow valve. This valve prevents damage to the hydraulic system when the machine is being towed/pushed short distances without use of the engine.

To access the valve open the Engine Compartment Cover (1) and locate the hydrostatic pump at the rear of the engine. Turn the valve 90 degrees, this disengages the hydrostatic lock between the motor and pump.

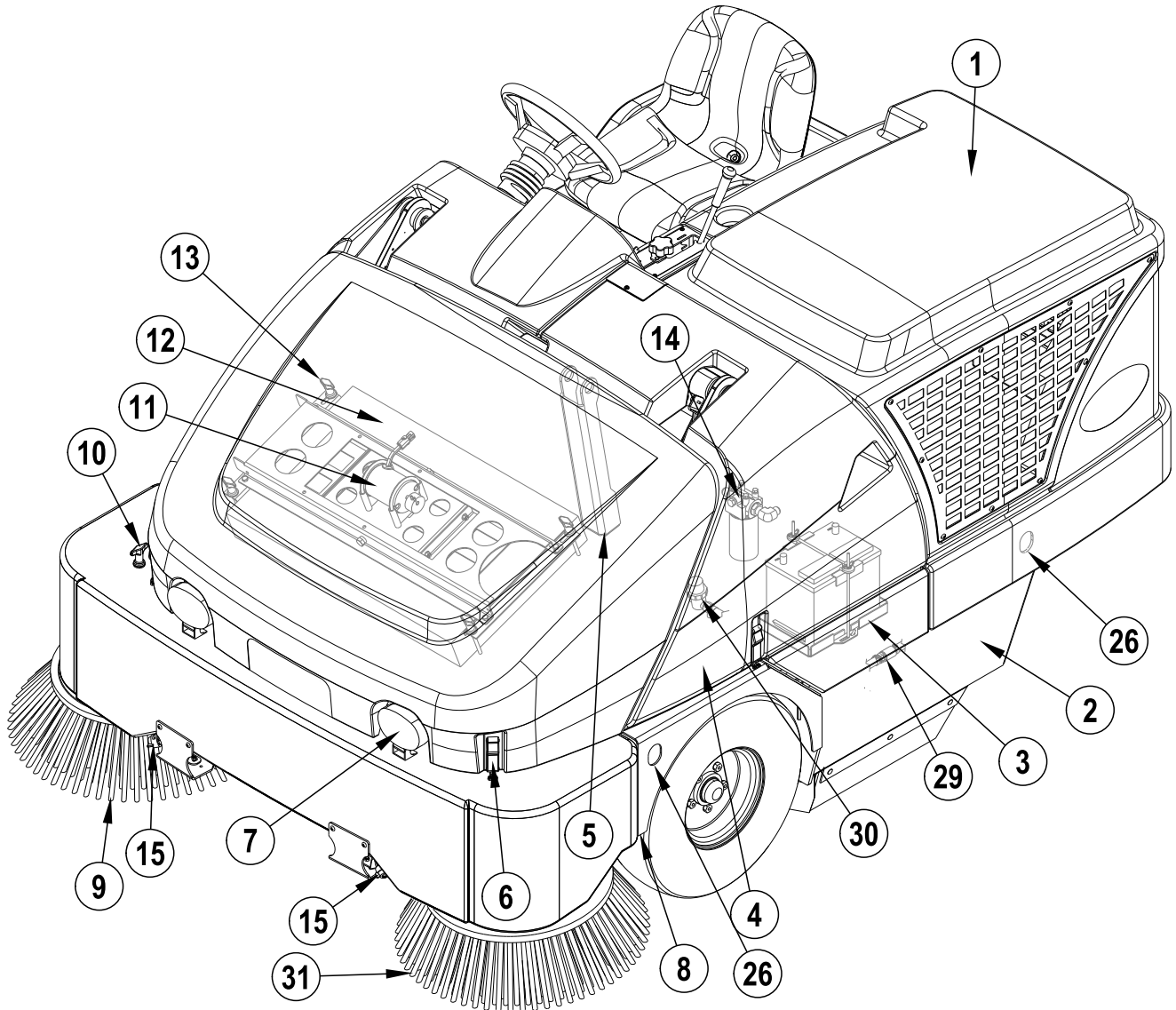
CAUTION: The hydraulic propelling pump can be damaged if the machine is towed with the valve in the normal working position (A). Reference the illustration below for the normal working setting (A) (vertical) and the free wheeling towing setting (B) (horizontal). Note: If the tow valve is left in free wheeling (B) (horizontal) position the propelling pump can't drive the machine FWD or REV. No damage will result, just re-set valve to the normal working setting (A) (vertical). NOTE: Tow or push machine no faster than a normal walking pace (2-3 miles per hour) and for short distances only. If the machine is to be moved long distances the drive wheel needs to be raised off the floor and placed on a suitable transport dolly.



KNOW YOUR MACHINE

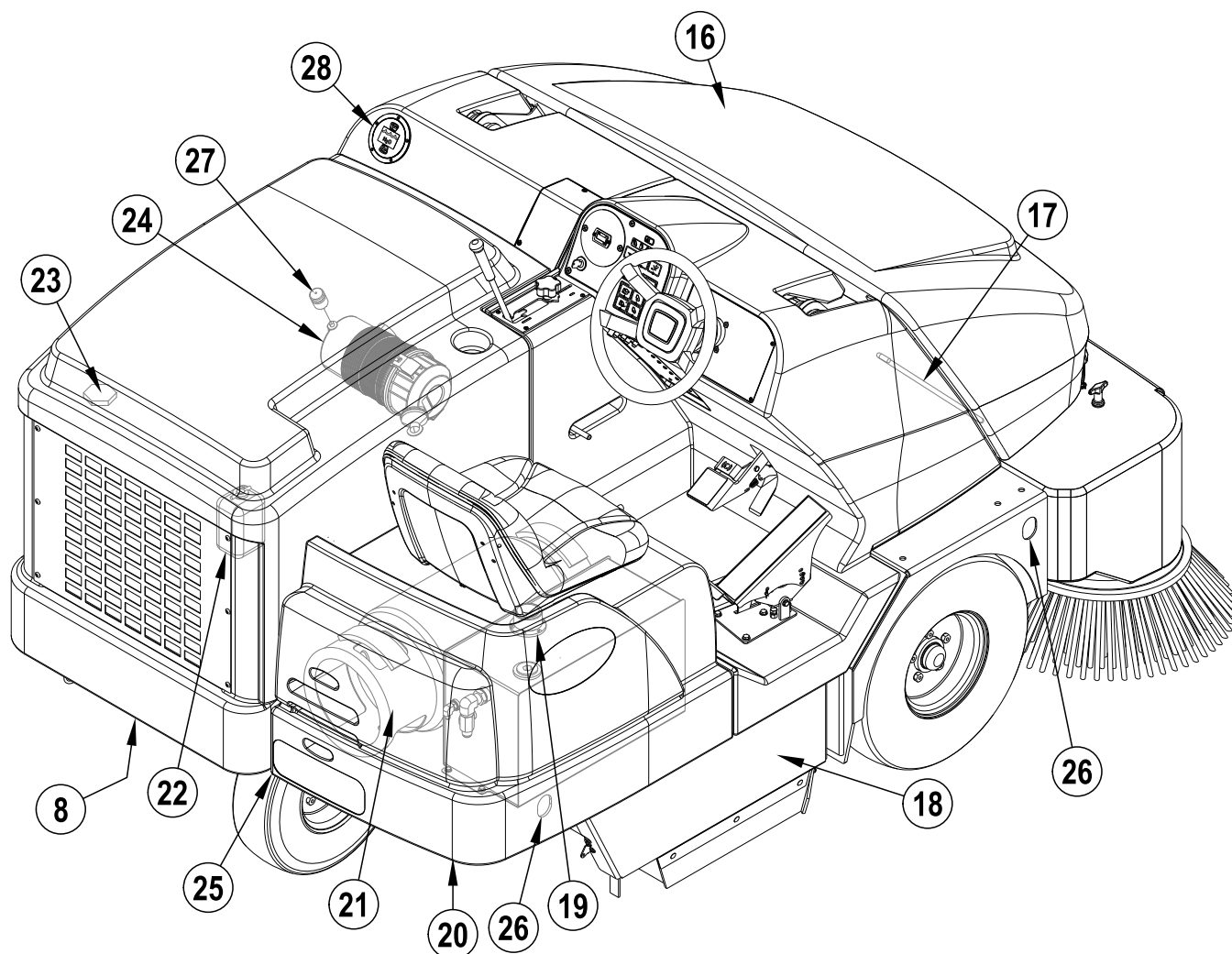
As you read this manual, you will occasionally run across a bold number in parentheses - example: **(2)**. These numbers refer to an item on the next four pages. Refer back to these pages whenever necessary to pinpoint the location of an item mentioned in the text.

- 1 Engine Compartment Cover
- 2 Left Side Main Broom Access Panel
- 3 Battery
- 4 Center Cover Assembly
- 5 Hopper Safety Support
- 6 Hopper Cover Latch
- 7 Head Light
- 8 Jacking Locations (rear location is large weight below radiator)
- 9 Right Side Broom
- 10 Side Broom Height Adjustment Knob
- 11 Dust Filter Shaker Assembly
- 12 Hopper Dust Control Filter
- 13 Shaker Assembly Retainer Knobs
- 14 Hydraulic Oil Filter
- 15 Optional DustGuard™ Spray Nozzles



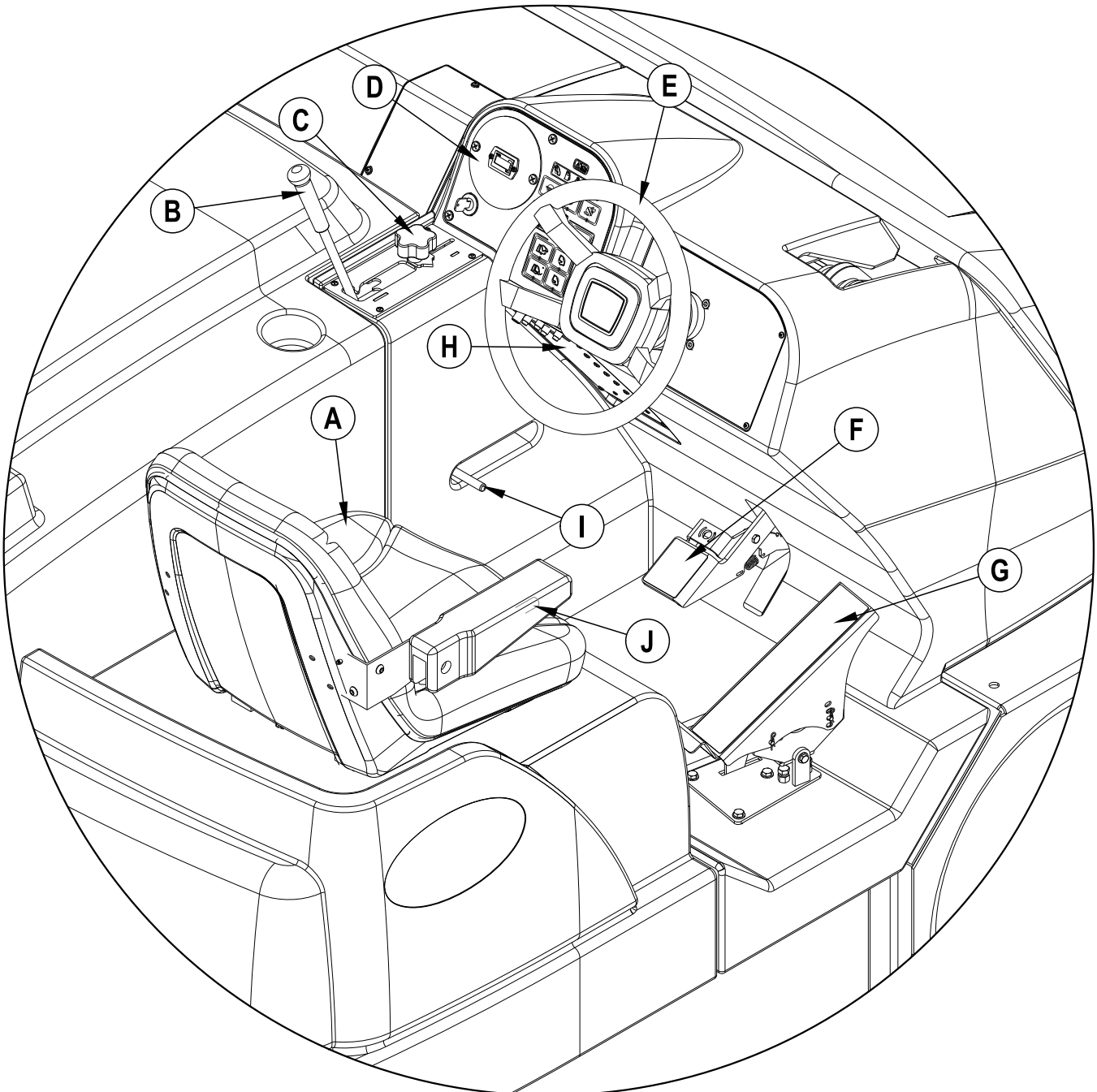
KNOW YOUR MACHINE (CONTINUED)

- 16 Hopper Cover
- 17 Hopper Cover Prop Rod
- 18 Right Side Main Broom Access Panel
- 19 Oil Reservoir
- 20 Oil Reservoir / Fuel Tank Cover
- 21 Fuel Tank (LPG tank shown / Gasoline / Petrol tank is in same location)
- 22 Coolant Recovery Tank
- 23 Radiator Cap
- 24 Engine Air Filter
- 25 Fuel Tank Cover Release Latch
- 26 Tie-Down Locations (5)
- 27 Air Filter Service Indicator
- 28 Optional DustGuard™ Tank Fill
- 29 Optional DustGuard™ Quick Disconnect
- 30 Optional DustGuard™ Solution Strainer
- 31 Optional Left Side Broom



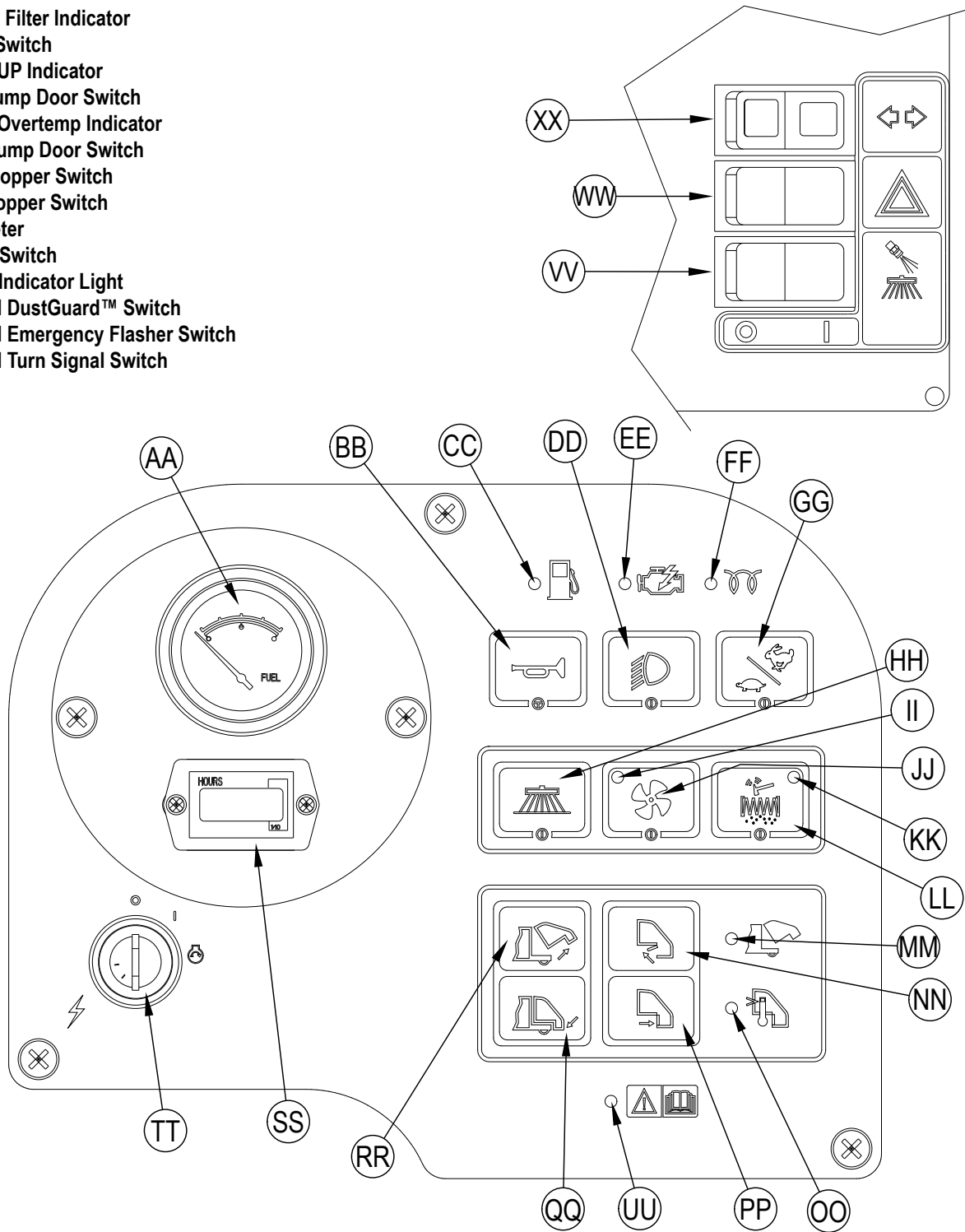
OPERATOR'S COMPARTMENT

- A Operator's Seat
- B Main Broom Lever
- C Main Broom Adjust Knob
- D Control Panel (See Associated Pages)
- E Steering Wheel
- F Brake Pedal / Parking Brake
- G FWD / REV Drive Pedal
- H Circuit Breaker Panel
- I Hopper Safety Support Handle
- J Operator Seat Adjustment Lever



CONTROL PANEL

- AA Optional Fuel Gauge (Gasoline / Petrol and Diesel Only)
- BB Horn Switch
- CC LPG Low Indicator Light
- DD Headlight Switch
- EE Engine Service Indicator
- FF Glow Plug Indicator Light (Diesel Only)
- GG Engine Speed Switch
- HH Side Broom ON-Down / OFF-Up Switch
- II Dust Control Indicator
- JJ Dust Control Switch
- KK Plugged Filter Indicator
- LL Shaker Switch
- MM Hopper UP Indicator
- NN Open Dump Door Switch
- OO Hopper Overtemp Indicator
- PP Close Dump Door Switch
- QQ Lower Hopper Switch
- RR Raise Hopper Switch
- SS Hour Meter
- TT Ignition Switch
- UU Service Indicator Light
- VV Optional DustGuard™ Switch
- WW Optional Emergency Flasher Switch
- XX Optional Turn Signal Switch



PRE-OPERATIONAL CHECKLIST

Before Each Use:

- * Inspect the machine for damage, oil or coolant leaks.
- * Squeeze the rubber dust cup on the Engine Air Filter **(24)** to release built-up dust.
- * Check the engine coolant level **(23)**.
- * Check the engine oil level.
- * Check the hydraulic oil level **(19)**.
- * Check the Fuel Gauge **(AA)** on the gasoline / petrol and diesel models.
- * Check the Fuel Gauge **located** on the LPG tank **(21)** for LPG model.
- * Check the tire pressure of all three tires, should be 90-95 psi.
- * Check the Air Filter Service Indicator **(27)**.

In the Driver's Seat:

- * Be sure that you understand the operating controls and their functions.
- * Adjust the seat to allow easy reach of all controls.
- * Insert the Master Key and turn the Ignition Switch **(TT)** to the ON position. Check for proper operation of the Horn **(BB)**, Hour Meter **(SS)** and Headlights **(DD)**. Turn the Ignition Key Switch **(TT)** OFF.
- * Check the Parking Brake **(F)**. The brake must hold its (locked parked) setting firmly without easily being released. (Report all defects immediately to service personnel).

Plan Your Cleaning in Advance:

- * Arrange long runs with a minimum of stopping or starting.
- * Allow 6 inches of broom path overlap to ensure complete coverage.
- * Avoid making sharp turns, bumping into posts, or scraping the side of the machine.

MAIN BROOM

Several different main brooms are available for this machine. Contact your Advance dealer if you need help selecting the best broom for the surface and litter that you will be sweeping. Note: Reference broom maintenance for installation steps.

FUEL

WARNING !

- **ALWAYS STOP THE ENGINE BEFORE FILLING THE FUEL TANK.**
- **DO NOT SMOKE WHILE FILLING THE FUEL TANK.**
- **FILL THE FUEL TANK IN A WELL-VENTILATED AREA.**
- **DO NOT FILL THE FUEL TANK NEAR SPARKS OR OPEN FLAME.**
- **USE ONLY THE FUEL SPECIFIED ON THE FUEL TANK DECAL.**

DIESEL ENGINE

Fill the tank with Number 2 Diesel Fuel if the machine will be used in an area where the temperature is 32° Fahrenheit (0° Celsius) or higher. Use Number 1 Diesel Fuel if the machine will be used in an area where the temperature is below 32° Fahrenheit (0° Celsius).

NOTE: If the diesel machine runs out of fuel completely, the fuel system must be bled before the engine can be re-started. To avoid this situation, fill the fuel tank when the fuel gauge indicates 1/4 tank. Fuel tank capacity is 12.75 gallons (48.26 liters).

GASOLINE / PETROL ENGINE

FILL THE TANK WITH UNLEADED 87 OCTANE REGULAR GASOLINE / PETROL. FUEL TANK CAPACITY IS 12.75 GALLONS (48.26 LITERS).

Note: Reference the separately supplied engine manufacturer's maintenance and operator manual for more detailed engine specification and service data.

LPG ENGINE

Mount a standard 33 lb. liquid withdrawal LPG tank on the machine, connect the fuel hose and open the shutoff valve on the tank. Wear gloves when connecting or disconnecting the fuel hose. Shut the LPG tank service valve OFF when the machine is not in use.

NOTE: Make sure to properly orient the horizontal LPG tank for liquid withdrawal. After connecting the fuel hose to the tank check for leaks by listening and smelling for gas.

WARNING!

Do not operate the machine if a gas leak is present. Disconnect the fuel hose and replace the LPG tank. If a gas leak is still present disconnect the fuel hose and contact your Advance Service Center.

OPERATING THE MACHINE

The SW8000 is a rider-type automatic floor sweeping machine. The controls were designed with *one touch operation* in mind. For single pass sweeping the operator can simply lower the main broom and all sweeping functions will be ready to go.

Note: Bold numbers in parentheses indicate an item illustrated on pages 6-9.

BEFORE STARTING THE MACHINE

- 1 Be sure you understand all machine controls and their functions.
- 2 Plan your cleaning route. Arrange long, straight passes with as few turns as possible.
- 3 Check the Brake Pedal **(FF)**. The pedal should be firm.
If the pedal is "spongy" or fades under pressure, DO NOT DRIVE THE MACHINE. Report all defects immediately to service personnel.

STARTING THE DIESEL ENGINE

- 1 Turn the Key Switch **(TT)** counter-clockwise to the "Pre-Heat" position and hold it there until the Glow Plug Indicator **(FF)** turns OFF. Once the indicator turns OFF the engine can be started. Skip this step if the engine has been running and is already warm.
- 2 Turn the Key Ignition Switch **(TT)** clockwise to the START position and release it as soon as the engine starts. If the engine does not start after cranking for 15 seconds, release the key, wait for 1 minute and try steps 1-3 again.
NOTE: The engine starter will not engage if the FWD / REV Drive Pedal **(G)** is not in the neutral position.
- 3 Let the engine run at "IDLE" speed for 5 minutes before using the machine.
- 4 Push the Engine Speed Switch **(GG)** to switch to "FULL THROTTLE" and move the machine around for 2 or 3 minutes at a slow speed to warm up the hydraulic system.

STARTING THE LPG & GASOLINE / PETROL ENGINE

- 1 **NOTE: LPG models only:** Open the service valve on the LP fuel tank **(21)**.
- 2 Turn the Ignition Key Switch **(TT)** clockwise to the START position and release it as soon as the engine starts. If the engine does not start after cranking for 15 seconds, release the key, wait for 1 minute, then try again.
NOTE: The engine starter will not engage if the FWD / REV Drive Pedal **(G)** is not in the neutral position.
- 3 Let the engine run at "IDLE" speed for 5 minutes before using the machine.
- 4 Push the Engine Speed Switch **(GG)** to switch to "FULL THROTTLE" and move the machine around for 2 or 3 minutes at a slow speed to warm up the hydraulic system.

NOTE: ALWAYS operate the machine with the Engine Speed Switch (GG) at full throttle. Use the FWD / REV Drive Pedal **(G)** - not the Engine Speed Switch **(GG)** - to control the **speed** of the machine. The speed of the machine will increase as the pedal is pushed closer to the floor.

SWEEPING

Follow the instructions in the preparing the machine for use section of the manual.

- 1 While seated on the machine, adjust the seat to a comfortable operating position using the adjustment controls (**J**).
- 2 Release the Parking Brake (**F**). To transport the machine to the work area, apply even pressure with your foot on the front of the Drive Pedal (**G**) to go forward or the rear of the pedal for reverse. Vary the pressure on the foot pedal to obtain the desired speed.
- 3 Push the Lower Hopper Switch (**QQ**) to make sure the hopper is seated properly. **NOTE:** The Hopper UP Indicator (**MM**) will be illuminated if the hopper is not in the down position.
- 4 Move the Main Broom Lever (**B**) to the SWEEP (middle notch) position to lower and enable the main broom and dust control systems. **NOTE:** The dump door opens automatically when the main broom (**B**) is lowered and closes when the broom is raised. Use the FULL FLOAT (last notch forward) position only when sweeping extremely rough or uneven floors. Use at other times will only increase broom wear.
- 5 When sweeping floors with puddles, push the Dust Control Switch (**JJ**) to turn OFF the dust control system before the machine enters a puddle. Turn the dust control system back ON when the machine is back on completely dry floor. **NOTE:** This is done to prevent the Hopper Dust Control Filter (**12**) from getting wet. When sweeping wet floors, keep the Dust Control Switch (**JJ**) OFF at all times.
- 6 The Side Broom (**9**) is automatically enabled when the main broom is lowered and starts spinning when the Drive Pedal (**G**) is activated. The Side Broom (**9**) can be turned off and back on at any time by pushing the Side Broom Switch (**HH**). The side broom sweeping pattern is adjusted by turning the Side Broom Height Adjustment Knob (**10**).
- 7 Drive the machine straight forward at a quick walking speed. Drive the machine slower when sweeping large amounts of dust or debris or when safe operation dictates slower speeds. Overlap passes 6 inches (15 cm).
- 8 If dust comes out of the broom housing while sweeping, the Dust Control Filter (**12**) may be clogged. Push the Shaker Switch (**LL**) to clean the dust control filter. The dust control system (**JJ**) will automatically turn OFF while the shaker is running and turn ON after the shaker turns OFF (the shaker runs for 15 seconds).
- 9 Check behind the machine occasionally to make sure that the machine is picking up debris. Dirt left behind in the path of the machine usually indicates that the machine is moving too fast, the broom needs to be adjusted, or the hopper is full.

NOTE: If the machine does not move for 40 seconds, the engine will automatically return to idle. The sweep system will only activate with the engine RPM at high. To begin sweeping again press the Engine Speed Switch (**GG**) to return engine RPM to high.

EMPTYING THE HOPPER

WARNING!

Make sure the Hopper Safety Support (**5**) is in place whenever attempting to do any maintenance work under or near the raised hopper. The Hopper Safety Support (**5**) holds the hopper in the raised position to allow work to be performed under the hopper. NEVER rely on the machine's hydraulic components to safely support the hopper.

NOTE: The MINIMUM ceiling height dumping clearance required for raising the hopper is 102" (259.08 cm)

- 1 Put the Main Broom Lever (**B**) in the UP / OFF position. **NOTE:** The Shaker will automatically run for about 15 seconds after the main broom is raised. If you do not raise the main broom, push the Shaker Switch (**LL**) to remove excess dirt from the dust control filter.
- 2 Drive the machine close to a large trash receptacle and hold the Raise Hopper Switch (**RR**) until the hopper is all the way up. **NOTE:** The dump door automatically closes when switch (**RR**) is pushed. You regain control of the dump door as soon as the hopper begins to raise so you can dump at any height if necessary.
- 3 Move the machine forward until the hopper is over the receptacle and set the Parking Brake (**F**). Press the Open Dump Door Switch (**NN**) to open the dump door and empty the hopper. **NOTE:** If not dumping into a trash receptacle, low dumping is recommended to help eliminate airborne dust.
- 4 Put the Hopper Safety Support (**5**) in place by pulling back on the Hopper Safety Support Pull Rod (**I**), then lower the hopper slightly to secure.
- 5 Check the hopper door and the front edge seal. Use a broom, if necessary, to remove litter from these areas. The hopper door must seal tightly against the broom housing bulb gasket for proper operation.
- 6 Return to the operator's compartment. Release the parking brake. Move the machine back until the hopper will clear the receptacle. Raise the hopper slightly and push forward on the Hopper Safety Support Handle (**I**) until the Hopper Safety Support (**5**) disengages, then lower the hopper. **NOTE:** The brooms will not turn on if the hopper is not completely down. The indicator light (**MM**) on the control panel should turn OFF indicating that the machine is ready for use.

AFTER USE

- 1 Shake the Hopper Dust Control Filter (LL) and empty the hopper.
 - 2 Check the maintenance schedule and perform all required maintenance before storage.
 - 3 Move the machine to an indoor storage area.
 - 4 Shut down the engine according to the shutdown procedures.
 - 5 Make sure the Ignition Switch (TT) is OFF and the Parking Brake (F) is engaged. **NOTE:** Press Brake Pedal / Parking Brake (F) and rock your foot forward.
- NOTE:** If sweeping organic debris, always empty and clean the hopper before storing to prevent odors.
NOTE: It is safe to clean this machine with a pressure washer as long as you do not spray directly at or into electrical components. The machine should always be allowed to dry completely before each use.

TO SHUT DOWN THE DIESEL & GASOLINE / PETROL ENGINE...

- 1 Raise the brooms.
- 2 Place the Engine Speed Switch (GG) in IDLE and let the engine idle for 25 - 30 seconds.
- 3 Turn the Ignition Key Switch (TT) OFF and remove the key. **NOTE:** The engine will continue to run for a few seconds after switching the key to off. This is part of the proper operation of the closed loop electronic control system.
- 4 Apply the Parking Brake (F). **NOTE:** Press Brake Pedal / Parking Brake (F) and rock your foot forward.

TO SHUT DOWN THE LPG ENGINE...

- 1 Raise the brooms.
- 2 Turn the service valve on LPG Tank (21) OFF.
- 3 Run the engine until all the LPG is dispelled from the line (the engine will stall).
- 4 Turn the Ignition Key Switch (TT) OFF and remove the key.
- 5 Apply the Parking Brake (F). **NOTE:** Press Brake Pedal / Parking Brake (F) and rock your foot forward.

REPORT ANY DEFECT OR MALFUNCTION NOTED DURING OPERATION TO AUTHORIZED SERVICE OR MAINTENANCE PERSONNEL.

MAINTENANCE

Make sure that the machine is kept in top shape by following the maintenance schedule closely. Repairs, when required, should be performed by your Authorized Advance Service Center, who employs factory trained service personnel and maintains an inventory of Advance Original Equipment Replacement Parts and Accessories.

NOTE: Refer to the Service Manual for more detail on maintenance and service repairs.

MAINTENANCE SCHEDULE

Maintenance intervals given are for average operating conditions. Machines used in severe operational environments may require service more often.

MAINTENANCE ITEM	PERFORM DAILY				
Perform the "After Use" maintenance steps	X				
Check parking brake	X				
Check engine oil	X				
*Clean main and side broom(s)	X				
Check filter indicator and lights (hyd & air)	X				
Check engine coolant level	X				
Check hydraulic oil level	X				
MAINTENANCE ITEM	15 hrs.	30 hrs.	150 hrs.	300 hrs.	1000 hrs.
*Rotate main broom	X				
Clean the DustGuard™ Spray Nozzles (15) and Strainer (30)	X				
*Inspect/adjust brooms		X			
* Check / Clean Hopper Dust Control Filter Using Method "A"		X			
*Inspect broom housing skirts		X			
*Inspect hopper seals		X			
Clean radiator and oil cooler		X			
Perform engine maintenance			X		
*Inspect and grease steering spindle			X		
* Check / Clean Hopper Dust Control Filter Using Method "B"			X		
* Check / Clean Hopper Dust Control Filter Using Method "C"				X	
Change the hydraulic oil filter					X
Change reservoir hydraulic oil					X
Flush the radiator					X
Engine fuel filter(s)					X

*See the Mechanical Repair Service Manual for detailed maintenance information of systems listed. (Sweeping, Hopper, Steering, Dust Control). **NOTE:** Cleaning the hopper dust control filter is not required on models using the maintenance free bag filter.

MAIN BROOM MAINTENANCE

Since the Main Broom Motor always turns in the same direction, the bristles on the broom eventually become curved, reducing sweeping performance. Sweeping performance can be improved by removing the broom and turning it around (end-for-end). This procedure, known as "rotating" the main broom, should be done once every 15 hours of operation. **NOTE:** This procedure does not apply to the optional chevron broom.

The main broom should be replaced for optimal performance when the bristles are worn to a length of 2 inches (5.08 cm). The Main Broom Adjust Knob (C) must be re-adjusted when the broom is replaced.

NOTE: The machine should be stored with the Main Broom in the raised position.

WARNING!

The engine must not be running when performing this procedure.

CAUTION!

Brooms can be sharp. Wear gloves to protect your hands.

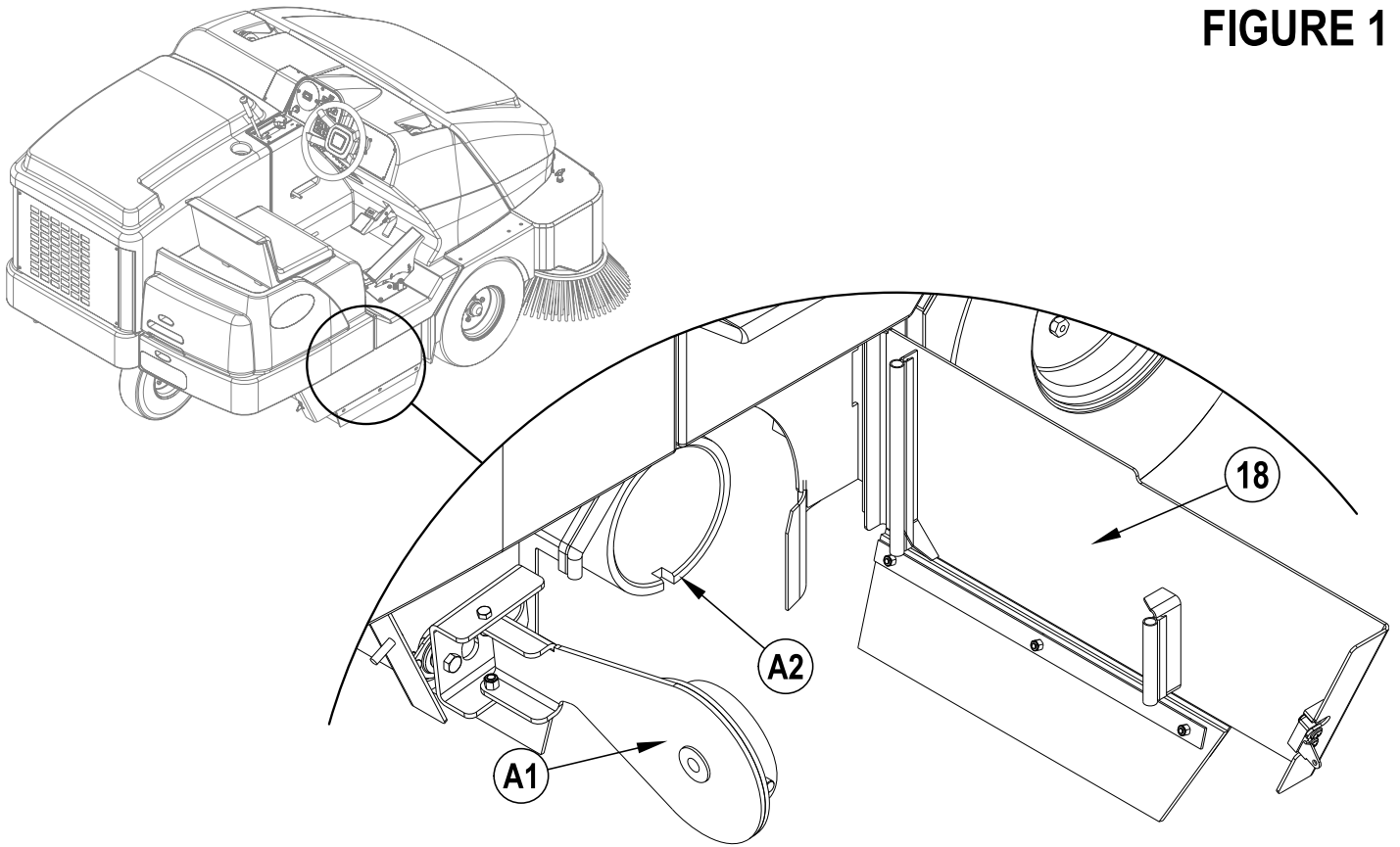
To Rotate or Replace the Main Broom...

- 1 Turn the Ignition Switch (TT) OFF.
- 2 Put the Main Broom Lever (B) in the UP position.
- 3 Open the Right Side Main Broom Access Panel (18).
- 4 **See Figure 1.** Pivot the Idler Arm Assembly (A1) out of the main broom core. **NOTE:** The Idler Arm is held in place by the Right Side Main Broom Access Panel (18).
- 5 Pull the Main Broom (A2) out of the broom housing and remove any string or wire wrapped around it. Also inspect the skirts at the front, back and sides of the broom housing. The skirts should be replaced or adjusted if they are torn or worn to a height of more than 1/4 inch (6.35 mm) off the ground.
- 6 Turn the broom around (end-for-end) and slide it back into the broom housing. Make sure that the lugs on the broom core (left side) engage the slots in the broom drive hub and that the broom is fully seated.
- 7 Swing the idler arm assembly back into the broom core. **NOTE:** Make sure the lugs on the idler arm engage the slots in the broom core
- 8 Close and latch the Right Side Main Broom Access Panel (18).

To Adjust the Main Broom Height...

- 1 Drive the machine to an area with a level floor and set the parking brake.
- 2 Move the Main Broom Lever (B) to the SWEEP (middle notch) position to lower the main broom. DO NOT move the machine.
- 3 Lightly press the FWD / REV Drive Pedal (G) to start the main broom and repeat three times. This allows the broom to polish a "strip" on the floor. Raise the broom, release the parking brake and move the machine so that the polished strip is visible.
- 4 Inspect the polished strip on the floor. If the strip is less than 2 inches (5.08 cm) or more than 3 inches (7.62cm) wide, the broom needs to be adjusted.
- 5 To adjust, loosen the Knob (C) and slide forward or backward to lower or raise the Main Broom. The farther the Lever (B) travels forward in the slot, the lower the Main Broom will be. Tighten Knob (C) after adjusting the position of the stop bracket.
- 6 Repeat steps 1-5 until the polished strip is 2-3 inches (5.08-7.62cm) wide.
The width of the polished strip should be the same at both ends of the broom. If the strip is tapered, move the machine to a different area and repeat steps 1-5. If the polished strip is still tapered, contact your Advance Dealer for service.

FIGURE 1



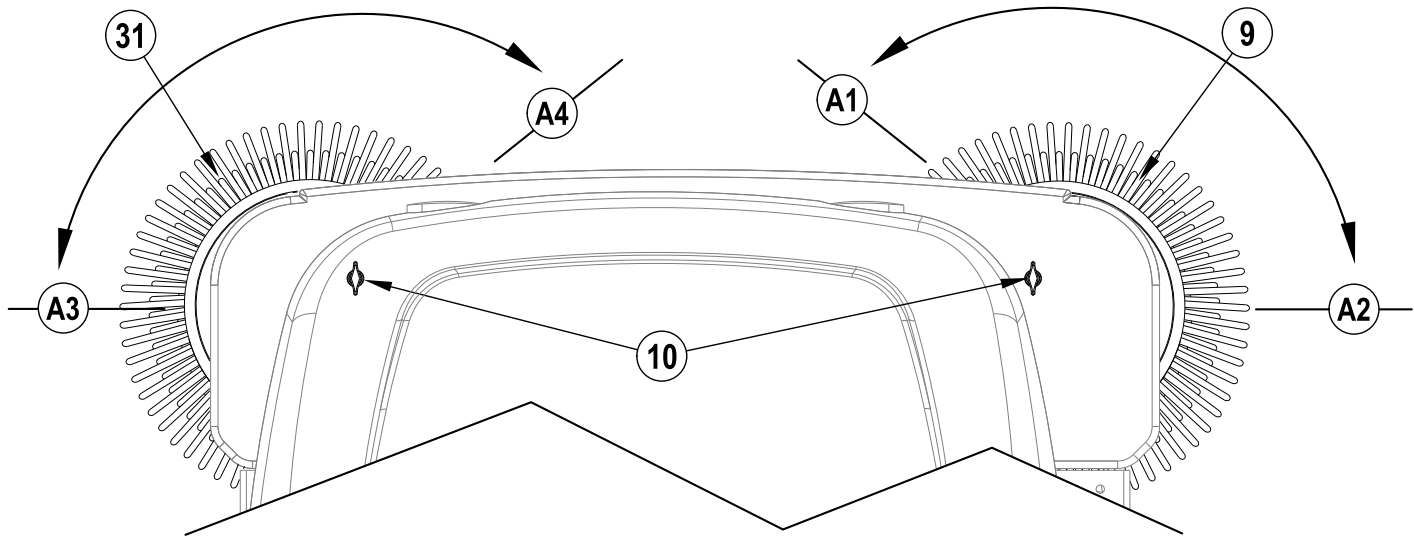
SIDE BROOM MAINTENANCE

To adjust the Side Broom...

- 1 Drive the machine to an area with a level floor and set the parking brake.
- 2 Pull the Main Broom Lever (B) back and slide to the right and up to lower the main and side brooms.
- 3 See Figure 2. When in the Down position, the Right Side Broom (9) should be contacting the floor from the 10 O'Clock (A1) to the 3 O'Clock (A2) area shown. NOTE: Optional Left Side Broom (31) should be contacting the floor from the 9 O'Clock (A3) to the 2 O'Clock (A4) area.
- 4 If either broom requires adjustment, turn the Side Broom Height Adjustment Knob (10) either clockwise to raise or counter-clockwise to lower the side broom.

NOTE: The machine should be stored with the Side Brooms (9 & 31) in the raised position. The Side Brooms (9 & 31) should be replaced when the bristles are worn to a length of 3 inches (7.62 cm) or it becomes ineffective. The Side Broom height must be re-adjusted whenever a broom has been replaced.

FIGURE 2



SIDE BROOM MAINTENANCE

To replace the Side Broom...

- 1 See Figure 3. Raise the hopper until the side broom is approximately at chest height.
- 2 Grab hold of the side broom with both hands and rotate until the ring end of the Hitch Pin (A1) is facing toward the rear of the hopper. **NOTE:** The side broom(s) will only rotate freely in one direction.
- 3 Remove the Hitch Pin (A1) and pull the Side Broom (A2) off of the motor shaft.
- 4 Slide the new broom onto the motor shaft, line up the pin hole and reinstall the Hitch Pin (A1).

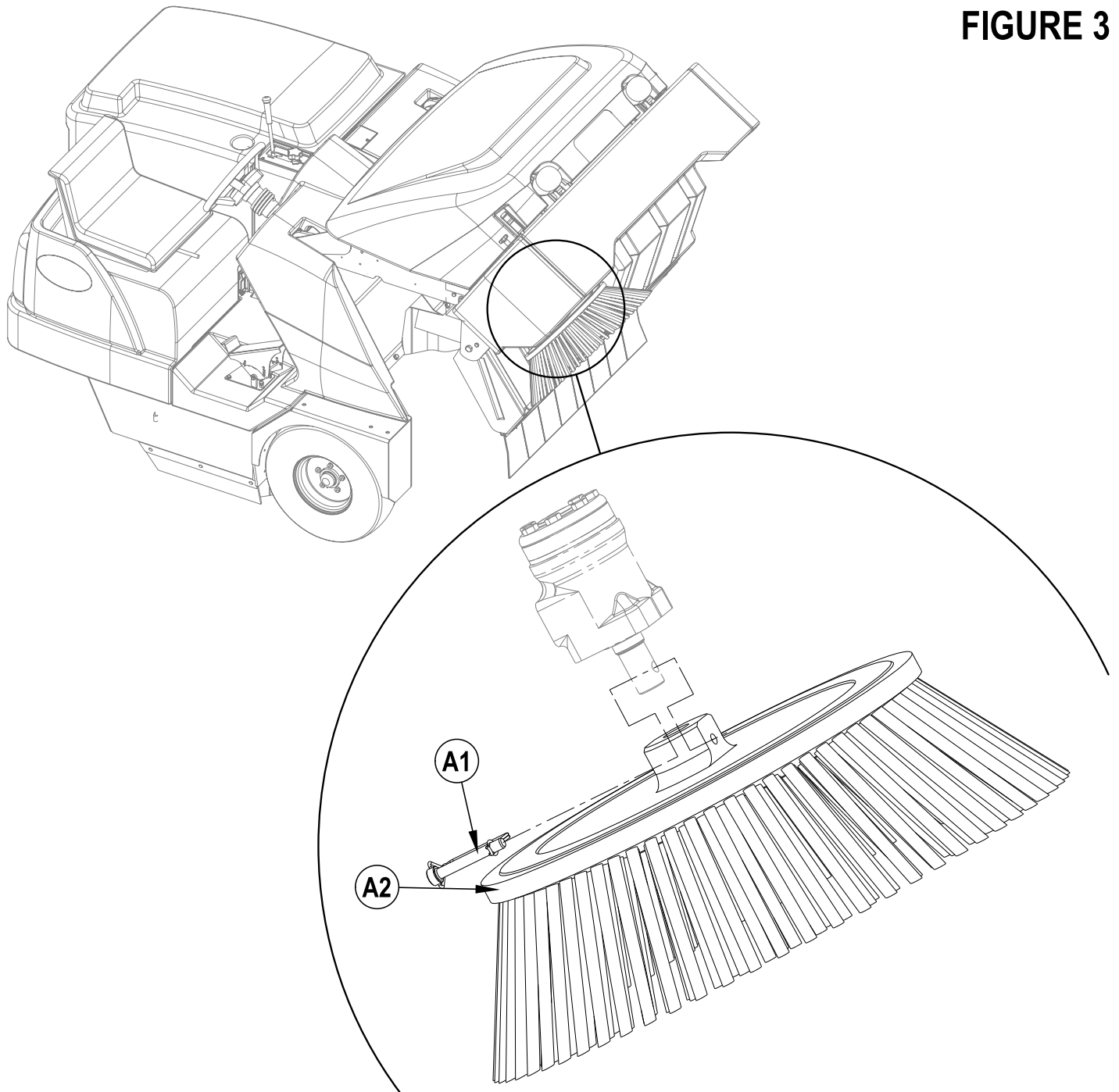


FIGURE 3

HOPPER DUST CONTROL FILTER (PANEL FILTER)

The hopper dust control filter must be cleaned regularly to maintain the efficiency of the vacuum system. Follow the recommended filter service intervals for the longest filter life.

CAUTION!

Wear safety glasses when cleaning the filter.

Do not puncture the paper filter.

Clean the filter in a well-ventilated area.

Wear appropriate dust mask to avoid breathing in dust.

To remove the hopper dust control filter...

- 1 Unlatch and open the Hopper Cover (16). Make sure that the Hopper Cover Prop Rod (17) is in place.
- 2 Inspect the top of the Hopper Dust Control Filter (12) for damage. A large amount of dust on top of the filter is usually caused by a hole in the filter or a damaged filter gasket.
Inspect the bottom of the Hopper Dust Control Filter (12). If the filter is covered with wet or dry mud, the dust control system will not function properly without replacing or thoroughly cleaning the filter using Method "C".
- 3 Remove the four Shaker Assembly Retainer Knobs (13). Lift off the Dust Filter Shaker Assembly (11) to access the panel filter.
- 4 Lift the Hopper Dust Control Filter (12) out of the machine.
- 5 **Clean the filter using one of the methods below:**

Method "A"

Vacuum loose dust from the filter. Then **gently** tap the filter against a flat surface (with the dirty side down) to remove loose dust and dirt.

NOTE: Take care not to damage the metal lip which extends past the gasket.

Method "B"

Vacuum loose dust from the filter. Then blow compressed air (maximum pressure 100 psi) into the clean side of the filter (in the opposite direction of the airflow).

Method "C"

Vacuum loose dust from the filter. Then soak the filter in warm water for 15 minutes, then rinse it under a gentle stream of water (maximum pressure 40 psi). Let the filter dry completely before putting it back into the machine.

- 6 Follow the instructions in reverse order to install the filter. If the gasket on the filter is torn or missing, it must be replaced. **NOTE:** Before replacing filter clear debris from dust plate located under filter. Verify that the debris flap at the rear of the dust plate swings freely

ENGINE RADIATOR AND HYDRAULIC RADIATOR CLEANING

The engine radiator and hydraulic radiator must be occasionally cleaned to prevent overheating and premature wear of engine and hydraulic systems. Follow the recommended service intervals.

CAUTION!

Wear Safety glasses when cleaning the engine radiator and hydraulic heat exchanger.

- 1 Tip back Engine Compartment Cover (1). Disconnect cable latch on the left side of Engine Compartment Cover to allow cover to fully tip back and out of the way.
- 2 Turn the locking mechanism at the top of the hydraulic radiator to allow the hydraulic heat exchanger to fully tip back and away from the radiator for easy cleaning access.
- 3 Blow out engine radiator and hydraulic radiator with air and or use low pressure water to rinse debris from the fins.

NOTE: Do Not use a pressure washer or a mechanical brush to clean fins since this can cause damage to the fins. If fins get bent, carefully straighten them to improve cooling performance.

- 4 Restore hydraulic radiator to raised position and latch into place
- 5 Reconnect Engine Compartment Cover (1) cable and fully return the cover normal operational position

HYDRAULIC OIL

Unlatch and swing open the Oil Reservoir / Fuel tank Cover (20). Remove the reservoir cap to check the oil level. The hydraulic oil level should be half way up the screen filter inside the filler neck of the reservoir. Add SAE 10W30 motor oil if it is below this level. Change the oil if major contamination from a mechanical failure occurs.

ENGINE OIL – GASOLINE / PETROL & LPG

Check the engine oil level when the machine is parked on a level surface and the engine is cool. Change the engine oil after the first 35 hours of operation and every 150 hours after that. Use any SF or SG rated oil meeting API specifications and suited to seasonal temperatures. Refer to the Engine System section for oil capacities and additional engine specifications. Replace the oil filter with every oil change.

TEMPERATURE RANGE	OIL WEIGHT
Above 60° F (15° C)	SAE 10W-30
Below 60° F (15° C)	SAE 5W-30

ENGINE OIL - DIESEL

Check the engine oil level when the machine is parked on a level surface and the engine is cool. Change the engine oil after the first 35 hours of operation and every 150 hours after that. Use CF, CF-4 or CG-4 oil meeting API specifications and suited temperatures (*important reference the oil/fuel type note below for further diesel oil recommendations). Refer to the Engine System section for oil capacities and additional engine specifications. Replace the oil filter with every oil change.

TEMPERATURE RANGE	OIL WEIGHT
Above 77 °F (25 °C)	SAE 30 or 10W-30
32 °F to 77 °F (0 °C to 25 °C)	SAE 20 or 10W-30
Below 32 °F (0 °C)	SAE 10W or 10W-30

*** Diesel Lubricating Oil Note:**

With the emission control now in effect, the CF-4 and CG-4 lubricating oils have been developed for use of a low-sulfur fuel on-road vehicle engines. When an off-road vehicle engine runs on a high-sulfur fuel, it is advisable to employ the CF, CD or CE lubricating oil with a high total base number. If the CF-4 or CG-4 lubricating oil is used with a high-sulfur fuel, change the lubricating oil at shorter intervals.

- Lubricating oil recommended when a low-sulfur or high-sulfur fuel is employed.

Lubricating Oil class	Fuel		Remarks
	Low sulfur (0.5 % ≥)	High sulfur	
CF	O	O	TBN ≥ 10
CF-4	O	X	
CG-4	O	X	

O : Recommendable X : Not recommendable

ENGINE COOLANT

Open the Engine Compartment Cover (1) and observe the coolant level in the Coolant Recovery Tank (22). If the level is low, add a mixture of half water and half automotive type anti-freeze.

⚠ CAUTION!

Do not remove the Radiator Cap (23) when the engine is hot.

ENGINE AIR FILTER

Check the Engine Air Filter Service Indicator (24) before each use of the machine. Do not service the air filter unless the red flag is visible in the service indicator. **NOTE:** After cleaning or replacing the engine air filter, the service indicator can be reset by pressing the end of the indicator.

⚠ CAUTION!

When servicing the engine air filter elements, use extreme care to prevent loose dust from entering the engine. Dust can severely damage the engine.

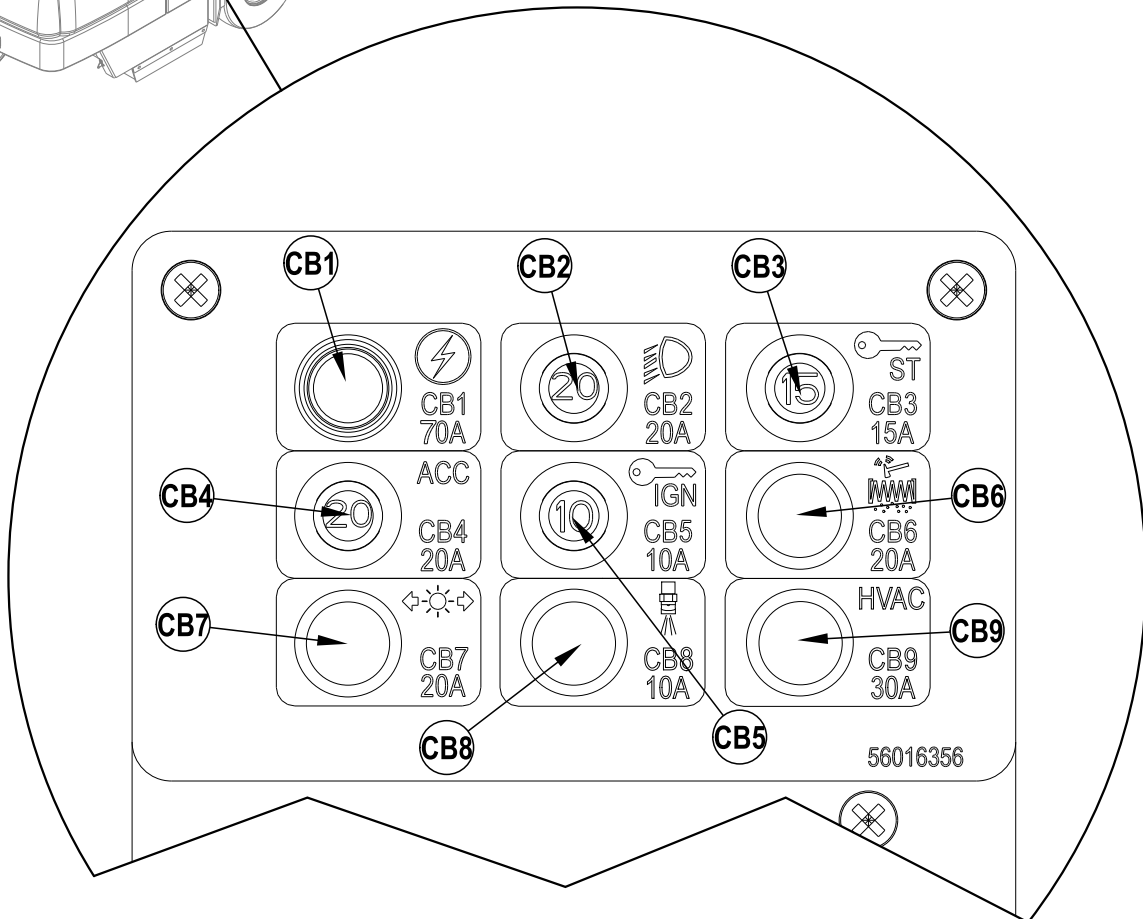
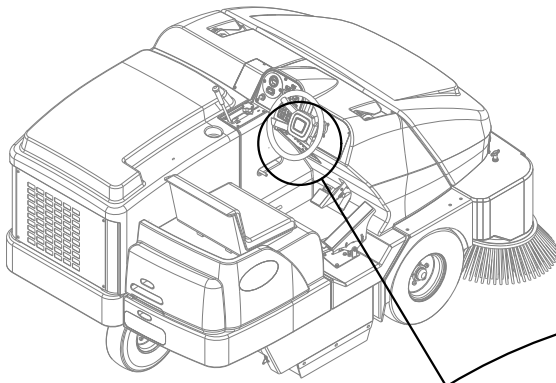
The engine air filter contains a Primary (outer) and a Safety (inner) filter element. The Primary Element may be cleaned twice before being replaced. The Safety Element should be replaced every third time that the Primary Filter Element is replaced. Never attempt to clean the Inner Safety Element.

To clean the Primary Filter Element, unsnap the 2 clips at the end of the air filter and remove the end housing. Pull the primary element out. Clean the element with compressed air (maximum pressure 100 psi) or wash it with water (maximum pressure 40 psi). **DO NOT** put the element back into the canister until it is completely dry.

Empty dust from the outer plastic housing by squeezing the rubber flap. Orientate flap down when reinstalling.

CIRCUIT BREAKER LOCATION

- CB1 Main (70A)
- CB2 Headlights (20A)
- CB3 Starter (15A)
- CB4 Accessory (20A)
- CB5 Ignition (10A)
- CB6 Shaker (20A)
- CB7 Turn Signals (20A)
- CB8 Mister (10A)
- CB9 HVAC (30A)



TROUBLESHOOTING

If the possible causes listed below are not the source of trouble, it is a symptom of something more serious. Contact your Advance Service Center immediately for service.

TRIPPING THE CIRCUIT BREAKERS

The circuit breakers are located on the Circuit Breaker Panel (H), they protect electrical circuits and motors from damage due to overload conditions. If a circuit breaker trips, try to determine the cause.

Main Circuit Breaker (CB1 / 70 Amp) Possible cause may be:

- 1 Electrical short circuit or overload (have your Advance Service Center or qualified electrician check the machine)

Headlight Circuit Breaker (CB2 / 20 Amp) Possible cause may be:

- 1 Electrical short circuit or overload (have your Advance Service Center or qualified electrician check the machine)

Starter Motor Circuit Breaker (CB3 / 15 Amp) Possible causes may be:

- 1 Electrical short circuit or overload (have your Advance Service Center or qualified electrician check the machine)

Accessory Circuit Circuit Breaker (CB4 / 20 Amp) Possible cause may be:

- 1 Electrical short circuit or overload (have your Advance Service Center or qualified electrician check the machine)

Ignition Circuit Circuit Breaker (CB5 / 10 Amp) Possible cause may be:

- 1 Electrical short circuit or overload (have your Advance Service Center or qualified electrician check the machine)

Shaker Circuit Breaker (CB6 / 20 Amp) Possible cause may be:

- 1 Electrical short circuit or overload (have your Advance Service Center or qualified electrician check the machine)

Turn Signal Circuit Breaker (CB7 / 20 Amp) Possible cause may be:

- 1 Electrical short circuit or overload (have your Advance Service Center or qualified electrician check the machine)

Mister Circuit Breaker (CB8 / 10 Amp) Possible cause may be:

- 1 Electrical short circuit or overload (have your Advance Service Center or qualified electrician check the machine)

HVAC Circuit Breaker (CB9 / 30 Amp) Possible cause may be:

- 1 Electrical short circuit or overload (have your Advance Service Center or qualified electrician check the machine)

Once the problem has been corrected, push the button in to reset the circuit breaker. If the button does not stay in, wait 5 minutes and try again. If the circuit breaker trips repeatedly, call your Advance Service Center for service.

TROUBLESHOOTING

If the possible causes listed below are not the source of trouble, it is a symptom of something more serious. Contact your Advance Service Center immediately for service.

MACHINE WILL NOT START

Possible causes may be:

- 1 FWD / REV Drive Pedal not in neutral position (ensure pedal is in neutral position)
- 2 FWD / REV Drive Pedal neutral position is not correctly set (contact your Advance service center)
- 3 Battery is not connected or dead (connect or charge battery)
- 4 Machine is out of fuel or LPG tank valve is not open (refuel or open LPG tank valve)
- 5 Tripped circuit breaker(s) (reset any tripped circuit breakers)

MACHINE WILL NOT MOVE

Possible causes may be:

- 1 Parking Brake (F) set (release parking brake)
- 2 Towing Valve in wrong position (set correctly)
- 3 Tripped circuit breaker(s) (reset any tripped circuit breakers)

MAIN BROOM WILL NOT RUN

Possible causes may be:

- 1 Engine not set to high RPM (push Engine Speed Switch (GG))
- 2 Debris wrapped around the broom drive (remove debris)
- 3 Hopper is not completely down (lower hopper completely)
- 4 Tripped circuit breaker(s) (reset any tripped circuit breakers)

SIDE BROOM WILL NOT RUN

Possible causes may be:

- 1 Engine not set to high RPM (push Engine Speed Switch (GG))
- 2 Ensure Side Broom OFF switch isn't selected (push switch to turn ON)
- 3 Debris wrapped around the broom drive (remove debris)
- 4 Hopper is not completely down (lower hopper completely)
- 5 Tripped circuit breaker(s) (reset any tripped circuit breakers)

HOPPER WILL NOT RAISE

Possible causes may be:

- 1 Engine not set to high RPM (push Engine Speed Switch (GG))
- 2 Tripped circuit breaker(s) (reset any tripped circuit breakers)

HOPPER DUMP DOOR WILL NOT OPEN

Possible causes may be:

- 1 Dump door jammed by debris (remove debris and clean edges of dirt chamber)
- 2 Tripped circuit breaker(s) (reset any tripped circuit breakers)

SHAKER MOTOR WILL NOT RUN

Possible causes may be:

- 1 Tripped circuit breaker(s) (reset any tripped circuit breakers)
- 2 Electrical connection to shaker motor disconnected (connect shaker motor)

DUST CONTROL SYSTEM (IMPELLER) WILL NOT RUN

Possible causes may be:

- 1 Tripped circuit breaker(s) (reset any tripped circuit breakers)
- 2 Ensure Dust Control OFF switch isn't selected (push switch to turn ON)

DUSTGUARD™ SIDE BROOM MIST SYSTEM WILL NOT FUNCTION

Possible causes may be:

- 1 DustGuard™ Switch (VV) not turned ON (turn ON DustGuard Switch)
- 2 Main Broom Lever (B) not actuated (lower main broom)
- 3 Water tank is empty (fill water tank (28))
- 4 Mist Nozzles (15) are clogged (clean Mist Nozzles (15))

ACCESSORIES / OPTIONS

In addition to the standard components, the machine can be equipped with the following accessories/options, according to the machine specific use:

- Main and side brooms with harder or softer bristles
- Polyester Water Resistant dust filter
- Clogged filter sensor
- DustGuard™ system
- Fire extinguisher
- Working light
- Amber Strobe light
- Non-marking wheels
- Tilt steering wheel
- Driver's seat with suspensions
- Safety belts
- Side broom guard
- Spark Arrestor Exhaust
- Metal Hopper Bottom Plate
- Raised Engine Air Intake with Pre-Filter
- Overhead Guard
- Overhead guard canopy
- Rearview mirrors
- Rear Metal bumper
- Left Hand Side Broom
- Enclosed Cabin
- Floor Mat
- Engine Gauges
- Hopper Fire High Temp Sensor
- Back Up Audio Alarm
- Tail, Brake and Turn Signals
- Foam Filled Tires
- Solid Tires

For further information about the above-mentioned accessories, contact an authorized Retailer.

TECHNICAL SPECIFICATIONS (as installed and tested on the unit)

Model		SW8000 4 cyl. LPG	SW8000 4 cyl. Gasoline / Petrol	SW8000 4 cyl. Diesel
Model No.		56107503	56107501	56107505
Protection Grade		IPX3	IPX3	IPX3
Sound Pressure Level (IEC 60335-2-72: Ed 3 2012, ISO 11201)	dB(A)	80.6dB LpA, 3dB KpA	80.6dB LpA, 3dB KpA	82.78dB LpA, 3dB KpA
Sound Power Level (IEC 60335-2-72: Ed 3 2012, ISO 3744)	dB(A)	102.3 dB LWA	102.3 dB LWA	106.3 dB LWA
Gross Weight	lbs/kg	4426 / 2007	4426 / 2007	4426 / 2007
Empty Weight	lbs/kg	3075 / 1395	3075 / 1395	3075 / 1395
Maximum Wheel Floor Loading (right front)	psi/ N/mm ²	72 / 0.496	72 / 0.496	65 / 0.448
Maximum Wheel Floor Loading (left front)	psi/ N/mm ²	63 / 0.434	63 / 0.434	65 / 0.448
Maximum Wheel Floor Loading (rear center)	psi/ N/mm ²	71 / .489	71 / .489	76 / 0.524
Vibrations at the Hand Controls (ISO 5349-1)	m/s ²	1.08 m/s ²	1.08 m/s ²	1.5 m/s ²
Vibrations at the Seat (ISO 2631-1)	m/s ²	0.15 m/s ²	0.15 m/s ²	0.16 m/s ²
Gradeability		20%(11.3°)	20%(11.3°)	20%(11.3°)
Model		SW8000 (cab) 4 cyl. LPG	SW8000 (cab) 4 cyl. Gasoline / Petrol	SW8000 (cab) 4 cyl. Diesel
Model No.		56107509	56107507	56107511
Protection Grade		IPX3	IPX3	IPX3
Sound Pressure Level (IEC 60335-2-72: Ed 3 2012, ISO 11201)	dB(A)	80.6dB LpA, 3dB KpA	80.6dB LpA, 3dB KpA	82.78dB LpA, 3dB KpA
Sound Power Level (IEC 60335-2-72: Ed 3 2012, ISO 3744)	dB(A)	102.3 dB LWA	102.3 dB LWA	106.3 dB LWA
Gross Weight	lbs/kg	4775 / 2165	4775 / 2165	4775 / 2165
Empty Weight	lbs/kg	3424 / 1553	3424 / 1553	3424 / 1553
Maximum Wheel Floor Loading (right front)	psi/ N/mm ²	72 / 0.496	72 / 0.496	65 / 0.448
Maximum Wheel Floor Loading (left front)	psi/ N/mm ²	63 / 0.434	63 / 0.434	65 / 0.448
Maximum Wheel Floor Loading (rear center)	psi/ N/mm ²	71 / .489	71 / .489	76 / 0.524
Vibrations at the Hand Controls (ISO 5349-1)	m/s ²	1.08 m/s ²	1.08 m/s ²	1.5 m/s ²
Vibrations at the Seat (ISO 2631-1)	m/s ²	0.15 m/s ²	0.15 m/s ²	0.16 m/s ²
Gradeability		20%(11.3°)	20%(11.3°)	20%(11.3°)

ÍNDICE

	Página
Introducción	B-2
Componentes y servicio	B-2
Placa de identificación	B-3
Desembalaje de la máquina	B-3
Precauciones y advertencias	B-4
Información general	B-5
Conozca su máquina	B-6 - B-9
Preparación de la máquina para el uso	
Comprobaciones previas a la utilización	B-10
Cepillo principal	B-10
Combustible	B-10
Manejo de la máquina	
Antes de encender la máquina	B-11
Encendido del motor diésel	B-11
Encendido del motor de gasolina	B-11
Encendido del motor de propano líquido (PL)	B-11
Barrido	B-12
Vaciado de la tolva	B-12
Después de la utilización de la máquina	
Después de la utilización	B-13
Para apagar el motor de gasolina/diésel	B-13
Para apagar el motor de propano líquido	B-13
Mantenimiento	
Programa de mantenimiento	B-13
Mantenimiento del cepillo principal	B-14
Mantenimiento del cepillo lateral	B-16
Filtro de control de polvo de la tolva	B-18
Limpieza del radiador del motor y del radiador hidráulico	B-18
Aceite hidráulico	B-19
Aceite de motor	B-19
Refrigerante del motor	B-19
Filtro de aire del motor	B-19
Ubicación de los disyuntores	B-20
Solución de problemas	B-21
Accesorios / Opciones	B-23
Especificaciones técnicas	B-23

INTRODUCCIÓN

Este manual le ayudará a obtener el máximo rendimiento de su **Barredora Advance**. Léalo con atención antes de utilizar la máquina.

Nota: Los números que aparecen en negrita entre paréntesis indican elementos ilustrados en las páginas 6-9.

COMPONENTES Y SERVICIO

Las reparaciones, en caso necesario, deben ser realizadas por el personal de servicio de Advance con repuestos y accesorios Advance originales.

Llame a Advance para lo referente a piezas de repuesto y servicio. Por favor, especifique el modelo y el número de serie cuando hable de su máquina.

MODIFICACIONES

Las modificaciones y los agregados a la máquina de limpieza que afecten su capacidad y su funcionamiento seguro no serán realizados por el cliente o el usuario sin la autorización previa y por escrito de Nilfisk-Advance Inc. Las modificaciones que no cuenten con la aprobación correspondiente anularán la garantía de la máquina y harán que el cliente sea responsable de cualquier accidente resultante.

PLACA DE IDENTIFICACIÓN

El Modelo y el Número de Serie de la máquina están indicados en la Placa de identificación situada en el lado derecho de la máquina. Esta información es necesaria a la hora de solicitar repuestos para la máquina. Utilice el siguiente espacio para anotar el modelo y el número de serie de su máquina para futuras consultas.

MODELO _____

NÚMERO DE SERIE _____

DESEMBALAJE DE LA MÁQUINA - SI CORRESPONDE

Tras la entrega, inspeccione con atención la caja de transporte y la máquina para ver si se han producido daños. Si los daños son evidentes, guarde todas las partes de la caja de transporte, de manera que la compañía de transporte que entregó la máquina pueda inspeccionarla. Póngase en contacto con la compañía de transporte inmediatamente para presentar una reclamación por daños durante el transporte.

- 1 Después de retirar la caja, retire los bloques de madera situados junto a las ruedas.
- 2 Compruebe el nivel de aceite y refrigerante del motor.
- 3 Compruebe el nivel del aceite hidráulico.
- 4 Lea las instrucciones de la sección "Preparación de la máquina para su utilización" de este manual y llene el depósito de combustible.
- 5 Coloque una rampa junto al extremo frontal del palé.
- 6 Lea las instrucciones de las secciones "Funcionamiento de los controles" y "Funcionamiento de la máquina" de este manual y encienda el motor. Desplace despacio la máquina para bajarla por la rampa hasta el suelo. Mantenga el pie pisando ligeramente el pedal del freno hasta que la máquina haya bajado del palé.



¡PRECAUCIÓN!

Extreme las PRECAUCIONES al utilizar esta barredora. Antes de utilizarla, debe conocer bien todas sus instrucciones de funcionamiento. Si tiene alguna duda, consulte con su supervisor o con el distribuidor industrial de Advance de su zona.

En caso de funcionamiento incorrecto de su barredora, no intente solucionar el problema a menos que se lo ordene su supervisor. Solicite la ayuda de un mecánico cualificado de su empresa o de una persona autorizada por el Servicio del Proveedor Advance para que efectúen las correcciones necesarias en el equipo.

Extreme las precauciones al trabajar en esta máquina. Existe el peligro de que las corbatas, prendas sueltas, pelo largo, anillos y pulseras queden atrapados entre los componentes móviles. Apague el interruptor de llave (TT), retire la llave, eche el freno de estacionamiento (F) y desconecte la batería antes de utilizar la máquina. Utilice el sentido común, respete las normas de seguridad y preste atención a las pegatinas amarillas colocadas en la máquina.

Conduzca la máquina lentamente en pendientes. Use el pedal de freno (F) para controlar la velocidad de la máquina al descender las pendientes. NO gire la máquina en una pendiente; conduzca en línea recta hacia arriba o hacia abajo.



La pendiente nominal máxima durante el transporte es del 20%.

* Nota: Si desea datos más detallados sobre especificaciones y servicio del motor, consulte el manual de utilización y mantenimiento del motor elaborado por el fabricante y entregado por separado.



¡ADVERTENCIA!

Los Productos a la venta con este Manual contienen, o pueden contener, productos químicos reconocidos por algunos gobiernos (como el Estado de California, según lo indica en su Proposición 65, Ley de Advertencia Regulatoria) como causantes de cáncer, defectos de nacimiento u otros daños reproductivos. En algunas jurisdicciones (incluido el Estado de California), los compradores de estos Productos que los coloquen en servicio en un emplazamiento laboral o en un espacio de acceso público tienen la obligación regulatoria de realizar determinados avisos, advertencias o divulgaciones respecto de los productos químicos contenidos o posiblemente contenidos en los Productos utilizados en tal lugar. Es la responsabilidad del comprador conocer y cumplir con todas las leyes y reglamentaciones relacionadas con el uso de estos Productos en tales entornos. El Fabricante niega toda responsabilidad de informar a los compradores sobre requisitos específicos que pueden regir el uso de los Productos en tales entornos.

PRECAUCIONES Y ADVERTENCIAS

SÍMBOLOS

Advance utiliza los símbolos que se indican más abajo para señalar situaciones potencialmente peligrosas. Lea siempre con atención esta información y tome las medidas necesarias para la protección de las personas y la propiedad.

¡PELIGRO!

Se utiliza para advertir de riesgos inmediatos que producirán lesiones personales graves o incluso fatales.

¡ADVERTENCIA!

Se utiliza para llamar la atención sobre una situación que podría producir lesiones personales graves.

¡PRECAUCIÓN!

Se utiliza para llamar la atención sobre una situación que podría provocar lesiones personales leves o daños en la máquina u otros objetos.



Lea todas las instrucciones antes de utilizar la máquina.

INSTRUCCIONES GENERALES DE SEGURIDAD

Se incluyen precauciones y advertencias específicas que advierten de los peligros potenciales de daños a la máquina o lesiones personales. Esta máquina sólo es apropiada para uso comercial, por ejemplo en plantas de fabricación, depósitos, instalaciones de bloques de cemento y ladrillos, estacionamientos, parques municipales, instalaciones de entretenimiento e instalaciones de transporte.

¡PELIGRO!

* Esta máquina emite gases de escape (monóxido de carbono) que pueden producir lesiones graves e incluso fatales; facilite siempre la ventilación adecuada cuando utilice la máquina.

¡ADVERTENCIA!

- * Esta máquina únicamente deben utilizarla personas autorizadas y con la debida formación.
- * Esta máquina no debe ser utilizada por personas (incluidos niños) con capacidades físicas, sensoriales o mentales reducidas, o con falta de experiencia y conocimientos.
- * Al circular sobre rampas o pendientes, evite las paradas bruscas. Evite las curvas muy cerradas. Circule lentamente al bajar rampas.
- * Para evitar la introducción de aceite hidráulico bajo la piel u otras lesiones provocadas por aceite hidráulico, utilice siempre las ropas y la protección ocular apropiados cuando trabaje con el sistema hidráulico o cerca de él.
- * Apague el interruptor de contacto (O) y desconecte las baterías antes de realizar mantenimiento o reparaciones en los componentes eléctricos.
- * Nunca trabaje debajo de una máquina sin colocar antes bloques o soportes de seguridad que sostengan la máquina.
- * No aplique sustancias limpiadoras inflamables ni utilice la máquina sobre estas sustancias o cerca de ellas, ni tampoco en zonas en las que haya líquidos inflamables.
- * Use solamente los cepillos suministrados junto con el aparato o aquellos especificados en el manual de instrucciones. El uso de otros cepillos puede afectar negativamente a la seguridad.
- * No utilice la máquina sin una estructura protectora para objetos que caen en las áreas en las que el operador tiene probabilidades de ser golpeado por objetos en caída.
- * Las máquinas deberán estacionarse de forma segura.
- * La máquina deberá ser inspeccionada con frecuencia por una persona cualificada, particularmente el recipiente de propano líquido y sus conectores, según lo requiera la operación segura indicada por las normas regionales o nacionales.
- * Observe el peso bruto del vehículo (GVW) de la máquina cuando cargue, maneje, eleve o sostenga la máquina.

¡PRECAUCIÓN!

- * Esta máquina no ha sido aprobada para su uso en vías públicas.
- * Esta máquina está aprobada sólo para uso sobre superficie dura.
- * Esta máquina no es apta para recoger polvos peligrosos.
- * Cuando utilice la máquina, asegúrese de que no existe peligro para terceras personas, especialmente niños.
- * Antes de realizar cualquier función de mantenimiento o reparación, lea con atención todas las instrucciones relativas a la misma.
- * No abandone la máquina sin antes apagar el interruptor de contacto (O), retirar la llave y aplicar el freno de estacionamiento.
- * Apague el interruptor de contacto (O) y quite la llave antes de cambiar los cepillos y antes de abrir cualquiera de los paneles de acceso.
- * Tome las debidas precauciones para evitar que el cabello, las joyas o las prendas sueltas queden atrapados entre elementos en movimiento.
- * Antes de utilizar la máquina, todas las puertas y cubiertas deberían asegurarse adecuadamente.
- * Retire la batería de la máquina antes de su desmantelamiento. La batería debe desecharse de forma segura, de acuerdo con la reglamentación medioambiental vigente en su zona.
- * No utilice la máquina en superficies con pendientes superiores a las indicadas en la máquina.
- * Antes de utilizar la máquina, todas las puertas y cubiertas deberían estar colocadas como se indica en el manual de instrucciones.

GUARDE ESTAS INSTRUCCIONES

SOPORTE DE SEGURIDAD DE LA TOLVA

⚠ ¡ADVERTENCIA!

Compruebe que el Soporte de Seguridad de la Tolva (5) se encuentra colocado cuando vaya a realizar alguna operación de mantenimiento debajo de la tolva levantada o cerca de ella. El Soporte de Seguridad de la Tolva (5) mantiene la tolva en posición elevada para permitir la realización de operaciones debajo de la tolva. No se limite NUNCA a los componentes hidráulicos de la máquina solamente para soportar la tolva de manera segura.

ELEVACIÓN DE LA MÁQUINA

⚠ ¡PRECAUCIÓN!

No trabaje nunca debajo de la máquina sin colocar antes los soportes o bloques de seguridad para apoyar la máquina.

- Cuando eleve la máquina, aplique los gatos en los lugares indicados (No en la tolva) – véase puntos de elevación (8).

TRANSPORTE DE LA MÁQUINA

⚠ ¡PRECAUCIÓN!

Antes de transportar la máquina sobre un camión o remolque abierto, asegúrese de...

- cerrar bien todas las puertas de acceso
- sujetar bien la máquina, de forma que quede segura
- echar el freno de estacionamiento de la máquina.

REMOLQUE O EMPUJE DE LA MÁQUINA EN CASO DE AVERÍA

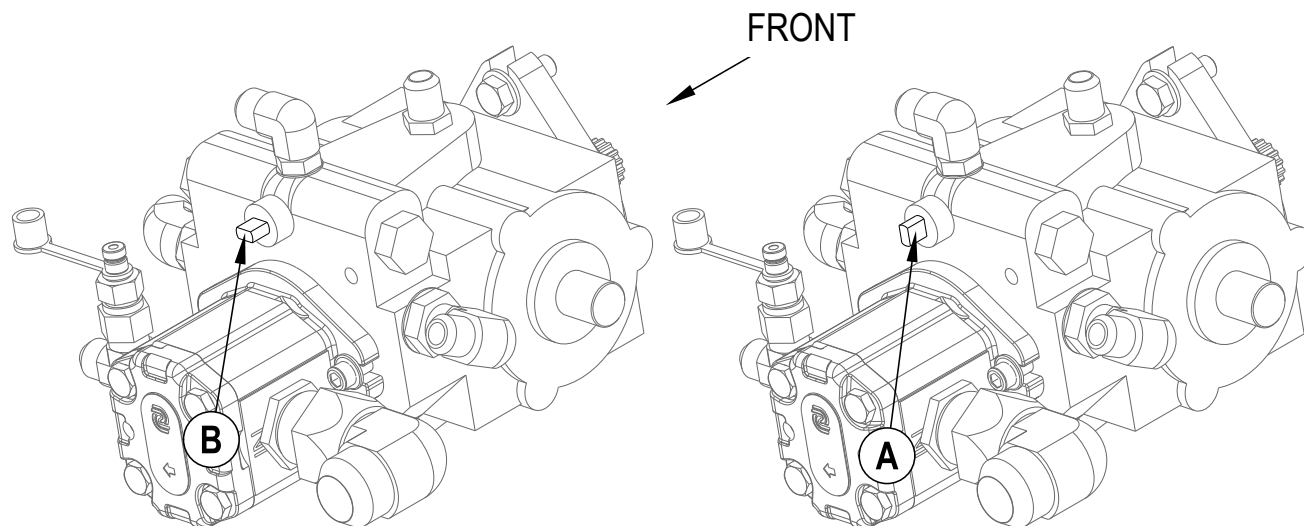
La bomba de propulsión de transmisión de la máquina lleva una válvula de remolque ajustable que impide que se produzcan daños en el sistema hidráulico en caso de que deba remolcarse/empujarse la máquina a una distancia corta sin el uso del motor.

Para acceder a la válvula, abra la cubierta del compartimento del motor (1) y localice la bomba hidrostática en la parte trasera del motor. Gire la válvula 90 grados. De esta forma desacoplará el bloqueo entre el motor y la bomba.

PRECAUCIÓN: La bomba de propulsión hidráulica puede sufrir daños si se remolca la máquina con la válvula en posición normal de funcionamiento (A).

Consulte en la ilustración que aparece más adelante el ajuste normal de funcionamiento (A) (vertical) y el ajuste de giro libre para remolque (B) (horizontal).

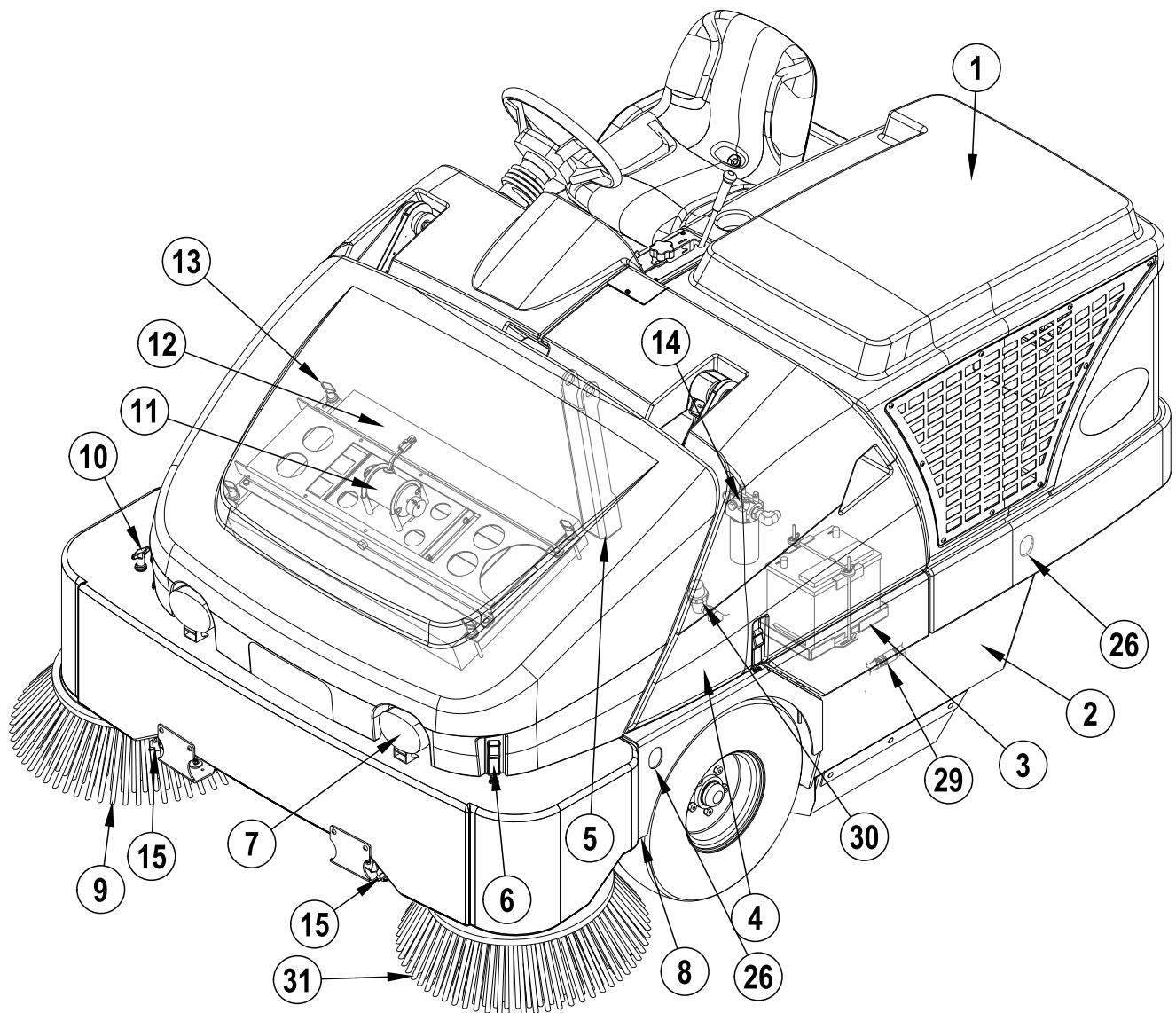
Nota: si la válvula de remolque se deja en posición de giro libre (B) (horizontal), la bomba de propulsión no podrá desplazar la máquina hacia delante ni hacia atrás. No se producirá ningún daño; sólo tiene que volver a situar la válvula en el ajuste normal de funcionamiento (A) (vertical). NOTA: No remolque ni empuje la máquina a una velocidad superior a la del paso normal de una persona (3-5 km/h) y hágalo solamente en distancias cortas. Si necesita desplazar la máquina una larga distancia, la rueda motriz debe elevarse del suelo y colocarse sobre un gato rodante.



CONOZCA SU MÁQUINA

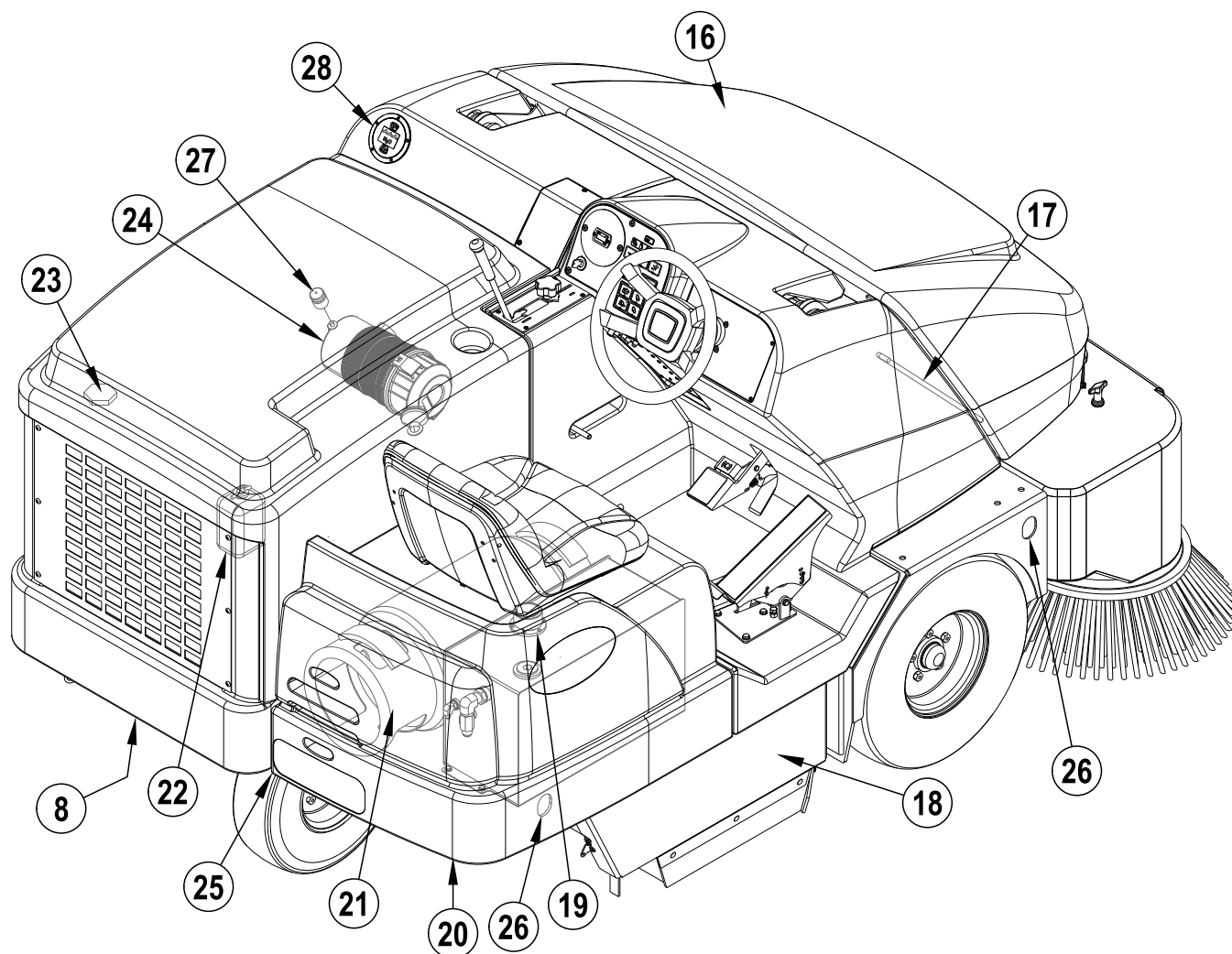
A lo largo de este manual encontrará números en negrita entre paréntesis – por ejemplo: (2). Estos números se refieren a uno de los elementos que aparecen en las siguientes cuatro páginas. Consulte estas páginas siempre que lo necesite para localizar alguna pieza o componente citado en el texto.

- 1 Cubierta del compartimento del motor
- 2 Panel de acceso del cepillo principal izquierdo
- 3 Batería
- 4 Conjunto de cubierta central
- 5 Soporte de seguridad de la tolva
- 6 Pestillo de la cubierta de la tolva
- 7 Faro delantero
- 8 Puntos de elevación (la ubicación trasera tiene el mayor peso debajo del radiador)
- 9 Cepillo lateral derecho
- 10 Mando de ajuste de altura del cepillo lateral
- 11 Agitador del filtro de polvo
- 12 Filtro de control de polvo de la tolva
- 13 Botones de retén del conjunto del vibrador
- 14 Sustituir el filtro y el aceite hidráulico
- 15 Boquillas de rociado DustGuard™ opcionales



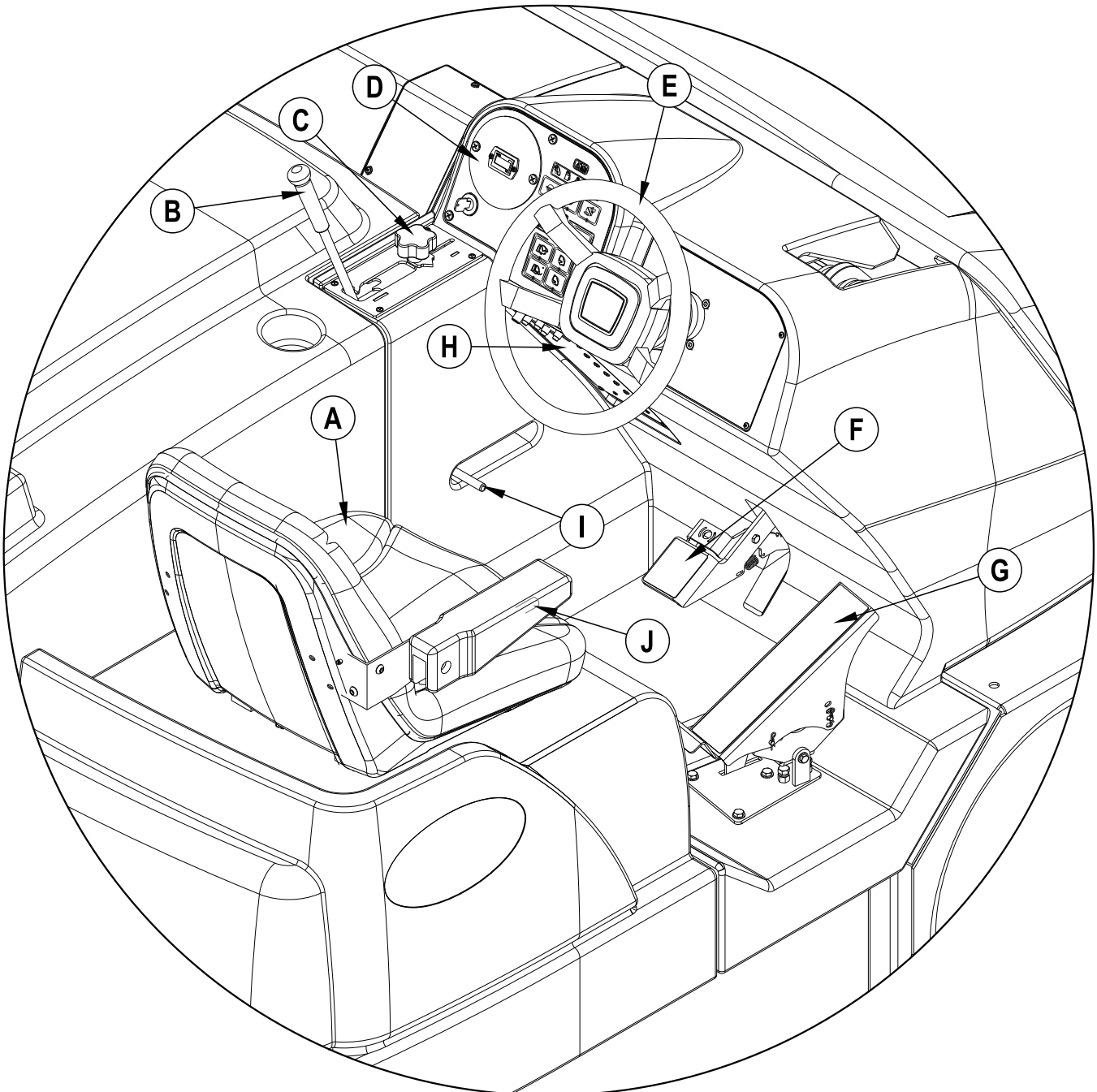
CONOZCA SU MÁQUINA (CONTINUACIÓN)

- 16 Cubierta de la tolva
- 17 Varilla de apoyo de la cubierta de la tolva
- 18 Panel de acceso del cepillo principal derecho
- 19 Depósito de aceite
- 20 Cubierta del depósito de combustible/depósito del aceite
- 21 Depósito de combustible (Se muestra el depósito de propano. / El depósito de gasolina está en la misma ubicación.)
- 22 Depósito de recuperación del líquido de refrigeración
- 23 Tapa del radiador
- 24 Filtro del aire del motor
- 25 Pestillo de liberación de cubierta del depósito de combustible
- 26 Ubicaciones de sujeciones (5)
- 27 Indicador de mantenimiento del filtro del aire
- 28 Llenado de depósito DustGuard™ opcional
- 29 Desconexión rápida DustGuard™ opcional
- 30 Filtro de solución DustGuard™ opcional
- 31 Cepillo lateral izquierdo opcional



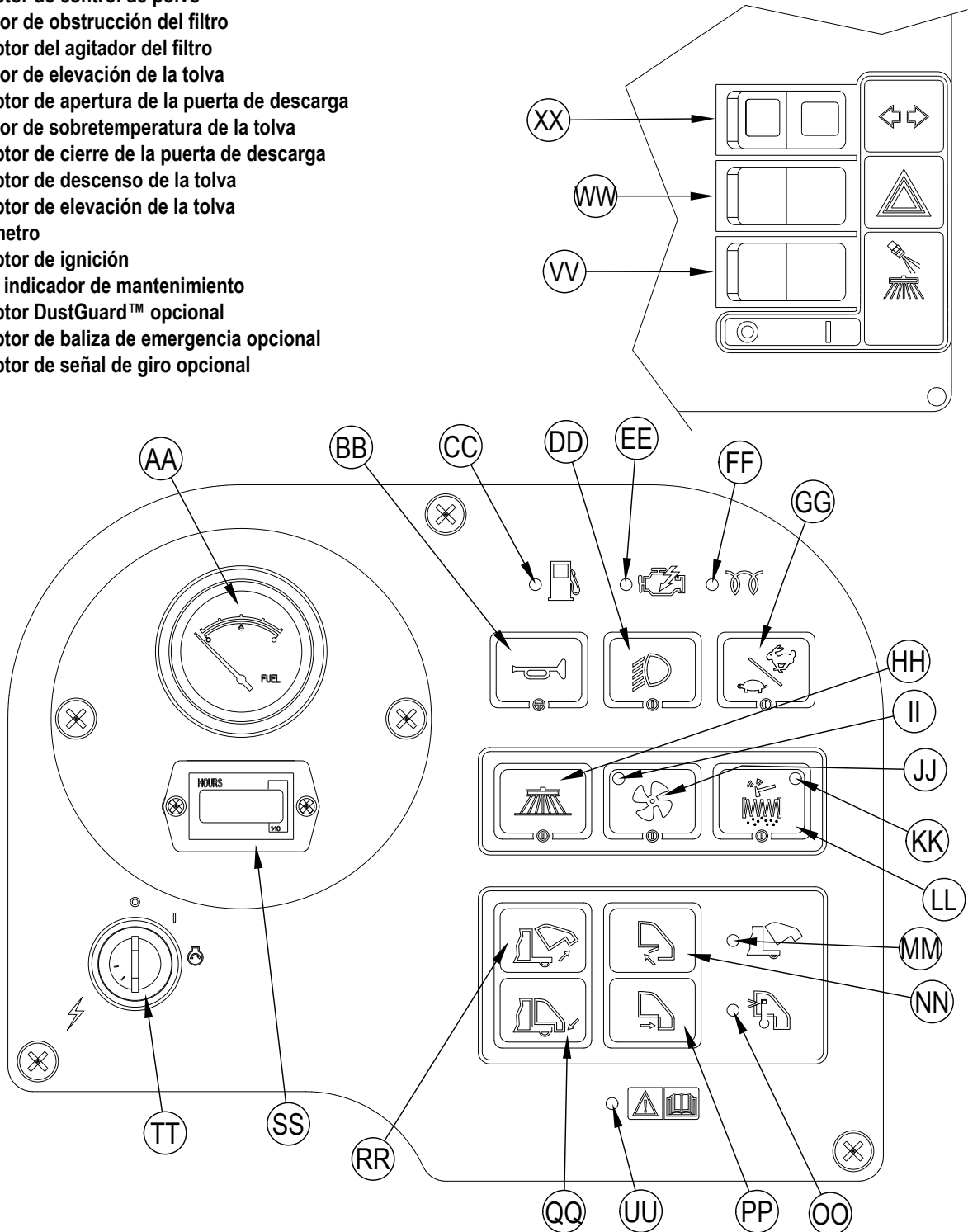
COMPARTIMENTO DEL OPERARIO

- A Asiento del operador
- B Palanca del cepillo principal
- C Botón de ajuste del cepillo principal
- D Panel de control (ver las páginas asociadas)
- E Volante
- F Pedal de freno / Freno de estacionamiento
- G Pedal de tracción hacia delante/hacia atrás
- H Panel de disyuntores
- I Asa del soporte de seguridad de la tolva
- J Palanca de ajuste del asiento del operador



PANEL DE CONTROL

- AA Medidor de combustible opcional (sólo gasolina y diésel)
- BB Interruptor de claxon
- CC Luz indicadora de nivel bajo de propano líquido
- DD Interruptor de reflector
- EE Indicador de mantenimiento del motor
- FF Luz indicadora de bujía de calentamiento (sólo diésel)
- GG Interruptor de velocidad del motor
- HH Interruptor encendido-descenso / apagado-ascenso del cepillo lateral
- II Indicador de control de polvo
- JJ Interruptor de control de polvo
- KK Indicador de obstrucción del filtro
- LL Interruptor del agitador del filtro
- MM Indicador de elevación de la tolva
- NN Interruptor de apertura de la puerta de descarga
- OO Indicador de sobret temperatura de la tolva
- PP Interruptor de cierre de la puerta de descarga
- QQ Interruptor de descenso de la tolva
- RR Interruptor de elevación de la tolva
- SS Cronómetro
- TT Interruptor de ignición
- UU Luz del indicador de mantenimiento
- VV Interruptor DustGuard™ opcional
- WW Interruptor de baliza de emergencia opcional
- XX Interruptor de señal de giro opcional



LISTA DE COMPROBACIÓN PREVIA A LA UTILIZACIÓN

Antes de cada utilización:

- * Examine la máquina para comprobar si existen daños o fugas de aceite o líquido de refrigeración.
- * Presione la copa de caucho que recoge el polvo del filtro del aire del motor (24) para retirar el polvo acumulado.
- * Compruebe el nivel del líquido de refrigeración del motor (23).
- * Compruebe el nivel de aceite del motor.
- * Compruebe el nivel del aceite hidráulico (19).
- * Compruebe el indicador del nivel de combustible (AA) en los modelos de gasolina y diésel.
- * Compruebe el indicador del nivel de combustible **situado** en el depósito de propano líquido (21) en el modelo de propano líquido.
- * Compruebe la presión de los tres neumáticos. Ésta debe ser de 90-95 libras por pulgada cuadrada.
- * Compruebe el indicador de servicio del filtro del aire (27).

En el asiento del conductor:

- * El conductor debe conocer todos los controles y sus funciones.
- * Ajuste el asiento para alcanzar cómodamente todos los controles.
- * Introduzca la llave maestra y sitúe el interruptor de encendido (TT) en posición ON. Compruebe el funcionamiento correcto del claxon (BB), el contador horario (SS) y los faros delanteros (DD). Sitúe el interruptor de llave de encendido (TT) en OFF.
- * Compruebe el freno de estacionamiento (F). El freno debe mantenerse en su posición (de estacionamiento) sin que se suelte con facilidad. (Comunique inmediatamente cualquier defecto al personal de mantenimiento).

Planifique su limpieza por adelantado:

- * Utilice la máquina en tramos largos, manteniendo al mínimo el número de detenciones y puestas en marcha.
- * Los tramos de barrido deben solaparse unos 150 mm (6 pulg.) para conseguir un barrido completo de la superficie.
- * Evite tomar las curvas bruscamente, chocar contra postes y arañar los laterales de la máquina.

CEPILLO PRINCIPAL

Existen varios cepillos principales diferentes para esta máquina. Consulte con su distribuidor de Advance si necesita ayuda a fin de seleccionar el mejor cepillo para la superficie y residuos que vaya a limpiar. Nota: Consulte el mantenimiento del cepillo si desea obtener las etapas de instalación.

COMBUSTIBLE

¡ADVERTENCIA!

- APAGUE SIEMPRE EL MOTOR ANTES DE LLENAR EL DEPÓSITO DE COMBUSTIBLE.
- NO FUME CUANDO ESTÉ LLENANDO EL DEPÓSITO DE COMBUSTIBLE.
- LLENE EL DEPÓSITO DE COMBUSTIBLE EN UN LUGAR BIEN VENTILADO.
- NO LLENE EL DEPÓSITO DE COMBUSTIBLE CERCA DE CHISPAS O LLAMAS.
- UTILICE SÓLO EL COMBUSTIBLE ESPECIFICADO EN LA PEGATINA DEL DEPÓSITO DE COMBUSTIBLE.

MOTOR DIÉSEL

Llene el depósito con combustible diésel número 2 si la máquina se va a utilizar en una zona donde la temperatura es de 0° C (32° F) o superior. Utilice combustible diésel número 1 si la máquina se va a utilizar en una zona donde la temperatura está por debajo de los 0° C (32° F).

NOTA: Si la máquina diésel se queda sin combustible, el sistema de combustible debería alimentarse antes de volver a poner en marcha el motor. Para evitar esta situación, llene el depósito de combustible cuando el indicador del nivel de combustible muestre 1/4 en el depósito. La capacidad del depósito de combustible es de 48,26 litros (12,75 galones).

MOTOR DE GASOLINA

LLENE EL DEPÓSITO DE GASOLINA NORMAL SIN PLOMO DE 87 OCTANOS. LA CAPACIDAD DEL DEPÓSITO DE COMBUSTIBLE ES DE 48,26 LITROS (12,75 GALONES).

Nota: si desea datos más detallados sobre especificaciones y servicio técnico del motor, consulte el manual de uso y mantenimiento del fabricante del motor que se entrega por separado.

MOTOR DE PROPANO LÍQUIDO (PL)

Instale un depósito de 14,85 kg (33 lb.) de propano líquido de retirada en la máquina, conecte la manguera de combustible y abra la válvula de cierre del depósito. Póngase guantes para conectar o desconectar la manguera de combustible. Cuando no esté utilizando la máquina, cierre la válvula de servicio del depósito de propano líquido.

NOTA: Asegúrese de que el depósito horizontal de propano esté correctamente orientado para la retirada del líquido. Después de conectar la manguera de combustible al depósito, compruebe si hay fugas de gas con el oído y el olfato.

¡ADVERTENCIA!

No utilice la máquina si hay una fuga de gas. Desconecte la manguera de combustible y sustituya el depósito de propano. Si aún hay una fuga de gas, desconecte la manguera de combustible y póngase en contacto con su Centro de Servicio Advance.

FUNCIONAMIENTO DE LA MÁQUINA

El SW8000 es una máquina automática sobre ruedas de fregado y barrido de suelos. Los controles han sido diseñados para su *utilización con un solo toque*. Para el barrido de una sola pasada, el operario puede simplemente bajar el cepillo principal y todas las funciones de barrido estarán listas para empezar.

Nota: Los números que aparecen en **negrita entre paréntesis** indican elementos ilustrados en las páginas 6-9.

ANTES DE ENCENDER LA MÁQUINA

- 1 Asegúrese de que comprende todos los controles de la máquina y sus funciones.
- 2 Planifique la ruta de limpieza por adelantado. Utilice la máquina en tramos largos y rectos, manteniendo al mínimo el número de giros.
- 3 Compruebe el pedal de freno (**FF**). El pedal debería estar firme.
Si el pedal está “esponjoso” o pierde potencia bajo presión, **NO CONDUZCA LA MÁQUINA**. Comunique inmediatamente cualquier defecto al personal de servicio.

ENCENDIDO DEL MOTOR DIÉSEL

- 1 Gire el interruptor llave (**TT**) en el sentido contrario a las agujas del reloj hacia la posición “Pre-Heat” (Precalentar) y manténgalo hasta que se apague el indicador de bujía de calentamiento (**FF**). Una vez apagado el indicador puede arrancarse el motor. Sáltese este paso si el motor ha estado funcionando y ya está caliente.
- 2 Gire el interruptor de llave de encendido (**TT**) en el sentido de las agujas del reloj hacia la posición START (arrancar) y suéltelo en cuanto arranque el motor. Si el motor no arranca en 15 segundos, suelte la llave, espere 1 minuto y vuelva a realizar los pasos 1 a 3 de nuevo.
NOTA: El arrancador del motor no funcionará si el pedal de marcha hacia delante/hacia atrás (**G**) no está en posición neutral.
- 3 Deje el motor en punto muerto “IDLE” durante 5 minutos antes de utilizar la máquina.
- 4 Sitúe el interruptor de velocidad del motor (**GG**) en posición de máxima aceleración y dé unas vueltas con la máquina durante 2 ó 3 minutos a velocidad baja para calentar el sistema hidráulico.

ENCENDIDO DEL MOTOR DE PL Y GASOLINA

- 1 **NOTA: Exclusivamente para modelos de propano líquido:** Abra la válvula de servicio del depósito de propano líquido (**21**).
- 2 Gire el interruptor de llave de encendido (**TT**) en el sentido de las agujas del reloj hacia la posición START (arrancar) y suéltelo en cuanto arranque el motor. Si el motor no arranca en 15 segundos, suelte la llave, espere 1 minuto y vuelva a intentarlo.
NOTA: El arrancador del motor no funcionará si el pedal de marcha hacia delante/hacia atrás (**G**) no está en posición neutral.
- 3 Deje el motor en punto muerto “IDLE” durante 5 minutos antes de utilizar la máquina.
- 4 Sitúe el interruptor de velocidad del motor (**GG**) en posición de máxima aceleración y dé unas vueltas con la máquina durante 2 ó 3 minutos a velocidad baja para calentar el sistema hidráulico.

NOTA: Utilice **SIEMPRE** la máquina con el interruptor de velocidad del motor en posición de máxima aceleración. Utilice el **pedal de marcha hacia delante/hacia atrás (D)** y no el interruptor de velocidad del motor (**GG**) para controlar la **velocidad** de la máquina. La velocidad de la máquina aumentará cuanto más a fondo se pise el pedal.

BARRIDO

Siga las instrucciones de la sección "Preparación de la máquina para su utilización" del manual.

- 1 Sentado en la máquina y utilizando los controles de ajuste (**J**), coloque el asiento en una posición de funcionamiento cómoda.
- 2 Suelte el freno de estacionamiento (**F**). Para llevar la máquina a la zona de trabajo, aplique con el pie una presión uniforme en la parte de delante del pedal de tracción (**G**) para ir hacia delante o en la parte de atrás para ir hacia atrás. Cambie la presión que ejerce en el pedal para obtener la velocidad deseada.
- 3 Pulse el interruptor de descenso de la tolva (**QQ**) para asegurarse de que la tolva esté asentada correctamente. **NOTA:** El indicador de tolva elevada (**MM**) se iluminará si la tolva no está en posición baja.
- 4 Desplace la palanca del cepillo principal (**B**) a la posición de barrido "SWEEP" (muesca intermedia) para bajar y activar el cepillo principal. **NOTA:** La puerta de descarga se abre automáticamente cuando el cepillo principal (**B**) se baja y se cierra cuando el cepillo se sube. Utilice la posición de flotación total (última muesca hacia delante) sólo cuando se barran suelos extremadamente rugosos o irregulares. Si se utiliza sobre otras superficies aumentará el desgaste del cepillo.
- 5 Al barrer suelos con charcos, pulse el interruptor de control de polvo (**JJ**) para apagar el sistema de control de polvo antes de que la máquina se introduzca en un charco. Vuelva a encender el sistema de control de polvo cuando la máquina haya vuelto a una superficie totalmente seca. **NOTA:** Esto se hace para evitar que se moje el filtro de control de polvo de la tolva (**12**). Si barre suelos húmedos, mantenga el interruptor de control de polvo (**JJ**) apagado.
- 6 El cepillo lateral (**9**) se habilita automáticamente cuando el cepillo principal se baja y comienza a girar al activar el pedal de tracción (**G**). El cepillo lateral (**9**) se puede apagar y encender nuevamente en cualquier momento pulsando el interruptor del cepillo lateral (**HH**). El barrido del cepillo lateral se ajusta girando el botón de ajuste de altura del cepillo lateral (**10**).
- 7 Conduzca la máquina hacia delante en línea recta a velocidad de paso rápido. Conduzca la máquina más despacio si barre una gran cantidad de suciedad o residuos o si así lo exige la seguridad. Cada pasada debe coincidir con la anterior en una banda de 15 cm (6 pulgadas) de ancho.
- 8 Si el polvo sale del alojamiento del cepillo al barrer, el filtro de control de polvo (**12**) podría obstruirse. Pulse el interruptor del agitador (**LL**) para limpiar el filtro de control de polvo. El sistema de control de polvo (**JJ**) se apagará automáticamente mientras que el agitador esté funcionando y se encenderá una vez apagado el agitador (el agitador funciona durante 15 segundos).
- 9 Mire de vez en cuando detrás de la máquina para comprobar si está recogiendo los residuos. Si queda suciedad tras el paso de la máquina, esto indica que la máquina va demasiado rápida, que debe ajustarse el cepillo o que la tolva está llena.

NOTA: Si la máquina no se mueve durante 40 segundos, el motor volverá automáticamente al punto muerto. El sistema de barrido sólo se activará cuando las RPM del motor estén en el máximo. Para volver a comenzar a barrer, presione el interruptor de velocidad de barrido (**GG**) para que las RPM del motor vuelvan al máximo.

VACIADO DE LA TOLVA

¡ADVERTENCIA!

Compruebe que el soporte de seguridad de la tolva (**5**) se encuentre colocado cuando vaya a realizar alguna operación de mantenimiento debajo de la tolva levantada o cerca de ella. El soporte de seguridad de la tolva (**5**) mantiene la tolva en posición elevada para permitir la realización de operaciones debajo de la tolva.

No se limite NUNCA a los componentes hidráulicos de la máquina para soportar la tolva de manera segura.

NOTA: El espacio MÍNIMO de descarga hasta el techo para el vaciado de la tolva es de 259,08 cm (102").

- 1 Coloque la palanca del cepillo principal (**B**) en la posición de ascenso/apagado. **NOTA:** El agitador funcionará automáticamente durante 15 segundos después de que se haya levantado el cepillo principal. Si no levanta el cepillo principal, pulse el interruptor del agitador (**LL**) para limpiar el filtro de control de polvo.
- 2 Sitúe la máquina junto a un contenedor de basura grande y mantenga el interruptor de elevación de la tolva (**RR**) hasta que la tolva se eleve a la altura deseada. **NOTA:** La puerta de descarga se cierra automáticamente cuando se pulsa este interruptor (**RR**). Recuperará el control de la puerta de descarga en cuanto la tolva empiece a elevarse; por tanto, puede descargar a cualquier altura si fuera necesario.
- 3 Conduzca la máquina hacia delante hasta que la tolva quede sobre el contenedor y ponga el freno de estacionamiento (**F**). Pulse el interruptor de apertura de la puerta de descarga (**NN**) para abrir la puerta de descarga y vaciar a la tolva. **NOTA:** Si no se descarga en un contenedor de basura, se recomienda vaciar a baja altura para evitar propagar el polvo suspendido en el aire.
- 4 Coloque el soporte de seguridad de la tolva (**5**) tirando de la varilla de tiro del soporte de seguridad de la tolva (**I**) y baje ligeramente la tolva para que quede sujeta.
- 5 Compruebe la puerta de la tolva y la junta del borde delantero. Si es necesario, utilice una escoba para retirar los residuos de estas zonas. Para su correcto funcionamiento, la puerta de la tolva debe quedar herméticamente cerrada contra la junta de la bombilla del alojamiento del cepillo.
- 6 Vuelva al compartimento del operador. Suelte el freno de estacionamiento. Mueva la máquina hasta que la tolva quede fuera del contenedor. Levante ligeramente la tolva y empuje hacia delante el asa del soporte de seguridad de la tolva (**I**) hasta que se desacople el soporte de seguridad de la tolva (**5**); a continuación, baje la tolva. **NOTA:** Los cepillos no se encenderán si la tolva no está completamente abajo. La luz indicadora (**MM**) del panel de control se apagará, lo que indica que la máquina está lista para su uso.

DESPUÉS DE LA UTILIZACIÓN

- 1 Sacuda el filtro de control de polvo de la tolva (LL) y vacíe la tolva.
- 2 Consulte el programa de mantenimiento y realice todas las operaciones de mantenimiento necesarias antes de guardar la máquina.
- 3 Lleve la máquina a un lugar interior de almacenamiento.
- 4 Apague el motor de acuerdo con las instrucciones al efecto.
- 5 Compruebe que el interruptor de encendido (TT) se encuentra apagado y que el freno de estacionamiento (F) está echado. **NOTA:** Presione el pedal de freno / freno de estacionamiento (F) y mueva el pie hacia delante.

NOTA: Si barre residuos orgánicos, siempre vacíe y limpie la tolva para prevenir olores.

NOTA: Es seguro limpiar esta máquina con una limpiadora a presión mientras no pulverice directamente los componentes eléctricos ni dentro de ellos. Debe permitir que la máquina se seque completamente antes de cada uso.

PARA APAGAR EL MOTOR DE GASOLINA/DIÉSEL...

- 1 Eleve los cepillos.
- 2 Sitúe el interruptor de velocidad del motor (GG) en PUNTO MUERTO (IDLE) y mantenga el motor al ralentí durante 25-30 segundos.
- 3 Sitúe el interruptor de llave de encendido (TT) en posición OFF y retire la llave. **NOTA:** El motor continuará funcionando durante unos segundos después de poner la llave en posición de apagado. Esto es parte del funcionamiento correcto de sistema de control electrónico en bucle cerrado.
- 4 Eche el freno de estacionamiento (F). **NOTA:** Presione el pedal de freno / freno de estacionamiento (F) y mueva el pie hacia delante.

PARA APAGAR EL MOTOR DE PROPANO LÍQUIDO...

- 1 Eleve los cepillos.
- 2 Sitúe la válvula de servicio del depósito de propano líquido (21) en posición OFF.
- 3 Deje el motor en marcha hasta que todo el propano líquido haya sido expulsado de la tubería (el motor se ahogará).
- 4 Sitúe el interruptor de llave de encendido (TT) en posición OFF y retire la llave.
- 5 Eche el freno de estacionamiento (F). **NOTA:** Presione el pedal de freno / freno de estacionamiento (F) y mueva el pie hacia delante.

COMUNIQUE CUALQUIER DEFECTO O FUNCIONAMIENTO INCORRECTO QUE OBSERVE DURANTE LA UTILIZACIÓN AL PERSONAL AUTORIZADO DE SERVICIO O MANTENIMIENTO.

MANTENIMIENTO

Conserve el máximo rendimiento de su máquina siguiendo estrictamente el programa de mantenimiento. Las reparaciones, cuando sean necesarias, deben ser realizadas por su Centro Autorizado de Servicio Advance, que utiliza personal de servicio formado en fábrica y tiene un inventario permanente de piezas de repuesto y accesorios Advance originales.

NOTA: Para obtener más información sobre mantenimiento y reparaciones, consulte el Manual de servicio.

PROGRAMA DE MANTENIMIENTO

La frecuencia de mantenimiento indicada corresponde a condiciones normales de utilización. Si la máquina se utiliza en condiciones más duras, puede ser necesario el mantenimiento con mayor frecuencia.

ACCIÓN DE MANTENIMIENTO	REALIZAR A DIARIO
Realizar el mantenimiento descrito en "Después de la utilización"	X
Comprobar el freno de estacionamiento	X
Comprobar el nivel de aceite del motor	X
*Limpiar el (los) cepillo(s) lateral(es) y principal(es)	X
Comprobar las luces y el indicador de filtro (hid. y aire)	X
Comprobar el nivel del refrigerante del motor	X
Comprobar el nivel del aceite hidráulico	X

ACCIÓN DE MANTENIMIENTO	15 hs.	30 hs.	150 hs.	300 hs.	1000 hs.
*Rotar el cepillo principal	X				
Limpiar las boquillas de rociado (15) y el filtro (30) DustGuard™	X				
*Inspeccionar y ajustar los cepillos		X			
*Comprobar / Limpiar el filtro de control de polvo de la tolva con el método "A"		X			
*Inspeccionar las faldillas contenedoras de barrido		X			
*Inspeccionar las juntas de la tolva		X			
Limpiar el radiador y el enfriador de aceite		X			
Realizar el mantenimiento del motor			X		
*Inspeccionar y engrasar el husillo de dirección			X		
*Comprobar / Limpiar el filtro de control de polvo de la tolva con el método "B"			X		
*Comprobar / Limpiar el filtro de control de polvo de la tolva con el método "C"				X	
Cambiar el aceite hidráulico y el filtro					X
Cambiar el aceite hidráulico del depósito					X
Lavar el radiador					X
Filtro(s) de combustible del motor					X

*Consulte el manual de servicio de reparación mecánica para información de mantenimiento más detallada sobre los sistemas incluidos en la lista. (Barrido, tolva, dirección, control de polvo). **NOTA:** No se requiere limpiar el filtro de control de polvo de la tolva en modelos que utilizan el filtro de bolsa exento de mantenimiento.

MANTENIMIENTO DEL CEPILLO PRINCIPAL

Dado que el motor del cepillo principal gira siempre en la misma dirección, las cerdas acaban por curvarse, reduciendo la eficacia del barrido. Para corregir esto puede retirar el cepillo principal y darle la vuelta. Este procedimiento debe realizarse cada 15 horas de funcionamiento.

NOTA: Este procedimiento no se aplica al cepillo de tipo "chevron" opcional.

Para obtener un mayor rendimiento, el cepillo principal debe cambiarse cuando las cerdas estén gastadas hasta una longitud de 5,08 cm (2 pulg.). El botón de ajuste del cepillo principal (**C**) debe volver a ajustarse cuando se cambie el cepillo principal.

NOTA: La máquina debe guardarse con el cepillo principal en posición elevada.

¡ADVERTENCIA!

El motor debe estar apagado cuando se realice este procedimiento.

¡PRECAUCIÓN!

Los cepillos pueden lastimar. Use guantes para protegerse las manos.

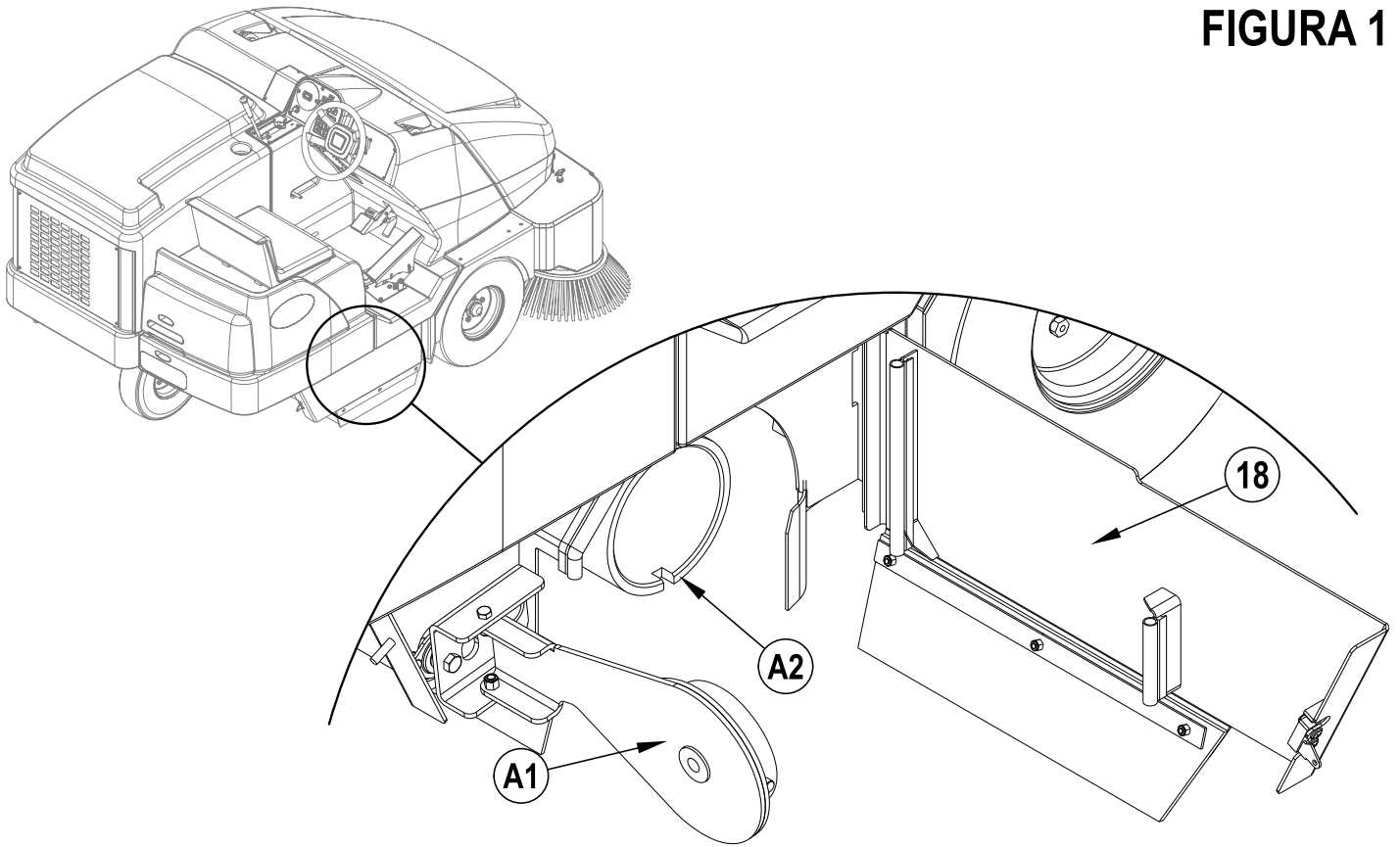
Para cambiar el cepillo principal o darle la vuelta...

- 1 Sitúe el interruptor de encendido (**TT**) en OFF.
- 2 Coloque la palanca del cepillo principal (**B**) en la posición de ascenso/apagado.
- 3 Abra el panel de acceso del cepillo principal lateral derecho (**18**).
- 4 **Ver figura 1.** Gire el conjunto del brazo (**A1**) hasta sacarlo del núcleo del cepillo principal. **NOTA:** El brazo está sujeto por el panel de acceso del cepillo principal lateral derecho (**18**).
- 5 Saque el cepillo principal (**A2**) de su alojamiento y retire las cuerdas o alambres que puedan haber quedado enrollados en él. Examine también los zócalos de la parte delantera, trasera y laterales del alojamiento del cepillo. Cambie o ajuste los zócalos si están rotos o gastados hasta una altura superior a 6,35 mm (1/4 pulgada) del suelo.
- 6 Dé la vuelta al cepillo y vuelva a colocarlo en su alojamiento. Asegúrese de que las lengüetas del núcleo del cepillo (lado izquierdo) encajen en las ranuras del cubo de transmisión del cepillo y de que el cepillo esté completamente asentado.
- 7 Introduzca de nuevo el conjunto del brazo en el núcleo del cepillo. **NOTA:** Asegúrese de que las lengüetas del brazo encajen con las ranuras en el núcleo del cepillo.
- 8 Cierre bien el panel de acceso del cepillo principal lateral derecho (**18**).

Para ajustar la altura del cepillo principal...

- 1 Lleve la máquina a una zona con el suelo nivelado y eche el freno de estacionamiento.
- 2 Desplace la palanca del cepillo principal (**B**) a la posición de barrido "SWEEP" (muesca intermedia) para bajar y activar el cepillo principal. NO mueva la máquina.
- 3 Presione suavemente el pedal de marcha hacia delante/hacia atrás (**G**) para encender el cepillo principal, y repítalo tres veces. Esto permite barrer una "banda" del suelo. Levante el cepillo, suelte el freno de estacionamiento y mueva la máquina para que quede visible la banda barrida.
- 4 Examine la banda barrida del suelo. Si su anchura es inferior a 5,08 cm (2 pulgadas) o superior a 7,62 cm (3 pulgadas), será necesario ajustar el cepillo.
- 5 Para ajustar, afloje el botón (**C**) y deslice hacia delante o hacia atrás para subir o bajar el cepillo principal. Cuanto más arriba se desplace la palanca (**B**) en la ranura, más bajo quedará el cepillo principal. Apriete el botón (**C**) una vez ajustada la posición de la abrazadera de tope.
- 6 Repita los pasos 1-5 hasta que la banda barrida presente una anchura de 5,08-7,62 cm (2-3 pulgadas).
La anchura de la banda barrida debe ser la misma en ambos extremos del cepillo. Si la anchura de la banda no es igual a todo lo largo, lleve la máquina a otro lugar y repita los pasos 1 a 5. Si la banda barrida sigue teniendo diferente anchura, contacte a su representante de Advance para solicitar mantenimiento.

FIGURA 1



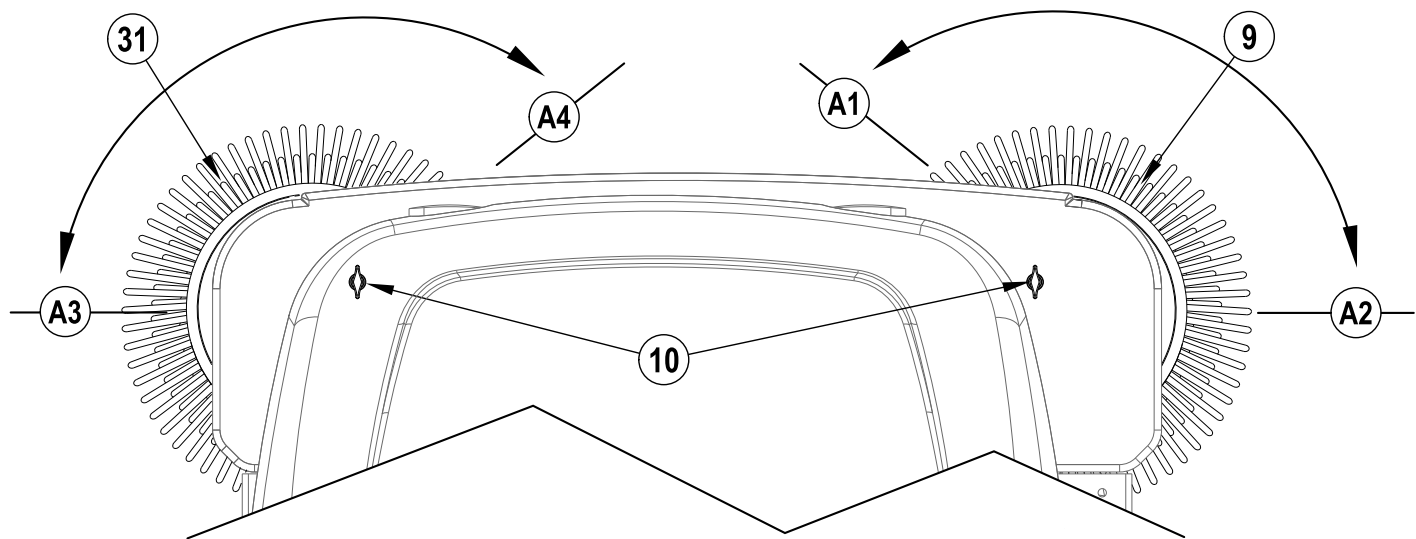
MANTENIMIENTO DEL CEPILLO LATERAL

Para ajustar el cepillo lateral...

- 1 Lleve la máquina a una zona con el suelo nivelado y eche el freno de estacionamiento.
- 2 Eche hacia atrás la palanca del cepillo principal (B) y deslícela hacia la derecha y hacia arriba para bajar el cepillo principal y laterales.
- 3 **Ver figura 2.** Cuando se encuentre bajado en posición DOWN, el cepillo lateral derecho (9) deberá estar en contacto con el suelo cubriendo la zona entre las 10 (A1) y las 3 (A2), según se indica. **NOTA:** El cepillo lateral izquierdo opcional (31) debe estar en contacto con el suelo cubriendo la zona entre las 9 (A3) y las 2 (A4), según se indica.
- 4 Si uno de los cepillos necesita ajuste, gire el botón de ajuste de la altura del cepillo lateral (10) ya sea en el sentido de las agujas del reloj para levantar o en sentido contrario a de las agujas del reloj para bajar el cepillo lateral.

NOTA: La máquina debe guardarse con los cepillos laterales (9 y 31) en posición elevada. Para su uso eficaz, los cepillos laterales (9 y 31) deben cambiarse cuando las cerdas estén gastadas hasta una longitud de 7,62 cm (3 pulgadas), o no serán eficaces. La altura de los cepillos laterales debe volver a ajustarse cada vez que se cambie el cepillo.

FIGURA 2

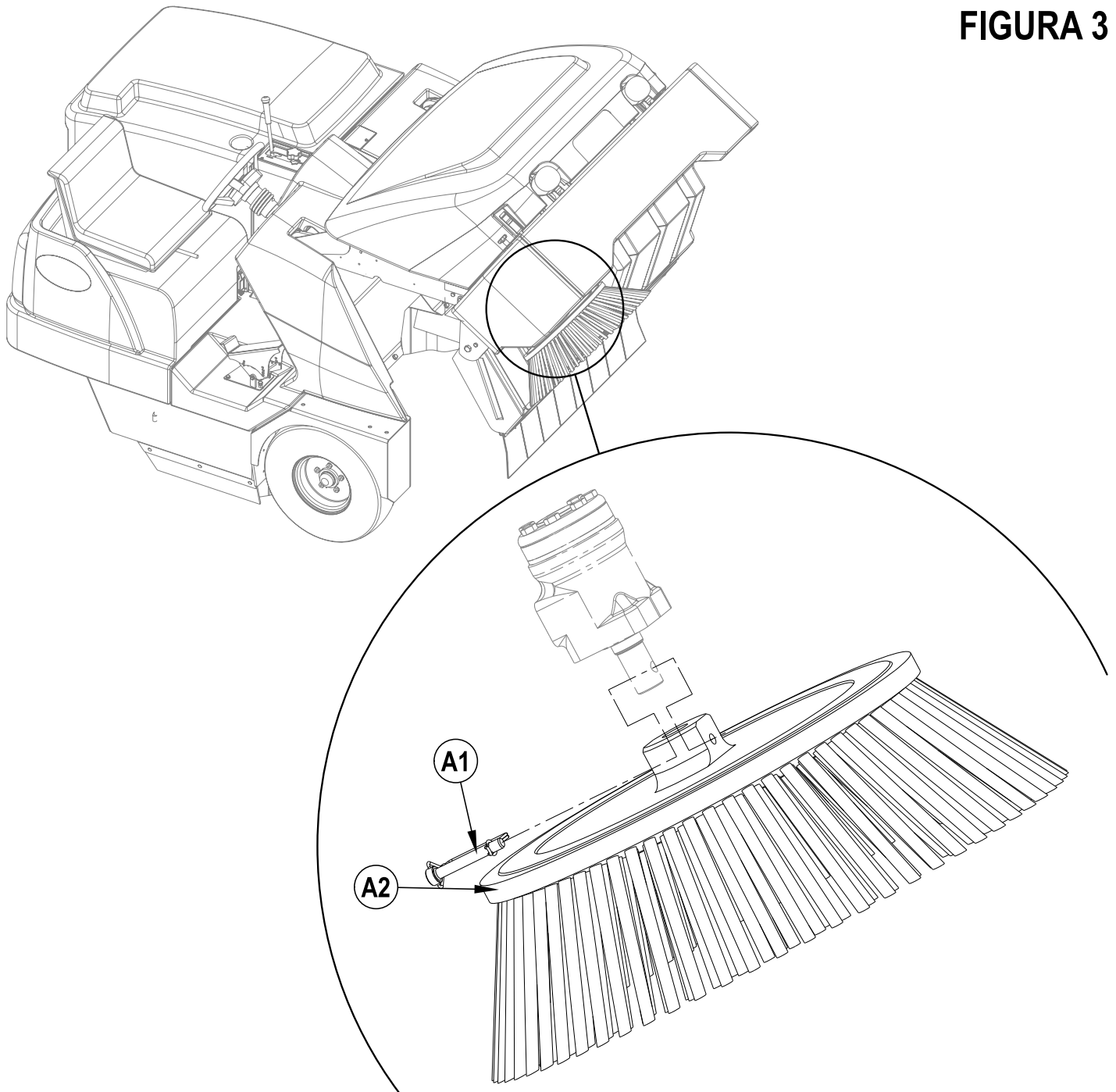


MANTENIMIENTO DEL CEPILLO LATERAL

Para cambiar el cepillo lateral...

- 1 **Ver figura 3.** Levante la tolva hasta que el cepillo lateral se encuentre a la altura del pecho aproximadamente.
- 2 Tome el cepillo lateral con ambas manos y gire hasta que el extremo del anillo del pasador de enganche (A1) esté mirando hacia la parte trasera de la tolva. **NOTA:** El (los) cepillo(s) lateral(es) sólo rotará(n) libremente en una dirección.
- 3 Retire el pasador de enganche (A1) y tire del cepillo lateral (A2) para sacarlo del eje del motor.
- 4 Deslice el cepillo nuevo en el eje del motor, alinee el orificio del pasador y reinstale el pasador de enganche (A1).

FIGURA 3



FILTRO DE CONTROL DE POLVO DE LA TOLVA (FILTRO DEL PANEL)

El filtro de control de polvo de la tolva debe limpiarse con regularidad para mantener la eficacia del sistema de aspiración. Respete la frecuencia de servicio recomendada para conseguir la máxima duración del filtro.

¡PRECAUCIÓN!

Lleve puestas unas gafas protectoras para limpiar el filtro.

No perforo el filtro de papel.

Limpie el filtro en una zona bien ventilada.

Utilice la mascarilla adecuada para evitar respirar el polvo.

Para retirar el filtro de control de polvo de la tolva...

- 1 Abra la cubierta de la tolva (16). Compruebe que la varilla de apoyo de la cubierta de la tolva (17) se encuentra colocada en su lugar.
- 2 Examine la parte superior del filtro de control de polvo de la tolva (12) para comprobar si existe algún deterioro. La acumulación de gran cantidad de polvo en la parte superior del filtro suele deberse a la presencia de agujeros en el filtro o a daños en la junta. Examine la parte inferior del filtro de control de polvo de la tolva (12). Si el filtro está cubierto con lodo húmedo o seco, el sistema de control de polvo no funcionará correctamente hasta que se reemplace el filtro o se lo limpie en profundidad mediante el método "C".
- 3 Retire los cuatro botones de retén del conjunto del vibrador (13). Eleve el conjunto del vibrador del filtro de polvo (11) para sacarlo y acceder al filtro del panel.
- 4 Saque de la máquina el filtro de control de polvo de la tolva (12).
- 5 **Limpie el filtro de acuerdo con uno de los siguientes métodos:**

Método "A"

Desprenda el polvo del filtro mediante aspiración. A continuación, golpee **suavemente** el filtro contra una superficie plana (con el lado sucio hacia abajo) para eliminar el polvo y la suciedad. **NOTA:** Procure no dañar el borde metálico que se extiende más allá de la junta.

Método "B"

Desprenda el polvo del filtro mediante aspiración. A continuación, aplique aire comprimido (presión máxima: 100 libras por pulgada cuadrada) al lado limpio del filtro (en dirección contraria a la corriente de aire).

Método "C"

Desprenda el polvo del filtro mediante aspiración. A continuación, introduzca el filtro en agua templada durante 15 minutos, aclárelo con un chorro suave de agua (presión máxima: 40 libras por pulgada cuadrada). Deje secar completamente el filtro antes de volver a colocarlo en la máquina.

- 6 Siga las instrucciones en el orden inverso para instalar el filtro. Si la junta del filtro está rota o falta, debe instalarse una nueva. **NOTA:** Antes de sustituir el filtro, elimine los residuos de la placa de polvo situada debajo del filtro. Compruebe que el flanco de residuos en la parte trasera de la placa de polvo se mueve libremente.

LIMPIEZA DEL RADIADOR DEL MOTOR Y DEL RADIADOR HIDRÁULICO

El radiador del motor y el radiador hidráulico deben limpiarse ocasionalmente para evitar sobrecalentamientos y un desgaste prematuro del motor y los sistemas hidráulicos. Respete los intervalos de mantenimiento recomendados.

¡PRECAUCIÓN!

Use gafas de seguridad cuando limpie el radiador del motor y el intercambiador de calor hidráulico.

- 1 Incline hacia atrás la cubierta del compartimento del motor (1) Desconecte el pestillo de los cables del lado izquierdo de la cubierta del compartimento de motor para permitir que se pueda inclinar completamente hacia atrás para que no estorbe.
- 2 Gire el mecanismo de traba que está en la parte superior del radiador hidráulico para permitir que el intercambiador de calor hidráulico se incline completamente hacia atrás y se aleje del radiador para facilitar el acceso para la limpieza.
- 3 Limpie el radiador del motor y el radiador hidráulico soplando con aire y/o utilice agua a baja presión para quitar los residuos de las aletas. **NOTA:** No utilice una lavadora a presión o un cepillo mecánico para limpiar las aletas, ya que puede dañarlas. Si las aletas se doblan, enderécelas cuidadosamente para mejorar el proceso de enfriamiento.
- 4 Regrese el radiador hidráulico a la posición elevada y trábelo con el pestillo.
- 5 Vuelva a conectar el cable de la cubierta del compartimento de motor (1) y regrese la cubierta a su posición de operación normal.

ACEITE HIDRÁULICO

Abra la cubierta del depósito de combustible/depósito del aceite (20). Retire la tapa del depósito para verificar el nivel de aceite. El nivel del aceite hidráulico debe estar en la mitad superior del filtro de criba dentro del cuello de llenado del depósito. Añada aceite de motor SAE 10W30 si está por debajo de este nivel. Cambie el aceite si se produce una contaminación grave debida a un fallo mecánico.

ACEITE DEL MOTOR: GASOLINA Y PROPANO LÍQUIDO

Compruebe el nivel del aceite del motor cuando la máquina esté estacionada sobre una superficie nivelada y el motor esté frío. Cambie el aceite del motor tras las primeras 35 horas de funcionamiento y, después, cada 150 horas. Utilice cualquier aceite de grado SF o SG que cumpla las especificaciones del API y sea adecuado para las temperaturas de la estación. Consulte la sección Sistema del motor para conocer las capacidades del aceite y las especificaciones adicionales del motor. Sustituya el filtro del aceite con cada cambio de aceite.

TEMPERATURA	PESO DEL ACEITE
Más de 15° C (60° F)	SAE 10W-30
Menos de 15° C (60° F)	SAE 5W-30

ACEITE DEL MOTOR: DIÉSEL

Compruebe el nivel del aceite del motor cuando la máquina esté estacionada sobre una superficie nivelada y el motor esté frío. Cambie el aceite del motor tras las primeras 35 horas de funcionamiento y, después, cada 150 horas. Use aceite CF, CF-4 o CG-4 que cumpla las especificaciones del API y sea adecuado para las temperaturas (*es importante consultar la nota sobre el tipo de aceite/combustible que aparece más adelante para obtener más recomendaciones sobre el aceite para diésel). Consulte la sección Sistema del motor para conocer las capacidades del aceite y las especificaciones adicionales del motor. Sustituya el filtro del aceite con cada cambio de aceite.

TEMPERATURA	PESO DEL ACEITE
Más de 25 ° C (77 °F)	SAE 30 o 10W-30
0 °C a 25 °C (32 °F a 77 °F)	SAE 20 o 10W-30
Menos de 0° C (32 °F)	SAE 10W o 10W-30

*Nota sobre el aceite lubricante para diésel:

Con el control de emisiones ya en vigor, los aceites lubricantes CF-4 y CG-4 se han desarrollado para el uso de un combustible con bajo contenido de azufre en motores para vehículos de carretera. Cuando el motor de un vehículo para fuera de la carretera funciona con un combustible con alto contenido en azufre, se recomienda emplear aceite lubricante CF, CD o CE con un número base total alto. Si se usa aceite lubricante CF-4 o CG-4 con un combustible con alto contenido en azufre, cambie el aceite lubricante a intervalos más cortos.

- Aceite lubricante recomendado cuando se utiliza un combustible con bajo contenido o con alto contenido en azufre.

Lubricante Clase de aceite	Combustible		Observaciones
	Bajo contenido de azufre (0,5 % ≥)	Alto contenido de azufre	
CF	O	O	Número base total ≥ 10
CF-4	O	X	
CG-4	O	X	

O : Recomendable X : No recomendable

LÍQUIDO DE REFRIGERACIÓN DEL MOTOR

Abra la cubierta del compartimiento del motor (1) y observe el nivel del líquido de refrigeración en el depósito de recuperación del líquido de refrigeración (22). Si el nivel es demasiado bajo, añada una mezcla de agua y anticongelante de automoción a partes iguales.

⚠ ¡PRECAUCIÓN!

No retire la tapa del radiador (23) cuando el motor está caliente.

FILTRO DEL AIRE DEL MOTOR

Compruebe el indicador de servicio del filtro del aire del motor (24) cada vez antes de la utilización de la máquina. No realice operaciones de servicio en el filtro del aire si no aparece la bandera roja en el indicador de servicio. **NOTA:** Después de limpiar o cambiar el filtro de aire del motor, el indicador de servicio se puede reiniciar pulsando el extremo del indicador.

⚠ ¡PRECAUCIÓN!

Cuando realice operaciones de servicio en los elementos del filtro de aire, extreme las precauciones para impedir que el polvo suelto penetre en el motor. El polvo podría dañarlo gravemente.

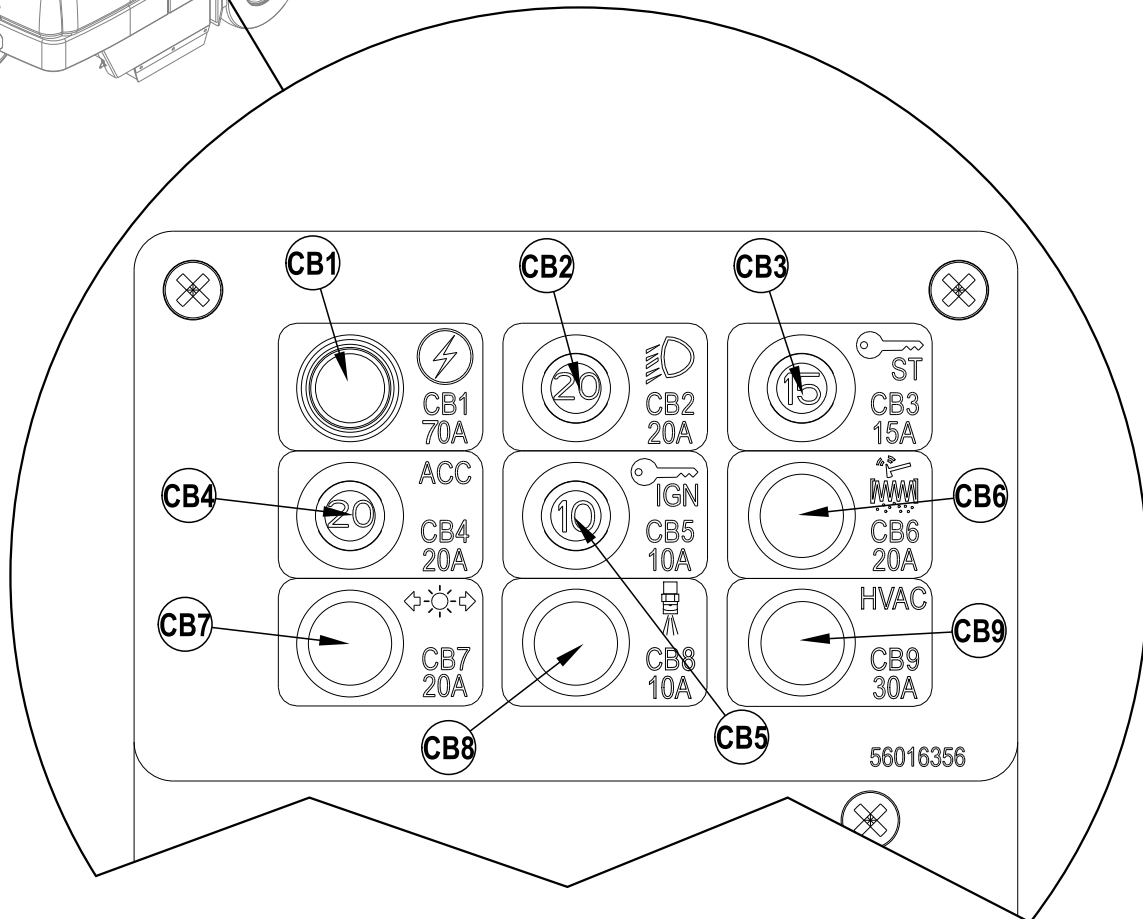
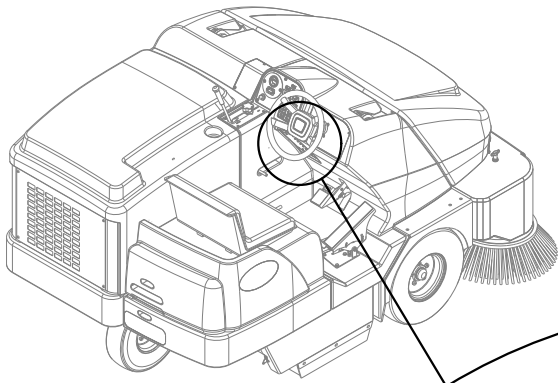
El filtro del aire del motor contiene un elemento de filtro principal (externo) y un elemento de filtro de seguridad (interno). El elemento principal puede limpiarse dos veces antes ser sustituido. El elemento de seguridad debe cambiarse una vez por cada tres veces que se cambie el elemento de filtro principal. No intente nunca limpiar el elemento interno de seguridad.

Para limpiar el elemento de filtro principal, retire las 2 pinzas del extremo del filtro del aire y retire el alojamiento del extremo. Saque el elemento principal y límpielo con aire comprimido (presión máxima: 100 libras por pulgada cuadrada) o lávelo con agua (presión máxima: 40 libras por pulgada cuadrada). NO vuelva a colocar el elemento en el cartucho hasta que esté completamente seco.

Vacíe el polvo del alojamiento plástico exterior presionando la aleta de caucho. Oriente la aleta hacia abajo cuando la vuelva a instalar.

UBICACIÓN DE LOS DISYUNTORES

- CB1 Principal (70A)
- CB2 Faros delanteros (20A)
- CB3 Arrancador (15A)
- CB4 Accesorios (20A)
- CB5 Encendido (10A)
- CB6 Vibrador (20A)
- CB7 Señales de giro (20A)
- CB8 Vaporizador (10A)
- CB9 HVAC (30A)



LOCALIZACIÓN DE AVERÍAS

Si las posibles causas indicadas a continuación no son el origen del problema, éste es un síntoma de algo más grave. Póngase en contacto inmediatamente con su Centro de Servicio Advance.

DESCONEXIÓN DE LOS DISYUNTORES

Los disyuntores están situados en el panel de disyuntores (**H**) y protegen los circuitos eléctricos y los motores de los daños provocados por condiciones de sobrecarga. Si se produce la desconexión de algún disyuntor, intente averiguar la causa.

1 Posibles causas de desconexión del disyuntor principal (CB1 / 70 Amp):

Cortocircuito eléctrico o sobrecarga (revise la máquina en un Centro de Servicio Advance o consulte a un electricista cualificado)

Posibles causas de cortocircuitos de los faros delanteros (CB2 / 20 Amp):

1 Cortocircuito eléctrico o sobrecarga (revise la máquina en un Centro de Servicio Advance o consulte a un electricista cualificado)

Posibles causas de desconexión del disyuntor del motor de arranque (CB3 / 15 Amp):

1 Cortocircuito eléctrico o sobrecarga (revise la máquina en un Centro de Servicio Advance o consulte a un electricista cualificado)

Posibles causas de desconexión del disyuntor del circuito de accesorios (CB4 / 20 Amp):

1 Cortocircuito eléctrico o sobrecarga (revise la máquina en un Centro de Servicio Advance o consulte a un electricista cualificado)

Posibles causas de desconexión del disyuntor del circuito de encendido (CB5 / 10 Amp):

1 Cortocircuito eléctrico o sobrecarga (revise la máquina en un Centro de Servicio Advance o consulte a un electricista cualificado)

Disyuntor del vibrador (CB6 / 20 A), la causa posible puede ser:

1 Cortocircuito eléctrico o sobrecarga (revise la máquina en un Centro de Servicio Advance o consulte a un electricista cualificado)

Posibles causas de desconexión del disyuntor del circuito de señal de giro (CB7 / 20 Amp):

1 Cortocircuito eléctrico o sobrecarga (revise la máquina en un Centro de Servicio Advance o consulte a un electricista cualificado)

Posibles causas de desconexión del disyuntor del vaporizador (CB7 / 10 Amp):

1 Cortocircuito eléctrico o sobrecarga (revise la máquina en un Centro de Servicio Advance o consulte a un electricista cualificado)

Posibles causas de desconexión del disyuntor del HVAC (CB9 / 30 Amp):

1 Cortocircuito eléctrico o sobrecarga (revise la máquina en un Centro de Servicio Advance o consulte a un electricista cualificado)

Una vez corregido el problema, pulse el botón para volver a conectar el disyuntor. Si el botón no queda pulsado, espere 5 minutos e inténtelo de nuevo. Si el disyuntor se desconecta una y otra vez, póngase en contacto con su Centro de Servicio Advance.

LOCALIZACIÓN DE AVERÍAS

Si las posibles causas indicadas a continuación no son el origen del problema, éste es un síntoma de algo más grave. Póngase en contacto inmediatamente con su Centro de Servicio Advance.

LA MÁQUINA NO ARRANCA

Posibles causas:

- 1 El pedal de marcha hacia delante/hacia atrás no está en la posición neutra (asegúrese de que le pedal se encuentre en la posición neutra)
- 2 La posición neutra del pedal de marcha hacia delante/hacia atrás no está en posición correcta (contacte con el centro de Servicio Advance)
- 3 La batería no está conectada o está descargada (conecte o cargue la batería)
- 4 La máquina no tiene combustible, o la válvula del depósito de PL no está abierta (recargue combustible o abra la válvula del depósito de PL)
- 5 Disparo de algún disyuntor (restablezca los disyuntores disparados)

LA MÁQUINA NO SE MUEVE

Posibles causas:

- 1 Freno de estacionamiento (F) echado (suelte el freno de estacionamiento)
- 2 Válvula de remolque en posición incorrecta (colóquela en posición correcta)
- 3 Disparo de algún disyuntor (restablezca los disyuntores disparados)

EL CEPILLO PRINCIPAL NO FUNCIONA

Posibles causas:

- 1 El motor no está en RPM máximas (presione el interruptor de velocidad del motor (GG))
- 2 Residuos atascados en la transmisión del cepillo (retire los residuos)
- 3 La tolva no está bajada del todo (baje del todo la tolva)
- 4 Disparo de algún disyuntor (restablezca los disyuntores disparados)

EL CEPILLO LATERAL NO FUNCIONA

Posibles causas:

- 1 El motor no está en RPM máximas (presione el interruptor de velocidad del motor (GG))
- 2 Asegúrese de que el interruptor OFF del cepillo lateral no esté seleccionado (pulse el interruptor para encenderlo)
- 3 Residuos atascados en la transmisión del cepillo (retire los residuos)
- 4 La tolva no está bajada del todo (baje del todo la tolva)
- 5 Disparo de algún disyuntor (restablezca los disyuntores disparados)

LA TOLVA NO SE ELEVA

Posibles causas:

- 1 El motor no está en RPM máximas (presione el interruptor de velocidad del motor (GG))
- 2 Disparo de algún disyuntor (restablezca los disyuntores disparados)

LA PUERTA DE DESCARGA DE LA TOLVA NO SE ABRE

Posibles causas:

- 1 Atascamiento de la puerta de descarga por la presencia de residuos (retire los residuos y limpie los bordes de la cámara de polvo)
- 2 Disparo de algún disyuntor (restablezca los disyuntores disparados)

EL MOTOR DEL AGITADOR NO FUNCIONA

Posibles causas:

- 1 Disparo de algún disyuntor (restablezca los disyuntores disparados)
- 2 La conexión eléctrica del motor del agitador está desconectada (conecte el motor del agitador)

EL SISTEMA DE CONTROL DE POLVO (PROPULSOR) NO FUNCIONA

Posibles causas:

- 1 Disparo de algún disyuntor (restablezca los disyuntores disparados)
- 2 Asegúrese de que el interruptor OFF del control de polvo no esté seleccionado (pulse el interruptor para encenderlo)

EL SISTEMA DE VAPORIZACIÓN DEL CEPILLO LATERAL DUSTGUARD™ NO FUNCIONA

Posibles causas:

- 1 El interruptor DustGuard™ (VV) no está encendido (encienda el interruptor DustGuard)
- 2 La palanca del cepillo principal (B) no está accionada (baje el cepillo principal)
- 3 El tanque de agua está vacío (llene el tanque de agua (28))
- 4 Las boquillas de vaporización (15) están obstruidas (limpie las boquillas de vaporización (15))

ACCESORIOS / OPCIONES

Además de los componentes estándar, la máquina puede equiparse con los siguientes accesorios/opciones, según el uso específico que se dé a la máquina:

- Cepillos principales y laterales con cerdas más duras o más suaves
- Filtro de polvo de poliéster resistente al agua
- Sensor de filtro obstruido
- Sistema DustGuard™
- Extintor de incendios
- Luz de trabajo
- Luz estroboscópica ámbar
- Ruedas que no dejan marcas
- Volante inclinado
- Asiento del conductor con suspensiones
- Cinturones de seguridad
- Protector del cepillo lateral
- Escape con protector de chispas
- Placa inferior de la tolva de metal
- Entrada de aire del motor elevada con prefiltro
- Protector superior
- Toldo de protección superior
- Espejos retrovisores
- Parachoques trasero metálico
- Cepillo lateral izquierdo
- Cabina cerrada
- Alfombrilla
- Medidores de motor
- Sensor de incendio y sobrecalentamiento de tolva
- Alarma auditiva de respaldo
- Señales de retroceso, freno y giro
- Neumáticos rellenos de espuma
- Neumáticos sólidos

Para más información sobre los accesorios mencionados, póngase en contacto con un vendedor autorizado.

ESPECIFICACIONES TÉCNICAS (según la instalación y las pruebas de la unidad)

Modelo		SW8000 4 cil. PL	SW8000 4 cil. Gasolina	SW8000 4 cil. Diésel
Nro. de Modelo		56107503	56107501	56107505
Grado de protección		IPX3	IPX3	IPX3
Nivel de presión sonora (IEC 60335-2-72: Ed 3 2012, ISO 11201)	dB(A)	80,6dB LpA, 3dB KpA	80,6dB LpA, 3dB KpA	82,78dB LpA, 3dB KpA
Nivel de potencia acústica (IEC 60335-2-72: Ed 3 2012, ISO 3744)	dB(A)	102,3 dB LWA	102,3 dB LWA	106,3 dB LWA
Peso bruto	lbs/kg	4426 / 2007	4426 / 2007	4426 / 2007
Peso vacío	lbs/kg	3075 / 1395	3075 / 1395	3075 / 1395
Carga máxima en suelo de rueda (delantera derecha)	psi/ N/mm ²	72 / 0,496	72 / 0,496	65 / 0,448
Carga máxima en suelo de rueda (delantera izquierda)	psi/ N/mm ²	63 / 0,434	63 / 0,434	65 / 0,448
Carga máxima en suelo de rueda (trasera central)	psi/ N/mm ²	71 / 489	71 / 489	76 / 0,524
Vibraciones en los controles manuales (ISO 5349-1)	m/s ²	1,08 m/s ²	1,08 m/s ²	1,5 m/s ²
Vibraciones en el asiento (ISO 2631-1)	m/s ²	0,15 m/s ²	0,15 m/s ²	0,16 m/s ²
Capacidad de ascenso		20%(11,3°)	20%(11,3°)	20%(11,3°)
Modelo		SW8000 (cab) 4 cil. PL	SW8000 (cab) 4 cil. Gasolina	SW8000 (cab) 4 cil. Diésel
Nro. de modelo		56107509	56107507	56107511
Grado de protección		IPX3	IPX3	IPX3
Nivel de presión sonora (IEC 60335-2-72: Ed 3 2012, ISO 11201)	dB(A)	80,6dB LpA, 3dB KpA	80,6dB LpA, 3dB KpA	82,78dB LpA, 3dB KpA
Nivel de potencia acústica (IEC 60335-2-72: Ed 3 2012, ISO 3744)	dB(A)	102,3 dB LWA	102,3 dB LWA	106,3 dB LWA
Peso bruto	lbs/kg	4775 / 2165	4775 / 2165	4775 / 2165
Peso vacío	lbs/kg	3424 / 1553	3424 / 1553	3424 / 1553
Carga máxima en suelo de rueda (delantera derecha)	psi/ N/mm ²	72 / 0,496	72 / 0,496	65 / 0,448
Carga máxima en suelo de rueda (delantera izquierda)	psi/ N/mm ²	63 / 0,434	63 / 0,434	65 / 0,448
Carga máxima en suelo de rueda (trasera central)	psi/ N/mm ²	71 / 489	71 / 489	76 / 0,524
Vibraciones en los controles manuales (ISO 5349-1)	m/s ²	1,08 m/s ²	1,08 m/s ²	1,5 m/s ²
Vibraciones en el asiento (ISO 2631-1)	m/s ²	0,15 m/s ²	0,15 m/s ²	0,16 m/s ²
Capacidad de ascenso		20%(11,3°)	20%(11,3°)	20%(11,3°)

TABLE DES MATIÈRES

	Page
Introduction.....	C-2
Pièces et service après-vente	C-2
Plaque d'identification.....	C-3
Déballage de la machine	C-3
Avertissements	C-4
Informations générales	C-5
Apprenez à connaître votre machine	C-6 – C-9
Préparation de la machine	
Liste de contrôle avant l'utilisation.....	C-10
Brosse principale	C-10
Carburant.....	C-10
Fonctionnement de la machine	
Avant de démarrer la machine	C-11
Démarrage du moteur Diesel	C-11
Démarrage du moteur à essence	C-11
Démarrage du moteur GPL	C-11
Balayage.....	C-12
Vidange de la trémie.....	C-12
Après l'utilisation de la machine	
Après l'utilisation.....	C-13
Arrêt du moteur à essence / Diesel	C-13
Arrêt du moteur GPL	C-13
Entretien	
Programme d'entretien	C-13
Entretien de la brosse principale	C-14
Entretien des brosses latérales	C-16
Filtre de dépoussiérage de la trémie	C-18
Nettoyage du radiateur du moteur et du radiateur hydraulique	C-18
Huile hydraulique.....	C-19
Huile moteur	C-19
Liquide de refroidissement du moteur	C-19
Filtre à air du moteur	C-19
Emplacement des disjoncteurs.....	C-20
Dépannage.....	C-21
Accessoires / Options.....	C-23
Spécifications techniques	C-23

INTRODUCTION

Ce mode d'emploi vous permettra d'exploiter au maximum les fonctionnalités de votre **balayeuse Advance**. Lisez-le attentivement avant d'utiliser la machine.

Note : les chiffres en gras entre parenthèses indiquent que la pièce est illustrée aux pages 6 à 9.

PIÈCES ET SERVICE APRÈS-VENTE

En cas de nécessité, les réparations doivent être réalisées par un technicien d'Advance qui utilisera des pièces de rechange et des accessoires d'origine.

Pour tout entretien ou réparation, contactez Advance. Veuillez préciser les numéros de modèle et de série de votre machine dans toute communication.

MODIFICATIONS

Les modifications et ajouts d'éléments à la machine, qui affectent ses capacités et son fonctionnement sécurisé, ne doivent pas être réalisés sans le consentement préalable et écrit de Nilfisk-Advance Inc. Toute altération non approuvée annulera la garantie de la machine. En outre, le client sera entièrement responsable des accidents associés.

PLAQUE D'IDENTIFICATION

Le modèle et le numéro de série de votre machine figurent sur la plaque d'identification située sur le flanc droit de la machine. Ces informations sont nécessaires pour commander des pièces détachées. Utilisez l'espace disponible ci-dessous pour consigner ces renseignements en vue d'une utilisation ultérieure.

MODÈLE _____

NUMÉRO DE SÉRIE _____

DÉBALLAGE DE LA MACHINE – LE CAS ÉCHÉANT

Lors de la livraison, veuillez inspecter attentivement la caisse de conditionnement et la machine afin de détecter tout dommage éventuel. En cas de dommages manifestes, conservez l'ensemble de la caisse de conditionnement afin qu'elle puisse être inspectée par la société chargée de la livraison de la machine. Prenez immédiatement contact avec la société de transport pour rédiger une déclaration de dégât de fret.

- 1 Une fois l'emballage enlevé, retirez les cales en bois situées près des roues.
- 2 Vérifiez le niveau d'huile et de liquide de refroidissement du moteur.
- 3 Vérifiez le niveau d'huile hydraulique.
- 4 Lisez les instructions de la section « Préparation de la machine » de ce manuel, puis remplissez le réservoir de carburant.
- 5 Placez une rampe contre la partie avant de la palette.
- 6 Avant de mettre le moteur en marche, lisez les instructions figurant dans les sections « Commandes » et « Fonctionnement de la machine » du présent manuel. Descendez lentement la machine sur la rampe en marche avant. Avec le pied, exercez une légère pression sur la pédale de frein tant que la machine n'est pas complètement sur le sol.

ATTENTION !

Faites preuve d'une extrême PRUDENCE lorsque vous utilisez cette balayeuse. Avant d'utiliser cette machine, assurez-vous que vous connaissez parfaitement les instructions d'utilisation. Si vous avez des questions, contactez votre supérieur ou votre revendeur professionnel local Advance.

Si la balayeuse ne fonctionne pas correctement, n'essayez pas de la réparer vous-même, à moins d'y être invité par votre supérieur. Demandez à un technicien agréé Advance ou à un mécanicien qualifié de votre entreprise de procéder aux réglages nécessaires.

Soyez très prudent lorsque vous travaillez sur cette machine. Veuillez prendre toutes les mesures nécessaires pour éviter que les cheveux, bijoux ou vêtements amples ne soient entraînés dans les parties mobiles de la machine. Placez l'interrupteur d'allumage (TT) en position d'arrêt, enlevez la clé, serrez le frein à main (F) et débranchez la batterie avant de travailler sur la machine. Faites preuve de bons sens, appliquez toutes les précautions d'usage et prêtez une attention particulière aux autocollants jaunes apposés sur la machine.

Descendez lentement les plans inclinés. Utilisez la pédale de frein (F) pour contrôler la vitesse de la machine quand vous descendez des plans inclinés. NE faites PAS tourner la machine sur un plan incliné ; roulez en ligne droite vers le haut ou vers le bas.

 L'inclinaison maximale recommandée pour le transport est de 20 %.

* Note : pour de plus amples informations sur les spécifications et les données techniques du moteur, consultez les manuels d'utilisation et d'entretien du fabricant qui vous ont été livrés séparément.

AVERTISSEMENT !

Les Produits vendus avec le présent manuel contiennent ou peuvent contenir des produits chimiques reconnus par certains gouvernements (comme l'État de Californie, par le biais de la proposition de loi d'avertissement réglementaire 65) comme provoquant des cancers, des anomalies congénitales et autres dangers pour la reproduction. Dans certains endroits (comme l'État de Californie), les acheteurs de ces Produits, qui les utilisent sur un lieu de travail ou dans un espace public, ont l'obligation d'apposer certains avis, avertissements ou informations concernant les produits chimiques qui sont ou peuvent être contenus dans les Produits dans ces lieux ou aux alentours de ces lieux de travail. Il incombe à l'acheteur de connaître les dispositions de, et de respecter, toutes les lois et réglementations ayant trait à l'utilisation de ces Produits au sein de tels environnements. Le Fabricant rejette toute responsabilité d'informer les acheteurs concernant les exigences spécifiques qui peuvent s'appliquer à l'utilisation de ces Produits dans de tels environnements.

CONSIGNES DE PRUDENCE ET DE SÉCURITÉ

SYMBOLES

Les symboles reproduits ci-dessous sont utilisés par Advance pour attirer l'attention sur des situations potentiellement dangereuses. Il est donc conseillé de les lire attentivement et de prendre les mesures adéquates en vue de protéger le personnel et les biens.

DANGER !

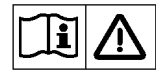
Utilisé pour mettre en garde contre des dangers immédiats pouvant entraîner des blessures graves, voire un décès.

AVERTISSEMENT !

Utilisé pour attirer l'attention sur une situation susceptible d'entraîner des blessures graves.

ATTENTION !

Utilisé pour attirer l'attention sur une situation qui pourrait entraîner des blessures minimales ou des dommages mineurs de la machine ou autres biens.



Veillez lire l'ensemble des instructions avant d'utiliser la machine.

CONSIGNES GÉNÉRALES DE SÉCURITÉ

Les consignes spécifiques de prudence et de sécurité mentionnées dans ce document ont pour but de vous informer sur les risques potentiels de dommages matériels ou de blessures.

Cette machine est destinée uniquement à un usage commercial, par exemple dans les usines de fabrication, les entrepôts, les installations associées aux blocs de ciment et aux briques, les lieux de stationnement, les parcs municipaux, les zones de loisirs et de transport.

DANGER !

* Les gaz d'échappement (monoxyde de carbone) de cette machine peuvent entraîner des blessures graves, voire un décès. Prévoyez toujours une ventilation suffisante lorsque vous utilisez la machine.

AVERTISSEMENT !

- * Cette machine doit être utilisée uniquement par un personnel parfaitement qualifié et autorisé.
- * L'utilisation de cette machine n'est pas destinée aux personnes (notamment les enfants) qui souffrent de capacités physiques, sensorielles ou mentales diminuées, ou d'un manque d'expérience et de connaissances.
- * Évitez les arrêts soudains lorsque la machine se trouve sur des rampes ou des pentes. Évitez les virages serrés. Adoptez une vitesse réduite lorsque la machine est en descente.
- * Lorsque vous travaillez sur ou à proximité du système hydraulique, portez toujours une tenue appropriée et des lunettes de protection afin d'éviter tout risque de blessure ou de projection d'huile.
- * Placez l'interrupteur à clé en position d'arrêt (O) et débranchez les batteries avant de procéder à l'entretien des composants électriques.
- * Ne travaillez jamais sous une machine sans avoir placé au préalable des blocs de sécurité ou des étais pour soutenir la machine.
- * Ne déversez pas des produits nettoyants inflammables, ne faites pas fonctionner la machine sur ou à proximité de tels produits ou dans des zones contenant des liquides inflammables.
- * Utilisez uniquement les brosses fournies avec l'appareil ou celles spécifiées dans le manuel d'utilisation. L'utilisation d'autres brosses peut mettre la sécurité en péril.
- * N'utilisez pas la machine sans une structure de protection contre les chutes d'objets (SPCO) dans les zones où des objets risquent de tomber et de blesser l'opérateur.
- * La machine doit être laissée en stationnement en toute sécurité.
- * La machine doit être inspectée régulièrement par un technicien qualifié, en particulier le réservoir GPL et ses branchements, pour assurer un fonctionnement sécurisé en accord avec la réglementation régionale ou nationale.
- * Respectez le poids brut du véhicule (PBV) de la machine quand vous chargez, conduisez, levez ou supportez la machine.

ATTENTION !

- * Cette machine n'est pas conçue pour une utilisation sur les voies publiques.
- * Cette machine est approuvée uniquement pour un usage sur des surfaces dures.
- * Cette machine n'est pas conçue pour le ramassage des poussières dangereuses.
- * Pendant l'utilisation de cette machine, assurez-vous que les autres personnes, notamment les enfants, ne courent aucun risque.
- * Avant de procéder à toute opération d'entretien, veuillez lire attentivement toutes les instructions qui s'y rapportent.
- * Ne laissez pas la machine sans surveillance sans avoir, au préalable, placé l'interrupteur principal en position d'arrêt (O), enlevé la clé de contact et actionné le frein à main.
- * Tournez l'interrupteur principal en position d'arrêt (O) et enlevez la clé avant de remplacer les brosses et d'ouvrir un panneau d'accès.
- * Prenez toutes les mesures nécessaires pour éviter que des cheveux, bijoux ou vêtements amples ne soient entraînés dans les parties mobiles de la machine.
- * Avant l'utilisation, tous les capots et panneaux doivent être correctement fermés.
- * Prenez soin d'enlever la batterie de la machine avant de mettre cette dernière au rebut. Concernant l'élimination de la batterie, respectez les réglementations locales en matière d'environnement.
- * N'utilisez pas cette machine sur des pentes dont l'inclinaison est supérieure à celle indiquée sur la machine.
- * Tous les couvercles et panneaux doivent être dans la position indiquée dans le manuel d'utilisation avant de mettre la machine en service.

CONSERVEZ CES CONSIGNES

SUPPORT DE SÉCURITÉ DE LA TRÉMIE

⚠ AVERTISSEMENT !

Avant de procéder à toute opération de maintenance sous ou à proximité de la trémie relevée, assurez-vous que son support de sécurité (5) est bien en place. Le support de sécurité de la trémie (5) maintient cette dernière en position relevée afin de permettre la réalisation de travaux sous la trémie. Ne comptez JAMAIS sur les composants hydrauliques pour soutenir correctement la trémie en position relevée.

MISE SUR VÉRINS DE LA MACHINE

⚠ ATTENTION !

Ne travaillez jamais sous une machine sans avoir placé au préalable des blocs de sécurité ou des étais pour soutenir la machine.

- Lors du levage de la machine, veillez à placer les vérins aux emplacements prévus à cet effet (ne placez pas de vérin au niveau de la trémie). Voir emplacements de mises sur vérins (8).

TRANSPORT DE LA MACHINE

⚠ ATTENTION !

Avant de transporter la machine dans un camion ouvert ou une remorque, assurez-vous que...

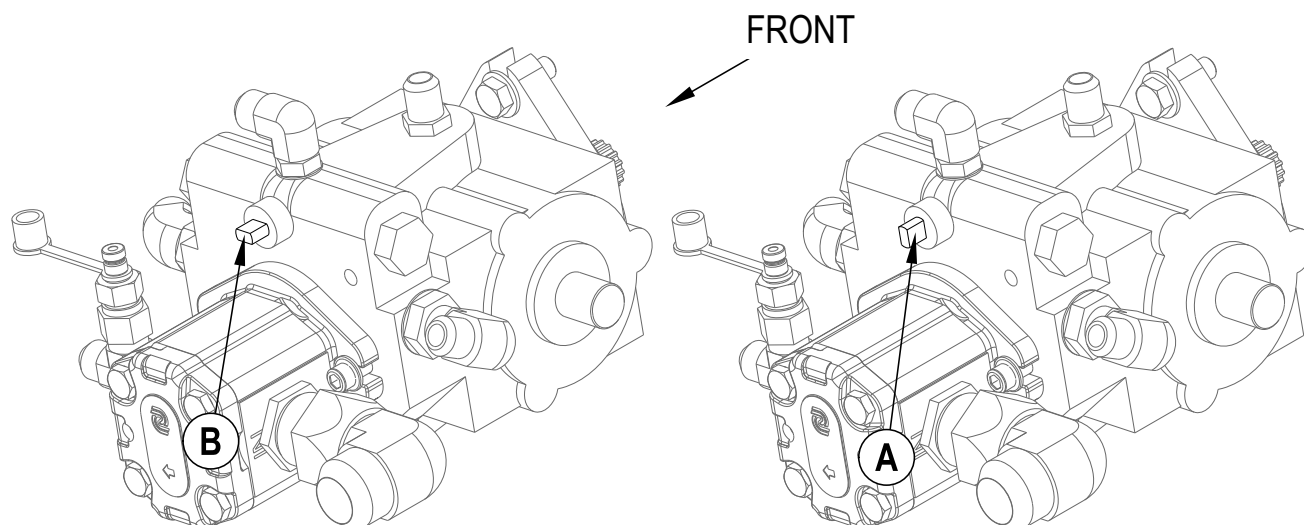
- Tous les panneaux d'accès sont correctement verrouillés.
- La machine est correctement attachée.
- Le frein à main de la machine est actionné.

REMORQUER OU POUSSER UNE MACHINE DÉFECTUEUSE

La pompe de propulsion de démarrage de la machine est équipée d'une soupape de remorquage réglable. Cette soupape permet de ne pas endommager le système hydraulique quand la machine est tractée / poussée sur de courtes distances sans que le moteur soit utilisé.

Pour accéder à cette soupape, ouvrez le couvercle du compartiment du moteur (1) et localisez la pompe hydrostatique à l'arrière du moteur. Tournez la soupape à 90 degrés. Ceci a pour effet de dégager le verrou hydrostatique situé entre le moteur et la pompe.

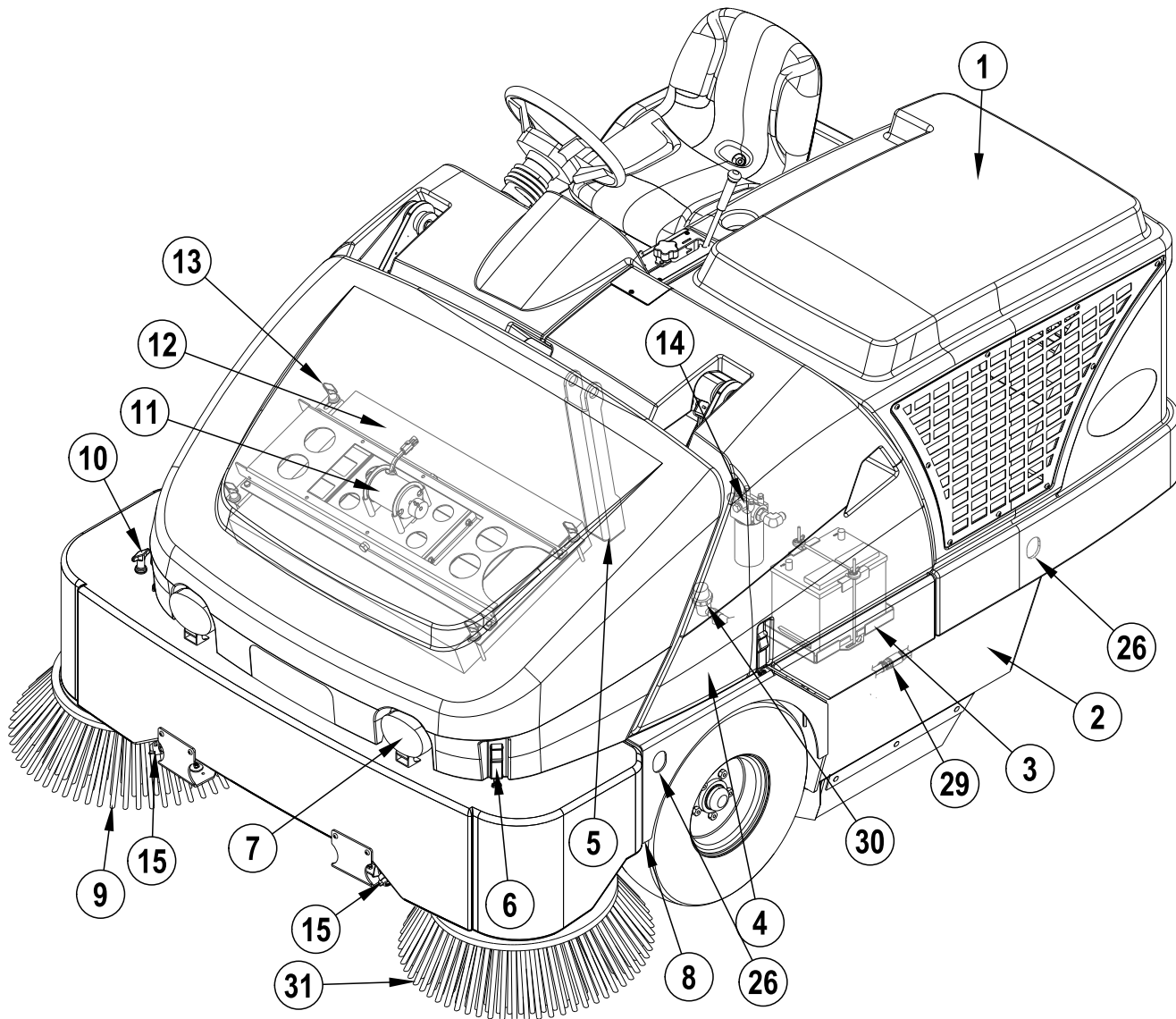
ATTENTION : si vous remorquez la machine alors que la soupape est en position normale (A), vous risquez d'endommager la pompe de propulsion hydraulique. Consultez l'illustration ci-dessous afin de connaître la position de fonctionnement normale (A) (verticale) et la position de remorquage en roue libre (B) (horizontale). Note : si la soupape de remorquage est laissée en position roue libre (B) (horizontale), la pompe de propulsion ne sera pas à même de faire avancer ou reculer la machine. La machine ne sera pas endommagée. Il vous suffira alors de remettre la soupape en position de fonctionnement normal (A) (verticale). NOTE : ne remorquez ou ne tractez la machine qu'à une vitesse inférieure à la vitesse de marche normale d'un homme (3-5 km par heure) et uniquement sur de courtes distances. Si la machine doit être déplacée sur une plus longue distance, il vous sera nécessaire de soulever la roue motrice et de placer la machine sur un chariot adapté.



APPRENEZ À CONNAÎTRE VOTRE MACHINE

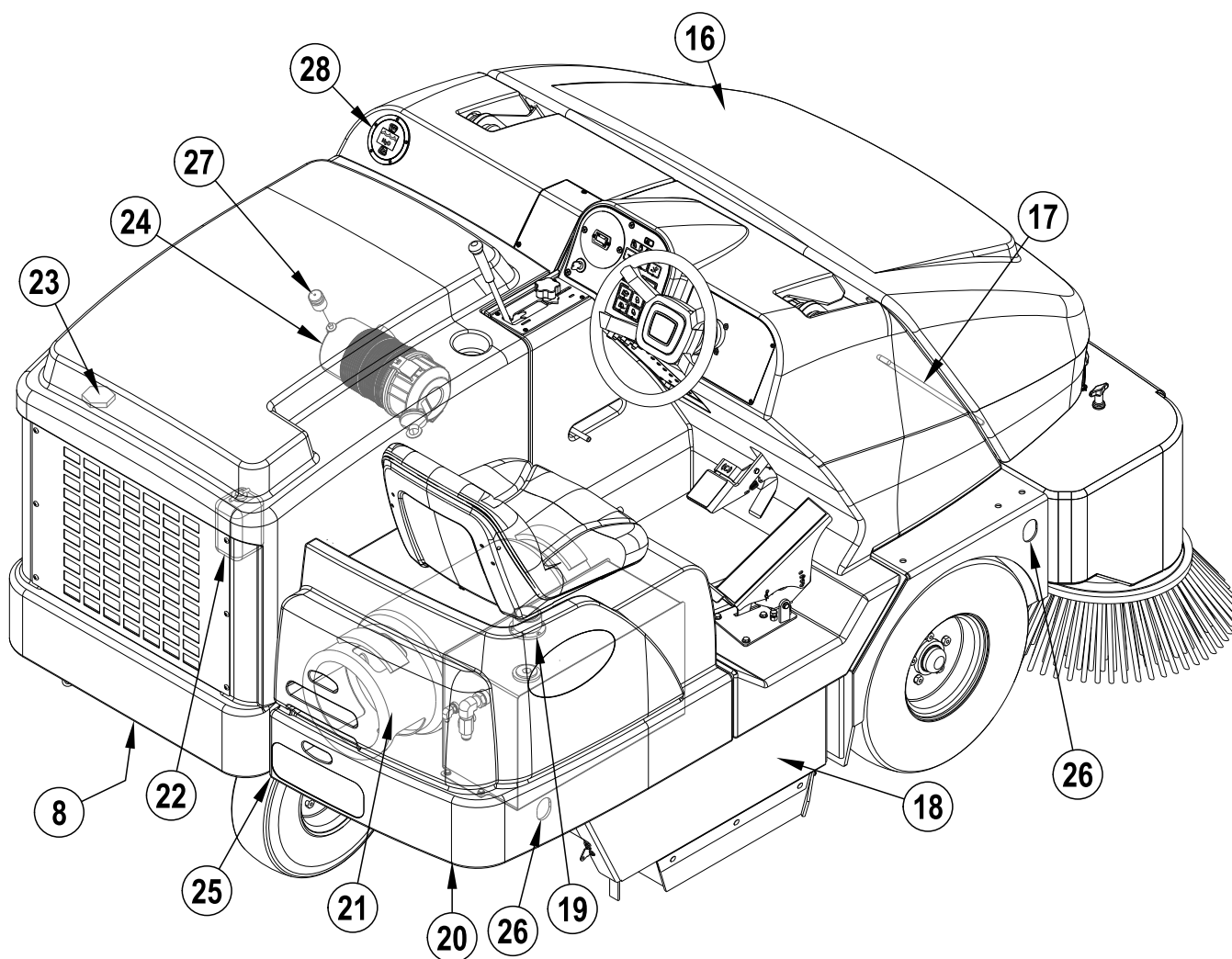
En lisant ce manuel, vous rencontrerez probablement des chiffres en gras entre parenthèses, tel que celui-ci : **(2)**. Ces chiffres font référence à un élément énuméré dans les quatre pages suivantes. Reportez-vous à ces pages dès que nécessaire afin de repérer avec précision un élément mentionné dans le texte.

- 1 Couvercle du compartiment du moteur
- 2 Panneau d'accès à la brosse latérale gauche principale
- 3 Batterie
- 4 Couvercle central
- 5 Support de sécurité de la trémie
- 6 Loquet du couvercle de la trémie
- 7 Phare avant
- 8 Emplacements de mise sur vérins (l'emplacement arrière se trouve sous le radiateur)
- 9 Brosse latérale droite
- 10 Bouton de réglage de la hauteur de brosse latérale
- 11 Secoueur du filtre à poussière
- 12 Filtre de dépolluage de la trémie
- 13 Boutons de retenue du secoueur
- 14 Filtre à huile hydraulique
- 15 Buses de pulvérisation DustGuard™ optionnelles



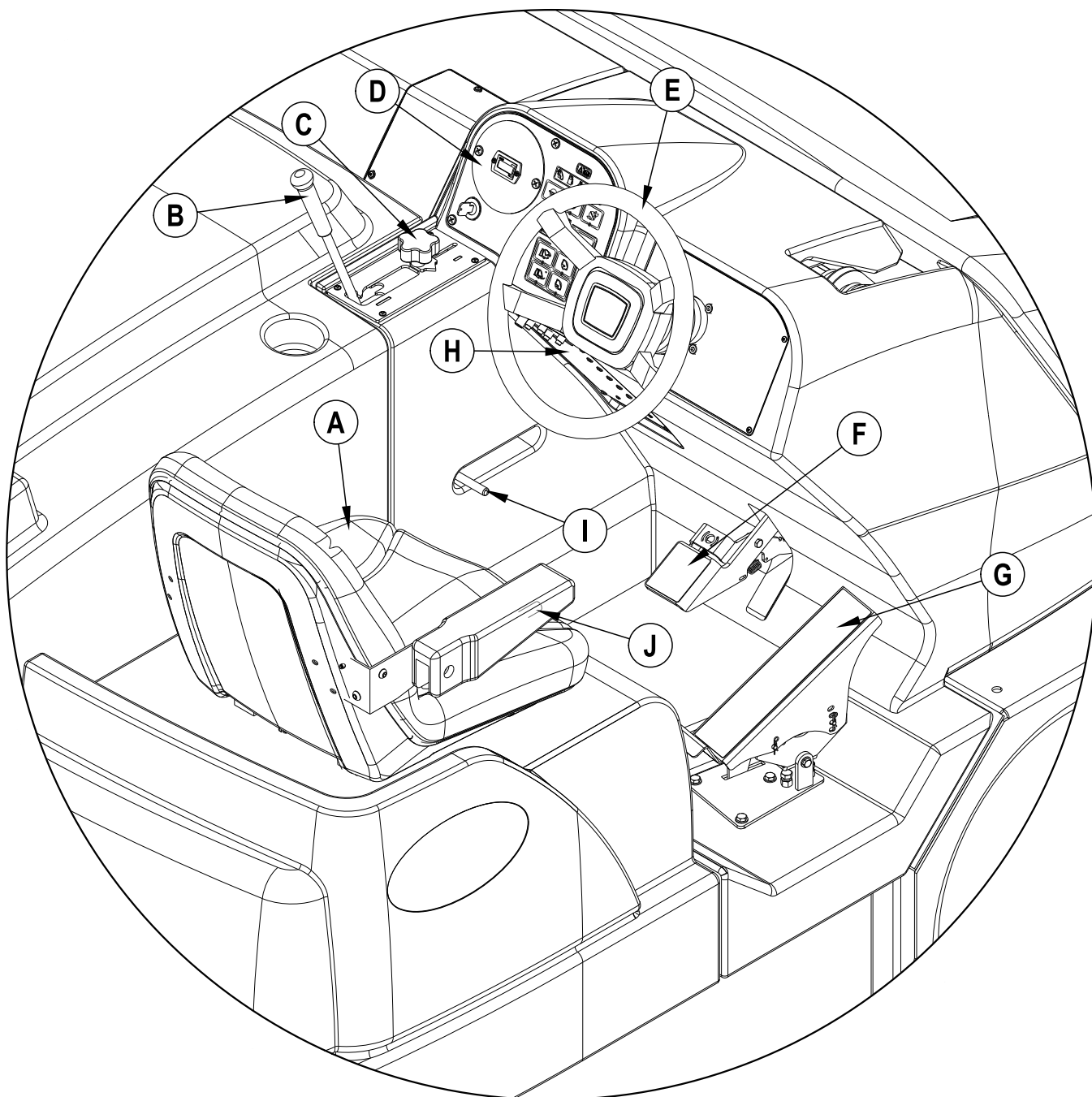
APPRENEZ À CONNAÎTRE VOTRE MACHINE (SUITE)

- 16 Couvercle de la trémie
- 17 Tige de support du couvercle de la trémie
- 18 Panneau d'accès à la brosse latérale droite principale
- 19 Réservoir d'huile
- 20 Couvercle du réservoir d'huile / carburant
- 21 Réservoir de carburant (réservoir GPL illustré / Le réservoir d'essence se trouve au même endroit)
- 22 Réservoir de récupération du liquide de refroidissement
- 23 Bouchon du radiateur
- 24 Filtre à air du moteur
- 25 Loquet de dégagement du couvercle du réservoir de carburant
- 26 Points d'amarrage (5)
- 27 Voyant d'entretien du filtre à air
- 28 Orifice de remplissage du réservoir DustGuard™ optionnel
- 29 Raccord rapide DustGuard™ optionnel
- 30 Crépine de solution DustGuard™ optionnelle
- 31 Brosse latérale gauche optionnelle



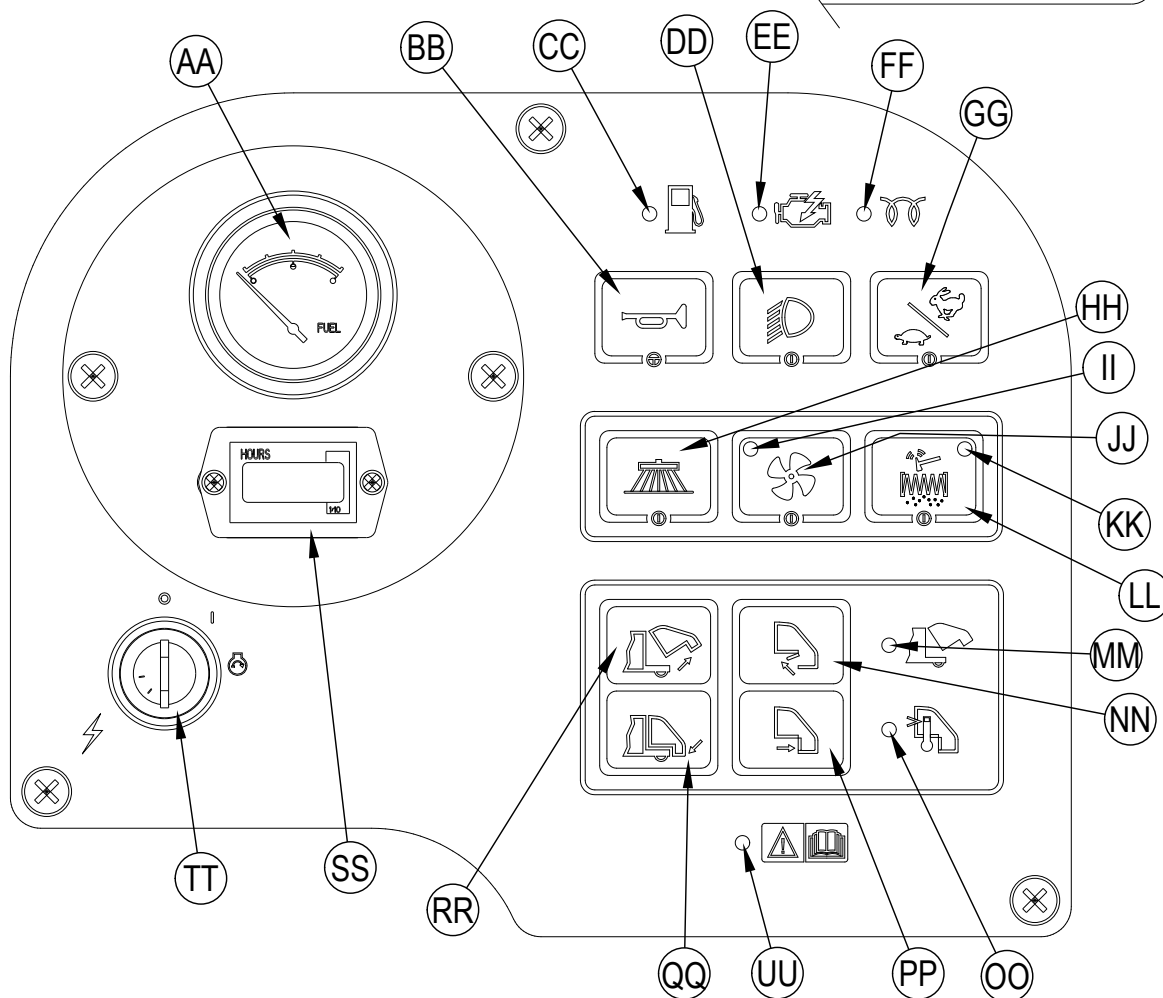
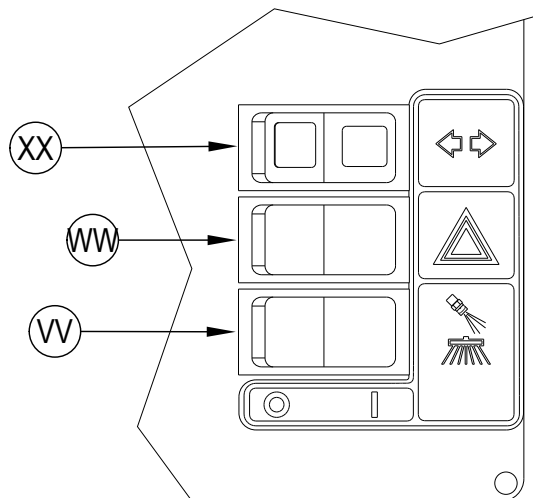
COMPARTIMENT DE L'OPÉRATEUR

- A Siège de l'opérateur
- B Levier de la brosse principale
- C Bouton de réglage de la brosse principale
- D Panneau de commande (voir les pages correspondantes)
- E Volant
- F Pédale de frein / Frein à main
- G Pédale d'entraînement avance / recul
- H Panneau à disjoncteurs
- I Poignée de sécurité de la trémie
- J Levier de réglage du siège de l'opérateur



PANNEAU DE COMMANDE

- AA Jauge de carburant optionnelle (essence et Diesel uniquement)
- BB Interrupteur de l'avertisseur sonore
- CC Voyant de niveau de GPL faible
- DD Interrupteur des phares avant
- EE Voyant d'entretien du moteur
- FF Voyant de la bougie de préchauffage (Diesel uniquement)
- GG Interrupteur du régime moteur
- HH Interrupteur de Marche-Baisser / Arrêt-Lever de la brosse latérale
- II Voyant de dépoussiérage
- JJ Interrupteur du dépoussiérage
- KK Voyant de filtre bouché
- LL Interrupteur du secoueur
- MM Voyant de trémie LEVÉE
- NN Interrupteur d'ouverture du panneau de décharge
- OO Voyant de surchauffe de la trémie
- PP Interrupteur de fermeture du panneau de décharge
- QQ Interrupteur de descente de la trémie
- RR Interrupteur d'élévation de la trémie
- SS Compteur horaire
- TT Interrupteur d'allumage
- UU Voyant d'entretien
- VV Interrupteur DustGuard™ optionnel
- WW Clignotant d'urgence optionnel
- XX Interrupteur des clignotants optionnels



LISTE DE CONTRÔLE AVANT L'UTILISATION

Avant chaque utilisation :

- * Assurez-vous que la machine ne présente aucun dommage ou une fuite d'huile ou de liquide de refroidissement.
- * Pressez la coupelle à poussière en caoutchouc sur le filtre à air du moteur **(24)** pour évacuer la poussière accumulée.
- * Vérifiez le niveau de liquide de refroidissement du moteur **(23)**.
- * Vérifiez le niveau d'huile du moteur.
- * Vérifiez le niveau d'huile hydraulique **(19)**.
- * Vérifiez la jauge de carburant **(AA)** pour les modèles à essence et Diesel.
- * Vérifiez la jauge de carburant **située** sur le réservoir GPL **(21)** pour les modèles GPL.
- * Vérifiez la pression des trois pneus ; elle doit être de 6 à 6,5 bars (90-95 psi).
- * Vérifiez le voyant d'entretien du filtre à air **(27)**.

Dans le siège de l'opérateur :

- * Assurez-vous de bien maîtriser les commandes et leurs fonctions.
- * Réglez le siège de manière à accéder facilement à toutes les commandes.
- * Insérez la clé de contact et placez l'interrupteur d'allumage **(TT)** en position de marche. Vérifiez le bon fonctionnement de l'avertisseur sonore **(BB)**, du compteur horaire **(SS)** et des phares avant **(DD)**. Placez l'interrupteur d'allumage **(TT)** en position d'arrêt.
- * Vérifiez le levier du frein à main **(F)**. Le levier doit être bien ferme (position verrouillée) et ne pas pouvoir être desserré facilement. (En cas de problème, contactez immédiatement le personnel de maintenance).

Planifiez votre travail :

- * Essayez d'effectuer de longues passes en limitant le nombre d'arrêts et de redémarrages.
- * Les passes de 15 cm (6 pouces) de large doivent se chevaucher afin d'assurer une couverture complète de la surface.
- * Évitez de tourner trop brusquement, de donner des coups dans des poteaux ou d'érafler les flancs de la machine.

BROSSE PRINCIPALE

Différentes brosses principales sont disponibles pour cette machine. Contactez votre revendeur Advance si vous désirez obtenir de l'aide pour choisir la brosse la mieux adaptée à la surface et aux débris que vous devez balayer. Note : consultez l'entretien de la brosse pour connaître les étapes d'installation.

CARBURANT

AVERTISSEMENT !

- **ARRÊTEZ TOUJOURS LE MOTEUR AVANT DE PROCÉDER AU REMPLISSAGE DU RÉSERVOIR.**
- **NE FUMEZ JAMAIS LORSQUE VOUS REMPLISSEZ LE RÉSERVOIR.**
- **REMP LISSEZ TOUJOURS LE RÉSERVOIR DANS UNE ZONE BIEN VENTILÉE.**
- **NE REMPLISSEZ JAMAIS LE RÉSERVOIR À PROXIMITÉ D'ÉTINCELLES OU DE FLAMMES NUES.**
- **UTILISEZ UNIQUEMENT LE CARBURANT INDIQUÉ SUR L'AUTOCOLLANT APOSÉ SUR LE RÉSERVOIR.**

MOTEUR DIESEL

Remplissez le réservoir avec du carburant diesel n°2 si la machine est utilisée dans une zone où la température est de 0°C (32°F) ou plus. Utilisez du carburant Diesel n°1 si la machine est utilisée dans une zone où la température est inférieure à 0°C (32°F).

NOTE : si la machine Diesel est totalement à sec, le système de carburant doit être purgé avant que le moteur ne puisse redémarrer. Pour éviter une telle situation, remplissez le réservoir de carburant quand la jauge indique qu'il reste ¼ de carburant. La capacité du réservoir est de 48,26 litres (12,75 gallons).

MOTEUR À ESSENCE

REMP LISSEZ LE RÉSERVOIR AVEC DE L'ESSENCE SANS PLOMB 87 OCTANE. LA CAPACITÉ DU RÉSERVOIR EST DE 48,26 LITRES (12,75 GALLONS).

Note : pour de plus amples informations sur les spécifications et les données techniques du moteur, consultez les manuels d'utilisation et d'entretien du fabricant qui vous ont été remis séparément.

MOTEUR GPL

Montez un réservoir GPL standard de 15 kg (33 livres) sur cette machine. Branchez le tuyau de carburant et ouvrez la soupape d'arrêt sur le réservoir. Pour brancher ou débrancher le tuyau de carburant, il est conseillé de porter des gants. Lorsque la machine n'est pas utilisée, fermez la soupape de service du réservoir GPL.

NOTE : veillez à bien orienter le réservoir GPL horizontal pour le retrait de liquide. Après avoir branché le tuyau de carburant au réservoir, écoutez et sentez pour vous assurer qu'il n'y a pas de fuite de gaz.

AVERTISSEMENT !

N'utilisez pas la machine en cas de fuite de gaz. Débranchez le tuyau de carburant et remplacez le réservoir GPL. Si une fuite de gaz persiste, débranchez le tuyau de carburant et contactez votre centre d'assistance Advance.

FONCTIONNEMENT DE LA MACHINE

La SW8000 est une machine de balayage automatique des sols à conducteur porté. Les commandes de cette machine ont été conçues de manière à simplifier au maximum son utilisation. Pour balayer en un seul passage, il suffit d'abaisser la brosse principale afin que toutes les fonctions de balayage soient opérationnelles.

Note : les chiffres en gras entre parenthèses indiquent que la pièce est illustrée aux pages 6 à 9.

AVANT DE DÉMARRER LA MACHINE

- 1 Assurez-vous de bien comprendre toutes les commandes de la machine et leurs fonctions.
- 2 Planifiez votre itinéraire de nettoyage. Faites de longues passes en ligne droite en tournant le moins possible.
- 3 Vérifiez la pédale de frein (**FF**). La pédale doit être ferme.
Si la pédale est « molle » ou se laisse aller sous la pression, NE CONDUISEZ PAS LA MACHINE. Signalez immédiatement toutes les défaillances au personnel de maintenance.

DÉMARRAGE DU MOTEUR DIESEL

- 1 Tournez l'interrupteur d'allumage (**TT**) dans le sens horaire inverse sur la position « Préchauffage », et maintenez-le enfoncé jusqu'à ce que le voyant de la bougie de préchauffage (**FF**) s'éteigne. Une fois que le voyant est éteint, vous pouvez faire démarrer le moteur. Sautez cette étape si le moteur a déjà fonctionné et qu'il est chaud.
- 2 Tournez l'interrupteur d'allumage (**TT**) en sens horaire sur la position DÉMARRAGE et relâchez-le dès que le moteur démarre. Si le moteur ne démarre pas dans les 15 secondes qui suivent, relâchez la clé, attendez 1 minute puis répétez la procédure.
NOTE : le démarreur du moteur ne fonctionne pas si la pédale d'entraînement avance / recul (**G**) n'est pas en position neutre.
- 3 Laissez le moteur tourner au « RALENTI » pendant 5 minutes avant d'utiliser la machine.
- 4 Placez ensuite l'interrupteur du régime moteur (**GG**) sur « PLEIN RÉGIME » et faites circuler la machine à vitesse réduite pendant 2 ou 3 minutes afin de faire chauffer le système hydraulique.

DÉMARRAGE DU MOTEUR À ESSENCE / GPL

- 1 **NOTE : modèles GPL uniquement :** ouvrez la soupape de service du réservoir GPL (**21**).
- 2 Tournez l'interrupteur d'allumage (**TT**) en sens horaire sur la position DÉMARRAGE et relâchez-le dès que le moteur démarre. Si le moteur ne démarre pas dans les 15 secondes qui suivent, relâchez la clé, attendez 1 minute puis répétez la procédure.
NOTE : le démarreur du moteur ne fonctionne pas si la pédale d'entraînement avance / recul (**G**) n'est pas en position neutre.
- 3 Laissez le moteur tourner au « RALENTI » pendant 5 minutes avant d'utiliser la machine.
- 4 Placez ensuite l'interrupteur du régime moteur (**GG**) sur « PLEIN RÉGIME » et faites circuler la machine à vitesse réduite pendant 2 ou 3 minutes afin de faire chauffer le système hydraulique.

NOTE : vous devez TOUJOURS mettre l'interrupteur du régime moteur (**GG**) en position Plein régime pour faire fonctionner la machine. Utilisez la pédale d'entraînement avance / recul (**G**) (et non l'interrupteur du régime moteur (**GG**)) pour contrôler la vitesse de la machine. La vitesse de la machine augmente au fur et à mesure que vous enfoncez la pédale.

BALAYAGE

Lisez les instructions de la section « Préparation de la machine » du présent manuel.

- 1 Lorsque vous êtes assis sur la machine, utilisez les commandes de réglage (**J**) pour positionner le siège afin de travailler dans une position confortable.
- 2 Desserrez le frein à main (**F**). Pour conduire la machine vers la zone de travail, appliquez une pression uniforme avec votre pied sur l'avant de la pédale d'entraînement (**G**) pour avancer et sur l'arrière de la pédale pour reculer. Appuyez plus ou moins fort sur la pédale afin d'obtenir la vitesse souhaitée.
- 3 Appuyez sur l'interrupteur de descente de la trémie (**QQ**) pour vous assurer que la trémie est correctement calée. **NOTE** : le voyant de la trémie LEVÉE (**MM**) s'allume si la trémie n'est pas en position basse.
- 4 Mettez le levier de la brosse principale (**B**) en position BALAYAGE (encoche du milieu) pour abaisser et activer la brosse principale et le dépoussiérage. **NOTE** : le panneau de décharge s'ouvre automatiquement dès que la brosse principale (**B**) est abaissée et se ferme quand la brosse principale est relevée. Utilisez la POSITION FLOTTANTE (dernière encoche vers l'avant) uniquement quand vous balayez des sols extrêmement rugueux ou irréguliers. L'utilisation de cette fonction dans d'autres circonstances augmentera l'usure de la brosse.
- 5 Lorsque vous balayez des sols parsemés de flaques d'eau, placez l'interrupteur de dépoussiérage (**JJ**) en position d'arrêt avant que la machine ne passe sur une flaque d'eau. Remplacez l'interrupteur de dépoussiérage en position de marche dès que la machine revient sur un sol sec. **NOTE** : ainsi, le filtre du dépoussiérage de la trémie (**12**) ne sera pas mouillé. Lorsque vous balayez des sols humides, maintenez en permanence l'interrupteur de dépoussiérage (**JJ**) en position d'arrêt.
- 6 La brosse latérale (**9**) est automatiquement activée lorsque la brosse principale est abaissée, et commence à tourner lorsque la pédale d'entraînement (**G**) est enfoncée. Vous pouvez éteindre et rallumer la brosse latérale (**9**) à tout moment en appuyant sur l'interrupteur de la brosse latérale (**HH**). Vous pouvez régler le mode de balayage de la brosse latérale en tournant le bouton de réglage de la hauteur de brosse latérale (**10**).
- 7 Faites avancer la machine en ligne droite à la vitesse de marche rapide d'un homme. Ralentissez lorsque vous balayez de plus grandes quantités de poussières ou de débris, ou lorsque la sécurité l'exige. La largeur des passes de la machine est de 15 cm (6 pouces).
- 8 Si de la poussière sort par le compartiment de la brosse pendant le balayage, le filtre du dépoussiérage (**12**) est peut-être colmaté. Appuyez sur l'interrupteur du secoueur (**LL**) pour nettoyer le filtre. Le système de dépoussiérage (**JJ**) s'arrête automatiquement quand le secoueur fonctionne et se rallume quand le secoueur s'arrête (le secoueur fonctionne pendant 15 secondes).
- 9 Assurez-vous qu'après votre passage, il ne reste plus de débris sur le sol. Si vous remarquez qu'après le passage de la machine le sol n'est pas propre, cela signifie que la machine avance trop rapidement ou que la brosse doit être réglée ou encore que la trémie est pleine.

NOTE : si la machine ne se déplace pas pendant 40 secondes, le moteur revient automatiquement sur le ralenti. Le système de balayage est activé uniquement quand le régime du moteur est élevé. Pour recommencer à balayer, appuyez sur l'interrupteur du régime moteur (**GG**) pour atteindre un régime élevé.

VIDANGE DE LA TRÉMIE

AVERTISSEMENT !

Avant de procéder à toute opération de maintenance sous ou à proximité de la trémie levée, assurez-vous que son support de sécurité (**5**) est bien en place. Le support de sécurité de la trémie (**5**) maintient cette dernière en position relevée afin de permettre la réalisation de travaux sous la trémie.

Ne comptez JAMAIS sur les composants hydrauliques pour soutenir correctement la trémie.

NOTE : lors du levage de la trémie, la hauteur de plafond MINIMALE requise pour la vidange est de 259,08 cm (102 pouces).

- 1 Placez le levier de la brosse principale (**B**) en position LEVER / ARRÊT. **NOTE** : le secoueur fonctionnera automatiquement pendant 15 secondes une fois la brosse relevée. Si vous ne soulevez pas la brosse principale, appuyez sur l'interrupteur du secoueur (**LL**) afin de retirer l'excédent de saleté du filtre de dépoussiérage.
- 2 Conduisez la machine à proximité d'une grande benne à ordures et maintenez enfoncé l'interrupteur d'élévation de la trémie (**RR**) jusqu'à ce que la trémie ait atteint sa hauteur maximale. **NOTE** : le panneau de décharge se ferme automatiquement quand vous appuyez sur l'interrupteur (**RR**). Vous récupérez le contrôle du panneau de décharge dès que la trémie commence à monter ; vous pouvez donc vidanger à n'importe quelle hauteur si nécessaire.
- 3 Faites avancer la machine lentement jusqu'à ce que la trémie soit au-dessus de la benne et enclenchez le frein à main (**F**). Appuyez sur l'interrupteur d'ouverture du panneau de décharge (**NN**) pour l'ouvrir et vider la trémie. **NOTE** : si vous ne procédez pas à une vidange dans une benne à ordures, une décharge basse est recommandée afin de ne pas évacuer de poussière dans l'air.
- 4 Mettez le support de sécurité de la trémie (**5**) en place en tirant sur la poignée de sécurité de la trémie (**I**), puis abaissez lentement la trémie pour stabiliser l'ensemble.
- 5 Vérifiez le panneau de la trémie et le joint de bordure avant. Si nécessaire, utilisez une brosse pour nettoyer les débris à ces endroits. Le panneau de la trémie doit être parfaitement étanche et s'appuyer contre le joint d'étanchéité du compartiment de la brosse pour un fonctionnement correct.
- 6 Retournez dans le compartiment de l'opérateur. Relâchez le frein à main. Faites reculer la machine jusqu'à ce que la trémie soit dégagée de la benne. Soulevez légèrement la trémie et poussez la poignée de sécurité de la trémie (**I**) vers l'avant jusqu'à ce que le support de sécurité de la trémie (**5**) se désenclenche, puis abaissez la trémie. **NOTE** : les brosses ne fonctionnent pas si la trémie n'est pas complètement abaissée. Le voyant de la trémie (**MM**) situé sur le panneau de commande doit normalement s'éteindre pour indiquer que la machine est prête à être utilisée.

APRÈS L'UTILISATION

- 1 Secouez le filtre de dépolluissage (LL) et videz la trémie.
- 2 Consultez le programme d'entretien et, si nécessaire, effectuez toutes les tâches de maintenance requises avant de ranger la machine.
- 3 Rangez la machine dans une zone de stockage à l'intérieur.
- 4 Arrêtez le moteur en respectant la procédure décrite dans le présent manuel.
- 5 Assurez-vous que l'interrupteur d'allumage (TT) est bien en position d'arrêt et que le frein à main (F) est enclenché. **NOTE** : appuyez sur la pédale de frein (F) et inclinez le pied vers l'avant.

NOTE : si vous balayez des résidus organiques, videz et nettoyez toujours la trémie avant de ranger la machine pour éviter les mauvaises odeurs.

NOTE : vous pouvez nettoyer cette machine avec un nettoyeur à haute pression tant que vous ne visez pas directement des composants électriques. Laissez toujours la machine sécher complètement avant chaque utilisation.

POUR ARRÊTER LE MOTEUR À ESSENCE / DIESEL...

- 1 Levez les brosses.
- 2 Placez l'interrupteur du régime moteur (GG) sur RALENTI et laissez le moteur tourner ainsi pendant 25 à 30 secondes.
- 3 Placez l'interrupteur d'allumage (TT) en position d'arrêt et enlevez la clé. **NOTE** : le moteur continue à tourner pendant quelques secondes après avoir placé la clé sur la position d'arrêt. Cela fait partie du fonctionnement correct du système de contrôle électronique en circuit fermé.
- 4 Appliquez le frein à main (F). **NOTE** : appuyez sur la pédale de frein (F) et inclinez le pied vers l'avant.

POUR ARRÊTER LE MOTEUR GPL...

- 1 Levez les brosses.
- 2 Fermez la soupape de service du réservoir GPL (21).
- 3 Laissez tourner le moteur jusqu'à ce que la totalité du GPL soit évacué de la conduite (le moteur va caler).
- 4 Placez l'interrupteur d'allumage (TT) en position d'arrêt et enlevez la clé.
- 5 Appliquez le frein à main (F). **NOTE** : appuyez sur la pédale de frein (F) et inclinez le pied vers l'avant.

SIGNEZ TOUT DÉFAUT OU DYSFONCTIONNEMENT REMARQUÉ PENDANT L'UTILISATION À UN RESPONSABLE DE L'ENTRETIEN OU À UN TECHNICIEN QUALIFIÉ.

MAINTENANCE

Maintenez un niveau optimal d'efficacité en respectant scrupuleusement le programme d'entretien. Si nécessaire, les réparations doivent être effectuées par votre centre d'assistance agréé Advance. Ce centre emploie du personnel formé en usine et conserve un inventaire de pièces de rechange et d'accessoires d'origine Advance.

NOTE : pour de plus amples informations sur l'entretien et les pièces de rechange, reportez-vous au Manuel d'entretien.

PROGRAMME DE MAINTENANCE

Les intervalles d'entretien recommandés ont été définis sur la base d'une utilisation dans des conditions normales. Les machines utilisées dans des environnements de travail plus exigeants devront peut-être faire l'objet d'un entretien plus fréquent.

ÉLÉMENT	TOUS LES JOURS
Effectuer les étapes d'entretien « Après l'utilisation »	X
Vérifier le frein à main	X
Vérifier l'huile du moteur	X
*Nettoyer la ou les brosses principales et latérales	X
Vérifier les témoins et les voyants des filtres (hyd et air)	X
Vérifier le niveau de liquide de refroidissement du moteur	X
Vérifier le niveau d'huile hydraulique	X

ÉLÉMENT	15 h	30 h	150 h	300 h	1000 h
*Pivoter la brosse principale	X				
Nettoyer les buses (15) et la crépine (30) DustGuard™	X				
*Inspecter / ajuster les brosses		X			
*Vérifier / nettoyer le filtre de dépolluissage à l'aide de la méthode « A »		X			
*Inspecter les bavettes du compartiment de la brosse		X			
*Inspecter les joints de la trémie		X			
Nettoyer le radiateur et le refroidisseur d'huile		X			
Effectuer la maintenance du moteur			X		
*Inspecter et graisser la tige du volant			X		
*Vérifier / nettoyer le filtre de dépolluissage à l'aide de la méthode « B »			X		
*Vérifier / nettoyer le filtre de dépolluissage à l'aide de la méthode « C »				X	
Remplacer le filtre à huile hydraulique					X
Changer l'huile hydraulique du réservoir					X
Rincer le radiateur					X
Filtre(s) à carburant du moteur					X

*Veuillez consulter le manuel d'entretien et de réparation mécanique pour obtenir des instructions de maintenance détaillées sur les systèmes mentionnés. (Balayage, trémie, volant, dépolluissage). **NOTE** : le nettoyage du filtre de dépolluissage de la trémie n'est pas nécessaire sur les modèles dotés du filtre à sac sans maintenance.

ENTRETIEN DE LA BROSSSE PRINCIPALE

Étant donné que le moteur de la brosse principale tourne toujours dans le même sens, les poils de la brosse finissent par se courber, réduisant ainsi l'efficacité du balayage. Pour améliorer l'efficacité de la brosse, retournez-la en inversant ses deux extrémités. Cette procédure, mieux connue sous le nom de « rotation » de la brosse principale, doit être effectuée toutes les 15 heures de fonctionnement. **NOTE** : cette procédure ne s'applique pas au balai à chevron en option.

Lorsque les poils de la brosse principale sont usés et ne mesurent plus que 5,08 cm (2 pouces), il est préférable de remplacer la brosse principale pour obtenir une efficacité optimale. Le bouton de réglage de la brosse principale (**C**) doit être à nouveau ajusté quand la brosse est remplacée.

NOTE : lorsque vous rangez la machine, vous devez mettre la brosse principale en position levée.

AVERTISSEMENT !

Lorsque vous effectuez cette procédure, le moteur doit toujours être éteint.

ATTENTION !

Les brosses peuvent être tranchantes. Portez des gants pour protéger vos mains.

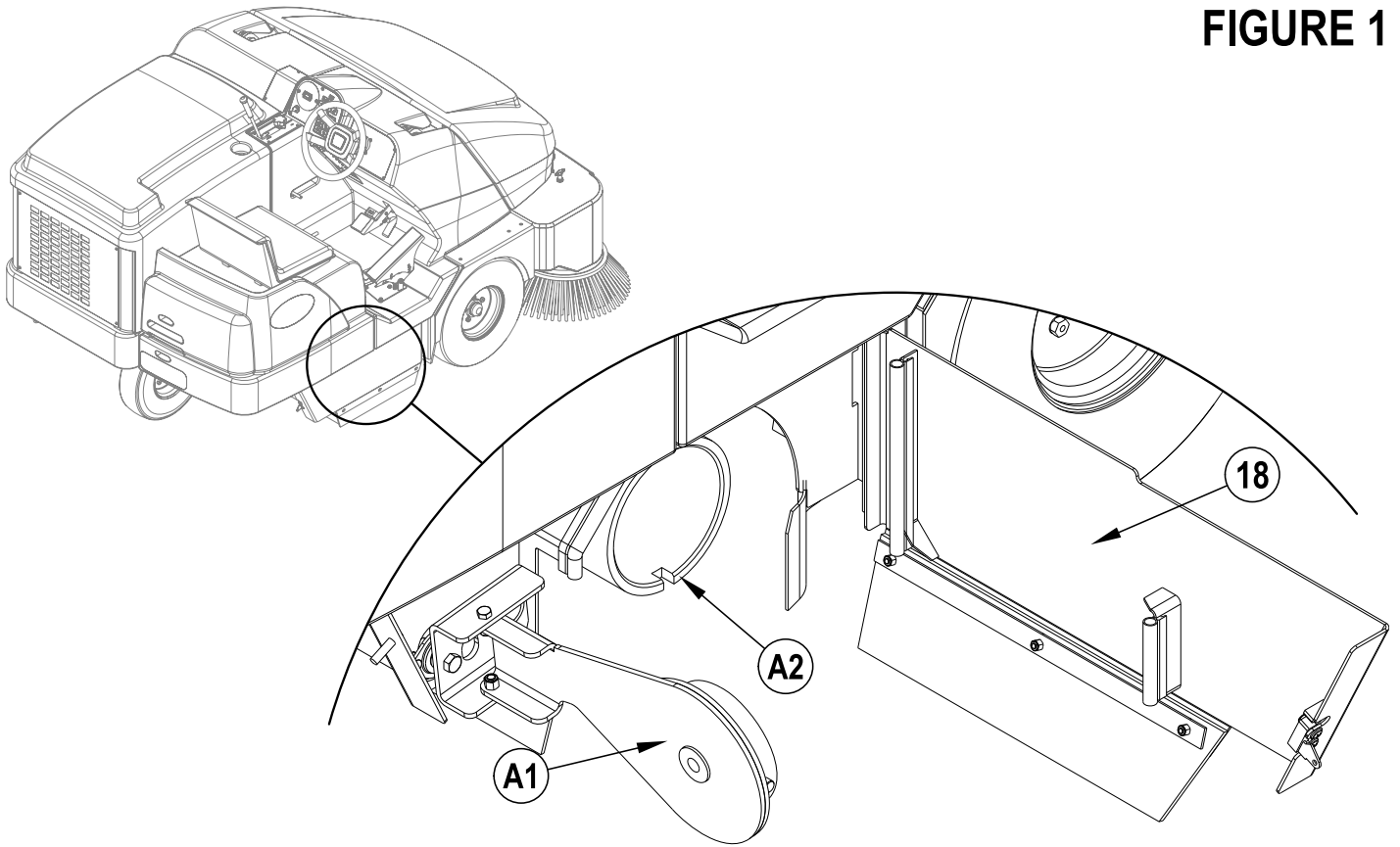
Pour retourner ou remplacer la brosse principale...

- 1 Placez l'interrupteur d'allumage (**TT**) en position d'arrêt.
- 2 Placez le levier de la brosse principale (**B**) en position HAUTE.
- 3 Ouvrez le panneau d'accès à la brosse latérale droite (**18**).
- 4 **Voir Figure 1.** Pivotez le bras de renvoi (**A1**) hors du centre de la brosse principale. **NOTE** : le bras de renvoi est maintenu en place par le panneau d'accès à la brosse latérale droite (**18**).
- 5 Retirez la brosse principale (**A2**) de son compartiment, ainsi que tout fil ou câble enroulé autour de cette dernière. Examinez également les bavettes situées sur les 4 faces du compartiment de la brosse. Si les bavettes sont pliées ou tellement usées qu'elles se trouvent à plus de 6,35 mm (1/4 pouce) du sol, remplacez-les ou réglez-les.
- 6 Retournez la brosse (en inversant ses extrémités) et replacez-la dans son compartiment. Assurez-vous que les pattes situées sur le centre de la brosse (du côté gauche) s'emboîtent dans les encoches du moyeu d'entraînement de la brosse et que la brosse est bien positionnée.
- 7 Remettez le bras de renvoi dans le centre de la brosse. **NOTE** : assurez-vous que les pattes du bras de renvoi s'emboîtent dans les encoches du centre de la brosse.
- 8 Fermez et verrouillez le panneau d'accès de la brosse latérale droite (**18**).

Pour régler la hauteur de la brosse principale...

- 1 Conduisez la machine sur une surface plane, puis serrez le frein à main.
- 2 Mettez le levier de la brosse principale (**B**) en position BALAYAGE (encoche du milieu) pour abaisser la brosse principale. NE déplacez PAS la machine.
- 3 Exercez une légère pression sur la pédale d'entraînement avance / recul (**G**) pour démarrer la brosse principale. Répétez cette opération trois fois. De cette manière, la brosse polit une « bande » sur le sol. Levez la brosse, désengagez le frein à main et déplacez la machine de façon à pouvoir observer la portion polie du sol.
- 4 Examinez-la attentivement. Si la largeur de la bande est inférieure à 5,08 cm (2 pouces) ou supérieure à 7,62 cm (3 pouces), la brosse doit être ajustée.
- 5 Pour l'ajuster, desserrez le bouton (**C**) et glissez vers l'avant ou l'arrière pour abaisser ou lever la brosse principale. Plus le levier (**B**) sera avancé dans l'encoche, plus la brosse principale sera basse. Resserrez le bouton (**C**) après avoir réglé l'élément de blocage.
- 6 Répétez les étapes 1 à 5 jusqu'à ce que la largeur de la bande polie atteigne 5,08 cm à 7,62 cm (2 à 3 pouces). La largeur de la bande polie doit être identique aux deux extrémités de la brosse. Si la bande laissée par la machine est effilée, déplacez la machine vers un autre endroit et répétez les étapes 1 à 5. Si le résultat est toujours identique, contactez votre revendeur Advance.

FIGURE 1



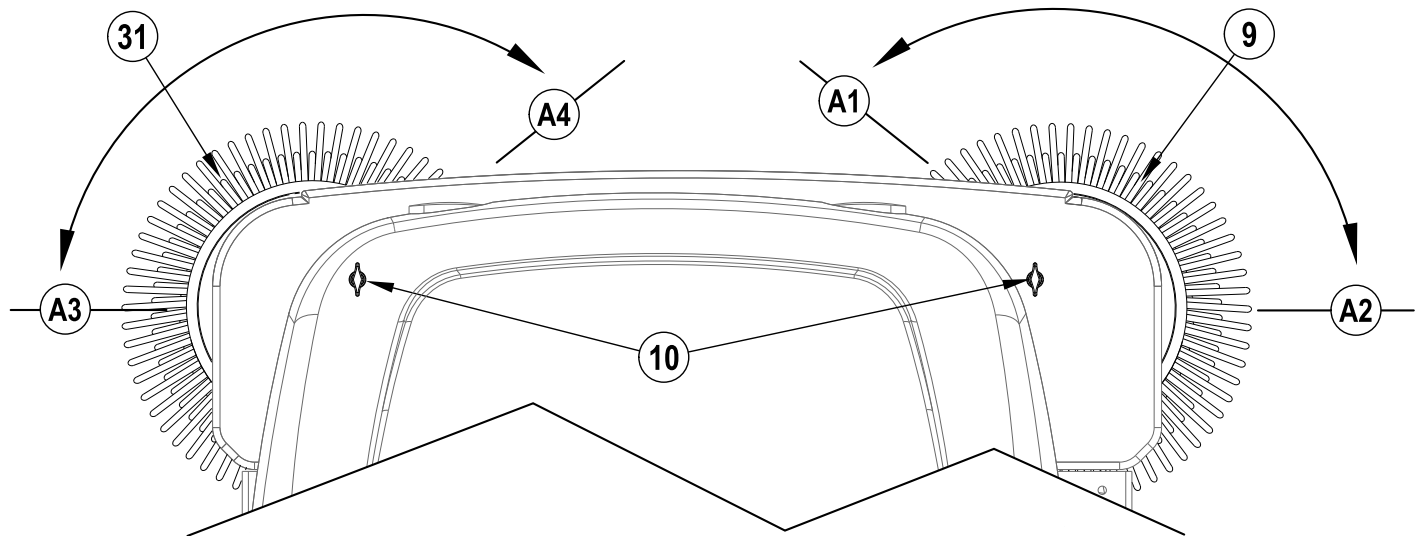
ENTRETIEN DE LA BROSSE LATÉRALE

Pour régler la brosse latérale...

- 1 Conduisez la machine sur une surface plane, puis serrez le frein à main.
- 2 Tirez le levier de la brosse principale (B) vers l'arrière et glissez-le vers la droite et vers le haut pour abaisser les brosses principale et latérale.
- 3 Voir Figure 2. Lorsqu'elle est en position basse, la brosse latérale droite (9) doit être en contact avec le sol sur toute la surface allant des lettres (A1) à (A2) illustrées. NOTE : la brosse latérale gauche (31) optionnelle doit être en contact avec le sol sur toute la surface allant des lettres (A3) à (A4).
- 4 Si une des brosses doit être réglée, tournez le bouton de réglage de la hauteur de brosse latérale (10) dans le sens horaire pour lever ou dans le sens inverse pour abaisser la brosse latérale.

NOTE : lorsque vous rangez la machine, vous devez placer les brosses latérales (9 et 31) en position levée. Lorsque les poils des brosses latérales (9 et 31) sont usés et ne mesurent plus que 7,62 cm (3 pouces) ou lorsque la brosse n'est plus efficace, il est préférable de la remplacer. La hauteur de la brosse latérale doit être réglée à chaque remplacement de la brosse.

FIGURE 2



ENTRETIEN DE LA BROSSÉ LATÉRALE

Pour remplacer la brosse latérale...

- 1 **Voir Figure 3.** Levez la trémie jusqu'à ce que la brosse latérale soit approximativement à hauteur de poitrine.
- 2 Saisissez la brosse latérale des deux mains et faites la pivoter jusqu'à ce que l'extrémité de l'anneau de la goupille de blocage (A1) soit dirigée vers l'arrière de la trémie. **NOTE :** la ou les brosses latérales pivotent uniquement dans un sens.
- 3 Retirer la goupille de blocage (A1) et enlevez la brosse latérale (A2) de l'arbre du moteur.
- 4 Glissez la brosse neuve sur l'arbre du moteur, alignez le trou de la goupille et remettez en place la goupille de blocage (A1).

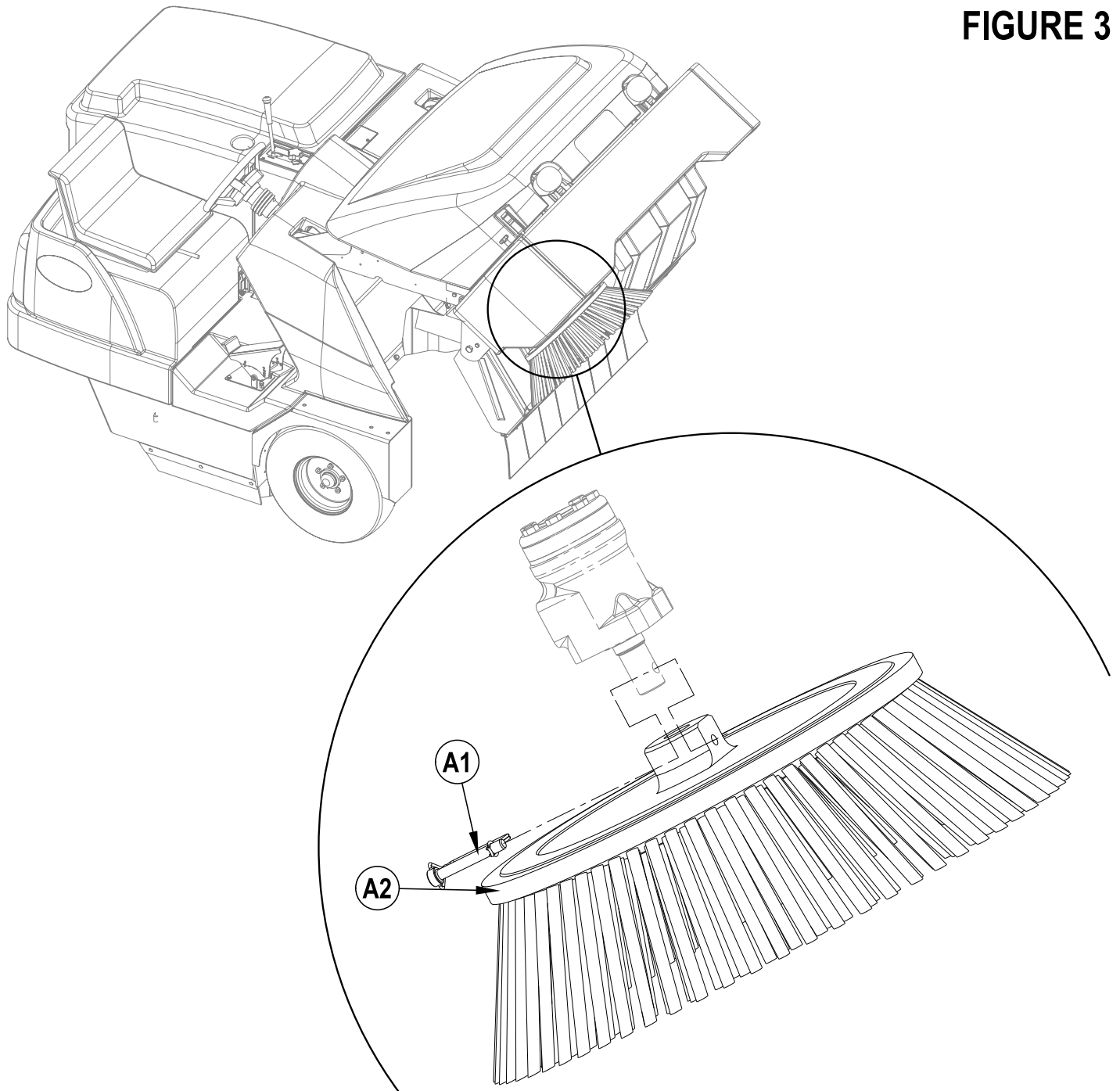


FIGURE 3

FILTRE DE DÉPOUSSIÉRAGE DE LA TRÉMIE (PANNEAU FILTRANT)

Nettoyez régulièrement le filtre de dépolluissage de la trémie afin de maintenir l'efficacité du système d'aspiration. Pour prolonger la durée de vie de votre filtre, respectez les intervalles d'entretien recommandés.

ATTENTION !

Pour nettoyer le filtre, portez des lunettes de protection.

Veillez à ne pas perforer le filtre en papier.

Effectuez toujours le nettoyage du filtre dans une zone bien ventilée.

Portez un masque antipoussières adapté pour éviter d'inhaler de la poussière.

Pour enlever le filtre de dépolluissage de la trémie...

- 1 Déverrouillez et ouvrez le couvercle de la trémie (16). Assurez-vous que la tige de support du couvercle de la trémie (17) est bien en place.
- 2 Examinez le sommet du filtre de dépolluissage de la trémie (12) pour vérifier les dommages. Si une épaisse couche de poussière est présente au sommet du filtre, cela signifie en général que le filtre est troué ou qu'un joint d'étanchéité du filtre est endommagé. Examinez la base du filtre de dépolluissage de la trémie (12). Si le filtre est recouvert d'une boue sèche ou humide, le système de dépolluissage ne fonctionnera pas correctement à moins de remplacer ou de nettoyer soigneusement le filtre en utilisant la méthode « C ».
- 3 Enlevez les quatre boutons de retenue du secoueur (13). Soulevez le secoueur du filtre (11) pour le retirer et atteindre le panneau filtrant.
- 4 Soulevez le filtre de dépolluissage de la trémie (12) et sortez-le de la machine.
- 5 **Nettoyez le filtre en utilisant une des méthodes ci-dessous :**
Méthode « A »
Aspirez la poussière éparpillée sur le filtre. Ensuite, tapez **doucement** le filtre contre une surface plate (la face sale étant tournée vers le bas) afin d'éliminer la poussière et les saletés. **NOTE** : faites attention à ne pas endommager la patte en métal qui dépasse le joint d'étanchéité.
Méthode « B »
Aspirez la poussière éparpillée sur le filtre. Ensuite, nettoyez le filtre à l'air comprimé (pression maximale de 6,90 bars) sur la face propre du filtre (dans le sens opposé au flux d'air).
Méthode « C »
Aspirez la poussière éparpillée sur le filtre. Ensuite, laissez tremper le filtre dans une eau chaude pendant 15 minutes et rincez-le sous un filet d'eau (pression maximale de 2,75 bars). Laissez le filtre sécher complètement avant de le remettre dans la machine.
- 6 Pour repositionner le filtre, répétez la procédure en sens inverse. Si le joint d'étanchéité du filtre est déchiré ou manquant, vous devez le remplacer. **NOTE** : avant de remettre le filtre en place, nettoyez les débris sur la plaque située sous le filtre. Vérifiez que le clapet situé à l'arrière de la plaque s'ouvre correctement.

NETTOYAGE DU RADIATEUR DU MOTEUR ET DU RADIATEUR HYDRAULIQUE

Le radiateur du moteur et le radiateur hydraulique doivent être nettoyés régulièrement pour éviter une surchauffe et une panne prématurée du moteur et des composants hydrauliques. Respectez les intervalles d'entretien recommandés.

ATTENTION !

Portez des lunettes de protection pour nettoyer le radiateur du moteur et l'échangeur de chaleur hydraulique.

- 1 Inclinez le couvercle du compartiment du moteur (1) vers l'arrière. Débranchez le verrou du câble situé sur la gauche du couvercle du compartiment moteur afin de pouvoir incliner complètement le couvercle vers l'arrière et éviter qu'il ne gêne.
- 2 Tournez le mécanisme de verrouillage situé au sommet du radiateur hydraulique afin que l'échangeur de chaleur hydraulique bascule complètement vers l'arrière et dégage l'accès au radiateur pour faciliter le nettoyage.
- 3 Soufflez de l'air sur le radiateur du moteur et le radiateur hydraulique et/ou utilisez de l'eau à basse pression pour éliminer les débris au niveau des ailettes.

NOTE : n'utilisez pas un nettoyeur à haute pression ou une brosse mécanique pour nettoyer les ailettes car elles risqueraient d'être endommagées. Si les ailettes sont courbées, redressez-les avec précaution pour améliorer le refroidissement.

- 4 Remplacez le radiateur hydraulique en position relevée et bloquez en position.
- 5 Branchez le câble du couvercle du compartiment moteur (1) et remplacez le couvercle en position de fonctionnement normale.

HUILE HYDRAULIQUE

Déverrouillez et ouvrez le couvercle du réservoir d'huile / carburant (20). Retirez le capuchon du réservoir pour contrôler le niveau d'huile. Le niveau d'huile hydraulique doit atteindre la moitié du filtre à tamis situé à l'intérieur du goulot de remplissage du réservoir. Ajoutez de l'huile pour moteur SAE 10W30 si le niveau est inférieur. Si l'huile est polluée suite à un dysfonctionnement mécanique, vous devez la vidanger.

HUILE MOTEUR – ESSENCE & GPL

Vérifiez le niveau d'huile du moteur quand la machine est garée sur une surface plane et que le moteur est froid. Effectuez la vidange de l'huile moteur après les 35 premières heures de fonctionnement, puis toutes les 150 heures. Utilisez une huile SF ou SG conforme aux spécifications API et adaptée aux températures saisonnières. Consultez la section sur le moteur pour connaître les capacités du réservoir d'huile et obtenir des spécifications supplémentaires sur le moteur. Remplacez le filtre à huile à chaque fois que vous vidangez l'huile.

PLAGE DE TEMPÉRATURE

Supérieure à 15°C (60°F)
Inférieure à 15°C (60°F)

QUALITÉ DE L'HUILE

SAE 10W-30
SAE 5W-30

HUILE MOTEUR – DIESEL

Vérifiez le niveau d'huile du moteur quand la machine est garée sur une surface plane et que le moteur est froid. Effectuez la vidange de l'huile moteur après les 35 premières heures de fonctionnement, puis toutes les 150 heures. Utilisez une huile CF, CF-4 ou CG-4 conforme aux spécifications API et adaptées aux températures locales (*consultez la note importante ci-dessous sur le type d'huile / carburant pour obtenir des recommandations supplémentaires sur l'huile Diesel). Consultez la section sur le moteur pour connaître les capacités du réservoir d'huile et obtenir des spécifications supplémentaires sur le moteur. Remplacez le filtre à huile à chaque fois que vous vidangez l'huile.

PLAGE DE TEMPÉRATURE

Supérieure à 25°C (77°F)
0°C à 25°C (32°F à 77°F)
Inférieure à 0°C (32°F)

QUALITÉ DE L'HUILE

SAE 30 ou 10W-30
SAE 20 ou 10W-30
SAE 10W ou 10W-30

* Note sur l'huile de graissage pour les moteurs Diesel :

Les mesures de lutte contre les émissions étant entrées en vigueur, les huiles de graissage CF-4 et CG-4 ont été développées pour les moteurs des véhicules routiers utilisant un carburant à basse teneur en soufre. Quand le moteur d'un véhicule tout terrain utilise un carburant à haute teneur en soufre, l'emploi de l'huile de graissage CF, CD ou CE ayant un indice de basicité élevé est recommandé. Si l'huile de graissage CF-4 ou CG-4 est employée avec un carburant à haute teneur en soufre, remplacez l'huile de graissage plus fréquemment.

• Huile de graissage recommandée pour un carburant à basse ou à haute teneur en soufre.

Carburant	Faible teneur en soufre (0,5 % ≥)	Haute teneur en soufre	Remarques
CF	O	O	Indice de basicité ≥ 10
CF-4	O	X	
CG-4	O	X	

O : recommandé

X : déconseillé

LIQUIDE DE REFROIDISSEMENT DU MOTEUR

Ouvrez le couvercle du compartiment du moteur (1) et examinez le niveau de liquide de refroidissement dans le réservoir de récupération du liquide de refroidissement (22). Si le niveau est bas, ajoutez un mélange composé à 50 % d'eau et 50 % d'antigel pour voiture.

⚠ ATTENTION !

Ne retirez pas le bouchon du radiateur (23) tant que le moteur est chaud.

FILTRE À AIR DU MOTEUR

Vérifiez le voyant d'entretien du filtre à air du moteur (24) avant chaque utilisation de la machine. Ne procédez pas à l'entretien du filtre à air tant que le drapeau rouge n'apparaît pas sur le témoin d'entretien. **NOTE** : après avoir nettoyé ou remplacé le filtre à air du moteur, vous pouvez réinitialiser le voyant d'entretien en appuyant sur l'extrémité du voyant.

⚠ ATTENTION !

Lors de l'entretien des éléments du filtre à air du moteur, prenez toutes les précautions nécessaires afin que la poussière et les saletés ne pénètrent pas dans le moteur. La poussière peut fortement endommager le moteur.

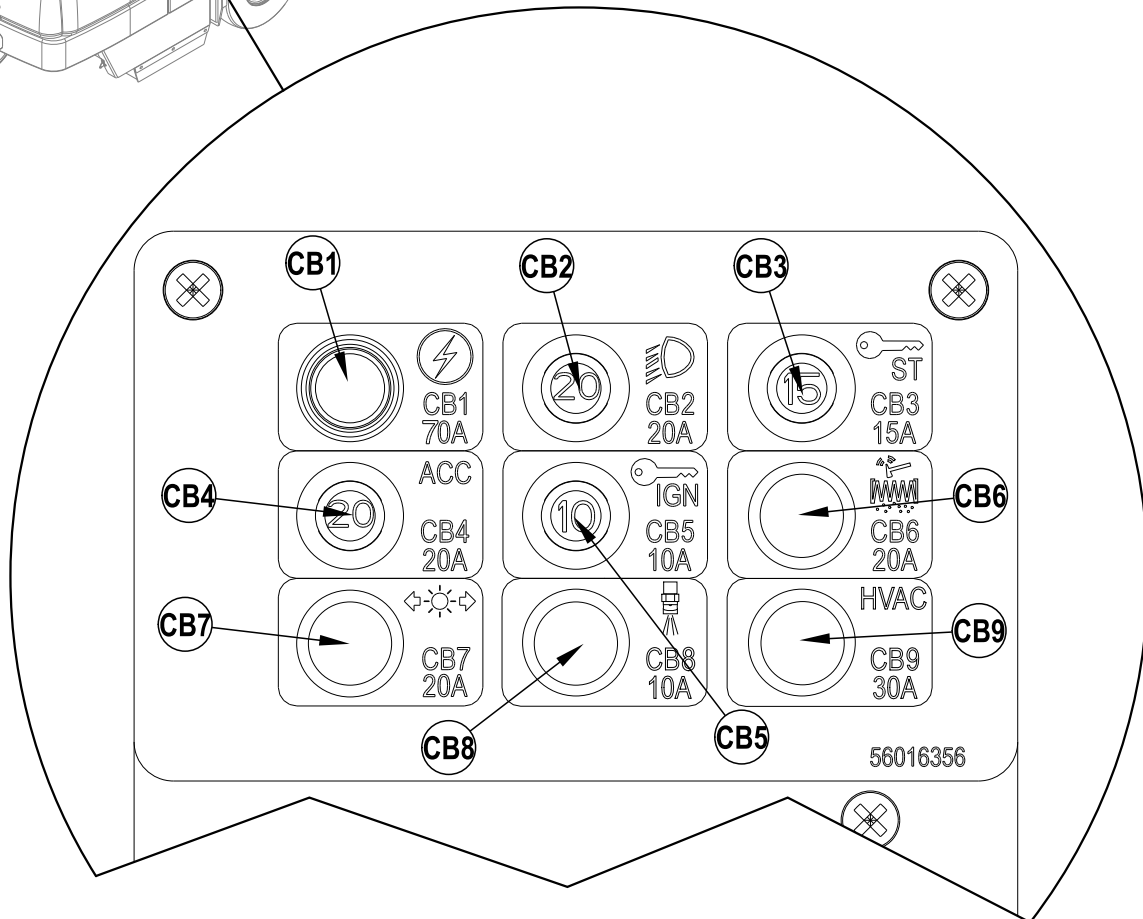
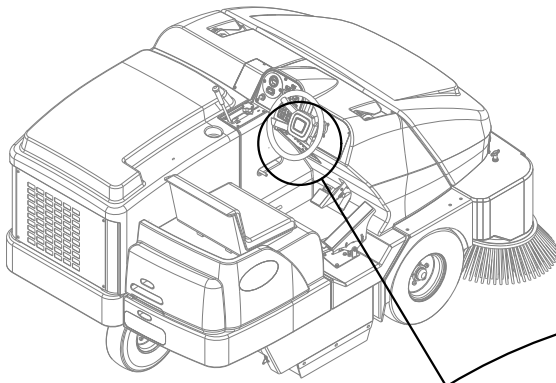
Le filtre à air du moteur se compose de deux éléments filtrants : un filtre primaire (externe) et un filtre de sécurité (interne). Le filtre primaire peut être nettoyé deux fois avant d'être remplacé. Le filtre de sécurité doit être remplacé après 3 remplacements du filtre primaire. N'essayez jamais de nettoyer le filtre de sécurité interne.

Pour nettoyer le filtre primaire, détachez les 2 clips situés à l'extrémité du filtre à air et enlevez le compartiment. Retirez ensuite le filtre primaire. Nettoyez cet élément à l'air comprimé (pression maximale de 6,9 bars) ou à l'eau (pression maximale de 2,75 bars). NE remettez PAS le filtre dans la cartouche tant qu'il n'est pas complètement sec.

Videz la poussière présente dans le compartiment en plastique extérieur en serrant le clapet en caoutchouc. Orientez le clapet vers le bas quand vous le remettez en place.

EMPLACEMENT DES DISJONCTEURS

- CB1 Principal (70A)
- CB2 Phares (20A)
- CB3 Démarreur (15A)
- CB4 Circuit auxiliaire (20A)
- CB5 Allumage (10A)
- CB6 Secoueur (20A)
- CB7 Clignotants (20A)
- CB8 Brumisateur (10A)
- CB9 HVAC (chauffage, ventilation et climatisation) (30A)



DÉPANNAGE

Si les causes énumérées ci-dessous ne sont pas à l'origine du problème, vous êtes confronté à une panne plus sérieuse. Contactez immédiatement le centre d'assistance Advance.

DÉCLENCHEMENT DES DISJONCTEURS

Les disjoncteurs sont situés sur le panneau à disjoncteurs (H). Ils protègent les circuits électriques et les moteurs en cas de surcharge. Si un disjoncteur se déclenche, essayez d'en déterminer la cause.

Déclenchement du disjoncteur principal (CB1 / 70A) Cause probable :

1 Court-circuit électrique ou surcharge (appelez le centre d'assistance Advance ou un électricien qualifié pour qu'il vérifie la machine)

Déclenchement du disjoncteur des phares (CB2 / 20A) Cause probable :

1 Court-circuit électrique ou surcharge (appelez le centre d'assistance Advance ou un électricien qualifié pour qu'il vérifie la machine)

Déclenchement du disjoncteur du démarreur (CB3 / 15A) Causes probables :

1 Court-circuit électrique ou surcharge (appelez le centre d'assistance Advance ou un électricien qualifié pour qu'il vérifie la machine)

Déclenchement du disjoncteur du circuit auxiliaire (CB4 / 20A) Cause probable :

1 Court-circuit électrique ou surcharge (appelez le centre d'assistance Advance ou un électricien qualifié pour qu'il vérifie la machine)

Déclenchement du disjoncteur du circuit d'allumage (CB5 / 10A) Cause probable :

1 Court-circuit électrique ou surcharge (appelez le centre d'assistance Advance ou un électricien qualifié pour qu'il vérifie la machine)

Déclenchement du disjoncteur du secoueur (CB6 / 20A) Cause probable :

1 Court-circuit électrique ou surcharge (appelez le centre d'assistance Advance ou un électricien qualifié pour qu'il vérifie la machine)

Déclenchement du disjoncteur des clignotants (CB7 / 20A) Cause probable :

1 Court-circuit électrique ou surcharge (appelez le centre d'assistance Advance ou un électricien qualifié pour qu'il vérifie la machine)

Déclenchement du disjoncteur du brumisateuse (CB8 / 10A) Cause probable :

1 Court-circuit électrique ou surcharge (appelez le centre d'assistance Advance ou un électricien qualifié pour qu'il vérifie la machine)

Déclenchement du disjoncteur du système HVAC (CB9 / 30A) Cause probable :

1 Court-circuit électrique ou surcharge (appelez le centre d'assistance Advance ou un électricien qualifié pour qu'il vérifie la machine)

Une fois le problème résolu, appuyez sur le bouton pour réenclencher le disjoncteur. Si le bouton ne reste pas enclenché, attendez 5 minutes, puis essayez à nouveau. Si le disjoncteur se déclenche plusieurs fois de suite, contactez le centre d'assistance Advance.

DÉPANNAGE

Si les causes énumérées ci-dessous ne sont pas à l'origine du problème, vous êtes confronté à une panne plus sérieuse. Contactez immédiatement le centre d'assistance Advance.

LA MACHINE NE DÉMARRE PAS

Causes probables :

- 1 La pédale d'entraînement avance / recul n'est pas en position neutre (assurez-vous que la pédale est en position neutre)
- 2 La position neutre de la pédale d'entraînement avance / recul n'est pas correctement réglée (contactez votre centre d'assistance Advance)
- 3 La batterie n'est pas branchée ou elle est déchargée (branchez ou chargez la batterie).
- 4 Le réservoir de carburant est vide ou la soupape du réservoir GPL n'est pas ouverte (faites le plein ou ouvrez la soupape du réservoir GPL).
- 5 Un ou plusieurs disjoncteurs se sont déclenchés (réenclenchez-les)

LA MACHINE N'AVANCE PAS

Causes probables :

- 1 Le frein à main (F) est enclenché (relâchez-le)
- 2 La soupape de remorquage est mal positionnée (repositionnez-la correctement)
- 3 Un ou plusieurs disjoncteurs se sont déclenchés (réenclenchez-les)

LA BROSSE PRINCIPALE NE TOURNE PAS

Causes probables :

- 1 Le moteur n'est pas réglé sur une vitesse élevée (appuyez sur l'interrupteur du régime moteur (GG)).
- 2 Des débris sont enroulés autour de l'entraînement de la brosse (enlevez les débris)
- 3 La trémie n'est pas complètement baissée (abaissez-la complètement)
- 4 Un ou plusieurs disjoncteurs se sont déclenchés (réenclenchez-les)

LA BROSSE LATÉRALE NE TOURNE PAS

Causes probables :

- 1 Le moteur n'est pas réglé sur une vitesse élevée (appuyez sur l'interrupteur du régime moteur (GG)).
- 2 Assurez-vous que l'interrupteur de la brosse latérale n'est pas en position d'arrêt (remettez l'interrupteur en position de marche).
- 3 Des débris sont enroulés autour de l'entraînement de la brosse (enlevez les débris)
- 4 La trémie n'est pas complètement baissée (abaissez-la complètement)
- 5 Un ou plusieurs disjoncteurs se sont déclenchés (réenclenchez-les)

IMPOSSIBLE DE LEVER LA TRÉMIE

Causes probables :

- 1 Le moteur n'est pas réglé sur une vitesse élevée (appuyez sur l'interrupteur du régime moteur (GG)).
- 2 Un ou plusieurs disjoncteurs se sont déclenchés (réenclenchez-les)

IMPOSSIBLE D'OUVRIER LE PANNEAU DE DÉCHARGE DE LA TRÉMIE

Causes probables :

- 1 Le panneau de décharge est bloqué par des débris (enlevez les débris et nettoyez les parois du compartiment)
- 2 Un ou plusieurs disjoncteurs se sont déclenchés (réenclenchez-les)

LE MOTEUR DU SECOUEUR DE FONCTIONNE PAS

Causes probables :

- 1 Un ou plusieurs disjoncteurs se sont déclenchés (réenclenchez-les)
- 2 Le branchement électrique du moteur du secoueur est débranché (branchez le moteur du secoueur)

LE SYSTÈME DE DÉPOUSSIÉRAGE (TURBINE) NE FONCTIONNE PAS

Causes probables :

- 1 Un ou plusieurs disjoncteurs se sont déclenchés (réenclenchez-les)
- 2 Assurez-vous que l'interrupteur de dé poussiérage n'est pas en position d'arrêt (remettez l'interrupteur en position de marche).

LE BRUMISATEUR DE LA BROSSE LATÉRALE DUSTGUARD™ NE FONCTIONNE PAS

Causes probables :

- 1 L'interrupteur DustGuard™ (VV) n'est pas en position de marche (placez l'interrupteur DustGuard en position de marche)
- 2 Le levier de la brosse principale (B) n'a pas été activé (baissez la brosse principale)
- 3 Le réservoir d'eau est vide (remplissez le réservoir (28))
- 4 Les buses du brumisateurs (15) sont bouchées (nettoyez les buses (15))

ACCESSOIRES / OPTIONS

En plus des composants standard, la machine peut être dotée des accessoires / options suivants, en fonction de son utilisation spécifique :

- Brosses principale et latérales avec poils plus durs ou plus souples
- Filtre antipoussières en polyester résistant à l'eau
- Détecteur de filtre colmaté
- Système DustGuard™
- Extincteur
- Phare de travail
- Feu stroboscopique orange
- Roues antimarques
- Volant réglable
- Siège conducteur avec suspensions
- Ceintures de sécurité
- Carter de brosse latérale
- Échappement du pare-étincelles
- Plaque inférieure en métal pour la trémie
- Admission d'air du moteur en hauteur avec pré-filtre
- Arceau de protection
- Auvent pour l'arceau de protection
- Rétroviseurs
- Pare-choc arrière en métal
- Brosse latérale gauche
- Cabine fermée
- Tapis de sol
- Jauges moteur
- Détecteur de température élevée dans la trémie
- Alarme sonore de recul
- Feux arrière et de freinage, et clignotants
- Pneus remplis de mousse
- Pneus pleins

Pour de plus amples informations sur les accessoires précités, veuillez contacter un revendeur agréé.

SPÉCIFICATIONS TECHNIQUES (telles qu'installées et testées sur l'unité)

Modèle	SW8000		SW8000		SW8000	
	4 cyl. GPL		4 cyl. Essence		4 cyl. Diesel	
N° de modèle	56107503		56107501		56107505	
Niveau de protection	IPX3		IPX3		IPX3	
Niveau de pression sonore (IEC 60335-2-72 : Ed 3 2012, ISO 11201)	dB(A)	80,6dB LpA, 3dB KpA	80,6dB LpA, 3dB KpA	82,78dB LpA, 3dB KpA		
Niveau de puissance sonore (IEC 60335-2-72 : Ed 3 2012, ISO 3744)	dB(A)	102,3 dB LWA	102,3 dB LWA	106,3 dB LWA		
Poids brut	livres/kg	4426 / 2007	4426 / 2007	4426 / 2007		
Poids à vide	livres/kg	3075 / 1395	3075 / 1395	3075 / 1395		
Charge de roue maximum au sol (avant droite)	psi / N/mm ²	72 / 0,496	72 / 0,496	65 / 0,448		
Charge de roue maximum au sol (avant gauche)	psi / N/mm ²	63 / 0,434	63 / 0,434	65 / 0,448		
Charge de roue maximum au sol (centre arrière)	psi / N/mm ²	71 / 0,489	71 / 0,489	76 / 0,524		
Vibrations au niveau des commandes manuelles (ISO 5349-1)	m/s ²	1,08 m/s ²	1,08 m/s ²	1,5 m/s ²		
Vibrations au niveau du siège (ISO 2631-1)	m/s ²	0,15 m/s ²	0,15 m/s ²	0,16 m/s ²		
Tenue de route en côte		20 % (11,3°)	20 % (11,3°)	20 % (11,3°)		
Modèle	SW8000 (cab)		SW8000 (cab)		SW8000 (cab)	
	4 cyl. GPL		4 cyl. Essence		4 cyl. Diesel	
N° de modèle	56107509		56107507		56107511	
Niveau de protection	IPX3		IPX3		IPX3	
Niveau de pression sonore (IEC 60335-2-72 : Ed 3 2012, ISO 11201)	dB(A)	80,6dB LpA, 3dB KpA	80,6dB LpA, 3dB KpA	82,78dB LpA, 3dB KpA		
Niveau de puissance sonore (IEC 60335-2-72 : Ed 3 2012, ISO 3744)	dB(A)	102,3 dB LWA	102,3 dB LWA	106,3 dB LWA		
Poids brut	livres/kg	4775 / 2165	4775 / 2165	4775 / 2165		
Poids à vide	livres/kg	3424 / 1553	3424 / 1553	3424 / 1553		
Charge de roue maximum au sol (avant droite)	psi / N/mm ²	72 / 0,496	72 / 0,496	65 / 0,448		
Charge de roue maximum au sol (avant gauche)	psi / N/mm ²	63 / 0,434	63 / 0,434	65 / 0,448		
Charge de roue maximum au sol (centre arrière)	psi / N/mm ²	71 / 0,489	71 / 0,489	76 / 0,524		
Vibrations au niveau des commandes manuelles (ISO 5349-1)	m/s ²	1,08 m/s ²	1,08 m/s ²	1,5 m/s ²		
Vibrations au niveau du siège (ISO 2631-1)	m/s ²	0,15 m/s ²	0,15 m/s ²	0,16 m/s ²		
Tenue de route en côte		20 % (11,3°)	20 % (11,3°)	20 % (11,3°)		

ÍNDICE

Página

Introdução.....	D-2
Peças e serviços	D-2
Placa de identificação.....	D-3
Desembalando a máquina.....	D-3
Precauções e advertências	D-4
Informações gerais.....	D-5

Conheça sua máquina	D-6 – D-9
----------------------------------	------------------

Preparando a máquina para o uso

Lista de verificação pré-operacional.....	D-10
Vassoura principal	D-10
Combustível.....	D-10

Operando a máquina

Antes de ligar a máquina.....	D-11
Ligando o motor a diesel	D-11
Ligando o motor à gasolina	D-11
Ligando o motor a GLP	D-11
Varrendo	D-12
Esvaziando a tremonha.....	D-12

Após usar a máquina

Depois do uso.....	D-13
Desligando o motor à gasolina/diesel.....	D-13
Desligando o motor a GLP	D-13

Manutenção

Cronograma de manutenção.....	D-13
Manutenção da vassoura principal.....	D-14
Manutenção da vassoura lateral	D-16
Filtro de controle do pó da tremonha.....	D-18
Limpeza do radiador hidráulico e radiador do motor	D-18
Óleo hidráulico.....	D-19
Óleo do motor.....	D-19
Refrigerante para o motor	D-19
Filtro de ar do motor	D-19
Localização do disjuntor	D-20

Resolução de problemas.....	D-21
-----------------------------	------

Acessórios/Opções.....	D-23
Especificações técnicas	D-23

INTRODUÇÃO

Este manual o ajudará a obter o máximo da sua **varredora Advance**. Leia este manual cuidadosamente antes de usar o equipamento.

Nota: Os números em negrito entre parênteses indicam um item ilustrado nas páginas 6 – 9.

PEÇAS E SERVIÇOS

Os reparos, quando necessários, devem ser realizados pelo pessoal de serviços da Advance, utilizando peças de reposição e acessórios originais da Advance.

Ligue para a Advance para peças ou serviços. Especifique o modelo e o número de série ao falar do seu equipamento.

MODIFICAÇÕES

As modificações e adições à máquina de limpeza que afetem a capacidade e operação de segurança não devem ser realizadas pelo cliente ou usuário sem a aprovação prévia da Nilfisk-Advance Inc. Modificações não aprovadas invalidarão a garantia da máquina e tornam o cliente responsável por quaisquer acidentes decorrentes.

PLACA DE IDENTIFICAÇÃO

O modelo e número de série de sua máquina estão identificados na placa de identificação, no lado direito do equipamento. Estas informações são necessárias quando solicitar peças para a máquina. Utilize o espaço abaixo para anotar o modelo e número de série de sua máquina para referência futura.

MODELO _____

NÚMERO DE SÉRIE _____

DESEMBALANDO A MÁQUINA - SE APLICÁVEL

Na entrega do produto, inspecione com cuidado se a caixa de transporte ou a máquina apresentam avarias. Caso apresentem, guarde todas as peças da caixa de transporte para que a transportadora que entregou a máquina possa examiná-las. Entre em contato com a transportadora imediatamente para dar entrada em uma reclamação de avaria em trânsito.

- 1 Após remover o caixote, remova os blocos de madeira próximos às rodas.
- 2 Verifique o óleo do motor e os níveis de refrigerante.
- 3 Verifique o nível de óleo hidráulico
- 4 Leia as instruções na seção Preparando sua máquina para uso, deste manual, depois abasteça o tanque com combustível.
- 5 Coloque uma rampa próximo à extremidade dianteira do palete.
- 6 Leia as instruções nas seções Controles operacionais e Operando a máquina, deste manual e dê partida no motor. Devagar, conduza a máquina à frente, descendo a rampa até o chão. Mantenha seu pé levemente no freio até que a máquina esteja fora do palete.

CUIDADO!

Tenha CUIDADO extremo quando operar esta varredora. Certifique-se de que você está totalmente familiar com todas as instruções operacionais antes de usar esta varredora. Caso tenha alguma dúvida, contate seu supervisor ou o revendedor local da Advance.

Em caso de sua varredora apresentar mal funcionamento, não tente consertar o problema, a menos que seu supervisor lhe oriente a fazê-lo. Procure um mecânico qualificado da empresa ou uma pessoa do serviço do revendedor autorizado da Advance para fazer os reparos necessários à máquina.

Tenha extremo cuidado quando trabalhar nesta máquina. Gravatas, roupas largas, cabelo comprido, brincos e pulseiras podem enganchar e prender nas peças móveis. Desligue a ignição (TT), retire a chave, acione o freio estacionário (F) e desconecte a bateria antes de trabalhar na máquina. Tenha bom senso, pratique bons hábitos de segurança e preste atenção nas etiquetas amarelas da máquina.

Conduza a máquina devagar em declives. Use o pedal do freio (F) para controlar a velocidade de máquina nos declives. NÃO vire a máquina em um declive, conduza de forma retilínea para cima ou para baixo.



A inclinação calculada máxima durante o transporte é de 20%.

* Nota: Consulte o manual de operação e manutenção do fabricante do motor, fornecido à parte, para especificações e dados de serviços mais detalhados a seu respeito.

AVISO!

Os produtos vendidos com este manual contêm ou podem conter substâncias químicas consideradas por certos governos (como no estado da Califórnia, conforme identificado em sua Proposta 65 da Regulatory Warning Law) como causadoras de câncer, defeitos congênitos e outras doenças do sistema reprodutivo. Em certos locais (inclusive no estado da Califórnia), compradores destes produtos que os colocam em uso em locais de trabalho ou espaços públicos são obrigados, por lei, a fazer certas notificações, avisos ou declarações sobre as substâncias químicas presentes ou que possam estar contidas nos produtos em tais locais ou redondezas. É de responsabilidade do comprador tomar conhecimento do conteúdo e cumprir com as leis e regulamentações aplicáveis ao uso destes produtos em tais ambientes. O fabricante renuncia toda e qualquer responsabilidade por alertar os compradores de qualquer requisito específico que possa ser aplicável ao uso dos produtos em tais ambientes.

SÍMBOLOS DE ADVERTÊNCIAS

E AVISOS

A Advance usa os símbolos abaixo para indicar condições potencialmente perigosas. Leia estas informações com cuidado e tome as devidas precauções para proteger as pessoas e o equipamento.

PERIGO!

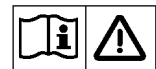
Usado para alertar quanto a perigos imediatos que poderão causar ferimentos pessoais graves ou morte.

ATENÇÃO!

Usado para chamar a atenção à uma situação que pode causar ferimentos pessoais graves.

CUIDADO!

Usado para chamar a atenção sobre uma situação que pode causar ferimentos pessoais ou danos ao equipamento ou outra propriedade.



Leia todas as instruções antes de usar.

INSTRUÇÕES GERAIS DE SEGURANÇA

Precauções e avisos específicos foram colocados para alertá-lo quanto ao possível perigo de lesões pessoais ou danos ao equipamento.

Esta máquina é adequada apenas para uso comercial, por exemplo em plantas de fabricação, almoxarifados, empresas de tijolos e blocos de cimento, estacionamentos, garagens, parques municipais, empresas de entretenimento e de transporte.

PERIGO!

* Esta máquina emite gases de descarga (monóxido de carbono) que podem causar lesões graves ou morte. Providencie sempre ventilação adequada quando for usá-la.

ATENÇÃO!

- * Esta máquina deve ser operada somente por pessoas devidamente capacitadas e autorizadas.
- * Esta máquina não destina-se a pessoas (inclusive crianças) com capacidades físicas, mentais e sensoriais reduzidas, ou com falta de experiência e conhecimento.
- * Evite paradas bruscas em rampas ou subidas. Evite curvas fechadas. Use baixa velocidade em declives.
- * Para evitar a injeção de óleo hidráulico ou ferimentos, use sempre vestuário adequado e proteção visual quando trabalhar com o sistema hidráulico ou próximo.
- * Desligue a ignição (O) e desconecte as baterias antes de proceder à manutenção dos componentes elétricos.
- * Nunca trabalhe embaixo da máquina sem os blocos ou suportes de segurança para apoiar o equipamento.
- * Não use agentes de limpeza inflamáveis, nem trabalhe no equipamento próximo a tais agentes, tampouco em áreas onde haja líquidos inflamáveis.
- * Use apenas as vassouras fornecidas com o equipamento ou as especificadas no manual de instruções. O uso de outro tipo de vassoura pode afetar a segurança.
- * Não use a máquina sem uma estrutura protetora contra objetos que possam cair (FOPS) em áreas onde o operador possa ser machucado por tais objetos.
- * Máquinas devem ser estacionadas com segurança.
- * A máquina deverá ser inspecionada regularmente por uma pessoa qualificada, em particular quanto ao recipiente de GLP e suas conexões, conforme necessário para uma operação segura, de acordo com regulamentos regionais ou nacionais.
- * Observe o peso bruto do veículo (GVW) da máquina quando estiver carregando, conduzindo, levantando ou suportando a máquina.

CUIDADO!

- * Este equipamento não é aprovado para o uso em vias ou estradas públicas.
- * Esta máquina é aprovada apenas para uso em superfícies rígidas.
- * Esta máquina não é adequada para a coleta de sujeira perigosa.
- * Ao trabalhar com esta máquina, certifique-se de que não colocará outras pessoas em perigo, especialmente crianças.
- * Antes de realizar qualquer função de serviço, leia cuidadosamente todas as instruções referentes à tal função.
- * Não deixe o equipamento sozinho sem antes desligar a ignição (O), retirar a chave do contato e aplicar o freio estacionário.
- * Desligue a ignição (O) e retire a chave antes de substituir as vassouras ou antes de abrir qualquer painel de acesso.
- * Tome os devidos cuidados para evitar que cabelos, joias ou peças de roupa soltas fiquem presos nas peças móveis.
- * Antes de usar, todas as portas e capôs devem estar devidamente trancados.
- As baterias devem ser retiradas da máquina antes de a máquina ser inutilizada. A eliminação das baterias deve ser feita com segurança, em cumprimento às regulamentações ambientais locais.
- * Não utilizar em superfícies com uma inclinação que supere a marcada no equipamento.
- * Todas as portas e tampas devem ser posicionadas da forma indicada no manual de instruções antes de usar a máquina.

GUARDE ESTAS INSTRUÇÕES

SUPORE DE SEGURANÇA DA TREMONHA

⚠ ADVERTÊNCIA!

Certifique-se de que o suporte de segurança da tremonha (5) esteja no lugar sempre que tentar fazer qualquer manutenção sob ou perto da tremonha levantada. O suporte de segurança da tremonha (5) a mantém erguida para possibilitar o trabalho sob a mesma. **NUNCA** confie nos componentes hidráulicos da máquina para suportar a tremonha com segurança.

ELEVANDO A MÁQUINA

⚠ CUIDADO!

Nunca trabalhe embaixo do equipamento sem os calços ou blocos de segurança para apoiar o equipamento.

- Quando for elevar a máquina, o faça nos locais designados (não eleve sobre a tremonha) - veja locais de elevação (8).

TRANSPORTANDO A MÁQUINA

⚠ CUIDADO!

Antes de transportar a máquina em um caminhão ou vagão aberto, certifique-se de que...

- Todas as portas de acesso estejam bem trancadas
- A máquina esteja bem amarrada.
- O freio estacionário da máquina esteja acionado.

REBOCANDO OU EMPURRANDO UMA MÁQUINA DESATIVADA

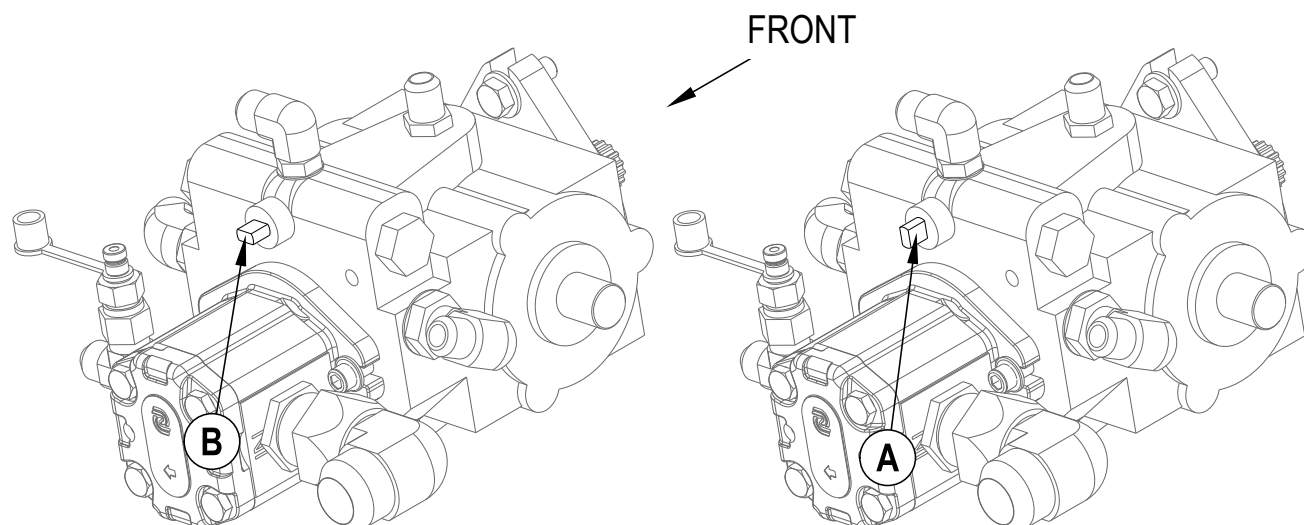
A bomba de propulsão da máquina é fabricada com uma válvula de reboque ajustável. Esta válvula previne danos ao sistema hidráulico quando a máquina estiver sendo rebocada/carregada em curtas distâncias sem usar o motor.

Para acessar a válvula, abra a tampa do compartimento do motor (1) e localize a bomba hidrostática na parte de trás do motor. Gire a válvula a 90 graus, isto desengata a trava hidrostática entre o motor e a bomba.

CUIDADO: A bomba de propulsão hidráulica pode ser danificada se a máquina for rebocada com a válvula na posição de trabalho normal (A).

Consulte a ilustração abaixo para a configuração de trabalho normal (A) (vertical) e para a configuração de rebocagem em rodas livres (B) (horizontal). Nota: Se a válvula de reboque for deixada em rodas livres, (B) posição (horizontal), a bomba de propulsão não pode conduzir a máquina para frente ou ré. Não ocorrerá nenhum dano, apenas re programe a válvula para a configuração de trabalho normal (A) (vertical).

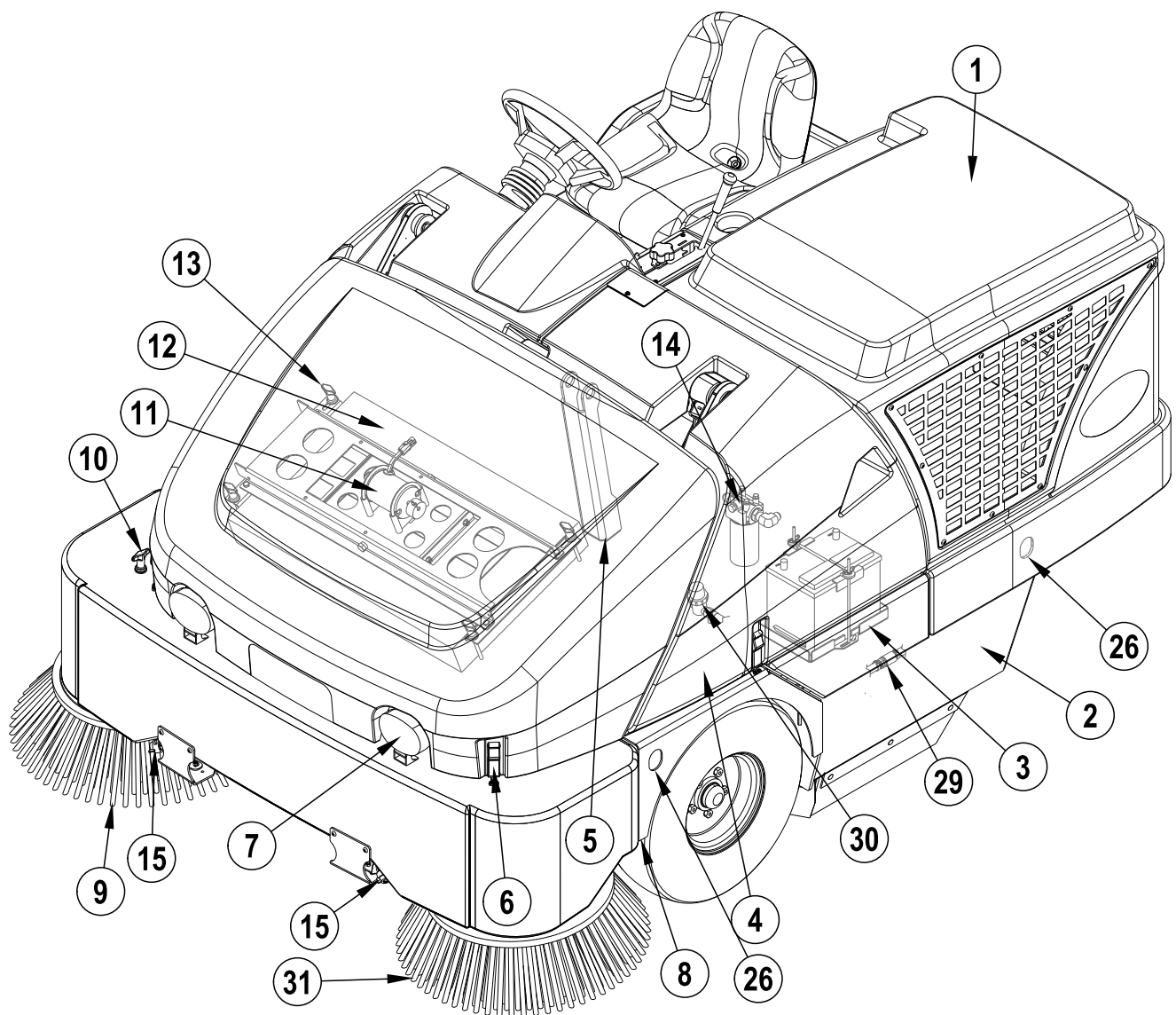
NOTA: Não reboque ou empurre a máquina mais rápido que a um ritmo de caminhada normal (2-3 km/h) e somente em curtas distâncias. Se a máquina tiver que ser rebocada a longas distâncias, a roda de tração deve ser erguida do chão e colocada em um carrinho de mão adequado para transporte.



CONHEÇA SUA MÁQUINA

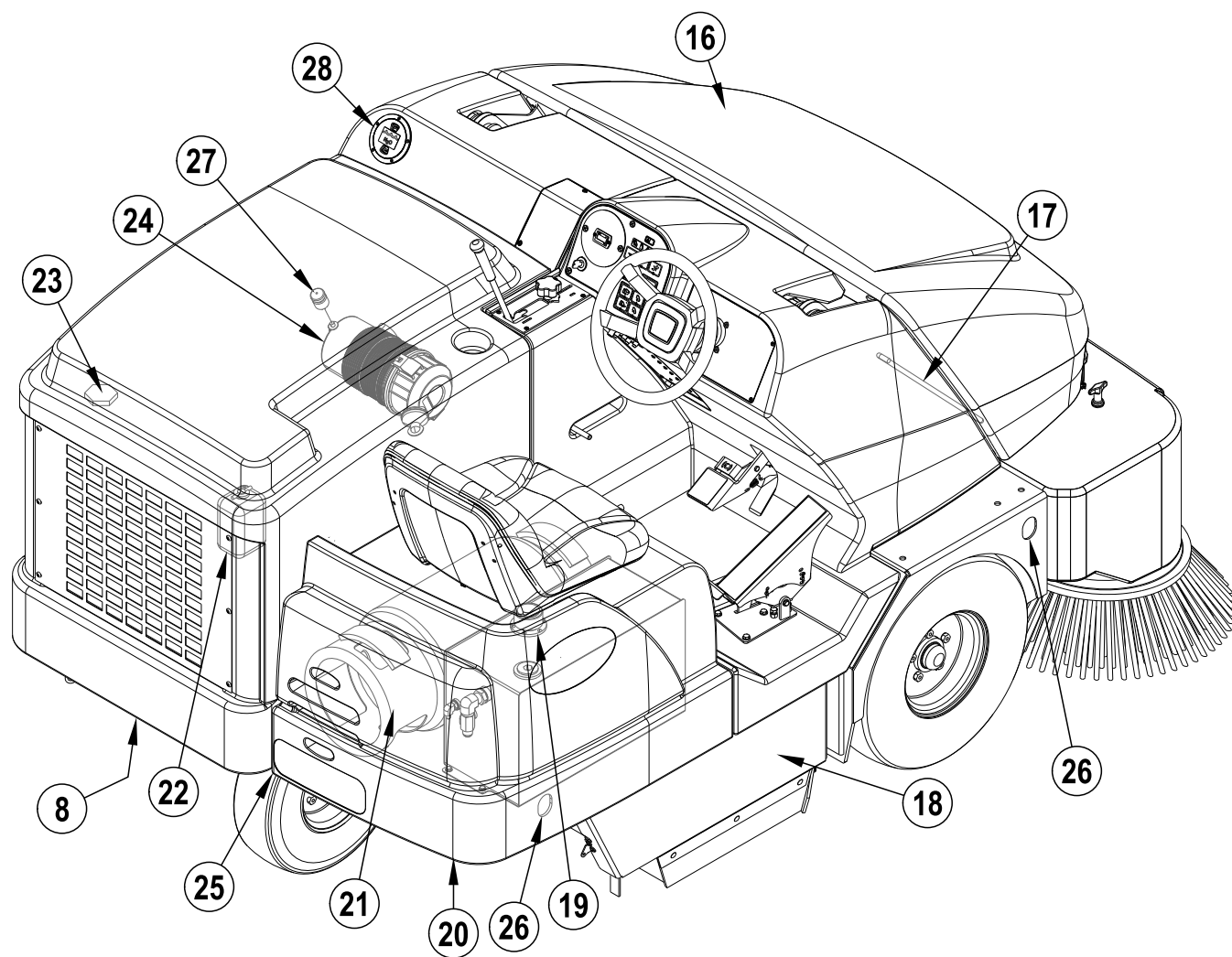
À medida que você lê este manual, ocasionalmente, você irá se deparar com um número em negrito - por exemplo: **(2)**. Estes números referem-se a um item nas próximas quatro páginas. Consulte essas páginas sempre que necessário para determinar a localização de um item mencionado no texto.

- 1 Tampa do compartimento do motor
- 2 Painel de acesso à vassoura principal do lado esquerdo
- 3 Bateria
- 4 Conjunto da tampa central
- 5 Suporte de segurança da tremonha
- 6 Trava da tampa da tremonha
- 7 Farol dianteiro
- 8 Locais de elevação (a posição traseira tem muito peso embaixo do radiador)
- 9 Vassoura lateral direita
- 10 Botão de ajuste da altura da vassoura lateral
- 11 Conjunto agitador do filtro de pó
- 12 Filtro de controle do pó da tremonha
- 13 Botões retentores do conjunto agitador
- 14 Filtro do óleo hidráulico
- 15 Bicos pulverizadores DustGuard opcionais



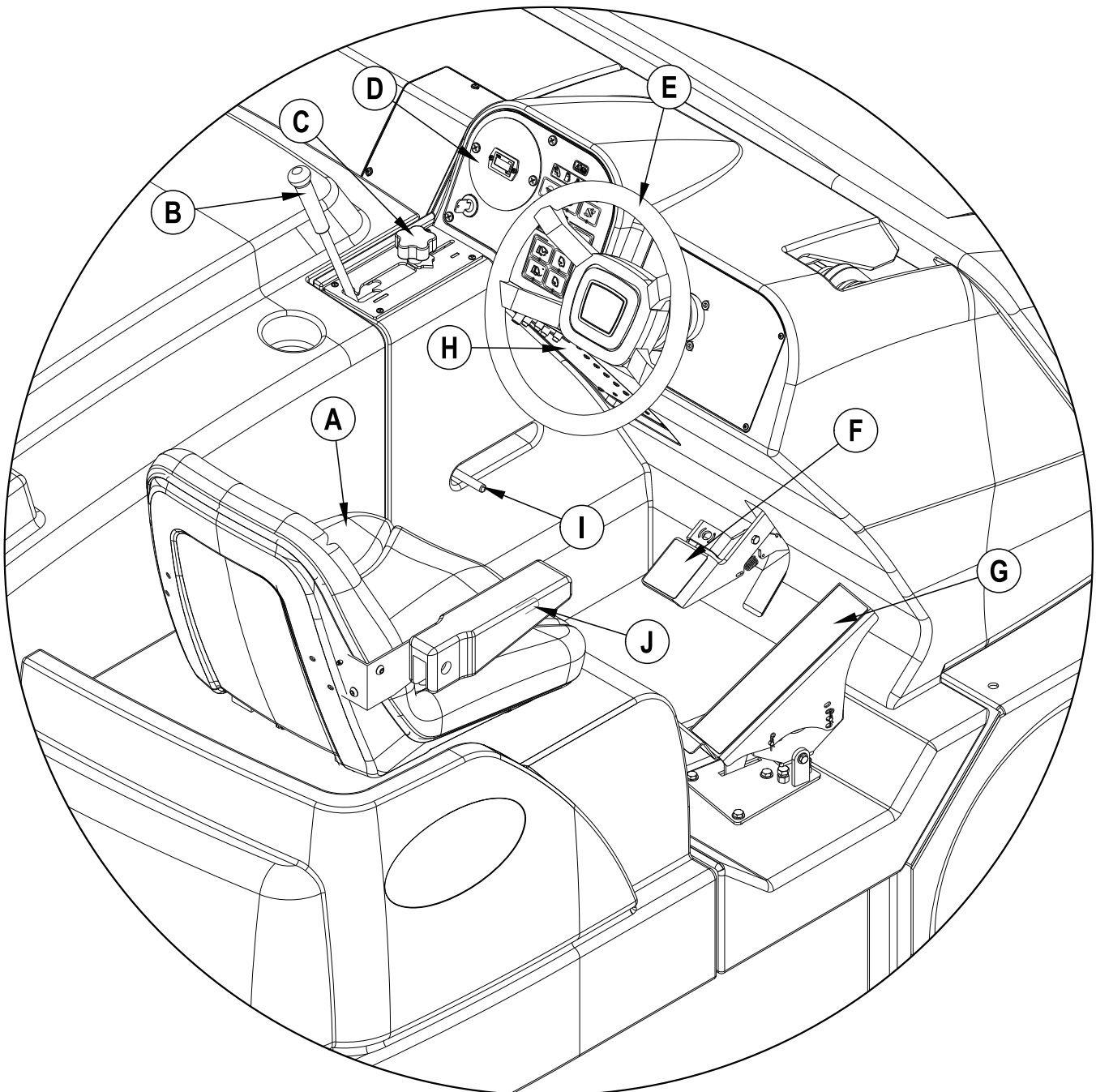
CONHEÇA SUA MÁQUINA (CONTINUAÇÃO)

- 16 Tampa da tremonha
- 17 Vara de sustentação da tampa da tremonha
- 18 Painel de acesso à vassoura principal do lado direito
- 19 Reservatório de óleo
- 20 Tampa do tanque de combustível e do reservatório de óleo
- 21 Tanque de combustível (exibido o tanque de GLP. O tanque de gasolina fica no mesmo local)
- 22 Tanque de recuperação do refrigerante
- 23 Tampa do radiador
- 24 Filtro de ar do motor
- 25 Trava de liberação da tampa do tanque de combustível
- 26 Locais de trava (5)
- 27 Indicador de serviço do filtro de ar
- 28 Abastecimento do tanque DustGuard opcional
- 29 Desconexão rápida do DustGuard opcional
- 30 Peneira de solução do DustGuard opcional
- 31 Vassoura lateral esquerda opcional



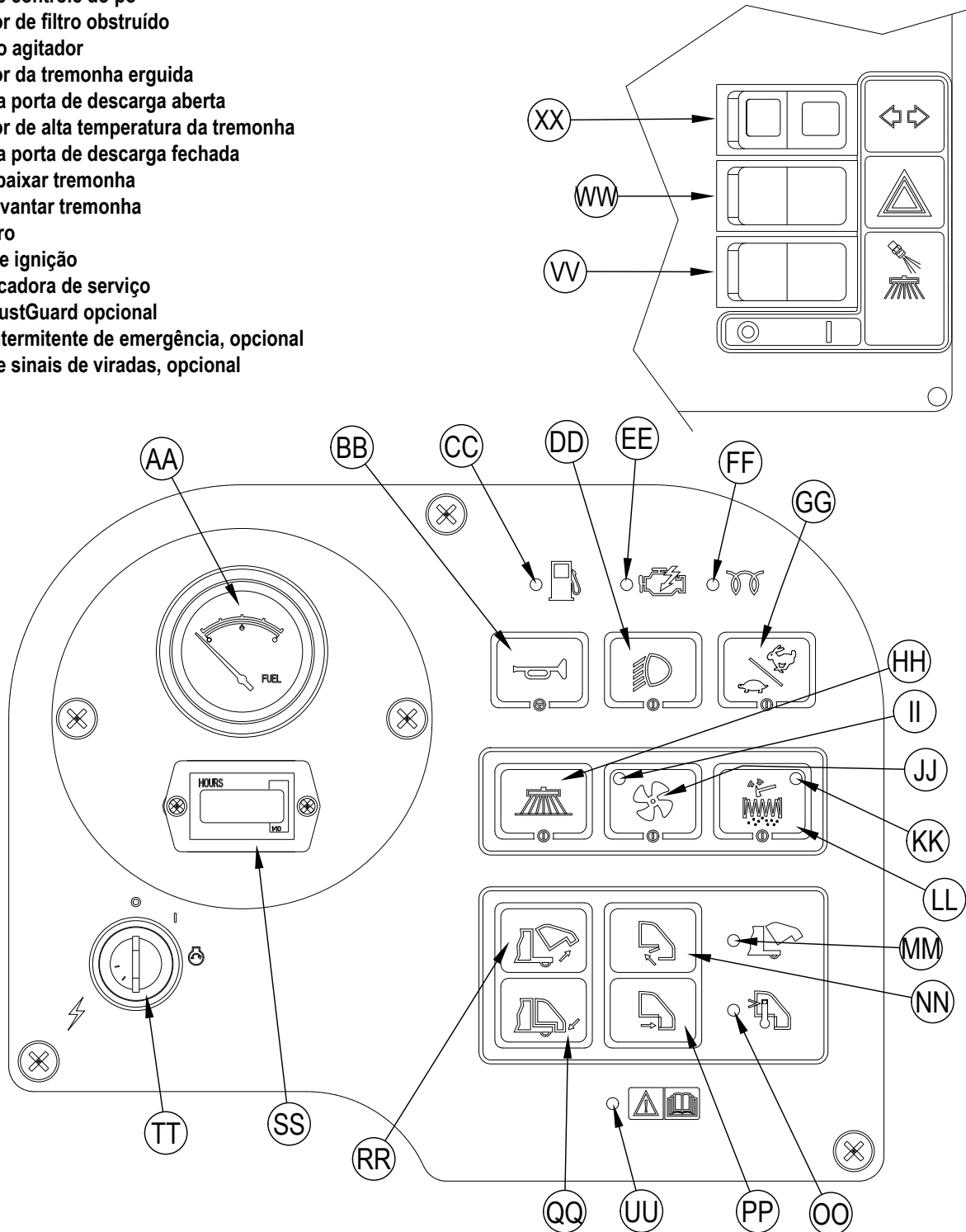
COMPARTIMENTO DO OPERADOR

- A Assento do operador
- B Alavanca da vassoura principal
- C Botão de ajuste da vassoura principal
- D Painel de controle (veja páginas associadas)
- E Volante
- F Pedal do freio e freio estacionário
- G Acelerador FRENTE/RÉ
- H Painel de disjuntores
- I Manivela do suporte de segurança da tremonha
- J Alavanca de ajuste do assento do operador



PAINEL DE CONTROLE

- AA Medidor de combustível opcional / (somente gasolina e diesel)
- BB Botão da buzina
- CC Luz indicadora de GLP baixo
- DD Botão do farol
- EE Indicador de serviço do motor
- FF Luz indicadora da vela de incandescência (somente diesel)
- GG Chave de velocidade do motor
- HH Botão da vassoura lateral LIGA (↓) DESLIGA (↑)
- II Indicador de controle do pó
- JJ Botão de controle do pó
- KK Indicador de filtro obstruído
- LL Botão do agitador
- MM Indicador da tremonha erguida
- NN Botão da porta de descarga aberta
- OO Indicador de alta temperatura da tremonha
- PP Botão da porta de descarga fechada
- QQ Botão abaixar tremonha
- RR Botão levantar tremonha
- SS Horímetro
- TT Chave de ignição
- UU Luz indicadora de serviço
- VV Botão DustGuard opcional
- WW Botão intermitente de emergência, opcional
- XX Botão de sinais de viradas, opcional



LISTA DE VERIFICAÇÃO PRÉ-OPERACIONAL

Antes de cada uso:

- * Inspeccione a máquina para verificar se não há danos, vazamentos de refrigerante ou de óleo.
- * Comprima o recipiente emborrachado do pó no filtro de ar do motor **(24)** para liberar a poeira depositada.
- * Verifique o nível de refrigerante do motor **(23)**.
- * Verifique o nível de óleo do motor.
- * Verifique o nível de óleo hidráulico **(19)**.
- * Verifique o medidor de combustível **(AA)** nos modelos à gasolina e a diesel.
- * Verifique o medidor de combustível **localizado** no tanque de GLP **(21)** para modelos a GLP.
- * Verifique a pressão de todos os três pneus, deve estar entre 90 e 95 psi.
- * Verifique o indicador de serviço do filtro de ar **(27)**.

No assento do condutor:

- * Certifique-se de que entende os controles do operador e suas funções.
- * Ajuste o assento para alcançar em todos os controles.
- * Insira a chave mestre e gire a ignição **(TT)** à posição ON/LIGADO. Comprove que a buzina **(BB)**, o horímetro **(SS)** e os faróis dianteiros **(DD)** estejam operando adequadamente. Desligue (OFF) a ignição **(TT)**.
- * Verifique o freio estacionário **(F)**. O freio deve segurar sua regulagem (estacionada travada) firmemente, sem se soltar facilmente. (Relate todos os defeitos imediatamente ao pessoal da manutenção).

Planeje sua limpeza antecipadamente:

- * Programe longos turnos de trabalho com poucas paradas e partidas.
- * Deixe 6 polegadas de sobreposição da passagem da vassoura para garantir cobertura completa.
- * Evite fazer curvas fechadas, colidir em postes ou arranhar a lateral da máquina.

VASSOURA PRINCIPAL

Há várias vassouras principais disponíveis para esta máquina. Contate seu revendedor da Advance caso precise de ajuda para escolher a melhor vassoura para a superfície e sujeira que irá varrer. Nota: Consulte Manutenção da vassoura para obter os passos de instalação.

COMBUSTÍVEL

ADVERTÊNCIA!

- **SEMPRE DESLIGUE O MOTOR ANTES DE ABASTECER O TANQUE DE COMBUSTÍVEL.**
- **NÃO FUME ENQUANTO ABASTECER O TANQUE DE COMBUSTÍVEL.**
- **ABASTEÇA O TANQUE DE COMBUSTÍVEL EM UM LOCAL BEM VENTILADO.**
- **NÃO ABASTEÇA O TANQUE DE COMBUSTÍVEL PRÓXIMO A FAÍSCAS OU CHAMA EXPOSTA.**
- **USE APENAS O COMBUSTÍVEL ESPECIFICADO NA ETIQUETA DO TANQUE DE COMBUSTÍVEL.**

MOTOR A DIESEL

Abasteça o tanque com diesel número 2 se a máquina será usada em uma área onde a temperatura seja de 32° F (0° C) ou mais. Se a temperatura estiver abaixo de 32° F (0° C), use o diesel número 1.

NOTA: Se o motor a diesel ficar sem nada de combustível, o sistema de combustível deve ser sangrado antes de dar partida no motor novamente. Para evitar esta situação, abasteça o tanque quando o medidor de combustível indicar 1/4 de tanque. A capacidade do tanque de combustível é 12,75 galões (48,26 litros).

MOTOR À GASOLINA

ABASTEÇA O TANQUE COM GASOLINA REGULAR DE 87 OCTANAS SEM CHUMBO. A CAPACIDADE DO TANQUE DE COMBUSTÍVEL É 12,75 GALÕES (48,26 LITROS).

Nota: Consulte o manual de operação e manutenção do fabricante do motor, fornecido à parte, para especificações e dados de serviço mais detalhados a seu respeito.

MOTOR A GLP

Monte um tanque a propano padrão de expurgo de líquido de 33lb na máquina, conecte a mangueira de combustível e abra a válvula de corte no tanque. Use luvas quando conectar ou desconectar a mangueira de combustível. FECHÉ a válvula de serviço do tanque a GLP quando a máquina não estiver em uso.

NOTA: Certifique-se de orientar adequadamente o tanque de GLP horizontal para expurgo do líquido. Após conectar a mangueira de combustível ao tanque, verifique se não há vazamentos, ouvindo e cheirando à procura de gasolina.

ADVERTÊNCIA!

Não opere a máquina se houver vazamento de gasolina. Desconecte a mangueira de combustível e substitua o tanque de GLP. Se ainda houver vazamento de gasolina, desconecte a mangueira de combustível e contate seu Centro de Atendimento da Advance.

OPERANDO A MÁQUINA

A SW8000 é uma máquina varredora de chão automática tipo condutor. Os controles foram projetados tendo em mente *operação de um toque*. Para varredura de passada única, o operador pode simplesmente abaixar a vassoura principal e todas as funções de varredura funcionarão.

Nota: Os números em negrito entre parênteses indicam um item ilustrado nas páginas 6 – 9.

ANTES DE LIGAR A MÁQUINA

- 1 Certifique-se de que entendeu os controles do operador e suas funções.
- 2 Planeje sua rota de limpeza. Faça trechos retos e longos, com menos voltas o possível.
- 3 Verifique o pedal do freio (**FF**). O pedal tem que estar firme.
Se o pedal estiver “esponjoso” ou desvanece mediante pressão, **NÃO USE A MÁQUINA**. Relate todos os defeitos imediatamente ao pessoal da manutenção.

LIGANDO O MOTOR A DIESEL

- 1 Gire a chave de ignição (**TT**) no sentido anti-horário até a posição “Pré-aquecimento” e segure-a ali até que o indicador da vela de incandescência (**FF**) desligue. Assim que o indicador DESLIGAR, o motor pode ser ligado. Pule este passo se o motor esteve rodando e já estiver aquecido.
- 2 Gire a chave de ignição (**TT**) no sentido horário até a posição START/INICIAR e solte-a assim que o motor ligar. Se o motor não ligar após girar por 15 segundos, solte a chave, aguarde 1 minuto e tente os passos de 1 a 3 novamente.
NOTA: O arranque do motor não engrenará se o acelerador FWD/REV (frente/ré) (**G**) não estiver na posição neutra.
- 3 Deixe o motor rodar em ponto morto “IDLE” por 5 minutos antes de usar a máquina.
- 4 Aperte o interruptor de velocidade do motor (**GG**) para alternar para FULL THROTTLE/ACELERAÇÃO MÁXIMA e mova a máquina por 2 a 3 minutos em baixa velocidade para aquecer o sistema hidráulico.

LIGANDO O MOTOR À GASOLINA E GLP

- 1 **NOTA: Apenas modelos a GLP:** Abra a válvula de serviço no tanque de combustível GLP (**21**).
- 2 Gire a chave de ignição (**TT**) no sentido horário até a posição START/INICIAR e solte-a assim que o motor ligar. Se o motor não ligar após rodar por 15 segundos, solte a chave, aguarde 1 minuto, depois tente novamente.
NOTA: O arranque do motor não engrenará se o acelerador FWD/REV (frente/ré) (**G**) não estiver na posição neutra.
- 3 Deixe o motor rodar em ponto morto “IDLE” por 5 minutos antes de usar a máquina.
- 4 Aperte o interruptor de velocidade do motor (**GG**) para alternar para FULL THROTTLE/ACELERAÇÃO MÁXIMA e mova a máquina por 2 a 3 minutos em baixa velocidade para aquecer o sistema hidráulico.

NOTA: SEMPRE opere a máquina com o Botão de velocidade do motor (GG) em aceleração máxima. Use o acelerador FWD/REV (**G**) não o botão de velocidade do motor (**GG**) para controlar a **velocidade** da máquina. A velocidade da máquina aumentará à medida que o pedal é empurrado para baixo.

VARRENDO

Siga as instruções dadas na seção preparando a máquina para uso do manual.

- 1 Quando estiver sentado na máquina, ajuste o assento numa posição operacional confortável usando os controles de ajuste (J).
- 2 Solte o freio estacionário (F). Para transportar a máquina até a área de trabalho, aplique uma pressão uniforme com seu pé na parte da frente do acelerador (G) para avançar ou na parte de trás do pedal para a ré. Varie a pressão no acelerador para obter a velocidade desejada.
- 3 Empurre o interruptor Abaixar tremonha (QQ) para ter certeza de que a mesma esteja assentada corretamente. **NOTA:** O indicador de tremonha (↑) (MM) acenderá se a tremonha não estiver na posição abaixada.
- 4 Mova a alavanca da vassoura principal (B) à posição SWEEP/VARRER (entalhe central) para abaixar e ativar a vassoura principal e os sistemas de controle do pó. **NOTA:** A porta de descarga abre automaticamente quando a vassoura principal (B) é abaixada e fecha quando a vassoura é levantada.
Use a posição FLUTUADOR TOTAL (último entalhe à frente) só quando for varrer solos irregulares ou difíceis. O uso em outros casos só aumentará o desgaste da vassoura.
- 5 Quando estiver varrendo solos com poças d'água, empurre o interruptor de controle do pó (JJ) para DESLIGAR o sistema de controle de pó antes que a máquina entre na poça. Só ligue o sistema de controle de pó novamente quando a máquina voltar a um solo completamente seco. **NOTA:** Faz-se isto para evitar que o filtro de controle do pó da tremonha (12) seja molhado.
Quando estiver varrendo solos molhados, mantenha o interruptor de controle do pó (JJ) DESLIGADO sempre.
- 6 A vassoura lateral (9) é ativada automaticamente quando a vassoura principal é abaixada e começa a girar quando o acelerador (G) é ativado. A vassoura lateral (9) pode ser desligada e ligada novamente a qualquer momento, apertando o botão da vassoura lateral (HH).
O padrão de varredura da vassoura lateral é ajustado girando a maçaneta de ajuste da altura da vassoura lateral (10)
- 7 Conduza a máquina à frente em linha reta a uma velocidade de caminhada rápida. Conduza a máquina mais devagar quando for varrer grandes quantidades de pó ou detritos ou quando uma operação segura exigir velocidades mais lentas. Passadas com folga de 6 polegadas (15 cm).
- 8 Caso escape pó pelo compartimento da vassoura enquanto estiver varrendo, o filtro de controle do pó (12) deve estar obstruído. Aperte o botão do agitador (LL) para limpar o filtro de controle do pó. O sistema de controle do pó (JJ) irá DESLIGAR automaticamente enquanto o agitador estiver funcionando e irá LIGAR depois que o agitador desligar (o agitador funciona por 15 segundos).
- 9 Dê uma olhada de vez em quando na parte de trás da máquina para conferir que está coletando detritos. Sujeira deixada para trás no caminho da máquina geralmente indica que a máquina está andando rápido demais, que a vassoura precisa ser ajustada ou que o compartimento de depósito esteja cheio.

NOTA: Se a máquina não se mover durante 40 segundos, o motor retornará automaticamente para a lenta. O sistema de varredura só ativará com a rpm do motor em alta. Para começar a varrer novamente, pressione o botão de velocidade do motor (GG) para retornar a rpm do motor para alta.

ESVAZIANDO A TREMONHA

ADVERTÊNCIA!

Certifique-se de que o suporte de segurança da tremonha (5) esteja no lugar sempre que tentar fazer qualquer manutenção sob ou perto da mesma levantada. O suporte de segurança da tremonha (5) a mantém levantada para possibilitar o trabalho sob a mesma. **NUNCA** confie nos componentes hidráulicos da máquina para suportar a tremonha com segurança.

NOTA: O espaço MÍNIMO de altura do teto necessário para levantar a tremonha é 102" (259,08 cm)

- 1 Coloque a alavanca da vassoura principal (B) na posição PARA CIMA/DESLIGADO. **NOTA:** O agitador irá trabalhar automaticamente por cerca de 15 segundos depois que a vassoura for levantada. Caso você não levante a vassoura principal, aperte o botão do agitador (LL) para remover o excesso de sujeira do filtro de controle do pó.
- 2 Conduza a máquina até um grande reservatório de lixo e segure o botão levantar tremonha(RR) até que a mesma esteja toda levantada. **NOTA:** A porta de descarga fecha automaticamente quando o interruptor (RR) é empurrado. Você recupera o controle da porta de descarga assim que a tremonha começar a levantar para que você possa descarregar em qualquer altura se necessário.
- 3 Mova a máquina à frente até que a tremonha esteja sobre o receptáculo e aplique o freio estacionário (F). Aperte o botão de abrir a porta de descarga (NN) para abrir a porta de descarga e esvaziar a tremonha. **NOTA:** Se você não descarregar em um receptáculo de lixo, recomenda-se uma descarga baixa para ajudar a eliminar a poeira levada pelo ar.
- 4 Coloque o suporte de segurança da tremonha (5) no lugar empurrando a manivela do suporte de segurança da mesma para trás (I), depois abaixe a tremonha devagar para firmar.
- 5 Verifique a porta da tremonha e o lacre da borda dianteira. Use uma vassoura, se necessário, para remover o lixo destas áreas. A porta da tremonha deve vedar bem contra a gaxeta do bulbo do compartimento da vassoura para uma operação adequada.
- 6 Volte ao compartimento do operador. Solte o freio estacionário. Mova a máquina para trás até a tremonha esvaziar o receptáculo. Levante a tremonha levemente e empurre a manivela do suporte de segurança da mesma para a frente (I) até que o suporte de segurança da tremonha (5) desengate, depois abaixe a tremonha. **NOTA:** As vassouras não ligam se a tremonha não estiver completamente abaixada. A luz indicadora (MM) no painel de controle deve APAGAR, indicando que a máquina está pronta para usar.

APÓS O USO

- 1 Agite o filtro de controle do pó da tremonha (LL) e esvazie-a.
- 2 Confira a programação de manutenção e execute toda a manutenção necessária antes do armazenamento.
- 3 Leve a máquina à uma área de armazenamento coberta.
- 4 Desligue o motor de acordo com os procedimentos de desligamento.
- 5 Certifique-se de que a chave de ignição (TT) esteja DESLIGADA e que o freio estacionário (F) esteja engrenado. **NOTA:** Aperte o freio estacionário/pedal de freio (F) e aperte seu pé para a frente.

NOTA: Se for varrer detritos orgânicos, sempre esvazie e limpe a tremonha antes de armazenar a máquina para evitar mau cheiro.

NOTA: É seguro lavar esta máquina com um lavador de pressão, contanto que você não borrife diretamente nos componentes elétricos. Você deve secar bem esta máquina sempre antes de cada uso.

PARA DESLIGAR O MOTOR À GASOLINA E A DIESEL...

- 1 Levante as vassouras.
- 2 Coloque o interruptor de velocidade do motor (GG) em MARCHA LENTA e deixe o motor inativo por 25 - 30 segundos.
- 3 DESLIGUE a chave de ignição (TT) e retire a chave. **NOTA:** O motor continuará rodando por alguns segundos após desligar a chave. Isto faz parte da operação adequada do sistema de controle eletrônico de circuito fechado.
- 4 Aplique o freio estacionário (F). **NOTA:** Aperte o freio estacionário/pedal de freio (F) e aperte seu pé para a frente.

PARA DESLIGAR O MOTOR A GLP...

- 1 Levante as vassouras.
- 2 DESLIGUE a válvula de serviço no tanque a GLP (21).
- 3 Rode o motor até que todo o GLP seja eliminado da tubulação (o motor vai apagar).
- 4 DESLIGUE a chave de ignição (TT) e retire a chave.
- 5 Aplique o freio estacionário (F). **NOTA:** Aperte o freio estacionário/pedal de freio (F) e aperte seu pé para a frente.

RELATE QUALQUER DEFEITO OU MAL FUNCIONAMENTO OBSERVADO DURANTE A OPERAÇÃO AO SERVIÇO AUTORIZADO OU AO PESSOAL DE MANUTENÇÃO.

MANUTENÇÃO

Certifique-se de que a máquina seja mantida em perfeito estado, seguindo rigidamente o cronograma de manutenção. Os reparos, quando necessários, devem ser realizados pelo Centro de Serviço Autorizado da Advance, que emprega pessoal de manutenção treinado em fábrica e mantém um estoque de peças de reposição e acessórios originais da Advance.

NOTA: Consulte o Manual de Manutenção para mais detalhes sobre a manutenção e serviços de reparação.

CRONOGRAMA DE MANUTENÇÃO

Os intervalos de manutenção fornecidos são para condições operacionais normais. As máquinas usadas em condições operacionais severas podem necessitar de manutenção mais frequente.

ITEM DE MANUTENÇÃO	DIARIAMENTE
Executar os passos de manutenção "Após o uso"	X
Verificar freio estacionário	X
Verificar óleo do motor	X
*Limpar vassouras laterais e principais	X
Checar luzes e indicador do filtro (hidr. e de ar)	X
Checar nível de refrigerante do motor	X
Verificar o nível do óleo hidráulico	X

ITEM DE MANUTENÇÃO	15 h.	30 h.	150 h.	300 h.	1000 h.
*Girar vassoura principal	X				
Limpar bicos pulverizadores DustGuard (15) e peneira (30)	X				
*Inspeccionar/ajustar vassouras		X			
* Checar / limpar filtro de controle do pó da tremonha usando o método "A"		X			
*Inspeccionar saias do compartimento da escova		X			
*Inspeccionar vedações da tremonha		X			
Limpar radiador e resfriador de óleo		X			
Realizar manutenção no motor			X		
*Inspeccionar e engraxar a bobina de direção			X		
* Checar / limpar filtro de controle do pó da tremonha usando o método "B"			X		
* Checar / limpar filtro de controle do pó da tremonha usando o método "C"				X	
Trocar o filtro de óleo hidráulico					X
Trocar óleo hidráulico do reservatório					X
Lavar o radiador					X
Filtro(s) de combustível do motor					X

*Consulte o manual de serviços e reparos mecânicos para informações sobre manutenção dos sistemas listados. (Varredura, tremonha, direção, controle de pó).

NOTA: A limpeza do filtro de controle do pó da tremonha não é necessária em modelos com filtro tipo sacola livres de manutenção.

MANUTENÇÃO DA VASSOURA PRINCIPAL

Visto que o motor da vassoura principal sempre gira na mesma direção, as cerdas da mesma um dia ficarão tortas, reduzindo o desempenho de varredura. O desempenho da varredura pode ser melhorado removendo a vassoura e virando-a ao contrário (ponta a ponta). Este procedimento, conhecido como “virar” a vassoura principal, deve ser feito uma vez a cada 15 horas de operação. **NOTA:** Este procedimento não se aplica à vassoura em formato em V opcional.

Para um perfeito desempenho, a vassoura principal deve ser substituída quando as cerdas estiverem desgastadas até o comprimento de 2 polegadas (5,08 cm). O botão de ajuste da vassoura principal (**C**) deve ser reajustado quando a vassoura for trocada.

NOTA: A máquina deve ser armazenada com a vassoura principal levantada.

ADVERTÊNCIA!

O motor não pode estar funcionando quando realizar este procedimento.

CUIDADO!

Vassouras podem ter pontas afiadas. Use luvas para proteger as mãos.

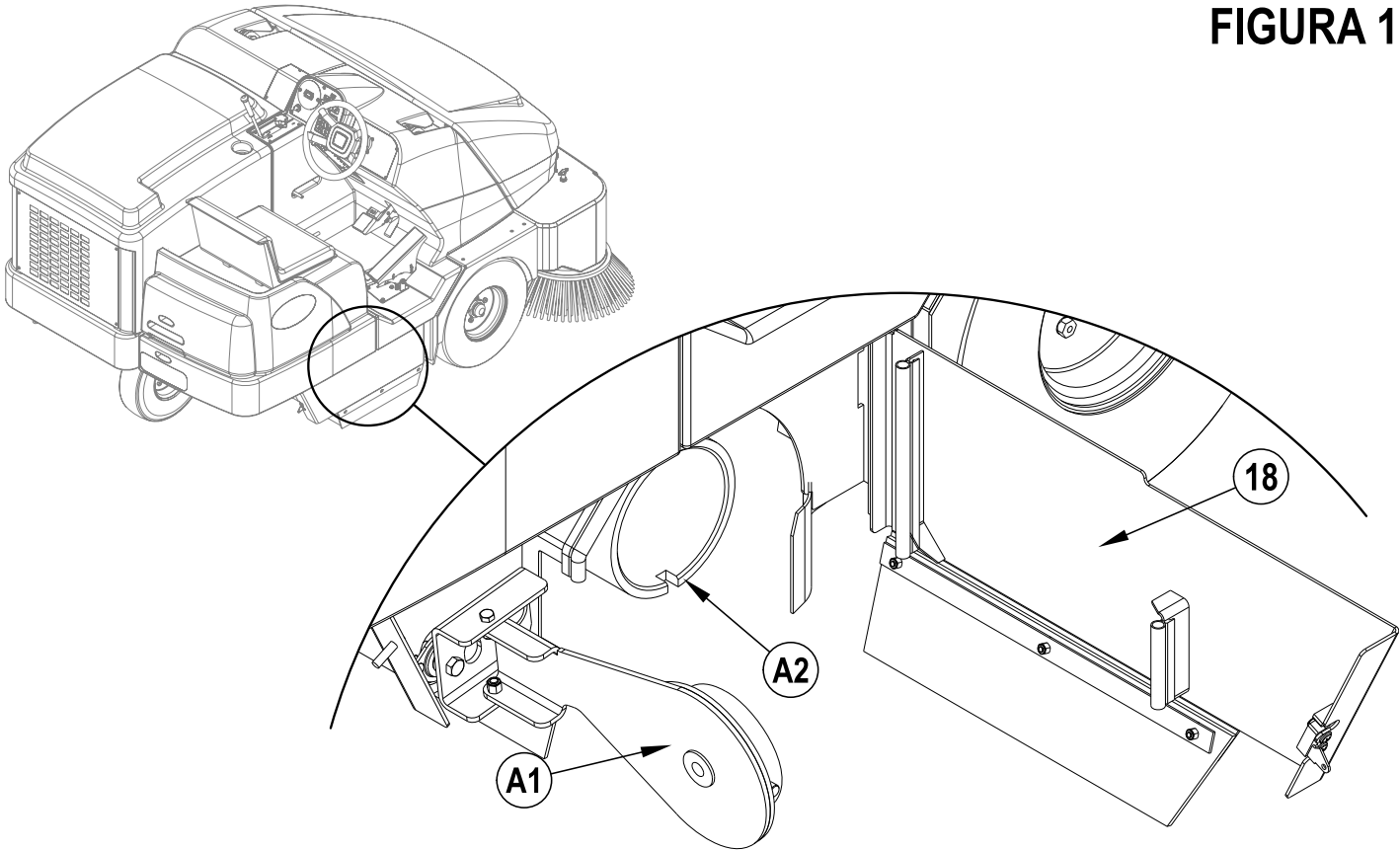
Para girar ou trocar a vassoura principal...

- 1 Desligue a ignição (**TT**).
- 2 Coloque a alavanca da vassoura principal (**B**) na posição PARA CIMA.
- 3 Abra o painel de acesso à vassoura principal do lado direito (**18**).
- 4 **Veja Figura 1.** Gire a unidade do braço tensor (**A1**) para fora do núcleo da vassoura principal. **NOTA:** O braço tensor é mantido no lugar pelo painel de acesso à vassoura principal do lado direito (**18**).
- 5 Puxe a vassoura principal (**A2**) para fora do seu compartimento e remova qualquer fiapo ou fio enrolado em torno dela. Também inspecione as saias na frente, atrás e nas laterais do compartimento da vassoura. As saias devem ser trocadas ou ajustadas se estiverem rasgadas ou desgastadas até uma altura de mais de 1/4 de polegada (6,35 cm) do chão.
- 6 Vire a vassoura ao contrário (ponta a ponta) e deslize-a de volta até o compartimento da vassoura. Certifique-se de que os suportes no núcleo da vassoura (lado esquerdo) engatam nas ranhuras no eixo da roda da vassoura e que esta esteja bem assentada.
- 7 Introduza o braço tensor de volta ao núcleo da vassoura. **NOTA:** Certifique-se de que os suportes no braço tensor engatam nas ranhuras no núcleo da vassoura.
- 8 Feche e trave o painel de acesso à vassoura principal do lado direito (**18**).

Para ajustar a altura da vassoura principal...

- 1 Conduza a máquina a uma área com solo nivelado e acione o freio estacionário.
- 2 Mova a alavanca da vassoura principal (**B**) para a posição SWEEP/VARRER (entalhe central) para abaixar a vassoura principal. **NÃO** mova a máquina.
- 3 Pressione levemente o acelerador FWD/REV (**G**) para iniciar a vassoura principal e repita três vezes. Isto faz a vassoura polir uma “faixa” no chão. Levante a vassoura, solte o freio estacionário e mova a máquina para que a faixa polida fique visível.
- 4 Inspeção a faixa polida no chão. Se a faixa polida for menor que 2 polegadas (5,08 cm) ou maior que 3 polegadas (7,62 cm) de largura, as vassouras precisam ser ajustadas.
- 5 Para ajustar, afrouxe o botão (**C**) e deslize para frente e para trás para abaixar ou levantar a vassoura principal. Quanto mais longe a alavanca (**B**) se deslocar para frente na ranhura, mais baixa a vassoura principal ficará. Aperte o botão (**C**) após ajustar a posição do suporte de parada.
- 6 Repita os passos de 1 a 5 até que a faixa polida fique entre 2-3 polegadas (5,08 - 7,62 cm) de largura.
A largura da faixa polida deve ser a mesma em ambas extremidades da vassoura. Se a faixa estiver afunilada, leve a máquina a uma área diferente e repita os passos de 1 a 5. Se a faixa polida ainda estiver afunilada, contate seu Revendedor da Advance para reparos.

FIGURA 1



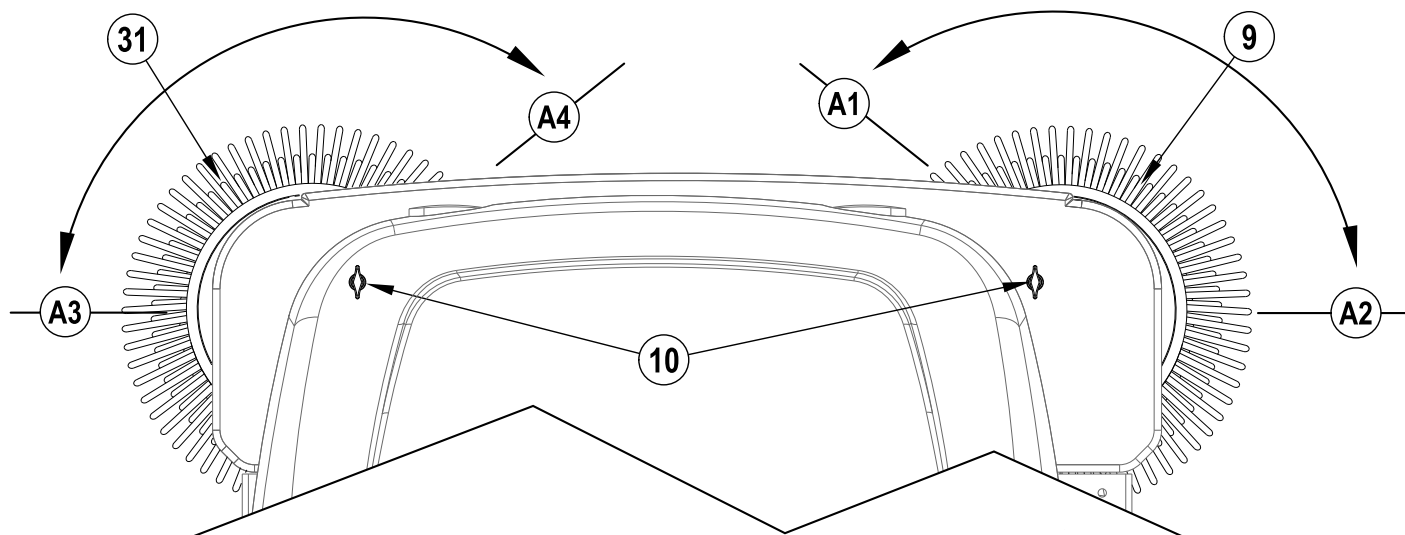
MANUTENÇÃO DA VASSOURA LATERAL

Para ajustar a vassoura lateral...

- 1 Conduza a máquina a uma área com solo nivelado e acione o freio estacionário.
- 2 Puxe a alavanca da vassoura principal (**B**) para trás e deslize-a à direita e para cima para abaixar as vassouras laterais.
- 3 **Veja Figura 2.** Quando estiver na posição para baixo, a vassoura lateral direita (**9**) deve estar encostando no chão desde a área mostrada das 10 horas (**A1**) até às 15 horas (**A2**). **NOTA:** A vassoura lateral esquerda opcional (**31**) deve estar encostando no chão desde a área de 9h (**A3**) até a área de 2h (**A4**).
- 4 Se uma das vassouras precisar de ajuste, gire o botão de ajuste da altura da vassoura lateral (**10**) tanto no sentido horário para levantar ou no sentido anti-horário para abaixar a vassoura lateral.

NOTA: A máquina deve ser armazenada com as vassouras laterais (**9 e 31**) levantadas. As vassouras laterais (**9 e 31**) devem ser trocadas quando as cerdas estiverem gastas em uma faixa de 3 polegadas (7,62 cm) ou caso se tornarem ineficazes. A altura da vassoura lateral deve ser reajustada sempre que a vassoura for trocada.

FIGURA 2



MANUTENÇÃO DA VASSOURA LATERAL

Para trocar a vassoura lateral...

- 1 **Veja Figura 3.** Levante a tremonha até que a vassoura lateral esteja quase na altura do peito.
- 2 **Agarre a vassoura lateral com as duas mãos e gire até que a extremidade do anel do pino de ligação (A1) esteja virada para a parte traseira da tremonha.** **NOTA:** As vassouras laterais só girarão livremente em uma direção.
- 3 **Remova o pino de ligação (A1) e retire a vassoura lateral (A2) do eixo do motor.**
- 4 **Deslize a nova vassoura sobre o eixo do motor, alinhe o furo do pino e reinstale o pino de ligação (A1).**

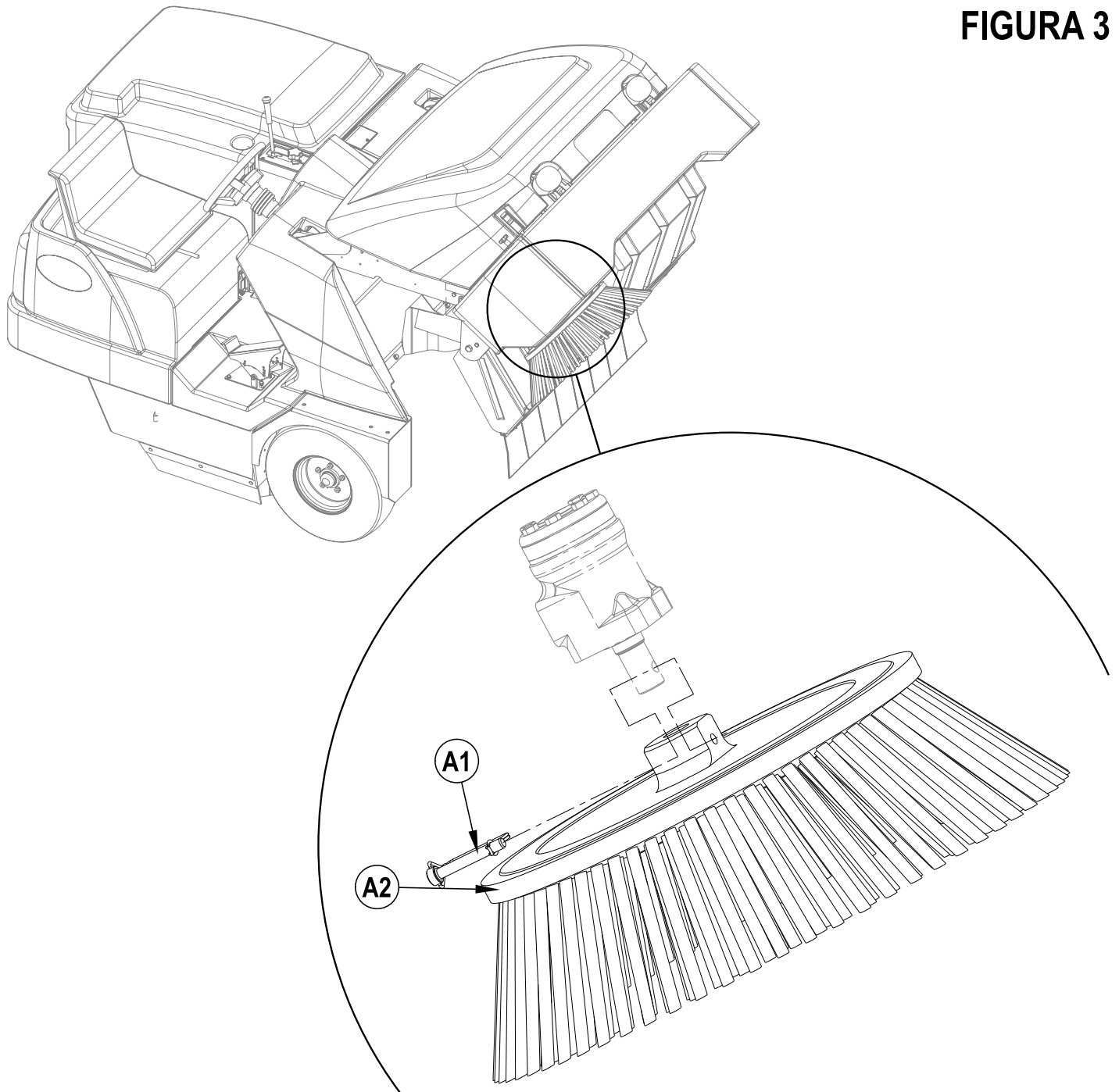


FIGURA 3

FILTRO DE CONTROLE DO PÓ DA TREMONHA (FILTRO PAINEL)

O filtro de controle do pó da tremonha deve ser limpadado regularmente para manter a eficiência do sistema de aspiração. Siga os intervalos recomendados para manutenção do filtro para conseguir vida útil máxima do filtro.

CUIDADO!

Use óculos de segurança quando limpar o filtro.

Não perfure o filtro de papel.

Limpe o filtro em um local bem ventilado.

Use máscara apropriada para evitar respirar o pó.

Para remover o filtro de controle do pó...

- 1 Destrave e abra a tampa da tremonha (16). Certifique-se de que a vara de sustentação da tampa da tremonha (17) esteja colocada no lugar.
- 2 Inspeção a parte superior do filtro de controle do pó da tremonha (12) para verificar se há algum dano. Uma grande quantidade de pó na parte superior do filtro geralmente é causada por um furo ou por danos nas gaxetas do filtro.
Inspeção o fundo do filtro de controle de pó da tremonha (12). Se o filtro estiver coberto por lama seca ou molhada, o sistema de controle de pó não funcionará corretamente sem a troca ou sem limpar totalmente o filtro usando o Método "C".
- 3 Remova os quatro botões retentores do conjunto agitador (13). Desloque o conjunto agitador do filtro de pó (11) para acessar o filtro painel.
- 4 Retire o filtro de controle do pó da tremonha (12) para fora da máquina.
- 5 **Limpe o filtro usando um dos métodos abaixo:**

Método "A"

Aspire a poeira solta do filtro. Depois **gentilmente** bata o filtro contra uma superfície plana (com o lado sujo para baixo) para remover o pó e a sujeira solta. **NOTA:** Cuidado para não danificar a borda de metal que se estende além das gaxetas.

Método "B"

Aspire a poeira solta do filtro. Depois aplique ar comprimido (pressão máxima 100 psi) na parte limpa do filtro (na direção oposta do fluxo de ar).

Método "C"

Aspire a poeira solta do filtro. Depois embeba o filtro em água morna por 15 minutos, depois enxágue-o sob um fluxo de água suave (pressão máxima 40 psi). Deixe o filtro secar completamente antes de colocá-lo de volta na máquina.

- 6 Siga as instruções na ordem reversa para instalar o filtro. Se a gaxeta no filtro estiver rasgada ou se ausente, ela deve ser trocada. **NOTA:** Antes de trocar o filtro, limpe os resíduos da placa de pó localizada sob o filtro. Comprove que a aba de resíduos na parte de trás da placa de pó move-se facilmente

LIMPEZA DO RADIADOR HIDRÁULICO E RADIADOR DO MOTOR

O radiador hidráulico e o radiador do motor devem ser limpados de vez em quando para evitar superaquecimento e desgaste prematuro do motor e dos sistemas hidráulicos. Siga os intervalos de serviço recomendados.

CUIDADO!

Use óculos de segurança quando limpar o radiador do motor e o trocador de calor hidráulico.

- 1 Incline a tampa do compartimento do motor para trás (1). Desconecte o cabo trava no lado esquerdo da tampa do compartimento do motor para permitir inclinar totalmente para trás e que não atrapalhe.
- 2 Gire o mecanismo de bloqueio no alto do radiador hidráulico para permitir que o trocador de calor hidráulico incline-se totalmente para trás e para longe do radiador para fácil acesso e limpeza.
- 3 Aplique ar no radiador do motor e no radiador hidráulico e/ou use água à baixa pressão para retirar dejetos das aletas.

NOTA: Não use lavador à pressão ou escova mecânica para limpar as aletas, visto que isto pode causar danos às mesmas. Caso as aletas entortem, endireite-as para melhorar o desempenho de refrigeração.

- 4 Restaure o radiador hidráulico na posição levantado e trave no lugar
- 5 Reconecte o cabo da tampa do compartimento do motor (1) e retorne a tampa totalmente à posição operacional normal

ÓLEO HIDRÁULICO

Destrave e abra a tampa do tanque de combustível/ reservatório de óleo (20). Remova a tampa do reservatório para checar o nível do óleo. O nível do óleo hidráulico deve estar na metade superior do filtro de tela dentro do gargalo do reservatório. Acrescente óleo de motor SAE 10W30 se este estiver abaixo deste nível. Troque o óleo caso ocorra maior contaminação devido à falha mecânica.

ÓLEO DO MOTOR - À GASOLINA E GLP

Verifique o nível do óleo do motor quando a máquina estiver estacionada em uma superfície plana e o motor estiver frio. Troque o óleo do motor após as primeiras 35 horas de operação e a cada 150 horas depois disto. Use qualquer óleo com classificação SF ou SG atendendo às especificações do API e adequado a temperaturas sazonais. Consulte a seção Sistema do motor para as capacidades do óleo e especificações adicionais do motor. Troque o filtro de óleo em cada troca de óleo.

VARIAÇÃO DA TEMPERATURA

Acima de 60° F (15° C)
Abaixo de 60° F (15° C)

VISCOSIDADE DO ÓLEO

SAE 10W-30
SAE 5W-30

ÓLEO DO MOTOR - A DIESEL

Verifique o nível do óleo do motor quando a máquina estiver estacionada em uma superfície plana e o motor estiver frio. Troque o óleo do motor após as primeiras 35 horas de operação e a cada 150 horas depois disto. Use óleo CF, CF-4 ou CG-4 atendendo às especificações do API e temperaturas adequadas (*abaixo, anotações importantes sobre o tipo de combustível/óleo para referência para mais recomendações de diesel e óleo). Consulte a seção Sistema do motor para as capacidades do óleo e especificações adicionais do motor. Troque o filtro de óleo em cada troca de óleo.

VARIAÇÃO DA TEMPERATURA

Acima 77 °F (25 °C)
32 °F a 77 °F (0 °C a 25 °C)
Abaixo de 32 °F (0 °C)

VISCOSIDADE DO ÓLEO

SAE 30 ou 10W-30
SAE 20 ou 10W-30
SAE 10W ou 10W-30

* Nota sobre óleo lubrificante para diesel:

Com o controle de emissões em vigor agora, os óleos lubrificantes CF-4 e CG-4 foram desenvolvidos para uso de um combustível com baixo teor de enxofre em motores de veículos em estradas. Quando um motor de um veículo fora da estrada roda com combustível com alto teor de enxofre, é recomendável aplicar o óleo lubrificante CF, CD ou CE com um número de base total (TBN) alto. Caso o óleo lubrificante CF-4 ou CG-4 for usado com um combustível com alto teor de enxofre, troque o óleo lubrificante em intervalos curtos.

- É recomendado óleo lubrificante quando é aplicado um combustível com baixo ou alto teor de enxofre.

Classe do óleo lubrificante	Combustível		Observações
	Baixo teor de enxofre (0.5 % ≥)	Alto teor de enxofre	
CF	O	O	TBN ≥ 10
CF-4	O	X	
CG-4	O	X	

O : Recomendável

X : Não recomendável

LÍQUIDO REFRIGERANTE DO MOTOR

Abra a tampa do compartimento do motor (1) e observe o nível do refrigerante no seu tanque de recuperação (22). Se o nível estiver baixo, adicione uma mistura com metade de água e metade de óleo automotivo tipo anti-congelante.

⚠ CUIDADO!

Não remova a tampa do radiador (23) quando ele estiver quente.

FILTRO DE AR DO MOTOR

Verifique o indicador de serviço do filtro de ar do motor (24) antes de cada utilização da máquina. Não faça nenhum reparo no filtro de ar, a menos que o sinal vermelho esteja visível no indicador de serviço. **NOTA:** Após limpar ou trocar o filtro de ar do motor, o indicador de serviço pode ser reiniciado pressionando a ponta do indicador.

⚠ CUIDADO!

Quando estiver fazendo reparos nos elementos do filtro de ar do motor, tenha muito cuidado para evitar que o pó solto entre no motor. O pó pode danificar seriamente o motor.

O filtro de ar do motor contém um elemento de filtro Principal (externo) e um elemento de Segurança (interno). O elemento principal pode ser limpadado duas vezes antes de ser trocado. O elemento de segurança deve ser trocado em cada três vezes que o elemento principal for trocado.

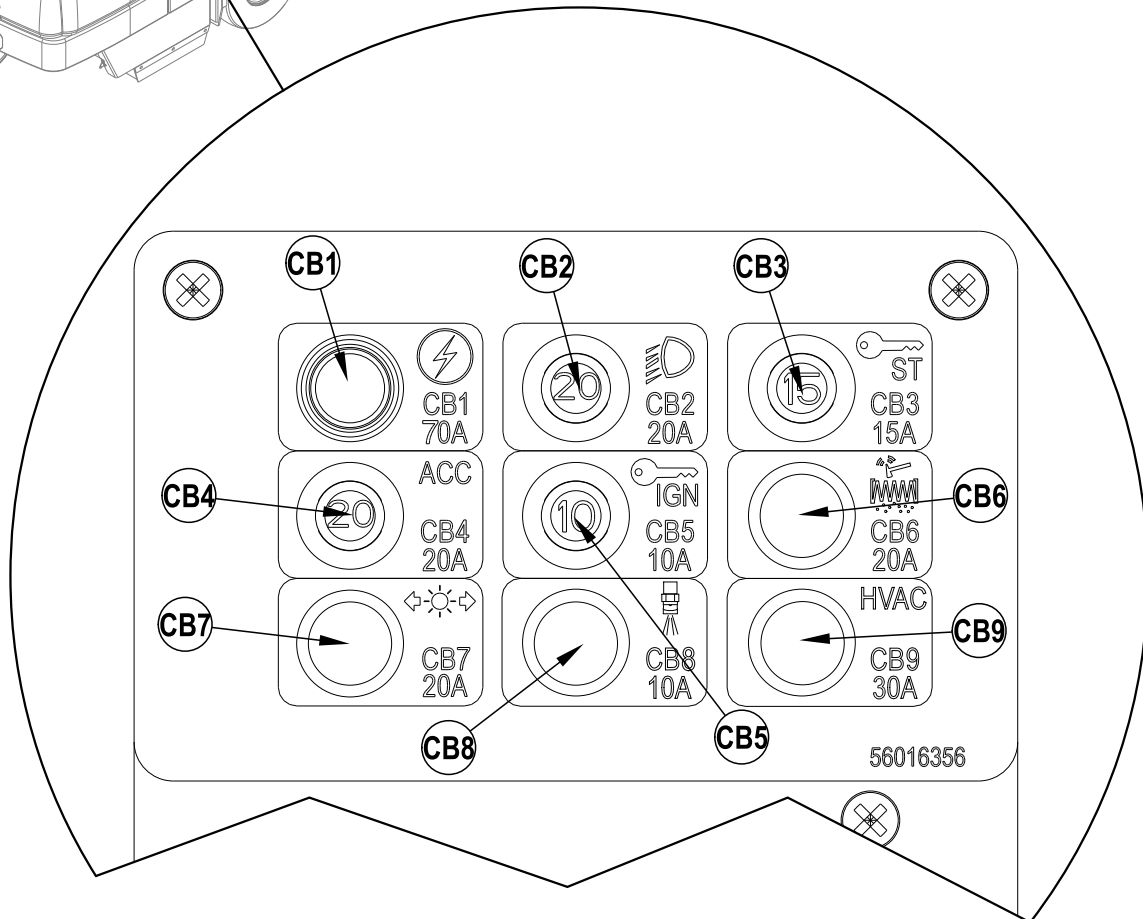
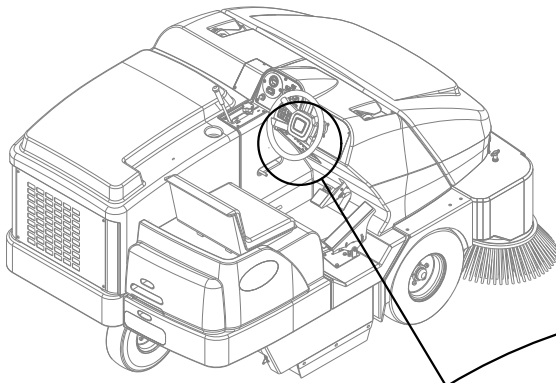
Nunca tente limpar o elemento de segurança interno.

Para limpar o elemento de filtro principal, abra os dois grampos no final do filtro de ar e remova o compartimento da extremidade. Retire o elemento principal. Limpe o elemento com ar comprimido (pressão máxima 100 psi) ou lave-o com água (pressão máxima 40 psi). NÃO ponha o elemento de volta no cartucho até que ele esteja completamente seco.

Retire o pó do compartimento plástico externo sacudindo a aba de borracha. Oriente a aba para baixo quando reinstalar.

LOCAIS DOS DISJUNTORES

- CB1 Principal (70A)
- CB2 Faróis dianteiros (20A)
- CB3 Arranque (15A)
- CB4 Auxiliar (20A)
- CB5 Ignição (10A)
- CB6 Agitador (20A)
- CB7 Setas (20A)
- CB8 Vaporizador (10A)
- CB9 Ar-condicionado (30A)



RESOLUÇÃO DE PROBLEMAS

Caso as possíveis causas abaixo não sejam a fonte do problema, pode ser um sintoma de algo mais sério. Contate seu centro de atendimento da Advance imediatamente.

DESARME DOS DISJUNTORES

Os disjuntores estão localizados no painel de disjuntores (**H**), eles protegem circuitos elétricos e motores de danos devido a condições de sobrecarga. Se um disjuntor desarmar, tente determinar a causa.

A possível causa do disjuntor principal (CB1 / 70 Amp) pode ser:

- 1 Curto-circuito elétrico ou sobrecarga (peça ao seu centro de atendimento da Advance ou a um eletricista qualificado para verificar a máquina).

A possível causa do disjuntor do farol dianteiro (CB2 / 20 Amp) pode ser:

- 1 Curto-circuito elétrico ou sobrecarga (peça ao seu centro de atendimento da Advance ou a um eletricista qualificado para verificar a máquina).

A possível causa do disjuntor do arranque (CB3 / 15 Amp) pode ser:

- 1 Curto-circuito elétrico ou sobrecarga (peça ao seu centro de atendimento da Advance ou a um eletricista qualificado para verificar a máquina).

A possível causa do disjuntor auxiliar (CB4 / 20 Amp) pode ser:

- 1 Curto-circuito elétrico ou sobrecarga (peça ao seu centro de atendimento da Advance ou a um eletricista qualificado para verificar a máquina).

A possível causa do disjuntor da ignição (CB5/ 10 Amp) pode ser:

- 1 Curto-circuito elétrico ou sobrecarga (peça ao seu centro de atendimento da Advance ou a um eletricista qualificado para verificar a máquina).

A possível causa do disjuntor do agitador (CB6 / 20 Amp) pode ser:

- 1 Curto-circuito elétrico ou sobrecarga (peça ao seu centro de atendimento da Advance ou a um eletricista qualificado para verificar a máquina).

A possível causa do disjuntor das setas (CB7 / 20 Amp) pode ser:

- 1 Curto-circuito elétrico ou sobrecarga (peça ao seu centro de atendimento da Advance ou a um eletricista qualificado para verificar a máquina).

A possível causa do disjuntor do vaporizador (CB8 / 10 Amp) pode ser:

- 1 Curto-circuito elétrico ou sobrecarga (peça ao seu centro de atendimento da Advance ou a um eletricista qualificado para verificar a máquina).

A possível causa do disjuntor do ar-condicionado (CB9 / 30 Amp) pode ser:

- 1 Curto-circuito elétrico ou sobrecarga (peça ao seu centro de atendimento da Advance ou a um eletricista qualificado para verificar a máquina).

Assim que o problema tenha sido solucionado, aperte o botão para reiniciar o disjuntor. Se o botão não ficar acionado, aguarde 5 minutos e tente novamente. Se o disjuntor desarmar repetidamente, chame seu centro de atendimento da Advance para reparos.

RESOLUÇÃO DE PROBLEMAS

Se as possíveis causas abaixo não forem a fonte do problema, pode ser um sintoma de algo mais sério. Contate seu centro de atendimento da Advance imediatamente.

A MÁQUINA NÃO LIGA

As possíveis causas podem ser:

- 1 O acelerador FWD/REV não está na posição neutra (certifique-se de que o pedal esteja na posição neutra)
- 2 A posição neutra do acelerador não está ajustada corretamente (contate seu centro de atendimento da Advance)
- 3 A bateria não está conectada ou está inativa (conecte ou carregue a bateria)
- 4 A máquina está sem combustível ou a válvula do tanque de GLP não está aberta (reabasteça ou abra a válvula do tanque de GLP)
- 5 Disjuntor(es) desarmado(s) (restaure qualquer disjuntor desarmado)

A MÁQUINA NÃO SE MOVE

As possíveis causas podem ser:

- 1 Freio estacionário (F) acionado (libere-o)
- 2 Válvula de reboque na posição errada (ajuste corretamente)
- 3 Disjuntor(es) desarmado(s) (restaure qualquer disjuntor desarmado)

A VASSOURA PRINCIPAL NÃO FUNCIONA

As possíveis causas podem ser:

- 1 Motor não ajustado em alta rpm (aperte o botão de velocidade do motor **(GG)**)
- 2 Resíduos enganchados ao redor do motor da vassoura (remova os resíduos)
- 3 A tremonha não está abaixada completamente (abaixe-a completamente)
- 4 Disjuntor(es) desarmado(s) (restaure qualquer disjuntor desarmado)

A VASSOURA LATERAL NÃO FUNCIONA

As possíveis causas podem ser:

- 1 Motor não ajustado em alta rpm (aperte o botão de velocidade do motor **(GG)**)
- 2 Certifique-se que o botão OFF da vassoura lateral não esteja selecionado (aperte o botão para LIGAR)
- 3 Resíduos enganchados ao redor do motor da vassoura (remova os resíduos)
- 4 A tremonha não está abaixada completamente (abaixe-a completamente)
- 5 Disjuntor(es) desarmado(s) (restaure qualquer disjuntor desarmado)

A TREMONHA NÃO LEVANTA

As possíveis causas podem ser:

- 1 Motor não ajustado em alta rpm (aperte o botão de velocidade do motor **(GG)**)
- 2 Disjuntor(es) desarmado(s) (restaure qualquer disjuntor desarmado)

A PORTA DA TREMONHA NÃO ABRE

As possíveis causas podem ser:

- 1 Porta de descarga congestionada por resíduos (remova os resíduos e limpe as bordas da câmara de pó)
- 2 Disjuntor(es) desarmado(s) (restaure qualquer disjuntor desarmado)

O MOTOR DO AGITADOR NÃO FUNCIONA

As possíveis causas podem ser:

- 1 Disjuntor(es) desarmado(s) (restaure qualquer disjuntor desarmado)
- 2 Conexão elétrica ao motor do agitador desconectada (conecte o motor do agitador)

O SISTEMA DE CONTROLE DO PÓ (IMPULSOR) NÃO FUNCIONA

As possíveis causas podem ser:

- 1 Disjuntor(es) desarmado(s) (restaure qualquer disjuntor desarmado)
- 2 Certifique-se de que o botão de controle de pó OFF não esteja selecionado (aperte o botão para LIGAR)

O SISTEMA DE VAPORIZAÇÃO DA VASSOURA LATERAL DUSTGUARD NÃO FUNCIONA

As possíveis causas podem ser:

- 1 Botão DustGuard **(V)** não está ligado (ligue o botão DustGuard)
- 2 A alavanca da vassoura principal **(B)** não está acionada (abaixe a vassoura lateral)
- 3 O tanque de água está vazio (encha o tanque de água **(28)**)
- 4 Os bicos de vaporização **(15)** estão entupidos (limpe-os **(15)**)

ACESSÓRIOS/OPÇÕES

Além dos componentes padrão, a máquina pode ser equipada com os seguintes acessórios/opções, de acordo com o uso específico da máquina:

- Vassouras principais e laterais com cerdas mais duras ou mais macias
- Filtro de pó de poliéster resistente à água
- Sensor de filtro obstruído
- Sistema DustGuard
- Extintor de incêndio
- Luz de trabalho
- Luz estroboscópica âmbar
- Rodas sem marcação
- Volante inclinado
- Assento do condutor com suspensões
- Cintos de segurança
- Proteção às vassouras laterais
- Exaustão com proteção contra faíscas
- Placa de fundo da tremonha de metal
- Admissão de ar do motor elevada com pré-filtro
- Proteção sobre a cabeça
- Toldo de proteção sobre a cabeça
- Espelhos retrovisores
- Pára-choque traseiro de metal
- Vassoura lateral esquerda
- Cabine embutida
- Tapete
- Relógios para motor
- Sensor de alta temperatura da tremonha
- Alarme sonoro de segurança
- Cauda, freio e setas
- Pneus enchidos com espuma
- Pneus sólidos

Para mais informações sobre os acessórios mencionados acima, contate um revendedor autorizado.

ESPECIFICAÇÕES TÉCNICAS (conforme instaladas e testadas na unidade)

Modelo		SW8000 4 cil. GLP	SW8000 4 cil. Gasolina	SW8000 4 cil. Diesel
Nº modelo		56107503	56107501	56107505
Grau de proteção		IPX3	IPX3	IPX3
Nível de pressão acústica (IEC 60335-2-72: Ed 3 2012, ISO 11201)	dB(A)	80.6dB LpA, 3dB KpA	80.6dB LpA, 3dB KpA	82.78dB LpA, 3dB KpA
Nível de potência acústica (IEC 60335-2-72: Ed 3 2012, ISO 3744)	dB(A)	102.3 dB LWA	102.3 dB LWA	106.3 dB LWA
Peso bruto	lb / kg	4426 / 2007	4426 / 2007	4426 / 2007
Peso líquido	lb / kg	3075 / 1395	3075 / 1395	3075 / 1395
Carga máxima da roda em solo (dianteira direita)	psi/ N/mm ²	72 / 0.496	72 / 0.496	65 / 0.448
Carga máxima da roda em solo (dianteira esquerda)	psi/ N/mm ²	63 / 0.434	63 / 0.434	65 / 0.448
Carga máxima da roda em solo (traseira central)	psi/ N/mm ²	71 / 0.489	71 / .489	76 / 0.524
Vibrações nos controles manuais (ISO 5349-1)	m/s ²	1,08 m/s ²	1,08 m/s ²	1,5 m/s ²
Vibrações no assento (ISO 2631-1)	m/s ²	0,15 m/s ²	0,15 m/s ²	0,16 m/s ²
Capacidade de rampa		20%(11.3°)	20%(11.3°)	20%(11.3°)
Modelo		SW8000 (cab) 4 cil. GLP	SW8000 (cab) 4 cil. Gasolina	SW8000 (cab) 4 cil. Diesel
Nº modelo		56107509	56107507	56107511
Grau de proteção		IPX3	IPX3	IPX3
Nível de pressão acústica (IEC 60335-2-72: Ed 3 2012, ISO 11201)	dB(A)	80.6dB LpA, 3dB KpA	80.6dB LpA, 3dB KpA	82.78dB LpA, 3dB KpA
Nível de potência acústica (IEC 60335-2-72: Ed 3 2012, ISO 3744)	dB(A)	102.3 dB LWA	102.3 dB LWA	106.3 dB LWA
Peso bruto	lb / kg	4775 / 2165	4775 / 2165	4775 / 2165
Peso líquido	lb / kg	3424 / 1553	3424 / 1553	3424 / 1553
Carga máxima da roda em solo (dianteira direita)	psi/ N/mm ²	72 / 0.496	72 / 0.496	65 / 0.448
Carga máxima da roda em solo (dianteira esquerda)	psi/ N/mm ²	63 / 0.434	63 / 0.434	65 / 0.448
Carga máxima da roda em solo (traseira central)	psi/ N/mm ²	71 / 0,489	71 / .489	76 / 0.524
Vibrações nos controles manuais (ISO 5349-1)	m/s ²	1,08 m/s ²	1,08 m/s ²	1,5 m/s ²
Vibrações no assento (ISO 2631-1)	m/s ²	0,15 m/s ²	0,15 m/s ²	0,16 m/s ²
Capacidade de rampa		20%(11.3°)	20%(11.3°)	20%(11.3°)



Nilfisk-Advance Equipamentos de Limpeza Ltda.
Av. Dep. Emílio Carlos, 2.499 - Bairro do Limão - 02721-200
São Paulo - SP - Brasil
www.nilfisk-advance.ind.br
www.plataforma.ind.br
Tel.: (11) 3959-0300
Fax: (11) 3959-0306
©2012 Nilfisk-Advance, Inc.



14600 21st Avenue North
Plymouth, MN 55447-3408
www.advance-us.com
Phone: 800-989-2235
Fax: 800-989-6566
©2012 Nilfisk-Advance, Inc.

A Nilfisk-Advance Brand