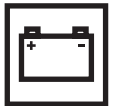
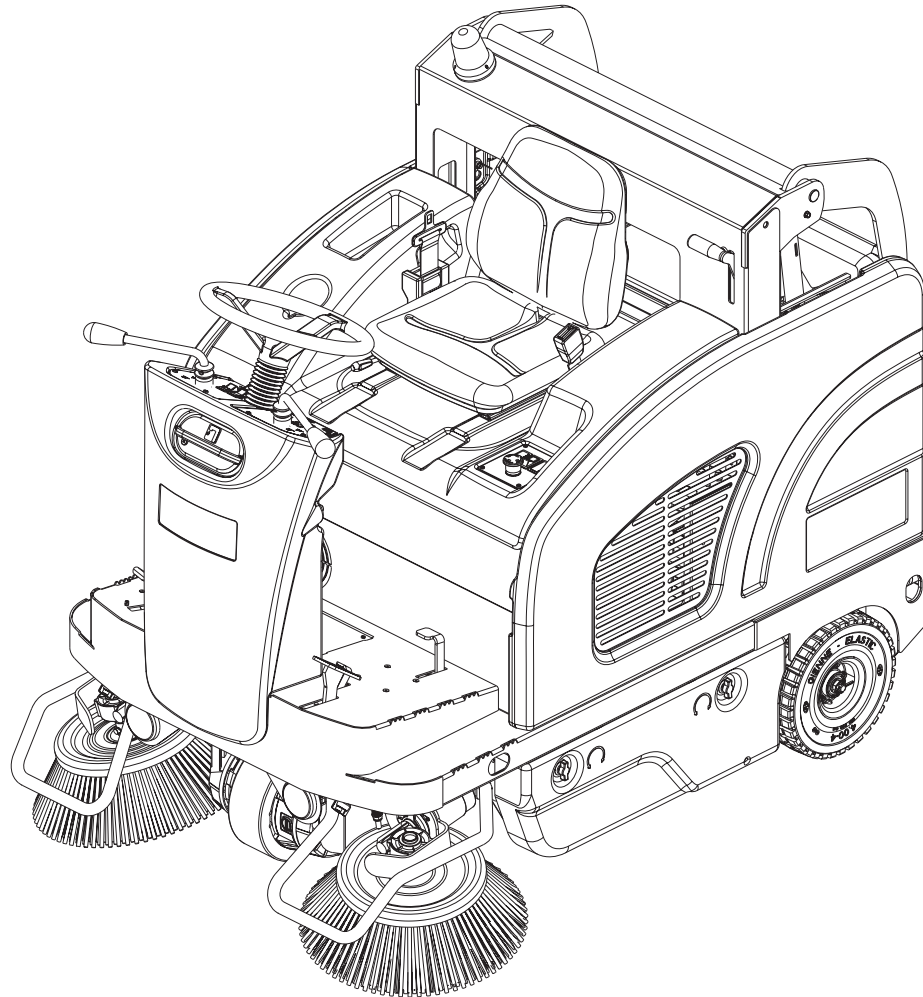


SW4000



PARTS LIST

Advance model: 9084403010

TABLE OF CONTENTS

ENG	PAGE
GENERAL VIEW	2 - 3
FRAME SYSTEM	4 - 7
EXTENSIBLE ARM	8 - 9
FRAME	10 - 13
SEAT COVER	14 - 15
LATERAL COVERS	16 - 17
ELECTRIC WHEEL	18 - 19
MOTOR WHEEL	20 - 21
RIGHT BROOM	22 - 23
LEFT BROOM	24 - 25
MAIN BROOM	26 - 27
BROOM CLOSING	28 - 29
MAIN BROOM ADJUSTMENT	30 - 31
FRONT LIFT FLAP	32 - 33
VACUUM SYSTEM	34 - 35
PANEL FILTER	36 - 37
LIFTING ARMS	38 - 39
HOPPER SYSTEM	40 - 41
PEDAL BRAKE	42 - 43
ACCELERATOR PEDAL	44 - 45
STEERING COLUMN	46 - 47
BROOM LEVERS	48 - 49
CONTROL PANEL	50 - 51
CONTROL PANEL COVER	52 - 53
ELECTRIC SYSTEM	54 - 55
HYDRAULIC SYSTEM	56 - 57
BATTERIES	58 - 59
GUARD LEFT/RIGHT SIDE BROOM	60 - 61
FLOOR MAT AND BEACON	62 - 63
ACCESSORIES	64 - 69
WIRING SYSTEM	70 - 71
RECOMMENDED SPARE PARTS	72
OPTIONALS	73

WHEN ORDERING PARTS

- * Use the part numbers from the "Ref. No." columns in this parts list.
- * Specify the model and serial number of the machine.
- * Use the space below to record the model and serial number for future reference.

Model

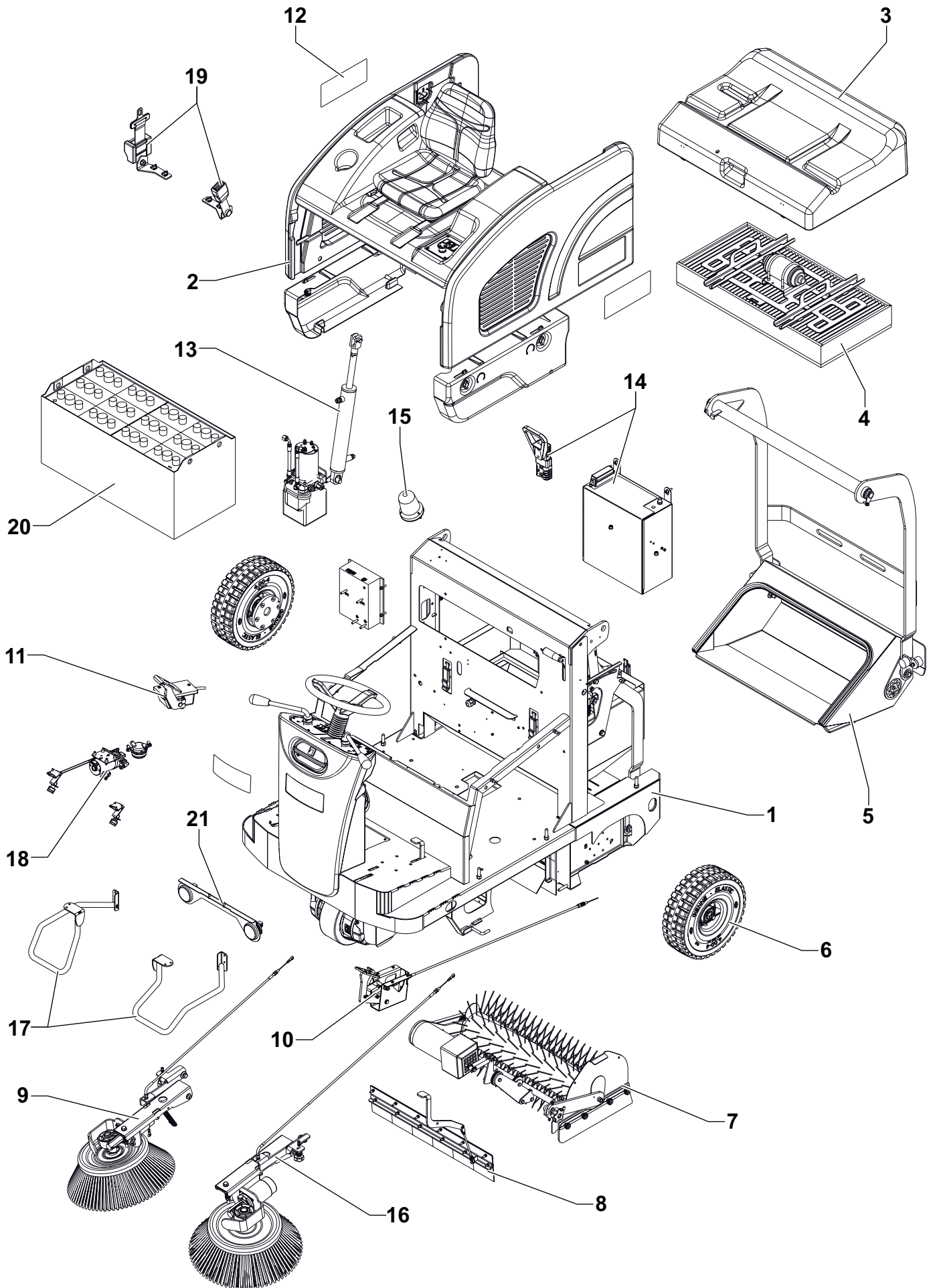
Serial No.

* = Optional

= Modified item No. or New item No.

[] = Not shown

GENERAL VIEW

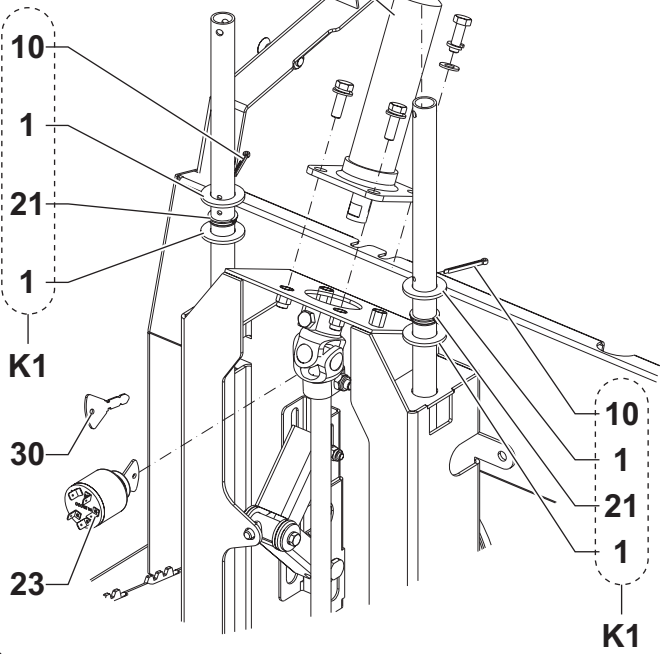


GENERAL VIEW

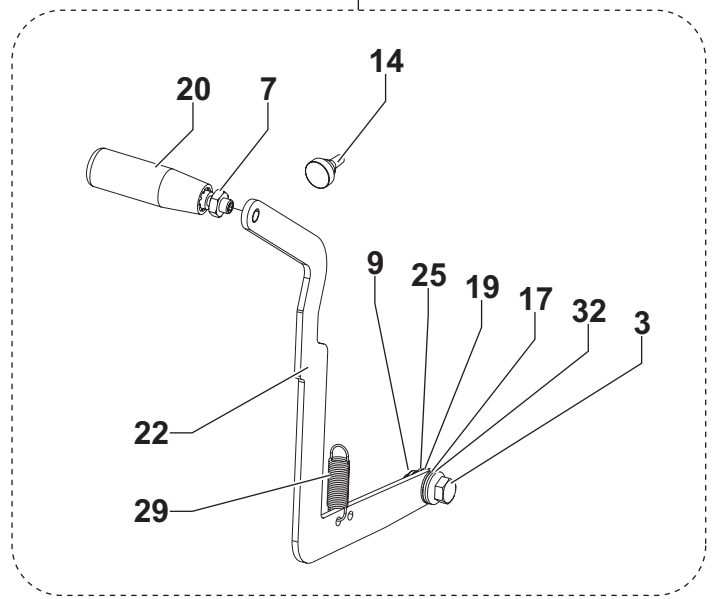
ITEM	REF. NO.	QTY	DESCRIPTION
1	-		CHASSIS ASSY
2	-		COVERS AND COFFINS ASSY
3	-		VACUUM COVER ASSY
4	-		PANEL FILTER ASSY
5	-		HOPPER ASSY
6	-		REAR WHEELS ASSY
7	-		CENTRAL BROOM ASSY
8	-		FRONT FLAP ASSY
9	-		RIGHT BROOM ASSY
10	-		BRAKE PEDAL ASSY
11	-		ACCELERATOR PEDAL ASSY
12	1464832000	1	DECALS SW4000 B ADVANCE KIT
13	-		HYDRAULIC SYSTEM ASSY
14	-		ELECTRIC SYSTEM ASSY
15	-		FLASHING LIGHT ASSY
16	-		LEFT BROOM ASSY
17	-		SIDE BROOM GUARD ASSY
18	-		DUSTGUARD SYSTEM ASSY (OPTIONAL)
19	-		SAFETY BELTS ASSY (OPTIONAL)
20	-		BATTERY ASSY (OPTIONAL)
21	-		WORKING LIGHT ASSY (OPTIONAL)

FRAME SYSTEM

SEE STEERING
COLUMN ASSY

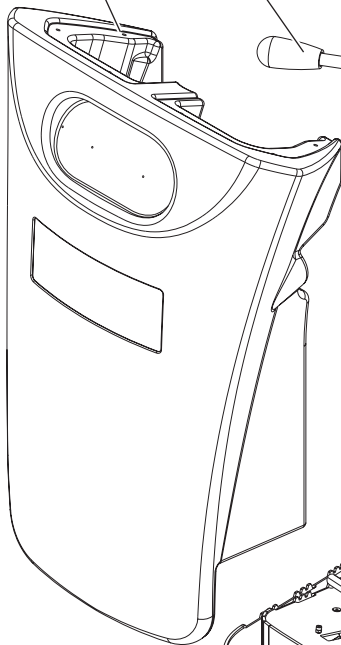


K2

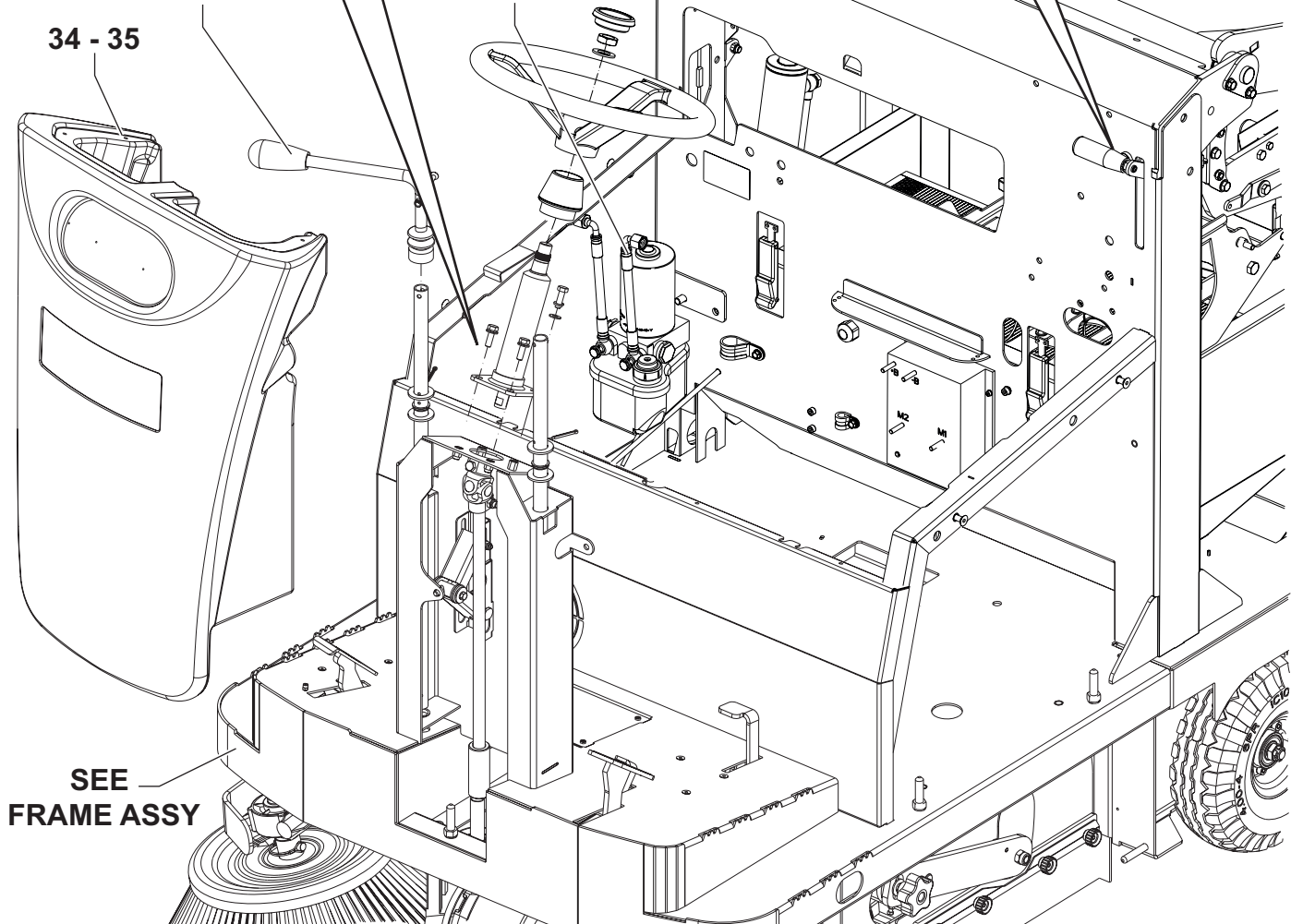


SEE LEVERS
BROOM ASSY

34 - 35



SEE HYDRAULIC
SYSTEM ASSY

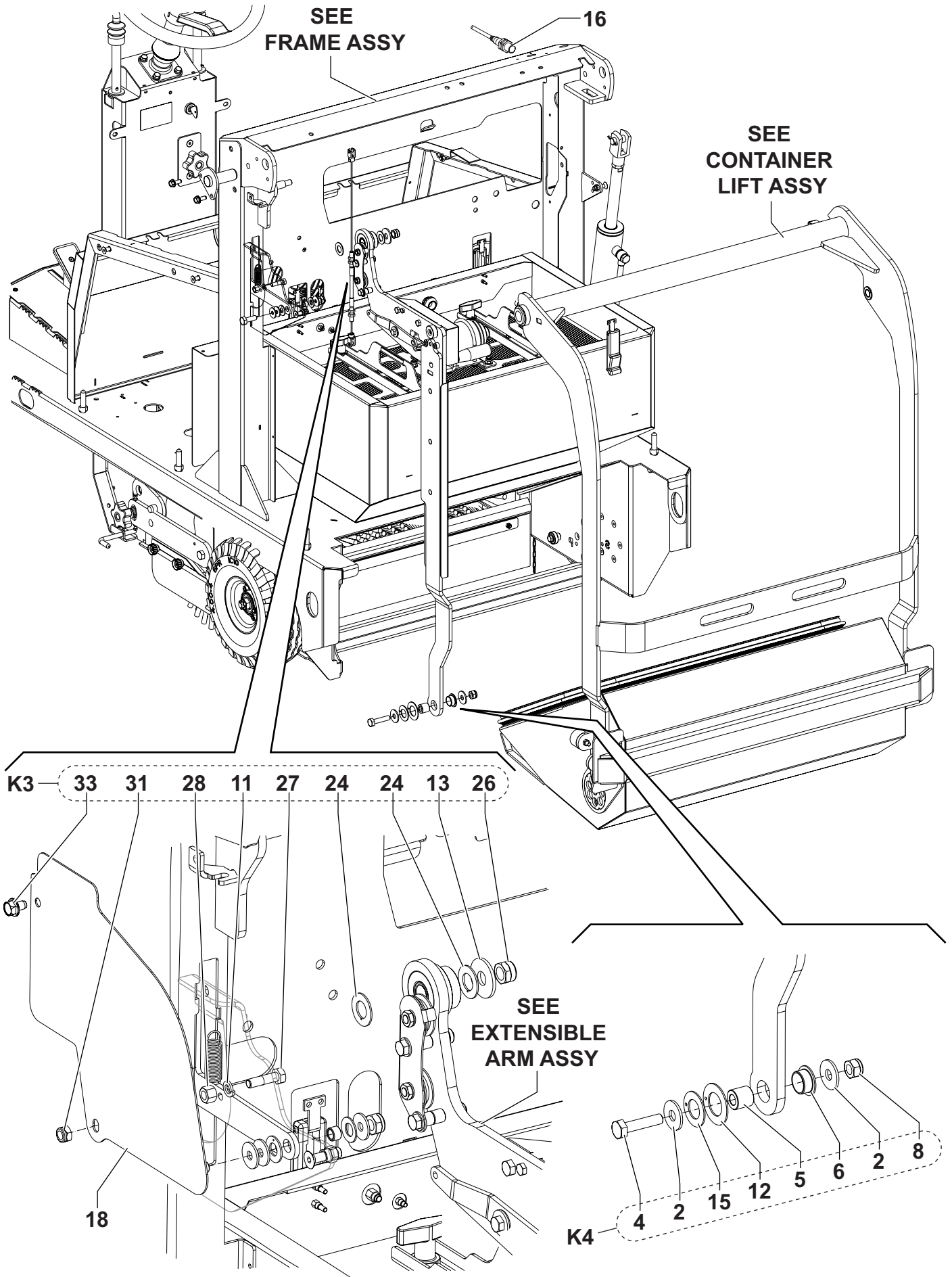


SEE
FRAME ASSY

FRAME SYSTEM

	ITEM	REF. NO.	QTY	DESCRIPTION
K1	1		4	WASHER, FLAT 21x37
K4	2		2	WASHER, FLAT XL 10.5x30x2.5
K2	3		1	SCREW, HEX THD TO HD M10x30
K4	4		1	SCREW, HEX THD TO HD M10x45
K4	5		1	PIN HOPPER
K4	6		1	BUSHING GFM-2023-11
K2	7		1	NUT, HEX THIN M10
K4	8		1	NUT, HEX NYL LOC HVY M10
K2	9		1	NUT, HEX NYL LOC THIN M10
K1	10		4	PIN, COTTER
K3	11		1	WASHER, SPLIT LOCK d.8
K4	12		1	BEARING GTM-2442-015
K3	13		1	WASHER, FLAT XL
K2	14		1	BUMPER, RUBBER
K4	15		1	FIFTH WHEEL GTM-2036-015
	16	33018521	1	SENSOR, PROXIMITY (S1)
K2	17		1	BUSHING IGUS 12x24x1.5
	18	1465286000	1	COVER
K2	19		1	SPACER
K2	20		1	ROTATING HANDLE
K1	21		3	BUSHING IGLIDUR MCM-20-03
K2	22		1	LEVER HOPPER RELEASE
	23	33020442	1	KEY START ASSY WITH SPAREKEY KIT (SW1)
K3	24		2	BUSHING IGUS 16x30x1.5
K2	25		1	BELLEVILLE WASHER 12,2 X 23 X 1,25
K3	26		1	NUT, HEX NYL LOC THIN M12
K3	27		1	SCREW, HEX THD TO HD M8x25 SS
K3	28		1	NUT HEX HVY M8
K2	29	1463356000	1	SPRING
	30	146 0073 00	1	KEY
K3	31		1	NUT, HEX NYL LOC THIN M8
K2	32		3	WASHER, FLAT XL
K3	33		1	THREAD ROLLING SCREW M8X12
	34	1464178000	1	COVER FRONT
	35	1464598000	1	TANK WATER (FOR DUSTGUARD KIT)
K1	1465031000		1	HARDWARE KIT HW FOR LEVERS BROOM KIT
K2	1464915000		1	LEVER RELEASE CONTAINER KIT
K3	1465034000		1	HW HOPPER RELEASE MAIN LEVER KIT
K4	1465035000		1	HARDWARE FOR TELESCOPIC ARM KIT

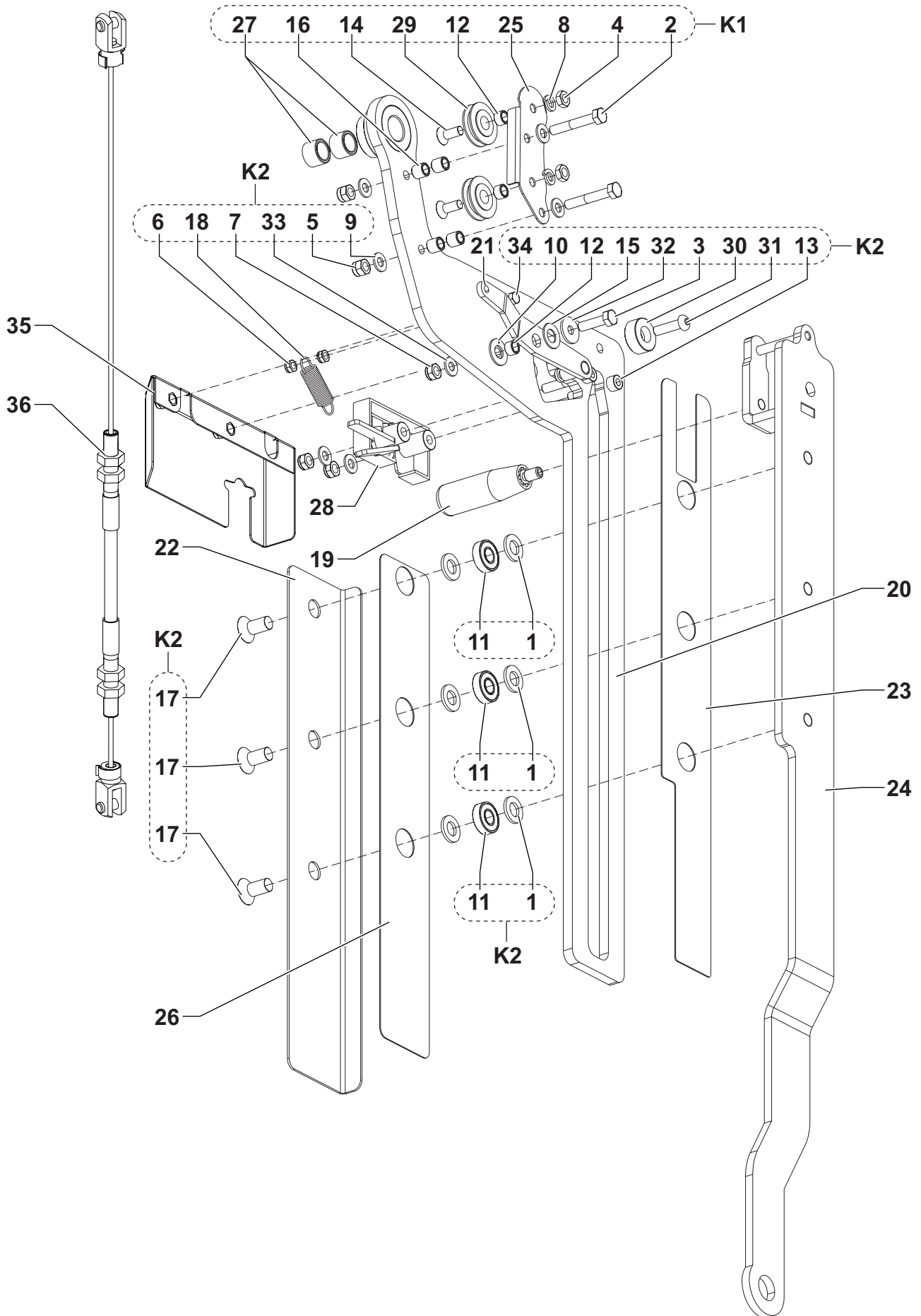
FRAME SYSTEM



FRAME SYSTEM

	ITEM	REF. NO.	QTY	DESCRIPTION
K1	1		4	WASHER, FLAT 21x37
K4	2		2	WASHER, FLAT XL 10.5x30x2.5
K2	3		1	SCREW, HEX THD TO HD M10x30
K4	4		1	SCREW, HEX THD TO HD M10x45
K4	5		1	PIN HOPPER
K4	6		1	BUSHING GFM-2023-11
K2	7		1	NUT, HEX THIN M10
K4	8		1	NUT, HEX NYL LOC HVY M10
K2	9		1	NUT, HEX NYL LOC THIN M10
K1	10		4	PIN, COTTER
K3	11		1	WASHER, SPLIT LOCK d.8
K4	12		1	BEARING GTM-2442-015
K3	13		1	WASHER, FLAT XL
K2	14		1	BUMPER, RUBBER
K4	15		1	FIFTH WHEEL GTM-2036-015
	16	33018521	1	SENSOR, PROXIMITY (S1)
K2	17		1	BUSHING IGUS 12x24x1.5
	18	1465286000	1	COVER
K2	19		1	SPACER
K2	20		1	ROTATING HANDLE
K1	21		3	BUSHING IGLIDUR MCM-20-03
K2	22		1	LEVER HOPPER RELEASE
	23	33020442	1	KEY START ASSY WITH SPAREKEY KIT (SW1)
K3	24		2	BUSHING IGUS 16x30x1.5
K2	25		1	BELLEVILLE WASHER 12,2 X 23 X 1,25
K3	26		1	NUT, HEX NYL LOC THIN M12
K3	27		1	SCREW, HEX THD TO HD M8x25 SS
K3	28		1	NUT HEX HVY M8
K2	29	1463356000	1	SPRING
	30	146 0073 00	1	KEY
K3	31		1	NUT, HEX NYL LOC THIN M8
K2	32		3	WASHER, FLAT XL
K3	33		1	THREAD ROLLING SCREW M8X12
	34	1464178000	1	COVER FRONT
	35	1464598000	1	TANK WATER (FOR DUSTGUARD KIT)
K1	1465031000		1	HARDWARE KIT HW FOR LEVERS BROOM KIT
K2	1464915000		1	LEVER RELEASE CONTAINER KIT
K3	1465034000		1	HW HOPPER RELEASE MAIN LEVER KIT
K4	1465035000		1	HARDWARE FOR TELESCOPIC ARM KIT

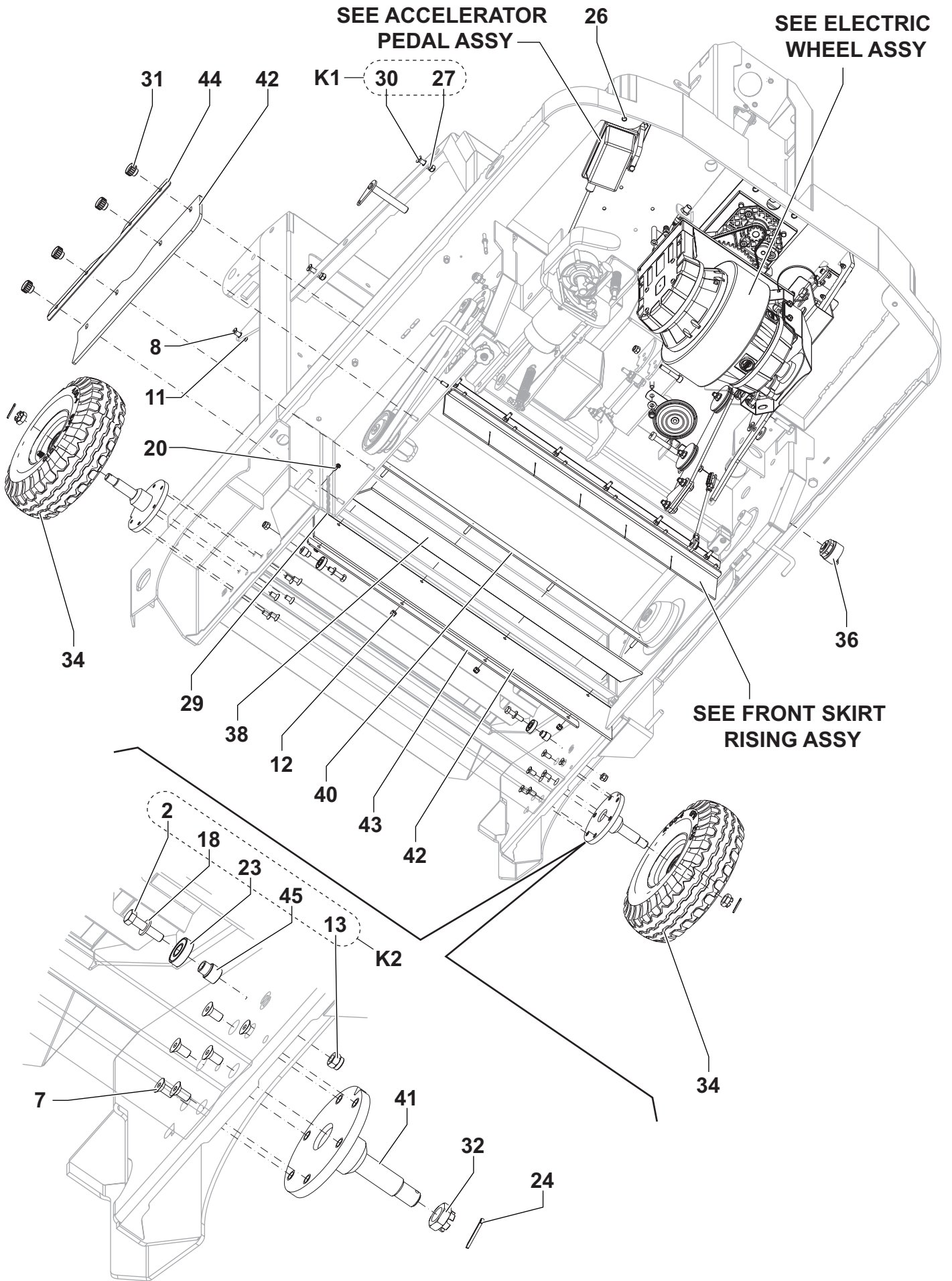
EXTENSIBLE ARM



EXTENSIBLE ARM

	ITEM	REF. NO.	QTY	DESCRIPTION
	K2	1	6	WASHER, FLAT 13X24
	K1	2	2	SCREW, HEX HD M8X50
	K2	3	1	SCREW, HEX THD TO HD M8X30
	K1	4	2	NUT, HEX THIN M8
	K2	5	2	NUT, HEX NYL LOC HVY M8
	K2	6	2	NUT, HEX NYL LOC THIN M6
	K2	7	4	NUT, HEX NYL LOC THIN M8
	K1	8	2	WASHER, SPLIT LOCK D.8
	K2	9	7	WASHER, FLAT 8.4X16X1.6
	K2	10	1	BUSHING IGUS 12X24X1.5
	K2	11	3	BEARING, DUAL SEALED BALL
	K1-2	12	3	SPACER
	K2	13	2	SCREW, TCEI SOC HD
	K1	14	2	SCREW, FLAT SOCKET HEAD
	K2	15	1	BELLEVILLE WASHER 12,2 X 23 X 1,25
	K1	16	4	SPACER
	K2	17	3	SCREW, FLAT SOCKET HEAD
	K2	18	1	1463356000 SPRING
		19	1	1464792000 ROTATING HANDLE
		20	1	1465261000 ARM GUIDE
		21	1	1465262000 LEVER FOR RELEASE LOCK
		22	1	1465266000 PLASTIC PROTECTION
		23	1	1465268000 PLASTIC SPACER
		24	1	1465269000 TELESCOPIC ARM
	K1	25	1	SUPPORT FOR THE PULLEY
		26	1	1465276000 PLASTIC SPACER
	K1	27	2	1465281000 CYLINDRICAL BEARING 16 X 22 X 15
		28	1	1465282000 LOCK
	K1	29	2	1465288000 PULLEY
	K2	30	1	1465289000 SPACER
	K2	31	1	SCREW, BUTTON SOC M8X30
	K2	32	1	WASHER, FLAT XL
	K2	33	1	WASHER, FLAT 8X17X1.6 SS
	K2	34	1	SCREW, HEX THD TO HD M6X30 SS
		35	1	1465388000 PROTECTION FOR LATCH KIT
		36	1	1465273000 CAVO COMANDO SERRATURA
	K1	1465032000	1	FIXING LEVER CONTAINER RELEASE KIT
	K2	1465033000	1	FIXING PIVOT LEVER KIT

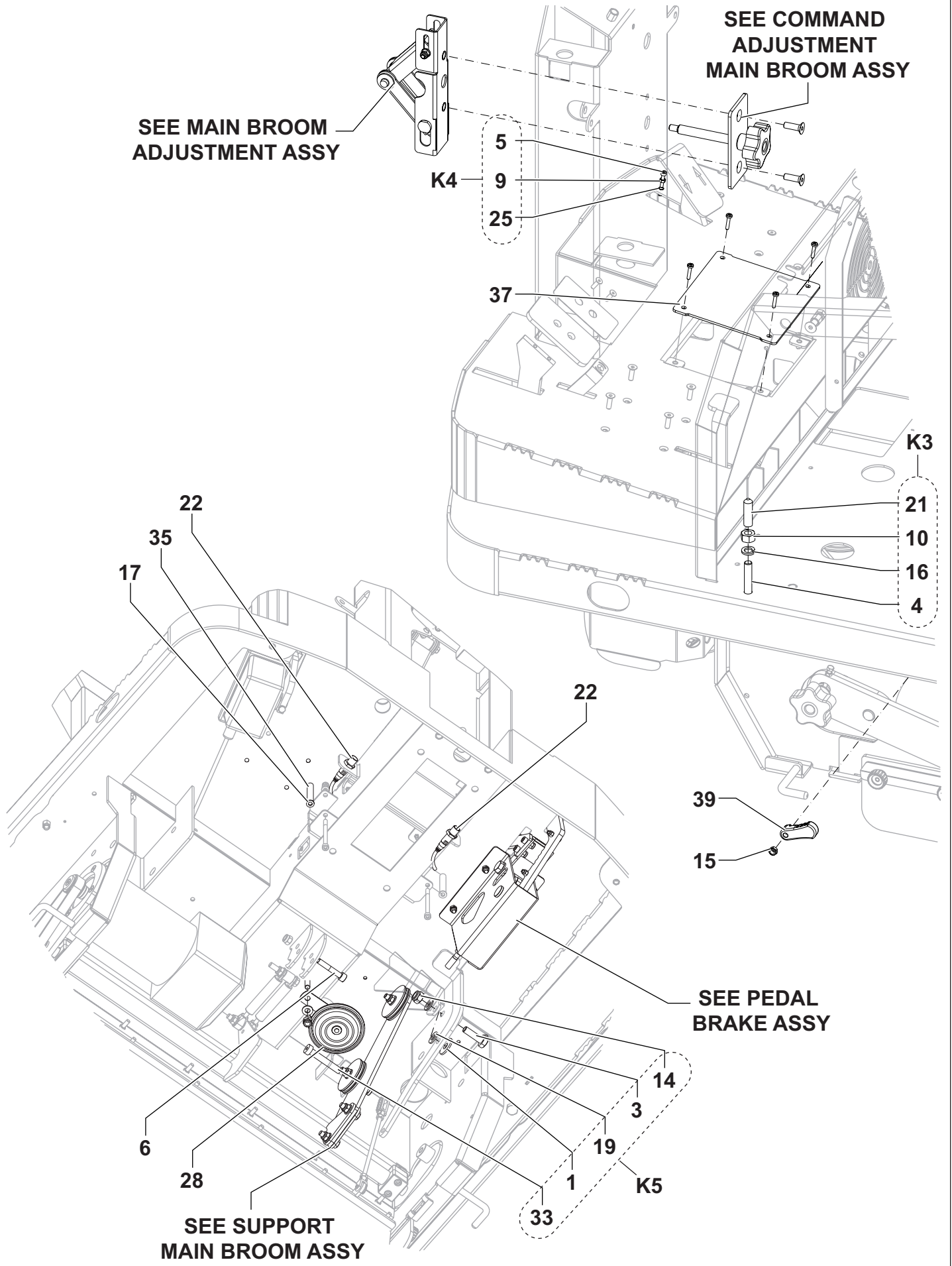
FRAME



FRAME

	ITEM	REF. NO.	QTY	DESCRIPTION
	K5	1	1	WASHER, FLAT XL 10.5x30x2.5
	K2	2	2	SCREW, HEX THD TO HD M8x35
	K5	3	1	SCREW, HEX THD TO HD M10x35
	K3	4	7	SCREW, HEX THD TO HD M10x50
	K4	5	1	SCREW M4X20 UNI5931
	6	33004370	1	SCREW M8X45 UNI5931
	7	33004590	12	SCREW, FLAT SOCKET HEAD
	8	33004593	2	SCREW, FLAT SOCKET HEAD
	K4	9	1	NUT, HEX HVY M4
	K3	10	7	NUT, HEX HVY M10
	K1	11	6	NUT, HEX M8
	12	33005562	6	NUT, HEX NYL LOC HVY M6
	K2	13	5	NUT, HEX NYL LOC HVY M8
	K5	14	1	NUT, HEX NYL LOC HVY M10
	15	33005604	2	NUT, HEX NYL LOC THIN M6
	K3	16	7	WASHER, SPLIT LOCK d.10
	17	33005913	4	WASHER, FLAT 6,4x12,5
	K2	18	6	WASHER, FLAT 8.4x16x1.6
	K5	19	2	WASHER, FLAT 10,5x21
	K1	20	1	THREAD ROLLING SCREW M4X12
	K3	21	7	PROTECTION CAP
	22	33018521	2	SENSOR, PROXIMITY (S2-S3)
	K2	23	2	BEARING, DUAL SEALED BALL
	24	33005791	2	PIN SPLIT 4X45 UNI1336
	K4	25	18	HEX INSERT
	26	145 4772 000	12	HEX INSERT
	K1	27	16	HEX INSERT
	28	145 8881 000	1	HORN, 24V (HN)
	29	146 0611 000	1	CHAIN L=159
	K1	30	4	SCREW, FLAT SOCKET HEAD
	31	146 2471 000	4	HANDWHEEL M6
	32	1464841000	3	NUT HEX M16 LOW UNI5594
	K1	33	1	SCREW SHOULDER 10X60 M8
	34	146 1876 000	2	WHEEL SOLID 4.00-4 BLACK
	34*	146 0329 000	2	WHEEL NO MARKING
	34*	1465313000	1	WHEELS SOLID 4.00-4 NON MARKING KIT
	35	1464847000	2	SPACER 6.25x10x60
	36	909 6126 000	1	BUZZER 5-32V (BZ1)
	37	1464469000	1	COVER
	38	1464275000	1	SKIRT BACK RECYCLE
	39	1463931000	2	LEVER BROOM DOOR FIXING
	40	1464276000	1	PLATE REAR SKIRT FIXING
	41	1464171000	2	HUB REAR WHEEL
	42	1465396000	1	SKIRTS KIT
	42*	1464951000	1	SKIRTS NON MARKING KIT
	43	1464277000	1	PLATE REAR SKIRT
	44	1464278000	1	PLATE SIDE SKIRT FIXING
	K2	45	2	PIN BEARING HOPPER
	K1	1465036000	1	HARDWARE FOR SIDE COVER KIT
	K2	1465037000	1	PIN HOPPER BEARING KIT
	K3	1465038000	1	HARDWARE FOR PIVOT LATERAL COVER KIT
	K4	1465039000	1	HARDWARE FOR ACCELERATOR ADJ. KIT
	K5	1465040000	1	KIT HW FOR DEVICE SKIRT

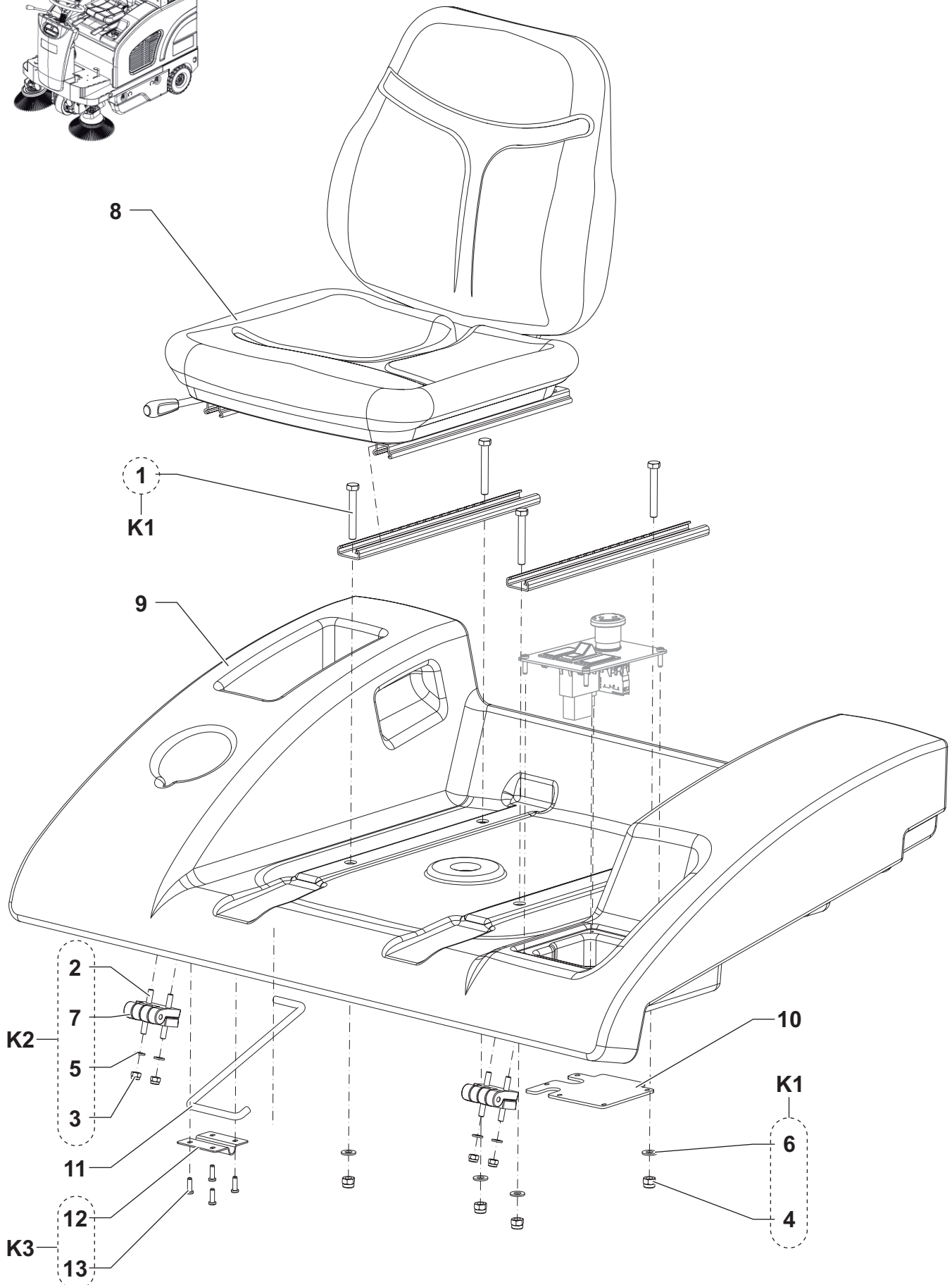
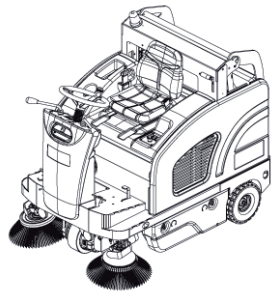
FRAME



FRAME

	ITEM	REF. NO.	QTY	DESCRIPTION
K5	1		1	WASHER, FLAT XL 10.5x30x2.5
K2	2		2	SCREW, HEX THD TO HD M8x35
K5	3		1	SCREW, HEX THD TO HD M10x35
K3	4		7	SCREW, HEX THD TO HD M10x50
K4	5		1	SCREW M4X20 UNI5931
	6	33004370	1	SCREW M8X45 UNI5931
	7	33004590	12	SCREW, FLAT SOCKET HEAD
	8	33004593	2	SCREW, FLAT SOCKET HEAD
K4	9		1	NUT, HEX HVY M4
K3	10		7	NUT, HEX HVY M10
K1	11		6	NUT, HEX M8
	12	33005562	6	NUT, HEX NYL LOC HVY M6
K2	13		5	NUT, HEX NYL LOC HVY M8
K5	14		1	NUT, HEX NYL LOC HVY M10
	15	33005604	2	NUT, HEX NYL LOC THIN M6
K3	16		7	WASHER, SPLIT LOCK d.10
	17	33005913	4	WASHER, FLAT 6,4x12,5
K2	18		6	WASHER, FLAT 8.4x16x1.6
K5	19		2	WASHER, FLAT 10,5x21
K1	20		1	THREAD ROLLING SCREW M4X12
K3	21		7	PROTECTION CAP
	22	33018521	2	SENSOR, PROXIMITY (S2-S3)
K2	23		2	BEARING, DUAL SEALED BALL
	24	33005791	2	PIN SPLIT 4X45 UNI1336
K4	25		18	HEX INSERT
	26	145 4772 000	12	HEX INSERT
K1	27		16	HEX INSERT
	28	145 8881 000	1	HORN, 24V (HN)
	29	146 0611 000	1	CHAIN L=159
K1	30		4	SCREW, FLAT SOCKET HEAD
	31	146 2471 000	4	HANDWHEEL M6
	32	1464841000	3	NUT HEX M16 LOW UNI5594
K1	33		1	SCREW SHOULDER 10X60 M8
	34	146 1876 000	2	WHEEL SOLID 4.00-4 BLACK
	34*	146 0329 000	2	WHEEL NO MARKING
	34*	1465313000	1	WHEELS SOLID 4.00-4 NON MARKING KIT
	35	1464847000	2	SPACER 6.25x10x60
	36	909 6126 000	1	BUZZER 5-32V (BZ1)
	37	1464469000	1	COVER
	38	1464275000	1	SKIRT BACK RECYCLE
	39	1463931000	2	LEVER BROOM DOOR FIXING
	40	1464276000	1	PLATE REAR SKIRT FIXING
	41	1464171000	2	HUB REAR WHEEL
	42	1465396000	1	SKIRTS KIT
	42*	1464951000	1	SKIRTS NON MARKING KIT
	43	1464277000	1	PLATE REAR SKIRT
	44	1464278000	1	PLATE SIDE SKIRT FIXING
K2	45		2	PIN BEARING HOPPER
	K1	1465036000	1	HARDWARE FOR SIDE COVER KIT
	K2	1465037000	1	PIN HOPPER BEARING KIT
	K3	1465038000	1	HARDWARE FOR PIVOT LATERAL COVER KIT
	K4	1465039000	1	HARDWARE FOR ACCELERATOR ADJ. KIT
	K5	1465040000	1	KIT HW FOR DEVICE SKIRT

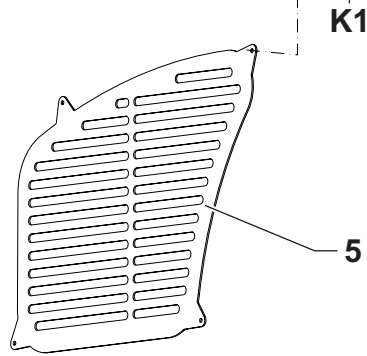
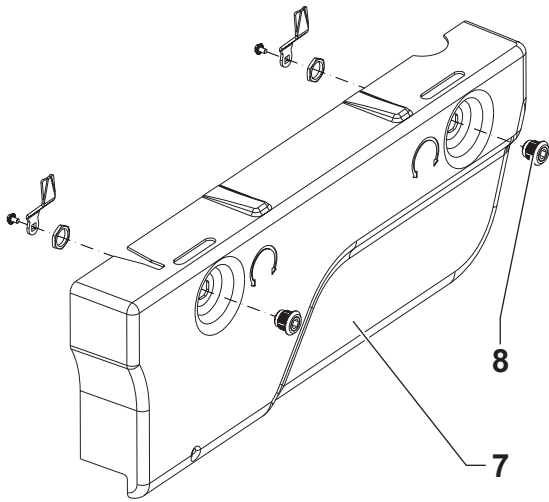
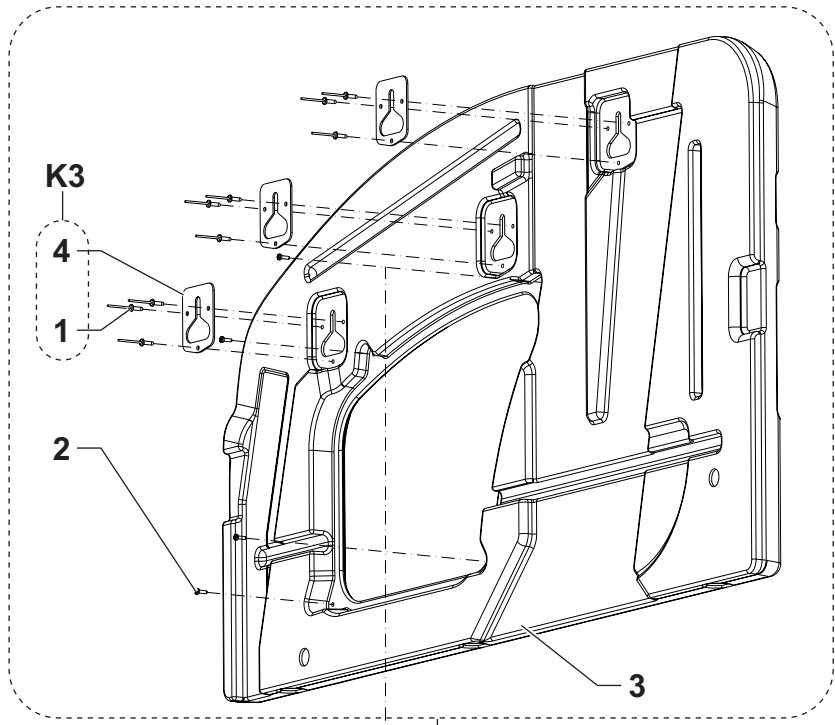
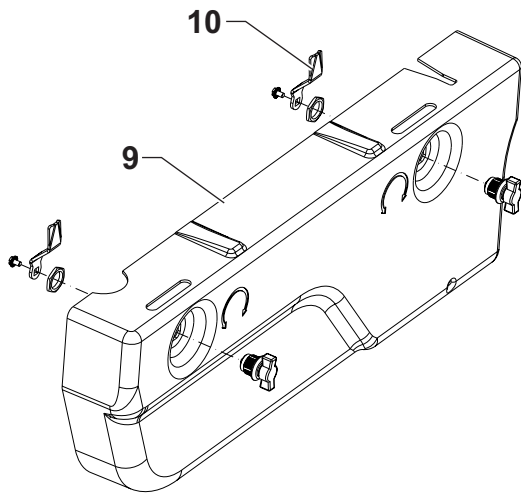
SEAT COVER



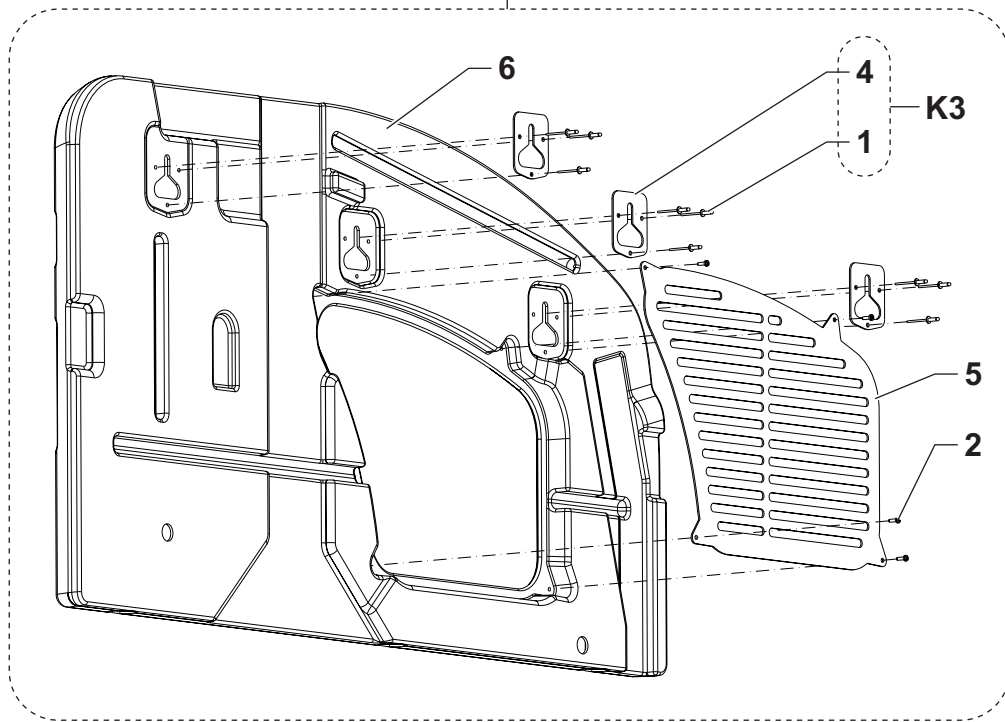
SEAT COVER

	ITEM	REF. NO.	QTY	DESCRIPTION
	K1	1	4	SCREW, HEX THD TO HD M8x60
	K2	2	8	SCREW M6X20 UNI5931
	K2	3	4	NUT, HEX NYL LOC HVY M6
	K1	4	4	NUT, HEX NYL LOC HVY M8
	K2	5	4	WASHER, FLAT 6,4x12,5
	K1	6	4	WASHER, FLAT 8.4x16x1.6
	K2	7	2	HINGE
	8	145 5975 000	1	SEAT WITH MICROSWITCH
	9	1463908000	1	SUPPORT SEAT
	10	1464975000	1	HARNESS COVERAGE
	11	1464286000	1	ROD BONNET
	K3	12	1	SUPPORT BONNET ROD
	K3	13	4	SCREW, THREAD ROLLING 5x16
	K1	1465043000	1	HARDWARE FOR SEAT KIT
	K2	1465041000	1	HINGE FOR BONNET KIT
	K3	1465042000	1	SUPPORT FOR SAFETY ROD KIT

LATERAL COVERS



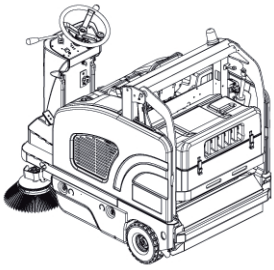
K2



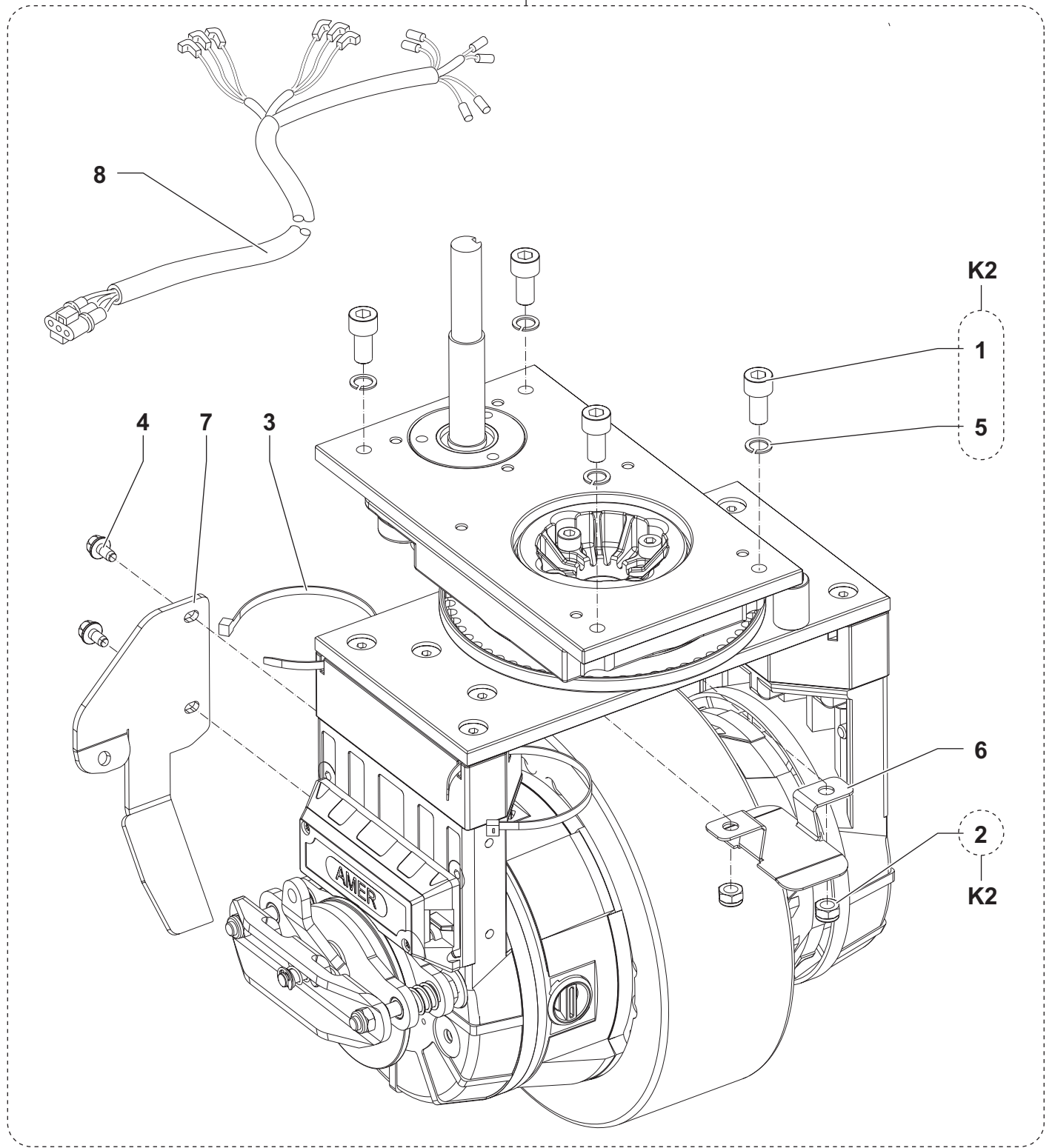
LATERAL COVERS

	ITEM	REF. NO.	QTY	DESCRIPTION
	K3	1	18	ALUMINUM RIVETS
	K1-2	2	8	PAN HEAD SCREW
	K1	3	1	COVER RIGHT
	K3	4	6	PLATE
	K2	5	2	1464354000 GRID VENTING
	K2	6	1	COVER LEFT
		7	1	1464191000 HATCH RIGHT SIDE
		8	2	1464794000 LOCK WITH KEY FOR HATCH
		9	1	1464192000 HATCH LEFT SIDE
		10	4	1463889000 FASTLOC LOCK
		K1	1	1464925000 COVER RIGHT KIT
		K2	1	1464923000 COVER LEFT KIT
		K3	1	1465044000 PLATE FOR PANEL FIXING KIT

ELECTRIC WHEEL



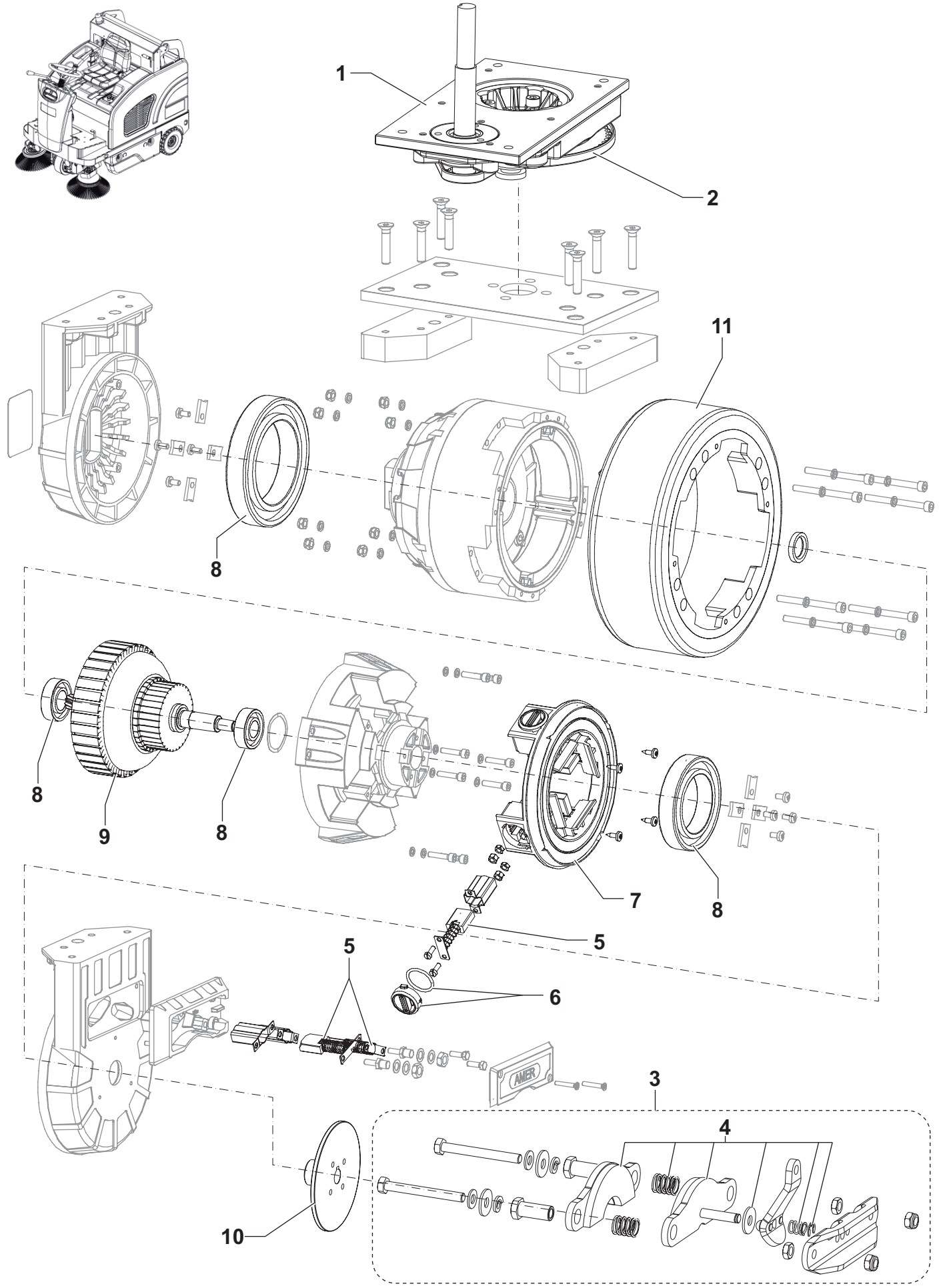
K1



ELECTRIC WHEEL

	ITEM	REF. NO.	QTY	DESCRIPTION
	K2	1	4	SCREW M10X20 UNI5931
	K2	2	2	NUT, HEX NYL LOC THIN M8
	K1	3	6	THREAD ROLLING SCREW M6X12
	K1	4	2	TIE, CABLE 4,8X200
	K2	5	4	WASHER, SPLIT LOCK d.10
	K1	6	1464600000	1 COVER FOR DRIVEWHEEL HARNESS
	K1	7	1465342000	1 CARTER DISK BRAKE
	K1	8	1464407000	1 HARNESS TRACTION WHEEL
		K1	1464913000	1 MOTORWHEEL KIT
		K1*	1465170000	1 WHEEL TRACTION NON MARKING KIT
	K1	K2	1465045000	1 HARDWARE STEERING SYSTEM FIXING KIT

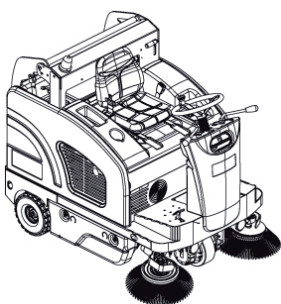
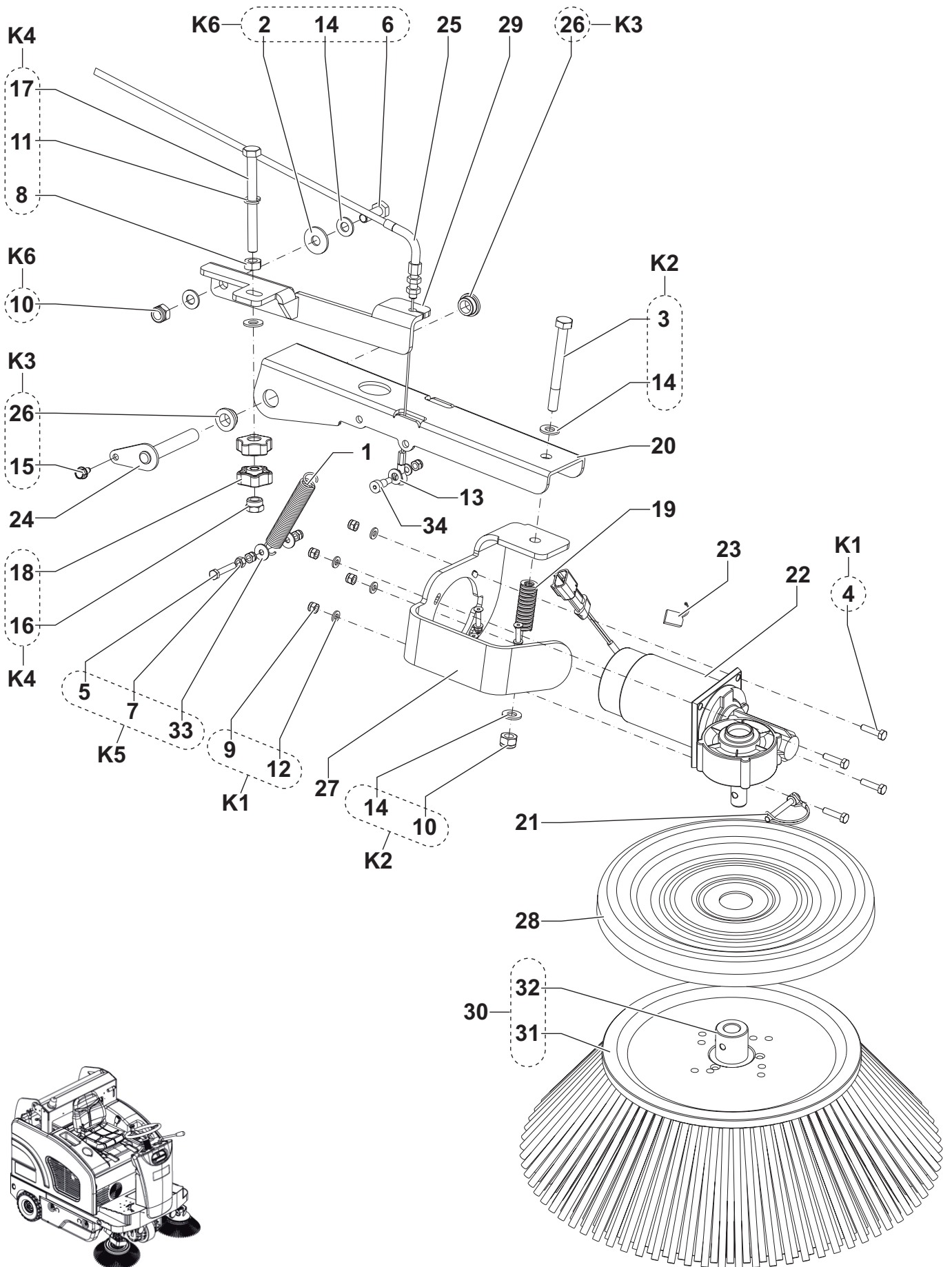
MOTOR WHEEL



MOTOR WHEEL

ITEM	REF. NO.	QTY	DESCRIPTION
1	1464834000	1	STEERING SYSTEM
2	1465133000	1	CHAIN FOR STEERING
3	1464804000	1	BRAKE KIT
4	1464805000	1	PAD BRAKE KIT
5	9096960000	1	CARBON BRUSHES TRACTION WHEEL KIT
6	9096969000	4	PLUG
7	9096968000	1	RING
8	9096959000	1	BALL BEARING KIT
9	1465182000	1	ARMATURE
10	1464803000	1	BRAKE DISC Ø100
11	1465314000	1	RING FOR MOTORWHEEL KIT
11*	1464955000	1	RING NON MARKING MOTORWHEEL KIT
	1465241000	1	INSTALLATION INSTRUCTION

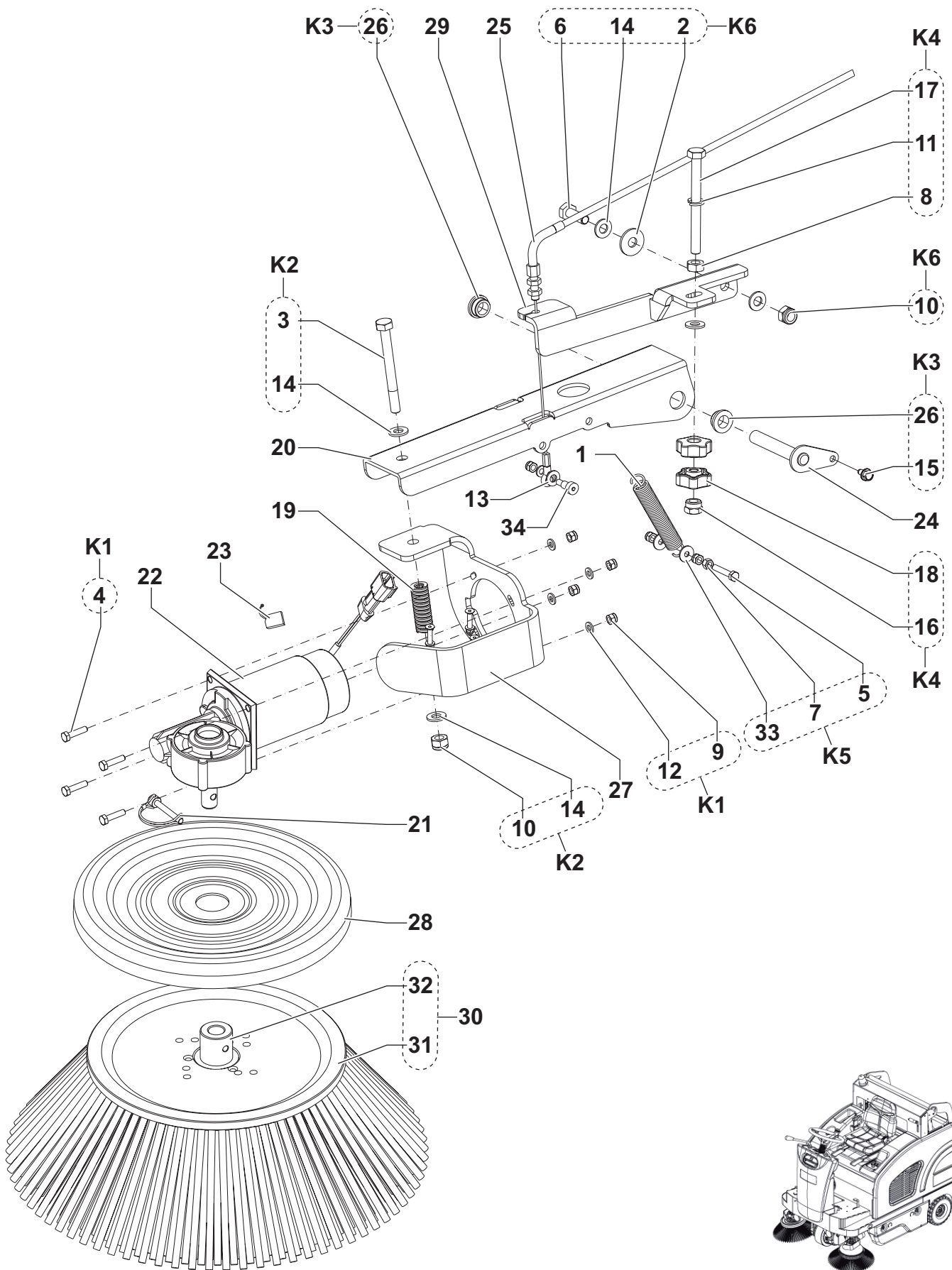
RIGHT BROOM



RIGHT BROOM

	ITEM	REF. NO.	QTY	DESCRIPTION
	1	146 0986 000	1	SPRING
K6	2		1	WASHER, FLAT XL 10.5x30x2.5
K2	3		1	SCREW, HEX HD M10x100
K1	4		4	SCREW, HEX THD TO HD M6x25
K5	5		1	SCREW, HEX THD TO HD M6x35
K6	6		1	SCREW, HEX THD TO HD M10x30
K5	7		1	NUT, HEX HVY M6
K4	8		1	NUT, HEX M10
K1	9		7	NUT, HEX NYL LOC HVY M6
K2-6	10		2	NUT, HEX NYL LOC HVY M10
K4	11		1	WASHER, SPLIT LOCK d.10
K1	12		5	WASHER, FLAT 6,4x12,5
	13	33005915	1	WASHER, FLAT 8.4x16x1.6
K2-4-6	14		5	WASHER, FLAT 10,5x21
K3	15		1	THREAD ROLLING SCREW M6X12
K4	16		1	NUT, HEX NYL LOC HVY M10
K4	17		1	SCREW, HEX THD TO HD M10X110
K4	18		2	KNOB M10
	19	146 1317 000	1	SPRING FOR MAIN BROOM
	20	1463903000	1	LEVER SIDE BROOM LIFTING
	21	1463960000	1	CLIP WITH PIN
	22	1464241000	1	GEARMOTOR FOR RIGHT SIDE BROOM (M6)
	23	145 5125 000	2	CARBON BRUSH
	24	1464412000	1	PIN FOR SIDE BROOM ARM
	25	1464414000	1	CABLE RIGHT SIDE BROOM
K3	26		2	BUSHING SIDE BROOM
	27	1464464000	1	BRACKET FOR RIGHT SIDE BROOM
	28	1464499000	1	COVER SIDE BROOM
	29	1464507000	1	BRACKET RIGHT SIDE BROOM ADJUSTMENT
	30	1465320000	1	BROOM SIDE PPL D.450MM KIT
	30*	1465318000	1	BROOM SIDE D.450MM MIX STEEL KIT
	30*	1465319000	1	BROOM SIDE D.450 MIX 5 KIT
	31		1	SIDE BROOM
	32	1464843000	1	HUB SIDE BROOM
K5	33		2	WASHER, FLAT XL
	34	1464243000	1	SCREW SHOULDER 8X12 M6
K1	1465046000		1	HARDWARE GEARMOTOR KIT
K2	1465047000		1	HARDWARE GEARMOTOR SUPPORT KIT
K3	1465048000		1	PIN FOR SIDE BROOM SUPPORT KIT
K4	1465049000		1	KNOB SIDE BROOM KIT
K5	1465050000		1	HW SIDE BROOM SPRING SUPPORT KIT
K6	1465051000		1	HARDWARE SIDE BROOM ADJ. BRACKET KIT

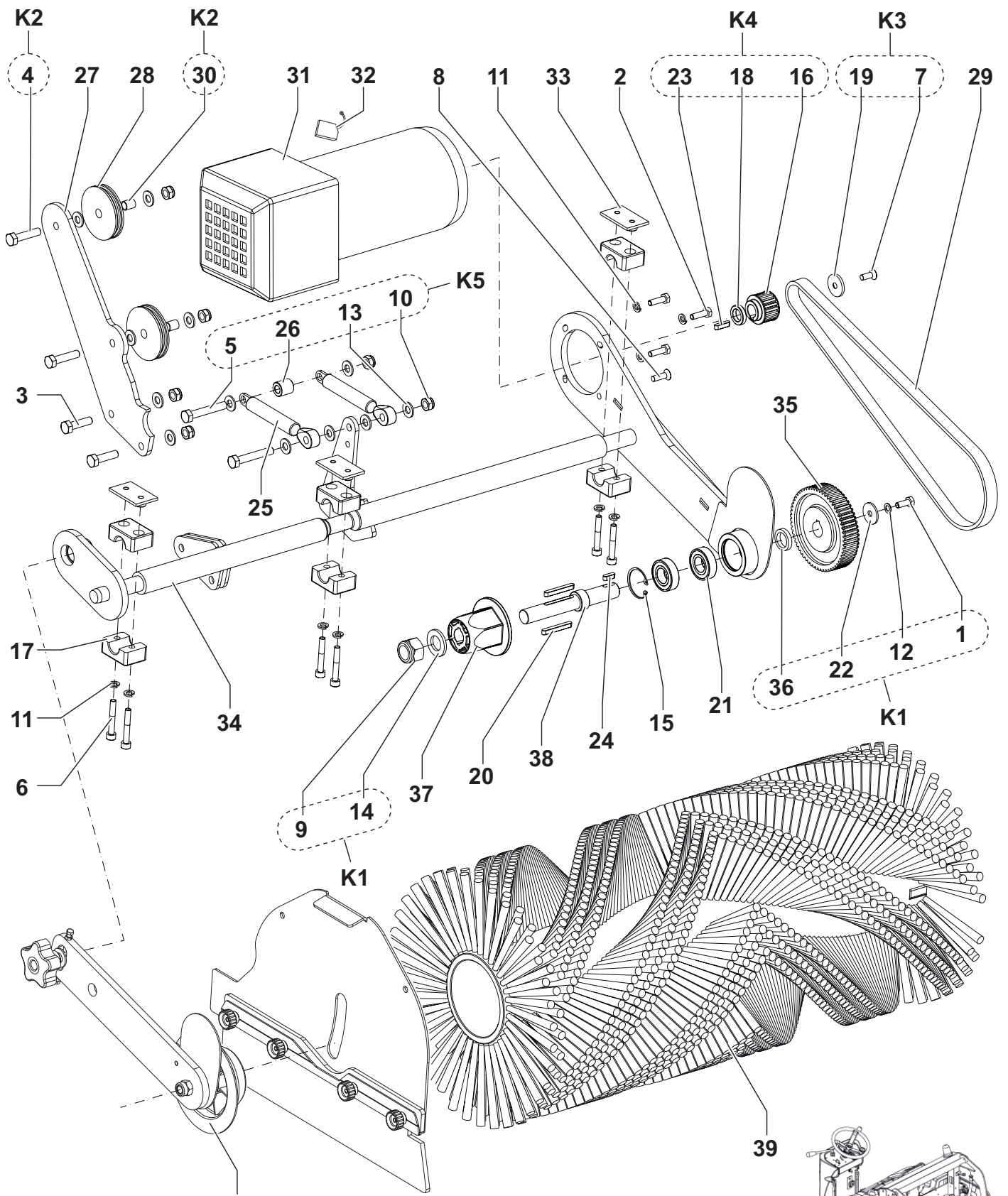
LEFT BROOM



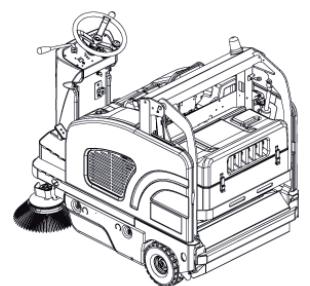
LEFT BROOM

	ITEM	REF. NO.	QTY	DESCRIPTION
	1	146 0986 000	1	SPRING
K6	2		1	WASHER, FLAT XL 10.5x30x2.5
K2	3		1	SCREW, HEX HD M10x100
K1	4		4	SCREW, HEX THD TO HD M6x25
K5	5		1	SCREW, HEX THD TO HD M6x35
K6	6		1	SCREW, HEX THD TO HD M10x30
K5	7		1	NUT, HEX HVY M6
K4	8		1	NUT, HEX M10
K1	9		7	NUT, HEX NYL LOC HVY M6
K2-6	10		2	NUT, HEX NYL LOC HVY M10
K4	11		1	WASHER, SPLIT LOCK d.10
K1	12		5	WASHER, FLAT 6,4x12,5
	13	33005915	1	WASHER, FLAT 8.4x16x1.6
K2-4-6	14		5	WASHER, FLAT 10,5x21
K3	15		1	THREAD ROLLING SCREW M6X12
K4	16		1	NUT, HEX NYL LOC HVY M10
K4	17		1	SCREW, HEX THD TO HD M10X110
K4	18		2	KNOB M10
	19	146 1317 000	1	SPRING FOR MAIN BROOM
	20	1463903000	1	LEVER SIDE BROOM LIFTING
	21	1463960000	1	CLIP WITH PIN
	22	1464242000	1	GEARMOTOR LEFT SIDE BROOM (M7)
	23	145 5125 000	2	CARBON BRUSH
	24	1464412000	1	PIN FOR SIDE BROOM ARM
	25	1464415000	1	CABLE SIDE BROOM
K3	26		2	BUSHING SIDE BROOM
	27	1464500000	1	BRACKET FOR LEFT SIDE BROOM
	28	1464499000	1	COVER SIDE BROOM
	29	1464427000	1	BRACKET LEFT SIDE BROOM ADJUSTMENT
	30	1465320000	1	BROOM SIDE PPL D.450MM KIT
	30*	1465318000	1	BROOM SIDE D.450MM MIX STEEL KIT
	30*	1465319000	1	BROOM SIDE D.450 MIX 5 KIT
	31		1	SIDE BROOM
	32	1464843000	1	HUB SIDE BROOM
K5	33		2	WASHER, FLAT XL
	34	1464243000	1	SCREW SHOULDER 8X12 M6
K1	1465046000		1	HARDWARE GEARMOTOR KIT
K2	1465047000		1	HARDWARE GEARMOTOR SUPPORT KIT
K3	1465048000		1	PIN FOR SIDE BROOM SUPPORT KIT
K4	1465049000		1	HARDWARE SIDE BROOM KNOB KIT
K5	1465050000		1	HW SIDE BROOM SPRING SUPPORT KIT
K6	1465051000		1	HARDWARE SIDE BROOM ADJ. BRACKET KIT

MAIN BROOM



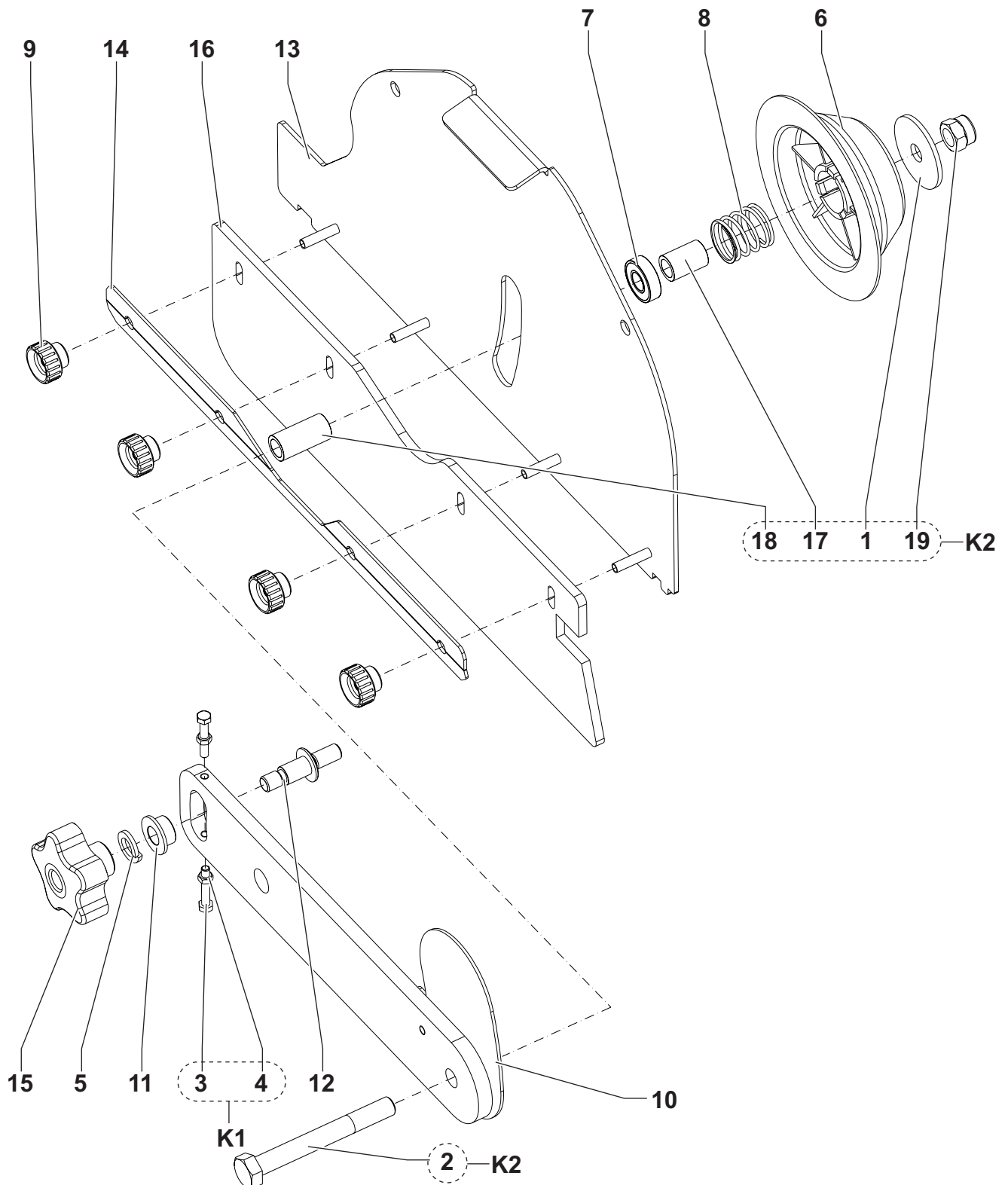
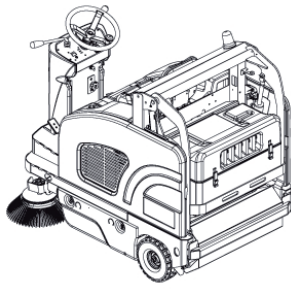
SEE BROOM CLOSING



MAIN BROOM

	ITEM	REF. NO.	QTY	DESCRIPTION
K1	1		1	SCREW, HEX THD TO HD M6X16
	2	33003975	3	SCREW, HEX THD TO HD M6X20
	3	33003996	2	SCREW, HEX THD TO HD M8X30
K2	4		2	SCREW, HEX THD TO HD M8X35
K5	5		2	SCREW, HEX THD TO HD M8X50
	6	33004350	6	SCREW, SOC HD
K3	7		1	SCREW, FLAT SOCKET HEAD
	8	33004578	1	SCREW, FLAT SOCKET HEAD
K1	9		1	NUT, HEX NYL LOC HVY M16
K2-5	10		6	NUT, HEX NYL LOC THIN M8
	11	33005851	9	WASHER, SPLIT LOCK D.6
K1	12		1	WASHER, EXT. SHPRF Ø 6
K2-5	13		12	WASHER, FLAT 8.4X16X1.6
K1	14		1	WASHER, FLAT 17X30
	15	33006165	1	RING, RET. INT.
K4	16		1	PULLEY HTD 20 5M 15 6F
	17	145 1891 000	3	COLLAR PIPE FIXING
K4	18		1	SPACER
K3	19		1	SPACER
	20	145 8011 000	2	KEY 5X5X40 UNI6604A
	21	145 8415 000	2	BEARING, DUAL SEALED BALL
K1	22		1	WASHER, FLAT XL
K4	23		1	KEY
	24	146 1017 000	1	KEY 5X5X15
	25	1463358000	2	SPRING GAS 40 KG 2
K5	26		1	SPACER FOR GAS SPRING
	27	1464232000	1	BRACKET PULLEYS SUPPORT
	28	1464239000	2	PULLEY BROOM LEVER
	29	1464266000	1	BELT HTD 825-5M
K2	30		2	BUSHING FOR PULLEY
	31	1464444000	1	MOTOR MAIN BROOM 24V 600W (M4)
	32	L08603949	1	BRUSH CARBON KIT 4PCS
	33	1464983000	3	PLATE THREADED
	34	1464986000	1	SHAFT FOR MAIN BROOM
	35	1464987000	1	PULLEY HTD 60 5M 15 - 6W
K1	36		1	SPACER 24X17.2X4.5
	37	1464990000	1	HUB MAIN BROOM
	38	1465202000	1	MAIN BROOM PIN
	39	1463913000	1	MAIN BROOM 340X700MM PPL
	39*	1463854000	1	BROOM MAIN 340X700MM MIX 5
	39*	1464947000	1	MAIN BROOM 340X700 MIX STEEL
K1	1465052000		1	HARDWARE MAIN BROOM HUB KIT
K2	1465053000		1	HARDWARE MAIN BROOM PULLEY KIT
K3	1465054000		1	HARDWARE MAIN BR. MOTOR PULLEY KIT
K4	1465055000		1	PULLEY MAIN BR. MOTOR KIT
K5	1465056000		1	HARDWARE FOR GAS SPRING KIT

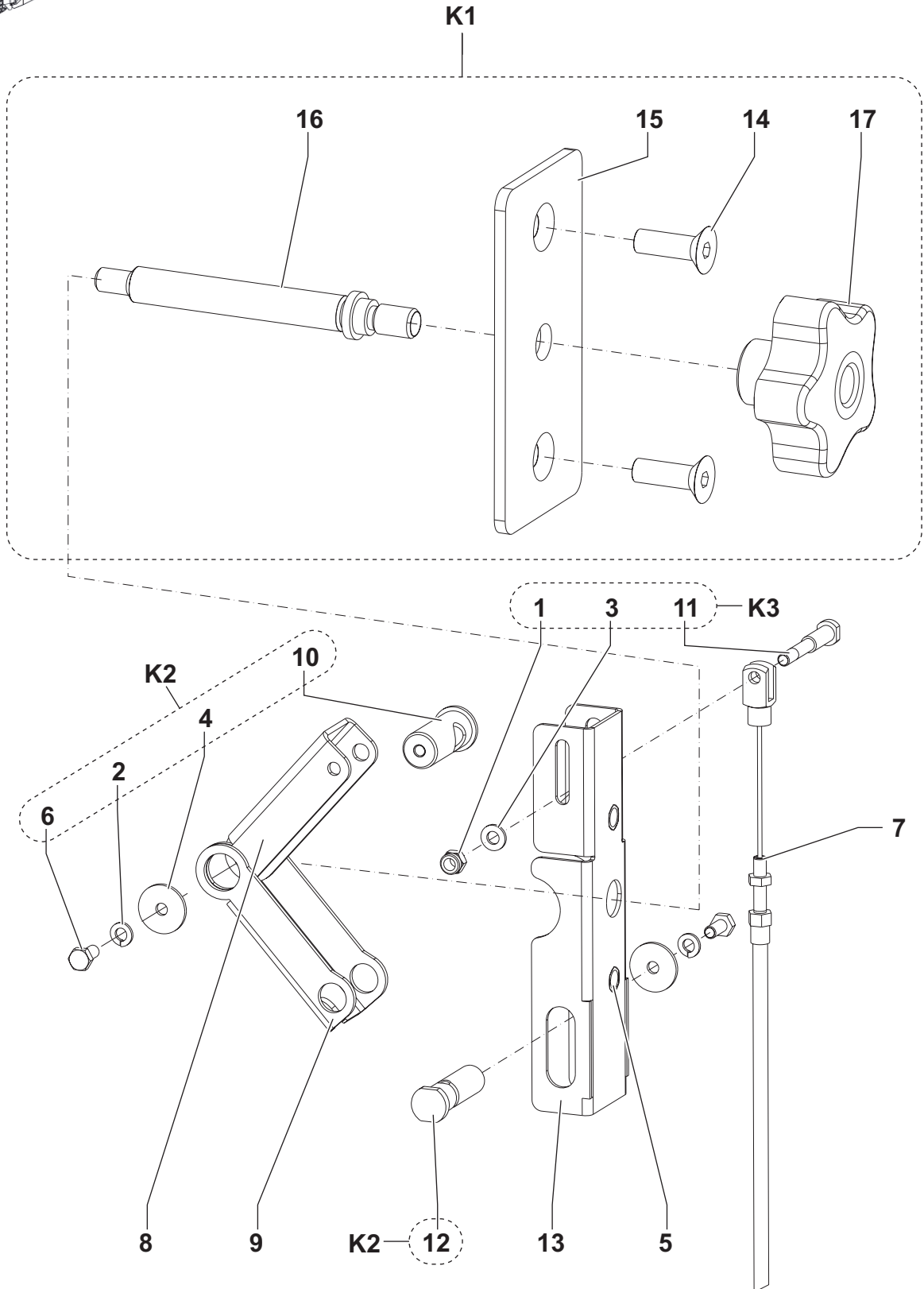
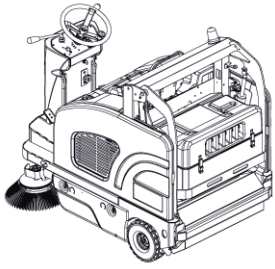
BROOM CLOSING



BROOM CLOSING

	ITEM	REF. NO.	QTY	DESCRIPTION
K2	1		1	WASHER, FLAT XL
K2	2		1	SCREW, HEX HD M12X100
K1	3		2	SCREW, HEX THD TO HD M5X30
K1	4		2	NUT, HEX M5
	5	33006010	1	WASHER, SPLIT LOCK D.12
	6	145 0269 000	1	HUB LEFT FOR CENTRAL BROOM
	7	145 0270 000	1	BEARING, DUAL SEALED BALL
	8	145 0271 000	1	SPRING, COMPRESSION
	9	146 2471 000	4	HANDWHEEL M6
	10	1464180000	1	LEVER MAIN BROOM SUPPORT
	11	1464181000	1	BUSHING SUPPORT LEVER
	12	1464182000	1	PIN MAIN BROOM ARM
	13	1464183000	1	HATCH MAIN BROOM
	14	1464278000	1	PLATE SIDE KIRT FIXING
	15	1464476000	1	KNOB BLACK/YELLOW
	16	1465396000	1	SKIRTS KIT
	16*	1464951000	1	SKIRTS NON MARKING KIT
K2	17		1	SPACER
K2	18		1	SPACER
K2	19		1	NUT, HEX NYL LOC M12
	K1	1465057000	1	HW MAIN BROOM LEVER SUPPORT KIT
	K2	1465058000	1	HARDWARE MAIN BROOM IDLE HUB KIT

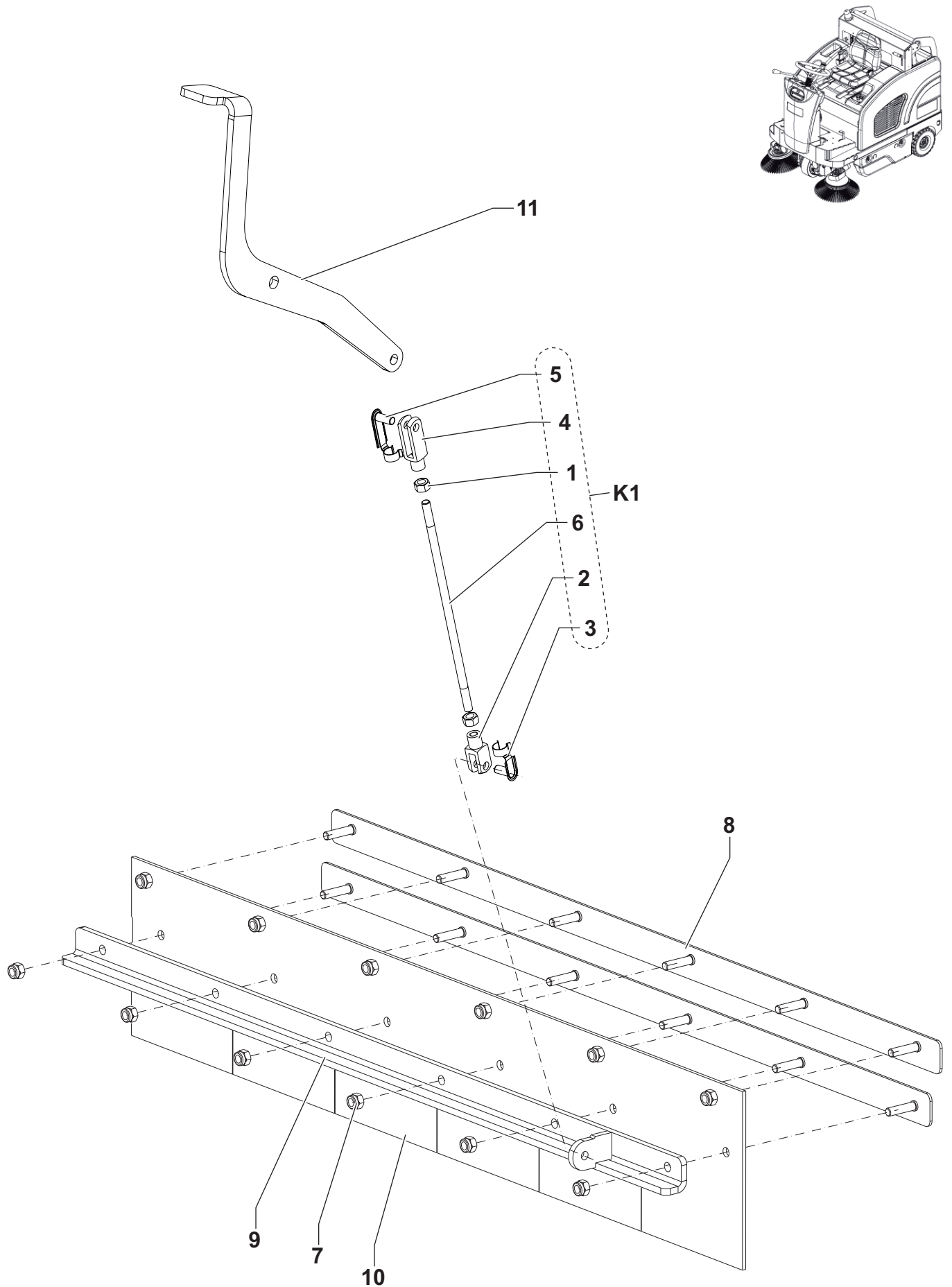
MAIN BROOM ADJUSTMENT



MAIN BROOM ADJUSTMENT

	ITEM	REF. NO.	QTY	DESCRIPTION
	K3	1	1	NUT, HEX NYL LOC HVY M6
	K2	2	2	WASHER, SPLIT LOCK d.6
	K3	3	1	WASHER, FLAT 6,4x12,5
	K2	4	2	WASHER, FLAT XL 6x24 SS
	5	145 4773 000	2	HEX INSERT
	K2	6	2	SCREW, HEX THD TO HD M6x14
	7	1464413000	1	CABLE MAIN BROOM
	8	1464449000	1	UPPER ARM FOR THE REGULATION
	9	1464450000	1	BRACKET BROOM SETTING
	K2	10	1	PIN FOR ARMS CONTROL BROOM
	K3	11	1	PIN, UPPER ARM CONTROL MAIN BROOM
	K2	12	1	PIN FOR LOWER ARM, MAIN BROOM
	13	1464462000	1	GUIDE, MAIN BROOM SETTING
	K1	14	2	SCREW, FLAT SOCKET HEAD
	K1	15	1	PLATE ADJUST MAIN BROOM
	K1	16	1	ADJUSTMENT PIN BROOM
	K1	17	1	KNOB BLACK/YELLOW
	K1	1464914000	1	BROOM MAIN SETTING KIT
	K2	1465059000	1	FIXING MAIN BROOM SETTING KIT
	K3	1465060000	1	FIXING MAIN BROOM CABLE KIT

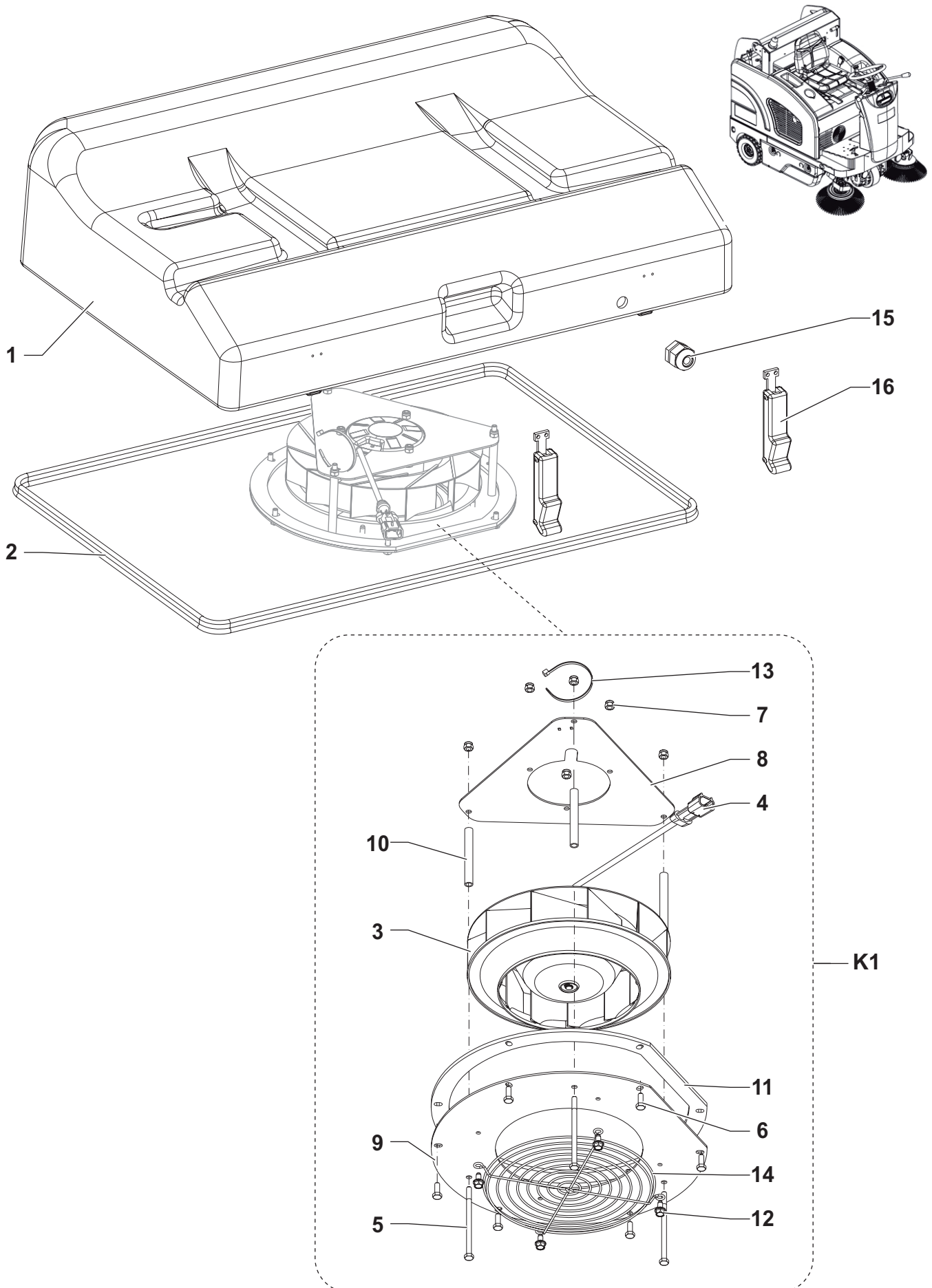
FRONT LIFT FLAP



FRONT LIFT FLAP

	ITEM	REF. NO.	QTY	DESCRIPTION
	K1	1	2	NUT, HEX HVY M6
	K1	2	1	FORK M6
	K1	3	1	CLIP SHORT M6
	K1	4	1	FORK M6
	K1	5	1	CLIP LONG M6
	K1	6	1	TENDER FOR CONTROL FLAP
	7	33005562	12	NUT, HEX NYL LOC HVY M6
	8	1463916000	2	PLATE FRONT SKIRT
	9	1464337000	1	FLAP METAL FRONT
	10	1464497000	1	SKIRT FRONT
	11	1464185000	1	PEDAL DEVICE SKIRT RISING
	K1	1464921000	1	ROD FOR FLAP KIT

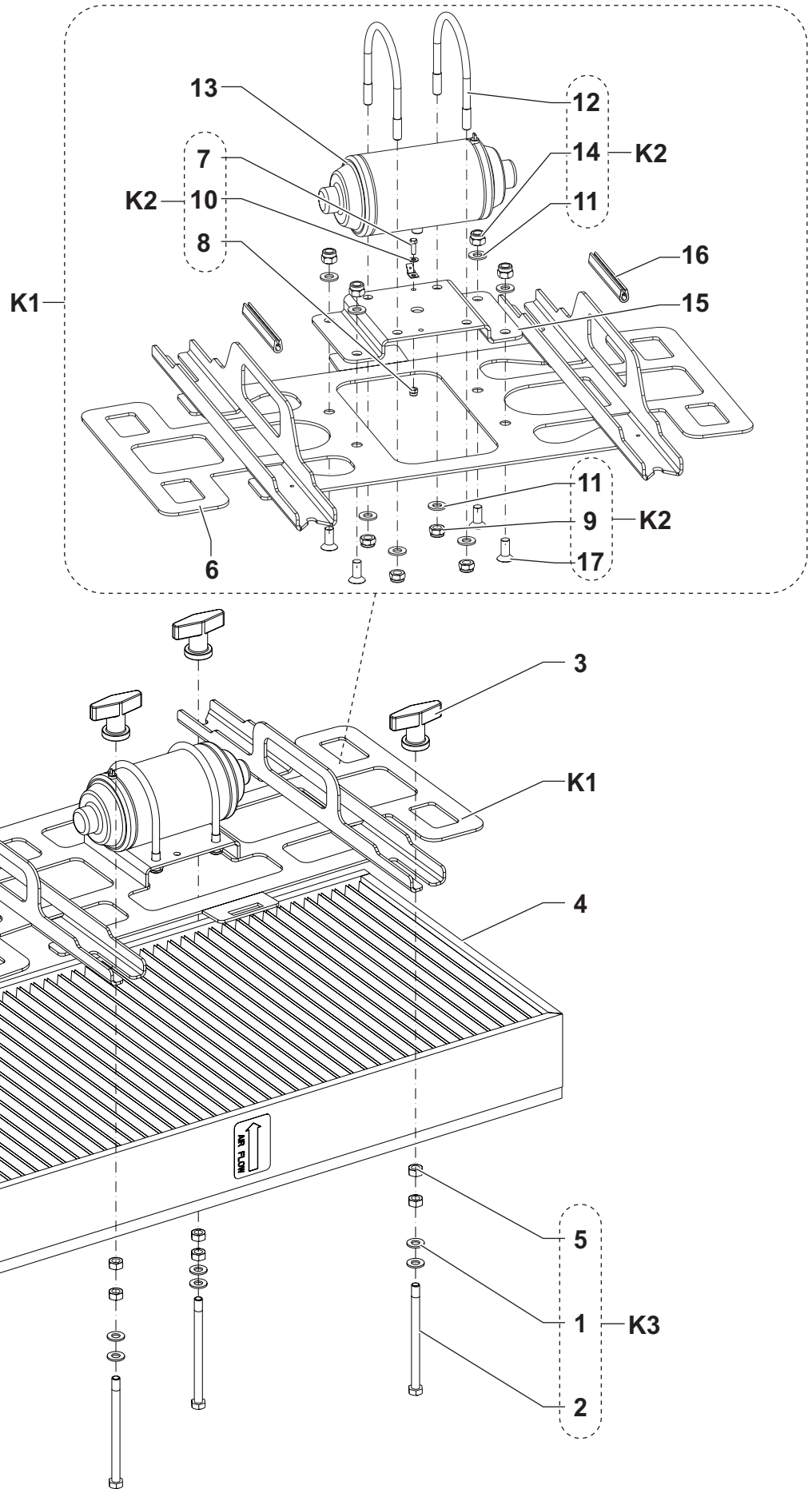
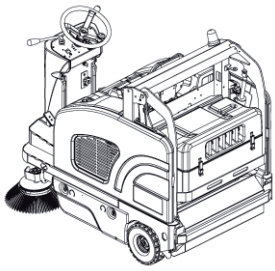
VACUUM SYSTEM



VACUUM SYSTEM

	ITEM	REF. NO.	QTY	DESCRIPTION
	1	1464190000	1	CONTAINER VACUUM MOTOR
	2	1464198000	1	GASKET VACUUM CONTAINER
K1	3	1463374000	1	VACUUM FAN 24V (M1)
K1	4		1	CABLE LOCK
K1	5		3	SCREW, HEX HD M6X100
K1	6		6	SCREW, HEX THD TO HD M6X16
K1	7		6	NUT, HEX NYL LOC HVY M6
K1	8		1	SUPPORT, VAC
K1	9		1	PLATE, VAC
K1	10		3	SPACER
K1	11		1	GASKET
K1	12		4	THREAD ROLLING SCREW M6X12
K1	13		1	TIE, CABLE 3,6X140
K1	14		1	GRILL
	15	146 1892 000	1	STRAIN RELIEF 4-6.5MM
	16	1464313000	4	HATCH RUBBER
	K1	1464927000	1	FAN KIT

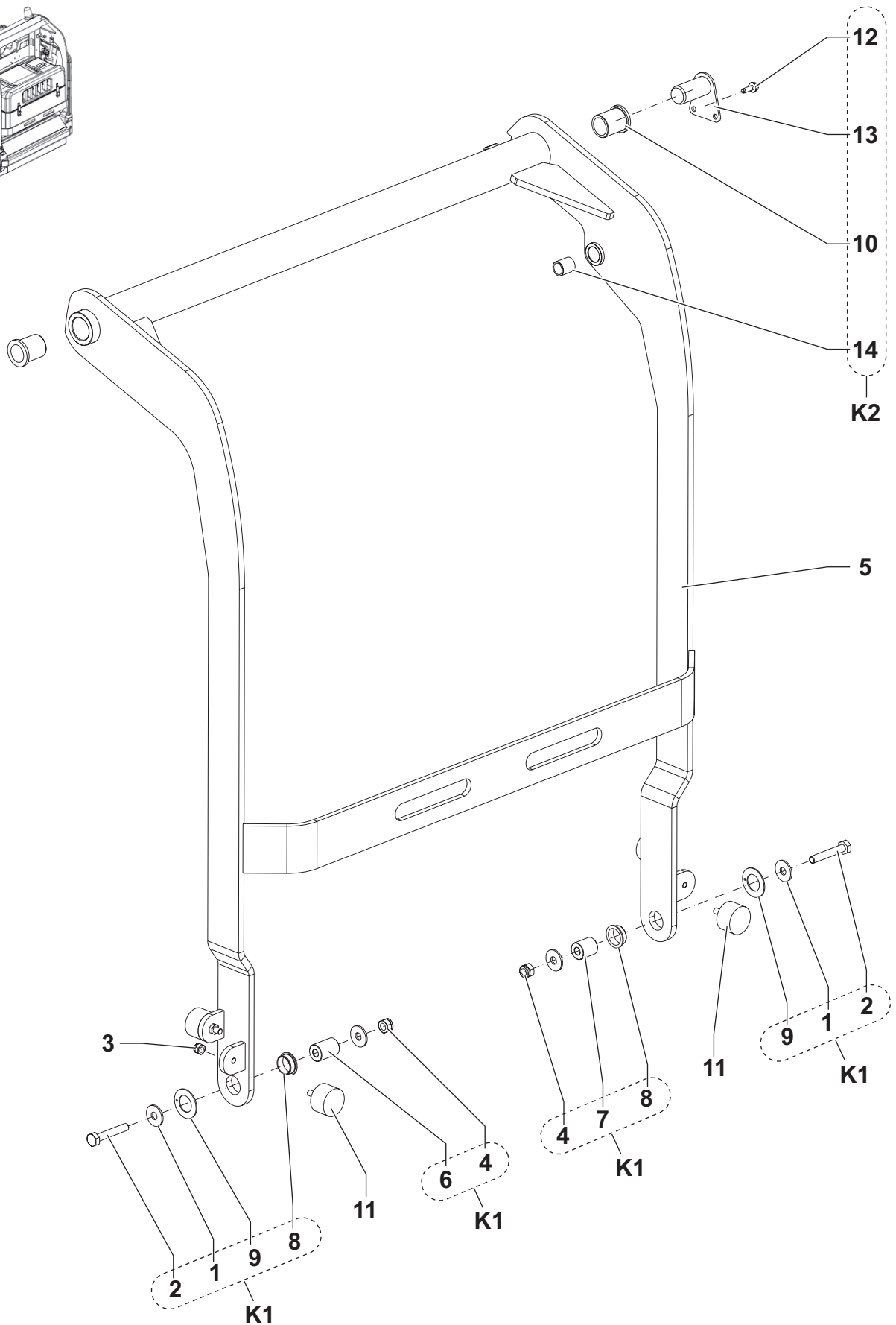
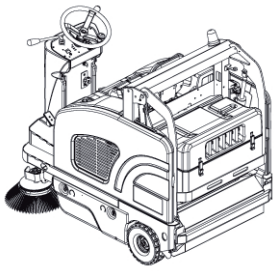
PANEL FILTER



PANEL FILTER

	ITEM	REF. NO.	QTY	DESCRIPTION
K3	1		8	WASHER, FLAT 8.4x16x1.6
K3	2		4	SCREW, HEX HD
	3	9098257000	4	NUT THUMB, SQUEEGEE FIXING
	4	1464189000	1	FILTER PANEL PAPER
	4*	1464839000	1	FILTER PANEL POLYESTER
K3	5		8	NUT, 5/16" UNC INOX
K1	6		1	SHAKER, PANEL FILTER
K2	7		1	SCREW, HEX THD TO HD M4x12
K2	8		1	NUT, HEX NYL LOC HVY M4
K2	9		4	NUT, HEX NYL LOC THIN M8
K2	10		1	WASHER, FLAT 4,3x9
K2	11		8	WASHER, FLAT 8.4x16x1.6
K2	12		2	CLAMP Ø2" ½
K1	13	145 5539 000	1	SHAKER MOTOR 24V 90W (M2)
K2	14		4	NUT, HEX NYL LOC HVY M8
K1	15		1	BRAKET FILTER SHAKER
K1	16		2	SEAL L = 90
K2	17		4	SCREW, FLAT SOCKET HEAD
	K1	1464918000	1	SHAKER FILTER KIT
K1	K2	1465061000	1	HARDWARE SHAKER FIXING KIT
	K3	1465062000	1	HARDWARE FILTER PLATE FIXING KIT

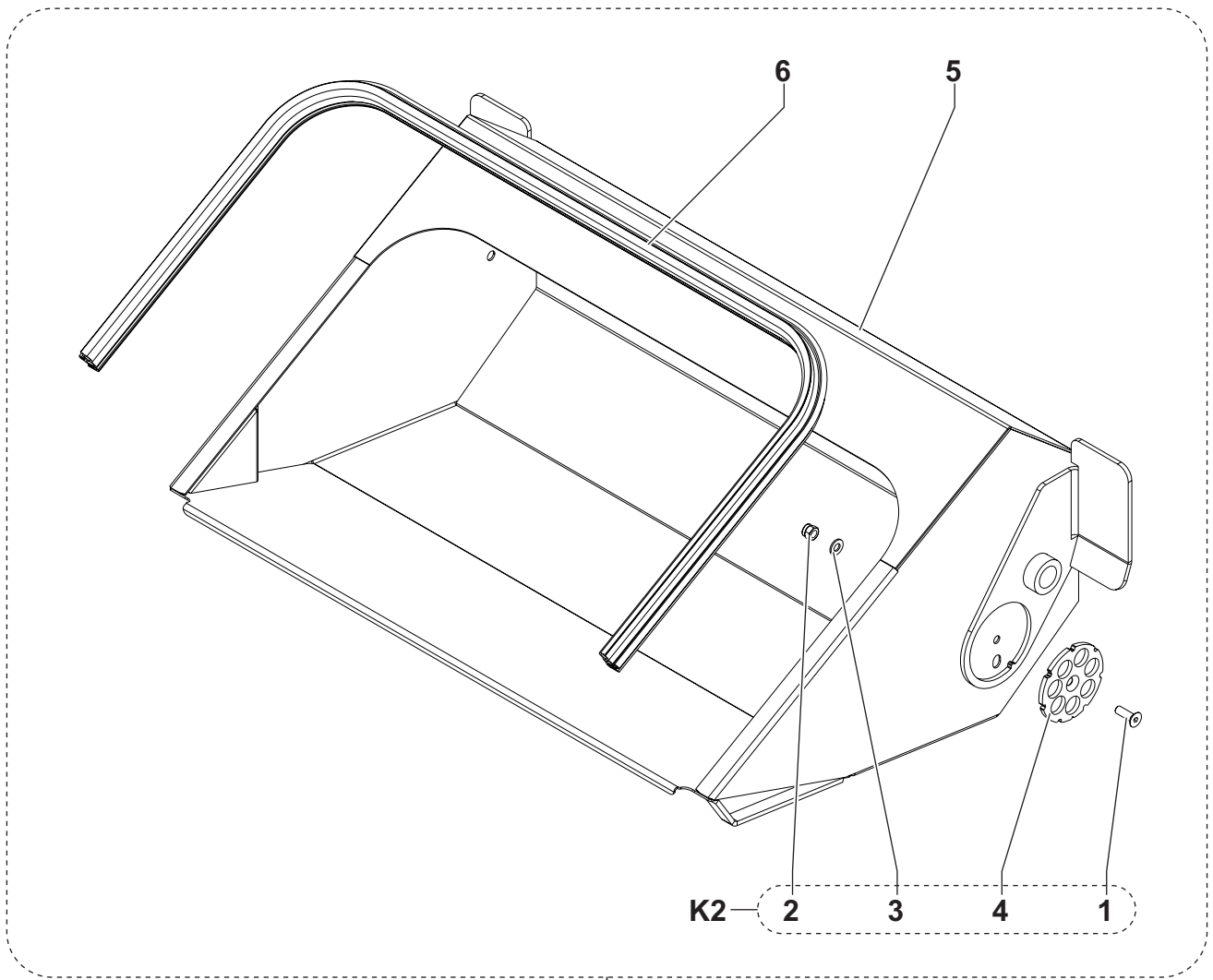
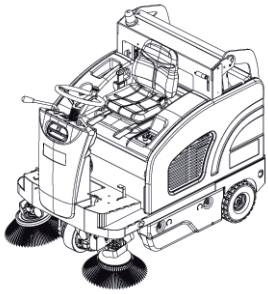
LIFTING ARMS



LIFTING ARMS

	ITEM	REF. NO.	QTY	DESCRIPTION
K1	1		4	WASHER, FLAT XL 10.5x30x2.5
K1	2		2	SCREW, HEX THD TO HD M10x60
	3	33005533	4	NUT, HEX THIN M8
K1	4		2	NUT, HEX NYL LOC HVY M10
	5	1464159000	1	ARM HOPPER LIFTING
K1	6		1	PIN HOPPER
K1	7		1	PIN HOPPER
K1	8		2	BUSHING FLANGED GFM-2427-10
K1	9		2	FIFTH WHEEL GTM-2442-015
K2	10		2	IGUS BEARING, FLANGE
	11	1464475000	4	VIBRATION DAMPING M8 D.40x25
K2	12		2	THREAD ROLLING SCREW M6X20
K2	13		2	PIN
K2	14		1	CYLINDRICAL BEARING 16x18x15
	K1	1465063000	1	FIXING HOPPER PRIMARY ARM KIT
	K2	1465064000	1	PIN PRIMARY ARM KIT

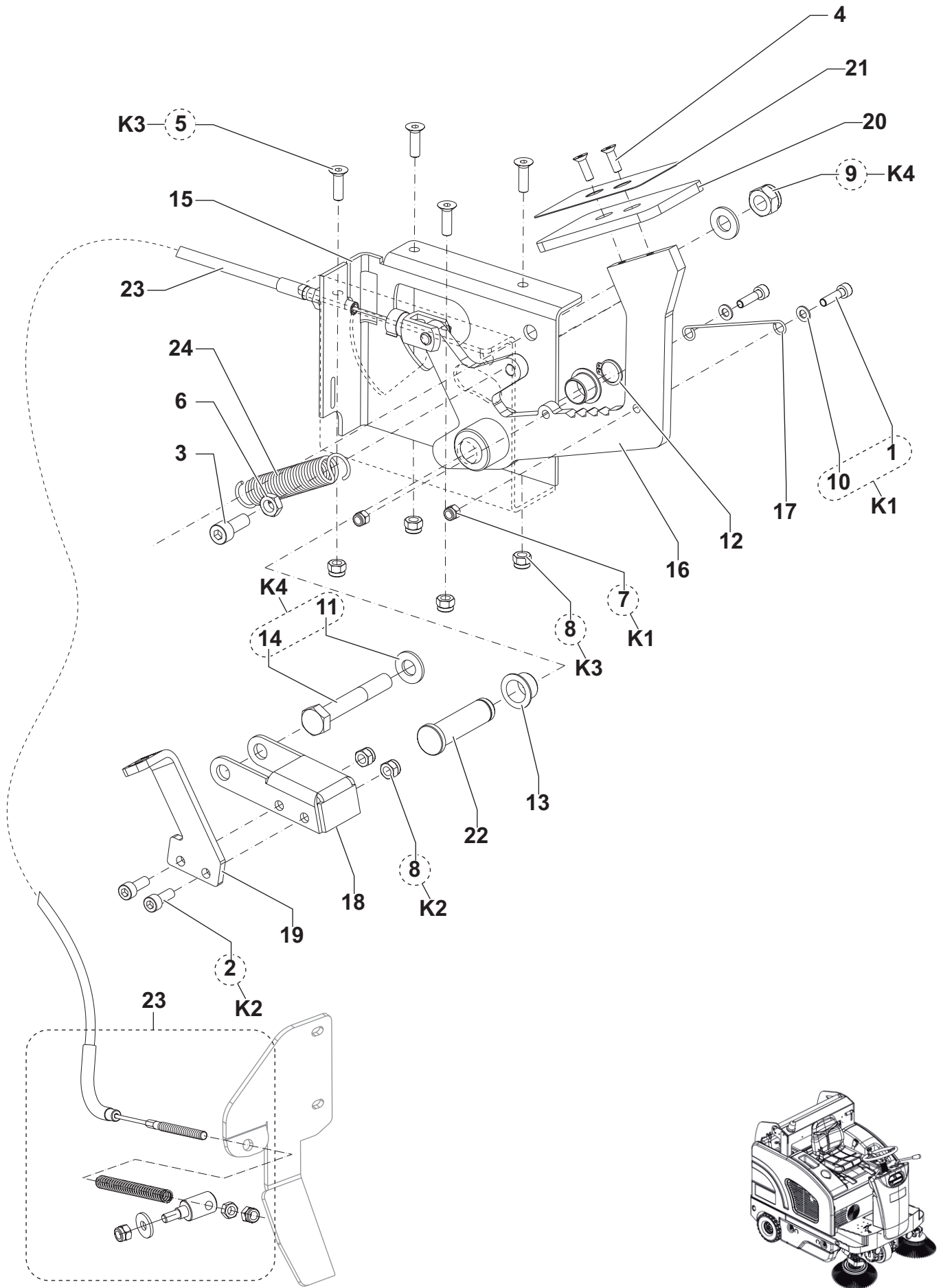
HOPPER SYSTEM



HOPPER SYSTEM

	ITEM	REF. NO.	QTY	DESCRIPTION
	K2	1	1	SCREW, FLAT SOCKET HEAD
	K2	2	1	NUT, HEX NYL LOC HVY M8
	K2	3	1	WASHER, FLAT 8.4x16x1.6
	K2	4	1	FLANGE HOPPER SETTING
	K1	5	1	HOPPER
	K1	6	1	GASKET EPDM
		K1	1	1464535000
		K1	1	1464917000
		K2	1	1465065000
				HOPPER KIT
				FLANGE HOPPER SETTING KIT

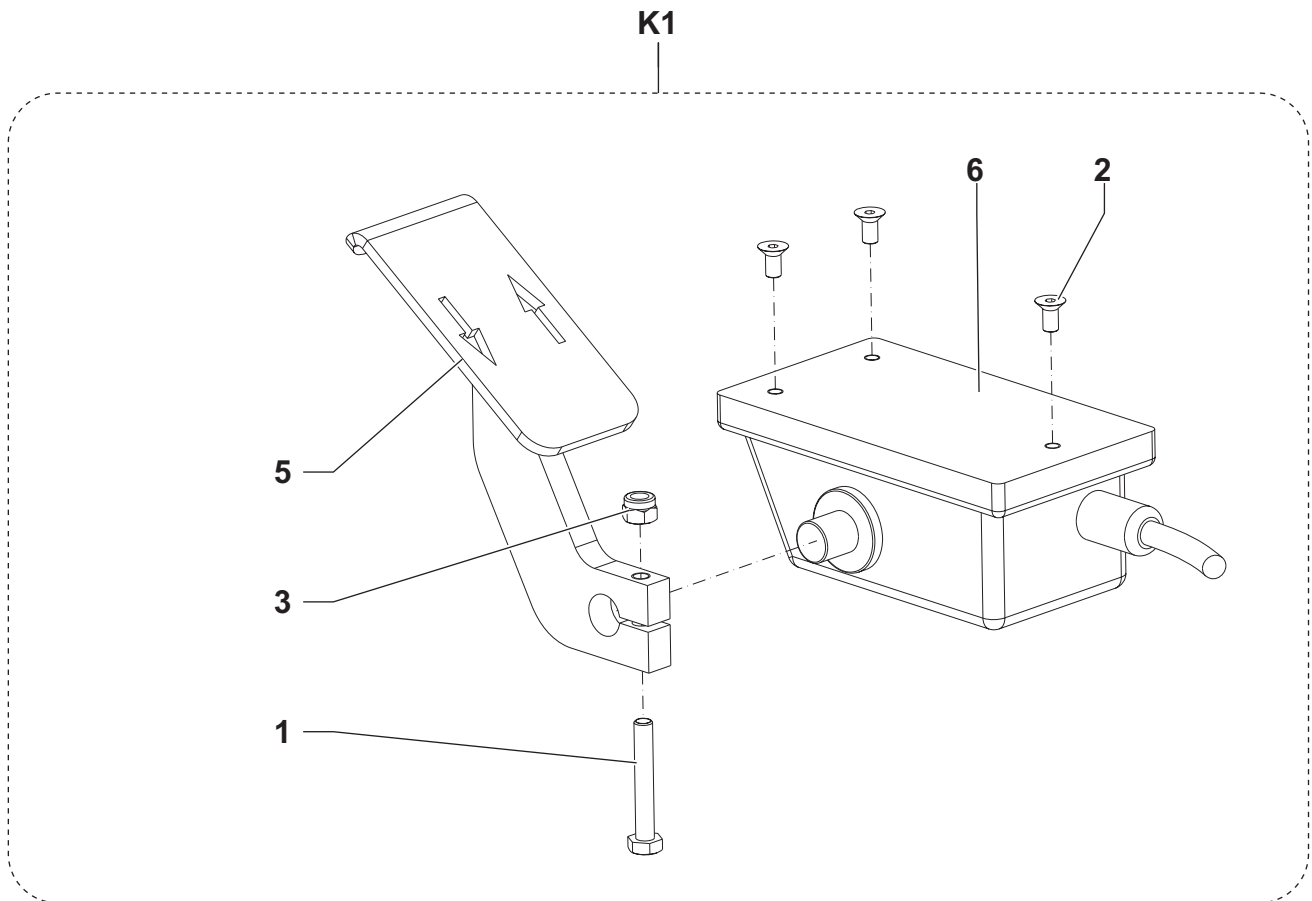
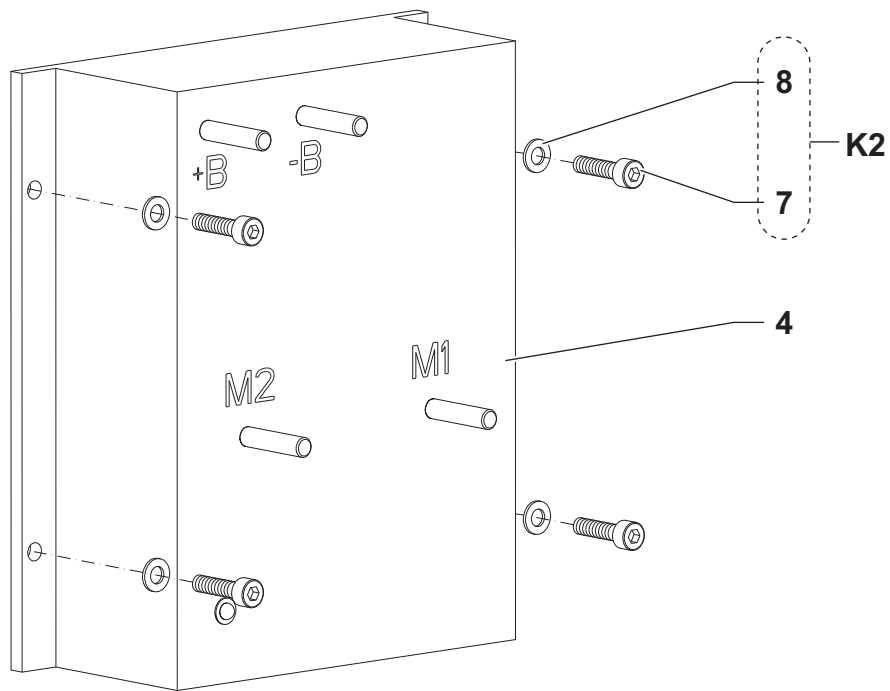
PEDAL BRAKE



PEDAL BRAKE

	ITEM	REF. NO.	QTY	DESCRIPTION	
	K1	1	2	SCREW M5X20 UNI5931	
	K2	2	2	SCREW M6X16 UNI5931	
		3	33004365	1	SCREW M8X20 UNI5931
		4	33004563	2	SCREW, FLAT SOCKET HEAD
	K3	5		4	SCREW, FLAT SOCKET HEAD
		6	33005533	1	NUT, HEX THIN M8
	K1	7		2	NUT, HEX NYL LOC HVY M5
	K2-3	8		6	NUT, HEX NYL LOC HVY M6
	K4	9		1	NUT, HEX NYL LOC HVY M10
	K1	10		2	WASHER, FLAT 5,3x10
	K4	11		2	WASHER, FLAT 10,5x21
		12	33006054	1	SHAFT RING D15
		13	146 0903 000	2	IGUS BEARING, FLANGE
	K4	14		1	SCREW, HEX HD M10X35
		15	1464217000	1	SUPPORT BRAKE
		16	1464218000	1	BRAKE LEVER
		17	1464219000	1	SPRING FOR LOCK BRAKE
		18	1464220000	1	TOOTH LOCK BRAKE PEDAL
		19	1464221000	1	LOCK BRAKE PEDAL
		20	1464222000	1	BRAKE PEDAL
		21	1464223000	1	MAT PEDAL
		22	1464224000	1	PIN FOR BRAKE PEDAL
		23	1465390000	1	BRAKE CABLE KIT
		24	1464431000	1	SPRING FOR BRAKE
	K1	1465066000		1	HARDWARE SPRING LOCK BRAKE KIT
	K2	1465067000		1	HARDWARE LOCK BRAKE PEDAL KIT
	K3	1465068000		1	HARDWARE SUPPORT BRAKE KIT
	K4	1465069000		1	HARDWARE LOCK TOOTH KIT

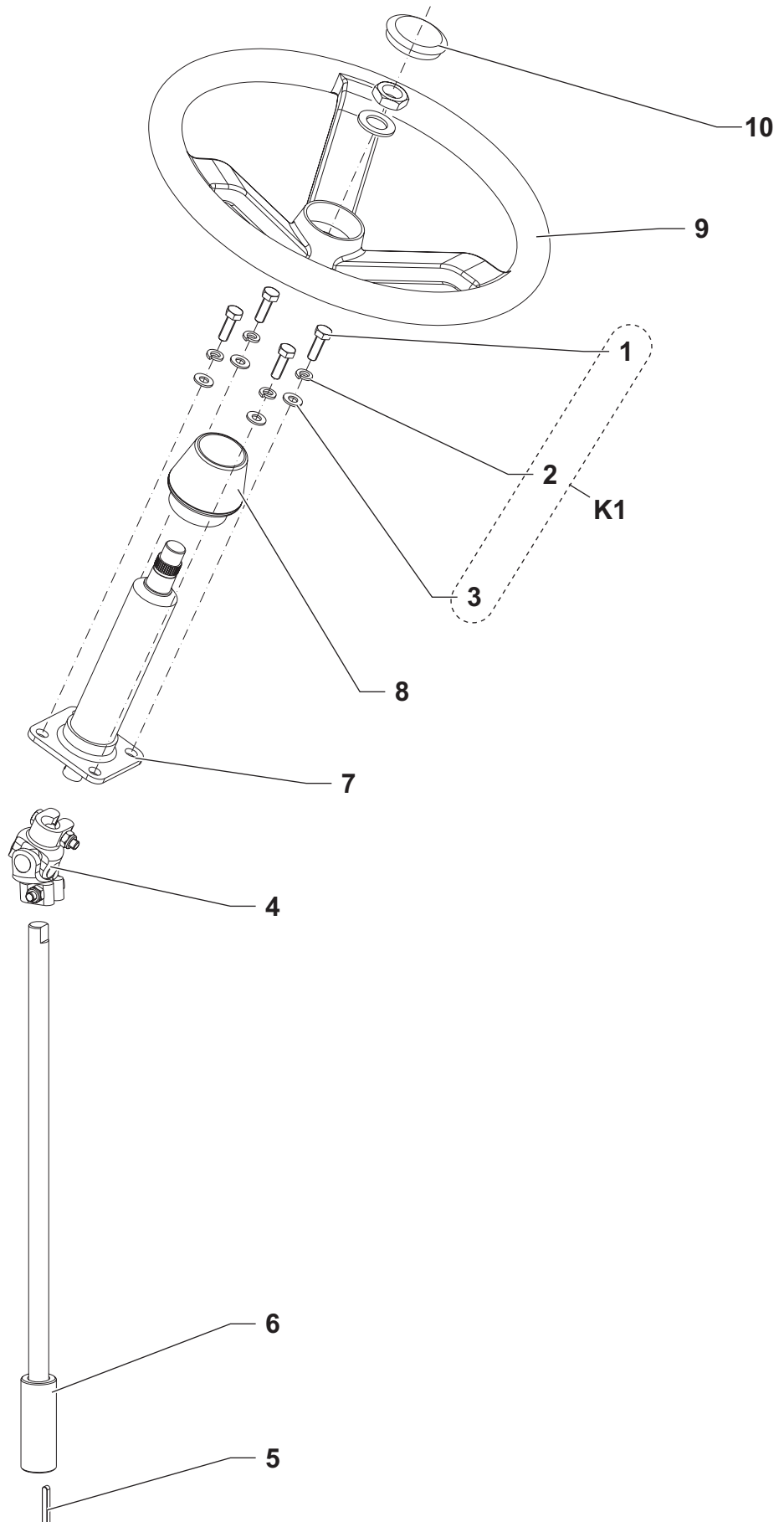
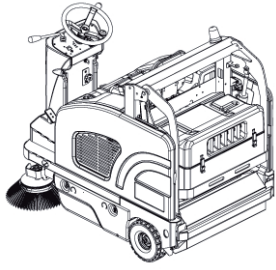
ACCELERATOR PEDAL



ACCELERATOR PEDAL

	ITEM	REF. NO.	QTY	DESCRIPTION
K1	1		1	SCREW, HEX THD TO HD M6x40
K1	2		3	SCREW, FLAT SOCKET HEAD
K1	3		1	NUT, HEX NYL LOC HVY M6
	4	1464206000	1	ELECTRIC CARD OF TRACTION (EB1)
K1	5	1464368000	1	THROTTLE PEDAL
K1	6	1464425000	1	ACCELERATOR PEDAL (R1)
K2	7		4	SCREW, SOC HD
K2	8		4	WASHER, FLAT 5,3x10
	K1	1464922000	1	ACCELERATOR ELECTRONIC KIT
	K2	1465070000	1	HARDWARE TRACTION BOARD KIT

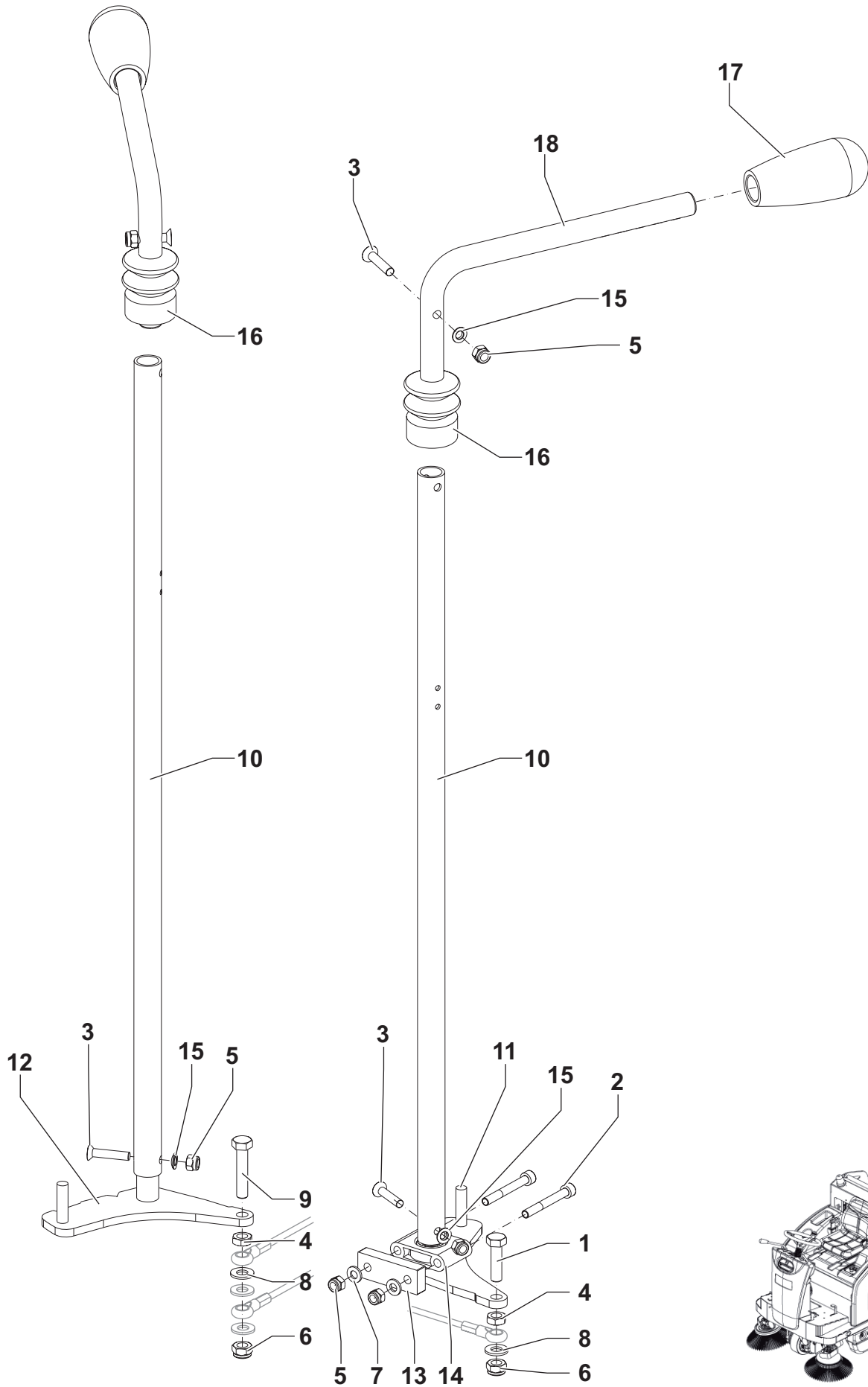
STEERING COLUMN



STEERING COLUMN

	ITEM	REF. NO.	QTY	DESCRIPTION
K1	1		4	SCREW, HEX THD TO HD M8x25
K1	2		4	WASHER, SPLIT LOCK d.8
K1	3		4	WASHER, FLAT 8.4x16x1.6
	4	145 9619 000	1	JOINT UNIVERSAL 17
	5	146 0830 000	1	KEY 5X5X35
	6	1463895000	1	STEERING SHAFT
	7	1464136000	1	STEERING COLUMN
	8	1464989000	1	COVER FOR STEERING
	9	1464523000	1	WHEEL Ø362
	10	145 8753 000	1	PLUG, STEERING WHEEL
	K1	1465071000	1	HARDWARE STEERING COLUMN KIT

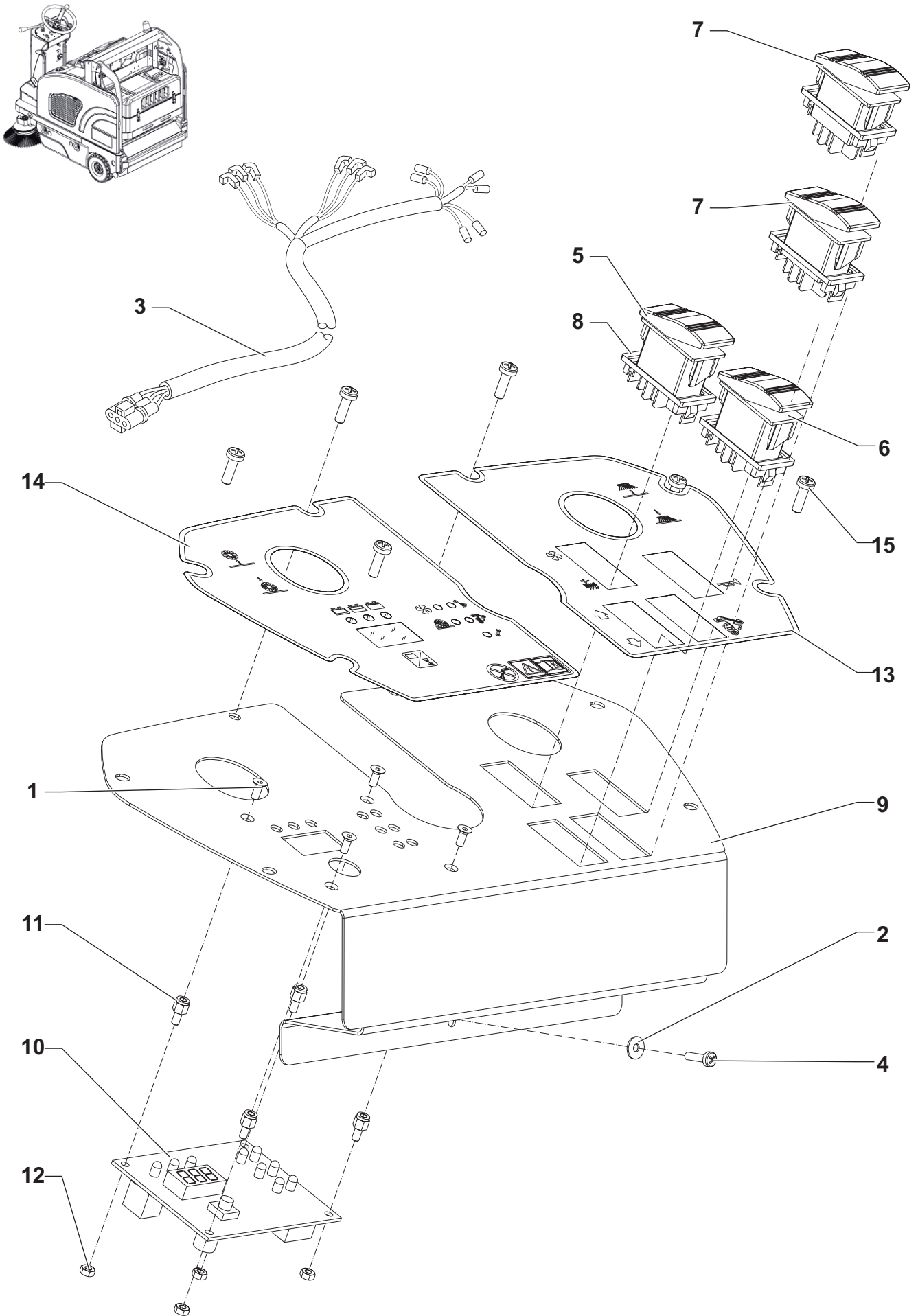
BROOM LEVERS



BROOM LEVERS

	ITEM	REF. NO.	QTY	DESCRIPTION	
	K1	1	1	SCREW, HEX THD TO HD M8x30	
	K1	2	2	SCREW, SOC HD	
	K1	3	4	SCREW, FLAT SOCKET HEAD	
	K1	4	2	NUT, HEX THIN M8	
	K1	5	6	NUT, HEX NYL LOC HVY M6	
	K1	6	2	NUT, HEX NYL LOC THIN M8	
	K1	7	2	WASHER, FLAT 6,4x12,5	
	K1	8	2	WASHER, FLAT 8.4x16x1.6	
	K1	9	1	SCREW, HEX THD TO HD M8x40	
		10	1464174000	2	PIPE EXTENSION LEVER
		11	1464175000	1	LEVER MAIN BROOM
		12	1464176000	1	LEVER SIDE BROOM
		13	1465090000	1	ESTM PLATE FOR PILLOW BLOCK BEARING
		14	1465091000	1	ARTICULATED SUPPORT TO OMEGA
	K1	15		4	SPHERICAL WASHERS
		16	146 2456 000	2	BELLOW RUBBER
		17	1464151000	2	ELESA HANDLE
		18	1464177000	2	LEVER
	[K1]	1464820000	1	HARDWARE BROOM LEVERS KIT	

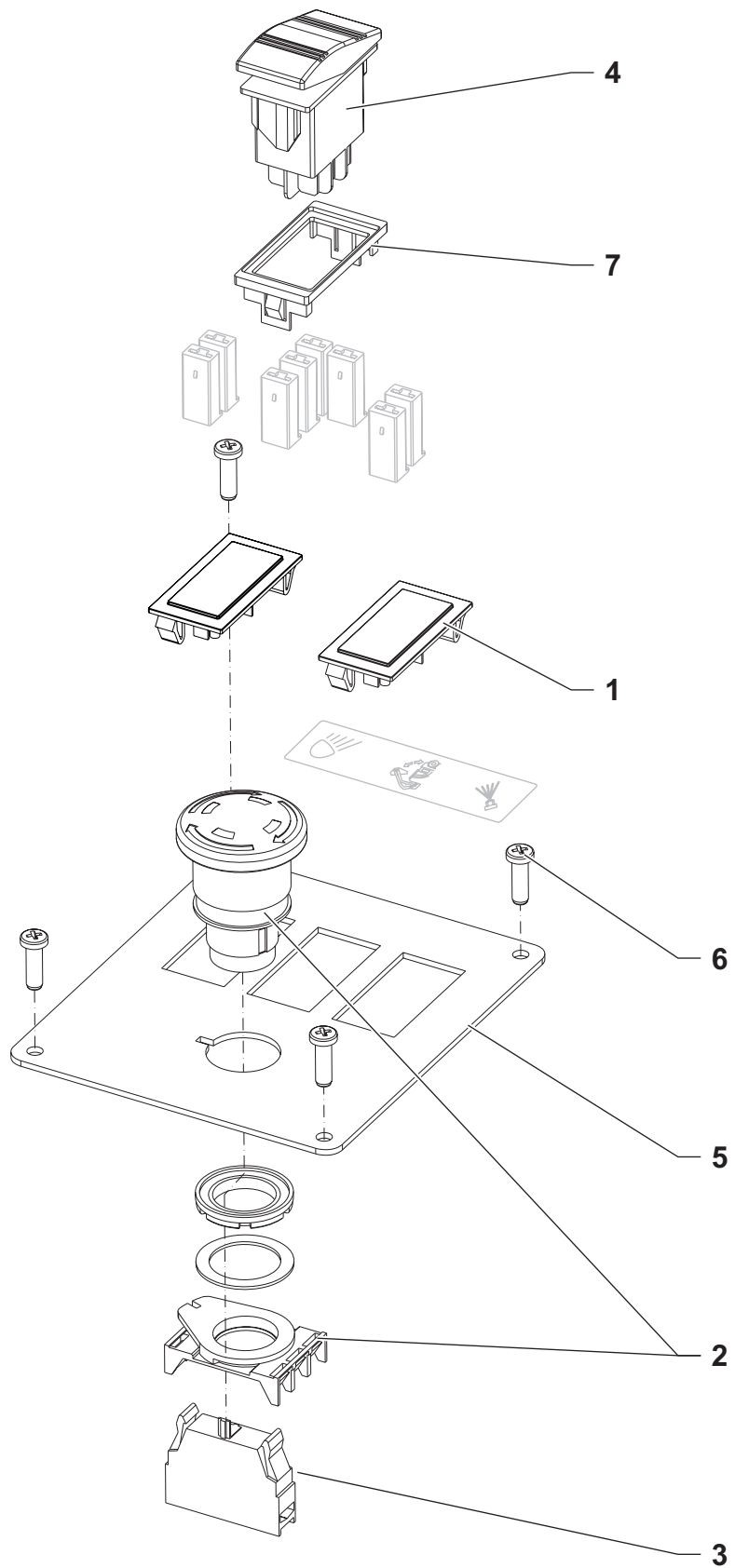
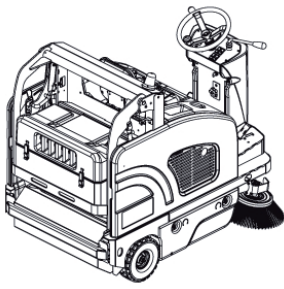
CONTROL PANEL



CONTROL PANEL

	ITEM	REF. NO.	QTY	DESCRIPTION
K1	1		4	SCREW, FLAT SOCKET HEAD
K1	2		1	WASHER, FLAT XL 4,3x16
	3	1465290000	1	PLANK HARNESS
K1	4		1	SCREW, PAN PHIL M4x16
	5	146 2088 000	1	SWITCH (SW3)
	6	1465178000	1	SWITCH 2 POSITIONS MOMENTARY (SW2)
	7	146 2087 000	2	PUSH BUTTON (SW4) (SW6)
	8	146 2089 000	4	ADAPTER FOR PUSH BUTTONS
	9	1464179000	1	DASHBOARD
	10	1464258000	1	ELECTRIC CARD FOR CONTROL PANEL (EB2)
K1	11		4	EXAGONAL SPACER RICHCO HTSN-N4
K1	12		4	NUT RICHCO NNE-34814-M4
	13	1464611000	1	RIGHT DECAL CONTROL PANEL SW4000
	14	1464612000	1	LEFT DECAL CONTROL PANEL SW4000B
K1	15		6	SCREW, PAN PHIL M5x16
	[K1]	1465072000	1	HARDWARE FOR DISPLAY BOARD KIT

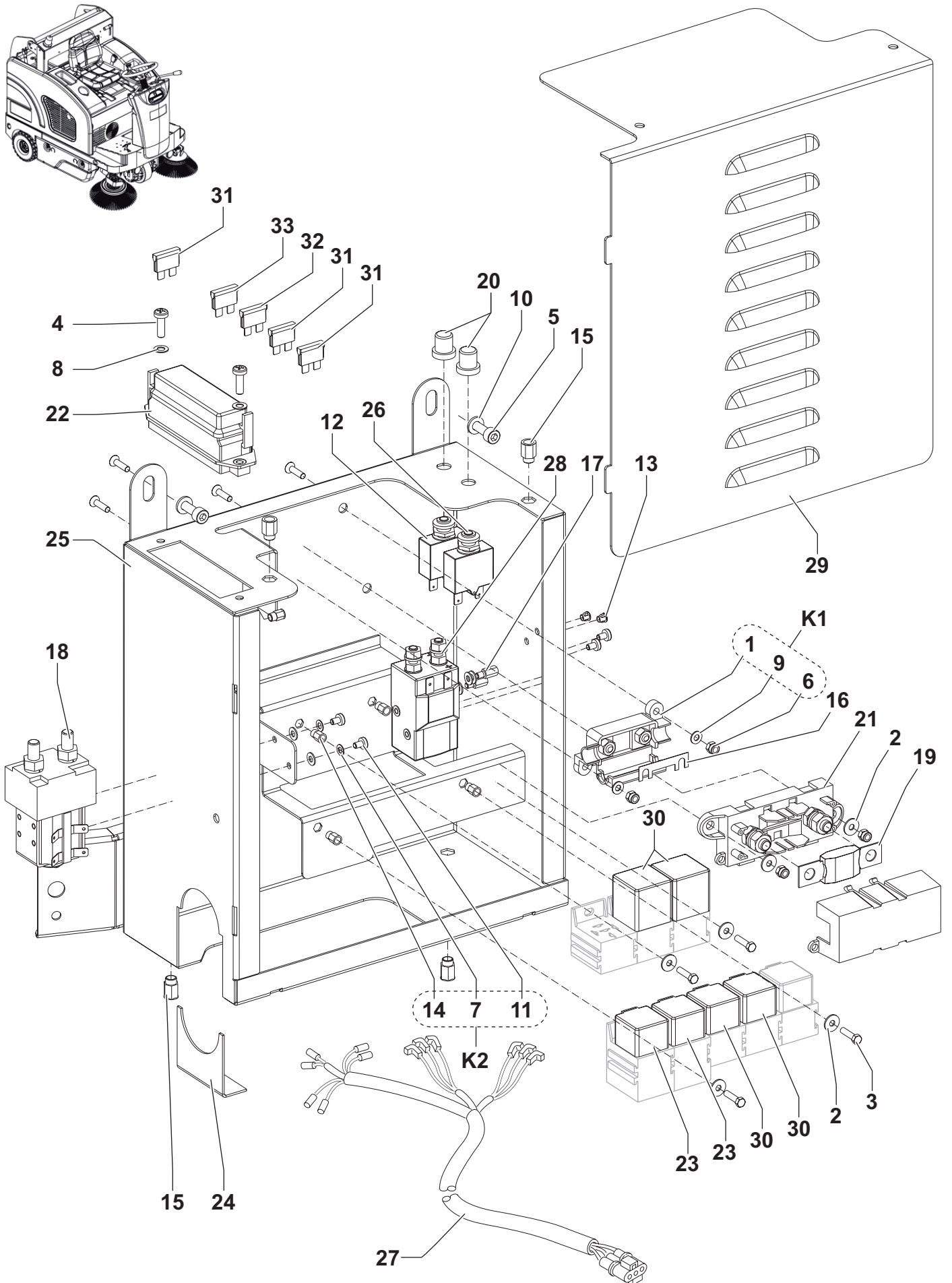
CONTROL PANEL COVER



CONTROL PANEL COVER

	ITEM	REF. NO.	QTY	DESCRIPTION
	1	146 1284 000	2	PLUG, SWITCH HOLE
	2	146 1727 000	1	SWITCH, EMERGENCY STOP (SW0)
	3	146 1728 000	1	CONTACT, N.C.
	4	146 2088 000	1	SWITCH (SW5)
	5	1464411000	1	PLATE
K1	6		4	THREAD ROLLING SCR 5x16
	7	146 2089 000	1	ADAPTER FOR PUSH BUTTONS

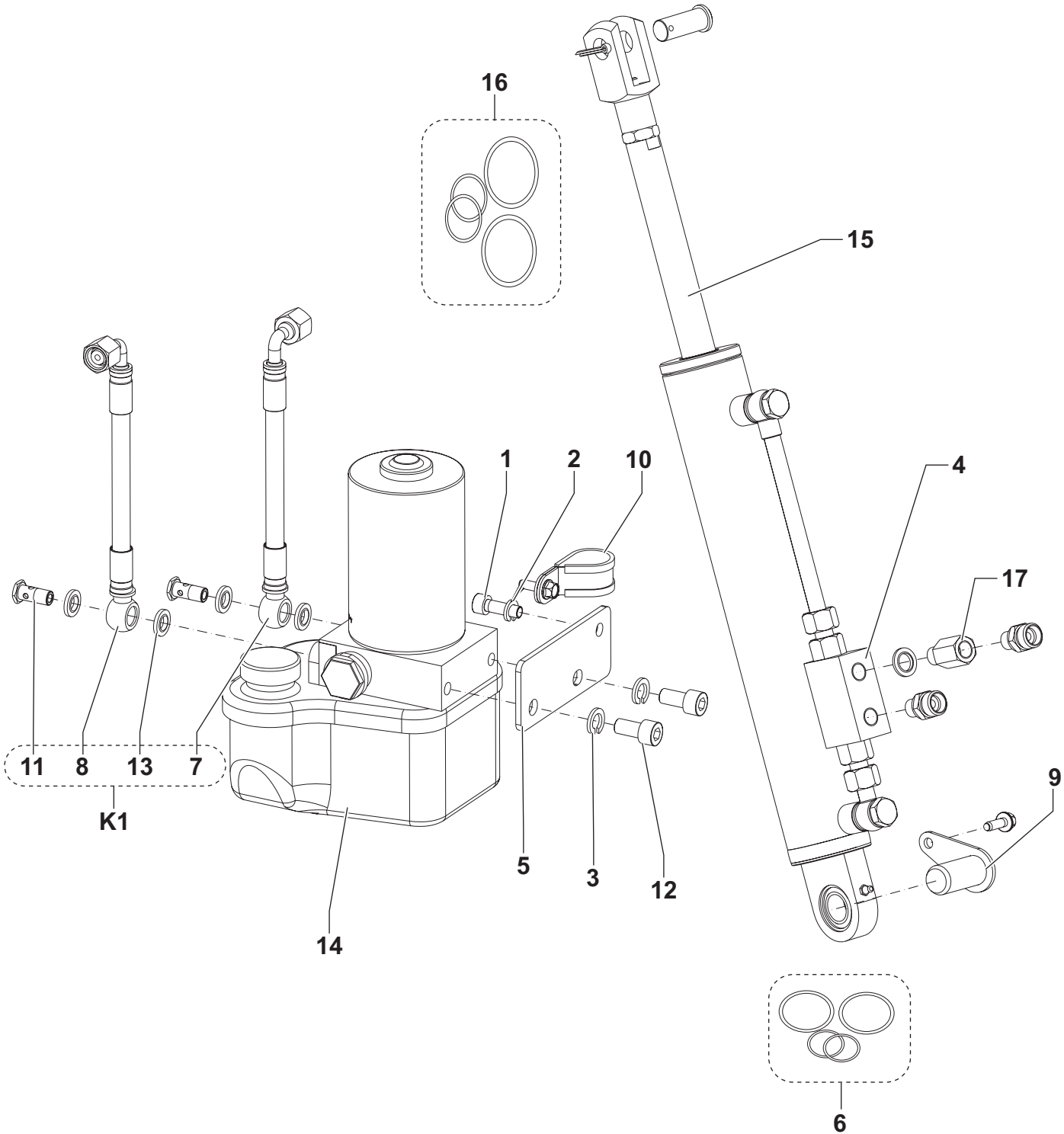
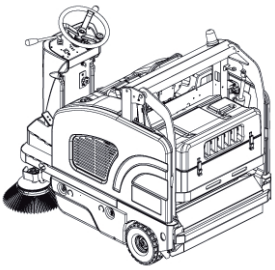
ELECTRIC SYSTEM



ELECTRIC SYSTEM

	ITEM	REF. NO.	QTY	DESCRIPTION	
	K1	1	1	FUSE HOLDER	
	K3	2	6	WASHER, FLAT XL SS	
	K3	3	4	SCREW, HEX THD TO HD M4X16	
	K3	4	2	SCREW, SOC HD	
	K3	5	2	SCREW, SOC HD	
	K1	6	4	NUT, HEX NYL LOC HVY M4	
	K2	7	4	WASHER, EXT. SHPRF Ø 4	
	K3	8	2	WASHER, EXT. SHPRF Ø 5.3	
	K1	9	8	WASHER, FLAT 4,3X9	
	K3	10	2	WASHER, FLAT 6,4X12,5	
	K2	11	4	SCREW, PAN PHIL M4X6	
	K3	12	1464336000	1	CIRCUIT BREAKER, 15 A (FR1)
	K3	13	2	PLUG, BLACK PLASTIC	
	K2	14	6	HEX INSERT	
	K3	15	4	HEX INSERT	
	K3	16	145 9854 000	1	FUSE 50 A (FA)
	K3	17	2	HEX MALE/FEMALE	
	K3	18	1464982000	1	CONTACTOR, 24V 120 A (ES0)
	K3	19	146 0840 000	1	FUSE, 150 A (F0)
	K3	20	146 0841 000	2	COVER, CIRCUIT BREAKER
	K3	21	146 1169 000	1	FUSE HOLDER
	K3	22	146 1170 000	1	FUSE HOLDER, 8-PLACE
	K3	23	909 6622 000	2	RELAY 24V 40 A (K1-K2)
	K3	24	1463923000	1	PLATE
	K3	25	1464248000	1	ELECTRIC BOX
		26	1464336000	1	CIRCUIT BREAKER, 15 A (FR2)
	K3	27	1	EL. BOX HARNESS	
	K3	28	9097208000	1	CONTACTOR 24V 70 A (ES1)
		29	1464249000	1	COVER, ELECTRIC BOX
	K3	30	1464289000	4	RELAIS 24V 20/30 A (K3A-K3B-K4-K5)
	K3	31	145 8514 000	3	FUSE, BLADE 25 A (F1-F2-F6)
	K3	32	145 8368 000	1	FUSE, BLADE 3 A (F3)
	K3	33	146 0068 00	1	FUSE, BLADE 10 A (F4)
	K3	K1	1465073000	1	FUSE HOLDER KIT
	K3	K2	1465074000	1	HARDWARE CONTACTOR KIT
	[K3]	1464246000	1	BOX ELECTRIC CPL BATTERY VERSION	

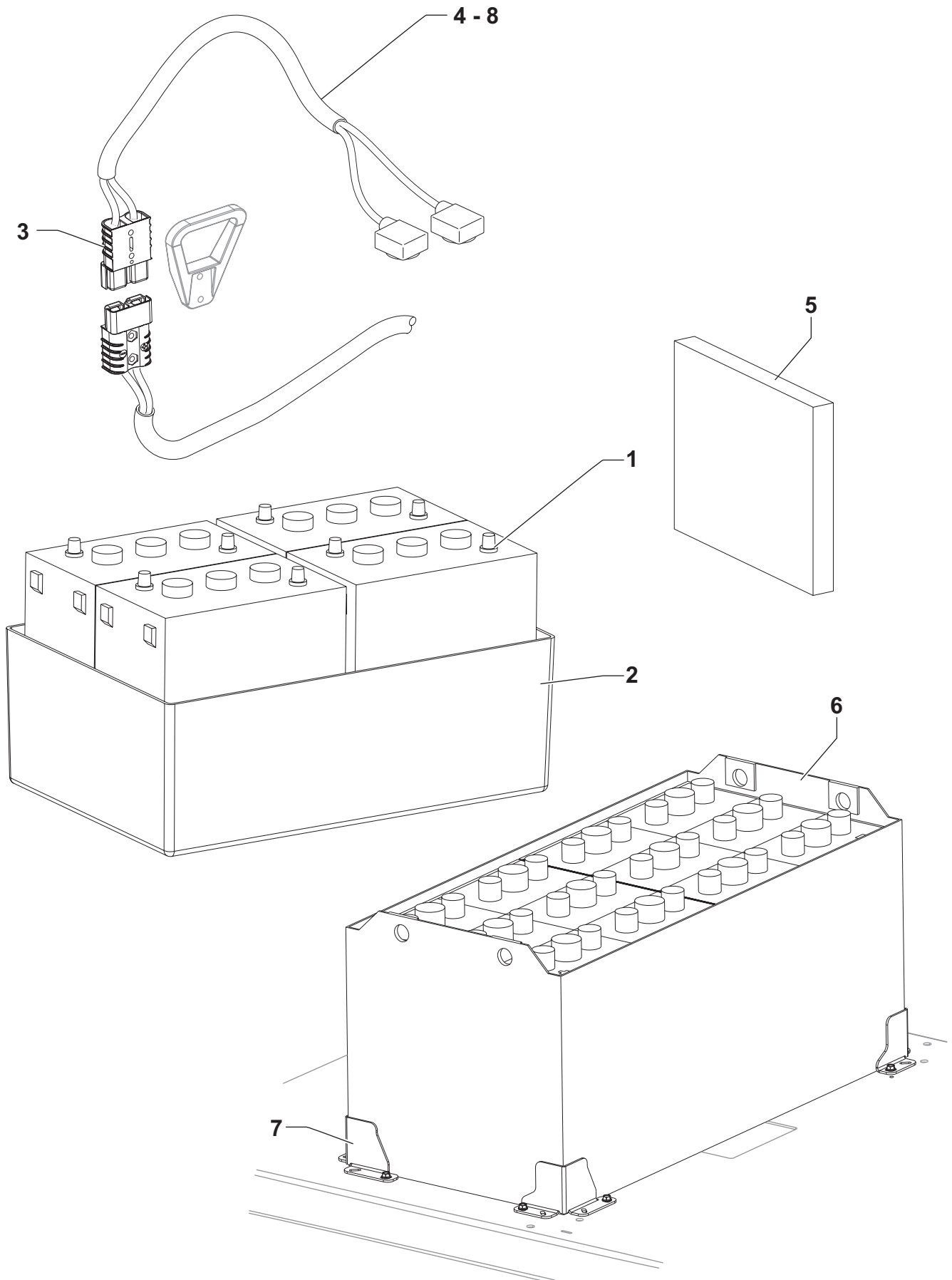
HYDRAULIC SYSTEM



HYDRAULIC SYSTEM

	ITEM	REF. NO.	QTY	DESCRIPTION
	1	33004366	1	SCREW, SOC HD
	2	33005842	1	WASHER, SPLIT LOCK D.8
	3	33005843		WASHER, SPLIT LOCK D.10 2
	4	1464981000	1	VALVE BLOCK
	5	1464233000	1	BRACKET FOR IDRAULIC UNIT
	6	1465095000	1	GASKETS FOR PISTON KIT
	K1	7	1	HYDRAULIC HOSE
	K1	8	1	HYDRAULIC HOSE
	9	1464247000	1	PIN LOWER CILYNDER
	10	33020367	1	CLAMP, HOSE Ø25
	K1	11	2	BOLT G 1/8", BANJO
	12	145 5742 000	2	SCREW, SOC HD
	K1	13	4	RONDELLA BONDED
	14	1465177000	1	GEARCASE HYDRAULIC 24V (M3)
	15	1464920000	1	CYLINDER KIT
	16	1465096000	1	GASKETS FOR CYLINDER KIT
	17	1465097000	1	CYLINDER FIXING KIT
	K1	1464919000	1	HOSES HYDRAULIC WITH HARDWARE KIT

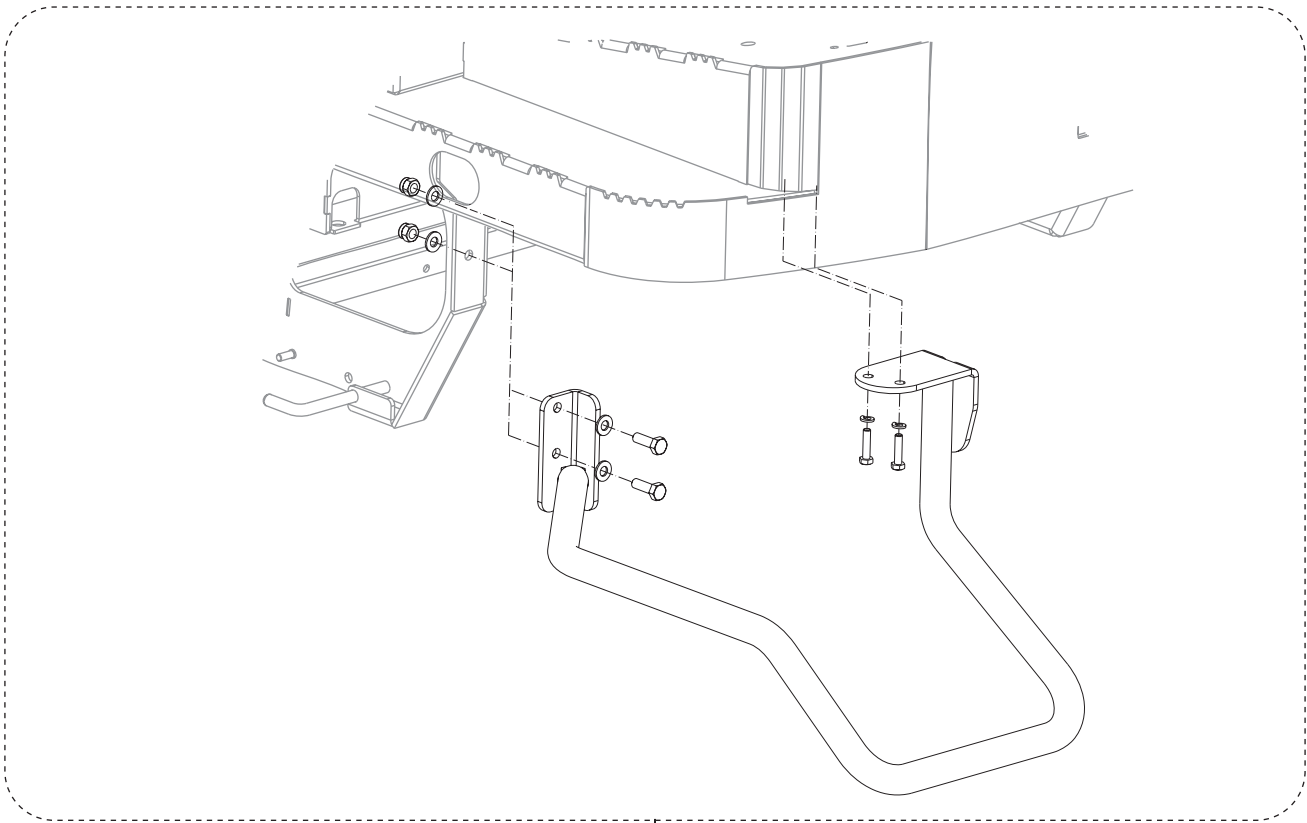
BATTERIES



BATTERIES

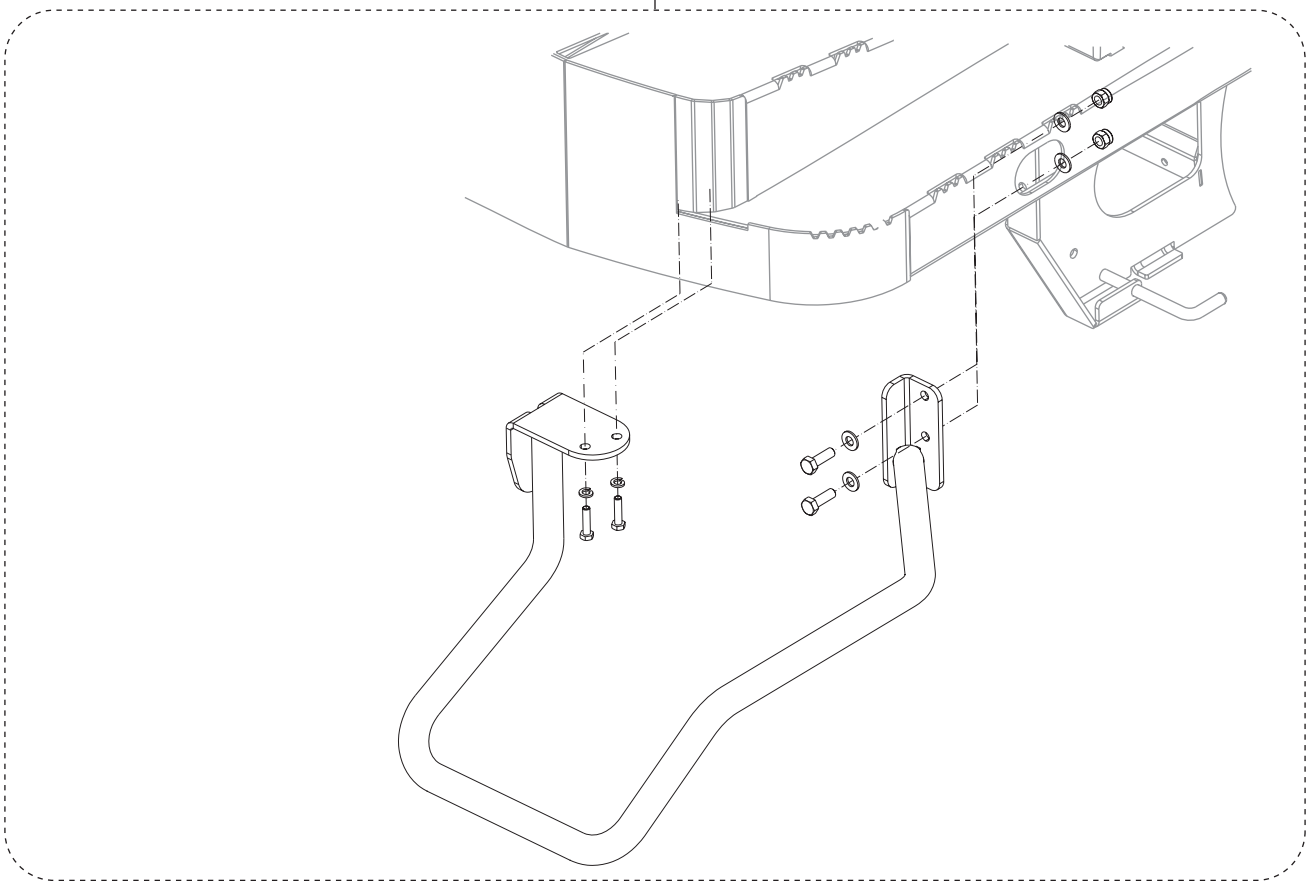
	ITEM	REF. NO.	QTY	DESCRIPTION
	1*	80565000	4	BATTERY 6V-255AH WET SEMI T MONOBLOC (BAT)
	1*	80564000	4	BATTERY 6V-180AH GEL MONOBLOC (BAT)
	1*	80564100	4	BATTERY 6V-240AH GEL MONOBLOC (BAT)
	2	145 4692 000	1	CONTAINER, BATTERY
	3	145 6063 000	2	CONNECTOR 175A RED (C1)
	4	1464408000	1	BATTERY HARNESS
	5	146 0668 000	4	SPACER BATTERIES
	6*	80565200	1	TRACTION 24V 360 AH WET (BAT)
	6*	80565300	1	TRACTION 24V 360 AH GEL (BAT)
	7*	1465171000	1	BRACKETS BATTERY STOP KIT
	8	1465179000	1	BATTERY HARNESS

GUARD LEFT/RIGHT SIDE BROOM



K1

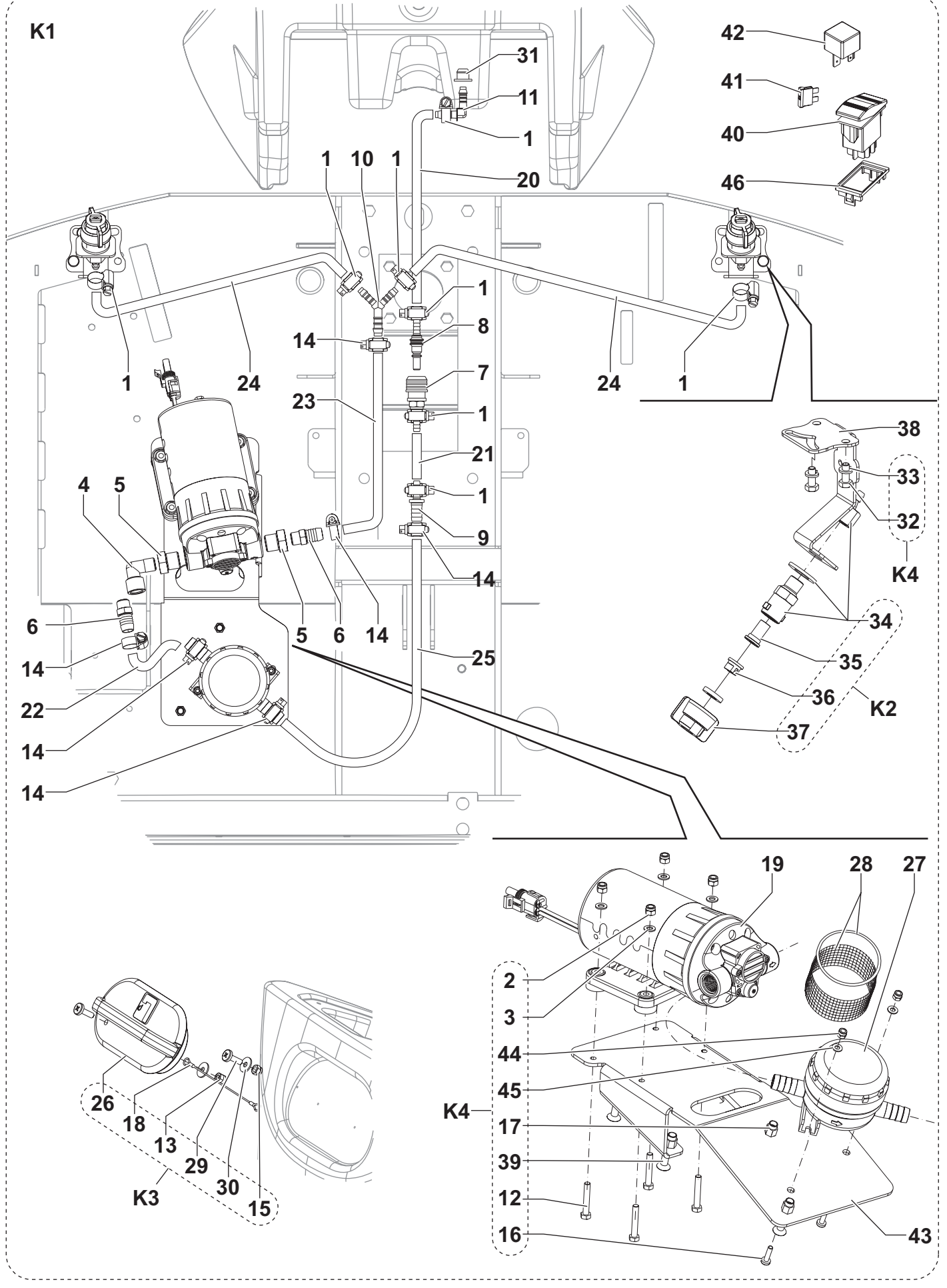
K2



GUARD LEFT/RIGHT SIDE BROOM

	ITEM	REF. NO.	QTY	DESCRIPTION
	K1	1464958000	1	GUARD RIGHT SIDE BROOM KIT
	K2	1464959000	1	GUARD LEFT SIDE BROOM KIT

ACCESSORIES

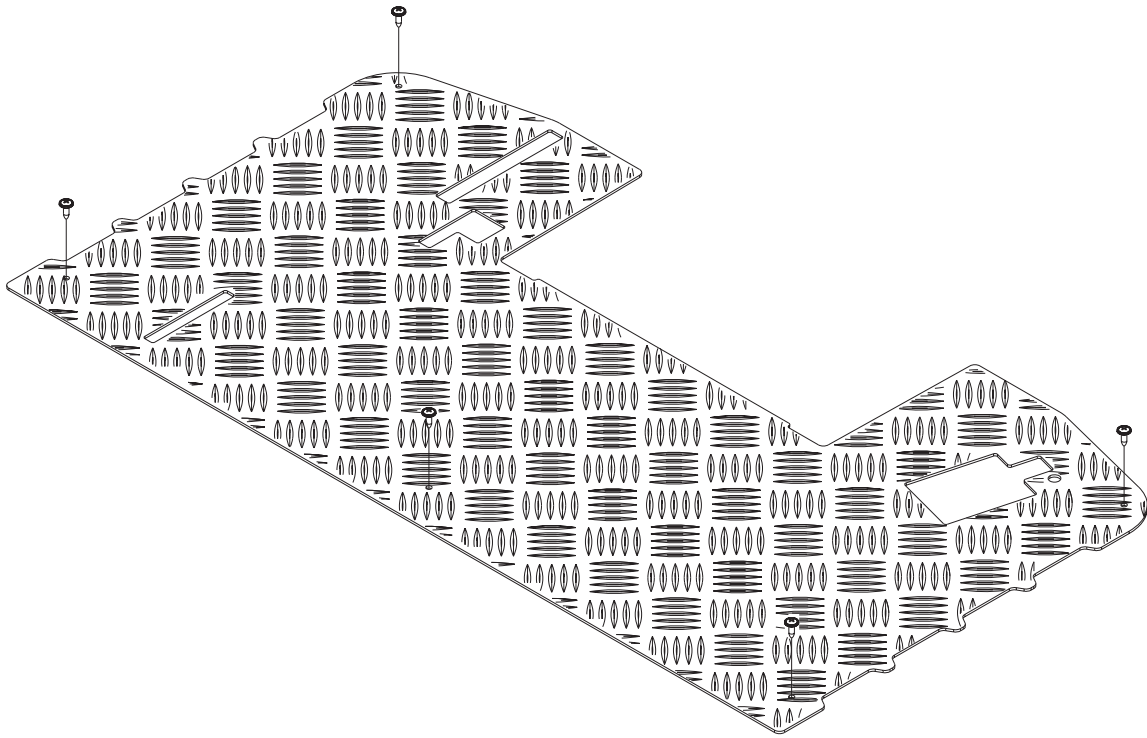


ACCESSORIES

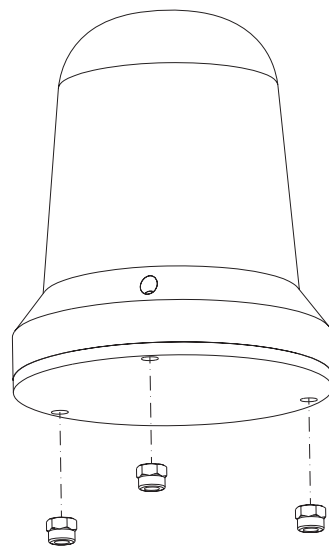
	ITEM	REF. NO.	QTY	DESCRIPTION
K5	1		8	CLAMP, HOSE 9/8-12
K4	2		4	NUT, HEX NYL LOC HVY M5
K4	3		4	WASHER, FLAT 5,3X10
K6	4		1	FITTING, ELBOW M/F 1/4" H2O
K6	5		2	FITTING, REDUCER M-F 3/8" - 1/4"
K6	6		2	BARB. HOSE 1/4" d.10.5
K1	7	33018190	1	CONNECTOR FEMALE
K1	8	33018191	1	CONNECTOR MALE
K6	9		1	STRAIGHT NIPPLE AS RUBBER HOLDER
K6	10		1	FITTING Y 6-8-6 PLASTIC
K6	11		1	HOLDER PLASTIC WN6 90°
K4	12		4	SCREW, HEX THD TO HD M5X30
K3	13		1	NUT, HEX METRIC
K5	14		6	CLAMP, HOSE 8/9-16
K3	15		1	NUT, HEX NYL LOC HVY M6
K4	16		2	SCREW, PAN PHIL M4X16 SS
K4	17		6	HEX INSERT
K3	18		1	ROPE FOR CAP REFILLING POINT
K1	19	1465116000	1	WATER PUMP (M8)
K5	20		1	MISTING HOSE L=130MM
K5	21		1	MISTING HOSE L=80MM
K5	22		1	HOSE L=80MM ØI=10MM ØE=15MM
K5	23		1	MISTING HOSE L=300MM
K5	24		2	MISTING HOSE L=640MM
K5	25		1	MISTING HOSE L=650MM
K3	26		1	CAP SOLUTION TANK
K1	27	9097404000	1	FILTER SOLUTION
K1	28	909 5215 000	1	NET GASKET WATER FILTER
K3	29		2	SCREW, PAN PHIL M6x20
K3	30		2	WASHER, FLAT XL SS
K6	31		1	GROMMET, RUBBER WS6
K4	32		4	SCREW, HEX THD TO HD M6x16
K4	33		4	WASHER, SPLIT LOCK d.6
K2	34	33020865	2	ADAPTER SPRAY KIT
K2	35	33022026	2	SPRAY FILTER
K2	36	33020816	2	NOZZLE SPRAY 0.33
K2	36	33022072	2	NOZZLE SPRAY 0.53
K2	37	33020817	2	RING NUT QUICK COUPLING
K1	38	1464473000	2	SUPPORT NOZZLE
K4	39		6	SCREW, FLAT SOCKET HEAD
K1	40	1465180000	1	SWITCH 2 POSITIONS (SW8)
K1	41	145 9852 000	1	FUSE, BLADE 5 A (F5)
K1	42	1464289000	1	RELE' 24V 20/30 A (K6)
K1	43	1465172000	1	PLATE FOR WATER PUMP
K4	44		2	NUT, HEX NYL LOC HVY M4
K4	45		2	WASHER, FLAT 4,3X9
K1	46	146 2089 000	1	ADAPTER FOR PUSH BUTTONS
	K1*	1465418000	1	DUSTGUARD KIT
		1465419000	1	INSTALLATION INSTRUCTION
K1	K2	33019324	2	NOZZLE SPRAY KIT
K1	K3	1465355000	1	CAP SOLUTION TANK KIT
K1	K4	1465356000	1	HARDWARE DUSTGUARD KIT
K1	[K5]	1465357000	1	HOSES DUSTGUARD KIT
K1	[K6]	1465358000	1	FITTINGS AND REDUCTIONS KIT

ACCESSORIES

K1



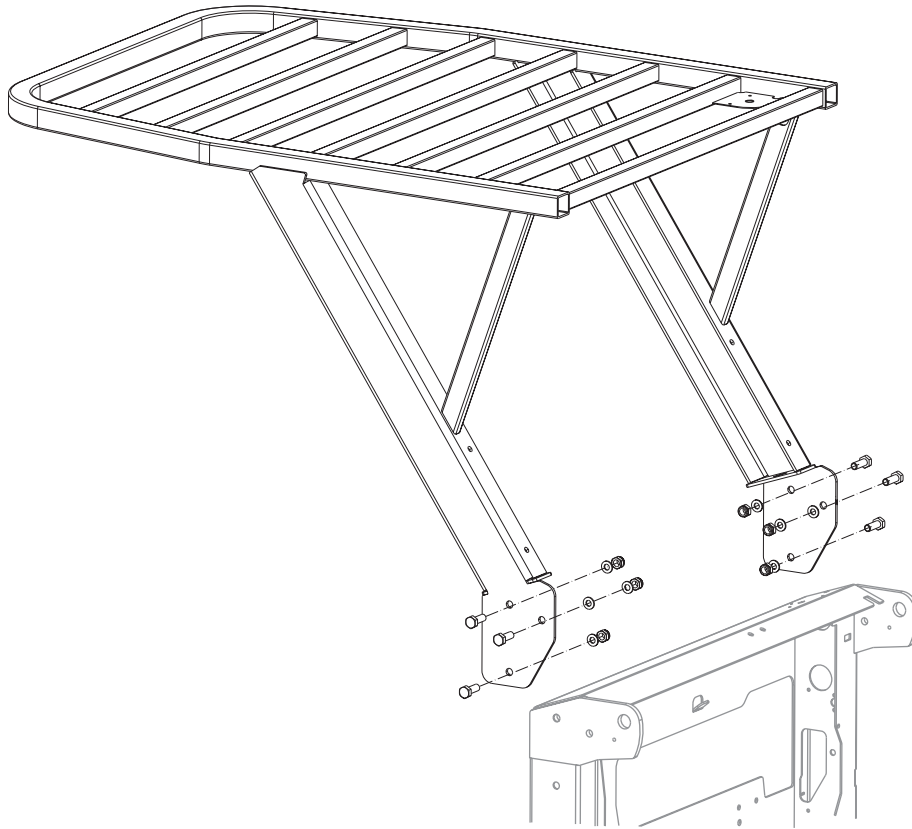
K2



ACCESSORIES

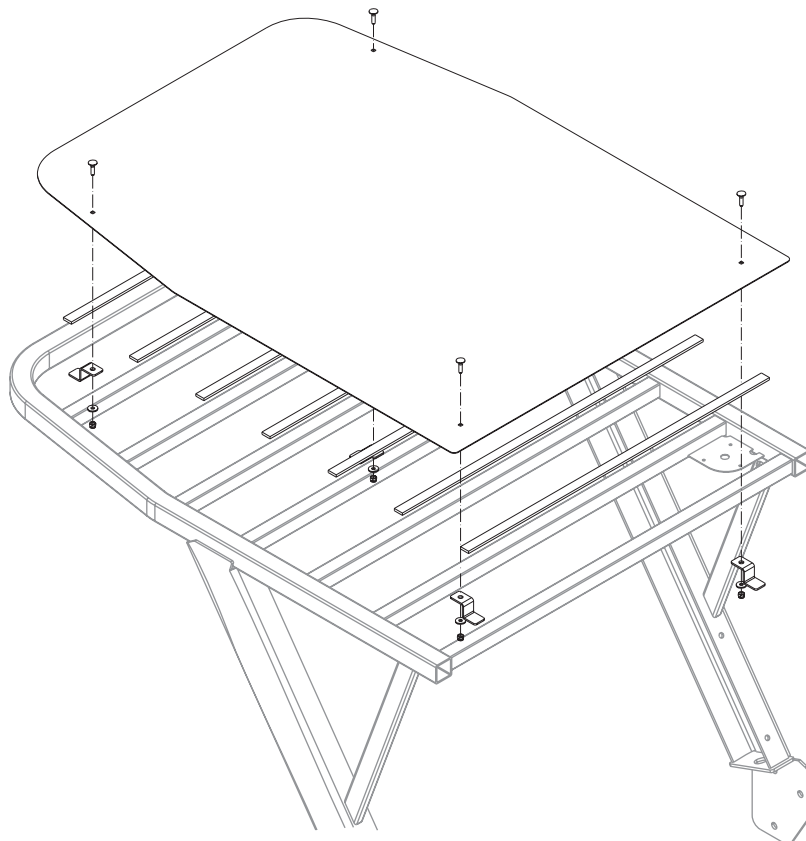
	ITEM	REF. NO.	QTY	DESCRIPTION
	K1*	1464957000	1	MAT FLOOR KIT
	K2*	1464948000	1	BEACON KIT (BE)
		1465248000	1	INSTALLATION INSTRUCTION

ACCESSORIES



K1

K2

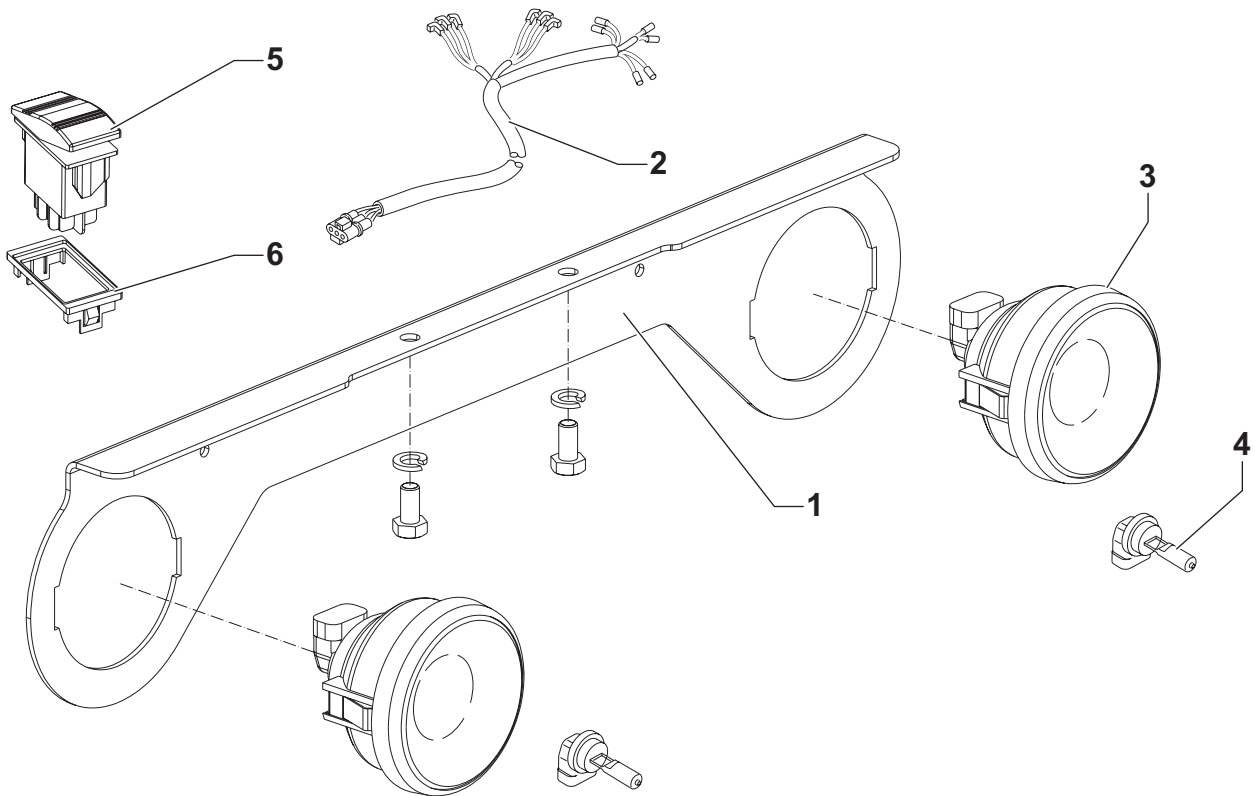


ACCESSORIES

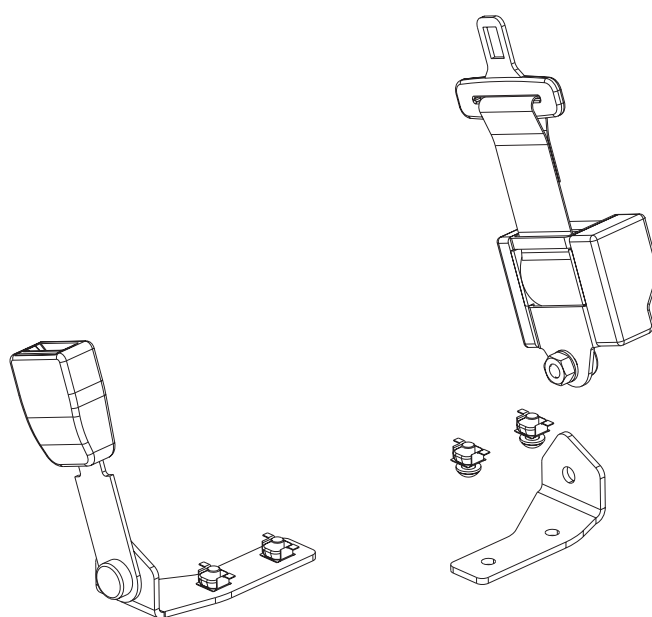
	ITEM	REF. NO.	QTY	DESCRIPTION
	K1*	1464952000	1	OVERHEAD GUARD KIT
		1465246000	1	INSTALLATION INSTRUCTION
	K2*	1464956000	1	CANOPY KIT
		1465247000	1	INSTALLATION INSTRUCTION

ACCESSORIES

K1



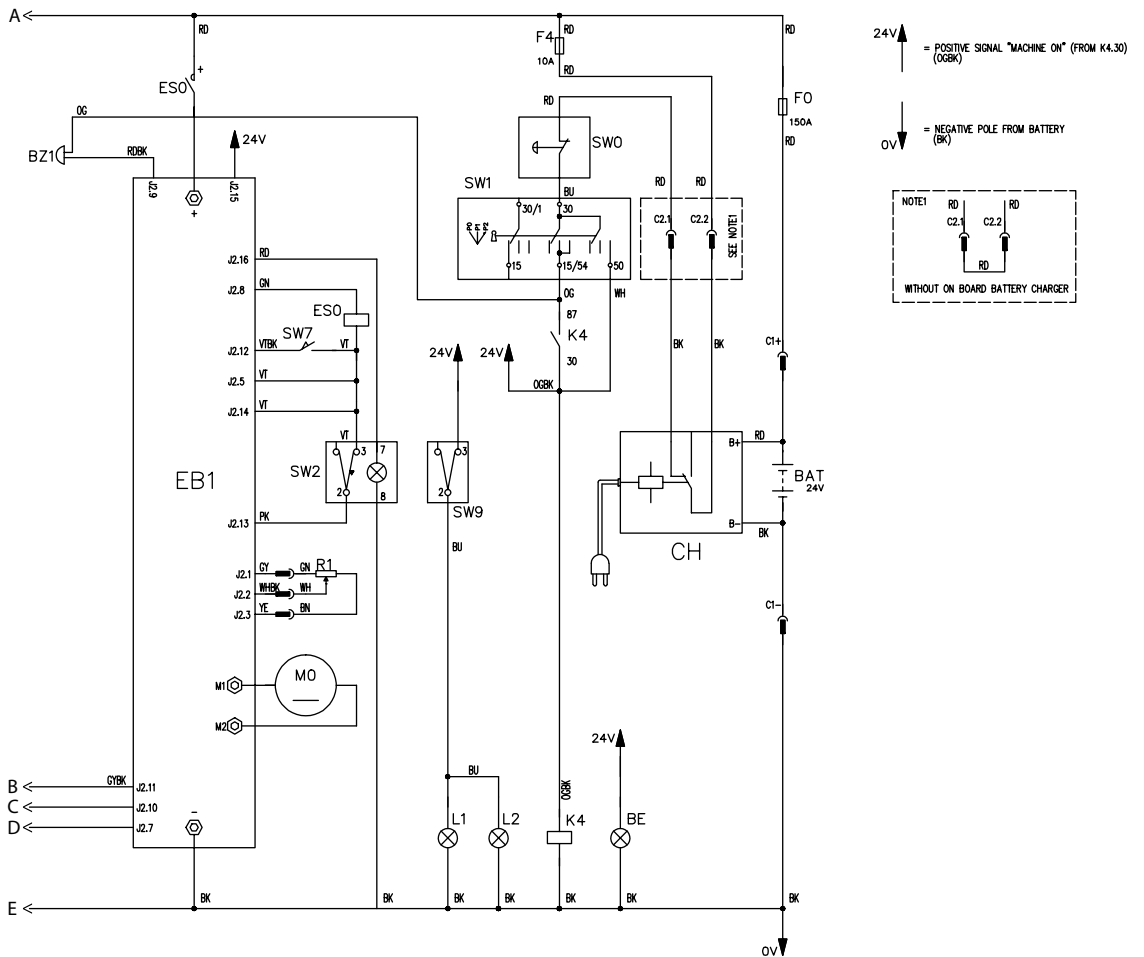
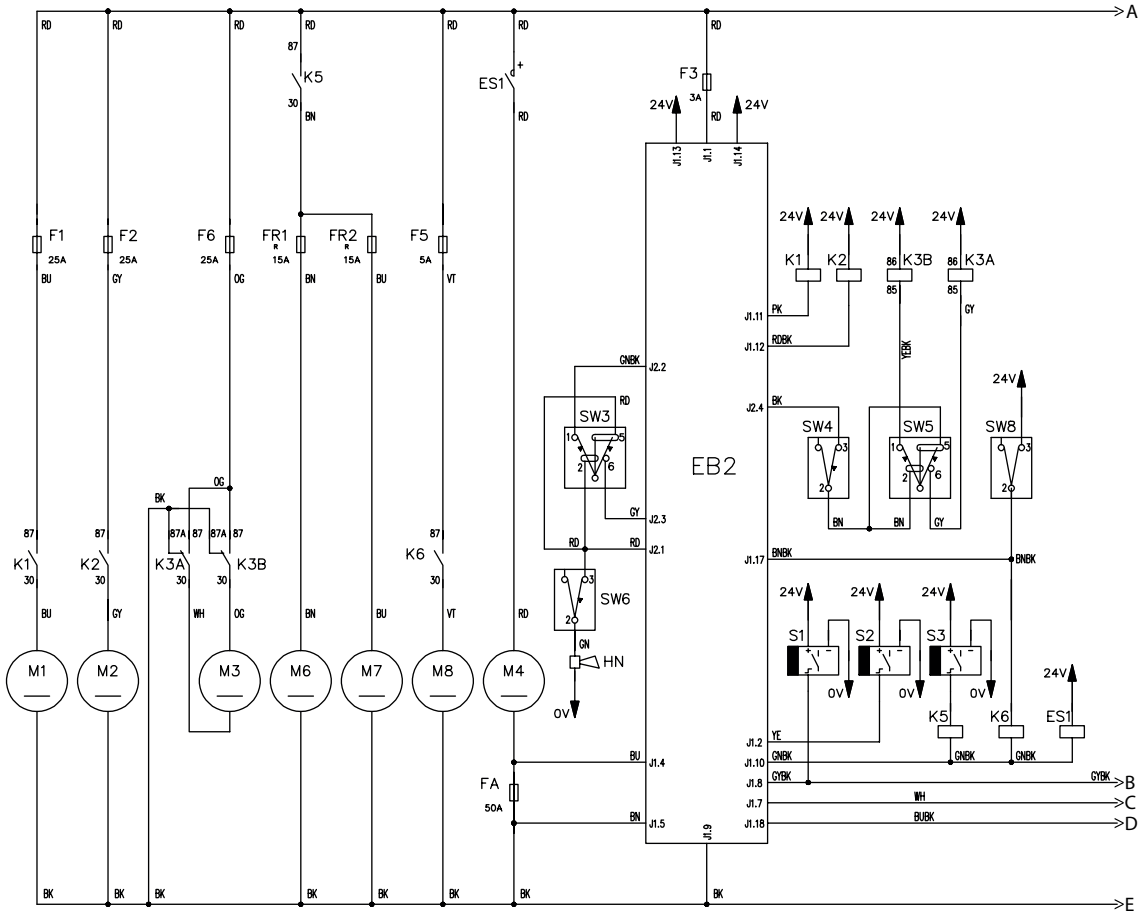
K2



ACCESSORIES

	ITEM	REF. NO.	QTY	DESCRIPTION	
	K1	1	1464465000	1	T FRONT LIGHT
	K1	2	1464944000	1	HARNESS WORKING LIGHTS
	K1	3	33019229	2	LIGHT 24V 70W (L1, L2)
	K1	4	33019734	2	LAMP 48V 70W
	K1	5	1465180000	1	SWITCH 2 POSITIONS (SW9)
	K1	6	146 2089 000	1	ADAPTER FOR PUSH BUTTONS
	K1*	1465421000	1	LIGHTS FRONT KIT	
		1465422000	1	INSTALLATION INSTRUCTION	
	K2*	1464954000	1	BELT KIT	
		1465248000	1	INSTALLATION INSTRUCTION	
	[K3*]	33019556	1	ARM REST RIGHT KIT	
		33019211	1	INSTALLATION INSTRUCTION	
	[K4*]	1464960000	1	ARM REST LEFT KIT	
		1465249000	1	INSTALLATION INSTRUCTION	

WIRING DIAGRAM



WIRING DIAGRAM

KEY	REF. NO.	DESCRIPTION
BAT	-	24V BATTERIES
BZ1	909 6126 000	REVERSE GEAR BUZZER
BE	1464948000	FLASHING LIGHT
C1	145 6063 000	BATTERY CONNECTOR
CH	-	BATTERY CHARGER
EB1	1464206000	DRIVE SYSTEM ELECTRONIC BOARD
EB2	1464258000	DASHBOARD ELECTRONIC BOARD
ES0	1464982000	LINE ELECTROMAGNETIC SWITCH
ES1	9097208000	MAIN BROOM ELECTROMAGNETIC SWITCH
FA	145 9854 000	MAIN BROOM FUSE (50 A)
F0	146 0840 000	MAIN FUSE (150 A)
F1	145 8514 000	VACUUM SYSTEM FUSE (25 A)
F2	145 8514 000	FILTER SHAKER FUSE (25 A)
F3	145 8368 000	DISPLAY ELECTRONIC BOARD (3 A)
F4	146 0068 00	KEY CIRCUIT FUSE (10 A)
F5	145 9852 000	DUSTGUARD SYSTEM PUMP FUSE (5 A) (OPT.)
F6	145 8514 000	HOPPER PUMP FUSE (25 A)
FR1	1464336000	RIGHT SIDE BROOM CIRCUIT BREAKER (15 A)
FR2	1464336000	LEFT SIDE BROOM CIRCUIT BREAKER (15 A) (OPT.)
HN	145 8881 000	HORN
K1	909 6622 000	VACUUM SYSTEM RELAY
K2	909 6622 000	FILTER SHAKER RELAY
K3A	1464289000	HOPPER LIFTING RELAY
K3B	1464289000	HOPPER LOWERING RELAY
K4	1464289000	MACHINE ON RELAY
K5	1464289000	SIDE BROOM RELAY
K6	1464289000	DUSTGUARD SYSTEM PUMP RELAY (OPT.)
L1, L2	33019229	WORKING LIGHTS (OPT.)
M0	1464913000	DRIVING WHEEL
M1	1463374000	VACUUM SYSTEM MOTOR
M2	145 5539 000	FILTER SHAKER MOTOR
M3	1465177000	HOPPER PUMP MOTOR
M4	1464444000	MAIN BROOM MOTOR
M6	1464241000	RIGHT SIDE BROOM MOTOR
M7	1464242000	LEFT SIDE BROOM MOTOR (OPT.)
M8	1465116000	DUSTGUARD SYSTEM PUMP MOTOR (OPT.)
R1	1464425000	DRIVE PEDAL
S1	33018521	HOPPER LIFTING SENSOR
S2	33018521	MAIN BROOM LEVER SENSOR
S3	33018521	SIDE BROOM LEVER SENSOR
SW0	146 1727 000	EMERGENCY PUSH-BUTTON
SW1	33020442	IGNITION KEY
SW2	1465178000	FORWARD/REVERSE GEAR SWITCH
SW3	146 2088 000	FILTER SHAKER/VACUUM SYSTEM SWITCH
SW4	146 2087 000	HOPPER ENABLING SWITCH
SW5	146 2088 000	HOPPER LIFTING/LOWERING SWITCH
SW6	146 2087 000	HORN SWITCH
SW7	-	DRIVER'S SEAT SAFETY MICROSWITCH
SW8	1465180000	DUSTGUARD SYSTEM SWITCH (OPT.)
SW9	1465180000	WORKING LIGHT SWITCH (OPT.)

KEY	COLOUR
BK	BLACK
BU	LIGHT BLUE
BN	BROWN
GN	GREEN
GY	GREY
OG	ORANGE

KEY	COLOUR
PK	PINK
RD	RED
VT	VIOLET
WH	WHITE
YE	YELLOW

RECOMMENDED SPARE PARTS

REF. NO.	QTY	DESCRIPTION
		NORMAL WEAR
33018521	3	SWITCH BACK UP PROXIMITY (S1-S2-S3)
		ORDINARY MAINTENANCE
33020442	1	KEY START ASSY WITH SPAREKEY KIT (SW1)
		EXTRAORDINARY MAINTENANCE
33006165	1	RING D 35 UNI7437
33019229	2	HEADLIGHT 24V (L1, L2)
33019324	2	NOZZLE SPRAY KIT
33019734	2	LAMP 48V 70W
33020816	2	NOZZLE SPRAY DIAM 0.33
33022026	2	CHECK VALVE FILTER
33022072	2	NOZZLE SPRAY
1463356000	2	SPRING TRACTION CARBON STEEL
1463358000	2	SPRING GAS 40KG
1463374000	1	MOTOR VACUUM 24V (M1)
1463916000	1	PLATE FRONT SKIRT
1464181000	1	BUSHING SUPPORT LEVER
1464189000	1	FILTER PANEL PAPER
1464198000	1	GASKET VACUUM CONTAINER L.2200 KIT
1464206000	1	CARD ELECTRONIC TRACTION (EB1)
1464219000	1	SPRING LOCK BRAKE
1464241000	1	GEARMOTOR FOR RIGHT SIDE BROOM (M6)
1464242000	1	GEARMOTOR FOR LEFT SIDE BROOM (M7)
1464258000	1	CARD ELECTRONIC CONTROL PANEL (EB2)
1464266000	1	BELT HTD 825-5M
1464275000	1	SKIRT REAR RECYCLE
1464276000	1	PLATE REAR SKIRT FIXING
1464277000	1	PLATE REAR SKIRT
1464278000	2	PLATE SIDE KIRT FIXING
1464289000	4	RELAIS 24V 20/30A (K3A-K3B-K4-K5)
1464336000	1	CIRCUIT BREAKER 15A (FR1)
1464337000	1	FLAP METAL FRONT
1464413000	1	CABLE MAIN BROOM
1464414000	1	CABLE RIGHT SIDE BROOM
1464415000	1	CABLE LEFT SIDE BROOM
1464425000	1	ACCELERATOR ELECTRONIC (R1)
1464431000	1	SPRING BRAKE
1464444000	1	MOTOR MAIN BROOM 24V 600W (M4)
1464465000	1	BRACKET FRONT LIGHT
1464476000	2	KNOB BLACK/YELLOW
1464497000	1	SKIRT FRONT
1464498000	1	SPARK PLUG BPR6ES (SPK)
1464535000	1	GASKET HOPPER L.1430MM KIT
1464794000	2	LOCK WITH KEY FOR HATCH
1464803000	1	DISC BRAKE
1464804000	1	CALIPER BRAKE COMPLETE KIT
9096960000	1	CARBON BRUSHES TRACTION WHEEL KIT
1464919000	1	HOSES HYDRAULIC WITH HARDWARE KIT
1464920000	1	CYLINDER KIT
1464921000	1	ROD FOR FLAP KIT
1464944000	1	HARNESS WORK LIGHTS
1464982000	1	SWITCH ELECTROMAGNETIC 24V 120A (ES0)
1464987000	1	PULLEY HTD 60 5M 15 6W
1464990000	1	HUB MAIN BROOM
1465037000	1	PIN HOPPER BEARING KIT
1465040000	1	HARDWARE FRONT FLAP KIT
1465049000	1	KNOB SIDE BROOM KIT
1465052000	1	HARDWARE MAIN BROOM HUB KIT
1465095000	1	GASKETS FOR PISTON KIT

RECOMMENDED SPARE PARTS

REF. NO.	QTY	DESCRIPTION
1465096000	1	GASKETS FOR CYLINDER HEAD KIT
1465116000	1	PUMP WATER 24V DC (M8)
1465177000	1	GEARCASE HYDRAULIC 12V-24V (M3)
1465273000	1	CABLE LOCK RELEASE
1465281000	2	BEARING CYLINDRICAL 16x22x15
1465314000	1	RING FOR MOTORWHEEL KIT
1465355000	1	CAP SOLUTION TANK KIT
1465356000	1	HARDWARE DUSTGUARD KIT
1465357000	1	HOSES DUSTGUARD KIT
1465358000	1	FITTINGS AND REDUCTIONS DUST GUARD KIT
1465390000	1	CABLE BRAKE KIT
1465396000	1	SKIRTS KIT
146 2088 000	1	SWITCH 3 POSITIONS (SW5)
146 2087 000	1	SWITCH MOMENTARY (SW4)
1465178000	1	SWITCH 2 POSITIONS MOMENTARY (SW2)
1465180000	1	SWITCH 2 POSITIONS (SW8)
9096959000	1	BALL BEARING KIT
9096969000	4	CAP WITH GASKET
9097208000	1	SWITCH ELECTROMAGNETIC 24V (ES1)
9097404000	1	FILTER WATER
145 0269 000	1	HUB
145 0270 000	1	BALL BEARING 6001 2RS
145 0271 000	1	SPRING
145 5125 000	2	CARBON BRUSH
145 5539 000	1	MOTOR FILTER SHAKER 90W 24V (M2)
145 8368 000	1	FUSE 3A (F3)
145 8415 000	2	BALL BEARING 6003 2RS
145 8514 000	3	FUSE BLADE 25A UL (F1-F2-F6)
145 9619 000	1	JOINT UNIVERSAL D.17
145 9852 000	1	FUSE BLADE 5A UL (F5)
145 9854 000	1	FUSE 50A (FA)
146 0068 00	1	FUSE 10A (F4)
146 0329 000	2	WHEEL FRONT NON MARKING
146 0840 000	1	FUSE MEGAFUSE 150A (F0)
146 2087 000	1	SWITCH MOMENTARY (SW6)
146 2088 000	1	SWITCH 3 POSITIONS (SW3)
146 0903 000	2	BALL BEARING
146 0986 000	1	SPRING
1465180000	1	SWITCH 2 POSITIONS (SW9)
146 1317 000	1	SPRING
146 1727 000	1	SWITCH EMERGENCY (SW0)
146 1728 000	1	CONTACT. NC.
146 1876 000	2	WHEEL SOLID 4.00-4 BLACK
146 2471 000	8	HANDWHEEL
909 5215 000	1	NET & GASKET WATER FILTER
909 6622 000	2	RELAY 24V 40A (K1-K2)
L08603949	1	BRUSH CARBON KIT 4PCS
1464805000	1	PADS BRAKE KIT
1465055000	1	PULLEY MAIN BR. MOTOR KIT
1464982000	1	SWITCH ELECTROMAGNETIC 24V 120A
1464951000	1	SKIRTS NON MARKING KIT

OPTIONALS

	REF. NO.	QTY	DESCRIPTION
	1464951000	1	SKIRTS NON MARKING KIT
	146 0329 000	2	WHEEL NO MARKING
	1465313000	1	WHEELS SOLID 4.00-4 NON MARKING KIT
	1465170000	1	WHEEL TRACTION NON MARKING KIT
	1464955000	1	RING NON MARKING MOTORWHEEL KIT
	1465318000	1	BROOM SIDE D.450MM MIX STEEL KIT
	1465319000	1	BROOM SIDE D.450 MIX 5 KIT
	1463854000	1	BROOM MAIN 340X700MM MIX 5
	1464947000	1	MAIN BROOM 340X700 MIX STEEL
	1464839000	1	FILTER PANEL POLYESTER
	80565000	4	BATTERY 6V-255AH WET SEMI T MONOBLOC (BAT)
	80564000	4	BATTERY 6V-180AH GEL MONOBLOC (BAT)
	80564100	4	BATTERY 6V-240AH GEL MONOBLOC (BAT)
	80565200	1	TRACTION 24V 360 AH WET (BAT)
	80565300	1	TRACTION 24V 360 AH GEL (BAT)
	1465171000	1	BRACKETS BATTERY STOP KIT
	1465418000	1	DUSTGUARD KIT
	1464952000	1	OVERHEAD GUARD KIT
	1464956000	1	CANOPY KIT
	1465421000	1	LIGHTS FRONT KIT
	1464954000	1	BELT KIT
	33019556	1	ARM REST RIGHT KIT
	1464960000	1	ARM REST LEFT KIT



14600 21st Avenue North
Plymouth, MN 55447-3408
www.advance-us.com
Phone: 800-989-2235
Fax: 800-989-6566
©2013 Nilfisk-Advance, Inc.