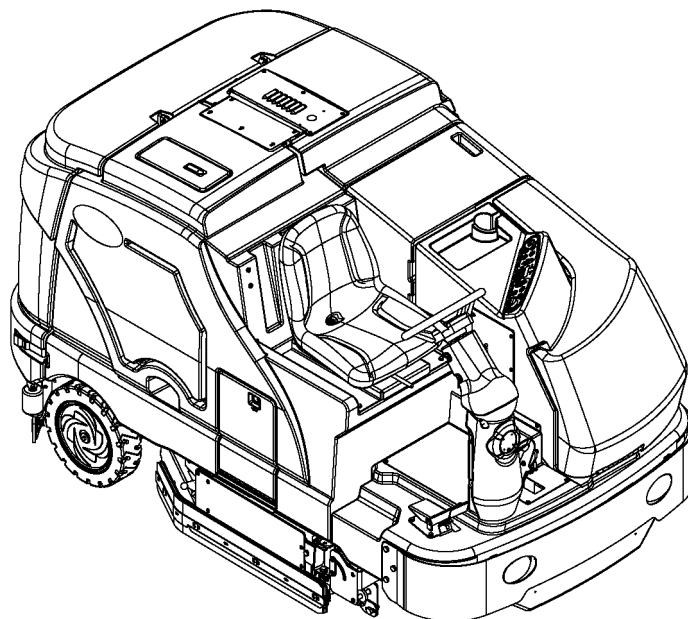


# SC8000



## **Instructions For Use - Original Instructions**

## **Instrucciones de uso / Manual de Utilização / Mode d' emploi**

### **Models:**

**56108110 (48 LPG), 56108111 (48 LPG EcoFlex), 56108112 (48 D), 56108113 (48 D EcoFlex)  
56108114 (60 LPG), 56108115 (60 LPG EcoFlex), 56108116 (60 D), 56108117 (60 D EcoFlex)  
56108118 (62 LPG), 56108119 (62 LPG EcoFlex), 56108120 (62 D), 56108121 (62 D EcoFlex)  
56108122 (48 LPG EcoFlex), 56108123 (62 LPG EcoFlex)**



# Advance

A-English  
B-Español  
C-Português  
D-Français

**TABLE OF CONTENTS**

	<b>PAGE</b>
Introduction.....	A-3
Cautions and Warnings .....	A-4 – A-5
Know Your Machine.....	A-6 – A-9
<b>Prepare the Machine for Use</b>	
General Information.....	A-10
Pre-operational Checklist .....	A-11 – A-12
Hydraulic Oil .....	A-11
Engine Oil.....	A-11
Engine Coolant.....	A-12
Engine Air Filter .....	A-12
Fuel.....	A-12
Install the Brushes .....	A-13
Filling the Solution Tank.....	A-14
<b>Operating the Machine</b>	
Starting the Engine.....	A-15
Detergent System.....	A-16 – A-17
Scrubbing .....	A-18 – A-19
Wet Vacuuming .....	A-18
<b>After Using the Machine</b>	
After Use.....	A-20
Shutting Down the Engine.....	A-20
<b>Maintenance</b>	
Maintenance Schedule.....	A-20
Lubricating the Machine .....	A-20 – A-21
Side Broom Maintenance .....	A-22
Squeegee Maintenance.....	A-23
Squeegee Adjustment .....	A-23
Side Skirt Maintenance.....	A-24
Debris Hopper Maintenance.....	A-25
Troubleshooting.....	A-26 – A-27
Technical Specifications .....	A-28

## INTRODUCTION

This manual will help you get the most from your Advance Rider Scrubber. Read it thoroughly before operating the machine.

**Note: Bold numbers in parentheses indicate an item illustrated on pages 6 – 9.**

## PARTS AND SERVICE

Repairs, when required, should be performed by your Authorized Advance Service Center, who employs factory trained service personnel, and maintains an inventory of Advance original replacement parts and accessories.

Call the ADVANCE DEALER named below for repair parts or service. Please specify the Model and Serial Number when discussing your machine.

## MODIFICATIONS

Modifications and additions to the cleaning machine which affect capacity and safe operation shall not be performed by the customer or user without prior written approval from Nilfisk-Advance Inc. Unapproved modifications will void the machine warranty and make the customer liable for any resulting accidents.

## NAME PLATE

The Part Number and Serial Number of your machine are shown on the Nameplate on the machine. This information is needed when ordering repair parts for the machine. Use the space below to note the Part Number and Serial Number of your machine for future reference.

PART NO. \_\_\_\_\_

SERIAL NO. \_\_\_\_\_

## UN-CRATING

Upon delivery, carefully inspect the shipping crate and the machine for damage. If damage is evident, save all parts of the shipping crate so that they can be inspected by the trucking company that delivered the machine. Contact the trucking company immediately to file a freight damage claim.

- 1 After removing the crate, remove the wooden blocks next to the wheels.
- 2 Check the engine oil and coolant levels.
- 3 Check the hydraulic oil level.
- 4 Read the instructions in the Preparing the Machine For Use section of this manual, then fill the fuel tank.
- 5 Place a ramp next to the front end of the pallet.
- 6 Read the instructions in the Operating Controls and Operating the Machine sections of this manual and start the engine. Slowly drive the machine forward down the ramp to the floor. Keep your foot lightly on the brake pedal until the machine is off the pallet.


## CAUTION!

Use extreme CAUTION when operating this machine. Be certain that you are thoroughly familiar with all operating instructions before using this machine. If you have any questions, contact your supervisor or your local Advance Industrial Dealer.

In the event of an accident or equipment breakdown, do not attempt to correct the problem. Have a qualified company mechanic or an authorized Advance Dealer Service person make any necessary corrections to the equipment.

Use extreme care when working on this machine. Loose clothing, long hair, and jewelry can get caught in moving parts. Turn the Key Ignition Switch OFF and remove the key before servicing the machine. Use good common sense, practice good safety habits and pay attention to the yellow decals on this machine.

Drive the machine slowly on inclines. Use the Brake Pedal **(23)** to control machine speed while descending inclines. DO NOT turn the machine on an incline; drive straight up or down.

 The maximum rated incline for sweeping and scrubbing is 10.5%(6°). The maximum rated incline during transport is 16%(9°).

## WARNING!

The Products sold with this Manual contain or may contain chemicals that are known to certain governments (such as the State of California, as identified in its Proposition 65 Regulatory Warning Law) to cause cancer, birth defects or other reproductive harm. In certain locations (including the State of California) purchasers of these Products that place them in service at an employment job site or a publicly accessible space are required by regulation to make certain notices, warnings or disclosures regarding the chemicals that are or may be contained in the Products at or about such work sites. It is the purchaser's responsibility to know the content of, and to comply with, any laws and regulations relating to the use of these Products in such environments. The Manufacturer disclaims any responsibility to advise purchasers of any specific requirements that may be applicable to the use of the Products in such environments.

## CAUTIONS AND WARNINGS

### SYMBOLS

Advance uses the symbols below to signal potentially dangerous conditions. Always read this information carefully and take the necessary steps to protect personnel and property.

#### **DANGER!**

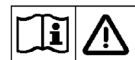
Is used to warn of immediate hazards that will cause severe personal injury or death.

#### **WARNING!**

Is used to call attention to a situation that could cause severe personal injury.

#### **CAUTION!**

Is used to call attention to a situation that could cause minor personal injury or damage to the machine or other property.



Read all instructions before using.

## GENERAL SAFETY INSTRUCTIONS

Specific Cautions and Warnings are included to warn you of potential danger of machine damage or bodily harm.

This machine is for commercial use, for example in hotels, schools, hospitals, factories, shops and offices other than normal residential housekeeping purposes.

#### **DANGER!**

- This machine emits exhaust gases (carbon monoxide) that can cause serious injury or death, always provide adequate ventilation when using machine.

#### **WARNING!**

- This machine shall be used only by properly trained and authorized persons.
- This machine is not intended for use by persons (including children) with reduced physical, sensory or mental capabilities, or lack of experience and knowledge.
- While on ramps or inclines, avoid sudden stops. Avoid abrupt sharp turns. Use low speed down ramps.
- Do not use for cleaning purposes on surfaces having a gradient exceeding that marked on the machine.
- To avoid hydraulic oil injection or injury always wear appropriate clothing and eye protection when working with or near hydraulic system.
- Turn the key switch **(50)** off (O) and disconnect the batteries before servicing electrical components.
- Never work under a machine without safety blocks or stands to support the machine.
- Do not dispense flammable cleaning agents, operate the machine on or near these agents, or operate in areas where flammable liquids exist.
- Do not clean this machine with a pressure washer.
- Observe the Gross Vehicle Weight, GVW, of the machine when loading, driving, lifting or supporting the machine.
- Do not use the machine without a falling object protective structure (FOPS) in areas where it is likely that the operator is hit by falling objects.
- Machines shall be parked safely.
- The machine shall be inspected by a qualified person regularly, in particular regarding the LPG container and their connections, as required for safe operation by regional or national regulations.

## CAUTIONS AND WARNINGS - CONTINUED

### CAUTION!

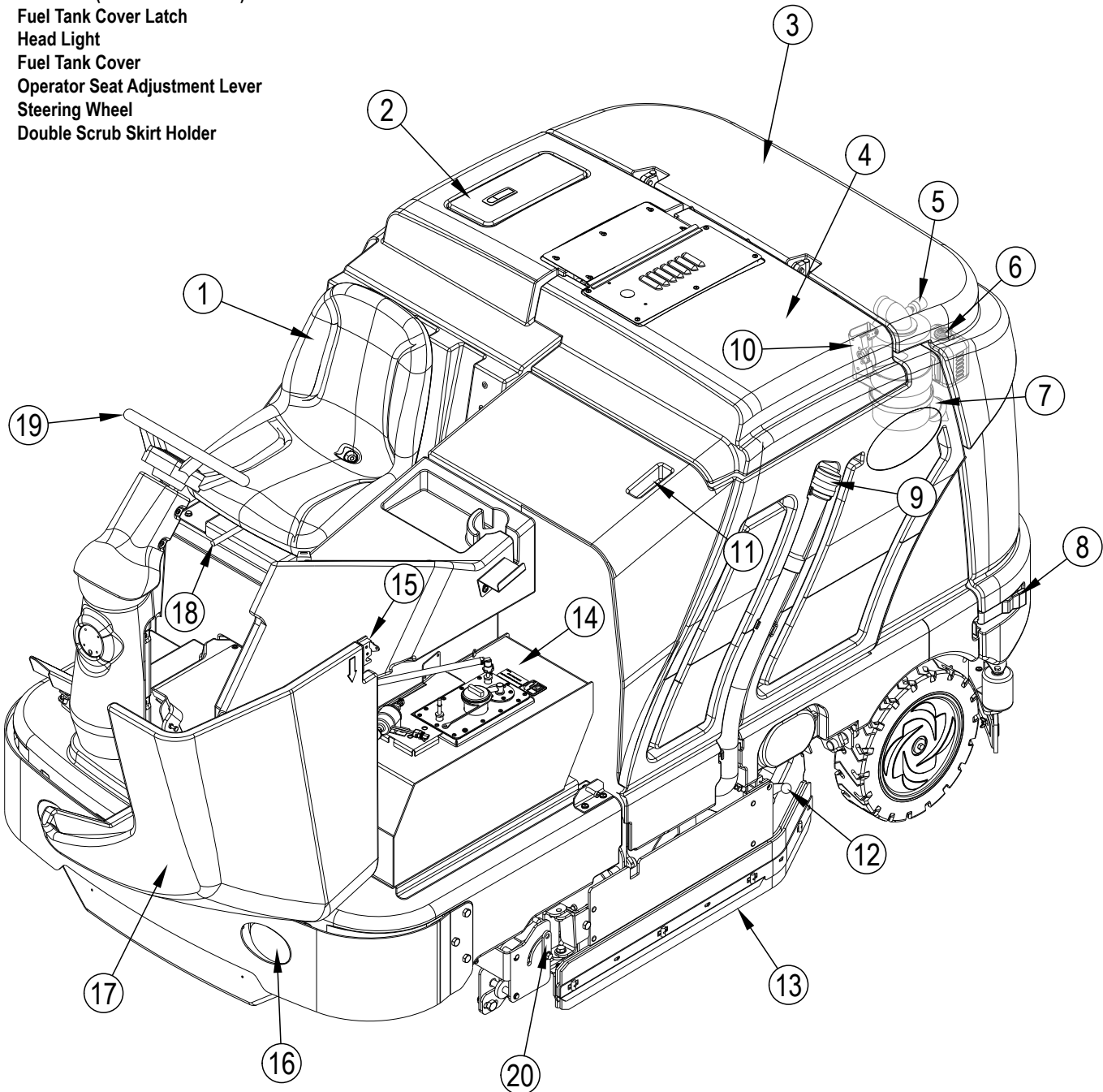
- This machine is not approved for use on public paths or roads.
- This machine is not suitable for picking up hazardous dust.
- Use care when using scarifier discs and grinding stones. Advance will not be held responsible for any damage to floor surfaces caused by scarifiers or grinding stones.
- When operating this machine, ensure that third parties, particularly children, are not endangered.
- Before performing any service function, carefully read all instructions pertaining to that function.
- Do not leave the machine unattended without first turning the key switch **(50)** off (O), removing the key and applying the parking brake.
- Turn the key switch **(50)** off (O) before changing the brushes, and before opening any access panels.
- Take precautions to prevent hair, jewelry, or loose clothing from becoming caught in moving parts.
- Use caution when moving this machine in below freezing temperature conditions. Any water in the solution or recovery tanks or in the hose lines could freeze.
- Before use, all doors and hoods should be properly latched.
- The battery must be removed from the machine before the machine is scrapped. The disposal of the battery should be safely done in accordance with your local environmental regulations.

## SAVE THESE INSTRUCTIONS

**KNOW YOUR MACHINE**

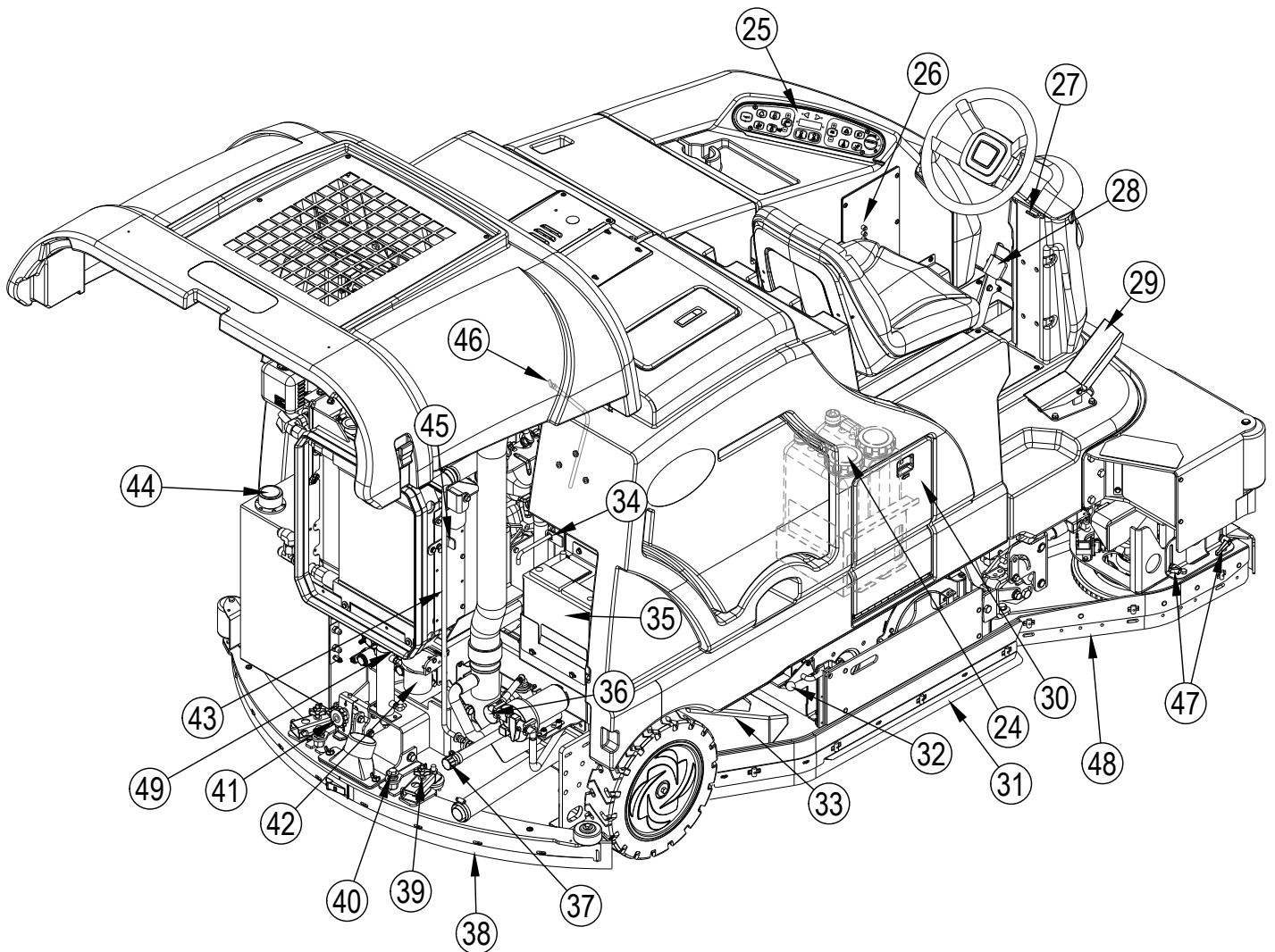
As you read this manual, you will occasionally run across a bold number or letter in parentheses - example: **(2)**. These numbers refer to an item shown on these pages unless otherwise noted. Refer back to these pages whenever necessary to pinpoint the location of an item mentioned in the text.

- 1 Operator's Seat
- 2 Solution Tank Fill Cover
- 3 Engine Cover
- 4 Recovery Tank Cover
- 5 Engine Air Filter Service Indicator
- 6 Coolant Overflow Tank
- 7 Engine Air Filter
- 8 Engine Cover Latch
- 9 Recovery Tank Drain Hose
- 10 Recovery Tank Tilt Out Latch
- 11 Recovery Tank Tilt Out Grip
- 12 Left Side Skirt Latch
- 13 Left Side Skirt
- 14 Fuel Tank (Diesel tank shown)
- 15 Fuel Tank Cover Latch
- 16 Head Light
- 17 Fuel Tank Cover
- 18 Operator Seat Adjustment Lever
- 19 Steering Wheel
- 20 Double Scrub Skirt Holder



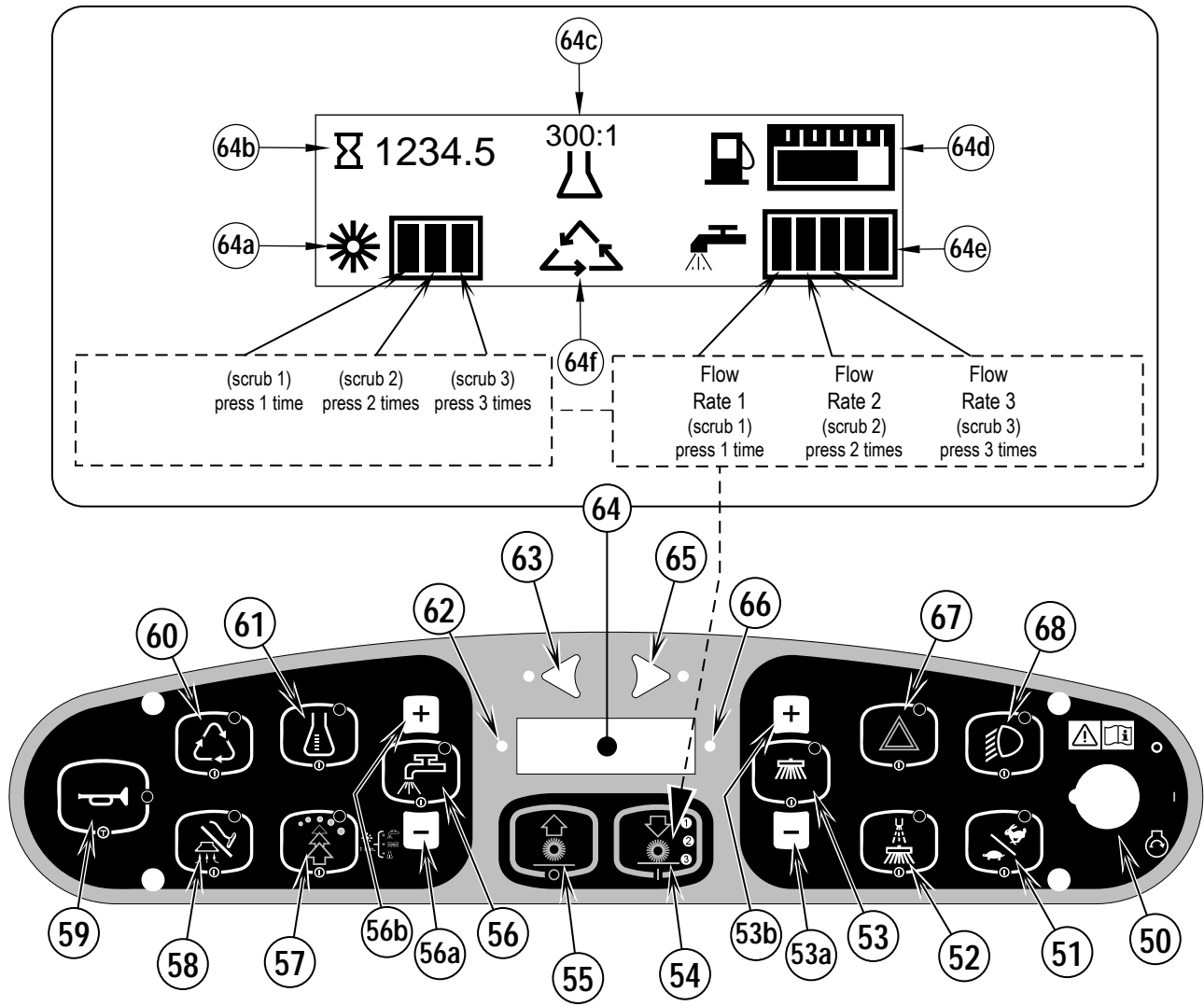
## KNOW YOUR MACHINE

- |    |   |    |                                    |
|----|---|----|------------------------------------|
| 24 | Detergent Cartridges (EcoFlex models only)  | 40 | Squeegee Mount Wrench              |
| 25 | Control Panel                               | 41 | Squeegee Tilt Adjust Knob          |
| 26 | Circuit Breaker Panel (see Troubleshooting) | 42 | Engine Oil Filter                  |
| 27 | Steering Wheel Tilt Adjust Lever            | 43 | Engine Cover Prop Rod              |
| 28 | Brake Pedal / Parking Brake                 | 44 | Hydraulic Oil Reservoir Filler Cap |
| 29 | Drive Pedal, Directional/Speed              | 45 | Oil Cooler Tilt Out Latch          |
| 30 | Detergent Cartridge Compartment             | 46 | Engine Oil Dipstick                |
| 31 | Right Side Skirt                            | 47 | Right Scrub Skirt Retainer Knobs   |
| 32 | Right Side Skirt Latch                      | 48 | Right Scrub Skirt Assembly         |
| 33 | Hopper                                      | 49 | Engine Oil Drain (under radiator)  |
| 34 | Tow Valve Lever                             |    |                                    |
| 35 | Battery                                     |    |                                    |
| 36 | Solution Filter                             |    |                                    |
| 37 | Solution Tank Drain Hose                    |    |                                    |
| 38 | Squeegee Assembly                           |    |                                    |
| 39 | Squeegee Height Adjust Knob                 |    |                                    |



# KNOW YOUR MACHINE

- 50 Key Switch
- 51 Engine Speed Switch
- 52 Dust Guard Switch
- 53 Side Broom/Scrub ON / OFF Switch
- 53a Side Broom DOWN adjust Switch
- 53b Side Broom UP adjust Switch
- 54 Scrub ON / Scrub Mode Select Switch
- 55 Scrub OFF
- 56 Solution Switch
- 56a Solution Flow Decrease Switch
- 56b Solution Flow Increase Switch
- 57 Burst of Power Switch
- 58 Vacuum/Wand Switch (see next page)
- 59 Horn Switch
- 60 Extended Scrub Switch (optional / see next page)
- 61 Detergent System Switch (EcoFlex models only)
- 62 Warning Indicator Light (RED)
- 62a Parking Brake ON
- 62b Oil Pressure (Diesel)
- 62c Engine Temp
- 62d Battery Low
- 62e Controller Fault
- 62f Hydraulic Temp
- 62g Low Fuel
- 63 Left Turn Signal Switch (optional)
- 64 Display
- 64a Scrub Pressure Indicator
- 64b Hour Meter
- 64c Detergent Indicator (if so equipped)
- 64d Fuel Gauge
- 64e Solution Flow Indicator
- 64f Extended Scrub Indicator (optional)
- 65 Right Turn Signal Switch (optional)
- 66 Attention Indicator Light (YELLOW)
- 66a Solution Low
- 66b Hydraulic Filter Plugged
- 66c Non Critical Fault / Non Critical Engine Service
- 66d Glow Plug
- 66e Recovery Tank FULL
- 66f Service Engine Soon
- 67 Emergency Flashers Switch (optional)
- 68 Head Lights Switch





# KNOW YOUR MACHINE

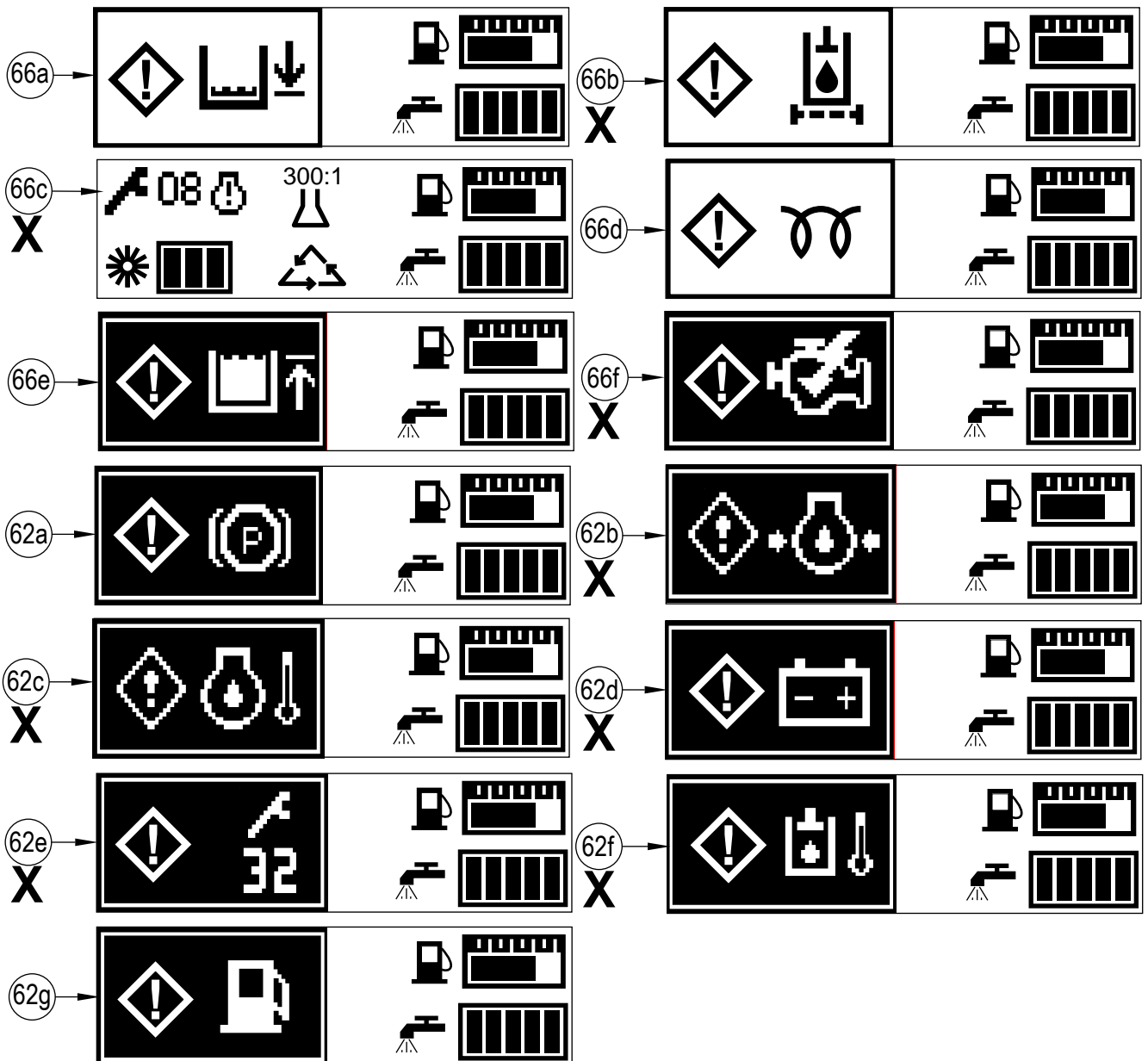
VACUUM / WAND SWITCH (58)

See Vac Wand Kit Instruction Sheet form number 56040944.

EXTENDED SCRUB SWITCH (60)

See Extended Scrub Kit Instruction Sheet form number 56040945.

**IF ANY OF THE WARNING / ATTENTION ICONS MARKED (X) BELOW ARE DISPLAYED PLEASE CONTACT YOUR ADVANCE AUTHORIZED SERVICE CENTER.**



## RAISING THE MACHINE

### ⚠ CAUTION!

Never work under a machine without safety stands or blocks to support the machine.

- When raising the machine, do so at designated locations - see Tie Down / Lift Point Locations (A) in Figure 1.

## TRANSPORTING THE MACHINE

### ⚠ CAUTION!

Before transporting the machine on an open truck or trailer, make sure that . . .

- All access doors are latched securely.
- The machine is tied down securely - see Tie Down / Lift Point Locations (A) in Figure 1.
- The machine Parking Brake (28) is set.

## TOWING OR PUSHING A DISABLED MACHINE

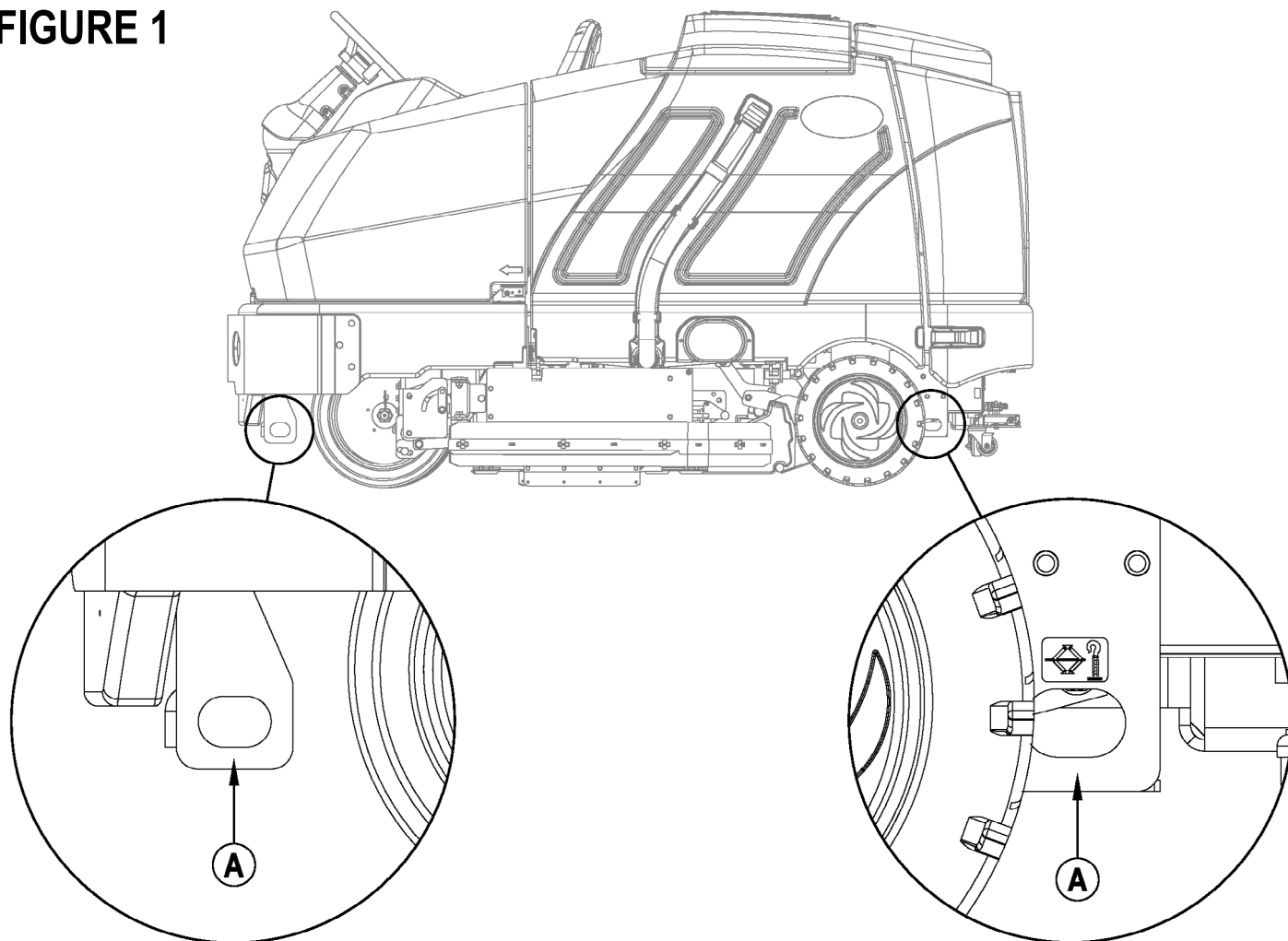
### ⚠ CAUTION!

The machine's drive propelling pump is manufactured with an adjustable tow valve. This valve prevents damage to the hydraulic system when the machine is being towed/pushed short distances without use of the engine.

The tow valve is controlled by the Tow Valve Lever (34) which is accessed by opening and propping the Engine Cover (3). Pull The Tow Valve Lever (34) out; this disengages the hydrostatic lock between the motor and pump.

The drive wheel may be damaged if the machine is towed with the valve in the normal working position (Tow Valve Lever (34) pushed IN). **Note:** If the tow valve is left in free-wheeling position (Tow Valve Lever (34) pulled OUT) the hydrostatic pump may not propel the machine in forward or reverse. If the tow valve is engaged or partially engaged the vehicle may not operate at full speed. Continuous operation under this conditions can cause overheating and permanent damage to the hydrostatic drive system. Do not tow or push the machine faster than a normal walking pace (2-3 mph / (3-4 km/hr) and for short distances only (300 feet / 100 meters) or serious damage to the hydrostatic drive motor may occur. If the machine is to be moved long distances the front drive wheel needs to be raised off the floor and placed on a suitable transport dolly.

## FIGURE 1



## PRE-OPERATIONAL CHECKLIST

### Before Each Use:

- \* Inspect the machine for damage, oil or coolant leaks.
- \* Squeeze the rubber dust cup on the Engine Air Filter (7) to release built-up dust.
- \* Check the engine coolant level (6).
- \* Check the engine oil level (46).
- \* Check the hydraulic oil level (44).
- \* Check the Fuel Gauge (64d) on the diesel models.
- \* Check the Fuel Gauge located on the LP tank for LPG model.
- \* Check the Air Filter Service Indicator (5).

### In the Driver's Seat:

- \* Be sure that you understand the operating controls and their functions.
- \* Adjust the seat to allow easy reach of all controls.
- \* Insert the Master Key and turn the Ignition Key Switch (50) to the ON position. Check for proper operation of the Horn (59), Hour Meter (64b) and Headlights (68). Turn the Ignition Key Switch (50) OFF.
- \* Check the Brake Pedal (28). The pedal should be firm and should not go all the way down. The latch should hold the pedal when applied. (Report all defects immediately to service personnel).

### Plan Your Cleaning in Advance:

- \* Arrange long runs with a minimum of stopping or starting.
- \* Allow 2-3" (5.08-7.62cm) of scrub path overlap to ensure complete coverage.
- \* Avoid making sharp turns, bumping into posts, or scraping the side of the machine.

## HYDRAULIC OIL

Open and prop the Engine Cover (3) to access the hydraulic oil reservoir. Remove the Fill Cap (44) from the tank and look to the bottom of the filler screen. If the oil level is below the bottom of the filler screen, add 10W30 motor oil until the bottom of the filler screen is covered (oil level should not be higher than 1/2" (12.7mm) above the bottom of the filler screen). Change the oil if major contamination from a mechanical failure occurs.

## ENGINE OIL - LPG

Check the engine oil level when the machine is parked on a level surface and the engine is cool. Change the engine oil after the first 35 hours of operation and every 150 hours after that. Use any SF or SG rated oil meeting API specifications and suited to seasonal temperatures. Refer to the Engine System section for oil capacities and additional engine specifications. Replace the oil filter with every oil change.

### TEMPERATURE RANGE

Above 60° F (15° C)  
Below 60° F (15° C)

### OIL WEIGHT

SAE 10W-30  
SAE 5W-30

## ENGINE OIL - DIESEL

Check the engine oil level when the machine is parked on a level surface and the engine is cool. Change the engine oil after the first 35 hours of operation and every 150 hours after that. Use CF, CF-4 or CG-4 oil meeting API specifications and suited temperatures (\*important reference the oil/fuel type note below for further diesel oil recommendations). Refer to the Engine System section for oil capacities and additional engine specifications. Replace the oil filter with every oil change.

### TEMPERATURE RANGE

Above 77 °F (25 °C)  
32 °F to 77 °F (0 °C to 25 °C)  
Below 32 °F (0 °C)

### OIL WEIGHT

SAE 30 or 10W-30  
SAE 20 or 10W-30  
SAE 10W or 10W-30

### \* Diesel Lubricating Oil Note:

With the emission control now in effect, the CF-4 and CG-4 lubricating oils have been developed for use with a low-sulfur fuel used in on-road vehicle engines. When an off-road vehicle engine runs on a high-sulfur fuel, it is advisable to employ the CF, CD or CE lubricating oil with a high total base number.

If the CF-4 or CG-4 lubricating oil is used with a high-sulfur fuel, change the lubricating oil at shorter intervals.

- Lubricating oil recommended when a low-sulfur or high-sulfur fuel is employed.

Lubricating Oil class	Fuel		Remarks
	Low sulfur (0.5 % ≥)	High sulfur	
CF	O	O	TBN ≥ 10
CF-4	O	X	
CG-4	O	X	

O : Recommended

X : Not recommended

## PRE-OPERATIONAL CHECKLIST

### ENGINE COOLANT

#### CAUTION!

Do not remove the radiator cap when the engine is hot.

To check the engine coolant level, open and prop the Engine Cover (3) and observe the coolant level on the Coolant Recovery Tank (6). If the level is low add automotive type anti-freeze appropriately diluted for the environment. Clean the radiator and oil cooler exteriors by washing with low-pressure water or using compressed air every 30 hours. Service Note: The oil cooler tips out for easy cleaning.

### ENGINE AIR FILTER

Check the Air Filter Service Indicator (5) before each use of the machine. Do not service the air filter unless the red flag is visible in the service indicator.

#### CAUTION!

When servicing the engine air filter elements, use extreme care to prevent loose dust from entering the engine. Dust can severely damage the engine.

The engine air filter contains a Primary (outer) and a Safety (inner) filter element. The Primary Element may be cleaned twice before being replaced. The Safety Element should be replaced every third time that the Primary Filter Element is replaced. Never attempt to clean the Inner Safety Element.

To clean the Primary Filter Element, unsnap the 2 clips at the end of the air filter and remove the end housing. Pull the primary element out. Clean the element with compressed air (maximum pressure 100 psi) or wash it with water (maximum pressure 40 psi). DO NOT put the element back into the canister until it is completely dry.

### FUEL

#### WARNING!

- ALWAYS STOP THE ENGINE BEFORE FILLING THE FUEL TANK.
- DO NOT SMOKE WHILE FILLING THE FUEL TANK.
- FILL THE FUEL TANK IN A WELL-VENTILATED AREA.
- DO NOT FILL THE FUEL TANK NEAR SPARKS OR OPEN FLAME.
- USE ONLY THE FUEL SPECIFIED ON THE FUEL TANK DECAL.

On machines with diesel engines, a decal near the Fuel Tank (14) filler neck shows the proper fuel to use in the machine. Before removing the cap from the tank, wipe all dust and dirt from the cap and from the top of the tank to keep the fuel as clean as possible.

On machines with propane engines, a decal near the tank gives specific information about the proper type of tank to be used on the machine.

### DIESEL ENGINE

Fill the tank with Number 2 Diesel Fuel if the machine will be used in an area where the temperature is 30° Fahrenheit (0° Celsius) or higher. Use Number 1 Diesel Fuel if the machine will be used in an area where the temperature is below 30° Fahrenheit (0° Celsius).

NOTE: If the diesel machine runs out of fuel completely, the fuel system must be bled before the engine can be re-started. To avoid this situation, fill the fuel tank when the fuel gauge indicates 1/4 tank. Fuel tank capacity is 11 gallons (42 liters).

### LPG ENGINE

Mount a standard 33 lb. liquid withdrawal propane tank on the machine, connect the fuel hose and open the shutoff valve on the tank. Wear gloves when connecting or disconnecting the fuel hose. Shut the propane tank service valve OFF when the machine is not in use.

The machine shall be inspected by a qualified person regularly, in particular regarding the LPG container and their connections, as required for safe operation by regional or national regulations.

## INSTALL THE BRUSHES

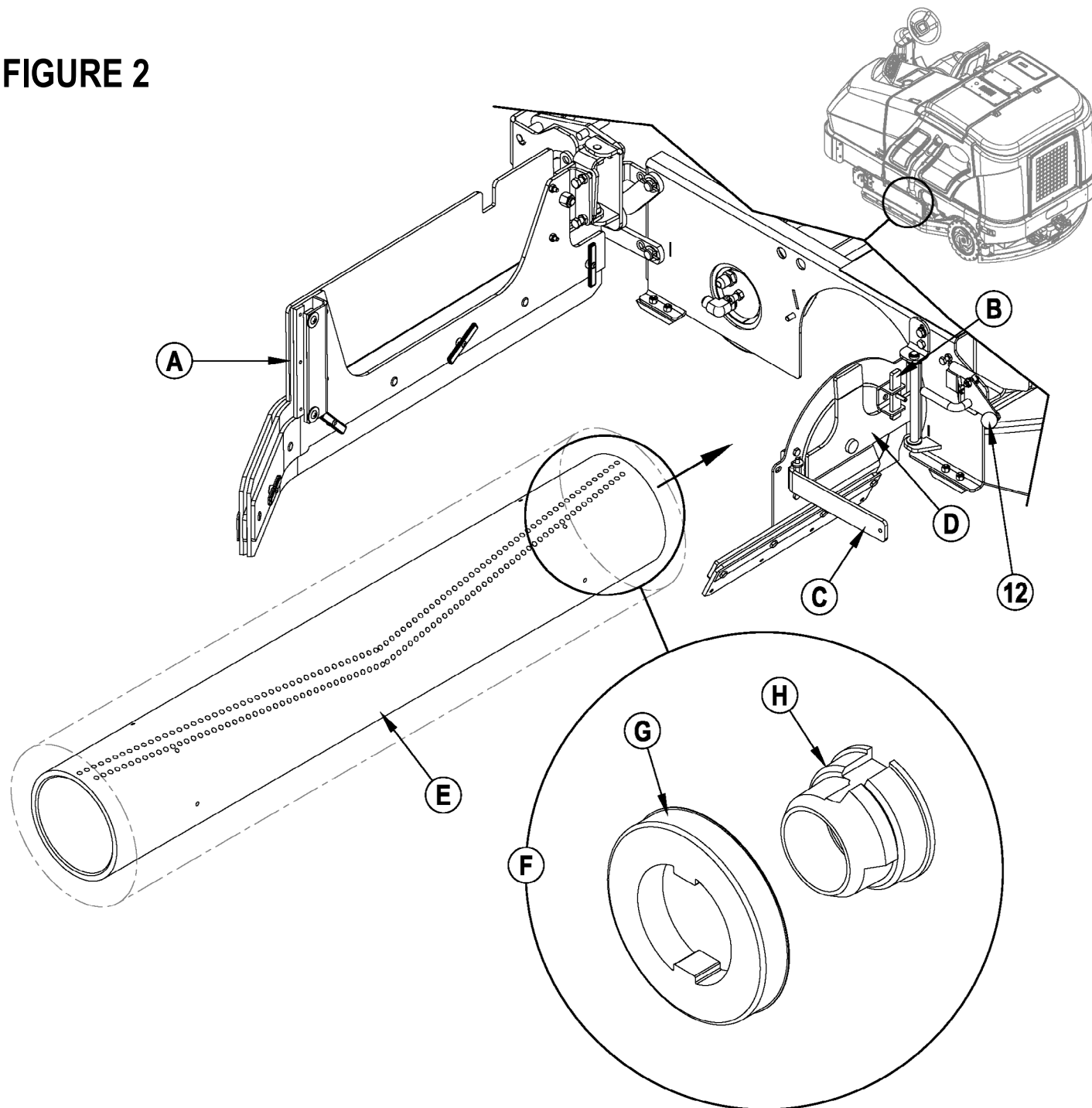
### ⚠ CAUTION!

Turn the key switch off (O) and remove the key, before changing the brushes, and before opening any access panels.

- 1 Make sure the Scrub Deck is in the RAISED position, the Key Switch (50) is off (O) and the Parking Brake (28) is set.
- 2 See Figure 2. Push down on the Side Skirt Latch (12 or 32) and swing the Skirt Assy (A) open as shown.
- 3 Lift up on Latch (B), swing Lever (C) out and pull to open the Idler Assembly (D).
- 4 Slide the Brush (E) into the housing, lift slightly, push and turn until it seats. **NOTE:** Figure 2 shows a closeup view (F) of the Brush Lugs (G) and the Brush Drive Hub (H).
- 5 Swing the Idler Assembly (D) closed while holding Lever (C) at a 90 degree angle to the Idler.
- 6 Once the Idler Assembly (D) is closed, push Lever (C) in until Latch (B) can be slid back down in front of it.
- 7 Push down on the Side Skirt Latch (12 or 32), swing the Skirt Assy (A) closed and release the Latch.

**NOTE:** Refer to this section when rotating (flipping end-to-end) brushes according to the maintenance schedule.

## FIGURE 2



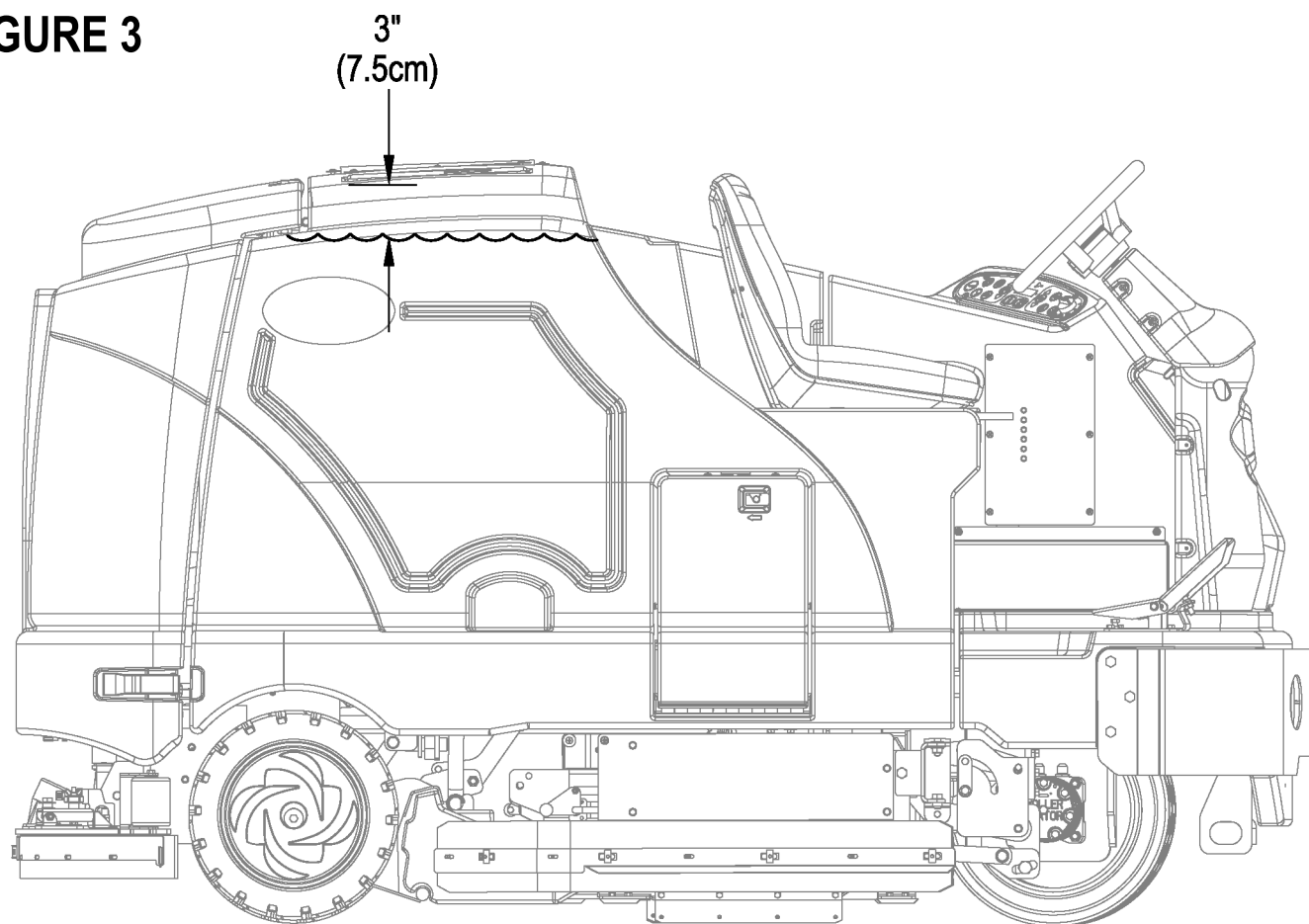
## FILLING THE SOLUTION TANK

See Figure 3. Fill the solution tank with a maximum of 100 gallons (378.54 Liters) of cleaning solution. Do not fill the solution tank above 7.5 cm (3 inches) from the bottom of the Solution Fill (2). The solution should be a mixture of water and the proper cleaning chemical for the job. Always follow the dilution instructions on the chemical container label. **NOTE:** EcoFlex machines can either be used conventionally with detergent mixed in the tank or the detergent dispensing system can be used. When using the detergent dispensing do not mix detergent in the tank, plain water should be used.

### CAUTION!

Use only low-foaming, non-flammable liquid detergents intended for machine application. Water temperature should not exceed 130 degrees Fahrenheit (54.4 degrees Celsius)

### FIGURE 3



## OPERATING THE MACHINE

The SC8000 is a rider-type automatic floor scrubbing machine. It is designed to lay down cleaning solution, scrub the floor, and vacuum dry all in one pass.

The controls on the SC8000 were designed with *one touch operation* in mind. For single pass scrubbing the user can simply depress one switch and all scrub functions on the machine will be activated.

NOTE: Bold numbers in parentheses indicate an item illustrated on pages 6-9.

**NOTE!:** MAKE SURE THE FOOT PEDAL IS IN THE NEUTRAL POSITION. THE ENGINE WILL NOT CRANK IF THE FOOT PEDAL IS NOT IN NEUTRAL.

## STARTING THE DIESEL ENGINE

- 1 Turn the key switch **(50)** clockwise to the RUN (ON) position. The glow plugs will activate for 10 seconds as indicated by the attention indicator **(66)** and the glow plug icon **(66d)** on the display. If the engine is already warm, turn the key switch to the start position to crank the engine. If the engine is cold, wait for the attention indicator and glow plug icon to turn off before cranking the engine. The engine should start immediately. If the engine does not start within 15 seconds release the key, wait for approximately one minute and repeat the above steps.
- 2 Let the engine run at "IDLE" speed for five minutes before using the machine.
- 3 Press the Engine Speed Switch **(51)** once to switch to "RUN" speed and move the machine around for two to three minutes at slow speed to warm up the hydraulic system.

## STARTING THE LPG ENGINE

- 1 Open the service valve on the LP fuel tank.
- 2 Turn the Ignition Key Switch **(50)** clockwise to the START position and release it as soon as the engine starts. If the engine does not start after cranking for 15 seconds, release the key, wait for 1 minute, then try again.
- 3 Let the engine run at "IDLE" speed for 5 minutes before using the machine.
- 4 Push the Engine Speed Switch **(51)** once to switch to "RUN" speed and move the machine around for 2 or 3 minutes at a slow speed to warm up the hydraulic system.

**ALWAYS operate the machine with the Engine Speed Switch at run throttle.** Use the **Drive Pedal (29)** not the Engine Speed Switch **(51)** to control the **speed** of the machine. The speed of the machine will increase as the pedal is pushed closer to the floor. Do not press the Drive Pedal **(29)** until the engine has started.

### Engine Speed Switch (51):

There are three engine speed settings that can be selected by the engine speed switch **(51)** on the control panel.

- 1 "Idle" (1200 RPM – LPG) (1300 RPM – Diesel). Use for warm up and cool down. The engine speed switch light will be off.
- 2 "Run" (2200 RPM). Use for transporting and most scrubbing operations. The engine speed light will be on.
- 3 "Maximum" (2400 RPM). Use only for heavy engine load situations such as heavy scrubbing on inclines. The engine speed light will be on.
- 4 To select between Idle and Run press and release the engine speed switch.
- 5 To select the Maximum speed, first set the speed to Run. Then press and hold the engine speed switch for 2 seconds. To go back to Run speed, press the switch again.
- 6 The SC8000 has an automatic idle feature that will reduce the engine speed to idle when the foot pedal **(29)** has been in the neutral position for 20 seconds or more. The selected engine speed will automatically resume when the foot pedal is moved from neutral. If the engine speed switch **(51)** is pressed while in idle-override, the automatic idle feature will be temporarily disabled until the next time the foot pedal is moved from the neutral position. This can be useful during troubleshooting or if it is desired to let the machine run at full speed for warming up.

## DETERGENT SYSTEM PREPARATION AND USE (ECOFLEX MODELS ONLY)

The Detergent Cartridges (24) are located inside of the Detergent Cartridge Compartment (30). Fill the detergent cartridge with a maximum of 2.2 gallons (8.32 Liters) of detergent. **SERVICE NOTE:** Remove the detergent cartridge from the detergent box prior to filling to avoid spilling detergent on the machine.

It is recommended that a separate cartridge be used for each detergent you plan to use. The detergent cartridges have a white decal on them so you can write the detergent name on each cartridge to avoid mixing them up. When installing a new cartridge, remove the Cap (A) and place the cartridge in the detergent box. Install the Dry Break Cap (B) as shown.

The system should be purged of previous detergent when switching to a different detergent. **SERVICE NOTE:** Move machine over floor drain before purging because a small amount of detergent will be dispensed in the process.

### To Purge When Changing Chemicals(SCRUB SYSTEM MUST BE OFF):

- 1 Disconnect and remove the detergent cartridge.
- 2 Turn the key switch (50) to the RUN (ON) position. Wait a few seconds for the start-up sequence to finish.
- 3 Press and hold the detergent switch (61) for approximately 2 seconds. Release the switch when the chemical purge icon (E) appears on the display and the indicator on the detergent switch (61) starts flashing. **NOTE:** Once activated the purge process takes at least 20 seconds. See illustration on next page for Detergent System indicators. Normally one purge cycle is adequate to purge the system.

### To Purge Weekly(SCRUB SYSTEM MUST BE OFF):

- 1 Disconnect and remove the detergent cartridge. Install and connect a Cartridge filled with clean hot water.
- 2 Turn the key switch (50) to the RUN (ON) position. Wait a few seconds for the start-up sequence to finish.
- 3 Press and hold the detergent switch (61) for approximately 2 seconds. Release the switch when the chemical purge icon (E) appears on the display and the indicator on the detergent switch (61) starts flashing. **NOTE:** Once activated the purge process takes at least 20 seconds. See illustration on next page for Detergent System indicators. Normally one purge cycle is adequate to purge the system.

The Detergent Box (C) has Detergent Level Viewing Slots (D) for referencing the amount of detergent remaining in the cartridge(s). When the detergent level is nearing the bottom of this slot it is time to refill or replace the cartridge(s).

### Detergent Ratio (SCRUB SYSTEM MUST BE ON):

The default minimum concentration detergent ratio is 256:1. The maximum detergent concentration detergent ratio may be adjusted by pressing and holding the detergent switch (61) for two seconds. Release the switch once the detergent switch light begins flashing. While the light is flashing, pressing and releasing the detergent switch will cycle through the available ratios (1:256, 1:200, 1:150, 1:128, 1:100, 1:64, 1:50, 1:32, 1:26). Once the desired ratio is displayed on the screen (F), stop and it will lock in after 3 seconds.

- The detergent mixture icon (F) will always be displayed when the detergent system is on.

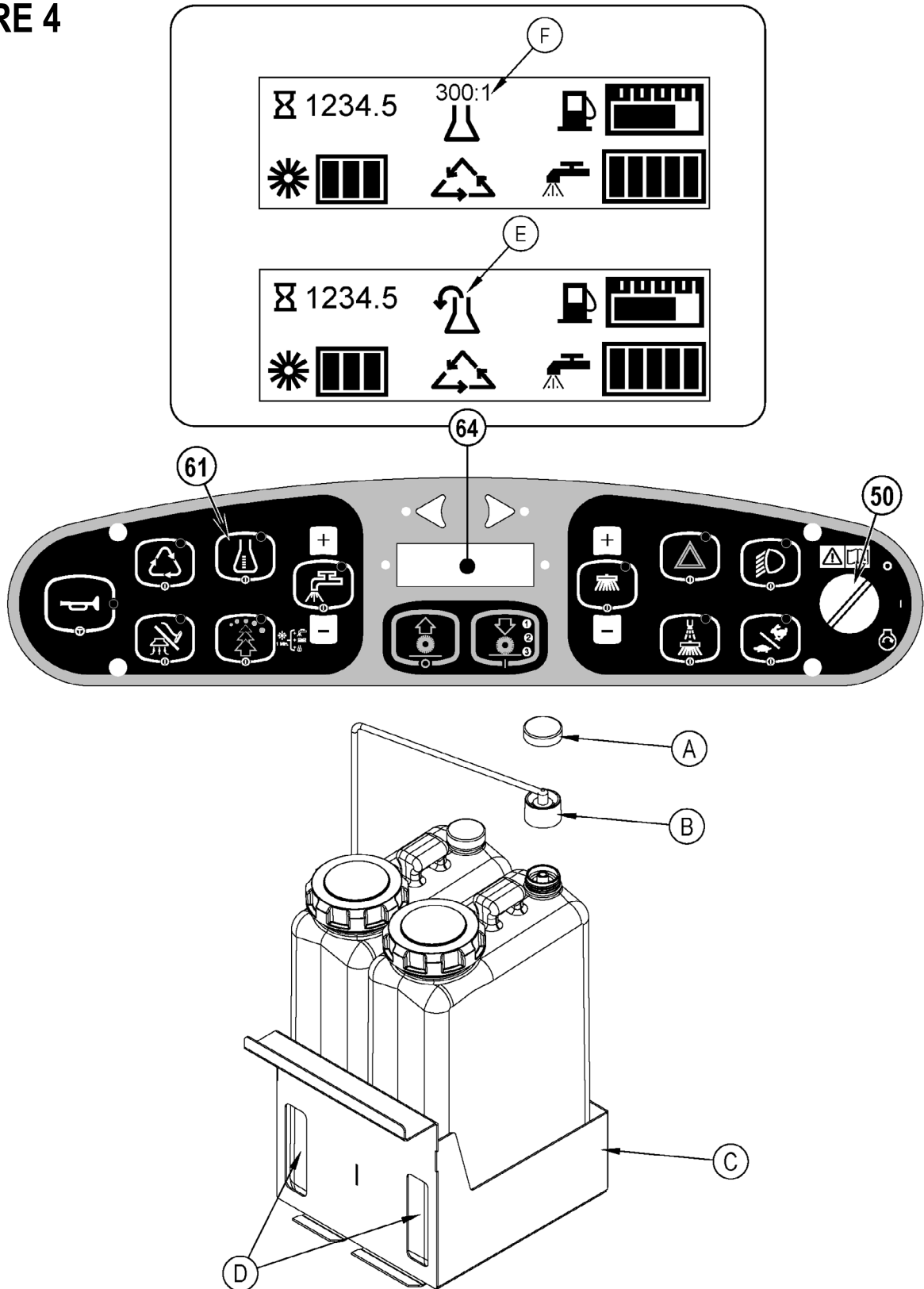
Once set, the detergent flow rate automatically increases and decreases with the solution flow rate but the detergent ratio remains the same. If an operator would prefer the flexibility of setting different detergent dilutions ratios for different solution flow rates this specific programming can be found in the service manual. During scrubbing, the detergent system can be turned off at any time by pressing the Detergent ON/OFF Switch (61) to allow scrubbing with water only. No detergent is dispensed until the scrub system is activated and the Drive Pedal (29) pushed forward.

**SERVICE NOTE:** Follow the "To Purge Weekly" instructions above if the machine is going to be stored for an extended period of time or if you plan to discontinue use of the detergent (EcoFlex) system.



DETERGENT SYSTEM PREPARATION AND USE (ECOFLEX MODELS ONLY)

FIGURE 4



## SCRUBBING

### WARNING!

Be sure you understand the operator controls and their functions.

While on ramps or inclines, avoid sudden stops when loaded. Avoid abrupt sharp turns. Use low speed down hills.

#### To Scrub...

Follow the instructions in preparing the machine for use section of this manual. Start the engine following the instructions in the appropriate "Starting the ... Engine" section.

- 1 **See Figure 5.** While seated on the machine, adjust the seat and steering wheel to a comfortable operating position using the adjustment controls (18 & 27).
- 2 Release the Parking Brake (28). To transport the machine to the work area, apply even pressure with your foot on the front of the Drive Pedal (29) to go forward or the rear of the pedal for reverse. Vary the pressure on the foot pedal to obtain the desired speed.
- 3 Press the Solution Switch (56) and hold for 5 seconds to pre-wet the floor. **NOTE:** This will help prevent scarring of the floor surface when starting to scrub with dry brushes. This must be done prior to pressing the Scrub ON Switch (54).
- 4 Press the Scrub ON Switch (54) once for Light Scrub (1), twice for Medium Scrub (2) or three times for Heavy Scrub (3) mode. Both the solution flow and detergent (EcoFlex models) flow have 3 presets that coincide with the 3 scrub modes (see Display Panel (64)). The right side scrub brush pressure is also affected when pressing this switch.  
**NOTE:** The solution flow rate can be overridden simply by pressing the Solution Flow Decrease or Increase Switches (56a / 56b). Any subsequent scrub pressure adjustments will reset the solution flow rate to correspond with the scrub pressure.  
**NOTE:** The scrub, solution, vacuum, detergent (EcoFlex models) and side broom(s) / brush systems are automatically enabled when the Scrub ON Switch (54) is pressed. Any individual system can be turned OFF or back ON by simply pressing its switch at any time during scrubbing. If you have installed the Extended Scrub Kit, it will not be automatically activated. You must press the Extended Scrub Switch (60) to activate this system. The Extended Scrub system will not turn ON until the water level in the recovery tank reaches a certain level and the clean solution has been used up.
- 5 When the Scrub ON Switch (54) is selected, the brushes, squeegee and side broom(s) / brush are automatically lowered to the floor. The scrub, solution, vacuum, detergent (EcoFlex models) and side broom(s) / brush systems all start when the Drive Pedal (29) is activated.  
**NOTE:** When operating the machine in reverse the squeegee automatically raises and the solution flow will stop.
- 6 Begin scrubbing by driving the machine forward in a straight line at a normal walking speed and overlap each path by 2-3" (5.08-7.62cm). Adjust the machine speed and solution flow when necessary according to the condition of the floor.  
The side broom height can be adjusted by pressing the Side Broom DOWN and UP Switches (53a/53b). The side broom(s) will return to the last used position each time the sweep system is turned on. The side brooms have a misting function (Dust Guard) (52) for use in dusty conditions. **NOTE:** The "Dust Guard" (52) comes on automatically with the Side Brooms (53) but can be turned OFF by pressing (52). **NOTE:** If equipped with Extended Scrub, the "Dust Guard" will shut off when the machine runs out of clean solution.

### CAUTION!

To avoid damaging the floor, keep the machine moving while the brushes are turning (the brushes will turn OFF after a 2 second delay when the drive pedal is placed in the neutral position).

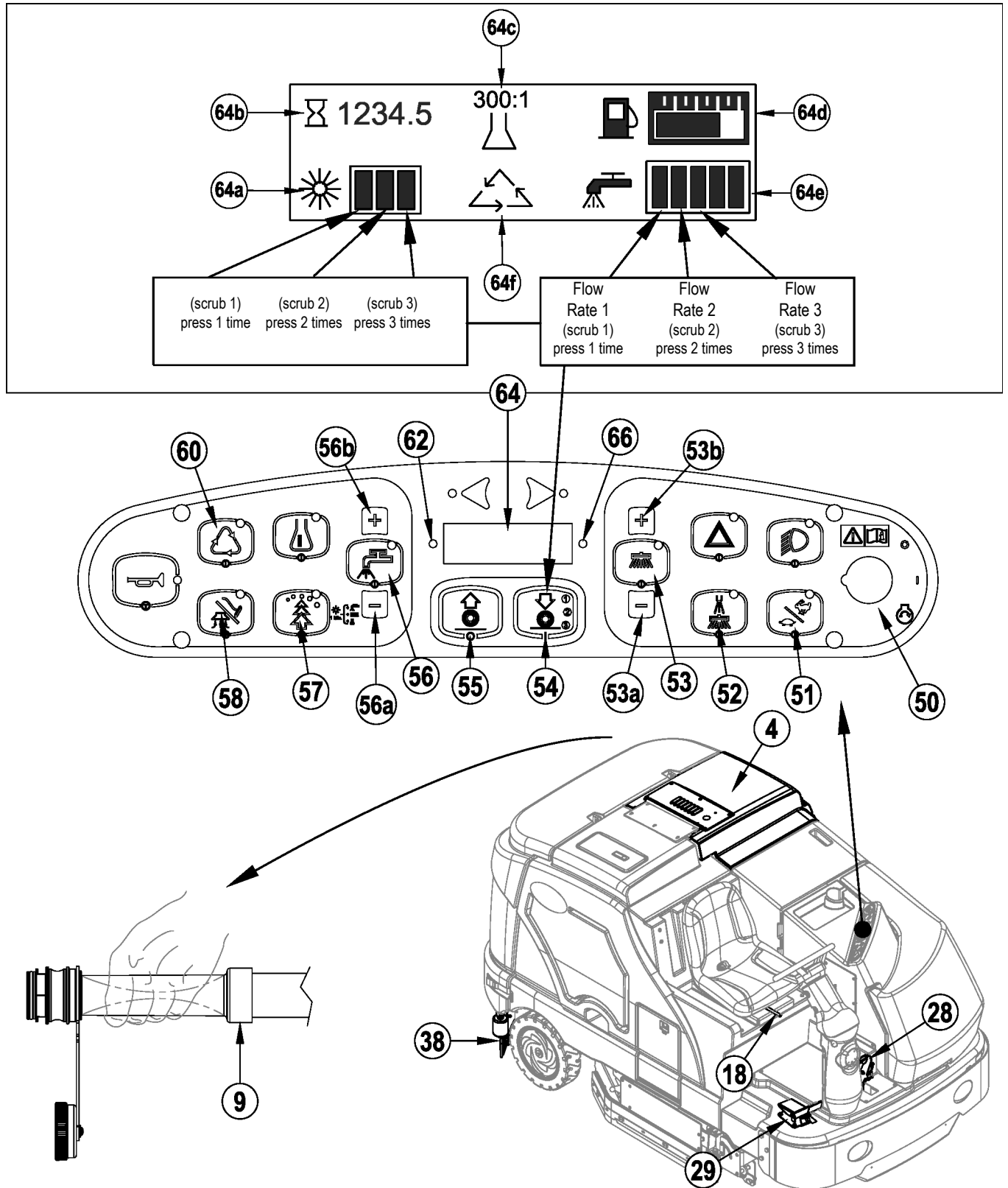
Raise scrub deck and side scrub brush, if so equipped, when crossing speed bumps. Do not attempt to operate the scrub deck or side brush in the down position when crossing speed bumps. Hydraulic pressure pushes down on the brushes and attempting to operate in the scrub mode over a speed bump can cause damage to the machine.

- 7 When scrubbing, check behind the machine occasionally to see that all of the waste water is being picked up. If there is water trailing the machine, you may be dispensing too much solution, the recovery tank may be full, or the squeegee tool may require adjustment.
- 8 The machine defaults to the EcoFlex cleaning mode (if detergent is installed) (EcoFlex Switch Indicator is lit) conserving solution and detergent. Press the Burst of Power Switch (57) to override the EcoFlex cleaning mode and temporarily increase scrub pressure, solution flow and the detergent ratio. This will cause the indicator to flash for one minute, solution flow rate will increase to the next level, scrub pressure will increase to the next level and the detergent ratio will increase to the next higher ratio from the last one used (detergent system will be turned on if it was off).  
**NOTE:** Pressing and holding the Burst of Power Switch (57) for 2 seconds disables the EcoFlex system. The only way to re-enable is to push the Burst of Power Switch (57) again. Cycling the Key Switch (50) does not re-enable the system. The EcoFlex system will only function if the Scrub System (54) has been enabled.
- 9 For extremely dirty floors, a one-pass scrubbing operation may not be satisfactory and a "double-scrub" operation may be required. This operation is the same as a one-pass scrubbing except on the first pass the squeegee is in the up position (press the Vacuum Switch (58) to raise the squeegee). This allows the cleaning solution to remain on the floor to work longer. The Side Skirts (13 & 31) can also be raised for double scrubbing if needed with the Skirt Holders (20). The final pass is made over the same area, with the squeegee and skirts lowered to pick up the accumulated solution.
- 10 The recovery tank has a float switch that causes ALL systems to turn OFF except the drive system when the recovery tank is full. When this float switch is activated, the recovery tank must be emptied. The machine will not pick up water or scrub with the float switch activated.  
**NOTE:** The Attention Indicator Light (66) will light up YELLOW and the Recovery Full Icon (66e) will display when the float switch is activated. If the control repeatedly gives a full indication when the tank is not full check to make sure the float moves freely.
- 11 When the operator wants to stop scrubbing, press the Scrub OFF Switch (55) once. This will automatically stop the scrub brushes, side broom(s) / brush, solution flow and detergent flow. The scrub deck and side broom(s) / brush will raise up. The squeegee will raise up after a brief delay and the vacuum will stop after a brief delay (this is to allow any remaining water to be picked up without turning the vacuum back on).
- 12 Drive the machine to a designated waste water "DISPOSAL SITE" and empty the recovery tank. To empty, pull the Drain Hose (9) from its storage area, then remove the plug (hold the end of the hose above the water level in the tank to avoid sudden, uncontrolled flow of waste water). The Recovery Tank Drain Hose (9) can be squeezed to regulate the flow. Refill the solution tank and continue scrubbing.  
**NOTE:** Make sure the Recovery Tank Cover (4) and the Recovery Tank Drain Hose (9) cap are properly seated or the machine will not pick-up water correctly.

**SERVICE NOTE:** Refer to the service manual for optional programmability.

OPERATING THE MACHINE

FIGURE 5



## AFTER USE

- 1 When finished scrubbing, press the Scrub Off Switch (55). This will automatically raise, retract and stop all the machine systems (brush, squeegee, vacuum, solution and detergent (EcoFlex models)). Then drive the machine to a service area for daily maintenance and review of other needed service up keep.
- 2 To empty the solution tank, remove the Solution Drain Hose (37) from its storage clamp. Direct the hose to a designated "DISPOSAL SITE" and remove the cap. Rinse the tank with clean water.
- 3 To empty the recovery tank, pull the Recovery Tank Drain Hose (9) from its storage area. Direct the hose to a designated "DISPOSAL SITE" and remove the plug (hold the end of the hose above the water level in the tank to avoid sudden, uncontrolled flow of waste water). The Recovery Tank Drain Hose can be squeezed to regulate the flow. Rinse the recovery tank with clean water. Inspect the recovery and vacuum hoses; replace if kinked or damaged.
- 4 Remove the brushes, remove any string or banding that is wrapped around them, rinse in warm water and stand on end to dry. NOTE: Brushes should be flipped "end for end" and rotated "front to back" daily for longest life.
- 5 Remove the squeegee, rinse it with warm water and re-install on mount.
- 6 Remove the Hopper (33) and clean thoroughly. Remove from the right side of the machine by opening the skirt, disconnecting the vacuum hose and then pulling out. NOTE: Reconnect vacuum hose after re-installing.
- 7 Check the maintenance schedule and perform any required maintenance before storage

## SHUTTING DOWN THE DIESEL ENGINE

- 1 Put all controls to the OFF position.
- 2 Raise the squeegee, the scrub brushes, and the brooms.
- 3 Push the Engine Speed Switch (51) to change to "Idle" speed and let the engine idle for 30 seconds.
- 4 Apply the Parking Brake (28).
- 5 Turn the Key Ignition Switch (50) OFF and remove the key.

## SHUTTING DOWN THE LPG ENGINE

- 1 Put all controls to the OFF position.
- 2 Raise the squeegee, the scrub brushes, and the brooms.
- 3 Turn the service valve on LP gas tank OFF.
- 4 Push the Engine Speed Switch (51) to change to "Idle" speed and let the engine idle until all the LP gas is dispelled from the line.
- 5 Apply the Parking Brake (28).
- 6 Turn the Key Ignition Switch (50) OFF and remove the key.

**IMPORTANT NOTE:** During normal operation the engine will continue to run for a short period of time (1-3 seconds) after turning the key OFF until all fuel is dispelled from fuel system.

## MAINTENANCE SCHEDULE

Keep the machine in top condition by following the maintenance schedule closely. Maintenance intervals given are for average operating conditions. **Machines used in severe environments may require service more often.**

MAINTENANCE ITEM	DAILY		WEEKLY			
Perform the "After Use" maintenance steps		X				
Check parking brake		X				
Check engine oil		X				
*Check / Clean / Rotate & flip the Brushes		X				
Check filter indicator and lights (hyd & air)		X				
Check engine coolant level		X				
Check hydraulic oil level		X				
Drain / Check / Clean Tanks & Hoses		X				
Check / Clean the Squeegee		X				
Clean the Hopper		X				
Purge Detergent System (EcoFlex only)					X	
Inspect main scrub head skid plates (replace if worn to 1/8")					X	
MAINTENANCE ITEM	15 hrs.	30 hrs.	150 hrs.	300 hrs.	500 hrs.	1000 hrs.
Inspect and clean the Solution Filter	X					
Clean radiator and oil cooler		X				
Side Broom Maintenance		X				
Clean solution trough		X				
Inspect scrub housing skirts		X				
Perform engine maintenance				X		
Inspect and grease steering rack				X		
Change the hydraulic "charge" oil filter						X
Change reservoir hydraulic oil and filter						X
Flush the radiator						X
Engine fuel filter(s) LPG						X

\* See "INSTALL THE BRUSHES" section.

## LUBRICATING THE MACHINE – FIGURE 6

Once a month, pump a small amount of grease into each grease fitting on the machine until grease seeps out around the bearings.

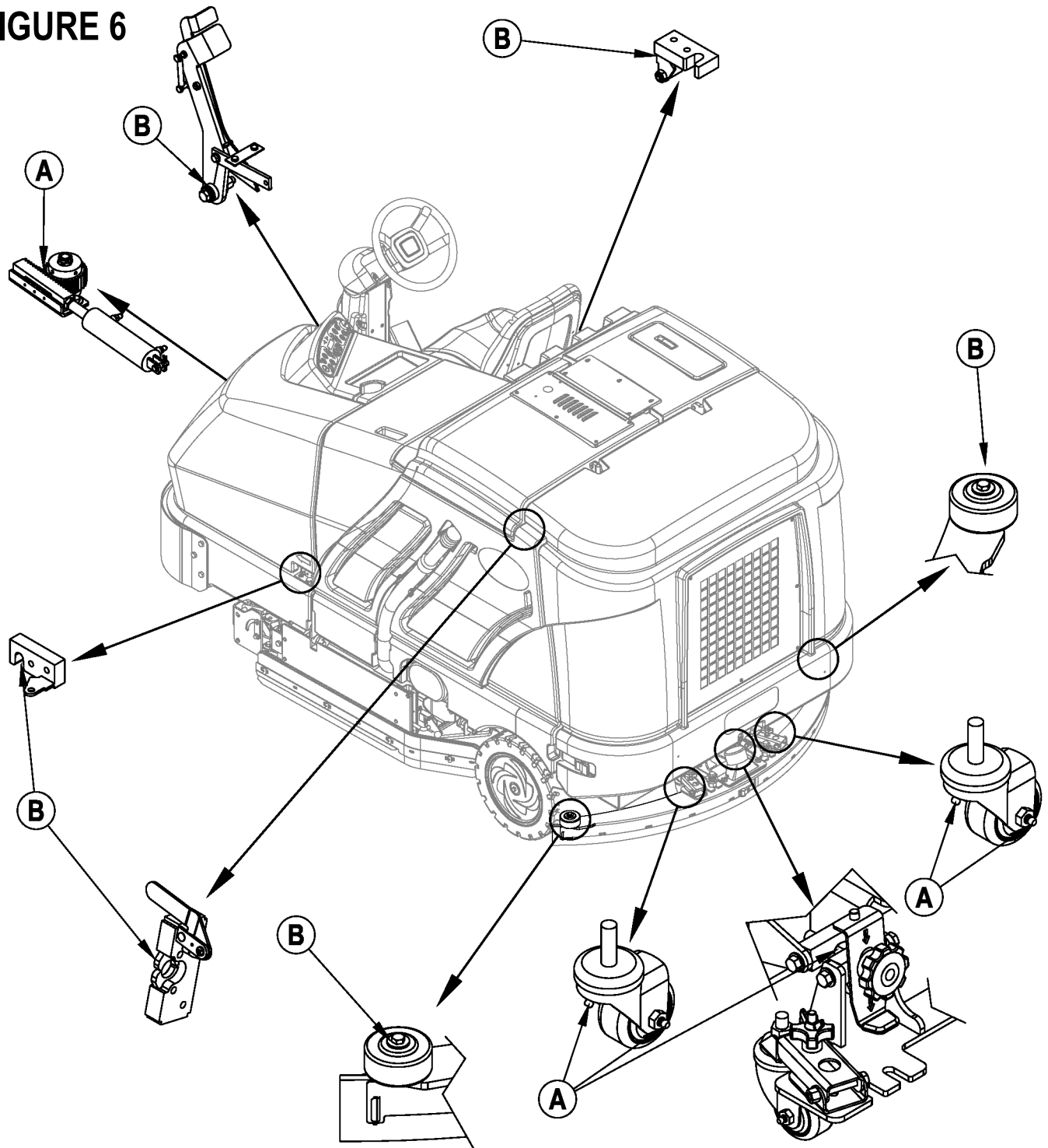
### Grease fitting locations (or apply grease to) (A):

- Squeegee Caster Wheel Axle and Pivot
- Steering Rack
- Squeegee mount angle adjustment knob threads

### Once a month, apply light machine oil to lubricate the (B):

- Squeegee tool end wheels
- Fuel Tank Cover Latch
- Recovery Tank Latch
- EcoFlex Cover Latch
- Brake Pedal (parking brake) linkage

## FIGURE 6



## SIDE BROOM MAINTENANCE

The side broom(s) move dirt and debris away from walls or curbs and into the path of the main brushes. Adjust the side broom(s) so that the bristles are contacting the floor from the (A) to (B) area shown in **Figure 7** when the broom is down and running.

To adjust the Side Brooms...

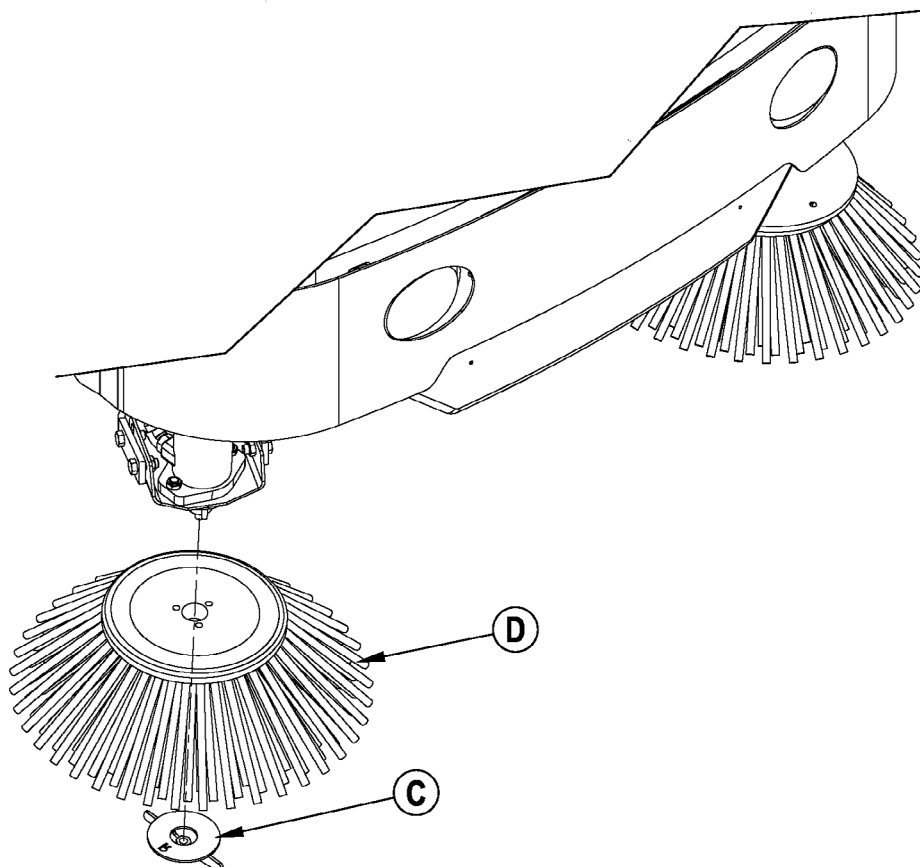
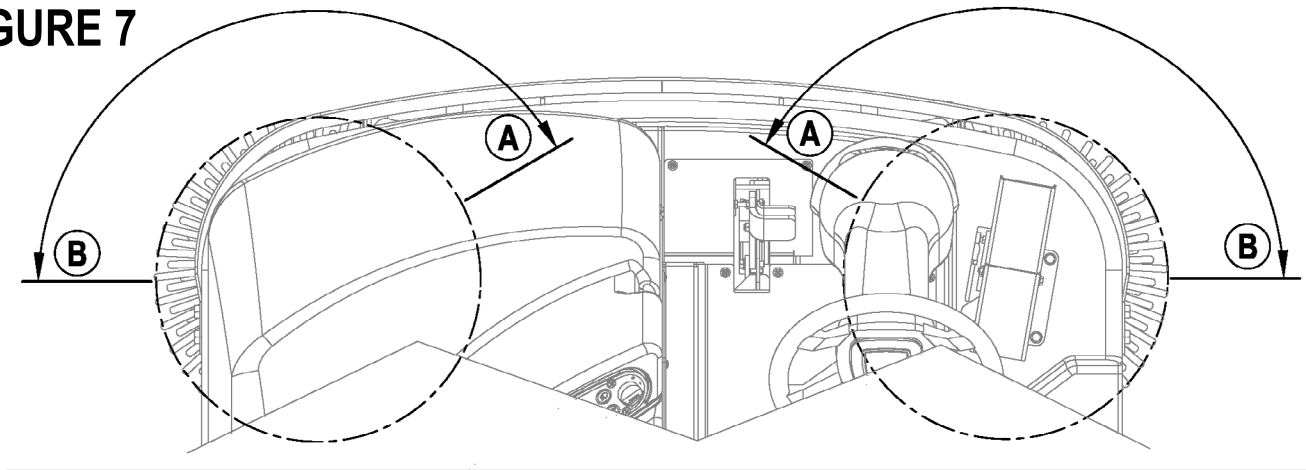
- 1 The side broom(s) are adjusted simply by pressing either the Side Broom DOWN Switch (53a) or the Side Broom UP Switch (53b). NOTE: Broom setting resumes each time brooms are lowered but adjustment will be needed as brooms wear or are replaced.

**NOTE:** The machine should be stored with the Side Brooms in the raised position. The Side Brooms should be replaced when the bristles are worn to a length of 3 inches (7.62 cm) or they become ineffective. Side brooms should be replaced in pairs as they are not independently adjustable for proper height.

To replace a Side Broom...

- 1 Raise the Side Broom(s).
- 2 Remove the large Thumb Nut (C) and remove the Side Broom (D). NOTE: The right side Thumb Nut (C) has right handed threads and the left side Thumb Nut (C) has left handed threads.
- 3 Install the new broom by sliding it UP onto the shaft and re-install the Thumb Nut (C).

### FIGURE 7



## SQUEEGEE MAINTENANCE

If the squeegee leaves narrow streaks or water, the blades may be dirty or damaged. Remove the squeegee, rinse it under warm water and inspect the blades. Reverse or replace the blades if they are cut, torn, wavy or worn.

### To Reverse or Replace the Rear Squeegee Wiping Blade...

- 1 See Figure 8. Raise the squeegee tool off the floor, then unsnap the Center Latch (A) on the squeegee tool.
- 2 Remove the Tension Straps (B).
- 3 Slip the rear blade off the alignment pins.
- 4 The squeegee blade has 4 working edges as shown below. Turn the blade so a clean, undamaged edge faces toward the front of the machine. Replace the blade if all 4 edges are nicked, torn or worn to a large radius.
- 5 Install the blade, following the steps in reverse order and adjust the squeegee tilt.

### To Reverse or Replace the Front Squeegee Blade...

- 1 Raise the squeegee tool off the floor, then loosen the (2) Squeegee Mount Wrenches (40) on top of the squeegee and remove the Squeegee tool (38) from the mount.
- 2 Remove both rear Tension Straps first.
- 3 Remove all the wing nuts that hold the front blade in place, then remove tension strap and blade.
- 4 The squeegee blade has 4 working edges as shown below. Turn the blade so a clean, undamaged edge faces toward the front of the machine. Replace the blade if all 4 edges are nicked, torn or worn to a large radius.
- 5 Install the blade, following the steps in reverse order and adjust the squeegee tilt.

**SERVICE NOTE:** Depending on the position of the Squeegee Mount Wrenches (40), you may not be able to rotate the wrench far enough to loosen or tighten depending on which you are trying to do. In this case, simply lift UP on the Handle (C) and rotate the wrench in the direction necessary to acquire adequate turning space and then allow the wrench to drop back DOWN into place on the hex. You can then either tighten or loosen as needed.

## SQUEEGEE ADJUSTMENT

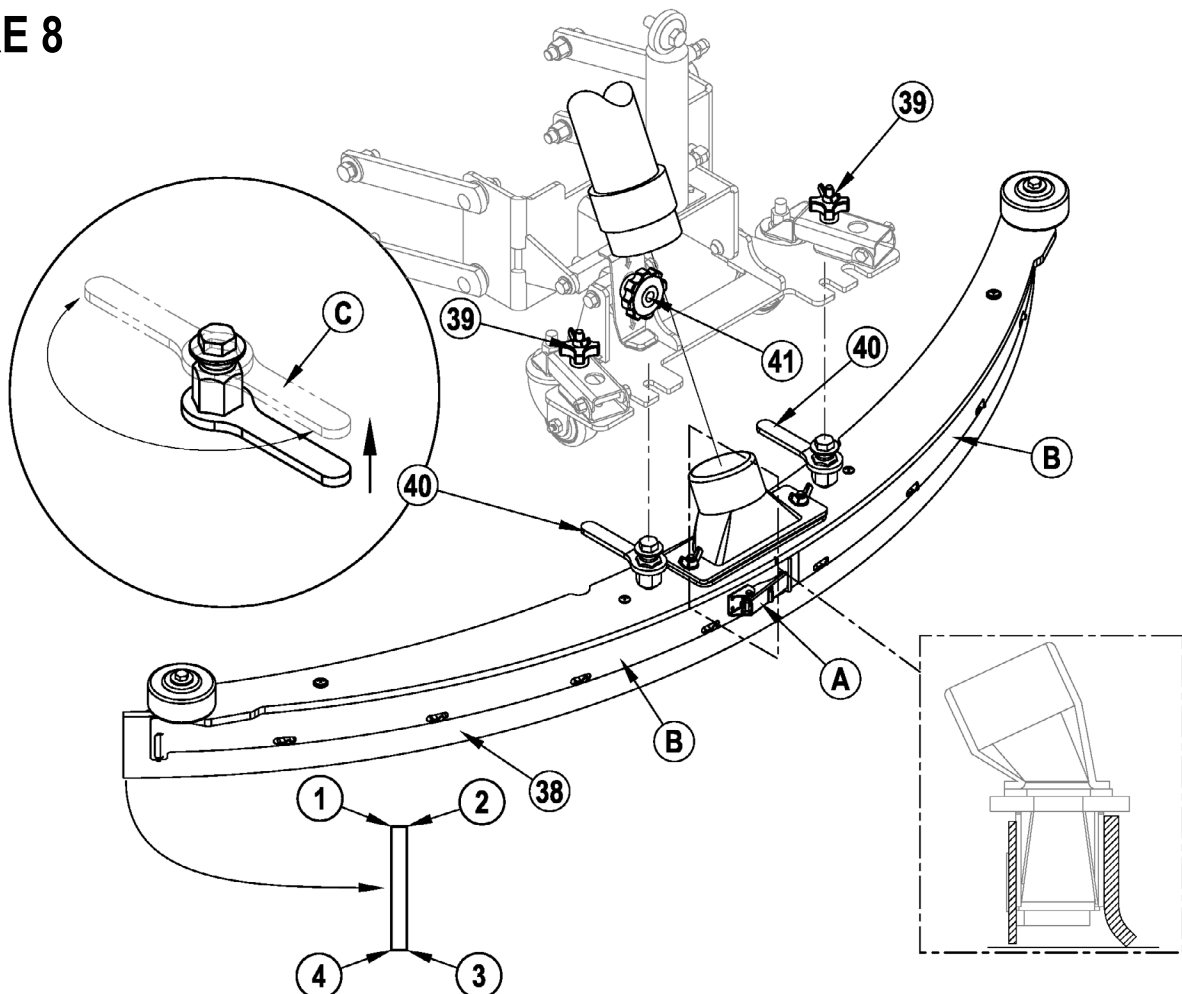
There are two squeegee tool adjustments possible, angle and height.

### Adjusting the Squeegee Angle

Adjust the squeegee angle whenever a blade is reversed or replaced, or if the squeegee is not wiping the floor dry.

- 1 Park the machine on a flat, even surface.
- 2 Lower the squeegee, move the machine ahead slightly and adjust the squeegee tilt and height using the Squeegee Tilt Adjust Knob (41) and Squeegee Height Adjust Knobs (39) so that the rear squeegee blade touches the floor evenly across its entire width and is bent over slightly as shown in the squeegee cross section.

**FIGURE 8**



## SIDE SKIRT MAINTENANCE

### ⚠ CAUTION!

Turn the key switch off (O) and remove the key, before changing the brushes, and before opening any access panels.

The side skirt's function is to channel the waste water to the squeegee, helping contain the water within the machines cleaning path. During normal use the blades will wear in time.

#### To reverse or replace the scrub system side skirt(s) ...

- 1 See Figure 9. Push down on the Side Skirt Latch (12 or 32) and swing the Skirt Assy (A) open as shown.
- 2 Remove all the hardware that holds the blades to the skirt housings. **NOTE:** The main blades on each skirt assembly are held on with Tool-less Retainers. Simply loosen the large Wing nuts (B) and then turn the Knobs (C) on the outside of the skirt assembly until they are horizontal and push through the slots. The small inside Blade (D) is held on by (4) screws.
- 3 The skirt blades have 4 working edges as shown. Turn the blades so a clean, undamaged edge faces toward the center of the machine. Replace the blades as a set if all 4 edges are nicked, torn or worn excessively.

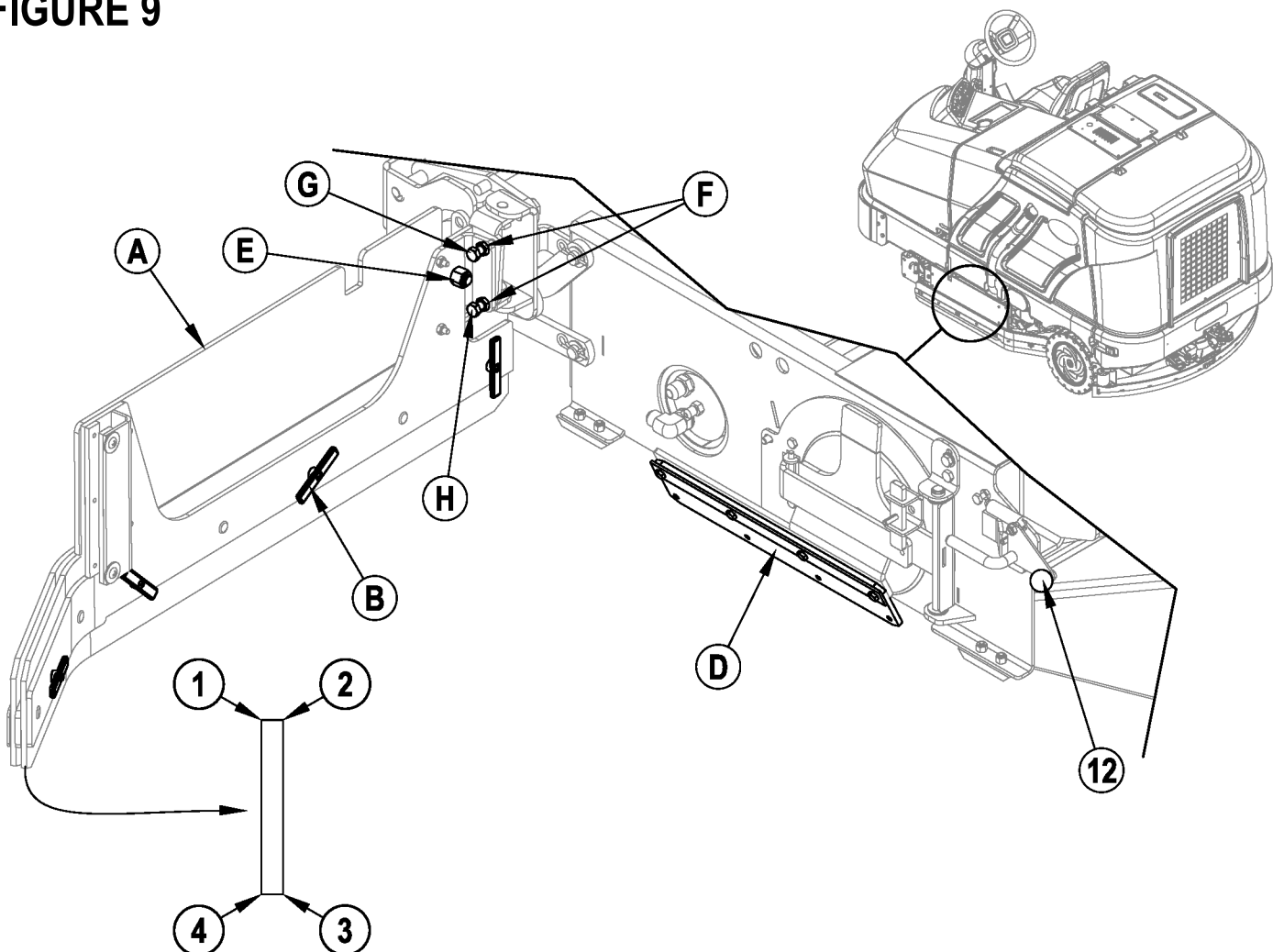
## SIDE SKIRT TILT ADJUSTMENT

The side skirt assemblies may periodically need to have their tilt in relation to the floor adjusted.

- 1 Make sure the scrub deck is in the raised position.
- 2 To adjust, loosen Nut (E), loosen Nuts (F) and then turn Screws (G & H) as follows.  
Turn Screw (G) clockwise and Screw (H) counter-clockwise to lower the rear of the skirt assembly.  
Turn Screw (G) counter-clockwise and Screw (H) clockwise to raise the rear of the skirt assembly.

**NOTE:** Initial tilt adjustment should be parallel to the floor with the deck raised. Make small adjustments to obtain good blade wiping. Do not lower the rear of the blades too much to where they fold over excessively and cause unneeded blade wear.

## FIGURE 9

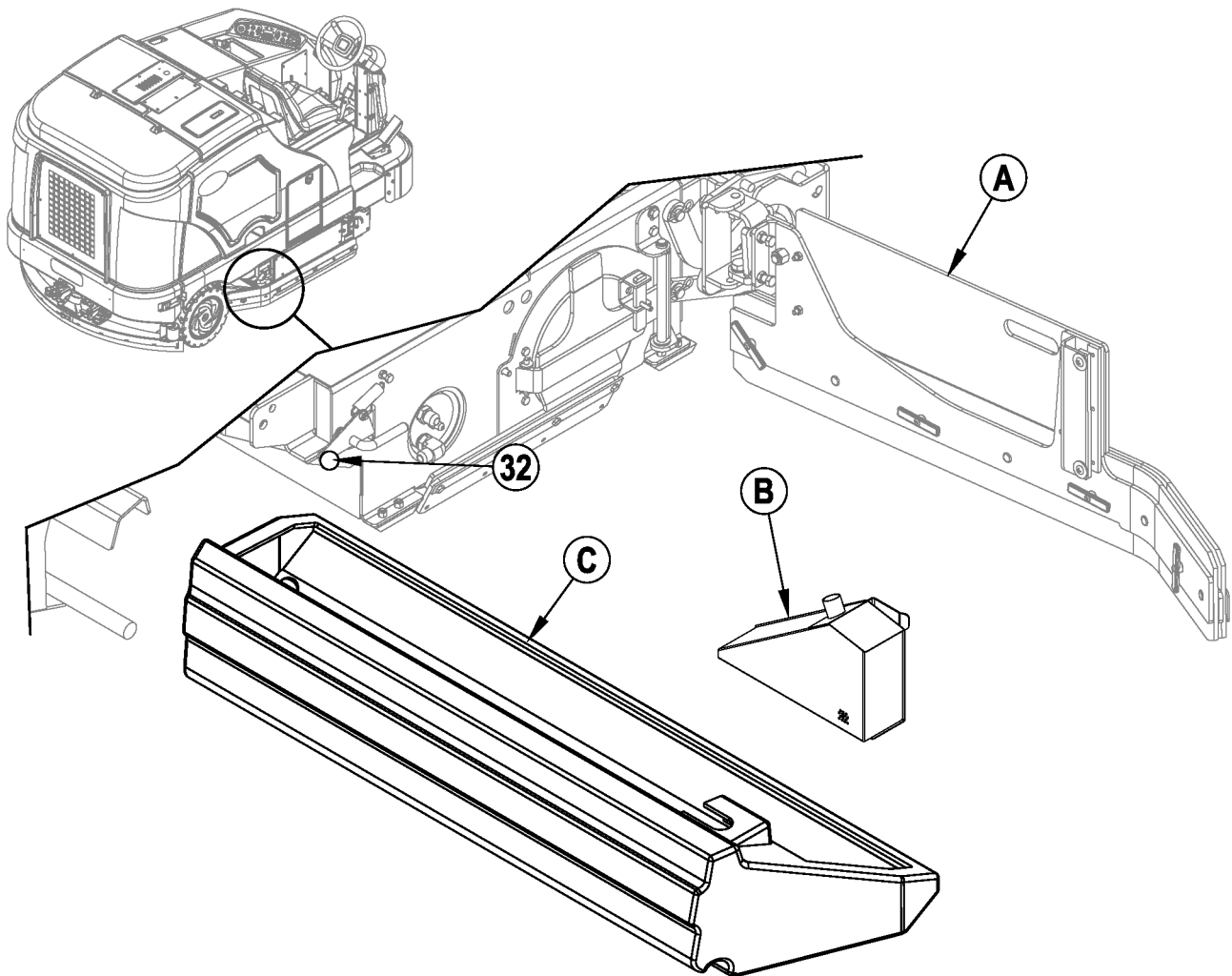




**DEBRIS HOPPER MAINTENANCE****⚠ CAUTION!**

Turn the key switch off (O) and remove the key, before opening any access panels.

- 1 See Figure 10. Push down on the Right Side Skirt Latch (32) and swing the Skirt Assy (A) open as shown.
- 2 Disconnect the small vacuum hose from the Screen (B) and slide the entire Hopper (C) out of the machine.
- 3 Remove the Screen (B) from the Hopper (C) and thoroughly rinse both to clear debris.

**FIGURE 10**

## TROUBLESHOOTING

If the possible causes listed below are not the source of trouble, it is a symptom of something more serious. Contact your Advance Service Center immediately for service.

### TRIPPING THE CIRCUIT BREAKERS

The circuit breakers are located on the Circuit Breaker Panel in the operator's compartment; they protect electrical circuits and motors from damage due to overload conditions. If a circuit breaker trips, try to determine the cause.

VACC1 Circuit Breaker (CB1 / 20 Amp) Possible cause may be:

- 1 Electrical short circuit (have your Advance Service Center or qualified electrician check the machine)

VACC2 Circuit Breaker (CB2 / 20 Amp) Possible cause may be:

- 1 Electrical short circuit (have your Advance Service Center or qualified electrician check the machine)

VACC3 Circuit Breaker (CB3 / 15 Amp) Possible cause may be:

- 1 Electrical short circuit (have your Advance Service Center or qualified electrician check the machine)

VACC4 Circuit Breaker (CB4 / 20 Amp) Possible cause may be:

- 1 Electrical short circuit (have your Advance Service Center or qualified electrician check the machine)

VACC5 Circuit Breaker (CB5 / 10 Amp) Possible cause may be:

- 1 Electrical short circuit (have your Advance Service Center or qualified electrician check the machine)

Ignition Circuit Breaker (CB 6 / 15 Amp) Possible cause may be:

- 1 Electrical short circuit (have your Advance Service Center or qualified electrician check the machine)

Once the problem has been corrected, push the button in to reset the circuit breaker. If the button does not stay in, wait 5 minutes and try again. If the circuit breaker trips repeatedly, call your Advance Service Center for service.

#### VACC1 Circuit Breaker (CB1)

- Right Rear Stop/Turn Lamp
- Left Rear Stop/Turn Lamp
- Right Front Turn Lamp
- Left Front Turn Lamp
- Rear Tail Lamps
- Head Lamps

#### VACC2 Circuit Breaker (CB2)

- Wash Hose Solution Pump (M8)
- Side Sweep Mist Pump (M5)

#### VACC3 Circuit Breaker (CB3)

- Side Sweep Lift Actuator Motor (M7)

#### VACC4 Circuit Breaker (CB4)

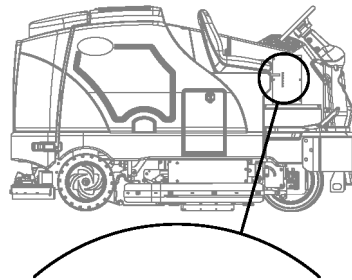
- Scrub Brush Solenoid (L4)
- Scrub Pressure Down (L5)
- Scrub Cylinder Lock Solenoid (L6)
- Scrub Pressure Up (L7)
- Side Sweep / Scrub Solenoid (L8)
- Side Scrub Lift Solenoid (L9)
- Main Solution Solenoid Valve (L10)
- Side Scrub Solution Solenoid Valve (L11)
- Extended Scrub Water Solution Solenoid
- Chemical Pump

#### VACC5 Circuit Breaker (CB5)

- Vacuum Motor Solenoid (L1)
- Squeegee Down Solenoid (L3)
- Squeegee Up Solenoid (L3)
- Main Solution Pump (M4)
- Extended Scrub Pump (M6)

#### IGN Circuit Breaker (CB6)

- Glow Plug Relay
- Main Power Relay
- Backup Audible Alarm
- Horn
- Engine System (fuel pump and ignition system)
- Dash Board Panel



20	<b>CB1</b> <b>20A</b>	<b>VACC1</b>
20	<b>CB2</b> <b>20A</b>	<b>VACC2</b>
15	<b>CB3</b> <b>15A</b>	<b>VACC3</b>
20	<b>CB4</b> <b>20A</b>	<b>VACC4</b>
10	<b>CB5</b> <b>10A</b>	<b>VACC5</b>
15	<b>CB6</b> <b>15A</b>	<b>IGN</b>

## GENERAL MACHINE TROUBLESHOOTING

Problem	Possible Cause	Remedy
Poor water pick-up	Worn or torn squeegee blades	Reverse or replace
	Squeegee out of adjustment	Adjust so blades touch floor evenly across entire width
	Recovery tank full	Empty recovery tank
	Recovery tank drain hose leak	Secure drain hose cap or replace
	Recovery tank cover gasket leak	Replace gasket / Seat cover properly
	Debris caught in squeegee	Clean squeegee tool
	Vacuum hose clogged	Remove debris
	Using too much solution	Reduce flow via control panel solution button
Poor scrubbing performance	Worn brush	Rotate or replace brushes
	Wrong brush type	Consult Advance
	Wrong cleaning chemical	Consult Advance
	Moving machine too fast	Slow down
	Not using enough solution	Increase flow via control panel solution button
	Incorrect detergent ratio	Verify dilution setting if EcoFlex equipped.
Inadequate solution flow or no solution	Solution tank empty	Fill solution tank
	Solution lines, valves, filter or trough clogged	Flush lines, trough and clean solution filter
	Solution turned OFF	Activate flow via control panel solution button
	Solution solenoid valve plugged or defective	Clean or replace valve ( <b>see service manual</b> )
Machine does not run	Tripped 15 Amp (CB6) circuit breaker	Check for electrical short circuit & reset
	Main system controller	Check error fault codes ( <b>see service manual</b> )
No FWD/REV wheel drive	Parking brake set	Release parking brake
	Towing valve in wrong position	Set correctly
Vacuum shuts off and display shows "FULL" when recovery tank is not full	Float does not move freely	Clear any debris, clean float stem to allow for free movement.
No Detergent Flow (EcoFlex models only)	Empty detergent cartridge	Fill detergent cartridge
	Plugged or kinked detergent flow line	Purge system, straighten lines to remove any kinks
	Dry seal cap on detergent cartridge not sealed	Reseat dry seal cap
	Detergent pump wiring disconnected or backwards	Connect or reconnect wiring

## ACCESSORIES / OPTIONS

In addition to the standard components, the machine can be equipped with the following accessories/options, according to the machine specific use:

- Brushes with harder or softer bristles
- Solution Fill Shutoff Kit
- Warning Beacon Kit
- Deluxe Seat Kit
- Overhead Guard Kit
- Extended Scrub Kit
- Chemical Injection
- Underhood Light Kit
- Vac Wand Kit
- RH Armrest Kit
- Dual Armrest Kit
- Seat Belt Kit
- Recovery Tank Clean Out Kit
- Wash Hose Kit
- Brake / Signal Light Kit
- Rear Bumper Kit
- Fire Extinguisher Kit
- Back-Up Alarm Kit
- Overhead Guard Beacon Kit
- Overhead Guard Canopy Kit
- Kit-Debris Tray
- Horn Switch Kit
- Drain Hose Extension
- Roller Bumper Kit

For further information about the above-mentioned accessories, contact an authorized Retailer.

### Material Composition and Recyclability

Type	% of machine weight	% recyclable
Aluminum	1%	90%
Electrical / motors / engines - misc	13%	94%
Ferrous metals	59%	95%
Harnesses / cables	4%	80%
Liquids	1%	100%
Plastic - non-recyclable	2%	0%
Plastic - recyclable	1%	90%
Polyethylene	16%	100%
Rubber	5%	68%

**TECHNICAL SPECIFICATIONS (AS INSTALLED AND TESTED ON THE UNIT)**

Model		SC8000 48 LPG	SC8000 48 D (Diesel)	SC8000 48 LPG EcoFlex
		SC8000 48 LPG EcoFlex	SC8000 48 D EcoFlex	Brazil
Part No.		56108110	56108112	56108122
		56108111	56108113	
Sound Pressure Level				
(IEC 60335-2-72: Ed 3 2012, ISO 11201)	dB (A)	84.5 dB LpA, 3dB KpA	84.5 dB LpA, 3dB KpA	84.5 dB LpA, 3dB KpA
Sound Power Level				
(IEC 60335-2-72: Ed 3 2012, ISO 3744)	dB (A)	104.4 dB LwA	104.4 dB LwA	104.4 dB LwA
Gross Vehicle Weight	lbs / kg	4033 / 1829	4033 / 1829	4033 / 1829
Transport Weight	lbs / kg	3110 / 1410	3110 / 1410	3110 / 1410
Maximum Wheel Floor Loading (center front)	N/mm <sup>2</sup> / psi	.48/70	.48/70	.48/70
Maximum Wheel Floor Loading (left rear)	N/mm <sup>2</sup> / psi	.53/77	.53/77	.53/77
Maximum Wheel Floor Loading (right rear)	N/mm <sup>2</sup> / psi	.54/79	.54/79	.54/79
Vibrations at the Hand Controls (ISO 5349-1)	m/s <sup>2</sup>	0.80 m/s <sup>2</sup>	0.71 m/s <sup>2</sup>	0.80 m/s <sup>2</sup>
Vibrations at the Seat (ISO 2631-1)	m/s <sup>2</sup>	0.18 m/s <sup>2</sup>	0.23 m/s <sup>2</sup>	0.18 m/s <sup>2</sup>
Gradeability				
Transport		16% (9°)	16% (9°)	16% (9°)
Cleaning		10.5% (6°)	10.5% (6°)	10.5% (6°)

Model		SC8000 60 LPG	SC8000 60 D (Diesel)
		SC8000 60 LPG EcoFlex	SC8000 60 D EcoFlex
Part No.		56108114	56108116
		56108115	56108117
Sound Pressure Level			
(IEC 60335-2-72: Ed 3 2012, ISO 11201)	dB (A)	84.5 dB LpA, 3dB KpA	84.5 dB LpA, 3dB KpA
Sound Power Level			
(IEC 60335-2-72: Ed 3 2012, ISO 3744)	dB (A)	104.4 dB LwA	104.4 dB LwA
Gross Vehicle Weight	lbs / kg	4311 / 1955	4311 / 1955
Transport Weight	lbs / kg	3388 / 1536	3388 / 1536
Maximum Wheel Floor Loading (center front)	N/mm <sup>2</sup> / psi	.48/70	.48/70
Maximum Wheel Floor Loading (left rear)	N/mm <sup>2</sup> / psi	.53/77	.53/77
Maximum Wheel Floor Loading (right rear)	N/mm <sup>2</sup> / psi	.54/79	.54/79
Vibrations at the Hand Controls (ISO 5349-1)	m/s <sup>2</sup>	0.80 m/s <sup>2</sup>	0.71 m/s <sup>2</sup>
Vibrations at the Seat (ISO 2631-1)	m/s <sup>2</sup>	0.18 m/s <sup>2</sup>	0.23 m/s <sup>2</sup>
Gradeability			
Transport		16% (9°)	16% (9°)
Cleaning		10.5% (6°)	10.5% (6°)

Model		SC8000 62 LPG	SC8000 62 D (Diesel)	SC8000 62 LPG EcoFlex
		SC8000 62 LPG EcoFlex	SC8000 62 D EcoFlex	Brazil
Part No.		56108118	56108120	56108123
		56108119	56108121	
Sound Pressure Level				
(IEC 60335-2-72: Ed 3 2012, ISO 11201)	dB (A)	84.5 dB LpA, 3dB KpA	84.5 dB LpA, 3dB KpA	84.5 dB LpA, 3dB KpA
Sound Power Level				
(IEC 60335-2-72: Ed 3 2012, ISO 3744)	dB (A)	104.4 dB LwA	104.4 dB LwA	104.4 dB LwA
Gross Vehicle Weight	lbs / kg	4311 / 1955	4311 / 1955	4311 / 1955
Transport Weight	lbs / kg	3388 / 1536	3388 / 1536	3388 / 1536
Maximum Wheel Floor Loading (center front)	N/mm <sup>2</sup> / psi	.48/70	.48/70	.48/70
Maximum Wheel Floor Loading (left rear)	N/mm <sup>2</sup> / psi	.53/77	.53/77	.53/77
Maximum Wheel Floor Loading (right rear)	N/mm <sup>2</sup> / psi	.54/79	.54/79	.54/79
Vibrations at the Hand Controls (ISO 5349-1)	m/s <sup>2</sup>	0.80 m/s <sup>2</sup>	0.71 m/s <sup>2</sup>	0.80 m/s <sup>2</sup>
Vibrations at the Seat (ISO 2631-1)	m/s <sup>2</sup>	0.18 m/s <sup>2</sup>	0.23 m/s <sup>2</sup>	0.18 m/s <sup>2</sup>
Gradeability				
Transport		16% (9°)	16% (9°)	16% (9°)
Cleaning		10.5% (6°)	10.5% (6°)	10.5% (6°)

**ÍNDICE**

	<b>PÁGINA</b>
Introducción .....	B-3
Precauciones y advertencias.....	B-4 – B-5
Conozca su máquina.....	B-6 – B-9
<b>Preparación de la máquina para su uso</b>	
Información general.....	B-10
Comprobaciones previas a la utilización .....	B-11 – B-12
Aceite hidráulico .....	B-11
Aceite del motor.....	B-11
Refrigerante del motor.....	B-12
Filtro del aire del motor.....	B-12
Combustible.....	B-12
Instalación de los cepillos.....	B-13
Llenado del depósito de solución .....	B-14
<b>Manejo de la máquina</b>	
Encendido del motor.....	B-15
Sistema de detergente .....	B-16 – B-17
Fregado .....	B-18 – B-19
Aspiración en húmedo.....	B-18
<b>Después de la utilización de la máquina</b>	
Después de la utilización.....	B-20
Para apagar el motor .....	B-20
<b>Mantenimiento</b>	
Programa de mantenimiento .....	B-20
Lubricación de la máquina.....	B-20 – B-21
Mantenimiento de las escobas laterales .....	B-22
Mantenimiento de la rasqueta .....	B-23
Ajuste de la rasqueta.....	B-23
Mantenimiento del faldón lateral.....	B-24
Mantenimiento de la tolva de desechos .....	B-25
Resolución de problemas.....	B-26 – B-27
Especificaciones técnicas.....	B-28

## INTRODUCCIÓN

Este manual le ayudará a obtener el máximo rendimiento de su Limpiadora sobre ruedas Advance. Léalo con atención antes de utilizar la máquina.

**Nota: Los números que aparecen en negrita entre paréntesis indican elementos ilustrados en las páginas 6 – 9.**

## COMPONENTES Y SERVICIO

Las reparaciones, cuando sean necesarias, deben ser realizadas por su Centro Autorizado de Servicio Advance que utiliza personal de servicio formado en fábrica y lleva un inventario de piezas de repuesto y accesorios Advance originales.

Llame al DISTRIBUIDOR INDUSTRIAL ADVANCE que se indica a continuación para lo referente a piezas de repuesto y servicio. Por favor, especifique el Modelo y Número de Serie cuando hable de su máquina.

## MODIFICACIONES

Las modificaciones y los agregados a la máquina de limpieza que afecten su capacidad y su funcionamiento seguro no serán realizados por el cliente o el usuario sin la autorización previa y por escrito de Nilfisk-Advance Inc. Las modificaciones que no cuenten con la aprobación correspondiente anularán la garantía de la máquina y harán que el cliente sea responsable de cualquier accidente resultante.

## PLACA DE IDENTIFICACIÓN

El Número de Parte y Número de Serie de la máquina se indican en la placa de identificación. Esta información es necesaria a la hora de solicitar repuestos para la máquina. Utilice el espacio situado más abajo para anotar el Número de Parte y Número de Serie de la máquina para futuras consultas.

NÚMERO DE PARTE \_\_\_\_\_

NÚMERO DE SERIE \_\_\_\_\_

## DESEMBALAJE

Tras la recepción, inspeccione la caja de embalaje y la máquina para ver si existen daños. Si los daños son evidentes, guarde todas las piezas de la caja de embalaje de modo que puedan ser inspeccionadas por el transportista que entregó la máquina. Póngase en contacto con el transportista inmediatamente para presentar una reclamación por daño durante el transporte.

- 1 Después de retirar la caja, retire los bloques de madera situados junto a las ruedas.
- 2 Compruebe el nivel de aceite y refrigerante del motor.
- 3 Compruebe el nivel del aceite hidráulico.
- 4 Lea las instrucciones de la sección "Preparación de la máquina para su utilización" de este manual y llene el depósito de combustible.
- 5 Coloque una rampa junto al extremo delantero de la tarima de carga.
- 6 Lea las instrucciones de las secciones "Funcionamiento de los controles" y "Funcionamiento de la máquina" de este manual y encienda el motor. Conduzca despacio la máquina desde la rampa hasta el suelo. Mantenga el pie pisando ligeramente el pedal del freno hasta que la máquina haya bajado de la tarima.


## ¡PRECAUCIÓN!

Extreme las PRECAUCIONES al utilizar esta máquina. Antes de utilizarla, debe conocer bien todas sus instrucciones de funcionamiento. Si tiene alguna duda, consulte con su supervisor o con su Proveedor Industrial local Advance.

En caso de accidente o mal funcionamiento del equipo, no intente corregir el problema. Solicite la ayuda de un mecánico cualificado de su empresa o de una persona autorizada por el Servicio del Proveedor Advance para que efectúen las correcciones necesarias en el equipo.

Extreme las precauciones al utilizar esta máquina. Existe el peligro de que las prendas sueltas, pelo largo, anillos y pulseras queden atrapados entre los componentes móviles. Apague el interruptor de llave de encendido y quite la llave antes de revisar la máquina. Utilice el sentido común, respete las normas de seguridad y preste atención a las pegatinas amarillas colocadas en la máquina.

Conduzca la máquina lentamente en pendientes. Use el pedal de freno **(23)** para controlar la velocidad de la máquina al descender las pendientes. NO gire la máquina en una pendiente; conduzca en línea recta hacia arriba o hacia abajo.

 La pendiente nominal máxima para el barrido y la limpieza es de 10.5%(6°). La pendiente nominal máxima durante el transporte es de 16%(9°).

## ¡ADVERTENCIA!

Los Productos a la venta con este Manual contienen, o pueden contener, productos químicos reconocidos por algunos gobiernos (como el Estado de California, según lo indica en su Proposición 65, Ley de Advertencia Regulatoria) como causantes de cáncer, defectos de nacimiento u otros daños reproductivos. En algunas jurisdicciones (incluido el Estado de California), los compradores de estos Productos que los coloquen en servicio en un emplazamiento laboral o en un espacio de acceso público tienen la obligación regulatoria de realizar determinados avisos, advertencias o divulgaciones respecto de los productos químicos contenidos o posiblemente contenidos en los Productos utilizados en tal lugar. Es la responsabilidad del comprador conocer y cumplir con todas las leyes y reglamentaciones relacionadas con el uso de estos Productos en tales entornos. El Fabricante niega toda responsabilidad de informar a los compradores sobre requisitos específicos que pueden regir el uso de los Productos en tales entornos.

## PRECAUCIONES Y ADVERTENCIAS

### SÍMBOLOS

Avance utiliza los símbolos que aparecen a continuación para indicar situaciones potencialmente peligrosas. Lea siempre con atención esta información y tome las medidas necesarias para la protección del personal y los objetos.

#### ¡PELIGRO!

Se utiliza para advertir de peligros inmediatos que pueden producir graves daños personales o la muerte.

#### ¡ADVERTENCIA!

Se utiliza para llamar la atención sobre una situación que puede causar graves daños personales.

#### ¡PRECAUCIÓN!

Se utiliza para llamar la atención sobre una situación que puede causar daños personales leves o daños a la máquina u otros objetos.



Lea todas y cada una de las instrucciones antes de utilizar el aparato.

## INSTRUCCIONES GENERALES DE SEGURIDAD

Se incluyen Precauciones y Advertencias específicas que le advierten de los posibles riesgos de daño a la máquina o daño corporal. Esta máquina es para uso comercial, por ejemplo en hoteles, colegios, hospitales, fábricas, tiendas y oficinas, y no para usos relacionados con el mantenimiento doméstico.

#### ¡PELIGRO!

- Esta máquina despidе gases de escape (monóxido de carbono) que pueden producir daños graves o la muerte. Disponga siempre la ventilación adecuada cuando utilice la máquina.

#### ¡ADVERTENCIA!

- Sólo deben utilizar esta máquina las personas autorizadas y con la formación adecuada.
- Esta máquina no debe ser utilizada por personas (incluidos niños) con capacidades físicas, sensoriales o mentales reducidas, o con falta de experiencia y conocimientos.
- Al circular sobre rampas o pendientes, evite las paradas bruscas. Evite las curvas muy cerradas. Circule lentamente al bajar rampas.
- No utilice la máquina para fines de limpieza en superficies con pendientes superiores a las indicadas en la máquina.
- Para evitar la inyección de aceite hidráulico o los daños, lleve siempre la vestimenta adecuada y protección ocular cuando trabaje con el sistema hidráulico o cerca de él.
- Ponga el conmutador en posición de apagado (O) y desconecte las baterías antes de revisar los componentes eléctricos.
- No trabaje nunca debajo de la máquina sin colocar antes bloques o soportes de seguridad en los que apoyar la máquina.
- No aplique sustancias limpiadoras inflamables ni utilice la máquina sobre estas sustancias, cerca de ellas, ni en zonas en las que haya líquidos inflamables.
- No lave la máquina con una limpiadora a presión.
- Observe el peso bruto del vehículo (GVW) de la máquina cuando cargue, maneje, eleve o sostenga la máquina.
- No use la máquina sin una estructura de protección contra la caída de objetos (FOPS) en áreas donde es probable que el operario reciba golpes por caída de objetos.
- Las máquinas deberán estacionarse de forma segura.
- La máquina deberá ser inspeccionada con frecuencia por una persona cualificada, particularmente el recipiente de propano líquido y sus conectores, según lo requiera la operación segura indicada por las normas regionales o nacionales.



## PRECAUCIONES Y ADVERTENCIAS – CONTINUACIÓN

### ¡PRECAUCIÓN!

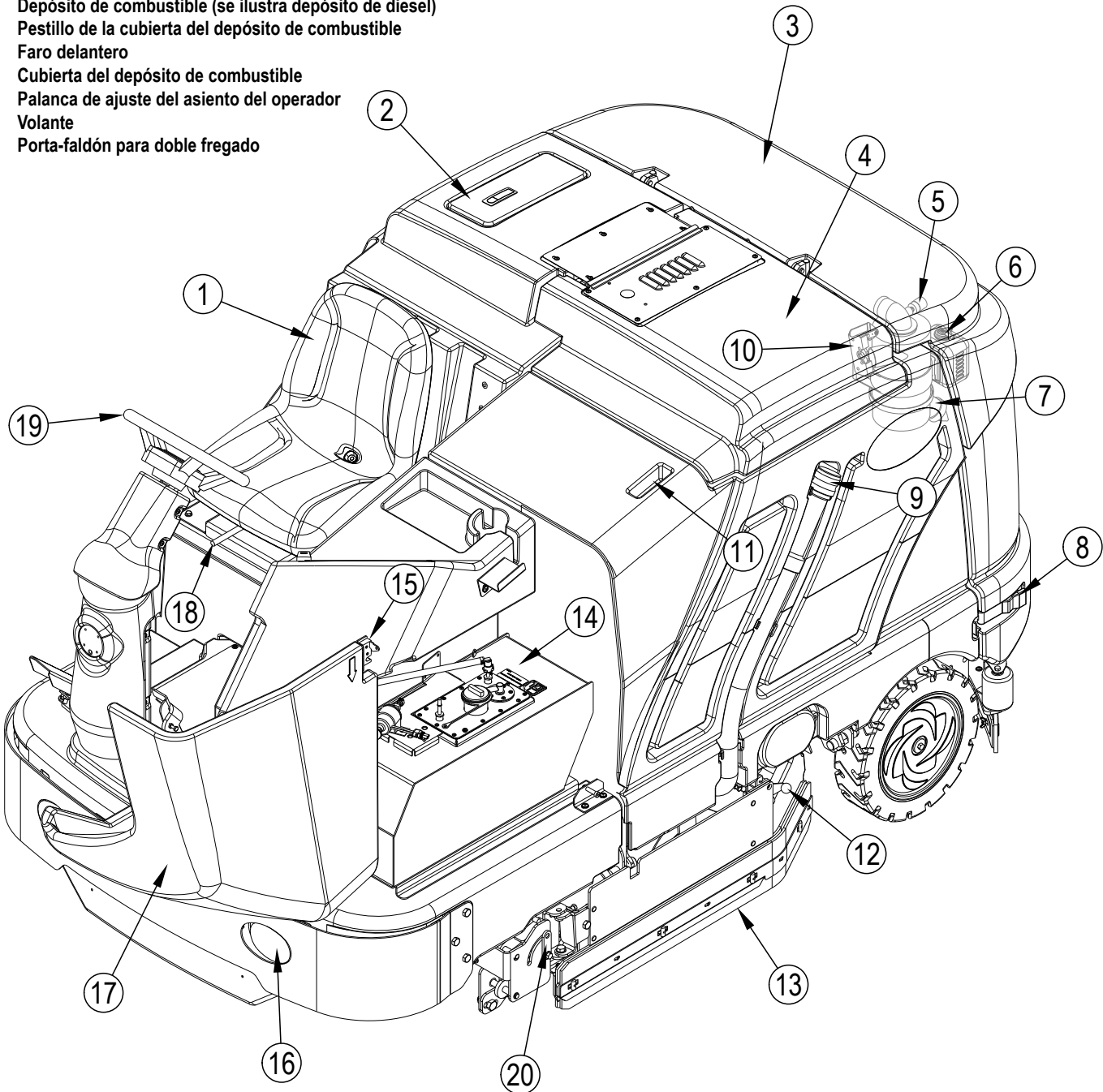
- Esta máquina no ha sido aprobada para su uso en vías públicas.
- Esta máquina no es apta para la recogida de polvo peligroso.
- Tenga cuidado cuando utilice discos de escarificación y piedras abrasivas. No se podrá responsabilizar a Advance de daño alguno a las superficies de los suelos causado por escarificadores o piedras abrasivas.
- Cuando utilice la máquina, asegúrese de que no existe peligro para terceras personas, especialmente niños.
- Antes de proceder a cualquier función de servicio, lea con atención todas las instrucciones relativas a dicha función.
- No abandone la máquina sin antes apagar el interruptor de llave (O), retirar la llave y echar el freno de estacionamiento.
- Apague el interruptor de llave **(50)** (O) antes de cambiar los cepillos y antes de abrir cualquiera de los paneles de acceso.
- Tome las debidas precauciones para evitar que el pelo, las joyas o las prendas sueltas queden atrapados entre los componentes móviles.
- Tome las precauciones adecuadas cuando esté moviendo esta máquina mientras hiela. El agua de la solución, los depósitos de recuperación y de las tuberías podría congelarse.
- Antes de utilizar la máquina, todas las puertas y cubiertas deberían estar bien cerradas.
- Retire la batería de la máquina antes de su desmantelamiento. La batería debe desecharse de forma segura, de acuerdo con la reglamentación medioambiental vigente en su zona.

## GUARDE ESTAS INSTRUCCIONES

## CONOZCA SU MÁQUINA

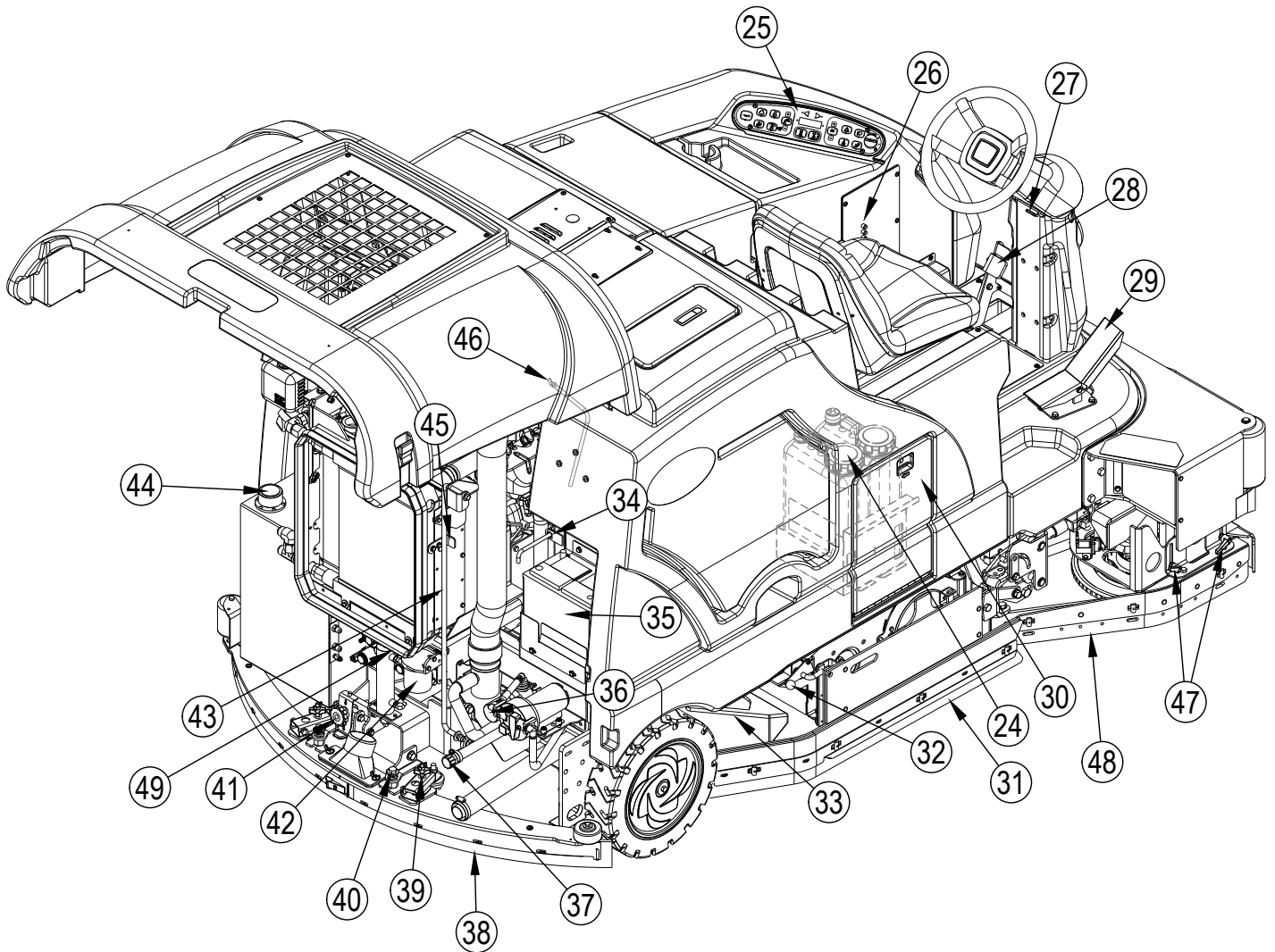
A lo largo de este manual encontrará números o letras en negrita entre paréntesis – por ejemplo: **(2)**. Estos números se refieren a una pieza o componente que se muestra en estas páginas, a menos que se indique lo contrario. Consulte estas páginas siempre que lo necesite para localizar alguna pieza o componente citado en el texto.

- 1 Asiento del operador
- 2 Tapa de llenado del depósito de solución
- 3 Cubierta del motor
- 4 Tapa del depósito de recuperación
- 5 Indicador de mantenimiento del filtro del aire del motor
- 6 Depósito de rebosamiento del refrigerante
- 7 Filtro del aire del motor
- 8 Pestillo de la cubierta del motor
- 9 Tubo de vaciado del depósito de recuperación
- 10 Pestillo deslizable del depósito de recuperación
- 11 Sujetador deslizable del depósito de recuperación
- 12 Pestillo del faldón izquierdo
- 13 Faldón izquierdo
- 14 Depósito de combustible (se ilustra depósito de diesel)
- 15 Pestillo de la cubierta del depósito de combustible
- 16 Faro delantero
- 17 Cubierta del depósito de combustible
- 18 Palanca de ajuste del asiento del operador
- 19 Volante
- 20 Porta-faldón para doble fregado



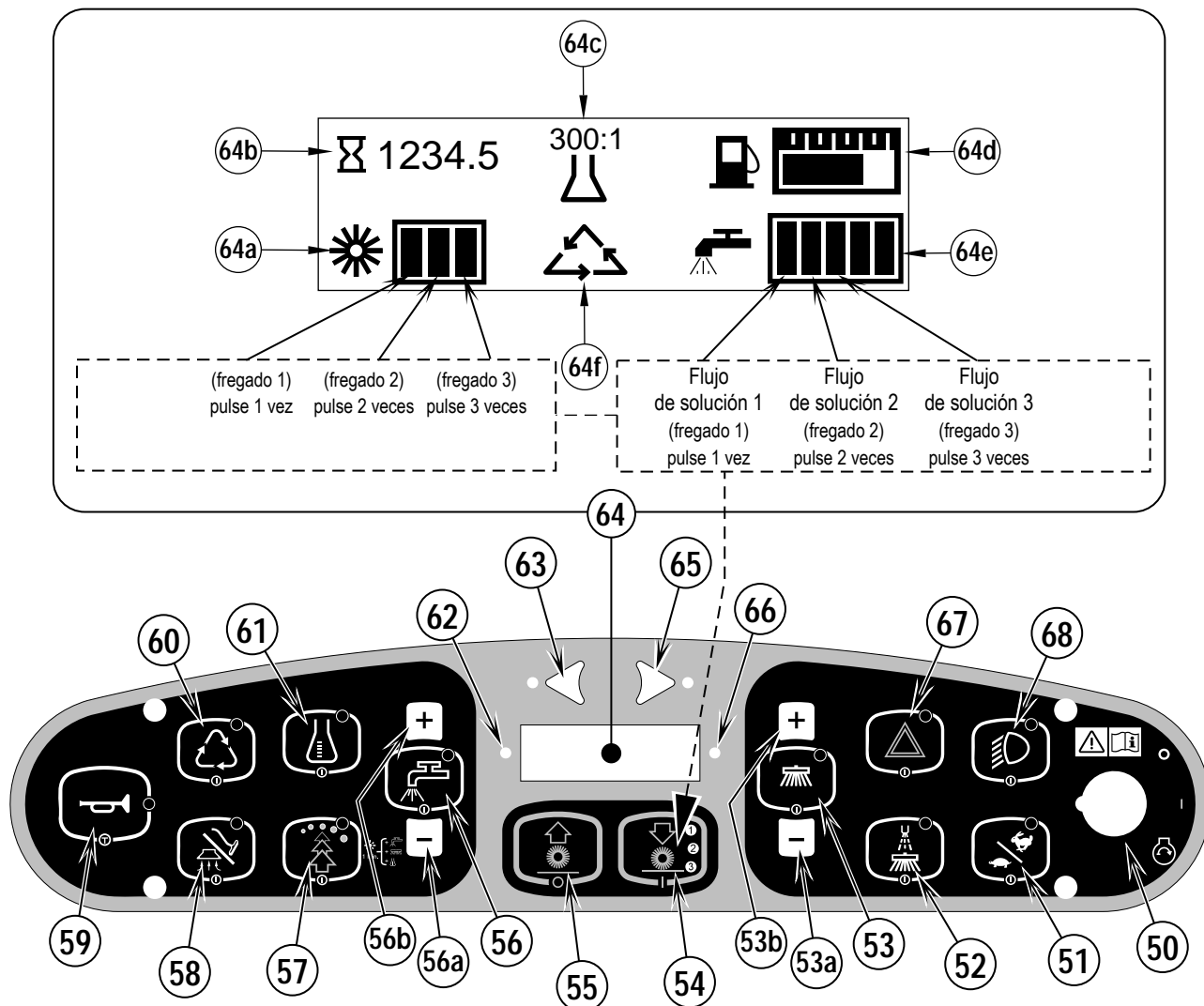
## CONOZCA SU MÁQUINA

- |    |   |    |  |
|----|---|----|--|
| 24 | Cartuchos de detergente (solo modelos EcoFlex)      | 39 | Botón de ajuste de altura de la rasqueta           |
| 25 | Panel de control                                    | 40 | Llave de bancada de la rasqueta                    |
| 26 | Panel del disyuntor (véase Resolución de Problemas) | 41 | Botón de ajuste de inclinación de la rasqueta      |
| 27 | Palanca de ajuste de inclinación del volante        | 42 | Filtro del aceite del motor                        |
| 28 | Pedal de freno / Freno de estacionamiento           | 43 | Varilla de apoyo de la cubierta del motor          |
| 29 | Pedal de tracción, dirección/velocidad              | 44 | Tapón de llenado del depósito de aceite hidráulico |
| 30 | Compartimento para cartuchos de detergente          | 45 | Pestillo deslizable del enfriador de aceite        |
| 31 | Faldón derecho                                      | 46 | Varilla medidora del faldón de fregado             |
| 32 | Pestillo del faldón derecho                         | 47 | Botones de retén de faldón de fregado derecho      |
| 33 | Tolva   | 48 | Conjunto de faldón de fregado derecho              |
| 34 | Palanca de la válvula de remolque                   | 49 | Drenaje de aceite del motor (debajo de radiador)   |
| 35 | Batería   |    |  |
| 36 | Filtro de la solución                               |    |  |
| 37 | Tubo de vaciado del depósito de solución            |    |  |
| 38 | Conjunto de la rasqueta                             |    |  |



## CONOZCA SU MÁQUINA

- |     |  |     |  |
|-----|--|-----|--|
| 50  | Interruptor de contacto  | 62f | Temperatura hidráulica                                 |
| 51  | Interruptor de velocidad del motor                                     | 62g | Bajo nivel de combustible                              |
| 52  | Interruptor del guardapolvo  | 62h | Temperatura del motor                                  |
| 53  | Interruptor de Encendido/Apagado de fregado/escoba lateral             | 63  | Interruptor de señal de giro a la izquierda (opcional) |
| 53a | Interruptor de DESCENSO ajusta de escoba lateral                       | 64  | Pantalla   |
| 53b | Interruptor de ASCENSO ajusta de escoba lateral                        | 64a | Indicador de presión de fregado                        |
| 54  | Interruptor de fregado encendido / Selección del modo de fregado       | 64b | Medidor de horas de funcionamiento                     |
| 55  | Fregado apagado  | 64c | Indicador de detergente (si está instalado)            |
| 56  | Interruptor de la solución   | 64d | Indicador de combustible                               |
| 56a | Interruptor de reducción de cantidad de solución                       | 64e | Indicador de cantidad de solución                      |
| 56b | Interruptor de aumento de cantidad de solución                         | 64f | Indicador de fregado ampliado (opcional)               |
| 57  | Interruptor de aumento de potencia                                     | 65  | Interruptor de señal de giro a la derecha (opcional)   |
| 58  | Interruptor de aspiración/varilla (véase la página siguiente)          | 66  | Luz indicadora de atención (AMARILLA)                  |
| 59  | Interruptor de claxon  | 66a | Solución Baja  |
| 60  | Interruptor de fregado ampliado (opcional / véase la página siguiente) | 66b | Filtro hidráulico taponado                             |
| 61  | Interruptor del sistema de detergente (sólo modelos EcoFlex)           | 66c | Avería no crítica/servicio no crítico del motor        |
| 62  | Luz indicadora de advertencia (ROJA)                                   | 66d | Bujía incandescente                                    |
| 62a | Freno de estacionamiento   | 66e | Depósito de recuperación LLENO                         |
| 62b | Presión del aceite (diesel)  | 66f | Realizar servicio del motor pronto                     |
| 62c | Temperatura del motor  | 67  | Interruptor intermitente de emergencia (opcional)      |
| 62d | Batería Baja   | 68  | Interruptor de faros                                   |
| 62e | Fallo del controlador  |     |  |



### CONOZCA SU MÁQUINA

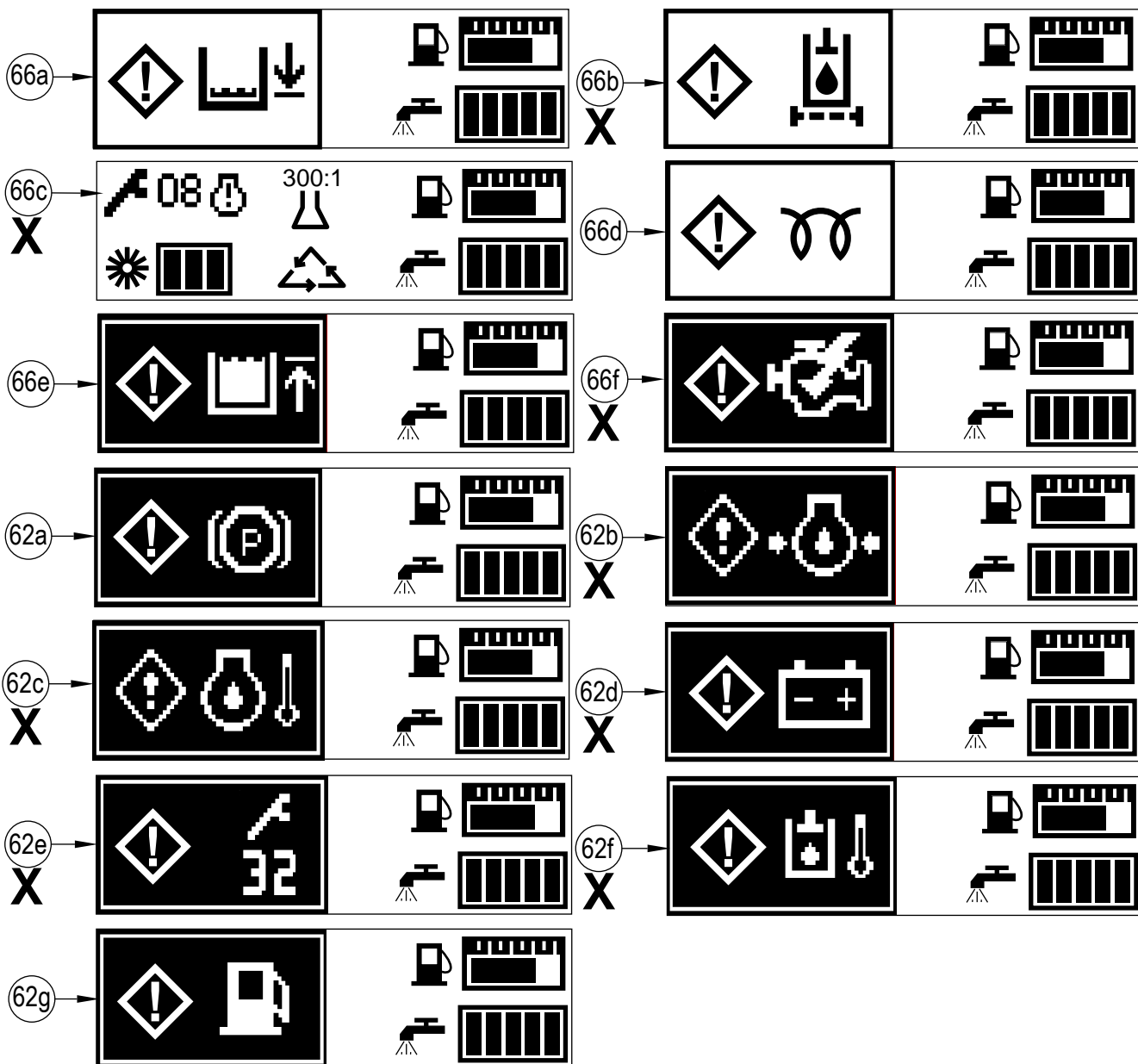
#### INTERRUPTOR DE ASPIRACIÓN/VARILLA (58)

Véase el formulario Hoja de Instrucciones del Kit de la Varilla de Aspiración N° 56040944.

#### INTERRUPTOR DE FREGADO AMPLIADO (60)

Véase el formulario Hoja de Instrucciones del Kit de Fregado Ampliado N° 56040945.

SI ICONOS UCES DE LOS DE LA ADVERTENCIA/DE LA ATENCIÓN MARCADOS (X) ABAJO SE EXHIBEN POR FAVOR ENTRAN EN CONTACTO CON SU CENTRO DE SERVICIO AUTORIZADO ANTICIPADO.



## ELEVACIÓN DE LA MÁQUINA

### ⚠ ¡PRECAUCIÓN!

No trabaje nunca debajo de la máquina sin colocar antes los soportes o bloques de seguridad para apoyar la máquina.

- Cuando eleve la máquina, aplique los gatos en los lugares indicados - véase Puntos de Sujeción / Elevación (A) en la Figura 1.

## TRANSPORTE DE LA MÁQUINA

### ⚠ ¡PRECAUCIÓN!

Antes de transportar la máquina sobre un camión o remolque abierto, asegúrese de . . .

- Cerrar bien todas las puertas de acceso.
- La máquina está firmemente sujeta - véase Puntos de Sujeción / Elevación (A) en la Figura 1.
- Echar el freno de estacionamiento (28) de la máquina.

## REMOLQUE O EMPUJE DE LA MÁQUINA EN CASO DE AVERÍA

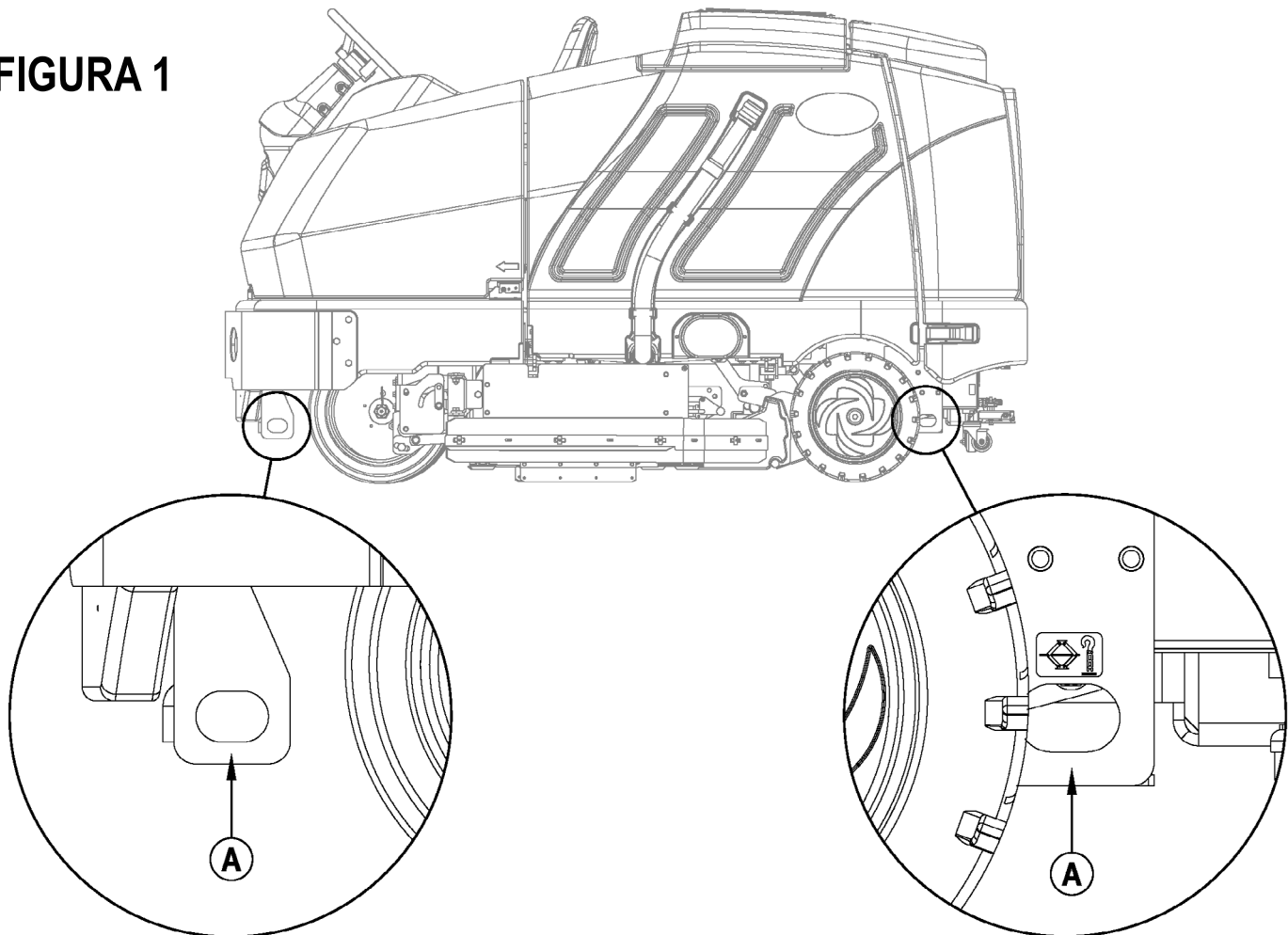
### ⚠ ¡PRECAUCIÓN!

La bomba de propulsión de transmisión de la máquina lleva una válvula de remolque ajustable que impide que se produzcan daños en el sistema hidráulico en caso de que deba remolcarse/empujarse la máquina a una distancia corta sin el uso del motor.

La válvula de remolque es controlada por la palanca de la válvula de remolque (34) a la que se accede abriendo y sosteniendo la cubierta del motor (3). Tire hacia fuera la palanca de la válvula de remolque (34) soltándose de esta forma el bloqueo hidrostático entre el motor y la bomba.

La rueda motriz puede sufrir daños si la máquina es remolcada con la válvula en posición normal de funcionamiento (palanca de la válvula de remolque (34) presionada). **Nota:** Si se deja la válvula de remolque en posición de rueda libre (palanca de la válvula de remolque (34) hacia afuera), la bomba hidrostática puede no impulsar la máquina ni hacia adelante ni hacia atrás. Si la válvula de remolque está activada o parcialmente activada, es posible que el vehículo no funcione a velocidad completa. La operación continua en estas condiciones puede ocasionar sobrecalentamiento y daños permanentes al sistema de tracción hidrostática. No remolque ni empuje la máquina a una velocidad superior a la del paso normal de una persona (2-3 mph / 3-4 km/hr) y hágalo solamente en distancias cortas (300 pies / 100 metros). De lo contrario, se pueden producir daños graves al motor de tracción hidrostática. Si necesita desplazar la máquina un tramo largo, la rueda motriz delantera debe elevarse para que no toque el suelo y colocarse sobre un gato rodante adecuado.

FIGURA 1



## COMPROBACIONES PREVIAS A LA UTILIZACIÓN

### Antes de cada utilización:

- \* Examine la máquina para comprobar si existen daños o fugas de aceite o líquido de refrigeración.
- \* Estruje la copa de goma del polvo del filtro del aire del motor (7) para retirar el polvo acumulado.
- \* Compruebe el nivel del líquido de refrigeración del motor (6).
- \* Compruebe el nivel de aceite del motor (46).
- \* Compruebe el nivel de aceite hidráulico (44).
- \* Compruebe el indicador del nivel de combustible (64d) en los modelos de diesel.
- \* Compruebe el indicador del nivel de combustible **situado** en el depósito de propano en el modelo de propano.
- \* Compruebe el indicador de servicio del filtro del aire (5).

### En el asiento del conductor:

- \* El conductor debe conocer todos los controles y sus funciones.
- \* Ajuste el asiento para alcanzar cómodamente todos los controles.
- \* Introduzca la llave maestra y sitúe el interruptor de llave de encendido (50) en posición ON. Compruebe el funcionamiento correcto del claxon (59), el contador horario (64b) y los faros delanteros (68). Sitúe el interruptor de llave de encendido (50) en OFF.
- \* Compruebe el pedal de freno (28). El pedal debe estar firme y no debería ir hasta el fondo. El pestillo debería sostener el pedal estando presionado. (Comunique inmediatamente cualquier defecto al personal de mantenimiento).

### Planifique su limpieza por adelantado:

- \* Utilice la máquina en tramos largos, manteniendo al mínimo el número de detenciones y puestas en marcha.
- \* Para cubrir toda la superficie, deje que los tramos de fregado se superpongan 2-3" (5,08-7,62 cm).
- \* Evite tomar las curvas bruscamente, chocar contra postes y arañar los laterales de la máquina.

## ACEITE HIDRÁULICO

Abra y sostenga la cubierta del motor (3) para acceder al depósito de aceite hidráulico. Retire el tapón de llenado (44) del depósito y observe la parte inferior de la criba del llenador. Si el nivel de aceite está por debajo de la criba del llenador, agregue aceite de motor 10W30 hasta cubrir la criba del llenador (el nivel de aceite nunca debe estar más de 1/2" (12,7 mm) por encima de la parte inferior de la criba del llenador). Cambie el aceite si se produce una contaminación grave debida a un fallo mecánico.

## ACEITE DEL MOTOR: PROPANO LÍQUIDO

Compruebe el nivel del aceite del motor cuando la máquina esté estacionada sobre una superficie nivelada y el motor esté frío. Cambie el aceite del motor tras las primeras 35 horas de funcionamiento y, después, cada 150 horas. Utilice cualquier aceite de grado SF o SG que cumpla las especificaciones del API y sea adecuado para las temperaturas de la estación. Consulte la sección Sistema del motor para conocer las capacidades del aceite y las especificaciones adicionales del motor. Sustituya el filtro del aceite con cada cambio de aceite.

TEMPERATURA	PESO DEL ACEITE
Más de 60° F (15° C)	SAE 10W-30
Menos de 60° F (15° C)	SAE 5W-30

## ACEITE DEL MOTOR: DIESEL

Compruebe el nivel del aceite del motor cuando la máquina esté estacionada sobre una superficie nivelada y el motor esté frío. Cambie el aceite del motor tras las primeras 35 horas de funcionamiento y, después, cada 150 horas. Use aceite CF, CF-4 o CG-4 que cumpla las especificaciones del API y sea adecuado para las temperaturas (\*es importante consultar la nota sobre el tipo de aceite/combustible que aparece más adelante para obtener más recomendaciones sobre el aceite para diesel). Consulte la sección Sistema del motor para conocer las capacidades del aceite y las especificaciones adicionales del motor. Sustituya el filtro del aceite con cada cambio de aceite.

TEMPERATURA	PESO DEL ACEITE
Más de 77 °F (25 °C)	SAE 30 o 10W-30
De 32 °F a 77 °F (0 °C a 25 °C)	SAE 20 o 10W-30
Menos de 32 °F (0 °C)	SAE 10W o 10W-30

### \*Nota sobre el aceite lubricante para diesel:

Con el control de emisiones ya en vigor, los aceites lubricantes CF-4 y CG-4 se han desarrollado para el uso de un combustible con bajo contenido de azufre en motores para vehículos de carretera. Cuando el motor de un vehículo para fuera de la carretera funciona con un combustible con alto contenido en azufre, se recomienda emplear aceite lubricante CF, CD o CE con un número base total alto. Si se usa aceite lubricante CF-4 o CG-4 con un combustible con alto contenido en azufre, cambie el aceite lubricante a intervalos más cortos.

- \* Aceite lubricante recomendado cuando se utiliza un combustible con bajo contenido o con alto contenido en azufre.

Lubricante Clase de aceite	Combustible		Observaciones
	Bajo contenido de azufre (0,5 % ≥)	Alto contenido de azufre	
CF	O	O	Número base total ≥ 10
CF-4	O	X	
CG-4	O	X	

O: Recomendable

X: No recomendable

## COMPROBACIONES PREVIAS A LA UTILIZACIÓN LÍQUIDO DE REFRIGERACIÓN DEL MOTOR

### ¡PRECAUCIÓN!

No retire la tapa del radiador cuando el motor está caliente.

Para comprobar el nivel de refrigerante del motor, abra y sostenga la cubierta del motor (3) y observe el nivel de refrigerante en el depósito de recuperación de refrigerante (6). Si el nivel está bajo, agregue un anticongelante del tipo automotor con la dilución correcta para el medio ambiente. Limpie el exterior del radiador y enfriador de aceite lavando con agua a baja presión o usando aire comprimido cada 30 horas. Nota de servicio: El enfriador de aceite se extrae para facilitar su limpieza.

## FILTRO DEL AIRE DEL MOTOR

Compruebe el indicador de servicio del filtro del aire (5) cada vez antes de la utilización de la máquina. No realice operaciones de servicio en el filtro del aire si no aparece la bandera roja en el indicador de servicio.

### ¡PRECAUCIÓN!

Cuando realice operaciones de servicio en los elementos del filtro de aire, extreme las precauciones para impedir que el polvo suelto penetre en el motor. El polvo podría dañarlo gravemente.

El filtro del aire del motor contiene un elemento de filtro principal (externo) y un elemento de filtro de seguridad (interno). El elemento principal puede limpiarse dos veces antes de ser sustituido. El elemento de seguridad debe cambiarse una vez por cada tres veces que se cambie el elemento de filtro principal. No intente nunca limpiar el elemento interno de seguridad.

Para limpiar el elemento de filtro principal, retire las 2 pinzas del extremo del filtro del aire y retire el alojamiento del extremo. Saque el elemento principal y límpielo con aire comprimido (presión máxima: 100 libras por pulgada cuadrada) o lávelo con agua (presión máxima: 40 libras por pulgada cuadrada). NO vuelva a colocar el elemento en el cartucho hasta que esté completamente seco.

## COMBUSTIBLE

### ¡ADVERTENCIA!

- **APAGUE SIEMPRE EL MOTOR ANTES DE LLENAR EL DEPÓSITO DE COMBUSTIBLE.**
- **NO FUME CUANDO ESTÉ LLENANDO EL DEPÓSITO DE COMBUSTIBLE.**
- **LLENE EL DEPÓSITO DE COMBUSTIBLE EN UN LUGAR BIEN VENTILADO.**
- **NO LLENE EL DEPÓSITO DE COMBUSTIBLE CERCA DE CHISPAS O LLAMAS.**
- **UTILICE SÓLO EL COMBUSTIBLE ESPECIFICADO EN LA PEGATINA DEL DEPÓSITO DE COMBUSTIBLE.**

En máquinas con motores diesel, la pegatina cerca del cuello de llenado (14) indica el tipo de combustible que debe utilizarse en la máquina. Antes de retirar el tapón del depósito, limpie el polvo y la suciedad del tapón y de la zona superior del depósito, con el fin de mantener el combustible lo más limpio posible.

En las máquinas con motor de propano, la pegatina cerca del depósito contiene información específica sobre el tipo de depósito que se debe utilizar en la máquina.

## MOTOR DIESEL

Llene el depósito con combustible diesel número 2 si la máquina se va a utilizar en una zona donde la temperatura es de 30° Fahrenheit (0° Celsius) o superior. Utilice combustible diesel número 1 si la máquina se va a utilizar en una zona donde la temperatura está por debajo de los 30° Fahrenheit (0° Celsius).

NOTA: Si la máquina diesel se queda sin combustible, el sistema de combustible debería alimentarse antes de volver a poner en marcha el motor. Para evitar esta situación, llene el depósito de combustible cuando el indicador del nivel de combustible muestre 1/4 en el depósito. La capacidad del depósito de combustible es de 11 galones (42 litros).

## MOTOR DE PROPANO

Instale un depósito de 33 lb. de propano líquido de retirada en la máquina, conecte la manguera de combustible y abra la válvula de cierre despacio en el depósito. Póngase guantes para conectar o desconectar la manguera de combustible. Cuando no esté utilizando la máquina, cierre la válvula de servicio del depósito de propano.

La máquina deberá ser inspeccionada con frecuencia por una persona cualificada, particularmente el recipiente de propano líquido y sus conectores, según lo requiera la operación segura indicada por las normas regionales o nacionales.



## INSTALACIÓN DE LOS CEPILLOS

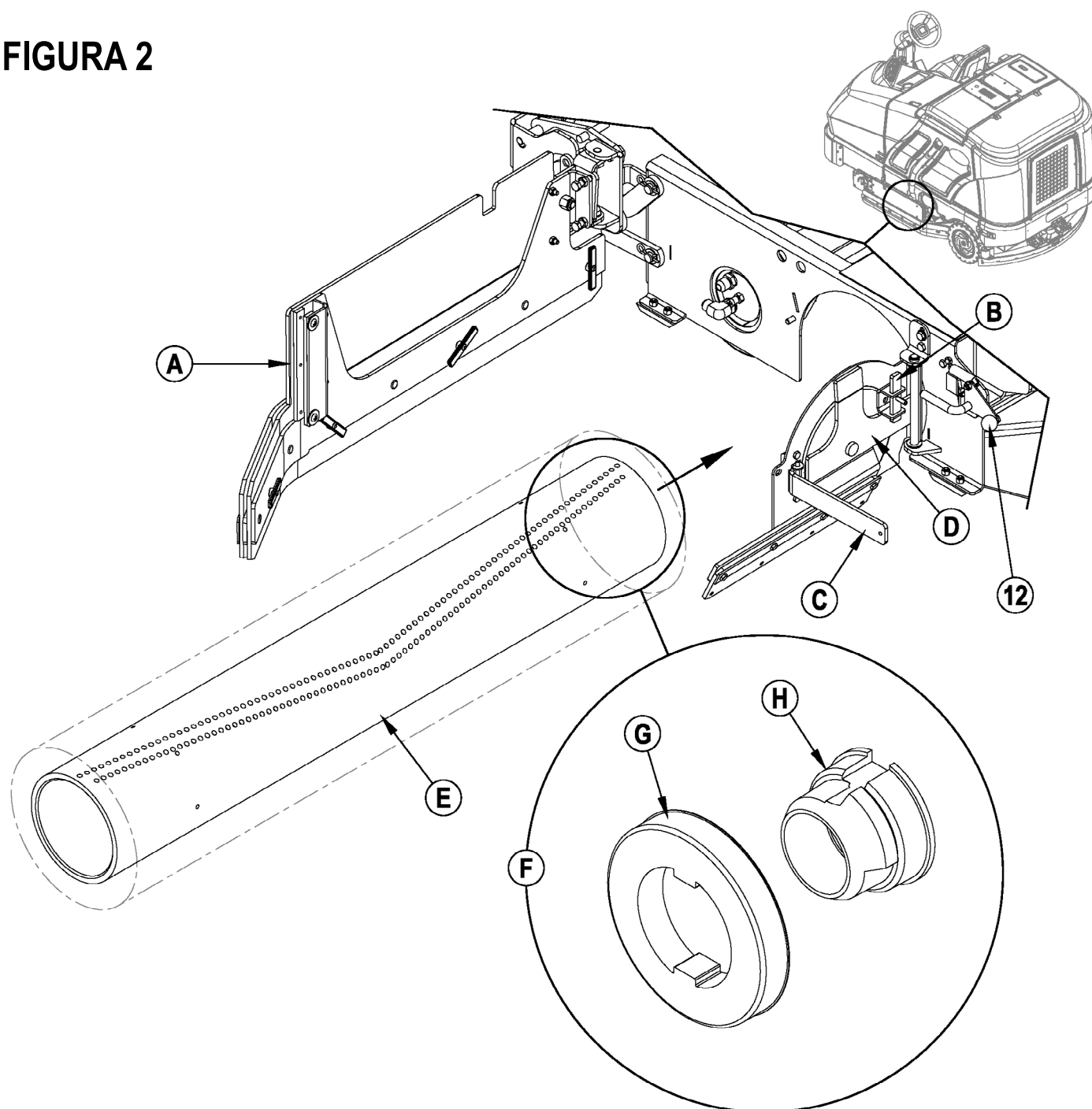
### ⚠ ¡PRECAUCIÓN!

Apague el interruptor de contacto (O) y quite la llave antes de cambiar los cepillos y antes de abrir cualquiera de los paneles de acceso.

- 1 Verifique que la plataforma de fregado esté en la posición ELEVADA, que el interruptor de contacto (50) esté en posición de apagado (O) y que el freno de estacionamiento (28) esté activado.
- 2 Véase la Figura 2. Presione sobre el pestillo del faldón lateral (12 ó 32) y empuje los faldones (A) para abrirlos, como se ilustra.
- 3 Levante el pestillo (B), corra la palanca (C) hacia afuera y tire para abrir el conjunto tensor (D).
- 4 Deslice el cepillo (E) dentro del alojamiento, levante ligeramente, empuje y gire hasta que se asiente. **NOTA:** La Figura 2 muestra un primer plano (F) de las lengüetas de los cepillos (G) y del centro de transmisión de los cepillos (H).
- 5 Corra el conjunto tensor (D) a la posición cerrada mientras mantiene la palanca (C) en ángulo de 90° con el conjunto tensor.
- 6 Una vez cerrado el conjunto tensor (D), empuje la palanca (C) hacia adentro hasta que el pestillo (B) pueda volver a deslizarse por delante de ella.
- 7 Presione sobre el pestillo del faldón lateral (12 ó 32), empuje el conjunto tensor (A) a la posición cerrada y suelte el pestillo.

**NOTA:** Consulte esta sección cuando sea el momento de rotar (dar vuelta) los cepillos de acuerdo con el programa de mantenimiento.

## FIGURA 2



## LLENADO DEL DEPÓSITO DE SOLUCIÓN

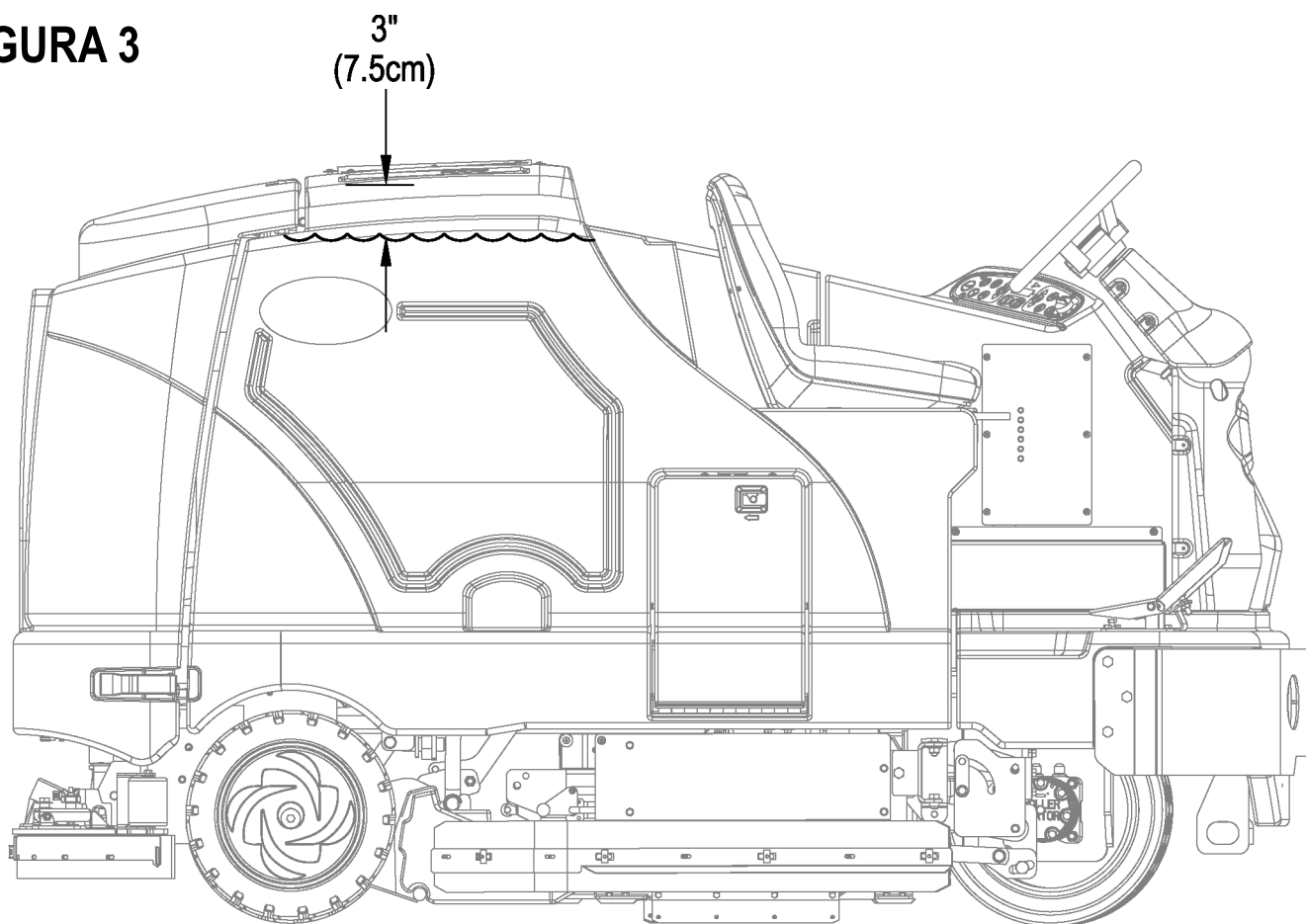
Ver **Figura 3**. Llene el depósito de solución con 100 galones (378,54 litros) de solución limpiadora como máximo. No llene el depósito de solución por encima de 7,5 cm (3 pulgadas) de la parte inferior del depósito **(2)**. La solución debe ser una mezcla de agua y el limpiador químico apropiado para la aplicación. Siga siempre las instrucciones que aparecen en la etiqueta del envase del producto químico. **NOTA:** Las máquinas EcoFlex pueden utilizarse normalmente con detergente mezclado en el depósito o con el sistema de aplicación de detergente. Al utilizar el sistema de aplicación de detergente, no mezcle detergente en el depósito; utilice agua.



## ¡PRECAUCIÓN!

Utilice únicamente detergentes líquidos no inflamables de bajo poder espumante que estén diseñados para aplicaciones de fregado automático. La temperatura del agua no deberá superar los 130 grados Fahrenheit (54,4 grados Celsius)

**FIGURA 3**



## FUNCIONAMIENTO DE LA MÁQUINA

La SC8000 es una máquina automática de fregado de suelos sobre ruedas. Está diseñada para verter una solución de limpieza, fregar el suelo y secar al vacío todo de una sola pasada.

Los controles de la SC8000 fueron diseñados pensando en una operación con un solo toque (*one touch operation*). Para el fregado de una sola pasada, el operador sólo tiene que pulsar un interruptor y se activarán todas las funciones de fregado de la máquina.

NOTA: Los números que aparecen en negrita entre paréntesis indican elementos ilustrados en las páginas 6-9.

**NOTA: ASEGÚRESE DE QUE EL PEDAL ESTÉ EN LA POSICIÓN NEUTRAL. EL MOTOR NO ARRANCA SI EL PEDAL NO ESTÁ EN NEUTRAL.**

## ENCENDIDO DEL MOTOR DIESEL

- 1 Gire el interruptor de contacto (**50**) en el sentido de las agujas del reloj hasta la posición ENCENDIDO (ON). Las bujías incandescentes se activarán durante 10 segundos como lo señala la luz indicadora de atención (**66**) y el icono de bujías incandescentes (**66d**) de la pantalla. Si el motor ya está caliente, gire el interruptor de contacto hasta la posición de encendido para encender el motor. Si el motor está frío, antes de encenderlo espere que se apaguen la luz indicadora de atención y el icono de bujías incandescentes. El motor debería encenderse inmediatamente. Si el motor no arranca dentro de los 15 segundos, suelte el contacto, espere alrededor de 1 minuto y repita los pasos anteriores.
- 2 Deje el motor en punto muerto "IDLE" durante 5 minutos antes de hacer funcionar la máquina.
- 3 Presione una vez el Interruptor de Velocidad del Motor (**51**) para cambiar a velocidad RUN (marcha) y dé unas vueltas con la máquina durante 2 ó 3 minutos a velocidad baja para calentar el sistema hidráulico.

## ENCENDIDO DEL MOTOR DE PROPANO

- 1 Abra la válvula de servicio del depósito de propano.
- 2 Gire el interruptor de llave de encendido (**50**) en el sentido de las agujas del reloj hacia la posición START (arrancar) y suéltelo en cuanto arranque el motor. Si el motor no arranca en 15 segundos, suelte la llave, espere 1 minuto y vuelva a intentarlo.
- 3 Deje el motor en punto muerto "IDLE" durante 5 minutos antes de utilizar la máquina.
- 4 Sitúe el interruptor de velocidad del motor (**51**) en posición de velocidad RUN (marcha) y dé unas vueltas con la máquina durante 2 ó 3 minutos a velocidad baja para calentar el sistema hidráulico.

**Utilice SIEMPRE la máquina con el interruptor de velocidad del motor en posición de aceleración de marcha. Utilice el pedal de tracción (29) y no el interruptor de velocidad del motor (51) para controlar la velocidad de la máquina. La velocidad de la máquina aumentará cuanto más a fondo se pise el pedal. No pise el pedal de tracción (29) hasta que haya arrancado el motor.**

### Interruptor de Velocidad del Motor (51):

Con el interruptor de velocidad del motor (**51**) que está en el panel de control, se pueden seleccionar 3 velocidades de motor.

- 1 "Idle" (Punto Muerto) (1200 RPM – GLP) (1300 RPM – Diesel). Úsela para calentar y enfriar el motor. La luz del interruptor de velocidad del motor estará apagada.
- 2 "Run" (Encendido) (2200 RPM). Úsela para transporte y la mayoría de operaciones de fregado. La luz del interruptor de velocidad del motor estará encendida.
- 3 "Maximum" (Máxima) (2400 RPM). Úsela sólo para situaciones de trabajos pesados como operaciones de fregado en pendientes. La luz del interruptor de velocidad del motor estará encendida.
- 4 Para seleccionar entre velocidad ralenti y de marcha, presione y suelte el interruptor de velocidad de motor.
- 5 Para seleccionar velocidad máxima, primero ponga la velocidad en marcha. Luego presione y mantenga presionado el interruptor de velocidad del motor por 2 segundos. Para volver a la velocidad en marcha, vuelva a presionar el interruptor.
- 6 La SC8000 tiene un mecanismo automático que reduce la velocidad del motor a punto muerto cada vez que el pedal (**29**) permanece en la posición neutral durante 20 segundos o más. La velocidad de motor seleccionada se repone automáticamente al sacar el pedal de la posición neutral. Si el interruptor de velocidad del motor (**51**) está presionado estando en anulación de punto muerto, el mecanismo automático de pase a punto muerto quedará temporalmente desactivado hasta la vez siguiente en que el pedal salga de la posición neutral. Esto puede ser de utilidad durante una instancia de resolución de problemas o si se desea dejar la máquina funcionando a máxima velocidad para calentarla.

## REPARACIÓN Y USO DEL SISTEMA DE DETERGENTE (SOLO MODELOS ECOFLEX)

Los cartuchos de detergente (24) están ubicados dentro del compartimento del cartucho de detergente (30). Llene el cartucho de detergente con 2,2 galones (8,32 litros) de detergente como máximo. **NOTA DE SERVICIO:** retire el cartucho de la caja de detergente antes de llenarlo para no derramar detergente sobre la máquina.

Se recomienda utilizar un cartucho individual para cada detergente que planea usar. Los cartuchos de detergente tienen una pegatina blanca, de modo que puede escribir el nombre del detergente en cada cartucho para no mezclarlos. Al instalar un nuevo cartucho, retire la tapa (A) y coloque el cartucho en la caja de detergente. Instale la tapa sellada (B) como se muestra.

Elimine del sistema el detergente utilizado anteriormente antes de cambiar a un detergente diferente. **NOTA DE SERVICIO:** desplace la máquina sobre un punto de drenaje en el suelo antes de eliminar el detergente, porque saldrá una pequeña cantidad durante el proceso.

### Cómo purgar cuando se cambian químicos (SISTEMA DE FREGADO DEBE ESTAR APAGADO):

- 1 Desconecte y retire el cartucho de detergente.
- 2 Gire el interruptor de contacto (50) hasta la posición ENCENDIDO (ON). Espere unos pocos segundos hasta que termine la secuencia de encendido.
- 3 Presione y mantenga presionado el interruptor de detergente (61) durante aproximadamente 2 segundos. Suelte el interruptor cuando aparezca en la pantalla el icono de purga de químicos (E) y comience a destellar el indicador del interruptor de detergente (61). **NOTA:** una vez activado, el proceso de purga dura como mínimo 20 segundos. Observe los indicadores del sistema de detergente en la ilustración de la página siguiente. Por lo general, un solo ciclo de purga es suficiente para purgar el sistema.

### Purgar semanalmente (SISTEMA DE FREGADO DEBE ESTAR APAGADO):

- 1 Desconecte y retire el cartucho de detergente. Instale y conecte un cartucho lleno de agua caliente limpia.
- 2 Gire el interruptor de contacto (50) hasta la posición ENCENDIDO (ON). Espere unos pocos segundos hasta que termine la secuencia de encendido.
- 3 Presione y mantenga presionado el interruptor de detergente (61) durante aproximadamente 2 segundos. Suelte el interruptor cuando aparezca en la pantalla el icono de purga de químicos (E) y comience a destellar el indicador del interruptor de detergente (61). **NOTA:** una vez activado, el proceso de purga dura como mínimo 20 segundos. Observe los indicadores del sistema de detergente en la ilustración de la página siguiente. Por lo general, un solo ciclo de purga es suficiente para purgar el sistema.

La caja de detergente (C) tiene ranuras de visualización del nivel de detergente (D) para saber cuánto detergente queda en el o los cartucho(s). Cuando el nivel de detergente se acerque a la parte inferior de esta ranura, es hora de recargar o sustituir el cartucho.

### Proporción de detergente (SISTEMA DE FREGADO DEBE ESTAR ENCENDIDO):

La proporción de concentración de detergente mínima predeterminada es 256:1. La proporción máxima puede ajustarse presionando y manteniendo presionado el interruptor de detergente (61) durante 2 segundos. Suelte el interruptor una vez que la luz del interruptor de detergente comience a destellar. Mientras que la luz esté destellando, al presionar y liberar el interruptor de detergente, se alternará a través de las proporciones disponibles (1:256, 1:200, 1:150, 1:128, 1:100, 1:64, 1:50, 1:32, 1:26). Cuando el porcentaje deseado se muestre en la pantalla (F), pare y se bloqueará tras 3 segundos.

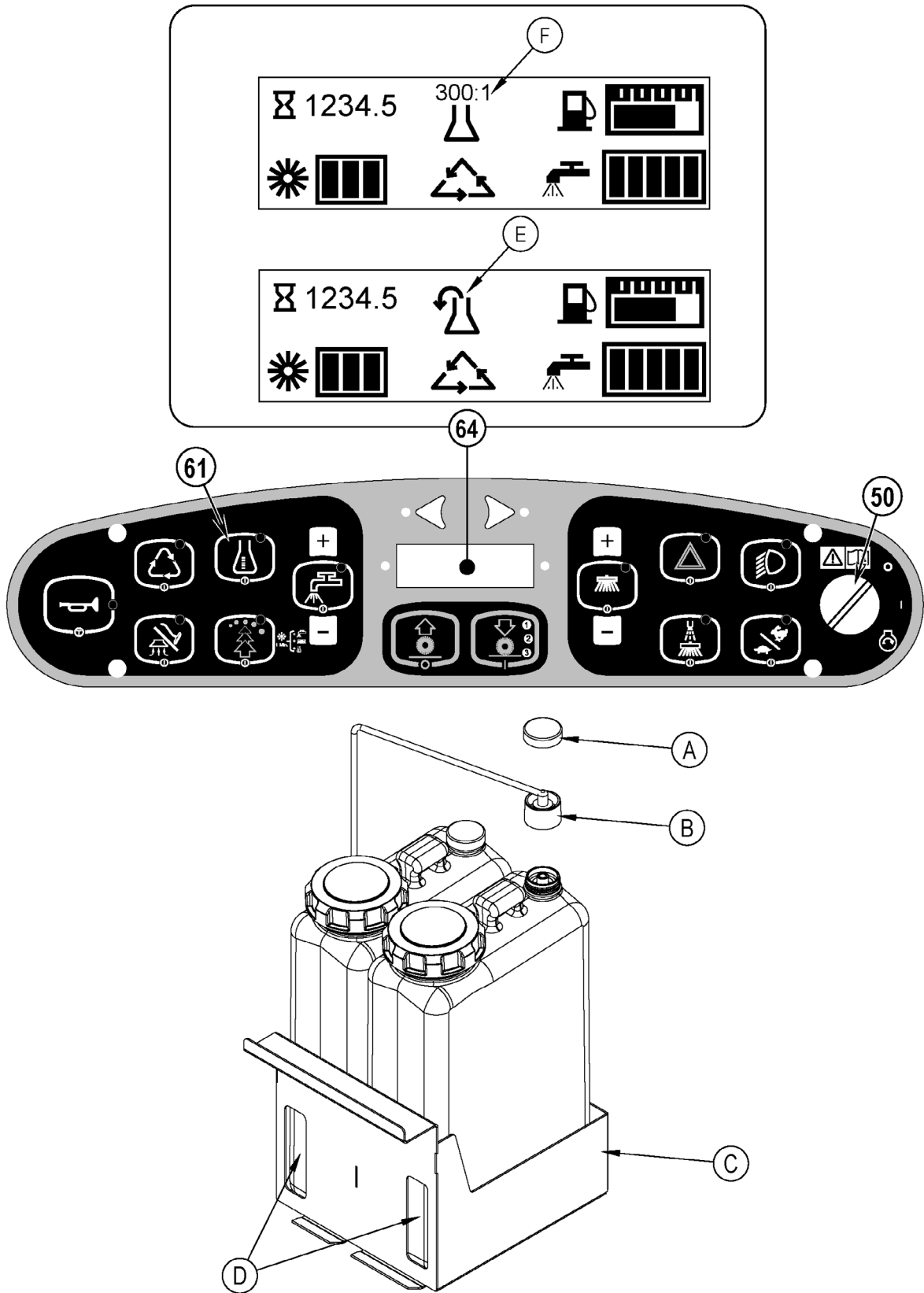
- La mezcla de detergente (F) siempre se mostrará cuando el sistema de detergente esté encendido.

Una vez programado, el flujo del detergente aumenta o disminuye automáticamente con el flujo de la solución pero la proporción de detergente no varía. Si un operador prefiere la flexibilidad de programar diferentes proporciones de mezcla de detergente para diferentes flujos de solución, esta programación específica podría estar en el manual de servicio. Durante el fregado, el sistema de detergente puede apagarse en cualquier momento pulsando el interruptor de detergente (61) para que la máquina siga fregando solo con agua. No se administra detergente hasta que se activa el sistema de fregado y se presiona el pedal de tracción (29).

**NOTA DE SERVICIO:** Siga las instrucciones "Purgar semanalmente" indicadas más arriba toda vez que la máquina vaya a quedar almacenada durante un periodo de tiempo prolongado o cuando prevea no usar el sistema de de detergente (EcoFlex).

REPARACIÓN Y USO DEL SISTEMA DE DETERGENTE (SOLO MODELOS ECOFLEX)

FIGURA 4



## FREGADO

### ¡ADVERTENCIA!

Asegúrese de que comprende los controles del operador y sus funciones.

Al circular sobre rampas o pendientes, evite las paradas bruscas si lleva carga. Evite las curvas muy cerradas. Circule lentamente al bajar pendientes.

#### Para fregar...

Siga las instrucciones de la sección "Preparación de la máquina para su uso" de este manual. Encienda el motor siguiendo las instrucciones de la sección "Encendido del motor ...." que corresponda.

- 1 **Ver la Figura 5.** Sentado en la máquina y utilizando los controles de ajuste (18 y 27), coloque el asiento y el volante en una posición cómoda.
- 2 Suelte el freno de estacionamiento (28). Para llevar la máquina a la zona de trabajo, aplique con el pie una presión uniforme en la parte delantera del pedal de tracción (29) para ir hacia delante, o en la parte trasera del pedal para ir hacia atrás. Cambie la presión que ejerce en el pedal para obtener la velocidad deseada.
- 3 Pulse y mantenga pulsado el interruptor de la solución (56) durante 5 segundos para mojar el suelo. **NOTA:** esto ayuda a evitar la escarificación de la superficie del suelo cuando se empieza a fregar con cepillos secos. Esto debe realizarse antes de pulsar el interruptor de encendido del fregado (54).
- 4 Presione el interruptor de encendido del fregado (54) una vez para seleccionar el modo de fregado ligero (1), dos veces para seleccionar el modo fregado medio (2) o tres veces para seleccionar el modo fregado intenso. Los flujos de solución y detergente (modelos EcoFlex) tienen 3 programaciones que coinciden con los 3 modos de fregado (ver panel de control (64)). Al presionar este interruptor, también se afecta la presión del cepillo derecho.
 

**NOTA:** El flujo de la solución puede anularse simplemente presionando los interruptores de aumento o reducción del flujo de la solución (56a / 56b). Los ajustes posteriores de la presión de fregado restablecerán el flujo de la solución para que se corresponda con la presión de fregado.

**NOTA:** Los sistemas de fregado, solución, aspiración, detergente (modelos EcoFlex) y cepillo / escoba(s) lateral(es) se habilitan automáticamente cuando se pulsa el interruptor de encendido del fregado (54). Cualquier sistema individual puede apagarse o volver a encenderse con sólo presionar su interruptor en cualquier momento durante el fregado. Si ha instalado el kit fregado ampliado, no se activará automáticamente. Para activar este sistema, debe pulsar el interruptor de fregado ampliado (60). El sistema de fregado ampliado no se activará hasta que el agua del depósito de recuperación llegue a un determinado nivel y la solución limpia se haya agotado.
- 5 Cuando se selecciona el interruptor de encendido del fregado (54), los cepillos, la rasqueta y cepillo / escoba(s) laterales se bajan automáticamente hasta el suelo. Los sistemas de fregado, solución, aspiración, detergente (modelos EcoFlex) y cepillo / escoba(s) laterales se encienden cuando se activa el pedal de tracción (29).
 

**NOTA:** Cuando la máquina está funcionando marcha atrás, la rasqueta automáticamente se eleva y la solución deja de salir.
- 6 Empezee a fregar conduciendo la máquina marcha adelante en línea recta a una velocidad de paso normal, y haga que los tramos de pasada se solapen o superpongan 2-3" (5,08-7,62 cm). Ajuste la velocidad de la máquina y el flujo de la solución cuando sea necesario según el estado del suelo. Puede ajustar la altura de la escoba lateral presionando sus interruptores DOWN y UP (hacia abajo y hacia arriba) (53a / 53b). La(s) escoba(s) lateral(es) retornarán a la última posición utilizada cada vez que se encienda el sistema de barrido. Las escobas laterales tienen una función de vaporización (Guardapolvo) (52) para usar en presencia de superficies con polvo. **NOTA:** El "Guardapolvo" (52) se activa automáticamente con las Escobas Laterales (53) pero puede apagarse presionando (52). **NOTA:** Si estuviera equipado con Fregado Ampliado, el "Guardapolvo" se apagará cuando la máquina se quede sin solución limpia.

### ¡PRECAUCIÓN!

Para no dañar el suelo, mantenga la máquina en movimiento mientras giran los cepillos (los cepillos se apagarán al cabo de una demora de 2 segundos cuando el pedal de tracción está colocado en la posición neutral).

Cuando tenga que atravesar policías acostados, eleve la plataforma de fregado y el cepillo de fregado lateral, de venir instalado. En estos casos, no intente hacer funcionar la plataforma de fregado o el cepillo lateral estando en la posición baja. La presión hidráulica empuja los cepillos hacia abajo y trabajar en modo de fregado sobre un policía acostado podría dañar su máquina.

- 7 Cuando friegue, compruebe de vez en cuando que detrás de la máquina se está recogiendo el agua residual. Si queda agua en la trayectoria de la máquina, puede que esté aplicando demasiada solución, que el depósito de recuperación esté lleno o que la rasqueta necesite un ajuste.
- 8 De manera predeterminada, la máquina pasa al modo de limpieza EcoFlex (si hay detergente instalado) (Indicador del interruptor EcoFlex está encendido) para conservar solución y detergente. Presione el interruptor de aumento de potencia (57) para anular el modo de limpieza EcoFlex y aumentar temporalmente la presión de fregado, el flujo de la solución y la mezcla de detergente. Esto hará que el indicador parpadee durante un minuto, el flujo de la solución aumentará al siguiente nivel, la presión de fregado aumentará al siguiente nivel y el porcentaje de detergente aumentará hasta el siguiente porcentaje mayor desde el utilizado (el sistema de detergente se encenderá si estaba apagado).
 

**NOTA:** Al presionar y mantener pulsado el interruptor de aumento de potencia (57) durante 2 segundos se desactivará el sistema EcoFlex. La única manera para volver a activarlo es presionar el interruptor de aumento de potencia (57) nuevamente. Alternar el interruptor de llave (50) no vuelve a activar el sistema. El sistema EcoFlex solo funcionará si el Sistema de Fregado (54) ha sido activado.
- 9 Para los suelos muy sucios, puede que una operación de fregado de una sola pasada no sea suficiente y que se necesite un "doble fregado". Esta operación es idéntica a la de fregado de una sola pasada, salvo que en la primera pasada la rasqueta está en la posición levantada (pulse el interruptor de aspiración (58) para levantar la rasqueta). Esto permite que la solución de limpieza permanezca en el suelo y actúe más tiempo. Los faldones laterales (13 y 31) también pueden elevarse para un doble fregado, en caso de ser necesario, con los porta-faldones (20). La última pasada se hace sobre la misma superficie, con la rasqueta y los faldones bajados para recoger la solución acumulada.
- 10 Cuando el depósito de recuperación está lleno, hay un dispositivo que apaga TODOS los sistemas excepto el sistema de tracción. Al activarse este dispositivo, hay que vaciar el depósito de recuperación. La máquina no recogerá agua ni fregará con el dispositivo activado.
 

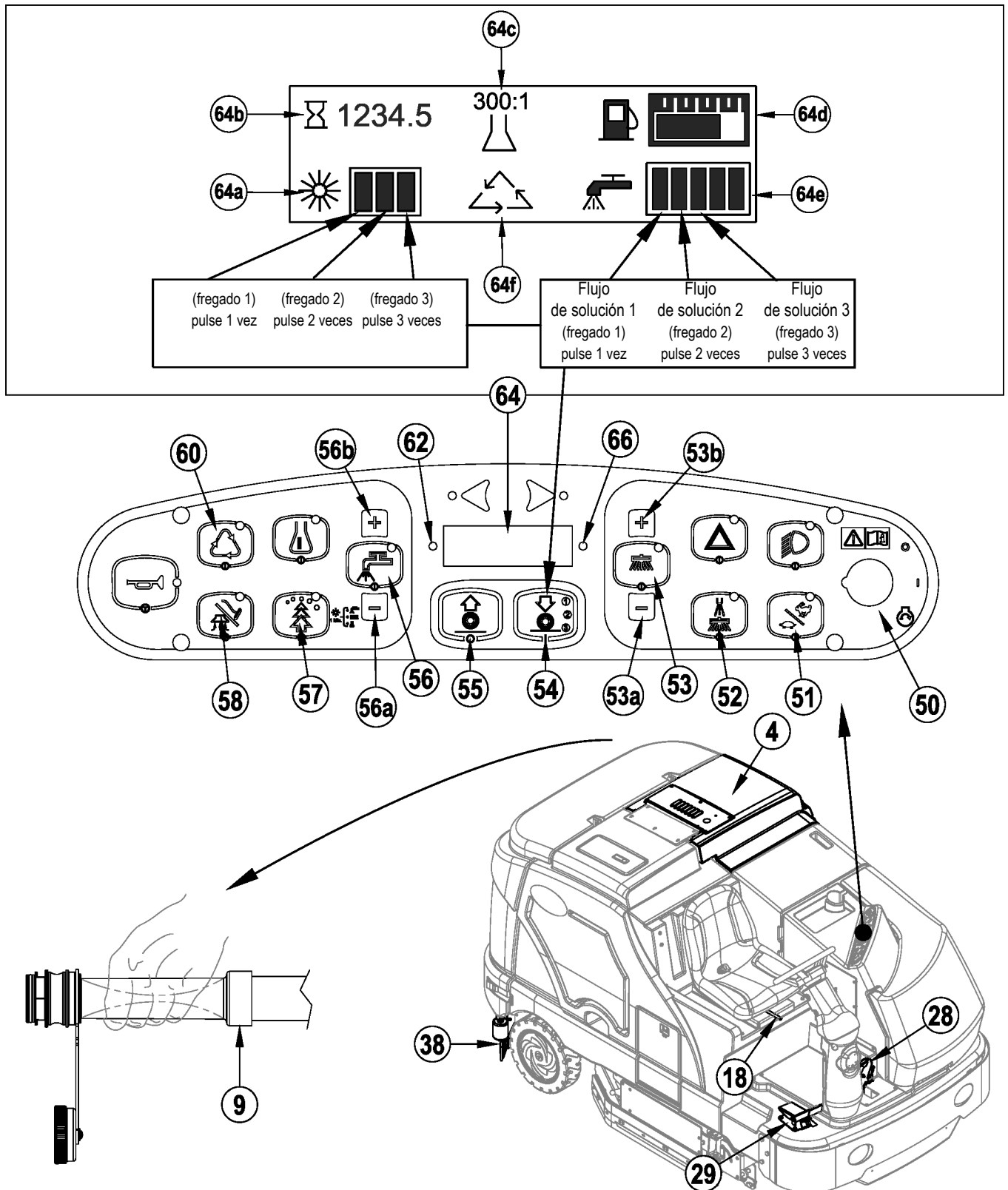
**NOTA:** Cuando se activa el dispositivo, la luz indicadora de atención (66) se enciende en color AMARILLA y se activa el icono de depósito de recuperación lleno (66e). Si el control indica depósito lleno repetidamente, verifique que el dispositivo se mueva libremente.
- 11 Cuando quiera detener la operación de fregado, presione una vez el interruptor de apagado del fregado (55). Automáticamente se detendrán los cepillos de fregado, el(los) cepillos / escobas laterales y la salida de solución y detergente. La plataforma de fregado y el (los) cepillos / escobas laterales se elevarán. La rasqueta se levantará y la aspiración se detendrá tras un breve intervalo de tiempo (esto es así para que se pueda recoger el agua que haya podido quedar sin tener que volver a encender la aspiración).
- 12 Conduzca la máquina a un lugar establecido para la eliminación de aguas residuales y vacíe el depósito de recuperación. Para vaciarlo, tire del tubo de vaciado (9) para sacarlo de su zona de almacenamiento y, a continuación, retire el tapón (sostenga el extremo del tubo por encima del nivel de agua para evitar el flujo súbito e incontrolado de agua residual). Para regular el flujo, puede apretar el tubo de vaciado del depósito de recuperación (9). Rellene el depósito de solución y siga fregando.

**NOTA:** asegúrese de que la tapa del depósito de recuperación (4) y el tapón del tubo de vaciado del depósito de recuperación (9) estén bien asentados, o la máquina no recogerá el agua correctamente.

**NOTA DE SERVICIO:** Consulte el manual de servicio para ver opciones de programación.

MANEJO DE LA MÁQUINA

FIGURA 5



## DESPUÉS DE LA UTILIZACIÓN

- 1 Cuando acabe de fregar, pulse el interruptor de apagado del fregado (55). Esto producirá la elevación, retracción y detención automática de todos los sistemas de la máquina (cepillos, rasqueta, aspiración, solución y detergente (modelos EcoFlex)). A continuación conduzca la máquina a la zona de mantenimiento para el mantenimiento diario y la revisión de otros servicios necesarios.
- 2 Para vaciar el depósito de solución, retire el tubo de vaciado de la solución (37) de su pinza de almacenamiento. Dirija el tubo al lugar establecido para la eliminación de residuos y retire el tapón. Enjuague el depósito con agua limpia.
- 3 Para vaciar el depósito de recuperación, retire el tubo de vaciado del depósito de recuperación (9) de su zona de almacenamiento. Dirija la tubería al lugar establecido para la eliminación de aguas residuales y retire el tapón (sostenga el extremo de la tubería por encima del nivel de agua para evitar el flujo súbito e incontrolado de agua residual). Para regular el flujo, puede apretar el tubo de vaciado del depósito de recuperación. Enjuague el depósito con agua limpia. Inspeccione los tubos de recuperación y aspiración y sustitúyalas si están torcidos o dañados.
- 4 Retire los cepillos, los cordeles o cintas que puedan haber quedado atrapados en ellos, enjuáguelos en agua caliente y déjelos parados sobre un extremo para que se sequen.  
NOTA: Invierta los cepillos de lado a lado y rótelos de adelante hacia atrás todos los días para prolongar su vida.
- 5 Retire la rasqueta, enjuáguela con agua templada y vuelva a instalarla en la bancada.
- 6 Retire la Tolva (33) y límpiela cuidadosamente. Retírela por el lado derecho de la máquina abriendo el faldón, desconectando el tubo de aspiración y tirando hacia afuera.  
NOTA: Una vez en su lugar, vuelva a conectar el tubo de aspiración.
- 7 Consulte el programa de mantenimiento y realice todas las operaciones de mantenimiento necesarias antes de guardar la máquina.

## APAGADO DEL MOTOR DIESEL

- 1 Sitúe todos los controles en posición OFF.
- 2 Suba la boquilla, los cepillos de fregado y demás cepillos.
- 3 Sitúe el interruptor de velocidad del motor (51) en punto muerto "Idle" y mantenga el motor al ralentí durante 30 segundos.
- 4 Ponga el freno de estacionamiento (28).
- 5 Encienda el interruptor de llave de encendido (50) y retire la llave.

## APAGADO DEL MOTOR DE PROPANO

- 1 Sitúe todos los controles en posición OFF.
- 2 Suba la boquilla, los cepillos de fregado y demás cepillos.
- 3 Apague la válvula de servicio del depósito de propano.
- 4 Sitúe el interruptor de velocidad del motor (51) en punto muerto "Idle" y mantenga el motor al ralentí hasta que todo el propano haya sido expulsado de la tubería.
- 5 Ponga el freno de estacionamiento (28).
- 6 Encienda el interruptor de llave de encendido (50) y retire la llave.

**NOTA IMPORTANTE:** Durante el funcionamiento normal, el motor seguirá funcionando durante un breve periodo de tiempo (1-3 segundos) después de apagar el interruptor de llave hasta que todo el combustible haya sido expulsado del sistema de combustible.

## PROGRAMA DE MANTENIMIENTO

Conserve el máximo rendimiento de su máquina siguiendo estrictamente el programa de mantenimiento. La frecuencia de mantenimiento indicada corresponde a condiciones normales de utilización. **Si la máquina se utiliza en condiciones más duras, puede ser necesario el mantenimiento con mayor frecuencia.**

OPERACIÓN DE MANTENIMIENTO	A DIARIO		CADA SEMANA				
Realice los pasos de mantenimiento descritos en "Después de la utilización"	X						
Compruebe el freno de estacionamiento	X						
Compruebe el aceite del motor	X						
*Compruebe/limpie/gire e invierta los cepillos	X						
Compruebe las luces y el indicador de filtro (hid. y aire)	X						
Compruebe el nivel del refrigerante del motor	X						
Compruebe el nivel del aceite hidráulico	X						
Drenar / Inspeccionar / Limpiar depósitos y tubos	X						
Comprobar y limpiar la rasqueta	X						
Limpiar la tolva	X						
Purgar el sistema de detergente (sólo EcoFlex)			X				
Revisar las placas de derrape del cabezal principal de fregado (reemplazar si su tamaño estuviera reducido a 1/8")			X				
OPERACIÓN DE MANTENIMIENTO	15 hrs.	30 hrs.	150 hrs.	300 hrs.	500 hrs.	1000 hrs.	
Inspeccionar y limpiar el filtro de la solución	X						
Limpiar el radiador y el enfriador de aceite		X					
Mantenimiento de las escobas laterales		X					
Limpiar la batea de solución		X					
Inspeccionar los faldones del alojamiento de fregado		X					
Realizar el mantenimiento del motor				X			
Inspeccionar y engrasar la cremallera de dirección				X			
Cambiar el filtro de aceite hidráulico						X	
Cambiar el filtro y el aceite hidráulico del depósito						X	
Lavar el radiador						X	
Filtro(s) de combustible del motor GLP						X	

\* Consulte la sección "INSTALACIÓN DE LOS CEPILLOS".



## LUBRICACIÓN DE LA MÁQUINA – FIGURA 6

Una vez al mes, ponga una pequeña cantidad de grasa en todos los accesorios de engrase de la máquina hasta que la grasa salga por alrededor de los cojinetes.

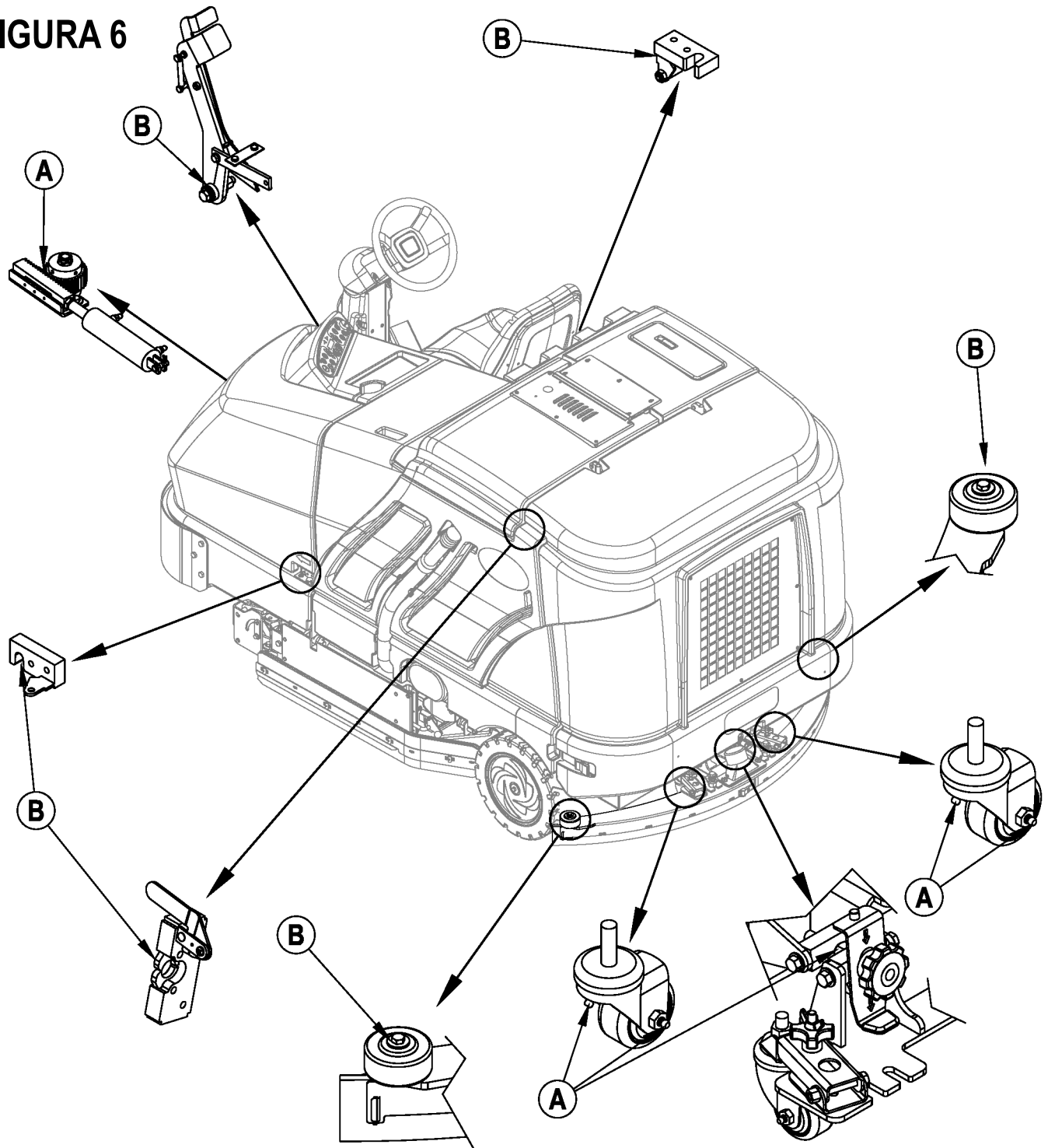
### Engrasar los accesorios (o aplicar grasa a) (A):

- Eje y placa giratoria de la rueda de la roldana de la rasqueta
- Cremallera de dirección
- Roscas del botón de ajuste del ángulo de bancada de la rasqueta

### Una vez al mes, aplique aceite ligero de máquina para lubricar (B):

- Ruedas de los extremos de la rasqueta
- Pestillo de la cubierta del depósito de combustible
- Pestillo del depósito de recuperación
- Pestillo de la cubierta de EcoFlex
- Junta del pedal de freno (freno de estacionamiento)

## FIGURA 6



## MANTENIMIENTO DE ESCOBAS LATERALES

La(s) escoba(s) lateral(es) retiran la suciedad y los residuos de paredes o bordillos y los coloca dentro del radio de acción de los cepillos principales. Ajuste las escobas laterales de manera que las cerdas estén en contacto con el suelo cubriendo la zona entre (A) y (B) ilustrada en la **Figura 7** cuando la escoba está hacia abajo y funcionando.

Para ajustar las escobas laterales...

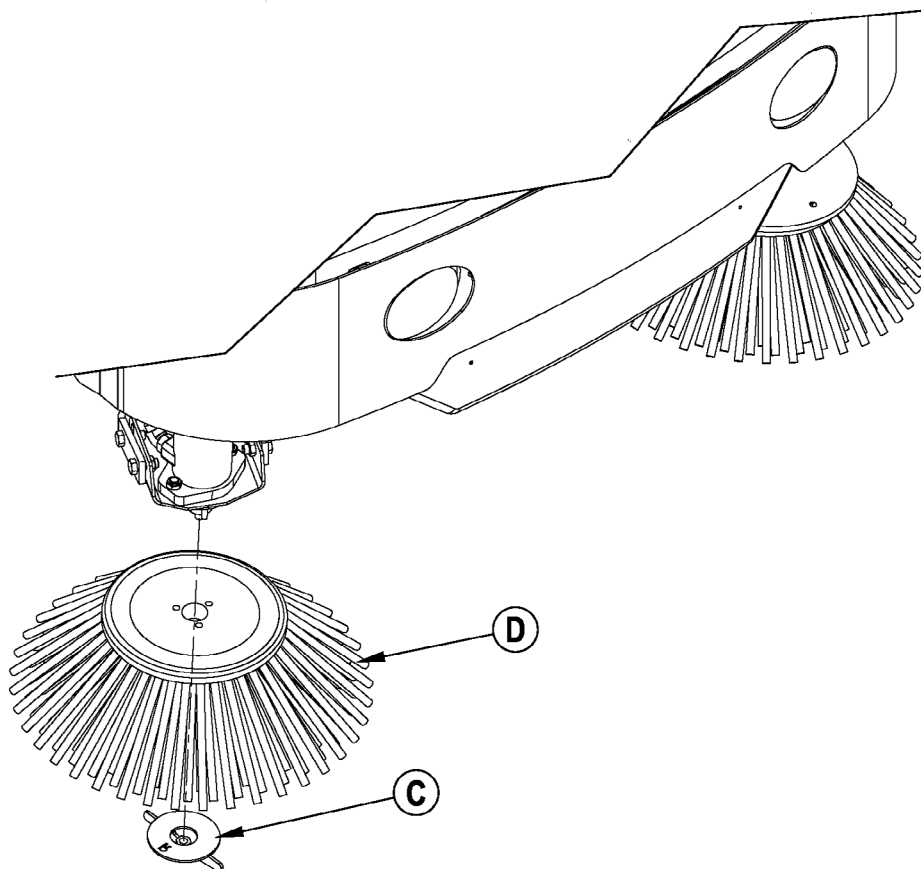
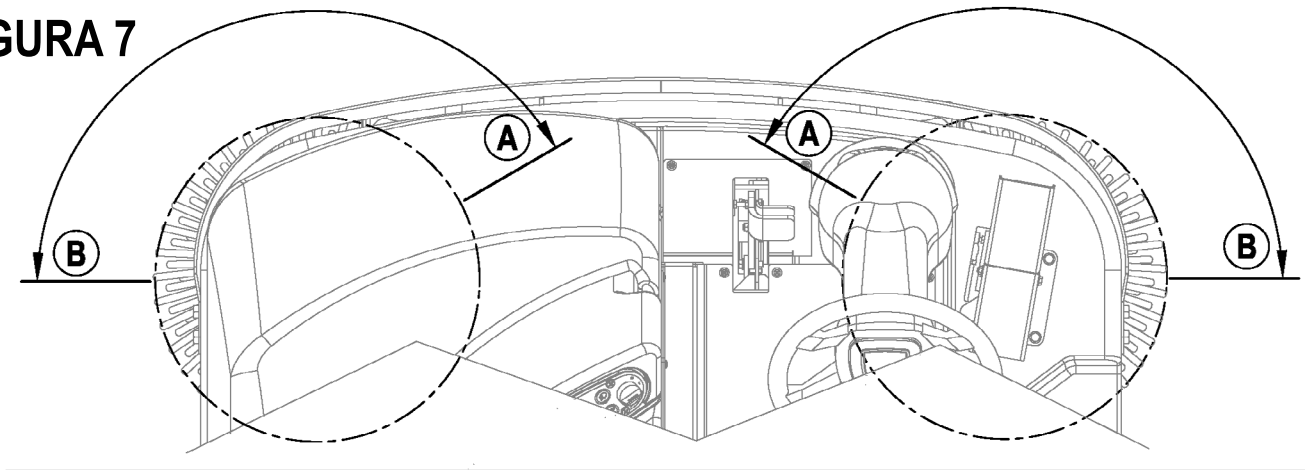
- 1 Las escobas laterales se ajustan presionando su interruptor DOWN (53a) o su interruptor UP (53b). NOTA: La graduación de las escobas se reanuda cada vez que se bajan pero cuando se desgastan o se sustituyen es necesario realizar un ajuste.

**NOTA:** La máquina debe guardarse con las escobas laterales en posición elevada. Para que trabajen bien, las escobas laterales deben cambiarse cuando las cerdas estén gastadas y su largo quede reducido a una longitud de 3 pulgadas (7,62 cm). Las escobas se deben reemplazar de a pares, dado que la altura adecuada no se puede ajustar de manera independiente.

Para cambiar una escoba lateral...

- 1 Suba la escoba lateral.
- 2 Retire la tuerca de mariposa grande (C) y la escoba lateral (D). NOTA: La tuerca de mariposa derecha (C) tiene rosca a la derecha y la tuerca de mariposa izquierda (C) tiene rosca a la izquierda.
- 3 Instale la nueva escoba deslizándola hacia arriba por el eje y vuelva a colocar la tuerca de mariposa (C).

### FIGURA 7



## MANTENIMIENTO DE LA BOQUILLA

Si la boquilla deja bandas estrechas de agua, puede que las cuchillas estén sucias o dañadas. Retire la boquilla, enjuáguela con agua tibia e inspeccione las cuchillas. Sustituya o invierta las cuchillas si están cortadas, rasgadas, onduladas o gastadas.

### Para invertir o sustituir la cuchilla secadora de la boquilla trasera...

- 1 Ver la Figura 8. Eleve la boquilla del suelo y, a continuación, desbloquee el pestillo central (A) de la boquilla.
- 2 Retire las correas de tensión (B).
- 3 Deslice la cuchilla posterior para sacarla de las clavijas de alineación.
- 4 La cuchilla de la boquilla tiene 4 bordes de trabajo como se indica a continuación. Gire la cuchilla de manera que un borde limpio e intacto apunte hacia la parte frontal de la máquina. Sustituya la cuchilla si los 4 bordes están mellados, desgastados o reducidos al mínimo.
- 5 Instale la cuchilla siguiendo los pasos en orden inverso y ajuste la inclinación de la boquilla.

### Para invertir o sustituir la cuchilla de la boquilla delantera...

- 1 Eleve la rasqueta del suelo y a continuación afloje las (2) llaves de bancada de la rasqueta (40) que están arriba de la rasqueta y retire la rasqueta (38) de la bancada.
- 2 Retire las dos correas de tensión primero.
- 3 Retire todas las tuercas de palomilla que sujetan la cuchilla delantera y a continuación retire las correas de tensión y la cuchilla.
- 4 La cuchilla de la boquilla tiene 4 bordes de trabajo como se indica a continuación. Gire la cuchilla de manera que un borde limpio e intacto apunte hacia la parte frontal de la máquina. Sustituya la cuchilla si los 4 bordes están mellados, desgastados o reducidos al mínimo.
- 5 Instale la cuchilla siguiendo los pasos en orden inverso y ajuste la inclinación de la boquilla.

**NOTA DE SERVICIO:** Según la posición de la manilla de la palanca de la boquilla (40), es posible que no pueda girar la palanca lo suficiente como para aflojar o apretar, dependiendo de lo que intente hacer. En tal caso, levante la manilla (C) y gire la palanca en la dirección necesaria para adquirir el espacio de giro adecuado y permitir que la palanca descienda sobre el tapón hexagonal. Puede apretar o aflojar según el caso.

## AJUSTE DE LA BOQUILLA

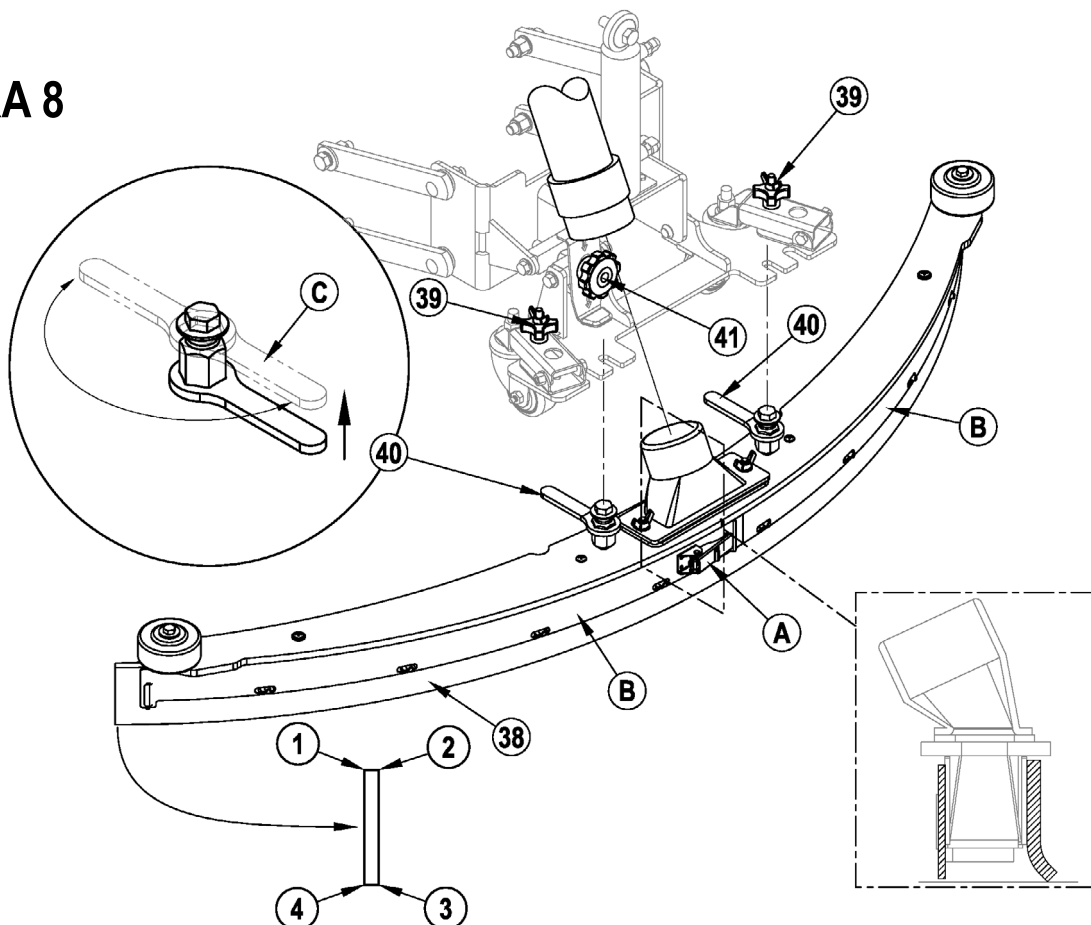
Hay dos ajustes de la boquilla posibles, la altura y el ángulo.

### Ajuste del ángulo de la boquilla

Ajuste el ángulo de la boquilla siempre que sustituya o invierta la cuchilla o cuando la boquilla no deje seco el suelo.

- 1 Aparque la máquina en una superficie plana e igualada.
- 2 Baje la boquilla, desplace la máquina hacia delante y ajuste la inclinación y la altura de la boquilla utilizando el botón de ajuste de inclinación de la boquilla (41) y los botones de ajuste de altura de la boquilla (39) de modo que la cuchilla de la boquilla trasera toque el suelo homogéneamente en toda la anchura y se doble ligeramente como se muestra en la sección transversal de la boquilla.

FIGURA 8



## MANTENIMIENTO DEL FALDÓN LATERAL

### ⚠ ¡PRECAUCIÓN!

Apague el interruptor de contacto (O) y quite la llave antes de cambiar los cepillos y antes de abrir cualquiera de los paneles de acceso.

La función de los faldones laterales es canalizar el agua residual hacia la rasqueta, lo que ayuda a mantener el agua dentro de la trayectoria de limpieza de la máquina. Durante el uso normal las hojas se gastarán con el tiempo.

#### Para invertir o sustituir los faldones laterales del sistema de fregado...

- 1 Véase la Figura 9. Presione sobre el Pestillo del Faldón Lateral (12 ó 32) y empuje los Faldones (A) para abrirlos, como se ilustra.
- 2 Retire todo el material que mantiene las hojas en los alojamientos de los faldones. **NOTA:** Las cuchillas principales de cada faldón se sujetan con retenes sin herramienta. Afloje las tuercas de palomilla grandes (B) y a continuación gire los botones (C) en la parte externa del faldón hasta que estén en posición horizontal y presione a través de las ranuras. La hoja pequeña interior (D) se sujeta con (4) tornillos.
- 3 Las cuchillas de los faldones tienen 4 bordes de trabajo como se ilustra. Gire las hojas de manera que un borde limpio e intacto apunte hacia la parte central de la máquina. Sustituya las hojas como un conjunto si los 4 bordes están demasiado mellados, rotos o desgastados.

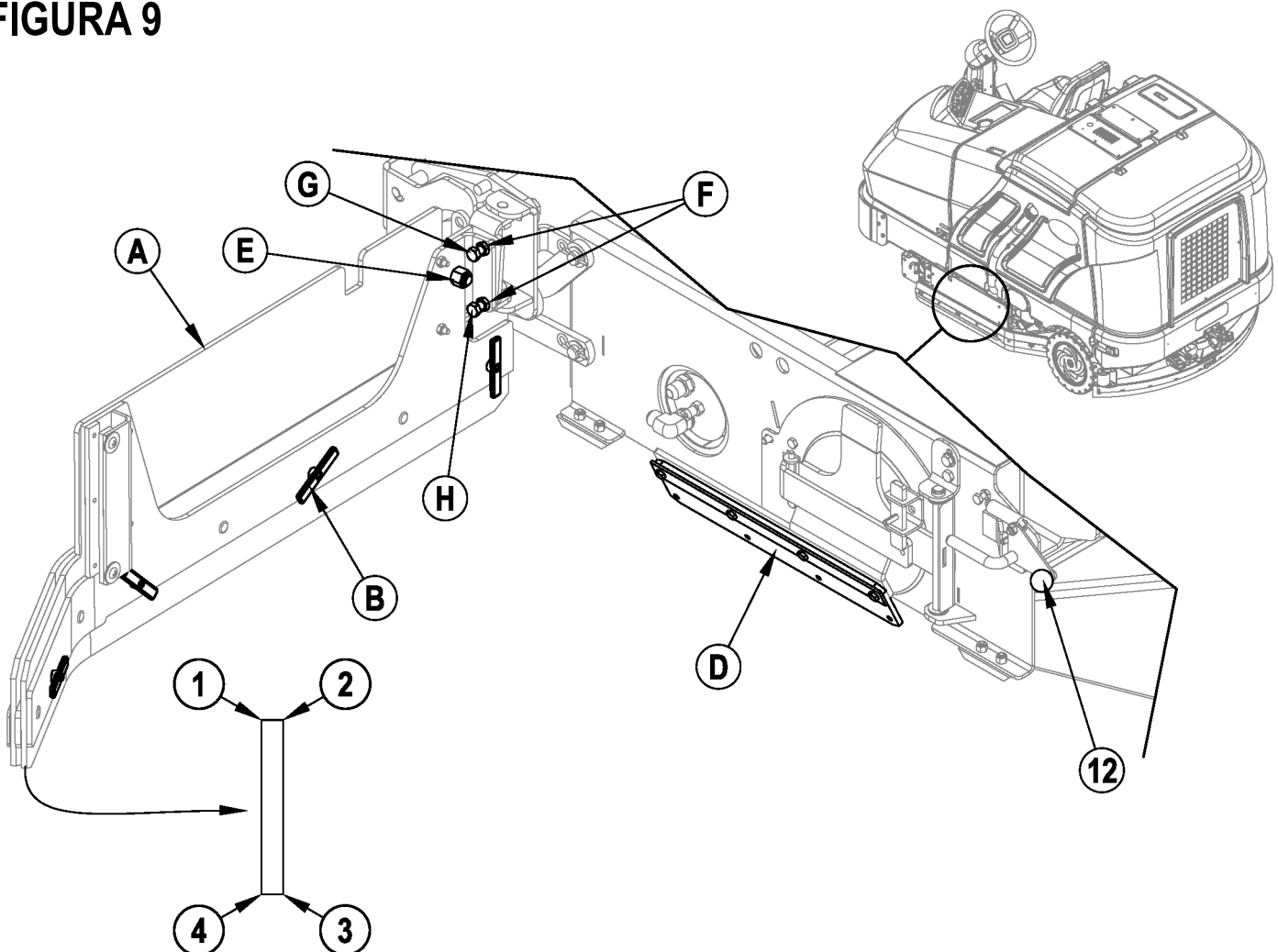
## AJUSTE DE INCLINACIÓN DEL FALDÓN LATERAL

Es posible que periódicamente se tenga que ajustar la inclinación que tienen los faldones laterales con respecto al suelo.

- 1 Asegúrese de que la plataforma de fregado se encuentre en la posición elevada.
- 2 Para ajustar, afloje la tuerca (E), afloje las tuercas (F) y luego gire los tornillos (G y H) de la siguiente manera.  
Gire el tornillo (G) en el sentido de las agujas del reloj y el tornillo (H) en sentido contrario a las agujas del reloj para hacer bajar la parte posterior del faldón.  
Gire el tornillo (G) en sentido contrario a las agujas del reloj y el tornillo (H) en el sentido de las agujas del reloj para hacer subir la parte posterior del faldón.

**NOTA:** El ajuste de inclinación inicial debe ser paralelo al suelo con la plataforma elevada. Realice pequeños ajustes para obtener un buen secado de la hoja. No baje demasiado la parte posterior de las hojas de modo que se plieguen excesivamente y sufran un desgaste innecesario.

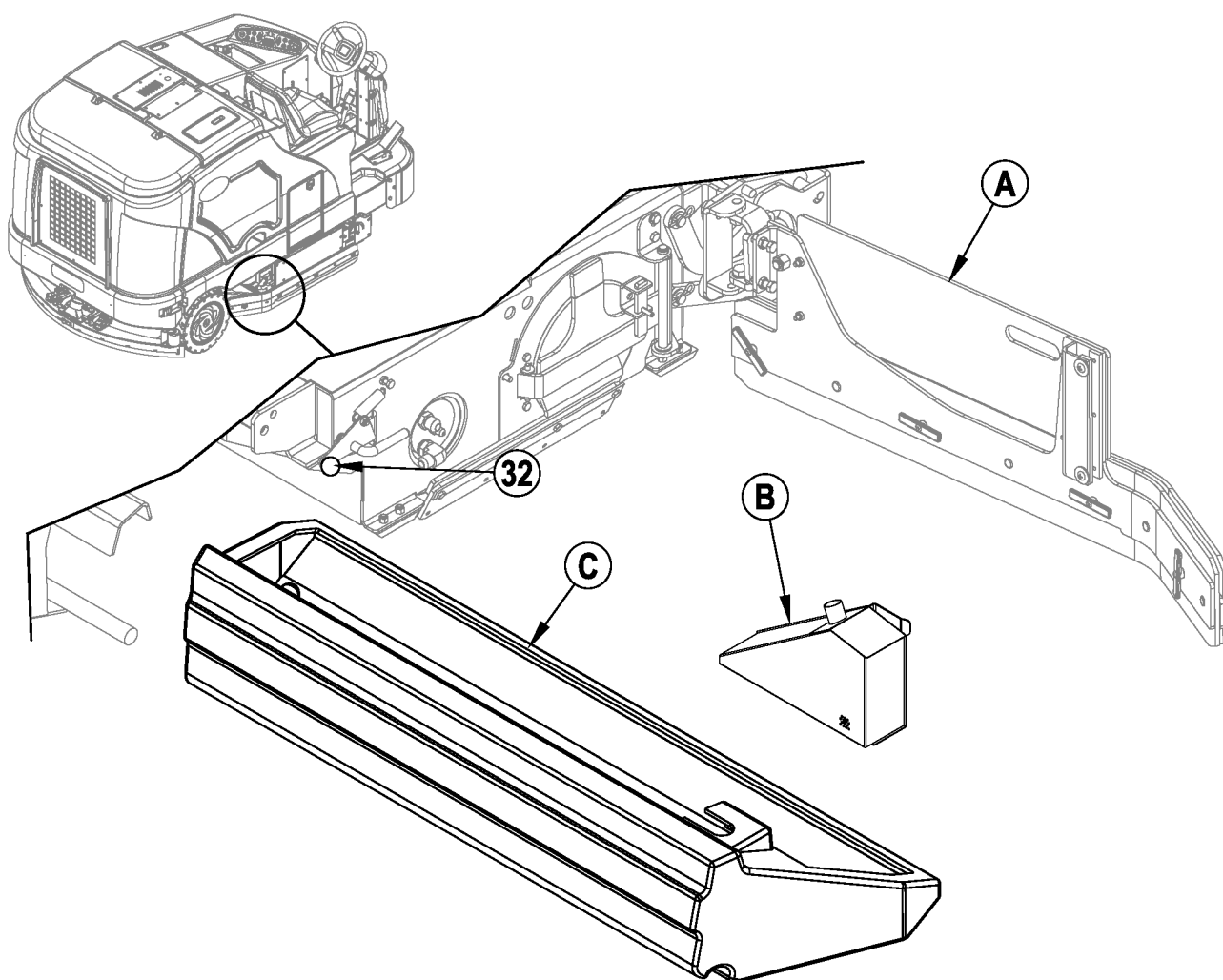
### FIGURA 9



**MANTENIMIENTO DE LA TOLVA DE DESECHOS****⚠ ¡PRECAUCIÓN!**

Apague el interruptor de contacto (O) y retire la llave antes de abrir cualquiera de los paneles de acceso.

- 1 Véase la Figura 10. Presione sobre el pestillo del faldón lateral derecho (32) y empuje los faldones (A) para abrirlos, como se ilustra.
- 2 Desconecte el tubo pequeño de aspiración de la criba (B) y deslice toda la tolva (C) retirándola de la máquina.
- 3 Retire la criba (B) de la tolva (C) y enjuáguelos cuidadosamente para eliminar desperdicios.

**FIGURA 10**

## LOCALIZACIÓN DE AVERÍAS

Si las posibles causas indicadas a continuación no son el origen del problema, éste es un síntoma de algo más grave. Póngase en contacto inmediatamente con su Centro de Servicio Advance.

## DESCONEXIÓN DE LOS DISYUNTORES

Los disyuntores están situados en el panel de disyuntores, en el compartimiento del operario, y protegen los circuitos eléctricos y los motores de los daños provocados por condiciones de sobrecarga. Si se produce la desconexión de algún disyuntor, intente averiguar la causa.

Posible causa de cortacircuitos VACC1 (CB1 / 20 Amp):

1 Cortocircuito eléctrico (haga revisar la máquina en un Centro de Servicio Advance o por un electricista competente)

Posible causa de cortacircuitos VACC2 (CB2 / 20 Amp):

1 Cortocircuito eléctrico (haga revisar la máquina en un Centro de Servicio Advance o por un electricista competente)

Posible causa de cortacircuitos VACC3 (CB3 / 15 Amp):

1 Cortocircuito eléctrico (haga revisar la máquina en un Centro de Servicio Advance o por un electricista competente)

Posible causa de cortacircuitos VACC4 (CB4 / 20 Amp):

1 Cortocircuito eléctrico (haga revisar la máquina en un Centro de Servicio Advance o por un electricista competente)

Posible causa de cortacircuitos VACC5 (CB5 / 10 Amp):

1 Cortocircuito eléctrico (haga revisar la máquina en un Centro de Servicio Advance o por un electricista competente)

Posible causa de cortacircuitos de encendido (CB6 / 15 Amp):

1 Cortocircuito eléctrico (haga revisar la máquina en un Centro de Servicio Advance o por un electricista competente)

Una vez corregido el problema, pulse el botón para volver a conectar el disyuntor. Si el botón no queda pulsado, espere 5 minutos e inténtelo de nuevo. Si el disyuntor se desconecta una y otra vez, póngase en contacto con su Centro de Servicio Advance.

### Disyuntor VACC1 (CB1)

- Luz de frenado/giro posterior derecha
- Luz de frenado/giro posterior izquierda
- Luz de giro delantera derecha
- Luz de giro delantera izquierda
- Luces traseras
- Faros

### Disyuntor VACC2 (CB2)

- Bomba de solución con tubo de lavado (M8)
- Bomba de vaporización de barrido lateral (M5)

### Disyuntor VACC3 (CB3)

- Motor de actuador de elevación de barrido lateral (M7)

### Disyuntor VACC4 (CB4)

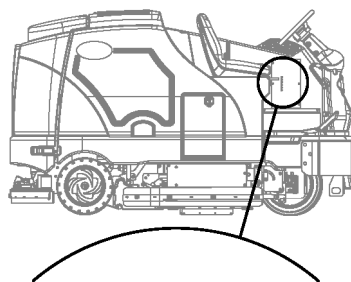
- Solenoide del cepillo de fregado (L4)
- Presión descendente de fregado (L5)
- Solenoide de la cerradura del cilindro de fregado (L6)
- Presión ascendente de fregado (L7)
- Solenoide de fregado / barrido lateral (L8)
- Solenoide de elevación de fregado lateral (L9)
- Válvula principal de solenoide de solución (L10)
- Válvula de solenoide de solución de fregado lateral (L11)
- Solenoide de solución de agua de fregado ampliado
- Bomba de químicos

### Disyuntor VACC5 (CB5)

- Solenoide del motor de aspiración (L1)
- Solenoide de descenso de rasqueta (L3)
- Solenoide de ascenso de rasqueta (L3)
- Bomba principal de solución (M4)
- Bomba de fregado ampliado (M6)

### Disyuntor de encendido (CB6)

- Relé de bujías incandescentes
- Relé de potencia principal
- Alarma audible de respaldo
- Claxon
- Sistema del motor (bomba de combustible y sistema de encendido)
- Panel de instrumentos



20	CB1 20A	VACC1
20	CB2 20A	VACC2
15	CB3 15A	VACC3
20	CB4 20A	VACC4
10	CB5 10A	VACC5
15	CB6 15A	IGN

## SOLUCIÓN DE PROBLEMAS GENERALES DE LA MÁQUINA

Problema	Posible causa	Solución
Recogida escasa del agua	Cuchillas de la boquilla gastadas o desgarradas	Invierta o sustituya las cuchillas
	Boquilla mal ajustada	Ajuste la boquilla de manera que las cuchillas toquen el suelo de manera uniforme en toda su anchura
	Depósito de recuperación lleno	Vacíe el depósito de recuperación
	Fuga en la tubería de drenaje del depósito de recuperación	Sujete la tapa de la tubería de drenaje o sustitúyala
	Fuga en la junta de la tapa del tanque de recuperación	Sustituya la junta / Asiente correctamente la tapa
	Residuos atrapados en la boquilla	Limpie la herramienta de boquilla
	Manguera de aspiración obstruida	Retire los residuos
	Uso de demasiada solución	Reduzca el flujo a través del botón de solución del panel de control
Fregado poco eficaz	Cepillo desgastado	Rote o sustituya los cepillos
	Tipo incorrecto de cepillo	Consulte con Advance
	Limpiador químico incorrecto	Consulte con Advance
	Movimiento demasiado rápido de la máquina.	Reduzca la velocidad.
	No se está utilizando suficiente solución.	Aumente el flujo con el botón de solución del panel de control
	Proporción incorrecta de detergente	Verifique graduación de mezcla si tiene EcoFlex.
Flujo de solución inadecuado o falta de solución	Depósito de solución vacío	Llene el depósito de solución
	Tuberías, válvulas, filtro o canal de la solución obstruidos	Lave las tuberías y el canal y limpie el filtro de solución
	Solución apagada	Active el flujo a través del botón de solución del panel de control
	Válvula de solenoide de la solución obstruida o defectuosa	Limpie o sustituya la válvula ( <b>véase el manual de servicio</b> )
La máquina no funciona	Desconexión del disyuntor de 15 Amp (CB6)	Compruebe si existe un cortocircuito eléctrico y reinicie
	Controlador principal del sistema	Compruebe los códigos de error ( <b>consulte el manual de servicio</b> )
Ausencia de tracción de las ruedas marcha adelante/atrás	Freno de estacionamiento activado	Suelte el freno de estacionamiento.
	Válvula de remolque en posición incorrecta	Coloque correctamente
La aspiración se apaga y la pantalla indica "FULL" (Lleno) cuando el depósito de recuperación no está lleno	El flotador no se mueve libremente	Elimine los residuos y despeje el vástago del flotador para permitir el movimiento libre
No hay flujo de detergente (sólo modelos EcoFlex)	Cartucho de detergente vacío	Llene cartucho de detergente
	Línea de flujo de detergente obstruida o torcida	Purgue el sistema, enderece las líneas para eliminar pliegues
	Tapa de junta seca en cartucho de detergente sin sellar	Selle tapa de junta seca
	Cableado de la bomba de detergente desconectado o hacia atrás	Conecte o reconecte cableado

## ACCESORIOS / OPCIONES

Además de los componentes estándar, la máquina puede equiparse con los siguientes accesorios/opciones, según el uso específico que se dé a la máquina:

- Cepillos con cerdas más duras o más suaves
- Kit de cierre de llenado de solución
- Kit de baliza de aviso
- Kit de asiento de lujo
- Kit de protección superior
- Kit de fregado ampliado
- Inyección química
- Kit de luz debajo de la cubierta
- Kit de varilla de aspiración
- Kit de reposabrazos derecho
- Kit de reposabrazos doble
- Kit de cinturón de seguridad
- Kit de limpieza del depósito de recuperación
- Kit de manguera de lavado
- Kit de luz de freno/señal
- Kit de parachoques trasero
- Kit de extintor de incendios
- Kit de alarma de marcha atrás
- Kit de baliza de protección superior
- Kit de toldo de protección superior
- Kit de bandeja de residuos
- Kit de interruptor de claxon
- Kit de tubo de drenaje
- Kit de parachoques del rodillo

Para más información sobre los accesorios mencionados, póngase en contacto con un vendedor autorizado.

### Composición del material y reciclaje

Tipo	% del peso de la máquina	% reciclable
Aluminio	1%	90%
Eléctrico / motores / misc.	13%	94%
Metales ferrosos	59%	95%
Arneses / cables	4%	80%
Líquidos	1%	100%
Plástico – no reciclable	2%	0%
Plástico – reciclable	1%	90%
Polietileno	16%	100%
Goma	5%	68%



## ESPECIFICACIONES TÉCNICAS (SEGÚN LA INSTALACIÓN Y COMPROBACIONES DE LA UNIDAD)

Modelo		SC8000 48 LPG	SC8000 48 D (Diesel)	SC8000 48 LPG EcoFlex
		SC8000 48 LPG EcoFlex	SC8000 48 D EcoFlex	Brasil
N° de pieza		56108110	56108112	56108122
		56108111	56108113	
Nivel de presión sonora				
(IEC 60335-2-72: Ed 3 2012, ISO 11201)	dB (A)	84,5 dB LpA, 3dB KpA	84,5 dB LpA, 3dB KpA	84,5 dB LpA, 3dB KpA
Nivel de potencia acústica				
(IEC 60335-2-72: Ed 3 2012, ISO 3744)	dB (A)	104,4 dB LwA	104,4 dB LwA	104,4 dB LwA
Peso bruto del vehículo	lbs / kg	4033 / 1829	4033 / 1829	4033 / 1829
Peso del transporte	lbs / kg	3110 / 1410	3110 / 1410	3110 / 1410
Carga máxima en suelo de rueda (frontal central)	N/mm <sup>2</sup> / psi	0,48/70	0,48/70	0,48/70
Carga máxima en suelo de rueda (posterior izquierda)	N/mm <sup>2</sup> / psi	0,53/77	0,53/77	0,53/77
Carga máxima en suelo de rueda (posterior derecha)	N/mm <sup>2</sup> / psi	0,54/79	0,54/79	0,54/79
Vibraciones en los controles manuales (ISO 5349-1)	m/s <sup>2</sup>	0,80 m/s <sup>2</sup>	0,71 m/s <sup>2</sup>	0,80 m/s <sup>2</sup>
Vibraciones en el asiento (ISO 2631-1)	m/s <sup>2</sup>	0,18 m/s <sup>2</sup>	0,23 m/s <sup>2</sup>	0,18 m/s <sup>2</sup>
Capacidad de ascenso				
Transporte		16% (9°)	16% (9°)	16% (9°)
Limpieza		10,5% (6°)	10,5% (6°)	10,5% (6°)

Modelo		SC8000 60 LPG	SC8000 60 D (Diesel)
		SC8000 60 LPG EcoFlex	SC8000 60 D EcoFlex
N° de pieza		56108114	56108116
		56108115	56108117
Nivel de presión sonora			
(IEC 60335-2-72: Ed 3 2012, ISO 11201)	dB (A)	84,5 dB LpA, 3dB KpA	84,5 dB LpA, 3dB KpA
Nivel de potencia acústica			
(IEC 60335-2-72: Ed 3 2012, ISO 3744)	dB (A)	104,4 dB LwA	104,4 dB LwA
Peso bruto del vehículo	lbs / kg	4311 / 1955	4311 / 1955
Peso del transporte	lbs / kg	3388 / 1536	3388 / 1536
Carga máxima en suelo de rueda (frontal central)	N/mm <sup>2</sup> / psi	0,48/70	0,48/70
Carga máxima en suelo de rueda (posterior izquierda)	N/mm <sup>2</sup> / psi	0,53/77	0,53/77
Carga máxima en suelo de rueda (posterior derecha)	N/mm <sup>2</sup> / psi	0,54/79	0,54/79
Vibraciones en los controles manuales (ISO 5349-1)	m/s <sup>2</sup>	0,80 m/s <sup>2</sup>	0,71 m/s <sup>2</sup>
Vibraciones en el asiento (ISO 2631-1)	m/s <sup>2</sup>	0,18 m/s <sup>2</sup>	0,23 m/s <sup>2</sup>
Capacidad de ascenso			
Transporte		16% (9°)	16% (9°)
Limpieza		10,5% (6°)	10,5% (6°)

Modelo		SC8000 62 LPG	SC8000 62 D (Diesel)	SC8000 62 LPG EcoFlex
		SC8000 62 LPG EcoFlex	SC8000 62 D EcoFlex	Brazil
N° de pieza		56108118	56108120	56108123
		56108119	56108121	
Nivel de presión sonora				
(IEC 60335-2-72: Ed 3 2012, ISO 11201)	dB (A)	84,5 dB LpA, 3dB KpA	84,5 dB LpA, 3dB KpA	84,5 dB LpA, 3dB KpA
Nivel de potencia acústica				
(IEC 60335-2-72: Ed 3 2012, ISO 3744)	dB (A)	104,4 dB LwA	104,4 dB LwA	104,4 dB LwA
Peso bruto del vehículo	lbs / kg	4311 / 1955	4311 / 1955	4311 / 1955
Peso del transporte	lbs / kg	3388 / 1536	3388 / 1536	3388 / 1536
Carga máxima en suelo de rueda (frontal central)	N/mm <sup>2</sup> / psi	0,48/70	0,48/70	0,48/70
Carga máxima en suelo de rueda (posterior izquierda)	N/mm <sup>2</sup> / psi	0,53/77	0,53/77	0,53/77
Carga máxima en suelo de rueda (posterior derecha)	N/mm <sup>2</sup> / psi	0,54/79	0,54/79	0,54/79
Vibraciones en los controles manuales (ISO 5349-1)	m/s <sup>2</sup>	0,80 m/s <sup>2</sup>	0,71 m/s <sup>2</sup>	0,80 m/s <sup>2</sup>
Vibraciones en el asiento (ISO 2631-1)	m/s <sup>2</sup>	0,18 m/s <sup>2</sup>	0,23 m/s <sup>2</sup>	0,18 m/s <sup>2</sup>
Capacidad de ascenso				
Transporte		16% (9°)	16% (9°)	16% (9°)
Limpieza		10,5% (6°)	10,5% (6°)	10,5% (6°)

**ÍNDICE****PÁGINA**

Introdução.....	C-3
Precauções e advertências .....	C-4 - C-5
Conheça seu equipamento.....	C-6 – C-9
<b>Preparar a máquina para uso</b>	
Informações gerais.....	C-10
Lista de verificação pré-operacional.....	C-11 – C-12
Óleo hidráulico.....	C-11
Óleo do motor.....	C-11
Refrigerante para o motor .....	C-12
Filtro de ar do motor .....	C-12
Combustível.....	C-12
Instalar as escovas.....	C-13
Abastecer o tanque de solução.....	C-14
<b>Operar a máquina</b>	
Dar partida no motor.....	C-15
Sistema de detergente .....	C-16 – C-17
Escovação.....	C-18 – C-19
Aspiração úmida.....	C-18
<b>Após usar a máquina</b>	
Depois do uso.....	C-20
Desligar o motor .....	C-20
<b>Manutenção</b>	
Cronograma de manutenção.....	C-20
Lubrificar a máquina.....	C-20 – C-21
Manutenção da vassoura lateral .....	C-22
Manutenção do rodo.....	C-23
Ajuste do rodo .....	C-23
Manutenção da saia lateral .....	C-24
Manutenção da tremonha de detritos.....	C-25
Resolução de problemas.....	C-26 – C-27
Especificações técnicas .....	C-28

## INTRODUÇÃO

Este manual o ajudará a obter o máximo da sua Advance Rider Scrubber. Leia-o cuidadosamente antes de usar o equipamento.

**Nota: Os números em negrito entre parênteses indicam um item ilustrado nas páginas 6 – 9.**

## PEÇAS E SERVIÇOS

Os reparos, quando necessários, devem ser realizados pelo Centro de Serviço Autorizado Advance, que emprega pessoal de manutenção treinado em fábrica e mantém um estoque de peças de reposição e acessórios originais da Advance.

Ligue para a DISTRIBUIDORA ADVANCE indicada abaixo para solicitar peças de reposição ou assistência técnica. Especifique o modelo e o número de série ao falar do seu equipamento.

## ALTERAÇÕES

O cliente ou utilizador não pode efectuar alterações ou aditamentos à máquina passíveis de afectar a capacidade e o funcionamento seguro da mesma sem o consentimento prévio por escrito da Nilfisk-Advance Inc. As alterações não autorizadas constituem motivo para a anulação da garantia da máquina e para a responsabilização do cliente por quaisquer acidentes daí resultantes.

## PLACA DE IDENTIFICAÇÃO

O número de peça e número de série de sua máquina estão exibidos na placa de identificação no equipamento. Estas informações são necessárias quando solicitar peças para a máquina. Use o espaço abaixo para anotar o número de peça e número de série do seu equipamento para referência futura.

PEÇA NÚMERO \_\_\_\_\_

NÚMERO DE SÉRIE \_\_\_\_\_

## DESEMBALAR

Na entrega do produto, inspecione com cuidado se a caixa de transporte ou a máquina apresentam avarias. Se sim, guarde todas as peças da caixa de transporte para que a transportadora que entregou a máquina possa examiná-las. Entre em contato com a transportadora imediatamente para dar entrada em uma reclamação de avaria em trânsito.

- 1 Após remover o caixote, remova os blocos de madeira próximos às rodas.
- 2 Verifique o óleo do motor e os níveis de refrigerante.
- 3 Verifique o nível de óleo hidráulico
- 4 Leia as instruções na seção Preparar sua máquina para uso, deste manual, depois abasteça o tanque com combustível.
- 5 Coloque uma rampa próximo à extremidade dianteira do palete.
- 6 Leia as instruções nas seções Controles operacionais e Operar a máquina, deste manual e dê partida no motor. Devagar, conduza a máquina à frente, descendo a rampa até o chão. Mantenha seu pé levemente no freio até que a máquina esteja fora do palete.


## CUIDADO!

Tenha CUIDADO extremo quando operar esta máquina. Certifique-se de que é totalmente familiar com todas as instruções de operação antes de usar a máquina. Caso tenha alguma dúvida, contate seu supervisor ou o revendedor local da Advance.

Se a máquina apresentar mal funcionamento, não tente consertar o problema, a menos que seu supervisor lhe oriente a fazê-lo. Caso aconteça um acidente ou falhas no equipamento, não tente corrigir o problema. Procure um mecânico qualificado da empresa ou uma pessoa do serviço do revendedor autorizado da Advance para fazer os reparos necessários à máquina.

Tenha extremo cuidado quando trabalhar nesta máquina. Roupas largas, cabelo comprido e jóias podem enganchar e prenderem-se nas peças móveis. DESLIGUE a ignição e remova a chave antes de fazer qualquer manutenção na máquina. Utilize o bom senso comum, pratique bons hábitos de segurança e preste atenção nas etiquetas amarelas da máquina.

Conduza a máquina devagar em declives. Use o Pedal do freio **(23)** para controlar a velocidade da máquina nos declives. NÃO vire a máquina em um declive, conduza de forma retilínea para cima ou para baixo.

 A inclinação calculada máxima para varrer e escovar é de 10,5%(6°). A inclinação calculada máxima durante o transporte é de 16%(9°).

## AVISO!

Os produtos vendidos com este manual contêm ou podem conter substâncias químicas consideradas por certos governos (como no estado da Califórnia, conforme identificado por sua Proposta 65 da Regulatory Warning Law) como causadoras de câncer, defeitos congênitos e outras doenças do sistema reprodutivo. Em certos locais (inclusive no estado da Califórnia), os compradores destes produtos que os colocam em uso em locais de trabalho ou espaços públicos, são obrigados por lei, a fazer certas notificações, avisos ou declarações sobre as substâncias químicas presentes ou que possam estar contidas nos produtos em tais locais ou redondezas. É de responsabilidade do comprador tomar conhecimento do conteúdo e cumprir com as leis e regulamentações aplicáveis ao uso destes produtos em tais ambientes. O fabricante renuncia toda e qualquer responsabilidade por alertar os compradores de qualquer requisito específico que possa ser aplicável ao uso dos produtos em tais ambientes.

# SÍMBOLOS DE ADVERTÊNCIAS E AVISOS

A Advance usa os símbolos abaixo para indicar condições potencialmente perigosas. Leia com cuidado estas informações e tome as devidas precauções para proteger as pessoas e o equipamento.

## **PERIGO!**

Usado para alertar quanto a perigos imediatos que poderão causar ferimentos pessoais graves ou morte.

## **ATENÇÃO!**

Usado para chamar a atenção para uma situação que pode causar ferimentos pessoais graves.

## **CUIDADO!**

Usado para chamar a atenção para uma situação que pode causar ferimentos pessoais ou danos ao equipamento ou outra propriedade.



Leia todas as instruções antes de usar.

# INSTRUÇÕES GERAIS DE SEGURANÇA

Cuidados e Avisos específicos foram colocados para alertá-lo quanto ao perigo potencial de lesões pessoais ou danos ao equipamento. Esta máquina destina-se a uso comercial, em hotéis, escolas, hospitais, fábricas, lojas e escritórios, e não a uso doméstico normal.

## **PERIGO!**

- Esta máquina emite gases de descarga (monóxido de carbono) que podem causar lesões graves ou a morte. Providencie sempre ventilação adequada quando for usá-la.

## **ATENÇÃO!**

- Esta máquina deve ser operada somente por pessoas capacitadas e autorizadas adequadamente.
- Esta máquina não deve ser utilizada por crianças ou por pessoas com diminuição das capacidades físicas, sensoriais ou mentais ou com falta de experiência e conhecimentos.
- Evite paragens repentinas em rampas ou em planos inclinados. Evite fazer viragens bruscas e apertadas. Utilize velocidades reduzidas em rampas.
- Não use com propósitos de limpeza em superfícies com uma inclinação que supere as especificações marcadas na máquina.
- Para evitar a injeção de óleo hidráulico ou lesão, use sempre vestuário adequado e proteção visual quando trabalhar com o sistema hidráulico ou estiver perto dele.
- Desligue a ignição (**50**) e desconecte as baterias antes de fazer manutenção aos componentes elétricos.
- Nunca trabalhe debaixo da máquina sem travas de segurança ou plataformas para suportar o equipamento.
- Não utilize agentes de limpeza inflamáveis, nem opere a máquina perto desses agentes, ou em áreas onde existam líquidos inflamáveis.
- Não limpe a máquina com uma lavadora a jato.
- Observe o peso bruto do veículo (GVW) da máquina quando estiver carregando, conduzindo, levantando ou suportando a máquina.
- Não use a máquina sem uma estrutura de proteção contra objetos em queda (FOPS) em áreas onde é provável que o operador possa ser atingido por objetos que possam cair.
- As máquinas devem ser estacionadas em segurança.
- A máquina deve ser inspecionada por pessoal qualificado regularmente, especialmente em relação ao tanque de GPL e suas conexões, como é requerido pelos regulamentos de operação segura nacionais ou regionais.

## SÍMBOLOS DE ADVERTÊNCIAS – continuação

### CUIDADO!

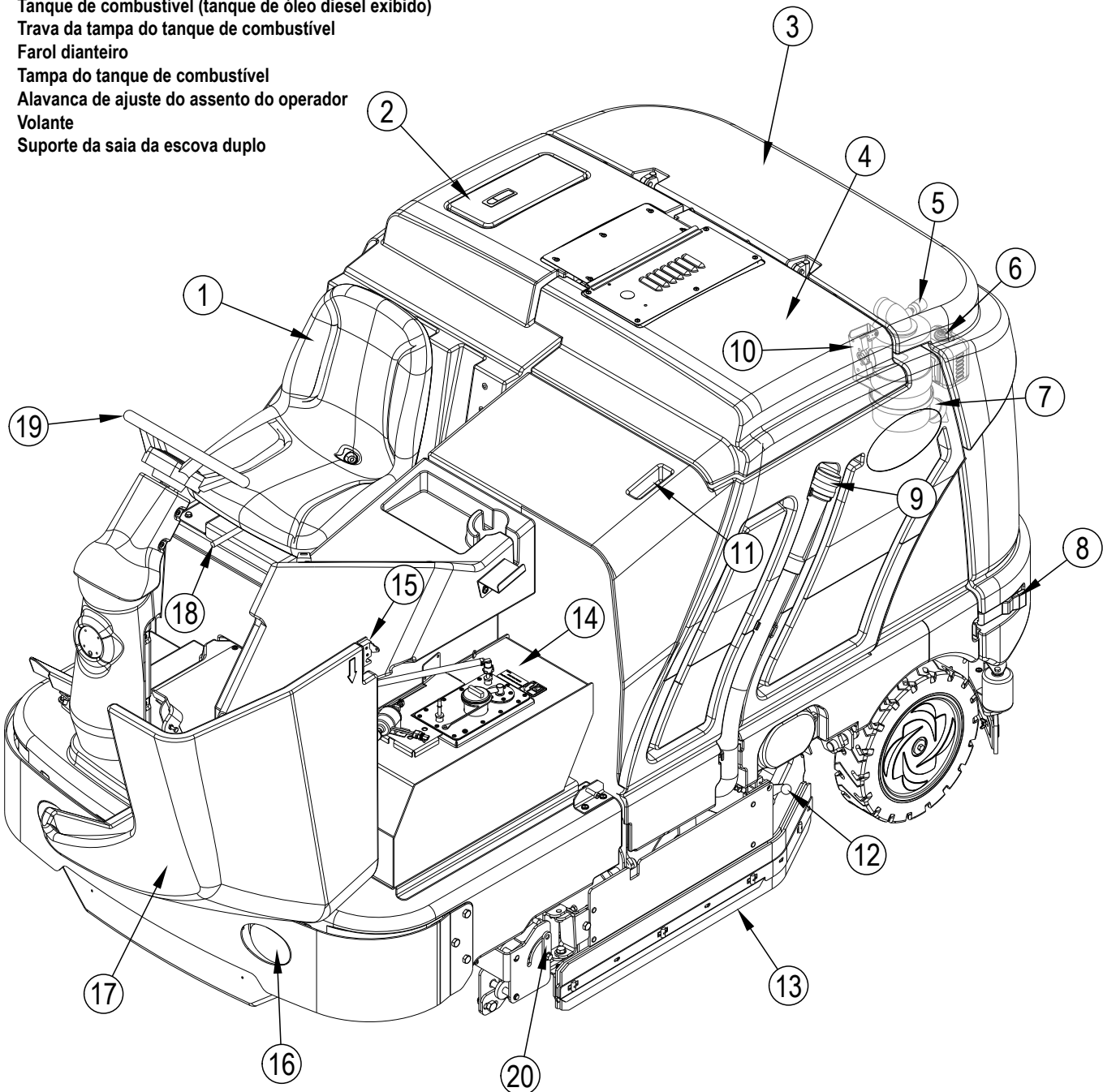
- Esta máquina não está aprovada para o uso em estradas ou caminhos públicos.
- Este equipamento não é adequado para a coleta de poeira potencialmente perigosa
- Tenha cuidado ao usar discos escarificadores e pedras esmerilhadoras A Advance não se responsabilizará por danos causados por escarificadores ou pedras esmerilhadoras nas superfícies do piso.
- Ao operar a máquina, certifique-se de que terceiros, especialmente crianças, não corram riscos.
- Antes de executar qualquer função de serviço, leia com cuidado todas as instruções que pertencem à tal função.
- Não deixe o equipamento sozinho sem antes desligar a ignição **(50)** (O), retirar a chave do contato e aplicar o freio de estacionamento.
- Desligue a ignição **(50)** (O) antes de trocar as escovas e de abrir qualquer painel de acesso.
- Tome precauções para evitar que cabelos, joias, ou roupas soltas fiquem presas nas partes móveis.
- Tenha cuidado ao deslocar o equipamento em condições de temperatura negativa. Qualquer água nos tanques de recuperação ou de solução ou nas linhas de mangueiras pode congelar.
- Antes do uso, todas as portas e capôs devem estar devidamente trancados.
- A bateria deve ser removida da máquina antes da mesma ser sucutada. A eliminação da bateria deve ser feita em forma segura de acordo com os seus regulamentos meio ambientais locais.

## GUARDE ESTAS INSTRUÇÕES

## CONHEÇA SUA MÁQUINA

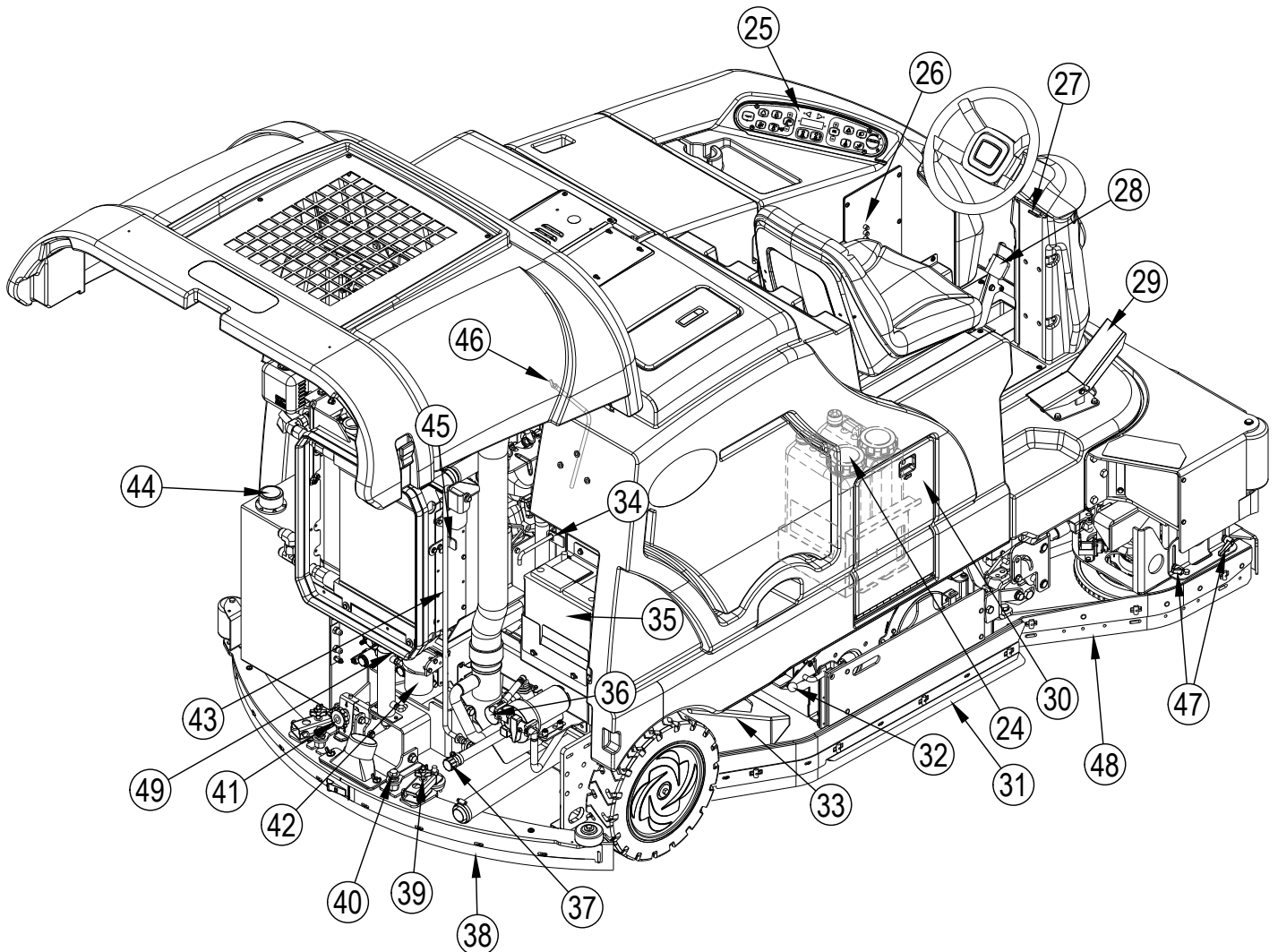
À medida que você lê este manual, ocasionalmente, irá se deparar com um número em negrito ou letras em parênteses - por exemplo: **(2)**. Esses números referem-se a um item exibido nestas páginas, a menos que indicado de outra forma. Consulte essas páginas sempre que necessário para determinar a localização de um item mencionado no texto.

- 1 Assento do operador
- 2 Tampa do orifício de abastecimento do tanque de solução
- 3 Tampa do motor
- 4 Tampa do tanque de recuperação
- 5 Indicador de serviço do filtro de ar do motor
- 6 Tanque de transbordamento do refrigerante
- 7 Filtro de ar do motor
- 8 Trava da tampa do motor
- 9 Mangueira de drenagem do tanque de recuperação
- 10 Trava de inclinação do tanque de recuperação
- 11 Maçaneta de inclinação do tanque de recuperação
- 12 Trava da saia lateral esquerda
- 13 Saia lateral esquerda
- 14 Tanque de combustível (tanque de óleo diesel exibido)
- 15 Trava da tampa do tanque de combustível
- 16 Farol dianteiro
- 17 Tampa do tanque de combustível
- 18 Alavanca de ajuste do assento do operador
- 19 Volante
- 20 Suporte da saia da escova duplo



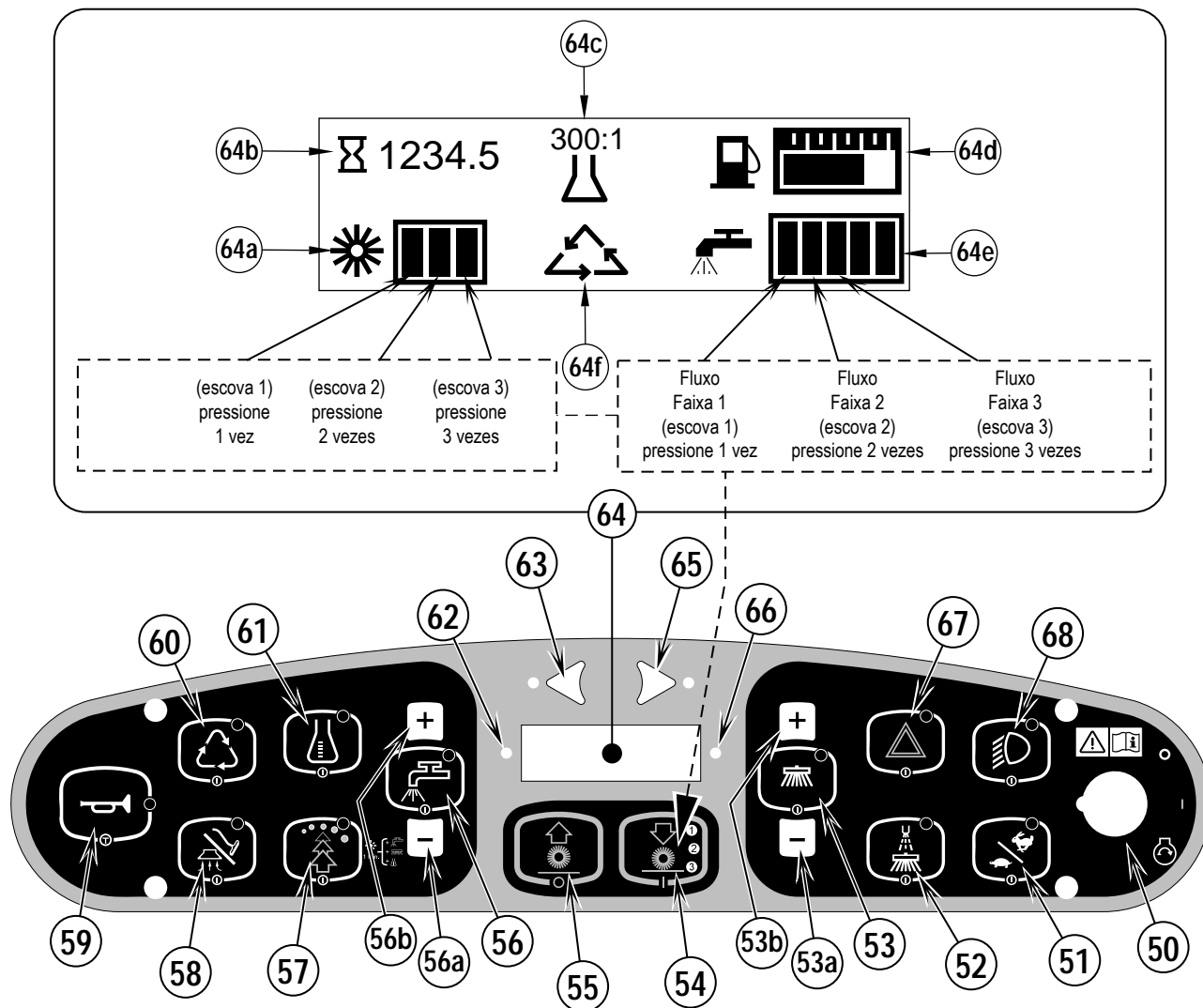
## CONHEÇA SUA MÁQUINA

- |    |  |    |   |
|----|--|----|---|
| 24 | Cartuchos de detergente (apenas modelos EcoFlex) | 39 | Botão de ajuste da altura do rodo                         |
| 25 | Painel de controle                               | 40 | Chave de montagem do rodo                                 |
| 26 | Painel do disjuntor (ver resolução de problemas) | 41 | Botão de ajuste da inclinação do rodo                     |
| 27 | Alavanca de ajuste de inclinação do volante      | 42 | Filtro do óleo do motor                                   |
| 28 | Pedal do freio / Freio estacionário              | 43 | Vareta de sustentação da tampa do motor                   |
| 29 | Acelerador, Direcional/Velocidade                | 44 | Tampa de abastecimento do reservatório de óleo hidráulico |
| 30 | Compartimento do cartucho do detergente          | 45 | Trava inclinável do resfriador do óleo                    |
| 31 | Saia lateral direita                             | 46 | Vareta do óleo do motor                                   |
| 32 | Trava da saia lateral direita                    | 47 | Botões retentores da saia da escova direita               |
| 33 | Tremonha   | 48 | Estrutura da saia da escova direita                       |
| 34 | Alavanca da válvula de reboque                   | 49 | Dreno do óleo do motor (embaixo do radiador)              |
| 35 | Bateria  |    |   |
| 36 | Filtro da solução                                |    |   |
| 37 | Mangueira de drenagem do tanque de solução       |    |   |
| 38 | Estrutura do rodo                                |    |   |



## CONHEÇA SUA MÁQUINA

- 50 Ignição
- 51 Botão de velocidade do motor
- 52 Interruptor de proteção de pó
- 53 Botão ON/OFF (LIGA/DESLIGA) Escova/vassoura lateral
- 53a Botão para abaixar a vassoura lateral
- 53b Botão para levantar a vassoura lateral
- 54 Interruptor de Lavagem ON (Ligada) / Seleção do modo de lavagem
- 55 Lavagem OFF (Desligada)
- 56 Botão da solução
- 56a Botão de redução do fluxo de solução
- 56b Botão de aumento do fluxo de solução
- 57 Interruptor de sobrecarga elétrica
- 58 Botão vareta/aspiração (ver próxima página)
- 59 Botão da buzina
- 60 Botão de escovação estendida (opcional/ver próxima página)
- 61 Interruptor do sistema de detergente (apenas modelos EcoFlex)
- 62 Luz indicadora de aviso (VERMELHA)
- 62a Freio de Estacionamento ATIVADO
- 62b Pressão do Óleo (Diesel)
- 62c Temperatura do motor
- 62d Bateria fraca
- 62e Falha do controlador
- 62f Temp Hidráulico
- 62g Combustível baixo
- 62h Temp motor
- 63 Interruptor de seta esquerda (opcional)
- 64 Tela
- 64a Indicador de pressão de lavagem
- 64b Horímetro
- 64c Indicador de detergente (se equipado)
- 64d Medidor de Combustível
- 64e Indicador do fluxo da solução
- 64f Indicador de escovação estendida (opcional)
- 65 Interruptor de seta direita (opcional)
- 66 Luz indicadora de atenção (AMARELA)
- 66a Solução baixa
- 66b Filtro hidráulico plugado
- 66c Serviço do motor acrítico / Falha acrítica
- 66d Vela de incandescência
- 66e Tanque de recuperação CHEIO
- 66f Motor de serviço pronto
- 67 Interruptor de luzes de emergência (opcional)
- 68 Interruptor de faróis dianteiros





# CONHEÇA SUA MÁQUINA

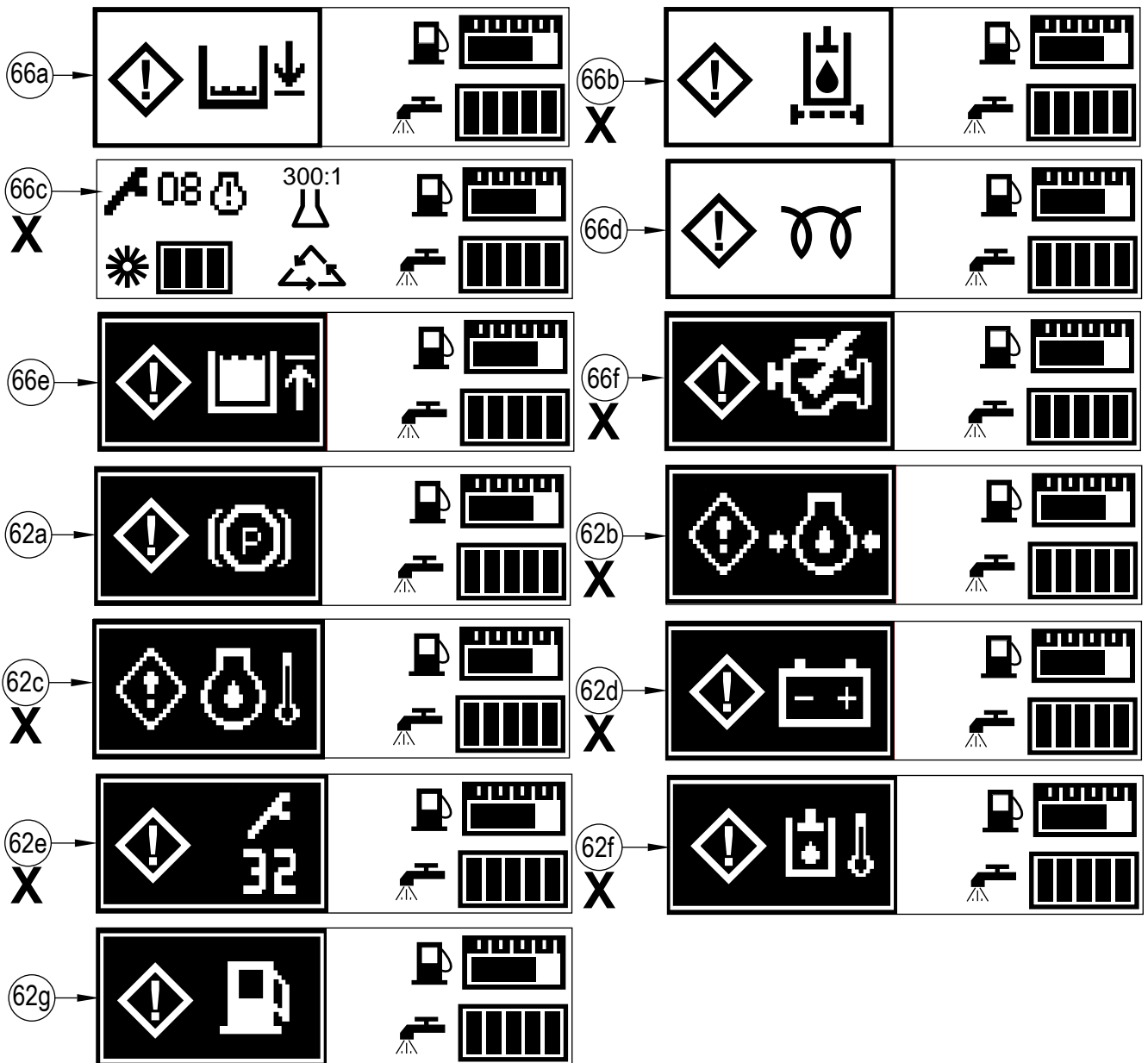
## BOTÃO VARETA/ASPIRAÇÃO (58)

Ver formulário de Instruções do kit vareta aspiração número 56040944.

## BOTÃO ESCOVAÇÃO ESTENDIDA (60)

Ver formulário de Instruções do kit Escovação Estendida número 56040945.

SE ALGUM DOS ÍCONES DE ADVERTÊNCIA/ATENÇÃO MARCADOS COM (X) ABAIXO ESTIVEREM EXIBIDOS, FAVOR ENTRAR EM CONTATO COM UM CENTRO DE SERVIÇO AUTORIZADO DA ADVANCE.



## ELEVANDO A MÁQUINA

### ⚠ CUIDADO!

Nunca trabalhe embaixo do equipamento sem os calços ou blocos de segurança para apoiar o equipamento.

- Quando estiver elevando a máquina, faça-o nos locais designados - ver Locais de trava/elevação (A) na Figura 1.

## TRANSPORTAR A MÁQUINA

### ⚠ CUIDADO!

Antes de transportar a máquina em um caminhão ou vagão aberto, certifique-se de que... .

- Todas as portas de acesso estejam bem trancadas
- A máquina está travada com segurança - ver Locais de trava/elevação (A) na Figura 1.
- O freio estacionário da máquina (28) esteja aplicado

## REBOCAR OU EMPURRAR UMA MÁQUINA DESATIVADA

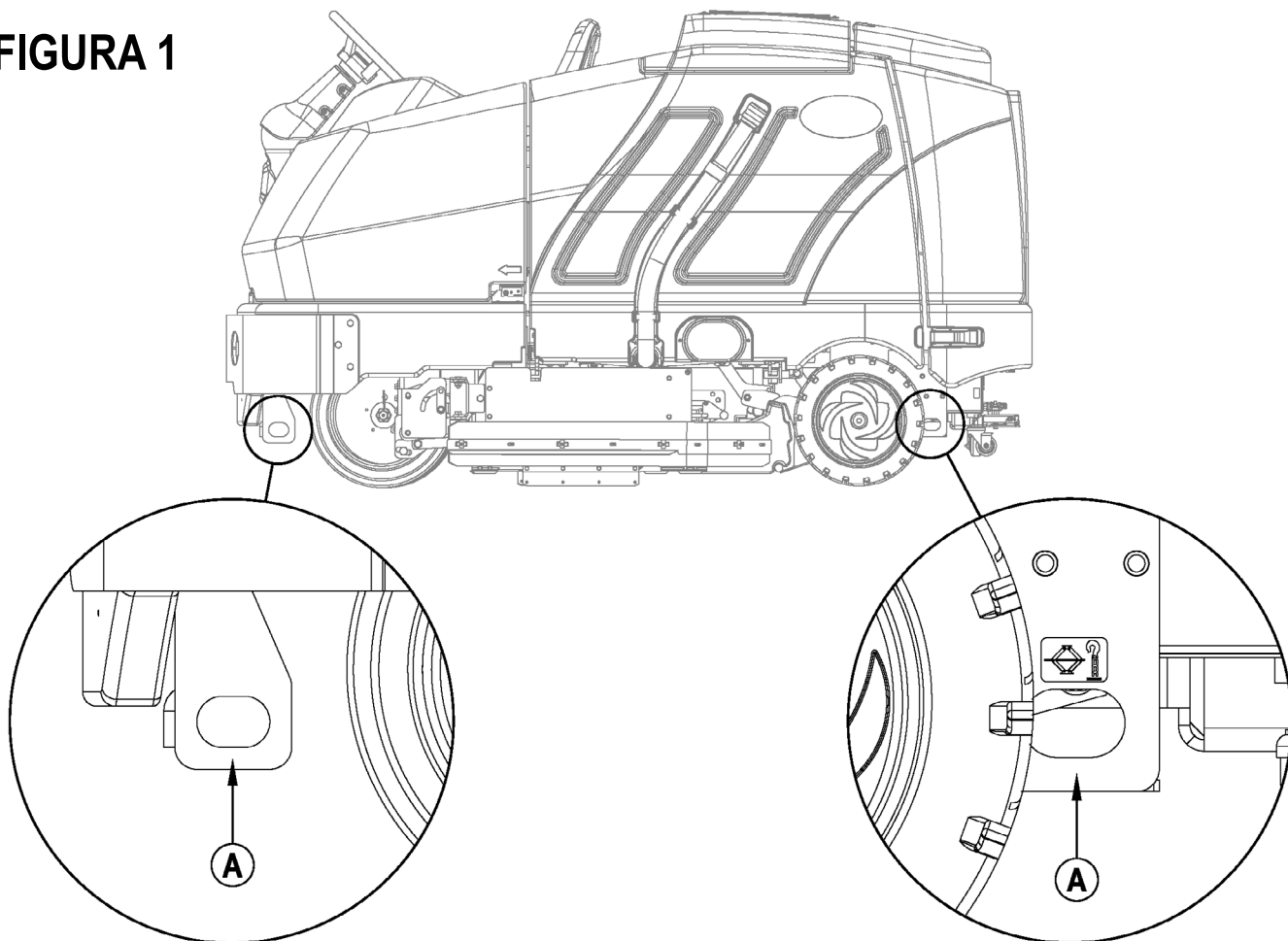
### ⚠ CUIDADO!

A bomba de propulsão da máquina é fabricada com uma válvula de reboque ajustável. Esta válvula previne danos ao sistema hidráulico quando a máquina estiver sendo rebocada/carregada em curtas distâncias sem usar o motor.

A válvula de reboque é controlada pela sua Alavanca (34) que é acessada ao abrir e apoiar a Tampa do Motor (3). Remova a alavanca da válvula de reboque (34), isto desengata a trava hidrostática entre o motor e a bomba.

O volante pode ser danificado se a máquina for rebocada com a válvula na posição de trabalho normal (Alavanca da válvula de reboque (34) empurrada para dentro). **Nota:** Se a válvula de reboque for deixada na posição de livre direção (Alavanca da válvula de reboque (34) puxada para fora) a bomba hidrostática pode não levar a máquina para a frente ou para trás. Se a válvula de reboque é ativada ou parcialmente ativada o veículo talvez não opere à velocidade total. A operação contínua sob estas condições poderá causar sobreaquecimento e danos permanentes ao sistema hidrostático de tração. Não causa danos, apenas reajuste a válvula à posição de trabalho normal empurrando a alavanca para dentro. Não reboque nem empurre a máquina além do ritmo normal (2-3 milhas/hora, 3-4 km/hr) e apenas por trechos curtos (300 pés / 100 metros), caso contrário poderão ocorrer sérios danos ao sistema de motor hidrostático de tração. Se a máquina tiver que ser rebocada a longas distâncias, a roda de tração dianteira deve ser erguida do chão e colocada em um carrinho de mão adequado para transporte.

FIGURA 1



## LISTA DE VERIFICAÇÃO PRÉ-OPERACIONAL

### Antes de cada uso:

- \* Inspecione a máquina para verificar se não há danos, vazamentos de refrigerante ou de óleo.
- \* Comprima o recipiente emborrachado do pó no filtro de ar do motor (7) para liberar a poeira depositada.
- \* Verifique o nível de refrigerante do motor (6).
- \* Verifique o nível de óleo do motor (46).
- \* Verifique o nível de óleo hidráulico (44).
- \* Verifique o medidor de combustível (64d) nos modelos à gasolina e a diesel.
- \* Verifique o medidor de combustível **localizado** no tanque de GLP para modelos a gás propano.
- \* Verifique o indicador de serviço do filtro de ar (5).

### No assento do condutor:

- \* Certifique-se de que entende os controles do operador e suas funções.
- \* Ajuste o assento para alcançar em todos os controles.
- \* Insira a chave mestre e gire a ignição (50) até a posição LIGADA/ON. Verifique a operação adequada da buzina (59), hodômetro (64b) e faróis dianteiros (68). Desligue (OFF) a ignição (50).
- \* Verifique o pedal do freio (28). O pedal deve estar firme e não deve ir até o fundo. A trava deve segurar o pedal quando pressionada. (Relate todos os defeitos imediatamente ao pessoal da manutenção).

### Planeje sua limpeza antecipadamente:

- \* Programe turnos de trabalho longos com poucas paradas e partidas.
- \* Deixe 2-3" (5.08-7.62cm) de sobreposição da trajetória da vassoura para garantir cobertura completa.
- \* Evite fazer curvas fechadas, colidir em postes ou arranhar a lateral da máquina.

## ÓLEO HIDRÁULICO

Abra e escove a Tampa do Motor (3) para acessar o reservatório de óleo hidráulico. Remova a Tampa de Abastecimento (44) do tanque e olhe para o fundo da tela do enchimento. Se o nível do óleo estiver abaixo do fundo da tela de enchimento, adicione óleo de motor 10W30 até que o fundo da tela de enchimento seja coberto (o nível do óleo deve estar acima de 1/2" (12,7mm) acima do fundo da tela de enchimento). Troque o óleo caso ocorra maior contaminação devido à falha mecânica.

## ÓLEO DO MOTOR - GLP

Verifique o nível do óleo do motor quando a máquina estiver estacionada em uma superfície plana e o motor estiver frio. Troque o óleo do motor após as primeiras 35 horas de operação e a cada 150 horas depois disso. Use qualquer óleo com classificação SF ou SG atendendo às especificações da API e adequado a temperaturas sazonais. Consulte a seção Sistema do motor para as capacidades do óleo e especificações adicionais do motor. Substitua o filtro do óleo com cada troca de óleo.

### VARIAÇÃO DA TEMPERATURA

Acima de 60° F (15° C)  
Abaixo de 60° F (15° C)

### VISCOSIDADE DO ÓLEO

SAE 10W-30  
SAE 5W-30

## ÓLEO DO MOTOR - DIESEL

Verifique o nível do óleo do motor quando a máquina estiver estacionada em uma superfície plana e o motor estiver frio. Troque o óleo do motor após as primeiras 35 horas de operação e a cada 150 horas depois disso. Use óleo CF, CF-4 ou CG-4 atendendo às especificações da API e temperaturas adequadas (\*abaixo, anotações importantes sobre o tipo de combustível/óleo para referência para mais recomendações de diesel e óleo). Consulte a seção Sistema do motor para as capacidades do óleo e especificações adicionais do motor. Substitua o filtro do óleo com cada troca de óleo.

### VARIAÇÃO DA TEMPERATURA

Acima 77 °F (25 °C)  
32 °F a 77 °F (0 °C a 25 °C)  
Abaixo de 32 °F (0 °C)

### VISCOSIDADE DO ÓLEO

SAE 30 ou 10W-30  
SAE 20 ou 10W-30  
SAE 10W ou 10W-30

### \* Nota sobre óleo lubrificante de diesel:

Com o controle de emissões em vigor agora, os óleos lubrificantes CF-4 e CG-4 foram desenvolvidos para uso de um combustível com baixo teor de enxofre em motores de veículos em estradas. Quando um motor de um veículo fora da estrada roda com combustível com alto teor de enxofre, é recomendável aplicar o óleo lubrificante CF, CD ou CE com um número de base total (TBN) alto. Caso o óleo lubrificante CF-4 ou CG-4 for usado com um combustível com alto teor de enxofre, troque o óleo lubrificante em intervalos curtos.

- É recomendado óleo lubrificante quando é aplicado um combustível com baixo ou alto teor de enxofre.

Classe do óleo lubrificante	Combustível		Observações
	Baixo teor de enxofre (0.5 % ≥)	Alto teor de enxofre	
CF	O	O	TBN ≥ 10
CF-4	O	X	
CG-4	O	X	

O : Recomendado

X : Não recomendado

## LISTA DE VERIFICAÇÃO PRÉ-OPERACIONAL REFRIGERANTE DO MOTOR

### CUIDADO!

Não remova a tampa do radiador quando o motor estiver quente.

Para checar o nível de refrigerante do motor, abra e escure a Tampa do Motor (3) e observe o nível do refrigerante no Tanque de Recuperação de Refrigerante (6). Se o nível estiver baixo adicione anticongelante tipo automotivo apropriadamente diluído para o meio ambiente. Limpe o exterior do radiador e do resfriador de óleo lavando-os com água de baixa pressão ou usando ar comprimido a cada 30 horas. Nota de serviços: O resfriador de óleo se dobra para fácil limpeza.

## FILTRO DE AR DO MOTOR

Verifique o indicador de serviço do filtro de ar (5) antes de cada utilização da máquina. Não faça nenhum reparo no filtro de ar a menos que o sinal vermelho esteja visível no indicador de serviço.

### CUIDADO!

Quando estiver fazendo reparos nos elementos do filtro de ar do motor, tenha muito cuidado para evitar que o pó solto entre no motor. O pó pode danificar seriamente o motor.

O filtro de ar do motor contém um elemento de filtro Principal (externo) e um elemento de Segurança (interno). O elemento principal pode ser limpo duas vezes antes de ser substituído. O elemento de segurança deve ser substituído em cada terceira vez que o elemento principal for substituído. Nunca tente limpar o elemento de segurança interno.

Para limpar o elemento de filtro principal, abra os dois grampos no final do filtro de ar e remova o compartimento da extremidade. Retire o elemento principal. Limpe o elemento com ar comprimido (pressão máxima 100 psi) ou lave-o com água (pressão máxima 40 psi). NÃO ponha o elemento de volta no cartucho até que ele esteja completamente seco.

## COMBUSTÍVEL

### ADVERTÊNCIA!

- SEMPRE DESLIGUE O MOTOR ANTES DE ABASTECER O TANQUE DE COMBUSTÍVEL.
- NÃO FUME ENQUANTO ABASTECE O TANQUE DE COMBUSTÍVEL.
- ABASTEÇA O TANQUE DE COMBUSTÍVEL EM UM LOCAL BEM VENTILADO.
- NÃO ABASTEÇA O TANQUE DE COMBUSTÍVEL PRÓXIMO A FAÍSCAS OU CHAMA EXPOSTA.
- SÓ USE O COMBUSTÍVEL ESPECIFICADO NA ETIQUETA DO TANQUE DE COMBUSTÍVEL.

Em máquinas com motores a diesel, uma etiqueta próxima ao gargalo do tanque de combustível (14) mostra o tipo adequado de combustível para usar na máquina. Antes de remover a tampa do tanque, retire todo o pó e sujeira da tampa e da borda do tanque para manter o combustível o mais limpo possível.

Em máquinas com motores a propano, uma etiqueta próxima ao tanque contém informações específicas sobre o tipo adequado de tanque a ser usado na máquina.

## MOTOR A DIESEL

Abasteça o tanque com diesel número 2 se a máquina será usada em uma área onde a temperatura seja de 30° F (0° C) ou mais. Se a temperatura estiver abaixo de 30° F (0° C), use o diesel número 1.

NOTA: Se o motor a diesel ficar sem nada de combustível, o sistema de combustível deve ser sangrado antes de dar partida no motor novamente. Para evitar esta situação, abasteça o tanque quando o medidor de combustível indicar 1/4 de tanque. A capacidade do tanque de combustível é 11 galões (42 litros).

## MOTOR A GLP

Monte um tanque a propano padrão de expurgo de líquido de 33lb padrão na máquina, conecte a mangueira de combustível e abra a válvula de corte no tanque. Use luvas quando conectar ou desconectar a mangueira de combustível. FECHÉ a válvula de serviço do tanque a propano quando a máquina não estiver em uso.

A máquina deverá ser inspecionada por pessoal qualificado regularmente, especialmente em relação ao tanque de GPL e suas conexões, como seja requerido pelos regulamentos nacionais ou regionais.

## INSTALAR AS ESCOVAS

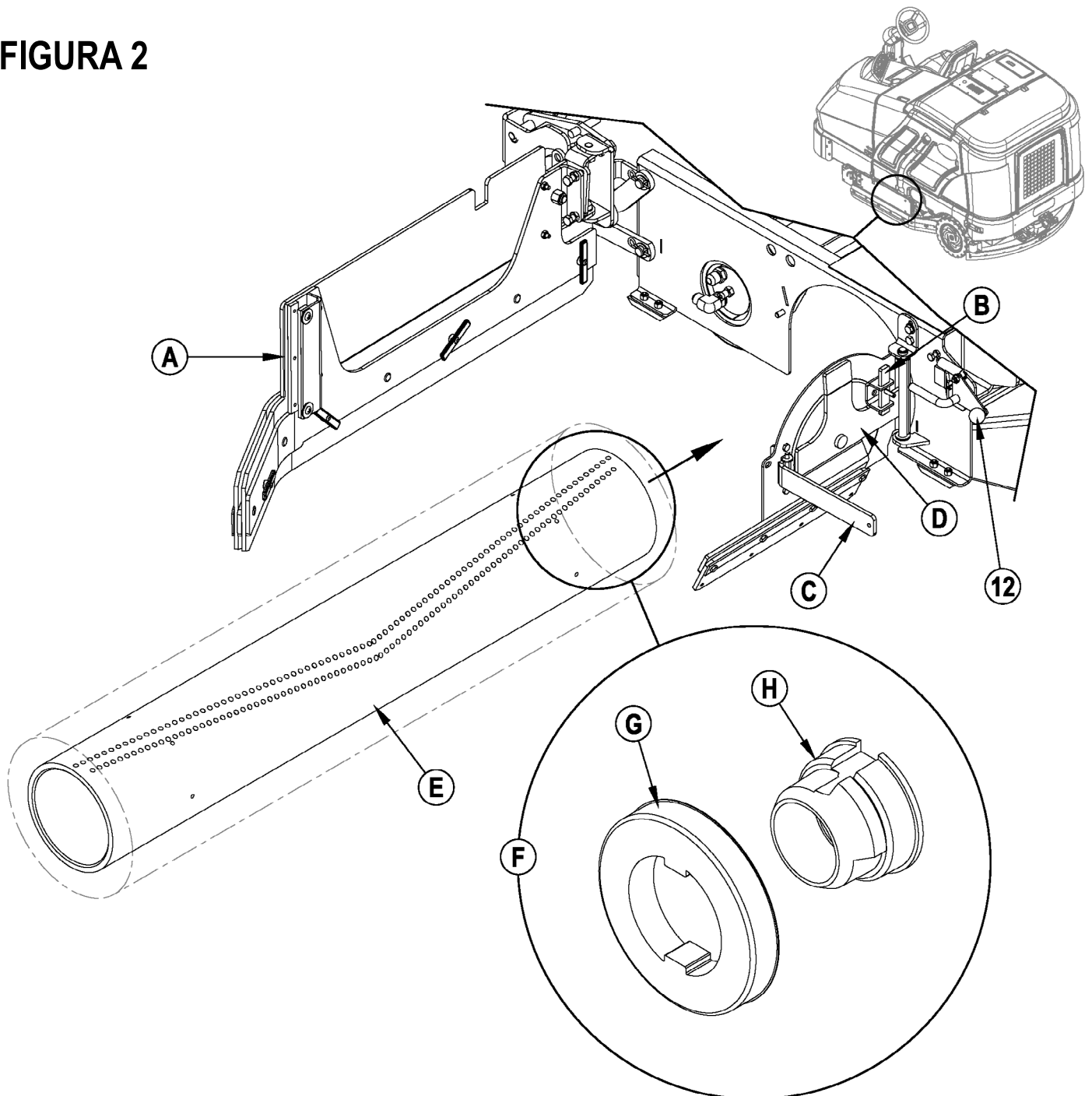
### ⚠ CUIDADO!

Desligue a ignição (O) e retire a chave antes de trocar escovas e antes de abrir qualquer painel de acesso.

- 1 Certifique-se de que a Plataforma de Lavagem esteja na posição ELEVADA, que a Ignição (50) esteja desligada (O) e que o Freio estacionário (28) esteja aplicado.
- 2 Ver Figura 2. Aperte a Trava da Saia Lateral (12 ou 32) e abra a Estrutura da Saia (A) como é mostrado.
- 3 Levante a trava (B), abra até fora a Alavanca (C) e puxe para abrir o Conjunto da Roda Livre (D).
- 4 Deslize a escova (E) para dentro do compartimento, levante lentamente, empurre-a e gire até assentar. **NOTA:** A Figura 2 mostra uma vista em primeiro plano (F) dos Olhais da Escova (G) e Cubo de Acionamento da Escova (H).
- 5 Feche o Conjunto de Roda Livre (D) enquanto segura a alavanca (C) a um ângulo de 90 graus de acordo com a Roda Livre.
- 6 Assim que o Conjunto de Roda Livre (D) estiver fechado, empurre a Alavanca (C) para dentro até que a Trava (B) possa ser deslizada de volta para baixo na frente dela.
- 7 Aperte para baixo a Trava da Saia Lateral (12 ou 32) e feche a Estrutura da Saia (A) e solte a Trava.

**NOTA:** Consulte esta seção quando estiver girando (invertendo ponta a ponta) as escovas de acordo com o cronograma de manutenção.

## FIGURA 2



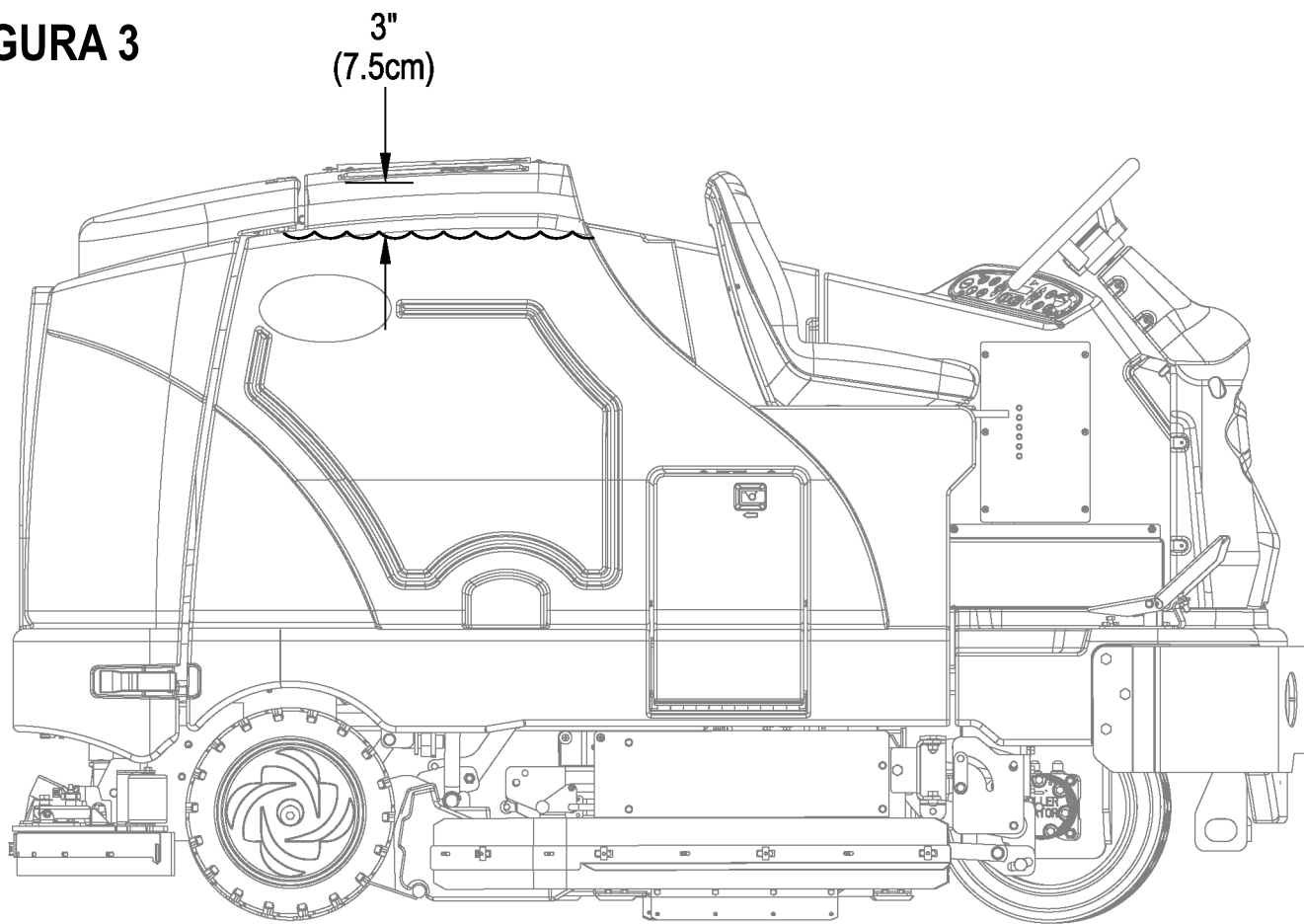
## ABASTECER O TANQUE DE SOLUÇÃO

Ver **Figura 3**. Abasteça o tanque de solução com no máximo 100 galões (378,54 litros) de solução de limpeza. Não encha o tanque de detergente acima de 7,5 cm (3 polegadas) partindo do fundo do local de abastecimento (2). A solução deve ser uma mistura de água e agentes químicos de limpeza adequados para o trabalho. Sempre siga as instruções de diluição contidas no rótulo do recipiente do agente químico. **NOTA:** Os equipamentos EcoFlex podem ser usados convencionalmente com o detergente misturado no tanque ou com o sistema de distribuição de detergente. Ao usar o sistema de distribuição de detergente, não misture detergente no tanque; em vez disso, use apenas água.

### **⚠ CUIDADO!**

Use apenas detergentes líquidos não inflamáveis e com baixa formação de espuma, destinados à aplicação do equipamento. A temperatura da água não deve exceder 130 graus Fahrenheit (54,4 graus Celsius).

**FIGURA 3**



## OPERAR A MÁQUINA

A SC8000 é uma máquina varredora de chão automática tipo condutor. Foi projetada para despejar a solução de limpeza, esfregar o chão e aspirar secos, tudo em uma passada.

Os controles na SC8000 foram projetados com *operação de um toque*. Para escovação de uma passada o usuário pode apertar apenas um botão e todas as funções de escovação serão ativadas na máquina.

NOTA: Os números em negrito entre parêntesis indicam um item ilustrado nas páginas 6 – 9.

**NOTA!:** CERTIFIQUE-SE DE QUE O PEDAL DO PÉ ESTEJA NA POSIÇÃO NEUTRA. O MOTOR NÃO FUNCIONARÁ SE O PEDAL DO PÉ NÃO ESTIVER NO NEUTRO.

## LIGAR O MOTOR A DIESEL

- 1 Gire a ignição (**50**) no sentido horário até a posição RUN (funcionar). As velas de incandescência irão se ativar por 10 segundos conforme indicado pelo indicador de atenção (**66**) e pelo ícone da vela de incandescência (**66d**) na tela. Se a máquina já estiver quente, gire a ignição até a posição ligar para rodar o motor. Se a máquina estiver fria, aguarde até o ícone da vela de incandescência e do indicador de atenção apagar antes de rodar o motor. O motor deve ligar imediatamente. Se o motor não ligar dentro de 15 segundos, solte a chave, aguarde por cerca de um minuto e repita os passos acima.
- 2 Deixe o motor rodar em marcha lenta "IDLE" por 5 minutos antes de usar a máquina.
- 3 Aperte o interruptor de velocidade do motor (**51**) para alternar para a velocidade "RUN" (de execução) e mova a máquina por 2 a 3 minutos em baixa velocidade para aquecer o sistema hidráulico.

## DAR PARTIDA NO MOTOR A GLP

- 1 Abra a válvula de serviço no tanque de combustível GLP.
- 2 Gire a chave de ignição (**50**) no sentido horário até a posição START / INICIAR e solte-a assim que o motor ligar. Se o motor não ligar após girar por 15 segundos, solte a chave, aguarde 1 minuto, depois tente novamente.
- 3 Deixe o motor rodar em marcha lenta "IDLE" por 5 minutos antes de usar a máquina.
- 4 Aperte o interruptor de velocidade do motor (**51**) para alternar para velocidade "RUN" (de execução) e mova a máquina por 2 a 3 minutos em baixa velocidade para aquecer o sistema hidráulico.

**SEMPRE opere a máquina com o Botão de Velocidade do Motor em aceleração "run" (de execução).** Use o **acelerador (29)** não o botão de velocidade do motor (**51**) para controlar a **velocidade** da máquina. A velocidade da máquina aumentará à medida que o pedal é empurrado para baixo. Não pressione o acelerador (**29**) até que o motor tenha ligado.

### Botão de velocidade do motor (51):

Há três configurações de velocidade do motor que podem ser selecionadas pelo botão de velocidade do motor (**51**) no painel de controle.

- 1 "Marcha lenta" (1200 RPM – Gasolina /GLP) (1300 RPM – Diesel). Use para aquecer e resfriar. A luz do botão de velocidade do motor estará apagada.
- 2 "Rodar" (2200 RPM). Use para transporte e a maioria das operações de escovação. A luz de velocidade do motor estará acesa.
- 3 "Máximo" (2400 RPM). Use somente para situações de carga pesada do motor como lavagem pesada em aclives. A luz de velocidade do motor estará acesa.
- 4 Para selecionar entre Ponto Morto e Rodar pressione e solte o botão de velocidade do motor.
- 5 Para selecionar a velocidade de Máxima, primeiro defina a velocidade para funcionar. Depois pressione e segure o botão de velocidade do motor por 2 segundos. Para voltar à velocidade Funcionar, pressione o botão novamente.
- 6 A SC8000 tem um recurso de marcha lenta automático que reduzirá a velocidade do motor para marcha lenta quando o pedal (**29**) ficar na posição neutra por 20 segundos ou mais. A velocidade selecionada do motor retomar automaticamente quando o pedal é movido da posição neutra. Se o botão de velocidade do motor (**51**) for pressionado estando em anulação do ponto morto, o recurso de ponto morto automático estará desativado temporariamente até a próxima vez que o pedal seja movido da posição neutra. Isto pode ser útil durante a resolução de problemas ou se for desejado deixar a máquina rodar na velocidade total para aquecimento.

## PREPARAÇÃO E USO DO SISTEMA DE DETERGENTE (APENAS MODELOS ECOFLEX)

Os cartuchos de detergente (24) estão localizados dentro do Compartimento do Cartucho de Detergente (30). Abasteça o cartucho de detergente com no máximo 2,2 galões (8,32 litros) de detergente. **NOTA DE MANUTENÇÃO:** Remova o cartucho de detergente da caixa de detergente antes de abastecê-lo para evitar derramar detergente sobre o equipamento.

Recomenda-se utilizar um cartucho individual para cada detergente que pretende usar. O cartucho de detergente tem um decalque branco, sendo assim, é possível escrever o nome de cada detergente em seus respectivos cartuchos para evitar misturá-los. Ao instalar um novo cartucho, remova a tampa (A) e coloque o cartucho na caixa de detergente. Instale a tampa Dry Break (B) como mostrado.

O sistema precisa sangrar o detergente anterior ao mudar para um detergente diferente. **NOTA DE MANUTENÇÃO:** Mova o equipamento sobre o ralo do piso antes da purga pois o processo expõe uma pequena quantidade de detergente.

### Para purgar quando trocar a solução química (O SISTEMA DE ESCOVAÇÃO DEVE ESTAR DESLIGADO):

- 1 Desconecte e remova o cartucho de detergente.
- 2 Gire a ignição (50) até a posição RUN (funcionar). Aguarde alguns segundos para a sequência de start-up (partida) acabar.
- 3 Pressione e segure o botão do detergente (61) por aproximadamente 2 segundos. Solte o botão quando o ícone de purga de químicos (E) aparecer na tela e o indicador no botão de detergente (61) começar a piscar. **NOTA:** Uma vez ativado, o processo de purga leva 20 segundos. Veja a ilustração na próxima página para os indicadores do sistema de detergente. Em geral, um ciclo de purga é adequado para limpar o sistema.

### Para purgar semanalmente (O SISTEMA DE ESCOVAÇÃO DEVE ESTAR DESLIGADO):

- 1 Desconecte e remova o cartucho de detergente. Instale e conecte um cartucho abastecido com água quente limpa.
- 2 Gire a ignição (50) até a posição RUN (funcionar). Aguarde alguns segundos para a sequência de start-up (partida) acabar.
- 3 Pressione e segure o botão do detergente (61) por aproximadamente 2 segundos. Solte o botão quando o ícone de purga de químicos (E) aparecer na tela e o indicador no botão de detergente (61) começar a piscar. **NOTA:** Uma vez ativado, o processo de purga leva 20 segundos. Veja a ilustração na próxima página para os indicadores do sistema de detergente. Em geral, um ciclo de purga é adequado para limpar o sistema.

A Caixa de Detergente (C) ranhuras para visualização do nível de detergente (D) para se ter uma referência da quantidade de detergente restante no(s) cartucho(s). Quando o nível de detergente estiver aproximando-se do fundo desta marca, é hora de reabastecer ou substituir o(s) cartucho(s).

### Proporção de detergente (O SISTEMA DE ESCOVAÇÃO DEVE ESTAR LIGADO):

A proporção de detergente de concentração mínima padrão é 256:1. A proporção de detergente de concentração máxima padrão pode ser ajustada pressionando e segurando o botão de detergente (61) por dois segundos. Assim que a luz do botão do detergente começar a piscar, solte-o. Enquanto o indicador estiver piscando, pressione e solte o botão de detergente e as proporções disponíveis aparecerão: (1:256, 1:200, 1:150, 1:128, 1:100, 1:64, 64:1, 50:1, 32:1, 26:1). Assim que a proporção desejada for exibida na tela (F), pare e a mesma será travada após 3 segundos.

- O ícone de mistura de detergente (F) será mostrado sempre enquanto o sistema de detergente estiver ligado.

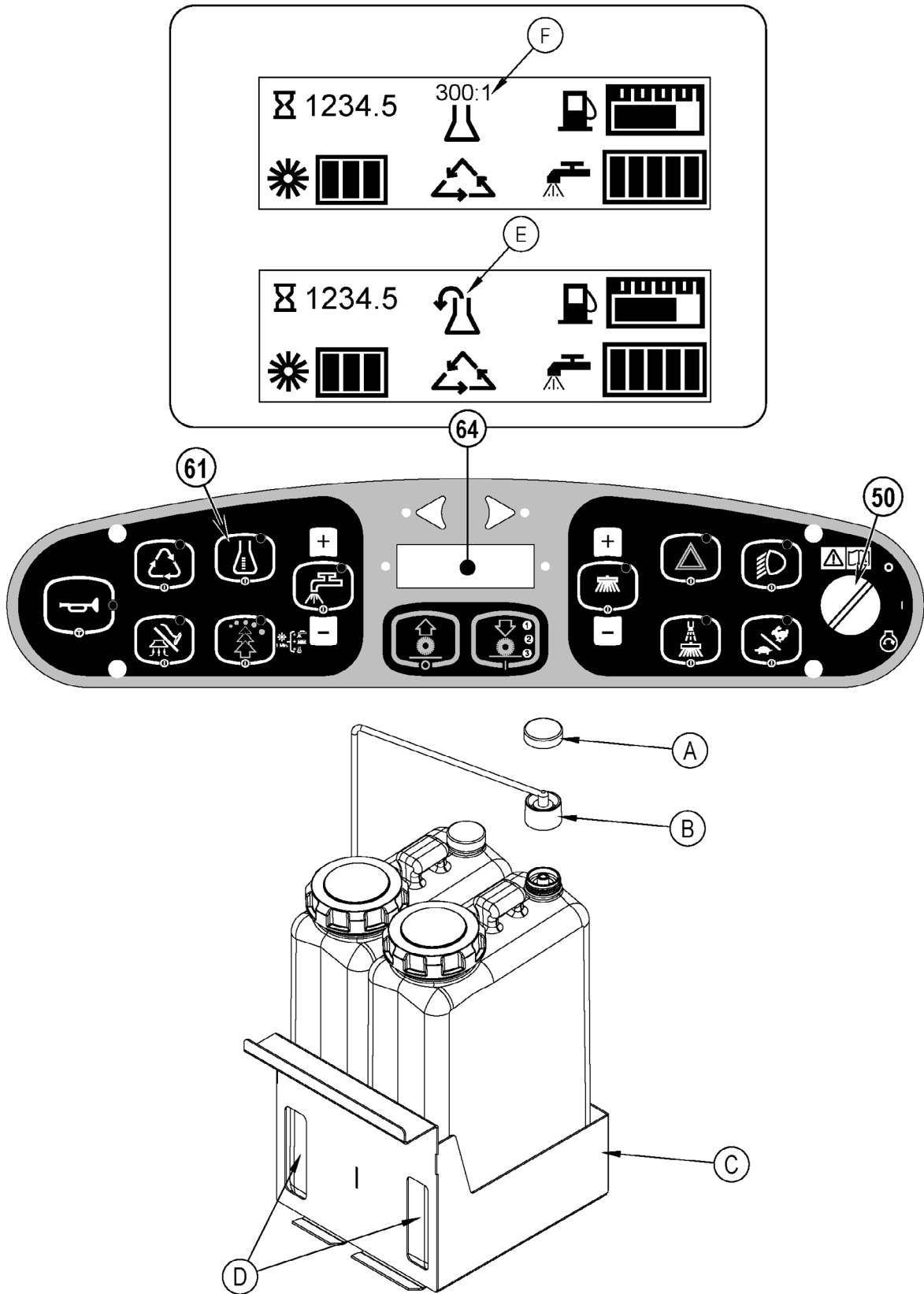
Uma vez definida, a taxa do fluxo de detergente aumenta e diminui automaticamente com a taxa de fluxo de solução, porém a proporção de detergente permanece a mesma. Se um operador preferir a flexibilidade de programar diferentes proporções de diluição de detergente para diferentes taxas de fluxo de solução, este programa específico pode ser encontrado no manual de serviço. Durante a escovação, o sistema de detergente pode ser desligado a qualquer momento pressionando o botão Liga/Desliga detergente (61) para possibilitar a escovação só com água. Não é dispensado detergente até que o sistema de escovação seja ativado e o acelerador (29) seja apertado.

**NOTA DE MANUTENÇÃO:** Siga as instruções "Para purgar semanalmente" acima se a máquina for armazenada por um longo período de tempo ou se você quiser parar o uso do sistema de detergente (EcoFlex).



PREPARAÇÃO E USO DO SISTEMA DE DETERGENTE (APENAS MODELOS ECOFLEX)

FIGURA 4



## ESCOVAÇÃO

### AVISO!

Certifique-se de entender os controles do operador e suas funções.

Evite freadas bruscas em rampas ou subidas quando estiver carregado. Evite curvas fechadas. Use baixa velocidade em declives.

#### Para escovar...

Siga as instruções dadas na seção preparar a máquina para uso deste manual. Ligue a máquina seguindo as instruções na seção apropriada "Ligar a ... máquina".

- 1 **Veja a figura 5.** Ao sentar-se no equipamento, ajuste o assento e o volante de acordo com uma posição de operação confortável usando os controles de ajuste (18 e 27).
- 2 Solte o freio estacionário (28). Para transportar a máquina até a área de trabalho, aplique uma pressão com seu pé na frente do acelerador (29) para ir para frente ou na parte traseira do pedal para ir para trás. Varie a pressão sobre o pedal para obter a velocidade desejada.
- 3 Pressione o Botão de Solução (56) e segure-o por 5 segundos para umedecer o piso. **NOTA:** Isto ajudará a evitar deixar marcas na superfície do piso ao iniciar a escovação com as vassouras secas. Isso deve ser feito antes de pressionar o botão Ligar Lavagem (54).
- 4 Pressione o Botão Ligar Lavagem (54) uma vez para lavagem leve (1), duas vezes para lavagem média (2) ou três vezes para lavagem pesada (3). Tanto o fluxo de detergente como o fluxo de solução (modelos EcoFlex) possuem 3 predefinições que coincidem com os 3 modos de lavagem (veja Painel da tela (64)). A pressão da escova de lavagem lateral direita também é afetada quando este botão é pressionado.
 

**NOTA:** A taxa de fluxo de solução pode ser anulada simplesmente ao pressionar os botões de aumento ou diminuição do fluxo de solução (56a / 56b). Qualquer ajuste subsequente de pressão na escova redefinirá a taxa de fluxo de solução de acordo com a pressão de lavagem.

**NOTA:** Os sistemas de lavagem, solução, aspiração detergente (modelos EcoFlex) e vassoura lateral são ativados automaticamente quando o Botão LIGAR Lavagem (54) é pressionado. Qualquer sistema individual pode ser desativado e reativado com a pressão de sua chave correspondente a qualquer momento durante a lavagem. Se você tem o Kit de Escovação Estendida instalado, ele não será ativado automaticamente. Você deve pressionar o Botão de Escovação Estendida (60) para ativar este sistema. O sistema de Escovação Estendida não ligará até que o nível da água no tanque de recuperação atinja um certo nível e a solução de limpeza tenha sido totalmente consumida.
- 5 Quando o Botão de LIGAR Lavagem (54) é selecionado, as escovas, rodo e vassouras laterais são automaticamente abaixadas até o chão. Os sistemas de lavagem, solução, aspiração, detergente (Modelos EcoFlex) e vassoura(s) lateral(ais) se ativam, quando o Acelerador (29) é ativado.
 

**NOTA:** Quando estiver operando a máquina de ré, o rodo levanta-se automaticamente e o fluxo de solução é interrompido.
- 6 Comece a lavagem dirigindo a máquina para frente, em linha reta, em velocidade de caminhada normal e cubra cada trajeto com 2-3 polegadas (5.08-7,62cm). Ajuste a velocidade da máquina e o fluxo de solução quando necessário de acordo com a condição do piso.
 

A altura da vassoura lateral pode ser ajustada pressionando os Botões (53a/53b)DOWN (para baixo) e UP (para cima). A(s) vassoura(s) lateral(s) retornarão à última posição usada, cada vez que o sistema de varrer for ligado. As vassouras laterais possuem uma função de vaporização (Dust Guard) (52) para usar em condições de muito pó. **NOTA:** O "Dust Guard" (52) liga automaticamente com as Vassouras Laterais (53) mas pode ser desligado pressionando (52). **NOTA:** Se sua máquina for equipada com Escovação Estendida, o "Dust Guard" se desligará quando a máquina funciona sem solução de limpeza.

### CUIDADO!

Para evitar danificar o solo, mantenha a máquina em movimento enquanto as escovas estiverem em rotação (as escovas vão DESLIGAR depois de 2 segundos quando o acelerador for colocado na posição neutra).

Eleve a plataforma de escovação e a escova lateral, se equipado, quando passar por redutores de velocidade. Não tente operar a plataforma de escovação ou a escova lateral na posição abaixada quando for cruzar redutores de velocidade. A pressão hidráulica comprime-se nas escovas e tentar operar no modo de escovação sobre um redutor de velocidade pode causar danos à máquina.

- 7 Durante a lavagem, verifique ocasionalmente a parte traseira do equipamento para ver se a água residual está sendo coletada. Se houver um rastro de água atrás do equipamento, talvez você esteja aplicando muita solução, ou o tanque de recuperação pode estar cheio ou o instrumento do rodo precisa ser ajustado.
- 8 O equipamento entra em modo de lavagem padrão EcoFlex (se o detergente estiver instalado) (o indicador do botão EcoFlex está aceso), conservando solução e detergente. Pressione o botão de sobrecarga de energia EcoFlex (57) para anular o modo de lavagem EcoFlex e aumentar temporariamente a pressão de lavagem, a vazão de solução e a proporção de detergente. Isto fará o indicador piscar por 1 minuto, a taxa de fluxo da solução aumentar para o próximo nível, a pressão da escovação aumentar para o próximo nível e a proporção de detergente aumentará para a próxima próxima proporção mais alta, partindo da última usada (o sistema de detergente será ligado se estava desligado). **NOTA:** Pressionar e segurar o botão de sobrecarga de energia (57) por 2 segundos desativa o sistema EcoFlex. A única maneira de reativá-lo é pressionar novamente o botão EcoFlex (57). Girar a chave de ignição (50) não reativa o sistema. O sistema EcoFlex só funcionará se o sistema de lavagem (54) estiver ativado.
- 9 Para pisos extremamente sujos, talvez uma única operação de lavagem não seja satisfatória, exigindo então uma operação de lavagem dupla. Esta operação é a mesma como a lavagem única, exceto que na primeira passada o rodo está na posição elevada (pressione o Botão de Aspiração (58) para levantar o rodo). Isso permite que a solução de limpeza atue por mais tempo sobre o piso. As saias laterais (13 e 31) também podem ser erguidas para dupla escovação se necessário com os Suportes da Saia (20). A passada final é feita sobre a mesma área, com o rodo e saias abaixados para coletar a solução acumulada.
- 10 O tanque de recuperação possui um flutuador de corte que faz com que TODOS os sistemas sejam DESATIVADOS quando o tanque de recuperação está cheio. Quando este flutuador de corte está ativado, o tanque de recuperação precisa ser esvaziado. O equipamento não coletará água nem escovará com o flutuador ativado.
 

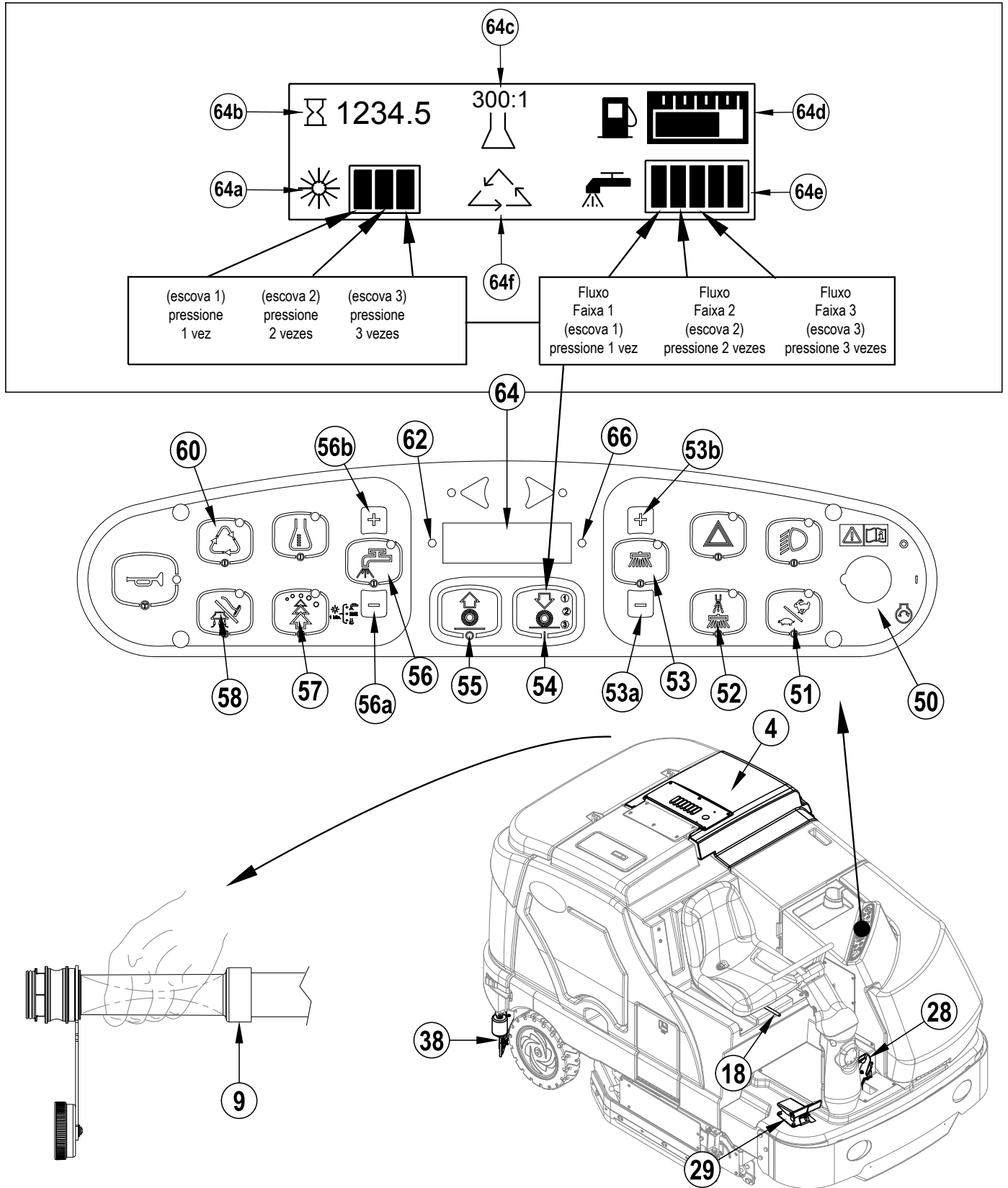
**NOTA:** A luz do indicador de Atenção (66) acenderá em AMARELO e o ícone de Tanque de Recuperação Cheio (66e) aparecerá quando o flutuador de corte for ativado. Se o controle mostrar indicação de cheio repetidamente quando o tanque não estiver cheio, cheque para ter certeza que os flutuadores de corte se movem livremente.
- 11 Quando o operador quiser parar de escovar, pressione o botão Desligar Escovação (55) uma vez. Isto interromperá automaticamente as escovas de limpeza, a(s) vassoura(s) lateral(s), o fluxo de solução e o fluxo de detergente. A plataforma de escovação e a(s) vassoura(s) lateral(s) serão levantadas. O rodo levantará após um breve período de tempo e a aspiração parará após um breve atraso (isto para permitir qualquer água remanescente ser recolhida sem ter que ligar a aspiração novamente).
- 12 Leve a máquina para um "LOCAL DE DESPEJO" de água suja e esvazie o tanque de recuperação. Para esvaziar, puxe a Mangueira de Drenagem (9) de sua área de armazenagem e depois remova o plugue (segure a ponta da mangueira acima do nível da água no tanque para evitar um esguicho de água residual). A mangueira de drenagem do tanque de recuperação (9) pode ser apertada para regular o fluxo. Reabasteça o tanque de solução e continue a escovação.
 

**NOTA:** Certifique-se de que a tampa do tanque de recuperação (4) e a tampa da mangueira de drenagem do tanque de recuperação (9) estejam devidamente vedadas ou o equipamento não coletará a água corretamente.

**NOTA DE MANUTENÇÃO:** Consulte o manual de serviço para capacidade de programação opcional.

OPERAR A MÁQUINA

FIGURA 5



## APÓS O USO

- 1 Ao terminar a lavagem, pressione o botão Desligar Lavagem (55). Isto automaticamente sobe, retrai e para todos os sistemas da máquina (escova, rodo, aspiração, solução e detergente (modelos EcoFlex)). Em seguida direcione a máquina para uma área de serviço para manutenção diária e revisão de outros serviços de manutenção necessários.
- 2 Para esvaziar o tanque de solução, remova a Mangueira de drenagem de solução (37) do seu grampo de armazenagem. Direcione a mangueira para um "LOCAL DE DESCARTE" designado e remova a tampa. Lave o tanque com água limpa.
- 3 Para esvaziar o tanque de recuperação, puxe a Mangueira de drenagem do tanque de recuperação (9) da sua área de armazenagem. Direcione a mangueira para um "LOCAL DE DESCARTE" designado e remova o plugue (segure a ponta da mangueira acima do nível de água no tanque para evitar um esguicho de água residual). A mangueira de drenagem do tanque de recuperação pode ser apertada para regular o fluxo. Lave o tanque de recuperação com água limpa. Inspeccione as mangueiras de recuperação e aspiração; substitua-as se estiverem cortadas ou danificadas.
- 4 Remova as escovas, retire fiapos ou detritos que estejam enrolados nas mesmas, lave-as em água morna e pendure-as pelas pontas para secarem. NOTA: As escovas devem ser invertidas "de ponta a ponta" e viradas "de frente para trás" diariamente para terem um ciclo de vida mais duradouro.
- 5 Remova o rodo, lave-o com água morna e reinstale-o na montagem.
- 6 Remova a Tremonha (33) e limpe-a completamente. Remova da lateral direita da máquina abrindo a saia, desconectando a mangueira de aspiração e depois retirando-a. NOTA: Conecte a mangueira de aspiração novamente após a reinstalação.
- 7 Verifique o cronograma de manutenção abaixo e execute qualquer tarefa de manutenção necessária antes de armazenar a máquina.

## DESLIGAR O MOTOR A DIESEL

- 1 Coloque todos os controles na posição DESLIGADO.
- 2 Levante as escovas de limpeza, o rodo e as vassouras.
- 3 Empurre o Botão de Velocidade do Motor (51) para trocar para marcha "lenta" e deixe o motor na lenta por 30 segundos.
- 4 Aplique o freio estacionário (28).
- 5 Desligue o botão da ignição(50) e retire a chave.

## DESLIGAR O MOTOR A GLP

- 1 Coloque todos os controles na posição OFF / DESLIGADO.
- 2 Levante as escovas de limpeza, o rodo e as vassouras.
- 3 Desligue a válvula de serviço no tanque de combustível GLP.
- 4 Empurre o Botão de Velocidade do Motor (51) para trocar para marcha "lenta" e deixe o motor na lenta até que todo o gás GLP seja expelido da linha.
- 5 Aplique o freio estacionário (28).
- 6 Desligue o botão da ignição(50) e retire a chave.

**NOTA IMPORTANTE:** Durante a operação normal, o motor continuará a rodar por curto período de tempo (de 1 a 3 segundos) depois de desligar a ignição até que todo combustível seja expelido do sistema de combustível.

## CRONOGRAMA DE MANUTENÇÃO

Obtenha o máximo rendimento de sua máquina seguindo estritamente o cronograma de manutenção. Os intervalos de manutenção fornecidos aqui são para condições operacionais normais. **As máquinas usadas em condições operacionais severas podem necessitar de manutenção mais frequente.**

ITEM DE MANUTENÇÃO	DIARIAMENTE	SEMANALMENTE
Executar os passos de manutenção "Após o uso"	X	
Verificar o freio estacionário	X	
Verificar o óleo do motor	X	
*Verificar/limpar/girar e inverter as escovas	X	
Checar luzes e indicador do filtro (hidr. e de ar)	X	
Checar nível de refrigerante do motor	X	
Verificar o nível do óleo hidráulico	X	
Verificar/drenar/limpar tanques e mangueiras	X	
Verificar/limpar o rodo	X	
Limpar a tremonha	X	
Purgar o sistema de detergente (EcoFlex somente)		X
Inspeccionar placas do palete do cabeçote da escova principal (substituir se estiver gasto para 1/8")		X

ITEM DE MANUTENÇÃO	15 hrs.	30 hrs.	150 hrs.	300 hrs.	500 hrs.	1000 hrs.
Inspeccionar e limpar o filtro de solução	X					
Limpar o radiador e o resfriador de óleo		X				
Manutenção da vassoura lateral		X				
Limpar canal de solução		X				
Inspeccionar saias do compartimento da escova		X				
Realizar manutenção no motor			X			
Inspeccionar e engraxar a barra de direção			X			
Trocar o filtro de óleo de "carga" hidráulica						X
Trocar filtro e óleo hidráulico do reservatório						X
Lavar o radiador						X
Filtro(s) de combustível do motor - GLP						X

\* Ver seção "INSTALAR AS ESCOVAS".

## LUBRIFICAR A MÁQUINA - FIGURA 6

Uma vez ao mês, bombeie uma pequena quantidade de graxa em cada graxeira na máquina até que a graxa infiltre ao redor dos rolamentos.

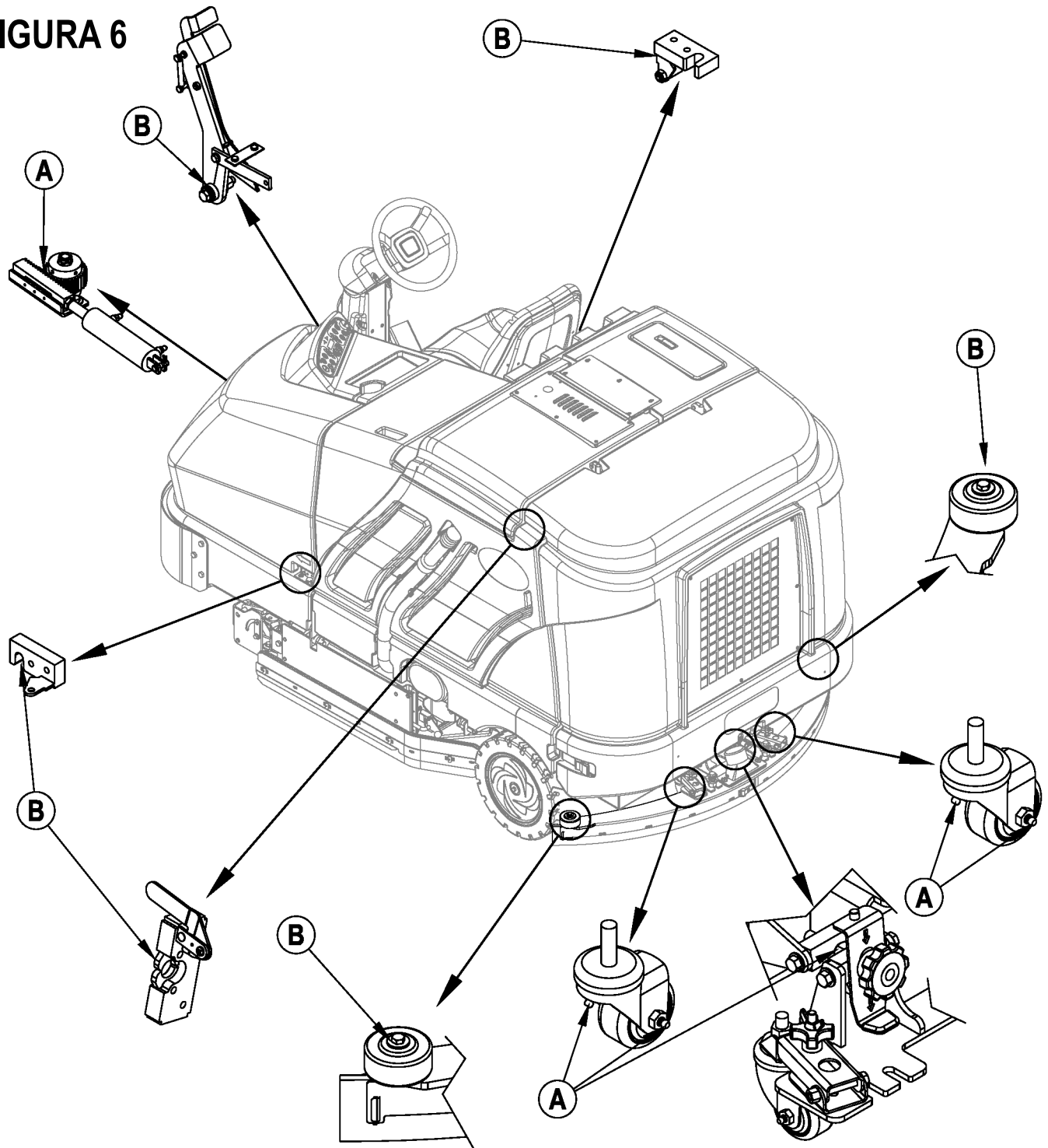
### Locais para engraxar (ou aplique graxa em) (A):

- Pivô e eixo da roda do rodo
- Barra de direção
- Roscas do botão de ajuste do ângulo da montagem do rodo

### Injete mensalmente óleo de máquina leve para lubrificar o (B):

- Rodas finais da ferramenta do rodo
- Trava da tampa do tanque de combustível
- Trava do tanque de recuperação
- Trava da tampa Ecoflex
- Articulação do pedal do freio (freio estacionário)

## FIGURA 6



## MANUTENÇÃO DA VASSOURA LATERAL

A(s) vassoura(s) lateral(is) tira(m) a sujeira e resíduos de paredes ou meio-fio e do trajeto das vassouras principais. Ajuste as vassouras laterais para que as cerdas façam contato com o solo desde a área (A) até a área (B) como mostrado na **Figura 7** quando a vassoura estiver para baixo e funcionando.

Para ajustar as vassouras laterais...

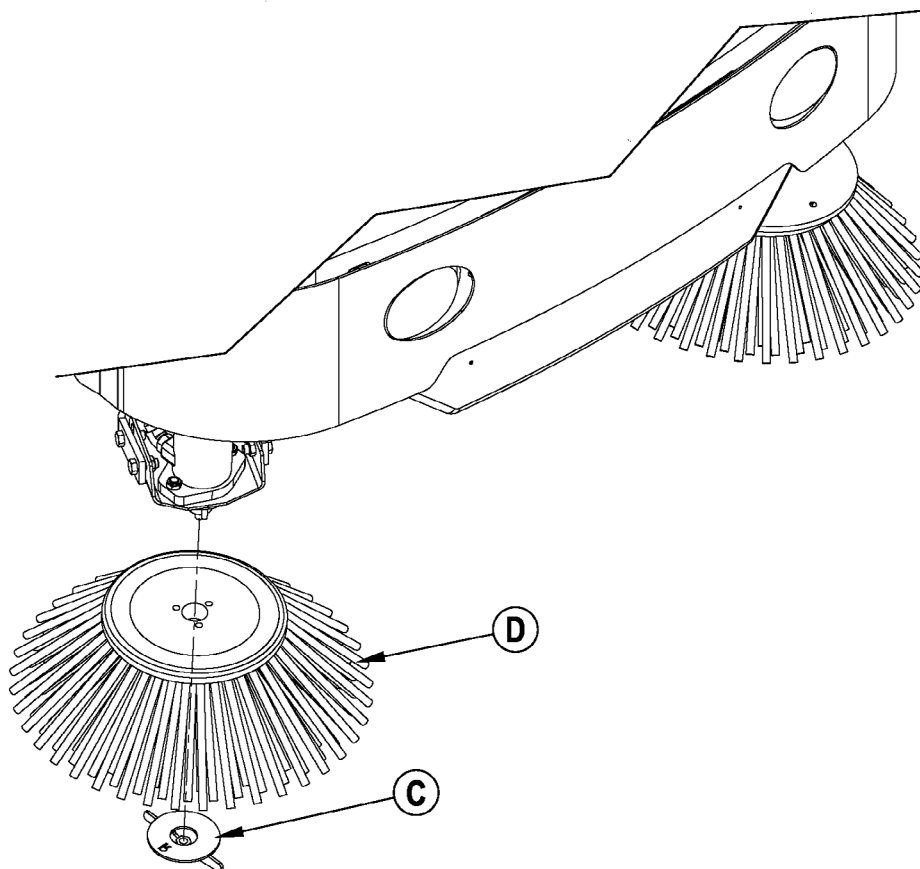
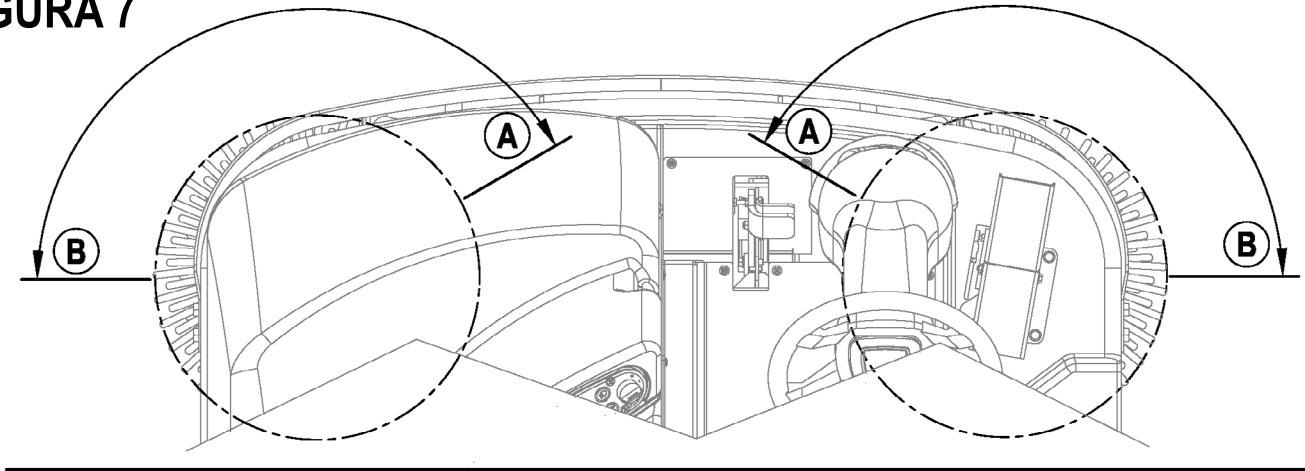
- 1 As vassouras laterais são ajustadas simplesmente ao pressionar tanto o Botão Abaixar Vassoura Lateral (**53a**) quanto o Botão Levantar Vassoura Lateral (**53b**). NOTA: O ajuste da vassoura se reinicia cada vez que as vassouras são abaixadas, porém o ajuste será necessário à medida do seu desgaste ou se forem substituídas.

**NOTA:** A máquina deve ser armazenada com as Vassouras laterais na posição elevada. As vassouras laterais devem ser substituídas quando as cerdas estiverem gastas em uma faixa de 3 polegadas (7,62 cm) ou caso se tornem ineficazes. As vassouras laterais devem ser substituídas em pares devido a que não podem ser ajustadas independentemente na altura apropriada.

Para substituir a vassoura lateral...

- 1 Levante a(s) vassoura(s) lateral(is).
- 2 Remova a porca borboleta grande (C) e remova a Vassoura Lateral (D). NOTA: A porca borboleta do lado direito (C) tem a rosca para a direita e a porca borboleta do lado esquerdo (C) tem a rosca para o lado esquerdo.
- 3 Instale a nova vassoura escorregando-a para CIMA no eixo e reinstalando a porca borboleta (C).

## FIGURA 7



## MANUTENÇÃO DO RODO

Se o rodo deixar um rastro de estrias ou água, as pás podem estar sujas ou danificadas. Retire o rodo, passe-o em água morna e inspecione as pás. Inverta ou substitua as pás se estiverem rompidas, quebradas, onduladas ou gastas.

### Para inverter ou substituir a pá de limpeza do rodo traseiro...

- 1 Ver Figura 8. Levante o equipamento do rodo do chão, em seguida solte a trava central (A) no equipamento do rodo.
- 2 Remova as Tiras de tensão (B).
- 3 Deslize a pá traseira para fora dos pinos de alinhamento.
- 4 A pá do rodo possui 4 arestas de trabalho como mostra abaixo. Rode a pá de forma que uma das arestas limpas e não danificada fique voltada para a parte dianteira do equipamento. Substitua a pá se as 4 arestas estiverem rompidas, gastas ou rasgadas em grande escala.
- 5 Monte a pá, seguindo os passos em ordem inversa e ajuste a inclinação do rodo.

### Para inverter ou substituir a pá do rodo frontal...

- 1 Erga o instrumento do rodo do chão, afrouxe as (2) Chaves de Montagem do Rodo (40) na parte superior do mesmo e remova o equipamento do rodo (38) da montagem.
- 2 Remova ambas as Tiras de tensão antes.
- 3 Remova todas as porcas-borboletas que prendem a pá frontal no lugar, em seguida remova a tira de tensão e a pá.
- 4 A pá do rodo possui 4 arestas de trabalho como mostra abaixo. Rode a pá de forma que uma das arestas limpas e não danificada fique voltada para a parte dianteira do equipamento. Substitua a pá se as 4 arestas estiverem rompidas, gastas ou rasgadas em grande escala.
- 5 Monte a pá, seguindo os passos em ordem inversa e ajuste a inclinação do rodo.

**NOTA DE MANUTENÇÃO:** Dependendo da posição das Chaves de Montagem do Rodo (40), talvez você não consiga girar a chave o suficiente para afrouxar ou apertar dependendo do que está tentando fazer. Neste caso, simplesmente levante o Cabo (C) e gire a chave na direção necessária para atingir espaço suficiente para o giro e depois deixe a chave cair de volta para baixo no lugar no hexagonal. Então você pode apertar ou afrouxar conforme necessário.

## AJUSTE DO RODO

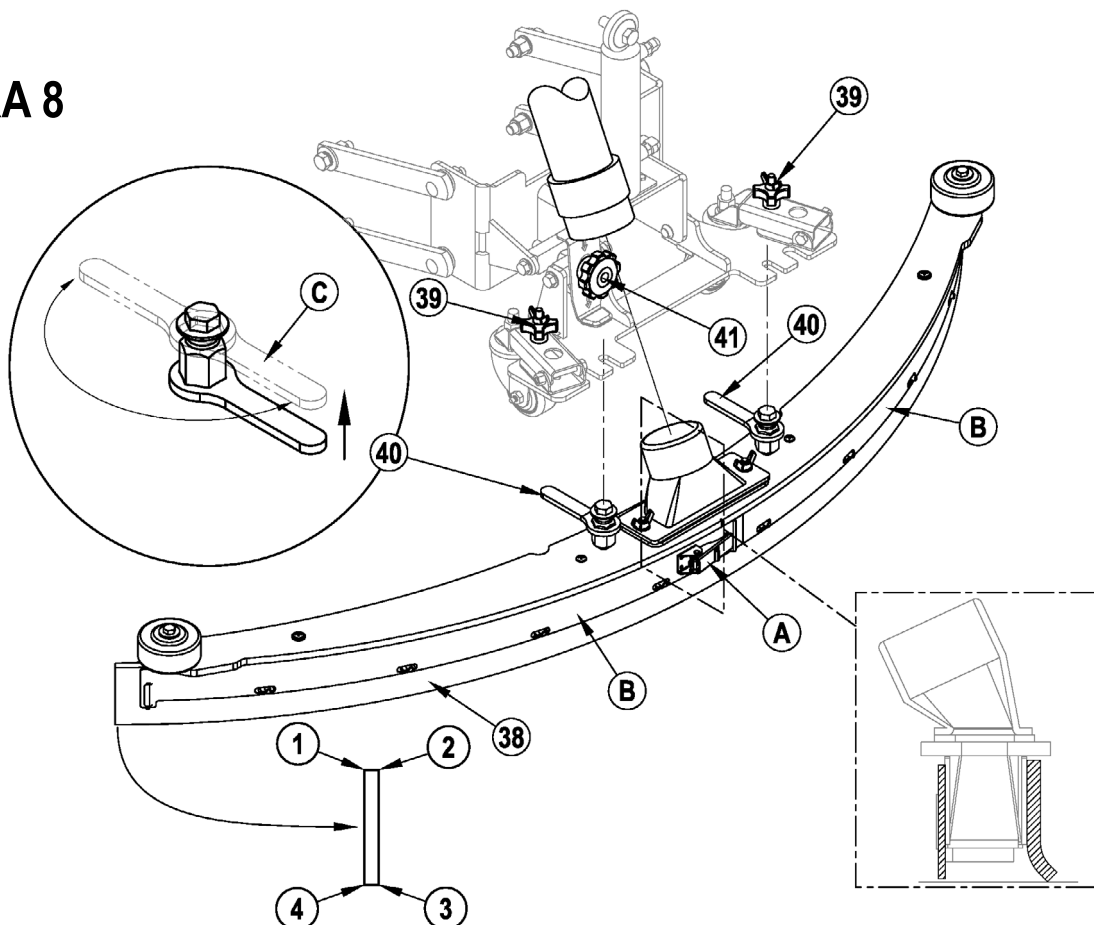
Existem dois ajustes do instrumento de rodo possíveis, ângulo e altura.

### Ajuste do ângulo do rodo

Regule o ângulo do rodo sempre que uma pá for invertida ou substituída, ou se o rodo não estiver secando o piso.

- 1 Estacione a máquina em uma superfície uniforme, plana.
- 2 Abaix o rodo, mova o equipamento um pouco para frente e ajuste a inclinação e altura do rodo usando o Botão de ajuste de inclinação do rodo (41) e os Botões de ajuste de altura do rodo (39) para que a lâmina traseira do rodo toque o chão de maneira uniforme por toda sua largura e fique um pouco inclinada como mostrado na seção transversal do rodo.

FIGURA 8



## MANUTENÇÃO DA SAIA LATERAL

### ⚠ CUIDADO!

Desligue a ignição (O) e retire a chave antes de trocar as escovas e antes de abrir qualquer painel de acesso.

A função da saia lateral é canalizar a água residual para o rodo, ajudando a conter a água dentro das máquinas de limpeza do caminho. Durante condições normais de uso as pás se desgastarão com o tempo.

**Para inverter ou mudar de lugar a(s) saia(s) lateral(ais) do sistema de limpeza ...**

- 1 Ver Figura 9. Aperte a Trava da Saia Lateral (12 ou 32) e abra a Estrutura da Saia (A) como é mostrado.
- 2 Remova todos os dispositivos que prendem as pás nos compartimentos da pá. **NOTA:** As pás principais em cada compartimento de saia são presas nos Retentores sem ferramentas. Basta soltar as porcas-borboletas grandes (B) e girar os Botões (C) pelo lado de fora do compartimento da saia até que estejam na horizontal e empurrar através das ranhuras. A Pá interna pequena (D) é segurada por (4) parafusos.
- 3 As pás da saia possuem 4 arestas de trabalho como mostrado abaixo. Gire as pás de forma que uma das arestas limpas e não danificada fique voltada para o centro do equipamento. Substitua as pás como conjunto se todas as 4 bordas estiverem rompidas, rasgadas ou excessivamente desgastadas.

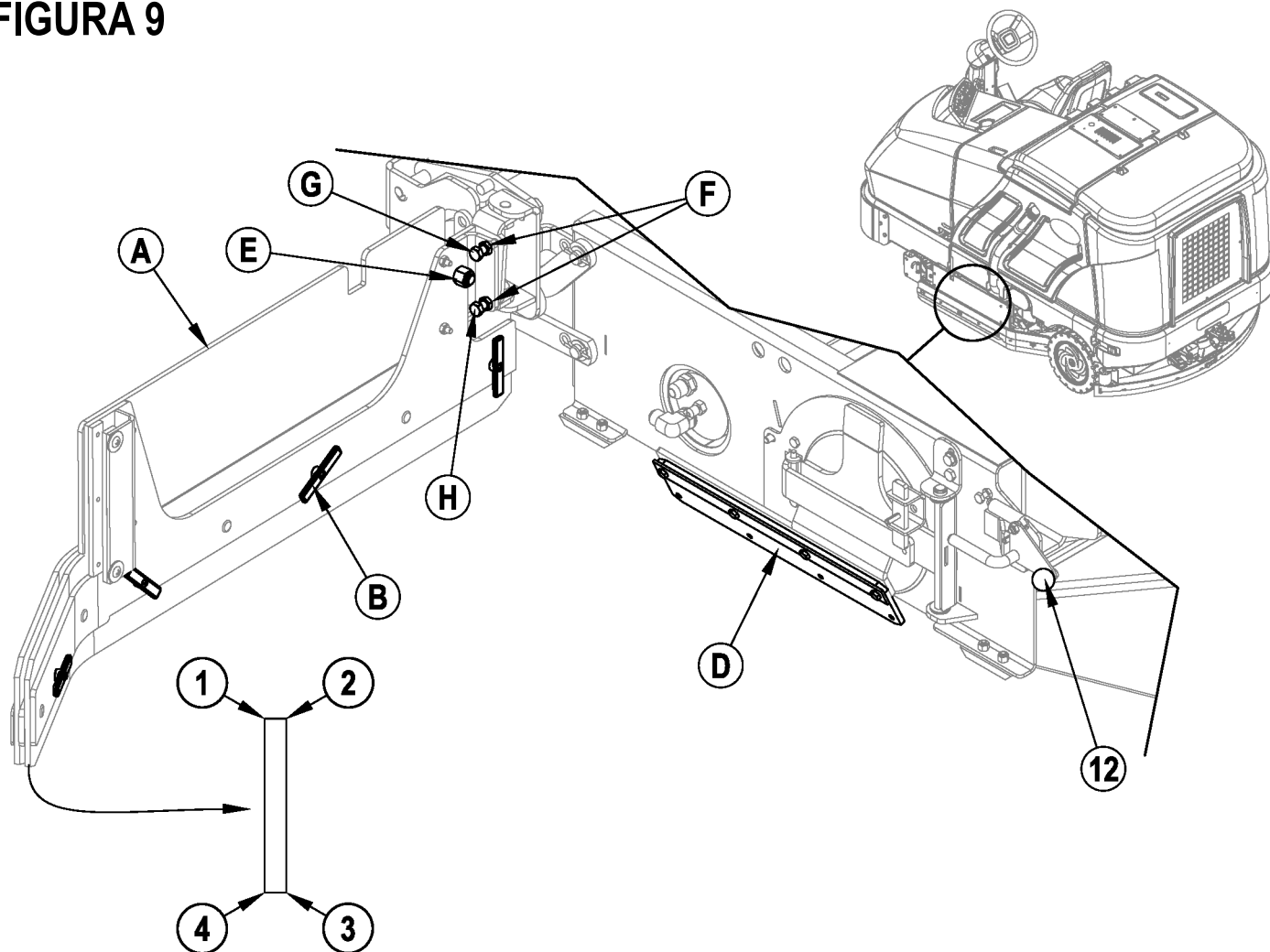
## AJUSTE DA INCLINAÇÃO DA SAIA LATERAL

Os conjuntos das saias laterais podem precisar de ajuste de inclinação periodicamente em relação ao solo.

- 1 Certifique-se de que a plataforma de escovação esteja na posição elevada.
- 2 Para ajustar, afrouxe a Porca (E), as Porcas (F) e depois gire os Parafusos (G e H) como segue:  
Gire o parafuso (G) no sentido horário e o Parafuso (H) no sentido anti-horário para abaixar a parte de trás do conjunto da saia.  
Gire o parafuso (G) no sentido anti-horário e o Parafuso (H) no sentido horário para levantar a parte de trás do conjunto da saia.

**NOTA:** O ajuste de inclinação inicial deve estar paralelo ao solo com a plataforma levantada. Faça pequenos ajustes para obter uma boa limpeza da pá. Não abaixe demais a parte de trás das pás onde dobras excessivamente e causam um desgaste desnecessário.

### FIGURA 9

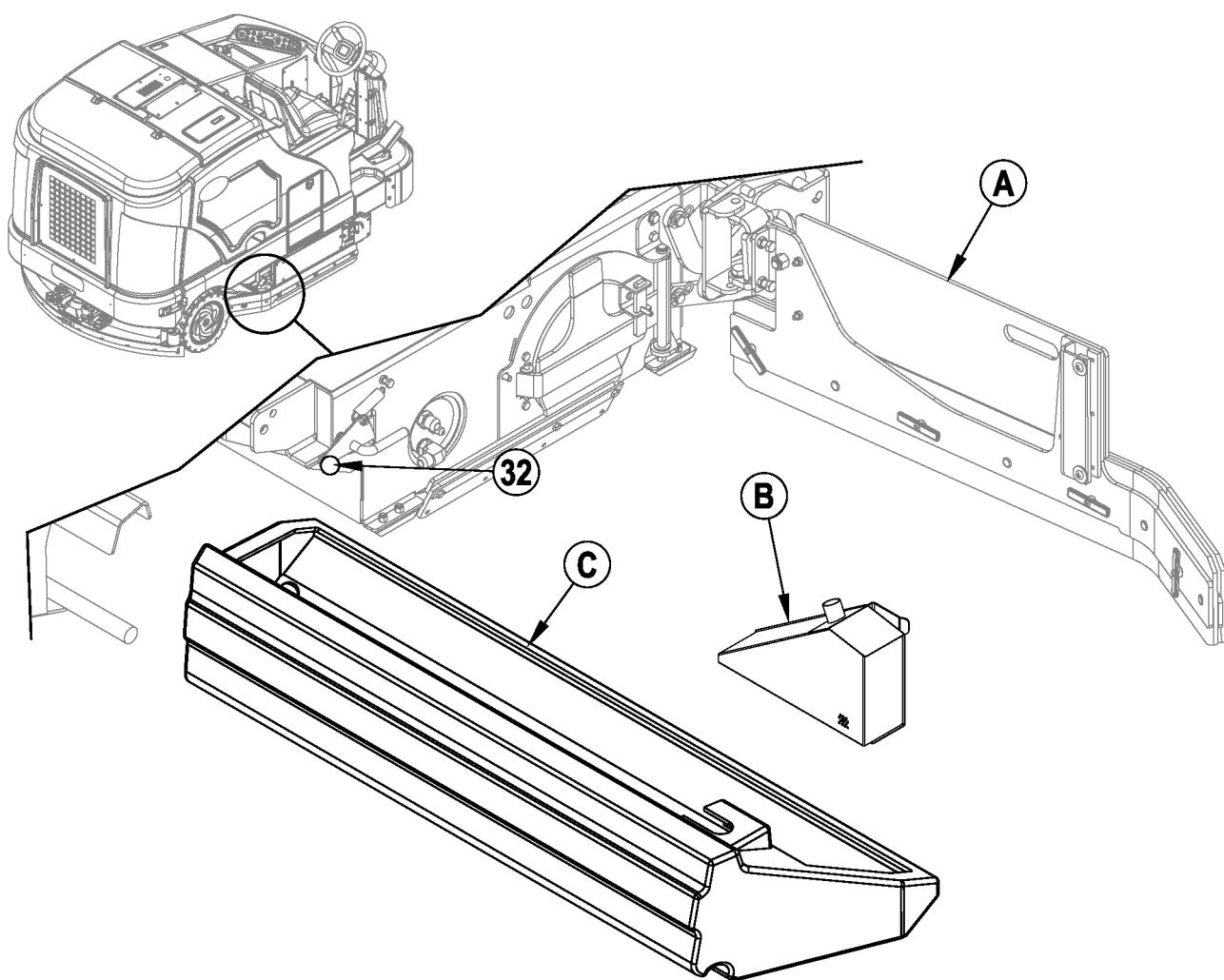




**MANUTENÇÃO DA TREMONHA DE DETRITOS****⚠ CUIDADO!**

Desligue a ignição (O) e retire a chave antes de qualquer painel de acesso.

- 1 Ver Figura 10. Aperte a Trava da Saia Lateral Direita (32) e abra a Estrutura da Saia (A) como é mostrado.
- 2 Desconecte a mangueira pequena de aspiração da Tela (B) e deslize a Tremonha toda (C) para fora da máquina.
- 3 Remova a Tela (B) da Tremonha (C) e lave-as (tela e tremonha) bem para remover os detritos.

**FIGURA 10**

## RESOLUÇÃO DE PROBLEMAS

Caso as possíveis causas listadas abaixo não sejam a fonte do problema, deve ser um sintoma de algo mais sério. Contate seu centro de atendimento da Advance imediatamente.

### DESCONEXÃO DOS DISJUNTORES

Os disjuntores estão localizados no painel do disjuntor no compartimento do operador; eles protegem circuitos elétricos e motores de danos devido a condições de sobrecarga. Se houver a desconexão de um disjuntor, tente determinar a causa.

A possível causa do disjuntor VACC1 (CB1 / 20 Amp) pode ser:

- 1 Curto-circuito elétrico (peça ao seu Centro de Serviço da Advance ou a um electricista qualificado para verificar a máquina).

A possível causa do disjuntor VACC2 (CB2 / 20 Amp) pode ser:

- 1 Curto-circuito elétrico (peça ao seu Centro de Serviço da Advance ou a um electricista qualificado para verificar a máquina).

A possível causa do disjuntor VACC3 (CB3 / 15 Amp) pode ser:

- 1 Curto-circuito elétrico (peça ao seu Centro de Serviço da Advance ou a um electricista qualificado para verificar a máquina).

A possível causa do disjuntor VACC4 (CB4 / 20 Amp) pode ser:

- 1 Curto-circuito elétrico (peça ao seu Centro de Serviço da Advance ou a um electricista qualificado para verificar a máquina).

A possível causa do disjuntor VACC5 (CB5 / 10 Amp) pode ser:

- 1 Curto-circuito elétrico (peça ao seu Centro de Serviço da Advance ou a um electricista qualificado para verificar a máquina).

A possível causa do disjuntor da ignição (CB6 / 15 Amp) pode ser:

- 1 Curto-circuito elétrico (peça ao seu Centro de Serviço da Advance ou a um electricista qualificado para verificar a máquina).

Assim que o problema tenha sido solucionado, aperte o botão para reiniciar o disjuntor. Se o botão não ficar acionado, aguarde 5 minutos e tente novamente. Se houverem desconexões recorrentes do disjuntor, chame seu Centro de Serviço da Advance.

#### Disjuntor VACC1 (CB1)

- Lâmpada da seta/Parada traseira direita
- Lâmpada da seta/Parada traseira esquerda
- Lâmpada da seta frontal direita
- Lâmpada da seta frontal esquerda
- Lâmpadas traseiras
- Lâmpadas dianteiras

#### Disjuntor VACC2 (CB2)

- Bomba de solução da mangueira de lavagem (M8)
- Bomba de vaporização da vassoura lateral (M5)

#### Disjuntor VACC3 (CB3)

- Motor atuador de levantar vassoura lateral (M7)

#### Disjuntor VACC4 (CB4)

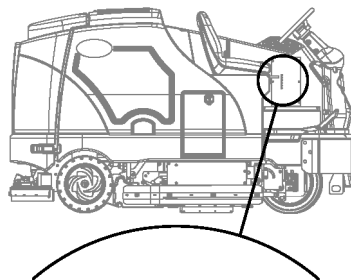
- Solenóide da escova de limpeza (L4)
- Baixa pressão da escova (L5)
- Solenóide da trava do cilindro da escova (L6)
- Alta pressão da escova (L7)
- Solenóide da escova/vassoura lateral (L8)
- Solenóide de levantar a escova lateral (L9)
- Válvula principal de solenóide de solução (L10)
- Válvula solenóide de solução da escova lateral (L11)
- Solenóide de solução de água da escovação estendida
- Bomba de químicos

#### Disjuntor VACC5 (CB5)

- Solenóide do motor de aspiração (L1)
- Solenóide de abaixar rodo (L3)
- Solenóide de levantar rodo (L3)
- Bomba principal de solução (M4)
- Bomba de escovação estendida (M6)

#### Disjuntor da ignição (CB6)

- Relé da vela de incandescência
- Relé da energia principal
- Alarme sonoro de backup
- Buzina
- Sistema do motor (sistema de ignição e bomba de combustível)
- Painel de instrumentos



20	CB1 20A	VACC1
20	CB2 20A	VACC2
15	CB3 15A	VACC3
20	CB4 20A	VACC4
10	CB5 10A	VACC5
15	CB6 15A	IGN

## RESOLUÇÃO DE PROBLEMAS GERAIS DO EQUIPAMENTO

Problema	Possível causa	Solução
Recolhimento insuficiente de água	Pás de rodo gastas ou rompidas	Inverta ou substitua
	Rodo mal regulado	Regule para que as pás toquem uniformemente o piso em toda a largura
	Tanque de recuperação cheio	Esvazie o tanque de recuperação
	Vazamento da mangueira de drenagem do tanque de recuperação	Aperte a tampa da mangueira de drenagem ou substitua-a
	Vazamento na junta da tampa do tanque de recuperação	Substitua a junta/Coloque bem a tampa
	Detritos presos no rodo	Limpe o instrumento do rodo
	Mangueira de aspiração obstruída	Remova os detritos
	Uso de solução em excesso	Reduza o fluxo através do botão de solução do painel de controle
Desempenho de lavagem insatisfatório	Escova desgastada	Vire ou substitua as escovas
	Tipo de escova errado	Consulte a Advance
	Produto químico de limpeza errado	Consulte a Advance
	Velocidade excessiva	Reduza a velocidade
	Solução insuficiente	Aumente o fluxo através do botão de solução do painel de controle
	Proporção de detergente incorreta	Verifique o ajuste de concentração se equipado com EcoFlex.
Vazão de solução inadequada ou inexistente	Tanque de solução vazio	Encha o tanque de solução
	Linhas de solução, válvulas, filtro ou depósito obstruído	Passar água nas linhas e depósito e limpe o filtro de solução
	Solução DESLIGADA	Ative o fluxo através do botão de solução do painel de controle
	Válvula do solenóide de solução bloqueada ou com defeito	Limpe ou substitua a válvula <b>(veja o manual de manutenção)</b>
O equipamento não funciona	Disparo do disjuntor (CB6) de 15 Amp	Verifique a ocorrência de curto-circuito e restaure
	Controlador do sistema principal	Verifique os códigos de erro <b>(consulte o manual de manutenção)</b>
Tração (frente/ré) inexistente	Freio estacionário ativado	Solte o freio estacionário
	Válvula de reboque na posição errada	Ajuste corretamente
	Disjuntores desconectados	Reinicie disjuntores desconectados.
Aspiração pára e visor mostra "FULL" (CHEIO) quando o tanque de recuperação não está cheio	O flutuador não desloca livremente	Elimine os detritos, limpe a haste do flutuador para permitir o livre movimento
Não há fluxo de detergente (apenas modelos EcoFlex)	Cartucho de detergente vazio	Encha o cartucho de detergente
	Linha de distribuição de detergente obstruída ou dobrada	Limpe o sistema, endireite as linhas para remover as dobras
	Tampa de vedação a seco no cartucho de detergente não está vedada	Reinstale a tampa de vedação seca
	Fiação da bomba de detergente desconectada ou invertida	Conecte ou reconecte a fiação

## ACESSÓRIOS / OPCIONAIS

Além dos componentes padrão, a máquina pode ser equipada com os seguintes acessórios / opcionais, dependendo do uso específico da mesma:

- Escovas com cerdas mais duras ou mais macias
- Kit de solução de interrupção da solução
- Kit de baliza de advertência
- Kit de assento de luxo
- Kit de proteção de cabeça
- Kit de escovação estendida
- Injeção química
- Kit de iluminação da parte inferior
- Kit vareta aspiração
- Kit de encosto para o braço direito
- Kit de encosto para o braço - duplo
- Kit de cinto de segurança
- Kit de limpeza do tanque de recuperação
- Kit de mangueira de lavação
- Kit de luz de sinal / freio
- Kit de pára-choque traseiro
- Kit de extintor de incêndio
- Kit de alarme de backup
- Kit de balizas de proteção de cabeça
- Kit de cobertura de proteção de cabeça
- Bandeja de entulhos
- Kit de interruptor de buzina
- Extensão de mangueira de drenagem
- Kit de pára-choque de cilindro

Para obter mais informações sobre os acessórios mencionados, entre em contato com o representante autorizado.

### Composição dos materiais e capacidade de reciclagem

Tipo	% de peso da máquina	% de capacidade de reciclagem
Alumínio	1%	90%
Partes elétricas / motores / tração - vários	13%	94%
Metais ferrosos	59%	95%
Chicotes / cabos	4%	80%
Líquidos	1%	100%
Plástico - não reciclável	2%	0%
Plástico - reciclável	1%	90%
Polietileno	16%	100%
Borracha	5%	68%

**ESPECIFICAÇÕES TÉCNICAS (conforme instaladas e testadas na unidade)**

Modelo		SC8000 48 LPG	SC8000 48 D (Diesel)	SC8000 48 LPG EcoFlex
		SC8000 48 LPG EcoFlex	SC8000 48 D EcoFlex	Brasil
Número de peça		56108110	56108112	56108122
		56108111	56108113	
Nível de pressão acústica				
(IEC 60335-2-72: Ed 3 2012, ISO 11201)	dB (A)	84.5 dB LpA, 3dB KpA	84.5 dB LpA, 3dB KpA	84.5 dB LpA, 3dB KpA
Nível de potência acústica				
(IEC 60335-2-72: Ed 3 2012, ISO 3744)	dB (A)	104.4 dB LwA	104.4 dB LwA	104.4 dB LwA
Peso total do veículo:	lbs / kg	4033 / 1829	4033 / 1829	4033 / 1829
Peso de transporte	lbs / kg	3110 / 1410	3110 / 1410	3110 / 1410
Carga máxima da roda em solo (central dianteira)	N/mm <sup>2</sup> / psi	.48/70	.48/70	.48/70
Carga máxima da roda em solo (traseira esquerda)	N/mm <sup>2</sup> / psi	.53/77	.53/77	.53/77
Carga máxima da roda em solo (traseira direita)	N/mm <sup>2</sup> / psi	.54/79	.54/79	.54/79
Vibrações nos controles manuais (ISO 5349-1)	m/s <sup>2</sup>	0.80 m/s <sup>2</sup>	0.71 m/s <sup>2</sup>	0.80 m/s <sup>2</sup>
Vibrações no assento (ISO 2631-1)	m/s <sup>2</sup>	0.18 m/s <sup>2</sup>	0.23 m/s <sup>2</sup>	0.18 m/s <sup>2</sup>
Capacidade de rampa				
Transporte		16% (9°)	16% (9°)	16% (9°)
Limpeza		10.5% (6°)	10.5% (6°)	10.5% (6°)

Model		SC8000 60 LPG	SC8000 60 D (Diesel)
		SC8000 60 LPG EcoFlex	SC8000 60 D EcoFlex
Número de peça		56108114	56108116
		56108115	56108117
Nível de pressão acústica			
(IEC 60335-2-72: Ed 3 2012, ISO 11201)	dB (A)	84.5 dB LpA, 3dB KpA	84.5 dB LpA, 3dB KpA
Nível de potência acústica			
(IEC 60335-2-72: Ed 3 2012, ISO 3744)	dB (A)	104.4 dB LwA	104.4 dB LwA
Peso total do veículo:	lbs / kg	4311 / 1955	4311 / 1955
Peso de transporte	lbs / kg	3388 / 1536	3388 / 1536
Carga máxima da roda em solo (central dianteira)	N/mm <sup>2</sup> / psi	.48/70	.48/70
Carga máxima da roda em solo (traseira esquerda)	N/mm <sup>2</sup> / psi	.53/77	.53/77
Carga máxima da roda em solo (traseira direita)	N/mm <sup>2</sup> / psi	.54/79	.54/79
Vibrações nos controles manuais (ISO 5349-1)	m/s <sup>2</sup>	0.80 m/s <sup>2</sup>	0.71 m/s <sup>2</sup>
Vibrações no assento (ISO 2631-1)	m/s <sup>2</sup>	0.18 m/s <sup>2</sup>	0.23 m/s <sup>2</sup>
Capacidade de rampa			
Transporte		16% (9°)	16% (9°)
Limpeza		10.5% (6°)	10.5% (6°)

Modelo		SC8000 62 LPG	SC8000 62 D (Diesel)	SC8000 62 LPG EcoFlex
		SC8000 62 LPG EcoFlex	SC8000 62 D EcoFlex	Brasil
Número de peça		56108118	56108120	56108123
		56108119	56108121	
Nível de pressão acústica				
(IEC 60335-2-72: Ed 3 2012, ISO 11201)	dB (A)	84.5 dB LpA, 3dB KpA	84.5 dB LpA, 3dB KpA	84.5 dB LpA, 3dB KpA
Nível de potência acústica				
(IEC 60335-2-72: Ed 3 2012, ISO 3744)	dB (A)	104.4 dB LwA	104.4 dB LwA	104.4 dB LwA
Peso total do veículo:	lbs / kg	4311 / 1955	4311 / 1955	4311 / 1955
Peso de transporte	lbs / kg	3388 / 1536	3388 / 1536	3388 / 1536
Carga máxima da roda em solo (central dianteira)	N/mm <sup>2</sup> / psi	.48/70	.48/70	.48/70
Carga máxima da roda em solo (traseira esquerda)	N/mm <sup>2</sup> / psi	.53/77	.53/77	.53/77
Carga máxima da roda em solo (traseira direita)	N/mm <sup>2</sup> / psi	.54/79	.54/79	.54/79
Vibrações nos controles manuais (ISO 5349-1)	m/s <sup>2</sup>	0.80 m/s <sup>2</sup>	0.71 m/s <sup>2</sup>	0.80 m/s <sup>2</sup>
Vibrações no assento (ISO 2631-1)	m/s <sup>2</sup>	0.18 m/s <sup>2</sup>	0.23 m/s <sup>2</sup>	0.18 m/s <sup>2</sup>
Capacidade de rampa				
Transporte		16% (9°)	16% (9°)	16% (9°)
Limpeza		10.5% (6°)	10.5% (6°)	10.5% (6°)

**TABLE DES MATIÈRES**

	<b>PAGE</b>
Introduction.....	D-3
Avertissements.....	D-4 – D-5
Apprenez à connaître votre machine.....	D-6 – D-9
<b>Préparation de la machine</b>	
Informations générales.....	D-10
À vérifier avant l'utilisation de la machine.....	D-11 – D-12
Huile hydraulique.....	D-11
Huile moteur.....	D-11
Liquide de refroidissement du moteur.....	D-12
Filtre à air du moteur.....	D-12
Carburant.....	D-12
Installation des brosses.....	D-13
Remplissage du réservoir de solution.....	D-14
<b>Fonctionnement de la machine</b>	
Démarrage du moteur.....	D-15
Système de détergent.....	D-16 – D-17
Lavage.....	D-18 – D-19
Aspiration humide.....	D-18
<b>Après l'utilisation de la machine</b>	
Après l'utilisation.....	D-20
Arrêt du moteur.....	D-20
<b>Maintenance</b>	
Programme d'entretien.....	D-20
Lubrification de la machine.....	D-20 – D-21
Entretien du balai latéral.....	D-22
Entretien de la raclette.....	D-23
Réglage de la raclette.....	D-23
Entretien de la bavette latérale.....	D-24
Entretien de la trémie à débris.....	D-25
Dépannage.....	D-26 – D-27
Spécifications techniques.....	D-28

## INTRODUCTION

Ce mode d'emploi vous permettra d'exploiter au maximum les fonctionnalités de votre **nettoyeuse autoportée Advance**. Lisez-le attentivement avant d'utiliser votre machine.

**Remarque : les chiffres en gras entre parenthèses indiquent que la pièce figure sur les dessins des pages 6 – 9 du présent manuel.**

## PIÈCES ET SERVICE APRÈS-VENTE

Si nécessaire, les réparations doivent être effectuées par votre centre de service Advance agréé. Ce dernier emploie du personnel formé en usine et maintient un inventaire des pièces de rechange et des accessoires originaux Advance.

Pour tout entretien ou réparation, contactez le REVENDEUR ADVANCE mentionné ci-dessous. Veuillez préciser les numéros de modèle et de série de votre machine lors de toute communication.

## ALTÉRATIONS

Les altérations et ajouts d'éléments à la machine de lavage, qui affectent ses capacités et son fonctionnement sécurisé, ne doivent pas être réalisés par le client ou l'utilisateur sans le consentement préalable et écrit de Nilfisk-Advance Inc. Toute altération non approuvée annulera la garantie de la machine. En outre, le client sera entièrement responsable des accidents associés.

## PLAQUE D'IDENTIFICATION

Le numéro de référence et le numéro de série de votre machine figurent sur la plaque d'identification apposée sur la machine. Ces informations sont nécessaires lors de la commande de pièces détachées pour votre machine. Utilisez l'espace disponible ci-dessous pour consigner ces renseignements en vue d'une utilisation ultérieure.

NUMÉRO DE RÉFÉRENCE \_\_\_\_\_

NUMÉRO DE SÉRIE \_\_\_\_\_

## DÉBALLAGE

Lors de la livraison de la machine, veuillez inspecter attentivement la caisse de conditionnement et la machine afin de détecter tout dommage éventuel. En cas de dommages manifestes, conservez tous les éléments de la caisse de conditionnement afin qu'ils soient inspectés par la société chargée du transport de la machine. Prenez immédiatement contact avec la société de transport pour rédiger une déclaration de dégât de fret.

- 1 Une fois la caisse enlevée, retirez les cales en bois situées près des roues.
- 2 Vérifiez le niveau d'huile de moteur et de liquide de refroidissement.
- 3 Vérifiez le niveau d'huile hydraulique.
- 4 Lisez la section « Préparation de la machine », puis remplissez le réservoir de carburant.
- 5 Placez une rampe contre la partie avant de la palette.
- 6 Lisez les instructions figurant dans les sections « Apprenez à connaître votre machine » et « Fonctionnement de la machine » du présent manuel et démarrez le moteur. Faites descendre lentement la machine de la palette. Avec le pied, exercez une légère pression sur la pédale de frein tant que la machine n'est pas complètement sur le sol.


## ATTENTION !

Faites preuve d'une extrême PRUDENCE lorsque vous utilisez cette machine. Avant de vous en servir, assurez-vous que vous connaissez parfaitement son mode de fonctionnement. Si vous avez des questions, contactez votre responsable technique ou votre revendeur Advance.

En cas d'accident ou de panne de l'équipement, n'essayez pas de résoudre le problème. Demandez à un technicien agréé Advance ou à un mécanicien qualifié de procéder aux réparations nécessaires.

Soyez très prudent lorsque vous utilisez cette machine. Les cheveux longs, les bijoux ou les vêtements amples peuvent être entraînés dans les parties mobiles de la machine. Placez l'interrupteur principal en position d'arrêt et enlevez la clé avant de procéder à un entretien de la machine. Faites preuve de bon sens et appliquez toutes les précautions d'usage et prêtez également une attention toute particulière aux autocollants jaunes apposés sur la machine.

Descendez lentement les plans inclinés. Utilisez la pédale de frein **(23)** pour contrôler la vitesse de la machine quand vous descendez des plans inclinés. NE faites PAS tourner la machine sur un plan incliné ; roulez en ligne droite vers le haut ou vers le bas.

 **MAX** L'inclinaison maximale recommandée pour le balayage et le lavage est de 10,5 % (6°). L'inclinaison maximale recommandée pendant le transport est de 16 % (9°).

## AVERTISSEMENT !

Les Produits vendus avec le présent manuel contiennent ou peuvent contenir des produits chimiques reconnus par certains gouvernements (comme l'État de Californie, par le biais de la proposition de loi d'avertissement réglementaire 65) comme provoquant des cancers, des anomalies congénitales et autres dangers pour la reproduction. Dans certains endroits (comme l'État de Californie), les acheteurs de ces Produits, qui les utilisent sur un lieu de travail ou dans un espace public, ont l'obligation d'apposer certains avis, avertissements ou informations concernant les produits chimiques qui sont ou peuvent être contenus dans les Produits dans ces lieux ou aux alentours de ces lieux de travail. Il incombe à l'acheteur de connaître les dispositions de, et de respecter, toutes les lois et réglementations ayant trait à l'utilisation de ces Produits au sein de tels environnements. Le Fabricant rejette toute responsabilité d'informer les acheteurs concernant les exigences spécifiques qui peuvent s'appliquer à l'utilisation de ces Produits dans de tels environnements.

# CONSIGNES DE PRUDENCE ET DE SÉCURITÉ

## SYMBOLES

Advance utilise les symboles reproduits ci-dessous pour attirer l'attention de l'opérateur sur des situations potentiellement dangereuses. Il est donc conseillé de lire attentivement ces indications et de prendre les mesures adéquates en vue de protéger le personnel et le matériel.

### **DANGER !**

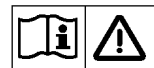
Utilisé pour prévenir l'opérateur des risques immédiats pouvant provoquer des dommages corporels graves, voire un décès.

### **AVERTISSEMENT !**

Utilisé pour attirer l'attention sur une situation susceptible d'entraîner des dommages corporels graves.

### **ATTENTION !**

Utilisé pour attirer l'attention sur une situation qui pourrait entraîner des dommages corporels minimes ou des dommages à la machine ou à d'autres équipements.



Veuillez lire toutes les instructions avant d'utiliser l'appareil.

## CONSIGNES GÉNÉRALES DE SÉCURITÉ

Les consignes spécifiques de prudence et de sécurité mentionnées ici ont pour but de vous informer sur les risques potentiels de dommages matériels ou corporels.

Cette machine est destinée à un usage commercial et peut être utilisée, entre autres, dans les hôtels, écoles, hôpitaux, usines, magasins et bureaux. Elle n'a donc pas été conçue pour l'entretien ménager.

### **DANGER !**

- Les gaz d'échappement (monoxyde de carbone) émis par cette machine peuvent entraîner des blessures graves, voire un décès. Veuillez donc toujours à bénéficier d'une ventilation suffisante lorsque vous utilisez la machine.

### **AVERTISSEMENT !**

- Cette machine doit être utilisée uniquement par des personnes parfaitement entraînées et dûment autorisées.
- L'utilisation de cette machine n'est pas destinée aux personnes (notamment les enfants) qui souffrent de capacités physiques, sensorielles ou mentales diminuées, ou d'un manque d'expérience et de connaissances.
- Évitez les arrêts soudains lorsque la machine se trouve sur des rampes ou des pentes. Évitez les virages serrés. Adoptez une vitesse réduite lorsque la machine est en descente.
- N'utilisez pas cette machine pour nettoyer des surfaces dont l'inclinaison dépasse les spécifications de la machine.
- Lorsque vous utilisez le système hydraulique ou travaillez à proximité de celui-ci, veillez à porter une tenue appropriée et des lunettes de protection afin d'éviter tout risque de blessures ou toute projection d'huile.
- Placez l'interrupteur principal (**50**) en position d'arrêt (O) et débranchez les batteries avant de procéder à l'entretien des composants électriques.
- Ne travaillez jamais sous une machine sans avoir placé au préalable des blocs de sécurité ou des étais pour soutenir la machine.
- Ne déversez pas des produits nettoyants inflammables, ne faites pas fonctionner la machine sur ou à proximité de ces produits ou dans des zones où des liquides inflammables sont présents.
- Ne nettoyez pas cette machine avec un nettoyeur à pression.
- Respectez le poids brut du véhicule (PBV) de la machine quand vous chargez, conduisez, levez ou supportez la machine.
- N'utilisez pas la machine sans une structure de protection contre les chutes d'objets (SPCO) dans les zones où des objets risquent de tomber et de blesser l'opérateur.
- La machine doit être laissée en stationnement en toute sécurité.
- La machine doit être inspectée régulièrement par un technicien qualifié, en particulier le réservoir GPL et ses branchements, pour assurer un fonctionnement sécurisé en accord avec la réglementation régionale ou nationale.



## CONSIGNES DE PRUDENCE ET DE SÉCURITÉ (SUITE)

### ATTENTION !

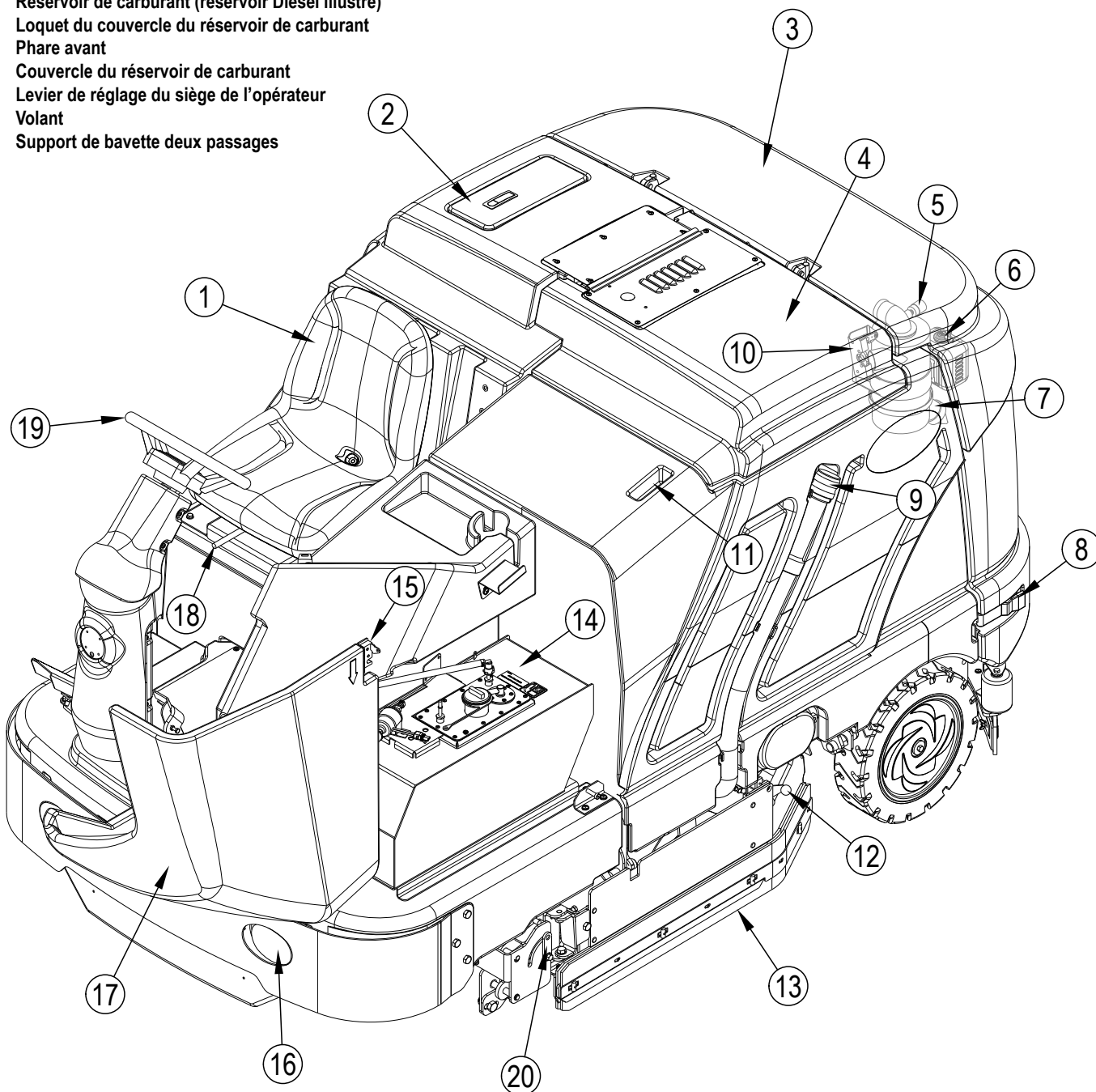
- Cette machine n'est pas conçue pour une utilisation sur les routes ou les voies publiques.
- Cette machine n'est pas conçue pour le ramassage des poussières dangereuses.
- Faites extrêmement attention lorsque vous utilisez des disques de scarificateur et des meules. Advance ne pourra, en aucun cas, être tenu pour responsable des dommages occasionnés à vos sols par ce type d'équipement.
- Lors de l'utilisation de cette machine, assurez-vous que les tierces personnes, notamment les enfants, ne courent pas le moindre risque.
- Avant de procéder à toute opération d'entretien, veuillez lire attentivement toutes les instructions qui s'y rapportent.
- Ne laissez pas la machine sans surveillance sans avoir, au préalable, tourné l'interrupteur principal **(50)** en position d'arrêt (O), enlevé la clé et actionné le frein à main.
- Placez l'interrupteur principal **(50)** en position d'arrêt (O) avant de remplacer les brosses ou d'ouvrir un panneau d'accès.
- Prenez toutes les mesures nécessaires pour éviter que les cheveux, les bijoux ou les vêtements amples ne soient entraînés dans les pièces mobiles de la machine.
- Faites attention lorsque vous déplacez cette machine dans un endroit où la température peut descendre sous 0° car l'eau contenue dans les réservoirs de solution ou de récupération ou dans les conduites risquerait de geler.
- Avant l'utilisation, tous les panneaux et capots doivent être correctement fermés.
- Prenez soin d'enlever la batterie de la machine avant de mettre cette dernière au rebut. Concernant l'élimination de la batterie, respectez les réglementations locales en matière d'environnement.

## CONSERVEZ CES INSTRUCTIONS

**APPRENEZ À CONNAITRE VOTRE MACHINE**

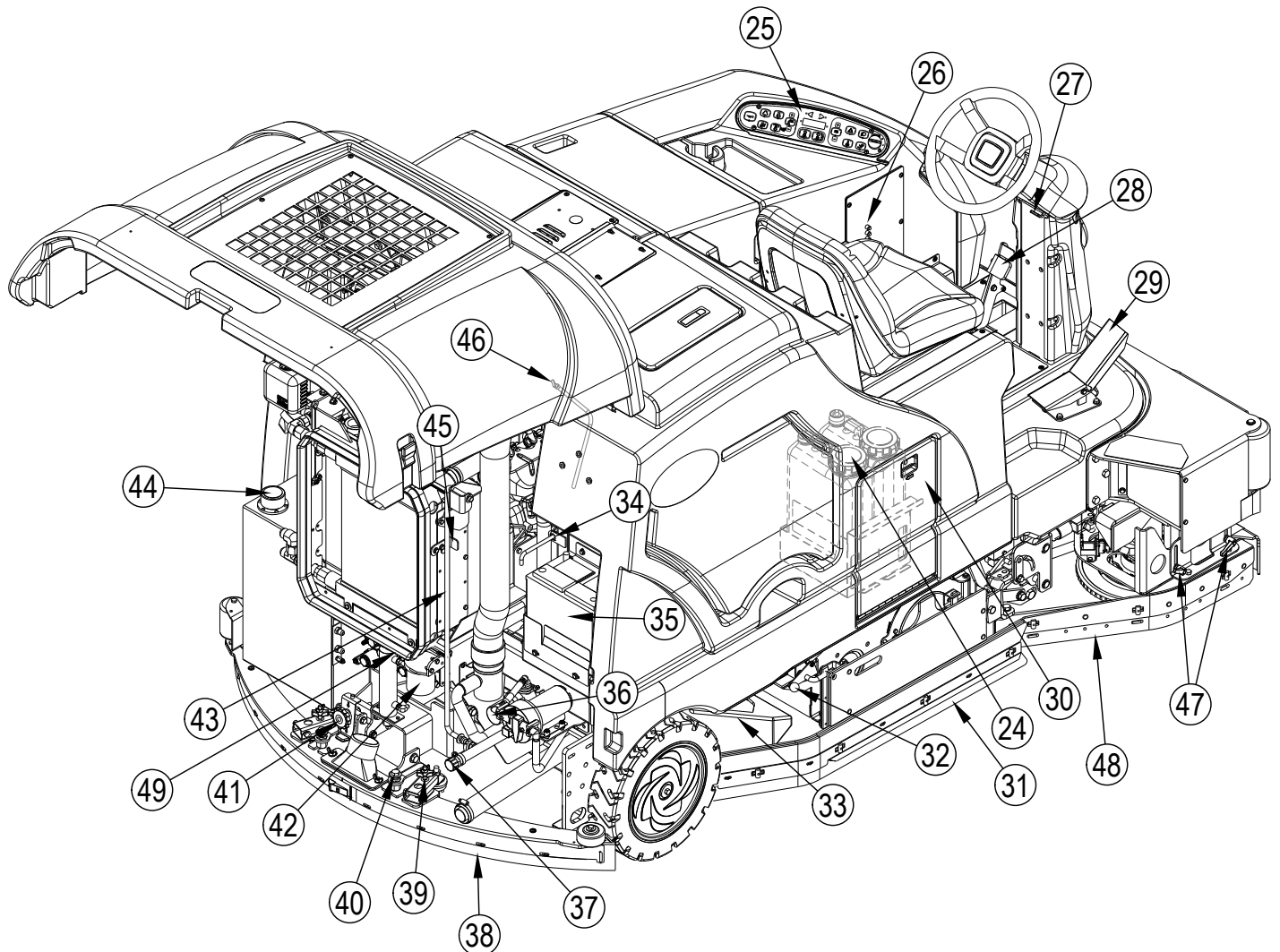
En lisant ce manuel, vous rencontrerez probablement un chiffre ou une lettre en gras et entre parenthèses, tel que : **(2)**. Ces chiffres font référence à un élément repris sur cette page, sauf indication contraire. Reportez-vous à ces pages dès que nécessaire afin de repérer avec précision un élément mentionné dans le texte.

- 1 Siège de l'opérateur
- 2 Couvercle de remplissage du réservoir de solution
- 3 Capot moteur
- 4 Couvercle du réservoir de récupération
- 5 Voyant d'entretien du filtre à air du moteur
- 6 Réservoir de trop-plein du liquide de refroidissement
- 7 Filtre à air du moteur
- 8 Loquet du capot moteur
- 9 Tuyau de vidange du réservoir de récupération
- 10 Loquet de basculement du réservoir de récupération
- 11 Poignée de basculement du réservoir de récupération
- 12 Loquet de la bavette latérale gauche
- 13 Bavette latérale gauche
- 14 Réservoir de carburant (réservoir Diesel illustré)
- 15 Loquet du couvercle du réservoir de carburant
- 16 Phare avant
- 17 Couvercle du réservoir de carburant
- 18 Levier de réglage du siège de l'opérateur
- 19 Volant
- 20 Support de bavette deux passages



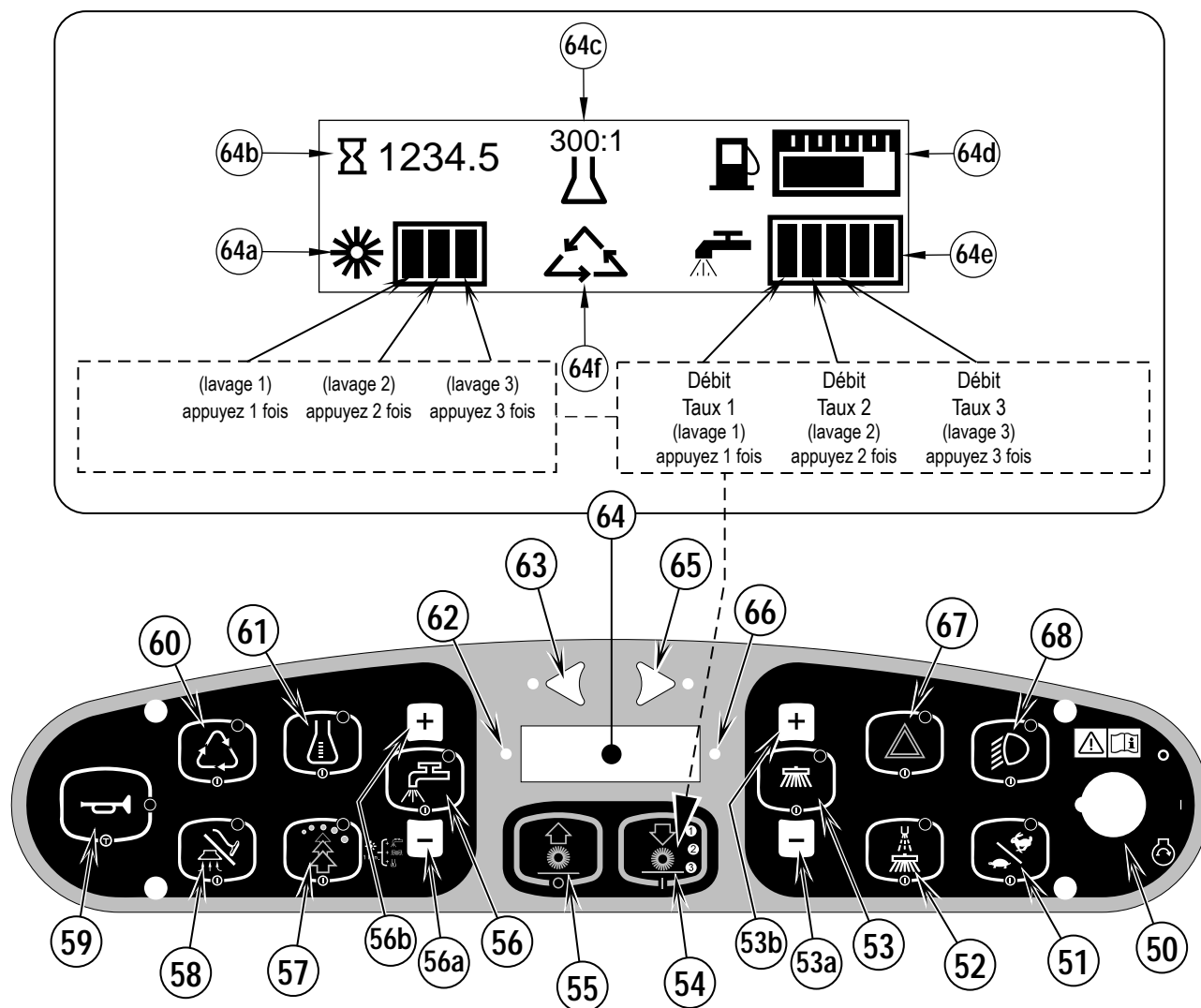
## APPRENEZ À CONNAITRE VOTRE MACHINE

- |    |  |    |   |
|----|--|----|---|
| 24 | Cartouches de détergent (modèles EcoFlex uniquement) | 38 | Dispositif de raclage                                   |
| 25 | Panneau de commande                                  | 39 | Bouton de réglage de la hauteur de la raclette          |
| 26 | Panneau à disjoncteur (voir Dépannage)               | 40 | Pince de montage de la raclette                         |
| 27 | Levier de réglage de l'inclinaison du volant         | 41 | Bouton de réglage de l'inclinaison de la raclette       |
| 28 | Pédale de frein / Frein à main                       | 42 | Filtre à huile moteur                                   |
| 29 | Pédale d'entraînement, direction/vitesse             | 43 | Tige de support du capot moteur                         |
| 30 | Compartiment de la cartouche de détergent            | 44 | Bouchon de remplissage du réservoir d'huile hydraulique |
| 31 | Bavette latérale droite                              | 45 | Loquet de basculement du refroidisseur d'huile          |
| 32 | Loquet de la bavette latérale droite                 | 46 | Jauge d'huile de moteur                                 |
| 33 | Trémie   | 47 | Boutons de maintien de la bavette droite de lavage      |
| 34 | Levier de la soupape de remorquage                   | 48 | Ensemble de bavette droite de nettoyage                 |
| 35 | Batterie   | 49 | Évacuation de l'huile moteur (sous le radiateur)        |
| 36 | Filtre de solution                                   |    |   |
| 37 | Tuyau de vidange du réservoir de solution            |    |   |



## APPRENEZ À CONNAITRE VOTRE MACHINE

- |     |   |     |   |
|-----|---|-----|---|
| 50  | Interrupteur principal  | 62f | Température hydraulique                               |
| 51  | Interrupteur du régime moteur                                     | 62g | Niveau de carburant bas                               |
| 52  | Interrupteur du pare-poussières                                   | 63  | Interrupteur du clignotant gauche (en option)         |
| 53  | Interrupteur de marche/arrêt du balai latéral / Lavage            | 64  | Affichage   |
| 53a | Interrupteur de réglage VERS LE BAS du balai latéral              | 64a | Voyant de pression de lavage                          |
| 53b | Interrupteur de réglage VERS LE HAUT du balai latéral             | 64b | Compteur horaire                                      |
| 54  | Interrupteur de MARCHÉ du lavage / sélection du mode de lavage    | 64c | Voyant de détergent (si équipé)                       |
| 55  | Arrêt du lavage   | 64d | Jauge à carburant                                     |
| 56  | Interrupteur de solution  | 64e | Voyant du débit de solution                           |
| 56a | Interrupteur de réduction du débit de solution                    | 64f | Indicateur du lavage prolongé (en option)             |
| 56b | Interrupteur d'augmentation du débit de solution                  | 65  | Interrupteur du clignotant droit (en option)          |
| 57  | Interrupteur de puissance supplémentaire                          | 66  | Voyant Attention (JAUNE)                              |
| 58  | Interrupteur d'aspiration / lance (voir page suivante)            | 66a | Niveau de solution bas                                |
| 59  | Interrupteur de l'avertisseur sonore                              | 66b | Filtre hydraulique obstrué                            |
| 60  | Interrupteur de lavage prolongé (en option / voir page suivante)  | 66c | Panne non critique / Entretien du moteur non critique |
| 61  | Interrupteur du système de détergent (modèles EcoFlex uniquement) | 66d | Bougie de préchauffage                                |
| 62  | Voyant d'avertissement (ROUGE)                                    | 66e | Réservoir de récupération PLEIN                       |
| 62a | Marche du frein de stationnement                                  | 66f | Entretien du moteur prochainement                     |
| 62b | Pression d'huile (Diesel)   | 67  | Interrupteur des gyrophares d'urgence (en option)     |
| 62c | Température du moteur   | 68  | Interrupteur des phares avant                         |
| 62d | Batterie faible   |     |   |
| 62e | Panne du contrôleur   |     |   |



# APPRENEZ À CONNAITRE VOTRE MACHINE

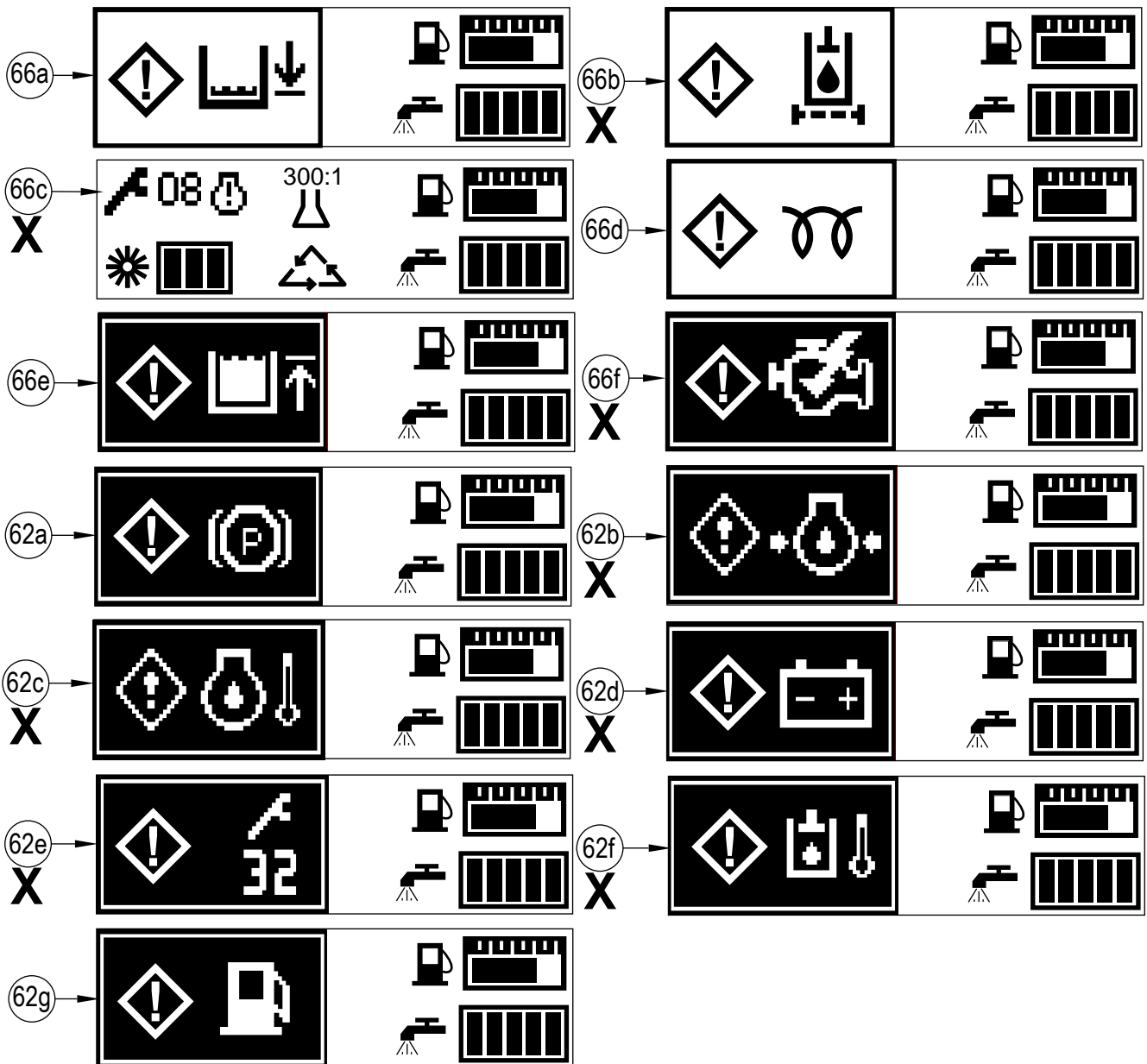
INTERRUPTEUR D'ASPIRATION / LANCE (58)

Voir la fiche d'instructions du kit de lance d'aspiration numéro 56040944.

INTERRUPTEUR DU LAVAGE PROLONGÉ (60)

Voir la fiche d'instructions du kit de lavage prolongé numéro 56040945.

SI L'UNE DES ICONES D'AVERTISSEMENT / ATTENTION MARQUÉES (X) CI-DESSOUS S'AFFICHE, VEUILLEZ CONTACTER LE CENTRE D'ENTRETIEN ADVANCE AGRÉE.



## LEVAGE DE LA MACHINE

### ⚠ ATTENTION !

Ne travaillez jamais sous une machine sans avoir placé au préalable des blocs de sécurité ou des étais destinés à soutenir la machine

- Quand vous soulevez la machine, effectuez cette opération aux emplacements désignés - voir Emplacements / points de levage (A) à la Figure 1.

## TRANSPORT DE LA MACHINE

### ⚠ ATTENTION !

Avant de transporter la machine dans un camion ouvert ou une remorque, assurez-vous que. . .

- Toutes les portes d'accès sont correctement verrouillées.
- La machine est correctement amarrée – voir Emplacements / points de levage (A) à la Figure 1.
- Le frein à main de la machine est actionné.

## REMORQUER OU POUSSER UNE MACHINE DÉFECTUEUSE

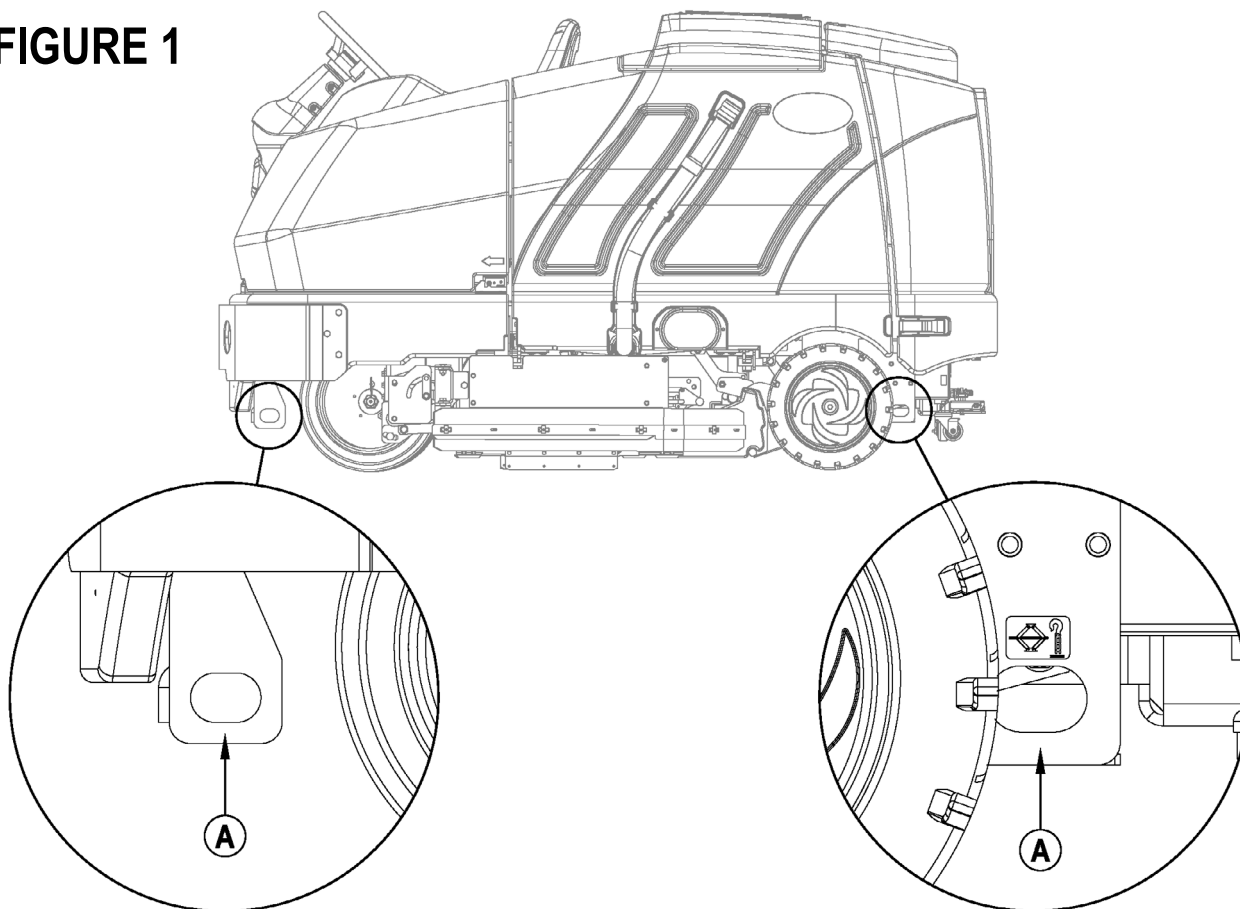
### ⚠ ATTENTION !

La pompe de propulsion de démarrage de la machine est équipée d'une soupape de remorquage réglable. Cette dernière permet de ne pas endommager le système hydraulique de la machine lorsque celle-ci est tractée / poussée sur de courtes distances, sans que le moteur ne soit utilisé.

La soupape de remorquage est commandée par le levier de la soupape de remorquage (34) auquel il est possible d'accéder en ouvrant et en maintenant le capot moteur ouvert (3). Tirez le levier de la soupape de remorquage (34) vers l'extérieur afin de débloquer le verrou hydrostatique entre le moteur et la pompe.

Si vous remorquez la machine alors que la soupape de remorquage est en position normale (levier de la soupape de remorquage (34) rentré), vous risquez d'endommager la roue motrice. **Remarque :** Si la soupape de remorquage est laissée en position de roue libre (levier de la soupape de remorquage (34) tiré) la pompe hydrostatique pourrait ne pas entrainer la machine vers l'avant ou l'arrière. Si la soupape de remorquage est engagée complètement ou partiellement, le véhicule pourrait ne pas fonctionner à pleine vitesse. Une utilisation continue dans de telles conditions peut provoquer une surchauffe et des dommages permanents du système d'entraînement hydrostatique. Ne remorquez pas ou ne poussez pas la machine à une vitesse supérieure à celle d'un marcheur (2-3 mph / 3-4 km/h) et sur de courtes distances uniquement (300 pieds / 100 mètres). Dans le cas contraire, le système d'entraînement hydrostatique pourrait être gravement endommagé. Si la machine doit être déplacée sur une plus longue distance, il sera nécessaire de soulever la roue avant du sol et de placer la machine sur un charriot adéquat.

FIGURE 1



# LISTE DE CONTRÔLE AVANT L'UTILISATION

## Avant chaque utilisation :

- \* Assurez-vous que la machine ne présente aucun dommage ni fuite d'huile ou de liquide de refroidissement.
- \* Pressez la coupelle à poussière en caoutchouc sur le filtre à air du moteur (7) pour évacuer la poussière accumulée.
- \* Vérifiez le niveau de liquide de refroidissement du moteur (6).
- \* Vérifiez le niveau d'huile de moteur (46).
- \* Vérifiez le niveau d'huile hydraulique (44).
- \* Vérifiez la jauge de carburant (64d) pour les modèles diesel.
- \* Vérifiez la jauge de carburant **située** sur le réservoir GPL pour les modèles au propane.
- \* Vérifiez le voyant d'entretien du filtre à air (5).

## Dans le siège de l'opérateur :

- \* Assurez-vous que vous maîtrisez bien les commandes et leurs fonctions.
- \* Réglez le siège de manière à accéder facilement à toutes les commandes.
- \* Insérez la clé de contact et placez l'interrupteur principal (50) en position de marche. Vérifiez le bon fonctionnement de l'avertisseur sonore (59), du compteur horaire (64b) et des phares avant (68). Tournez l'interrupteur principal (50) en position d'arrêt.
- \* Vérifiez la pédale de frein (28). La pédale doit être ferme et ne doit pas s'enfoncer jusqu'au plancher. Le loquet doit maintenir la pédale lorsqu'il est enclenché.  
(En cas de problème, contactez immédiatement la personne responsable de la maintenance).

## Planifier le lavage à l'avance :

- \* Essayez d'effectuer de longues passes en réduisant au maximum le nombre d'arrêts et de redémarrages.
- \* Laissez un chevauchement entre les passes de nettoyage de 2-3 pouces (5,08-7,62 cm) pour assurer une couverture complète.
- \* Évitez de tourner trop brusquement, de donner des coups dans les murs ou de griffer les flancs de la machine.

## HUILE HYDRAULIQUE

Ouvrez et bloquez le capot moteur (3) pour accéder au réservoir d'huile hydraulique. Enlevez le bouchon de remplissage (44) du réservoir et examinez le fond de la grille de remplissage. Si le niveau d'huile est sous la grille de remplissage, ajoutez de l'huile pour moteur 10W30 jusqu'à ce que le fond de la grille de remplissage soit recouvert (le niveau d'huile ne doit pas dépasser la grille de remplissage de plus de 1/2 pouce (12,7 mm)). Si l'huile est polluée suite à un dysfonctionnement mécanique, vous devez la vidanger.

## HUILE MOTEUR - GPL

Vérifiez le niveau d'huile moteur quand la machine est garée sur une surface plane et que le moteur est froid. Effectuez la vidange de l'huile moteur après les 35 premières heures de fonctionnement et, par la suite, toutes les 150 heures. Utilisez une huile SF ou SG conforme aux spécifications API et adaptée aux températures saisonnières. Consultez la section Système du Moteur pour connaître les capacités du réservoir d'huile, et obtenir des spécifications supplémentaires sur le moteur. Remplacez le filtre à huile à chaque fois que vous remplacez l'huile.

PLAGE DE TEMPÉRATURE	QUALITÉ DE L'HUILE
Supérieure à 60°F (15°C)	SAE 10W-30
Inférieure à 60°F (15°C)	SAE 5W-30

## HUILE MOTEUR – DIESEL

Vérifiez le niveau d'huile moteur quand la machine est garée sur une surface plane et que le moteur est froid. Effectuez la vidange de l'huile moteur après les 35 premières heures de fonctionnement et, par la suite, toutes les 150 heures. Utilisez une huile CF, CF-4 ou CG-4 conforme aux spécifications API et adaptées aux températures locales (\*consultez la note importante ci-dessous sur l'huile / carburant pour obtenir des recommandations supplémentaires sur l'huile Diesel). Consultez la section Système du Moteur pour connaître les capacités du réservoir d'huile, et obtenir des spécifications supplémentaires sur le moteur. Remplacez le filtre à huile à chaque fois que vous remplacez l'huile.

PLAGE DE TEMPÉRATURE	QUALITÉ DE L'HUILE
Supérieure à 77°F (25°C)	SAE 30 ou 10W-30
32°F à 77°F (0°C à 25°C)	SAE 20 ou 10W-30
Inférieure à 32°F (0°C)	SAE 10W ou 10W-30

### \* Note sur l'huile de graissage pour les moteurs Diesel :

Les mesures de lutte contre les émissions étant entrées en vigueur, les huiles de graissage CF-4 et CG-4 ont été développées pour les moteurs des véhicules routiers utilisant un carburant à basse teneur en soufre. Quand le moteur d'un véhicule tout terrain utilise un carburant à haute teneur en soufre, l'emploi de l'huile de graissage CF, CD ou CE ayant un indice de basicité élevé est recommandé. Si l'huile de graissage CF-4 ou CG-4 est employée avec un carburant à haute teneur en soufre, remplacez l'huile de graissage plus fréquemment.

• Huile de graissage recommandée pour l'emploi d'un carburant à basse ou à haute teneur en soufre.

Carburant	Faible teneur en soufre (0,5 % ≥)	Haute teneur en soufre	Remarques
CF	O	O	Indice de basicité ≥ 10
CF-4	O	X	
CG-4	O	X	

O : recommandé

X : déconseillé

## LISTE DE CONTRÔLE AVANT L'UTILISATION LIQUIDE DE REFROIDISSEMENT DU MOTEUR

### ATTENTION !

Ne retirez pas le bouchon de radiateur tant que le moteur est chaud.

Pour vérifier le niveau de liquide de refroidissement du moteur, ouvrez et bloquez le capot moteur (3) et observez le niveau de liquide de refroidissement sur le réservoir de trop-plein du liquide de refroidissement (6). Si le niveau est bas, ajoutez de l'antigel pour automobile, correctement dilué pour respecter l'environnement. Nettoyez le radiateur et les surfaces externes du refroidisseur d'huile en les lavant avec de l'eau à basse pression ou avec de l'air comprimé toutes les 30 heures. Note pour l'entretien : le refroidisseur d'huile peut être retiré pour faciliter le nettoyage.

### FILTRE À AIR DU MOTEUR

Vérifiez le voyant d'entretien du filtre à air (5) avant chaque utilisation de la machine. Ne procédez pas à l'entretien du filtre à air tant que le drapeau rouge n'apparaît pas sur le voyant d'entretien.

### ATTENTION !

Lors de l'entretien des éléments du filtre à air du moteur, prenez toutes les précautions nécessaires afin que la poussière et les saletés ne pénètrent pas dans le moteur. La poussière pourrait gravement endommager le moteur.

Le filtre à air du moteur se compose de deux éléments filtrants : un filtre primaire (externe) et un filtre de sécurité (interne). Le filtre primaire peut être nettoyé deux fois avant d'être remplacé. Le filtre de sécurité doit être remplacé après 3 remplacements du filtre primaire. N'essayez jamais de nettoyer le filtre de sécurité interne.

Pour nettoyer le filtre primaire, détachez les deux clips situés à l'extrémité du filtre à air et enlevez le logement d'extrémité. Retirez ensuite le filtre primaire. Nettoyez cet élément à l'air comprimé (pression maximale de 100 psi / 7 bars) ou à l'eau (pression maximale de 40 psi / 2,75 bars). NE remplacez PAS le filtre dans la cartouche tant qu'il n'est pas complètement sec.

### CARBURANT

### AVERTISSEMENT !

- ARRÊTEZ TOUJOURS LE MOTEUR AVANT DE REMPLIR LE RÉSERVOIR DE CARBURANT.
- NE FUMEZ PAS LORSQUE VOUS REMPLISSEZ LE RÉSERVOIR.
- REMPLISSEZ TOUJOURS LE RÉSERVOIR DANS UNE ZONE BIEN VENTILÉE.
- NE REMPLISSEZ PAS LE RÉSERVOIR À PROXIMITÉ D'ÉTINCELLES OU DE FLAMMES NUES.
- UTILISEZ UNIQUEMENT LE CARBURANT SPÉCIFIÉ SUR L'AUTOCOLLANT APOSÉ SUR LE RÉSERVOIR.

Sur les machines à moteurs diesel, un autocollant situé près du goulot de remplissage du réservoir de carburant (14) indique le type de carburant à utiliser avec cette machine. Avant d'enlever le bouchon du réservoir, essuyez toute la poussière et les saletés présentes sur le bouchon afin de conserver un carburant aussi propre que possible.

Sur les machines au propane, un autocollant apposé près du réservoir fournit des informations spécifiques sur le type de réservoir à utiliser sur cette machine.

### MOTEUR DIESEL

Remplissez le réservoir avec du carburant diesel n°2 si la machine va être utilisée dans une zone où la température est de 30°F (0° Celsius) ou plus. Utilisez du carburant diesel n°1 si la machine va être utilisée dans une zone où la température est inférieure à 30°F (0° Celsius).

REMARQUE : si la machine diesel est totalement à sec, le système de carburant doit être purgé avant que le moteur ne puisse redémarrer. Pour éviter une telle situation, remplissez le réservoir de carburant quand la jauge indique ¼ de plein. La capacité du réservoir est de 11 gallons (42 litres).

### MOTEUR AU PROPANE

Montez un réservoir à retrait de propane standard de 33 livres (15 kg) de liquide sur la machine, branchez le tuyau de carburant et ouvrez la valve d'arrêt du réservoir. Pour brancher ou débranchez le tuyau de carburant, il est conseillé de porter des gants. Lorsque la machine n'est pas utilisée, fermez la valve d'alimentation du réservoir de propane.

La machine doit être inspectée régulièrement par un technicien qualifié, en particulier le réservoir GPL et ses branchements, pour assurer un fonctionnement sécurisé en accord avec la réglementation régionale ou nationale.



## INSTALLATION DES BROSSES

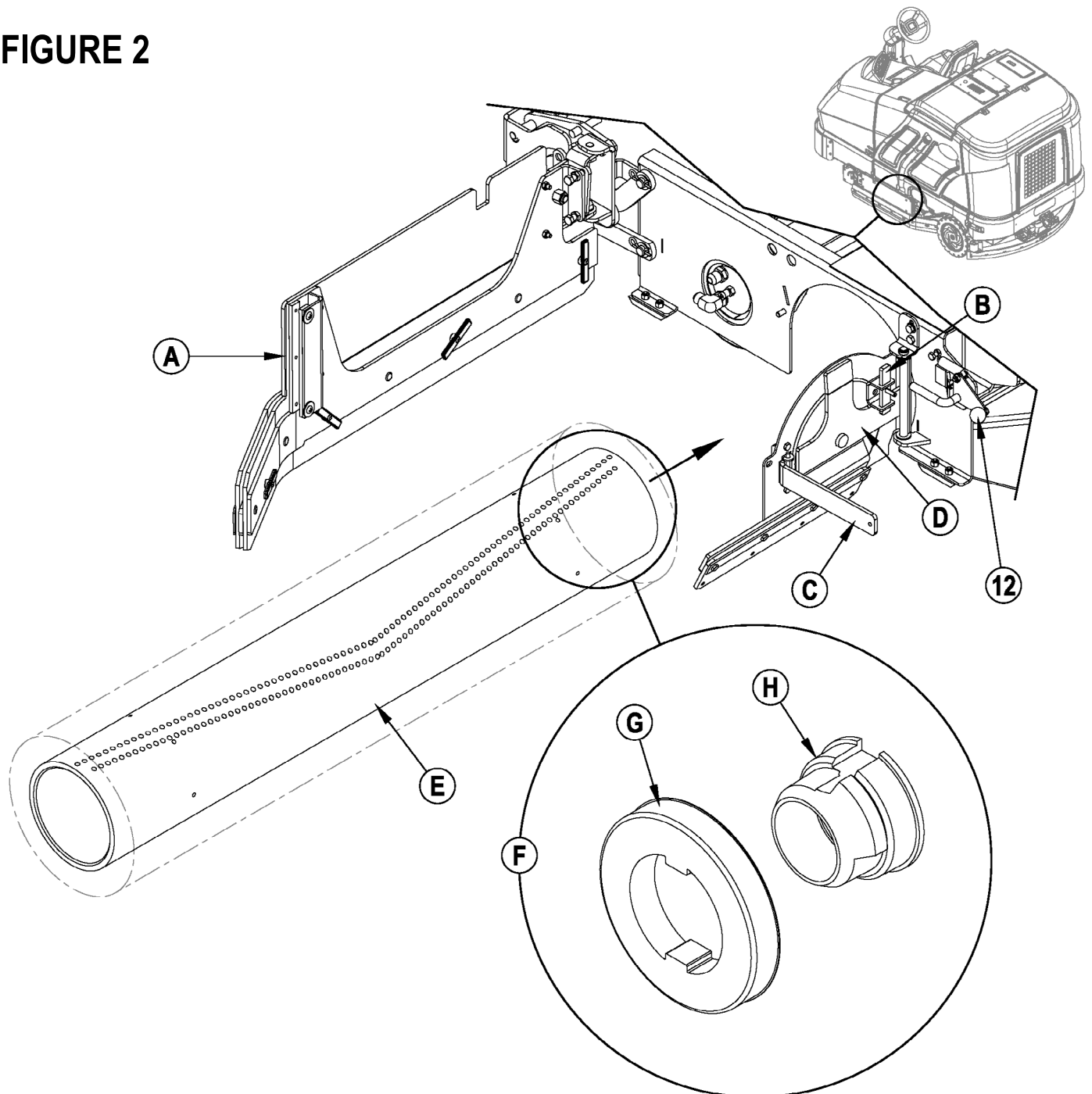
### ⚠ ATTENTION !

Tournez l'interrupteur principal en position d'arrêt (O) et enlevez la clé avant de remplacer les brosses ou d'ouvrir un panneau d'accès.

- 1 Assurez-vous que le plateau de lavage est en position HAUTE, que l'interrupteur principal (50) est sur arrêt (O) et que le frein de stationnement (28) est actionné.
- 2 Voir Figure 2. Poussez vers le bas le loquet de la bavette latérale (12 ou 32) et ouvrez l'ensemble de bavette (A) comme illustré.
- 3 Soulevez le loquet (B), faites pivoter le levier (C) vers l'extérieur et tirez sur le bras de renvoi (D) pour l'ouvrir.
- 4 Faites glisser la brosse (E) dans le compartiment, soulevez-la légèrement et poussez en tournant jusqu'à ce qu'elle soit en position. **REMARQUE :** la figure 2 représente une vue rapprochée (F) des pattes des brosses (G) et du moyeu d'entraînement de la brosse (H).
- 5 Faites pivoter le bras de renvoi (D) pour le fermer tout en maintenant le levier (C) à un angle de 90° par rapport au bras de renvoi.
- 6 Une fois le bras de renvoi (D) fermé, poussez le levier (C) vers l'intérieur jusqu'à ce que le loquet (B) puisse coulisser à nouveau devant lui.
- 7 Poussez vers le bas le loquet de la bavette latérale (12 ou 32), faites pivoter l'ensemble de bavette (A) pour le fermer et relâchez le loquet.

**REMARQUE :** reportez-vous à cette section lorsque vous faites pivoter (inverser les extrémités) les brosses, conformément au programme d'entretien.

## FIGURE 2



## REPLISSAGE DU RÉSERVOIR DE SOLUTION

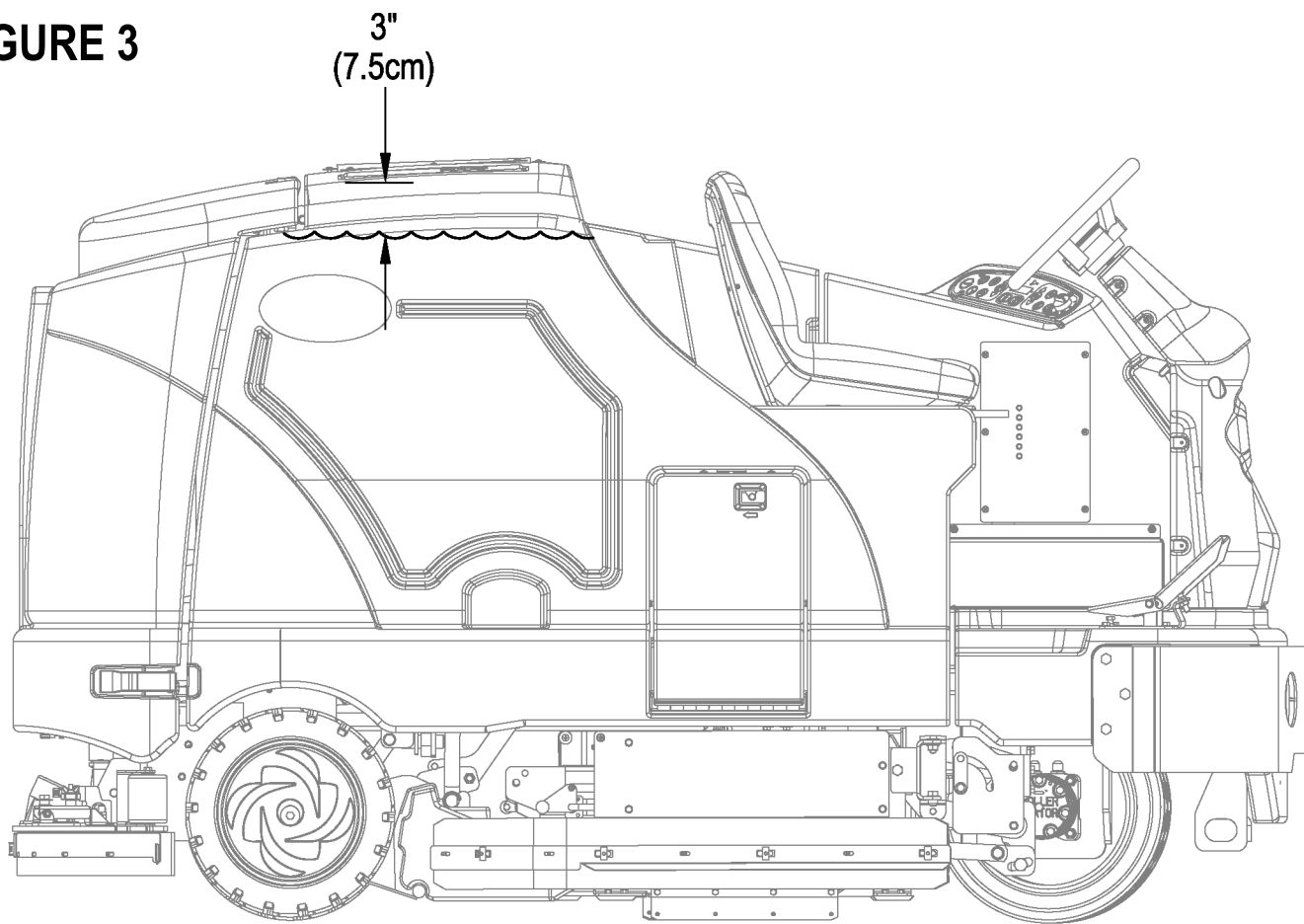
Voir **Figure 3**. Remplissez le réservoir de solution avec 100 gallons (378,54 litres) maximum de solution de lavage. Ne remplissez pas le réservoir de solution à plus de 7,5 cm (3 pouces) du couvercle de remplissage du réservoir **(2)**. La solution doit se composer d'eau et d'un produit chimique adapté à la tâche de lavage à effectuer. Respectez toujours les instructions figurant sur le récipient du produit chimique. **REMARQUE** : les machines EcoFlex™ peuvent être utilisées de manière classique en mélangeant du détergent dans le réservoir ou à l'aide du système de distribution de détergent. Si vous utilisez le système de distribution de détergent, ne mélangez pas de détergent dans le réservoir et utilisez de l'eau pure.



### ATTENTION !

Veillez à n'utiliser que des produits de lavage peu moussants et ininflammables adaptés aux machines de lavage. La température de l'eau ne doit pas dépasser 130 degrés Fahrenheit (54,4 degrés Celsius)

**FIGURE 3**



## FONCTIONNEMENT DE LA MACHINE

Le modèle SC8000 est une laveuse automatique à conducteur porté. Elle est conçue pour déposer une solution de nettoyage, récurer le sol et aspirer le tout en un seul passage.

Les commandes de la machine SC8000 ont été conçues de manière à simplifier au maximum l'utilisation de cette dernière. Ainsi, pour le lavage en un seul passage, l'utilisateur n'a qu'à appuyer sur un seul bouton pour activer toutes les fonctions de lavage de la machine.

REMARQUE : les chiffres en gras et entre parenthèses indiquent qu'un élément est illustré aux pages 6 à 9 de ce manuel.

**REMARQUE ! ASSUREZ-VOUS QUE LA PÉDALE EST EN POSITION NEUTRE. LE MOTEUR NE DÉMARRE PAS SI LA PÉDALE N'EST PAS EN POSITION NEUTRE.**

### DÉMARRAGE DU MOTEUR DIESEL

- 1 Tournez l'interrupteur principal **(50)** dans le sens horaire en position de marche. Les bougies de préchauffage sont activées pendant 10 secondes comme indiqué par le voyant attention **(66)** et l'icône de bougie **(66d)** de l'écran. Si le moteur est déjà chaud, tournez l'interrupteur sur la position de démarrage pour démarrer le moteur. Si le moteur est froid, attendez que le voyant attention et que l'icône de bougie s'éteignent avant de démarrer le moteur. Le moteur doit démarrer immédiatement. Si le moteur ne démarre pas dans les 15 secondes, relâchez l'interrupteur, attendez environ une minute puis répétez les étapes ci-dessus.
- 2 Laissez tourner le moteur « AU RALENTI » pendant 5 minutes avant d'utiliser la machine.
- 3 Appuyez une fois sur l'interrupteur du régime moteur **(51)** pour passer à la vitesse de « FONCTIONNEMENT » et faites circuler la machine à vitesse réduite pendant 2 ou 3 minutes afin de faire chauffer le système hydraulique.

### DÉMARRAGE DU MOTEUR AU PROPANE

- 1 Ouvrez la valve d'alimentation du réservoir de GPL.
- 2 Tournez l'interrupteur principal **(50)** en sens horaire sur la position de Démarrage et relâchez-le dès que le moteur démarre. Si le moteur ne démarre pas dans les 15 secondes qui suivent, relâchez l'interrupteur, attendez 1 minute puis répétez la procédure.
- 3 Laissez tourner le moteur « AU RALENTI » pendant 5 minutes avant d'utiliser la machine.
- 4 Placez l'interrupteur du régime moteur **(51)** sur la vitesse de « FONCTIONNEMENT » et faites circuler la machine à vitesse réduite pendant 2 ou 3 minutes afin de chauffer le système hydraulique.

**Vous devez TOUJOURS mettre l'interrupteur de régime moteur en position de fonctionnement.** Utilisez la **pédale d'entraînement (29)** et non l'interrupteur de régime moteur **(51)** pour contrôler la **vitesse** de la machine. La vitesse de la machine augmente à mesure que vous enfoncez la pédale. N'appuyez pas sur la pédale d'entraînement **(29)** avant que le moteur n'ait démarré.

#### Interrupteur de régime moteur **(51)** :

Il est possible de sélectionner trois régimes moteurs à l'aide de l'interrupteur de régime moteur **(51)** situé sur le panneau de commande.

- 1 « Ralenti » (1200 tr/min – GPL) (1300 tr/min – Diesel). Utilisez ce régime pour chauffer et refroidir le moteur. Le voyant de l'interrupteur de régime moteur est éteint.
- 2 « Fonctionnement » (2200 tr/min). Utilisez ce régime pour le transport et la plupart des opérations de lavage. Le voyant de l'interrupteur de régime moteur est allumé.
- 3 « Maximum » (2400 tr/min). Utilisez uniquement dans des situations de lourde charge du moteur comme le lavage intensif sur des plans inclinés. Le voyant de l'interrupteur de régime moteur est allumé.
- 4 Pour passer du régime Ralenti à Fonctionnement, appuyez et relâchez l'interrupteur de régime moteur.
- 5 Pour sélectionner le régime Maximum, commencez par régler la vitesse sur Fonctionnement. Puis, maintenez enfoncé l'interrupteur de régime moteur pendant 2 secondes. Pour revenir au régime Fonctionnement, appuyez à nouveau sur l'interrupteur.
- 6 Le modèle SC8000 est équipé d'une fonction de ralenti automatique qui réduit la vitesse du moteur au ralenti lorsque la pédale **(29)** est restée en position neutre pendant 20 secondes ou plus. Le régime moteur sélectionné reprend automatiquement lorsque la pédale n'est plus en position neutre. Si l'interrupteur de régime moteur **(51)** est enfoncé pendant l'exécution de la priorité au ralenti, la fonction de ralenti automatique est désactivée temporairement jusqu'à ce que la pédale revienne à la position neutre. Cette fonction peut être utile lors de la détection des pannes ou si vous souhaitez laisser la machine fonctionner à la vitesse maximale pour chauffer le moteur.

## PRÉPARATION ET UTILISATION DU SYSTÈME DE DÉTERGENT (MODÈLES ECOFLEX UNIQUEMENT)

Les cartouches de détergent (24) sont situées à l'intérieur du compartiment de la cartouche de détergent (30). Remplissez la cartouche de détergent avec 2,2 gallons (8,32 litres) maximum de détergent. **NOTE POUR L'ENTRETIEN** : retirez la cartouche de détergent de son boîtier avant de la remplir afin d'éviter de faire couler du détergent sur la machine.

Nous vous recommandons d'utiliser une cartouche différente pour chaque détergent que vous souhaitez utiliser. Les cartouches de détergent comportent un autocollant blanc afin que vous puissiez écrire le nom du détergent sur chaque cartouche et éviter de les mélanger. Lorsque vous installez une nouvelle cartouche, retirez le bouchon (A) et placez la cartouche dans le boîtier. Installez le bouchon de frein sec (B) comme illustré. Les anciens restes de détergent doivent être vidangés avant d'utiliser un détergent différent. **NOTE POUR L'ENTRETIEN** : placez la machine sur une bouche d'écoulement avant de la vidanger car une petite quantité de détergent risque de s'écouler lors de ce processus.

### Pour purger lors du changement de produits chimiques (LE SYSTÈME DE LAVAGE DOIT ÊTRE ÉTEINT) :

- 1 Déconnectez et retirez la cartouche de détergent.
- 2 Tournez l'interrupteur principal (50) en sens horaire sur la position de marche. Attendez quelques secondes que la séquence de démarrage soit terminée.
- 3 Maintenez enfoncé l'interrupteur de détergent (61) pendant environ 2 secondes. Relâchez le commutateur lorsque l'icône de purge chimique (E) apparaît sur l'écran et que le voyant de l'interrupteur de détergent (61) commence à clignoter. **REMARQUE** : une fois activé, le processus de vidange prend 20 secondes. Consultez l'illustration à la page suivante sur les voyants du système de détergent. Généralement, un cycle de vidange est suffisant pour vidanger le système.

### Pour vidanger toutes les semaines (LE SYSTÈME DE LAVAGE DOIT ÊTRE ÉTEINT) :

- 1 Déconnectez et retirez la cartouche de détergent. Installez et connectez une cartouche remplie d'eau propre et chaude.
- 2 Tournez l'interrupteur principal (50) en sens horaire sur la position de marche. Attendez quelques secondes que la séquence de démarrage soit terminée.
- 3 Maintenez enfoncé l'interrupteur de détergent (61) pendant environ 2 secondes. Relâchez le commutateur lorsque l'icône de vidange chimique (E) apparaît sur l'écran et que le voyant de l'interrupteur de détergent (61) commence à clignoter. **REMARQUE** : une fois activé, le processus de vidange prend 20 secondes. Consultez l'illustration à la page suivante sur les voyants du système de détergent. Généralement, un cycle de vidange est suffisant pour vidanger le système.

Le boîtier du détergent (C) est doté de fentes pour observer le niveau de détergent (D) et voir la quantité de détergent restante dans la ou les cartouches. Lorsque le niveau de détergent atteint le bas de la fente, il est temps de remplir ou de remplacer la cartouche.

### Taux de détergent (LE SYSTÈME DE NETTOYAGE DOIT ÊTRE ALLUMÉ) :

Le taux de concentration de détergent minimum par défaut est de 256:1. Le taux de concentration de détergent maximum peut être ajusté en maintenant enfoncé l'interrupteur de détergent (61) pendant deux secondes. Relâchez l'interrupteur dès que le voyant de l'interrupteur de détergent commence à clignoter. Pendant que le voyant clignote, un cycle d'appui et de relâchement de l'interrupteur de détergent permet de faire défiler les taux suivants (1:256, 1:200, 1:150, 1:128, 1:100, 1:64, 1:50, 1:32, 1:26). Dès que le taux désiré est affiché à l'écran (F), arrêtez. Il se bloquera après 3 secondes.

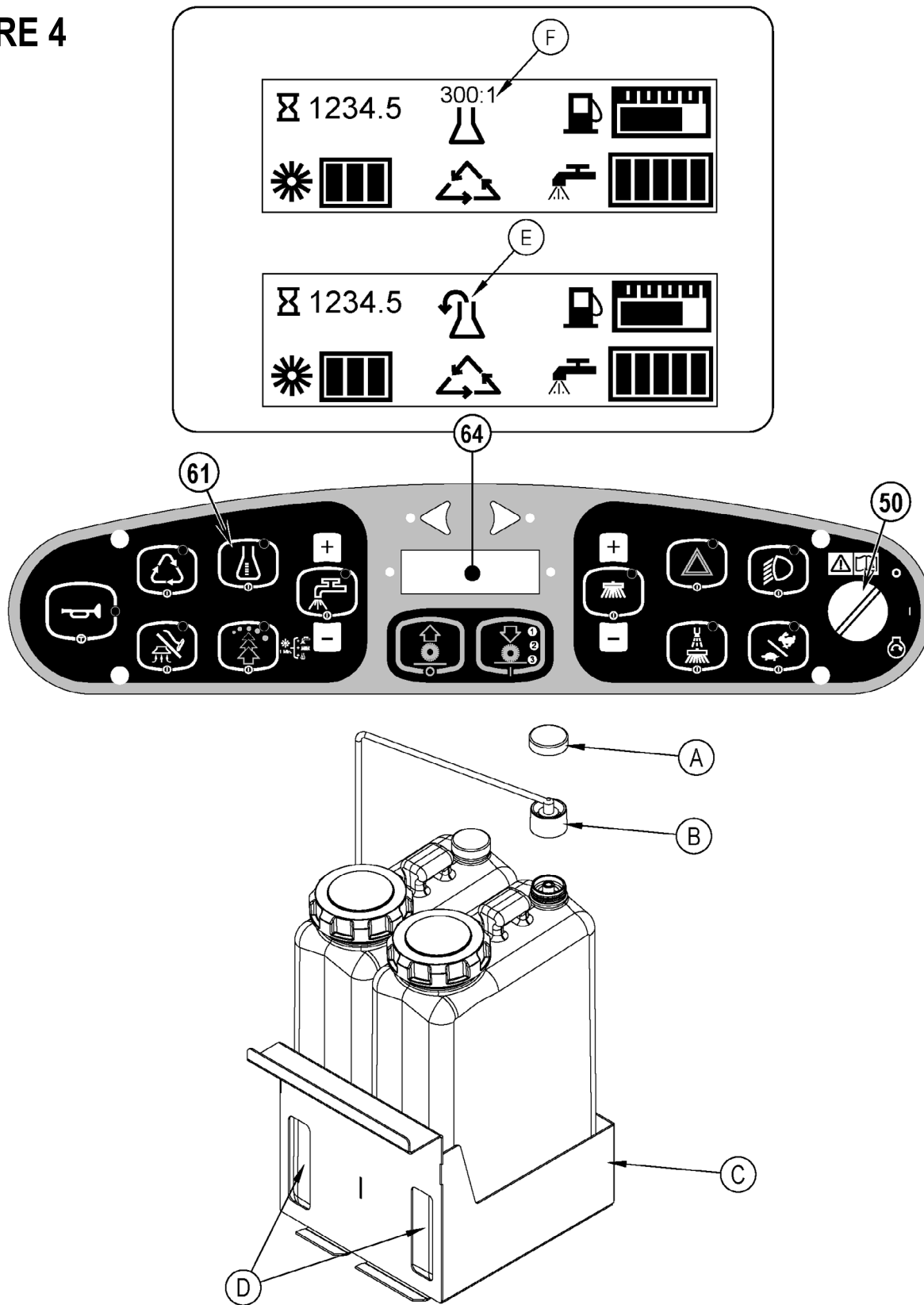
- L'icône du mélange de détergent (F) restera affichée tant que le système de détergent sera activé.

Une fois réglé, le débit de détergent augmente ou diminue automatiquement avec le débit de solution, mais le taux de détergent reste le même. Si un opérateur préfère avoir la possibilité de régler les différents taux de dilution du détergent en fonction des différents débits de solution, cette programmation spécifique est indiquée dans le manuel d'entretien. Lors du lavage, vous pouvez arrêter à tout moment le système de détergent en appuyant sur l'interrupteur de marche/arrêt du détergent (61) afin d'effectuer un lavage à l'eau uniquement. Aucun détergent ne s'écoule jusqu'à ce que le système de lavage soit activé et que la pédale d'entraînement (29) soit enfoncée.

**NOTE POUR L'ENTRETIEN** : suivez les instructions de vidange hebdomadaire indiquées ci-dessus si vous avez l'intention de ranger la machine pendant une période prolongée ou d'arrêter d'utiliser le système de détergent (EcoFlex).

PRÉPARATION ET UTILISATION DU SYSTÈME DE DÉTERGENT (MODÈLES ECOFLEX UNIQUEMENT)

FIGURE 4



## LAVAGE

### AVERTISSEMENT !

Assurez-vous de bien comprendre les commandes et leurs fonctions.

Évitez les arrêts soudains lorsque la machine en charge se trouve sur des rampes ou des pentes. Évitez les virages serrés. Adoptez une vitesse réduite lorsque la machine est en descente.

**Pour laver...**

Respectez les instructions figurant dans la section « Préparation de la machine » du présent manuel. Démarrez le moteur conformément aux instructions de la section « Démarrage du moteur » appropriée.

- 1 **Voir Figure 5.** Lorsque vous êtes assis sur la machine, utilisez les boutons de réglage (18) et (27) pour régler le volant et le siège et travailler dans une position confortable.
- 2 Desserrez le frein de stationnement (28). Pour conduire la machine dans la zone de travail, appliquez une pression uniforme avec votre pied sur l'avant de la Pédale d'entraînement (29) pour avancer ou sur l'arrière de la pédale pour reculer. Appuyez plus ou moins fort sur la pédale afin d'obtenir la vitesse souhaitée.
- 3 Maintenez l'interrupteur de solution (56) enfoncé pendant 5 secondes afin de pré-humidifier le sol. **REMARQUE :** de cette manière, vous éviterez d'endommager vos sols en commençant à nettoyer avec des brosses sèches. Faites cela avant d'appuyer sur l'interrupteur de marche du lavage (54).
- 4 Appuyez une fois sur l'interrupteur de marche du lavage (54) pour un lavage léger (1), deux fois pour un lavage moyen (2) ou trois fois pour un lavage intensif (3). Les débits de solution et de détergent (modèles EcoFlex) comprennent 3 pré-réglages correspondant aux 3 modes de lavage (voir Panneau d'affichage (64)). La pression de la brosse de lavage latérale droite est également affectée lorsque vous appuyez sur cet interrupteur.  
**REMARQUE :** le débit de solution peut être ignoré en appuyant simplement sur les interrupteurs de réduction ou d'augmentation du débit de solution (56a / 56b). Les réglages consécutifs de la pression de lavage réinitialiseront le débit de solution afin qu'il corresponde à la pression de lavage.  
**REMARQUE :** les systèmes de lavage, de solution, d'aspiration, de détergent (modèles EcoFlex) et les balais / brosses latéraux sont activés automatiquement lorsque vous appuyez sur le l'interrupteur de marche du lavage (54). Pour arrêter ou mettre en marche n'importe quel système individuel, il suffit d'appuyer sur l'interrupteur correspondant à tout moment pendant le lavage. Si vous avez installé le kit de lavage prolongé, celui-ci ne sera pas activé automatiquement. Vous devez appuyer sur l'interrupteur du lavage prolongé (60) afin d'activer ce système. Le système de lavage prolongé n'est activé que lorsque le niveau d'eau dans le réservoir de récupération atteint un certain seuil et que la solution propre a été complètement utilisée.
- 5 Lorsque vous appuyez sur l'interrupteur de marche du lavage (54), les brosses, la raclette et les balais / brosses latéraux s'abaissent automatiquement sur le sol. Les systèmes de lavage, de solution, d'aspiration, de détergent (modèles EcoFlex) et les balais / brosses latéraux sont tous activés lorsque vous appuyez sur la pédale d'entraînement (29).  
**REMARQUE :** lorsque vous faites fonctionner la machine en marche arrière, la raclette se relève automatiquement et le débit de solution s'arrête.
- 6 Faites progresser la machine en ligne droite à une vitesse de 4-5 km/h en veillant à ce que les passages se chevauchent sur une bande de 2-3 pouces (5,08-7,62 mm). Réglez le débit de solution et la vitesse de la machine en fonction de l'état du sol que vous traitez.  
Il est possible de régler la hauteur du balai latéral en appuyant sur les interrupteurs de réglage vers le haut / bas du balai latéral (53a/53b). Les balais latéraux reviendront à la dernière position utilisée à chaque démarrage du système de balayage. Les balais latéraux sont équipés d'une fonction d'humidification (Pare-poussière) (52) à utiliser lorsqu'il y a beaucoup de poussière. **REMARQUE :** le « Pare-poussière » (52) s'active automatiquement avec les balais latéraux (53) mais il peut être éteint en appuyant sur (52).  
**REMARQUE :** si la machine est équipée du lavage prolongé, le « Pare-poussière » s'éteint automatiquement dès qu'il n'y a plus de solution de nettoyage.

### ATTENTION !

Pour éviter d'endommager le sol, déplacez la machine quand les brosses tournent (les brosses s'arrêtent dans un délai de 2 secondes quand la pédale est placée en position neutre).

Levez le plateau de lavage et la brosse de lavage latérale, si la machine en est équipée, lorsque vous franchissez des ralentisseurs. N'essayez pas de faire fonctionner le plateau de lavage ou la brosse latérale en position abaissée lorsque vous franchissez des ralentisseurs. La pression hydraulique pousse les brosses vers le bas et si vous essayez de franchir un ralentisseur en mode de lavage, vous risquez d'endommager la machine.

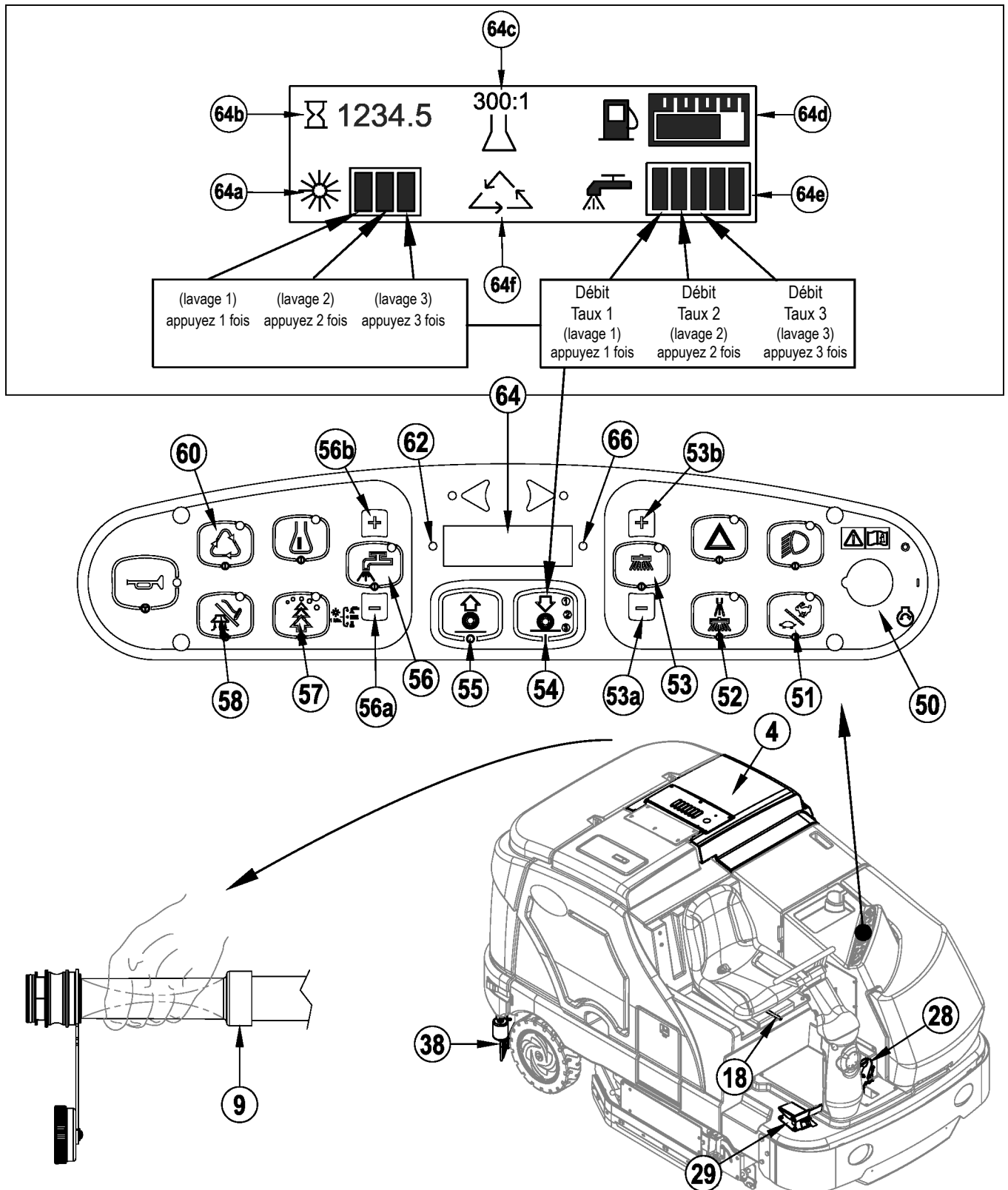
- 7 Lorsque vous lavez, assurez-vous après votre passage qu'il ne reste plus d'eau sur le sol. Si vous remarquez des traces d'eau derrière la machine, il se peut que cette dernière disperse trop de solution, que le réservoir de récupération soit plein ou que la raclette soit mal réglée.
- 8 La machine fonctionne par défaut en mode de lavage EcoFlex (si la cartouche de détergent est installée) (voyant de l'interrupteur EcoFlex allumé), économisant la solution et le détergent. Appuyez sur l'interrupteur de puissance supplémentaire (57) pour contourner le mode de lavage EcoFlex et augmenter temporairement la pression de lavage, le débit de solution et le taux de détergent. En conséquence, le voyant clignote pendant une minute, le taux de solution augmente jusqu'au niveau suivant, la pression de lavage augmente jusqu'au niveau suivant, et le taux de détergent augmente jusqu'au niveau suivant par rapport au dernier réglage utilisé (système de détergent activé s'il était éteint).  
**REMARQUE :** en maintenant enfoncé l'interrupteur de puissance supplémentaire (57) pendant 2 secondes, le système EcoFlex est désactivé. Il est nécessaire d'appuyer à nouveau sur l'interrupteur de puissance supplémentaire (57) pour le réactiver. Tourner l'interrupteur principal (50) ne permet pas de réactiver ce système. Le système EcoFlex fonctionnera uniquement si le système de lavage (54) a été activé.
- 9 Pour les sols extrêmement sales, il se peut qu'un seul passage ne suffise pas et que vous deviez adopter la technique des « deux passages ». Cette technique est fort semblable à la méthode habituelle. La seule différence réside dans le fait que lors du premier passage, la raclette est relevée (appuyez sur l'interrupteur d'aspiration (58) pour lever la raclette). La solution de lavage peut ainsi agir plus longtemps sur le sol. Si nécessaire, les brosses latérales (13 & 31) peuvent également être relevées lors de l'utilisation des « deux passages » à l'aide des supports de bavette (20). Lors du deuxième et dernier passage, la raclette et les brosses sont abaissées afin de ramasser la solution accumulée.
- 10 Le réservoir de récupération est équipé d'un flotteur de fermeture qui ARRÊTE TOUS les systèmes, à l'exception du système d'entraînement lorsque le réservoir est plein. Lorsque ce flotteur est activé, le réservoir de récupération doit être vidé. Lorsque ce flotteur est activé, la machine ne ramasse plus l'eau et arrête de laver.  
**REMARQUE :** le voyant Attention (66) s'allume en JAUNE et l'icône du réservoir de récupération plein (66e) s'affiche lorsque le flotteur de fermeture est activé. Si le panneau de commande indique de manière répétée que le réservoir est plein alors que ce n'est pas le cas, vérifiez que le flotteur bouge librement.
- 11 Lorsque l'opérateur veut arrêter le lavage, il doit appuyer une fois sur l'interrupteur d'arrêt du lavage (55). Les brosses de lavage, les balais / brosses latéraux, le débit de solution et le débit de détergent sont automatiquement arrêtés. Le plateau de lavage et les balais / brosses latéraux sont relevés. La raclette remonte et l'aspiration s'arrête après un court délai (afin de pouvoir ramasser les éventuels restes d'eau sans devoir réactiver l'aspiration).
- 12 Conduisez la machine vers un « SITE DE DÉCHARGE » des eaux usées et videz le réservoir de récupération. Pour le vider, tirez le tuyau de vidange (9) de son dispositif de rangement, puis retirez le bouchon (maintenez l'extrémité au-dessus du niveau d'eau du réservoir afin d'éviter tout déversement accidentel des eaux usées). Vous pouvez également serrer le tuyau de vidange du réservoir de récupération (9) pour réguler le débit. Remplissez à nouveau le réservoir de solution et poursuivez le lavage.

**REMARQUE :** assurez-vous que le couvercle du réservoir de récupération (4) et le bouchon du tuyau de vidange du réservoir de récupération (9) sont bien en place, ou la machine ne ramassera pas l'eau correctement.

**NOTE POUR L'ENTRETIEN :** pour en savoir plus sur la programmation, consultez le Manuel d'entretien.

# FONCTIONNEMENT DE LA MACHINE

## FIGURE 5



## APRÈS L'UTILISATION

- 1 Une fois le lavage terminé, appuyez sur l'interrupteur d'arrêt du lavage (55). Cette opération va automatiquement lever, rétracter et arrêter tous les systèmes de la machine (brosse, raclette, aspiration, solution et détergent (modèles EcoFlex)). Conduisez ensuite la machine dans une zone d'entretien où un technicien procédera à son entretien quotidien et effectuera les éventuelles réparations.
- 2 Pour vider le réservoir de solution, tirez le tuyau de vidange (37) de son dispositif de rangement. Dirigez le tuyau de vidange vers un « SITE DE DÉCHARGE » des eaux usées et enlevez le bouchon. Rincez le réservoir à l'eau claire.
- 3 Pour vider le réservoir de récupération, tirez le tuyau de vidange (9) de son dispositif de rangement. Dirigez le tuyau de vidange vers un « SITE DE DÉCHARGE » des eaux usées et enlevez le bouchon (maintenez l'extrémité au-dessus du niveau d'eau du réservoir afin d'éviter tout déversement accidentel des eaux usées). Vous pouvez également serrer le tuyau de vidange du réservoir de récupération pour réguler le débit. Rincez le réservoir de récupération à l'eau claire. Vérifiez les tuyaux de récupération et d'aspiration et remplacez-les s'ils sont tordus ou endommagés.
- 4 Retirez les brosses, retirez tous les fils ou saletés enroulés, rincez-les à l'eau chaude et placez-les sur une de leurs extrémités pour qu'elles sèchent. REMARQUE : les brosses doivent être inversées (tête en bas) et pivotées (d'avant en arrière) tous les jours pour prolonger leur durée de vie.
- 5 Enlevez la raclette, rincez-la à l'eau chaude et remettez-la en place.
- 6 Retirez la trémie (33) et nettoyez-la correctement. Enlevez-la par le côté droit de la machine en ouvrant la bavette, puis en débranchant le tuyau d'aspiration et en le retirant. REMARQUE : rebranchez le tuyau d'aspiration après la réinstallation.
- 7 Consultez le programme d'entretien et, si nécessaire, effectuez les opérations requises avant de ranger la machine.

## ARRÊT DU MOTEUR DIESEL

- 1 Placez toutes les commandes en position d'arrêt.
- 2 Levez la raclette, les brosses de lavage et les balais.
- 3 Placez l'interrupteur de régime moteur (51) sur « Ralenti » et laissez-le dans cette position pendant 30 secondes.
- 4 Appliquez le frein de stationnement (28).
- 5 Placez l'interrupteur principal (50) en position d'arrêt et enlevez la clé.

## POUR ARRÊTER LE MOTEUR AU PROPANE

- 1 Placez toutes les commandes en position d'arrêt.
- 2 Levez la raclette, les brosses de lavage et les balais.
- 3 Fermez la valve d'alimentation du réservoir de GPL.
- 4 Placez l'interrupteur de régime moteur (51) sur « Ralenti » et laissez-le dans cette position jusqu'à ce que le gaz soit éliminé de la conduite.
- 5 Appliquez le frein de stationnement (28).
- 6 Placez l'interrupteur principal (50) en position d'arrêt et enlevez la clé.

**REMARQUE IMPORTANTE:** pendant un fonctionnement normal, le moteur continue à tourner pendant une courte période (1-3 secondes) après avoir tourné la clé de contact en position d'arrêt jusqu'à ce que la totalité du carburant soit évacué du système de carburant.

## PROGRAMME D'ENTRETIEN

Conservez un niveau optimal d'efficacité en respectant scrupuleusement le programme d'entretien. Les intervalles recommandés ont été définis sur la base d'une utilisation dans un environnement normal. **Les machines utilisées dans des environnements plus exigeants devront peut-être faire l'objet d'un entretien plus fréquent.**

ÉLÉMENT	CHAQUE JOUR	CHAQUE SEMAINE
Effectuer les étapes de maintenance « Après l'utilisation »	X	
Vérifier le frein à main	X	
Vérifier l'huile du moteur	X	
*Vérifier / laver / tourner les brosses	X	
Vérifier l'indicateur et les voyants des filtres (hyd et air)	X	
Vérifier le niveau de liquide de refroidissement du moteur	X	
Vérifier le niveau d'huile hydraulique	X	
Vidanger / vérifier / nettoyer les réservoirs et tuyaux	X	
Vérifier / nettoyer la raclette	X	
Nettoyer la trémie	X	
Vidanger le système de détergent (EcoFlex uniquement)		X
Inspecter les plateaux coulissants de la tête de lavage principale (remplacez-le si usé à 1/8 po. / 3 mm)		X

ÉLÉMENT	15 heures.	30 heures.	150 heures.	300 heures.	500 heures.	1000 heures.
Inspecter et nettoyer le filtre de solution	X					
Nettoyer le radiateur et le refroidisseur d'huile	X					
Entretien du balai latéral	X					
Nettoyer les conduites de solution	X					
Inspecter les bavettes du compartiment de lavage	X					
Effectuer la maintenance du moteur				X		
Inspecter et graisser la crémaillère				X		
Remplacer le filtre à huile hydraulique « Charge »						X
Changer l'huile hydraulique et le filtre du réservoir						X
Rincer le radiateur						X
Filtre(s) de carburant du moteur GPL						X

\* Voir la section « INSTALLATION DES BROSSES ».



## LUBRIFICATION DE LA MACHINE – FIGURE 6

Une fois par mois, mettez un peu de graisse sur chaque raccord de graissage jusqu'à ce que la graisse coule autour des roulements.

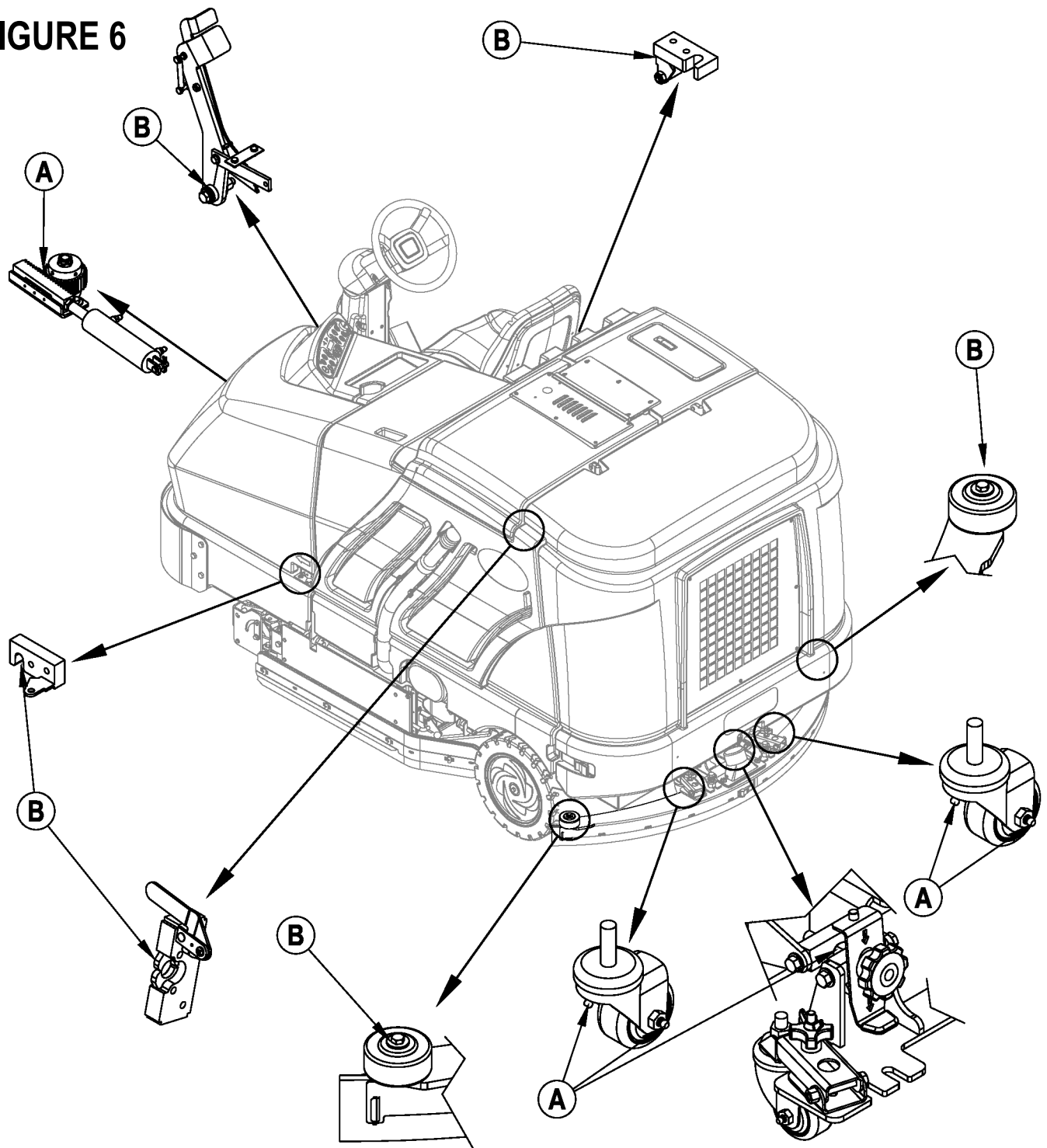
**Graissez les raccords (ou appliquez de la graisse) (A) :**

- Axe et pivot de la roue de la raclette
- Crémaillère
- Filetages des boutons de réglage d'inclinaison de la raclette

**Une fois par mois, appliquez un peu d'huile légère sur (B) :**

- Roues aux extrémités de la raclette
- Loquet du couvercle du réservoir de carburant
- Loquet du réservoir de récupération
- Loquet du couvercle EcoFlex
- Câble de la pédale de frein (frein à main)

**FIGURE 6**



## ENTRETIEN DU BALAI LATÉRAL

Le(s) balai(s) latéral(aux) déplace(nt) les saletés et débris loin des murs ou courbes pour les placer sur le chemin des brosses principales. Réglez le(es) balai(s) latéral(aux) pour que les poils soient en contact avec le sol de la zone (A) à (B), comme illustré à la **Figure 7**, quand le balai est abaissé et en marche.

Pour régler les balais latéraux...

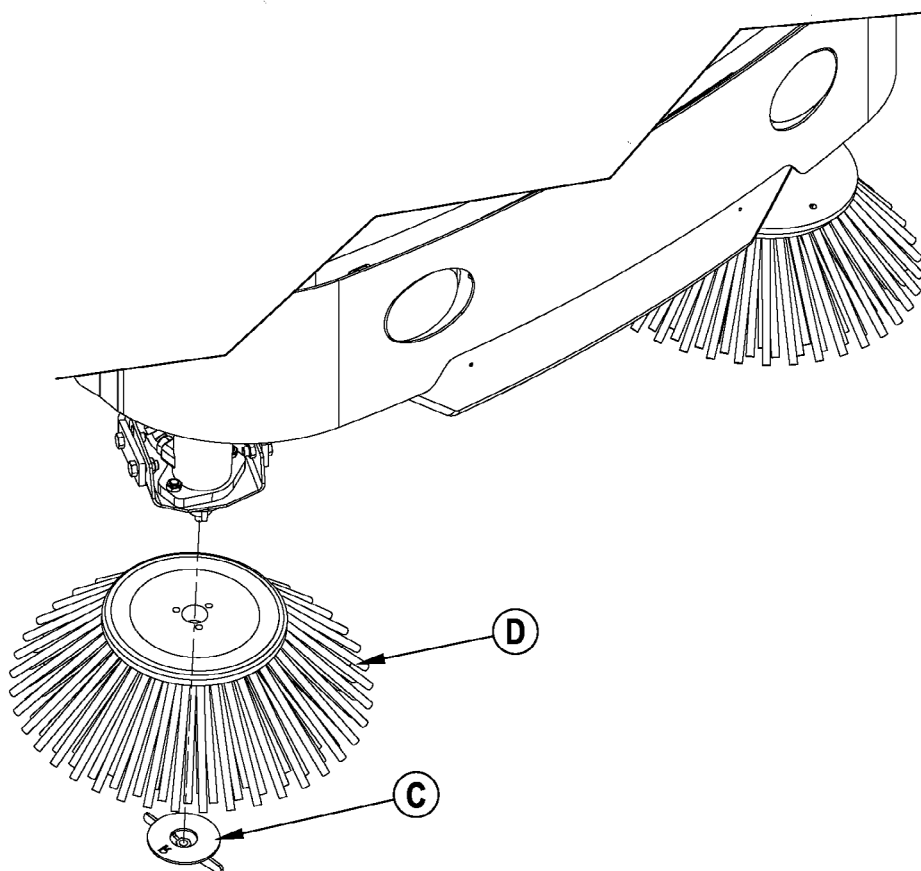
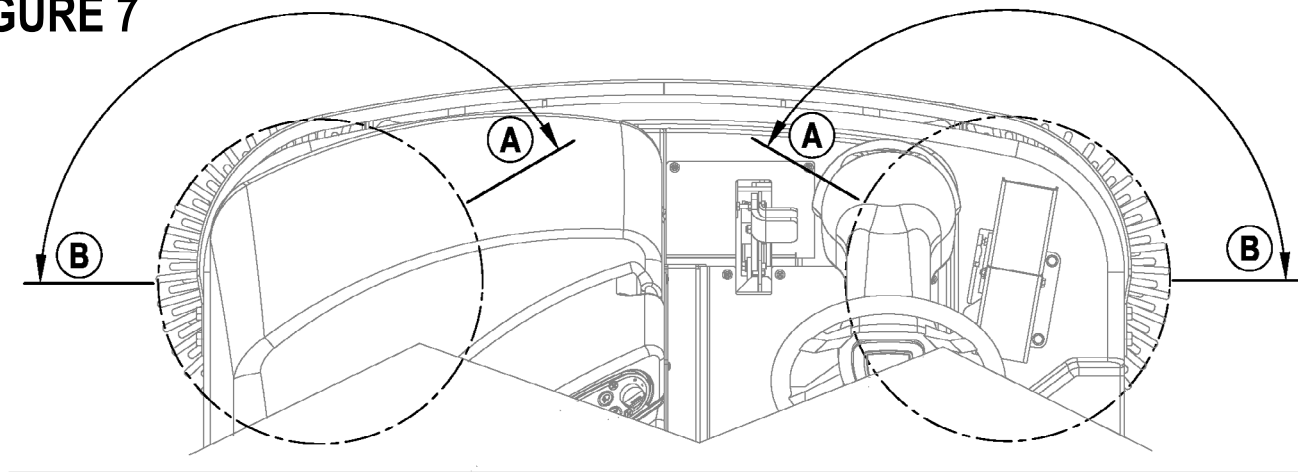
- 1 Les balais latéraux sont réglés en appuyant simplement sur l'un des interrupteurs de réglage vers le bas (**53a**) ou vers le haut (**53b**) du balai latéral.  
REMARQUE : le réglage des balais est conservé à chaque fois qu'ils sont abaissés, mais un nouveau réglage doit être effectué quand les balais s'usent ou sont remplacés.

**REMARQUE** : lorsque vous rangez la machine, vous devez mettre les balais latéraux en position levée. Lorsque les poils des balais sont usés et ne mesurent plus que 3 pouces (7,62 cm), ou lorsque les balais latéraux deviennent inefficaces, il est préférable de les remplacer. Les balais latéraux doivent être remplacés par paire car la hauteur de chaque balai ne peut pas être réglée individuellement.

Pour remplacer un balai latéral...

- 1 Levez le balai latéral.
- 2 Retirez le gros écrou à ailette (**C**) et le balai latéral (**D**). REMARQUE : l'écrou à ailette du côté droit (**C**) est doté de filetages à droite tandis que l'écrou à ailette du côté gauche (**C**) a des filetages à gauche.
- 3 Installez le nouveau balai en le faisant glisser vers le HAUT sur l'arbre et en remettant en place l'écrou à ailettes (**C**).

### FIGURE 7



## ENTRETIEN DE LA RACLETTE

Si la raclette ne ramasse pas toute l'eau ou laisse des traces derrière elle, il se peut que ses lames soient sales ou endommagées. Enlevez la raclette, rincez-la à l'eau chaude et vérifiez les lames. Si les lames sont abimées, tordues ou usées, remplacez-les ou retournez-les.

### Pour retourner ou remplacer la lame arrière de la raclette...

- 1 Voir Figure 8. Levez la raclette, puis déverrouillez le loquet central (A) situé sur celle-ci.
- 2 Retirez les sangles de tension (B).
- 3 Faites glisser la lame arrière hors des goupilles de positionnement.
- 4 Cette lame de raclette présente 4 chants de travail, comme illustré ci-dessous. Tournez la lame de sorte qu'un chant propre et non endommagé soit tourné vers l'avant de la machine. Si les 4 chants de la lame sont abimés, tordus ou usés, remplacez la lame.
- 5 Installez la nouvelle lame en suivant la procédure inverse et réglez la raclette.

### Pour retourner ou remplacer la lame avant de la raclette...

- 1 Levez la raclette du sol, déverrouillez les 2 pinces de montage (40) situés sur celle-ci, puis enlevez la raclette (38) de son support.
- 2 Retirez d'abord les deux sangles de tension arrière
- 3 Enlevez tous les écrous à oreilles qui maintiennent la lame avant en place et retirez la sangle de tension et la lame.
- 4 Cette lame de raclette présente 4 chants de travail, comme illustré ci-dessous. Tournez la lame de sorte qu'un chant propre et non endommagé soit tourné vers l'avant de la machine. Si les 4 chants de la lame sont abimés, tordus ou usés, remplacez la lame.
- 5 Installez la nouvelle lame en suivant la procédure inverse et réglez la raclette.

**NOTE POUR L'ENTRETIEN :** en fonction de la position des pinces de montage de la raclette (40), il pourrait être impossible de faire tourner la pince suffisamment loin pour desserrer ou serrer en fonction des besoins. Dans ce cas, tirez simplement sur la poignée (C) et faites tourner la pince dans le sens nécessaire pour obtenir un espace de rotation adéquat et laissez retomber la pince à sa place sur l'écrou. Vous pouvez soit serrer ou desserrer selon les besoins.

## RÉGLAGE DE LA RACLETTE

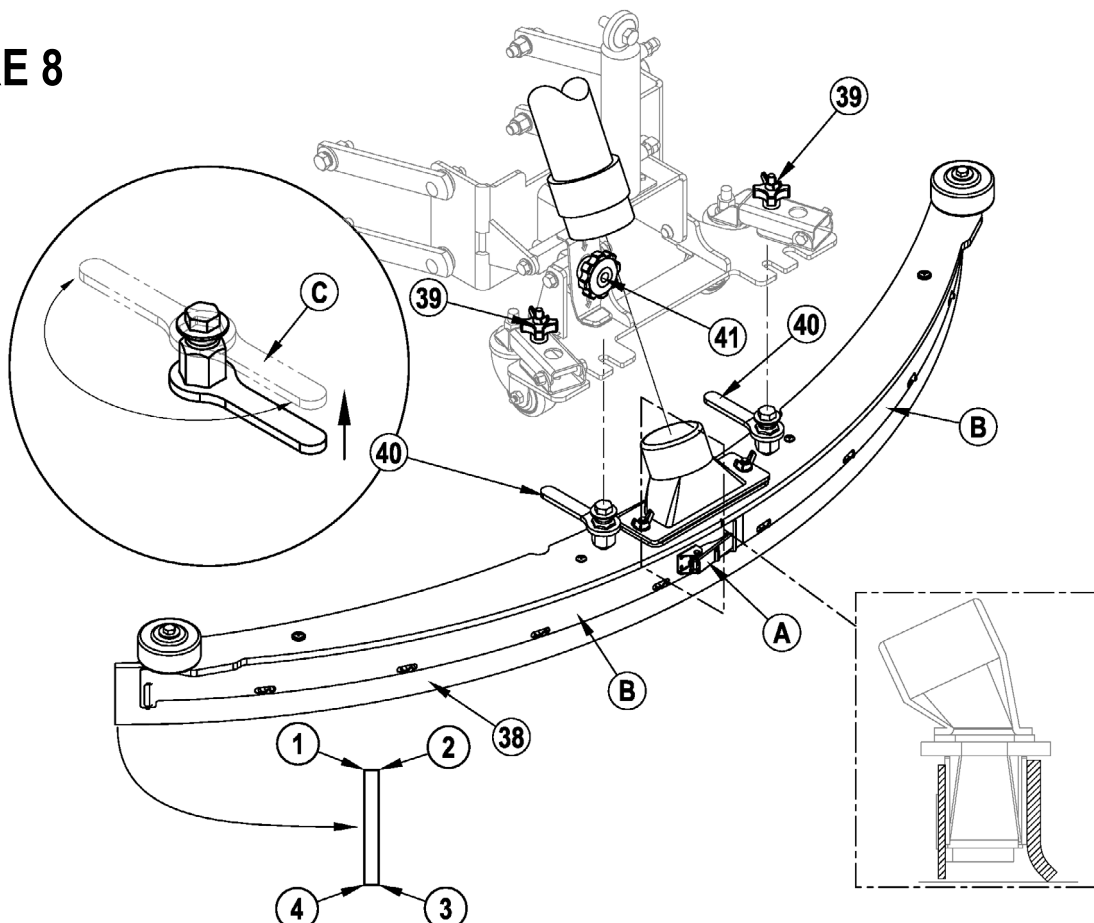
Le réglage de la raclette s'effectue à deux niveaux : l'inclinaison et la hauteur.

### Pour régler l'inclinaison de la raclette

Ce réglage doit être effectué à chaque fois qu'une lame est retournée ou remplacée, ou lorsque le sol n'est pas sec après le passage de la machine.

- 1 Placez la machine sur une surface plane et régulière.
- 2 Abaissez la raclette, déplacez la machine légèrement vers l'avant et réglez l'inclinaison et la hauteur de la raclette à l'aide du bouton de réglage de l'inclinaison de la raclette (41) et des boutons de réglage de la hauteur de la raclette (39), afin que la lame arrière de la raclette touche le sol de manière uniforme sur toute sa largeur et soit légèrement inclinée vers l'avant, comme illustré sur le schéma transversal de la raclette.

FIGURE 8



## MAINTENANCE DE LA BAVETTE LATÉRALE

### ⚠ ATTENTION !

Tournez l'interrupteur principal en position d'arrêt (O) et enlevez la clé avant de remplacer les brosses ou d'ouvrir un panneau d'accès.

Les bavettes latérales servent à diriger les eaux usées vers la raclette, contribuant ainsi à maintenir l'eau dans le chemin de la machine. Il est normal que les lames s'usent avec le temps.

#### Pour retourner ou remplacer la (les) bavette(s) latérale(s) du système de lavage...

- 1 Voir Figure 9. Appuyez sur le loquet de la bavette latérale (12 ou 32) et basculez la bavette (A) pour l'ouvrir comme illustré.
- 2 Enlevez tous les éléments qui fixent les lames aux logements. **REMARQUE** : les lames principales de chaque bavette sont maintenues en place par des fixations sans outils. Il suffit de desserrer les grands écrous à oreilles (B) puis de faire tourner les boutons (C) situés sur la partie extérieure de la bavette jusqu'à ce qu'ils soient à l'horizontale et passent à travers les fentes. La petite lame interne (D) est maintenue par quatre (4) vis.
- 3 La lame principale de la bavette présente 4 chants de travail, comme illustré. Tournez les lames de sorte qu'un chant propre et non endommagé soit dirigé vers le centre de la machine. Remplacez les lames dans leur ensemble si les 4 chants de la lame sont tordus, abîmés ou trop usés.

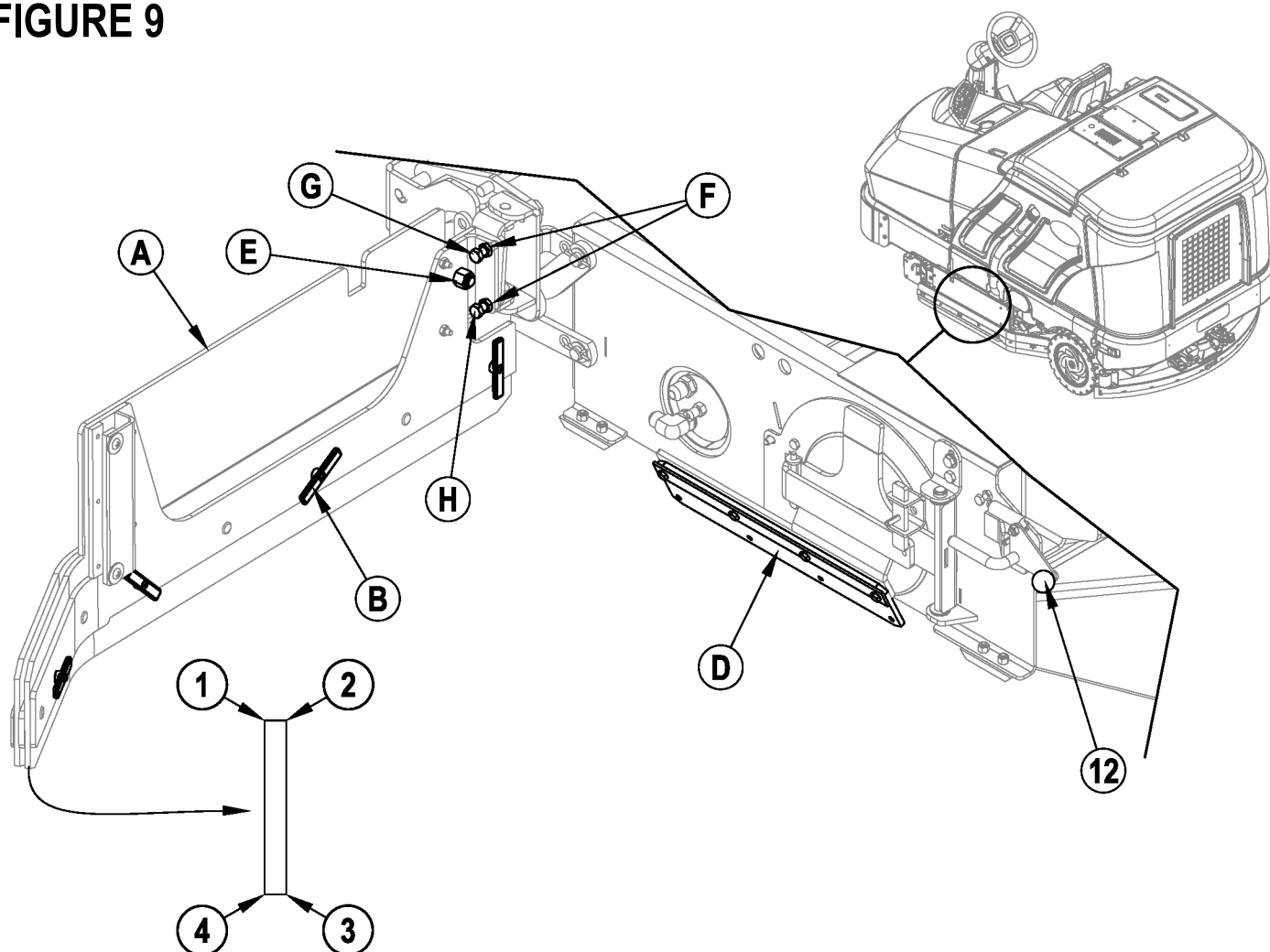
## RÉGLAGE DE L'INCLINAISON DE LA BAVETTE LATÉRALE

L'inclinaison des bavettes latérales par rapport au sol doit être réglée régulièrement.

- 1 Assurez-vous que le plateau de lavage est en position relevée.
- 2 Pour effectuer le réglage, desserrez l'écrou (E), desserrez les écrous (F) puis tournez les vis (G & H) comme suit.  
Tournez la vis (G) dans le sens horaire et la vis (H) dans le sens inverse pour abaisser l'arrière de la bavette.  
Tournez la vis (G) dans le sens horaire inverse et la vis (H) dans le sens horaire pour relever l'arrière de la bavette.

**REMARQUE** : à l'origine, la bavette doit être parallèle au sol lorsque le plateau est relevé. Effectuez de petits réglages de manière à ce que le travail des lames soit parfait. N'abaissez pas trop l'arrière des lames car, si elles sont trop courbées, elles risquent de s'user prématurément.

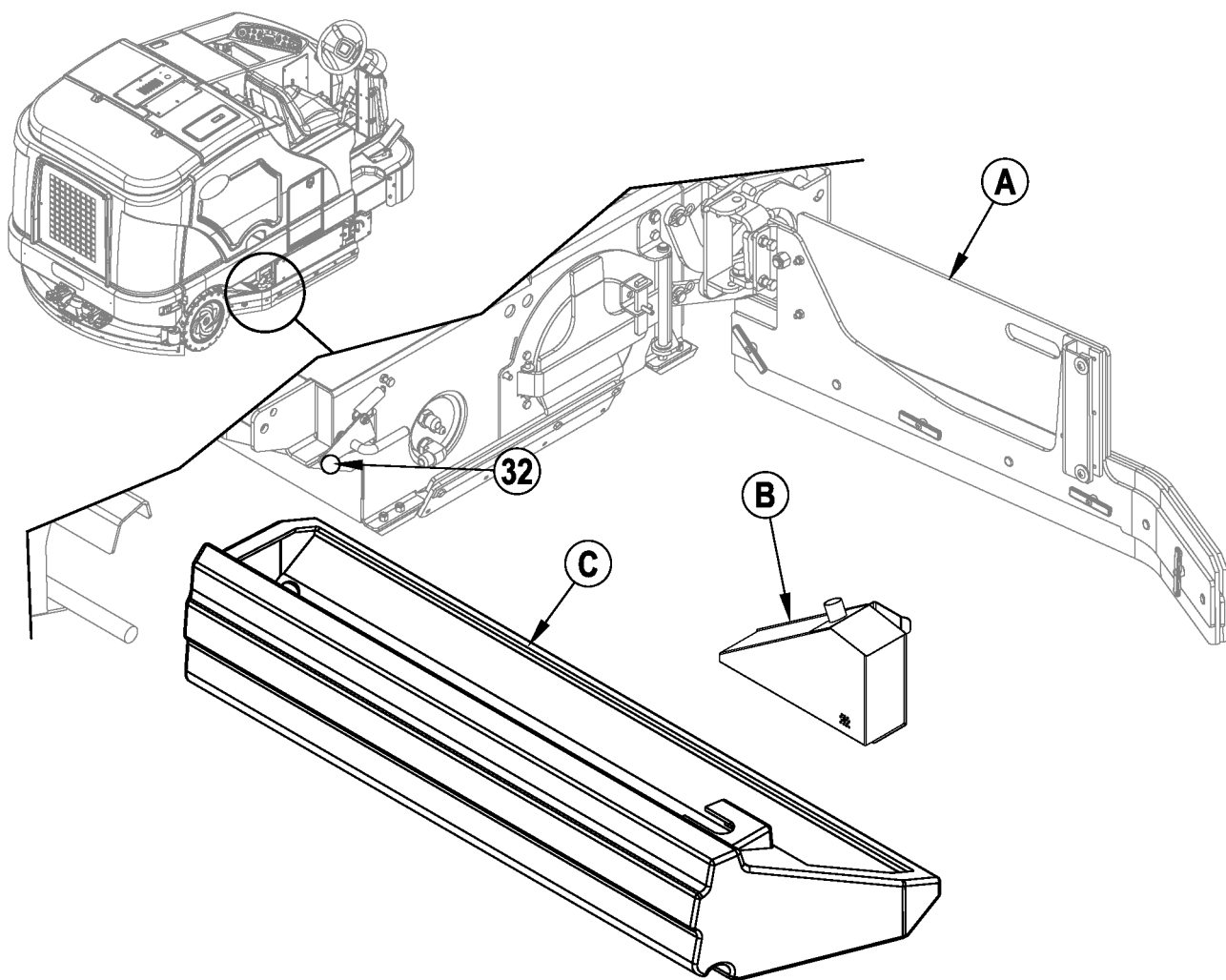
### FIGURE 9



**ENTRETIEN DE LA TRÉMIE À DÉBRIS****⚠ ATTENTION !**

Tournez l'interrupteur principal en position d'arrêt (O) et enlevez la clé avant d'ouvrir un panneau d'accès.

- 1 Voir Figure 10. Appuyez sur le loquet de la bavette latérale droite (32) et ouvrez la bavette (A) comme illustré.
- 2 Débranchez le petit tuyau d'aspiration de la grille (B) et faites glisser l'ensemble de la trémie (C) hors de la machine.
- 3 Retirez la grille (B) de la trémie (C) et rincez-les correctement pour éliminer les débris.

**FIGURE 10**

## DÉPANNAGE

Si les causes énumérées ci-dessous ne sont pas à l'origine du problème, vous êtes confronté à une panne plus sérieuse. Contactez immédiatement le centre de support Advance.

### DÉCLENCHEMENT DES DISJONCTEURS

Les disjoncteurs sont situés sur le panneau à disjoncteurs dans le compartiment de l'opérateur. Ils protègent les circuits électriques et les moteurs des dommages provoqués par des surcharges. Si un disjoncteur se déclenche, essayez d'en déterminer la cause.

Déclenchement du disjoncteur principal VACC1 (CB1 / 20 A) Cause probable :

1 Court-circuit électrique (appelez le Centre de service Advance ou un technicien qualifié pour qu'il vérifie la machine).

Déclenchement du disjoncteur VACC2 (CB2 / 20 A) Cause probable :

1 Court-circuit électrique (appelez le Centre de service Advance ou un technicien qualifié pour qu'il vérifie la machine).

Déclenchement du disjoncteur VACC3 (CB1 / 15 A) Cause probable :

1 Court-circuit électrique (appelez le Centre de service Advance ou un technicien qualifié pour qu'il vérifie la machine).

Déclenchement du disjoncteur VACC4 (CB4 / 20 A) Cause probable :

1 Court-circuit électrique (appelez le Centre de service Advance ou un technicien qualifié pour qu'il vérifie la machine).

Déclenchement du disjoncteur VACC5 (CB5 / 10 A) Cause probable :

1 Court-circuit électrique (appelez le Centre de service Advance ou un technicien qualifié pour qu'il vérifie la machine).

Déclenchement du disjoncteur d'allumage (CB 6 / 15 A) Cause probable :

1 Court-circuit électrique (appelez le Centre de service Advance ou un technicien qualifié pour qu'il vérifie la machine).

Une fois le problème résolu, appuyez sur le bouton pour réenclencher le disjoncteur. Si le bouton ne reste pas enclenché, attendez 5 minutes, puis essayez à nouveau. Si le disjoncteur se déclenche de manière répétitive, contactez le Centre de service Advance.

#### Disjoncteur VACC1 (CB1)

- Feu de stop arrière droit / clignotant
- Feu de stop arrière gauche / clignotant
- Clignotant avant droit
- Clignotant avant gauche
- Phares arrière
- Phares avant

#### Disjoncteur VACC2 (CB2)

- Pompe de solution du tuyau de lavage (M8)
- Pompe d'humidification du balayage latéral (M5)

#### Disjoncteur VACC3 (CB3)

- Moteur de l'actionneur de levage du balai latéral (M7)

#### Disjoncteur VACC4 (CB4)

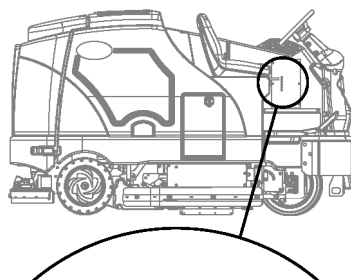
- Solénoïde de la brosse de lavage (L4)
- Baisse de la pression de lavage (L5)
- Solénoïde de verrouillage du cylindre de lavage (L6)
- Augmentation de la pression de lavage (L7)
- Solénoïde du balai latéral / lavage (L8)
- Solénoïde de levage du lavage latéral (L9)
- Électrovanne principale de la solution (L10)
- Électrovanne de la solution du lavage latéral (L11)
- Électrovanne de la solution d'eau du lavage prolongé
- Pompe chimique

#### Disjoncteur VACC5 (CB5)

- Solénoïde du moteur d'aspiration (L1)
- Solénoïde d'abaissement de la raclette (L3)
- Solénoïde de levage de la raclette (L3)
- Pompe de solution principale (M4)
- Pompe de lavage prolongé (M6)

#### Disjoncteur d'allumage (CB6)

- Relais de la bougie de préchauffage
- Relais d'alimentation principal
- Alarme sonore de recul
- Klaxon
- Système moteur (pompe à carburant et système d'allumage)
- Panneau de commande



20	CB1 20A	VACC1
20	CB2 20A	VACC2
15	CB3 15A	VACC3
20	CB4 20A	VACC4
10	CB5 10A	VACC5
15	CB6 15A	IGN

## DÉPANNAGE GÉNÉRAL DE LA MACHINE

Problème	Cause possible	Solution
Mauvaise récupération de l'eau	Lames de raclette usées ou tordues	Retourner ou remplacer
	Raclette mal réglée	Régler les lames de telle sorte qu'elles touchent le sol uniformément sur toute leur largeur
	Réservoir de récupération plein	Vider le réservoir de récupération
	Fuite au niveau du tuyau de vidange du réservoir de récupération	Vérifier la position du bouchon du tuyau de vidange ou remplacer
	Fuite au niveau des joints du couvercle du réservoir de récupération	Remplacer les joints / Repositionner le couvercle correctement.
	Débris coincés dans la raclette	Nettoyer la raclette
	Tuyau d'aspiration colmaté	Enlever les débris
	Utilisation d'une quantité trop importante de solution	Réduire le débit à l'aide du bouton de solution du panneau de commande
Mauvaises performances de lavage	Brosse usée	Retourner ou remplacer la brosse
	Type de brosse incorrect	Consulter Advance
	Produit chimique inadapté	Consulter Advance
	Déplacement trop rapide de la machine	Ralentir
	Quantité de solution trop faible	Augmenter le débit à l'aide du bouton de solution du panneau de commande
	Taux de détergent incorrect	Vérifier les paramètres de dilution si la machine est équipée du système EcoFlex.
Débit de solution inadéquat ou plus de solution	Réservoir de solution vide	Remplir le réservoir de solution
	Conduites, vannes et filtre de solution encrassés	Rincer les conduites et nettoyer le filtre de solution
	Le débit de solution est ARRÊTÉ	Activer le débit à l'aide du bouton de solution du panneau de commande
	L'électrovanne de solution est colmatée ou défectueuse	Nettoyer ou remplacer l'électrovanne <b>(consulter le manuel d'entretien)</b>
La machine ne démarre pas	Disjoncteur de 15 A (CB6) déclenché	Vérifier s'il n'y a pas de court-circuit et réenclencher
	Contrôleur principal du système	Vérifier les codes d'erreurs <b>(voir Manuel d'entretien)</b>
Pas de roue motrice avance / recul	Frein de stationnement actionné	Relâchez le frein à main
	Soupape de remorquage en position incorrecte	Régler correctement
L'aspiration s'arrête et l'écran affiche « PLEIN » alors que le réservoir n'est pas plein.	Le flotteur ne se déplace pas librement	Enlever les débris, nettoyer la tige du flotteur pour qu'il se déplace librement
Aucun débit de détergent (modèles EcoFlex™ uniquement)	Cartouche de détergent vide	Remplir la cartouche de détergent
	Conduite de débit du détergent tordue ou colmatée	Vidanger le système et redresser les conduites afin qu'elles ne soient plus tordues
	Bouchon de fermeture hermétique sur la cartouche de détergent mal fermé	Bien refermer le bouchon de fermeture hermétique
	Le câble de la pompe de détergent est débranché ou inversé	Brancher ou rebrancher les câbles

## ACCESSOIRES / OPTIONS

En plus des composants standard, la machine peut être dotée des options / accessoires suivants, en fonction de son utilisation spécifique :

- Brosses avec des poils plus durs ou plus souples
- Kit d'arrêt du remplissage de la solution
- Kit de gyrophare
- Kit de siège de luxe
- Kit d'arceau protecteur
- Kit de lavage prolongé
- Injection chimique
- Kit d'éclairage sous le capot
- Kit de lance d'aspiration
- Kit d'accoudoir droit
- Kit de deux accoudoirs
- Kit de ceinture de sécurité
- Kit de nettoyage du réservoir de récupération
- Kit de tuyau de nettoyage
- Kit de feux de freinage / clignotant
- Kit de pare-choc arrière
- Kit d'extincteur
- Kit d'avertisseur de recul
- Kit de gyrophare d'arceau protecteur
- Kit d'auvent de protection
- Kit de bac à débris
- Kit d'interrupteur de klaxon
- Extension du tuyau de vidange
- Kit de galet pare-choc

Pour de plus amples informations sur les accessoires précités, veuillez contacter un revendeur agréé.

### Composition des matériaux et recyclabilité

Type	% du poids de la machine	% recyclable
Aluminium	1 %	90 %
Système électrique / moteurs électriques / moteurs – divers	13 %	94 %
Métaux ferreux	59 %	95 %
Faisceaux / câbles	4 %	80 %
Liquides	1 %	100 %
Plastique – non recyclable	2 %	0 %
Plastique – recyclable	1 %	90 %
Polyéthylène	16 %	100 %
Caoutchouc	5 %	68 %



## SPÉCIFICATIONS TECHNIQUES (TEL QU'INSTALLÉ ET TESTÉ SUR L'UNITÉ)

Modèle		SC8000 48 GPL	SC8000 48 D (Diesel)	SC8000 48 GPL EcoFlex
		SC8000 48 GPL EcoFlex	SC8000 48 D EcoFlex	Brésil
Réf.		56108110	56108112	56108122
		56108111	56108113	
Niveau de pression sonore (IEC 60335-2-72 : Ed 3 2012, ISO 11201)	dB(A)	84,5 dB LpA, 3dB KpA	84,5 dB LpA, 3dB KpA	84,5 dB LpA, 3dB KpA
Niveau de puissance sonore (IEC 60335-2-72 : Ed 3 2012, ISO 3744)	dB(A)	104,4 dB LwA	104,4 dB LwA	104,4 dB LwA
Poids brut du véhicule	livres / kg	4033 / 1829	4033 / 1829	4033 / 1829
Poids de transport	livres / kg	3110 / 1410	3110 / 1410	3110 / 1410
Charge de roue maximum au sol (avant centre)	N/mm <sup>2</sup> / psi	0,48/70	0,48/70	0,48/70
Charge de roue maximum au sol (arrière gauche)	N/mm <sup>2</sup> / psi	0,53/77	0,53/77	0,53/77
Charge de roue maximum au sol (arrière droit)	N/mm <sup>2</sup> / psi	0,54/79	0,54/79	0,54/79
Vibrations au niveau des commandes manuelles (ISO 5349-1)	m/s <sup>2</sup>	0,80 m/s <sup>2</sup>	0,71 m/s <sup>2</sup>	0,80 m/s <sup>2</sup>
Vibrations au niveau du siège (ISO 2631-1)	m/s <sup>2</sup>	0,18 m/s <sup>2</sup>	0,23 m/s <sup>2</sup>	0,18 m/s <sup>2</sup>
Tenue de route en côte				
Transport		16 % (9°)	16 % (9°)	16 % (9°)
Lavage		10,5 % (6°)	10,5 % (6°)	10,5 % (6°)

Modèle		SC8000 60 GPL	SC8000 60 D (Diesel)
		SC8000 60 GPL EcoFlex	SC8000 60 D EcoFlex
Réf.		56108114	56108116
		56108115	56108117
Niveau de pression sonore (IEC 60335-2-72 : Ed 3 2012, ISO 11201)	dB(A)	84,5 dB LpA, 3dB KpA	84,5 dB LpA, 3dB KpA
Niveau de puissance sonore (IEC 60335-2-72 : Ed 3 2012, ISO 3744)	dB(A)	104,4 dB LwA	104,4 dB LwA
Poids brut du véhicule	livres / kg	4311 / 1955	4311 / 1955
Poids de transport	livres / kg	3388 / 1536	3388 / 1536
Charge de roue maximum au sol (avant centre)	N/mm <sup>2</sup> / psi	0,48/70	0,48/70
Charge de roue maximum au sol (arrière gauche)	N/mm <sup>2</sup> / psi	0,53/77	0,53/77
Charge de roue maximum au sol (arrière droit)	N/mm <sup>2</sup> / psi	0,54/79	0,54/79
Vibrations au niveau des commandes manuelles (ISO 5349-1)	m/s <sup>2</sup>	0,80 m/s <sup>2</sup>	0,71 m/s <sup>2</sup>
Vibrations au niveau du siège (ISO 2631-1)	m/s <sup>2</sup>	0,18 m/s <sup>2</sup>	0,23 m/s <sup>2</sup>
Tenue de route en côte			
Transport		16 % (9°)	16 % (9°)
Lavage		10,5 % (6°)	10,5 % (6°)

Modèle		SC8000 62 GPL	SC8000 62 D (Diesel)	SC8000 62 GPL EcoFlex
		SC8000 62 GPL EcoFlex	SC8000 62 D EcoFlex	Brésil
Réf.		56108118	56108120	56108123
		56108119	56108121	
Niveau de pression sonore (IEC 60335-2-72 : Ed 3 2012, ISO 11201)	dB(A)	84,5 dB LpA, 3dB KpA	84,5 dB LpA, 3dB KpA	84,5 dB LpA, 3dB KpA
Niveau de puissance sonore (IEC 60335-2-72 : Ed 3 2012, ISO 3744)	dB(A)	104,4 dB LwA	104,4 dB LwA	104,4 dB LwA
Poids brut du véhicule	livres / kg	4311 / 1955	4311 / 1955	4311 / 1955
Poids de transport	livres / kg	3388 / 1536	3388 / 1536	3388 / 1536
Charge de roue maximum au sol (avant centre)	N/mm <sup>2</sup> / psi	0,48/70	0,48/70	0,48/70
Charge de roue maximum au sol (arrière gauche)	N/mm <sup>2</sup> / psi	0,53/77	0,53/77	0,53/77
Charge de roue maximum au sol (arrière droit)	N/mm <sup>2</sup> / psi	0,54/79	0,54/79	0,54/79
Vibrations au niveau des commandes manuelles (ISO 5349-1)	m/s <sup>2</sup>	0,80 m/s <sup>2</sup>	0,71 m/s <sup>2</sup>	0,80 m/s <sup>2</sup>
Vibrations au niveau du siège (ISO 2631-1)	m/s <sup>2</sup>	0,18 m/s <sup>2</sup>	0,23 m/s <sup>2</sup>	0,18 m/s <sup>2</sup>
Tenue de route en côte				
Transport		16 % (9°)	16 % (9°)	16 % (9°)
Lavage		10,5 % (6°)	10,5 % (6°)	10,5 % (6°)







Nilfisk-Advance Equipamentos de Limpeza Ltda.  
Av. Dep. Emílio Carlos, 2.499 - Bairro do Limão - 02721-200  
São Paulo - SP - Brasil  
[www.nilfisk-advance.ind.br](http://www.nilfisk-advance.ind.br)  
[www.plataforma.ind.br](http://www.plataforma.ind.br)  
Tel.: (11) 3959-0300  
Fax: (11) 3959-0306  
©2013 Nilfisk-Advance, Inc.



14600 21st Avenue North  
Plymouth, MN 55447-3408  
[www.advance-us.com](http://www.advance-us.com)  
Phone: 800-989-2235  
Fax: 800-989-6566  
©2013 Nilfisk-Advance, Inc.

---

**A Nilfisk-Advance Brand**