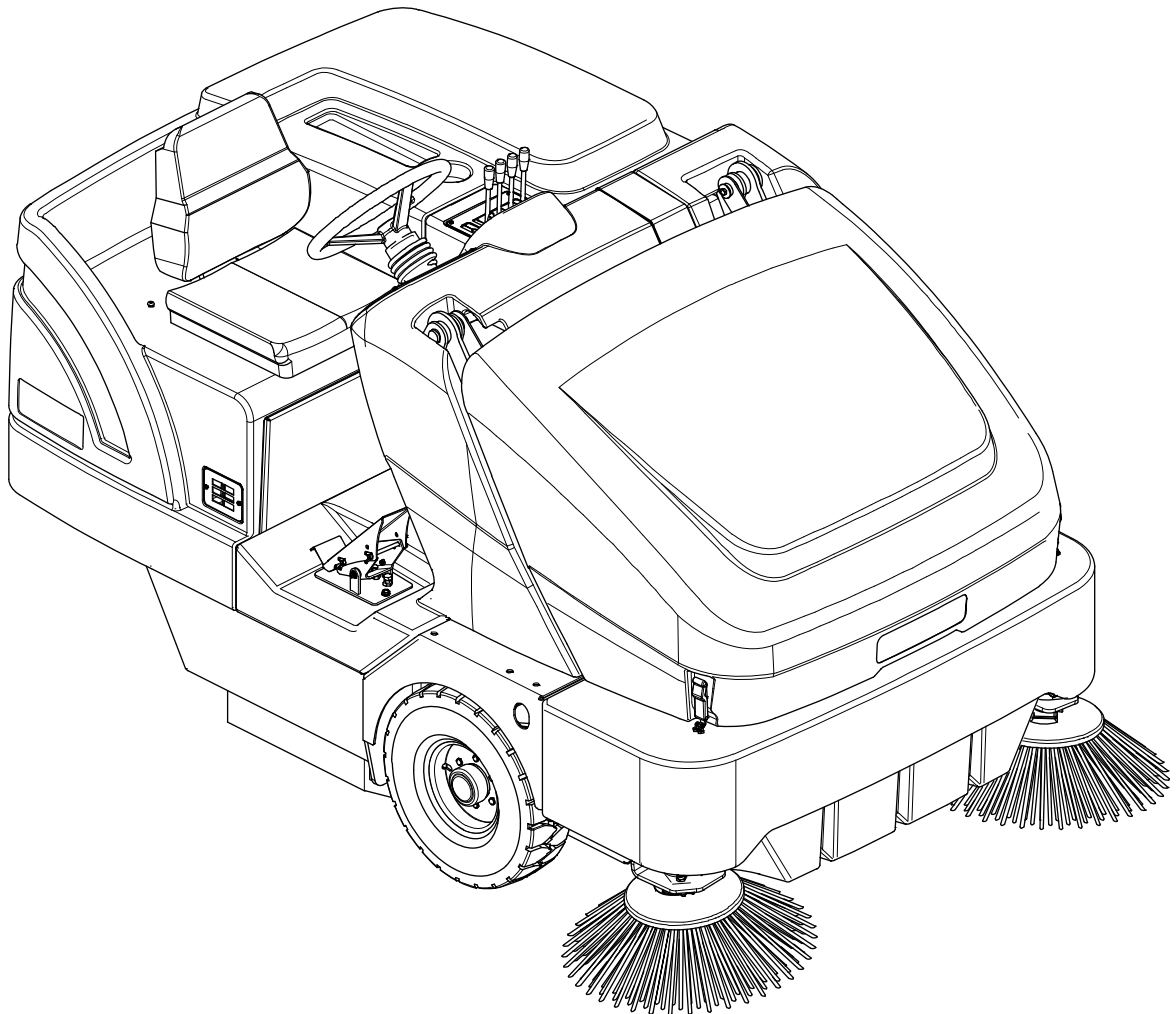


# Proterra™



**INSTRUCTION FOR USE**

**INSTRUCTIONS D'UTILISATION**

**INSTRUCCIONES DE USO**

**INSTRUÇÕES DE USO**

**Advance models: 13300106 (3 cyl Diesel), 13300109 (3 cyl LPG),  
13300108 (3 cyl Gasoline)**

**ENGLISH**

**FRANÇAIS**

**ESPAÑOL**

**PORTUGUÊS**



**Advance**  
*by Nilfisk-Advance*

33019864(1)2009-05



## TABLE OF CONTENTS

<b>INTRODUCTION</b> .....	<b>2</b>
MANUAL PURPOSE AND CONTENTS .....	2
TARGET.....	2
HOW TO STORE THIS MANUAL.....	2
IDENTIFICATION DATA.....	2
OTHER REFERENCE MANUALS.....	2
SPARE PARTS AND MAINTENANCE.....	3
CHANGES AND IMPROVEMENTS .....	3
OPERATION CAPABILITIES.....	3
CONVENTIONS .....	3
<b>UNPACKING/DELIVERY</b> .....	<b>3</b>
<b>SAFETY</b> .....	<b>4</b>
SYMBOLS .....	4
GENERAL INSTRUCTIONS.....	4
HOPPER SAFETY SUPPORT .....	7
JACKING THE MACHINE.....	7
MACHINE TRANSPORT .....	7
PUSHING/TOWING THE MACHINE.....	7
<b>KNOW YOUR MACHINE</b> .....	<b>8</b>
MACHINE NOMENCLATURE .....	8
OPERATING CONTROLS .....	10
ACCESSORIES/OPTIONS.....	11
TECHNICAL DATA.....	11
WIRING DIAGRAM.....	12
HYDRAULIC DIAGRAM .....	15
<b>PREPARING THE MACHINE FOR USE</b> .....	<b>16</b>
PRE-OPERATIONAL CHECKLIST .....	16
MAIN BROOM .....	16
FUEL.....	16
DIESEL AND GASOLINE ENGINE.....	16
LPG ENGINE.....	17
BEFORE STARTING THE MACHINE .....	17
STARTING AND STOPPING THE MACHINE .....	17
PARKING BRAKE.....	18
SWEEPING .....	18
HOPPER DUMPING.....	19
AFTER USING THE MACHINE .....	20
MACHINE STORAGE.....	20
FIRST PERIOD OF USE .....	20
<b>MAINTENANCE</b> .....	<b>20</b>
SCHEDULED MAINTENANCE TABLE .....	21
MAIN BROOM MAINTENANCE .....	22
SIDE BROOM MAINTENANCE.....	24
DUST FILTER MAINTENANCE (PANEL FILTER).....	26
SKIRT MAINTENANCE .....	27
DUSTGUARD SYSTEM WATER FILTER CLEANING (OPTIONAL).....	27
HYDRAULIC OIL .....	28
ENGINE OIL .....	28
ENGINE AIR FILTER CLEANING.....	29
ENGINE COOLANT.....	29
FUZE CHECK/REPLACEMENT/RESET.....	30
<b>TROUBLESHOOTING</b> .....	<b>31</b>
<b>SCRAPPING</b> .....	<b>32</b>

## INTRODUCTION



### NOTE

The numbers in brackets refer to the components shown in Machine Description chapter.

## MANUAL PURPOSE AND CONTENTS

The purpose of this Manual is to provide the operator with all necessary information to use the machine properly, in a safe and autonomous way. It contains information about technical data, safety, operation, storage, maintenance, spare parts and disposal. Before performing any procedure on the machine, the operators and qualified technicians must read this Manual carefully. Contact Advance in case of doubts concerning the interpretation of the instructions and for any further information.

## TARGET

This Manual is intended for operators and technicians qualified to perform the machine maintenance.

The operators must not carry out operations reserved for qualified technicians. Advance will not be responsible for damages coming from failure to follow these instructions.

## HOW TO STORE THIS MANUAL

The Instructions for Use Manual must be kept near the machine, inside an adequate case, away from liquids and other substances that can cause damage to it.

## IDENTIFICATION DATA

The machine model and serial number are shown on the plate (10) placed on the frame.

The machine model year is written in the declaration of conformity and it is also indicated by the first two figures of the machine serial number.

The machine model and serial number are shown on the plate (31).

This information is useful when ordering machine and engine spare parts. Use the following table to write down the machine and engine identification data.

MACHINE model .....
MACHINE serial number .....
ENGINE model .....
ENGINE serial number .....

## OTHER REFERENCE MANUALS

- Engine Manual, supplied with the machine, to be considered an integral part of this Manual.
- The following Manuals are also available:
  - Spare Parts List (supplied with the machine)
  - Service Manual (that can be consulted at any Advance Dealer)

## SPARE PARTS AND MAINTENANCE

All necessary operating, maintenance and repair procedures must be performed by qualified personnel or by Advance Service Centers. Only original spare parts and accessories must be used.

Call Advance for service or to order spare parts and accessories, specifying the machine model and serial number.

## CHANGES AND IMPROVEMENTS

Advance constantly improves its products and reserves the right to make changes and improvements at its discretion without being obliged to apply such benefits to the machines that were previously sold.

Any change and/or addition of accessory must be approved and performed by Advance.

## OPERATION CAPABILITIES

This sweeper has been designed and built to be used by a qualified operator to sweep/clean smooth and solid floors, in civil and industrial environments, and to collect dust and light debris under safe operation conditions.

## CONVENTIONS

Forward, backward, front, rear, left or right are intended with reference to the operator's position, while on the driver's seat (32).

## UNPACKING/DELIVERY

Upon delivery, carefully check that the packing and the machine are not damaged. In case of visible damages, keep the packing and have it checked by the carrier that delivered it. Call the carrier immediately to fill in a damage claim.

- Check that the machine is equipped as follows:
  - Sweeper Instructions for Use
  - Engine Manual
  - Sweeper Spare Parts List
- After removing the packing, remove the wooden blocks next to the wheels.
- Check the engine oil and coolant levels.
- Check the hydraulic oil level.
- Read the instructions in the Preparing the Machine For Use section of this manual, then fill the fuel tank.
- Place a ramp next to the front end of the pallet.
- Read the instructions in the Operating Controls and Operating the Machine sections of this manual and start the engine. Slowly drive the machine forward down the ramp to the floor.



### **WARNING!**

*Use extreme caution when operating the sweeper.*

*Be certain to be thoroughly familiar with all of the operating instructions prior to using this sweeper.*

*In case of questions, contact a supervisor or local Advance Industrial Dealer.*

*Should the sweeper malfunction, do not attempt to correct the problem unless the supervisor directs you to do so. Have a qualified company mechanic or an authorized Advance Dealer service person make any necessary corrections to the equipment.*

*Use extreme care when working on this machine. Neckties, loose clothing, long hair, rings and bracelets can get caught in moving parts.*

*Before working on the machine turn the ignition key (64) to "O", remove the key, engage the parking brake and disconnect the battery.*

*Use good common sense, practice good safety habits and pay attention to the yellow decals on this machine.*

*Drive the machine slowly on inclines. Use the brake pedal (35) to control machine speed while descending inclines.*

*Do not turn the machine on an incline; drive straight up or down.*

*The maximum rated incline during transport with a 3 cylinder model is 15%.*

## SAFETY

The following symbols indicate potentially dangerous situations. Always read this information carefully and take all necessary precautions to safeguard people and property.

The operator's cooperation is essential in order to prevent injury. No accident prevention program is effective without the total cooperation of the person responsible for the machine operation. Most of the accidents that may occur while working or moving around are caused by failure to comply with the simplest rules for exercising prudence. A careful and prudent operator is the best guarantee against accidents and is essential for successful completion of any prevention program.

### SYMBOLS



#### DANGER!

*It indicates a dangerous situation with risk of death for the operator.*



#### WARNING!

*It indicates a potential risk of injury for people or damage to objects.*



#### CAUTION!

*It indicates a caution or a remark related to important or useful functions. Pay careful attention to the paragraphs marked by this symbol.*



#### NOTE

*It indicates a remark related to important or useful functions.*



#### CONSULTATION

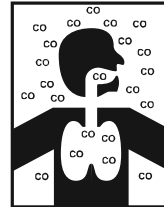
*It indicates that it is necessary to consult the Instructions for Use before performing any procedure.*

## GENERAL INSTRUCTIONS

Specific warnings and cautions to inform about potential damages to people and machine are shown below.



#### DANGER!



- *Carbon monoxide (CO) can cause brain damage or death.*
- *The internal combustion engine of this machine can emit carbon monoxide.*
- *Do not inhale exhaust gas fumes.*
- *Only use indoors when adequate ventilation is provided, and when an assistant has been instructed to look after you.*

**DANGER!**

- *Before performing any maintenance, repair, cleaning or replacement procedure disconnect the battery connector, remove the ignition key and engage the parking brake.*
- *This machine must be used by properly trained operators only. Children or disabled people cannot use this machine.*
- *Sharp turns must be made at slowest possible speed. Avoid: abrupt turns on incline, turns when the hopper is lifted.*
- *Do not lift the hopper when the machine is on incline. The machine loses stability on incline or when the hopper is full. Regularly check the tire pressure.*
- *Do not wear jewelry when working near electrical components.*
- *Keep the battery away from sparks, flames and incandescent material. During the normal operation explosive gases are released.*
- *Do not work under the lifted machine without supporting it with safety stands.*
- *When working under the open hood, ensure that it cannot be closed by accident.*
- *Do not operate the machine near toxic, dangerous, flammable and/or explosive powders, liquids or vapors: This machine is not suitable for collecting dangerous powders.*
- *Be careful, fuel is highly flammable.*
- *Do not smoke or bring naked flames in the area where the machine is refueled or where the fuel is stored.*
- *Refuel outdoors or in a well-ventilated area, with the engine off.*
- *Turn off the engine and let it cool down for a few minutes, then remove the fuel tank plug.*
- *Do not fill the fuel tank to the top, but leave at least 4 cm from the filler neck to allow the fuel to expand.*
- *After refueling, check that the filler cap is tightly closed.*
- *If any fuel is spilled while refueling, clean the tank area and allow the vapors to evaporate before starting the engine.*
- *Avoid contact with skin and do not breathe in fuel vapors. Keep out of reach of children.*
- *Do not tilt the engine too much to avoid fuel spillage.*
- *When moving the machine, the fuel tank must not be full and the fuel valve must be closed.*
- *Do not lay any object on the engine.*
- *Stop the engine before performing any procedure on it. To prevent the engine from starting accidentally, disconnect the battery negative terminal.*
- *See also the SAFETY RULES in the Engine Manual, which is to be considered an integral part of this Manual.*
- *Lead batteries (WET) are installed on this machine, do not tilt the machine more than 30° from its horizontal position to prevent the highly corrosive acid to leak out of the batteries. When the machine is to be tilted to perform maintenance procedures, remove the batteries.*
- *Do not use the machine in case of gas leaks. Disconnect the fuel hose and replace the LPG tank. If the gas leak persists, disconnect the fuel hose and contact the Advance Service Center.*

**WARNING!**

- Carefully read all the instructions before performing any maintenance/repair procedure.
- When working near the hydraulic system, always wear protective clothes and safety glasses.
- Pay attention to hot parts when working near the engine, the muffler, the manifold and the cooler.
- Take all necessary precautions to prevent hair, jewelry and loose clothes from being caught by the machine moving parts.
- To avoid any unauthorized use of the machine, remove the ignition key.
- Do not leave the machine unattended without being sure that it cannot move independently.
- Do not use the machine on slopes with a gradient exceeding the specifications.
- Use only brooms supplied with the machine and those specified in the Instructions for Use. Using other brooms could reduce safety.
- Before using the machine, close all doors and/or covers.
- Do not use the machine in particularly dusty areas.
- Use the machine only where a proper lighting is provided.
- If the machine is to be used where there are other people besides the operator, it is necessary to install the pivoting light and the reverse gear buzzer (optional).
- Do not wash the machine with direct or pressurized water jets, or with corrosive substances.
- Do not use compressed air to clean this type of machine, except for the filters (see the relevant paragraph).
- While using this machine, take care not to cause damage to people and children especially.
- Do not put any can containing fluids on the machine.
- The machine storage temperature must be 32°F and 104°F (0°C to +40°C).
- The machine working temperature must be 32°F and 104°F (0°C to +40°C).
- The humidity must be between 30% and 95%.
- Always protect the machine against the sun, rain and bad weather, both under operation and inactivity condition. Store the machine indoors, in a dry place. This machine must be used in dry conditions, it must not be used or kept outdoors in wet conditions.
- Do not use the machine as a means of transport, or for pushing/towing.
- Do not allow the brooms to operate while the machine is stationary to avoid damaging the floor.
- In case of fire, use a powder fire extinguisher, not a water one.
- Do not bump into shelves or scaffoldings, particularly where there is a risk of falling objects.
- Adjust the operation speed to suit the floor conditions.
- Avoid sudden stops when the machine is going downhill. Avoid sharp turns. Drive at slow speed when going downhill.
- This machine cannot be used on roads or public streets.
- Do not tamper with the machine safety guards.
- Follow the routine maintenance procedures scrupulously.
- Do not remove or modify the plates affixed to the machine.
- In case of machine malfunctions, ensure that these are not due to lack of maintenance. Otherwise, request assistance from the authorized personnel or from an authorized Service Center.
- In case of part replacement, order ORIGINAL spare parts from an authorized Dealer or Retailer.
- To ensure the proper and safe operation of the machine, have the scheduled maintenance, detailed in the relevant chapter of this Manual, performed by the authorized personnel or an authorized Service Center.
- The machine must be disposed of properly, because of the presence of toxic-harmful materials (batteries, oil, plastics, etc.), which are subject to standards that require disposal in special centers (see Scrapping chapter).
- While the engine is running the silencer heats up. Do not touch the silencer to avoid serious scalding or fire.
- Running the engine with an insufficient quantity of oil can seriously damage the engine. Check the oil level with the engine off and the machine on a level surface.
- Never run the engine if the air filter is not installed, because the engine could be damaged.
- All engine servicing procedures should be performed by an authorized Dealer.
- Only use original spare parts or parts of matching quality for the engine. Using spare parts of lower quality can seriously damage the engine.
- See also the SAFETY RULES in the Engine Manual, which is to be considered an integral part of this Manual.



## HOPPER SAFETY SUPPORT



### CAUTION!

*Before performing any maintenance procedure under or near to the lifted hopper, pull the locking handle (39) to make sure the hopper safety support (5) is in place. The hopper safety support (5) holds the hopper in the lifted position to allow work to be performed under the hopper. Never rely on the machine's hydraulic components to safely support the hopper.*

## JACKING THE MACHINE



### WARNING!

*Never work under a machine without safety stands or blocks to support the machine.*

When jacking the machine, do so at designated locations (do not jack on the hopper) - see jacking locations (8).

## MACHINE TRANSPORT



### WARNING!

*Before transporting the machine on an open truck or trailer, make sure that:*

- *All access doors are latched securely.*
- *The machine is tied down securely.*
- *The parking brake is engaged.*

## PUSHING/TOWING THE MACHINE

The machine hydraulic pump (45) is equipped with a screw that disengages the traction system. The system prevents damage to the hydraulic system when the machine is being towed/pushed short distances without using the engine.

To access the unlocking screw, open the engine compartment hood (1) by using the unlocking push-button (25) and locate the hydraulic pump (45) in the front part of the engine (44).

Turn the socket head screw (A, Fig. 1) half turn counter-clockwise to disengage the hydrostatic lock between the engine and pump.



### CAUTION!

*The hydraulic pump can be damaged if the machine is towed when the screw is in the normal working position (locked).*



### NOTE

*If the screw is left in unlocking position, the hydraulic pump cannot drive the machine.*



### NOTE

*Tow or push the machine no faster than a normal walking pace [1.8-2.8 mph (3-4.5 km/h)] and for short distances only. If the machine is to be moved long distances the driving wheels need to be raised off the floor and placed on a suitable transport dolly.*

After pushing/towing the machine, turn the socket head screw half turn clockwise to reset the hydraulic functions.

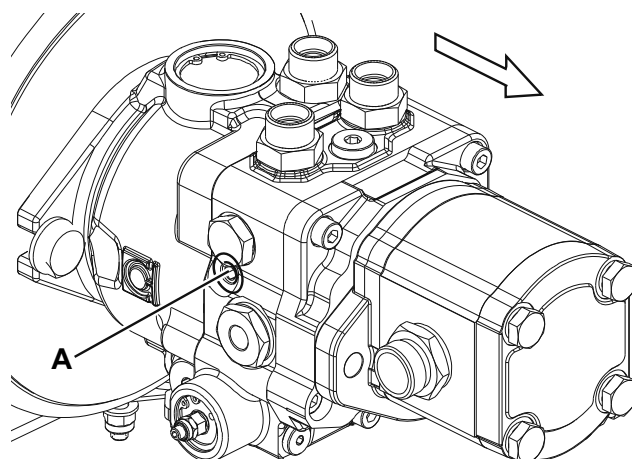


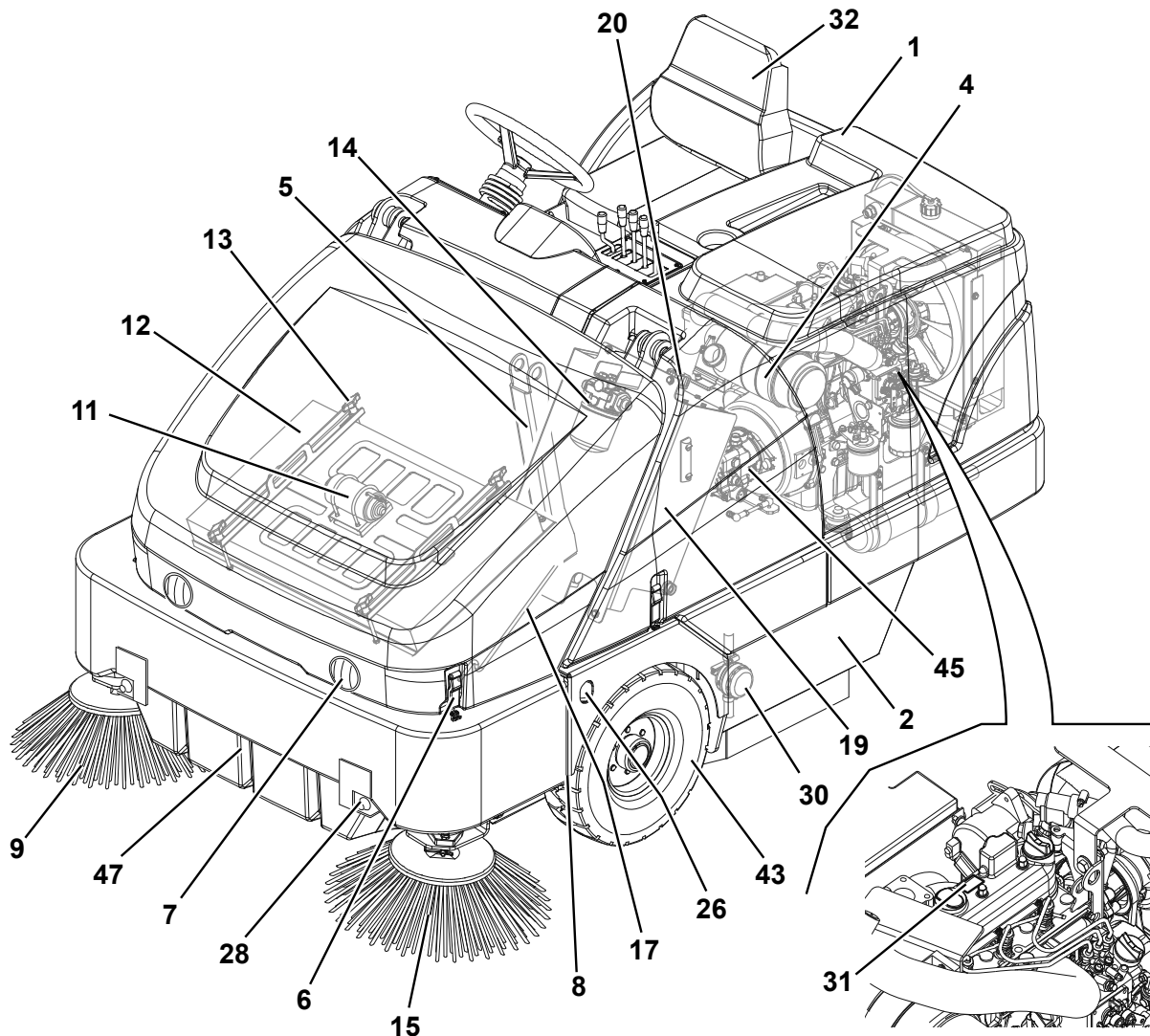
Figure 1

P100320

## KNOW YOUR MACHINE

### MACHINE NOMENCLATURE

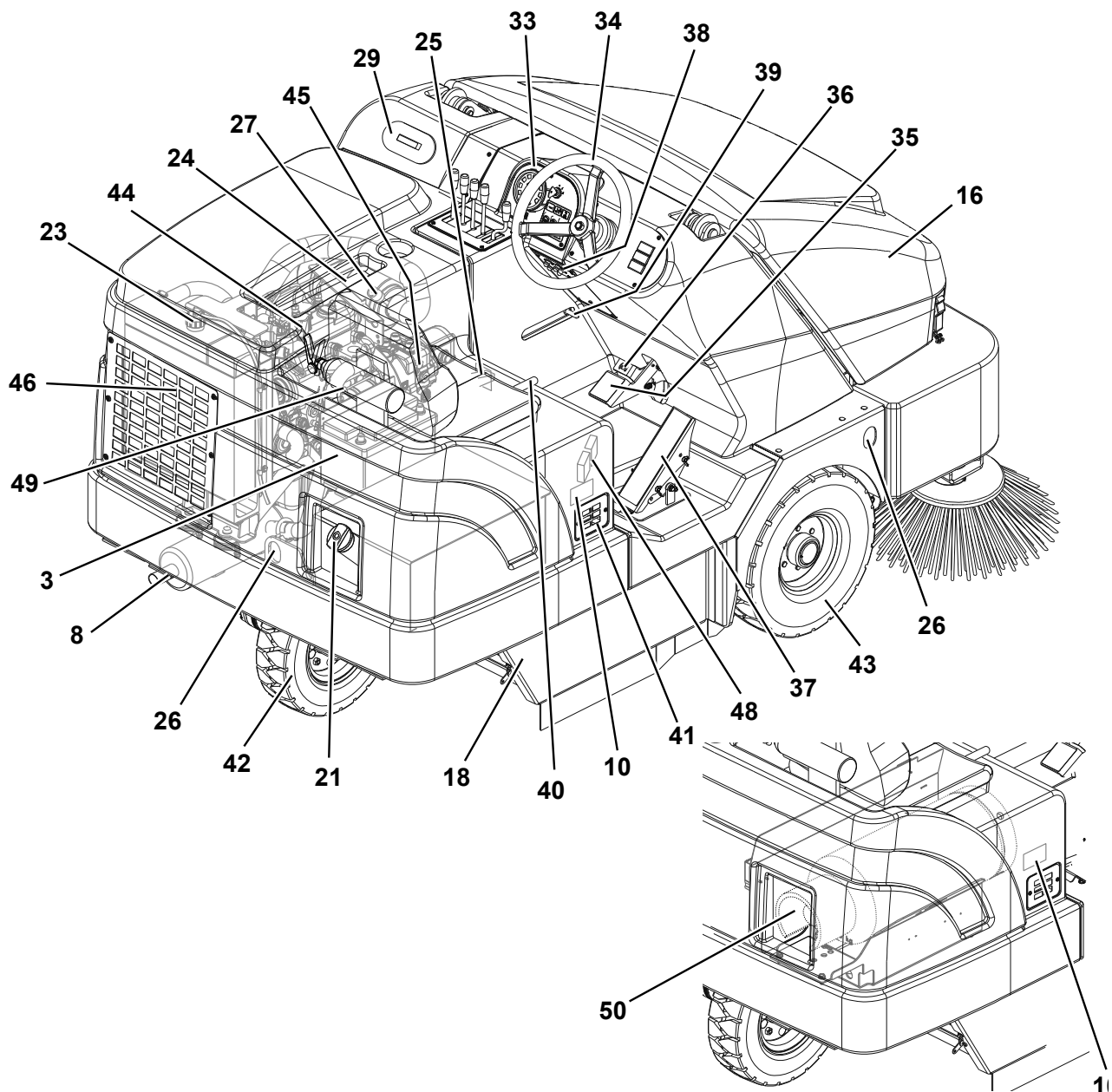
- |   |   |
|---|---|
| 1. Engine compartment hood  | 16. Hopper hood                                   |
| 2. Left side main broom access panel                              | 17. Hopper hood support rod                       |
| 3. Battery  | 18. Right side main broom access panel            |
| 4. Left side hood   | 19. Hydraulic oil tank                            |
| DustGuard system tank (optional)                                  | 20. Hydraulic oil tank plug                       |
| 5. Hopper safety support  | 21. Fuel tank plug                                |
| 6. Hopper hood latch  | 22. Fuel tank                                     |
| 7. Working light (optional)                                       | 23. Radiator plug                                 |
| 8. Jacking locations (rear location is under the engine radiator) | 24. Engine air filter                             |
| 9. Right side broom   | 25. Engine compartment hood unlocking push-button |
| 10. Serial number plate/technical data/conformity certification   | 26. Tie-down locations (3)                        |
| 11. Dust filter shaker assembly                                   | 27. Air filter service indicator                  |
| 12. Hopper dust control filter                                    | 28. DustGuard system nozzles (optional)           |
| Panel filter (standard)   | 29. DustGuard system tank plug (optional)         |
| Closed pocket filter (optional)                                   | 30. Water filter (optional)                       |
| 13. Filter shaker assembly mounting knobs                         | 31. Engine model and serial number plate          |
| 14. Hydraulic oil filter  |   |
| 15. Left side broom (optional)                                    |   |



P100317

**MACHINE NOMENCLATURE (Continues)**

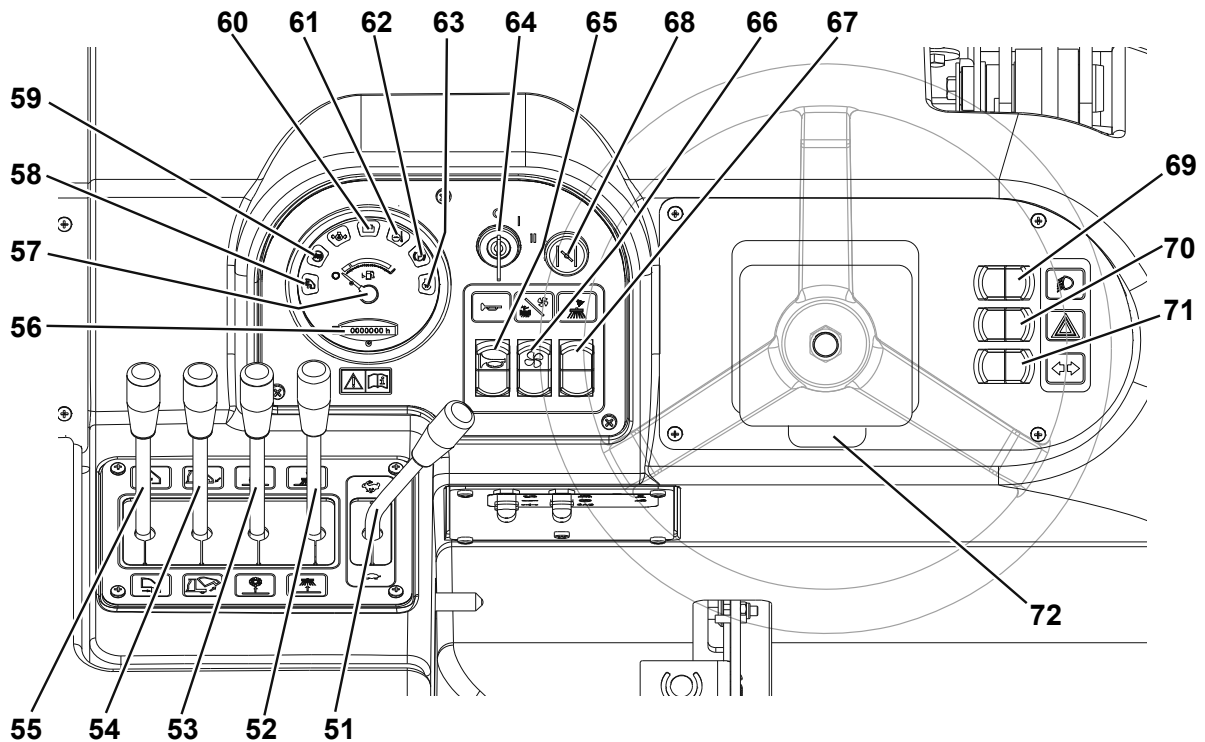
- |  |   |
|--|---|
| 32. Driver's seat  | 41. Engine air grid   |
| 33. Control panel (see the following paragraph)  | 42. Rear driving and steering wheel                           |
| 34. Steering wheel   | 43. Front wheels  |
| 35. Brake pedal  | 44. Engine  |
| 36. Parking brake pedal<br>(To engage/disengage the parking brake, use<br>simultaneously with the brake pedal) | 45. Hydraulic pump  |
| 37. Forward/reverse gear pedal   | 46. Engine coolant/hydraulic oil radiator                     |
| 38. Circuit breaker panel (see the Fuse Check/Replacement/<br>Reset paragraph)                                 | 47. Hopper  |
| 39. Hopper safety support handle   | 48. Fuses (see the Fuse Check/Replacement/Reset<br>paragraph) |
| • Pull backward to lock the support  | 49. Fire extinguisher (optional)                              |
| • Push forward to unlock the support   | 50. LPG fuel tank   |
| 40. Driver's seat adjustment lever   |   |



P100318

**OPERATING CONTROLS**

- 51. Engine speed lever
  - (Forward) working speed
  - (Backward) idle speed
- 52. Side broom lever
  - (Forward) side broom lowered
  - (Backward) side broom lifted
- 53. Main broom lever
  - (Forward) main broom lowered
  - (Backward) main broom lifted
- 54. Hopper lever
  - (Forward) hopper lowered
  - (Backward) hopper lifted
- 55. Hopper dumping door lever
  - (Forward) dumping door opened
  - (Backward) dumping door closed
- 56. Hour counter
- 57. Fuel level indicator
- 58. Hopper overtemperature warning light
- 59. Clogged hopper filter warning light
- 60. Battery charger warning light
- 61. Engine coolant overtemperature warning light
- 62. Parking brake warning light
- 63. Glow plug pre-heating warning light
- 64. Ignition key:
  - When turned to “O” it stops the engine and disables all machine functions.
  - When turned to “I” it enables the machines functions.
  - When turned to “II” it starts the engine.  
As soon as the engine starts release the key, which will return to “I”.
- 65. Horn switch
- 66. Vacuum fan/Shaker switch
  - (Lower position) filter shaker activation
  - (Upper position) vacuum fan and dust control system activation
- 67. DustGuard system switch (optional)
- 68. Choke lever (for LPG and Gasoline versions only)
- 69. Working light switch (optional)
- 70. Hazard warning light switch (optional)
- 71. Turn signal switch (optional)
- 72. Steering wheel adjustment lever (optional)



## ACCESSORIES/OPTIONS

In addition to the standard components, the machine can be equipped with the following accessories/options, according to the machine specific use:

- Left side broom
- Main and side brooms with harder or softer bristles
- Polyester Water Resistant dust filter
- Clogged filter sensor
- DustGuard system
- Fire extinguisher
- Headlights
- Working light
- Flashing light
- Non-marking wheels
- Tilt steering wheel
- Driver's seat with suspensions
- Safety belts
- Side broom guard
- Overhead Guard
- Rearview mirrors
- Fire extinguisher
- Rear bumper
- Reverse gear buzzer
- Hopper protection
- Anti-skid mat

For further information about the above-mentioned accessories, contact an authorized Retailer.

## TECHNICAL DATA

Dimensions and weights	Proterra™ Diesel	Proterra™ LPG	Proterra™ Gasoline
Cleaning path with main broom		35.5 in (900 mm)	
Cleaning path with one side broom		49.25 in (1,250 mm)	
Cleaning path with two side brooms (optional)		63 in (1,600 mm)	
Machine length		87.5 in (2,220 mm)	
Machine width (broom hubs)		52 in (1,320 mm)	
Maximum machine height		57.5 in (1,460 mm)	
Maximum machine height with Overhead Guard (optional)		79 in (2,000 mm)	
Minimum distance from the floor (skirts not included)		4.25 in (110 mm)	
Maximum hopper lifting height		62.5 in (1,590 mm)	
Main broom size (diameter x length)		12.2 x 35.5 in (310 x 900 mm)	
Side broom diameter		21.5 in (550 mm)	
Tire pressure		85 psi (6 Bar)	
Front axle curb weight		1,180 lb (535 kg)	
Rear axle curb weight		905 lb (410 kg)	
Total machine curb weight (without operator)		2,085 lb (945 kg)	
Maximum weight (GVW)		2,910 lb (1,320 kg)	
Machine weight for shipment		2,204.6 lb (1,000 kg)	

Ref data	Proterra™ Diesel	Proterra™ LPG	Proterra™ Gasoline
Fuel tank capacity	14 gal (35 liters)	-	14 gal (35 liters)
Hydraulic system oil tank capacity	26.5 qt (25 liters)		
Engine oil pan capacity (*)	5.4 qt (5.1 liters)	3.59 qt (3.4 liters)	
Engine oil type (**)	SAE 10 W - 30		
Engine coolant quantity (**)	4.2 qt (4 liters)		

(\*) For other engine data/values, see the relevant Manual.

(\*\*) For engine oil and coolant data, and for technical specifications see the Engine Manual.

Performance data	Proterra™ Diesel	Proterra™ LPG	Proterra™ Gasoline
Maximum forward speed (for transport only)	7.5 mph (12 km/h)	7.5 mph (12 km/h)	7.5 mph (12 km/h)
Gradeability when working	20% (11°)		
Gradeability	25% (14°)		
Minimum turning radius	60.2 in (1,530 mm)		
Sound pressure level at workstation (ISO 11201, ISO 4871) (LpA)	69.5 ± 3 dB(A)	69.1 ± 3 dB(A)	69.1 ± 3 dB(A)
Machine output acoustic power (ISO 3744, ISO 4871) (LwA)	82 dB(A)	83 dB(A)	83 dB(A)
Vibration level at the operator's arms (ISO 5349-1) (*)	<2.5 m/s <sup>2</sup>		
Vibration level at the operator's body (ISO 2631-1) (*)	<0.5 m/s <sup>2</sup>		
Hopper capacity	Theoretic: 11.25 cu-ft (315 liters) Real: 8.00 cu-ft (226 liters)		
Hopper maximum lift capacity	800 lb (363 kg)		
DustGuard system tank capacity (optional)	11.9 gal (45 liters)		

(\*) Under normal working conditions, on a level asphalt surface.

## WIRING DIAGRAM

### Key

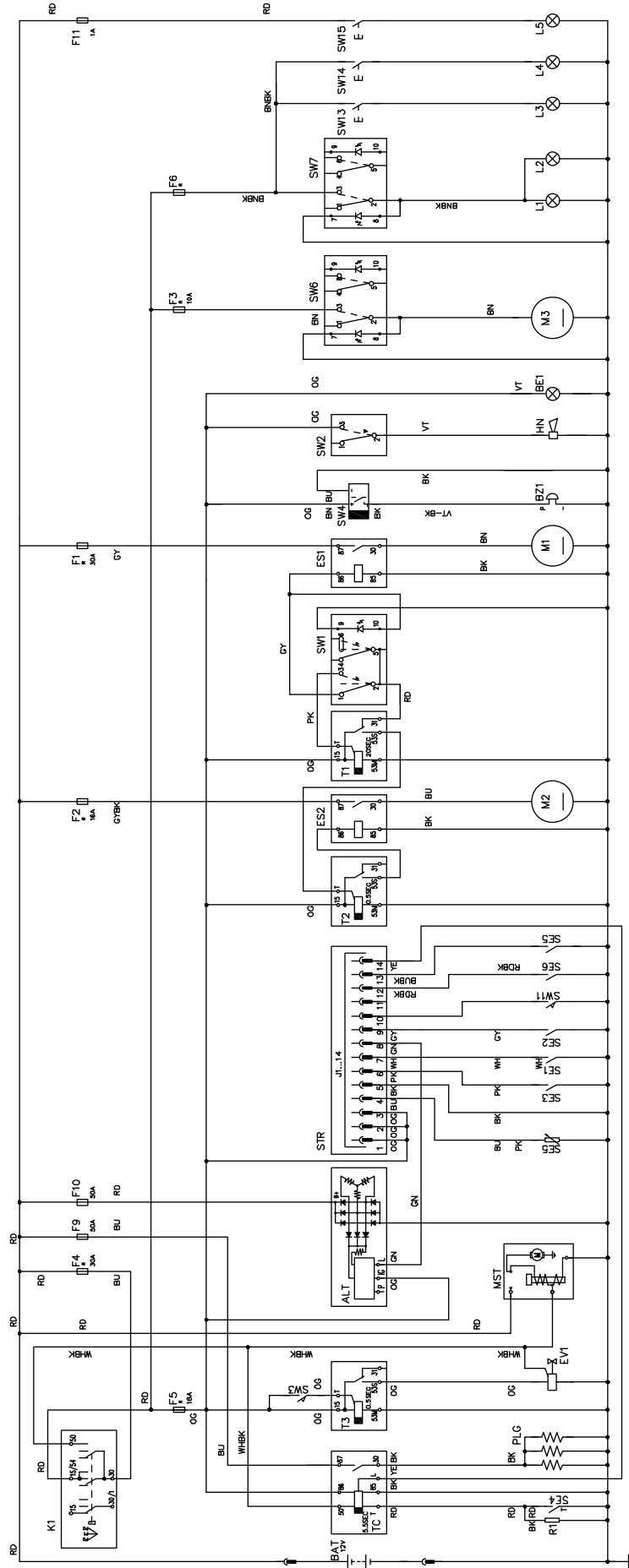
ALT	Alternator
BAT	Battery
BE1	Pivoting light (if equipped)
BZ1	Reverse gear buzzer (if equipped)
ES1	Vacuum system relay
ES2	Filter shaker relay
ES3	LPG safety relay (LPG version only)
EV1	Fuel solenoid valve (Diesel e Gasoline version only)
EV2	LPG solenoid valve (LPG version only)
EV3	LPG safety solenoid valve (LPG version only)
F1	Vacuum system circuit breaker (30 A)
F2	Filter shaker circuit breaker (16 A)
F3	Water pump circuit breaker (10 A) (if equipped)
F4	Ignition key circuit breaker (30 A)
F5	Engine accessory circuit breaker (16 A)
F6	Working light fuse (10 A) (if equipped)
F8	Cab blower circuit breaker (if equipped)
F9	Glow plug fuse (50 A) (Diesel version only)
F10	Alternator fuse box and fuse (50 A)
F11	Hood inner light fuse (1 A) (optional)
HN	Horn
IGN	Ignition unit (for LPG and Gasoline versions only)
K1	Ignition switch
L1	Front working light (if equipped)
L2	Front working light (if equipped)
L3	Driver's side working light (optional)
L4	Rear working light (optional)
L5	Hood inner light (optional)
M1	Vacuum system motor
M2	Filter shaker motor
M3	Water pump motor (if equipped)
M4	Cab blower (if equipped)
MST	Starter
P1	Fuel pump (Gasoline version only)
PLG	Glow plugs (Diesel version only)
R1	Glow plug warning light resistance (Diesel version only)

SE1	Oil pressure sensor
SE2	Water temperature sensor
SE3	Clogged hopper filter sensor (if equipped)
SE5	Fuel tank float (Diesel and Gasoline version only)
SE6	Hopper temperature sensor (if equipped)
SE7	Engine speed sensor (LPG and Gasoline version only)
SE8	Low fuel sensor (for LPG and Gasoline versions only)
SPK	Glow plug coils (for LPG and Gasoline versions only)
STR	Gauge
SW1	Vacuum system/filter shaker switch
SW2	Horn switch
SW3	Driver's seat microswitch
SW4	Reverse gear proximity sensor (if equipped)
SW5	Cab blower switch (if equipped)
SW6	Water pump switch (if equipped)
SW7	Working light switch (if equipped)
SW13	Driver's side working light switch (optional)
SW14	Rear working light switch (optional)
SW15	Hood inner light switch (optional)
T1	Filter shaker timer
T2	Filter shaker timer 2
T3	Driver's seat timer
T4	LPG safety timer (LPG version only)
TC	Glow plug timer (Diesel version only)

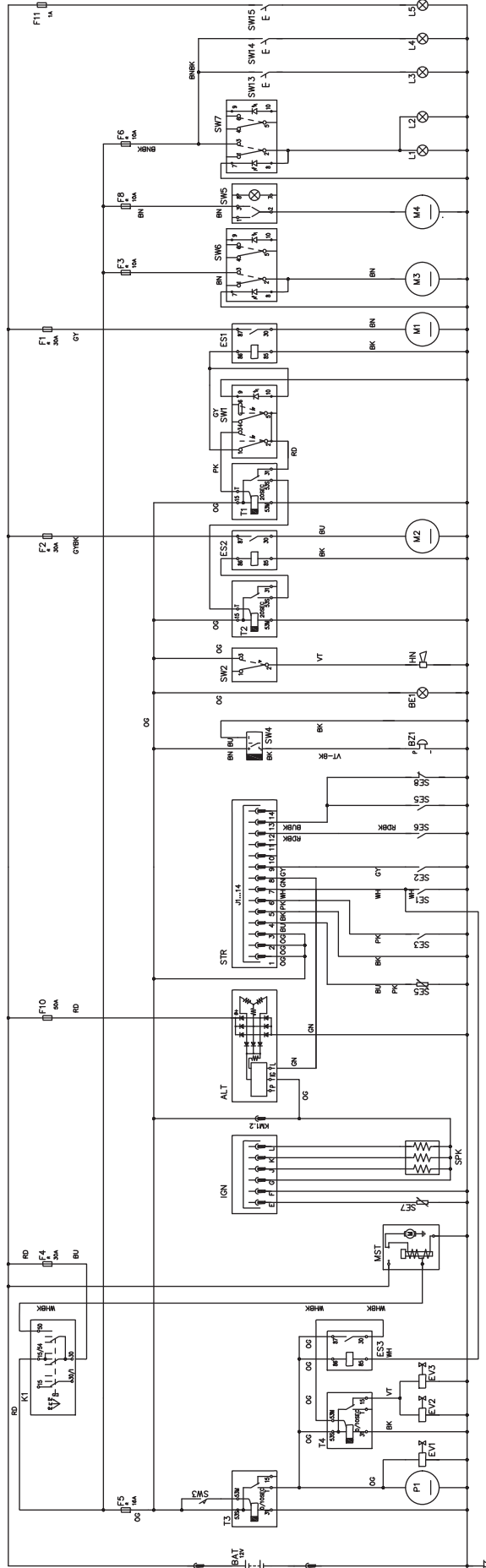
### Color code

BK	Black
BU	Light blue
BN	Brown
GN	Green
GY	Grey
OG	Orange
PK	Pink
RD	Red
VT	Violet
WH	White
YE	Yellow

WIRING DIAGRAM PROTERRA™ DIESEL (Continues)



WIRING DIAGRAM PROTERRA™ LPG AND GASOLINE(Continues)

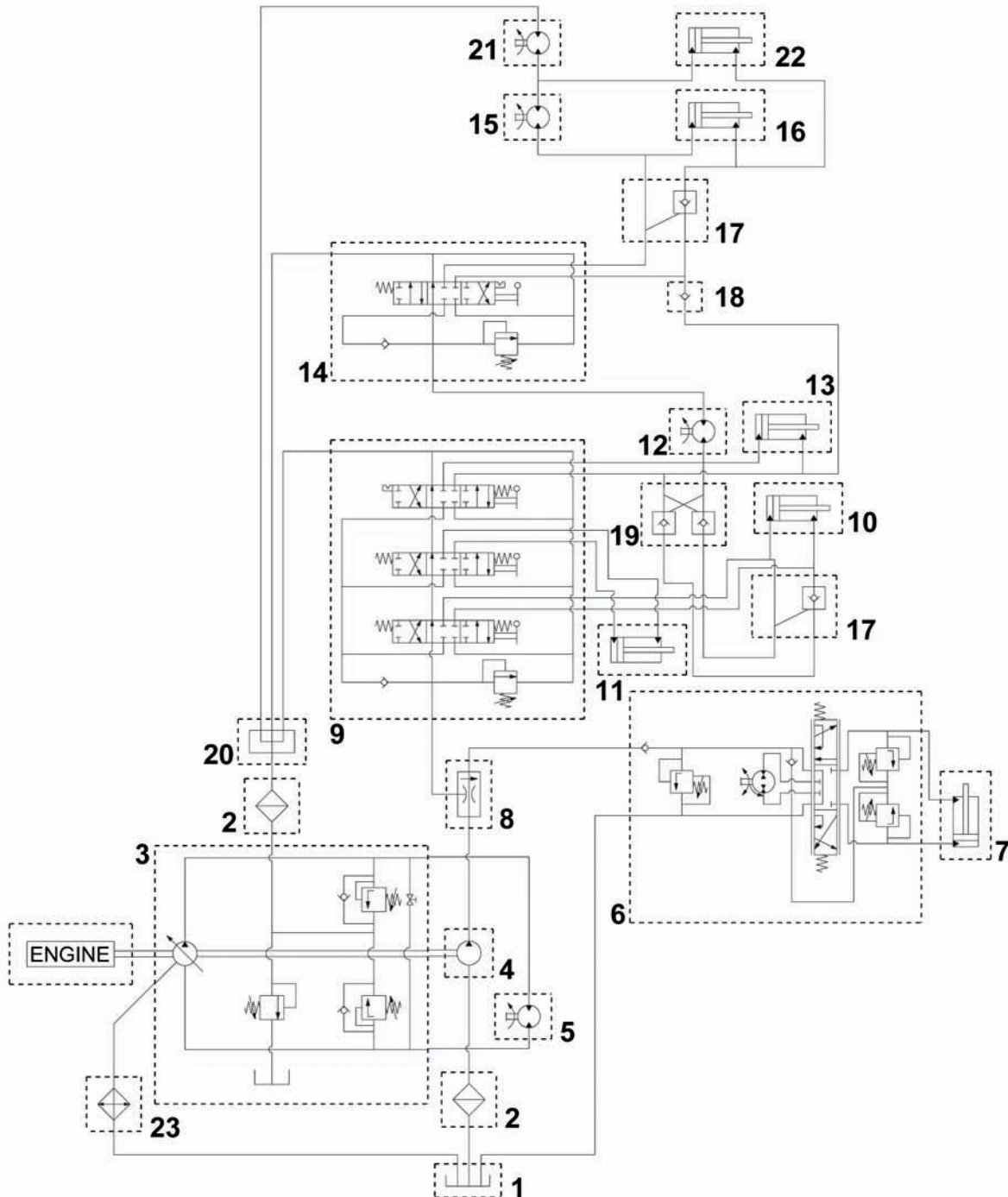




## HYDRAULIC DIAGRAM

## Key

- |                             |   |
|-----------------------------|---|
| 1. Oil tank                 | 12. Main broom motor                    |
| 2. Oil filter               | 13. Main broom cylinder                 |
| 3. Drive system pump        | 14. Manifold 1 lever                    |
| 4. Accessory pump           | 15. Right side broom motor              |
| 5. Drive system motor       | 16. Right side broom cylinder           |
| 6. Power steering           | 17. Check valve                         |
| 7. Steering cylinder        | 18. One-way valve                       |
| 8. Priority valve           | 19. Double check valve                  |
| 9. Manifold 3 levers        | 20. Manifold block                      |
| 10. Hopper lifting cylinder | 21. Left side broom motor (optional)    |
| 11. Skirt cylinder          | 22. Left side broom cylinder (optional) |
|                             | 23. Oil cooler                          |



P100328

## PREPARING THE MACHINE FOR USE



### WARNING!

*On some points of the machine there are adhesive plates indicating:*

- **DANGER**
- **WARNING**
- **CAUTION**
- **CONSULTATION**

While reading this Manual, the operator must pay particular attention to the symbols shown on the plates. Do not cover these plates for any reason and immediately replace them if they are damaged.

## PRE-OPERATIONAL CHECKLIST

### Before Each Use:

- Inspect the machine for damage, oil or coolant leaks.
- Check the engine coolant level (23) (see the relevant paragraph).
- Check the engine oil level (44) (see the relevant paragraph).
- Check the hydraulic oil level (19) (see the relevant paragraph).
- Check the fuel gauge (57), if necessary unscrew the plug (21) and refuel.
- Check that the pressure of all three tires is 85 psi (6 Bar).
- Check the air filter service indicator (see the relevant paragraph).

### In the driver's seat:

- Be sure to understand the operating controls and their functions.
- Adjust the seat with the lever (40) to allow easy reach of all controls.
- Insert the ignition key (64) and turn it to "I":
  - Check the horn (65), hour counter (56) and headlights (69, optional) for proper operation.
  - Turn the ignition key (64) to "O".
- Check the Parking Brake (35 and 36). The brake must hold its (locked parked) setting firmly without easily being released. (Report all defects immediately to service personnel).

### Plan cleaning in advance:

- Arrange long runs with a minimum of stopping or starting.
- Allow a small amount of broom path overlap to ensure complete coverage.
- Avoid making sharp turns, bumping into posts, or scraping the side of the machine.

## MAIN BROOM

Several different main brooms are available for this machine. To select the best broom for the surface and litter to be swept, contact a Advance Retailer.



### NOTE

*To install the main broom, refer to Main Broom Maintenance paragraph.*

## FUEL



### CAUTION!

- **Always stop the engine before filling the fuel tank.**
- **Do not smoke while filling the fuel tank.**
- **Fill the fuel tank in a well-ventilated area.**
- **Do not fill the fuel tank near sparks or open flame.**

## DIESEL AND GASOLINE ENGINE

(only for Proterra™ Diesel) If using the machine when the outside temperature is lower than 32 F° (0°C), use diesel fuel for low temperatures.

(Only for Proterra™ Gasoline) Fill the tank (22) with unleaded fuel for vehicles.



### NOTE

*If the engine machine runs out of fuel completely, the fuel system must be bled before the engine can be re-started. To avoid this situation, fill the fuel tank (22) when the fuel gauge (56) indicates 1/4 tank. Fuel tank capacity is 14 gal (35 liters).*

## LPG ENGINE

Assembly only a LPG container with the following specifications:

- DOT fuel container marked for a minimum service pressure of 240 psig (1.7 MPa). It shall bear marking DOT-4BA240 or DOT-4BW240.

Connect the fuel hose and open the cutoff valve on the tank. Always wear gloves when connecting and disconnecting the fuel hose. When the machine is not operating, close the LPG tank valve.



### NOTE

*Place the LPG tank in a proper horizontal position. Connect the fuel hose to the tank and check that there are no gas leaks.*



### WARNING!

***Do not use the machine in case of gas leaks. Disconnect the fuel hose and replace the LPG tank. If the gas leak persists, disconnect the fuel hose and contact the Advance Service Center.***

## OPERATING THE MACHINE

The Proterra™ is a rider-type automatic floor sweeping machine. The controls were designed to be user friendly. For single pass sweeping the operator can simply lower the main broom.

### BEFORE STARTING THE MACHINE

1. Be sure to understand the operating controls and their functions.
2. Plan the cleaning route. Arrange long, straight passes with as few turns as possible.
3. Check the brake pedal (35). The pedal should be firm.



### WARNING!

***If the pedal is “spongy” or fades under pressure, do not drive the machine. Report all defects immediately to service personnel.***

## STARTING AND STOPPING THE MACHINE

### Starting the machine



### NOTE

*The driver's seat (32) is equipped with a safety sensor, which allows the machine to be started up and driven only when the operator is on the driver's seat.*

4. (only for Proterra™ Diesel) Turn the ignition key (64) clockwise to position “I” and hold it until the pre-heating glow plug indicator (63) turns off. Do not perform the step above, if the engine is already on and warmed up.  
(only for Proterra™ LPG) Slowly open the safety valve on the LPG tank (50). Pull the engine choke lever (68).  
(only for Proterra™ Gasoline) Pull the engine choke lever (68).
5. Turn the ignition key (64) clockwise to position “II”, then release it when the engine starts.  
If the engine does not start after running the starter for 15 seconds, release the ignition key, wait 1 minute and then repeat steps 1 e 2.  
(for Proterra™ LPG and Gasoline) After the ignition, let the engine run for a few seconds, then release the choke lever ((68).
6. Before using the machine, run the engine at idle for 5 minutes by turning the engine speed lever (51) backward (idle speed).
7. Disengage the Parking Brake.
8. Turn the engine speed lever (51) forward (working speed) and drive the machine at slow speed for 2 or 3 minutes to warm up the hydraulic system.
9. Press the front part of the drive pedal (37) to move forward and the rear part to move backward.  
The drive speed can be adjusted from zero to maximum speed by increasing the pressure on the pedal.



### WARNING!

***When steering, avoid abrupt direction changes, pay careful attention and drive the machine at slow speed, especially when the hopper is full or when operating on inclines. Drive the machine slowly on inclines. Use the brake pedal (35) to control machine speed while descending inclines. Do not turn the machine on an incline; drive straight up or down.***

### Stopping the machine

10. To stop the machine release the pedal (37).  
To stop the machine quickly, press also the brake pedal (36).
11. Turn off the machine by turning the ignition key (64) to “O”, then remove it.
12. Engage the parking brake.

## PARKING BRAKE

1. Engage the parking brake by pressing the pedals (35) and (36) simultaneously.
2. Disengage the parking brake by pressing and releasing the pedal (35).

**WARNING!**

***Always engage Parking Brake before Servicing and when parking machine on an incline.***

## SWEEPING

Follow the instructions in the Preparing The Machine For Use paragraph.

1. Drive the machine to the work area as shown in the previous paragraph.
2. Lower the hopper properly by using the lever (54) if hopper not already in down position.
3. Lower and turn on the main broom with the lever (53).

**CAUTION!**

***Avoid stopping for a long time with the machine in the same position and the brooms rotating: this could create unwanted marks on the floor.***

**NOTE**

***The hopper dumping door opens automatically when the main broom lowers and closes automatically as soon as the main broom is lifted.***

4. Press the upper part of the switch (66) to turn on the vacuum fan dust control system.  
Turn on the vacuum fan and the dust control system as soon as the machine returns to a dry floor.
5. Lower and turn on the side brooms (9) (15, optional) with the lever (52).  
If equipped, turn on the DustGuard system with the switch (67, optional).
6. Drive the machine straight forward at a quick walking speed. Drive the machine slower when sweeping large amounts of dust or debris or when safe operation dictates slower speeds. Overlap passes 5.9 in (15 cm).
7. For proper machine operation, the dust filter must be as clean as possible. To clean the dust filter while sweeping, turn on the filter shaker by pressing the lower part of the switch (66), then turn on the vacuum fan and the dust control system by pressing the upper part of the switch (66) after shaking has completed.  
While working, repeat the procedure every 10 minutes on average (depending on the dustiness of the area to be cleaned).

**NOTE**

***This operation can be performed even when the machine is moving.***

**CAUTION!**

***When the dust filter is clogged and/or the hopper is full, the machine cannot collect dust and debris anymore.***

8. Check behind the machine occasionally to make sure that the machine is picking up debris. Dirt left behind in the path of the machine usually indicates that the machine is moving too fast, the main broom needs to be adjusted, or the hopper (47) is full. The hopper (47) should be emptied after each working cycle and whenever it is full (see the procedure in the following paragraph).

**WARNING!**

***When working on wet floors, turn off the vacuum fan and the dust control system with the switch (66) to preserve the dust filter.***

## HOPPER DUMPING

**DANGER!**

*The hopper must be emptied on level grounds only.  
Do not lift the hopper when the machine is on incline.*

**NOTE**

*The minimum ceiling height dumping clearance required for lifting the hopper is 108.2 in (275 cm).*

1. Lift the main broom with the lever (53).
2. Press the lower part of the switch (66) to turn on the filter shaker and remove the excess dirt from the dust filter (12).

**NOTE**

*Always run the filter shaker with the hopper fully lowered.*

3. Drive the machine to the area appointed to empty the hopper, or close to a large trash receptacle.
4. Lift the hopper with the lever (54) to the desired dump height.

**NOTE**

*The dumping door automatically closes when using the lever (54) to lift the hopper. The control of the dumping door can be regained with the lever (55) as soon as the hopper begins to lift so that it can be dumped at any height as necessary.*

5. Move the machine forward until the hopper is over the receptacle and engage the parking brake.
6. Open the dumping door with the lever (55) and dump the hopper.

**NOTE**

*If not dumping into a trash receptacle, low dumping is recommended to help avoid airborne dust.*

**WARNING!**

*Before performing any maintenance procedure under or near to the lifted hopper, fully lift the hopper with the lever (54), then pull the handle (39) backwards to make sure that the hopper safety support (5) is in place. The hopper safety support holds the hopper lifted to allow working under the hopper. Never rely on the machine's hydraulic components to safely support the hopper.*

7. Pull the locking handle (39) to make sure the hopper safety support (5) is in place, then slightly lower the hopper with the lever (54) to secure it.
8. Check the hopper door and its front gasket. If necessary, use a brush to remove litter from these areas. For machine proper operation, the hopper door must seal tightly against the broom housing.
9. Return to the operator's compartment. Disengage the parking brake. Move the machine back until the hopper will clear the receptacle.
10. Lift the hopper with the lever (54), pull the locking handle (39) forward until the safety support (5) disengages, then lower the hopper.

## AFTER USING THE MACHINE

1. Press the lower part of the switch (66) to turn on the filter shaker, clean the hopper dust filter and empty the hopper (see the previous paragraph).
2. Lift the main broom with the lever (53).
3. Turn all controls to off position.
4. Turn the engine speed lever (51) to idle and let the engine idle for 25 - 30 seconds.  
(only for **Proterra™ LPG**) Close the safety valve on the LPG tank (50), then let the engine run until all the fuel is expelled from the hoses (then the engine is stopped).
5. Turn off the machine by turning the ignition key (64) to "O", then remove it.
6. Engage the parking brake.
7. Check the maintenance schedule and perform any required maintenance before storage.
8. Store the machine indoors.



### NOTE

*The machine can be cleaned with a pressure washer as long as it is not sprayed directly at or into electrical components. The machine should always be allowed to dry completely before each use.*

Report all defects or malfunctions to any Advance Service Center or to service personnel.

## MACHINE STORAGE

If the machine is not going to be used for more than 30 days, proceed as follows:

1. Check that the machine storage area is dry and clean.
2. Empty the DustGuard system water tank (4) and clean the water filter (30, optional).
3. Disconnect the negative connector (-) of the battery (3).
4. Check the engine (44) as shown in the relevant Manual.

## FIRST PERIOD OF USE

After the first period of use (first 5 hours) it is necessary to perform the following procedures:

1. Check the fastening and connecting elements for proper tightening.
2. Check the visible parts for integrity and leaks.
3. Change the engine oil (see Maintenance chapter).

## MAINTENANCE

The lifespan of the machine and its maximum operating safety are ensured by correct and regular maintenance.

The following table provides the scheduled maintenance. The intervals shown may vary according to particular working conditions, which are to be defined by the person in charge of the maintenance.

All scheduled or extraordinary maintenance procedures must be performed by qualified personnel, or by Advance Service Center. This Manual contains the Scheduled Maintenance Table and describes only the easiest and most common maintenance procedures. For other maintenance procedures contained in the Scheduled Maintenance Table or for extraordinary maintenance procedures see the Service Manual that can be consulted at any Service Center.



### WARNING!

***To perform maintenance procedures, the machine must be off, the ignition key removed, Parking Brake set, and, if necessary, the batteries must be disconnected.***

***Read carefully the instructions in Safety chapter before performing any maintenance procedure.***

## SCHEDULED MAINTENANCE TABLE



### NOTE

Maintenance intervals given are for average operating conditions. Machines used in severe operational environments may require service more often.

Procedure	Upon delivery	Daily	After the first 50 hours	Every 30 hours	Every 150 hours	Every 300 hours	Every 1,000 hours
Engine coolant check							
Engine oil level check							
Hydraulic oil level check							
Parking brake check							
Main and side broom cleaning							
Engine oil change			(1)		(1)		
Oil filter element replacement			(1)		(1)		
V-belt check			(1)	(1)			
Engine coolant circuit check			(1)				
Battery check							
DustGuard system water filter check and cleaning (optional)							
Engine air filter cleaning				(2)			
Engine radiator and oil cooler cleaning							
Broom check and adjustment							
Hopper dust filter check and cleaning ("A" method)				(2)			
Skirt integrity, height and operation check							
Hopper gasket integrity check							
Engine maintenance					(1) - (3)		
Steering wheel bearing and hydraulic piston lubrication					(1)		
Tank hydraulic oil filter replacement					(1)		
Pump hydraulic oil filter replacement					(1)		
Hopper dust filter check and cleaning ("B" method)					(2)		
Fuel filter replacement						(1)	
Fuel fitting and screw tightening						(1)	
Hopper dust filter check and cleaning ("C" method)						(2)	
Hydraulic oil "recharge" filter replacement							(1)
Tank hydraulic oil change							(1) - (4)

- (1) For the relevant procedure, see the Service Manual.  
 (2) Or more often in dusty areas.  
 (3) Maintenance procedures to be performed by an authorized KUBOTA dealer.  
 (4) Change the hydraulic oil for the first time after 500 hours, then every year.

## MAIN BROOM MAINTENANCE

The main broom should be replaced for optimal performance when the bristles are worn to a length of 2 in (50 mm).

### Main broom replacement



#### WARNING!

*It is advisable to wear protective gloves when replacing the side broom because there can be sharp debris between the bristles.*



#### NOTE

*Brooms of various hardness are available.  
This procedure is applicable to all types of brooms.*

1. Drive the machine on a level floor.
2. Engage the parking brake.
3. Turn the ignition key (64) and start the machine.
4. Lower the main broom with the lever (53).
5. Turn the ignition key (64) to "O" to stop the machine.
6. Open the right panel (18).
7. Move aside the right side skirt (A, Fig. 2) and fasten it with the pin (B).
8. Pivot the idler arm assembly (C) out of the main broom core (D).



#### NOTE

*The idler arm is held in place by the right side access panel (18).*

9. Pull the main broom (D) out of its housing and remove any string or wire wrapped around it and the drive hub.
10. Replace the main broom, slide it back into its housing. Make sure that the slots on the main broom core (D) engage the pins (E) in the main broom drive hub (F) and that the main broom is fully seated.
11. Close and swing the idler arm assembly (C) back into the main broom core.



#### NOTE

*Make sure the lugs on the idler arm engage the slots (G) (right side) of the main broom core.*

12. Place the right side skirt back to its position and close the right panel (18) until the lock lever engages.

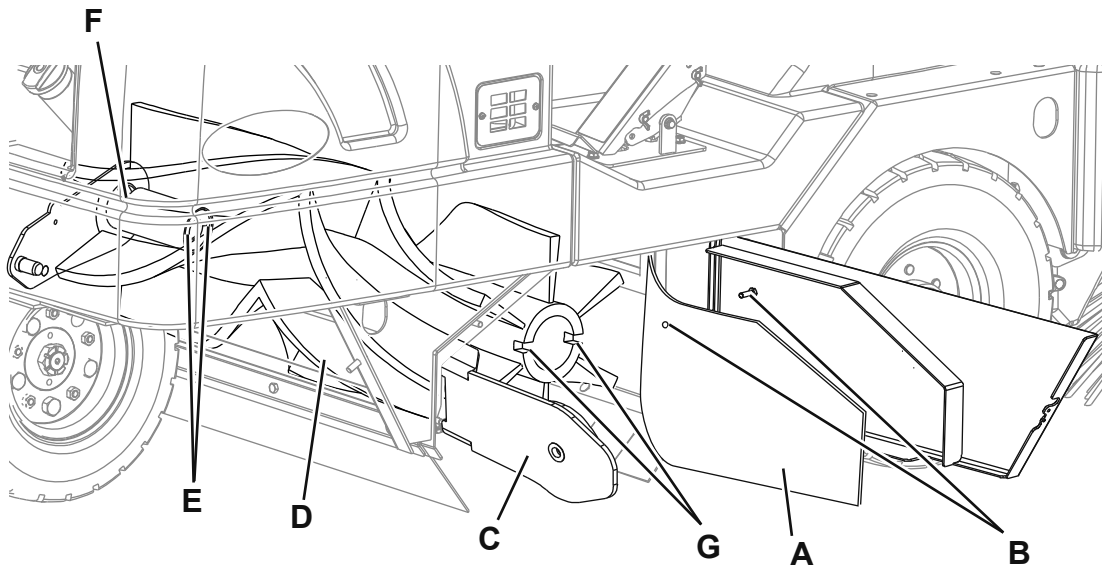


Figure 2

P100321



## Main broom height adjustment



### NOTE

Brooms of various hardness are available.  
This procedure is applicable to all types of brooms.

1. Drive the machine on a level floor.
2. Engage the parking brake.
3. Turn the ignition key (64) and start the machine.
4. Lower the main broom with the lever (53) and let it run for 1 minute.
5. This allows the broom to polish a "strip" on the floor. After 1 minute, lift the main broom, release the parking brake and move the machine so that the polished strip is visible.
6. Inspect the polished strip on the floor. If the strip is less than 2 in (50 mm) or more than 3 in (75 mm) wide, the main broom must be adjusted.
7. To adjust, open the engine compartment hood (1) by using the unlocking push-button (25), loosen the knob (A, Fig. 3) and operate on the main broom adjuster (B) by considering the following:
  - When turning clockwise, the main broom pressure and polish strip is decreased.
  - When turning counter-clockwise, the main broom pressure and polish strip is increased.After adjusting, lock the adjuster with the knob (A).
8. Repeat steps 2-7 until the polished strip is 2-3 in (50-75 mm) wide.



### NOTE

If the broom pattern cannot be properly adjusted, because the broom pressure differs from one end to another, see the adjustment procedure in the Service Manual.

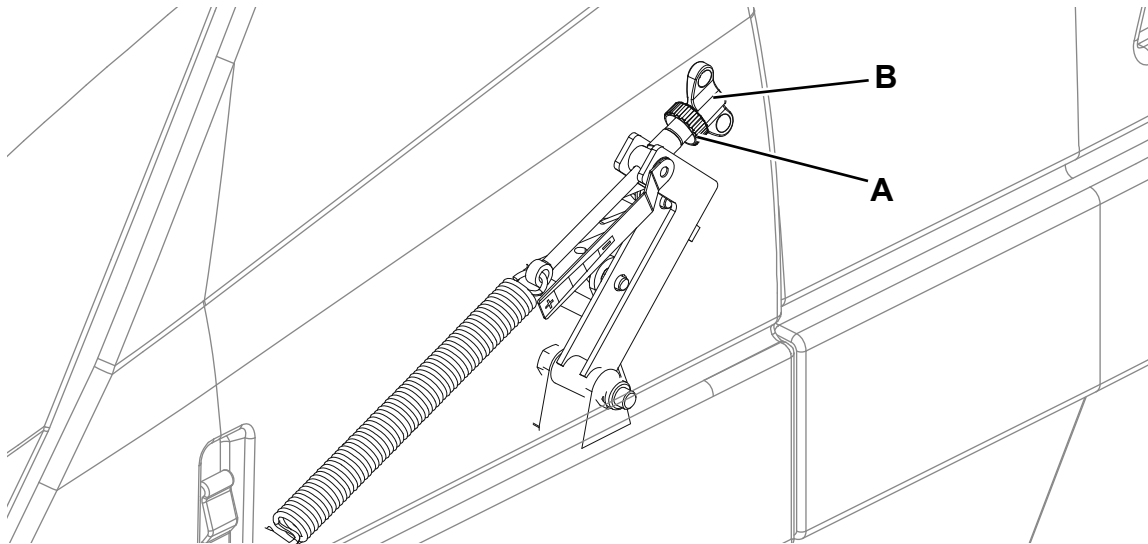


Figure 3

P100322

## SIDE BROOM MAINTENANCE

### Side broom adjustment



**NOTE**

*Brooms of various hardness are available.  
This procedure is applicable to all types of brooms.*

1. Drive the machine on a level floor.
2. Engage the parking brake.
3. Turn the ignition key (64) and start the machine.
4. Lower the side broom with the lever (52) and let it run for 1 minute.
5. When lowered, the side broom (9) (15, optional) should be contacting the floor as shown in the figure (A and B, Fig. 4).
6. To adjust, loosen the knob (A, Fig. 5) and operate on the side broom adjuster (B) by considering the following:
  - When turning clockwise, the main broom pressure is decreased.
  - When turning counter-clockwise, the main broom pressure is increased.
 After adjusting, lock the adjuster with the knob (A).
7. Repeat steps 1-5 to check the proper adjustment of the side broom height.
8. When the broom is too worn out the adjustment is no more possible; replace the broom according to the instructions in the next paragraph.



**NOTE**

*The side brooms (9) (15, optional) should be replaced for optimal performance when the bristles are worn to a length of 3 in (75 mm). When replacing the side brooms, adjust the height.*

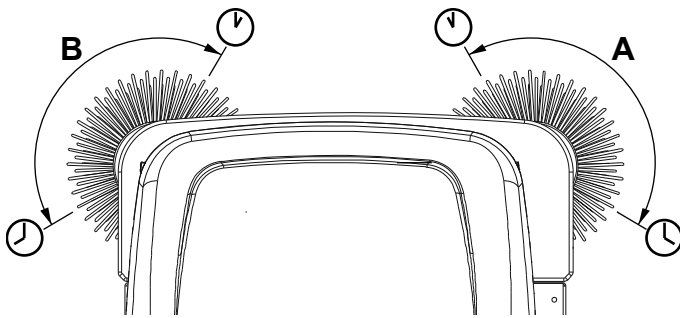


Figure 4

P100323

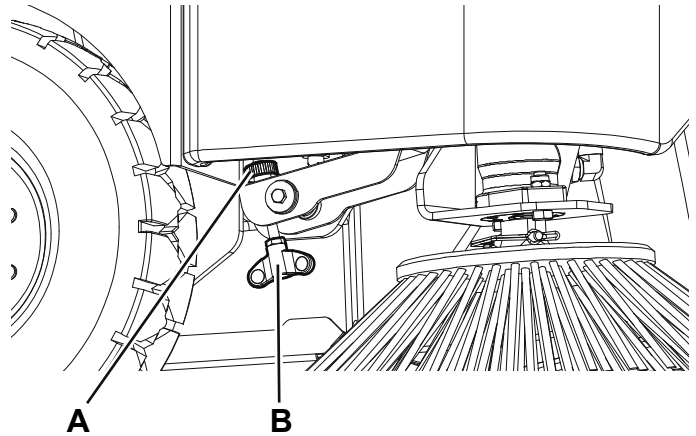


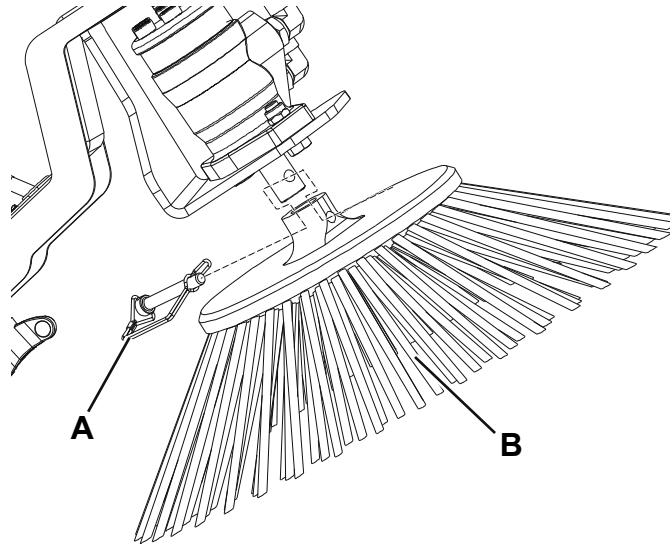
Figure 5

P100324

**Side broom replacement****WARNING!**

*It is advisable to wear protective gloves when replacing the side broom because there can be sharp debris between the bristles.*

1. Lift the hopper until the side broom is approximately at chest height.
2. Release the spring to remove the mounting pin (A, Fig. 6) and remove the side broom (B) from the motor shaft.
3. Install the new broom on the motor shaft, align the hole with the mounting pin and engage the mounting pin (A).

**Figure 6**

P100325

## DUST FILTER MAINTENANCE (PANEL FILTER)

The hopper dust control filter must be cleaned regularly to maintain the efficiency of the vacuum system. Follow the recommended filter service intervals for the longest filter life.



### WARNING!

- **Wear safety glasses when cleaning the filter.**
- **Do not puncture the filter.**
- **Clean the filter in a well-ventilated area.**
- **Wear appropriate dust mask to avoid breathing in dust.**

1. Drive the machine on a level floor, engage the parking brake and turn the ignition key (64) to “O”.
2. Open the latches (6), lift the hopper hood (16) and ensure that the support rod (17) is in place.
3. Inspect the dust filter upper part (12) for damage. A large amount of dust on top of the filter is usually caused by a hole in the filter or a damaged filter gasket.
4. Unscrew the filter shaker assembly mounting knobs (13). Lift the filter shaker assembly (11) to access the filter panel.
5. Lift the dust filter (12) per and remove it from the machine.
6. Clean the filter using one of the methods below:

### Method “A”

Vacuum loose dust from the filter. Then gently tap the filter against a flat surface (with the dirty side down) to remove loose dust and dirt.



### NOTE

*Take care not to damage the metal lip which extends past the gasket.*

### Method “B”

Vacuum loose dust from the filter. Then blow compressed air [maximum pressure 87 psi (6 Bar)] into the clean side of the filter (in the opposite direction of the airflow).

### Method “C”

Vacuum loose dust from the filter. Then soak the filter in warm water for 15 minutes, then rinse it under a gentle stream of water [maximum pressure 36 psi (2.5 Bar)]. Let the filter dry completely before installing it back into the machine.



### NOTE

*For proper drying, lay the filter horizontally on two spacer to allow the air to flow under the filter.*



### NOTE

*For a better cleaning, it is allowed to wash the filter with water and non-lathering detergents. This provides better quality cleaning but reduces the life of the filter, which will have to be replaced more frequently. Using inadequate detergents can damage the filter.*

7. Install the filter in the reverse order of removal and note the following:
  - Install the filter with the wire gauze up.
  - If the filter gasket is damaged or missing, it must be replaced.



### NOTE

*Before replacing filter clear debris from dust plate located under filter. Check that the debris skirt at the rear of the dust plate swings freely.*

## SKIRT MAINTENANCE

### Preliminary operations

1. Empty the hopper as shown in the relevant paragraph to avoid that the weight of the debris affects the skirt height check.
2. Drive the machine on a level floor, suitable to check the skirt height.
3. Turn the ignition key (64) to "O".
4. Engage the parking brake.

### Skirt check

5. Open the right (18) and left door (2).
6. Remove the main broom as shown in the relevant paragraph.
7. Check the front and rear skirt of the main broom housing. Replace or adjust the skirt if damaged or worn so that their distance from the ground is more than 0.2 in (6 mm) (see the procedure in the Service Manual).

## DUSTGUARD SYSTEM WATER FILTER CLEANING (OPTIONAL)

1. Drive the machine on a level floor, engage the parking brake and turn the ignition key (64) to "O".
2. Disengage the quick coupling (A, Fig. 7) from the tank hoses.
3. Remove the left panel (2) to reach the water filter (30).
4. Remove the transparent cover (B) with the gasket (C), then remove the filter strainer (D). Clean and reinstall them on the support (E).



### NOTE

*Install the gasket (C) and the filter strainer (D) in the housings of the cover and the support (E).*

5. Assemble in the reverse order of disassembly.

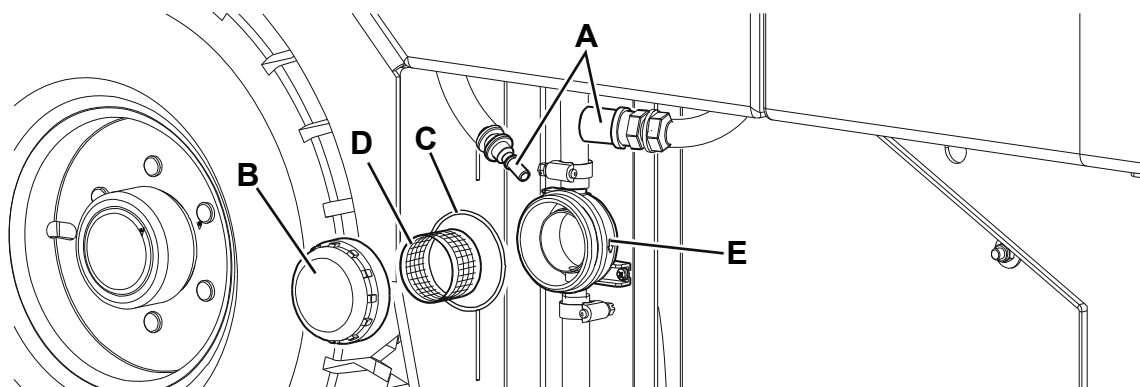


Figure 7

P100329

**HYDRAULIC OIL**



**WARNING!**  
*Do not touch hot components.*  
*Let the engine and hydraulic system cool down.*

1. Drive the machine on a level floor, engage the parking brake and turn the ignition key (64) to "O".
2. Open the engine compartment hood (1) by using the unlocking push-button (25).
3. Remove the left side hood (4) by using the latch, if necessary remove the water filter hose (30, optional).
4. Check the hydraulic oil level by means of the indicator on the tank (19).  
 The hydraulic oil level should be half way up the indicator. If it is below this level, unscrew the plug (20) and add Hydraulic oil AGIP Arnica 46.  
 Change the oil if major contamination from a mechanical failure occurs (see the procedure in the Service Manual).

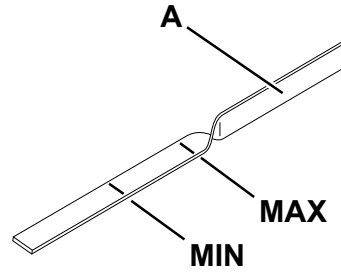


Figure 8

P100329A

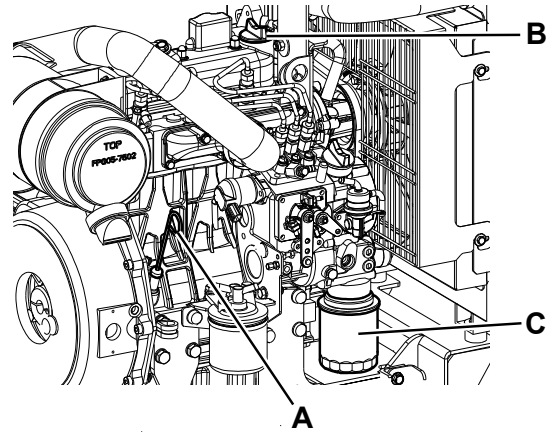
**ENGINE OIL**



**WARNING!**  
*Do not touch hot components.*  
*Let the engine cool down.*

1. Drive the machine on a level floor, engage the parking brake and turn the ignition key (64) to "O".
2. Open the engine compartment hood (1) by using the unlocking push-button (25).
3. Check the engine oil level with the dipstick (A, Fig. 8-9-10) before each use of the machine.  
 If necessary, open the plug (B, Fig. 9-10) and top up. (See the procedure in the Engine Manual).
4. Change the engine oil after the first 50 hours of operation, and then after 150 hours.  
 The oil filter (C) should be replaced with every oil change (see the procedure in the Service Manual).  
 According to the air temperature, use the type of oil indicated below:

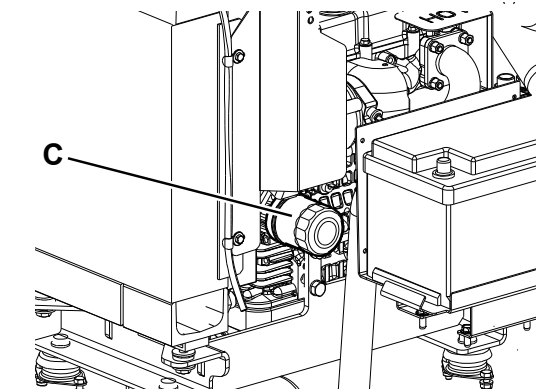
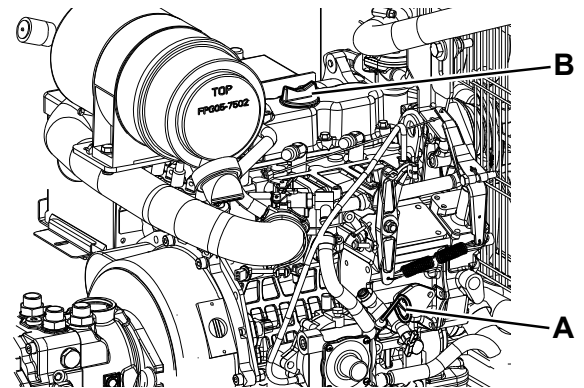
TEMPERATURE RANGE	TYPE OF OIL
Above 60°F (15°C)	SAE 10W-30
Below 60°F (15°C)	SAE 5W-30



Proterra™ Diesel version

Figure 9

P100329D



Proterra™ LPG and Gasoline version

Figure 10

P100329P

## ENGINE AIR FILTER CLEANING

1. Drive the machine on a level floor, engage the parking brake and turn the ignition key (64) to "O".
2. Open the engine compartment hood (1) by using the unlocking push-button (25).
3. Check the engine air filter service indicator (27) before each use of the machine.



### NOTE

*After cleaning or replacing the engine air filter, the service indicator can be reset by pressing the end of the indicator.*



### WARNING!

*When servicing the engine air filter elements, use extreme care to prevent loose dust from entering the engine. Dust can severely damage the engine.*

4. Open the engine oil filter cover (24) and remove the paper pre-filter and synthetic filter.
5. Clean the engine air filters and/or perform maintenance of the engine air filter element (24) as shown in the Engine Manual.

## ENGINE COOLANT



### WARNING!

*Do not remove the radiator cap (23) when the engine is hot.*

1. Drive the machine on a level floor, engage the parking brake and turn the ignition key (64) to "O".
2. Open the engine compartment hood (1) by using the unlocking push-button (25).
3. Let the engine and engine coolant cool down, then open the radiator cap (23) with great care, to release the pressure.
4. Remove the radiator cap (23) and check the coolant.  
If the level is low, add a mixture of half water and half automotive type anti-freeze, as shown in the Engine Manual.

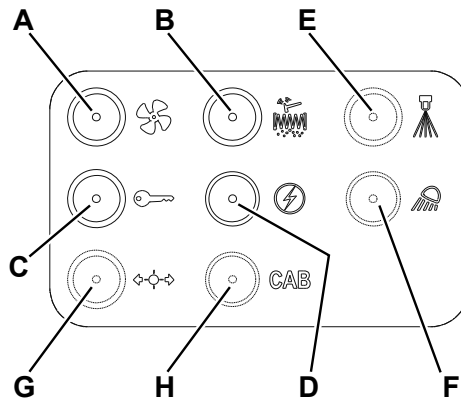
## FUSE CHECK/REPLACEMENT/RESET

### Circuit breaker check

1. Drive the machine on a level ground.
  2. Engage the parking brake.
  3. Turn the ignition key (64) to "O" and remove it.
  4. On the panel (38), check for deactivation of one of the following fuses (Fig. 11):
    - (A): F1 (30 A), vacuum system
    - (B): F2 (16 A), filter shaker
    - (C): F4 (30 A), ignition key
    - (D): F5 (16 A), engine accessory
    - (E): F3 (10 A), DustGuard system nozzle (if equipped)
    - (F): F6 (10 A), working light (if equipped)
    - (G): F7, light system (if equipped)
    - (H): F8, cab fan (if equipped)
- Reset any deactivated fuse, when the component that caused deactivation has fully cooled down.

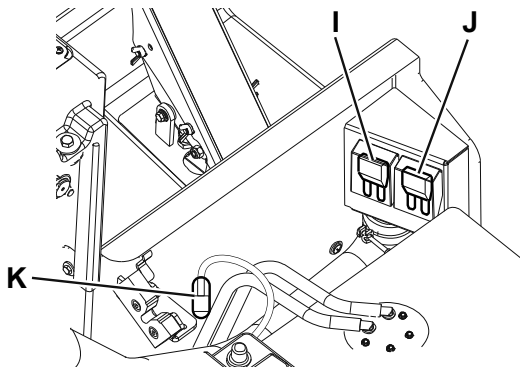
### Fuse check/replacement

1. Drive the machine on a level ground.
  2. Engage the parking brake.
  3. Turn the ignition key (64) to "O" and remove it.
  4. Open the engine compartment hood (1) by using the unlocking push-button (25).
  5. In the driver's seat area, remove the covers and check the following fuses for integrity (Fig. 12-13):
    - (I): F9 (50 A), pre-heating glow plugs (only for Proterra™ Diesel)
    - (J): F10 (50 A), alternator
    - (K): F11 (1 A), hood inner light (optional)
- Replace any open fuse. Install the cover.
6. Close the engine compartment hood (1).



P100326

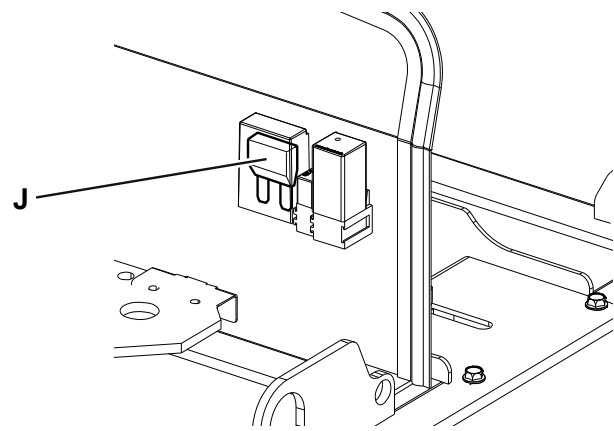
Figure 11



Proterra™ Diesel and Gasoline version

P100327

Figure 12



Proterra™ LPG version

P100327LPG

Figure 13



## TROUBLESHOOTING

Problem	Possible cause	Remedy
The machine does not move	The battery is disconnected	Connect the battery
	The machine has run out of fuel	Refuel
	The circuit breakers are tripped	Reset any tripped circuit breaker
	The parking brake is engaged	Disengage
	The unlocking screw is not in a proper position	Turn it properly
The main broom does not turn	The main broom is lifted	Lower the main broom with the lever
	Debris wrapped around the broom drive	Remove debris
	The hopper is not fully lowered	Fully lower the hopper
	The circuit breakers are tripped	Reset any tripped circuit breaker
The machine collects little debris/dust	The vacuum system is off	Turn on the vacuum system with the switch
	The dust filter is clogged	Clean the dust filter
	The hopper is full	Empty the hopper
	The skirts are damaged or misadjusted	Check the skirt for integrity and proper adjustment (*)
	The main broom height is incorrect	Adjust the main broom height
	The circuit breakers are tripped	Reset any tripped circuit breaker
The side broom does not work	The side broom is lifted	Lower the side broom with the lever
	Debris wrapped around the broom drive	Remove debris
	The hopper is not fully lowered	Fully lower the hopper
The hopper dumping door does not close	The dumping door is jammed by debris	Remove debris and clean edges of dirt chamber
The filter shaker motor does not work	The filter shaker motor connector is not properly connected	Connect it properly
	The circuit breaker is tripped	Reset the tripped circuit breaker
The DustGuard system (optional) does not work	The switch is faulty	Replace the switch (*)
	The nozzles or the water filter are clogged	Clean
	Pump failure	Replace
	The circuit breaker is tripped	Reset the tripped circuit breaker

(\*) Procedure to be performed by Advance Service Center.

For further information contact a Advance Service Center, where it is possible to consult the Service Manual.

## SCRAPPING

Have the machine scrapped by a qualified scrapper.

Before scrapping the machine, remove and separate the following materials, which must be disposed of properly according to the law in force:

- Batteries
- Polyester dust filter
- Main and side brooms
- Engine oil
- Hydraulic system oil
- Hydraulic system oil filter
- Plastic components
- Electrical and electronic components (\*)

(\*) Refer to the nearest Advance Service Center especially when scrapping electrical and electronic components.

## TABLE DES MATIERES

<b>INTRODUCTION</b> .....	<b>2</b>
BUT ET CONTENU DU MANUEL .....	2
DESTINATAIRES.....	2
CONSERVATION DU MANUEL.....	2
DONNEES D'IDENTIFICATION .....	2
AUTRES MANUELS DE REFERENCE.....	2
PIECES DE RECHANGE ET ENTRETIEN .....	3
MODIFICATIONS ET AMELIORATIONS.....	3
CAPACITES OPERATIONNELLES.....	3
CONVENTIONS .....	3
<b>DEBALLAGE / LIVRAISON</b> .....	<b>3</b>
<b>SECURITE</b> .....	<b>4</b>
SYMBOLES UTILISES .....	4
INSTRUCTIONS GENERALES.....	4
TIGE DE SECURITE DU CONTENEUR DECHETS.....	7
MISE SUR VERINS DE LA MACHINE .....	7
TRANSPORT DE LA MACHINE .....	7
DEPLACEMENT PAR POUSSEE / REMORQUAGE DE LA MACHINE .....	7
<b>INFORMATIONS SUR LA MACHINE</b> .....	<b>8</b>
STRUCTURE DE LA MACHINE.....	8
POSTE DE TRAVAIL ET TABLEAU DE BORD .....	10
ACCESSOIRES / OPTIONS.....	11
CARACTERISTIQUES TECHNIQUES.....	11
SCHEMA ELECTRIQUE.....	12
SCHEMA HYDRAULIQUE.....	15
<b>PREPARATION DE LA MACHINE POUR L'EMPLOI</b> .....	<b>16</b>
LISTE DES CONTROLES PREALABLES.....	16
BALAI CENTRAL.....	16
CARBURANT.....	16
MOTEUR DIESEL ET A ESSENCE.....	16
MOTEUR GPL.....	17
AVANT LA MISE EN MARCHÉ DE LA MACHINE .....	17
MISE EN MARCHÉ ET ARRÊT DE LA MACHINE .....	17
FREIN DE STATIONNEMENT .....	18
MACHINE AU TRAVAIL .....	18
VIDANGE DU CONTENEUR DECHETS .....	19
APRES L'UTILISATION DE LA MACHINE .....	20
INACTIVITE PROLONGEE DE LA MACHINE .....	20
PREMIERE PERIODE D'UTILISATION.....	20
<b>ENTRETIEN</b> .....	<b>20</b>
PLAN D'ENTRETIEN PROGRAMME.....	21
ENTRETIEN DU BALAI CENTRAL .....	22
ENTRETIEN DU BALAI LATERAL .....	24
ENTRETIEN DU FILTRE A POUSSIERE (EN PANNEAU).....	26
ENTRETIEN DES VOLETS.....	27
NETTOYAGE DU FILTRE A EAU DU SYSTEME D'ABATTAGE DES POUSSIERES (OPTIONNEL).....	27
HUILE HYDRAULIQUE .....	28
HUILE MOTEUR.....	28
NETTOYAGE FILTRE A AIR MOTEUR .....	29
LIQUIDE DE REFROIDISSEMENT MOTEUR .....	29
CONTROLE / REMPLACEMENT / RETABLISSEMENT DES FUSIBLES.....	30
<b>DEPISTAGE DES PANNES</b> .....	<b>31</b>
<b>MISE A LA FERRAILLE</b> .....	<b>32</b>

## INTRODUCTION

**REMARQUE**

Les nombres entre parenthèses se rapportent aux composants indiqués au chapitre Description de la machine.

### BUT ET CONTENU DU MANUEL

Ces instructions se proposent de fournir à l'opérateur toutes les informations nécessaires afin qu'il puisse utiliser la machine correctement et la gérer de la manière la plus autonome et sûre. Il comprend des informations relatives à l'aspect technique, la sécurité, le fonctionnement, l'arrêt de la machine, l'entretien, les pièces de rechange et la mise à la ferraille.

Avant d'effectuer toute opération sur la machine, les opérateurs et les techniciens qualifiés doivent lire attentivement ces instructions. En cas de doutes sur la correcte interprétation des instructions, contacter Advance pour avoir plus de renseignements.

### DESTINATAIRES

Ces instructions s'adressent à l'opérateur aussi bien qu'aux techniciens préposés à l'entretien de la machine.

Les opérateurs ne doivent pas exécuter les opérations réservées aux techniciens qualifiés. Advance ne répond pas des dommages dus à l'inobservance de cette interdiction.

### CONSERVATION DU MANUEL

Les instructions d'utilisation doivent être gardées près de la machine, dans une enveloppe spéciale et, surtout, loin de liquides et de tout ce qui pourrait en compromettre l'état de lisibilité.

### DONNEES D'IDENTIFICATION

Le numéro de série et le modèle de la machine sont indiqués sur la plaque des données techniques (10) positionnée sur le cadre. L'année de fabrication de la machine est indiquée dans la Déclaration de Conformité, ainsi que par les deux premiers chiffres du numéro de série de la machine.

Le numéro de série et le modèle de la machine sont indiqués sur la plaque (31).

Ces informations sont nécessaires lors de la commande des pièces de rechange de la machine e du moteur. Utiliser l'espace suivant pour y noter les données d'identification de la machine e du moteur.

Modèle de la MACHINE .....
----------------------------

Numéro de série de la MACHINE .....
-------------------------------------

Modèle MOTEUR .....
---------------------

Numéro de série MOTEUR .....
------------------------------

### AUTRES MANUELS DE REFERENCE

- Manuel du moteur, livré avec la machine, qui constitue une partie intégrante de ces instructions.
- Les manuels suivants sont aussi disponibles :
  - Catalogue de pièces de rechange (livré avec la machine)
  - Manuel d'entretien (consultable auprès des concessionnaires Advance)

## PIECES DE RECHANGE ET ENTRETIEN

Pour toute nécessité concernant l'emploi, l'entretien et la réparation, s'adresser au personnel qualifié ou directement aux Services après-vente Advance. Utiliser toujours des pièces de rechange et des accessoires d'origine.

Pour l'assistance ou la commande de pièces de rechange et accessoires, contacter Advance en spécifiant toujours le modèle et le numéro de série de la machine.

## MODIFICATIONS ET AMELIORATIONS

Advance vise à un constant perfectionnement de ses produits et se réserve le droit d'effectuer des modifications et des améliorations lorsqu'elle le considère nécessaire sans l'obligation de modifier les machines précédemment vendues.

Il est entendu que toute modification et / ou addition d'accessoires doit toujours être approuvée et réalisée par Advance.

## CAPACITES OPERATIONNELLES

Cette balayeuse est conçue et fabriquée pour le nettoyage / balayage de sols lisses et solides et pour le ramassage de poussières et déchets légers, en milieux civils et industriels, en condition de complète sécurité par un opérateur qualifié.

## CONVENTIONS

Toutes les références à en avant, en arrière, avant, arrière, droite ou gauche indiquées dans ces instructions doivent être considérées comme référées à l'opérateur assis en position de conduite sur le siège (32).

## DEBALLAGE / LIVRAISON

Lors de la livraison de la machine, veuillez contrôler attentivement l'emballage et la machine afin de détecter d'éventuels dégâts.

Si les dommages sont évidents, garder l'emballage de façon qu'il puisse être examiné par le transporteur qui l'a livré. Contacter immédiatement le transporteur pour remplir une demande de dommages-intérêts.

- Contrôler que le matériel livré avec la machine correspond à la liste suivante :
  - Instructions d'utilisation de la balayeuse
  - Manuel du moteur
  - Catalogue de pièces de rechange de la balayeuse
- Une fois l'emballage enlevé, retirer les cales en bois situées près des roues.
- Contrôler le niveau d'huile moteur et du liquide de refroidissement.
- Contrôler le niveau d'huile hydraulique.
- Lire attentivement les instructions dans la section "Préparation de la machine", puis remplir le réservoir du carburant.
- Placer une rampe contre la partie avant de la palette.
- Lire attentivement les instructions dans les sections "Poste de travail et tableau de bord" et "Utilisation de la machine", puis démarrer le moteur. Faire avancer la machine lentement sur les plans inclinés.



### **ATTENTION !**

**Démarrer la balayeuse avec une extrême prudence.**

**Avant d'utiliser la balayeuse, s'assurer de connaître parfaitement son mode d'emploi.**

**En cas de questions, contacter le responsable technique ou le concessionnaire industriel Advance local.**

**Si la machine ne fonctionne pas correctement, ne pas essayer de la réparer, à moins d'y être invité par le responsable technique. Contacter un technicien qualifié ou le service après-vente Advance pour procéder aux réglages nécessaires.**

**Utiliser la balayeuse avec une extrême prudence. Éviter que les cravates, les cheveux, les bijoux ou les vêtements amples soient entraînés dans les parties mobiles de la machine.**

**Avant d'utiliser la machine, tourner la clé de contact (64) sur "O" et l'enlever, serrer le frein de stationnement et débrancher la batterie.**

**Prendre toutes les précautions d'usage et prêter attention aux décalcomanies jaunes sur la machine.**

**Faire avancer la machine lentement sur les plans inclinés. Régler la vitesse d'avance au moyen de la pédale du frein (35).**

**Ne pas braquer sur les plans inclinés ; avancer en ligne droite en montée et en descente.**

**Le degré d'inclinaison maximum pendant le transport avec un modèle à 3 cylindres est de 15 %.**

## SECURITE

On utilise la symbolique suivante pour signaler les conditions de danger potentielles. Lire attentivement ces informations et prendre les précautions nécessaires pour protéger les personnes et les choses.

Pour éviter tout accident, la collaboration de l'opérateur est essentielle. Aucun programme de prévention des accidents du travail ne peut résulter efficace sans la totale collaboration de la personne directement responsable du fonctionnement de la machine. La plupart des accidents qui peuvent survenir dans une entreprise, pendant le travail ou les déplacements, sont dus à l'inobservance des plus simples règles de prudence. Un opérateur attentif et prudent est la meilleure garantie contre les accidents du travail et se révèle indispensable pour compléter n'importe quel programme de prévention.

### SYMBOLES UTILISES



#### DANGER !

*Indique une situation dangereuse exposant l'opérateur au risque de blessures graves, voire mortelles.*



#### ATTENTION !

*Indique un risque potentiel d'accident pour les personnes ou de dommage matériel.*



#### AVERTISSEMENT !

*Indique un avertissement ou une remarque sur des fonctions clé ou utiles. Prêter la plus grande attention aux segments de texte marqués par ce symbole.*



#### REMARQUE

*Indique une remarque sur des fonctions clé ou utiles.*



#### CONSULTATION

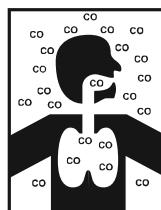
*Indique la nécessité de consulter les instructions d'utilisation avant d'effectuer toute opération.*

## INSTRUCTIONS GENERALES

Les avertissements et précautions spécifiques suivants informent sur les potentiels risques de dommages à la machine ou aux personnes.



#### DANGER !



- **Le monoxyde de carbone (CO) peut causer des dommages au cerveau et même la mort.**
- **Le moteur à combustion interne de la machine émet du monoxyde de carbone.**
- **Ne pas inhaler les gaz d'échappement.**
- **Si l'on doit utiliser la machine dans un endroit fermé, s'assurer qu'il y ait une ventilation adéquate et des assistants à vous aider.**

**DANGER !**

- Avant d'effectuer toute opération d'entretien, de réparation, de nettoyage ou de remplacement, débrancher le connecteur de la batterie, enlever la clé de contact, serrer le frein de stationnement et débrancher la batterie.
- Cette machine doit être utilisée uniquement par le personnel adéquatement formé. L'utilisation de la machine est interdite aux enfants et aux personnes handicapées.
- Les manoeuvres de braquage doivent être effectuées à vitesse extrêmement réduite. Éviter de braquer brusquement, en particulier en pente, et de braquer avec le conteneur déchets soulevé.
- Ne pas soulever le conteneur déchets sur des surfaces inclinées. La stabilité de la machine est réduite en pente ou lorsque le conteneur déchets est plein. Contrôler régulièrement la pression des pneus.
- Ne pas porter de bijoux quand on travaille près des composants électriques.
- Tenir les étincelles, les flammes et les matériaux fumants et incandescents loin des batteries. Les batteries produisent des gaz potentiellement explosifs pendant l'utilisation ordinaire.
- Ne pas travailler sous la machine soulevée, sans des supports fixes de sécurité convenables.
- Chaque fois que l'on opère sous le portillon du conteneur déchets ouvert, vérifier que le portillon ne peut pas se refermer accidentellement.
- Ne pas opérer avec cette machine en présence de poudres, liquides ou vapeurs nuisibles, dangereux, inflammables et / ou explosifs : la machine ne doit pas être utilisée pour ramasser des matériaux dangereux.
- Attention : le carburant est extrêmement inflammable.
- Ne pas fumer et ne pas utiliser des flammes libres près du lieu de ravitaillement ou de stockage du carburant.
- Effectuer le plein d'essence en plein air ou dans un endroit bien aéré et à moteur arrêté.
- Arrêter le moteur et laisser refroidir pendant quelques minutes avant de dévisser le bouchon du réservoir du carburant.
- Ne pas remplir complètement le réservoir du carburant, mais laisser au moins 4 centimètres du bord afin que le carburant puisse s'éteindre.
- Après le ravitaillement, contrôler que le bouchon du réservoir est bien fermé.
- Si, pendant le ravitaillement, du carburant est renversée, nettoyer soigneusement et permettre aux vapeurs de se dissiper avant de démarrer le moteur.
- Éviter tout contact du carburant avec la peau et ne pas en inhaler les vapeurs. Conserver hors de la portée des enfants.
- Ne pas incliner le moteur selon un angle excessif pour éviter toute sortie de carburant.
- Pendant le transport de la machine, le réservoir du carburant ne doit pas être plein et, dans tout cas, le bouchon doit être fermé.
- Ne pas poser d'objets sur le moteur.
- Arrêter le moteur avant d'y effectuer toute opération. Pour éviter le démarrage accidentel du moteur, débrancher le terminal négatif de la batterie.
- Lire aussi les REGLES DE SECURITE dans le manuel du moteur, qui constitue une partie intégrante de ces instructions.
- Les batteries au plomb (WET) sont installées dans cette machine ; ne pas incliner la machine de plus de 30° depuis l'horizontale, car cela pourrait provoquer des pertes de liquide très corrosif. Au cas où il serait nécessaire d'incliner la machine pour l'entretien, enlever les batteries.
- Ne pas utiliser la machine en cas de fuite de gaz. Déconnecter le tuyau flexible du carburant et remplacer le réservoir GPL. Si la fuite de gaz persiste, déconnecter le tuyau flexible du carburant et contacter un Service après-vente Advance.

**ATTENTION !**

- Avant d'effectuer toute activité d'entretien / réparation, lire attentivement toutes les instructions qui concernent l'entretien / réparation.
- Lorsqu'on travaille près ou dans le système hydraulique, porter toujours des vêtements de protection et des lunettes de protection.
- Prêter attention aux pièces chaudes lorsqu'on travaille près du moteur propulseur, du pot d'échappement, du collecteur et du radiateur.
- Prendre les précautions convenables afin que les cheveux, les bijoux, les parties non adhérentes des vêtements ne soient pas capturés par les parties en mouvement de la machine.
- Pour éviter l'utilisation non autorisée de la machine, enlever la clé de contact.
- Avant de laisser la machine sans surveillance, veiller à ce que celle-ci ne puisse pas bouger de façon autonome.
- Ne pas utiliser la machine sur des surfaces ayant une pente supérieure à la valeur indiquée sur la machine même.
- Utilisez exclusivement les balais livrées avec la machine et spécifiées dans les instructions d'utilisation. L'utilisation de balais différentes peut compromettre la sécurité.
- Avant d'utiliser la machine, fermer tous les couvercles et / ou portillons.
- Ne pas utiliser la machine dans des endroits très poussiéreux.
- Utiliser la machine exclusivement dans des endroits illuminés.
- Si l'on utilise la machine en présence d'autres personnes, il faut activer le feu tournant et l'avertisseur sonore de marche arrière (optionnels).
- Ne pas laver la machine avec des jets d'eau directs ou sous pression ou avec des substances corrosives.
- Ne pas utiliser d'air comprimé pour le nettoyage général de la machine, sauf que pour les filtres (voir le paragraphe spécifique).
- Pendant l'utilisation de cette machine, faire attention à sauvegarder l'intégrité des autres personnes, en particulier des enfants.
- Ne pas poser de conteneurs de liquides sur la machine.
- La température de stockage doit être comprise entre 32°F et 104°F (entre 0°C et +40°C).
- La température de travail doit être comprise entre 32°F et 104°F (entre 0°C et +40°C).
- L'humidité doit être comprise entre 30 % et 95 %.
- Protéger toujours la machine du soleil, de la pluie et d'autres intempéries, pendant le fonctionnement et en état d'arrêt. Garder la machine dans un endroit couvert et sec : elle a été conçue pour l'utilisation à sec, par conséquent elle ne doit pas être utilisée ou gardée dehors, dans des conditions d'humidité.
- Ne pas utiliser la machine comme moyen de transport ou de poussée / remorquage.
- Ne pas faire travailler les balais lorsque la machine est arrêtée pour ne pas endommager le sol.
- En cas d'incendie, il est préférable d'utiliser un extincteur à poudre, plutôt qu'un extincteur à eau.
- Ne pas heurter contre des étagères ou des échafaudages, en particulier en cas de danger de chute d'objets.
- Adapter la vitesse d'utilisation aux conditions d'adhérence.
- Éviter tout freinage brusque en descente. Éviter tout changement brusque de direction. Procéder à vitesse réduite en descente.
- La machine n'est pas approuvée pour l'utilisation sur la voie publique.
- Ne pas altérer pour aucune raison les protections prévues pour la machine.
- Respecter scrupuleusement les instructions prévues pour l'entretien ordinaire.
- Ne pas enlever ou altérer les plaques installées sur la machine.
- S'assurer que les éventuelles anomalies de fonctionnement de la machine ne dépendent pas du manque d'entretien. En cas contraire demander l'intervention de personnel autorisé ou d'un Service après-vente agréé.
- En cas de remplacement de pièces, demander les pièces de rechange D'ORIGINE à un concessionnaire ou revendeur agréé.
- Afin de garantir la sécurité et le bon fonctionnement de la machine, faire effectuer l'entretien programmé prévu au chapitre spécifique de ces instructions par du personnel autorisé ou par un Service après-vente agréé.
- Lors de la mise à la ferraille, la machine ne doit pas être abandonnée par la présence de matériaux toxiques (batteries, huiles, matériaux plastiques, etc.), sujets à des lois qui prévoient l'élimination auprès de centres spéciaux (voir le chapitre Mise à la ferraille).
- Pendant le fonctionnement du moteur, le silencieux se chauffe. Ne pas toucher le silencieux lorsqu'il est chaud pour éviter des brûlures graves et des incendies.
- Le fonctionnement du moteur avec une quantité d'huile insuffisante peut endommager sérieusement le moteur même. Contrôler le niveau d'huile à moteur arrêté et avec la machine sur une surface horizontale.
- Ne jamais démarrer le moteur sans le filtre à air, car le moteur pourrait subir des dommages.
- Toute procédure d'entretien du moteur doit être effectuée par un concessionnaire agréé. Utiliser exclusivement des pièces de rechange D'ORIGINE pour garder la qualité du moteur. L'utilisation de pièces de rechange de qualité non équivalente peut sérieusement endommager le moteur.
- Lire aussi les REGLES DE SECURITE dans le manuel du moteur, qui constitue une partie intégrante de ces instructions.



## TIGE DE SECURITE DU CONTENEUR DECHETS



### AVERTISSEMENT !

Avant d'effectuer toute opération d'entretien sous ou près du conteneur déchets soulevé, tirer la poignée de blocage (39) pour s'assurer que la tige de sécurité (5) se trouve dans la position de blocage. La tige de sécurité (5) maintient le conteneur déchets en position soulevée, afin de permettre tout travail sous le conteneur même. Les composants du système hydraulique de la machine ne maintiennent jamais le conteneur déchets en position soulevée.

## MISE SUR VERINS DE LA MACHINE



### ATTENTION !

Ne jamais travailler sous la machine sans y avoir placé préalablement des supports ou des cales de sécurité pour la supporter.

Pour soulever la machine au moyen de vérins, les positionner aux emplacements prévus à cet effet (ne pas placer de vérins sous le conteneur déchets) ; voir les emplacements pour la mise sur vérins (8).

## TRANSPORT DE LA MACHINE



### ATTENTION !

Avant de transporter la machine dans un camion ou dans une remorque découverte, vérifier que :

- Toutes les portes d'accès à la cabine soient fermées.
- La machine est fixée solidement.
- Le frein de stationnement de la machine est serré.

## DEPLACEMENT PAR POUSSEE / REMORQUAGE DE LA MACHINE

La pompe hydraulique (45) est équipée d'une vis qui désactive le système de traction. La vis permet d'éviter tout dommage au système hydraulique quand la machine est déplacée par poussée / remorquage sur une brève distance sans démarrer le moteur. Pour rejoindre la vis de déblocage, ouvrir le coffre (1) du compartiment moteur en agissant sur le bouton-poussoir de déblocage (25) et localiser la pompe hydraulique (45) à l'avant du moteur (44).

Tourner la vis à six pans creux (A, Fig. 1) d'un demi-tour dans le sens contraire aux aiguilles d'une montre, pour relâcher le blocage hydrostatique entre le moteur et la pompe.



### AVERTISSEMENT !

Pendant le déplacement de la machine, si la vis de la pompe hydraulique se trouve dans la position de blocage, on risque d'endommager la pompe même.



### REMARQUE

Si la vis se trouve dans la position de déblocage, la pompe hydraulique n'intervient pas sur le déplacement de la machine.



### REMARQUE

Déplacer la machine par poussée ou remorquage et rouler au pas [1.8-2.8 mph (3-4.5 km/h)] sur une brève distance. Si la machine doit être déplacée sur une longue distance, soulever les roues de traction du sol et les placer sur un chariot de transport adéquat.

Le déplacement par poussée / remorquage terminé, tourner la vis à six pans creux d'un demi-tour dans le sens des aiguilles d'une montre pour activer à nouveau les fonctions hydrauliques.

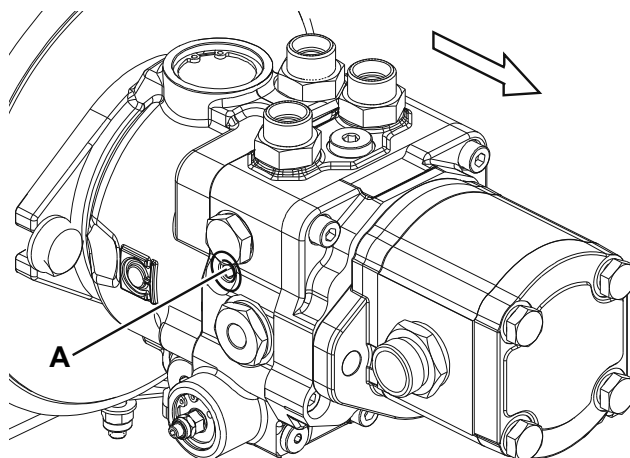


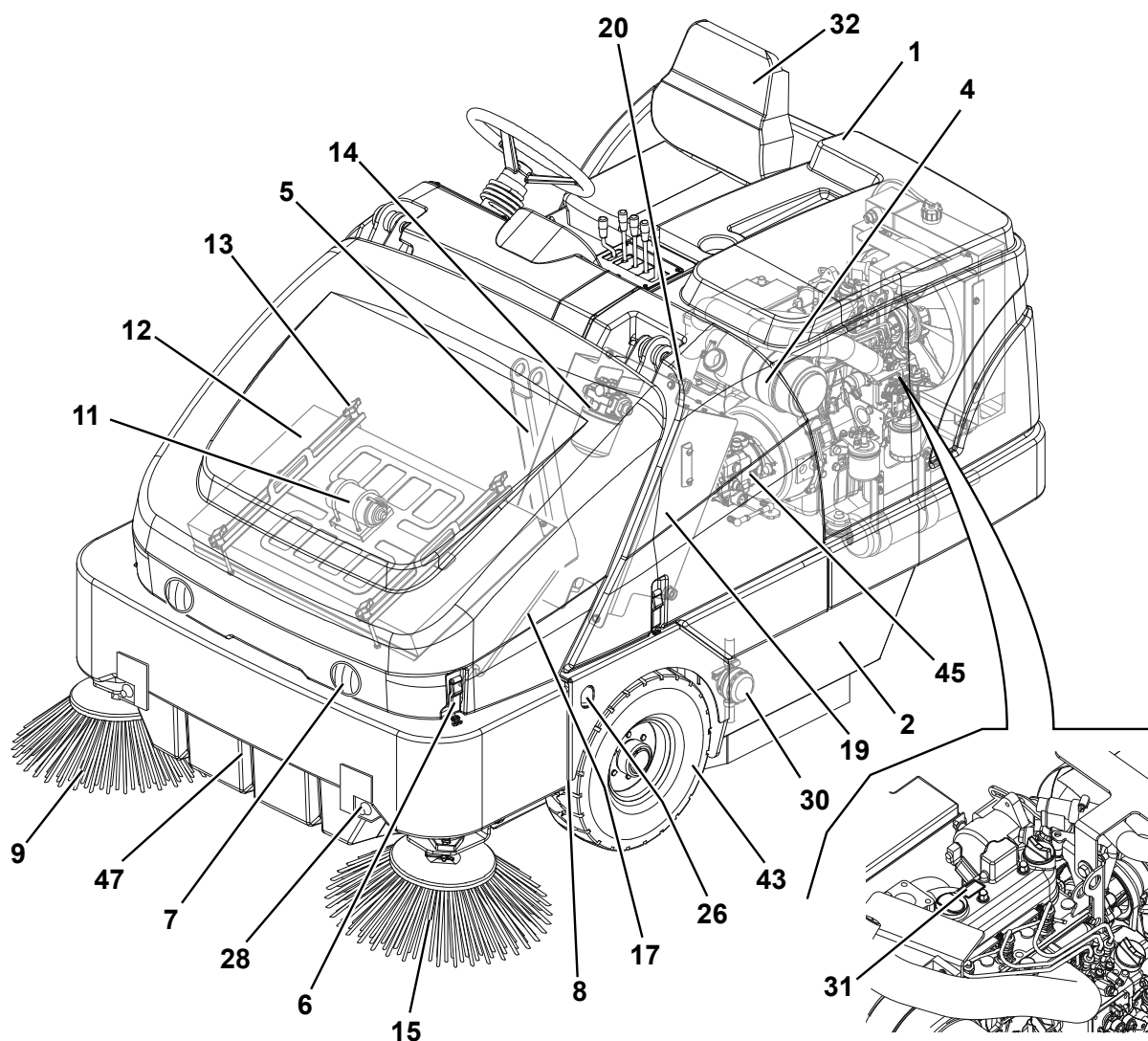
Figure 1

P100320

## INFORMATIONS SUR LA MACHINE

### STRUCTURE DE LA MACHINE

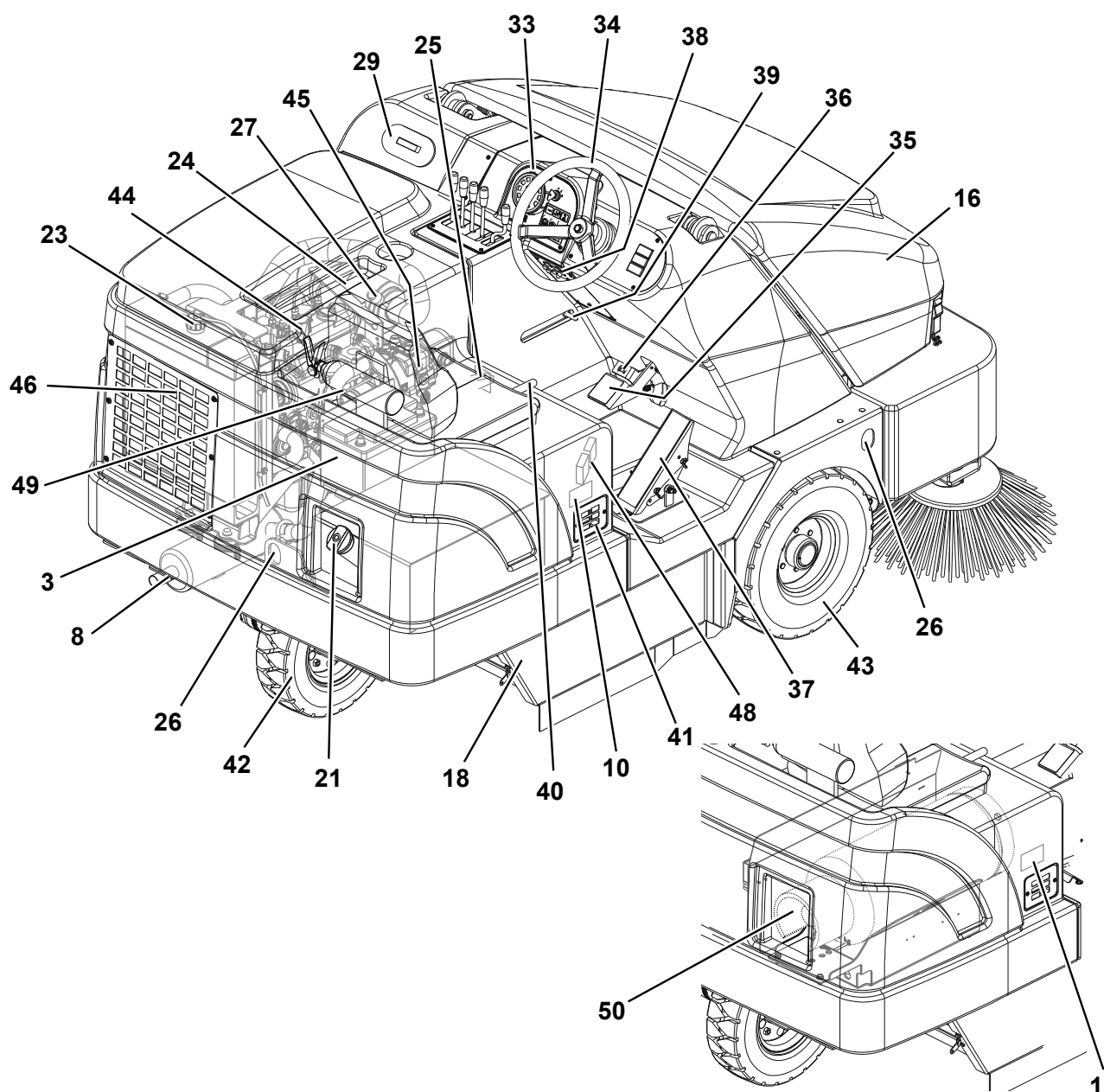
- |  |   |
|--|---|
| 1. Coffre compartiment moteur  | 16. Coffre conteneur déchets  |
| 2. Panneau gauche d'accès au balai central   | 17. Tige de support coffre conteneur déchets                              |
| 3. Batterie  | 18. Panneau droit d'accès pour dépose / remplacement balai central        |
| 4. Coffre latéral gauche   | 19. Réservoir d'huile hydraulique   |
| 5. Réservoir à eau système d'abattage des poussières (optionnel)                                   | 20. Bouchon réservoir huile hydraulique                                   |
| 6. Tige de sécurité conteneur déchets  | 21. Bouchon réservoir carburant   |
| 7. Serrure coffre conteneur déchets  | 22. Réservoir carburant   |
| 8. Feu de travail (optionnel)  | 23. Bouchon radiateur   |
| 9. Emplacements pour mise sur vérins (l'emplacement arrière se trouve sous le radiateur du moteur) | 24. Filtre à air moteur   |
| 10. Balai latéral droit  | 25. Bouton-poussoir de déblocage coffre compartiment moteur               |
| 11. Plaque avec numéro de série / données techniques / marquage de conformité                      | 26. Points d'ancrage (3)  |
| 12. Groupe secoueur filtre à poussière en panneau  | 27. Indicateur entretien filtre à air                                     |
| 13. Filtre à poussière conteneur déchets   | 28. Gicleurs système d'abattage des poussières (optionnel)                |
| 14. Filtre à panneau (standard)  | 29. Bouchon réservoir à eau système d'abattage des poussières (optionnel) |
| 15. Filtre à poches (optionnel)  | 30. Filtre à eau (optionnel)  |
| 16. Poignées de fixation groupe secoueur   | 31. Plaque avec modèle moteur et numéro de série                          |
| 17. Filtre à huile hydraulique   |   |
| 18. Balai latéral gauche (optionnel)   |   |



P100317

**STRUCTURE DE LA MACHINE (suite)**

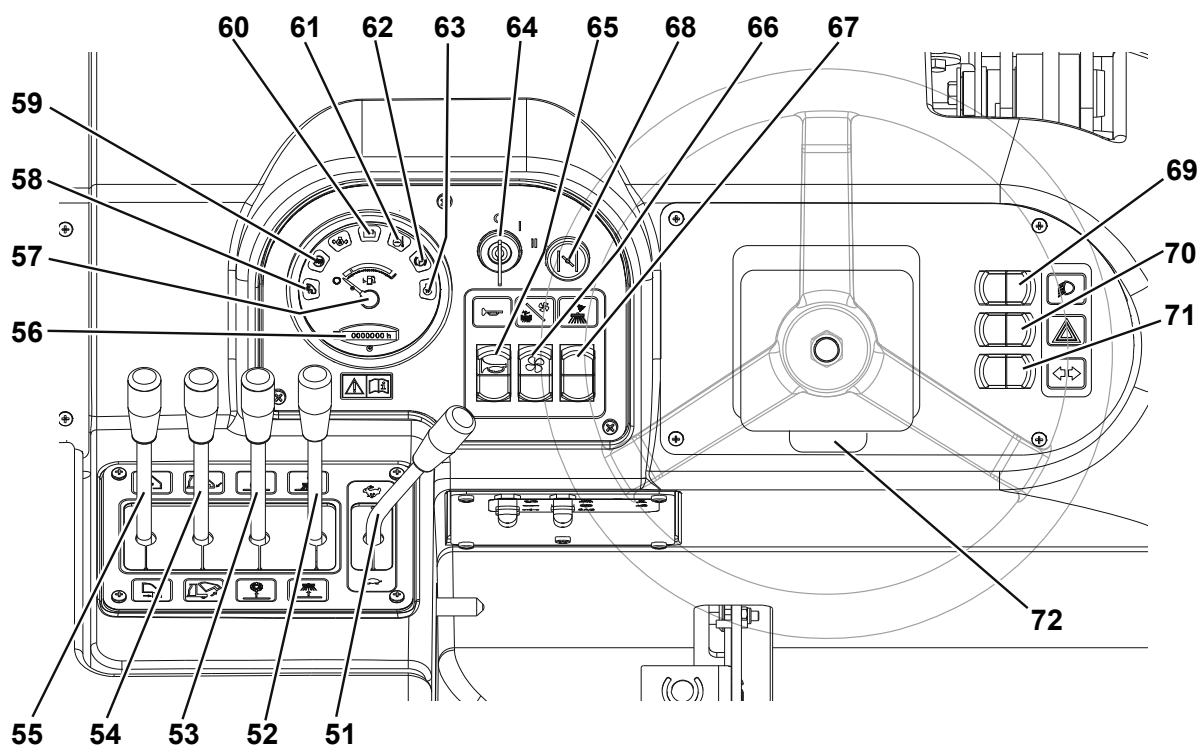
- |   |   |
|---|---|
| 32. Siège de conduite   | 41. Grille de ventilation moteur  |
| 33. Tableau de bord (voir le paragraphe suivant)  | 42. Roue arrière de traction  |
| 34. Volant  | 43. Roues avant   |
| 35. Pédale frein  | 44. Moteur  |
| 36. Pédale frein de stationnement<br>(Utiliser avec la pédale du frein pour le blocage ou le déblocage du frein de stationnement) | 45. Pompe hydraulique   |
| 37. Pédale de marche avant / arrière  | 46. Radiateur liquide de refroidissement / huile hydraulique                            |
| 38. Panneau fusibles restaurables (voir le paragraphe Contrôle / remplacement / rétablissement des fusibles)                      | 47. Conteneur déchets   |
| 39. Poignée de blocage tige de sécurité conteneur déchets   | 48. Fusibles (voir le paragraphe Contrôle / remplacement / rétablissement des fusibles) |
| • Tirer pour bloquer la tige  | 49. Extincteur (optionnel)  |
| • Pousser pour débloquer la tige  | 50. Réservoir carburant GPL   |
| 40. Levier de réglage siège de conduite   |   |



P100318

## POSTE DE TRAVAIL ET TABLEAU DE BORD

51. Levier tours moteur
  - (Poussé en avant) régime de travail
  - (Tiré en arrière) régime minimum
52. Levier balais latéraux
  - (Poussé en avant) balai latéral baissé
  - (Tiré en arrière) balai latéral soulevé
53. Levier balai central
  - (Poussé en avant) balai central baissé
  - (Tiré en arrière) balai central soulevé
54. Levier conteneur déchets
  - (Poussé en avant) abaissement conteneur déchets
  - (Tiré en arrière) soulèvement conteneur déchets
55. Levier portillon de vidange conteneur déchets
  - (Poussé en avant) ouverture portillon de vidange
  - (Tiré en arrière) fermeture portillon de vidange
56. Compteur horaire
57. Indicateur niveau huile
58. Témoin lumineux surtempérature conteneur déchets
59. Témoin lumineux conteneur déchets colmaté
60. Témoin lumineux chargeur de batterie
61. Témoin lumineux surtempérature liquide de refroidissement moteur
62. Témoin lumineux frein de stationnement
63. Témoin lumineux bougies préchauffage
64. Clé de contact :
  - Tournée en position "O", elle arrête le moteur et désactive toutes le fonctions de la machine.
  - Tournée en position "I", elle active toutes le fonctions de la machine.
  - Tournée en position "II", elle démarre le moteur. Dès que le moteur démarre, relâcher tout de suite la clé, qui reviendra en position "I".
65. Interrupteur avertisseur sonore
66. Interrupteur ventilateur d'aspiration / secoueur
  - (Appuyé sur la partie inférieure) activation secoueur
  - (Appuyé sur la partie supérieure) activation ventilateur d'aspiration et système d'abattage des poussières
67. Interrupteur système d'abattage des poussières (optionnel)
68. Dispositif de démarrage à froid moteur (seulement pour versions GPL et à essence)
69. Interrupteur feux de travail (optionnel)
70. Interrupteur feux de détresse (optionnel)
71. Interrupteur indicateurs de direction (optionnel)
72. Levier de réglage volant (optionnel)



## ACCESSOIRES / OPTIONS

Outre les composants présents dans le modèle standard, la machine peut être équipée des accessoires optionnels suivants, selon l'emploi spécifique de la machine :

- Balai latéral gauche
- Balais central et latéraux avec poils plus ou moins durs par rapport au standard
- Filtre à poussière en polyester (étanche à l'eau)
- Capteur filtre colmaté
- Système d'abattage des poussières
- Extincteur
- Feux
- Feu de travail
- Feu clignotant
- Roues antitraces
- Volant réglable
- Siège avec suspensions
- Ceinture de sécurité
- Protections balais latéraux
- Toit de protection
- Rétroviseurs
- Extincteur
- Pare-chocs arrière
- Avertisseur sonore de marche arrière
- Protection conteneur déchets
- Tapis antidérapant

Pour de plus amples informations relatives aux accessoires optionnels susmentionnés, s'adresser au revendeur agréé.

## CARACTERISTIQUES TECHNIQUES

Données dimensionnelles et poids	Proterra™ diesel	Proterra™ GPL	Proterra™ à essence
Largeur de nettoyage avec balai central		35.5 in (900 mm)	
Largeur de nettoyage (avec un balai latéral)		49.25 in (1,250 mm)	
Largeur de nettoyage avec deux balais latéraux (optionnels)		63 in (1,600 mm)	
Longueur machine		87.5 in (2,220 mm)	
Largeur machine (moyeux balais)		52 in (1,320 mm)	
Hauteur maximum machine		57.5 in (1,460 mm)	
Hauteur maximum machine avec toit de protection (optionnel)		79 in (2,000 mm)	
Hauteur minimum du sol (volets non compris)		4.25 in (110 mm)	
Hauteur maximum de soulèvement conteneur déchets		62.5 in (1,590 mm)	
Dimensions balai central (diamètre x longueur)		310 x 900 mm (12,2 x 35,5 in)	
Diamètre balai latéral		21.5 in (550 mm)	
Pression pneus		85 psi (6 bars)	
Poids essieu avant en ordre de marche		1,180 lb (535 kg)	
Poids essieu arrière en ordre de marche		905 lb (410 kg)	
Poids total machine en ordre de marche (sans opérateur à bord)		2,085 lb (945 kg)	
Poids total (PTM)		2,910 lb (1,320 kg)	
Poids machine pour expédition		2,204.6 lb (1,000 kg)	

Données sur le ravitaillement	Proterra™ diesel	Proterra™ GPL	Proterra™ à essence
Capacité réservoir carburant	14 gal (35 litres)	-	14 gal (35 litres)
Capacité réservoir huile système hydraulique	26.5 qt (25 litres)		
Capacité carter d'huile moteur (*)	5.4 qt (5.1 litres)	3.59 qt (3.4 litres)	
Type d'huile moteur (**)	SAE 10 W - 30		
Quantité liquide de refroidissement moteur (**)	4.2 qt (4 litres)		

(\*) Pour les autres données / valeurs des moteurs, voir les manuels spécifiques.

(\*\*) Pour les caractéristiques de l'huile moteur, du liquide de refroidissement et la table des spécifications de référence, voir le manuel spécifique du moteur.

Données de prestation	Proterra™ diesel	Proterra™ GPL	Proterra™ à essence
Vitesse maximum marche avant (déplacement seulement)	12 km/h (7,5 mph)	12 km/h (7,5 mph)	12 km/h (7,5 mph)
Pente maximum franchissable	20% (11°)		
Pente maximum franchissable	25% (14°)		
Rayon de braquage minimum	60.2 in (1,530 mm)		
Niveau pression acoustique à l'oreille de l'opérateur (ISO 11201, ISO 4871) (LpA)	69,5 ± 3 dB(A)	69.1 ± 3 dB(A)	69.1 ± 3 dB(A)
Puissance acoustique émise par la machine (ISO 3744, ISO 4871) (LwA)	82 dB (A)	83 dB(A)	83 dB(A)
Niveau de vibrations au bras de l'opérateur (ISO 5349-1) (*)	<2.5 m/s <sup>2</sup>		
Niveau de vibrations transmises au corps de l'opérateur (ISO 2631-1) (*)	<0.5 m/s <sup>2</sup>		
Capacité conteneur déchets	Valeur théorique : 11.25 cu-ft (315 litres) Valeur réelle : 8.00 cu-ft (226 litres)		
Charge maximum conteneur déchets	363 kg (800 lb)		
Capacité réservoir à eau système d'abattage des poussières (optionnel)	11.9 gal (45 litres)		

(\*) En conditions de travail normales, sur une surface horizontale d'asphalte.

## SCHEMA ELECTRIQUE

### Légende

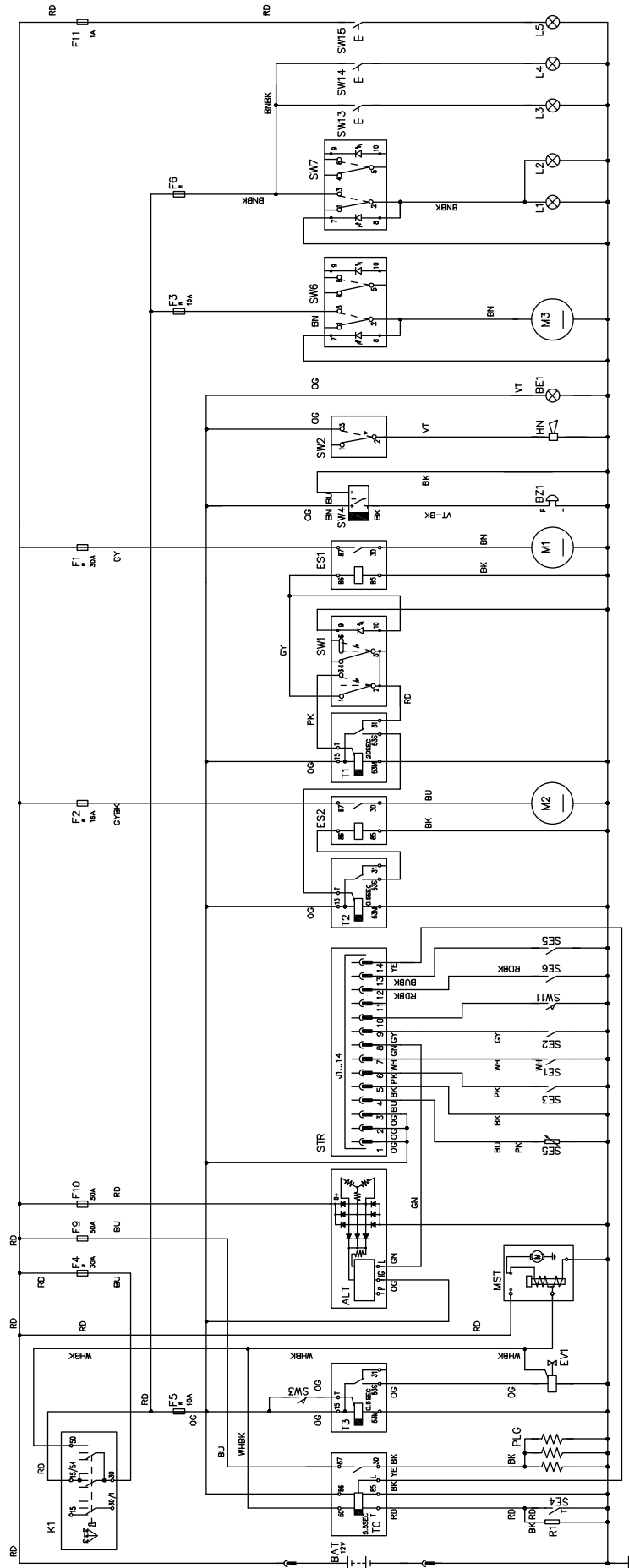
ALT	Alternateur
BAT	Batterie
BE1	Feu tournant (si présent)
BZ1	Avertisseur sonore de marche arrière (si présent)
ES1	Relais aspirateur
ES2	Relais secoueur
ES3	Relais sécurité GPL (seulement version GPL)
EV1	Electrovanne carburant (seulement versions diesel et à essence)
EV2	Electrovanne GPL (seulement version GPL)
EV3	Electrovanne sécurité GPL (seulement version GPL)
F1	Fusible rétablissement aspirateur (30 A)
F2	Fusible rétablissement secoueur (16 A)
F3	Fusible restaurable pompe à eau (10 A) (si présent)
F4	Fusible rétablissement circuit clé de contact (30 A)
F5	Fusible rétablissement composants auxiliaires moteur (16 A)
F6	Fusible feux de travail (10 A) (si présent)
F8	Fusible restaurable ventilateur cabine (si présent)
F9	Fusible bougies (50 A) (seulement version diesel)
F10	Boîte à fusibles et fusible (50 A) alternateur
F11	Fusible feu interne coffre (1 A) (optionnel)
HN	Avertisseur sonore
IGN	Centrale démarrage (seulement versions GPL et à essence)
K1	Clé de contact
L1	Feu de travail avant (si présent)
L2	Feu de travail avant (si présent)
L3	Feu de travail côté conduite (optionnel)
L4	Feu de travail arrière (optionnel)
L5	Feu interne coffre (optionnel)
M1	Moteur aspirateur
M2	Moteur secoueur
M3	Moteur pompe à eau (si présent)
M4	Ventilateur cabine (si présent)
MST	Starter
P1	Pompe carburant (seulement version à essence)
PLG	Bougies (seulement version diesel)
R1	Résistance témoin lumineux bougies (seulement version diesel)

SE1	Capteur pression huile
SE2	Capteur température eau
SE3	Capteur filtre conteneur déchets colmaté (si présent)
SE5	Flotteur réservoir carburant (seulement versions diesel et à essence)
SE6	Capteur température conteneur déchets (si présent)
SE7	Capteur tours moteur (seulement versions GPL et à essence)
SE8	Capteur réserve (seulement versions GPL et à essence)
SPK	Bobines bougies (seulement versions GPL et à essence)
STR	Indicateur
SW1	Interrupteur aspirateur / secoueur
SW2	Interrupteur avertisseur sonore
SW3	Microinterrupteur siège
SW4	Capteur proximité marche arrière (si présent)
SW5	Interrupteur ventilateur cabine (si présent)
SW6	Interrupteur pompe à eau (si présent)
SW7	Interrupteur feux de travail (si présent)
SW13	Interrupteur feu de travail côté conduite (optionnel)
SW14	Interrupteur feu de travail arrière (optionnel)
SW15	Interrupteur feu interne coffre (optionnel)
T1	Temporisateur secoueur
T2	Temporisateur secoueur 2
T3	Temporisateur siège
T4	Temporisateur sécurité GPL (seulement version GPL)
TC	Temporisateur bougies (seulement version diesel)

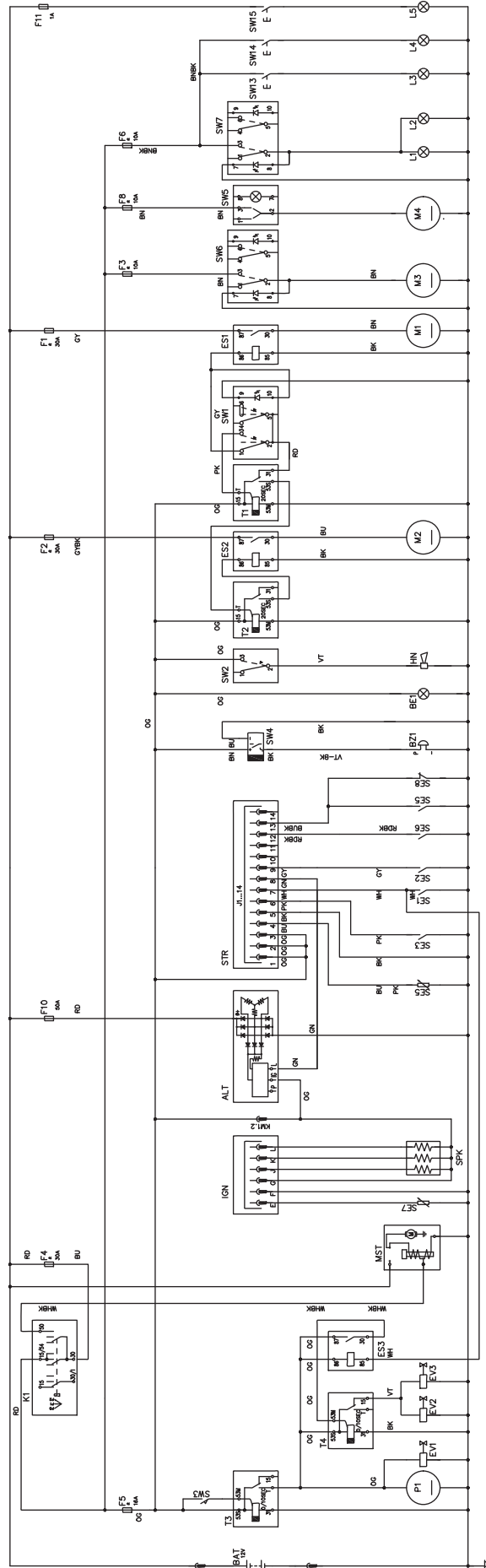
### Codes des couleurs

BK	Noir
BU	Bleu clair
BN	Marron
GN	Vert
GY	Gris
OG	Orange
PK	Rose
RD	Rouge
VT	Violet
WH	Blanc
YE	Jaune

SCHEMA ELECTRIQUE PROTERRA™ DIESEL (suite)



SCHEMA ELECTRIQUE PROTERRA™ GPL ET A ESSENCE (suite)

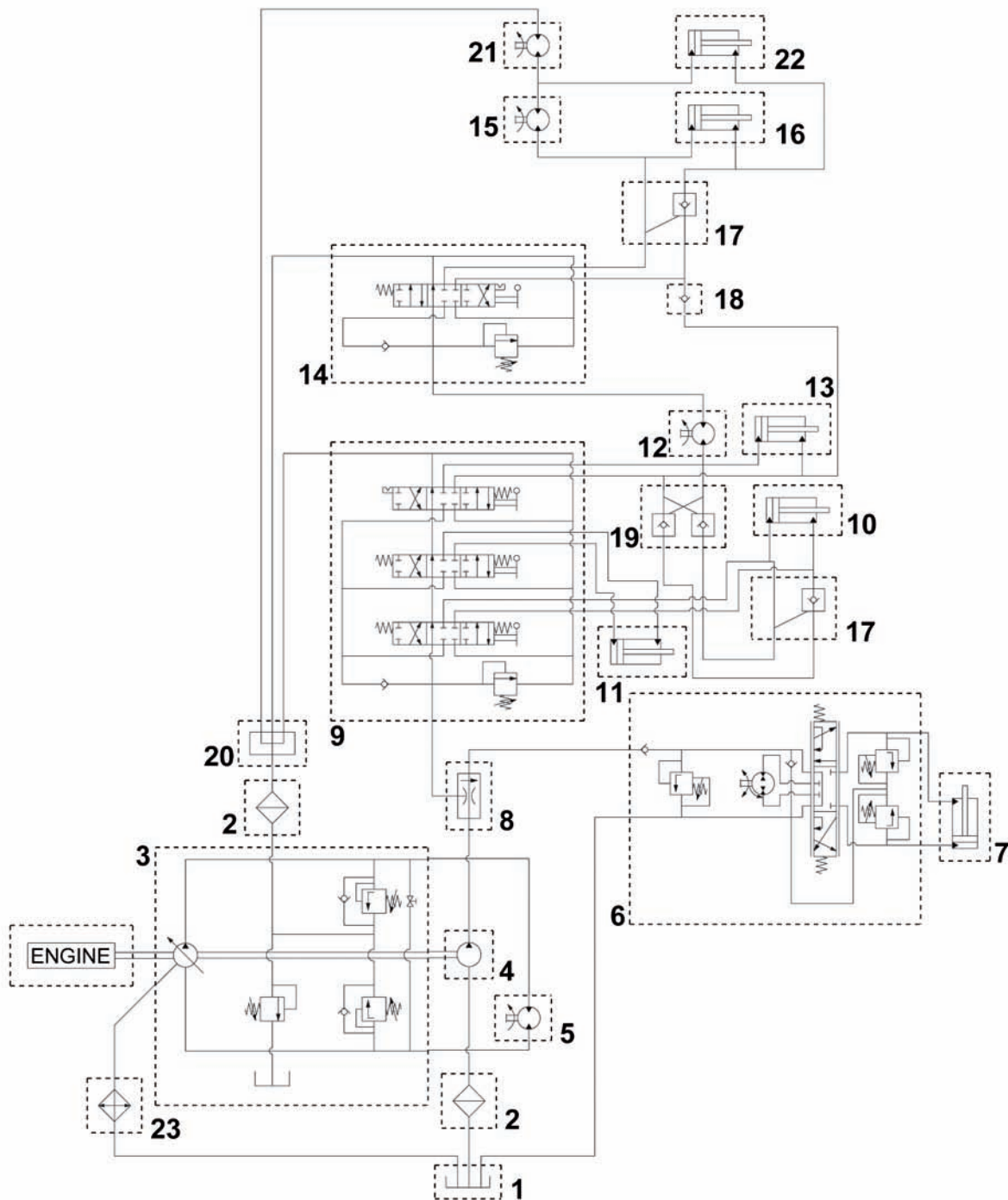




## SCHEMA HYDRAULIQUE

## Légende

- |   |   |
|---|---|
| 1. Réservoir huile                            | 12. Moteur balai central                      |
| 2. Filtre à huile                             | 13. Cylindre balai central                    |
| 3. Pompe système de traction                  | 14. Distributeur 1 levier                     |
| 4. Pompe composants auxiliaires               | 15. Moteur balai latéral droit                |
| 5. Moteur système de traction                 | 16. Cylindre balai latéral droit              |
| 6. Direction assistée                         | 17. Soupape d'arrêt simple                    |
| 7. Cylindre direction                         | 18. Soupape unidirectionnelle                 |
| 8. Vanne prioritaire                          | 19. Soupape d'arrêt double                    |
| 9. Distributeur 3 leviers                     | 20. Collecteur                                |
| 10. Cylindre de soulèvement conteneur déchets | 21. Moteur balai latéral gauche (optionnel)   |
| 11. Cylindre volet                            | 22. Cylindre balai latéral gauche (optionnel) |
|   | 23. Radiateur huile                           |



P100328

## PREPARATION DE LA MACHINE POUR L'EMPLOI



### ATTENTION !

*Des plaques adhésives appliquées sur certains points de la machine indiquent :*

- **DANGER**
- **ATTENTION**
- **AVERTISSEMENT**
- **CONSULTATION**

Lors de la lecture de ces instructions, l'opérateur doit bien comprendre le sens des symboles illustrés sur les plaques. Ne pas couvrir les plaques et les remplacer immédiatement en cas d'endommagement.

## LISTE DES CONTROLES PREALABLES

### Avant toute utilisation :

- Contrôler la machine pour vérifier qu'elle n'est pas endommagée et qu'elle ne présente pas de pertes d'huile ou de liquide de refroidissement.
- Contrôler le niveau (23) du liquide de refroidissement du moteur (voir le paragraphe spécifique).
- Contrôler le niveau (44) d'huile moteur (voir le paragraphe spécifique).
- Contrôler le niveau (19) d'huile hydraulique (voir le paragraphe spécifique).
- Contrôler l'indicateur de niveau (57) du carburant ; si besoin est, desserrer le bouchon (21) et ravitailler.
- Vérifier que la pression des trois pneus soit de 85 psi (6 bars).
- Contrôler l'indicateur d'entretien du filtre à air (voir le paragraphe spécifique).

### Sur le siège de conduite :

- Vérifier d'avoir bien compris les commandes et les fonctions de la machine.
- Régler le siège de conduite au moyen du levier (40) de façon à accéder facilement à tous les boutons-poussoirs de commande.
- Insérer la clé de contact (64) et la tourner sur "I" :
  - Vérifier le bon fonctionnement de l'avertisseur sonore (65), du compteur horaire (56) et des feux (69, optionnel).
  - Tourner la clé de contact (64) sur "O".
- Contrôler le frein de stationnement (35 et 36). Une fois serré, le frein de stationnement doit maintenir solidement sa position et ne doit pas être desserré facilement (si l'on détecte de défauts, contacter immédiatement le Service après-vente).

### Planifier le nettoyage en avance :

- Effectuer de longues passes en réduisant au minimum le nombre d'arrêts et de redémarrages.
- Les passes doivent se chevaucher de quelques centimètres afin d'assurer une couverture complète de la surface.
- Éviter tout changement brusque de direction et ne pas heurter contre les murs avec les côtés de la machine.

## BALAI CENTRAL

Différents types de balai central sont disponibles pour cette machine. Pour choisir le balai adapté aux surfaces à nettoyer et aux déchets à collecter, contacter le revendeur Advance agréé.



### REMARQUE

*Pour l'installation, consulter le paragraphe concernant l'entretien du balai central.*

## CARBURANT



### AVERTISSEMENT !

- **Arrêter le moteur avant de remplir le réservoir du carburant.**
- **Ne pas fumer pendant le remplissage du réservoir du carburant.**
- **Remplir le réservoir du carburant dans un endroit bien aéré.**
- **Effectuer le ravitaillement loin des étincelles ou des flammes libres.**

## MOTEUR DIESEL ET A ESSENCE

(seulement pour Proterra™ diesel) En cas d'emploi de la machine avec une température inférieure à 32°F (0°C), utiliser une huile adaptée aux basses températures.

(seulement pour Proterra™ à essence) Remplir le réservoir (22) avec de l'essence sans plomb pour automobiles.



### REMARQUE

*Si la machine tombe en panne d'essence, le système d'alimentation doit être vidangé avant de redémarrer le moteur. Pour éviter cette situation, remplir le réservoir du carburant (22) lorsque l'indicateur (56) indique 1/4 du réservoir. La capacité du réservoir du carburant est de 14 gals (35 litres).*

## MOTEUR GPL

Monter exclusivement a réservoir pour GPL en respectant les données suivantes :

- Réservoir pour carburant DOT avec une pression de service minimum de 240 psi (1.7 MPa). Il doit présenter le marquage DOT-4BA240 ou DOT-4BW240.

Connecter le tuyau flexible du carburant et ouvrir la vanne de sectionnement sur le réservoir. Porter toujours des gants pour connecter et déconnecter le tuyau flexible du carburant. Lorsque la machine n'est pas utilisée, fermer la vanne de service du réservoir GPL.



### REMARQUE

*Pour le prélèvement de liquide, disposer correctement le réservoir GPL à l'horizontale. Après avoir connecté le tuyau flexible du carburant au réservoir, vérifier qu'il n'y ait pas de fuites de gaz.*



### ATTENTION !

**Ne pas utiliser la machine en cas de fuite de gaz. Déconnecter le tuyau flexible du carburant et remplacer le réservoir GPL. Si la fuite de gaz persiste, déconnecter le tuyau flexible du carburant et contacter un Service après-vente Advance.**

## UTILISATION DE LA MACHINE

La machine Proterra™ est une balayeuse de sol automatique à conducteur porté. Les commandes ont été conçus de façon à simplifier au maximum leur utilisation. Pour balayer en une seule passe, il suffit de baisser le balai central.

### AVANT LA MISE EN MARCHÉ DE LA MACHINE

1. Vérifier d'avoir bien compris les commandes et les fonctions de la machine.
2. Définir la surface à nettoyer. Effectuer des passes longues et en ligne droite, en tournant le moins possible.
3. Contrôler la pédale du frein (35). Elle doit être fixement en position.



### ATTENTION !

**Si la pédale est "spongieuse" ou cède sous pression, ne pas déplacer la machine. Si l'on détecte de défauts, contacter immédiatement le Service après-vente.**

## MISE EN MARCHÉ ET ARRÊT DE LA MACHINE

### Mise en marche de la machine



### REMARQUE

*Le siège de conduite (32) est équipé d'un capteur de sécurité qui ne permet ni le démarrage ni le mouvement de la machine autrement que l'opérateur est assis sur son siège.*

4. (seulement pour Proterra™ diesel) Tourner la clé de contact (64) dans le sens des aiguilles d'une montre sur "I" et la maintenir dans cette position jusqu'à ce que l'indicateur (63) des bougies de préchauffage s'éteigne. Ne pas effectuer l'opération ci-dessus si le moteur est en fonction et chauffé.  
(seulement pour Proterra™ GPL) Ouvrir lentement la vanne de sécurité sur le réservoir GPL (50). Tirer le dispositif de démarrage à froid (68) du moteur.  
(seulement pour Proterra™ à essence) Tirer le levier du dispositif de démarrage à froid (68) du moteur.
5. Tourner la clé de contact (64) dans le sens des aiguilles d'une montre sur "II", puis la relâcher dès que le moteur démarre. Si le moteur ne démarre pas après avoir actionné le starter pour 15 secondes, relâcher la clé de contact, attendre 1 minute et répéter les opérations au points 1 et 2.  
(pour Proterra™ GPL et à essence) Après le démarrage, laisser tourner le moteur pendant quelques secondes, puis relâcher le dispositif de démarrage à froid (68).
6. Avant d'utiliser la machine, laisser tourner le moteur au ralenti pendant 5 minutes en tirant le levier de tours du moteur (51) en arrière (régime minimum).
7. Desserrer le frein de stationnement.
8. Pousser le levier de tours du moteur (51) en avant (régime de travail) et conduire la machine à vitesse réduite pour 2 ou 3 minutes pour chauffer le système hydraulique.
9. Appuyer sur la partie avant de la pédale de marche (37) pour procéder en marche avant et appuyer sur la partie arrière pour procéder en marche arrière.  
La vitesse d'avance est réglable de zéro à la valeur maximum, selon la pression exercée sur la pédale.



### ATTENTION !

**Effectuer les manœuvres de braquage avec soin, toujours à vitesse réduite et en évitant tout changement brusque de direction, en particulier quand le conteneur déchets est plein ou avec la machine en pente. Faire avancer la machine lentement sur les plans inclinés. Régler la vitesse d'avance au moyen de la pédale du frein (35).  
Ne pas braquer sur les plans inclinés ; avancer en ligne droite en montée et en descente.**

### Arrêt de la machine

10. Pour arrêter la machine, relâcher la pédale (37).  
Pour arrêter la machine rapidement, appuyer aussi sur la pédale du frein (36).
11. Arrêter la machine en tournant la clé de contact (64) sur "O", puis l'enlever.
12. Serrer le frein de stationnement.

## FREIN DE STATIONNEMENT

1. Serrer le frein de stationnement en appuyant en même temps sur les pédales (35) et (36).
2. Desserrer le frein de stationnement en appuyant sur la pédale (35) et en la relâchant.



### ATTENTION !

**Serrer toujours le frein de stationnement avant toute opération d'entretien et lorsqu'on stationne la machine en pente.**

## MACHINE AU TRAVAIL

Lire avec attention les instructions dans la section "Préparation de la machine".

1. Se porter sur le lieu de travail comme décrit au paragraphe précédent.
2. Contrôler et baisser le conteneur déchets correctement au moyen du levier (54).
3. Baisser et actionner le balai central au moyen du levier (53).



### AVERTISSEMENT !

**Ne pas s'arrêter pendant longtemps dans la même position avec les balais qui tournent : des traces non désirées pourraient rester sur le sol.**



### REMARQUE

*Le portillon de vidange du conteneur déchets s'ouvre automatiquement dans le moment où le balai central baisse et il se ferme automatiquement dans le moment où le balai central se soulève.*

4. Appuyer sur la partie supérieure de l'interrupteur (66) pour activer le ventilateur d'aspiration et le système d'abattage des poussières.  
Activer à nouveau le ventilateur d'aspiration et le système d'abattage des poussières dès que la machine retourne sur le sol sec.
5. Baisser et activer les balais latéraux (9) (15, optionnel) au moyen du levier (52).  
Utiliser le système d'abattage des poussières, si présent, au moyen de l'interrupteur (67, optionnel).
6. Faire avancer la machine en ligne droite à une allure confortable. Faire avancer la machine plus lentement quand la quantité des déchets à collecter est considérable, ou quand il est nécessaire de procéder à vitesse réduite pour des raisons de sécurité de fonctionnement. La largeur de chevauchement de la machine est de 5.9 in (15 cm).
7. Pour un bon travail de nettoyage, il faut que le filtre à poussière soit le plus propre possible. Pour le nettoyer pendant le cycle de travail, activer le secoueur en appuyant sur la partie inférieure de l'interrupteur (66), puis activer à nouveau le ventilateur d'aspiration et le système d'abattage des poussières en appuyant sur la partie supérieure de l'interrupteur (66).  
Répéter l'opération en moyenne toutes les 10 minutes pendant le travail (selon la quantité de poussière du milieu à nettoyer).



### REMARQUE

*Cette opération peut être effectuée même avec la machine en mouvement.*



### AVERTISSEMENT !

**Lorsque le filtre à poussière est colmaté et / ou le conteneur déchets est plein, la machine n'arrive plus à collecter ni de poussière ni de déchets.**

8. S'assurer qu'après votre passage il ne reste plus de déchets sur le sol. Si le sol n'est pas propre après le passage de la machine, cela signifie soit que la machine est en train d'avancer trop rapidement, soit que le balai central doit être réglé ou encore que le conteneur déchets (47) est plein.  
Vider le conteneur déchets (47) chaque fois qu'il est plein ainsi qu'à la fin du travail (voir la procédure au paragraphe suivant).



### ATTENTION !

**S'il est nécessaire d'opérer sur un sol mouillé, il faut désactiver le ventilateur d'aspiration et le système d'abattage des poussières au moyen de l'interrupteur (66) pour protéger le filtre à poussière.**

## VIDANGE DU CONTENEUR DECHETS

**DANGER !**

*La vidange du conteneur déchets doit être effectuée exclusivement sur une surface horizontale. Ne pas soulever le conteneur déchets sur des surfaces inclinées.*

**REMARQUE**

*La hauteur minimum de plafond requise lors du levage du conteneur déchets est de 108.2 in (275 cm).*

1. Soulever le balai central au moyen du levier (53).
2. Appuyer sur la partie inférieure de l'interrupteur (66) pour activer le secoueur et nettoyer complètement le filtre à poussière (12).

**REMARQUE**

*Activer le secoueur seulement si le conteneur déchets est complètement baissé.*

3. Approcher la machine à la zone destinée à la vidange ou à un conteneur prévu à cet effet.
4. Soulever le conteneur déchets au moyen du levier (54) jusqu'à soulever complètement le conteneur même.

**REMARQUE**

*Le portillon de vidange se ferme automatiquement dans le moment où l'on utilise le levier (54) pour soulever le conteneur déchets. Le contrôle du portillon de vidange au moyen du levier (55) sera possible dès que le conteneur déchets commence à se soulever, de façon à permettre la vidange à toute hauteur.*

5. Faire avancer la machine jusqu'à ce que le conteneur déchets se trouve sur le conteneur et serrer le frein de stationnement.
6. Ouvrir le portillon de vidange des déchets au moyen du levier (55) et vider le conteneur déchets.

**REMARQUE**

*Si la vidange n'est pas effectuée dans un conteneur, on conseille d'effectuer une vidange à une hauteur réduite, afin de ne pas disperser de poussière.*

**ATTENTION !**

*Dans le cas où il faut effectuer une opération d'entretien ou de nettoyage sous ou près du conteneur déchets soulevé, soulever le conteneur déchets à la hauteur maximum au moyen du levier (54) et tirer la poignée de blocage (39) pour s'assurer que la tige de sécurité (5) se trouve dans la position de blocage. La tige de sécurité maintient le conteneur déchets en position soulevée, afin de permettre tout travail sous le conteneur même. Les composants du système hydraulique de la machine ne maintiennent jamais le conteneur déchets en position soulevée.*

7. Tirer la poignée de blocage (39) pour vérifier que la tige de sécurité (5) du conteneur déchets soit positionnée correctement, puis baisser légèrement le conteneur déchets au moyen du levier (54) pour le bloquer.
8. Contrôler le portillon du conteneur déchets et son joint avant. Si besoin est, utiliser une brosse pour les nettoyer. Pour un bon fonctionnement de la machine, le portillon du conteneur déchets doit être complètement fermé contre le logement des balais.
9. Se porter à nouveau sur le siège de conduite. Desserrer le frein de stationnement. Reculer la machine jusqu'à ce qu'on ait la possibilité de baisser le conteneur déchets.
10. Soulever le conteneur déchets au moyen du levier (54), pousser la poignée de blocage (39) jusqu'à ce que la tige de sécurité (5) se bloque, puis baisser le conteneur déchets.

## APRES L'UTILISATION DE LA MACHINE

1. Appuyer sur la partie inférieure de l'interrupteur (66) pour activer le secoueur, nettoyer le filtre à poussière du conteneur déchets et vider le conteneur même (voir le paragraphe précédent).
2. Soulever le balai central au moyen du levier (53).
3. Désactiver toutes les commandes.
4. Pousser le levier de tours du moteur (51) dans la position de régime minimum et laisser tourner le moteur au ralenti pendant 25 - 30 secondes.  
(seulement pour **Proterra™ GPL**) Fermer la vanne de service sur le réservoir GPL (50), puis laisser tourner le moteur jusqu'à l'expulsion totale du carburant des conduits (le moteur s'arrête).
5. Arrêter la machine en tournant la clé de contact (64) sur "O", puis l'enlever.
6. Serrer le frein de stationnement.
7. Contrôler le plan d'entretien et effectuer les opérations nécessaires avant de remettre la machine.
8. Garder la machine dans un endroit couvert.



### REMARQUE

*On peut nettoyer la machine au moyen d'un système de lavage à pression, à condition que l'on ne vaporise pas directement sur ou à l'intérieur des composants. Laisser toujours sécher la machine complètement avant toute utilisation.*

Si l'on détecte de défauts ou un mauvais fonctionnement pendant l'utilisation de la machine, contacter immédiatement le Service après-vente Advance ou le personnel préposé à l'entretien.

## INACTIVITE PROLONGEE DE LA MACHINE

Si l'on prévoit de ne pas utiliser la machine pendant plus de 30 jours, il est convenable d'effectuer les opérations suivantes :

1. S'assurer de garder la machine dans un endroit sec et propre.
2. Vider le réservoir à eau (4) du système d'abattage des poussières et nettoyer le filtre à eau (30, optionnel).
3. Débrancher le connecteur négatif (-) de la batterie (3).
4. Contrôler le moteur (44) comme indiqué dans le manuel spécifique.

## PREMIERE PERIODE D'UTILISATION

Après la première période d'utilisation (les 5 premières heures), il faut :

1. Contrôler le serrage des éléments de fixation et de connexion.
2. Vérifier que les parties visibles sont intactes et qu'elles ne présentent pas de pertes.
3. Remplacer l'huile moteur (voir le chapitre Entretien).

## ENTRETIEN

La durée de vie de la machine et sa sécurité de fonctionnement sont garanties par un entretien soigné et régulier.

Veillez trouver ci-dessous le plan d'entretien programmé. Les périodicités indiquées peuvent subir des variations en fonction de conditions de travail particulières, à définir par le responsable de l'entretien.

Toutes les opérations d'entretien programmé ou extraordinaire doivent être effectuées par du personnel qualifié ou par un Service après-vente Advance.

Dans ces instructions, après le plan récapitulatif d'entretien programmé, seulement les procédures des opérations d'entretien les plus simples et les plus récurrentes sont indiquées. Pour les procédures des autres opérations d'entretien prévues par le plan d'entretien programmé et d'entretien extraordinaire, se référer au manuel d'entretien consultable auprès des Services après-vente.



### ATTENTION !

***Les opérations d'entretien doivent être effectuées avec la machine arrêtée, la clé enlevée, le frein de stationnement serré et, si besoin est, les batteries débranchées.***

***Lire attentivement toutes les instructions du chapitre Sécurité avant d'effectuer les opérations d'entretien.***

## PLAN D'ENTRETIEN PROGRAMME



## REMARQUE

Les intervalles d'entretien se réfèrent aux conditions opérationnelles normales. Si la machine est utilisée dans des endroits très poussiéreux et très sales, l'entretien doit être effectué plus fréquemment.

Procédure	Lors de la livraison	Entretien quotidien	Après les 50 premières heures	Toutes les 30 heures	Toutes les 150 heures	Toutes les 300 heures	Toutes les 1,000 heures
Contrôle liquide de refroidissement moteur							
Contrôle niveau huile moteur							
Contrôle niveau huile hydraulique							
Contrôle frein de stationnement							
Nettoyage balai central et balais latéraux							
Remplacement huile moteur			(1)		(1)		
Remplacement élément filtrant huile			(1)		(1)		
Contrôle courroie en V			(1)	(1)			
Contrôle circuit liquide de refroidissement moteur			(1)				
Contrôle batterie							
Contrôle et nettoyage filtre à eau système d'abattage des poussières (optionnel)							
Nettoyage filtre à air moteur				(2)			
Nettoyage radiateur moteur et radiateur huile							
Contrôle et réglage balais							
Contrôle et nettoyage filtre à poussière conteneur déchets (méthode "A")				(2)			
Contrôle intégrité, hauteur et fonctionnement volets							
Contrôle intégrité joints conteneur déchets							
Entretien moteur					(1) - (3)		
Graissage roulements direction et pistons hydrauliques					(1)		
Remplacement filtre huile hydraulique réservoir					(1)		
Remplacement filtre huile hydraulique pompe					(1)		
Contrôle et nettoyage filtre à poussière conteneur déchets (méthode "B")					(2)		
Remplacement filtre carburant						(1)	
Fixation tuyaux carburant et serrage vis						(1)	
Contrôle et nettoyage filtre à poussière conteneur déchets (méthode "C")						(2)	
Remplacement filtre pour ravitaillement huile hydraulique							(1)
Remplacement huile hydraulique réservoir							(1) - (4)

- (1) Pour la procédure relative, se référer au manuel d'entretien.  
 (2) Ou plus fréquemment dans les zones poussiéreuses.  
 (3) Toute procédure d'entretien doit être effectuée par un concessionnaire KUBOTA agréé.  
 (4) Remplacer l'huile hydraulique la première fois après 500 heures et ensuite tous les ans.

## ENTRETIEN DU BALAI CENTRAL

Pour un bon fonctionnement, remplacer le balai central quand les poils sont usés et ils ne mesurent que 2 in (50 mm).

### Remplacement balai central



#### ATTENTION !

*L'utilisation de gants de travail est conseillée pendant le remplacement du balai latéral à cause de la présence éventuelle de débris tranchants parmi les poils.*



#### REMARQUE

*La machine est livrée avec des balais de dureté différente.  
La procédure ci-décrite est applicable à tous les types de balais.*

1. Porter la machine sur un sol plat et bien nivelé.
2. Serrer le frein de stationnement.
3. Tourner la clé de contact (64) et démarrer la machine.
4. Baisser le balai central au moyen du levier (53).
5. Tourner la clé de contact (64) sur "O" pour arrêter la machine.
6. Ouvrir le panneau droit (18).
7. Déplacer le volet latéral droit (A, Fig. 2) et le fixer à la goupille (B).
8. Ouvrir le groupe levier de renvoi (C) du groupe balai central (D).



#### REMARQUE

*Le panneau droit (18) maintient en position le levier de renvoi.*

9. Extraire le balai central (D) de son logement et enlever d'éventuels cordes ou fils enroulés accidentellement autour du balai et du moyeu d'entraînement.
10. Remplacer le balai central et l'insérer à nouveau dans son logement. Contrôler que les goujons (E) sur le moyeu d'entraînement (F) s'insèrent dans les trous du groupe balai central (D) et que le balai est positionné correctement dans son logement.
11. Fermer et insérer à nouveau le groupe levier de renvoi (C) dans le groupe balai principal.



#### REMARQUE

*Vérifier que les pattes sur le levier de renvoi s'insèrent dans les fentes (G) (côté droit) du groupe balai central.*

12. Positionner à nouveau le volet latéral droit et fermer le panneau droit (18) jusqu'à l'accrochage du levier de blocage.

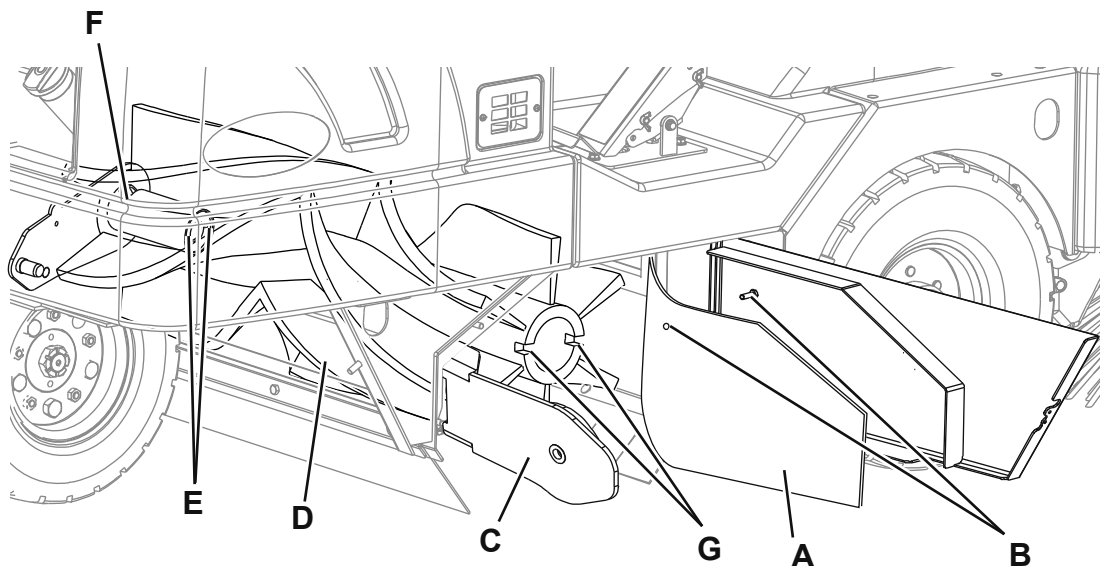


Figure 2

P100321



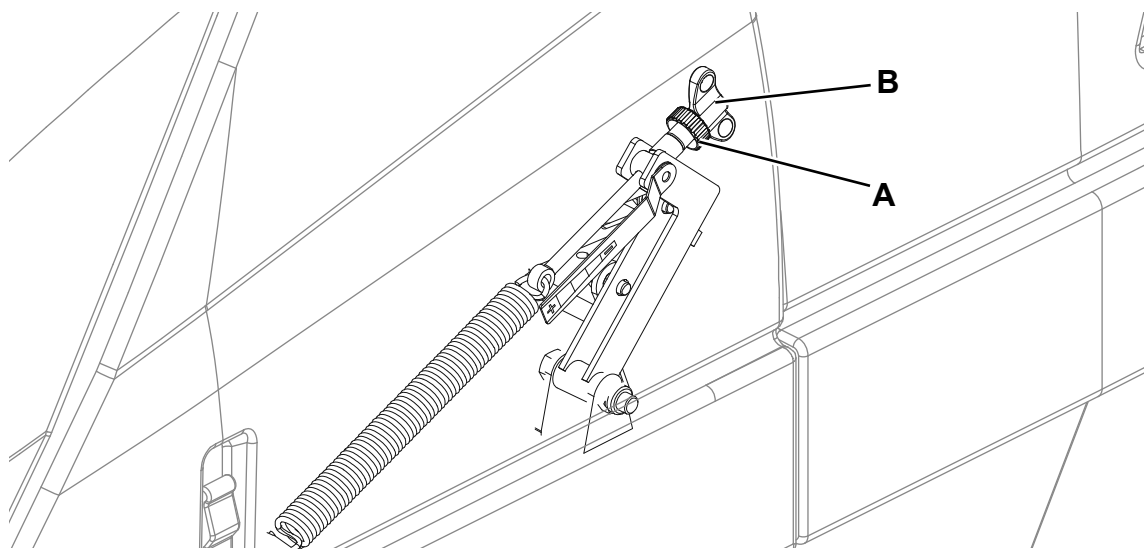
**Réglage de la hauteur du balai central****REMARQUE**

*La machine est livrée avec des balais de dureté différente.  
La procédure ci-décrite est applicable à tous les types de balais.*

1. Porter la machine sur un sol plat et bien nivelé.
  2. Serrer le frein de stationnement.
  3. Tourner la clé de contact (64) et démarrer la machine.
  4. Baisser le balai central au moyen du levier (53) et le laisser tourner pour 1 minute.
  5. De cette façon, le balai central nettoie une portion du sol. Après 1 minute, soulever le balai central, desserrer le frein de stationnement et déplacer la machine pour observer la portion du sol nettoyée.
  6. Contrôler la portion nettoyée du sol. Si la largeur de la portion est inférieure à 2 in (50 mm) ou supérieure à 3 in (75 mm), il est nécessaire de régler le balai central.
  7. Pour effectuer le réglage, ouvrir le coffre (1) du compartiment moteur en agissant sur le bouton-poussoir de déblocage (25), desserrer la poignée (A, Fig. 3) et agir sur l'écrou papillon (B) du balai central en considérant que :
    - En le tournant dans le sens des aiguilles d'une montre, on réduit la pression et la trace du balai central au sol.
    - En le tournant dans le sens contraire aux aiguilles d'une montre, on augmente la pression et la trace du balai central au sol.
- Le réglage terminé, bloquer le dispositif de réglage au moyen de la poignée (A).
8. Répéter les points de 2 à 7 jusqu'à obtenir une portion nettoyée qui présente une largeur de 2 à 3 in (de 50 à 75 mm).

**REMARQUE**

*Au cas où il ne serait pas possible de régler correctement la trace, car le balai exerce une pression excessivement différente aux extrémités de sa longueur, se référer au manuel d'entretien pour la procédure de réglage.*

**Figure 3**

P100322

## ENTRETIEN DU BALAI LATÉRAL

### Réglage du balai latéral


**REMARQUE**

*La machine est livrée avec des balais de dureté différente.*

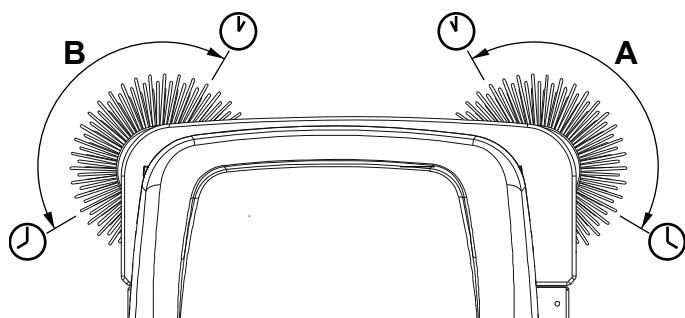
*La procédure ci-décrite est applicable à tous les types de balais.*

1. Porter la machine sur un sol plat et bien nivelé.
2. Serrer le frein de stationnement.
3. Tourner la clé de contact (64) et démarrer la machine.
4. Baisser le balai latéral au moyen du levier (52) et le laisser tourner pour 1 minute.
5. Lorsque le balai latéral (9) (15, optionnel) est baissé, son extension et orientation doit se présenter comme indiqué dans la figure (A et B, Fig. 4).
6. Pour effectuer le réglage, desserrer la poignée (A, Fig. 5) et agir sur l'écrou papillon (B) du balai latéral en considérant que :
  - En le tournant dans le sens des aiguilles d'une montre, on réduit la pression du balai central au sol.
  - En le tournant dans le sens contraire aux aiguilles d'une montre, on augmente la pression du balai central au sol.
 Le réglage terminé, bloquer le dispositif de réglage au moyen de la poignée (A).
7. Exécuter à nouveau les points de 1 à 5 pour vérifier que le réglage de la hauteur du sol des balais latéraux soit correct.
8. Lorsque l'usure excessive du balai n'en permet plus le réglage, le remplacer comme prévu au paragraphe suivant.

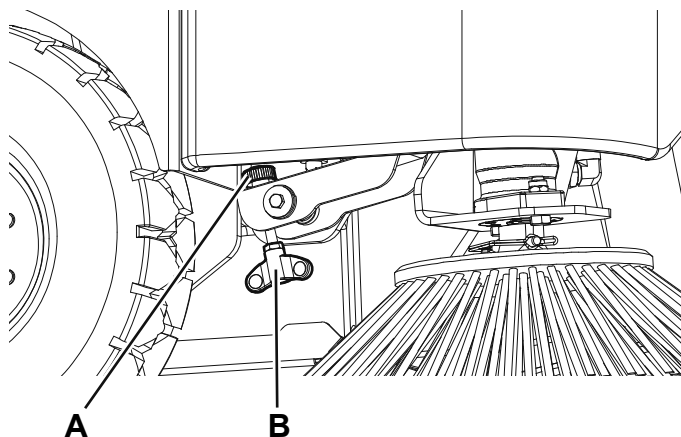

**REMARQUE**

*Pour un bon fonctionnement, remplacer les balais latéraux (9) (15, optionnel) quand les poils sont usés et ils ne*

*mesurent que 3 in (75 mm). Après le remplacement des balais latéraux, la hauteur des balais doit être réglée à nouveau.*


**Figure 4**

P100323

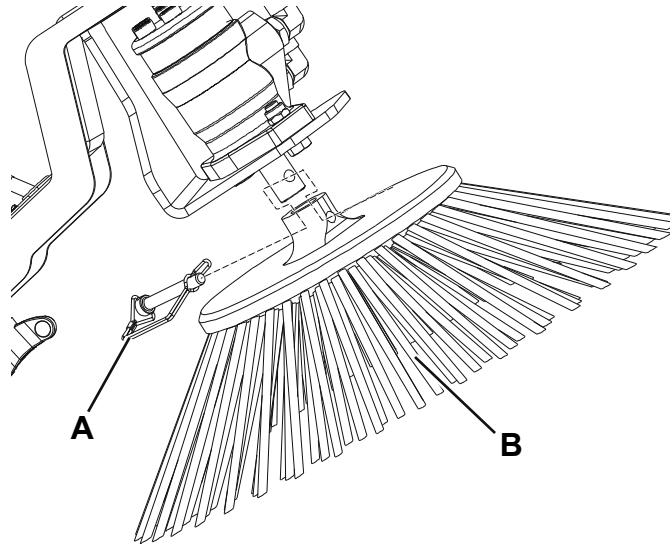

**Figure 5**

P100324

**Remplacement du balai latéral****ATTENTION !**

*L'utilisation de gants de travail est conseillée pendant le remplacement du balai latéral à cause de la présence éventuelle de débris tranchants parmi les poils.*

1. Soulever le conteneur déchets jusqu'à ce que le balai latéral se trouve à hauteur de l'œil.
2. Dégager le dispositif de fixation pour extraire la goupille de blocage (A, Fig. 6) et enlever le balai latéral (B) de l'arbre moteur.
3. Faire glisser le nouveau balai sur l'arbre moteur, aligner le trou avec la goupille et insérer à nouveau la goupille de blocage (A).

**Figure 6**

P100325

## ENTRETIEN DU FILTRE A POUSSIERE (EN PANNEAU)

Pour garantir le bon fonctionnement du système d'aspiration, le filtre à poussière du conteneur déchets doit être nettoyé régulièrement. Pour augmenter la durée de vie du filtre, respecter les intervalles d'entretien recommandés dans ces instructions.



### ATTENTION !

- **Porter toujours des lunettes de protection pendant le nettoyage du filtre.**
- **Ne pas percer le filtre.**
- **Nettoyer le filtre dans un endroit bien aéré.**
- **Porter une masque de protection adéquate pour éviter d'inhaler la poussière.**

1. Porter la machine sur un sol plat, serrer le frein de stationnement et tourner la clé de contact (64) sur "O".
2. Ouvrir les serrures (6), soulever le coffre (16) du conteneur déchets et le fixer à l'aide de la tige de support (17) en la positionnant correctement.
3. Contrôler que la partie supérieure du filtre à poussière (12) n'a pas été endommagée. La présence d'une considérable quantité de poussière sur la partie supérieure du filtre indique qu'il y a un trou dans le filtre ou que le joint du filtre est endommagé.
4. Dévisser le quatre poignées de fixation (13) du groupe secoueur. Soulever le groupe secoueur (11) pour rejoindre le panneau du filtre.
5. Soulever le filtre à poussière (12) pour l'enlever de la machine.
6. Nettoyer le filtre par une des méthodes suivantes :

### Méthode "A"

Aspirer la poussière du filtre. Piquer légèrement le filtre contre une surface plate (avec le côté sale tourné vers le bas) pour enlever toute la saleté et la poussière.



### REMARQUE

*Faire particulièrement attention à ne pas endommager le lèvres qui se prolonge du joint.*

### Méthode "B"

Aspirer la poussière du filtre. Souffler de l'air comprimé [pression maximum 87 psi (6 bars)] vers le côté propre du filtre (dans le sens contraire au flux d'air).

### Méthode "C"

Aspirer la poussière du filtre. Immerger le filtre dans l'eau chaude pour 15 minutes, puis le rincer avec un jet d'eau délicat [pression maximum 36 psi (2.5 bars)]. Reposer le filtre dans la machine seulement lorsqu'il est parfaitement sec.



### REMARQUE

*Pour un bon séchage, poser le filtre en position horizontale sur deux supports écartés pour permettre la circulation de l'air sous le filtre même.*



### REMARQUE

*Pour un nettoyage plus profond, laver le filtre avec de l'eau et, éventuellement, avec des détergents non moussants. Ce type de lavage, même s'il est meilleur du point de vue qualitatif, réduit la vie utile du filtre, lequel devra être remplacé plus souvent. L'utilisation de détergents pas adéquats peut compromettre les caractéristiques fonctionnelles du filtre.*

7. Pour reposer le filtre, suivre les instructions en procédant dans l'ordre inverse de la dépose et en faisant attention aux indications suivantes :
  - Installer le filtre avec le tamis tourné vers le haut.
  - Si le joint du filtre est lacéré ou presque complètement usé, il doit être remplacé.



### REMARQUE

*Avant de remplacer le filtre, nettoyer les débris sur la plaque située sous le filtre. Vérifier que le clapet dans la partie arrière de la plaque bouge librement.*

## ENTRETIEN DES VOILETS

### Opérations préliminaires

1. Vider le conteneur déchets en procédant comme prévu dans le paragraphe spécifique pour éviter que le poids de déchets dans le conteneur influence le contrôle de la hauteur des volets.
2. Amener la machine sur un sol plat et adéquat en tant que plan de référence pour le contrôle de la hauteur des volets.
3. Tourner la clé de contact (64) sur "O".
4. Serrer le frein de stationnement.

### Contrôle des volets

5. Ouvrir le portillon droit (18) et gauche (2).
6. Enlever le balai central en procédant comme prévu au paragraphe spécifique.
7. Contrôler aussi le volet avant et arrière du logement du balai. Remplacer ou régler les volets s'ils sont lacérés ou usés à tel point que la hauteur du sol est supérieure à 0.2 in (6 mm) (voir la procédure dans le Manuel d'entretien).

## NETTOYAGE DU FILTRE A EAU DU SYSTEME D'ABATTAGE DES POUSSIERES (OPTIONNEL)

1. Porter la machine sur un sol plat, serrer le frein de stationnement et tourner la clé de contact (64) sur "O".
2. Dégager le raccord rapide (A, Fig. 7) du réservoir.
3. Démontez le panneau gauche (2) pour rejoindre le filtre à eau (30).
4. Enlever le couvercle transparent (B) avec le joint (C), puis enlever le filet filtrant (D). Les nettoyer et les reposer dans le support (E).



### REMARQUE

Positionner correctement le joint (C) et le filet filtrant (D) dans les logements du couvercle et du support (E).

5. Pour la repose, procéder dans l'ordre inverse de la dépose.

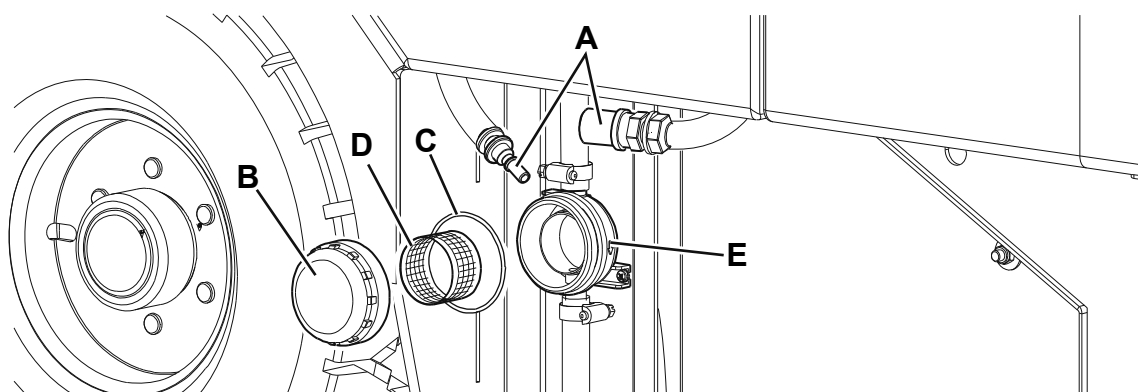


Figure 7

P100329

## HUILE HYDRAULIQUE



### ATTENTION !

*Ne pas toucher les pièces chaudes.*

*Laisser refroidir le moteur et le système hydraulique.*

1. Porter la machine sur un sol plat, serrer le frein de stationnement et tourner la clé de contact (64) sur "O".
2. Ouvrir le coffre (1) du compartiment moteur en agissant sur le bouton-poussoir de déblocage (25).
3. Démontez le coffre latéral gauche (4) en agissant sur la serrure et, si besoin est, extraire le tuyau du filtre à eau (30, optionnel).
4. Contrôler le niveau d'huile hydraulique au moyen de l'indicateur sur le réservoir (19).

Le niveau d'huile hydraulique doit être à la moitié de l'indicateur.

Si le niveau est inférieur, dévisser le bouchon (20) et remplir avec huile hydraulique AGIP Arnica 46.

Remplacer l'huile et les filtres en cas de forte contamination causée par une panne mécanique (voir la procédure dans le Manuel d'entretien).

## HUILE MOTEUR



### ATTENTION !

*Ne pas toucher les pièces chaudes.*

*Laisser refroidir le moteur.*

1. Porter la machine sur un sol plat, serrer le frein de stationnement et tourner la clé de contact (64) sur "O".
2. Ouvrir le coffre (1) du compartiment moteur en agissant sur le bouton-poussoir de déblocage (25).
3. Contrôler le niveau d'huile moteur avec la jauge (A, Fig. 8-9-10) avant chaque utilisation de la machine. Si besoin est, ouvrir le bouchon (B, Fig. 9-10) et remplir. (Voir la procédure dans le manuel spécifique).
4. Remplacer l'huile moteur la première fois après 50 heures d'utilisation et ensuite toutes les 150 heures. Le filtre à huile (C) doit être remplacé à chaque remplacement de l'huile (voir la procédure dans le Manuel d'entretien).  
En fonction de la température de l'air, utiliser le type d'huile indiqué ci dessous :

INTERVALLE DE TEMPERATURE	TYPE D'HUILE
Supérieure à 60°F (15°C)	SAE 10W-30
Inférieure à 60°F (15°C)	SAE 5W-30

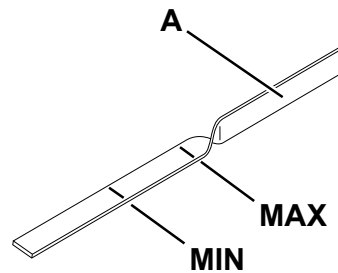
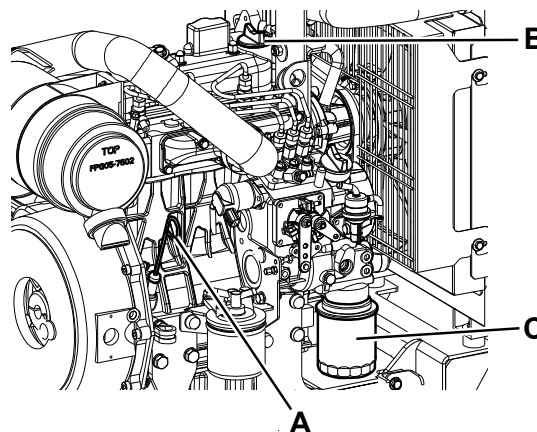


Figure 8

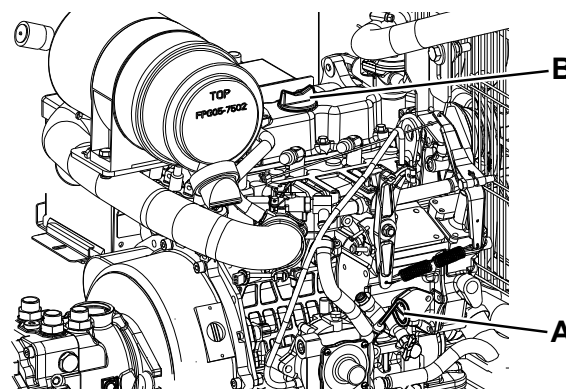
P100329A



Protterra™ Diesel version

Figure 9

P100329D



Protterra™ LPG and Gasoline version

Figure 10

P100329P

## NETTOYAGE FILTRE A AIR MOTEUR

1. Porter la machine sur un sol plat, serrer le frein de stationnement et tourner la clé de contact (64) sur "O".
2. Ouvrir le coffre (1) du compartiment moteur en agissant sur le bouton-poussoir de déblocage (25).
3. Contrôler l'indicateur d'entretien (27) du filtre à air avant chaque utilisation de la machine.



### REMARQUE

*Après le nettoyage ou le remplacement du filtre à air du moteur, l'indicateur d'entretien peut être remis à zéro en appuyant sur son extrémité.*



### ATTENTION !

*Pendant l'entretien des éléments du filtre à air du moteur, prêter attention à éviter toute pénétration de poussière dans le moteur. La poussière peut sérieusement endommager le moteur.*

4. Ouvrir le couvercle (24) du filtre à air du moteur et enlever le préfiltre en papier et le filtre synthétique.
5. Nettoyer le filtre à air du moteur et / ou effectuer l'opération d'entretien de l'élément (24) du filtre à air du moteur comme indiqué dans le manuel du moteur.

## LIQUIDE DE REFROIDISSEMENT MOTEUR



### ATTENTION !

*Ne pas enlever le bouchon (23) du radiateur lorsque le moteur est chaud.*

1. Porter la machine sur un sol plat, serrer le frein de stationnement et tourner la clé de contact (64) sur "O".
2. Ouvrir le coffre (1) du compartiment moteur en agissant sur le bouton-poussoir de déblocage (25).
3. Laisser refroidir le moteur et le liquide de refroidissement, puis ouvrir le bouchon (23) du radiateur avec soin pour relâcher la pression.
4. Enlever le bouchon (23) du radiateur et contrôler le liquide de refroidissement.  
Si le niveau est insuffisant, ajouter une solution composée à 50 % d'antigel pour automobiles et à 50 % d'eau, comme indiqué dans le manuel du moteur.

## CONTROLE / REMPLACEMENT / RETABLISSEMENT DES FUSIBLES

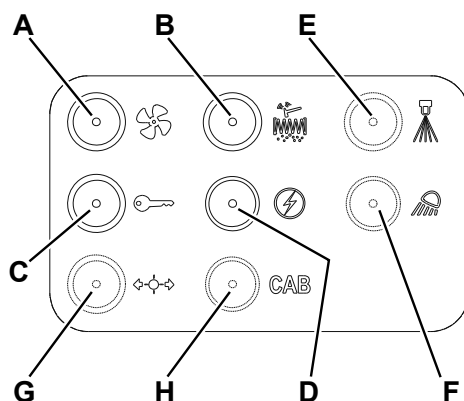
### Contrôle fusible de protection circuit

1. Amener la machine sur un sol plat.
2. Serrer le frein de stationnement.
3. Tourner la clé de contact (64) sur "O", puis l'enlever.
4. Contrôler dans le panneau (38) si un fusible restaurable parmi les suivants (Fig. 11) est débranché :
  - (A) : F1 (30 A), système d'aspiration
  - (B) : F2 (16 A), secoueur
  - (C) : F4 (30 A), clé de contact
  - (D) : F5 (16 A), composants auxiliaires moteur
  - (E) : F3 (10 A), gicleur système d'abattage des poussières (si présent)
  - (F) : F6 (10 A), feu de travail (si présent)
  - (G) : F7, système d'éclairage (si présent)
  - (H) : F8, ventilateur cabine (si présent)

Restaurer le fusible déclenché après le refroidissement du composant qui a provoqué le déclenchement.

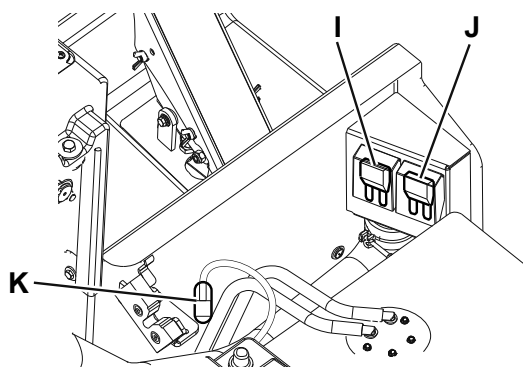
### Contrôle / remplacement des fusibles

1. Amener la machine sur un sol plat.
  2. Serrer le frein de stationnement.
  3. Tourner la clé de contact (64) sur "O", puis l'enlever.
  4. Ouvrir le coffre (1) du compartiment moteur en agissant sur le bouton-poussoir de déblocage (25).
  5. Dans la zone du siège de conduite, enlever les couvercles de protection et contrôler l'intégrité des fusibles suivants (Fig. 12-13) :
    - (I) : F9 (50 A), bougies préchauffage (seulement pour Proterra™ Diesel)
    - (J) : F10 (50 A), alternateur
    - (K) : F11 (1 A), feu intérieur coffre (optionnel)
- Remplacer le fusible coupé, si présent. Insérer le couvercle de protection.
6. Fermer le coffre du compartiment moteur (1).



P100326

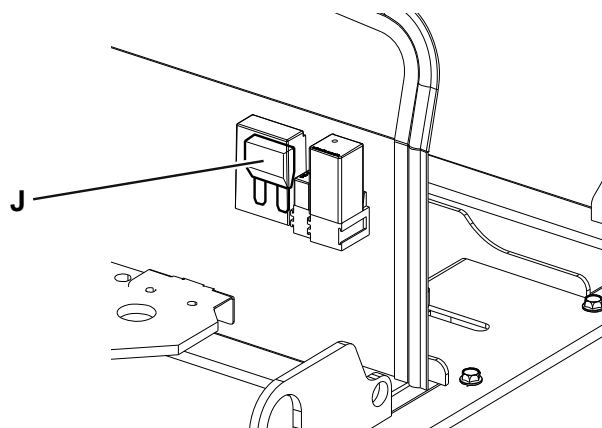
Figure 11



Proterra™ Diesel and Gasoline version

P100327

Figure 12



Proterra™ LPG version

P100327LPG

Figure 13



## DEPISTAGE DES PANNES

Problème	Cause probable	Remède
La machine ne bouge pas	La batterie est débranchée	Brancher la batterie
	La machine est tombée en panne d'essence	Effectuer le plein d'essence
	Fusibles de protection circuit déclenchés	Restaurer les fusibles déclenchés
	Frein de stationnement serré	Desserrer
	Vis de déblocage pompe hydraulique pas correctement positionnée	Tourner correctement
Le balai central ne tourne pas	Levier en position de balai central soulevé	Baisser le balai central au moyen du levier
	Débris près du moyeu d'entraînement balai	Enlever les débris
	Conteneur déchets pas complètement baissé	Baisser complètement le conteneur déchets
	Fusibles de protection circuit déclenchés	Restaurer les fusibles déclenchés
Le moteur a des performances faibles de collectage de déchets / poussière	Système d'aspiration désactivé	Activer le système d'aspiration au moyen de l'interrupteur
	Filtre à poussière colmaté	Nettoyer le filtre à poussière
	Conteneur déchets plein	Vider le conteneur déchets
	Volets pas intacts ou mal réglés	Contrôler le parfait état et le correct réglage des volets (*)
	Hauteur du sol du balai central pas correcte	Régler la hauteur du sol du balai
	Fusibles de protection circuit déclenchés	Restaurer les fusibles déclenchés
Le balai latéral ne tourne pas	Levier en position de balai latéral soulevé	Baisser le balai latéral au moyen du levier
	Débris près du moyeu d'entraînement balai	Enlever les débris
	Conteneur déchets pas complètement baissé	Baisser complètement le conteneur déchets
Le portillon de vidange du conteneur déchets ne se ferme pas	Portillon de vidange bloqué par les débris	Enlever les débris des côtés du compartiment
Le moteur du secoueur ne fonctionne pas	Le connecteur du moteur du secoueur n'est pas branché correctement	Rétablir la connexion
	Fusible de protection circuit déclenché	Restaurer le fusible déclenché
Le système d'abattage des poussières (optionnel) ne fonctionne pas	Interrupteur défectueux	Remplacer l'interrupteur (*)
	Gicleurs obstrués ou filtre à eau colmaté	Nettoyer
	Pompe en panne	Remplacer
	Fusible de protection circuit déclenché	Restaurer le fusible déclenché

(\*) Opération à effectuer auprès d'un Service après-vente Advance.

Pour de plus amples informations, se référer au manuel d'entretien consultable auprès des Services après-vente Advance.

## MISE A LA FERRAILLE

Effectuer la mise à la ferraille de la machine auprès d'un démolisseur autorisé.

Avant la mise à la ferraille, il est nécessaire de déposer et séparer les éléments suivants et les envoyer aux collectes sélectives, conformément aux normes d'hygiène de l'environnement en vigueur :

- Batteries
- Filtre à poussière en polyester
- Balais central et latéraux
- Huile moteur
- Huile système hydraulique
- Filtre à huile système hydraulique
- Tuyaux et pièces en matériel plastique
- Parties électriques et électroniques (\*)

(\*) Pour la mise en décharge des parties électriques et électroniques, s'adresser auprès du centre Advance le plus proche.

## ÍNDICE

<b>INTRODUCCIÓN.....</b>	<b>2</b>
FINALIDAD Y OBJETO DE ESTE MANUAL.....	2
DESTINATARIOS.....	2
CONSERVACIÓN DEL MANUAL.....	2
DATOS DE IDENTIFICACIÓN.....	2
OTROS MANUALES DE REFERENCIA.....	2
PIEZAS DE REPUESTO Y MANTENIMIENTO.....	3
MODIFICACIONES Y MEJORAS.....	3
CARACTERÍSTICAS DE FUNCIONAMIENTO.....	3
CONVENCIONES.....	3
<b>DESEMBALAJE/ENTREGA.....</b>	<b>3</b>
<b>SEGURIDAD.....</b>	<b>4</b>
SÍMBOLOS.....	4
INSTRUCCIONES GENERALES.....	4
SOPORTE DE SEGURIDAD DEL CAJÓN DE RESIDUOS.....	7
LEVANTAMIENTO DE LA MÁQUINA CON GATOS.....	7
TRANSPORTE DE LA MÁQUINA.....	7
DESPLAZAMIENTO DE LA MÁQUINA MEDIANTE EMPUJE/REMOLQUE.....	7
<b>DESCRIPCIÓN DE LA MÁQUINA.....</b>	<b>8</b>
ESTRUCTURA DE LA MÁQUINA.....	8
PANEL DE CONTROL Y MANDOS.....	10
ACCESORIOS/OPCIONES.....	11
DATOS TÉCNICOS.....	11
ESQUEMA ELÉCTRICO.....	12
ESQUEMA HIDRÁULICO.....	15
<b>PREPARACIÓN DE LA MÁQUINA PARA EL USO.....</b>	<b>16</b>
COMPROBACIONES PREVIAS A LA UTILIZACIÓN.....	16
CEPILLO PRINCIPAL.....	16
COMBUSTIBLE.....	16
MOTOR DIESEL Y GASOLINA.....	16
MOTOR GPL.....	17
ANTES DE LA PUESTA EN MARCHA DE LA MÁQUINA.....	17
PUESTA EN MARCHA Y PARADA DE LA MÁQUINA.....	17
FRENO DE ESTACIONAMIENTO.....	18
BARRIDO.....	18
VACIADO DEL CAJÓN DE RESIDUOS.....	19
DESPUÉS DEL USO DE LA MÁQUINA.....	20
PERIODO DE LARGA INACTIVIDAD DE LA MÁQUINA.....	20
PRIMER PERIODO DE USO.....	20
<b>MANTENIMIENTO.....</b>	<b>20</b>
ESQUEMA DE MANTENIMIENTO PROGRAMADO.....	21
MANTENIMIENTO DEL CEPILLO PRINCIPAL.....	22
MANTENIMIENTO DEL CEPILLO LATERAL.....	24
MANTENIMIENTO DEL FILTRO DE POLVOS (FILTRO DE PANEL).....	26
MANTENIMIENTO DEL FLAP.....	27
LIMPIEZA DEL FILTRO DE AGUA DEL SISTEMA DE CONTROL DE POLVO (OPCIONAL).....	27
ACEITE HIDRÁULICO.....	28
ACEITE DEL MOTOR.....	28
LIMPIEZA DEL FILTRO DE AIRE DEL MOTOR.....	29
LÍQUIDO DE ENFRIAMIENTO DEL MOTOR.....	29
CONTROL/SUSTITUCIÓN/REACTIVACIÓN DE LOS FUSIBLES.....	30
<b>BÚSQUEDA AVERÍAS.....</b>	<b>31</b>
<b>DESGUACE.....</b>	<b>32</b>

## INTRODUCCIÓN



NOTA

Los números entre paréntesis se refieren a los componentes ilustrados en el capítulo Descripción de la máquina.

### FINALIDAD Y OBJETO DE ESTE MANUAL

Este manual contiene todas las informaciones necesarias para que el operador utilice la máquina de forma adecuada, autónoma y segura. Incluye informaciones inherentes a los datos técnicos, la seguridad el funcionamiento, el almacenamiento, el mantenimiento, las piezas de repuesto y el desguace.

Antes de efectuar cualquier operación de mantenimiento, los operadores y los técnicos calificados tienen que leer cuidadosamente las instrucciones incluidas en este manual. En caso de dudas sobre la correcta interpretación de las instrucciones, contactar con Advance para obtener explicaciones.

### DESTINATARIOS

Este manual es para los operadores y los técnicos encargados del mantenimiento de la máquina.

Los operadores no deben efectuar procedimientos reservados a los técnicos calificados. Advance no es responsable para los daños causados a la máquina por falta de observación de esta prohibición.

### CONSERVACIÓN DEL MANUAL

Este Manual de uso debe conservarse junto a la máquina, dentro de su contenedor, lejos de líquidos y otras sustancias que podrían dañarlo.

### DATOS DE IDENTIFICACIÓN

El número de serie y el modelo de la máquina están marcados en la placa (10) puesta en el bastidor.

El año de fabricación de la máquina está en la declaración de conformidad y está también indicado por las dos primeras cifras del número de serie de la máquina misma.

El número de serie y el modelo del motor diesel están marcados en la placa (31).

Estas informaciones son necesarias cuando se piden piezas de repuesto para la máquina y el motor. Usar el espacio siguiente para escribir los datos de identificación de la máquina y del motor.

Modelo MÁQUINA .....
Número de serie MÁQUINA .....

Modelo MOTOR .....
Número de serie MOTOR .....

### OTROS MANUALES DE REFERENCIA

- Manual del motor, en dotación a la máquina, de considerarse parte integrante de este manual.
- Los siguientes manuales son también disponibles:
  - Catálogo piezas de repuestos (en dotación a la máquina)
  - Manual de asistencia (que se puede consultar en los Centros de asistencia Advance)

## PIEZAS DE REPUESTO Y MANTENIMIENTO

Para cualquier necesidad que se refiere al uso, al mantenimiento y a las reparaciones, consultar al personal calificado o a los Centros de asistencia Advance. Usar siempre piezas de repuesto y accesorios originales.

Para la asistencia o para ordenar piezas de repuesto y accesorios acudir a Advance, especificando siempre el modelo y el número de serie de la máquina.

## MODIFICACIONES Y MEJORAS

Advance está constantemente mejorando sus productos y se reserva el derecho de realizar modificaciones y mejoras a su discreción, sin verse obligada a aplicar dichas ventajas a las máquinas vendidas previamente.

Sólo Advance puede aprobar y efectuar cualquier modificación y/o instalación de accesorios.

## CARACTERÍSTICAS DE FUNCIONAMIENTO

Esta barredera es adecuada para limpiar/barrer suelos lisos y sólidos y para aspirar polvo y residuos ligeros, en ambiente privado o industrial sobre , en condiciones de seguridad, por parte de un operador calificado.

## CONVENCIONES

En este manual, las indicaciones de adelante, atrás, delantero, trasero, derecho e izquierdo, se refieren al operador en posición de conducción en su asiento (32).

## DESEMBALAJE/ENTREGA

Tras la recepción, controlar la caja de embalaje y la máquina para ver si existen daños. Si los daños son evidentes, conservar el embalaje, de forma que el transportista que lo ha entregado lo pueda inspeccionar. Contactarlo de inmediato para compilar una indemnización daños y perjuicios.

- Controlar que la máquina sea entregada junto a los siguientes componentes:
  - Manual de uso de la barredera
  - Manual del motor
  - Catálogo de piezas de repuesto de la barredera
- Después de retirar el embalaje, retirar los bloques de madera situados junto a las ruedas.
- Comprobar el nivel del líquido de enfriamiento y del aceite del motor.
- Controlar el nivel del aceite hidráulico.
- Leer las instrucciones de la sección "Preparación de la máquina para el uso" y llenar el depósito de combustible.
- Colocar una rampa junto al extremo delantero de la tarima de carga.
- Leer las instrucciones de las secciones "Panel de control y mandos" y "Uso de la máquina" de este manual y encender el motor. Conducir despacio la máquina desde la rampa hasta el suelo.



### **¡ATENCIÓN!**

**Utilizar la barredera con mucho cuidado.**

**Antes de utilizarla, es preciso conocer bien todas sus instrucciones de funcionamiento.**

**En caso de duda, consultar con su supervisor o con el concesionario industrial local Advance.**

**En caso de funcionamiento incorrecto de la barredera, no intentar solucionar el problema a menos que se lo ordene su supervisor. Solicitar la ayuda de un mecánico cualificado o de una persona autorizada por el concesionario Advance para que efectúen las correcciones necesarias en la máquina.**

**Usar esta máquina con mucho cuidado. Existe el peligro de que las corbatas, prendas sueltas, pelo largo, anillos y pulseras queden atrapados entre los componentes móviles.**

**Antes de utilizar la máquina, llevar la llave de encendido (64) en posición "O", quitar la llave, activar el freno de estacionamiento y desconectar la batería.**

**Utilizar el sentido común, respetar las normas de seguridad y prestar atención a las pegatinas amarillas colocadas en la máquina.**

**Conducir la máquina lentamente en pendientes. Usar el pedal de freno (35) para controlar la velocidad de la máquina al descender las pendientes.**

**No girar la máquina en una pendiente; conducir en línea recta hacia arriba o hacia abajo.**

**La pendiente nominal máxima durante el transporte con un modelo de 3 cilindros es del 15%.**

## SEGURIDAD

La siguiente simbología sirve para señalar situaciones de peligro potencial. Leer siempre cuidadosamente estas informaciones y tomar las precauciones necesarias para proteger personas y cosas.

Para evitar desgracias, la cooperación del operador es fundamental. Ningún programa de prevención de accidentes resulta eficaz sin la total cooperación de la persona directamente responsable del funcionamiento de la máquina. La mayoría de los accidentes que pueden ocurrir en una empresa, durante el trabajo o el transporte, son causados por no observar las reglas de seguridad fundamentales. Un operador cuidadoso y cauto es la mejor garantía para evitar posibles accidentes y resulta más eficaz que cualquier programa de prevención.

### SÍMBOLOS



**¡PELIGRO!**

*Indica un peligro con riesgo, incluso mortal, para el operador.*



**¡ATENCIÓN!**

*Indica el riesgo potencial de infortunios para las personas o de daños a las cosas.*



**¡ADVERTENCIA!**

*Indica una advertencia o una nota sobre una función importante o útil. Tener cuidado de las partes del texto marcadas con este símbolo.*



**NOTA**

*Indica una nota sobre una función importante o útil.*



**CONSULTAS**

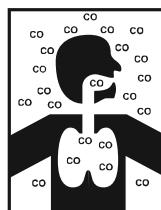
*Indica la necesidad de consultar el Manual de uso antes de efectuar cualquier operación.*

### INSTRUCCIONES GENERALES

Se describen aquí las advertencias y precauciones específicas por lo que se refiere a los potenciales riesgos de daños a la máquina o a las personas.



**¡PELIGRO!**



- *El monóxido de carbono (CO) puede causar daños al cerebro o la muerte.*
- *El motor de combustión interna de esta máquina produce monóxido de carbono.*
- *No aspirar los humos de los gases de escape.*
- *Usar en lugares cerrados sólo si hay una ventilación adecuada y en presencia de un ayudante.*

**¡PELIGRO!**

- *Antes de efectuar cualquier operación de mantenimiento, reparación, limpieza o sustitución de piezas, desconectar el conector de la batería, quitar la llave de encendido y activar el freno de estacionamiento.*
- *Sólo los operadores cualificados pueden usar esta máquina. Los niños y los minusválidos no pueden usar esta máquina.*
- *Los virajes deben efectuarse a velocidad muy baja. Está prohibido: virar bruscamente especialmente en descenso, virar cuando el cajón de residuos está levantado.*
- *No levantar nunca el cajón de residuos sobre pendientes. La máquina pierde estabilidad en descenso o cuando el cajón está lleno. Controlar con regularidad la presión de los neumáticos.*
- *Cuando se trabaja cerca de componentes eléctricos, hay que quitarse las joyas.*
- *Tener chispas, llamas y materiales fumantes/incandescentes lejos de las baterías. Durante el uso normal pueden salir gases explosivos.*
- *No trabajar bajo la máquina levantada si ésta no está fijada con los soportes de seguridad adecuados.*
- *Cuando se trabaja bajo del capó abierto, asegurarse que el capó mismo no pueda cerrarse de forma accidental.*
- *No activar la máquina en un ambiente donde haya polvo, líquidos o vapores nocivos, peligrosos, inflamables y/o explosivos: esta máquina no es adecuada para recoger polvos peligrosos.*
- *Atención, el combustible es muy inflamable.*
- *No fumar y no llevar llamas libres en los lugares en los que se repone el combustible o donde el combustible está almacenado.*
- *Rellenar el depósito del combustible en un lugar abierto y bien ventilado, y con el motor apagado.*
- *Apagar el motor y dejarlo enfriar por unos minutos antes de desenroscar el tapón del depósito del combustible.*
- *No llenar el depósito del combustible a más de 4 cm de la boca de llenado, para permitir que el combustible se expanda.*
- *Tras haber rellenado el depósito del combustible, controlar que el tapón del depósito esté correctamente cerrado.*
- *Si durante el relleno, el combustible sale del depósito, limpiar con cuidado y dejar que los vapores se disipen antes de arrancar el motor.*
- *Evitar que el combustible entre en contacto con la piel y no respirar los vapores. Tener fuera del alcance de los niños.*
- *No inclinar el motor demasiado, para evitar que el combustible sobresalga.*
- *Durante el transporte de la barredera, el depósito del combustible no debe estar lleno y el grifo del combustible debe estar cerrado.*
- *No apoyar ningún objeto sobre el motor.*
- *Apagar el motor antes de efectuar operaciones de mantenimiento. Para evitar que el motor se ponga en marcha accidentalmente, desconectar el terminal negativo de la batería.*
- *Véase las NORMAS DE SEGURIDAD indicadas en el manual del motor, el cual debe considerarse parte integrante de este manual.*
- *La máquina está equipada de baterías de plomo (WET), no inclinar la máquina de más de 30° respecto a la línea horizontal, porque el líquido muy corrosivo de las baterías podría sobresalir. Si es necesario inclinar la máquina para las operaciones de mantenimiento, primero quitar las baterías.*
- *No usar la máquina en caso de pérdidas de gas. Desconectar el tubo del combustible y sustituir el depósito GPL. Si la pérdida de gas sigue existiendo, desconectar el tubo del combustible y contactar el Centro de asistencia Advance.*

**¡ATENCIÓN!**

- Antes de efectuar cualquier operación de mantenimiento/repación, leer cuidadosamente todas las instrucciones relacionadas.
- Cuando se trabaja cerca de o con el sistema hidráulico, ponerse siempre ropa y gafas de protección.
- Tener cuidado de las partes calientes cuando se trabaja cerca del motor, del silenciador de escape, del colector del radiador.
- Tomar todas las precauciones necesarias para que el pelo, las joyas y las ropas no sean capturados por las partes móviles de la máquina.
- Para evitar usos no autorizados de la máquina, quitar la llave de encendido.
- No dejar la máquina sin custodia y sin haberse asegurado que no pueda moverse de forma autónoma.
- No usar la máquina sobre suelos con inclinaciones superiores a las especificaciones.
- Usar sólo los cepillos suministrados junto a la máquina o aquellos indicados en el Manual de uso. Usar otros cepillos puede perjudicar la seguridad.
- Antes de usar la máquina, cerrar todas los portillos y/o las tapas.
- No usar la máquina en ambientes demasiado polvorientos.
- Usar la máquina sólo en áreas con suficiente iluminación.
- Si se va a usar la máquina en presencia de otras personas, además del operador, es necesario equipar la máquina con la luz rotativa y el avisador acústico de marcha atrás (opcional).
- No lavar la máquina con chorros de agua directa o presurizada, o con sustancias corrosivas.
- No usar aire comprimido para la limpieza general de este tipo de máquina, excepto para los filtros (véase el párrafo específico).
- Cuando se usa esta máquina, tener cuidado de salvaguardar la incolumidad de las personas, especialmente los niños.
- No apoyar contenedores de líquidos sobre la máquina.
- La temperatura de almacenamiento de la máquina debe estar entre 32°F - 104°F (0°C - +40°C).
- La temperatura de la máquina en trabajo debe estar entre 32°F - 104°F (0°C - +40°C).
- La humedad debe estar entre el 30% y el 95%.
- Proteger siempre la máquina del sol, lluvia y otra intemperie, tanto durante el funcionamiento como durante los períodos de inactividad. Almacenar la máquina en un lugar cerrado y seco. Esta máquina sólo se puede usar en seco y no se debe usar o tener al exterior en condiciones de humedad.
- No usar la máquina como vehículo de transporte o de remolque/empuje.
- No permitir que los cepillos funcionen mientras la máquina está parada en un punto para evitar posibles daños al suelo.
- En caso de incendio usar un extintor de polvo, no de agua.
- No chocar contra estanterías o andamios de los que puedan caer objetos.
- Ajustar la velocidad de funcionamiento según la adherencia al suelo.
- Evitar paradas improvisas cuando la máquina está en descenso. Evitar tomar las curvas bruscamente. Reducir la velocidad en descenso.
- Esta máquina no tiene aprobación para el uso en carreteras o vías públicas.
- No adulterar por ninguna razón las protecciones de la máquina.
- Atenerse escrupulosamente las instrucciones para el mantenimiento ordinario.
- No quitar ni modificar las placas colocadas en la máquina.
- Cuando la máquina no funciona correctamente, asegurarse de que esto no sea causado por falta de mantenimiento. En caso contrario pedir la intervención del personal autorizado o del Centro de asistencia autorizado.
- Si deben sustituirse piezas, solicitar piezas de repuesto ORIGINALES a un concesionario y/o revendedor autorizado.
- Para asegurar condiciones de funcionamiento correcto y seguro, el personal autorizado o el Centro de asistencia autorizado debe llevar a cabo el mantenimiento programado según las especificaciones indicadas en el capítulo relacionado de este manual.
- Nunca se debe abandonar la máquina al final de su ciclo vital, por la presencia de materiales tóxicos y dañinos (baterías, aceites, plástico, etc.) sujetos a normativas que exigen que se realice la eliminación en centros especiales (véase el capítulo Desguace).
- Durante el funcionamiento del motor, el silenciador se calienta. Para evitar graves quemaduras o incendios, no tocar el silenciador cuando está caliente.
- Si el motor funciona con un nivel de aceite insuficiente, se puede dañar gravemente. Controlar el nivel de aceite con el motor apagado y con la máquina en posición horizontal.
- No dejar que el motor funcione sin el filtro de aire, porque podría dañarse.
- Las intervenciones de asistencia técnica al motor deben ser efectuados por un Concesionario autorizado. Para el motor usar sólo piezas de repuesto originales o productos equivalentes. El uso de piezas de repuestos de calidad inferior puede dañar el motor.
- Véase las NORMAS DE SEGURIDAD indicadas en el manual del motor, el cual debe considerarse parte integrante de este manual.



## SOPORTE DE SEGURIDAD DEL CAJÓN DE RESIDUOS



### ¡ADVERTENCIA!

Antes de efectuar cualquier operación de mantenimiento debajo del cajón de residuos levantado o cerca de él, tirar de la manija de bloqueo (39) para comprobar que el soporte de seguridad del cajón de residuos (5) se encuentre colocado. El soporte de seguridad del cajón de residuos (5) mantiene el cajón en posición levantada para permitir la realización de operaciones debajo del cajón. No se limitarse nunca a los componentes hidráulicos de la máquina solamente para soportar el cajón de residuos de manera segura.

## LEVANTAMIENTO DE LA MÁQUINA CON GATOS



### ¡ATENCIÓN!

No trabajar nunca debajo de la máquina sin colocar antes los soportes o bloques de seguridad para apoyar la máquina.

Para levantar la máquina, aplicar los gatos en los lugares indicados (no bajo del cajón de residuos) – véase puntos de elevación con gatos (8).

## TRANSPORTE DE LA MÁQUINA



### ¡ATENCIÓN!

Antes de transportar la máquina sobre un camión o remolque abierto, asegurarse de:

- Cerrar bien todas las puertas de acceso.
- Sujetar bien la máquina, de forma que quede segura.
- Activar el freno de estacionamiento.

## DESPLAZAMIENTO DE LA MÁQUINA MEDIANTE EMPUJE/REMOLQUE

La bomba hidráulica (45) está equipada de un tornillo que desactiva el sistema de tracción. El sistema impide que se produzcan daños en el sistema hidráulico en caso de que deba remolcarse/empujarse la máquina a una distancia corta sin el uso del motor. Para acceder al tornillo de desbloqueo, abrir el capó del compartimiento del motor (1) usando el pulsador de desbloqueo (25) y localizar la bomba hidráulica (45) en la parte delantera del motor (44).

Girar el tornillo de hexágono interior (A, Fig. 1) de medio giro en sentido antihorario para desacoplar el bloqueo entre el motor y la bomba.



### ¡ADVERTENCIA!

La bomba hidráulica puede sufrir daños si se remolca la máquina con el tornillo en posición normal de funcionamiento (en bloqueo).



### NOTA

Si el tornillo se queda en función de bloqueo, la bomba hidráulica no puede determinar el movimiento de la máquina.



### NOTA

No remolcar ni empujar la máquina a una velocidad superior a la del paso normal de una persona [1.8-2.8 mph (3-4.5 km/h)] y hacerlo solamente en distancias cortas.

Si se necesita desplazar la máquina una larga distancia, las ruedas de tracción deben levantarse del suelo y colocarse sobre un gato rodante.

Tras haber desplazado la máquina mediante empuje/remolque, girar el tornillo de hexágono interior de medio giro en sentido horario para habilitar las funciones hidráulicas.

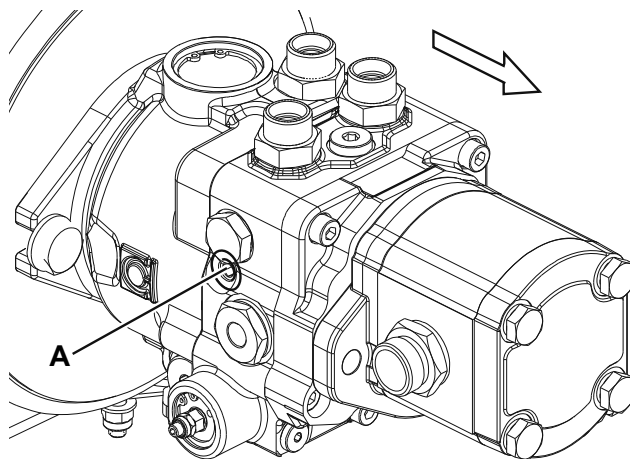


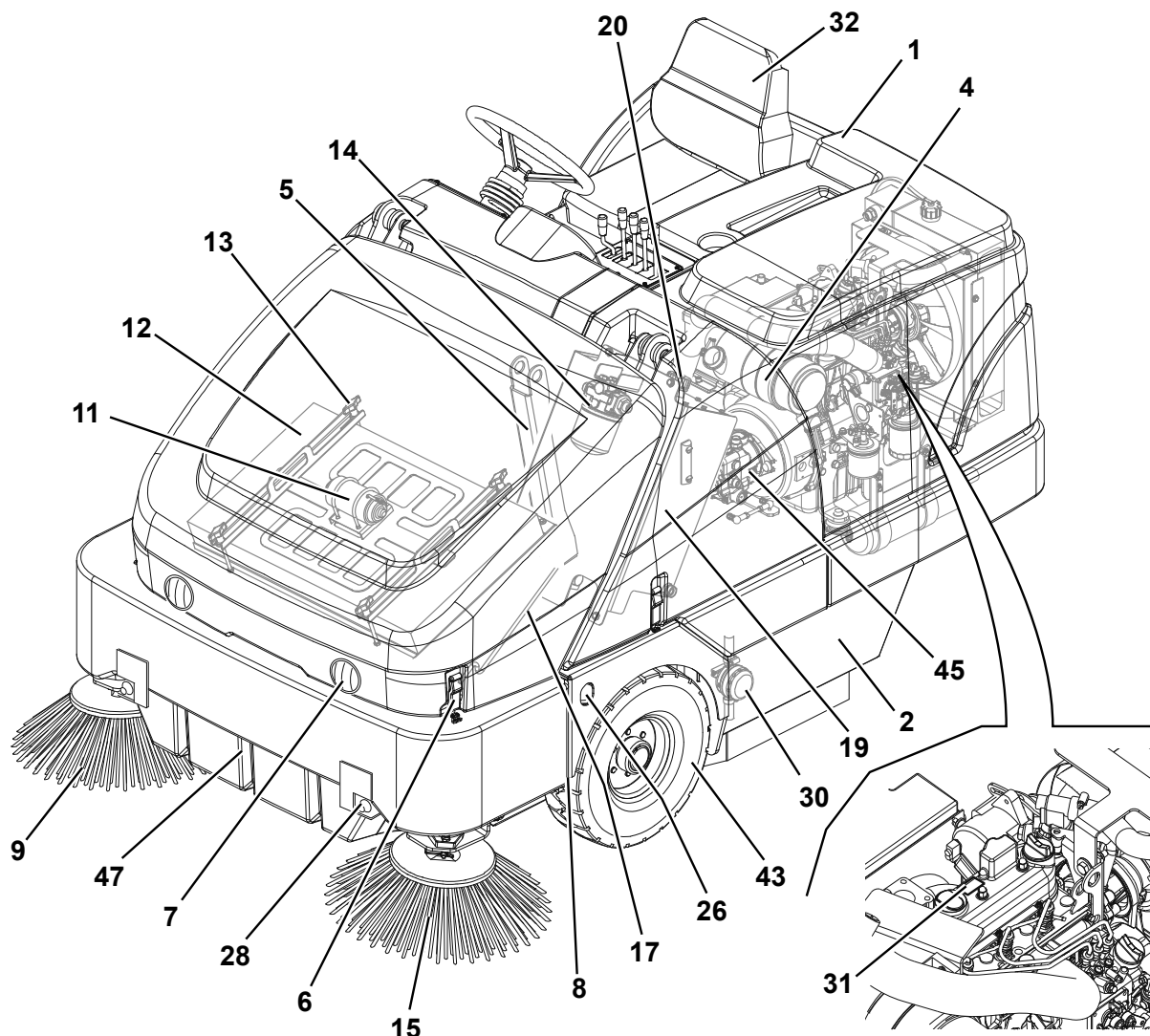
Figura 1

P100320

## DESCRIPCIÓN DE LA MÁQUINA

### ESTRUCTURA DE LA MÁQUINA

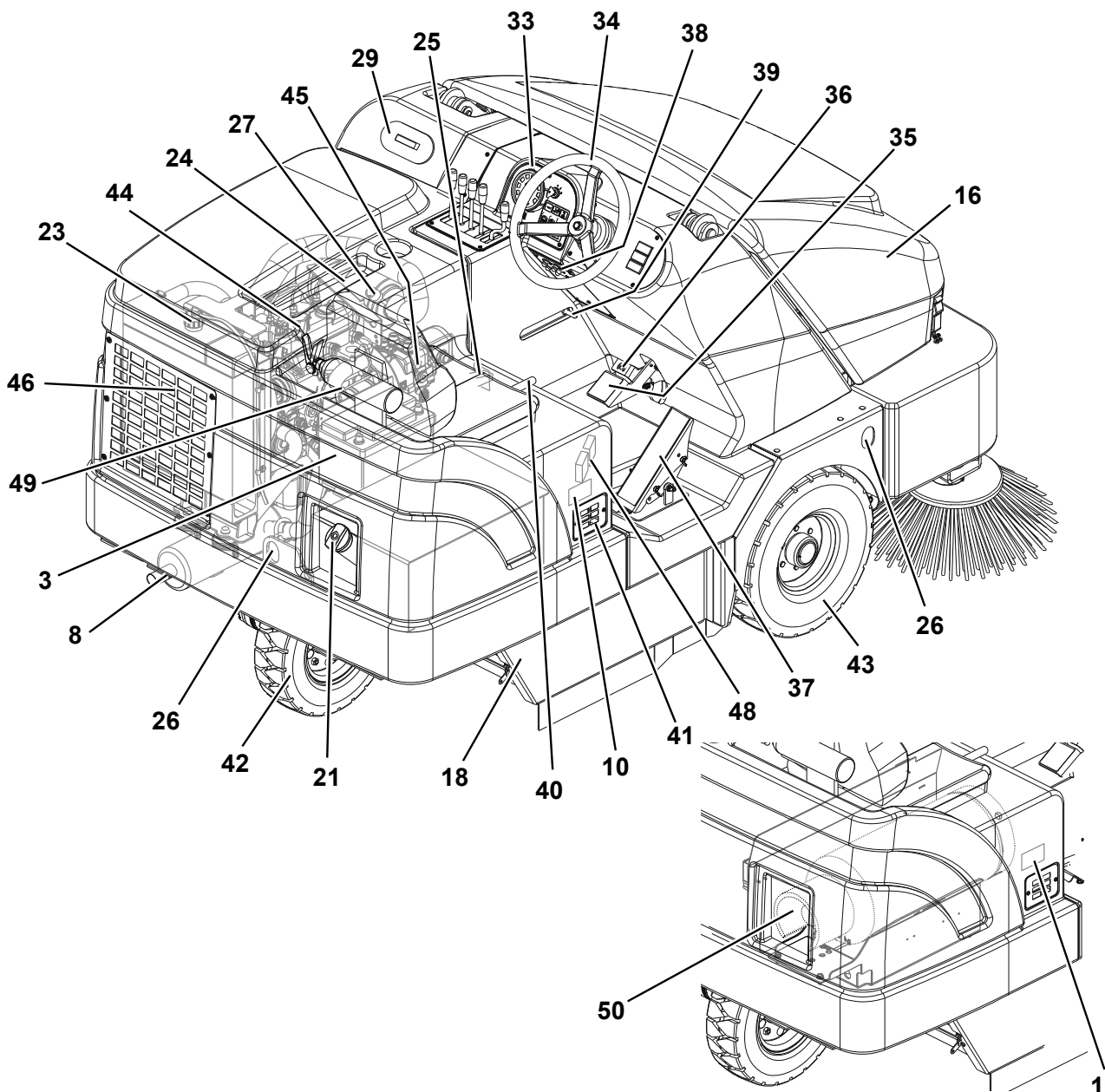
- |   |  |
|---|--|
| <ol style="list-style-type: none"> <li>1. Capó compartimento motor</li> <li>2. Panel izquierdo de acceso del cepillo principal</li> <li>3. Batería</li> <li>4. Capó lateral izquierdo</li> <li>Depósito de agua del sistema de control de polvo (opcional)</li> <li>5. Soporte de seguridad del cajón de residuos</li> <li>6. Cerradura del capó del cajón de residuos</li> <li>7. Luz de trabajo (opcional)</li> <li>8. Puntos de elevación con gatos (el punto trasero está bajo del radiador del motor)</li> <li>9. Cepillo lateral derecho</li> <li>10. Placa número de serie/datos técnicos/marcación de conformidad</li> <li>11. Conjunto sacudidor del filtro polvos de panel</li> <li>12. Filtro de polvos del cajón de residuos</li> <li>Filtro de panel (estándar)</li> <li>Filtro de bolsas (opcional)</li> <li>13. Perilla de fijación del conjunto sacudidor del filtro</li> <li>14. Filtro del aceite hidráulico</li> <li>15. Cepillo lateral izquierdo (opcional)</li> </ol> | <ol style="list-style-type: none"> <li>16. Capó del cajón de residuos</li> <li>17. Barra de soporte del capó del cajón de residuos</li> <li>18. Panel derecho de acceso para desmontaje/sustitución del cepillo principal</li> <li>19. Depósito del aceite hidráulico</li> <li>20. Tapón del depósito del aceite hidráulico</li> <li>21. Tapón del depósito del combustible</li> <li>22. Depósito de combustible</li> <li>23. Tapón del radiador</li> <li>24. Filtro de aire del motor</li> <li>25. Pulsador de desbloqueo del capó del compartimento del motor</li> <li>26. Puntos de anclaje (3)</li> <li>27. Indicador de mantenimiento del filtro de aire</li> <li>28. Boquillas del sistema de control de polvo (opcional)</li> <li>29. Tapón del depósito de agua del sistema de control de polvo (opcional)</li> <li>30. Filtro de agua (opcional)</li> <li>31. Placa con modelo y número de serie del motor</li> </ol> |
|---|--|



P100317

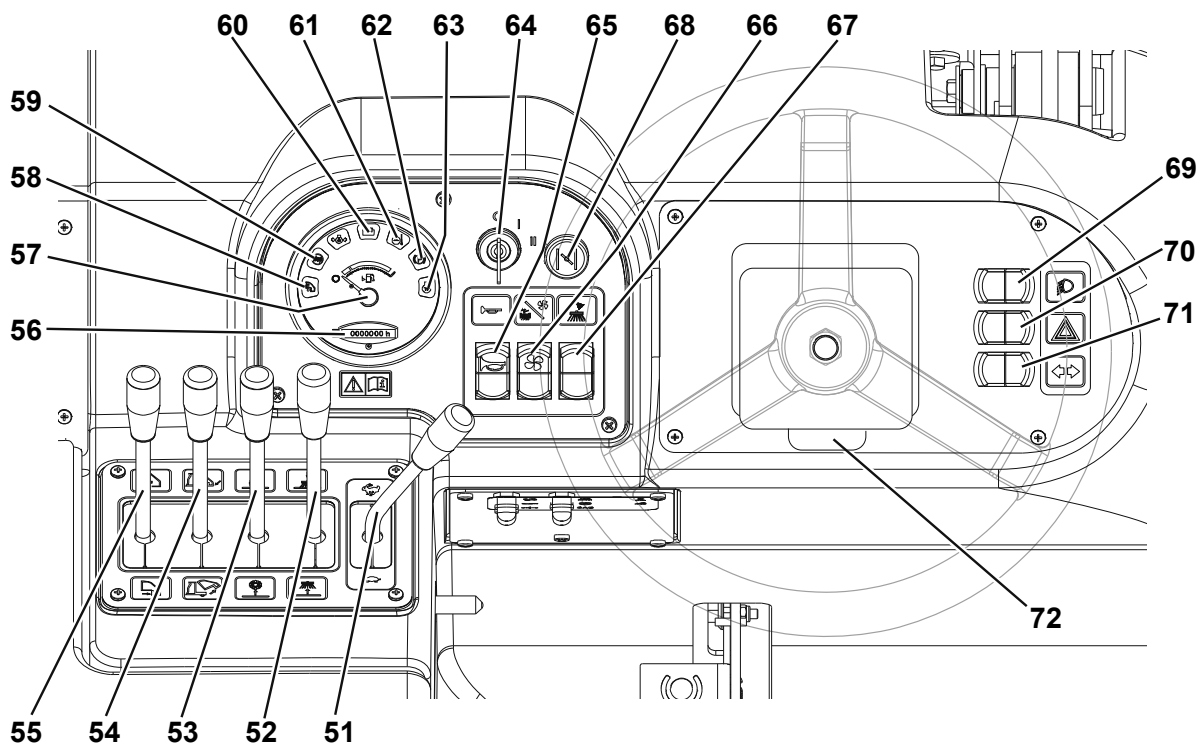
**ESTRUCTURA DE LA MÁQUINA (Sigue)**

- |  |  |
|--|--|
| <p>32. Asiento de conducción<br/>         33. Tablero de control (véase el párrafo siguiente)<br/>         34. Volante<br/>         35. Pedal del freno<br/>         36. Pedal del freno de estacionamiento<br/>         (Usar junto al pedal del freno para bloquear o desbloquear el freno de estacionamiento)<br/>         37. Pedal de accionamiento marcha adelante/marcha atrás<br/>         38. Panel de los fusibles (véase el párrafo Control/sustitución/reactivación de los fusibles)<br/>         39. Manija de bloqueo del soporte de seguridad del cajón de residuos<br/>         • Tirar hacia atrás para bloquear el soporte<br/>         • Tirar hacia adelante para desbloquear el soporte</p> | <p>40. Palanca de ajuste del asiento de conducción<br/>         41. Rejilla de aspiración aire del motor<br/>         42. Rueda trasera directriz de tracción<br/>         43. Ruedas delanteras<br/>         44. Motor<br/>         45. Bomba hidráulica<br/>         46. Radiador del líquido de enfriamiento del motor/<br/>         enfriamiento del aceite hidráulico<br/>         47. Cajón de residuos<br/>         48. Fusibles (véase el párrafo Control/sustitución/reactivación de los fusibles)<br/>         49. Extintor (opcional)<br/>         50. Depósito GPL</p> |
|--|--|



**PANEL DE CONTROL Y MANDOS**

- 51. Palanca del régimen del motor (mínimo/máximo)
  - (posición “adelante”) motor al régimen de trabajo
  - (posición “atrás”) motor al régimen mínimo
- 52. Palanca de los cepillos laterales
  - (posición “adelante”) cepillo lateral bajado
  - (posición “atrás”) cepillo lateral levantado
- 53. Palanca del cepillo principal
  - (posición “adelante”) cepillo principal bajado
  - (posición “atrás”) cepillo principal levantado
- 54. Palanca del cajón de residuos
  - (posición “adelante”) bajada cajón de residuos
  - (posición “atrás”) subida cajón de residuos
- 55. Palanca del portillo de descarga del cajón de residuos
  - (posición “adelante”) apertura del portillo de descarga
  - (posición “atrás”) cierre del portillo de descarga
- 56. Cuentahoras
- 57. Indicador de nivel de combustible
- 58. Luz de aviso temperatura excesiva del cajón de residuos
- 59. Luz de aviso filtro cajón de residuos obstruido
- 60. Luz de aviso del cargador de baterías
- 61. Luz de aviso temperatura excesiva líquido de enfriamiento motor
- 62. Luz de aviso freno de estacionamiento
- 63. Luz de aviso de precalentamiento bujías
- 64. Llave de encendido:
  - En posición “O” apaga la máquina y deshabilita todas las funciones.
  - En posición “I” habilita todas las funciones de la máquina.
  - En posición “II” pone en marcha el motor.  
Cuando el motor se pone en marcha, soltar la llave que vuelve en posición “I”.
- 65. Interruptor de la bocina
- 66. Interruptor del sacudidor del filtro/sistema de aspiración
  - (posición inferior) activación del sacudidor del filtro
  - (posición superior) activación del ventilador de aspiración y del sistema de control de polvo
- 67. Interruptor del sistema de control de polvo (opcional)
- 68. Estárter del motor (sólo para versiones GPL y Gasolina)
- 69. Interruptor de las luces de trabajo (opcional)
- 70. Interruptor de las luces de emergencia (opcional)
- 71. Interruptor de los indicadores de dirección (opcional)
- 72. Palanca de ajuste del volante (opcional)



## ACCESORIOS/OPCIONES

Además de los componentes instalados en la versión estándar, la máquina puede equiparse con los siguientes accesorios/ opciones, según el uso específico:

- Cepillo lateral izquierdo
- Cepillos principal y laterales con cerdas más o menos duras con respecto al estándar
- Filtro de polvo de poliéster (a prueba de agua)
- Sensor filtro obstruido
- Sistema de control de polvo
- Extintor
- Luces delanteras
- Luz de trabajo
- Luz destelladora
- Ruedas antihuella
- Volante ajustable
- Asiento con suspensiones
- Cinturón de seguridad
- Protección de los cepillos laterales
- Lumbreira de protección
- Espejos retrovisores
- Extintor
- Parachoques trasero
- Avisador acústico de marcha atrás
- Protección del cajón de residuos
- Alfombra antideslizante

Para informaciones suplementarias sobre estos accesorios opcionales, acudir al Revendedor autorizado.

## DATOS TÉCNICOS

Dimensiones y pesos	Proterra™ Diesel	Proterra™ GPL	Proterra™ Gasolina
Anchura de barrido con cepillo principal		35.5 in (900 mm)	
Anchura de trabajo con un cepillo lateral		49.25 in (1,250 mm)	
Anchura de barrido con dos cepillos laterales (opcional)		63 in (1,600 mm)	
Largura máquina		87.5 in (2,220 mm)	
Anchura de la máquina (cubos de los cepillos)		52 in (1,320 mm)	
Altura máxima de la máquina		57.5 in (1,460 mm)	
Altura máxima de la máquina con lumbreira (opcional)		79 in (2,000 mm)	
Altura mínima desde el suelo (sin flap)		4.25 in (110 mm)	
Altura máxima de subida del cajón de residuos		62.5 in (1,590 mm)	
Dimensiones del cepillo principal (diámetro x largura)		12.2 x 35.5 in (310 x 900 mm)	
Diámetro del cepillo lateral		21.5 in (550 mm)	
Presión de los neumáticos		85 psi (6 Bar)	
Peso eje delantero en orden de marcha		1,180 lb (535 kg)	
Peso eje trasero en orden de marcha		905 lb (410 kg)	
Peso total máquina en orden de marcha (sin operador)		2,085 lb (945 kg)	
Peso máximo (GVW)		2,910 lb (1,320 kg)	
Peso de la máquina para expedición		2,204.6 lb (1,000 kg)	

Información de reposición	Proterra™ Diesel	Proterra™ GPL	Proterra™ Gasolina
Capacidad del depósito de combustible	14 gal (35 litros)	-	14 gal (35 litros)
Capacidad del depósito de aceite del sistema hidráulico	26.5 qt (25 litros)		
Capacidad del cárter del aceite del motor (*)	5.4 qt (5.1 litros)	3.59 qt (3.4 litros)	
Tipo de aceite del motor (**)	SAE 10 W - 30		
Cantidad de líquido de enfriamiento motor (**)	4.2 qt (4 litros)		

(\*) Para otros datos/valores del motor, véase el manual relacionado.

(\*\*) Para los datos del aceite del motor, del líquido de enfriamiento y la tabla de las especificaciones de referencia, véase el manual del motor.

Información de prestaciones	Proterra™ Diesel	Proterra™ GPL	Proterra™ Gasolina
Velocidad máxima en marcha adelante (solo para transporte)	7.5 mph (12 km/h)	7.5 mph (12 km/h)	7.5 mph (12 km/h)
Inclinación máxima durante el trabajo	20% (11°)		
Inclinación máxima superable	25% (14°)		
Radio mínimo de viraje	60.2 in (1,530 mm)		
Presión acústica a la oreja del operador (ISO 11201, ISO 4871) (LpA)	69,5 ±3 dB(A)	69.1 ± 3 dB(A)	69.1 ± 3 dB(A)
Potencia acústica emitida por la máquina (ISO 3744, ISO 4871) (LwA)	82 dB (A)	83 dB(A)	83 dB(A)
Nivel de vibraciones al brazo del operador (ISO 5349-1) (*)	<2.5 m/s <sup>2</sup>		
Nivel de vibraciones transmitidas al cuerpo del operador (ISO 2631-1) (*)	<0.5 m/s <sup>2</sup>		
Capacidad del cajón de residuos	Teórica: 11.25 cu-ft (315 litros) Real: 8.00 cu-ft (226 litros)		
Capacidad máxima de levantamiento del cajón de residuos	800 lb (363 kg)		
Capacidad del depósito del sistema de control de polvo (opcional)	11.9 gal (45 litros)		

(\*) En condiciones de trabajo normal sobre un suelo llano de asfalto.

## ESQUEMA ELÉCTRICO

### Leyenda

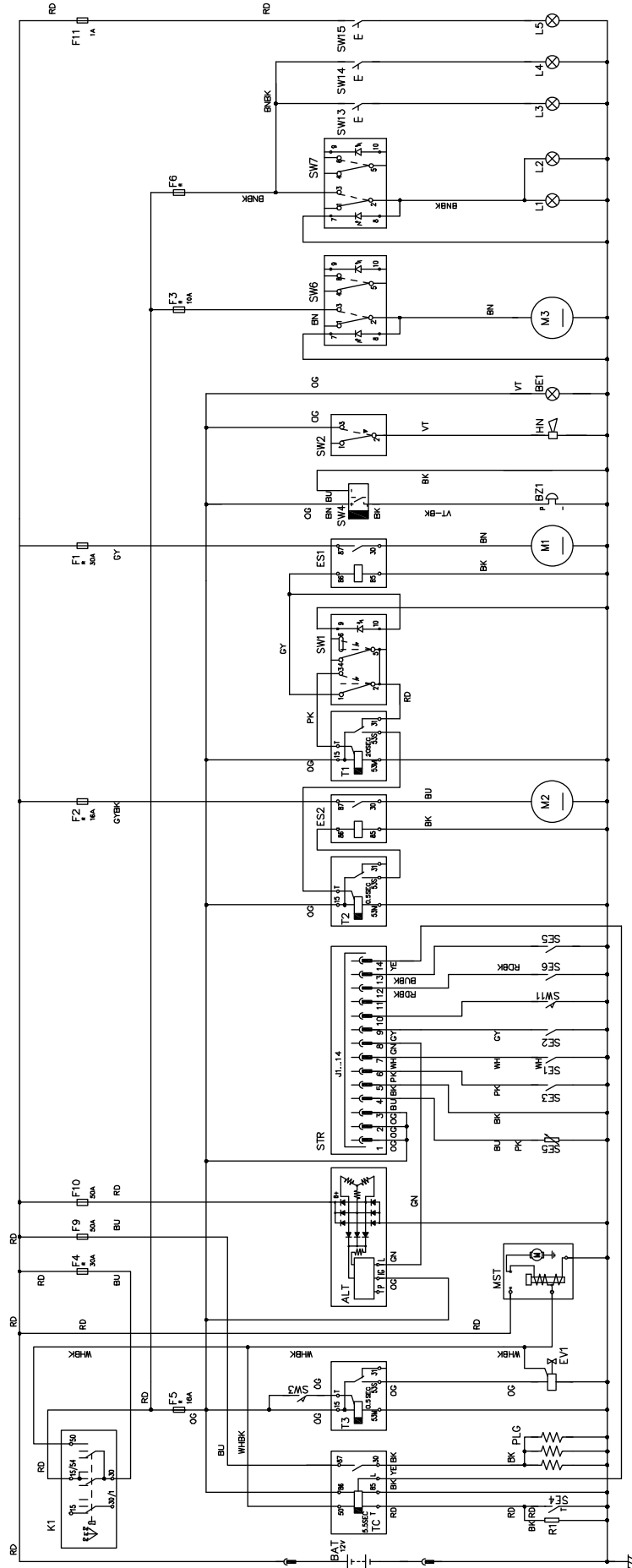
ALT	Alternador
BAT	Batería
BE1	Luz rotativa (opcional)
BZ1	Avisador acústico de marcha atrás (opcional)
ES1	Relé sistema de aspiración
ES2	Relé sacudidor del filtro
ES3	Relé de seguridad GPL (sólo versión GPL)
EV1	Electroválvula de combustible (sólo versión Diesel y Gasolina)
EV2	Electroválvula GPL (sólo versión GPL)
EV3	Electroválvula de seguridad GPL (sólo versión GPL)
F1	Fusible sistema de aspiración (30 A)
F2	Fusible sacudidor del filtro (16 A)
F3	Fusible bomba de agua (10 A) (opcional)
F4	Fusible llave de encendido (30 A)
F5	Fusible accesorios motor (16 A)
F6	Fusible luces de trabajo (10 A) (opcional)
F8	Fusible ventilador de la cabina (opcional)
F9	Fusible bujías (50 A) (sólo versión Diesel)
F10	Portafusible y fusible alternador (50 A)
F11	Fusible luz interior del capó (1 A) (opcional)
HN	Bocina
IGN	Unidad de control de encendido (sólo versión GPL y Gasolina)
K1	Conmutador de arranque
L1	Luz de trabajo delantera (opcional)
L2	Luz de trabajo delantera (opcional)
L3	Luz de trabajo lado conducente (opcional)
L4	Luz de trabajo trasera (opcional)
L5	Luz interior del capó (opcional)
M1	Motor aspirador
M2	Motor sacudidor del filtro
M3	Motor de la bomba de agua (opcional)
M4	Ventilador de la cabina (opcional)
MST	Motor de arranque
P1	Bomba de combustible (sólo versión Gasolina)
PLG	Bujías (sólo versión Diesel)
R1	Resistencia luz de aviso bujías (sólo versión Diesel)

SE1	Sensor presión aceite
SE2	Sensor temperatura agua
SE3	Sensor filtro cajón de residuos obstruido (opcional)
SE5	Flotador depósito de combustible (sólo versión Diesel y Gasolina)
SE6	Sensor temperatura cajón de residuos (opcional)
SE7	Sensor régimen motor (sólo versión GPL y Gasolina)
SE8	Sensor reserva de combustible (sólo versión GPL y Gasolina)
SPK	Bobina bujías (sólo versión GPL y Gasolina)
STR	Instrumento
SW1	Interruptor sistema de aspiración/sacudidor del filtro
SW2	Interruptor de la bocina
SW3	Microinterruptor asiento de conducción
SW4	Sensor proximity marcha atrás (opcional)
SW5	Interruptor ventilador de la cabina (opcional)
SW6	Interruptor de la bomba de agua (opcional)
SW7	Interruptor luces de trabajo (opcional)
SW13	Interruptor luz de trabajo lado conducente (opcional)
SW14	Interruptor luz de trabajo trasera (opcional)
SW15	Interruptor luz interior del capó (opcional)
T1	Temporizador sacudidor del filtro
T2	Temporizador sacudidor del filtro 2
T3	Temporizador asiento de conducción
T4	Temporizador de seguridad GPL (sólo versión GPL)
TC	Temporizador bujías (sólo versión Diesel)

### Códigos color

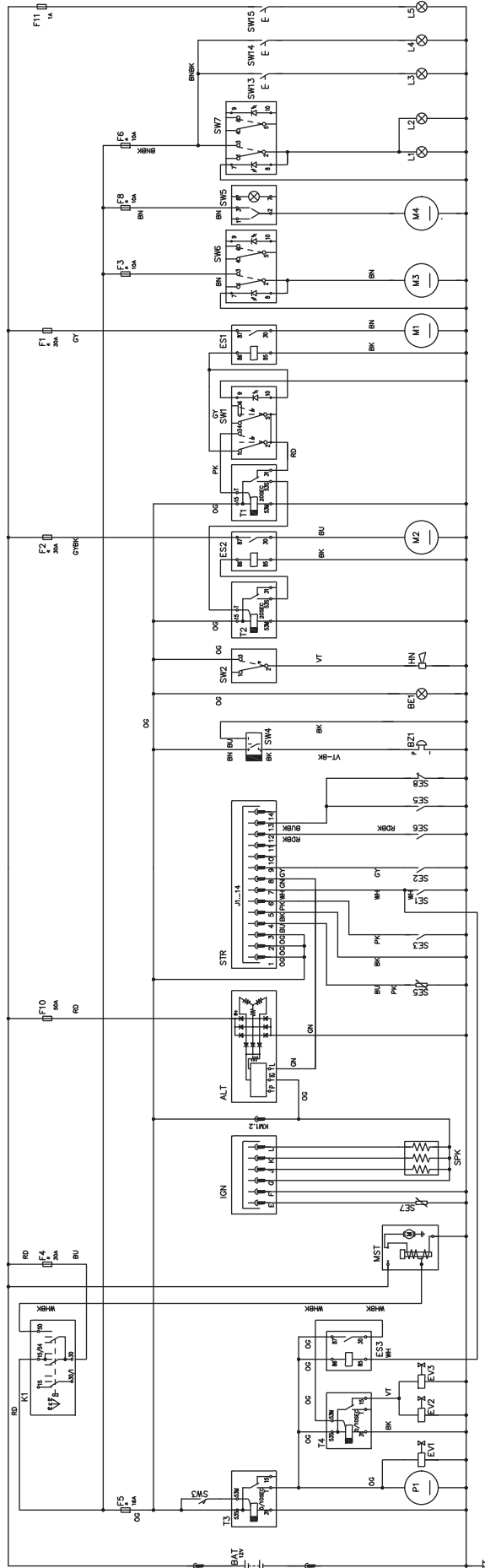
BK	Negro
BU	Azul
BN	Marrón
GN	Verde
GY	Gris
OG	Anaranjado
PK	Rosado
RD	Rojo
VT	Morado
WH	Blanco
YE	Amarillo

ESQUEMA ELÉCTRICO PROTERRA™ DIESEL (Sigue)



P100330

ESQUEMA ELÉCTRICO PROTERRA™ GPL Y GASOLINA (Sigue)

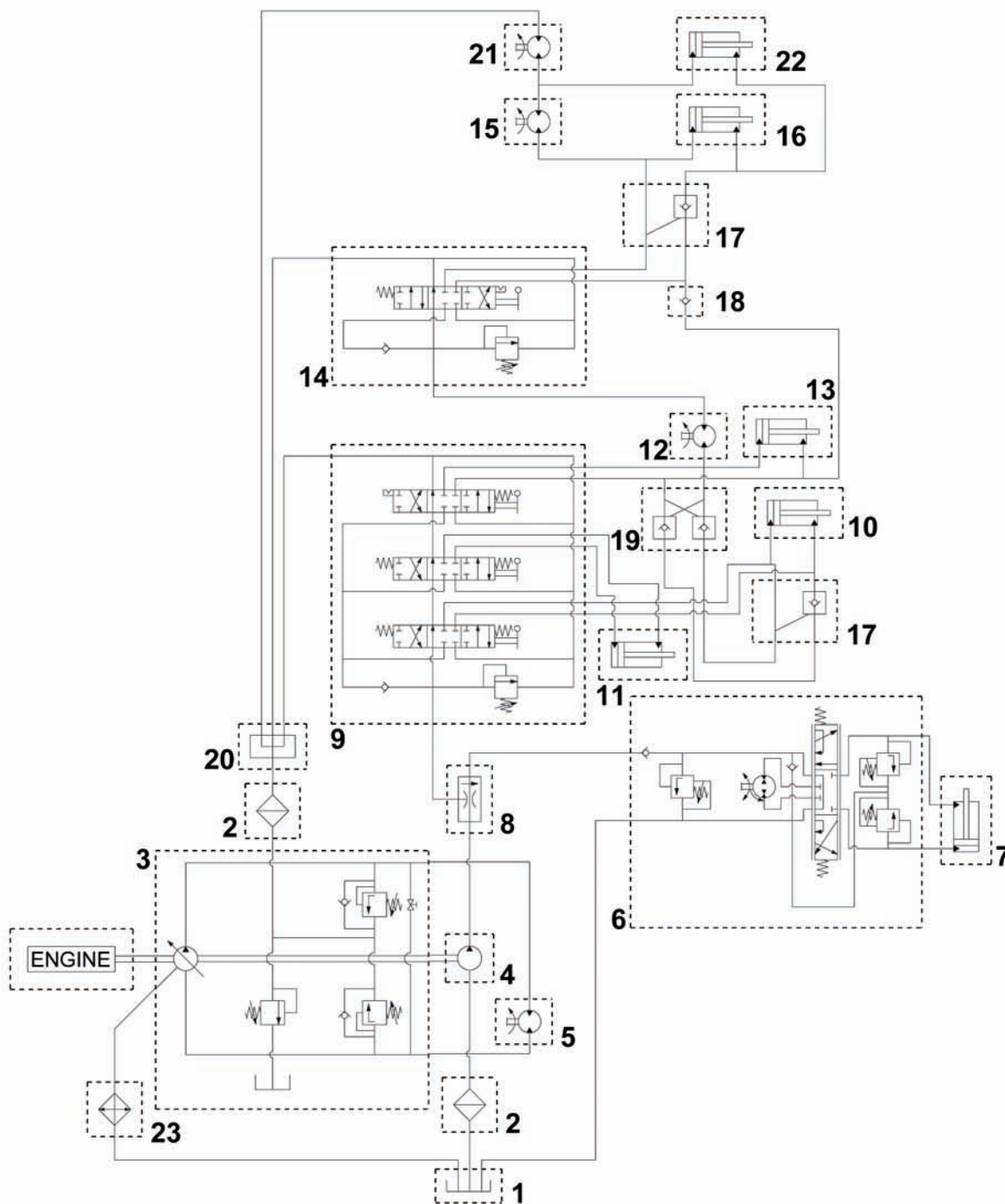




**ESQUEMA HIDRÁULICO**

**Leyenda**

- |   |   |
|---|---|
| 1. Depósito del aceite                              | 12. Motor del cepillo principal                       |
| 2. Filtro del aceite                                | 13. Cilindro del cepillo principal                    |
| 3. Bomba del sistema de tracción                    | 14. Distribuidor 1 leva                               |
| 4. Bomba de accesorios                              | 15. Motor del cepillo lateral derecho                 |
| 5. Motor del sistema de tracción                    | 16. Cilindro del cepillo lateral derecho              |
| 6. Dirección asistida                               | 17. Válvula de retención simple                       |
| 7. Cilindro de la dirección                         | 18. Válvula unidireccional                            |
| 8. Válvula prioritaria                              | 19. Válvula de retención doble                        |
| 9. Distribuidor 3 levas                             | 20. Colector  |
| 10. Cilindro de levantamiento del cajón de residuos | 21. Motor del cepillo lateral izquierdo (opcional)    |
| 11. Cilindro del flap                               | 22. Cilindro del cepillo lateral izquierdo (opcional) |
|   | 23. Radiador del aceite                               |



P100328

## PREPARACIÓN DE LA MÁQUINA PARA EL USO



### ¡ATENCIÓN!

*En unas partes de la máquina hay unas placas adhesivas que indican:*

- **PELIGRO**
- **ATENCIÓN**
- **ADVERTENCIA**
- **CONSULTAS**

Leyendo este manual, el operador tiene que aprender el sentido de los símbolos indicados en las placas. Por ninguna razón estas placas deben cubrirse y si están dañadas tienen que sustituirse de inmediato.

## COMPROBACIONES PREVIAS A LA UTILIZACIÓN

### Antes de cada utilización:

- Controlar la máquina para comprobar si existen daños o fugas de aceite o líquido de enfriamiento.
- Controlar el nivel del líquido de enfriamiento del motor (23) (véase el párrafo específico).
- Controlar el nivel del aceite del motor (44) (véase el párrafo específico).
- Controlar el nivel del aceite hidráulico (19) (véase el párrafo específico).
- Controlar el indicador del combustible (57), si necesario desenroscar el tapón (21) e repostar.
- Controlar que la presión de los neumáticos sea 6 Bar (85 psi).
- Controlar el indicador de mantenimiento del filtro de aire (véase el párrafo específico).

### En el asiento de conducción:

- El operador debe conocer todos los controles y sus funciones.
- Ajustar el asiento con la palanca (40) para alcanzar cómodamente todos los controles.
- Introducir la llave de encendido (64) y girarla en posición "I":
  - Controlar el funcionamiento correcto del avisador acústico (65), del cuentahoras (56) y de los faros (69, opcional).
  - Colocar la llave de encendido (64) en "O".
- Controlar el freno de estacionamiento (35 y 36). El freno debe mantenerse en posición de estacionamiento sin que se suelte con facilidad (comunicar inmediatamente cualquier defecto al personal de servicio).

### Planifique la limpieza por adelantado:

- Utilizar la máquina en tramos largos, manteniendo al mínimo el número de detenciones y puestas en marcha.
- Los tramos de barrido deben solaparse unos centímetros para conseguir un barrido completo de la superficie.
- Evitar tomar las curvas bruscamente, chocar contra postes y arañar los laterales de la máquina.

## CEPILLO PRINCIPAL

Existen varios cepillos principales diferentes para esta máquina. Consultar con su revendedor Advance a fin de seleccionar el mejor cepillo para la superficie y residuos que vaya a limpiar.



### NOTA

*Para la instalación consultar el párrafo sobre el mantenimiento del cepillo principal.*

## COMBUSTIBLE



### ¡ADVERTENCIA!

- **Apagar siempre el motor antes de llenar el depósito de combustible.**
- **No fumar cuando se llena el depósito de combustible.**
- **Llenar el depósito de combustible en un lugar bien ventilado.**
- **No llenar el depósito de combustible cerca de chispas o llamas.**

## MOTOR DIESEL Y GASOLINA

(sólo para Proterra™ Diesel) Si la máquina se va a utilizar en una zona donde la temperatura es de 32 F° (0°C) o inferior, usar combustible diesel para bajas temperaturas.

(Sólo para Proterra™ Gasolina) Llenar el depósito (22) con gasolina sin plomo para vehículos.



### NOTA

*Si la máquina se queda sin combustible, el sistema de combustible debería purgarse por completo antes de volver a poner en marcha el motor. Para evitar esta situación, llenar el depósito de combustible (22) cuando el indicador del nivel de combustible (56) muestre 1/4 en el depósito. La capacidad del depósito de combustible es de 35 litros (14 gal).*

## MOTOR GPL

Montar un depósito GPL con las siguientes características:

- depósito de combustible DOT con presión de servicio mínima de 240 psig (1.7 MPa). Debe llevar marcado DOT-4BA240 o DOT-4BW240.

Conectar el tubo del combustible y abrir la válvula sobre el depósito. Se recomienda usar guantes para conectar y desconectar el tubo del combustible. Cuando la máquina no se usa, cerrar la válvula del depósito GPL.



NOTA

*Colocar correctamente el depósito GPL en posición horizontal. Tras haber conectado el tubo del combustible al depósito, controlar que no hay pérdidas de gas.*



**¡ATENCIÓN!**

**No usar la máquina en caso de pérdidas de gas. Desconectar el tubo del combustible y sustituir el depósito GPL. Si la pérdida de gas sigue existiendo, desconectar el tubo del combustible y contactar el Centro de asistencia Advance.**

## USO DE LA MÁQUINA

La Proterra™ es una máquina automática de barrido de suelos sobre ruedas. Los controles han sido diseñados para su utilización con un solo toque. Para el barrido de una sola pasada, el operador puede simplemente bajar el cepillo principal y todas las funciones de barrido estarán listas para empezar.

### ANTES DE LA PUESTA EN MARCHA DE LA MÁQUINA

1. El operador debe conocer todos los controles y sus funciones.
2. Planificar su limpieza por adelantado. Utilizar la máquina en tramos largos y rectos, manteniendo al mínimo el número de giros.
3. Compruebe el pedal de freno (35). El pedal debería estar firme.



**¡ATENCIÓN!**

**Si el pedal está “esponjoso” o pierde potencia bajo presión, no conducir la máquina. Comunicar inmediatamente cualquier defecto al personal de servicio.**

### PUESTA EN MARCHA Y PARADA DE LA MÁQUINA

#### Puesta en marcha de la máquina



NOTA

*El asiento de conducción (32) está equipado de un sensor de seguridad para permitir que la máquina se ponga en marcha y se mueva sólo cuando el operador está sentado en el asiento.*

4. (sólo para Proterra™ Diesel) Girar la llave de encendido (64) en sentido horario hacia la posición “I” y mantenerla en esta posición hasta que el indicador de bujías de precalentamiento (63) se apague. Saltar este paso si el motor ha estado funcionando y ya está caliente.  
(Sólo para Proterra™ GPL) Abrir lentamente la válvula de seguridad sobre el depósito GPL (50). Tirar de la palanca del estérter (68).  
(Sólo para Proterra™ Gasolina) Tirar de la palanca del estérter (68).
5. Girar la llave de encendido (64) en sentido horario hasta la posición “II” y soltarla en cuanto arranque el motor. Si el motor no arranca en 15 segundos, soltar la llave, esperar 1 minuto y volver a realizar los pasos 1 y 2 de nuevo.  
(Sólo para Proterra™ GPL y Gasolina) Después del arranque, dejar girar el motor durante unos segundos, luego desactivar el estérter (68).
6. Antes de usar la máquina, dejar el motor al mínimo durante 5 minutos llevando la palanca del régimen del motor (51) en la posición de régimen mínimo.
7. Desactivar el freno de estacionamiento.
8. Llevar la palanca del régimen del motor (51) en la posición de régimen de trabajo, luego conducir la máquina durante 2 o 3 minutos a baja velocidad para calentar el sistema hidráulico.
9. Aplicar con el pie una presión uniforme en la parte delantera del pedal de marcha (37) para ir delante o en la parte trasera para ir hacia atrás.  
La velocidad de marcha se puede ajustar de cero al valor máximo según la presión aplicada al pedal.



**¡ATENCIÓN!**

**Durante los virajes, evitar bruscos cambios de direcciones, tener mucho cuidado y conducir siempre la máquina a baja velocidad, especialmente cuando el cajón de residuos está lleno o sobre pendientes.**

**Conducir la máquina lentamente en pendientes. Usar el pedal de freno (35) para controlar la velocidad de la máquina al descender las pendientes.**

**No girar la máquina en una pendiente; conducir en línea recta hacia arriba o hacia abajo.**

#### Parada de la máquina

10. Parar la máquina soltando el pedal (37).  
Para parar la máquina rápidamente, pisar también el pedal del freno (36).
11. Apagar la máquina llevando la llave de encendido (64) en posición “O”, luego sacarla.
12. Activar el freno de estacionamiento.

## FRENO DE ESTACIONAMIENTO

1. Activar el freno de estacionamiento pisando contemporáneamente los pedales (35) y (36).
2. Desactivar el freno de estacionamiento pisando y soltando el pedal (35).



### ¡ATENCIÓN!

**Activar siempre el freno de estacionamiento antes de efectuar operaciones de mantenimiento y cuando se aparca la máquina sobre pendientes.**

## BARRIDO

Seguir las instrucciones de la sección "Preparación de la máquina para el uso" del manual.

1. Llevar la máquina a la zona de trabajo como indicado en el párrafo anterior.
2. Controlar y bajar el cajón de residuos mediante la palanca (54).
3. Bajar y activar el cepillo principal con la palanca (53).



### ¡ADVERTENCIA!

**Evitar que los cepillos sigan funcionando durante demasiado tiempo mientras que la máquina está parada en un punto: la máquina podría dejar signos en el suelo.**



### NOTA

**El portillo de descarga del cajón de residuos se abre automáticamente cuando el cepillo principal se baja y se cierra automáticamente cuando el cepillo principal se levanta.**

4. Pulsar la parte superior del interruptor (66) para activar el ventilador de aspiración y el sistema de control de polvos. Volver a encender el ventilador de aspiración y el sistema de control de polvo cuando la máquina haya vuelto a una superficie totalmente seca.
5. Bajar y activar el cepillo lateral (9) (15, opcional) mediante la palanca (52). Si presente, usar el sistema de control de polvo con el interruptor (67, opcional).
6. Conducir la máquina hacia delante en línea recta a velocidad de paso rápido. Conducir la máquina más despacio si barre una gran cantidad de suciedad o residuos o si así lo exige la seguridad. Cada pasada debe coincidir con la anterior en una banda de 5.9 in (15 cm).
7. Para que la máquina funcione correctamente es necesario que el filtro polvos sea lo más limpio posible. Para limpiarlo durante el barrido, activar el sacudidor del filtro pulsando la parte inferior del interruptor (66), luego reactivar el ventilador de aspiración y el sistema de control de polvo pulsando la parte superior del interruptor (66) tras haber completado el sacudimiento. Repetir esta operación en media cada 10 minutos durante el trabajo (cambiar el intervalo sobre la base de la cantidad de polvo presente en el ambiente que se debe limpiar).



### NOTA

**Esta operación puede efectuarse también cuando la máquina está en movimiento.**



### ¡ADVERTENCIA!

**Cuando el cajón de residuos está lleno, la máquina no puede más recoger polvo y residuos.**

8. Mire de vez en cuando detrás de la máquina para comprobar si está recogiendo los residuos. Si queda suciedad tras el paso de la máquina, esto indica que la máquina va demasiado rápida, que debe ajustarse el cepillo principal o que el cajón de residuos (47) está lleno. El cajón de residuos (47) se debe vaciar después de cada periodo de trabajo y cada vez que está lleno (para el relativo procedimiento véase el párrafo siguiente).



### ¡ATENCIÓN!

**Cuando se debe usar la máquina sobre suelos mojados, desactivar el sistema de aspiración y el sistema de control de polvo con el interruptor (66) para proteger el filtro de polvos.**

## VACIADO DEL CAJÓN DE RESIDUOS



### ¡PELIGRO!

**Vaciar el cajón de residuos sólo cuando la máquina se encuentra sobre suelos llanos. No levantar nunca el cajón de residuos sobre pendientes.**



### NOTA

*El espacio mínimo de descarga hasta el techo para el vaciado de la tolva es de 108.2 in (275 cm).*

1. Levantar el cepillo principal con la palanca (53).
2. Si el cepillo principal no se levanta, pulsar la parte inferior del interruptor (66) para activar el sacudidor del filtro y limpiar el filtro de polvos (12).



### NOTA

*Activar el sacudidor del filtro cuando el cajón de residuos está bajado.*

3. Situar la máquina en el área adecuada para vaciar el cajón de residuos o junto a un contenedor de basura grande.
4. Levantar el cajón de residuos con la palanca (54) hasta la altura de descarga deseada.



### NOTA

*El portillo de descarga se cierra automáticamente cuando se usa la palanca (54) para levantar el cajón de residuos. Se puede recuperar el control del portillo de descarga mediante la palanca (55) en cuanto el cajón de residuos empiece a elevarse, por tanto, se puede descargar a cualquier altura si fuera necesario.*

5. Conducir la máquina hasta que el cajón de residuos quede sobre el contenedor y poner el freno de estacionamiento.
6. Abrir el portillo de descarga mediante la palanca (55) y vaciar el cajón de residuos.



### NOTA

*Si no se descarga en un contenedor de basura, se recomienda vaciar un poco para evitar propagar el polvo suspendido en el aire.*



### ¡ATENCIÓN!

**Si es necesario efectuar cualquier operación de mantenimiento debajo del cajón de residuos levantado o cerca de él, levantar el cajón por completo mediante la palanca (54), luego tirar de la manija de bloqueo (39) para comprobar que el soporte de seguridad (5) se encuentre colocado. El soporte de seguridad del cajón de residuos mantiene el cajón en posición levantada para permitir la realización de operaciones debajo del cajón. No se limitarse nunca a los componentes hidráulicos de la máquina solamente para soportar el cajón de residuos.**

7. Tirar de la manija de bloqueo (39) para colocar el soporte de seguridad (5), luego bajar un poco el cajón de residuos (54) para bloquearlo.
8. Controlar el portillo del cajón de residuos y la guarnición delantera. Si es necesario, utilizar una escoba para retirar los residuos de estas zonas.  
Para el correcto funcionamiento de la máquina, el portillo del cajón de residuos debe quedar herméticamente cerrado contra el alojamiento de los cepillos.
9. Volver al compartimento del operador. Desactivar el freno de estacionamiento. Mover la máquina hasta que el cajón de residuos se pueda bajar.
10. Levantar el cajón de residuos mediante la palanca (54), empujar la manija de bloqueo (39) hasta que el soporte de seguridad (5) se desbloquea, luego bajar el cajón de residuos.

## DESPUÉS DEL USO DE LA MÁQUINA

1. Pulsar la parte inferior del interruptor (66) para activar el sacudidor del filtro, limpiar el filtro de polvos del cajón de residuos y vaciar el cajón (ver el párrafo anterior).
2. Levantar el cepillo principal con la palanca (53).
3. Apagar todos los mandos.
4. Colocar la palanca del régimen del motor (51) en posición de régimen mínimo y dejar el motor al mínimo durante 25 - 30 segundos.  
(Sólo para **Proterra™ GPL**) Cerrar la válvula sobre el depósito GPL (50), luego tener el motor en marcha hasta la completa expulsión del combustible de los tubos (hasta que el motor se para).
5. Apagar la máquina llevando la llave de encendido (64) en posición "O", luego sacarla.
6. Activar el freno de estacionamiento.
7. Consulte el programa de mantenimiento y efectuar todas las operaciones de mantenimiento necesarias antes de guardar la máquina.
8. Llevar la máquina a un lugar interior de almacenamiento.



### NOTA

*Es seguro limpiar esta máquina con una limpiadora a presión mientras que no se pulverice directamente dentro de los componentes eléctricos. Dejar que la máquina se seque completamente antes de cada uso.*

Comunicar cualquier defecto o funcionamiento incorrecto observado durante el uso de la máquina al Centro de asistencia Advance o a la persona encargada del mantenimiento.

## PERIODO DE LARGA INACTIVIDAD DE LA MÁQUINA

Si se piensa que la máquina no va a ser usada durante 30 días o más, efectuar las operaciones siguientes:

1. Dejar la máquina en un lugar seco y limpio.
2. Vaciar el depósito de agua del sistema de control de polvo (4) y limpiar el filtro de agua (30, opcional).
3. Desconectar el conector negativo (-) de la batería (3).
4. Controlar el motor (44) como indicado en el manual relativo.

## PRIMER PERIODO DE USO

Después del primer período de uso (primeras 5 horas) es necesario:

1. Controlar que los dispositivos de fijación y conexión de la máquina estén apretados.
2. Controlar que las partes visibles no estén dañadas y que no haya pérdidas de líquidos.
3. Sustituir el aceite del motor (véase el capítulo Mantenimiento).

## MANTENIMIENTO

Un mantenimiento cuidadoso y continuo garantiza la vida útil y la seguridad de funcionamiento de la máquina.

El esquema siguiente resume el mantenimiento programado. Los períodos indicados pueden variar según las condiciones de trabajos, que el encargado del mantenimiento debe establecer.

Todas las operaciones de mantenimiento programado o extraordinario deben ser efectuadas por el personal calificado o por un Centro de asistencia Advance.

Este manual, después del esquema de mantenimiento, se describen sólo los procedimientos de mantenimiento más sencillos y frecuentes. Para las operaciones de mantenimiento no indicadas en el esquema de mantenimiento programado y las operaciones de mantenimiento extraordinario, véase el Manual de asistencia disponible en los Centros de asistencia.



### ¡ATENCIÓN!

**Las operaciones de mantenimiento deben efectuarse con la máquina apagada, llave quitada, freno de estacionamiento activado y, si necesario, con las baterías desconectadas.**

**Antes de efectuar las operaciones de mantenimiento, leer cuidadosamente todas las instrucciones del capítulo Seguridad.**

## ESQUEMA DE MANTENIMIENTO PROGRAMADO



## NOTA

La frecuencia de mantenimiento indicada corresponde a condiciones normales de uso. Si la máquina se utiliza en condiciones más duras, puede ser necesario el mantenimiento con mayor frecuencia.

Procedimiento	Al momento de la entrega	Mantenimiento diario	Después de las primeras 50 horas	Cada 30 horas	Cada 150 horas	Cada 300 horas	Cada 1.000 horas
Control del líquido de enfriamiento motor							
Control del nivel del aceite del motor							
Control nivel aceite hidráulico							
Control del freno de estacionamiento							
Limpieza de los cepillos principal y laterales							
Sustitución del aceite del motor			(1)		(1)		
Sustitución cartucho filtro del aceite			(1)		(1)		
Control de la correa trapecial			(1)	(1)			
Control del circuito del líquido de enfriamiento motor			(1)				
Control de la batería							
Control y limpieza del filtro de agua del sistema de control de polvo (opcional)							
Limpieza del filtro de aire del motor				(2)			
Limpieza del radiador del motor y del radiador del aceite							
Control y ajuste de los cepillos							
Control y limpieza del filtro de polvos del cajón de residuos (método "A")				(2)			
Control de la integridad, de la altura y del funcionamiento de los flaps							
Control de la integridad de las guarniciones del cajón de residuos							
Mantenimiento del motor					(1) - (3)		
Lubricación de los cojinetes de la dirección y de los pistones hidráulicos					(1)		
Sustitución del filtro del aceite hidráulico del depósito					(1)		
Sustitución del filtro del aceite hidráulico de la bomba					(1)		
Control y limpieza del filtro de polvos del cajón de residuos (método "B")					(2)		
Sustitución filtro combustible						(1)	
Torsión de tornillos y racores del combustible						(1)	
Control y limpieza del filtro de polvos del cajón de residuos (método "C")						(2)	
Sustitución del filtro para "recarga" del aceite hidráulico							(1)
Sustitución del aceite hidráulico del depósito							(1) - (4)

(1) Para el procedimiento relacionado, véase el Manual de asistencia.

(2) O más frecuentemente en áreas polvorientas.

(3) Mantenimiento de competencia de un concesionario KUBOTA autorizado.

(4) Sustituir el aceite hidráulico por primera vez después de 500 horas, en seguida cada año.

## MANTENIMIENTO DEL CEPILLO PRINCIPAL

Para obtener un mayor rendimiento, el cepillo principal debe cambiarse cuando las cerdas estén gastadas hasta una longitud de 2 in (50 mm).

### Sustitución cepillo principal



#### ¡ATENCIÓN!

*Durante la sustitución del cepillo lateral se recomienda usar guantes por que residuos cortantes podrían estar encastrados en las cerdas.*



#### NOTA

*Hay cepillos con cerdas más o menos duras. Este procedimiento es aplicable por cada uno de estos tipos.*

1. Llevar la máquina sobre un suelo llano y liso.
2. Activar el freno de estacionamiento.
3. Girar la llave de encendido (64) y poner en marcha la máquina.
4. Bajar el cepillo principal con la palanca (53).
5. Girar la llave de encendido (64) en "O" para apagar la máquina.
6. Abrir el panel derecho (18).
7. Desplazar el flap lateral derecho (A, Fig. 2) y fijarlo con el perno de bloqueo (B).
8. Abrir el conjunto del brazo (C) hasta sacarlo del núcleo del cepillo principal (D).



#### NOTA

*El brazo está sujeto por el panel derecho (18).*

9. Quitar el cepillo principal (D) de su alojamiento y quitar las cuerdas o alambres que puedan haber quedado enrollados en él y en los cubos.
10. Sustituir el cepillo y volver a colocarlo en su alojamiento. Asegurarse de que esté correctamente colocado y que los huecos en el núcleo del cepillo principal (D) encajen en los pernos (E) del cubo de transmisión (F) y de que el cepillo esté completamente asentado.
11. Cerrar y volver a colocar el conjunto brazo (C) en el núcleo del cepillo principal.



#### NOTA

*Asegurarse de que las lengüetas del brazo encajen con las ranuras (G) (lado derecho) en el núcleo del cepillo.*

12. Volver a colocar el flap lateral derecho y cerrar el panel derecho (18) hasta que la palanca de bloqueo se enganche.

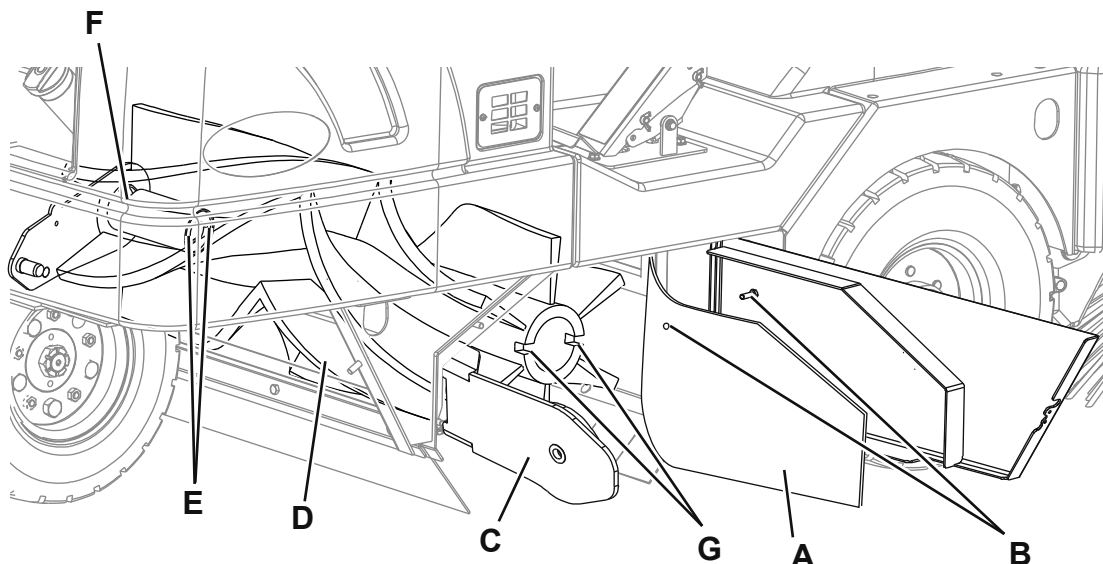


Figura 2

P100321



### Ajuste de la altura del cepillo principal



**NOTA**

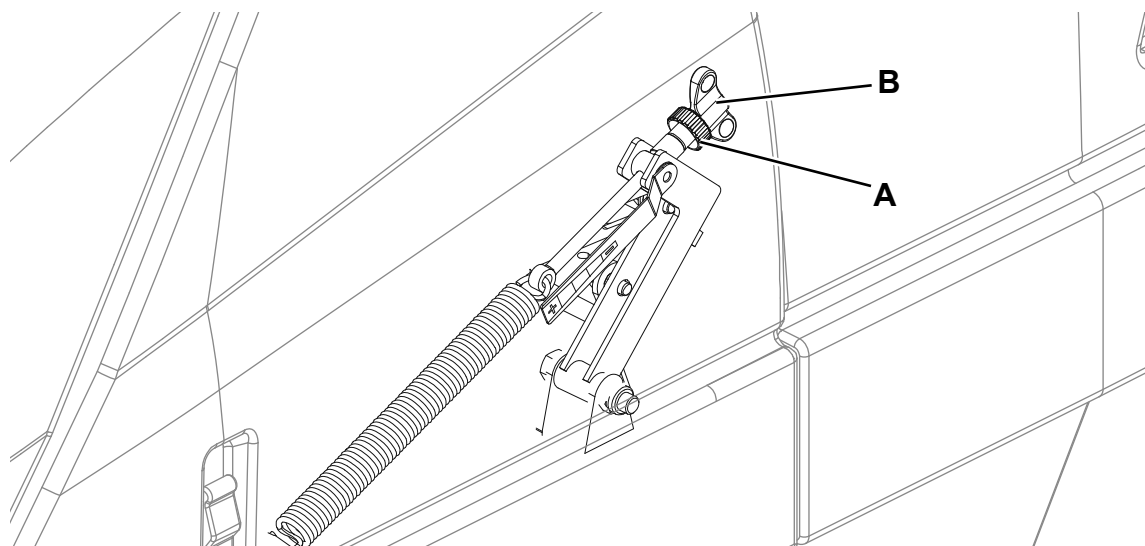
*Hay cepillos con cerdas más o menos duras.  
Este procedimiento es aplicable por cada uno de estos tipos.*

1. Llevar la máquina sobre un suelo llano y liso.
2. Activar el freno de estacionamiento.
3. Girar la llave de encendido (64) y poner en marcha la máquina.
4. Bajar el cepillo principal con la palanca (53) y dejarlo girar durante 1 minuto.
5. Esto permite barrer una "banda" del suelo. Al cabo de 1 minuto, levantar el cepillo, soltar el freno de estacionamiento y mover la máquina para que quede visible la banda barrida.
6. Controlar la banda barrida del suelo. Si su anchura es inferior a 2 in (50 mm) o superior a 3 in (75 mm), será necesario ajustar el cepillo principal.
7. Para ajustar, abrir el capó del compartimiento del motor (1) con el pulsador de desbloqueo (25), soltar la perilla (A, Fig. 3) y usar la empuñadura de ajuste (B) del cepillo principal teniendo en cuenta que:
  - Girando en sentido horario la presión y la anchura de barrido del cepillo disminuyen.
  - Girando en sentido antihorario la presión y la anchura de barrido del cepillo aumentan.
 Luego bloquear el dispositivo de ajuste con la perilla (A).
8. Repetir los pasos 2-7 hasta que la banda barrida presente una anchura de 2-3 in (50-75 mm).



**NOTA**

*Si no es posible ajustar correctamente la huella y la anchura de la banda barrida no es la misma en ambos extremos del cepillo, véase el procedimiento relacionado en el Manual de asistencia.*



**Figura 3**

P100322

## MANTENIMIENTO DEL CEPILLO LATERAL

### Ajuste del cepillo lateral



**NOTA**

*Hay cepillos con cerdas más o menos duras.  
Este procedimiento es aplicable por cada uno de estos tipos.*

1. Llevar la máquina sobre un suelo llano y liso.
2. Activar el freno de estacionamiento.
3. Girar la llave de encendido (64) y poner en marcha la máquina.
4. Bajar el cepillo lateral con la palanca (52) y dejarlo girar durante 1 minuto.
5. Cuando están bajados, los cepillos laterales (9) (15, opcional) deben contactar el suelo como indicado en la figura (A y B, Fig. 4).
6. Para ajustar, aflojar la perilla (A, Fig. 5) y usar la empuñadura de ajuste (B) del cepillo lateral teniendo en cuenta que:
  - Girando en sentido horario la presión del cepillo disminuye.
  - Girando en sentido antihorario la presión del cepillo aumenta.
 Luego bloquear el dispositivo de ajuste con la perilla (A).
7. Repetir los pasos 1-5 para controlar que la altura de los cepillos laterales sea correcta.
8. Si el cepillo está demasiado consumado no se puede ajustar más, sustituir el cepillo como indicado en el párrafo siguiente.



**NOTA**

*Para su uso eficaz, el cepillo lateral (9) (15, opcional) debe sustituirse cuando las cerdas estén gastadas hasta una longitud de 3 in (75 mm). La altura del cepillo lateral debe volver a ajustarse cada vez que se sustituye el cepillo.*

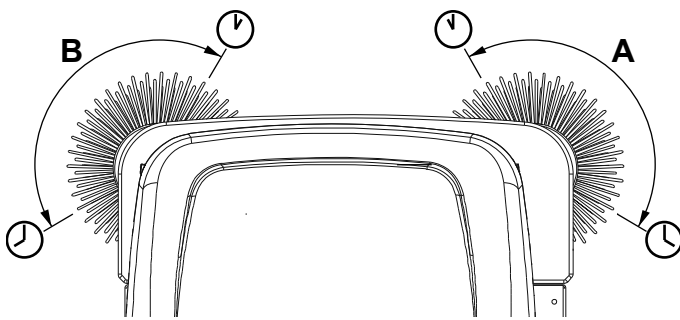


Figura 4

P100323

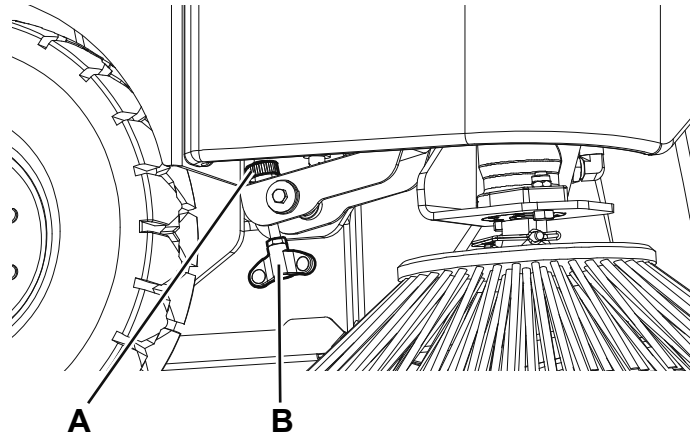


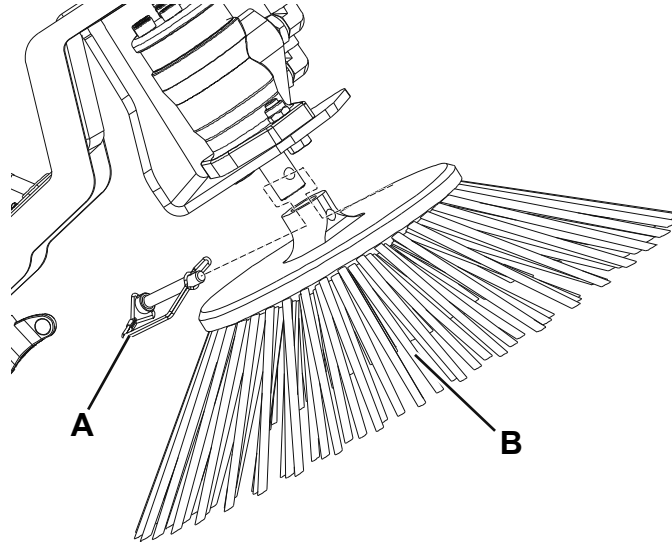
Figura 5

P100324

**Sustitución cepillo lateral****¡ATENCIÓN!**

*Durante la sustitución del cepillo lateral se recomienda usar guantes por que residuos cortantes podrían estar encastrados en las cerdas.*

1. Levantar el cajón de residuos hasta que el cepillo lateral se encuentre a la altura del pecho aproximadamente.
2. Desenganchar el resorte de seguridad para quitar el perno de enganche (A, Fig. 6) y quitar el cepillo lateral (B) del eje del motor.
3. Instalar el nuevo cepillo en el eje del motor, alinear el orificio con el perno y volver a colocar el perno de enganche (A).

**Figura 6**

P100325

## MANTENIMIENTO DEL FILTRO DE POLVOS (FILTRO DE PANEL)

El filtro de polvos del cajón de residuos debe limpiarse con regularidad para mantener la eficacia del sistema de aspiración. Respetar la frecuencia de mantenimiento recomendada para conseguir la máxima duración del filtro.



### ¡ATENCIÓN!

- **Llevar puestas unas gafas protectoras para limpiar el filtro.**
- **No perforar el filtro.**
- **Limpiar el filtro en una zona bien ventiladas.**
- **Utilizar una mascarilla adecuada para evitar respirar el polvo.**

1. Llevar la máquina sobre un suelo llano, activar el freno de estacionamiento y Girar la llave de encendido (64) en "O".
2. Abrir las cerraduras (6), abrir el capó del cajón de residuos (16) y bloquearlo con la barra de soporte (17) colocándola correctamente.
3. Inspeccionar la parte superior del filtro de polvos (12) para comprobar si existe algún deterioro. La acumulación de gran cantidad de polvo en la parte superior del filtro suele deberse a la presencia de agujeros en el filtro o a daños en la guarnición.
4. Desenroscar las cuatro perillas de fijación (13) del conjunto sacudidor del filtro. Levantar el conjunto sacudidor del filtro (11) para acceder al panel del filtro.
5. Levantar el filtro de polvos (12) para quitarlo de la máquina.
6. Limpiar el filtro de acuerdo con uno de los siguientes métodos:

### Método "A"

Aspirar el polvo del filtro. A continuación, golpear suavemente el filtro contra una superficie plana (con el lado sucio hacia abajo) para eliminar el polvo y la suciedad.



#### NOTA

*No dañar el borde metálico que se extiende más allá de la guarnición.*

### Método "B"

Aspirar el polvo del filtro. A continuación, aplicar aire comprimido [presión máxima 87 psi (6 Bar)] al lado limpio del filtro (en dirección contraria a la corriente de aire).

### Método "C"

Aspirar el polvo del filtro. A continuación, introducir el filtro en agua templada durante 15 minutos, aclararlo con un chorro suave de agua [presión máxima 36 psi (2.5 Bar)]. Dejar secar completamente el filtro antes de volver a colocarlo en la máquina.



#### NOTA

*Para que el filtro se seque completamente, apoyarlo horizontalmente sobre dos distanciadores para que el aire circule por debajo del filtro mismo.*



#### NOTA

*Para una limpieza más profunda, se podría eventualmente limpiar el filtro con agua y un detergente no espumógeno. Se recuerda que, este tipo de limpieza, si bien sea mejor cualitativamente, reduce la duración del filtro que, por consecuencia, tendrá que sustituirse más frecuentemente. El uso de detergentes no adecuados puede dañar el filtro.*

7. Para instalar el filtro, efectuar las instrucciones en el orden inverso, prestando atención a lo siguiente:
  - Instalar el filtro con la redecilla boca arriba.
  - Si la guarnición del filtro está rota o falta, debe instalarse una nueva.



#### NOTA

*Antes de sustituir el filtro, eliminar los residuos de la placa de polvo situada debajo del filtro. Comprobar que el flanco de residuos en la parte trasera de la placa de polvo se mueve libremente.*

## MANTENIMIENTO DEL FLAP

### Operaciones preliminares

1. Vaciar el cajón de residuos como indicado en párrafo específico para evitar que el peso de los residuos afecte el control de la altura de los flaps.
2. Llevar la máquina sobre un suelo llano y adecuado para controlar la altura de los flaps.
3. Colocar la llave de encendido (64) en "O".
4. Activar el freno de estacionamiento.

### Control de los flaps

5. Abrir el portillo derecho (18) y el portillo izquierdo (2).
6. Quitar el cepillo principal como indicado en el párrafo específico.
7. Controlar los flaps delantero y trasero del alojamiento del cepillo. Sustituir o ajustar los flaps desgarrados o desgastados tanto que tienen una altura superior a 0.2 in (6 mm) (véase el procedimiento en el Manual de asistencia).

## LIMPIEZA DEL FILTRO DE AGUA DEL SISTEMA DE CONTROL DE POLVO (OPCIONAL)

1. Llevar la máquina sobre un suelo llano, activar el freno de estacionamiento y Girar la llave de encendido (64) en "O".
2. Desenganchar el acoplamiento rápido (A, Fig. 7) de la tubería del depósito.
3. Desmontar el panel izquierdo (2) para acceder al filtro de agua (30).
4. Quitar la tapa transparente (B) con la guarnición (C), luego quitar la rejilla filtrante (D). Limpiarlos e instalarlos en el soporte (E).



### NOTA

Colocar correctamente la guarnición (C) y la rejilla filtrante (D) en los alojamientos de la tapa y del soporte (E).

5. Montar en orden contrario al desmontaje.

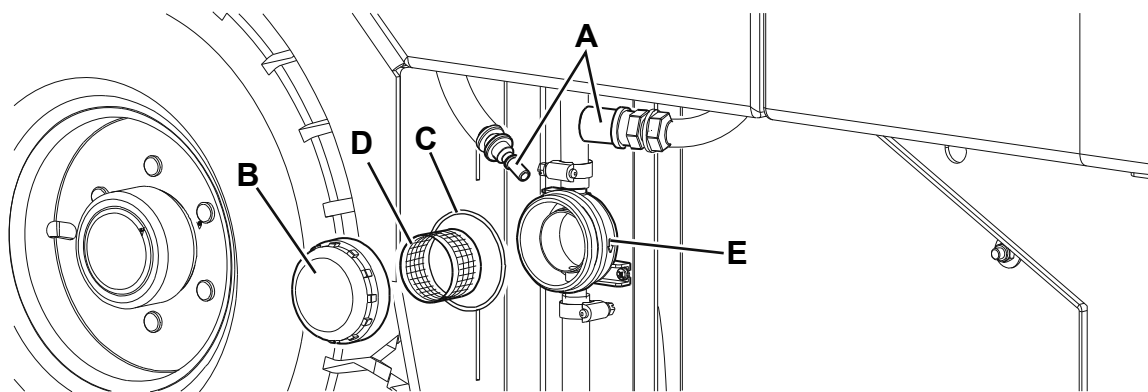


Figura 7

P100329

**ACEITE HIDRÁULICO**



**¡ATENCIÓN!**  
**No tocar las partes calientes.**  
**Dejar que el motor y el sistema hidráulico se enfrien.**

1. Llevar la máquina sobre un suelo llano, activar el freno de estacionamiento y Girar la llave de encendido (64) en "O".
2. Abrir el capó del compartimiento del motor (1) con el pulsador de desbloqueo (25).
3. Desmontar el capó lateral izquierdo (4) abriendo la cerradura, si necesario quitar el tubo del filtro de agua (30, opcional).
4. Controlar el nivel del aceite hidráulico a través del indicador en el depósito (19).  
 El nivel del aceite hidráulico debe estar en la mitad del indicador.  
 Si está por debajo de este nivel, desenroscar el tapón (20) y añadir aceite hidráulico AGIP Arnica 46.  
 Sustituir el aceite y los filtros si se produce una contaminación grave debida a un fallo mecánico (véase el procedimiento en el Manual de asistencia).

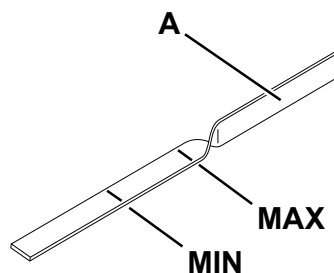


Figura 8

P100329A

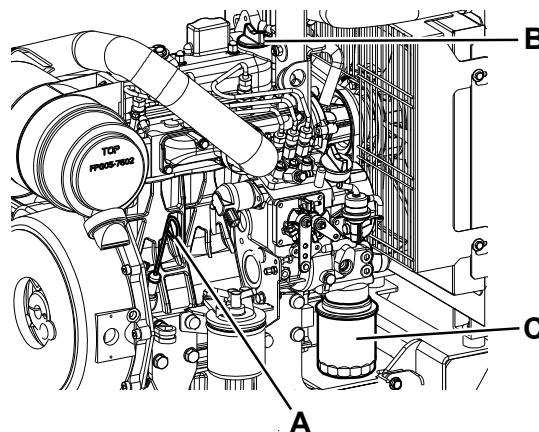
**ACEITE DEL MOTOR**



**¡ATENCIÓN!**  
**No tocar las partes calientes.**  
**Dejar enfriar el motor.**

1. Llevar la máquina sobre un suelo llano, activar el freno de estacionamiento y Girar la llave de encendido (64) en "O".
2. Abrir el capó del compartimiento del motor (1) con el pulsador de desbloqueo (25).
3. Controlar el nivel del aceite del motor con la varilla (A, Fig. 8-9-10) antes de cada utilización.  
 Si necesario, abrir el tapón (B, Fig. 9-10) y añadir aceite del motor.  
 (Véase procedimiento en el Manual relacionado).
4. Sustituir el aceite del motor al cabo de las primeras 50 horas de funcionamiento y, con posterioridad, cada 150 horas.  
 El filtro del aceite (C) debe cambiarse cada vez que se cambie el aceite (véase el procedimiento en el Manual de asistencia).  
 Según la temperatura del aire en el lugar de utilización de la máquina, usar el tipo de aceite indicado en la tabla siguiente:

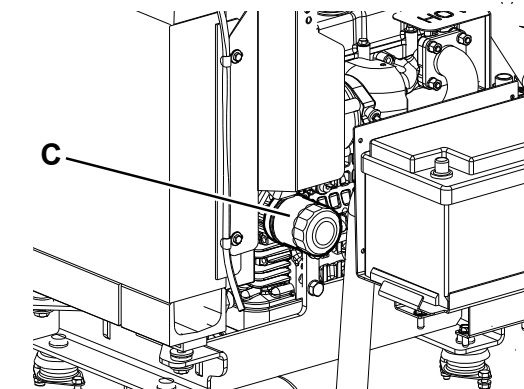
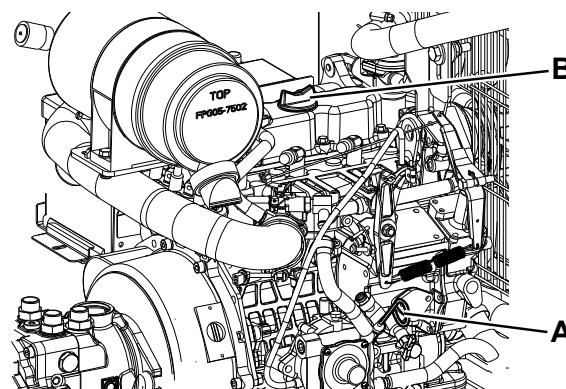
TEMPERATURA	TIPO DE ACEITE
Por encima de 15°C (60°F)	SAE 10W-30
Por debajo de 15°C (60°F)	SAE 5W-30



Proterra™ Diesel version

Figura 9

P100329D



Proterra™ LPG and Gasoline version

Figura 10

P100329P

## LIMPIEZA DEL FILTRO DE AIRE DEL MOTOR

1. Llevar la máquina sobre un suelo llano, activar el freno de estacionamiento y Girar la llave de encendido (64) en "O".
2. Abrir el capó del compartimiento del motor (1) con el pulsador de desbloqueo (25).
3. Controlar el indicador de mantenimiento del filtro de aire del motor (27) cada vez antes del uso de la máquina.



### NOTA

*Después de limpiar o cambiar el filtro de aire del motor, el indicador de mantenimiento se puede resetear pulsando el extremo del indicador mismo.*



### ¡ATENCIÓN!

*Cuando se efectúan operaciones de mantenimiento en los elementos del filtro de aire, tener mucho cuidado para impedir que el polvo suelto penetre en el motor. El polvo podría dañarlo gravemente.*

4. Abrir la tapa del filtro de aire del motor (24), quitar el prefiltro de papel y el filtro sintético.
5. Limpiar los filtros de aire del motor y/o efectuar el mantenimiento del cartucho del filtro de aire del motor (24) como indicado en el manual del motor.

## LÍQUIDO DE ENFRIAMIENTO DEL MOTOR



### ¡ATENCIÓN!

*No quitar el tapón del radiador (23) cuando el motor está caliente.*

1. Llevar la máquina sobre un suelo llano, activar el freno de estacionamiento y Girar la llave de encendido (64) en "O".
2. Abrir el capó del compartimiento del motor (1) con el pulsador de desbloqueo (25).
3. Dejar que el motor y el líquido de enfriamiento se enfríen, luego desenroscar con cuidado el tapón del radiador (23) para desfogar la presión.
4. Quitar el tapón del radiador (23) y controlar el líquido de enfriamiento.  
Si el nivel es bajo, añadir una mezcla de agua y líquido anticongelante para vehículos, como indicado en el manual del motor.

## CONTROL/SUSTITUCIÓN/REACTIVACIÓN DE LOS FUSIBLES

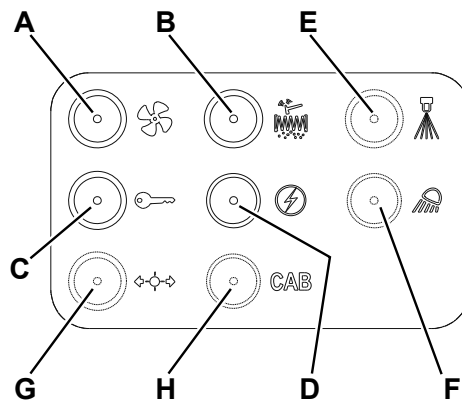
### Control de los fusibles

1. Llevar la máquina sobre un suelo llano.
2. Activar el freno de estacionamiento.
3. Llevar la llave de encendido (64) en posición "O" y sacarla.
4. Controlar en el panel (38) la desactivación de los siguientes fusibles (Fig. 11):
  - (A): F1 (30 A), sistema de aspiración
  - (B): F2 (16 A), sacudidor del filtro
  - (C): F4 (30 A), llave de encendido
  - (D): F5 (16 A), accesorios del motor
  - (E): F3 (10 A), boquillas del sistema de control de polvo (opcional)
  - (F): F6 (10 A), luz de trabajo (opcional)
  - (G): F7, sistema de iluminación (opcional)
  - (H): F8, ventilador cabina (opcional)

Reactivar el fusible desactivado, tras haber esperado el enfriamiento del componente que causó la desactivación.

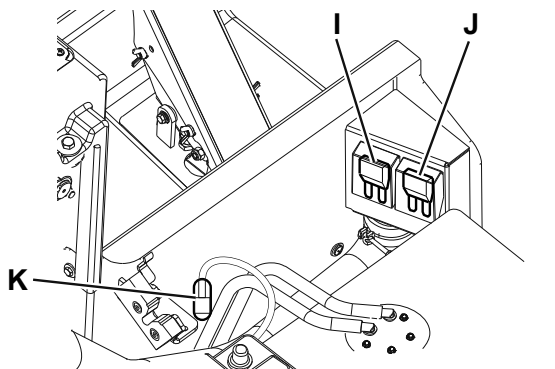
### Control/sustitución de los fusibles

1. Llevar la máquina sobre un suelo llano.
2. Activar el freno de estacionamiento.
3. Llevar la llave de encendido (64) en posición "O" y sacarla.
4. Abrir el capó del compartimiento del motor (1) con el pulsador de desbloqueo (25).
5. En el área del asiento de conducción, quitar las tapas de protección y controlar la integridad de los siguientes fusibles (Fig. 12-13):
  - (I): F9 (50 A), bujías de precalentamiento (sólo para Proterra™ Diesel)
  - (J): F10 (50 A), alternador
  - (K): F11 (1 A), luz interior del capó (opcional)
6. Cerrar el capó del compartimiento del motor (1).



P100326

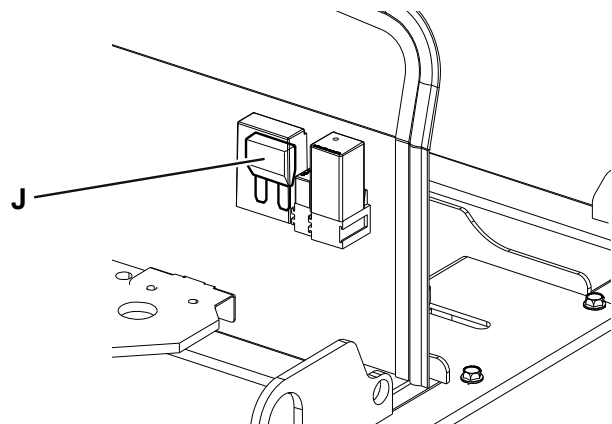
Figura 11



Proterra™ Diesel and Gasoline version

P100327

Figura 12



Proterra™ LPG version

P100327LPG

Figura 13



**BÚSQUEDA AVERÍAS**

Problema	Probable causa	Remedio
La máquina no se mueve	La batería está desconectada	Conectar la batería
	La máquina no tiene combustible	Poner combustible
	Desconexión de algún fusible	Conectar de nuevo los fusibles desconectados
	El freno de estacionamiento está activado	Desactivar
	El tornillo de desbloqueo hidráulico no está en posición correcta	Girar correctamente
El cepillo principal no funciona	La palanca está en posición de levantamiento del cepillo principal	Bajar el cepillo principal con la palanca
	Residuos atascados en la transmisión del cepillo	Quitar los residuos
	El cajón de residuos no está bajado del todo	Bajar del todo el cajón de residuos
	Desconexión de algún fusible	Conectar de nuevo los fusibles desconectados
La máquina recoge pocos residuos/polvo	El sistema de aspiración está apagado	Encender el sistema de aspiración con el interruptor
	El filtro de polvos está obstruido	Limpiar el filtro de polvos
	El cajón de residuos está lleno	Vaciar el cajón de residuos
	Los flaps están rotos o no correctamente ajustados	Controlar la integridad y el ajuste de los flaps (*)
	La altura del cepillo principal no es correcta	Ajustar la altura del cepillo
	Desconexión de algún fusible	Conectar de nuevo los fusibles desconectados
El cepillo lateral no funciona	La palanca está en posición de levantamiento del cepillo lateral	Bajar el cepillo lateral con la palanca
	Residuos atascados en la transmisión del cepillo	Quitar los residuos
	El cajón de residuos no está bajado del todo	Bajar del todo el cajón de residuos
El portillo de descarga del cajón de residuos no se cierra	Atascamiento de la puerta de descarga por la presencia de residuos	Quitar los residuos y limpiar los bordes de la cámara sucia
El motor del sacudidor del filtro no funciona	El conector del motor del sacudidor del filtro no está correctamente conectado	Reactivar la conexión
	Desconexión del fusible de protección	Conectar de nuevo el fusible
El sistema de control de polvo (opcional) no funciona	El interruptor está averiado	Sustituir el interruptor (*)
	Boquillas o filtro de agua obstruidos	Limpiar
	Avería de la bomba	Sustituir
	Desconexión del fusible de protección	Conectar de nuevo el fusible

(\*) Procedimiento que debe efectuarse en un Centro de asistencia Advance.

Para informaciones suplementarias consultar el Manual de asistencia en los Centros de asistencia Advance.

## DESGUACE

Efectuar el desguace de la máquina en un demoledor calificado.

Antes de eliminar la máquina es necesario quitar y separar los siguientes materiales y eliminarlos según las actuales normas de higiene ambiental:

- Baterías
- Filtro de polvo de poliéster
- Cepillos principal y laterales
- Aceite del motor
- Aceite del sistema hidráulico
- Filtros del aceite del sistema hidráulico
- Tubos y componentes de plástico
- Componentes eléctricos y electrónicos (\*)

(\*) En particular, para el desguace de componentes eléctricos y electrónicos, contactar con un centro de asistencia Advance.

## ÍNDICE

<b>INTRODUÇÃO</b> .....	<b>2</b>
OBJECTIVO E CONTEÚDO DO MANUAL .....	2
DESTINATÁRIOS .....	2
CONSERVAÇÃO DO MANUAL .....	2
DADOS DE IDENTIFICAÇÃO .....	2
OUTROS MANUAIS DE REFERÊNCIA .....	2
PEÇAS DE SUBSTITUIÇÃO E MANUTENÇÃO .....	3
MODIFICAÇÕES E MELHORIAS .....	3
CAPACIDADE DE OPERAÇÃO .....	3
CONVENÇÕES .....	3
<b>DESEMBALAGEM/ENTREGA</b> .....	<b>3</b>
<b>SEGURANÇA</b> .....	<b>4</b>
SÍMBOLOS UTILIZADOS .....	4
INSTRUÇÕES GERAIS .....	4
SUPORTE DE SEGURANÇA DO DEPÓSITO DE RESÍDUOS .....	7
ELEVAÇÃO DA MÁQUINA ATRAVÉS DE MACACOS .....	7
TRANSPORTE DA MÁQUINA .....	7
EMPURRAR/REBOCAR A MÁQUINA .....	7
<b>DESCRIÇÃO DA MÁQUINA</b> .....	<b>8</b>
ESTRUTURA DA MÁQUINA .....	8
ESTRUTURA DA MÁQUINA (Continuação) .....	9
PAINEL DE CONTROLO E COMANDOS .....	10
ACESSÓRIOS / OPCIONAIS .....	11
CARACTERÍSTICAS TÉCNICAS .....	11
DIAGRAMA ELÉCTRICO .....	12
DIAGRAMA HIDRÁULICO .....	15
<b>PREPARAÇÃO DA MÁQUINA PARA A UTILIZAÇÃO</b> .....	<b>16</b>
LISTA DE CONTROLO ANTES DA UTILIZAÇÃO .....	16
ESCOVA CILÍNDRICA PRINCIPAL .....	16
COMBUSTÍVEL .....	16
MOTOR DIESEL E GASOLINA .....	16
MOTOR GPL .....	17
ANTES DO ARRANQUE DA MÁQUINA .....	17
ARRANQUE E PARAGEM DA MÁQUINA .....	17
TRAVÃO DE ESTACIONAMENTO .....	18
MÁQUINA EM MARCHA .....	18
ESVAZIAMENTO DO DEPÓSITO DE RESÍDUOS .....	19
APÓS A UTILIZAÇÃO DA MÁQUINA .....	20
INACTIVIDADE PROLONGADA DA MÁQUINA .....	20
PRIMEIRO PERÍODO DE UTILIZAÇÃO .....	20
<b>MANUTENÇÃO</b> .....	<b>20</b>
PLANO DE MANUTENÇÃO PROGRAMADA .....	21
MANUTENÇÃO DA ESCOVA CENTRAL .....	22
MANUTENÇÃO DA ESCOVA LATERAL .....	24
MANUTENÇÃO DO FILTRO DE CONTROLO DAS POEIRAS (FILTRO DE PAINÉIS) .....	26
MANUTENÇÃO DOS FLAPS .....	27
LIMPEZA DO FILTRO DA ÁGUA DO SISTEMA DE ELIMINAÇÃO DAS POEIRAS (OPCIONAIS) .....	27
ÓLEO HIDRÁULICO .....	28
ÓLEO DO MOTOR .....	28
LIMPEZA DO FILTRO DO AR DO MOTOR .....	29
LÍQUIDO DE ARREFECIMENTO DO MOTOR .....	29
CONTROLO/SUBSTITUIÇÃO/REPOSIÇÃO DOS FUSÍVEIS .....	30
<b>RESOLUÇÃO DE PROBLEMAS</b> .....	<b>31</b>
<b>FIM DE VIDA</b> .....	<b>32</b>

## INTRODUÇÃO



NOTA

Os números indicados entre parêntesis referem-se aos componentes ilustrados no capítulo Descrição da máquina.

### OBJECTIVO E CONTEÚDO DO MANUAL

Este manual tem como objectivo fornecer ao operador todas as informações necessárias para poder utilizar a máquina da maneira mais adequada, autónoma e segura possível. O manual compreende informações inerentes à parte técnica, à segurança, ao funcionamento, ao desligamento da máquina, à manutenção, às peças de substituição e ao fim de vida.

Antes de efectuar qualquer operação na máquina, os operadores e os técnicos qualificados devem ler cuidadosamente as instruções contidas no presente manual. Em caso de dúvidas sobre a correcta interpretação das instruções, contacte a Advance para obter os esclarecimentos necessários.

### DESTINATÁRIOS

O presente manual destina-se quer ao operador, quer aos técnicos qualificados de manutenção da máquina.

Os operadores não devem executar intervenções reservadas aos técnicos qualificados. A Advance não se responsabiliza por danos resultantes do não cumprimento desta proibição.

### CONSERVAÇÃO DO MANUAL

O Manual de utilizador deve ser conservado próximo da máquina, dentro de seu estojo, protegido contra os líquidos e tudo mais que possa comprometer seu estado de legibilidade.

### DADOS DE IDENTIFICAÇÃO

O número de série e o modelo da máquina estão indicados na placa (10) colocada no chassis.

O ano de produção da máquina está indicado na declaração de conformidade, além de ser indicado pelos primeiros dois dígitos do número de série da própria máquina.

O número de série e o modelo do motor diesel estão indicados na placa (31).

Estas informações são necessárias para encomendar as peças de substituição para a máquina e o motor. Utilize o espaço seguinte para anotar os dados de identificação da máquina e do motor.

Modelo da MÁQUINA .....
-------------------------

Número de série da MÁQUINA .....
----------------------------------

Modelo do MOTOR .....
-----------------------

Número de série do MOTOR .....
--------------------------------

### OUTROS MANUAIS DE REFERÊNCIA

- Manual do motor, fornecido com a máquina, que deve ser considerado parte integrante deste manual.
- Além disso, encontram-se disponíveis os seguintes manuais:
  - Catálogo das peças de substituição (fornecido com a máquina)
  - Manual de assistência (pode ser consultado nos centros de assistência da Advance)

## PEÇAS DE SUBSTITUIÇÃO E MANUTENÇÃO

Em caso de necessidade relativa à utilização, à manutenção e à reparação, consulte o pessoal qualificado ou directamente os Centros de assistência Advance. Utilize sempre peças de substituição e acessórios originais.

Para assistência e para encomendar peças de substituição e acessórios, contacte a Advance, especificando sempre o modelo e o número de série.

## MODIFICAÇÕES E MELHORIAS

A Advance procura constantemente aperfeiçoar os produtos e reserva-se o direito de efectuar modificações e melhorias, quando necessário, sem a obrigação de modificar as máquinas vendidas anteriormente.

Fica estipulado que qualquer modificação e/ou acréscimo de acessórios devem ser explicitamente aprovados e realizados pela Advance.

## CAPACIDADE DE OPERAÇÃO

A máquina de varrer foi concebida e fabricada para limpar/varrer pisos lisos e sólidos, em espaços públicos e industriais, bem como para a recolha de poeiras e detritos leves, em condições de segurança verificada, por parte de um operador qualificado.

## CONVENÇÕES

Todas as referências de para frente, para trás, dianteiro, traseiro, direito e esquerdo indicadas neste manual devem ser consideradas como se referindo ao operador sentado na posição de condução no banco (32).

## DESEMBALAGEM/ENTREGA

No momento da entrega da máquina, verifique com atenção que a embalagem e a máquina não tenham sido danificadas. Se notar qualquer dano, guarde a embalagem para que possa ser vista por parte do transportador responsável pela entrega. Contacte imediatamente a empresa de entregas para preencher um pedido de indemnização pelos danos.

- Verifique que o fornecimento da máquina corresponde à seguinte lista:
  - Manual do utilizador da máquina de varrer
  - Manual do motor
  - Catálogo das peças de substituição da máquina de varrer
- Depois de ter removido a embalagem, remova os blocos de madeira perto das rodas.
- Verifique o nível do líquido de arrefecimento e do óleo do motor.
- Controle o nível do óleo hidráulico.
- Siga as instruções indicadas na secção “Preparação da máquina para a utilização” e, em seguida, encha o depósito de combustível.
- Coloque uma rampa ao lado da parte dianteira da paleta.
- Leia cuidadosamente as instruções contidas nas secções “Disposição e painel de controlo e comandos” e “Utilização da máquina” e ligue o motor. Conduza devagar a máquina para a frente, descendendo a rampa até o chão.



### ATENÇÃO!

**Accione a máquina de varrer com muito cuidado.**

**Antes de utilizar a máquina de varrer, é importante conhecer perfeitamente todas as instruções de funcionamento.**

**Caso tenha alguma pergunta, contacte o seu supervisor e o Concessionário Industrial Advance local.**

**Se a máquina de varrer não funcionar correctamente, não tente corrigir o problema, a menos que o seu supervisor não tenha dado instruções nesse sentido. Contacte um mecânico qualificado da empresa ou um responsável pela assistência do Concessionário Advance, para que execute as modificações necessárias à máquina.**

**Utilize esta máquina com muito cuidado. Gravatas, roupas largas, cabelo comprido, anéis e pulseiras podem ficar presos nas partes em movimento.**

**Antes de trabalhar na máquina, coloque a chave de ignição (64) em “O” e retire-a, engate o travão de estacionamento e desligue a bateria.**

**Com senso comum, siga as normas de segurança e preste atenção aos autocolantes amarelos colocados na máquina.**

**Faça avançar a máquina devagar nas superfícies inclinadas. Em superfícies inclinadas, controle a velocidade de marcha utilizando o pedal dos travões (35).**

**Não vire em superfícies inclinadas; proceda em linha directa na subida ou na descida.**

**O grau de inclinação máximo durante o transporte com um modelo de 3 cilindros é igual a 15%.**

## SEGURANÇA

São utilizados os seguintes símbolos para assinalar eventuais situações de perigo. Leia sempre estas informações com atenção e tome as devidas precauções para proteger as pessoas e os objectos.

A colaboração do operador é essencial para evitar acidentes. Nenhum programa de prevenção de acidentes pode ser eficaz sem a total colaboração da pessoa directamente responsável pelo funcionamento da máquina. A maioria dos acidentes, que podem ocorrer numa fábrica, no trabalho ou nas deslocações, resultam do incumprimento das mais elementares normas de segurança. Um operador atento e prudente é a melhor garantia contra os acidentes e indispensável para implementar qualquer programa de prevenção.

### SÍMBOLOS UTILIZADOS

**PERIGO!**

*Indica um perigo com risco, até mortal, para o operador.*

**ATENÇÃO!**

*Indica um risco potencial de acidente para as pessoas ou de danos para os objectos.*

**ADVERTÊNCIA!**

*Indica uma advertência ou uma nota sobre funções chave ou sobre funções úteis. Preste a máxima atenção aos blocos de texto indicados com esse símbolo.*

**NOTA**

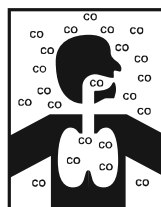
*Indica uma nota sobre funções chave ou sobre funções úteis.*

**CONSULTA**

*Indica a necessidade de consultar o Manual do utilizador antes de efectuar qualquer operação.*

### INSTRUÇÕES GERAIS

Encontram-se descritas a seguir advertências e atenções específicas para indicar os potenciais perigos de danos à máquina e às pessoas.

**PERIGO!**

- *O monóxido de carbono (CO) pode provocar lesões no cérebro ou mesmo a morte.*
- *O motor de combustão interna desta máquina emite monóxido de carbono.*
- *Não inalar os fumos dos gases de escape.*
- *Utilizar em locais fechados apenas se existir uma ventilação adequada e acompanhado.*

**PERIGO!**

- *Antes de efectuar qualquer operação de limpeza na máquina, de manutenção, de substituição de peças ou a conversão em outras funções, a bateria deve estar desligada, a chave do interruptor principal (ou de ignição) deve ser removida e o travão de estacionamento deve ser accionado.*
- *Esta máquina deve ser utilizadas apenas por pessoas que tenham tido formação apropriada. É proibida a utilização da máquina por parte de crianças e pessoas com limitações físicas.*
- *As manobras de viragem devem ser efectuadas a velocidade muito reduzida. Evite: efectuar viragens bruscas especialmente em planos inclinados, virar com o depósito de resíduos levantado.*
- *Nunca levante o depósito de resíduos em planos inclinados. A máquina tem menos estabilidade em planos inclinados ou se o depósito de resíduos estiver cheio. Controle regularmente a pressão dos pneus.*
- *Quando estiver a trabalhar próximo de componentes eléctricos, tire todas as jóias.*
- *Mantenha faíscas, chamas e materiais fumegantes/incandescentes, afastados das baterias. Gases explosivos são expelidos durante a utilização normal.*
- *Não trabalhe sob a máquina levantada, sem os suportes de elevação fixos de segurança adequados.*
- *Sempre que intervir sob a tampa do depósito de resíduos aberto, certifique-se de que a mesma não se possa fechar acidentalmente.*
- *Não opere com esta máquina em espaços onde estejam presentes poeiras, líquidos ou vapores nocivos, perigosos, inflamáveis e/ou explosivos: esta máquina não é adequada a colectar poeiras perigosas.*
- *Atenção, o combustível é altamente inflamável.*
- *Não fume nem coloque fontes de chama na zona de abastecimento ou do depósito do combustível.*
- *Efectue o abastecimento do combustível num local aberto ou num local correctamente ventilado e com o motor desligado.*
- *Antes de abrir a tampa do combustível, desligue o motor e deixe-o arrefecer durante alguns minutos.*
- *Ao encher o depósito, deixe pelo menos 4 cm de espaço vazio até ao tubo do bocal de enchimento, para permitir a expansão do combustível.*
- *Após o abastecimento de combustível, verifique que a tampa do depósito esteja firmemente fechada.*
- *Se durante o abastecimento ocorrer um derrame de combustível, limpe totalmente e deixe evaporar os vapores antes de ligar o motor.*
- *Evite o contacto do combustível com a pele e não respire os vapores. Mantenha fora do alcance das crianças.*
- *Não incline o motor numa inclinação que provoque a saída do combustível.*
- *Durante o transporte da máquina, o depósito do combustível não deve estar cheio e de qualquer modo a torneira do combustível deve estar fechada.*
- *Não pose nenhum objecto sobre o motor.*
- *Antes de efectuar qualquer intervenção no motor, desligue-o. Para evitar o arranque acidental do motor, desligue o terminal negativo da bateria.*
- *Veja também as NORMAS DE SEGURANÇA indicadas no manual do motor, o qual deve ser considerado parte integral do presente manual.*
- *Se estiverem instaladas na máquina baterias de chumbo (WET), não incline a máquina acima de 30° em relação ao plano horizontal, de modo a não provocar o derrame do líquido altamente corrosivo das baterias. Quando for necessário inclinar a máquina para manutenções, retire previamente as baterias.*
- *Não utilize a máquina na presença de fugas de gás. Desligue o tubo flexível de combustível e substitua o depósito de GPL. Se a fuga de gás persistir, desligue o tubo flexível do combustível e contacte o Centro de Assistência Advance.*

**ATENÇÃO!**

- Antes de efectuar qualquer intervenção de manutenção/reparação, leia cuidadosamente todas as instruções relativas à manutenção/reparação.
- Quando se trabalha perto ou no sistema hidráulico, vista sempre roupa e óculos de protecção.
- Preste atenção às partes quentes quando trabalhar perto do motor de propulsão, do cano de escape, do colector e do radiador.
- Tome as devidas precauções de modo que cabelos, jóias, partes das roupas soltas não fiquem presas nas partes em movimento da máquina.
- Para evitar a utilização da máquina sem autorização, remova a chave de ignição.
- Se a máquina for deixada sem vigilância, deve ser bloqueada para impedir o movimento involuntário.
- Não utilize a máquina em superfícies cujo gradiente seja superior àquele marcado na máquina.
- Utilize unicamente as escovas fornecidas com a máquina e aquelas especificadas no Manual do utilizador. A utilização de outras escovas pode pôr em causa a segurança.
- Antes de utilizar a máquina, feche todas as portinholas e/ou tampas.
- Não utilize a máquina em espaços particularmente poeirentos.
- Utilize a máquina unicamente em áreas suficientemente iluminadas.
- Se a máquina for utilizada na presença de outras pessoas, além do operador, será necessária a luz rotativa e o sinal sonoro de marcha-atrás (opcionais)
- Não lave a máquina com jactos de água directos ou sob pressão, ou com substâncias corrosivas.
- Devido à tipologia da máquina não use ar comprimido para a limpeza geral excepto para os filtros (consulte o parágrafo específico).
- Durante a utilização da máquina, preste atenção para salvaguardar a segurança das outras pessoas, especialmente das crianças.
- Não pose recipientes com líquidos na máquina.
- A temperatura de armazenamento deve estar compreendida entre 32°F e 104°F (0°C e +40°C).
- A temperatura de uso da máquina deve estar compreendida entre 32°F e 104°F (0°C e +40°C).
- A humidade deve estar compreendida entre 30% e 95%.
- Proteja sempre a máquina do sol, chuva e outras intempéries seja em estado de funcionamento ou parada. Mantenha a máquina num lugar coberto, num ambiente seco: esta máquina destina-se apenas para utilização a seco e não deve ser utilizada ou colocada no exterior em condições de humidade.
- Não utilize a máquina como meio de transporte, para puxar ou empurrar.
- Evite que as escovas estejam em funcionamento com a máquina parada para não provocar danos no piso.
- Em caso de incêndio, utilize, se for possível, um extintor de pó e não de água.
- Não encoste a estantes ou andaimes, principalmente se existir o perigo de queda de objectos.
- Adeque a velocidade de utilização às condições de aderência.
- Evite paragens súbitas quando a máquina estiver em descida. Evite viragens bruscas. Na descida, reduza a velocidade.
- A presente máquina não é aprovada para a utilização em estradas ou vias públicas.
- Não violar, em hipótese alguma, as protecções previstas para a máquina.
- Ater-se escrupulosamente às instruções previstas para a manutenção ordinária.
- Não remova, nem altere as placas colocadas na máquina.
- No caso de se verificarem anomalias no funcionamento da máquina, certifique-se de que não se devem à falta de manutenção periódica. Caso contrário, solicite a intervenção do pessoal autorizado ou do centro de assistência autorizado.
- Em caso de substituição de peças, solicite peças de substituição ORIGINAIS a um concessionário ou revendedor autorizado.
- Por motivos da segurança, e também do bom funcionamento, faça com que pessoal autorizado ou um centro de assistência autorizado execute a manutenção programada prevista no capítulo específico deste manual.
- A máquina não deve ser abandonada, no fim de seu ciclo de vida, devido à presença, em seu interior, de materiais tóxicos nocivos (baterias, óleos, plástico, etc.), sujeitos a normas que prevêm a entrega junto de centros especiais (ver o capítulo Fim de vida).
- Durante o funcionamento do motor, o silenciador aquece. Não o toque quando estiver quente para evitar queimaduras graves ou incêndios.
- O funcionamento do motor com pouco óleo pode danificá-lo gravemente. Controle o nível do óleo com o motor desligado e com a máquina na posição horizontal.
- Não faça funcionar o motor sem filtro de ar, pois provocaria danos.
- As intervenções de assistência técnica no motor devem ser executadas por um representante autorizado. Para o motor, utilize unicamente peças de substituição originais ou equivalentes. A utilização de peças de substituição de qualidade inferior pode danificar gravemente o motor.
- Veja também as NORMAS DE SEGURANÇA indicadas no manual do motor, o qual deve ser considerado parte integral do presente manual.



## SUPORTE DE SEGURANÇA DO DEPÓSITO DE RESÍDUOS



### ADVERTÊNCIA!

Antes de executar intervenções de manutenção sob ou ao lado do depósito de resíduos levantado, puxe para trás o manípulo de bloqueio (39) para garantir que o suporte de segurança (5) está em posição. O suporte de segurança (5) mantém o depósito de resíduos levantado para poder executar intervenções por baixo do mesmo. Nunca confie no facto que os componentes hidráulicos da máquina suportam de maneira segura o depósito de resíduos.

## ELEVAÇÃO DA MÁQUINA ATRAVÉS DE MACACOS



### ATENÇÃO!

Nunca trabalhe por baixo da máquina sem ter colocado os suportes e os blocos de segurança de apoio da máquina.

Para levantar a máquina com macacos, aplique-os nos pontos específicos (não instale os macacos por baixo do depósito de resíduos) - veja os pontos de elevação com macacos (8).

## TRANSPORTE DA MÁQUINA



### ATENÇÃO!

Antes de transportar a máquina num camião ou num reboque descoberto, certifique-se de que:

- Todas as portas de acesso estão bem fechadas.
- A máquina está adequadamente fixada.
- O travão de estacionamento da máquina está accionado.

## EMPURRAR/REBOCAR A MÁQUINA

A bomba hidráulica (45) está equipada com um parafuso que desactiva o sistema de tracção. O sistema previne danos no sistema hidráulico quando a máquina é rebocada/empurrada em distâncias curtas sem utilizar o motor.

Para aceder ao parafuso de desbloqueio, abra o capot do compartimento do motor (1) operando no botão de desbloqueio (25) e identifique a bomba hidráulica (45) na parte dianteira do motor (44).

Rode o parafuso sextavado encaixado (A, Fig. 1) de meia volta no sentido contrário aos ponteiros do relógio para soltar o bloqueio hidrostático entre o motor e a bomba.



### ADVERTÊNCIA!

A bomba hidráulica pode danificar-se se a máquina for rebocada com o parafuso da bomba hidráulica na posição de funcionamento normal (em posição de bloqueio).



### NOTA

Se o parafuso é deixado em função de desbloqueio, a bomba hidráulica não pode determinar o movimento da máquina.



### NOTA

Rebocar ou empurrar a máquina a passo de homem [1.8-2.8 mph (3-4.5 km/h)] e unicamente em distâncias curtas. Se a máquina deve ser deslocada em distâncias compridas, levante as rodas de tracção do chão e coloque-as num carrinho de transporte adequado.

Depois de ter empurrado/rebocado a máquina, rode o parafuso sextavado de meia volta no sentido dos ponteiros do relógio para restabelecer as funções hidráulicas.

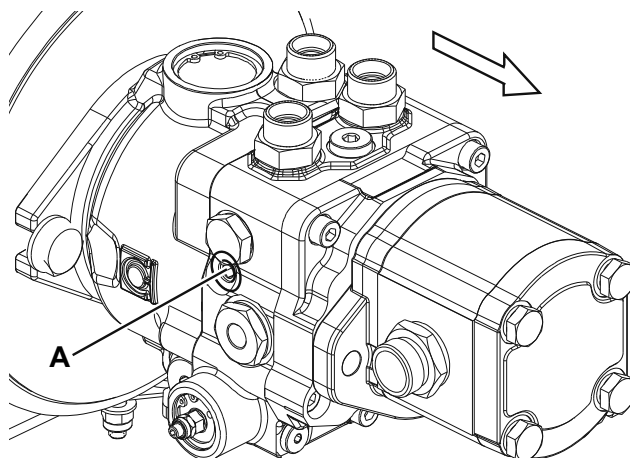


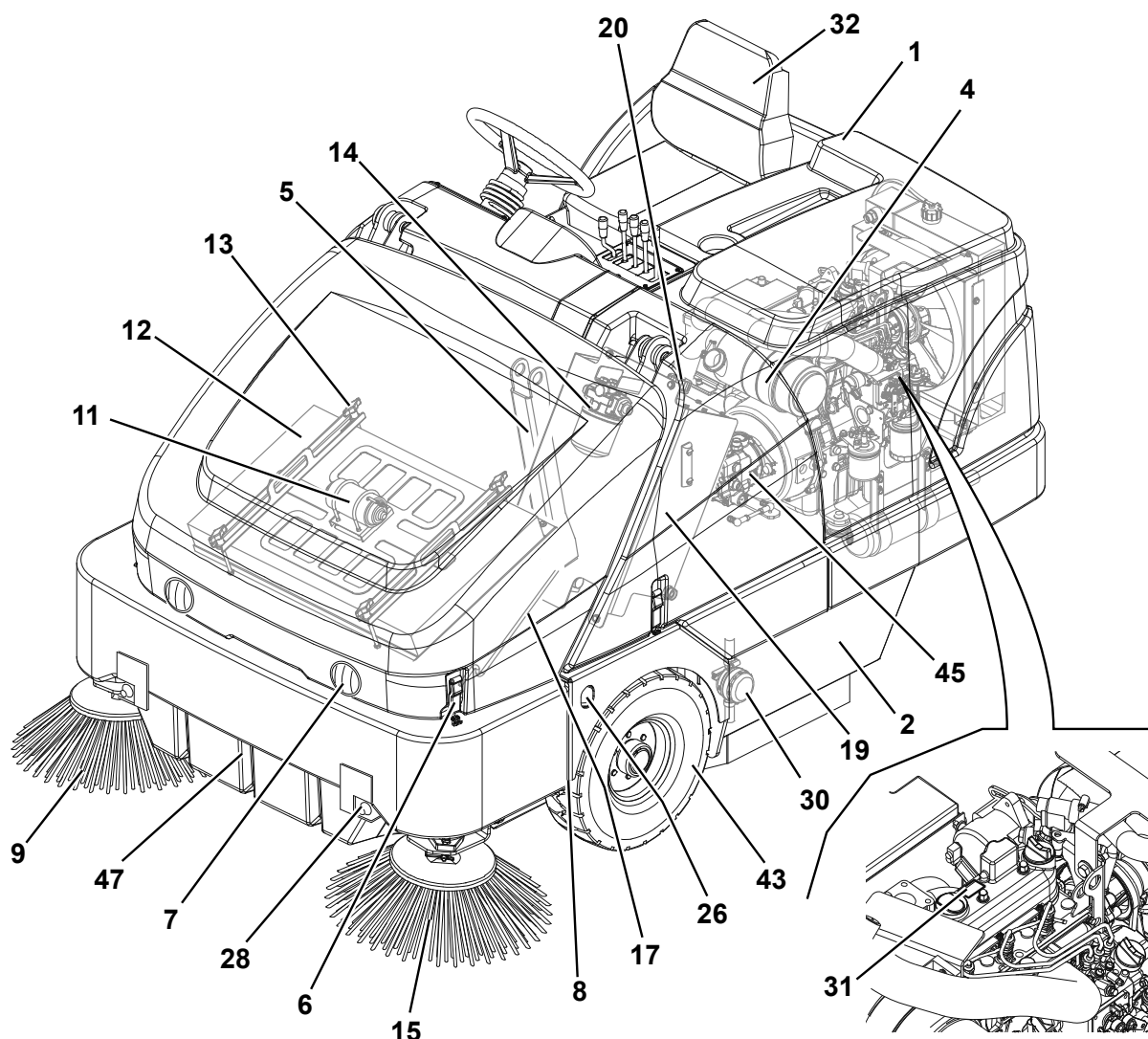
Figura 1

P100320

## DESCRIÇÃO DA MÁQUINA

### ESTRUTURA DA MÁQUINA

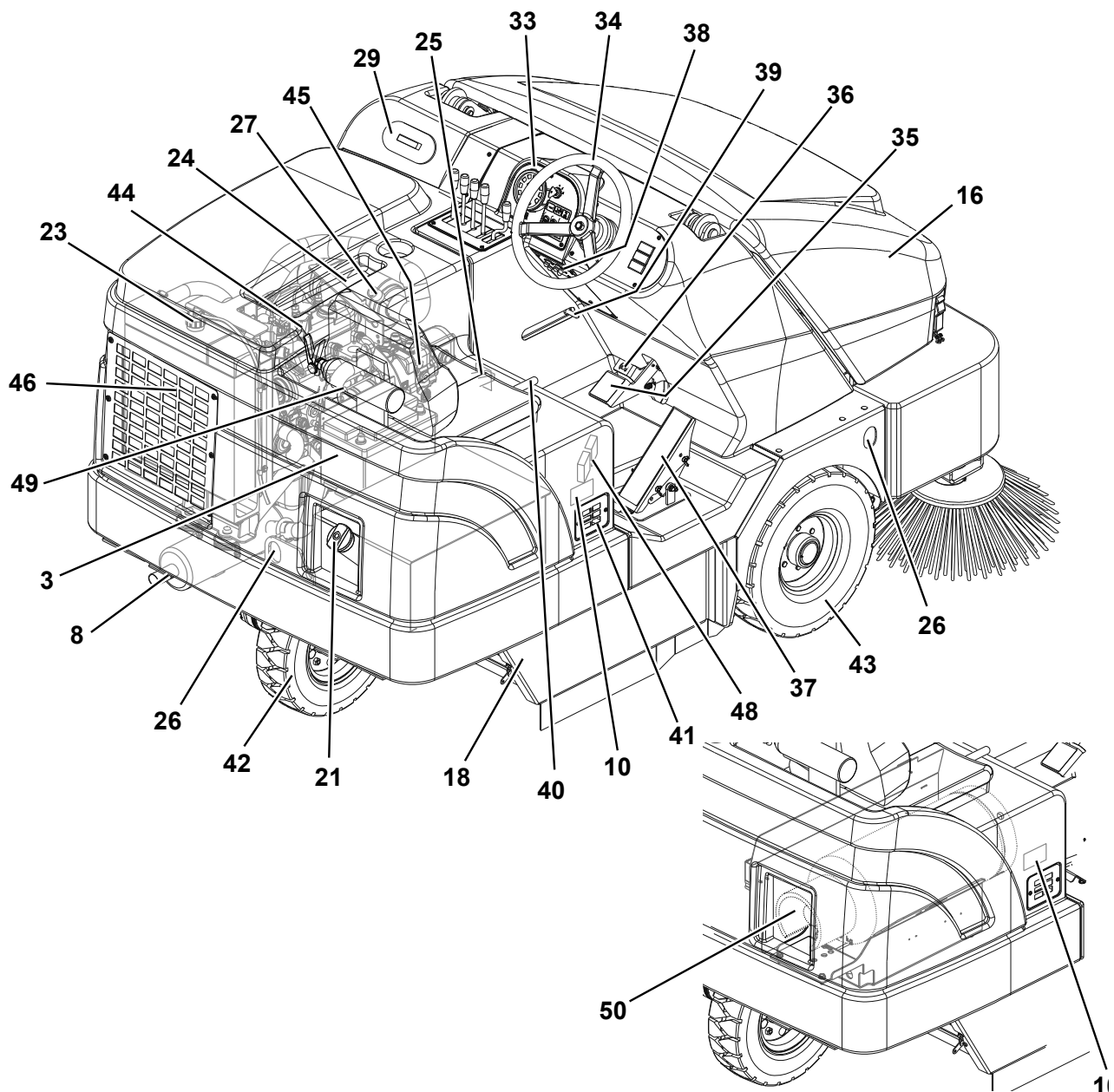
- |   |   |
|---|---|
| <ol style="list-style-type: none"> <li>1. Capot do compartimento do motor</li> <li>2. Painel esquerdo de acesso à escova central</li> <li>3. Bateria do motor</li> <li>4. Capot lateral esquerdo</li> <li>Reservatório da água do sistema de eliminação das poeiras (opcional)</li> <li>5. Suporte de segurança do depósito de resíduos</li> <li>6. Fechadura da tampa do depósito de resíduos</li> <li>7. Farol de trabalho (opcional)</li> <li>8. Pontos de elevação com macacos (o ponto traseiro está situado por baixo do radiador do motor)</li> <li>9. Escova lateral direita</li> <li>10. Placa do número de série/dados técnicos/marca de conformidade</li> <li>11. Grupo de sacudimento do filtro das poeiras de painel</li> <li>12. Filtro de controlo das poeiras do depósito de resíduos</li> <li>Filtro de painel (padrão)</li> <li>Filtro de mangas (opcional)</li> <li>13. Manipulos de fixação do grupo de sacudimento do filtro</li> <li>14. Filtro do óleo hidráulico</li> <li>15. Escova lateral esquerda (opcional)</li> </ol> | <ol style="list-style-type: none"> <li>16. Tampa depósito de resíduos</li> <li>17. Haste de suporte da tampa depósito de resíduos</li> <li>18. Painel direito de acesso para desmontagem/substituição da escova central</li> <li>19. Reservatório de óleo hidráulico</li> <li>20. Tampa do reservatório de óleo hidráulico</li> <li>21. Tampa do reservatório de combustível</li> <li>22. Depósito de combustível</li> <li>23. Tampa do radiador</li> <li>24. Filtro de ar motor</li> <li>25. Botão de desbloqueio do capot do compartimento do motor</li> <li>26. Postos de ancoragem (3)</li> <li>27. Indicador de serviço do filtro de ar</li> <li>28. Humidificadores da água do sistema de eliminação das poeiras (opcional)</li> <li>29. Tampa do reservatório da água do sistema de eliminação das poeiras (opcional)</li> <li>30. Filtro da água (opcional)</li> <li>31. Placa do modelo e do número de série do motor</li> </ol> |
|---|---|



P100317

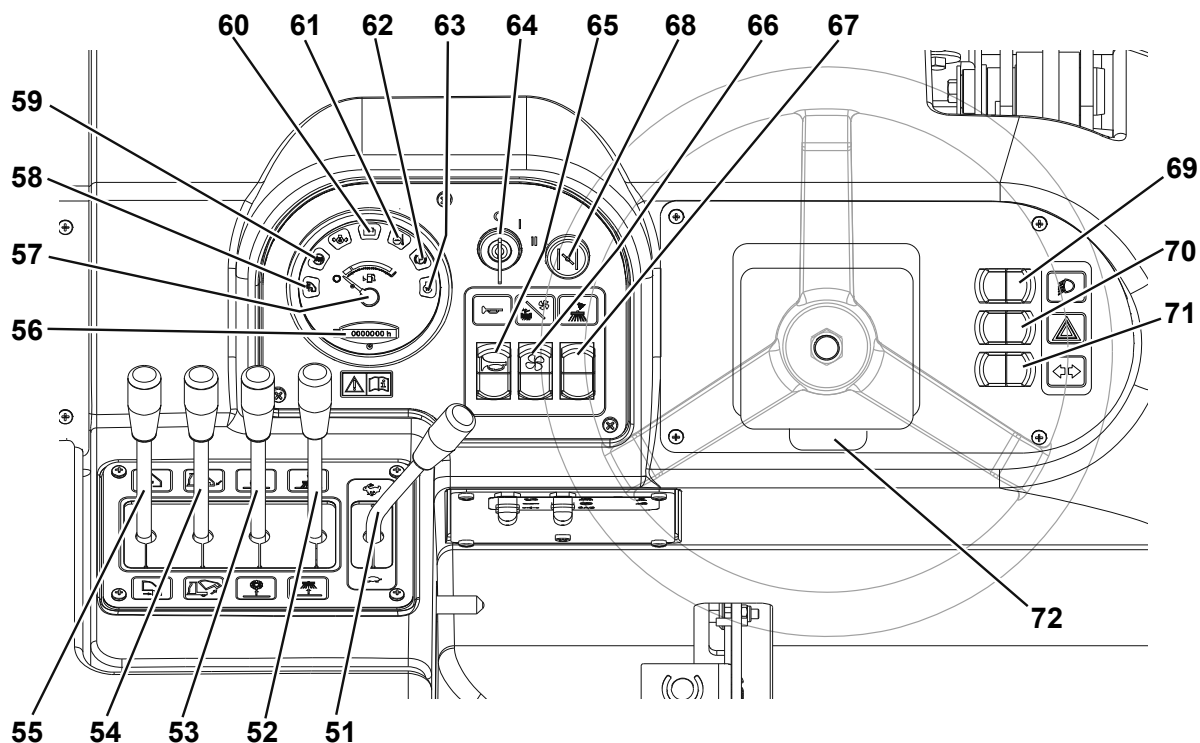
**ESTRUTURA DA MÁQUINA (Continuação)**

- 32. Banco do operador
- 33. Painel de controlo (ver o parágrafo seguinte)
- 34. Volante
- 35. Pedal do travão
- 36. Pedal do travão de estacionamento  
(A utilizar com o pedal dos travões para o bloqueio e o desbloqueio do travão de estacionamento)
- 37. Pedal de accionamento da marcha para a frente/marcha-atrás
- 38. Painel dos disjuntores (ver o parágrafo Controlo/substituição/reposição dos fusíveis)
- 39. Manípulo de bloqueio do suporte de segurança do depósito de resíduos
  - Puxe para trás para bloquear o suporte
- 40. Alavanca de regulação do banco do operador
- 41. Grelha de aspiração do ar do motor
- 42. Roda traseira direccionável de tracção
- 43. Rodas dianteiras
- 44. Motor
- 45. Bomba hidráulica
- 46. Radiador do líquido de arrefecimento do motor/ arrefecimento do óleo hidráulico
- 47. Depósito de resíduos
- 48. Fusíveis (ver o parágrafo Controlo/substituição/reposição dos fusíveis)
- 49. Extintor (opcional)
- 50. Depósito GPL



**PAINEL DE CONTROLO E COMANDOS**

51. Alavanca do regime do motor (mínimo/máximo)
  - (Posição “para frente”) do motor ao regime de trabalho
  - (Posição “para trás”) do motor ao regime mínimo
52. Alavanca das escovas laterais
  - (Posição “para frente”) da escova lateral baixada
  - (Posição “para trás”) da escova lateral levantada
53. Alavanca da escova central
  - (Posição “para frente”) da escova central baixada
  - (Posição “para trás”) da escova central levantada
54. Alavanca do depósito de resíduos
  - (Posição “para frente”) abaixamento do depósito de resíduos
  - (Posição “para trás”) elevação do depósito de resíduos
55. Alavanca da porta de descarga do depósito de resíduos
  - (Posição “para frente”) abertura da porta de descarga
  - (Posição “para trás”) fecho da porta de descarga
56. Contador de horas
57. Indicador do nível do combustível
58. Indicador luminoso de alta temperatura do depósito de resíduos
59. Indicador luminoso de depósito de resíduos entupido
60. Indicador luminoso do carregador de bateria
61. Indicador luminoso de alta temperatura do líquido de arrefecimento do motor
62. Indicador luminoso do travão de estacionamento
63. Indicador luminoso de pré-aquecimento das velas
64. Chave de ignição:
  - Rodada em “O” para o motor e desactiva todas as funções da máquina.
  - Rodada em “I” activa as várias funções da máquina.
  - Rodada em “II” liga o motor.
 Assim que o motor arrancar, solte a chave que voltará na posição “I”.
65. Interruptor avisador acústico
66. Interruptor do dispositivo de sacudimento do filtro/sistema de aspiração
  - (Posição inferior) activação do sacudimento do filtro
  - (Posição superior) activação da ventoinha de aspiração e controlo das poeiras
67. Interruptor do sistema de eliminação das poeiras (opcional)
68. Dispositivo de arranque a frio do motor (apenas para versões GPL e Gasolina)
69. Interruptor das luzes de trabalho (opcional)
70. Interruptor das luzes de emergência (opcional)
71. Interruptor dos indicadores de direcção (opcional)
72. Alavanca de regulação do volante (opcional)



## ACESSÓRIOS / OPCIONAIS

Além dos componentes existentes na versão padrão, a máquina pode ser equipada com os seguintes acessórios/opcionais, com base na utilização específica da mesma:

- Escova lateral esquerda
- Escovas central e laterais com cerdas mais rígidas ou mais macias em relação às normais
- Filtro poeiras em poliéster (estanque)
- Sensor do filtro entupido
- Sistema de eliminação das poeiras
- Extintor
- Luzes dianteiras
- Luz de trabalho
- Luz rotativa intermitente
- Roda anti-rasto
- Volante regulável
- Banco com suspensões
- Cinto de segurança
- Protecção das escovas laterais
- Tecto de protecção
- Retrovisores
- Extintor
- Pára-choques traseiro
- Sinal sonoro marcha-atrás
- Protecção do depósito de resíduos
- Tapete anti-derrapante

Para mais informações relativas aos acessórios opcionais acima indicados, consulte o seu Revendedor habitual.

## CARACTERÍSTICAS TÉCNICAS

Dados dimensionais e pesos	Proterra™ Diesel	Proterra™ GPL	Proterra™ Gasolina
Largura de limpeza com escova central		35.5 in (900 mm)	
Amplitude de limpeza com uma escova lateral		49.25 in (1,250 mm)	
Largura de limpeza com duas escovas laterais (opcional)		63 in (1,600 mm)	
Comprimento da máquina		87.5 in (2,220 mm)	
Largura da máquina (cubos das escovas)		52 in (1,320 mm)	
Altura máxima da máquina		57.5 in (1,460 mm)	
Altura máxima da máquina com tecto (opcional)		79 in (2,000 mm)	
Altura mínima ao solo (excluídos os flap)		4.25 in (110 mm)	
Altura máxima de elevação do depósito de resíduos		62.5 in (1,590 mm)	
Dimensões da escova central (diâmetro x comprimento)		12.2 x 35.5 in (310 x 900 mm)	
Diâmetro da escova lateral		21.5 in (550 mm)	
Pressão dos pneus		6 Bar (85 psi)	
Peso do eixo dianteiro em andamento		1,180 lb (535 kg)	
Peso do eixo traseiro em andamento		905 lb (410 kg)	
Peso total da máquina em marcha (sem o operador)		2,085 lb (945 kg)	
Peso máximo (GVW)		2,910 lb (1,320 kg)	
Peso da máquina para envio		2,204.6 lb (1,000 kg)	

Dados de abastecimento	Proterra™ Diesel	Proterra™ GPL	Proterra™ Gasolina
Capacidade do depósito de combustível	14 gal (35 litros)	-	14 gal (35 litros)
Capacidade do reservatório de óleo do sistema hidráulico	26.5 qt (25 litros)		
Capacidade do cárter de óleo do motor (*)	5.4 qt (5.1 litros)	3.59 qt (3.4 litros)	
Tipo de óleo do motor (**)	SAE 10 W - 30		
Quantidade de líquido de arrefecimento do motor (**)	4.2 qt (4 litros)		

(\*) Para os mais dados/valores do motor, consulte o respectivo Manual.

(\*\*) Para os dados das características do óleo motor, do líquido de arrefecimento e a tabela das especificações de arrefecimento, consulte o respectivo manual do motor.

Dados de performance	Proterra™ Diesel	Proterra™ GPL	Proterra™ Gasolina
Velocidade máxima durante a marcha para frente (unicamente para as deslocações)	7.5 mph (12 km/h)	7.5 mph (12 km/h)	7.5 mph (12 km/h)
Inclinação máxima de utilização	20% (11°)		
Inclinação máxima superável	25% (14°)		
Raio mínimo de viragem	60.2 in (1,530 mm)		
Pressão acústica nos ouvidos do operador (ISO 11201, ISO 4871) (LpA)	69.5 ± 3 dB(A)	69.1 ± 3 dB(A)	69.1 ± 3 dB(A)
Potência sonora emitida pela máquina (ISO 3744, ISO 4871) (LwA)	82 dB(A)	83 dB(A)	83 dB(A)
Nível das vibrações no braço do operador (ISO 5349-1) (*)	<2.5 m/s <sup>2</sup>		
Nível das vibrações transmitidas ao braço do operador (ISO 2631-1) (*)	<0.5 m/s <sup>2</sup>		
Capacidade do depósito de resíduos	Teórica: 11.25 cu-ft (315 litros) Real: 8.00 cu-ft (226 litros)		
Capacidade de elevação máxima do depósito de resíduos	800 lb (363 kg)		
Capacidade do reservatório do sistema de eliminação das poeiras (opcional)	11.9 gal (45 litros)		

(\*) Em condições de trabalho normais na superfície plana do asfalto.

## DIAGRAMA ELÉCTRICO

### Legenda

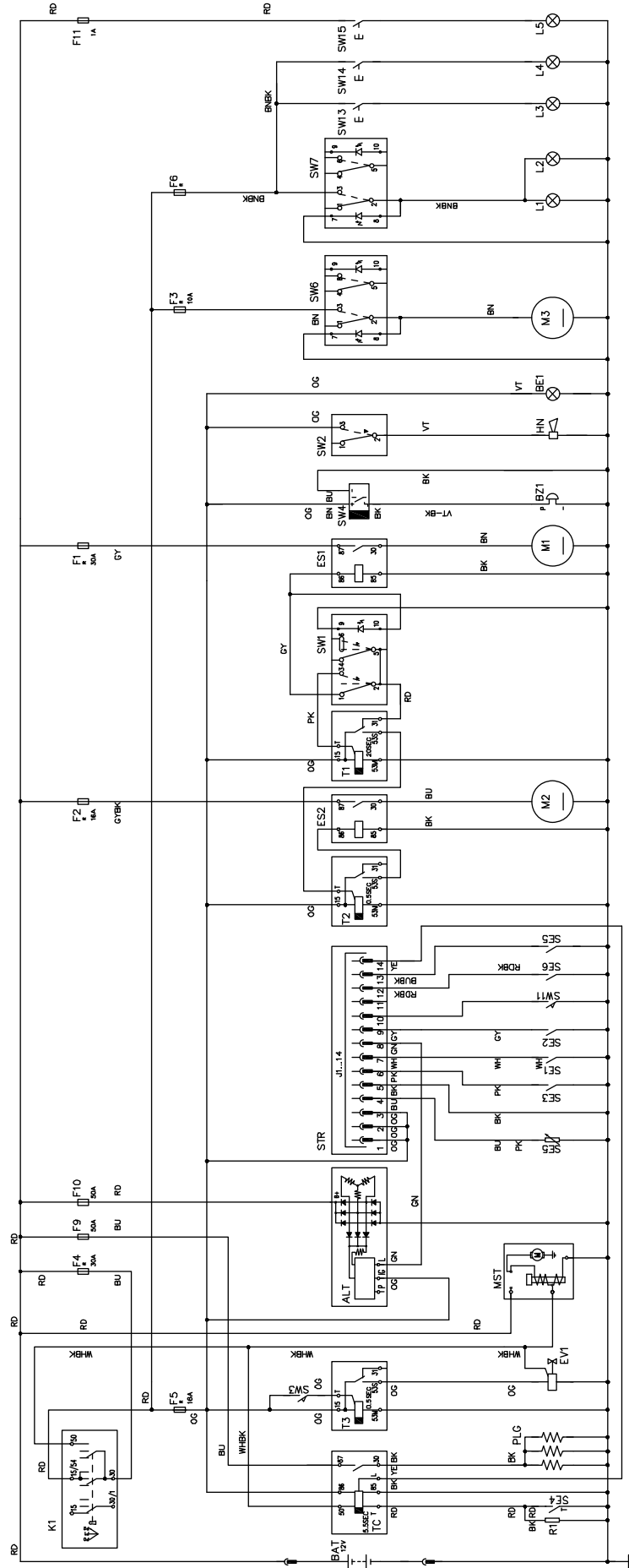
ALT	Alternador
BAT	Bateria do motor
BE1	Luz rotativa (opcional)
BZ1	Sinal sonoro marcha-atrás (opcional)
ES1	Relé do aspirador
ES2	Relé do dispositivo de sacudimento filtro
ES3	Relé segurança GPL (apenas versão GPL)
EV1	Electroválvula combustível (apenas versão Diesel e Gasolina)
EV2	Electroválvula GPL (apenas versão GPL)
EV3	Electroválvula de segurança GPL (apenas versão GPL)
F1	Disjuntor de aspiração das poeiras (30 A)
F2	Disjuntor do dispositivo de sacudimento do filtro (16 A)
F3	Disjuntor da bomba de água (10 A) (opcional)
F4	Disjuntor da chave de ignição (30 A)
F5	Disjuntor dos auxiliares do motor (16 A)
F6	Disjuntor luzes de trabalho (10 A) (opcional)
F8	Disjuntor do ventilador da cabina (opcional)
F9	Fusível das velas (50 A) (apenas versão Diesel)
F10	Porta-fusível e fusível do alternador (50 A)
F11	Fusível do farol interno do capot (1 A) (opcional)
HN	Avisador acústico
IGN	Centralina de ignição (apenas versão GPL e Gasolina)
K1	Bloco da chave de ignição
L1	Farol de trabalho frontal (opcional)
L2	Farol de trabalho frontal (opcional)
L3	Farol de trabalho lado condutor (opcional)
L4	Farol de trabalho posterior (opcional)
L5	Farol interno capot (opcional)
M1	Motor aspirador
M2	Motor dispositivo de sacudimento do filtro
M3	Motor da bomba de água (opcional)
M4	Ventilador da cabina (opcional)
MST	Motor de arranque
P1	Bomba combustível (apenas versão Gasolina)
PLG	Velas (apenas versão Diesel)
R1	Resistência do indicador luminoso das velas (apenas versão Diesel)

SE1	Sensor da pressão óleo
SE2	Sensor da temperatura da água
SE3	Sensor do filtro do depósito de resíduos entupido (opcional)
SE5	Bóia do depósito de combustível (apenas versão Diesel e Gasolina)
SE6	Sensor da temperatura do depósito de resíduos (opcional)
SE7	Sensor de rotações do motor (apenas versão GPL e Gasolina)
SE8	Sensor reserva (apenas versão GPL e Gasolina)
SPK	Bobinas das velas (apenas versão GPL e Gasolina)
STR	Instrumento
SW1	Interruptor do aspirador/dispositivo de sacudimento do filtro
SW2	Interruptor avisador acústico
SW3	Micro-interruptor do assento
SW4	Proximity marcha-atrás (opcional)
SW5	Interruptor do ventilador da cabina (opcional)
SW6	Interruptor da bomba de água (opcional)
SW7	Interruptor das luzes de trabalho (opcional)
SW13	Interruptor do farol de trabalho lado condutor (opcional)
SW14	Interruptor do farol de trabalho posterior (opcional)
SW15	Interruptor do farol interno capot (opcional)
T1	Temporizador do dispositivo de sacudimento do filtro
T2	Temporizador do dispositivo de sacudimento do filtro 2
T3	Temporizador do assento
T4	Temporizador de segurança GPL (apenas versão GPL)
TC	Temporizador das velas (apenas versão Diesel)

### Código das cores

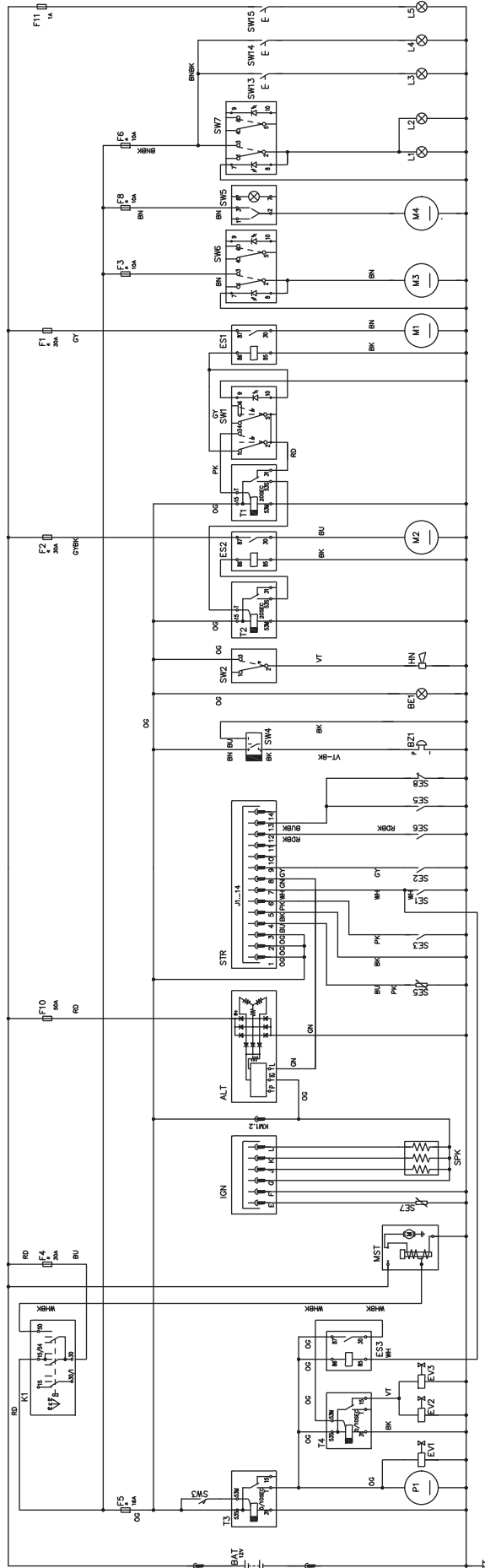
BK	Preto
BU	Azul
BN	Castanho
GN	Verde
GY	Cinzento
OG	Cor de laranja
PK	Rosa
RD	Vermelho
VT	Roxo
WH	Branco
YE	Amarelo

ESQUEMA ELÉCTRICO PROTERRA™ DIESEL (Continuação)



P100330

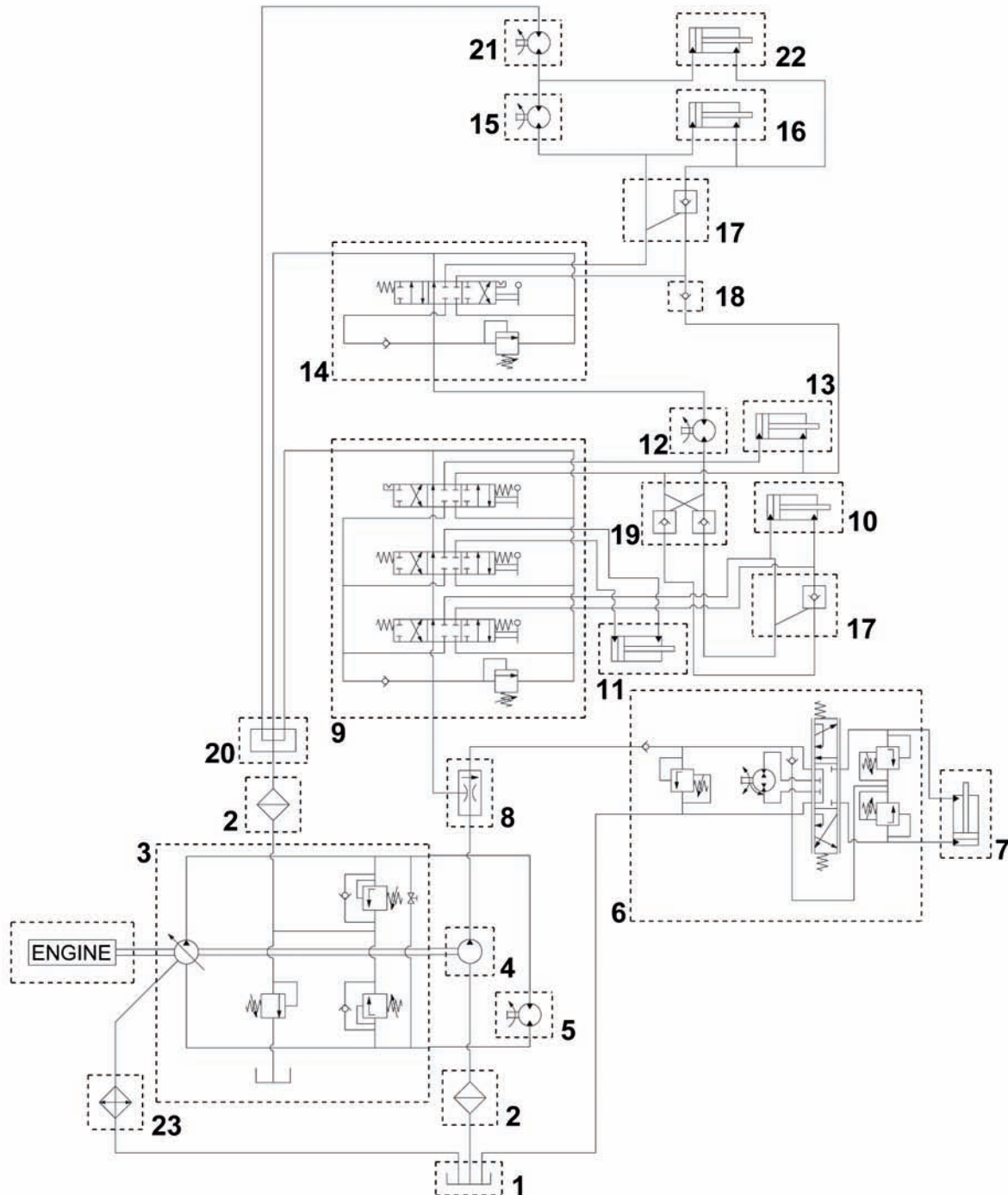
ESQUEMA ELÉCTRICO PROTERRA™ GPL E GASOLINA (Continuação)





**DIAGRAMA HIDRÁULICO****Legenda**

- |  |  |
|--|--|
| 1. Reservatório do óleo                          | 12. Motor escova central                           |
| 2. Filtro do óleo                                | 13. Cilindro escova central                        |
| 3. Bomba do sistema de tracção                   | 14. Distribuidor de 1 alavanca                     |
| 4. Bomba de serviço                              | 15. Motor escova lateral direita                   |
| 5. Motor do sistema de tracção                   | 16. Cilindro da escova lateral direita             |
| 6. Direcção assistida                            | 17. Válvula de bloqueio simples                    |
| 7. Cilindro da direcção                          | 18. Válvula unidireccional                         |
| 8. Válvula prioritária                           | 19. Válvula de bloco duplo                         |
| 9. Distribuidor de 3 alavancas                   | 20. Colector                                       |
| 10. Cilindro de elevação do depósito de resíduos | 21. Motor escova lateral esquerda (opcional)       |
| 11. Cilindro do flap                             | 22. Cilindro da escova lateral esquerda (opcional) |
|  | 23. Radiador do óleo                               |



P100328

## PREPARAÇÃO DA MÁQUINA PARA A UTILIZAÇÃO



### ATENÇÃO!

*Em alguns pontos da máquina encontram-se aplicadas autocolantes que indicam:*

- PERIGO
- ATENÇÃO
- ADVERTÊNCIA
- CONSULTA

O operador, durante a leitura deste Manual, deve compreender perfeitamente o significado dos símbolos presentes nas placas. Não cubra, em caso algum, os autocolantes e substitua-os imediatamente caso venham a ser danificados.

## LISTA DE CONTROLO ANTES DA UTILIZAÇÃO

### Antes de qualquer utilização:

- Inspeccione a máquina para verificar que não há danos e fugas de óleo ou de líquido de arrefecimento do motor.
- Controle o nível do líquido de arrefecimento do motor (23) (ver o parágrafo específico).
- Controle o nível do óleo do motor (44) (ver o parágrafo específico).
- Controle o nível do óleo hidráulico (19) (ver o parágrafo específico).
- Controle o indicador do combustível (57), se necessário desaparafuse a tampa (21) e efectue o abastecimento.
- Controle que a pressão dos três pneus é de 6 Bar (85 psi).
- Controle o indicador de serviço do filtro do ar (ver o parágrafo específico).

### No banco do operador:

- Certifique-se que compreende os comandos do operador e as respectivas funções.
- Regule o banco com a alavanca (40) de maneira a alcançar facilmente todos os comandos.
- Introduza a chave de ignição (64) e rode-a para a posição “I”:
  - Controle o funcionamento correcto do aviso sonoro (65), do contador de horas (56) e dos faróis (69, opcional).
  - Rode a chave de ignição (64) para “O”.
- Controle o travão de estacionamento (35 e 36). O travão de estacionamento deve manter correctamente a posição de estacionamento sem poder ser desactivado com facilidade (comunique ao pessoal responsável pela assistência qualquer defeito detectado).

### Programe a limpeza com antecedência:

- Organize trajectos compridos com o menor número possível de paragens e arranques.
- Sobreponha alguns centímetros as passagens adjacentes para garantir uma cobertura completa da superfície.
- Evite efectuar viragens bruscas, embater os montantes ou riscar os lados da máquina.

## ESCOVA CILÍNDRICA PRINCIPAL

Para esta máquina, estão disponíveis diversos tipos de escovas cilíndricas principais. Para saber qual é o tipo de escova adequado às superfícies e ao tipo de sujidade a eliminar, contacte o revendedor Advance.



### NOTA

*Para a instalação, consulte o parágrafo sobre a manutenção das escovas cilíndricas principais.*

## COMBUSTÍVEL



### ADVERTÊNCIA!

- ***Pare sempre o motor antes de encher o depósito de combustível.***
- ***Não fume durante o abastecimento do depósito de combustível.***
- ***Encha o depósito de combustível numa área bem ventilada.***
- ***Não encha o depósito de combustível perto de faíscas ou chamas.***

## MOTOR DIESEL E GASOLINA

(Só para Proterra™ Diesel) Se se utilizar a máquina a uma temperatura ambiente inferior a 32 F° (0°C), utilize combustível diesel para temperaturas baixas.

(Apenas para Proterra™ Gasolina) Ateste o reservatório (22) com gasolina sem chumbo para automóveis.



### NOTA

*Se a máquina permanecer completamente sem combustível, antes de poder voltar a ligar o motor, o sistema de alimentação deve ser totalmente depurado. Para evitar esta situação, encha o depósito de combustível (22) até o indicador (56) indicar um nível igual a 1/4 do depósito. A capacidade do depósito de combustível é de 35 litros (14 gal).*

## MOTOR GPL

Monte unicamente um depósito GPL com as seguintes características:

- depósito DOT marcado com uma pressão de funcionamento mínima de 240 psig (1,7 MPa). Deve ter a marca DOT-4BA240 ou DOT-4BW240.

Ligue o tubo flexível do combustível e abra a válvula de intercepção existente no depósito. Para ligar e desligar o tubo flexível do combustível, use sempre luvas. Quando a máquina não está a ser utilizada, feche a válvula de serviço do depósito GPL.



NOTA

*Oriente correctamente o depósito GPL horizontal para a recolha de líquido. Após ter ligado o tubo flexível do combustível ao depósito, verifique que não existem fugas de gás.*



ATENÇÃO!

***Não utilize a máquina na presença de fugas de gás. Desligue o tubo flexível de combustível e substitua o depósito de GPL. Se a fuga de gás persistir, desligue o tubo flexível do combustível e contacte o Centro de Assistência Advance.***

## USO DA MÁQUINA

A Proterra™ é uma máquina de varrer pavimentos automática, de tipo “de operador”. Os comandos foram projectados para a máxima facilidade de utilização. Para as operações de limpeza com uma única passagem, basta baixar a escova cilíndrica principal.

### ANTES DO ARRANQUE DA MÁQUINA

1. Certifique-se que compreende os comandos do operador e as respectivas funções.
2. Determine o percurso de limpeza. Execute passagens compridas e horizontais, com o menor número possível de rotações.
3. Controle o pedal dos travões (35). Deve estar parado na posição.



ATENÇÃO!

***Se o pedal é “elástico” ou cede sob a pressão, não movimente a máquina. Comunique imediatamente ao pessoal responsável pela assistência qualquer defeito detectado.***

### ARRANQUE E PARAGEM DA MÁQUINA

#### Ligar a máquina



NOTA

*O assento de condução (32) está equipado com um sensor de segurança que permite ligar e deslocar a máquina apenas com o operador sentado no assento.*

4. (Só para Proterra™ Diesel) Rode a chave de ignição (64) no sentido dos ponteiros do relógio para a posição “I” e mantenha-na naquela posição até que o indicador das velas de pré-aquecimento (63) se desligue. Ignore esta fase se o motor já foi ligado e estiver quente.  
(apenas para Proterra™ GPL) Abra lentamente a válvula de segurança do depósito GPL (50). Puxe a alavanca do dispositivo de arranque com o motor frio (68).  
(Só para Proterra™ Gasolina) Puxe a alavanca do dispositivo de arranque com o motor frio (68).
5. Rode a chave de ignição (64) no sentido dos ponteiros do relógio para a posição “II” de arranque, em seguida solte-a assim que o motor arrancar.  
Se o motor não arrancar após ter accionado o motor de arranque durante 15 segundos, solte a chave, espere 1 minuto e volte a repetir os pontos 1 e 2.  
(Só para Proterra™ GPL e Gasolina) Após a ignição, deixe o motor a trabalhar por alguns segundos e de seguida desengate o dispositivo de arranque a frio (68).
6. Antes de utilizar a máquina, deixe o motor trabalhar ao ralenti durante 5 minutos deslocando a alavanca do regime motor (51) para a posição “traseira” (motor ao regime mínimo).
7. Desengate o travão de estacionamento.
8. Desloque a alavanca do regime motor (51) para a posição “dianteira” (motor no regime de trabalho) e desloque-se com a máquina durante 2 ou 3 minutos a velocidade reduzida para aquecer o sistema hidráulico.
9. Pressione, de maneira contínua, com o pé a parte dianteira do pedal de marcha (37) para se deslocar para a frente e a parte traseira para a marcha-atrás.

A velocidade de avanço pode ser regulada de zero até ao seu valor máximo através da pressão exercida no pedal.



ATENÇÃO!

***Durante as manobras de viragem, evite as mudanças de direcção bruscas, preste muita atenção e conduza sempre a baixa velocidade, em particular quando o depósito de resíduos estiver cheio ou em descidas. Faça avançar a máquina devagar nas superfícies inclinadas. Em superfícies inclinadas, controle a velocidade de marcha utilizando o pedal dos travões (35). Não vire em superfícies inclinadas; proceda em linha directa na subida ou na descida.***

#### Desligar a máquina

10. Para parar a máquina, solte o pedal (37).  
Para parar rapidamente a máquina, pressione também o pedal dos travões (36).
11. Desligue a máquina colocando a chave de ignição (64) em “O”, em seguida remova-a.
12. Engate o travão de estacionamento.

## TRAVÃO DE ESTACIONAMENTO

1. Accione o travão de estacionamento, premindo, ao mesmo tempo, os pedais (35) e (36).
2. Desengate o travão de estacionamento, premindo e soltando o pedal (35).

**ATENÇÃO!**

**Engate sempre o travão de estacionamento antes da manutenção e quando estaciona a máquina numa zona inclinada.**

## MÁQUINA EM MARCHA

Siga as instruções contidas na secção do manual “Preparação da máquina para a utilização”.

1. Desloque-se na área de trabalho como indicado no parágrafo anterior.
2. Verifique e baixe o depósito de resíduos de maneira adequada com a alavanca (54).
3. Baixe e active a escova central através da alavanca (53).

**ADVERTÊNCIA!**

**Evite parar a máquina por muito tempo na mesma posição, com as escovas a rodar: pode provocar marcas indesejáveis no pavimento.**

**NOTA**

**A porta de descarga do depósito de resíduos abre-se automaticamente quando a escova central se baixar e fecha-se automaticamente assim que a escova central se levantar.**

4. Pressione a parte superior do interruptor (66) para activar a ventoinha de aspiração e o sistema de eliminação das poeiras. Volte a activar a ventoinha de aspiração e o controlo das poeiras assim que a máquina voltar para um piso completamente seco.
5. Baixe e active a escova central (9) (15, opcional) com a alavanca (52).  
Se estiver presente, utilize o sistema de eliminação das poeiras com o interruptor (67, opcional).
6. Faça avançar a máquina em linha recta com um bom ritmo. Faça avançar a máquina mais devagar quando a quantidade de sujidade ou detritos a varrer for considerável ou quando a segurança de funcionamento impõe velocidades de marcha inferiores. Sobreponha cada passagem de acerca de 5.9 in (15 cm).
7. Para um bom trabalho de varrimento, é necessário que o filtro de controlo das poeiras esteja o mais limpo possível. Para a limpeza do filtro durante o varrimento, accione o dispositivo de sacudimento do filtro pressionando a parte inferior do interruptor (66), em seguida volte a activar a ventoinha de aspiração e o controlo das poeiras pressionando a parte superior do interruptor (66).  
Repita a operação em média a cada 10 minutos durante o trabalho (variar o intervalo em função da quantidade de poeiras presentes no espaço a ser limpo).

**NOTA**

**Esta operação também pode ser efectuada com a máquina em movimento.**

**ADVERTÊNCIA!**

**Quando o filtro de controlo das poeiras estiver entupido e/ou o depósito de resíduos cheio, a máquina não consegue recolher poeiras e detritos.**

8. De vez em quando, vire-se para verificar que a máquina recolhe poeiras e detritos. Se no rasto da máquina continuam sujidades, significa que a velocidade da máquina é demasiado alta, que a escova central deve ser regulada ou que o depósito de resíduos (47) está cheio.  
No fim do trabalho e, sempre que o depósito de resíduos (47) estiver cheio, dever-se-á efectuar o seu esvaziamento (para o respectivo procedimento ver o parágrafo a seguir).

**ATENÇÃO!**

**Se for necessário intervir num piso molhado, é indispensável, para a protecção do filtro de controlo das poeiras, desactivar a ventoinha de aspiração e o controlo das poeiras com o interruptor (66).**

## ESVAZIAMENTO DO DEPÓSITO DE RESÍDUOS

**PERIGO!**

*O esvaziamento do depósito de resíduos deve ser executado exclusivamente em superfícies planas. Nunca levante o depósito de resíduos em planos inclinados.*

**NOTA**

*O espaço de descarga livre mínimo em relação ao tecto necessário para levantar o depósito de resíduos é de 108.2 in (275 cm).*

1. Levante a escova central através da alavanca (53).
2. Pressione a parte inferior do interruptor (66) para activar o dispositivo de sacudimento do filtro e remova a sujidade residual do filtro de controlo das poeiras (12).

**NOTA**

*Accione sempre o dispositivo de sacudimento filtro quando o depósito de resíduos está totalmente abaixado.*

3. Aproxime a máquina da zona para o esvaziamento ou a um contentor adequado.
4. Levante o depósito de resíduos com a alavanca (54) à altura de descarga pretendida.

**NOTA**

*A porta de descarga fecha-se automaticamente assim que se utilizar a alavanca (54) para levantar o depósito de resíduos. Será possível retomar o controlo da porta de descarga com a alavanca (55) assim que o depósito de resíduos começar a levantar-se de maneira a poder executar a descarga de qualquer altura, de acordo com as necessidades.*

5. Faça avançar a máquina até que o depósito de resíduos não se encontre por cima do contentor e engate o travão de estacionamento.
6. Abra a porta de descarga dos resíduos com a alavanca (55) e esvazie o depósito de resíduos.

**NOTA**

*Se os resíduos não forem descarregados num contentor, aconselha-se descarregá-los a uma altura mínima para evitar que as poeiras se propaguem no ar.*

**ATENÇÃO!**

*Caso seja necessário efectuar qualquer intervenção de manutenção ou de limpeza por baixo de ou junto do depósito de resíduos levantado, posicione-o à altura máxima com a alavanca (54), em seguida puxe para trás a pega (39) para garantir o bloqueio do suporte de segurança (5). O suporte de segurança mantém o depósito de resíduos levantado para poder executar intervenções por baixo do mesmo. Nunca confie no facto que os componentes hidráulicos da máquina suportam o depósito de resíduos.*

7. Puxar para atrás o manípulo de bloqueio (39) para posicionar o suporte de segurança (5), em seguida baixe ligeiramente o depósito de resíduos accionando a alavanca (54) para bloqueá-lo.
8. Controle a porta do depósito de resíduos e a junta dianteira. Se necessário, utilize uma escova para remover a sujidade destas zonas.  
Para um funcionamento correcto da máquina, a porta do depósito de resíduos deve estar perfeitamente fechada contra o alojamento das escovas.
9. Volte para o banco do operador. Desengate o travão de estacionamento. Desloque a máquina para atrás até poder baixar o depósito de resíduos.
10. Levante o depósito de resíduos através da alavanca (54), empurre para a frente o manípulo de bloqueio (39) até que o suporte de segurança (5) fique desbloqueado, em seguida baixe o depósito de resíduos.

## APÓS A UTILIZAÇÃO DA MÁQUINA

1. Pressione a parte inferior do interruptor (66) para activar o dispositivo de sacudimento do filtro, limpe o filtro de controlo das poeiras do depósito de resíduos e esvazie o depósito (ver o parágrafo anterior).
2. Levante a escova central através da alavanca (53).
3. Posicione todos os comandos na posição “desligado”.
4. Posicione a alavanca do regime motor (51) na posição “traseira” de mínimo e deixe rodar o motor ao ralenti durante 25-30 segundos.  
(apenas para **Proterra™ GPL**) Feche a válvula de serviço no depósito GPL (50), depois deixe trabalhar o motor até a expulsão completa da totalidade do combustível das condutas (o motor parará).
5. Desligue a máquina colocando a chave de ignição (64) em “O”, em seguida remova-a.
6. Engate o travão de estacionamento.
7. Controle o programa de manutenção e executa todas as intervenções necessárias antes de pôr a máquina em marcha.
8. Conserve a máquina num lugar protegido.



### NOTA

*A máquina pode ser limpa com instrumentos de lavagem de pressão, a condição que não se humedifique directamente os ou dentro dos componentes. Aconselha-se deixar sempre secar completamente a máquina antes de utilizá-la.*

Indique qualquer defeito ou mau funcionamento detectado durante a utilização da máquina ao Centro de assistência Advance ou ao pessoal responsável pela manutenção.

## INACTIVIDADE PROLONGADA DA MÁQUINA

Caso preveja não utilizar a máquina por mais de 30 dias, é oportuno executar as seguintes operações:

1. Controlar que o local onde é guardada a máquina esteja seco e limpo.
2. Esvazie o reservatório da água do sistema de eliminação das poeiras (4) e limpe o filtro da água (30, opcional).
3. Desligue o conector negativo (-) das baterias (3).
4. Inspeccione o motor (44) como indicado no manual específico.

## PRIMEIRO PERÍODO DE UTILIZAÇÃO

Após o primeiro período de utilização (primeiras 5 horas), é necessário:

1. Controlar o aperto dos órgãos de fixação e de ligação.
2. Controle se as partes visíveis estejam intactas e não apresentam fugas.
3. Substitua o óleo do motor (ver o capítulo Manutenção).

## MANUTENÇÃO

A durabilidade da máquina e sua máxima segurança de funcionamento são garantidas através de uma manutenção cuidadosa e regular.

Encontra-se indicado a seguir o plano de manutenção programada. As periodicidades indicadas podem sofrer variações em função de condições especiais de trabalho, a serem definidas por parte do responsável da manutenção.

Todas as operações de manutenção programadas ou extraordinárias devem ser efectuadas por pessoal qualificado ou num Centro de assistência Advance.

Neste manual, após o diagrama de manutenção programada, estão indicados unicamente os procedimentos de manutenção mais simples e recorrentes. Para o procedimento de outras operações de manutenção indicadas no diagrama de manutenção programada e as operações de manutenção extraordinária, consulte o respectivo Manual de assistência que possuem os vários Centros de assistência.



### ATENÇÃO!

*As operações de manutenção devem ser efectuadas com a máquina desligada, chave removida, travão de estacionamento engatado e, quando necessário, com as baterias desligadas.*

*Antes de efectuar manutenções, ler cuidadosamente todas as instruções do capítulo Segurança.*

## PLANO DE MANUTENÇÃO PROGRAMADA



### NOTA

Os intervalos de manutenção indicados referem-se a condições de funcionamento médias. As máquinas que são utilizadas em ambientes de funcionamento muito sujos podem requerer uma manutenção mais frequente.

Procedimento	No momento da entrega	Manutenção diária	Após as primeiras 50 horas	Cada 30 horas	Cada 150 horas	Cada 300 horas	Cada 1.000 horas
Controlo do líquido de arrefecimento do motor							
Verificação do nível do óleo do motor							
Controlo do nível do óleo hidráulico							
Controlo do travão de estacionamento							
Limpeza das escovas central e laterais							
Substituição do óleo do motor			(1)		(1)		
Substituição do filtro de ar			(1)		(1)		
Controlo da correia trapezoidal			(1)	(1)			
Controlo do circuito do líquido de arrefecimento do motor			(1)				
Controlo da bateria							
Controlo e limpeza do filtro da água do sistema de eliminação das poeiras (opcional)							
Limpeza do filtro de ar do motor				(2)			
Limpeza do radiador do motor e radiador do óleo							
Verificação e regulação das escovas							
Verificação e limpeza do filtro de controlo das poeiras do depósito de resíduos (método "A")				(2)			
Controlo do bom estado, da altura e do funcionamento do flap							
Controlo do bom estado das juntas do depósito de resíduos							
Manutenção do motor					(1) - (3)		
Lubrificação dos rolamentos da direcção e dos pistões hidráulicos					(1)		
Substituição do filtro do óleo hidráulico do reservatório					(1)		
Substituição do filtro do óleo hidráulico da bomba					(1)		
Verificação e limpeza do filtro de controlo das poeiras do depósito de resíduos (método "B")					(2)		
Substituição filtro combustível						(1)	
Aperto dos parafusos e uniões do combustível						(1)	
Verificação e limpeza do filtro de controlo das poeiras do depósito de resíduos (método "C")						(2)	
Substituição do filtro para a "recarga" do óleo hidráulico							(1)
Substituição do óleo hidráulico do reservatório							(1) - (4)

- (1) Para o respectivo procedimento, fazer referência ao Manual de assistência.  
 (2) Ou mais frequentemente em áreas poeirentas.  
 (3) Manutenção da competência de um concessionário autorizado da KUBOTA.  
 (4) Substitua o óleo hidráulico a primeira vez após 500 horas e, em seguida, cada ano.

## MANUTENÇÃO DA ESCOVA CENTRAL

Para um melhor funcionamento, substitua a escova central quando as cerdas estão gastas com um comprimento de 2 in (50 mm).

### Substituição da escova central

**ATENÇÃO!**

*Aconselha-se a utilização de luvas de trabalho durante a substituição da escova lateral devido à possível presença de detritos cortantes inseridos entre as cerdas.*

**NOTA**

*São fornecidas escovas com várias durezas.  
O presente procedimento é aplicável a todos os tipos de escova.*

1. Coloque a máquina num pavimento plano e adequadamente nivelado.
2. Engate o travão de estacionamento.
3. Rode a chave de ignição (64) e ligue a máquina.
4. Baixe a escova central com a alavanca (53).
5. Rode a chave de ignição (64) para "O" para desligar a máquina.
6. Abra o painel direito (18).
7. Desloque o flap lateral direito (A, Fig. 2) e fixe-o ao perno de retenção (B).
8. Abra o grupo da alavanca de retorno (C) do núcleo da escova central (D).

**NOTA**

*A alavanca de retorno é mantida em posição pelo painel direito (18).*

9. Remova a escova central (D) do alojamento e remova eventuais cordas ou fios em torno da mesma e dos cubos.
10. Substitua a escova central, volte a introduzi-la no alojamento. Verifique que a posição está correcta, que os orifícios do núcleo da escova central (D) estão inseridos nos pernos (E) no cubo de accionamento (F) e que a escova está na sede correctamente.

11. Feche e volte a introduzir o grupo da alavanca de retorno (C) no núcleo da escova cilíndrica.

**NOTA**

*Verifique que as alhetas da alavanca de retorno se inserem nas ranhuras (G) (lado direito) do núcleo da escova.*

12. Volte a posicionar o flap lateral direito e feche o painel direito (18) até engatar a alavanca de bloqueio.

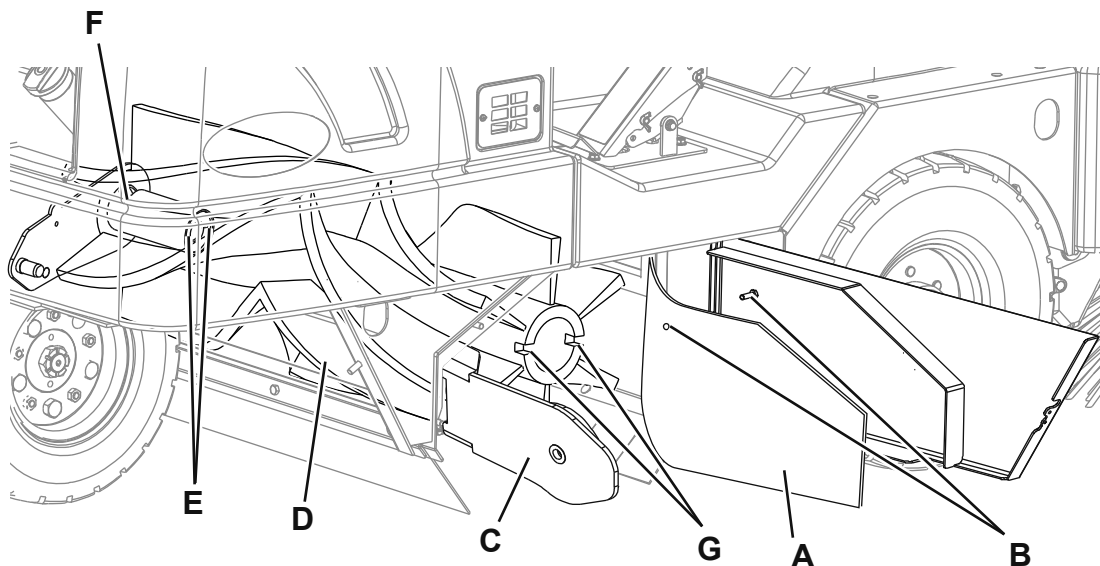


Figura 2

P100321



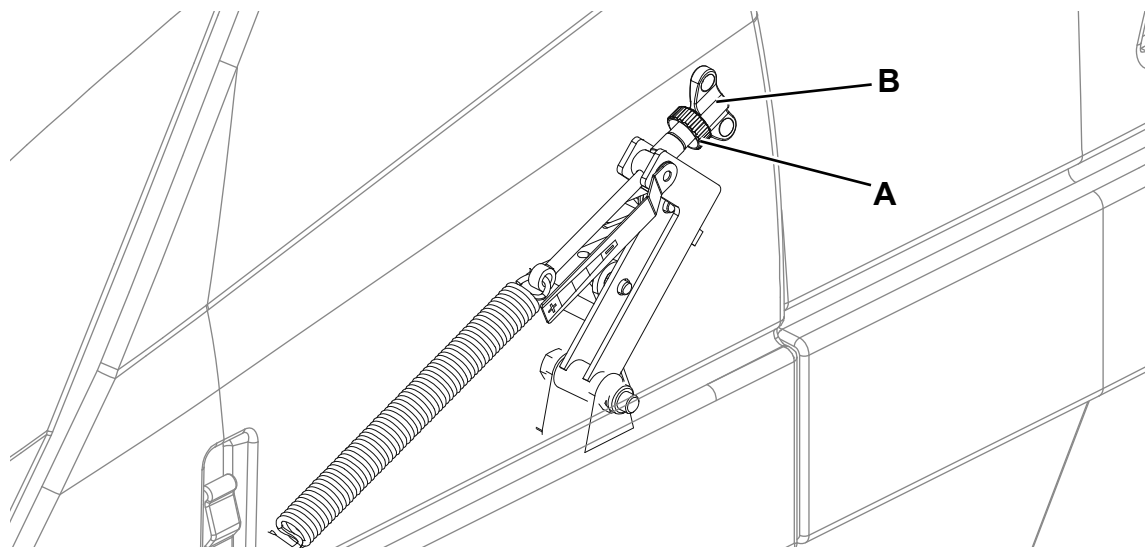
**Regulação da altura da escova central****NOTA**

*São fornecidas escovas com várias durezas.  
O presente procedimento é aplicável a todos os tipos de escova.*

1. Coloque a máquina num pavimento plano e adequadamente nivelado.
2. Engate o travão de estacionamento.
3. Rode a chave de ignição (64) e ligue a máquina.
4. Baixe a escova central accionando a alavanca (53) e deixe-a rodar durante 1 minuto.
5. Assim será possível permitir à escova central limpar uma "risca" no pavimento. Após 1 minuto, levante a escova central, solte o travão de estacionamento e desloque a máquina de maneira a que a risca limpa esteja visível.
6. Inspeccione a risca limpa no pavimento. Se a risca estiver tiver uma largura inferior a 2 in (50 mm) ou superior a 3 in (75 mm), a escova central deve ser regulada.
7. Para efectuar a regulação, abra o capot do compartimento do motor (1) accionando o botão de desbloqueio (25), solte o manípulo (A, Fig. 3) e ajuste a porca de orelhas de regulação (B) da escova central considerando que:
  - Rodando no sentido dos ponteiros do relógio, diminui a pressão e a faixa de limpeza da escova central.
  - Rodando no sentido contrário ao dos ponteiros do relógio, aumenta a pressão e a faixa de limpeza da escova central.Após a regulação, bloqueia o ajuste com o manípulo (A).
8. Repita os passos 2-7 até a risca limpa não ter uma largura de 2-3 in (50-75 mm).

**NOTA**

*Caso não seja possível regular correctamente a marca dado que a escova carrega de modo demasiado diferenciado numa das duas extremidade do seu comprimento, consulte o manual de assistência para obter o procedimento de regulação.*

**Figura 3**

P100322

## MANUTENÇÃO DA ESCOVA LATERAL

### Regulação da escova lateral

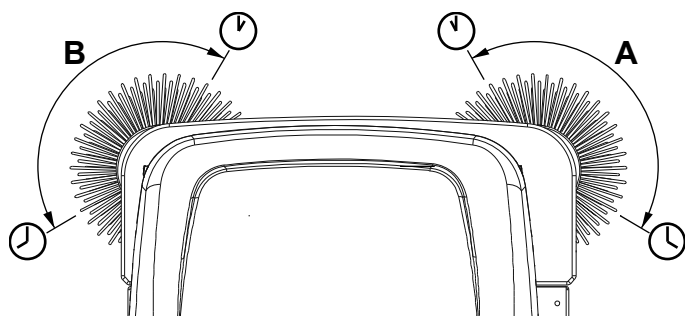
**NOTA**

São fornecidas escovas com várias durezas.  
O presente procedimento é aplicável a todos os tipos de escova.

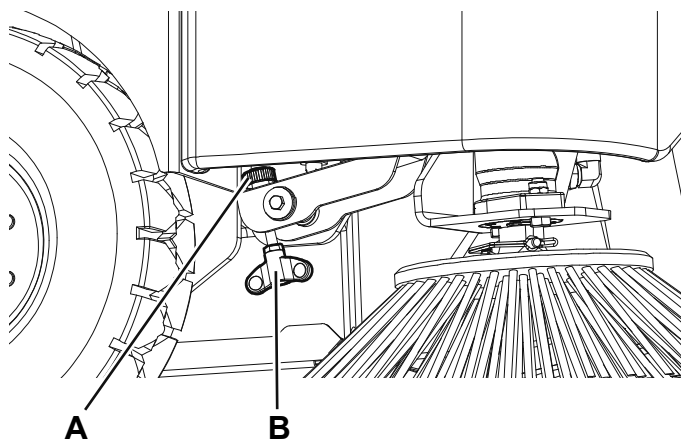
1. Coloque a máquina num pavimento plano e adequadamente nivelado.
2. Engate o travão de estacionamento.
3. Rode a chave de ignição (64) e ligue a máquina.
4. Baixe a escova lateral accionando a alavanca (52) e deixe-a rodar durante 1 minuto.
5. Quando estiverem na posição abaixada, as escovas laterais (9) (15, opcional) devem estar em contacto com o pavimento com a extensão e a orientação, como indicado na figura (A e B, Fig. 4).
6. Para efectuar a regulação, solte o manípulo (A, Fig. 5) e ajuste na porca com orelhas de regulação (B) da escova lateral considerando que:
  - Rodando no sentido dos ponteiros do relógio, diminui a pressão da escova.
  - Rodando no sentido contrário ao dos ponteiros do relógio, aumenta a pressão da escova.Após a regulação, bloqueia o ajuste com o manípulo (A).
7. Execute novamente os pontos 1-5 para verificar a correcta regulação da altura ao solo das escovas laterais.
8. Quando o excessivo consumo da escova já não permitir a sua regulação, substitua a escova como indicado no parágrafo seguinte.

**NOTA**

Para funcionar correctamente, a escova lateral (9) (15, opcional) deve ser substituída quando as cerdas estão gastas com um comprimento de 3 in (75 mm). A altura da escova lateral deve ser regulada após cada substituição da escova.

**Figura 4**

P100323

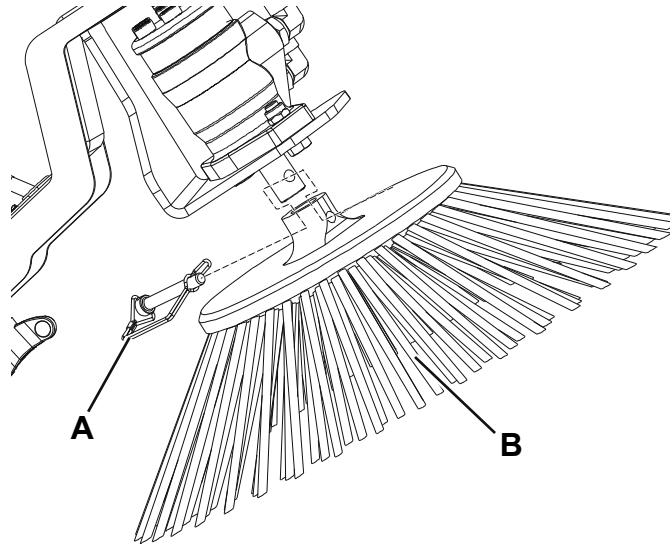
**Figura 5**

P100324

**Substituição da escova lateral****ATENÇÃO!**

*Aconselha-se a utilização de luvas de trabalho durante a substituição da escova lateral devido à possível presença de detritos cortantes inseridos entre as cerdas.*

1. Levante o depósito de resíduos até que a escova lateral esteja a “altura de homem”.
2. Desengate a pinça de retenção para extrair o perno de engate (A, Fig. 6) e remova a escova lateral (B) do eixo do motor.
3. Faça deslizar a nova escova no eixo do motor, alinhe o furo em relação ao perno e volte a introduzir o perno de engate (A).

**Figura 6**

P100325

## MANUTENÇÃO DO FILTRO DE CONTROLO DAS POEIRAS (FILTRO DE PAINÉIS)

Para garantir o funcionamento do sistema de aspiração, o filtro das poeiras de painéis do depósito de resíduos deve ser limpo regularmente. Para uma duração maior do filtro, respeite os intervalos de manutenção recomendados.



### ATENÇÃO!

- **Para a limpeza do filtro, use sempre óculos de protecção.**
- **Não fure o filtro.**
- **Limpe o filtro numa área adequadamente ventilada.**
- **Use uma máscara de protecção adequada para evitar respirar as poeiras.**

1. Coloque a máquina num terreno plano, accione o travão de estacionamento e rode a chave de ignição (64) para "O".
2. Abra a fechadura (6), levante a tampa do depósito de resíduos (16) e bloqueie-o com a haste de suporte (17) posicionando-a correctamente.
3. Inspeccione a parte superior do filtro de controlo das poeiras (12) para verificar que não há danos. Normalmente uma grande quantidade de poeiras na parte superior do filtro indica um furo no filtro ou uma junta do filtro danificada.
4. Desaparafuse os quatro manípulos de fixação (13) do grupo de sacudimento do filtro. Levante o grupo de sacudimento do filtro (11) para aceder ao painel do filtro.
5. Levante o filtro de controlo das poeiras (12) para removê-lo da máquina.
6. Limpe o filtro adoptando um dos métodos seguintes:

### Método "A"

Aspire a poeira do filtro. Em seguida bata ligeiramente o filtro contra uma superfície plana (com o lado sujo virado para baixo) para remover a sujidade e a poeira.



#### NOTA

*Preste atenção a não danificar o bordo metálico que se prolonga além da junta.*

### Método "B"

Aspire a poeira do filtro. Em seguida, sobre ar comprimido [pressão máxima 87 psi (6 Bar)] no lado limpo do filtro (na direcção oposta em relação ao fluxo do ar).

### Método "C"

Aspire a poeira do filtro. Em seguida, mergulhe o filtro na água quente durante 15 minutos, em seguida lave-o sob um jacto de água ligeiro [pressão máxima 36 psi (2.5 Bar)]. Volte a pôr o filtro na máquina unicamente quando estiver completamente seco.



#### NOTA

*Para uma secagem óptima, apoie o filtro horizontalmente entre dois espaçadores para permitir ao ar circular por baixo do próprio filtro.*



#### NOTA

*Para uma limpeza mais profunda, lave o filtro com água e eventualmente com detergentes que não façam espuma. Não se esqueça que este tipo de lavagem, mesmo sendo de melhor qualidade, reduz a vida útil do filtro que deverá ser substituído mais frequentemente. A utilização de detergentes inadequados prejudica as características de funcionamento do filtro.*

7. Para montar o filtro, siga as instruções na ordem contrária, prestando atenção aos pontos seguintes:
  - Instale o filtro com a rede virada para cima.
  - Se a junta do filtro estiver gasta ou em falta, deve ser substituída.



#### NOTA

*Antes de substituir o filtro, limpe os detritos da placa de recolha da poeira que se encontra por baixo do filtro. Verifique que a asa para os detritos da parte traseira da placa de recolha das poeiras pode deslocar-se livremente.*

## MANUTENÇÃO DOS FLAPS

### Operações preliminares

1. Despeje o depósito de resíduos conforme indicado no parágrafo específico para evitar que o peso dos resíduos contidos no contentor possa ter influência no controlo da altura dos flaps.
2. Coloque a máquina num terreno plano e adequado para servir de plano de referência para a verificação da correcta altura dos flaps.
3. Rode a chave de ignição (64) para "O".
4. Engate o travão de estacionamento.

### Controlo dos flaps

5. Abra a tampa direita (18) e esquerda (2).
6. Remova a escova central, como previsto no respectivo parágrafo.
7. Inspeccione os flaps dianteiro e traseiro do alojamento da escova. Substitua ou regule os flaps gastos ou usados de modo a ter uma altura superior a 0.2 in (6 mm) do solo (ver o procedimento no Manual de assistência).

## LIMPEZA DO FILTRO DA ÁGUA DO SISTEMA DE ELIMINAÇÃO DAS POEIRAS (OPCIONAIS)

1. Coloque a máquina num terreno plano, accione o travão de estacionamento e rode a chave de ignição (64) para "O".
2. Desengate a tomada rápida (A, Fig. 7) dos tubos do reservatório.
3. Desmonte o painel esquerdo (2) para aceder ao filtro da água (30).
4. Remova a tampa transparente (B) com a junta (C) e, em seguida, remova a rede filtrante (D). Limpe e monte-os no suporte (E).



#### NOTA

Posicione correctamente a junta (C) e a rede filtrante (D) nos alojamentos da tampa e do suporte (E).

5. A montagem dever ser efectuada na ordem inversa em relação à desmontagem.

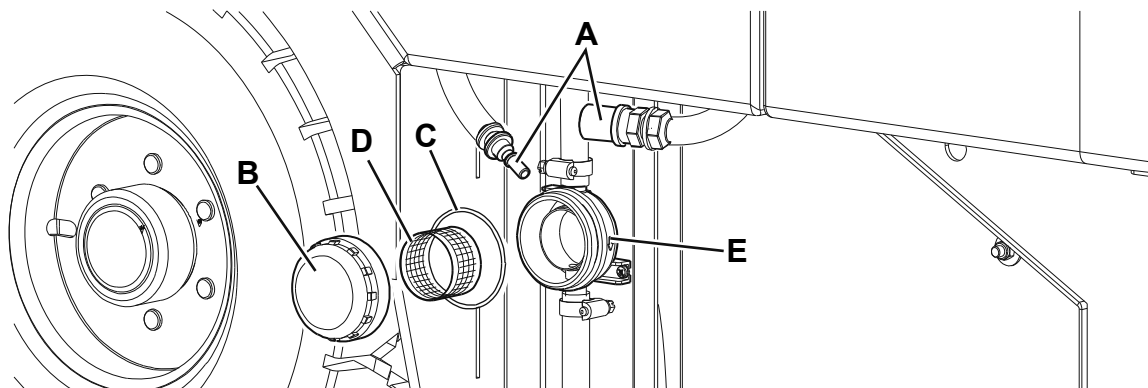


Figura 7

P100329

## ÓLEO HIDRÁULICO



**ATENÇÃO!**  
**Não mexa nas partes quentes.**  
**Deixe arrefecer o motor e o sistema hidráulico.**

1. Coloque a máquina num terreno plano, accione o travão de estacionamento e rode a chave de ignição (64) para "O".
2. Abra o capot do compartimento do motor (1) accionando o botão de desbloqueio (25).
3. Desmonte o capot lateral esquerdo (4) accionando a fechadura, se necessário extrair o tubo do filtro da água (30, opcional).
4. Controle o nível do óleo hidráulico através do indicador colocado no reservatório (19).

O nível do óleo hidráulico deverá estar a metade do indicador.

Se o nível estiver mais baixo, desaparafuse a tampa (20) e abasteça com o óleo hidráulico AGIP Arnica 46.

Mude o óleo e os filtros em caso de forte contaminação devida a uma anomalia mecânica (ver os procedimentos no Manual de assistência).

## ÓLEO DO MOTOR



**ATENÇÃO!**  
**Não mexa nas partes quentes.**  
**Deixe arrefecer o motor.**

1. Coloque a máquina num terreno plano, accione o travão de estacionamento e rode a chave de ignição (64) para "O".
2. Abra o capot do compartimento do motor (1) accionando o botão de desbloqueio (25).
3. Controle o nível do óleo motor antes de qualquer utilização da máquina com a vareta (A, Fig. 8-9-10).  
 Se necessário, abra a tampa (B, Fig. 9-10) e reponha o nível do óleo motor.

(Consulte o procedimento no respectivo manual do motor).

4. Mude o óleo motor após as primeiras 50 horas de funcionamento e, em seguida, a cada 150 horas.  
 O filtro do óleo (C) deverá ser substituído a cada mudança de óleo (ver os procedimentos no Manual de assistência).  
 Em função da temperatura ambiente, utilize o tipo de óleo de acordo com a tabela seguinte:

INTERVALO DE TEMPERATURA	TIPO DE ÓLEO
Superior a 15 °C (60 °F)	SAE 10W-30
Inferior a 15 °C (60 °F)	SAE 5W-30

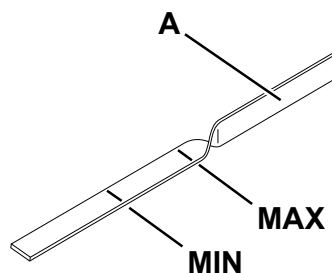
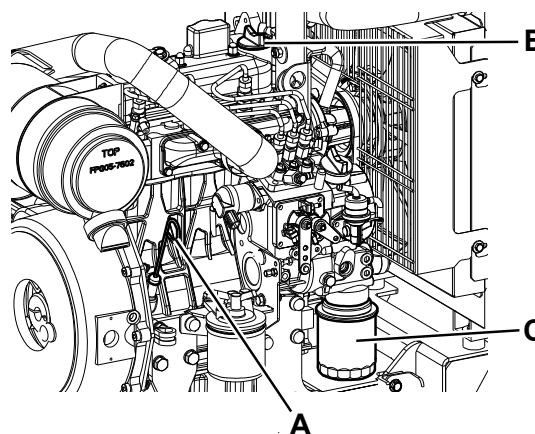


Figura 8

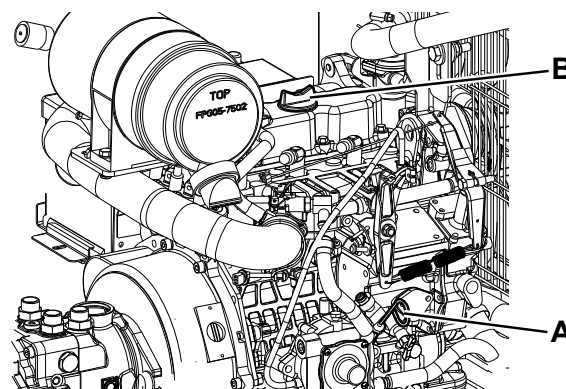
P100329A



Proterra™ Diesel version

Figura 9

P100329D



Proterra™ LPG and Gasoline version

Figura 10

P100329P

## LIMPEZA DO FILTRO DO AR DO MOTOR

1. Coloque a máquina num terreno plano, accione o travão de estacionamento e rode a chave de ignição (64) para "O".
2. Abra o capot do compartimento do motor (1) accionando o botão de desbloqueio (25).
3. Controle o indicador de serviço do filtro do ar do motor (27) antes de qualquer utilização da máquina.



### NOTA

*Após ter limpo ou substituído o filtro do ar do motor, o indicador de serviço pode ser reiniciado pressionando a extremidade.*



### ATENÇÃO!

*Quando se executam operações de assistência nos elementos do filtro do ar do motor, tenha muito cuidado para evitar que a poeira ou a sujidade penetram no motor. A poeira pode causar danos graves ao motor.*

4. Abra a tampa do filtro do ar do motor (24), extraia o pré-filtro de papel e o filtro sintético.
5. Limpe os filtros do ar do motor e/ou efectua a manutenção do cartucho do filtro de ar do motor (24) seguindo as indicações do manual do motor.

## LÍQUIDO DE ARREFECIMENTO DO MOTOR



### ATENÇÃO!

*Não remova a tampa do radiador (23) quando o motor estiver quente.*

1. Coloque a máquina num terreno plano, accione o travão de estacionamento e rode a chave de ignição (64) para "O".
2. Abra o capot do compartimento do motor (1) accionando o botão de desbloqueio (25).
3. Deixe arrefecer o motor e o líquido de arrefecimento, em seguida desaparafuse com cuidado a tampa do radiador (23) de maneira a deixar sair a pressão em excesso.
4. Remova a tampa do radiador (23) e controle o líquido de arrefecimento.  
Se o nível estiver baixo, adicione uma mistura composta por água e por líquido antigelo para automóveis como previsto no manual do motor.

## CONTROLO/SUBSTITUIÇÃO/REPOSIÇÃO DOS FUSÍVEIS

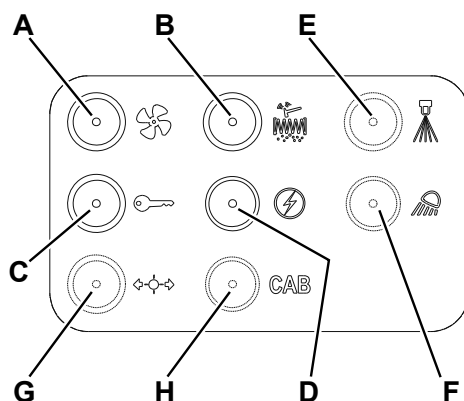
### Controlo dos disjuntores

1. Posicione a máquina num terreno plano.
2. Engate o travão de estacionamento.
3. Coloque a chave de ignição (64) em "O" e retire-a.
4. Controle no painel (38) se os disjuntores seguintes (Fig. 11) estão desinseridos:
  - (A): F1 (30 A), sistema de aspiração
  - (B): F2 (16 A), sacudimento de filtro
  - (C): F4 (30 A), chave de ignição
  - (D): F5 (16 A), auxiliares do motor
  - (E): F3 (10 A), humidificadores da água do sistema de eliminação das poeiras (opcional)
  - (F): F6 (10 A), luz de trabalho (opcional)
  - (G): F7, instalação de luzes (opcional)
  - (H): F8, ventilador da cabina (opcional)

Restabeleça o eventual fusível desengatado, após o arrefecimento da parte que casou o desengate.

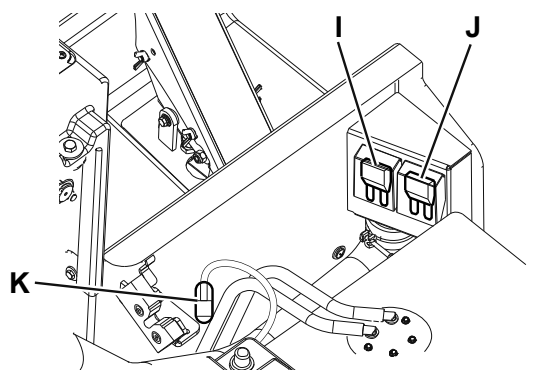
### Controlo/substituição dos fusíveis

1. Posicione a máquina num terreno plano.
  2. Engate o travão de estacionamento.
  3. Coloque a chave de ignição (64) em "O" e retire-a.
  4. Abra o capot do compartimento do motor (1) accionando o botão de desbloqueio (25).
  5. Operando na zona do assento de condução, remova as tampas de protecção e controlo o estado dos seguintes fusíveis (Fig. 12-13):
    - (I): F9 (50 A), velas de pré-aquecimento (Só para Proterra™ Diesel)
    - (J): F10 (50 A), alternador
    - (K): F11 (1 A), farol interno capot (opzionale)
- Substitua os fusíveis que estiverem queimados. Insira a tampa de protecção.
6. Feche a tampa do compartimento motor (1).



P100326

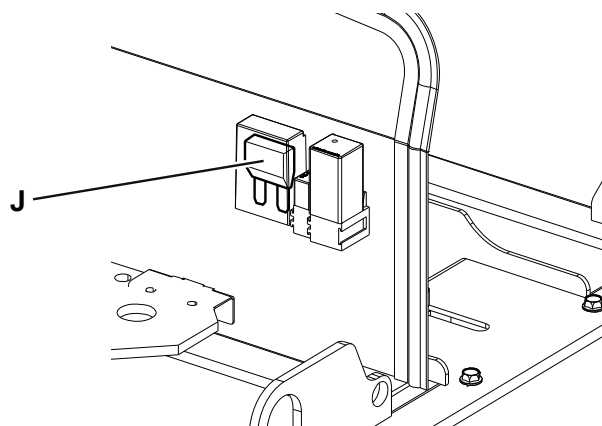
Figura 11



Proterra™ Diesel and Gasoline version

P100327

Figura 12



Proterra™ LPG version

P100327LPG

Figura 13



## RESOLUÇÃO DE PROBLEMAS

Problema	Causa provável	Solução
A máquina não se move	Bateria desligada	Ligue a bateria
	Máquina sem combustível	Abasteça
	Fusíveis de protecção do circuito queimados	Reponha os fusíveis queimados
	Travão de estacionamento engatado	Desinsere
	Parafuso de desbloqueio hidráulico numa posição incorrecta	Rode correctamente
A escova central não roda	Alavanca na posição da escova central levantada	Baixe a escova central com a alavanca
	Detritos à volta da transmissão da escova	Remova os detritos
	Depósito de resíduos não completamente baixado	Baixe completamente o depósito de resíduos
	Fusíveis de protecção do circuito queimados	Reponha os fusíveis queimados
A máquina tem um mau funcionamento da recolha de lixo/poeiras	Sistema de aspiração desligado	Ligue o sistema de aspiração, pressionando o interruptor
	Filtro das poeiras entupido	Limpe o filtro de poeiras
	Depósito de resíduos cheio	Esvazie o depósito de resíduos
	Flaps em mau estado ou não regulados correctamente	Controle o estado e a regulação correcta dos flaps (*)
	Altura ao solo da escova central incorrecta	Regule a altura ao solo da escova
	Fusíveis de protecção do circuito queimados	Reponha os fusíveis queimados
A escova lateral não funciona	Alavanca na posição da escova lateral levantada	Baixe a escova lateral com a alavanca
	Detritos à volta da transmissão da escova	Remova os detritos
	Depósito de resíduos não completamente baixado	Baixe completamente o depósito de resíduos
A porta de descarga do depósito de resíduos não se fecha	Porta de descarga rápida bloqueada pelos detritos	Remova os detritos e a sujidade dos bordos do compartimento
O motor do dispositivo de sacudimento do filtro não funciona	O conector do motor do sistema de sacudimento do filtro não foi ligado correctamente	Volte a estabelecer a ligação
	Fusível de protecção do circuito queimado	Reponha o fusível queimado
O sistema de eliminação das poeiras (opcional) não funciona	Interruptor defeituoso	Substitua o interruptor (*)
	Bicos entupidos ou filtro da água entupido	Limpar
	Bomba avariada	Substituir
	Fusível de protecção do circuito queimado	Reponha o fusível queimado

(\*) Esta operação deve ser executada por um Centro de assistência Advance.

Para mais informações contacte os centros de assistência da Advance, os quais possuem o manual de assistência.

## FIM DE VIDA

Proceda ao depósito da máquina junto de um demolidor autorizado.

Antes de proceder ao depósito da máquina, é necessário remover e separar os seguintes materiais e enviá-los para o sistema de recolha separada em conformidade com a norma ambiental em vigor:

- Baterias
- Filtro poeiras em poliéster
- Escovas central e laterais
- Óleo do motor
- Óleo do sistema hidráulico
- Filtro do óleo do sistema hidráulico
- Tubos e peças em material plástico
- Componentes eléctricos e electrónicos (\*)

(\*) Em particular, para o depósito das partes eléctricas e electrónicas, dirija-se à centro da Advance local.





**Nilfisk-Advance, Inc.**

14600 21st Avenue North  
Plymouth, MN, 55447-3408  
[www.nilfisk-advance.com](http://www.nilfisk-advance.com)

Phone: 800-989-2235

Fax: 800-989-6566

©2008 Nilfisk-Advance, Inc.,  
Plymouth, MN 55447-3408

Printed in Italy