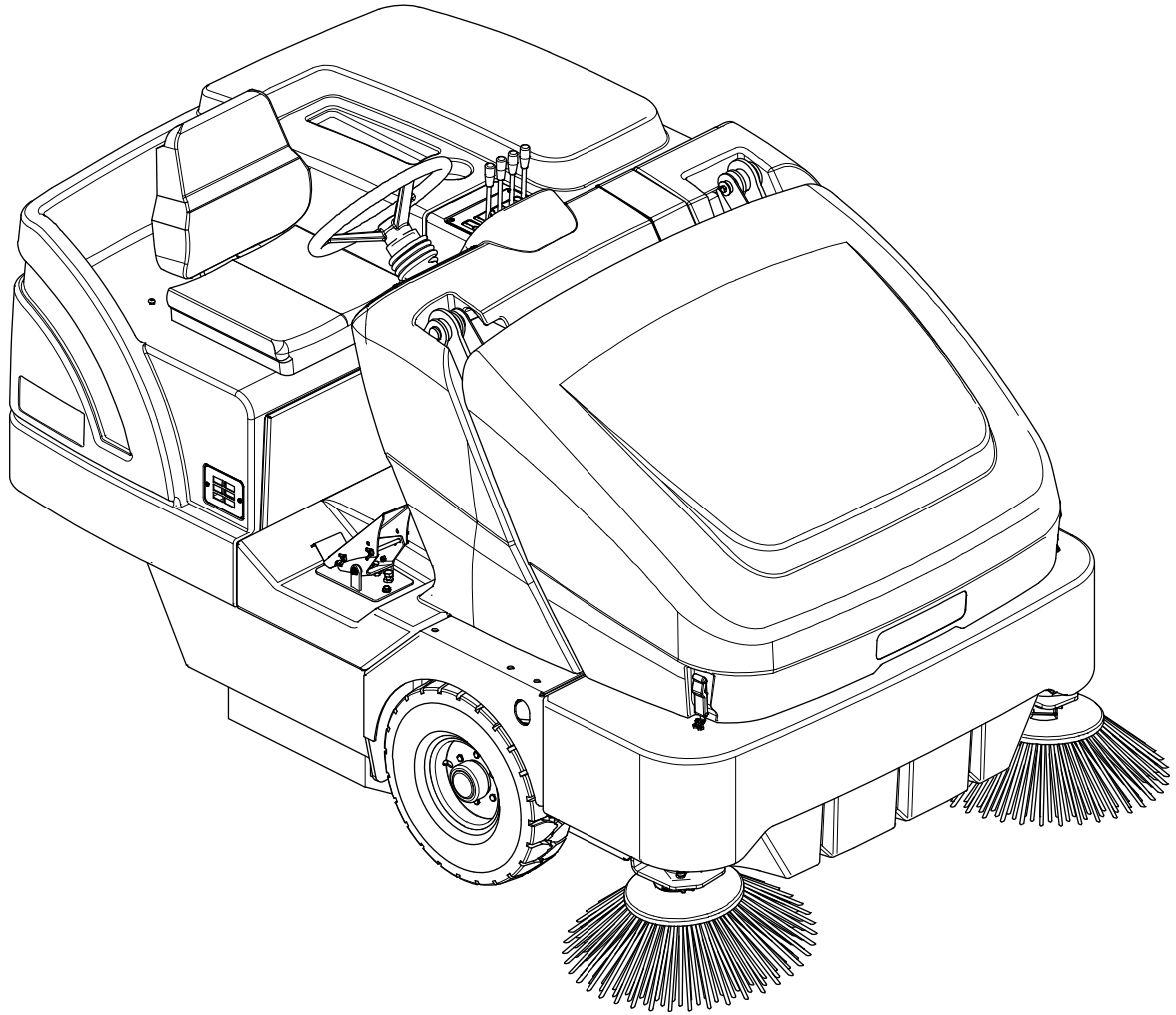
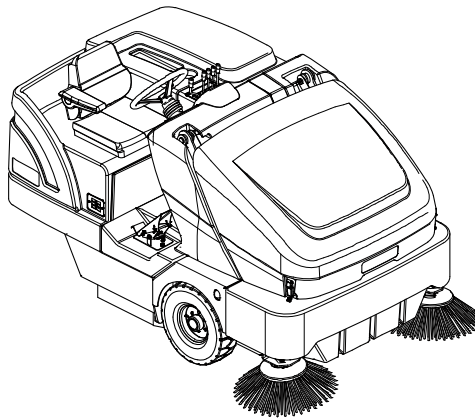


Proterra™



PARTS LIST

Advance models: 13300106 (3 cyl Diesel)
13300109 (3 cyl LPG)
13300108 (3 cyl Gasoline)



DESCRIPTION

PLAN

GENERAL VIEW	2 - 3
CHASSIS ASSEMBLY	4 - 7
CHASSIS COMPONENTS	8 - 9
HOPPER SYSTEM	10 - 11
VAC FAN AND PANEL FILTER ASSY	12 - 13
RT SIDE BROOM ASSY	14 - 15
LT SIDE BROOM ASSY	16 - 17
MAIN BROOM SYSTEM	18 - 19
ASSY CONTROL	20 - 21
PEDALS SYSTEM	22 - 23
ASSY SPEED LIMITING	24 - 25
ASSY CONTROL PANEL AND REALYS	26 - 27
ASSY REAR COVER	28 - 29
ASSY FUEL TANK 3 CYL DIESEL	30 - 31
ASSY SUPPORT 3 CYL LPG	32 - 33
ASSY ENGINE 3 CYL DIESEL	34 - 37
ASSY ENGINE 3 CYL LPG	38 - 41
ASSY ENGINE 3 CYL GASOLINE	42 - 45
ASSY HYDRAULIC PLANT	46 - 51
HYDRAULIC PLANT - DRIVE MOTOR SCHEME	52 - 53
HYDRAULIC PLANT - STEERING SCHEME	54 - 55
HYDRAULIC PLANT - FLAP AND HOPPER SCHEME	56 - 57
HYDRAULIC PLANT - SIDE BROOM SCHEME	58 - 59
ACCESSORIES	60 - 65
WIRING DIAGRAM DIESEL	66 - 69
WIRING DIAGRAM LPG / GASOLINE	70 - 73
HYDRAULIC DIAGRAM	74 - 75
RECOMMENDED SPARE PARTS	76
OPTIONALS	77

WHEN ORDERING PARTS

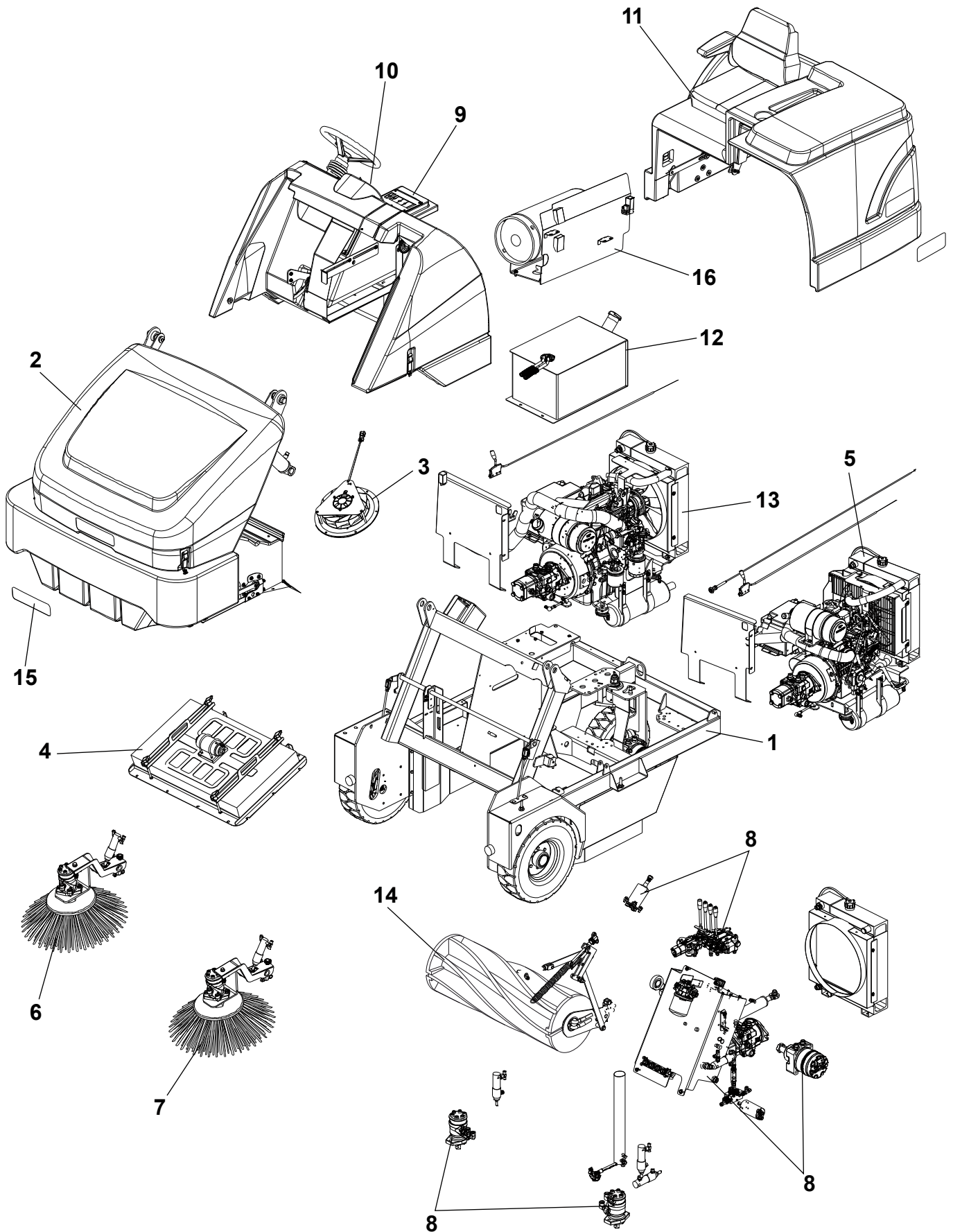
- * Use the 8, 9 or 10 digit numbers from the "Ref. No." columns in this parts list.
- * Specify the model and serial number of the machine.
- * Use the space below to record the model and serial number for future reference.

Model _____ Serial No. _____

* = *Optional*

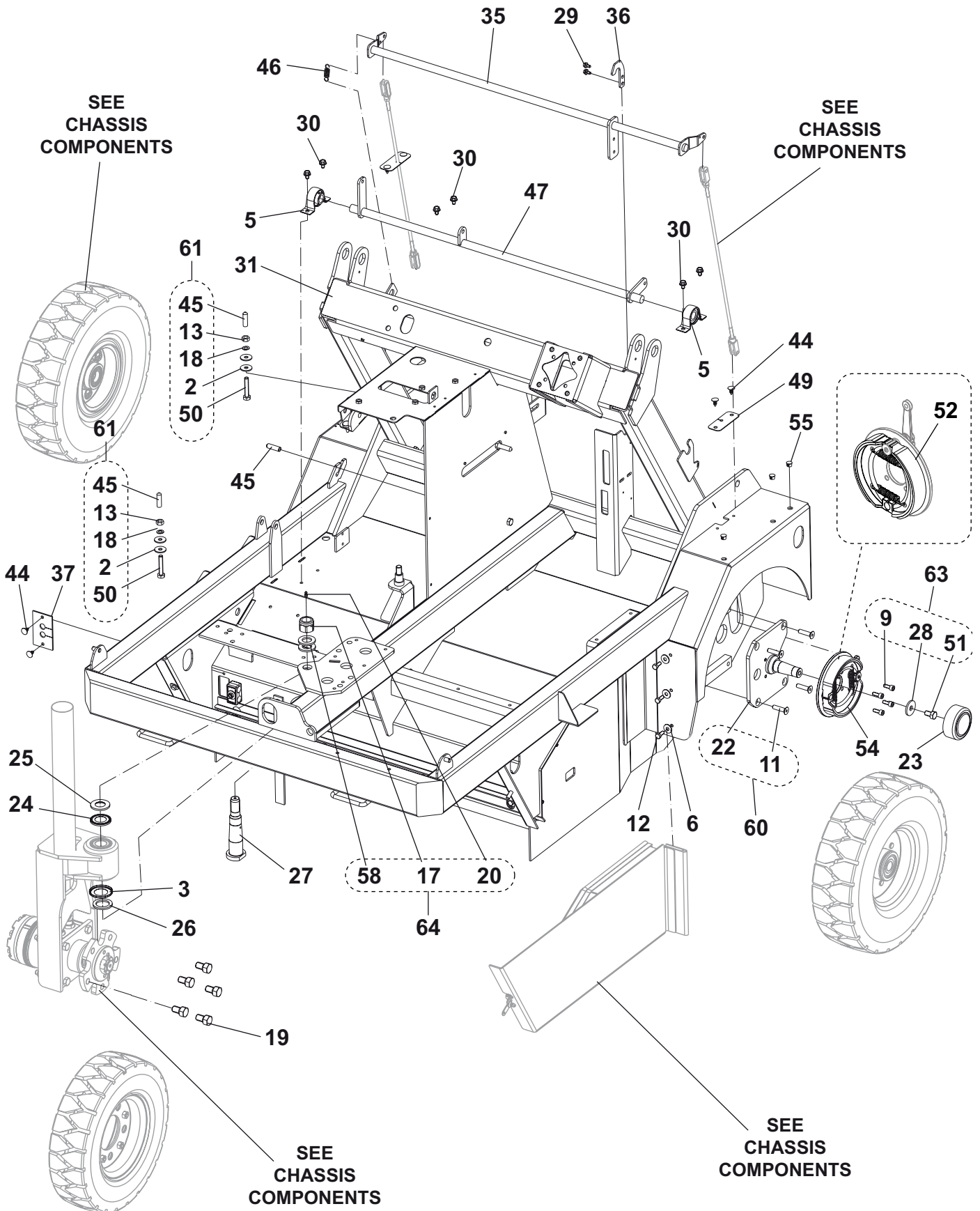
[] = *Not shown*

= *Modified item No. or New item No.*



2009-06	GENERAL VIEW			
2009-09	Proterra™			3

Item	Ref. No.	Qty	Description
1		1	CHASSIS ASSEMBLY
2		1	HOPPER SYSTEM
3		1	VAC FAN ASSY
4		1	PANEL ASSY
5		1	ENGINE 3 CYL LPG - GASOLINE ASSY
6		1	RIGHT SIDE BROOM ASSY
7		1	LEFT SIDE BROOM ASSY (OPTIONAL)
8		1	HYDRAULIC PLANT ASSY
9		1	CONTROL ASSY
10		1	CONTROL PANEL AND RELAYS ASSY
11		1	REAR COVER ASSY
12		1	FUEL TANK ASSY
13		1	ENGINE 3 CYL DIESEL ASSY
14		1	MAIN BROOM SYSTEM
15	33020132	1	LABELS KIT Proterra™
16		1	LPG ASSY



2009-06	CHASSIS ASSEMBLY			
2009-09	Proterra™			5

Item	Ref. No.	Qty	Description	Item	Ref. No.	Qty	Description
1		4	WASHER 8X24 UNI6592	48	33017262	1	STATIC STRAP
2		4	WASHER 10X30 UNI6592	49	33017266	2	FLAP WHEEL WELL TOP
3	33003125	1	RING NILOS AV	50		2	SCREW M10X55 UNI5739
4	33003129	2	VIBRATION -DAMPING	51		2	SCREW M12X20 UNI5739
5	33003201	4	SUPPORT SBPP 204	52	33020206	2	BRAKE LINING AND SPRING ASSY
6		9	WASHER 8X24 UNI6593	53	33018539	1	COLLAR DOUBLE D.18
7		3	SCREW M8X16 UNI5739	54	33020204	2	DRUM BRAKE ASSY
8		1	SCREW M8X45 UNI5739	55		3	PLUG BLACK
9		8	SCREW M8X20 UNI5931	56		1	WASHER
10		2	SCREW M6X16 UNI5933	57		1	SCREW M10X45 UNI5933
11		8	SCREW M10X40 UNI5933	58		2	WASHER M24 UNI6592
12		15	SCREW M8X20 UNI5739	59	146 1966 000	1	GASKET
13		2	NUT HEX M10 UNI5588	60	33018790	1	SUPPORT FRONT WHEEL KIT (ITEM 22-11)
14		1	NUT HEX M10 UNI5589	61	33020409	1	CENTRING HARDWARE KIT (ITEM 50-45-18-13-2)
15		9	NUT SELF L. M8 UNI7474	[62]	33020410	1	BRAKE ROD HARDWARE KIT (ITEM 29-44)
16		2	NUT SELF L. M10 UNI7474	63	33020411	1	FRONT WHEELS SUPPORT HARDWARE KIT (ITEM 9-28-51)
17		1	NUT SELF L. M24X2 UNI7474	64	33020412	1	REAR WHEEL PIN HARDWARE KIT (ITEM 58-20-17)
18		2	WASHER M10 UNI8842A	[65]	33020332	1	CHASSIS HARDWARE KIT (ITEM 3-13-16 SEE PAGE 9 51-50-58-55-45-44-29-28-20-19-18-17-13-12-11-9-6-2)
19		5	STUD BOLT M 16X1.5	[66]	33018791	1	FIXING GASKETS KIT (ITEM 12-33-34-1-15)
20		1	LUBRICATOR M6	[67]	33020333	1	FLAP HARDWARE KIT (ITEM 16-6-12-15-1)
21	33009812	1	PLUG	68	33019212	1	HOPPER STOP KIT (ITEM 57-45-43-38-14-10)
22		2	SPINDLE	[69]	33018866	1	SUPPORT BEARING KIT (ITEM 5-15-8-7-6)
23	33016904	2	CAP				
24	33016909	1	RING NILOS AV				
25	33016910	1	WASHER UPPER				
26	33016911	1	WASHER LOWER				
27	33016912	1	PIN DRIVE YOKE PIVOT				
28		2	WASHER 12X40X4				
29		2	SCREW THREAD ROLLING M6X12				
30		10	SCREW THREAD ROLLING M8X12				
31	33017055	1	FRAME				
32	33017057	1	DOOR LEFT WELDED				
33		1	PLATE REAR SEAL				
34		2	PLATE SIDE SEAL				
35	33017113	1	BAR JOINT BRAKE				
36	33017114	1	PLATE BAR JOINT BRAKE				
37	33017168	1	FLAP BROOM CHAMBER HOSES				
38		1	HOPPER SAFETY STOP				
39	33017171	1	FLAP SIDE				
40	33017172	1	FLAP SIDE				
41	33017173	2	FOAM HOPPER SIDE				
42	33017174	1	FLAP REAR BROOM				
43		2	BUSH				
44		6	RIVET PLASTIC				
45		4	CAP VINYL				
46	33017199	1	SPRING				
47	33017218	1	LINKAGE WELDED THROTTLE				

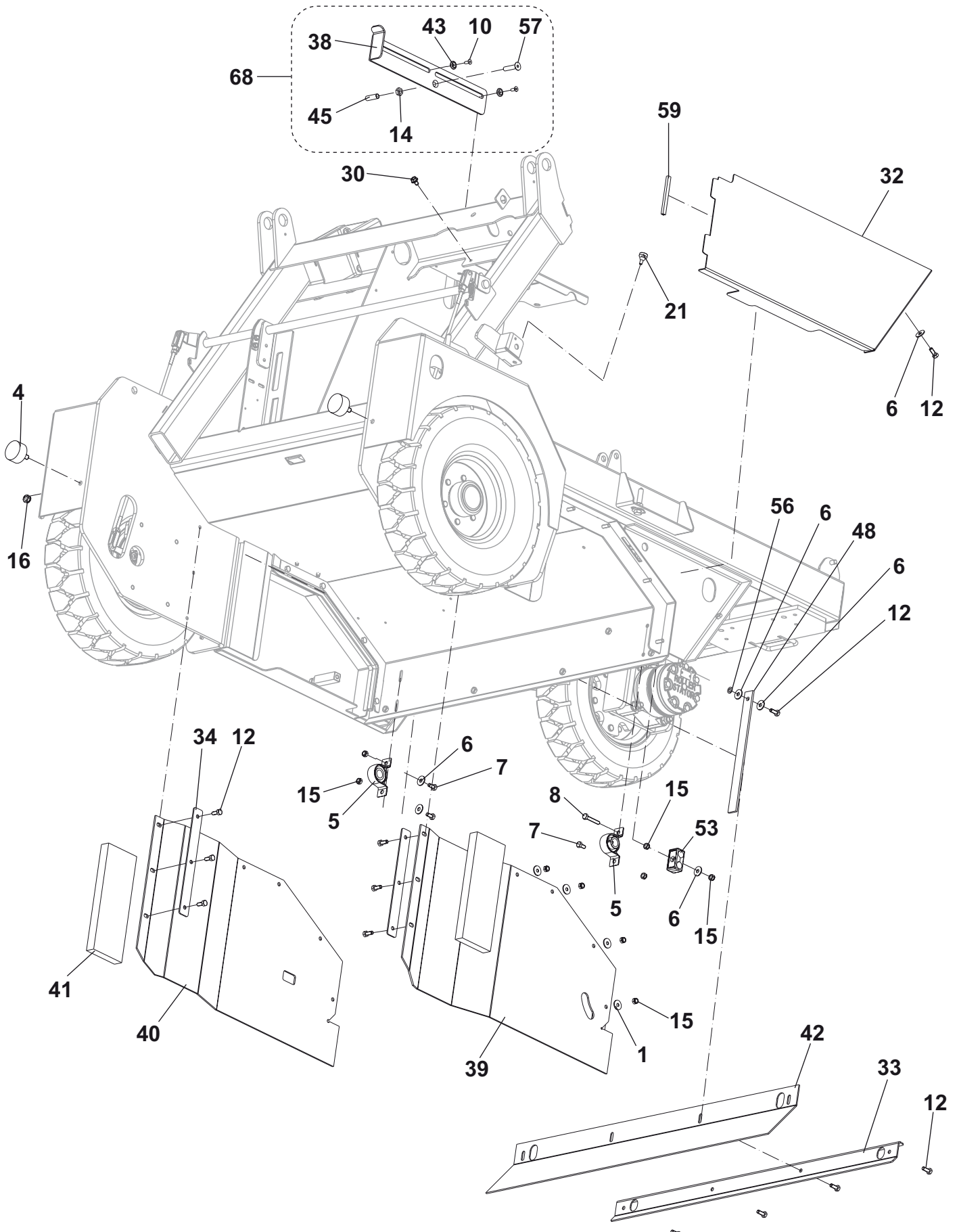
CHASSIS ASSEMBLY

2009-06

6

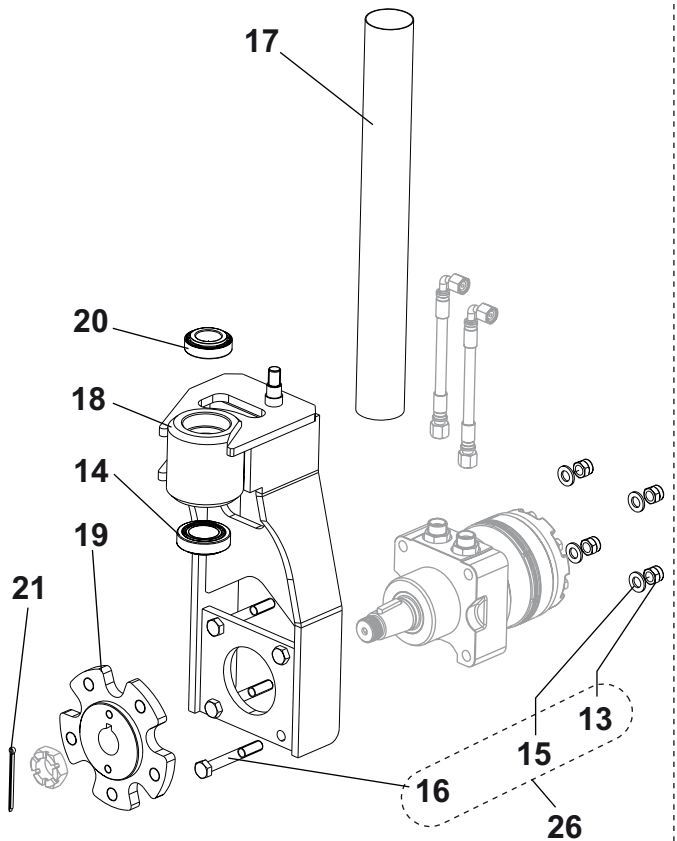
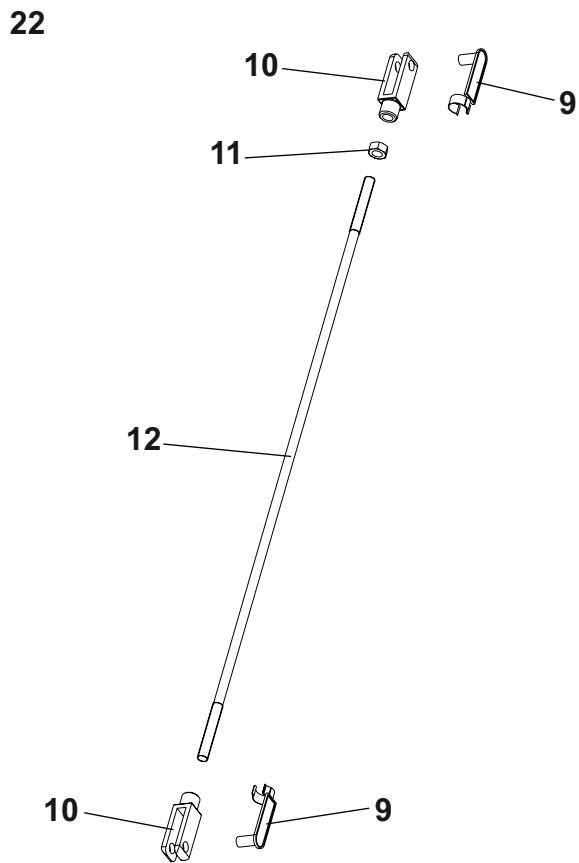
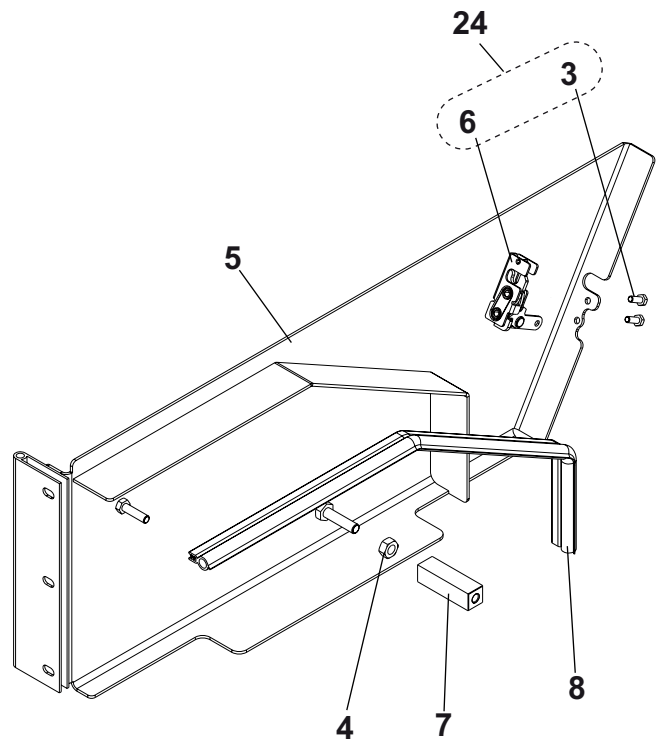
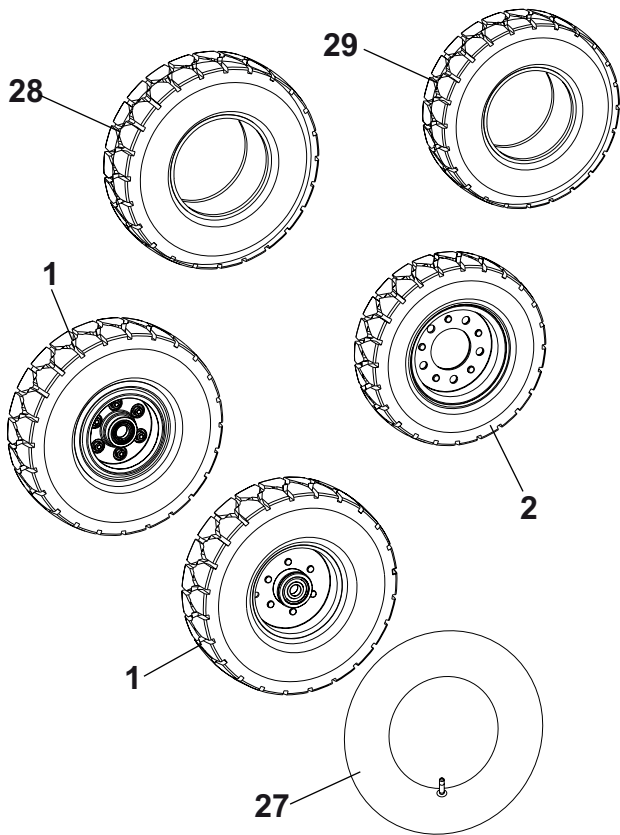
Proterra™

2009-09



2009-06	CHASSIS ASSEMBLY			
2009-09	Proterra™			7

Item	Ref. No.	Qty	Description	Item	Ref. No.	Qty	Description
1		4	WASHER 8X24 UNI6592	48	33017262	1	STATIC STRAP
2		4	WASHER 10X30 UNI6592	49	33017266	2	FLAP WHEEL WELL TOP
3	33003125	1	RING NILOS AV	50		2	SCREW M10X55 UNI5739
4	33003129	2	VIBRATION -DAMPING	51		2	SCREW M12X20 UNI5739
5	33003201	4	SUPPORT SBPP 204	52	33020206	2	BRAKE LINING AND SPRING ASSY
6		9	WASHER 8X24 UNI6593	53	33018539	1	COLLAR DOUBLE D.18
7		3	SCREW M8X16 UNI5739	54	33020204	2	DRUM BRAKE ASSY
8		1	SCREW M8X45 UNI5739	55		3	PLUG BLACK
9		8	SCREW M8X20 UNI5931	56		1	WASHER
10		2	SCREW M6X16 UNI5933	57		1	SCREW M10X45 UNI5933
11		8	SCREW M10X40 UNI5933	58		2	WASHER M24 UNI6592
12		15	SCREW M8X20 UNI5739	59	146 1966 000	1	GASKET
13		2	NUT HEX M10 UNI5588	60	33018790	1	SUPPORT FRONT WHEEL KIT (ITEM 22-11)
14		1	NUT HEX M10 UNI5589	61	33020409	1	CENTRING HARDWARE KIT (ITEM 50-45-18-13-2)
15		9	NUT SELF L. M8 UNI7474	[62]	33020410	1	BRAKE ROD HARDWARE KIT (ITEM 29-44)
16		2	NUT SELF L. M10 UNI7474	63	33020411	1	FRONT WHEELS SUPPORT HARDWARE KIT (ITEM 9-28-51)
17		1	NUT SELF L. M24X2 UNI7474	64	33020412	1	REAR WHEEL PIN HARDWARE KIT (ITEM 58-20-17)
18		2	WASHER M10 UNI8842A	[65]	33020332	1	CHASSIS HARDWARE KIT (ITEM 3-13-16 SEE PAGE 9 51-50-58-55-45-44-29-28-20-19-18-17-13-12-11-9-6-2)
19		5	STUD BOLT M 16X1.5	[66]	33018791	1	FIXING GASKETS KIT (ITEM 12-33-34-1-15)
20		1	LUBRICATOR M6	[67]	33020333	1	FLAP HARDWARE KIT (ITEM 16-6-12-15-1)
21	33009812	1	PLUG	68	33019212	1	HOPPER STOP KIT (ITEM 57-45-43-38-14-10)
22		2	SPINDLE	[69]	33018866	1	SUPPORT BEARING KIT (ITEM 5-15-8-7-6)
23	33016904	2	CAP				
24	33016909	1	RING NILOS AV				
25	33016910	1	WASHER UPPER				
26	33016911	1	WASHER LOWER				
27	33016912	1	PIN DRIVE YOKE PIVOT				
28		2	WASHER 12X40X4				
29		2	SCREW THREAD ROLLING M6X12				
30		10	SCREW THREAD ROLLING M8X12				
31	33017055	1	FRAME				
32	33017057	1	DOOR LEFT WELDED				
33		1	PLATE REAR SEAL				
34		2	PLATE SIDE SEAL				
35	33017113	1	BAR JOINT BRAKE				
36	33017114	1	PLATE BAR JOINT BRAKE				
37	33017168	1	FLAP BROOM CHAMBER HOSES				
38		1	HOPPER SAFETY STOP				
39	33017171	1	FLAP SIDE				
40	33017172	1	FLAP SIDE				
41	33017173	2	FOAM HOPPER SIDE				
42	33017174	1	FLAP REAR BROOM				
43		2	BUSH				
44		6	RIVET PLASTIC				
45		4	CAP VINYL				
46	33017199	1	SPRING				
47	33017218	1	LINKAGE WELDED THROTTLE				



2009-06

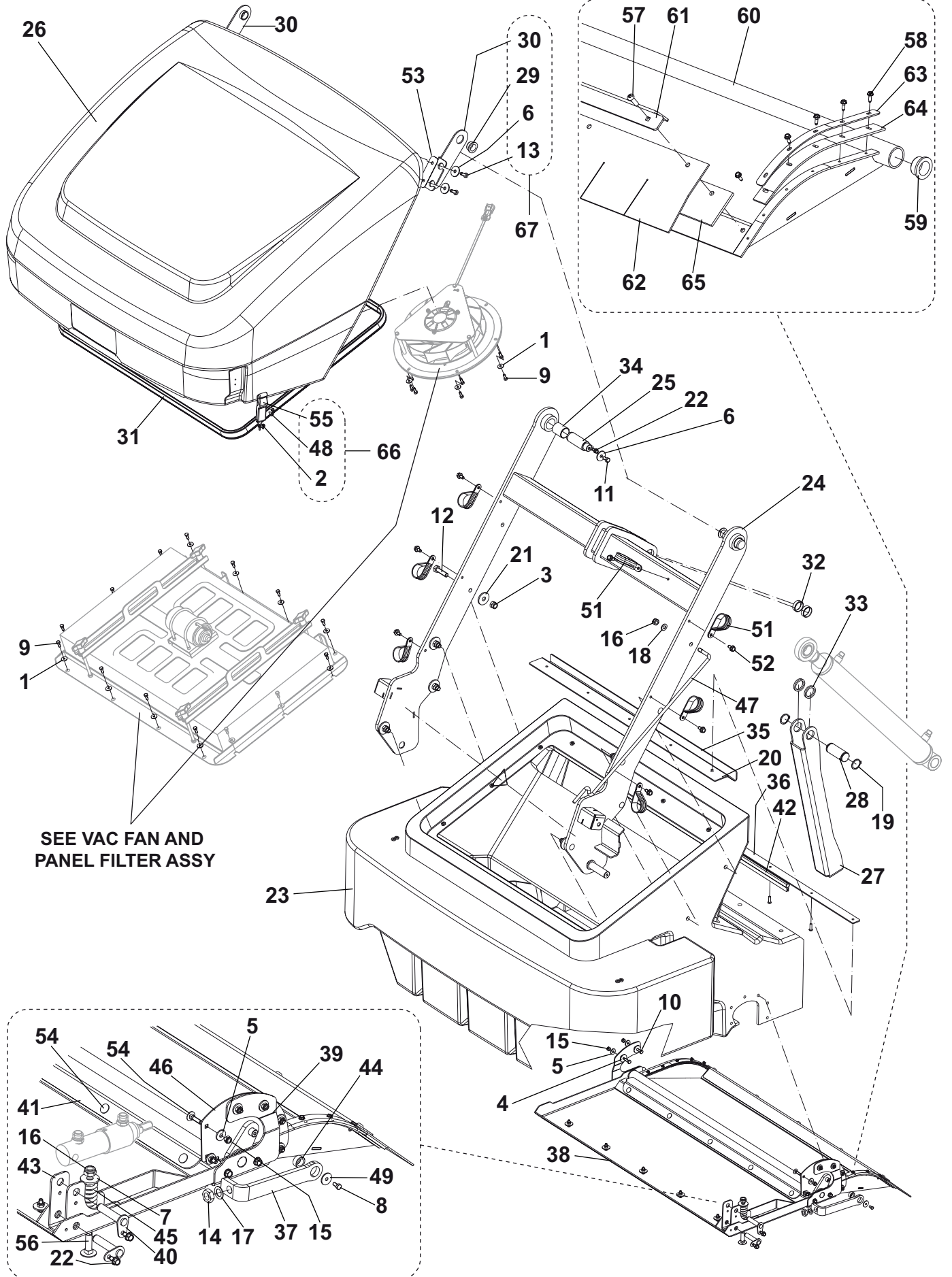
CHASSIS COMPONENTS

2010-09

Proterra™

9

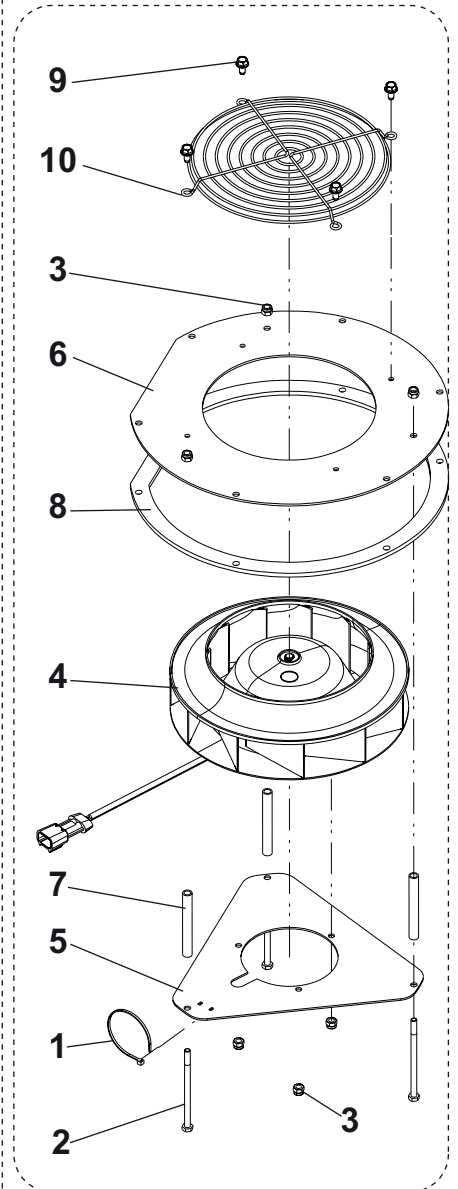
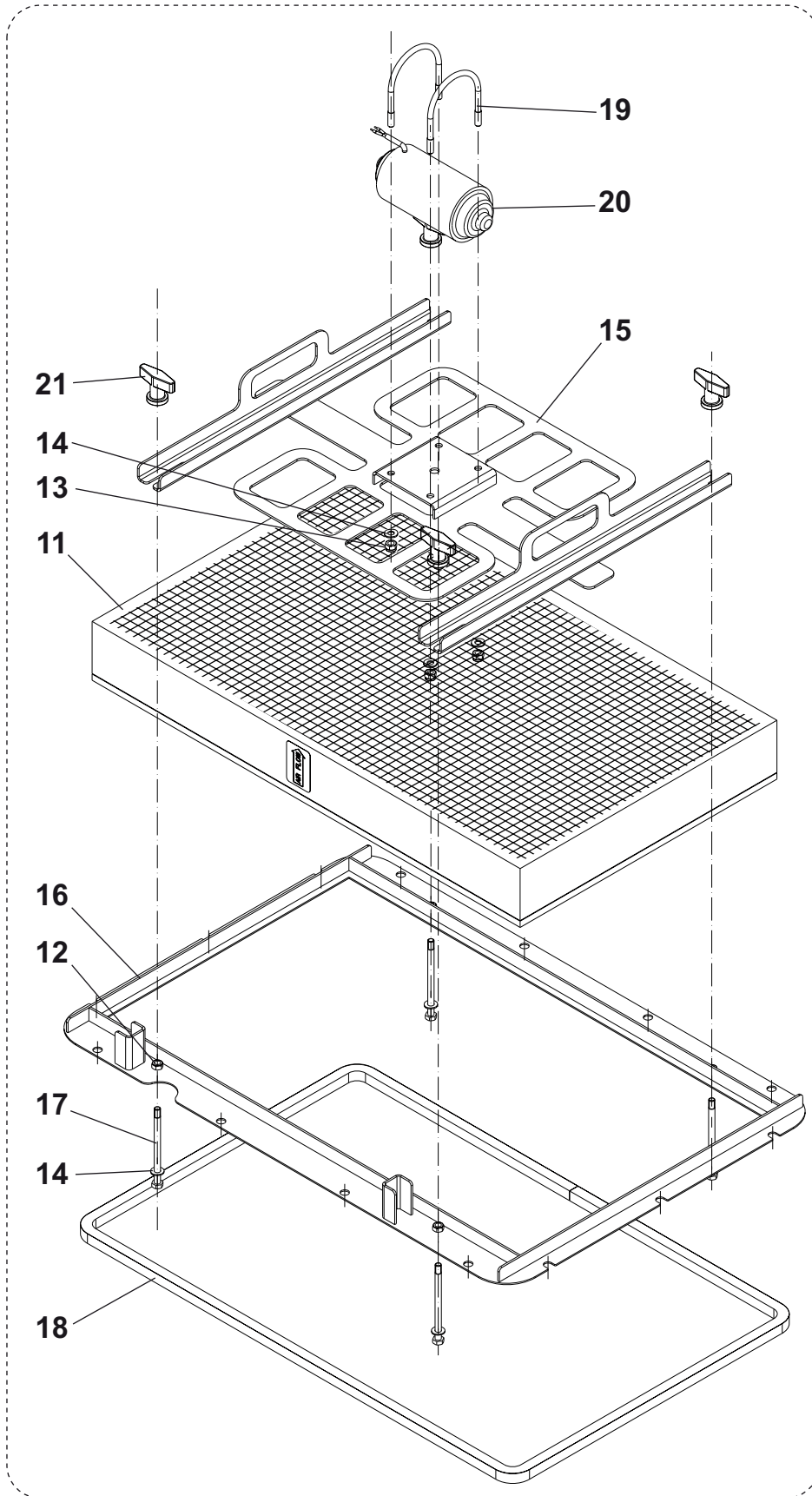
Item	Ref. No.	Qty	Description
1	33016901	2	WHEEL PNEUMATIC ASSEMBLED
2	33009649	1	WHEEL PNEUMATIC
3		2	SCREW M6X16 UNI5739
4		1	NUT HEX M10 UNI5588
5		1	DOOR RIGHT WELDED
6		1	LATCH SLAM
7	33017128	1	STOP BROOM ARM
8	33017129	1	STOP BROOM ARM
9		4	CLIPS M8
10		4	FORK M8
11		2	NUT HEX M8 UNI5588
12		2	ROD
13		4	NUT SELF L. M12 UNI7473
14	33003175	1	BEARING 32007
15		4	WASHER M12 UNI6592
16		4	SCREW M12X90 UNI5737
17	33015542	1	SHEATH 90 D56 L 500
18		1	YOKE WELDMENT
19	33017103	1	HUB REAR WHEEL
20	145 4691 000	1	BEARING 32006
21		1	PIN COTTER
22	33018794	1	CONNECTION BRAKE KIT (ITEM 9-10-11-12)
[23]	33019101	1	HATCH RIGHT KIT (ITEM 12-6 SEE PAGE 5 5)
24	33018796	1	CLOSING HATCH RIGHT SIDE KIT (ITEM 3-6)
[25]	33018792	1	SUPPORT REAR WHEEL KIT (ITEM 13-15-16-18-21)
26	33020413	1	REAR WHEEL HARDWARE KIT (ITEM 19 SEE PAGE 5 13-15-16)
27#	33021739	3	TUBE INNER
28#	33021740	2	TYRE FRONT
29#	33021738	1	TYRE REAR



SEE VAC FAN AND
PANEL FILTER ASSY

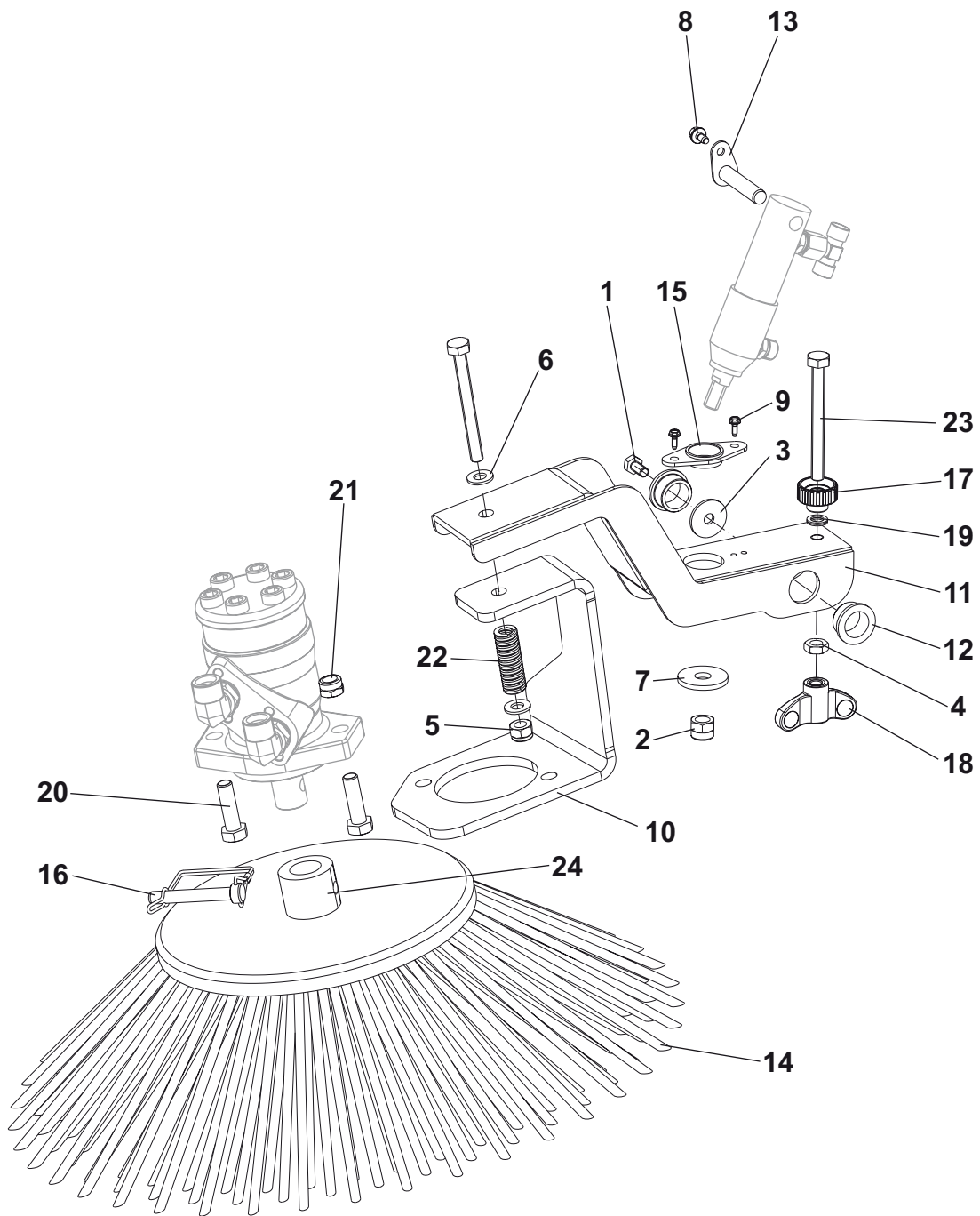
2009-06	HOPPER SYSTEM			
2010-09	Proterra™			11

Item	Ref. No.	Qty	Description	Item	Ref. No.	Qty	Description
1		20	WASHER 6X18 UNI6592	48		4	SCREW 4.8X16 UNI6954
2		4	SCREW M4X12 UNI7687	49		1	WASHER FLAT XL
3		8	NUT SELF L. M12 UNI7473	51#		7	CLAMP HOSE D.45
4		7	WASHER 6X24 UNI6593	52		7	SCREW THREAD ROLLING
5		13	WASHER 6X18 UNI6593	53	33020011	2	PLATE OF CONTRAST
6		6	WASHER 8X32 UNI6593	54		13	SCREW M6X25 UNI5731
7		1	WASHER 10X30 UNI6593	55		2	LATCH
8		1	SCREW M5X10 UNI5739	56		1	SCREW M10X60 UNI5731
9		20	SCREW M6X16 UNI5739	57		5	SCREW M6X20 ISO7380
10		2	SCREW M6X20 UNI5739	58		10	SCREW THREAD ROLLING
11		2	SCREW M8X16 UNI5739	59		2	BUSH
12		8	SCREW M12X45 UNI5739	60		1	DOOR WELDED
13		4	SCREW M8X20 UNI5739	61	33017201	1	SKIRT STRAP DOOR
14		1	NUT HEX M12 UNI5589	62		1	SKIRT REAR DOOR
15		18	NUT SELF L. M6 UNI7474	63	33017240	2	STRAP DOOR SIDE SKIRT
16		2	NUT SELF L. M10 UNI7474	64		2	SKIRT DOOR SIDE
17		1	WASHER M12 UNI8842A	65		1	GASKET HOPPER DOOR
18		1	WASHER M10 UNI6592	[65]	33017366	1	HARNES HOPPER
19		2	RING D 30 UNI7435	66	33018803	1	LATCH KIT (ITEM 55-2-48)
20		5	SCREW M6X20 ISO7380	67	33019115	1	HINGES BONNET KIT (ITEM 13-6-29-30)
21		8	WASHER 12X40X4	[68]	33019116	1	CLAMPS HOSES FIXING KIT (ITEM 50-51-52)
22		8	SCREW THREAD ROLLING	[69]	33018799	1	PLATE CONTAINER KIT (ITEM 35-36-20)
23	33017058	1	HOPPER	[70]	33018800	1	MECHANISM LIFTING KIT (ITEM 7-49-8-14-16-22-37-40-43-44-45-56-17)
24	33017059	1	ARM HOPPER	[71]	33019118	1	SKIRT HATCH CONTAINER KIT (ITEM 15-58-59-60-54-61-62-63-64)
25	33017060	2	PIN HOPPER PIVOT	[72]	33019117	1	GASKETS HATCH KIT (ITEM 64-62-65)
26	33017061	1	COVER HOPPER MOLDED	[73]	33020414	1	HOPPER BOTTOM HARDWARE KIT (ITEM 9-17-15-12-10-5-4-29)
27	33017108	1	BAR SECURITY	[74]	33020415	1	HARDWARE SUPPORT KIT (ITEM 1-3-9-13-20-19-29-)
28		1	PIN SECURITY BAR	[75]	33020334	1	HOPPER HARDWARE KIT (ITEM 1-29-20-19-17-15-13-12-10-9-5-4-3)
29		2	BUSH	[76]	33018798	1	HARDWARE LIFTING CONTAINER (ITEM 6-22-25-34-33-32-28-19-11)
30		2	BRACKET HOPPER COVER	[77]	33018801	1	FIXING ROD CONTAINER (ITEM 47-16-18)
31	33017126	1	SEAL HOPPER COVER L 2930				
32		2	BUSH				
33		2	SPACER				
34		2	BUSH				
35		1	PLATE HOPPER TOP				
36		1	STRAP DOOR PIVOT FLAP				
37		1	ARM FLAP				
38	33017138	1	PLATE HOPPER BUTTOM				
39	33017139	2	PIN HOPPER DOOR				
40		2	PIN				
41	33017229	1	PLATE HOPPER FLAP				
42	33017257	1	TRIM EDGE BULB L 900MM				
43		1	CYLINDER BRAKET				
44		1	BEARING				
45		1	SPRING				
46	33017288	1	PLATE W/BOLTS				
47		1	ROD COVER PROP				



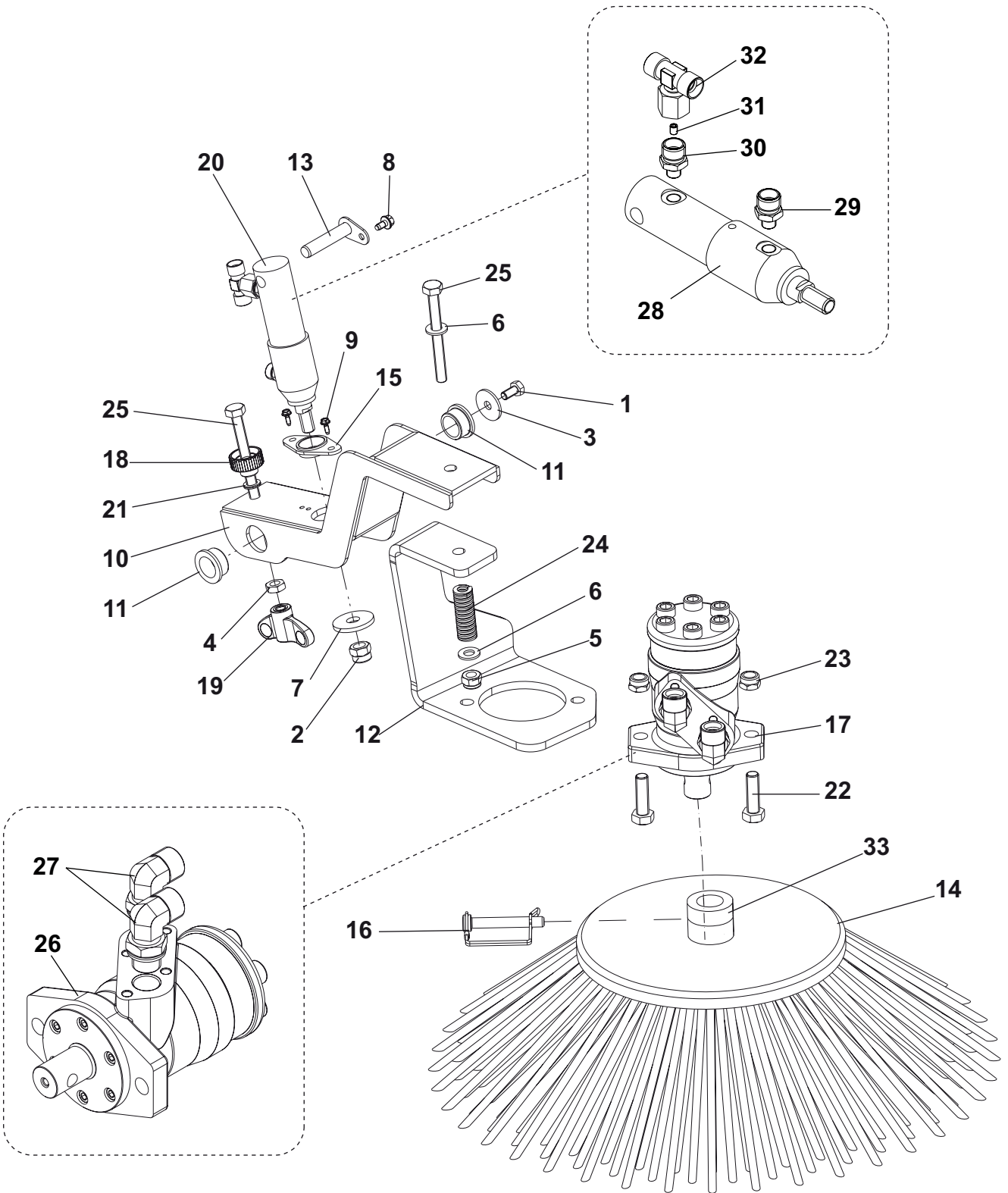
2009-06	VAC FAN AND PANEL FILTER ASSY			
2009-09	Proterra™			13

Item	Ref. No.	Qty	Description
1		1	CABLE TIE
2		3	SCREW M6X100 UNI5737
3		6	NUT SELF L. M6 UNI7473
4	33015222	1	FAN MOTOR VACUUM 12V (M1)
5		1	SUPPORT
6		1	SUPPORT
7		3	SPACER
8	33016950	1	GASKET
9		4	SCREW THREAD ROLLING
10		1	GRILL
11	8-24-04139-1	1	PANEL FILTER
11*	8-24-04139-2	1	PANEL FILTER WATER RESISTENT
12		4	NUT SELF L. 5/16"UNC
13		4	NUT SELF L. M8 UNI7473
14		8	WASHER M8 UNI6592
15	33017118	1	PLATE LOCK SHAKER
16	33017119	1	FRAME PANEL FILTER
17		4	SCREW 5/16"X4,5" UNC
18	33018634	1	GASKET FILTER ASSY L 2560
19		2	CLAMP
20	146 1104 000	1	MOTOR FILTER SHAKER 90W (M2)
21	9098257000	4	NUT THUMB SQUEEGEE FIXING
[22]	33018804	1	FIXING ELECTROFAN KIT (ITEM 1-2-3-5-6-7)
[23]	33018805	1	GRILL ELECTROFAN KIT (ITEM 9-10)
[24]	33020335	1	PANEL FILTER HARDWARE KIT (ITEM 19-17-14-13-12)



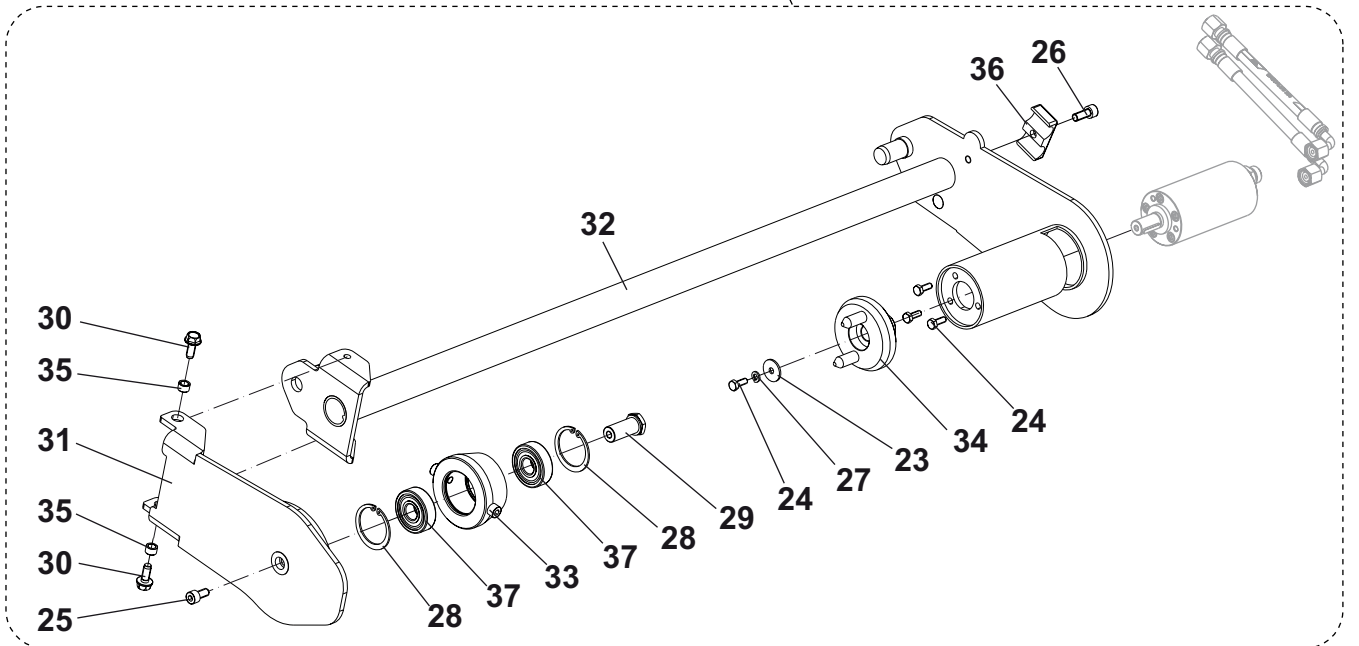
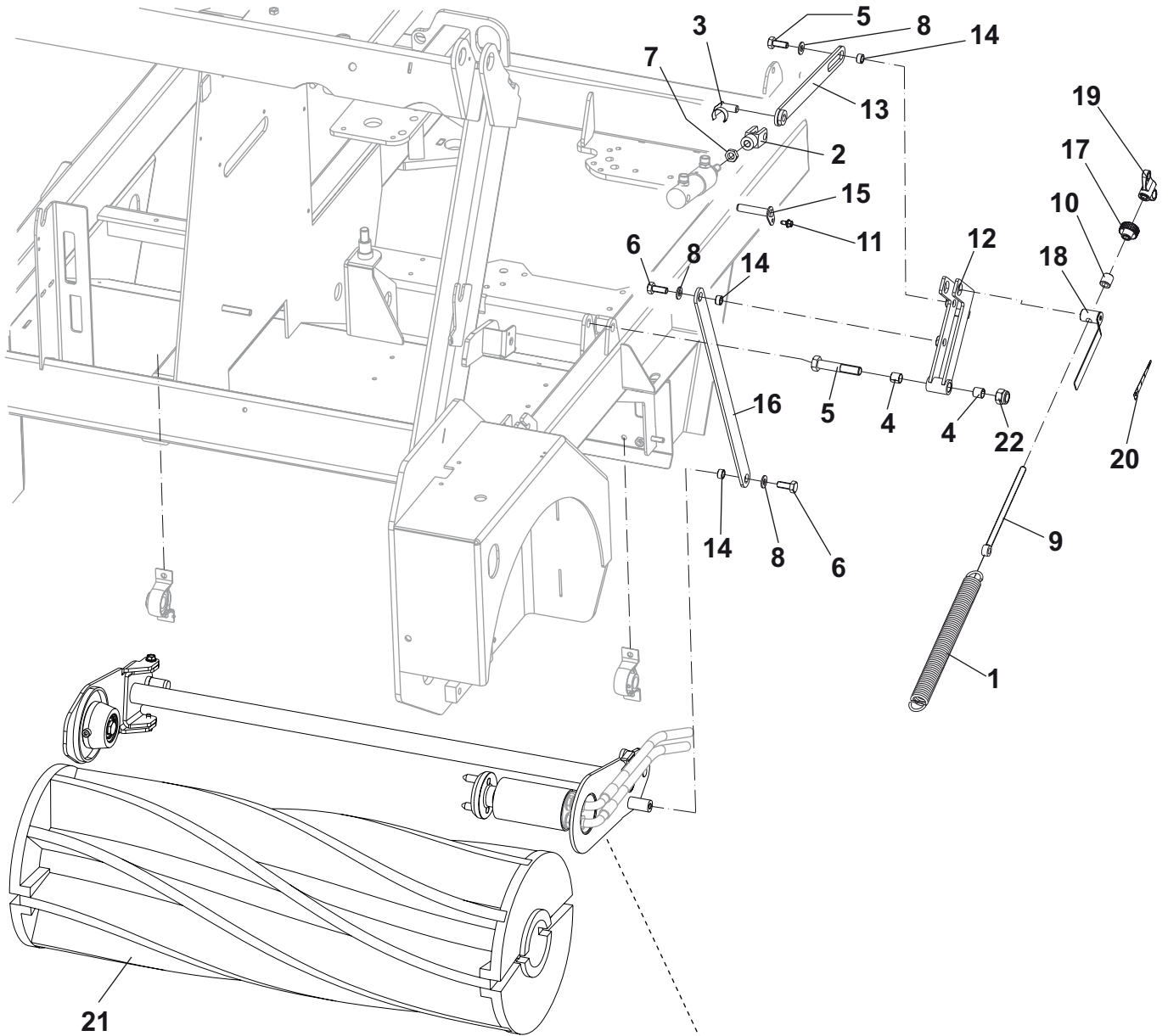
2009-06	RT SIDE BROOM ASSY			
2010-09	Proterra™			15

Item	Ref. No.	Qty	Description
1		1	SCREW M8X16 UNI5739
2		1	NUT SELF L. M12 UNI7473
3		1	WASHER 8X32 UNI6593
4		1	NUT HEX M10 UNI5589
5		1	NUT SELF L. M10 UNI7473
6		2	WASHER M10 UNI6592
7		1	WASHER 12X40X4
8		1	SCREW THREAD ROLLING
9		2	SCREW THREAD ROLLING
10	33017107	1	SUPPORT RIGHT SIDE MOTOR
11	33017115	1	ARM SIDE BRUSH
12		2	BUSH
13		1	PIN
14	33017255	1	BROOM SIDE PPL 1,4-1,7
14*	33018889	1	BROOM SIDE PPL 1,5/STEEL
14*	33018890	1	BROOM SIDE NYLON 0,5
15		1	BUSHING SLIDE FLANGE
16	33017290	1	PIN CLEVIS W/LOOP 8MM
17	33017889	1	KNOB M10
18	33018333	1	NUT WING M10
19		1	WASHER NORD LOCK M10
20		2	SCREW M12X40 UNI5739
21		2	NUT SELF L. M12 UNI7474
22	146 1317 000	1	SPRING
23		2	SCREW M10X100 UNI5739
24#	33020628	1	HUB BROOM
[25]	33020336	1	SUPPORT HARDWARE KIT (ITEM 23-21-20-22-6-5-4)
[26]	33020337	1	SIDE BROOM CYLINDER HARDWARE KIT (ITEM 15-13-9-8-7-2)
[27]	33020338	1	SETTING SIDE BROOM HARDWARE KIT (ITEM 23-19-18-17-7-1-3-12)



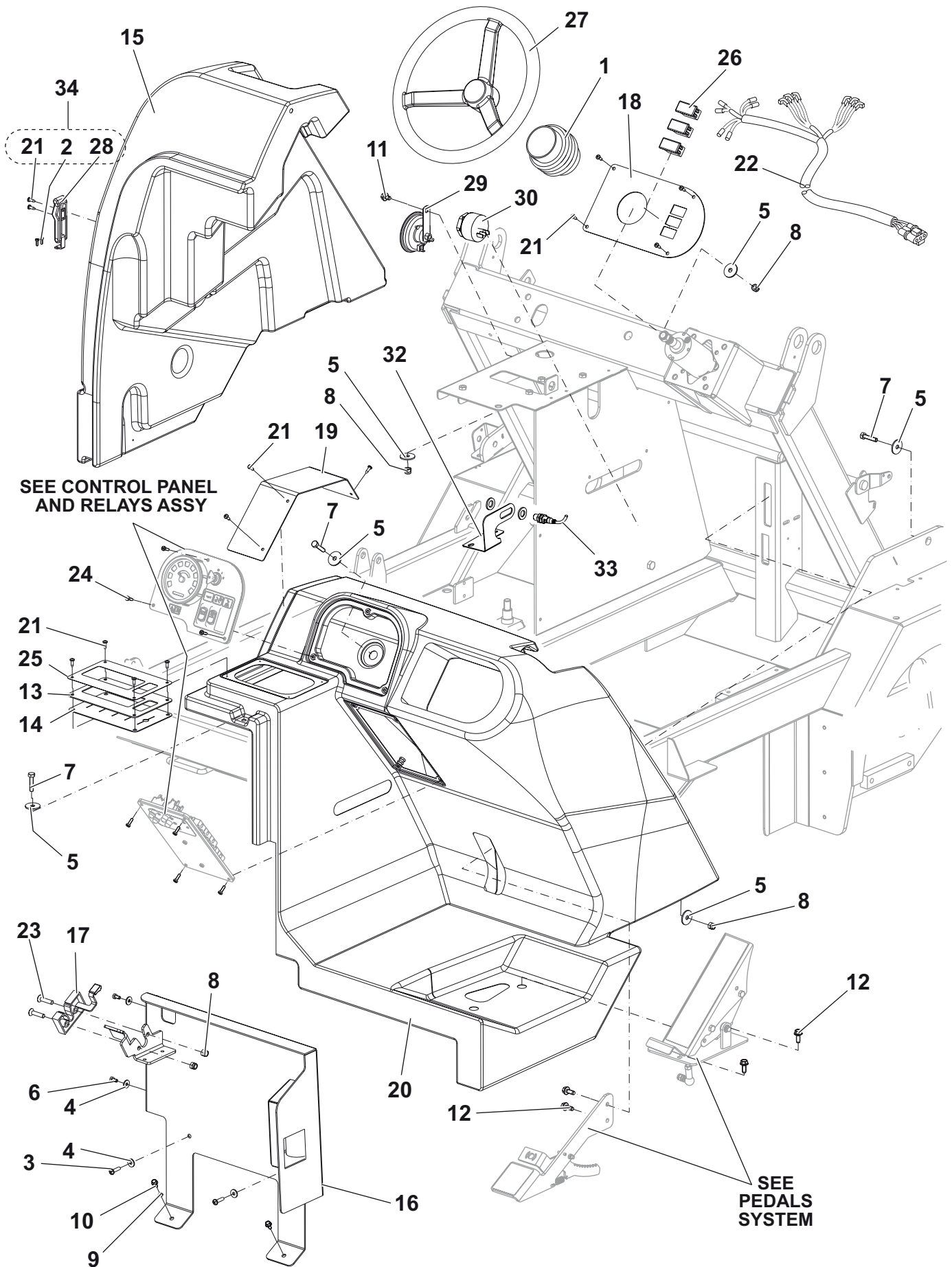
2009-06	LT SIDE BROOM ASSY			
2010-09	Proterra™			17

Item	Ref. No.	Qty	Description
1		1	SCREW M8X16 UNI5739
2		1	NUT SELF L. M12 UNI7473
3		1	WASHER 8X32 UNI6593
4		1	NUT HEX M10 UNI5589
5		1	NUT SELF L. M10 UNI7473
6		2	WASHER M10 UNI6592
7		1	WASHER 12X40X4
8		1	SCREW THREAD ROLLING
9		2	SCREW THREAD ROLLING
10	33017115	1	ARM SIDE BRUSH
11		2	BUSH
12	33017117	1	SUPPORT LEFT SIDE MOTOR
13		1	PIN
14	33017255	1	BROOM SIDE PPL 1,4-1,7
14*	33018889	1	BROOM SIDE PPL 1,5/STEEL
14*	33018890	1	BROOM SIDE NYLON 0,5
15		1	BUSHING SLIDE FLANGE
16	33017290	1	PIN CLEVIS W/LOOP 8MM
17	33018807	1	MOTOR SIDE BROOM KIT
18	33017889	1	KNOB M10
19	33018333	1	NUT WING M10
20#	33021766	1	LEFT SIDE BROOM CYLINDER KIT (ITEM 28-29-30-31-32)
21		1	WASHER NORD LOCK M10
22		2	SCREW M12X40 UNI5739
23		2	NUT SELF L. M12 UNI7474
24	146 1317 000	1	SPRING
25		2	SCREW M10X100 UNI5739
26	33017003	1	MOTOR SIDE BROOM
27	33015874	2	ELBOW 90 M1/2
28#	33020608	1	MICRO CYLINDER
29	33018375	1	FITTINGS 1/8"
30	33018222	1	FITTING 1/8
31	33018215	1	DOWEL M5X6 DIAM 0,5
32#	146 0507 000	1	PIPE FITTING T D.10
33#	33020628	1	HUB BROOM
[34]*	33019173	1	LEFT SIDE BROOM KIT
[35]	33018767	1	INSTRUCTIONS ASSEMBLY
[36]	33020336	1	SUPPORT HARDWARE KIT (ITEM 25-23-21-22-6-5-4)
[37]	33020337	1	SIDE BROOM CYLINDER HARDWARE KIT (ITEM 15-13-9-8-7-2)
[38]	33020338	1	SETTING SIDE BROOM HARDWARE KIT (ITEM 23-19-18-7-1-3-11)
[39]#	33020754	1	GASKETS HYDRAULIC MOT.KIT FOR 33017003 (ITEM 26)



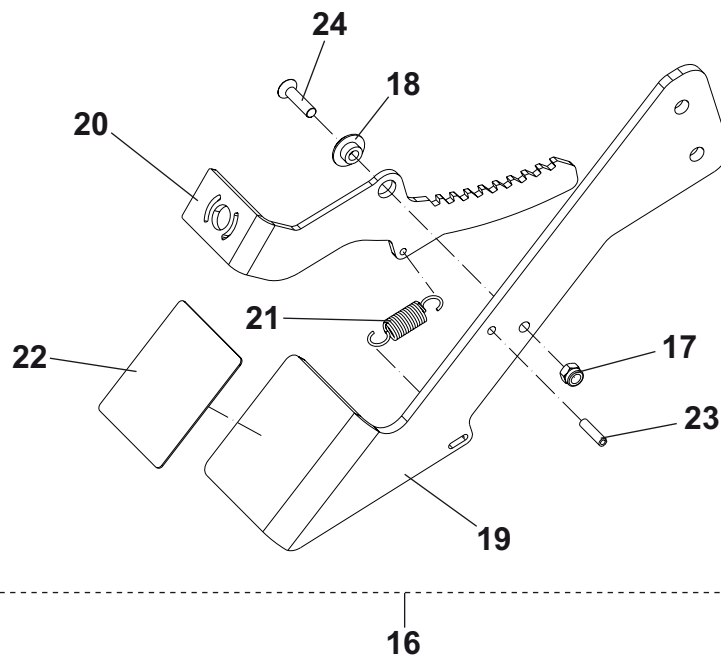
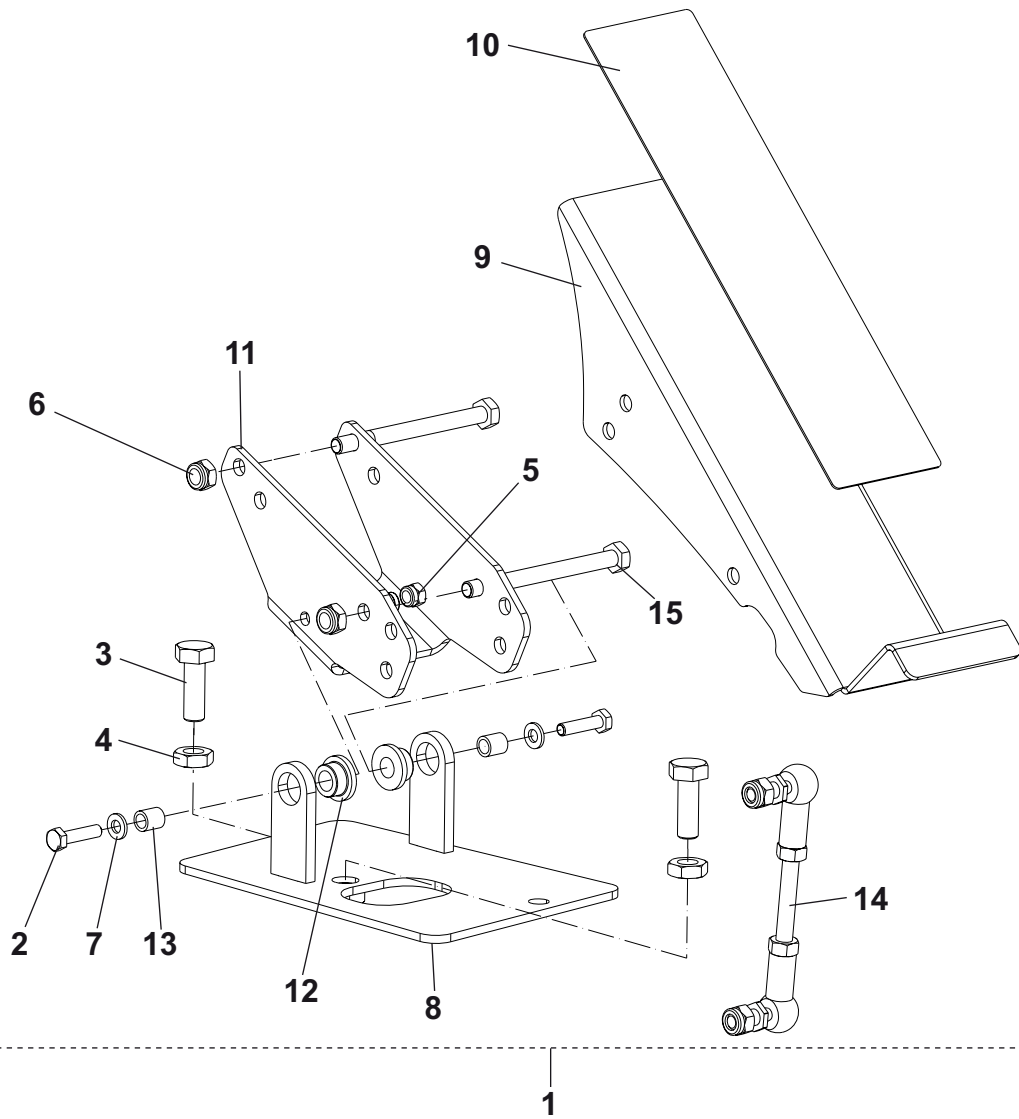
2009-06	MAIN BROOM SYSTEM			
2009-09	Proterra™			19

Item	Ref. No.	Qty	Description
1	33002106	1	SPRING MAIN BROOM
2		1	FORK M12
3		1	CLIP 12
4		2	BUSHING DU 14X16X15
5		1	SCREW M14X70 UNI5737
6		3	SCREW M10X25 UNI5739
7		1	NUT HEX M12 UNI5589
8		3	WASHER M10 UNI6592
9		1	TIE ROD M10 L170
10		1	SPACER D11 H18
11		1	SCREW THREAD ROLLING
12		1	LEVER WELDED
13		1	CABLE
14		3	SPACER
15		1	PIN
16		1	BAR
17		1	KNOB M10
18		1	PIN LEVER MAIN BROOM
19		1	NUT WING M10
20		1	DECAL PRESSURE MAIN BROOM
21	33018858	1	BROOM MAIN SPIRAL PPL 0.5 WHITE NAVY/STEEL 0.36
21*	33018856	1	BROOM MAIN SPIRAL NYLON 1.2
21*	33018857	1	BROOM MAIN SPIRAL PPL 0.5 WHITE NAVY
21*	33018859	1	BROOM MAIN SPIRAL UNION MIX
22		1	NUT SELF L. M14 UNI7473
23		1	WASHER 6X24 UNI6593
24		4	SCREW M6X16 UNI5739
25		1	SCREW M8X16 UNI5931
26		1	SCREW M8X20 UNI5931
27		1	WASHER M6 UNI1751B
28		2	RING D 47 UNI7437
29		1	PIN
30		2	SCREW THREAD ROLLING
31	33017007	1	BROOM ARM WELDED
32	33017019	1	SUPPORT WELDED
33	33017140	1	MAIN BROOM IDLE HUB
34	33017141	1	HUB
35		2	SPACER
36		1	COLLAR DOUBLE D.18
37		2	BEARING 6303 2RS
[38]	33018871	1	SUPPORT MOTOR KIT (ITEM 25-30-31-32-35-26-36)
[39]	33018870	1	BALL BEARING KIT (ITEM 37-23-24-27-28-29-33-34)
[40]	33018865	1	PLATE MAIN BROOM KIT (ITEM 2-3-6-8-7-15-13-14-11)
[41]	33018868	1	LEVER WELDED KIT (ITEM 12-22-5-4)
[42]	33018867	1	ROD SPRING KIT (ITEM 9-10-17-18-19-20)
[43]	33018869	1	ROD LEVER KIT (ITEM 16-6-8-14)



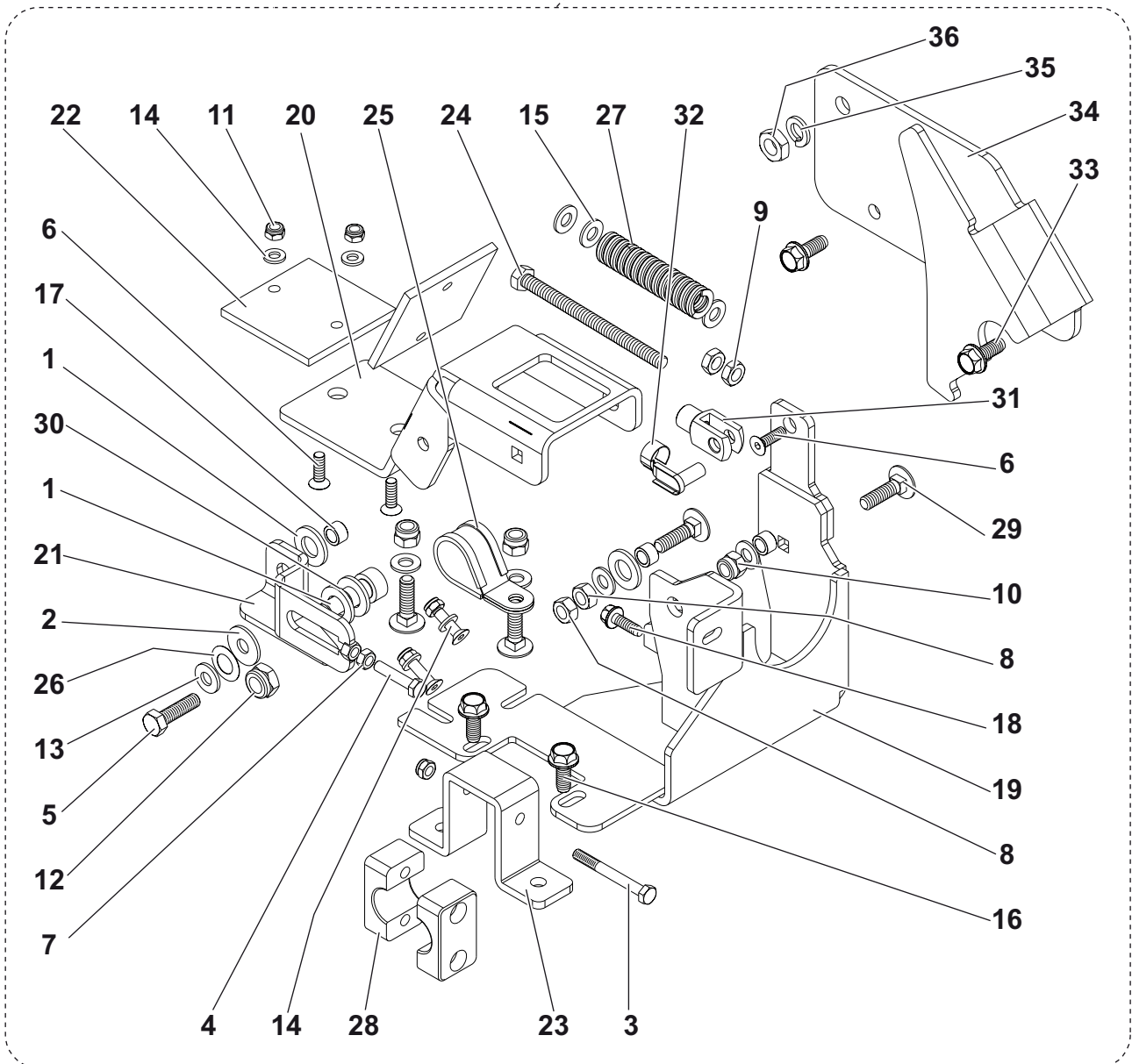
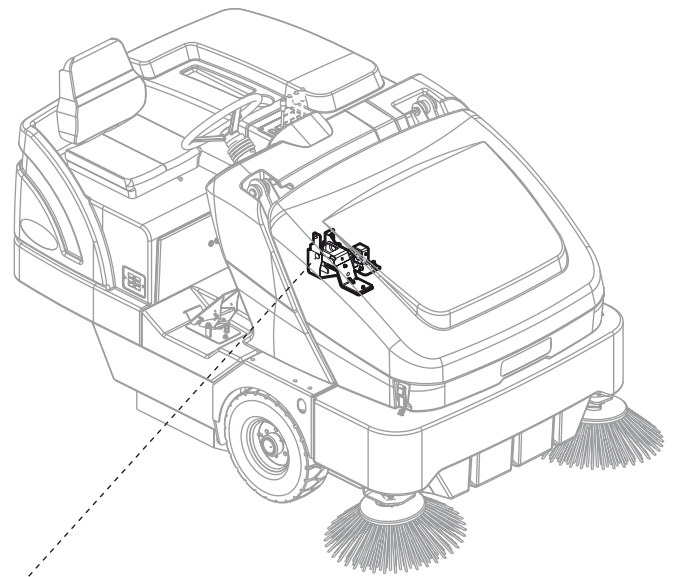
2009-06	ASSY CONTROL			
2009-09	Proterra™			21

Item	Ref. No.	Qty	Description
1	8-33-02360	1	HOLE HEAT SHIED
2		2	SCREW M4X12 UNI7687
3		2	SCREW 6X25
4		4	WASHER 6X18 UNI6593
5		6	WASHER 8X32 UNI6593
6		2	SCREW M6X12 UNI5739
7		3	SCREW M8X35 UNI5739
8		5	NUT SELF L. M8 UNI7473
9		1	WASHER M6 UNI8842A
10		2	SCREW THREAD ROLLING
11		1	SCREW THREAD ROLLING
12		4	SCREW THREAD ROLLING
13	33017163	1	PLATE
14	33017164	1	FLAP LEVER COVER
15	33017169	1	COVER SIDE ROTOMOLD
16	33017175	1	PLATE REAR COVER LATCH
17	33017176	1	LATCH SLAM
18	33017224	1	COVER PLATE NON TILT
19	33017246	1	PLATE
20	33017256	1	CONSOLE
21		13	SCREW 4.8X16 UNI6954
22	33017355	1	HARNES MAIN ENGINE VERSION
23		2	SCREW M8X35 UNI5933
24		7	SCREW M5X16 UNI7687
25	33017379	1	DECAL MANIFOLD DIESEL
26	909 5836 000	3	CAP
27	33018170	1	STEERING WHEEL
28		1	LATCH
29	145 3801 000	1	HORN 12V (HN)
30*	33019574	1	BACKUP ALARM KIT (BZ1)
[31]	33019168	1	INSTRUCTIONS ASSEMBLY
32	33017439	1	BRACKET SENSOR
33	33018521	1	SWITCH BACK UP PROXIMITY (SW4)
34	33018803	1	LATCH KIT (28-2-21)
[35]	33020341	1	CONTROL LEFT HARDWARE KIT (ITEM 21-12-11-8-7-5-2)
[36]	33018861	1	BLOCK BONNET KIT (ITEM 16-12-9-22-24-3 SEE PAGE 29 17-23)
[37]	33020342	1	CONTROL RIGHT HARDWARE KIT (ITEM 24-23-21-12-10-9-8-7-6-5-4-3-11)



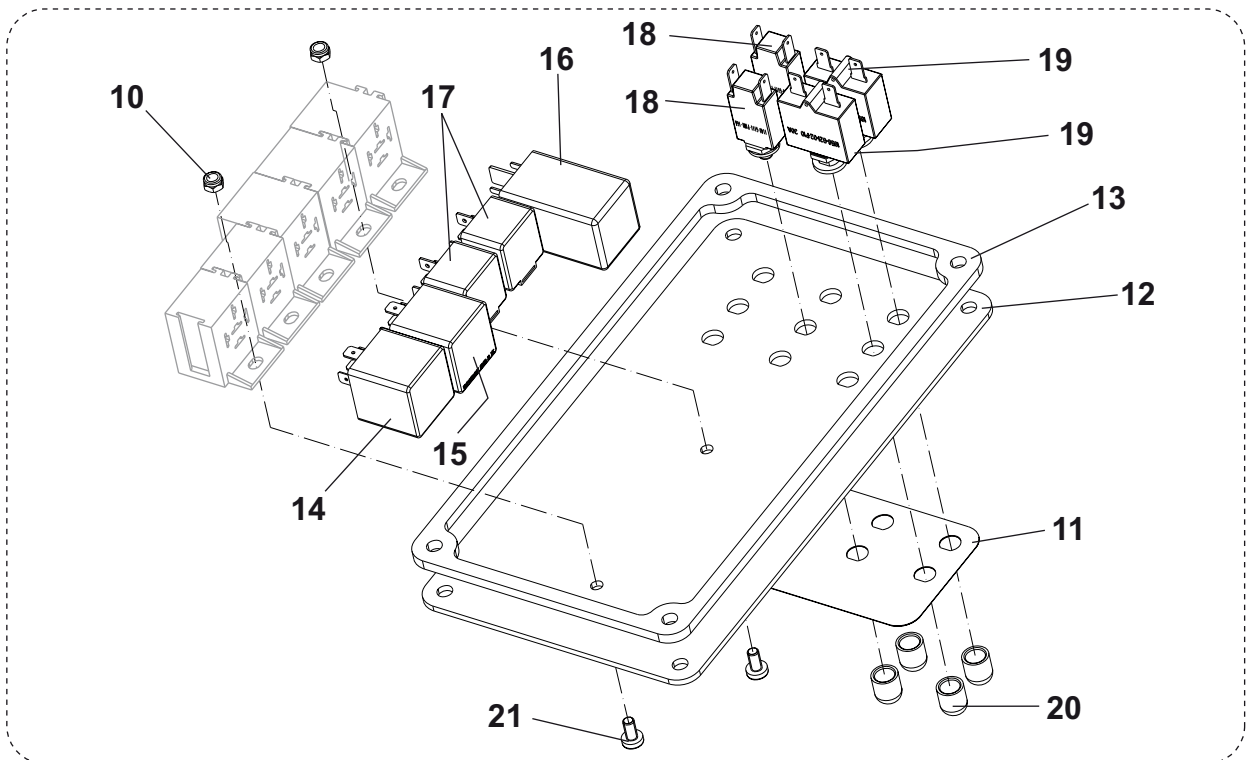
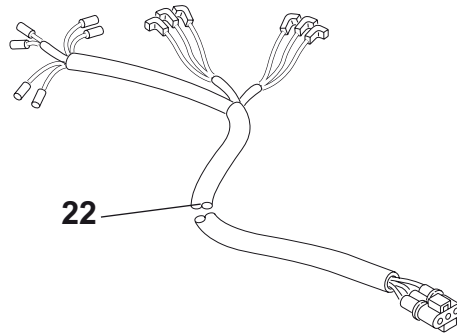
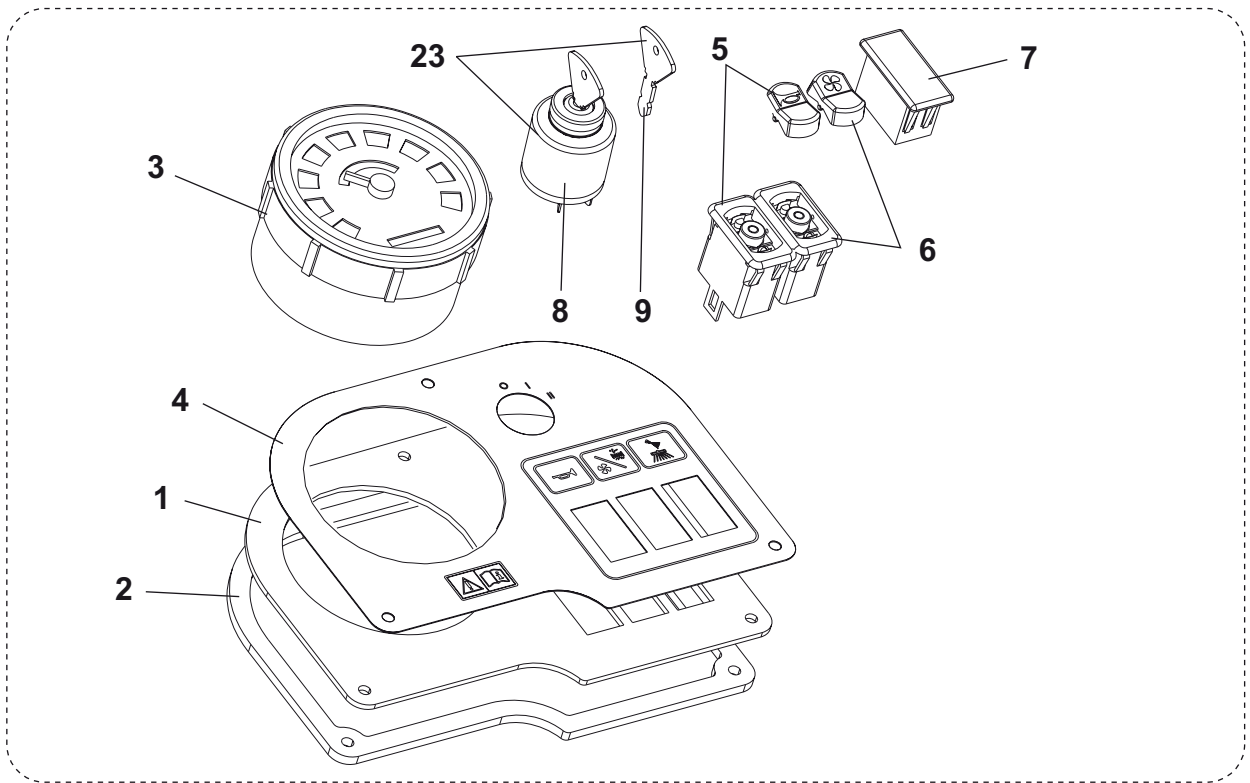
2009-06	PEDALS SYSTEM			
2009-09	Proterra™			23

Item	Ref. No.	Qty	Description
1	33018841	1	FOOT PEDAL UPPER KIT (ITEM 2-3-4-5-6-7-8-9-10-11-12-13-14-15-25)
2		2	SCREW M6X25 UNI5739
3		2	SCREW HEX M10X30 UNI5739
4		2	NUT HEX M10 UNI5589
5		2	NUT SELF L. M6 UNI7473
6		2	NUT SELF L. M8 UNI7474
7		2	WASHER M6 UNI6592
8	33017203	1	MOUNT WELDED PEDAL
9	33017204	1	FOOT PEDAL UPPER
10	33017205	1	MAT PEDAL
11	33017206	1	FOOT PEDAL LOWER
12	33017216	2	BEARING
13	33017217	2	BUSHING
14	33018842	1	CONNECTION PEDAL KIT (ITEM 26-27-28-29)
15		2	SCREW M8X95 UNI5737
16	33018845	1	PEDAL BRAKE KIT (ITEM 17-18-19-20-21-22-23-24)
17		1	NUT SELF L. M6 UNI7473
18	33017178	1	BUSH
19	33017197	1	PEDAL BRAKE
20	33017198	1	PARKING BRAKE LEVER
21	33017199	1	SPRING
22	33017259	1	MAT PEDAL
23		1	PIN SPRING 5X20
24		1	SCREW M6X25 UNI5933
[25]	33020416	1	PEDAL WARDWARE KIT (ITEM 13-12-7-6-5-4-3-2)
[26]		2	NUT HEX M8 UNI5588
[27]		2	DADO AUTOB M8
[28]		1	BARRA FILETTATA
[29]		2	JOINT BALL M8



2009-06	ASSY SPEED LIMITING			
2010-09	Proterra™			25

Item	Ref. No.	Qty	Description
1		4	WASHER M12 UNI6592
2		1	WASHER 8X24 UNI6593
3		1	SCREW M6X55 UNI5737
4		1	SCREW M6X30 UNI5739
5		1	SCREW M8X30 UNI5739
6		5	SCREW M6X20 UNI5933
7		1	NUT HEX M6 UNI5588
8		2	NUT HEX M8 UNI5588
9		2	NUT HEX M8 UNI5589
10		3	NUT SELF L. M8 UNI7473
11		5	NUT SELF L. M6 UNI7474
12		1	NUT SELF L. M10 UNI7474
13		1	WASHER M8 UNI8836
14		4	WASHER M6 UNI6592
15		7	WASHER M8 UNI6592
16		2	SCREW THREAD ROLLING
17		3	SPACER
18		1	SCREW THREAD ROLLING
19	33019995	1	BASE SPEED LIMITING
20	33019996	1	LEVER SPEED LIMITING
21	33019997	1	LEVER ADJUSTER
22	33019998	2	PLATE FOR SPEED LIMITING
23	33020212	1	SUPPORT COLLAR
24		1	SCREW M8X110 UNI5739
25	33020367	1	CLAMP HOSE D.25
26	146 0617 000	1	BELLEVILLE WASHER
27		1	SPRING
28		1	COLLAR.PIPE FIXING D.22
29		4	SCREW M8X30 UNI5731
30		1	SCREW SHOULDER M12X16
31		1	FORK M8
32		1	KLIPP M8
33#		4	SCREW THREAD ROLLING
34#	33020565	1	BRACKET SAFETY GUIDE
35#		1	WASHER M10 UNI1751B
36#		1	NUT HEX M10 UNI5589
[37]	33020350	1	SPEED LIMITING HARDWARE KIT (ITEM 1-2-3-4-5-6-7-8-9-10-11-12-13-14-15-16-17-18-24-27-28-29-30-31-32)



2009-06	ASSY CONTROL PANEL AND RELAYS			
2009-09	Proterra™			27

1	33017222	1	PLATE SWITCH PANEL
2	33017223	1	GASKET PLATE
3	33017228	1	GAUGE 12V (STR)
4	33017375	1	DECAL GAGE PANEL
5	33018844	1	SWITCH HORN KIT (SW2)
6	33018843	1	SWITCH VACUUM KIT (SW1)
7	909 5836 000	1	CAP
8	145 3761 000	1	SWITCH KEY (K1)
9	146 0073 00	1	KEY (1PC)
10		2	NUT SELF L. M5 UNI7474
11	33017249	1	DECAL FUSES
12	33017254	1	PLATE FUSES
13	33017381	1	GASKET
14	33017385	1	RELAY TIMER 0,5 SEC. (T2)
15	33017359	1	RELAY TIMER 20 SECONDS (T1)
16	33019990	1	RELAY HEATING PLUGS (ONLY DIESEL VERSION) (TC)
17	146 3113 000	2	RELAIS 12V 70 A TYCO (ES1 - ES2)
18	33017360	2	BREAKER CIRCUIT 16A (F2)
19	909 5706 000	2	CIRCUIT BREAKER 30A (F1)
20	33017386	4	BOOT CIRCUIT BREKER
21		2	SCREW M5X10 UNI7687
[22]	33017358	1	HARNES RELAY ENGINE VERSION
23	33020442	1	KEY START ASSY WITH SPARE KEY (ITEM 8-9)

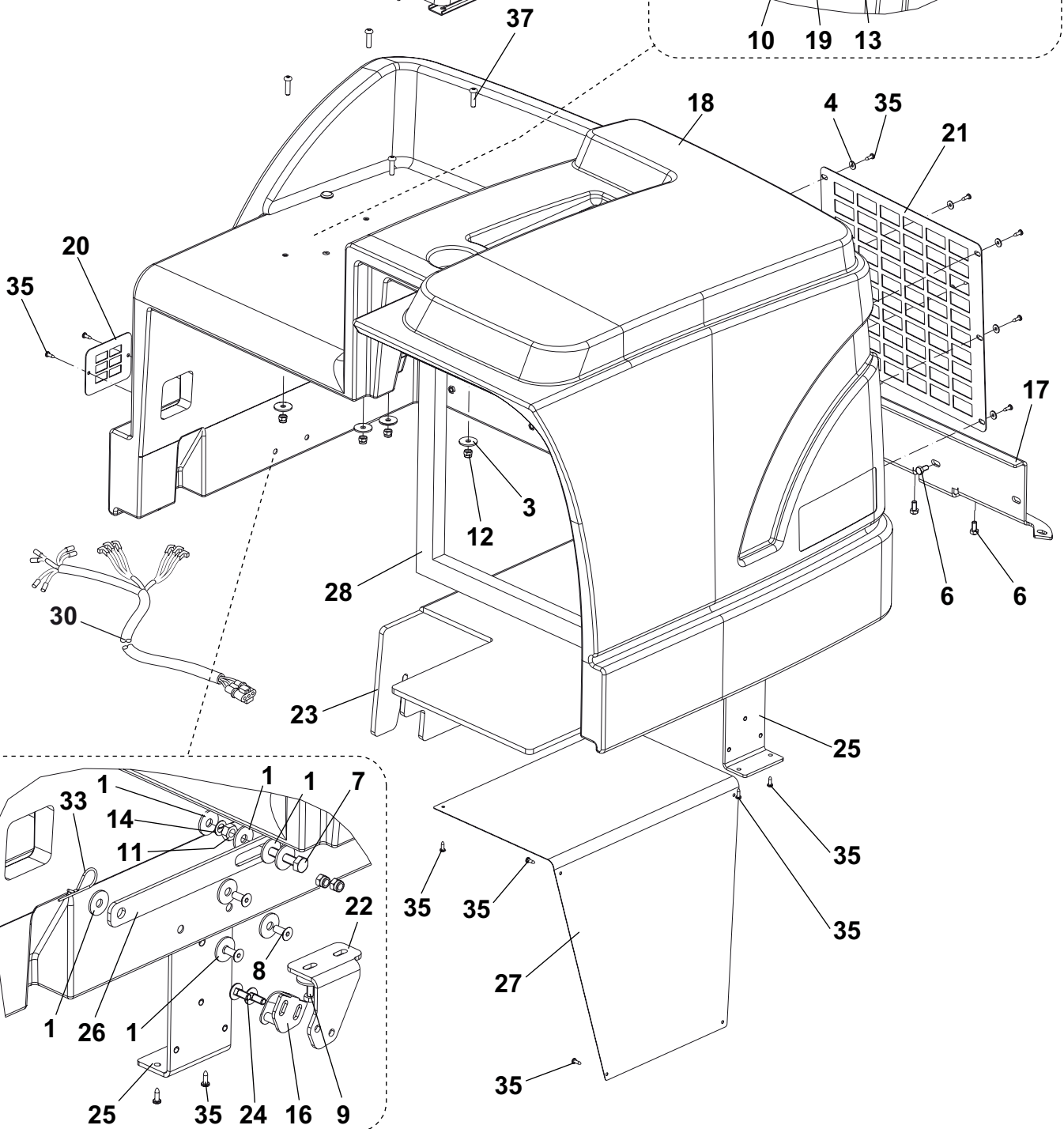
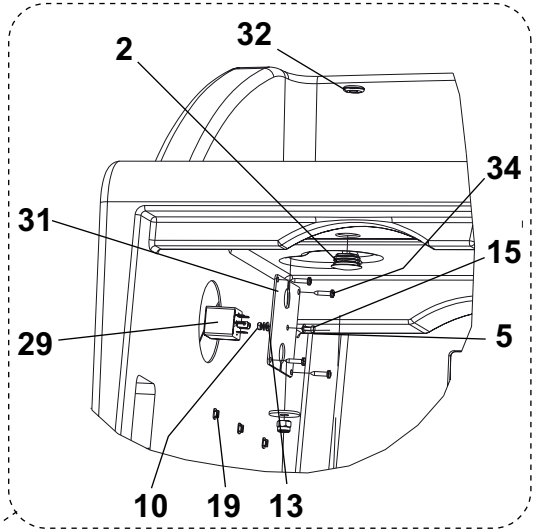
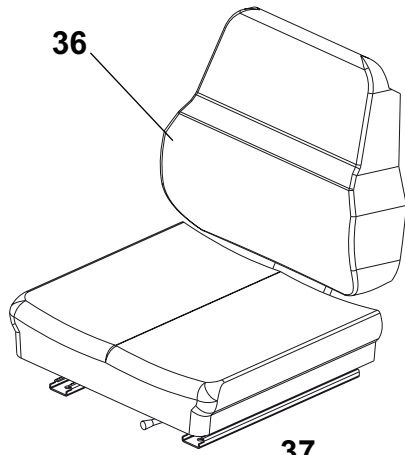
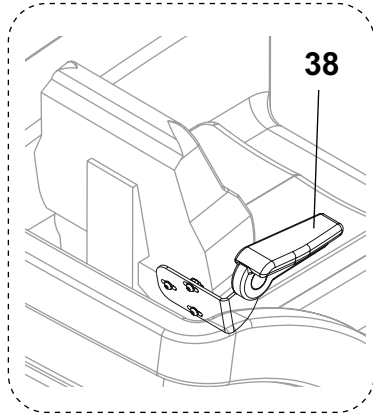
ASSY REAR COVER

2009-06

28

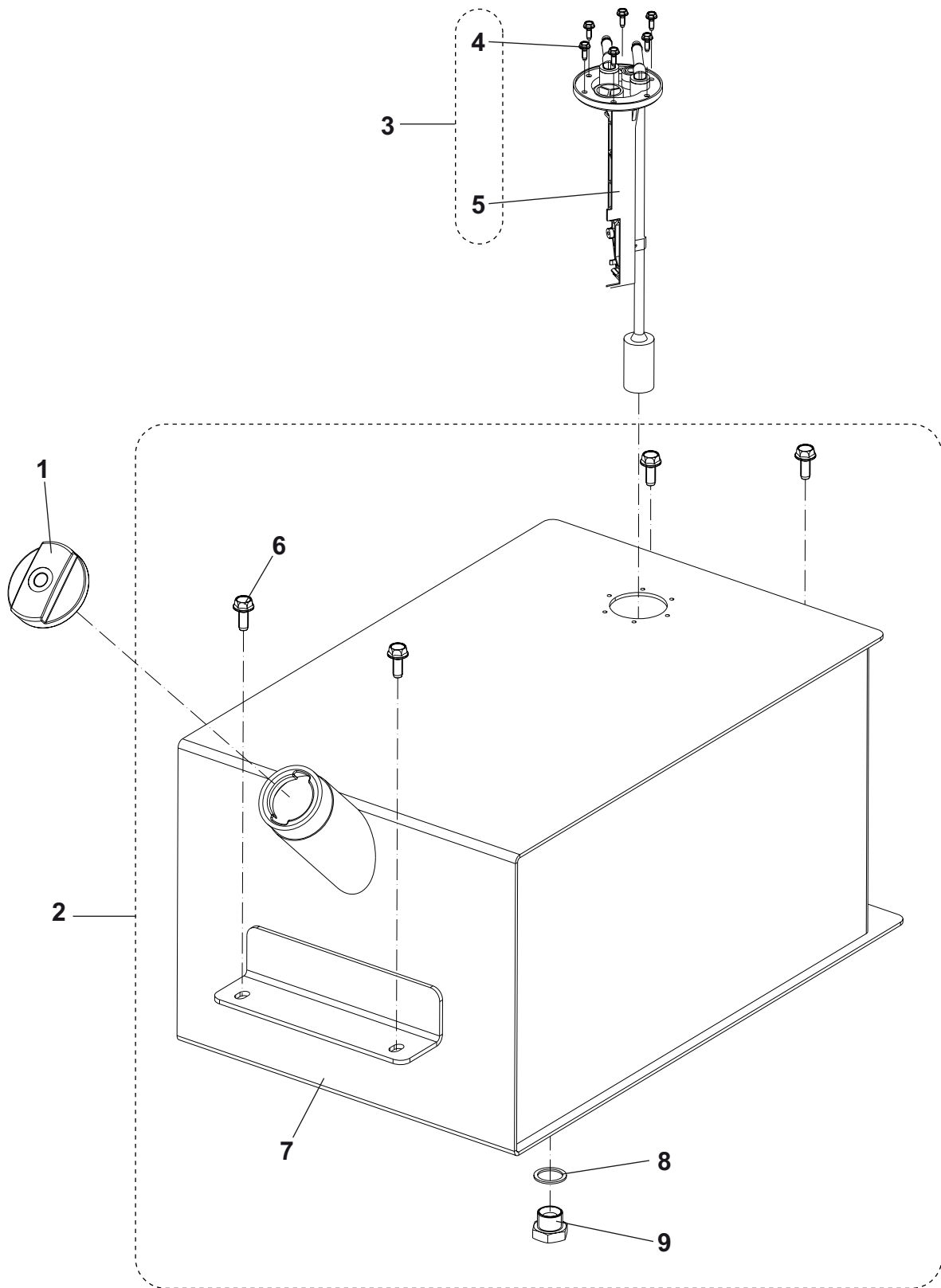
Proterra™

2009-09



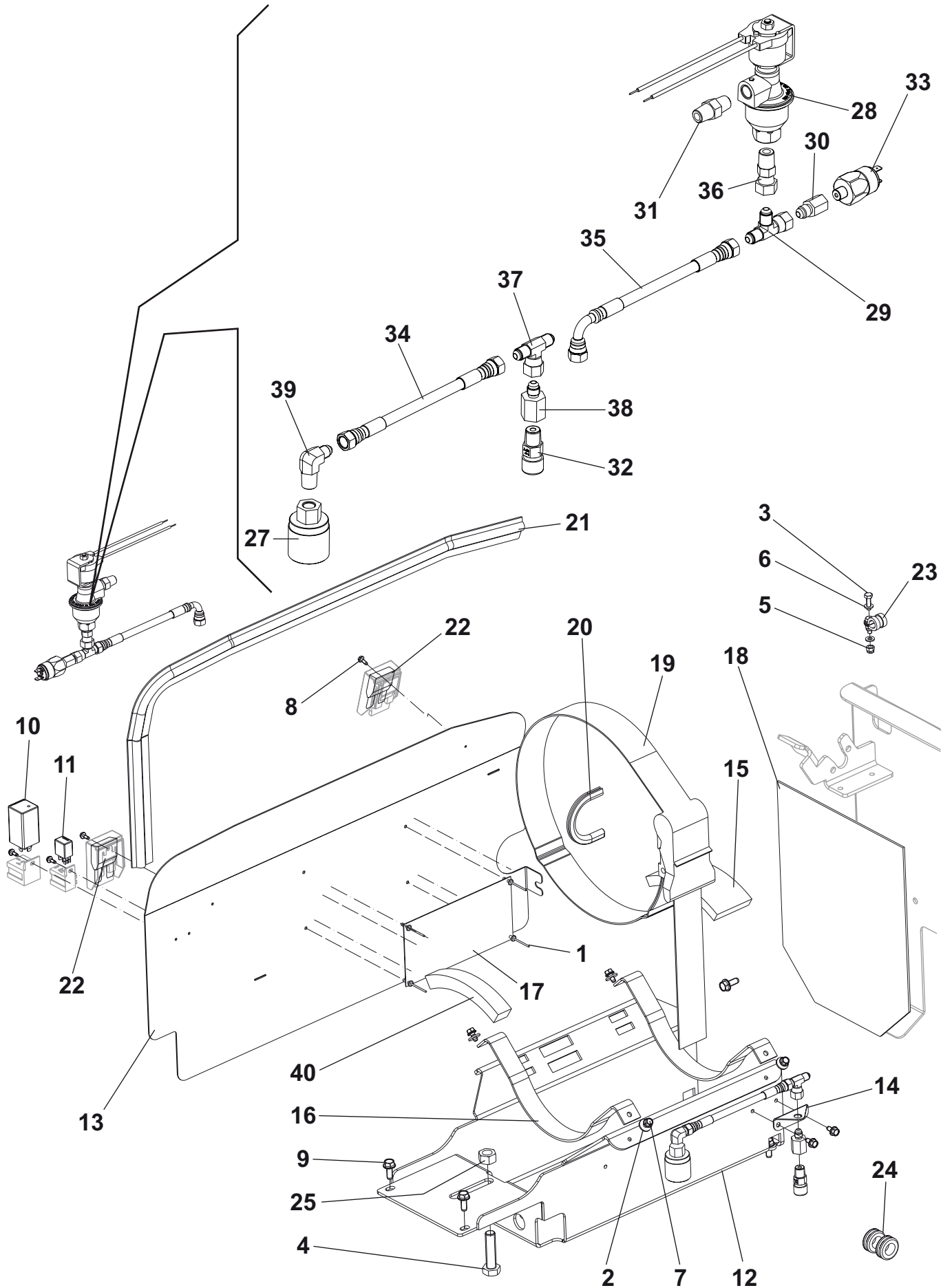
2009-06	ASSY REAR COVER			
2009-09	Proterra™			29

Item	Ref. No.	Qty	Description
1		16	WASHER 10X30 UNI6592
2		1	CAP TANK
3		6	WASHER 8X32 UNI6593
4		6	WASHER 5X15 UNI6593
5		1	SCREW M4X10 UNI5739
6		6	SCREW M8X16 UNI5739
7		2	SCREW M10X45 UNI5739
8		6	SCREW M8X20 UNI5933
9		2	SCREW M8X20 UNI5739
10		1	NUT HEX M4 UNI5588
11		2	NUT HEX M10 UNI5588
12		6	NUT SELF L. M8 UNI7473
13		1	WASHER M4 UNI8842A
14		2	WASHER M10 UNI8842A
15		2	WASHER M4 UNI6592
16	33017177	1	CATCH LATCH
17		1	BRACKET HINGE
18	33017230	1	COVER ENGINE
19		4	TIE INSERT PLASTIC
20	33017244	1	GRILL SIDE SMALL
21	33017247	1	GRILL REAR
22	33017261	1	PLATE CATCH
23	33017682	1	INSULATION FOAM
24		2	SCREW M8X20 UNI5732
25		2	BRACKET FOR STOP COVER
26		2	ROD CONNECTING STOP COVER
27	33018732	1	BRACKET CLOSING REAR COVER
28	33018759	1	GASKET FOR RADIATOR
29	33019197	1	RELAY TIMER 0.5 SECONDS (T3)
30	33019697	1	HARNESS REAR COVER ENGINE
31	33019718	1	COMPARTEMENT LID TIMER
32		1	NUT M10X1.5 UNI7473
33		2	PANEL ENGINE COMPARTMENT
34		4	SCREW 4.2X19 UNI6954
35		18	SCREW 4.8X16 UNI6954
36	145 5975 000	1	SEAT
37		4	SCREW M8X30 ISO7380
38	33019556	1	ARMREST RIGHT KIT
[39]*	33019554	1	SEAT BELT KIT
[39]	33018862	1	BONNET BLOCK KIT (ITEM 1-7-11-14-26-33)
[40]	33019103	1	REINFORCEMENT BONNET KIT (ITEM 1-6-8-17-25-35)
[41]	33020340	1	REAR COVER HARDWARE KIT (ITEM 37-35-34-33-32-19-15-14-13-12-11-10-9-8-7-6-5-4-3-2-1-20-24)



2009-06	ASSY FUEL TANK 3 CYL DIESEL - GASOLINE			
2009-09	Proterra™			31

Item	Ref. No.	Qty	Description
1	33017215	1	CAP W/TETHER
2	33018863	1	TANK FUEL KIT (ITEM 6-7-8-9)
3	33018864	1	INDICATOR LEVEL FUEL KIT (ITEM 4-5) (SE5)
4		6	SCREW THREAD ROLLING
5		1	INDICATOR FUEL LEVEL
6		4	SCREW THREAD ROLLING
7		1	TANK
8	33011697	1	GASKET 1/2
9	33011456	1	PLUG 1/2"



2009-06

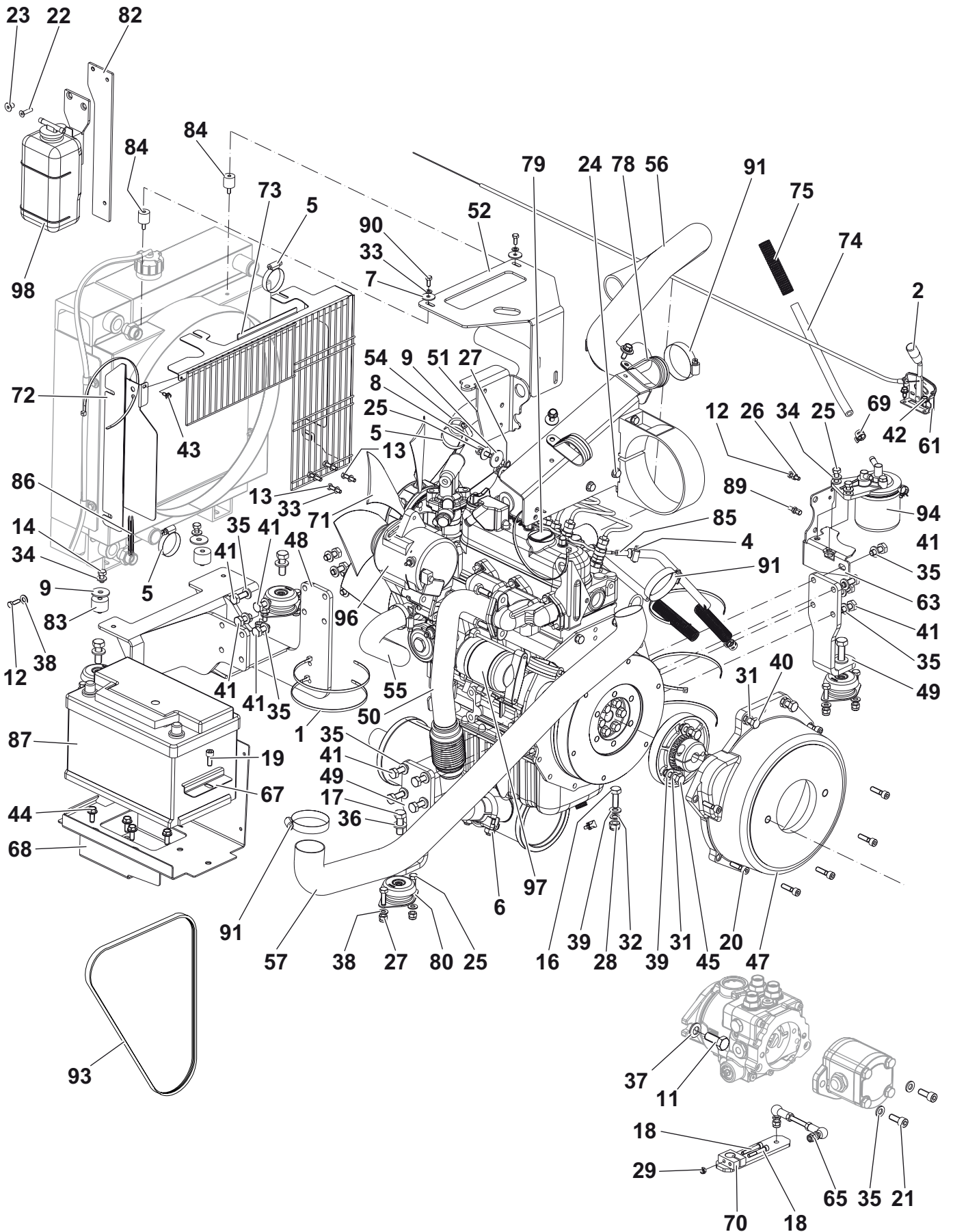
ASSY SUPPORT 3 CYL LPG

2009-09

Proterra™

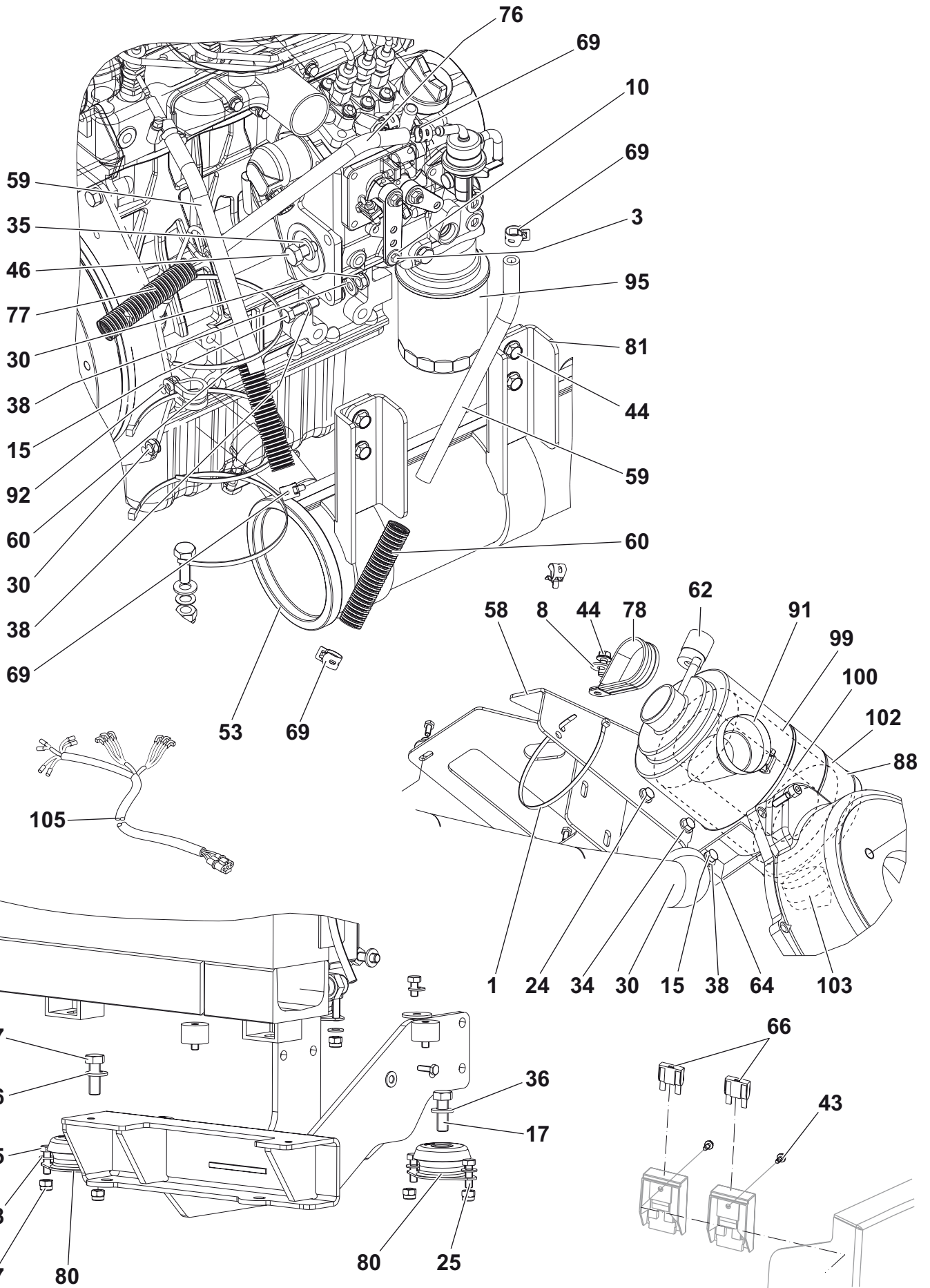
33

Item	Ref. No.	Qty	Description
1		4	RIVET D4
2		4	WASHER 6X18 UNI6593
3		2	SCREW M6X20 UNI5739
4		1	SCREW M14X55 UNI5739
5		2	NUT SELF L. M6 UNI7473
6		4	WASHER M6 UNI6592
7		6	SCREW THREAD ROLLING
8		4	HOSE HYDRAULIC 1/4 L 440
9		5	SCREW THREAD ROLLING
10	33017388	1	RELAY TIMER 10 SEC
11	33009141	1	RELAY 12 COM 1 (ES3)
12	33018366	1	SUPPORT
13	33019507	1	BULKHEAD TANK SPACE
14	33019841	1	BRACKET FOR FITTING
15	33019908	1	GASKET TANK LPG
16	33019909	2	BAND
17	33019922	1	PLATE IDENTIFICATION LPG
18	33019929	1	RUBBER GAS TANK
19	33019999	1	BAND LPG TANK
20	33020027	1	GASKET LENGH 2000
21	33020028	1	TRIM EDGE BULB L 995MM
22	146 1873 000	2	FUSE 50A (F10)
23	909 5896 000	4	CLAMP.HOSE D.14
24		2	NUT M10X1.5 UNI7473
25		1	NUT HEX M14 UNI5588
26		4	CLAMP.HOSE D.14
27	33019848	1	ADAPTER 1/4 NPT
28	33017756	1	SOLENOID VALVE 12V THREAD (EV3)
29		1	T FITTING 7/16 JIC
30		1	ADAPTER 7/16JIC-1/8 NPTF
31		1	NIPPLE 1/4 NPT
32	33019306	1	VALVE SECURITY 400PSI
33	33019307	1	SWITCH PRESSURE (SE8)
34	33019309	1	HOSE GPL LENGH 620
35	33019310	1	HOSE GPL LENGH 1450
36		1	ADAPTER 7/16JIC-1/4 NPT
37		1	T FITTING 7/16 JIC
38		1	ADAPTER M1/4NPT-F7/16JIC
39		1	FITTING MM 1/4NPT-7/16JIC
40	33020059	1	GASKET ADHESIVE
[41]	33020417	1	FITTINGS SOLENOID VALVE KIT (ITEM 39-38-37-36-31-30-29)
[42]	33020343	1	SUPPORT TANK HARDWARE KIT (ITEM 26-25-24-9-8-7-6-5-4-3-2-1)



2009-06	ASSY ENGINE 3 CYL DIESEL			
2010-09	Proterra™			35

Item	Ref. No.	Qty	Description	Item	Ref. No.	Qty	Description
1	L08812113	7	CLAMP 195x4.7 BLACK	62	33017251	1	INDICATOR AIR FILTER
2	L08812349	1	KNOB	63	33017253	1	SUPPORT FUEL FILTER
3	33003416	1	CLAMP D2.5	64	33017293	1	SUPPORT PLASTIC AIR
4	33003493	1	CLAMP 8-16	65	33020344	1	KIT CONNECTION PEDAL DIESEL
5	33003548	4	CLAMP.D.30-45	66	146 1873 000	2	FUSE 50A (F10)
6	33003557	1	COLLAR	67	33017441	1	CLAMP BATTERY
7		2	WASHER 6X24 UNI6593	68	33017442	1	SUPPORT BATTERY
8		4	WASHER 8X24 UNI6593	69	33018452	7	CLAMP 14/12
9		6	WASHER 8X32 UNI6593	70	33018468	1	WORKING LEVER DIESEL PUMP
10		1	WASHER 5X15 UNI6593	71	33018697	1	FAN MULTIWING D.370 8 BLA
11		2	SCREW M14X35 UNI5739	72	33018813	1	PLATE RADIATOR RIGHT
12		2	SCREW M6X20 UNI5739	73	33018814	1	GRILL SAFETY
13		4	SCREW M6X25 UNI5739	74	33019105	1	TUBE FUEL L 350
14		2	SCREW M8X16 UNI5739	75	33019106	1	CORRUGATED CONDUIT L 330
15		3	SCREW M8X30 UNI5739	76	33019107	1	TUBE FUEL L 405
16		1	SCREW HEX M10X30 UNI5739	77	33019108	1	CORRUGATED CONDUIT L 350
17		4	SCREW M12X35 UNI5739	78	33019455	3	CLAMP HOSE D.50
18		2	SCREW M6X40 UNI5931	79	33019460	1	ENGINE DIESEL
19		1	SCREW M8X20 UNI5931	80	33019465	4	VIBRATION-DAMPING
20		8	SCREW M8X30 UNI5931	81	33019467	2	STIFFENER MUFFLER
21		2	SCREW M10X25 UNI5931	82	33019468	1	BRACKET FOR TANK WATER
22		1	SCREW M6X25 UNI5933	83	33019469	2	VIBRATION DAMPING M8 55SH
23		1	SCREW M8X12 UNI5933	84	33019470	2	VIBRATION DAMPING M6 60SH
24		2	SCREW M8X20 UNI5739	85	33019551	1	RUBBER FUEL HOSE
25		12	SCREW M8X25 UNI5739	86	33019552	1	GASKET
26		1	NUT HEX M6 UNI5588	87	33019628	1	BATTERY START 12V 77 AH (BAT)
27		10	NUT SELF L. M8 UNI7473	88	145 0231 000	1	FILTER AIR
28		1	NUT SELF L. M10 UNI7473	89	145 1179 000	1	ADJUSTER TROTTLE CABLE
29		1	NUT SELF L. M6 UNI7474	90		2	SCREW M6X14 UNI5739
30		6	NUT SELF L. M8 UNI7474	91	146 0771 000	4	CLAMP
31		7	WASHER M10 UNI1751B	92	909 5516 000	1	CLAMP HOSE D.18
32		1	WASHER M10 UNI8842A	93	33019148	1	BELT ALTERNATOR
33		6	WASHER M6 UNI8836	94	33017252	1	FILTER FUEL
34		6	WASHER M8 UNI8836	95	33018850	1	FILTER OIL ENGINE
35		19	WASHER M10 UNI8836	96	33019147	1	ALTERNATOR 12V 60 AH (ALT)
36		4	WASHER M12 UNI8836	97	33019149	1	STARTER 12V
37		2	WASHER M14 UNI8836	98	33019456	1	TANK WATER OVERFLOW W/ MOUNT
38		14	WASHER M8 UNI6592	99	33020446	1	FILTER MAIN ELEMENT
39		4	WASHER M10 UNI6592	100	33017438	1	FILTER SAFETY ELEMENT
40		2	SCREW M10X1.25X30 UNI5740	102	33020445	1	DUSTCUP
41		18	SCREW M10X1.25X25 UNI5740	103	33014386	1	VAQUATOR VALVE
42		2	SCREW THREAD ROLLING	[104]	33019467	2	STIFFENER MUFFLER
43		3	SCREW THREAD ROLLING	[105]	33019244	1	HARNES DIESEL ENGINE KIT
44		10	SCREW THREAD ROLLING			1	CONNECTOR
45		3	SCREW M10X1.25X40 UNI5740			1	CONNECTOR
46		1	SCREW M10X1.25X20 UNI5740			1	HARNES DIESEL ENGINE
47	33017208	1	BELL HOUSING			1	CONNECTOR
48	33017209	1	BRACKET			1	CONNECTOR
49	33017210	2	BRACKET	[106]	33019119	1	ACCELERATOR KIT (ITEM 2-42-61)
50	33017211	1	TUBE EXHAUST PIPE	[107]	33019120	1	VIBRATION DAMPING ENGINE KIT (ITEM 80-38-36-27-25-17)
51	33017226	1	BRACKET RADIATOR MOUNT	[108]	33020419	1	VIBRATION DAMPING RADIATOR KIT (ITEM 83-84-90-33-7-14-34-9)
52	33017227	1	BRACKET RADIATOR MOUNT	[109]	33019122	1	HOSES FUEL KIT (ITEM 74-75-76- 77-60-59-60-92)
53	33017231	1	MUFFLER	[110]	33020346	1	ENGINE DIESEL HARDWARE KIT (ITEM 1-5-7-8-9-10-11-12-13-14-15- 16-17-18-19-20-21-22-23-24-25-26- 27-28-29-30-31-32-33-34-35-36-37- 38-39-40-41-42-43-44-45-46)
54	33017233	1	TUBE RADIATOR			1	GLOW PLUGS KIT
55	33017234	1	TUBE RADIATOR				
56	33017235	1	TUBE INTAKE				
57	33017236	1	TUBE INTAKE				
58	33017237	1	PLATE FILTER AIR				
59	33017238	2	TUBE FUEL				
60	33017239	2	PROTECTION FUEL TUBE	[111]#	33020439	1	
61	33017250	1	LEVER THROTTLE				



2009-06	ASSY ENGINE 3 CYL DIESEL			
2010-09	Proterra™			37

Item	Ref. No.	Qty	Description	Item	Ref. No.	Qty	Description
1	L08812113	7	CLAMP 195x4.7 BLACK	62	33017251	1	INDICATOR AIR FILTER
2	L08812349	1	KNOB	63	33017253	1	SUPPORT FUEL FILTER
3	33003416	1	CLAMP D2.5	64	33017293	1	SUPPORT PLASTIC AIR
4	33003493	1	CLAMP 8-16	65	33020344	1	KIT CONNECTION PEDAL DIESEL
5	33003548	4	CLAMP.D.30-45	66	146 1873 000	2	FUSE 50A (F10)
6	33003557	1	COLLAR	67	33017441	1	CLAMP BATTERY
7		2	WASHER 6X24 UNI6593	68	33017442	1	SUPPORT BATTERY
8		4	WASHER 8X24 UNI6593	69	33018452	7	CLAMP 14/12
9		6	WASHER 8X32 UNI6593	70	33018468	1	WORKING LEVER DIESEL PUMP
10		1	WASHER 5X15 UNI6593	71	33018697	1	FAN MULTIWING D.370 8 BLA
11		2	SCREW M14X35 UNI5739	72	33018813	1	PLATE RADIATOR RIGHT
12		2	SCREW M6X20 UNI5739	73	33018814	1	GRILL SAFETY
13		4	SCREW M6X25 UNI5739	74	33019105	1	TUBE FUEL L 350
14		2	SCREW M8X16 UNI5739	75	33019106	1	CORRUGATED CONDUIT L 330
15		3	SCREW M8X30 UNI5739	76	33019107	1	TUBE FUEL L 405
16		1	SCREW HEX M10X30 UNI5739	77	33019108	1	CORRUGATED CONDUIT L 350
17		4	SCREW M12X35 UNI5739	78	33019455	3	CLAMP HOSE D.50
18		2	SCREW M6X40 UNI5931	79	33019460	1	ENGINE DIESEL
19		1	SCREW M8X20 UNI5931	80	33019465	4	VIBRATION-DAMPING
20		8	SCREW M8X30 UNI5931	81	33019467	2	STIFFENER MUFFLER
21		2	SCREW M10X25 UNI5931	82	33019468	1	BRACKET FOR TANK WATER
22		1	SCREW M6X25 UNI5933	83	33019469	2	VIBRATION DAMPING M8 55SH
23		1	SCREW M8X12 UNI5933	84	33019470	2	VIBRATION DAMPING M6 60SH
24		2	SCREW M8X20 UNI5739	85	33019551	1	RUBBER FUEL HOSE
25		12	SCREW M8X25 UNI5739	86	33019552	1	GASKET
26		1	NUT HEX M6 UNI5588	87	33019628	1	BATTERY START 12V 77 AH (BAT)
27		10	NUT SELF L. M8 UNI7473	88	145 0231 000	1	FILTER AIR
28		1	NUT SELF L. M10 UNI7473	89	145 1179 000	1	ADJUSTER TROTTLE CABLE
29		1	NUT SELF L. M6 UNI7474	90		2	SCREW M6X14 UNI5739
30		6	NUT SELF L. M8 UNI7474	91	146 0771 000	4	CLAMP
31		7	WASHER M10 UNI1751B	92	909 5516 000	1	CLAMP HOSE D.18
32		1	WASHER M10 UNI8842A	93	33019148	1	BELT ALTERNATOR
33		6	WASHER M6 UNI8836	94	33017252	1	FILTER FUEL
34		6	WASHER M8 UNI8836	95	33018850	1	FILTER OIL ENGINE
35		19	WASHER M10 UNI8836	96	33019147	1	ALTERNATOR 12V 60 AH (ALT)
36		4	WASHER M12 UNI8836	97	33019149	1	STARTER 12V
37		2	WASHER M14 UNI8836	98	33019456	1	TANK WATER OVERFLOW W/ MOUNT
38		14	WASHER M8 UNI6592	99	33020446	1	FILTER MAIN ELEMENT
39		4	WASHER M10 UNI6592	100	33017438	1	FILTER SAFETY ELEMENT
40		2	SCREW M10X1.25X30 UNI5740	102	33020445	1	DUSTCUP
41		18	SCREW M10X1.25X25 UNI5740	103	33014386	1	VAQUATOR VALVE
42		2	SCREW THREAD ROLLING	[104]	33019467	2	STIFFENER MUFFLER
43		3	SCREW THREAD ROLLING	105	33019244	1	HARNES DIESEL ENGINE KIT
44		10	SCREW THREAD ROLLING			1	CONNECTOR
45		3	SCREW M10X1.25X40 UNI5740			1	CONNECTOR
46		1	SCREW M10X1.25X20 UNI5740			1	HARNES DIESEL ENGINE
47	33017208	1	BELL HOUSING			1	CONNECTOR
48	33017209	1	BRACKET			1	CONNECTOR
49	33017210	2	BRACKET	[106]	33019119	1	ACCELERATOR KIT (ITEM 2-42-61)
50	33017211	1	TUBE EXHAUST PIPE	[107]	33019120	1	VIBRATION DAMPING ENGINE KIT (ITEM 80-38-36-27-25-17)
51	33017226	1	BRACKET RADIATOR MOUNT	[108]	33020419	1	VIBRATION DAMPING RADIATOR KIT (ITEM 83-84-90-33-7-14-34-9)
52	33017227	1	BRACKET RADIATOR MOUNT	[109]	33019122	1	HOSES FUEL KIT (ITEM 74-75-76- 77-60-59-60-92)
53	33017231	1	MUFFLER	[110]	33020346	1	ENGINE DIESEL HARDWARE KIT (ITEM 1-5-7-8-9-10-11-12-13-14-15- 16-17-18-19-20-21-22-23-24-25-26- 27-28-29-30-31-32-33-34-35-36-37- 38-39-40-41-42-43-44-45-46)
54	33017233	1	TUBE RADIATOR			1	GLOW PLUGS KIT
55	33017234	1	TUBE RADIATOR				
56	33017235	1	TUBE INTAKE				
57	33017236	1	TUBE INTAKE				
58	33017237	1	PLATE FILTER AIR				
59	33017238	2	TUBE FUEL				
60	33017239	2	PROTECTION FUEL TUBE	[111]#	33020439	1	
61	33017250	1	LEVER THROTTLE				

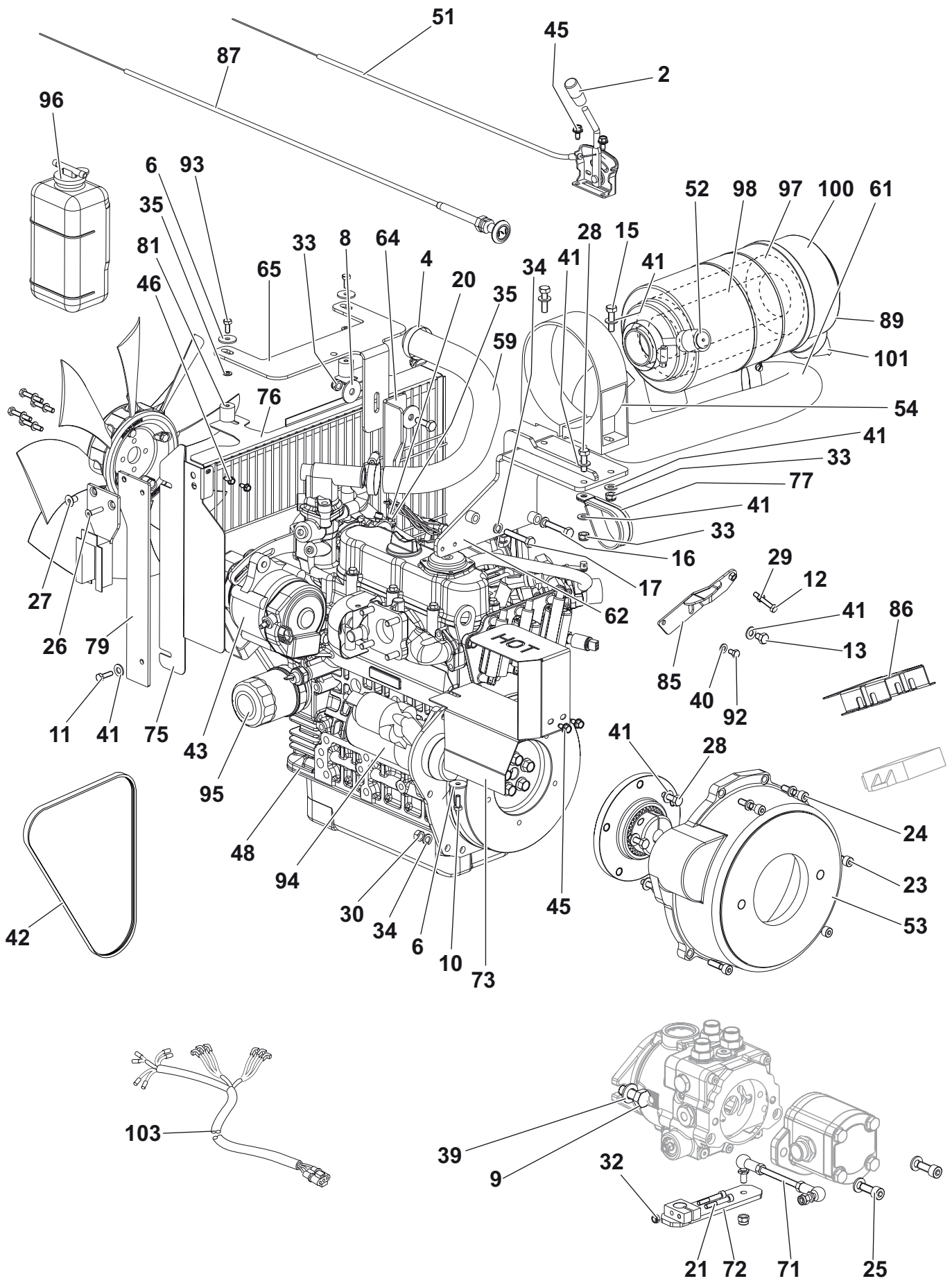
ASSY ENGINE 3 CYL LPG

2009-06

38

Proterra™

2009-09



2009-06	ASSY ENGINE 3 CYL LPG			
2010-09	Proterra™			39

Item	Ref. No.	Qty	Description	Item	Ref. No.	Qty	Description
1	L08812113	20	CLAMP 195x4.7 BLACK	63	33017919	1	SUPPORT
2	L08812349	1	KNOB	64	33018002	1	BRACKET
3	33003494	2	CLAMP 12-22	65	33018003	1	BRACKET
4	33003548	5	CLAMP.D.30-45	66	33018004	1	HOSE VALVE REGULAT. L 650
5	33003557	1	COLLAR	67	33018005	1	HOSE
6		3	WASHER 6X24 UNI6593	68	33018006	1	HOSE
7		4	WASHER 8X24 UNI6593	69#	33020453	1	TUBE INTAKE
8		4	WASHER 8X32 UNI6593	70	33020016	1	LPG REGULATOR
9		2	SCREW M14X35 UNI5739	71	33020345	1	KIT CONNECTION PEDAL LPG
10		1	SCREW M6X16 UNI5739	72	33018468	1	WORKING LEVER DIESEL PUMP
11		1	SCREW M6X20 UNI5739	73	33018628	1	CRANKCASE MUFFLER PROTECT
12		5	SCREW M6X35 UNI5739	74	33018697	1	FAN MULTIWING D.370 8 BLA
13		1	SCREW M8X10 UNI5739	75	33018813	1	PLATE RADIATOR RIGHT
14		2	SCREW M8X16 UNI5739	76	33018814	1	GRILL SAFETY
15		2	SCREW M8X30 UNI5739	77	33019455	1	CLAMP HOSE D.50
16		1	SCREW M8X40 UNI5739	78	33019465	4	VIBRATION-DAMPING
17		1	SCREW M8X45 UNI5739	79	33019468	1	BRACKET FOR TANK WATER
18		4	SCREW M12X35 UNI5739	80	33019469	2	VIBRATION DAMPING M8 55SH
19		2	SCREW M8X55 UNI5931	81	33019470	2	VIBRATION DAMPING M6 60SH
20		2	SCREW M8X16 UNI5739	82	33019622	2	SCREW THREAD ROLLING
21		2	SCREW M8X30 UNI5739	83	33019628	1	BATTERY START 12V 77 AH (BAT)
22		1	SCREW M8X40 UNI5739	84	33019894	1	HOSE LENGTH 540 MM KIT
23		3	SCREW M8X45 UNI5739	85	33020208	1	BRACKET RPM SETTING
24		2	SCREW M12X35 UNI5739	86	33020209	1	PLATE PROTECTION
25		2	SCREW M10X25 UNI5931	87	33020324	1	CABLE STARTER
26		1	SCREW M6X25 UNI5933	88	33020330	1	CORRUGATED CONDUIT L 240
27		1	SCREW M8X12 UNI5933	89	145 0231 000	1	FILTER AIR
28		15	SCREW M8X25 UNI5739	90	145 8582 000	6	CLAMP HOSE
29		1	NUT HEX M6 UNI5588	91	146 0771 000	3	CLAMP
30		3	NUT HEX M8 UNI5588	92		1	SCREW M6X10 UNI5739
31		10	NUT SELF L. M8 UNI7473	93		2	SCREW M6X14 UNI5739
32		1	NUT SELF L. M6 UNI7474	94	33020017	1	STARTER
33		4	NUT SELF L. M8 UNI7474	95	33018851	1	FILTER OIL ENGINE
34		7	WASHER M8 UNI1751B	96	33019456	1	TANK WATER OVERFLOW W/ MOUNT
35		8	WASHER M6 UNI8836	97	33020446	1	FILTER MAIN ELEMENT
36		2	WASHER M8 UNI8836	98	33017438	1	FILTER SAFETY ELEMENT
37		14	WASHER M10 UNI8836	100	33020445	1	DUSTCUP
38		4	WASHER M12 UNI8836	101	33014386	1	VAQUATOR VALVE
39		2	WASHER M14 UNI8836	102	33020441	1	PLATE PROTECTION PULLEY
40		1	WASHER M6 UNI6592	103	33019245	1	HARNES LPG ENGINE KIT
41		23	WASHER M8 UNI6592			1	HARNES LPG ENGINE
42	33020018	1	BELT ALTERNATOR			2	CONNECTOR 2 WAYS
43	33019147	1	ALTERNATOR 12V 60AH (ALT)			1	CONNECTOR 2 WAY
44		12	SCREW M10X1.25X25 UNI5740	[104]	33019119	1	ACCELERATOR KIT (ITEM 2-45-51)
45		4	SCREW THREAD ROLLING	[105]	33019120	1	VIBRATION DAMPING ENGINE KIT (ITEM 78-41-38-31-28-18)
46		2	SCREW THREAD ROLLING	[106]	33020419	1	VIBRATION DAMPING RADIATOR KIT(ITEM 80-81-93-35-6-14-36-8)
47		8	SCREW THREAD ROLLING	[107]	33020348	1	HOSES KIT (ITEM 3-4-50-61-90-91- 67-68-69)
48	33017064	1	ENGINE LPG	[108]	33020349	1	ENGINE HARDWARE KIT (ITEM 3-4-5-6-7-8-9-10-11-12-13-14-15-16- 17-18-19-20-21-22-23-24-25-26-27- 28-29-30-31-32-33-34-35-36-37-38- 39-40-41)
49	33017231	1	MUFFLER				
50	33017236	1	TUBE INTAKE				
51	33017250	1	LEVER THROTTLE				
52	33017251	1	INDICATOR AIR FILTER				
53	33017265	1	BELL HOUSING				
54	33017293	1	SUPPORT PLASTIC AIR				
55	33017441	1	CLAMP BATTERY				
56	33017442	1	SUPPORT BATTERY				
57	33017913	1	SUPPORT MOTOR				
58	33017914	1	TUBE EXHAUST PIPE				
59	33017915	1	HOSE				
61#	33020516	1	TUBE INTAKE				
62	33017918	1	PLATE				

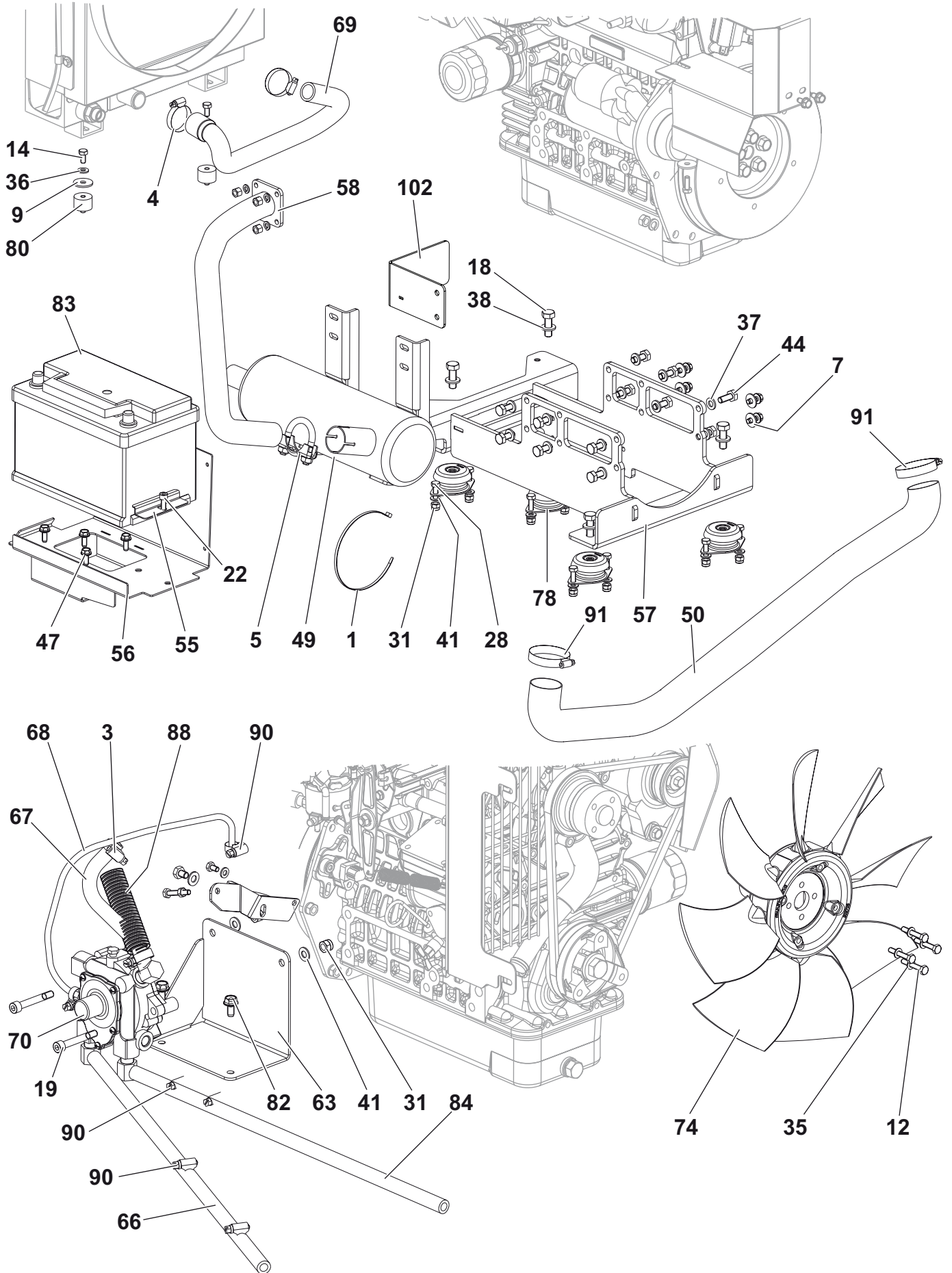
ASSY ENGINE 3 CYL LPG

2009-06

40

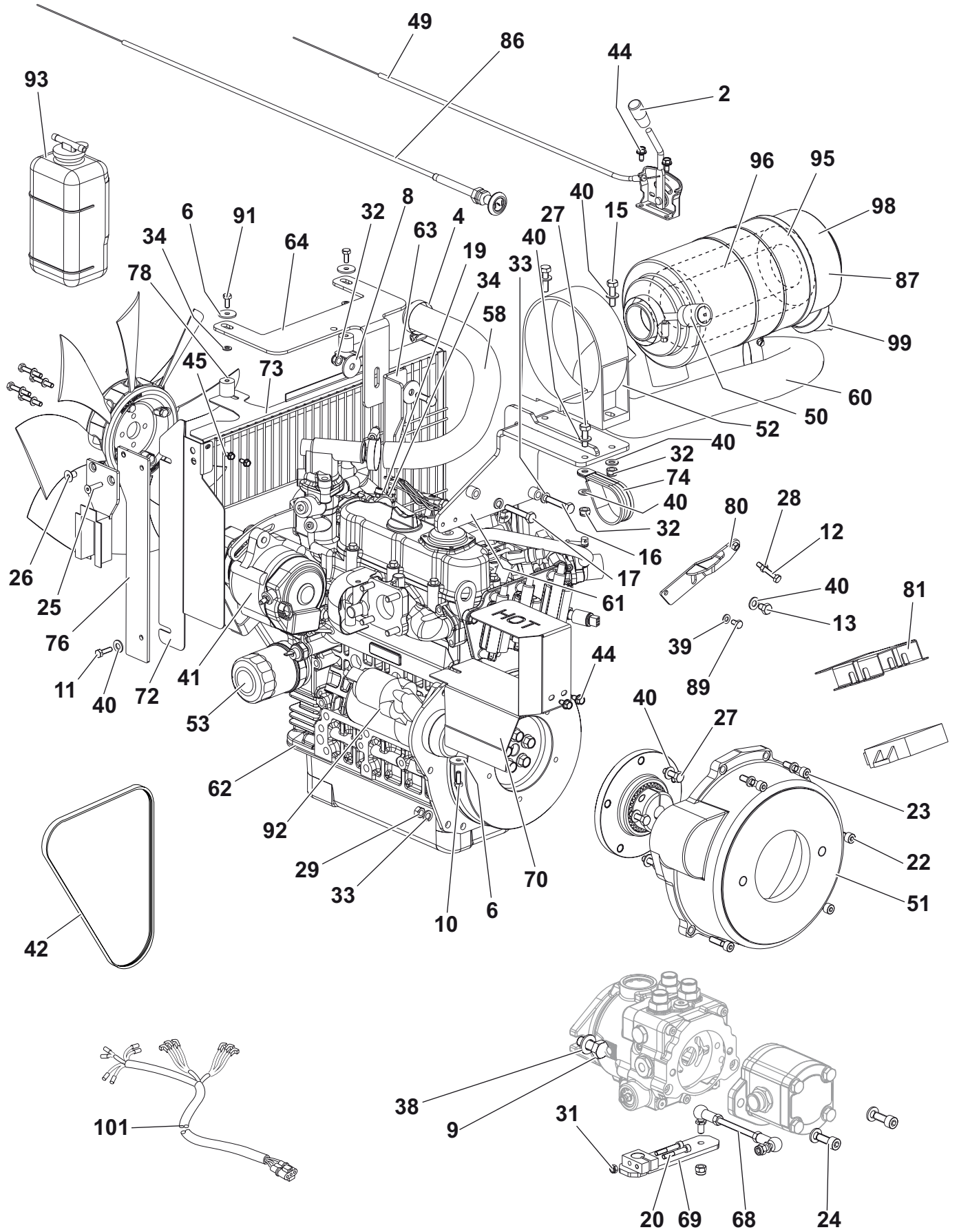
Proterra™

2009-09



2009-06	ASSY ENGINE 3 CYL LPG			
2010-09	Proterra™			41

Item	Ref. No.	Qty	Description	Item	Ref. No.	Qty	Description
1	L08812113	20	CLAMP 195x4.7 BLACK	63	33017919	1	SUPPORT
2	L08812349	1	KNOB	64	33018002	1	BRACKET
3	33003494	2	CLAMP 12-22	65	33018003	1	BRACKET
4	33003548	5	CLAMP.D.30-45	66	33018004	1	HOSE VALVE REGULAT. L 650
5	33003557	1	COLLAR	67	33018005	1	HOSE
6		3	WASHER 6X24 UNI6593	68	33018006	1	HOSE
7		4	WASHER 8X24 UNI6593	69#	33020453	1	TUBE INTAKE
8		4	WASHER 8X32 UNI6593	70	33020016	1	LPG REGULATOR
9		2	SCREW M14X35 UNI5739	71	33020345	1	KIT CONNECTION PEDAL LPG
10		1	SCREW M6X16 UNI5739	72	33018468	1	WORKING LEVER DIESEL PUMP
11		1	SCREW M6X20 UNI5739	73	33018628	1	CRANKCASE MUFFLER PROTECT
12		5	SCREW M6X35 UNI5739	74	33018697	1	FAN MULTIWING D.370 8 BLA
13		1	SCREW M8X10 UNI5739	75	33018813	1	PLATE RADIATOR RIGHT
14		2	SCREW M8X16 UNI5739	76	33018814	1	GRILL SAFETY
15		2	SCREW M8X30 UNI5739	77	33019455	1	CLAMP HOSE D.50
16		1	SCREW M8X40 UNI5739	78	33019465	4	VIBRATION-DAMPING
17		1	SCREW M8X45 UNI5739	79	33019468	1	BRACKET FOR TANK WATER
18		4	SCREW M12X35 UNI5739	80	33019469	2	VIBRATION DAMPING M8 55SH
19		2	SCREW M8X55 UNI5931	81	33019470	2	VIBRATION DAMPING M6 60SH
20		2	SCREW M8X16 UNI5739	82	33019622	2	SCREW THREAD ROLLING
21		2	SCREW M8X30 UNI5739	83	33019628	1	BATTERY START 12V 77 AH (BAT)
22		1	SCREW M8X40 UNI5739	84	33019894	1	HOSE LENGTH 540 MM KIT
23		3	SCREW M8X45 UNI5739	85	33020208	1	BRACKET RPM SETTING
24		2	SCREW M12X35 UNI5739	86	33020209	1	PLATE PROTECTION
25		2	SCREW M10X25 UNI5931	87	33020324	1	CABLE STARTER
26		1	SCREW M6X25 UNI5933	88	33020330	1	CORRUGATED CONDUIT L 240
27		1	SCREW M8X12 UNI5933	89	145 0231 000	1	FILTER AIR
28		15	SCREW M8X25 UNI5739	90	145 8582 000	6	CLAMP HOSE
29		1	NUT HEX M6 UNI5588	91	146 0771 000	3	CLAMP
30		3	NUT HEX M8 UNI5588	92		1	SCREW M6X10 UNI5739
31		10	NUT SELF L. M8 UNI7473	93		2	SCREW M6X14 UNI5739
32		1	NUT SELF L. M6 UNI7474	94	33020017	1	STARTER
33		4	NUT SELF L. M8 UNI7474	95	33018851	1	FILTER OIL ENGINE
34		7	WASHER M8 UNI1751B	96	33019456	1	TANK WATER OVERFLOW W/ MOUNT
35		8	WASHER M6 UNI8836	97	33020446	1	FILTER MAIN ELEMENT
36		2	WASHER M8 UNI8836	98	33017438	1	FILTER SAFETY ELEMENT
37		14	WASHER M10 UNI8836	100	33020445	1	DUSTCUP
38		4	WASHER M12 UNI8836	101	33014386	1	VAQUATOR VALVE
39		2	WASHER M14 UNI8836	102	33020441	1	PLATE PROTECTION PULLEY
40		1	WASHER M6 UNI6592	[103]	33019245	1	HARNESS LPG ENGINE KIT
41		23	WASHER M8 UNI6592			1	HARNESS LPG ENGINE
42	33020018	1	BELT ALTERNATOR			2	CONNECTOR 2 WAYS
43	33019147	1	ALTERNATOR 12V 60AH (ALT)			1	CONNECTOR 2 WAY
44		12	SCREW M10X1.25X25 UNI5740	[104]	33019119	1	ACCELERATOR KIT (2-45-51)
45		4	SCREW THREAD ROLLING	[105]	33019120	1	VIBRATION DAMPING ENGINE KIT (ITEM 78-41-38-31-28-18)
46		2	SCREW THREAD ROLLING	[106]	33020419	1	VIBRATION DAMPING RADIATOR KIT (ITEM 80-81-93-35-6-14-36-8)
47		8	SCREW THREAD ROLLING	[107]	33020348	1	HOSES KIT (ITEM 3-4-50-61-90-91- 67-68-69)
48	33017064	1	ENGINE LPG	[108]	33020349	1	ENGINE HARDWARE KIT (ITEM 3-4-5-6-7-8-9-10-11-12-13-14-15-16- 17-18-19-20-21-22-23-24-25-26-27- 28-29-30-31-32-33-34-35-36-37-38- 39-40-41)
49	33017231	1	MUFFLER				
50	33017236	1	TUBE INTAKE				
51	33017250	1	LEVER THROTTLE				
52	33017251	1	INDICATOR AIR FILTER				
53	33017265	1	BELL HOUSING				
54	33017293	1	SUPPORT PLASTIC AIR				
55	33017441	1	CLAMP BATTERY				
56	33017442	1	SUPPORT BATTERY				
57	33017913	1	SUPPORT MOTOR				
58	33017914	1	TUBE EXHAUST PIPE				
59	33017915	1	HOSE				
61#	33020516	1	TUBE INTAKE				
62	33017918	1	PLATE				



Item	Ref. No.	Qty	Description	Item	Ref. No.	Qty	Description
1	L08812113	20	CLAMP 195x4.7 BLACK	63	33018002	1	BRACKET
2	L08812349	1	KNOB	64	33018003	1	BRACKET
3	33003493	1	CLAMP 8-16	69#	33020453	1	TUBE INTAKE
4	33003548	5	CLAMP.D.30-45	66	33018372	1	FILTER FUEL
5	33003557	1	COLLAR	67	33018452	7	CLAMP 14/12
6		3	WASHER 6X24 UNI6593	68	33020345	1	KIT CONNECTION PEDAL LPG
7		4	WASHER 8X24 UNI6593	69	33018468	1	WORKING LEVER DIESEL PUMP
8		4	WASHER 8X32 UNI6593	70	33018628	1	CRANKCASE MUFFLER PROTECT
9		2	SCREW M14X35 UNI5739	71	33018697	1	FAN MULTIWING D.370 8 BLA
10		1	SCREW M6X16 UNI5739	72	33018813	1	PLATE RADIATOR RIGHT
11		1	SCREW M6X20 UNI5739	73	33018814	1	GRILL SAFETY
12		5	SCREW M6X35 UNI5739	74	33019455	1	CLAMP HOSE D.50
13		1	SCREW M8X10 UNI5739	75	33019465	4	VIBRATION-DAMPING
14		2	SCREW M8X16 UNI5739	76	33019468	1	BRACKET FOR TANK WATER
15		2	SCREW M8X30 UNI5739	77	33019469	2	VIBRATION DAMPING M8 55SH
16		1	SCREW M8X40 UNI5739	78	33019470	2	VIBRATION DAMPING M6 60SH
17		1	SCREW M8X45 UNI5739	79	33019628	1	BATTERY START 12V 77 AH (BAT)
18		4	SCREW M12X35 UNI5739	80	33020208	1	BRACKET RPM SETTING
19		2	SCREW M8X16 UNI5739	81	33020209	1	PLATE PROTECTION
20		2	SCREW M8X30 UNI5739	82	33020225	1	TUBE FUEL L 250
21		1	SCREW M8X40 UNI5739	83	33020226	2	TUBE FUEL L 70
22		3	SCREW M8X45 UNI5739	84	33020227	1	TUBE FUEL L 1260
23		2	SCREW M12X35 UNI5739	85	33020228	1	CORRUGATED CONDUIT L 1200
24		2	SCREW M10X25 UNI5931	86	33020324	1	CABLE STARTER
25		1	SCREW M6X25 UNI5933	87	145 0231 000	1	FILTER AIR
26		1	SCREW M8X12 UNI5933	88	146 0771 000	3	CLAMP
27		15	SCREW M8X25 UNI5739	89		1	SCREW M6X10 UNI5739
28		1	NUT HEX M6 UNI5588	90		1	PIN 10X28 UNI1710
29		3	NUT HEX M8 UNI5588	91		2	SCREW M6X14 UNI5739
30		8	NUT SELF L. M8 UNI7473	92	33020017	1	STARTER
31		1	NUT SELF L. M6 UNI7474	93	33019456	1	TANK WATER OVERFLOW W/ MOUNT
32		4	NUT SELF L. M8 UNI7474	94	33017673	1	FUEL PUMP
33		7	WASHER M8 UNI1751B	95	33020446	1	FILTER MAIN ELEMENT
34		8	WASHER M6 UNI8836	96	33017438	1	FILTER SAFETY ELEMENT
35		2	WASHER M8 UNI8836	98	33020445	1	DUSTCUP
36		14	WASHER M10 UNI8836	99	33014386	1	VAQUATOR VALVE
37		4	WASHER M12 UNI8836	100	33020441	1	PLATE PROTECTION PULLEY
38		2	WASHER M14 UNI8836	101	33019243	1	HARNESS GASOLINE ENGINE KIT
39		1	WASHER M6 UNI6592			1	HARNESS GASOLINE ENGINE
40		21	WASHER M8 UNI6592			1	CONNECTOR 2 WAYS
41	33019147	1	ALTERNATOR 12V 60AH (ALT)			1	CONNECTOR 2 WAY
42	33020018	1	BELT ALTERNATOR			1	ACCELERATOR KIT (2-44-49)
43		12	SCREW M10X1.25X25 UNI5740	[102]	33019119	1	VIBRATION DAMPING ENGINE KIT (ITEM 75-40-37-30-27-18)
44		4	SCREW THREAD ROLLING	[103]	33019120	1	VIBRATION DAMPING RADIATOR KIT (ITEM 77-78-91-34-6-14-35-8)
45		2	SCREW THREAD ROLLING			1	HOSES KIT (ITEM 3-4-48-60-88-90- 58-59-65)
46		8	SCREW THREAD ROLLING	[104]	33020419	1	HOSES GASOLINE KIT (ITEM 82-83- 84-85-90-67-3)
47	33017231	1	MUFFLER			1	ENGINE HARDWARE KIT (ITEM 91-89-74-43-44-45-46-6-7-8-9-10-11- 12-13-14-15-16-17-18-19-20-21-22- 23-24-25-26-27-28-29-30-31-32-33- 34-35-36-37-38-39-40)
48	33017236	1	TUBE INTAKE	[105]	33020348	1	
49	33017250	1	LEVER THROTTLE			1	
50	33017251	1	INDICATOR AIR FILTER	[106]	33020369	1	
51	33017265	1	BELL HOUSING			1	
52	33017293	1	SUPPORT PLASTIC AIR	[107]	33020349	1	
53	33018851	1	FILTER OIL ENGINE				
54	33017441	1	CLAMP BATTERY				
55	33017442	1	SUPPORT BATTERY				
56	33017913	1	SUPPORT MOTOR				
57	33017914	1	TUBE EXHAUST PIPE				
58	33017915	1	HOSE				
60#	33020516	1	TUBE INTAKE				
61	33017918	1	PLATE				
62	33017994	1	ENGINE GASOLINE				

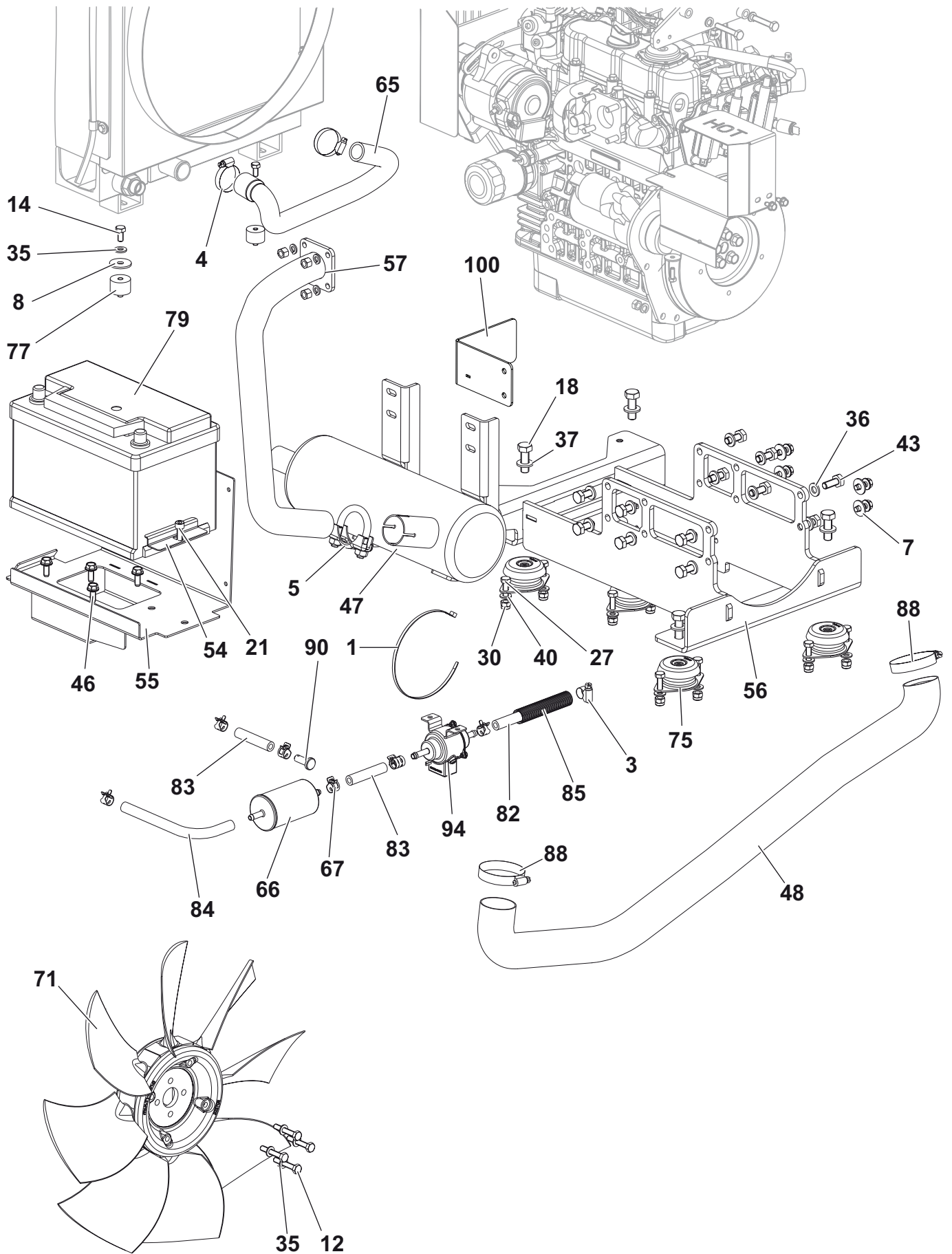
ASSY ENGINE 3 CYL GASOLINE

2009-06

44

Proterra™

2009-09



2009-06

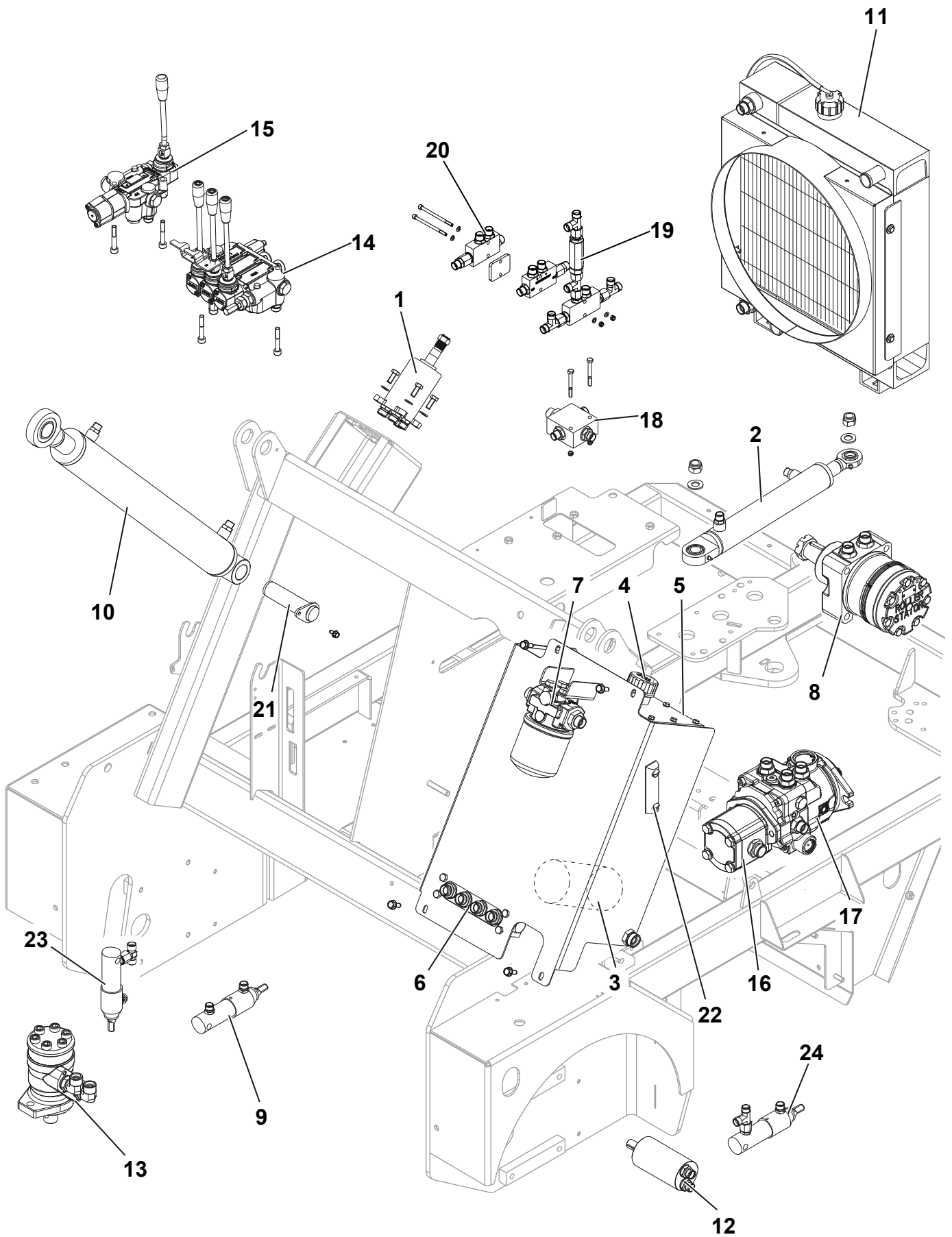
ASSY ENGINE 3 CYL GASOLINE

2010-09

Proterra™

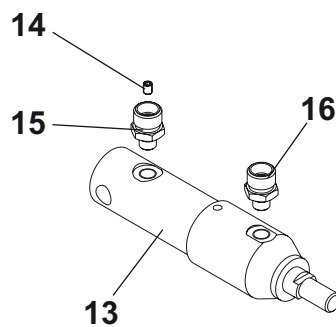
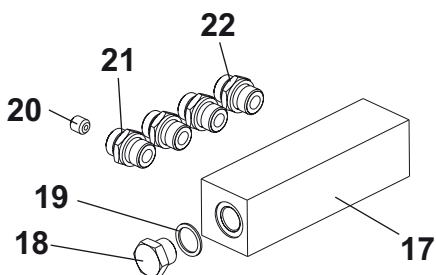
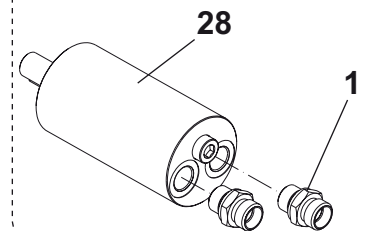
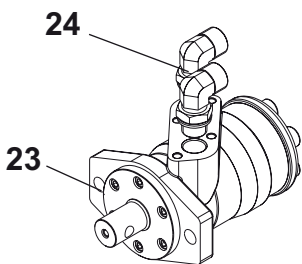
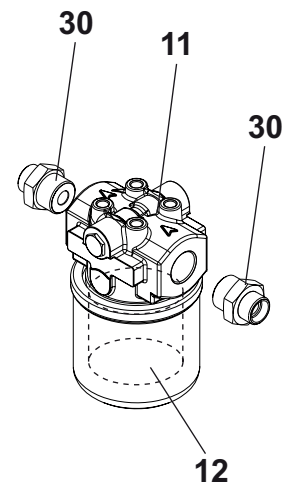
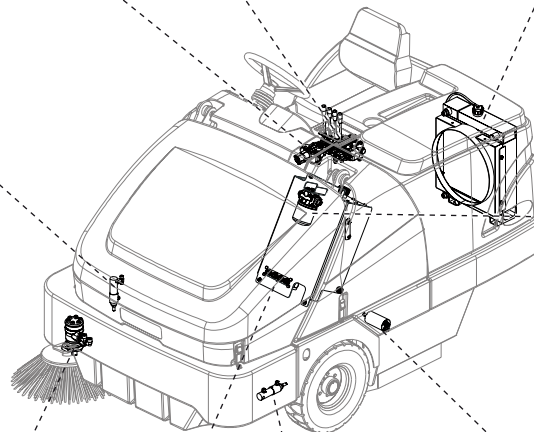
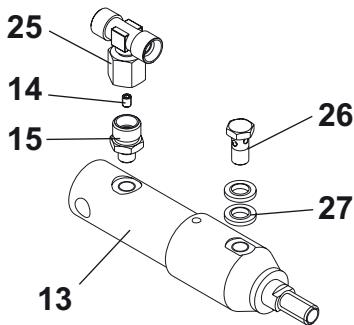
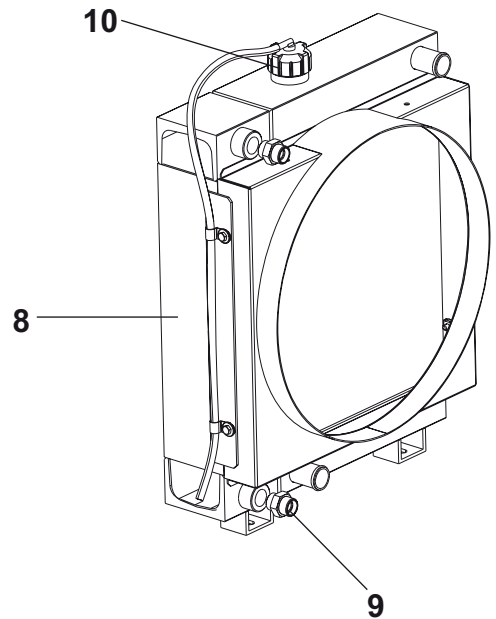
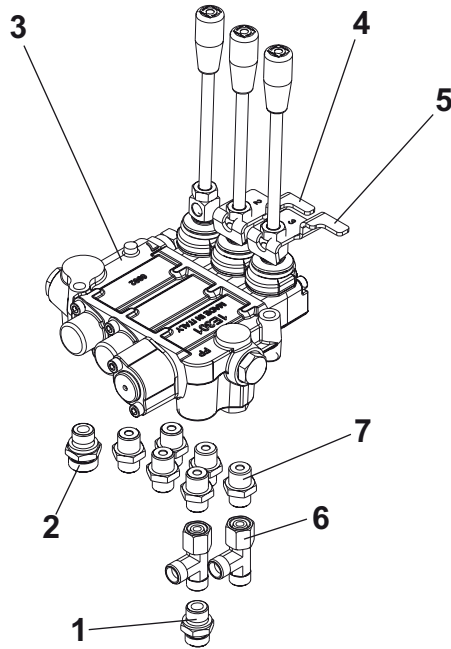
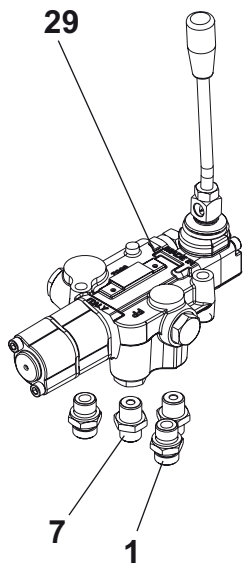
45

Item	Ref. No.	Qty	Description	Item	Ref. No.	Qty	Description
1	L08812113	20	CLAMP 195x4.7 BLACK	63	33018002	1	BRACKET
2	L08812349	1	KNOB	64	33018003	1	BRACKET
3	33003493	1	CLAMP 8-16	69#	33020453	1	TUBE INTAKE
4	33003548	5	CLAMP.D.30-45	66	33018372	1	FILTER FUEL
5	33003557	1	COLLAR	67	33018452	7	CLAMP 14/12
6		3	WASHER 6X24 UNI6593	68	33020345	1	KIT CONNECTION PEDAL LPG
7		4	WASHER 8X24 UNI6593	69	33018468	1	WORKING LEVER DIESEL PUMP
8		4	WASHER 8X32 UNI6593	70	33018628	1	CRANKCASE MUFFLER PROTECT
9		2	SCREW M14X35 UNI5739	71	33018697	1	FAN MULTIWING D.370 8 BLA
10		1	SCREW M6X16 UNI5739	72	33018813	1	PLATE RADIATOR RIGHT
11		1	SCREW M6X20 UNI5739	73	33018814	1	GRILL SAFETY
12		5	SCREW M6X35 UNI5739	74	33019455	1	CLAMP HOSE D.50
13		1	SCREW M8X10 UNI5739	75	33019465	4	VIBRATION-DAMPING
14		2	SCREW M8X16 UNI5739	76	33019468	1	BRACKET FOR TANK WATER
15		2	SCREW M8X30 UNI5739	77	33019469	2	VIBRATION DAMPING M8 55SH
16		1	SCREW M8X40 UNI5739	78	33019470	2	VIBRATION DAMPING M6 60SH
17		1	SCREW M8X45 UNI5739	79	33019628	1	BATTERY START 12V 77 AH (BAT)
18		4	SCREW M12X35 UNI5739	80	33020208	1	BRACKET RPM SETTING
19		2	SCREW M8X16 UNI5739	81	33020209	1	PLATE PROTECTION
20		2	SCREW M8X30 UNI5739	82	33020225	1	TUBE FUEL L 250
21		1	SCREW M8X40 UNI5739	83	33020226	2	TUBE FUEL L 70
22		3	SCREW M8X45 UNI5739	84	33020227	1	TUBE FUEL L 1260
23		2	SCREW M12X35 UNI5739	85	33020228	1	CORRUGATED CONDUIT L 1200
24		2	SCREW M10X25 UNI5931	86	33020324	1	CABLE STARTER
25		1	SCREW M6X25 UNI5933	87	145 0231 000	1	FILTER AIR
26		1	SCREW M8X12 UNI5933	88	146 0771 000	3	CLAMP
27		15	SCREW M8X25 UNI5739	89		1	SCREW M6X10 UNI5739
28		1	NUT HEX M6 UNI5588	90		1	PIN 10X28 UNI1710
29		3	NUT HEX M8 UNI5588	91		2	SCREW M6X14 UNI5739
30		8	NUT SELF L. M8 UNI7473	92	33020017	1	STARTER
31		1	NUT SELF L. M6 UNI7474	93	33019456	1	TANK WATER OVERFLOW W/ MOUNT
32		4	NUT SELF L. M8 UNI7474	94	33017673	1	FUEL PUMP
33		7	WASHER M8 UNI1751B	95	33020446	1	FILTER MAIN ELEMENT
34		8	WASHER M6 UNI8836	96	33017438	1	FILTER SAFETY ELEMENT
35		2	WASHER M8 UNI8836	98	33020445	1	DUSTCUP
36		14	WASHER M10 UNI8836	99	33014386	1	VAQUATOR VALVE
37		4	WASHER M12 UNI8836	100	33020441	1	PLATE PROTECTION PULLEY
38		2	WASHER M14 UNI8836	[101]	33019243	1	HARNES GASOLINE ENGINE KIT
39		1	WASHER M6 UNI6592			1	HARNES GASOLINE ENGINE
40		21	WASHER M8 UNI6592			1	CONNECTOR 2 WAYS
41	33019147	1	ALTERNATOR 12V 60AH (ALT)			1	CONNECTOR 2 WAY
42	33020018	1	BELT ALTERNATOR			1	ACCELERATOR KIT (ITEM 2-44-49)
43		12	SCREW M10X1.25X25 UNI5740	[102]	33019119	1	VIBRATION DAMPING ENGINE KIT
44		4	SCREW THREAD ROLLING	[103]	33019120	1	(ITEM 75-40-37-30-27-18)
45		2	SCREW THREAD ROLLING			1	VIBRATION DAMPING RADIATOR
46		8	SCREW THREAD ROLLING	[104]	33020419	1	KIT (ITEM 77-78-91-34-6-14-35-8)
47	33017231	1	MUFFLER			1	HOSES KIT (ITEM 3-4-48-60-88-90- 58-59-65)
48	33017236	1	TUBE INTAKE	[105]	33020348	1	HOSES GASOLINE KIT (ITEM 82-83- 84-85-90-67-3)
49	33017250	1	LEVER THROTTLE	[106]	33020369	1	ENGINE HARDWARE KIT (ITEM
50	33017251	1	INDICATOR AIR FILTER			1	91-89-74-43-44-45-46-6-7-8-9-10-11- 12-13-14-15-16-17-18-19-20-21-22- 23-24-25-26-27-28-29-30-31-32-33- 34-35-36-37-38-39-40)
51	33017265	1	BELL HOUSING	[107]	33020349	1	
52	33017293	1	SUPPORT PLASTIC AIR				
53	33018851	1	FILTER OIL ENGINE				
54	33017441	1	CLAMP BATTERY				
55	33017442	1	SUPPORT BATTERY				
56	33017913	1	SUPPORT MOTOR				
57	33017914	1	TUBE EXHAUST PIPE				
58	33017915	1	HOSE				
60#	33020516	1	TUBE INTAKE				
61	33017918	1	PLATE				
62	33017994	1	ENGINE GASOLINE				



Item	Ref. No.	Qty	Description
1	33017051	1	STEERING UNIT
2	33018808	1	CYLINDER POWER STEERING KIT (23-2 SEE PAGE 51)
3	33010199	1	OIL FILTER HYDRAULIC
4	33011530	1	PLUG
5	33001307	1	GASKET
6	33018809	1	TANK OIL KIT (ITEM 22-17-20-21-19-18 SEE PAGE 49)
7	33018810	1	FILTER PRESSURE KIT (ITEM 30-11 SEE PAGE 49)
8	33018793	1	MOTOR DRIVE KIT (ITEM 21-22 SEE PAGE 51)
9#	33018802	1	MICRO CYLINDER KIT (ITEM 13-16-15-14 SEE PAGE 49)
10	33018811	1	CYLINDER LIFTING CONTAINE (ITEM 1-2-3-4-29 SEE PAGE 51)
10A#	33021068	1	ADAPTATION FOR CYLINDER W
11	33018873	1	RADIATOR KIT (ITEM 8-9 SEE PAGE 49)
12	33018872	1	MOTOR MAIN BROOM KIT (ITEM 28-1 SEE PAGE 49)
13	33018807	1	MOTOR SIDE BROOM KIT (ITEM 23-24 SEE PAGE 49)
14	33018812	1	DISTRIBUTOR 3 ELEMENTS KIT (ITEM 2-3-4-5-6-7 SEE PAGE 49)
15	33018815	1	DISTRIBUTOR 1 ELEMENT KIT (ITEM 1-7-29 SEE PAGE 49)
16	33018874	1	PUMP GEAR KIT (ITEM 25-26-27 SEE PAGE 51)
17	33019104	1	PUMP DRIVE KIT (ITEM 22-24-28 SEE PAGE 51)
18#	33020858	1	VALVE PRIORITY KIT (ITEM 17-18-19-20 SEE PAGE 51)
19	33018817	1	CUTOFF VALVE DOUBLE KIT (ITEM 6-12-13-14-15-16 SEE PAGE 51)
20	33018840	2	CUTOFF VALVE KIT (ITEM 10-2 SEE PAGE 51)
21#	33020853	1	PIN HYDRAULIC CYLINDER
22	33011529	1	OIL LEVEL
23#	33021767	1	CYLINDER BRUSH RIGHT KIT (ITEM 13-14-15-25-26-27 SEE PAGE 49)
24#	33021765	1	CYLINDER CENTRAL BRUSH KIT (ITEM 5-6-7-8-9 SEE PAGE 51)
[23]	33020339	1	HYDRAULIC HARDWARE KIT (ITEM 24-25-26-27-28-29-30-31-32-33-34-35)
[24]		4	SCREW M8X20 ISO7380
[25]		4	CAP INSULATING
[26]		2	NUT SELF L. M14 UNI7473
[27]		1	CLAMP HOSE D.45
[28]		1	SCREW THREAD ROLLING
[29]		1	SCREW THREAD ROLLING
[30]		1	PIPE FITTING
[31]		2	WASHER M14 UNI6592
[32]		4	WASHER M5 UNI6592
[33]		4	NUT SELF L. M5 UNI7474
[34]		2	SCREW M5X80 UNI5931
[35]		2	SCREW M6X55 UNI5737

A: FOR MACHINE AFTER S.N. 103206080 (ALONG WITH REF., 33018811)



2009-06

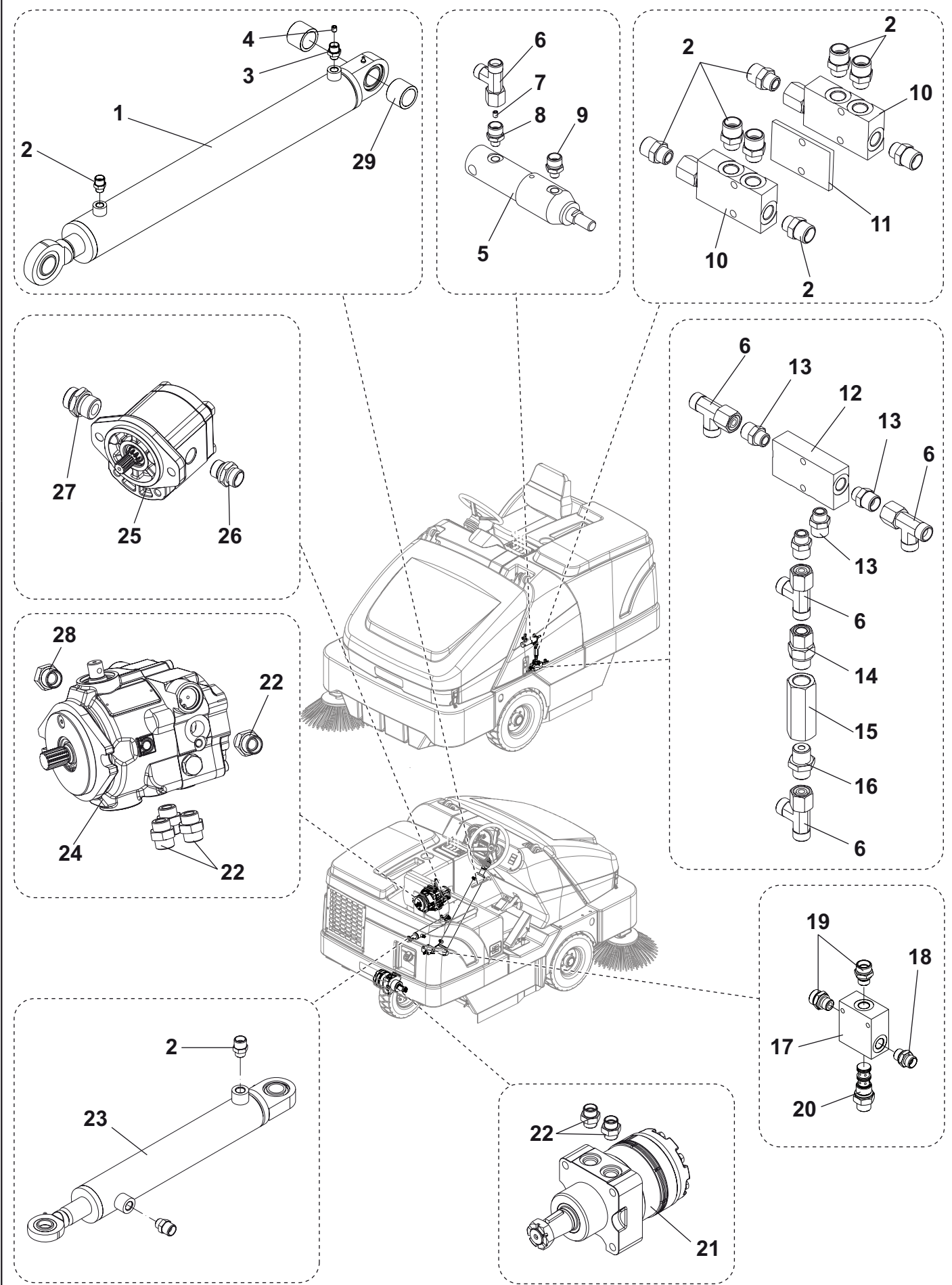
ASSY HYDRAULIC PLANT

2010-09

Proterra™

49

Item	Ref. No.	Qty	Description
1	33015917	5	FITTINGS M3/8
2	33016018	1	FITTINGS M3/8
3	33017052	1	DISTRIBUTOR 3 ELEMENTS
4	33017752	1	BRACKET
5	33017753	1	BRACKET
6	145 5163 000	2	PIPE FITTING
7	146 0505 000	8	PIPE FITTING 3/8 D.10
8	33017065	1	RADIATOR
9	146 0079 00	2	FITTING PIPE
10	33019339	1	CAP EXPANSION TANK
11	33017431	1	FILTER MEDIUM PRESSUR
12	33017595	1	CARTRIDGE OIL FILTER
13#	33020608	2	MICRO CYLINDER
14	33018215	2	DOWEL M5X6 DIAM 0,5
15	33018222	2	FITTING 1/8
16	33018375	1	FITTINGS 1/8"
17	33017432	1	BLOCK HYD. HOSES
18#	33011456	1	CAP 1/2"
19	145 4291 000	1	COPPER GASKET 1/2"
20	33018675	1	DOWEL M12 DIAM 4
21	33018676	1	PIPE FITTING 1/2 D.15
22	33015757	3	FITTINGS M1/2
23	33017003	1	MOTOR SIDE BROOM
*#	33020754	1	GASKETS HYDRAULIC MOTOR KIT
24	33015874	2	ELBOW 90 M1/2
25	146 0507 000	1	PIPE FITTING T D.10
26	146 0093 00	1	SCREW W/HOLE 1/8
27	145 6020 000	2	WASHER BONDED 1/8
28	33017004	1	MOTOR MAIN BROOM
*#	33020765	1	GASKET HYDRAULIC PUMP KIT
29	33017676	1	DISTRIBUTOR 1 ELEMENT
30	33015348	2	PIPE FITTING



2009-06

ASSY HYDRAULIC PLANT

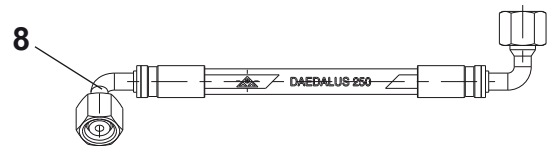
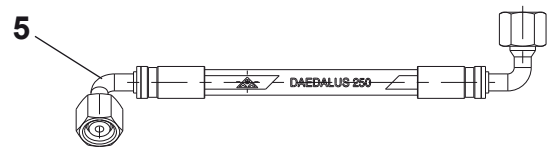
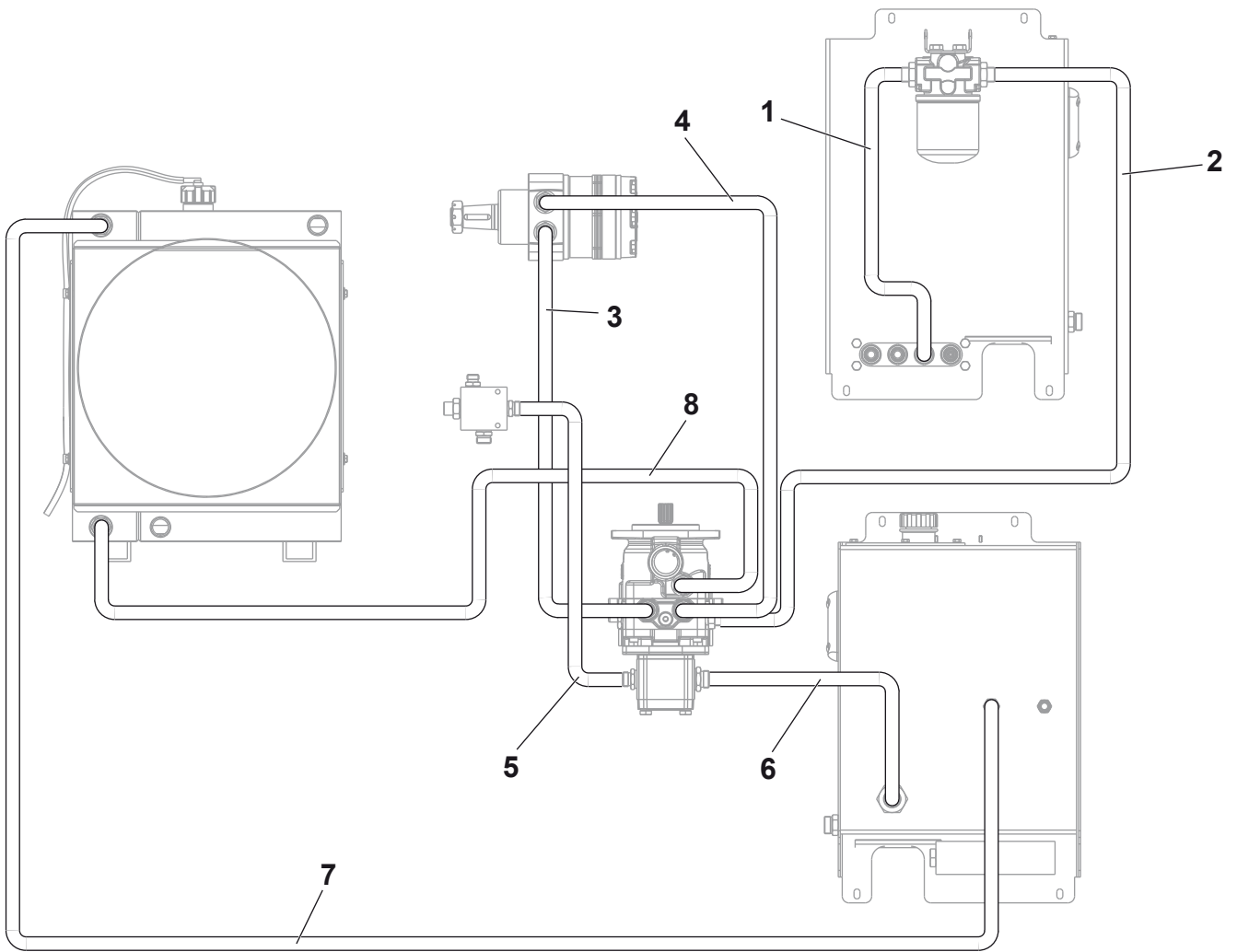
2010-09

Proterra™

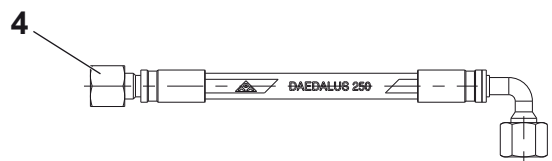
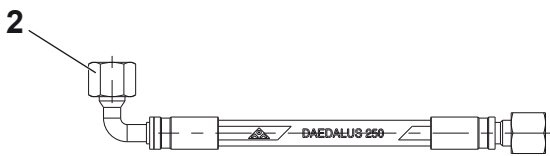
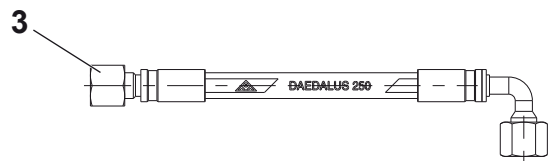
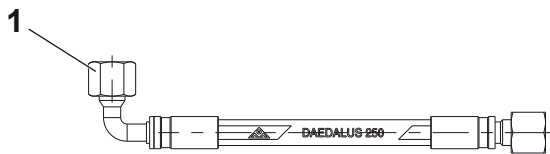
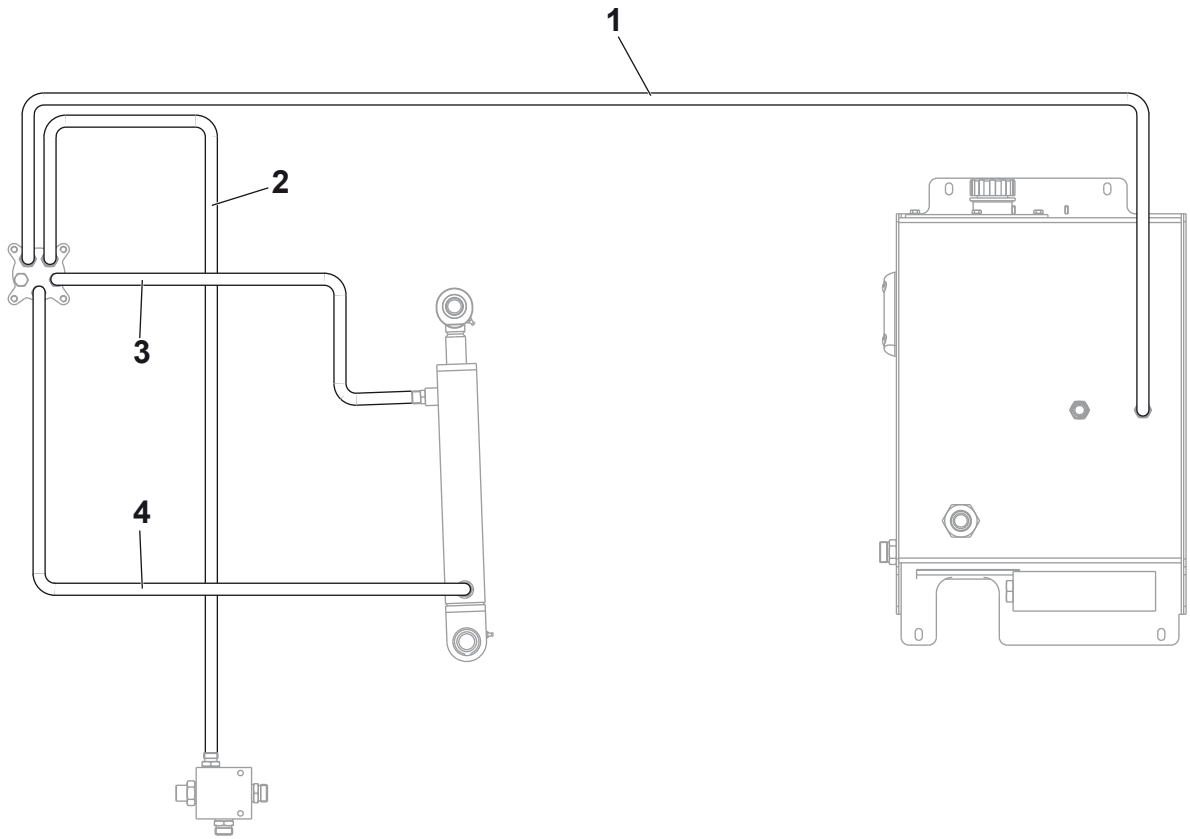
51

Item	Ref. No.	Qty	Description
1A#	33020854	1	CYLINDER HOPPER LIFT
*#	33020758	1	GASKET CYLINDER KIT
2	146 2977 000	11	PIPE FITTING 1/4 D. 10
3	33018221	1	FITTING 1/4"
4	33019272	1	DOWEL M8X8 DIAM 1
5#	33020608	1	MICRO CYLINDER
6	145 5163 000	5	PIPE FITTING
7	33018215	1	DOWEL M5X6 DIAM 0,5
8	33018222	1	FITTING 1/8
9	33018375	1	FITTINGS 1/8"
10	33017435	2	VALVE SIMPLE CHECK
11	33019712	1	PLATE VALVES
12	33010486	1	CUTOFF VALVE 1/4
13	146 2977 000	4	PIPE FITTING 1/4 D. 10
14	33018220	1	FITTINGS M3/8"-F10L
15	33010481	1	VALVE 3/8 NONRETURN
16	146 0505 000	1	PIPE FITTING 3/8 D.10
17	33017165	1	BODY PRIORITY VALVE
18	33015917	1	FITTINGS M3/8
19	33016018	2	FITTINGS M3/8
20	33017690	1	CARTRIDGE PRIORITY VALVE
21	33017002	1	MOTOR DRIVE (ENGINE)
*#	33020753	1	GASKETS HYDRAULIC MOT.KIT
22	146 0079 00	5	FITTING PIPE
23	33017005	1	STEERING CYLINDER
*#	33020757	1	GASKET CYLINDER KIT
24#	33020997	1	PUMP DRIVE
*#	33020763	1	GASKET HYDRAULIC PUMP KIT
*#	33020764	1	GASKET HYDRAULIC PUMP KIT
25	33017001	1	PUMP DRIVE
*#	33020761	1	GASKET HYDRAULIC PUMP KIT
*#	33020762	1	GASKETS AND FRONTAL SEALS MOT.KIT
26	33015757	1	FITTINGS M1/2
27	33018323	1	PIPE FITTING 3/4
28#	33011456	1	PLUG 1/2
29#	33020812	2	SPACER

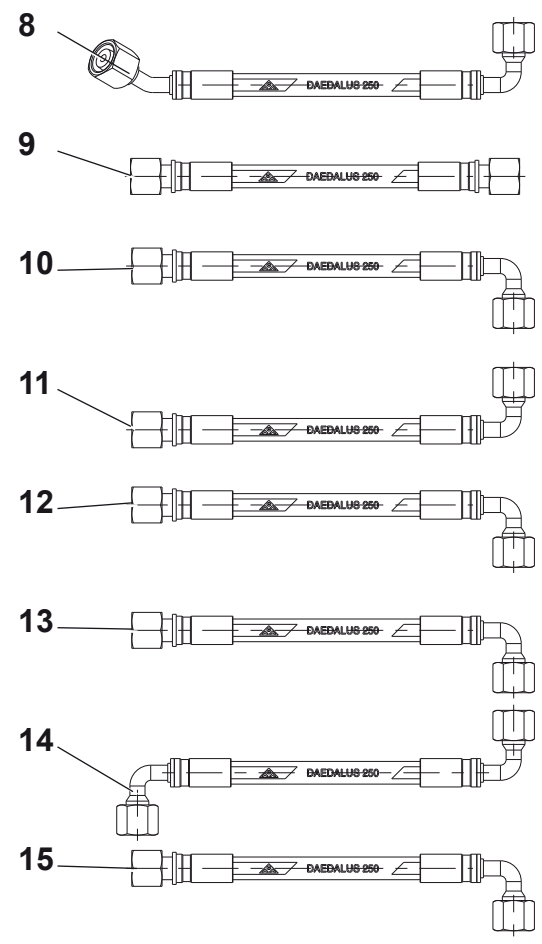
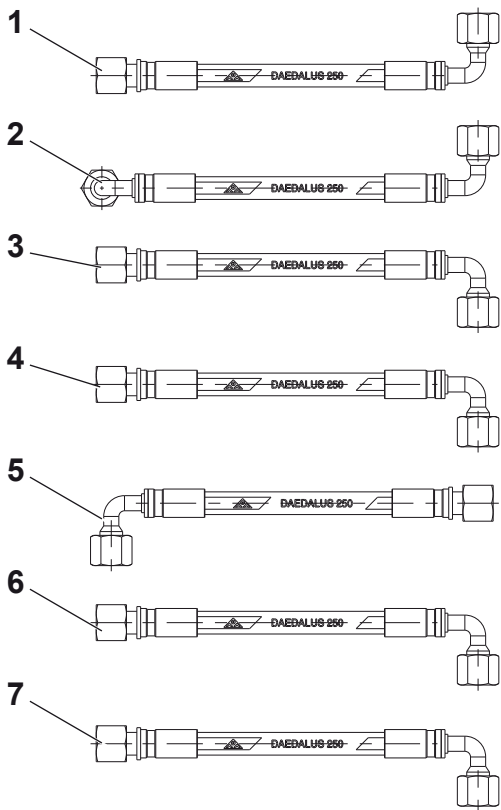
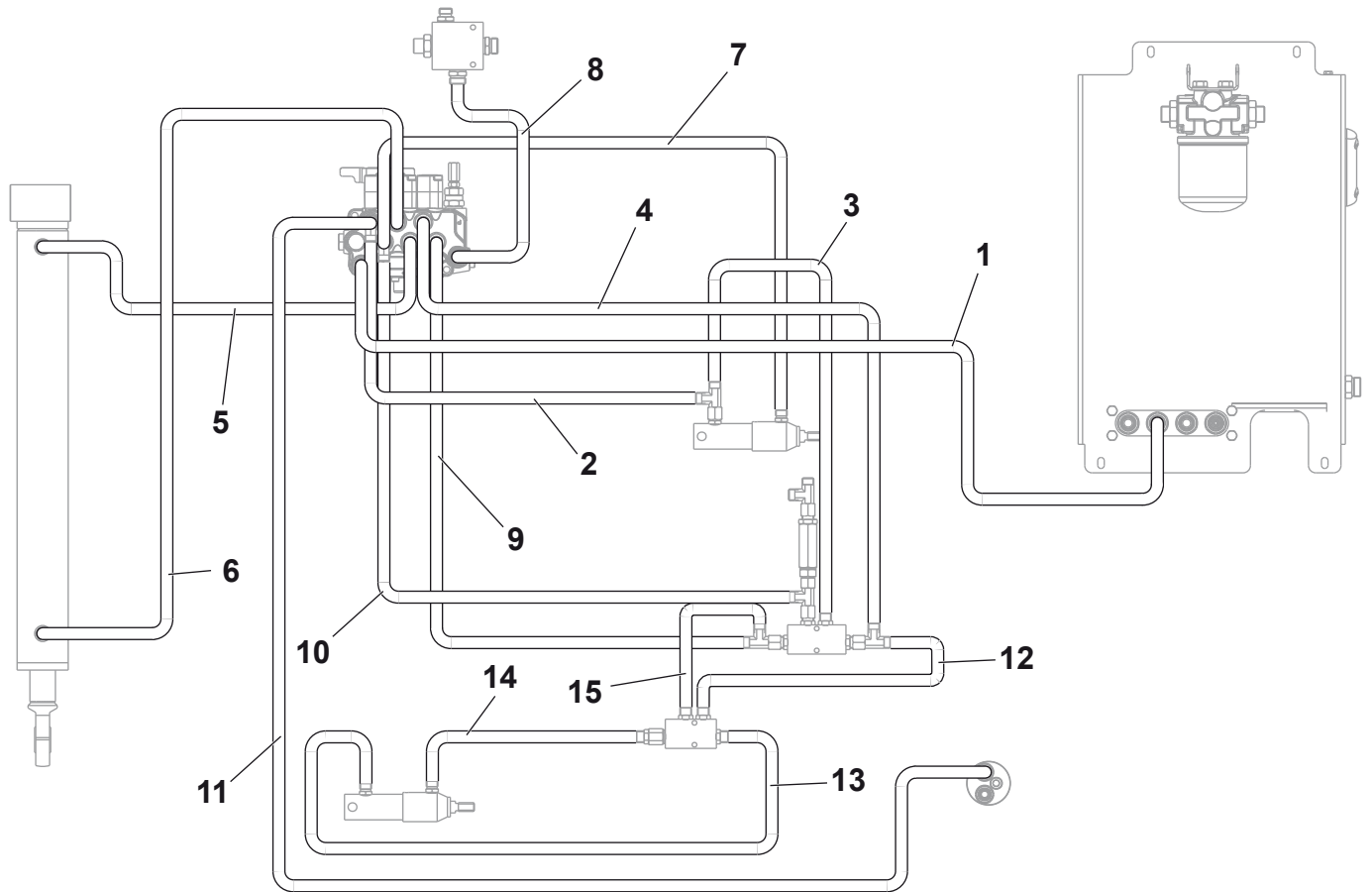
A: SEE PAGE 47 ITEM 10A AND SPEC.



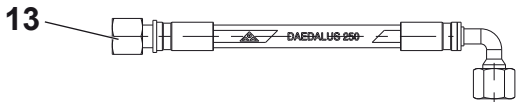
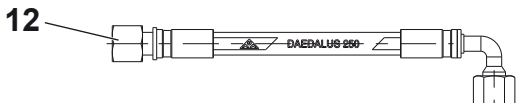
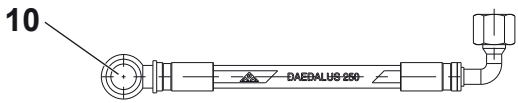
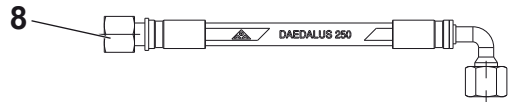
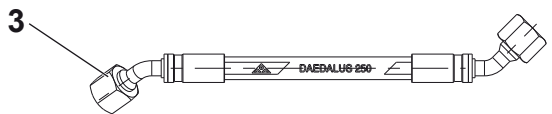
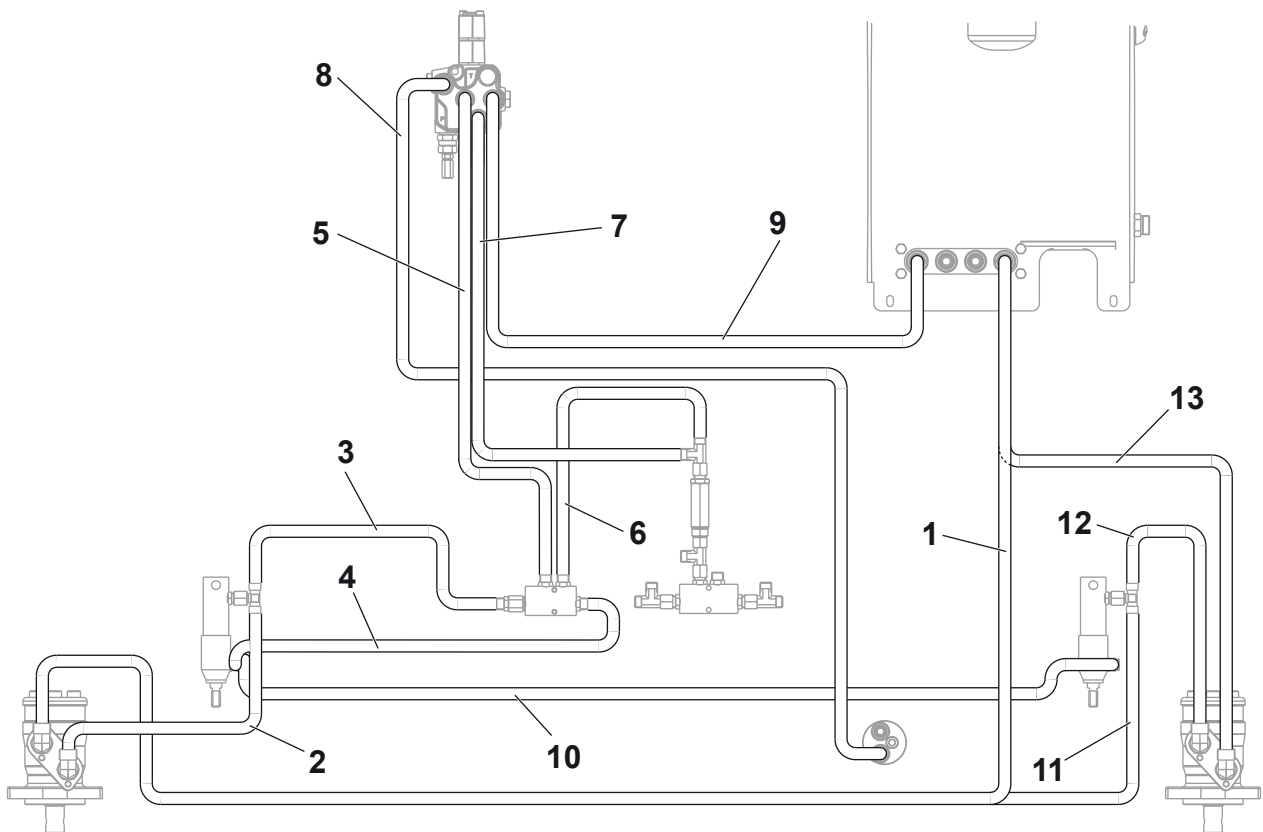
Item	Ref. No.	Qty	Description
1	33017649	1	HOSE HYDRAULIC 1/2 L= 450
2	33017636	1	HOSE HYDRAULIC 1/2 L=1040
3	33017641	1	HOSE HYDRAULIC 1/2 L=1470
4	33017630	1	HOSE HYDRAULIC 1/2 L=1470
5	33020134	1	HOSE HYDRAULIC 1/2 L 500
6	33017651	1	HOSE HYDRAULIC 3/4 L= 900
7	33017618	1	HOSE HYDRAULIC 1/2 L=1100
8	33017619	1	HOSE HYDRAULIC 1/2 L 1200



Item	Ref. No.	Qty	Description
1	33020136	1	HOSE HYDRAULIC 3/8 L 1000
2	33020137	1	HOSE HYDRAULIC 3/8 L 1380
3	33017622	1	HOSE HYDRAULIC 1/4 L=1320
4	33017625	1	HOSE HYDRAULIC 1/4 L=1000



Item	Ref. No.	Qty	Description
1	33017650	1	HOSE HYDRAULIC 1/2 L=1050
2	33017635	1	HOSE HYDRAULIC 1/4 L=1580
3	33017634	1	HOSE HYDRAULIC 1/4 L= 500
4	33017628	1	HOSE HYDRAULIC 1/4 L=1560
5	33017652	1	HOSE HYDRAULIC 1/4 L= 650
6	33017627	1	HOSE HYDRAULIC 1/4 L= 460
7	33017632	1	HOSE HYDRAULIC 1/4 L=1650
8	33020135	1	HOSE HYDRAULIC 1/2 L 950
9	33017653	1	HOSE HYDRAULIC 1/4 L=1340
10	33017633	1	HOSE HYDRAULIC 1/4 L=1390
11	33017655	1	HOSE HYDRAULIC 3/8 L=1350
12	33019714	1	HOSE HYDRAULIC 1/4 L= 450
13	33017638	1	HOSE HYDRAULIC 1/4 L=3020
14	33017647	1	HOSE HYDRAULIC 1/4 L=2320
15	33019713	1	HOSE HYDRAULIC 1/4 L= 450



Item	Ref. No.	Qty	Description
1A	33018689	1	HOSE HYDRAULIC 1/2 L=2900
2	33017640	1	HOSE HYDRAULIC 3/8 L= 625
3	33017654	1	HOSE HYDRAULIC 1/4 L=2600
4	33017643	1	HOSE HYDRAULIC 1/4 L=3400
5	33017646	1	HOSE HYDRAULIC 1/4 L=1460
6	33017637	1	HOSE HYDRAULIC 1/4 L= 330
7	33017639	1	HOSE HYDRAULIC 1/4 L=1620
8	33017631	1	HOSE HYDRAULIC 3/8 L=1520
9	33017648	1	HOSE HYDRAULIC 1/2 L=1050
10B	33017644	1	HOSE HYDRAULIC 1/4 L=2500
11B	33017629	1	HOSE HYDRAULIC 3/8 L=2900
12B	33017642	1	HOSE HYDRAULIC 3/8 L= 660
13B	33017645	1	HOSE HYDRAULIC 1/2 L=2170

A: ONLY FOR MACHINE WITH ONE SIDE BROOM

B: ONLY FOR MACHINE WITH TWO SIDE BROOM

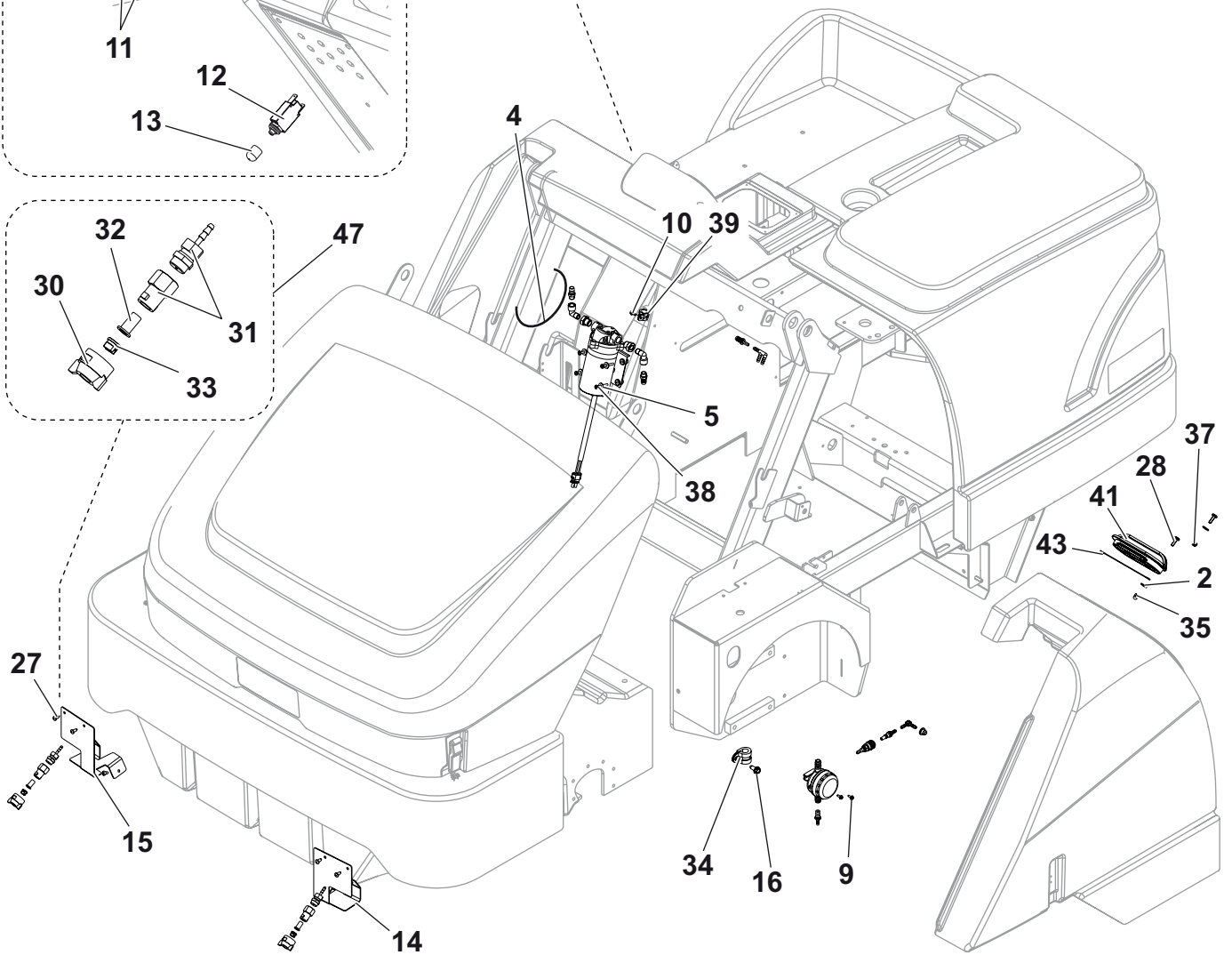
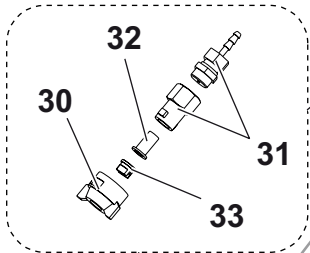
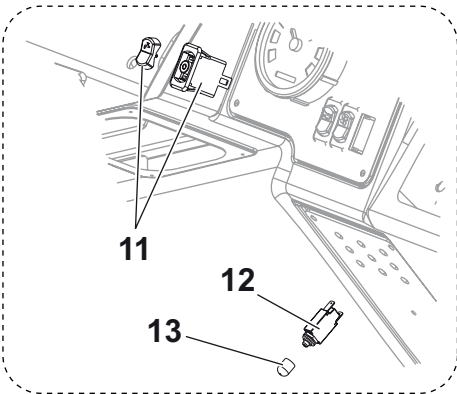
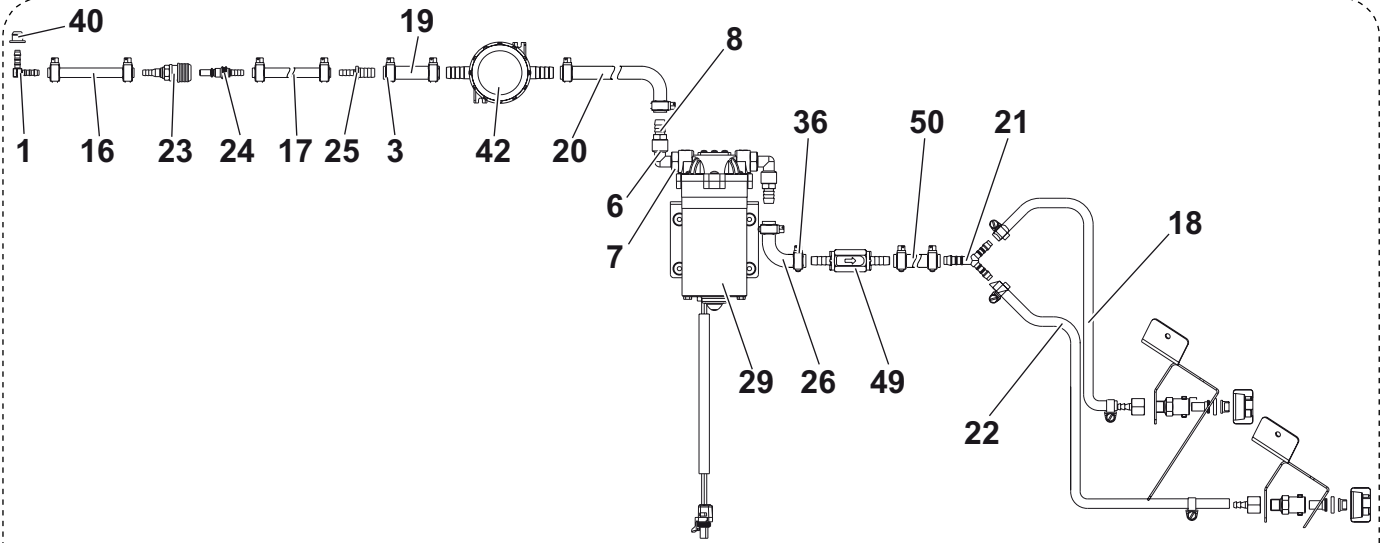
ACCESSORIES

2009-06

60

Proterra™

2010-09



2009-06

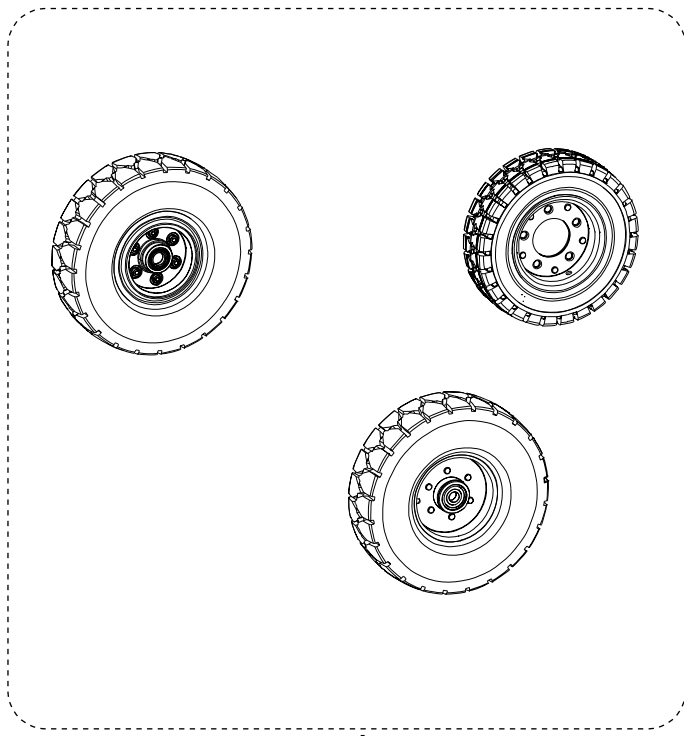
ACCESSORIES

2010-09

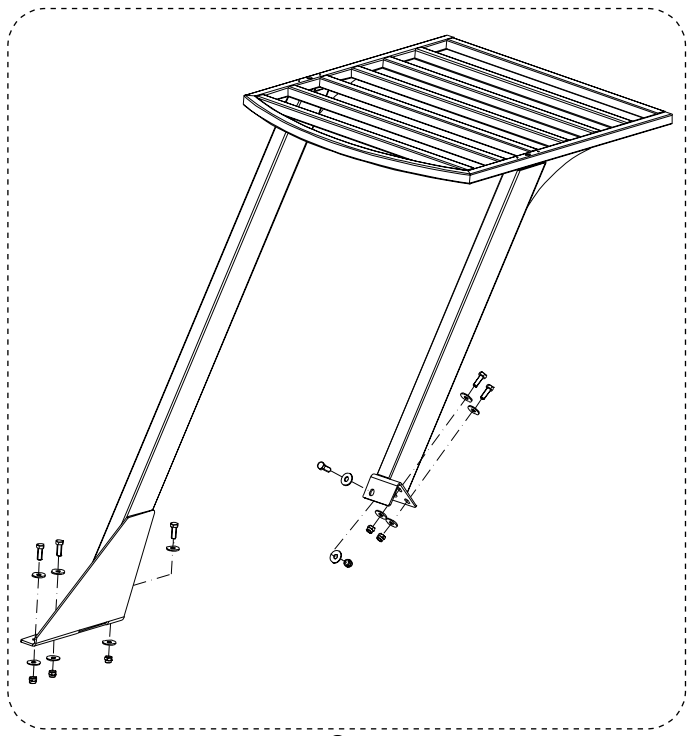
Proterra™

61

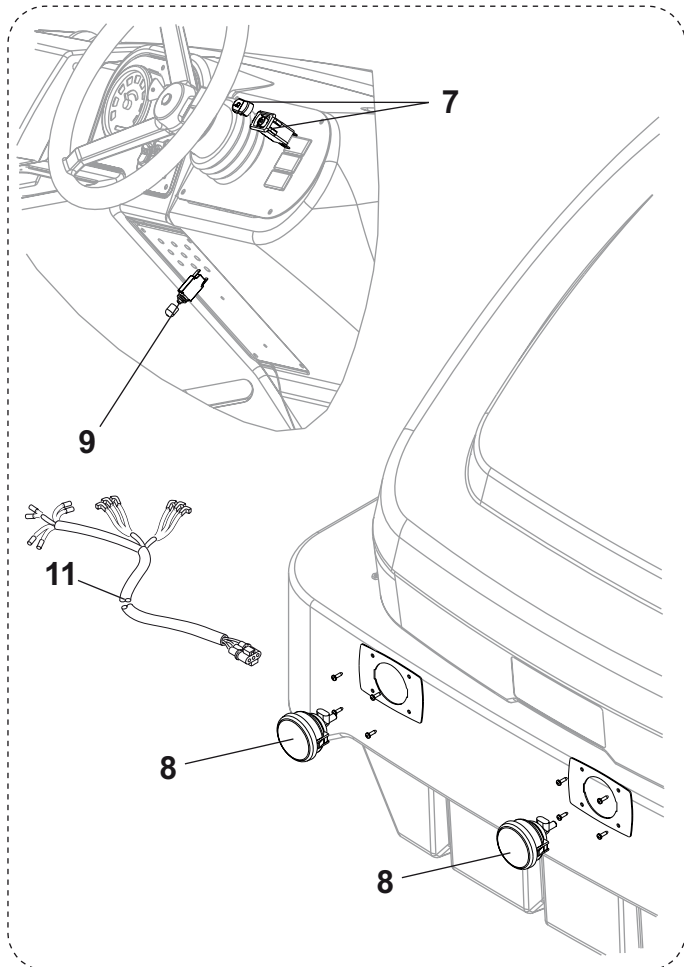
Item	Ref. No.	Qty	Description
1#	33020824	1	ELBOW 90. D. 8 NYLON
2		2	WASHER 6X18X1.5 UNI6593
3#		8	CLAMP
4		6	CLAMP 9X350
5		4	WASHER 5X15 UNI6593
6	33011224	2	FITTING1/4
7	33011494	2	REDUCTION GEAR MF 3/8 1
8	33011522	2	RUBBER SEAL HOLDER 1/4 D
9		2	SCREW THREAD ROLLING
10		1	SCREW THREAD ROLLING
11	33019325	1	SWITCH WATER FLUSHING KIT (SW6)
12	33017361	1	BREAKER CIRCUIT 10A (F3)
13	33017386	1	BOOT CIRCUIT BREKER
14	33017927	1	BRACKET LEFT SIDE
15	33017928	1	BRACKET RIGHT SIDE
16		2	SCREW THREAD ROLLING
17		1	HOSE CRISTAL 6X11 L 480
18		1	HOSE CRISTAL 6X11 L 2020
19		1	HOSE D.10 L 65
20		1	HOSE D.10 L 1400
21	33020820	1	ELBOW Y D.6-8-6
22		1	HOSE CRISTAL 6X11 L 2740
23	33018190	1	CONNECTOR
24	33018191	1	CONNECTOR
25	33018196	2	FITTING
26#		1	HOSE D.10 L 60
27		6	SCREW 6X20
28		2	SCREW M6X20
29	33019329	1	PUMP WATER KIT (M3)
30#	33020817	2	RING NUT QUICK COUPLING
31#	33020865	2	ADAPTER SPRAY KIT
32#	33020814	2	FILTER NOZZLE SPRAY
33#	33020816	2	NOZZLE SPRAY
34#		1	COLLAR D.10
35		1	NUT HEX M6 UNI5721
36	145 8582 000	8	CLAMP HOSE
37		1	NUT SELF LOCKING M6 SS
38		4	SCREW 4.5X40
39		1	CLAMP HOSE D.18
40	909 6089 000	1	CHOCK D.18
41	9097385000	1	CAP SOLUTION TANK
42	9097404000	1	FILTER WATER
43	9097485000	1	CABLE OPENING CAP
[44]*	33019175	1	PRE MISTING SYSTEM 12V KIT
[45]	33019169	1	INSTALLATION INSTRUCTIONS
[46]	33019326	1	HOSES/FITTINGS MISTING SYSTEM KIT (ITEM 21-23-24-25-6-7-8-3-4-39-40-1-17-18-19-20-26-22)
47	33019324	2	NOZZLE SPRAY KIT (ITEM 30-31-32-33)
49#	33021260	1	CHECK VALVE
50#		1	HOSE D.10 L 780



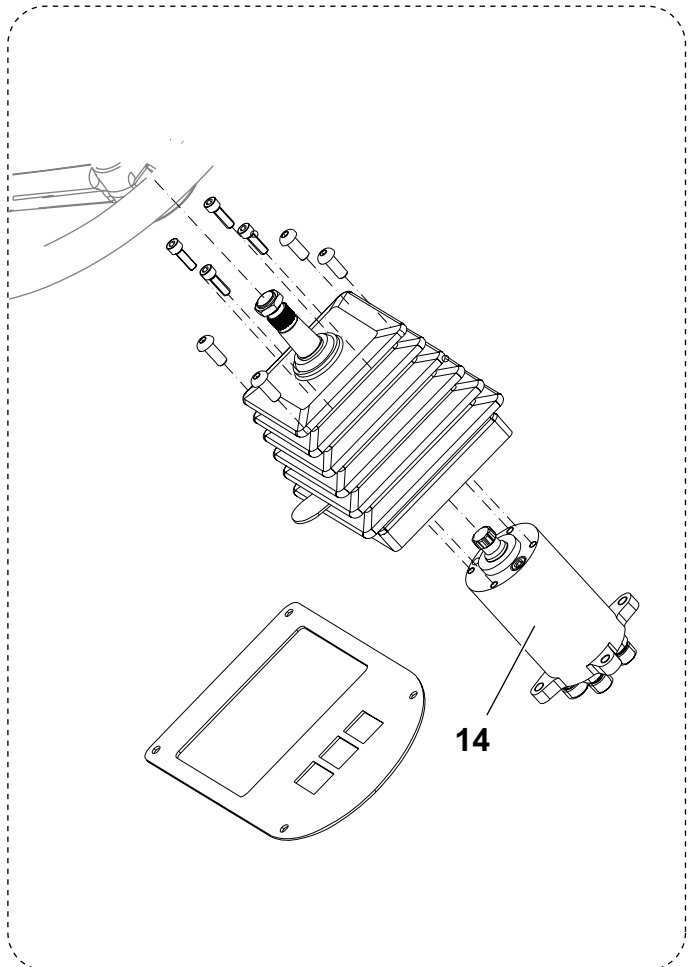
1



2



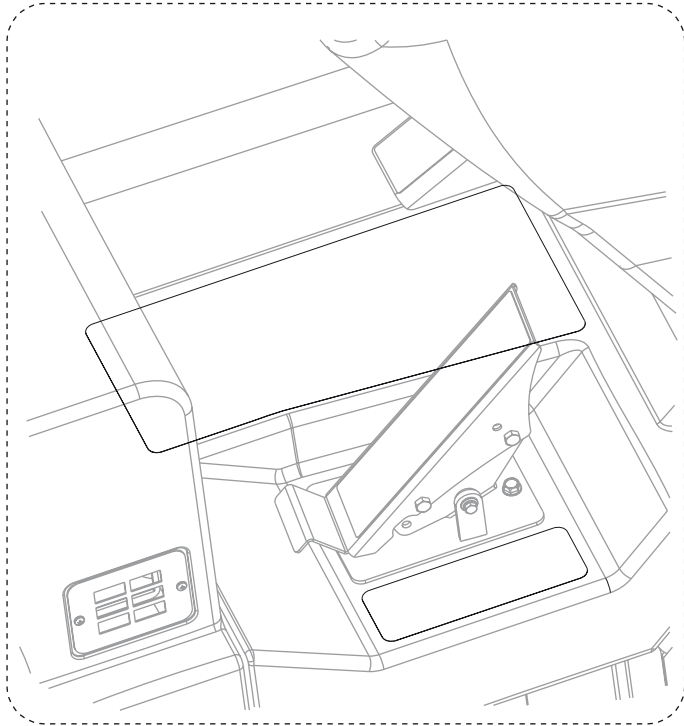
5



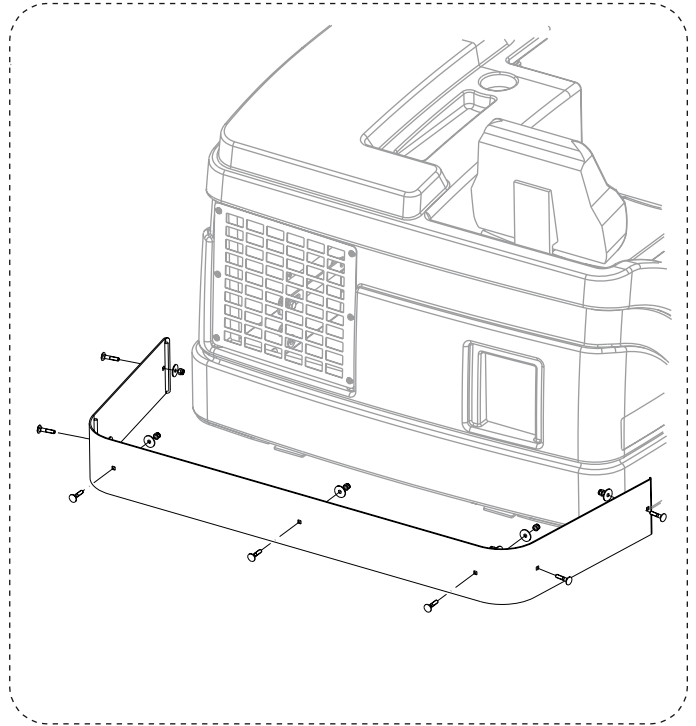
12

2009-06	ACCESSORIES			
2009-09	Proterra™			63

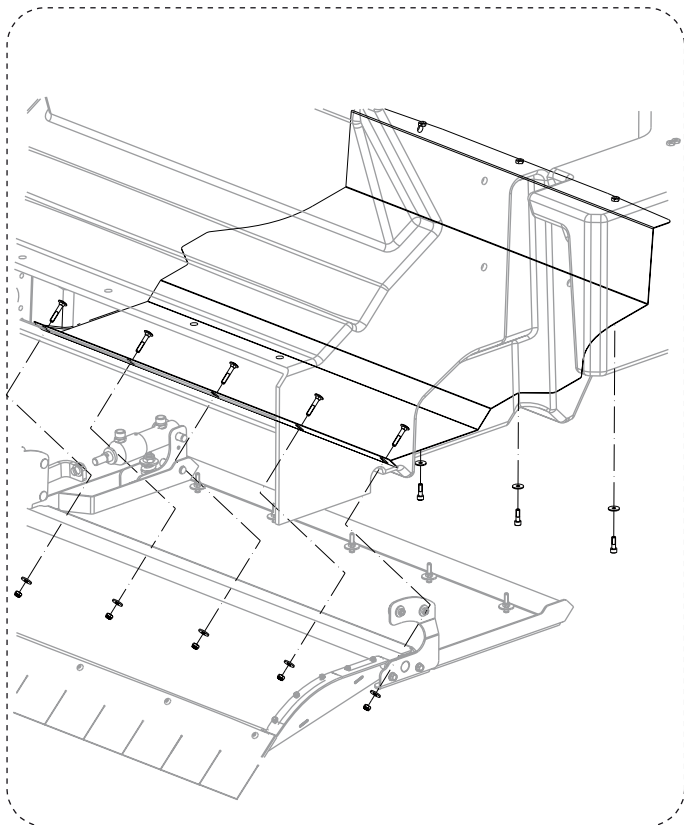
Item	Ref. No.	Qty	Description
1*	33019172	1	WHEEL SOLID NON MARKING KIT
		1	WHEEL 4.00-8 NO MARK VERS
		2	WHEEL 5.00-8 NO MARK VERS
1*	33019139	1	WHEEL SOLID KIT
		1	WHEEL SUPERELASTIC 4.00
		2	WHEEL ASM WITH BEARINGS
2*	33019171	1	OVER HEAD GUARD KIT
[0]	33020629	1	INSTRUCTIONS ASSEMBLY
		6	NUT SELF L. M12 UNI7473
		6	SCREW M12X35 UNI5739
		12	WASHER 12X36X3 UNI6593
		1	OVER HEAD GUARD
[3]*	56508663	1	MIRROR KIT
[4]	56040968	1	INSTRUCTIONS ASSEMBLY
5*	33019558	1	FRONT LIGHT 12V KIT
[6]	33019201	1	INSTRUCTIONS INSTALLATION
7	33019736	1	SWITCH FRONT LIGHT
8	146 1587 000	2	HEADLIGHT (L1 - L2)
9	33017361	1	BREAKER CIRCUIT 10A (F6)
[10]	146 1588 000	2	LAMP
11	33019219	1	HARNES FRONT HEADLIGHT 12V
		2	PLATE FOR FRONT LIGHT
		8	SCREW 4.8X19 UNI6954
12*	33019174	1	TILT STEERING KIT
[13]	33019157	1	INSTRUCTIONS ASSEMBLY
14	33017925	1	STEERING UNIT
		4	SCREW M6X20 UNI5931
		1	STEERING TILT
		1	STEERING WHEEL
		1	COVER PLATE TILT STEERING
[15]*	56507027	1	FIRE EXTIGUISHER KIT
[16]	56040936	1	INSTRUCTIONS ASSEMBLY



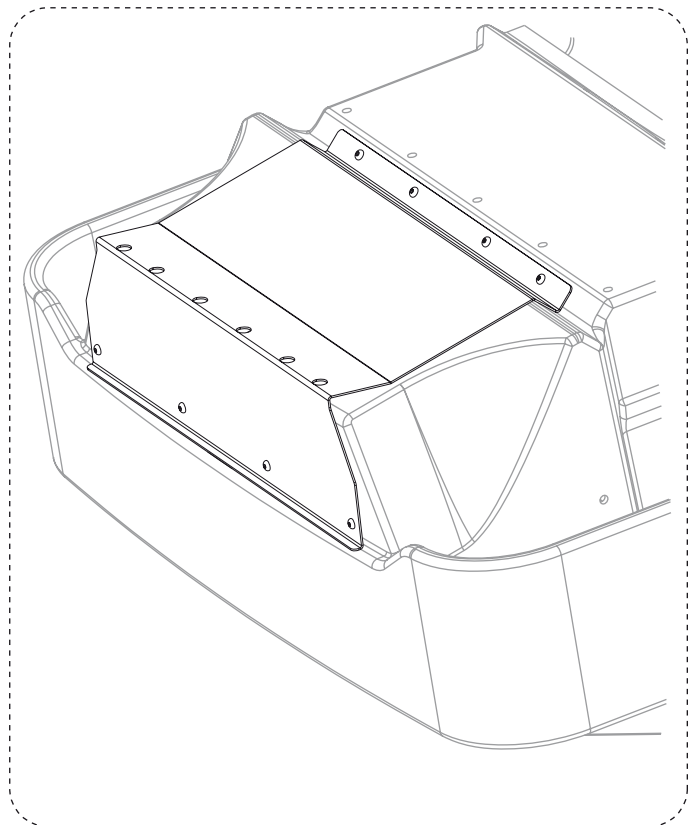
1



3



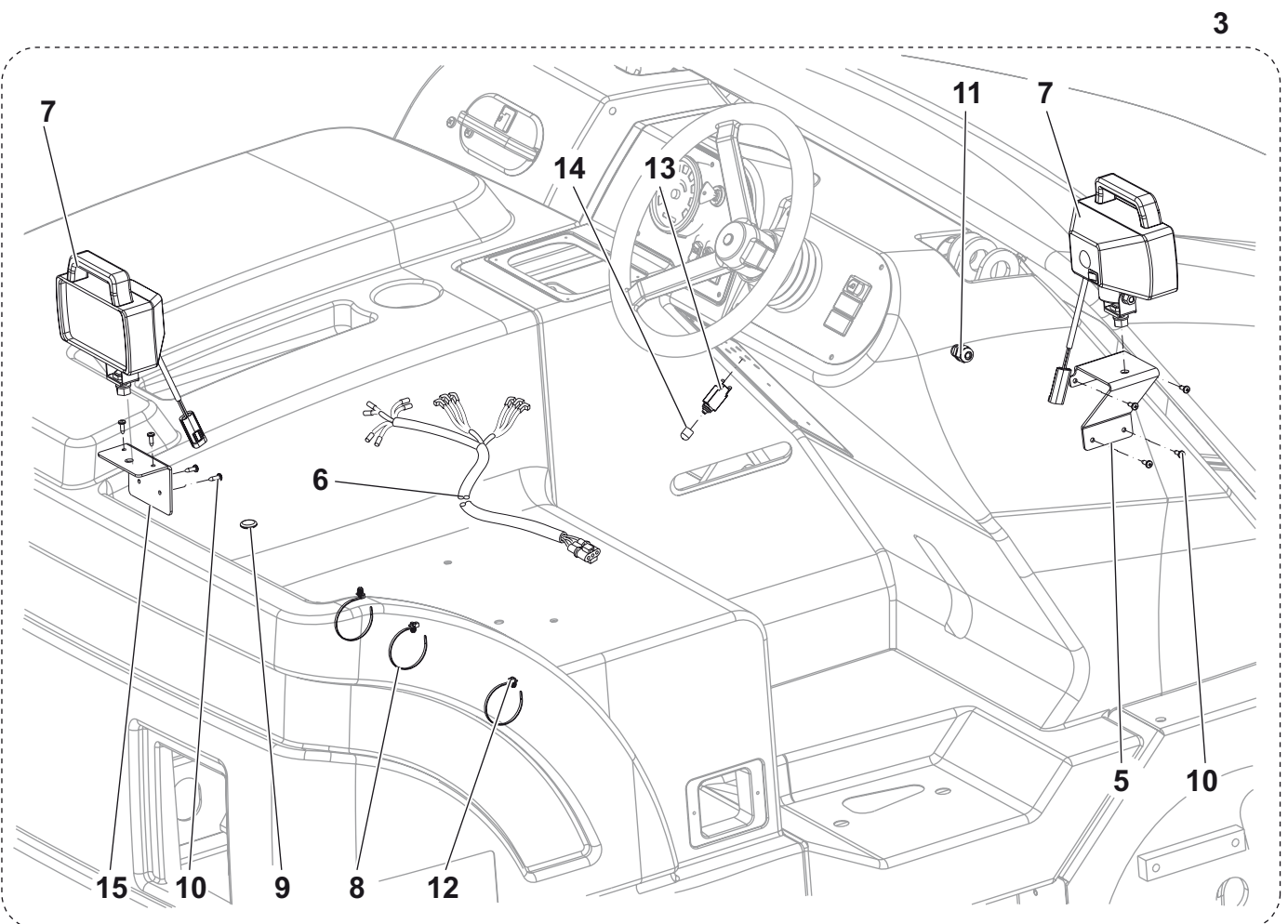
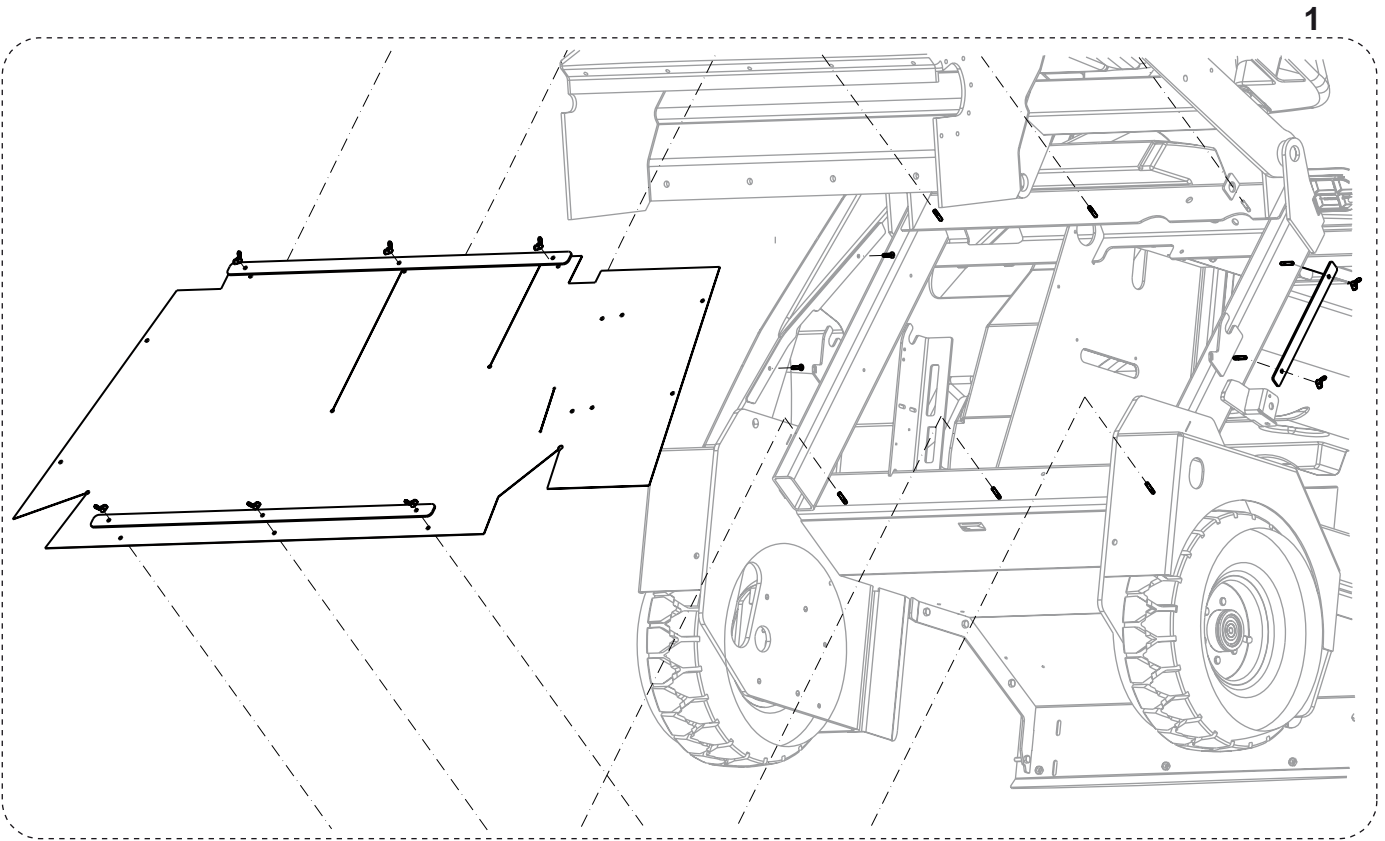
5



7

2009-06	ACCESSORIES			
2009-09	Proterra™			65

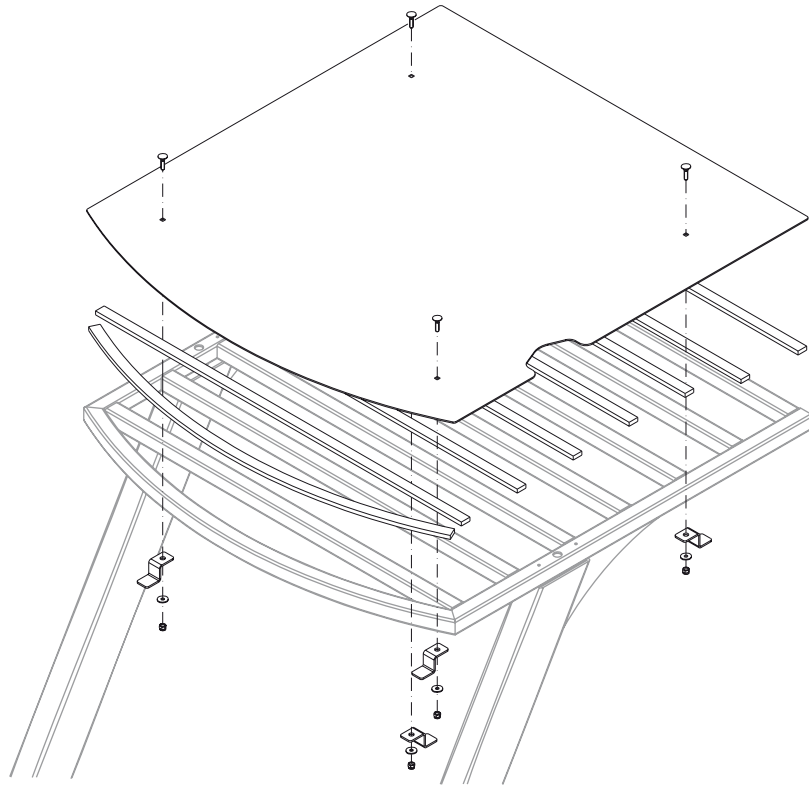
Item	Ref. No.	Qty	Description
1*	33019570	1	MAT FLOOR KIT
[2]	33019195	1	INSTRUCTIONS ASSEMBLY
		1	ANTI SLIP SURFACE
		1	ANTI SLIP SURFACE
3*	33019572	1	GUARD REAR BUMPER KIT
[4]	33019205	1	INSTRUCTIONS ASSEMBLY
		7	NUT SELF L. M8 UNI7473
		7	SCREW M8X40 UNI5731
		7	WASHER 8X32X2
		1	BUMPER REAR
5*	33019573	1	METAL LINER HOPPER KIT
[6]	33019207	1	INSTRUCTIONS INSTALLATION
		3	WASHER 6X18 UNI6592
		3	SCREW M6X20 UNI5931
		1	PROTECTION HOPPER
7*#	33021392	1	FRONT PROTECTION KIT
[8]#	33021393	1	INSTRUCTIONS ASSEMBLY
[9]#	33019794	1	PLATE ENGINE COVER STIFFE



2009-06	ACCESSORIES			
2010-09	Proterra™			67

Item	Ref. No.	Qty	Description
1#	33020372	1	HOPPER DUST FLAP KIT
[2]	33020373	1	INSTRUCTIONS ASSEMBLY
3*#	33020298	1	WORKING LIGHT 12V KIT
[4]	33020293	1	INSTRUCTIONS ASSEMBLY
5#	33020296	1	BRACKET SIDE LIGHT
6#	33020313	1	CABLE WORKING LIGHT
7#	33020351	2	LIGHT WORKING 12V
8		3	CLAMP
9		1	CLAMP
10		8	SCREW 4.8X16 UNI6954
11		1	CLAMP CABLE
12		3	TIE INSERT PLASTIC
13#	33017360	1	BREAKER CIRCUIT 16A
14		1	BOOT CIRCUIT BREKER
15#	33020294	1	BRACKET REAR LIGHT

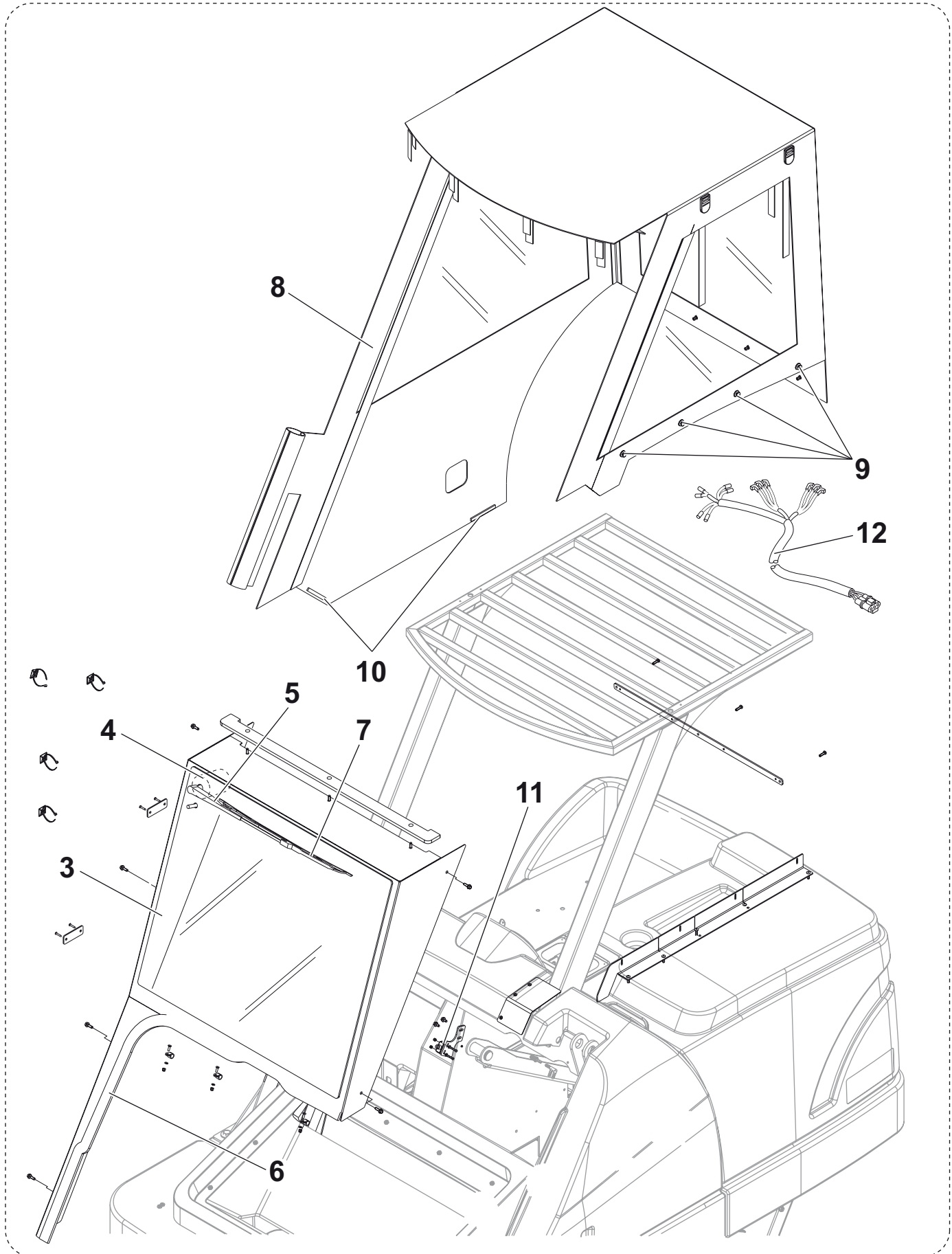
1



2009-06	ACCESSORIES			
2010-09	Proterra™			69

Item	Ref. No.	Qty	Description
1*#	33020052	1	CANOPY KIT
[2]	33020051	1	INSTRUCTIONS ASSEMBLY

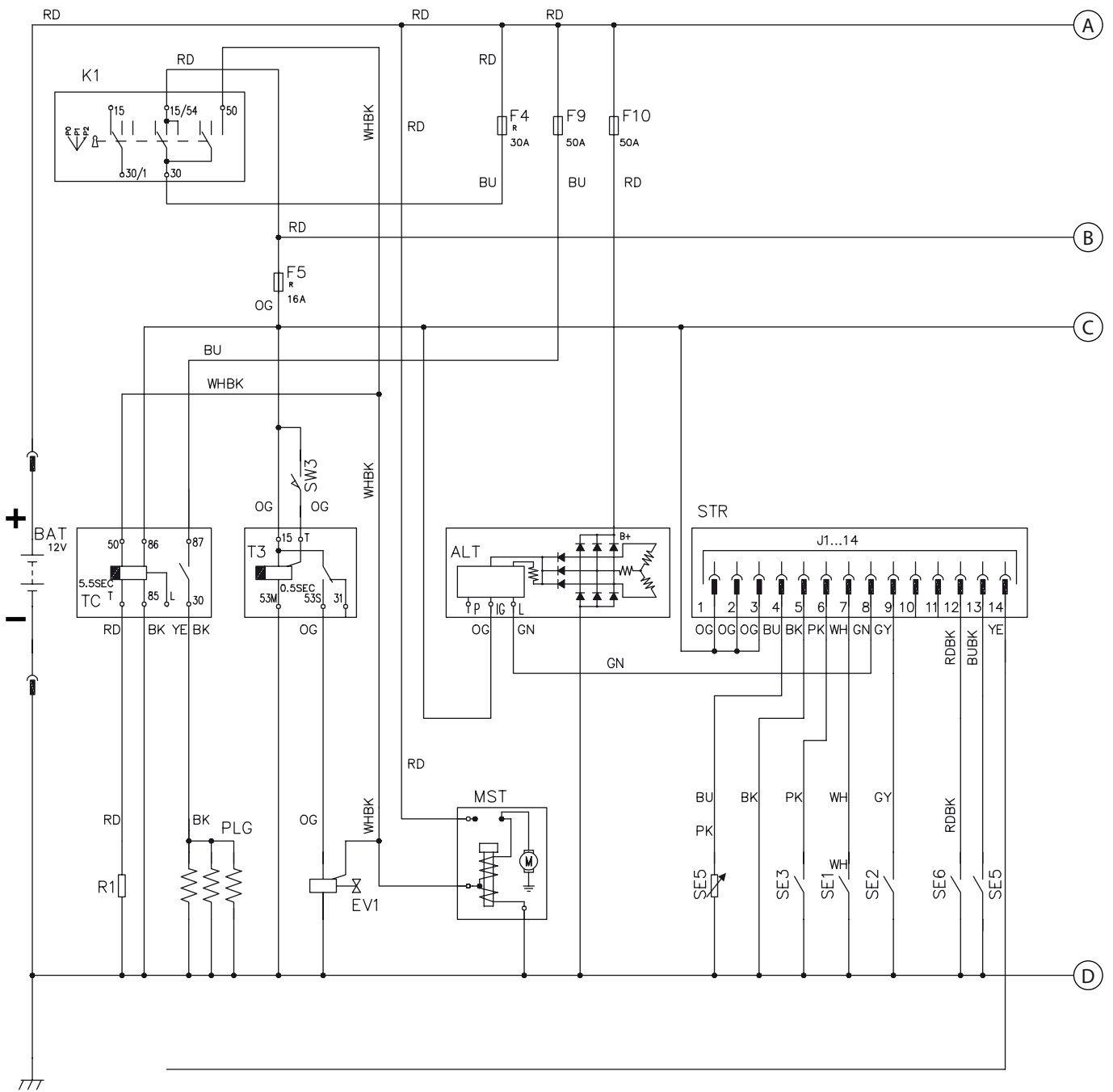
1



2009-06	ACCESSORIES		
2010-09	Proterra™		71

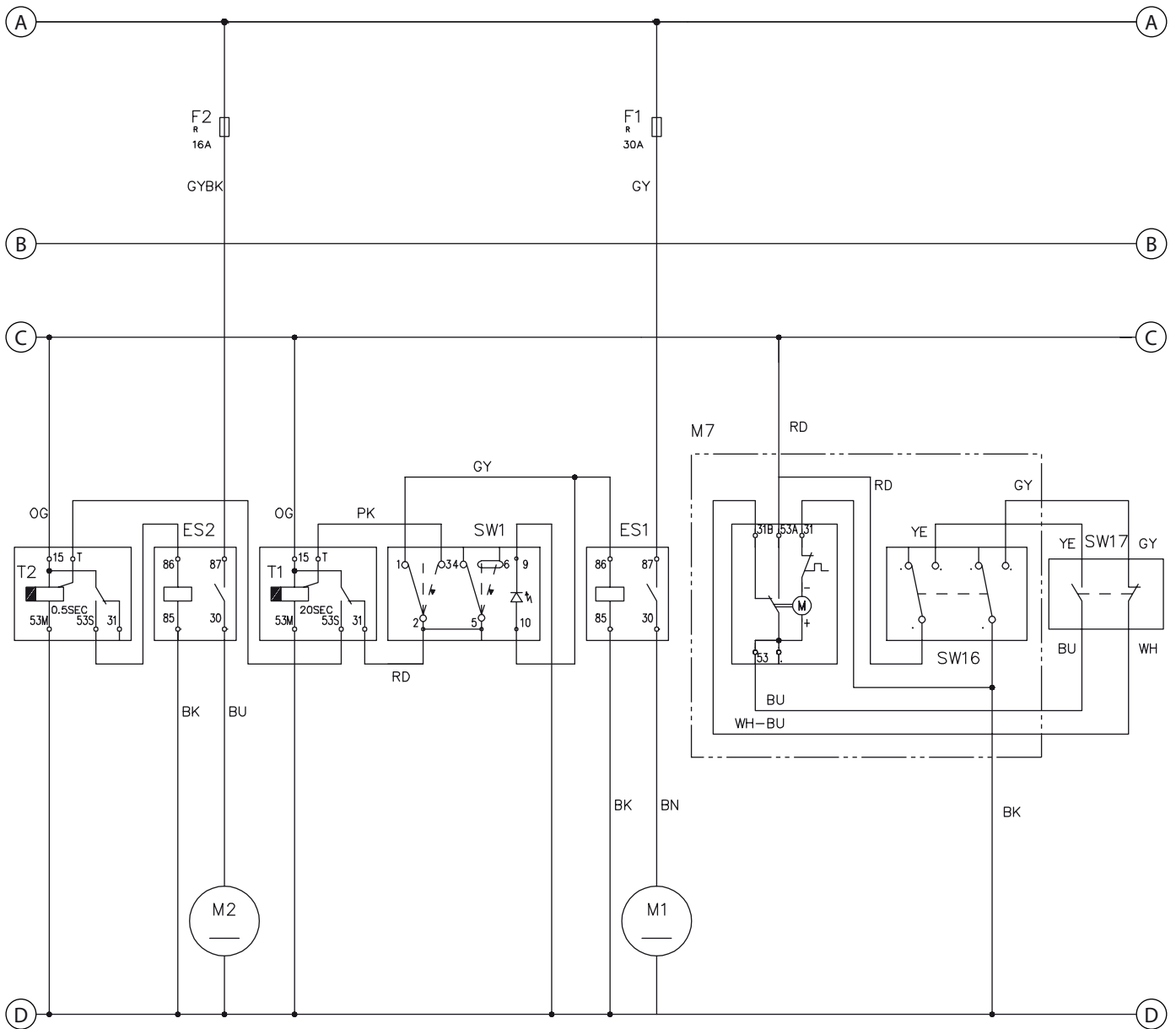
Item	Ref. No.	Qty	Description
1*#	33020002	1	CANOPY KIT
[2]	33020001	1	INSTRUCTIONS ASSEMBLY
3	33020288	1	WINDSCREEN
4	33020457	1	MOTOR WINDSCREEN WIPER
5	33020571	1	ARM WINDSCREEN WIPER
6	33020623	1	GASKET
7	33020460	1	WINDSCREEN WIPER
8	33020292	1	CABIN SOFT
9	33020461	8	COUPLING QUICK LOCK
10	33020611	2	MAGNET FIXING CABIN
11	33020459	1	MICROSWITCH 16A 250V
12	33020456	1	HARNES WINDSCREEN WIPER

PAGE 2

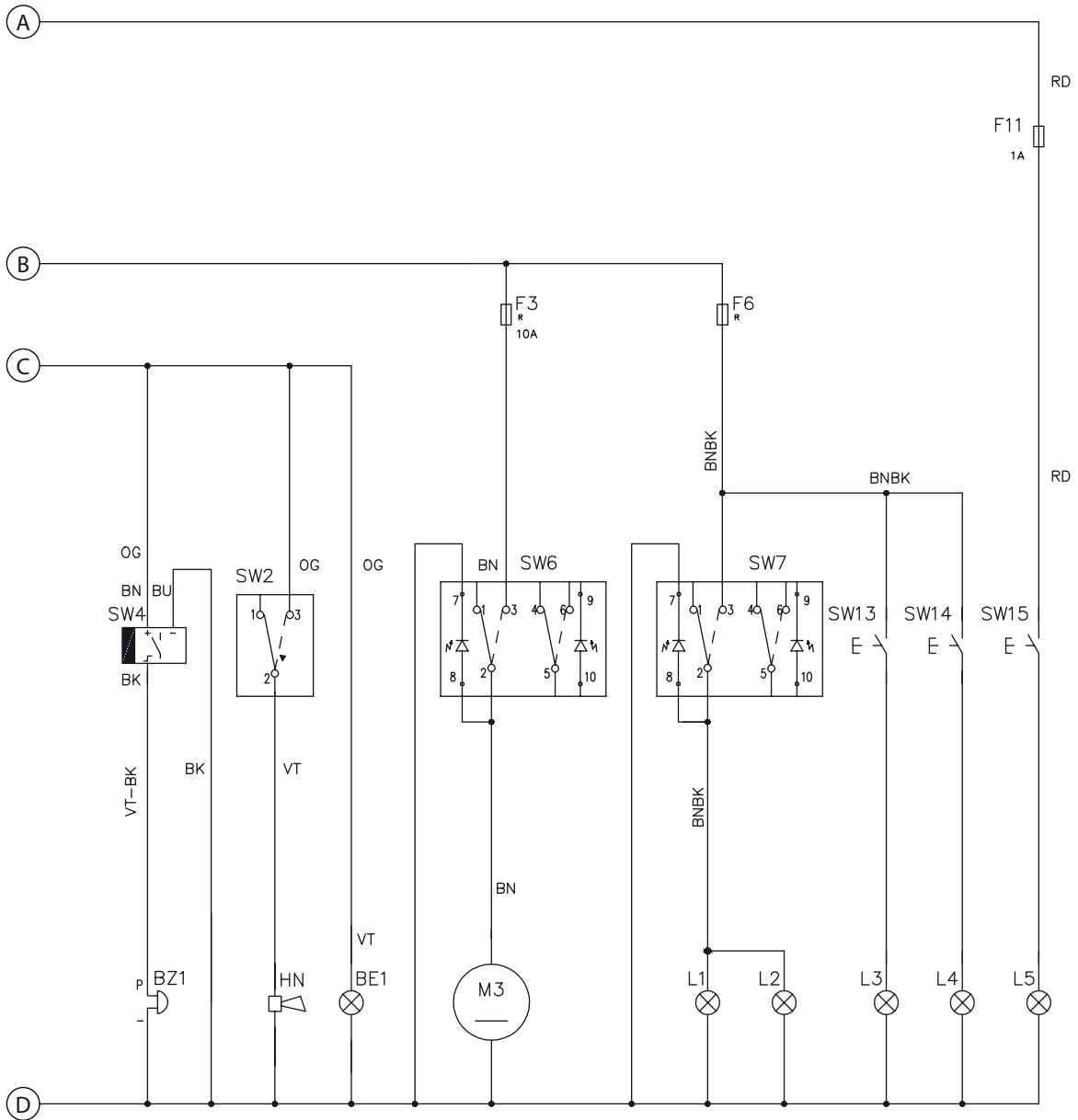


PAGE 1

PAGE 3



PAGE 2

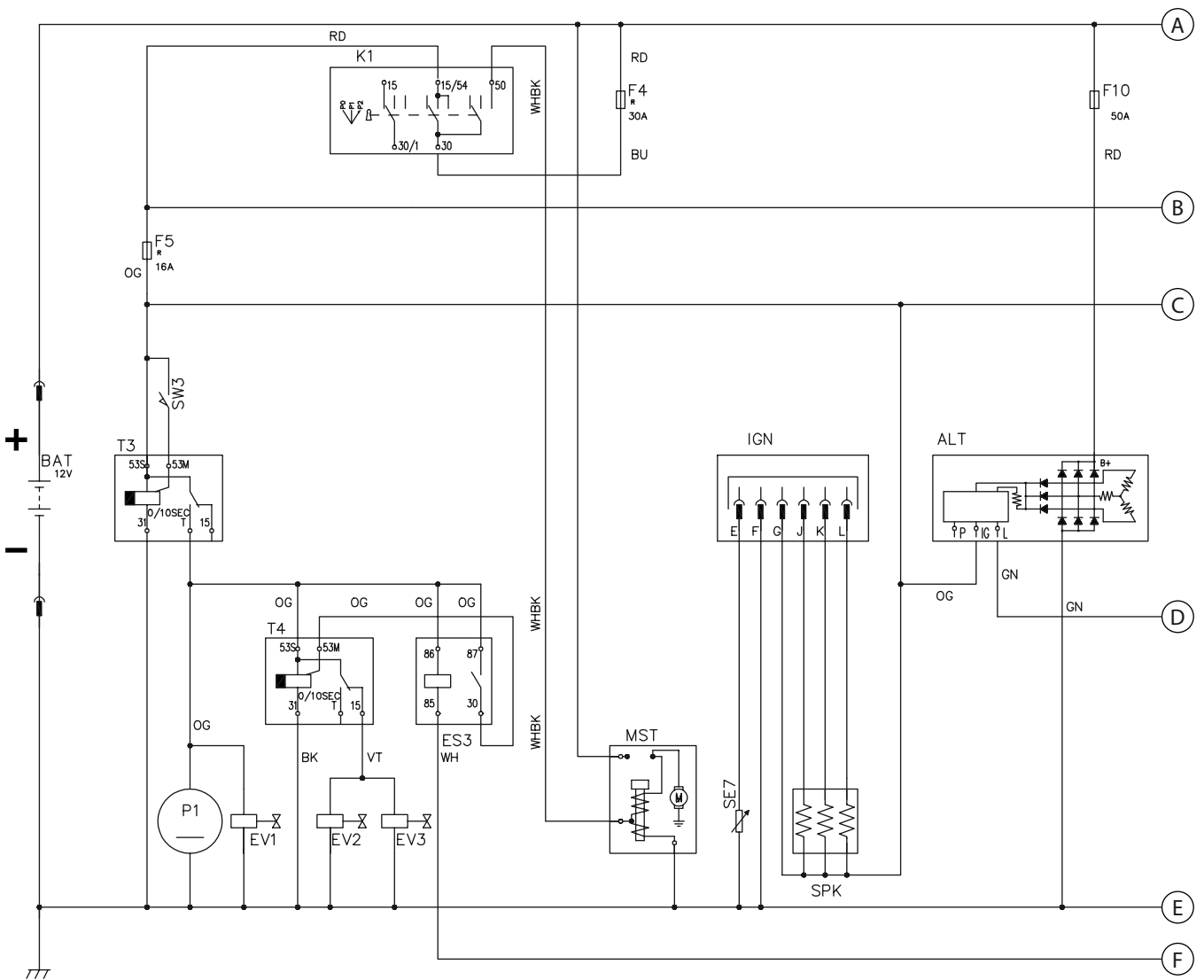


Key	Description	Ref. No.
ALT	ALTERNATOR	33019147
BAT	BATTERY	33019628
BE1	PIVOTING LIGHT	56305223
BZ1	REVERSE GEAR BUZZER	33019574
ES1	VACUUM SYSTEM RELAY	146 3113 000
ES2	FILTER SHAKER RELAY	146 3113 000
EV1	SOLENOID VALVE	TBD
F1	VACUUM SYSTEM CIRCUIT BREAKER (30 A)	909 5706 000
F2	FILTER SHAKER CIRCUIT BREAKER (16 A)	33017360
F3	WATER PUMP CIRCUIT BREAKER (10 A) (OPTIONAL)	33017361
F4	IGNITION KEY CIRCUIT BREAKER (30 A)	909 5706 000
F5	ENGINE ACCESSORY CIRCUIT BREAKER (16 A)	33017360
F6	WORKING LIGHT FUSE (10 A) (OPTIONAL)	33017361
F8	CAB BLOWER CIRCUIT BREAKER (OPTIONAL)	TBD
F9	GLOW PLUG FUSE (50 A)	146 1873 000
F10	ALTERNATOR FUSE BOX AND FUSE (50 A)	146 1873 000
F11	HOOD INNER LIGHT FUSE (1 A) (OPTIONAL)	TBD
HN	HORN	145 3801 000
K1	IGNITION SWITCH	145 3761 000
L1	FRONT WORKING LIGHT (OPTIONAL)	146 1587 000
L2	FRONT WORKING LIGHT (OPTIONAL)	146 1587 000
L3	DRIVER'S SIDE WORKING LIGHT (OPTIONAL)	56507830
L4	REAR WORKING LIGHT (OPTIONAL)	56507830
L5	HOOD INNER LIGHT (OPTIONAL)	56305627
M1	VACUUM SYSTEM MOTOR	33015222
M2	FILTER SHAKER MOTOR	146 1104 000
M3	WATER PUMP MOTOR (OPTIONAL)	33019329
M4	CAB BLOWER (OPTIONAL)	TBD
MST	STARTER	33019149
PLG	GLOW PLUGS	NA
R1	GLOW PLUG WARNING LIGHT RESISTANCE	NA
SE1	OIL PRESSURE SENSOR	NA
SE2	WATER TEMPERATURE SENSOR	NA
SE3	CLOGGED AIR FILTER SENSOR (OPTIONAL)	56305518
SE5	FUEL TANK FLOAT	33018864
SE6	HOPPER TEMPERATURE SENSOR (OPTIONAL)	56507029
STR	GAUGE	33017228
SW1	VACUUM SYSTEM/FILTER SHAKER SWITCH	33018843
SW2	HORN SWITCH	33018844
SW3	DRIVER'S SEAT MICROSWITCH	NA
SW4	REVERSE GEAR PROXIMITY SENSOR	33018521
SW5	CAB BLOWER SWITCH (OPTIONAL)	TBD
SW6	WATER PUMP SWITCH (OPTIONAL)	33019325
SW7	WORKING LIGHT SWITCH (OPTIONAL)	TBD
SW13	DRIVER'S SIDE WORKING LIGHT SWITCH (OPTIONAL)	TBD
SW14	REAR WORKING LIGHT SWITCH (OPTIONAL)	TBD
SW15	HOOD INNER LIGHT SWITCH (OPTIONAL)	TBD
T1	FILTER SHAKER TIMER	33017359
T2	FILTER SHAKER TIMER 2	33017385
T3	DRIVER'S SEAT TIMER	33019197
TC	GLOW PLUG TIMER	33019990

Color

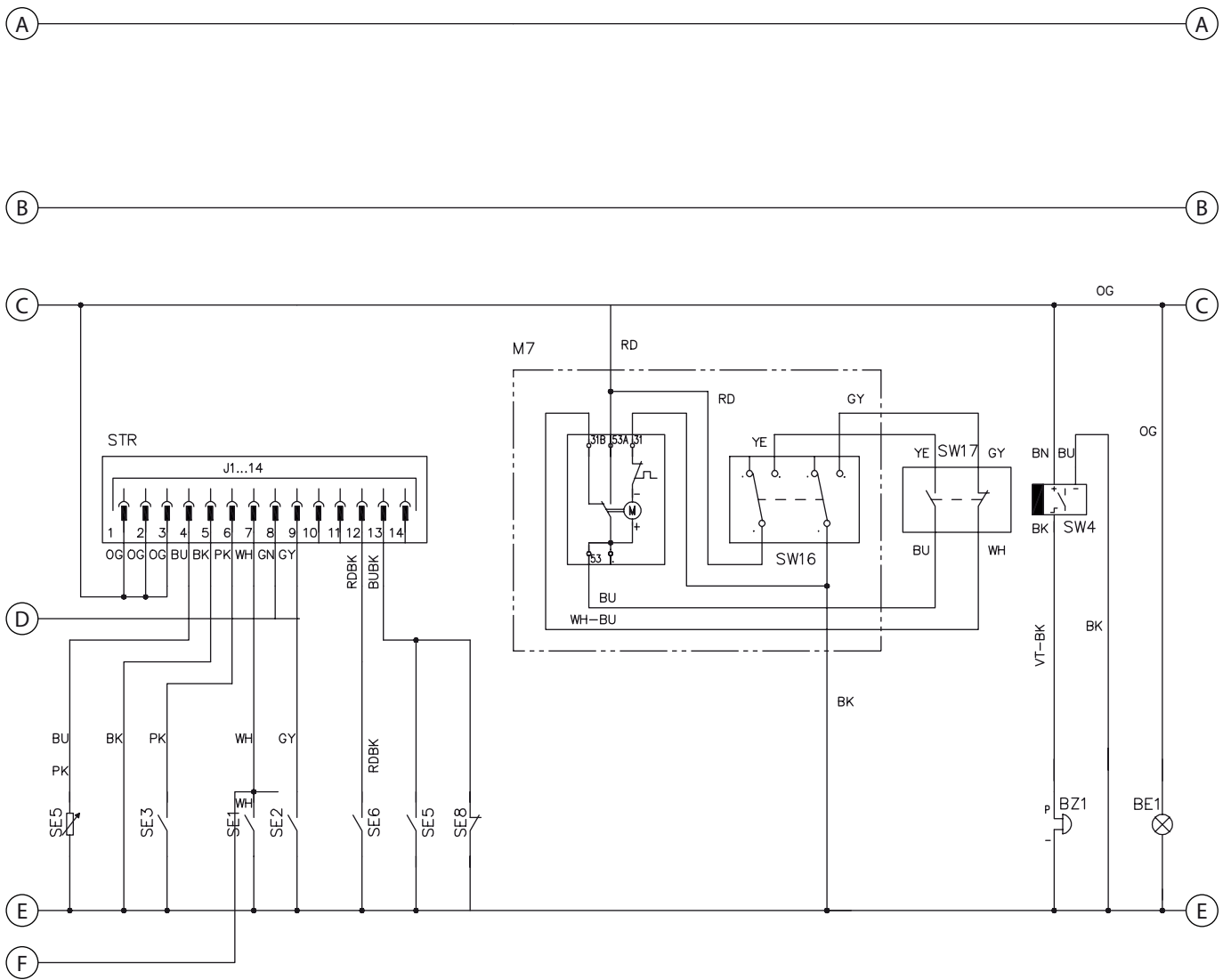
BK	BLACK
BU	LIGHT BLUE
BN	BROWN
GN	GREEN
GY	GREY
OG	ORANGE
PK	PINK
RD	RED
VT	VIOLET
WH	WHITE
YE	YELLOW

PAGE 2

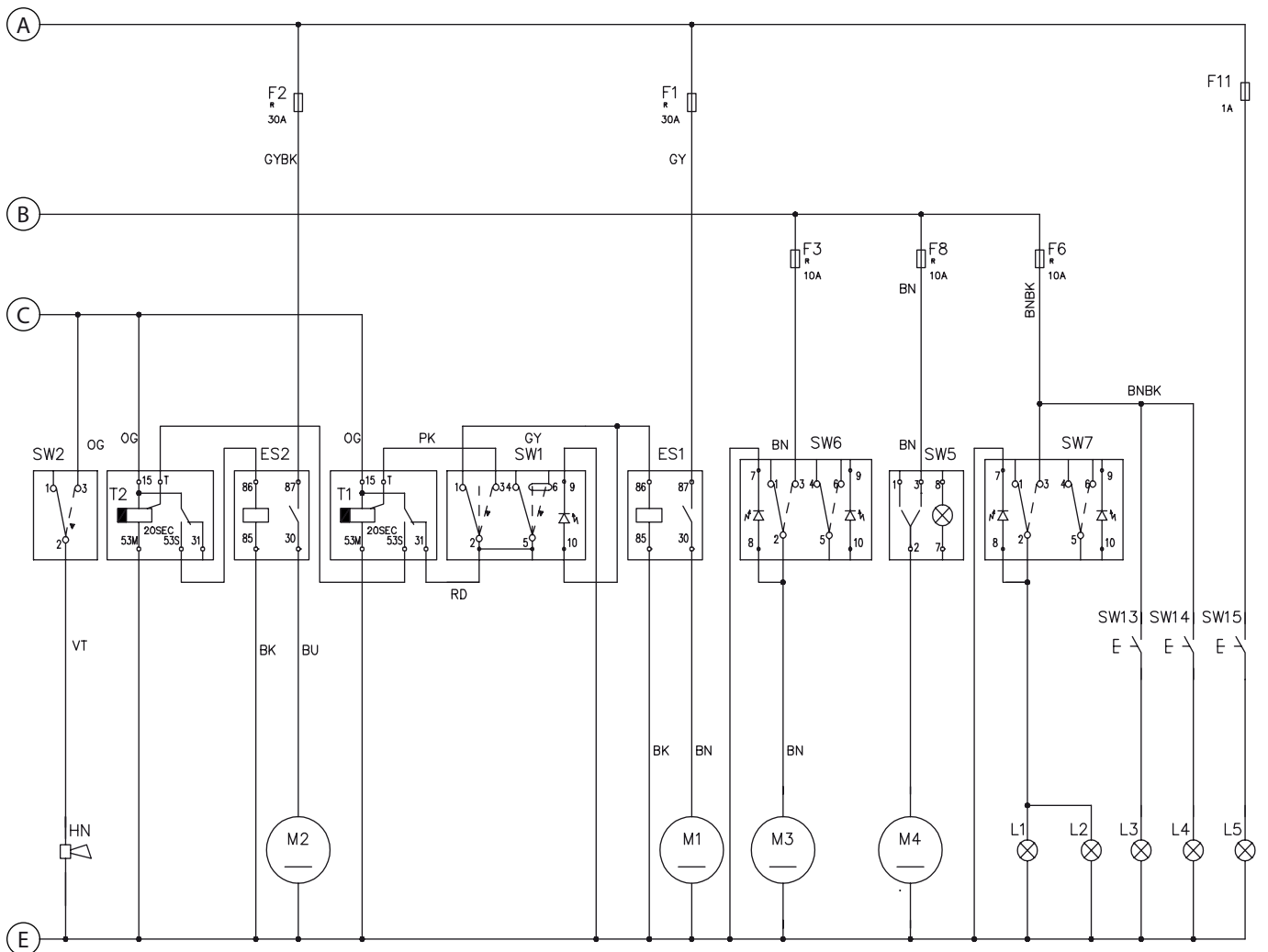


PAGE 1

PAGE 3



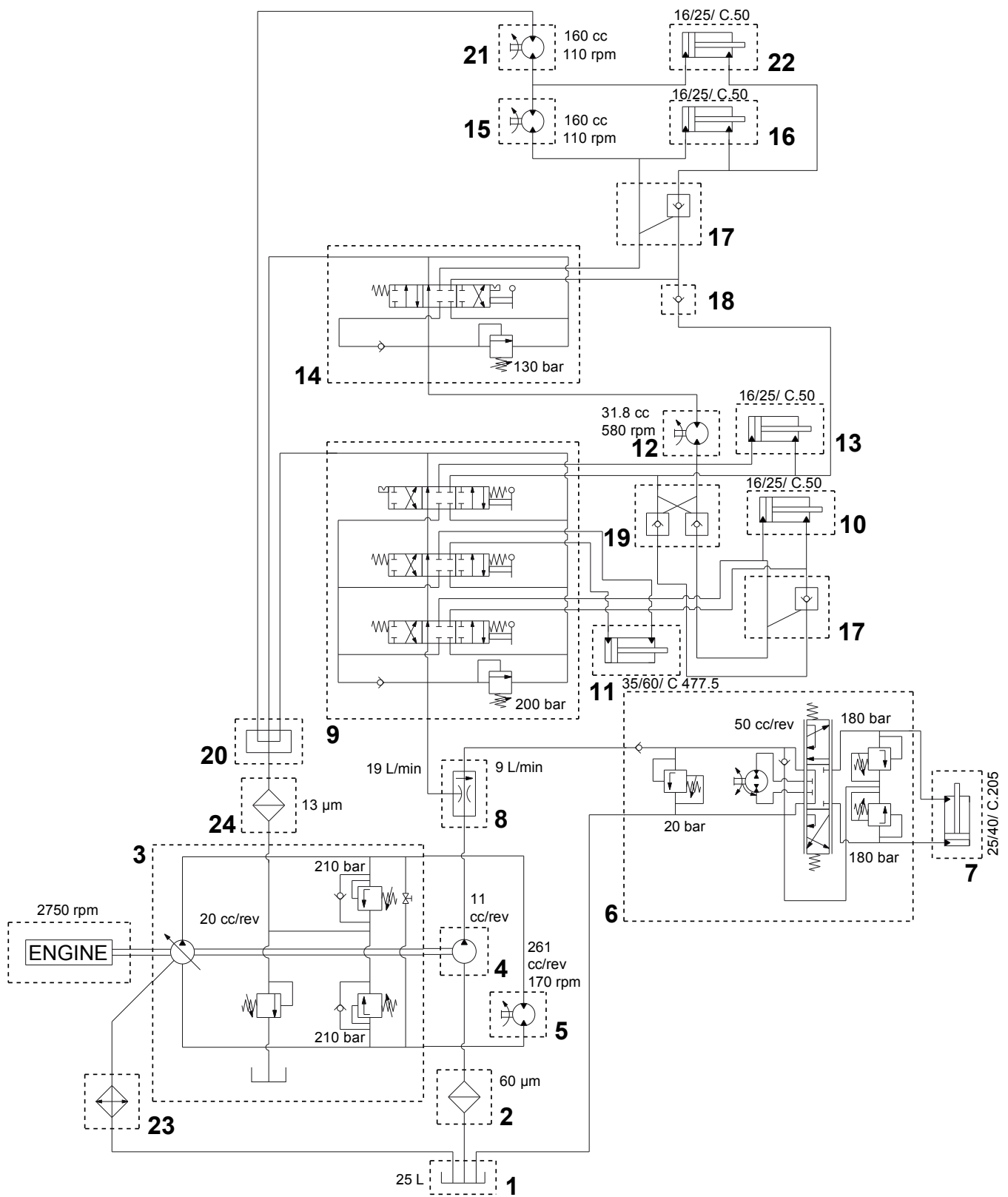
PAGE 2



Key	Description	Ref. No.
ALT	ALTERNATOR	33019147
BAT	BATTERY	33019628
BE1	PIVOTING LIGHT	56305223
BZ1	REVERSE GEAR BUZZER	33019574
ES1	VACUUM SYSTEM RELAY	146 3113 000
ES2	FILTER SHAKER RELAY	146 3113 000
ES3	LPG SAFETY RELAY	33009141
EV2	LPG SOLENOID VALVE	TBD
EV3	LPG SAFETY SOLENOID VALVE	33017756
F1	VACUUM SYSTEM CIRCUIT BREAKER (30 A)	909 5706 000
F2	FILTER SHAKER CIRCUIT BREAKER (16 A)	33017360
F3	WATER PUMP CIRCUIT BREAKER (10 A) (OPTIONAL)	33017361
F4	IGNITION KEY CIRCUIT BREAKER (30 A)	909 5706 000
F5	ENGINE ACCESSORY CIRCUIT BREAKER (16 A)	33017360
F6	WORKING LIGHT FUSE (10 A) (OPTIONAL)	33017361
F8	CAB BLOWER CIRCUIT BREAKER (OPTIONAL)	TBD
F10	ALTERNATOR FUSE BOX AND FUSE (50 A)	146 1873 000
F11	HOOD INNER LIGHT FUSE (1 A) (OPTIONAL)	TBD
HN	HORN	145 3801 000
K1	IGNITION SWITCH	145 3761 000
L1	FRONT WORKING LIGHT (OPTIONAL)	146 1587 000
L2	FRONT WORKING LIGHT (OPTIONAL)	146 1587 000
L3	DRIVER'S SIDE WORKING LIGHT (OPTIONAL)	56507830
L4	REAR WORKING LIGHT (OPTIONAL)	56507830
L5	HOOD INNER LIGHT (OPTIONAL)	56305627
M1	VACUUM SYSTEM MOTOR	33015222
M2	FILTER SHAKER MOTOR	146 1104 000
M3	WATER PUMP MOTOR (OPTIONAL)	33019329
M4	CAB BLOWER (OPTIONAL)	TBD
MST	STARTER	33020017
SE1	OIL PRESSURE SENSOR	NA
SE2	WATER TEMPERATURE SENSOR	NA
SE3	CLOGGED AIR FILTER SENSOR (OPTIONAL)	56305518
SE5	FUEL TANK FLOAT	33018864
SE6	HOPPER TEMPERATURE SENSOR (OPTIONAL)	56507029
SE7	ENGINE SPEED SENSOR	TBD
SE8	LOW FUEL SENSOR	33019307
SPK	GLOW PLUG COILS	TBD
STR	GAUGE	33017228
SW1	VACUUM SYSTEM/FILTER SHAKER SWITCH	33018843
SW2	HORN SWITCH	33018844
SW3	DRIVER'S SEAT MICROSWITCH	TBD
SW4	REVERSE GEAR PROXIMITY SENSOR	33018521
SW5	CAB BLOWER SWITCH (OPTIONAL)	TBD
SW6	WATER PUMP SWITCH (OPTIONAL)	33019325
SW7	WORKING LIGHT SWITCH (OPTIONAL)	TBD
SW13	DRIVER'S SIDE WORKING LIGHT SWITCH (OPTIONAL)	TBD
SW14	REAR WORKING LIGHT SWITCH (OPTIONAL)	TBD
SW15	HOOD INNER LIGHT SWITCH (OPTIONAL)	TBD
T1	FILTER SHAKER TIMER	33017359
T2	FILTER SHAKER TIMER 2	33017385
T3	DRIVER'S SEAT TIMER	33019197
T4	TIMER LPG	33017388

Color

BK	BLACK
BU	LIGHT BLUE
BN	BROWN
GN	GREEN
GY	GREY
OG	ORANGE
PK	PINK
RD	RED
VT	VIOLET
WH	WHITE
YE	YELLOW



Item	Description	Ref. No.
1	OIL TANK	33018809
2	OIL FILTER	33010199
3	DRIVE SYSTEM PUMP	33019104
4	GEAR PUMP	33018874
5	DRIVE SYSTEM MOTOR	33018793
6	POWER STEERING	33017051
7	STEERING CYLINDER	33018808
8	PRIORITY VALVE	33018816
9	MANIFOLD 3 LEVERS	33018812
10	HOPPER LIFTING CYLINDER	33018811
11	SKIRT CYLINDER	33018802
12	MAIN BROOM MOTOR	33018872
13	MAIN BROOM CYLINDER	33021765
14	MANIFOLD 1 LEVER	33018815
15	RIGHT SIDE BROOM MOTOR	33018807
16	RIGHT SIDE BROOM CYLINDER	33021767
17	CHECK VALVE	33018840
18	ONE-WAY VALVE	33010481
19	DOUBLE CHECK VALVE	33018816
20	MANIFOLD BLOCK	33017432
21	LEFT SIDE BROOM MOTOR (OPTIONAL)	33018807
22	LEFT SIDE BROOM CYLINDER (OPTIONAL)	33021766
23	OIL COOLER	33018873
24	OIL FILTER	33017431

RECOMMENDED SPARE PARTS

2009-06

82

Proterra™

2009-09

Ref. No.	Qty	Description	Version
146 1104 000	1	MOTOR FILTER SHAKER 90W (M2)	Diesel - LPG - Gasoline
33017255	1	BROOM SIDE PPL 1,4-1,7	Diesel - LPG - Gasoline
33017375	1	DECAL GAUGE PANEL	Diesel - LPG - Gasoline
33017129	1	TRIM EDGE BULB L 670MM	Diesel - LPG - Gasoline
33018803	1	LATCH KIT	Diesel - LPG - Gasoline
33018634	1	GASKET ASSY FILTER L 2560	Diesel - LPG - Gasoline
33019102	1	PIN SIDE BROOM KIT	Diesel - LPG - Gasoline
33018812	1	DISTRIBUTOR 3 ELEMENTS KIT	Diesel - LPG - Gasoline
33018815	1	DISTRIBUTOR 1 ELEMENT KIT	Diesel - LPG - Gasoline
33018816	1	VALVE PRIORITY KIT	Diesel - LPG - Gasoline
33018817	1	CUTOFF VALVE DOUBLE KIT	Diesel - LPG - Gasoline
33018840	1	CUTOFF VALVE KIT	Diesel - LPG - Gasoline
33018841	1	FOOT PEDAL UPPER KIT	Diesel - LPG - Gasoline
33018864	1	INDICATOR LEVEL FUEL KIT	Diesel - LPG - Gasoline
33018866	1	SUPPORT BEARING KIT	Diesel - LPG - Gasoline
33018867	1	ROD SPRING KIT	Diesel - LPG - Gasoline
33018868	1	LEVER WELDED KIT	Diesel - LPG - Gasoline
33018869	1	ROD LEVER KIT	Diesel - LPG - Gasoline
33017234	1	TUBE RADIATOR	Diesel - LPG - Gasoline
33017233	1	TUBE RADIATOR	Diesel - LPG - Gasoline
145 0231 000	1	AIR FILTER	Diesel - LPG - Gasoline
33020016	1	LPG REGULATOR	LPG
33017673	1	FUEL PUMP	Gasoline
33020017	1	STARTER	LPG - Gasoline
33020018	1	BELT ALTERNATOR	LPG - Gasoline
33018851	1	FILTER OIL ENGINE	LPG - Gasoline
33017171	1	FLAP SIDE	Diesel - LPG - Gasoline
33017172	1	FLAP SIDE	Diesel - LPG - Gasoline
33017173	2	FOAM HOPPER SIDE	Diesel - LPG - Gasoline
33017174	1	FLAP REAR BROOM	Diesel - LPG - Gasoline
33009649	1	WHEEL PNEUMATIC	Diesel - LPG - Gasoline
33016901	2	WHEEL ASM WITH BEARINGS	Diesel - LPG - Gasoline
33016950	1	GASKET	Diesel - LPG - Gasoline
L08603675	4	NUT THUMB, FIXING	Diesel - LPG - Gasoline
33017259	1	MAT PEDAL	Diesel - LPG - Gasoline
33003175	1	BEARING 32007	Diesel - LPG - Gasoline
145 4691 000	1	BEARING	Diesel - LPG - Gasoline
33010199	1	FILTER HYDRAULIC OIL	Diesel - LPG - Gasoline
33011530	1	PLUG	Diesel - LPG - Gasoline
33017228	1	GAUGE 12V (STR)	Diesel - LPG - Gasoline
145 3761 000	1	SWITCH KEY (K1)	Diesel - LPG - Gasoline
146 0073 00	1	KEY (1PC)	Diesel - LPG - Gasoline
33017385	1	RELAY TIMER 0,5 SEC. (T2)	Diesel - LPG - Gasoline
33017358	1	HARNES RELAY ENGINE VERSION	Diesel - LPG - Gasoline
33017359	1	RELAY TIMER 20 SECONDS (T1)	Diesel - LPG - Gasoline
33017360	1	CIRCUIT BREAKER 16A (F2)	Diesel - LPG - Gasoline
909 5706 000	3	CIRCUIT BREAKER 30A (F1)	Diesel - LPG - Gasoline
33017199	1	SPRING	Diesel - LPG - Gasoline
33002106	1	SPRING	Diesel - LPG - Gasoline
33015222	1	MOTOR VACUUM 12V (M1)	Diesel - LPG - Gasoline
8-24-04139-1	1	PANEL FILTER	Diesel - LPG - Gasoline
33017252	1	FILTER FUEL	Diesel
33018850	1	FILTER OIL ENGINE	Diesel
33019147	1	ALTERNATOR 12V 60 AH (ALT)	Diesel - LPG - Gasoline
33019149	1	STARTER 12V	Diesel
33019148	1	BELT ALTERNATOR	Diesel
33018372	1	FILTER FUEL	Gasoline
33019628	1	BATTERY (BAT)	Diesel - LPG - Gasoline
33017388	1	TIMER LPG	LPG
33019197	1	DRIVER'S SEAT TIMER (T3)	Diesel - LPG - Gasoline
33018521	1	REVERSE GEAR PROXIMITY SENSOR (SW4)	Diesel - LPG - Gasoline
33019307	1	LOW FUEL SENSOR (SE8)	LPG
33017756	1	LPG SAFETY SOLENOID VALVE (EV3)	LPG
33019306	1	VALVE SECURITY 400PSI	LPG
33019998	2	PLATE FOR SPEED LIMITING	Diesel - LPG - Gasoline

2009-06	OPTIONALS			
2010-09	Proterra™			83

Ref. No.	Qty	Description	Version
8-24-04139-2	1	PANEL FILTER WATER RESISTENT	Diesel - LPG - Gasoline
33018889	1	BROOM SIDE PPL 1,5/STEEL	Diesel - LPG - Gasoline
33018890	1	BROOM SIDE NYLON 0,5	Diesel - LPG - Gasoline
33018856	1	BROOM MAIN SPIRAL NYLON 1.2	Diesel - LPG - Gasoline
33018857	1	BROOM MAIN SPIRAL PPL 0.5 WHITE NAVY	Diesel - LPG - Gasoline
33018859	1	BROOM MAIN SPIRAL UNION MIX	Diesel - LPG - Gasoline
33019173	1	LEFT SIDE BROOM KIT	Diesel - LPG - Gasoline
33019175	1	PRE MISTING SYSTEM KIT	Diesel - LPG - Gasoline
33019172	1	WHEEL SOLID NON MARKING KIT	Diesel - LPG - Gasoline
33019139	1	WHEEL SOLID KIT	Diesel - LPG - Gasoline
33019171	1	OVER HEAD GUARD KIT	Diesel - LPG - Gasoline
33019176	1	POCKET FILTER KIT 12V	Diesel - LPG - Gasoline
33019174	1	TILT STEERING	Diesel - LPG - Gasoline
56507740	1	POCKET WATER RESISTANT FILTER	Diesel - LPG - Gasoline
56507027	1	FIRE EXTIGUISHER KIT	Diesel - LPG - Gasoline
56508663	1	SIDE-VIEW MIRRORS FOR USE WITH OHG AND CAB	Diesel - LPG - Gasoline
33019554	1	SEAT BELT KIT	Diesel - LPG - Gasoline
33019570	1	MAT FLOOR KIT	Diesel - LPG - Gasoline
33019572	1	GUARD REAR BUMPER KIT	Diesel - LPG - Gasoline
33019558	1	FRONT LIGHT 12V KIT	Diesel - LPG - Gasoline
33019573	1	HOPPER STOP KIT	Diesel - LPG - Gasoline
33019574	1	BACKUP ALARM KIT (BZ1)	Diesel - LPG - Gasoline
56305223	1	PIVOTING LIGHT (BE1)	Diesel - LPG - Gasoline
56507830	1	DRIVER'S SIDE WORKING LIGHT (L3)	Diesel - LPG - Gasoline
56507830	1	REAR WORKING LIGHT (L4)	Diesel - LPG - Gasoline
56305627	1	HOOD INNER LIGHT (L5)	Diesel - LPG - Gasoline
56305518	1	CLOGGED AIR FILTER SENSOR (SE3)	Diesel - LPG - Gasoline
56507029	1	HOPPER TEMPERATURE SENSOR (SE6)	Diesel - LPG - Gasoline
#	56507040	SUSPENSION SEAT - ADJUSTABLE BACK TILT - ARM REST - SEAT BELT	Diesel - LPG - Gasoline
#	33020006	LITTER VAC	Diesel - LPG - Gasoline
#	33020056	CLOGGED DUST CONTROL FILTER INDICATOR	Diesel - LPG - Gasoline
#	56507038	AMBER STROBE LIGHT (WITHOUT OHG OR CAB)	Diesel - LPG - Gasoline
#	33019571	FRONT CORNER GUARDS - FOR BOTH LEFT AND RIGHT CORNERS	Diesel - LPG - Gasoline
#	56507033	RAISED ENGINE AIR INTAKE WITH PREFILTER	Diesel - LPG - Gasoline
#	8-83-04016	LP TANK WITH OUTAGE AND FILLER VALVE, LP MODELS ONLY	LPG
#	56507039	AMBER STROBE LIGHT FOR USE WITH OHG	Diesel - LPG - Gasoline
#	56507041	RAISED AIR INTAKE WITH PREFILTER FOR USE WITH OHG	Diesel - LPG - Gasoline
#	33020002	SOFT-SIDED CAB FOR WEATHER PROTECTION (MUST ORDER OHG)	Diesel - LPG - Gasoline
#	56507916	STRAINER/CHECK VALVE, DUSTGUARD	Diesel - LPG - Gasoline
#	56508709	0.1 GALLON (0.379 LITER) PER MIN. NOZZLE TIP FOR HIGH DUST APPL.	Diesel - LPG - Gasoline
#	56507908	CAP, DUSTGUARD, YELLOW, TOOLS-FREE	Diesel - LPG - Gasoline
#	33021392	FRONT PROTECTION KIT	Diesel - LPG - Gasoline
#	33019794	PLATE ENGINE COVER STIFFE	Diesel - LPG - Gasoline



Advance

14600 21st Avenue North
Plymouth, MN 55447-3408

www.advance-us.com

Phone: 800-989-2235

Fax: 800-989-6566

©2010 Nilfisk-Advance, Inc.

A Nilfisk-Advance Brand