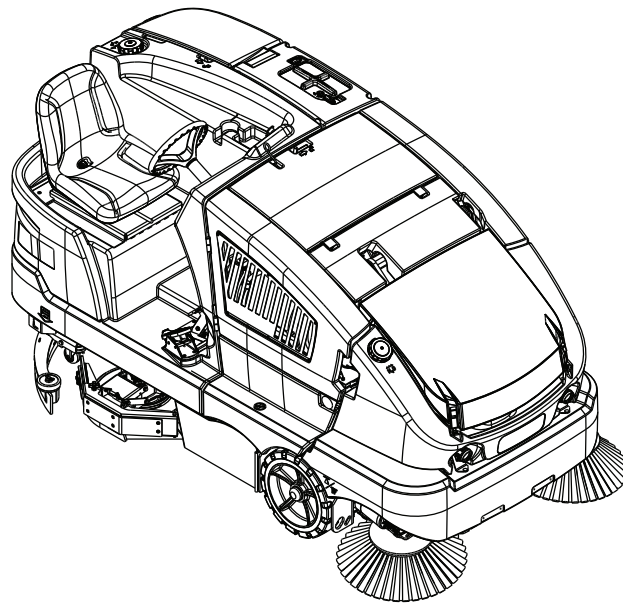


# CS7000

---



---

## PARTS LIST

**Models: 56509000(48 LPG Hybrid), 56509001(48 Diesel Hybrid),  
56509002(48 Battery), 56511001(48 Gasoline/Petrol Hybrid EcoFlex)  
56509006(48 LPG Hybrid EcoFlex), 56509007(48 Diesel Hybrid EcoFlex),  
56509008(48 Battery EcoFlex), 56383115(48 Fuel Cell EcoFlex)**

<b>DESCRIPTION</b>	<b>PAGE</b>
Chassis System-GASOLINE-PETROL-LPG & DIESEL.....	2-3
Chassis System-BATTERY .....	4-5
Chassis System-FUEL CELL .....	6-7
Chassis System-Front Engine Cover Assy .....	8-9
Chassis System-Fuel Cell Front Cover Assy .....	10-11
Chassis System-Engine Cover Assy.....	12
Chassis System-Fuel Cell Engine Cover Assy.....	13
Chassis System-Right Door Assy .....	14
Chassis System-Left Cover Assy .....	15
Chassis System-Pull Rod Assy.....	16-17
Chassis System-Fuel Cell Pull Rod Assy.....	18-19
Control System.....	20-21
Control System-Steering Assy .....	22-23
Control System-Brake Linkage Assy.....	24-25
Decal System.....	26-27
Dust Control System .....	28-29
EcoFlex™ Assembly .....	30-31
Electrical System.....	32-33
Electrical System-Circuit Breaker Panel Assy.....	34
Electrical System-Contactor Panel Assy.....	35
Engine System-Gasoline-Petrol.....	36-37
Engine Assy-Gasoline-Petrol .....	38-39
Engine Sub Assy-Gasoline-Petrol .....	40-41
Gasoline-Petrol Tank Assy .....	42-43
Engine System-LPG.....	44-45
Engine Assy-LPG.....	46-47
Engine Sub Assy-LPG .....	48-49
LPG Tank Assy.....	50-51
Engine System-DIESEL .....	52-53
Engine Assy-DIESEL .....	54-55
Engine Sub Assy-DIESEL .....	56-57
Diesel Fuel Tank Assy.....	58-59
Hopper System-1 .....	60-61
Hopper System-2 .....	62-63
Hydraulic System .....	64-65
Main Broom System.....	66-67
Recovery System.....	68-69
Scrub System.....	70-71
Scrub System-Deck Assy.....	72-73
Scrub System-Right Skirt Assy .....	74
Scrub System-Left Skirt Assy.....	75
Side Broom System .....	76-77
Right Side Broom Arm Assy .....	78
Left Side Broom Arm Assy .....	79
Solution System-1 .....	80-81
Solution System-2.....	82-83
Solution System-1-Fuel Cell.....	84-85
Solution System-2-Fuel Cell.....	86-87
Squeegee System.....	88-89
Squeegee Assy .....	90-91
Wheel System .....	92-93
Ladder Diagrams.....	94-105
Optional Kits & Accessories .....	106-107
Brush Selector Guide.....	108
Broom Selector Guide.....	109
Squeegee Blade Selector Guide.....	110

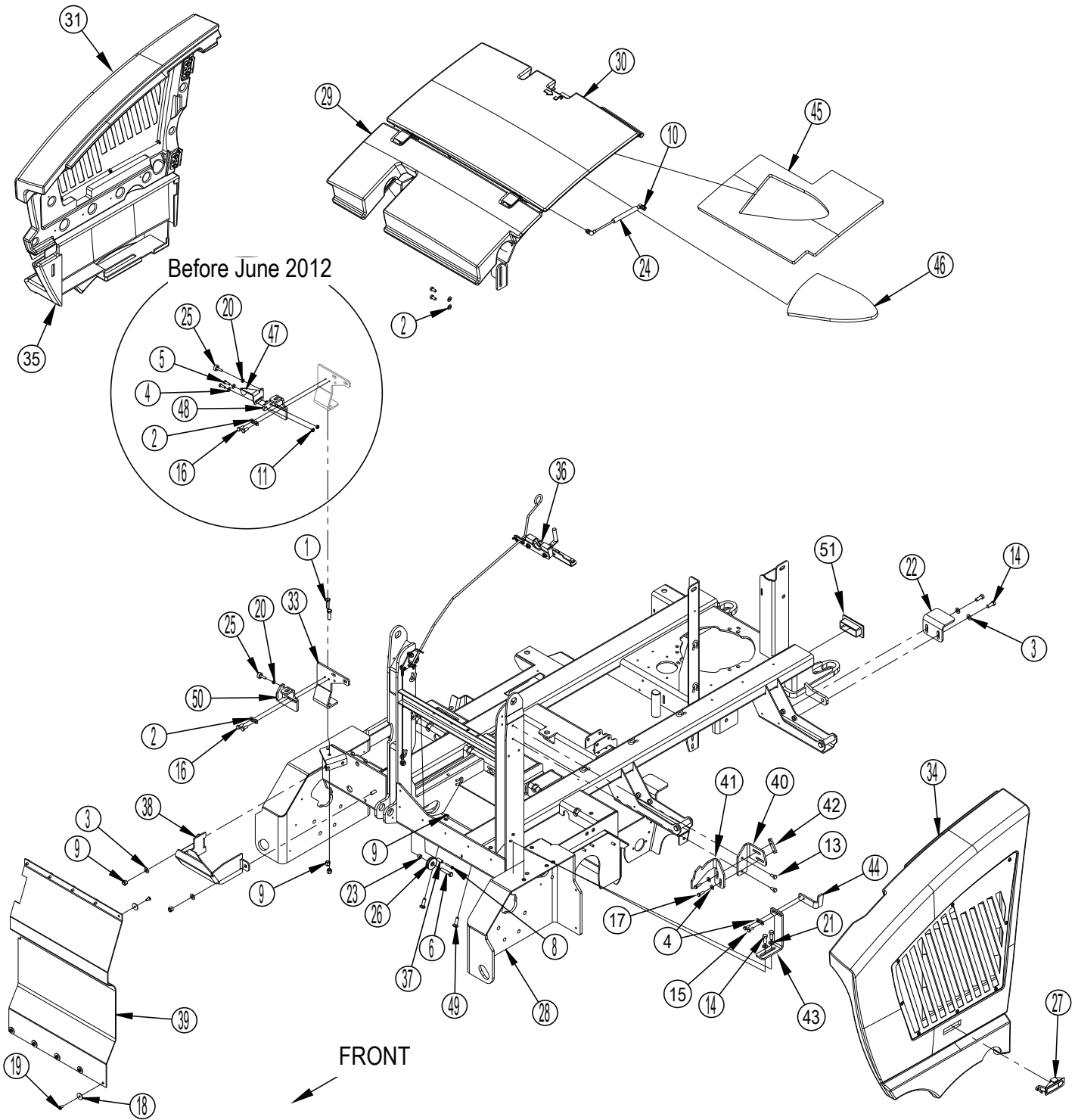
## WHEN ORDERING PARTS

- \* Use the part numbers from the "Ref. No." columns in this parts list. If the "Ref. No." column is blank; look under the "Kit" column to identify which kit contains the part in question, then use the kit callout, for example "K1", to find the "Ref. No." for that kit.

Kit	Item	Ref. No.	Qty	Description
K1	1		16	Washer Flat 3/16 Zinc Plat
K1	2		2	Screw-BHS-Brass-10-32x3/8-MS
K1	3		3	Washer EPDM 7/32 X 1/8
	4	805	1	Chain-Cover
	5	905	2	Caster Swivel 4 Gray Non MA
K1	6		2	Nut, Hex Nyl Loc 10-24
K1	7		3	Scr- Hex SS 1/4-20 X .75
K1	8		16	Scr, Hex Hd Loc 1/4-20 x .50
K1	9		3	Wsh, Flt SS .260 X 1.000 X .074
	10	56113012	1	Solution Tank
	11	56113034	2	Hinge Plate
K1		56113103	1	Kit-Hardware Solution Tank

- \* Specify the model and serial number of the machine.
- \* Use the space below to record the model and serial number for future reference.

Model \_\_\_\_\_ Serial No. \_\_\_\_\_

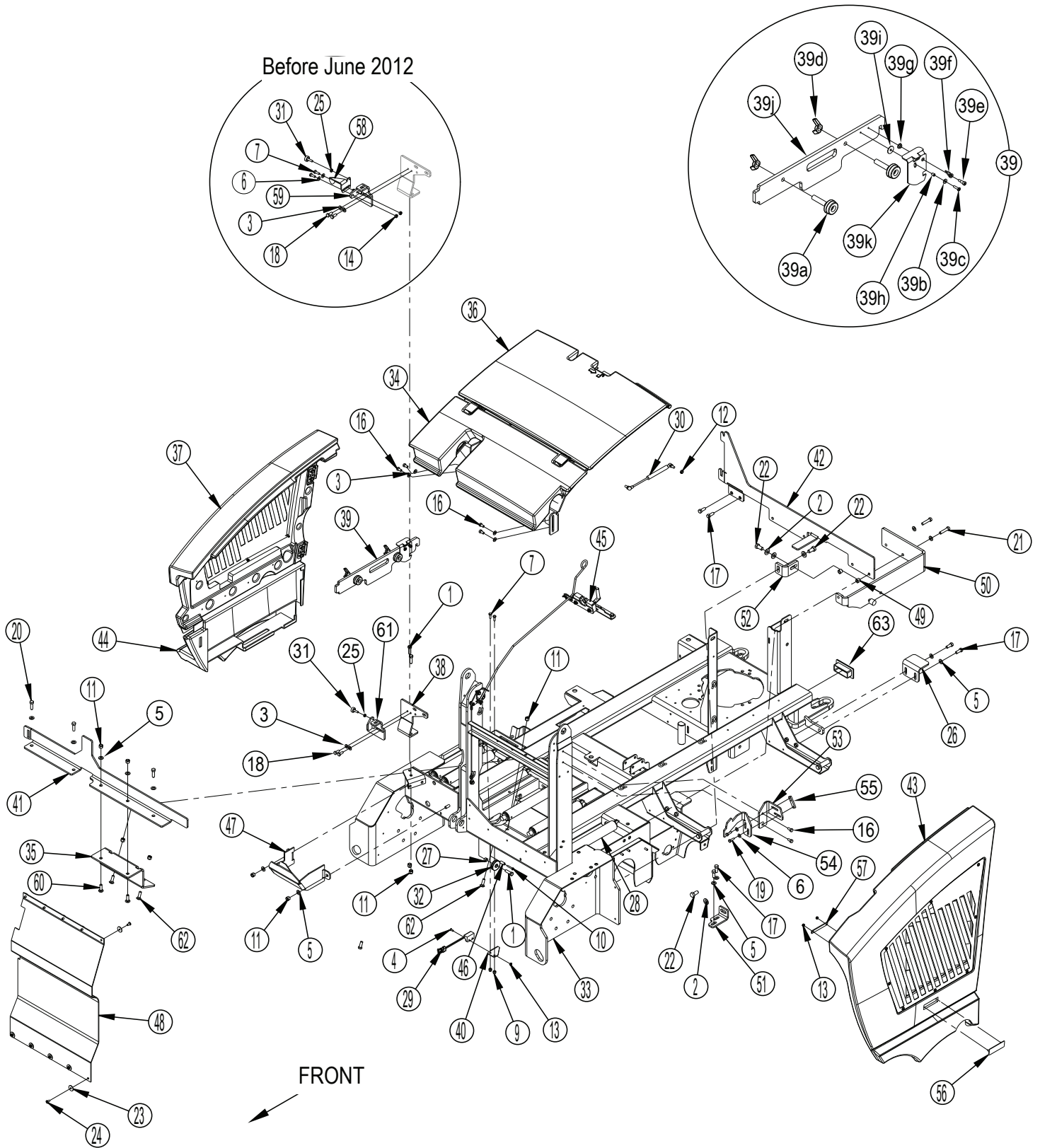


Kit	Item	Ref. No.	Qty	Description
K2	1		2	Scr, Hex 3/8-16 X 1.25
K2,K3	2		6	Wsh, Flt Sae 5/16
K2	3		6	Wsh, Flt Sae 3/8
K2,K3	4		6	Wsh, Flt Sae 1/4 (QTY OF 4 AFTER MAY 2012)
K3	5		2	Scr, Hex 1/4-20 X .75 NOTE 1
K2	6		1	Scr, Hex 3/8-16 X 1.25
K2	8		1	Scr, Pan Phil Thd Form 10-24 X 1.25
K2	9		6	Nut-Hex Nyl Loc 3/8-16
K2	10		2	Nut, Hex Nyl Loc-Thin 5/16-18
K3	11		2	Nut, Hex Nyl Loc-Thin 1/4-20 NOTE 1
K2	13		6	Scr,Hex Hd Loc 5/16-18x.62
K2	14		6	Scr,Hex Hd Loc 3/8-16x1.00
K2	15		2	Scr,Hex Hd Loc 1/4-20x.75
K2,K3	16		2	Scr,Hex Hd Loc 5/16-18x.75
K2	17		2	Scr,Hex Hd Loc 1/4-20x.88
K1,K2	18		10	Wsh, Flt Ss .260 X 1.000 X .074
K1,K2	19		10	Scr, Pan Phil Thd Form 1/4-20 X .50
K3	20		1	Nut, Hex Jam 1/4-20
K2	21		2	Wsh-Flt .406x.750x.090
	22	56511149	2	Bracket, Tank Stop
	23	56232181	1	Bushing
	24	56314206	1	Gas Spring
K3	25		1	Leg Leveler 1/4-20
	26	56416546	1	Shielded Pulley
	27	56418471	1	Door Latch
	28		1	Chassis Weldt (not available for sale)
	29	56509411	1	Frt Engine Cover Assy NOTE 1
		56511181	1	Front Engine Cover Assy NOTE 2
	30	56511184	1	Engine Cover Assy
	31	56509630	1	Rt Door Assembly NOTE 1
		56511182	1	Right Door Assy NOTE 2
	33	56511153	1	Support-Panel
	34	56509851	1	Left Cover Assy
	35	56509881	1	Lower Cover Right
	36	56511183	1	Pull Rod Assy
	37	56509982	1	Bushing-.200 X .375 X .88
	38	56510125	1	Guard-Reservoir
K1	39		1	Shield-Dust
	40	56511172	1	Bracket
	41	56382941	1	Hanger-Side Panel
	42	56510587	1	Nut Plate
	43	56510717	1	Bracket
	44	56510723	1	Strike-Latch
	45	56510749	1	Foam Insulation
	46	56510750	1	Foam Insulation
K3	47		1	Strike-Latch NOTE 1
K3	48		1	Bracket NOTE 1
K2	49		2	Scr-Fit Soc 3/8-16 X 1.25 SS
K3	50		1	Bracket NOTE 2
	51	56511226	1	Plug-Tube 2.0 X 4.0
K1		56510735	1	Dust Shield Kit-Hopper
K2		56510776	1	Hardware Kit-Chassis NOTE 1
K2		56383006	1	Hardware Kit-Chassis NOTE 2
K3		56510827	1	Latch Kit-Right Door (includes 56510753 & 56510823 not shown here) NOTE 1
K3		56509013	1	Right Door Latch Kit NOTE 2

NOTE 1: Used before June 2012

NOTE 2: Used after May 2012

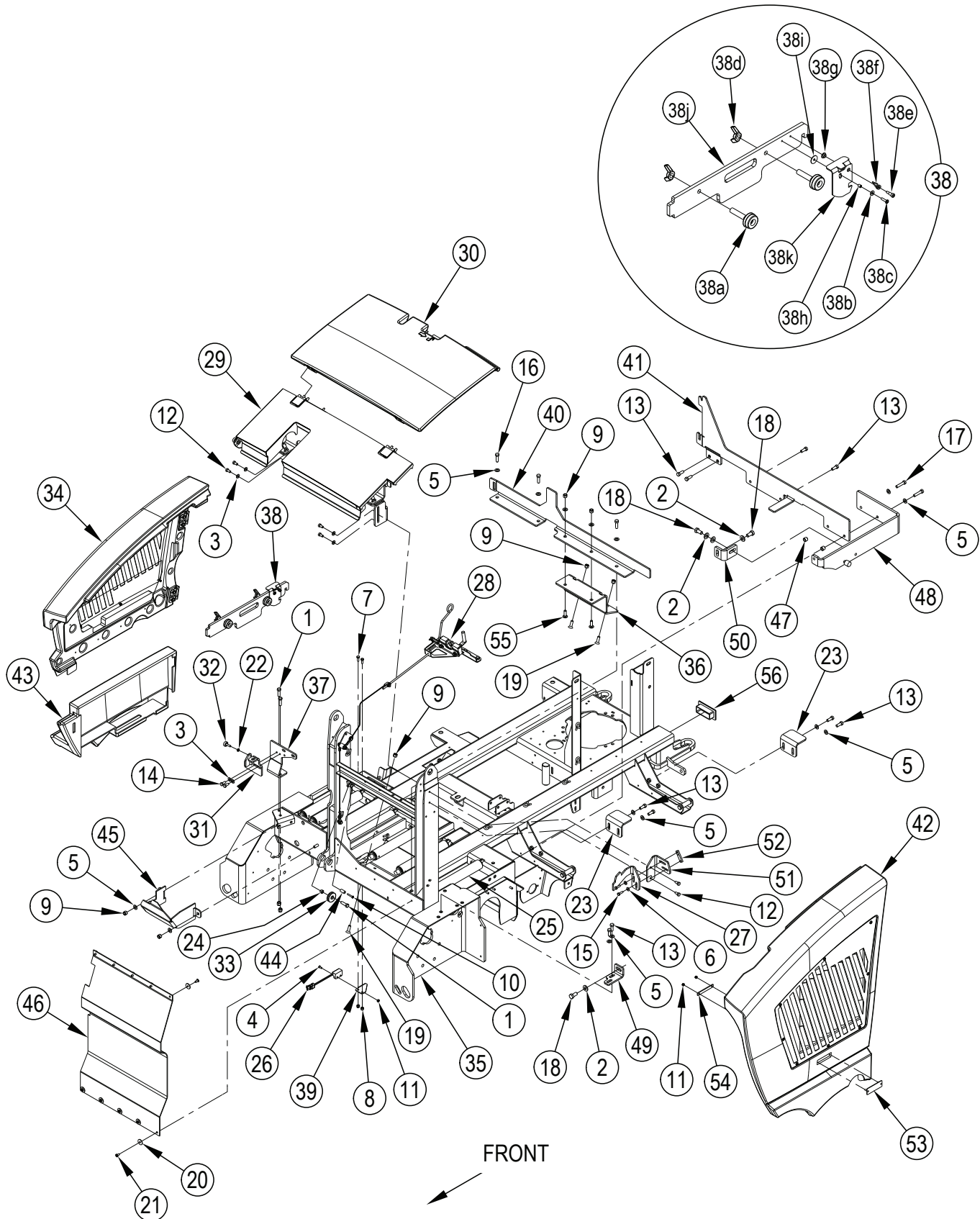
Before June 2012



Kit	Item	Ref. No.	Qty	Description	Kit	Item	Ref. No.	Qty	Description
K2	1		3	Scr, Hex 3/8-16 X 1.25		37	56509630	1	Rt Door Assembly <b>NOTE 1</b>
K2,K4	2		4	Wsh-Flt Sae 1/2			56511182	1	Right Door Assy <b>NOTE 2</b>
K2,K3	3		6	Wsh, Flt Sae 5/16		38	56511153	1	Support-Panel
K2	4		1	Scr-Pan Phil 10-24 X .50		39	56509755	1	Plate Asm-Battery Stop
K2	5		15	Wsh, Flt Sae 3/8		39a	56449221	2	Bumper, 1.43 Dia
K2,K3	6		4	Wsh, Flt Sae 1/4 ( <b>QTY OF 2 AFTER MAY 2012</b> )		39b	56001954	1	Wsh, Flt Sae #10
K2,K3	7		4	Scr, Hex 1/4-20 X .75 ( <b>QTY OF 2 AFTER MAY 2012</b> )		39c	56002192	1	Scr-Pan Phil 10-24 X .75
K2	9		2	Nut, Hex Nyl Loc 1/4-20		39d	56003289	2	Nut, Wing 1/2-13
K2	10		1	Scr, Pan Phil Thd Form 10-24 X 1.25		39e	56003537	1	Scr-Soc Shd .25 X .38 X 10-24
K2,K4	11		9	Nut-Hex Nyl Loc 3/8-16		39f	56245060	1	Spring, Torsion .38 X 2
K2	12		2	Nut, Hex Nyl Loc-Thin 5/16-18		39g	56303284	1	Bearing, Fl .375x.250x.188
K2	13		3	Nut, Hex Nyl Loc-Thin 10-24		39h	56369004	1	Bushing
K3	14		2	Nut, Hex Nyl Loc-Thin 1/4-20 <b>NOTE 1</b>		39i	56413875	1	Washer, Teflon, .21 X .88 X .045
K2	16		6	Scr,Hex Hd Loc 5/16-18x.62		39j	56509756	1	Plate - Battery Stop
K2,K4	17		10	Scr,Hex Hd Loc 3/8-16x1.00		39k	56509757	1	Latch - Battery Stop
K3	18		2	Scr,Hex Hd Loc 5/16-18x.75		40	56509758	1	Bracket - Switch Mount
K2	19		2	Scr,Hex Hd Loc 1/4-20x.88	K4	41		1	Battery Guide-Front
K4	20		3	Scr,Hex Hd Loc 3/8-16x1.25	K4	42		1	Battery Guide Weldt
K4	21		2	Scr,Hex Hd Loc 3/8-16x1.75		43	56509851	1	Left Cover Assy
K2,K4	22		3	Scr,Hex Hd Loc 1/2-13x1.00		44	56509881	1	Lower Cover Right
K1	23		10	Wsh, Flt Ss .260 X 1.000 X .074		45	56511183	1	Pull Rod Assy
K1	24		10	Scr, Pan Phil Thd Form 1/4-20 X .50		46	56509982	1	Bushing-.200 X .375 X .88
K3	25		1	Nut, Hex Jam 1/4-20		47	56510125	1	Guard-Reservoir
	26	56511149	2	Bracket, Tank Stop	K1	48		1	Shield-Dust
	27	56232181	1	Bushing	K4	49		2	Bushing-.400 X .625 X .50
	28	56303228	6	Roller Asm	K4	50		1	Battery Stop Weldt
	29	56305053	1	Sensor, Proximity <b>S13</b>		51	56510537	1	Bracket
	30	56314206	1	Gas Spring	K4	52		1	Bracket
K3	31		1	Leg Leveler 1/4-20		53	56511172	1	Bracket
	32	56416546	1	Shielded Pulley		54	56382941	1	Hanger-Side Panel
	33		1	Chassis Weldt ( <b>not available for sale</b> )		55	56510587	1	Nut Plate
	34	56509411	1	Frt Engine Cover Assy <b>NOTE 1</b>		56	56510751	1	Cover Plate Weldt
		56511181	1	Front Engine Cover Assy <b>NOTE 2</b>		57	56510752	1	Retainer-Cover Plate
K4	35		1	Bracket - Rollers	K3	58		1	Strike-Latch <b>NOTE 1</b>
	36	56511184	1	Engine Cover Assy	K3	59		1	Bracket <b>NOTE 1</b>
					K4	60		2	3/8-16 X 1.0", Carriage Bolt
					K3	61		1	Bracket <b>NOTE 2</b>
					K4	62		3	Scr-Flt Soc 3/8-16 X 1.25 SS
						63	56511226	1	Plug-Tube 2.0 X 4.0
K1	56510735	1	Dust Shield Kit-Hopper						
K2	56510842	1	Hardware Kit-Chassis <b>NOTE 1</b>						
K2	56383008	1	Hardware Kit-Chassis <b>NOTE 2</b>						
K3	56510827	1	Latch Kit-Right Door (includes 56510753 & 56510823 not shown here) <b>NOTE 1</b>						
K3	56509013	1	Right Door Latch Kit <b>NOTE 2</b>						
K4	56510838	1	Battery Guide Kit						

**NOTE 1:** Used before June 2012

**NOTE 2:** Used after May 2012





Kit	Item	Ref. No.	Qty	Description	Kit	Item	Ref. No.	Qty	Description
K2	1		3	Scr-Hex 3/8-16 X 1.25		37	56511153	1	Support-Panel
K2,K4	2		4	Wsh-Flt Sae 1/2		38	56509755	1	Plate Asm-Battery Stop
K2,K3	3		6	Wsh, Flt Sae 5/16		38a	56449221	2	Bumper, 1.43 Dia
K2	4		1	Scr-Pan Phil 10-24 X .50		38b	56001954	1	Wsh, Flt Sae #10
K2,K4	5		15	Wsh, Flt Sae 3/8		38c	56002192	1	Scr-Pan Phil 10-24 X .75
K2	6		2	Wsh, Flt Sae 1/4		38d	56003289	2	Nut, Wing 1/2-13
K2	7		2	Scr-Hex 1/4-20 X .75		38e	56003537	1	Scr-Soc Shd .25 X .38 X 10-24
K2	8		2	Nut, Hex Nyl Loc 1/4-20		38f	56245060	1	Spring, Torsion .38 X 2
K2,K4	9		9	Nut-Hex Nyl Loc 3/8-16		38g	56303284	1	Bearing, Fl .375x.250x.188
K2	10		1	Scr-Pan Phil 10-24 X 1.25		38h	56369004	1	Bushing
K2	11		3	Nut, Hex Nyl Loc-Thin 10-24		38i	56413875	1	Washer, Teflon, .21 X .88 X .045
K2	12		6	Scr-Hex Hd Loc 5/16-18x.62		38j	56509756	1	Plate - Battery Stop
K2,K4	13		10	Scr-Hex Hd Loc 3/8-16x1.00		38k	56509757	1	Latch - Battery Stop
K3	14		2	Scr-Hex Hd Loc 5/16-18x.75		39	56509758	1	Bracket - Switch Mount
K2	15		2	Scr-Hex Hd Loc 1/4-20x.88	K4	40		1	Battery Guide-Front
K4	16		3	Scr-Hex Hd Loc 3/8-16x1.25	K4	41		1	Battery Guide Weldt
K4	17		2	Scr-Hex Hd Loc 3/8-16x1.75		42	56509851	1	Left Cover Assy
K2,K4	18		3	Scr-Hex Hd Loc 1/2-13x1.00		43	56509881	1	Lower Cover Right
K2,K4	19		3	Scr-Flt Soc Ss 3/8-16 X 1.25		44	56509982	1	Bushing-.200 X .375 X .88
K1	20		10	Wsh, Flt Ss .260 X 1.000 X .074		45	56510125	1	Guard-Reservoir
K1	21		10	Scr, Pan Phil Thd Form 1/4-20 X .50	K1	46		1	Shield-Dust
K3	22		1	Nut, Hex Jam 1/4-20	K4	47		2	Bushing-.400 X .625 X .50
	23	56511149	2	Bracket, Tank Stop	K4	48		1	Battery Stop Weldt
	24	56232181	1	Bushing		49	56510537	1	Bracket
	25	56303228	6	Roller Asm	K4	50		1	Bracket
	26	56305053	1	Sensor, Proximity S13		51	56511172	1	Bracket
	27	56382941	1	Hanger-Side Panel		52	56510587	1	Nut Plate
	28	56382967	1	Pull Rod Assy-Cs7000 Fc		53	56510751	1	Cover Plate Assy
	29	56382970	1	Front Cover Assy-Cs7000 Fc		54	56510752	1	Retainer-Cover Plate
	30	56382971	1	Engine Cover Assy-Cs7000 Fc	K4	55		2	3/8-16 X 1.0", Carriage Bolt
K3	31		1	Bracket		56	56511226	1	Plug-Tube 2.0 X 4.0
K3	32		1	Leg Leveler 1/4-20					
	33	56416546	1	Shielded Pulley	K1	56510735		1	Dust Shield Kit-Hopper
	34	56511182	1	Right Door Assy	K2	56383008		1	Hardware Kit-Chassis
	35		1	Chassis Weldt (not available for sale)	K3	56509013		1	Right Door Latch Kit
K4	36		1	Bracket - Rollers	K4	56510838		1	Battery Guide Kit

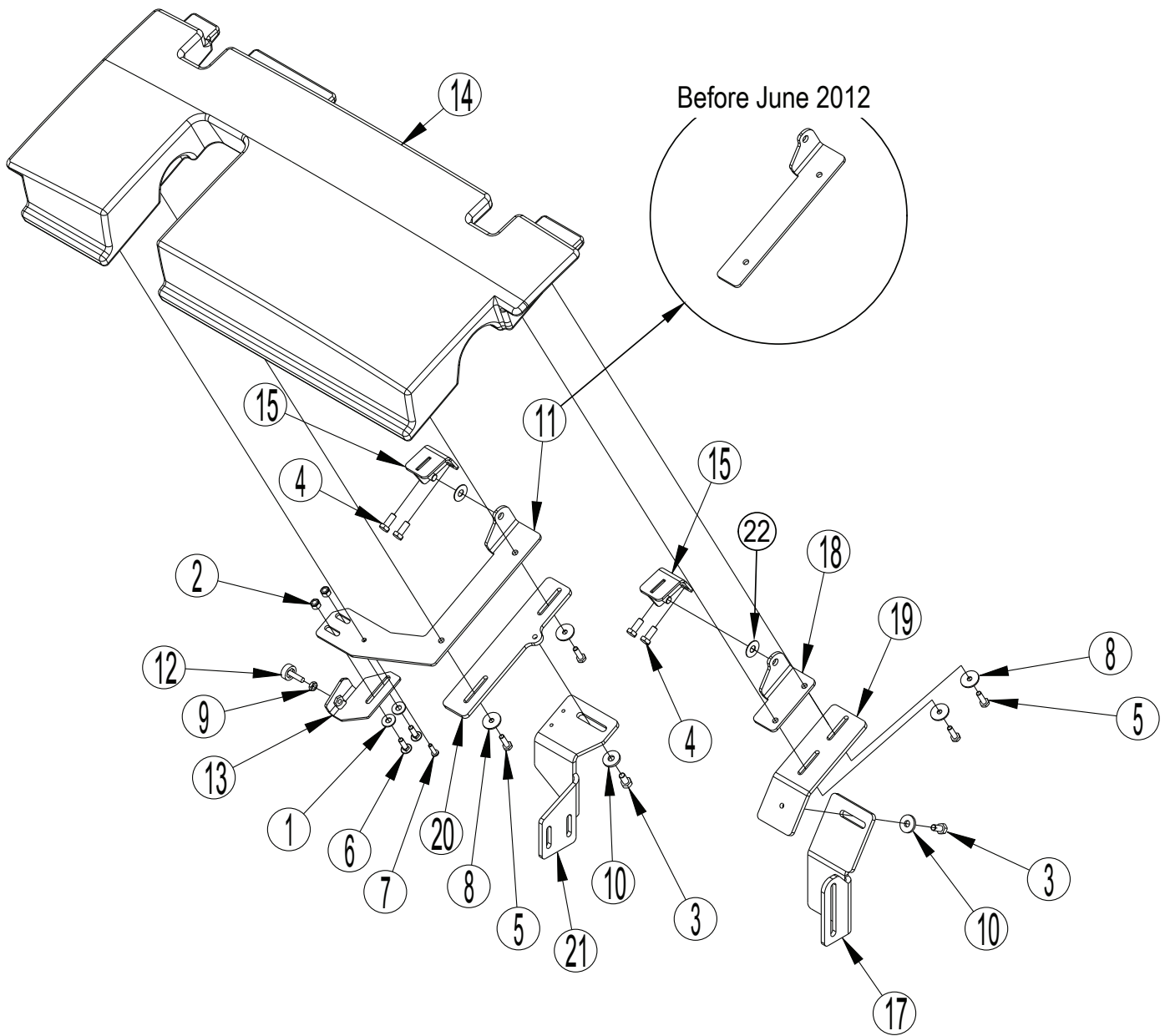
CHASSIS SYSTEM-FRONT ENGINE COVER ASSY

11-3

8

CS7000

1-14



Kit	Item	Ref. No.	Qty	Description
		56509411	1	Frt Engine Cover Assy <b>NOTE 1</b>
		56511181	1	Front Engine Cover Assy <b>NOTE 2</b>
K1	1		2	Wsh, Flt Std 1/4 <b>NOTE 2</b>
K1	2		2	Nut, Hex Nyl Loc 1/4-20 <b>NOTE 2</b>
K1,K2	3		2	Scr-Hex Hd Loc 5/16-18x.62
K1,K2	4		4	Scr-Hex Hd Loc 5/16-18x.75
K1,K2	5		4	Scr-Hex Hd Loc 1/4-20x.88
K1	6		2	Scr-Carriage 1/4-20 X .88 <b>NOTE 2</b>
K1	7		1	Scr, Pan Phil Ss Type Ab 10-16 X .75 <b>NOTE 2</b>
K1,K2	8		4	Wsh, Flt Ss .260 X 1.000 X .074
K1	9		1	Nut, Hex Jam 1/4-20 <b>NOTE 2</b>
K1,K2	10		2	Wsh, Flt .344 X .938 X .125
K1,K2	11		1	Bracket-Engine Cover
K1	12		1	Leg Leveler 1/4-20 <b>NOTE 2</b>
K1	13		1	Latch Bracket Weldt <b>NOTE 2</b>
	14	56509403	1	Cover-Engine Front
K1,K2	15#		2	Hinge Weldt
	16#			<b>DELETED</b>
K1,K2	17		1	Bracket-Engine Cover
K1,K2	18		1	Bracket-Engine Cover
K1,K2	19		1	Bracket-Engine Cover
K1,K2	20		1	Bracket-Engine Cover
K1,K2	21		1	Bracket-Engine Cover
K1,K2	22#		2	Washer 3/8PL.Nylon--
	K1#	56383002	1	Front Engine Cover Hinge Kit <b>NOTE 2</b>
	K2#	56510839	1	Hinge Kit-Front Engine Cover <b>NOTE 1</b>

# = Revised or new since last update

**NOTE 1:** Used before June 2012

**NOTE 2:** Used after May 2012

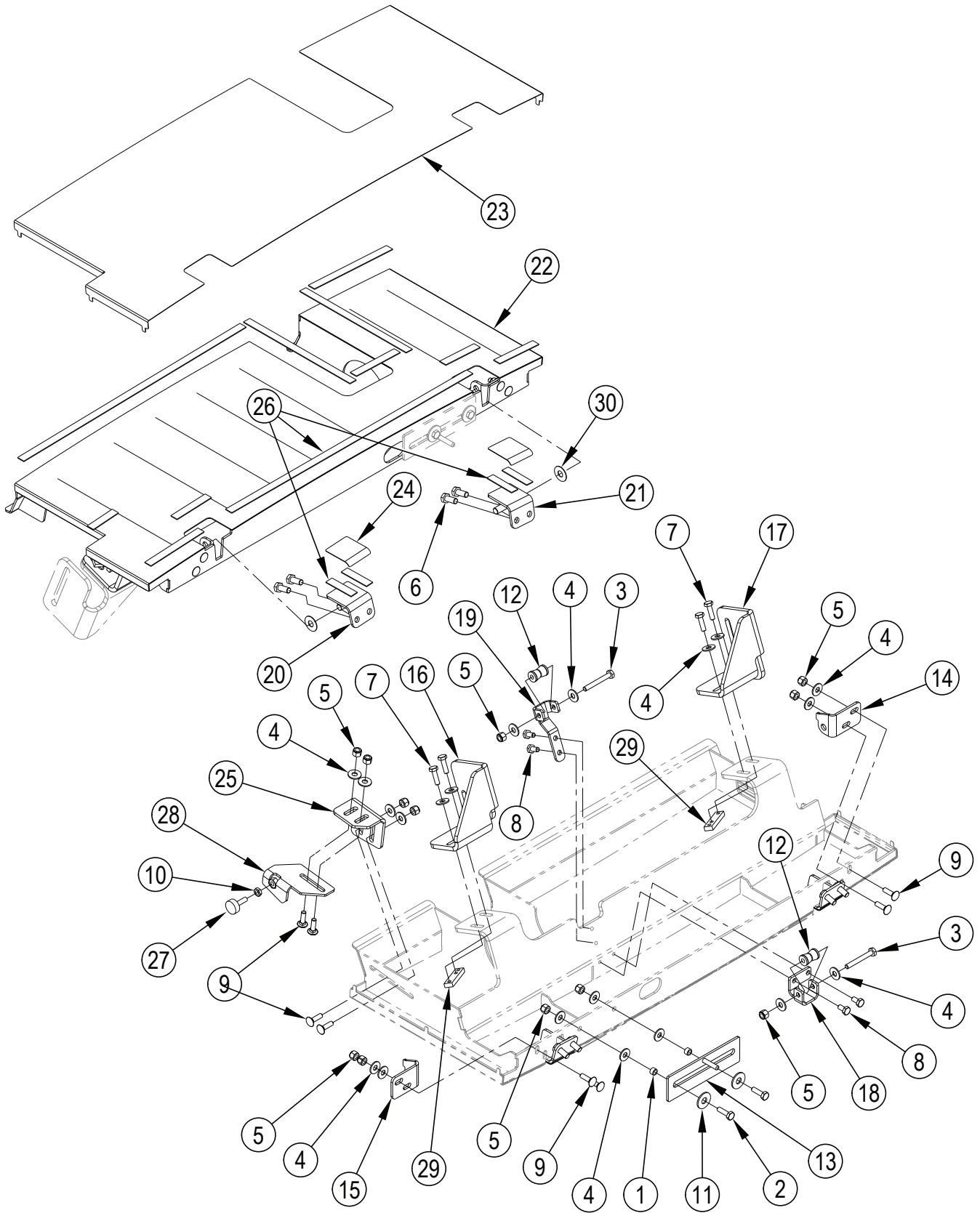
# CHASSIS SYSTEM-FUEL CELL FRONT COVER ASSY

11-3

10

CS7000

1-14



Kit	Item	Ref. No.	Qty	Description
K1	1		2	Bushing
K1	2		2	Scr-Hex 1/4-20 X .88
	3	56001874	2	Scr-Hex 1/4-20 X 2.00
K1	4		20	Wsh, Flt Std 1/4
K1	5		12	Nut, Hex Nyl Loc 1/4-20
K1	6		4	Scr-Hex Hd Loc 5/16-18x.75
K1	7		4	Scr-Hex Hd Loc 1/4-20x.88
	8	56003039	4	Scr-Hex Hd Loc 1/4-20x.50
K1	9		8	Scr-Carriage 1/4-20 X .88
K1	10		1	Nut, Hex Jam 1/4-20
K1	11		2	Wsh-Flt .392x1.00x.075
	12	56382925	2	Pulley
K1	13		1	Bar Lock-Cover Weldt
K1	14		1	Bracket-Hinge Lt
K1	15		1	Bracket-Hinge Rt
K1	16		1	Bracket-Fixed Panel Rt
K1	17		1	Bracket-Fixed Panel Lt
	18	56382942	1	Bracket-Pulley Upper
	19	56382944	1	Bracket-Pulley Lower
K1	20		1	Weldt-Hinge Lt
K1	21		1	Weldt-Hinge Rt
K2	22		1	Weldt-Fixed Panel
K2	23		1	Cover-Fixed Panel Stainless
K1	24		2	Cover-Hinge Stainless
K1	25		1	Bracket-Door Latch
K1,K2	26		1	Tape-Heavy Duty Adhesion 88in
K1	27		1	Leg Leveler 1/4-20
K1	28		1	Latch Bracket Weldt
K1	29		2	Nut Plate
K1	30#		2	Washer 3/8PL.Nylon--
	K1	56383124	1	Kit-Front Cover Brackets Fuel Cell
	K2	56383125	1	Kit-Front Cover Fuel Cell

# = Revised or new since last update

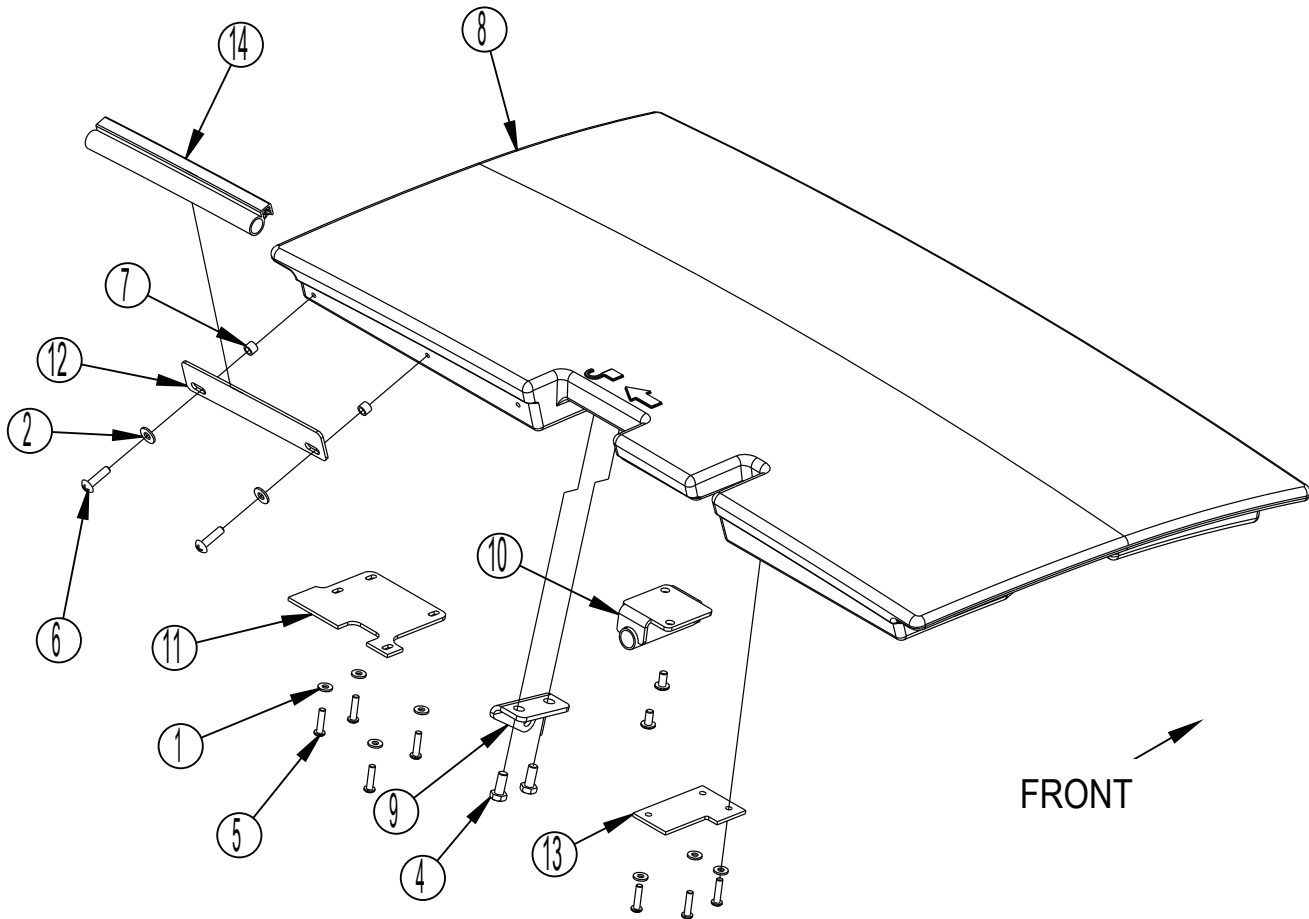
# CHASSIS SYSTEM-ENGINE COVER ASSY

11-3

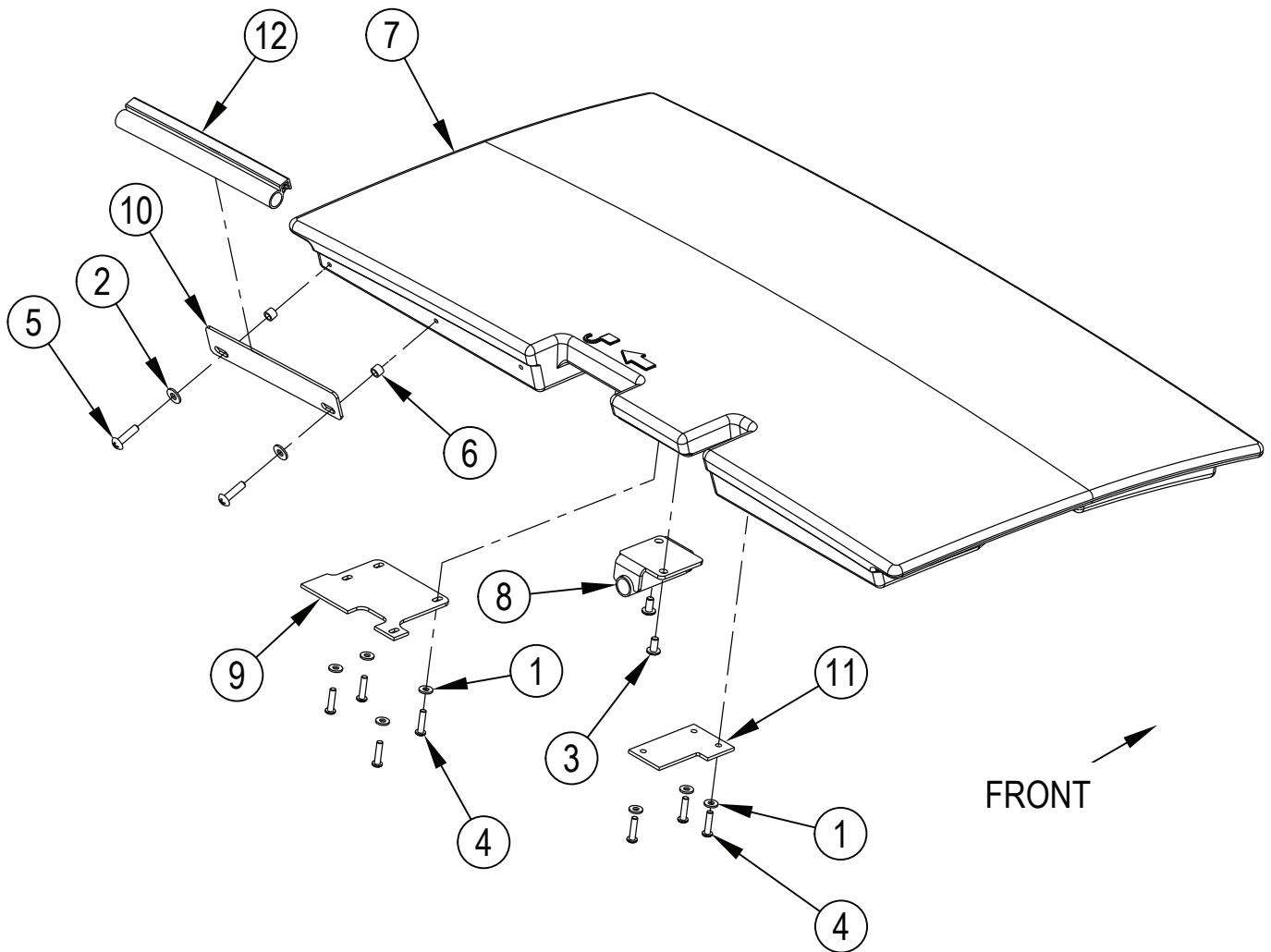
12

CS7000

2-13



Kit	Item	Ref. No.	Qty	Description
		56511184	1	Engine Cover Assy
K1	1		7	Wsh, Flt Sae #10
K1	2		2	Wsh, Flt Sae 1/4
K2	3		2	Scr, Pan Phil Loc 1/4-20 X .62
K2	4		2	Scr,Hex Hd Loc 5/16-18x.75
K1	5		7	Scr, Pan Phil Plastite 10-14 X .88
K1	6		2	Scr;Pan Phil Ss Type Ab 10-16x1.00
K1	7		2	Bushing .26x.37x.28
	8	56509404	1	Cover-Engine Rear
K2	9		1	Bracket-Gas Spring
K2	10		1	Latch Strike Weldt
K1	11		1	Shield
K1	12		1	Plate-Seal
K1	13		1	Shield
K1	14		1	Bulb Seal
K1	56510840	1	1	Seal Kit-Engine Cover
K2	56510841	1	1	Latch Strike Kit



Kit	Item	Ref. No.	Qty	Description
		56382971	1	Engine Cover Assy-CS7000 FC
K1	1		7	Wsh, Flt Sae #10
K1	2		2	Wsh, Flt Sae 1/4
K2	3		2	Scr, Pan Phil Loc 1/4-20 X .62
K1	4		7	Scr, Pan Phil Plastite 10-14 X .88
K1	5		2	Scr, Pan Phil Ss Type Ab 10-16x1.00
K1	6		2	Bushing .26x.37x.28
	7	56509404	1	Cover-Engine Rear
K2	8		1	Latch Strike Weldt
K1	9		1	Shield
K1	10		1	Plate-Seal
K1	11		1	Shield
K1	12		1	Bulb Seal
K1		56510840	1	Seal Kit-Engine Cover
K2		56510841	1	Latch Strike Kit

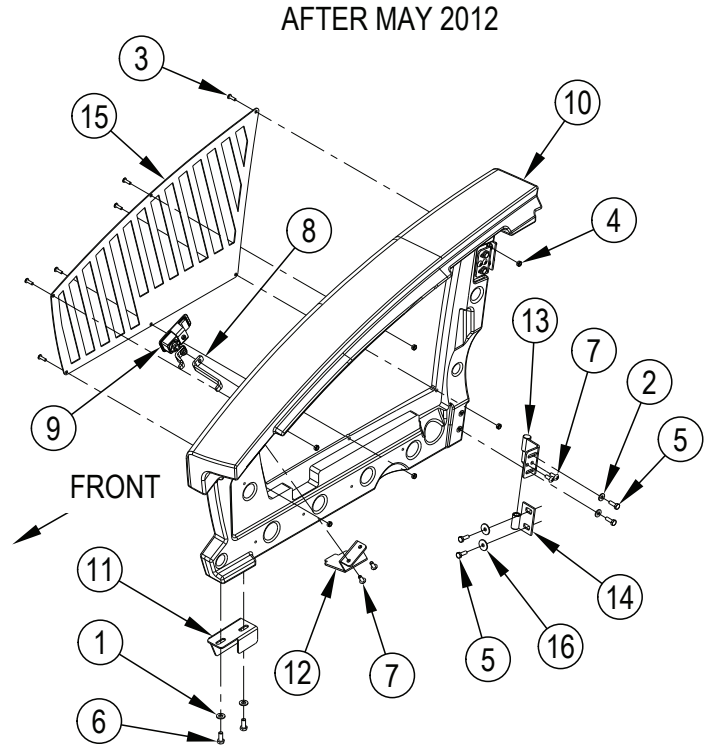
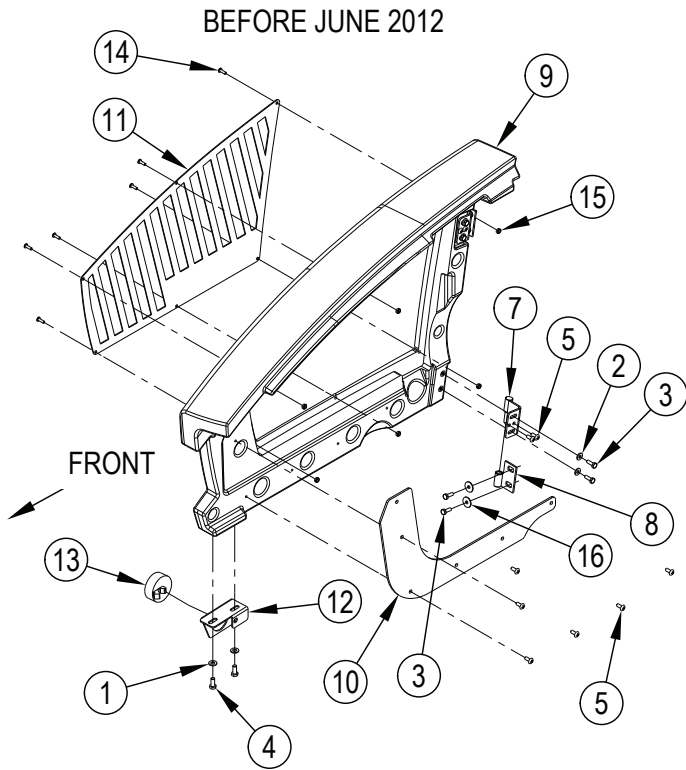
**CHASSIS SYSTEM-RIGHT DOOR ASSY**

11-3

14

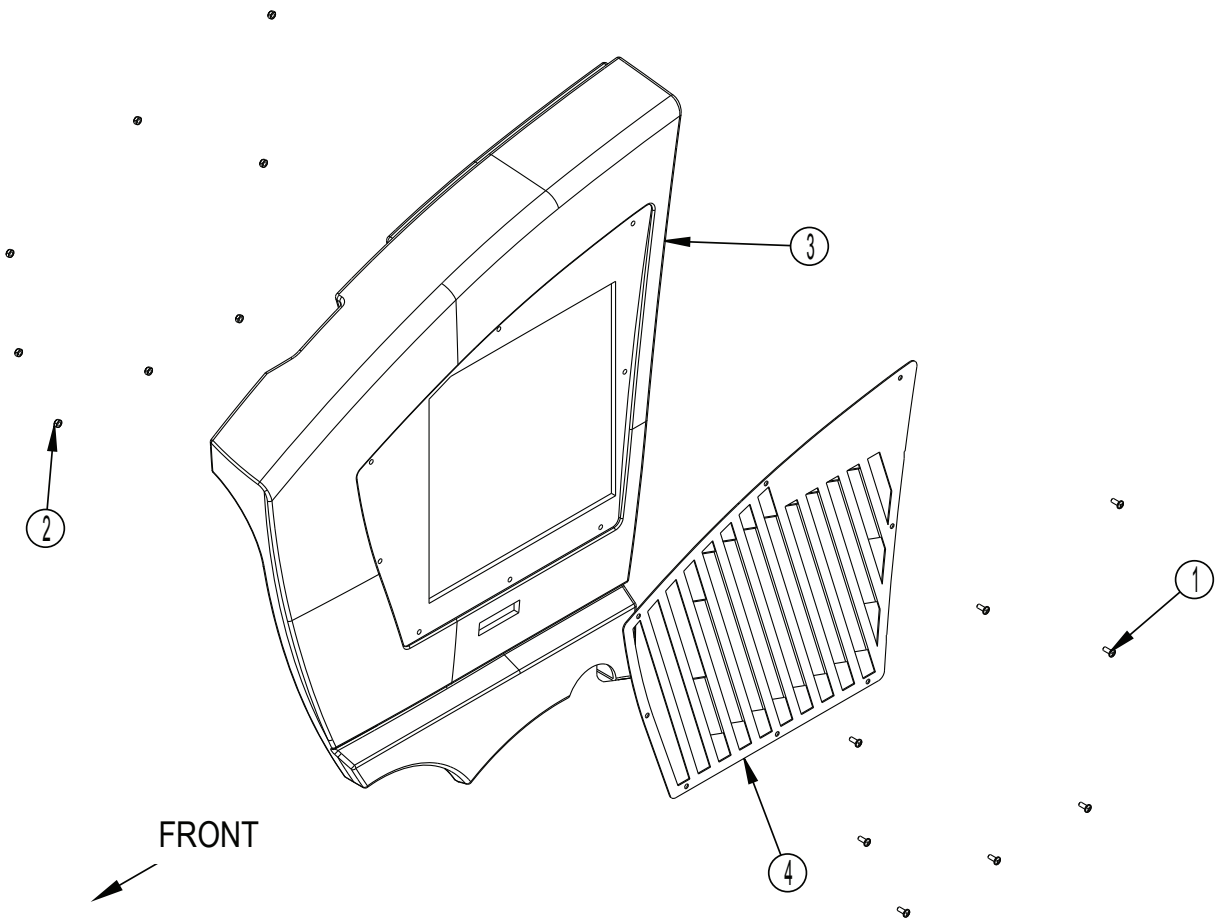
CS7000

6-13



Kit	Item	Ref. No.	Qty	Description	Kit	Item	Ref. No.	Qty	Description
							56511182	1	Right Door Assy
K2	1	56509630	1	Right Door Assy	K2	1		2	Wsh, Flt Sae 5/16
K1	2		4	Wsh, Flt Sae 1/4	K1	2		4	Wsh, Flt Sae 1/4
K1	3		8	Scr,Hex Hd Loc 1/4-20x.75	K1	3	56002896	6	Scr-Pan Phil SS 10-24 X .62
K2	4		2	Scr,Hex Hd Loc 5/16-18x.75	K2	4	56002849	6	Nut, Hex Nyl Loc-Thin SS 10-24
K1	5		10	Scr Panphil Ss Type B 1/4-14 X .62	K1,K2	5		8	Scr-Hex Hd Loc 1/4-20x.75
K1	7		2	Upper Hinge Weldt	K2	6		2	Scr-Hex Hd Loc 5/16-18x.75
K1	8		2	Lower Hinge Weldt	K2	7		6	Scr Panphil Ss Type B 1/4-14 X .62
	9	56509882	1	Door-Right	K2	8		1	Cam-Latch
	10	56510624	1	Stiffener-Side Door		9		1	Latch-Lift & Turn
	11	56510632	1	Grille-Right		10	56509010	1	Door-Right
K2	12		1	Bracket-Latch	K2	11		1	Bracket-Door
K2	13		1	Latch-Door	K2	12		1	Bracket-Bumper
	14	56002896	6	Scr-Pan Phil SS 10-24 X .62	K1	13		2	Upper Hinge Weldt
	15	56002849	6	Nut, Hex Nyl Loc-Thin SS 10-24	K1	14		2	Lower Hinge Weldt
K1	16		4	Washer Flat .266x.906x.060	K1	15	56510632	1	Grille-Right
						16		4	Washer Flat .266x.906x.060
K1	56510789	1	1	Hinge Kit-Rt Door	K1	56510789	1	1	Hinge Kit-Rt Door
K2	56510827	1	1	Latch Kit-Rt Door	K2	56509013	1	1	Right Door Latch Kit





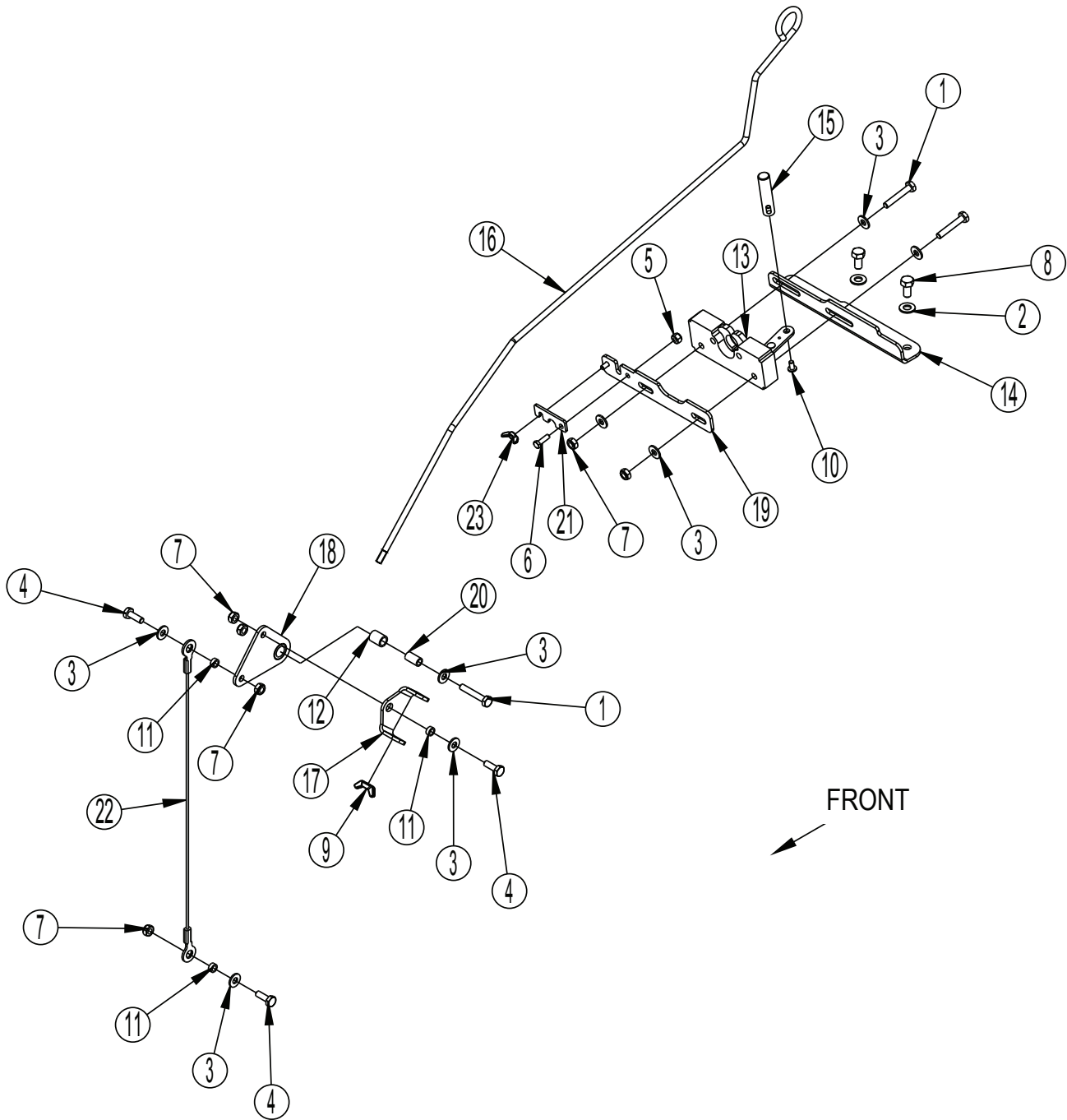
Kit	Item	Ref. No.	Qty	Description
		56509851	1	Left Cover Assy
1		56002989	8	Scr-Pan Phil SS 1/4-20 X .62
2		56002850	8	Nut, Hex Nyl Loc-Thin SS 1/4-20
3		56509852	1	Cover-Left
4		56510606	1	Grille

CHASSIS SYSTEM-PULL ROD ASSY

11-3

16

CS7000



Kit	Item	Ref. No.	Qty	Description
		56511183	1	Pull Rod Assy
K1,K2	1		3	Scr, Hex 1/4-20 X 1.50
K1	2		2	Wsh, Flt Sae 5/16
K1,K2	3		8	Wsh, Flt Sae 1/4
K2	4		3	Scr, Hex 1/4-20 X .75
K1	5		1	Nut, Hex Nyl Loc 10-24
K1	6		1	Scr, Hex 10-24 X .62
K1,K2	7		6	Nut, Hex Nyl Loc-Thin 1/4-20
K1	8		2	Scr,Hex Hd Loc 5/16-18x.62
K2	9		1	Nut, Wing Loc 1/4-20
K1	10		1	Scr, Pan Phil Loc 10-24 X .38
K2	11		3	Bushing
K2	12		1	Bearing, .500 X .375 X .625
K1	13	56304826	1	Latch, Lh
K1	14		1	Bracket-Latch
K1	15		1	Pin
	16	56509865	1	Pull Rod
K2	17		1	Yoke-Pull Rod
K2	18		1	Pivot Weldt
K1	19		1	Bracket-Pull Rod
K2	20		1	Bushing-.265 X .375 X .700
K1	21		1	Retainer-Pull Rod
K2	22		1	Cable Assy
K1	23		1	Nut, Wing 10-24
K1		56510732	1	Latch Kit-Engine Cover
K2		56510733	1	Pivot Kit-Pull Rod

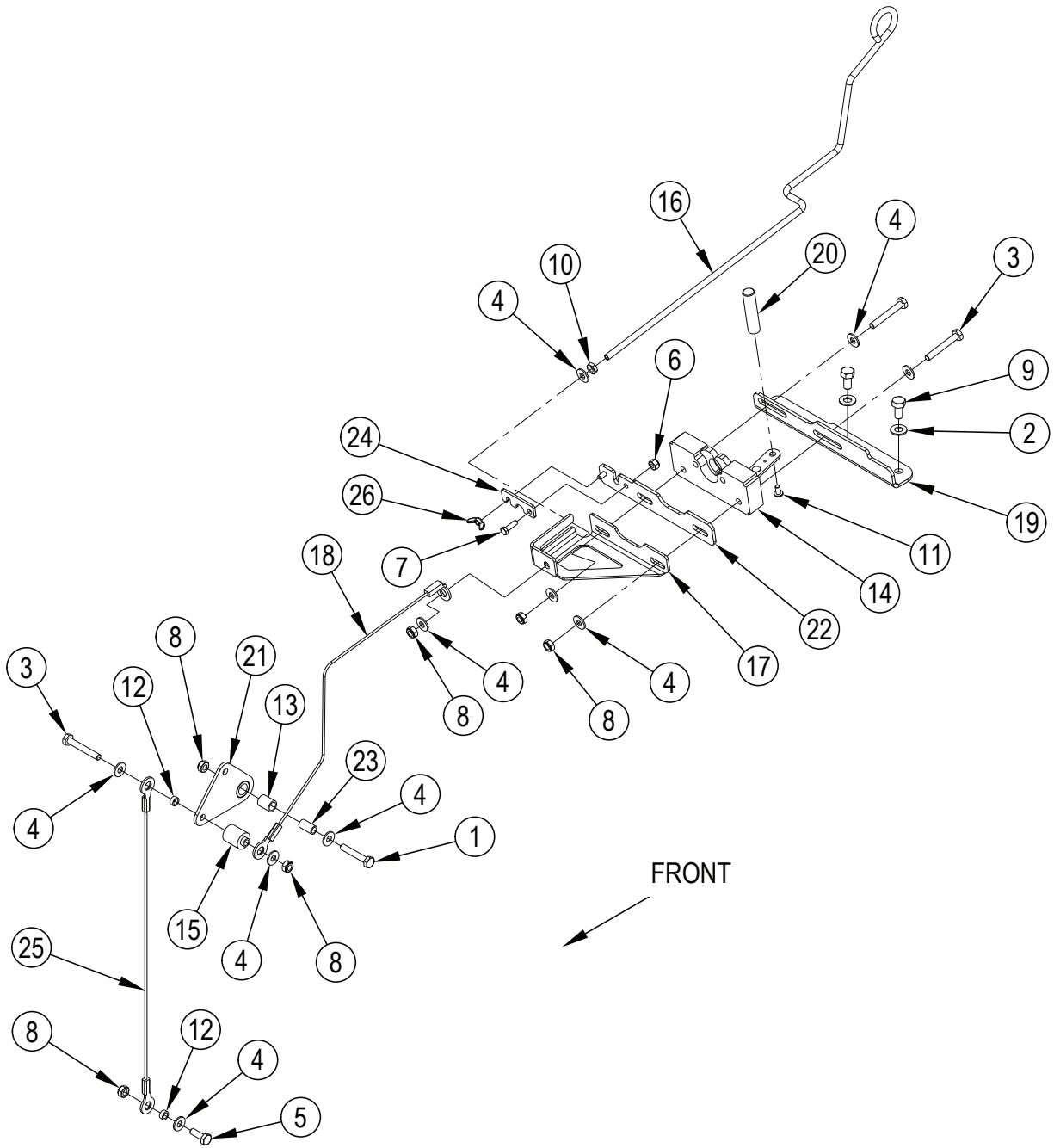
CHASSIS SYSTEM-FUEL CELL PULL ROD ASSY

11-3

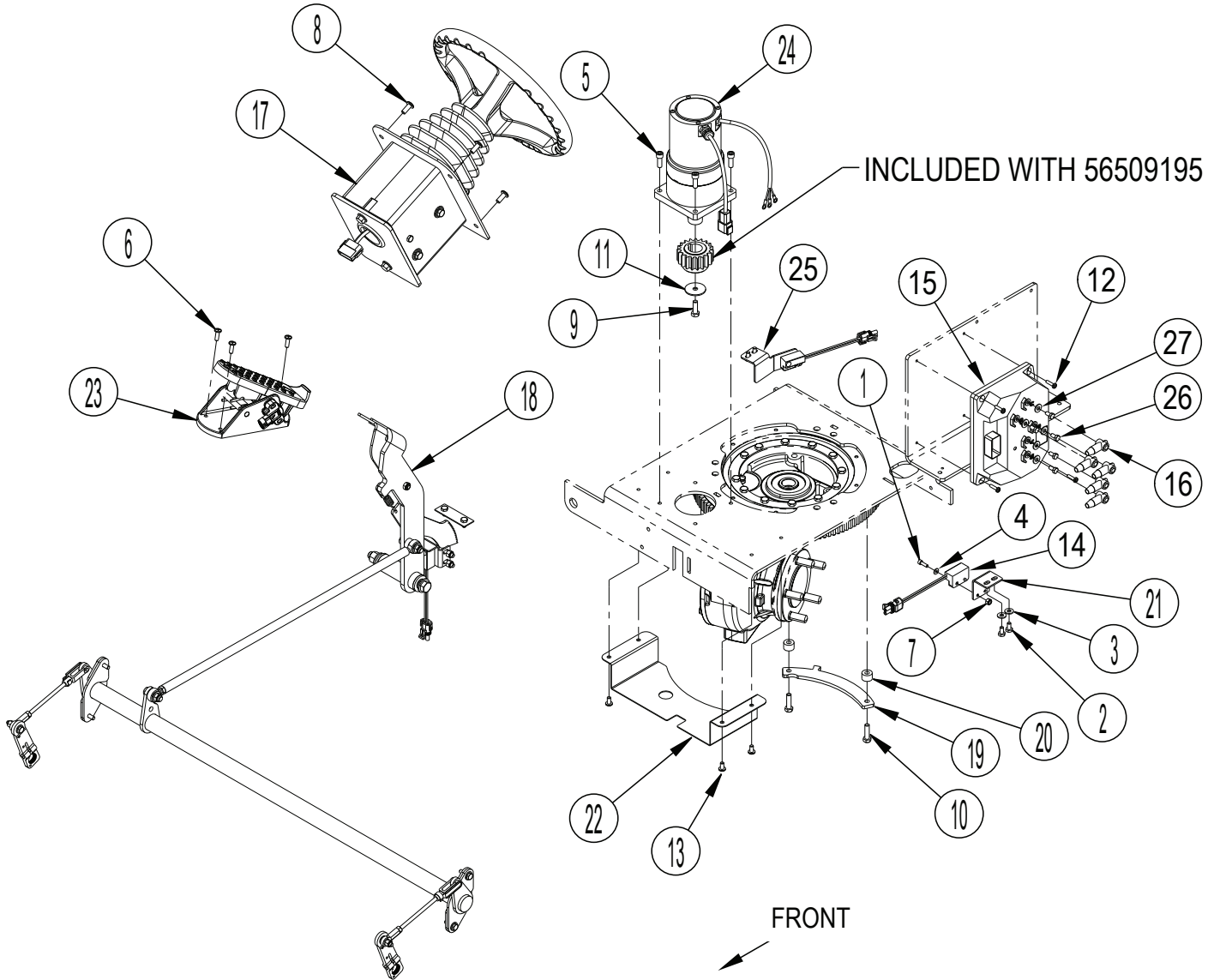
18

CS7000

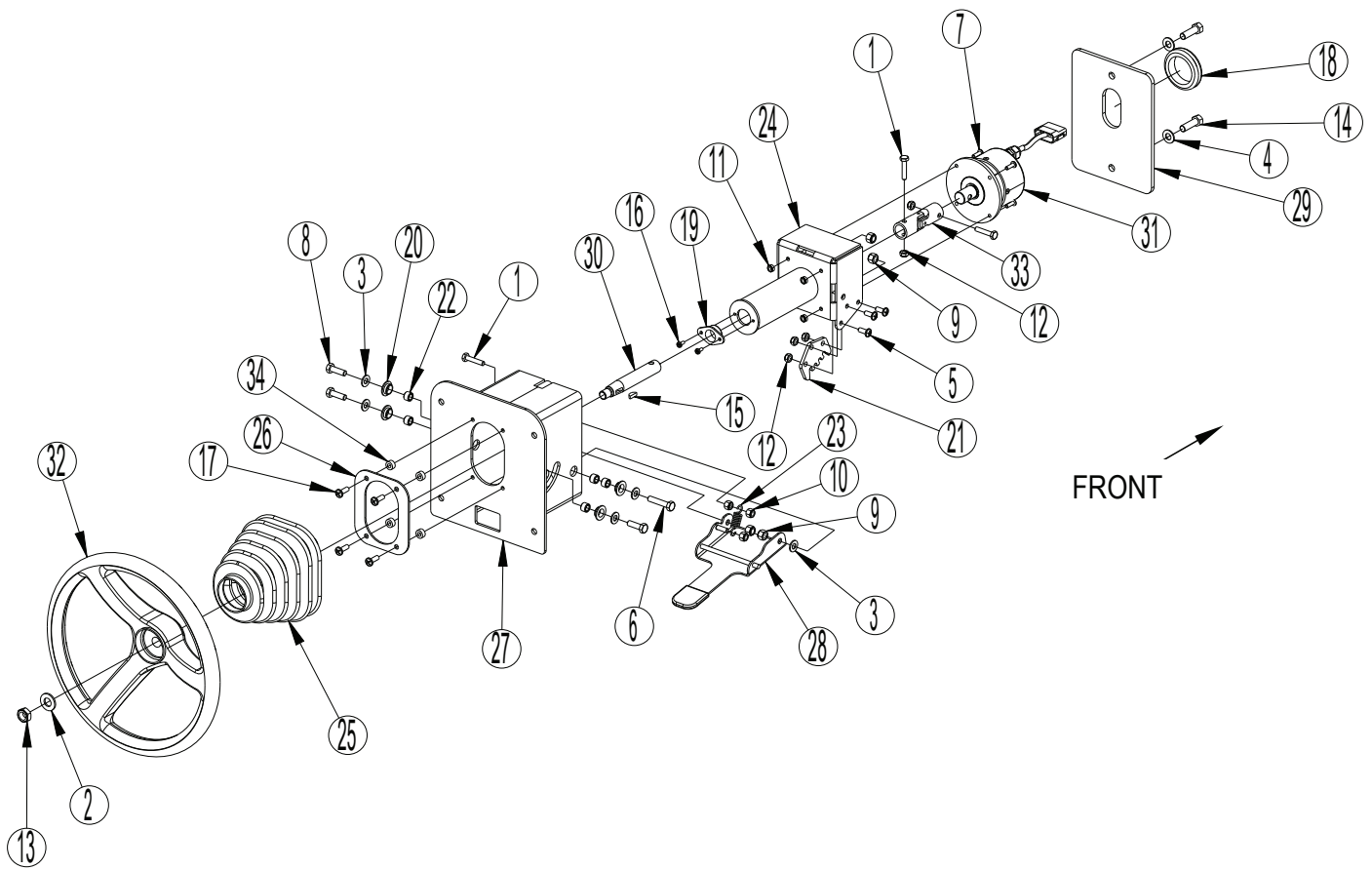
2-13



Kit	Item	Ref. No.	Qty	Description
		56382967	1	Pull Rod Assy-CS7000 FC
K1,K2	1		1	Scr-Hex 1/4-20 X 1.50
K1	2		2	Wsh, Flt Sae 5/16
K2	3		3	Scr-Hex 1/4-20 X 1.75
K1,K2	4		10	Wsh, Flt Sae 1/4
K2	5		1	Scr-Hex 1/4-20 X .75
K1	6		1	Nut, Hex Nyl Loc 10-24
K1	7		1	Scr-Hex 10-24 X .62
K1,K2	8		6	Nut, Hex Nyl Loc-Thin 1/4-20
K1	9		2	Scr-Hex Hd Loc 5/16-18x.62
	10	56009087	1	Nut, Hex Jam 1/4-20
K1	11		1	Scr-Pan Phil Loc 10-24 X .38
K2	12		2	Bushing
K2	13		1	Bearing, .500 X .375 X .625
K1	14		1	Latch, Lh
K2	15		1	Bushing
	16	56382927	1	Pullrod
	17	56382932	1	Bracket-Pull Rod
K2	18		1	Cable Assy-Formed End
K1	19		1	Bracket-Latch
K1	20		1	Pin
K2	21		1	Pivot Weldt
K1	22		1	Bracket-Pull Rod
K2	23		1	Bushing .265 X .375 X .700
K1	24		1	Retainer-Pull Rod
K2	25		1	Cable Assy
K1	26		1	Nut, Wing 10-24
K1		56510732	1	Latch Kit-Engine Cover
K2		56383122	1	Pivot Kit-Pull Rod Fuel Cell



Kit	Item	Ref. No.	Qty	Description
K2	1		2	Scr, Soc Hd 10-24 X 0.62
K2	2		4	Scr, Hex 1/4-20 X .50
K2	3		4	Wsh, Flt Sae 1/4
K2	4		2	Wsh, Flt Sae #8
K2	5		4	Scr, Soc Hd 5/16-18 X 0.88
K1	6		3	Scr-Pan Phil SS 1/4-20 X .75
K2	7		2	Nut, Hex Nyl Loc 10-24
K2	8		4	Scr-Pan Phil Blk 5/16-18 x .75
K2	9		1	Scr, Hex Thd To Hd M8-1.25 X 25mm
K2	10		2	Scr-Hex Loc Ss M8-1 X 30mm
K2	11		1	Wsh-Flt Ss .344 X 1.500 X .080
K2	12		4	Scr, Pan Phil Thd Form 10-24 X .75
K2	13		4	Scr, Pan Phil Thd Form 1/4-20 X .50
	14	56305053	2	Sensor-Proximity <b>S16 / S17</b>
	15	56510729	1	Controller-Steering <b>A5</b>
	16	56409538	5	Insulator, Terminal
	17		1	Assembly-Tilt Steering
	18		1	Brake Linkage Assy
	19	56509435	1	Cam-Steering
	20	56509436	2	Spacer 0.332x0.75x0.50
	21	56509437	1	Bracket-Sensor Mounting
	22	56511140	1	Shield-Splash
K1	23		1	Foot Pedal Assy <b>R1</b>
	24	56380406	1	Actuator-Steering 36V <b>M16</b>
	25	56510912	1	Bracket-Sensor Mounting
	26	56003155	5	Scr Hex M6-1.0 X 12mm
	27	56009064	5	Wsh Int Shprf 1/4
K1	56510792	1	Foot Pedal Kit	
K2	56510816	1	Hardware Kit-Control System	





Kit	Item	Ref. No.	Qty	Description
K1,K4	1		3	Scr, Hex 1/4-20 X 1.25
K1	2		1	Wsh-Flt Sae 1/2
K4	3		5	Wsh, Flt Sae 5/16
K2	4		2	Wsh, Flt Sae 3/8
K3	5		3	Scr-Pan Phil 1/4-20 X .62
K4	6		1	Scr, Hex 5/16-18 X 1.50
K3	7		4	Scr-Pan Phil 10-24 X .62
K4	8		3	Scr, Hex 5/16-18 X 1.00
K3,K4	9		4	Nut, Hex Nyl Loc 5/16-18
K4	10		3	Nut, Hex Nyl Loc 1/4-20
K3	11		4	Nut, Hex Nyl Loc-Thin 10-24
K1,K3	12		5	Nut, Hex Nyl Loc-Thin 1/4-20
K1	13		1	Nut, Hex Nyl Loc-Thin 1/2-13
K2	14		2	Scr,Hex Hd Loc 3/8-16x1.25
K1	15		1	Key, Wdf .62 X .19
K3	16		2	Scr, Pan Phil Thd Form 8-32 X .38
K5	17		4	Scr, Pan Phil Thd Form 1/4-20 X .75
K2	18		1	Grommet
K3	19		1	Bushing
K4	20		4	Bearing, Flange .625 X .500 X .250
K3	21		1	Ratchet, Steering Column
K4	22		5	Bushing .32x.50x.35
K4	23		1	Spring, Extension
K3	24		1	Weldment-Tilt Steering
K5	25		1	Boot-Steering
K5	26		1	Plate-Boot Holder
K4	27		1	Weldment-Steering Mount
K4	28		1	Weldment-Tilt Lever
K2	29		1	Plate-Steering Clamp
K1	30		1	Shaft-Steering
	31	56510408	1	Torque Feedback Device <b>F4</b>
	32	56601060	1	Steering Wheel
	33	7-37-00001	1	Universal Joint
K5	34		4	Spacer
	K1	56510918	1	Steering Shaft Kit
	K2	56510919	1	Steering Clamp Plate Kit
	K3	56510920	1	Steering Column Kit
	K4	56510921	1	Steering Housing Kit
	K5	56510922	1	Steering Boot Kit

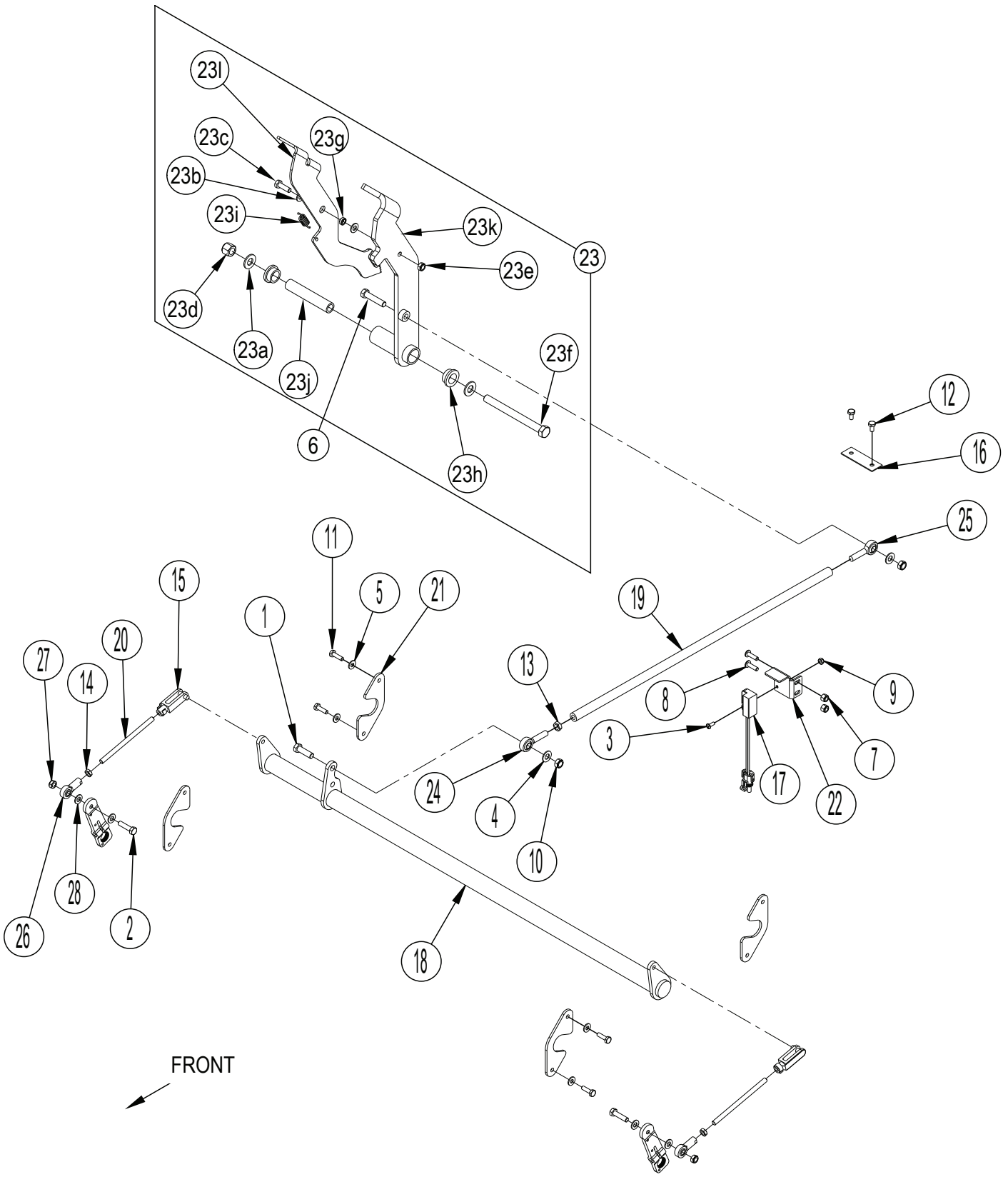
CONTROL SYSTEM-BRAKE LINKAGE ASSY

11-3

24

CS7000

11-11



Kit	Item	Ref. No.	Qty	Description
K2	1		1	Scr, Hex 3/8-16 X 1.25
K2	2		2	Scr Hex 5/16-18 X 1.25
K2	3		1	Scr-Pan Phil 10-24 X .50
K1,K2	4		2	Wsh, Flt Sae 3/8
K2	5		4	Wsh, Flt Sae 1/4
K1,K2	6		1	Scr, Hex 3/8-16 X 1.75
K2	7		2	Nut, Hex Nyl Loc 1/4-20
K2	8		2	Scr-Pan Phil 1/4-20 X .88
K2	9		1	Nut, Hex Nyl Loc-Thin 10-24
K1,K2	10		2	Nut, Hex Nyl Loc-Thin 3/8-16
K2	11		4	Scr,Hex Hd Loc 1/4-20x.88
K1,K2	12		2	Scr, Hex Thd Form 1/4-20 X .50
K2	13		1	Nut, Hex Jam 3/8-24
K2	14		2	Nut Hex Jam 5/16-24
	15	56416089	2	Clevis Assembly
K1	16	56304543	1	Catch, Brake Lock
	17	56305053	1	Sensor-Proximity <b>S5</b>
	18	56509365	1	Weldt-Brake Bar
	19	56509368	1	Rod-Brake
	20	56509369	2	Rod-Brake
	21	56509370	4	Pivot-Brake
	22	56509554	1	Bracket-Switch Mount
K1	23		1	Brake Pedal Assy
K1	23a		2	Wsh-Flt Sae 1/2
K1	23b		2	Wsh, Flt Sae 5/16
K1	23c		1	Scr, Hex 5/16-18 X 1.00
K1	23d		1	Nut-Hex Nyl Loc 1/2-13
K1	23e		1	Nut, Hex Nyl Loc-Thin 5/16-18
K1	23f		1	Scr, Hex 1/2-13 X 5.50
K1	23g		1	Bushing .323 X .500 X .180
K1	23h		2	Bearing, Fl 1.000x.750x.500
K1	23i		1	Spring, Extension
K1	23j		1	Bushing-.520 X .750 X 3.995
K1	23k		1	Brake Pedal Weldt
K1	23l		1	Pedal-Park Brake
	24	2-00-06016	1	Rod End, 3/8-24 Rh
	25	2-00-06017	1	Rod End, 3/8-24 Left Hand
	26	56418478	2	Rod End .31
K2	27		2	Nut Hex Nyl Loc-Thin 5/16-18
K2	28		4	Wsh Flt Sae 5/16
K1	56510786		1	Brake Pedal Kit
K2	56510785		1	Hardware Kit-Brake Linkage

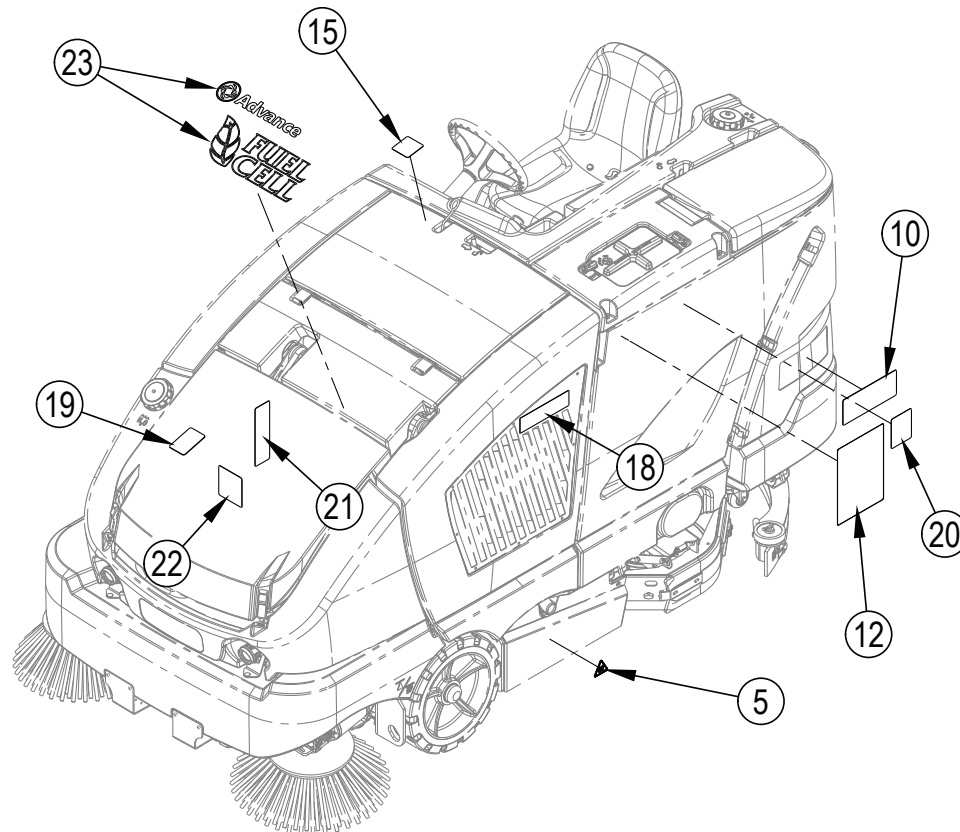
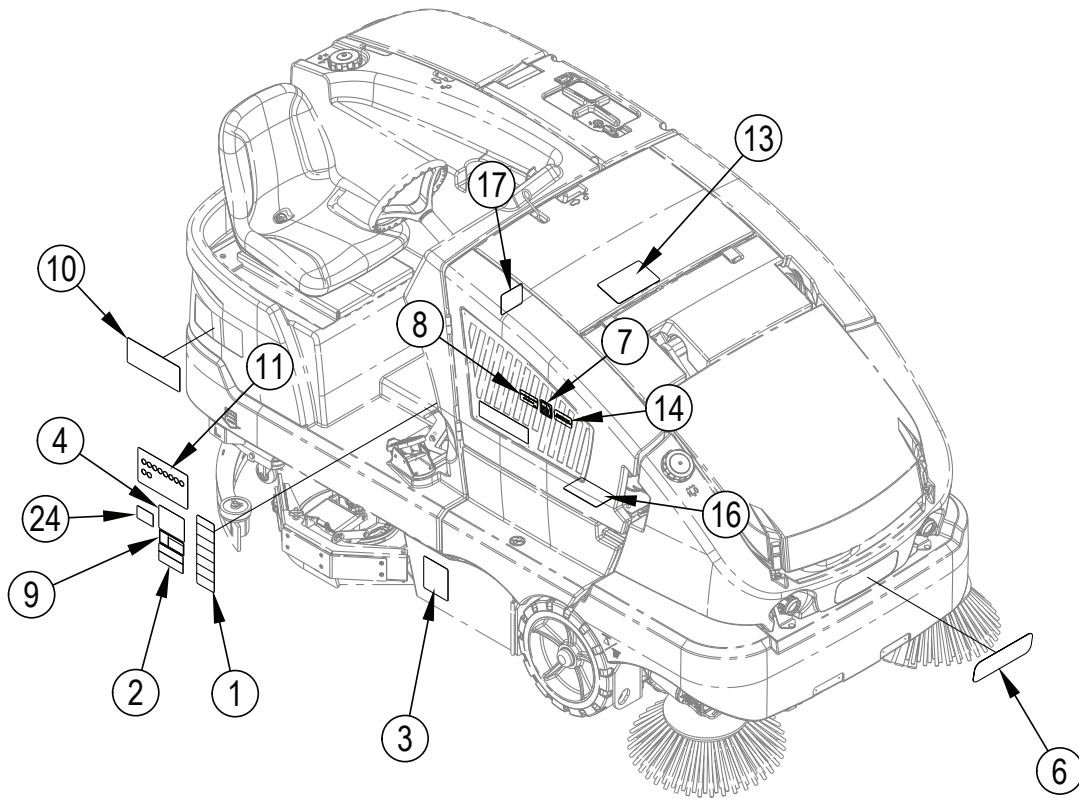
DECAL SYSTEM

11-3

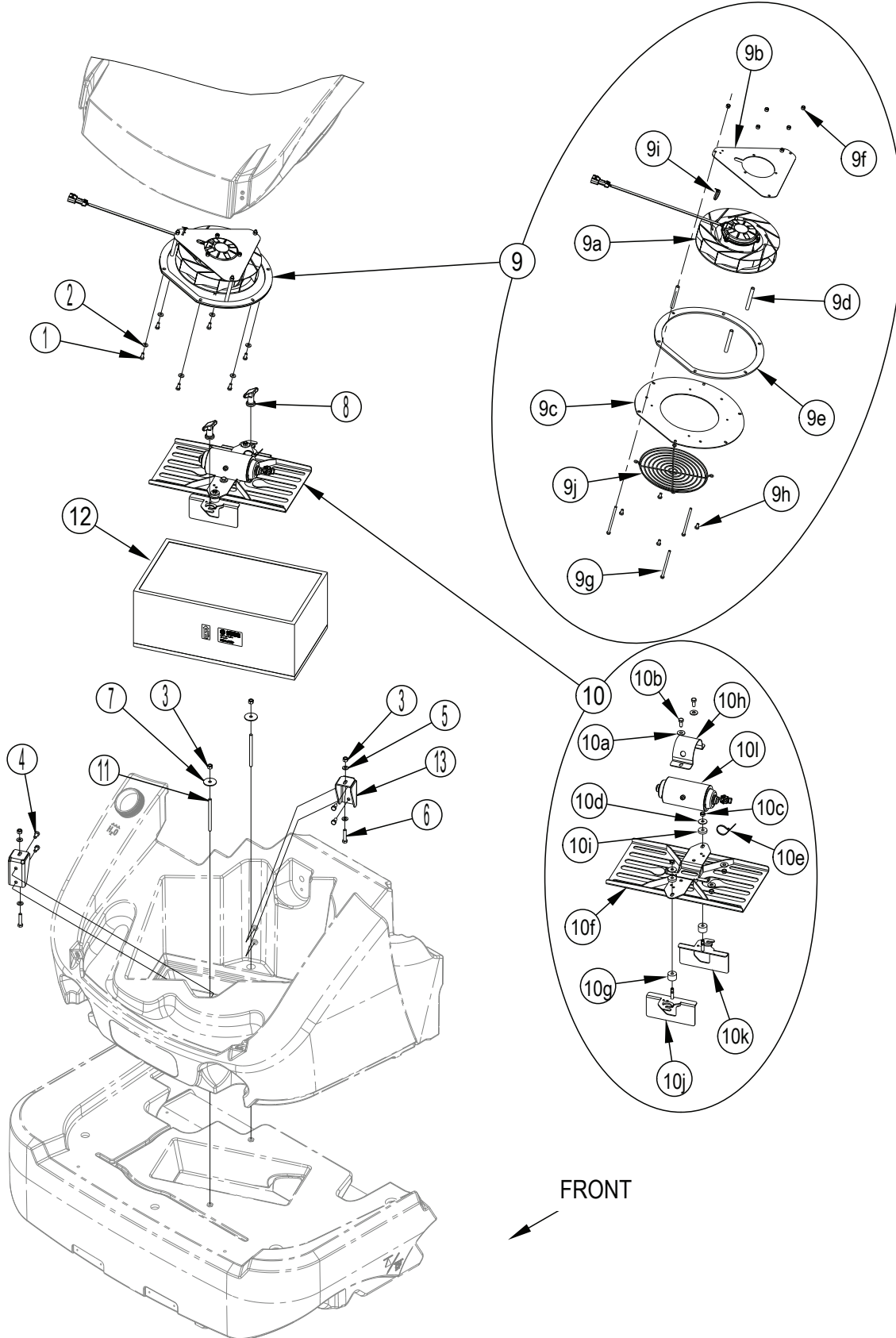
26

CS7000

4-13

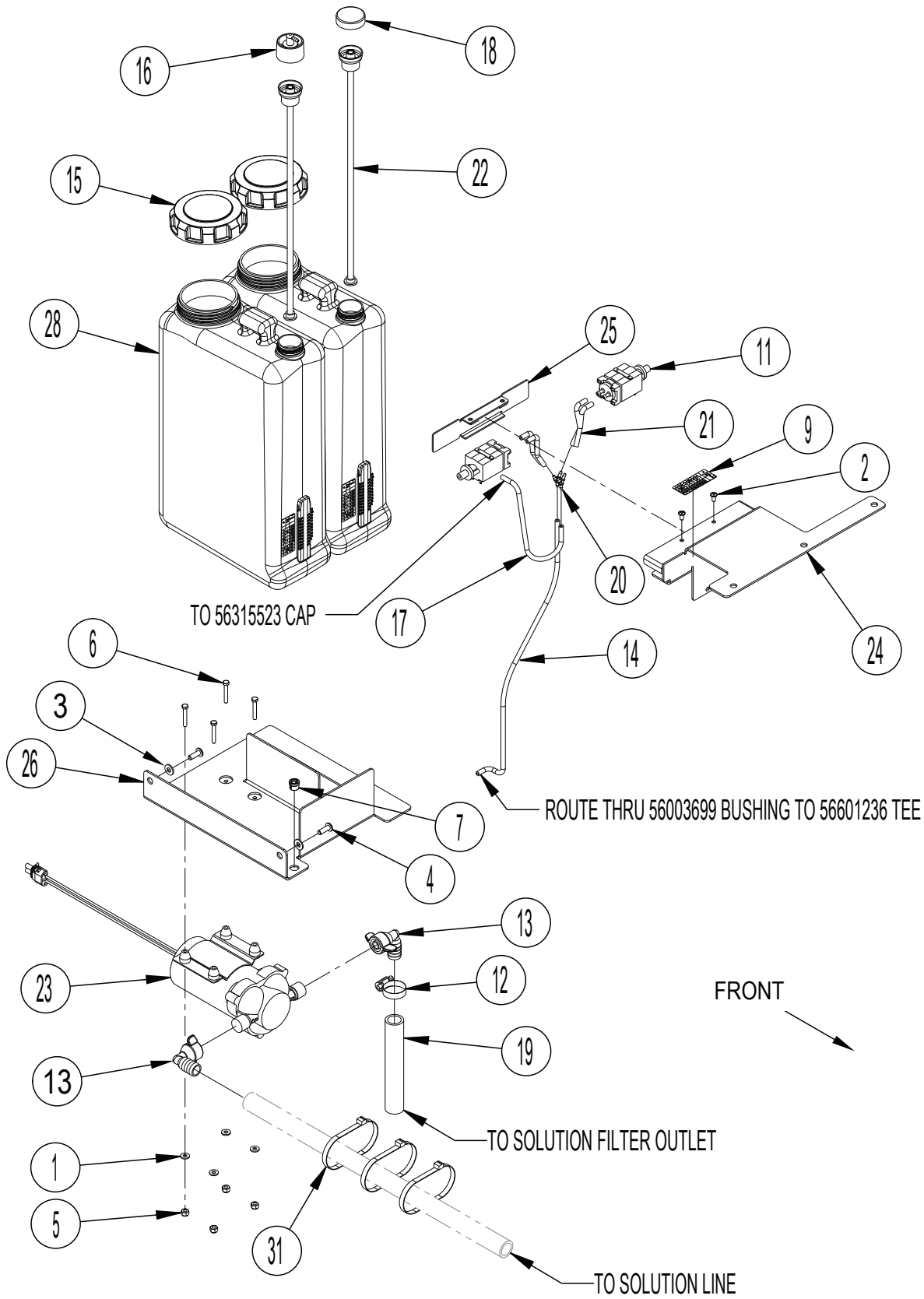


Kit	Item	Ref. No.	Qty	Description
	1		1	Decal-Caution
	2		1	Decal-LPG
	3		1	Decal-Warning Broom
	4		1	Decal,Warning Tip Over
	5		1	Decal-Warning Hot ( <b>Gasoline-Petrol-LPG &amp; Diesel</b> )
	6		1	Decal-Advance
	7		1	Decal-Diesel Fuel
			1	Decal-Unleaded Fuel ( <b>Gasoline-Petrol</b> )
	8		1	Decal-Low Sulfur Diesel
	9		1	Decal-Exhaust ( <b>Gasoline-Petrol-LPG &amp; Diesel</b> )
	10		2	Decal-CS7000
			2	Decal-CS7000 Ecoflex
	11		1	Decal-Circuit Breaker
	12		1	Decal-Contactor Location ( <b>on panel behind recovery tank</b> )
	13		1	Decal-Battery Wiring ( <b>Battery</b> )
	14		1	Decal-Swing Out Tank ( <b>Diesel</b> )
	15		1	Decal-Hopper Safety Support
	16		1	Decal-Battery Wiring
	17		1	Decal-Belt Removal Tool
	18	56510650	2	Decal-Hybrid Embossed ( <b>Gasoline-Petrol-LPG &amp; Diesel</b> )
		56510748	2	Decal-E Power Embossed ( <b>Battery</b> )
		56382889	2	Decal-Fuel Cell Embossed ( <b>Fuel Cell</b> )
	19		1	Decal-Filter Shaker Hanger
	20		1	Decal-Disconnect Power ( <b>on PCB box mounting plate behind recovery tank</b> )
	21		1	Decal-Warning Hopper
	22		1	Decal-Warning Hydraulic
	23		1	Decal-Fuel Cell
	24		1	Label-Carb EPA ( <b>Gasoline-Petrol</b> )
K1		56510885	1	Decal Kit-Advance



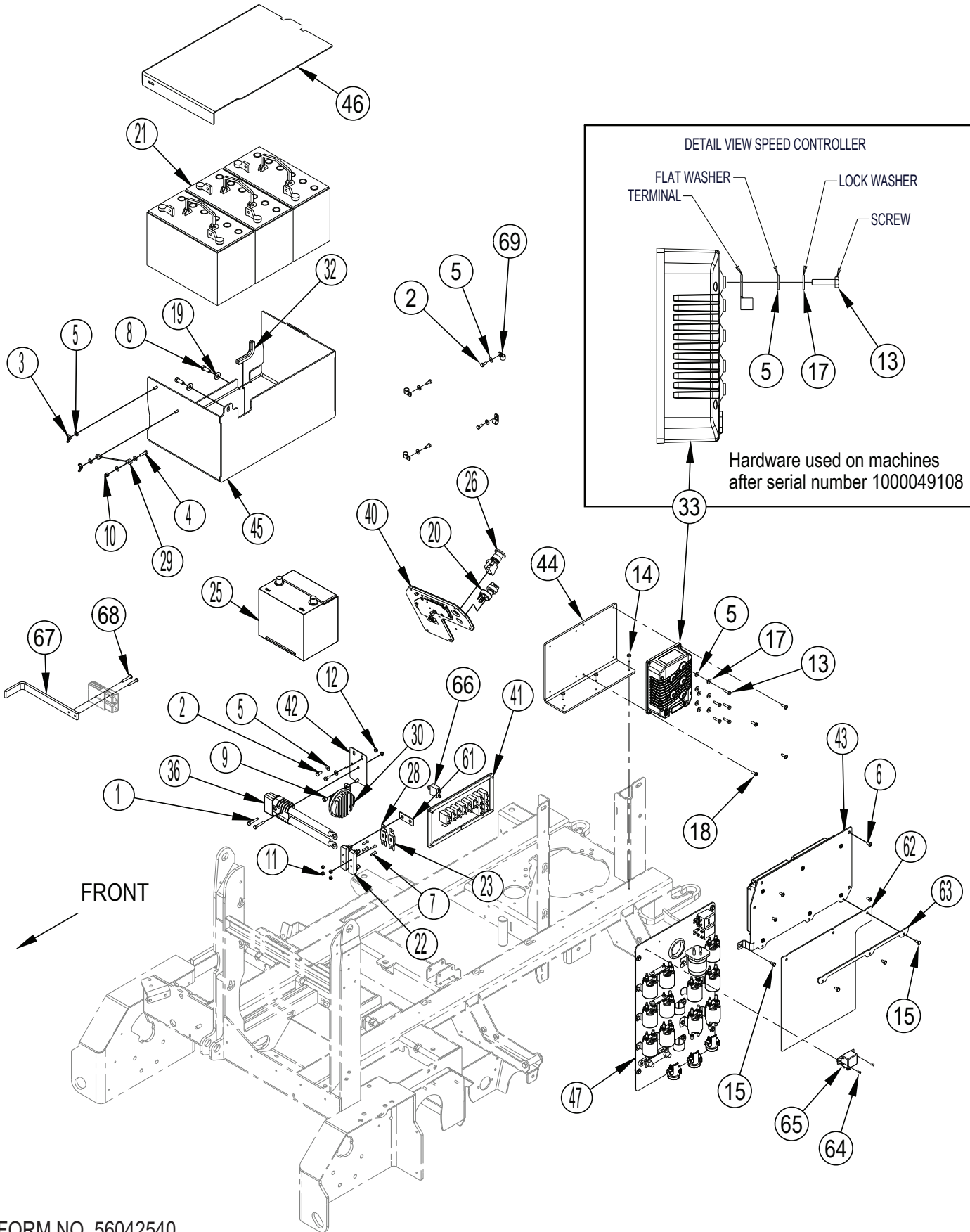
Kit	Item	Ref. No.	Qty	Description
K1	1		6	Scr, Hex 1/4-20 X .62
K1	2		6	Wsh, Flt Sae 1/4
K2,K3	3		4	Nut, Hex Nyl Loc Ss 5/16-18
K2	4		4	Scr-Hex Loc Ss 5/16-18 X .62
K2	5		4	Wsh-Flt Sae Ss 5/16
K2	6		2	Scr- Hex Ss 5/16-18 X 1.50
K3	7		2	Wsh-Flt Ss .344 X 1.500 X .080
	8	56370711	2	Nut Thumb
K1	9		1	Impeller Assy
K1	9a	33015359	1	Motor Vacuum 36v
K1	9b		1	Support-Vac
K1	9c		1	Plate-Vac
K1	9d		3	Spacer
K1	9e	33016950	1	Gasket
K1	9f		6	Nut-Hex Nyl Loc M6-1
K1	9g		3	Scr-Hex M6-1 X 100mm
K1	9h		4	Scr, Hex Thd Form 1/4-20 X .50
K1	9i		1	Tie, Cable
K1	9j		1	Protection Grate
	10	56509762	1	Filter Shaker Assy
K4	10a		4	Wsh, Flt Std 5/16
K4	10b		2	Scr, Hex 5/16-18 X 1.00
K4,K5	10c		4	Nut, Hex Nyl Loc-Thin 5/16-18
K5	10d		2	Wsh-Flt Ss .33 X 1.00 X.060
K5	10e		1	Tie, Cable
K5	10f		1	Filter Shaker Weldt
K5	10g		2	Isolator
K4	10h		1	Clamp-Shaker Motor
K5	10i		2	Wsh-Rubber .34x1.00x.25
K5	10j		1	Filter Clamp Weldt
K5	10k		1	Filter Clamp Weldt
K4	10l		1	Motor-Filter Shaker 36v
	11	56510253	2	Rod-Threaded
	12	56510354	1	Filter-Rectangular Synthetic
K2	13		2	Bracket-Filter Tie Down
K1	56510778		1	Impeller Kit-Hopper
K2	56510779		1	Bracket Kit-Filter Tie Down
K3	56510783		1	Hardware Kit-Dust Control System
K4	56510787		1	Motor Kit-Shaker
K5	56510788		1	Filter Shaker Kit

\* = Optional, Not Included





Kit	Item	Ref. No.	Qty	Description
		56509950	1	Onboard Chemical Assy (1-30)
K2	1		4	Wsh, Flt Sae #10
K2	2		2	Scr-Pan Phil 10-24 X .38
K2	3		2	Wsh, Flt Sae 1/4
K2	4		2	Scr-Pan Phil 1/4-20 X .75
K2	5		4	Nut, Hex Nyl Loc 10-24
K2	6		4	Scr, Hex 10-24 X 1.25
K2	7		1	Bushing, 1/4 Id Snub
K2	9		1	Decal-Chemical Ratio
K1	11		2	Pump, Detergent, 12v <b>M17 / M18</b>
K3	12		1	Clamp Hose Sae #12
K3	13		2	Elbow Poly 1/2 X 3/4
K1	14		1	Hose 1/8 Id X 32 Lg
K4	15		2	Cap, Raw
	16	56315523	1	Cap, Dry Break, 1/8 Barb, 90°
K1	17		1	Hose-Chemical Resistant-7.50
K4	18		1	Cap, 38mm Buttress
K3	19		1	Hose-Spiral .75x6.00
K1	20		2	Fitting, Y, Barb, .125
K1	21		4	Hose-Chem Resistant-5.00
K4	22		2	Insert, Dry Break
	23	56413810	1	Pump, 36v <b>M19</b>
K2	24		1	Pump Mnt Weldt
K2	25		1	Cover Weldt
K2	26		1	Pump Support Weldt
K4	28		2	Chemical Bottle Assy
K3	31		3	Cable Tie
K1	56510888		1	Detergent Pump Kit
K2	56510889		1	Bracket / Hardware Kit
K3	56510891		1	Hose / Fitting Kit
K4	56510892		1	Chemical Bottle Kit



Kit	Item	Ref. No.	Qty	Description	Kit	Item	Ref. No.	Qty	Description
	K1,K2,K3		1	2		40	56509476	1	User Interface Panel Assy <b>A3</b>
	K1,K2,K3		2	6		41		1	Circuit Breaker Panel Assy (See page 34)
	K2,K3		3	2		42	56511215	1	Bracket-Connector Mount
	K2,K3		4	1		43	56511503	1	Control Board Kit <b>NOTE 6 TSBFC2012-105</b>
	K1,K2,K3		5	15		44	56509720	1	Panel-Control Mount
	K1,K2,K3		6	4		45	56511177	1	Battery Box Weldt <b>NOTE 2</b>
	K1,K2,K3		7	4		46	56509738	1	Cover-Battery <b>NOTE 2</b>
	K2,K3		8	2		47		1	Assembly-Contactor Panel (See page 35)
	K1,K2,K3		9	1		[48]	56510152	1	Harness-Engine Interface
	K2,K3		10	1		[49]	56510210	1	Cable-U 1 Awg X 13.75
	K1,K2,K3		11	4		[50]	56510211	1	Cable-V 1 Awg X 16.00
	K1,K2,K3		12	2		[51]	56510212	1	Cable-W 1 Awg X 19.00
	K1,K2,K3		13	5		[52]	56510213	1	Cable-1 Awg X 52.25
	K1,K2,K3		14	3		[53]	56510214	1	Cable-4 Awg X 7.00
	K1,K2,K3		15	4		[54]	56510215	1	Cable-1 Awg X 46.50
	K1,K2,K3		17	5		[55]	56510216	1	Cable-1 Awg X 31.25
	K1,K2,K3		18	4		[56]	56510218	1	Cable-1 Awg X 46.75
	K2,K3		19	2		[57]	56510220	1	Cable-4 Awg X 7.75
	20	56111109	1	1		[58]	56510222	1	Cable-6 Awg X 9.00
K4	21		3	3		[59]	56510223	1	Cable-1 Awg X 29.25
	22	56303295	2	2		[60]	56510224	1	Cable-1 Awg X 26.50
	23	56303297	1	1		61	56510260	1	Bus Bar-Fuse
	[24]	56372673	6	6		62	56510351	1	Cover
	25	56380449	1	1		63	56511178	1	Strap
	26	56407130	1	1	K3	64		2	Scr-Pan Phil Thd Form 10-24 x .38 <b>NOTE 1</b>
	[27]	56409485	2	2		65	56110423	1	Relay-SPST 12V 75A ( <b>K13 / Glow Plugs</b> ) <b>NOTE 1</b>
	28	56412089	1	1		66	56509624	1	Circuit Breaker 40A ( <b>CB11 / Glow Plugs</b> ) <b>NOTE 1</b>
	29	56412344	1	1		67	56510835	1	Bar-Elect Disconnect <b>NOTE 2</b>
	30	56482365	1	1	K2,K3	68		2	Scr-Pan Phil Loc 1/4-20 x 1.50 <b>NOTE 2</b>
	[31]	56493357	8	8	K1,K2,K3	69		4	Clamp-P
	32	56507906	1	1					
	33	56509172	1	1		[ ]	56510217	1	Harness-Glow Plug <b>NOTE 1</b>
	[34]	56509173	1	1		[ ]	56510932	1	Cable-4 AWG 23.7
	[34]	56510986	1	1					
	[35]	56383043	1	1					
	36	56509178	1	1		K1	56510784	1	Hardware Kit-Elect Sys Battery
	[37]	56509179	1	1		K2	56510780	1	Hardware Kit-Elect Sys LPG
	[38]	56509182	1	1		K3	56510782	1	Hardware Kit-Elect Sys Diesel
	[39]	56509184	1	1		K4	56510781	1	Battery Kit-Elect Sys LPG / Diesel

[ ] = Not Shown

**NOTE 1:** These items are only used on diesel models.

**NOTE 2:** These items are only used on LPG and diesel models.

**NOTE 3:** Quantity of 3 on battery models.

**NOTE 4:** Used on machines before serial number 1000048160.

**NOTE 5:** Used on machines after serial number 1000048159.

**NOTE 6:** Refer to instruction sheets 56090153, 56090154 and TSBFC2012-105 when installing the Control Board Kit for the Main PCB Box Assy.

**NOTE 7:** Speed Controller-Motor hardware used on machines after serial number 1000049108.

Refer to TSB-FC\_2012-106 for machines before serial number 1000049109.

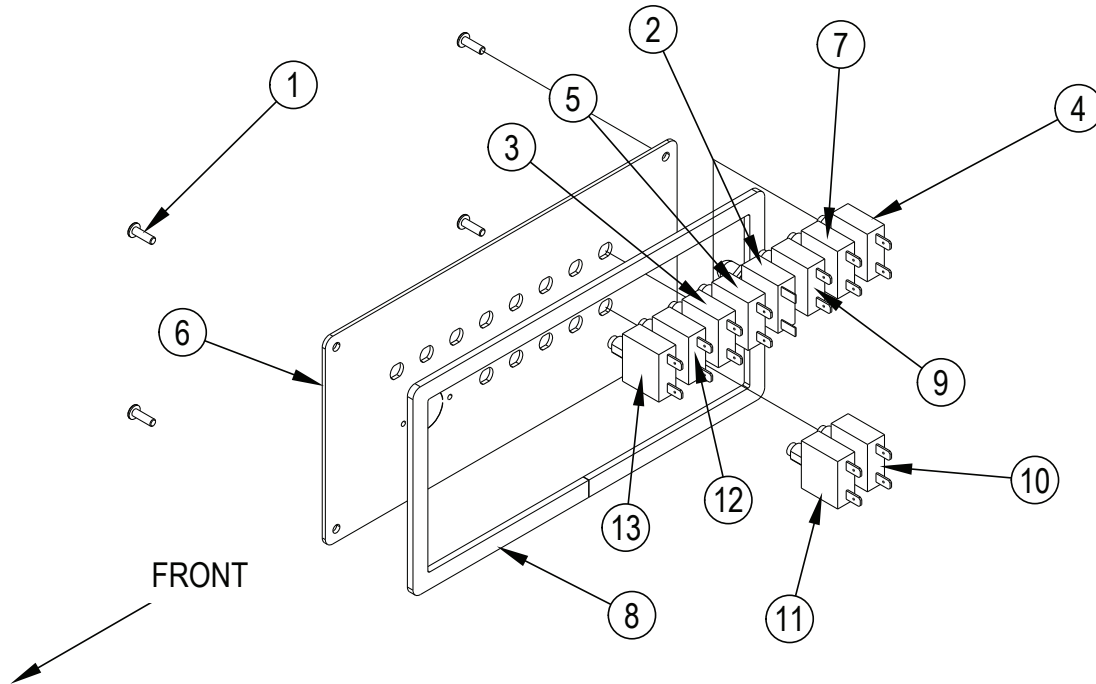
# ELECTRICAL SYSTEM-CIRCUIT BREAKER PANEL ASSY

11-3

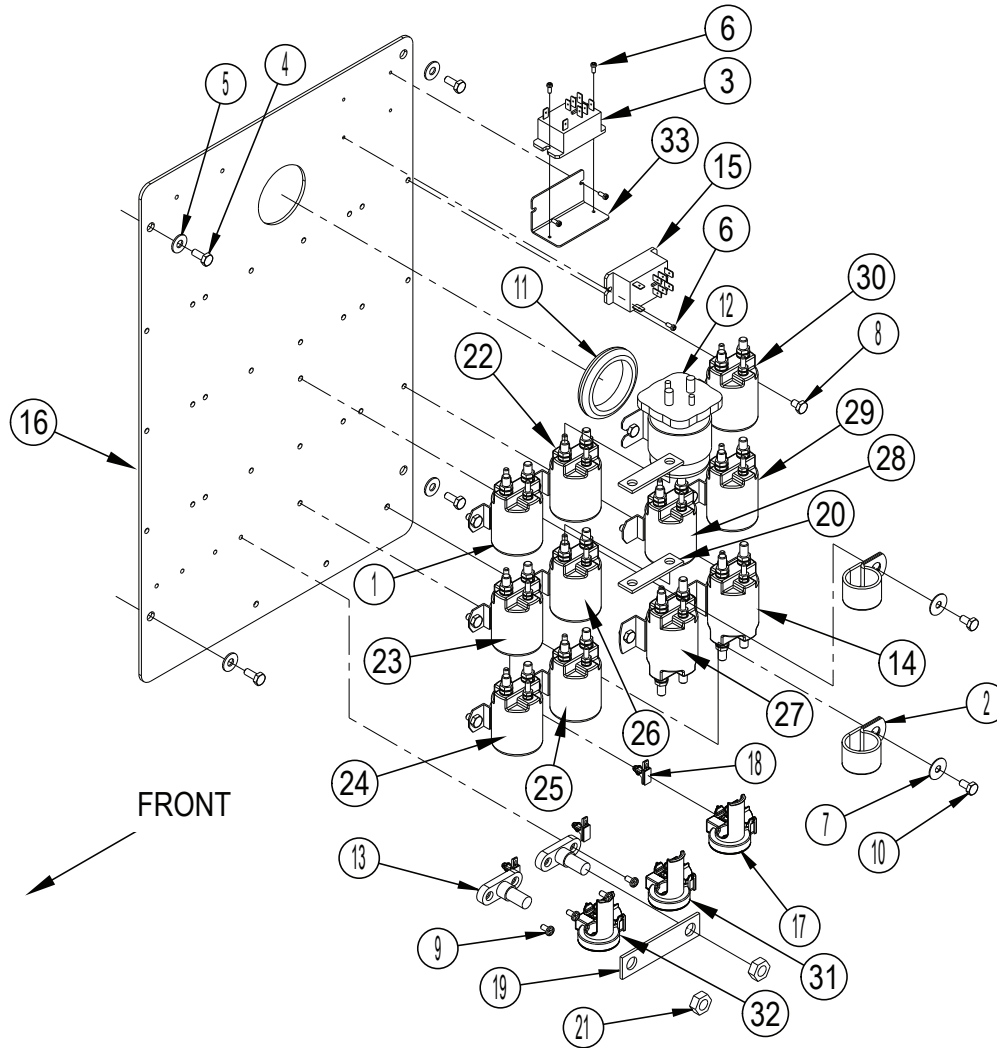
34

CS7000

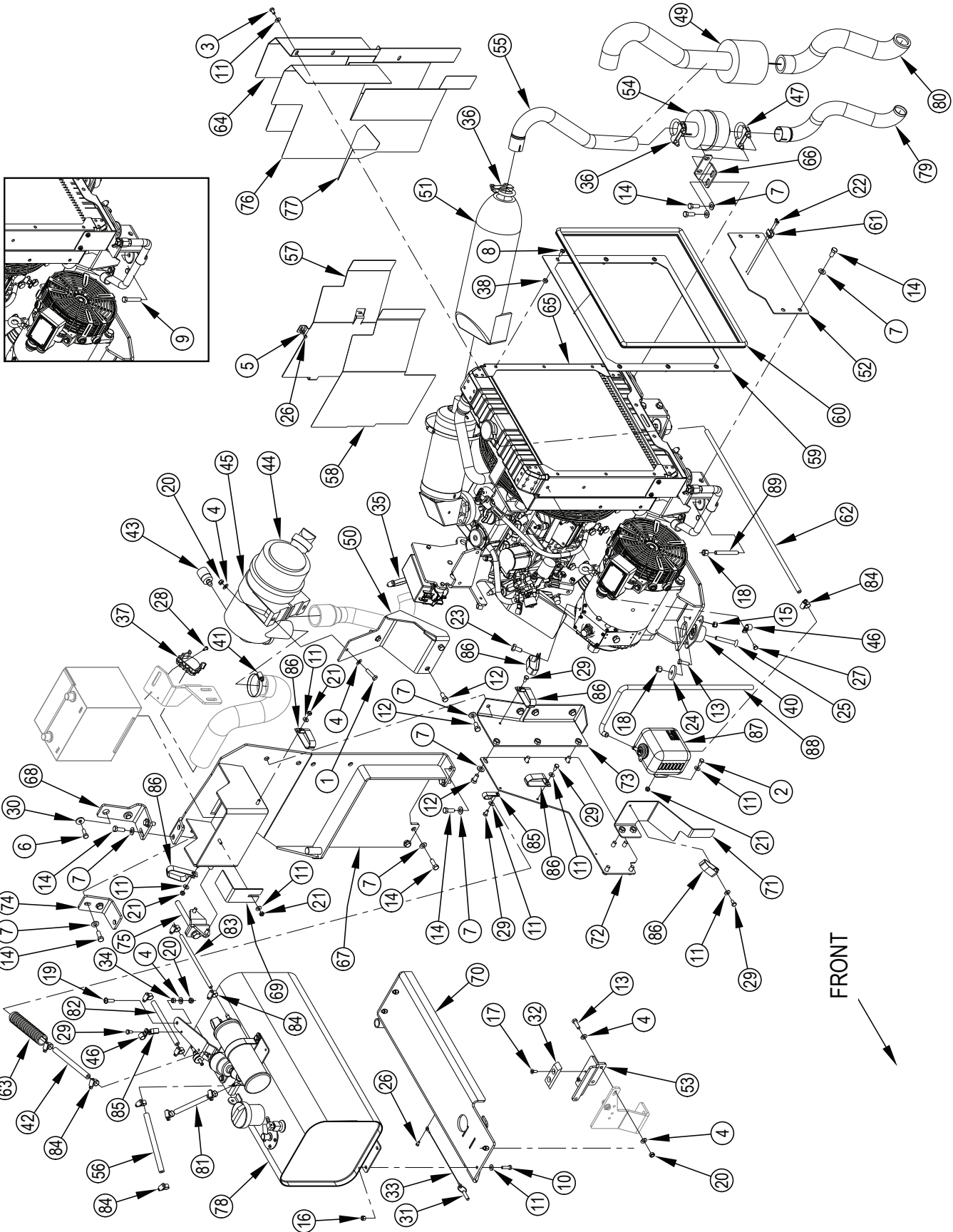
9-13



Kit	Item	Ref. No.	Qty	Description
	1	56003902	4	Scr-Truss Phil Ss Blk10-24x.50
	2	56315255	1	Circuit Breaker, 5 Amp (CB4 / Ignition)
	3	56413407	1	Circuit Breaker, 15 Amp (CB6 / VACC6)
	4	56413822	1	Circuit Breaker, 20 Amp (CB1 / VACC1)
	5	56507644	1	Circuit Breaker, 10 Amp (CB5 / Dust Control)
	6	56509548	1	Panel-Circuit Breaker
	7	56509623	1	Circuit Breaker-25 Amp (CB2 / VACC2)
	8	56510311	1	Gasket-Panel
	9	56509623	1	Circuit Breaker-25 Amp (CB3 / VACC3)
	10	56413407	1	Circuit Breaker, 15 Amp (CB9 / Engine System)
	11	56509623	1	Circuit Breaker-25 Amp (CB10 / Steering System)
	12	56509623	1	Circuit Breaker-25 Amp (CB7 / Side Broom)
	13	56509623	1	Circuit Breaker-25 Amp (CB8 / Hydraulic Pump)



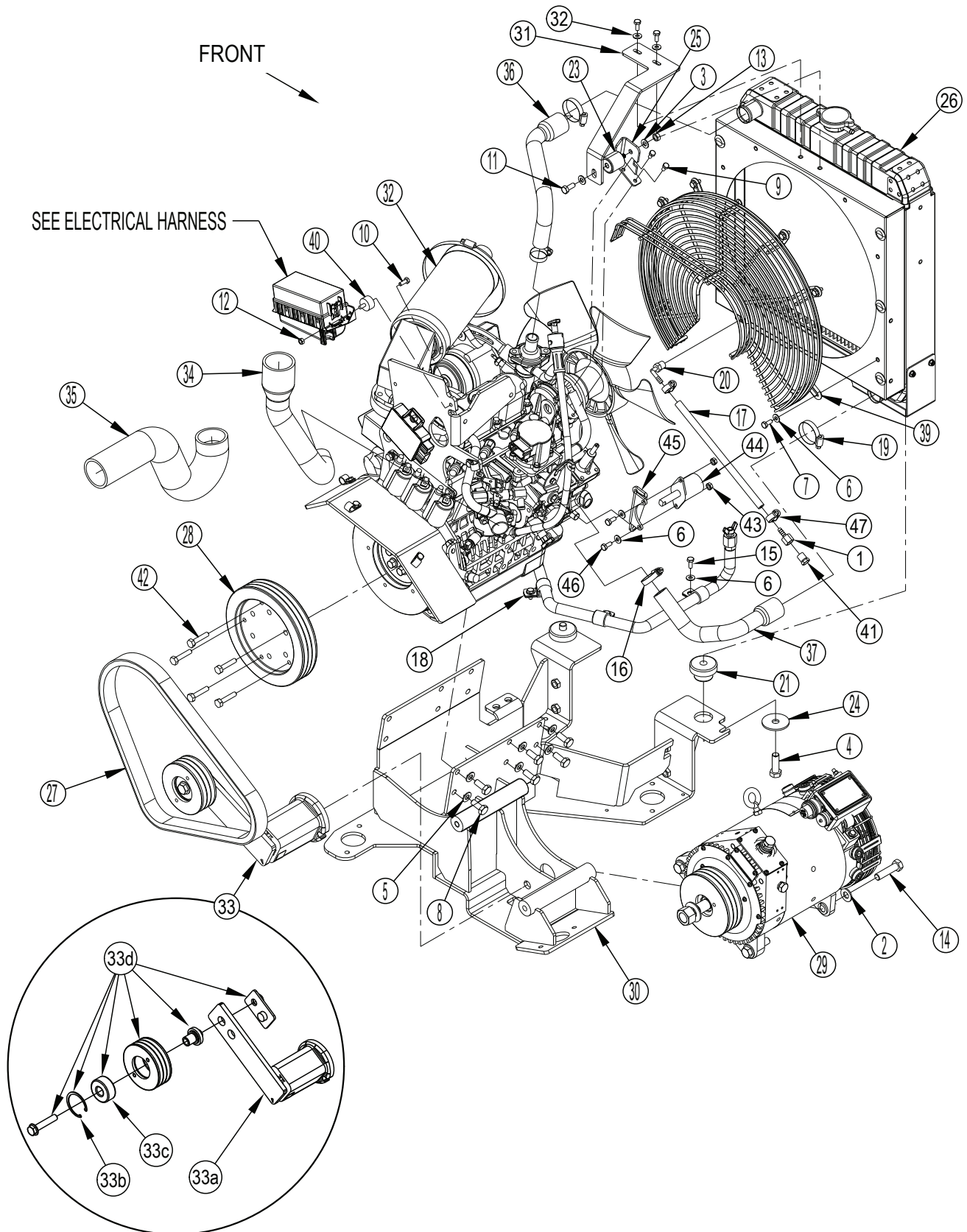
Kit	Item	Ref. No.	Qty	Description	Kit	Item	Ref. No.	Qty	Description
	1	56395450	1	Contactor 36v (K1 / Left Brush)		17	56510042	1	Sensor-Current (B1 / Brush)
	2	56409463	2	Clamp, 1.25 Hose Support		18	56510225	3	Clip-Delphi
	3	40892A	1	Relay,Dpdt 36VDC (K14 / Safety)		19	56510259	1	Bus Bar-Ground
	4	56001836	4	Scr, Hex 1/4-20 X .62		20	56510285	2	Bus Bar-Contactor
	5	56001906	4	Wsh, Flt Std 1/4		21	2-00-00591	2	1/2-20 Hex Jam Nut
	6	56002539	6	Scr, Pan Phil Thd Form 6-32 X .31		22	56395450	1	Contactor 36v (K2 / Center Brush)
	7	56003585	2	Wsh-Flt .281x.875x.036		23	56395450	1	Contactor 36v (K3 / Right Brush)
	8	56009019	24	Scr, Hex Thd Form 1/4-20 X .38		24	56395450	1	Contactor 36v (K5 / Vac Motors)
	9	56009030	4	Scr, Pan Phil Thd Form 10-24 X .38		25	56395450	1	Contactor 36v (K6 / Dust Control)
	10	56009033	2	Scr, Hex Thd Form 1/4-20 X .50		26	56395450	1	Contactor 36v (K4 / Main Broom)
	11	56262531	1	Grommet		27	56397250	1	Solenoid-Spdt 36v (K11 / Hydraulic Pump)
	12	56303198	1	Contactor 36v, Type 4 (K7 / Wheel Drive)		28	56395450	1	Contactor 36v (K9 / Aux)
	13	56303298	2	Stud Type Junction Block		29	56395450	1	Contactor 36v (K10 / Steering)
	14	56397250	1	Solenoid-Spdt 36v (K12 / Hydraulic Pump)		30	56395450	1	Contactor 36v (K8 / Side Brooms)
	15	40892A	1	Relay,Dpdt 36VDC (K15 / Aux)		31	56510042	1	Sensor-Current (B3 / Vac)
	16	56510041	1	Panel-Contactor		32	56510042	1	Sensor-Current (B2 / Broom)
						33	56510991	1	Bracket-Relay



Kit	Item	Ref. No.	Qty	Description	Kit	Item	Ref. No.	Qty	Description
K2	1		2	Scr-Hex 5/16-18 X 1.25		45	56482621	1	Band Assy
K2	2		2	Scr-Hex 1/4-20 X .62		46	56486112	2	Clamp-P
K2	3		3	Scr-Hex 1/4-20 X .50	K1	47		1	Clamp,Muffler 1.50
K2	4		9	Wsh, Flt Sae 5/16		49	56383070	1	Exhaust Blanket Kit-Lpg
K2	5		1	Wsh, Flt Sae #10		50	56510159	1	Air Cleaner Mnt Weldt
K2	6		2	Scr-Hex 5/16-18 X .88		51	56383069	1	Exhaust Blanket Kit-Lpg
K2	7		25	Wsh, Flt Sae 3/8		52	56510284	1	Plate-Guard
K2	8		6	Scr-Pan Phil 1/4-20 X .62		53	56510295	1	Mount Weldt
K2	9		3	Scr-Hex 3/8-16 X 2.00 <b>NOTE 1</b>		54	56510544	1	Silencer-Exhaust
K2	10		4	Scr-Hex 1/4-20 X 1.00		55	56510545	1	Exhaust Pipe-Lpg
K2	11		15	Wsh, Flt Sae 1/4		56	56306096	1	Hose Fuel
K2	12		13	Scr-Hex 3/8-16 X .75		57	56510652	1	Shield-Heat-Muffler
K2	13		10	Scr-Hex 5/16-18 X 1.00		58	56510714	1	Foam Insulation
K2	14		14	Scr-Hex 3/8-16 X 1.00		59	56510716	1	Mount-Radiator Seal
K2	15		8	Nut, Hex Nyl Loc 5/16-18		60	56510730	1	Trim-Seal
K2	16		4	Nut, Hex Nyl Loc 1/4-20		61	56510834	1	Clip-Spring 1/2
K2	17		2	Scr-Flt Phil 1/4-20 X .62		62	56510953	1	Hose-Black 1/4 Id X 25
K2	18		4	Nut-Hex Nyl Loc 3/8-16		63	56419452	1	Conduit
K2	19		1	Scr-Pan Phil 5/16-18 X 1.00		64	56511096	1	Shield-Heat Weldt
K2	20		5	Nut, Hex Nyl Loc-Thin 5/16-18		65		1	Petrol Engine Assy ( <b>See pages 38 and 39</b> )
K2	21		5	Nut, Hex Nyl Loc-Thin 1/4-20		66	56511117	1	Bracket-Muffler
K2	22		2	Scr-Pan Phil Ss 6-32 X .38		67	56511118	1	Fuel Tank Support Weldt
K2	23		1	Scr, Hex Thd To Hd M10-1.5 X 20mm		68	56511120	1	Bracket-Tank Support
K2	24		4	Wsh Flt Steel .406cv31c		69	56511122	1	Holddown-Battery
K2	25		1	Scr-Flt Soc Ss 3/8-16 X 2.50		70	56511128	1	Tank Pivot Weldt
K2	26		2	Scr, Hex Thd Form 10-24 X .38		71	56511141	1	Cable Guard Weldt
K2	27		1	Scr, Hex Thd Form 1/4-20 X .38		72	56511142	1	Plate-Tank Guard
K2	28		2	Scr, Pan Phil Thd Form 10-24 X .50		73	56511143	1	Guard Mnt Weldt
K2	29		5	Scr, Hex Thd Form 1/4-20 X .50		74	56511174	1	Bracket-Tank Pivot
K2	30		2	Wsh, Flt .344 X .938 X .125		75	56511199	1	Belt Removal Tool
	31	56050356	1	Pin Quickrlse--.312dia .625l		76	56511223	1	Panel-Insulation
	32	56110514	1	Skid		77	56511224	1	Panel-Insulation
	33	56314400	1	Wire Rope, 9 Inch		78		1	Tank Assy ( <b>See pages 42 and 43</b> )
	34	56320595	1	Bushing .32x.50x.28		79		1	Tailpipe-LPG
	35	56329145	1	Clamp- Hose Sae #24	K1	80		1	Blanket-Tailpipe Only LPG
	36	56343236	2	Clamp,Muffler 1.50	K1	81	56511248	1	Hose-Fuel Line
	37	56396199	1	Clamp, Plastic		82	56511249	1	Hose-Fuel Line
	38	56410057	6	Bushing, .26 Id X .50 Od		83	56511251	1	Hose-Fuel Line
	40	56419300	4	Mount, Isolator, Stiff		84	56756364	11	Clamp- Hose Sae #4
	41	56440213	2	Clamp- Hose Sae #32		85	2-00-04603	2	Clamp-Hose (Double) 1/2 O.D.
	42	56511254	1	Hose Fuel		86	2-00-05253	6	Clamp, 3/4" Wire, Double
	43	56478461	1	Indicator,Service		87	7-07-02002	1	Overflow Bottle Assy
	44	56482478	1	Cleaner, Air		88	7-33-02644	1	Hose, 1/4" Id X 28" Long, Clear
	[ ]	56482028	1	Filter Safety ( <b>for 56482478</b> )	K2	89		3	Stud-Double Ended <b>NOTE 2</b>
	[ ]	56482029	1	Filter Primary ( <b>for 56482478</b> )					
					K1	56510794		1	Tailpipe Kit-LPG
					K2	56510795		1	Hardware Kit-Engine System LPG

**NOTE 1:** Used on machines before serial number 1000051215

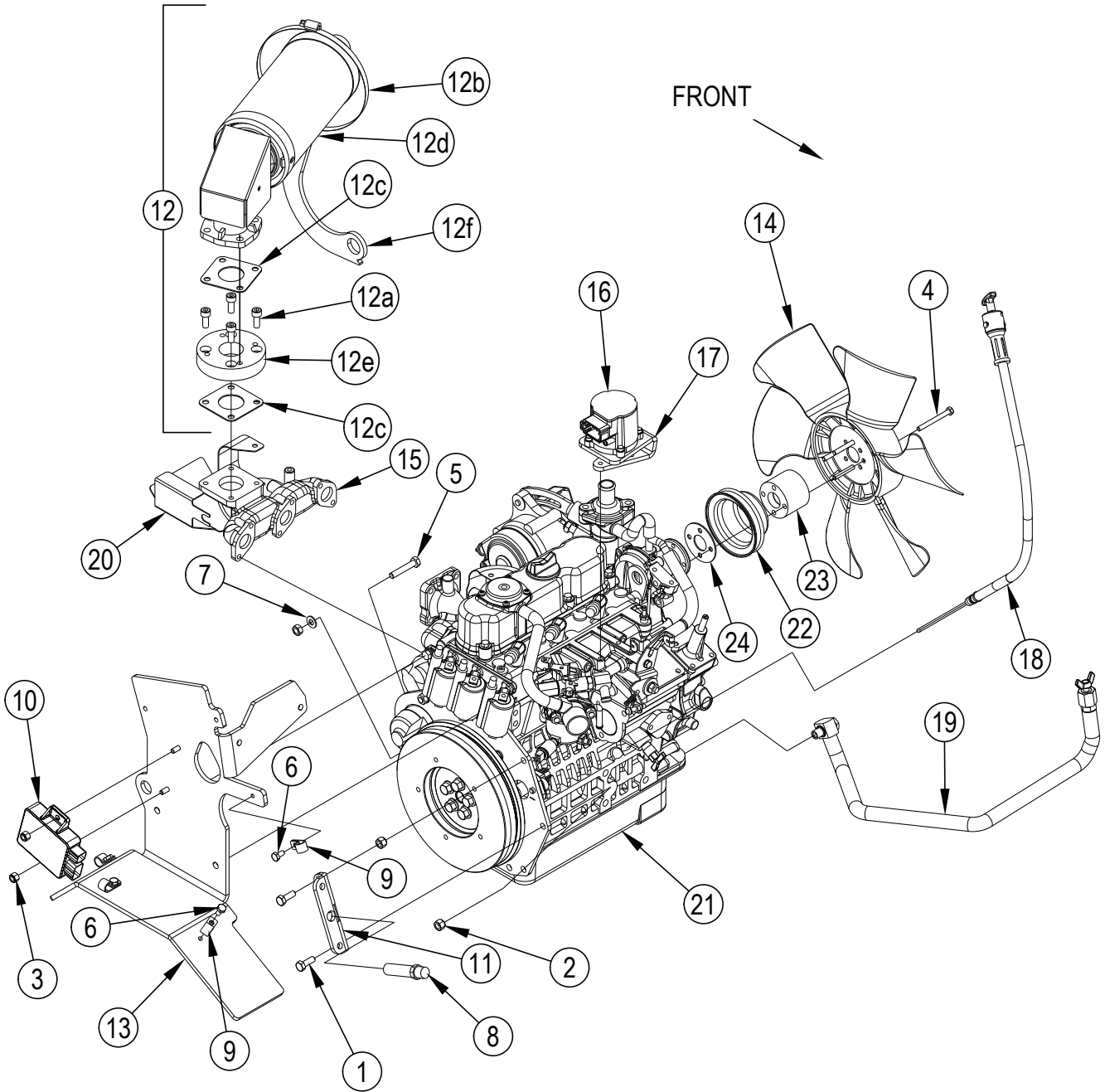
**NOTE 2:** Used on machines after serial number 1000051214





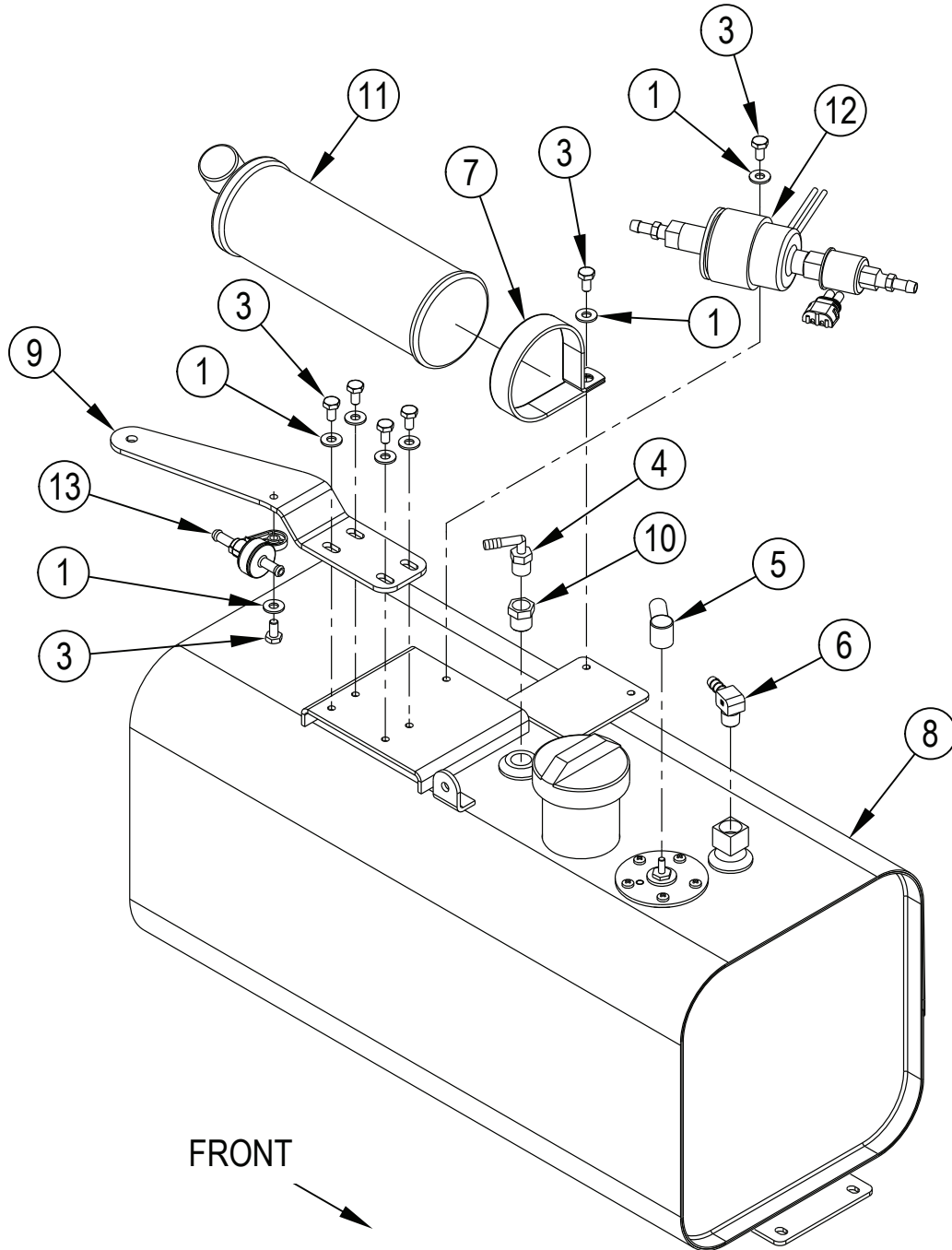
Kit	Item	Ref. No.	Qty	Description
	1	56756360	1	Barb,Hose Female
	2	56001879	3	Wsh-Flt Sae 1/2
	3	56001939	2	Wsh, Flt Sae 5/16
	4	56001968	2	Scr, Hex 1/2-13 X 1.50
	5	56009112	12	Wsh Int Shprf 3/8
	6	56002098	11	Wsh, Flt Sae 1/4
	7	56002922	8	Scr,Hex Hd Loc 1/4-20x.62
	8	56003019	12	Scr-Hex M10-1.25 X 25mm
	9	56003155	2	Scr-Hex M6-1 X 12mm
	10	56003174	2	Scr, Hex Thd To Hd M6-1 X 16mm
	11	56003179	1	Scr, Hex Thd To Hd M8-1.25 X 20mm
	12	56003350	2	Nut, Hex M6-1
	13	56003352	1	Nut, Hex M8-1.25
	14	56003740	3	Scr, Hex Thd To Hd 1/2-13 X 2.00
	15	56009250	3	Scr, Hex Thd Form 1/4-20 X .62
	16	56131601	2	Clamp- Hose Sae #16
	17	56510958	1	Hose-Coolant
	18	56412332	3	Clamp, Hose Support
	19	56413839	2	Clamp- Hose Sae #20
	20	56470138	1	Barb, 90 Elbow 1/4 X 1/4npt
	21	56478685	2	Mount, Rubber
[22]	56504531		1	Harness-Ignition-Df-Wg972
	23	56507372	1	Isolator-Engine
	24	56507448	2	Washer, Isolator Tail
	25		1	Bracket, Upper Radiator Iso Mount
	26	56509210	1	Radiator
	27	56509442	1	Belt-3vx X 45.0
	28	56509443	1	Sheave-3v X 8.00
	29	56509345	1	Alternator Assy <b>G1</b>
	[ ]	56509501	1	Sheave-3V x 5.00 (for 56509345)
	30	56509570	1	Eng/Alt Mnt Weldt
	31	56509809	1	Bracket-Radiator
	32		1	Petrol Engine Assy (See pages 40 and 41)
	33		1	Tensioner Assy
33a	56509923		1	Tensioner-Automatic (for Tensioner Assy)
33b	56003314		1	Ring Ret Int Type Ho 2.047 Dia (for Tensioner Assy)
33c	56509716		1	Bearing (for Tensioner Assy)
33d	56510854		1	Idler Pulley Kit (for Tensioner Assy)
	34	56510078	1	Hose-Air Cleaner
	35	56510090	1	Hose-Air Cleaner
	36	56510128	1	Hose-Radiator
	37	56510129	1	Hose-Radiator
[38]	56510369		1	Harness-Kubota Df972
	39	56510484	1	Fan Guard Assy-Lpg
	40	56510718	2	Isolator-Relay Box
	41	56740136	1	Plug, Pipe
	42	56003361	5	Scr Hex Hd M8 X 35.0
	43	56002561	2	Nut Hex W/SHRPF 1/4/20
	44	56511222	1	Solenoid-Choke
	45	56511221	1	Bracket-Choke Solenoid
	46	56001836	2	Scr Hex 1/4-20 X .62
	47	56756364	2	Clamp Hose Sae 4

[ ] = Not Shown



Kit	Item	Ref. No.	Qty	Description		Engine Replacement Parts
	1	56002037	2	Scr-Hex 5/16-18 X .88	[ ]	56508454 1 Thermostat Kit
	2	56002701	2	Nut, Hex Nyl Loc 5/16-18	[ ]	56510185 1 Governor-Controller
	3	56002708	2	Nut, Hex Nyl Loc 1/4-20	[ ]	56383566 1 Linkage Kit-Governor
	4	56003169	4	Scr-Hex M6-1 X 60mm	[ ]	56383567 1 Hardware Kit-Governor Mtg
	5	56003180	1	Scr, Hex Thd To Hd M8-1.25 X 25mm	[ ]	56510152 1 Harness-Engine Interface
	6	56009033	4	Scr, Hex Thd Form 1/4-20 X .50	[ ]	56510369 1 Harness-Kubota DF972
	7	56009052	1	Wsh, Int Shprf 5/16	[ ]	56504531 1 Harness-Ignition-DF-WG972
	8	56111319	1	Speed Sensor	[ ]	56508455 1 Plug Wire/Coil Kit <b>(3 Wires &amp; 3 Caps)</b>
	9	56486112	4	Clamp-P	[ ]	56380493 1 Spark Plug Wire Kit- Cyl #1
	10	56508445	1	Spark Controller	[ ]	56380494 1 Spark Plug Wire Kit- Cyl #2
	11	56509853	1	Bracket-Mag Pickup	[ ]	56380495 1 Spark Plug Wire Kit- Cyl #3
	12		1	Lpg Exhaust Assy	[ ]	56508456 3 Spark Plug
K1	12a		4	Scr-Soc Hd M8-1.25 X 20 Mm	[ ]	0775-295 1 Alternator W/Pulley <b>(40 Amp)</b>
	12b	56355488	1	Clamp- Hose Sae #96	[ ]	56383568 1 Voltage Regulator Kit-42v
K1	12c		2	Exhaust Gasket	[ ]	56508440 1 Starter Motor
	12d	56510163	1	Muffler-Cat	[ ]	56419091 1 Switch, Temp
	12e	56510166	1	Spacer-Exhaust	[ ]	56508457 1 Water Pump Assy
	12f	56510177	1	Bracket-Support	[ ]	56508458 1 Oil Filter Cartridge
	13	56509998	1	Coil Mount Weldt	[ ]	56510299 1 Dipstick-DF972
	14	56510140	1	Fan-Cooling	[ ]	56508459 1 Gasket, Exhaust <b>(Exhaust Manifold)</b>
	15	56510184	1	Manifold-Exhaust	[ ]	56419090 1 Oil Pressure Switch
	16	56510185	1	Governor-Controller	[ ]	56510163 1 Muffler-Cat
	17	56510186	1	Bracket-Governor Mnt	[ ]	56510629 1 Belt, Fan/Alternator
	18		1	Dipstick Assy	[ ]	56510128 1 Hose-Radiator <b>(Upper)</b>
	19	56510200	1	Remote Oil Drain Assy	[ ]	56510129 1 Hose-Radiator <b>(Lower)</b>
	20	56510349	1	Shield-Heat	[ ]	56510078 1 Hose-Air Cleaner <b>(Air Cleaner To Intake)</b>
	21	56510535	1	Engine-Kubota DF972 T3	[ ]	56510090 1 Hose-Air Cleaner <b>(Air Cleaner Inlet)</b>
	22	56510552	1	Pulley-Fan	[ ]	56504429 1 Relay-Engine Power
	23	56510553	1	Spacer-Fan	[ ]	56504518 1 Relay-Fuel Pump
	24	56510554	1	Spacer-Pulley	[ ]	50360A 1 Adapter, 1/8 Bspm X 1/8 Nptf
					[ ]	56510976 1 Gasket Set-Upper WG972
					[ ]	56510977 1 Gasket Set-Lower WG972
					[ ]	56510978 1 Bracket-Alternator Adj
					[ ]	56510979 1 Pulley-Crankshaft
					[ ]	56510980 1 Housing-Thermostat
					[ ]	56510981 1 Carburetor-WG972
					[ ]	56504527 1 Gasket-Valve Cover-DF972
					[ ]	56510971 1 Pulley-Alternator
					[ ]	56482028 1 Filter Safety
					[ ]	56482029 1 Filter Primary
					[ ]	56383025 1 Cap-Oil Fill
					[ ]	56508355 1 Fuel Pump Electronic
					[ ]	56511234 1 Evaporative Canister
					[ ]	56511244 1 Check Valve-Petrol Assy
					[ ]	56508354 1 Fuel Cap
					[ ]	56510613 1 Sender-Fuel Level
					[ ]	56510614 1 Tube-Fuel Withdrawl
K1	56510791		1	Exhaust Gasket Kit <b>(includes four Hex Head Bolts not shown)</b>		

[ ] = Not Shown



11-3

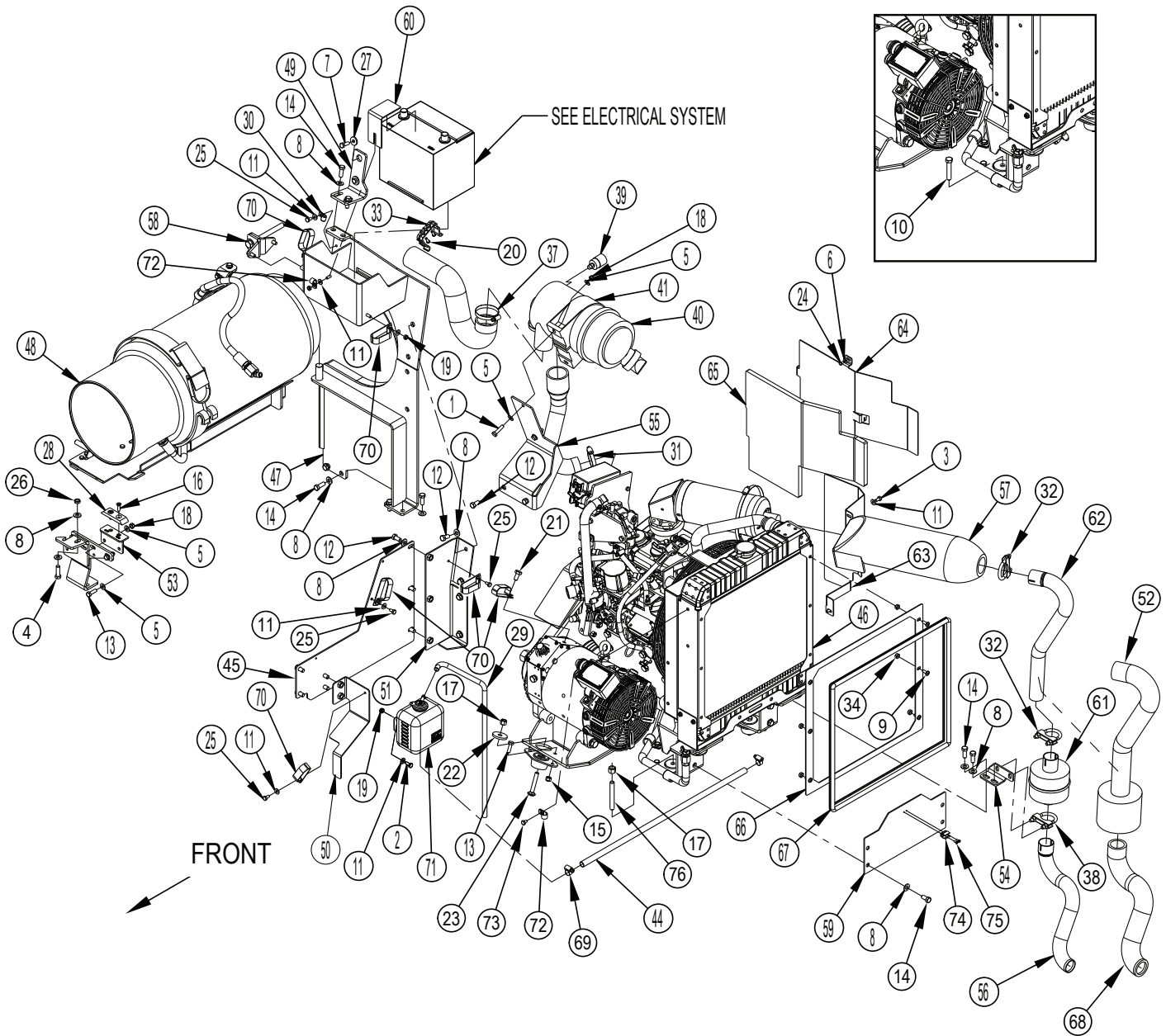
**GASOLINE-PETROL TANK ASSY**

6-13

**CS7000****43**

Kit	Item	Ref. No.	Qty	Description
	1	56002098	7	Wsh, Flt Sae 1/4
	3	56009033	7	Scr, Hex Thd Form 1/4-20 X .50
	4	56470138	1	Barb, 90 Elbow 1/4 X 1/4npt
	5	56492305	1	Boot, Rubber
	6	56510495	1	Barb-90 Elbow 5/16 X 1/4npt
	7	56511233	1	P-Clamp
	8	56511235	1	Fuel Tank Assembly
	9	56511247	1	Bracket-Tank Support
	10	56750363	1	Bushing, 3/8 Npt - 1/4 Npt
	11	56511234	1	Evaporative Canister
	12	56508355	1	Fuel Pump Electronic
	13	56511244	1	Check Valve-Petrol Assy
	[ ]	56508354	1	Fuel Cap
	[ ]	56510613	1	Sender-Fuel Level <b>S12</b>
	[ ]	56510614	1	Tube-Fuel Withdrawl

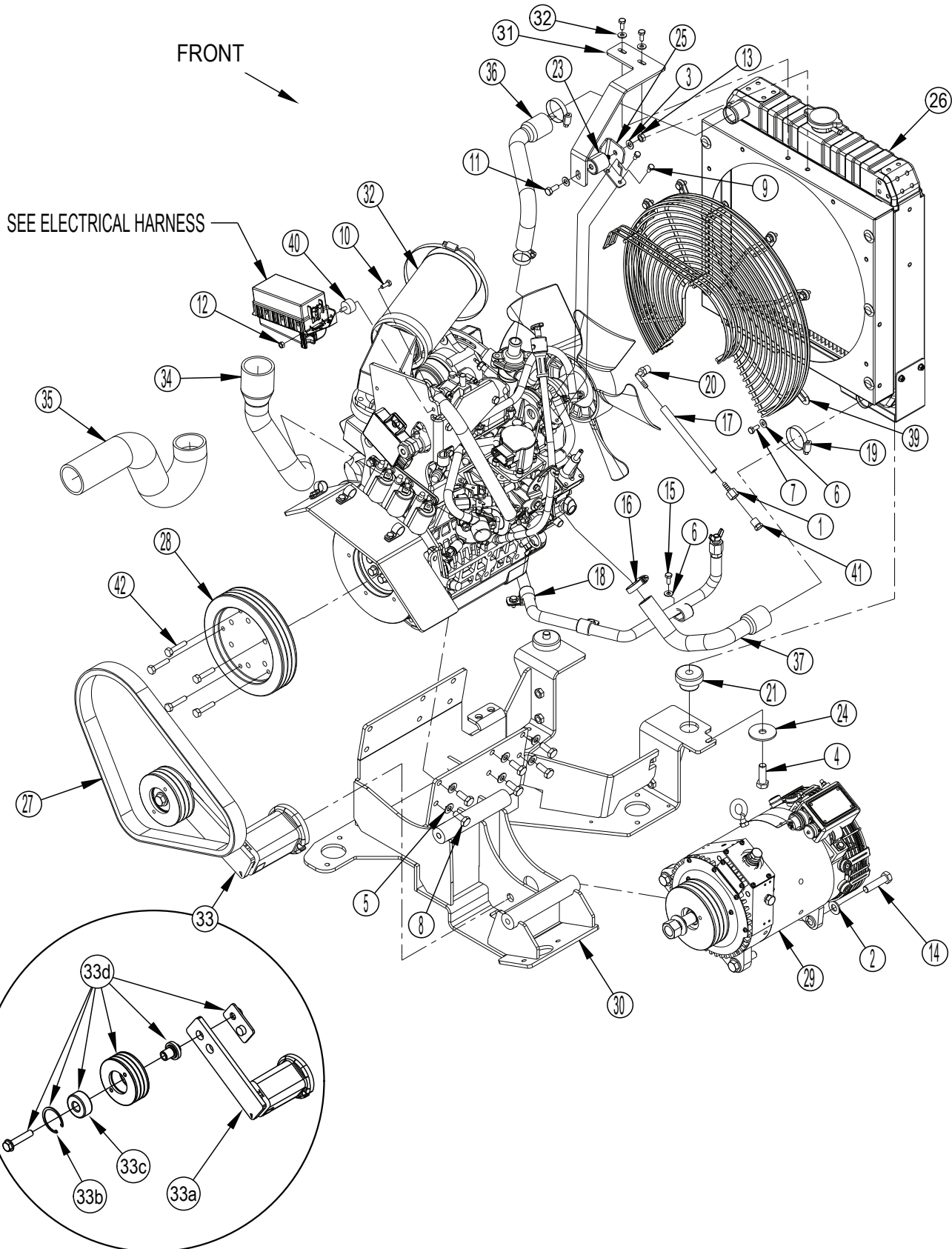
[ ] = Not Shown



Kit	Item	Ref. No.	Qty	Description	Kit	Item	Ref. No.	Qty	Description
K2	1		2	Scr, Hex 5/16-18 X 1.25		40	56482478	1	Cleaner, Air
K2	2		2	Scr, Hex 1/4-20 X .62		[ ]	56482028	1	Filter Safety (for 56482478)
K2	3		3	Scr, Hex 1/4-20 X .50		[ ]	56482029	1	Filter Primary (for 56482478)
K2	4		1	Scr, Hex 3/8-16 X 1.25		41	56482621	1	Band Assy
K2	5		8	Wsh, Flt Sae 5/16		44	56510953	1	Hose-Black 1/4 ID x 25
K2	6		1	Wsh, Flt Sae #10		45	56511142	1	Plate-Tank Guard
K2	7		2	Scr, Hex 5/16-18 X .88		46		1	Lpg Engine Assy (See pages 46 and 47)
K2	8		25	Wsh, Flt Sae 3/8		47	56509741	1	Cover Weldt
K2	9		6	Scr-Pan Phil 1/4-20 X .62		48		1	Lp Fuel Tank Assy (See pages 50 and 51)
K2	10		3	Scr, Hex 3/8-16 X 2.00 <b>NOTE 1</b>		49	56511120	1	Bracket-Tank Support
K2	11		11	Wsh, Flt Sae 1/4		50	56511141	1	Cable Guard Weldt
K2	12		13	Scr, Hex 3/8-16 X .75		51	56511143	1	Guard Mnt Weldt
K2	13		10	Scr, Hex 5/16-18 X 1.00		52	56383070	1	Exhaust Blanket Kit-Lpg
K2	14		12	Scr, Hex 3/8-16 X 1.00		53	56510098	1	Tank Mnt Weldt
K2	15		8	Nut, Hex Nyl Loc 5/16-18		54	56511117	1	Bracket-Muffler
K2	16		2	Scr, Flt Phil 1/4-20 X .88		55	56510159	1	Air Cleaner Mnt Weldt
K2	17		4	Nut-Hex Nyl Loc 3/8-16	K1	56		1	Tailpipe-Lpg
K2	18		4	Nut, Hex Nyl Loc-Thin 5/16-18		57	56383069	1	Exhaust Blanket Kit-Lpg
K2	19		5	Nut, Hex Nyl Loc-Thin 1/4-20		58	56511199	1	Belt Removal Tool
K2	20		2	Scr Panphil Thd Form 10-24x.50		59	56510284	1	Plate-Guard
K2	21		1	Scr, Hex Thd To Hd M10-1.5 X 20mm		60	56511122	1	Holddown-Battery
K2	22		4	Wsh-Flt .438 X 1.625 X .190		61	56510544	1	Silencer-Exhaust
K2	23		1	Scr-Carriage 3/8-16 X 2.50		62	56510545	1	Exhaust Pipe-Lpg
K2	24		1	Scr, Hex Thd Form 10-24 X .38		63	56510631	1	Shield-Heat
K2	25		4	Scr, Hex Thd Form 1/4-20 X .50		64	56510652	1	Shield-Heat-Muffler
K2	26		1	Nut-Hex Jam 3/8-16		65	56510714	1	Foam Insulation
K2	27		2	Wsh, Flt .344 X .938 X .125		66	56510716	1	Mount-Radiator Seal
	28	56110514	1	Skid		67	56510730	1	Trim-Seal
	29	7-33-02644	1	Hose, 1/4" Id X 28" Long, Clear	K1	68		1	Blanket-Tailpipe Only Lpg
	30	56323260	1	Clamp, Hose Support		69	56756364	1	Clamp- Hose Sae #4
	31	56329145	1	Clamp- Hose Sae #24		70	2-00-05253	6	Clamp, 3/4" Wire, Double
	32	56343236	2	Clamp,Muffler 1.50		71	7-07-02002	1	Overflow Bottle Assy
	33	56396199	1	Clamp, Plastic		72	56486112	2	Clamp P
	34	56410057	6	Bushing, .26 Id X .50 Od	K2	73		1	Scr Hex Thd Form 1/4-20x .38
	36	56419300	4	Mount, Isolator, Stiff		74	56510834	1	Clip-Spring 1/2
	37	56440213	2	Clamp- Hose Sae #32		75	56002909	2	Scr Pan Phil Ss 6-32 X .38
K1	38		1	Clamp,Muffler 1.50	K2	76		3	Stud-Double Ended <b>NOTE 2</b>
	39	56478461	1	Indicator,Service					
						K1	56510794	1	Tailpipe Kit-LPG
						K2	56510795	1	Hardware Kit-Engine System LPG

[ ] = Not Shown

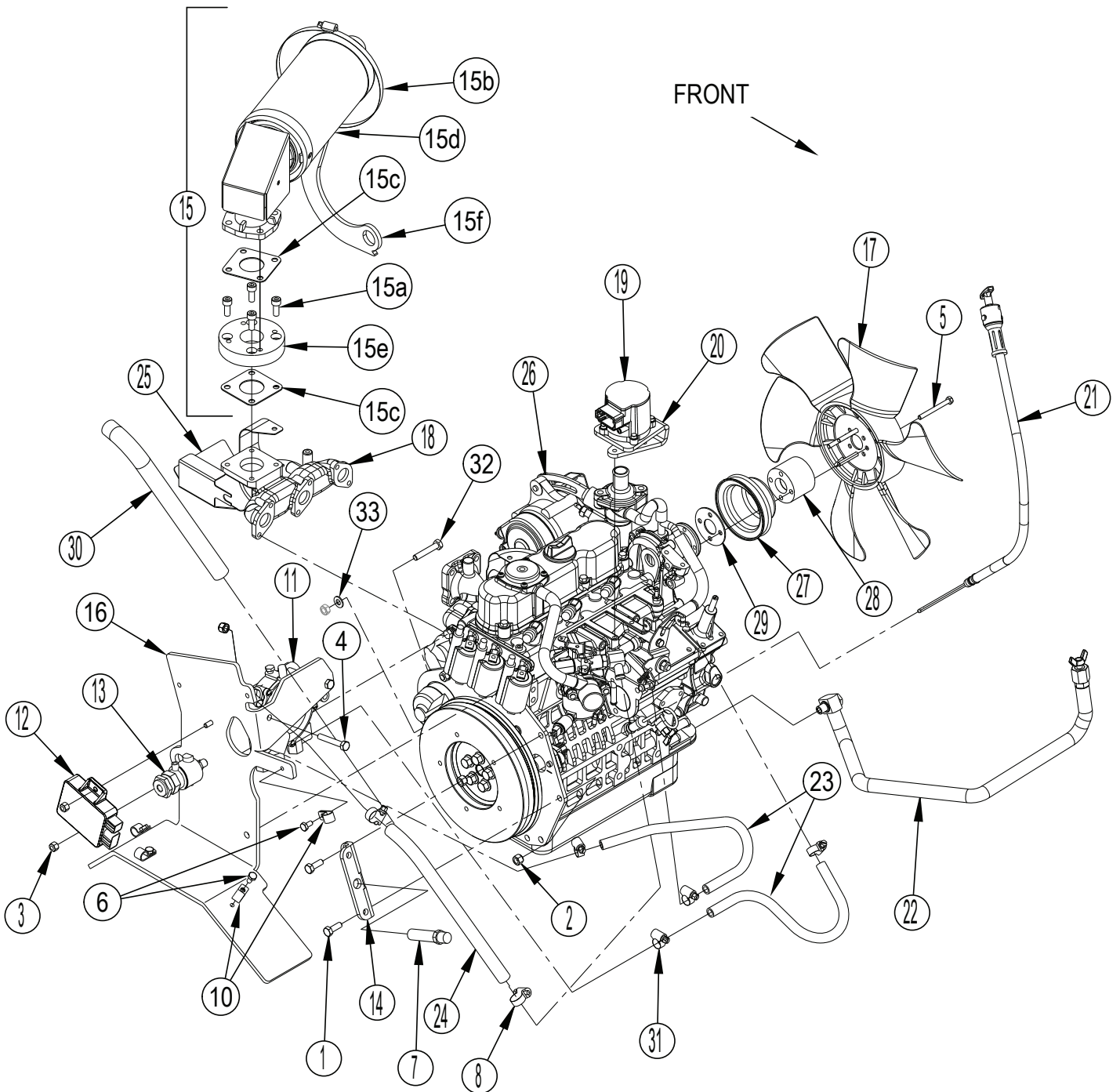
**NOTE 1:** Used on machines before serial number 1000051215**NOTE 2:** Used on machines after serial number 1000051214





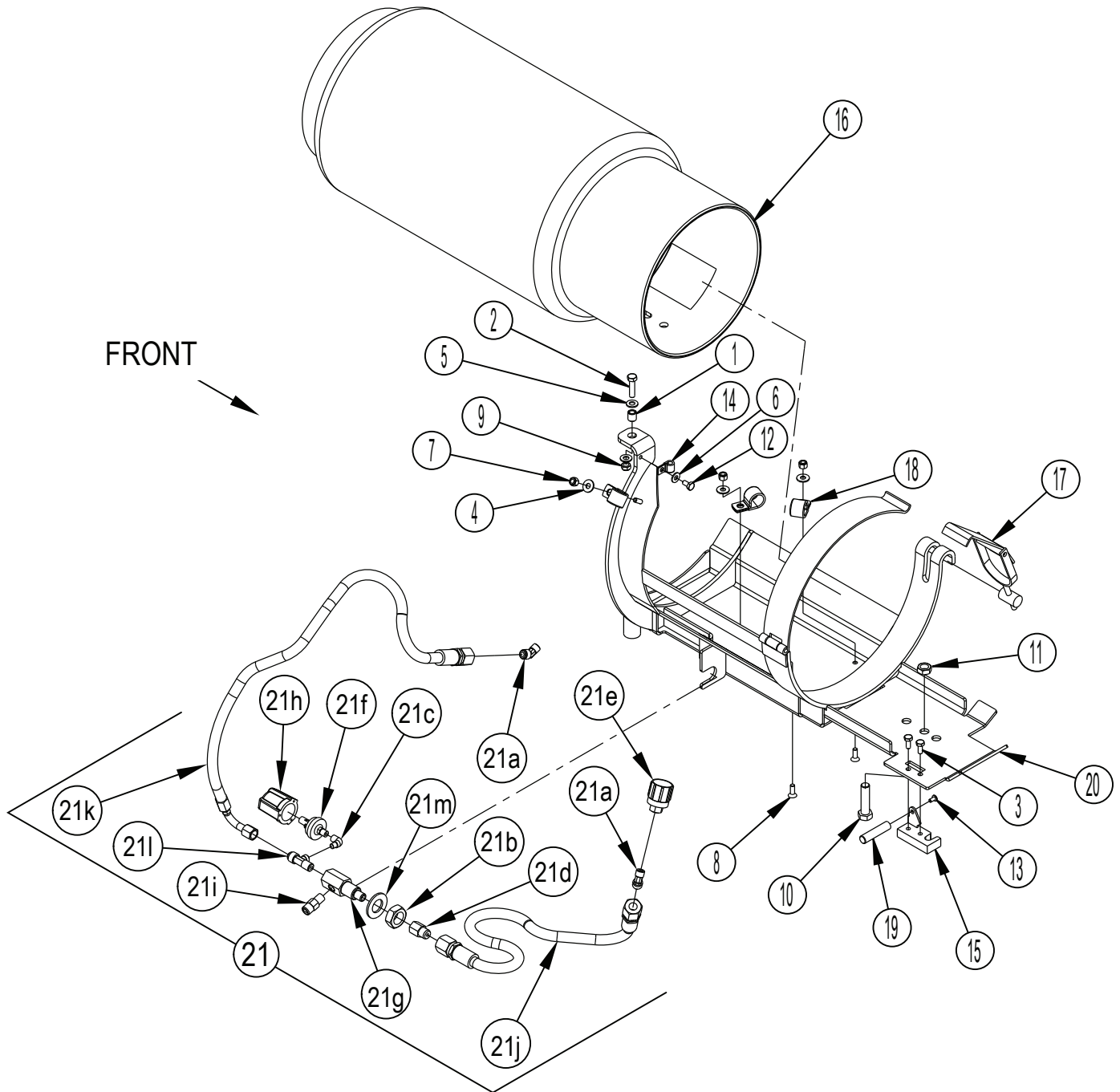
Kit	Item	Ref. No.	Qty	Description
	1	56756360	1	Barb,Hose Female
	2	56001879	3	Wsh-Flt Sae 1/2
	3	56001939	2	Wsh, Flt Sae 5/16
	4	56001968	2	Scr, Hex 1/2-13 X 1.50
	5	56002063	12	Wsh, Flt Sae 3/8
	6	56002098	11	Wsh, Flt Sae 1/4
	7	56002922	8	Scr,Hex Hd Loc 1/4-20x.62
	8	56003019	12	Scr-Hex M10-1.25 X 25mm
	9	56003155	2	Scr-Hex M6-1 X 12mm
	10	56003174	2	Scr, Hex Thd To Hd M6-1 X 16mm
	11	56003179	1	Scr, Hex Thd To Hd M8-1.25 X 20mm
	12	56003350	2	Nut, Hex M6-1
	13	56003352	1	Nut, Hex M8-1.25
	14	56003740	3	Scr, Hex Thd To Hd 1/2-13 X 2.00
	15	56009250	3	Scr, Hex Thd Form 1/4-20 X .62
	16	56244969	2	Clamp- Hose Sae #12
	17	56510958	1	Hose-Coolant
	18	56412332	3	Clamp, Hose Support
	19	56413839	2	Clamp- Hose Sae #20
	20	56470138	1	Barb, 90 Elbow 1/4 X 1/4npt
	21	56478685	2	Mount, Rubber
[22]	56504531	1	Harness-Ignition-Df-Wg972	
23	56507372	1	Isolator-Engine	
24	56507448	2	Washer, Isolator Tail	
25		1	Bracket, Upper Radiator Iso Mount	
26	56509210	1	Radiator	
27	56509442	1	Belt-3vx X 45.0	
28	56509443	1	Sheave-3v X 8.00	
29	56509345	1	Alternator Assy <b>G1</b>	
[ ]	56509501	1	Sheave-3V x 5.00 (for 56509345 in LPG)	
30	56509570	1	Eng/Alt Mnt Weldt	
31	56509809	1	Bracket-Radiator	
32		1	Lpg Engine Assy ( <b>See pages 48 and 49</b> )	
33		1	Tensioner Assy	
33a	56509923	1	Tensioner-Automatic (for Tensioner Assy)	
33b	56003314	1	Ring Ret Int Type Ho 2.047 Dia (for Tensioner Assy)	
33c	56509716	1	Bearing (for Tensioner Assy)	
33d	56510854	1	Idler Pulley Kit (for Tensioner Assy)	
34	56510078	1	Hose-Air Cleaner	
35	56510090	1	Hose-Air Cleaner	
36	56510128	1	Hose-Radiator	
37	56510129	1	Hose-Radiator	
[38]	56510369	1	Harness-Kubota Df972	
39	56510484	1	Fan Guard Assy-Lpg	
40	56510718	2	Isolator-Relay Box	
41	56740136	1	Plug, Pipe	
42	2-00-06532	5	Hhc, M8 X 1.25 X 40mm	

[ ] = Not Shown

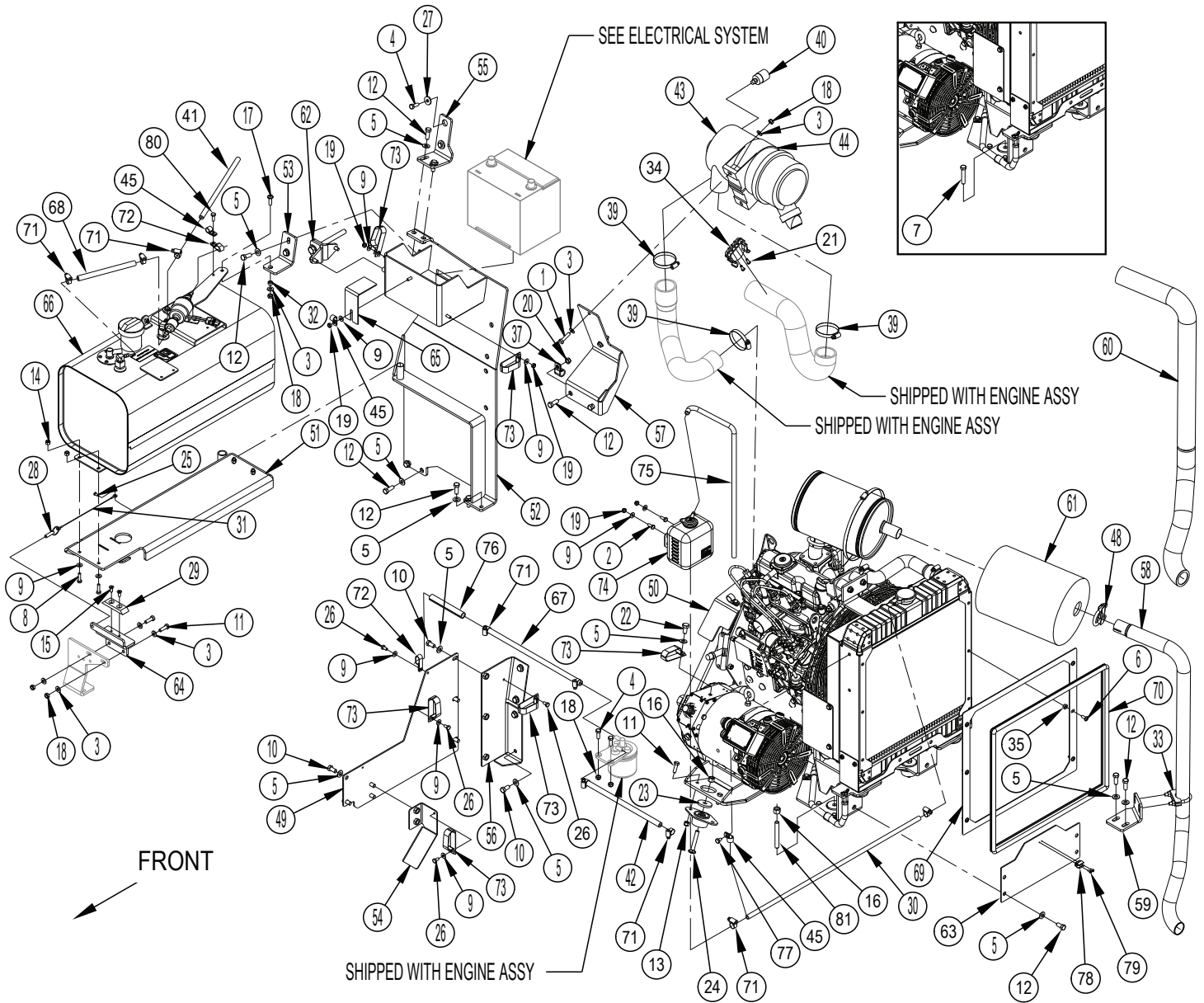


Kit	Item	Ref. No.	Qty	Description			Engine Replacement Parts
	1	56002037	2	Scr, Hex 5/16-18 X .88	56510535	1	Engine Lp (Ref)
	2	56002701	4	Nut, Hex Nyl Loc 5/16-18	56508454	1	Thermostat Kit
	3	56002708	2	Nut, Hex Nyl Loc 1/4-20	56510185	1	Governor-Controller
	4	56002721	2	Scr, Hex 5/16-18 X 2.00	56383566	1	Linkage Kit-Governor
	5	56003169	4	Scr-Hex M6-1 X 60mm	56383567	1	Hardware Kit-Governor Mtg
	6	56009033	4	Scr, Hex Thd Form 1/4-20 X .50	56510152	1	Harness-Engine Interface
	7	56111319	1	Speed Sensor	56510369	1	Harness-Kubota Df972
	8	56219932	2	Clamp- Hose Sae #6	56504531	1	Harness-Ignition-Df-Wg972
	10	56486112	4	Clamp-P	56508455	1	Plug Wire/Coil Kit (3 Wires & 3 Caps)
	11	56507725	1	Nikki Regulator Vaporizer Assembly	56380493	1	Spark Plug Wire Kit- Cyl #1
	12	56508445	1	Spark Controller	56380494	1	Spark Plug Wire Kit- Cyl #2
	13	56507994	1	Lp Lockoff	56380495	1	Spark Plug Wire Kit- Cyl #3
	14	56509853	1	Bracket-Mag Pickup	56508456	3	Spark Plug
	15		1	Lpg Exhaust Assy	56507994	1	Lp Lockoff (Includes Filter)
K1	15a		4	Scr-Soc Hd M8-1.25 X 20 Mm	0775-295	1	Alternator W/Pulley (40 Amp)
	15b	56355488	1	Clamp- Hose Sae #96	56383568	1	Voltage Regulator Kit-42v
K1	15c		2	Exhaust Gasket	56508440	1	Starter Motor
	15d	56510163	1	Muffler-Cat	56419091	1	Switch, Temp
	15e	56510166	1	Spacer-Exhaust	56508457	1	Water Pump Assy
	15f	56510177	1	Bracket-Support	56508458	1	Oil Filter Cartridge
	16	56509998	1	Coil Mount Weldt	56510299	1	Dipstick-Df972
	17	56510140	1	Fan-Cooling	56508459	1	Gasket, Exhaust (Exhaust Manifold)
	18	56510184	1	Manifold-Exhaust	56419090	1	Oil Pressure Switch
	19	56510185	1	Governor-Controller	56510163	1	Muffler-Cat
	20	56510186	1	Bracket-Governor Mnt	56510629	1	Belt, Fan/Alternator
	21		1	Dipstick Assy	56510128	1	Hose-Radiator (Upper)
	22	56510200	1	Remote Oil Drain Assy	56510129	1	Hose-Radiator (Lower)
	23	56510319	2	Hose-Vaporizer	56510078	1	Hose-Air Cleaner (Air Cleaner To Intake)
	24	56510320	1	Hose-Fuel	56510090	1	Hose-Air Cleaner (Air Cleaner Inlet)
	25	56510349	1	Shield-Heat	56504429	1	Relay-Engine Power
	26	56510535	1	Engine-Kubota Df972 T3	56504518	1	Releay-Fuel Pump-Gm (Used With 56504450)
	27	56510552	1	Pulley-Fan	50360a	1	Adapter, 1/8 Bspm X 1/8 Nptf
	28	56510553	1	Spacer-Fan	56504450	1	Kit, Lp Test
	29	56510554	1	Spacer-Pulley	56510976	1	Gasket Set-Upper Wg972
	30	56510558	1	Conduit-Fuel Hose	56510977	1	Gasket Set-Lower Wg972
	31	56756364	4	Clamp- Hose Sae #4	56510978	1	Bracket-Alternator Adj
	32	56003180	1	Scr Hex Thd/Hd M8-1.25x25mm	56510979	1	Pulley-Crankshaft
	33	56009052	1	Wsh Int Shprf 5/16	56510980	1	Housing-Thermostat
					56510981	1	Carburetor-Wg972
					56504527	1	Gasket-Valve Cover-Df972
					56510971	1	Pulley-Alternator
					56482028	1	Filter Saety
					56482029	1	Filter Primary
					56383025	1	Cap-Oil Fill
					K1 56510791	1	Exhaust Gasket Kit (includes four Hex Head Bolts not shown)

[ ] = Not Shown



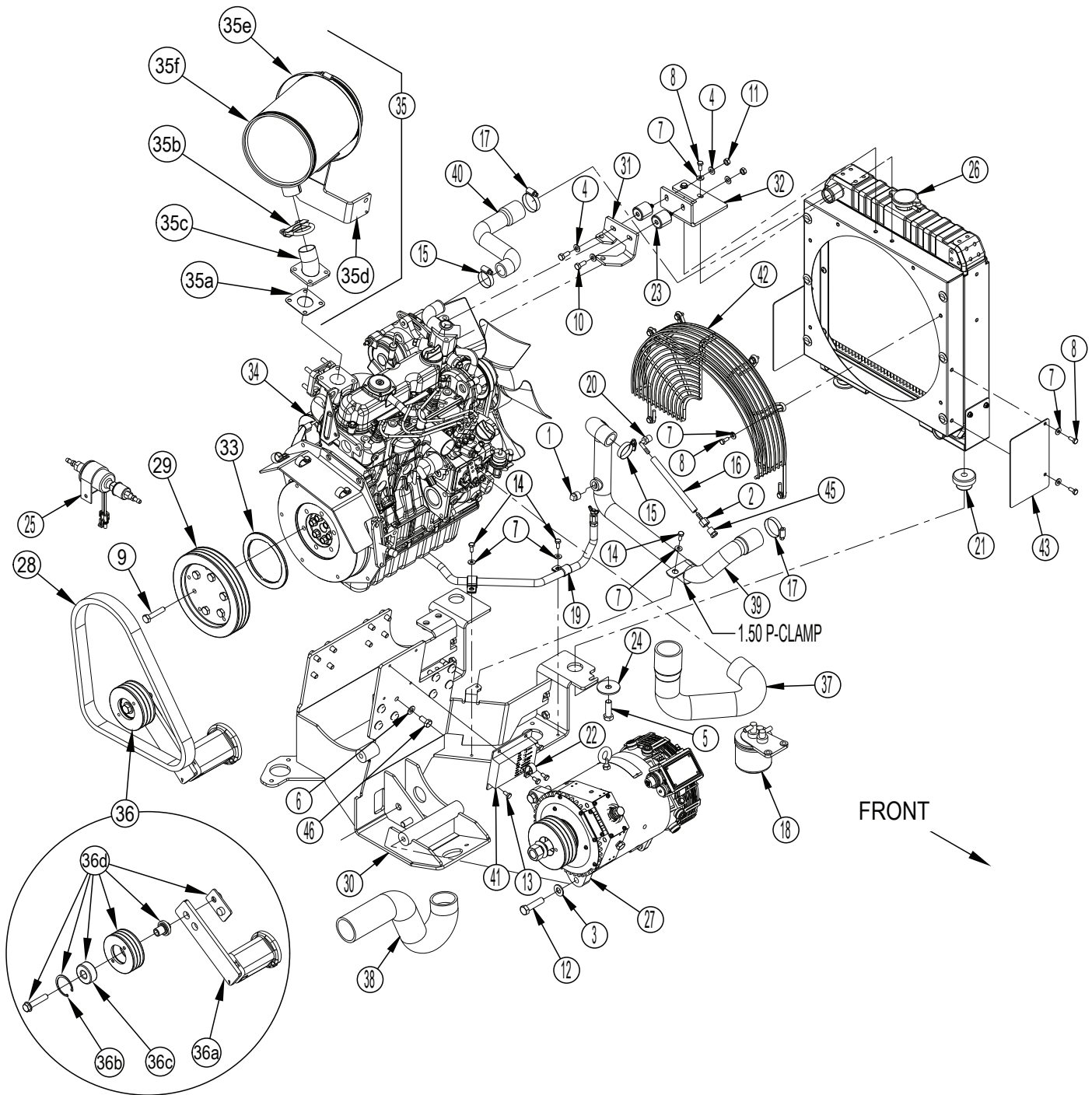
Kit	Item	Ref. No.	Qty	Description
K2	1		1	Bushing
K2	2		1	Scr, Hex 5/16-18 X 1.25
K2	3		2	Scr, Hex 1/4-20 X .62
K2	4		3	Wsh, Flt Std 1/4
K2	5		2	Wsh, Flt Sae 5/16
K2	6		1	Wsh, Flt Sae 1/4
K2	7		3	Nut, Hex Nyl Loc 1/4-20
K2	8		2	Scr, Flt Phil 1/4-20 X .75
K2	9		1	Nut, Hex Nyl Loc-Thin 5/16-18
K2	10		1	Scr, Hex Thd To Hd 1/2-13 X 2.00
K2	11		1	Nut, Hex Jam 1/2-13
K2	12		1	Scr, Hex Thd Form 1/4-20 X .50
K1,K2	13		1	Scr, Pan Phil Loc 10-24 X .38
	14	56323260	1	Clamp, Hose Support
K1	15		1	Latch, Rh
	16	56456590	1	L.P. Tank, 33lb.
	17	56481997	1	Toggle
	18	56496276	3	Clamp, Hose Support
K1	19		1	Pin
	20	56509746	1	Fuel Tank Mt Weldt-P
	21	56510095	1	LP Filter Assembly
	21a	56456598	2	Elbow,45 Male 45 Flared
	21b	56002615	1	Nut, Hex Jam 7/8-14
	21c	56111309	1	Elbow, 90 Street
	21d	56305505	1	Adapter-Sae 45 Deg.
	21e	56369675	1	Coupler-Female
	21f	56418381	1	Switch-N.C. Pressure <b>S11</b>
	21g	56418934	1	Fitting-Bulkhead
	21h	56419241	1	Dust Boot
	21i	56456624	1	Vent-1/4 Npt
	21j	56510298	1	Lpg Hose Assy
	21k	56510579	1	Lpg Hose Assy
	21l	56900921	1	Tee 1/4 Npt X 1/8 Npt X 3/8 Jic
	21m	56002228	1	Wsh Flt Sae 7/8
K1	56510798		1	Latch Kit-LPG Tank Assy
K2	56510799		1	Hardware Kit-LPG Tank Assy



Kit	Item	Ref. No.	Qty	Description	Kit	Item	Ref. No.	Qty	Description
K1	1		2	Scr, Hex 5/16-18 X 1.25	40		56478461	1	Indicator,Service
K1	2		2	Scr, Hex 1/4-20 X .62	41		56478488	1	Hose-Fuel
K1	3		9	Wsh, Flt Sae 5/16	42		56481686	1	Hose-Fuel Line
K1	4		4	Scr, Hex 5/16-18 X .88	43		56482478	1	Cleaner, Air
K1	5		25	Wsh, Flt Sae 3/8	[ ]		56482028	1	Filter Safety (for 56482478)
K1	6		6	Scr-Pan Phil 1/4-20 X .62	[ ]		56482029	1	Filter Primary (for 56482478)
K1	7		3	Scr, Hex 3/8-16 X 2.00 <b>NOTE 1</b>	44		56482621	1	Band Assy
K1	8		4	Scr, Hex 1/4-20 X 1.00	45		56486112	3	Clamp-P
K1	9		12	Wsh, Flt Sae 1/4	48		56508391	1	Clamp, Muffler
K1	10		11	Scr, Hex 3/8-16 X .75	49		56511142	1	Plate-Tank Guard
K1	11		10	Scr, Hex 5/16-18 X 1.00	50			1	Diesel Engine Assy (See pages 54 and 55)
K1	12		16	Scr, Hex 3/8-16 X 1.00	51		56511128	1	Tank Pivot Weldt
K1	13		8	Nut, Hex Nyl Loc 5/16-18	52		56511118	1	Fuel Tank Support Weldt
K1	14		4	Nut, Hex Nyl Loc 1/4-20	53		56511174	1	Bracket-Tank Pivot
K1	15		2	Scr, Flt Phil 1/4-20 X .62	54		56509986	1	Cable Bracket Weldt
K1	16		4	Nut-Hex Nyl Loc 3/8-16	55		56511120	1	Bracket-Tank Support
K1	17		1	Scr-Pan Phil 5/16-18 X 1.00	56		56511143	1	Guard Mnt Weldt
K1	18		7	Nut, Hex Nyl Loc-Thin 5/16-18	57		56510159	1	Air Cleaner Mnt Weldt
K1	19		5	Nut, Hex Nyl Loc-Thin 1/4-20	58		56510167	1	Tailpipe-Diesel
K1	20		1	Nut, Hex Nyl Loc-Thin 3/8-16	59		56510169	1	Bracket-Tailpipe
K1	21		2	Scr Panphil Thd Form 10-24x.50	60		56383071	1	Exhaust Blanket Kit-Diesel
K1	22		1	Scr, Hex Thd To Hd M10-1.5 X 20mm	61		56383072	1	Exhaust Blanket Kit-Diesel
K1	23		4	Wsh-Flt .438 X 1.625 X .190	62		56511199	1	Belt Removal Tool
K1	24		1	Scr-Carriage 3/8-16 X 2.50	63		56510284	1	Plate-Guard
K1	25		1	Scr, Hex Thd Form 10-24 X .38	64		56510295	1	Mount Weldt
K1	26		4	Scr, Hex Thd Form 1/4-20 X .50	65		56511122	1	Holddown-Battery
K1	27		2	Wsh, Flt .344 X .938 X .125	66		56510493	1	Tank-Diesel Assy (See pages 58 and 59)
	28	56050356	1	Pin Quickrlse-- .312dia .625l	67		56510628	1	Hose-Fuel
	29	56110514	1	Skid	68		56510630	1	Hose-Fuel
	30	56510953	1	Hose-Black 1/4 ID x 25	69		56510716	1	Mount-Radiator Seal
	31	56314400	1	Wire Rope, 9 Inch	70		56510730	1	Trim-Seal
	32	56320595	1	Bushing .32x.50x.28	71		56756364	8	Clamp- Hose Sae #4
	33	56343236	1	Clamp,Muffler 1.50	72		2-00-04603	2	Clamp double 1/2 Od
	34	56396199	1	Clamp, Plastic	73		2-00-05253	6	Clamp, 3/4" Wire, Double
	35	56410057	6	Bushing, .26 Id X .50 Od	74		7-07-02002	1	Overflow Bottle Assy
	37	56419120	1	Clamp, Hose Support	75		7-33-02644	1	Hose, 1/4" Id X 28" Long, Clear
	38	56419300	4	Mount, Isolator, Stiff	76		56510956	1	Conduit Hose .50
	39	56440213	3	Clamp- Hose Sae #32	K1	77		1	Scr Hex Thd Form 1/4-20x .38
						78	56510834	1	Clip-Spring 1/2
						79	56002909	2	Scr Pan Phil Ss 6-32 X .38
					K1	80		1	Scr Hex Thd Form 1/4-20x .75
					K1	81		3	Stud-Double Ended <b>NOTE 2</b>
					K1	56510797		1	Hardware Kit-Engine System Diesel

[ ] = Not Shown

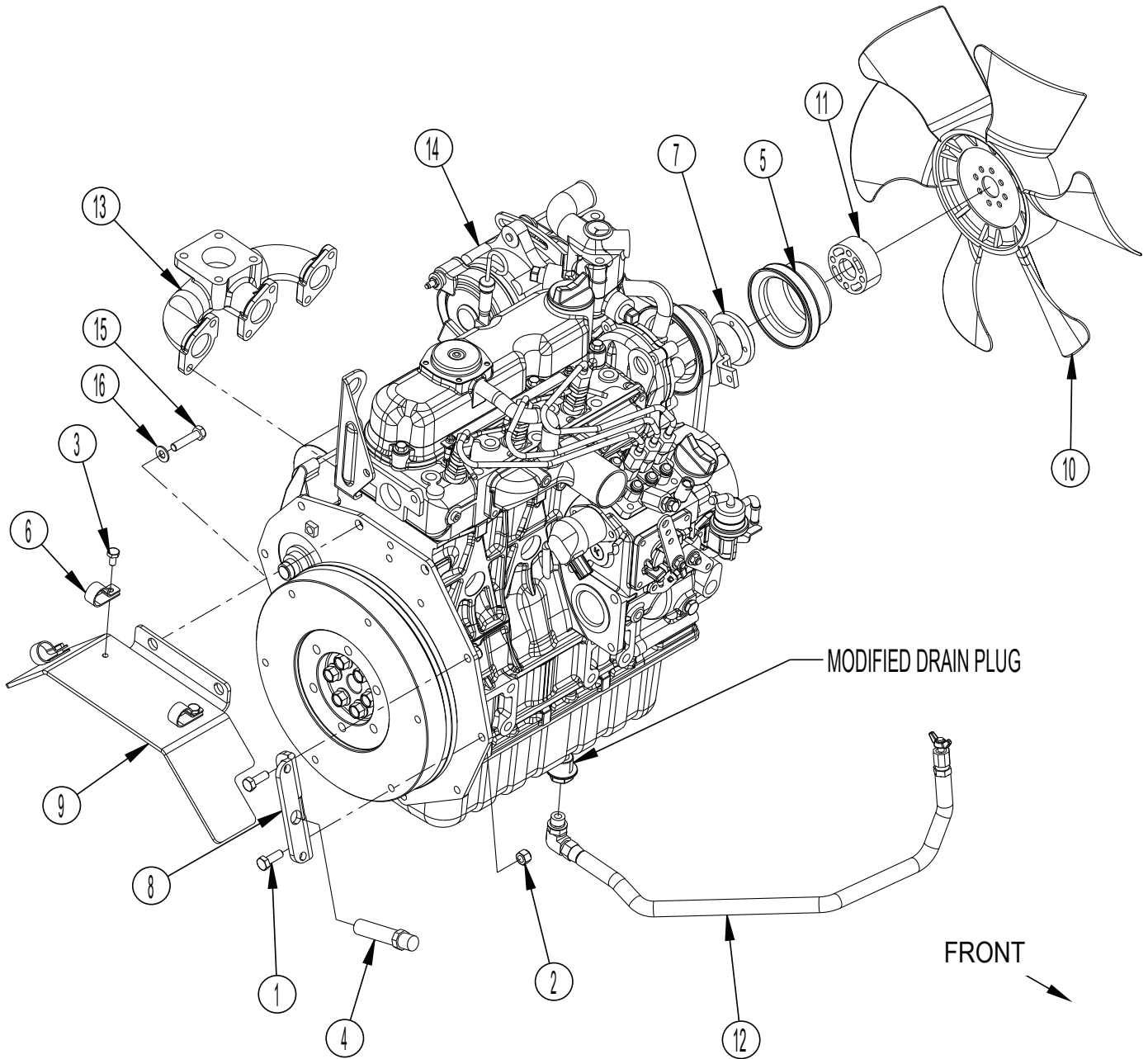
**NOTE 1:** Used on machines before serial number 1000051215**NOTE 2:** Used on machines after serial number 1000051214





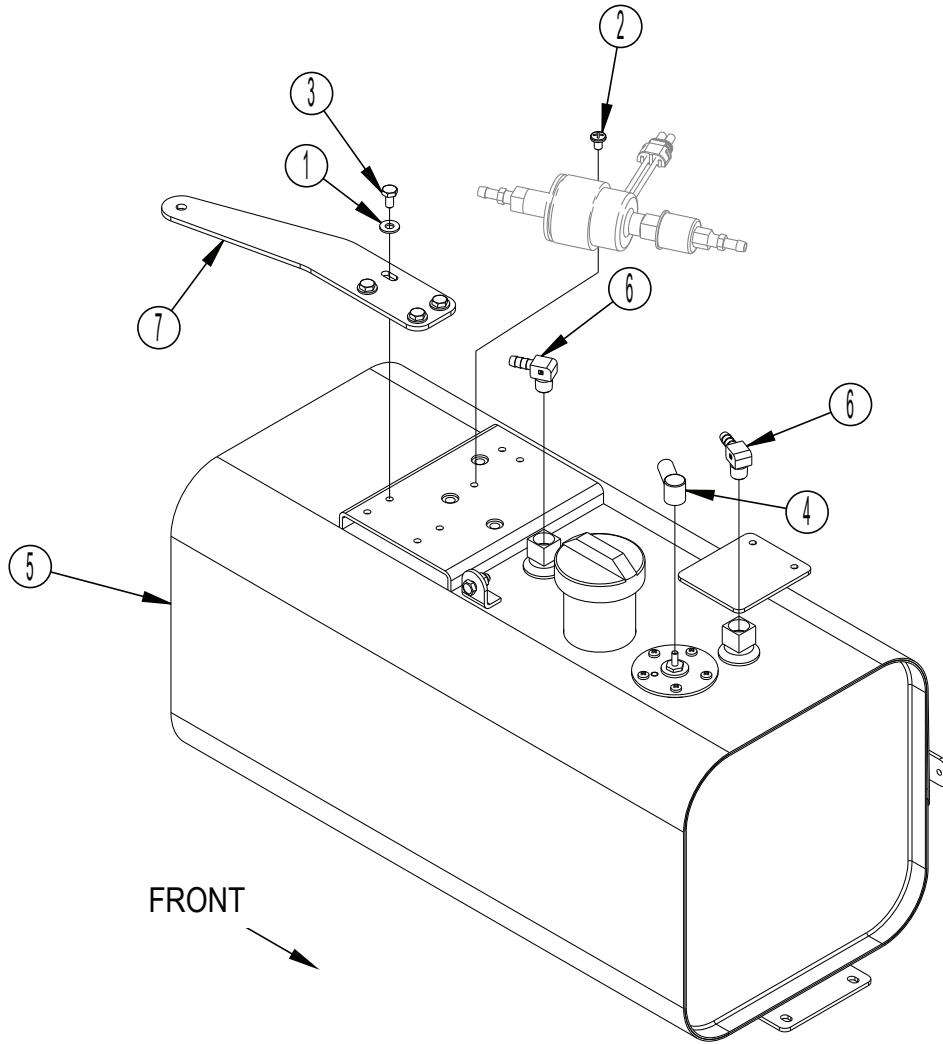
Kit	Item	Ref. No.	Qty	Description
	1	56744580	1	Plug, Npt 3/8 Brass
	2	56756360	1	Barb,Hose Female
	3	56001879	3	Wsh-Flt Sae 1/2
	4	56001939	4	Wsh, Flt Sae 5/16
	5	56001968	2	Scr, Hex 1/2-13 X 1.50
	6	56002063	16	Wsh, Flt Sae 3/8
	7	56002098	15	Wsh, Flt Sae 1/4
	8	56002922	12	Scr,Hex Hd Loc 1/4-20x.62
	9	56003021	6	Scr-Hex M10-1.25 X 50mm
	10	56003179	2	Scr, Hex Thd To Hd M8-1.25 X 20mm
	11	56003352	2	Nut, Hex M8-1.25
	12	56003740	3	Scr, Hex Thd To Hd 1/2-13 X 2.00
	13	56009033	4	Scr, Hex Thd Form 1/4-20 X .50
	14	56009250	3	Scr, Hex Thd Form 1/4-20 X .62
	15	56131601	2	Clamp- Hose Sae #16
	16	56510958	1	Hose-Coolant
	17	56413839	2	Clamp- Hose Sae #20
	18	56419054	1	Fuel Filter Kit
	19	56419120	2	Clamp, Hose Support
	20	56470138	1	Barb, 90 Elbow 1/4 X 1/4npt
	21	56478685	2	Mount, Rubber
	22	56486112	1	Clamp-P
	23	56507372	2	Isolator-Engine
	24	56507448	2	Washer, Isolator Tail
	25	56508355	1	Fuel Pump, Electronic
	26	56509210	1	Radiator
	27	56509345	1	Alternator Assy <b>G1</b>
	[ ]	56509441	1	Sheave-3V x 4.50 (for 56509345 in diesel)
	28	56509442	1	Belt-3vx X 45.0
	29	56509443	1	Sheave-3v X 8.00
	30	56509452	1	Eng/Alt Mnt Weldt
	31	56509510	1	Bracket-Diesel Radiator
	32	56509514	1	Bracket-Radiator
	33	56509740	1	Plate-Spacer
	34		1	Diesel Engine Assy ( <b>See pages 56 and 57</b> )
	35		1	Diesel Exhaust Assy
	35a	56419107	1	Exhaust Gasket
	35b	56456833	1	Clamp,Muffler 1.62
	35c	56510170	1	Exhaust Pipe Weldt
	35d	56510172	1	Muffler Support Weldt
	35e	56510206	1	Clamp- Hose Sae #128
	35f	7-49-00038	1	Muffler
	36		1	Tensioner Assy
	36a	56509923	1	Tensioner-Automatic (for Tensioner Assy)
	36b	56003314	1	Ring Ret Int Type Ho 2.047 Dia (for Tensioner Assy)
	36c	56509716	1	Bearing (for Tensioner Assy)
	36d	56510854	1	Idler Pulley Kit (for Tensioner Assy)
	37	56510077	1	Hose-Air Cleaner
	38	56510090	1	Hose-Air Cleaner
	39	56510126	1	Hose-Radiator
	40	56510127	1	Hose-Radiator
	41	56510350	1	Governor-Controller
	42	56510485	1	Fan Guard Assy-Diesel
	43	56510497	2	Guard-Plate
	[44]	56510600	1	Harness-Kubota Diesel
	45	56740136	1	Plug, Pipe
	46	2-00-05958	16	Hhc, M10 X 1.25 X 20mm

[ ] = Not Shown



Kit	Item	Ref. No.	Qty	Description
	1	56002037	2	Scr, Hex 5/16-18 X .88
	2	56002701	2	Nut, Hex Nyl Loc 5/16-18
	3	56009033	3	Scr, Hex Thd Form 1/4-20 X .50
	4	56111319	1	Speed Sensor
	5	56307249	1	Pulley, Fan (89mm)
	6	56486112	3	Clamp-P
	7	56504477	1	Kit, Low Fan Kub1505
	8	56509853	1	Bracket-Mag Pickup
	9	56509981	1	Plate-Guard
	10	56510140	1	Fan-Cooling
	11	56510149	1	Spacer-Fan
	12	56510205	1	Remote Oil Drain Assy
	13	56510207	1	Manifold-Exhaust
	14	56510208	1	Engine-Kubota D1305
	15	56003361	1	Scr Hex Hd M8 X 35.0
	16	56009052	1	Wsh Int Shprf 5/16
				<b>Engine Replacement Parts</b>
	[ ]	56510208	1	Engine-Kubota D1305
	[ ]	56510385	1	Alternator-40 Amp
	[ ]	56419086	1	Fuel Filter Cartridge
	[ ]	56482659	1	Oil Filter Cartridge
	[ ]	56419084	1	Alternator Belt
	[ ]	56419087	1	Fan Belt
	[ ]	56508454	1	Thermostat Kit
	[ ]	56419089	1	Starter Motor
	[ ]	56508444	1	Oil Pressure Switch
	[ ]	56419091	1	Temp Switch
	[ ]	56508490	1	Throttle/Shut Down Assembly
	[ ]	56510350	1	Governor-Controller
	[ ]	56510152	1	Harness-Engine Interface
	[ ]	56111319	1	Speed Sensor
	[ ]	56510126	1	Hose-Radiator (Lower)
	[ ]	56510127	1	Hose-Radiator (Upper)
	[ ]	56510205	1	Drain Hose Assy
	[ ]	56508355	1	Fuel Pump, Eletronic
	[ ]	56419307	1	Strainer, Fuel
	[ ]	56510077	1	Hose-Air Cleaner (Air Cleaner To Intake)
	[ ]	56510090	1	Hose-Air Cleaner (Air Cleaner Inlet)
	[ ]	56508354	1	Fuel Cap
	[ ]	56510613	1	Sender-Fuel Level
	[ ]	56510614	1	Tube-Fuel Withdrawl
	[ ]	56510615	1	Tube-Fuel Return
	[ ]	56510968	1	Gasket Set-Upper D1305
	[ ]	56510969	1	Gasket Set-Lower D1305
	[ ]	56510970	1	Water Pump-D1305
	[ ]	56510971	1	Pulley-Alternator
	[ ]	56510972	1	Bracket-Alternator Adj
	[ ]	56510973	1	Pulley-Crankshaft
	[ ]	56510974	1	Injection Pump-D1305
	[ ]	56510975	1	Glow Plug (3 required)
	[ ]	33019750	1	Kit-Holder Nozzle (Injector) (3 required)
	[ ]	56482028	1	Filter Saety
	[ ]	56482029	1	Filter Primary
	[ ]	56383025	1	Cap-Oil Fill

[ ] = Not Shown

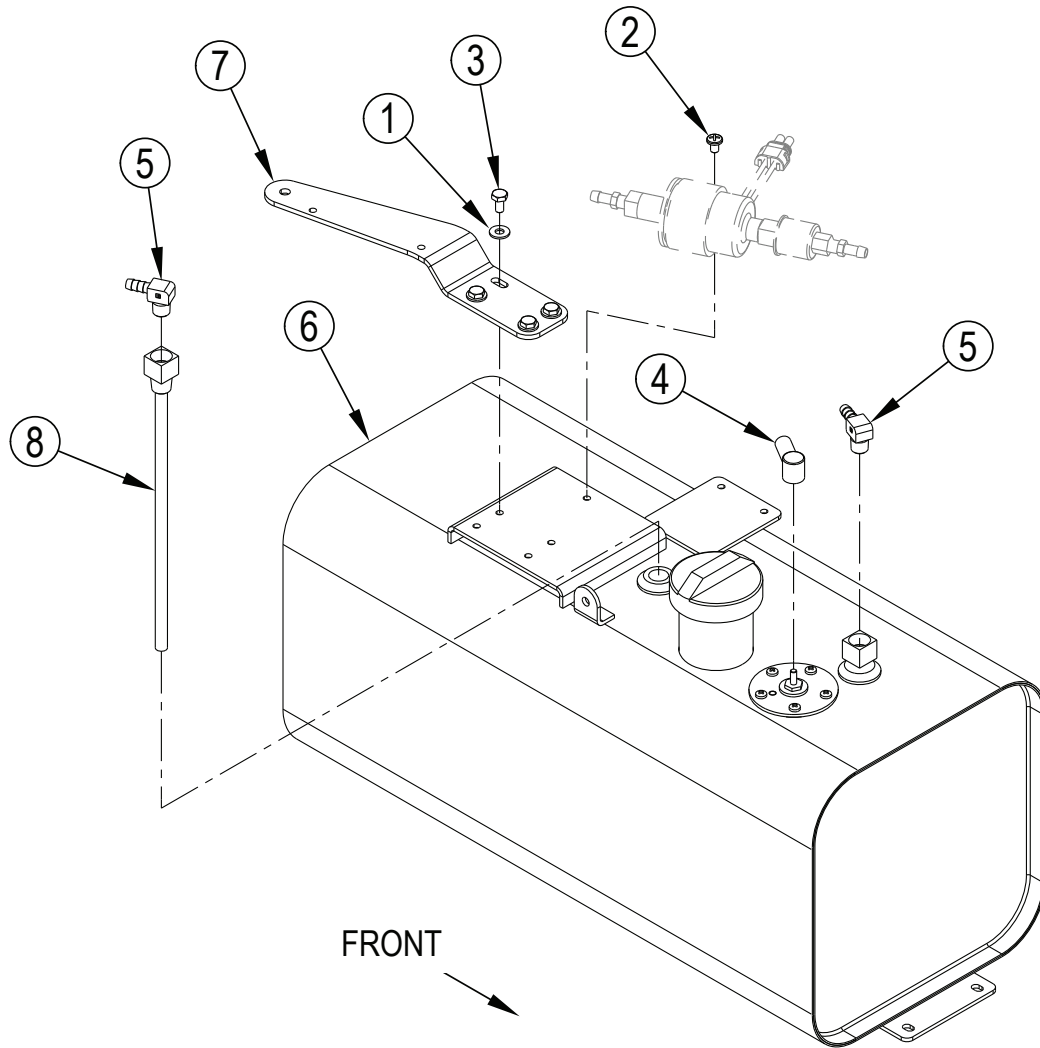


Item	Ref. No.	Qty	Description
1	56002098	4	Wsh, Flt Sae 1/4
2	56003603	1	Scr, Pan Phil Thd Form 1/4-20 X .38
3	56009033	4	Scr, Hex Thd Form 1/4-20 X .50
4	56492305	1	Boot, Rubber
5#		1	Fuel Tank Weldment <b>NOTE 1</b>
6	56510495	2	Barb-90 Elbow 5/16 X 1/4npt
7	56511167	1	Bracket-Tank Support
[]	56508354	1	Fuel Cap
[]	56510613	1	Sender-Fuel Level <b>S12</b>
[]	56510614	1	Tube-Fuel Fuel Withdraw
[]	56510615	1	Tube-Fuel Return

[] = Not Shown

# = Revised or new since last update

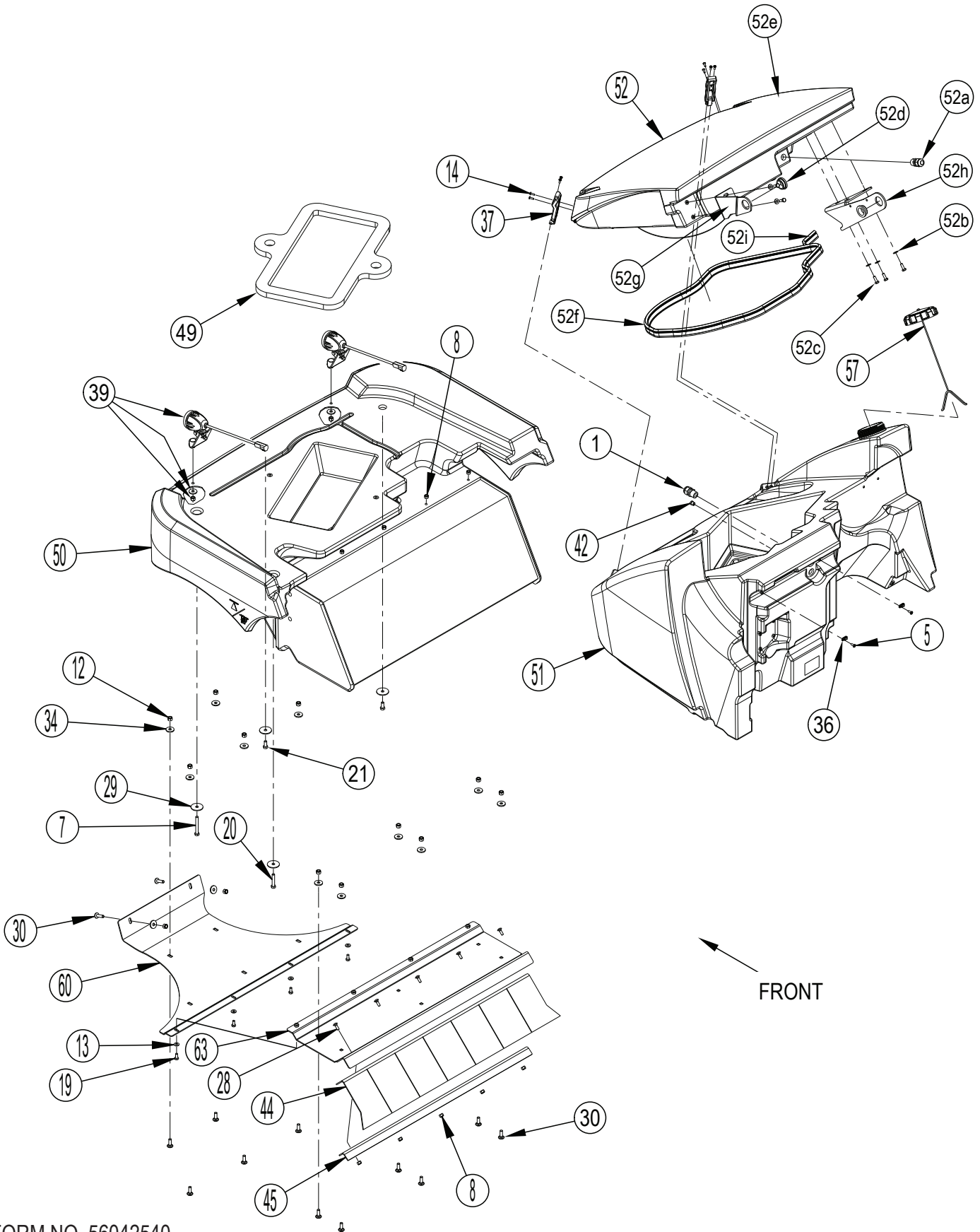
**NOTE 1:** The diesel fuel tank used prior to December 16, 2013 is no longer available. If you have a machine built prior to December 16, 2013 and need to replace your diesel fuel tank please order the entire fuel tank assembly 56510493.



Item	Ref. No.	Qty	Description
1#	56002098	4	Wsh, Flt Sae 1/4
2#	56003603	1	Scr, Pan Phil Thd Form 1/4-20 X .38
3#	56009033	4	Scr, Hex Thd Form 1/4-20 X0.5
4#	56492305	1	Boot, Rubber
5#	56510495	2	Barb-90 Elbow 5/16 X 1/4npt
6#	56511235	1	Fuel Tank Assembly
7#	56511247	1	Bracket-Tank Support
8#	56511256	1	Tube-Fuel Return
[ ]#	56508354	1	Fuel Cap
[ ]#	56511257	1	Sender-Fuel Level
[ ]#	56511255	1	Tube-Fuel Withdrawl

[ ] = Not Shown

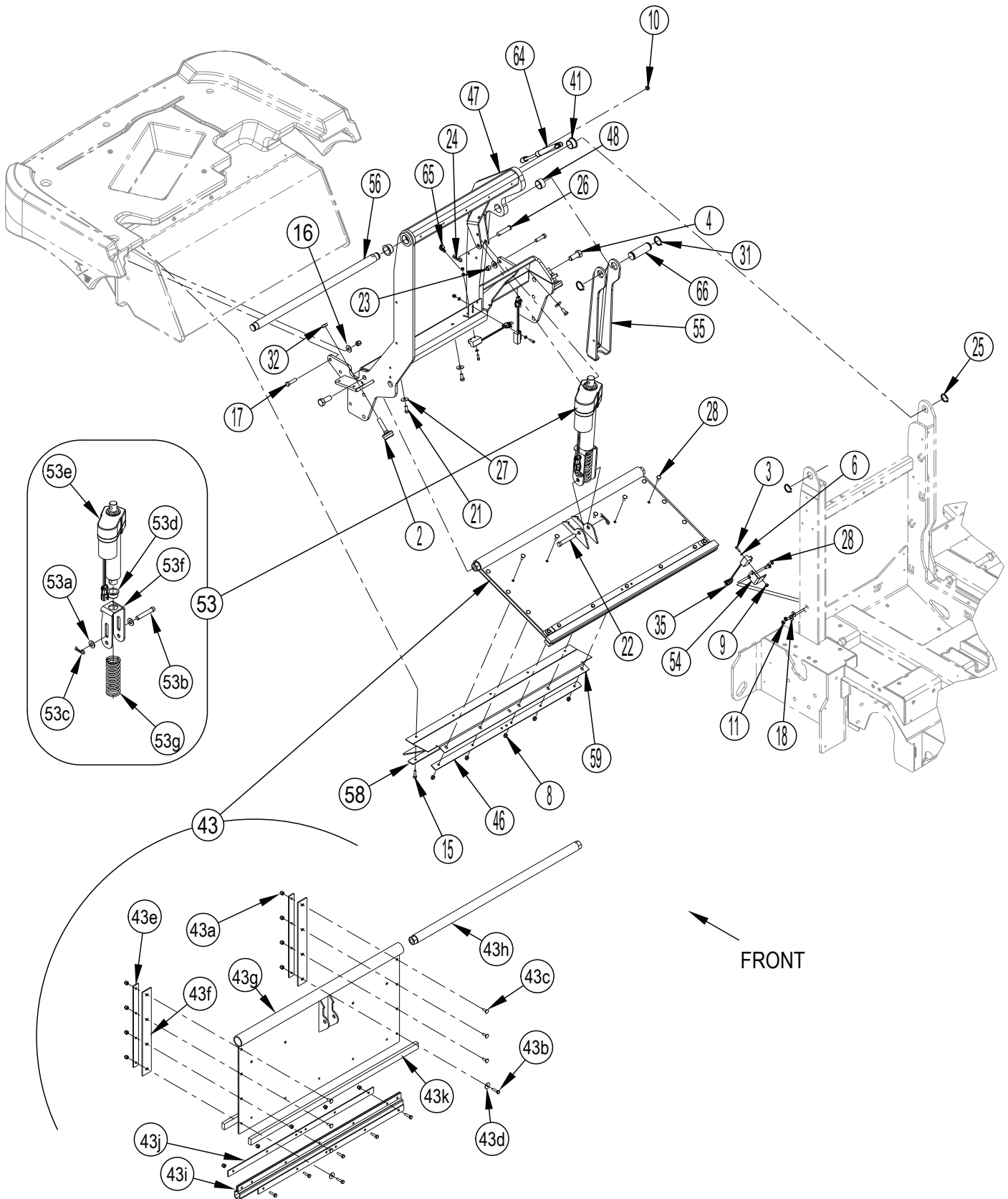
# = Revised or new since last update



Kit	Item	Ref. No.	Qty	Description	Kit	Item	Ref. No.	Qty	Description
	1	56323135	1	Strain Relief	K3	44		1	Flap-Hopper
	2	56449221	2	Bumper, 1.43 Dia	K3	45		1	Clamp-Hopper Flap
K4	3		3	Scr, Soc Hd 10-24 X 0.62	K5	46		1	Clamp-Hopper Door Bottom
K4	4		2	Scr, Hex 5/8-11 X 1.50		47	56509388	1	Hopper Lift Weldment
K4	5		2	Scr-Pan Phil 10-24 X .50		48	56509398	1	Bearing-Slv 1.125x1.281x0.750
K4	6		5	Wsh, Flt Sae #8		49	56509399	1	Seal-Hopper
K4	7		1	Scr, Hex 5/16-18 X 2.50		50	56509400	1	Hopper-Lower
K3	8		15	Nut, Hex Nyl Loc Ss 1/4-20		51	56509401	1	Hopper-Upper
K4	9		3	Nut, Hex Nyl Loc 10-24	K1	52		1	Hopper Cover Assy
K4	10		1	Nut, Hex Nyl Loc-Thin 5/16-18	K1	52a		1	Strain Relief
K4	11		2	Nut, Hex Nyl Loc-Thin Ss 1/4-20	K1	52b		5	Wsh, Flt Sae 1/4
K2	12		13	Nut, Hex Nyl Loc Ss 5/16-18	K1	52c		5	Scr, Hex 1/4-20 X .75
K2	13		4	Wsh-Flt Sae Ss 1/4	K1	52d		2	Bearing, Fl 1 Id X 1-1/4 Od X 1/2 L
K1,K4	14		8	Scr, Pan Phil Ss 8-32 X .50	K1	52e		1	Cover-Hopper
	15	56002883	5	Scr- Hex Ss 1/4-20 X 1.00	K1	52f		1	Seal - Hopper Cover
K4	16		2	Wsh, Flt Std Ss 3/8	K1	52g		1	Hinge-Hopper Cover Lt
K4	17		4	Scr- Hex Ss 3/8-16 X 1.50	K1	52h		1	Hinge-Hopper Cover Rt
K4	18		2	Wsh, Flt Std Ss 1/4	K1	52i		1	Seal-Hopper Cover
K2	19		4	Scr-Hex Loc Ss 1/4-20 X .62		53	56509413	1	Dump Door Actuator Assy
K4	20		1	Scr, Hex 5/16-18 X 1.75	53a	56001879	2	2	Wsh-Flt Sae 1/2
K4	21		5	Scr- Hex Ss 5/16-18 X .75	53b	56003191	1	1	Pin,Clevis .500 X 3.00
K4	22		1	Pin,Clevis .500 X 3.00	53c	56003222	1	1	Pin, Cotter Hair
K4	23		2	Nut, Hex Nyl Loc Ss 3/8-16	53d	56507941	1	1	Bearing, Flange 1.125 X 1.281 X .750
K4	24		2	Pin, Cotter Hair	53e	56509414	1	1	Actuator-Dump Door <b>M26</b>
K4	25		2	Ring, Ret Ext 1.00 Shaft	53f	56509415	1	1	Yoke-Dump Door Actuator
K4	26		1	Clevis Pin	53g	56509417	1	1	Spring-Compression E00453
K4	27		3	Wsh-Flt Ss .33 X 1.00 X.060	54#	56383694	1	1	Bracket-Sensor Mounting
K3,K4	28		12	Scr-Carriage Ss 1/4-20 X .75	55	56509798	1	1	Prop Rod Assy
K4	29		4	Wsh-Flt Ss .344 X 1.500 X .080	56	56509989	1	1	Bar-Hopper Hinge
K2	30		13	Scr-Carriage Ss 5/16-18 X 1.00	57	56510148	1	1	Cap-Vented W/ Tether
K4	31		2	Ring, Ret Ext 1.125 Shaft	K5	58		1	Clamp-Hopper Door Seal
K4	32		2	Nut, Hex Jam 1/2-13	K5	59		1	Seal-Hopper Door
K2,K4	34		13	Wsh-Flt Ss .344 X 1.000 X .109	K2	60		1	Plate-Hopper Skid
	35	56305053	3	Sensor, Proximity <b>S3 / S7 / S8</b>	K2	63		1	Hopper Skid Weldt
	36	56469854	2	Tie Anchor		64	56510713	1	Spring-Gas
K1	37		2	Latch		65	56507793	1	Clip, Conduit
	39	56383035	2	Light Assy ( <b>LT2 / LT3</b> )		66	56507885	1	Pin,Cylinder
[40]	56383029		2	Adapter DT06 To MP280	K1	56510793		1	Hopper Cover Kit
	41	56507941	2	Bearing, Flange 1.125 X 1.281 X .750	K2	56510796		1	Skid Plate Kit-Hopper
	42	56509079	1	Plug - Pipe 1/8 Npt Plastic	K3	56510800		1	Hopper Flap Kit
	43	56511192	1	Dump Door Assy	K4	56510802		1	Hardware Kit-Hopper System
43a	56002491		13	Nut, Hex Nyl Loc Ss 1/4-20	K5	56510801		1	Hopper Door Seal Kit
43b	56002883		7	Scr- Hex Ss 1/4-20 X 1.00					
43c	56003715		6	Scr-Carriage Ss 1/4-20 X .75					
43d	56009002		2	Wsh, Flt .266 X .906 X .060					
43e	56507177		2	Clamp, Hopper Door Side					
43f	56507178		2	Seal, Hopper Door Side					
43g	56511155		1	Hopper Door Weldt					
43h	56509141		1	Dump Door Pivot Weldt					
43i	56509144		1	Seal-Hopper Door Bottom					
43j	56509145		2	Clamp-Hopper Door Bottom					
43k	56509146		2	Seal-Hopper Door Bottom					

[ ] = Not Shown

# = Revised or new since last update

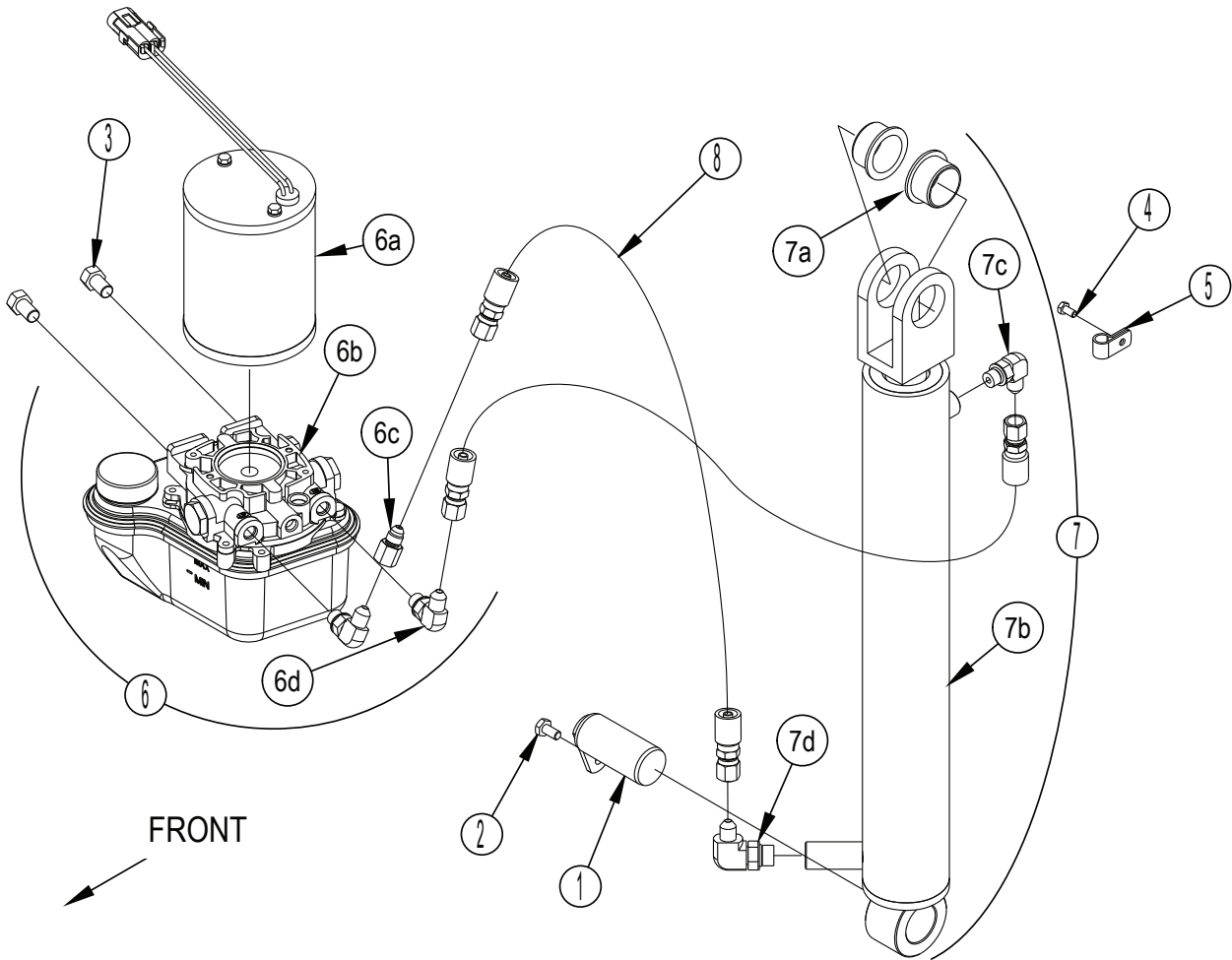




Kit	Item	Ref. No.	Qty	Description	Kit	Item	Ref. No.	Qty	Description
	1	56323135	1	Strain Relief	K3	44		1	Flap-Hopper
	2	56449221	2	Bumper, 1.43 Dia	K3	45		1	Clamp-Hopper Flap
K4	3		3	Scr, Soc Hd 10-24 X 0.62	K5	46		1	Clamp-Hopper Door Bottom
K4	4		2	Scr, Hex 5/8-11 X 1.50		47	56509388	1	Hopper Lift Weldment
K4	5		2	Scr-Pan Phil 10-24 X .50		48	56509398	1	Bearing-Slv 1.125x1.281x0.750
K4	6		5	Wsh, Flt Sae #8		49	56509399	1	Seal-Hopper
K4	7		1	Scr, Hex 5/16-18 X 2.50		50	56509400	1	Hopper-Lower
K3	8		15	Nut, Hex Nyl Loc Ss 1/4-20		51	56509401	1	Hopper-Upper
K4	9		3	Nut, Hex Nyl Loc 10-24	K1	52		1	Hopper Cover Assy
K4	10		1	Nut, Hex Nyl Loc-Thin 5/16-18	K1	52a		1	Strain Relief
K4	11		2	Nut, Hex Nyl Loc-Thin Ss 1/4-20	K1	52b		5	Wsh, Flt Sae 1/4
K2	12		13	Nut, Hex Nyl Loc Ss 5/16-18	K1	52c		5	Scr, Hex 1/4-20 X .75
K2	13		4	Wsh-Flt Sae Ss 1/4	K1	52d		2	Bearing, Fl 1 Id X 1-1/4 Od X 1/2 L
K1,K4	14		8	Scr, Pan Phil Ss 8-32 X .50	K1	52e		1	Cover-Hopper
	15	56002883	5	Scr- Hex Ss 1/4-20 X 1.00	K1	52f		1	Seal - Hopper Cover
K4	16		2	Wsh, Flt Std Ss 3/8	K1	52g		1	Hinge-Hopper Cover Lt
K4	17		4	Scr- Hex Ss 3/8-16 X 1.50	K1	52h		1	Hinge-Hopper Cover Rt
K4	18		2	Wsh, Flt Std Ss 1/4	K1	52i		1	Seal-Hopper Cover
K2	19		4	Scr-Hex Loc Ss 1/4-20 X .62		53	56509413	1	Dump Door Actuator Assy
K4	20		1	Scr, Hex 5/16-18 X 1.75		53a	56001879	2	Wsh-Flt Sae 1/2
K4	21		5	Scr- Hex Ss 5/16-18 X .75		53b	56003191	1	Pin,Clevis .500 X 3.00
K4	22		1	Pin,Clevis .500 X 3.00		53c	56003222	1	Pin, Cotter Hair
K4	23		2	Nut, Hex Nyl Loc Ss 3/8-16		53d	56507941	1	Bearing, Flange 1.125 X 1.281 X .750
K4	24		2	Pin, Cotter Hair		53e	56509414	1	Actuator-Dump Door <b>M26</b>
K4	25		2	Ring, Ret Ext 1.00 Shaft		53f	56509415	1	Yoke-Dump Door Actuator
K4	26		1	Clevis Pin		53g	56509417	1	Spring-Compression E00453
K4	27		3	Wsh-Flt Ss .33 X 1.00 X.060		54#	56383694	1	Bracket-Sensor Mounting
K3,K4	28		12	Scr-Carriage Ss 1/4-20 X .75		55	56509798	1	Prop Rod Assy
K4	29		4	Wsh-Flt Ss .344 X 1.500 X .080		56	56509989	1	Bar-Hopper Hinge
K2	30		13	Scr-Carriage Ss 5/16-18 X 1.00		57	56510148	1	Cap-Vented W/ Tether
K4	31		2	Ring, Ret Ext 1.125 Shaft	K5	58		1	Clamp-Hopper Door Seal
K4	32		2	Nut, Hex Jam 1/2-13	K5	59		1	Seal-Hopper Door
K2,K4	34		13	Wsh-Flt Ss .344 X 1.000 X .109	K2	60		1	Plate-Hopper Skid
	35	56305053	3	Sensor, Proximity <b>S3 / S7 / S8</b>	K2	63		1	Hopper Skid Weldt
	36	56469854	2	Tie Anchor		64	56510713	1	Spring-Gas
K1	37		2	Latch		65	56507793	1	Clip, Conduit
	39	56383035	2	Light Assy ( <b>LT2 / LT3</b> )		66	56507885	1	Pin,Cylinder
[40]	56383029		2	Adapter DT06 To MP280		K1	56510793	1	Hopper Cover Kit
	41	56507941	2	Bearing, Flange 1.125 X 1.281 X .750		K2	56510796	1	Skid Plate Kit-Hopper
	42	56509079	1	Plug - Pipe 1/8 Npt Plastic		K3	56510800	1	Hopper Flap Kit
	43	56511192	1	Dump Door Assy		K4	56510802	1	Hardware Kit-Hopper System
43a	56002491		13	Nut, Hex Nyl Loc Ss 1/4-20		K5	56510801	1	Hopper Door Seal Kit
43b	56002883		7	Scr- Hex Ss 1/4-20 X 1.00					
43c	56003715		6	Scr-Carriage Ss 1/4-20 X .75					
43d	56009002		2	Wsh, Flt .266 X .906 X .060					
43e	56507177		2	Clamp, Hopper Door Side					
43f	56507178		2	Seal, Hopper Door Side					
43g	56511155		1	Hopper Door Weldt					
43h	56509141		1	Dump Door Pivot Weldt					
43i	56509144		1	Seal-Hopper Door Bottom					
43j	56509145		2	Clamp-Hopper Door Bottom					
43k	56509146		2	Seal-Hopper Door Bottom					

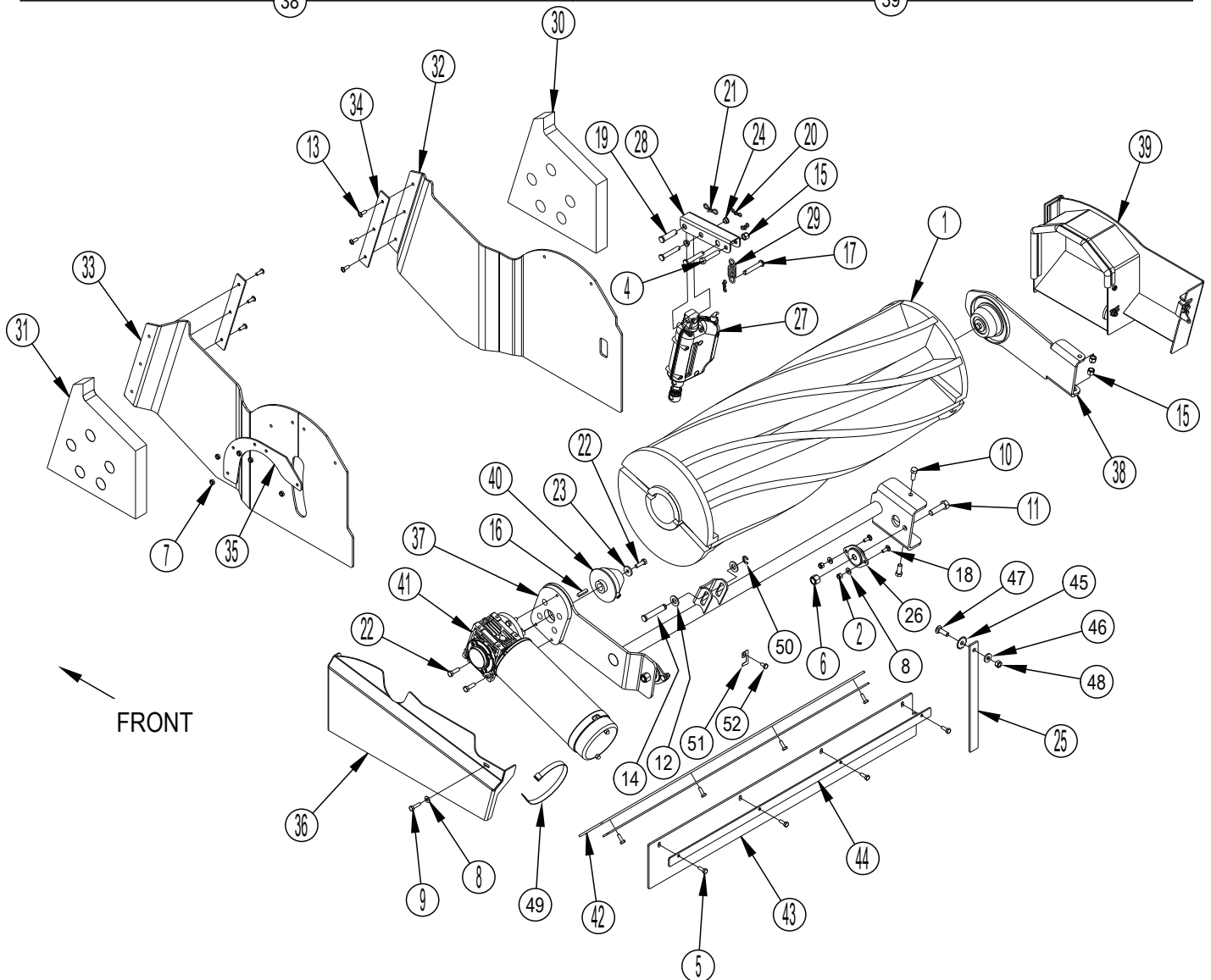
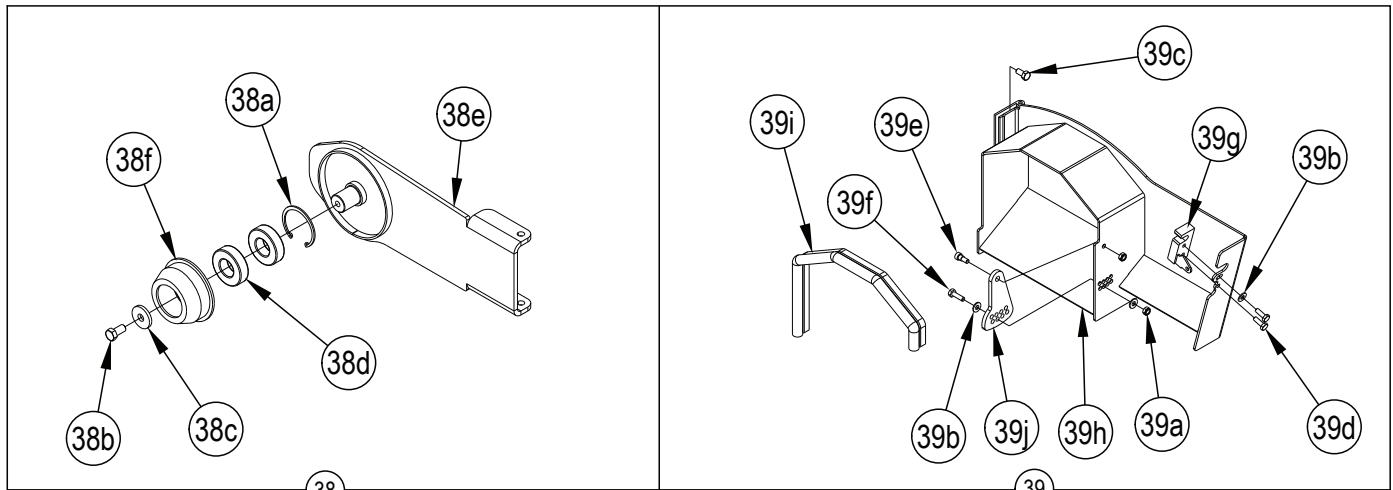
[ ] = Not Shown

# = Revised or new since last update



Kit	Item	Ref. No.	Qty	Description
	1	56416308	1	Left Hinge Pin Weldt
	2	56003039	1	Scr,Hex Hd Loc 1/4-20x.50
	3	56003040	2	Scr,Hex Hd Loc 3/8-16x.62
	4	56009012	1	Scr, Hex Thd Form 10-24 X .38
	5	56172017	1	Clamp-P
	6	56509372	1	Hydraulic Power Pack Assy
	6a	56509373	1	Motor 36v 0.55hp <b>M10</b>
	6b	56509374	1	Hydraulic Pump/Reservoir Assy
	[ ]	56509383	1	Hydraulic Reservoir Kit (for 56509374)
	[ ]	56509375	1	Cap-Hyd Reservoir (for 56509374)
	[ ]	56325157	1	O-Ring (for 56509374)
	6c	56510682	1	Fitting-Orifice
	6d	56900101	2	Elbow, 90 O-Ring
	7		1	Hopper Lift Cylinder Assy
	7a	56507941	2	Bearing, Flange 1.125 X 1.281 X .750
	7b	56509377	1	Cylinder-Hydraulic 2.00 X 13.06
	[ ]	56509381	1	Seal Kit (for 56509377)
	7c	56900101	1	Elbow, 90 O-Ring
	7d	56900110	1	Elbow, 90 O-Ring
	8	56509382	2	Hose Assy

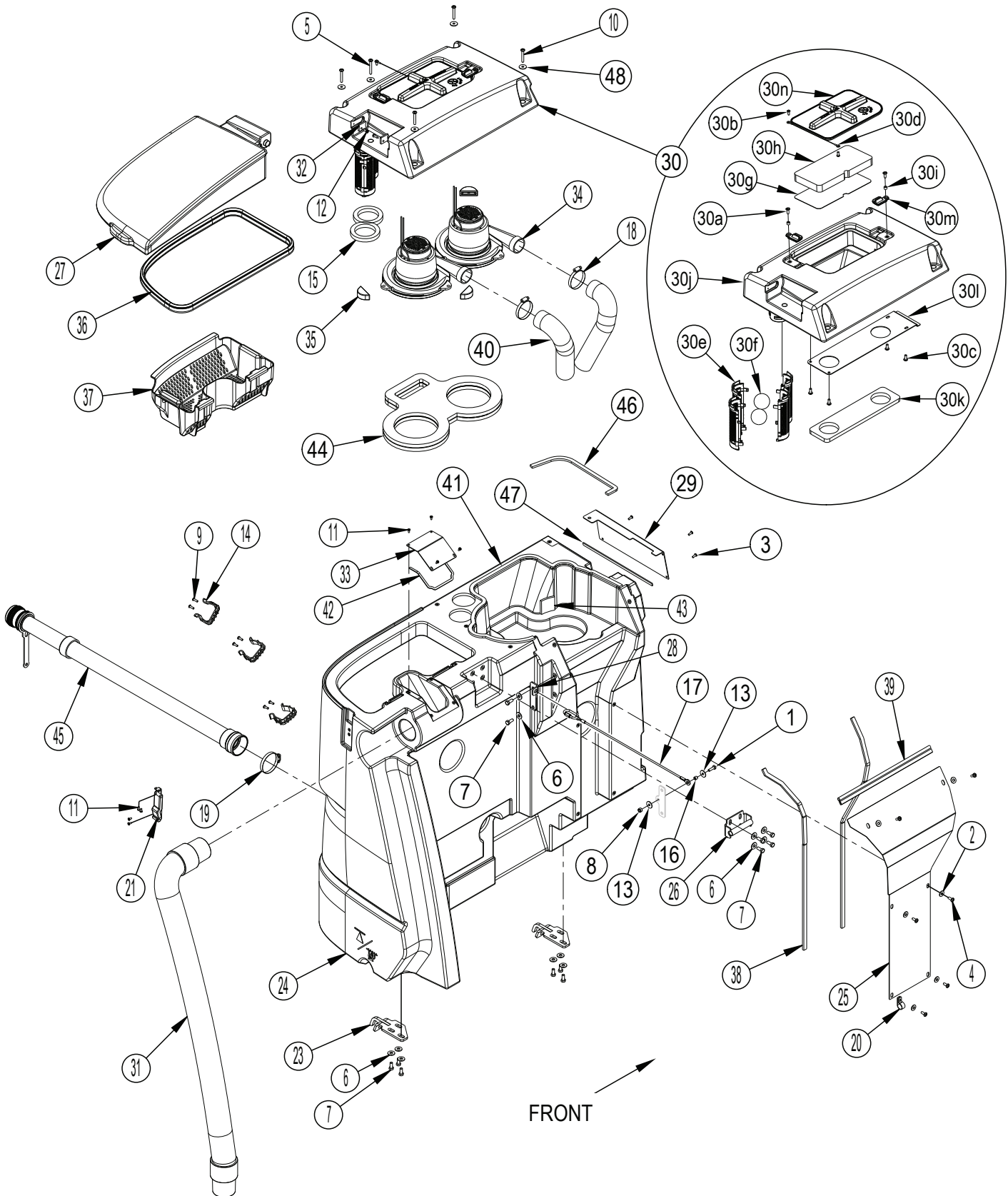
[ ] = Not Shown



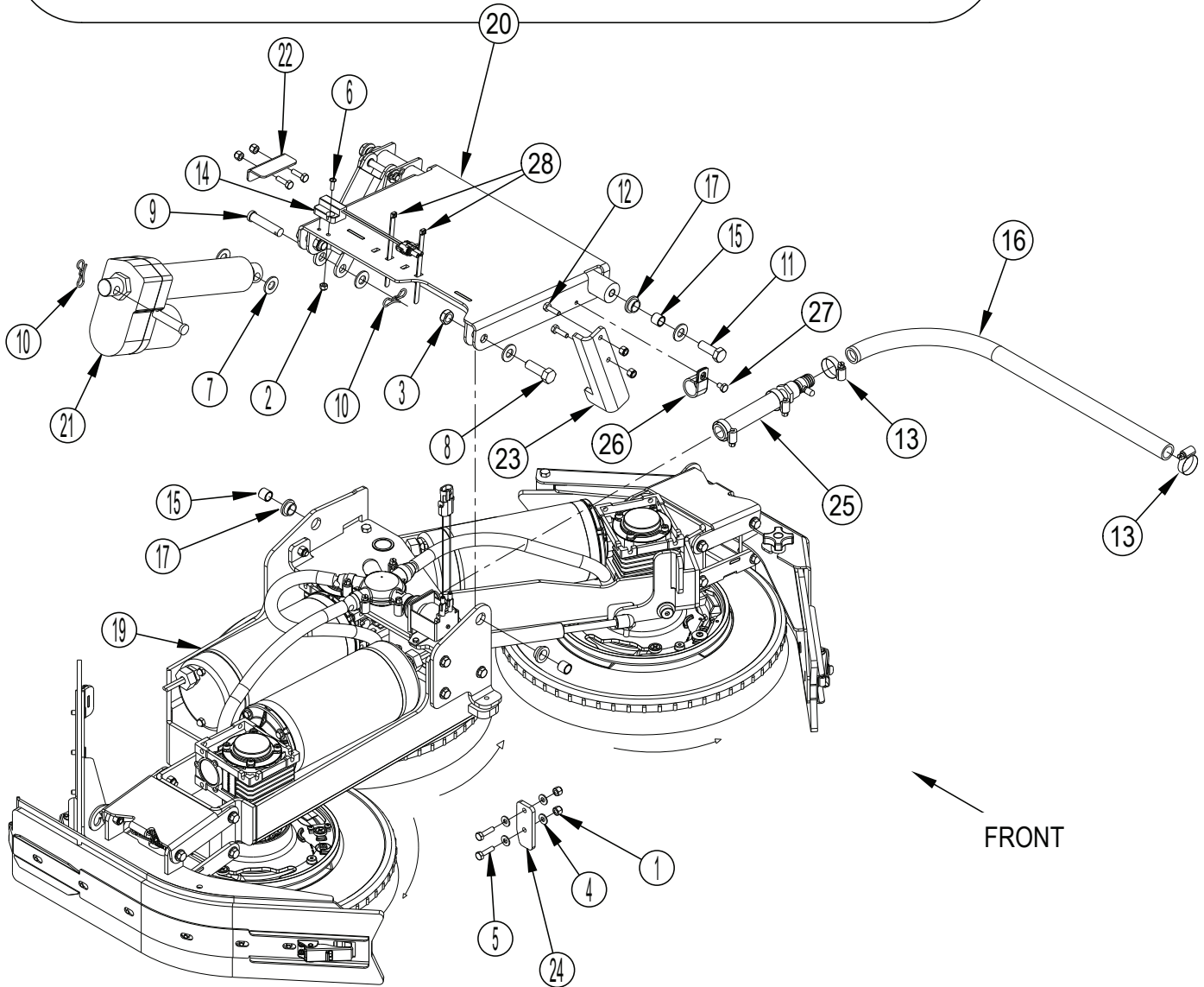
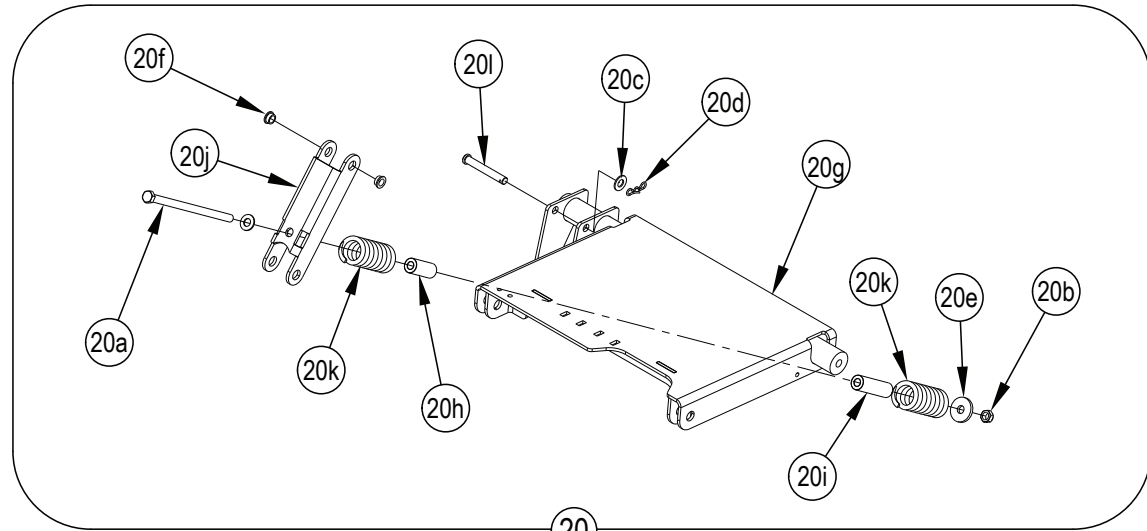
Kit	Item	Ref. No.	Qty	Description	Kit	Item	Ref. No.	Qty	Description
	1	33018858	1	Main Broom Spiral		38	56511186	1	Broom Arm Assembly
K6	2		4	Nut, Hex Nyl Loc Ss 1/4-20		38a	56003314	1	Ring, Retainer
K5	4		1	Scr- Hex Ss 3/8-16 X 2.00		38b	56003338	1	Scr-Hex Loc Ss 3/8-16 X .75
K1	5		8	Scr- Hex Ss 1/4-20 X .75		38c	56009195	1	Wsh-Flt .406 X 1.25 X .164
K6	6		2	Nut, Hex Nyl Loc Ss 1/2-13		38d	56479430	2	Bearing Ball
K7	7		5	Nut, Hex Nyl Loc-Thin Ss 1/4-20		38e	56511138	1	Broom Arm Weldment
K6,K7	8		5	Wsh-Flt Sae Ss 1/4		38f	56509726	1	Hub-Broom Idler
K7	9		1	Scr- Hex Ss 1/4-20 X 1.00		39	56511187	1	Broom Door Assembly
K6	10		2	Scr- Hex Ss 3/8-16 X 1.00		39a	56002850	2	Nut, Hex Nyl Loc-Thin Ss 1/4-20
K6	11		2	Scr- Hex Ss 1/2-13 X 1.75		39b	56002859	3	Wsh-Flt Sae Ss 1/4
K6	12		2	Wsh-Flt Sae Ss 1/2		39c	56002937	3	Scr-Hex Loc Ss 5/16-18 X .62
K4	13		6	Scr, Pan Phil Ss 1/4-20 X .75		39d	56003221	2	Scr-Hex Loc Ss 1/4-20 X .75
K6	14		1	Pin-Clevis-Grooved-Ss .5x2.75		39e	56003717	1	Scr, Soc Shd .31 X .25 X 1/4-20
K5,K7	15		3	Nut, Hex Nyl Loc Ss 3/8-16		39f	56003844	1	Scr- Hex Ss 1/4-20 X .88
K6,K7	16		1	Key, Sq, .25 X 1.19		39g	56413802	1	Latch, Rh
K5	17		3	Pin-Clevis .375 X 2.25		39h	56511116	1	Broom Door Weldment
K6	18		4	Scr-Carriage Ss 1/4-20 X .75		39i	56509612	1	Seal-Broom Door
K5	19		1	Pin-Clevis .50 X 1.75		39j	56509754	1	Arm-Stop
K5	20		3	Pin- Bow-Tie Cotter 1/4 - 3/8	K6	40		1	Hub-Broom Drive Assembly
K5	21		1	Pin- Bow-Tie Cotter 7/16 - 1/2	K2	41		1	Broom Motor Assembly <b>M1</b>
K2,K6	22		4	Scr-Hex Loc Ss 5/16-18 X 1.00	K3	[ ]	56510765	1	Brush Kit-Motor (for Broom Motor Assembly)
K7	22		1	Scr-Hex Loc Ss 5/16-18 X 1.00	K1	42		1	Flap-Broom Recirc
K6,K7	23		1	Wsh, Flt Harden .344x1.000x.120/.135	K1	43		1	Skirt-Broom Rear
K5	24		2	Bearing, Flange	K1	44		2	Strap-Broom Rear
	25	56416517	1	Strap,Static, 12.5"	K7	45		1	Lock Washer, 3/8 Int./Ext. Tooth
K6	26		2	Bearing	K7	46		1	Flat Washer, 1.00 X .39 X .06
K5	27		1	Actuator-Broom Lift <b>M21</b>	K7	47		1	3/8-16 X 1.0", Carriage Bolt
K5	28		1	Arm-Spring	K7	48		1	Nut, Hex, Stop, 3/8-16
K5	29		1	Spring-Extension	K2	49		1	Cable Tie 20 Inch
K4	30		1	Foam-Right Skirt	K6	50		1	Retaining Ring-E Style-Ss .5
K4	31		1	Foam-Left Skirt		51	56409769	1	Clip Weather Pack
K4	32		1	Skirt-Right		52	56009033	1	Scr Hex Thd Form 1/4-20x.50
K4	33		1	Skirt-Left					Main Brooms
K4	34		2	Strap-Skirt			33018858	1	Main Broom Spiral
	35	56509520	1	Strap-Left Skirt	*		33018856	1	Broom-Main Nylon
	36	56509525	1	Panel Weldment	*		33018857	1	Broom-Main Prolene
K6	37		1	Broom Support Weldment	*		33018859	1	Broom-Main Union Mix / Natural
					K1	56510739		1	Strap Kit-Broom Rear
					K2	56510740		1	Motor Kit-Broom
					K3	56510765		1	Brush Kit-Motor ( <b>for Broom Motor Assembly</b> )
					K4	56510741		1	Skirt Kit-Broom
					K5	56510803		1	Actuator Kit-Main Broom
					K6	56510804		1	Support Kit-Main Broom
					K7	56510805		1	Hardware Kit-Main Broom

\* = Optional, Not Included

[ ] = Not Shown



Kit	Item	Ref. No.	Qty	Description	Kit	Item	Ref. No.	Qty	Description
K5	1		1	Scr, Hex 1/4-20 X .88		30		1	Vac Fan Cover Assy
K5	2		6	Wsh, Flt Std 1/4		30a	56003213	2	Scr-Pan Phil Blk 1/4-20 X .62
K5	3		3	Scr-Pan Phil 10-24 X .50		30b	56009191	2	Scr, Pan Phil Plastite 10-14 X .50
K5	4		6	Scr-Pan Phil 1/4-20 X .62		30c	56009210	4	Scr, Pan Phil Type B 1/4-14 X .62
K5	5		1	Scr-Pan Phil S.S. 1/4-20 X 2.0		30d	56314400	1	Wire Rope, 9 Inch
K5,K6	6		12	Wsh, Flt Std 5/16	K2	30e		4	Cage, Float
K5,K6	7		12	Scr, Hex 5/16-18 X .75	K2	30f		2	Ball, Float
K5	8		1	Nut, Hex Nyl Loc 1/4-20		30g	56413194	1	Screen, Filter
K4	9		6	Scr, Pan Phil Ss 10-24 X .62		30h	56413195	1	Filter
K5	10		4	Scr Pan Phil Ss 1/4-20 X 1.75		30i	56453849	2	Bushing .26x.37x.28
K5	11		8	Scr, Pan Phil Ss 8-32 X .38		30j	56509201	1	Cover-Vac Fan
K5	12		2	Scr Panphils Type Ab 10-16x.75		30k	56509352	1	Gasket - Vac Fan Top
K5	13		2	Wsh, Flt .266 X .906 X .060		30l	56509353	1	Plate - Vac Cover
K4	14		3	Clamp, Plastic		30m	56510695	2	Latch-Plastic
	15	56314760	2	Gasket, Vacuum Duct		30n	56510701	1	Lid Assy-Vac Filter
	16	56368989	1	Bushing		31	56509985	1	Hose-Squeegee
	17	56382992	1	Cable Assy-Quick Link-19.5 In		32	56510143	2	Tab-Hinge
	18	56440213	2	Clamp- Hose Sae #32		33	56510189	1	Plate-Inlet
K3	19		1	Clamp- Hose Sae #36		34	56510209	2	Motor-Vac-36vdc <b>M6 / M7</b>
	20	56486112	1	Clamp-P		35	56510231	4	Mount-Isolator
	21	56507188	1	Latch	K1	36	56510232	1	Gasket-Recovery Cover
K6	23		2	Tank Pivot Weldt		37	56510611	1	Debris Basket
	24	56509194	1	Tank-Recovery		38	56510674	2	Gasket-Cover
	25	56509285	1	Exhaust Cover		39	56510676	1	Trim-Seal
	26	56509304	1	Latch Pin Weldment		40	56510677	2	Foam Tube Assy
K1	27	56509350	1	Cover - Recovery Tank		41	56510678	1	Gasket-Tank
	28	56509355	1	Tether Hook		42	56510679	1	Gasket-Inlet Plate
	29	56509364	1	Plate-Cover		43	56510686	5	Isolator-Foam
						44	56510689	1	Seal Assy-Vac Fan
					K3	45		1	Drain Hose Ribbed
						46	56511189	1	Gasket-Panel
						47	56511190	1	Gasket-Cover
					K5	48		5	Wsh-Flt Ss .266 X .906 X .060
						K1	56510580	1	Lid Kit-Rec
						K2	56510583	1	Float Ball Cage Kit
						K3	56383261	1	Drain Hose Kit
						K4	56510586	1	Clip Kit-Drain Hose
						K5	56510820	1	Hardware Kit-Rec Sys
						K6	56510584	1	Pivot Kit-Rec Tank





Kit	Item	Ref. No.	Qty	Description
K1	1		6	Nut, Hex Nyl Loc Ss 1/4-20
K1	2		1	Nut, Hex Nyl Loc Ss 10-24
K1	3		2	Nut, Hex Nyl Loc-Thin Ss 1/2-13
K1	4		4	Wsh-Flt Sae Ss 1/4
K1	5		2	Scr- Hex Ss 1/4-20 X 1.00
K1	6		1	Scr, Pan Phil Ss 10-24 X .62
K1	7		7	Wsh-Flt Sae Ss 1/2
K1	8		2	Scr- Hex Ss 1/2-13 X 1.50
K1	9		2	Clevis Pin
K1	10		2	Pin- Bow-Tie Cotter 7/16 - 1/2
K1	11		2	Scr-Hex Loc Ss M12-1.75 X 35mm
K1	12		4	Scr- Hex Ss 1/4-20 X .88
	13	56244969	2	Clamp- Hose Sae #12
	14	56305053	1	Sensor, Proximity <b>S1</b>
	15	56367206	4	Bushing
	16	56510948	1	Hose-.75 X 21.50 In. Spiral
	17	56420160	4	Bearing, Flange
	19		1	Assembly-Deck
	20		1	Arm-Deck Lift Assembly
	20a	56003845	1	Scr, Hex SS 3/8-16 X 7.00
	20b	56002852	1	Nut, Hex Nyl Loc-Thin Ss 3/8-16
	20c	56002910	2	Wsh-Flt Sae Ss 3/8
	20d	56003813	1	Pin- Bow-Tie Cotter 1/4 - 3/8
	20e	56009195	1	Wsh-Flt .406 X 1.25 X .164
	20f	56324505	2	Bearing, Flange
	20g	56509159	1	Deck Lift Weldment
	20h	56509186	1	Spacer-.385 X .75 X 1.75
	20i	56509189	1	Spacer-.385 X .75 X 2.56
	20j	56509190	1	Arm-Lift Spring
	20k	56601470	2	Compression Spring
	20l	2-00-06075	1	Pin Clevis 3/8 X 2.625
	21	56509439	1	Actuator-Scrub Deck <b>M11</b>
	22	56509567	1	Bracket-Sensor Target
	23	56509622	1	Bracket-Positive Stop
	24	56510625	1	Stop-Scrub Deck
	25	56510946	1	Chem. Injection Tee Assy
	26	56303651	1	Clamp P CI-16
	27	56009019	1	Scr Hex Thd Form 1/4-20x .38
	28	2-00-04345	2	Ty-Rap Thomas+Betts-Ty-28m
K1		56510806	1	Hardware Kit-Scrub Sys

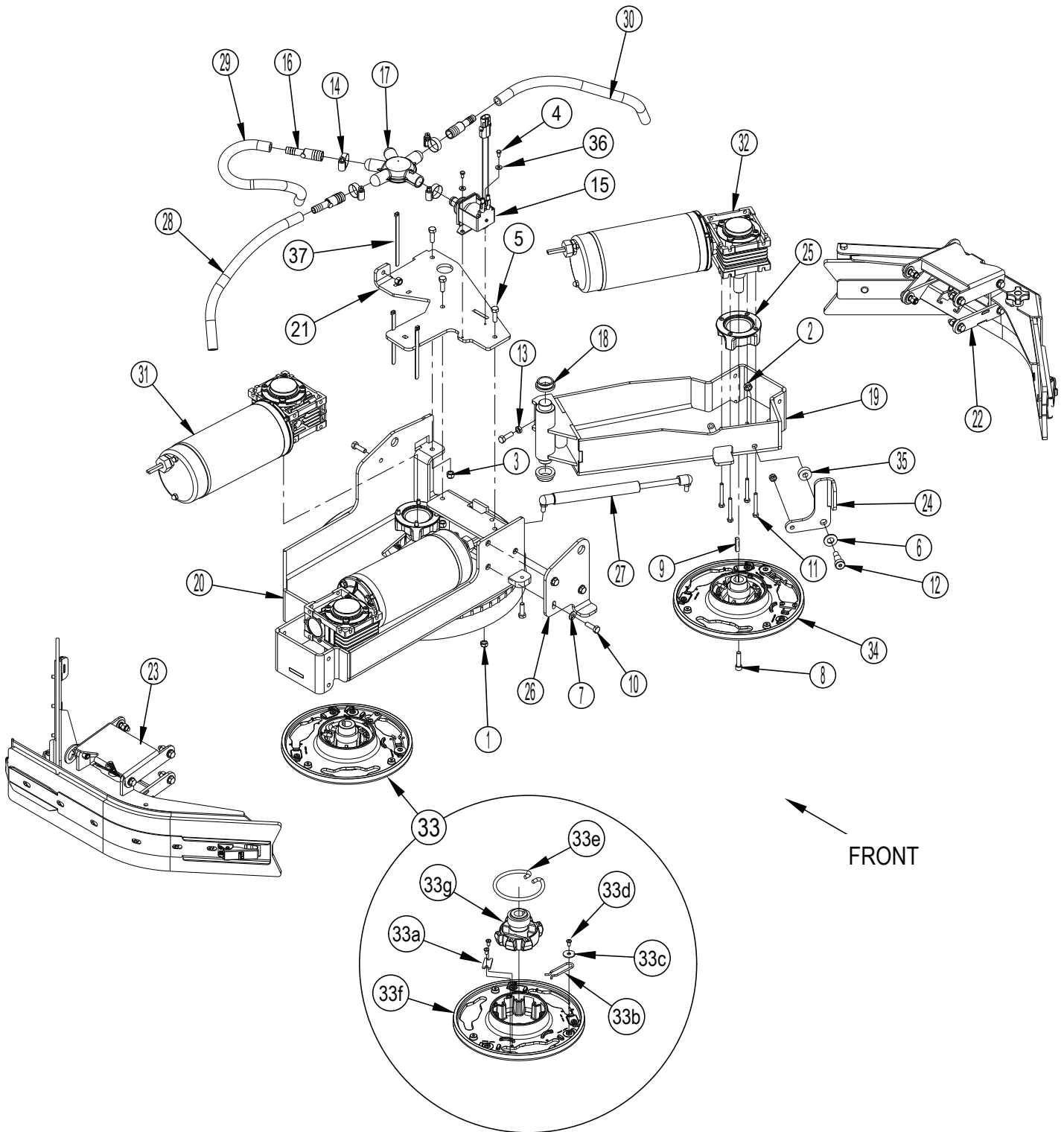
SCRUB SYSTEM-DECK ASSY

11-3

72

CS7000

11-12



Kit	Item	Ref. No.	Qty	Description
K1	1		2	Nut, Hex Nyl Loc-Thin Ss 5/16-18
K1	2		1	Nut, Hex Nyl Loc-Thin Ss 3/8-16
K1	3		4	Nut, Hex Nyl Loc Ss 5/16-18
K1	4		2	Scr- Hex Ss 10-24 X .38
K1	5		5	Scr- Hex Ss 5/16-18 X 1.00
K1	6		1	Wsh-Flt Sae Ss 1/2
K1	7		3	Wsh-Flt Sae Ss 5/16
K1	8		3	Scr-Soc Hd Ss 5/16-18 X 1.25
K1	9		3	Key, Sq .25 X 1.44
K1	10		4	Scr-Hex Loc Ss 5/16-18 X 1.00
K1	11		12	Scr-Hex Loc Ss M6-1 X 50mm
K1	12		1	Scr-Soc Shd .50 X .75 X 3/8-16
K1	13		1	Nut-Hex Jam Ss 5/16-18
	14	56112771	4	Clamp- Hose Sae #10
	15	56303275	1	Solenoid Valve Assy <b>L1</b>
	16	56315625	3	Barb, Coupler 1/2 X 3/4
	17	56413426	1	Manifold, Solution
	18	56507767	2	Bearing, FI 1 Id X 1-1/4 Od X 1/2 L
	19	56511129	1	Arm-Weldment
	20	56511158	1	Deck-Weldment
	21	56511159	1	Plate-Pivot
	22		1	Assembly-Side Squeegee
	23		1	Assembly-Side Squeegee
	24	56511210	1	Bracket-Lever Arm
	25	56510005	3	Spacer-Motor
	26	56511126	1	Bracket-Scrub Adjustment
	27	56510144	1	Spring-Gas
	28	56510287	1	Hose-Push Lock 14
	29	56510288	1	Hose-Push Lock 17.5
	30	56510289	1	Hose-Push Lock 16
	31	56510291	2	Scrub Motor Assembly <b>M2 / M3</b>
	[ ]	56510763	1	Brush Kit (for 56510291)
	32	56510292	1	Scrub Motor Assembly <b>M4</b>
	[ ]	56510763	1	Brush Kit (for 56510292)
	33	56601276	2	Brush Plate Assy
	33a	56366455	1	Plate, Stop
	33b	56366463	1	Spring Retainer
	33c	56009002	1	Wsh, Flt .266 X .906 X .060
	33d	56009247	3	Scr, Pan Phil Plastite 10-14 X .38
	33e	56601056	1	Spring, Brush Holder
	33f	56601118	1	Brush Plate
	33g	56112521	1	Gimbal-Collar Assembly
	34	56601384	1	Brush Plate Assy <b>NOTE 1</b>
	35	56510990	1	Spacer .406x1.00x.370
K1	36		2	Wsh Flt Ss .219x.500x.047/.062
	37	2-00-04345	3	Ty-Rap Thomas+Betts-Ty-28m
K1		56510807	1	Hardware Kit-Deck Assy

[ ] = Not Shown

**NOTE 1:** Uses same components as 56601276.

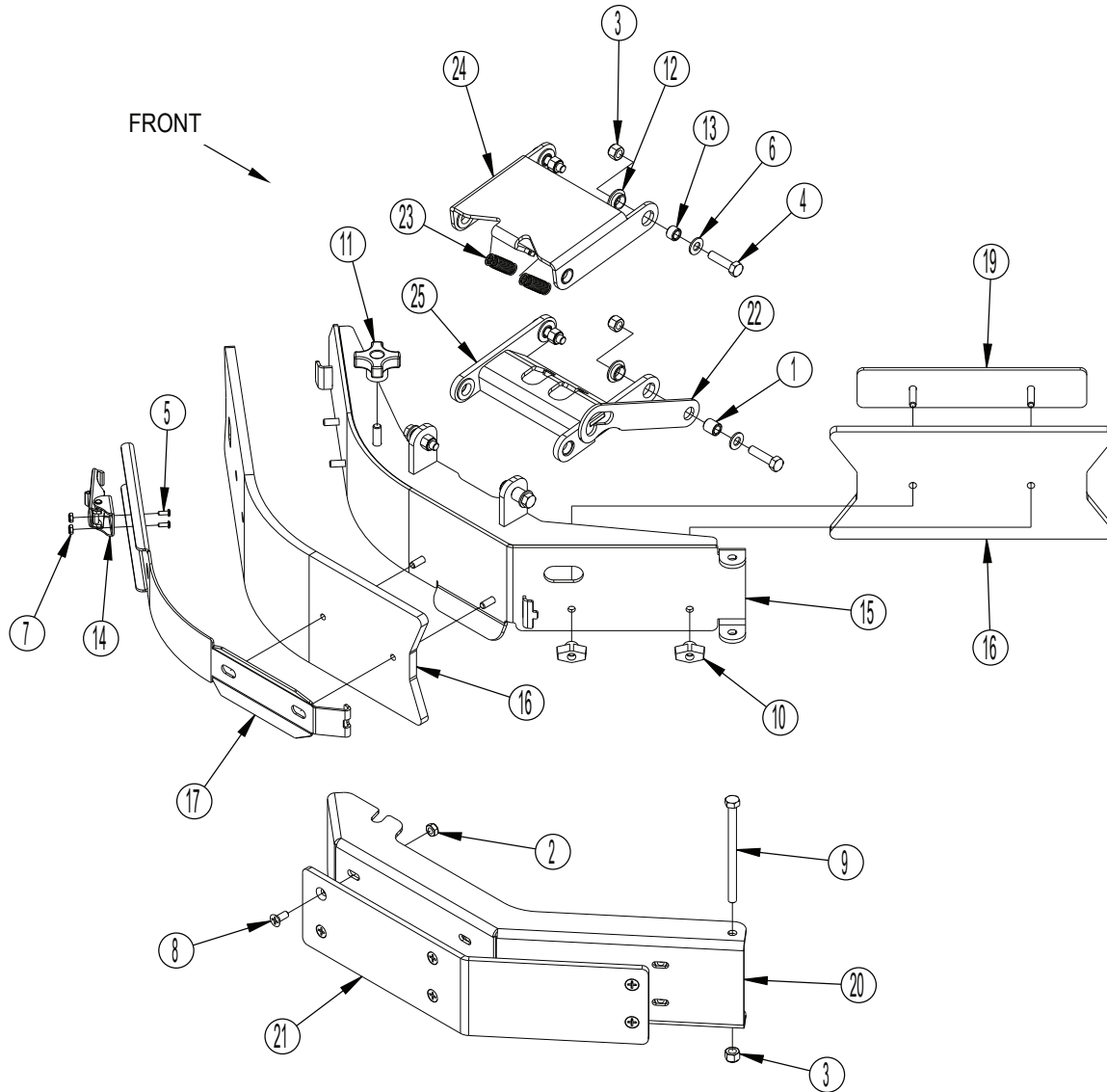
# SCRUB SYSTEM-RIGHT SKIRT ASSY

11-3

74

CS7000

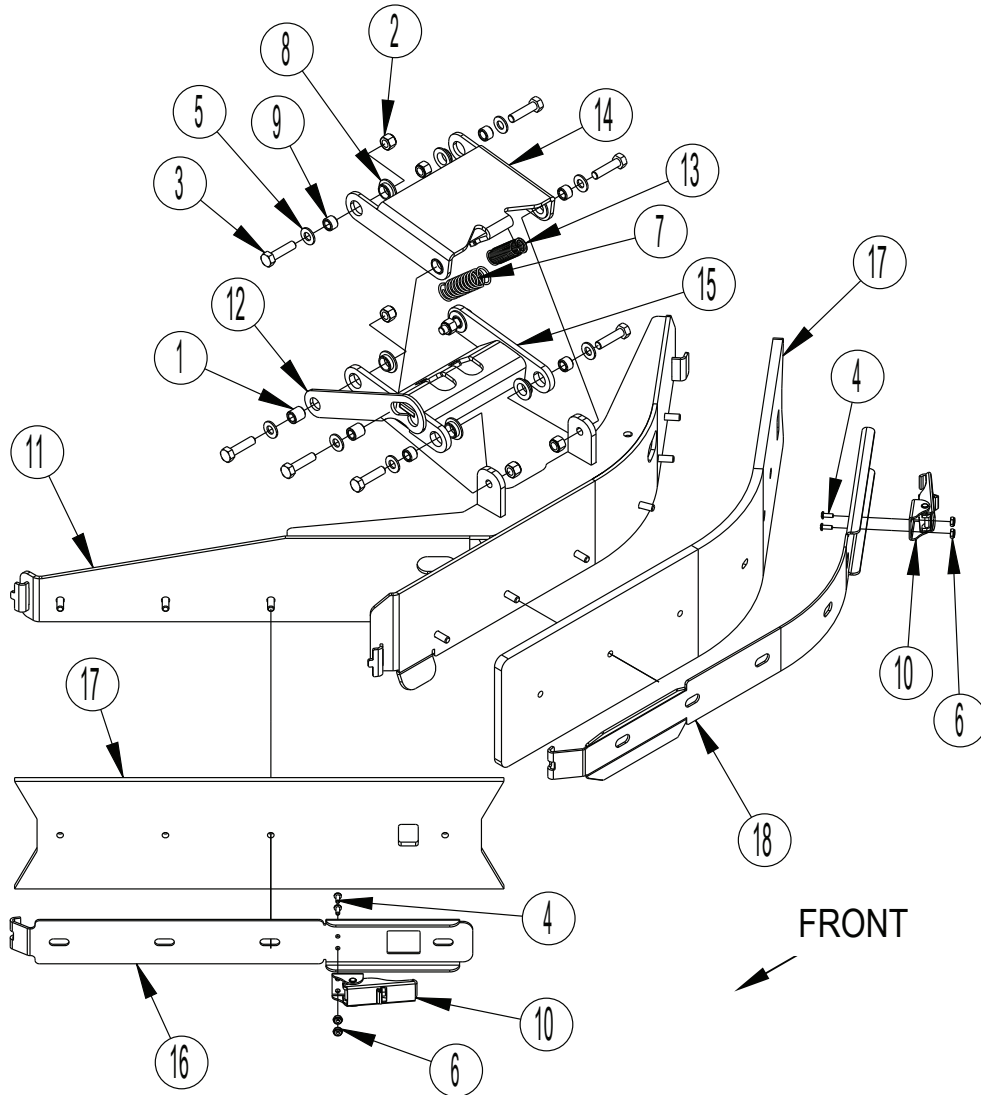
9-13



Kit	Item	Ref. No.	Qty	Description	Kit	Item	Ref. No.	Qty	Description
			1	Assembly-Side Squeegee	K2	17		1	Strap-Blade
K1	1		2	Bushing	19	56511275	1	Strap Weldment-Squeegee	
K4	2		6	Nut, Hex Nyl Loc-Thin Ss 1/4-20	20	56511213	1	Guard-Edge Scrub	
K1,K3	3		9	Nut, Hex Nyl Loc Ss 5/16-18	K4	21	1	Guard-Uhmw	
K1	4		8	Scr-Hex Ss 5/16-18 X 1.25	K1	22	56510139	1	Plate-Catch
K2	5		2	Scr, Pan Phil Ss 6-32 X .38	K1	23	56510254	2	Spring-Extension
K1	6		8	Wsh-Flt Sae Ss 5/16	K1	24		1	Arm-Side Squeegee Weldt
K2	7		2	Nut, Hex Nyl Loc-Thin Ss 6-32	K1	25		1	Arm-Side Squeegee Weldt
K4	8		6	Scr-Fit Phil Ss 1/4-20 X .75			56510374	1	<b>Deck Blade Kits</b>
K3	9		1	Scr-Hex Ss 5/16-18 X 4.50	*	56510375	1	Blade Kit-Deck Red Gum <b>NOTE 1</b>	
K3	10		2	Knob, Wing	*	56510376	1	Blade Kit-Deck Gum <b>NOTE 1</b>	
	11	56407303	1	Knob	*	56510376	1	Blade Kit-Deck PU <b>NOTE 1</b>	
K1	12		8	Bearing, Flange .625 X .500 X .250	K1	56383050	1	Arm Kit-Right Side Squeegee	
K1	13		6	Bushing .32x.50x.35	K2	56510811	1	Strap Kit-Side Squeegee	
K2	14		1	Latch Assembly	K3	56510812	1	Hardware Kit-Side Squeegee Rt	
	15	56511160	1	Blade Support Weldment	K4	56510813	1	Guard Kit-UHMW	
	16	56510374	1	Blade Kit-Deck Red Gum <b>NOTE 1</b>					

\* = Optional, Not Included

**NOTE 1:** All Deck Blade Kits include all blades for both skirt assemblies

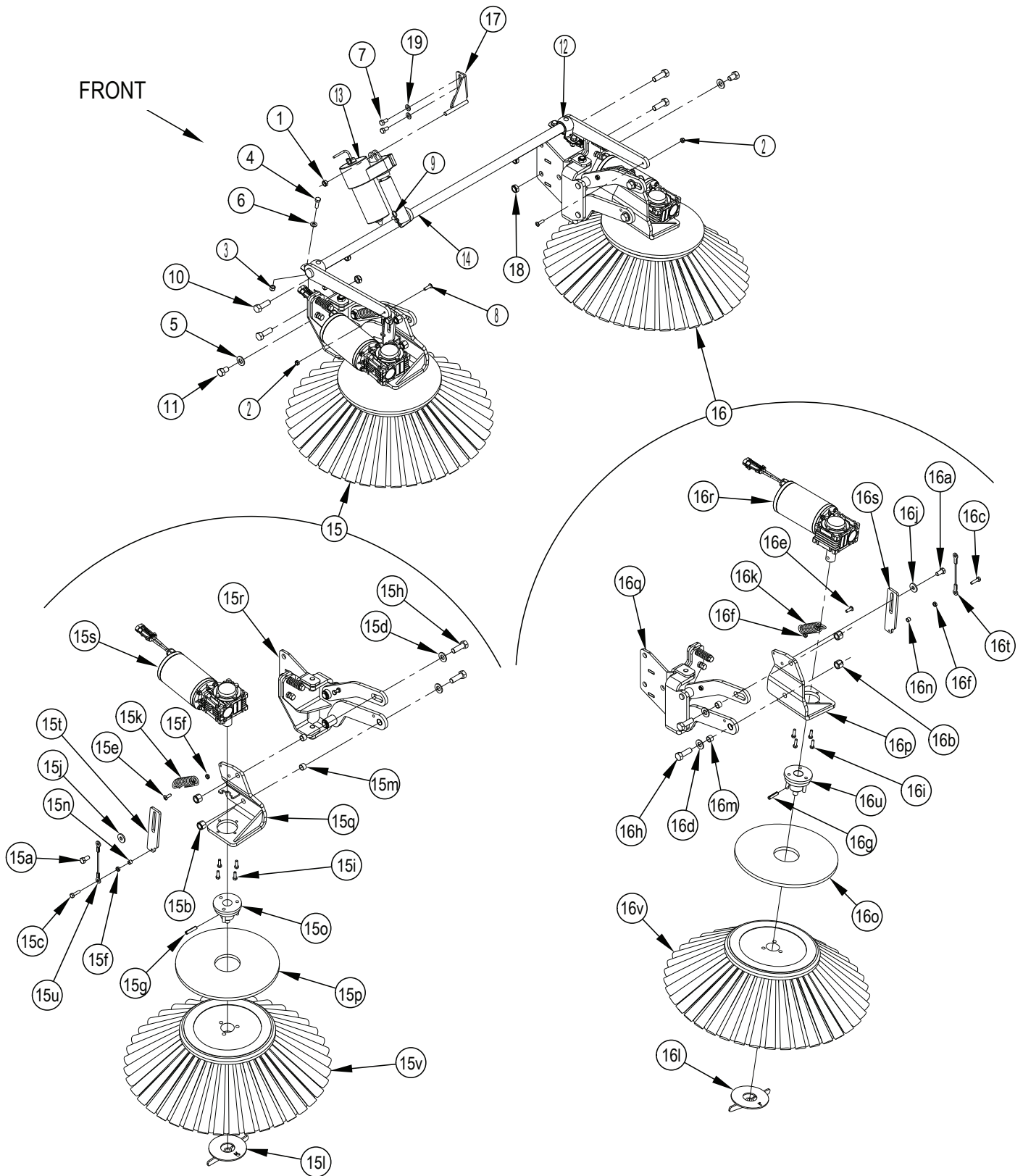


Kit	Item	Ref. No.	Qty	Description
			1	Assembly-Side Squeegee
K1	1		2	Bushing
K1	2		8	Nut, Hex Nyl Loc Ss 5/16-18
K1	3		8	Scr- Hex Ss 5/16-18 X 1.25
K2,K3	4		4	Scr, Pan Phil Ss 6-32 X .38
K1	5		8	Wsh-Flt Sae Ss 5/16
K2,K3	6		4	Nut, Hex Nyl Loc-Thin Ss 6-32
K1	7	56305253	1	Spring, Extension
K1	8		8	Bearing, Flange .625 X .500 X .250
K1	9		6	Bushing .32x.50x.35
K2,K3	10		2	Latch Assembly
	11	56511161	1	Blade Support Weldment

Kit	Item	Ref. No.	Qty	Description
K1	12	56510139	1	Plate-Catch
K1	13	56510254	1	Spring-Extension
K1	14		1	Arm-Side Squeegee Weldt
K1	15		1	Arm-Side Squeegee Weldt
K2	16		1	Strap-Blade
	17	56510374	1	Blade Kit-Deck Red Gum <b>NOTE 1</b>
K3	18		1	Strap-Blade
				Deck Blade Kits
		56510374	1	Blade Kit-Deck Red Gum <b>NOTE 1</b>
		56510375	1	Blade Kit-Deck Gum <b>NOTE 1</b>
		56510376	1	Blade Kit-Deck PU <b>NOTE 1</b>
K1		56510810	1	Arm Kit-Left Side Squeegee
K2		56510883	1	Strap Kit-Side Squeegee LT FR
K3		56510882	1	Strap Kit-Side Squeegee LT RR

\* = Optional, Not Included

**NOTE 1:** All Deck Blade Kits include all blades for both skirt assemblies



Kit	Item	Ref. No.	Qty	Description	Kit	Item	Ref. No.	Qty	Description
K4	1		1	Nut, Hex Nyl Loc-Thin 3/8-16		16	56511194	1	Lt Side Broom Assy
K4	2		2	Nut, Hex Nyl Loc-Thin Ss 1/4-20	K3	16a		1	Scr, Hex 3/8-16 X .75
K1	3		4	Nut, Hex Nyl Loc Ss 5/16-18	K3	16b		2	Nut, Hex Nyl Loc Ss 1/2-13
K1	4		4	Scr- Hex Ss 5/16-18 X 1.00	K3	16c		1	Scr- Hex Ss 1/4-20 X 1.00
K4	5		2	Wsh-Fit Sae Ss 1/2	K3	16d		2	Wsh-Fit Sae Ss 1/2
K1	6		4	Wsh-Fit Sae Ss 5/16	K3,K5	16e		1	Scr, Pan Phil Ss 1/4-20 X .75
K4	7		2	Scr,Hex Hd Loc	K3,K5	16f		2	Nut-Hex Jam Ss 1/4-20
K4	8		2	Scr, Pan Phil Ss 1/4-20 X .88	K5	16g		1	Pin, Spr .31 X 1.38
K4	9		1	Pin, Cotter Hair .0915 X .375	K3	16h		2	Scr- Hex Ss 1/2-13 X 1.50
K4	10		4	Scr- Hex Ss 1/2-13 X 1.50	K5	16i		4	SCR-HEX LOC SS M6-1 X 20mm
K4	11		2	Scr-Hex Loc Ss 1/2-13 X .75	K3	16j		1	Wsh, Fit Ss .378 X 1.000 X .120
K1	12		2	Bearing, Pillow Block	K3	16k	56051136	1	Spring, Ext
	13	56413111	1	Actuator-Side Broom <b>M13</b>		16l	56305725	1	Left Thumb Nut Weldt
	14	56511113	1	Side Broom Lift Weldt	K3	16m		2	Bushing
	15	56511193	1	Rt Side Broom Assy	K3	16n		1	Bushing
K2	15a		1	Scr, Hex 3/8-16 X .75		16o	56509048	1	Guard-Side Broom
K2	15b		2	Nut, Hex Nyl Loc Ss 1/2-13	K3	16p		1	Lt Motor Bkt Weldt
K2	15c		1	Scr- Hex Ss 1/4-20 X 1.00	K3	16q		1	Lt Sb Arm Assy (see page 79)
K2	15d		2	Wsh-Fit Sae Ss 1/2		16r	56510318	1	Lt Motor Assembly <b>M9</b>
K2,K5	15e		1	Scr, Pan Phil Ss 1/4-20 X .75		[ ]	56510844	1	Brush Kit-Motor (for 56510318 & 56510482)
K2,K5	15f		2	Nut-Hex Jam Ss 1/4-20	K3	16s		1	Bracket-Sb Lift
K5	15g		1	Pin, Spr .31 X 1.38	K3	16t	56510639	1	Cable Assy-.31 X 4.75
K2	15h		2	Scr- Hex Ss 1/2-13 X 1.50		16u	56510680	1	Lt Sb Hub Assy
K5	15i		4	SCR-HEX LOC SS M6-1 X 20mm		16v	56510707	1	Broom-Side Poly
K2	15j		1	Wsh, Fit Ss .378 X 1.000 X .120		17	56510954	1	Actuator Bracket Weldt
K2	15k	56051136	1	Spring, Ext	K4	18		4	Nut-Hex Nyl Loc-Thin SS 1/2-13
	15l	56305731	1	Right Thumb Nut Weldt	K4	19		2	Wsh-Fit Sae 5/16
K2	15m		2	Bushing					
K2	15n		1	Bushing					
	15o	56509046	1	Side Broom Hub Assy	K1	56510736		1	Bearing Kit-Side Broom
	15p	56509048	1	Guard-Side Broom	K2	56510767		1	Bracket Kit-Right Side Broom
K2	15q		1	Rt Motor Bkt Weldt	K3	56510769		1	Bracket Kit-Left Side Broom
K2	15r		1	Rt Sb Arm Assy (see page 78)	K4	56510821		1	Hardware Kit-Side Broom System
	15s	56510482	1	Rt Motor Assembly <b>M8</b>	K5	56510822		2	Hardware Kit-Side Broom Assy
	[ ]	56510844	1	Brush Kit-Motor (for 56510318 & 56510482)					
K2	15t		1	Bracket-Sb Lift					
K2	15u	56510639	1	Cable Assy-.31 X 4.75					
	15v	56510707	1	Broom-Side Poly					

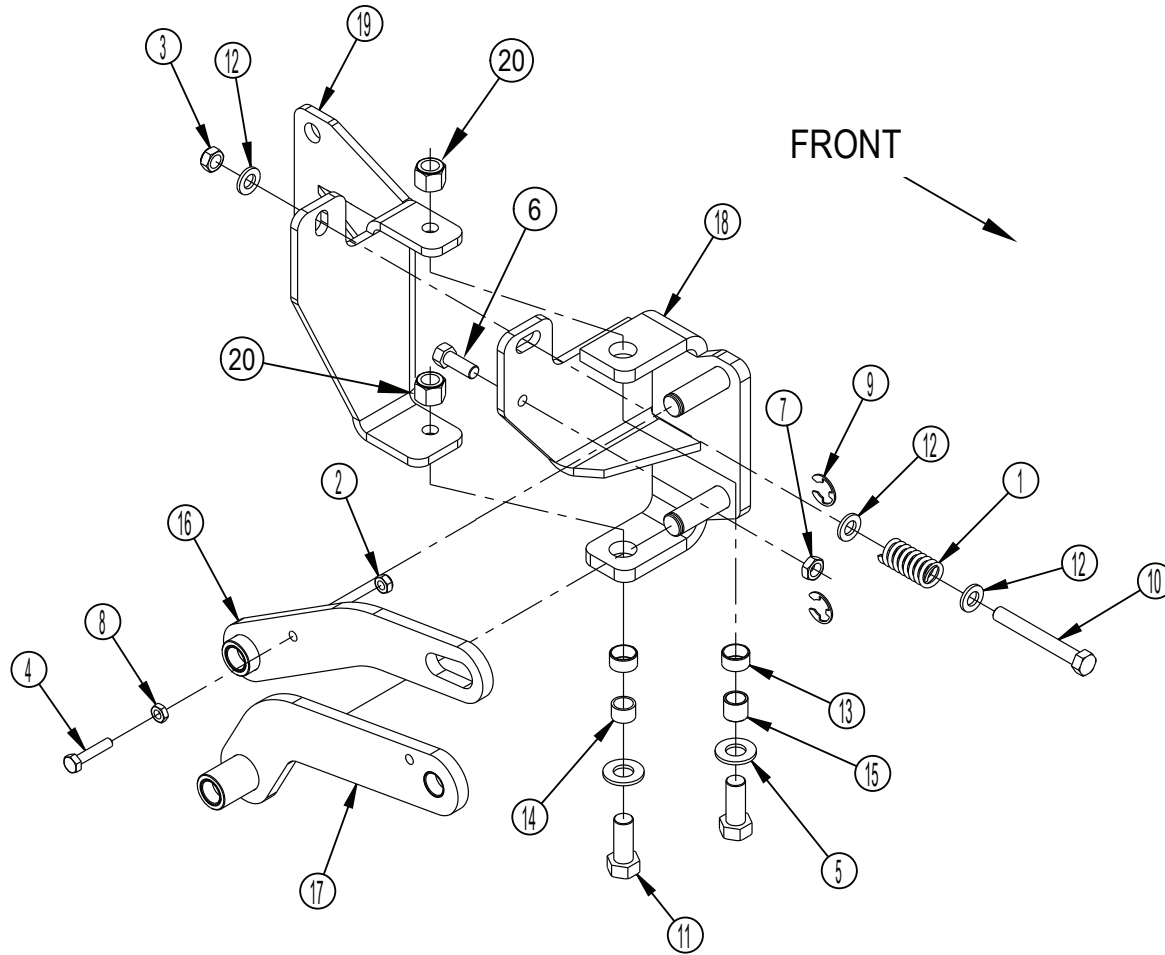
# RIGHT SIDE BROOM ARM ASSY

11-3

78

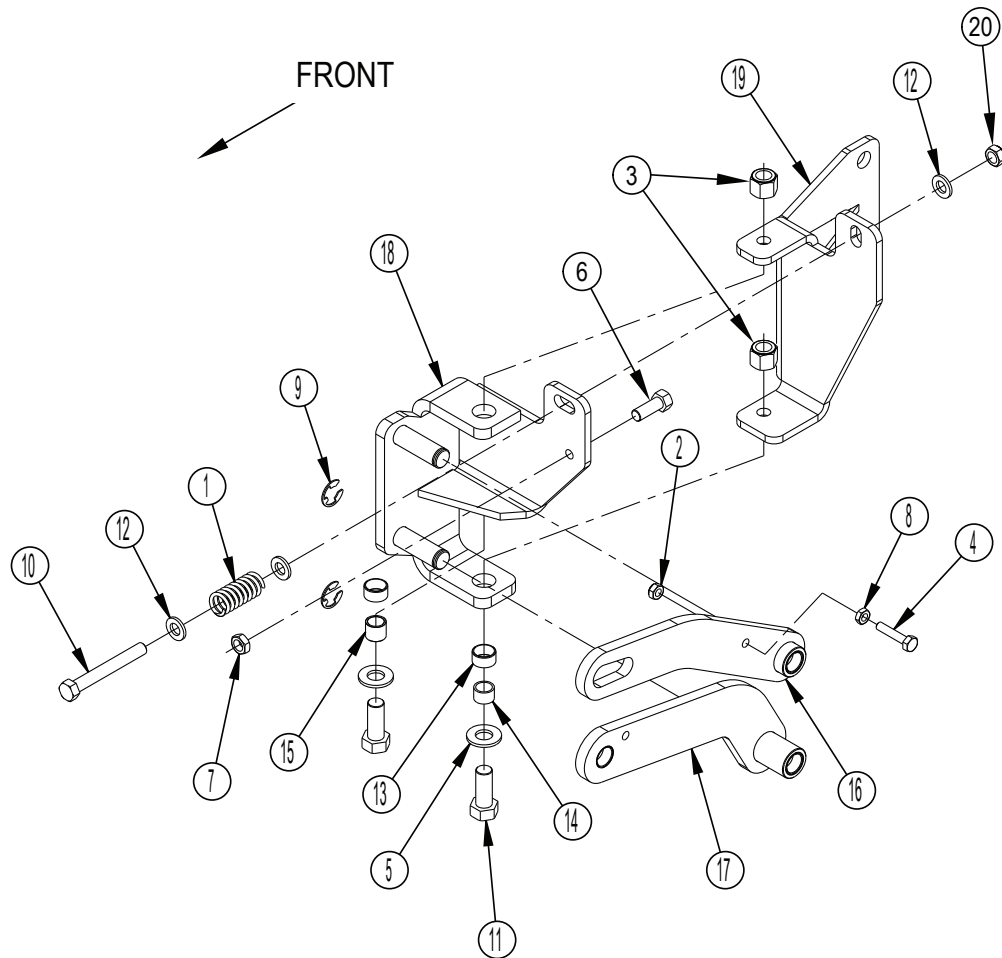
CS7000

10-13

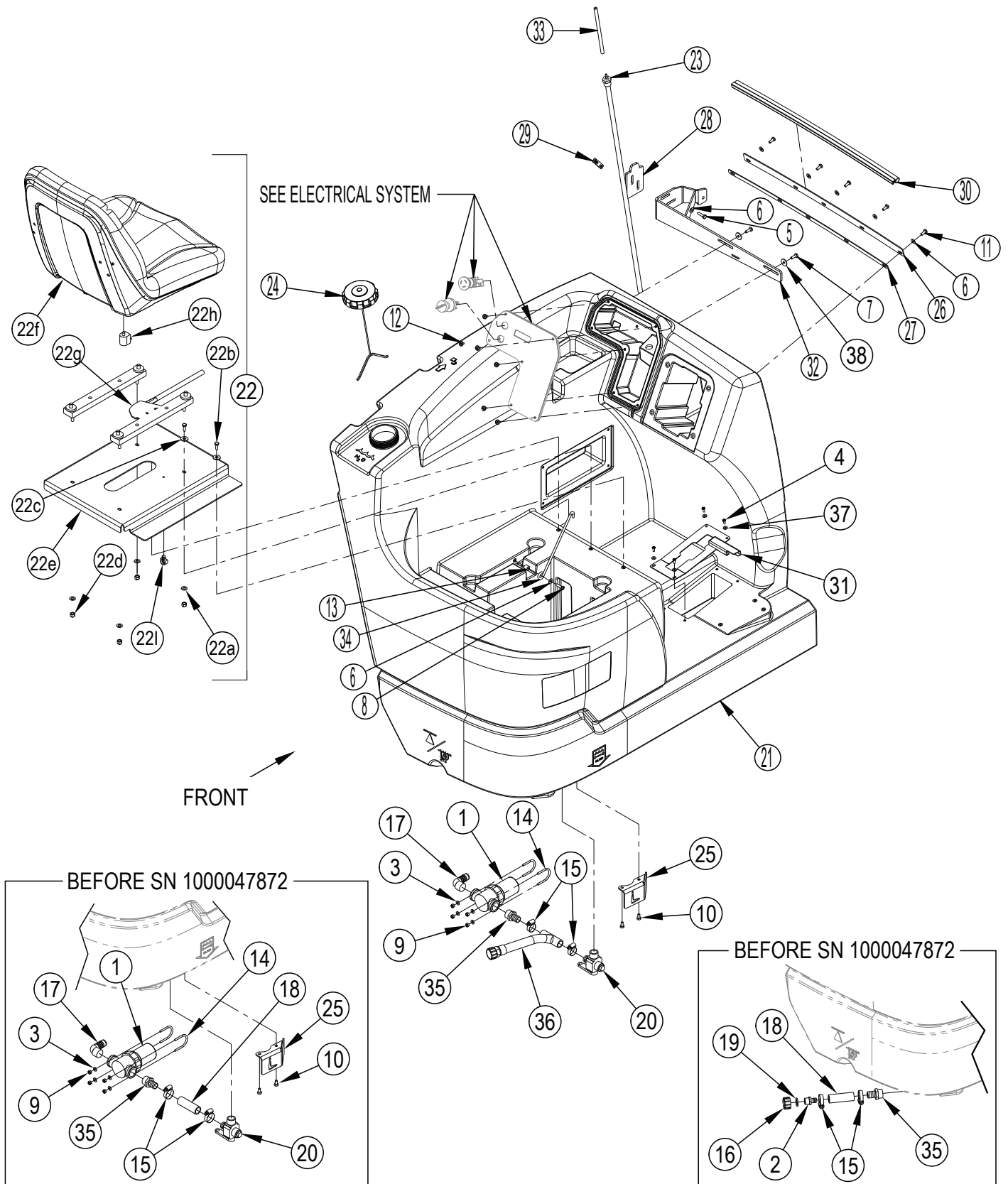


Kit	Item	Ref. No.	Qty	Description
			1	RT SB Arm Assy
	1	56171123	1	Spring, Compression
K1	2		1	Nut, Hex Nyl Loc-Thin Ss 1/4-20
	3		1	Nut, Hex Nyl Loc-Thin Ss 3/8-16
K1	4		1	Scr- Hex Ss 1/4-20 X 1.25
	5		2	Wsh-Flt Sae Ss 1/2
	6		1	Scr,Hex Hd Loc 3/8-16x1.00
	7		1	Nut-Hex Jam Ss 3/8-16
K1	8		1	Nut-Hex Jam Ss 1/4-20
K1	9		2	Ring, Ret Ext Type E 0.62 Dia
	10		1	Scr- Hex Ss 3/8-16 X 3.00
	11		2	Scr Hex S.S. 1/2-13 X 1.5
	12		3	Wsh-Flt .406x.750x.090
	13		2	Bearing, .719 X .625 X .375
	14		1	Bushing
	15		1	Bushing
K1	16		1	Upr Rt Arm Assy
K1	17		1	Lwr Rt Arm Assy
	18		1	Right Hinge Weldt
	19		1	Right Hinge Weldt
	20		2	Nut Hex Nyl Loc Ss 1/2-13
K1	56382854		1	Arm Assy Kit-Rt





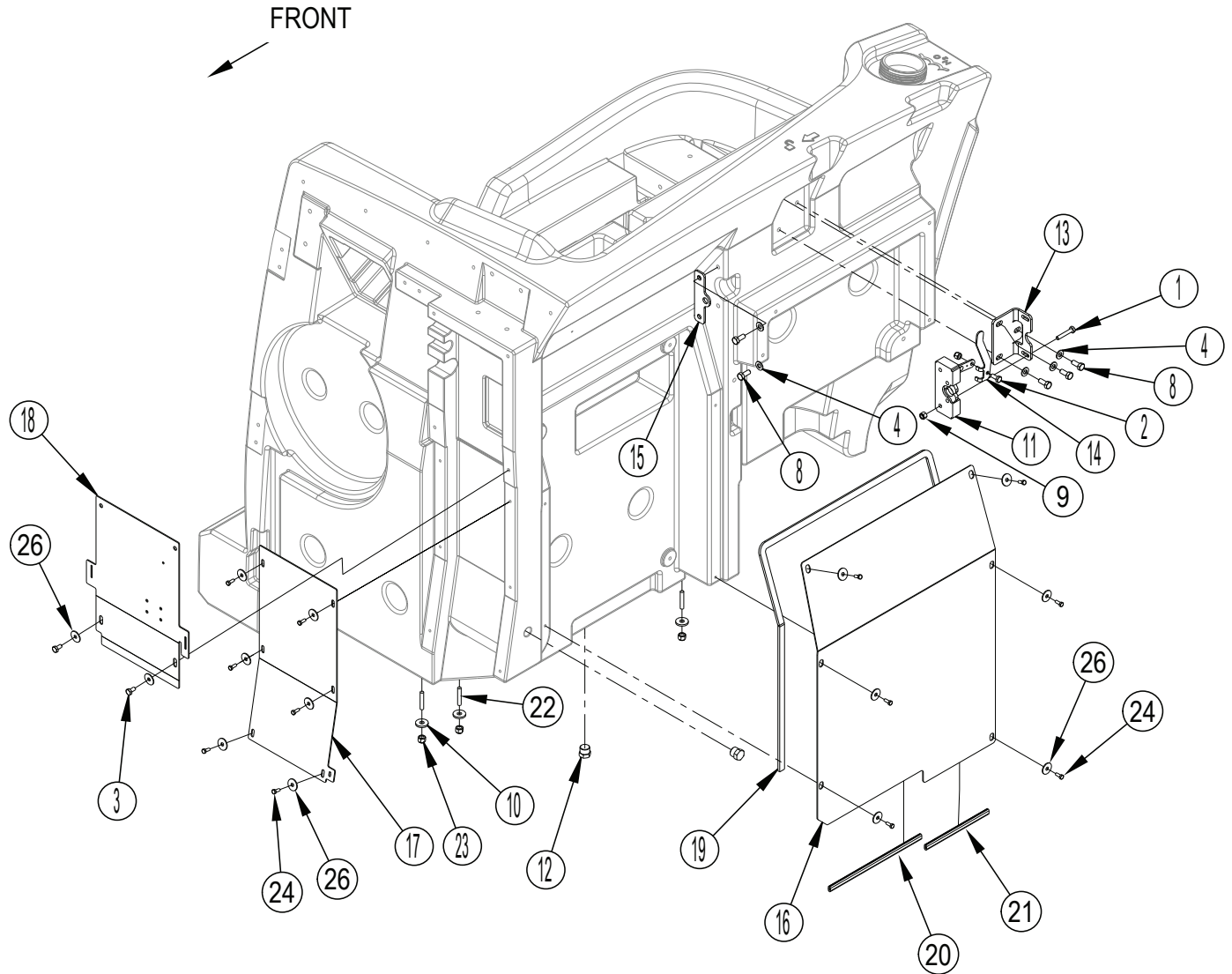
Kit	Item	Ref. No.	Qty	Description
	1		1	LT SB Arm Assy
	1	56171123	1	Spring, Compression
K1	2		1	Nut, Hex Nyl Loc-Thin Ss 1/4-20
	3		2	Nut Hex Nyl Loc Ss 1/2-13
K1	4		1	Scr- Hex Ss 1/4-20 X 1.25
	5		2	Wsh-Flt Sae Ss 1/2
	6		1	Scr,Hex Hd Loc 3/8-16x1.00
	7		1	Nut-Hex Jam Ss 3/8-16
K1	8		1	Nut-Hex Jam Ss 1/4-20
K1	9		2	Ring, Ret Ext Type E 0.62 Dia
	10		1	Scr- Hex Ss 3/8-16 X 3.00
	11		2	Scr Hex S.S. 1/2-13 X 1.5
	12		3	Wsh-Flt .406x.750x.090
	13		2	Bearing, .719 X .625 X .375
	14		1	Bushing
	15		1	Bushing
K1	16		1	Upr Lt Arm Assy
K1	17		1	Lwr Lt Arm Assy
	18		1	Left Hinge Weldt
	19		1	Left Hinge Weldt
	20		1	Nut, Hex Nyl Loc-Thin Ss 3/8-16
K1	56382855		1	Arm Assy Kit-Lt



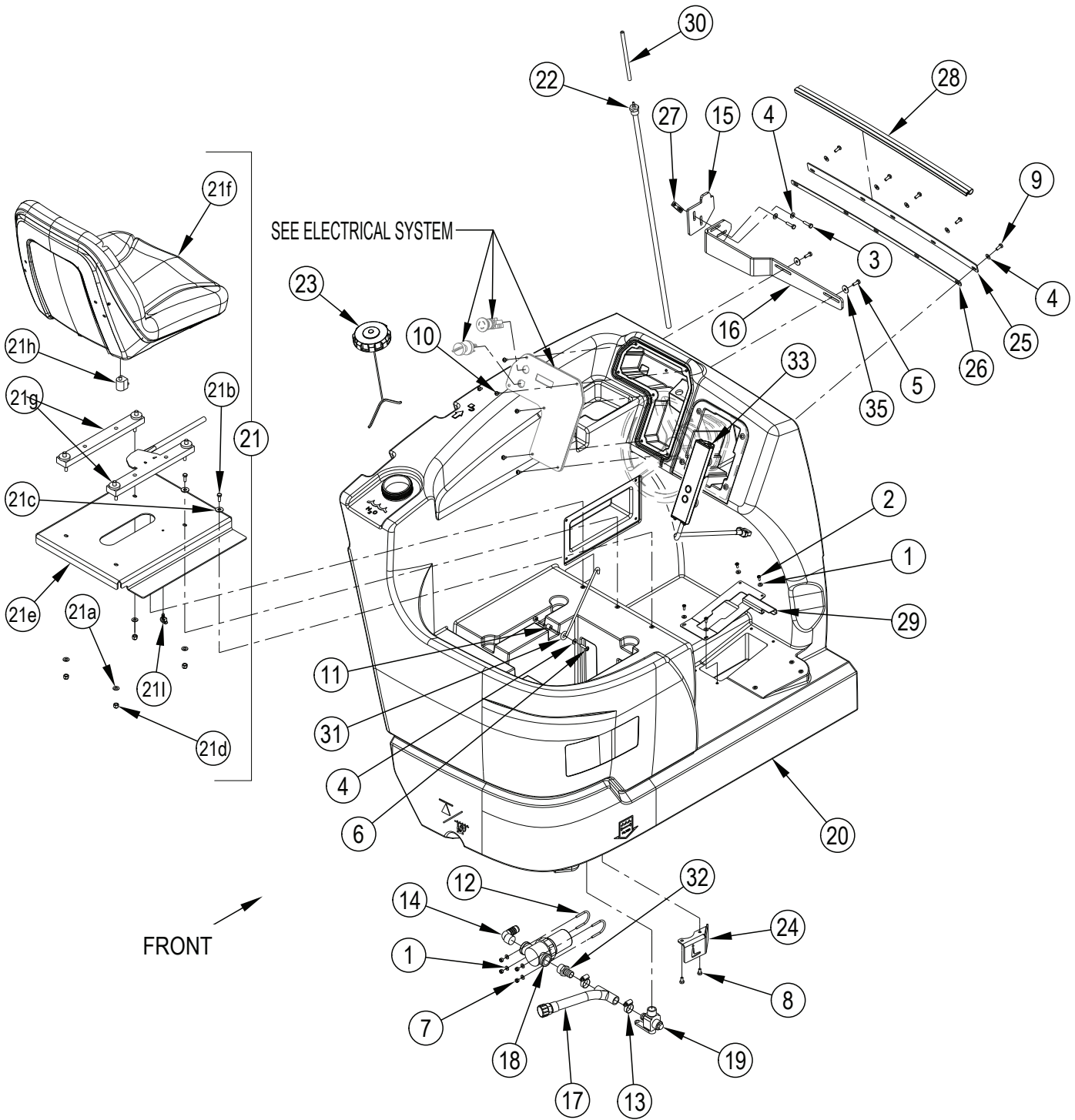
Kit	Item	Ref. No.	Qty	Description
K1	1		1	Filter
K2	2		1	Barb <b>NOTE 1</b>
K1,K4	3		4	Wsh, Flt Sae #10
K4	4		4	Scr Pan Phil Ss 10-24 X .50
K4	5		1	Scr, Hex 1/4-20 X 1.00
K4	6		7	Wsh, Flt Sae 1/4
K4	7		2	Scr, Hex 1/4-20 X .75
	8	56002292	1	Scr-Pan Phil 1/4-20 X 1.00
K1	9		4	Nut, Hex Nyl Loc 10-24
K1	10		2	Scr- Hex Ss 1/4-20 X .50
K4	11		5	Scr,Hex Hd Loc 1/4-20x.62
K4	12		6	Scr-Truss Phil Ss Blk10-24x.50
	13	56046309	1	Spacer, Phenolic
	14	56110318	2	U-Bolt 10-24 X R.69
K1,K2	15		4	Clamp- Hose Sae #10 ( <b>QTY OF 2 AFTER SN 1000047871</b> )
K2	16		1	Cap, Pipe Ght Nylon <b>NOTE 1</b>
K1	17	56305545	1	Barb, 90 Elbow 3/4 X 3/4 Npt
K1,K2	18		2	Hose - .75 X 3.00 E00521 <b>NOTE 1</b>
K2	19		1	Washer, Rubber <b>NOTE 1</b>
K1	20		1	Valve-Solution
	21	56383051	1	Tank Kit <b>NOTE 1</b>
	21	56509188	1	Tank-Solution <b>NOTE 2</b>
	22		1	Seat Assembly
	22a	56001939	4	Wsh, Flt Sae 5/16
	22b	56002922	3	Scr Hex Loc 1/4-20 X .62
	22c	56002098	3	Wsh, Flt SAE 1/4
	22d	56002701	4	Nut, Hex Nyl Loc 5/16-18
	22e	56509461	1	Seat Mount Weldt
	22f	7-69-00008	1	Seat
	22g	7-72-05005	1	Slide,Seat
	22h	7-82-00050	1	Switch <b>S9</b>
	22i	56315382	1	Clip Conduit
	23	56509475	1	Tube Assy-Pressure Sensing
	24	56510442	1	Cap-Extra Vent
K1	25		1	Shield-Valve
	26	56510540	1	Plate-Seal
	27	56510542	1	Plate-Spacer
	28	56511168	1	Plate
	29	56510587	1	Nut Plate
	30	56510590	1	Bulb Seal
	31	56511169	1	Cover Weldt
	32	56511124	1	Cover Hanger Weldt
	33	56510659	1	Tube-Tygon
	34	56601215	1	Prop Rod, Seat
K1,K2	35	56900292	2	Barb, Adapter 3/4 X 3/4npt ( <b>QTY OF 1 AFTER SN 1000047871</b> )
K1	36	56383049	1	Hose Assy <b>NOTE 2</b>
	37	56002916	4	Wsh Flt Sae Ss 10
K4	38		2	Washer Flat .266x.906x.060
	K1	56510581	1	Filter Kit-Solution <b>NOTE 1</b>
	K1	56383052	1	Filter Kit-Solution <b>NOTE 2</b>
	K2	56510593	1	Hose Kit-Solution Drain <b>NOTE 1</b>
	K4	56510824	1	Hardware Kit-Solution System

**NOTE 1:** Used on machines before serial number 1000047872

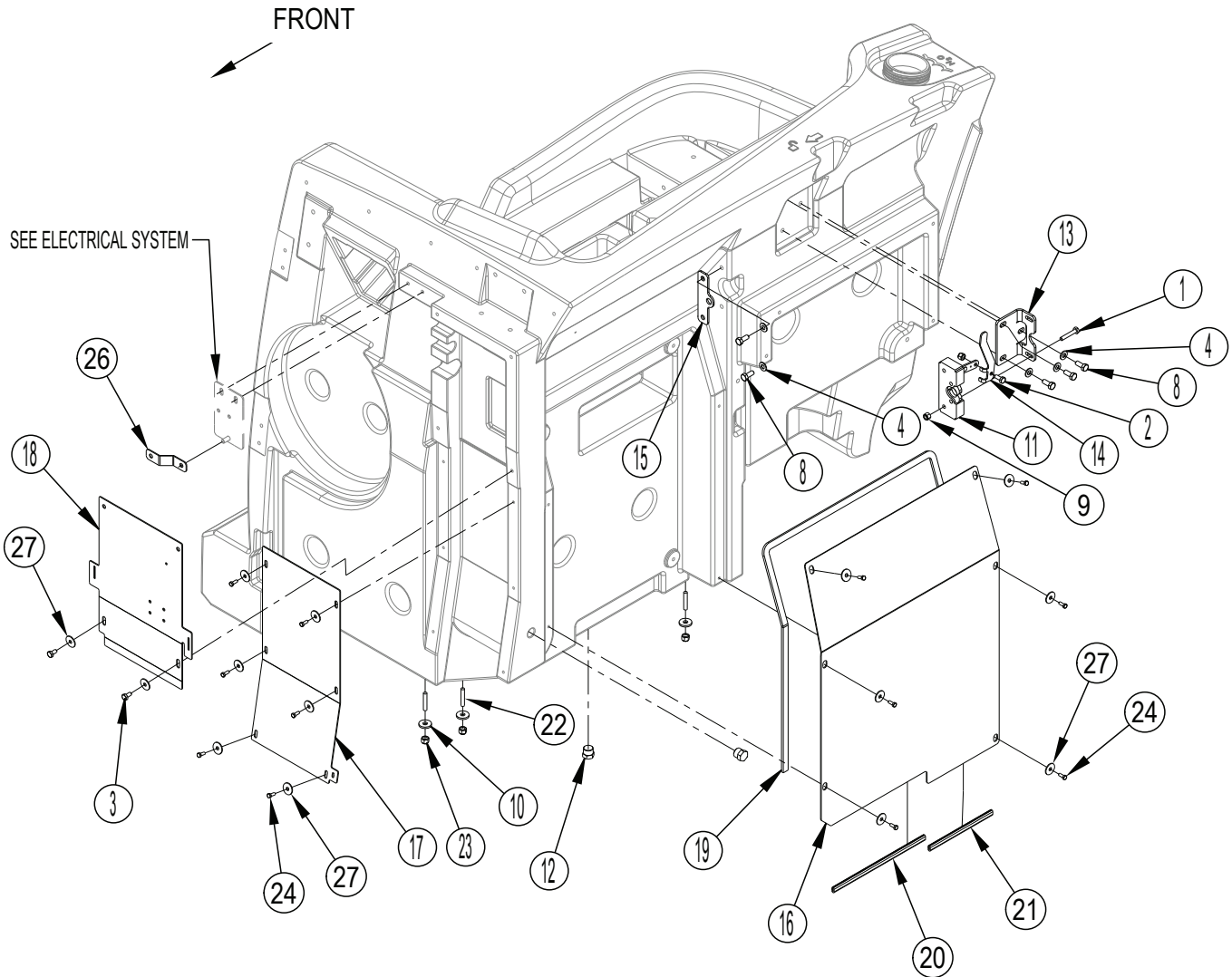
**NOTE 2:** Used on machines after serial number 1000047871



Kit	Item	Ref. No.	Qty	Description
K3	1		1	Scr, Hex 1/4-20 X 1.50
K3	2		1	Scr, Hex 1/4-20 X .62
K4	3		2	Scr, Hex 1/4-20 X .50
K3,K4	4		5	Wsh, Flt Sae 5/16
K3,K4	8		8	Scr, Hex 5/16-18 X .75
K3	9		2	Nut, Hex Nyl Loc 1/4-20
K4	10		3	Wsh, Flt .344 X .938 X .125
K3	11	56304827	1	Latch, Rh
	12	56305547	2	Plug, 1/2 Hex Pipe
K3	13		1	Bracket-Latch Mount
K3	14		1	Handle-Recovery Latch
	15	56509363	1	Hook-Tether
	16	56510045	1	Cover-Contactor Panel
	17	56510062	1	Panel-Cover
	18	56510065	1	Panel-Fuse Cover
	19	56510661	1	Gasket-Plate
	20	56510951	1	Trim-Edge
	21	56510952	1	Trim-Edge
K4	22		3	Threaded Stud-Stainless
K4	23		3	Nut-Hex Nyl Loc SS 5/16-18
K4	24		12	Scr Hex 10-24 X .50
K4	26		14	Washer Flat .266x.906x.060
K3	56510594	1	1	Latch Kit-Rec Tank
K4	56510824	1	1	Hardware Kit-Solution System

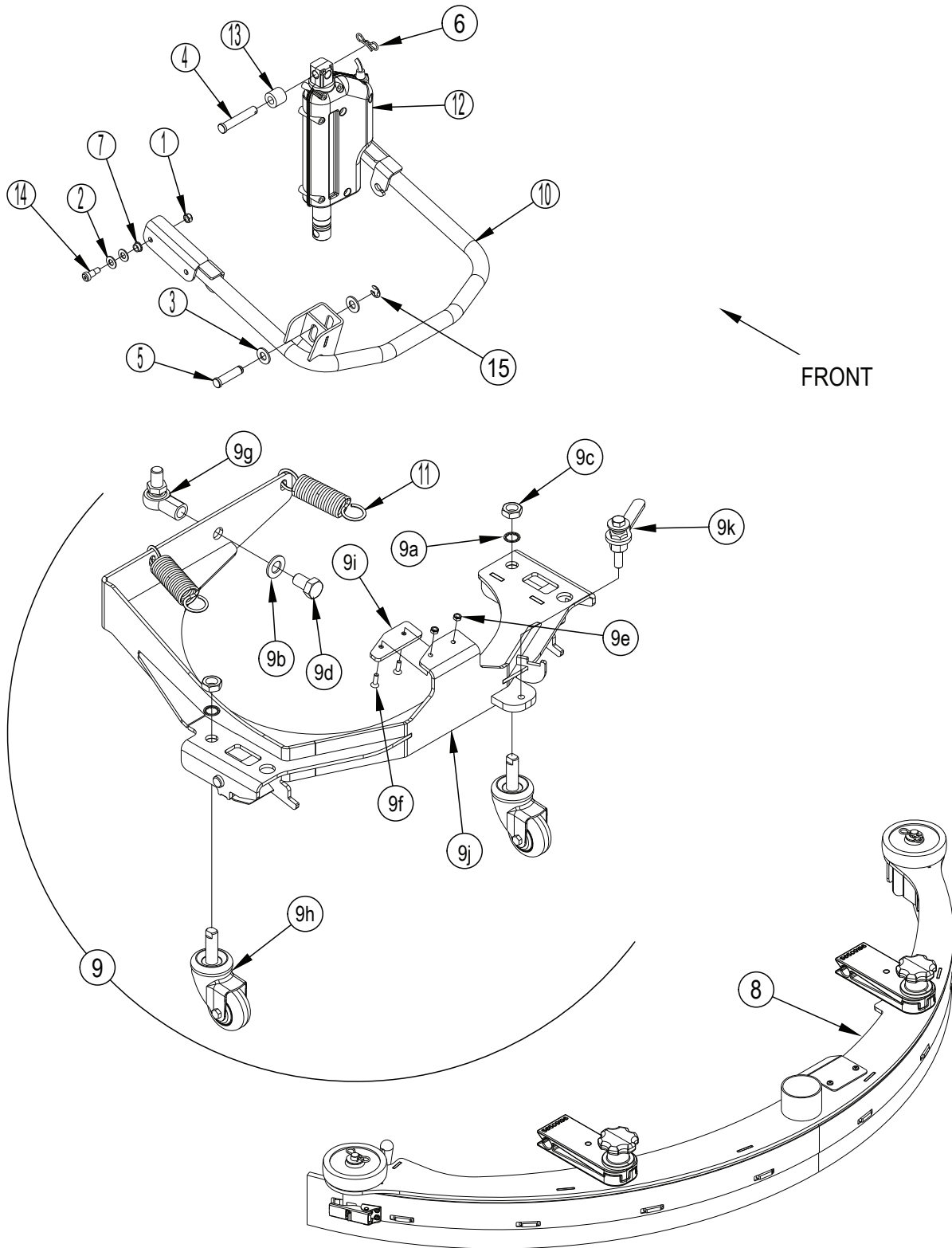


Kit	Item	Ref. No.	Qty	Description
K1,K4	1		4	Wsh, Flt Sae #10
K1	2		4	Scr Pan Phil Ss 10-24 X .50
K4	3		2	Scr-Hex 1/4-20 X 1.00
K4	4		8	Wsh, Flt Sae 1/4
K4	5		2	Scr-Hex 1/4-20 X .75
	6	56002292	1	Scr-Pan Phil 1/4-20 X 1.00
K1	7		4	Nut, Hex Nyl Loc 10-24
K1	8		2	Scr- Hex Ss 1/4-20 X .50
K4	9		5	Scr-Hex Hd Loc 1/4-20x.62
K4	10		6	Scr-Truss Phil Ss Blk10-24x.50
	11	56046309	1	Spacer, Phenolic
K1	12		2	U-Bolt 10-24 X R.69
K1	13		2	Clamp- Hose Sae #10
K1	14	56305545	1	Barb, 90 Elbow 3/4 X 3/4 Npt
	15	56382937	1	Plate-Mounting
	16	56382940	1	Hanger-Cover
K1	17	56383049	1	Hose Assy
K1	18		1	Filter
K1	19		1	Valve-Solution
	20	56509188	1	Tank-Solution
	21	56509464	1	Seat Assembly
	21a	56001939	4	Wsh, Flt Sae 5/16
	21b	56002922	3	Scr Hex Loc 1/4-20 X .62
	21c	56002098	3	Wsh, Flt SAE 1/4
	21d	56002701	4	Nut, Hex Nyl Loc 5/16-18
	21e	56509461	1	Seat Mount Weldt
	21f	7-69-00008	1	Seat
	21g	7-72-05005	1	Slide,Seat
	21h	7-82-00050	1	Switch <b>S9</b>
	21i	56507793	1	Clip Conduit
	22	56509475	1	Tube Assy-Pressure Sensing
	23	56510442	1	Cap-Extra Vent
K1	24		1	Shield-Valve
	25	56510540	1	Plate-Seal
	26	56510542	1	Plate-Spacer
	27	56510587	1	Nut Plate
	28	56510590	1	Bulb Seal
	29	56511169	1	Cover Weldt
	30	56510659	1	Tube-Tygon
	31	56601215	1	Prop Rod, Seat
K1	32	56900292	1	Barb, Adapter 3/4 X 3/4npt
	33	56383158	1	Panel-User Interface Fuel Cell
	34	56002916	4	Wsh Flt Sae Ss 10
K4	35		2	Washer Flat .266x.906x.060
K1	56383052	1	Filter Kit-Solution	
K4	56510824	1	Hardware Kit-Solution System	





Kit	Item	Ref. No.	Qty	Description
K3	1		1	Scr, Hex 1/4-20 X 1.50
K3	2		1	Scr, Hex 1/4-20 X .62
K4	3		2	Scr, Hex 1/4-20 X .50
K3,K4	4		5	Wsh, Flt Sae 5/16
K3,K4	8		5	Scr, Hex 5/16-18 X .75
K3	9		2	Nut, Hex Nyl Loc 1/4-20
K4	10		3	Wsh, Flt .344 X .938 X .125
K3	11	56304827	1	Latch, Rh
	12	56305547	2	Plug, 1/2 Hex Pipe
K3	13		1	Bracket-Latch Mount
K3	14		1	Handle-Recovery Latch
	15	56509363	1	Hook-Tether
	16	56510045	1	Cover-Contactor Panel
	17	56510062	1	Panel-Cover
	18	56510065	1	Panel-Fuse Cover
	19	56510661	1	Gasket-Plate
	20	56510951	1	Trim-Edge
	21	56510952	1	Trim-Edge
K4	22		3	Threaded Stud-Stainless
K4	23		3	Nut-Hex Nyl Loc SS 5/16-18
K4	24		12	Scr Hex 10-24 X .50
	26	56382931	1	Bracket-Horn
K4	27		14	Washer Flat .266x.906x.060
K3	56510594		1	Latch Kit-Rec Tank
K4	56510824		1	Hardware Kit-Solution System



Kit	Item	Ref. No.	Qty	Description
K1	1		2	Nut, Hex Nyl Loc-Thin Ss 5/16-18
K1	2		4	Wsh-Flt Sae Ss 3/8
K2	3		2	Wsh-Flt Sae Ss 1/2
K2	4		1	Pin-Clevis .50 X 2.75
K2	5		1	Pin-Clevis-Grooved-Ss .5x2.00
K2	6		1	Pin- Bow-Tie Cotter 7/16 - 1/2
K1	7		2	Bearing, Flange
	8	56511216	1	Assembly-Squeegee Tool (includes Red Gum Rubber Blades)
	9		1	Assembly-Squeegee Support
K3	9a		2	Washer, Int. Shake Pr
K5	9b		1	Wsh, Flt Sae 3/4
K3	9c		2	Nut, Hex Jam 3/4-10 (Not Stocked)
K5	9d		1	Scr, Hex 3/4-16 X 1.25 Grade8
K4	9e		2	Nut, Hex Nyl Loc-Thin Ss 1/4-20
K4	9f		2	Scr-Flt Phil Ss 1/4-20 X .88
K5	9g		1	Rod End
K3	9h		2	Caster-Squeegee
K4	9i		1	Pad-Squeegee Lift
	9j	56511219	1	Support Weldment
	9k	56510168	1	Handle-Adjustment
	10	56509241	1	Arm-Squeegee Lift
	11	56509246	2	Spring-Extension
	12	56509247	1	Actuator-Squeegee Lift <b>M12</b>
K2	13		1	Spacer-.510 X 1 X .88
K1	14		2	3/8 Shoulder Screw 1/2lg 5/16-18thrd
K2	15		1	Retaining Ring-E Style-Ss .5
	K1	56510766	1	Hardware Kit-Squeegee Lift
	K2	56510768	1	Hardware Kit-Squeegee Actuator
	K3	56510817	1	Caster Kit-Squeegee
	K4	56510828	1	Pad Kit-Squeegee Lift
	K5	56510829	1	Rod End-Squeegee

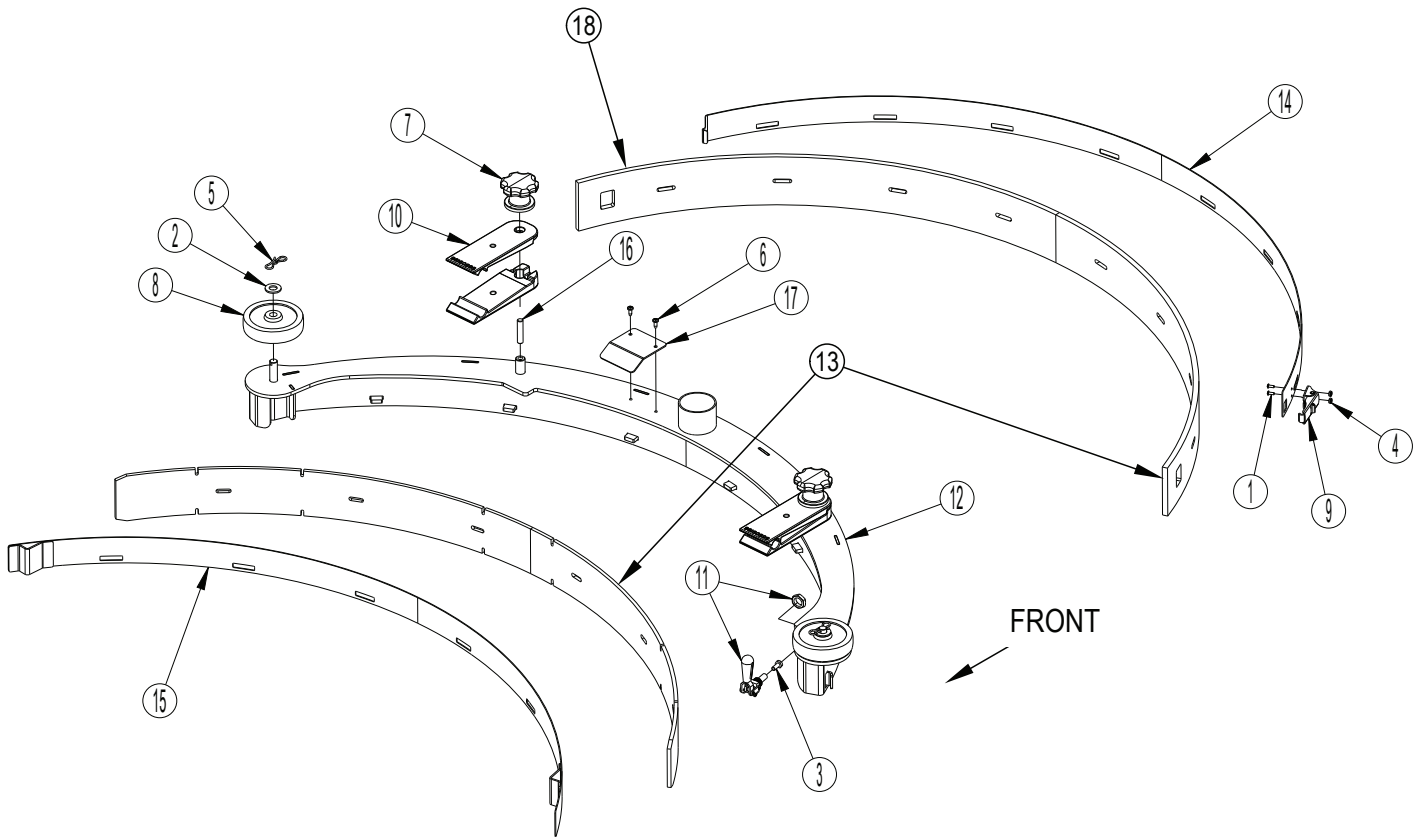
**SQUEEGEE ASSY**

11-3

90

CS7000

6-13



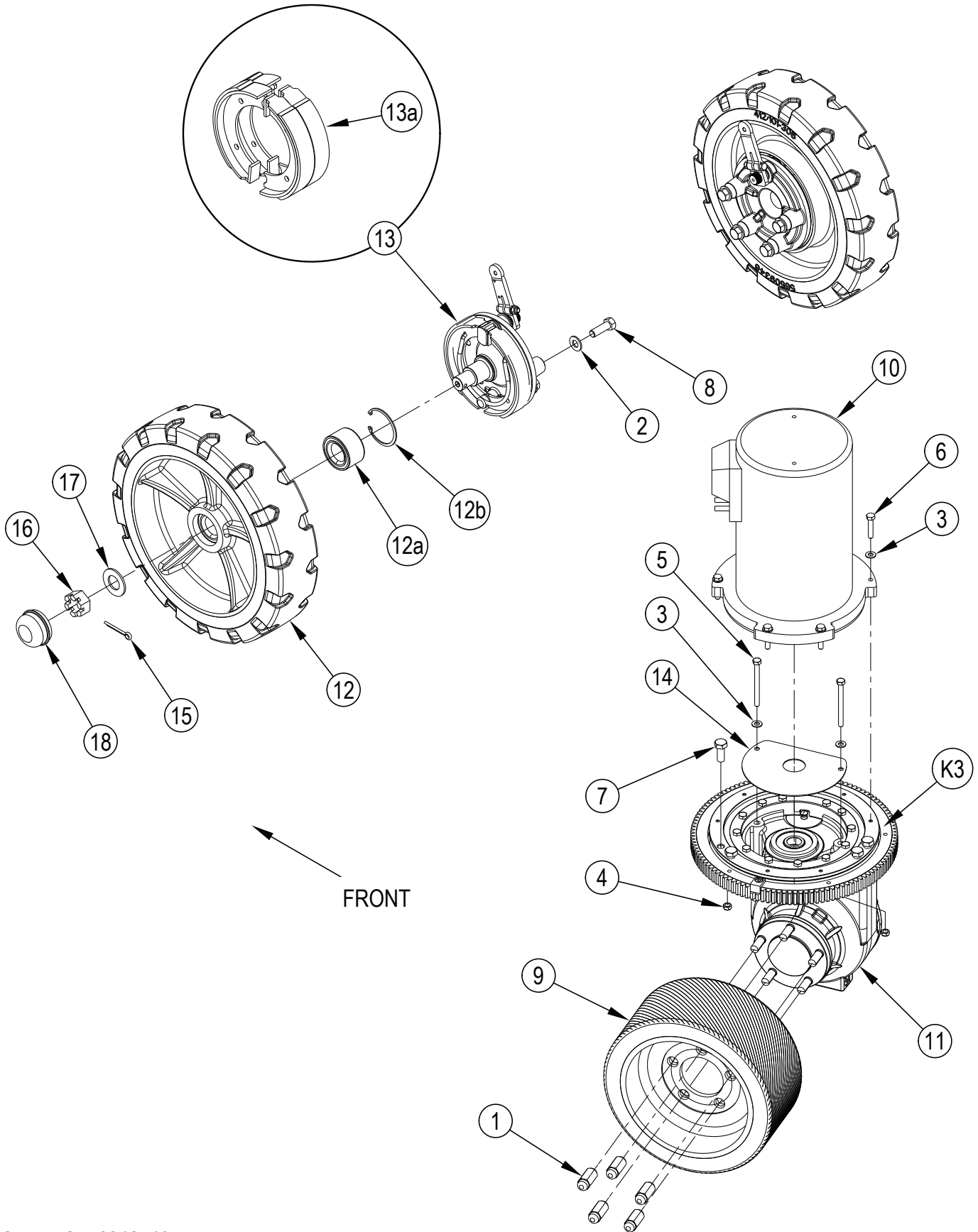
Kit	Item	Ref. No.	Qty	Description
		56511216	1	Assembly-Squeegee Tool
K2	1		2	Scr-Pan Phil Ss 6-32 X .38
K3	2		2	Wsh-Flt Sae Ss 1/2
K4	3		1	Scr-Hex Loc Ss 1/4-20 X .62
K2	4		2	Nut-Hex Nyl Loc-Thin Ss 6-32
K3	5		2	Pin-Bow-Tie Cotter 7/16 - 1/2
K4	6		2	Scr-Pan Phil Ss Type F 10-24 X .50
	7	56109704	2	Knob-Squeegee
K3	8	56111639	2	Wheel
K2	9		1	Latch Assembly
K1	10		4	Clip-Squeegee
	11	56509203	1	Clamp-Push Pull
	12		1	Squeegee Weldment <b>NOTE 2</b>
	13	56510371	1	Blade Kit-Squeegee Red Gum <b>NOTE 1</b>
	14	56509219	1	Strap-Squeegee
	15	56509220	1	Strap-Weldment
	16	56510151	2	Stud - 3/8-16x1.75
	17	56510153	1	Plate-Adjustment
	18	56509213	1	Blade-Sq Rear-Red Gum <b>NOTE 3</b>
		56510378	1	Blade-Sq-Rear-Gum <b>NOTE 3</b>
		56510380	1	Blade-Sq-Rear-Pu <b>NOTE 3</b>
				Squeegee Blade Kits
		56510371	1	Blade Kit-Squeegee Red Gum <b>NOTE 1</b>
	*	56510372	1	Blade Kit-Squeegee Gum <b>NOTE 1</b>
	*	56510373	1	Blade Kit-Squeegee PU <b>NOTE 1</b>
K1	56510830		1	Clip Kit-Squeegee
K2	56510831		1	Latch Kit-Squeegee
K3	56510832		1	Wheel Kit-Squeegee
K4	56510833		1	Hardware Kit-Squeegee Tool

\* = Optional, Not Included

**NOTE 1:** All squeegee blade kits include both front and rear squeegee blades.

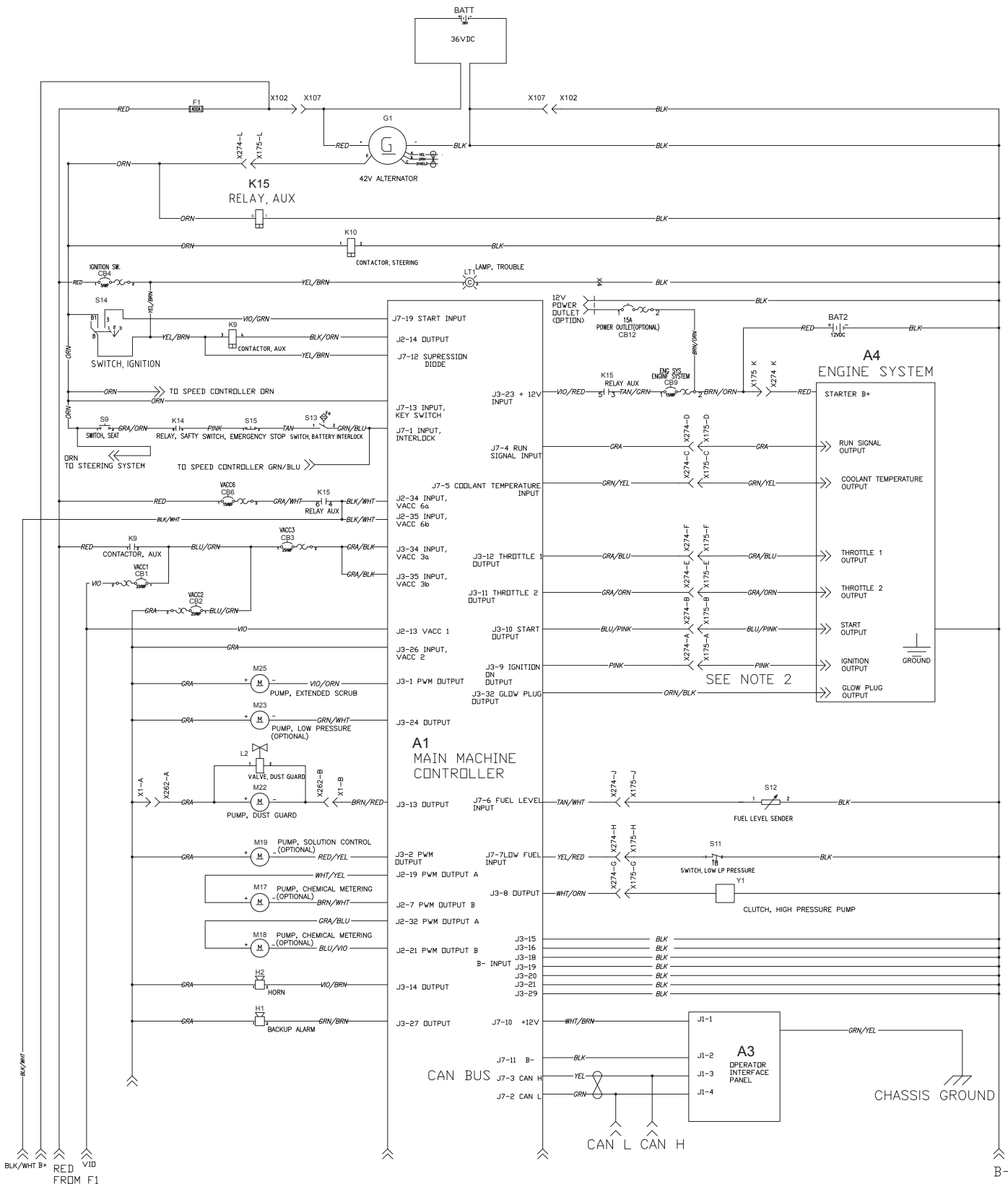
**NOTE 2:** The squeegee weldment is not available for sale separately. If you need to replace it please order the entire squeegee assembly 56511216.

**NOTE 3:** If you need to replace the rear squeegee blades, they are available for sale separately.



Kit	Item	Ref. No.	Qty	Description
	1	56510738	1	Lug Nut Kit
K2	2		8	Wsh-Flt Sae 1/2
K1	3		8	Wsh, Flt Sae 5/16
K1	4		2	Nut, Hex Nyl Loc-Thin 5/16-18
K1	5		2	Scr, Hex 5/16-18 X 3.50
K1	6		6	Scr, Hex Ss M8-1.25 X 40mm
K2	7		6	Scr, Hex Loc M12-1.75 X 30mm
K2	8		8	Scr, Hex Loc 1/2-20 X 1.50 Grade 8
	9	56509157	1	Wheel-Drive 310x140 (Std)
		56383293	1	Wheel-Drive 310x140 (Optional)
K1	10		1	Motor-Traction <b>M24</b>
	[ ]	56510852	1	Sensor-Speed (for 56510737)
	[ ]	56510853	1	Sensor-Thermal (for 56510737)
	11	56509195	1	Gearbox-Traction Drive
	12	56383402	2	Wheel-Mold-On 16.2 X 4 <b>TSB-FC-2013-124</b>
	12a	56509532	1	Bearing-Wheel (for 56509346)
	12b	56509533	1	Ring-Snap (for 56509346)
	13	56509664	2	Brake & Spindle Assembly
	13a	56510762	1	Brake Shoe Kit (for 56509664 contains 4 brake shoes)
K1	14		1	Shield-Splash
K2	15		2	Pin, Cotter
K2	16		2	1" X 14 Slotted Nut
K2	17		2	Washer, Spacer
	18	8-11-00030	2	Grease Cap
K1		56510737	1	Motor Kit-Drive
K2		56510826	1	Hardware kit-Wheel System
K3		56510825	1	Ring/Pinion Gear Kit-Steering (for 56509195)

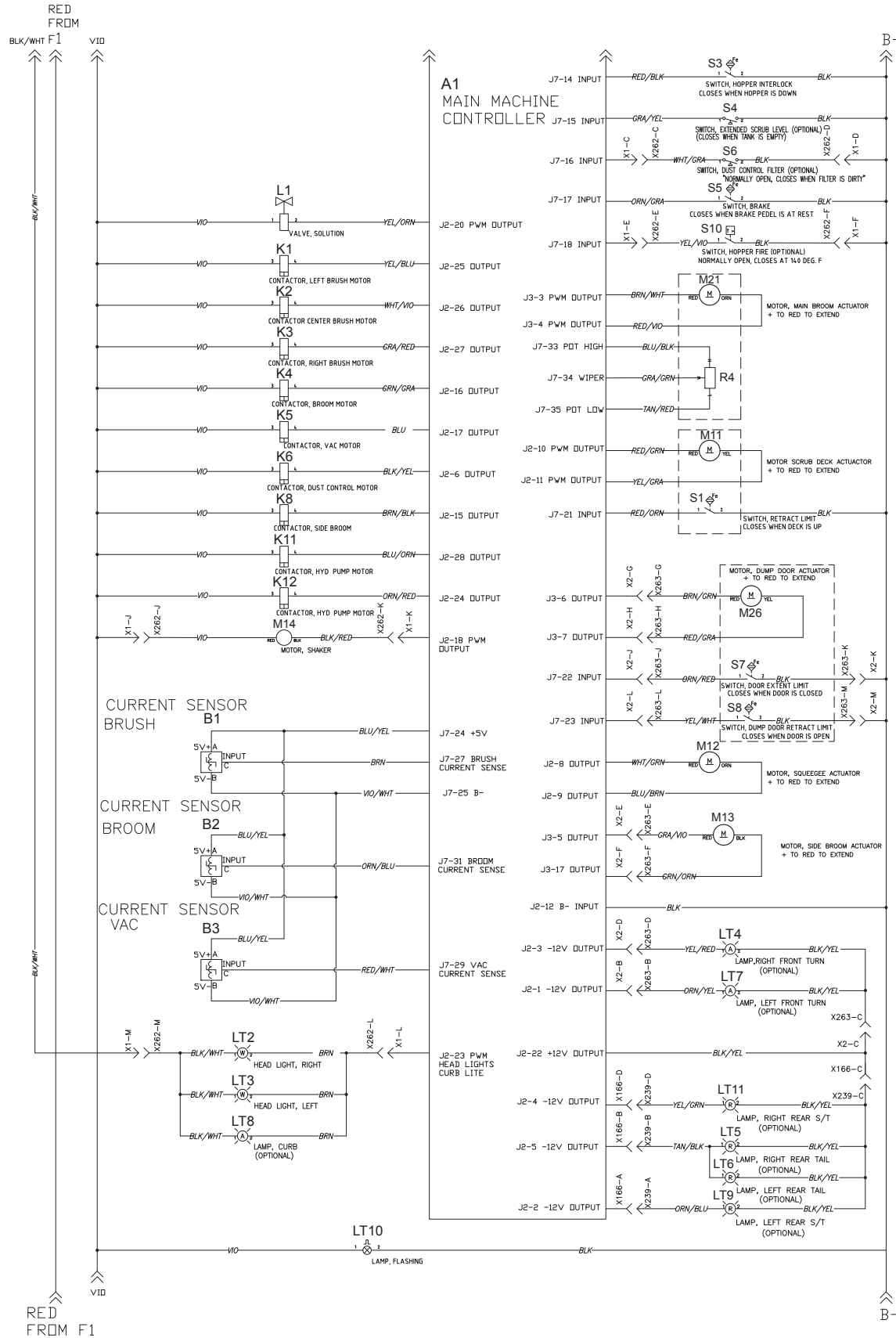
[ ] = Not Shown



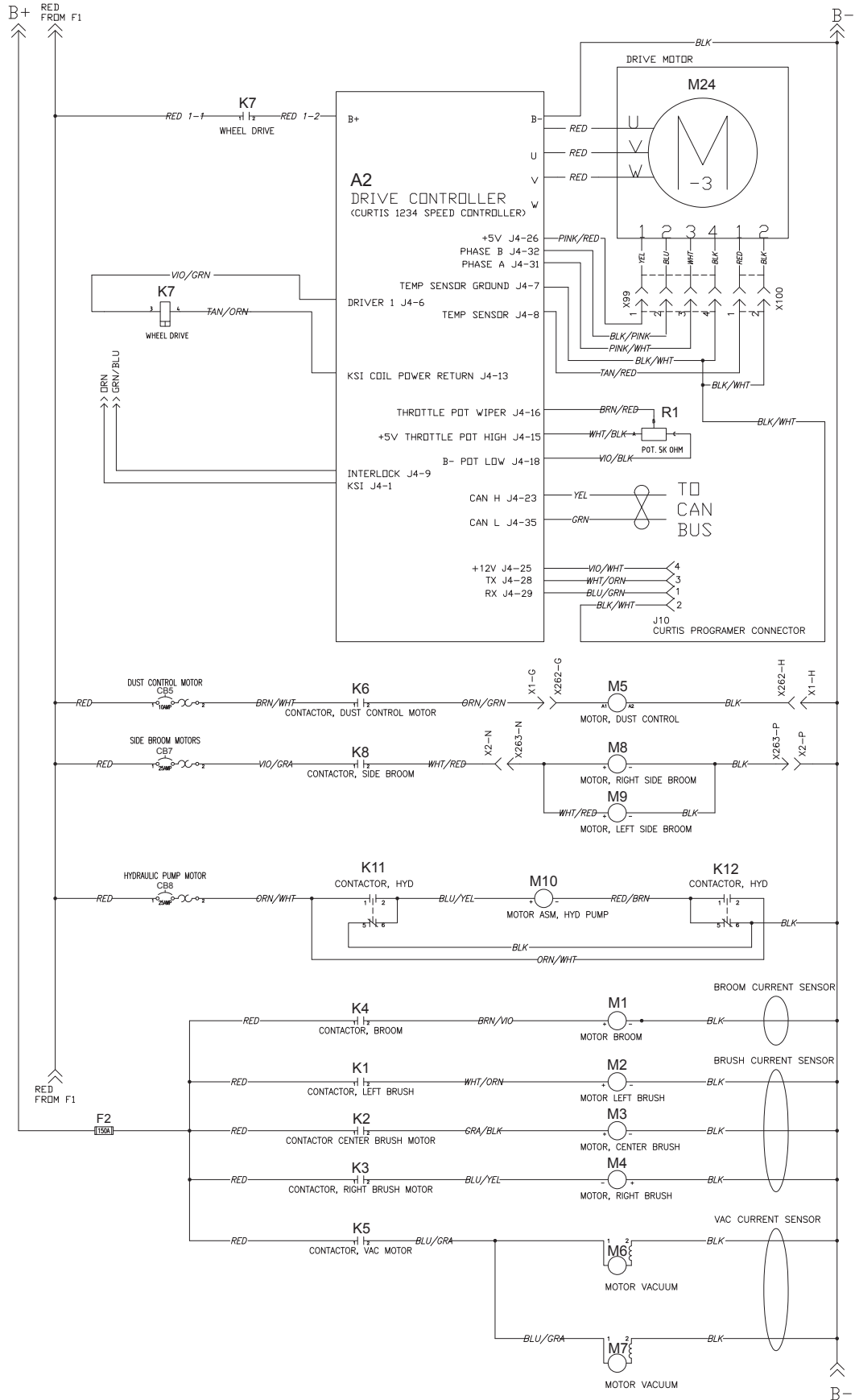


Kit	Item	Ref. No.	Qty	Description
	A1	56383061	1	Control Board Kit
	A3	56509476	1	User Interface Panel Assy
	A4	NA		Engine System
BATT		56510781	1	Battery Kit-Elect Sys LPG / Diesel <b>NOTE 1</b>
		NA	1	Battery 36V <b>NOTE 2</b>
BAT2		56380449	1	Battery-12V 45ah Wet <b>NOTE 1</b>
	CB1	56413822	1	Circuit Breaker-20 Amp (VACC1)
	CB2	56509623	1	Circuit Breaker-25 Amp (VACC2)
	CB3	56509623	1	Circuit Breaker-25 Amp (VACC3)
	CB4	56315255	1	Circuit Breaker-5 Amp (Ignition)
	CB6	56413407	1	Circuit Breaker-15 Amp (VACC6)
	CB9	56413407	1	Circuit Breaker-15 Amp (Engine System)
	CB12	56413407	1	Circuit Breaker-15 Amp (Accessory Socket / Optional)
	F1	56303297	1	Fuse, 400 Amp
	G1	56509345	1	Alternator Assy
	H1	56409232	1	Backup Alarm
	H2	56482365	1	Horn 36V
	K9	56395450	1	Contactactor 36V (AUX)
	K10	56395450	1	Contactactor 36V (Steering)
	K14	40892A	1	Relay-Dpdt 36VDC (Safety)
	K15	40892A	1	Relay-Dpdt 36VDC (AUX)
	L2	56397215	1	Solenoid Valve (Dust Guard / Optional)
	LT1	56305627	1	Trouble Lamp
	M17	56110742	1	Pump-Chemical Metering (EcoFlex / Optional)
	M18	56110742	1	Pump-Chemical Metering (EcoFlex / Optional)
	M19	56413810	1	Pump-36V (EcoFlex / Optional)
	M22	56510574	1	Pump-36V (Dust Guard / Optional)
	M23	56510451	1	Pump-36V (Spray Wand Kit / Optional)
	M25	56413810	1	Pump-36V (Extended Scrub / Optional)
	S9	7-82-00050	1	Switch-Seat
	S11	56418381	1	Switch-N.C. Pressure (LPG)
	S12	56510613	1	Fuel Level Sensor
	S13	56305053	1	Switch-Battery Interlock
	S14	56111109	1	Key Switch Assembly
	S15	56407130	1	Disconnect-Emergency
	Y1	NA	1	Clutch-High Pressure Pump (part of High Pressure Pump Assy 56509812 / Optional)

**NOTE 1:** These items are only used on LPG and diesel models.  
**NOTE 2:** Only used on battery models.

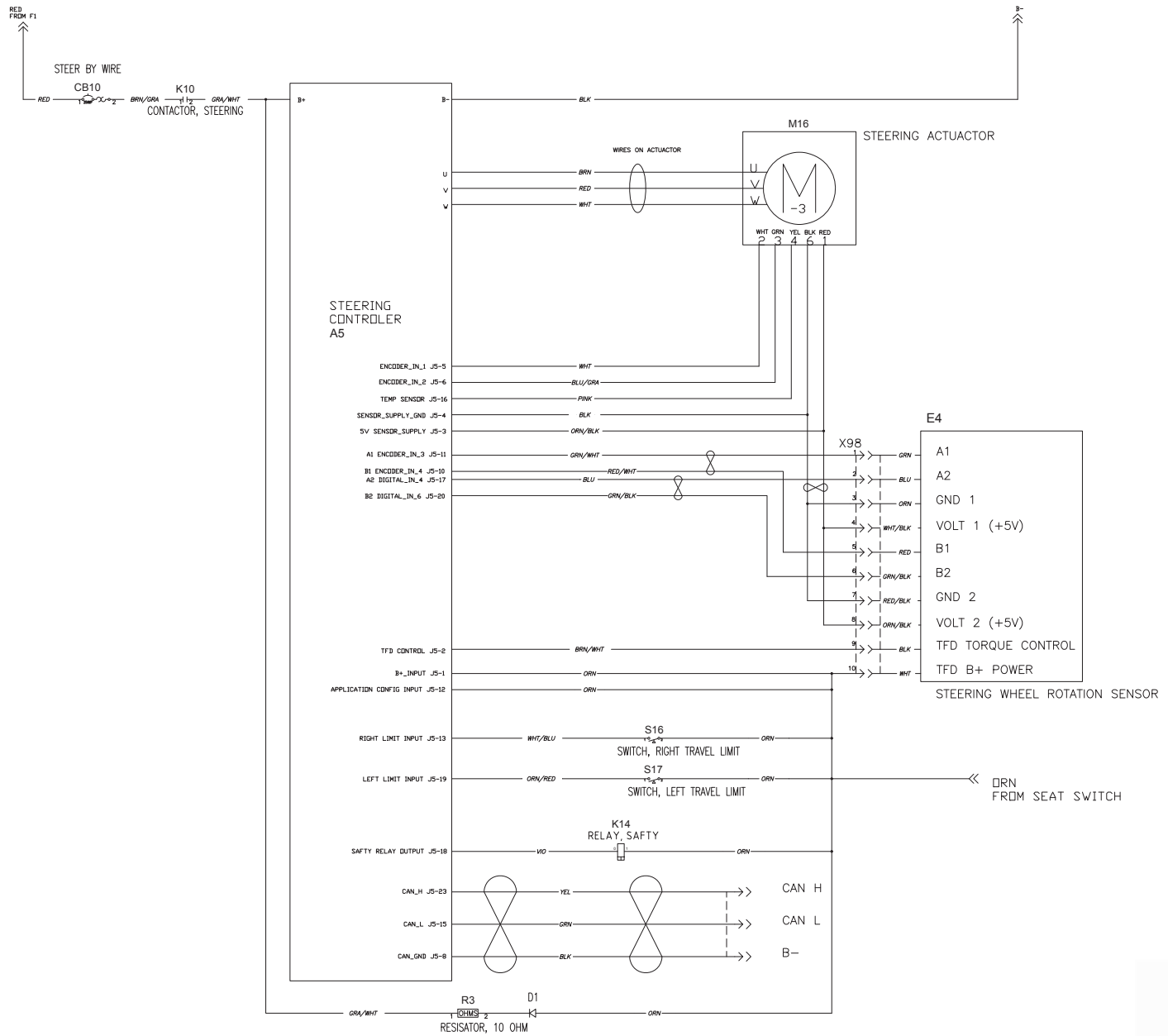


Kit	Item	Ref. No.	Qty	Description
	A1	56383061	1	Control Board Kit
	B1	56510042	1	Current Sensor (Brush)
	B2	56510042	1	Current Sensor (Broom)
	B3	56510042	1	Current Sensor (Vac)
	K1	56395450	1	Contactactor 36V (Left Brush)
	K2	56395450	1	Contactactor 36V (Center Brush)
	K3	56395450	1	Contactactor 36V (Right Brush)
	K4	56395450	1	Contactactor 36V (Main Broom)
	K5	56395450	1	Contactactor 36V (Vac Motors)
	K6	56395450	1	Contactactor 36V (Dust Control)
	K8	56395450	1	Contactactor 36V (Side Brooms)
	K11	56397250	1	Contactactor 36V (Hydraulic Pump)
	K12	56397250	1	Contactactor 36V (Hydraulic Pump)
	L1	56303275	1	Solenoid Valve Assy
	LT2	56383035	1	Light Assy (Right)
	LT3	56383035	1	Light Assy (Left)
	LT4	56509559	1	Light-Turn Signal (Right Front / Optional)
	LT5	56510280	1	Right Tail Light (Optional)
	LT6	56510280	1	Left Tail Light (Optional)
	LT7	56509559	1	Light-Turn Signal (Left Front / Optional)
	LT8		1	Curb Light (Optional)
	LT9	56509918	1	Light Red (Left Rear Turn Signal / Optional)
	LT10	56305223	1	Beacon (Optional)
	LT11	56509918	1	Light Red (Right Rear Turn Signal / Optional)
	M11	56509439	1	Actuator-Scrub Deck
	M12	56509247	1	Actuator-Squeegee Lift
	M13	56413111	1	Actuator-Side Broom
	M14	56510728	1	Motor-Shaker
	M21	56509438	1	Actuator-Broom Lift
	M26	56509414	1	Actuator-Dump Door
	R4	NA	1	Part of Main Broom Actuator 56509438
	S1	56305053	1	Sensor-Proximity (Scrub Deck Retract Limit)
	S3	56305053	1	Sensor-Proximity (Hopper Interlock)
	S4	56509932	1	Switch-Extended Scrub Level (Optional)
	S5	56305053	1	Sensor-Proximity (Brake)
	S6	56509761	1	Switch-Vacuum (Plugged Filter Kit / Optional)
	S7	56305053	1	Sensor-Proximity (Hopper Dump Door Extent)
	S8	56305053	1	Sensor-Proximity (Hopper Dump Door Retract)
	S10	56418405	1	Switch-Temperature (Hopper Temp Sensor Kit)



Kit	Item	Ref. No.	Qty	Description
	A2	56509172	1	Controller-Motor Speed
	CB5	56507644	1	Circuit Breaker-10 Amp (Dust Control)
	CB7	56509623	1	Circuit Breaker-25 Amp (Side Broom)
	CB8	56509623	1	Circuit Breaker-25 Amp (Hydraulic Pump)
	F2	56412089	1	Fuse-150 Amp
	K1	56395450	1	Contactactor 36V (Left Brush)
	K2	56395450	1	Contactactor 36V (Center Brush)
	K3	56395450	1	Contactactor 36V (Right Brush)
	K4	56395450	1	Contactactor 36V (Main Broom)
	K5	56395450	1	Contactactor 36V (Vac Motors)
	K6	56395450	1	Contactactor 36V (Dust Control)
	K7	56303198	1	Contactactor 36V Type 4 (Wheel Drive)
	K8	56395450	1	Contactactor 36V (Side Brooms)
	K11	56397250	1	Contactactor 36V (Hydraulic Pump)
	K12	56397250	1	Contactactor 36V (Hydraulic Pump)
	M1	56510758	1	Motor-Broom
	[ ]	56510765	1	Motor Brush Kit (for 56510758)
	M2	56510291	1	Motor-Left Brush
	[ ]	56510763	1	Brush Kit (for 56510291)
	M3	56510291	1	Motor-Center Brush
	[ ]	56510763	1	Brush Kit (for 56510291)
	M4	56510292	1	Motor-Right Brush
	[ ]	56510763	1	Brush Kit (for 56510292)
	M5	56509561	1	Motor-Dust Control
	M6	56510209	1	Motor-Vac-36vdc
	M7	56510209	1	Motor-Vac-36vdc
	M8	56510482	1	Motor-Right Side Broom Assy
	[ ]	56510844	1	Brush Kit-Motor (for 56510318 & 56510482)
	M9	56510318	1	Motor-Left Side Broom Assy
	[ ]	56510844	1	Brush Kit-Motor (for 56510318 & 56510482)
	M10	56509373	1	Motor-Hydraulic Pump
	M24	56509168	1	Motor-Traction
	R1	NA	1	Pot-5K Ohm (part of Foot Pedal Assy 56601052)

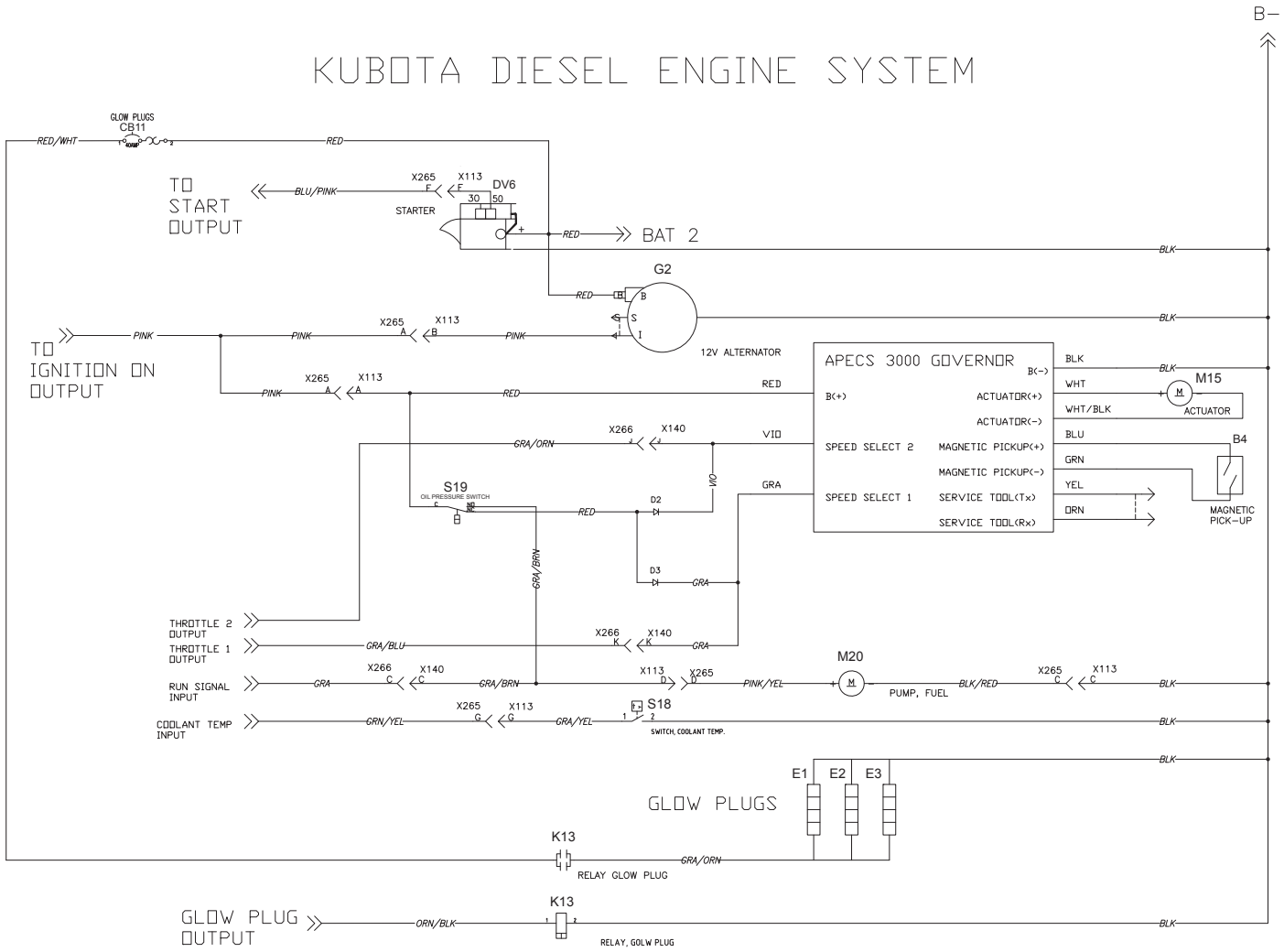
[ ] = Not Shown



11-3	<b>LADDER DIAGRAM-4</b>		
11-11	<b>CS7000</b>		<b>101</b>

Kit	Item	Ref. No.	Qty	Description
	A5	56510729	1	Controller-Steering
	CB10	56509623	1	Circuit Breaker-25 Amp (Steering)
	E4	56510408	1	Torque Feedback Device
	K10	56395450	1	Contactactor 36V (Steering)
	K14	40892A	1	Relay-Dpdt 36VDC (Safety)
	M16	56380406	1	Actuator-Steering 36V
	R3	NA	1	Resistor-10 Ohm
	S16	56305053	1	Sensor-Proximity (Right Travel Limit)
	S17	56305053	1	Sensor-Proximity (Left Travel Limit)

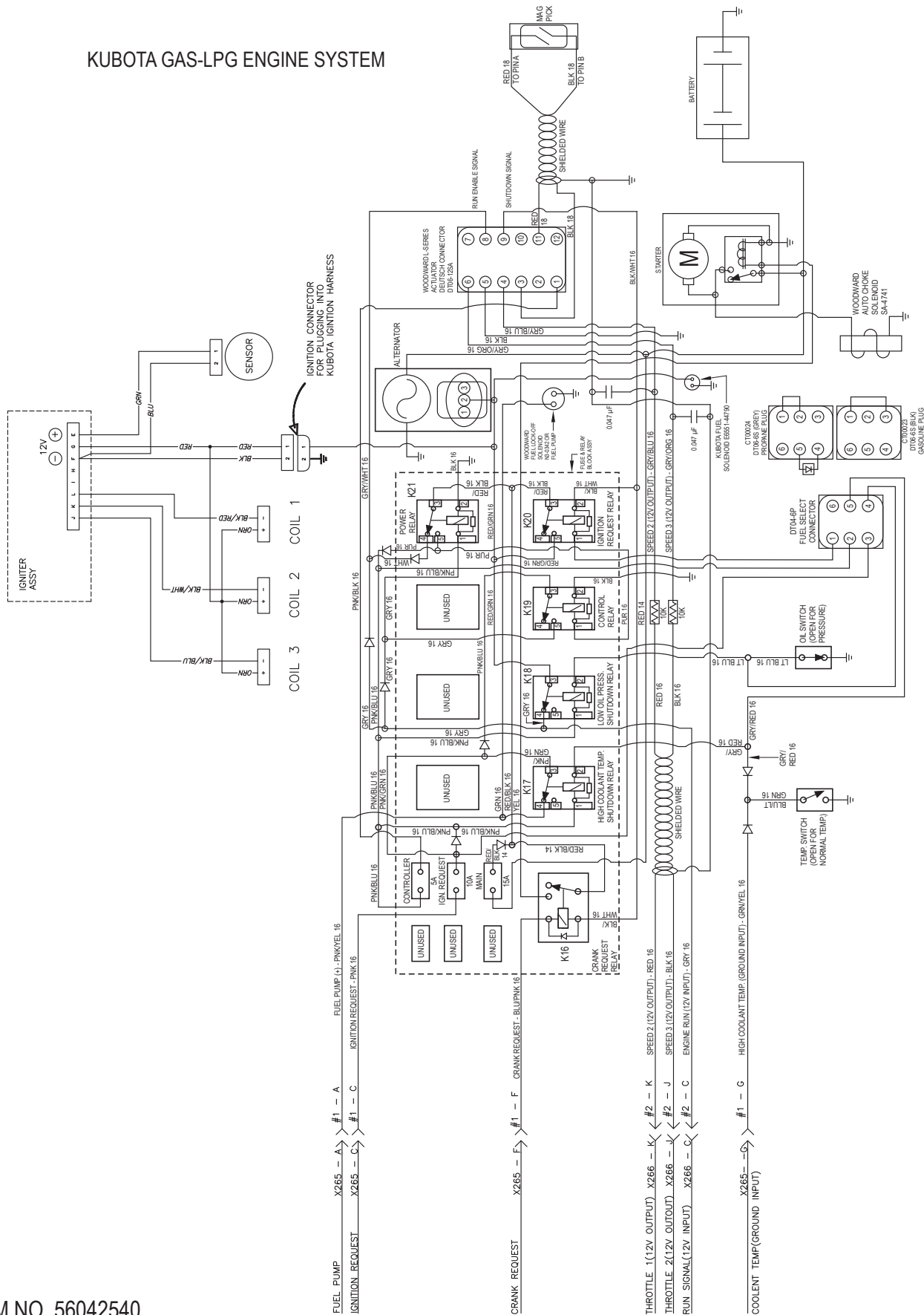
KUBOTA DIESEL ENGINE SYSTEM



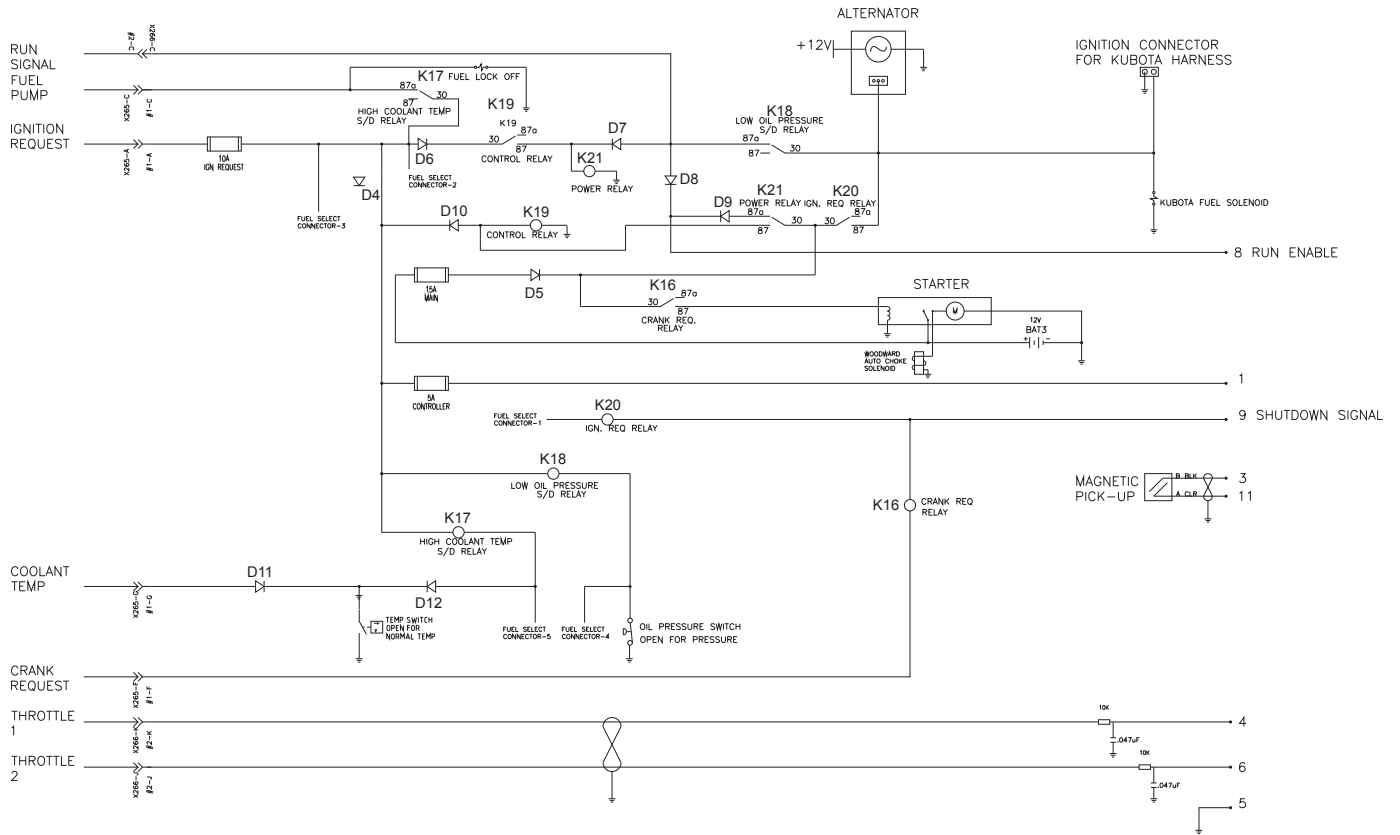


Kit	Item	Ref. No.	Qty	Description
	B4	NA	1	Magnetic Pick-Up (part of Apecs 3000 Governor 56510350)
CB11		56509624	1	Circuit Breaker-40A (Glow Plugs)
DV6		56419089	1	Starter
	E1	NA	1	Glow Plug
	E2	NA	1	Glow Plug
	E3	NA	1	Glow Plug
	G2	56510385	1	Alternator
K13		56110423	1	Relay-SPST 12V 75A
		56510350	1	Apecs 3000 Governor
M15		NA	1	Actuator (part of Apecs 3000 Governor 56510350)
M20		56508355	1	Fuel Pump
S18		56419091	1	Switch-Coolant Temp
S19		56508444	1	Switch-Oil Pressure

KUBOTA GAS-LPG ENGINE SYSTEM



KUBOTA GAS-LPG ENGINE SYSTEM



Kit	Item	Ref. No.	Qty	Description
		0775-295	1	Alternator
		56507994	1	Fuel Lock-Off Solenoid
		56419090	1	Oil Switch
		56419091	1	Temp Switch
		56508440	1	Starter

**OPTIONAL KITS & ACCESSORIES**

11-3

106

CS7000

1-14

Ref. No.	Qty	Description
		Optional Kits <b>NOTE 3</b>
* 56509926	1	Extended Scrub Kit
* 56509988	1	Deluxe Seat Kit
* 56509975	1	Overhead Guard Kit-79"
* 56510399	1	Overhead Guard Kit-82"
*# 56383455	1	Seat Belt Kit
* 56509556	1	Brake Light/Turn Signal Kit
* 56509675	1	Rear Corner Roller Kit
* 56509914	1	Front Corner Roller Kit
* 56510326	1	Super Duty Kit
* 56510605	1	Fire Extinguisher Kit
* 56305519	1	Back-Up Alarm Kit
* 56509994	1	Floor Mat Kit
* 56510683	1	Ecoflex Kit-Advance
* 56509811	1	High Pressure Pump Kit-Diesel
* 56509810	1	High Pressure Pump Kit-Lpg
* 56509729	1	Plugged Filter Switch Kit
* 56509728	1	Hopper Temperature Sensor Kit
* 56383044	1	Work Light Kit
* 56510407	1	Overhead Guard Beacon Kit
* 56510444	1	Overhead Guard Canopy Kit
* 56510414	1	Warning Beacon Kit
* 56510424	1	Solution Fill Shut-Off Kit
* 56510443	1	Vac Wand Kit
* 56510368	1	Wash Hose Kit
* 56510015	1	Water Heater Option-LPG
* 56510464	1	Water Heater Option-Diesel
* 7-03-04250	1	Arm Rest Option (R/H Only)
* 56510201	1	Squeegee Guard Kit
* 56510450	1	Front Bumper Kit
* 56601410	1	Drain Hose Extension
* 56111280	1	Recovery Tank Clean Out Kit
* 56510465	1	Accessory Socket Kit
* 56509481	1	Dust Guard Kit

		Squeegee Blade Kits (See Squeegee Blade Selector Guide)
	56510371	1 Blade kit-Squeegee Red Gum <b>NOTE 1</b>
*	56510372	1 Blade kit-Squeegee Gum <b>NOTE 1</b>
*	56510373	1 Blade Kit-Squeegee PU <b>NOTE 1</b>
Deck Blade Kits		
	56510374	1 Blade Kit-Deck Red Gum <b>NOTE 2</b>
*	56510375	1 Blade Kit-Deck Gum <b>NOTE 2</b>
*	56510376	1 Blade Kit-Deck PU <b>NOTE 2</b>
Options		
	56383293	1 Wheel-Drive 310x140 <b>NOTE 4</b>
Accessories		
*	56044590	1 Literature Pack
Scrub Brushes (See Brush Selector Guide)		
*	56505780	3 Short Trim Pad Holder
*	56505195	3 Pad Retainer for 56505750
*	56505785	3 ProLite
*	56505784	3 Prolene
*	56505786	3 Union Mix
*	56505783	3 AgLite Grit 500
*	56505787	3 MidGrit 240
*	56505788	3 MidLite Grit 180
*	56505782	3 Dyna Grit 80
*	56505781	3 Magna Grit 46
Main Brooms		
	33018858	1 Broom-Main Prolene/Wire
*	33018856	1 Broom-Main Nylon
*	33018857	1 Broom-Main Prolene
*	33018859	1 Broom-Main Union Mix / Natural
Side Brooms		
	56510707	1 Broom-Side Poly

\* = Optional, Not Included

# = Revised or new since last update

**NOTE 1:** All squeegee blade kits include both front and rear squeegee blades.

**NOTE 2:** All Deck Blade Kits include all blades for both skirt assemblies

**NOTE 3:** Replacement parts for the kits listed above can be found on each kit's associated instruction sheet.

**NOTE 4:** This drive wheel can be used in place of the standard drive wheel 56509157 for increased traction.

108

CS7000

We provide brushes and pad holders that will give you the best possible performance between machine and floor. Following are descriptions of the materials and their applications.

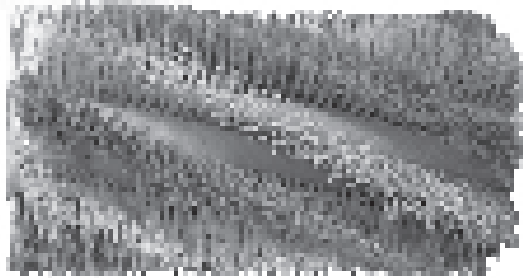
- ProLite:** Bristles are made from light-duty polypropylene for general scrubbing when you do not want to scratch or remove finish from the floor. Recommended for use in place of red pads.
- Prolene:** Polypropylene material for medium-duty scrubbing on concrete, terrazzo and vinyl floor tile. Recommended for use in place of green or blue pads.
- Union Mix:** Medium grade natural fibers for polishing finished floors with standard-speed equipment. Recommended for use in place of white pads.
- AgLite Grit 500:** For light scrubbing when used wet; buffing or polishing when used dry on urethane coated, sealed concrete or other resilient hard surface floors. Recommended for use in place of red or white pads.
- MidGrit 240:** For general purpose scrubbing when you need a lighter action for sealed or unsealed concrete, stone, terrazzo, quarry tile and other resilient hard floor surfaces. Recommended for use in place of green or blue pads.
- MidLite Grit 180:** For general purpose scrubbing of sealed or unsealed concrete, stone, terrazzo, quarry tile and other resilient hard floor surfaces. Recommended for use in place of green or blue pads.
- Dyna Grit 80:** For aggressive, heavy-duty scrubbing or stripping of floors. Recommended for use in place of brown pads.
- Magna Grit 46:** For extreme heavy-duty scrubbing or stripping of floors. This brush has extra large diameter silicon carbide grit impregnated synthetic bristles. Recommended for use in place of black pads.
- Short Trim Pad Holder:** Made with a structural foam block and center ring for correct pad centering. It has a "shower feed" design for getting solution to the floor.

**BRUSHES**

- 56505780 - Short Trim Pad Holder  
 56505195 - Pad Retainer for 56505800  
 56505785 - ProLite  
 56505784 - Prolene  
 56505786 - Union Mix  
 56505783 - AgLite Grit 500  
 56505787 - MidGrit 240  
 56505788 - MidLite Grit 180  
 56505782 - Dyna Grit 80  
 56505781 - Magna Grit 46

**DISC BRUSH APPLICATION GUIDE (SUGGESTION ONLY)**

	46	80	180	240	500			Union
Application	Grit	Grit	Grit	Grit	Grit	Prolene	Prolite	Mix
<b>Stripping:</b>								
Concrete	X	X						
Terrazzo	X	X						
Ceramic/Quarry tile		X						
Vinyl tile		X						
<b>General Scrubbing:</b>								
Concrete	X	X	X	X		X		
Terrazzo			X	X	X	X		
Ceramic/Quarry tile			X	X	X	X		
Marble					X		X	
Vinyl tile			X		X	X		
Raised-rubber tile					X		X	
<b>Polishing:</b>								
Raised Disc Tile								X
Marble								X
Vinyl tile								X

**Main Broom: 33018858 Prolene & Wire (STD.) (6 Double Rows)**

This broom has a more aggressive cleaning action, used to pick up heavier debris.

**33018857 Prolene (Optional) (6 Double Rows)**

A top quality synthetic fiber. This filament is made for a wide variety of applications. Retains its stiffness when wet and resists abrasive chemicals, solvents and oils. A general purpose material offering high performance for a wide range of applications.

**33018856 Nylon (Optional) (6 Double Rows)**

General purpose broom that can be used for all types of light soil. High wear material so uneven surfaces do not cause excessive wear. Nylon has a high heat deflection temperature, is chemical resistant and will absorb water in wet conditions. Truly a general purpose broom.

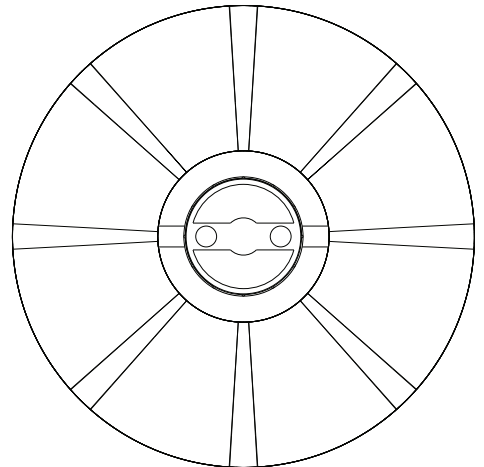
**33018859 Union Mix (Optional) (6 Double Rows)**

Medium grade natural fibers.

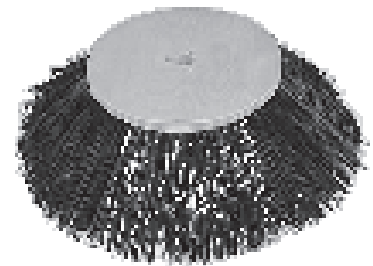
6 Double Row

Length.....35.43" (90 cm)

Diameter .....12.20" (31 cm)

**Side Broom: 56510707 Polypropylene (STD.)**

The side broom function is to sweep the dirt and debris away from the curb, wall, pallet, etc. into the path of the main broom.



Diameter .....22" (56 cm)

Gum Rubber: Provides superior wiping action on tile, terrazzo, and polished floors.

Red Gum Rubber: Provides longest life on finished or unfinished concrete floors.

Polyurethane: Oil resistance provides superior life in applications with oily floors.

**SQUEEGEE BLADE APPLICATION GUIDE(SUGGESTION ONLY)**

<b>Performance Traits</b>	<b>Gum Rubber (Natural Rubber)</b>	<b>Red Gum Rubber (Natural Rubber)</b>	<b>Polyurethane/ Pentathane</b>
Resilience	X		X
Tear Strength	X		X
Abrasion Resistance	X	X	X
Wear Resistance		X	X
Low Temp Flexibility	X	X	
High Temp Flexibility	X		X
Ozone Resistance			
Chemical Resistance			X
<b>Applications</b>			
Oil Resistant Applications			X
General Purpose	X	X	X
Hot Water Applications		X	X
Chemical Applications			X
<b>Appearance</b>	Tan	Red	Translucent











Nilfisk-Advance Equipamentos de Limpeza Ltda.  
Av. Dep. Emílio Carlos, 2.499 - Bairro do Limão - 02721-200  
São Paulo - SP - Brasil  
[www.nilfisk-advance.ind.br](http://www.nilfisk-advance.ind.br)  
[www.plataforma.ind.br](http://www.plataforma.ind.br)  
Tel.: (11) 3959-0300  
Fax: (11) 3959-0306  
©2014 Nilfisk-Advance, Inc.



14600 21st Avenue North  
Plymouth, MN 55447-3408  
[www.advance-us.com](http://www.advance-us.com)  
Phone: 800-989-2235  
Fax: 800-989-6566  
©2014 Nilfisk-Advance, Inc.

---

**A Nilfisk-Advance Brand**