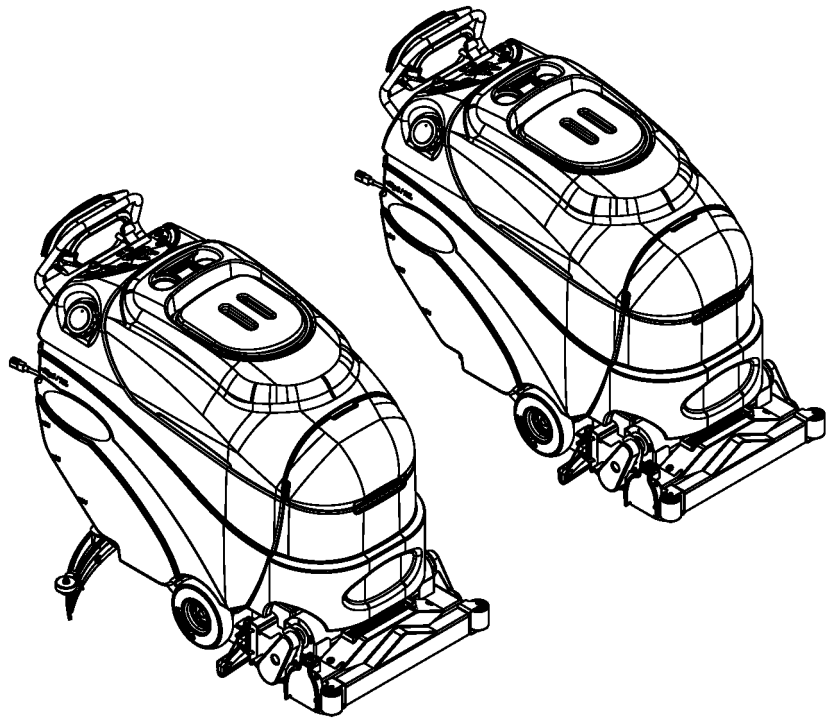


# AquaPLUS™, AquaPLUS™ AXP

## Adphibian™



### Parts List

Advance Models: 56317000, 56317001, 56317002



**Advance**  
by Nilfisk-Advance

4/07 revised 10/08 FORM NO. 56042476



<b>DESCRIPTION</b>	<b>PAGE</b>
Chassis System .....	2-3
Chassis System (Squeegee Linkage Assembly / Adphibian) .....	4-5
Decal System.....	6-7
Recovery System.....	8-9
Scrub System .....	10-11
Solution System / Electrical-1 .....	12-13
Solution System / Electrical-2 .....	14-15
Chemical Assembly (AXP Models Only) .....	16-17
Paddle Assembly .....	18-19
Squeegee Assembly (Adphibian).....	20-21
Wiring Diagram .....	22-23
Optional Kits & Accessories.....	24
Brush Selector Guide.....	25

**WHEN ORDERING PARTS**

- \* Use the part numbers from the "Ref. No." columns in this parts list.
- \* Specify the model and serial number of the machine.
- \* Use the space below to record the model and serial number for future reference.

Model \_\_\_\_\_ Serial No. \_\_\_\_\_

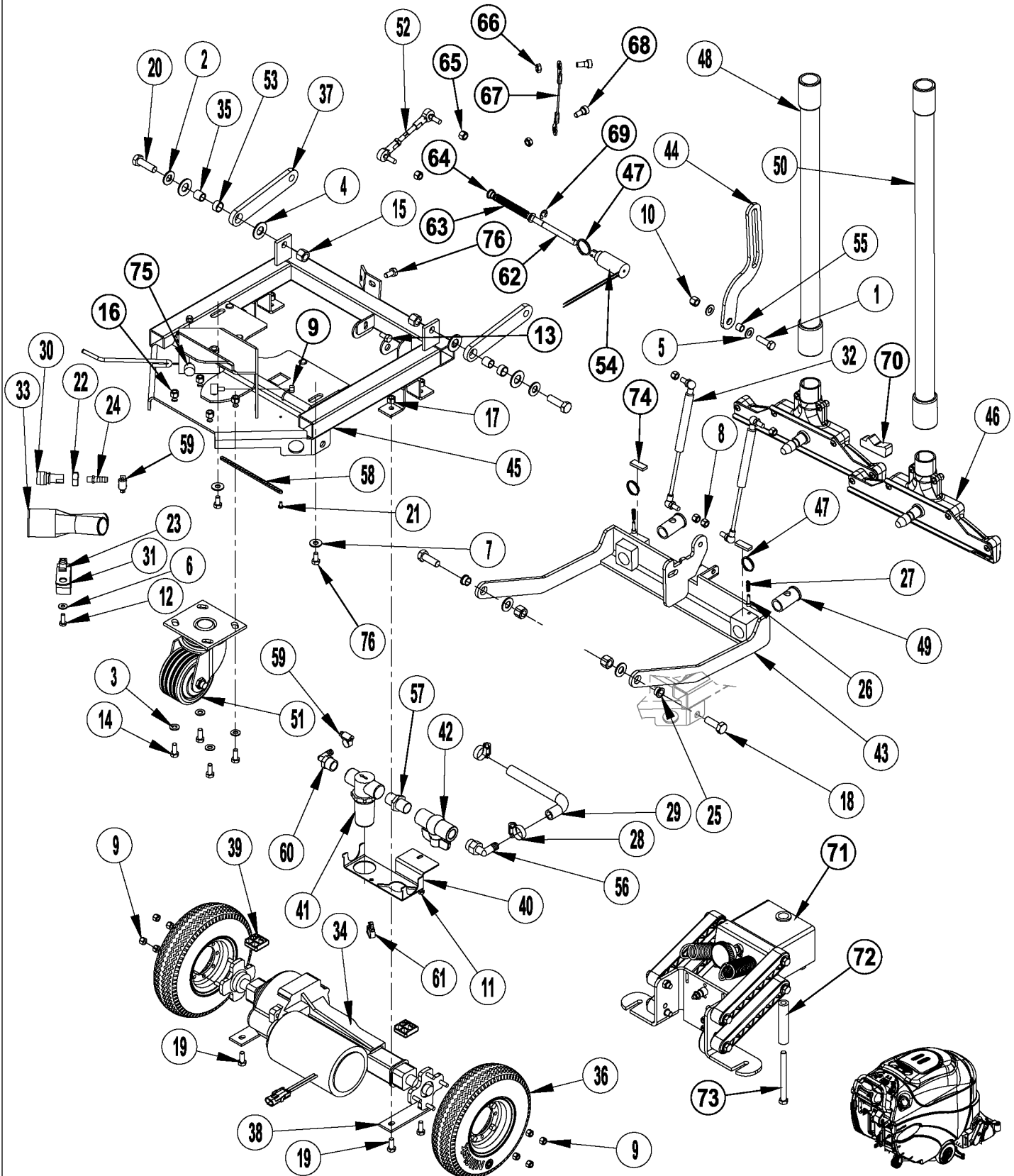
# CHASSIS SYSTEM

07-4

2

AquaPLUS™, AquaPLUS™ AXP, Adphibian™

08-2



Item	Ref. No.	Qty	Description	Item	Ref. No.	Qty	Description
1	56001858	1	Scr, Hex 3/8-16 x 1.25	41	56315296	1	Solution Filter
2	56001879	4	Wsh, Flt SAE 1/2	42	56315607	1	Ball Valve
3	56001939	4	Wsh, Flt SAE 5/16	43	56317029	1	Shoe Support Weld't
4	56002022	4	Wsh, Flt SAE 5/8	44	56317035	1	Link, Lift
5	56002063	2	Wsh, Flt SAE 3/8	45	56317039	1	Chassis Weldt
6	56002098	1	Wsh, Flt SAE 1/4	46#	56317041	2	Shoe Assembly <b>TSBUS2008-999</b>
7	56002220	2	Wsh, Flt STD 5/16	[ ]	56317097	2	Replacement Shoe
8	56002701	4	Nut, Hex Nyl Loc 5/16-18	[ ]	56317063	2	Shoe Bracket Weld't.
9	56002708	8	Nut, Hex Nyl Loc 1/4-20 <b>(NOTE 1)</b>	47	56317071	2	Ring <b>(NOTE 2)</b>
10	56002769	1	Nut, Hex Nyl Loc 3/8-16	48	56317091	1	Hose, Vac
11	56002832	1	Nut, Hex Nyl Loc-Thin 10-24	49	56317092	2	Bearing, Flange
12	56002948	1	Scr, Hex Hd Loc 1/4-20 x .75	50	56317093	1	Hose, Vac
13	56002988	1	Scr, Hex SS 5/16-18 x .62	51	56317121	1	Caster Swiv 4.0 x 2.0
14	56003179	4	Scr, Hex Thd To Hd M8-1.25 X 20mm	52	56317127	1	Turnbuckle
15	56003312	4	Nut, Hex Nyl Loc M12-1.75	53	56370878	2	Bearing, Sleeve
16	56003389	4	Nut, Hex Nyl Loc M8-1.25	54	56317100	1	Solenoid, Pull Type <b>(L3 / NOTE 3)</b>
17	56003405	4	Nut, Hex Nyl Loc SS M8-1.25	55	56388326	1	Bushing
18	56003415	2	Scr, Hex M12-1.75 x 35mm	56	56409152	1	Barb, 90 Elbow 1/2 x 1/2npt
19	56003435	4	Scr, Hex SS M8-1.25 x 20mm	57	56412182	1	Nipple, Hex 3/4-14
20	56003637	2	Scr, Hex M12-1.75 x 40mm	58	56467544	1	Chain
21	56009030	1	Scr, Pan Phil Thd Form 10-24 x .38	59	56756364	2	Clamp, Hose SAE #4
22	56009078	1	Nut, Hex Jam SS 5/8-18	60	56900033	1	Barb, 90 Elbow 3/8 x 1/2npt
23	56009289	1	Nut, Retainer 1/4-20	61	56900756	1	Clip, Conduit
24	56104299	1	Barb, Adapter 3/8 x 1/8 Npt	62	56317070	1	Rod, Latch <b>(NOTE 3)</b>
25	56185264	2	Bearing, Flange	63	56317067	1	Spring, Compression <b>(NOTE 3)</b>
26	56317139	2	Pin	64	56324505	2	Bearing, Flange <b>(NOTE 3)</b>
27	56201448	2	Spring, Compression	65	56002950	2	Nut, Hex Nyl Loc 5/16-24
28	56219932	2	Clamp, Hose SAE #6	66	56002826	2	Nut, Hex Nyl Loc-Thin 5/16-18
29	56262180	1	Hose, Spiral .500	67	56304126	1	Cable Assy
30	56265208	1	Socket, 1/8 FPT	68	56003730	2	Scr, Soc Hd .38 x .25 x 5/16-18
31	56305492	1	P-Clamp	69	56003262	1	Ring, Ret Ext Type E .38 Dia <b>(NOTE 3)</b>
32	56314206	2	Gas Spring	70	56317156	1	Shoe Spacer, Foam
33	56314557	1	Y-Tube	71	56315165	1	Assy, Squeegee Linkage <b>(NOTE 4)</b>
34	56315062	1	Transaxle, 24V <b>(M8)</b>	72	56315154	1	Bushing, Spacer <b>(NOTE 4)</b>
[ ]	56315377	1	Motor	73	56009241	1	Scr, Hex 3/8-16 x 4.25 <b>(NOTE 4)</b>
[ ]	56315378	4	Carbon Brush	74	56317164	2	Foam Strip
[ ]	56315379	2	Neoprene Mounting Sleeve	75	56315111	2	Cylindrical Mount <b>(NOTE 4)</b>
[ ]#	56380497	A/R	Transaxle Kit <b>TSBUS2008-1014</b>	76	56003012	3	Scr, Hex SS 5/16-18 x .75
[ ]#	56380503	A/R	Transaxle Hub Kit <b>TSBUS2008-1018</b>				
35	56315080	2	Bushing	[ ] = Not Shown			
36	56315115	2	Wheel, Drive	# = Revised or new since last update			
37	56315179	2	Linkage Arm				
38#	56380499	2	Plate	<b>NOTE 1:</b> QTY of 10 on Adphibian			
39	56315258	2	Shim	<b>NOTE 2:</b> QTY of 3 on AquaPLUS AXP, Adphibian			
40	56315260	1	Bracket, Filter Mount	<b>NOTE 3:</b> Only used on AquaPLUS AXP, Adphibian			
				<b>NOTE 4:</b> Only used on Adphibian			

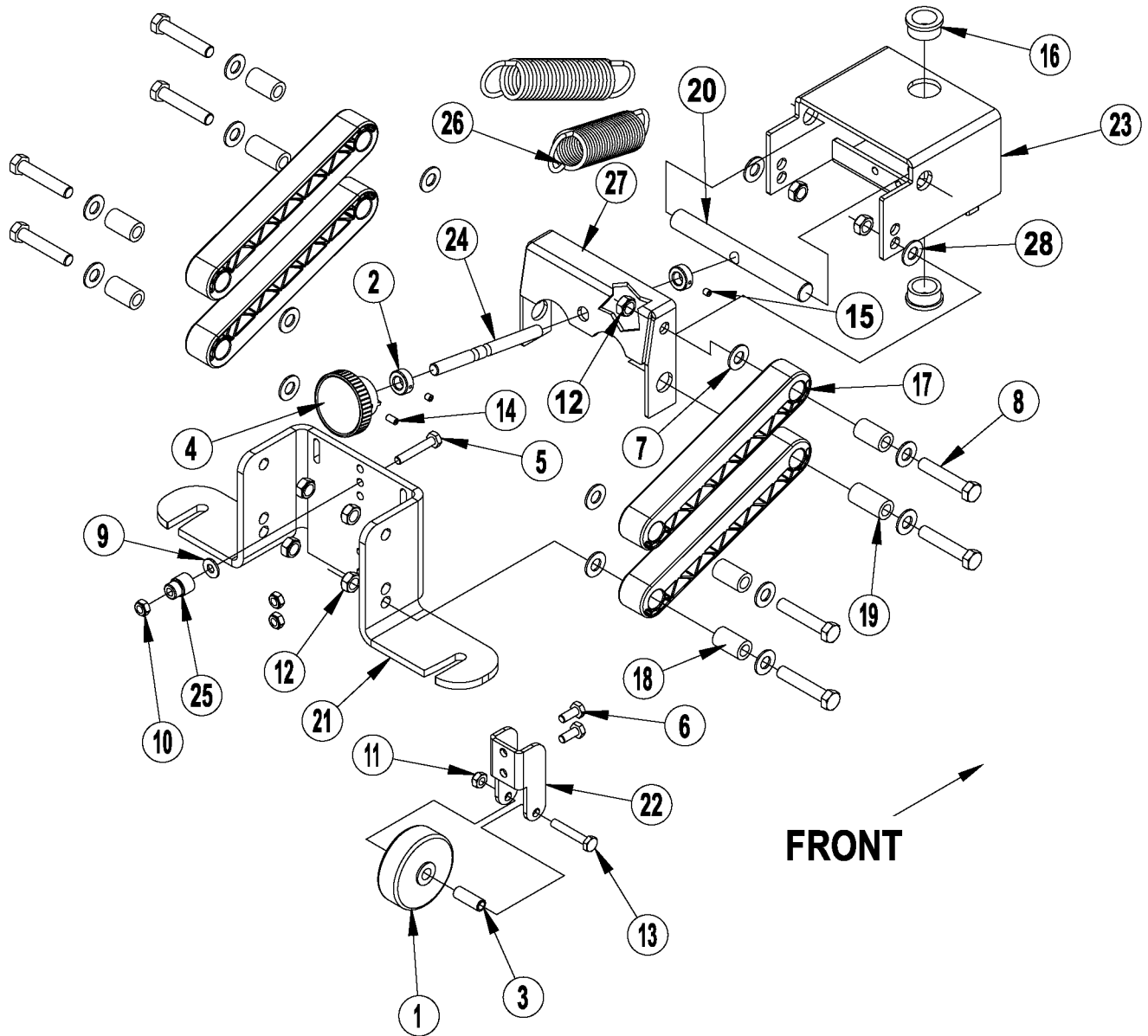
CHASSIS SYSTEM (SQUEEGEE LINKAGE ASSY)

07-4

4

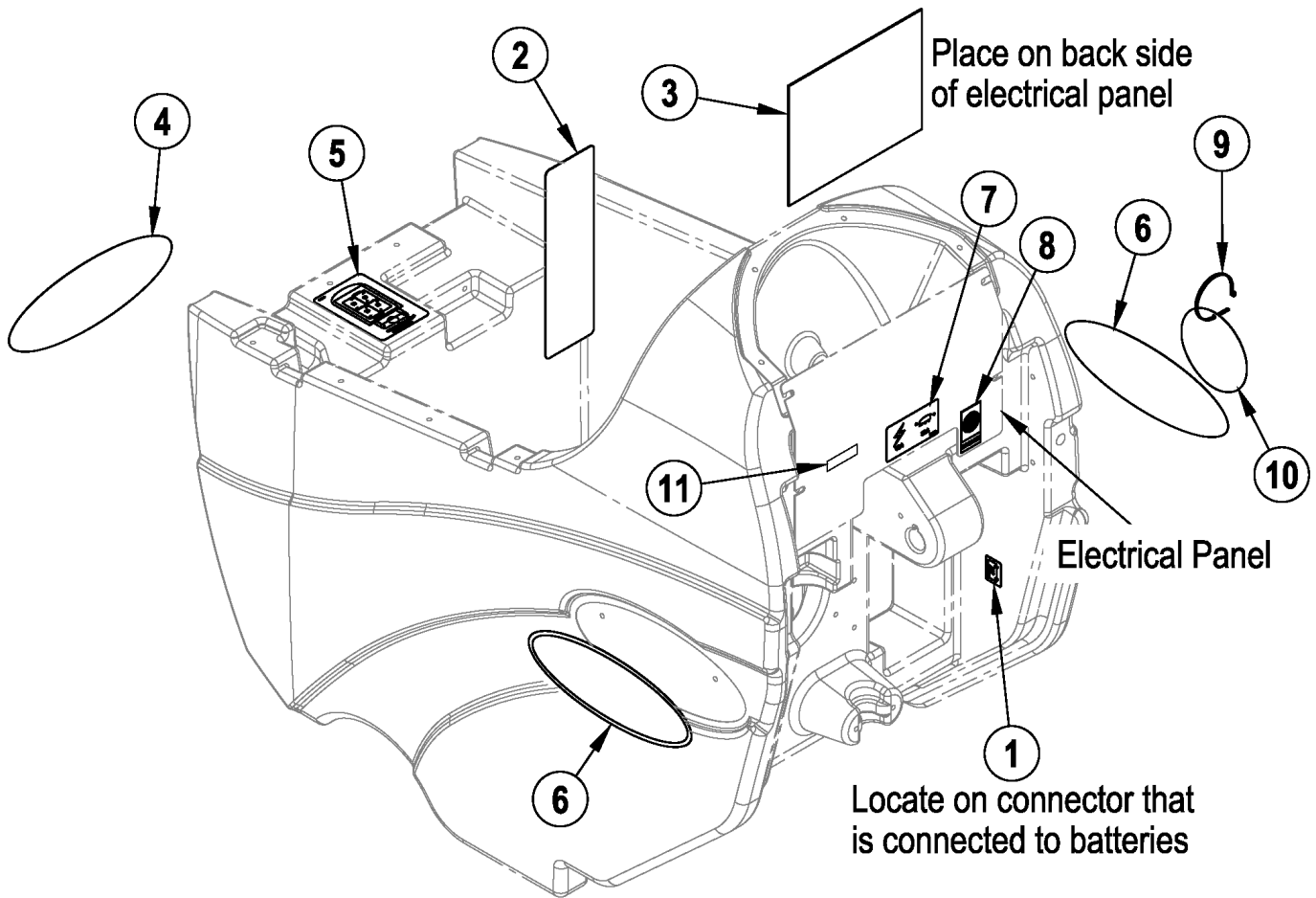
AquaPLUS™, AquaPLUS™ AXP, Adphibian™

07-9



07-4	<b>CHASSIS SYSTEM (SQUEEGEE LINKAGE ASSY)</b>		
08-4	<b>AquaPLUS™, AquaPLUS™ AXP, Adphibian™</b>		<b>5</b>

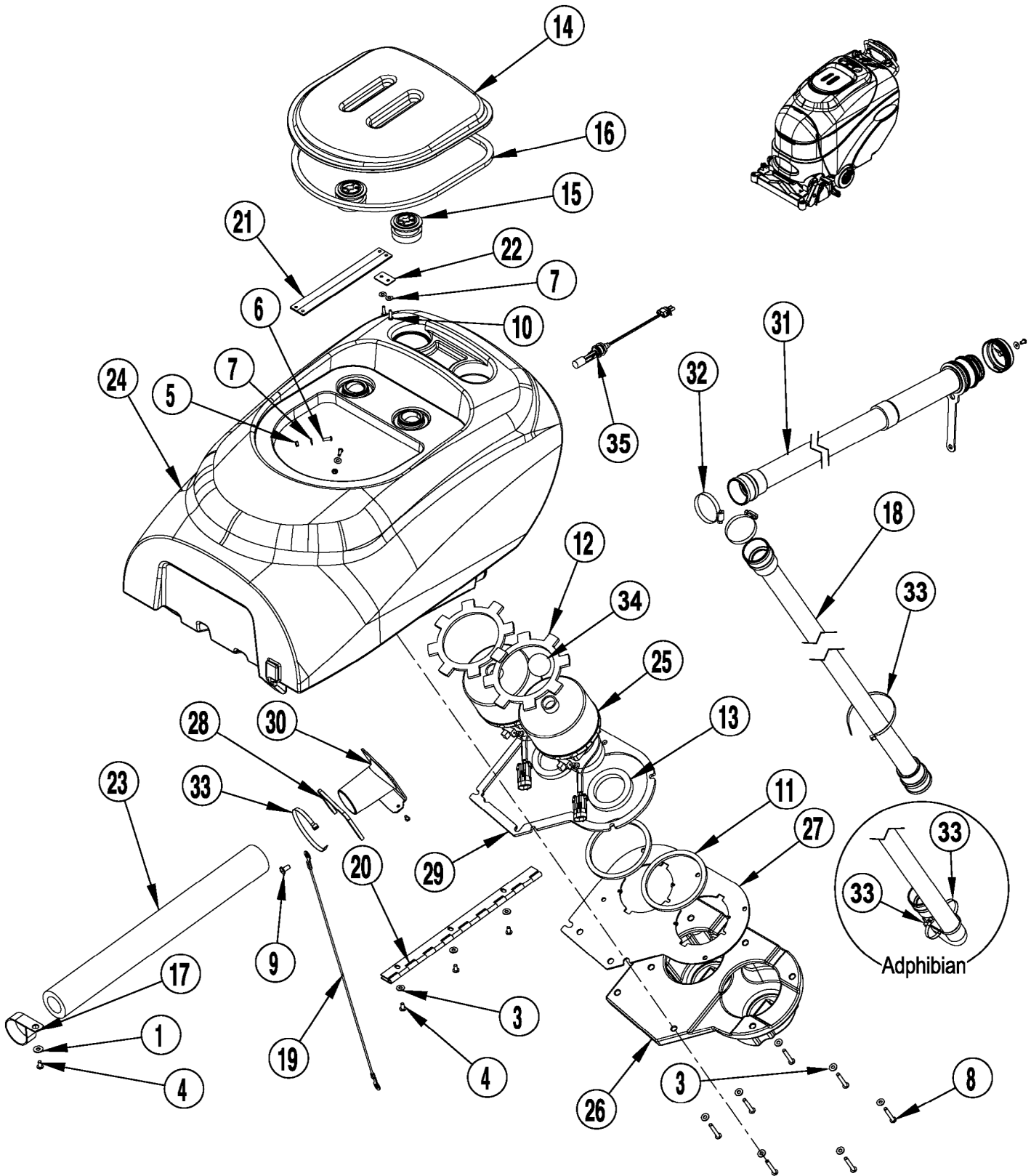
Item	Ref. No.	Qty	Description
	56315165	1	Squeegee Linkage Assembly <b>(Only used on Adphibian)</b>
1	56324350	1	Wheel
2	56331076	2	Collar
3	56315580	1	Bushing
4	56475480	1	Knob
5	56001833	1	Scr, Hex 1/4-20 X 1.50
6	56001836	2	Scr, Hex 1/4-20 X .62
7	56002063	14	Wsh, Flt SAE 3/8
8	56002091	8	Scr, Hex 3/8-16 X 2.00
9	56002098	1	Wsh, Flt SAE 1/4
10	56002840	3	Nut, Hex Nyl Loc-Thin 1/4-20
11	56002850	1	Nut, Hex Nyl Loc-Thin Ss 1/4-20
12	56002852	8	Nut, Hex Nyl Loc-Thin Ss 3/8-16
13	56002901	1	Scr, Hex SS 1/4-20 X 1.50
14	56003123	1	Scr, Soc Set 10-2 4x .38
15	56009084	2	Scr, Soc Set Loc 10-24 X .19
16	56250414	2	Bearing, Flange
17	56315941	4	Linkage Arm, Molded
18	56315067	6	Spacer, Phenolic
19	56315068	2	Spacer, Phenolic
20	56315082	1	Pin
21	56315151	1	Bracket, Squeegee Mount
22	56315153	1	Bracket, Wheel
23	56315196	1	Weldment, Squeegee
24	56315240	1	Rod, Adjustment
25	56315245	1	Bushing, Squeegee Cable
26	56315295	2	Spring, Extension
27	56315713	1	Bracket, Squeegee Level
28	56002940	2	Wsh, Flt SAE SS 5/8





07-4	<b>DECAL SYSTEM</b>		
08-4	<b>AquaPLUS™, AquaPLUS™ AXP, Adphibian™</b>		<b>7</b>

Item	Ref. No.	Qty	Description
1	56054192	1	Decal, Charger
2	56014601	1	Decal, Caution
3	56015315	1	Decal, Ladder Diagram
4	56016349	1	Decal, Advance
5	56016688	1	Decal, Battery Wiring
6	56317125	2	Decal, AquaPLUS AXP
	56317124	2	Decal, AquaPLUS
	56317123	2	Decal, Adphibian
7	56317131	1	Decal, Circuit Breaker
8	56317151	1	Decal, CRI Bronze
9	56325789	1	Tie, Cable
10	56040958	1	Tag, CRI
11	56014450	1	Decal, Patent



Item	Ref. No.	Qty	Description
1	56001906	1	Wsh, Flt STD 1/4
2	56002043	2	Scr, Pan Phil 10-24 X .38
3	56002098	10	Wsh, Flt SAE 1/4
4	56002145	4	Scr, Pan Phil 1/4-20 X .50
5	56002849	2	Nut, Hex Nyl Loc-Thin SS 10-24
6	56002896	2	Scr, Pan Phil SS 10-24 X .62
7	56002919	4	Wsh, Flt Std SS #10
8	56002997	7	Scr, Pan Phil 1/4-20 X 1.75
9	56003003	1	Scr, Pan Phil 5/16-18 X .62
10	56009005	2	Scr, Pan Phil SS Type Ab 10-16 X .75
11	56212143	2	Gasket, Vacuum Duct
12	56264103	2	Gasket, Vacuum Motor
13	56314760	2	Gasket, Vacuum Duct
14	56315176	1	Cover, Recovery Tank
15	56315099	2	Screen, Fan Inlet
16	56315220	1	Gasket, Recovery Lid
17	56315257	1	Clamp, P
18	56317150	1	Vac Hose Assy ( <b>AquaPLUS &amp; AquaPLUS AXP</b> )
	56315268	1	Vac Hose Assy ( <b>Adphibian</b> )
19	56315272	1	Cable Assy
20	56315293	1	Hinge
21	56315303	2	Retaining, Strap
22	56315346	1	Plate
23	56317149	1	Foam, Acoustical
24	56317020	1	Tank, Recovery ( <b>AquaPLUS &amp; AquaPLUS AXP</b> )
	56317146	1	Tank, Recovery ( <b>Adphibian</b> )
25	56317025	2	Motor, Vac 24vdc ( <b>M6 / M7</b> )
[ ]	56397098	1	Carbon Brush set of 2 ( <b>for 56317025 / 56317133</b> )
26	56317030	1	Cover, Vac
27	56317031	1	Plate, Vac
28	56317033	1	Gasket, Exhaust
29	56317034	1	Gasket, Cover
30	56317052	1	Tube, Exhaust
31	56601400	1	Drainhose
[ ]	56601411	1	Drain Hose Cap Kit
[ ]	56601412	1	Drain Hose Kit <b>NOTE 2</b>
*#	56601410	1	Drain Hose Extension
32	56440213	2	Clamp, Hose SAE #32
33	56477613	2	Tie, Cable ( <b>Qty of 3 on Adphibian</b> )
34	56391690	1	Ball, Float ( <b>Adphibian</b> )
35	56315096	1	Switch, Float ( <b>S2</b> ) <b>NOTE 1</b>

[ ] = Not Shown

\* = Optional, Not Included

# = Revised or new since last update

**NOTE 1:** Float Switch 56315096 is optional on the AquaPLUS models and standard on the Adphibian.**NOTE 2:** Drain Hose 56397142 has been replaced by Drain Hose 56601400 in production. When replacing 56397142 you need to order Drain Hose Kit 56601412.

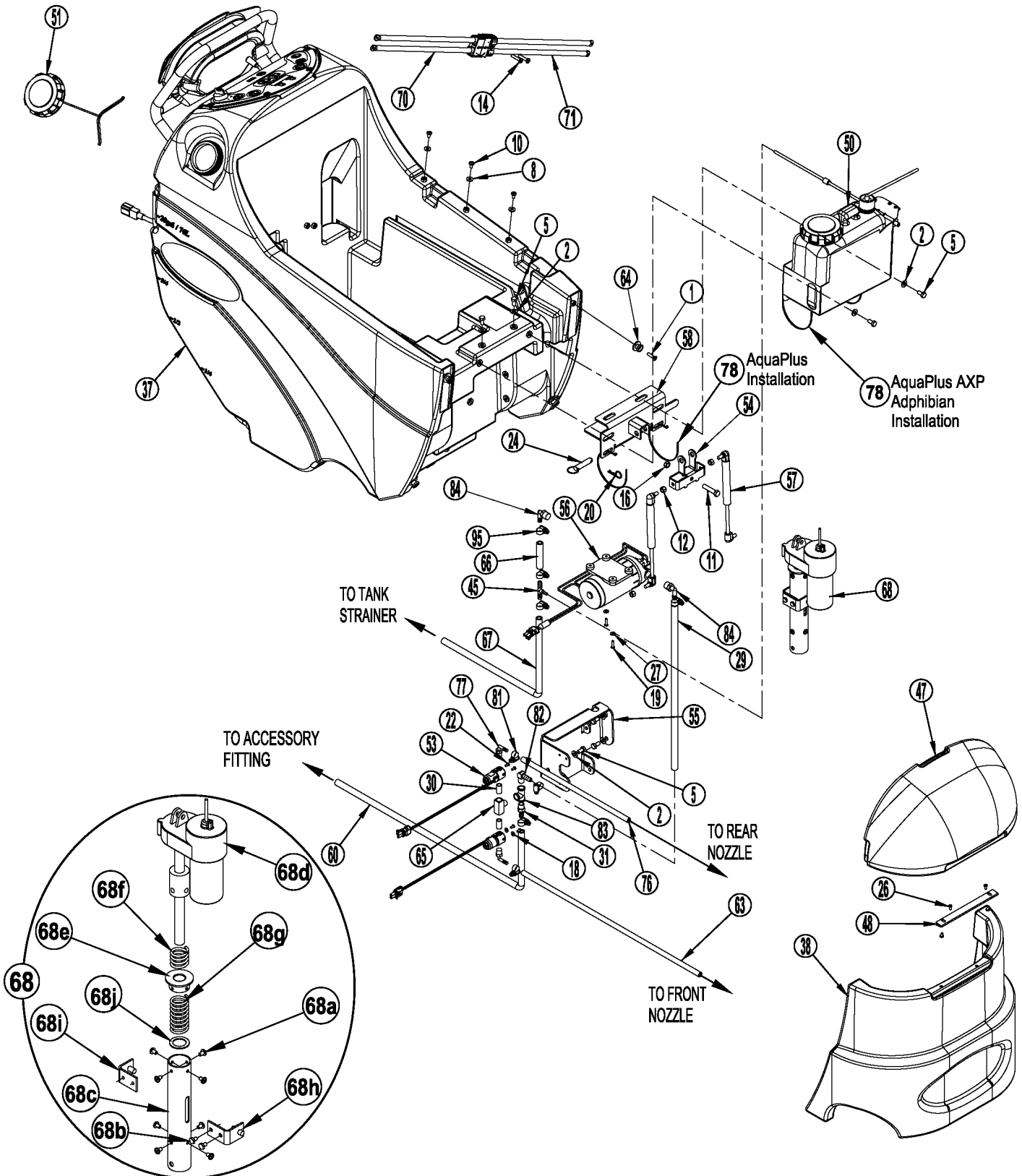


Item	Ref. No.	Qty	Description	Item	Ref. No.	Qty	Description
1	56367206	1	Bushing	46	56106070	2	Bearing, Ball
2	56002086	4	Scr, Soc Set Loc 5/16-18 X .25	47	56407389	1	Spacer
3#	56001858	1	Scr, Hex 3/8-16 X 1.25	48#	56316054	1	Sheave, Poly-V <b>TSBUS2008-1000</b>
4#	56002841	1	Nut, Hex Nyl Loc-Thin 3/8-16	49	56002119	2	Scr, Soc Set Loc 1/4-20 x .50
5	56002948	7	Scr,Hex Hd Loc 1/4-20 X.75	50	56003237	1	Key, Sq. .19 x .62
6	56002959	2	Pin, Cotter Hair	51	56315405	1	Bearing Plate
7	56003120	2	Pin, Cotter Hair .0915 X .375	52#	56109527	1	Spindle
8	56003272	2	Nut, Hex Jam SS 5/8-11	53	56407558	1	Washer, Bearing
9	56003312	2	Nut, Hex Nyl Loc M12-1.75				
10			<b>Deleted Intentional</b>	54	56106070	1	Bearing, Ball
11	56003415	2	Scr, Hex M12-1.75 X 35mm	55	56407558	1	Washer, Bearing
12	56003426	10	Nut, Hex Nyl Loc SS M6-1	56	56315447	1	Idler Bearing Plate
13	56003431	2	Scr, Hex SS M6-1 X 16mm	57	56396254	1	Knob
14	56003492	2	Scr, Hex M6-1 X 95mm	58	56407551	1	Hub
15	56003603	4	Scr, Pan Phil Thd Form 1/4-20 X .38				
16	56003671	2	Pin, Ring .50 X 1.25	59	56317158	2	Channel, Rubber
17	56009003	2	Wsh, Flt .516 X .938 X .075				
18	56185264	1	Bearing, Flange				
19	56265388	2	Elbow, Panel Mount				
20	56315061	2	Motor, 24 Vdc, .5 Hp, 1800 RPM ( <b>M4 / M5</b> )				
[ ]	56412287	1	Brush / Spring Kit ( <b>for 56315061</b> )				
21	56315320	2	Harness, Brush				
22#	56316053	2	Belt, Auto Tension <b>TSBUS2008-1000</b>				
23	56317157	2	Drive End Assy ( <b>#46-53</b> )				
[24]	56315445	2	Cover, Belt				
25	56315448	2	Idler End Assy ( <b>#54-58</b> )				
26	56316191	2	Gasket				
27	56317021	1	Housing Weldment 24"				
28	56317036	2	Link, Pivot				
29	56314389	2	Brush, Soft Nylon 24" <b>NOTE 1</b>				
	56317049	2	Brush, Multi-Surface <b>NOTE 2</b>				
30	56317049	1	Hopper Weld't, Extractor				
31	56317053	1	Body, Nozzle Qjja				
32	56317054	1	Cover, Nozzle				
33	56317064	1	Nozzle, Spray #1				
34	56265052	1	Nozzle, Spray				
35	56317084	1	Pin, Actuator				
36	56388326	1	Bushing				
37	56407391	2	Blade				
38	56316066	2	Sheave, Poly-V				
39	56410214	2	Strap				
40	56412176	2	Bushing				
41	56412459	2	Wheel				
42	56756364	2	Clamp, Hose SAE #4				
43	56409538	4	Insulator, Terminal				
44	56009064	7	Wsh, Int Shprf 1/4				
45	56317163	1	Spacer, Phenolic				

[ ] = Not Shown

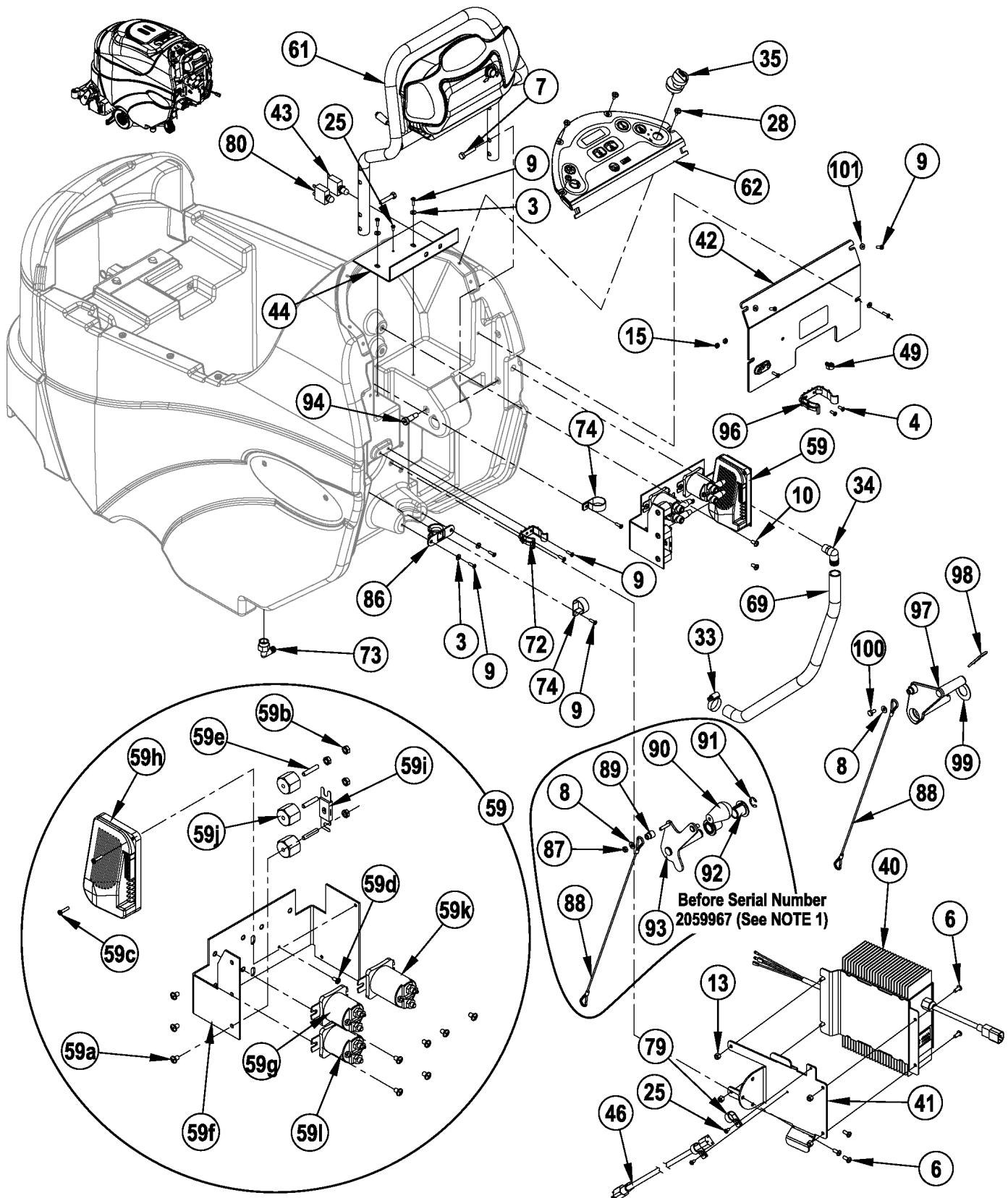
# = Revised or new since last update

**NOTE 1:** Only used on AquaPLUS & AquaPLUS AXP**NOTE 2:** Only used on Adphibian



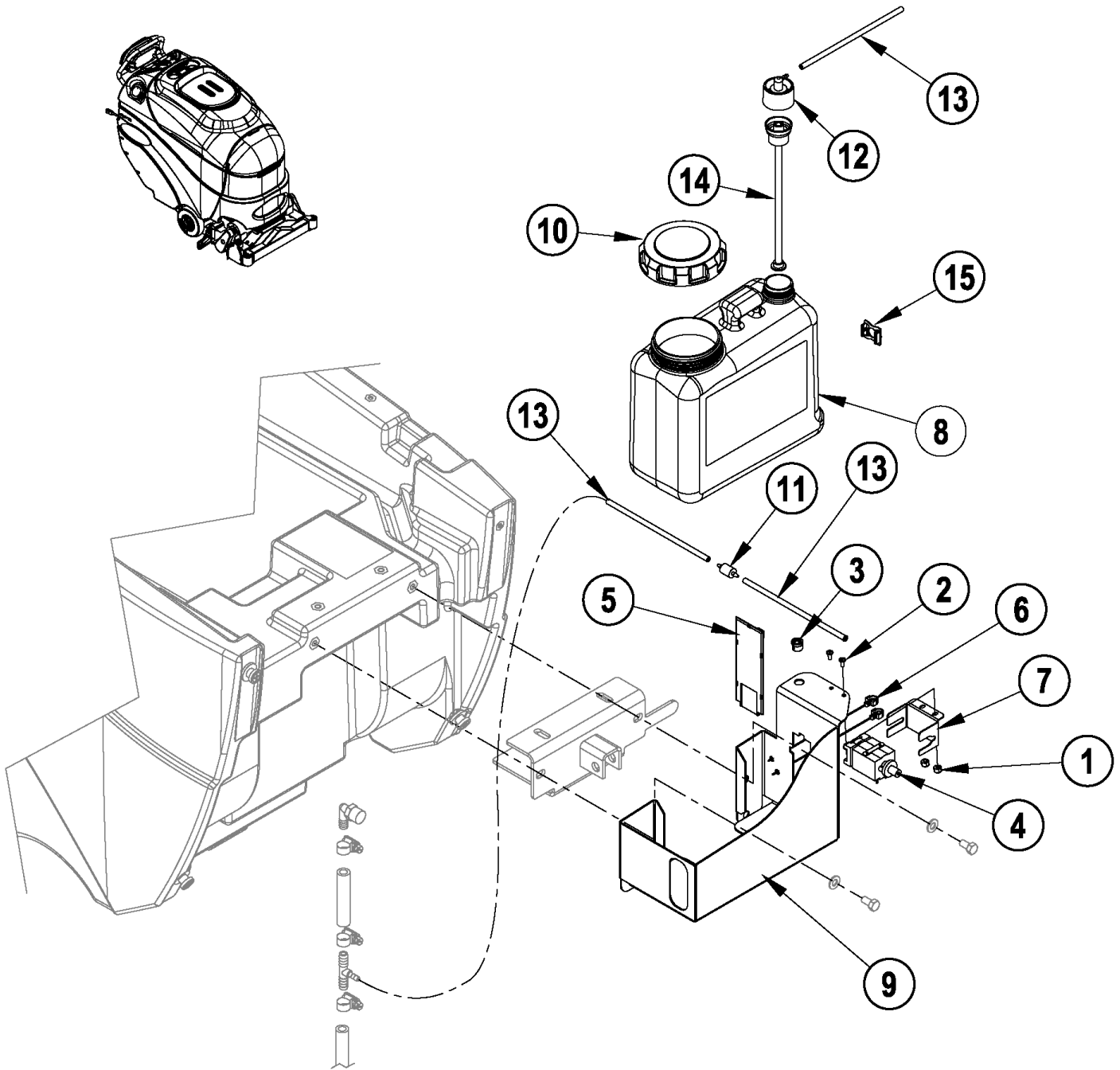
Item	Ref. No.	Qty	Description	Item	Ref. No.	Qty	Description
1	56001832	4	Scr, Flt Phil 1/4-20 X 1.00	61	56317098	1	Assembly, Paddle
2	56009122	7	Wsh, Flt (QTY of 5 on AquaPLUS)	62	56317111	1	Control Panel Assy (A1) NOTE 1
3#	56001954	4	Wsh, Flt Sae #10 (Qty of 2 on AquaPLUS & AquaPLUS AXP)	*	56317114	1	Replacement Membrane Switch Assy for 56317111 NOTE 1
4	56001993	2	Scr, Pan Phil 10-24 X .50	56317107	1	Control Panel Assy (A1) NOTE 2	
5	56002667	7	Scr, Hex 5/16-18 X .75	*	56317117	1	Replacement Membrane Switch Assy for 56317107 NOTE 1
6	56002066	7	Scr, Pan Phil 1/4-20 X .62	63	56317122	1	Hose, 1/4 X 25.00 Long
7	56002094	4	Scr, Hex 5/16-18 X 1.50	64	56365777	4	Lug, Brush Driver
8	56002098	4	Wsh, Flt Sae 1/4 (Qty of 3 on AquaPLUS & AquaPLUS AXP)	65	56372506	1	Tee, Branch 1/4 Br
9	56002124	12	Scr, Pan Phil 10-24 X .62 (Qty of 10 on AquaPLUS & AquaPLUS AXP)	66	56387214	1	Hose, 3.0" E00169 NOTE 3
10	56002145	5	Scr, Pan Phil 1/4-20 X .50	67	56391773	1	Hose, 23" NOTE 3
11	56002684	1	Scr, Hex 3/8-16 X 1.75	[ ]	56317132	1	Hose, 27" (AquaPLUS)
12	56002826	4	Nut, Hex Nyl Loc-Thin 5/16-18	68#	56317161	1	Lift Actuator Assembly (M3 / 68a-68j) TSBUS2008-997
13	56002708	4	Nut, Hex Nyl Loc 1/4-20	68a	56003603	8	Scr, Pan Phil Thd Form 1/4-20 x .38
14	56002825	2	Scr, Pan Phil 1/4-20 X 1.25	68b	56009019	2	Scr, Hex Thd Form 1/4-20 x .38
15#	56002832	2	Nut, Hex Nyl Loc Thin 10-24 NOTE 5	68c	56317162	1	Tube
16	56002841	1	Nut, Hex Nyl Loc-Thin 3/8-16	68d	56393303	1	Actuator, Motor
17			<b>Deleted Intentional</b>	*	56388520	1	Plastic Nut
18	56002875	2	Wsh, Flt Sae Ss #8	68e	56396268	1	Spring Housing Guide
19	56002894	2	Scr, Pan Phil Ss 10-24 X .75	68f	56412071	1	Compression Spring
20	56002959	1	Pin, Cotter Hair	68g	56420018	1	Compression Spring
22	56003018	4	Scr, Pan Phil Ss 8-32 X .38	68h	56420019	1	Nut Retainer
23			<b>Deleted Intentional</b>	68i	56420020	1	Nut Retainer
24	56003679	1	Pin, Ring .50 X 1.63	68j	56748926	1	Wsh, Flt .075 x 1.03 x 1.50
25	56009030	3	Scr, Pan Phil Thd Form 10-24 X .38	69	56396143	1	Hose, Pvc
26	56009139	4	Scr, Pan Phil Loc 10-24 X .38	70	56397187	1	Connector Assy (connected to batteries)
27	56009205	2	Wsh, Flt Ss .219 X .500 X .047/.062	71	56397188	1	Connector Assy (connected to machine)
28	56009206	4	Scr, Truss Phil-Blk 10-24x.50	72	56407361	1	Clamp, Plastic
29	56054146	1	Tube, Vinyl	73	56409152	1	Barb, 90 Elbow 1/2 X 1/2npt
30	56150223	2	Nipple, 1/4npt X .88/1.12	74	56410166	2	Clamp,P
31	56155640	1	Barb, Adapter 3/8 X 1/4npt	75#			DELETED
32			<b>Deleted Intentional</b>	76	56456560	1	15.00" Hose
33	56244969	1	Clamp, Hose Sae #12	77	56470138	2	Barb, 90 Elbow 1/4 X 1/4npt
34	56264442	1	Barb, 90 Elbow 3/4 X 3/8npt	78	56478523	2	Tie, Cable
35	56303553	1	Key Switch Assembly (S1)	79	56486112	2	Clamp,P
[ ]	56303526	A/R	Set of 2 Replacement Keys	80	56507644	1	Circuit Breaker, 10 Amp (CB1)
36			<b>Deleted Intentional</b>	81	56756364	2	Clamp, Hose SAE #4
37#	56315089	1	Tank, Solution TSBUS2008-1017	82	56756739	1	Elbow,90 Barb Male
*#	56109561	1	Solution Tank Kit NOTE 7	83	56900027	1	Tee, Female Union
38	56315104	1	Nose Cone, 24-26 Commercial	84	56900035	2	Barb, 90 Elbow 3/8 X 3/8npt
40#	56315124	1	Charger, On-Board 24v TSBUS2007-979 / TSBUS2008-984 / TSBUS2008-1008	85			<b>Deleted Intentionally</b>
41	56315206	1	Bracket, Charger	86	56315121	1	Guide, Cable NOTE 2
42#	56109502	1	Panel, Electrical NOTE 5	87#	56002840	1	Nut, Hex Nyl Loc-Thin 1/4-20 NOTE 2 / NOTE 4
43	56315256	1	Circuit Breaker, 30 Amp (CB2)	88	56315243	1	Cable Assy NOTE 2
44#	56109553	1	Plate, Circuit Breaker NOTE 6	89#	56315245	1	Bushing, Squeegee Cable NOTE 2 / NOTE 4
45	56315265	1	Tee, Barb NOTE 3	90#	56364527	1	Knob NOTE 2 / NOTE 4
46	56315270	1	Charger Cord, Us	91#	56003266	1	Ring, Ret Ext Type E .75 Dia NOTE 2 / NOTE 4
47	56315284	1	Cover, Chemical Bottle	92#	56315193	2	Bushing, Flange NOTE 2 / NOTE 4
48	56315285	1	Hinge	93#	56315236	1	Weldt, Squeegee Lift NOTE 2 / NOTE 4
49	56315382	1	Clip, Conduit	94#	56002962	1	Scr, Soc Shd .38 x .62 x 5/16-18 NOTE 2 / NOTE 4
50	56315501	1	Chemical Tank AS NOTE 3	95	56219932	6	Clamp, Hose SAE #6 (QTY of 4 on AquaPLUS)
51	56109519	1	Cap, Raw W/Tether	96	56212236	1	Clamp, Plastic
52#			DELETED	97#	56315730	1	Lever, Squeegee Lift NOTE 2 / NOTE 4
53	56317024	2	Valve, Solenoid 24v (L1 / L2)	98#	56003223	1	Pin, Cot Hair NOTE 2 / NOTE 4
54	56317026	1	Yoke, Actuator	99#	56009117	1	Wsh, Flt 1.03 x 1.85 x .48 NOTE 2 / NOTE 4
55	56317038	1	Bracket Linkage Pivot	100#	56001854	1	Scr, Hex 1/4-20 x .50 NOTE 2 / NOTE 4
56	56317045	1	Pump, 24vdc (M1)	101#	56002053	4	Wsh, Flt STD #10
57	56317072	2	Gas Spring				[ ] = Not Shown
58	56317078	1	Actuator Bracket Weldt				* = Optional, Not Included
59	56317128	1	Assy, Electrical Box (59a-59k) NOTE 1				# = Revised or new since last update
59a	56317082	1	Assy, Electrical Box (59a-59l) NOTE 2				NOTE 1: Only used on AquaPLUS & AquaPLUS AXP
59b	56002561	4	Nut, Hex W/ Shprf 1/4-20				NOTE 2: Only used on Adphibian
59c	56003698	2	Scr, Pan Phil Thd Form 8-32 X .75				NOTE 3: Only used on AquaPLUS AXP, Adphibian
59d	56009030	1	Scr, Pan Phil Thd Form 10-24 X .38				NOTE 4: As of serial number 2059967 the following items (56002962, 56364527, 56002840, 56003266, 56315193, 56315236 & 56315245) are no longer used in production. If you need to replace any of these items please order the following group of parts (56315730, 56009117, 56003223, 56001854 / items 97 through 100) in a quantity of 1 each.
59e	56009203	3	Stud, 1/4-20				NOTE 5: As of serial number 2059967 the following items (56002832, 56315222 & 56412285) are no longer used in production. If you need to replace 56315222 or 56412285 please order 56109502.
59f	56317081	1	Panel, Electrical				NOTE 6: 56315259 and 56315532 are no longer used in production. If you need to replace either of these items please order 56109553.
59g	56317101	1	Contact, 24vdc 100a (K1)				NOTE 7: If replacing the solution tank on a machine with the old style squeegee lift level (56315236), please order Solution Tank Kit 56109561.
59h	56317102	1	Controller, Speed (A2)				
59i	56412089	1	Fuse, 150 Amp (F1)				
59j	56469858	3	Standoff, Insulated				
59k	56317116	1	Contact, 24vdc 200a (K2)				
59l	56317101	1	Contact, 24vdc 100a (K3) NOTE 2				
60	56317083	1	Hose, 33"				







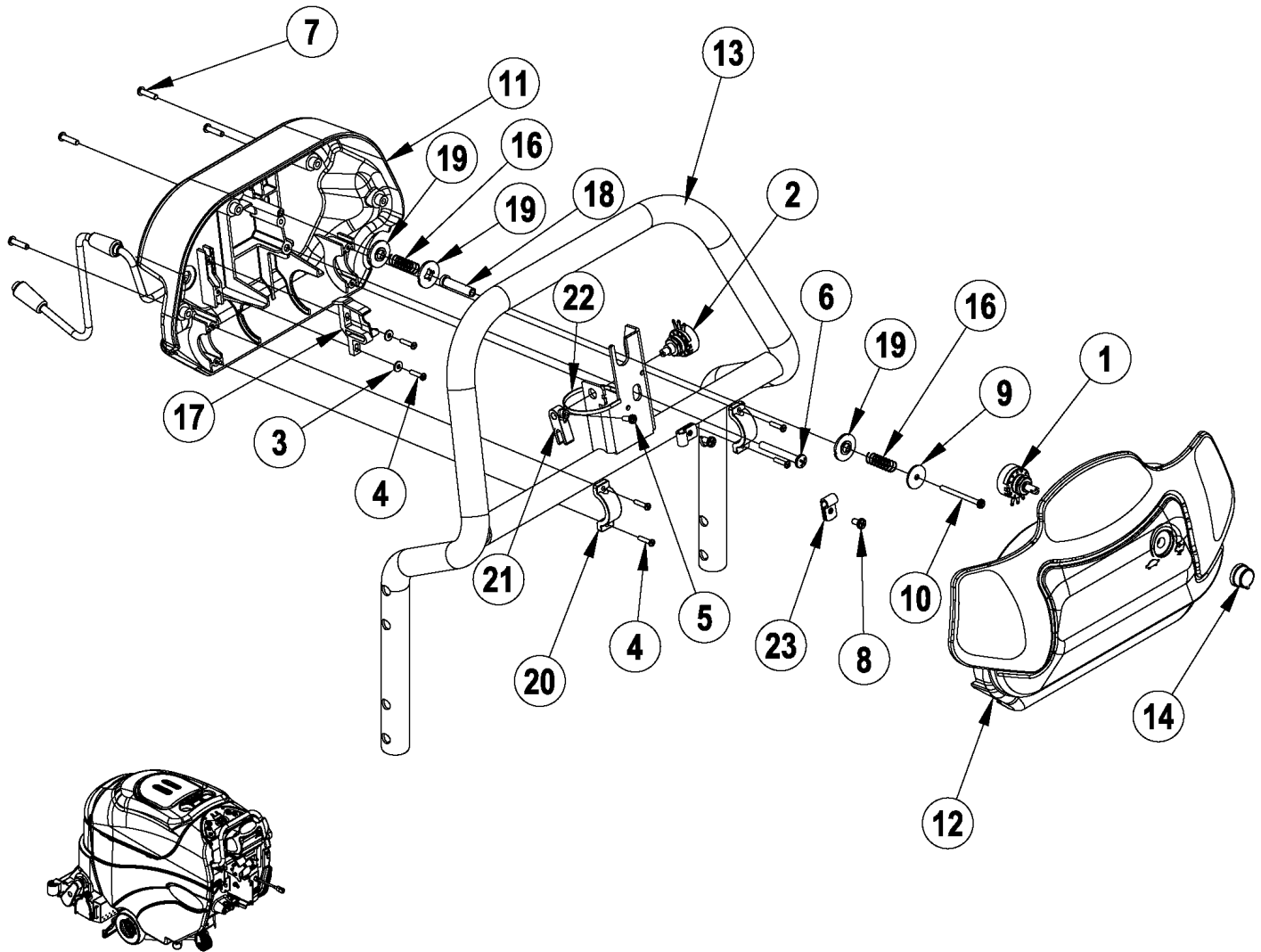
Item	Ref. No.	Qty	Description	Item	Ref. No.	Qty	Description
1	56001832	4	Scr, Flt Phil 1/4-20 X 1.00	61	56317098	1	Assembly, Paddle
2	56009122	7	Wsh, Flt (QTY of 5 on AquaPLUS)	62	56317111	1	Control Panel Assy (A1) NOTE 1
3#	56001954	4	Wsh, Flt Sae #10 (Qty of 2 on AquaPLUS & AquaPLUS AXP)	*	56317114	1	Replacement Membrane Switch Assy for 56317111 NOTE 1
4	56001993	2	Scr, Pan Phil 10-24 X .50		56317107	1	Control Panel Assy (A1) NOTE 2
5	56002667	7	Scr, Hex 5/16-18 X .75	*	56317117	1	Replacement Membrane Switch Assy for 56317107 NOTE 1
6	56002066	7	Scr, Pan Phil 1/4-20 X .62	63	56317122	1	Hose, 1/4 X 25.00 Long
7	56002094	4	Scr, Hex 5/16-18 X 1.50	64	56365777	4	Lug, Brush Driver
8	56002098	4	Wsh, Flt Sae 1/4 (Qty of 3 on AquaPLUS & AquaPLUS AXP)	65	56372506	1	Tee, Branch 1/4 Br
9	56002124	12	Scr, Pan Phil 10-24 X .62 (Qty of 10 on AquaPLUS & AquaPLUS AXP)	66	56387214	1	Hose, 3.0" _E00169 NOTE 3
10	56002145	5	Scr, Pan Phil 1/4-20 X .50	67	56391773	1	Hose, 23" NOTE 3
11	56002684	1	Scr, Hex 3/8-16 X 1.75	[ ]	56317132	1	Hose, 27" (AquaPLUS)
12	56002826	4	Nut, Hex Nyl Loc-Thin 5/16-18	68#	56317161	1	Lift Actuator Assembly (M3 / 68a-68j) TSBUS2008-997
13	56002708	4	Nut, Hex Nyl Loc 1/4-20	68a	56003603	8	Scr, Pan Phil Thd Form 1/4-20 x .38
14	56002825	2	Scr, Pan Phil 1/4-20 X 1.25	68b	56009019	2	Scr, Hex Thd Form 1/4-20 x .38
15#	56002832	2	Nut, Hex Nyl Loc Thin 10-24 NOTE 5	68c	56317162	1	Tube
16	56002841	1	Nut, Hex Nyl Loc-Thin 3/8-16	68d	56393303	1	Actuator, Motor
17			<b>Deleted Intentional</b>	*	56388520	1	Plastic Nut
18	56002875	2	Wsh, Flt Sae Ss #8	68e	56396268	1	Spring Housing Guide
19	56002894	2	Scr, Pan Phil Ss 10-24 X .75	68f	56412071	1	Compression Spring
20	56002959	1	Pin, Cotter Hair	68g	56420018	1	Compression Spring
22	56003018	4	Scr, Pan Phil Ss 8-32 X .38	68h	56420019	1	Nut Retainer
23			<b>Deleted Intentional</b>	68i	56420020	1	Nut Retainer
24	56003679	1	Pin, Ring .50 X 1.63	68j	56748926	1	Wsh, Flt .075 x 1.03 x 1.50
25	56009030	3	Scr, Pan Phil Thd Form 10-24 X .38	69	56396143	1	Hose, Pvc
26	56009139	4	Scr, Pan Phil Loc 10-24 X .38	70	56397187	1	Connector Assy (connected to batteries)
27	56009205	2	Wsh, Flt Ss .219 X .500 X .047/.062	71	56397188	1	Connector Assy (connected to machine)
28	56009206	4	Scr, Truss Phil-Blk 10-24x.50	72	56407361	1	Clamp, Plastic
29	56054146	1	Tube, Vinyl	73	56409152	1	Barb, 90 Elbow 1/2 X 1/2npt
30	56150223	2	Nipple, 1/4npt X .88/1.12	74	56410166	2	Clamp,P
31	56155640	1	Barb, Adapter 3/8 X 1/4npt	75#			DELETED
32			<b>Deleted Intentional</b>	76	56456560	1	15.00" Hose
33	56244969	1	Clamp, Hose Sae #12	77	56470138	2	Barb, 90 Elbow 1/4 X 1/4npt
34	56264442	1	Barb, 90 Elbow 3/4 X 3/8npt	78	56478523	2	Tie, Cable
35	56303553	1	Key Switch Assembly (S1)	79	56486112	2	Clamp,P
[ ]	56303526	A/R	Set of 2 Replacement Keys	80	56507644	1	Circuit Breaker, 10 Amp (CB1)
36			<b>Deleted Intentional</b>	81	56756364	2	Clamp, Hose SAE #4
37#	56315089	1	Tank, Solution TSBUS2008-1017	82	56756739	1	Elbow,90 Barb Male
*#	56109561	1	Solution Tank Kit NOTE 7	83	56900027	1	Tee, Female Union
38	56315104	1	Nose Cone, 24-26 Commercial	84	56900035	2	Barb, 90 Elbow 3/8 X 3/8npt
40#	56315124	1	Charger, On-Board 24v TSBUS2007-979 / TSBUS2008-984 / TSBUS2008-1008	85			<b>Deleted Intentionally</b>
41	56315206	1	Bracket, Charger	86	56315121	1	Guide, Cable NOTE 2
42#	56109502	1	Panel, Electrical NOTE 5	87#	56002840	1	Nut, Hex Nyl Loc-Thin 1/4-20 NOTE 2 / NOTE 4
43	56315256	1	Circuit Breaker, 30 Amp (CB2)	88	56315243	1	Cable Assy NOTE 2
44#	56109553	1	Plate, Circuit Breaker NOTE 6	89#	56315245	1	Bushing, Squeegee Cable NOTE 2 / NOTE 4
45	56315265	1	Tee, Barb NOTE 3	90#	56364527	1	Knob NOTE 2 / NOTE 4
46	56315270	1	Charger Cord, Us	91#	56003266	1	Ring, Ret Ext Type E .75 Dia NOTE 2 / NOTE 4
47	56315284	1	Cover, Chemical Bottle	92#	56315193	2	Bushing, Flange NOTE 2 / NOTE 4
48	56315285	1	Hinge	93#	56315236	1	Weldt, Squeegee Lift NOTE 2 / NOTE 4
49	56315382	1	Clip, Conduit	94#	56002962	1	Scr, Soc Shd .38 x .62 x 5/16-18 NOTE 2 / NOTE 4
50	56315501	1	Chemical Tank AS NOTE 3	95	56219932	6	Clamp, Hose SAE #6 (QTY of 4 on AquaPLUS)
51	56109519	1	Cap, Raw W/Tether	96	56212236	1	Clamp, Plastic
52#			DELETED	97#	56315730	1	Lever, Squeegee Lift NOTE 2 / NOTE 4
53	56317024	2	Valve, Solenoid 24v (L1 / L2)	98#	56003223	1	Pin, Cot Hair NOTE 2 / NOTE 4
54	56317026	1	Yoke, Actuator	99#	56009117	1	Wsh, Flt 1.03 x 1.85 x .48 NOTE 2 / NOTE 4
55	56317038	1	Bracket Linkage Pivot	100#	56001854	1	Scr, Hex 1/4-20 x .50 NOTE 2 / NOTE 4
56	56317045	1	Pump, 24vdc (M1)	101#	56002053	4	Wsh, Flt STD #10
57	56317072	2	Gas Spring				[ ] = Not Shown
58	56317078	1	Actuator Bracket Weldt				* = Optional, Not Included
59	56317128	1	Assy, Electrical Box (59a-59k) NOTE 1				# = Revised or new since last update
	56317082	1	Assy, Electrical Box (59a-59l) NOTE 2				NOTE 1: Only used on AquaPLUS & AquaPLUS AXP
59a	56002462	9	Scr, Pan Phil 1/4-20 X .38 (Qty of 7 on AquaPLUS & AquaPLUS AXP)				NOTE 2: Only used on Adphibian
59b	56002561	4	Nut, Hex W/ Shprf 1/4-20				NOTE 3: Only used on AquaPLUS AXP, Adphibian
59c	56003698	2	Scr, Pan Phil Thd Form 8-32 X .75				NOTE 4: As of serial number 2059967 the following items (56002962, 56364527, 56002840, 56003266, 56315193, 56315236 & 56315245) are no longer used in production. If you need to replace any of these items please order the following group of parts (56315730, 56009117, 56003223, 56001854 / items 97 through 100) in a quantity of 1 each.
59d	56009030	1	Scr, Pan Phil Thd Form 10-24 X .38				NOTE 5: As of serial number 2059967 the following items (56002832, 56315222 & 56412285) are no longer used in production. If you need to replace 56315222 or 56412285 please order 56109502.
59e	56009203	3	Stud, 1/4-20				NOTE 6: 56315259 and 56315532 are no longer used in production. If you need to replace either of these items please order 56109553.
59f	56317081	1	Panel, Electrical				NOTE 7: If replacing the solution tank on a machine with the old style squeegee lift level (56315236), please order Solution Tank Kit 56109561.
59g	56317101	1	Contact, 24vdc 100a (K1)				
59h	56317102	1	Controller, Speed (A2)				
59i	56412089	1	Fuse, 150 Amp (F1)				
59j	56469858	3	Standoff, Insulated				
59k	56317116	1	Contact, 24vdc 200a (K2)				
59l	56317101	1	Contact, 24vdc 100a (K3) NOTE 2				
60	56317083	1	Hose, 33"				



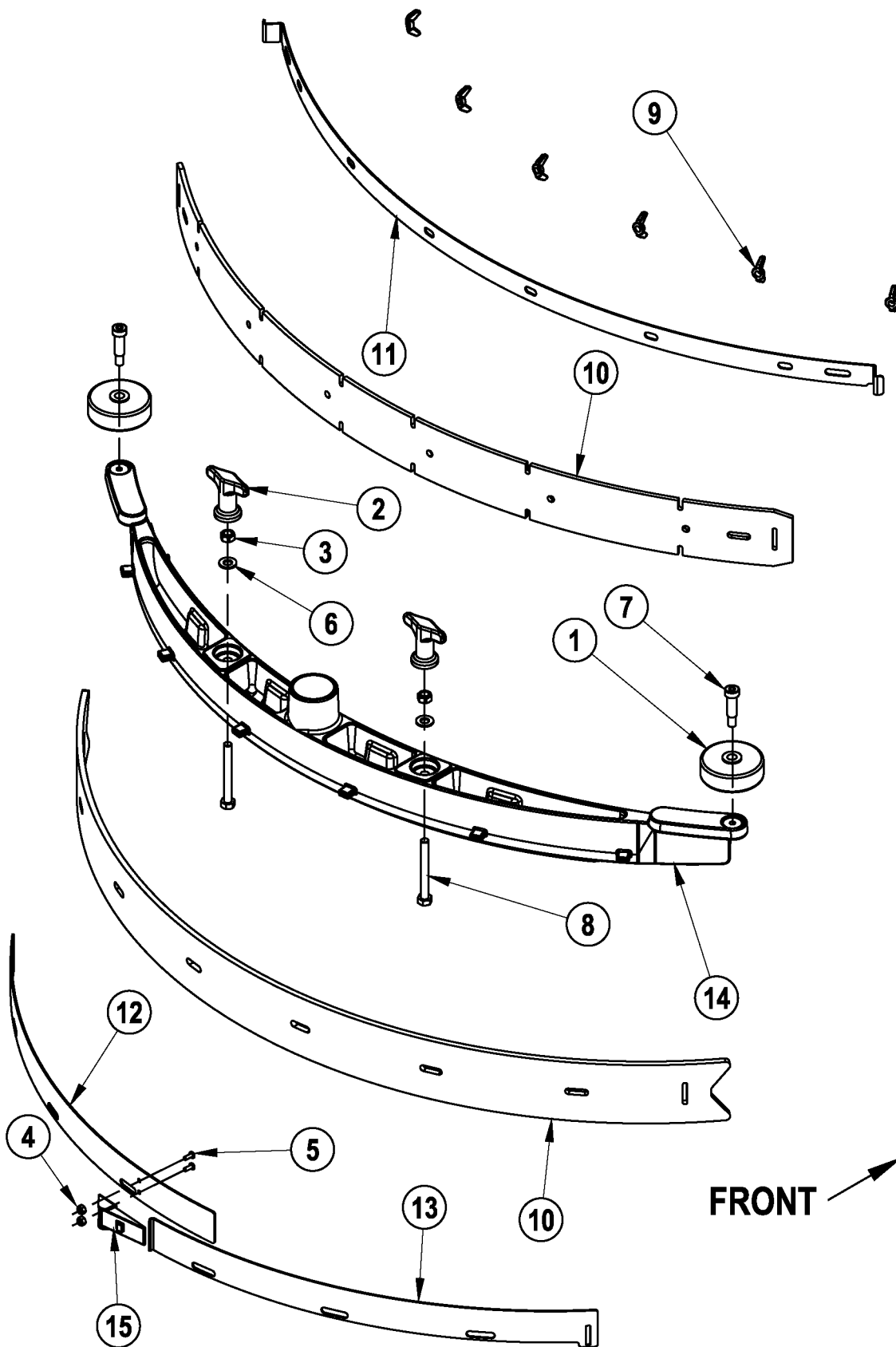
07-4	<b>CHEMICAL ASSEMBLY (AXP MODELS ONLY)</b>		
08-4	<b>AquaPLUS™, AquaPLUS™ AXP, Adphibian™</b>		<b>17</b>

Item	Ref. No.	Qty	Description
	56315501	1	Chemical Tank Assy (1-14) (Only used on AquaPLUS AXP, Adphibian)
1	56002877	2	Nut, Hex Nyl Loc SS 8-32
2	56003018	2	Scr, Pan Phil SS 8-32 x .38
3	56003699	1	Bushing, 1/4 ID Snub
4	56315241	1	Pump, Chemical (M2)
5	56315340	1	Circuit Board Assy
6	56315382	2	Clip, Conduit
7	56315476	1	Bracket, Chemical Pump
8	56315502	1	Chemical Bottle As
*	56317144	A/R	AXP Multi / Prespray 4 pack
9	56315515	1	Bracket, Tank Mounting
10	56315517	1	Cap
11	56315522	1	Check Valve, 1/8 Barb, 125PSI
12	56315523	1	Cap, Dry Break, 1/8 Barb, 90°
13	56315524	3	Hose, Chemical Resistant, 7"
14	56315527	1	Insert, Dry Break
15	56315511	1	Indicator Assy
*	56315503	A/R	Chemical Bottle Assy (8, 10, 14)

\* = Optional, Not Included



Item	Ref. No.	Qty	Description
	56317098	1	Assembly, Paddle
1	56396197	1	Potentiometer, 100k (R2)
2	56397029	1	Potentiometer, 5k (R1)
3	56002006	2	Wsh, Flt SAE #6
4	56003197	6	Scr, Pan Phil Plastite 6-18 X .62
5	56003354	1	Scr, Pan Phil M4-0.7 X 12mm
6	56003527	1	Scr, Pan Phil Plastite 1/4-1 X 2.00
7	56003545	4	Scr, Pan Phil Plastite 8-10 X .75
8	56009030	2	Scr, Pan Phil Thd Form 10-24 X .38
9	56009096	1	Wsh, Flt .193 X .875 X .060
10	56009287	1	Scr, Pan Phil Type B 8 X 2.00
11	56315229	1	Paddle, Back Cover
12	56315230	1	Paddle, Front Cover
13	56315251	1	Weldment, Handle Bar
14	56315280	1	Knob
15	56317112	1	Harness, Handle
16	56325654	2	Spring, Compression
17	56397015	1	Cam Controller
18	56397109	1	Sleeve
19	56397170	3	Washer, Plastic
20	56397171	2	Clamp
21	56397172	1	Potentiometer Fork
22	56478246	1	Tie, Cable
23	56481890	2	Clamp,P



07-4	<b>SQUEEGEE ASSEMBLY (Adphibian)</b>		
08-10	<b>AquaPLUS™, AquaPLUS™ AXP, Adphibian™</b>		<b>21</b>

Item	Ref. No.	Qty	Description
	56315290	1	Squeegee Assembly "C" (Only used on Adphibian)
1	56324350	2	Wheel
2	56370711	2	Nut, Thumb
3	56002851	2	Nut, Hex Nyl Loc-Thin SS 5/16-18
4	56002907	2	Nut, Hex Nyl Loc SS 6-32
5	56002909	2	Scr, Pan Phil SS 6-32x.38
6	56002938	2	Wsh, Flt SAE SS 5/16
7	56003472	2	Scr, Soc Shd .38 X 1.00 X 5/16-18
8	56003736	2	Scr, Hex Thd to Hd SS 5/16-18 x 3.00
9	56009111	6	Nut, Wing SS 1/4-20
10	56315348	1	Squeegee Blade kit <b>NOTE 1</b>
11	56314322	1	Strap, Front "C"
12	56314323	1	Strap, Left Rear "C"
13	56314324	1	Strap, Right Rear "C"
14#	56314325	1	Squeegee Tool, Cast "C" <b>TSBUS2008-998</b>
15	56471194	1	Latch Assembly

**Squeegee Blade Kits**

*	56315348	1	Kit, Gum Rubber Squeegee Blade <b>NOTE 1</b>
*	56315352	1	Kit, Linatex Squeegee Blade <b>NOTE 1</b>
*	56315855	1	Kit, Squeegee Blade PU C <b>NOTE 1</b>

\* = Optional, Not Included

# = Revised or new since last update

**NOTE 1:** All squeegee blade kits include both front and rear squeegee blades.

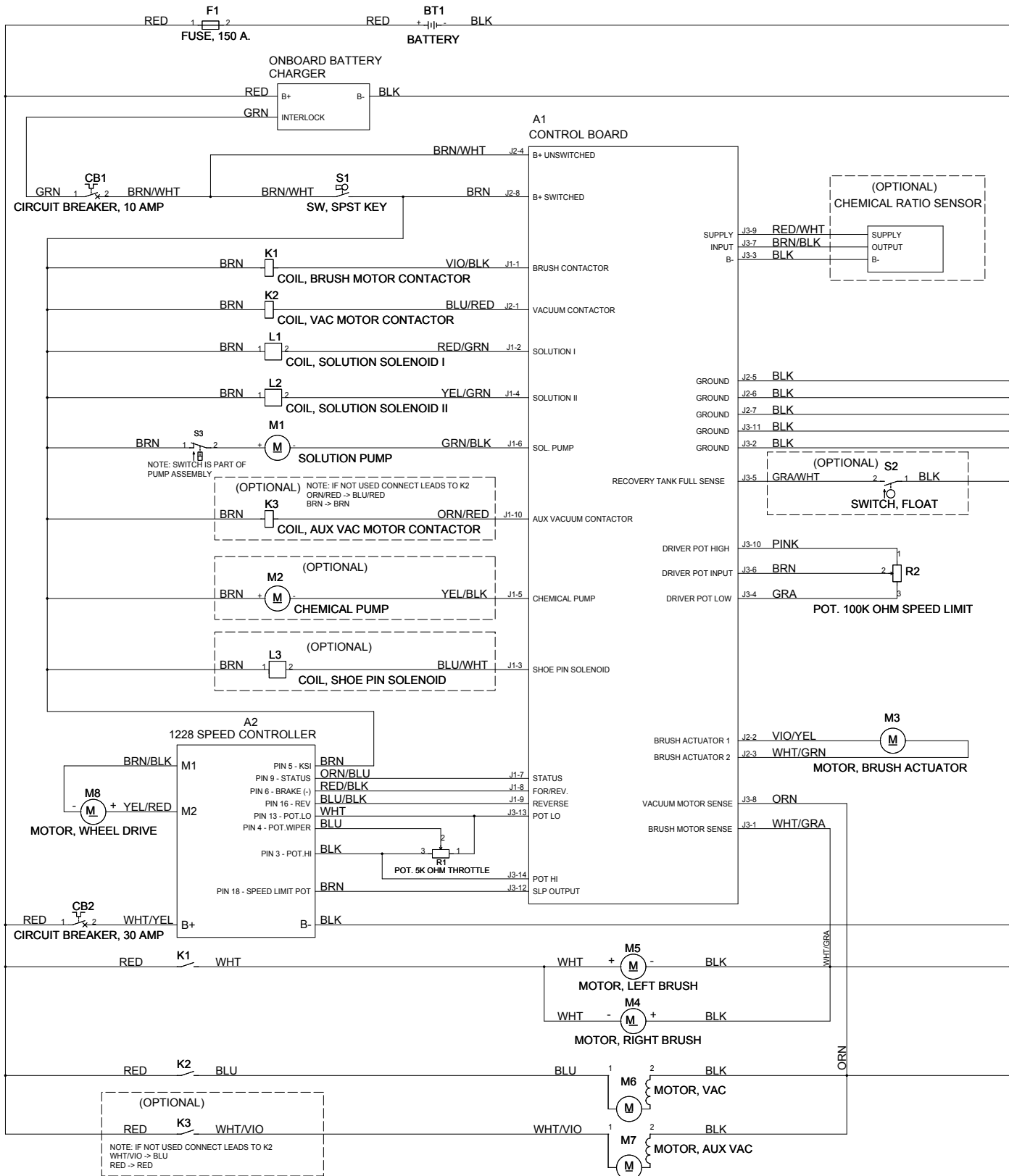
# WIRING DIAGRAM

07-4

22

## AquaPLUS™, AquaPLUS™ AXP, Adphibian™

07-9





Item	Ref. No.	Qty	Description
A1	56317111	1	Control Panel Assy <b>NOTE 2</b>
	56317107	1	Control Panel Assy <b>NOTE 3</b>
A2	56317102	1	Speed Control
BT1	NA	4	Battery (see "Optional Kits & Accessories" page)
CB1	56507644	1	Circuit Breaker, 10 Amp
CB2	56315256	1	Circuit Breaker, 30 Amp
F1	56412089	1	Fuse, 150 Amp
K1	56317101	1	Contactora, Brush Motor
K2	56317116	1	Contactora, Vac Motor
K3	56317101	1	Contactora, Aux Vac Motor <b>NOTE 3</b>
L1	56317024	1	Solenoid 1, Solution
L2	56317024	1	Solenoid 2, Solution
M1	56317045	1	Pump, Solution
M2	56315241	1	Pump, Chemical <b>NOTE 4</b>
M3#	56317161	1	Lift Actuator Assembly <b>TSBUS2008-997</b>
M4	56315061	1	Motor, 24 Vdc, .5 Hp, 1800 RPM ( <b>Right</b> )
[ ]	56412287	1	Brush / Spring Kit ( <b>for 56315061</b> )
M5	56315061	1	Motor, 24 Vdc, .5 Hp, 1800 RPM ( <b>Left</b> )
[ ]	56412287	1	Brush / Spring Kit ( <b>for 56315061</b> )
M6	56317025	1	Motor, Vac 24vdc
[ ]	56397098	1	Carbon Brush set of 2 ( <b>for 56317025</b> )
M7	56317025	1	Motor, Vac 24vdc
[ ]	56397098	1	Carbon Brush set of 2 ( <b>for 56317025</b> )
M8	56315062	1	Transaxle, 24V
[ ]	56315377	1	Motor
[ ]	56315378	4	Carbon Brush
[ ]	56315379	2	Neoprene Mounting Sleeve
R1	56397029	1	Potentiometer, 5K Ohm, Throttle
R2	56396197	1	Potentiometer, 100K Ohm, Speed Limit
S1	56303553	1	Key Switch Assembly
[ ]	56303526	A/R	Set of 2 Replacement Keys
S2	56315096	1	Switch, Float <b>NOTE 1</b>
S3	N/A	1	Switch ( <b>part of M7</b> )
[ #	56315124	1	Charger, Onboard 24V ( <b>Onboard Charger Models Only</b> ) <b>TSBUS2007-979 / TSBUS2008-984 / TSBUS2008-1008</b>
[ ]	56315747	1	Thermistor Repair Kit for 56315124
[ ]	56315340	1	Chemical Ratio Sensor ( <b>AXP Models Only</b> )
[ ]	56317109	1	Harness, Main
[ ]	56317115	1	Harness, Scrub Deck Ground
[ ]	56416445	3	Cable Assy 4 AWG ( <b>Battery Cables</b> )
[ ]	56372673	8	Boot, Battery Post
[ ]	56478523	2	Tie, Cable
[ ]	56478246	9	Tie, Cable
[ ]	56314119	1	Spacer. Battery

[ ] = Not Shown

# = Revised or new since last update

**NOTE 1:** Float Switch 56315096 is optional on the AquaPLUS models and standard on the Adphibian.**NOTE 2:** Only used on AquaPLUS & AquaPLUS AXP**NOTE 3:** Only used on Adphibian**NOTE 4:** Only used on AquaPLUS AXP, Adphibian

**OPTIONAL KITS AND ACCESSORIES**

07-4

24

**AquaPLUS™, AquaPLUS™ AXP, Adphibian™**

08-10

**Ref. No. Qty Description**

**Common Kits**

- \* 56317136 1 Kit, Scrub & Vac Tool W/Caddy
- \* 56315312 1 Squeegee Wand Kit
- \* 56317117 A/R Panel Assy **NOTE 2**
- \* 56315732 1 QuiQ Programmer Kit **TSBUS2007-979**

Replacement parts for the kits listed above can be found on each kit's associated instruction sheet.

**Squeegee Blade Kits**

- \* 56315348 1 Kit, Gum Rubber Squeegee Blade **NOTE 3**
- \* 56315352 1 Kit, Linatex Squeegee Blade **NOTE 3**
- \* 56315855 1 Kit, Squeegee Blade PU C **NOTE 3**

**Accessories**

- \* 56397453 6 Indicator, Battery Level (**1 per battery**)
- \* 56262209 A/R Light Duty Soft Floor Drag Wand
- \* 56265305 A/R Heavy Duty Soft Floor Drag Wand
- \* 56220109 A/R Upholstery Tool Assy
- \* 56220070 A/R Upholstery Tool Assy
- \* 56265368 A/R Hose Assy, 8 FT
- \* 56265174 A/R Hose Assy, 15 FT
- \* 56317153 1 Kit, Float Switch **NOTE 1**
- \* 56317114 A/R Panel Assy **NOTE 1**
- \* 56315316 A/R Tote Bag
- \* 56409441 A/R Programmer, 1307 User
- \* 56409823 A/R Programmer Cable
- \* 56044397 A/R AquaPLUS / AquaPLUS AXP Literature Pack
- \* 56044411 A/R Adphibian Literature Pack

**Optional Batteries**

- \*# 56317154 4 Battery, 6V 251AH Wet **TSBUS2008-984**
- \*# 56315772 4 Battery, 6V 255AH Sealed **TSBUS2008-984**
- \*# 56206987 4 Battery, 6V 180 AH Gel **TSBUS2008-984**
- \*# 56206117 4 Battery, 6V 195 AH Wet **TSBUS2008-984**
- \*# 56206079 4 Battery, 6V 235 AH Wet **TSBUS2008-984**

**Optional Battery Chargers**

- \*# 56388109 A/R Charger, 24V 25A 110V **TSBUS2008-984**

[ ] = Not Shown

\* = Optional, Not Included

# = Revised or new since last update

**NOTE 1:** Only used on AquaPLUS & AquaPLUS AXP

**NOTE 2:** Only used on Adphibian

**NOTE 3:** All squeegee blade kits include both front and rear squeegee blades.

We provide brushes and pad holders that will give you the best possible performance between machine and floor. Following are descriptions of the materials and their applications.

- Soft Nylon Brush: Least aggressive brush available. Used on soft-finish floors where a more aggressive brush would leave scratch marks, or in applications requiring very light cleaning.
- Hard Nylon Brush: Cleaning action similar to polypropylene. More durable and wear-resistant than polypropylene.
- Polypropylene Brush: Standard for carpet only models. Low cost, yet effective cleaning for carpeted areas and many common floor surfaces.
- 180 Grit Brush: Least aggressive grit brush. Used for daily cleaning of hard-finished floors.
- 80 Grit Brush: Medium aggressive grit brush. Good all-around brush for medium to heavy buildup removal. Can also be used for general stripping operations.
- 46 Grit Brush: Most aggressive grit brush. Used primarily to clean heavy buildup on concrete floors in factories, or for heavy stripping of finish.
- Multi-Surface: Standard for multi-surface models. Anti microbial brush designed for all flooring surfaces.

## BRUSHES

- 56314389 - Soft Nylon
- 56314390 - Hard Nylon
- 56314391 - Prolene
- 56314392 - 180 Grit
- 56314393 - 80 Grit
- 56314394 - 46 Grit
- 56317047 - Multi-Surface

## CYLINDRICAL BRUSH APPLICATION GUIDE (SUGGESTION ONLY)

Application	46 Grit	80 Grit	180 Grit	Polypro- pylene	Stiff Nylon	Soft Nylon	Multi Surface
<b>Stripping:</b>							
Concrete	X	X					
Terrazzo	X	X					
Ceramic/Quarry tile		X					
Vinyl tile		X					
<b>General Scrubbing:</b>							
Concrete	X	X	X	X	X		
Terrazzo			X	X	X	X	X
Ceramic/Quarry tile			X	X	X	X	X
Marble			X		X	X	X
Vinyl tile			X	X	X	X	X
Raised-rubber tile			X			X	X
<b>Extraction:</b>							
Carpet				X		X	X



**Nilfisk  
Advance**

*setting standards*

**Nilfisk-Advance, Inc.**  
14600 21st Avenue North  
Plymouth, MN 55447-3408  
[www.nilfisk-advance.com](http://www.nilfisk-advance.com)  
Phone: 800-989-2235  
Fax: 800-989-6566  
©2008 Nilfisk-Advance, Inc.