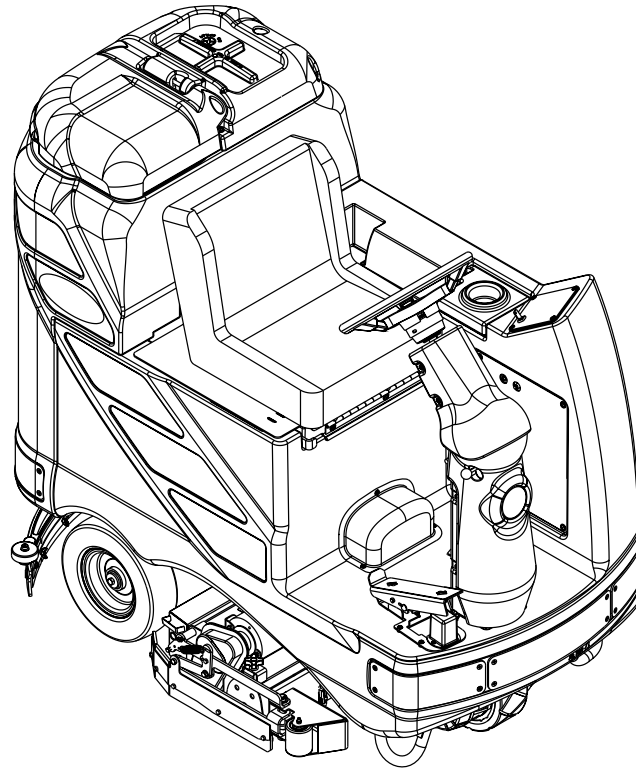


Adgressor™, Adgressor™ AXP

BR 850S series



Instructions For Use Instrucciones de uso

Advance MODELS 56314661(2820D), 56314662(3220D), 56314826(3520D), 56314827(3820D),
56314663(2820C), 56314664(3220C), 56314828(3520C), 56314829(3820C)

56316501(3220D-AXP), 56316505(3520D-AXP), 56316507(3820D-AXP)
56316502(3220C-AXP), 56315506(3520C-AXP), 56316508(3820C-AXP)

Nilfisk MODELS 56314674(850S), 56314830(950S), 56314831(1050S), 56314675(850SC), 56314832(950SC), 56314833(1050SC)
56316503(850S EDS), 56316509(950S EDS), 56316511(1050S EDS)
56316504(850SC EDS), 56316510(950SC EDS), 56316512(1050SC EDS)



**Nilfisk
Advance**

setting standards

A-English
B-Español

2/04 revised 11/06 Form Number 56041583



TABLE OF CONTENTS

	page
Introduction.....	A-2
Cautions and Warnings	A-3
Consignes de prudence et de sécurité	A-4
Know Your Machine.....	A-5
Control Panel.....	A-6
Prepare the Machine for Use	
Install the Batteries	A-7
Install the Brushes	A-8
Install the Squeegee.....	A-9
Fill the Solution Tank	A-9
Detergent (AXP™/EDS™) System.....	A-10 – A-11
Operating the Machine	A-12
Scrubbing	A-12
Wet Vacuuming	A-12
After Use.....	A-13
Maintenance Schedule.....	A-13
Lubricating the Machine	A-13
Charging the Batteries.....	A-14
Check the Battery Electrolyte Level.....	A-14
Squeegee Maintenance.....	A-15
Squeegee Adjustment	A-15
Side Skirt Maintenance.....	A-16 – A-17
Troubleshooting.....	A-18
Technical Specifications	A-19

INTRODUCTION

This manual will help you get the most from your Nilfisk-Advance Rider Scrubber. Read it thoroughly before operating the machine.

Note: **Bold numbers in parentheses indicate an item illustrated on pages A-5 – A-6.**

This product is intended for commercial use only.

PARTS AND SERVICE

Repairs, when required, should be performed by your Authorized Nilfisk-Advance Service Center, who employs factory trained service personnel, and maintains an inventory of Nilfisk-Advance original replacement parts and accessories.

Call the NILFISK-ADVANCE DEALER named below for repair parts or service. Please specify the Model and Serial Number when discussing your machine.

(Dealer, affix service sticker here.)

NAME PLATE

The Model Number and Serial Number of your machine are shown on the Nameplate on the machine. This information is needed when ordering repair parts for the machine. Use the space below to note the Model Number and Serial Number of your machine for future reference.

MODEL NUMBER _____

SERIAL NUMBER _____

UNCRATE THE MACHINE

When the machine is delivered, carefully inspect the shipping carton and the machine for damage. If damage is evident, save the shipping carton so that it can be inspected. Contact the Nilfisk-Advance Customer Service Department immediately to file a freight damage claim.

After removing the carton, cut the plastic straps and remove the wooden blocks next to the wheels. Use a ramp to roll the machine from the pallet to the floor.

CAUTIONS AND WARNINGS

SYMBOLS

Nilfisk-Advance uses the symbols below to signal potentially dangerous conditions. Always read this information carefully and take the necessary steps to protect personnel and property.

DANGER!


Is used to warn of immediate hazards that will cause severe personal injury or death.

WARNING!

Is used to call attention to a situation that could cause severe personal injury.

CAUTION!

Is used to call attention to a situation that could cause minor personal injury or damage to the machine or other property.

  Read all instructions before using.

GENERAL SAFETY INSTRUCTIONS

Specific Cautions and Warnings are included to warn you of potential danger of machine damage or bodily harm.

WARNING!

- * This machine shall be used only by properly trained and authorized persons.
- * While on ramps or inclines, avoid sudden stops when loaded. Avoid abrupt sharp turns. Use low speed down hills. Clean only while ascending (driving up) the ramp.
- * Keep sparks, flame and smoking materials away from batteries. Explosive gases are vented during normal operation.
- * Charging the batteries produces highly explosive hydrogen gas. Charge batteries only in well-ventilated areas, away from open flame. Do not smoke while charging the batteries.
- * Remove all jewelry when working near electrical components.
- * Turn the key switch off (O) and disconnect the batteries before servicing electrical components.
- * Never work under a machine without safety blocks or stands to support the machine.
- * Do not dispense flammable cleaning agents, operate the machine on or near these agents, or operate in areas where flammable liquids exist.
- * Do not clean this machine with a pressure washer.
- * Only use the brushes provided with the appliance or those specified in the instruction manual. The use of other brushes may impair safety.

CAUTION!

- * This machine is not approved for use on public paths or roads.
- * This machine is not suitable for picking up hazardous dust.
- * Do not use scarifier discs and grinding stones. Nilfisk-Advance will not be held responsible for any damage to floor surfaces caused by scarifiers or grinding stones (can also cause damage to the brush drive system).
- * When operating this machine, ensure that third parties, particularly children, are not endangered.
- * Before performing any service function, carefully read all instructions pertaining to that function.
- * Do not leave the machine unattended without first turning the key switch off (O), removing the key and applying the parking brake.
- * Turn the key switch off (O) and remove the key, before changing the brushes, and before opening any access panels.
- * Take precautions to prevent hair, jewelry, or loose clothing from becoming caught in moving parts.
- * Use caution when moving this machine in below freezing temperature conditions. Any water in the solution, recovery or detergent tanks or in the hose lines could freeze, causing damage to valves and fittings. Flush with windshield washer fluid.
- * The batteries must be removed from the machine before the machine is scrapped. The disposal of the batteries should be safely done in accordance with your local environmental regulations.
- * Do not use on surfaces having a gradient exceeding that marked on the machine.
- * All doors and covers are to be positioned as indicated in the instruction manual before using the machine.

SAVE THESE INSTRUCTIONS

CONSIGNES DE PRUDENCE ET DE SÉCURITÉ

SYMBOLES

Les symboles reproduits ci-dessous sont utilisés pour attirer l'attention de l'opérateur sur des situations dangereuses. Il est donc conseillé de lire attentivement ces indications et de prendre les mesures adéquates en vue de protéger le personnel et le matériel.



DANGER!

Ce symbole est utilisé pour mettre l'opérateur en garde contre les risques immédiats pouvant provoquer des dommages corporels graves, voire entraîner la mort.



ATTENTION!

Ce symbole est utilisé pour attirer l'attention sur une situation susceptible d'entraîner des dommages corporels graves.



PRUDENCE!

Ce symbole est utilisé pour attirer l'attention de l'opérateur sur une situation qui pourrait entraîner des dommages corporels minimes, ou des dommages à la machine ou à d'autres équipements.



Lire toutes les instructions avant d'utiliser l'appareil.

CONSIGNES GENERALES DE SECURITE

Les consignes spécifiques de prudence et de sécurité mentionnées ici ont pour but de vous informer de la survenance de tout risque de dommages matériels ou corporels.



ATTENTION!

- * Cette machine ne pourra être utilisée que par du personnel parfaitement entraîné et dûment autorisé.
- * Evitez les arrêts subits lorsque la machine est chargée et se trouve sur des rampes ou des plans inclinés. Evitez les virages serrés. Adoptez une vitesse réduite lorsque la machine est en descente. Ne nettoyez que lorsque la machine monte la pente.
- * Eloignez les batteries de toutes flammes, étincelles ou substance fumigène. Les gaz explosifs sont ventilés pendant le fonctionnement normal.
- * De plus, du gaz hydrogène explosif s'échappe des batteries lorsqu'elles sont en charge. Ne procédez au chargement des batteries que dans une zone bien ventilée, loin de toute flamme. Ne fumez pas à proximité des batteries lorsqu'elles sont en charge.
- * Otez tous vos bijoux lorsque vous travaillez à proximité de composants électriques.
- * Positionnez la clé de contact sur off (O) et déconnectez les batteries avant de procéder à l'entretien des composants électriques.
- * Ne travaillez jamais sous une machine sans y avoir placé, au préalable, des blocs de sécurité ou des étais destinés à soutenir la machine
- * Ne déversez pas d'agents nettoyants inflammables, ne faites pas fonctionner la machine à proximité de ces agents ou d'autres liquides inflammables.
- * Ne nettoyez pas cette machine avec un nettoyeur à pression.
- * Utilisez uniquement les brosses fournies avec l'appareil ou celles spécifiées dans le manuel d'instructions. L'utilisation d'autres brosses peut mettre la sécurité en péril.



PRUDENCE!

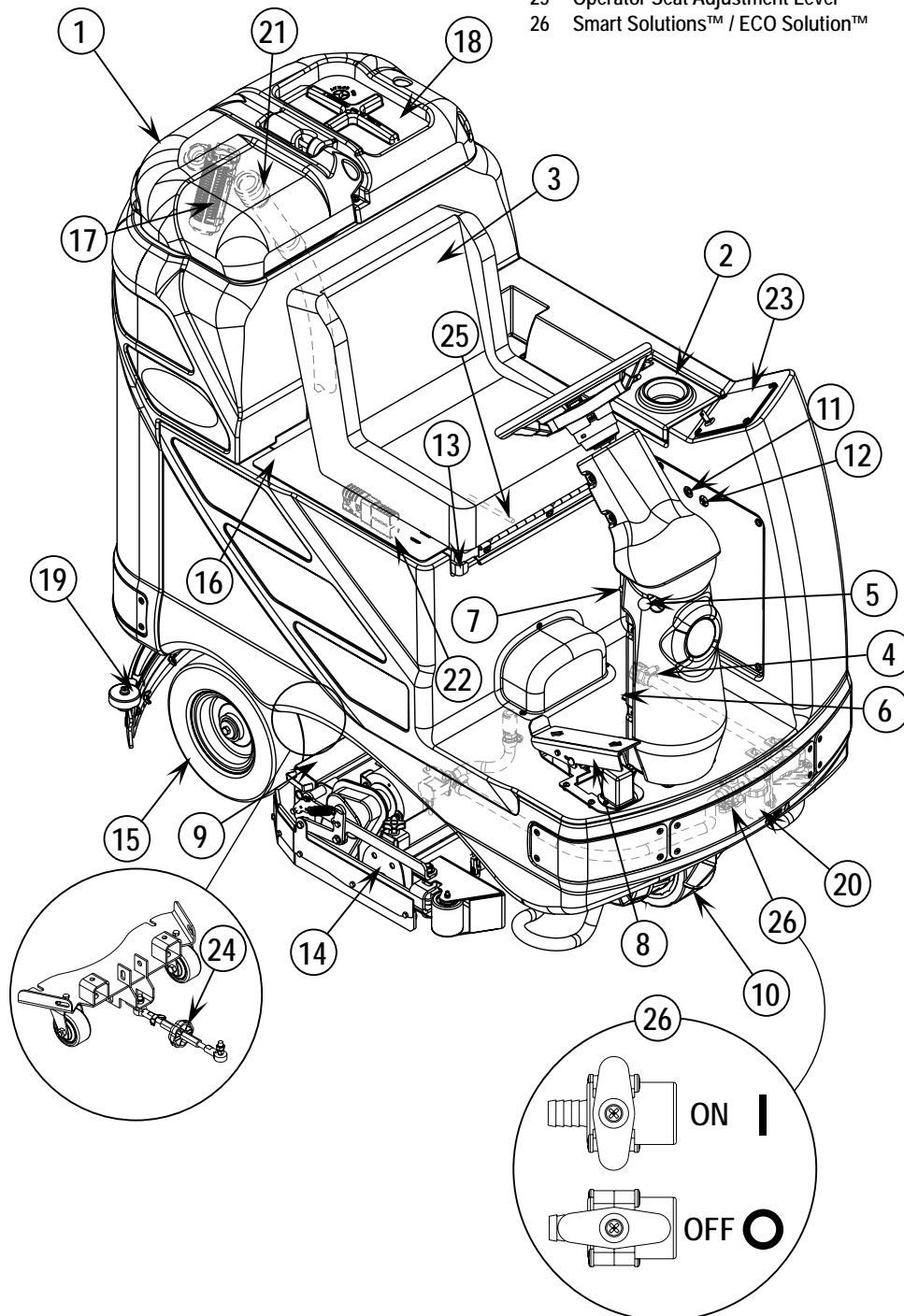
- * Cette machine n'est pas conçue pour une utilisation sur les chemins ou voies publics.
- * Cette machine n'est pas conçue pour le ramassage des poussières dangereuses.
- * N'utilisez pas de disques de scarificateur ni de meules. Nilfisk-Advance ne pourra en aucun cas être tenue pour responsable des dommages occasionnés à vos sols par ce type d'équipement (vous risquez également d'endommager le système d'entraînement des brosses).
- * Lors de l'utilisation de cette machine, assurez-vous que des tiers, et notamment des enfants, ne courent pas le moindre risque.
- * Avant de procéder à toute opération d'entretien, veuillez lire attentivement toutes les instructions qui s'y rapportent.
- * Ne laissez pas la machine sans surveillance sans avoir, au préalable, coupé le contact, enlevé la clé de contact (O) et tiré le frein à main.
- * Positionnez la clé de contact sur off (O) avant de remplacer les brosses ou d'ouvrir tout panneau d'accès.
- * Prenez toutes les mesures nécessaires pour éviter que les cheveux, les bijoux ou les vêtements amples ne soient entraînés dans les parties mobiles de la machine.
- * Faites attention lorsque vous déplacez cette machine dans un endroit où la température peut descendre sous 0°. L'eau contenue dans les réservoirs de détergent, de récupération ou de solution ou dans les conduites risquerait de geler et par là même d'endommager les valves et raccords de la machine. Rincez avec un liquide de lave-glace.
- * Prenez soin d'enlever les batteries de la machine avant de mettre cette dernière au rebut. Pour ce qui est de l'élimination des batteries, conformez-vous aux réglementations locales en matière d'environnement.
- * N'utilisez pas sur des surfaces dont la pente dépasse celle mentionnée sur la machine.
- * Toutes les portes et couvercles doivent être dans la position mentionnée dans le manuel d'instruction avant de mettre la machine en service.

CONSERVEZ SOIGNEUSEMENT CES INSTRUCTIONS

KNOW YOUR MACHINE

As you read this manual, you will occasionally run across a bold number or letter in parentheses - example: (2). These numbers refer to an item shown on these pages unless otherwise noted. Refer back to these pages whenever necessary to pinpoint the location of an item mentioned in the text. NOTE: Refer to the service manual for detailed explanations of each item illustrated on the next 2 pages.

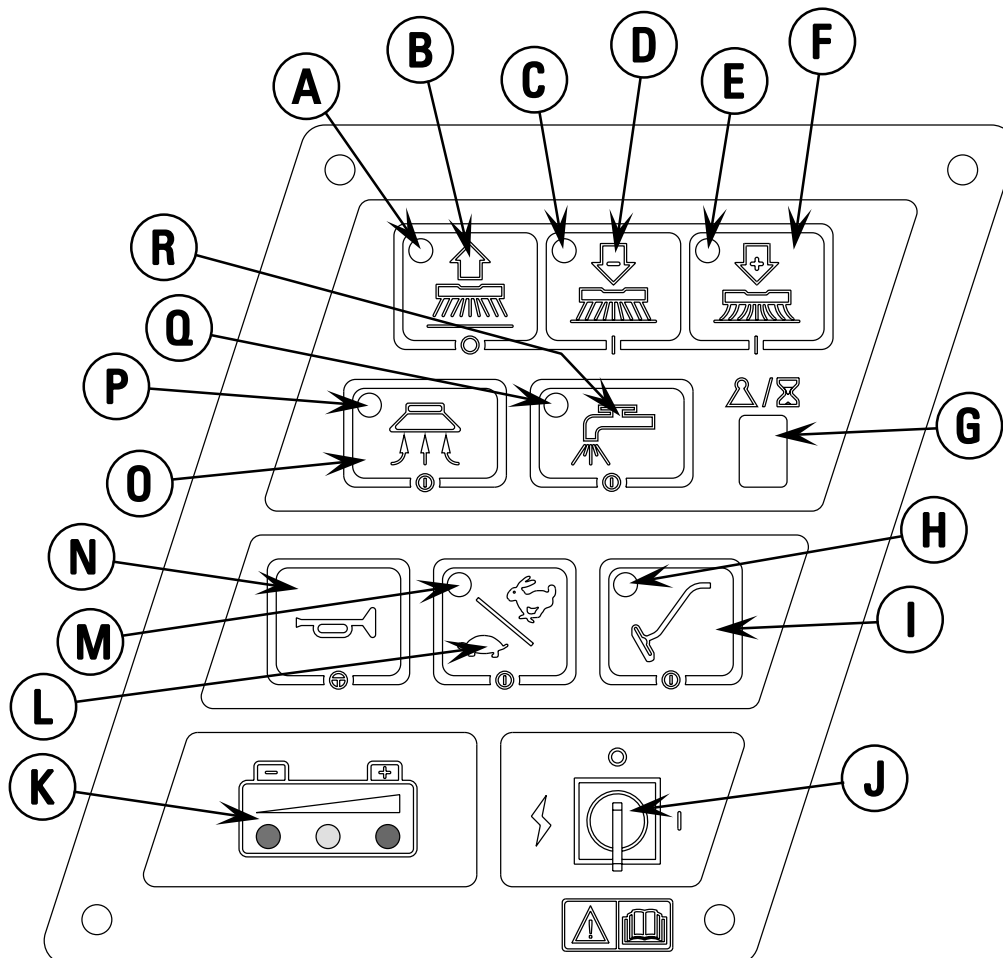
- | | |
|------------------------------------|---|
| 1 Recovery Tank Cover | 13 Emergency Stop Switch / Battery Disconnect |
| 2 Solution Tank Fill Cover | 14 Scrub Deck |
| 3 Operator's Seat | 15 Rear Wheel |
| 4 Solution Tank Drain Hose | 16 Battery Compartment (under seat) |
| 5 Steering Wheel Tilt Adjust Knob | 17 Recovery Tank Shutoff Float |
| 6 Brake Pedal / Parking Brake | 18 Vacuum Motor Filter Housing |
| 7 Solution Flow Control Lever | 19 Squeegee Assembly |
| 8 Drive Pedal, Directional/Speed | 20 Solution Filter |
| 9 Hopper (cylindrical models only) | 21 Recovery Tank Drain Hose |
| 10 Drive and Steer Wheel | 22 Machine Battery Connector |
| 11 Wheel Drive Circuit Breaker | 23 Control Panel |
| 12 Control Circuit Circuit Breaker | 24 Squeegee Tilt Adjust Knob |
| | 25 Operator Seat Adjustment Lever |
| | 26 Smart Solutions™ / ECO Solution™ |



CONTROL PANEL

- A Scrub OFF Indicator
- B Scrub OFF Switch
- C Scrub Pressure Decrease Indicator
- D Scrub Pressure Decrease Switch
- E Scrub Pressure Increase Indicator
- F Scrub Pressure Increase Switch
- G Scrub Pressure / Hourmeter Display
- H Wand Switch Indicator
- I Wand Switch

- J Key Switch
- K Battery Condition Indicator
- L Speed Select Switch
- M Speed Select Indicator
- N Horn Switch
- O Vacuum Switch
- P Vacuum System Indicator
- Q Solution System Indicator
- R Solution Switch



DESCRIPTION OF THE BATTERY CONDITION INDICATORS

The battery condition indicator (K) consists of three lights, a green, a yellow, and a red. The voltage indication will change based on the cutoff level (standard or alternate) selected in the control unit. The battery voltage ranges for the various indications are listed below:

	Standard	Alternate
Green	34.00+	34.50+
Green & Yellow	33.00-33.99	34.00-34.49
Yellow	32.00-32.99	33.50-33.99
Yellow & Red	31.50-31.99	33.00-33.49
Red	31.00-31.49	32.50-32.99
Flashing Red/Cutoff	<31.00	<32.50

NOTE: Refer to service manual for selection of alternate cut-off level. Once the low voltage cutout level has been reached (flashing red indicator) the batteries must be FULLY recharged to reset the battery condition indicator. The scrub system will not function until the indicator has been reset.

INSTALL THE BATTERIES



WARNING!

Use extreme caution when working with batteries. Sulfuric acid in batteries can cause severe injury if allowed to contact the skin or eyes. Explosive hydrogen gas is vented from inside the batteries through openings in the battery caps. This gas can be ignited by any electrical arc, spark or flame.

When Servicing Batteries...

- * Remove all jewelry.
- * Do not smoke.
- * Wear safety glasses, a rubber apron and rubber gloves.
- * Work in a well-ventilated area.
- * Do not allow tools to touch more than one battery terminal at a time.



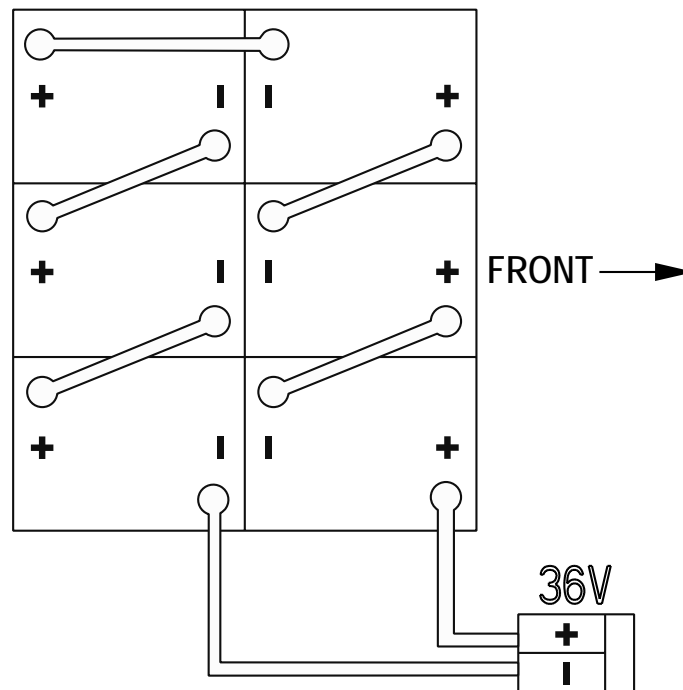
CAUTION!

Electrical components in this machine can be severely damaged if the batteries are not installed and connected properly.

Batteries should be installed by Nilfisk-Advance or by a qualified electrician.

- 1 Turn the Key Switch (J) off (O) and remove the key. Then swing open the Battery Compartment Cover (16).
- 2 Using (2) people and an appropriate lifting strap, carefully lift the batteries into the compartment tray exactly as shown. Refer to decal 56015242 battery cable layout.
- 3 See Figure 1. Install battery cables as shown and tighten the nuts on the battery terminals.
- 4 Install the battery boots and secure tightly to the battery cables with the supplied tie straps.
- 5 Connect the battery pack connector to the machine connector (22) and close the battery compartment cover.

FIGURE 1



INSTALL THE BRUSHES (DISC SYSTEM)



CAUTION!

Turn the key switch off (O) and remove the key, before changing the brushes, and before opening any access panels.

- 1 Make sure the Key Switch (J) is off (O). To access the brushes, remove both side skirt assemblies. Note: The skirts are held in place by two large Knobs, loosen these knobs and slide the skirt assemblies off of the Scrub Deck.
- 2 To mount the brushes (or pad holders) align the lugs on the brush with the holes on the mounting plate and turn to lock in place (turn outside edge of brush towards front of machine).

INSTALL THE BRUSHES (CYLINDRICAL SYSTEM)



CAUTION!

Turn the key switch off (O) and remove the key, before changing the brushes, and before opening any access panels.

- 1 Make sure the Key Switch (J) is off (O). To access the brushes, swing both side skirt assemblies open. Note: The skirts are held in place by a large cotter pin on each side, remove the pins and swing the skirt assemblies out of the way. Loosen the black knobs (one on each side) on top of the idler assemblies and remove the idler assemblies. Slide the brush into the housing, lift slightly, push and turn until it seats. Re-install the idler assemblies, close the skirt assemblies and secure with cotter pins.

INSTALL THE SQUEEGEE

- 1 Make sure the Squeegee (19) is up (O) and the Key Switch (J) is off (O). Hold the squeegee tool so that the curved ends point forward, then slide the squeegee tool onto the Mount (A) (See Figure 2).
- 2 Hand tighten the Thumb Nuts (B) and then connect the vacuum hose to the Squeegee Tube (C) (vacuum hose should loop to the right).

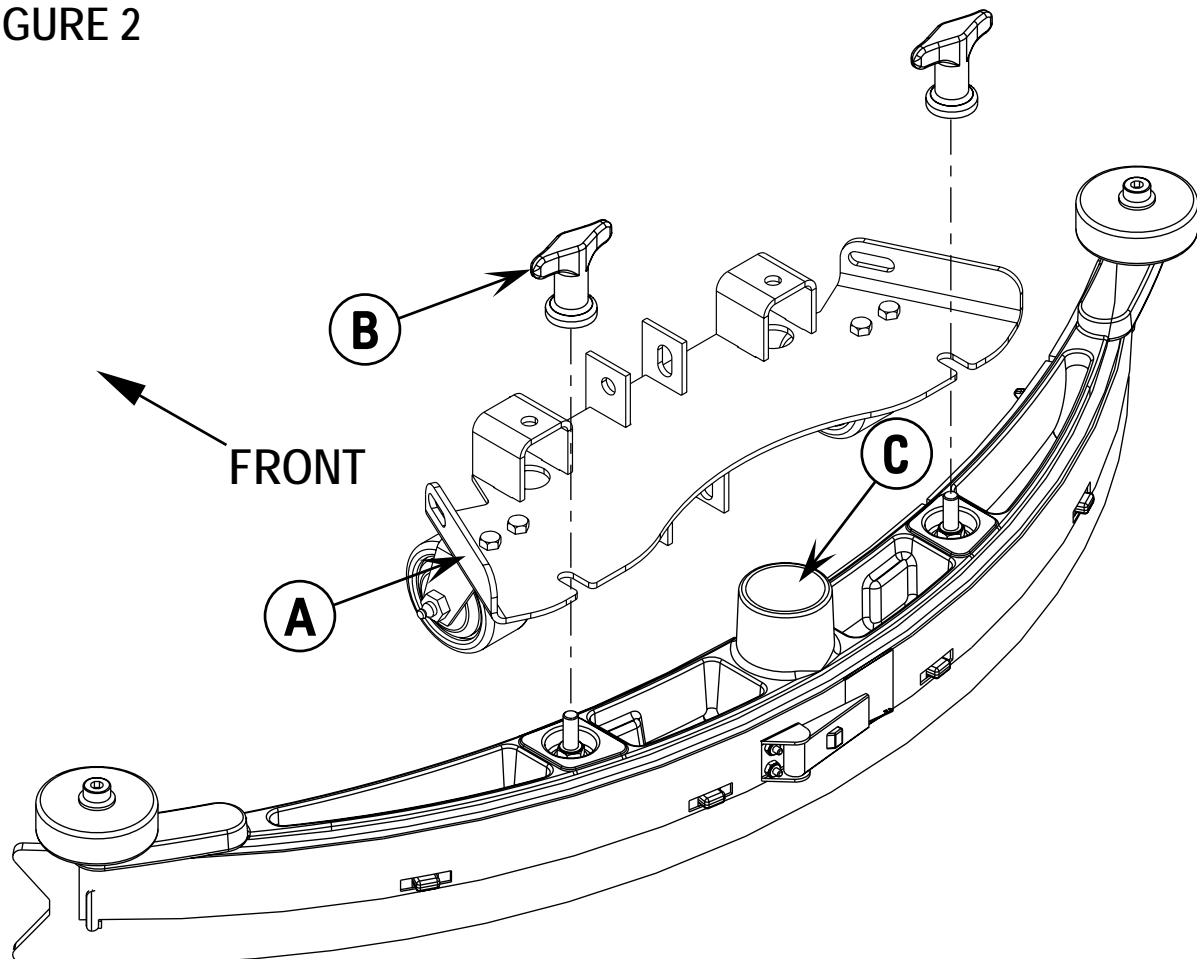
FILL THE SOLUTION TANK

Read the cleaning chemical label and figure the proper amount of chemical to mix for a tank that holds 40 US gallons (151 liters).

Open the Solution Tank Cover (2), then fill the tank 1/3 full of water, add the cleaning chemical, then fill the tank to 7.62cm (3 inches) from the top of the tank opening (fill to bottom of the wall in tank opening). NOTE: AXP/EDS machines can either be used conventionally with detergent mixed in the tank or the detergent dispensing system can be used. When using the AXP/EDS detergent dispensing do not mix detergent in the tank, plain water should be used.

**CAUTION!**

Use only low-foaming, non-flammable liquid detergents intended for automatic scrubber machine applications. Water temperature should not exceed 130 degrees Fahrenheit (54.4 degrees Celsius).

FIGURE 2

DETERGENT SYSTEM PREPARATION AND USE (AXP/EDS MODELS ONLY)

COMMON INSTRUCTIONS:

The system should be purged of previous detergent when switching to a different detergent. **SERVICE NOTE:** Move machine over floor drain before purging because a small amount of detergent will be dispensed in the process.

To Purge When Changing Chemicals:

- 1 Disconnect and remove the detergent cartridge.
- 2 Turn the Key Switch (J) ON and press the Detergent ON/OFF Switch (S) and the Flow Rate Switch (T) down for at least 3 seconds. **NOTE:** Once activated the Flow Rate Indicator (U) will begin to flash and will automatically shut off after 10 seconds. Normally one purge cycle is adequate to purge the system.

To Purge Weekly:

- 1 Disconnect and remove the detergent cartridge. Install and connect a Cartridge filled with clean water
- 2 Turn the Key Switch (J) ON and press the Detergent ON/OFF Switch (S) and the Flow Rate Switch (T) down for at least 3 seconds. **NOTE:** Once activated the Flow Rate Indicator (U) will begin to flash and will automatically shut off after 10 seconds. Normally one purge cycle is adequate to purge the system.

The Detergent Box (AA) has a Detergent Level Viewing Slot (BB) for keeping track of how much detergent is remaining in the cartridge. When the detergent level is nearing the bottom of this slot it is time to refill or replace the cartridge.

General Use:

The detergent (AXP/EDS) system is turned on when the Key Switch (J) is turned on but no detergent is dispensed until the scrub system is activated and the Drive Pedal (8) pushed forward. The solution flow rate automatically defaults to the last setting used. The solution flow rate can be varied by subsequently pressing the Flow Rate Switch (T). There are four solution flow rates indicated by the Flow Rate Indicator (U). The detergent flow rate increases or decreases with the solution flow rate but the detergent ratio remains the same. During scrubbing, the detergent system can be turned off at any time by pressing the Detergent ON/OFF Switch (S) to allow scrubbing with water only. The solution flow rate is controlled by the Flow Rate Switch (T) whether the detergent system is ON or OFF.

SERVICE NOTE: Follow the "To Purge Weekly" instructions above if the machine is going to be stored for an extended period of time or if you plan to discontinue use of the detergent (AXP/EDS) system.

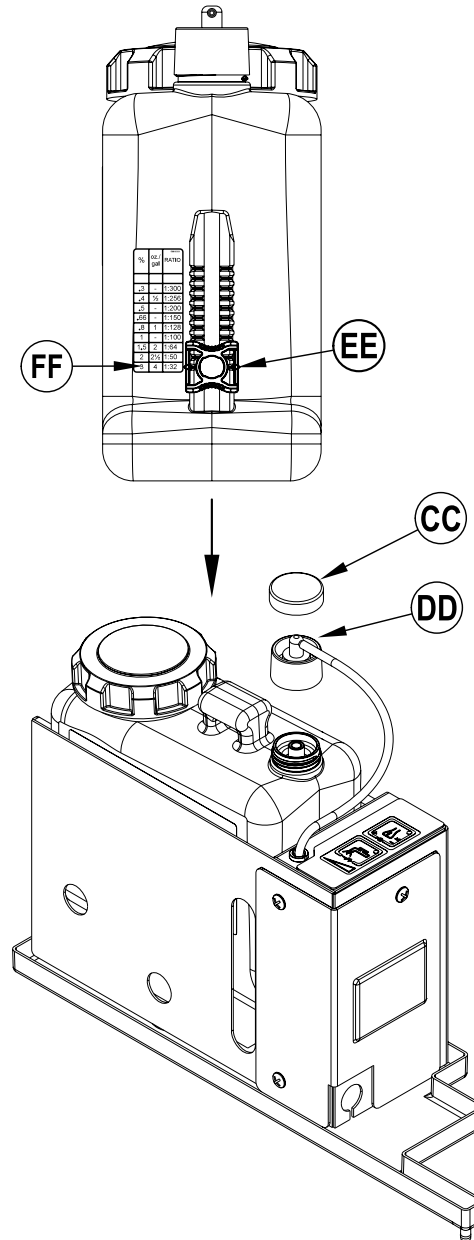
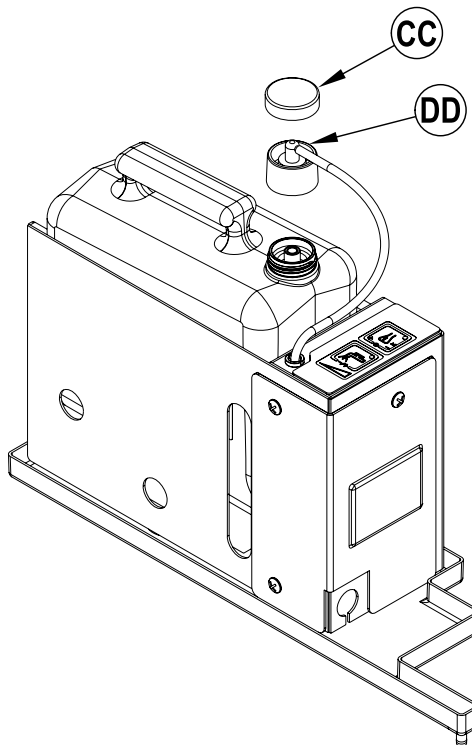
DISPOSABLE CARTRIDGE SPECIFIC INSTRUCTIONS:

Remove the Cap (CC) and place the cartridge in the detergent box. Install the Dry Break Cap (DD) as shown.

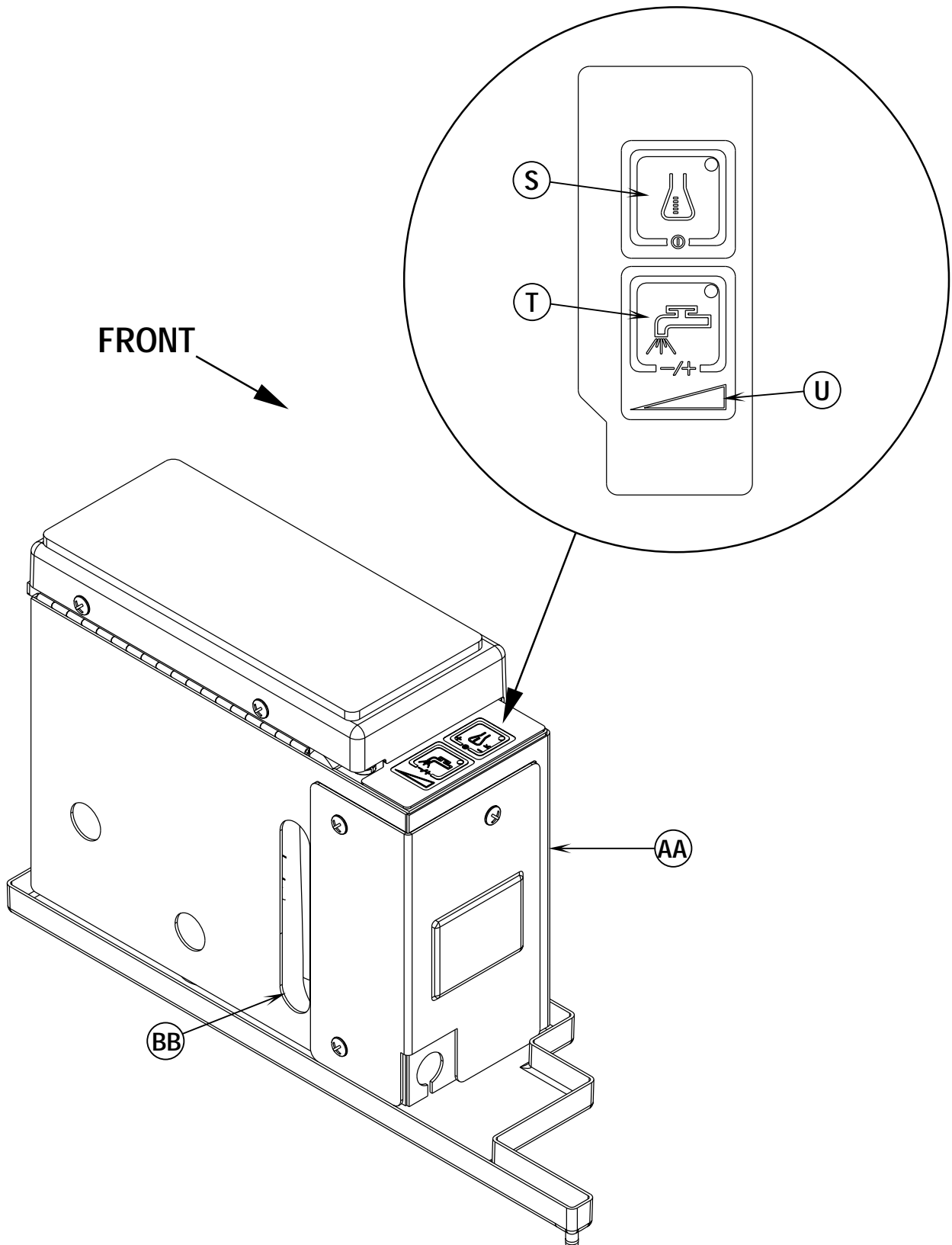
NON-DISPOSABLE CARTRIDGE SPECIFIC INSTRUCTIONS:

Fill the detergent cartridge with a maximum of 1.25 gallons (4.73 Liters) of detergent. **SERVICE NOTE:** Remove the detergent cartridge from the detergent box prior to filling to avoid spilling detergent on the machine.

It is recommended that a separate cartridge be used for each detergent you plan to use. The detergent cartridges have a white decal on them so you can write the detergent name on each cartridge to avoid mixing them up. The detergent cartridge has a Magnetic Slider (EE) on one end that needs to be set to the proper dilution ratio according to the dilution instructions on the manufacturer's bottle. Slide the Magnet Slider (EE) to the appropriate location on Detergent Dilution Ratio Decal (FF). When installing a new cartridge, remove the Cap (CC) and place the cartridge in the detergent box. Install the Dry Break Cap (DD) as shown.



DETERGENT SYSTEM PREPARATION AND USE (AXP/EDS MODELS ONLY)



OPERATING THE MACHINE



WARNING!

Be sure you understand the operator controls and their functions.

While on ramps or inclines, avoid sudden stops when loaded. Avoid abrupt sharp turns. Use low speed down hills. Clean only while ascending (driving up) the ramp.

To Scrub...

Follow the instructions in preparing the machine for use section of this manual.

- 1 While seated on the machine, adjust the seat and steering wheel to a comfortable operating position using the adjustment controls (25) and (5).
- 2 Turn the Master Key Switch (J) ON (I). This will display the control panel indicator lights, reference the Battery Condition Indicator (K) and Hour Meter (G).
- 3 Release the Parking Brake (6). To transport the machine to the work area, apply even pressure with your foot on the front of the Drive Pedal (8) to go forward or the rear of the pedal for reverse. Vary the pressure on the foot pedal to obtain the desired speed.
- 4 Adjust the Solution Flow Control Valve Lever (7) to about 1/4 to 1/3 open position (Non AXP/EDS models).

Press the Flow Rate Switch (T) to select a solution flow rate (AXP/EDS models).

The flow rate can be changed to allow variable solution flow for different types of floors to be scrubbed. Example: A rough or absorbent floor surface such as unfinished concrete, will require more solution than a smooth finished floor.

NOTE (Non AXP/EDS Models): For a consistent reduced flow of solution; open the Solution Flow Control Valve Lever (7) all the way and then turn ON the Smart Solutions™ / ECO Solution™ Valve (26). When the lever is in the "OFF" position; the machine operates conventionally; solution flow is determined by the Solution Flow Control Lever (7). When the lever is in the "ON" position; solution flow is controlled automatically. The Solution Flow Control Lever (7) should not be shut off, but is otherwise inactive. Make sure that the lever for Valve (26) is all the way ON or all the way OFF, never in between. If more solution is needed, turn OFF the Smart Solutions™ / ECO Solution™ Valve (26) and adjust the solution flow with the Solution Flow Control Valve Lever (7).

NOTE: The solution, vacuum and detergent (AXP/EDS models) systems are automatically activated when the Scrub Pressure Decrease Switch (D) or the Scrub Pressure Increase Switch (F) is pressed. No further action is required. Any individual system can be turned OFF or back ON by simply pressing its switch at any time during scrubbing.

- 5 Press and hold the Solution Switch (R) for 5 seconds to pre-wet the floor. **NOTE:** This must be done prior to pressing the Scrub ON Switch (F).
- 6 When the Scrub Pressure Decrease Switch (D) or the Scrub Pressure Increase Switch (F) is selected, the brushes and squeegee are automatically lowered to the floor. The machine's scrub brush rotation, solution system flow, vacuum and detergent (AXP/EDS models) starts when the Drive Pedal (8) is activated. Note: When operating the machine in reverse, only the brushes will rotate, the solution and detergent (AXP/EDS models) is automatically shut off to conserve usage.
- 7 Begin scrubbing by driving the machine forward in a straight line at a normal walking speed and overlap each path by 2-3 inches (50-75 mm). Adjust when necessary the machine speed and solution flow according to the condition of the floor.



CAUTION!

To avoid damaging the floor, keep the machine moving while the brushes are turning.

- 8 When scrubbing, check behind the machine occasionally to see that all of the waste water is being picked up. If there is water trailing the machine, you may be dispensing too much solution, the recovery tank may be full, or the squeegee tool may require adjustment.
- 9 For extremely dirty floors, a one-pass scrubbing operation may not be satisfactory and a "double-scrub" operation may be required. This operation is the same as a one-pass scrubbing except on the first pass the squeegee is in the up position (press the Vacuum Switch (O) to raise the squeegee). This allows the cleaning solution to remain on the floor to work longer. The final pass is made over the same area, with the squeegee lowered to pick up the accumulated solution.
- 10 The recovery tank has an automatic float shut-off to prevent solution from entering the vacuum system when the recovery tank is full. When the float shut-off is activated, the control system will shut down the scrub, vacuum, solution and detergent (AXP/EDS models) systems. The Scrub Pressure / Hourmeter Display (G) will display "FULL". To clear the display, press the Scrub OFF Switch (B), Scrub Pressure Decrease Switch (D), Scrub Pressure Increase Switch (F) or the Vacuum Switch (O). When the float closes, the recovery tank must be emptied. The machine will not pick up water with the float closed. **NOTE:** If the control repeatedly gives a full indication when the tank is not full, the automatic shut-off feature can be disabled, have a qualified service technician refer to the service manual to perform this function.
- 11 When the operator wants to stop scrubbing or the recovery tank is full, press the Scrub OFF Switch (B) once. This will automatically stop the scrub brushes and solution flow and the scrub deck will raise UP. **NOTE:** the vacuum/squeegee system will not be turned off when the switch is only pressed once, this is to allow any remaining water to be picked up without turning the vacuum back on. Press the switch a second time and the squeegee will raise and the vacuum will stop after a 10 second delay.
- 12 Drive the machine to a designated waste water "DISPOSAL SITE" and empty the recovery tank. To empty, pull the Drain Hose (21) from its rear storage area, then remove the plug (hold the end of the hose above the water level in the tank to avoid sudden, uncontrolled flow of waste water). Refill the solution tank and continue scrubbing.

WET VACUUMING

Steps to follow in fitting the machine with optional attachments for wet vacuuming.

- 1 Disconnect the recovery hose from the squeegee. Connect the coupler and hose from the wand kit to the recovery hose.
- 2 Attach suitable wet pick-up tools to the hose. (An optional Wand Kit PN56314307 is available from Nilfisk-Advance).
- 3 Turn the Master Key Switch (J) ON, next press the Wand Switch (I). The vacuum motor and pump will run continuously until the switch is pressed again to turn them OFF. **NOTE:** If the control repeatedly gives a full indication when the tank is not full, the automatic shut-off feature can be disabled, have a qualified service technician perform this function.

AFTER USE

- 1 When finished scrubbing, press the Scrub Off Switch (B) twice, this will automatically raise, retract and stop all the machine systems (brush, squeegee, vacuum, solution and detergent (AXP/EDS models)). Then drive the machine to a service area for daily maintenance and review of other needed service up keep.
- 2 To empty the solution tank, remove the Solution Drain Hose (4) from it's storage clamp. Direct the hose to a designated "DISPOSAL SITE" and remove the plug. Rinse the tank with clean water.
- 3 To empty the recovery tank, pull the Recovery Tank Drain Hose (21) from its storage area. Direct the hose to a designated "DISPOSAL SITE" and remove the plug (hold the end of the hose above the water level in the tank to avoid sudden, uncontrolled flow of waste water). Rinse the tank with clean water.
- 4 Remove the brushes or pad holders. Rinse the brushes or pads in warm water and hang up to dry.
- 5 Remove the squeegee, rinse it with warm water and re-install on mount.
- 6 Remove the hopper on cylindrical systems and clean thoroughly. Remove from either side of the machine by opening the skirt and tilting the hopper up and away from housing, then pull out.
- 7 Check the maintenance schedule below and perform any required maintenance before storage

MAINTENANCE SCHEDULE

MAINTENANCE ITEM	Daily	Weekly	Monthly	Yearly
Charge Batteries	X			
Check/Clean Tanks & Hoses	X			
Check/Clean/Rotate the Brushes/Pads	X			
Check/Clean the Squeegee	X			
Check/Clean Vacuum Shut-Off Float	X			
Check/Clean the vacuum motor foam filter(s)	X			
Clean Hopper on Cylindrical System	X			
Check Each Battery Cell(s) Water Level		X		
Inspect Scrub Housing Skirts		X		
Inspect and clean Solution Filter		X		
Check Foot/ Parking Brake For Wear & Adjustment		X		
Clean Solution Trough on Cylindrical System		X		
Purge Detergent System (AXP/EDS only)		X		
Lubrication - Grease Fittings			X	
* Check Carbon Brushes				X

* Have Nilfisk-Advance check the vacuum motor carbon motor brushes once a year or after 300 operating hours. The brush and drive motor carbon brushes check every 500 hours or once a year.

NOTE: Refer to the Service Manual for more detail on maintenance and service repairs.

- 8 Store the machine indoors in a clean dry place. Keep from freezing. Leave the tanks open to air them out.
- 9 Turn the Master Key Switch (J) OFF (O) and remove the key.

LUBRICATING THE MACHINE

Once a month, pump a small amount of grease into each grease fitting on the machine until grease seeps out around the bearings.

Grease fitting locations are:

- Squeegee Caster Wheel Axle
- Steering Wheel Shaft Universal joint

Once a month, apply light machine oil to lubricate the:

- Steering Chain
- General Pivot Points For the Squeegee, Brush Linkage and Side Skirts
- Squeegee mount angle adjustment knob threads

CHARGING THE BATTERIES

Charge the batteries each time the machine is used, or whenever the Battery Condition Meter (K) is showing a yellow, red or flashing red indicator light(s).

To Charge the Batteries...

- 1 Depress the Battery Disconnect (13).
- 2 Open the Battery Compartment Cover (16) to provide proper ventilation.
- 3 Push the connector from the charger into the Battery Connector (22).
- 4 Follow the instructions on the battery charger.
- 5 Check the fluid level in all battery cells after charging the batteries. Add distilled water, if necessary, to bring the fluid level up to the bottom of the filler tubes.



WARNING!

Do not fill the batteries before charging.

Only charge batteries in a well-ventilated area.

Do not smoke while servicing the batteries.



CAUTION!

To avoid damage to floor surfaces, always wipe water and acid from the top of the batteries after charging.

CHECKING THE BATTERY ELECTROLYTE LEVEL

Check the electrolyte level of the batteries at least once a week.

After charging the batteries, remove the vent caps and check the electrolyte level in each battery cell. Use distilled water to fill the batteries to the bottom of the filler tube.

Do not over-fill the batteries!



CAUTION!

Acid can spill onto the floor if the batteries are overfilled.

Tighten the vent caps. If there is acid on the batteries, wash the tops of the batteries with a solution of baking soda and water (2 tablespoons of baking soda to 1 quart of water).

SQUEEGEE MAINTENANCE

If the squeegee leaves narrow streaks or water, the blades may be dirty or damaged. Remove the squeegee, rinse it under warm water and inspect the blades. Reverse or replace the blades if they are cut, torn, wavy or worn.

To Reverse or Replace the Rear Squeegee Wiping Blade...

- 1 See Figure 3. Raise the squeegee tool off the floor, then unsnap the Center Latch (A) on the squeegee tool.
- 2 Remove the Tension Straps (B).
- 3 Slip the rear blade off the alignment pins.
- 4 The squeegee blade has 4 working edges. Turn the blade so a clean, undamaged edge points toward the front of the machine. Replace the blade if all 4 edges are nicked, torn or worn to a large radius.
- 5 Install the blade, following the steps in reverse order and adjust the squeegee tilt.

To Reverse or Replace the Front Squeegee Blade...

- 1 Raise the squeegee tool off the floor, then loosen the (2) Thumb Nuts (C) on top of the squeegee and remove the squeegee tool from the mount.
- 2 Remove both rear Tension Straps first.
- 3 Remove all the wing nuts that hold the front blade in place, then remove tension strap and blade.
- 4 The squeegee blade has 4 working edges. Turn the blade so a clean, undamaged edge points toward the front of the machine. Replace the blade if all 4 edges are nicked, torn or worn to a large radius.
- 5 Install the blade, following the steps in reverse order and adjust the squeegee tilt.

SQUEEGEE ADJUSTMENT

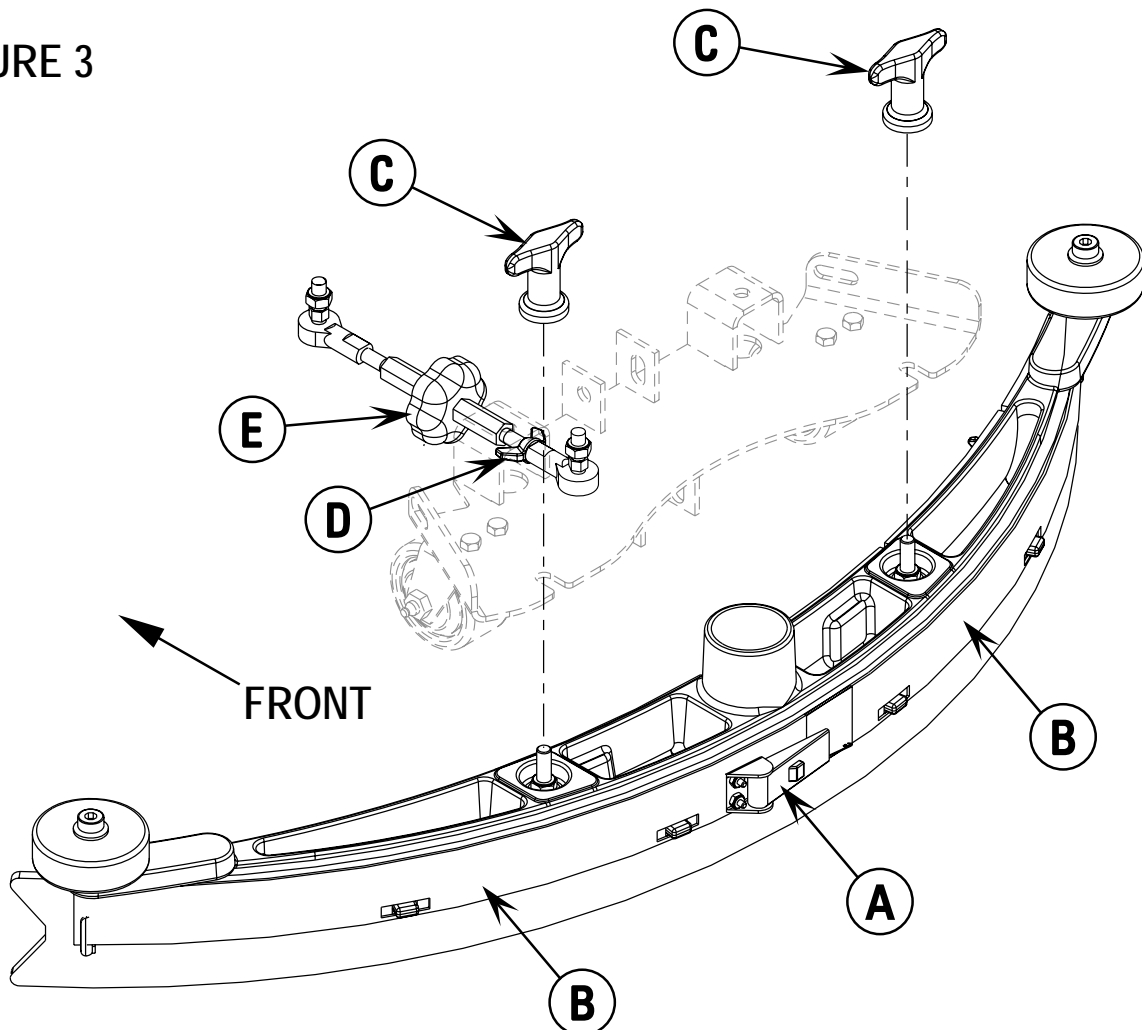
There is just one squeegee tool adjustment possible, angle.

Adjusting the Squeegee Angle

Adjust the squeegee angle whenever a blade is reversed or replaced, or if the squeegee is not wiping the floor dry.

- 1 Park the machine on a flat, even surface and lower the squeegee. Then drive the machine forward enough to have the squeegee blades fold over to the rear.
- 2 Loosen the Lock Wing Nut (D) (hand tightened). This secures the squeegee mount angle from easily vibrating out of adjustment.
- 3 Turn the Adjustment Knob (E) to tilt the tool forward or backwards, until the rear squeegee wiping blade touches the floor evenly across its entire width.
- 4 Re-tighten by hand the Lock Wing Nut (D).

FIGURE 3



SIDE SKIRT MAINTENANCE (DISC SYSTEM)

The side skirt's function is to channel the waste water to the squeegee, helping contain the water within the machines cleaning path. During normal use the blades will wear in time. The operator will notice a small amount of water leaking out underneath the side skirts. A height adjustment can easily be made to lower the blades so that all the water can be pick-up by the squeegee.

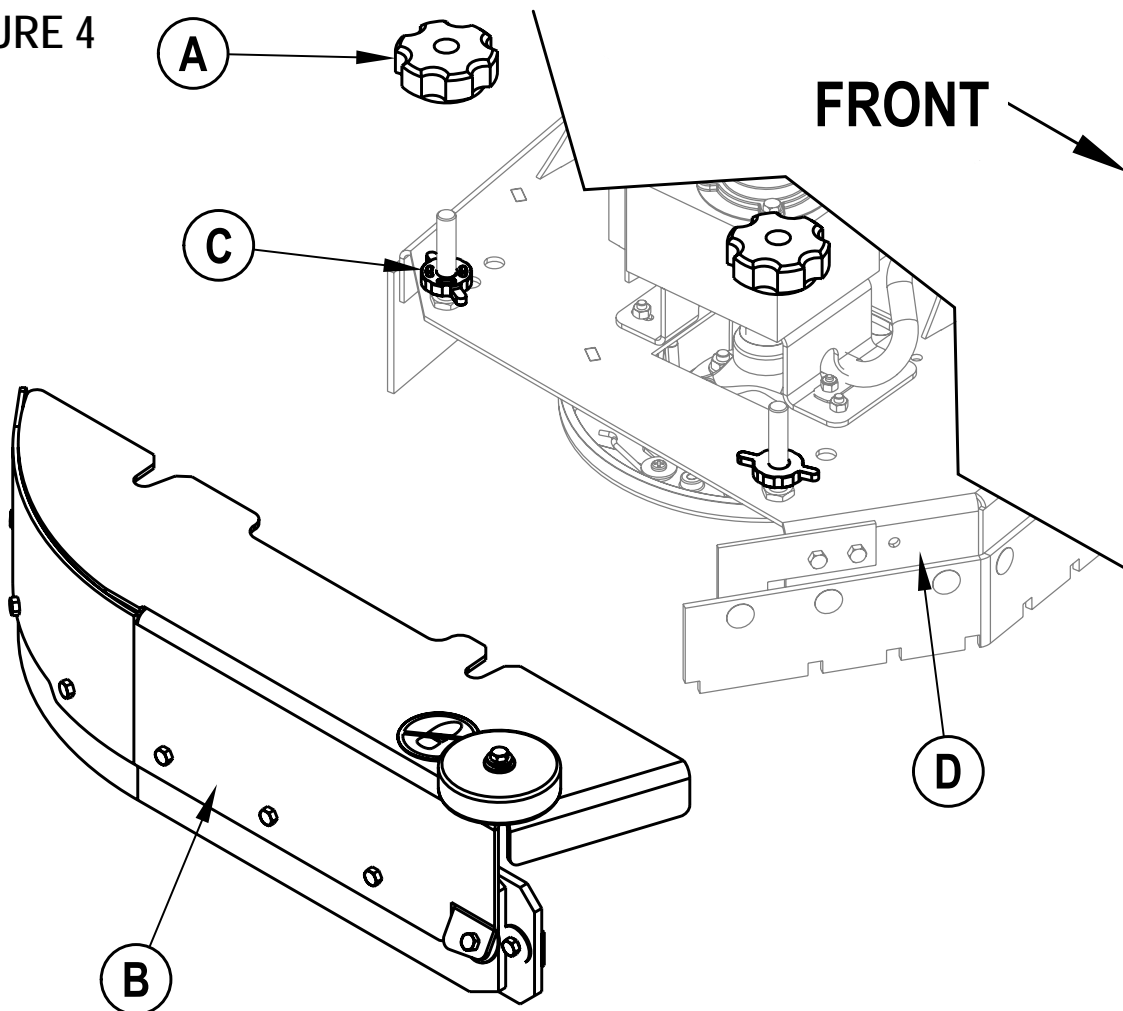
To reverse or replace the scrub system side skirt(s) ...

- 1 See Figure 4. Loosen the (2) side skirt Retainer Knobs (A) (2 per side) and pull the Skirt Assemblies (B) off from the scrub deck.
- 2 Remove all the hardware that holds the blades to the skirt housings.
- 3 Replace the blades as a set if they are nicked, torn or worn beyond their ability to be adjusted.
- 4 Reinstall the skirt housing assemblies onto the machine and adjust the blade for proper contact to the floor when the brush deck is placed in the scrub position.

SIDE SKIRT HEIGHT ADJUSTMENT (DISC SYSTEM)

- 1 The side skirt housing knob retainer screw studs have leveling Adjuster Collars (C), that are to be raised or lowered to compensate for blade wear.
- 2 To adjust, remove the Skirt Assemblies (B) from the Scrub Deck (D) to access the Adjuster Collars (C). Adjustment Tip: The skirts Retainer Knobs (A) can be loosened with skirts left on and the Adjuster Collars (C) rotated by reaching under the skirt housing.
- 3 Turn the Adjuster Collars (C) (Up or Down) to where the blades just fold over enough when scrubbing that all the waste water is contained inside the skirting. Note: Make small adjustments to obtain good blade wiping. Do not lower the blades too much to where they fold over excessively and cause unneeded blade wear.

FIGURE 4



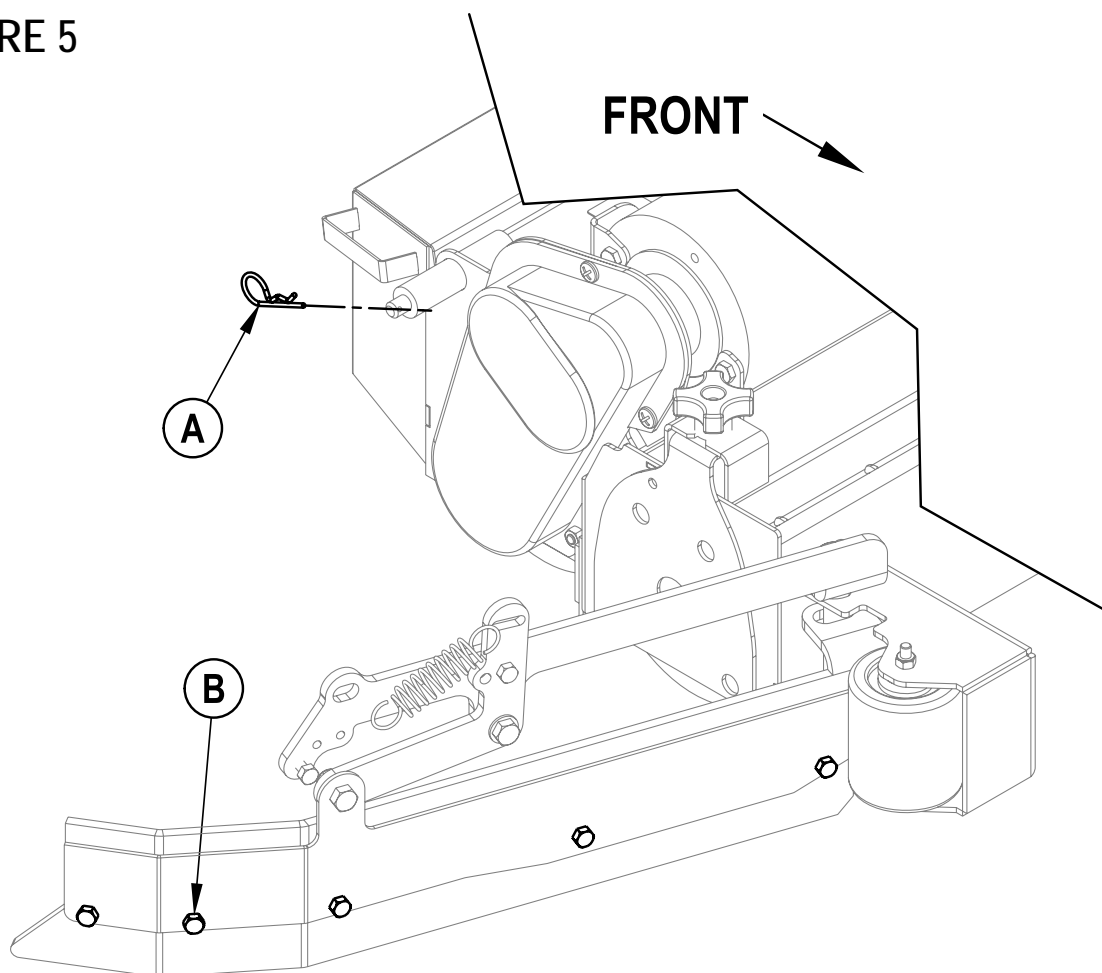
SIDE SKIRT MAINTENANCE (CYLINDRICAL SYSTEM)

The side skirts function is to channel the waste water to the squeegee, helping contain the water within the machines cleaning path. During normal use the blades will wear in time. The operator will notice a small amount of water leaking out underneath the side skirts. Skirt height adjustment is automatic on this system. The skirt assemblies should move up and down freely for proper operation.

To replace the scrub system side skirt(s) ...

- 1 See Figure 5. Remove the (2) (A) Cotter Pins and swing the Skirt Assemblies open. Remove the (B) Screws and Nuts, remove the Skirts and replace.

FIGURE 5



GENERAL MACHINE TROUBLESHOOTING

Problem	Possible Cause	Remedy
Poor water pick-up	Worn or torn squeegee blades	Reverse or replace
	Squeegee out of adjustment	Adjust so blades touch floor evenly across entire width
	Recovery tank full	Empty recovery tank
	Recovery tank drain hose leak	Secure drain hose cap or replace
	Recovery tank cover gasket leak	Replace gasket / Seat cover properly
	Debris caught in squeegee	Clean squeegee tool
	Vacuum hose clogged	Remove debris
	Using too much solution	Adjust solution control valves
	Foam filter cover not seated	Seat cover properly
Poor scrubbing performance	Worn brush or pad	Rotate or replace brushes
	Wrong brush or pad type	Consult Nilfisk-Advance
	Wrong cleaning chemical	Consult Nilfisk-Advance
	Moving machine too fast	Slow down
	Not using enough solution	Adjust solution control valves
Inadequate solution flow or no solution	Solution tank empty	Fill solution tank
	Solution lines, valves, filter or trough clogged	Flush lines, trough and clean solution filter
	Solution control valves not open	Adjust solution control valves
	Solution solenoid valve	Clean or replace valve
Machine does not run	Emergency stop switch tripped	Reconnect battery connectors
	Operator seat safety switch	Check for open circuit and replace
	Main system controller	Check error fault codes (see service manual)
	Tripped 10 Amp circuit breaker	Check for electrical short circuit & reset
No FWD/REV wheel drive	Drive system speed controller	Check error fault codes (see service manual)
	Tripped 70 Amp circuit breaker	Check for drive motor overload
	Emergency stop switch tripped	Reconnect battery connectors
Vacuum shuts off and display shows "FULL" when recovery tank is not full	Plugged squeegee hose	Clear debris
	Vacuuming large amounts of water at a high travel speed	Slow down or disable auto shut-off feature (see service manual)
Poor Sweeping Performance (Cylindrical System)	Hopper Full	Empty and clean hopper
	Brushes worn	Replace brushes
	Bristles have taken a set	Rotate brushes
No Detergent Flow (AXP/EDS models only)	Empty detergent cartridge	Fill detergent cartridge
	Plugged or kinked detergent flow line	Purge system, straighten lines to remove any kinks
	Dry seal cap on detergent cartridge not sealed	Reseat dry seal cap
	Detergent ratio slider magnet missing	Replace slider
	Detergent pump wiring disconnected or backwards	Connect or reconnect wiring

TECHNICAL SPECIFICATIONS (as installed and tested on the unit)

Model		BR 850S	BR 950S	BR 1050S
		Adgressor™ 2820D	Adgressor™ 3220D	Adgressor™ 3520D
Model No.		56314674	56314830	56314831
		56314661	56314662	56314826
Voltage, Batteries	V	36V	36V	36V
Battery Capacity	Ah	395	395	395
Protection Grade		IPX3	IPX3	IPX3
Sound Pressure Level (IEC 60704-1)	dB(A)/20µPa	70	70	70
Gross Weight	lbs / kg	1,732 / 785	1,732 / 785	1,732 / 785
Vibrations at the Hand Controls (ISO 5349-1)	m/s ²	1.12m/s ²	1.12m/s ²	1.12m/s ²
Vibrations at the Seat (EN 1032)	m/s ²	0.35m/s ²	0.35m/s ²	0.35m/s ²
Gradeability				
Transport		20% (11.5°)	20% (11.5°)	20% (11.5°)
Cleaning		8% (4.6°)	8% (4.6°)	8% (4.6°)
Model		BR 850SC	BR 950SC	BR 1050SC
		Adgressor™ 2820C	Adgressor™ 3220C	Adgressor™ 3820C
Model No.		56314675	56314832	56314833
		56314663	56314664	56314828
Voltage, Batteries	V	36V	36V	36V
Battery Capacity	Ah	395	395	395
Protection Grade		IPX3	IPX3	IPX3
Sound Pressure Level (IEC 60704-1)	dB(A)/20µPa	70	70	70
Gross Weight	lbs / kg	1,732 / 785	1,732 / 785	1,732 / 785
Vibrations at the Hand Controls (ISO 5349-1)	m/s ²	1.12m/s ²	1.12m/s ²	1.12m/s ²
Vibrations at the Seat (EN 1032)	m/s ²	0.35m/s ²	0.35m/s ²	0.35m/s ²
Gradeability				
Transport		20% (11.5°)	20% (11.5°)	20% (11.5°)
Cleaning		8% (4.6°)	8% (4.6°)	8% (4.6°)
Model		BR 850S EDS	BR 950S EDS	BR 1050S EDS
		Adgressor™	Adgressor™	Adgressor™
Model No.		3220D-AXP 56316503	3520D-AXP 56316509	3820D-AXP 56316511
		56316501	56316505	56316507
Voltage, Batteries	V	36V	36V	36V
Battery Capacity	Ah	395	395	395
Protection Grade		IPX3	IPX3	IPX3
Sound Pressure Level (IEC 60704-1)	dB(A)/20µPa	70	70	70
Gross Weight	lbs / kg	1,732 / 785	1,732 / 785	1,732 / 785
Vibrations at the Hand Controls (ISO 5349-1)	m/s ²	1.12m/s ²	1.12m/s ²	1.12m/s ²
Vibrations at the Seat (EN 1032)	m/s ²	0.35m/s ²	0.35m/s ²	0.35m/s ²
Gradeability				
Transport		20% (11.5°)	20% (11.5°)	20% (11.5°)
Cleaning		8% (4.6°)	8% (4.6°)	8% (4.6°)
Model		BR 850SC EDS	BR 950SC EDS	BR 1050SC EDS
		Adgressor™	Adgressor™	Adgressor™
Model No.		3220C-AXP 56316504	3520C-AXP 56316510	3820C-AXP 56316512
		56316502	56316506	56316508
Voltage, Batteries	V	36V	36V	36V
Battery Capacity	Ah	395	395	395
Protection Grade		IPX3	IPX3	IPX3
Sound Pressure Level (IEC 60704-1)	dB(A)/20µPa	70	70	70
Gross Weight	lbs / kg	1,732 / 785	1,732 / 785	1,732 / 785
Vibrations at the Hand Controls (ISO 5349-1)	m/s ²	1.12m/s ²	1.12m/s ²	1.12m/s ²
Vibrations at the Seat (EN 1032)	m/s ²	0.35m/s ²	0.35m/s ²	0.35m/s ²
Gradeability				
Transport		20% (11.5°)	20% (11.5°)	20% (11.5°)
Cleaning		8% (4.6°)	8% (4.6°)	8% (4.6°)

ÍNDICE

	página
Introducción.....	B-2
Precauciones y advertencias.....	B-3
Conozca su máquina.....	B-4
Panel de control.....	B-5
Preparación de la máquina para el uso	
Instalación de las baterías.....	B-6
Instalación de los cepillos.....	B-7
Instalación de la boquilla.....	B-7
Llenado del depósito de solución.....	B-7
Sistema de detergente (AXP™/EDS™).....	B-8 – B-9
Funcionamiento de la máquina	B-10
Fregado.....	B-10
Aspiración en húmedo.....	B-10
Después de la utilización.....	B-11
Programa de mantenimiento.....	B-11
Lubricación de la máquina.....	B-11
Recarga de las baterías.....	B-12
Comprobación del nivel de electrolitos de las baterías.....	B-12
Mantenimiento de la boquilla.....	B-13
Ajuste de la boquilla.....	B-13
Mantenimiento de la faldilla lateral.....	B-14 – B-15
Localización de averías.....	B-16
Especificaciones técnicas.....	B-17

INTRODUCCIÓN

Este manual le ayudará a obtener el máximo rendimiento de su Limpiadora sobre ruedas Nilfisk-Advance. Léalo con atención antes de utilizar la máquina.

Nota: Los números en negrita y entre paréntesis indican un elemento que se ilustra en las páginas B-4 - B-5.

Este producto está destinado exclusivamente a uso comercial.

COMPONENTES Y SERVICIO

Las reparaciones, cuando sean necesarias, deben ser realizadas por su Centro Autorizado de Servicio Nilfisk-Advance que utiliza personal de servicio formado en fábrica y lleva un inventario de piezas de repuesto y accesorios Nilfisk-Advance originales.

Llame al DISTRIBUIDOR NILFISK-ADVANCE que se indica a continuación para lo referente a piezas de repuesto y servicio. Por favor, especifique el Modelo y Número de Serie cuando hable de su máquina.

(Distribuidor, coloque aquí la pegatina de su servicio.)

PLACA DE IDENTIFICACIÓN

El Número de Modelo y Número de Serie de la máquina se indican en la placa de identificación instalada en ella. Esta información es necesaria a la hora de solicitar repuestos para la máquina. Utilice el espacio situado más abajo para anotar el Modelo y Número de Serie de la máquina para futuras consultas.

NÚMERO DE MODELO _____

NÚMERO DE SERIE _____

DESEMBALAJE DE LA MÁQUINA

Cuando reciba la máquina, examine con atención el cartón de embalaje y la máquina, con el fin de comprobar si existe algún daño. Si observa algún daño, guarde la caja de embalaje para que se pueda inspeccionar. Póngase en contacto inmediatamente con el Departamento de Servicio al Cliente de Nilfisk-Advance para presentar una reclamación por daños en transporte.

Después de retirar la caja, corte las correas de plástico y retire los bloques de madera que están al lado de las ruedas. Utilice una rampa para bajar la máquina rodando de la paleta al suelo.

PRECAUCIONES Y ADVERTENCIAS

SÍMBOLOS

Nilfisk-Advance utiliza los símbolos que aparecen a continuación para indicar situaciones potencialmente peligrosas. Lea siempre con atención esta información y tome las medidas necesarias para la protección del personal y los objetos.

¡PELIGRO!

Se utiliza para advertir de peligros inmediatos que pueden producir graves daños personales o la muerte.

¡ADVERTENCIA!

Se utiliza para llamar la atención sobre una situación que puede causar graves daños personales.

¡PRECAUCIÓN!

Se utiliza para llamar la atención sobre una situación que puede causar daños personales leves o daños a la máquina u otros objetos.



Lea todas y cada una de las instrucciones antes de utilizar el aparato.

INSTRUCCIONES GENERALES DE SEGURIDAD

Se incluyen Precauciones y Advertencias específicas que le advierten de los posibles riesgos de daño a la máquina o daño corporal.

¡ADVERTENCIA!

- * Sólo deben utilizar esta máquina las personas autorizadas y con la formación adecuada.
- * Si se encuentra sobre una rampa o inclinación, evite las paradas bruscas cuando lleve carga. No tome las curvas bruscamente. Utilice una velocidad lenta si va cuesta abajo. Limpie sólo yendo cuesta arriba.
- * Mantenga las chispas, llamas y materiales de fumadores alejados de las baterías. Durante el funcionamiento normal se desprenden gases explosivos.
- * Al recargar las baterías se produce gas de hidrógeno altamente explosivo. Recargue las baterías exclusivamente en zonas bien ventiladas, lejos de llamas sin proteger. No fume mientras recarga las baterías.
- * Qúitese todas las joyas cuando trabaje cerca de componentes eléctricos.
- * Ponga el conmutador en posición de apagado (O) y desconecte las baterías antes de revisar los componentes eléctricos.
- * No trabaje nunca debajo de la máquina sin colocar antes bloques o soportes de seguridad en los que apoyar la máquina.
- * No aplique sustancias limpiadoras inflamables ni utilice la máquina sobre estas sustancias, cerca de ellas, ni en zonas en las que haya líquidos inflamables.
- * No lave la máquina con una limpiadora a presión.
- * Use solamente los cepillos suministrados junto con el aparato o aquellos especificados en el manual de instrucciones. El uso de otros cepillos puede afectar a la seguridad.

¡PRECAUCIÓN!

- * Esta máquina no ha sido aprobada para su uso en vías públicas.
- * Esta máquina no es apta para la recogida de polvo peligroso.
- * No utilizar discos de escurificación ni piedras abrasivas. No se podrá responsabilizar a Nilfisk-Advance de daño alguno a las superficies de los suelos causado por escurificadores o piedras abrasivas (también puede causar daños al sistema de tracción del cepillo).
- * Cuando utilice la máquina, asegúrese de que no existe peligro para terceras personas, especialmente niños.
- * Antes de proceder a cualquier función de servicio, lea con atención todas las instrucciones relativas a dicha función.
- * No abandone la máquina sin antes apagar el interruptor de llave (O), retirar la llave y echar el freno de estacionamiento.
- * Apague el interruptor de llave (O) y quite la llave antes de cambiar los cepillos y antes de abrir cualquiera de los paneles de acceso.
- * Tome las debidas precauciones para evitar que el pelo, las joyas o las prendas sueltas queden atrapados entre los componentes móviles.
- * Tome las precauciones adecuadas cuando esté moviendo esta máquina mientras hiela. El agua de la solución, los depósitos de recuperación o detergente y de las tuberías puede congelarse, causando daños a las válvulas y accesorios. Limpie con limpiaparabrisas.
- * Retire las baterías de la máquina antes de su desguace. Las baterías deben desecharse de forma segura, de acuerdo con la reglamentación medioambiental local.
- * No utilice la máquina en superficies con pendientes superiores a las indicadas en la máquina.
- * Antes de utilizar la máquina, todas las puertas y cubiertas deberían estar colocadas como se indica en el manual de instrucciones.

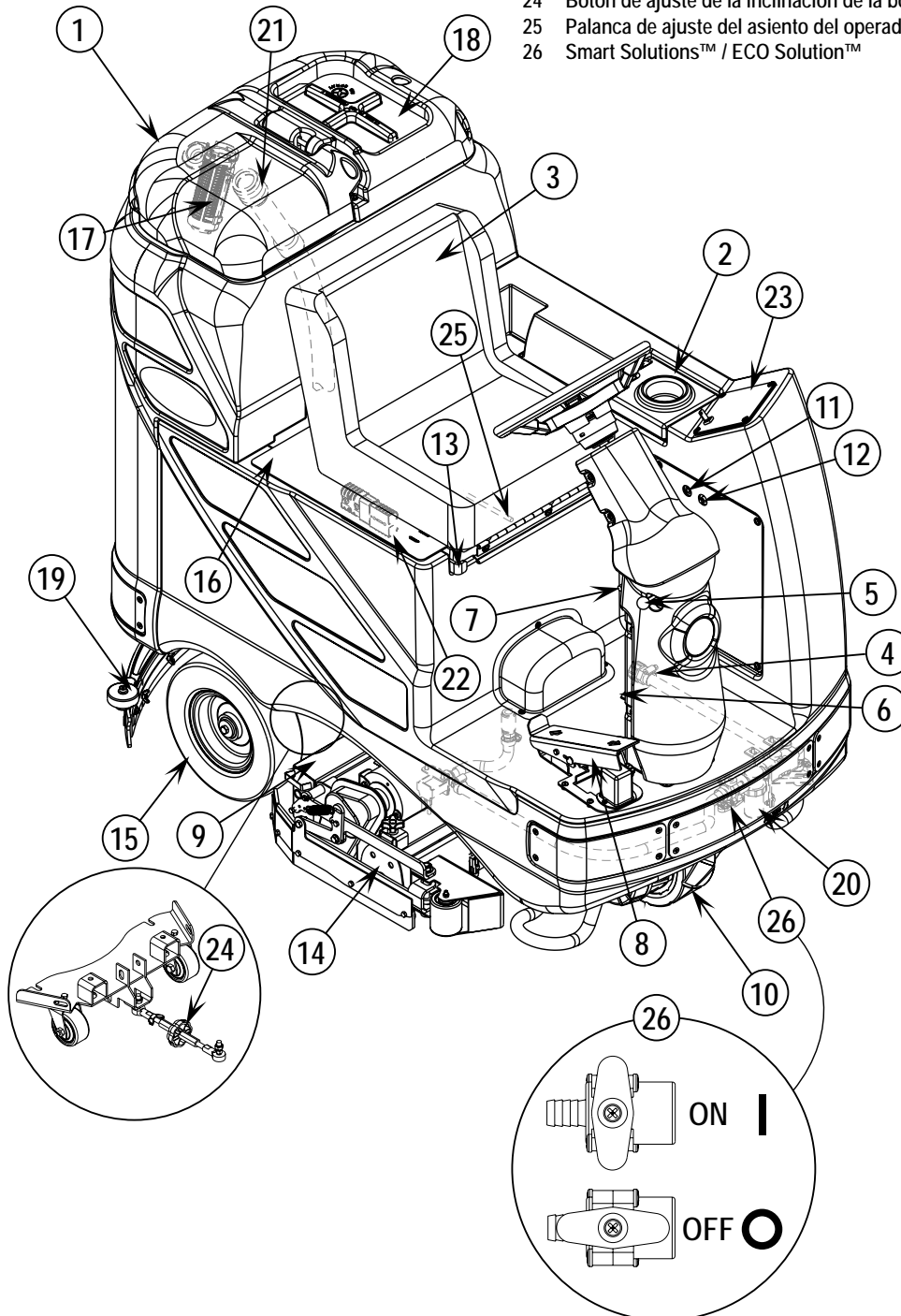
GUARDE ESTAS INSTRUCCIONES

CONOZCA SU MÁQUINA

A lo largo de este manual encontrará números o letras en negrita entre paréntesis – por ejemplo: (2). Estos números se refieren a un objeto que se muestra en dicha página, a menos que se indique lo contrario. Consulte estas páginas siempre que lo necesite para localizar los elementos citados en el texto.

NOTA: Consulte el manual de servicio para obtener explicaciones más detalladas de cada objeto ilustrado en las siguientes 2 páginas.

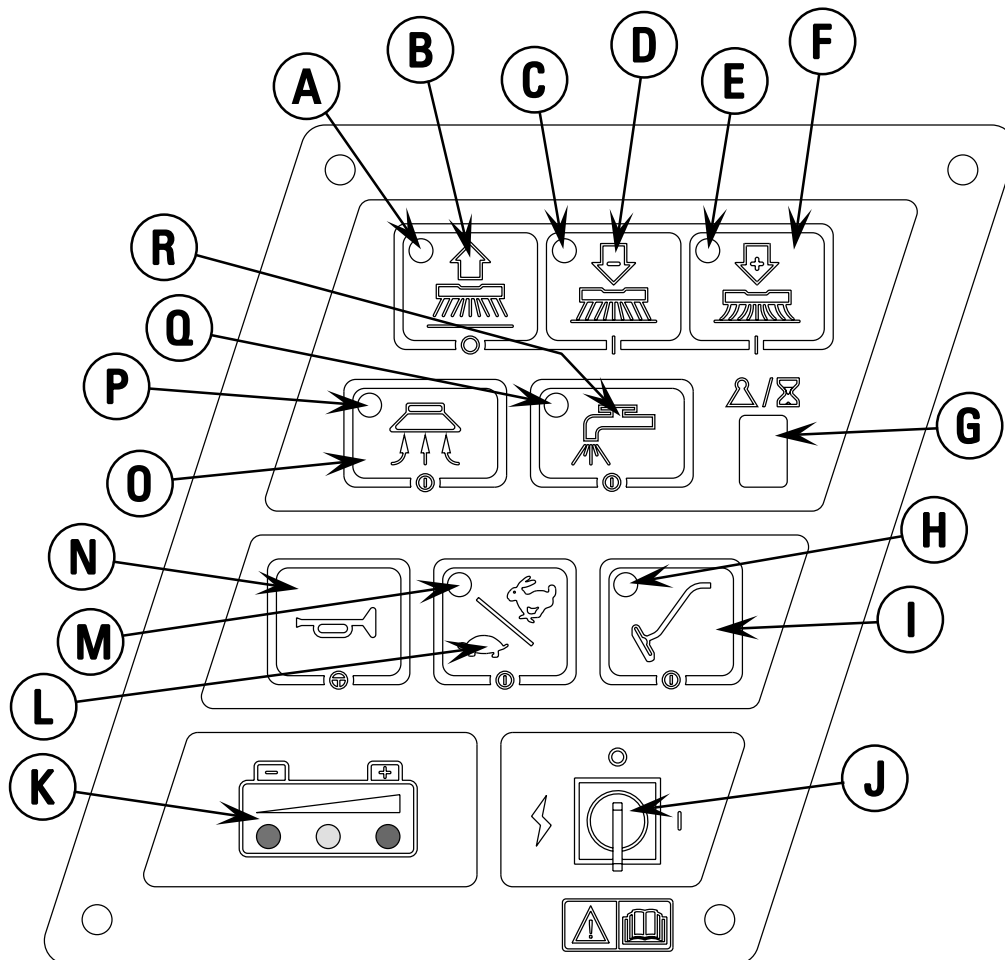
- | | | | |
|----|---|----|--|
| 1 | Tapa del depósito de recuperación | 13 | Conmutador de parada de emergencia / desconexión de la batería |
| 2 | Tapa de llenado del depósito de solución | 14 | Portacepillos |
| 3 | Asiento del operador | 15 | Rueda posterior |
| 4 | Tubería de drenaje del depósito de solución | 16 | Compartimento de las baterías (debajo del asiento) |
| 5 | Botón de ajuste de la inclinación del volante | 17 | Flotador del cierre automático del depósito de recuperación |
| 6 | Pedal del freno / freno de estacionamiento | 18 | Contenedor del filtro del motor de aspiración |
| 7 | Palanca de control del flujo de la solución | 19 | Conjunto de boquilla |
| 8 | Pedal de tracción, dirección / velocidad | 20 | Filtro de la solución |
| 9 | Tolva (sólo modelos cilíndricos) | 21 | Tubería de drenaje del depósito de recuperación |
| 10 | Rueda de tracción y de dirección | 22 | Conector de las baterías de la máquina |
| 11 | Disyuntor del motor de la tracción de rueda | 23 | Panel de control |
| 12 | Disyuntor del circuito de control | 24 | Botón de ajuste de la inclinación de la boquilla |
| | | 25 | Palanca de ajuste del asiento del operador |
| | | 26 | Smart Solutions™ / ECO Solution™ |



PANEL DE CONTROL

- A Indicador de apagado del fregado
- B Interruptor de apagado del fregado
- C Indicador de disminución de la presión de fregado
- D Interruptor de disminución de la presión de fregado
- E Indicador de aumento de la presión de fregado
- F Interruptor de aumento de la presión de fregado
- G Pantalla de presión de fregado/cronómetro
- H Indicador del interruptor de la vara
- I Interruptor de la vara

- J Conmutador de llave
- K Indicador de situación de las baterías
- L Interruptor de selección de velocidad
- M Indicador de selección de velocidad
- N Interruptor del claxon
- O Interruptor de aspiración
- P Indicador del sistema de aspiración
- Q Indicador del sistema de solución
- R Interruptor de solución



DESCRIPCIÓN DE LOS INDICADORES DE SITUACIÓN DE LAS BATERÍAS

El indicador de situación de las baterías (K) consta de tres luces: una verde, una amarilla y una roja. La indicación de la tensión cambiará en función del nivel máximo (estándar o alternativo) seleccionado en la unidad de control. A continuación se indican los límites de tensión de las baterías para las distintas indicaciones:

	Estándar	Alternativo
Verde	34,00+	34,50+
Verde y amarillo	33,00-33,99	34,00-34,49
Amarillo	32,00-32,99	33,50-33,99
Amarillo y rojo	31,50-31,99	33,00-33,49
Rojo	31,00-31,49	32,50-32,99
Rojo intermitente/máximo	<31,00	<32,50

NOTA: Consulte el manual de servicio para la selección del nivel máximo alternativo. Una vez alcanzado el nivel máximo de baja tensión (indicador rojo intermitente), deben recargarse las baterías al MÁXIMO para que se restablezca el indicador de situación de las baterías. El sistema de fregado no funcionará hasta que el indicador esté restablecido.

INSTALACIÓN DE LAS BATERÍAS

⚠ ¡ADVERTENCIA!

Tome las máximas precauciones cuando trabaje con las baterías. El ácido sulfúrico de las baterías puede causar daños graves si entra en contacto con la piel o con los ojos. Desde el interior de las baterías se libera, a través de unas aberturas en las tapas de las baterías, gas explosivo de hidrógeno. Este gas puede incendiarse con cualquier arco eléctrico, chispa o llama.

Cuando revise las baterías...

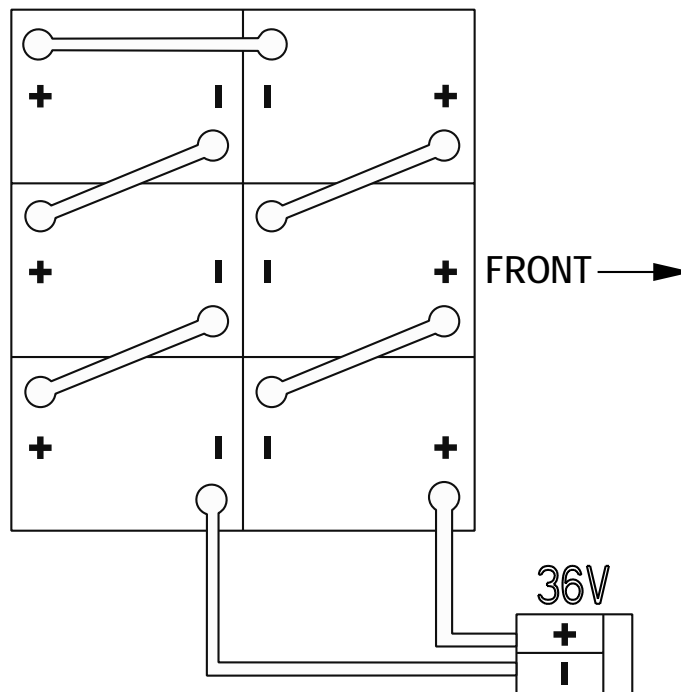
- * Qítense todas las joyas.
- * No fume.
- * Lleve gafas de seguridad, un delantal de goma y guantes de goma.
- * Trabaje en una zona bien ventilada.
- * No permita que las herramientas toquen simultáneamente más de un terminal de batería.

⚠ ¡PRECAUCIÓN!

Los componentes eléctricos de esta máquina pueden dañarse seriamente si las baterías no están instaladas o conectadas correctamente. Las baterías deben ser instaladas por Nilfisk-Advance o por un electricista cualificado.

- 1 Apague (O) el Conmutador de llave (J) y quite la llave. A continuación abra la Tapa del compartimento de baterías (16).
- 2 Con (2) personas y una correa de levantamiento apropiada, levante con cuidado las baterías hasta la bandeja del compartimento, exactamente tal y como se muestra. Consulte la disposición de cables de batería de la pegatina 56015242.
- 3 Ver la Figura 1. Instale los cables de batería tal y como se muestra y apriete las tuercas de los terminales de las baterías.
- 4 Instale los manguitos de las baterías y apriételes bien a los cables de las baterías con las correas de sujeción provistas.
- 5 Conecte el conector del conjunto de las baterías al conector de la máquina (22) y cierre la tapa del compartimento de baterías.

FIGURA 1



INSTALACIÓN DE LOS CEPILLOS (SISTEMA DE DISCO)

⚠ ¡PRECAUCIÓN!

Apague el interruptor de llave (O) y quite la llave antes de cambiar los cepillos y antes de abrir cualquiera de los paneles de acceso.

- 1 Asegúrese de que está apagado (O) el conmutador de llave (J). Para llegar a los cepillos, retire los conjuntos de faldillas de los dos lados. Nota: Las faldillas están sujetas a cada lado con dos botones grandes, afloje dichos botones y retire los conjuntos de faldillas del portacepillos.
- 2 Para montar los cepillos (o los portabayetas), alinee las lengüetas del cepillo con los orificios de la bandeja de montaje y gire para que se bloquee en su posición (gire el borde exterior del cepillo hacia la parte delantera de la máquina).

INSTALACIÓN DE LOS CEPILLOS (SISTEMA CILÍNDRICO)

⚠ ¡PRECAUCIÓN!

Apague el interruptor de llave (O) y quite la llave antes de cambiar los cepillos y antes de abrir cualquiera de los paneles de acceso.

- 1 Asegúrese de que está apagado (O) el conmutador de llave (J). Para llegar a los cepillos, abra los conjuntos de faldillas de ambos lados. Nota: Las faldillas están sujetas a cada lado por un gran pasador de chaveta, retire los pasadores y quite de en medio los conjuntos de faldillas. Afloje los botones negros (uno a cada lado) que están en la parte superior de los conjuntos en vacío y retire los conjuntos. Deslice el cepillo en el contenedor, levante ligeramente, empuje y gire hasta que se asiente. Vuelva a instalar los conjuntos en vacío, cierre los conjuntos de faldilla y asegure el cierre con los pasadores de chaveta.

INSTALACIÓN DE LA BOQUILLA

- 1 Asegúrese de que la boquilla (19) está arriba (O) y que el conmutador de llave (J) está apagado (O). Sostenga la boquilla de forma que los extremos curvados apunten hacia delante y, a continuación, deslice la boquilla en el montaje (A) (Ver la Figura 2).
- 2 Apriete a mano las tuercas de palomilla (B) y, a continuación, conecte la manguera de aspiración al tubo de la boquilla (C) (la manguera de aspiración debería rizarse hacia la derecha).

LLENADO DEL DEPÓSITO DE SOLUCIÓN

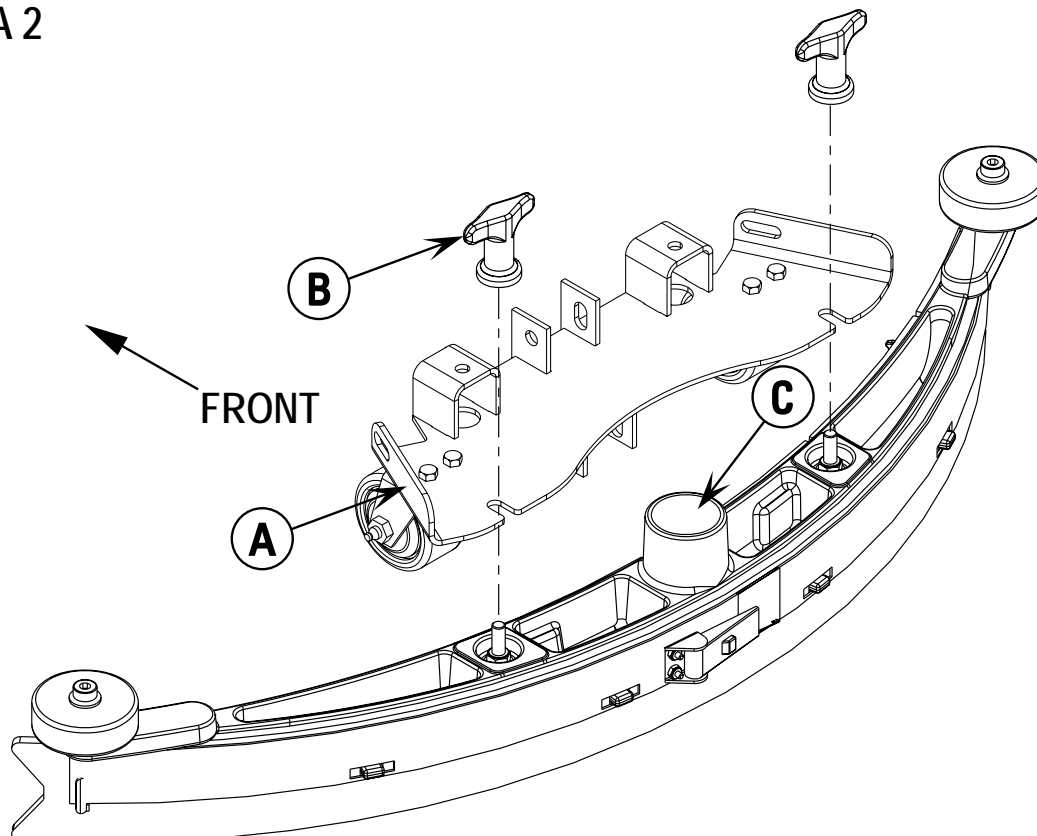
Lea la etiqueta del limpiador químico y calcule la cantidad adecuada de producto que se debe mezclar para un depósito con capacidad para 40 galones US (151 litros).

Abra la tapa del depósito de solución (2) y llene 1/3 del depósito de agua. Añada el limpiador químico y llene el depósito hasta 7,62cm (3 pulgadas) de la parte superior de la apertura del depósito (llene hasta el fondo de la pared de la apertura del depósito). NOTA: Las máquinas AXP/EDS pueden utilizarse normalmente con detergente mezclado en el depósito o con el sistema de aplicación de detergente AXP/EDS. Al utilizar el sistema de aplicación de detergente AXP/EDS, no mezcle detergente en el depósito; utilice agua.

⚠ ¡PRECAUCIÓN!

Utilice únicamente detergentes líquidos no inflamables de bajo poder espumante que estén diseñados para aplicaciones de fregado automático. La temperatura del agua no deberá superar los 130 grados Fahrenheit (54,4 grados Celsius).

FIGURA 2



REPARACIÓN Y USO DEL SISTEMA DE DETERGENTE (AXP/EDS)

INSTRUCCIONES COMUNES:

Elimine del sistema el detergente anteriormente utilizado antes de cambiar a un detergente diferente. **NOTA DE SERVICIO:** Desplace la máquina sobre un punto de drenaje en el suelo antes de eliminar el detergente porque saldrá una pequeña cantidad durante el proceso.

Purgar al cambiar productos químicos:

- 1 Desconecte y retire el cartucho de detergente.
- 2 Encienda el conmutador de llave (J) y mantenga pulsado el conmutador de detergente (S) y el conmutador de la solución (I) durante al menos 3 segundos. **NOTA:** Una vez activado, el indicador de flujo (U) empezará a parpadear y se apagará automáticamente después de 10 segundos. Por lo general, un ciclo de purga es adecuado para purgar el sistema.

Purgar semanalmente:

- 1 Desconecte y retire el cartucho de detergente. Instale y conecte un cartucho lleno de agua limpia
- 2 Encienda el conmutador de llave (J) y mantenga pulsado el conmutador de detergente (S) y el conmutador de la solución (T) durante al menos 3 segundos. **NOTA:** Una vez activado, el indicador de flujo (U) empezará a parpadear y se apagará automáticamente después de 10 segundos. Por lo general, un ciclo de purga es adecuado para purgar el sistema.

La caja de detergente (AA) tiene una ranura de visualización del nivel de detergente (BB) para saber cuánto detergente queda en el cartucho. Cuando el nivel de detergente se acerque a la parte inferior de la ranura, rellene o sustituya el cartucho.

Uso general:

El sistema de inyección de detergente se activa cuando el interruptor de llave (J) se enciende pero no sale detergente hasta que se activa el sistema de fregado y se empuja el pedal de tracción (8). El flujo de la solución adquiere automáticamente el valor del último ajuste. El flujo de la solución puede variar si se pulsa posteriormente el conmutador de la solución (T). El indicador de flujo de la solución (U) indica cuatro flujos de solución. El flujo del detergente aumenta o disminuye con el flujo de la solución pero índice del detergente no varía. Durante el fregado, el sistema de detergente puede apagarse en cualquier momento pulsando el conmutador de detergente (S) para permitir el fregado sólo con agua. El flujo de solución está controlado por el conmutador de la solución (T) independientemente de si el sistema de detergente está encendido o apagado.

NOTA DE SERVICIO: Siga las instrucciones "Purgar semanalmente" indicadas más arriba si la máquina va a almacenarse durante un periodo de tiempo prolongado o si prevé un uso discontinuo del sistema de inyección de detergente. Las sustancias químicas de alta viscosidad pueden influir en la precisión de la dosificación.

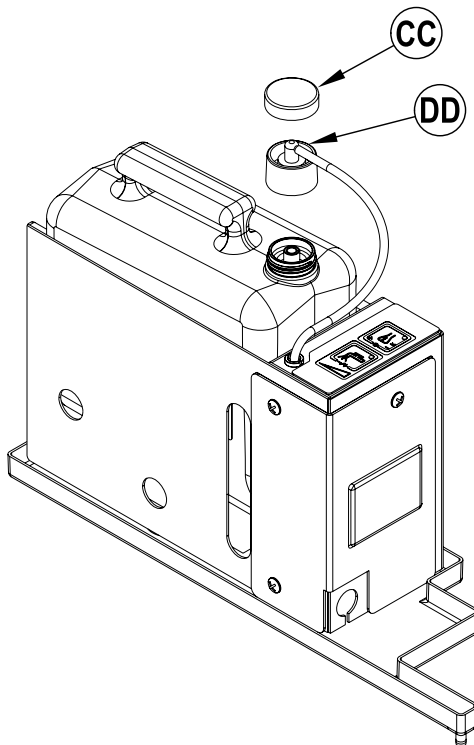
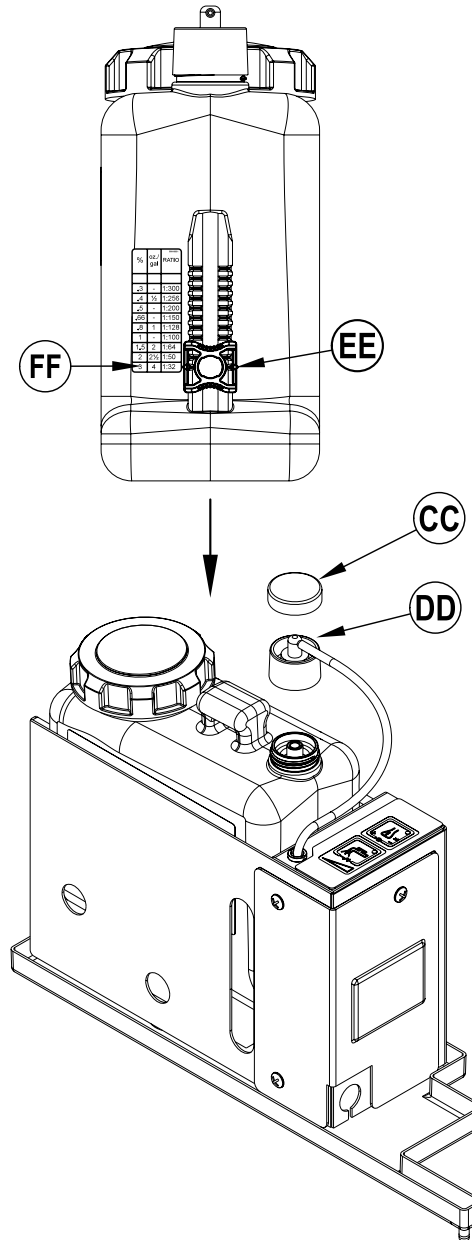
INSTRUCCIONES ESPECÍFICAS DEL CARTUCHO DESECHABLE:

Retire la tapa (CC) y coloque el cartucho en la caja de detergente. Instale la tapa sellada (DD) como se muestra.

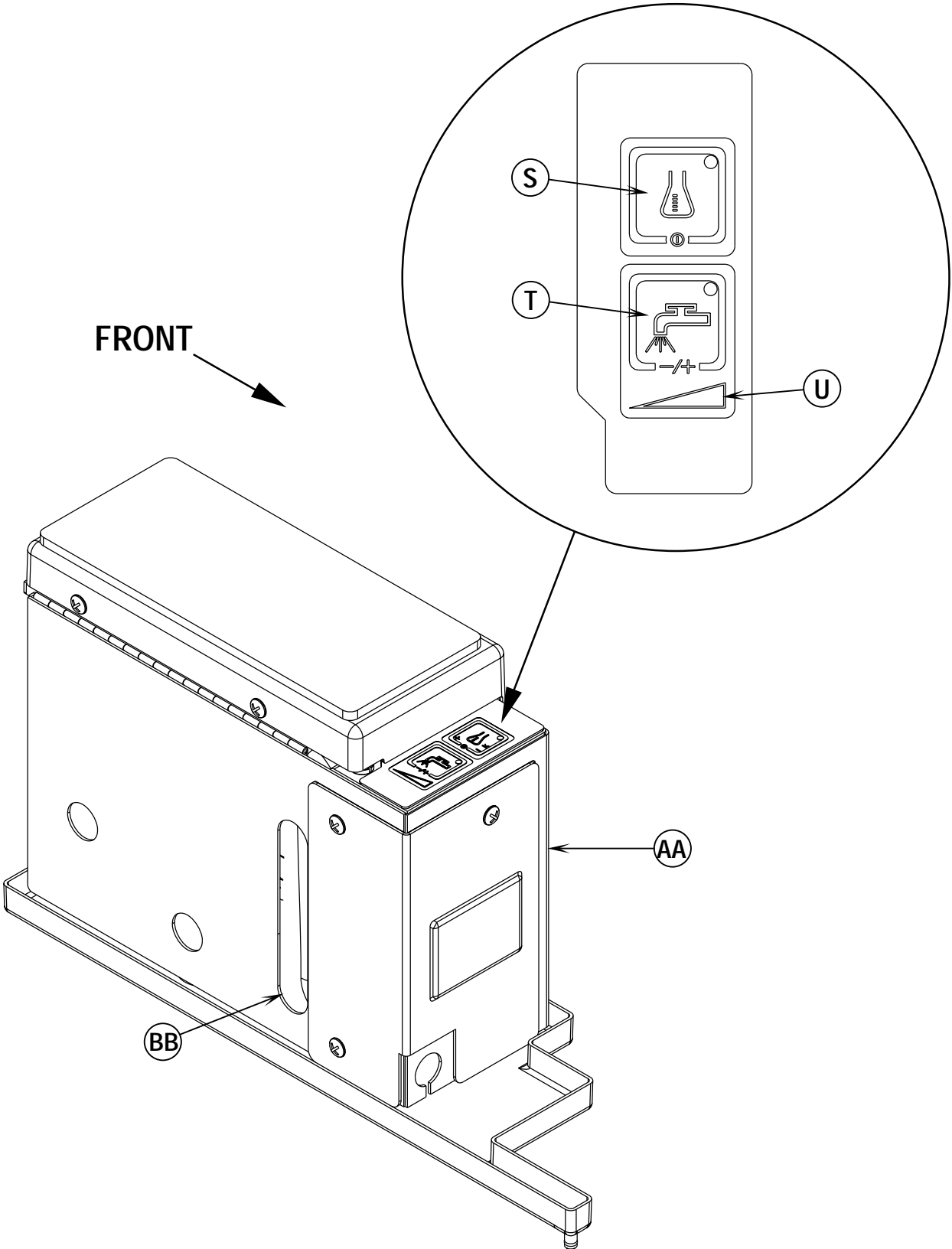
INSTRUCCIONES ESPECÍFICAS DEL CARTUCHO NO DESECHABLE:

Llene el cartucho de detergente con 1,25 galones (4,73 litros) como máximo. **NOTA DE SERVICIO:** Retire el cartucho de la caja de detergente antes de llenarlo para no derramar detergente en la máquina.

Se recomienda utilizar un cartucho individual por cada detergente que prevea usar. Los cartuchos de detergente tienen una pegatina blanca de modo que puede escribir el nombre del detergente en cada cartucho para no mezclarlos. El cartucho de detergente tiene un deslizador magnético (EE) en un extremo el cual debe ajustarse a la cantidad de mezcla adecuada de acuerdo con las instrucciones descritas en la botella del fabricante. Coloque el deslizador magnético (EE) en la posición adecuada en la pegatina de cantidad de mezcla de detergente (FF). Al instalar un nuevo cartucho, retire la tapa (CC) y coloque el cartucho en la caja de detergente. Instale la tapa sellada (DD) como se muestra.



REPARACIÓN Y USO DEL SISTEMA DE DETERGENTE (AXP/EDS)



MANEJO DE LA MÁQUINA

¡ADVERTENCIA!

Asegúrese de que comprende los controles del operador y sus funciones.

Si se encuentra sobre una rampa o inclinación, evite las paradas bruscas cuando lleve carga. No tome las curvas bruscamente. Utilice una velocidad lenta si va cuesta abajo. Limpie sólo yendo cuesta arriba.

Para fregar...

Siga las instrucciones de la sección "Preparación de la máquina para el uso" de este manual.

- 1 Una vez sentado en la máquina, ajuste el asiento y el volante hasta que la posición sea cómoda para trabajar, utilizando los controles de ajuste (25) y (5).
- 2 Encienda (I) el conmutador principal de llave (J). Se encenderán las luces indicadoras del panel de control, el indicador de la situación de las baterías (K) y el cronómetro (G).
- 3 Libere el freno de estacionamiento (6). Para llevar la máquina a la zona de trabajo, aplique con el pie una presión uniforme en la parte de delante del pedal de tracción (8) para ir hacia delante o en la parte de atrás para ir marcha atrás. Cambie la presión que hace en el pedal con el pie para obtener la velocidad deseada.
- 4 Ajuste la palanca de la válvula de control del flujo de solución (7) hasta aproximadamente entre 1/4 y 1/3 de la posición abierta (modelos diferentes de AXP/EDS). Pulse el conmutador de la solución (T) para seleccionar un flujo de solución (modelos AXP/EDS).
Se puede cambiar el ajuste para variar el flujo de solución según los diferentes tipos de suelos que se quiera fregar. Ejemplo: Una superficie de suelo rugosa o absorbente, como hormigón sin retocar, necesitará más solución que un suelo liso terminado.
NOTA (modelos diferentes de AXP/EDS): Para obtener un flujo de solución reducido constante; abra la palanca de la válvula de control del flujo de la solución (7) completamente y, a continuación, encienda la válvula Smart Solutions™ / ECO Solution™ (26). Cuando la palanca está en la posición "OFF", la máquina funciona normalmente; el flujo de solución se determina con la palanca de control del flujo de la solución (7). Cuando la palanca está en la posición "ON", el flujo de la solución se controla de manera automática. La palanca de control del flujo de la solución (7) no debería estar apagada, porque estaría inactiva. Asegúrese de que la palanca para la válvula (26) está completamente en la posición ON o en la posición OFF, nunca entre ambas. Si se necesita más solución, apague la válvula Smart Solutions™ / ECO Solution™ (26) y ajuste el flujo de la solución con la palanca de la válvula de control de flujo (7).
NOTA: Los sistemas de solución, aspiración y detergente (modelos AXP/EDS) se activan automáticamente cuando se pulsa el interruptor de descenso de la presión de fregado (D) o el interruptor de aumento de la presión de fregado (F). No se requiere ninguna acción adicional. Cualquier sistema individual puede apagarse o volver a encenderse con sólo pulsar su interruptor en cualquier momento durante el fregado.
- 5 Pulse y mantenga pulsado el conmutador de la solución (R) durante 5 segundos para mojar previamente el suelo. **NOTA:** Esto debe realizarse antes de pulsar el interruptor de encendido del fregado (F).
- 6 Cuando se selecciona el interruptor de descenso de la presión de fregado (D) o el interruptor de aumento de la presión de fregado (F), los cepillos y boquilla se bajan automáticamente hasta el suelo. La rotación del cepillo de fregado y los sistemas de flujo de solución, aspiración y detergente (modelos AXP/EDS) empiezan cuando se activa el pedal de tracción (8). **Nota:** Cuando se maneje la máquina marcha atrás, sólo rotarán los cepillos, la solución y el detergente (modelos AXP/EDS) se apagan automáticamente para no malgastarla.
- 7 Empiece a fregar conduciendo la máquina marcha adelante en línea recta a una velocidad de paseo normal y solape las trayectorias de 2-3 pulgadas (50-75 mm). Ajuste cuando sea necesario la velocidad de la máquina y el flujo de solución según el estado del suelo.

¡PRECAUCIÓN!

Para evitar daños al suelo, mantenga la máquina en movimiento cuando los cepillos estén girando.

- 8 Cuando friegue, compruebe de vez en cuando que detrás de la máquina se está recogiendo el agua residual. Si queda agua en la trayectoria de la máquina, puede que esté aportando demasiada solución, que el depósito de recuperación esté lleno o que la boquilla necesite un ajuste.
- 9 Para los suelos extremadamente sucios, puede que no sea satisfactoria una operación de fregado de una sola pasada y tal vez haga falta una operación de "doble fregado". Esta operación es la misma que el fregado de una sola pasada, salvo que en la primera pasada la boquilla está en la posición levantada (pulse el interruptor de aspiración (O) para levantar la boquilla). Esto permite que la solución de limpieza se quede en el suelo más tiempo. La última pasada se hace en la misma zona, con la boquilla bajada para recoger la solución acumulada.
- 10 El depósito de recogida tiene un flotador de cierre automático para evitar que la solución entre en el sistema de aspiración cuando está lleno el depósito de recogida. Cuando se activa el flotador de cierre, el sistema de control apaga los sistemas de fregado, aspiración, solución y detergente (modelos AXP/EDS). La pantalla de presión de fregado/cronómetro (G) indicará "FULL" (Lleno). Para borrar la pantalla, pulse el interruptor de apagado del fregado (B), el interruptor de descenso de la presión de fregado (D), el interruptor de aumento de la presión de fregado (F) o el interruptor de aspiración (O). Hay que vaciar el depósito de recogida cuando el flotador lo cierra. La máquina no recogerá el agua si el flotador está cerrado. **NOTA:** Si el control indica constantemente que el depósito está lleno cuando no lo está, se puede desactivar la opción de cierre automático. Esto debe hacerlo un técnico de mantenimiento cualificado consultando el manual de servicio.
- 11 Cuando el operador quiera dejar de fregar o el depósito de recuperación esté lleno, pulse una vez el Interruptor de apagado del fregado (B). Esto parará automáticamente los cepillos de fregado y el flujo de solución, y el portacepillos se levantará. **NOTA:** el sistema de aspiración / boquilla no se apagará cuando se pulse el interruptor sólo una vez, esto es para poder recoger el agua que quede sin necesidad de volver a encender la aspiración. Pulse el botón por segunda vez, la boquilla se levantará y se interrumpirá la aspiración después de una espera de 10 segundos.
- 12 Conduzca la máquina a un lugar establecido para la eliminación de aguas residuales y vacíe el depósito de recuperación. Para vaciarlo, tire de la tubería de drenaje (21) para sacarla de su zona de almacenamiento en la parte trasera y, a continuación, retire el tapón (sostenga el extremo de la tubería por encima del nivel de agua para evitar el flujo súbito e incontrolado de agua residual). Rellene el depósito de solución y siga fregando.

ASPIRACIÓN EN HÚMEDO

Pasos a seguir para añadir a la máquina accesorios opcionales para la aspiración en húmedo.

- 1 Desconecte la tubería de recuperación de la boquilla. Conecte la manguera y el acoplamiento entre el kit de vara y la tubería de recuperación.
- 2 Añada a la manguera las herramientas de recogida adecuadas. (Nilfisk-Advance tiene a su disposición un Kit opcional de varas nº de pieza 56314307).
- 3 Encienda el conmutador principal de llave (J) y luego pulse el Interruptor de la vara (I). El motor y la bomba de aspiración estarán encendidos hasta que se vuelva a pulsar el interruptor para apagarlo. **NOTA:** Si el control indica constantemente que el tanque está lleno cuando no lo está, se puede deshabilitar la opción de cierre automático, cosa que debe hacer un técnico de mantenimiento cualificado.

DESPUÉS DE LA UTILIZACIÓN

- 1 Cuando acabe de fregar, pulse el interruptor de apagado del fregado (B) dos veces; esto producirá la elevación, retracción y detención automática de todos los sistemas de la máquina (cepillo, boquilla, aspiración, solución y detergente (modelos AXP/EDS)). A continuación conduzca la máquina a la zona de mantenimiento para el mantenimiento diario y la revisión de otros servicios necesarios.
- 2 Para vaciar el depósito de solución, retire la tubería de drenaje de la solución (4) de su pinza de almacenamiento. Dirija la tubería al lugar establecido para la eliminación y retire el tapón. Enjuague el depósito con agua limpia.
- 3 Para vaciar el depósito de recuperación, retire la tubería de drenaje del depósito de recuperación (21) de su zona de almacenamiento. Dirija la tubería al lugar establecido para la eliminación de aguas residuales y retire el tapón (sostenga el extremo de la tubería por encima del nivel de agua para evitar el flujo súbito e incontrolado de agua residual). Enjuague el depósito con agua limpia.
- 4 Retire los cepillos o los portabayetas. Enjuague los cepillos o las bayetas con agua templada y tiéndalos para que sequen.
- 5 Retire la boquilla, enjuáguela con agua templada y vuelva a instalarla en el montaje.
- 6 Retire la tolva del sistema cilíndrico y límpiela completamente. Retírela de cada lado de la máquina abriendo la faldilla e inclinando la tolva hacia arriba y hacia fuera del contenedor, luego tire de ella para sacarla.
- 7 Compruebe el programa de mantenimiento que viene a continuación y realice cualquier operación de mantenimiento necesaria antes de guardar la máquina.

PROGRAMA DE MANTENIMIENTO

OPERACIÓN DE MANTENIMIENTO	Diaria	Semanal	Mensual	Anual
Recargar baterías	X			
Limpiar e inspeccionar depósitos y tuberías	X			
Comprobar, limpiar y girar los cepillos y las bayetas	X			
Comprobar y limpiar la boquilla	X			
Comprobar y limpiar el flotador de cierre de la aspiración	X			
Comprobar y limpiar filtro(s) de espuma del motor de aspiración	X			
Limpiar la tolva del sistema cilíndrico	X			
Comprobar el nivel de agua de todas las células de las baterías		X		
Inspeccionar las faldillas contenedoras de fregado		X		
Inspeccionar y limpiar el filtro de la solución		X		
Comprobar el desgaste y el ajuste de los frenos de pie y de estacionamiento		X		
Limpiar el canal de la solución del sistema cilíndrico		X		
Purgar el sistema de detergente (sólo modelos AXP/EDS)		X		
Lubricación - accesorios de engrase			X	
* Comprobar los cepillos de carbono				X

* Haga que Nilfisk-Advance compruebe los cepillos de carbono del motor de aspiración una vez al año o después de 300 horas de funcionamiento.

Compruebe los cepillos de carbono de los motores de tracción y fregado cada 500 horas o una vez al año.

NOTA: Para más información sobre reparaciones de mantenimiento y servicio, consulte el Manual de Servicio.

- 8 Almacene la máquina bajo techo, en un lugar limpio y seco. Protéjala de la congelación. Deje los depósitos abiertos para airearlos.
- 9 Apague (O) el conmutador de llave principal (J) y retire la llave.

LUBRICACIÓN DE LA MÁQUINA

Una vez al mes, ponga una pequeña cantidad de grasa en todos los accesorios de engrase de la máquina hasta que la grasa salga por alrededor de los cojinetes.

Los lugares donde se encuentran los accesorios de engrase son:

- Eje de rueda pivotante de la boquilla
- Junta universal de la barra del volante

Una vez al mes, aplique aceite ligero de máquina para lubricar lo siguiente:

- Cadena de dirección
- Puntos generales de pivotaje de la boquilla, junta de cepillo y faldillas laterales
- Hilos del botón de ajuste del ángulo de montaje de la boquilla

RECARGA DE BATERÍAS

Recargue las baterías cada vez que se use la máquina o cuando el indicador de la situación de las baterías (K) presente una luz indicadora amarilla, roja o roja intermitente.

Para cargar las baterías...

- 1 Pulse la desconexión de las baterías (13).
- 2 Abra la cubierta del compartimento de las baterías (16) para que la ventilación sea adecuada.
- 3 Introduzca el conector del cargador en el Conector de las baterías (22).
- 4 Siga las instrucciones que aparecen encima del cargador de las baterías.
- 5 Compruebe el nivel del fluido en todas las células de las baterías después de recargar las baterías. Si es necesario, añada agua destilada para que el nivel de fluido llegue hasta el fondo de los tubos de llenado.

¡ADVERTENCIA!

No rellene las baterías antes de recargarlas.

Recargue las baterías exclusivamente en una zona bien ventilada.

No fume mientras maneja las baterías.

¡PRECAUCIÓN!

Para evitar daños a la superficie del suelo, después de la recarga limpie siempre el agua y el ácido de la parte superior de las baterías.

COMPROBACIÓN DEL NIVEL DE ELECTROLITOS DE LAS BATERÍAS

Compruebe el nivel de electrolitos de las baterías al menos una vez a la semana.

Después de cargar las baterías, retire las cubiertas de ventilación y compruebe el nivel de electrolitos de todas células de las baterías. Utilice agua destilada para rellenar las baterías hasta el fondo del tubo de llenado.

¡No rellene demasiado las baterías!

¡PRECAUCIÓN!

Si las baterías están demasiado llenas, puede salpicar ácido al suelo.

Apriete las cubiertas de ventilación. Si hay ácido en las baterías, limpie la parte superior con una solución de levadura química y agua (2 cucharadas de levadura química en 1 cuarto de agua [aprox. 1 litro]).

MANTENIMIENTO DE LA BOQUILLA

Si la boquilla deja bandas estrechas de agua, puede que las cuchillas estén sucias o dañadas. Retire la boquilla, enjuáguela con agua tibia e inspeccione las cuchillas. Sustituya o invierta las cuchillas si están cortadas, rasgadas, onduladas o gastadas.

Para invertir o sustituir la cuchilla secadora de la boquilla trasera...

- 1 Ver la Figura 3. Levante la boquilla del suelo y, a continuación, desbloquee el pestillo central (A) de la boquilla.
- 2 Quite las correas de tensión (B).
- 3 Deslice la cuchilla posterior para sacarla de las clavijas de alineación.
- 4 La cuchilla de la boquilla tiene 4 bordes de trabajo. Gire la cuchilla de manera que un borde limpio e intacto apunte hacia la parte frontal de la máquina. Sustituya la cuchilla si los 4 bordes están mellados, desgastados o reducidos al mínimo.
- 5 Instale la cuchilla siguiendo los pasos en orden inverso y ajuste la inclinación de la boquilla.

Para invertir o sustituir la cuchilla de la boquilla delantera...

- 1 Levante la boquilla del suelo y, a continuación, suelte las (2) tuercas de palomilla (C) de la parte superior de la boquilla y retire la boquilla del montaje.
- 2 Quite primero las dos correas de tensión traseras.
- 3 Retire todas las tuercas de palomilla que sujetan la cuchilla delantera y, a continuación, retire las correas de tensión y la cuchilla.
- 4 La cuchilla de la boquilla tiene 4 bordes de trabajo. Gire la cuchilla de manera que un borde limpio e intacto apunte hacia la parte frontal de la máquina. Sustituya la cuchilla si los 4 bordes están mellados, desgastados o reducidos al mínimo.
- 5 Instale la cuchilla siguiendo los pasos en orden inverso y ajuste la inclinación de la boquilla.

AJUSTE DE LA BOQUILLA

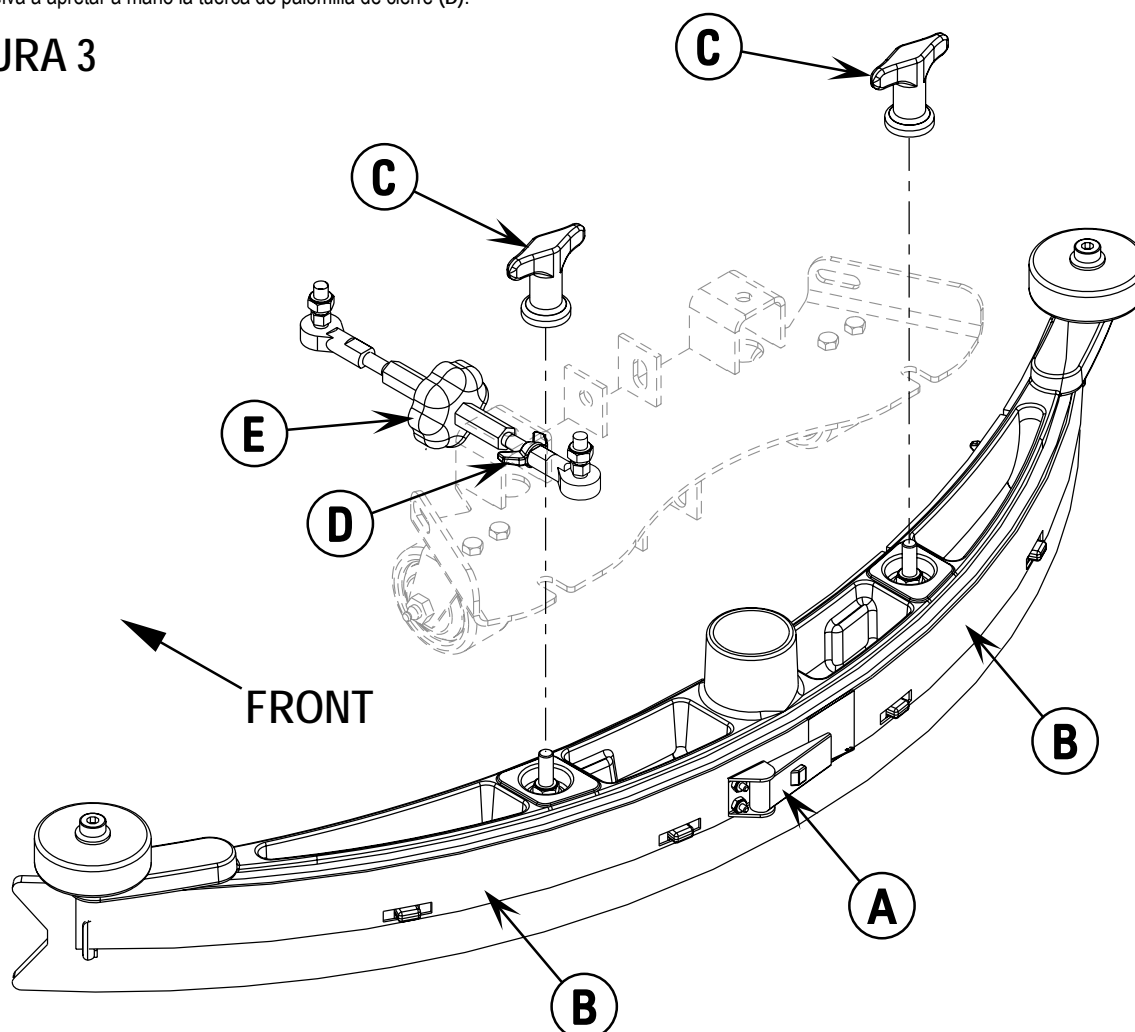
Sólo hay un ajuste posible para la boquilla, en ángulo.

Ajuste del ángulo de la boquilla

Ajuste el ángulo de la boquilla siempre que sustituya o invierta la cuchilla o cuando la boquilla no deje seco el suelo.

- 1 Aparque la máquina en una superficie plana e igualada y baje la boquilla. A continuación lleve la máquina hacia delante hasta que las cuchillas de la boquilla se plieguen hacia la parte trasera.
- 2 Afloje la tuerca de palomilla de cierre (D) (que está apretada a mano). Esto evita que el ángulo de montaje de la boquilla se desajuste fácilmente con las vibraciones.
- 3 Gire el botón de ajuste (E) para inclinar la herramienta hacia delante o hacia atrás, hasta que la cuchilla secadora de la boquilla trasera toque el suelo de manera uniforme en toda su anchura.
- 4 Vuelva a apretar a mano la tuerca de palomilla de cierre (D).

FIGURA 3



MANTENIMIENTO DE LA FALDILLA LATERAL (SISTEMA DE DISCOS)

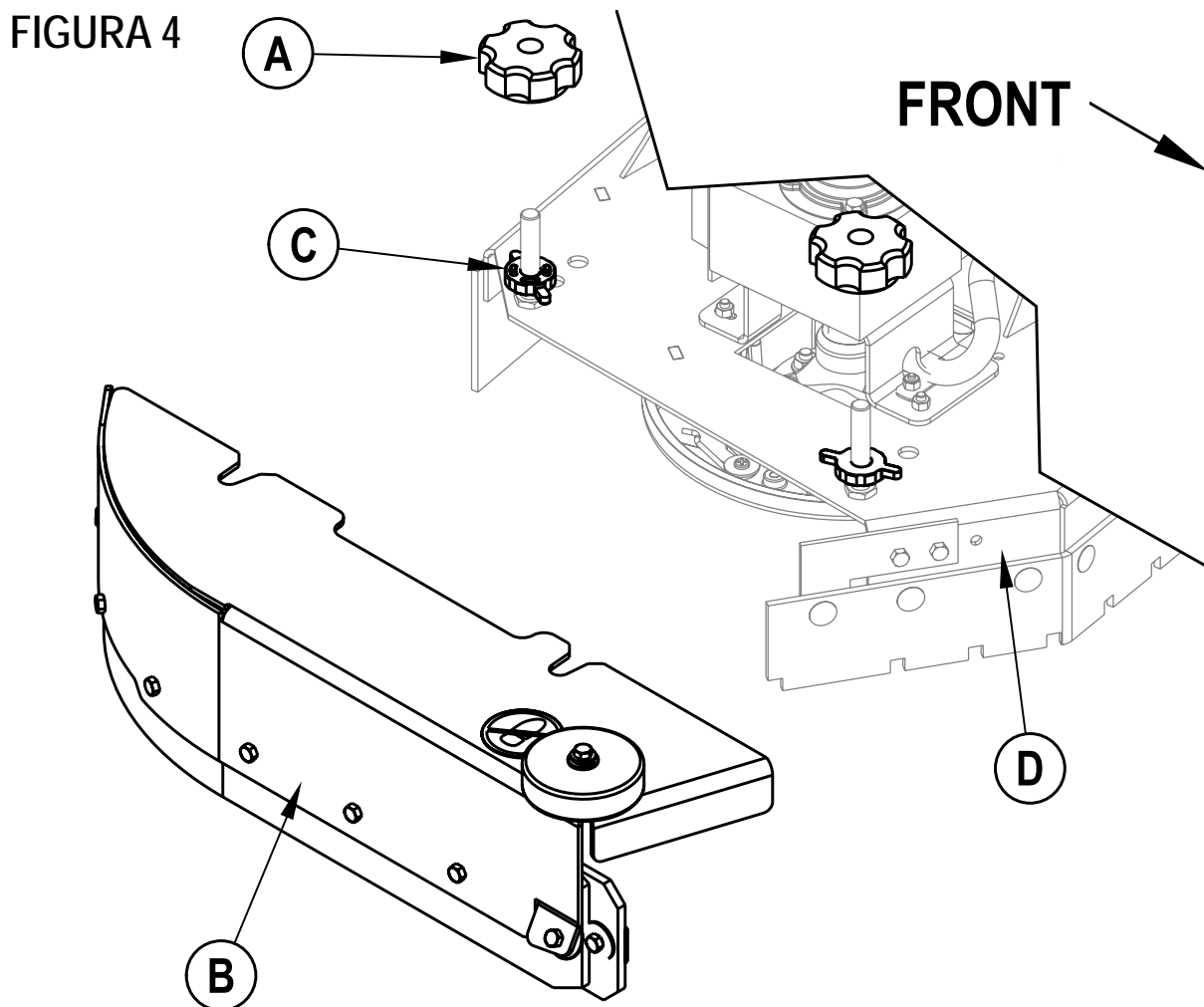
La función de las faldillas laterales es canalizar el agua residual hasta la boquilla, lo que ayuda a mantener el agua dentro de la trayectoria de limpieza de la máquina. Es normal que las cuchillas se vayan desgastando con el tiempo. El operador verá que una pequeña cantidad de agua sale por debajo de las faldillas laterales. Puede ajustarse fácilmente la altura para bajar las cuchillas de modo que la boquilla recoja toda el agua.

Para invertir o sustituir la(s) faldilla(s) lateral(es) del sistema de fregado...

- 1 Ver la Figura 4. Afloje los (2) botones de sujeción (A) (2 por lado) y extraiga los conjuntos de faldillas (B) del portacepillos.
- 2 Quite toda la tornillería que sujeta las cuchillas a los alojamientos de las faldillas.
- 3 Sustituya las cuchillas como un conjunto si están melladas, rotas o desgastadas y ya no pueden ajustarse.
- 4 Vuelva a montar los conjuntos de alojamiento de las faldillas en la máquina y ajuste la cuchilla para que haga contacto correctamente con el suelo al poner el portacepillos en posición de fregado.

AJUSTE DE LA ALTURA DE LA FALDILLA LATERAL (SISTEMAS DE DISCOS)

- 1 Los espárragos de sujeción de los alojamientos de las faldillas laterales disponen de collarines de ajuste de nivelación (C), que tienen que levantarse o bajarse para compensar el desgaste de las cuchillas.
- 2 Para poder llegar a los collarines de ajuste (C) hay que desmontar los conjuntos de faldillas (B) del portacepillos (D). Sugerencia a la hora de realizar el ajuste: los botones de retención (A) se pueden aflojar con las faldillas puestas y los collarines de ajuste (C) pueden girarse por debajo del alojamiento de la faldilla.
- 3 Gire los collarines de ajuste (C) (hacia arriba o hacia abajo) hasta que las cuchillas se plieguen lo suficiente para fregar toda el agua residual que haya por dentro del rodapié. Nota: Haga pequeños ajustes para conseguir un buen secado con las cuchillas. No baje las cuchillas demasiado para que no se plieguen en exceso y no se produzcan un desgaste innecesario de las cuchillas.



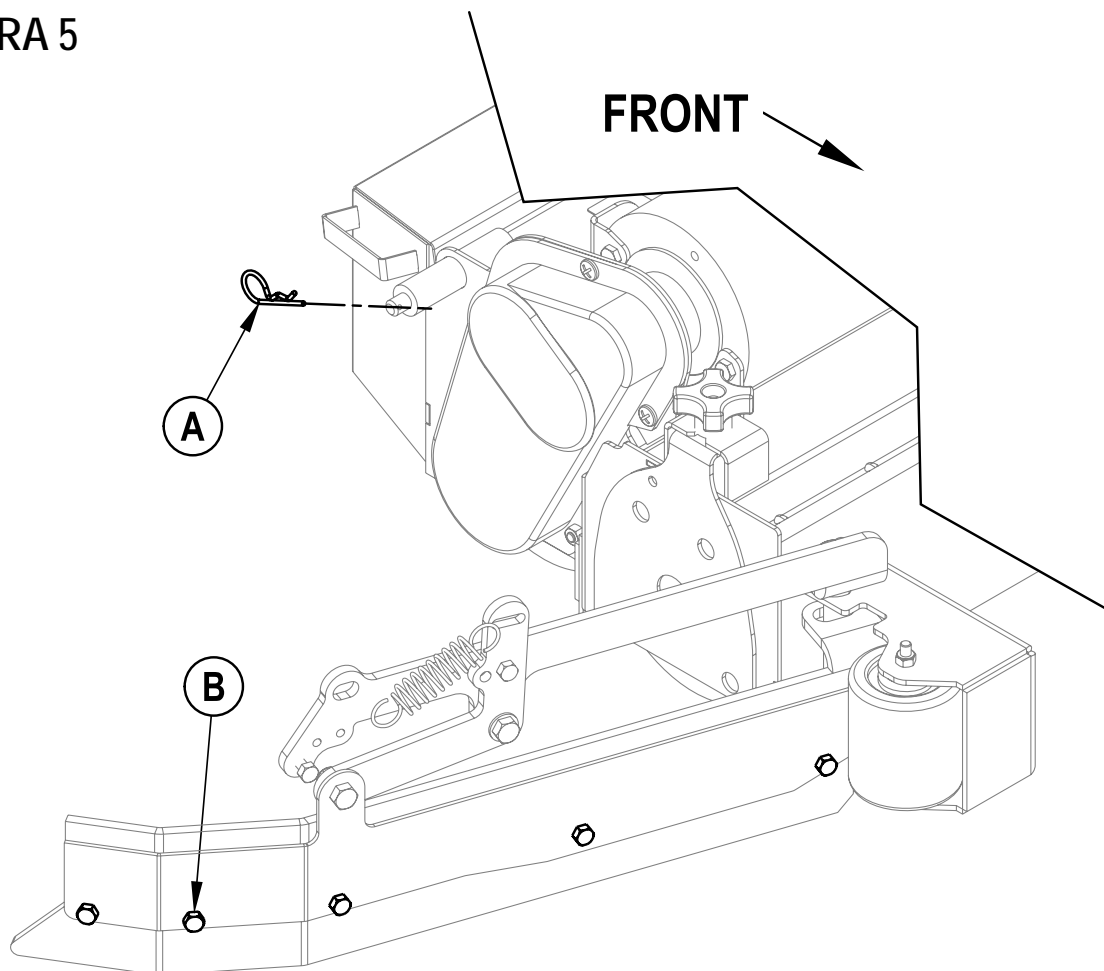
MANTENIMIENTO DE LA FALDILLA LATERAL (SISTEMA CILÍNDRICO)

La función de las faldillas laterales es canalizar el agua residual hasta la boquilla, lo que ayuda a mantener el agua dentro de la trayectoria de limpieza de la máquina. Es normal que las cuchillas se vayan desgastando con el tiempo. El operador verá que una pequeña cantidad de agua sale por debajo de las faldillas laterales. En este sistema, el ajuste de la altura de las faldillas es automático. Para que funcionen correctamente, los conjuntos de las faldillas deben moverse libremente hacia arriba y hacia abajo.

Para sustituir la(s) faldilla(s) lateral(es) del sistema de fregado...

- 1 Ver la Figura 5. Retire los (2) (A) pasadores y abra los conjuntos de faldillas. Retire los (B) tornillos y las tuercas, retire las faldillas y sustitúyalas.

FIGURA 5



SOLUCIÓN DE PROBLEMAS GENERALES DE LA MÁQUINA

Problema	Posible causa	Solución
Recogida escasa del agua	Cuchillas de la boquilla gastadas o Desgarradas	Invierta o sustituya las cuchillas
	Boquilla mal ajustada en toda su anchura	Ajuste la boquilla de manera que las cuchillas toquen el suelo de manera uniforme
	Depósito de recuperación lleno	Vacíe el depósito de recuperación
	Fuga en la tubería de drenaje del depósito de recuperación	Sujete la tapa de la tubería de drenaje o sustitúyala
	Fuga en la junta de la tapa del tanque de recuperación	Sustituya la junta / Asiente correctamente la tapa
	Residuos atrapados en la boquilla	Limpie la herramienta de boquilla
	Manguera de aspiración obstruida	Retire los residuos
	Uso de demasiada solución	Ajuste las válvulas de control de la solución
	Tapa del filtro de espuma mal puesta	Ponga la tapa correctamente
Fregado poco eficaz	Cepillo o bayeta desgastados	Gire o sustituya los cepillos
	Tipo de cepillo o bayeta incorrecto	Consulte a Nilfisk-Advance
	Limpiador químico incorrecto	Consulte a Nilfisk-Advance
	Movimiento demasiado rápido de la máquina	Reduzca la velocidad
	No se está utilizando suficiente solución	Ajuste las válvulas de control de la solución
Flujo de solución inadecuado o falta de solución	Depósito de solución vacío	Llene el depósito de solución
	Tuberías, válvulas, filtro o canal de la solución	Lave las tuberías y el canal y limpie el filtro de solución obstruidos
	Válvulas de control de la solución no abiertas	Ajuste las válvulas de control de la solución
	Válvula de solenoide de la solución	Limpie o sustituya la válvula
La máquina no funciona	Interruptor de parada de emergencia disparado	Vuelva a enchufar los conectores de las baterías
	Interruptor de seguridad del asiento del operador	Compruebe si hay algún circuito abierto y sustitúyalo
	Controlador principal del sistema	Compruebe los códigos de averías (véase el manual de servicio)
	Disyuntor de 10 amp. desconectado	Compruebe si hay algún cortocircuito eléctrico y reinicie
Ausencia de tracción de las ruedas en marcha adelante/atrás	Controlador de velocidad del sistema de tracción	Compruebe los códigos de averías (véase el manual de servicio)
	Disyuntor de 70 amp. desconectado	Compruebe si se ha producido una sobrecarga del motor de tracción
	Interruptor de parada de emergencia Disparado	Vuelva a enchufar los conectores de las baterías
La aspiración se apaga y la pantalla indica "FULL" (Lleno) cuando el depósito de recuperación no está lleno	Manguera de la boquilla obstruida	Elimine los residuos
	Aspiración de grandes cantidades de agua a alta velocidad de desplazamiento	Reduzca la velocidad o desactive la función de agua pagado automático (véase el manual de servicio)
Barrido poco eficaz (sistema cilíndrico)	La tolva está llena	Vacíe y limpie la tolva
	Cepillos gastados	Sustituya los cepillos
	Las cerdas han adquirido una forma	Invierta los cepillos
No hay flujo de detergente (Sólo modelos AXP/EDS)	Cartucho de detergente vacío	Llenar cartucho de detergente
	Línea de flujo de detergente obstruida o torcida	Purgar el sistema, enderezar las líneas para eliminar pliegues
	Tapa de junta seca en cartucho de detergente sin sellar	Sellar tapa de junta seca
	Falta imán en el deslizador de mezcla de detergente	Sustituir deslizador
	Cableado de la bomba de detergente desconectado o hacia atrás	Conectar o reconectar cableado

ESPECIFICACIONES TÉCNICAS (según la instalación y comprobaciones de la unidad)

Modelo		BR 850S	BR 950S	BR 1050S
		Adgressor™ 2820D	Adgressor™ 3220D	Adgressor™ 3520D
Nº Modelo		56314674	56314830	56314831
		56314661	56314662	56314826
Voltaje, baterías	V	36V	36V	36V
Capacidad baterías	Ah	395	395	395
Grado de protección		IPX3	IPX3	IPX3
Nivel de presión sonora (IEC 60704-1)	dB(A)/20µPa	70	70	70
Peso bruto	lbs / kg	1,732 / 785	1,732 / 785	1,732 / 785
Vibración en los controles manuales (ISO 5349-1)	m/s ²	1.12m/s ²	1.12m/s ²	1.12m/s ²
Vibración en el asiento (EN 1032)	m/s ²	0.35m/s ²	0.35m/s ²	0.35m/s ²
Capacidad ascendente				
Transporte		20% (11.5°)	20% (11.5°)	20% (11.5°)
Limpieza		8% (4.6°)	8% (4.6°)	8% (4.6°)
Modelo		BR 850SC	BR 950SC	BR 1050SC
		Adgressor™ 2820C	Adgressor™ 3220C	Adgressor™ 3820C
Nº Modelo		56314663	56314675	56314832
		56314664	56314828	56314829
Voltaje, baterías	V	36V	36V	36V
Capacidad baterías	Ah	395	395	395
Grado de protección		IPX3	IPX3	IPX3
Nivel de presión sonora (IEC 60704-1)	dB(A)/20µPa	70	70	70
Peso bruto	lbs / kg	1,732 / 785	1,732 / 785	1,732 / 785
Vibración en los controles manuales (ISO 5349-1)	m/s ²	1.12m/s ²	1.12m/s ²	1.12m/s ²
Vibración en el asiento (EN 1032)	m/s ²	0.35m/s ²	0.35m/s ²	0.35m/s ²
Capacidad ascendente				
Transporte		20% (11.5°)	20% (11.5°)	20% (11.5°)
Limpieza		8% (4.6°)	8% (4.6°)	8% (4.6°)
Modelo		BR 850S EDS	BR 950S EDS	BR 1050S EDS
		Adgressor™	Adgressor™	Adgressor™
Nº Modelo		3220D-AXP 56316503	3520D-AXP 56316509	3820D-AXP 56316511
		56316501	56316505	563165507
Voltaje, baterías	V	36V	36V	36V
Capacidad baterías	Ah	395	395	395
Grado de protección		IPX3	IPX3	IPX3
Nivel de presión sonora (IEC 60704-1)	dB(A)/20µPa	70	70	70
Peso bruto	lbs / kg	1,732 / 785	1,732 / 785	1,732 / 785
Vibración en los controles manuales (ISO 5349-1)	m/s ²	1.12m/s ²	1.12m/s ²	1.12m/s ²
Vibración en el asiento (EN 1032)	m/s ²	0.35m/s ²	0.35m/s ²	0.35m/s ²
Capacidad ascendente				
Transporte		20% (11.5°)	20% (11.5°)	20% (11.5°)
Limpieza		8% (4.6°)	8% (4.6°)	8% (4.6°)
Modelo		BR 850SC EDS	BR 950SC EDS	BR 1050SC EDS
		Adgressor™	Adgressor™	Adgressor™
Nº Modelo		3220C-AXP 56316504	3520C-AXP 56316510	3820C-AXP 56316512
		56316502	563165506	56316508
Voltaje, baterías	V	36V	36V	36V
Capacidad baterías	Ah	395	395	395
Grado de protección		IPX3	IPX3	IPX3
Nivel de presión sonora (IEC 60704-1)	dB(A)/20µPa	70	70	70
Peso bruto	lbs / kg	1,732 / 785	1,732 / 785	1,732 / 785
Vibración en los controles manuales (ISO 5349-1)	m/s ²	1.12m/s ²	1.12m/s ²	1.12m/s ²
Vibración en el asiento (EN 1032)	m/s ²	0.35m/s ²	0.35m/s ²	0.35m/s ²
Capacidad ascendente				
Transporte		20% (11.5°)	20% (11.5°)	20% (11.5°)
Limpieza		8% (4.6°)	8% (4.6°)	8% (4.6°)

**TYPE: BR850S, BR850SC, BR950S, BR950SC, BR1050S, BR1050SC
BR850S EDS, BR850SC EDS, BR950S EDS, BR950SC EDS, BR1050S EDS, BR1050SC EDS**

<p>EU Overensstemmelseserklæring DK Batteridreven gulvaskemaskine Maskinen er fremstillet i overensstemmelse med følgende direktiver: Maskindirektiv: 98/37/EØF EMC-direktiv: 89/336/EØF 92/31/EØF 93/68/EØF 98/13/EOF Lavspændingsdirektiv: 73/23/EØF 93/68/EØF Harmoniserede standarder: EN 60 335-2-72</p>	<p>Déclaration CE de conformité B, F Autolaveuse à batterie Cette machine a été fabriquée conformément aux directives suivantes: Réglementation machine: 98/37/CEE Réglementation CEM: 89/336/CEE 92/31/CEE 93/68/CEE 98/13/CEE Règlement basse tension: 73/23/CEE 93/68/CEE Normes harmonisées: EN 60 335-2-72</p>
<p>EU Överensstämmelseförsäkran S, FIN Batteri-Skurmaskin Maskinen är tillverkad i överensstämmelse med följande direktiver: Maskindirektiv: 98/37/EEG EMC-direktiv: 89/336/EEG 92/31/EEG 93/68/EEG 98/13/EEG Lågspänningsdirektiv: 73/23/EEG 93/68/EEG Harmoniserade standarder: EN 60 335-2-72</p>	<p>EG-conformiteitsverklaring NL, B Vloeronderhoudmachine Deze machine is vervaardigd overeenkomstig de volgende richtlijnen: Machine richtlijn: 98/37/EEC EMC-richtlijn: 89/336/EEC 92/31/EEC 93/68/EEC 98/13/EEC Laagspanning richtlijn: 73/23/EEC 93/68/EEC Geharmoniseerde normen: EN 60 335-2-72</p>
<p>EU Declaration of Conformity GB, IRL Battery powered floor scrubber This machine was manufactured in conformity with the following directives and standards: Machine Directive: 98/37/EEC EMC-directive: 89/336/EEC 92/31/EEC 93/68/EEC 98/13/EEC Low voltage directive: 73/23/EEC 93/68/EEC Harmonized standards: EN 60 335-2-72</p>	<p>Declaración de conformidad de la CEE E Fregadoa a baterías Esta máquina ha sido fabricada en conformidad a las siguientes normativas: Normativa de la máquina: 98/37/CEE Normativa EMC: 89/336/CEE 92/31/CEE 93/68/CEE 98/13/CEE Normativa sobre baja tensión: 73/23/CEE 93/68/CEE Normas armonizadas: EN 60 335-2-72</p>
<p>Dichiarazione di conformità - CEE I Lavasciuga a batteria È prodotto in conformità alle disposizioni contenute nelle Direttive del Consiglio dei Ministri: M-direttiva: 98/37/EEC EMC-direttiva: 89/336/EEC 92/31/EEC 93/68/EEC 98/13/EEC LV-direttiva: 73/23/EEC 93/68/EEC Norme armonizzate: EN 60 335-2-72</p>	<p>EU Declaração de conformidade da CE P Auto-lavadora a baterias Esta máquina foi fabricada em conformidade com as seguintes directrizes: Directriz de maquinaria: 98/37/CEE Directriz EMC: 89/336/CEE 92/31/EEC 93/68/CEE 98/13/CEE Directriz de baixa voltagem: 73/23/CEE 93/68/CEE Normas harmonizadas: EN 60 335-2-72</p>
<p>EG – Konformitätserklärung D, A Batteriebetriebene Scheuersaugmaschine Diese Maschine wurde gemäß den folgenden Richtlinien hergestellt: Maschinerichtlinie: 98/37/EWG EMV-Richtlinie: 89/336/EWG 92/31/EWG 93/68/EWG 98/13/EWG Niederspannungsrichtlinie: 73/23/EWG 93/68/EWG Harmonisierte normen: EN 60 335-2-72</p>	<p>EU:n yhdenmukaisuudesta direktiiveihin FIN Akkukäyttöinen yhdistelmäkone On valmistettu noudattaen yhteisön määräämiä direktiivejä: M-direktiivi: 98/37/CEE EMC-direktiivi: 89/336/CEE 92/31/CEE 93/68/CEE 98/13/CEE LV-direktiivi: 73/23/CEE 93/68/CEE Yhdenmukaistetut standardit: EN 60 335-2-72</p>
<p>Δηλώση προσαρμογής/συμόρφωσης EU GR Μπαταριοκίνητο μηχανήμα πλυσής δαπέδων Το μηχανήμα ιχέι κατασκευαστεί ονμψωπα με τις παρακάτω προς ιαγραψές: Προσιαγραφή μηχανηματος: 98/37/EEC Προσιαραφή-EMC: 89/336/EEC 92/31/EEC 93/68/EEC 98/13/EEC Προσιαγραφή χαμηλής ταοεως: 73/23/EEC 93/68/EEC Εναρμονισμενα προτυπα: EN 60 335-2-72</p>	<p>EL vastavusdeklaratsioon ET Akutoitega põrandapuhasti Käesolev masin on valmistatud kooskõlas järgmiste direktiivide ja standarditega: Masinadirektiiv: 98/37/EEC Elektromagnetilise sobivuse direktiiv: 89/336/EEC 92/31/EEC 93/68/EEC 98/13/EEC Madalpinge direktiiv: 73/23/EEC 93/68/EEC Ühtlustatud standardid: EN 60 335-2-72</p>
<p>ES atbilstības deklarācija LV Grīdas beršanas mašīna ar akumulatoru barošanu Šī mašīna izgatavota atbilstoši šādām direktīvām un standartiem: Mašīnu direktīva: 98/37/EEC Elektromagnētiskās savietojamības (EMC) direktīva: 89/336/EEC 92/31/EEC 93/68/EEC 98/13/EEC Zemsprieguma direktīva: 73/23/EEC 93/68/EEC Saskaņotie standarti: EN 60 335-2-72</p>	<p>Pareiškimas apie atitikimą ES direktyvoms LT Baterijos energija varomas grindų šveitimo įrenginys Šis įrenginys pagamintas laikantis tokių direktyvų bei standartų: Įrengimų direktyva: 98/37/EEC EMC direktyva: 89/336/EEC 92/31/EEC 93/68/EEC 98/13/EEC Žemos įtampos įrengimų direktyva: 73/23/EEC 93/68/EEC Harmonizuoti standartai: EN 60 335-2-72</p>

<p>Deklaracija EU o skladnosti SL Stroj za čiščenje tal na akumulatorski pogon Ta stroj je izdelan v skladu z naslednjimi smernicami in standardi:</p> <p>Smernica o strojih: 98/37/EEC Smernica o elektromagnetni združljivosti (EMC): 89/336/EEC 92/31/EEC 93/68/EEC 98/13/EEC Smernica o nizki napetosti: 73/23/EEC 93/68/EEC Harmonizirani standardi: EN 60 335-2-72</p>	<p>Prehlásenie o súlade EÚ SK Zariadenie na čistenie povrchov napájané batériou Toto zariadenie bolo vyrobené v súlade s nasledujúcimi direktívami a normami: Direktíva o zariadeniach: 98/37/EEC Direktíva EMC: 89/336/EEC 92/31/EEC 93/68/EEC 98/13/EEC</p> <p>Direktíva o nízkom napätí: 73/23/EEC 93/68/EEC Súvisiace normy: EN 60 335-2-72</p>
<p>EU Prohlášení o shodě CS Bateriemi napájené zařízení pro mytí podlah Tento stroj byl vyroben ve shodě s následujícími směrnicemi a normami:</p> <p>Směrnice o strojním zařízení: 98/37/EEC Směrnice o elektromagnetické kompatibilitě: 89/336/EEC 92/31/EEC 93/68/EEC 98/13/EEC Směrnice o nízkém napětí: 73/23/EEC 93/68/EEC Harmonizované normy: EN 60 335-2-72</p>	<p>Deklaracja zgodności z normami UE PL Akumulatorowa cyklinarka podłogowa Niniejsze urządzenie zostało wyprodukowane w zgodzie z następującymi dyrektywami i normami UE: Dyrektywa dotycząca maszyn: 98/37/EEC Dyrektywa: kompatybilność elektromagnetyczna 89/336/EEC 92/31/EEC 93/68/EEC 98/13/EEC Dyrektywa: urządzenia elektromagnetyczne niskonapięciowe 73/23/EEC 93/68/EEC Zharmonizowane normy: EN 60 335-2-72</p>
<p>EU megfelelőségi nyilatkozat HU Akkumulátoros padlószúrológép Ez a gép az alábbi irányelvekkel és szabványokkal összhangban készült: Gépészeti irányelvek 98/37/EEC EMC-irányelvek 89/336/EEC 92/31/EEC 93/68/EEC 98/13/EEC Kisfeszültségű irányelvek: 73/23/EEC 93/68/EEC Harmonizált szabványok: EN 60 335-2-72</p>	<p>Декларация изготовителя о соответствии директивам ЕС Поломоечная машина, работающая на аккумуляторных батареях Данная машина разработана в соответствии со следующими инструкциями и стандартами: Инструкция по разработке машин: 98/37/EEC Инструкция EMC: 89/336/EEC 92/31/EEC 93/68/EEC 98/13/EEC Инструкция по использованию низких напряжений: 73/23/EEC 93/68/EEC Согласованные стандарты: EN 60 335-2-72</p>



4.3.2004 .

Larry Doerr, Vice President Operations
Nilfisk-Advance, Inc.
14600 21st Avenue North
Plymouth, MN 55447 USA

Nilfisk-Advance A/S
Sognevej 25
DK-2605 Brøndby, Denmark

