

# SC6000™

Rider Scrubbers



## FACT SHEET



### **INDUSTRIAL-GRADE PRODUCTIVITY. HIGHER PRODUCTIVITY WITH A LOWER COST TO CLEAN.**

Unparalleled durability and ease of use.

#### **High productivity in a compact package**

Up to 30% greater runtime/productivity versus nearest competitor.

#### **Rugged industrial design for maximum life**

Fully protected scrub deck, tubular frame, and extended life cylindrical deck components.

#### **SmartKey™ with impact detection**

Provides unique levels of user access to produce consistent results with greater operator accountability, and lower total cost of cleaning.

#### **SmartFlow™ and intermittent solution off**

Reduces water and chemical usage by up to 50% while producing safer cleaning results.

#### **Offset deck**

For edge cleaning with no added complexity or cost.

### **OPTIONAL ACCESSORIES**

- Right side broom
- EcoFlex™
- DustGuard™
- Tubular heavy-duty bumper
- Overhead guard
- Rear squeegee guard
- LED headlights
- Wash hose kit
- Suspension seat
- Warning beacon
- Back-up alarm
- Vac wand
- Autofill kit
- Onboard charger

### **TYPICAL APPLICATIONS INCLUDE**

- Food and Beverage
- Warehouses
- Manufacturing Plants
- Distribution Centers

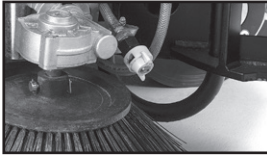
Available with

**ecoflex™ system**



# Advance SC6000™

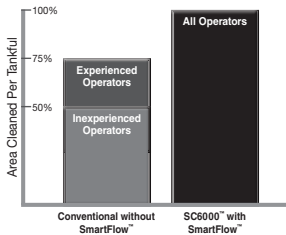
## Rider Scrubbers



Side broom when equipped with DustGuard™ minimizes fugitive dust generation and provides optimal sweeping performance. (optional)



EcoFlex™ System provides a flexible cleaning solution with intuitive modes of operation. (optional)



SmartFlow™ adjusts solution flow with the machine's speed, using up to 50% less water and chemicals. Proportionally higher productivity with fewer dump and refill cycles per tankful.



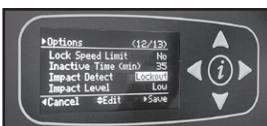
The off-set deck provides high quality edge cleaning without any added complexity or cost.



Heavy duty bumper protects the value of your investment by minimizing risk of damage from frontal impact. (optional)

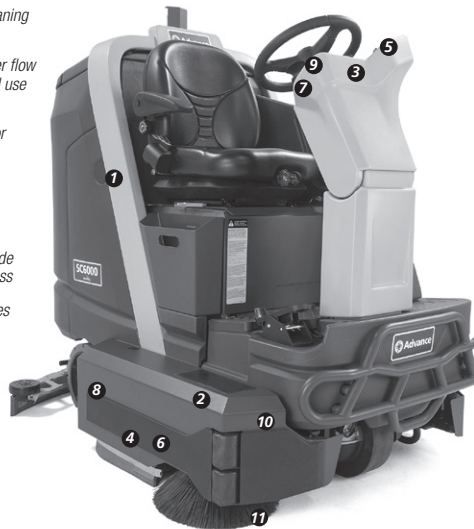


SmartKey™ provides unique levels of user access to produce consistent results and reduces total cost of cleaning.



Impact detection minimizes downtime and associated repair costs through greater operator accountability.

- 1 Larger battery capacity for up to 30% greater run-time
- 2 Off-set deck allows you to do edge cleaning without added complexity or cost
- 3 SmartFlow™ automatically adjusts water flow with speed, cutting water and chemical use by up to 50%
- 4 Extended-life cylindrical-deck design for trouble-free operation
- 5 SmartKey™ provides unique supervisor and user-level access
- 6 Tools-free design and click-on disc brushes make brush and squeegee blade replacements a smooth, and fast process
- 7 Intermittent solution-off function reduces water in turns for safe cleaning results
- 8 Deck fully protected by rugged steel doors minimizing the risk of damage to critical components
- 9 EcoFlex™ System provides an optimal, flexible cleaning solution (optional)
- 10 DustGuard™ suppresses fugitive dust (optional)
- 11 Right side broom provides true edge cleaning (optional)



## Industrial Strength Solutions...

- Our products are designed using innovative technology that increases productivity and drives down the cost to clean.
- You can get expert service and maintenance for your Advance machines from factory-trained personnel around the world. Fast parts delivery, too.
- Maintain peak performance with Nilfisk Parts.

## Technical Specifications

Models	SC6000™ 36C	SC6000™ 34D	SC6000™ 40D
<b>Scrubbing and Recovery Systems</b>			
Scrub Deck Type	Cylindrical	Disc	Disc
Scrub Path	36 in (91 cm)	34 in (86 cm)	40 in (102 cm)
Maximum Scrubbing Coverage Rate Per Hour	93,450 ft <sup>2</sup>	88,250 ft <sup>2</sup>	103,850 ft <sup>2</sup>
Scrub Brush Size	36 x 7.1 in (102 x 18 cm)	17 in (43 cm)	20 in (51 cm)
Scrub Brush Speed	760 rpm	250 rpm	250 rpm
Brush Motor Power	2 x 1 hp (0.8 kW)	2 x 1 hp (0.8 kW)	2 x 1 hp (0.8 kW)
Sweeping Path with Optional Side Broom	43 in (109 cm)	Not Applicable	Not Applicable
Debris Hopper Capacity	0.43 ft <sup>3</sup> (12.2 L)	Not Applicable	Not Applicable
Solution / Recovery Tank Capacity	50 gal (190 L)	50 gal (190 L)	50 gal (190 L)
Vacuum Motor	0.8 hp (0.6 kW) - dual vac optional	0.8 hp (0.6 kW) - dual vac optional	0.8 hp (0.6 kW) - dual vac optional
<b>Waterlift (Sealed)</b>			
	Single Vac - 57 in (145 cm) / Dual Vac - 63 in (160 cm) - All Models		
<b>Battery and Propulsion System</b>			
Battery Options / Run Time	36 V, 310 wet/312 AGM Ah C20 - Up to 3.5 hrs / 36 V, 420 Ah wet C20 - Up to 4.5 hrs - All Models		
Propulsion System	Variable speed AC brushless drive - All Models		
Propel Speed Forward	5.6 mph (9 km/hr)	5.6 mph (9 km/hr)	5.6 mph (9 km/hr)
Propel Speed Reverse	2.6 mph (4.2 km/hr)	2.6 mph (4.2 km/hr)	2.6 mph (4.2 km/hr)
Propel Motor (Peak)	1.6 hp (1.2 kW)	1.6 hp (1.2 kW)	1.6 hp (1.2 kW)
<b>Gradeability</b>			
Transport @ Gross Weight	18.5% (10.5°)	18.5% (10.5°)	18.5% (10.5°)
Scrubbing	12.2% (7°)	12.2% (7°)	12.2% (7°)
<b>Dimensions/Weight/Sound</b>			
Length	70 in (178 cm)	70 in (178 cm)	70 in (178 cm)
Width	46 in (117 cm)	39 in (99 cm)	46 in (117 cm)
Height	62.3 in (158 cm)	62.3 in (158 cm)	62.3 in (158 cm)
Minimum Aisle Turn	79.5 in (202 cm)	79.5 in (202 cm)	79.5 in (202 cm)
<b>Weight</b>			
GVW	2,359 lb (1,070 kg)	2,359 lb (1,070 kg)	2,359 lb (1,070 kg)
Empty	1,784 lb (810 kg)	1,784 lb (810 kg)	1,784 lb (810 kg)
Sound Level IEC 60335-2-72, ISO 11201*	69 dB A	69 dB A	69 dB A

Specifications are subject to change without notice.



9435 Winnetka Avenue North  
Brooklyn Park, MN 55445  
www.advance-us.com  
Phone: 800-214-7700  
Fax: 800-989-6566

240 Superior Boulevard  
Mississauga, Ontario, Canada L5T 2L2  
www.nilfisk-advance.ca  
Phone: 905-564-1149 or 800-668-8400  
Fax: 905-564-1030 or 800-263-5111



©2016, Nilfisk, Inc. Printed in U.S.A.,  
Form L3448A, 7-16

