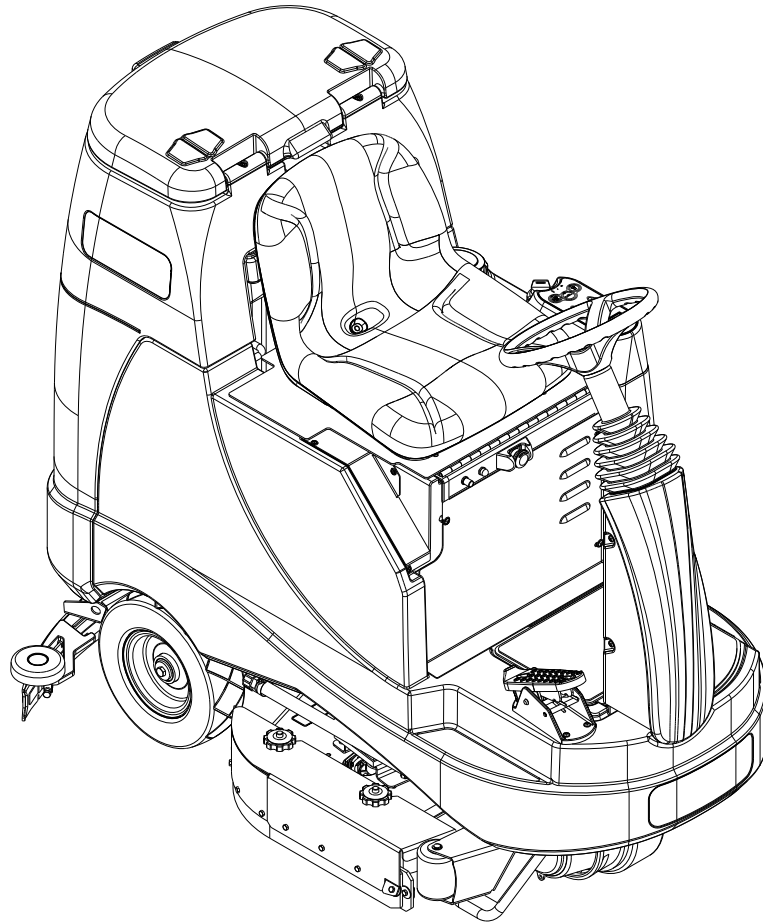


Advenger™

2800ST, 3400ST



PARTS LIST

**MODELS 56601000(2805D), 56601001(3405D), 56601002(2805C)
56601003(2800D ST), 56601004(3400D ST), 56601005(X2805D)
56601006(X3405D), 56601007(X2805C), 56601008(2805D-C)
56601009(3405D-C), 56601010(2805C-C), 56601011(X2805D-C)
56601012(X3405D-C), 56601013(X2805C-C), 56601019(2800D-C ST)
56601020(3400D-C ST), 56601022(3400D-C ST)**



Advance

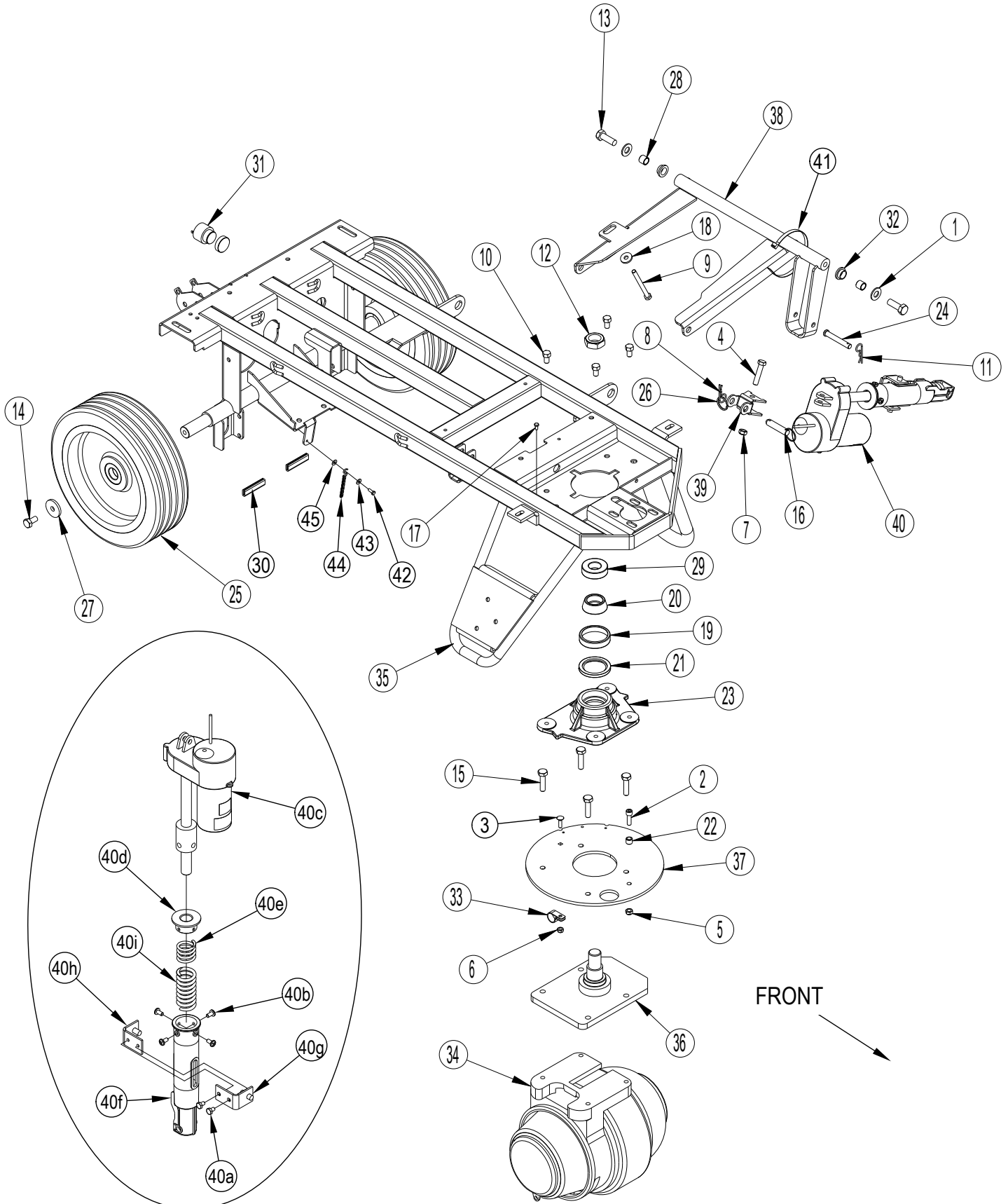
11/08 revised 11/11 FORM NO. 56042495

DESCRIPTION	PAGE
Chassis System-STD and EcoFlex.....	2-3
Chassis System-ST	4-5
Control System	6-7
Decal System.....	8-9
Electrical System	10-11
Onboard-Charger-Assy.....	12-13
Recovery System.....	14-15
Scrub System-Cylindrical.....	16-17
Scrub System-Cylindrical Skirt Assemblies	18-19
Scrub System-Disk 28 Inch	20-21
Scrub System-Disk 34 Inch	22-23
Scrub System-Disk- Skirt Assemblies.....	24-25
Solution System-EcoFlex.....	26-27
Solution System-STD	28-29
Solution System-ST	30-31
Squeegee System-STD and EcoFlex.....	32-33
Squeegee System-ST.....	34-35
Squeegee Assy-28 Inch.....	36
Squeegee Assy-34 Inch.....	37
Ladder Diagram-STD and EcoFlex.....	38-39
Ladder Diagram-ST	40-41
Optional Kits and Accessories	42
Brush Selector Guide-Disk	43
Brush Selector Guide-Cylindrical.....	44
Squeegee Blade Selector Guide	45

WHEN ORDERING PARTS

- * Use the part numbers from the "Ref. No." columns in this parts list.
- * Specify the model and serial number of the machine.
- * Use the space below to record the model and serial number for future reference.

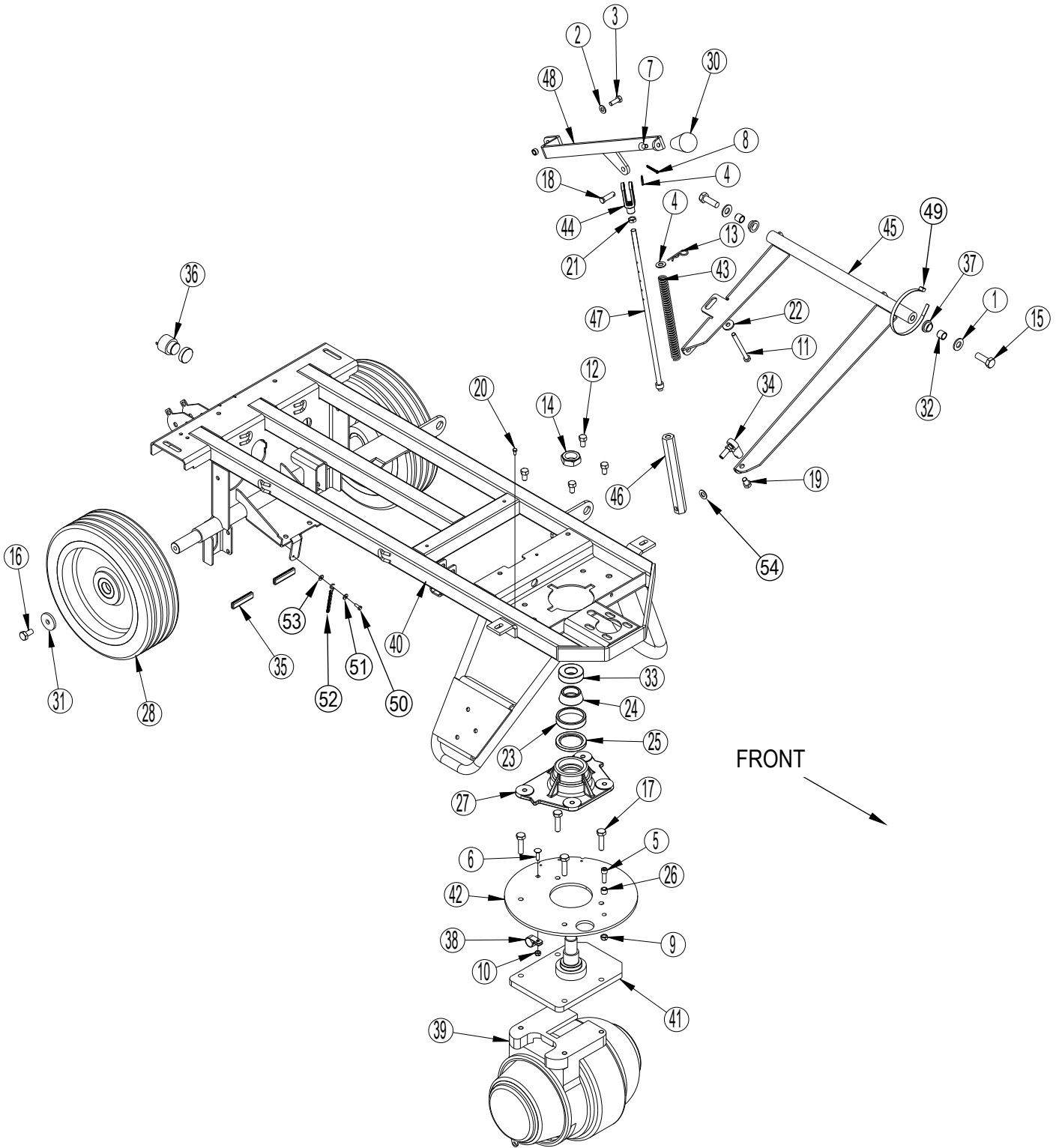
Model _____ Serial No. _____



Item	Ref. No.	Qty	Description	Item	Ref. No.	Qty	Description
1	56001879	2	Wsh, Flt SAE 1/2	34	56601050	1	Motor / Drive Wheel (M1)
2	56002129	1	Scr, Soc Hd 5/16-18 X 1.00	[]	56601472	1	Tire With Hub
3	56003721	1	Scr-Carriage 1/4-20 X .88	[]	56601473	1	Motor
4	56002684	1	Scr, Hex 3/8-16 X 1.75	[]	56601509	1	Carbon Brush Kit
5	56002826	1	Nut, Hex Nyl Loc-Thin 5/16-18	[]	56601471	1	Tire
6	56002840	1	Nut, Hex Nyl Loc-Thin 1/4-20	[]	56601507	1	Electromagnetic Brake
7	56002841	1	Nut, Hex Nyl Loc-Thin 3/8-16	[]	56422174	1	Tire Puller Kit
8	56002959	1	Pin, Cotter Hair	[]	56601506	1	Drive Motor Cover
9	56003008	1	Scr, Hex Thd To Hd 5/16-18 X 3.50	[]	56504481	1	Drive Motor Cover
10	56003040	4	Scr, Hex Hd Loc 3/8-16x.62	[]	56380310	1	Brake Lever Kit
11	56003120	1	Pin, Cotter Hair .0915 X .375	35	56601073	1	Chassis, Weldment
12	56003220	1	Nut, Hex Nyl Loc-Thin 1-14	36	56601077	1	Spindle Weldt
13	56003412	2	Scr, Hex Loc M12-1.75 X 35mm	37	56601159	1	Plate, Steering
14	56003442	2	Scr, Hex Loc M10-1.5 X 20mm	38	56601239	1	Deck Linkage, Weldt
15	56003491	4	Scr, Hex M10-1.5 X 40mm	39	56601328	1	Yoke, Actuator
16	56003679	1	Pin, Ring .50 X 1.63	40	56601432	1	Lift Actuator Assembly (M4)
17	56009012	1	Scr, Hex Thd Form 10-24 X .38	40a	56009019	2	Scr, Hex Thd Form 1/4-20 X .38
18	56009122	1	Wsh, Flt .344 X .938 X .125	40b	56009062	4	Scr, Pan Phil Thd Form 1/4-20 X .50
19	56158143	1	Bearing Cup	40c	56393303	1	Actuator, Motor
20	56158151	1	Bearing Cone	40d	56396268	1	Spring Housing Guide
21	56171081	1	Seal, Shaft	40e	56412071	1	Compression Spring
22	56244941	1	Bushing	40f	56412262	1	Housing, Spring
23	56314032	1	Block, Bearing	40g	56420019	1	Nut Retainer
24	56003803	1	Pin-Clevis SS .375 x 2.50	40h	56420020	1	Nut Retainer
25#	56382693	2	Wheel	40i	56601470	1	Compression Spring
26	56317071	1	Ring	41	56477613	1	Tie-Cable
27	56367117	2	Wsh, Flt .406 X 1.5 X .1875	42	56009039	1	Scr, Hex Thd Form 10-24 x .50
28	56367206	2	Bushing	43	56001954	1	Wsh, Flt SAE 10
29	56378380	1	Bearing Ball	44	56601716	1	Ground Chain
30	56412122	2	Trim Edge	45	56009011	1	Wsh, Int Shprf 10
31	56412177	1	Horn/Backup Alarm (H2)	46	56009112	1	Wsh, Int Shprf 3/8
32	56420160	2	Bearing, Flange				
33	56486112	1	Clamp, P				

[] = Not Shown

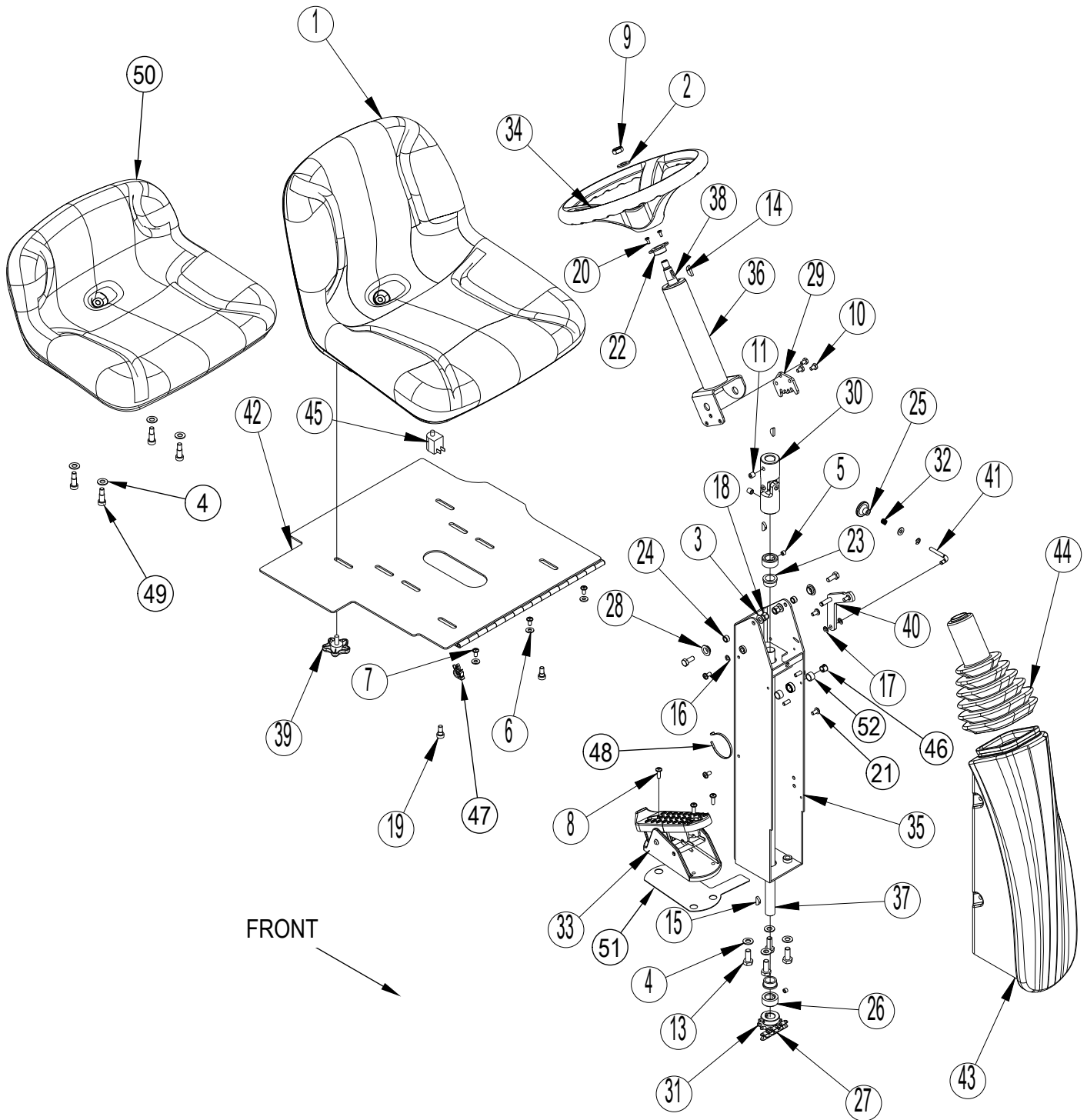
= Revised or new since last update



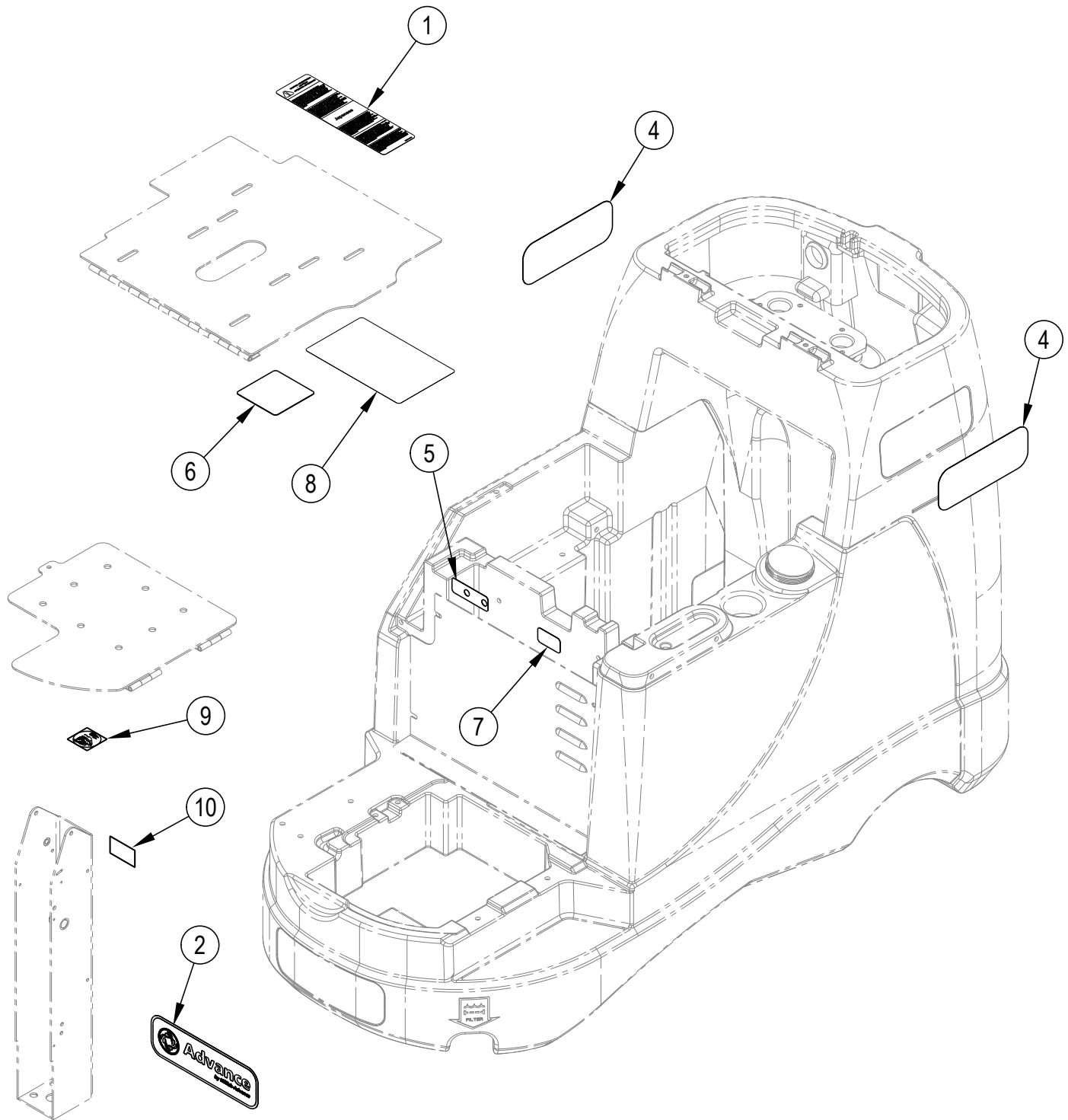
Item	Ref. No.	Qty	Description	Item	Ref. No.	Qty	Description
1	56001879	2	Wsh, Flt SAE 1/2	31	56367117	2	Wsh, Flt .406 X 1.5 X .1875
2	56001939	1	Wsh, Flt SAE 5/16	32	56367206	2	Bushing
3	56002037	1	Scr, Hex 5/16-18 X .88	33	56378380	1	Bearing Ball
4	56002063	2	Wsh, Flt SAE 3/8	34	56397385	1	Rod End
5	56002129	1	Scr, Soc Hd 5/16-18 X 1.00	35	56412122	2	Trim Edge
6	56003721	1	Scr-Carriage 1/4-20 X .88	36	56412177	1	Horn/Backup Alarm (H2)
7	56002476	1	Scr, Flt Phil 5/16-18 X .62	37	56420160	2	Bearing, Flange
8	56002529	1	Pin, Cotter 1/8 X 1	38	56486112	1	Clamp,P
9	56002826	1	Nut, Hex Nyl Loc-Thin 5/16-18	39	56601050	1	Motor / Drive Wheel (M1)
10	56002840	1	Nut, Hex Nyl Loc-Thin 1/4-20	[]	56601472	1	Tire With Hub
11	56003008	1	Scr, Hex Thd To Hd 5/16-18 X 3.50	[]	56601473	1	Motor
12	56003040	4	Scr, Hex Hd Loc 3/8-16x.62	[]	56601509	1	Carbon Brush Kit
13	56003120	1	Pin, Cotter Hair .0915 X .375	[]	56601471	1	Tire
14	56003220	1	Nut, Hex Nyl Loc-Thin 1-14	[]	56601507	1	Electromagnetic Brake
15	56003412	2	Scr, Hex Loc M12-1.75 X 35mm	[]	56422174	1	Tire Puller Kit
16	56003442	2	Scr, Hex Loc M10-1.5 X 20mm	[]	56601506	1	Drive Motor Cover
17	56003491	4	Scr, Hex M10-1.5 X 40mm	[]	56504481	1	Drive Motor Cover
18	56003589	1	Pin, Clevis .375 X 1.25	[]	56380310	1	Brake Lever Kit
19	56003674	1	Scr, Hex Loc SS 3/8-24 X .62	40	56601073	1	Chassis, Weldment
20	56009012	1	Scr, Hex Thd Form 10-24 X .38	41	56601077	1	Spindle Weldt
21	56009103	1	Nut, Hex Jam 3/8-24	42	56601159	1	Plate, Steering
22	56009122	1	Wsh, Flt .344 X .938 X .125	43	56601293	1	Spring, Comp
23	56158143	1	Bearing Cup	44	56601342	1	Yoke, .375-24
24	56158151	1	Bearing Cone	45	56601354	1	Linkage, Weldt
25	56171081	1	Seal, Shaft	46	56601356	1	Connecting Rod
26	56244941	1	Bushing	47	56601358	1	Connecting Rod Weldt
27	56314032	1	Block, Bearing	48	56601381	1	Lift Lever Weldt
28#	56382693	2	Wheel	49	56477613	1	Tie-Cable
29	56320595	1	Bushing .32 x .50 x .28	50	56009039	1	Scr, Hex Thd Form 10-24 x .50
30	56364527	1	Knob	51	56001954	1	Wsh, Flt SAE 10
				52	56601716	1	Ground Chain
				53	56009011	1	Wsh, Int Shprf 10
				54	56009112	1	Wsh, Int Shprf 3/8

[] = Not Shown

= Revised or new since last update



Item	Ref. No.	Qty	Description
1	8-69-00022	1	Seat (STD/EcoFlex)
2	56001879	1	Wsh, Flt SAE 1/2
3	56001939	2	Wsh, Flt SAE 5/16
4	56002063	4	Wsh, Flt SAE 3/8 (qty of 8 on ST)
5	56002086	2	Scr, Soc Set Loc 5/16-18 X .25
6	56002098	4	Wsh, Flt SAE 1/4
7	56002145	3	Scr, Pan Phil 1/4-20 X .50
8	56002507	3	Scr, Pan Phil 1/4-20 X .75
9	56002843	1	Nut, Hex Nyl Loc-Thin 1/2-13
10	56002933	3	Scr, Hex Hd Loc 1/4-20x.38
11	56003081	2	Scr, Soc Set Loc 3/8-16 X .38
12	56003179	2	Scr, Hex Thd To Hd M8-1.25 X 20mm
13	56003186	4	Scr, Hex Thd To Hd M10-1.5 X 25mm
14	56003227	1	Key, Wdf .62 X .19
15	56003228	3	Key, Wdf .75 X .19
16	56003261	1	Ring, Ret Ext Type E 0.31 Dia
17	56003268	3	Ring, Ret Ext Type E Reinf. 0.25 Dia
18	56003389	2	Nut, Hex Nyl Loc M8-1.25
19	56003730	3	Scr, Soc Shd .38 X .25 X 5/16-18 (STD/EcoFlex)
20	56009051	2	Scr, Pan Phil Thd Form 8-32 X .38
21	56009062	4	Scr, Pan Phil Thd Form 1/4-20 X .50
22	56100393	1	Bushing
23	56250414	2	Bearing, Flange
24	56320595	2	Bushing .32 x .50 x .28
25	56362778	1	Knob
26	56367095	2	Collar, Shaft
27	56412198	1	Chain, Roller
28	56413211	2	Bearing, Flange .625 X .500 X .250
29	56413658	1	Ratchet, Steering Column
30	56454081	1	Universal Joint
31	56471148	1	Sprocket
32	56578222	1	Spring, Compression
33	56601052	1	Foot Pedal Assy
34	56601060	1	Steering Wheel
35	56601163	1	Lower Column Weldment
36	56601169	1	Upper Column Weldment
37	56601223	1	Shaft, Lower Steering
38	56601224	1	Shaft, Upper Steering
39	56601271	1	Knob, 5/16 Stud (STD/EcoFlex)
40	56601284	1	Steering Pawl Weldment
41	56601292	1	Pull Lever
42	56601362	1	Seat Panel Weldment
43	56601484	1	Shroud, Lower Column
44	56601500	1	Boot, Steering
45	7-82-00050	1	Switch (S2)
46	56601683	1	Plug-Cap (STD/EcoFlex)
47	56386407	1	Clip-Conduit
48	56478246	1	Tie, Cable (ST)
49	56002962	4	Scr, Soc Shd .38 x .62 x 5/16-18 (ST)
50	56601149	1	Seat, Low Back (ST)
51	56601601	1	Foot Pedal Plate
52	56366633	2	Bearing-Sleeve (ST)



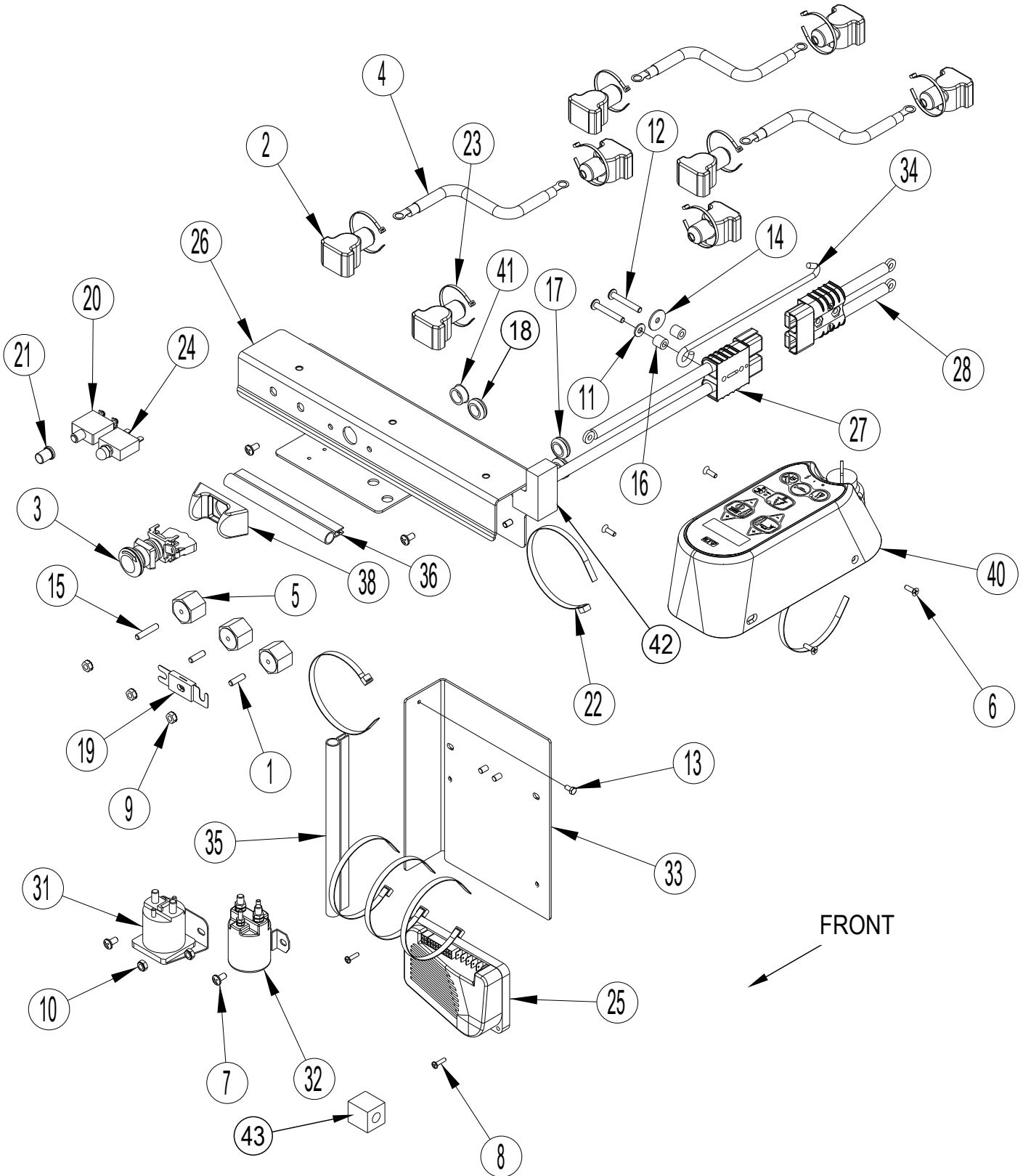
08-11

DECAL SYSTEM

11-3

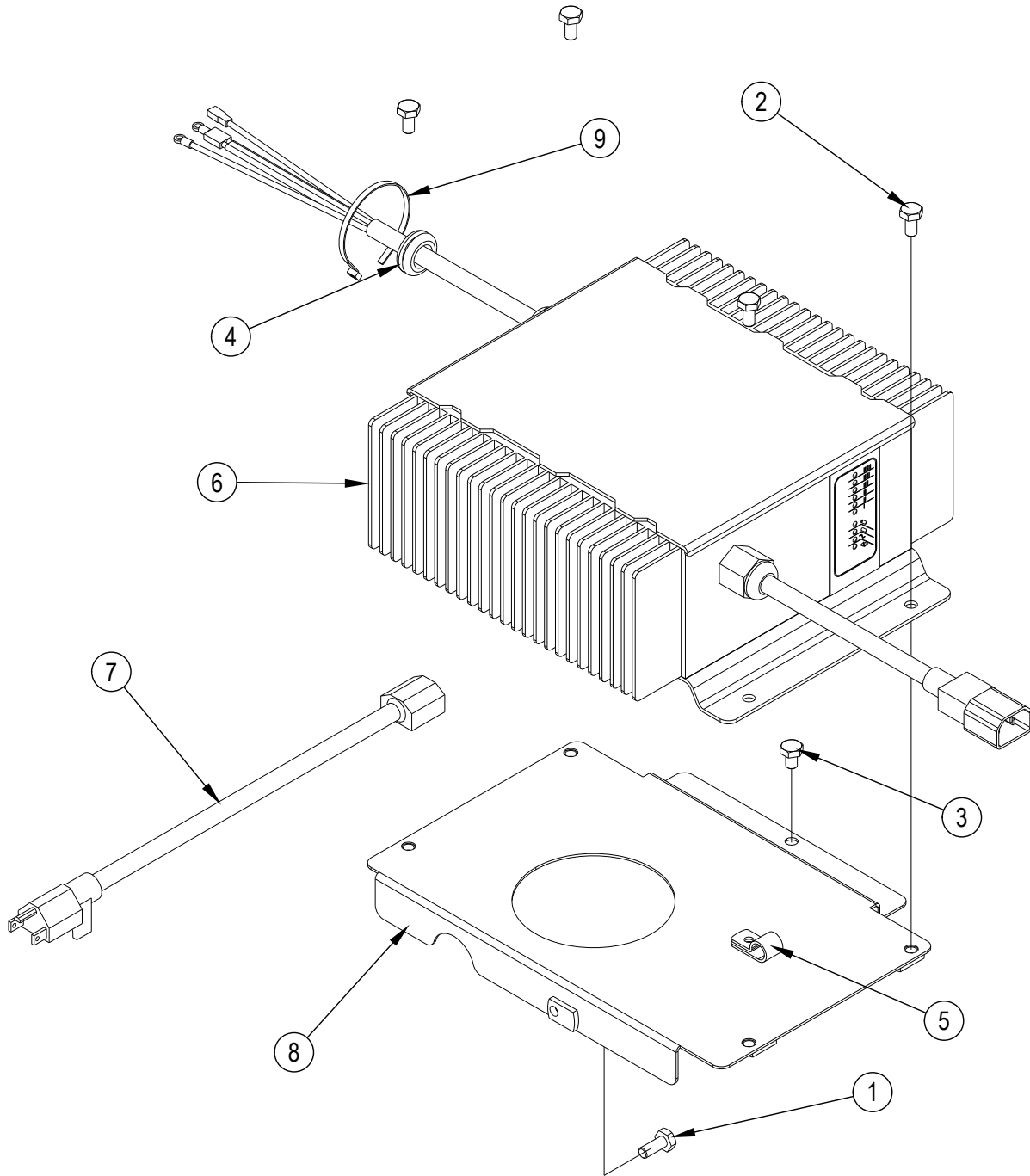
Advenger™**9**

Item	Ref. No.	Qty	Description
1	56014601	1	Decal, Caution
2	56016730	1	Decal, Advance
4	56601298	2	Decal, 2800 ST (ST)
	56601299	2	Decal, 3400 ST (ST)
	56601300	2	Decal-Advenger (STD)
	56601301	2	Decal-Advenger EcoFlex (EcoFlex)
5	56601414	1	Decal, Circuit Breaker
6	56601416	1	Decal, Battery Wiring
7	56601418	1	Decal (ST)
8	56601579	1	Decal-Error Codes (STD / EcoFlex)
9	56380254	1	Decal, Open When Charging
10	71362A	1	Label, NFSI



Item	Ref. No.	Qty	Description
	1	56009020	2 Stud
	2	56372673	8 Boot, Battery Post
	3	56407130	1 Disconnect, Emergency (S4)
	4	56409485	3 Cable, Battery
	5	56469858	3 Electrical Mount
	6	56002099	4 Scr, Flt Phil 10-24 X .62
	7	56002145	4 Scr, Pan Phil 1/4-20 X .50
	8	56002146	2 Scr, Pan Phil 8-32 X .62
	9	56002561	3 Nut, Hex W/ Shprf 1/4-20
	10	56002840	2 Nut, Hex Nyl Loc-Thin 1/4-20
	11	56002859	1 Wsh, Flt SAE SS 1/4
	12	56002997	2 Scr, Pan Phil 1/4-20 X 1.75
	13	56009012	1 Scr, Hex Thd Form 10-24 X .38
	14	56009060	2 Wsh, Flt SS .260 X 1.000 X .074
	15	56009203	1 Stud, 1/4-20
	16	56046309	2 Spacer, Phenolic
	17	56157376	2 Grommet
	18	56321540	1 Grommet (STD/EcoFlex)
		56157376	1 Grommet (ST)
	19	56412089	1 Fuse, 150 Amp (F1)
	20	56454429	1 Circuit Breaker, 70 Amp (CB1)
	21	56459369	1 Boot, Reset Button
	22	56477613	9 Tie, Cable
	23	56478246	9 Tie, Cable
	24	56507644	1 Circuit Breaker, 10 Amp (CB2)
	25	56601061	1 Speed Control (A2)
	26	56601105	1 Panel (STD/ EcoFlex)
		56601420	1 Panel (ST)
	27	56601171	1 Connector Assy
	28	56601172	1 Connector Assy
	[29]	56601174	1 Main Harness (STD/ EcoFlex)
	[]	56601323	1 Main Harness (ST)
	[30]	56601175	1 Traction Drive Harness
	31	56601183	1 Contactor 24v, 100 Amp (K1)
	32	56412179	1 Contactor 24v (K2)
	33	56601185	1 Panel
	34	56601215	1 Prop Rod, Seat
	35	56601251	1 Gasket
	36	56601252	1 Gasket
	[37]	56601431	1 Cable, Jumper
	38	56601434	1 Emergency Button Guard
	40	56601565	1 Interface Panel Assy (STD/ EcoFlex) (A1)
	[]	56601096	1 Kit, Interface Panel (STD/ EcoFlex) (Membrane Switch, Interface Panel)
	[]	56303553	1 Key Switch (S1)
	[]	56303526	A/R Replacement Key Set
	40	56601566	1 Interface Panel Assy (ST) (A1)
	[]	56601097	1 Kit, Interface Panel (ST) (Membrane Switch, Interface Panel)
	[]	56303553	1 Key Switch (S1)
	[]	56303526	A/R Replacement Key Set
	41	56900144	1 Plug, Cap
	42	56601600	1 Foam Insert
	43	40849A	1 Suppressor Emi Split (only used on 56601022)

[] = Not Shown



08-11

ONBOARD-CHARGER-ASSY

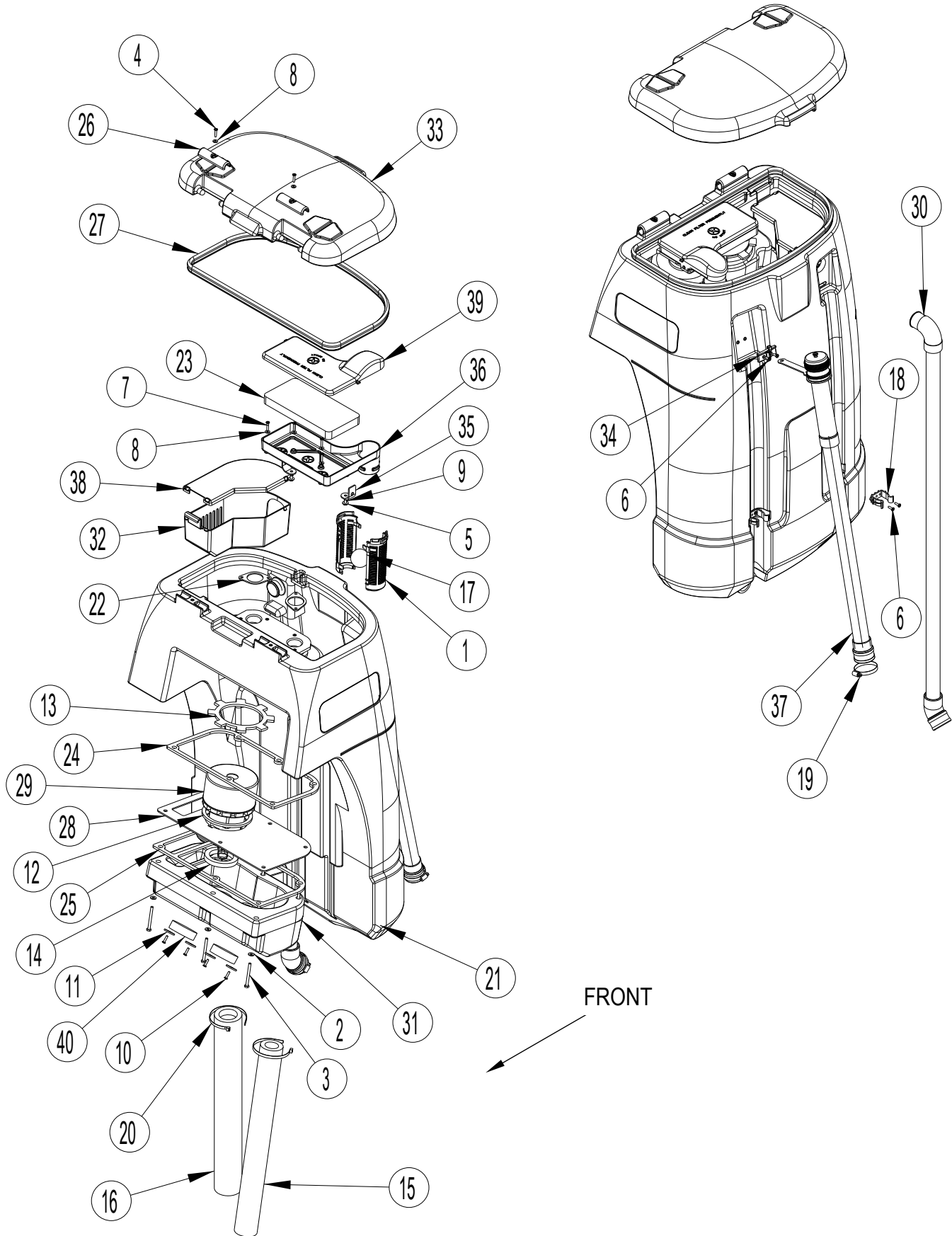
11-11

Advenger™**13**

Item	Ref. No.	Qty	Description
	NA	1	Onboard Charger Assembly NOTE 1
1	56001836	1	Scr, Hex 1/4-20 X .62
2	56001854	4	Scr, Hex 1/4-20 X .50
3	56009019	1	Scr, Hex Thd Form 1/4-20 X .38
4	56157376	1	Grommet
5	56172017	1	Clamp, P
6#	56315773	1	Charger, On-Board 24V TSBUS2008-984
7	56315270	1	Charger Cord, US
8	56601417	1	Charger Mount Bracket
9	56478246	1	Cable Tie

= Revised or new since last update

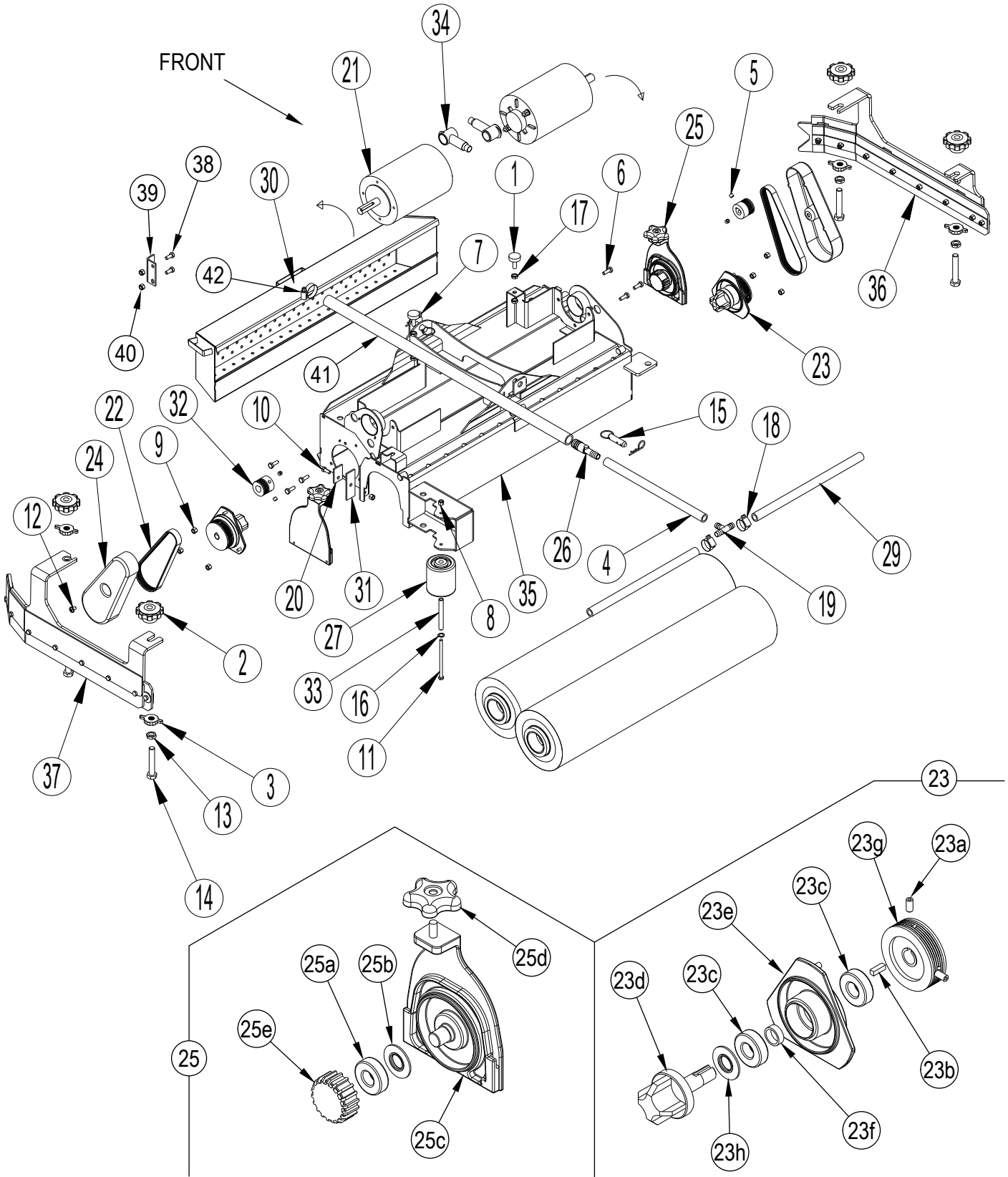
NOTE 1: Standard on the following models: 56601008, 56601009, 56601010, 56601011, 56601012, 56601013, 56601019, 56601020, 56601022



Item	Ref. No.	Qty	Description
1	56324497	2	Cage, Float
2	56002098	6	Wsh, Flt SAE 1/4
3	56002603	6	Scr, Hex 1/4-20 X 3.00
4	56002733	2	Scr, Pan Phil 10-24 X .88
5	56002859	2	Wsh, Flt SAE SS 1/4
6	56002896	6	Scr, Pan Phil SS 10-24 X .62
7	56002898	4	Scr, Pan Phil SS 10-24 X 1.00
8	56002916	6	Wsh, Flt SAE SS #10
9	56003799	2	Scr, Pan Phil SS Plastite 1/4-10 X .50
10	56009005	4	Scr, Pan Phil SS Type Ab 10-16 X .75 (STD/ EcoFlex)
11	56003817	4	Wsh-Flt SS .281 x 1.25 x .05 (STD/ EcoFlex)
12	56212143	1	Gasket, Vacuum Duct
13	56264103	1	Gasket, Vacuum Motor
14	56314760	1	Gasket, Vacuum Duct
15	56315375	1	Foam, Acoustical
16	56315847	1	Foam Tube Assembly (STD/ EcoFlex)
17	56391690	1	Ball, Float
18	56407361	2	Clamp, Plastic
19	56440213	1	Clamp, Hose SAE #32
20	56477613	2	Tie, Cable
21	56601120	1	Tank, Recovery
22	56601121	2	Gasket, Vac Filter
23	56601125	1	Filter
24	56601126	1	Gasket, Exhaust
25	56601127	1	Gasket, Vac
26	56601128	2	Hinge Clamp
27	56601130	1	Gasket, Recovery Lid
28	56601131	1	Vac Plate, Standard
29	56601132	1	Motor, Vac 24vdc (M5)
	56601488	1	Vac Motor W/Supression (M5 / only used on 56601022)
[]	56397098	1	Carbon Brush (set of 2)
30	56601136	1	Recovery Hose
31	56601137	1	Cover, Vac Motor
32	56601138	1	Strainer Basket (STD/ EcoFlex)
33	56601139	1	Recovery Lid
34	56601204	1	Hook, Drain Hose
35	56601250	2	Strap, Filter Cover
36	56601253	1	Filter Box
37#	56381918	1	Drain Hose
38	56601421	1	Cover, Debris (STD/ EcoFlex)
39	56601451	1	Cover, Fltr Box W/Gskt
40	9096672000	2	Filter (STD/ EcoFlex)

[] = Not Shown

= Revised or new since last update

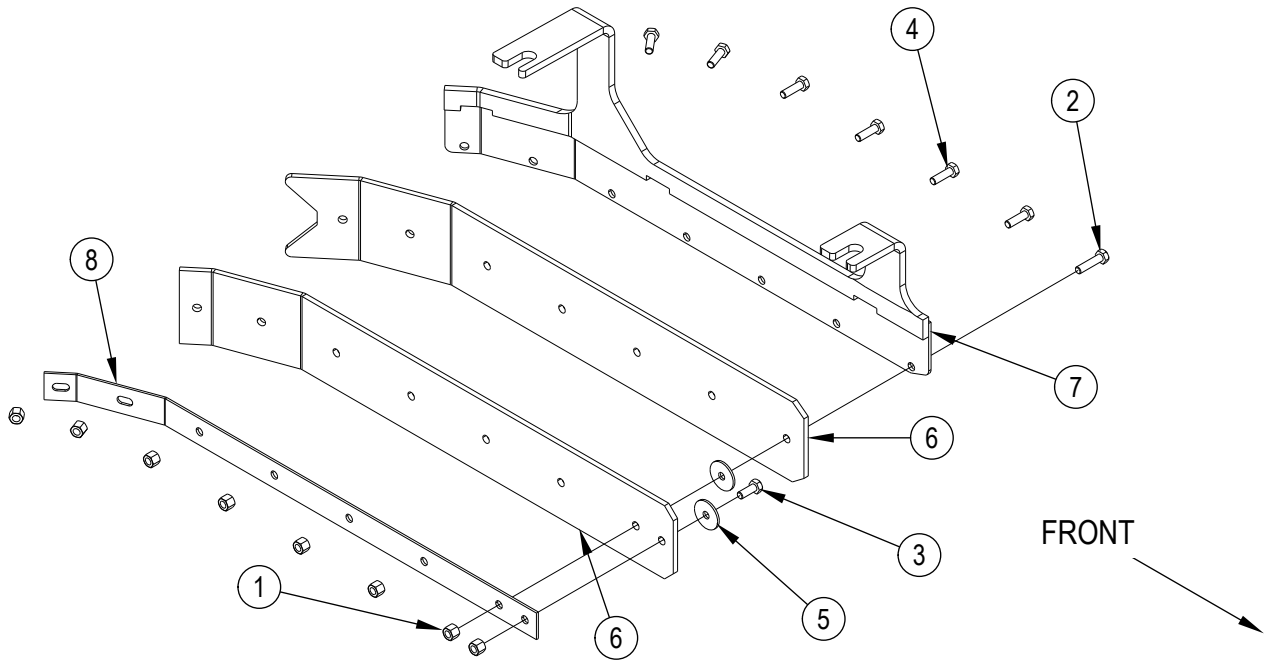


Item	Ref. No.	Qty	Description
1	56401783	2	Leveler
2	56380149	4	Knob TSBUS2010-1060
3	56601578	4	Knob
4	56409462	1	Hose, Spiral
5	56002086	4	Scr, Soc Set Loc 5/16-18 X .25
6	56002948	6	Scr,Hex Hd Loc 1/4-20x.75
7	56002959	2	Pin, Cotter Hair
8	56003403	1	Nut, Hex Nyl Loc M6-1
9	56003426	8	Nut, Hex Nyl Loc SS M6-1
10	56003431	2	Scr, Hex SS M6-1 X 16mm
11	56003492	1	Scr, Hex M6-1 X 95mm
12	56003603	2	Scr, Pan Phil Thd Form 1/4-20 X .38
13	56003657	4	Nut, Hex Jam SS M12-1.75
14	56003658	4	Scr, Hex Thd To Hd SS M12-1.75 X 70mm
15	56003671	2	Pin, Ring .50 X 1.25
16	56009045	2	Wsh, Bowed .375x.578x.060
17	56009086	4	Nut, Hex Jam 5/16-18
18	56112771	2	Clamp, Hose SAE #10
19	56262549	1	Tee, Barb
20	56314436	2	Strap
21	56315061	2	Motor, 24 Vdc, .5 Hp, 1800 Rpm (M7 / M8) TSBUS2010-1058
[]	56412287	1	Motor Brush / Spring Kit
[]	56412258	4	Brush Assy
[]	56412259	4	Brush Spring
22	56315321	2	Belt, Auto Tension
23#	56407559	2	Drive End Assy
23a	56002119	2	Scr, Soc Set Loc 1/4-20 x .50
23b	56003237	1	Key, Sq .19 x .62
23c	56106070	2	Bearing, Ball
23d	56109527	1	Spindle
23e	56381765	1	Bearing, Plate
23f	56407389	1	Spacer
23g	56407442	1	Sheave, Poly-V
23g	56407558	1	Washer, Bearing
24	56315445	2	Cover, Belt
25#	56314445	2	Idler End Assy
25a	56106070	1	Bearing, Ball
25b	56407558	1	Washer, Bearing
25c	56315447	1	Idler Beraing Plate
25d#	56407303	1	Knob
25e	56407551	1	Hub
26	56315625	1	Barb, Coupler 1/2 X 3/4
27	56316089	1	Wheel
28	56316210	2	Harness, Brush Motor (Not Shown)
29	56316553	2	Manifold, Pvc 28 Adv
30	56601688	1	Hopper Weld't
31	56407391	2	Blade
32	56407433	2	Sheave, Poly-V
33	56412176	1	Bushing
34	56493357	2	Insulator, Terminal
35	56601107	1	Housing Weld't
36	56601468	1	Left Skirt Assy
37	56601476	1	Right Skirt Assy
38	56002667	2	Scr-Hex 5/16-18 x .75
39	56601675	1	Bracket
40	56002701	2	Nut-Hex Nyl Loc 5/16-18
41	56379139	1	Tube PVC
42	56244969	1	Clamp Hose SAE 12

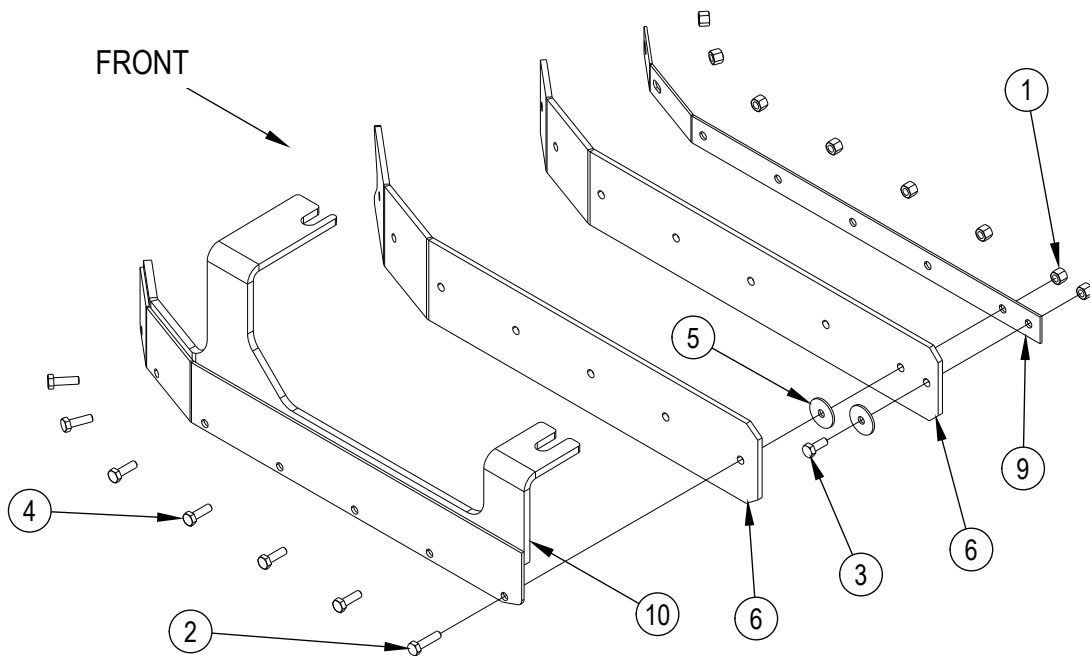
[] = Not Shown

= Revised or new since last update

56601468 - Left Skirt Assy



56601476 - Right Skirt Assy

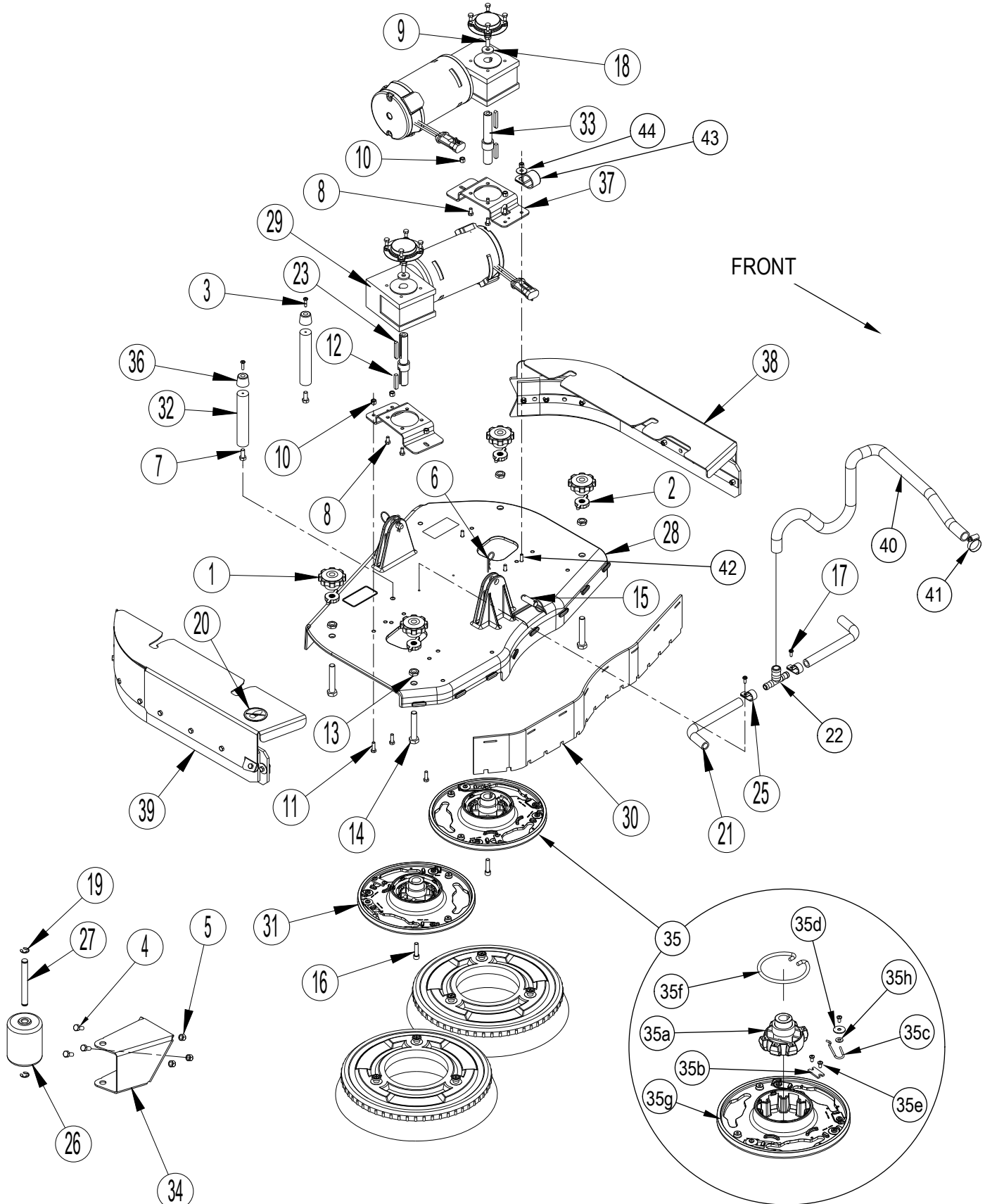


Item	Ref. No.	Qty	Description
	56601468	1	Left Skirt Assy (1-8)
	56601476	1	Right Skirt Assy (1-6, 9, 10)
1	56003426	8	Nut, Hex Nyl Loc SS M6-1
2	56003430	1	Scr, Hex SS M6-1 X 25mm
3	56003431	1	Scr, Hex SS M6-1 X 16mm
4	56003454	6	Scr, Hex Thd To Hd SS M6-1 X 20mm
5	56009060	2	Wsh, Flt SS .260 X 1.000 X .074
6	56316194	1	Blade Kit-Gum NOTE 2
*	56601538	1	Blade Kit-PU Cyl NOTE 2
*	56601681	1	Blade Kit-Red Gum NOTE 2
7	56601464	1	Skirt Bracket Weld't (Left)
8	56601467	1	Retainer, Skirt (Left)
9	56601690	1	Retainer, Skirt (Right)
10	56601477	1	Skirt Bracket Weld't (Right)

* = Optional, Not Included

NOTE 1: Quantities shown for items 1-7 are for one skirt assembly. There are two skirt assemblies on the machine.

NOTE 2: All deck blade kits include all blades necessary.

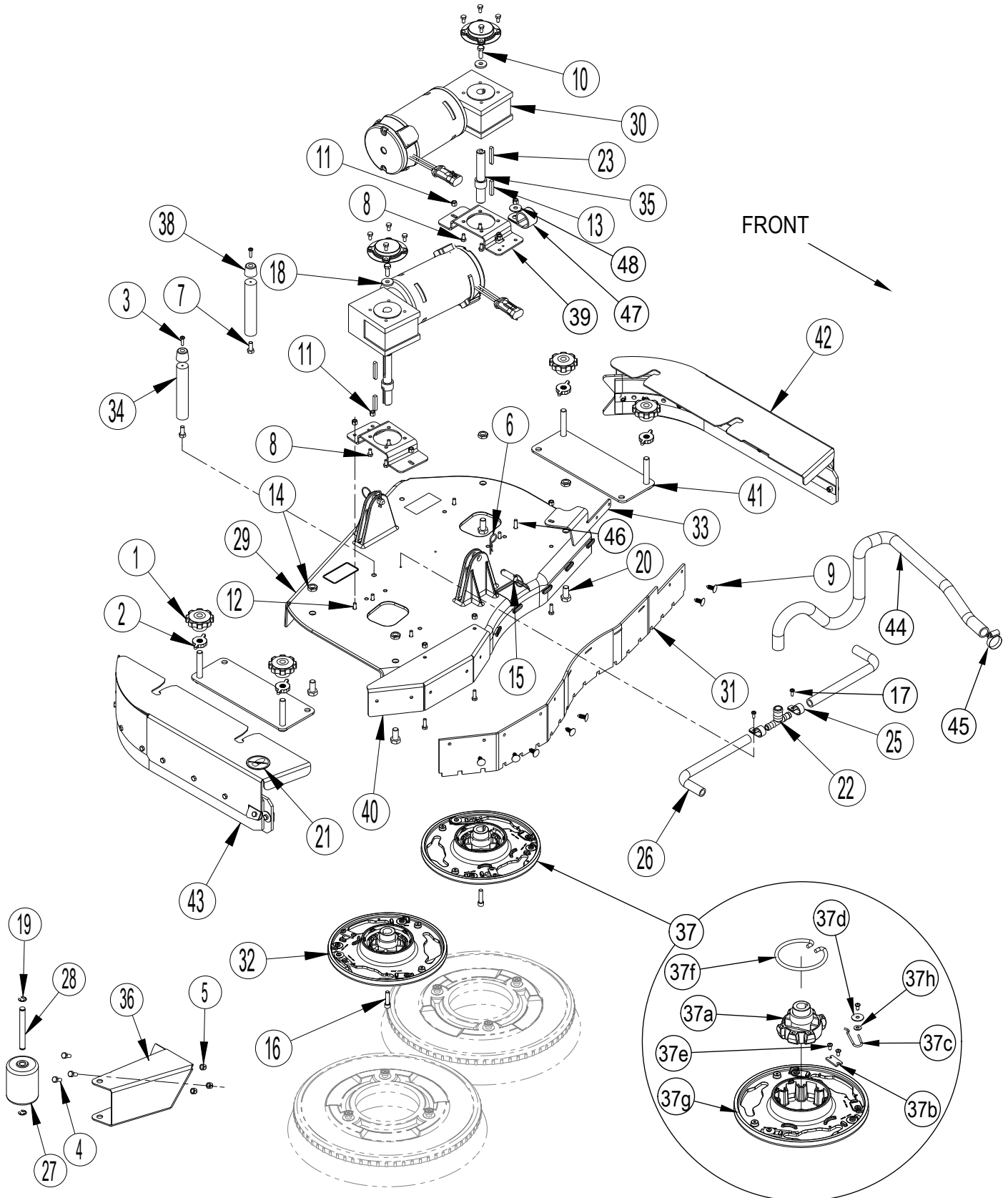


Item	Ref. No.	Qty	Description	Item	Ref. No.	Qty	Description
1	56380149	4	Knob TSBUS2010-1060	29	56601134	2	Motor Gearbox Assy (M7 / M8)
2	56601578	4	Knob	[]	56601533	1	Gearbox
3	56002192	2	Scr, Pan Phil 10-24 X .75	[]	56314580	1	Bearing (fan end)
4	56002667	3	Scr, Hex 5/16-18 X .75	[]	56601537	1	Bearing (brush end)
5	56002701	3	Nut, Hex Nyl Loc 5/16-18	[]	56601534	2	Carbon Brush
6	56002959	2	Pin, Cotter Hair	[]	56601535	1	Key-6mm Square
7	56003012	2	Scr, Hex SS 5/16-18 X .75	[]	56601508	1	Brush Motor Cover
8	56003211	8	Scr, Hex SS M6-1 X 12mm	[]	56601536	1	Motor Fan
9	56003335	2	Scr, Hex Loc SS 5/16-18 X .88	30	56601248	1	Blade-Front Gum NOTE 2
10	56003426	6	Nut, Hex Nyl Loc SS M6-1	*	56601521	1	Blade-Front PU NOTE 2
11	56003454	5	Scr, Hex Thd To Hd SS M6-1 X 20mm	31	56601733	1	Brush Plate Assy NOTE 1
12	56003526	2	Key, Square .25 X 1.44	32	56601289	2	Rod, Up Stop
13	56003657	4	Nut, Hex Jam SS M12-1.75	33	56601319	2	Shaft, Hub Mount
14	56003658	4	Scr, Hex Thd To Hd SS M12-1.75 X 70mm	34	56601364	1	Roller Brkt 28
15	56003786	2	Pin, Ring .500 X 1.18	35	56601734	1	Brush Plate Assy
16	56003798	2	Scr, Soc Hd 5/16-18 X 1.25 Zinc Plated	35a	56112521	1	Gimbal Assy
17	56009029	2	Scr, Pan Phil Thd Form 10-24 X .50	35b	56366455	1	Plate, Stop
18	56009057	2	Wsh, Flt Harden .344x1.000x.120/.135	35c	56109653	2	Spring Retainer
19	56003264	2	Ring-Ret Ext Type E .50 Dia	35d	56009002	2	Wsh, Flt .266 X .906 X .060
20	56016163	1	Decal, No Step	35e	56009247	3	Scr, Pan Phil Plastite 10-14 X .38
21	56266108	2	Hose, Spiral .500	35f	56601056	1	Spring, Brush Holder
22	56305760	1	Tee, Barb 3/4 X 1/2 X 1/2	35g	56601118	1	Brush Plate
23	56314359	2	Key, 6mm Sq	35h	56002053	1	Wsh, Flt STD #10
25	56328064	2	Clamp,P	36	56601388	2	Up Stop Mount
26	56407006	1	Wheel, Roller	37	56601389	2	Bracket, Motor
27	56601580	1	Pin	38	56601541	1	Skirt Assembly Lt 28
28	56601113	1	Scrub Deck, Cast	39	56601543	1	Skirt, Assy Rt
				40	56601755	1	Hose
				41	56244969	1	Clamp-Hose SAE 12
				42	56003695	1	Scr, Hex Thd To Hd Ss M6-1 X 25mm
				43	56409463	1	Clamp-1.25 Hose Support
				44	56003696	1	Wsh-Flt Ss .33 X 1.00 X.060
				[]	56477613	1	Tie-Cable

* = Optional, Not Included

[] = Not Shown

NOTE 1: Item 31 (56601733) consists of the exact same components as item 35 (56601734).**NOTE 2:** All disk deck blade kits include all side skirt blades.



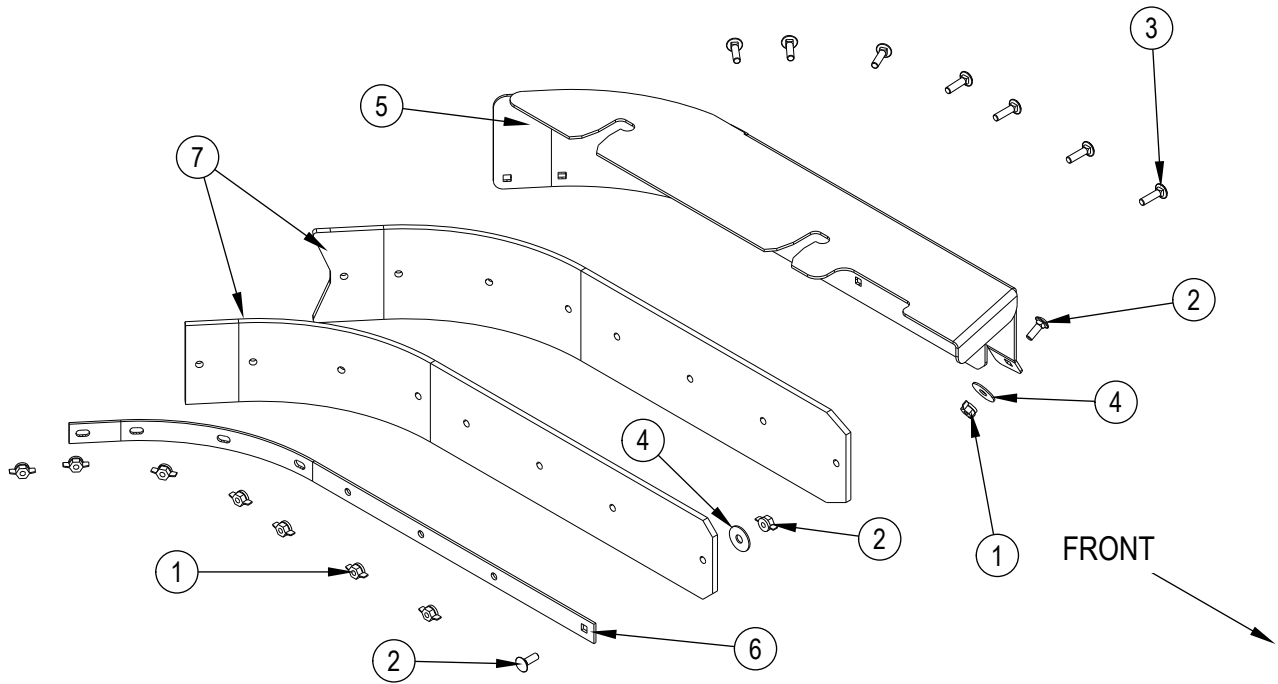
Item	Ref. No.	Qty	Description	Item	Ref. No.	Qty	Description
1	56380149	4	Knob TSBUS2010-1060	30	56601134	2	Motor Gearbox Assy (M7 / M8)
2	56601578	4	Knob	[]	56601533	1	Gearbox
3	56002192	2	Scr, Pan Phil 10-24 X .75	[]	56314580	1	Bearing (fan end)
4	56002667	3	Scr, Hex 5/16-18 X .75	[]	56601537	1	Bearing (brush end)
5	56002701	3	Nut, Hex Nyl Loc 5/16-18	[]	56601534	2	Carbon Brush
6	56002959	2	Pin, Cotter Hair	[]	56601535	1	Key-6mm Square
7	56003012	2	Scr, Hex SS 5/16-18 X .75	[]	56601508	1	Brush Motor Cover
8	56003211	8	Scr, Hex SS M6-1 X 12mm	[]	56601536	1	Motor Fan
9	56003263	7	Rivet, Nylon Tree Push-In (.25)	31	56601275	1	Blade-Front Gum NOTE 2
10	56003335	2	Scr, Hex Loc SS 5/16-18 X .88	*	56601522	1	Blade-Front PU NOTE 2
11	56003426	9	Nut, Hex Nyl Loc SS M6-1	32	56601733	1	Brush Plate Assy NOTE 1
12	56003454	8	Scr, Hex Thd To Hd SS M6-1 X 20mm	33	56601278	1	Skirt Bracket, Front 34
13	56003526	2	Key, Square .25 X 1.44	34	56601289	2	Rod, Up Stop
14	56003657	4	Nut, Hex Jam SS M12-1.75	35	56601319	2	Shaft, Hub Mount
15	56003786	2	Pin, Ring .500 X 1.18	36	56601365	1	Roller Brkt 34
16	56003798	2	Scr, Soc Hd 5/16-18 X 1.25 Zinc Plated	37	56601734	1	Brush Plate Assy
17	56009029	2	Scr, Pan Phil Thd Form 10-24 X .50	37a	56112521	1	Gimbal Assy
18	56009057	2	Wsh, Flt Harden .344x1.000x.120/.135	37b	56366455	1	Plate, Stop
19	56003264	2	Ring-Ret Ext Type E .50 Dia	37c	56109653	2	Spring Retainer
20	56009119	4	Scr, Hex Thd To Hd M12-1.75 X 25mm	37d	56009002	1	Wsh, Flt .266 X .906 X .060
21	56016163	1	Decal, No Step	37e	56009247	4	Scr, Pan Phil Plastite 10-14 X .38
22	56305760	1	Tee, Barb 3/4 X 1/2 X 1/2	37f	56601056	1	Spring, Brush Holder
23	56314359	2	Key, 6mm Sq	37g	56601118	1	Brush Plate
25	56328064	2	Clamp,P	37h	56002053	1	Wsh, Flt STD #10
26	56387302	2	Hose, Spiral .500	38	56601388	2	Up Stop Mount
27	56407006	1	Wheel, Roller	39	56601389	2	Bracket, Motor
28	56601580	1	Pin	40	56601452	1	Brush Cover
29	56601113	1	Scrub Deck, Cast	41	56601502	2	Side Skirt Weldment
				42	56601542	1	Skirt Assembly Lt 34
				43	56601543	1	Skirt, Assy Rt
				44	56601755	1	Hose
				45	56244969	1	Clamp-Hose SAE 12
				46	56003695	1	Scr, Hex Thd To Hd Ss M6-1 X 25mm
				47	56409463	1	Clamp-1.25 Hose Support
				48	56003696	1	Wsh-Flt Ss .33 X 1.00 X.060
				[]	56477613	1	Tie-Cable
				[]	56601687	1	Ferrite Bead (only used on 56601022) NOTE 3
				[]	56601686	2	Ferrite Bead (only used on 56601022) NOTE 4

* = Optional, Not Included

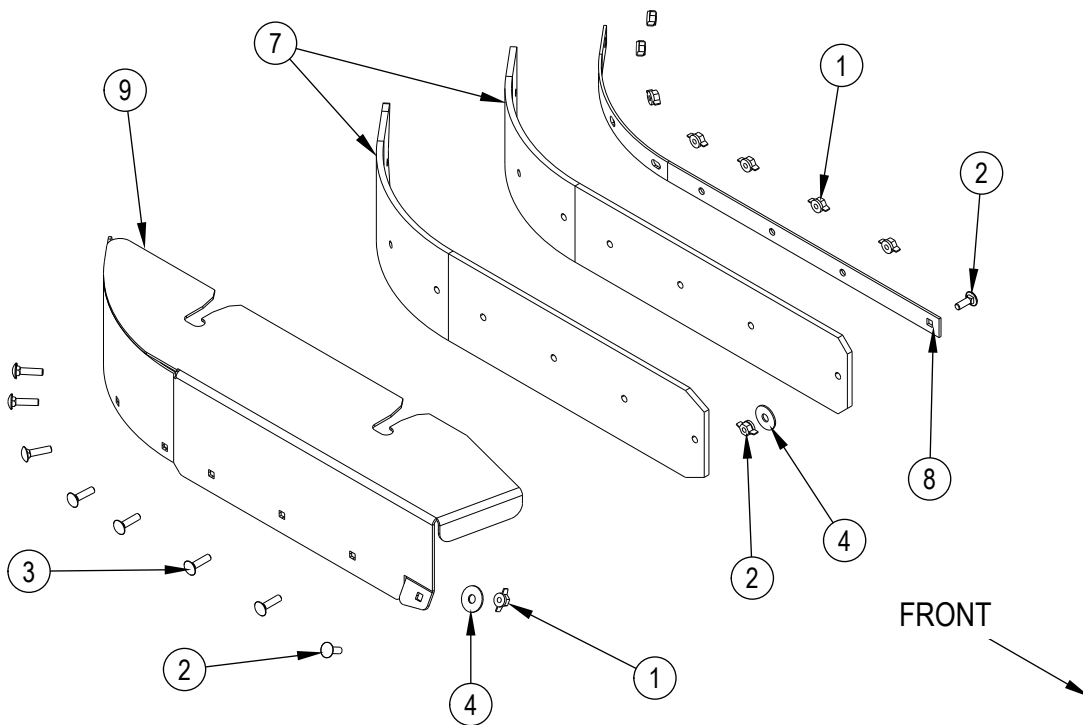
[] = Not Shown

NOTE 1: Item 32 (56601733) consists of the exact same components as item 37 (56601734).**NOTE 2:** All disk deck blade kits include all side skirt blades.**NOTE 3:** Installed on main harness.**NOTE 4:** Installed on each brush drive motor.

56601541 (28") / 56601542 (34") - Left Skirt Assy



56601543 - Right Skirt Assy



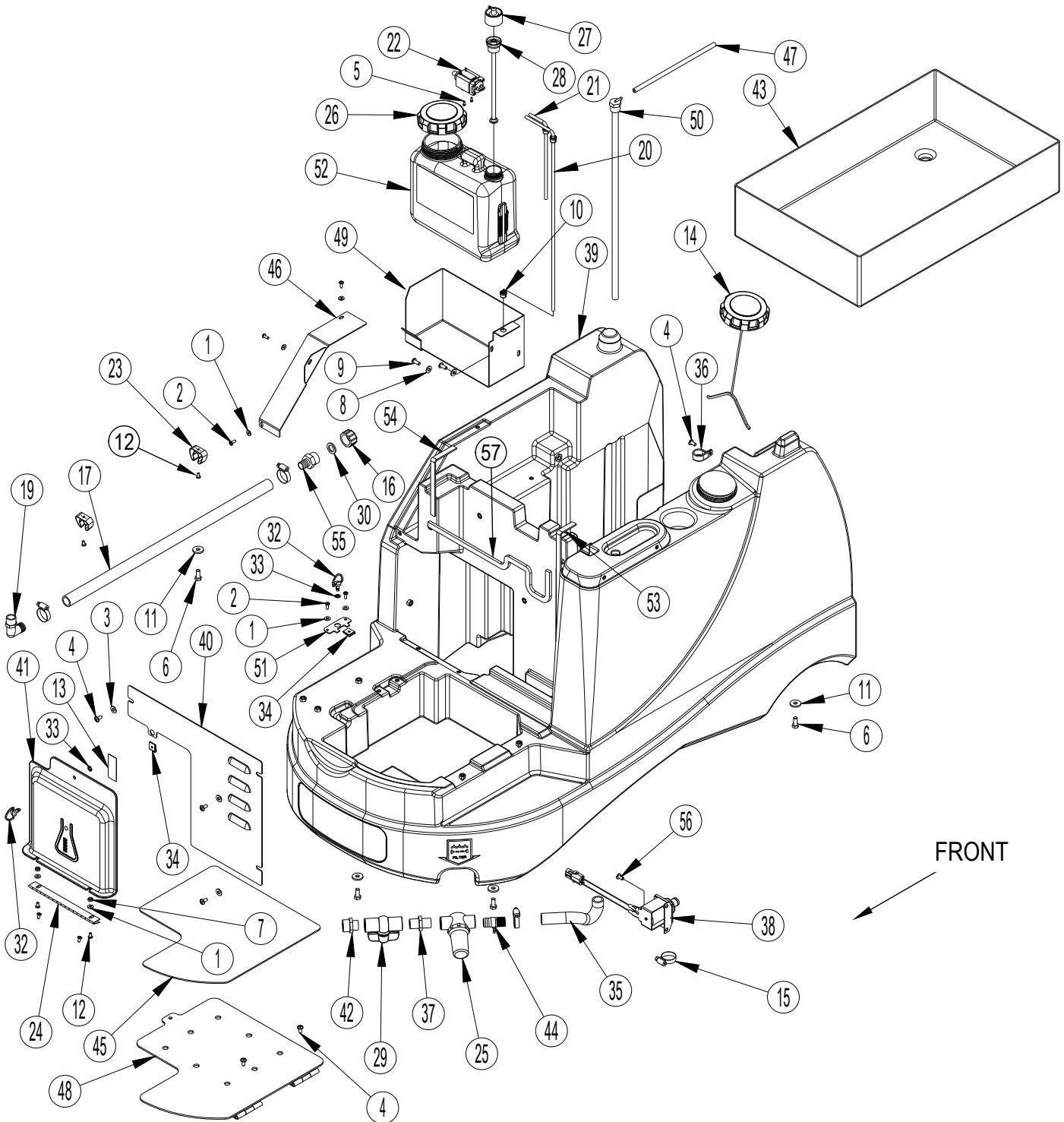
Item	Ref. No.	Qty	Description
	56601541	1	Left Skirt Assy (28" / 1-8)
	56601542	1	Left Skirt Assy (34" / 1-8)
	56601543	1	Right Skirt Assy (All Models / 1-4, 7, 8, 9)
1	56003824	9	Nut-Wing Plastic Loc 1/4-20
2	56003715	2	Scr-Carriage SS 1/4-20 x .75
3	56003828	7	Scr-Carriage SS 1/4-20 x 1.00
4	56003696	2	Wsh, Flt SS .33 X 1.00 X.060
5	56601279	1	Frame, Skirt Lh 28 (28" / Left)
[]	56601327	1	Frame, Skirt Lh 34 (34" / Left)
6	56601315	1	Retainer, Skirt (28" / Left)
[]	56601337	1	Retainer, Skirt (34" / Left)
7	56601092	1	Blade Kit-Gum NOTE 2
*	56601091	1	Blade Kit-PU NOTE 2
*	56601678	1	Blade Kit-Red Gum NOTE 2
8	56601315	1	Retainer, Skirt (All Models / Right)
9	56601157	1	Frame, Skirt Rh (All Models / Right)

* = Optional, Not Included

[] = Not Shown

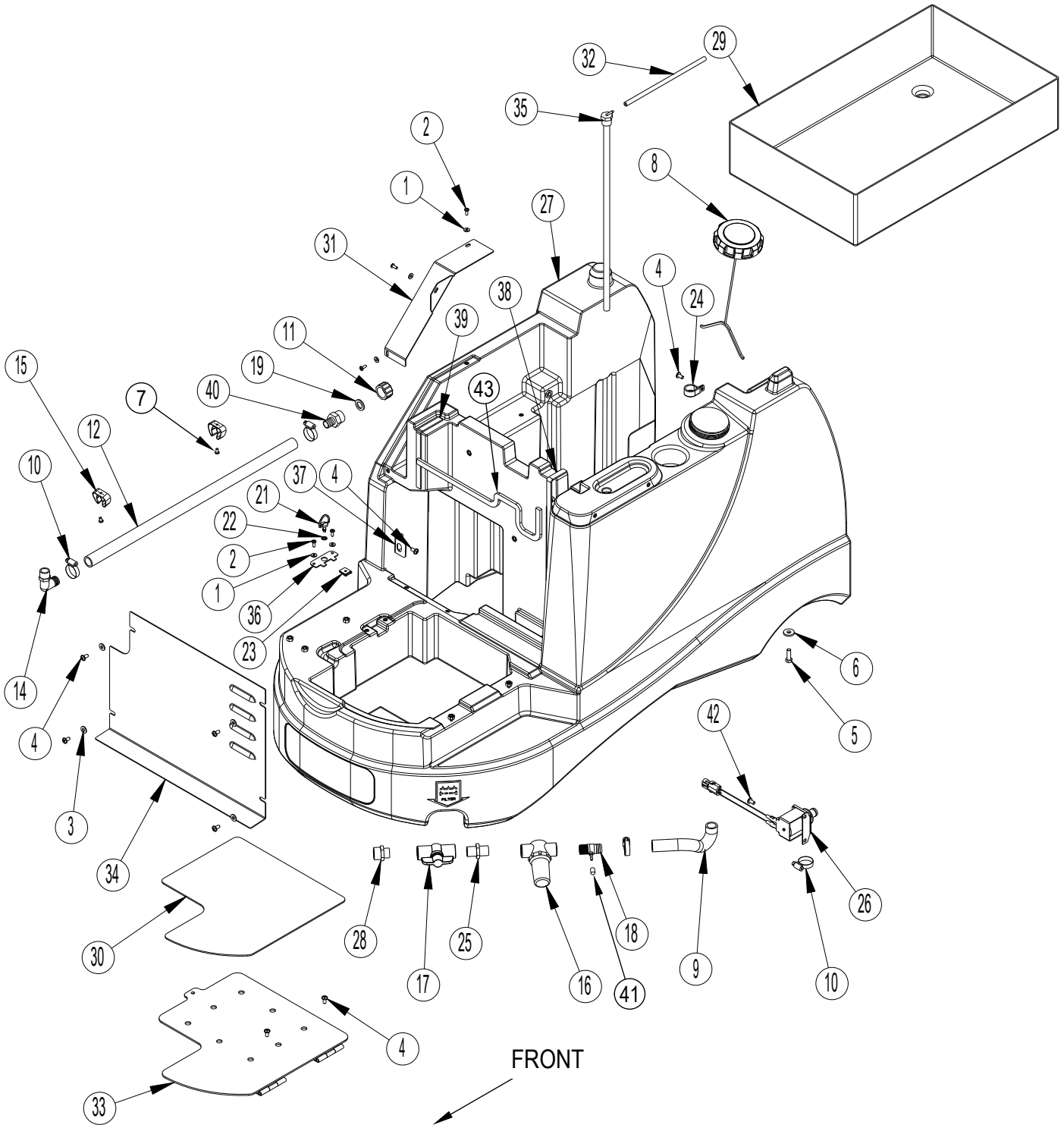
NOTE 1: Quantities shown for items 1-4 and 7-8 are for one skirt assembly. There are two skirt assemblies on the machine.

NOTE 2: All disk deck blade kits include all side skirt blades.



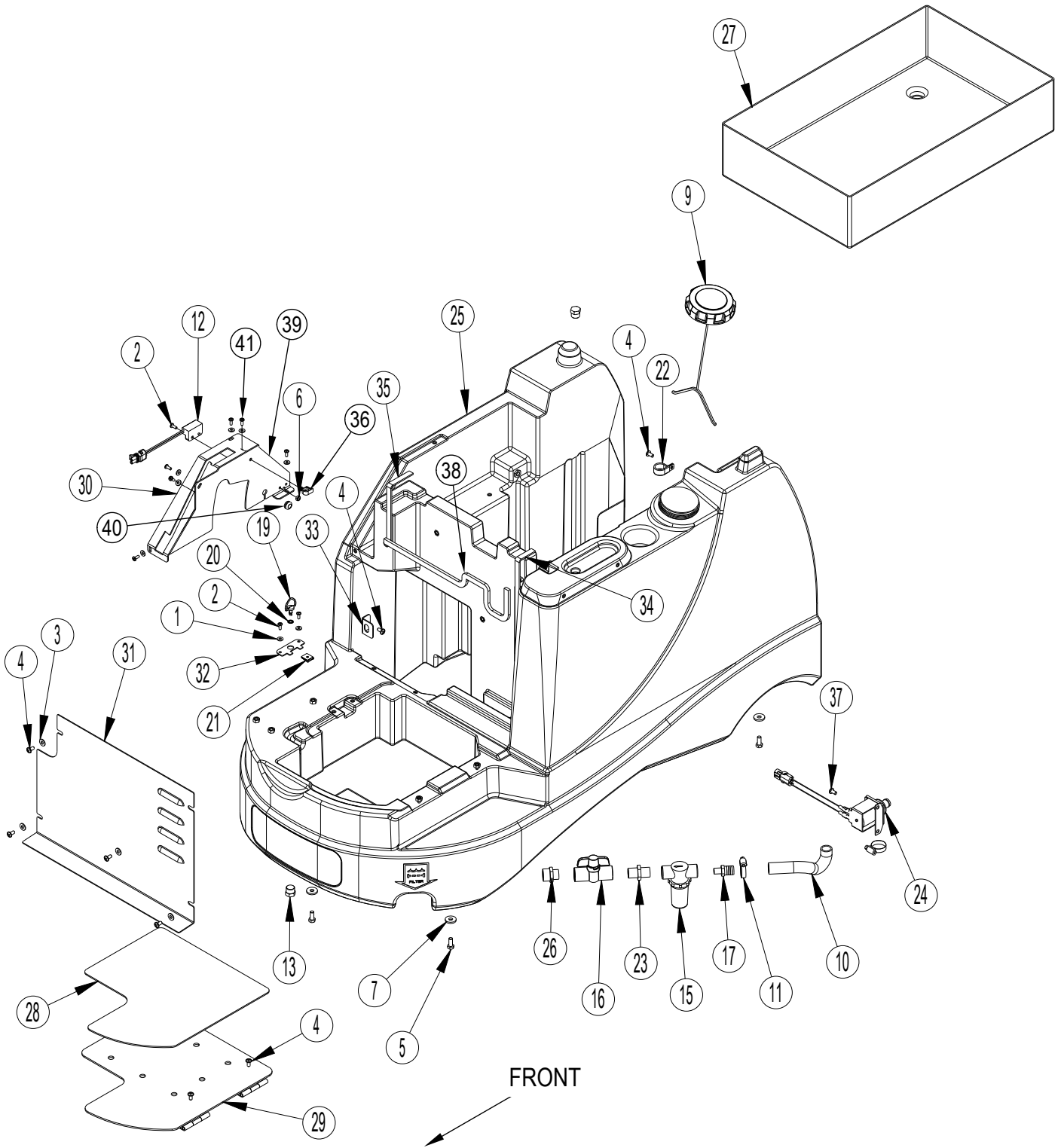
Item	Ref. No.	Qty	Description
1	56001954	7	Wsh, Flt SAE #10
2	56001993	5	Scr, Pan Phil 10-24 X .50
3	56002098	3	Wsh, Flt SAE 1/4
4	56002145	8	Scr, Pan Phil 1/4-20 X .50
5	56002539	2	Scr, Pan Phil Thd Form 6-32 X .31
6	56002667	4	Scr, Hex 5/16-18 X .75
7	56002832	2	Nut, Hex Nyl Loc-Thin 10-24
8	56002859	2	Wsh, Flt SAE SS 1/4
9	56002989	2	Scr, Pan Phil SS 1/4-20 X .62
10	56003699	3	Bushing, 1/4 Id Snub
11	56009122	4	Wsh, Flt .344 X .938 X .125
12	56009139	6	Scr, Pan Phil Loc 10-24 X .38
13	56016331	1	Decal, Chemical Ratio
14	56601599	1	Cap, Raw W/ Tether
15	56244969	4	Clamp, Hose SAE #12
16	56255076	1	Cap, Pipe Ght Nylon
17	56261265	1	Hose, .75 Clear Pvc, 25.00
19	56314757	1	Barb, 90 Elbow 3/4 X 1/2npt
20	56314942	1	Hose, Chem Resistant
21	56314991	1	Hose, Chem Resistant 14"
22	56315241	1	Pump, Chemical (M2)
23	56601598	2	Hose Clip
24	56315285	1	Hinge
25	56315296	1	Solution Filter
*	56601594	A/R	Solution Filter Kit
26	56315517	1	Cap, Raw
27	56315523	1	Cap, Dry Break, 1/8 Barb, 90°
28	56315527	1	Insert, Dry Break
29	56381475	1	Ball Valve
30	56368776	1	Washer, Rubber
32	56380132	2	Latch, 1/4 Turn
33	56380137	2	Retainer
34	56380141	2	Nut, Clamp
35	30445A	1	Hose-Solution
36	56410097	3	Clamp, P
37	56412182	1	Nipple, Hex 3/4-14
38	56601064	1	Solenoid Valve Assy (L1)
39	56601076	1	Solution Tank
40	56601106	1	Panel
41	56601202	1	Chemical Bottle Cover
42	56601212	1	Nipple, Reducer 3/4"Npt X 1/2"Npt
43	56601213	1	Battery Box
44	56601236	1	Tee, Special, 3/4 X 3/16 X 1/2npt
45	56601246	1	Mat
46	56601268	1	Plate
47	56601273	1	Hose
48	56601339	1	Charger Cover Weldment
49	56601398	1	Bracket
50	56344172	1	Tube-Pressure Sensing W/Elbow
51	56601511	1	Plate
52	56601544	1	Chemical Bottle Assy
*	56601545	A/R	Chemical Bottle Assy (26, 28 & 52)
53	56601569	1	Gasket
54	56601570	1	Gasket
55	56900273	1	Barb, Adapter 3/4 X 3/4ght
56	56003039	1	Scr, Hex Hd Loc 1/4-20 x .50
57	56601685	1	Gasket

* = Optional, Not Included



Item	Ref. No.	Qty	Description
1	56001954	5	Wsh, Flt SAE #10
2	56001993	5	Scr, Pan Phil 10-24 X .50
3	56002098	4	Wsh, Flt SAE 1/4
4	56002145	10	Scr, Pan Phil 1/4-20 X .50
5	56002667	4	Scr, Hex 5/16-18 X .75
6	56009122	4	Wsh, Flt .344 X .938 X .125
7	56009139	2	Scr, Pan Phil Loc 10-24 x .38
8	56601599	1	Cap, Raw W/ Tether
9	30445A	1	Hose, Solution
10	56244969	4	Clamp, Hose SAE #12
11	56255076	1	Cap, Pipe Ght Nylon
12	56261265	1	Hose, .75 Clear Pvc, 25.00
14	56314757	1	Barb, 90 Elbow 3/4 X 1/2npt
15	56601598	2	Hose Clip
16	56315296	1	Solution Filter
*	56601594	A/R	Solution Filter Kit
17	56381475	1	Ball Valve
18	56601236	1	Barb, Adaptor 3/4 X 1/2 Npt
19	56368776	1	Washer, Rubber
21	56380132	1	Latch, 1/4 Turn
22	56380137	1	Retainer
23	56380141	1	Nut, Clamp
24	56410097	3	Clamp, P
25	56412182	1	Nipple, Hex 3/4-14
26	56601064	1	Solenoid Valve Assy (L1)
27	56601076	1	Solution Tank
28	56601212	1	Nipple, Reducer 3/4"Npt X 1/2"Npt
29	56601213	1	Battery Box
30	56601246	1	Mat
31	56601268	1	Plate
32	56601273	1	Hose
33	56601339	1	Charger Cover Weldment
34	56601387	1	Electrical Cover Panel
35	56344172	1	Tube Pressure Sensing W/Elbow
36	56601511	1	Plate
37	56601670	1	Bracket, L
38	56601569	1	Gasket
39	56601570	1	Gasket
40	56900273	1	Barb, Adapter 3/4 X 3/4ght
41	56051209	1	Rubber Tip-Black
42	56003039	1	Scr, Hex Hd Loc 1/4-20 x .50
43	56601685	1	Gasket

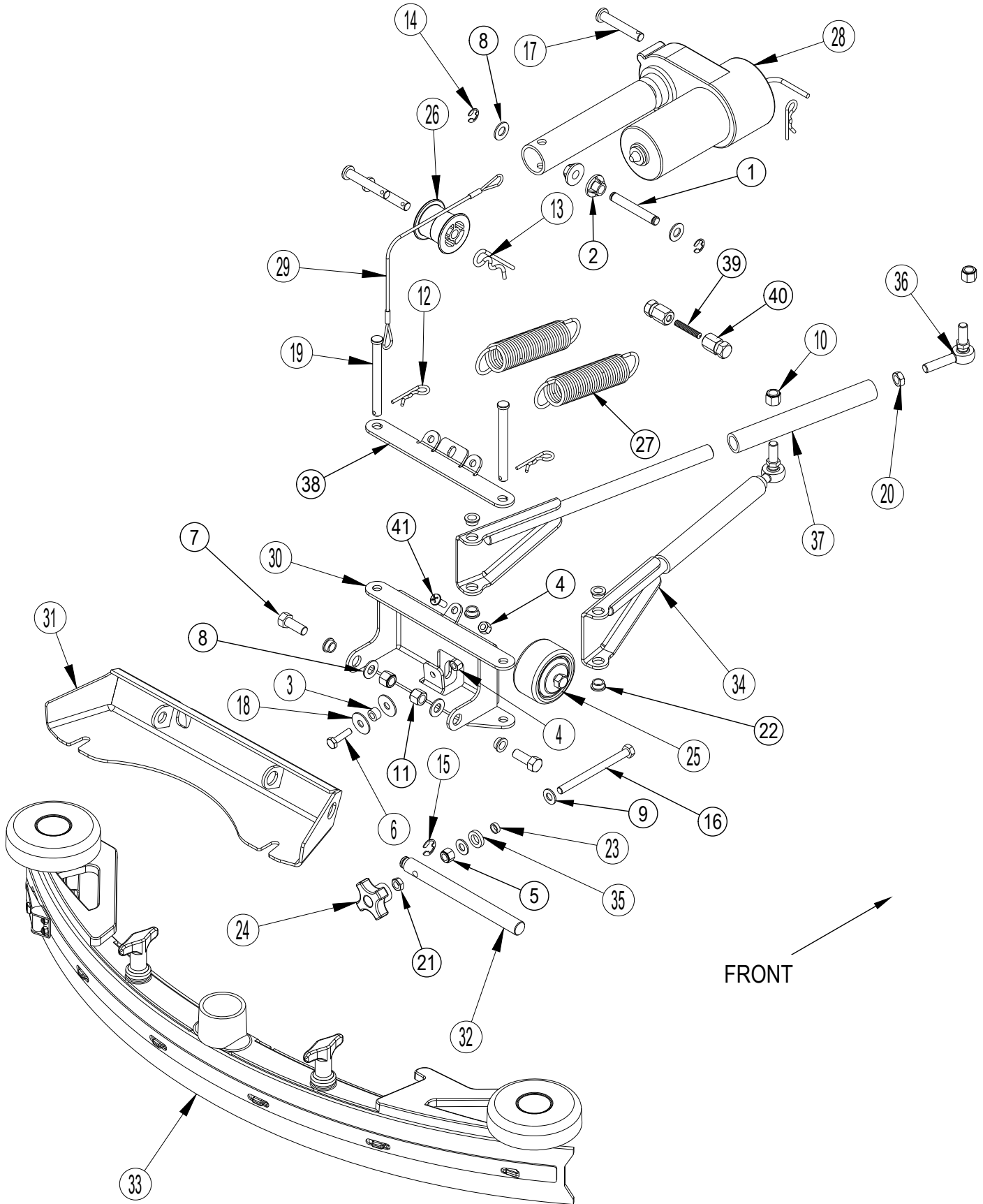
* = Optional, Not Included



Item	Ref. No.	Qty	Description
1	56001954	8	Wsh, Flt SAE #10
2	56001993	7	Scr, Pan Phil 10-24 X .50
3	56002098	4	Wsh, Flt SAE 1/4
4	56002145	10	Scr, Pan Phil 1/4-20 X .50
5	56002667	4	Scr, Hex 5/16-18 X .75
6	56002832	1	Nut, Hex Nyl Loc-Thin 10-24
7	56009122	4	Wsh, Flt .344 X .938 X .125
9	56601599	1	Cap, Raw W/ Tether
10	30445A	1	Hose, Solution
11	56244969	2	Clamp, Hose SAE #12
12	56305053	1	Sensor, Proximity
13	56305547	2	Plug, 1/2 Hex Pipe
15	56315296	1	Solution Filter
*	56601594	A/R	Solution Filter Kit
16	56381475	1	Ball Valve
17	56315634	1	Barb, Adaptor 3/4 X 1/2 Npt
19	56380132	1	Latch, 1/4 Turn
20	56380137	1	Retainer
21	56380141	1	Nut, Clamp
22	56410097	3	Clamp, P
23	56412182	1	Nipple, Hex 3/4-14
24	56601064	1	Solenoid Valve Assy (L1)
25	56601076	1	Solution Tank
26	56601212	1	Nipple, Reducer 3/4"Npt X 1/2"Npt
27	56601213	1	Battery Box
28	56601246	1	Mat
29	56601339	1	Charger Cover Weldment
30	56601713	1	Handle Cover-Top Panel NOTE 1
31	56601387	1	Electrical Cover Panel
32	56601511	1	Plate
33	56601670	1	Bracket, L
34	56601569	1	Gasket
35	56601570	1	Gasket
36	56507793	1	Clip-Conduit
37	56003039	1	Scr-Hex Hd Loc 1/4-20 x .50
38	56601685	1	Gasket
39	56601714	1	Handle Cover Weldt. NOTE 1
40	56321540	1	Grommet
41	56009029	2	Scr-Pan Phil Thd Form 10-24 x .50

* = Optional, Not Included

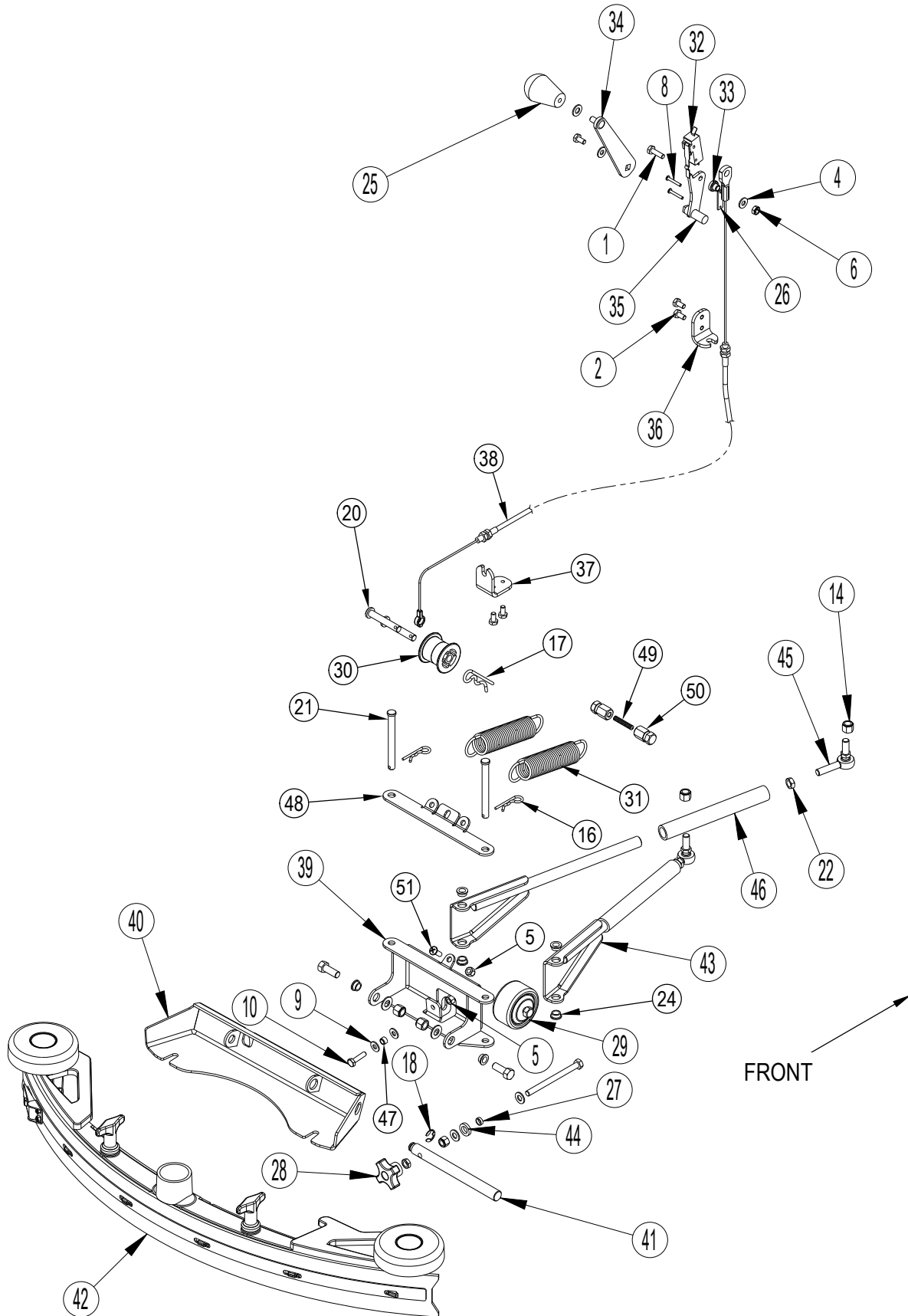
NOTE 1: Handle Cover 56601344 is no longer used in production. If you order 56601344 you will receive Handle Panel Kit 56601730 which contains items (1, 30, 39, 40 & 41).



Item	Ref. No.	Qty	Description
1	56412088	1	Pin
2	56412248	2	Spacer, Squeegee Cable
3	56453691	1	Spacer
4#	56002491	2	Nut, Hex Nyl Loc SS 1/4-20
5	56002856	1	Nut, Hex Nyl Loc SS 5/16-18
6	56002883	1	Scr, Hex SS 1/4-20 X 1.00
7	56002886	2	Scr, Hex SS 3/8-16 X 1.00
8	56002910	4	Wsh, Fit SAE SS 3/8
9	56002938	2	Wsh, Fit SAE SS 5/16
10	56002951	2	Nut, Hex Nyl Loc 3/8-24
11	56003219	2	Nut, Hex Nyl Loc SS 3/8-16
12	56003222	3	Pin, Cotter Hair
13	56003223	1	Pin, Cot Hair .148 X Dia .62/1.00
14	56003262	2	Ring, Ret Ext Type E 0.38 Dia
15	56003264	1	Ring, Ret Ext Type E 0.50 Dia
16	56003486	1	Scr, Hex Thd To Hd SS 5/16-18 X 4.00
17	56003656	3	Pin, Clevis .375 X 2.25
18	56003696	2	Wsh, Fit SS .33 X 1.00 X.060
19	56003713	2	Pin, Clevis .38 X 3.75
20	56009103	2	Nut, Hex Jam 3/8-24
21	56009141	1	Nut, Hex Jam SS 5/16-18
22	56324505	6	Bearing, Flange
23	56381818	1	Bushing .32x.44x.15
24	56407303	1	Knob
25	56412124	1	Wheel
26	56412208	1	Roller
27#	56412216	2	Spring, Extension
28	56601147	1	Actuator, Motor 24v (M3)
29	56601257	1	Cable Assembly
30	56601436	1	Squeegee Pivot Bracket Weld't
31	56601438	1	Squeegee Mount Bracket Weld't
32	56601442	1	Shaft
33	56601449	1	Squeegee Assy (28") (Includes Gum Rubber Blades)
	56601454	1	Squeegee Assy (34") (Includes Gum Rubber Blades)
34	56601460	2	Bar Weldment
35	56601463	1	Washer, Polyurethane
36	56601469	2	Rod End
37	56601512	2	Hose
38#	56382623	1	Bracket-Spring Advenger NOTE 1
39#	56382637	1	Rod-Threaded .25 X 1.25 NOTE 1
40#	56382624	2	Nut-Spring NOTE 1
41#	56002957	1	Scr Pan Phil SS 1/4-20 X .75 NOTE 1

= Revised or new since last update

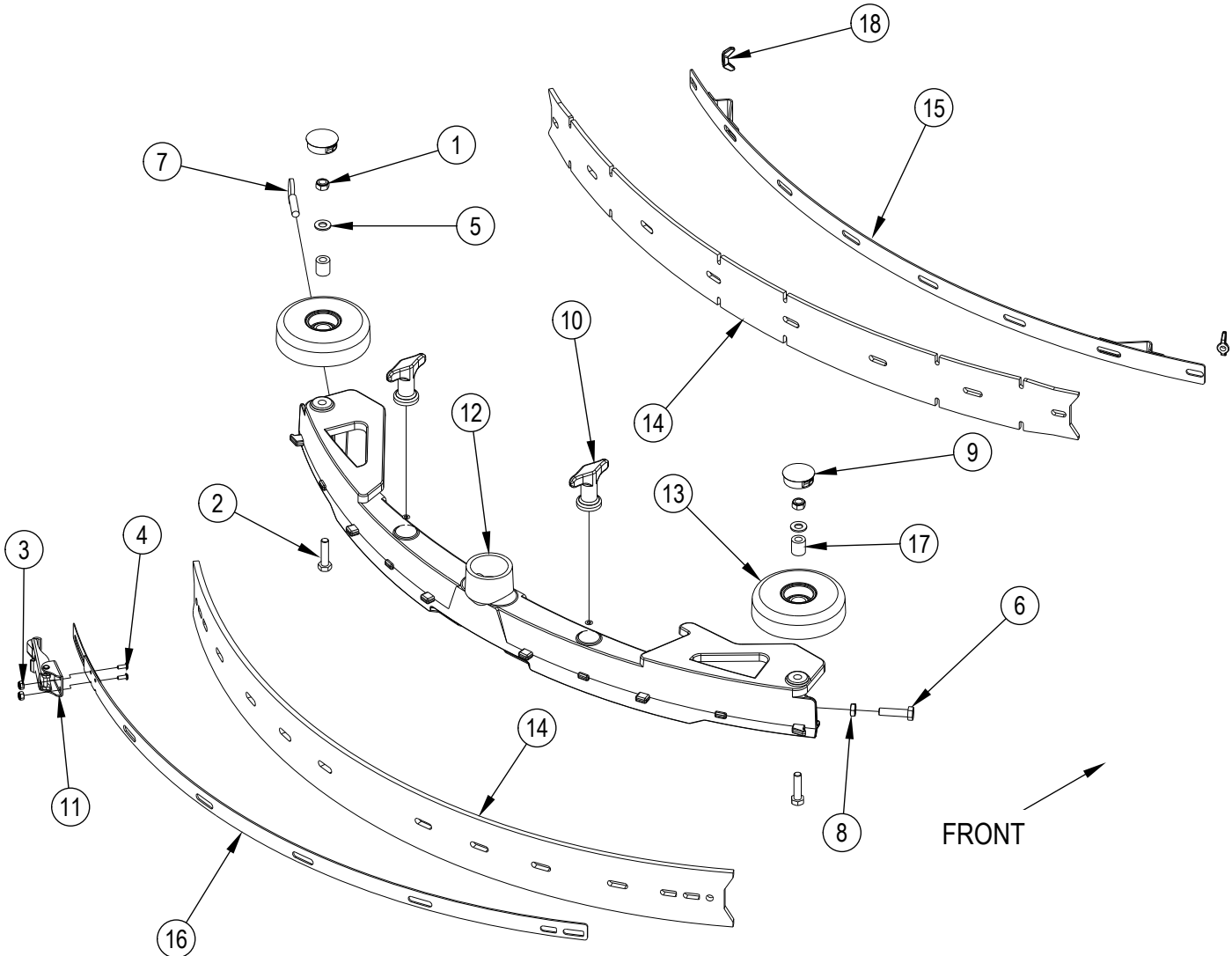
NOTE 1: These parts were implemented in production as of November 2011 to increase squeegee down pressure. Order Squeegee Spring Kit 56382635 to upgrade your machine to include this improvement.



Item	Ref. No.	Qty	Description
1	56001821	1	Scr, Hex 1/4-20 X .88
2	56001854	5	Scr, Hex 1/4-20 X .50
3	56001939	1	Wsh, Flt SAE 5/16
4	56002098	2	Wsh, Flt SAE 1/4
5#	56002491	2	Nut, Hex Nyl Loc SS 1/4-20
6	56002840	1	Nut, Hex Nyl Loc-Thin 1/4-20
7	56002856	1	Nut, Hex Nyl Loc SS 5/16-18
8	56002858	2	Scr, Pan Phil 6-32 X 1.00
9	56002859	2	Wsh, Flt SAE SS 1/4
10	56002883	1	Scr, Hex SS 1/4-20 X 1.00
11	56002886	2	Scr, Hex SS 3/8-16 X 1.00
12	56002910	2	Wsh, Flt SAE SS 3/8
13	56002938	2	Wsh, Flt SAE SS 5/16
14	56002951	2	Nut, Hex Nyl Loc 3/8-24
15	56003219	2	Nut, Hex Nyl Loc SS 3/8-16
16	56003222	2	Pin, Cotter Hair
17	56003223	1	Pin, Cot Hair .148 X Dia .62/1.00
18	56003264	1	Ring, Ret Ext Type E 0.50 Dia
19	56003486	1	Scr, Hex Thd To Hd SS 5/16-18 X 4.00
20	56003656	2	Pin, Clevis .375 X 2.25
21	56003713	2	Pin, Clevis .38 X 3.75
22	56009103	2	Nut, Hex Jam 3/8-24
23	56009141	1	Nut, Hex Jam SS 5/16-18
24	56324505	6	Bearing, Flange
25	56364527	1	Knob
26	56376015	1	Nut Plate
27	56381818	1	Bushing .32x.44x.15
28	56407303	1	Knob
29	56412124	1	Wheel
30	56412208	1	Roller
31#	56412216	2	Spring, Extension
32	56601160	1	Switch, Snap, Spst No
33	56601190	1	Bushing, Cable
34	56601218	1	Linkage Arm
35	56601221	1	Linkage, Weldment
36	56601233	1	Bracket, Cable
37	56601234	1	Bracket, Cable
38	56601235	1	Cable
39	56601436	1	Squeegee Pivot Bracket Weld't
40	56601438	1	Squeegee Mount Bracket Weld't
41	56601442	1	Shaft
42	56601449	1	Squeegee Assembly (28") (Includes Gum Rubber Blades)
	56601454	1	Squeegee Assembly (34") (Includes Gum Rubber Blades)
43	56601460	2	Bar Weldment
44	56601463	1	Washer, Polyurethane
45	56601469	2	Rod End
46	56601512	2	Hose
47	56453849	1	Bushing
48#	56382623	1	Bracket-Spring Advenger NOTE 1
49#	56382637	1	Rod-Threaded .25 X 1.25 NOTE 1
50#	56382624	2	Nut-Spring NOTE 1
51#	56002957	1	Scr Pan Phil SS 1/4-20 X .75 NOTE 1

= Revised or new since last update

NOTE 1: These parts were implemented in production as of November 2011 to increase squeegee down pressure. Order Squeegee Spring Kit 56382635 to upgrade your machine to include this improvement.



Item	Ref. No.	Qty	Description	Item	Ref. No.	Qty	Description
	56601449	1	Squeegee Assembly (Includes Gum Rubber Blades)	13	56601450	2	Wheel, 4.00 Od
1	56002851	2	Nut, Hex Nyl Loc-Thin SS 5/16-18	14#	56382518	1	Blade Kit-Squeegee-Gum 28 After October 2011 NOTE 1 / NOTE 5
2#	56003302	2	Scr Hex Thd/Hd SS 5/16-18X1.25	#	56601744	1	Blade Kit-Squeegee-Gum 28 Before November 2011 NOTE 1
3	56002907	2	Nut, Hex Nyl Loc SS 6-32	*#	56382527	1	Blade Kit, Squeegee PU After October 2011 / NOTE 1 / NOTE 5
4	56002909	2	Scr, Pan Phil SS 6-32 X .38	*#	56601745	1	Blade Kit, Squeegee PU Before November 2011 / NOTE 1
5	56002938	2	Wsh, Flt SAE SS 5/16	*#	56381985	1	Blade Kit, Squeegee Red Gum After October 2011 NOTE 1 / NOTE 5
6	56003302	1	Scr, Hex Thd To Hd SS 5/16-18 X 1.25	*#	56601746	1	Blade Kit, Squeegee Red Gum Before November 2011 NOTE 1
7	56003792	1	Scr, Thumb SS 5/16-18 X 1.25	15	56601489	1	Front Strap Weldment
8	56009141	1	Nut, Hex Jam SS 5/16-18	16#	56601591	1	Strap, Rear NOTE 3
9	56111444	2	Button Plug-1.25	#	56382676	1	Strap, Rear NOTE 4
10	56370711	2	Nut, Thumb	17	56601499	2	Bushing, Nylon
11	56471194	1	Latch	18	56009111	2	Nut-Wing SS 1/4-20 NOTE 3
12	NA	1	Squeegee Casting NOTE 2				

* = Optional, Not Included
= Revised or new since last update

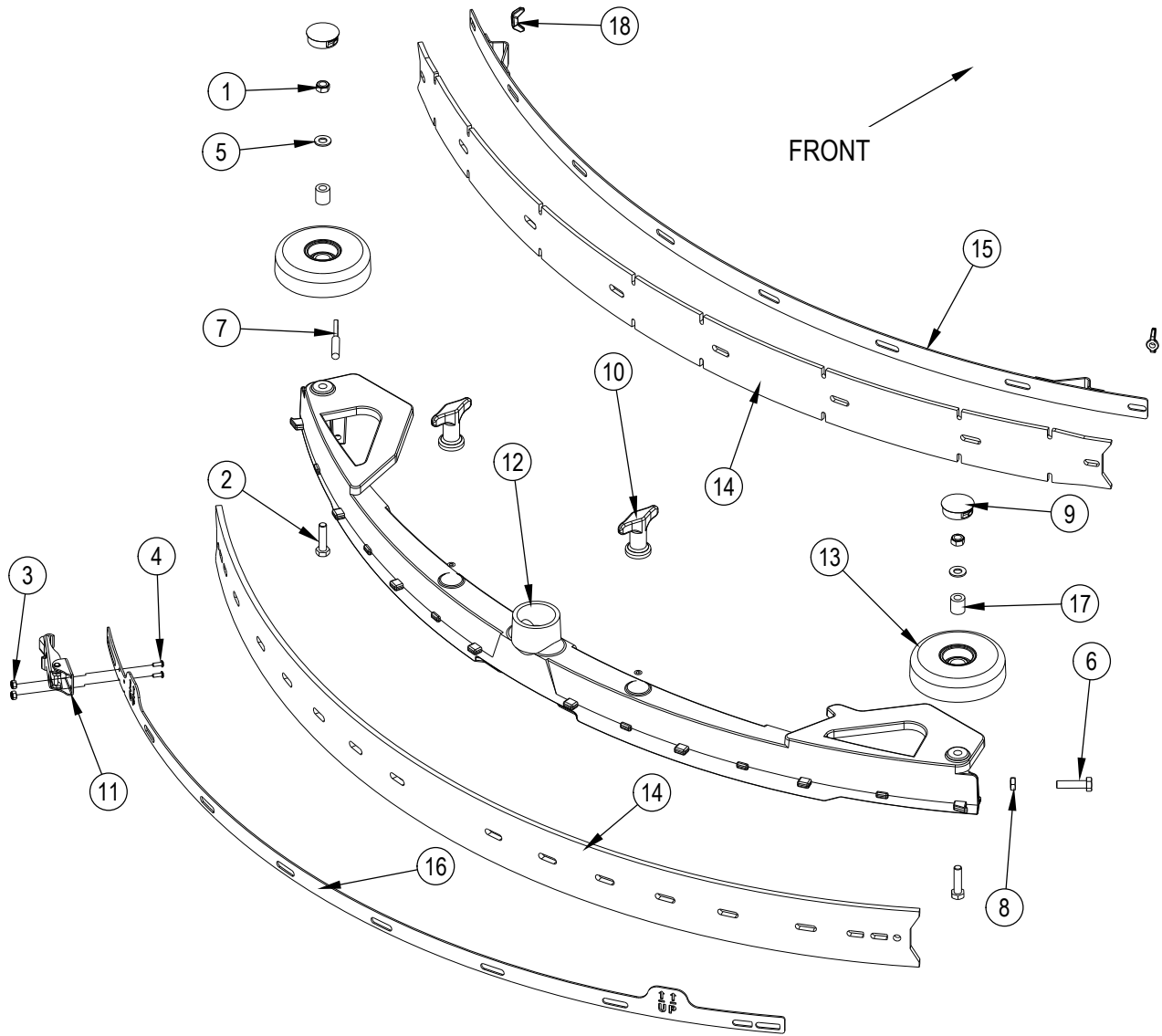
NOTE 1: All squeegee blade kits include both front and rear squeegee blades.

NOTE 2: The squeegee casting is not available for sale separately. If you need to replace your squeegee casting please order a new Squeegee Assembly part number 56601449.

NOTE 3: TSBUS2009-1041 - Only used before SN 3000023100.

NOTE 4: TSBUS2009-1041 - Only used after SN 3000023099.

NOTE 5: These squeegee blades are designed to provide increased performance and reduced streaking. When installing these blades on a machine built before November 2011 you must also order a new rear strap part number 56382676.



Item	Ref. No.	Qty	Description
	56601454	1	Squeegee Assembly
			(Includes Gum Rubber Blades)
1	56002851	2	Nut, Hex Nyl Loc-Thin SS 5/16-18
2#	56003302	2	Scr Hex Thd/Hd SS 5/16-18X1.25
3	56002907	2	Nut, Hex Nyl Loc SS 6-32
4	56002909	2	Scr, Pan Phil SS 6-32 X .38
5	56002938	2	Wsh, Flt SAE SS 5/16
6	56003302	1	Scr, Hex Thd To Hd SS 5/16-18 X 1.25
7	56003792	1	Scr, Thumb SS 5/16-18 X 1.25
8	56009141	1	Nut, Hex Jam SS 5/16-18
9	56111444	2	Button Plug-1.25
10	56370711	2	Nut, Thumb

Item	Ref. No.	Qty	Description
11	56471194	1	Latch
12	NA	1	Squeegee Casting NOTE 2
13	56601450	2	Wheel, 4.00 Od
14#	56382519	1	Blade Kit-Squeegee-Standard NOTE 1
*#	56382528	1	Blade Kit-Squeegee-Polyurethane NOTE 1
*#	56381986	1	Blade Kit-Squeegee-Red Gum NOTE 1
15	56601495	1	Front Strap Weldment (34")
16	56601496	1	Strap, Rear NOTE 4
	56601593	1	Strap, Rear NOTE 3
17	56601499	2	Bushing, Nylon
18	56009111	2	Nut-Wing SS 1/4-20 NOTE 3

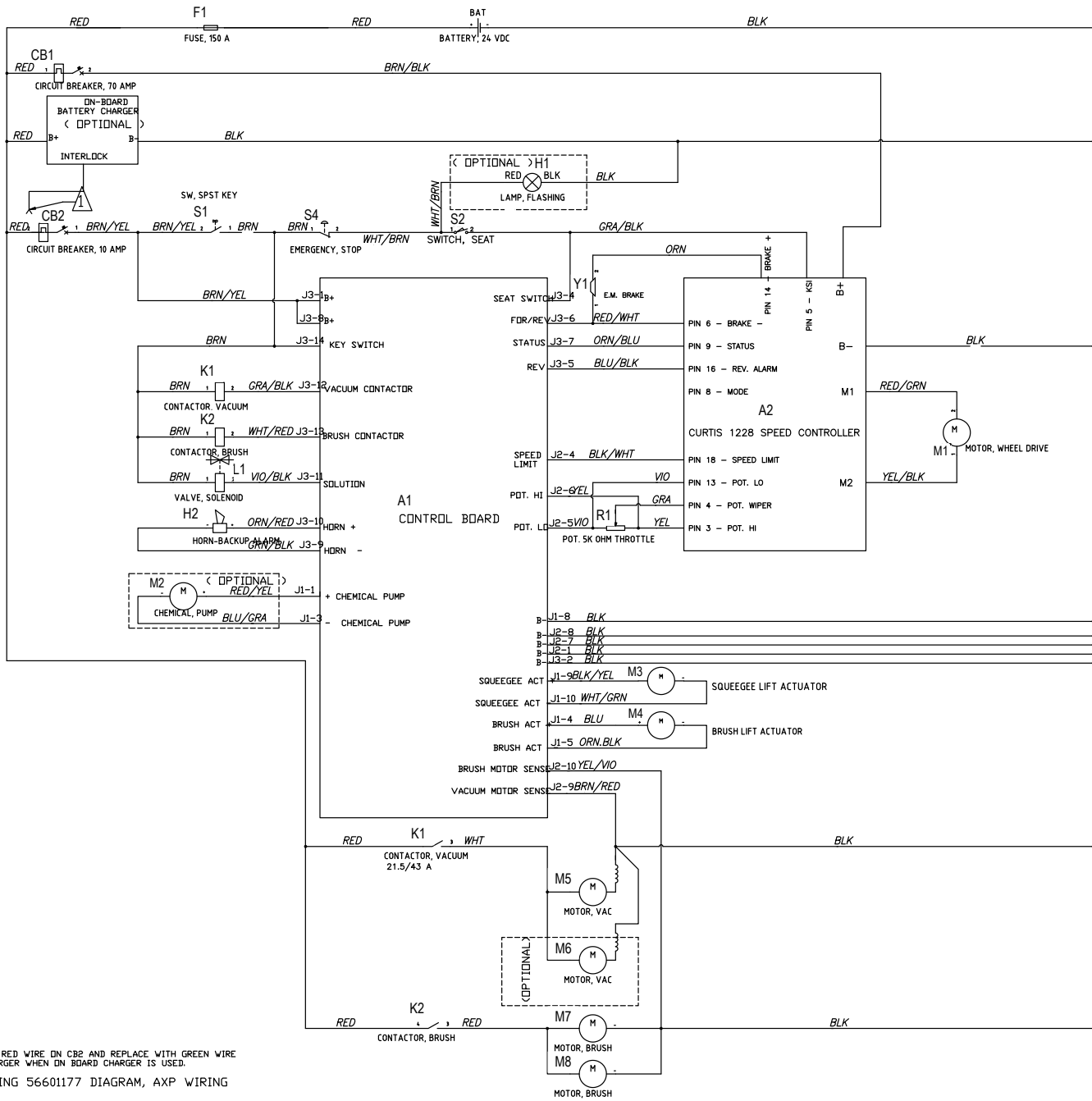
* = Optional, Not Included
 # = Revised or new since last update

NOTE 1: All squeegee blade kits include both front and rear squeegee blades.

NOTE 2: The squeegee casting is not available for sale separately. If you need to replace your squeegee casting please order a new Squeegee Assembly part number 56601454.

NOTE 3: **TSBUS2009-1041** - Only used before SN 300006847.

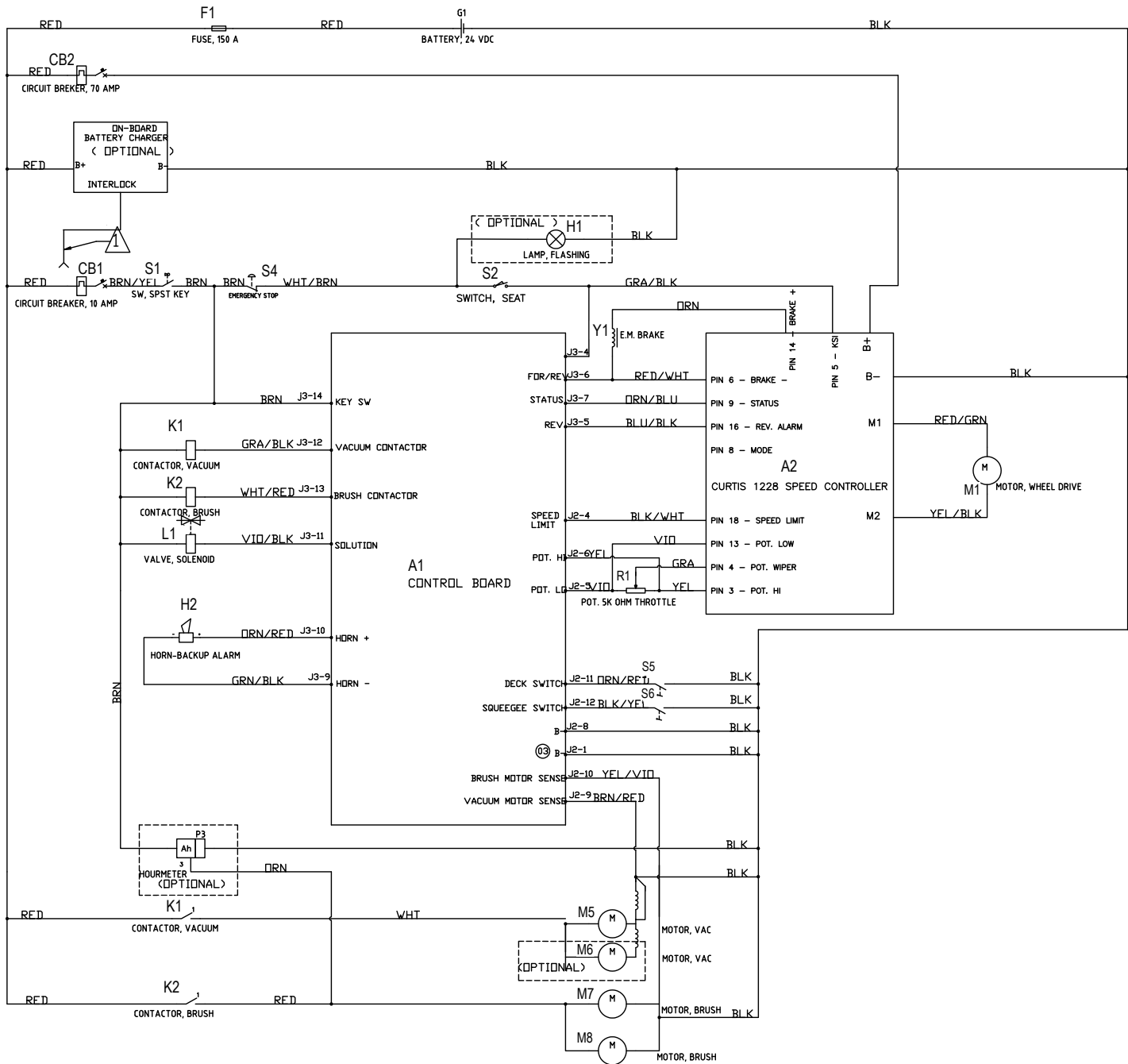
NOTE 4: **TSBUS2009-1041** - Only used after SN 300006846.



NOTES:
 ⚠ DISCONNECT RED WIRE ON CB2 AND REPLACE WITH GREEN WIRE FROM CHARGER WHEN ON BOARD CHARGER IS USED.
 REF DRAWING 56601177 DIAGRAM, AXP WIRING

Item	Ref. No.	Qty	Description
A1	56601565	1	Control PCB Assy
A2	56601061	1	Controller, Speed
BAT	N/A		Battery
F1	56412089	1	Fuse, 150 Amp
CB1	56454429	1	Circuit Breaker, 70 Amp
CB2	56507644	1	Circuit Breaker, 10 Amp
H1	56307166	1	Beacon, Warning (optional)
H2	56412177	1	Horn/Backup Alarm
K1	56601183	1	Contactactor 24v, 100 Amp
K2	56412179	1	Contactactor 24v
L1	56601064	1	Solenoid Valve Assy
M1	56601050	1	Motor / Drive Wheel
M2	56315241	1	Pump, Chemical
M3	56601147	1	Actuator, Motor 24v
M4	56601432	1	Lift Actuator Assembly
M5	56601132	1	Motor, Vac 24vdc
M6	56601132	1	Motor, Vac 24vdc (optional)
M7	56315061	1	Motor, 24 Vdc, .5 Hp, 1800 Rpm (cyl) TSBUS2010-1058
	56601134	2	Motor Gearbox Assy (disk)
M8	56315061	1	Motor, 24 Vdc, .5 Hp, 1800 Rpm (cyl) TSBUS2010-1058
	56601134	2	Motor Gearbox Assy (disk)
R1	N/A	1	Part of 56601052
S1	56303553	1	Key Switch
*	56303526	A/R	Replacement Key Set
S2	7-82-00050	1	Switch, Seat
S4	56407130	1	Disconnect, Emergency
Y1	56601507	1	Brake, Electromagnetic
#	56315773	1	Charger, On-Board 24v TSBUS2008-984

= Revised or new since last update



NOTES:
 ⚠ DISCONNECT RED WIRE ON CB2 AND REPLACE WITH GREEN WIRE FROM CHARGER WHEN ON BOARD CHARGER IS USED
 REF. DRAWING 56601179 DIAGRAM, ST WIRING

Item	Ref. No.	Qty	Description
A1	56601566	1	Control PCB Assy
A2	56601061	1	Speed Control
BAT	N/A		Battery
F1	56412089	1	Fuse, 150 Amp
CB1	56454429	1	Circuit Breaker, 70 Amp
CB2	56507644	1	Circuit Breaker, 10 Amp
H1	56307166	1	Beacon, Warning (optional)
H2	56412177	1	Horn/Backup Alarm
K1	56601183	1	Contactactor 24v, 100 Amp
K2	56412179	1	Contactactor 24v
L1	56601064	1	Solenoid Valve Assy
M1	56601050	1	Motor / Drive Wheel
M5	56601132	1	Motor, Vac 24vdc
M6	56601132	1	Motor, Vac 24vdc (optional)
M7	56601134	2	Motor Gearbox Assy
M8	56601134	2	Motor Gearbox Assy
R1	N/A	1	Part of 56601052
S1	56303553	1	Key Switch
*	56303526	A/R	Replacement Key Set
S2	7-82-00050	1	Switch, Seat
S4	56407130	1	Disconnect, Emergency
S5	56305053	1	Sensor-Proximity (Deck)
S6	56601160	1	Switch, Squeegee
Y1	56601507	1	Brake, Electromagnetic
#	56315773	1	Charger, On-Board 24v TSBUS2008-984

= Revised or new since last update

OPTIONAL KITS & ACCESSORIES

08-11

42

Advenger™

11-11

Item	Ref. No.	Qty	Description	Item	Ref. No.	Qty	Description
*	56397453	1	Kit-Battery Fill Indicator	*	56505780	2	34" Disk Scrub Brushes (See Brush Selector Guide) Short Trim Pad Holder
*	7-03-04249	1	Kit-Seat Armrests	*	56505195	2	Pad Retainer for 56505750
*	56601085	1	Kit-Warning Beacon	*	56505785	2	ProLite
*	56601087	1	Kit-Vacuum Wand With Caddy	*	56505784	2	Prolene
*	56422162	1	Kit-Seat Belt	*	56505786	2	Union Mix
*	56601098	1	Kit-Dual Vac Motor	*	56505783	2	AgLite Grit 500
*	56601527	1	Battery Watering Kit	*	56505787	2	MidGrit 240
*	56302198	1	Kit-Hour Meter	*	56505788	2	MidLite Grit 180
*	56315732	1	Quiq Programmer Kit	*	56505782	2	Dyna Grit 80
*	56601086	1	Kit-Debris Tray	*	56505781	2	Magna Grit 46
*	56601088	1	Kit-Vacuum Sound Reduction				28" Cylindrical Scrub Brushes (See Brush Selector Guide)
*	56601089	1	Kit-Seat Upgrade	*	56412191	2	Soft Nylon
*	56601093	1	Kit-Solution Drain Hose	*	56412192	2	Hard Nylon
*	56601546	A/R	Kit-28" Disk Deck	*	56412046	2	Prolene
*	56601547	A/R	Kit-34" Disk Deck	*	56412193	2	MidLite Grit 180
*	56601548	A/R	Kit-28" Cylindrical Deck	*	56412194	2	Dyna Grit 80
*	56601084	A/R	Kit-Battery Rollout	*	56412195	2	Magna Grit 46
				* = Optional, Not Included			
				# = Revised or new since last update			
28" Squeegee Blade Kits							
#	56382518	1	Blade Kit-Squeegee-Gum 28 After October 2011 NOTE 1 / NOTE 4				
#	56601744	1	Blade Kit-Squeegee-Gum 28 Before November 2011 NOTE 1				
*#	56382527	1	Blade Kit, Squeegee PU After October 2011 / NOTE 1 / NOTE 4				
*#	56601745	1	Blade Kit, Squeegee PU Before November 2011 / NOTE 1				
*#	56381985	1	Blade Kit, Squeegee Red Gum After October 2011 NOTE 1 / NOTE 4				
*#	56601746	1	Blade Kit, Squeegee Red Gum Before November 2011 NOTE 1				
34" Squeegee Blade Kits							
#	56382519	1	Blade Kit-Squeegee-Standard NOTE 1				
*#	56382528	1	Blade Kit-Squeegee-Polyurethane NOTE 1				
*#	56381986	1	Blade Kit-Squeegee-Red Gum NOTE 1				
Disk Deck Blade Kits							
	56601092	1	Blade Kit-Gum NOTE 2				
*	56601091	1	Blade Kit-PU NOTE 2				
*	56601678	1	Blade Kit-Red Gum NOTE 2				
Cylindrical Deck Blade Kits							
	56316194	1	Blade Kit-Gum NOTE 3				
*	56601538	1	Blade Kit-PU NOTE 3				
*	56601681	1	Blade Kit-Red Gum NOTE 3				
Accessories							
*	56409441	A/R	Programmer, 1311 User				
*	56409823	A/R	Programmer Cable				
*	56044418	1	Literature Pack				
28" Disk Scrub Brushes (See Brush Selector Guide)							
*	56505800	2	Short Trim Pad Holder				
*	56505195	2	Pad Retainer for 56505750				
*	56505805	2	ProLite				
*	56505804	2	Prolene				
*	56505806	2	Union Mix				
*	56505803	2	AgLite Grit 500				
*	56505807	2	MidGrit 240				
*	56505808	2	MidLite Grit 180				
*	56505802	2	Dyna Grit 80				
*	56505801	2	Magna Grit 46				

NOTE 1: All squeegee blade kits include both front and rear squeegee blades.

NOTE 2: All disk deck blade kits include all side skirt blades.

NOTE 3: All cylindrical deck blade kits include all blades necessary.

NOTE 4: These squeegee blades are designed to provide increased performance and reduced streaking. When installing these blades on a machine built before November 2011 you must also order a new rear strap part number 56382676.

We provide brushes and pad holders that will give you the best possible performance between machine and floor. Following are descriptions of the materials and their applications.

- ProLite:** Bristles are made from light-duty polypropylene for general scrubbing when you do not want to scratch or remove finish from the floor. Recommended for use in place of red pads.
- Prolene:** Polypropylene material for medium-duty scrubbing on concrete, terrazzo and vinyl floor tile. Recommended for use in place of green or blue pads.
- Union Mix:** Medium grade natural fibers for polishing finished floors with standard-speed equipment. Recommended for use in place of white pads.
- AgLite Grit 500:** For light scrubbing when used wet; buffing or polishing when used dry on urethane coated, sealed concrete or other resilient hard surface floors. Recommended for use in place of red or white pads.
- MidGrit 240:** For general purpose scrubbing when you need a lighter action for sealed or unsealed concrete, stone, terrazzo, quarry tile and other resilient hard floor surfaces. Recommended for use in place of green or blue pads.
- MidLite Grit 180:** For general purpose scrubbing of sealed or unsealed concrete, stone, terrazzo, quarry tile and other resilient hard floor surfaces. Recommended for use in place of green or blue pads.
- Dyna Grit 80:** For aggressive, heavy-duty scrubbing or stripping of floors. Recommended for use in place of brown pads.
- Magna Grit 46:** For extreme heavy-duty scrubbing or stripping of floors. This brush has extra large diameter silicon carbide grit impregnated synthetic bristles. Recommended for use in place of black pads.
- Short Trim Pad Holder:** Made with a structural foam block and center ring for correct pad centering. It has a "shower feed" design for getting solution to the floor.

28" BRUSHES

56505800 - Short Trim Pad Holder
 56505195 - Pad Retainer for 56505800
 56505805 - ProLite
 56505804 - Prolene
 56505806 - Union Mix
 56505803 - AgLite Grit 500
 56505807 - MidGrit 240
 56505808 - MidLite Grit 180
 56505802 - Dyna Grit 80
 56505801 - Magna Grit 46

34" BRUSHES

56505780 - Short Trim Pad Holder
 56505195 - Pad Retainer for 56505780
 56505785 - Prolite
 56505784 - Prolene
 56505786 - Union Mix
 56505783 - AgLite Grit 500
 56505787 - MidGrit 240
 56505788 - MidLite Grit 180
 56505782 - Dyna Grit 80
 56505781 - Magna Grit 46

DISC BRUSH APPLICATION GUIDE (SUGGESTION ONLY)

Application	46 Grit	80 Grit	180 Grit	240 Grit	500 Grit	Prolene	Prolite	Union Mix
Stripping:								
Concrete	X	X						
Terrazzo	X	X						
Ceramic/Quarry tile		X						
Vinyl tile		X						
General Scrubbing:								
Concrete	X	X	X	X		X		
Terrazzo			X	X	X	X		
Ceramic/Quarry tile			X	X	X	X		
Marble					X		X	
Vinyl tile			X		X	X		
Raised-rubber tile					X		X	
Polishing:								
Raised Disc Tile								X
Marble								X
Vinyl tile								X

We provide brushes and pad holders that will give you the best possible performance between machine and floor. Following are descriptions of the materials and their applications.

- Soft Nylon:** Least aggressive brush available. Used on soft-finish floors where a more aggressive brush would leave scratch marks, or in applications requiring very light cleaning.
- Stiff Nylon:** Cleaning action similar to polypropylene. More durable and wear-resistant than polypropylene.
- Prolene:** Low cost, yet effective in cleaning many common floor surfaces.
- MidLite Grit 180:** Least aggressive grit brush. Used for daily cleaning of hard-finished floors.
- Dyna Grit 80:** Medium aggressive grit brush. Good all-around brush for medium to heavy buildup removal. Can also be used for general stripping operations.
- Magna Grit 46:** Most aggressive grit brush. Used primarily to clean heavy buildup on concrete floors in factories, or for heavy stripping of finish.

28" BRUSHES

- 56412191 - Soft Nylon
- 56412192 - Hard Nylon
- 56412046 - Prolene
- 56412193 - MidLite Grit 180
- 56412194 - Dyna Grit 80
- 56412195 - Magna Grit 46

CYLINDRICAL BRUSH APPLICATION GUIDE (SUGGESTION ONLY)

Application	46 Grit	80 Grit	180 Grit	Polypro- pylene	Stiff Nylon	Soft Nylon
Stripping:						
Concrete	X	X				
Terrazzo	X	X				
Ceramic/Quarry tile		X				
Vinyl tile		X				
General Scrubbing:						
Concrete	X	X	X	X	X	
Terrazzo			X	X	X	X
Ceramic/Quarry tile			X	X	X	X
Marble			X		X	X
Vinyl tile			X	X	X	X
Raised-rubber tile			X			X

Gum Rubber: Provides superior wiping action on tile, terrazzo, and polished floors.

Red Gum Rubber: Provides longest life on finished or unfinished concrete floors.

Polyurethane: Oil resistance provides superior life in applications with oily floors.

SQUEEGEE BLADE APPLICATION GUIDE(SUGGESTION ONLY)

Performance Traits	Gum Rubber (Natural Rubber)	Red Gum Rubber (Natural Rubber)	Polyurethane/ Pentathane
Resilience	X		X
Tear Strength	X		X
Abrasion Resistance	X	X	X
Wear Resistance		X	X
Low Temp Flexibility	X	X	
High Temp Flexibility	X		X
Ozone Resistance			
Chemical Resistance			X
Applications			
Oil Resistant Applications			X
General Purpose	X	X	X
Hot Water Applications		X	X
Chemical Applications			X
Color	Tan	Red	Translucent



Nilfisk-Advance Equipamentos de Limpeza Ltda.
Av. Dep. Emílio Carlos, 2.499 - Bairro do Limão - 02721-200
São Paulo - SP - Brasil
www.nilfisk-advance.ind.br
www.plataforma.ind.br
Tel.: (11) 3959-0300
Fax: (11) 3959-0306
©2011 Nilfisk-Advance, Inc.



14600 21st Avenue North
Plymouth, MN 55447-3408
www.advance-us.com
Phone: 800-989-2235
Fax: 800-989-6566
©2011 Nilfisk-Advance, Inc.

A Nilfisk-Advance Brand