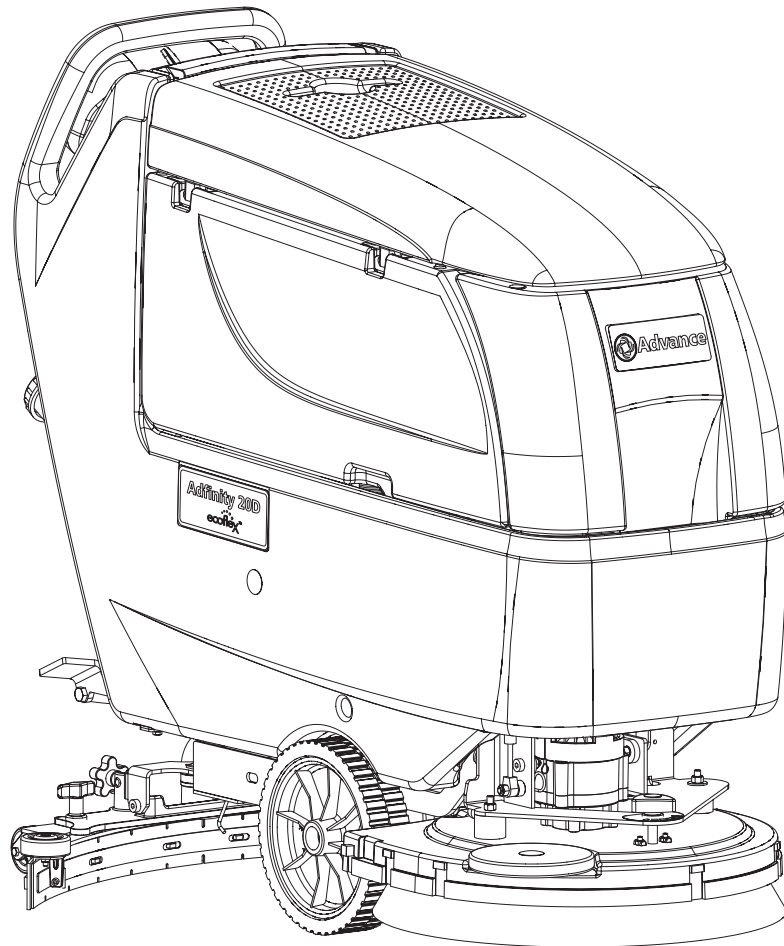
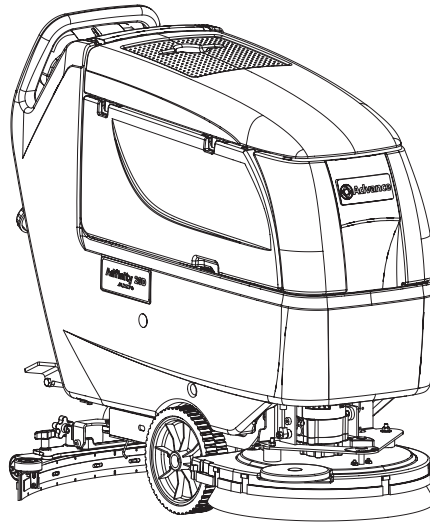


Adfinity™ 20D X20D / X20C / X24D ecoflex™



PARTS LIST

Advance models: 908 7163 020
908 7164 020
908 7165 020
908 7166 020



DESCRIPTION

PLAN

GENERAL VIEW	2 - 3
SOLUTION TANK	4 - 5
RECOVERY TANK	6 - 7
CHASSIS SYSTEM	8 - 9
WHEELS AND TRACTION	10 - 11
HANDLE ASSEMBLY	12 - 13
SOLUTION SYSTEM	14 - 15
ECOFLEX™	16 - 17
SQUEEGEE SYSTEM ADFINITY™ 20D / X20D / X20C	18 - 19
SQUEEGEE SYSTEM ADFINITY™ X24D	20 - 23
BRUSH SYSTEM ADFINITY™ 20D / X20D	24 - 25
SPLASH GUARD	26 - 27
BRUSH SYSTEM ADFINITY™ X20C	28 - 29
BRUSH SYSTEM ADFINITY™ X24D	30 - 31
ACCESSORIES	32 - 33
CONTROL PANEL SYSTEM	34 - 35
ELECTRICAL COMPONENTS	36 - 37
WIRING DIAGRAM	38
RECOMMENDED SPARE PARTS	39 - 41
OPTIONALS	42

WHEN ORDERING PARTS

- * Use the 8, 9 or 10 digit numbers from the "Ref. No." columns in this parts list.
- * Specify the model and serial number of the machine.
- * Use the space below to record the model and serial number for future reference.

Model _____ Serial No. _____

*** = Optional**

= Modified item No. or New item No.

[] = Not shown

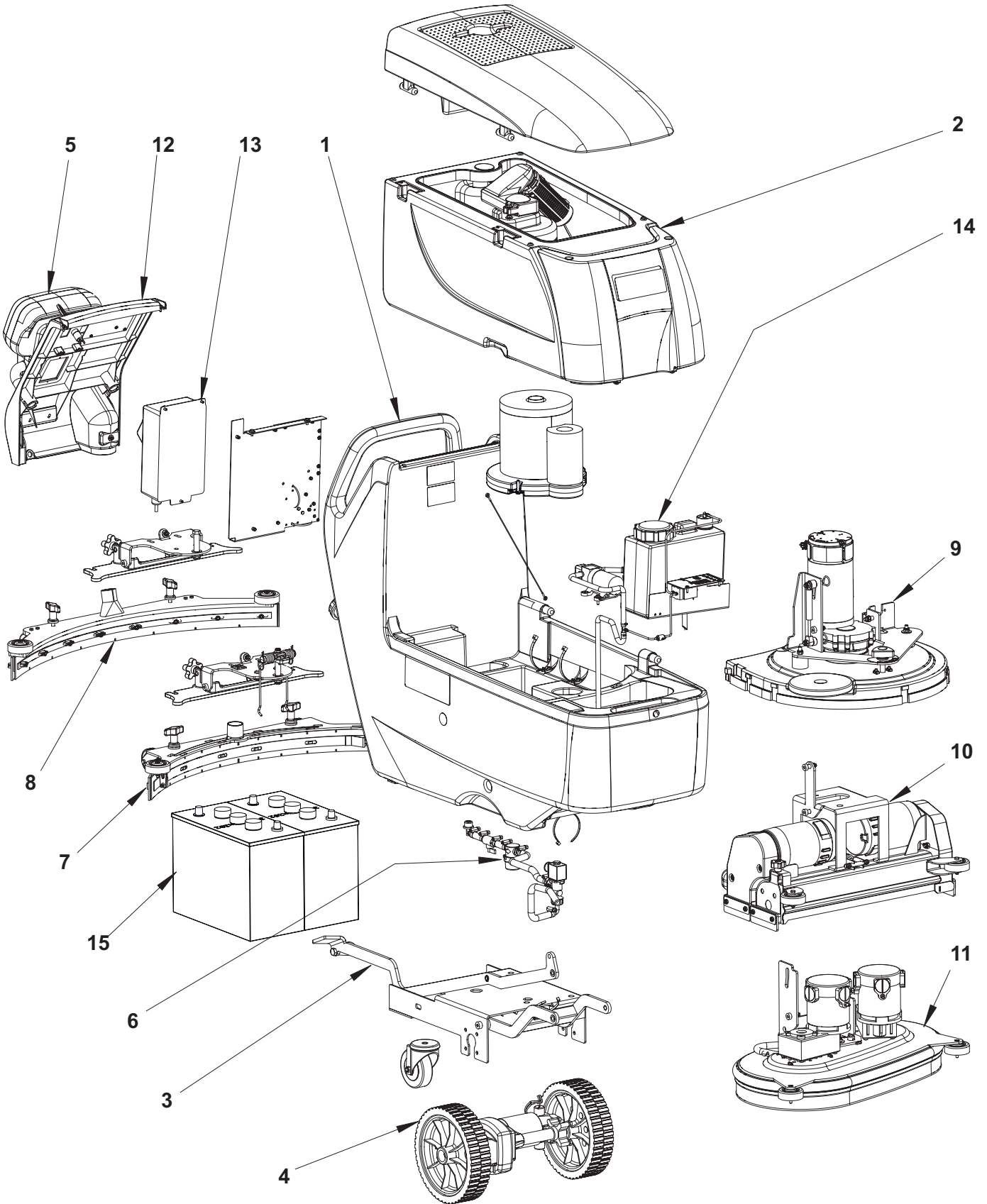
GENERAL VIEW

2007-01

2

Adfinity™ 20D / X20D / X20C / X24D

2007-09



2007-01

GENERAL VIEW

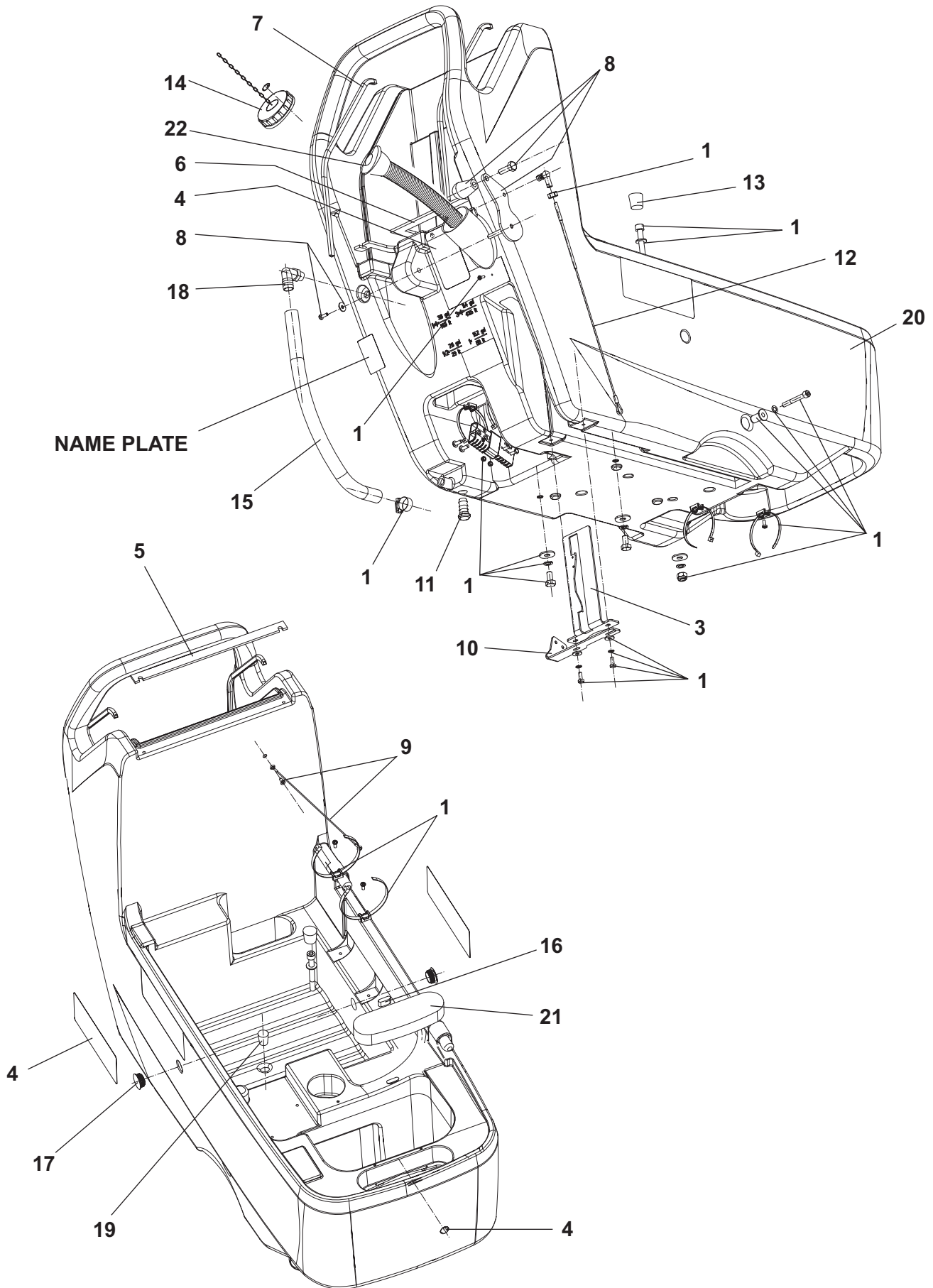
2007-09

Adfinity™ 20D / X20D / X20C / X24D

3

Item No.	Ref. No.	Qty	Description
1		1	SOLUTION TANK
2		1	RECOVERY TANK
3		1	CHASSIS SYSTEM
4		1	WHEELS AND TRACTION ADFINITY™
5		1	HANDLE ASSEMBLY
6		1	SOLUTION SYSTEM
7		1	SQUEEGEE SYSTEM ADFINITY™ 20D / X20D / X20C
8		1	SQUEEGEE SYSTEM ADFINITY™ X24D
9		1	BRUSH SYSTEM ADFINITY™ 20D / X20D
10		1	CYL. BRUSHES SYSTEM ADFINITY™ X20C
11		1	BRUSHES SYSTEM ADFINITY™ X24D
12		1	CONTROL PANEL SYSTEM
13		1	ELECTRICAL COMPONENTS
14A		1	ECOFLEX™ SYSTEM
15		1	BATTERY ASSEMBLY

A: ONLY FOR ADFINITY™ X20D / X20C / X24D



2007-01

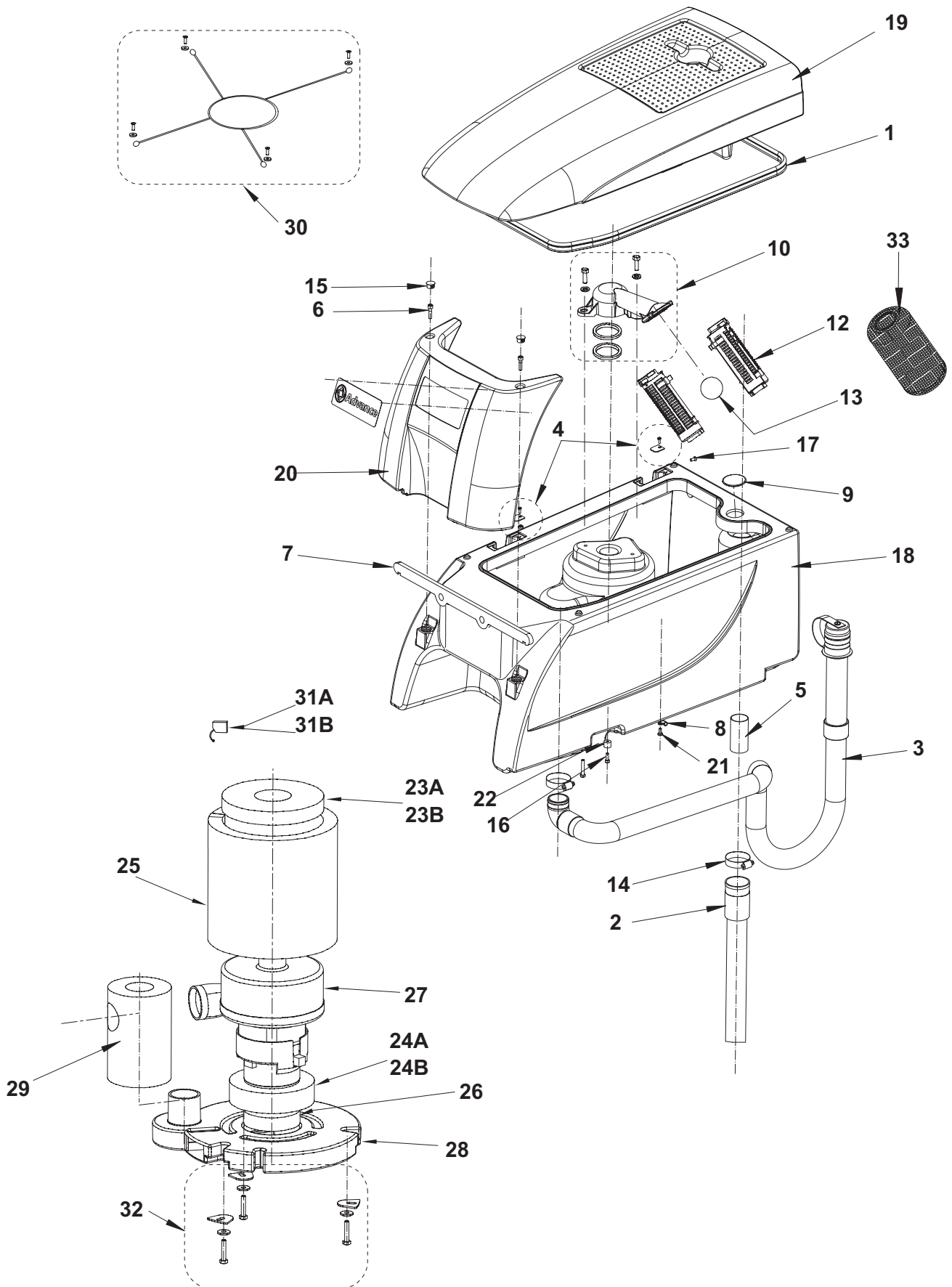
SOLUTION TANK

2010-03

Adfinity™ 20D / X20D / X20C / X24D**5**

Item No.	Ref. No.	Qty	Description
1	9098265000	1	SOLUTION TANK HARDWARE KIT
2	145 8479 000	1	DOWEL M6
3	909 6493 000	1	PEDAL SUPPORT
4	9098450000	1	DECALS Adfinity™ 20D-X20D-X20C-X24D KIT
5	909 6596 000	1	GASKET
6	909 6597 000	1	GASKET
7	909 6892 000	2	GASKET
8	9097630000	1	HARDWARE SQUEEGEE LEVER FIXING KIT
9	909 6874 000	1	CABLE TANK BLOCK KIT
10	909 6649 000	1	BRACKET CONNECTOR SUPPORT
11	9097003000	1	PLUG (ONLY FOR Adfinity™ X20D-X20C-X24D)
12A	9098675000	1	SQUEEGEE LIFTING CABLE KIT
	9098672000	1	INSTALLATION INTRUCTIONS
13	909 6673 000	1	CAP
14	909 6554 000	1	SOLUTION CAP WITH CHAIN AND GASKET
15	909 6521 000	1	SOLUTION HOSE
16	9096921000	1	PLUG ANTISPLASH
17	L08812457	2	TANK LOCKING CAP
21#	9099374000	1	FITTING PIPE
19	909 6236 000	1	BLACK CAP
20	909 6048 000	1	SOLUTION TANK
21	909 6671 000	1	SPONGE IN-LET FRESH WATER TANK
22*	9097290000	1	FILLING HOSE

A: SEE TSB IT 2010-053



2007-01

RECOVERY TANK

2011-11

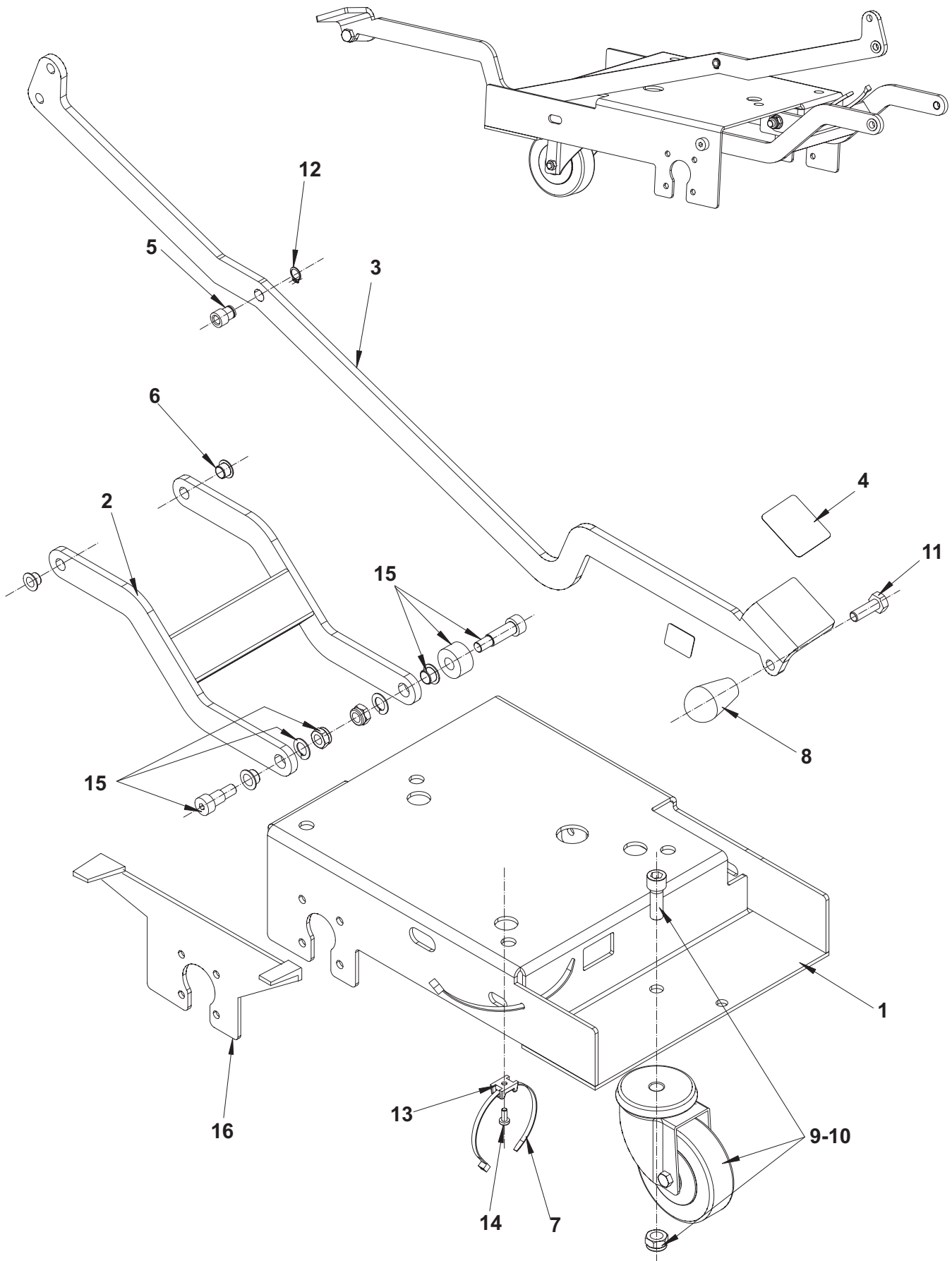
Adfinity™ 20D / X20D / X20C / X24D

7

Item No.	Ref. No.	Qty	Description
1	146 0741 000	1	COVER TANK GASKET
2	909 6230 000	1	HOSE SQUEEGEE VACUUM
3#	9099165000	1	DRAIN HOSE
4	9097654000	1	TANK FIXING KIT
5	909 6640 000	1	ANTI SPLASH SQUEEGEE HOSE
6	33004347	2	SCREW M6X25
7	9097044000	1	GASKET, PANEL RECOVERY TANK
8	L08603845	1	CLAMP
9	909 6899 000	1	CAP FOR TANK COVER
10	9097728000	1	CAGE FLOAT HOLDER KIT
	9097729000	1	INSTALLATION INSTRUCTION FOR CAGE FLOAT HOLDER KIT
12	L08812259	2	CAGE, FLOAT COMPLETE
13	L08812373	1	FLOATING BALL
14	145 0543 000	2	CLAMP
15	145 8008 000	2	CAP Ø. 18.2
16	33004328	1	SCREW M5X16
17	33005124	1	SCREW HEX HD 5X12
18	909 6049 000	1	RECOVERY TANK 55L
19	909 6050 000	1	TANK COVER 55L
20	909 6224 000	1	PANEL RECOVERY TANK
21	909 6337 000	1	SCREW CYL HD M5X12
22	909 6664 000	1	SPACER D 5,5X15X12
23A	909 6489 000	1	GASKET VACUUM MOTOR
23B	9098055000	1	GASKET VACUUM MOTOR
24A	909 6490 000	1	GASKET VACUUM MOTOR
24B	9098056000	1	GASKET VACUUM MOTOR
25	909 6491 000	1	ACOUSTIC INSULATION PANEL
26	909 6672 000	1	FILTER
27#	9099401000	1	MOTOR VACUUM W/CONNECTOR KIT
28	909 6051 000	1	VACUUM MOTOR COVER
29	909 6442 000	1	ACOUSTIC INSULATION PIPE
30	909 6734 000	1	RUBBER BAND KIT
31A	909 5371 000	2	CARBON BRUSH (AMETEK)
31B	9098231000	1	BRUSH CARBON KIT 2PCS (VIPER)
32	909 6877 000	1	HARDWARE MOTOR FIXING KIT
33*	909 5065 000	1	FILTER ANTIFOAMING TSB IT 2008-002
[34]	909 6876 000	1	HARDWARE OLD TYPE CAGE SUP.FIXING KIT FOR OLD CAGE FLOAT HOLDER
[35]*#	9098853000	1	ELBOW 90 SUCT.HOSE KIT RAL7001

A: FOR MOTOR 9099401000 (AMETEK)

B: FOR MOTOR 9098062000 (VIPER)



2007-01

CHASSIS SYSTEM

2011-11

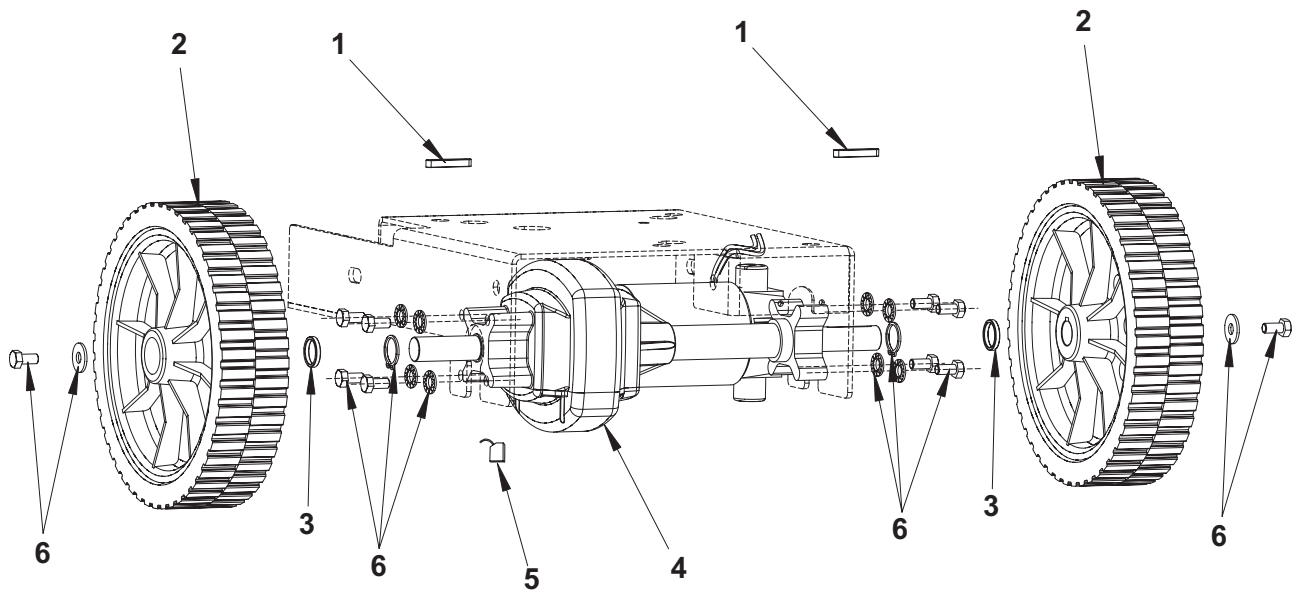
Adfinity™ 20D / X20D / X20C / X24D

9

Item No.	Ref. No.	Qty	Description
1	909 6481 000	1	CHASSIS 55 LT
2	909 6486 000	1	LEVER DECK LIFTING
3	909 6487 000	1	PEDAL BRUSH LIFTING
4	909 6539 000	1	ANTISKID MAT
5	909 6540 000	1	BUSH FLANGED
6	909 6594 000	3	BUSH FLANGED
7	145 0524 000	2	PASSRING
8	909 6621 000	1	KNOB
9	909 6879 000	1	WHEEL CASTOR SS KIT
10*#	9098947000	1	WHEEL CASTOR SS
11	33004010	1	SCREW HEX HD M10X30
12	33006051	1	RETAINING RING
13	909 6595 000	2	FLAT TIE HOLDER
14	909 6337 000	2	SCREW CYL HD M5X12
15	909 6878 000	1	HARDWARE CHASSIS FIXING KIT
16A	9098575000	1	SUPPORT REINFOR.LEFT SOL.
	9098576000	1	INSTALLATION INSTRUCTION

A: SEE TSB 2009-031

9096911000



2007-01

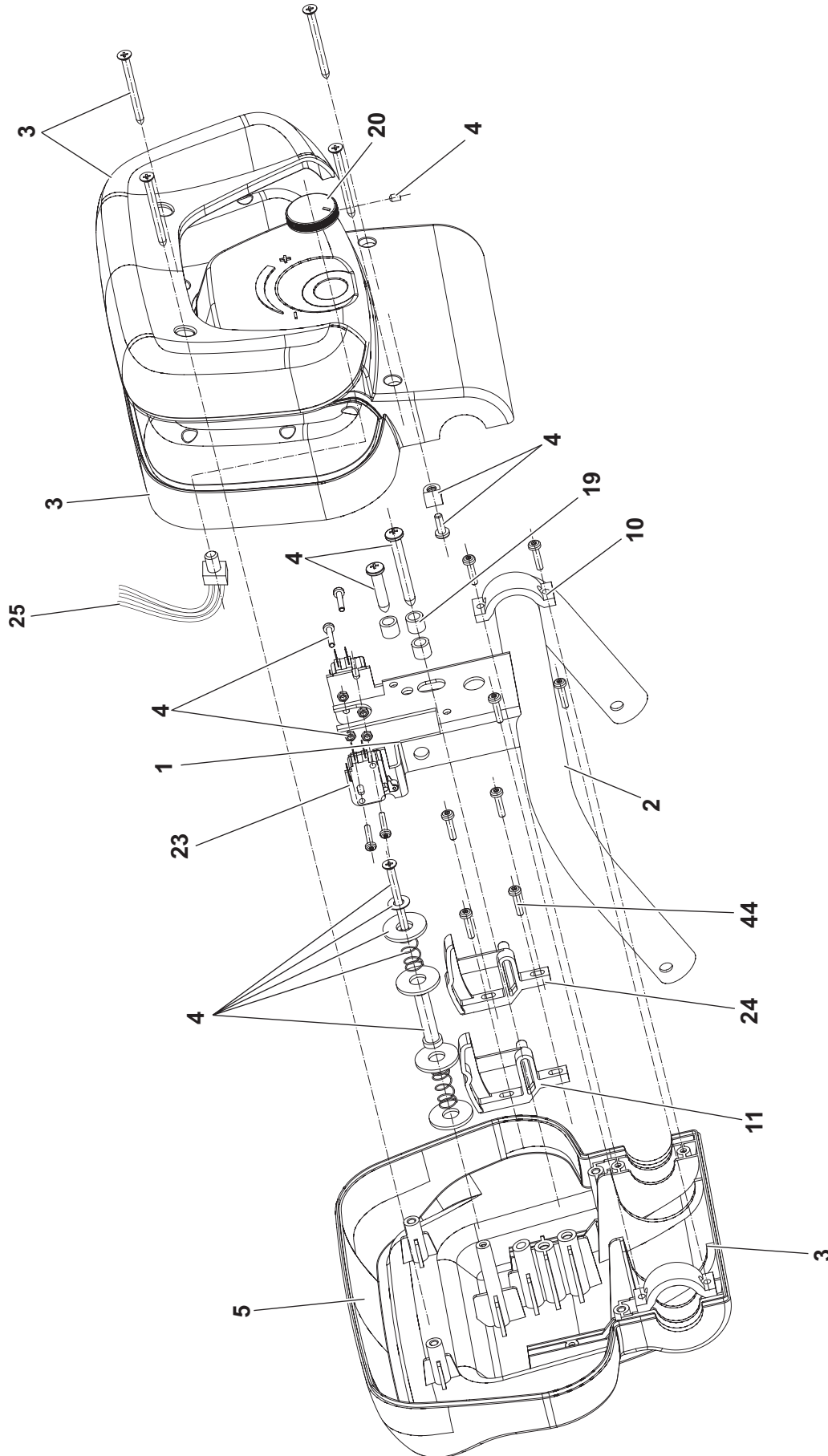
WHEELS AND TRACTION

2009-10

Adfinity™ 20D / X20D / X20C / X24D

11

Item No.	Ref. No.	Qty	Description
1	146 0769 000	2	KEY
2	909 6863 000	2	WHEEL FRONT D.250 DRIVE
2	9097026000	2	WHEEL FRONT D.250 DRIVE 65SH
3	909 6506 000	2	SPACER 20,5X25X5
4	909 6548 000	1	MOTOR DRIVE 24V 200W
5	145 5124 000	2	CARBON BRUSH
6	9098298000	1	HARDWARE DRIVE WHEELS KIT



2007-01

HANDLE ASSEMBLY

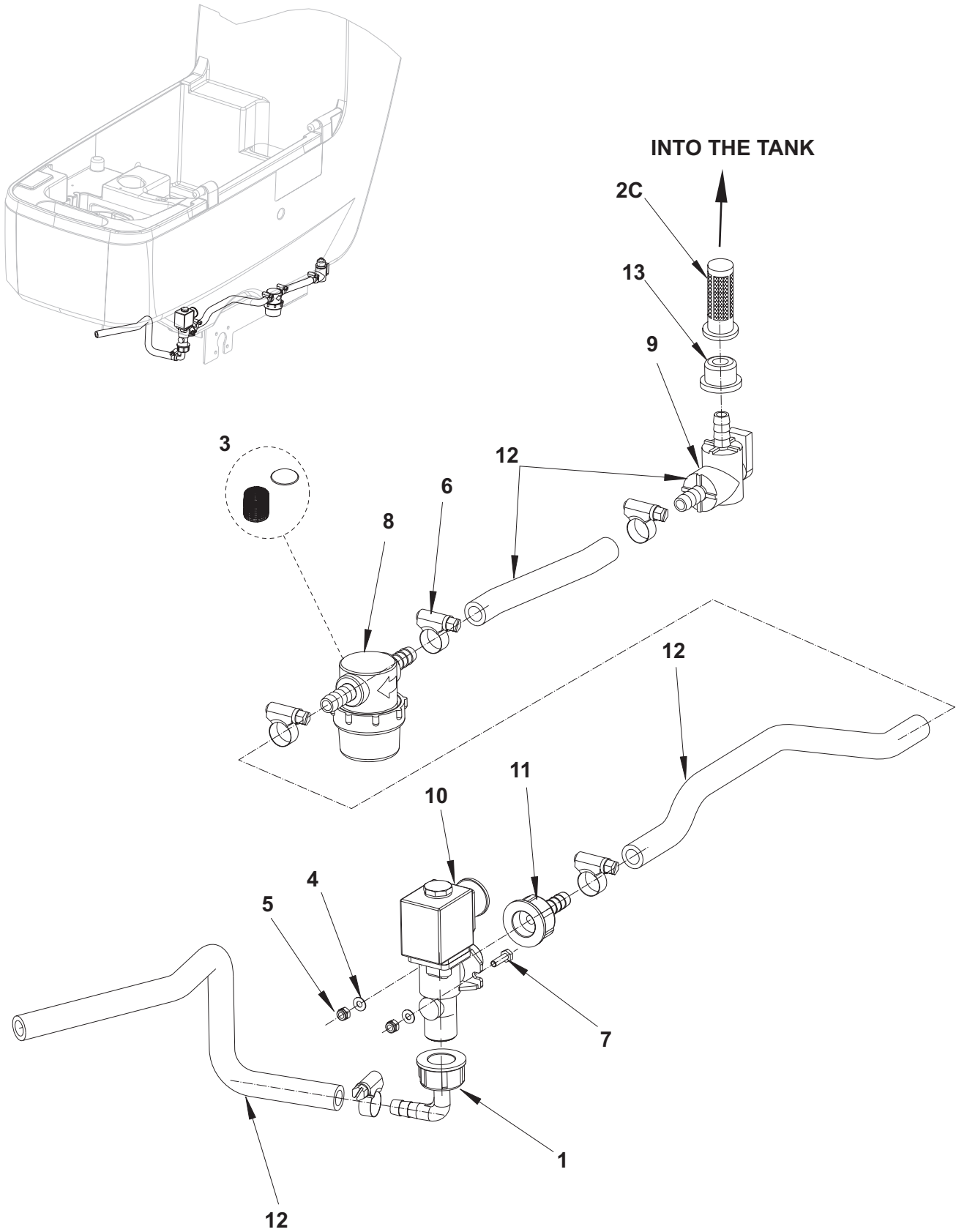
2011-11

Adfinity™ 20D / X20D / X20C / X24D

13

Item No.	Ref. No.	Qty	Description
1	9096907000	1	HANDLE HARNESS
2	909 6059 000	1	HANDLE BAR
3	9097622000	1	SWITCH HOUSINGS UPPER/LOWER KIT
4	9098300000	1	HARDWARE HANDLE FIXING KIT
5A#	9098792000	1	HOUSING SWITCH LOWER KIT
10	L08812279	2	CLAMP
11	L08812282	1	CAM HANDLE MICROSWITCH
19	145 1330 000	3	SPACER
20	909 6471 000	1	POTENTIOMETER KNOB
23	909 6677 000	2	MICROSWITCH
24	9096923000	1	CAM HANDLE MICROSWITCH
25	909 6544 000	1	SPEED POTENTIOMETER HARNESS

A: TSB IT 2010-060



2007-01

SOLUTION SYSTEM

2011-11

Adfinity™ 20D

15

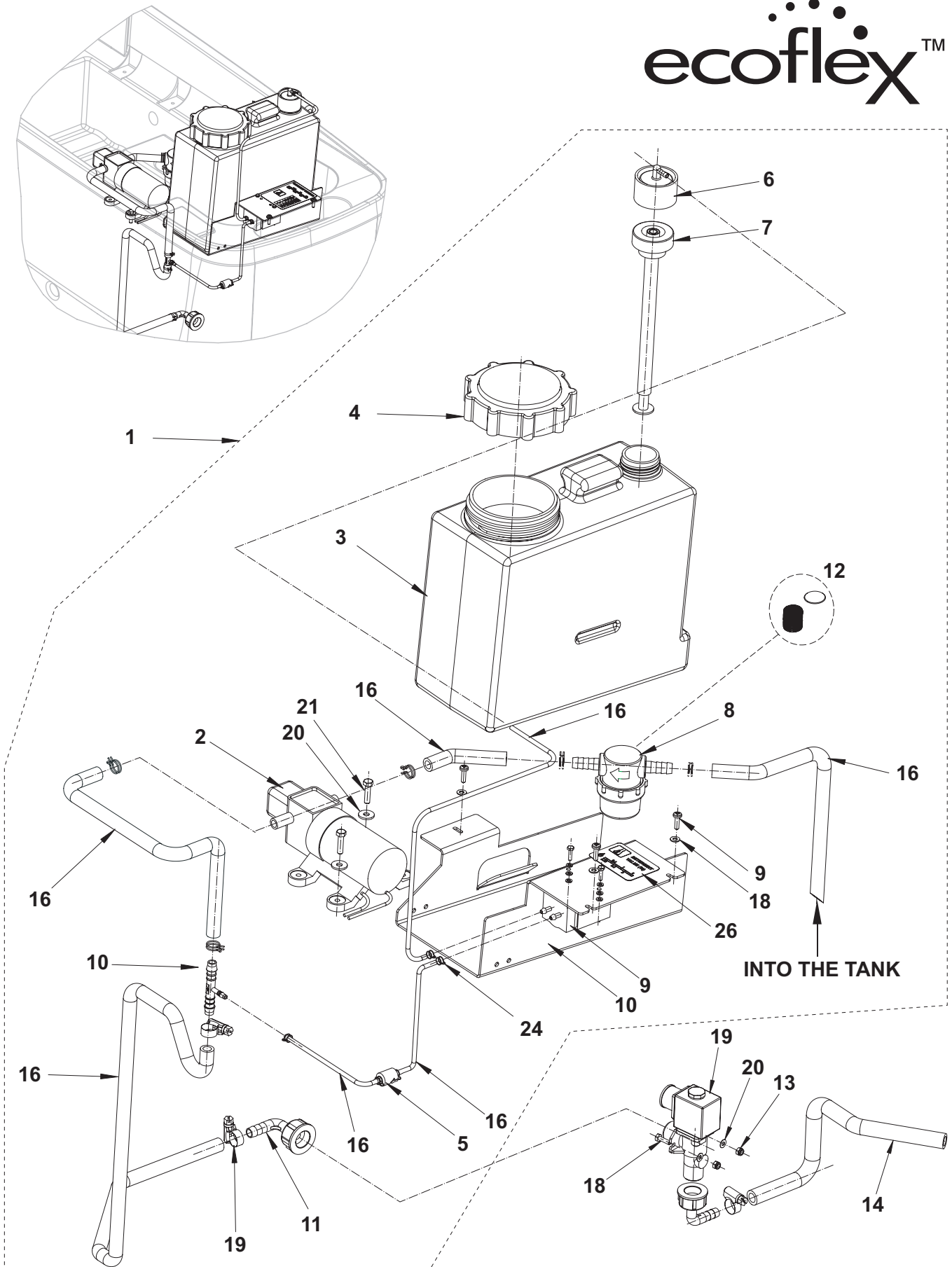
Item No.	Ref. No.	Qty	Description
1	9098777000	1	HOLDER RUBBER 90° KIT
2C*	9096916000	1	FILTER
3	L08603893	1	NET FILTER WITH GASKET KIT
4	9098301000	1	HARDWARE SOLUTION SYSTEM KIT
8A	9097166000	1	FILTER COMPLETE KIT
9	9096994000	1	VALVE ELBOW (SEE VALVE ELBOW WITH PIPES KIT)
10	909 6555 000	1	SOLENOID VALVE 24V
11	909 6636 000	1	ELBOW T REDUCING
12B	9096996000	1	VALVE ELBOW WITH PIPES KIT
13	909 5286 000	1	GASKET
0B#	909 6805 000	1	PIPES SOLENOID VALVE KIT

A: TSB IT 2007-021

B: TSB IT 2007-027a

C: TSB IT 2007-015

ecoflex™



2007-01

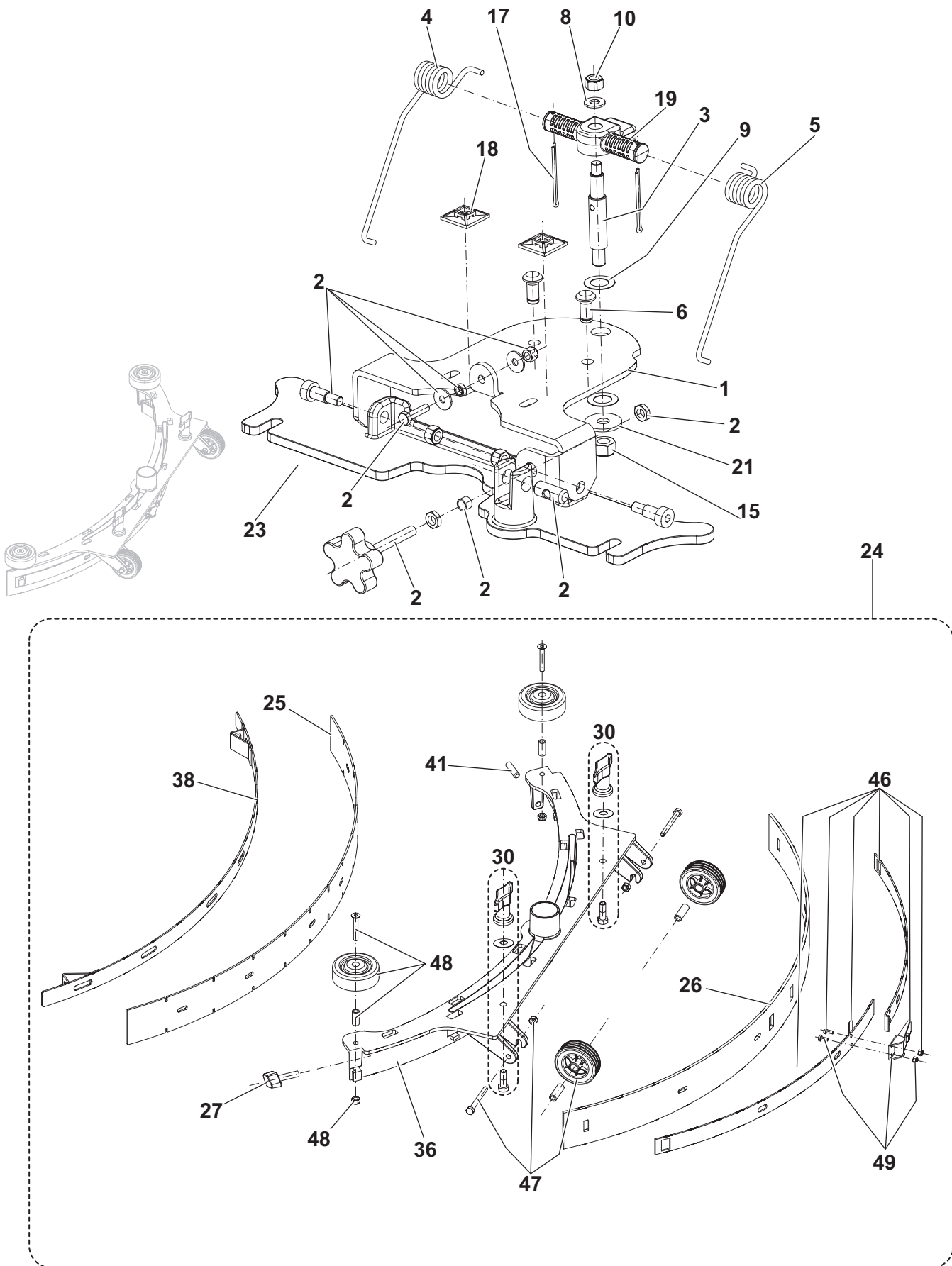
ECOFLEX

2010-03

Adfinity™ X20D / X20C / X24D

17

Item No.	Ref. No.	Qty	Description
1	909 6744 000	1	ECOFLEX™ SYSTEM KIT
2	56315108	1	PUMP 24V
3	56315500	1	TANK CHEMICAL
4	56315517	1	CAP INLET
5	56315522	1	VALVE NON RETURN
6	56315523	1	CAP
7	56315527	1	INSERT
8	9097166000	1	FILTER COMPLETE KIT
9	909 6183 000	1	PUMP CHEMICAL MIX
10	909 6536 000	1	FITTING
11	9098777000	1	HOLDER RUBBER KIT
12	L08603893	1	KIT NET FILTER WITH GASKET
13	L08603685	2	NUT HEX SELF LOCK M4 SS
14	9096996000	1	VALVE ELBOW WITH PIPES KIT(SEE SOLUTION SYSTEM PAGES 14-15)
[15]	909 6187 000	1	HARNES PUMP
16	909 6807 000	1	PIPES CHEMICAL MIX KIT
	909 6747 000	1	INSTALLATION INSTRUCTIONS
18	146 0497 000	2	SCREW HEX HD M4X14 SS (SEE SOLUTION SYSTEM PAGES 14-15)
19	909 6555 000	1	SOLENOID VALVE 24V (SEE SOLUTION SYSTEM PAGES 14-15)
20	56325716	2	WASHER FLAT 4X9 SS (SEE SOLUTION SYSTEM PAGES 14-15)



2007-01

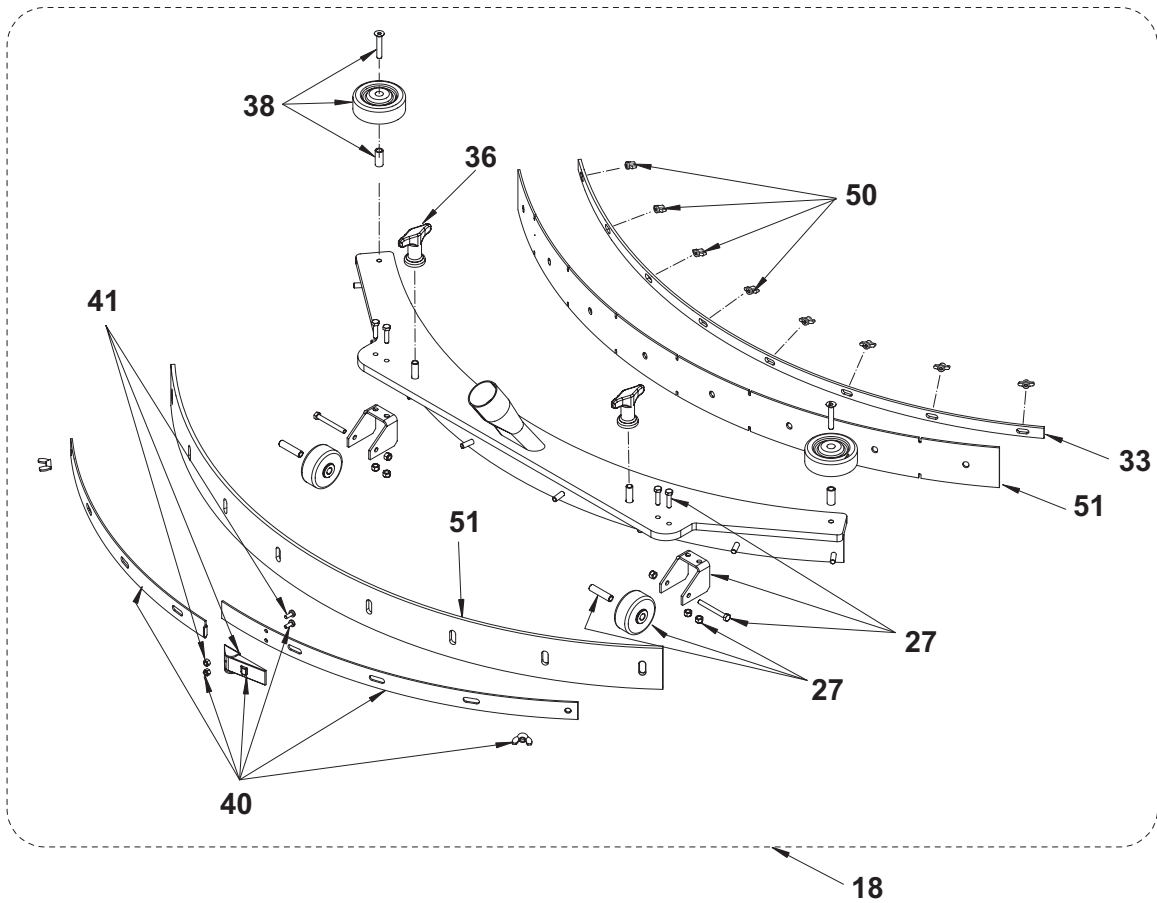
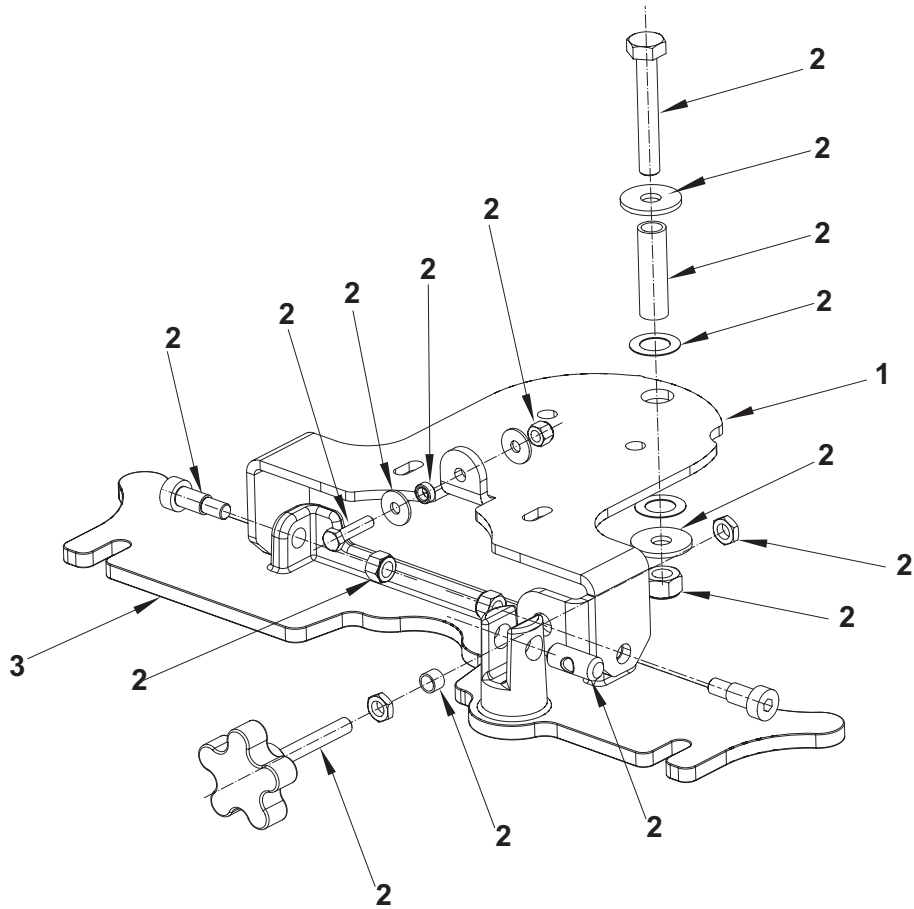
SQUEEGEE SYSTEM

2009-10

Adfinity™ 20D / X20D / X20C

19

Item No.	Ref. No.	Qty	Description
1	909 6494 000	1	BRACKET, SQUEEGEE SUPPORT
2	909 6885 000	1	HARDWARE FIXING KIT
3	909 6497 000	1	PIN SQUEEGEE
4	909 6537 000	1	SPRING SQUEEGEE PUSHING
5	909 6538 000	1	SPRING SQUEEGEE PUSHING
6	909 6543 000	2	PIN SQUEEGEE FIXING
8	33005915	1	WASHER FLAT 8X17
9	L08238300	2	WASHER 15X25
10	33005607	3	NUT SELFLOCKING M8
15	33005608	1	NUT SELF L. M10 UNI7474
17	33005758	2	SPLIT PIN
18	909 6635 000	2	HOLDER FLAT TIE
19	909 6052 000	1	SPRING SUPPORT
21	L08604251	1	WASHER FLAT 10X30
23	909 6045 000	1	SQUEEGEE SUPPORT
24	909 6851 000	1	SQUEEGEE CPL ALU KIT 30"
25	909 6483 000	1	BLADE NEOPRENE FRONT
26	909 6484 000	1	BLADE NEOPRENE REAR
27	909 6551 000	1	KNOB M8X30 SS
30	L08603675	2	NUT THUMB SQUEEGEE FIXING
35	909 5953 000	2	SCREW 5/16"X1" UNC
36	909 6044 000	1	WELDMENT SQUEEGEE TOOL
38	909 6055 000	1	STRAP, SQUEEGEE FRONT
41	909 6600 000	1	DOWEL M8X30 SS
43	909 6682 000	2	RUBBER WASHER
46	909 6882 000	1	HARDWARE SQUEEGEE FIXING KIT
47	909 6883 000	1	WHEEL SQUEEGEE KIT
48	909 6884 000	1	ROLLER BUMPER SQUEEGEE KIT
49	909 6394 000	1	LATCH SQUEEGEE KIT
[50]	909 6885 000	1	HARDWARE FIXING KIT
[51]	9097548000	1	WASHER NYLON SQUEEGEE SUPPORT KIT SEE TSB IT 2007-031



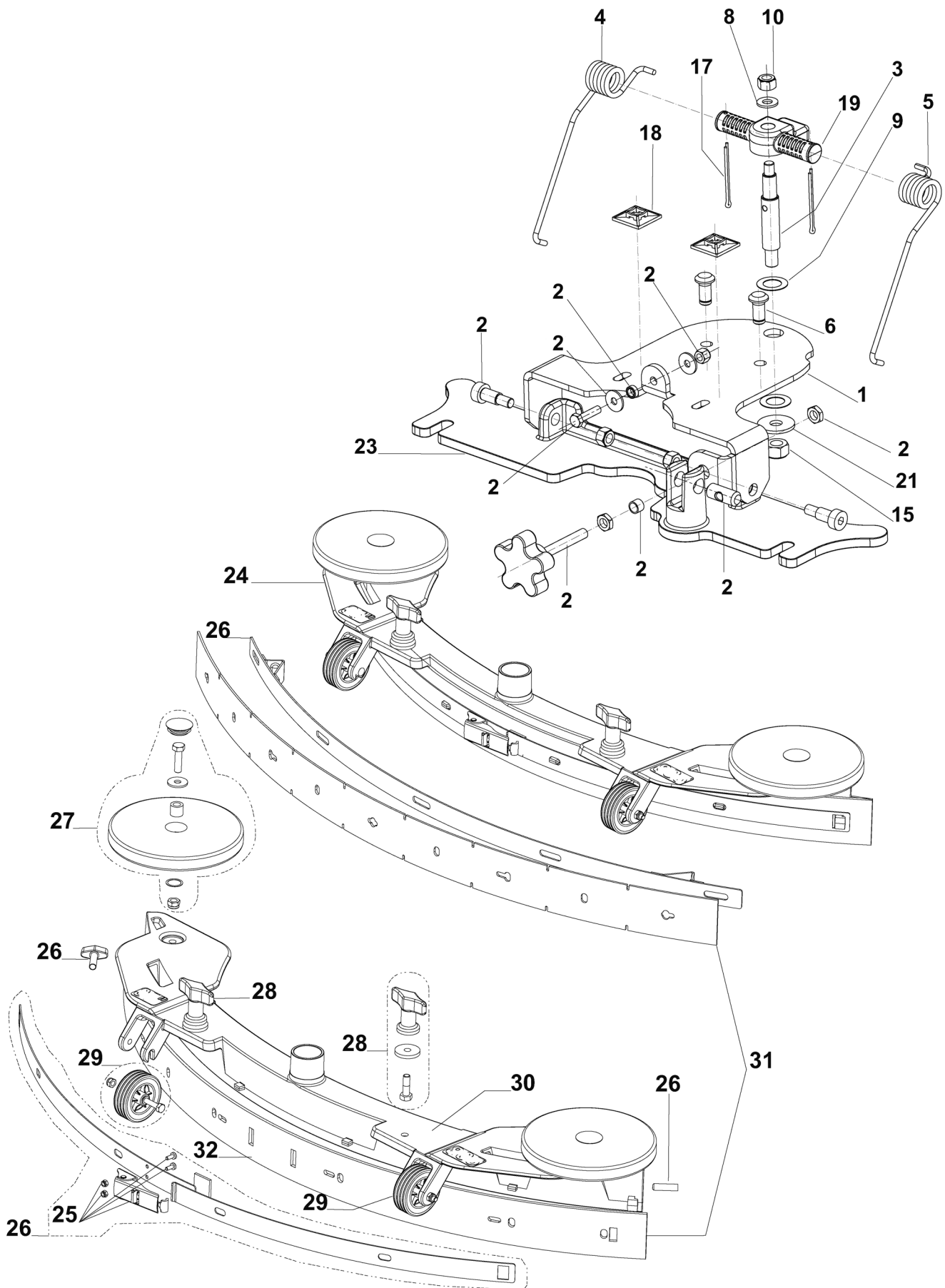
2007-01

SQUEEGEE SYSTEM

2009-10

Adfinity™ X24D before serial no.082115832**21**

Item No.	Ref. No.	Qty	Description
1	909 6494 000	1	SQUEEGEE BRACKET
2	909 6886 000	1	HARDWARE FIXING KIT
3	909 6045 000	1	SQUEEGEE SUPPORT
18	909 5372 000	1	KIT SQUEEGEE REPLACED BY 9097539000 SEE TSB IT 2008-005
27	L08603879	1	WHEEL SQUEEGEE KIT
33	L08603831	1	STRAP FRONT
36	L08603675	2	THUMB NUT SQUEEGEE FIXING
38	L08603880	1	ROLLER BUMPER SQUEEGEE KIT
40	909 6894 000	1	HARDWARE SQUEEGEE FIXING KIT
41	909 6394 000	1	LATCH SQUEEGEE KIT
50	909 6356 000	2	WING NUTS KIT
51	9097499000	1	BLADES SQUEEGEE 740MM/29" KIT
[52]*	909 5629 000	1	BLADE FRONT NON MARKING



2007-01

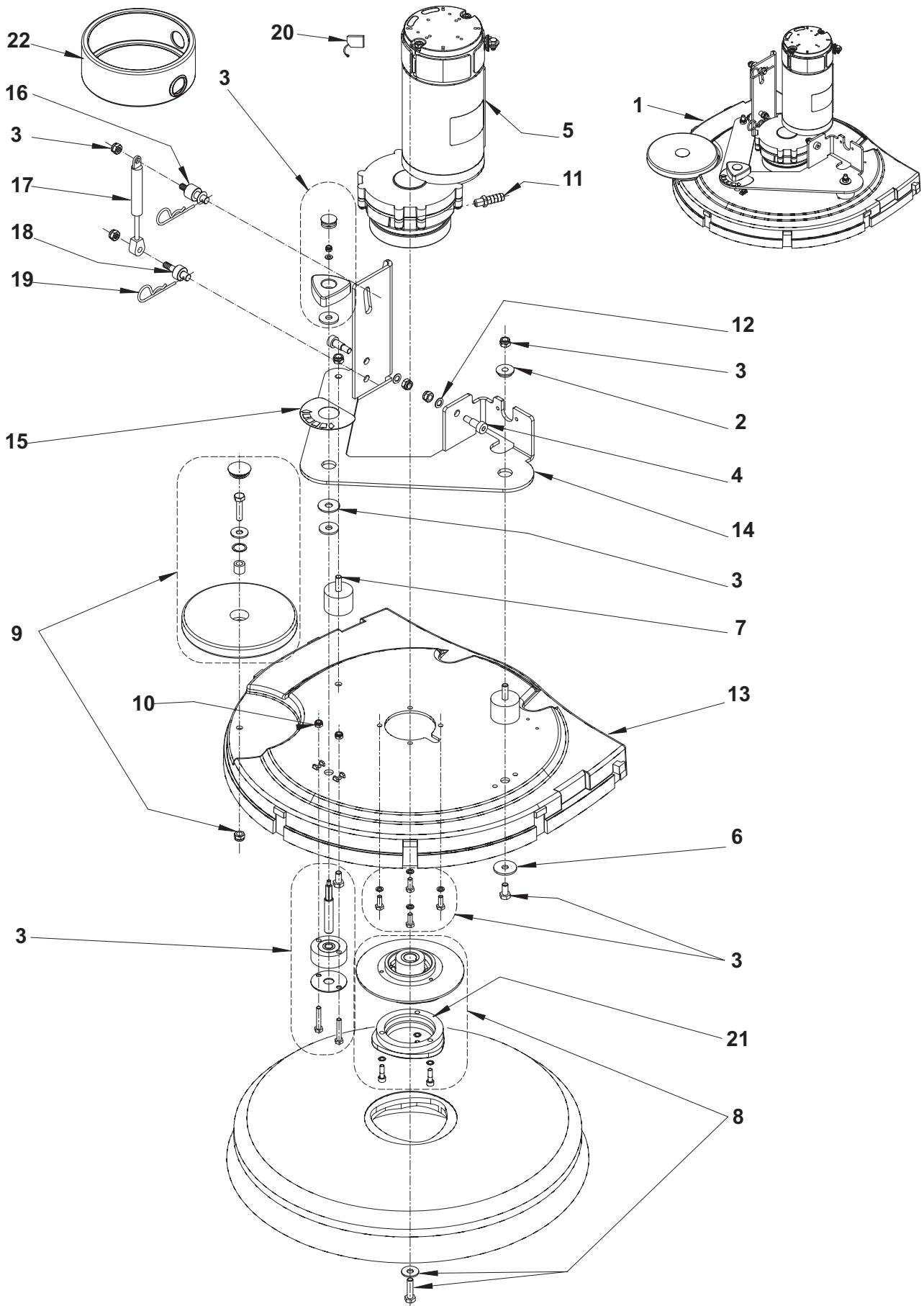
SQUEEGEE SYSTEM

2009-10

Adfinity™ X24D after serial no.082115832

23

Item No.	Ref. No.	Qty	Description
1	909 6494 000	1	BRACKET, SQUEEGEE SUPPORT
2	909 6885 000	1	HARDWARE FIXING KIT
3	909 6497 000	1	PIN SQUEEGEE
4	909 6537 000	1	SPRING SQUEEGEE PUSHING
5	909 6538 000	1	SPRING SQUEEGEE PUSHING
6	909 6543 000	2	PIN SQUEEGEE FIXING
8	33005915	1	WASHER FLAT 8X17
9	L08238300	2	WASHER 15X25
10	33005607	3	NUT SELFLOCKING M8
15	33005608	1	NUT SELF L. M10 UNI7474
17	33005758	2	SPLIT PIN
18	909 6635 000	2	HOLDER FLAT TIE
19	909 6052 000	1	SPRING SUPPORT
21	L08604251	1	WASHER FLAT 10X30
23	909 6045 000	1	SQUEEGEE SUPPORT
24	9097539000	1	SQUEEGEE CPL. AL. 840MM/33"
25	909 6394 000	1	LATCH SQUEEGEE KIT
26	9097634000	1	BLADES SQUEEGEE FIXING KIT 840MM/33"
27	909 6887 000	2	ROLLER BUMPER KIT
28	9097637000	1	SQUEEGEE FIXING KIT
29	909 6883 000	1	WHEELS SQUEEGEE KIT
30	9097198000	1	WELDMENT SQUEEGEE TOOL 840MM/33"
31	9097499000	1	BLADES RUBBER KIT 840MM/33"
32	L08603832	1	BLADE PARA REAR 840MM/33"
[34]	9097548000	1	WASHER NYLON SQUEEGEE SUPPORT KIT SEE TSB IT 2007-031



2007-01

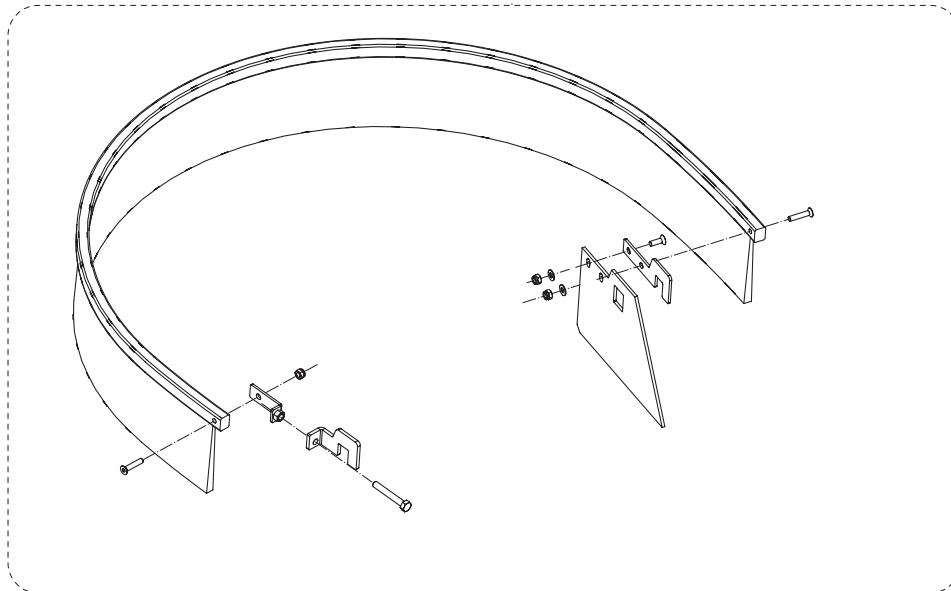
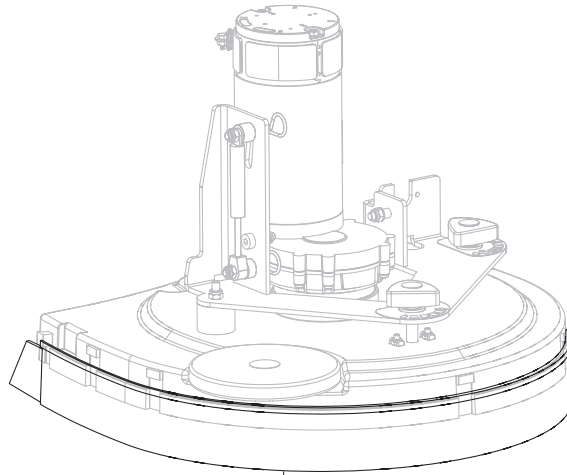
BRUSH SYSTEM

2011-11

Adfinity™ 20D / X20D

25

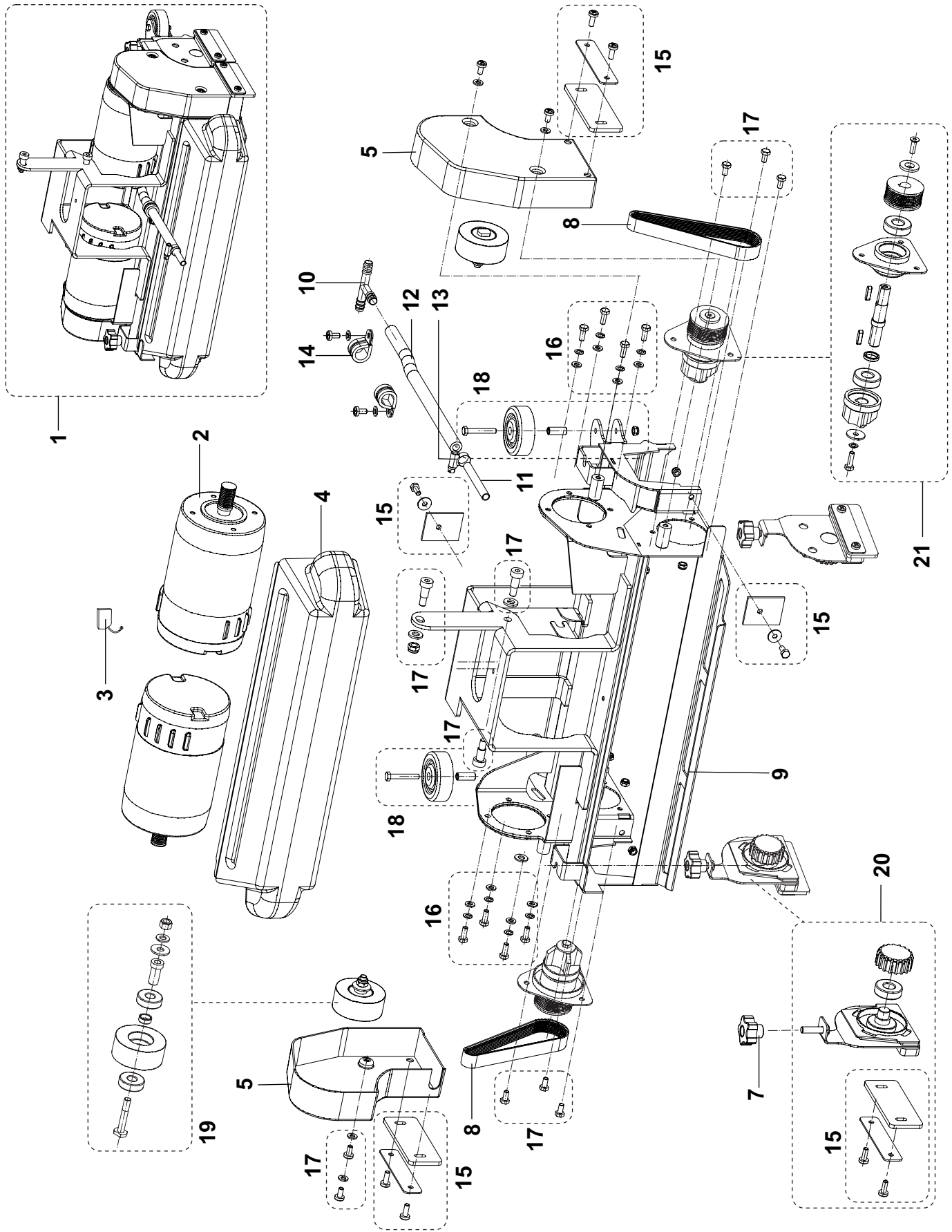
Item No.	Ref. No.	Qty	Description
1	909 6853 000	1	DECK BRUSH 530MM/20" KIT
2	909 6513 000	1	BUSHING
3#	9098344000	1	HARDWARE BRUSH DECK KIT
4	909 6495 000	2	SHOULDER BOLT M10X16
5	9098308000	1	REDUCTION GEARMOTOR CPL 450W
6	145 0494 000	1	WASHER FLAT 8X32 SS
7	9097184000	1	VIBRATION DAMPING M8
8	9097093000	1	HOLDER POLYG.W/FLAGE KIT
9	909 6887 000	1	ROLLER BUMPER KIT
10	33005604	2	NUT HEX SELFLOCKING M6
11	56325648	1	HOLDER RUBBER 1/4
12	33005916	2	WASHER FLAT 10
13	909 6042 000	1	DECK BRUSH 530MM/20"
14	909 6485 000	1	PLATE, DECK BRUSH HOLDER
15	9098450000	1	DECAS KIT
16	909 6515 000	1	PIN
17	909 6514 000	1	SPRING GAS
18	909 6516 000	1	PIN
19	145 8564 000	2	PIN SPLIT 3X60
20	909 5380 000	1	CARBON BRUSH KIT FOR 909 6546 000 (LEROY SOMER)
20	9098376000	1	CARBON BRUSH KIT FOR 9098308000 (AMER)
21	L08812480	1	HUB.BRUSH
22*	9097599000	1	PROTECTION MOTOR KIT SEE TSB IT 2008-004
	9097600000	1	INSTRUCTIONS INSTALLATION PROT.MOT.KIT



**SPLASH GUARD 20" KIT
(ADFINITY™ 20D / X20D)**

2007-01	SPLASH GUARD			
2007-09	Adfinity™ 20D / X20D			27

Item No.	Ref. No.	Qty	Description
1	909 6736 000	1	SPLASH GUARD 20" KIT
	909 6745 000	1	INSTALLATION INSTRUCTIONS FOR SPLASH GUARD KIT



2007-01

BRUSHES SYSTEM

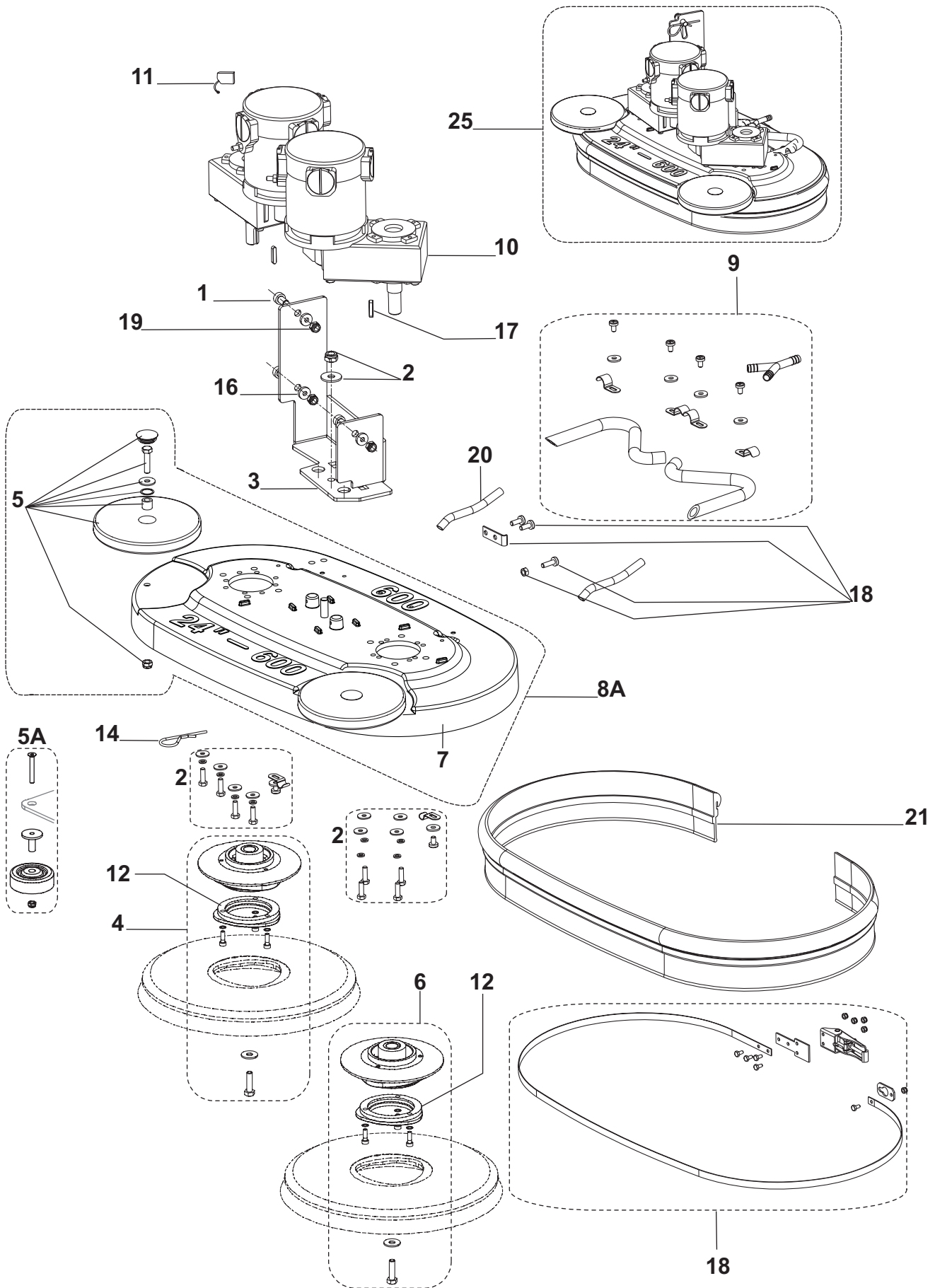
2011-11

Adfinity™ X20C

29

Item No.	Ref. No.	Qty	Description
1	909 6854 000	1	BRUSH DECK 510MM CYL. KIT
2	9096983000	2	REDUCTIONGEARMOT. 300W
3#	1464432000	2	BRUSH CARBON KIT 4PCS
4	909 5805 000	1	CONTAINER DIRT
5	909 5818 000	1	CRANKCASE BELT PROTECTION LEFT
6	909 5817 000	1	CRANKCASE BELT PROTECTION RIGHT
7	146 1851 000	2	KNOB M8
8	909 5820 000	2	BELT POLY-V
9	909 6518 000	1	FRAME, CYLINDRICAL DECK
10	145 4366 000	1	PIPE HOLDER T Ø12
11	909 5772 000	1	HOSE COPPER
30	909 5870 000	1	HOSE D.10 L=190
14	145 8582 000	1	CLAMP
19	909 5516 000	2	CLAMP,HOSE D.18
15	9098489000	1	SPLASH GUARDS KIT
16	9098490000	1	HARDWARE BELT TENSIONER KIT
17	9098491000	1	HARDWARE CYLINDRICAL DECK KIT
18	9098488000	1	ROLLER BUMPERS KIT
19	9098485000	2	BELT TENSIONER ROLLER KIT
20	9098486000	2	SUPPORT CYLINDRICAL BRUSH KIT
21	9098487000	2	SUPPORT PULLEY CYL.BRUSH KIT
22	909 6620 000	1	HARNES CYL.BRUSH DECK

9096911000



2007-01

BRUSHES SYSTEM

2011-11

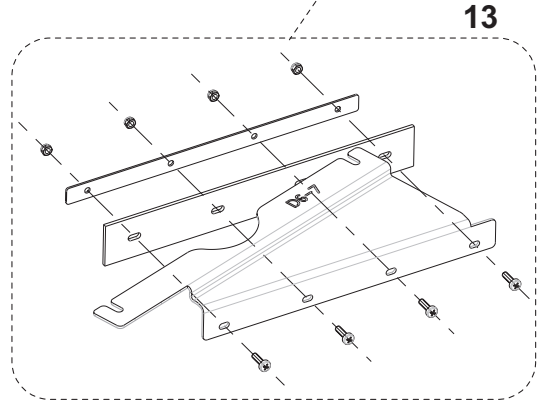
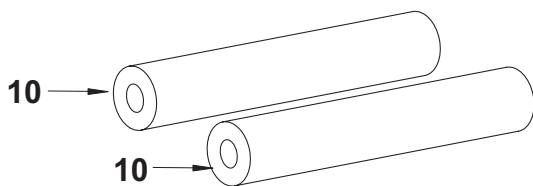
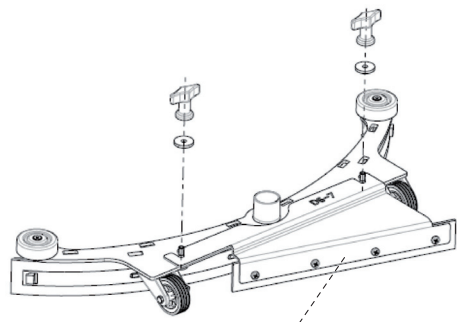
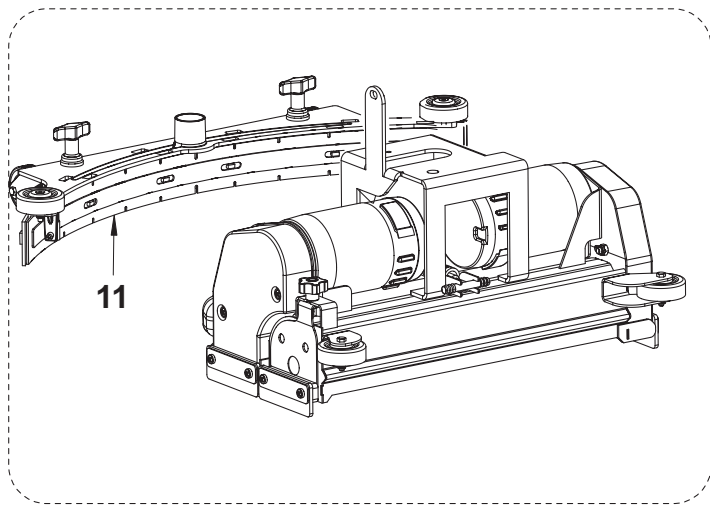
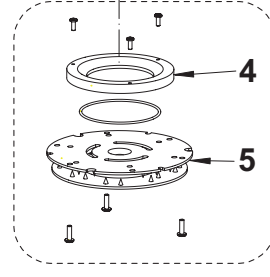
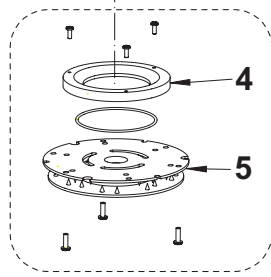
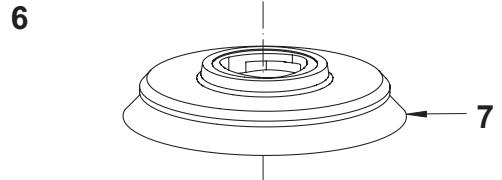
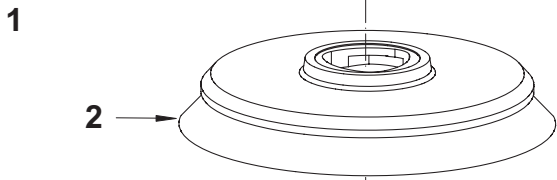
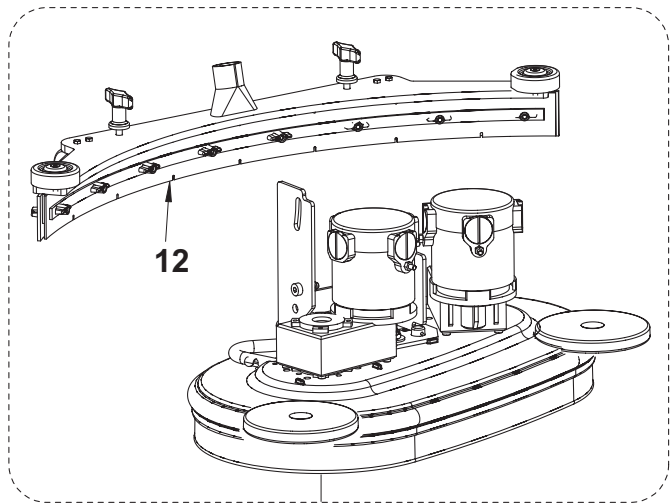
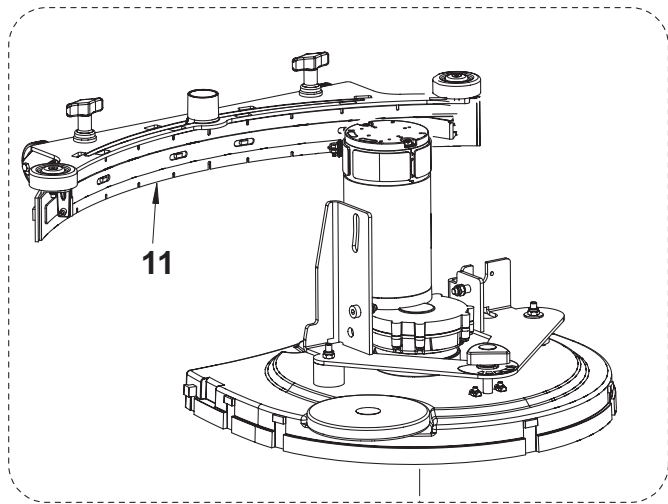
Adfinity™ X24D

31

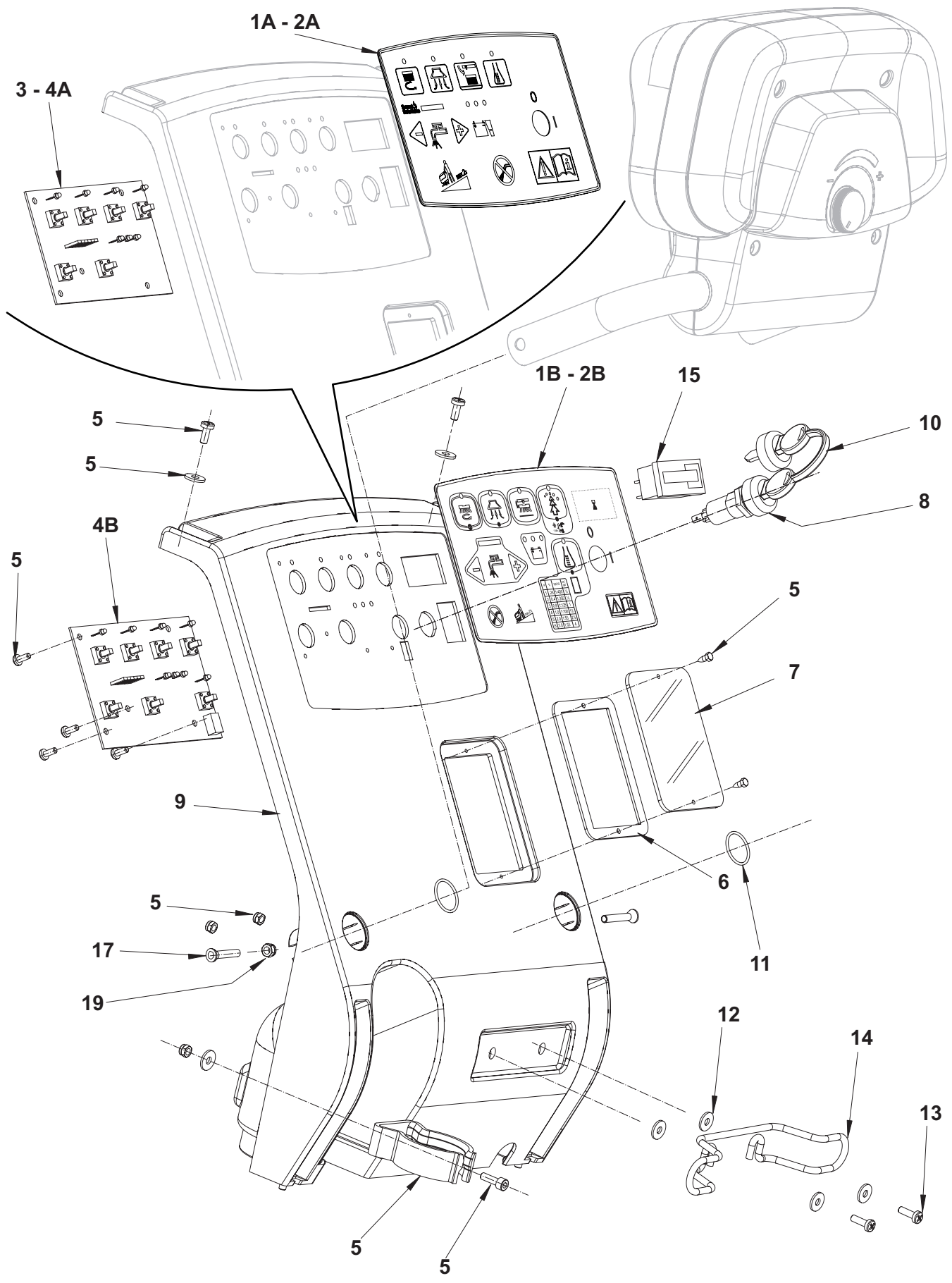
Item No.	Ref. No.	Qty	Description
1	909 6495 000	3	SHOULDER BOLT M10X16
2	9098496000	1	BRUSH SYSTEM HARDWARE KIT
3	909 6512 000	1	PLATE DECK BRUSH HOLDER
4	L08812589	1	HOLDERPOLYG.W/FLAGE KIT
5	909 6887 000	2	BUMPER ROLLER KIT
5A	909 5894 000	1	BUMPER ROLLER KIT
6	9097092000	1	HOLDERPOLYG.W/FLAGE KIT
7	909 5344 000	1	BRUSH DECK 600MM/24
8A	9098525000	1	BRUSH DECK UPDATING KIT
9	909 6891 000	1	HOSE WATER BRUSH DECK KIT
10B#	9098976000	2	REDUCTION GEARMOTOR 350W 24V
11	909 6893 000	2	CARBON BRUSH KIT (4 PCS)
12	L08812480	2	HUB.BRUSH
14	145 8564 000	1	SPLIT PIN 3
16	33005916	3	WASHER M10 UNI6592
17	145 8024 000	2	TAB 5X5X25
18	909 5398 000	1	SPLASH GUARD FIXING KIT
19	33005607	3	NUT SELF LOCKING LOW M8 UNI7474
20	909 5228 000	2	COPPER HOSE
21	909 5224 000	1	SPLASH GUARD
[23]	909 6619 000	1	HARNES BRUSH DECK
[24]	9098091000	1	DECALS KIT
25	909 6855 000	1	BRUSH DECK 600MM/24" KIT

A: FOR MACHINE BEFORE S/N 080200512

B: SEE TSB IT 2001-70



Item No.	Ref. No.	Qty	Description
Adfinity™ 20D / X20D			
1	909 6848 000	1	BRUSH DECK 530MM/20" KIT WITH SQUEEGEE L08603878
2	L08837025	1	BRUSH PROLENE
2	L08837026	1	BRUSH PROLITE
2	L08837027	1	BRUSH UNION MIX
2	L08837028	1	BRUSH MIDLITE GRIT
2	L08837029	1	BRUSH MID GRIT 240
2	L08837065	1	BRUSH MAGNA GRIT 46
2	L08837066	1	BRUSH DYNA GRIT 80
2	L08837067	1	BRUSH AGLITE GRIT 500
3	L08837018	1	PAD HOLDER KIT
4	L08603966	1	RING NYLON
5	L08837030	1	RETAINER PAD
Adfinity™ X24D			
6	909 6850 000		BRUSH DECK 610MM KIT WITH SQUEEGEE
7	L08603842	2	BRUSH PROLENE
7	L08603873	2	BRUSH MIDGRIT 240
7	L08603872	2	BRUSH MIDLITE GRIT 180
7	L08603874	2	BRUSH PROLITE
7	L08603875	2	BRUSH UNION MIX
7	L08603939	2	PAD HOLDER KIT
8	L08603939	2	PAD HOLDER KIT
Adfinity™ X20C			
9	909 6849 000		BRUSH DECK 510MM CYL KIT WITH SQUEEGEE L08603878
10	909 5823 000	2	BRUSH CYL PROLITE
10	909 5824 000	2	BRUSH CYL PROLITE PLUS
10	909 5825 000	2	BRUSH CYL MIDLITE GRIT 180
11	L08603878	1	SQUEEGEE CPL KIT 30"
11	909 6851 000	1	SQUEEGEE CPL ALU KIT 30
12	9097539000		SQUEEGEE CPL KIT 33"
13	9098343000	1	THIRD BLADE KIT
	9098337000	1	INSTALLATION INSTRUCTIONS FOR THIRD BLADE KIT



2007-01

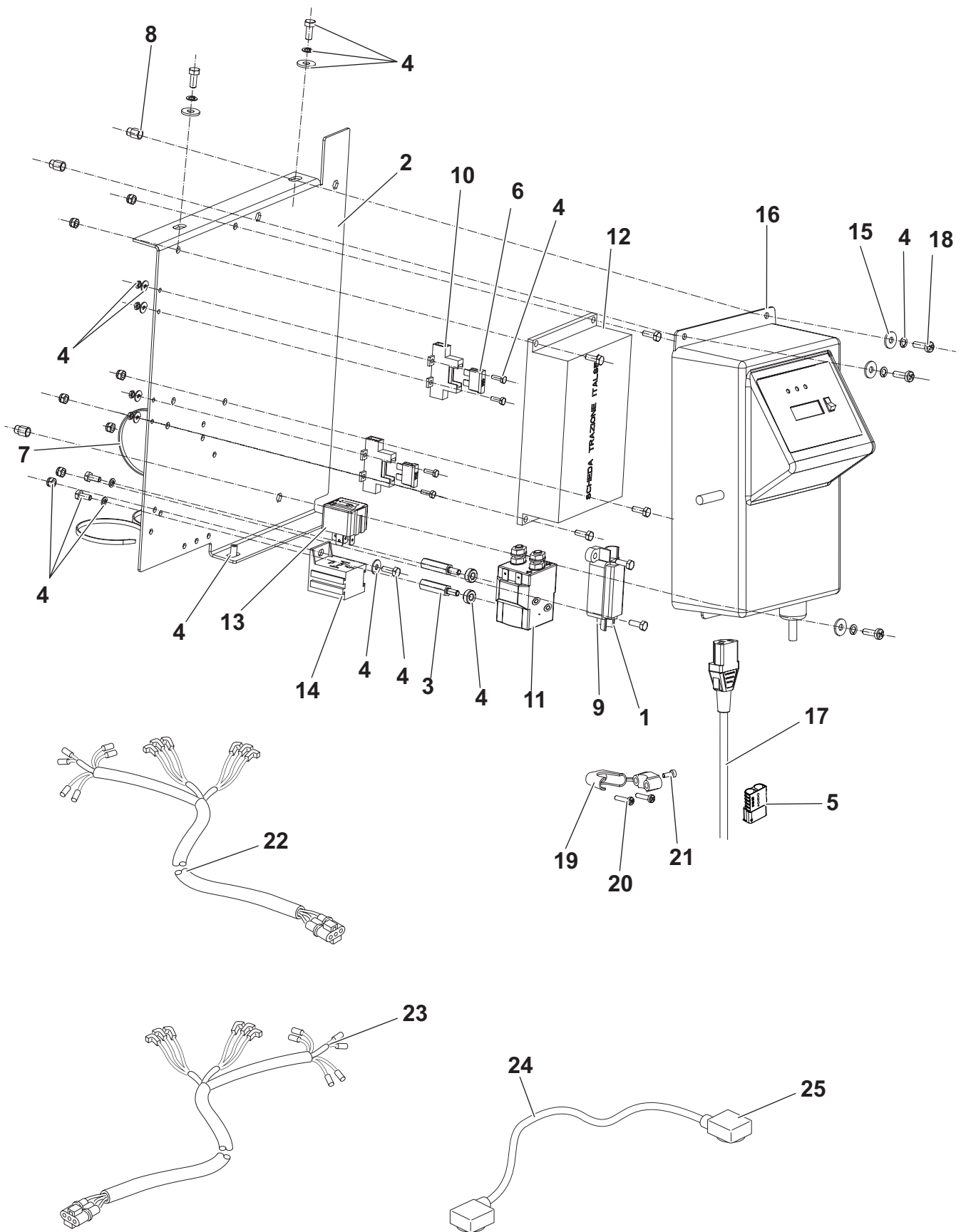
CONTROL PANEL SYSTEM

2010-03

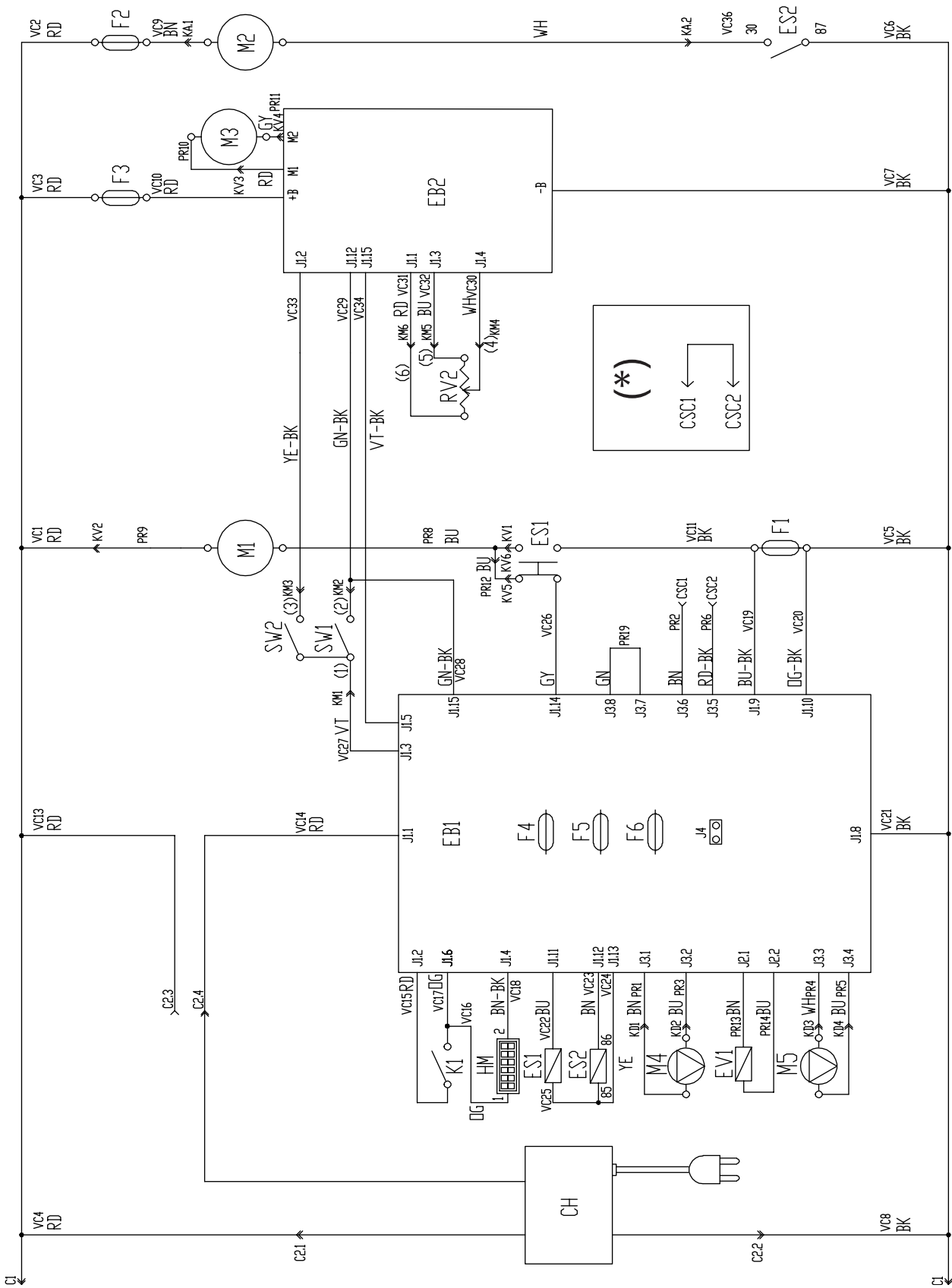
Adfinity™ 20D / X20D / X20C / X24D

35

Item No.	Ref. No.	Qty	Description
1A	9097001000	1	DECAL CONTROL PANEL 20D BEFORE - UNTIL MAY 2010
1B	9098638000	1	DECAL CONTROL PANEL 20D - FROM JUNE 2010
2A	9097002000	1	DECAL CONTROL PANEL X 20D, X 20C, X 24D - UNTIL MAY 2010
2B	9098634000	1	DECAL CONTROL PANEL X 20D, X 20C, X 24D - FROM JUNE 2010
3	909 6499 000	1	CARD ELECTRONIC CONTROL PANEL BEFORE S.NO.072014255
4A	9097007000	1	CARD ELECTRONIC CONTROL PANEL STARTING FROM 072014255
4B	9098555000	1	CARD ELECTRONIC CONTROL PANEL - FROM JUNE 2010
5	9098302000	1	HARDWARE CONTROL PANEL KIT
6	909 6545 000	1	GASKET
7	909 5313 000	1	INSPECTION PLATE
8	146 2888 000	1	SWITCH KEY WITH CAP
9	9098632000	1	COVER CONTROL PANEL
10	146 2887 000	1	KEY
11	909 6675 000	2	O-RING 132
12	145 1261 000	4	WASHER
13	146 2090 000	2	SCREW CYL HD M5X16
14	909 5149 000	1	SUPPORT CABLE
15*	9096951000	1	COUNTER HOUR 24V KIT
	9096952000	1	INSTALLATION INSTRUCTIONS FOR COUNTER HOUR KIT
17	33004576	2	SCREW M6X16 UNI5933
19	33005604	2	NUT SELF L. M6 UNI7474
[20]	145 8368 000	2	FUSE 3A (PCB FUNCTIONS - PUMP)
[21]	909 6678 000	1	FUSE 20A (CLICK ON/OFF - BRUSH)



Item No.	Ref. No.	Qty	Description
1	145 8046 000	1	HOLDER FUSE
2	909 6498 000	1	SUPPORT
3	909 6676 000	2	SPACER M4 L=25
4	9098303000	1	HARDWARE ELECTRIC SYSTEM KIT
5	9098762000	1	CONNECTOR 120A RED
6	145 8513 000	2	FUSE BLADE 30A (VACUUM - DRIVE MOTOR)
7	145 1449 000	3	CLAMP
8	145 6132 000	3	INSERT M5
9	145 3824 000	1	FUSE STRIP 40A (BRUSH MOTOR)
10	146 0660 000	2	BLADE FUSE HOLDER
11	9097209000	1	ELECTROMAGNETIC SWITCH 24V (BRUSH MOTOR CONTACTOR)
12	9096908000	1	CARD ELECTRONIC TRACTION
13	909 6622 000	1	RELAY 24V 40A (VACUUM MOTOR CONTACTOR)
14	9096964000	1	HARNESS ELECTRIC BOX
15	33005912	3	WASHER M5 UNI6592
16	9098297000	1	BATTERY CHARGER 24V 13A
17	9096914000	1	CABLE EXTENTION US
18	146 1711 000	3	SCREW M5X20 UNI7687
19	L08338600	1	CABLE HOLDER
20	L08603668	2	SCREW THD FORM
21	146 1788 000	1	SCREW M4X12
22A	9096962000	1	MACHINE HARNESS - UNTIL MAY 2010
22B	9098639000	1	MACHINE HARNESS - FROM JUNE 2010
23	909 6613 000	1	HARNESS VACUUM CLEANER
24	9098871000	1	BATTERY HARNESS
25	L08812093	4	COVER, BATTERY TERMINAL
[26]#	9097590000	1	CABLE BATTERY INTERCONNEC



Key	Ref. No.	Description
BAT	-	24V BATTERIES
C1	-	BATTERY CONNECTOR
C2	9098762000	CHARGER CONNECTOR
CH	9098297000	BATTERY CHARGER
CS	-	BRUSH DECK CONNECTOR
CSC	-	CYLINDRICAL DECK SECONDARY CONNECTOR
EB1	9098555000	CONTROL PANEL BOARD
EB2	9096908000	DRIVE ELECTRONIC BOARD
ES1	9097209000	BRUSH MOTOR ELECTROM. SWITCH
ES2	909 6622 000	VACUUM MOTOR RELAY
EV1	909 6555 000	ELECTROVALVE
F1	145 3824 000	BRUSH DECK FUSE (40A)
F2	145 8513 000	VACUUM MOTOR FUSE (30A)
F3	145 8513 000	DRIVE SYSTEM FUSE (30A)
F4	145 8368 000	LOW POWER CIRCUIT FUSE (3A)
F5	909 6678 000	BRUSH RELEASE FUSE (20A)
F6	145 8368 000	PUMP FUSE (3A)
HM	9096951000	HOURLY METER (OPT.)
K1	146 2888 000	KEY SWITCH
M1	9098308000	BRUSH MOTOR
M2	9098062000	VACUUM MOTOR
M3	909 6548 000	DRIVE MOTOR
M4	56315108	WATER PUMP
M5	909 6183 000	DETERGENT PUMP
RV2	909 6544 000	MAX SPEED POTENTIOMETER
SW1	909 6677 000	BRUSH / DRIVE MICROSWITCH
SW2	909 6677 000	REVERS GEAR MICROSWITCH

(*) ONLY FOR X20C

		colour
BK	-	BLACK
BU	-	LIGHT BLUE
BN	-	BROWN
GN	-	GREEN
GY	-	GREY
OG	-	ORANGE
PK	-	PINK
RD	-	RED
VT	-	VIOLET
WH	-	WHITE
YE	-	YELLOW

RECOMMENDED SPARE PARTS

2007-01

40

Adfinity™ 20D / X20D / X20C / X24D

2011-11

Ref. No. DESCRIPTION QTY MACHINES

SOLUTION TANK

	909 6671 000	SPONGE INLET FRESH WATER	1	20D / X20D / X20C / X24D
	909 6521 000	SOLUTION HOSE	1	20D / X20D / X20C / X24D
	L08812457	CAP	1	20D / X20D / X20C / X24D
	909 6554 000	SOLUTION CAP WITH CHAIN AND GASKET	1	20D / X20D / X20C / X24D
#	9098675000	SQUEEGEE LIFT CABLE	1	20D / X20D / X20C / X24D
	909 6874 000	TANK CABLE KIT	1	20D / X20D / X20C / X24D
	9098265000	SOLUTION TANK HARDWARE KIT	1	20D / X20D / X20C / X24D

VACUUM / RECOVERY SYSTEM

	909 6230 000	SQUEEGEE HOSE	1	20D / X20D / X20C / X24D
#	9099165000	DRAIN HOSE	1	20D / X20D / X20C / X24D
	L08812259	CAGE FLOAT COMPLETE	2	20D / X20D / X20C / X24D
	L08812373	BALL FLOAT	1	20D / X20D / X20C / X24D
	145 0543 000	HOSE CLAMP	2	20D / X20D / X20C / X24D
	909 6899 000	CAP	1	20D / X20D / X20C / X24D
	909 6640 000	ANTI SPLASH SQUEEGEE HOSE	1	20D / X20D / X20C / X24D
#	9099401000	VACUUM MOTOR HARDWARE KIT	1	20D / X20D / X20C / X24D
	909 6876 000	RECOVERY TANK HARDWARE KIT	1	20D / X20D / X20C / X24D
	909 6491 000	PANEL ACOUSTIC INSULATION	1	20D / X20D / X20C / X24D
#	909 6489 000	GASKET VACUUM MOTOR	1	20D / X20D / X20C / X24D
#	909 6490 000	GASKET VACUUM MOTOR	1	20D / X20D / X20C / X24D

CHASSIS SYSTEM

	909 6879 000	WHEEL CASTOR SS KIT	1	20D / X20D / X20C / X24D
	909 6878 000	CHASSIS SYSTEM HARDWARE KIT	1	20D / X20D / X20C / X24D

DRIVE WHEEL SYSTEM

	909 6863 000	WHEEL FRONT D.250 DRIVE	2	20D / X20D / X20C / X24D
	909 6548 000	MOTOR DRIVE 24V 200W	1	20D / X20D / X20C / X24D
	145 5124 000	CARBON BRUSHES FOR DRIVE MOTOR	2	20D / X20D / X20C / X24D

HANDLE BAR

	9098300000	HANDLE ASSEMBLY HARDWARE KIT	1	20D / X20D / X20C / X24D
	L08812282	CAM HANDLE MICROSWITCH	1	20D / X20D / X20C / X24D
	909 6544 000	SPEED POTENTIOMETER HARNESS	1	20D / X20D / X20C / X24D
	9096923000	CAM HANDLE MICROSWITCH	1	20D / X20D / X20C / X24D
	909 6677 000	MICROSWITCH	2	20D / X20D / X20C / X24D

SOLUTION SYSTEM

	9096994000	VALVE ELBOW	1	20D
	9097166000	KIT, FILTER	1	20D / X20D / X20C / X24D
	9096996000	VALVE ELBOW WITH PIPES KIT	1	20D / X20D / X20C / X24D
	909 6555 000	ELECTROVALVE	1	20D / X20D / X20C / X24D
	909 6636 000	BARB L=105	1	20D / X20D / X20C / X24D
	9098777000	HOLDER RUBBER KIT	1	20D / X20D / X20C / X24D

ECOFLEX™ SYSTEM

	909 6744 000	ECOFLEX™ SYSTEM KIT	1	X20D / X20C / X24D
	909 6807 000	HOSE KIT	1	X20D / X20C / X24D
	9098777000	HOLDER RUBBER KIT	1	X20D / X20C / X24D
	56315108	FLOWJET WATER PUMP	1	X20D / X20C / X24D
	56315500	CHEMICAL TANK	1	X20D / X20C / X24D
	56315517	REFILLING CAP	1	X20D / X20C / X24D
	56315522	CHECK VALVE	1	X20D / X20C / X24D

Ref. No.	DESCRIPTION	QTY	MACHINES
ECOFLEX™ SYSTEM			
56315523	CAP	1	X20D / X20C / X24D
56315527	FLOATING SENSOR	1	X20D / X20C / X24D
L08603893	KIT NET FILTER WITH GASKET	1	X20D / X20C / X24D
9097166000	KIT FILTER	1	X20D / X20C / X24D
909 6183 000	CHEMICAL PUMP	1	X20D / X20C / X24D
909 6536 000	TEE FITTING	1	X20D / X20C / X24D
SQUEEGEE SYSTEM			
909 6055 000	FRONT STRAP	1	20D / X20D / X20C
9097634000	FRONT STRAP	1	X24D
909 6044 000	WELDMENT SQUEEGEE TOOL	1	20D / X20D / X20C
9097198000	WELDMENT SQUEEGEE TOOL	1	X24D
L08603675	NUT THUMB SQUEEGEE FIXING	2	20D / X20D / X20C
909 6551 000	KNOB 8X30 SS	1	20D / X20D / X20C
909 6484 000	BLADE NEOPRENE REAR	1	20D / X20D / X20C
L08603832	BLADE PARA REAR	1	X24D
909 6483 000	BLADE NEOPRENE FRONT	1	20D / X20D / X20C
9097499000	BLADES RUBBER KIT 32"	1	X24D
909 6851 000	SQUEEGEE CPL ALU KIT 30"	1	20D / X20D / X20C
9097539000	SQUEEGEE CPL KIT 32"	1	X24D
909 6882 000	FIXING SQUEEGEE KIT	1	20D / X20D / X20C
909 6894 000	FIXING SQUEEGEE KIT	1	X24D
909 6883 000	SQUEEGEE WHEEL KIT	1	20D / X20D / X20C
L08603879	SQUEEGEE WHEEL KIT	1	X24D
909 6883 000	WHEELS SQUEEGEE KIT	1	X24D
909 6884 000	SQUEEGEE BUMPER ROLLER KIT	1	20D / X20D / X20C
L08603880	SQUEEGEE BUMPER ROLLER KIT	1	X24D
909 6887 000	ROLLER BUMPER KIT	1	X24D
909 6394 000	KIT LATCH FOR SQUEEGEE	1	20D / X20D / X20C / X24D
909 6885 000	SQUEEGEE SUPPORT HARDWARE KIT	1	20D / X20D / X20C / X24D
909 6886 000	SQUEEGEE SUPPORT HARDWARE KIT	1	X24D
DISC SCRUB DECK			
909 6042 000	BRUSH DECK 530MM/20"	1	20D / X20D
# 9098308000	BRUSH MOTOR 450W 24V 135 RPM	1	20D / X20D
# 9098376000	KIT CARBON BRUSH	1	20D / X20D
56325648	FITTING 1/4	1	20D / X20D
9097184000	SHOCK ABSORBER	1	20D / X20D
145 8564 000	SPLIT PIN	2	20D / X20D
909 6514 000	GAS SPRING	1	20D / X20D
9097093000	HOLDERPOLIG. W/FLAGE KIT	1	20D / X20D
909 6887 000	BUMPER ROLLER KIT	1	20D / X20D
# 9098344000	BRUSH SYSTEM HARDWARE KIT	1	20D / X20D
CYLINDRICAL BRUSH DECK			
145 4366 000	TEE FITTING	1	X20C
909 5772 000	WATER HOSE	1	X20C
# 9098489000	SPLASH GUARD KIT	1	X20C
909 5805 000	HOPPER CYLYNDRICAL DECK	1	X20C
9096983000	REDUCTIONGEAR MOTOR 300W	2	X20C
# 1464432000	BRUSH CARBON KIT 4PCS	2	X20C
909 5820 000	BELT POLY-V	2	X20C
909 5870 000	HOSE	1	X20C
# 9098488000	BUMPER ROLLER KIT	1	X20C
# 9098485000	BELT TENSIONER KIT	1	X20C
# 9098486000	SUPPORT CYL. BRUSH KIT	1	X20C
# 9098487000	SUPPORT PULLEY KIT	1	X20C

RECOMMENDED SPARE PARTS

2007-01

42

Adfinity™ 20D / X20D / X20C / X24D

2011-11

Ref. No.	DESCRIPTION	QTY	MACHINES
BRUSH DECK DOUBLE DISK			
145 8564 000	SPLIT PIN	1	X24D
# 9098976000	REDUCTION GEARMOTOR 350W 24V	2	X24D
L08812589	HOLDER POLYG.W/FLANGE RIGHT KIT	1	X24D
9097092000	HOLDER POLYG.W/FLANGE LEFT KIT	1	X24D
909 5398 000	SPLASH GUARD FIT. KIT	1	X24D
909 6891 000	HOSES KIT	1	X24D
909 6887 000	BUMPER ROLLER KIT	1	X24D
909 6893 000	KIT CARBON BRUSH	2	X24D
CONTROL PANEL			
9097001000	DECAL CONTROL PANEL - UNTIL MAY 2010	1	20D
9098638000	DECAL CONTROL PANEL 20D - FROM JUNE 2010	1	20D
9097002000	DECAL CONTROL PANEL - UNTIL MAY 2010	1	X20D / X20C / X24D
9098634000	DECAL CONTROL PANEL X 20D, X 20C, X 24D FROM JUNE 2010	1	X20D / X20C / X24D
146 2888 000	ON/OFF KEY SWITCH WATERPROOF	1	20D / X20D / X20C / X24D
9097007000	PCB FUNCTIONS 24V	1	20D / X20D / X20C / X24D
145 8368 000	FUSE 3A	1	20D / X20D / X20C / X24D
909 6678 000	FUSE 20A	1	20D / X20D / X20C / X24D
ELECTRICAL SYSTEM			
9096908000	CARD ELECTRONIC	1	20D / X20D / X20C / X24D
9098762000	CONNECTOR BATTERY RED	1	20D / X20D / X20C / X24D
9097209000	ELECTROMAGNETIC SWITCH	1	20D / X20D / X20C / X24D
909 6622 000	RELAY 24V 40A	1	20D / X20D / X20C / X24D
145 3824 000	FUSE STRIP 40A	1	20D / X20D / X20C / X24D
145 8513 000	FUSE BLADE 30A	2	20D / X20D / X20C / X24D
9098297000	BATTERY CHARGER 24V 13A 100-240V 50/60HZ	1	20D / X20D / X20C / X24D

Ref. No.	DESCRIPTION	QTY	MACHINES
	ACCESSORIES		
909 5327 000	REMOTE FILLIN HOSE	1	20D / X20D / X20C / X24D
9096916000	FILTER	1	20D / X20D / X20C / X24D
9096951000	HOUR COUNTER	1	20D / X20D / X20C / X24D
909 6734 000	ELASTIC BAND KIT	1	20D / X20D / X20C / X24D
# 9098947000	WHEEL CASTOR SS	1	20D / X20D / X20C / X24D
9097026000	WHEEL FRONT D.250 DRIVE 65SH	2	20D / X20D / X20C / X24D
909 6848 000	BRUSH DECK 530MM/20" WITH SQUEEGEE	1	20D / X20D
56325504	BRUSHES - PROLENE	1	20D / X20D
L08837026	BRUSHES - PROLITE	1	20D / X20D
L08837027	BRUSHES - UNION MIX	1	20D / X20D
L08837028	BRUSHES - MIDLITE GRIT	1	20D / X20D
L08837029	BRUSHES - MID GRIT 240	1	20D / X20D
L08837065	BRUSHES - MAGNA GRIT 46	1	20D / X20D
L08837066	BRUSHES - DYNA GRIT 80	1	20D / X20D
L08837067	BRUSHES - AGLITE GRIT 500	1	20D / X20D
56325502	PAD HOLDER KIT	1	20D / X20D
909 6849 000	BRUSH DECK 510MM CYL KIT WITH SQUEEGEE	1	X20C
909 5823 000	BRUSH CYL PROLITE	2	X20C
909 5824 000	BRUSH CYL PROLITE PLUS	2	X20C
909 5825 000	BRUSH CYL MIDLITE GRIT 180	2	X20C
909 6850 000	BRUSH DECK 610MM KIT WITH SQUEEGEE	1	X24D
L08603842	BRUSHES - PROLENE	2	X24D
L08603873	BRUSHES - MIDGRIT 240	2	X24D
L08603872	BRUSHES - MIDLITE GRIT 180	2	X24D
L08603874	BRUSHES - PROLITE	2	X24D
L08603875	BRUSHES - UNION MIX	2	X24D
L08603939	PAD HOLDER KIT	2	X24D
L08603878	SQUEEGEE CPL KIT 30"	1	20D / X20D / X20C
909 6860 000	KIT SQUEEGEE BLADES NEOPRENE	1	20D / X20D / X20C
909 6858 000	KIT SQUEEGEE BLADES POLYURETAN	1	20D / X20D / X20C
909 5006 000	WEAR PACK: STD SQU.BLADES, FILTER, PREF.	1	X24D
909 6859 000	KIT SQUEEGEE BLADES POLYURETAN	1	X24D
909 5629 000	NON MARKING FRONT SQUEEGEE BLADE	1	X24D
909 6744 000	ECOFLEX™ SYSTEM KIT	1	20D
# 9097599000	PROTECTION MOTOR KIT	1	20D / X20D



14600 21st Avenue North
Plymouth, MN 55447-3408
www.advance-us.com
Phone: 800-989-2235
Fax: 800-989-6566
©2011 Nilfisk-Advance, Inc.

A Nilfisk-Advance Brand