

7765



PARTS LIST

**MODELS: 56514925 (VD Gas), 56514926 (VD LP), 56514927 (VD Diesel)
56514928 (MD Gas), 56514929 (MD LP GM3.0L), 56514930 (MD Diesel S4Q2)
56514931 (VD LP)**

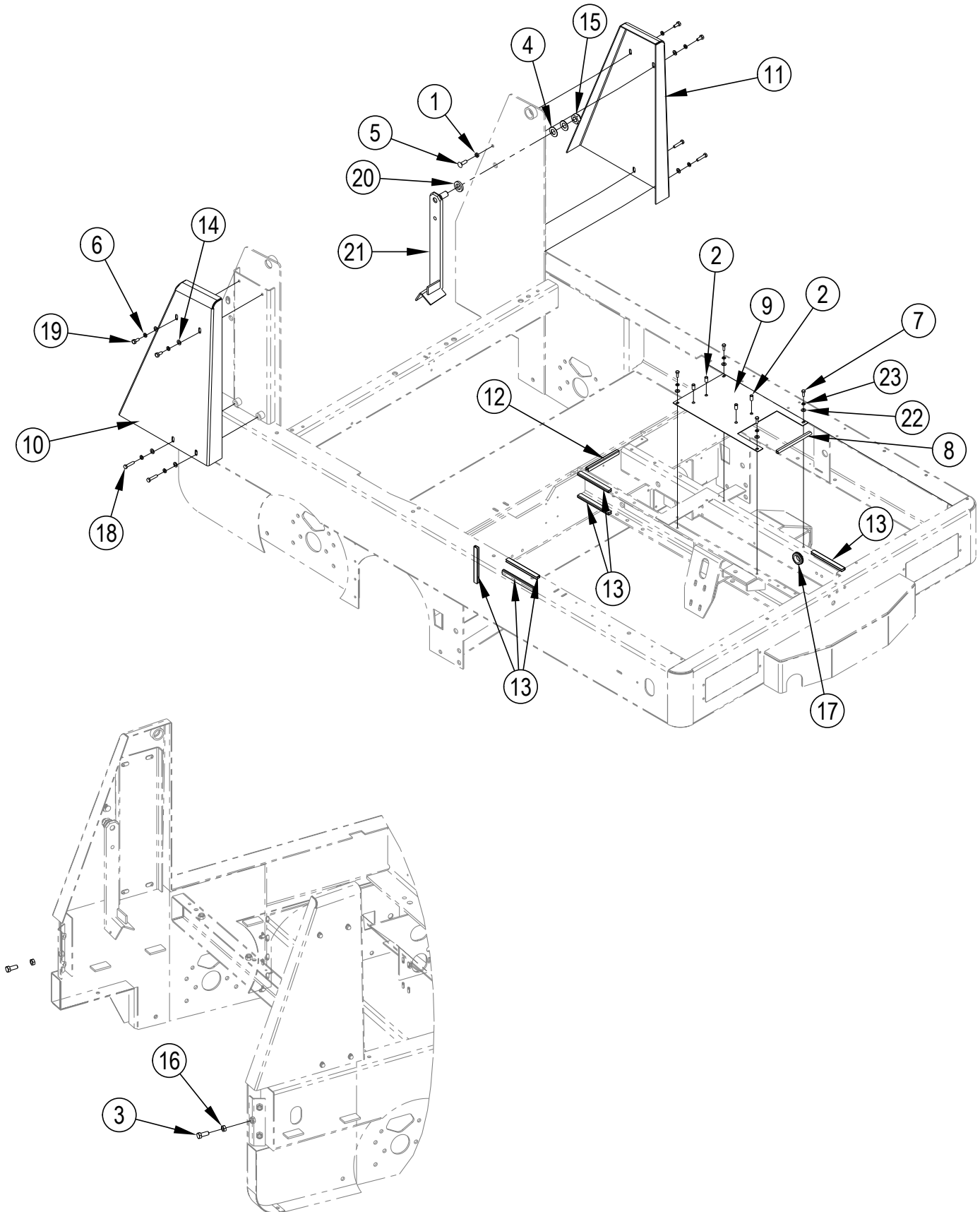
DESCRIPTION	Page
Main Frame - Variable Dump.....	4-5
Main Frame - Manual Dump.....	6-7
Main Broom Assembly.....	8-9
Main Broom Lift Linkage.....	10-11
Side Broom - Variable Dump.....	12-13
Broom and Brush Chamber Door.....	14-15
Hopper System - Manual Dump.....	16-17
Hopper System - Variable Dump.....	18-19
Hopper System - Filter and Impeller.....	20-21
Hopper System (Valve, Dump Linkage).....	22-23
Scrub Deck & Brushes.....	24-25
Rear & Side Squeegees.....	26-27
Squeegee Lift.....	28-29
Swing Squeegee Support.....	30-31
Solution Tank.....	32-33
Solution Feed Linkage.....	34-35
Recovery Tank.....	36-37
Tank Lid System [before January 2009].....	38-39
Tank Lid System [after December 2008].....	40-41
Vacuum Motor & Float.....	42-43
Front Wheel and Brake.....	44-45
Brake Linkage.....	46-47
Rear Wheel.....	48-49
Forward/Reverse Control – GM 3.0 (Before SN1000034942).....	50-51
Forward-Reverse Control – GM 3.0 [After SN1000034942].....	52-53
Forward/Reverse Control – GM 3.0 - Foot Pedal Assy.....	54-55
Forward-Reverse Control – Mitsubishi Diesel [Before SN1000034942].....	56-57
Forward/Reverse Control – Mitsubishi Diesel (After SN1000034942).....	58-59
Operator Compartment.....	60-61
Hydraulic Hose System - Variable Dump.....	62-63
Suction & Return Hoses - Variable Dump.....	64-65
Hydraulic Hose System - Manual Dump.....	66-67
Suction & Return Hoses - Manual Dump.....	68-69
Main Broom Motor and Fittings.....	70
Side Broom Motor and Fittings.....	71
Scrub Motors and Fittings.....	72
Squeegee, Scrub Deck Cylinders & Fittings.....	73
Power Steering, Hopper Dump, Hopper Lift Cylinders & Fittings.....	74-75
Rear Wheel Motor & Fittings.....	76-77
Hydraulic Reservoir, Filter & Fittings.....	78-79
Drive Pump and Fittings (Before SN1000034942).....	80
Drive Pump and Fittings (After SN1000034942).....	81
Vacuum Motor and Fittings.....	82-83
Dust Control Impeller and Fittings.....	84
Power Steering Unit and Fittings.....	85
Main Control Valve and Fittings.....	86-87
Return Manifold and Fittings - Variable Dump.....	88-89
Return Manifold and Fittings - Manual Dump.....	90-91
Cylinder Control Valve and Fittings.....	92-93
Auxiliary Pump and Fittings - Gas.....	94
Auxiliary Pump and Fittings – Diesel.....	95
Battery Group System.....	96-97
Engine Cover.....	98-99
Fuel Tank - Gas.....	100-101
GM 3.0 Liter Gas Engine (Air Filtration System).....	102-103
GM 3.0 Liter LP Engine (Air Filtration System) IMPCO.....	104-105
GM 3.0 Liter LP Engine (Air Filtration System) PSI.....	106-107
GM 3.0 Liter Engine - Gas & LP (Supports, Brackets).....	108-109
GM 3.0 Liter Engine - Gas & LP (Exhaust System).....	110-111
GM 3.0 Liter Engine - Gas & LP (Fan, Radiator Hoses).....	112-113
Fuel Tank Assembly - LP.....	114-115
Mitsubishi S4Q2 Tier 2 - Diesel Engine (Fan, Exhaust, Hoses).....	116-117
Mitsubishi S4Q2 Tier 2 - Diesel Engine (Supports, Throttle).....	118-119
Mitsubishi S4Q2 Tier 2 - Diesel Engine (Fuel System).....	120-121
Mitsubishi S4Q2 Tier 2 - Diesel Engine (Air Filtration System).....	122-123

DESCRIPTION	Page
Mitsubishi S4Q2 Tier 4 - Diesel Engine (Fan, Exhaust, Hoses).....	124-125
Mitsubishi S4Q2 Tier 4 - Diesel Engine (Supports, Throttle)	126-127
Mitsubishi S4Q2 Tier 4 - Diesel Engine (Fuel System).....	128-129
Mitsubishi S4Q2 Tier 4 - Diesel Engine (Air Filtration System).....	130-131
Fuel Tank - Diesel.....	132-133
Radiator Assembly	134-135
Decals	136-137
Steering and Instrument Panel.....	138-139
Instrument Panel Connections	140-141
Spare Parts	142-144
Engine Service Parts - Mitsubishi S4Q2 Diesel.....	145
Engine Service Parts - GM 3.0 Gas-LP IMPCO.....	146-147
Engine Service Parts - GM 3.0 Gas-LP PSI.....	148-149
Machine Harness Routing Diagram Gas-LP-Diesel.....	150-151
Hydraulics Schematic - Variable Dump	152
Hydraulics Schematic - Manual Dump	153
Electrical Schematic (Gas/LP/Diesel).....	154
Options	155
Overhead Guard Option	156-157
Side Broom Option - Manual Dump	158-159
Broom Options	160
Back-Up Alarm Option.....	161
Lights Options	162-163
Lights & Turn Signals Option.....	164-165
Warning Lights w/o Overhead Guard Option.....	166-167
Warning Lights for Overhead Guard Option.....	168-169
Curb Light Option	170-171
Fire Extinguisher Option.....	172
Debris Basket Option	173
Suspension Seat Option.....	174
Seat Belt Option	175
ESP Option (Detergent & Solution Tank).....	176-177
ESP Option (Recovery Tank & Detergent Pump).....	178-179
ESP Option (Instrument Panel).....	180-181
ESP Option (Wiring).....	182-183
Tire Options.....	184
Vacuum Wand Option.....	185
Wet Sweep Bypass Option.....	186-187
Auxiliary LP Tank Option	188-189
Dual Feed LP Tanks Option.....	190-191
Solution Off in Neutral Option.....	192-193
Stainless Steel Variable Dump Hopper Option.....	194
Stainless Steel Manual Dump Hopper Option.....	195
Extended Bumpers Option	196-197
Wrap-Around Bumpers Option	198-199
High Torque Drive Wheel Motor Option.....	200
Hopper High Temperature Shutdown Option.....	201
Clogged Filter Indicator Option.....	202-203
125 Gallon Solution & Recovery Tanks Option.....	204-205
Power Spray Wand Option.....	206-207
Timed Filter Shaker Option.....	208
Broom Selector Guide	209
Brush Selector Guide	210

WHEN ORDERING PARTS

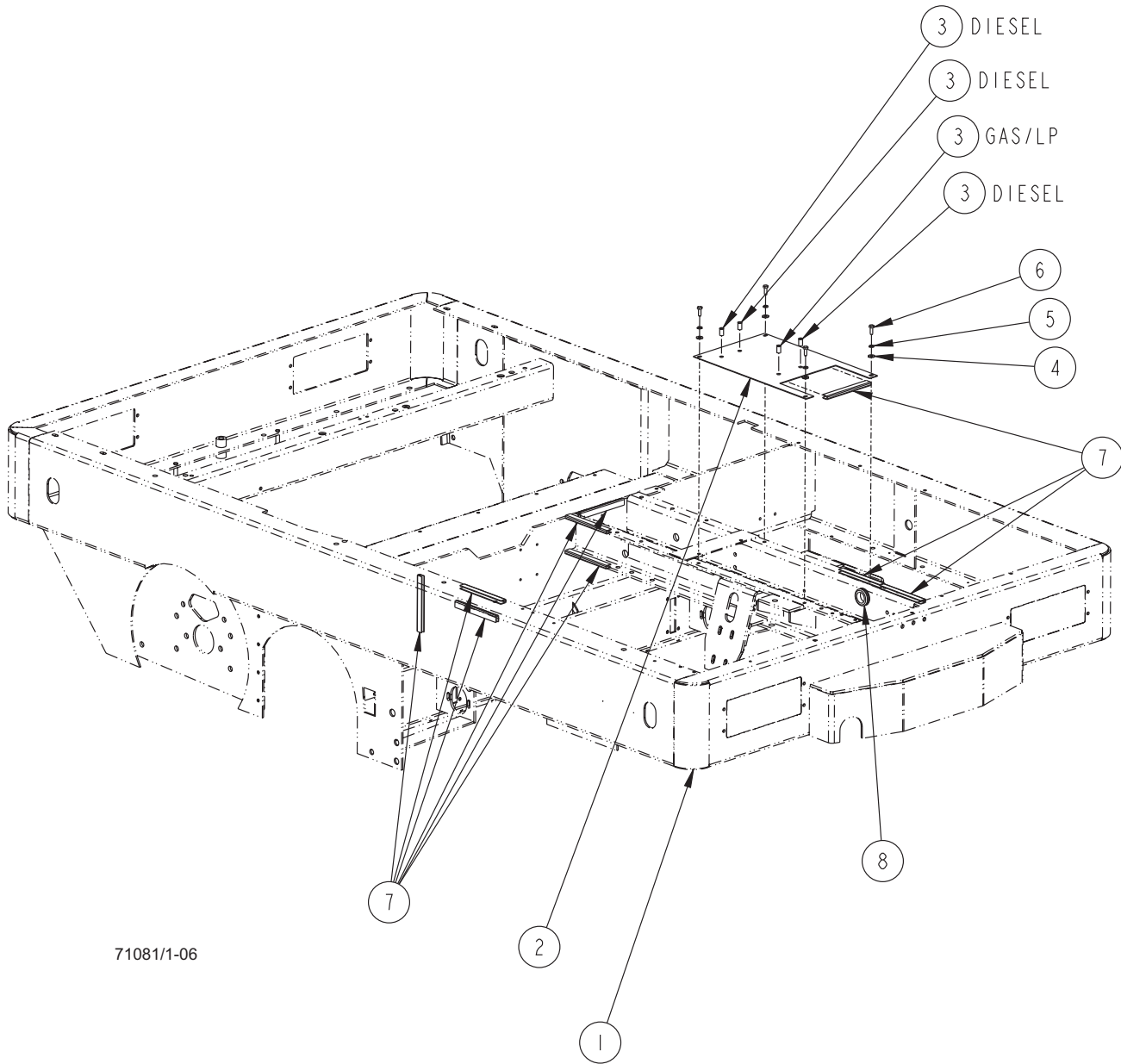
- * Use the numbers from the "Ref. No." columns in this parts list.
- * Specify the model and serial number of the machine.
- * Use the space below to record the model and serial number for future reference.

Model _____ Serial No. _____



09-5	MAIN FRAME - VARIABLE DUMP		
11-8	7765		5

Item	Ref. No.	Qty	Description
1	2-00-02369	1	Nut-Hex-Jam .38-16 Zn
2	2-00-05261	4	Nutsert, 1/4-20
3	56001831	2	Scr-Hex 1/2-13 X 1.25
4	2-00-05807	2	3/4" Spring Washer
5	2-00-05187	1	3/8-16 X 1.0", Carriage Bolt
6	2-00-00530	8	5/16" Lock Washer
7	2-00-00221	4	Bolt-Hex Head, Finished, 1/4-20x3/4 Lg
8	8-21-04015	1	Bumper
9	56514815	1	Cover-Strg Gear Assy
10	56514813	1	Cover-Support Wing Lh
11	56514814	1	Cover, Support Wing Rh
12	7-21-04030	1	Edging-Brush Drive Support
13	7-21-04031	6	Edging-Brush Drive Support
14	2-00-00409	8	Flat Washer, .687 X .344 X .062
15	2-00-05255	1	Nut
16	2-00-02371	2	Nut. 1/2-13
17	2-00-04721	1	Rubber Grommet
18	2-00-00225	4	Screw, 5/16 - 18 X 1.5 HHC
19	2-00-00208	4	Screw, 5/16-18 X .750 Hhc
20	7-75-01167	1	Spacer
21	7-81-00189	1	Support-Safety Arm (Right)
22	2-00-03702	4	Washer, .625 X .281 X .063
23	2-00-00518	4	Washer,Lock,1/4" Helical Spring



71081/1-06

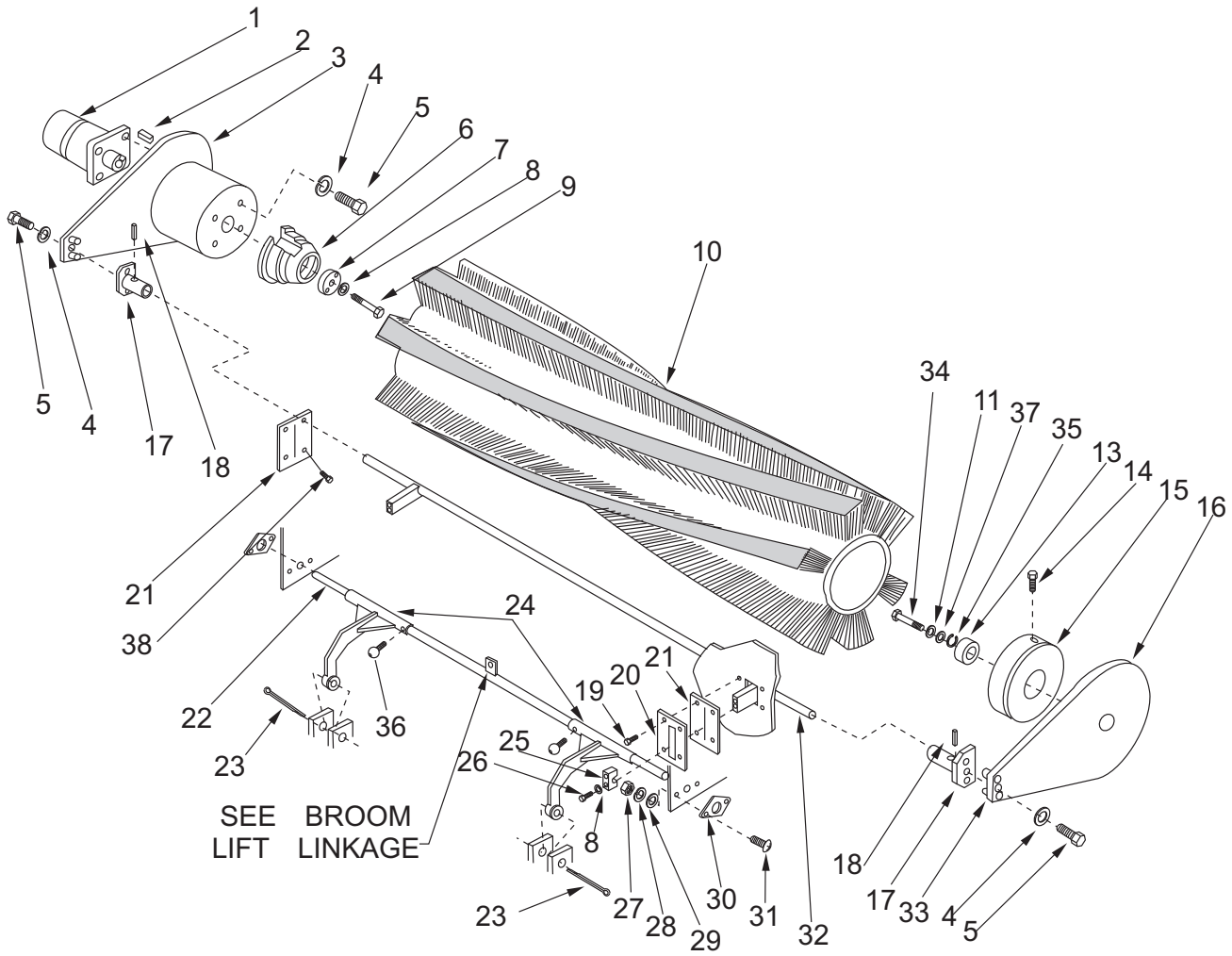
09-5

MAIN FRAME - MANUAL DUMP

7765

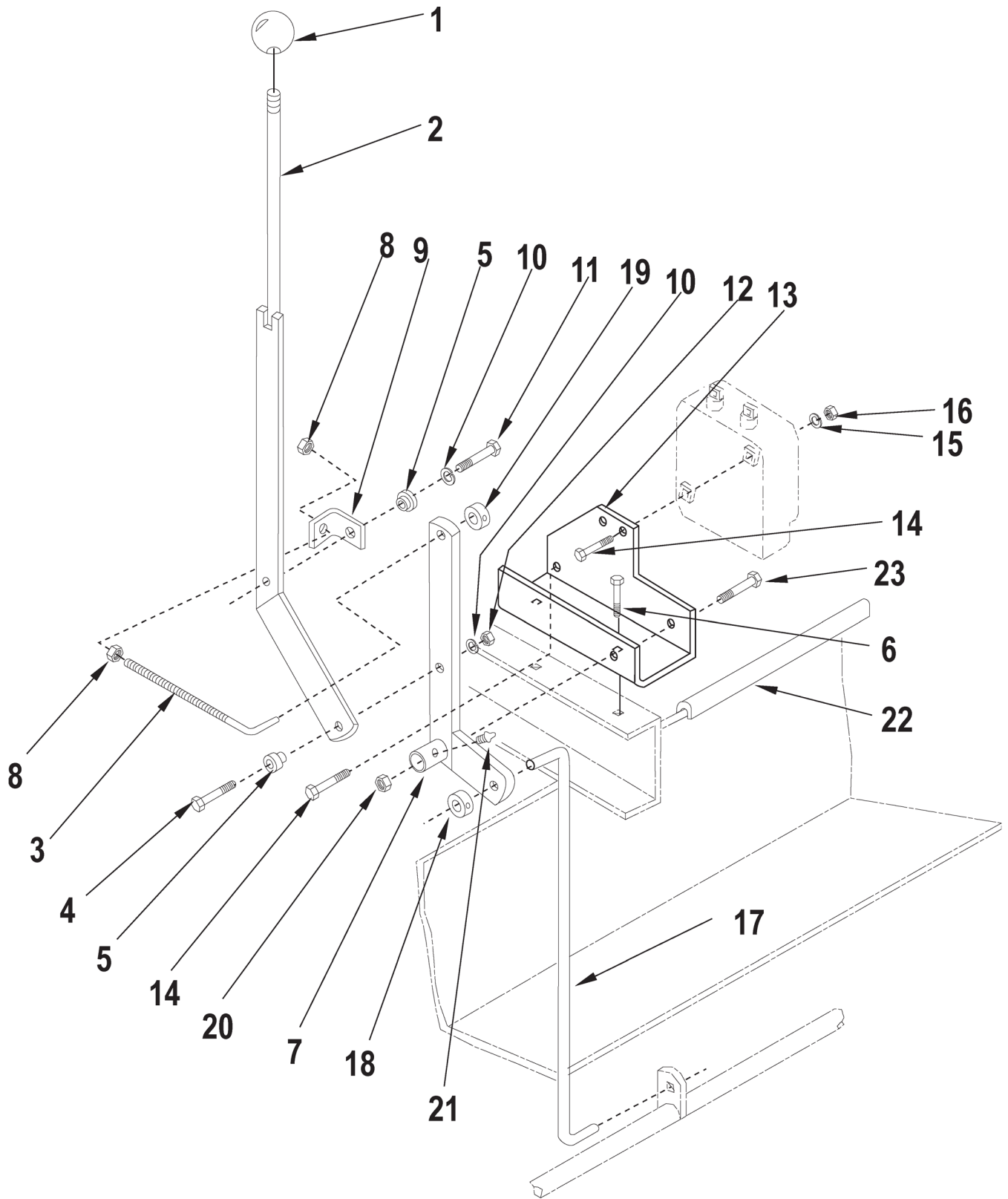
7

Item	Ref. No.	Qty	Description
1	56514840	1	Main Frame
2	56514815	1	Cover, Steering Gear Assy.
3	2-00-05261	4	Insert, 1/4-20 Threaded
4	2-00-03702	4	Flat Washer, .562 x .265 x .062
5	2-00-00518	4	Lock Washer, 1/4 Helical Spring
6	2-00-00221	4	Bolt, 1/4-20 x 3/4 Fin. Hex Head
7	7-21-04031	9	Edging, Brush Drive Support
8	2-00-04721	1	Rubber Grommet



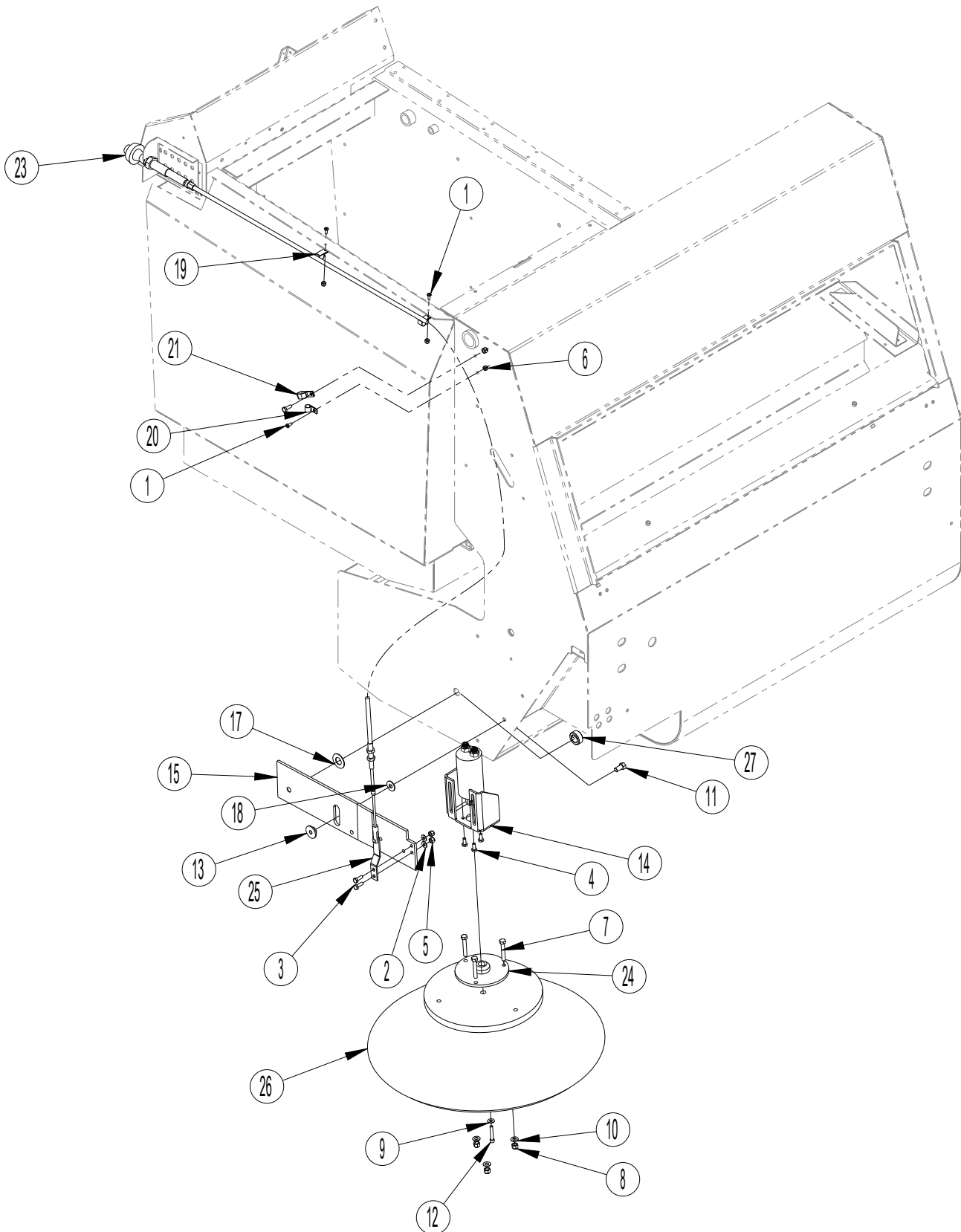
P4738/9606

Item	Ref. No.	Qty	Description
1	0882-040	1	Hydraulic Motor, Broom Drive
2	2-00-03838	1	Key, 1/4 x 1.0 (#15) W
3	8-16-00041	1	Arm, Drive Broom
4	2-00-02310	6	Lock Washer, 3/8 Helical Spring
5	2-00-00232	6	Screw, 3/8-14 x 3/4 HHC
6	8-33-09046-1	1	Hub, Broom Driver
7	8-58-05160	1	Plate, Hub Locking
8	2-00-00518	7	Lock Washer, 1/4 Helical Spring
9	2-00-03039	3	Screw, 1/4-20 x .625 HSHC
10	See Broom Options		
11	2-00-00522	1	Lock Washer, 3/4 Helical Spring
12			Intentionally Omitted
13	2-00-04889	1	Bearing
14	2-00-04886	2	Screw, 3/8-16 x 1/2 HSHC
15	8-33-09090	1	Idler
16	8-16-00039	1	Arm, Idler
17	56514825	2	Pivot Collar (Weldment)
18	2-00-04943	2	Spring Pin, 3/8 x 1.50
19	2-00-00221	8	Screw, 1/4-20 x 3/4 HHC
20	7-16-07274	2	Gasket, Cover Plate
21	7-29-00148	3	Gasket, Broom Arm
22	7-70-05137	1	Shaft
23	7-55-08119	2	Lift Pin (with Cotter Pin)
24	7-03-04151	1	RH Arm Assembly
	7-03-04152	1	LH Arm Assembly
25	56514827	2	End Clamp
26	2-00-02587	4	Screw, 1/4-20 x 1.25 HHC
27	2-00-00586	4	Nut, 5/16-18 x .500 x .187 Hex Jam
28	2-00-00530	4	Lock Washer, 5/16 Helical Spring
29	2-00-05103	4	Flat Washer, SS, .750 x .343 x .050
30	2-00-03997	2	Flange Bearing, 3.75 x 1.00
31	2-00-00196	4	Carriage Bolt, 5/16-18 x 1.0
32	56514826	1	Shaft, Broom Chamber (Weldment)
33	8-55-08098	4	Dowel Pin
34	2-00-04887	1	Screw, 3/4-10 x 1.25 HHC
35	2-00-04890	1	Retaining Ring, 3.341 Int.
36	2-00-02558	2	Lubrication Fitting, 45° 1/8 NPT
37	8-75-01157	1	Flat Washer, 3/4
38	2-00-00432	4	Screw, 1/4-20 x 1/2



Item	Ref. No.	Qty	Description
1	8-39-00003	2	Knob
2	7-41-05082	1	Lever, Main Broom
3	7-66-00142	1	Adjusting Rod
4	2-00-00207	1	Screw, 5/16-18 x 1.25
5	7-09-01057	2	Spacer
6	2-00-01255	2	Screw, 5/16-18 x .875 HHC
7	56514828	1	Crank
8	2-00-02369	2	Nut, 3/8-16 x .562 x .218 Hex Jam
9	7-08-00493	1	Bracket, Broom Lever
10	2-00-00530	2	Lock Washer, Helical Spring 5/16 Med
11	2-00-00208	1	Screw, 5/16-18 x 3/4 HHC
12	2-00-00585	1	Nut, 5/16-18 x .500 x .265 Hex
13	7-89-06700	1	Bracket, Hopper Valve
14	2-00-02589	2	Screw, 1/4-20 x 2.0 HHC NOTE 1
15	2-00-00518	2	Lock Washer, 1/4 Helical Spring NOTE 1
16	2-00-00594	2	Nut, 1/4-20 x .437 x .218 Hex NOTE 1
17	7-42-05086	1	Broom Lift Link
18	2-00-03589	1	Setscrew Collar, 1.00 x .500 x .437
19	7-15-01022	1	Setscrew Collar, .750 x .378 x .375
20	2-00-04936	1	Nut, 1/2-13 Fiber Insert Hex
21	2-00-00566	1	Lubrication Fitting, Straight 1/8 NPT
22	7-21-04030	1	Edging
23	2-00-05059	2	Screw, 1/2-13 x 3.75 HHC

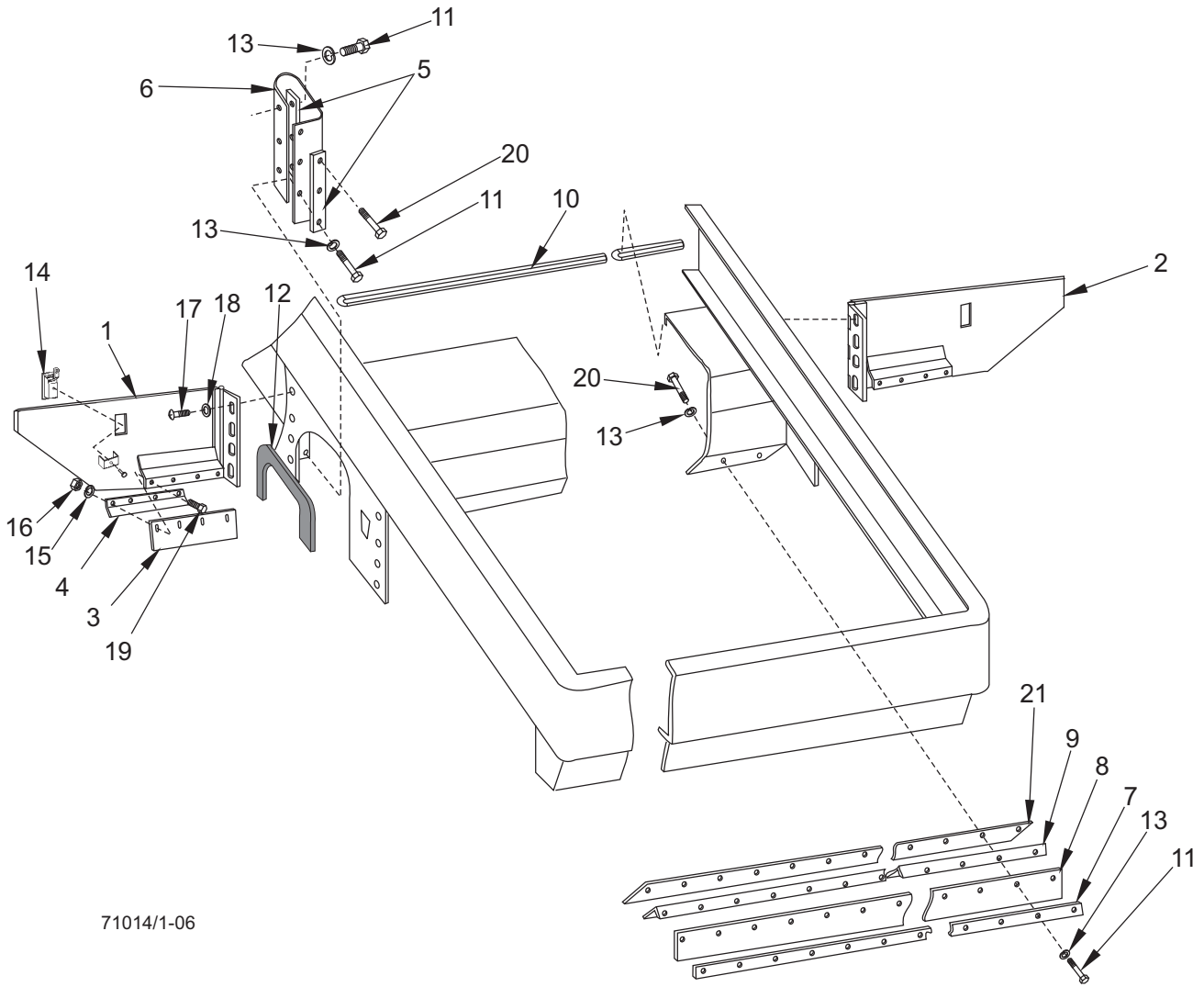
NOTE 1: These items are only used on Variable Dump models.



09-5	SIDE BROOM - VARIABLE DUMP			
11-8	7765			13

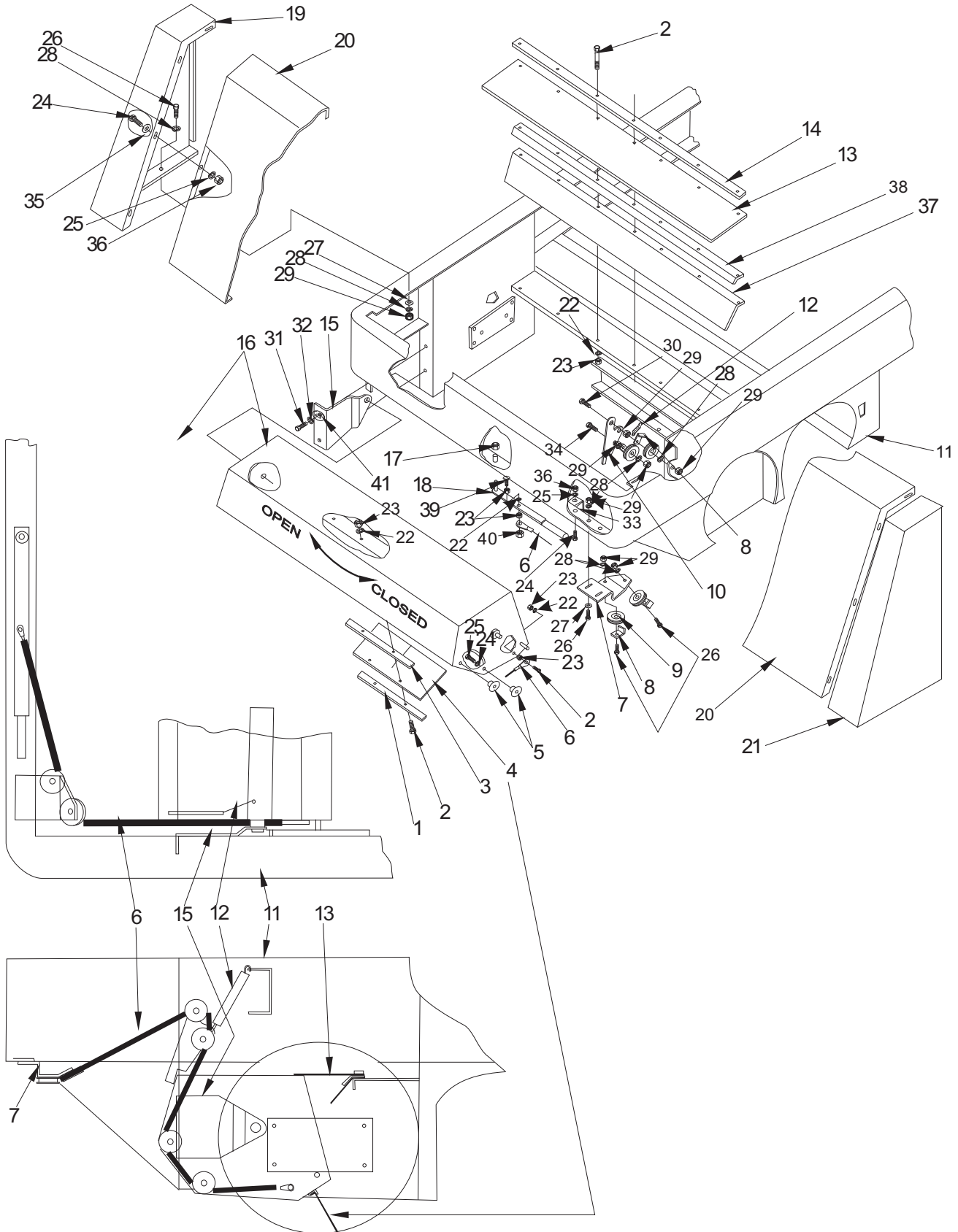
Item	Ref. No.	Qty	Description
1	56001993	3	Scr-Pan Phil 10-24 X .50
2	56002098	2	Wsh, Flt Sae 1/4
3	56002155	3	Scr-Hex 1/4-20 X .75
4	56002252	3	Scr, Hex 1/4-28 X .62
5	56002708	3	Nut, Hex Nyl Loc 1/4-20
6	56002768	3	Nut, Hex Nyl Loc 10-24
7	56002802	3	Scr- Hex Ss 5/16-18 X 2.00
8	56002856	3	Nut, Hex Nyl Loc Ss 5/16-18
9	56002859	1	Wsh-Flt Sae Ss 1/4
10	56002938	3	Wsh-Flt Sae Ss 5/16
11	56003079	1	Scr,Hex Hd Loc 3/8-16x.75
12	2-00-05976	1	Scr, Soc Hd 1/4-28 X 1.50
13	7-09-01134	1	Bushing
14	7-08-00841	1	Bracket Side Broom
15	56514783	1	Weldment-Arm - Side Broom
16	0885-061	1	Motor - Main Broom
[]	2-00-06547	1	Key
[]	0880-293	1	Seal Kit- 0885-061 (Up to Serial No. 750056)
[]	0780-144	1	Seal Kit- 0885-061 (Serial No. 750056 & Above)
17	2-00-03808	1	Washer, .770 Id X 1.50 Od X .063 Thick
18	2-00-03979	1	Flat Washer, 1.00 X .39 X .062
19	2-00-04210	2	Clamp
20	2-00-04378	1	P-Clamp
21	2-00-04603	1	Clamp-Hose (Double) 1/2 O.D.
22	2-00-04918	Ref	Fitting, -6 Sae X -4 Ors, Str.
23	7-10-00029	1	Cable
24	7-25-06038	1	Weldment Flange
25	7-79-00092	1	Strap
26	8-08-03107	1	Broom - Side
27	8-15-01003	1	Set Screw Collar

[] = Not Shown



71014/1-06

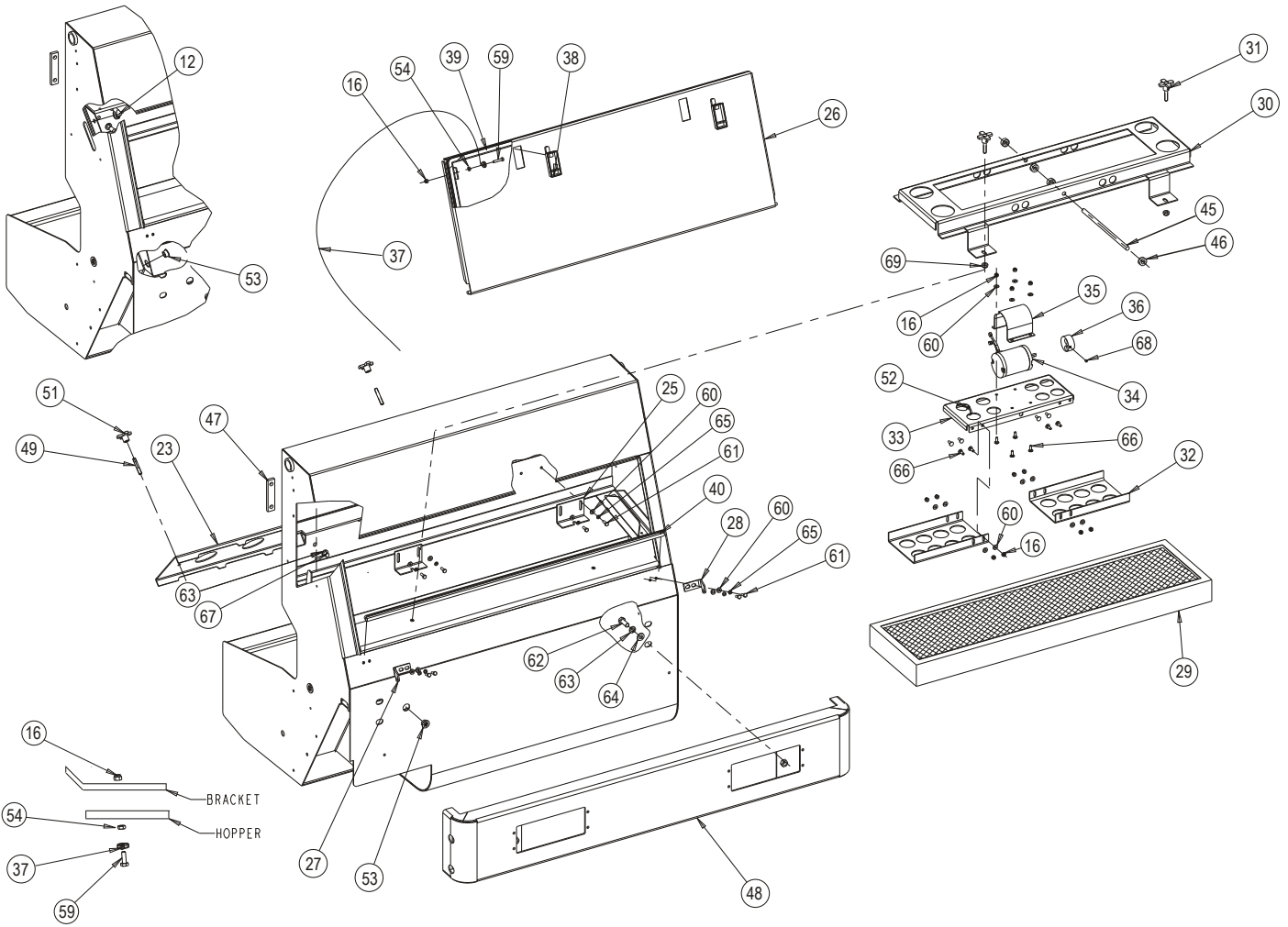
Item	Ref. No.	Qty	Description
1	56514779	1	Door, Left Hand Broom Chamber
2	56514780	1	Door, Right Hand Broom Chamber
3	7-25-08033	2	Flap, Broom Chamber Door
4	56514781	2	Strap, Door Flap
5	56514782	4	Strap, Broom Chamber
6	7-25-08034	2	Flap, Broom Chamber
7	7-79-00054	1	Strap, Broom Chamber Flap
8	7-25-08032	1	Flap, Broom Chamber
9	7-08-00487	1	Bracket, Flap (Weldment)
10	7-29-00147	1	Gasket
11	2-00-00221	25	Screw, 1/4-20 x 3/4 HHC
12	3-73-01020	2	Gasket (36")
13	2-00-00518	33	Lock Washer, 1/4 Helical Spring
14	7-41-00065	2	Latch, Flush Mount
15	2-00-00501	8	Lock Washer, 1/4
16	2-00-00589	8	Nut, 1/4-20 Hex
17	2-00-04880	8	Screw, 1/4-20 x 3/4 BHS
18	2-00-00407	8	Flat Washer, .687 x .343 x .062
19	2-00-04190	8	Carriage Bolt, 1/4-20 x .63
20	2-00-01490	13	Screw, 1/4-20 x .875 HHC
21	7-25-08036	1	Flap, Front Broom Chamber



C-0355/9606

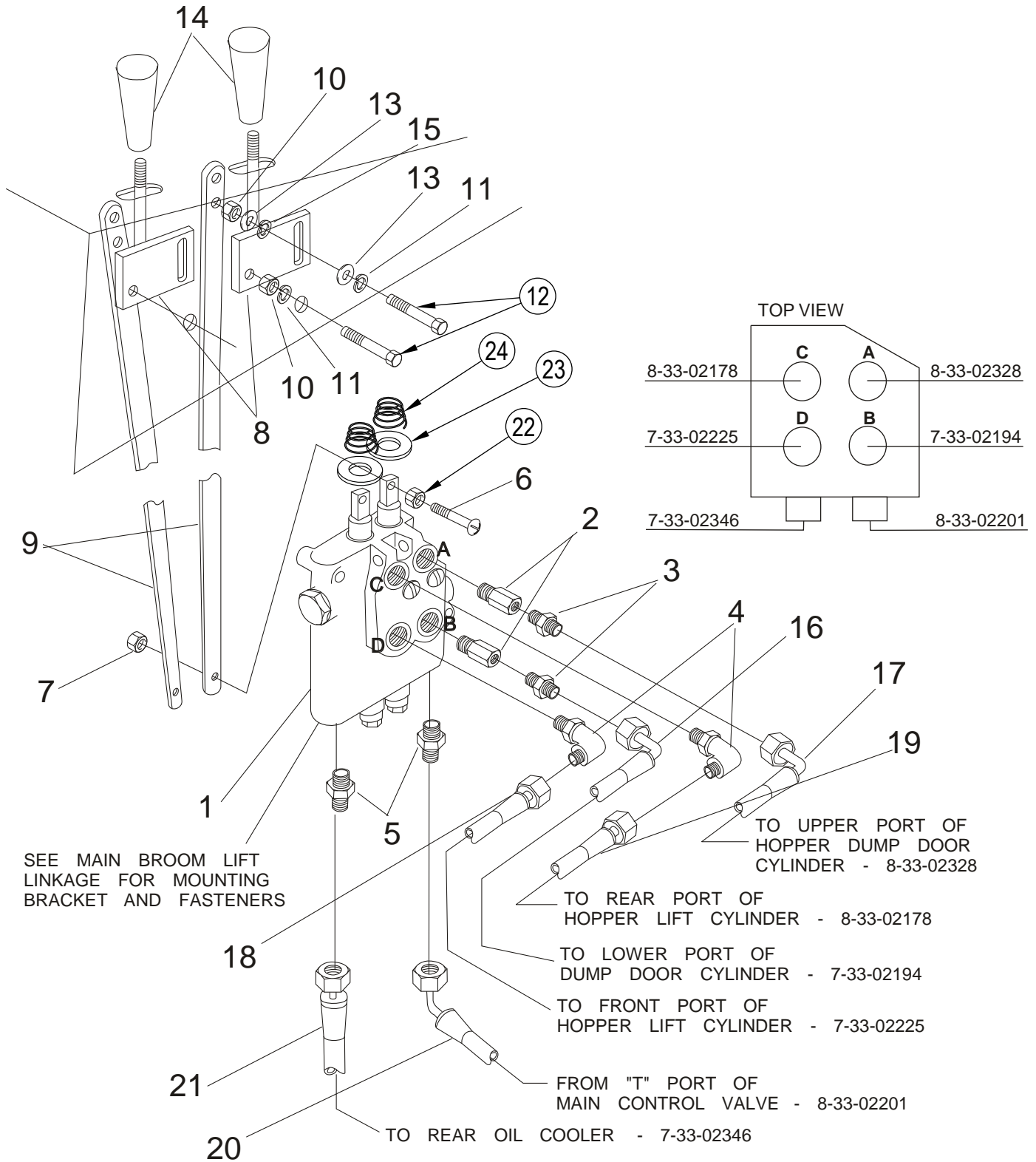
Item	Ref. No.	Qty	Description
1	7-79-00091	4	Hopper Flap Strap
2	2-00-00205	15	Screw, 1/4-20 x 1.000 HHC
3	7-13-07169	4	Hopper Flap Clamp
4	7-25-08050	4	Hopper Flap
5	7-30-08013	2	Cable Guide
6	7-10-00027	1	Hopper Lift Cable
7	7-08-00860	1	Pulley Mounting Bracket
8	7-13-07170	4	Cable Retainer Clip
9	7-60-00160	4	Cable Pulley
10	7-41-00029	1	Hopper Latch
11	56514840	1	Main Frame
12	8-76-00045	1	Spring
13	7-25-08051	1	Baffle Flap
14	56514845	1	Baffle Clamp
15	7-08-00861	2	Hopper Pivot Plate
16	56514847	1	Hopper
17	2-00-03589	1	Collar
18	7-31-06073	1	Hopper Dump Handle
19	56514843	1	Right Hand Cover
20	56514844	1	Center Cover
21	56514848	1	Left Hand Cover
22	2-00-00518	17	Lock Washer, 1/4 Helical Spring
23	2-00-00594	19	Nut, Hex 1/4-20
24	2-00-01255	11	Screw, 5/16-18 x .875 HHC
25	2-00-00530	11	Lock Washer, 5/16 Helical Spring
26	2-00-00209	8	Screw, 3/8-16 x 1.250 HHC
27	2-00-00402	10	Flat Washer, 3/8 Bs
28	2-00-02310	8	Lock Washer, 3/8 Helical Spring
29	2-00-02360	14	Nut, Hex 3/8-16
30	2-00-02711	1	Screw, 3/8-16 x2.750 HHM
31	2-00-00240	4	Screw, 1/2-13 x 1.250 HHC
32	2-00-02312	4	Lock Washer, 1/2 Helical Spring
33	7-41-00031	1	Handle Latch
34	2-00-00235	1	Screw, 3/8-16 x 1.750 HHC
35	2-00-00409	8	Flat Washer, 5/16 BS
36	2-00-00585	9	Nut, Hex 5/16-18
37	7-25-08052	1	Lower Baffle Flap
38	56514849	1	Lower Baffle Clamp
39	2-00-00198	1	Carriage Bolt, 1/4-20 x 2.000
40	2-00-00641	1	Nut, Fiber Lock 1/4-20
41	2-00-00405	4	Flat Washer 1/2 B.S

Item	Ref. No.	Qty	Description
1	56514763	1	Hopper
2	56514764	1	Bracket, Impellor Mounting and Guard
3	0882-041	1	Vac Fan Motor
4	8-23-00012	1	Impellor
5	7-17-05013	Ref.	Cylinder
6	7-55-08117	3	Pin
7	8-15-01003	6	Collar
8	7-17-05020	Ref.	Cylinder
9	8-14-01010	1	Rod End
10	7-55-08127	1	Rod
11	7-29-00233	2	Gasket, Dump Door
13	56514897	1	Clamp, Hopper Flap
14	7-25-08068	1	Flap, Hopper
15	56514765	1	Dump Door, Hopper
16	2-00-00641	31	Nut, 1/4-20 Insert Fiber
17	7-55-08121	1	Pin
18	7-68-05019	1	Seal, Outer Door
19	56514896	1	Strap, Inner Seal
20	56514895	1	Strap, Outer Seal
21	7-68-05014	2	Seal, Door Side
22	56514894	2	Clamp, Door Side Seal
24	7-68-05018	1	Seal, Dump Door
41	2-00-00776	2	Cotter Pin
42	2-00-02558	1	Lube Fitting
43	2-00-04378	1	Clamp
44	2-00-00566	4	Lube Fitting
50	8-82-00058	2	Switch
54	2-00-00594	6	Nut, Hex 1/4-20 x .437 x .218
55	7-21-04041	1	Edging, Hopper
56	2-00-02227	1	Key
57	2-00-04603	2	Clamp
58	56514777	1	Bracket, Safety Arm Stop
59	2-00-05382	2	Hole Plug
60	2-00-03702	17	Washer, .625 x .281 x .063
61	2-00-00221	33	Screw, 1/4-20 x .750 HHC
65	2-00-00518	16	Lock Washer, Helical Spring
66	2-00-03575	12	Carriage Bolt, 1/4-20 x .750
70	2-00-00585	4	Hex Nut, .13-18 Finished
71	2-00-00530	8	Lock Washer, 5/16 Med.
72	2-00-00409	8	Flat Washer, .688 x .344 x .063
73	2-00-00208	4	Screw, .313-18 x .75 HHC
74	2-00-02655	4	Screw, .313-18 x 4.50 HHC
75	2-00-00402	2	Flat Washer, .750 x .391 x .093
76	2-00-03412	1	Lock Nut, .38-24 (1-piece)
77	2-00-00484	1	Spacer, .625 x .375 x .047
78	2-00-01372	4	Nut, 8-32 Fiber Insert
79	2-00-00498	5	Lock Washer
80	2-00-00090	4	Screw, 8-32 x 1.50 PH RHM
81	2-00-00432	2	Flat Washer, 1.125 x .766 x .063
82	2-00-03170	2	Spacer, .75-1.50 x .125
83	2-00-04841	2	Nut, .75-16 Slotted Hex
84	2-00-05277	2	Screw, .50-13 x .75 HSHC
85	2-00-00460	4	Flat Washer, .438 x .192 x .031

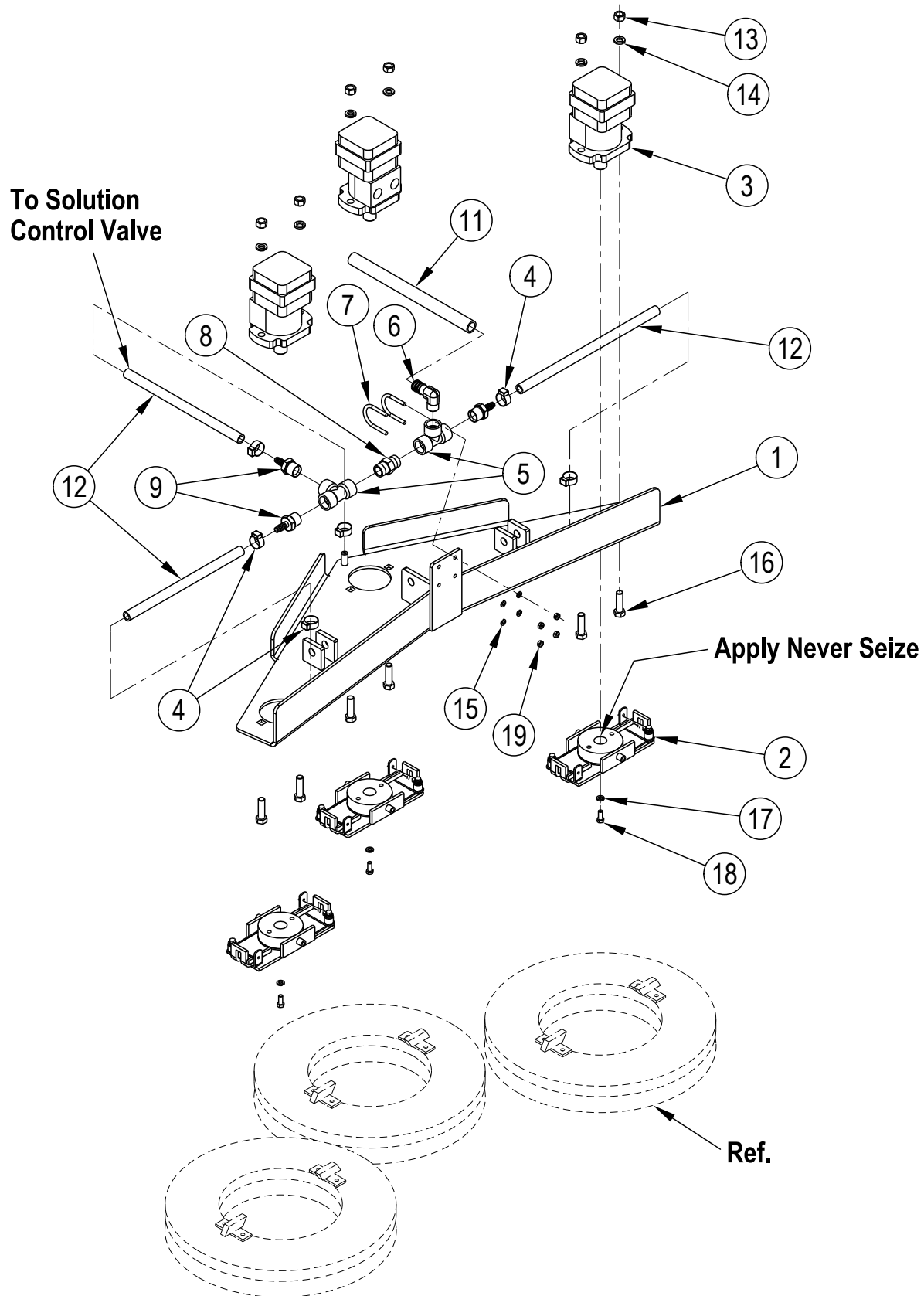


09-5	HOPPER SYSTEM - FILTER & IMPELLER			
11-8	7765			21

Item	Ref. No.	Qty	Description
12	2-00-00491	1	Grommet
16	2-00-00641	6	Nut, 1/4-20 Insert Fiber
23	56514893	1	Air Deflector, Top
25	56514766	2	Rear Clamp
26	56514767	1	Filter Access Door
27	56514768	1	Bracket, Door Filter Access (RH)
28	56514769	1	Bracket, Door Filter Access (LH)
29	7-24-04046	1	Filter Panel
	7-24-04046-2		POLY Filter Panel Option
30	56514770	1	Filter Clamp, Weldment
31	7-39-00027	2	Knob Assembly
32	56514771	1	Shaker Arm
33	56514772	1	Plate, Shaker Motor
34	0860-623	1	Motor, Shaker
35	56514773	1	Cover, Filter Shaker Motor
36	56514774	1	Weight, Filter Shaker
37	8-10-00036	1	Cable
38	8-41-00040	2	Latch
39	7-29-00234	1	Gasket, Hopper Access Door
40	7-29-00235	1	Gasket, Hopper Access Door
45	7-55-08146	1	Pin, Shaker Pivot
46	2-00-03589	4	Collar
47	56514872	1	Bracket
48	56514776	1	Bumper
49	7-89-07423	2	Stud
51	25201A	2	Knob
52	2-00-04345	1	Tye-Rap
53	8-09-01082	2	Bushing
54	2-00-00594	2	Nut, Hex 1/4-20 x .437 x .218
59	2-00-02587	2	Screw, 1/4-20 x 1.250 HHC
60	2-00-03702	12	Washer, .625 x .281 x .063
61	2-00-00221	8	Screw, 1/4-20 x .750 HHC
62	2-00-00240	4	Screw, 1/2-13 x 1.250 HHC
63	2-00-02312	6	Lock Washer, 1/2 HS Med.
64	2-00-04159	4	Washer, 9/16 x 1 3/8 x .109
65	2-00-00518	8	Lock Washer, Helical Spring
66	2-00-03575	12	Carriage Bolt, 1/4-20 x .750
67	2-00-02676	2	Screw, 1/2-13 x .75
68	2-00-00263	1	Setscrew, 1/4-20 x .250 HSKCP
69	2-00-00643	2	Nut, 3/8-16 Stop



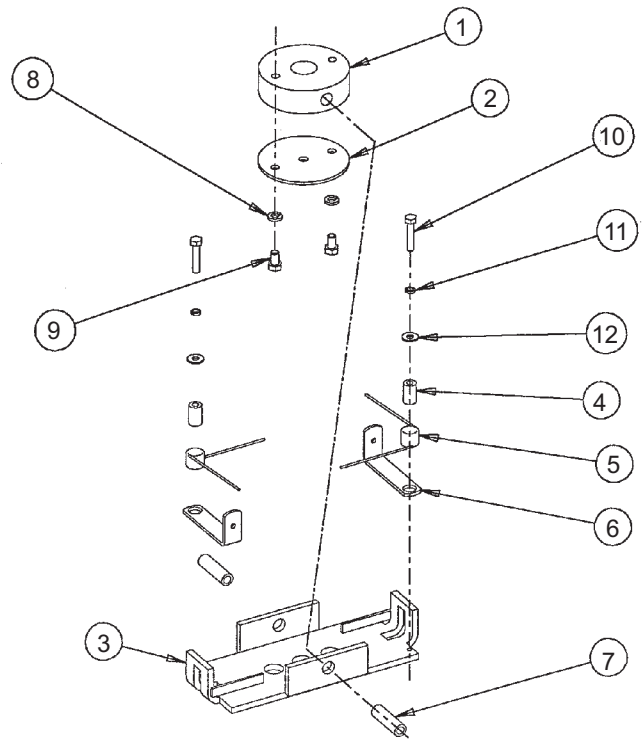
Item	Ref. No.	Qty	Description
1	8-88-00053	1	Hopper Control Valve
2	2-00-04917	2	ORFS Boss Reducer, 9/16-18 to 7/16-20
3	2-00-04895	2	ORFS Connector, 7/16-20 to 9/16-18
4	2-00-04926	2	ORFS 90° Elbow, 9/16-18
5	2-00-04970	2	Fitting - Straight
6	2-00-00056	2	Screw, #10-24 x .750 RHM
7	2-00-00605	2	Nut, Hex MS #10-24 x .375 x .125
8	7-41-05084	2	Lever
9	56514829	2	Link
10	2-00-00594	4	Nut, Hex 1/4-20 x .437 x .218
11	2-00-00518	4	Lock Washer, Helical Spring 1/4 Med
12	2-00-00205	4	Screw, 1/4-20 x 1.0 HHM
13	2-00-03702	4	Flat Washer, .625 x .281 x .062
14	7-31-06059	2	Handle
15	2-00-00498	2	Lock Washer, 1/4 Ext
16	7-33-02195	Ref.	Hose
17	8-33-02328	Ref.	Hose
18	7-33-02225	Ref.	Hose
19	8-33-02178	Ref.	Hose
20	8-33-02201	Ref.	Hose
21	7-33-02734	Ref.	Hose
22	2-00-00506	2	Nut 10-24
23	2-00-05982	2	Washer-Felt
24	7-76-00130	2	Spring-Conical

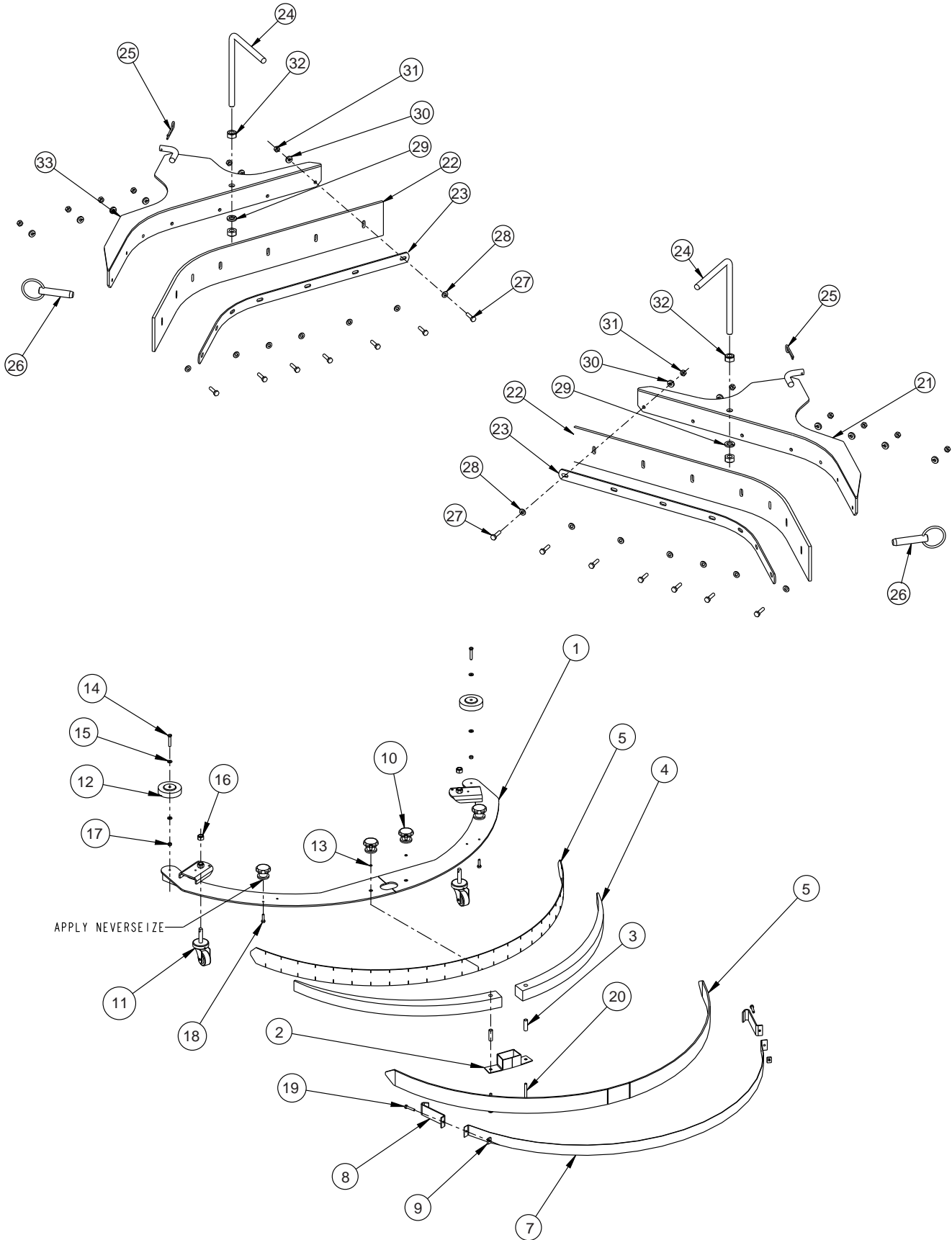


Item	Ref. No.	Qty	Description
1	56514805	1	53" Scrub Deck
*2	0702-069	3	Drive Brush Assembly
3	0782-111	3	Hyd. Scrub Motor
4	2-00-03407	6	Clamp-Hose
5	2-00-05662	2	Fitting, Tee
6	7-25-02053	1	90° Nipple
7	8-13-07003	2	"U" Bolt - 1/4-20
8	2-00-05686	1	Nipple
9	2-00-05681	3	Nipple
11	56449850	1	Hose-Water Feed - 12"
12	7-33-02324	3	Hose-Water Feed - 12.5"
13	2-00-00596	6	Nut, 1/2 - 13
14	2-00-02312	6	Washer, .50 Split
15	2-00-00518	4	Washer, Helical Spring
16	2-00-00241	6	Bolt, 1/2-13 x 1.75 LG
17	2-00-00530	3	Lockwasher, 5/16
18	2-00-05087	3	Screw, 5/16 with Nylok
19	2-00-00594	4	Nut, Finish Hex, .25-20

*0702-069 SERVICE PARTS

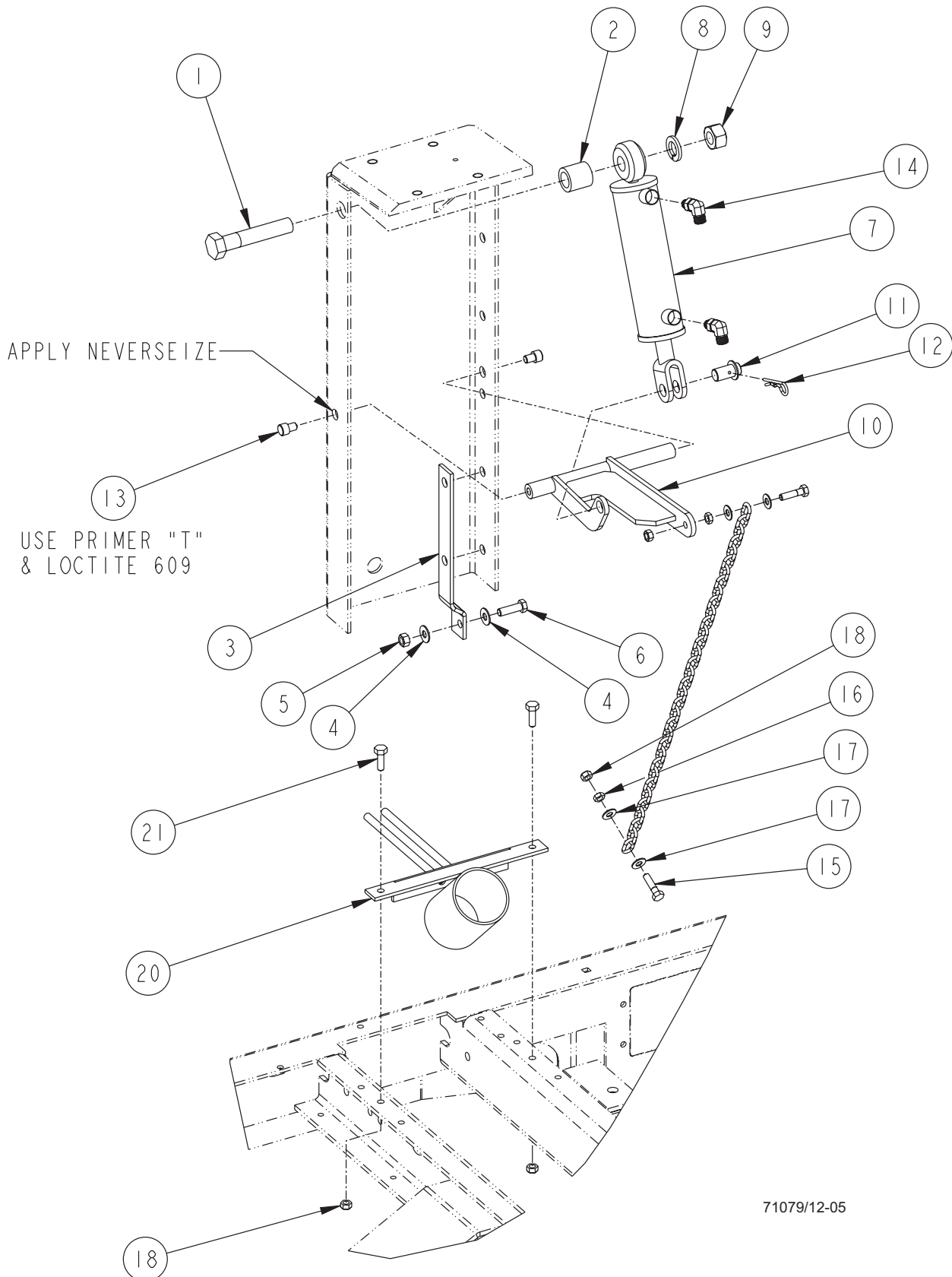
Item	Ref. No.	Qty	Description
1	7-33-09013	1	Drive Hub
2	7-58-05181	1	Hub Plate
3	7-03-04070	1	Brush Drive Arm
4	7-09-01062	2	Spacer
5	7-76-00089	2	Latch Spring
6	7-41-00007	2	Brush Latch
7	2-00-04663	2	Roll Pin
8	2-00-00530	2	5/16 Lock Washer
9	2-00-00224	2	Screw
10	2-00-02587	2	Screw
11	2-00-00518	2	1/4 Lock Washer
12	2-00-03702	2	Washer





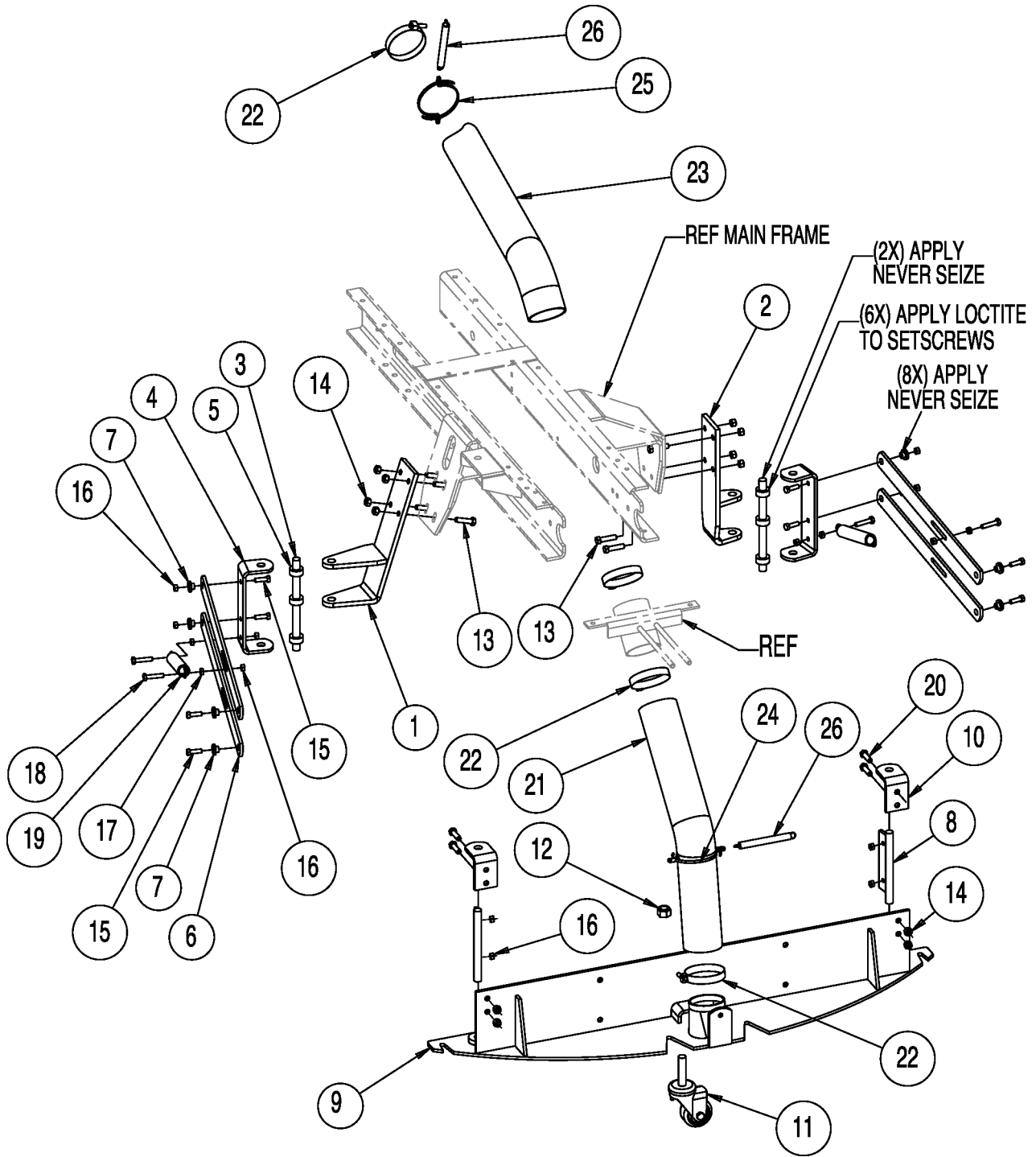
09-5	REAR & SIDE SQUEEGEES		
10-5	7765		27

Item	Ref. No.	Qty	Description
1	56514832	1	Squeegee - Weldment
2	7-20-06009	1	Duct - Squeegee Inlet
3	7-75-01164	2	Spacer - Bushing
4	7-75-01191	2	Spacer - Squeegee
5	56514860	1	Kit, Rear Skirt, Squeegee
7	7-79-00085	1	Strap - Squeegee Clamp
8	7-13-07157	2	Clamp - End Squeegee
9	7-13-07156	2	Clamp - Nut
10	56109704	4	Knob - Squeegee
11	56304266	2	Caster Assembly
12	2-14-00184	2	Wheel
13	2-00-04962	2	O-Ring
14	2-00-00216	2	Screw, 3/8-16 x 2.000 HHC
15	2-00-00402	4	Flat Washer, .750 x .390 x .094
16	2-00-00615	2	Nut, Finish Hex
17	2-00-02360	2	Nut, 3/8 -16 Hex
18	2-00-05302	2	Screw, 3/8-16 x 1.25 HHC SS
19	2-00-05344	2	Bolt, Hex Tap 5/16-18 x 1.75 SS
20	2-00-05343	2	Bolt, Carriage, .38-16 x 3.50
21	56514792	1	Weldment - RH Bracket
22	56514859	1	Kit, Side Skirt, Squeegee
23	7-79-00086	2	Strap
24	7-55-08145	2	Pin - Lift
25	2-00-05320	2	Hair Pin
26	7-55-08121	2	Pin - Lock Up
28	2-00-05361	14	Washer, .563 x .281 x .063 SS
27	2-00-04690	14	Screw, 1/4-20 x 1.00 HHC SS #304
29	2-00-02312	2	Lock Washer, 1/2 HS Med.
30	2-00-04687	14	Lock Washer, Helical Spring 1/4 Med.
31	2-00-04688	14	Nut, 1/4-20 Hex
32	2-00-00598	4	Nut, .50-13 Hex
33	56514793	1	Weldment - LH Bracket



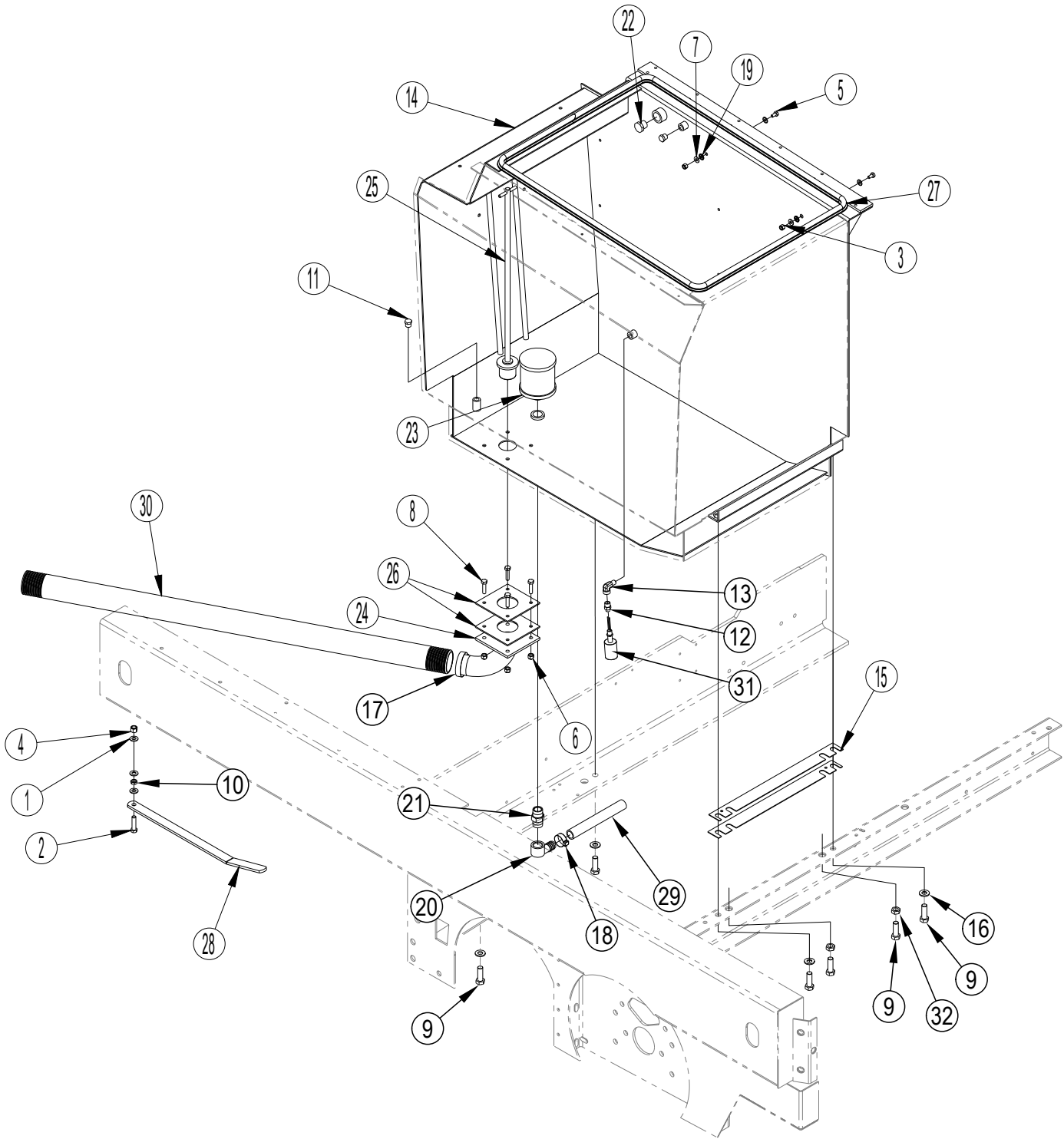
71079/12-05

Item	Ref. No.	Qty	Description
1	2-00-05345	1	Screw, 3/4-10 X 4.0 HHC
2	7-75-01166	1	Spacer
3	56514810	1	Bracket
4	2-00-00410	2	Flat Washer, .875 x .375 x .060
5	2-95-04182	1	Nut, 3/8-18 Hex Stop
6	2-00-00209	1	Bolt, 3/8-16 x 1.25 HHC
7	7-17-05019	1	Lift Cylinder
8	2-00-00522	1	Lock Washer, 3/4 Helical Spring
9	2-00-03293	1	Nut, 3/4-10 Fin. Hex Head
10	56514811	1	Arm, Squeegee Lift
11	7-55-08147	1	Pin Assembly
12	2-00-05320	1	Cotter Pin
13	2-00-04886	2	Set Screw, 3/8-16 x 1/2 (Allen Set)
14	2-00-04892	2	Fitting, 90° Elbow (O-Ring)
15	2-00-05356	2	Screw, 3/8-18 x 1.25 Hex Head
16	2-00-00586	2	Nut, 5/16-18 Jam
17	2-00-05103	4	Flat Washer .750 x .343 x .50
18	2-00-00644	4	Nut, 5/16-18 Fiber Insert Hex
19	7-13-05074	1	Chain, Squeegee Lift
20	56514835	1	Bracket, Squeegee Lift
21	2-00-02708	2	Screw, 5/16-18 x 1.0 HHM



Item	Ref. No.	Qty	Description
1	56514785	1	Pivot Bracket, Left
2	56514786	1	Pivot Bracket, Right
3	7-70-05174	2	Shaft
4	56514787	2	Support-Squeegee
5	8-15-01002	6	Collar, W/Setscrew
6	56514788	4	Arm-Squeegee
7	7-09-01057	8	Bushing, Brush Lift
8	56514790	2	Pin, Rear, Weldment
9	56514789	1	Weldment - Squeegee Support
10	56514791	2	Bracket, Angle
11	56304266	1	Wheel, Caster
12	2-00-00615	1	Nut, Hex, 5/8-11
13	2-00-00234	8	Screw, 3/8-16 X 1-1/2 HHC
14	2-95-04182	12	Nut, Hex, Stop, 3/8-16
15	2-00-05356	8	5/16-18 X 1.25", Hex Head Screw
16	2-00-00644	12	Nut, Hex, Insert Fiber, 5/16-18
17	2-00-00585	4	5/16-18, Hex Nut
18	2-00-00225	4	SCREW, 5/16 - 18 X 1.5 HHC
19	7-76-00114	2	Spring
20	2-00-00209	4	Bolt, Hex Head, 3/8-16 X 1 1/4 SS
21	7-33-02381	1	Hose-Vacuum - 26" NOTE 1
22	7-13-07104	4	Hose Clamp NOTE 1
23	7-33-02380	1	Hose-Vacuum - 78.5" NOTE 1
24	56109196	2	Tie, Cable Nylon 6/6
25	2-00-04937	2	Hose Tie W/ Eyelet
26	7-76-00050-1	2	Spring - Extension

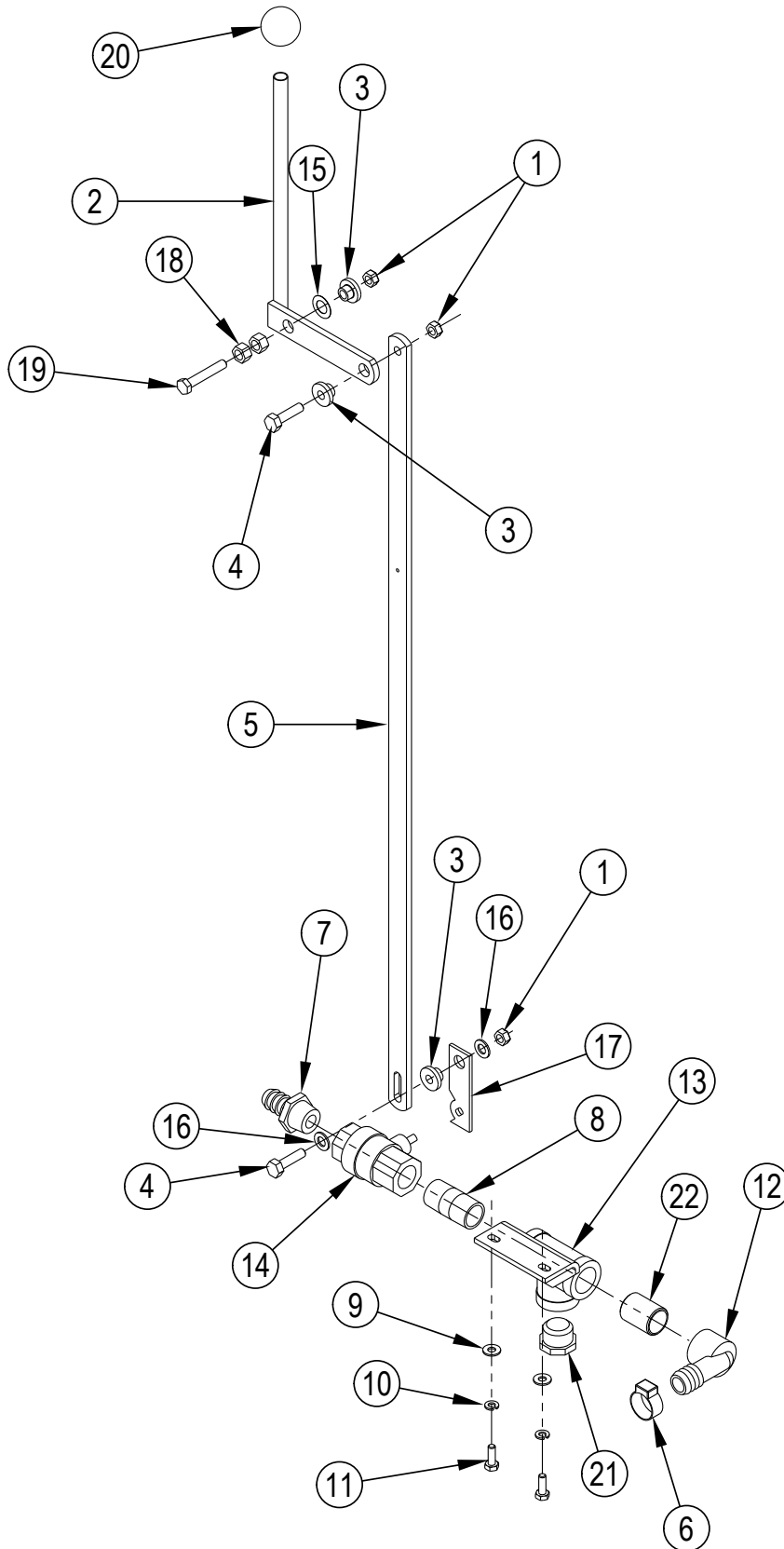
NOTE 1: Part of Kit 0780-467



09-5	SOLUTION TANK			
11-11	7765			33

Item	Ref. No.	Qty	Description
1	56002063	3	Wsh, Flt Sae 3/8
2	56002095	1	Scr-Hex 3/8-16 X 1.50
3	56002491	2	Nut, Hex Nyl Loc Ss 1/4-20
4	56002769	1	Nut-Hex Nyl Loc 3/8-16
5	56002801	2	Scr- Hex Ss 1/4-20 X .50
6	56002856	4	Nut, Hex Nyl Loc Ss 5/16-18
7	56002859	2	Wsh-Flt Sae Ss 1/4
8	56002884	4	Scr- Hex Ss 5/16-18 X 1.25
9#	56002954	6	Scr,Hex Hd Loc 1/2-13x1.50
10	56009085	1	Nut-Hex Jam 3/8-16
11	2-00-05940	2	1/4 Npt Plug Nylon
12	2-00-06528	1	Reducer 1/4"Npt X 1/8"Npt Nylon
13	2-00-06529	1	Elbow 1/4 Npt 90 Elbow
14	56514830	1	Solution Tank, Stainless Steel (Standard)
	56514871		Solution Tank, Mild Steel (Option)
15#	56514831	2	Spacer
16	2-00-00405	4	Flat Washer, 1.063 X .531 X .094
17	2-00-02216	1	Hose Clamp
18	2-00-02220	1	Clamp, Hose
19	2-00-04590	4	Washer, Sealing
20	2-00-05132	1	Fitting-Elbow
21	2-00-05686	1	Fitting, 3/4" Npt Nipple, Nylon
22	2-00-05724	1	Fitting, Plug, 3/4" Npt
23	7-24-04022	1	Strainer, Pump Inlet
24	7-25-02046	1	Fitting
25	7-25-02095	1	Drain Plug Assy
26#	7-29-00100	2	Gasket-Tank Drain
27	7-29-00176	1	Seal, Solution Tank
28	7-32-03020	1	Holder, Hose
29	7-33-02178	1	Hose-Sol Tank To Valve
30	7-33-02335	1	Hose
31	7-82-00017	1	Switch, Liquid Level
32#	2-00-02371	2	Nut, 1/2-13

= Revised or new since last update



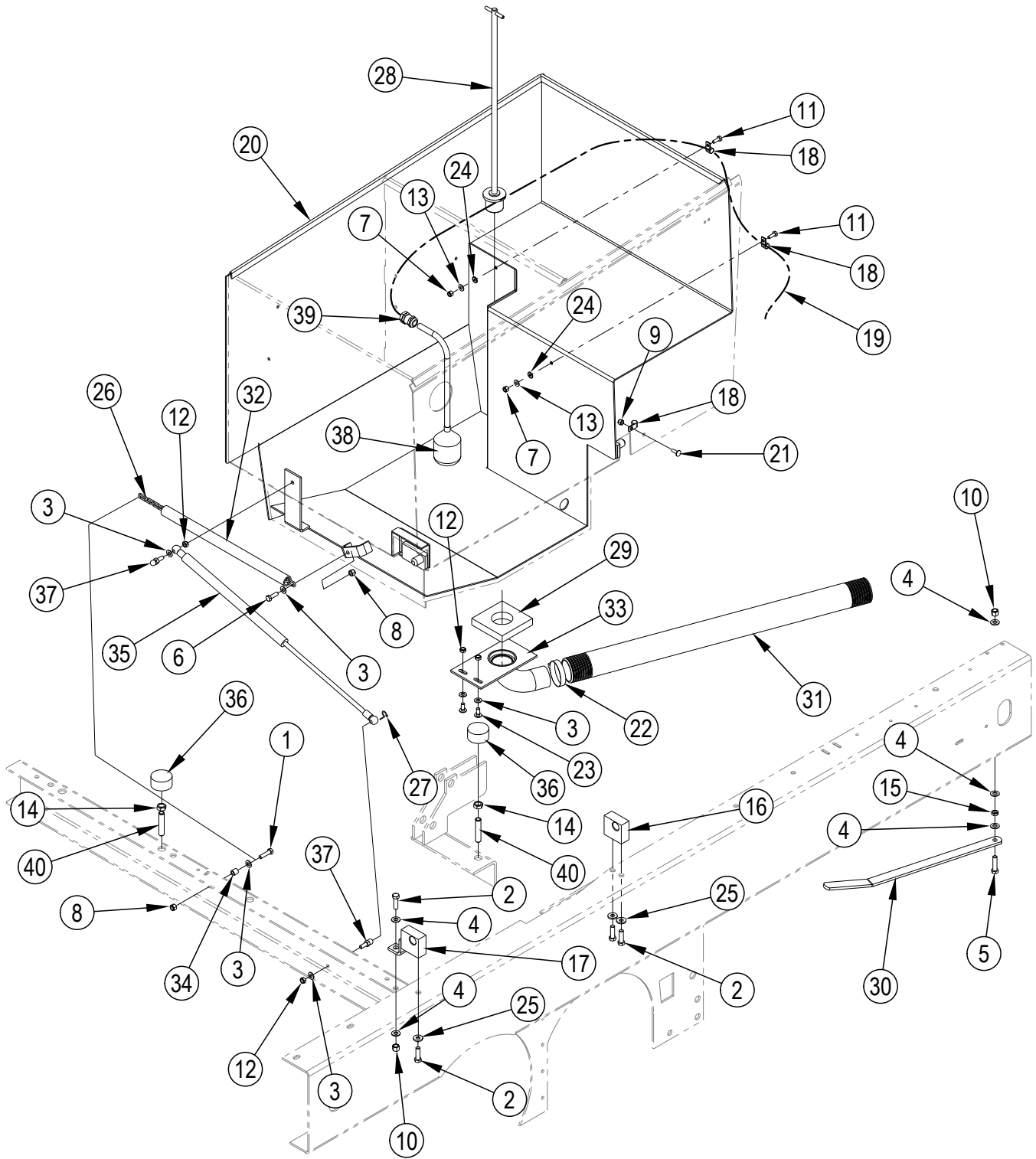
09-5

SOLUTION FEED LINKAGE

11-8

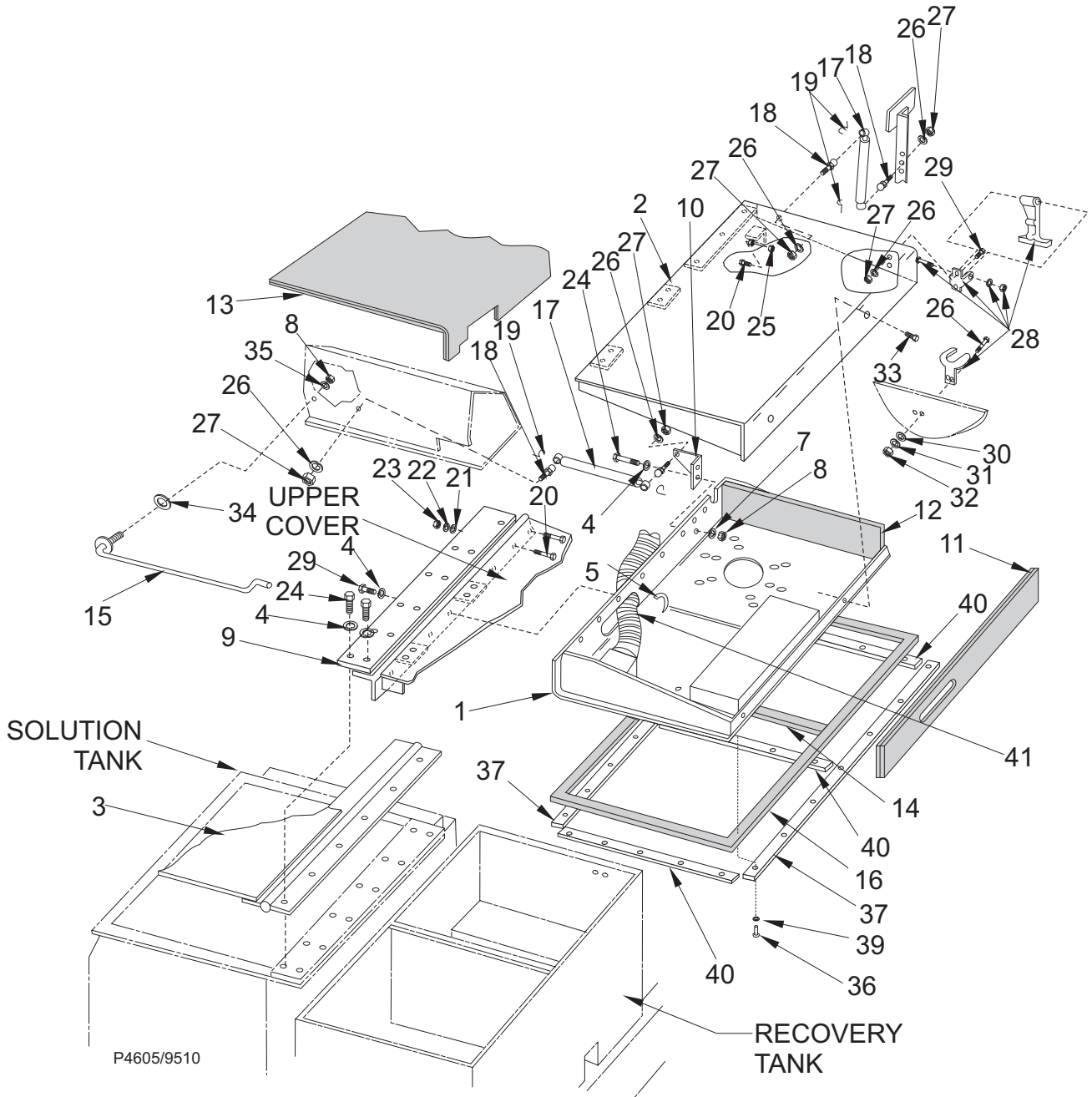
7765**35**

Item	Ref. No.	Qty	Description
1	2-00-00644	3	Fiber Insert Nut, Hex 5/16 - 18 x Hex
2	7-41-05086	1	Solution Control Lever
3	7-09-01057	3	Bushing
4	2-00-00207	2	Screw, 5/16 - 18 x 1.250 HHC
5	56514784	1	Solution Control Link
6	2-00-03407	1	Hose Clamp
7	7-25-02052	1	Hose Fitting, 3/4 Barbed, 14 NPT Nylon
8	2-00-03586	2	Pipe Nipple, 3/4 NPT x 2.00 short
9	2-00-03702	2	Flat Washer, .625 x .281 x .062
10	2-00-00518	2	Lock Washer, Helical Spring 1/4 Med
11	2-00-00221	2	Screw, 1/4 - 20 x .750 HHC
12	2-00-05132	1	Fitting, 3/4 NPT, 3/4 Barbed, 90°, Nylon
13	7-08-00437	1	Bracket, Solution Pipe
14	7-88-00027	1	Ball Valve
15	2-00-03382	1	Spring Washer, .875 x .500 x .015
16	2-00-00409	2	Flat Washer, .687 x .343 x .0623
17	7-41-05085	1	Solution Valve Lever
18	2-00-00600	2	Nut, Hex Hvy. 3/8 - 16 x .687 x .359
19	2-00-00211	1	Screw, 5/16 - 18 x 1.750 HHC
20	8-39-00002	1	Knob
21	2-00-05724	1	Plug, Pipe, 3/4 NPT, Nylon
22	2-00-05131	1	Nipple, Closed 3/4 NPT x 1.38



09-5	RECOVERY TANK			
11-8	7765			37

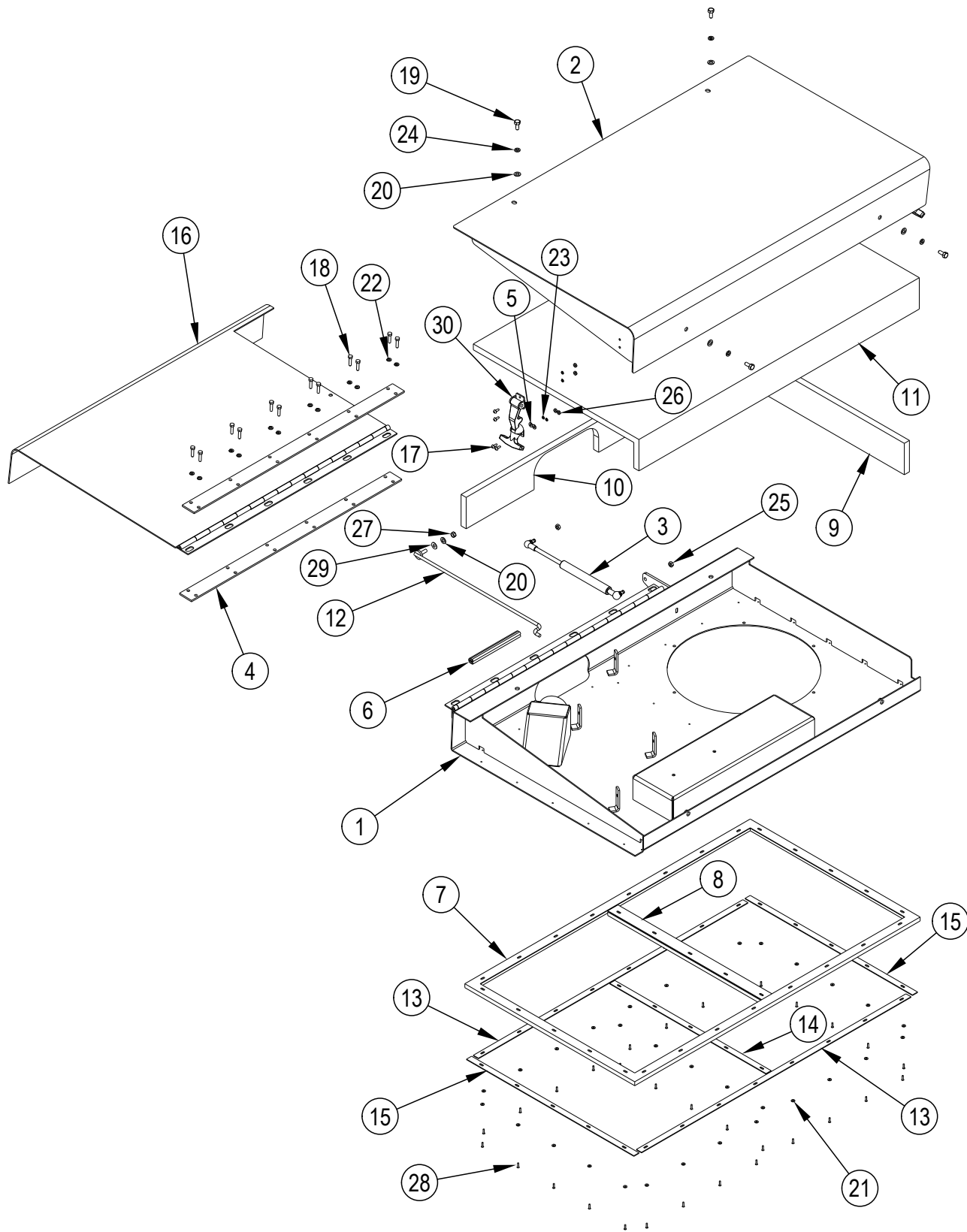
Item	Ref. No.	Qty	Description
1	56001834	1	Scr-Hex 5/16-18 X 1.25
2	56001858	4	Scr-Hex 3/8-16 X 1.25
3	56001939	6	Wsh, Flt Sae 5/16
4	56002063	5	Wsh, Flt Sae 3/8
5	56002095	1	Scr-Hex 3/8-16 X 1.50
6	56002221	1	Scr-Hex 5/16-18 X 1.00
7	56002491	2	Nut, Hex Nyl Loc Ss 1/4-20
8	56002701	2	Nut, Hex Nyl Loc 5/16-18
9	56002708	1	Nut, Hex Nyl Loc 1/4-20
10	56002769	2	Nut-Hex Nyl Loc 3/8-16
11	56002807	2	Scr- Hex Ss 1/4-20 X .75
12	56002826	4	Nut, Hex Nyl Loc-Thin 5/16-18
13	56002859	2	Wsh-Flt Sae Ss 1/4
14	56009016	2	Nut, Hex Jam 1/2-13
15	56009085	1	Nut-Hex Jam 3/8-16
16	56514753	1	Support
17	56514841	1	Weldment Bracket
18	2-00-04602	3	Clamp
19	8-43-00002	1	Loom - Electrical
20	56514775	1	Recovery Tank - Stainless Steel (Standard)
	56514870	1	Recovery Tank - Mild Steel (Option)
21	2-00-00183	1	Screw, 1/4-20, Round Head
22	2-00-02216	1	Hose Clamp
23	2-00-03569	2	Bolt, Carriage
24	2-00-04590	2	Washer, Sealing
25	2-00-04801	3	Flat Washer, 1.00 X .39 X .06
26	7-13-05073	1	Chain-Squeegee Lift
27	7-13-07102	1	Clip, Gas Spring Safety
28	7-25-02095	1	Drain Plug Assy
29	7-29-00146	1	Gasket
30	7-32-03020	1	Holder, Hose
31	7-33-02336	1	Hose, 50.00
32	7-34-09018	1	Sleeve-Insulating
33	7-56-05023	1	Weldment-Fitting
34	7-75-01130	1	Spacer
35	7-76-00103	1	Gas Spring
36	7-78-05009	2	Stop, 1/2-13
37	7-80-05067	2	Stub, Ball, Gas Spring
38	7-82-00021	1	Switch Float (Red)
39	8-09-01083	1	Connector, Bulkhead
40	8-80-05014	2	Stud, 1/2-13unc-2a X 2.50



Item	Ref. No.	Qty	Description
1	56514794	1	Recovery Tank Lower Cover
2	56514795	1	Recovery Tank Upper Cover
3	56514796	1	Solution Tank Cover
4	2-00-03702	2	Flat Washer, 1/4
5	3-73-00076	2.33'	Edging
6	2-00-02708	2	Screw, 5/16-18 x 1.0 HHC
7	2-00-01803	6	Flat Washer, 5/16
8	2-00-00644	1	Nut, Hex Fiber Insert 5/16-18
9	56514833	2	Strap
10	7-08-00490	1	Bracket
11	7-34-09020	1	Lower Cover Insulation
12	7-34-09019	1	Lower Cover Insulation
13	7-34-09021	1	Lower Cover Insulation
14	7-29-00229	1	Gasket, Center Section
15	7-66-00145	1	Cover Support Rod
16	7-29-00228	1	Gasket, Perimeter
17	7-76-00104	2	Gas Spring
18	7-80-05067	4	Stud (13 mm)
19	7-13-07102	4	Clip
20	2-00-01254	1	Screw, 1/2-13 x 1.50 HHC
21	2-00-00518	6	Lock Washer, 1/4
22	2-00-00594	2	Nut, Hex 1/4-20 x .437 x .218
23	2-00-04876	8	Screw, 1/4-20 x 1/2 BHS
24	2-00-00205	14	Screw, 1/4-20 x 1.0 HHC
25	2-00-00596	1	Nut, Hex 1/2-13 x .750 x .437
26	2-00-00530	8	Lock Washer, 5/16 Helical Spring
27	2-00-00585	6	Nut, 5/16-18
28	8-41-00033	1	Latch Assembly
29	2-00-00049	4	Screw, 10-24 x 1/2
30	2-00-01974	2	Sealing Washer, .562 x #10 x .065
31	2-00-00519	4	Lock Washer, #10 Helical Spring
32	2-00-00605	4	Nut, Hex MS #10-24 x .375 x .125
33	2-00-00208	2	Screw, 5/16-18 x 3/4 HHC
34	7-23-03048	1	Spring Washer, .750 x .312 x .013
35	2-00-00409	3	Flat Washer, 5/16
36	2-00-04707	31	Pop Rivet, .125 Dia.
37	7-79-00081	2	Strap, Gasket Retainer
38	7-79-00082	1	Strap, Gasket Retainer
39	2-00-00455	31	Flat Washer #6
40	7-79-00087	2	Strap, Gasket Retainer
41	0780-467	1	Vac Hose

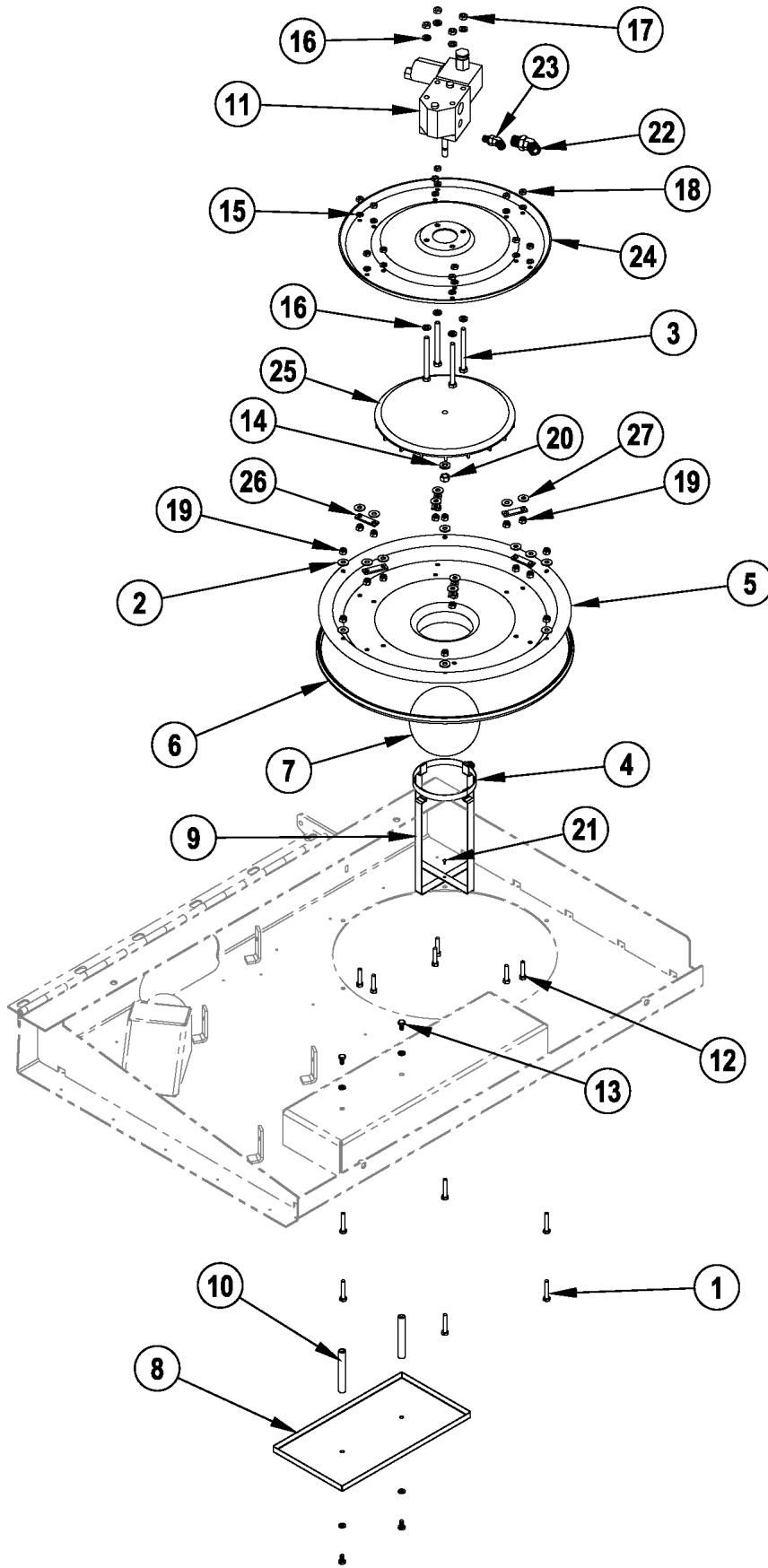
Key No.s 4, 5 and 6 must be ordered together for proper fit.

Lid Gasket Kit: 0880-644



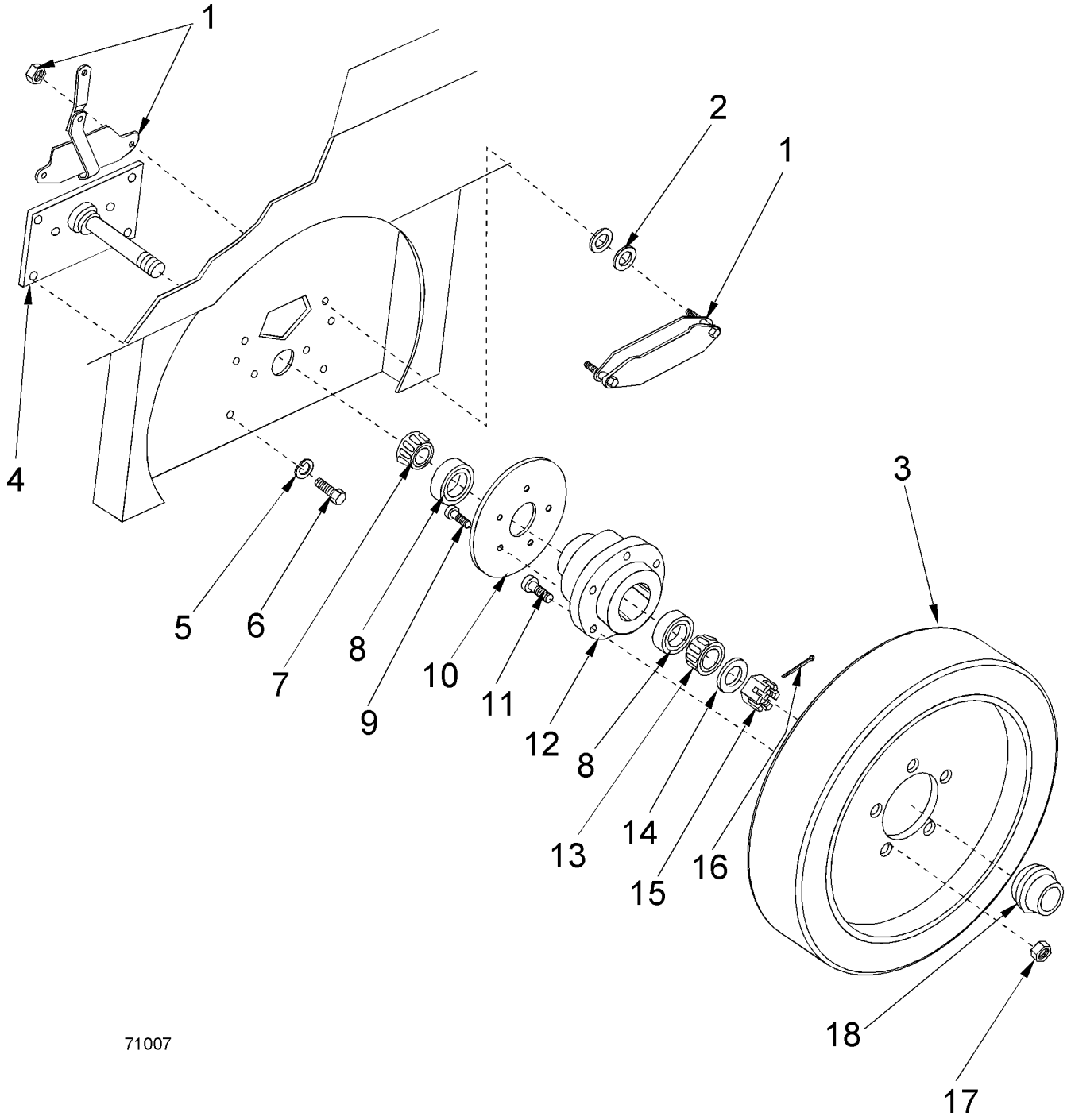
09-5	TANK LID SYSTEM [AFTER DECEMBER 2008]		
11-8	7765		41

Item	Ref. No.	Qty	Description
1	56109425	1	Weldment, Cover Lower
2	56109428	1	Cover-Upper Weldment
3	56109430	1	Cylinder Hood
4	56514833	2	Strap
5	2-00-01974	4	Sealing Washer
6	56514923	1	Uni-Grip Gasket Sd-136
7	7-29-00228	1	Gasket-Cover-Recovery Tank
8	7-29-00229	1	Gasket-Cover-Recovery Tank
9	7-34-09019	1	Insulation-Lower Cover
10	7-34-09020	1	Insulation-Lower Cover
11	7-34-09021	1	Insulation-Recovery Tank Top Cover
12	7-66-00145	1	Rod Cover Support
13	7-79-00081	2	Strap-Gasket Retainer
14	7-79-00082	1	Strap-Gasket-Retainer
15	7-79-00087	2	Strap-Gasket Ret. Rec Lid 7700
16	56514796	1	Cover, Weldment
17	2-00-00049	4	Scw-Rhm 10-24 X .50 Zn Pl
18	2-00-00205	12	Bolt-Hex Head, Finished, 1/4-20
19	2-00-00208	4	Screw, 5/16-18 X .750 Hhc
20	2-00-00409	5	Flat Washer, .687 X .344 X .062
21	2-00-00455	31	Washer, .375 X .156 X .046
22	2-00-00518	12	Washer,Lock,1/4" Helical Spring
23	2-00-00519	4	Washer-Lock, #10-24, Helical Spring
24	2-00-00530	4	5/16" Lock Washer
25	56003389	2	Nut Hex Nyl-Loc M8X1.25
26	2-00-00605	4	Nut-#10-24 Hex
27	2-00-00644	1	Nut, Hex, Insert Fiber, 5/16-18
28	2-00-04707	31	Rivet
29	7-23-03048	1	Washer-Spr-Shakeproof
30	8-41-00033	2	Latch Assembly



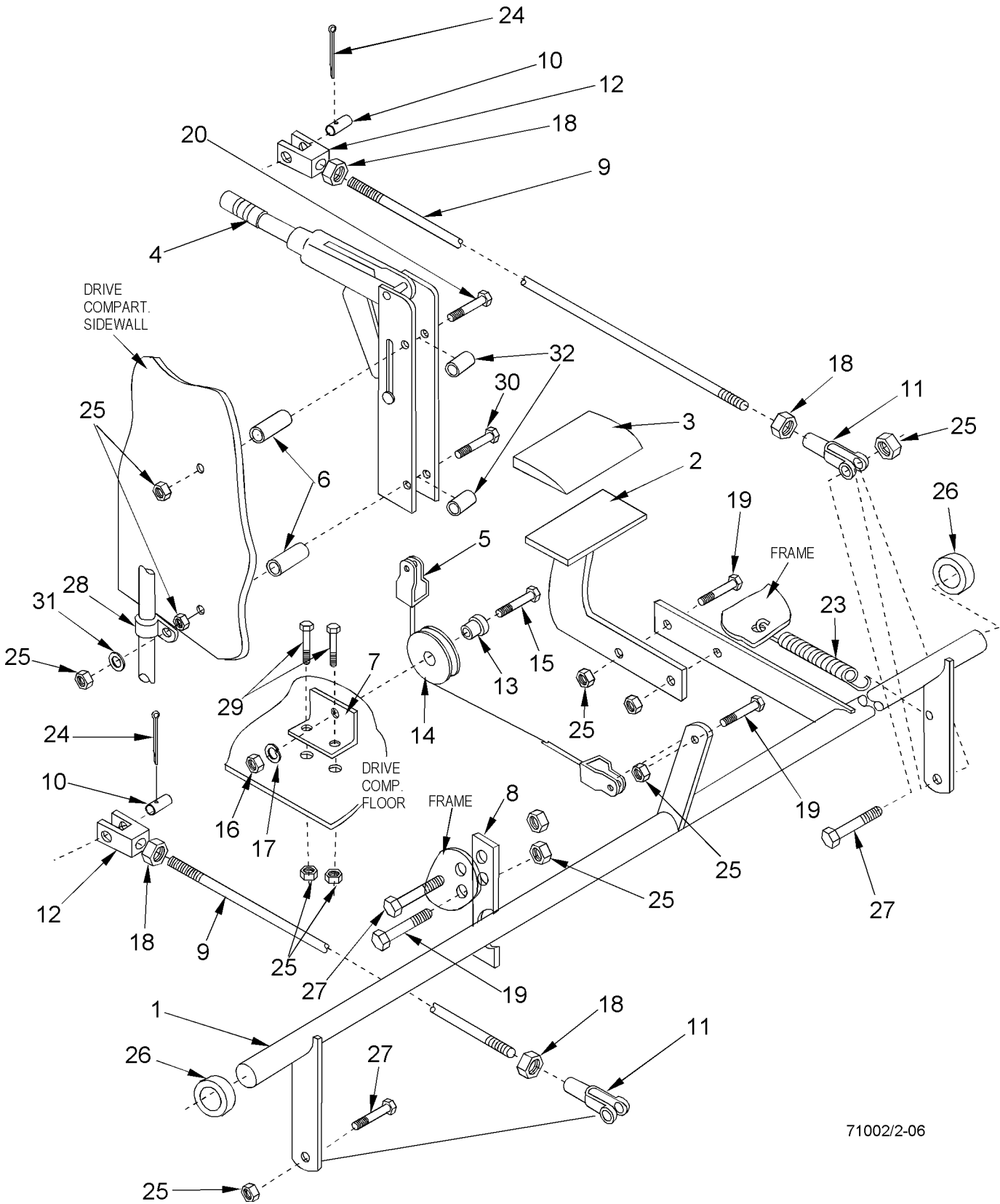
Item	Ref. No.	Qty	Description
1	56001833	6	Scr, Hex 1/4-20 X 1.50
2	56001906	6	Wsh, Fit Std 1/4
3	2-00-02653	4	Screw-5/16-18 X 3.50 Hhc
4	2-00-03959	1	Clamp, 4.5 Dia
5	7-20-06004	1	Fan Duct
6	56109431	1	Edging
7	7-26-04011	1	Float Ball
8	7-68-00025	1	Screen
9	7-79-00061	2	Strap-Float Ball
10	7-81-00134	2	Support-Screen
11	0782-145	1	Vacuum Motor
[]	7-70-00020		Seal Kit
[]	7-14-07007		Coil
[]	7-12-02019		Valve
12	2-00-00222	12	1/4-20 X 1.25 Lg Hex Head Screw
13	2-00-00251	4	Screw, 1/4-20 X .50 Long
14	2-00-00402	1	Washer, 25/64" Id X 3/4" Od
15	2-00-00518	16	Washer,Lock,1/4" Helical Spring
16	2-00-00530	8	5/16" Lock Washer
17	2-00-00585	4	5/16-18, Hex Nut
18	2-00-00594	12	Nut, Hex 1/4-20
19	2-00-00641	18	Nut, Fiber Insert 1/4-20
20	2-00-03412	1	Nut, Lock 3/8-24
21	2-00-04115	1	Rivet
22	2-00-04975	1	Fitting-8 Sae 45 Elbow
23	2-00-04976	1	Fitting, -4 Orb X -4 Ors Elbow, 45
24	7-16-07276	1	Cover, Fan
25	7-34-04002	1	Impeller
26	7-75-01159	6	Spacer
27	2-00-03702	12	Washer .625 x .281 x .063

[] = Not Shown



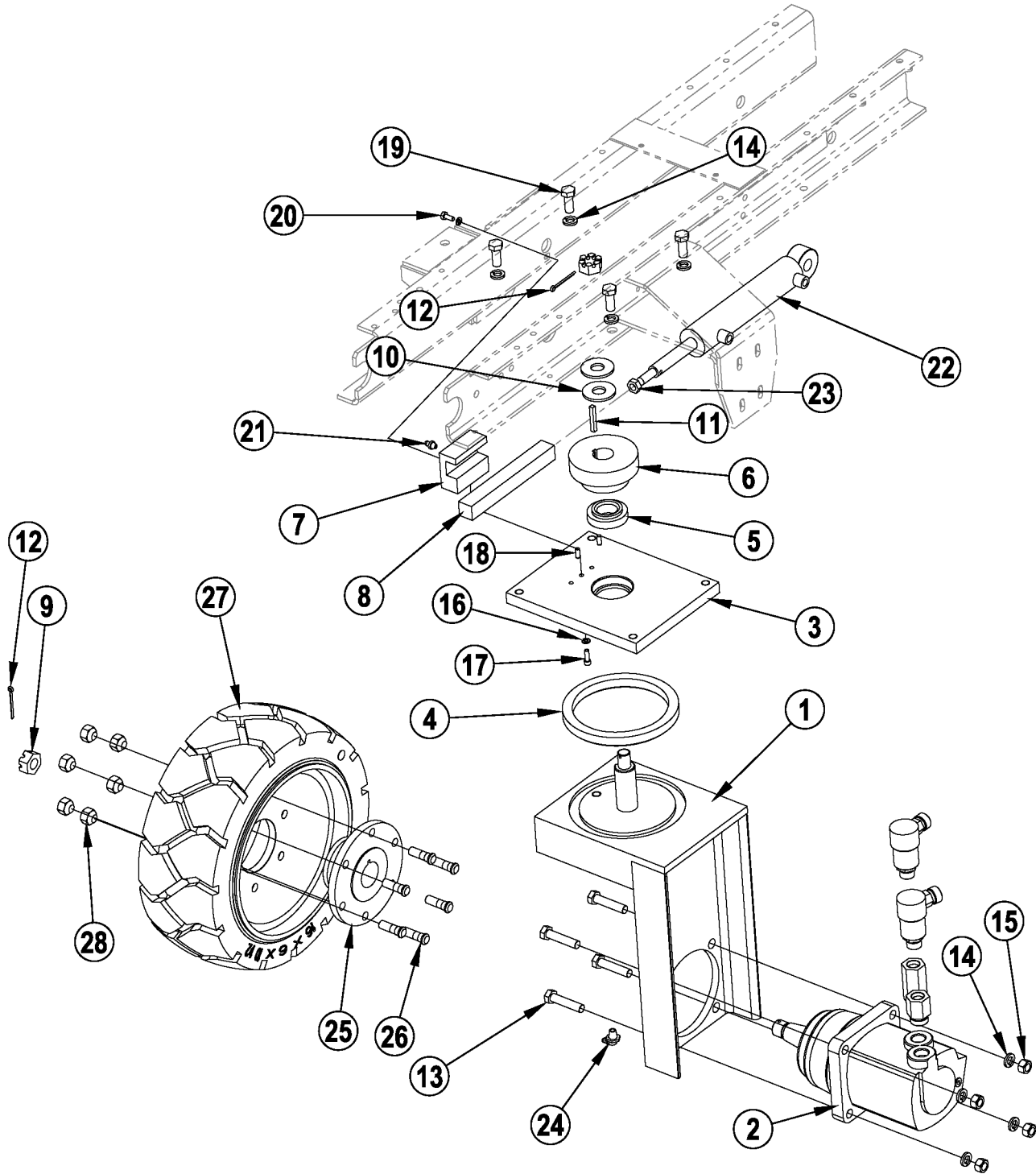
71007

Item	Ref. No.	Qty	Description
1	7-08-02006	1	Brake Caliper Assembly Weldment
2	2-00-04801	2	Flat Washer
3	7-89-08098	1	Molded Wheel
4	7-03-09007	1	Stub Axle Weldment
5	2-00-02312	6	Lock Washer, Helical Spring ½ Med.
6	2-00-02689	6	Screw, 1/2-20 x 1.0 HHC
7	2-00-02079	1	Roller Bearing, 2.328 x 1.250 x .703
8	2-00-04621	2	Roller Bearing, Cup Only
9	2-00-03051	5	Screw, 1/4-20 x 3/4 HSHC
10	7-08-02007	1	Brake Disc
11	8-80-05036	5	Stud, 1/2-20 x 1.56
12	7-33-09027	1	Hub, Front Wheel
13	2-00-04622	1	Roller Bearing, Cone (Timken)
14	2-00-05024	1	Wash Flat
15	2-00-05026	1	Nut, 1-14 Fin. Slotted Hex
16	2-00-02436	1	Cotter Pin, .187 x 1.50
17	56009116	5	Lug Nut-1/2-20
18	8-11-00030	1	Dust Cap



71002/2-06

Item	Ref. No.	Qty	Description
1	7-70-05145	1	Cross Shaft
2	56514754	1	Brake Pedal
3	8-50-05063	1	Pad, Brake Pedal
4	7-41-05083	1	Lever, Parking Brake
5	7-10-00019	1	Cable, Parking Brake
6	7-75-01096	2	Spacer, Lever Mounting
7	7-08-00501	1	Bracket, Brake Pulley
8	7-08-00502	1	Bracket, Brake Cross Shaft
9	7-66-00143	2	Rod, Brake
10	7-55-08122	2	Pin, Brake Clevis
11	8-14-01001	2	Clevis, 3/8 Rod
12	8-14-01007-1	2	Clevis, Brake Pedal
13	8-09-01065	1	Bushing, Pulley
14	8-60-00140	1	Pulley
15	2-00-00234	1	Screw, 3/8-16 x 1.50 HHC
16	2-00-02360	1	Nut, 3/8-16 x .562 x .328 Hex
17	2-00-02310	1	Lock Washer, 3/8 Helical Spring
18	2-00-02369	4	Nut, 3/8-16 x .562 x .218 Hex Jam
19	2-00-00206	5	Screw, 5/16-18 x 1.0
20	2-00-01770	1	Screw, 5/16-18 x 2.75 HHC
23	7-76-00102	1	Spring
24	2-00-02428	2	Cotter Pin, .062 x .750
25	2-00-00644	12	Nut, 5/16-18 Fiber Insert Hex
26	7-15-01014	2	Collar w/setscrew, 1.625 x 1.00 x .750
27	2-00-00207	3	Screw, 5/16-18 x 1.25 HHC
28	2-00-04873	1	Clamp, 1/2 Cable
29	2-00-00208	2	Screw, 5/16-18 x .75 HHC
30	2-00-02597	1	Screw, 5/16-18 x 3.25 HHC
31	2-00-00409	1	Flat Washer, .687 x .343 x .062
32	7-75-01126	2	Spacer, .500 x .327 x .780 (Part of #4)



09-5	REAR WHEEL			
10-9	7765			49

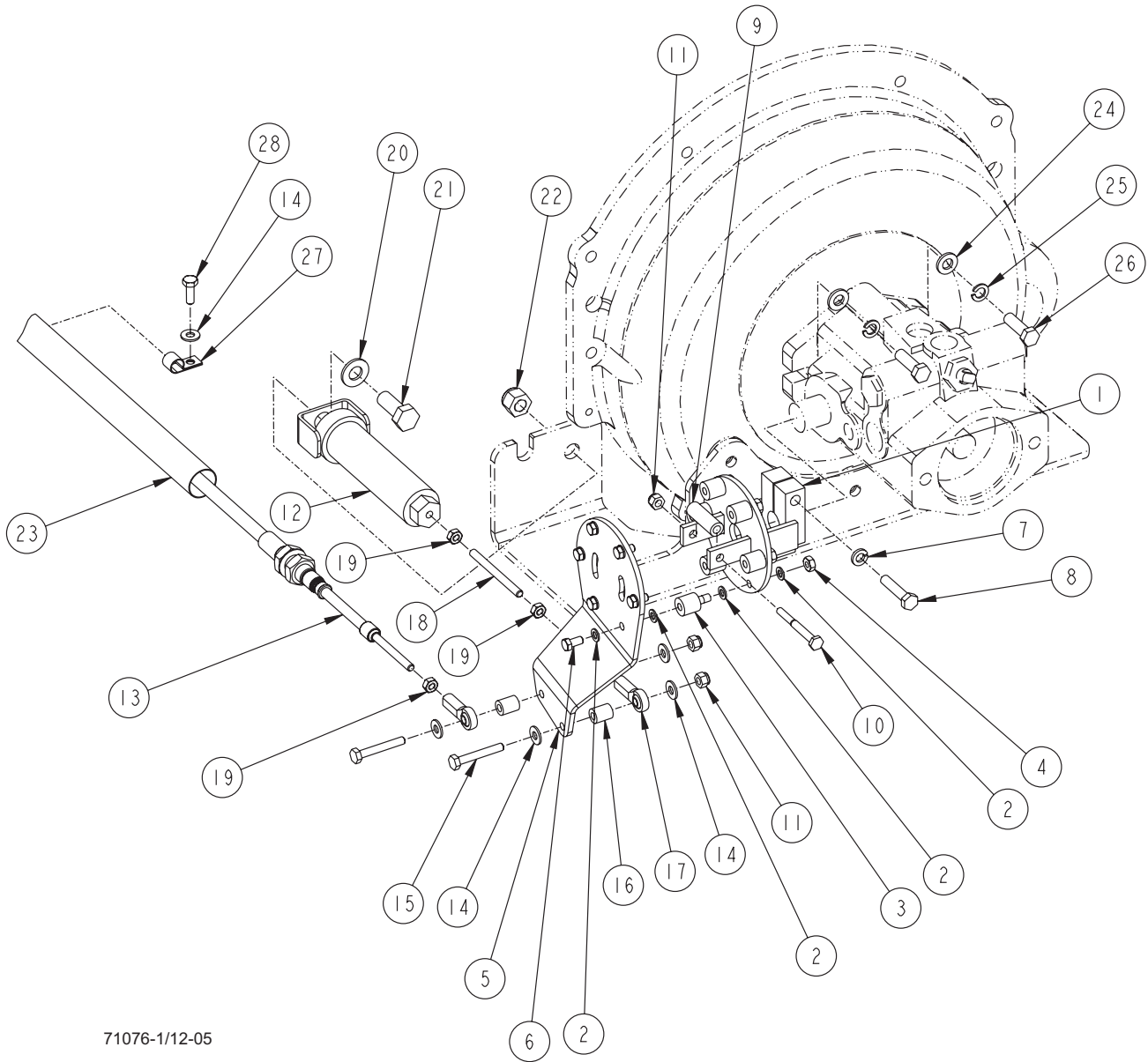
Item	Ref. No.	Qty	Description
1	7-81-00125	1	Support, Rear Wheel
2	56109736	1	Wheel Motor Kit NOTE 2
[]	8-70-00026		(Key: - one comes w/motor) NOTE 2
[]	0880-586		(Motor Seal Kit: - Service Part) NOTE 2
[]	0880-238		(Shaft Seal Kit: - Service Part) NOTE 2
2	56109707	1	Wheel Motor NOTE 3
[]	8-70-00026		(Key – one comes w/motor) NOTE 3
[]	56463039		(Nut-Hex Slotted – one comes w/motor) NOTE 3
[]	56109718		Seal Kit (for 56109707) NOTE 3
3	7-58-05229	1	Bearing Plate
4	2-00-04455	1	Thrust Bearing (TIMKEN -#T581)
5	2-00-04456	1	Cup Bearing (TIMKEN - #15245)
6	7-29-05037	1	Spur Gear
7	7-30-08012	1	Rack Guide
8	7-62-00006	1	Rack
9	2-00-04841	1	Nut, 3/4-16 x 1.125 x .641 Slotted Hex NOTE 2
9	56463039	1	Nut, Hex, Slotted NOTE 3
10	8-75-01157	2	Flat Washer, 3/4 Series W
11	2-00-03761	1	Key, .250 x 1.750 SQ.
12	2-00-04803	2	Cotter Pin, 1/8" dia. x 2.00 STL
13	2-00-00242	4	Screw, 1/2 - 13 x 2.250 HHC
14	2-00-02312	8	Lock Washer, Helical Spring 1/2 Med
15	2-00-00596	4	Nut, Hex 1/2 - 13 x .750 x .437
16	2-00-00518	2	Lock Washer, Helical Spring 1/4 Med
17	2-00-03051	1	Screw, 1/4-20 x .750 SHCS
18	2-00-01260	2	Dowel Pin, .250 x .625
19	2-00-00240	4	Screw, 1/2 - 13 x 1.250 HHC
20	2-00-00220	1	Screw, 1/4 - 20 x .625 HHC
21	2-00-00566	1	Lubrication Fitting, Straight 1/8 NPT
22	7-17-05010	1	Power Steering Hydraulic Cylinder
23	2-00-00591	1	Nut, Hex Jam 1/2 - 20 x .750 x .312
24	2-00-02568	1	Lubrication Fitting, 45° 1/8 NPT
25	7-33-09063	1	Hub, Drive Wheel NOTE 1
26	7-80-05056-1	6	Studs Only NOTE 1
27	7-89-08069	1	Tire & Outer Rim NOTE 1
[]	0780-711	1	Tire, Rear Wheel Non Marking
[]	56380882	1	Directional Rear Wheel Kit
[]	7-85-06008	1	Tire, Rear Wheel (Hvy Duty Option)
[]	56504483	1	Tire, Rear Wheel (Directional) TSBUS2008-1006
28	56009116	6	Lug Nut-1/2-20 NOTE 1
29	2-00-05225	1	Washer, 1.25 ID x 2.25 OD x .13

[] = Not Shown

NOTE 1: All of these parts can be ordered together in Tire & Hub Service kit 0780-657. Hub Assembly w/pressed-in studs (Item No.'s 25 & 26): 0780-656

NOTE 2: Used on machines up to Serial No. 1000032514.

NOTE 3: Used on machines Serial No. 1000032514 and above.



71076-1/12-05

09-5

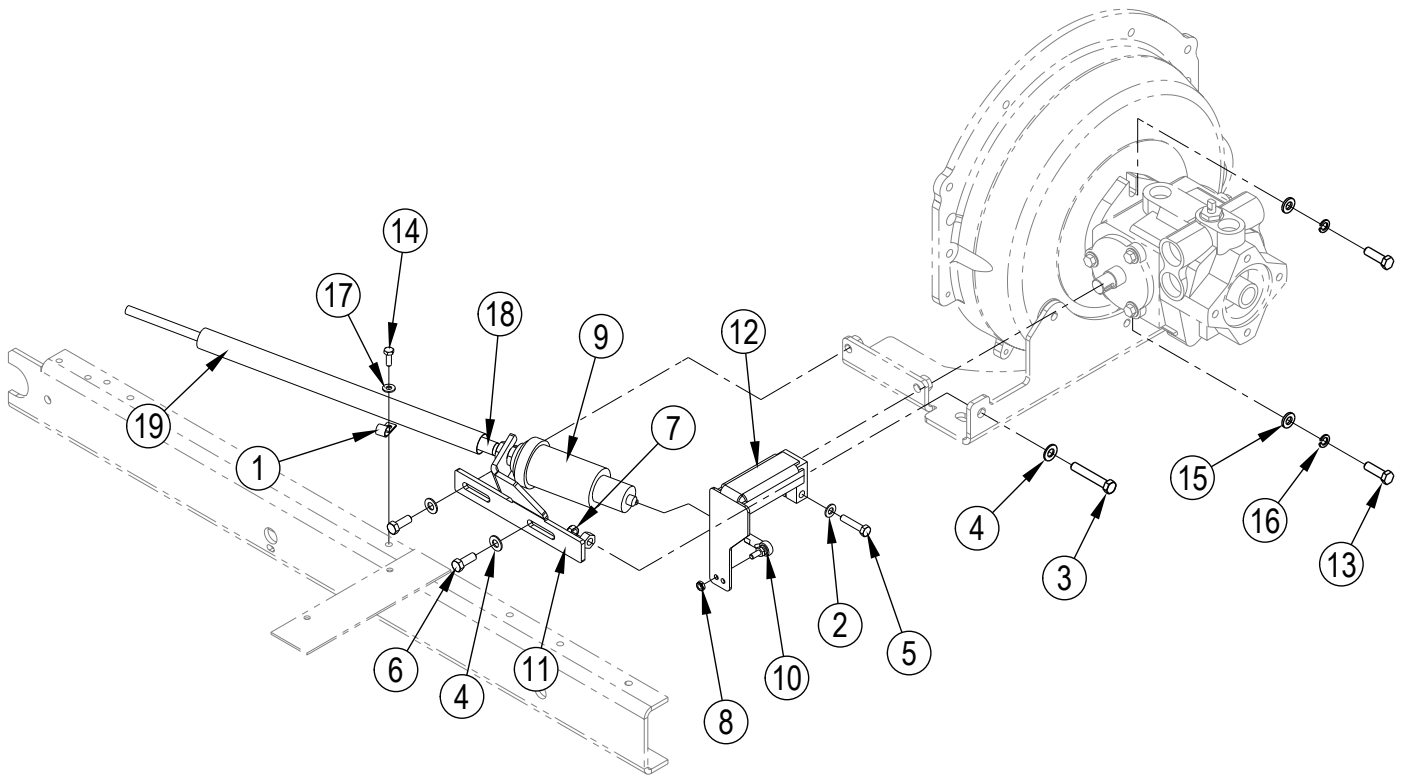
FORWARD/REVERSE CONTROL - GM 3.0 (BEFORE SN1000034942)

10-2

7765

51

Item	Ref. No.	Qty	Description
1	7-03-04105	1	Transmission Arm
2	2-00-00501	24	Lock Washer, 1/4 Int.
3	7-75-01089	6	Isolator
4	2-00-00594	6	Nut, 1/4-20 Hex
5	7-58-05361	1	Plate, Hydrostat Arm
6	2-00-00219	6	Screw, 1/4-20 x 1/2 HHC
7	2-00-00530	1	Lock Washer, 5/16 Med Helical Spring
8	2-00-00225	1	Screw, 5/16-18 x 1.5 HHC
9	7-75-01110	1	Spacer, Transmission Arm
10	2-00-00246	1	Screw, 1/4-20 x 2.25 HHC
11	2-00-00641	3	Nut, 1/4-20 Fiber Insert
12	8-16-00025	1	Centering Control
13	7-16-00009	1	Cable, Forward/Reverse Cable
14	2-00-03702	5	Washer, .625 x .281 x .063
15	2-00-01769	2	Screw, 1/4-20 x 1.75
16	7-75-01274	2	Spacer, 1/4 OD x 1/2 ID x 5/8
17	7-25-02111	2	Rod End, 1/4 Female
18	7-66-00147	1	Rod, 1/4-28 x 3.0 Centering Control Adjustment
19	2-95-01999	3	Nut, 1/4-28 x .437 x .156 Hex Jam
20	2-00-00405	1	Flat Washer, .750 x .281 x .062
21	2-00-00240	1	Screw, 1/2-13 x 1.25 HHC
22	2-00-04936	1	Nut, 1/2-13 Elastic Lock
23	7-34-09034	1	Reflective Sleeve, 1" dia. x 16"
24	2-00-00402	2	Flat Washer, .750 x .390 x .093
25	2-00-02310	2	Lock Washer, 3/8 Helical Spring
26	2-00-00209	2	Bolt, 3/8-16 x 1.25 Hex Head
27	2-00-04602	1	Clamp
28	2-00-00221	1	Screw, 1/4-20 x .750 HHC



09-5

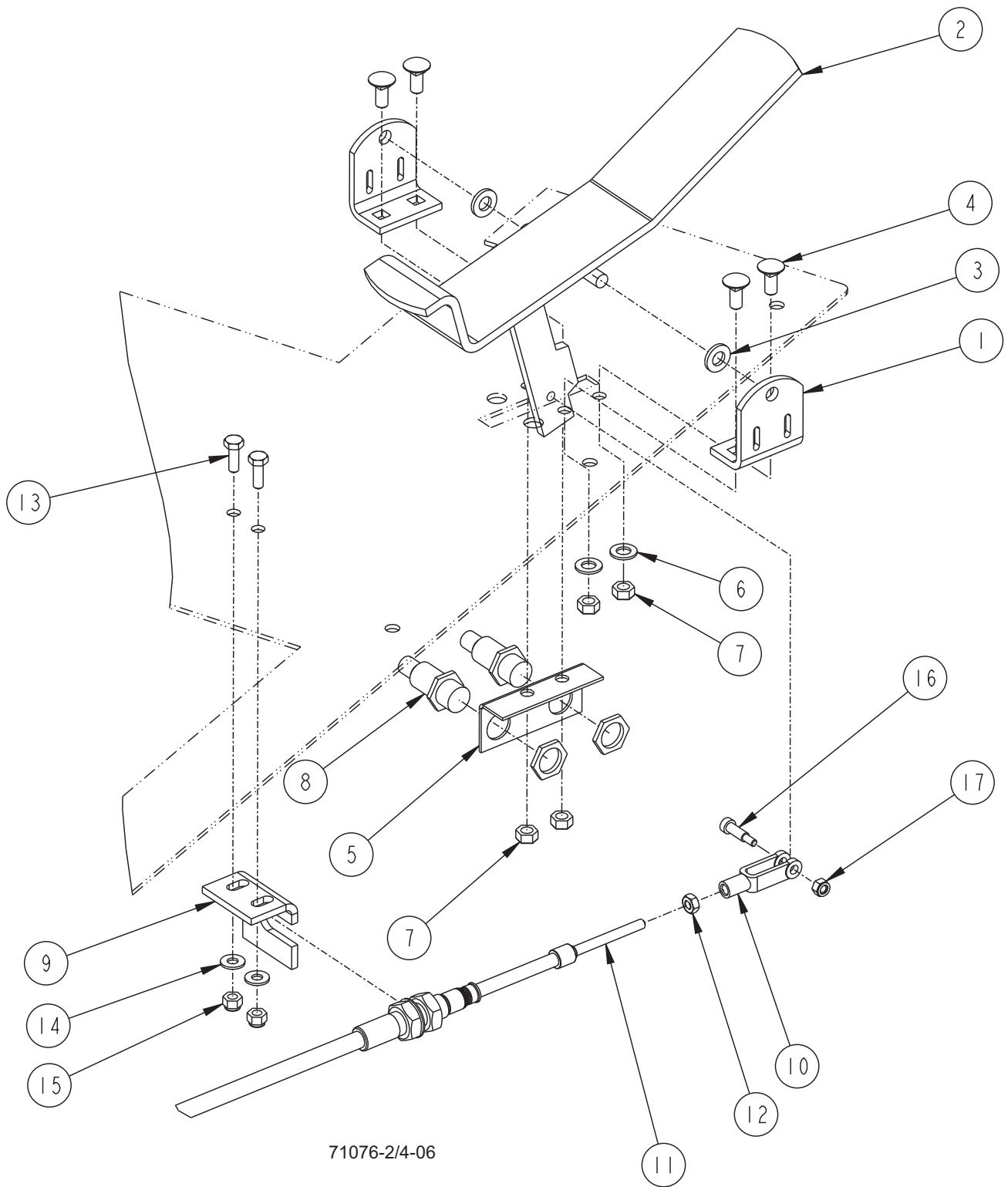
FORWARD-REVERSE CONTROL - GM 3.0 [AFTER SN1000034942]

11-8

7765

53

Item	Ref. No.	Qty	Description
1	2-00-04602	1	Clamp
2	56001939	1	Wsh, Flt Sae 5/16
3	56002058	1	Scr, Hex 3/8-16 X 2.25
4	56002063	3	Wsh, Flt Sae 3/8
5	56002094	1	Scr, Hex 5/16-18 X 1.50
6	56002663	2	Scr, Hex 3/8-16 X 1.00
7	56002841	1	Nut, Hex Nyl Loc-Thin 3/8-16
8	56003626	1	Nut, Hex Nyl Loc-Thin 1/4-28
9	56455799	1	Hydroback
10	56463720	1	Rod End
11	56379077	1	Adjuster Pintle G/LPG Arm Weld
12	56514946	1	Pintle Arm Weldment
13	2-00-00209	2	Bolt, Hex Head, 3/8-16 X 1 1/4 Ss
14	2-00-00221	1	Bolt-Hex Head, Finished, 1/4-20x3/4 Lg
15	2-00-00402	2	Washer, 25/64" Id X 3/4" Od
16	2-00-02310	2	Washer-Lock, 3/8", Helical Spring
17	2-00-03702	1	Washer, .625 X .281 X .063
18	7-16-00009	1	Cable, Fwd / Rev
19	7-34-09034	1	Reflective Sleeve, 1" Dia. X 16"

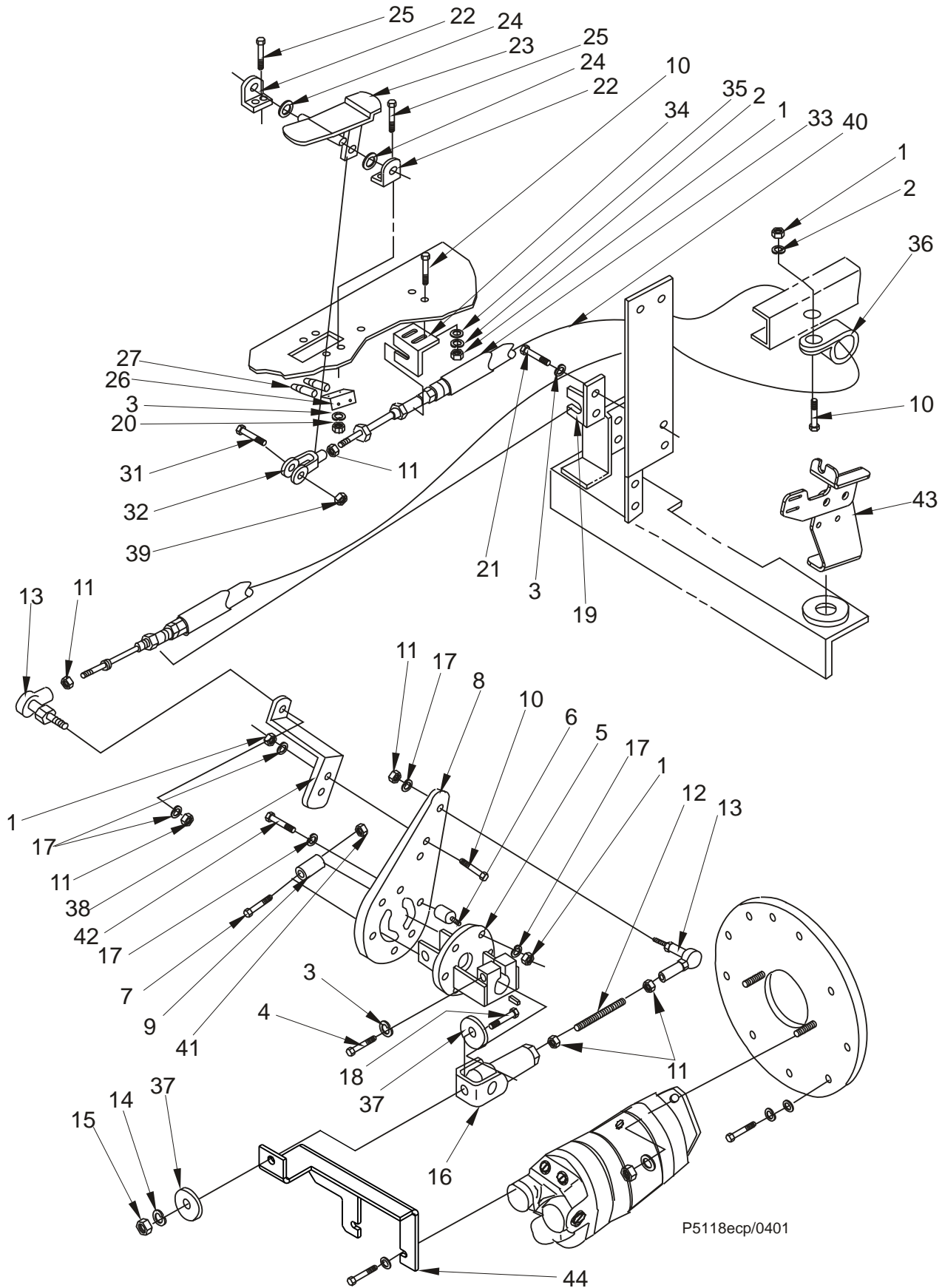


09-5	FORWARD/REVERSE CONTROL - GM 3.0 - FOOT PEDAL ASSY		
09-6	7765		55

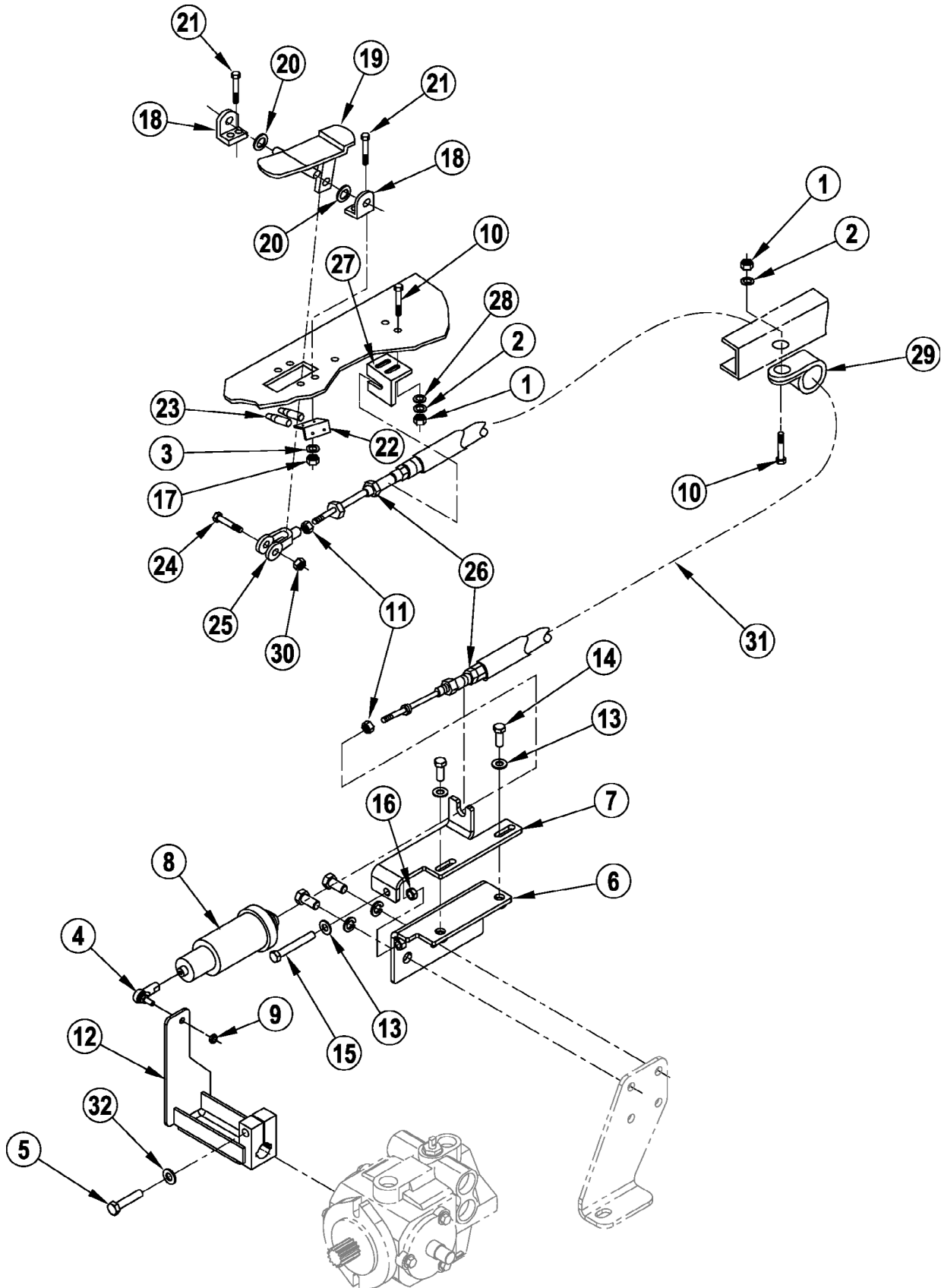
Item	Ref. No.	Qty	Description
1	56514806	2	Bracket, Foot Pedal Mount
2	56514807	1	Foot Pedal
3	2-00-00402	2	Flat Washer, .750 x .390 x .093
4	2-00-03569	4	Carriage Bolt, 5/16-18 x 3/4
5	56514808	1	Bracket, Foot Pedal Prox. Switch
6	2-00-00409	2	Flat Washer, .687 x .344 x .062
7	2-00-00585	4	Nut, 5/16-18 Fiber Insert Hex
8	7-82-00047	2	Switch, Low Dump Hopper Proximity
*	56380626	A/R	Connector B-Type Sensor (Harness connector for 7-82-00047)
9	56514809	1	Bracket, Accel. Cable Mounting NOTE 1
9	56514940	1	Bracket, Accel. Cable Mounting NOTE 2
10	8-14-01006	1	Clevis
11	7-16-00009	1	Cable, Forward/Reverse Cable
12	2-95-01999	1	Nut, 1/4-28 x .437 x .156 Hex Jam
13	2-00-00221	2	Screw, 1/4-20 x 3/4 HHC
14	2-00-03702	2	Washer, .625 x .281 x .063
15	2-00-00641	2	Nut, 1/4-20 Fiber Insert
16	2-00-04563	1	Shoulder Screw, 1/4 x 5/8
17	2-00-01246	1	Nut, #10-24 Elastic Stop

NOTE 1: Used on machines up to Serial No. 1000034942.

NOTE 2: Used on machines Serial No. 1000034942 and above.



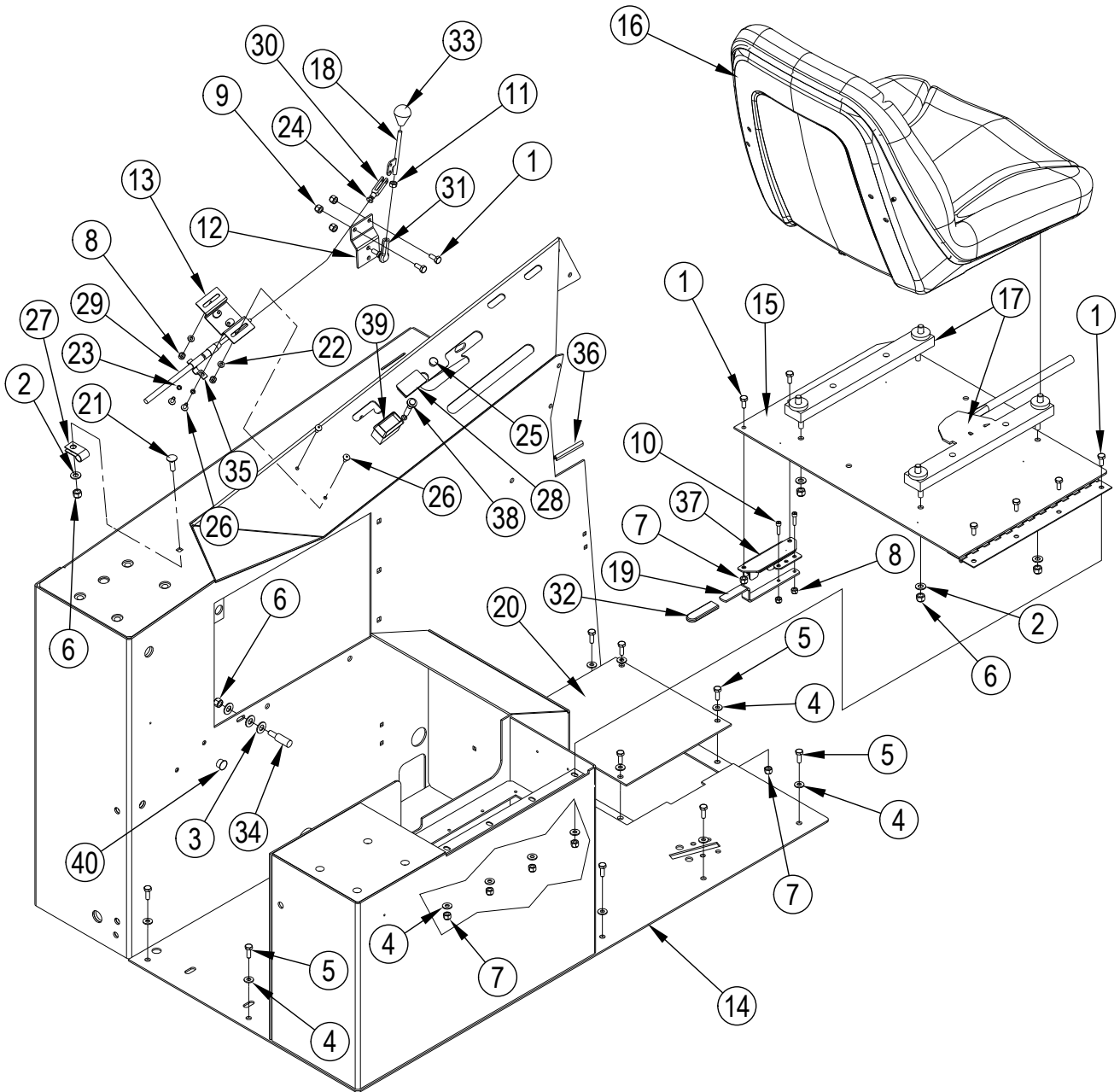
Item	Ref. No.	Qty	Description
1	2-00-00594	11	Nut, Hex 1/4 - 20 x .437 x .218
2	2-00-00518	3	Lock Washer, Helical Spring 1/4 Med
3	2-00-00530	5	Lock Washer, Helical Spring 5/16 Med
4	2-00-00225	1	Screw, 5/16-18 x 1.500 HHC
5	7-03-04105	1	Transmission Arm
6	7-75-01089	6	Isolator, 1/4-20
7	2-00-00246	1	Screw, 1/4-20 x 2.250 HHC
8	7-58-05220	1	Transmission Arm Plate
9	7-75-01110	1	Spacer, Transmission Arm
10	2-00-00221	5	Screw, 1/4-20 x .750 HHC
11	2-95-01999	4	Nut, Hex Jam 1/4-28 x .437 x .156
12	7-66-00147	1	Rod, 1/4-28 x 3.000
13	7-25-02050	2	Rod End, 1/4-28
14	2-00-02312	1	Lock Washer, Helical Spring 1/2 Med
15	2-00-02352	1	Nut, Hex 1/2-13 x .875 x .484
16	8-16-00025	1	Centering Control
17	2-00-00501	16	Lock Washer, 1/4 Int.
18	2-00-00240	1	Screw, 1/2-13 x 1.250 HHC
19		1	Centering Control Bracket
20	2-00-00585	4	Nut, Hex 5/16-18 x .500 x .265
21	2-00-00208	2	Screw, 5/16-18 x .750 HHC
22	56514806	2	Forward Reverse Pedal Bracket
23	56514807	1	Forward Reverse Pedal
24	2-00-00402	2	Flat Washer, .750 x .390 x .093
25	2-00-03569	4	Carriage Bolt, 5/16 - 18 x .75
26	56514808	1	Bracket, Foot Pedal Prox. Switch
27	7-82-00047	2	Switch, Proximity
*	56380626	A/R	Connector B-Type Sensor (Harness connector for 7-82-00047)
31	2-00-04563	1	Screw, #10-24 x .625 x .375 SH
32	8-14-01006	1	Clevis
33	7-16-00009	1	Forward / Reverse Cable
34	56514809	1	Cable Mounting Bracket
35	2-00-03702	2	Flat Washer, .750 x .281 x .062
36	2-00-04602	1	Hose Clamp, .500
37	2-00-00405	2	Flat Washer, .500
38	7-03-04106	1	Transmission Arm
39	2-00-01246	1	Nut, Hex Fiber Insert #10-24
40	7-34-09018	1	Insulating Sleeve
41	2-00-00641	1	Nut, Hex Fiber Insert 1/4-20
42	2-00-00219	6	Screw, 1/4-20 x .500 HHC
43	7-08-01209	1	Bracket, Forward/Reverse Cable
44	7-08-00585	1	Hydroback Bracket



09-5	FORWARD/REVERSE CONTROL - MITSUBISHI DIESEL (AFTER SN1000034942)		
10-2	7765		59

Item	Ref. No.	Qty	Description
1	2-00-00594	3	Nut, Hex 1/4 - 20 x .437 x .218
2	2-00-00518	3	Lock Washer, Helical Spring 1/4 Med
3	2-00-00530	2	Lock Washer, Helical Spring 5/16 Med
4	56463720	1	Rod End
5	56002094	1	Screw, Hex 5/16 - 18x1.50
6	56514942	1	Plate, Pintle Arm
7	56514941	1	Adjuster, Pintle Arm
8	56455799	1	Hydroback
9	56003626	1	Nut, Hex Nyl Loc Thin 1/4 - 28
10	2-00-00221	5	Screw, 1/4-20 x .750 HHC
11	2-95-01999	4	Nut, Hex Jam 1/4-28 x .437 x .156
12	56514946	1	Pintle Arm Weldt
13	56002063	3	Wsh, Flt Sae 3/8
14	56002663	2	Screw, Hex 3/8 - 16 x 1.00
15	56001892	1	Screw, Hex 3/8 - 16 x 2.75
16	56002841	1	Nut, Hex Nyl Loc Thin 1/4 - 16
17	2-00-00585	4	Nut, Hex 5/16-18 x .500 x.265
18	56514806	2	Forward Reverse Pedal Bracket
19	56514807	1	Forward Reverse Pedal
20	2-00-00402	2	Flat Washer, .750 x .390 x .093
21	2-00-03569	4	Carriage Bolt, 5/16 - 18 x .75
22	56514808	1	Bracket, Foot Pedal Prox. Switch
23	7-82-00047	2	Switch, Proximity
[]	56380626	A/R	Connector B-Type Sensor (Harness connector for 7-82-00047)
24	2-00-04563	1	Screw, #10-24 x .625 x .375 SH
25	8-14-01006	1	Clevis
26	7-16-00009	1	Forward / Reverse Cable
27	56514940	1	Bracket, Accel Cable Mount
28	2-00-03702	2	Flat Washer, .750 x .281 x .062
29	2-00-04602	1	Hose Clamp, .500
30	2-00-01246	1	Nut, Hex Fiber Insert #10-24
31	7-34-09018	1	Insulating Sleeve
32	56001939	1	Washer, Flt Sae 5/16

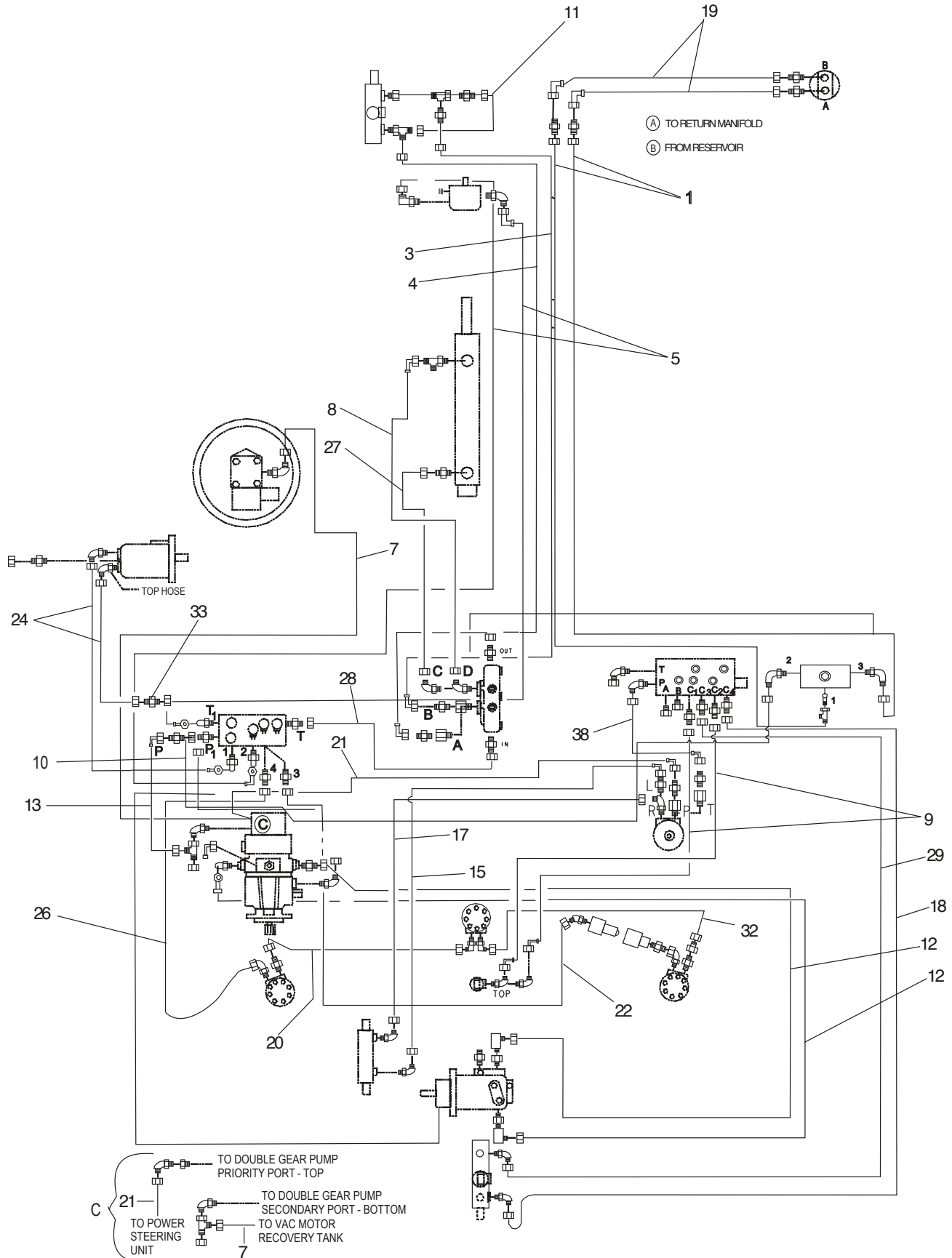
[] = Not Shown



09-5	OPERATOR COMPARTMENT			
09-11	7765			61

Item	Ref. No.	Qty	Description
1	56001836	8	Scr, Hex 1/4-20 X .62
2	56001939	5	Wsh, Flt Sae 5/16
3	56002063	3	Wsh, Flt Sae 3/8
4	56002098	14	Wsh, Flt Sae 1/4
5	56002155	10	Scr, Hex 1/4-20 X .75
6	56002701	6	Nut, Hex Nyl Loc 5/16-18
7	56002708	10	Nut, Hex Nyl Loc 1/4-20
8	56002768	4	Nut, Hex Nyl Loc 10-24
9	56003284	3	Nut, Hex Nyl Loc 1/4-28
10	56003659	2	Scr, Button Soc Ss 10-24 X .75
11	56009142	1	Nut, Hex Machine 1/4-28
12	56514798	1	Bracket Throttle Control Mtg NOTE 1
13	56514799	1	Bracket Throttle Cable Mtg NOTE 1
14	56514836	1	Drive Compartment
15	56514838	1	Cover Weldment
16	7-69-00008	1	Seat
17	7-72-05005	1	Slide-Seat
18	8-41-05074	1	Lever-Throttle Control Weldt NOTE 1
19	56514797	1	Handle Seat Cover Latch
20	56514800	1	Panel-Access
21	2-00-00196	1	Bolt-Car, .31-18 X 1 Gr 5 Zn NOTE 1
22	2-00-00426	2	Washer-Flat .500 X .219 X .063
23	2-00-00519	2	Washer-Lock, #10-24, Helical Spring
24	2-00-00626	1	10-32 Nut
25	2-00-02011	1	Plug, Plastic, .44 Dia NOTE 1
26	2-00-03061	4	Screw, #10-24 X 1.00 Truss Head
27	2-00-04873	1	Cable Clamp NOTE 1
28	2-00-05868	1	Switch Plug, Sealed Panel NOTE 1
29	7-10-00024	1	Cable-Throttle-80" Lg. NOTE 1
30	7-14-07006	1	Clevis NOTE 1
31	7-25-02050	1	Rod End-Spherco NOTE 1
32	7-31-06061	1	Grip, Cover Latch
33	7-39-00017	1	Knob-Solution Control NOTE 1
34	7-55-08116	1	Pin-Striker
35	8-13-07094	1	Conduit Clamp NOTE 1
36	8-21-04019	1	Edging
37	8-41-00037	1	Latch, Rotary
38	7-11-04080	1	Indicator-Mil Light NOTE 2
39	2-00-05827	1	Switch Body-High Current NOTE 2
[]	2-00-05988	1	Actuator Throttle Efi425 NOTE 2
40	2-00-04514	1	Plug, Plastic, .562 Dia.

NOTE 1: These parts are only used on Diesel models.
NOTE 2: These parts are only used on Gasoline/Petrol and LPG models.

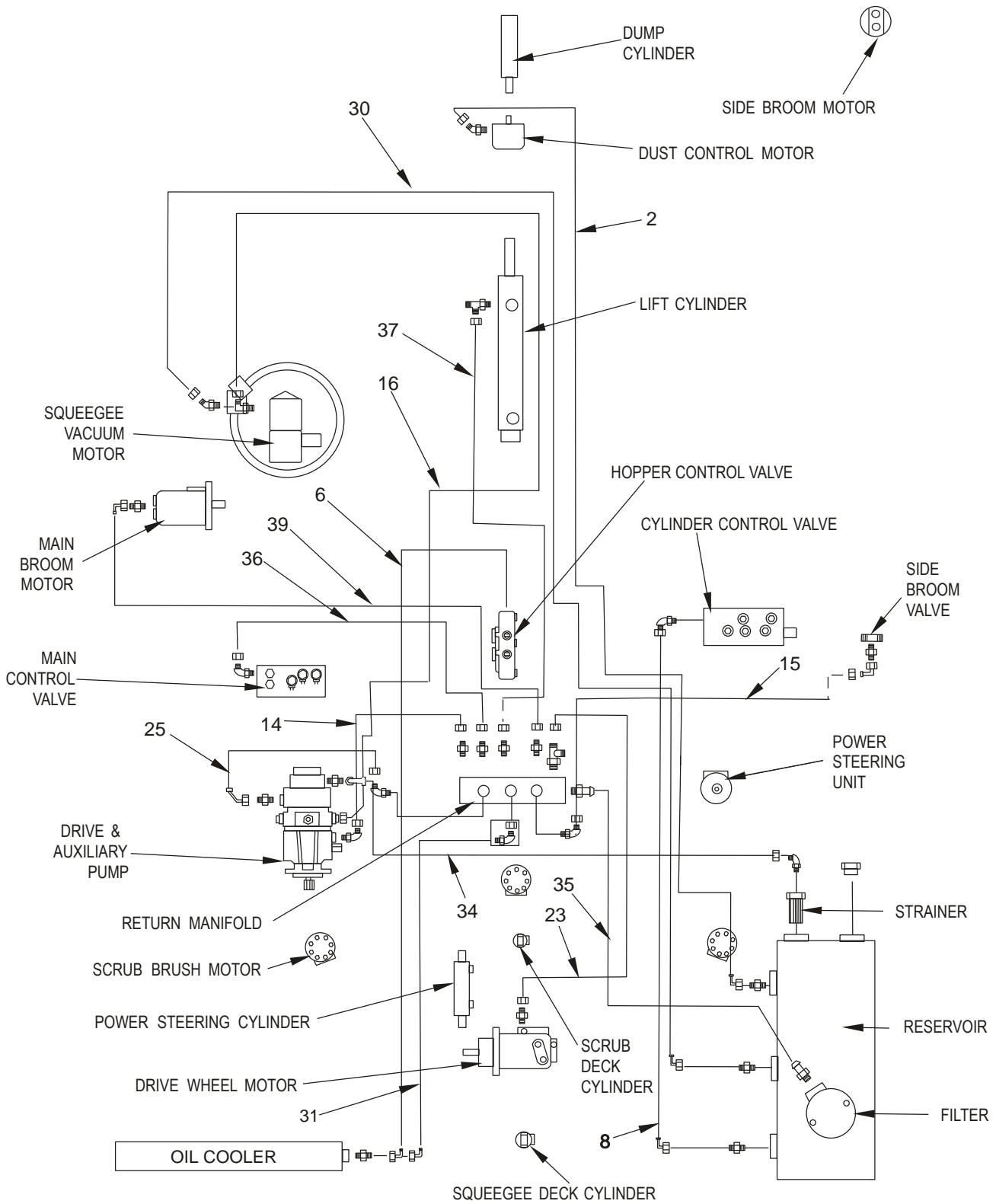


Item	Ref. No.	Qty	Description
1<	8-33-02277	2	Hydraulic Hose ORS 4-STR 110"
3<	8-33-02328	1	Hydraulic Hose ORS 4-90° to STR 78.5"
4<	7-33-02194	1	Hydraulic Hose ORS 4-90° to STR 80"
5<	7-33-02332	2	Hydraulic Hose ORS 8-90° to STR 102"
7+	8-33-02327	1	Hydraulic Hose ORS 8-STR 94"
7*	8-33-02195	1	Hydraulic Hose ORS 8-STR 69.5"
8+	7-33-02225	1	Hydraulic Hose ORS 4-90° to STR 38"
9+	7-33-02189	2	Hydraulic Hose ORS 4-90° to STR 26"
10<	8-33-02218	1	Hydraulic Hose ORS 4-STR 60"
11<	8-33-02178	1	Hydraulic Hose ORS 4-STR 15"
12+	7-33-02223	2	Hydraulic Hose ORS 8-45° to STR 87"
13+	8-33-02202	1	Hydraulic Hose ORS 8-90° to STR 20"
15+	7-33-02191	1	Hydraulic Hose ORS 4-90° to STR 42"
17+	7-33-02225	1	Hydraulic Hose ORS 4-90° to STR 38"
18+	8-33-02218	1	Hydraulic Hose ORS 4-STR 60"
19	8-33-02320	2	Hydraulic Hose ORS 4 90° to STR 64"
20	7-33-02327	1	Hydraulic Hose ORS 8-90° to STR 15.25"
21+	7-33-02334	1	Hydraulic Hose ORS 4-90° to STR 52.25"
22+	7-33-02546	1	Hydraulic Hose ORS 8-90° to STR 42.5"
24+	8-33-02214	2	Hydraulic Hose ORS 8-STR 29"
26+	7-33-02403	1	Hydraulic Hose, ORS 4-90° to STR 29"
27<	8-33-02178	1	Hydraulic Hose ORS 4-STR 15"
28<	8-33-02201	1	Hydraulic Hose ORS 8-45° to STR 18"
29+	8-33-02189	1	Hydraulic Hose ORS 4-STR 65"
32	7-33-02326	1	Hydraulic Hose ORS 8-90° to STR 17"
33	2-00-04987	1	ORFS Union, 13/16-16
38+	7-33-02190	1	Hydraulic Hose ORS 4-STR 67"

* = Diesel Only

+ = Components of 0760-961, 7765 common hydraulic hose kit.

< = Components of 0760-962, 7765 VD hydraulic hose kit.



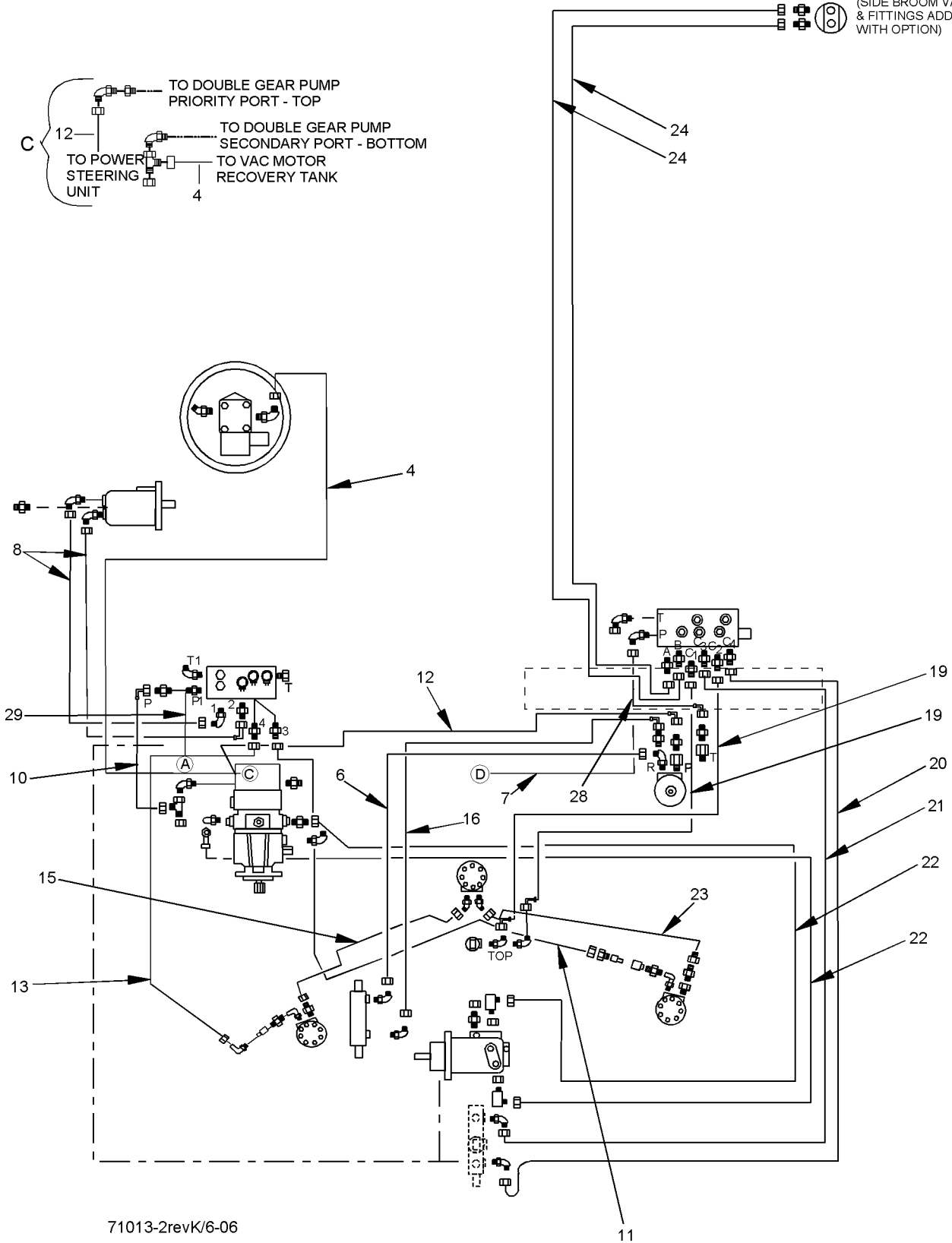
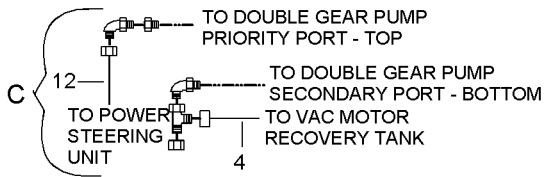
09-5	SUCTION & RETURN HOSES - VARIABLE DUMP		
10-2	7765		65

Item	Ref. No.	Qty	Description
2*	7-33-02333	1	Hydraulic Hose ORS 4-90° to STR 119"
6*	7-33-02734	1	Hydraulic Hose ORS 8-90° to STR 68"
8*	7-33-02225	1	Hydraulic Hose ORS 4-90° to STR 38"
14#	7-33-02186	1	Hydraulic Hose ORS 4-STR 30"
15#	7-33-02191	1	Hydraulic Hose ORS 4-90° to STR 42"
16*	8-33-02192	1	Hydraulic Hose ORS 8-STR 80"
23#	8-33-02184	1	Hydraulic Hose ORS 4-STR 50.5"
25#	7-33-02197	1	Hydraulic Hose ORS 8-45° to STR 52.5"
30#	7-33-02224	1	Hydraulic Hose ORS 4-90° to STR 155"
31#	7-33-02551	1	Hydraulic Hose ORS 8-90° to STR 35"
34#	7-33-02331	1	Hydraulic Hose ORS 16-STR 46" NOTE 1
34#	56109710	1	Suction Hose NOTE 2
35	7-33-02244	1	Hydraulic Hose 1.0" ID Low Pressure 33"
36#	7-33-02180	1	Hydraulic Hose ORS 4-STR 37"
37*	8-33-02183	1	Hydraulic Hose ORS 4-STR 49"
39#	8-33-02200	1	Hydraulic Hose ORS 4-90° to STR 55"

= Components of 0760-961, 7765 common hydraulic hose kit.
 * = Components of 0760-962, 7765 VD hydraulic hose kit.

NOTE 1: Used on machines up to Serial No. 1000032514.
NOTE 2: Used on machines Serial No. 1000032514 and above.

SIDE BROOM
OPTIONAL
(SIDE BROOM VALVE
& FITTINGS ADDED
WITH OPTION)



71013-2revK/6-06

Item	Ref. No.	Qty	Description
1	8-33-02192	1	Hydraulic Hose ORS 8 Str. to JIC 8 Str. 80"
3+	7-33-02224	1	Hydraulic Hose ORS 4-90° to Str. 155"
4+	8-33-02327	1	Hydraulic Hose ORS 8-Str.to 8 Str. 94"
4*	8-33-02195	1	Hydraulic Hose ORS 8-Str.to 8 Str. 69.5"
5	7-33-02186	1	Hydraulic Hose ORS 4-Str. Ends 30"
6+	7-33-02225	1	Hydraulic Hose ORS 4-90° to Str. 38"
7+<	8-33-02200	1	Hydraulic Hose ORS 4-90° to Str. 55"
8+	8-33-02214	2	Hydraulic Hose ORS 4-Str. to 4 Str. 29"
9	8-33-02184	1	Hydraulic Hose ORS 4-Str. to 4 Str. 50.5"
10+	8-33-02202	1	Hydraulic Hose ORS 8-90° to 8 Str. 20"
11+	7-33-02546	1	Hydraulic Hose ORS 8-90° to 8 Str. 42.5"
12+	7-33-02334	1	Hydraulic Hose ORS 4-90° to 4 Str. 52.25"
13+	7-33-02403	1	Hydraulic Hose ORS 8-90° to 8 Str. 29"
14	7-33-02197	1	Hydraulic Hose ORS 8-45° to 8 Str. 52.50"
17	7-33-02331	1	Hydraulic Hose ORS 16-Str. Ends 46" NOTE 1
17	56109710	1	Suction Hose NOTE 2
18	7-33-02225	1	Hydraulic Hose ORS 4-90° to Str. 38"
15	7-33-02327	1	Hydraulic Hose ORS 8-90° to 12 Str. 15.25"
16+	7-33-02191	1	Hydraulic Hose ORS 4-90° to Str. 42"
19+	7-33-02189	2	Hydraulic Hose ORS 4-90° to Str. 26"
20+	8-33-02218	1	Hydraulic Hose ORS 4-Str. 60"
21+	8-33-02189	1	Hydraulic Hose ORS 4-Str. 65"
22+	7-33-02223	2	Hydraulic Hose ORS 8-45° to Str. 87"
23	7-33-02326	1	Hydraulic Hose ORS 8-90° to 8 Str.17"
24+<	8-33-02216	2	Hydraulic Hose ORS 4-Str. 88"
25	7-33-02244	1	1.0" Low Pressure 33" (see page 62-63)
28+	7-33-02190	1	Hydraulic Hose ORS 4-90° to Str. 67"
29	7-33-02187	1	Hydraulic Hose ORS 8-Str. 42"
30+	7-33-02428	1	Hydraulic Hose ORS 8-90° to Str. 57"
31+	7-33-02551	1	Hydraulic Hose ORS 8-90° to Str. 35"

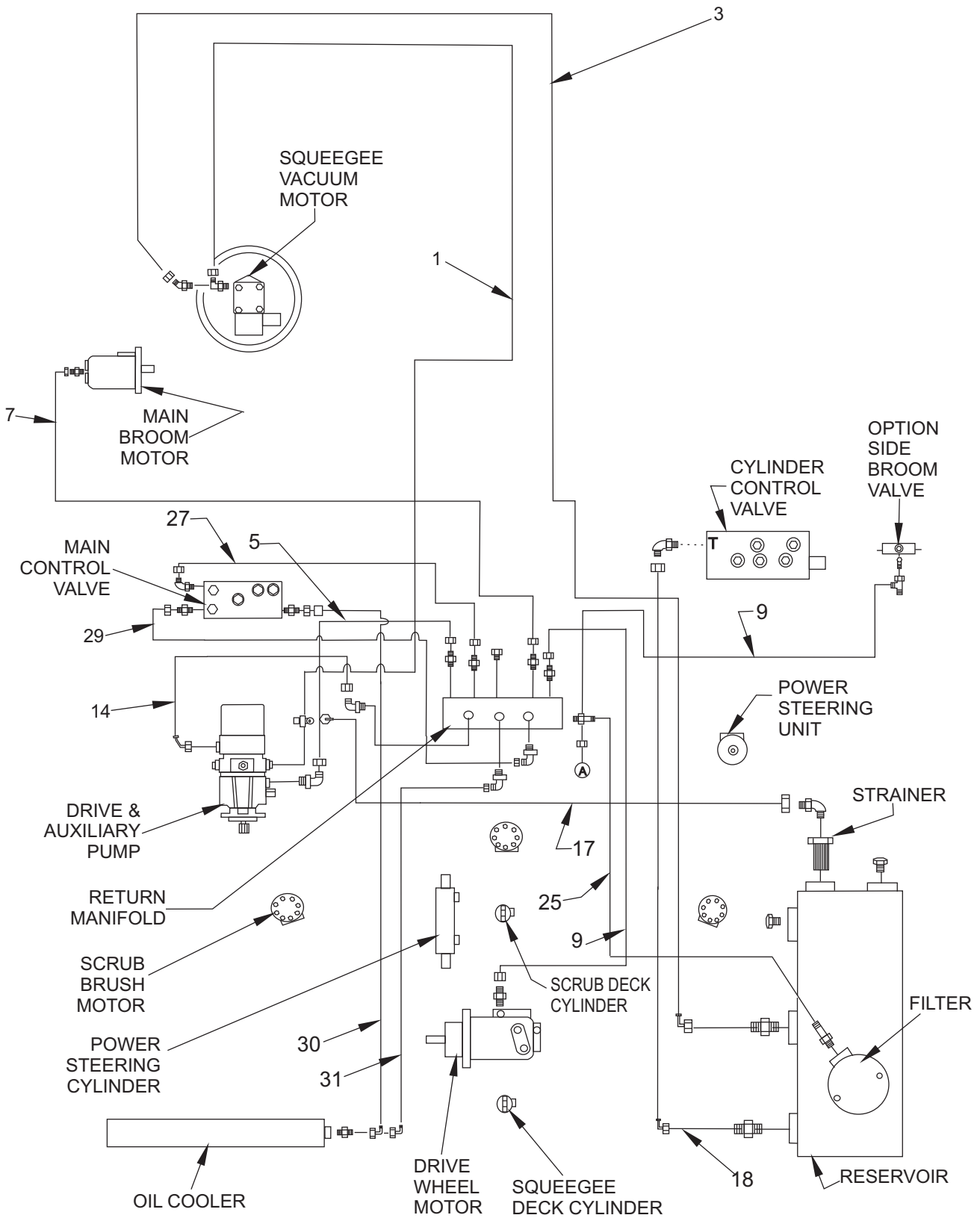
* = Diesel Only

+ = Hoses are components of 0760-961 7765 common hydraulic hose kit.

< = Hoses for Side Broom Option

NOTE 1: Used on machines up to Serial No. 1000032514.

NOTE 2: Used on machines Serial No. 1000032514 and above.



09-5

SUCTION & RETURN HOSES - MANUAL DUMP

10-2

7765**69**

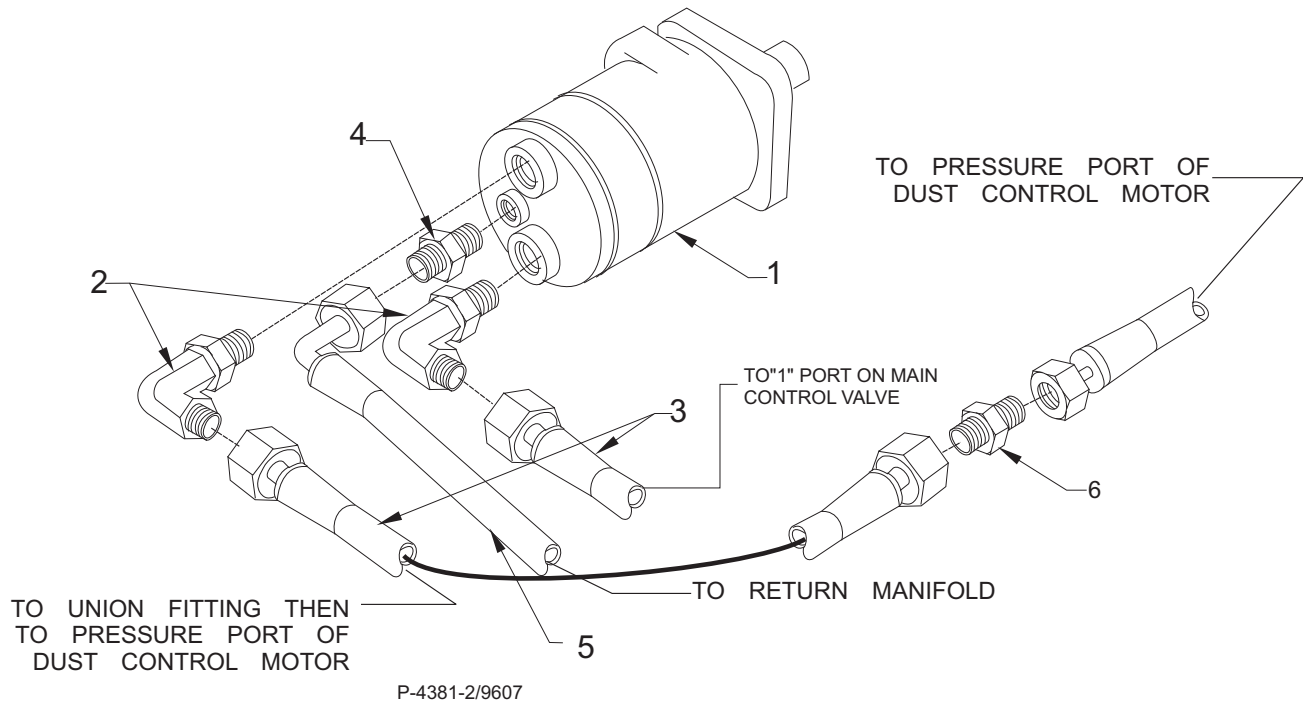
Item	Ref. No.	Qty	Description
1	8-33-02192	1	Hydraulic Hose ORS 8 Str. to JIC 8 Str. 80"
3+	7-33-02224	1	Hydraulic Hose ORS 4-90° to Str. 155"
5	7-33-02186	1	Hydraulic Hose ORS 4-Str. Ends 30"
7+<	8-33-02200	1	Hydraulic Hose ORS 4-90° to Str. 55"
9	8-33-02184	1	Hydraulic Hose ORS 4-Str. to 4 Str. 50.5"
14	7-33-02197	1	Hydraulic Hose ORS 8-45° to 8 Str. 52.50"
17	7-33-02331	1	Hydraulic Hose ORS 16-Str. Ends 46" NOTE 1
17	56109710	1	Suction Hose NOTE 2
18	7-33-02225	1	Hydraulic Hose ORS 4-90° to Str. 38"
25	7-33-02244	1	1.0" Low Pressure 33"
27	7-33-02180	1	Hydraulic Hose ORS 4-Str. to 4 Str. 37"
29	7-33-02187	1	Hydraulic Hose ORS 8-Str. 42"
30+	7-33-02428	1	Hydraulic Hose ORS 8-90° to Str. 57"
31	7-33-02551	1	Hydraulic Hose ORS 8-90° to Str. 35"

+ = Hoses are components of 0760-961 7765 common hydraulic hose kit.

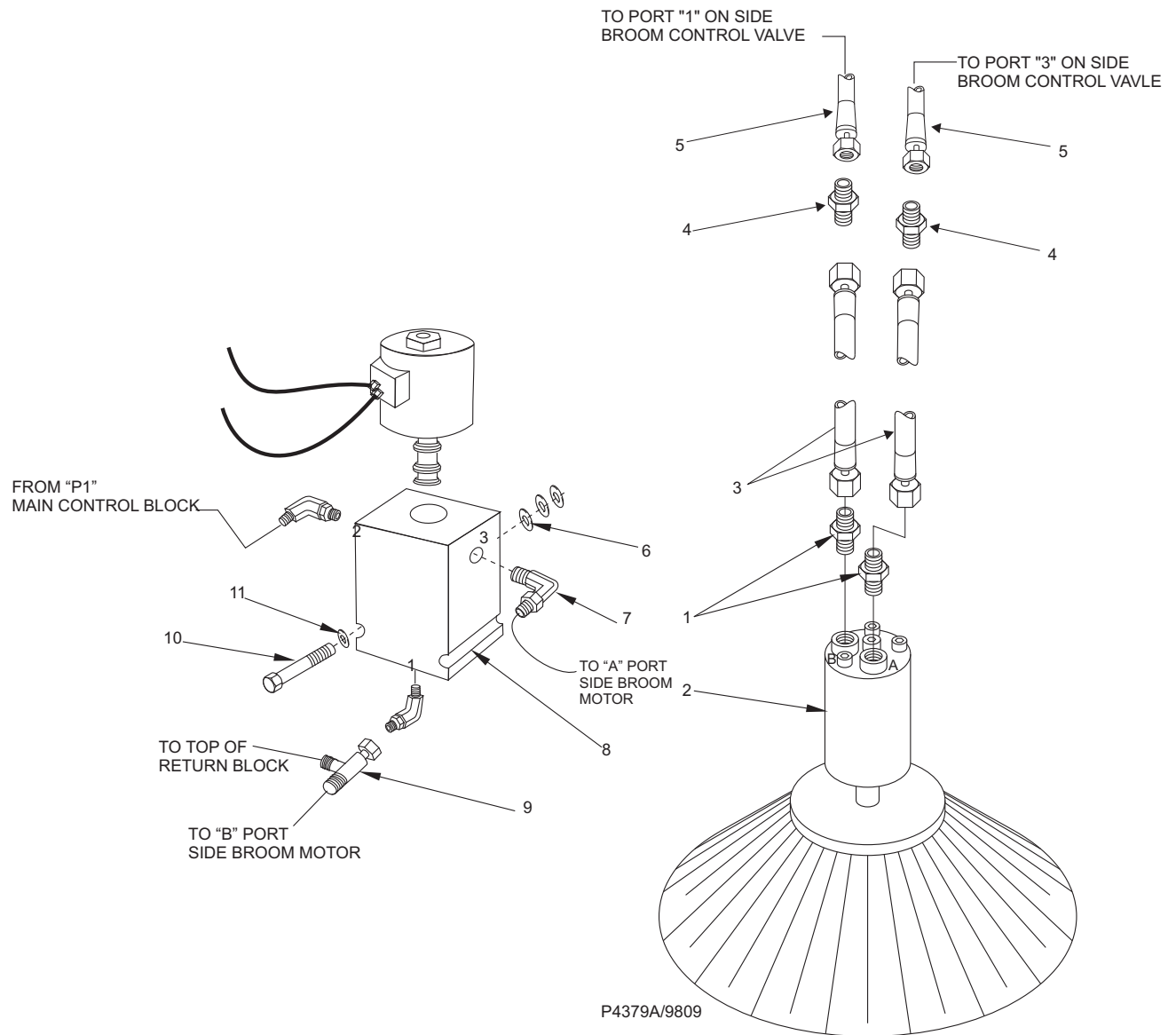
< = Hoses for Side Broom Option

NOTE 1: Used on machines up to Serial No. 1000032514.

NOTE 2: Used on machines Serial No. 1000032514 and above.

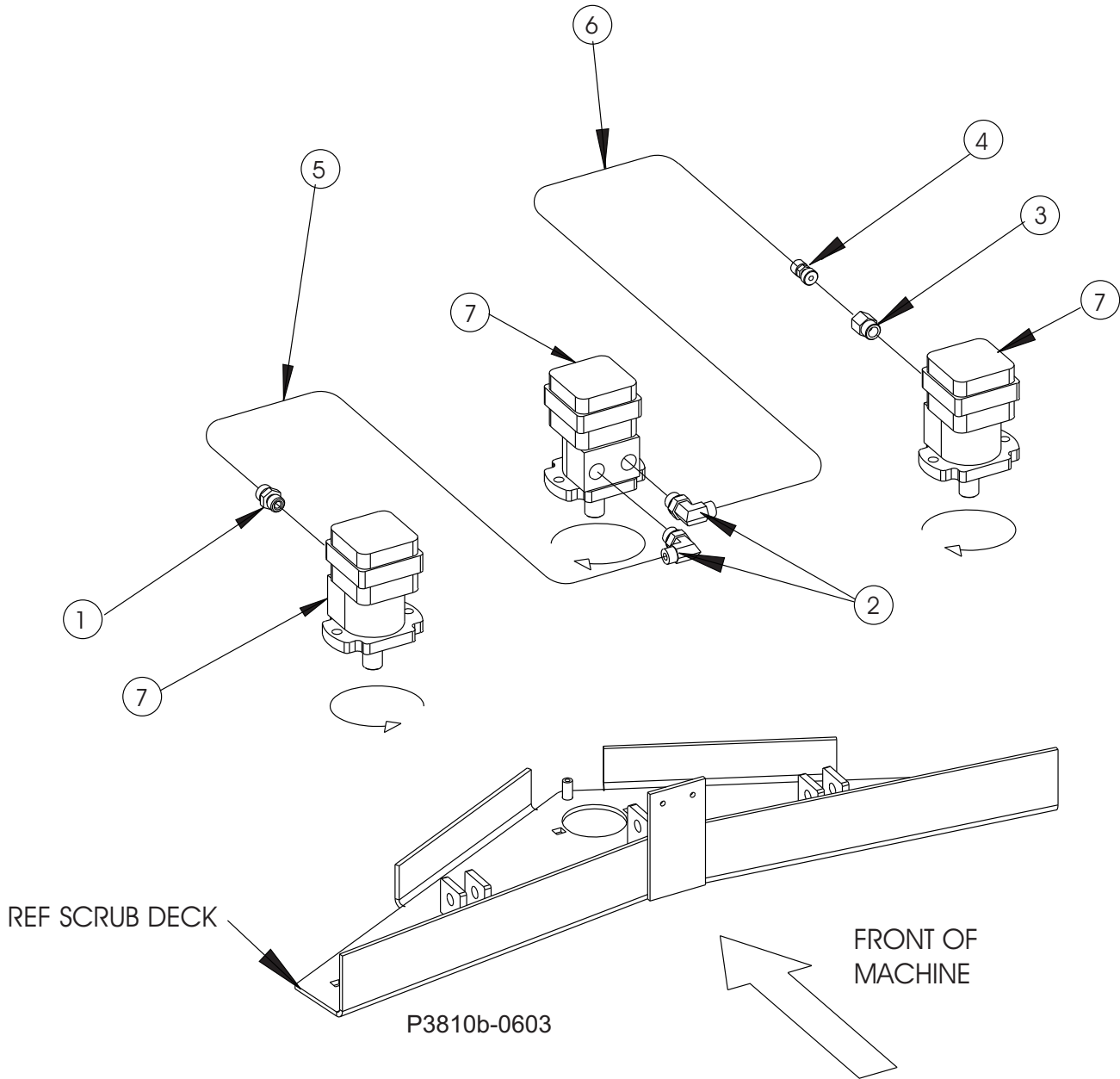


Item	Ref. No.	Qty	Description
1	0882-040 56479577	1	Main Broom Motor Motor Seal Kit (Service Part)
2	2-00-04885	2	ORFS 90° Elbow, 3/4-16 to 13/16-16
3	8-33-02214	Ref.	Hose
4	2-00-04895	1	ORFS Connector, 7/16-20 to 9/16-18
5	8-33-02200	Ref.	Hose
6	2-00-04987	Ref.	ORFS Union, 13/16 - 16

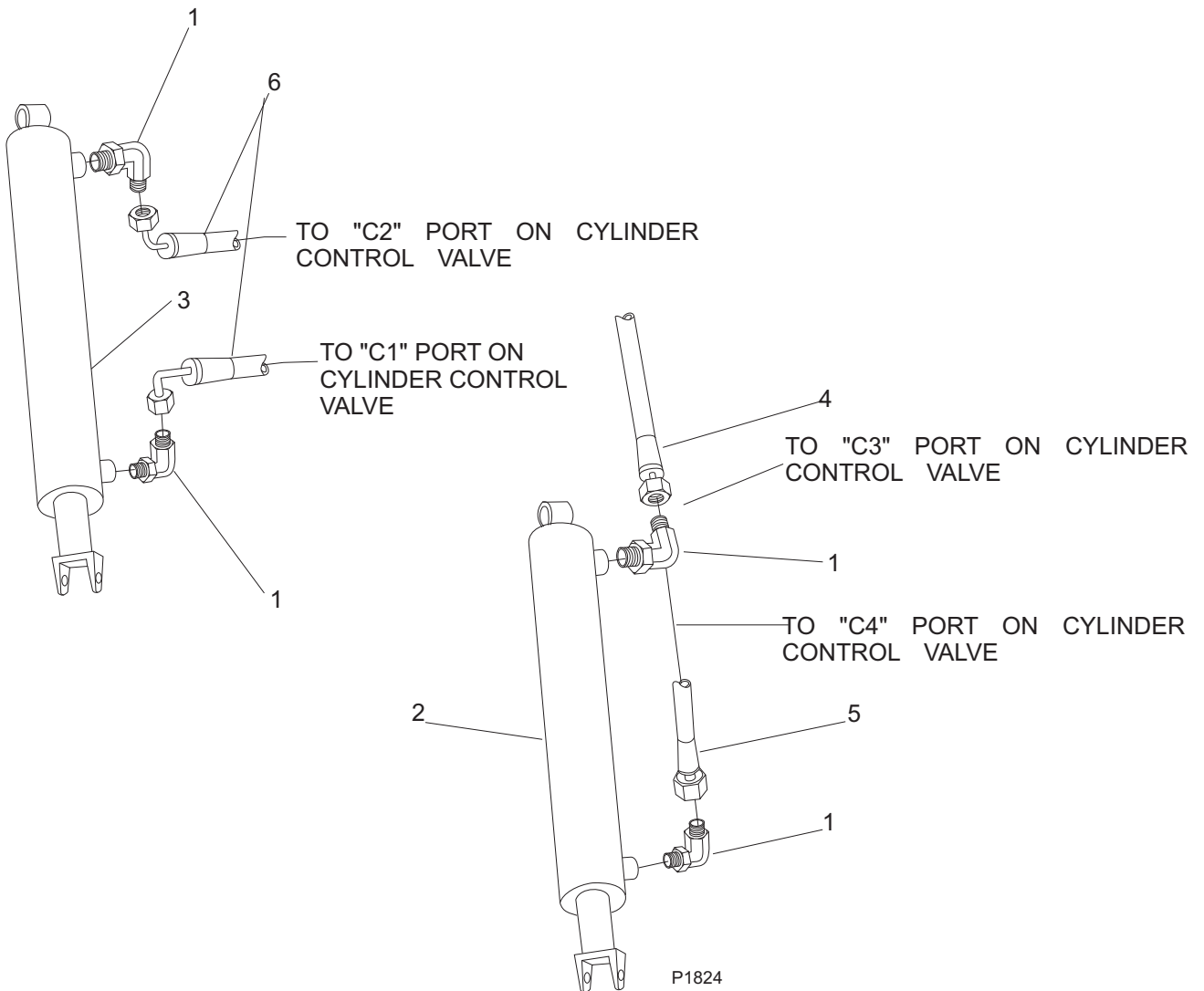


Item	Ref. No.	Qty	Description
1	2-00-04918	2	ORFS Connector, 9/16-18
2	0885-061	1	Hydraulic Motor
[]	0880-293	1	Seal Kit for 0885-061 (Up to Serial No. 750056)
[]	0780-144	1	Seal Kit for 0885-061 (Serial No. 750056 & Above)
[]	2-00-06547	1	Key
3	7-33-02181	Ref.	Hose
4	2-00-05373	2	Fitting, Union 9/16 - 18 ORS
5	8-33-02277	Ref.	Hose
6	2-00-03702	6	Washer, Flat
7	2-00-04926	3	Fitting, 90°
8	7-88-00077	1	Valve, Housing - 3 way
9	2-00-05162	1	Fitting, Run tee
10	2-00-02589	2	Screw
11	2-00-00518	2	Lock Washer

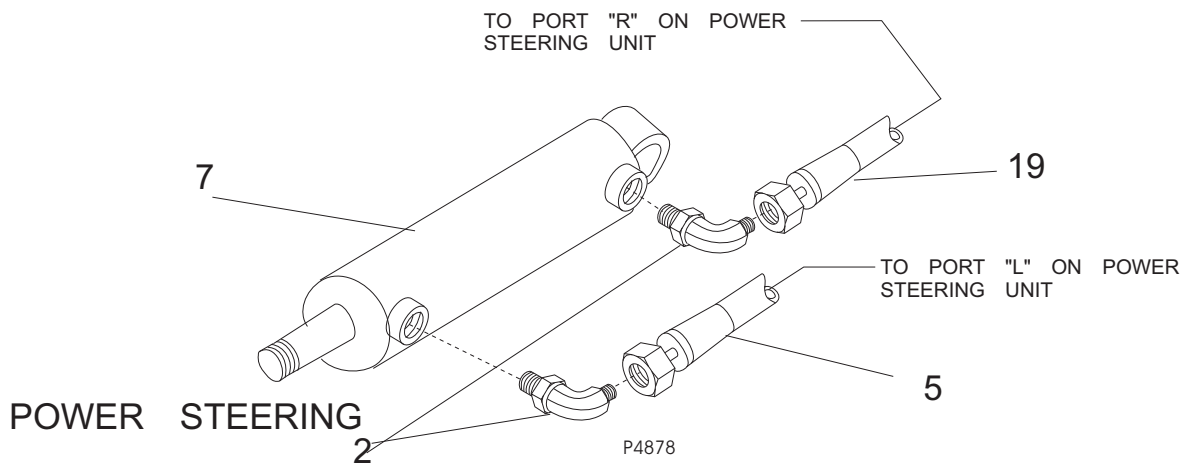
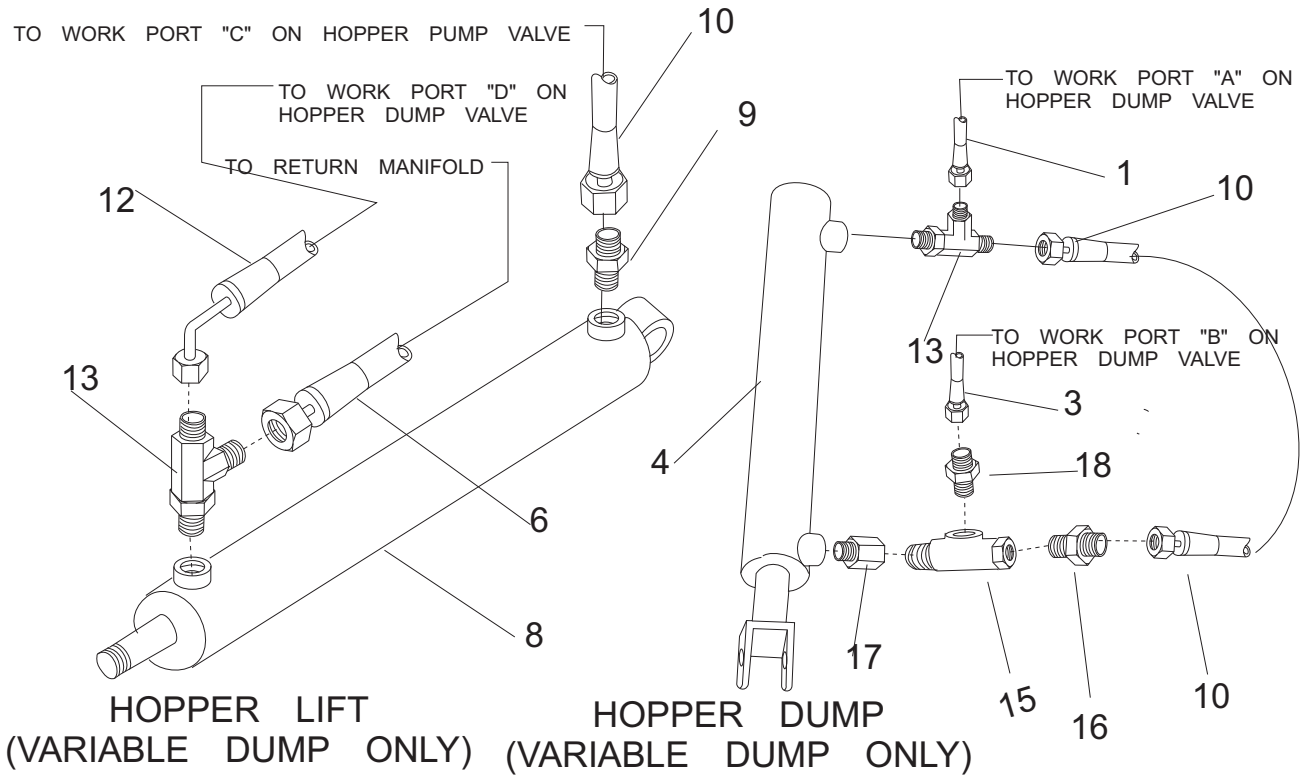
[] = Not Shown



Item	Ref. No.	Qty	Description
1	2-00-04974	1	Fitting - 10 SAE - 8 ORS
2	2-00-04921	4	Fitting - 10 SAE - 90° - 8 ORS
3	2-00-04990	1	Fitting - 10 SAE - 8 ORS
4	2-00-04970	1	Fitting - 8 SAE - 8 ORS
5	7-33-02326	1	Hose - 17" 90° End
6	7-33-02327	1	Hose - 15.25" 90° End
7	0782-111 0780-070	3	Scrub Motor Hyd. Seal Kit for Motor 0782-111

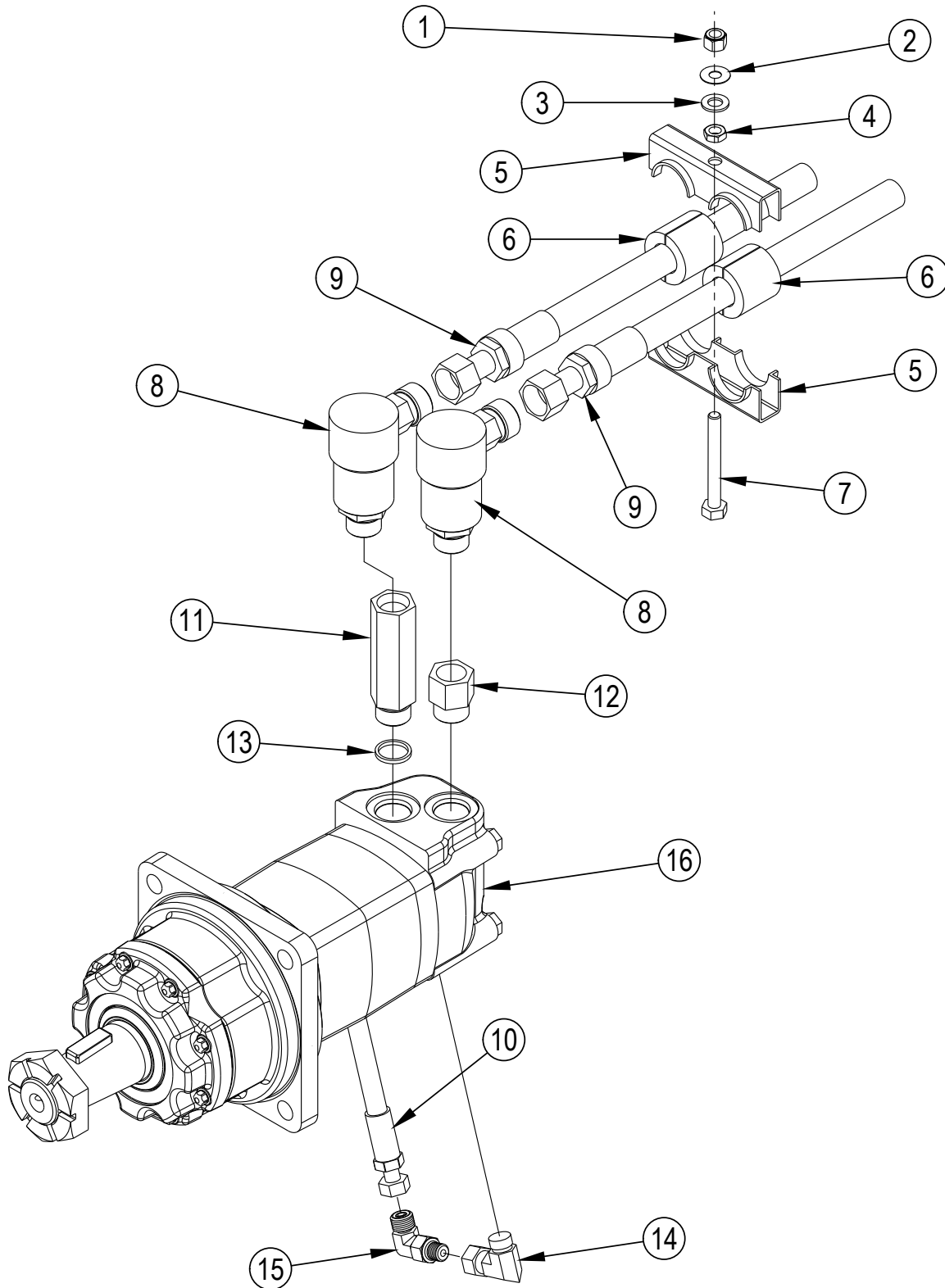


Item	Ref. No.	Qty	Description
1	2-00-04892	4	ORFS 90° Elbow, 7/16-20 to 9/16-18
2	7-17-05019	1	Hydraulic Cylinder (Squeegee)
3	7-17-05011	1	Hydraulic Cylinder (Scrub Deck)
4	8-33-02189	Ref.	Hose
5	8-33-02218	Ref.	Hose
6	7-33-02189	Ref.	Hose



Item	Ref. No.	Qty	Description
1	7-33-02194	Ref.	Hose
2	2-00-04892	2	ORFS 90° Elbow, 7/16-20 to 9/16-18
3	7-33-02195	Ref.	Hose
4	7-17-05020	1	Dump Cylinder
5	7-33-02191	Ref.	Hose
6	8-33-02183	Ref.	Hose
7	7-17-05010	1	Steering Cylinder
[]	7-70-00021	2	Dump and Steering Cylinders Seal Kit
8	7-17-05013	1	Lift Cylinder
[]	0880-506	1	Lift Cylinder Seal Kit
9	2-00-04895	1	ORFS Connector, 7/16-20 to 9/16-18
10	8-33-02178	Ref.	Hose
12	7-33-02225	Ref.	Hose
13	2-00-04927	2	Run Tee Fitting
15	8-88-00045	1	Fitting, Check Valve
16	2-00-04997		Fitting Adapter, 9/16-18 ORFS - 1/4-18 NPT
17	2-00-04994	1	Adapter Fitting
18	2-00-05054	1	Adapter Fitting
19	7-33-02225	Ref.	Hose

[] = Not Shown



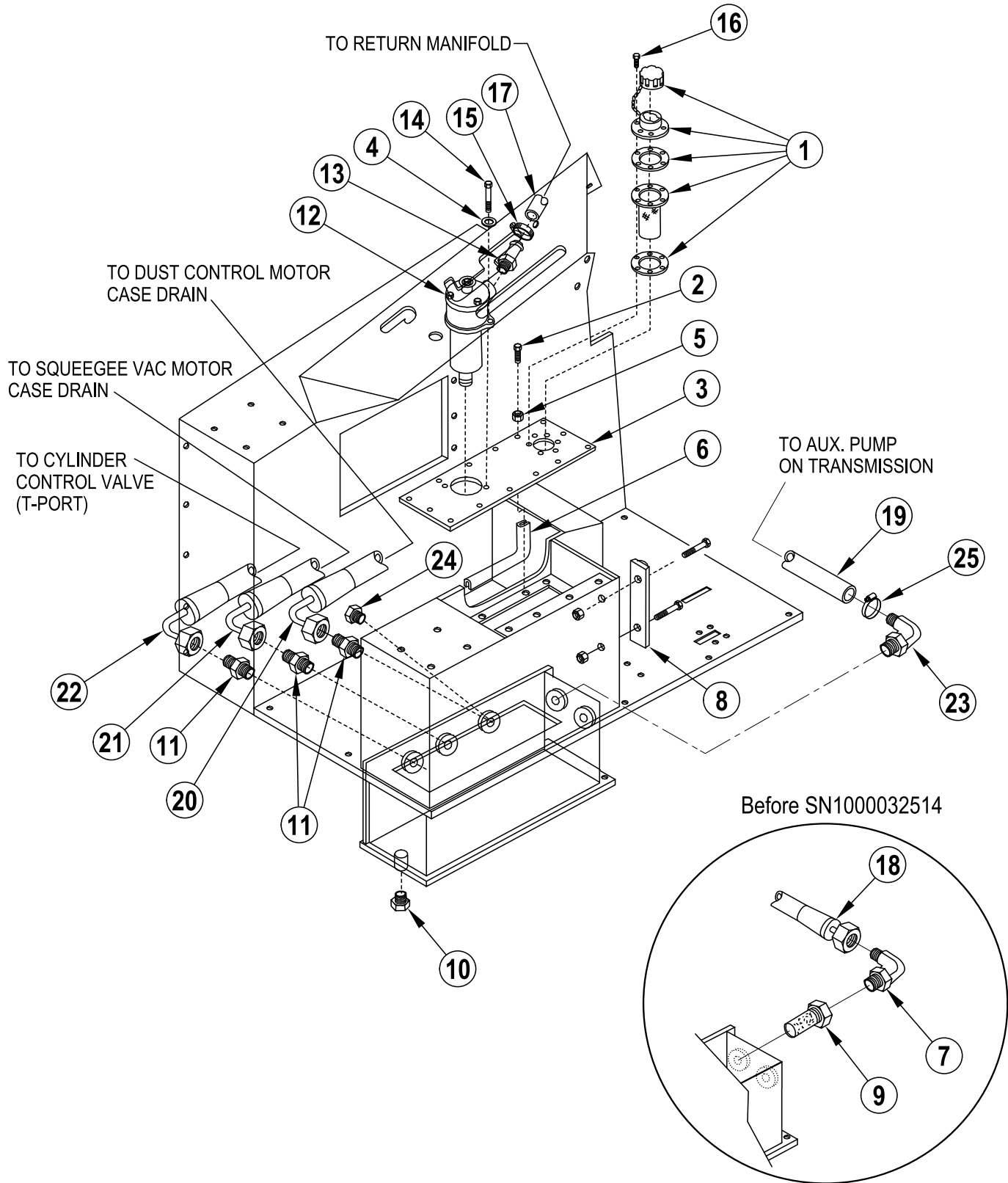
09-5	REAR WHEEL MOTOR & FITTINGS			
11-8	7765			77

Item	Ref. No.	Qty	Description
1	2-00-00644	1	Nut, Fiber Lock 5/16 - 18 THD's
2	7-23-03048	1	Spring Washer, .750 x .312 x .013
3	2-00-00409	1	Flat Washer, For 5/16 Bolt (.687 x .343 x .062)
4	2-00-00586	1	Nut, Hex Jam 5/16-18 x .500 x .187
5	7-13-07110	1	Hose Clamping Unit
6	7-09-01121	2	Split Hose Bushing
7	2-00-01770	1	Screw, 5/16-18 x 2.750 HHC
8	2-00-05358	2	Fitting
9	7-33-02223	2	Hose
10	8-33-02184	1	Hose
11	56109705	1	Adaptor-Hydraulic Motor NOTE 2
12	56900602	1	Reducer W/O Ring NOTE 2
13	2-00-04748	1	Ring – "O" NOTE 2
14	2-00-05545	1	Elbow, 90 Deg Swivel NOTE 2
15	2-00-04892	1	Elbow, 90 Deg Adaptor NOTE 2
16	56109708	1	Wheel Motor NOTE 2
[]	8-70-00026	1	(Key – one comes w/motor) NOTE 2
[]	56463039	1	(Nut-Hex Slotted – one comes w/motor) NOTE 2
[]	56109718	1	Seal Kit (for 56109708) NOTE 2
[]	8-03-02035	1	Fitting NOTE 1
[]	7-03-00054	1	Fitting NOTE 1
[]	2-00-04620	2	Seal NOTE 1
[]	2-00-04895	1	Fitting NOTE 1
[]	56109736	1	Wheel Motor Kit NOTE 1
[]	0880-238	1	Motor Seal NOTE 1
[]	0880-237	1	Shaft Seal for Eaton P/N 110-1085-004 NOTE 1
[]	0880-586	1	Shaft Seal for Eaton P/N 110-1085-006 NOTE 1

[] = Not Shown

NOTE 1: Used on machines up to Serial No. 1000032514.

NOTE 2: Used on machines Serial No. 1000032514 and above.



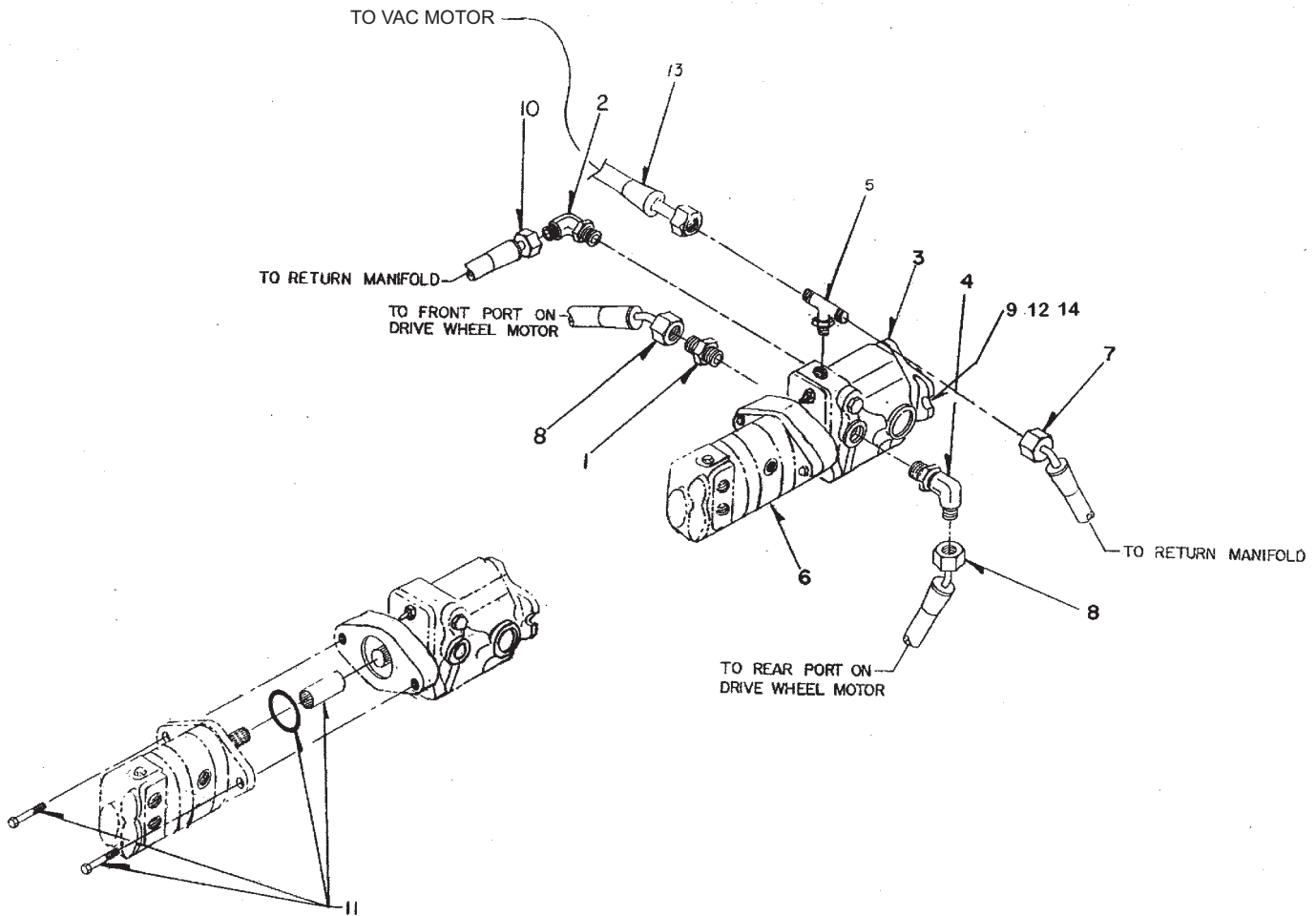
09-5	HYDRAULIC RESERVOIR, FILTER & FITTINGS			
10-2	7765			79

Item	Ref. No.	Qty	Description
1	8-11-00026	1	Reservoir Filter Cap
2	2-00-00049	14	Screw, #10-24 x .1/2 RHM
3	56514778	1	Hydraulic Reservoir Cover
4	2-00-00530	2	Lock Washer, 5/16 Helical Spring
5	2-00-00519	14	Lock Washer, #10
6	7-21-03003	1	Edging
7	2-00-05354	2	Fitting, 3/4 NPT x 1 7/16-12 NOTE 1
8	8-48-05034	1	Fluid Level Sight Gauge
9	8-24-04115	1	Strainer NOTE 1
10	2-00-02474	1	Pipe Plug, 1/2 NPT
11	2-00-04895	3	ORFS Connector, 7/16-20 to 9/16-18
12	7-24-04031	1	Return Filter Assembly
NS	7-24-04032	1	Return Filter Replacement Filter
13	2-00-05073	1	Straight Barbed Stem, 1-11 1/2 to 1.375 x 2.87
14	2-00-02708	2	Screw, 5/16-18 x 1.0 HHC
15	2-00-02220	1	Hose Clamp, .812-1.50
16	2-00-03940	6	Screw, #10-24 x 1/2 TC/HH
17	7-33-02244	1	Hose
18	7-33-02331	1	Hose NOTE 1
19	56109710	1	Hose NOTE 2
20	7-33-02333	1	Hose
21	7-33-02224	1	Hose
22	7-33-02225	1	Hose
23	56508846	1	Elbow Barbed Hydraulic Fitting NOTE 2
24**	2-00-05177	1	Plug, 7/16-20 O-Ring
25	2-00-03404	1	Clamp-Witteck-C24P NOTE 2

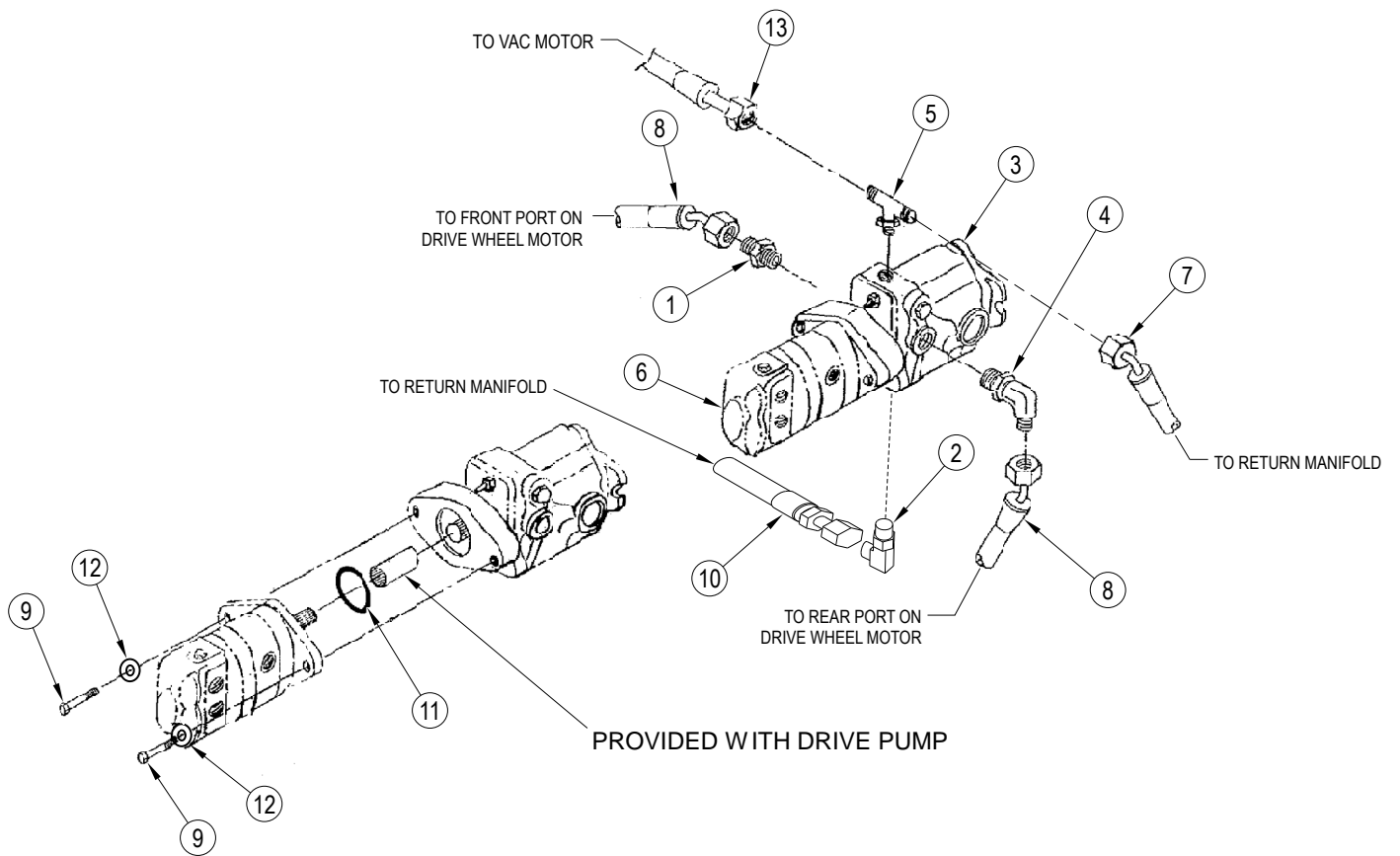
** = Manual Dump Only

NOTE 1: Used on machines up to Serial No. 1000032514.

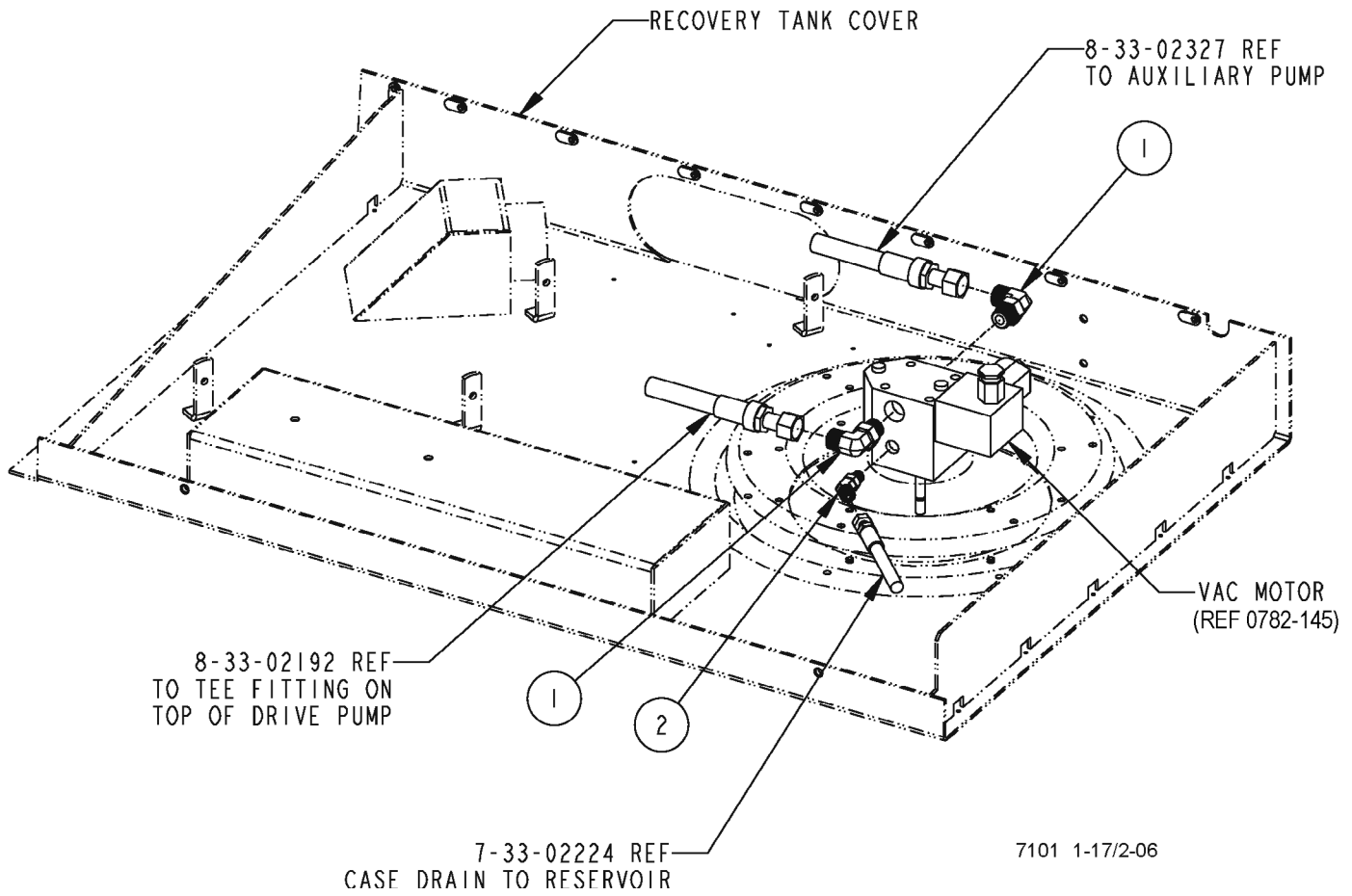
NOTE 2: Used on machines Serial No. 1000032514 and above.



Item	Ref. No.	Qty	Description
1	2-00-04979	1	ORFS Connector, 1 1/16-12 to 13/16-16
2	2-00-04926	1	ORFS 90° Elbow, 9/16-18
3	7-60-05026	1	Drive Pump
4	2-00-04922	1	ORFS 90° Elbow, 1 1/16-12 to 13/16-16
5	2-00-04978	1	Tee Fitting
6	7-60-05027	Ref.	Auxiliary Pump (Double Gear)
7	7-33-02197	Ref.	Hose
8	7-33-02223	Ref.	Hose
9	2-00-00209	2	Screw, .375-16 x 1.25 HHC
10	7-33-02186	Ref.	Hose
11	0880-685	1	Kit, Pump Assembly
12	2-00-02310	2	Lock Washer, Helical Spring
13	8-33-02192	1	Hose, ORS 8-STR, 74"
14	2-00-00402	2	Flat Washer, .750 x .391 x .093

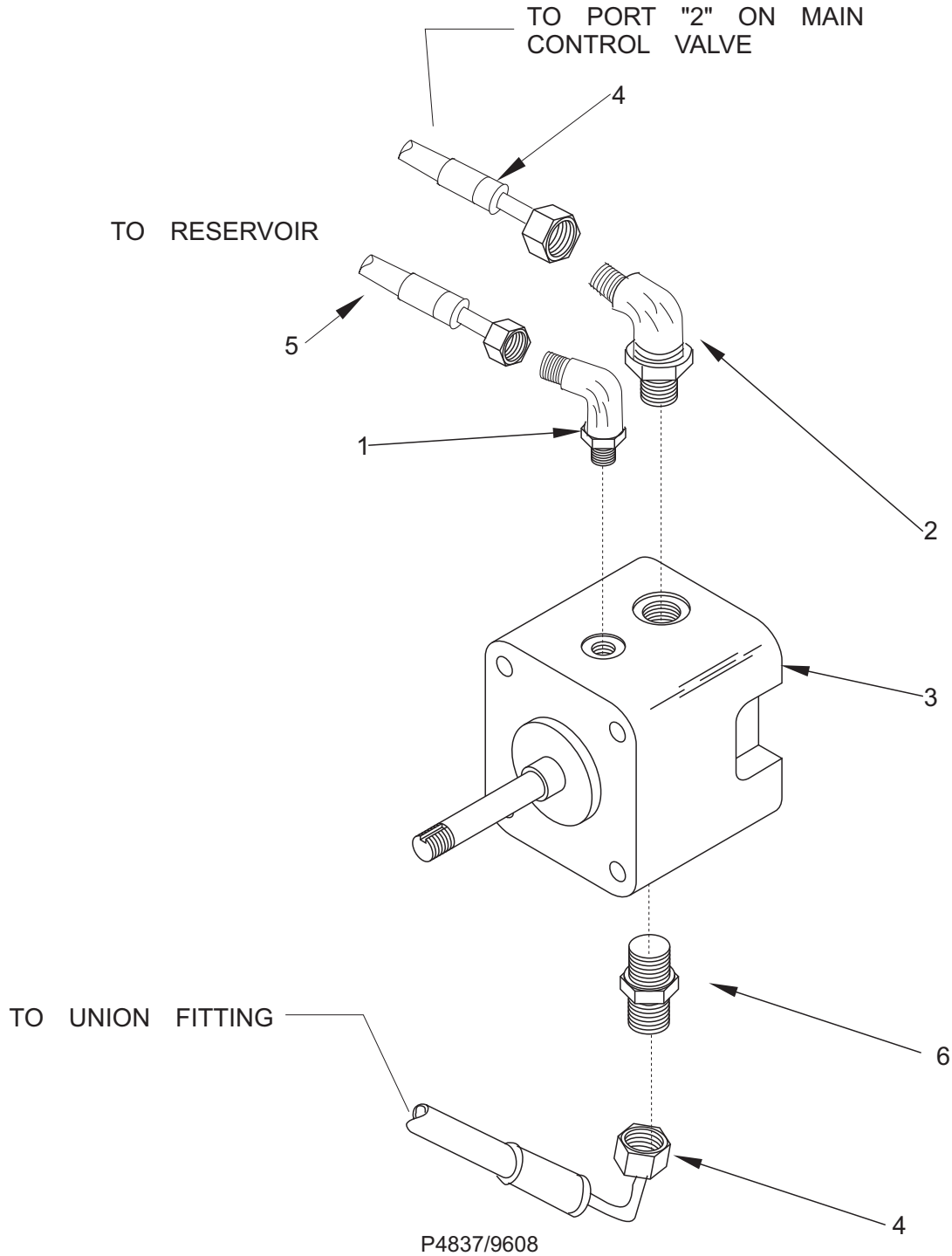


Item	Ref. No.	Qty	Description
1	2-00-04979	1	ORFS Connector, 1 1/16-12 to 13/16-16
2	2-00-05491	1	Fitting - 90°
3	56514943	1	Drive Pump
4	2-00-04922	1	ORFS 90° Elbow, 1 1/16-12 to 13/16-16
5	2-00-04978	1	Tee Fitting
6	7-60-05027	Ref.	Auxiliary Pump (Double Gear)
7	7-33-02197	Ref.	Hose
8	7-33-02223	Ref.	Hose
9	56003029	2	Screw, Hex Loc 3/8 - 16 x 1.25
10	7-33-02186	Ref.	Hose
11	56488002	1	O-Ring
12	56002063	2	Washer, Flat - SAE 3/8
13	8-33-02192	Ref.	Hose, ORS 8-STR, 74"

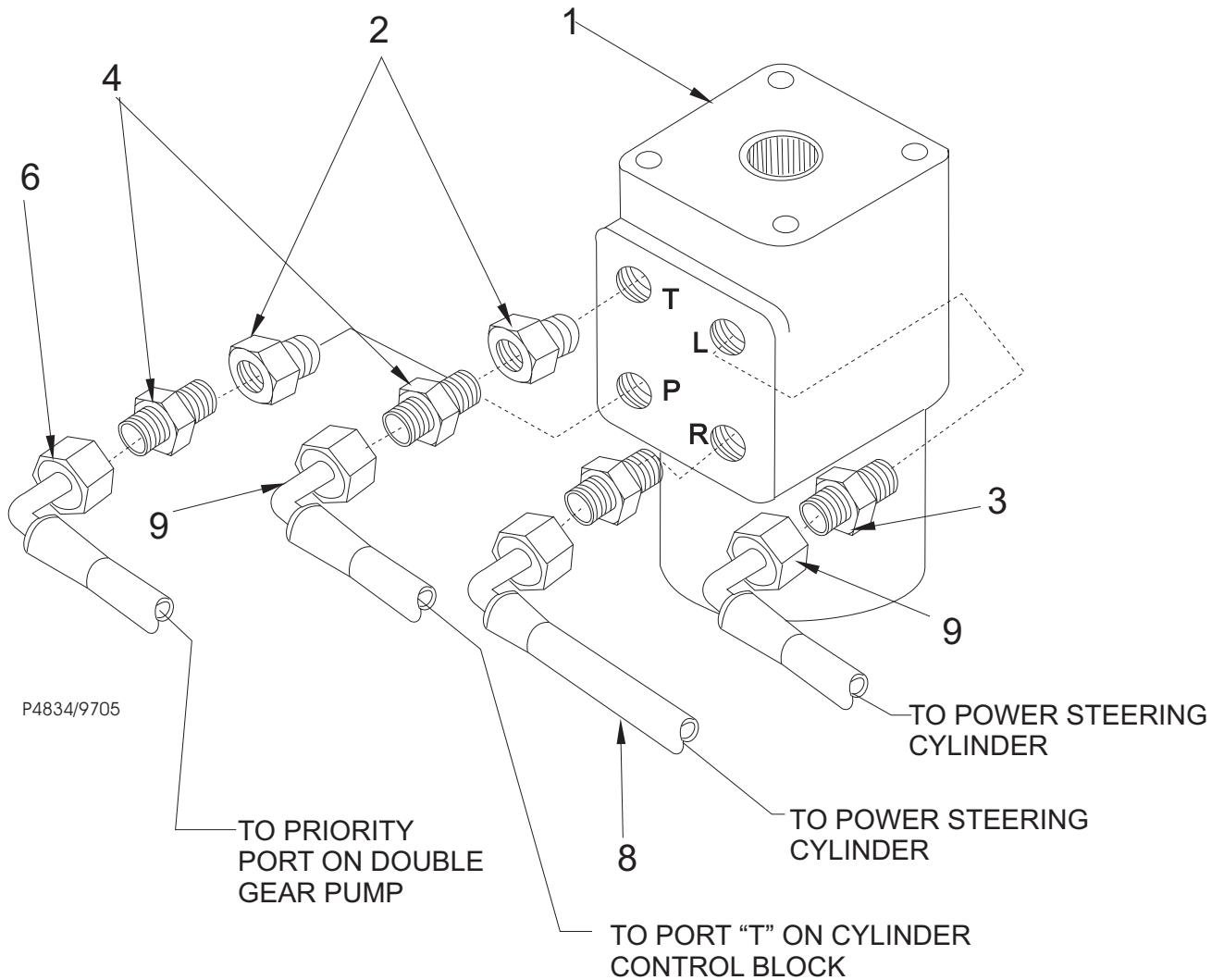


09-5	VAC MOTOR & FITTINGS		
10-2	7765		83

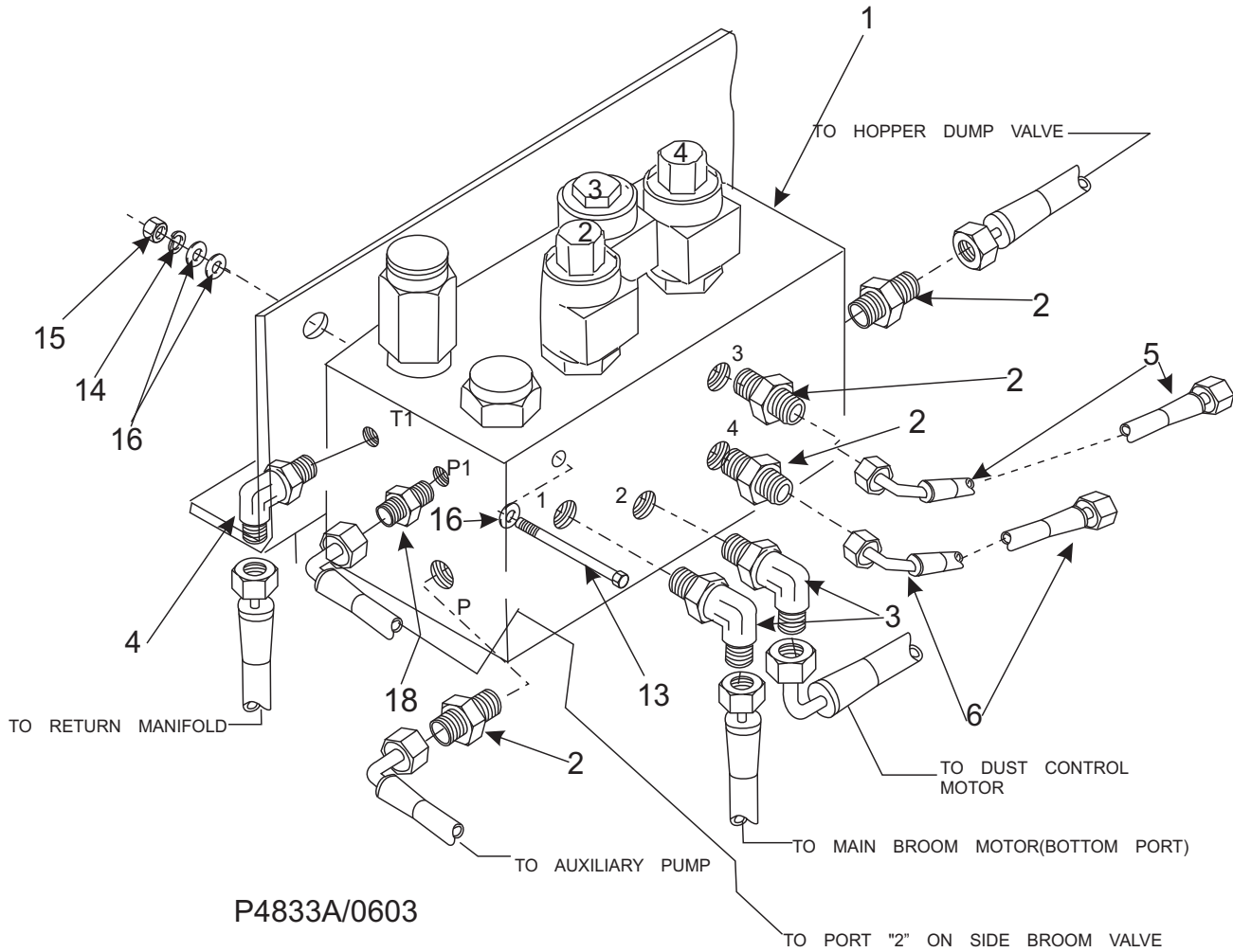
Item	Ref. No.	Qty	Description
1	2-00-04885	2	Fitting, 90° Elbow (O-Ring)
2	2-00-04976	1	Fitting, -4 ORB x -4 ORS, 45° Elbow



Item	Ref. No.	Qty	Description
1	2-00-04892	1	Fitting, 90° #4 SAE x #4 ORS
2	2-00-04885	1	Fitting, 90° #8 SAE x #8 ORS
3	0882-041	1	Dust Control Motor
4	7-33-02332	Ref.	Hose
5	7-33-02333	Ref.	Hose
6	2-00-04970	1	Fitting, STRT #8 SAE x #8 ORS



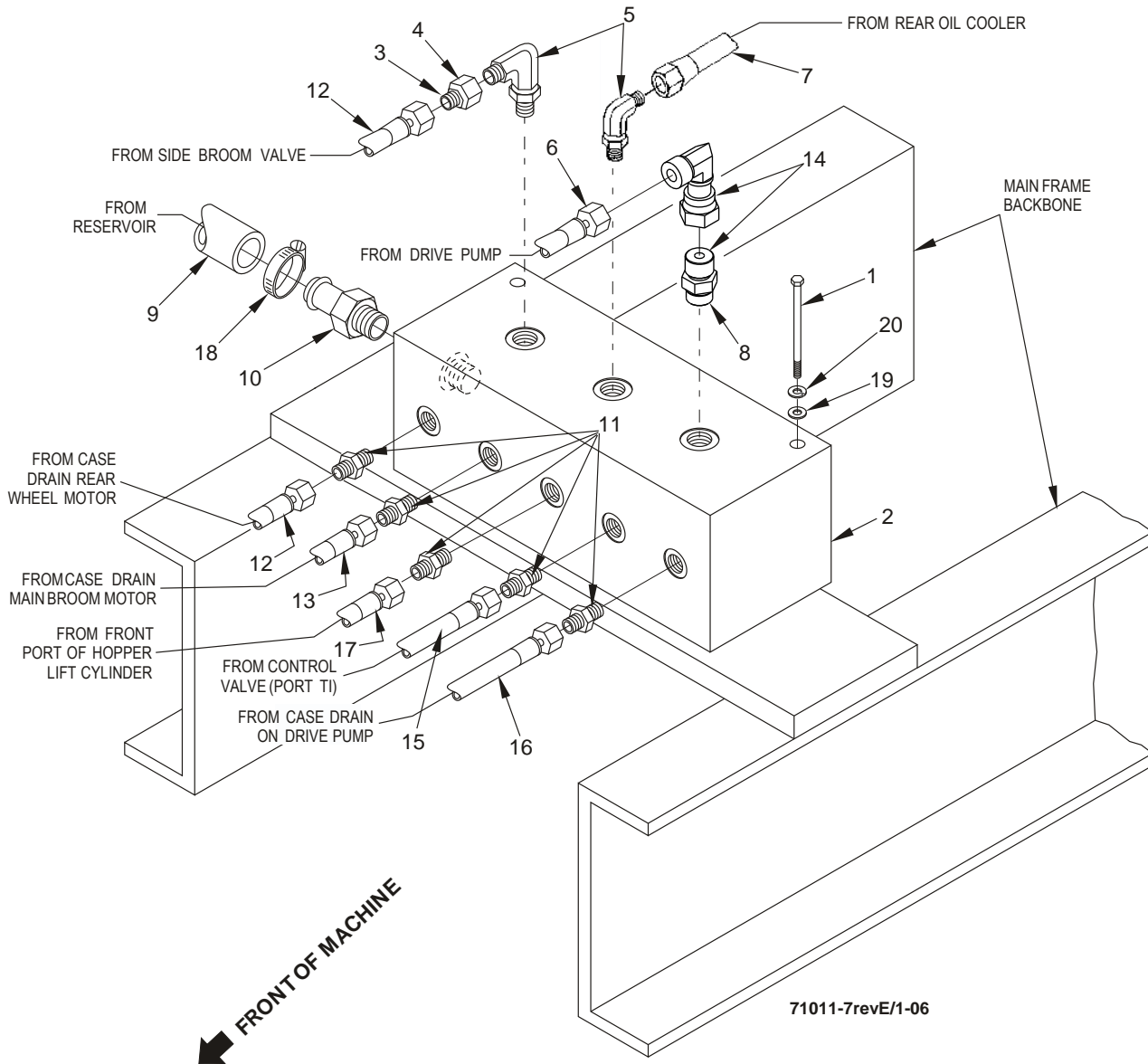
Item	Ref. No.	Qty	Description
1	7-60-05029	1	Power Steering Unit
2	2-00-04932	2	ORFS Boss Reducer, 3/4-16 to 9/16-18
3	2-00-05264	2	Fitting, Straight
4	2-00-04918	1	ORFS Connector, 9/16-18
6	7-33-02334	Ref.	Hose
8	7-33-02225	Ref.	Hose
9	7-33-02191	Ref.	Hose, 67"



Item	Ref. No.	Qty	Description
1	7-88-00071	1	Valve
2	2-00-04970	4	Fitting - Straight
3	2-00-04885	2	ORFS 90° Elbow, 3/4-16 to 13/16-16
4	2-00-04892	1	ORFS 90° Elbow, 7/16-20 to 9/16-18 (Gas Only)
5**	8-33-02326	Ref.	Hose
5#	7-33-02325	Ref.	Hose
6	7-33-02205	Ref.	Hose
9**	2-00-04978	1	Fitting - 90 °
11**	2-00-04895	1	Fitting - Straight
13	2-00-04986	2	Screw, 1/4 - 20 x 4.500 HHC
14	2-00-00518	2	Lock Washer, 1/4 Split
15	2-00-00594	2	Nut, Hex 1/4 - 20 x .437 x .218
16	2-00-03702	6	Flat Washer For 1/4 Bolt
18**	2-00-04895	1	Fitting - Straight
18#	2-00-04885	1	ORFS 90° Elbow, 3/4-16 to 13/16-16

** = Diesel Only

= Gas Only



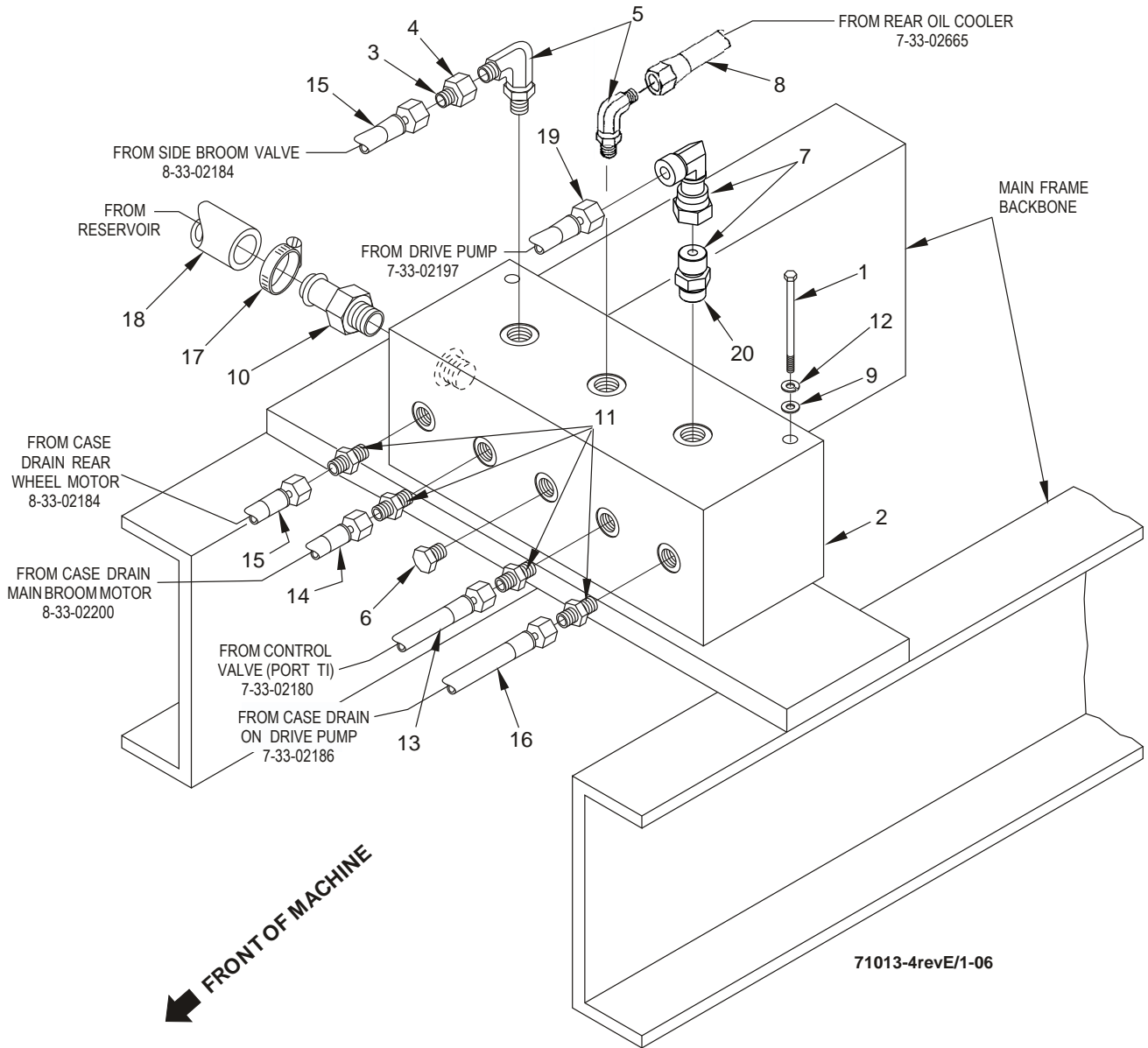
09-5

RETURN MANIFOLD & FITTINGS - VARIABLE DUMP

11-5

7765**89**

Item	Ref. No.	Qty	Description
1	2-00-02638	2	Screw, 1/4-20 x 3.0 HHC
2	7-48-00019	1	Return Manifold
3	2-00-04929	1	Reducer (O-Ring Face), ORS 8 to 4
4	2-00-04939	1	Nut for Reducer
5	2-00-04885	2	ORFS 90° Elbow, 3/4-16 to 13/16-16
6	7-33-02197	1	Hose
7	7-33-02551	1	Hose
8	56109203	1	Valve-Check
9	7-33-02244	1	Hose
10	2-00-05073	1	Fitting, Straight Barbed Stem, 1-11 1/2 x .50 x 2.57
11	2-00-04895	5	Fitting, ORFS Connector, 7/16-20 to 9/16-18
12	8-33-02184	1	Hose
13	8-33-02200	1	Hose
14	56109204	1	Check Valve Kit
15	7-33-02180	1	Hose
16	7-33-02186	1	Hose
17	8-33-02183	1	Hose
18	2-00-02220	1	Clamp, 13/16 to 1.50 Hose
19	2-00-00407	2	Flat Washer, .56 x .26 x .063
20	2-00-00518	2	Lock Washer, 1/4



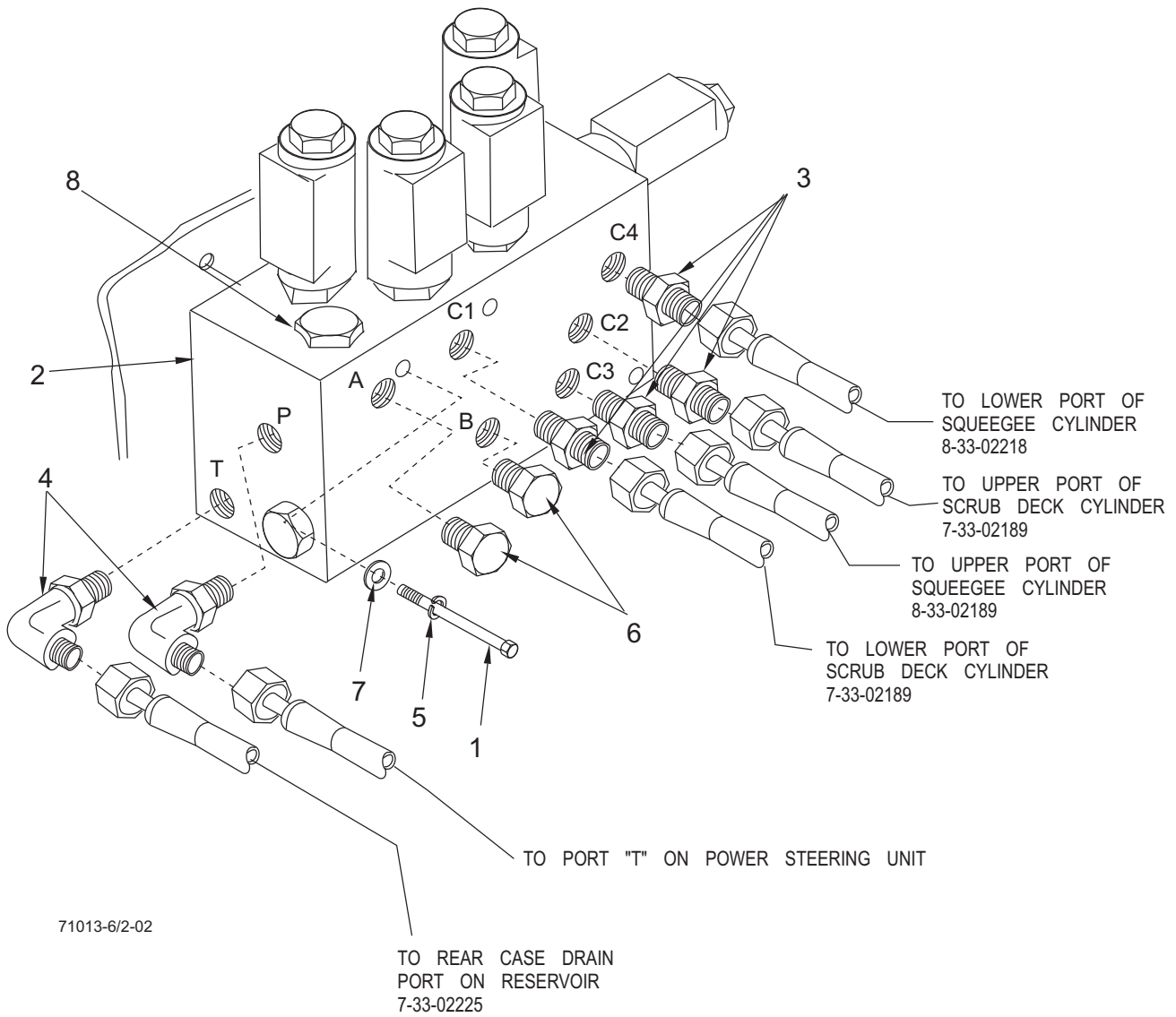
09-5

RETURN MANIFOLD & FITTINGS - MANUAL DUMP

10-9

7765**91**

Item	Ref. No.	Qty	Description
1	2-00-02638	2	Screw, 1/4-20 x 3.0 HHC
2	7-48-00019	1	Return Manifold
3	2-00-04929	1	Reducer (O-Ring Face), ORS 8 to 4
4	2-00-04939	1	Nut for Reducer
5	2-00-04885	2	ORFS 90° Elbow, 3/4-16 to 13/16-16
6	2-00-05177	1	Plug, 7/16-20 O-Ring
7	56109204	1	Check Valve Kit
8	7-33-02551	1	Hose
9	2-00-00407	2	Flat Washer, .56 x .26 x .063
10	2-00-05073	1	Fitting, Straight Barbed Stem, 1-11 1/2 x .50 x 2.57
11	2-00-04895	4	Fitting, ORFS Connector, 7/16-20 to 9/16-18
12	2-00-00518	2	Lock Washer, 1/4
13	7-33-02180	1	Hose
14	8-33-02200	1	Hose
15	8-33-02184	2	Hose
16	7-33-02186	1	Hose
17	2-00-02220	1	Clamp, 13/16 to 1.50 Hose
18	7-33-02244	1	Hose
19	7-33-02197	1	Hose
20	56109203	1	Valve, Check

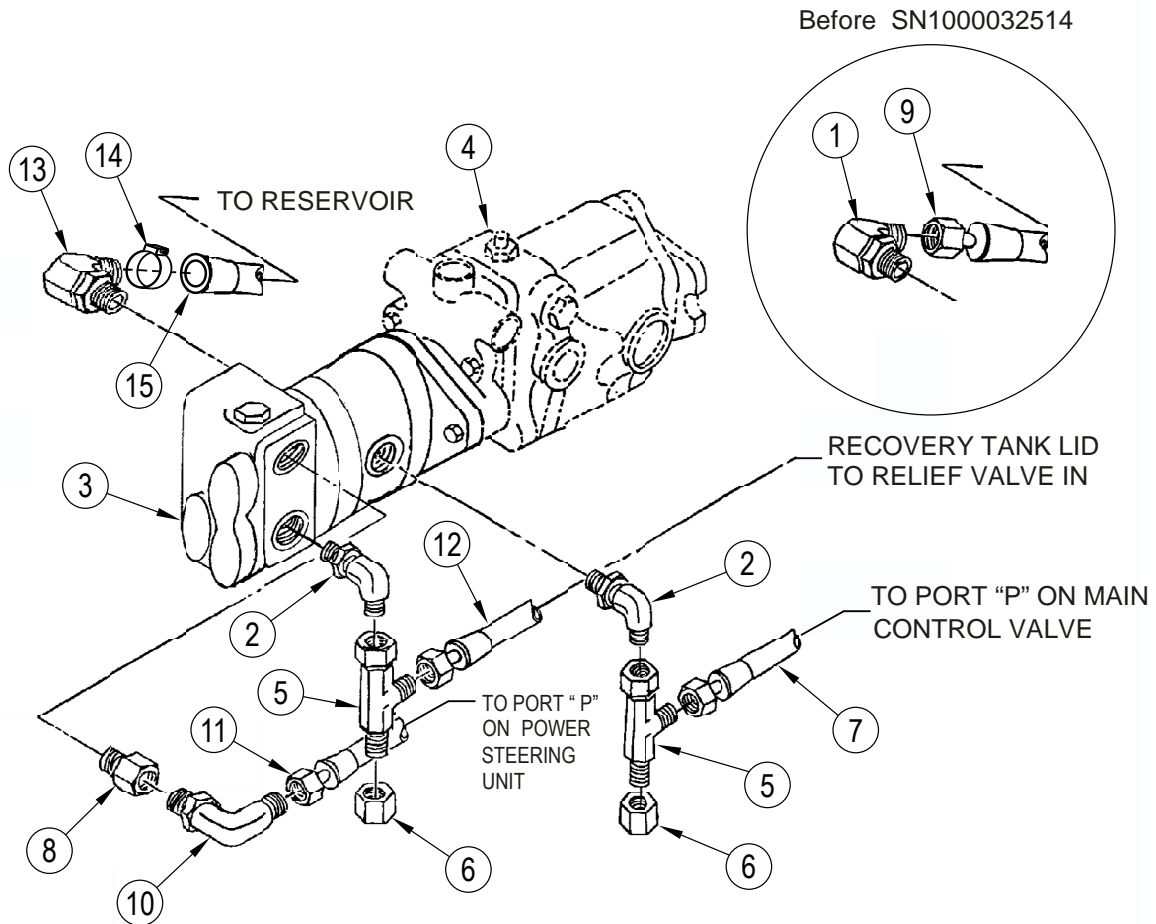


71013-6/2-02

09-5

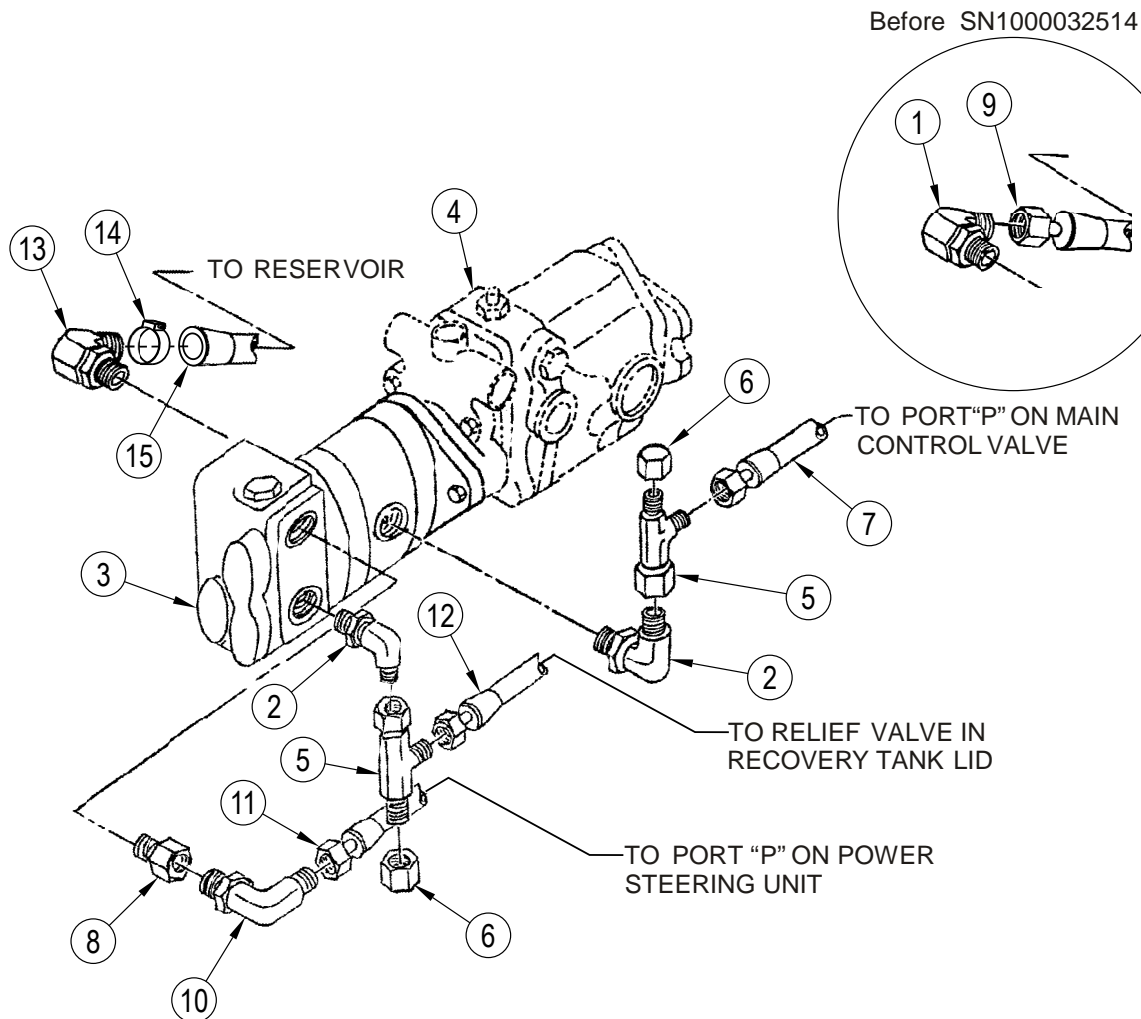
CYLINDER CONTROL VALVE & FITTINGS**7765****93**

Item	Ref. No.	Qty	Description
1	2-00-04596	2	Screw, 1/4-20 x 3.50 HHC
2	7-88-00069	1	Valve
3	2-00-04895	6	Straight Fitting
4	2-00-04892	2	ORFS 90° Elbow, 7/16-20 to 9/16-18
5	2-00-00518	2	Lock Washer, 1/4 Split
6	2-00-05177	2	Plug
7	2-00-00409	2	Flat Washer, 1/4
8	7-12-02032	1	Cavity Plug



Item	Ref. No.	Qty	Description
1	2-00-05353	1	Fitting, 90° Elbow NOTE 1
2	2-00-04921	2	Fitting, 90° Elbow
3	7-60-05027	1	Auxiliary Pump
4	7-60-05026	Ref.	Drive Pump NOTE 3
4	56514943	Ref.	Drive Pump NOTE 4
5	2-00-04928	1	ORFS Run Tee, 13/16 - 16
6	2-00-04957	1	ORFS Cap, #8 ORS
7	8-33-02202	Ref.	Hose
8	2-00-04932	1	Fitting, Reducer
9	7-33-02331	Ref.	Hose, 16ORS 46" NOTE 1
10	2-00-04926	1	Fitting, 90° Elbow
11	7-33-02334	Ref.	Hose, 52.25"
12	8-33-02327	Ref.	Hose, 94"
13	56508846	1	Elbow Barbed Hydraulic Fitting NOTE 2
14	2-00-03404	1	Clamp-Witteck-C24P NOTE 2
15	56109710	1	Hose NOTE 2

- NOTE 1:** Used on machines up to Serial No. 1000032514.
NOTE 2: Used on machines Serial No. 1000032514 and above.
NOTE 3: Used on machines up to Serial No. 1000034942.
NOTE 4: Used on machines Serial No. 1000034942 and above.



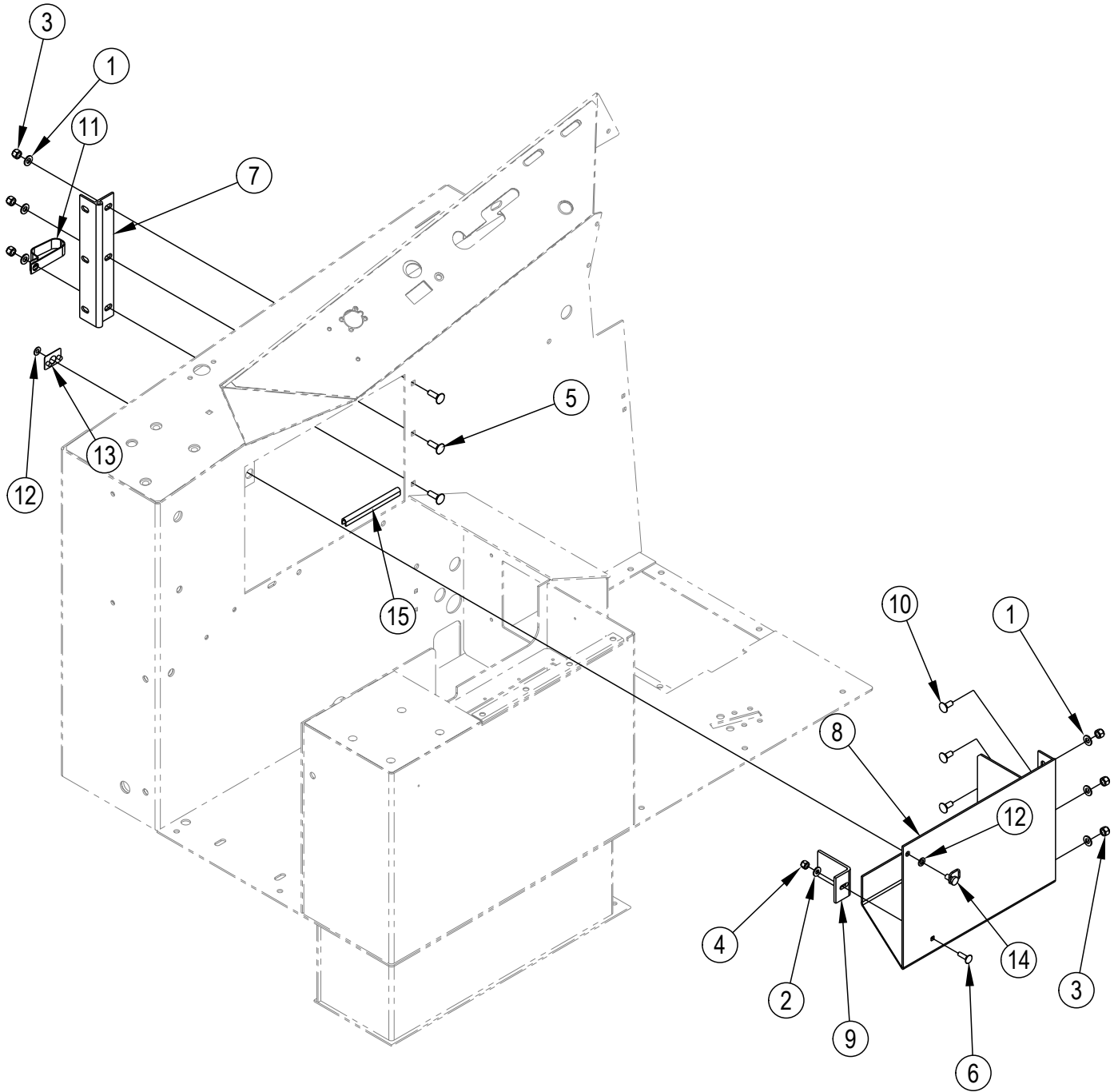
Item	Ref. No.	Qty	Description
1	2-00-05353	1	Fitting, 90° Elbow NOTE 1
2	2-00-04921	2	Fitting, 90° Elbow
3	7-60-05027	1	Auxiliary Pump
4	7-60-05026	Ref.	Drive Pump NOTE 3
4	56514943	Ref.	Drive Pump NOTE 4
5	2-00-04928	1	ORFS Run Tee, 13/16 - 16
6	2-00-04957	1	ORFS Cap, #8 ORS
7	8-33-02202	Ref.	Hose
8	2-00-04932	1	Fitting, Reducer
9	7-33-02331	Ref.	Hose, 16ORS 46" NOTE 1
10	2-00-04926	1	Fitting, 90° Elbow
11	7-33-02334	Ref.	Hose, 52.25"
12	8-33-02195	Ref.	Hose, 69.5"
13	56508846	1	Elbow Barbed Hydraulic Fitting NOTE 2
14	2-00-03404	1	Clamp-Witteck-C24P NOTE 2
15	56109710	1	Hose NOTE 2

NOTE 1: Used on machines up to Serial No. 1000032514.

NOTE 2: Used on machines Serial No. 1000032514 and above.

NOTE 3: Used on machines up to Serial No. 1000034942.

NOTE 4: Used on machines Serial No. 1000034942 and above.



09-5

BATTERY GROUP SYSTEM

11-8

7765**97**

Item	Ref. No.	Qty	Description
1	56001939	6	Wsh, Flt Sae 5/16
2	56002098	1	Wsh, Flt Sae 1/4
3	56002701	6	Nut, Hex Nyl Loc 5/16-18
4	56002708	1	Nut, Hex Nyl Loc 1/4-20
5	56003720	3	Scr-Carriage Ss 5/16-18 X 1.00
6	56003721	1	Scr-Carriage 1/4-20 X .88
8	7-32-00023	1	Hinge Battery Access Door
9	56514751	1	Door-Battery Access
10	56514752	1	Clamp Fuel Tank
11	2-00-03569	3	Bolt, Carriage
12	2-00-05253	1	Clamp, 3/4" Wire, Double
13	7-23-03106	2	Washer-Screw-Captivated
14	7-23-03108	1	U Clip-Screw-Captivated
15	7-23-03113	1	Fastener, Qtr. Turn
16	8-21-04016	1	Bumper
[]	7-90-07514	1	Cable, Battery (+) (to Starter) (Gas/LP)
[]	7-90-07515	1	Cable, Battery (-) (to Ground) (Gas/LP)
[]	7-90-07262	1	Cable, Battery (-) (to Ground) (Diesel)
[]	2-00-05253	1	Clamp, 1/2" Battery Cable
[]	2-00-05171	1	Boot, Protective (Red)
[]	2-00-05173	1	Boot, Protective (Black)
[]	0875-008	1	Battery (Gas & LP)
[]	0875-057	1	Battery (Diesel)

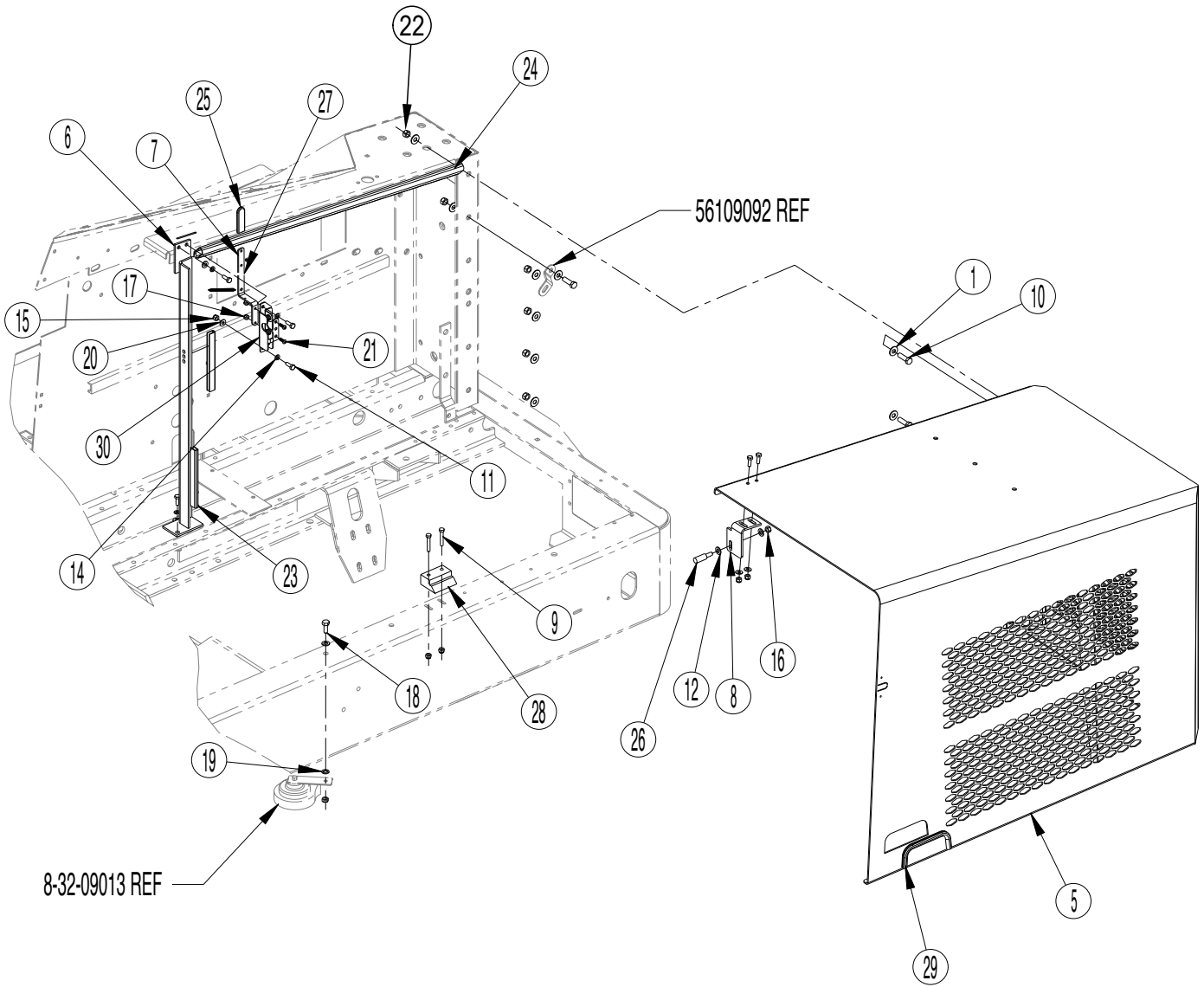
ENGINE COVER

09-5

98

7765

11-8



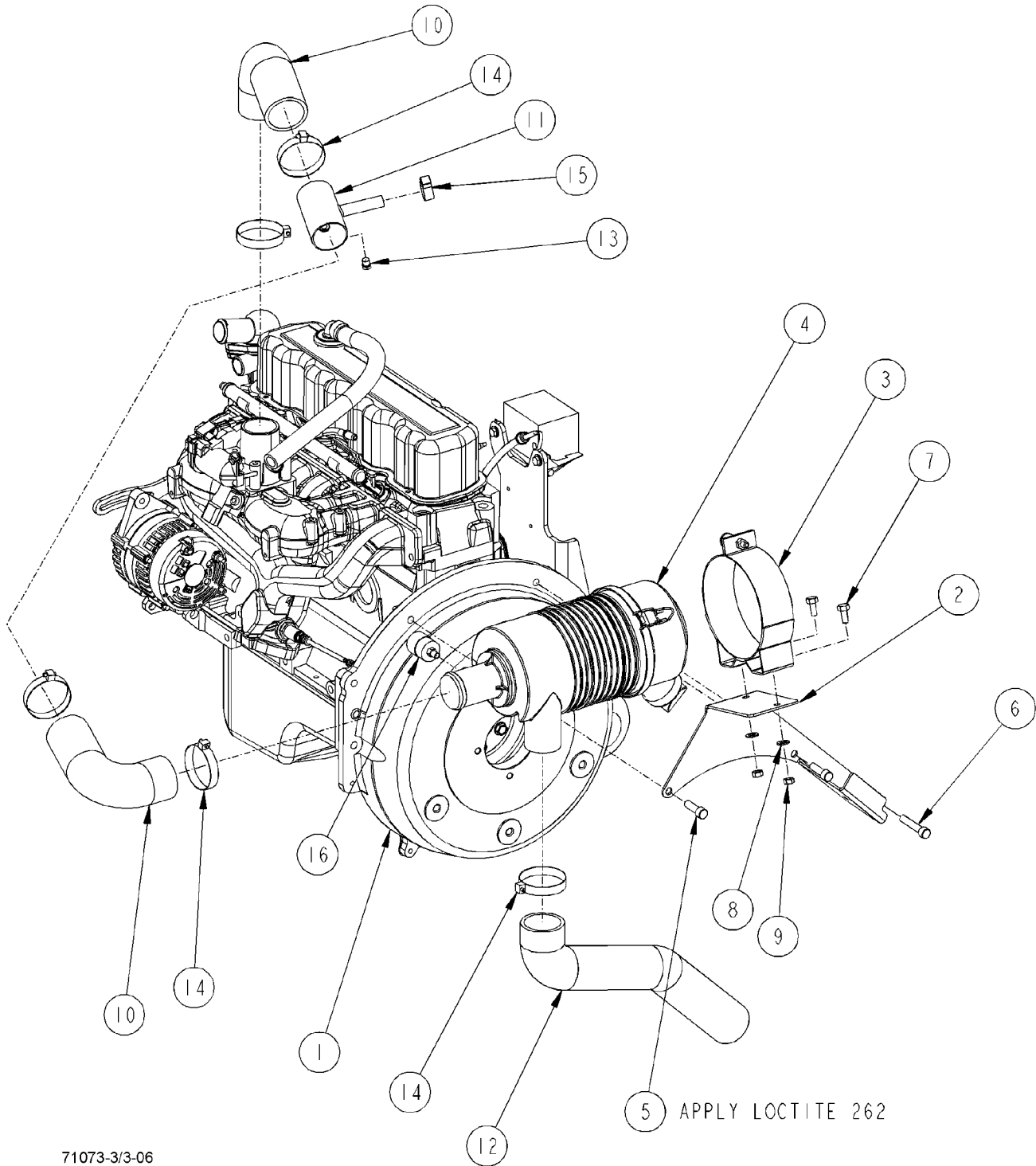
09-5	ENGINE COVER			
11-8	7765			99

Item	Ref. No.	Qty	Description
1	2-00-00410	12	Flat Washer - .875 X .375 X .060
3	8-31-06090	2	Latch Key
5	56514801	1	Engine Cover Weldt
6	56514802	1	Center Support Weldment
7	56514803	1	Handle Cover Latch
8	56514804	1	Bracket, Engine Cover
9	2-00-00203	2	Bolt, 1/4-20 X 1.5", Screw, Hex Head
10	2-00-00209	6	Bolt, Hex Head, 3/8-16 X 1 1/4 Ss
11	2-00-00221	6	Bolt-Hex Head, Finished, 1/4-20x3/4 Lg
12	2-00-00409	3	Flat Washer, .687 X .344 X .062
14	2-00-00518	4	Washer,Lock,1/4" Helical Spring
15	2-00-00641	5	Nut, Fiber Insert 1/4-20
16	2-00-00644	2	Nut, Hex, Insert Fiber, 5/16-18
17	2-00-01246	2	Nut-#10-24 Elastic Stop Nut
18	2-00-01255	1	5/16-18 X 7/8 Lg Hex Head Screw
19	2-00-02303	1	Lock Washer, 5/16 H.S. Med.
20	2-00-03702	5	Washer, .625 X .281 X .063
21	2-00-04794	2	Screw, #10-24 X .63 Bhs
22	2-95-04182	6	Nut, Hex, Stop, 3/8-16
23	7-21-04031	2	Edging-Brush Drive Support
24	7-29-00157	1	Gasket Engine Cover Seal
25	7-31-06061	1	Grip, Cover Latch
26	7-55-08116	1	Pin-Striker
27	7-76-00106	1	Spring, Handle Return
28	7-78-05016	1	Engine Cover Stop
29	8-21-04038	1	Edging
30	8-41-00037	1	Latch, Slam

Item	Ref. No.	Qty	Description
1	56109112	1	Gasoline Tank Weldment
2	7-13-07243	4	Clamp, Fuel Pump
*3	56305062	1	Fuel Pump
*4	7-11-04082	1	Fuel Temp Manifold
*5	7-11-04083	4	Fitting, -6 SAE x 5/16 Quick Connect
*6	7-11-04084	1	Fitting, -3 SAE x 5/16 Quick Connect
*7	56305412	1	Fuel Filter
8	7-33-02735	1	Hose, Low Permeation Fuel Line
9	7-33-02736	1	Hose, Low Permeation Fuel Line
10	7-33-02737	1	Hose, Low Permeation Fuel Line
11	7-33-02738	1	Hose, Low Permeation Fuel Line
12	7-33-02739	1	Hose, Low Permeation Fuel Line
13	2-00-04721	3	Rubber Grommet
14	2-00-00198	2	Carriage Bolt, 1/4-20 x 2.0
15	2-00-03702	19	Washer, .625 x .281 x .063
16	2-00-00641	11	Nut, 1/4-20 Fiber Insert
17	2-00-03575	4	Carriage Bolt, 1/4-20 x 3/4
18	2-00-06572	1	Nut, M4 Distorted Thread
19	2-00-06573	1	Nut, M5 Distorted Thread
20	8-26-04003	1	Float, Fuel Level
21	56508354	1	Fuel Cap
22	56514816	1	Cover (Weldment)
23	56514817	2	Bracket, Clamp
24	56514818	2	Bracket, Clamp
25	2-00-00518	8	Lock Washer, 1/4 Helical Spring
26	2-00-00221	11	Bolt, 1/4-20 x 3/4 LG Fin. Hex Head
27	2-00-04602	2	Clamp
*28	56109052	1	Fitting, Fuel Pump

* = Included with 0777-069 engine

See "Spare Parts" and "Engine Service Parts" pages for additional engine replacement parts.



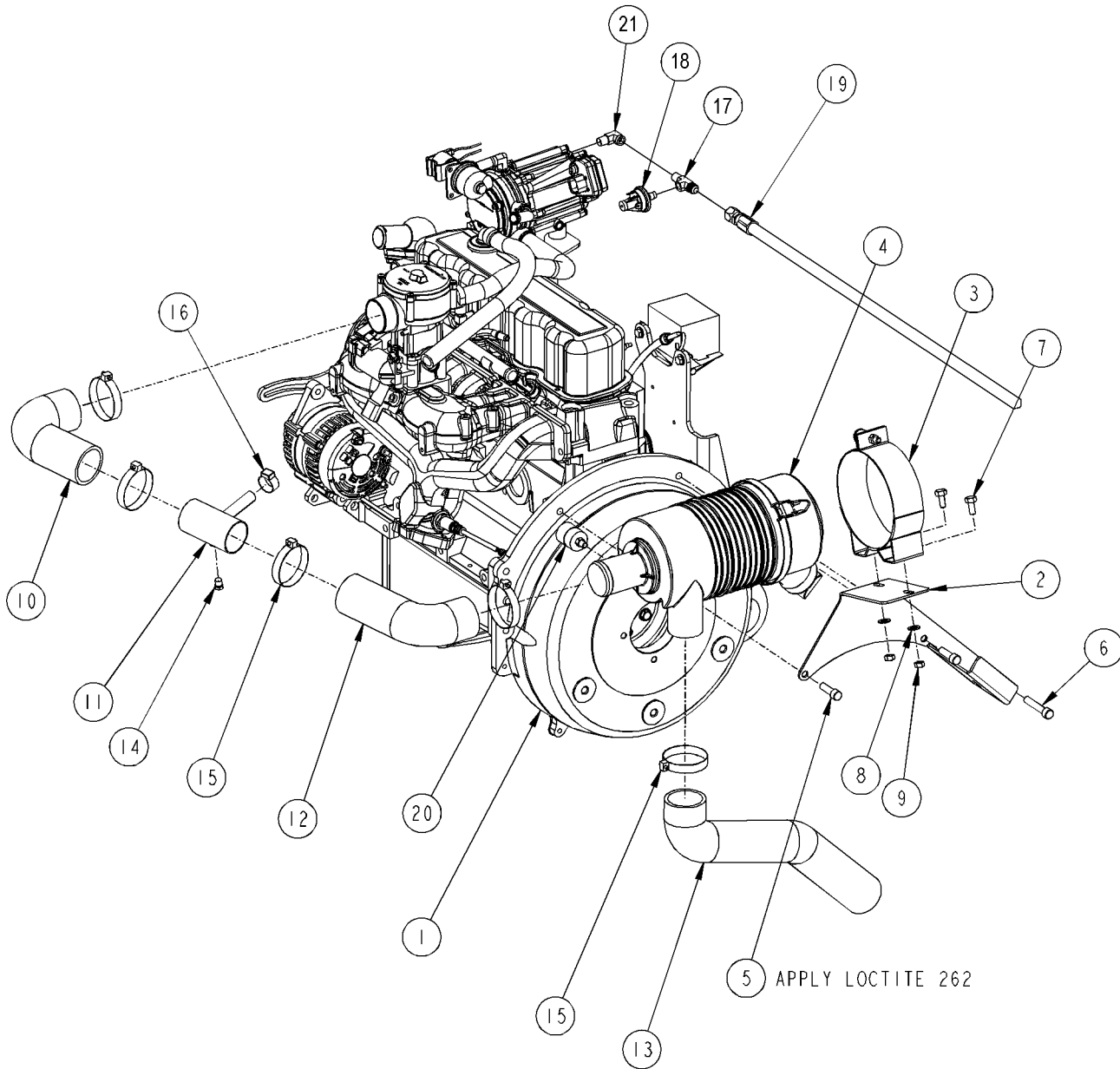
71073-3/3-06

09-5	GM 3.0 LITER - GAS ENGINE (AIR FILTRATION SYSTEM)		
10-5	7765		103

Item	Ref. No.	Qty	Description
1	0777-069	1	Engine, GM 3.0 GAS (IMPCO)
	56380127	1	Engine-PSI, GM 3.0L GAS (PSI)
2	7-08-01324	1	Bracket, Air Cleaner
3	7-13-07242	1	Clamp, Air Cleaner
4	7-24-04083	1	Filter Assy., Air Cleaner
5	2-00-03865	2	Cap Screw, 3/8-16 x 1.25 NOTE 1
6	2-00-04534	1	Cap Screw, 3/8-16 x 2.0 NOTE 1
7	2-00-00208	2	Screw, 5/16-18 x 3/4 HHC
8	2-00-00409	2	Flat Washer, .687 x .344 x .062
9	2-00-00644	2	Nut, 5/16-18 Fiber Insert Hex
10	7-33-02711	2	Hose, Air Intake
11	56305240	1	Tube Weldment
12	7-33-02714	1	Hose, Air Intake
13	2-00-03778	1	Plug, 1/8 NPT
14	2-00-02216	5	Clamp, Hose
15	2-00-03407	1	Clamp, Hose
16	56478461	1	Filter Service Indicator

NOTE 1: Included with engine

See "Spare Parts" and "Engine Service Parts" pages for additional engine replacement parts.

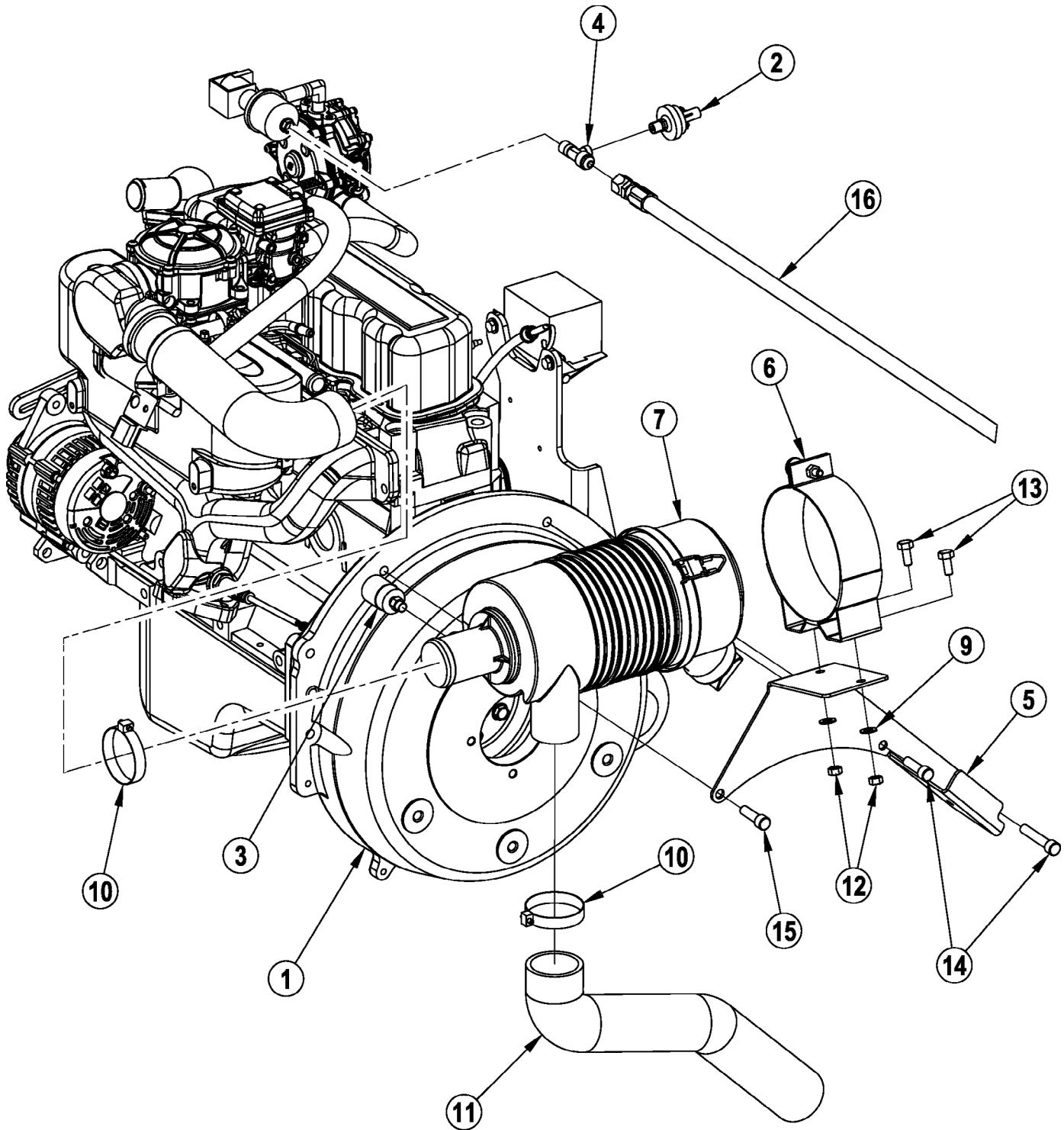


09-5	GM 3.0 LITER - LP ENGINE (AIR FILTRATION SYSTEM) IMPCO		
10-5	7765		105

Item	Ref. No.	Qty	Description
1	0777-068	1	Engine, GM 3.0 LP (IMPCO)
2	7-08-01324	1	Bracket, Air Cleaner
3	7-13-07242	1	Clamp, Air Cleaner
4	7-24-04083	1	Filter Assy., Air Cleaner
5	2-00-03865	2	Cap Screw, 3/8-16 x 1.25 NOTE 1
6	2-00-04534	1	Cap Screw, 3/8-16 x 2.0 NOTE 1
7	2-00-00208	2	Screw, 5/16-18 x 3/4 HHC
8	2-00-00409	2	Flat Washer, .687 x .344 x .062
9	2-00-00644	2	Nut, 5/16-18 Fiber Insert Hex
10	7-33-02711	1	Hose, Air Intake
11	56305240	1	Tube Weldment
12	7-33-02712	1	Hose, Air Intake
13	7-33-02714	1	Hose, Air Intake
14	2-00-03778	1	Plug, 1/8 NPT
15	2-00-02216	5	Clamp, Hose
16	2-00-03407	1	Clamp, Hose
17	56900921	1	Fitting, 1/4 NPT x 1/8 NPT x 3/8 JIC Tee
18	56418381	1	Switch, Low Pressure
19	7-33-02721	1	Hose, LP High Pressure (64")
20	56478461	1	Filter Service Indicator
21	2-00-05678	1	Fitting, 1/4" NPT Street Elbow, 90, Brass

NOTE 1: Included with engine

See "Spare Parts" and "Engine Service Parts" pages for additional engine replacement parts.

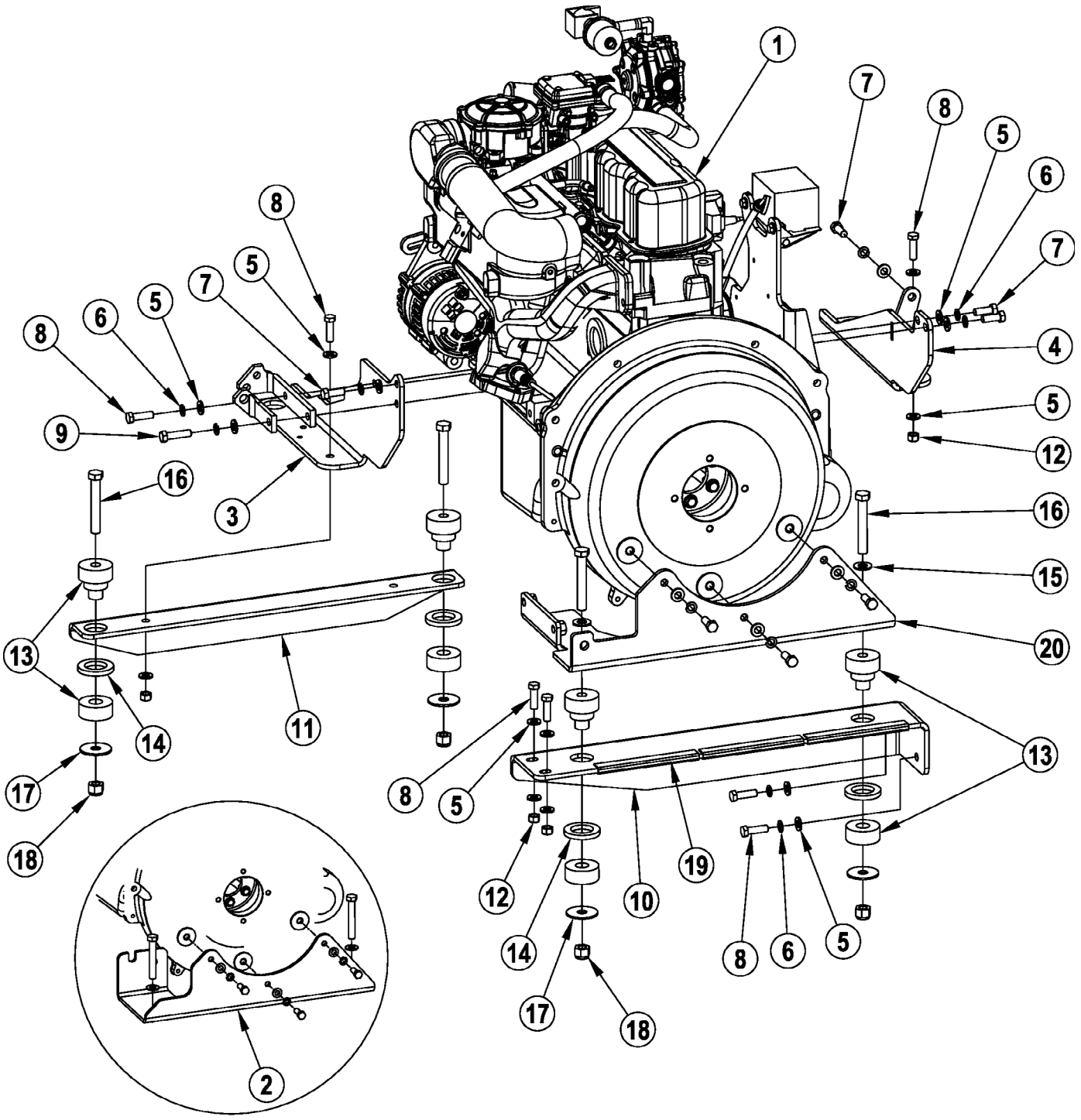


09-5	GM 3.0 LITER - LP ENGINE (AIR FILTRATION SYSTEM) PSI		
10-9	7765		107

Item	Ref. No.	Qty	Description
1	56380126	1	Engine-PSI, GM 3.0L LP (PSI)
2	56418381	1	Switch, Low Pressure
3	56478461	1	Filter Service Indicator
4	56900921	1	Fitting, 1/4 NPT x 1/8 NPT x 3/8 JIC Tee
5	7-08-01324	1	Bracket, Air Cleaner
6	7-13-07242	1	Clamp, Air Cleaner
7	7-24-04083	1	Filter Assy., Air Cleaner
9	2-00-00409	2	Flat Washer, .687 x .344 x .062
10	2-00-02216	5	Clamp, Hose
11	7-33-02714	1	Hose, Air Intake
12	2-00-00644	2	Nut, 5/16-18 Fiber Insert Hex
13	2-00-00208	2	Screw, 5/16-18 x 3/4 HHC
14	2-00-03865	2	Cap Screw, 3/8-16 x 1.25 NOTE 1
15	2-00-04534	1	Cap Screw, 3/8-16 x 2.0 NOTE 1
16	7-33-02721	1	Hose, LP High Pressure (64")

NOTE 1: Included with engine

See "Spare Parts" and "Engine Service Parts" pages for additional engine replacement parts.



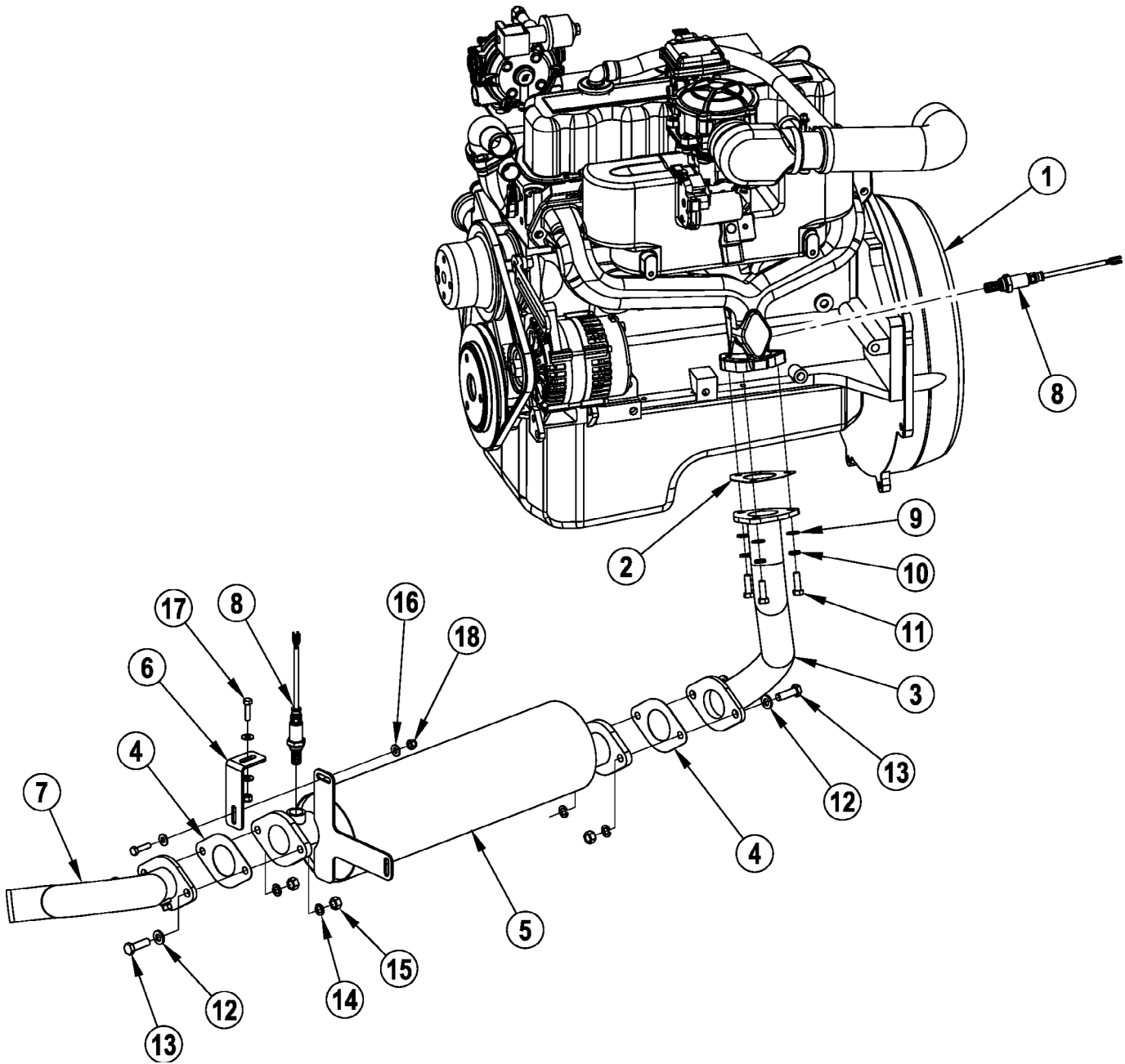
Before SN1000034942

09-5	GM 3.0 LITER - GAS & LP ENGINES (SUPPORTS, BRACKETS)		
10-5	7765		109

Item	Ref. No.	Qty	Description
1	0777-068	1	Engine, GM 3.0 LP (IMPCO)
	0777-069	1	Engine, GM 3.0 GAS (IMPCO)
1	56380126	1	Engine-PSI, GM 3.0L LP (PSI)
	56380127	1	Engine-PSI, GM 3.0L GAS (PSI)
2	7-08-01325	1	Bracket, Engine Mount NOTE 1
3	7-08-01326	1	Bracket, Engine Mount
4	7-08-01327	1	Bracket, Engine Mount
5	2-00-00402	19	Washer, 25/64 ID x 3/4 OD
6	2-00-02310	11	Lock Washer, 3/8 Helical Spring
7	2-00-00233	7	Bolt, 3/8-16 x 1.25 Fin. Hex Head
8	2-00-00209	7	Bolt, 3/8-16 x 1.25 Hex Head
9	2-00-00234	1	Screw, 3/8-16 x 1.50 HHC
10	7-81-00289	1	Support, Engine
11	7-81-00290	1	Support, Engine
12	2-95-04182	4	Nut, 3/8-16 Hex Stop
13	7-35-00017	4	Isolator, Engine Mount (Red Dot)
14	2-00-05955	4	Washer
15	2-00-00405	2	Flat Washer, 1.063 x .531 x .094
16	2-00-02617	4	Screw, 1/2-13 x 3.5 SS
17	2-00-05067	4	Spacer, Snubbing Washer
18	2-00-04936	4	Nut, 1/2-13 Elastic Lock
19	7-21-04031	3	Edging, Brush Drive Support
20	56514945	1	Bracket, Engine Mount NOTE 2

NOTE 1: Used on machines up to Serial No. 1000034942.

NOTE 2: Used on machines Serial No. 1000034942 and above.

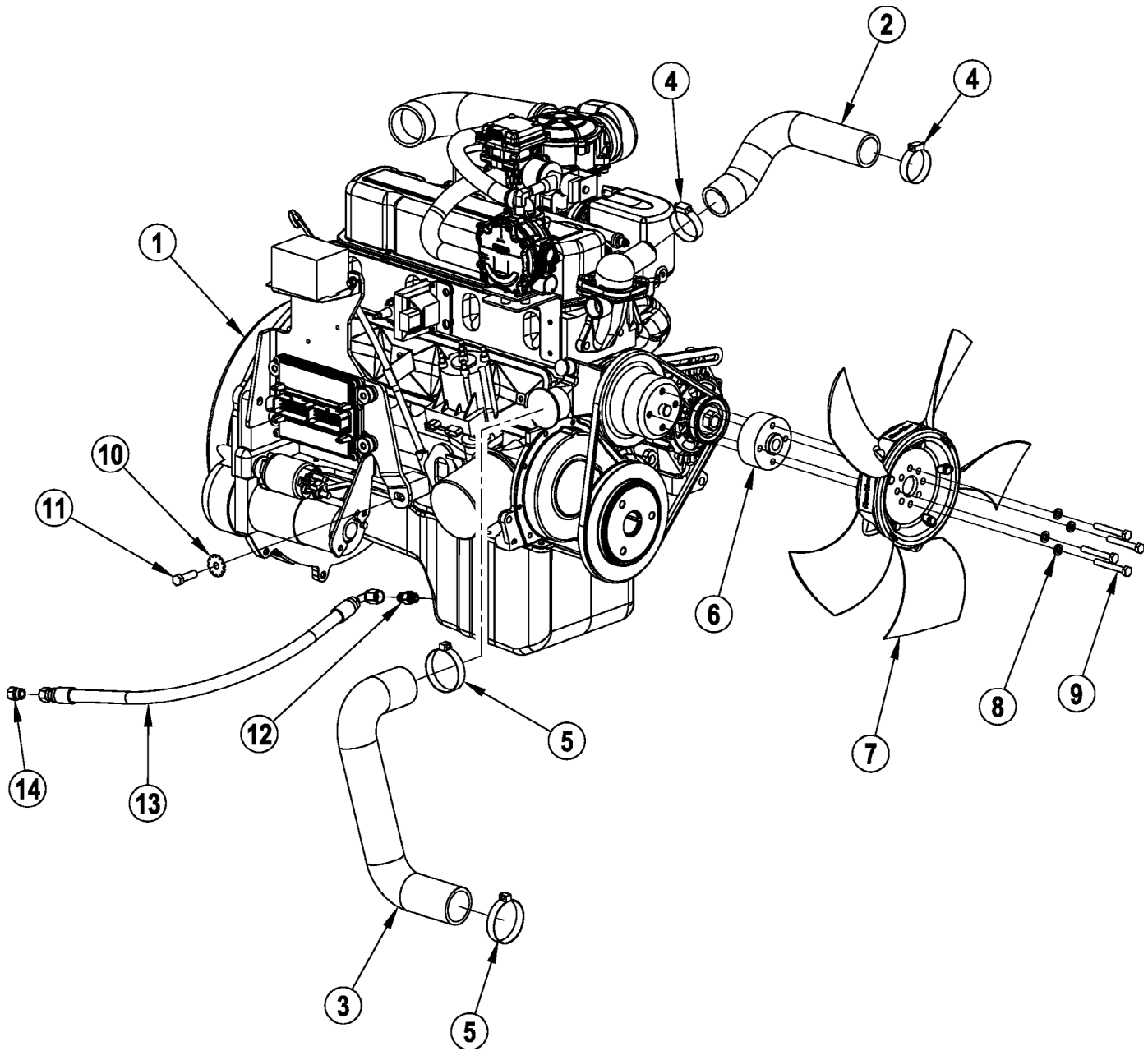


09-5	GM 3.0 LITER - GAS & LP ENGINES (EXHAUST SYSTEM)		
10-5	7765		111

Item	Ref. No.	Qty	Description
1	0777-068	1	Engine, GM 3.0 LP (IMPCO)
	0777-069	1	Engine, GM 3.0 GAS (IMPCO)
	56380126	1	Engine-PSI, GM 3.0L LP (PSI)
	56380127	1	Engine-PSI, GM 3.0L GAS (PSI)
2	7-29-00344	1	Gasket, Exhaust Flange NOTE 1
3	7-56-04081	1	Exhaust Downpipe
4	7-29-00345	2	Gasket, Exhaust Flange NOTE 1
5	7-49-00045	1	Muffler, Catalyst (Gas & LPG) (IMPCO engines only) NOTE 1
	56109496	1	Converter-Catalytic (Gas & LPG) (PSI engines only) NOTE 1
6	7-31-07036	1	Hanger, Muffler
7	7-56-04082	1	Exhaust Tailpipe
8	7-11-04081	2	O2 Sensor, GM 3.0 NOTE 1
9	2-00-00409	3	Flat Washer, .687 x .344 x .062
10	2-00-00530	3	Lock Washer, 5/16
11	2-00-04948	3	Screw, M8 x 1.25 x 25mm HHC
12	2-00-00402	4	Washer, 25/64 ID x 3/4 OD
13	2-00-00209	4	Bolt, 3/8-16 x 1.25 Hex Head
14	2-00-02310	4	Lock Washer, 3/8 Helical Spring
15	2-00-02360	4	Nut, 3/8-16 Hex
16	2-00-03702	4	Washer, .625 x .281 x .063
17	2-00-00205	2	Bolt, 1/4-20 Fin. Hex Head
18	2-00-00641	2	Nut, 1/4-20 Fiber Insert

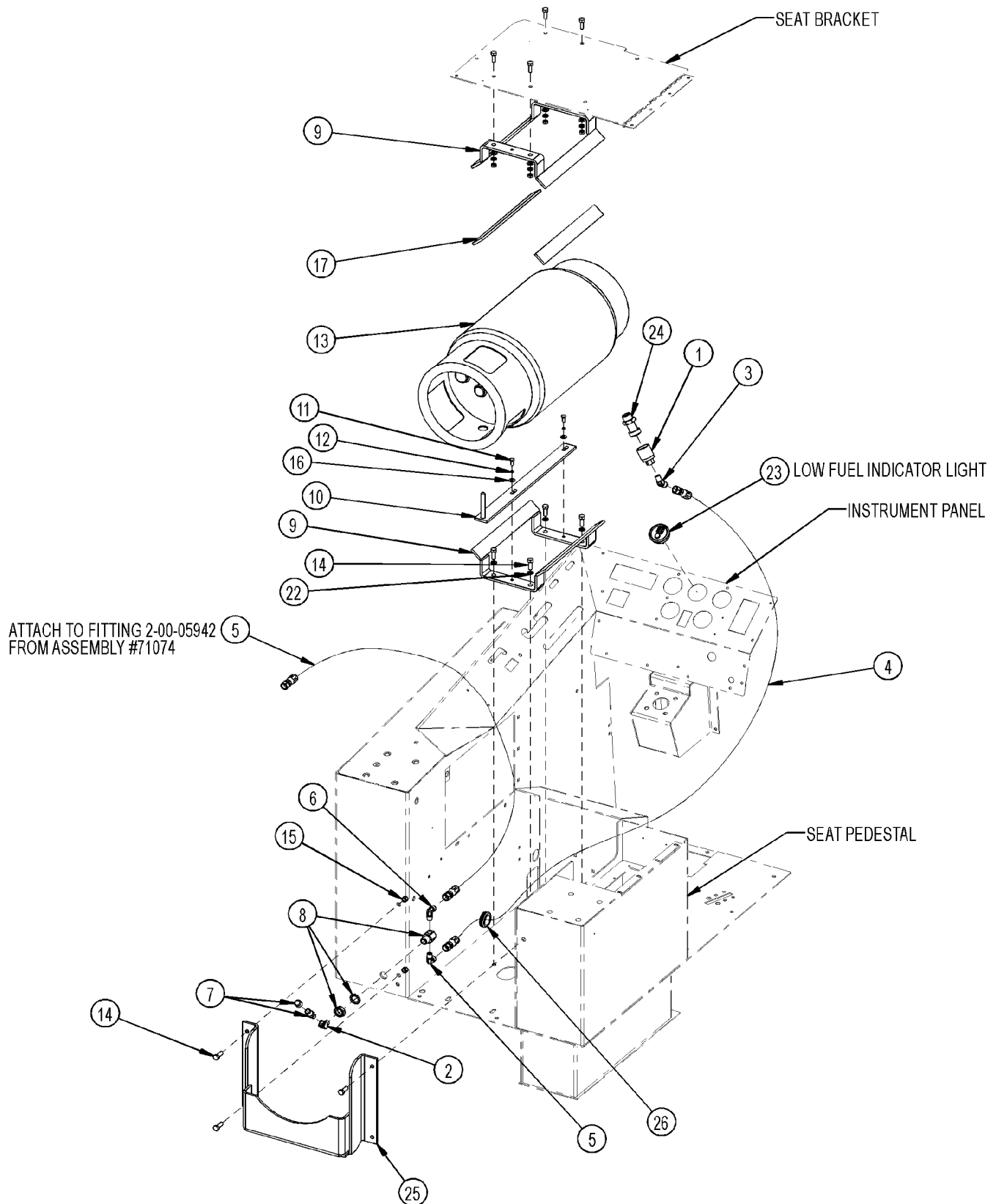
NOTE 1: Shipped with the engine.

See "Spare Parts" and "Engine Service Parts" pages for additional engine replacement parts.



09-5	GM 3.0 LITER - GAS & LP ENGINES (FAN, RADIATOR HOSES)		
10-5	7765		113

Item	Ref. No.	Qty	Description
1	0777-068	1	Engine, GM 3.0 LP (IMPCO)
	0777-069	1	Engine, GM 3.0 GAS (IMPCO)
1	56380126	1	Engine-PSI, GM 3.0L LP (PSI)
	56380127	1	Engine-PSI, GM 3.0L GAS (PSI)
2	7-33-02706	1	Hose, Upper Radiator
3	7-33-02713	1	Hose, Lower Radiator
4	2-00-03404	2	Clamp, Hose
5	2-00-02216	2	Clamp, Hose
6	7-75-01282	1	Spacer, Fan
7	56109130	1	Fan, 18" 5-Blade Sickle
8	2-00-00530	4	Lock Washer, 5/16
9	2-00-06557	4	Screw, 5/16-24 x 2.25 Hex Head
10	2-00-03829	1	Lock Washer, 3/8 Int./Ext. Tooth
11	2-00-04705	1	Bolt, 3/8-16 x 1.25 Fin. Hex Head
12	56109184	1	Connector, O-Ring
13	56305142	1	Hose Assy
14	56462247	1	Plug, Hex 37 Flared

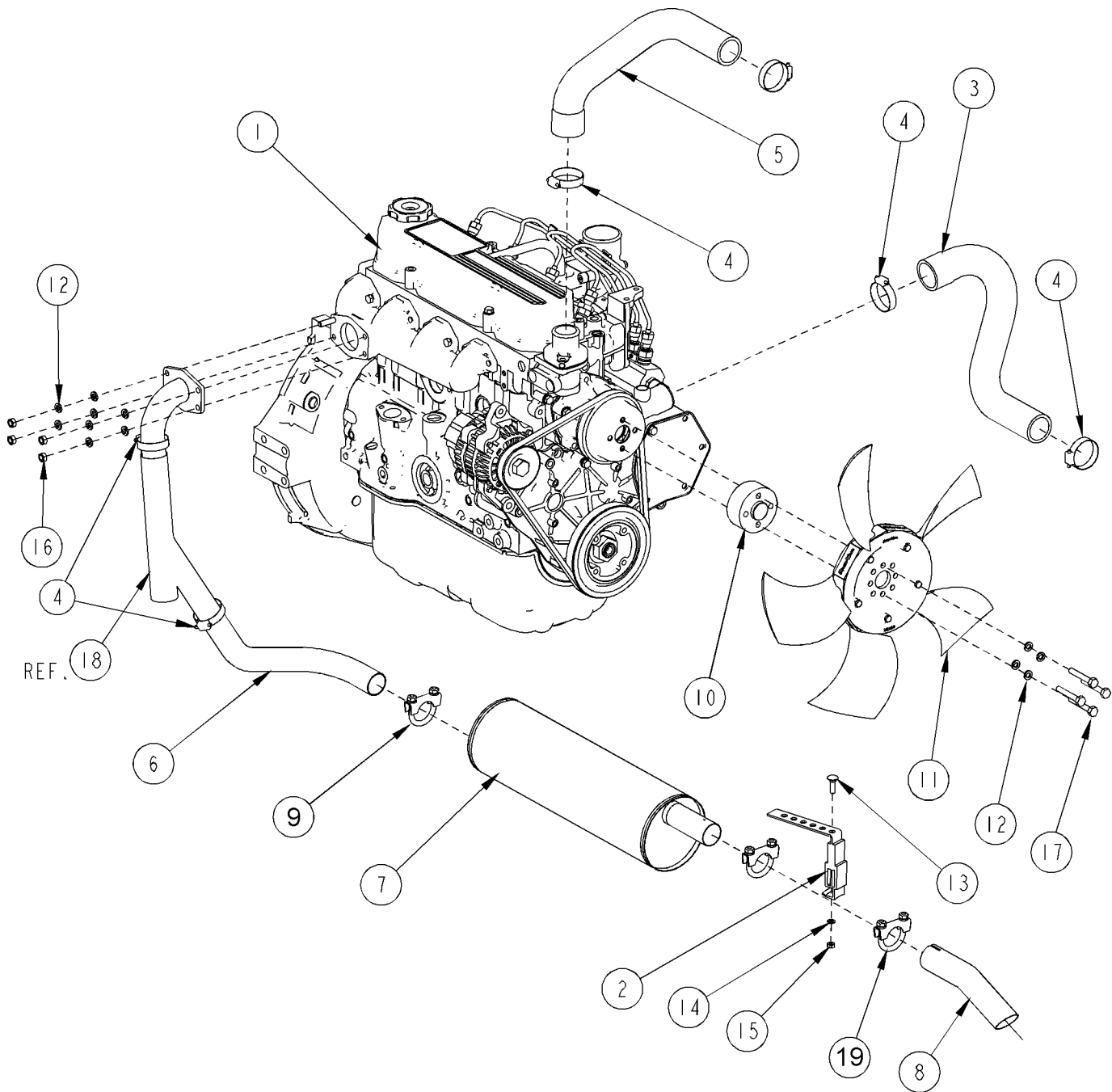


Item	Ref. No.	Qty	Description
1	56369675	1	Coupling (Woodward N3-0042-1) NOTE 1
2	8-56-05026	1	Fitting, 1/4 NPT x 1/4 FM 45° (Woodward N2-1106) NOTE 1
3	2-00-05721	1	Fitting, 1/4 NPT x 3/8 SAE 45, 45° (Woodward N2-1105) NOTE 1
4	7-33-02740	1	Hose, 5/16 ID x 44", #6 UL (Woodward 44" N8-3001) NOTE 1
6	8-56-05023	2	Fitting, 1/4 NPT x 3/8 SAE 90° (Woodward N2-1107) NOTE 1
5	7-33-02721	1	Hose, 5/16 ID x 64", #6 UL (Woodward 64" N8-3001) NOTE 1
7	2-00-06094	1	Relief Valve (Woodward N3-0038-1) NOTE 1
8	2-00-06555	1	Fitting, Bulkhead (Woodward N3-0037) NOTE 1
9	56514887	2	Weldt, LP Collar
10	56514842	1	Lock
11	2-00-00220	2	Screw, 1/4-20 x .625 HHC
12	2-00-00518	2	Lock Washer, 1/4 Helical Spring
13	56456590	1	LP Tank
14	2-00-00233	9	3/8-16 x 1.0 LG
15	2-95-04182	5	Nut, 3/8-16 Fiber Insert
16	2-00-03702	2	Washer, .625 x .281 x .063
17	7-50-05143	2	Pad
22	2-00-02310	4	Lock Washer, 3/8 Helical Spring
23	7-11-04035	1	Light, Low LP Indicator
24	REF		Fitting NOTE 2
25	56514839	1	Guard, LP Tank
26	2-00-04721	1	Rubber Grommet

See "Spare Parts" and "Engine Service Parts" pages for additional engine replacement parts.

NOTE 1: Contained in LP Kit 7-11-04009.

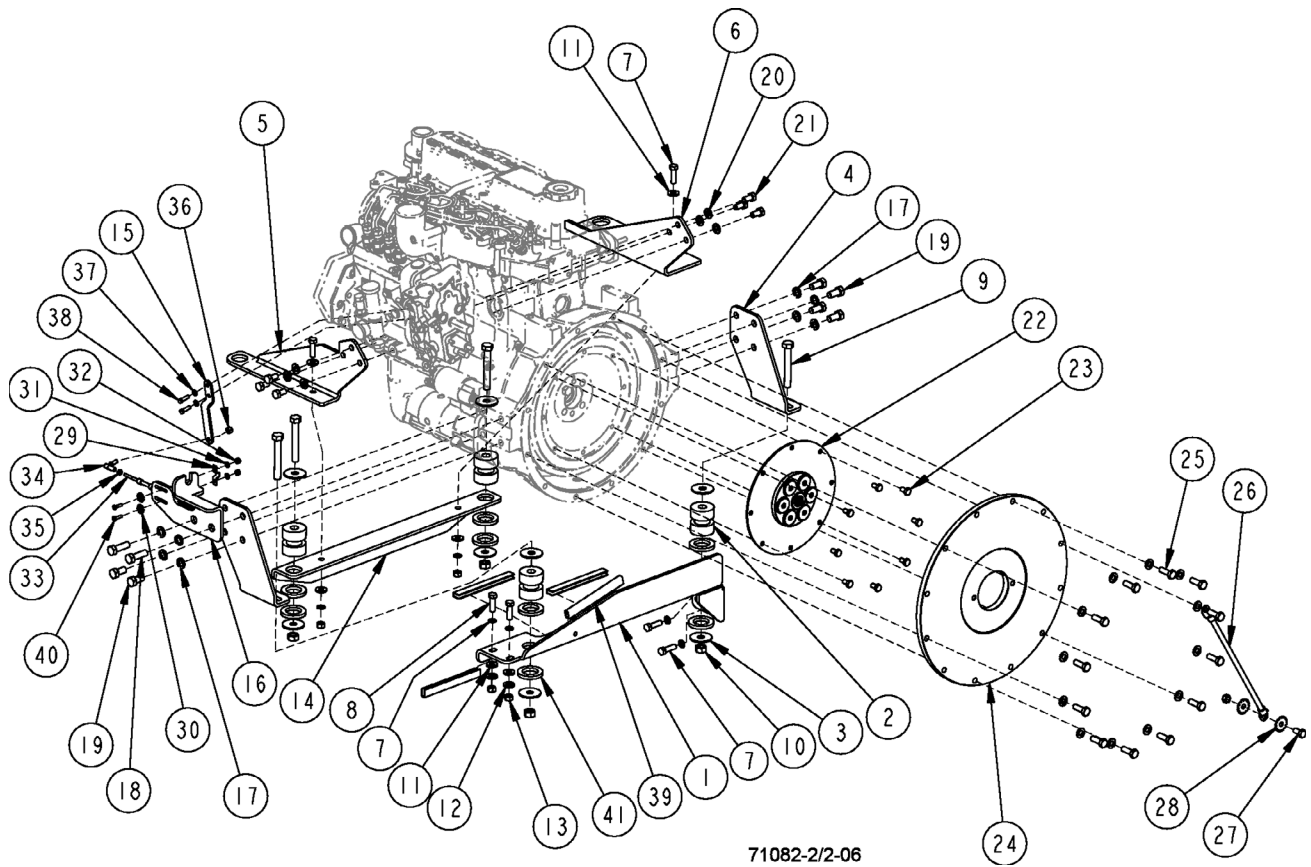
NOTE 2: Comes with LP tank.



09-5	MITSUBISHI S4Q2 TIER 2 - DIESEL ENGINE (FAN, EXHAUST, HOSES)		
09-11	7765		117

Item	Ref. No.	Qty	Description
1	0777-052	1	Engine Assy., Mitsubishi S4Q2 Diesel
2	7-31-07017	1	Hanger, Muffler
3	7-33-02709	1	Hose, Lower Radiator
4	2-00-03404	6	Clamp
5	7-33-02708	1	Hose, Upper Radiator
6	7-87-02239	1	Tube, Exhaust Downpipe
7	7-49-00031	1	Muffler
8	7-56-04055	1	Tailpipe
9	2-00-04040	2	Clamp, 1/4" Muffler
10	7-75-01248	1	Spacer, S4Q2 Engine Fan
11	56109130	1	Fan, 18" 5-Blade Sickle
12	2-00-00530	12	Lock Washer, 5/16
13	2-00-00196	1	Carriage Bolt, .31-18 x 1.0
14	2-00-00518	1	Lock Washer, 1/4" Helical Spring
15	2-00-00594	1	Nut, 1/4-20 Hex
16	2-00-05964	4	Nut, M8 x 1.25
17	2-00-05981	4	Screw, M8 x 1.25 x 55mm HHC
18	7-34-09016	1	Sleeve, Insulating
19	7-13-07075	1	Clamp Muffler 1 5/8

See "Spare Parts" and "Engine Service Parts" pages for additional engine replacement parts.



71082-2/2-06

09-5

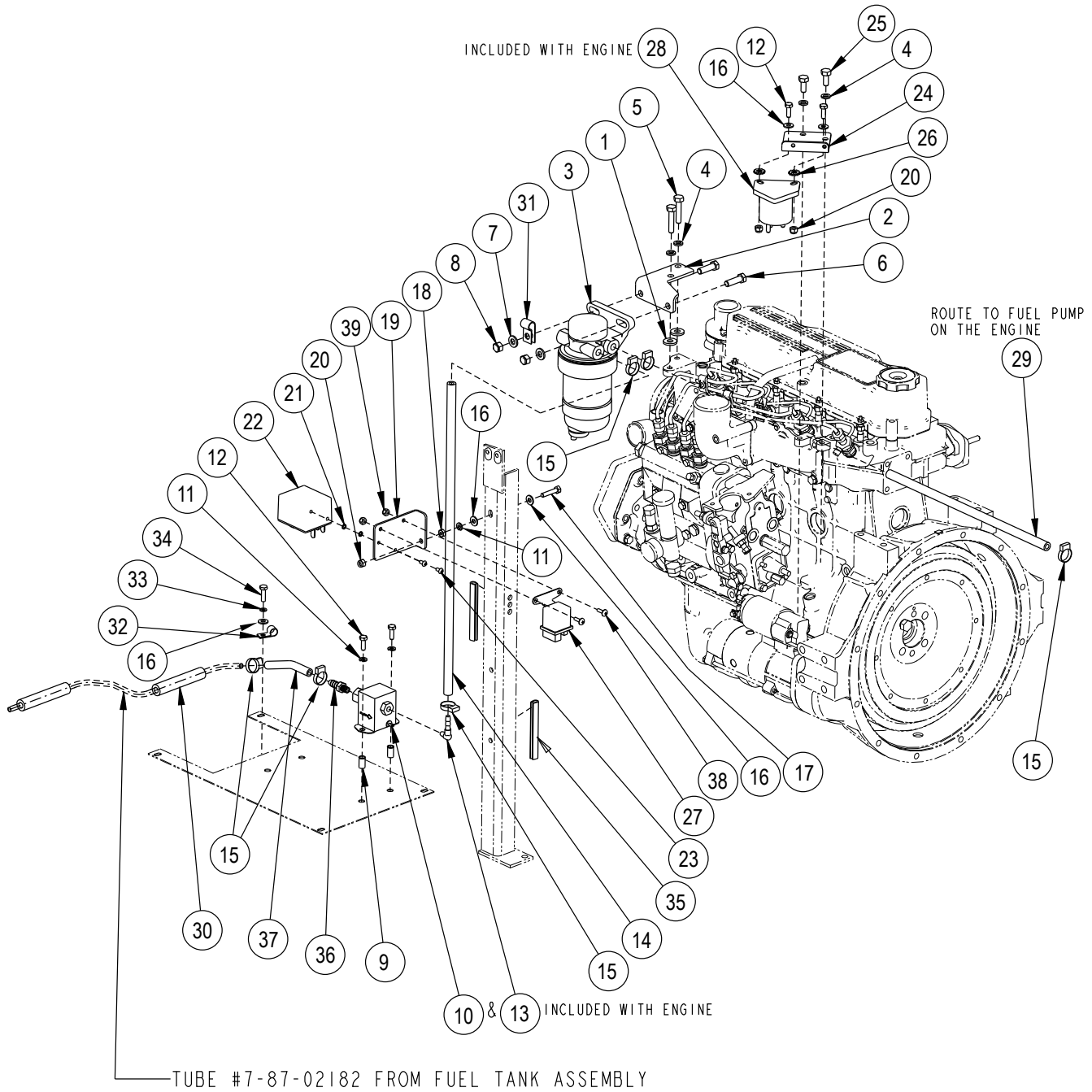
MITSUBISHI S4Q2 TIER 2 - DIESEL ENGINE (SUPPORTS, THROTTLE)

09-11

7765
119

Item	Ref. No.	Qty	Description
1	7-81-00273	1	Support, Engine
2	7-35-00017	4	Isolator, Engine Mount (Red Dot)
3	2-00-05067	8	Spacer, Snubbing Washer
4	7-08-01341	2	Bracket, Engine Rear
5	7-08-01339	1	Bracket, Engine Mount
6	7-08-01340	1	Bracket, Engine Mount
7	2-00-02310	6	Lock Washer, 3/8 Helical Spring
8	2-00-04705	6	Bolt, 3/8-16 x 1.25 LG Fin. Hex Head
9	2-00-02698	4	Screw, 1/2-20 x 3.50 LG HHC
10	2-00-00640	4	Nut, 1/2-20 Fiber Insert
11	2-00-04801	6	Flat Washer, 1.00 x .39 x .06
12	2-00-02312	2	Lock Washer, 1/2"
13	2-00-02360	5	Nut, 3/8-16 Hex
14	7-81-00290	1	Support, Engine
15	8-03-04321	1	Arm, Throttle
16	7-08-01209	1	Bracket, Forward/Reverse Cable
17	2-00-05043	8	Washer, 25/64 ID x 3/4 OD Plain
18	2-00-05370	2	Screw, M12 x 1.75 x 40mm HHC
19	2-00-05957	6	Screw, M12 x 1.75 x 25mm HHC
20	2-00-05042	18	Lock Washer, M10 Helical Spring
21	2-00-05958	6	Screw, M10 x 1.25 x 20mm HHC
22	7-16-05045	1	Coupling, Engine
23	2-00-05963	8	Screw, M8 x 1.25 x 15mm 8.8 Blox
24	7-33-05144	1	Casting, Pump Plate
25	2-00-05961	12	Screw, M10 x 1.25 x 30mm HHC
26	8-90-07328	1	Wire, Ground to Frame
27	2-00-00232	1	Bolt, 3/8-16 Fin. Hex Head
28	2-00-03829	2	Lock Washer, 3/8 Int./Ext. Tooth
29	8-13-07094	1	Clamp, Conduit
30	2-00-00498	2	Lock Washer, #10 Ext.
31	2-00-00426	2	Flat Washer, .500 x .219 x .063
32	2-00-01246	2	Nut, #10-24 Elastic Stop
33	7-10-00024	1	Cable, Throttle (80")
34	8-25-02036	1	Connector, Ball Joint
35	2-00-00626	1	Nut, 10-32
36	2-00-00633	1	Nut, 1/4-28 Fiber Insert
37	2-00-00518	2	Lock Washer, 1/4" Helical Spring
38	2-00-05279	2	Screw, M6 x1.0 x 20mm HHC
39	7-21-04031	4	Edging, Brush Drive Support
40	2-00-04795	2	Screw, 8-32 BHC
41	2-00-05955	8	Washer

See "Spare Parts" and "Engine Service Parts" pages for additional engine replacement parts.



09-5

MITSUBISHI S4Q2 TIER 2 - DIESEL ENGINE [FUEL SYSTEM]

11-8

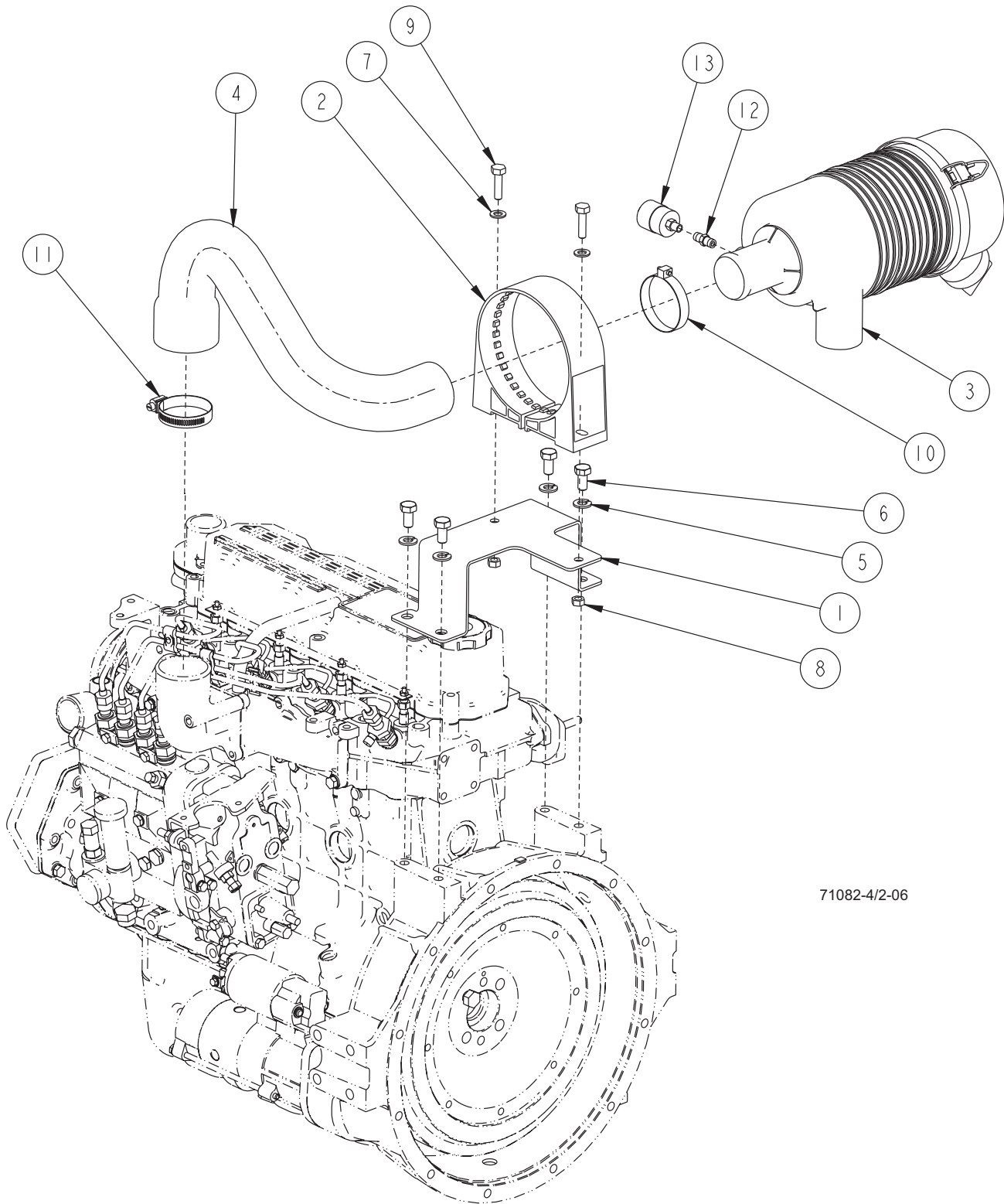
7765
121

Item	Ref. No.	Qty	Description
1	2-00-04801	2	Flat Washer, 1.00 x .39 x .06
2	8-08-00940	1	Bracket, Fuel Filter
3	56381949	1	Kit Fuel Filter Asm NOTE 1
4	2-00-00530	4	5/16" Lock Washer
5	2-00-06532	2	Screw, M8 x 1.25 x 40mm
6	2-00-00209	2	Bolt, 3/8-16 x 1.25 Hex Head
7	2-00-00402	2	Washer, 25/64 ID x 3/4 OD
8	2-95-04182	2	Nut, 3/8-16 Hex Stop
9	2-00-05261	2	Insert, 1/4-20 Threaded
*10	8-60-05028	1	Pump, Fuel
11	2-00-00518	3	Lock Washer, 1/4" Helical Spring
12	2-00-00221	4	Bolt, 1/4-20 x .75 Fin. Hex Head
*13	2-00-05973	1	Hose Barb, 1/8 NPT x 5/16 90° Elbow
14	8-33-02145	1	Hose, Fuel (22")
15	2-95-04388	6	Clamp, Hose
16	2-00-03702	5	Flat Washer, .625 x .281 x .062
17	2-00-02587	1	Cap Screw, 1/4-20 x 1.25 Hex Head
18	2-00-00594	1	Nut, 1/4-20 Hex
19	8-08-00936	1	Bracket, Murphy
20	2-00-00641	3	Nut, 1/4-20 Fiber Insert
21	2-00-00512	2	Star Washer
22	7-64-00040	1	Relay, Murphy
23	2-00-00052	2	Screw, #10-24 x .38 RHMS
24	8-08-00939	1	Bracket, Murphy
25	2-00-04363	2	Screw, M8 x 1.25 x 20mm
26	2-00-00503	2	Lock Washer, 1/4-20
27	7-64-00041	1	Relay, Glow Plug
*28	8-74-00012	1	Solenoid, Starter
29	8-33-02172	1	Hose, Fuel (15")
30	8-08-07038	2	Bumper, Fuel Line
31	2-00-04873	1	Clamp, Cable
32	2-00-04602	1	Clamp
33	2-00-00501	1	Washer, 1/4 ID x .44 OD x .046
34	2-00-01490	1	Screw, 1/4-20 x .875 Hex Head
35	7-21-04051	2	Edging, Frame
36	2-00-05983	1	Fitting, 1/8 NPT x 5/16 Hose Barb
37	7-33-02641	1	Hose, 5/16 ID x 4" Fuel
38	2-00-03062	2	Screw, #10-24 x 5/8
39	2-00-01246	2	Nut, #10-24 Elastic Stop

* = Comes with Engine Assembly

See "Spare Parts" and "Engine Service Parts" pages for additional engine replacement parts.

NOTE 1: Fuel Filter Assembly 7-24-04078 is no longer available. If you need to replace 7-24-04078 please order Fuel Filter Kit 56381949.

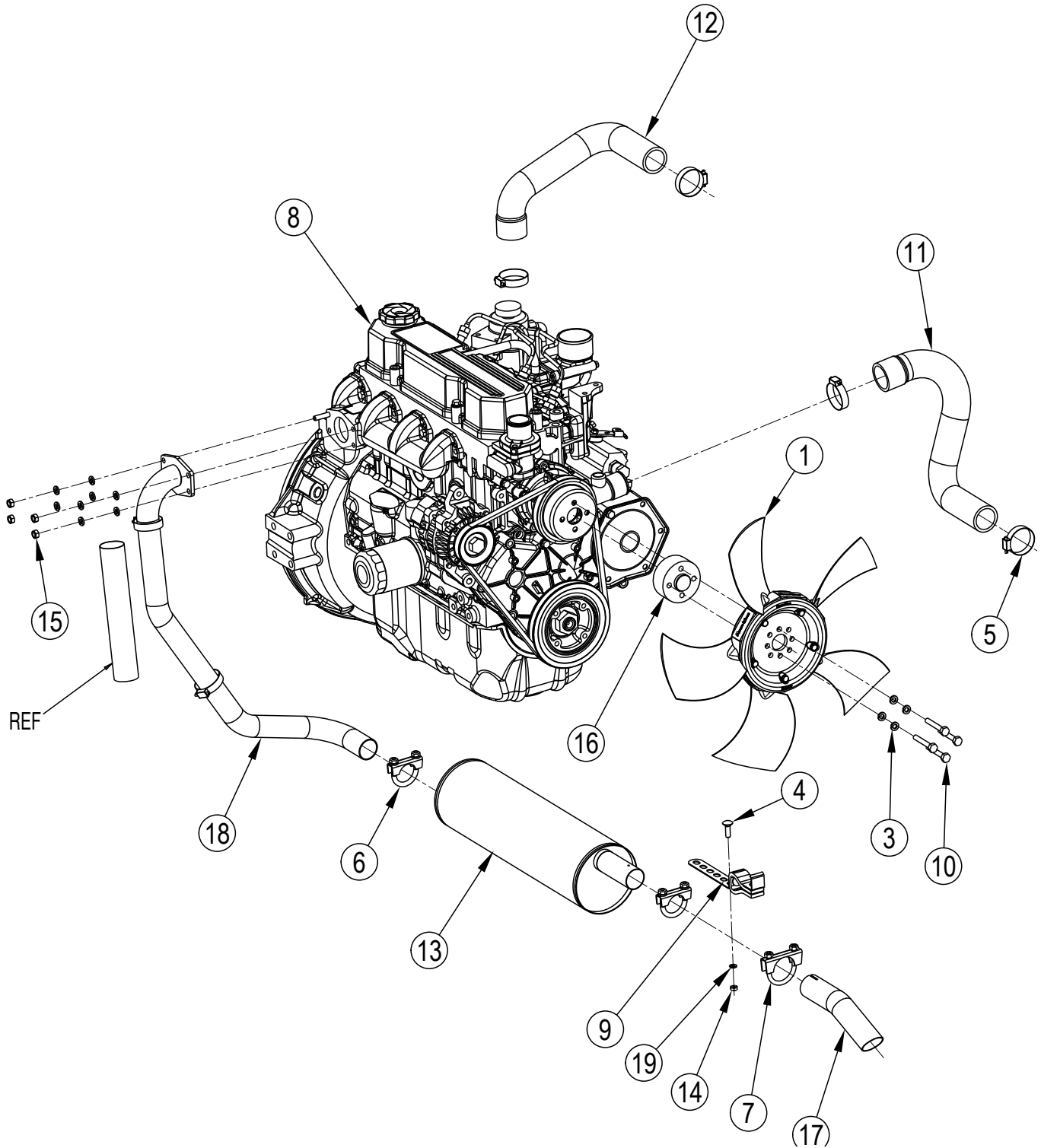


71082-4/2-06

09-5	MITSUBISHI S4Q2 TIER 2 - DIESEL ENGINE (AIR FILTRATION SYSTEM)		
09-11	7765		123

Item	Ref. No.	Qty	Description
1	7-08-01206	1	Bracket, Air Cleaner
2	7-13-07231	1	Band, Air Cleaner Assy.
3	7-24-04083	1	Filter Assy., Air Cleaner
4	7-33-02613	1	Hose, Air Intake
5	2-00-05042	4	Lock Washer, M10 Helical Spring
6	2-00-05958	4	Screw, M10 x 1.25 x 20mm HHC
7	2-00-00409	2	Flat Washer, .687 x .344 x .062
8	2-00-00644	2	Nut, 5/16-18 Fiber Insert Hex
9	2-00-00207	2	Screw, 5/16-18 x 1.25 Hex Head
10	2-00-02216	1	Clamp, Hose
11	2-00-02217	1	Clamp, Hose
12	2-00-05004	1	Fitting, 1/8 NPT Nipple
13	56478461	1	Filter Service Indicator

See "Spare Parts" and "Engine Service Parts" pages for additional engine replacement parts.



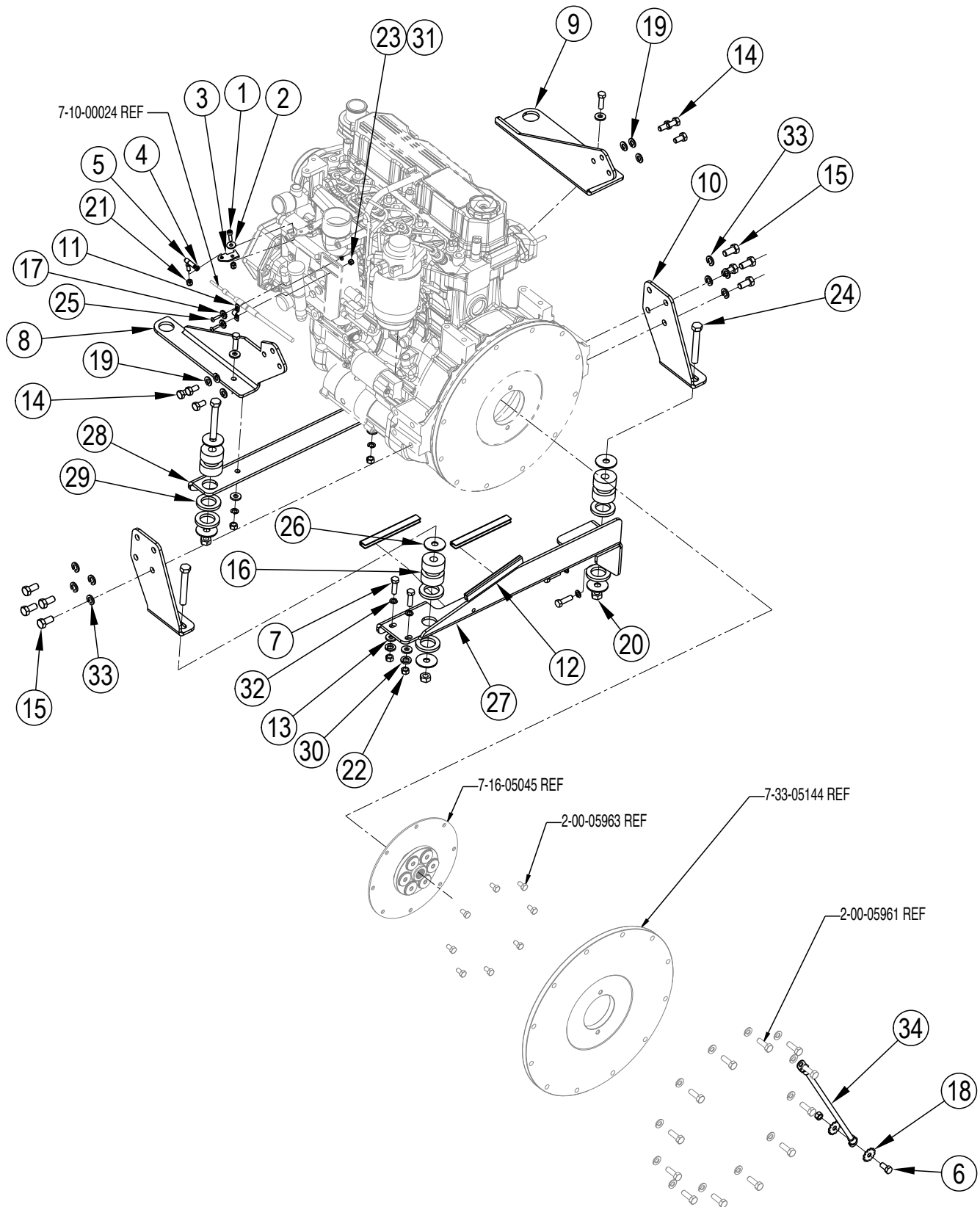
09-5	MITSUBISHI S4Q2 TIER 4 - DIESEL ENGINE [FAN, EXHAUST, HOSES]		
11-11	7765		125

Item	Ref. No.	Qty	Description
1	56109130	1	Fan, 18" 5-Blade Sickle
[]	56501005	3	Anti-Freeze, 50/50
3	2-00-00530	12	5/16" Lock Washer
4	2-00-00196	1	Bolt-Car, .31-18 X 1 Gr 5 Zn
5	2-00-03404	6	Clamp
6	2-00-04040	2	Clamp - Muffler 1 1/4
7	7-13-07075	1	Clamp Muffler 1 5/8
8	56109479	1	Engine Assy, Mitsubishi S4Q2 T4
9	7-31-07017	1	Hanger-Muffler
10	2-00-05981	4	HHC, M8 X 1.25 X 55mm
11	7-33-02709	1	Hose, Radiator Lower
12	7-33-02708	1	Hose, Radiator Upper
13	7-49-00031	1	Muffler
14	2-00-00594	1	Nut, Hex 1/4-20
15	2-00-05964	4	Nut, M8 X 1.25
16	7-75-01248	1	Spacer, Fan Mitsubishi S4Q2
17	7-56-04055	1	Tail Pipe
18	7-87-02239	1	Tube, Exhaust Downpipe
19	2-00-00518	1	Washer, Lock, 1/4" Helical Spring

[] = Not Shown

#NOTE 1: Tier 4 Diesel was implemented as of serial number 1000033463.

= Revised or new since last update

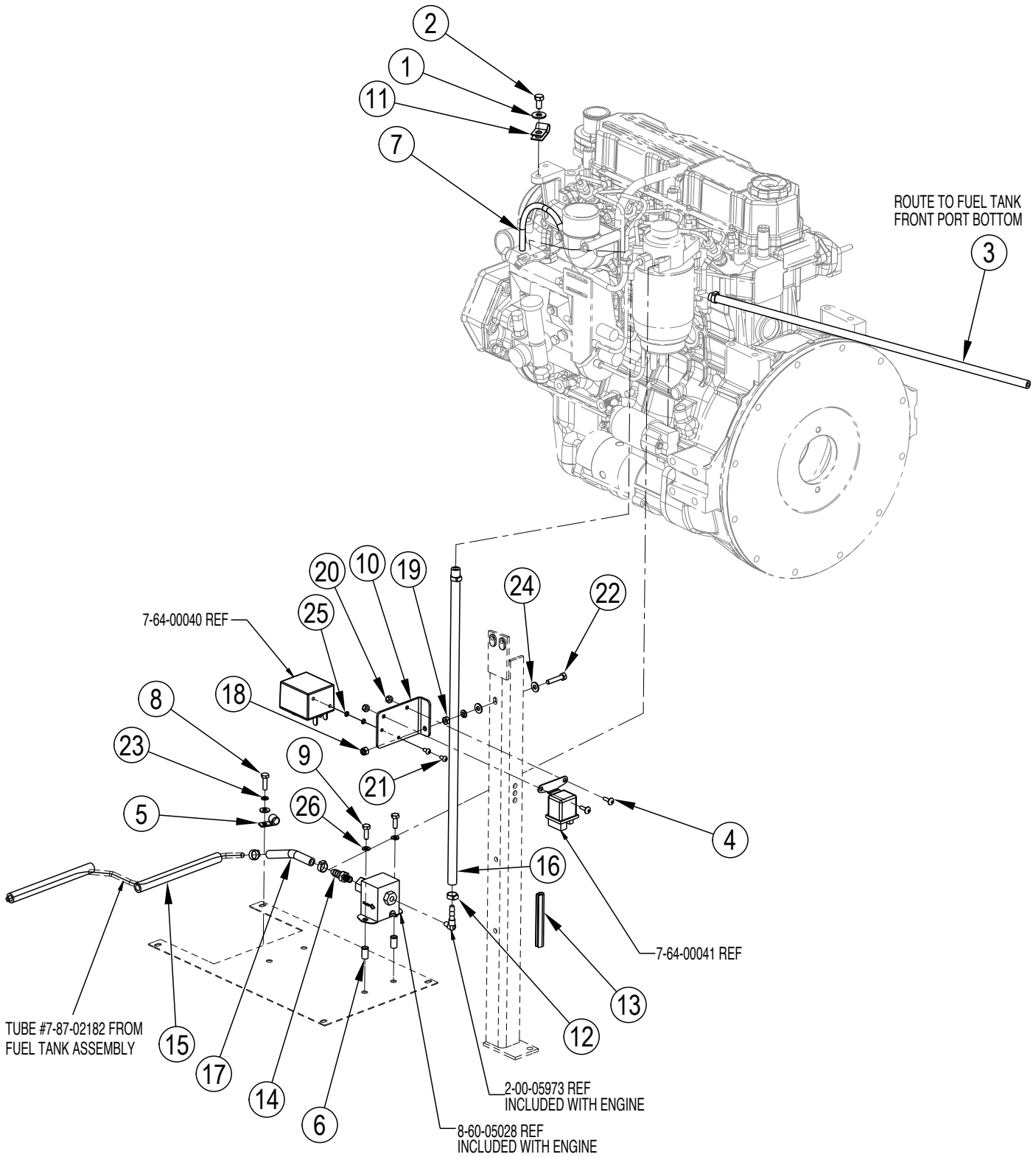


09-5	mitsubishi S4Q2 TIER 4 - DIESEL ENGINE [SUPPORTS, THROTTLE]		
11-11	7765		127

Item	Ref. No.	Qty	Description
1	56003368	1	Scr, Soc Hd M6-1.0 X 20.0
2	56003638	1	Wsh, Flt SS 6mm
3	56109471	1	Arm Engine Throttle
4	2-00-00626	1	10-32 Nut
5	8-25-02036	1	Ball Joint Connector
6	2-00-00232	1	Bolt-Hex Head, Finished, 3/8-16
7	2-00-04705	6	Bolt-Hex Head, Finished, 3/8-16 X 1.25 LG
8	7-08-01339	1	Bracket, Engine Mount
9	7-08-01340	1	Bracket, Engine Mount
10	7-08-01341	2	Bracket, S4Q2 Engine, Rear
11	8-13-07094	1	Conduit Clamp
12	7-21-04031	3	Edging-Brush Drive Support
13	2-00-04801	6	Flat Washer, 1.00 X .39 X .06
14	2-00-05958	6	HHC, M10 X 1.25 X 20mm
15	2-00-05957	8	HHC, M12 X 1.75 X 25mm
16	7-35-00017	4	Isolator, Engine Mount (Red Dot)
17	2-00-00498	2	Lock Washer, #10 Ext.
18	2-00-03829	2	Lock Washer, 3/8 Int./Ext. Tooth
19	2-00-05042	18	M10 Helical Spring Lw
20	2-00-00640	4	Nut 1/2-20 Fiber Insert
21	2-00-00633	1	Nut, Fiber Insert 1/4-28
22	2-00-02360	5	Nut, Hex, 3/8-16
23	2-00-01246	2	Nut-#10-24 Elastic Stop Nut
24	2-00-02698	4	Screw, 1/2-20 X 3.50 Lg, HHC
25	2-00-04795	2	Screw, 8-32 BHC
26	2-00-05067	8	Spacer, Snubbing Washer
27	7-81-00273	1	Support, Engine
28	7-81-00290	1	Support, Engine
29	2-00-05955	8	Washer
30	2-00-02312	2	Washer, 1/2" Lock
31	2-00-00426	2	Washer-Flat .500 X .219 X .063
32	2-00-02310	6	Washer-Lock, 3/8", Helical Spring
33	2-00-05043	8	Washer-Plain, 25/64 Id X 3/4 OD
34	8-90-07328	1	Wire, Ground To Frame

#NOTE 1: Tier 4 Diesel was implemented as of serial number 1000033463.

= Revised or new since last update



09-5

mitsubishi S4Q2 TIER 4 - DIESEL ENGINE [FUEL SYSTEM]

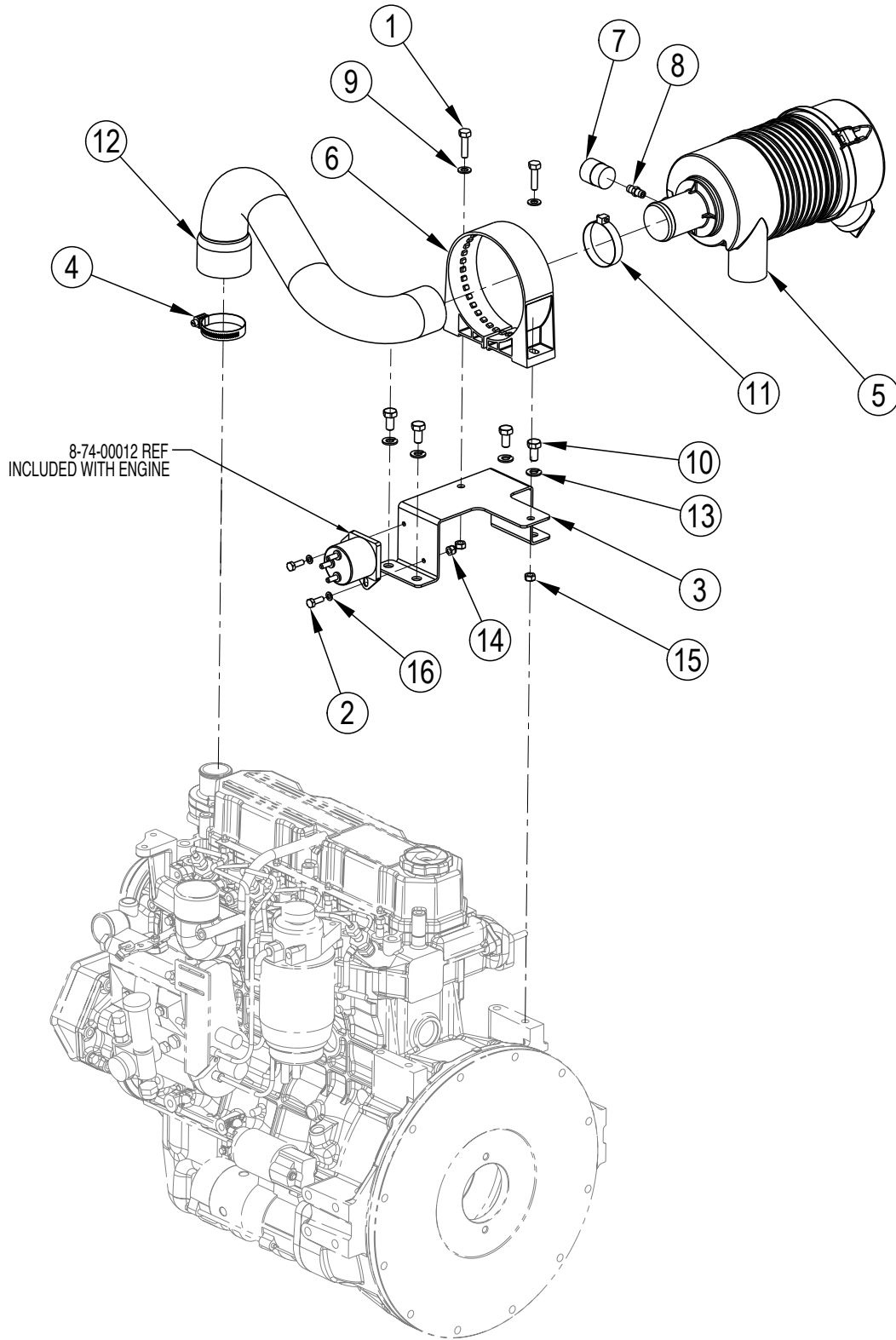
11-11

7765
129

Item	Ref. No.	Qty	Description
1	56002220	1	Wsh, Fit STD 5/16
2	56003178	1	Scr, Hex M8-1.25 X 16mm
3	56481684	1	Hose, Fuel Line 1/4 ID X 48" Lg
4	2-00-03062	2	Screw, #10-24 X 5/8 LG
5	2-00-04602	1	Clamp
6	2-00-05261	2	Nutsert, 1/4-20
7	8-33-02172	1	Hose Fuel 15 LG
8	2-00-01490	1	1/4-20 X 0.875", Hex Head Screw
9	2-00-00221	2	Bolt-Hex Head, Finished, 1/4-20 x 3/4 LG
10	8-08-00936	1	Bracket, Murphy
11	2-00-04873	1	Cable Clamp
12	2-95-04388	6	Clamp, Hose
13	7-21-04047	2	Edging, Hose
14	2-00-05983	1	Fitting, 1/8"NPT X 5/16" Hose Barb
15	8-08-07038	2	Hose
16	8-33-02145	1	Hose - Fuel 22" Lg
17	7-33-02641	1	Hose, 5/16" Id Fuel Hose X 4" Long
18	2-00-00641	1	Nut, Fiber Insert 1/4-20
19	2-00-00594	1	Nut, Hex 1/4-20
20	2-00-01246	2	Nut-#10-24 Elastic Stop Nut
21	2-00-00052	2	Screw - #10-24 X .38 Rhms
22	2-00-02587	1	Screw-Cap, Hex Head, .25-20 X 1.250
23	2-00-00501	1	Washer .25 ID X .44 OD X .046
24	2-00-03702	3	Washer, .625 X .281 X .063
25	2-00-00512	2	Washer, Star
26	2-00-00518	3	Washer, Lock, 1/4" Helical Spring

#NOTE 1: Tier 4 Diesel was implemented as of serial number 1000033463.

= Revised or new since last update

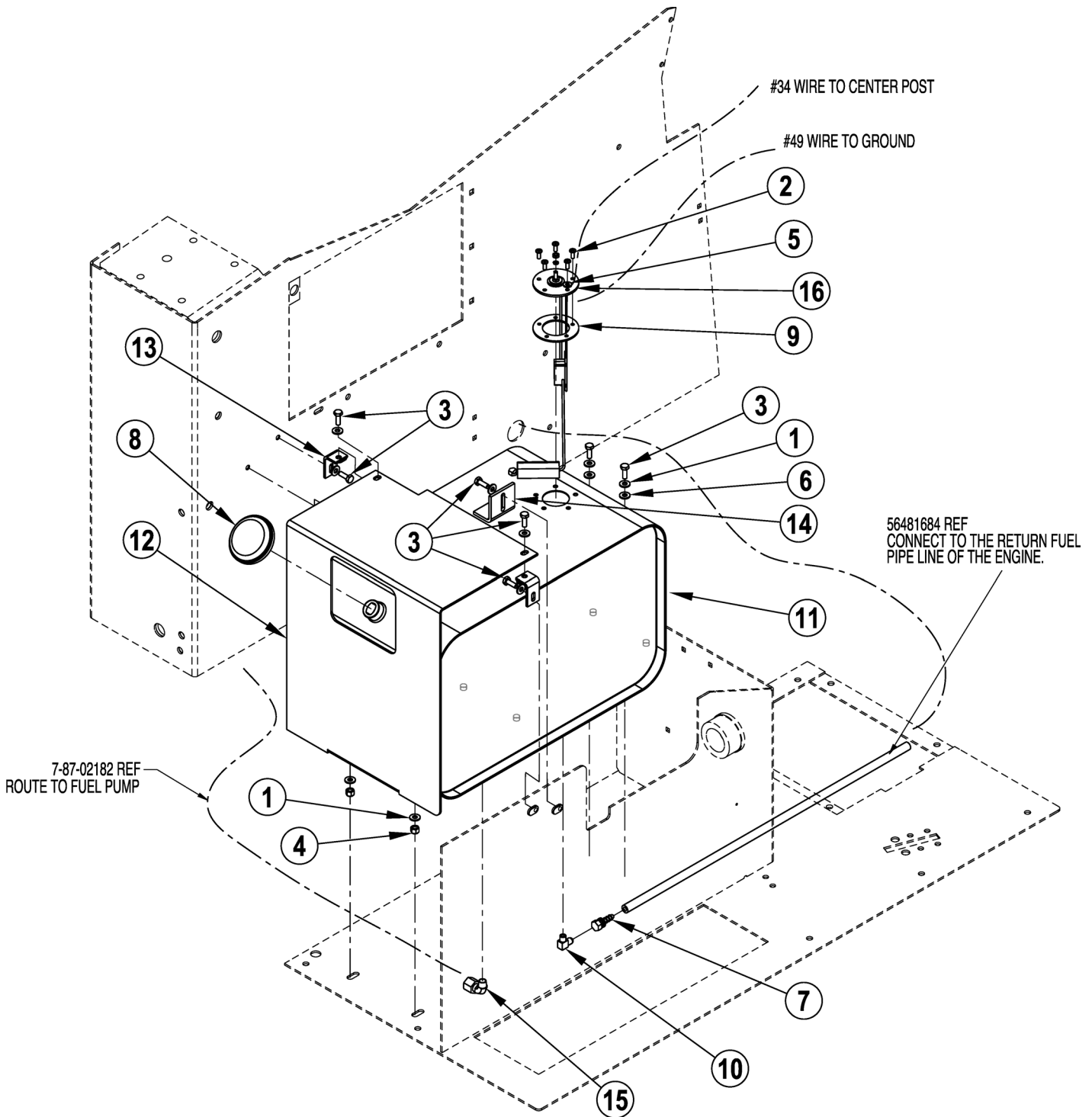


09-5	mitsubishi S4Q2 TIER 4 - DIESEL ENGINE [AIR FILTRATION SYSTEM]		
11-11	7765		131

Item	Ref. No.	Qty	Description
1	2-00-00207	2	Screw, Hex Head 5/16-18 X 1.25"
2	2-00-00221	2	Bolt-Hex Head, Finished, 1/4-20 x 3/4 Lg
3	7-08-01206	1	Bracket, S4Q2 Air Filter
4	2-00-02217	1	Clamp, Hose
5	7-24-04083	1	Filter, Air Cleaner Assy
6	7-13-07231	1	Filter, Band
7	7-24-04087	1	Filter, Service Indicator 20" WC
8	2-00-05004	1	Fitting, 1/8 NPT Nipple
9	2-00-00409	2	Flat Washer, .687 X .344 X .062
10	2-00-05958	4	HHC, M10 X 1.25 X 20mm
11	2-00-02216	1	Hose Clamp
12	7-33-02613	1	Hose, S4Q2 Air Intake
13	2-00-05042	4	M10 Helical Spring LW
14	2-00-00641	2	Nut, Fiber Insert 1/4-20
15	2-00-00644	2	Nut, Hex, Insert Fiber, 5/16-18
16	2-00-00501	2	Washer .25 ID X .44 OD X .046

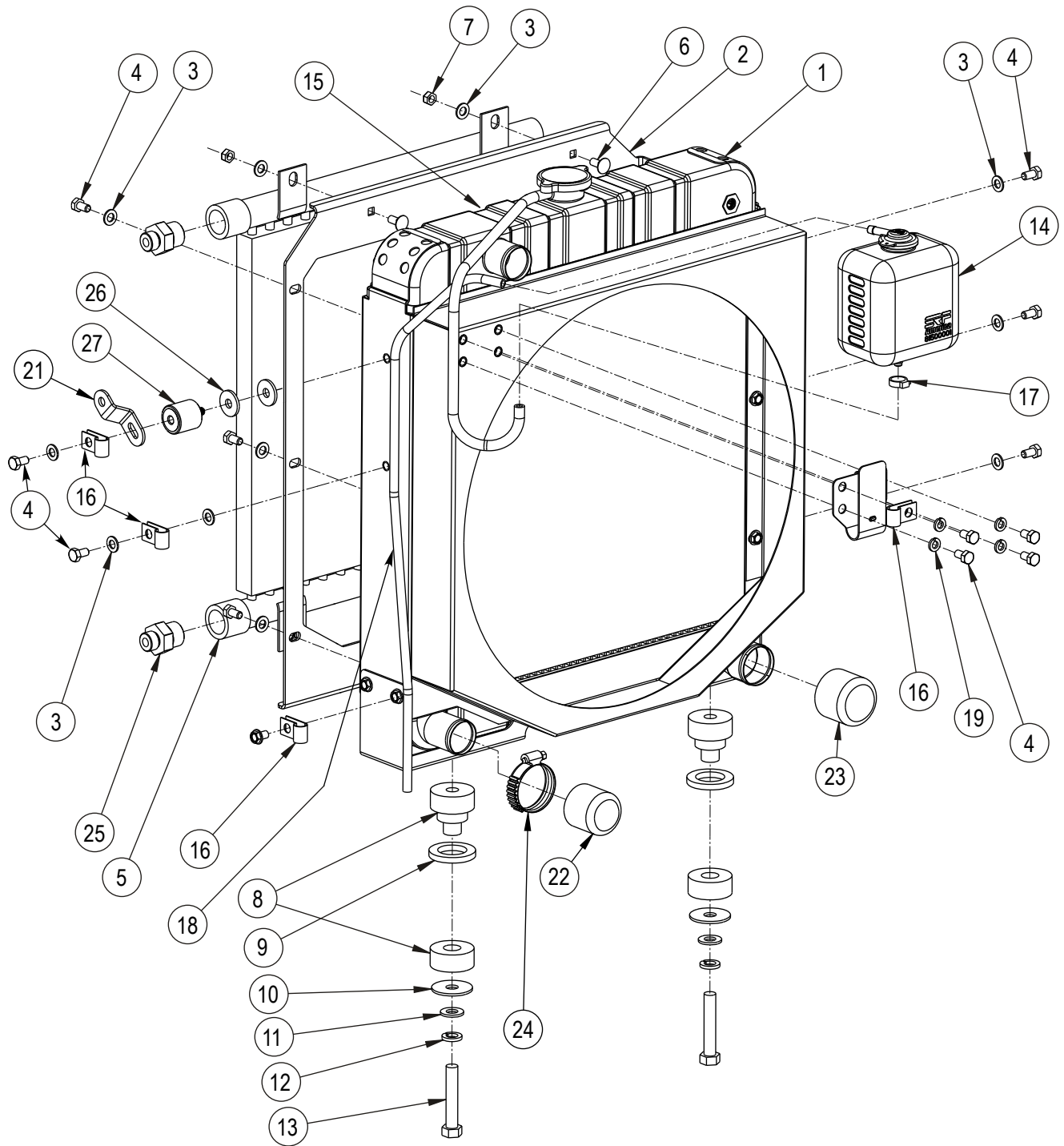
#NOTE 1: Tier 4 Diesel was implemented as of serial number 1000033463.

= Revised or new since last update



09-5	FUEL TANK - DIESEL		
09-11	7765		133

Item	Ref. No.	Qty	Description
1	56002098	10	Wsh, Fit SAE 1/4
2	56002147	5	Scr, Pan Phil 10-32 X .50
3	56002155	8	Scr, Hex 1/4-20 X .75
4	56002708	2	Nut, Hex Nyl Loc 1/4-20
5	56009011	1	Wsh, Int Shprf #10
6	56009064	2	Wsh, Int Shprf 1/4
7	2-00-04618	1	Fitting
8	7-11-00029	1	Cap
9	7-29-00348	1	Gasket, Sending Unit
10	8-56-05021	1	Fitting
11	8-83-04029	1	Fuel Tank
12	56514816	1	Cover, Weldment
13	56514817	2	Bracket, Clamp
14	56514818	2	Bracket, Clamp
15	2-00-04494	1	Fitting 5/16 Tube X 1/8 NPT
16	8-26-04003	1	Float, Fuel Level



09-5

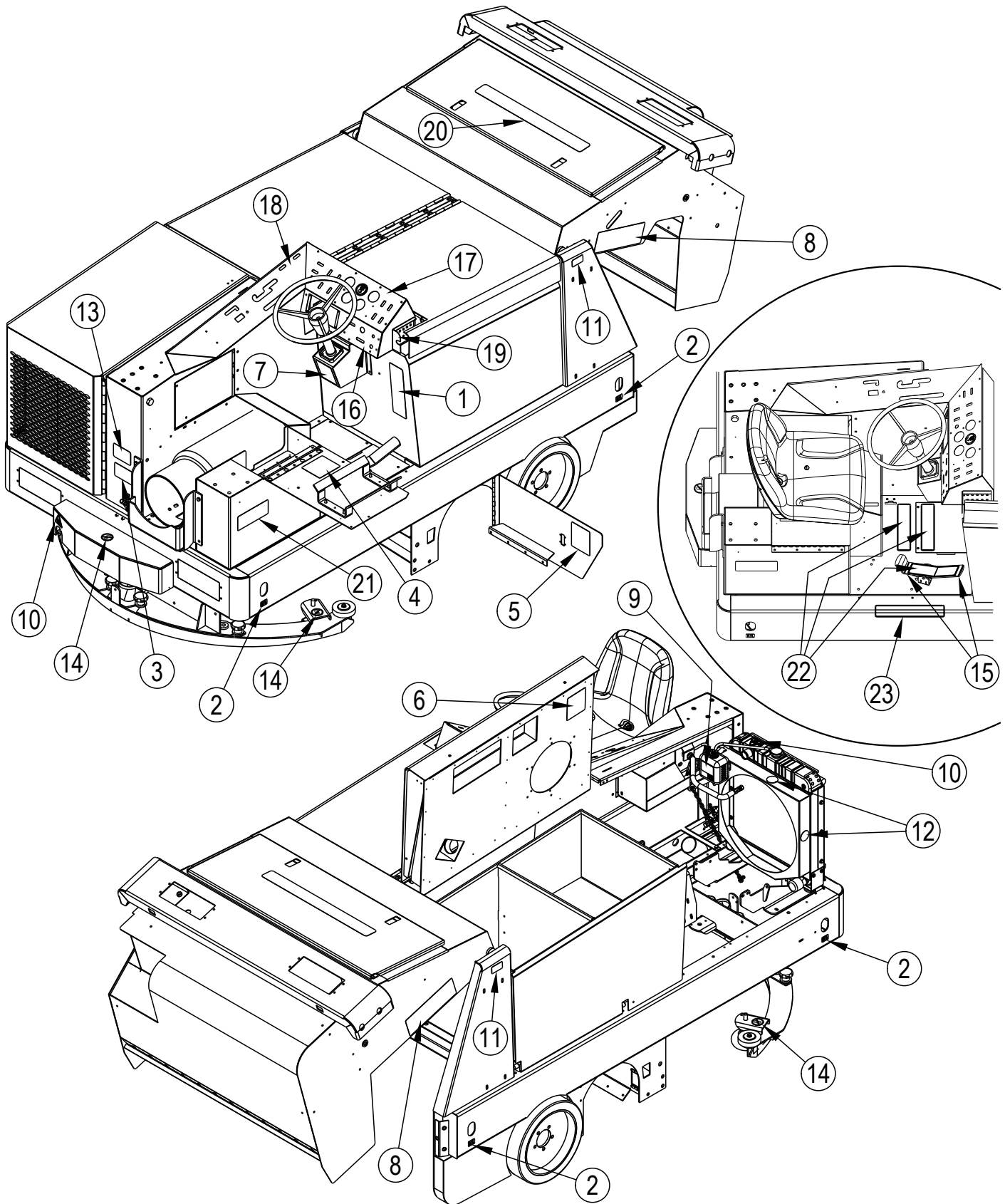
RADIATOR ASSEMBLY

11-11

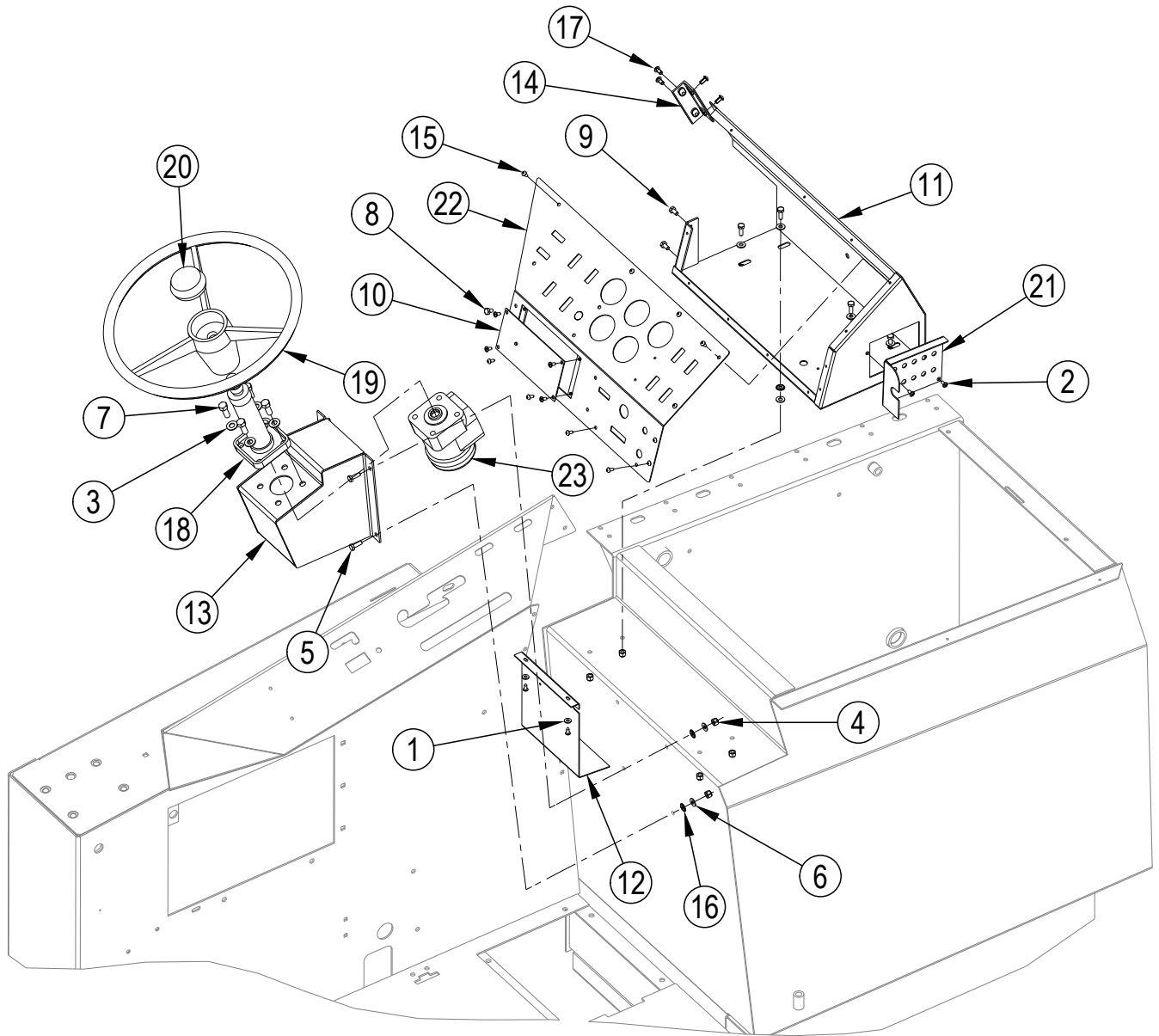
7765**135**

Item	Ref. No.	Qty	Description
1	56109131	1	Radiator
2	7-08-01337	1	Bracket, Oil Cooler
3	2-00-00409	13	Flat Washer, .687 x .344 x .062
4	2-00-05963	12	Screw, M8 x 1.25 x 15mm HHC
5	7-62-01014	1	Oil Cooler
6	2-00-03569	4	Carriage Bolt
7	2-00-00644	4	Nut, 5/16-18 Fiber Insert Hex
8	7-35-00017	2	Isolator, Engine Mount (Red Dot)
9	2-00-05955	2	Washer
10	2-00-05067	2	Spacer, Snubbing Washer
11	2-00-00405	2	Flat Washer, 1.063 x .531 x .094
12	2-00-02312	2	Lock Washer, 1/2"
13	2-00-02682	2	Screw, 1/2-13 x 2.75
14	7-07-02002	1	Overflow Bottle Assy. (1 liter)
15	7-33-02723	1	Hose, 1/4" ID x 20", Black
16	2-00-04873	4	Clamp, Cable
17	2-00-05363	1	Clamp, Hose
18	7-33-02724	1	Hose, 1/4" ID x 28", Clear
19	2-00-00530	4	Lock Washer, 5/16
21	56109092	1	Bracket, Radiator Support
22	2-00-05956	1	Plug, Radiator Outlet (Gasoline/LPG)
23	2-00-06571	1	Plug, Radiator Outlet (Diesel)
24#	56382616	1	Clamp Constant Tension
25	2-00-04979	2	Fitting, Straight -8 ORS x -12 SAE
26	2-00-03266	2	Fan Washer
27	7-35-00028	1	Isolator, 32 x 32, M8-1.25

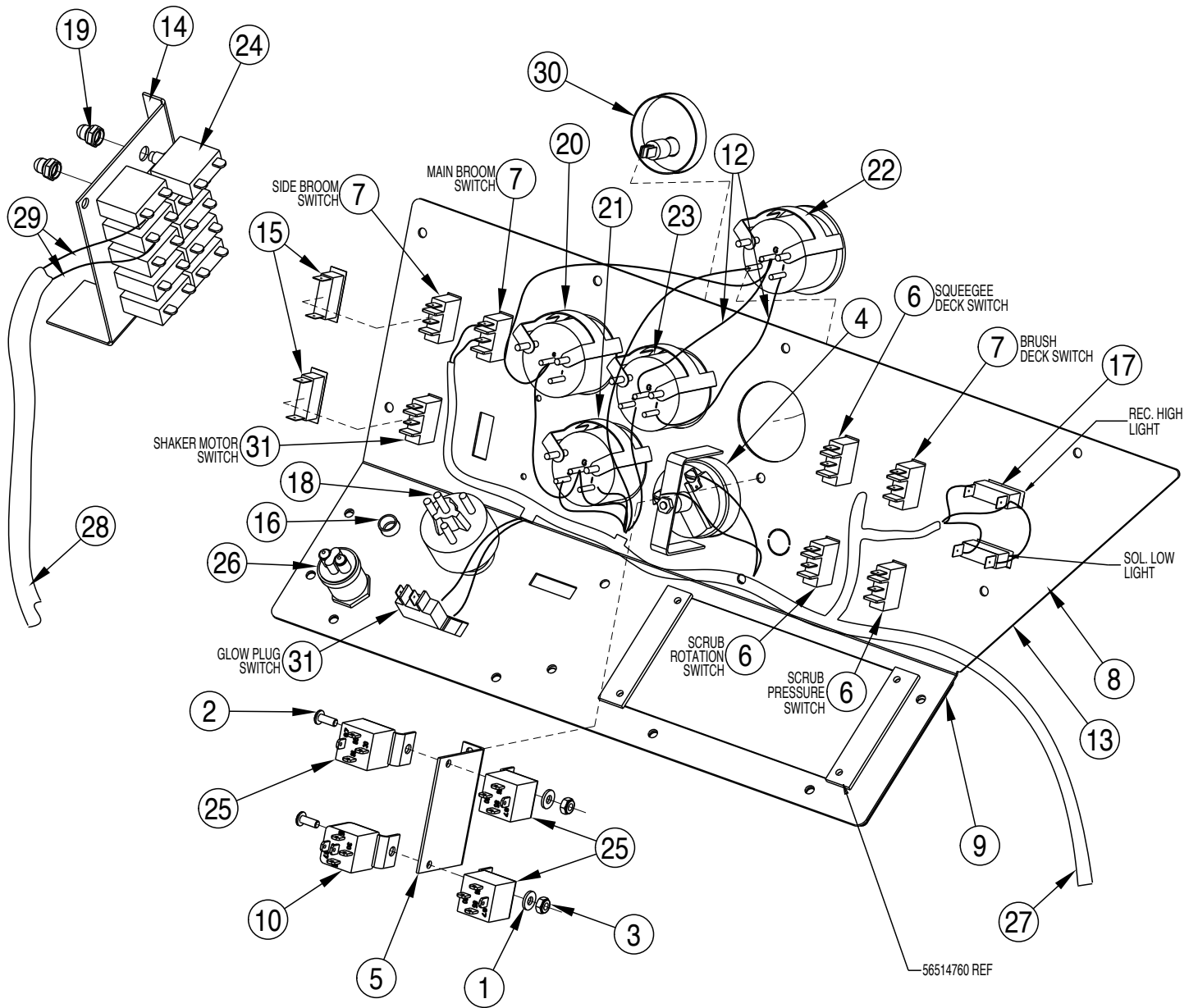
= Revised or new since last update



Item	Ref. No.	Qty	Description
1	56014601	1	Decal, Caution
2	56015370	4	Decal, Tie Down
3	56111419	1	Decal, LPG (LPG only)
4	56015424	1	Decal, Warning Hydraulic
5	56015425	2	Decal, Warning Broom
6	56015426	2	Decal, Warning Fan
7	56015427	1	Decal, Warning Tip Over
8	56015428	2	Decal, Warning Hopper
9	56015463	1	Decal, Coolant Level
10	56016363	2	Decal, Warning Hot
11	56025496	2	Decal, Caution
12	56030080	2	Decal, Hands Clear
13	56016226	1	Decal, Unleaded Fuel (Petrol only)
	56109404	1	Decal, Low Sulfur Diesel (Diesel only)
14	56016163	3	Decal, No Step
15	8-18-00490	1	Bi-directional Pedal
16	8-18-00517	1	Front Instrument Panel
17	8-18-00516	1	Top Instrument Panel
18	8-18-00521	1	Left Side Control Panel
19	8-18-00500	1	Side Broom-Pull to Raise
20	56016730	1	Decal-Advance
21	56514821	2	Decal, 7765
22	8-50-05022	3	Pad (foot pedal)
23	7-50-05136	1	Pad (edge)



Item	Ref. No.	Qty	Description
1	56001954	2	Wsh, Flt Sae #10
2	56002043	6	Scr, Pan Phil 10-24 X .38
3	56002063	4	Wsh, Flt Sae 3/8
4	56002491	8	Nut, Hex Nyl Loc Ss 1/4-20
5	56002807	8	Scr, Hex Ss 1/4-20 X .75
6	56002859	12	Wsh, Flt Sae Ss 1/4
7	56002947	4	Scr,Hex Hd Loc 3/8-16x1.00
8	56009019	1	Scr, Hex Thd Form 1/4-20 X .38
9	56009033	2	Scr, Hex Thd Form 1/4-20 X .50
10	56514760	1	Blank Panel
11	56514756	1	Housing, Console Weldment
12	56514759	1	Cover-Panel
13	56514761	1	Housing, Steering Weldment
14	56514762	1	Bracket-Console Support
15	2-00-03466	13	Screw #10-16x1/2 Self Tapping
16	2-00-04590	8	Washer, Sealing
17	2-00-04876	4	Screw- 1/4-20 X .50 Bhcs W/ Nylok
18	7-70-05135	1	Steering Column Assy
19	7-89-08041	1	Steering Wheel
20	8-11-00022	1	Cap Steering Wheel
21	56514758	1	Panel-Circuit Breaker Mount
22	56514757	1	Instrument Panel
23	7-60-05029	1	Steering Unit
*	0880-675	1	Seal Kit



09-5

INSTRUMENT PANEL CONNECTIONS

10-9

7765**141**

Item	Ref. No.	Qty	Description
1^	56001954	2	Wsh, Fit SAE #10
2^	56001993	2	Scr, Pan Phil 10-24 X .50
3^	56002832	2	Nut, Hex Nyl Loc-Thin 10-24
4^	56478363	1	Meter-Hour
5^	56516763	1	Bracket Relay
6^	7-82-00019	3	Switch SPST On/Off L
7^	7-82-00020	3	Switch SPST On/On
8^	8-18-00516	1	Decal, Control Top Control Panel
9^	8-18-00517	1	Decal, Control Front Inst Panel
10^	8-64-05009	1	Relay-12 VDC
12	8-90-07357	1	Wire Wtg To Fg (Gasoline & Diesel only)
13^	56514757	1	Weldment-Instrument Panel
14^	56514758	1	Panel-Circuit Breaker Mount
15<	2-00-04896	2	Light-Blank
16^	2-00-04942	1	Plug .50 Dia
17^	7-40-05028	2	Light-(14v) Red
18^	7-82-00026	1	Switch, Key - Anti Re-Start
19^	8-11-00044	10	Boot
20^	56482044	1	Voltmeter
21^	8-48-05027	1	Gauge, Oil Pressure
22^	8-48-05028	1	Gauge, Water Temperature
23	8-48-05032	1	Gauge, Fuel (Gasoline and Diesel only)
24^	8-64-00008	10	Circuit Breaker- 15 Amp
25^	8-64-00012	3	Relay-Shaker Motor
26^	8-82-00024	1	Horn, Push Button
27^	0795-186	1	Harness Instrument Panel
28^	0795-111	1	Harness Circuit Breaker
29^	8-90-07434	1	Wire Harness
30	7-11-04035	1	Kit, Low LP Indicator (LPG only)
31	8-82-00045	2	Switch, SPST ON-OFF

^ = Used on all models

< = Used on MD models

SPARE PARTS – GAS & LP [VARIABLE DUMP]

Item	Ref. No.	Qty	Description
BROOM & HOPPER COMPONENTS			
	7-25-08036	1	Flap, Broom Chamber Front
	7-25-08032	1	Flap - Broom Chamber
	7-25-08034	2	Flap - Broom Chamber Rear Sides
	7-25-08033	2	Flap - Broom Door
	7-29-00226	4	Gasket - Broom Door
	7-25-08068	1	Flap - Hopper Lip
	7-68-05019	1	Seal Outer Door
SQUEEGEE COMPONENTS			
	56514860	1	Kit, Rear Skirt, Squeegee
	56514859	1	Kit, Side Skirt, Squeegee
FILTERS			
	7-24-04032	1	Hydraulic Return Filter Element
	7-24-04046	1	Hopper Panel Filter
	7-24-04086	1	Engine Air Filter (Safety)
	56482029	1	Engine Air Filter (Main)
ENGINE-RELATED COMPONENTS			
GM 3.0L Gas/LP Engine			
	56109023	1	Oil Filter
	56305412	1	Fuel Filter (Gasoline)
	56109049	1	Lock, Safety Valve Connector NOTE 1
	56305410	1	Filter, Propane NOTE 1
	56508936	1	Valve-Fuel Lockoff (Propane) NOTE 2
	56508939	1	Filter (Propane) NOTE 2
	56109028	1	Belt, Water Pump & Alternator
	56504459	A/R	Seal, Front Crankshaft

SPARE PARTS - GAS & LP [MANUAL DUMP] MACHINES

Item	Ref. No.	Qty	Description
BROOM & HOPPER COMPONENTS			
	7-25-08052	1	Flap, Broom Chamber Front
	7-25-08051	1	Flap, Broom Chamber Upper
	7-25-08050	4	Flap, Hopper Lip
SQUEEGEE COMPONENTS			
	56514860	1	Kit, Rear Skirt, Squeegee
	56514859	1	Kit, Side Skirt, Squeegee
FILTERS			
	7-24-04032	1	Hydraulic Return Filter Element
	7-24-04086	1	Engine Air Filter (Safety)
	56482029	1	Engine Air Filter (Main)
ENGINE-RELATED COMPONENTS			
GM 3.0L Gas/LP Engine			
	56109023	1	Oil Filter
	56305412	1	Fuel Filter (Gasoline)
	56109049	1	Lock, Safety Valve Connector NOTE 1
	56305410	1	Filter, Propane NOTE 1
	56508936	1	Valve-Fuel Lockoff (Propane) NOTE 2
	56508939	1	Filter (Propane) NOTE 2
	56109028	1	Belt, Water Pump & Alternator
	56504459	A/R	Seal, Front Crankshaft

NOTE 1: Used on machines up to Serial No. 1000036509.

NOTE 2: Used on machines Serial No. 1000036509 and above.

09-5	SPARE PARTS - DIESEL [VARIABLE DUMP]		
11-8	7765		143

Item	Ref. No.	Qty	Description
			BROOM & HOPPER COMPONENTS
	7-25-08036	1	Flap - Broom Chamber Front
	7-25-08032	1	Flap - Broom Chamber
	7-25-08034	2	Flap - Broom Chamber Rear Sides
	7-25-08033	2	Flap - Broom Door
	7-29-00226	4	Gasket - Broom Door
	7-25-08068	1	Flap - Hooper Lip
	7-68-05019	1	Seal - Outer Door
			SQUEEGEE COMPONENTS
	56514860	1	Kit, Rear Skirt, Squeegee
	56514859	1	Kit, Side Skirt, Squeegee
			FILTERS
	7-24-04086	1	Engine Air Filter (Safety) NOTE 1
	56482029	1	Engine Air Filter (Main) NOTE 1
	7-24-04032	1	Hydraulic Return Filter Element
	7-24-04046	1	Hopper Panel Filter
			ENGINE-RELATED COMPONENTS
			Mitsubishi S4Q2 Diesel Engine
	7-24-04097	1	Oil Filter
	7-24-04089	1	Element Fuel Filter S4Q2/S4L2 NOTE 2
	56109487	1	Fuel Filter Element NOTE 3
	2-00-05968	1	Belt, Alternator/Fan
	56504421	1	Solenoid & Linkage, Shut Down
	56504455	A/R	Ring Set, Piston
	56504456	A/R	Bushing, Con-Rod

NOTE 1: Both filters should be changed at the same time
NOTE 2: Only used on obsolete Tier 2 Fuel Filter Assembly 7-24-04078.
NOTE 3: Only used on Fuel Filter Assembly 56109485 and Fuel Filter Kit 56381949 which replaces obsolete Tier 2 Fuel Filter Assembly 7-24-04078.

Item	Ref. No.	Qty	Description
BROOM & HOPPER COMPONENTS			
	7-25-08052	1	Flap, Broom Chamber Front
	7-25-08051	1	Flap, Broom Chamber Upper
	7-25-08050	4	Flap, Hopper Lip
REAR SQUEEGEE COMPONENTS			
	56514860	1	Kit, Rear Skirt, Squeegee
	56514859	1	Kit, Side Skirt, Squeegee
FILTERS			
	7-24-04086	1	Engine Air Filter (Safety) NOTE 1
	56482029	1	Engine Air Filter (Main) NOTE 1
	7-24-04032	1	Hydraulic Return Filter Element
ENGINE-RELATED COMPONENTS			
Mitsubishi S4Q2 Diesel Engine			
	7-24-04097	1	Oil Filter
	7-24-04089	1	Element Fuel Filter S4Q2/S4L2 NOTE 1
	56109487	1	Fuel Filter Element NOTE 2
	2-00-05968	1	Belt, Fan/Alternator
	56504421	1	Solenoid & Linkage, Shut Down
	56504455	A/R	Ring Set, Piston
	56504456	A/R	Bushing, Con-Rod

NOTE 1: Both filters should be changed at the same time

NOTE 2: Only used on obsolete Tier 2 Fuel Filter Assembly 7-24-04078.

NOTE 3: Only used on Fuel Filter Assembly 56109485 and Fuel Filter Kit 56381949 which replaces obsolete Tier 2 Fuel Filter Assembly 7-24-04078.

09-5	ENGINE SERVICE PARTS - MITSUBISHI S4Q2 DIESEL		
11-11	7765		145

TIER 2

Item	Ref. No.	Qty	Description
	0775-287	1	Alternator
	7-23-00022	1	Fan, S4Q2 Engine
	2-00-05968	1	Belt, Alternator/Fan
	7-60-05048	1	Water Pump
	7-29-00339	1	Gasket, Water Pump
	7-24-04097	1	Oil Filter
	7-75-03005	4	Glow Plug
	7-64-00041	1	Relay, Glow Plug (installed on wire harness)
	7-64-00040	1	Relay, Murphy (installed on wire harness)
	0769-029	1	Injector
	7-56-04071	1	Pipe, Cylinder #1
	7-56-04072	1	Pipe, Cylinder #2
	7-56-04073	1	Pipe, Cylinder #3
	7-56-04074	1	Pipe, Cylinder #4
	7-56-04079	1	Pipe, Fuel Leak-Off
	7-29-00312	1	Gasket, Thermostat
	7-84-08016	1	Thermostat
	0775-285	1	Starter
	7-29-00338	1	Gasket, Cylinder Head
	56504421	1	Solenoid & Linkage, Shut Down
	7-24-04089	1	Element Fuel Filter S4Q2/S4L2 NOTE 1
	56109487	1	Fuel Filter Element NOTE 2
	7-82-00052	1	Switch, Water Temperature
	7-82-00055	1	Switch, Oil Pressure (for Murphy Shutdown)
	56504485	1	Manifold, Exhaust S4Q2
	56504486	1	Gasket, Manifold to Head
	56504487	1	Gasket, Manifold to Pipe
	56504536	1	Pump-Oil Feed-Mitsu-S4Q2

TIER 4

Item	Ref. No.	Qty	Description
	56109487	1	Fuel Filter Element
	56109470	1	Bracket Throttle Cable Mtg
	56109481	1	Pipe Cylinder 1 S4Q2 T4
	56109482	1	Pipe Cylinder 2 S4Q2 T4
	56109483	1	Pipe Cylinder 3 S4Q2 T4
	56109484	1	Pipe Cylinder 4 S4Q2 T4
	56109492	1	Pipe Return Fuel
	2-00-05968	1	Belt, Waterpump/Alternator Mitsu S4Q2
	7-24-04097	1	Filter, Oil Mitsubishi S4Q2
	7-56-04079	1	Pipe, Balance Mitsubishi S4Q2
	7-60-05048	1	Pump, Water Mitsubishi S4Q2
	7-75-03004	4	Glow Plug, Mitsubishi S4Q2
	0769-029	4	Injector, Mitsubishi S4Q2
	0775-285	1	Starter, Mitsubishi S4Q2
	0775-287	1	Alternator, Mitsubishi S4Q2
	7-29-00312	1	Gasket, Thermostat Mitsubishi S4Q2
	7-84-08016	1	Thermostat, Mitsubishi S4Q2
	8-69-00014	1	Sender-Water Temp

NOTE 1: Only used on obsolete Tier 2 Fuel Filter Assembly 7-24-04078.

NOTE 2: Only used on Fuel Filter Assembly 56109485 and Fuel Filter Kit 56381949 which replaces obsolete Tier 2 Fuel Filter Assembly 7-24-04078.

#NOTE 3: Tier 4 Diesel was implemented as of serial number 1000033463.

= Revised or new since last update

ENGINE SERVICE PARTS - GM 3.0 GAS-LP IMPCO

09-5

146

7765

11-11

Item	Ref. No.	Qty	Description
	56109000	1	ECU, 2006 LP Cert 3.0L NOTE 1
	56109113	1	ECU, 2007 LP Cert 3.0L NOTE 1
	56109001	1	ECU, 2006 Gas Cert 3.0L NOTE 2
	56109114	1	ECU, 2007 Gas Certified 3.0L NOTE 2
	0795-225	1	Harness, 3.0L LP
	0795-228	1	Harness, 3.0L Gas
	0795-220	1	Harness, Engine To Machine Interface
	0795-226	1	Harness, Fuel Temp Extension
	56109002	1	Sensor, Coolant
	56109003	1	Sensor, Crankshaft Position
	56305405	1	Sensor, TMAP
	56109005	1	Sensor, O2 Pre Cat
	56109006	1	Switch, Oil Pressure
	56504476	1	Sender, Water Temp
	8-69-00005	1	Sender, Oil Pressure
	56109007	1	Water Pump
	56109008	1	Oil Pump
	56109009	1	Gasket, Cylinder Head
	56381950	A/R	Bolt Head
	56109010	1	Gasket, Valve Cover
	56109011	1	Gasket, Lifter Cover
	56109012	1	Gasket, Intake Manifold
	56109013	1	Plate, Drive, SAE 13T B-B
	56109014	6	Bolt, Drive Plate
	56109015	1	Distributor Assembly (Complete)
	56109016	1	Distributor Cap
	56109017	1	Distributor Rotor
	56109018	1	Ignition Module
	56109019	1	Ignition Coil
	56109020	1	Coil Wire
	56109021	1	Spark Plug Wire Set
	56109022	4	Spark Plug
	56109023	1	Oil Filter
	56109024	1	PCV Valve
	56109025	1	Starter
	56109026	2	Bolt, Starter
	56305867	1	Alternator
	56109028	1	Belt, Water Pump & Alternator
	56109029	1	Thermostat, 180
	56109030	1	Gasket, Thermostat
	56109032	1	Gasket, Thermostat Housing
	56381943	1	Housing Thermostat
	56504540	1	Bracket-EPR Mounting (LPG)
	56504541	1	Fitting-2 in. Pipe Nipple (LPG)
#	56382678	1	Pulley-Water Pump GM 3L

= Revised or new since last update

NOTE 1: Use ECU 56109000 for 2006 engine (P/N: 39000558). Use ECU 56109113 for 2007 engine (P/N: 39000653).**NOTE 2:** Use ECU 56109001 for 2006 engine (P/N: 39000559). Use ECU 56109114 for 2007 engine (P/N: 39000655).

Item	Ref. No.	Qty	Description
	56504513	A/R	Engine-Long Block Assy 3.0l
	56109033	1	Throttle Body, Bosch 40mm
	56109034	1	Gasket, Bosch Throttle Body
	56109035	1	Mixer, IMPCO Model 100
	56109036	1	Gasket, Adapter - Mixer
	56109040	1	Adapter, Mixer - Throttle Body
	56109041	2	Seal, Mixer Adapter
	56109042	1	O-Ring, Mixer Adapter
	56109043	1	Electronic Pressure Regulator
	56109044	1	Sender, LPG Temp - EPR
	56109045	1	Fitting Kit - EPR
	56109046	3	Isolator, EPR
	56109047	1	Hose, Water - EPR
	7-88-00110	1	Valve, LP Safety
	56109048	1	Connector, Safety Valve
	56109049	1	Lock, Safety Valve Connector NOTE 3
	56305410	1	Filter, Propane NOTE 3
	56508936	1	Valve-Fuel Lockoff (Propane) NOTE 4
	56508939	1	Filter (Propane) NOTE 4
	56109050	1	Fuel Rail Assembly
	56109051	4	Fuel Injector
	56109185	1	Intake Manifold, GM 3.0L
	56109186	1	Exhaust Manifold, GM 3.0L
	56504459	A/R	Seal, Front Crankshaft
	56109084		Engine Service Kit
	56504475	1	Hose, Breather Cap
	56504474	1	Cap, Oil Fill

NOTE 3: Used on machines up to Serial No. 1000036509.

NOTE 4: Used on machines Serial No. 1000036509 and above.

ENGINE SERVICE PARTS - GM 3.0 GAS-LP PSI

09-5

148

7765

11-11

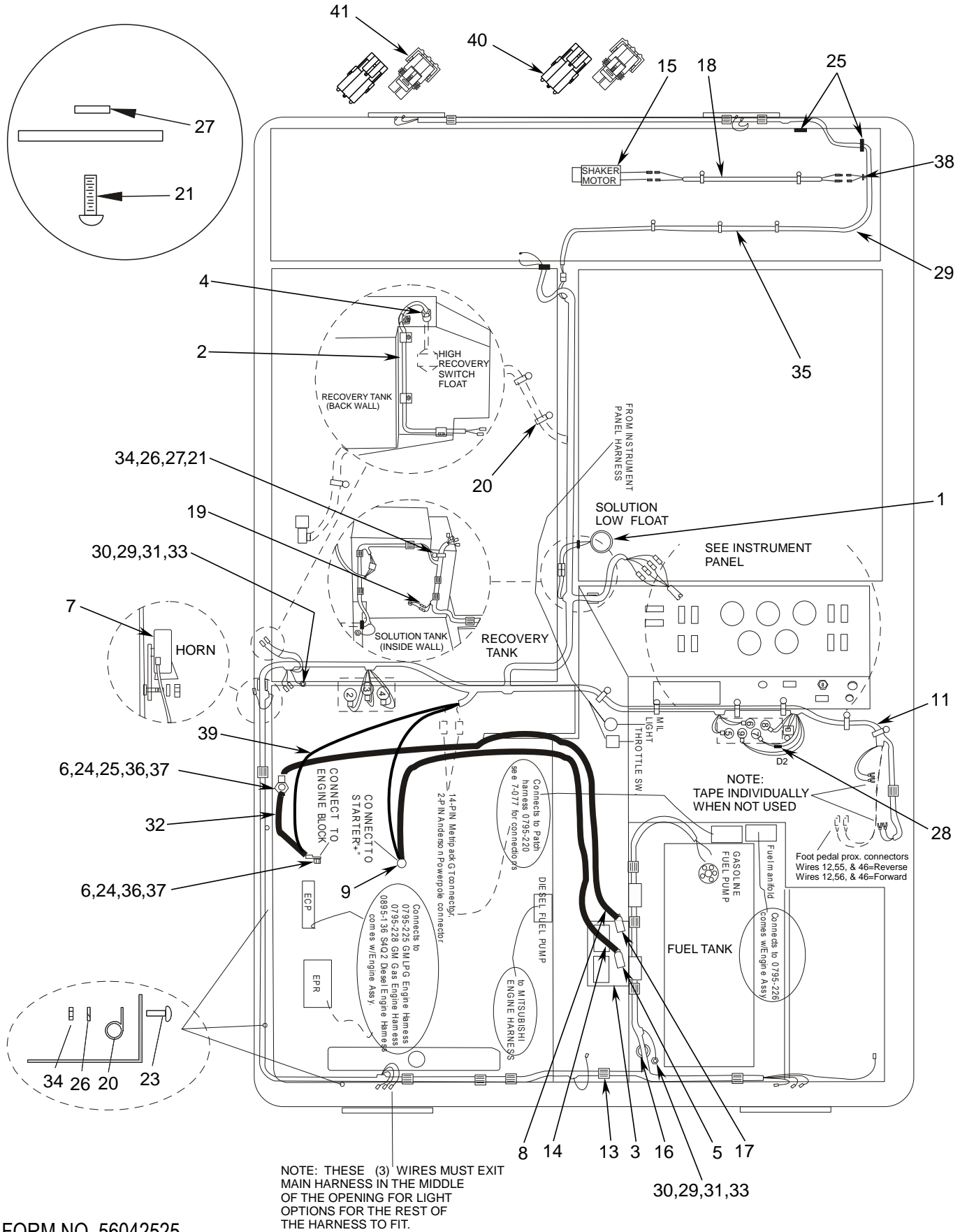
Item	Ref. No.	Qty	Description
Engine 3.0L GM (PSI)			
*	0795-220	1	Harness: Engine - Machine Patch
*	56109002	1	Sensor, Coolant
*	56109003	1	Sensor, Crankshaft Position
*	56305405	1	Sensor, Tmap
*	7-11-04081	1	Sensor-O2
*	56380238	1	Sender-3.0l Oil Pressure
*	8-69-00013	1	Sender, Water Temp
*	8-69-00005	1	Sender, Oil Pressure
*	56109007	1	Water Pump
*	56109008	1	Oil Pump
*	56109010	1	Gasket, Valve Cover
*	56109011	1	Gasket, Lifter Cover
*	56109012	1	Gasket, Intake Manifold
*	56109013	1	Plate, Drive, Sae 13t B-B
*	56109014	6	Bolt, Drive Plate
*	56109015	1	Distributor Assembly
*	56109016	1	Distributor Cap
*	56109017	1	Distributor Rotor
*	56109018	1	Ignition Module
*	56109019	1	Ignition Coil
*	56109020	1	Coil Wire
*	56109021	1	Spark Plug Wire Set
*	56109022	4	Spark Plug
*	56109023	1	Oil Filter
*	56109205	1	Valve-Pcv
*	56109025	1	Starter
*	56109026	2	Bolt, Starter
*	56305867	1	Alternator, 7si
*	56109028	1	Belt, Alternator
*	56109029	1	Thermostat, 180°F
*	56109030	1	Gasket, Thermostat
*	56109032	1	Gasket, Thermostat Housing
*	56109034	1	Gasket, Throttle Body
*	56381943	1	Housing Thermostat
*	56381950	A/R	Bolt Head
*#	56382678	1	Pulley-Water Pump GM 3L
*	56109084	A/R	Engine Service Kit

= Revised or new since last update

* = Optional, Not Included

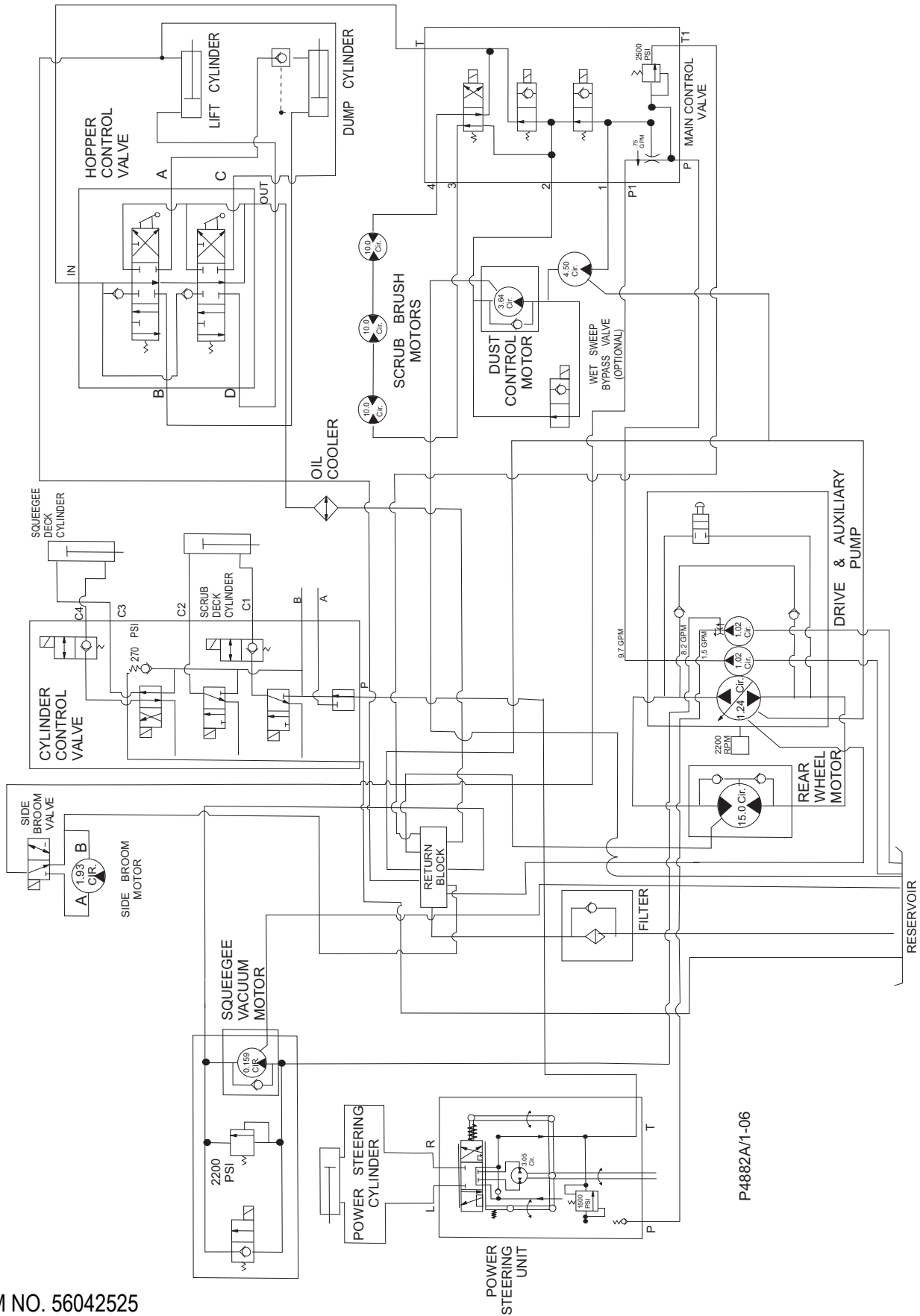
Item	Ref. No.	Qty	Description
			Engine 3.0L GM (PSI)
			GAS/PETROL ONLY
*	56380130	1	Harness-Psi 3.0l Gas
*	56109033	1	Throttle Body, Bosch 40mm
*	56109050	1	Fuel Rail Assembly
*	56109051	4	Fuel Injector
*	56380128	1	Ecu-Psi 3.0l Gas
*	0795-226	1	Harness, Fuel Temp Extension
*	56305062	1	Fuel Pump
*	56109052	1	Fitting, Fuel Pump
*	56305412	1	Fuel Filter
*	7-11-04082	1	Manifold, Fuel Temp - Return
*	7-11-04083	4	Fitting, -6 Stor - 5/16 Sae J2044
*	7-11-04084	1	Fitting, -3 Stor - 5/16 Sae J2044
			LPG ONLY
*	56380131	1	Harness-Psi 3.0l Lp
*	56380129	1	Ecu-Psi 3.0l Lp
*	56380136	1	Depr-Psi 3.0l
*	56380138	1	Regulator-Dual Stage
*	56109207	1	Adapter-3.0l Mixer
*	56111892	1	Elbow-90 Deg Reducer
*	56380151	1	Hose-Intake
*	56109206	1	Body-3.0l Throttle
*	56380145	1	Mixer-Psi 3.0l Lpg
*	56109036	1	Gasket, Adapter - Mixer
*	56109040	1	Adapter, Mixer - Throttle Body
*	56109041	2	Seal, Mixer Adapter
*	56109042	1	O-Ring, Mixer Adapter
*	56109043	1	Electronic Pressure Regulator (Epr)
*	56109044	1	Sender, Lpg Temp - Epr
*	56109045	1	Fitting Kit, Epr
*	56109046	3	Isolator, Epr
*	56109047	1	Hose, Water - Epr
*	7-88-00110	1	Valve, Lp Safety
*	56109048	1	Connector, Safety Valve
*	56109049	1	Lock, Safety Valve Connector
*	56508936	1	Valve-Fuel Lockoff
*	56508939	1	Cartridge-Lpg Filter
*	56109208	1	Manifold-3.0l Intake

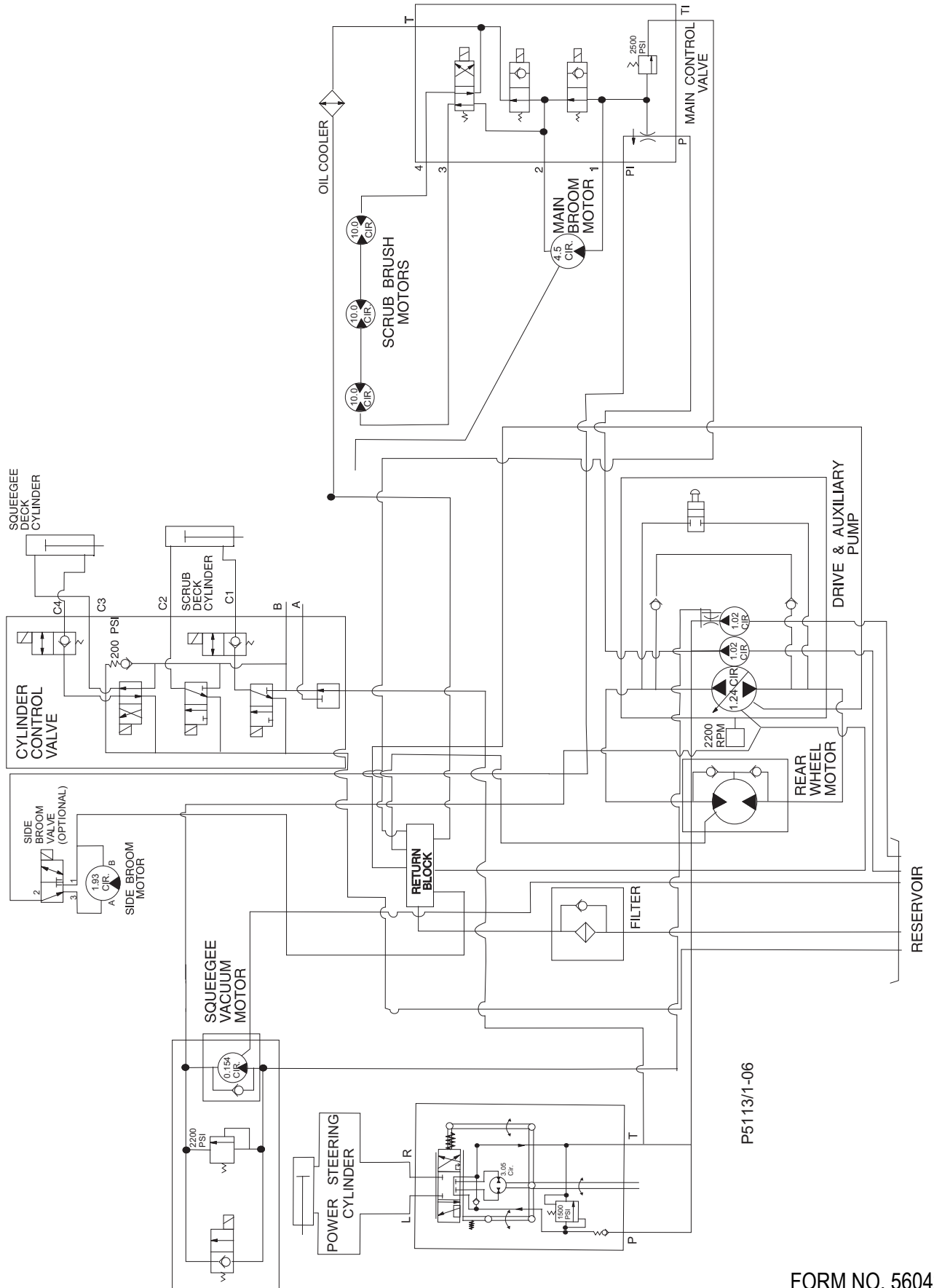
* = Not Shown

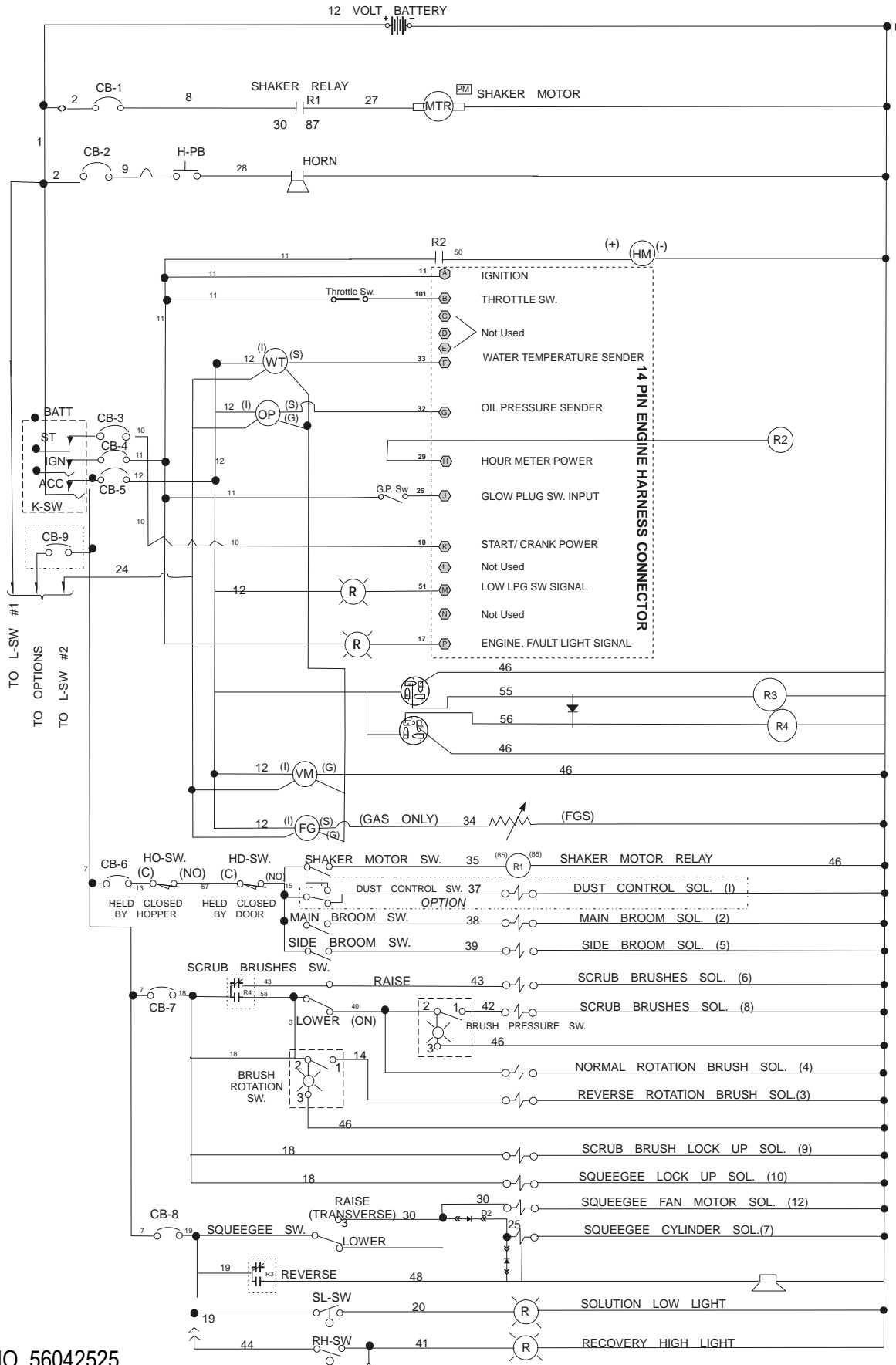


Item	Ref. No.	Qty	Description
1	7-82-00017	Ref.	Switch, Float (Solution Low)
2	7-82-00021	Ref.	Switch, Float (Rec. High)
3	0875-008	Ref.	Battery (Gas/LP Only)
	0875-057	Ref.	Battery (Diesel Only)
4	8-09-01083	1	Bushing, Connector (Liquid Tight)
5	2-00-05171	1	Boot, Protective (Red)
6	2-00-00232	Ref.	Screw, 3/8-16 x .75 HHC
7	8-32-09013	Ref.	Horn
8	7-90-07515	Ref.	Cable, Battery (Negative)(Gas/LP)
	7-90-07262	Ref.	Cable, Battery (Negative)(Diesel)
9	2-00-04952	1	Boot, Protective (Red)
11	0795-187	1	7760 Machine Harness
12	2-00-03060	Ref.	Screw, #10-24 x .25 THMS
13	7-13-07096	26	Clamp Hose Single 1/2 O.D.
14	7-90-07514	Ref.	Cable, Battery (Positive)(Gas/LP)
	7-90-07280	Ref.	Cable, Battery (Positive)(Diesel)
15	0880-705	Ref.	Motor, Shaker
16	8-09-01081	1	Bushing, Snap
17	2-00-05173	Ref.	Boot, Protective (Black)
18	8-90-07433	1	Wire Assembly, Hopper (HO - WA)
19	2-00-04551	2	Terminal-Bullet Male
20	2-00-04602	3	Clamp
21	2-00-03061	Ref.	Screw, #10-24 x .50 RHM
22	2-00-04345	39	Ty-Rap Thomas + Betts-Ty-28M
23	2-00-00056	Ref.	Screw, #10-24 x .75 THM
24	2-00-03829	Ref.	Lock Washer, 3/8 Int./Ext.
25	2-00-02360	Ref.	Nut, 3/8-16 Hex
26	2-00-00519	4	Lk Washer 10 Med Sec Zn
27	2-00-00460	Ref.	Flat Washer, #10
28	0875-087	1	Diode Assembly (D2)
29	2-00-00183	2	Screw, 1/4 - 20 x .75 THM
30	2-00-00518	2	Lock Washer, 1/4 ID Helical Spring
31	2-00-00594	2	Nut, 1/4-20 Hex
32	8-90-07328	1	Wire Contactor To Shunt
33	2-00-00498	2	Lock Washer, 1/4 Ext.
34	2-00-00605	4	Nut Hex Mac-Scr 10-24 Stl/Zn
35	0795-164	1	Harness, Hopper
36	2-00-00402	2	Flat Washer, 3/8
37	2-00-00319	2	Lock Washer, 3/8 I.D. Helical Spring
38	2-00-03878	1	Grommet
39	0795-221	1	Harness-Power 7760 GM 3.0L
40	56462360	4	Conn Wr Pk Male 2 W
41	56462361	4	Conn.Wr.Pk.2 Way Fe
[]	56409310	8	Plug, Cavity Wp

[] = Not Shown



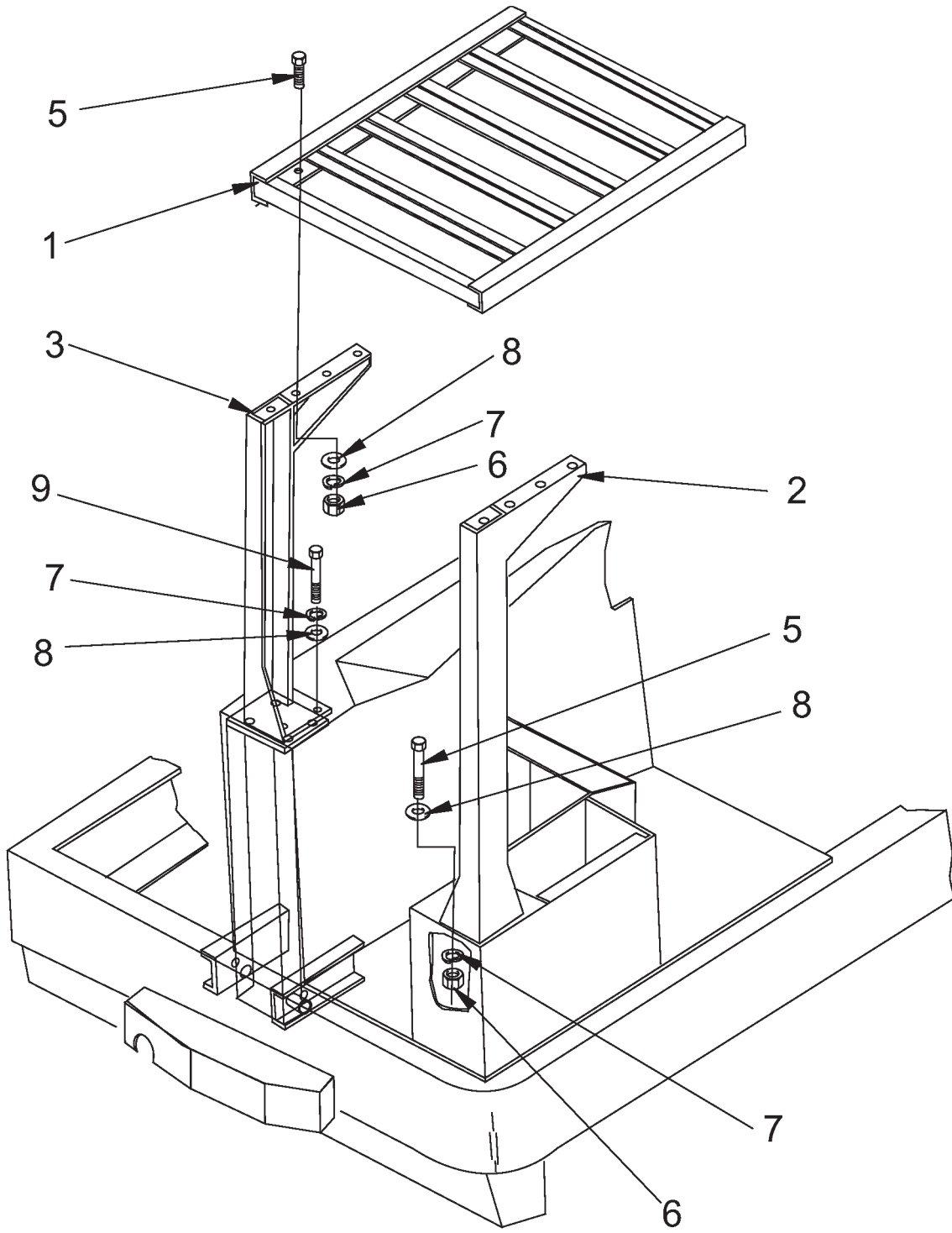




09-5	OPTIONS			
10-9	7765			155

Item	Ref. No.	Qty	Description
			Factory Installed Option
*	0780-377	1	Back Up Alarm
*	56514864	1	ESP Option
*	0780-443	1	Seat Belt
*	0780-380	1	Fire Extinguisher
*	56514874	1	Overhead Guard
*	0780-378	1	Spray & Vac Wand
*	0780-387	1	Side Broom (for MD Models)
*	0780-382	1	Squeegee Wand
*	0780-109	1	Suspension seat with RH Arm Rest
*	56514878	1	Stainless Steel VD Hopper (in lieu of Standard)
*	56514881	1	Stainless Steel Low Dump Hopper (in lieu of standard)
*	56514880	1	125 Gal Solution & Recovery tanks (Manual Dump models only in lieu of standard)
*	56514879	1	Auxillary LP Tank Mount w/o Tank
*	56514862	1	Dual Feed LP Tanks (w/o auxillary tank)
*	0780-723	1	Extended 4 corner roller bumpers
*	0780-724	1	Bumper Frame Wrap Around (poly)
*	56514869	1	Curb Broom Light
*	0880-406-1	1	Rotating Light Option
*	0880-359-1	1	Flashing Light Option
*	0880-408-1	1	Rotating Light Option (for overhead guard)
*	0880-360-1	1	Flashing Light Option (for overhead guard)
*	56514868	1	Head, Tail and Instrument Lights
*	56514867	1	Head, Tail, Instrument and Brake Lights
*	56514866	1	Head, Tail, Instrument, Brake Lights, Turn Signals and 4-Way Flashers
*	0780-236	1	Recovery Tank Debris Basket
*	0780-381	1	Wet Sweep Bypass (not available on manual dump)
*	0780-710	1	High Torque Drive Wheel Motor (in lieu of standard)
*	0780-726	1	Timed filter shaker
*	0780-728	1	Clogged filter indicator
*	0780-727	1	Hopper High Temp Shutdown
*	0780-729	1	Solution Off in Neutral
*	0780-098	1	Urethane Front Tires
*	0780-711	1	Tire, Rear Wheel Non Marking
*	56380882	1	Directional Rear Wheel Kit
*	7-85-06008	1	Tire, Rear Wheel (Hvy Duty Option)
*	56504483	1	Tire, Rear Wheel (Directional) TSBUS2008-1006

* = Optional, Not Included



09-5

OVERHEAD GUARD OPTION**7765****157**

Item	Ref. No.	Qty	Description
	56514874		Overhead Guard Option
1	56514900	1	Guard (Weldment)
2	56514901	1	Support (Weldment)
3	56514902	1	Support-(Weldment)
5	2-00-00239	12	Screw, 1/2 - 13 x 1.000 HHC
6	2-00-02352	12	Nut, Hex 1/2 - 13 x .875 x .484
7	2-00-02312	16	Lock Washer, Helical Spring 1/2 Med
8	2-00-01444	16	Flat Washer, .750 x .520 x .062
9	2-00-00240	4	Screw, 1/2 - 13 x 1.250 HHC

09-5

SIDE BROOM OPTION - MANUAL DUMP

10-2

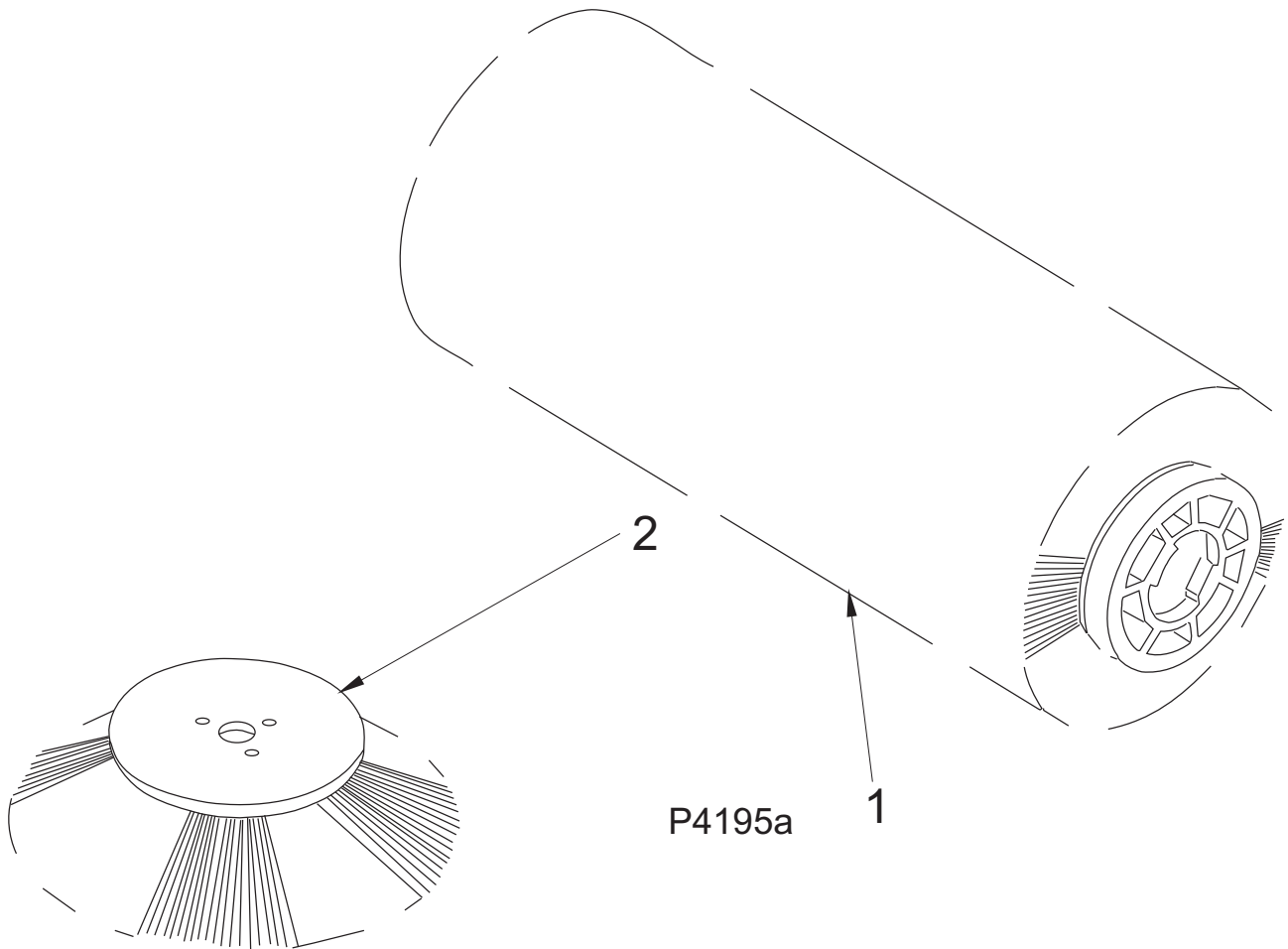
7765

159

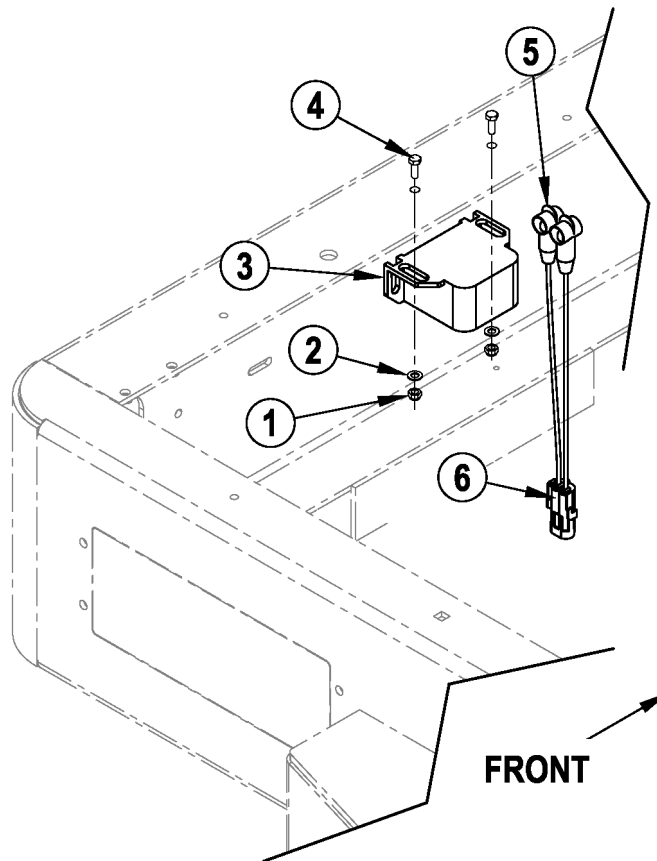
Item	Ref. No.	Qty	Description
	0780-387		
1	2-00-04210	2	Clamp
2	2-00-00049	2	Screw, 10-24 x .50
3	2-00-00512	2	Lock Washer, 10
4	2-00-00605	2	Nut, Hex 10-24
5	8-21-04030	1	Edging
6	7-10-00029	1	Cable
7	2-00-00585	11	Nut, Hex 5/16-18
8	2-00-00530	11	Lock Washer, Helical Spring 5/16
9	7-08-00705	1	Cable Bracket
10	8-15-01003	1	Collar, 3/4 ID w/setscrew
11	7-09-01134	1	Bushing, 3/8-16 Thd.
12	7-79-00060	1	Lift Cable Strap
13	7-08-00841	1	Bracket Side Broom
14	2-00-00409	5	Flat Washer, 5/16
15	7-03-04154	1	Side Broom Arm
16	7-08-00859	1	Side Broom Bracket
17	2-00-03029	3	Screw, 5/16-18 x 1.0 HSFHC
18	0885-061	1	Hydraulic Broom Drive Motor, w/Key
19	7-25-06038	1	Adapter Flange
20	8-08-03107	1	Side Broom
21	2-00-00447	1	Flat Washer 1.25 x .25
22	2-00-00518	4	Lock Washer, 1/4
23	2-00-03537	1	Screw, 1/4-28 x 2.0 HHC
24	2-00-03564	5	Screw, 5/16-18 x 1.0
25	2-00-02310	1	Lock Washer, Helical Spring 3/8
26	2-00-00232	1	Screw, 3/8-16 x .75- HHC
27	7-18-00215	1	Side Broom Label
28	7-82-00020	1	Switch
29	2-00-04918	2	Fitting
30	8-33-02216	2	Hose, ORS-4-Str. Ends
31	2-00-04895	2	Fitting
32	2-00-00218	3	Screw, 5/16-18 x 2.0 HHC
33	2-00-05350	3	Screw, 1/4-28 x .625 HHC

160

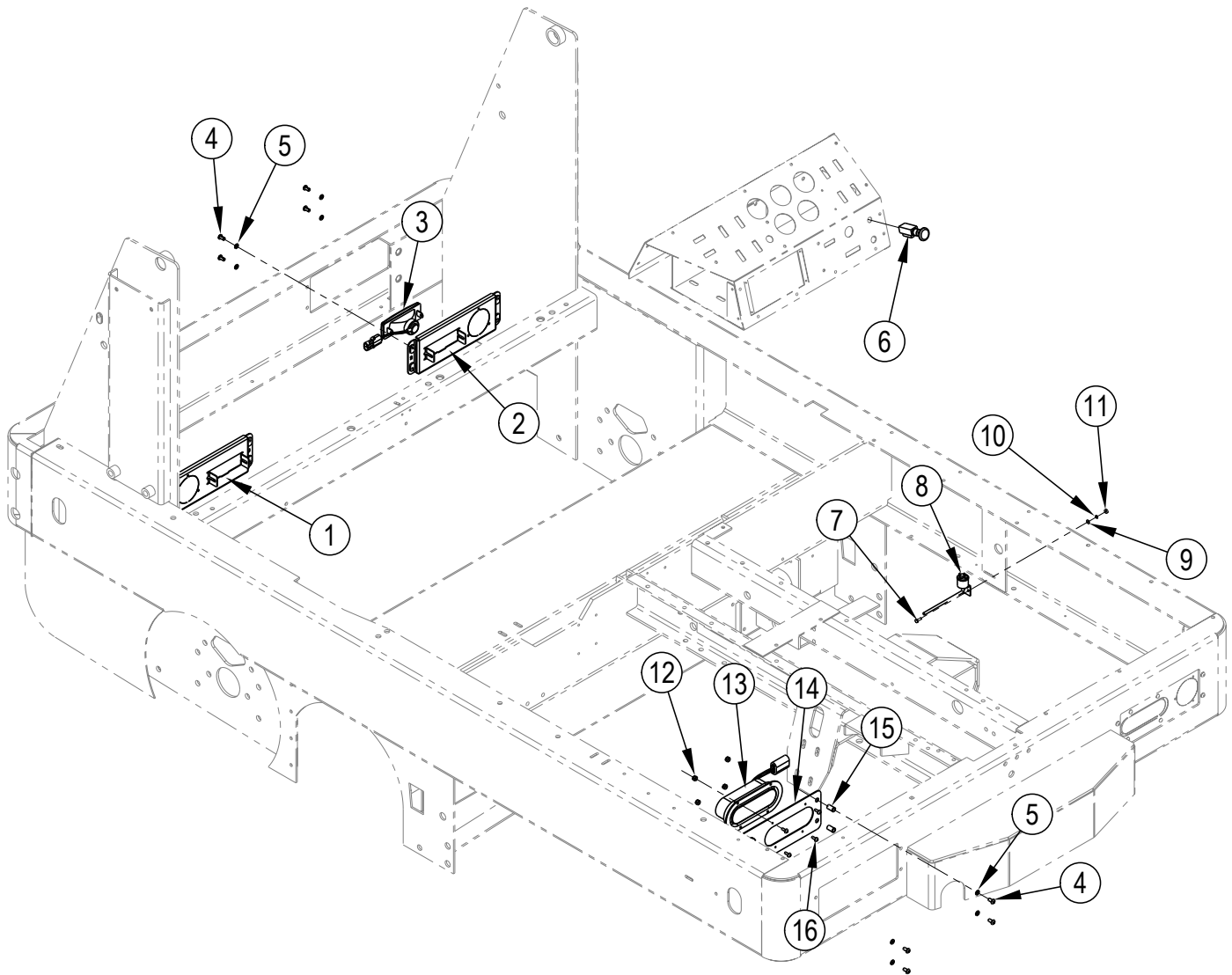
7765



Item	Ref. No.	Qty	Description
1	8-08-03180	1	Proex and Wire
1	8-08-03190	1	Proex
1	8-08-03191	1	Natural Fiber and Wire
1	8-08-03193	1	Nylon
1	8-08-03200	1	Polypro Prolene
1	8-08-03196	1	Nylon, High Density
1	8-08-03198	1	Fiber and Wire, High Density
2	8-08-03107	1	Poly Prolene
2	8-08-03177	1	Nylon



Item	Ref. No.	Qty	Description
	0780-377		Back-Up Alarm Option
1	2-00-00641	2	Nut-Ins-Fibre .25-20 Zn Pl
2	2-00-03702	2	Wshr-Fl..625x.281x.063 Stl.Zn
3	56409232	1	Back-Up Alarm
4	2-00-00221	2	Scr-Hex 1/4-20 x .75
5	56409538	2	Terminal Insulator
6	56409495	1	Wire Assy, Pigtail



09-5

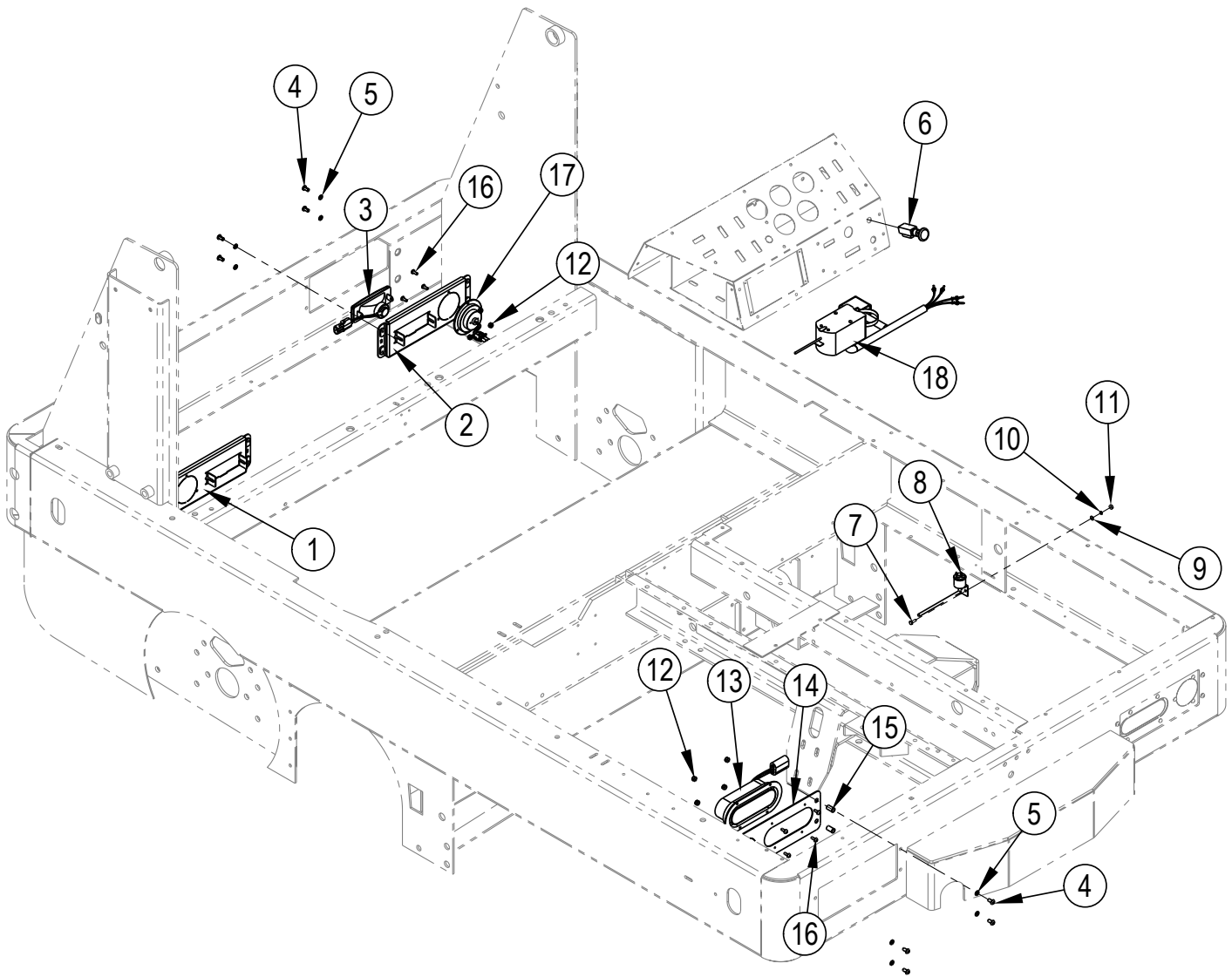
LIGHTS OPTIONS

11-8

7765**163**

Item	Ref. No.	Qty	Description
	56514867		Headlights/Taillights/Brake Lights/Instrument Lights
	56514868		Headlights/Taillights/Instrument Lights
1	56381888	1	Bracket-Headlight Right
2	56381890	1	Bracket-Headlight Left
3	7-40-05046	1	Light, 12VDC, 55W Headlight (2 headlights)
4	2-00-04876	16	Screw, 1/4 - 20 x .500 BHS
5	2-00-00501	16	Washer - 1/4 Lock Int
6	8-82-00027	1	Light Switch, Push/Pull
7	2-00-00049	2	Scw-Rhm 10-24 X .50 Zn Pl (56514867 only)
8	8-82-00039	1	Switch-Brake (56514867 only)
9	2-00-00455	2	Washer, Flat, #10 (56514867 only)
10	2-00-00519	2	Lockwasher - 10-24 (56514867 only)
11	2-00-00605	2	Nut, 10-24 Hex (56514867 only)
12	2-00-01246	8	Nut - #10-24 Elastic Stop Nut
13	7-40-05047	2	Taillight
14	56514885	2	Bracket, Rear Light
15	2-00-05261	8	Insert, 1/4-20
16	2-00-00049	8	Scw - RHM 10-24 x .50 Zn Pl
[]	8-40-05030	4	Instrument Light and Lead
[]	2-00-05183	1	Spade Terminal, Female
[]	2-00-04578	6	Male Bullet Plug
[]	7-90-07229	1	Wire
[]	8-11-00015	1	Terminal

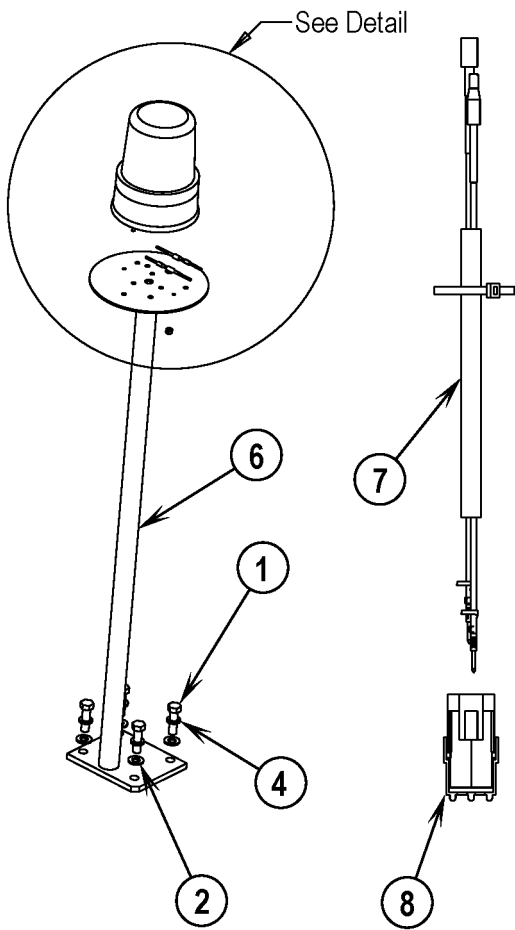
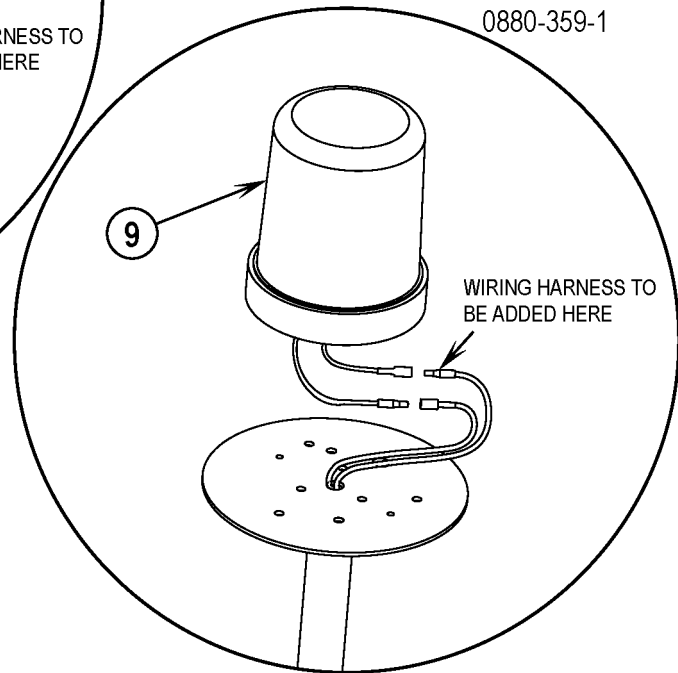
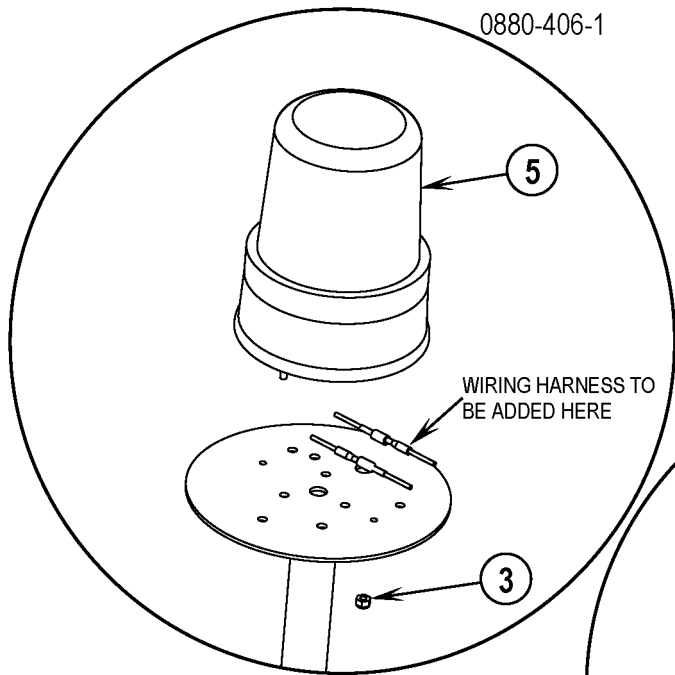
[] = Not Shown



09-5	LIGHTS & TURN SIGNALS OPTION			
11-8	7765			165

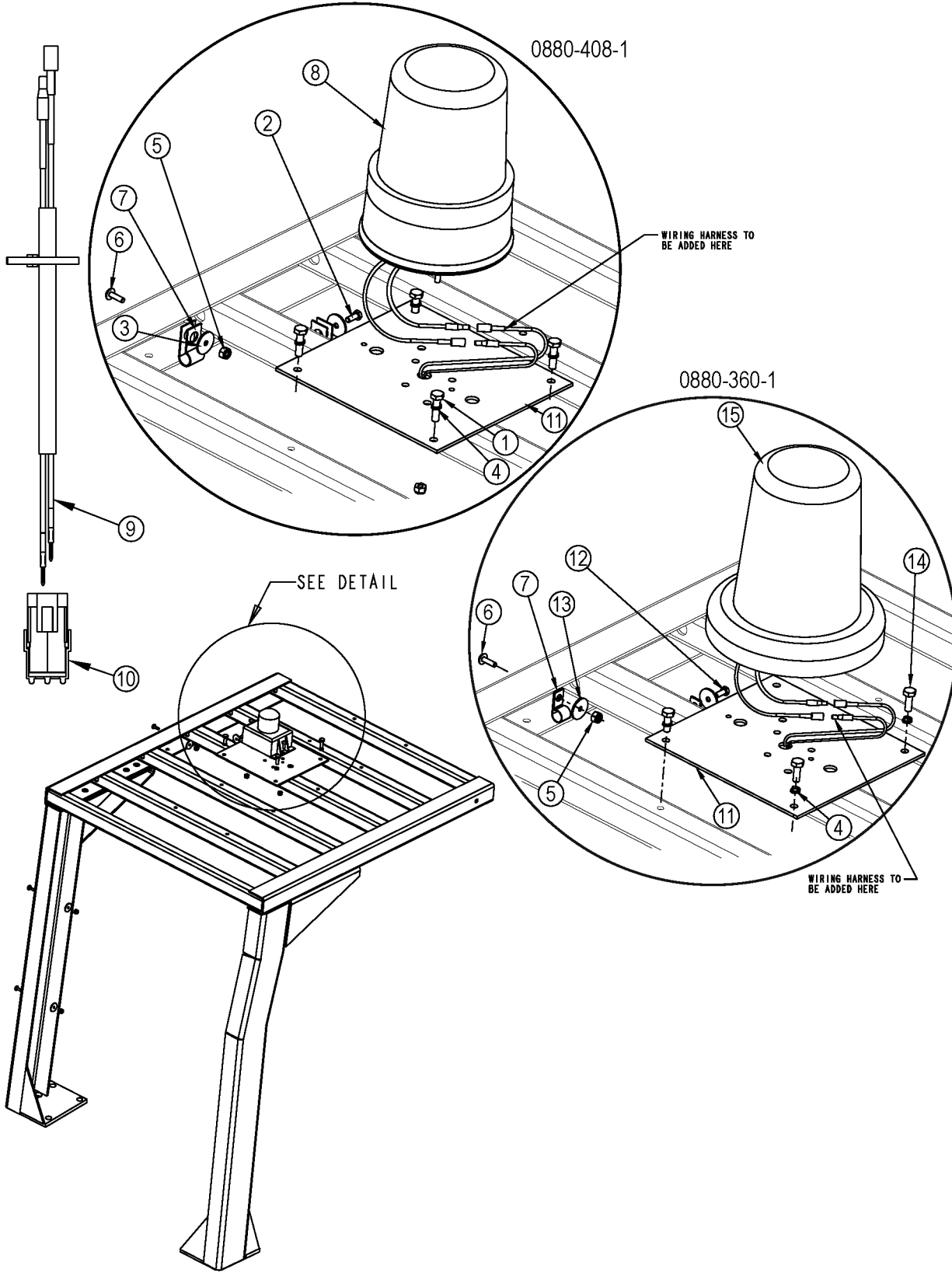
Item	Ref. No.	Qty	Description
	56514866		Headlights/Taillights/Instrument Lights/Brake Lights & Turn Signals
1	56381888	1	Bracket-Headlight Right
2	56381890	1	Bracket-Headlight Left
3	7-40-05046	1	Light, 12VDC, 55W Headlight (2 headlights)
4	2-00-04876	16	Screw, 1/4 - 20 x .500 BHS
5	2-00-00501	16	Washer - 1/4 Lock Int
6	8-82-00027	1	Light Switch, Push/Pull
7	2-00-00049	2	Scw-Rhm 10-24 X .50 Zn Pl
8	8-82-00039	1	Switch-Brake
9	2-00-00455	2	Washer, Flat, #10
10	2-00-00519	2	Lockwasher - 10-24
11	2-00-00605	2	Nut, 10-24 Hex
12	2-00-01246	20	Nut - #10-24 Elastic Stop Nut
13	7-40-05047	2	Taillight
14	56514885	2	Bracket, Rear Light
15	2-00-05261	8	Insert, 1/4-20
16	2-00-00049	20	Scw - RHM 10-24 x .50 Zn Pl
17	7-40-05048	4	Light, Amber Side Marker
18	8-82-00025	1	Turn Signal Switch
[]	8-40-05030	4	Instrument Light and Lead
[]	2-00-05183	1	Spade Terminal, Female
[]	2-00-04578	11	Male Bullet Plug
[]	7-90-07229	1	Wire
[]	8-11-00015	1	Terminal
[]	2-14-03197	1	Rubber Washer, 1.000 x .187 x .125

[] = Not Shown

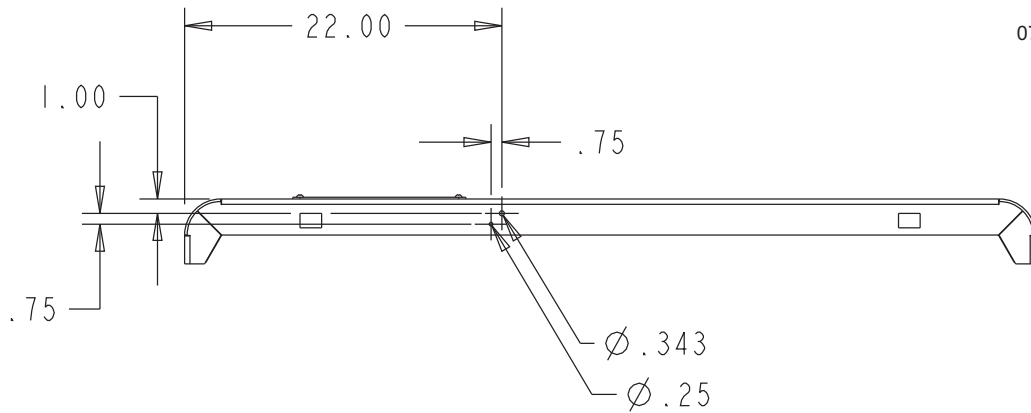
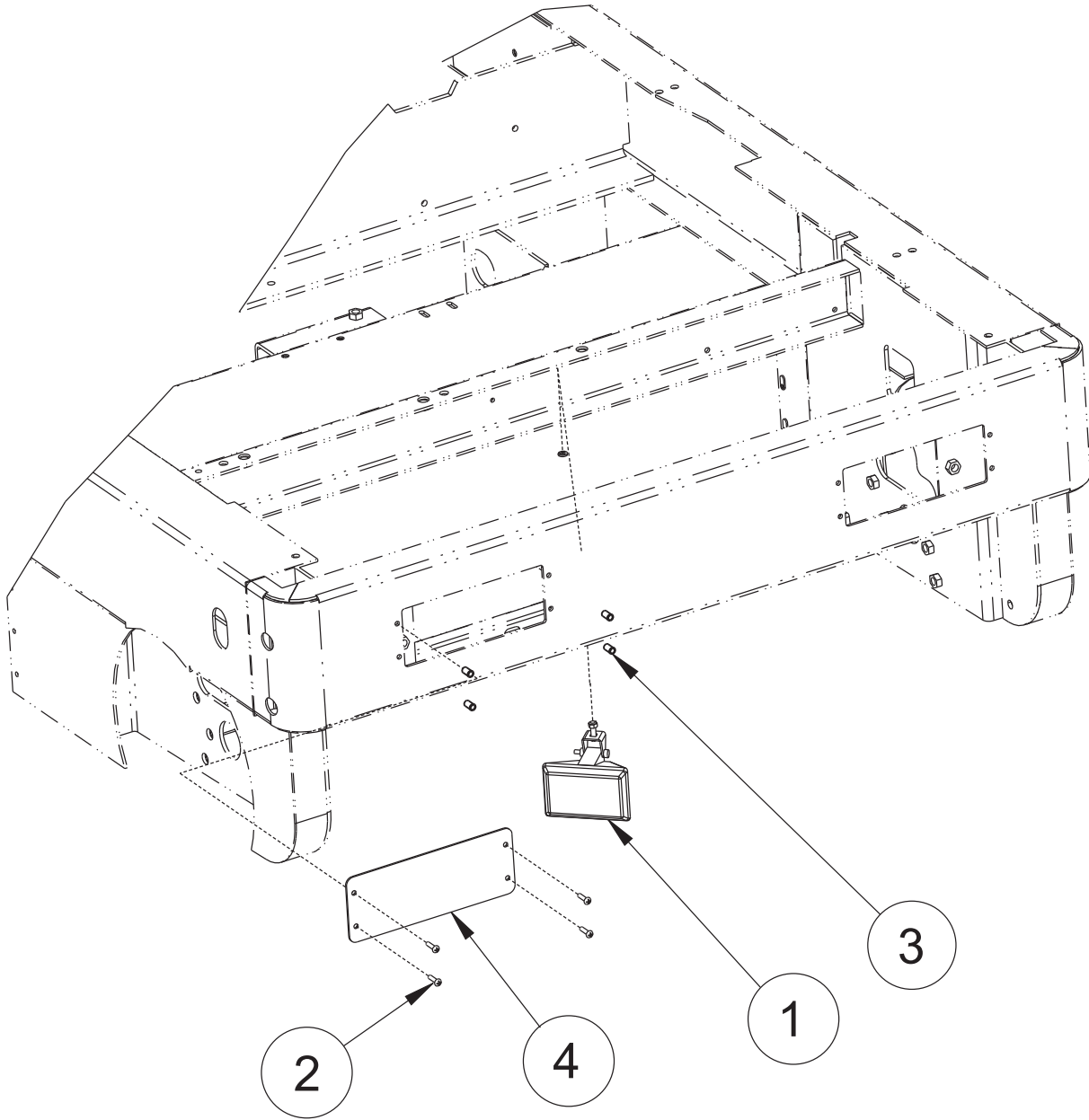


Item	Ref. No.	Qty	Description
	0880-406-1		Rotating Light Option
1	2-00-00241	4	Bolt 1/2-13 X 1-3/4 LG
2	2-00-00405	4	Flat Washer, 1.063 x .531 x .094
3	2-00-01246	2	Nut-10-24 Elastic Stop Nut
4	2-00-02312	4	Washer, 1/2" Lock
5	8-40-05039	1	Warning Light, Amber Revolving
6	56514904	1	Pole, Light
7	56109254	1	Harness, Warning Light
8	56462360	1	Connector, 2-Way

Item	Ref. No.	Qty	Description
	0880-359-1		Flashing Light Option
1	2-00-00241	4	Bolt 1/2-13 X 1-3/4 Lg
2	2-00-00405	4	Flat Washer, 1.063 x .531 x .094
4	2-00-02312	4	Washer, 1/2" Lock
6	56514904	1	Pole, Light
7	56109254	1	Harness, Warning Light
8	56462360	1	Connector, 2-Way
9	8-40-05041	1	Light, Emergency, Amber



Item	Ref. No.	Qty	Description
	0880-408-1		Rotating Light Option
1	56002883	4	Scr, Hex SS 1/4-20 x 1.00
2	56009039	1	Scr, Hex Thd Form 10-24 X .50
3	56009096	4	Wsh, Flt .193 X .875 X .060
4	2-00-00548	4	1/4" Lock Washer
5	2-00-01246	5	Nut-10-24 Elastic Stop Nut
6	2-00-03062	3	Screw, 10-24 X 5/8 LG
7	2-00-04602	4	Clamp
8	8-40-05039	1	Warning Light, Amber Revolving
9	56109253	1	Harness, Warning Light
10	56462360	1	Connector, 2-Way
11	56514906	1	Plate, Flasher
Item	Ref. No.	Qty	Description
	0880-360-1		Flashing Light Option
4	2-00-00548	4	1/4" Lock Washer
5	2-00-01246	3	Nut-10-24 Elastic Stop Nut
6	2-00-03062	3	Screw, 10-24 X 5/8 LG
7	2-00-04602	4	Clamp
9	56109253	1	Harness, Warning Light
10	56462360	1	Connector, 2-Way
11	56514906	1	Plate, Flasher
12	56009039	1	Scr, Hex Thd Form 10-24 X .50
13	56009096	4	Wsh, Flt .193 X .875 X .060
14	2-00-00221	4	Bolt-Hex Head, Finished, 1/4-20x3/4 LG
15	8-40-05041	1	Light, Emergency, Amber

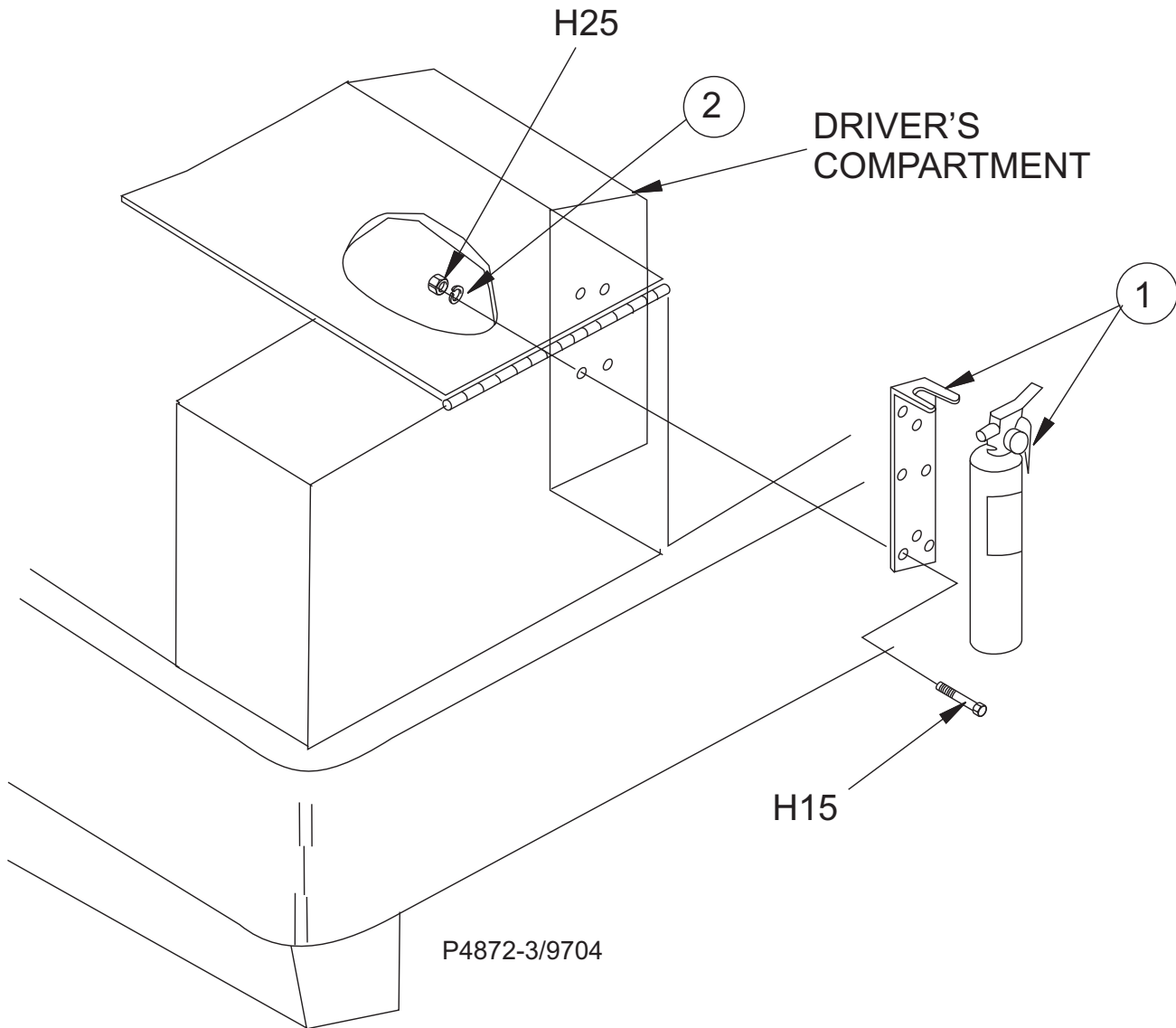


0780-725

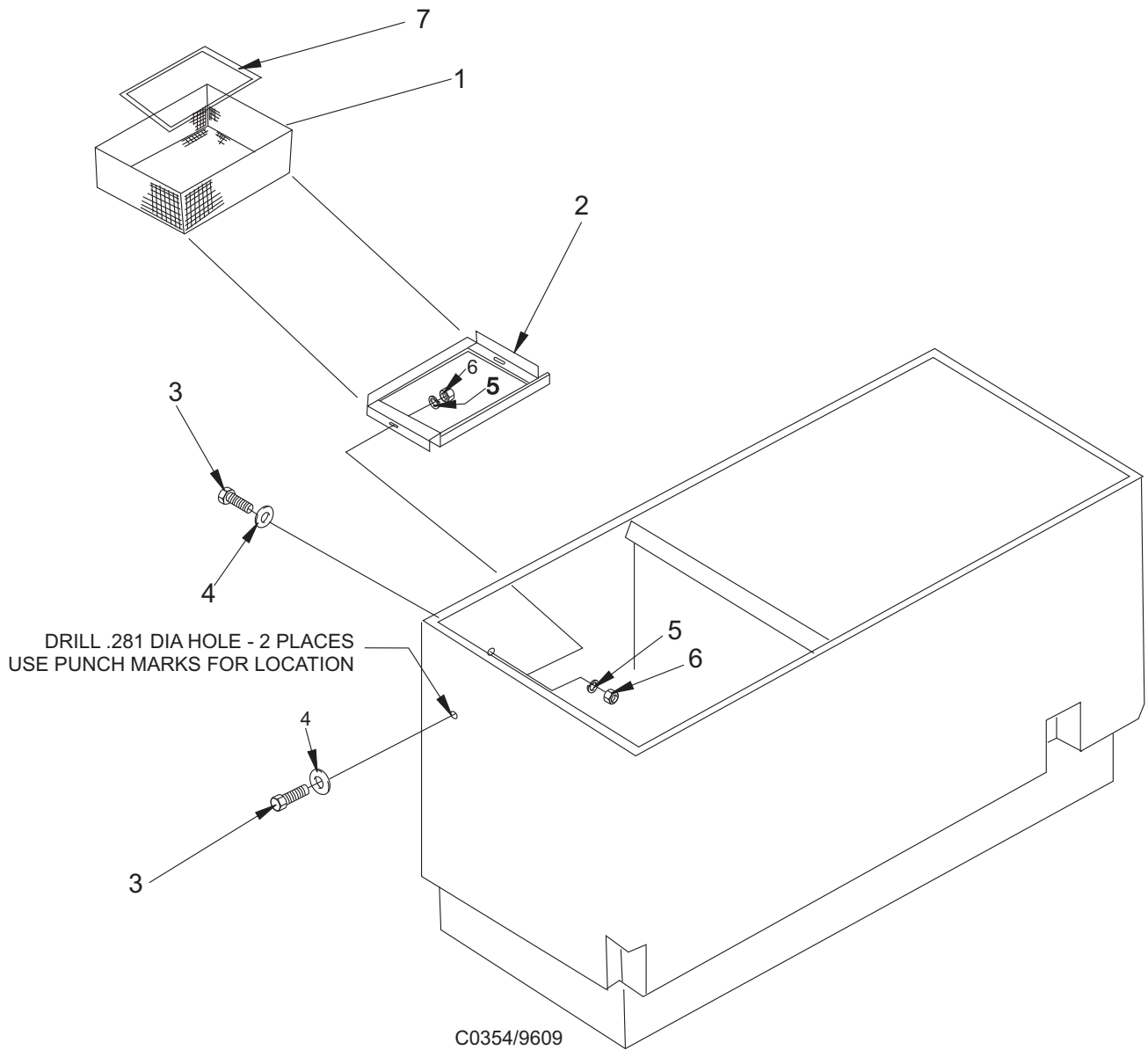
09-5	CURB LIGHT OPTION		
09-11	7765		171

Item	Ref. No.	Qty	Description
	56514869		Curb Light Option
1	8-40-05049	1	Light
2	2-00-04880	4	Screw-1/4-20 x .75 BHS GR 8 ZN
3	2-00-05261	4	Nutsert, 1/4-20
4	56514898	1	Cover, Light
[]	8-82-00027	1	Switch Head Light

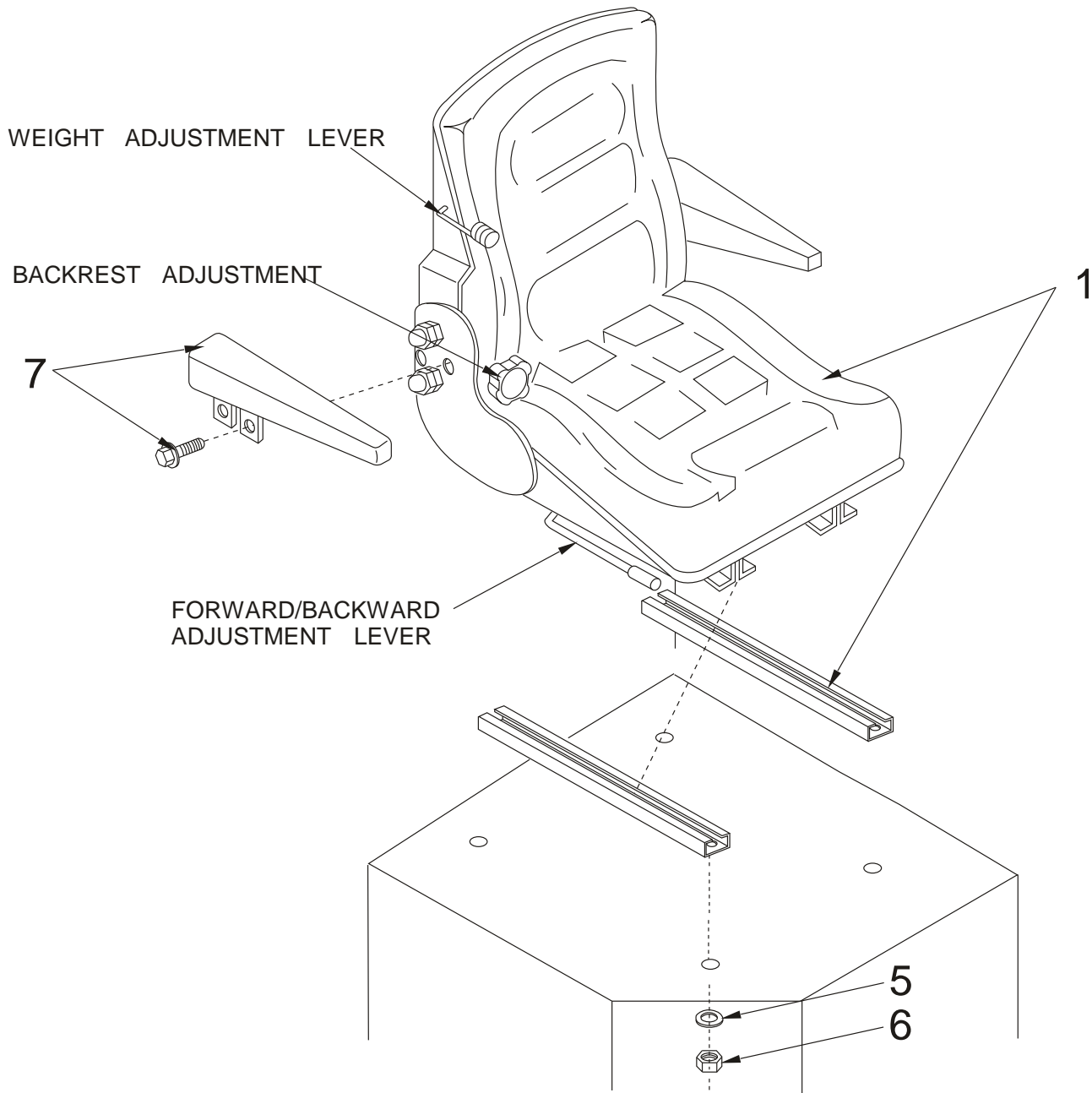
[] = Not Shown



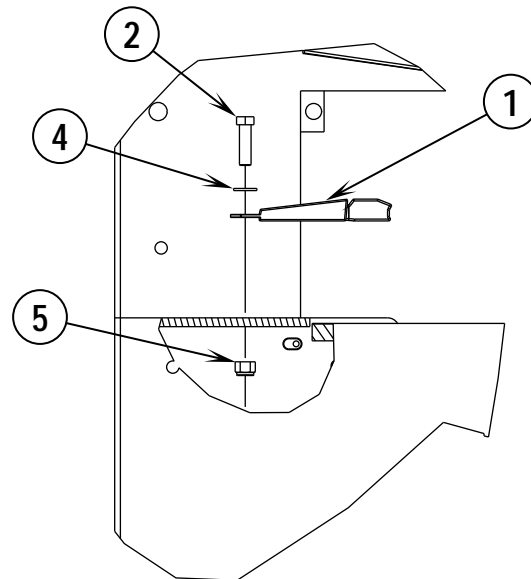
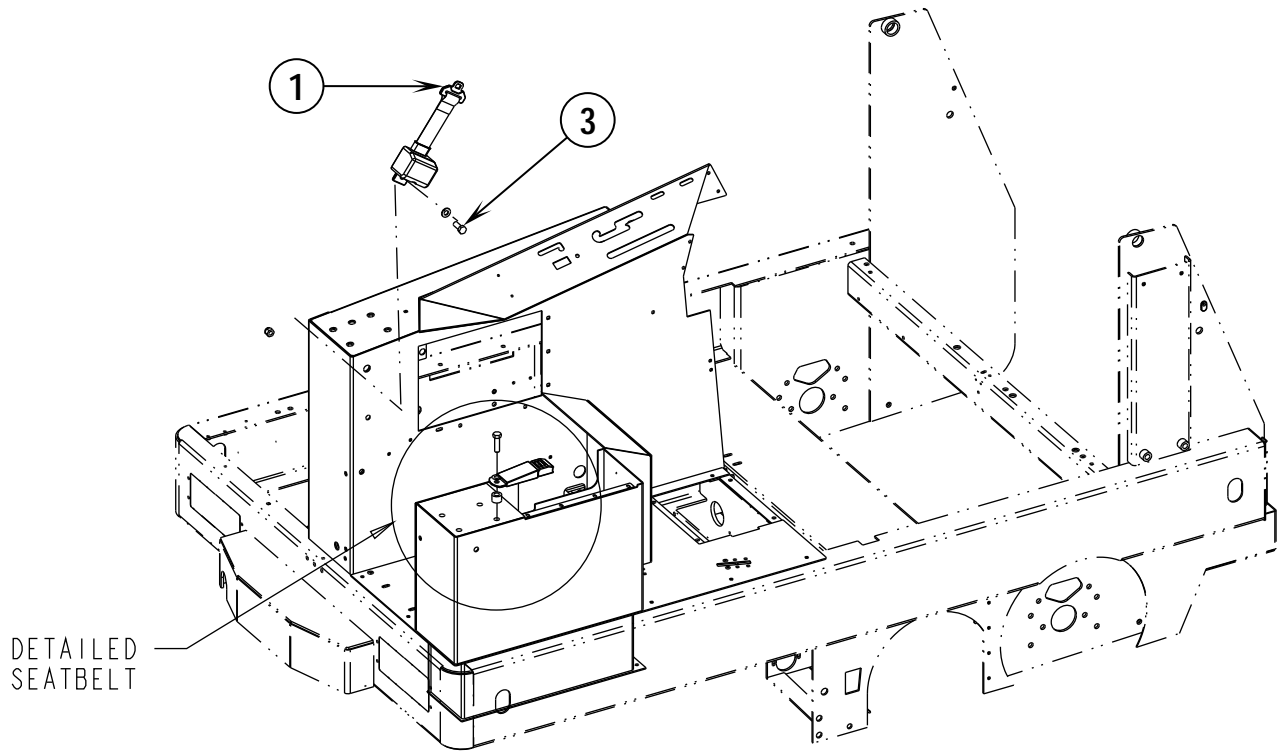
Item	Ref. No.	Qty	Description
	0780-380		Fire Extinguisher Option
1	8-83-04033	1	Fire Extinguisher
2	2-00-00221	4	Screw, 1/4 - 20 x .750 HHC
3	980657	4	Lock Washer, 1/4 Split
4	2-00-00594	4	Nut, Hex 1/4 - 20 x .437 x .218



Item	Ref. No.	Qty	Description
	0780-236		Debris Basket Option
1	7-06-00001	1	Debris Basket
2	7-27-07156	1	Debris Basket Frame
3	2-00-04685	2	Screw, 1/4-20 x .750 HHC
4	2-00-04590	2	Sealing Washer, 1/4
5	2-00-04686	2	Lock Washer, 1/4
6	2-00-04688	2	Nut, Hex 1/4-20
7	3-73-00024	3.75 ft.	Edging

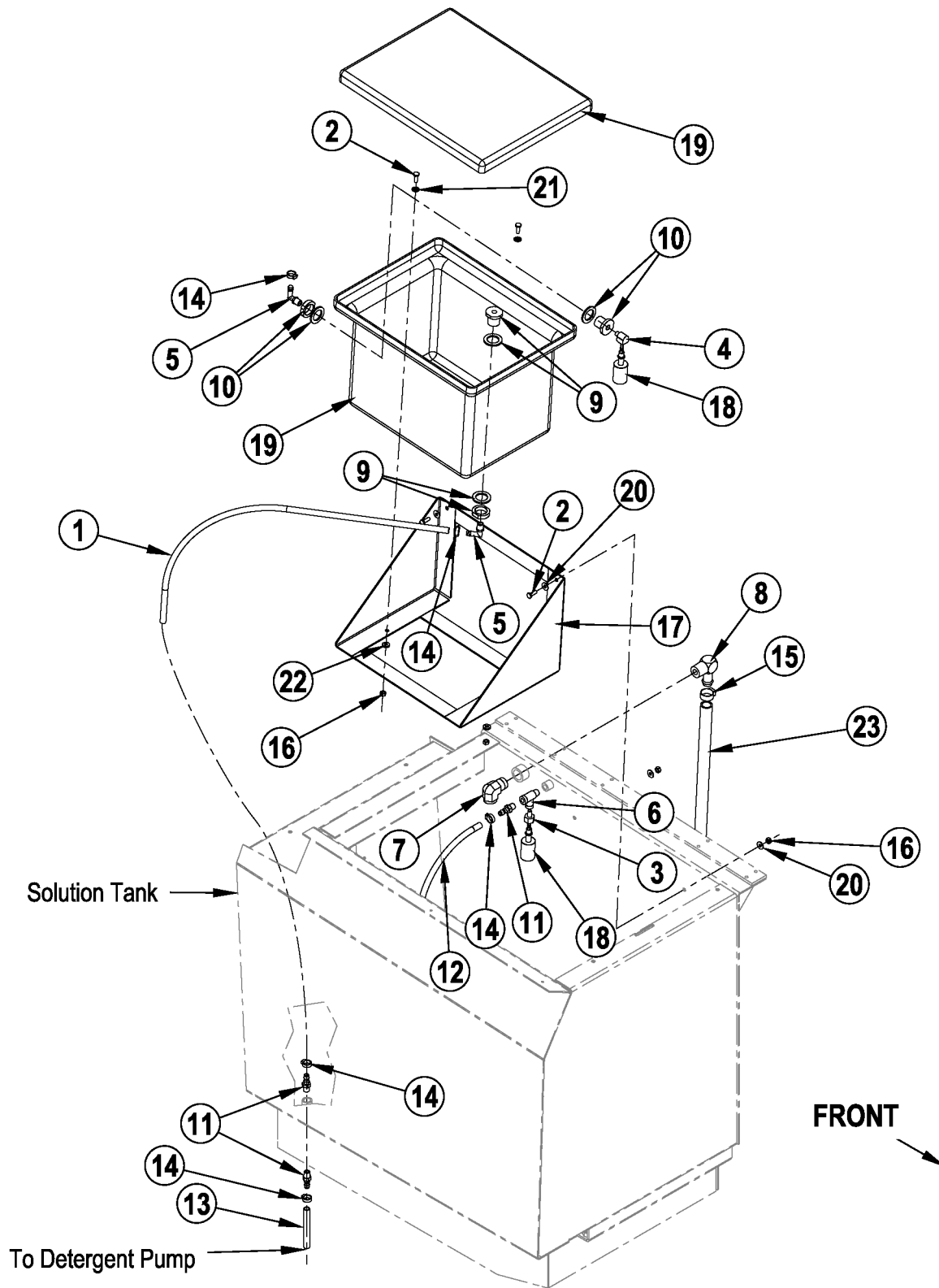


Item	Ref. No.	Qty	Description
	0780-109		Suspension Seat Option
1	8-69-00019	1	Seat without armrests
5	2-00-02322	4	Lock Washer 5/16
6	2-00-00644	4	Nut, 5/16-18 Lock
7	8-03-04320	1	Armrest Kit (Includes both Armrests)

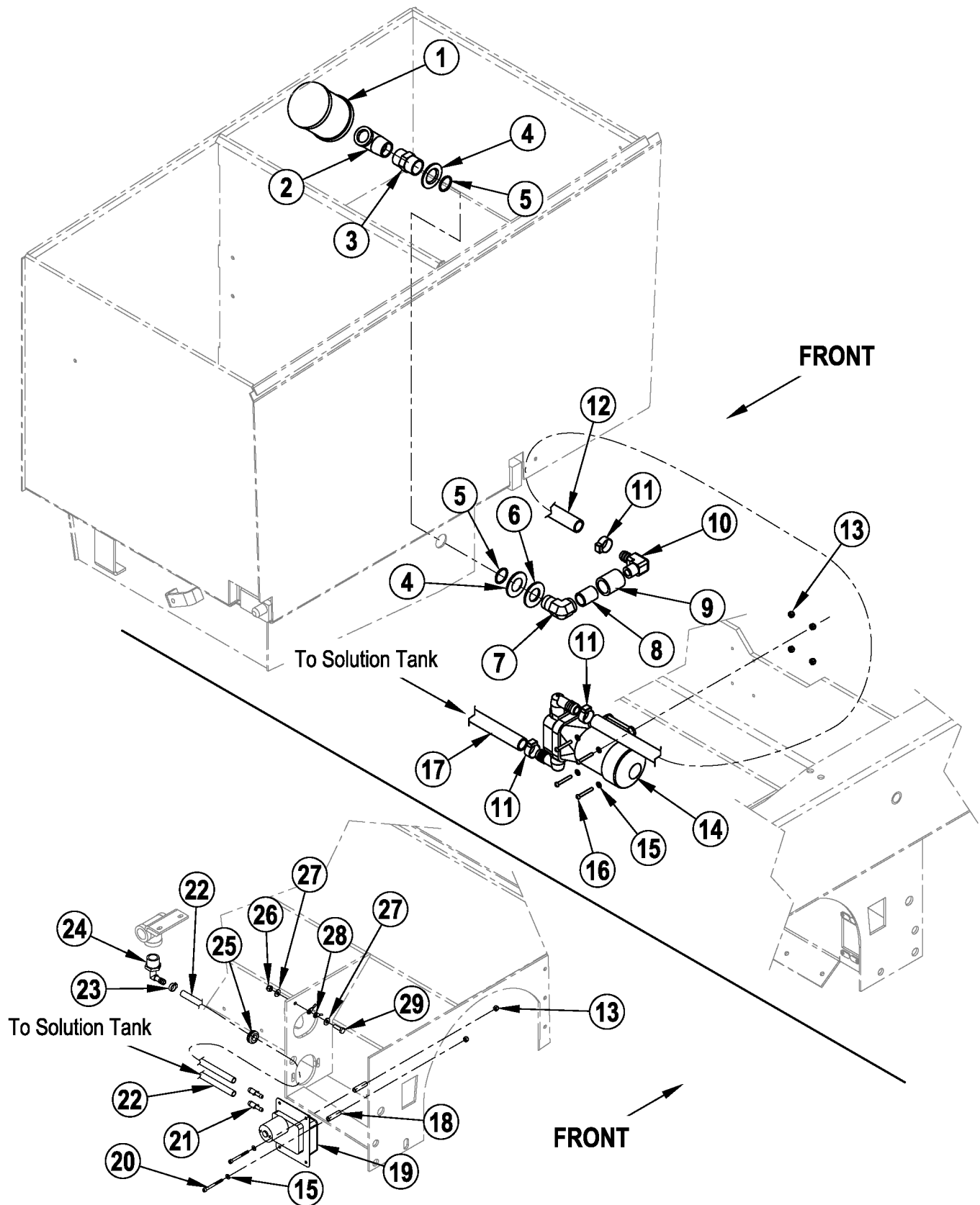


DETAIL SEATBELT

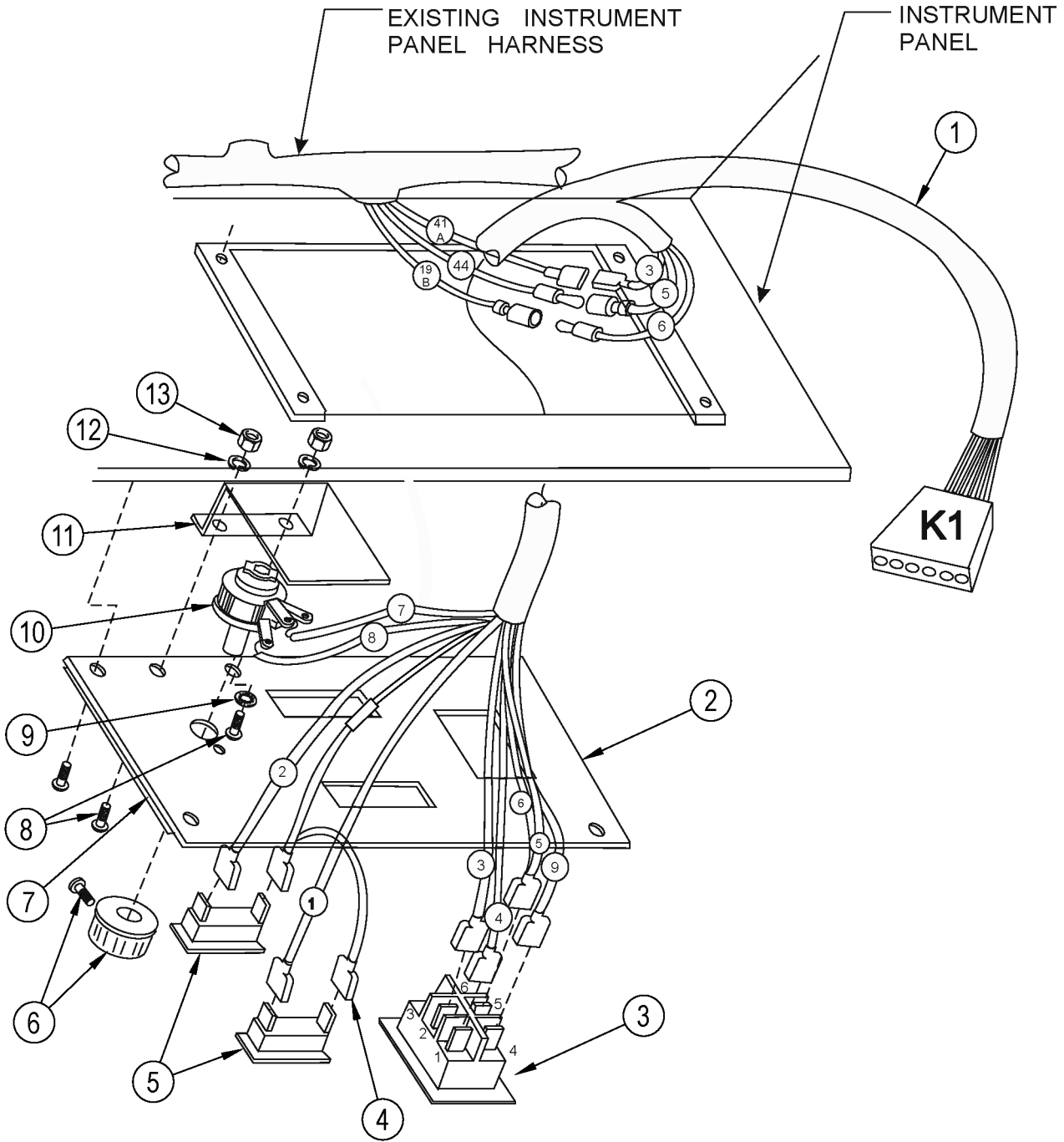
Item	Ref. No.	Qty	Description
	0780-443		Seat Belt Option for Standard Seat
1	56109301	1	Seat Belt 60"
2	2-00-00241	1	Bolt 1/2-13 x 1-3/4 LG
3	2-00-00240	1	Screw, 1/2-13 x 1.250 HHC
4	2-00-00405	2	Flat Washer, 1.063 x .531 x .094
5	2-00-04936	2	Locknut-Elastic, 1/2-13



Item	Ref. No.	Qty	Description
	56514864		ESP Option (Detergent and Solution Tank)
1	7-87-02129	1	Hose
2	2-00-04685	4	1/4-20 X 0.75" Hex Head Screw, Ss
3	2-00-05465	1	Adapter, 1/4 Female X 1/8 Male
4	2-00-05035	1	Fitting, 1/4 Npt X 1/8 Npt, Street Elbow, 90
5	2-00-04654	2	Fitting, 1/4 Npt X 3/8 Hose Barb, 90
6	2-00-04515	1	Fitting, 1/4 Npt, Running Tee
7	2-00-05672	1	Fitting, 3/4" Npt Street Elbow, 90, Brass
8	7-25-02038	1	Fitting, 3/4" Npt x 3/4" Hose Barb, 90
9	2-00-05346	1	Fitting, Bulkhead (Detergent Tank)
10	7-25-02080	1	Fitting, Bulkhead (Detergent Float)
11	2-74-00001	3	Fitting-Plastic
12	7-87-02130	1	Tube-Detergent Feed
13	7-87-02147	1	Tube-Detergent Feed
14	7-13-07084	5	Hose Clamp
15	2-00-03407	1	Hose Clamp- Witteck #10p
16	2-00-04688	4	Nut - 1/4-20 Hex
17	7-81-00187	1	Support, Detergent Tank
18	7-82-00017	2	Switch, Liquid Level
19	7-83-04162	1	Tank, Detergent
20	2-00-04689	4	Washer, 11/16 Od X .260 Id X .050 Thk
21	2-00-04590	2	Washer, Sealing
22	2-00-04687	2	Washer-Lock, 1/4" Helical Spring
23	7-33-02328	1	Hose



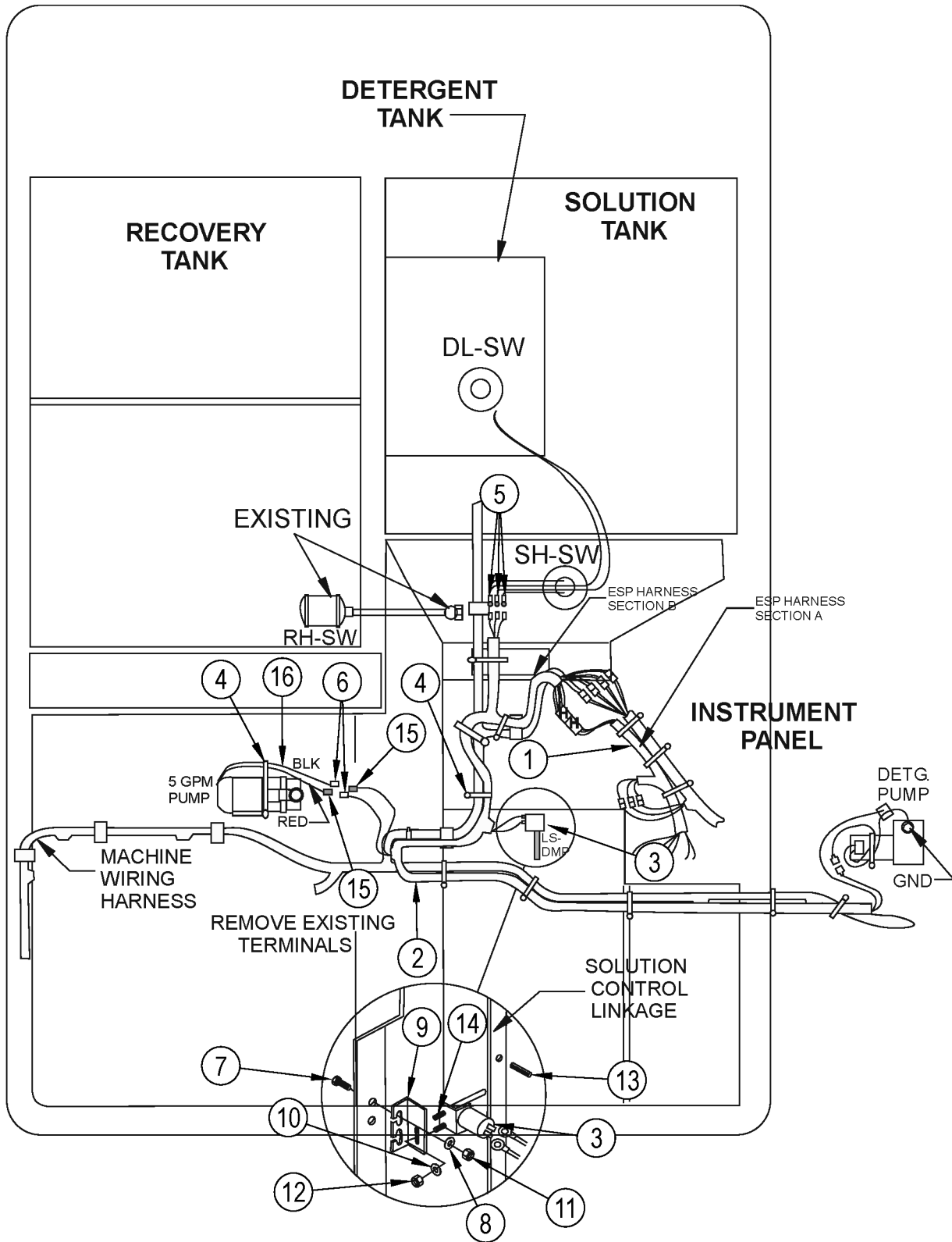
Item	Ref. No.	Qty	Description
	56514864		ESP Option (Recovery Tank & Detergent Pump)
1	7-24-04022	1	Solution Inlet Filter
2	2-95-04268	1	Elbow, Street 3/4 NPT
3	2-00-04736	1	Fitting, 3/4 NPT Connector
4	2-00-05015	2	Sealing Washer
5	2-00-05014	2	O-Ring Seal
6	2-00-05024	1	Wash Flat 2 x 1.06 x .109 ZN
7	2-00-04469	1	Fitting, 90° Elbow
8	2-95-02518	1	Fitting, 3/4 NPT Close Nipple
9	2-00-04608	1	Fitting, 3/4 NPT Coupling
10	2-00-04751	1	Fitting, 90° Swivel Elbow
11	2-00-03407	3	Clamp
12	7-33-02329	1	Hose, Pump to Recovery Tank
13	2-00-01246	6	Nut, 10-24 Hex
14	7-60-05025	1	Pump, ESP
15	2-00-00426	6	Flat Washer
16	2-00-00089	4	Screw, 10-24 x 1.500 RHM
17	7-33-02328	1	Hose, Pump to Solution Tank
18	8-75-01207	2	Spacer
19	7-60-05031	1	Pump, Peristaltic Metering
20	2-00-05056	2	Screw, 10-24 x 2.00 SHC
21	2-00-05412	2	Fitting, Union-Reducer Connector
22	7-87-02147	2	Detergent Feed Tube 18"
23	2-00-05363	1	Hose Clamp
24	2-00-04655	1	Fitting, 90°
25	2-00-03261	1	Grommet
26	2-00-00641	1	Nut, Fiber
27	2-00-03702	2	Washer, Flat
28	2-00-00828	2	Terminal
29	2-00-01490	1	Screw



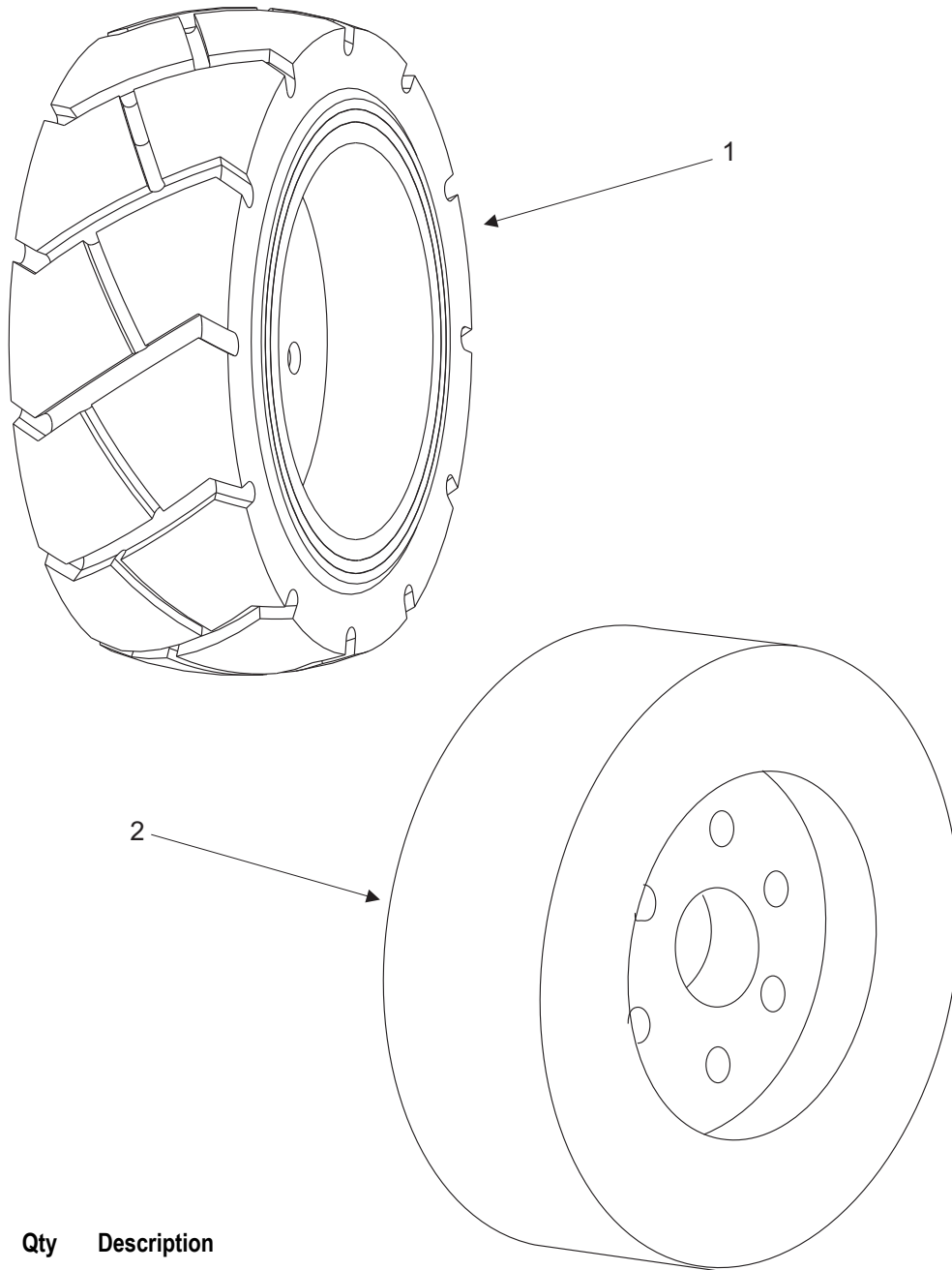
09-5

ESP OPTION (INSTRUMENT PANEL)**7765****181**

Item	Ref. No.	Qty	Description
	56514864		ESP Option (Instrument Panel)
1	0795-114	1	ESP Wiring Harness
2	56514865	1	ESP Instrument Panel
3	7-82-00022	1	DPS ON/OFF Switch
4	7-90-07233	1	Wire Assembly, Gr. for Detergent Low & Solution High
5	7-40-05028	2	Light
6	7-39-00021	1	Knob
7	7-18-00136	1	Decal, Detergent Flow
8	2-00-03061	2	Screw, 10-24 x .50
9	2-00-02296	2	Lock Washer, 10 Ext.
11	7-30-05057	1	Guard, Rheostat
12	2-00-00512	2	Lock Washer
13	2-00-01246	2	Nut, Hex 10-24

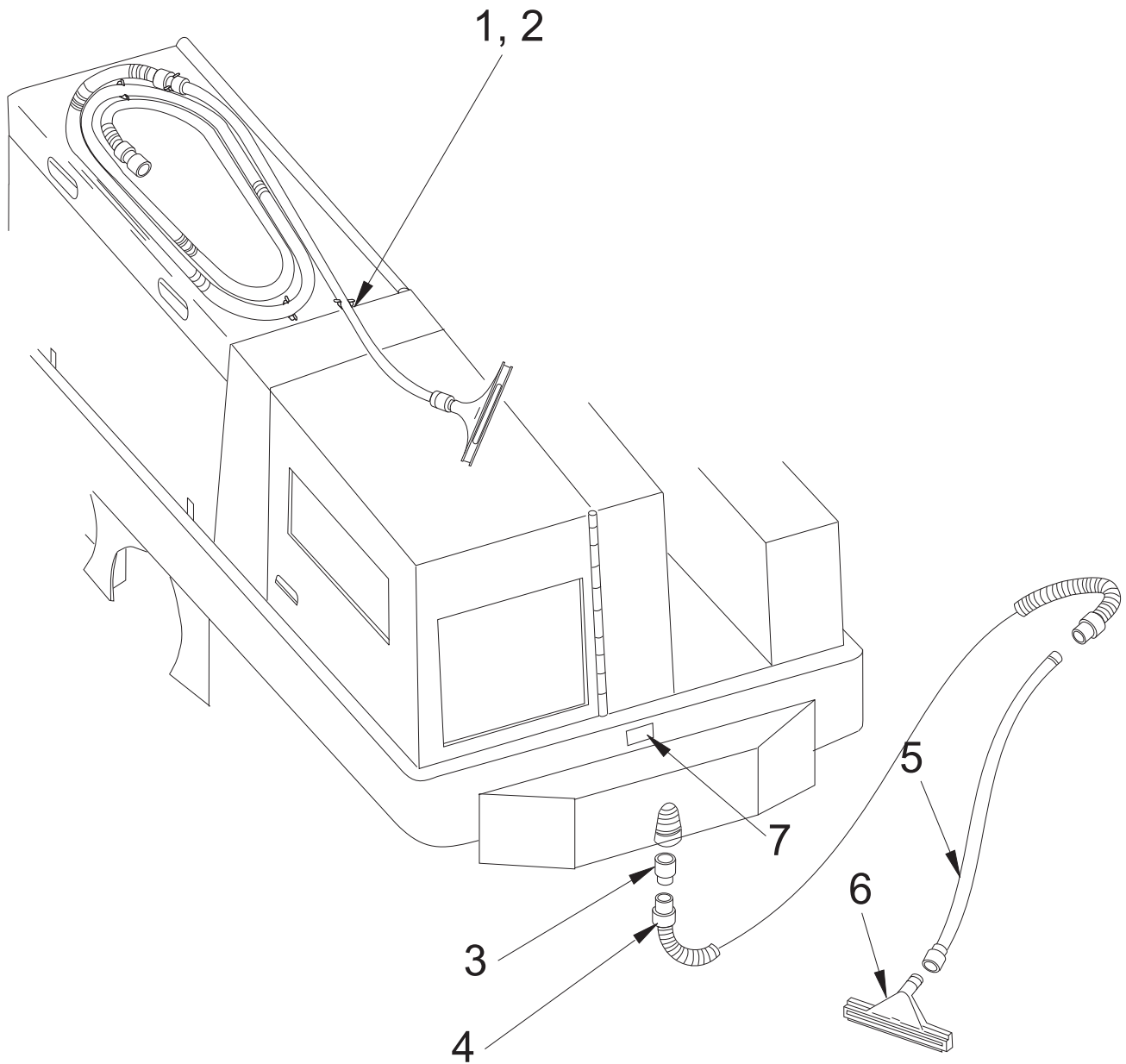


Item	Ref. No.	Qty	Description
	56514864		ESP Option (Wiring)
1	0795-114	1	ESP Wiring Harness, Section A
2	0795-114	1	ESP Wiring Harness, Section B
3	8-82-00036	1	LS - DMP Switch
4	56478246	9	Wire Tie
5	2-00-04551	3	Terminal, .156 Male
6	2-00-03418	2	Terminal, .250 FISO Female
7	2-00-03575	2	Carriage Bolt
8	2-00-00407	2	Flat Washer, .562 x .265 x .062
9	8-08-00532	1	Bracket
10	2-00-00426	2	Flat Washer, .500 x .218 x .062
11	2-00-00641	2	Nut-Ins-Fiber 1/4-20 ZN PL
12	56002768	2	Nut, Hex Nyl Loc 10-24
13	2-00-04749	1	Roll Pin .125 x 1.375
14	2-00-03059	2	Screw, 10-24 x .375 THM
15	8-11-00015	2	Terminal, .250 FISO
16	3-61-02014	1	Conduit

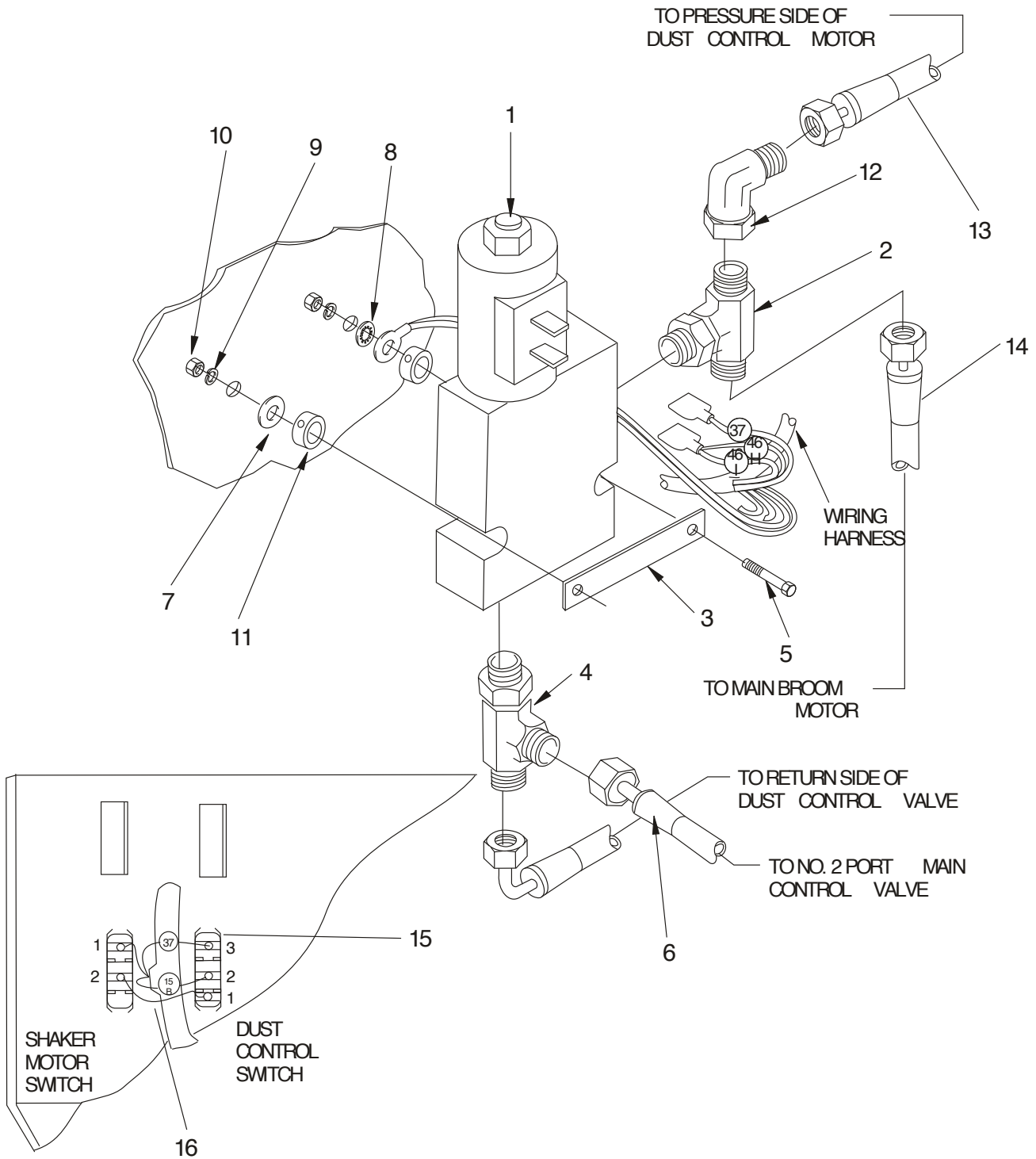


Item	Ref. No.	Qty	Description
1	0780-711	1	Tire, Rear Wheel Non Marking
[]	56380882	1	Directional Rear Wheel Kit
[]	7-85-06008	1	Tire, Rear Wheel (Hvy Duty Option)
[]	56504483	1	Tire, Rear Wheel (Directional) TSBUS2008-1006
2	0780-098	2	Front Tire, Urethane (7-89-08043 tire)

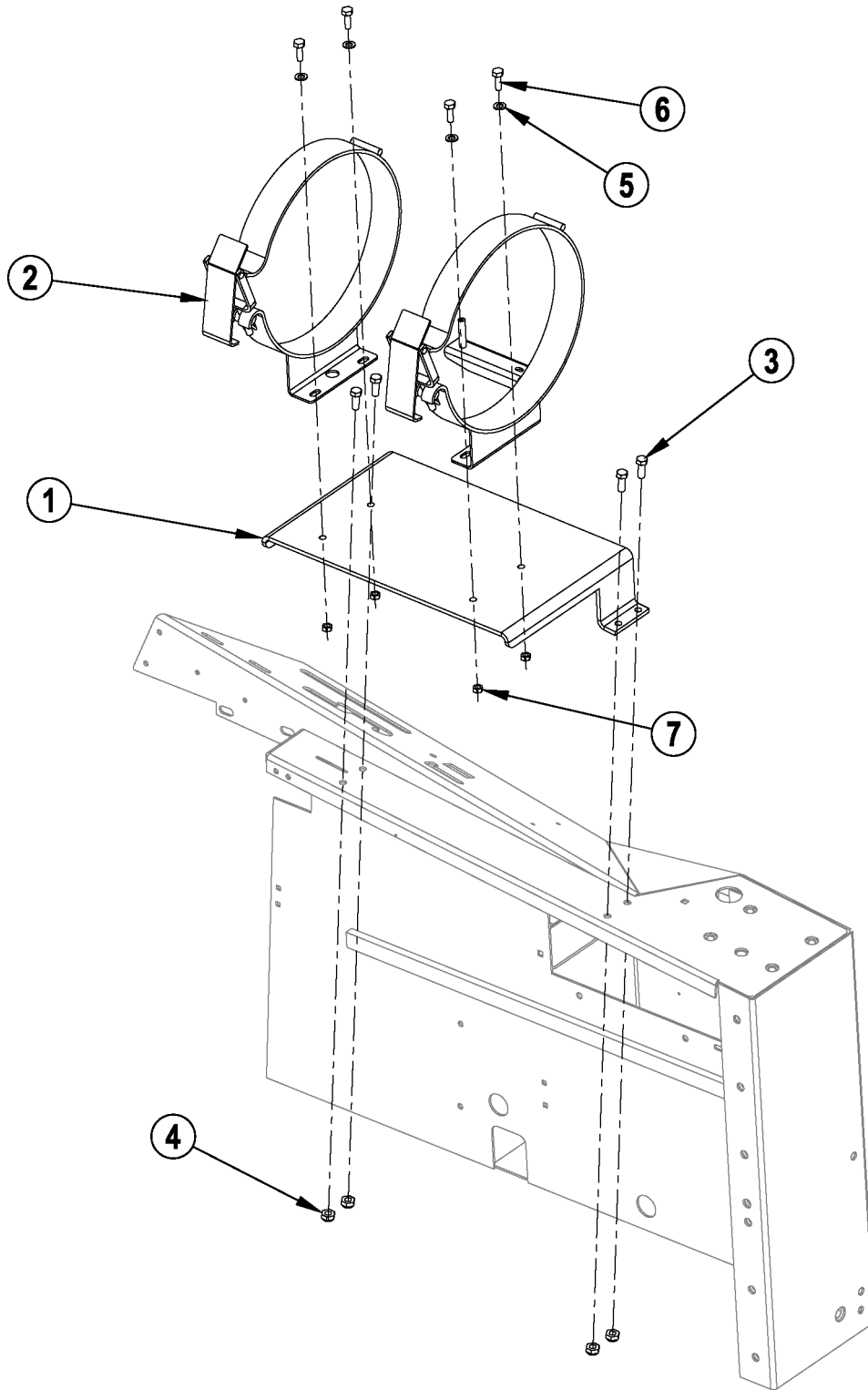
[] = Not Shown



Item	Ref. No.	Qty	Description
	0780-382		Vacuum Wand Option
1	7-13-07097	10	Clip
2	2-00-04312	10	Screw, 10 - 24 x .625 T/C HH
3	7-03-00040	1	Adapter
4	634118	1	Clarke Hose
5	639804	1	Clarke 1 1/2" Wand Assembly
6	638828	1	14" Squeegee
7	7-18-00121	1	Decal, Warning



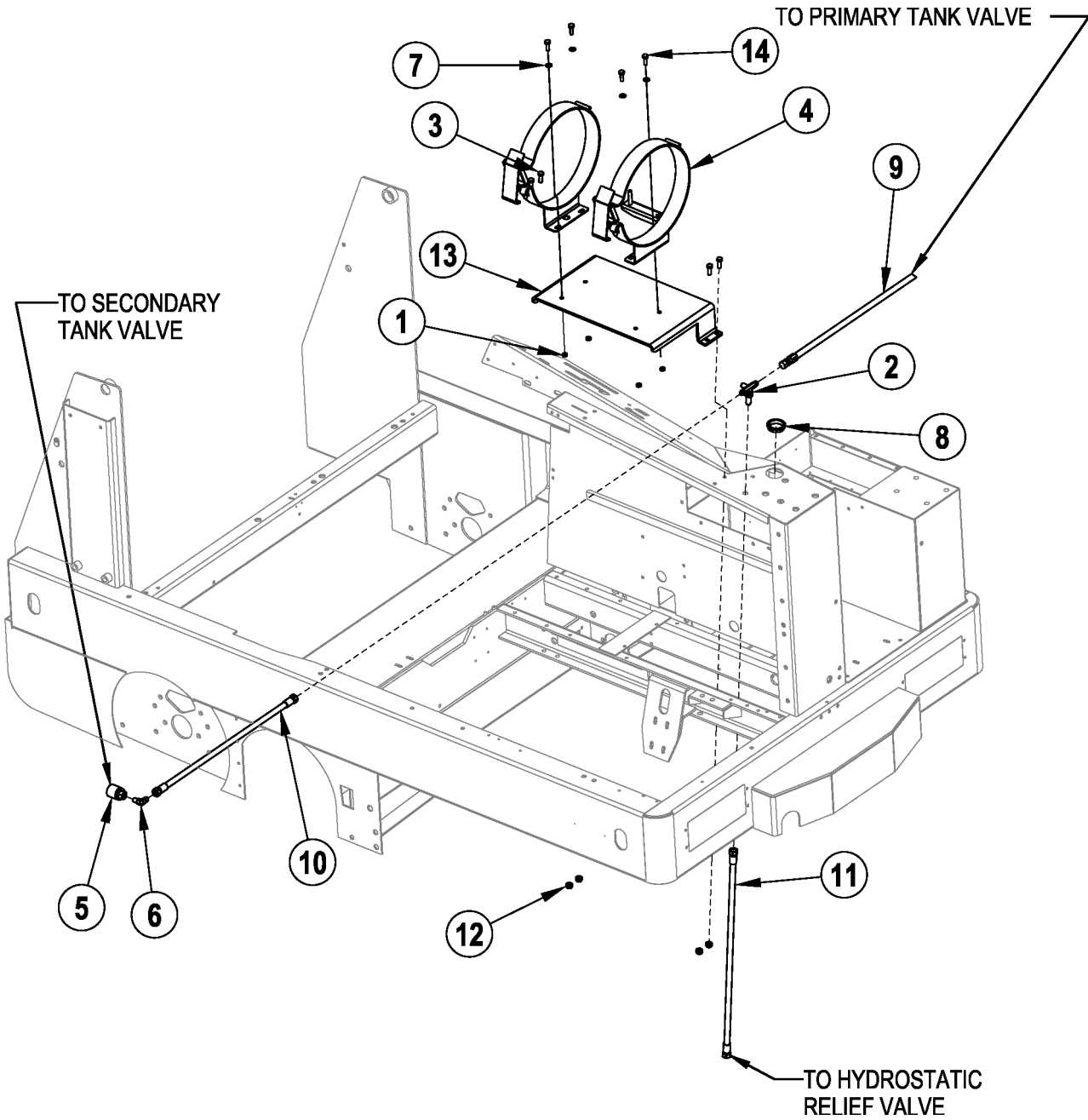
Item	Ref. No.	Qty	Description
	0780-381		Wet Sweep Bypass Option
1	7-88-00038	1	Solenoid Valve (N.O.)
2	2-00-04978	1	ORFS Run Tee, 3/4-16 to 13/16-16
3	8-08-00590	1	Bracket
4	2-00-04924	1	ORFS Run Tee, 3/4-16 to 13/16-16
5	2-00-01980	2	Screw, 1/4 - 20 x 2.500 HHC
6	8-33-02190	1	Hose (Gas)
6	7-33-02205	1	Hose (Diesel)
7	2-00-03702	1	Flat Washer, .625 x .281 x .062
8	2-00-00501	1	Lock Washer, 1/4 Int.
9	2-00-00518	2	Lock Washer, Helical Spring 1/4 Med
10	2-00-00594	2	Nut, Hex 1/4 - 20 x .437 x .218
11	7-15-01031	2	Spacer
12	2-00-05046	1	Fitting, 90° Elbow
13	7-33-02192	Ref.	Hose
14	8-33-02214	Ref.	Hose
15	7-82-00020	1	Switch
16	7-90-07228	1	Wire, Jumper



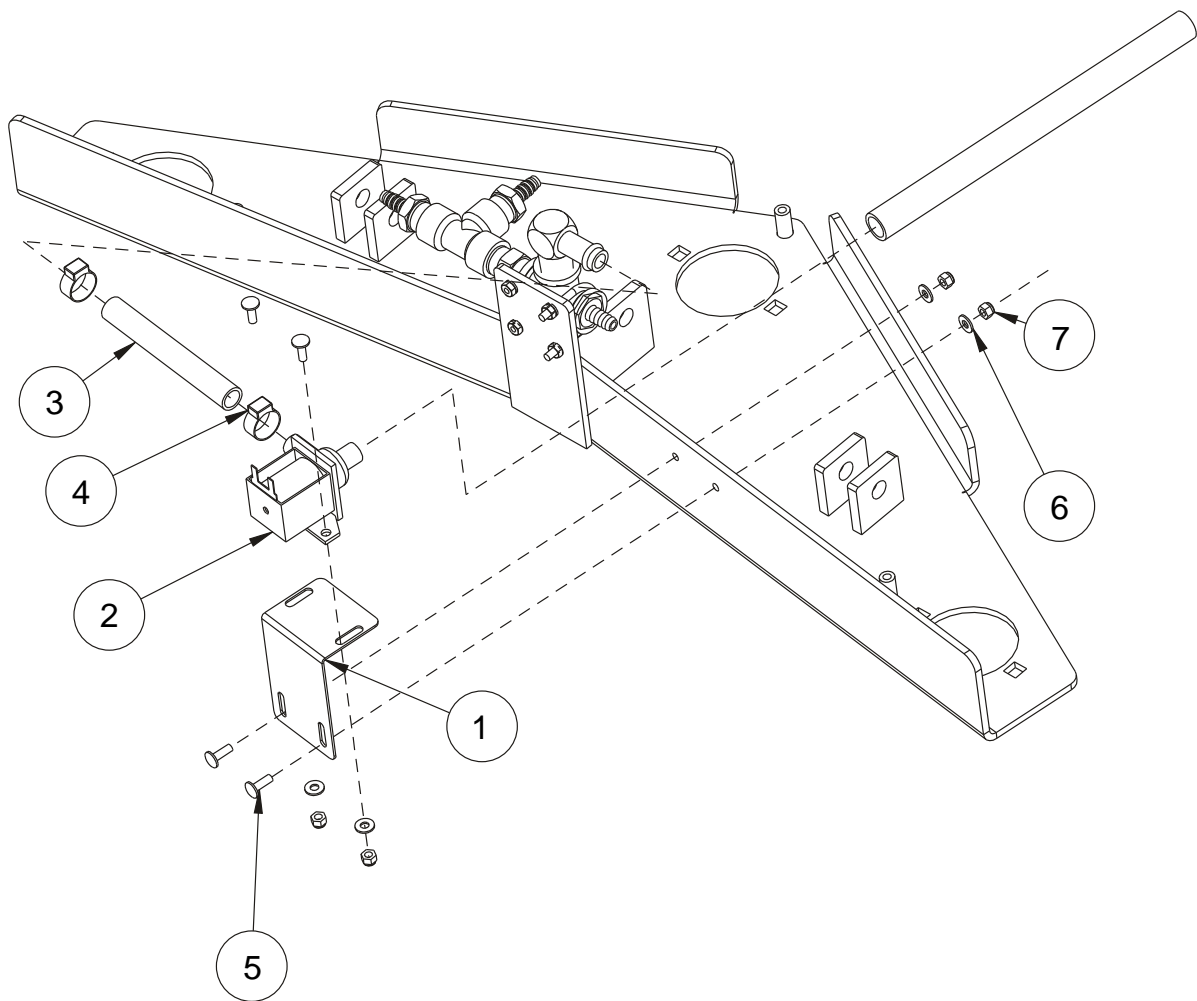
09-5

AUXILIARY LP TANK OPTION**7765****189**

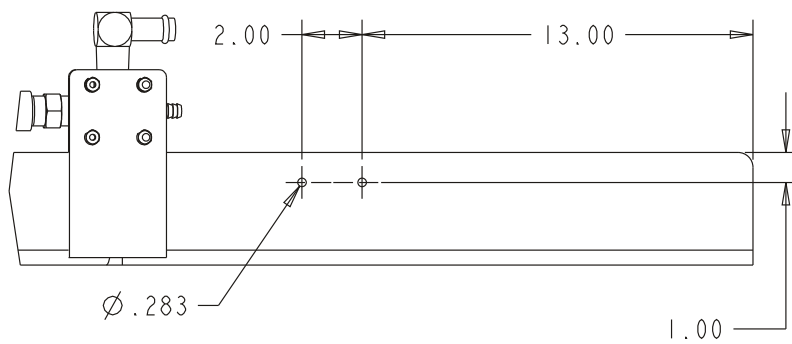
Item	Ref. No.	Qty	Description
	56514879		Auxiliary LP Tank Option
1	56514909	1	Plate, Bracket Mounting
2	7-08-00059	1	Bracket, Tank Mounting
3	2-00-00233	4	Bolt, 3/8-16 x 1.0 Fin. Hex Head
4	2-00-00643	4	Nut, 3/8-16 Elastic Lock
5	2-00-00409	4	Flat Washer, .687 x .344 x .062
6	2-00-02708	4	Screw, 5/16-18 x 1.0 Hex Head
7	2-00-00644	4	Nut, Hex, Insert Fiber, 5/16-18



Item	Ref. No.	Qty	Description
	56514862		Dual Feed LP Tanks Option
1	56002701	4	5/16-18, Hex Nut
2	7-88-00129	1	Valve, Dual Tank Check
3	2-00-00233	4	Bolt-Hex Head, Finished, 3/8-16 X 1.00
4	7-08-00059	1	Bracket, Tank Mounting
5	56369675	1	Coupling, Lp Tank, Acme Rego 7141f
6	8-56-05023	1	Fitting, 45 Flare Elbow, 1/4 Npt
7	2-00-00409	4	Flat Washer, .687 X .344 X .062
8	8-09-01077	1	Grommet
9	7-33-02741	1	Hose, Lp High Pressure 72"
10	7-33-02718	1	Hose, Lp High Pressure, 24"
11	7-33-02719	1	Hose, Lp High Pressure, 28"
12	2-00-00643	4	Locknut-Elastic, 3/8-16
13	56514909	1	Plate, Bracket Mounting
14	2-00-02708	4	Screw, Hex Head, 5/16-18 X 1.00"



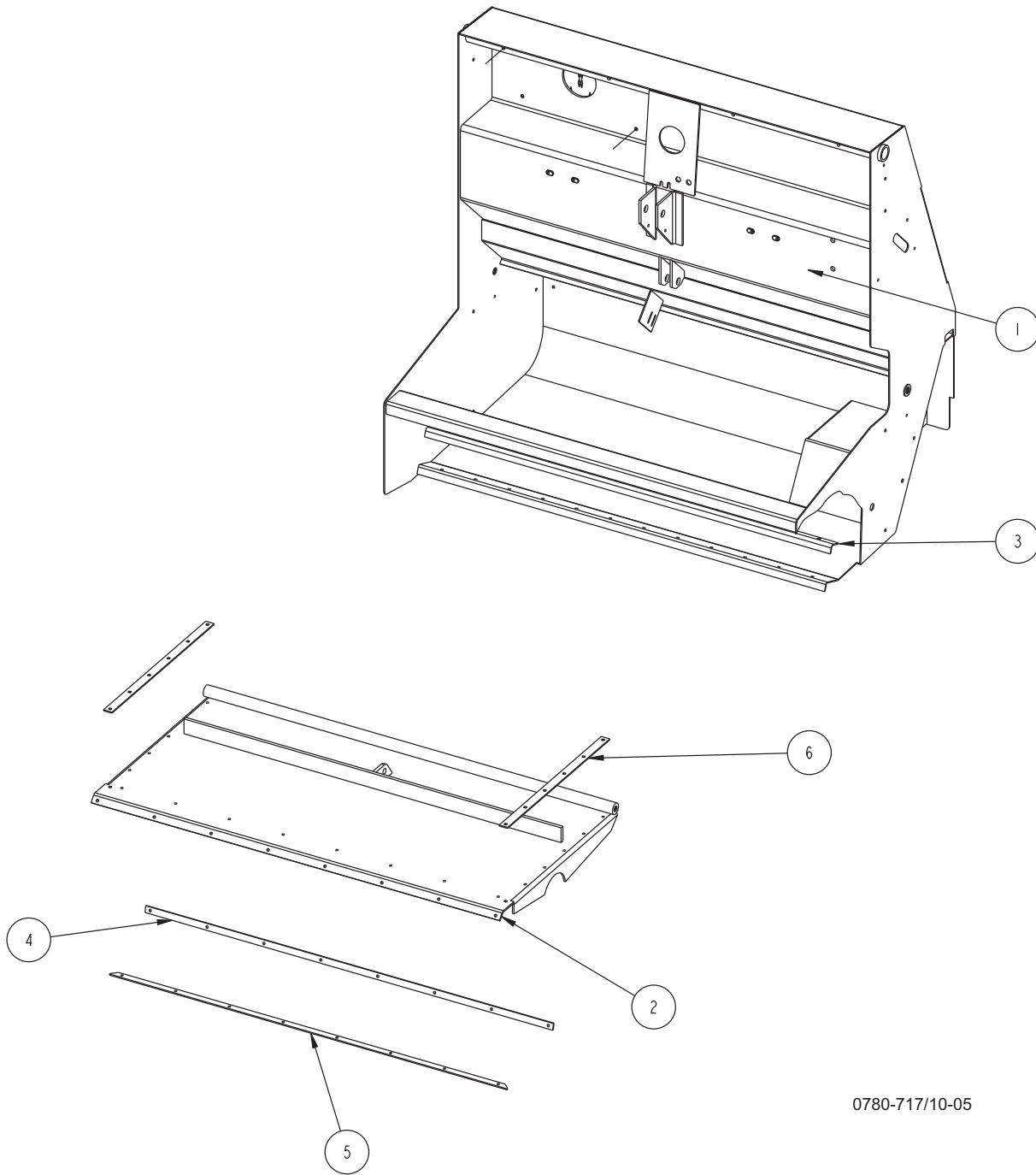
0780-729



09-5

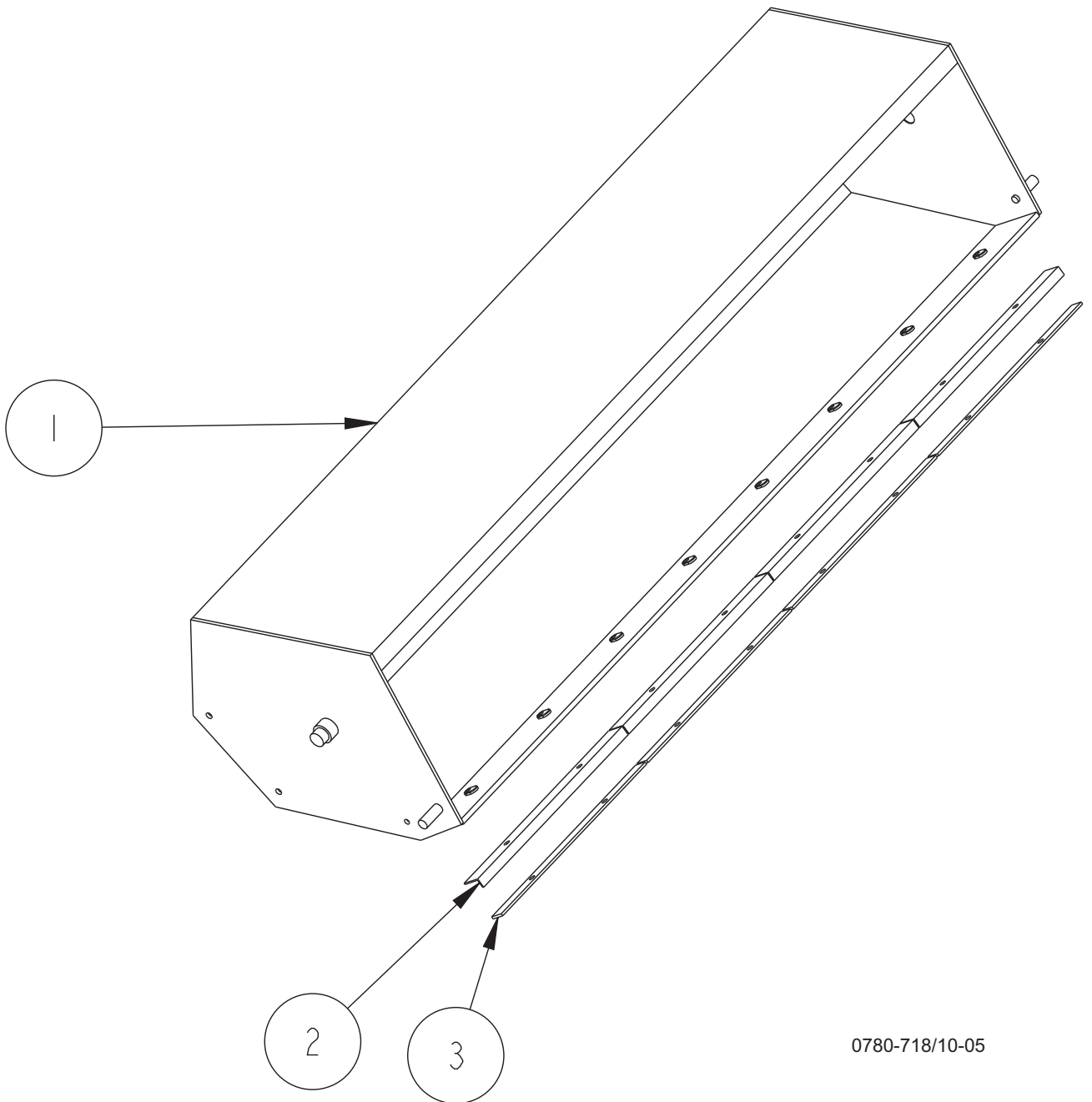
SOLUTION OFF IN NEUTRAL OPTION**7765****193**

Item	Ref. No.	Qty	Description
	0780-729		Solution Off In Neutral Option
1	7-08-01334	1	Valve, Bracket
2	7-88-00088	1	Valve, Solution (12VDC)
3	7-33-02443	1	Hose, Solution Tube 1/2" ID x 6.2
4	2-00-03407	2	Clamp, Hose (Witteck 10P)
5	2-00-00183	4	Screw, 1/4-20 Round Head
6	2-00-03702	4	Washer, .625 x .281 x .063
7	2-00-00641	4	Nut, 1/4-20 Fiber Insert



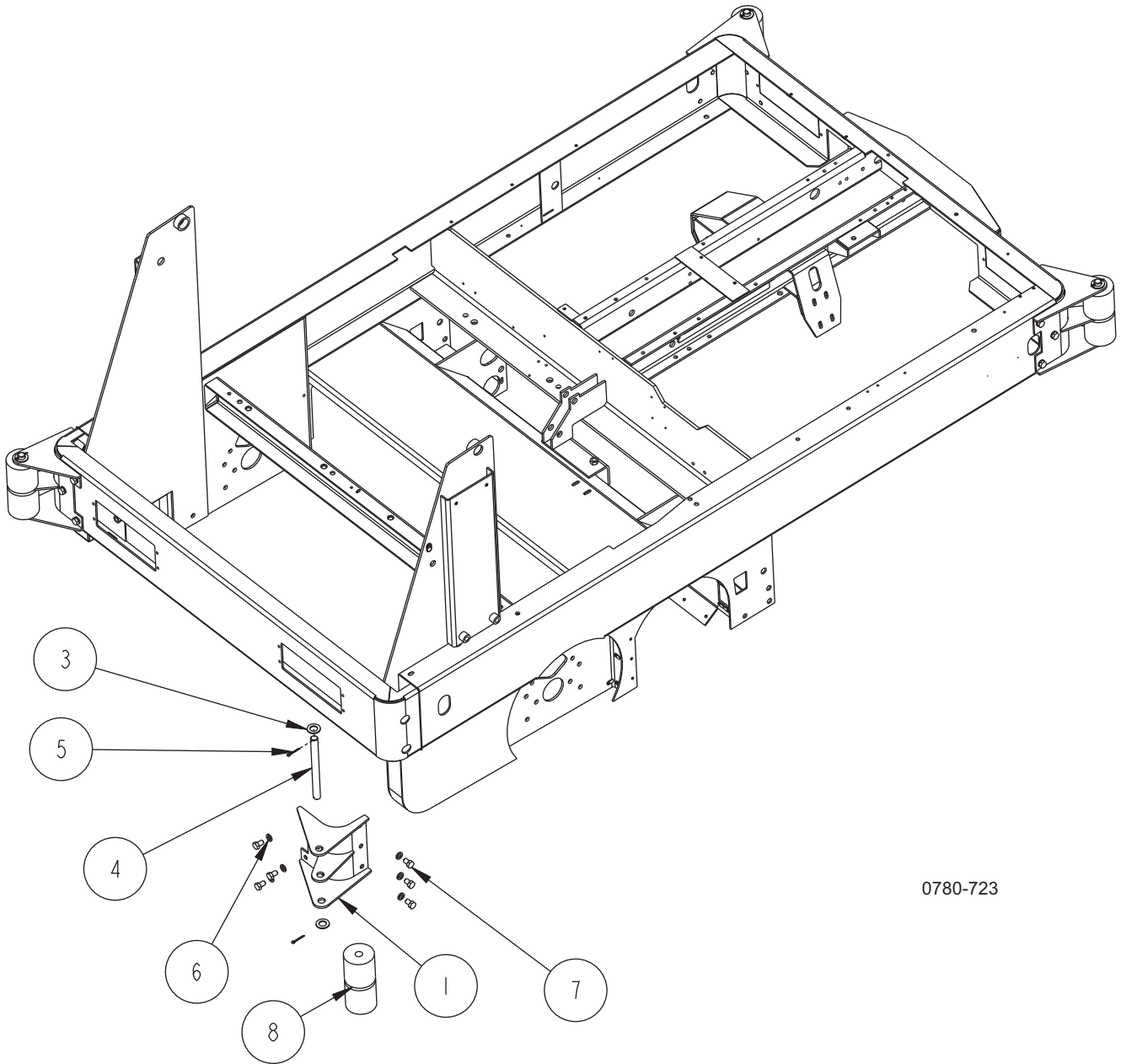
0780-717/10-05

Item	Ref. No.	Qty	Description
	56514878		Stainless Steel Variable Dump Hopper Option
1	56514907	1	Hopper, Stainless Steel
2	56514908	1	Door, Hopper Dump
3	56514891	1	Clamp, Hopper Flap
4	56514889	1	Strap, Outer Seal
5	56514890	1	Strap, Inner Sea
6	56514892	2	Clamp, Door Side Seal



0780-718/10-05

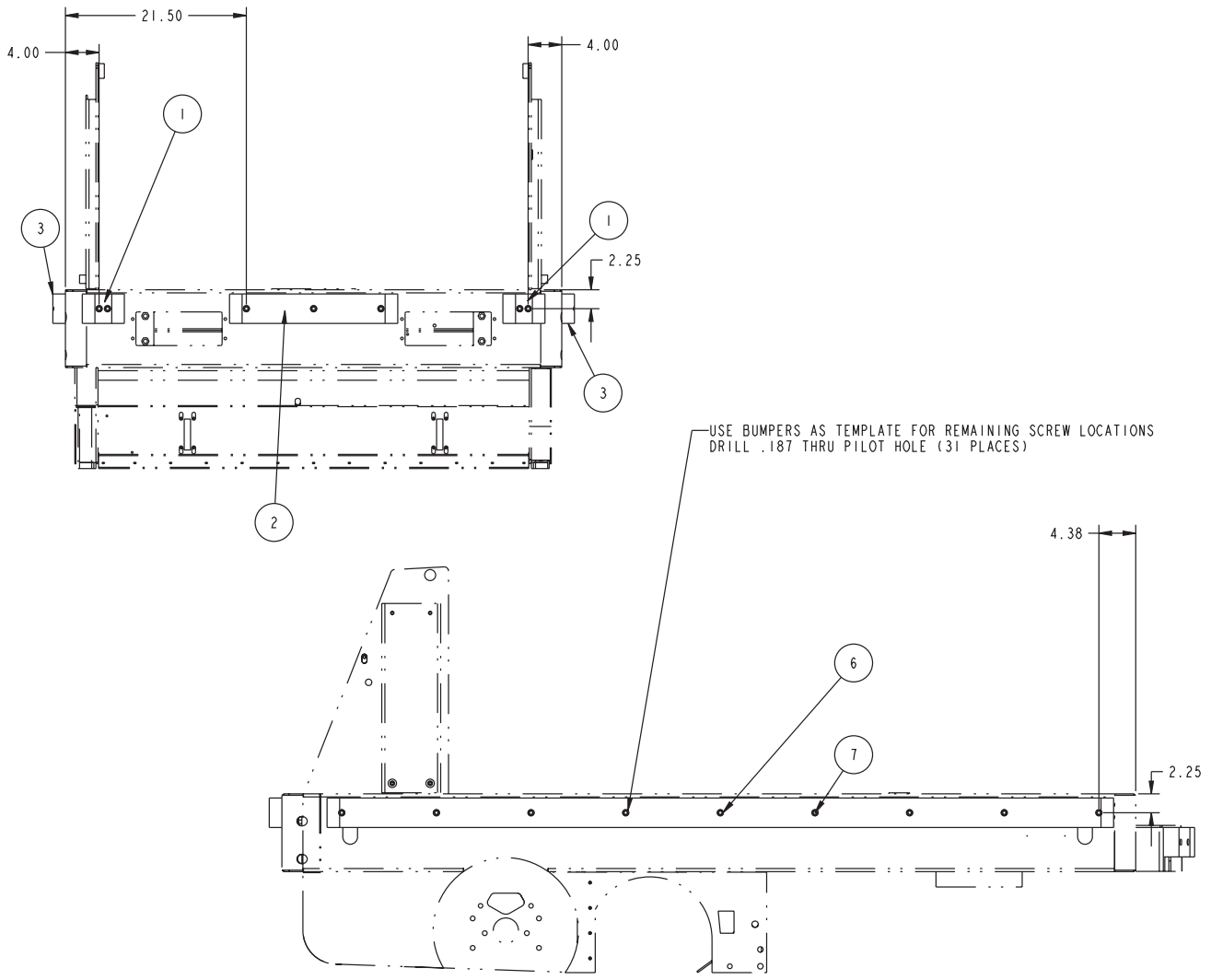
Item	Ref. No.	Qty	Description
	56514881		Stainless Steel Manual Dump Hopper Option
1	56514912	1	Hopper, Stainless Steel
3	7-13-07169-1	4	Clamp, Hopper Flap
5	7-79-00091-1	4	Strap, Hopper Flap



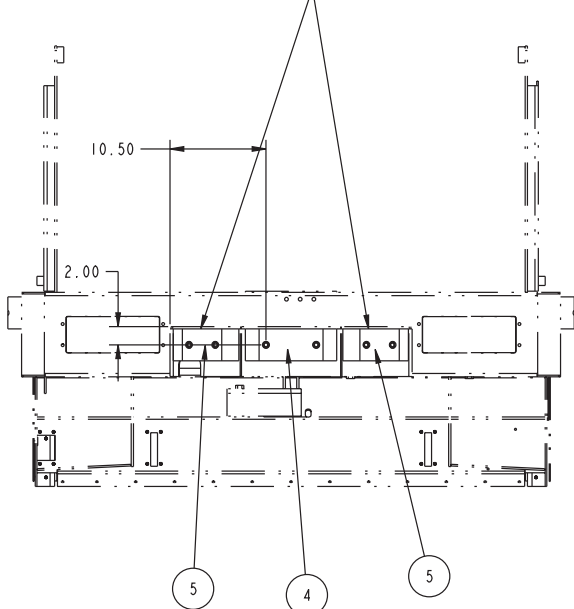
0780-723

09-5	EXTENDED BUMPERS OPTION		
09-11	7765		197

Item	Ref. No.	Qty	Description
	0780-723		Extended Bumpers Option
1	7-08-01331	4	Bracket, Bumper Mount
3	2-00-04176	8	Flat Washer
4	7-70-05206	4	Shaft, Bumper
5	2-00-00776	8	Cotter Pin (1/8 dia. x 1.5" long)
6	2-00-02312	24	Lock Washer, 1/2"
7	2-00-02676	24	Screw, 1/2-13 x 3/4
8	7-66-05009	8	Roller, Bumper



CENTER BUMPERS ON SPACE AVAILABLE



0780-724/10-05

09-5

WRAP-AROUND BUMPERS OPTION**7765****199**

Item	Ref. No.	Qty	Description
	0780-724		Wrap-Around Bumpers Option
1	7-08-07129	2	Bumper, Poly, 5"
2	7-08-07126	1	Bumper, Poly, 20"
3	7-08-07125	2	Bumper, Poly, 93.5"
4	7-08-07127	1	Bumper, Poly, 10"
5	7-08-07128	2	Bumper, Poly, 7.5"
6	2-00-00409	31	Flat Washer, .687 x .344 x .062
7	2-00-06556	31	Screw, 1/4-20 x 2.0

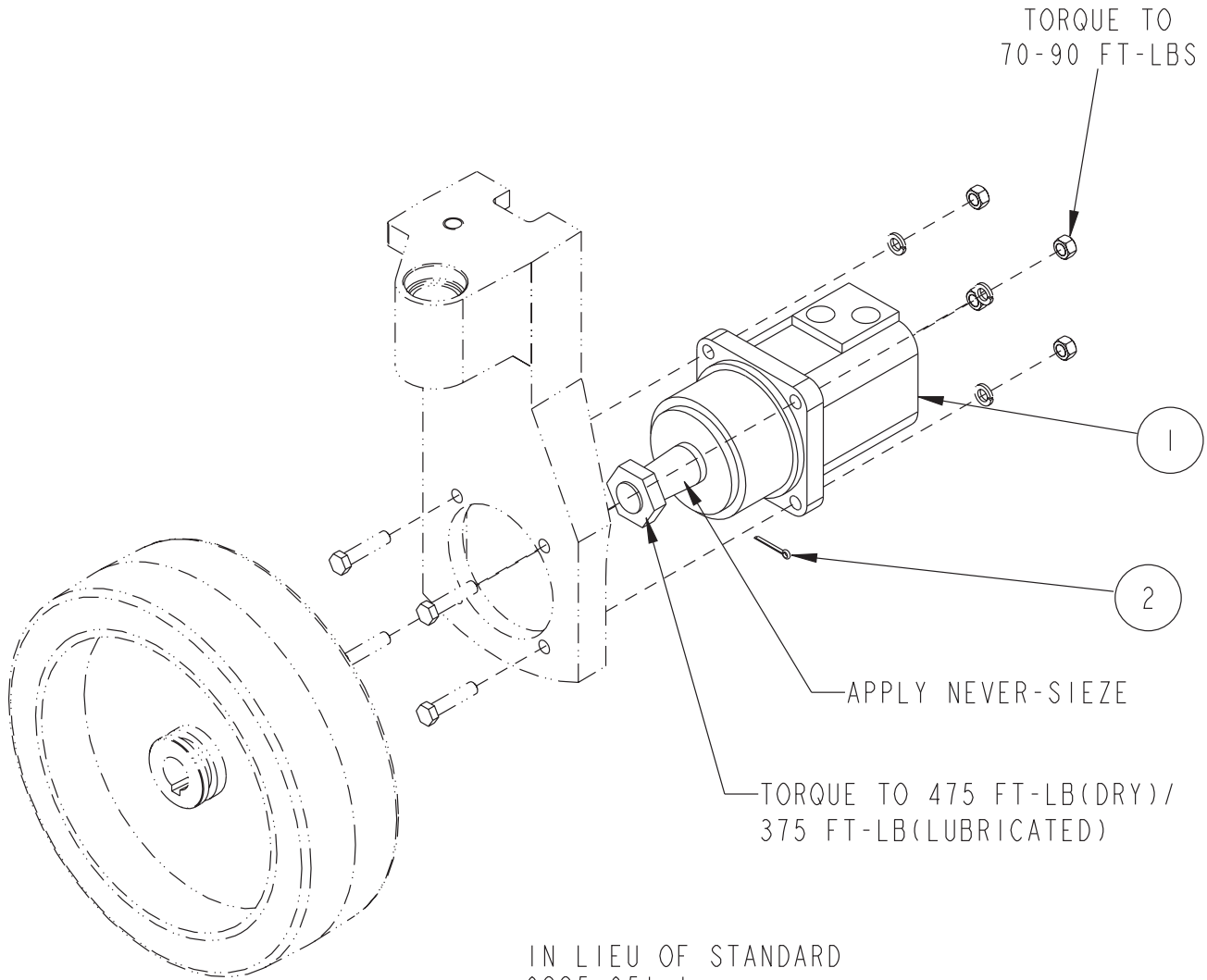
HIGH TORQUE DRIVE WHEEL MOTOR OPTION

09-5

200

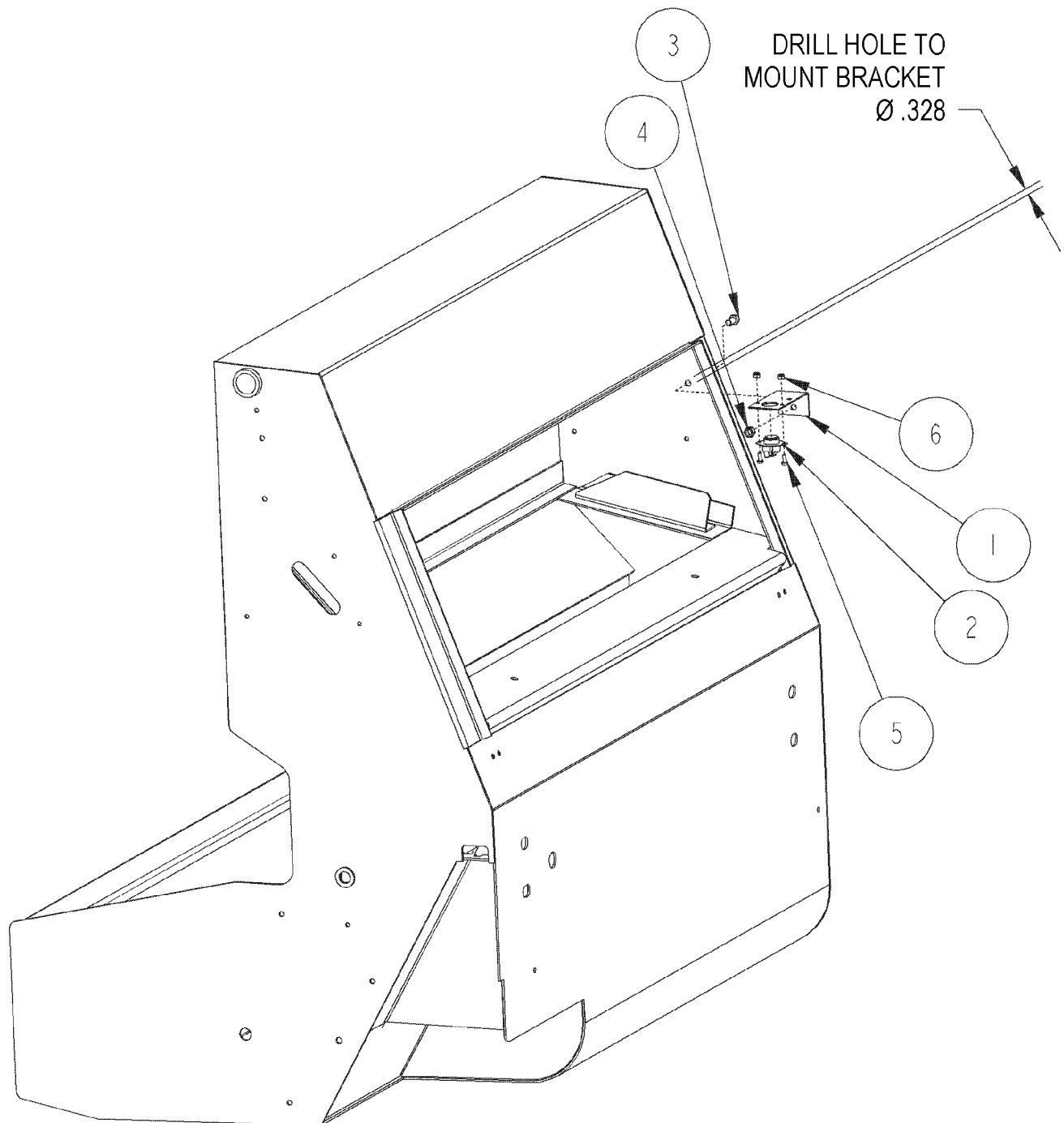
7765

11-5

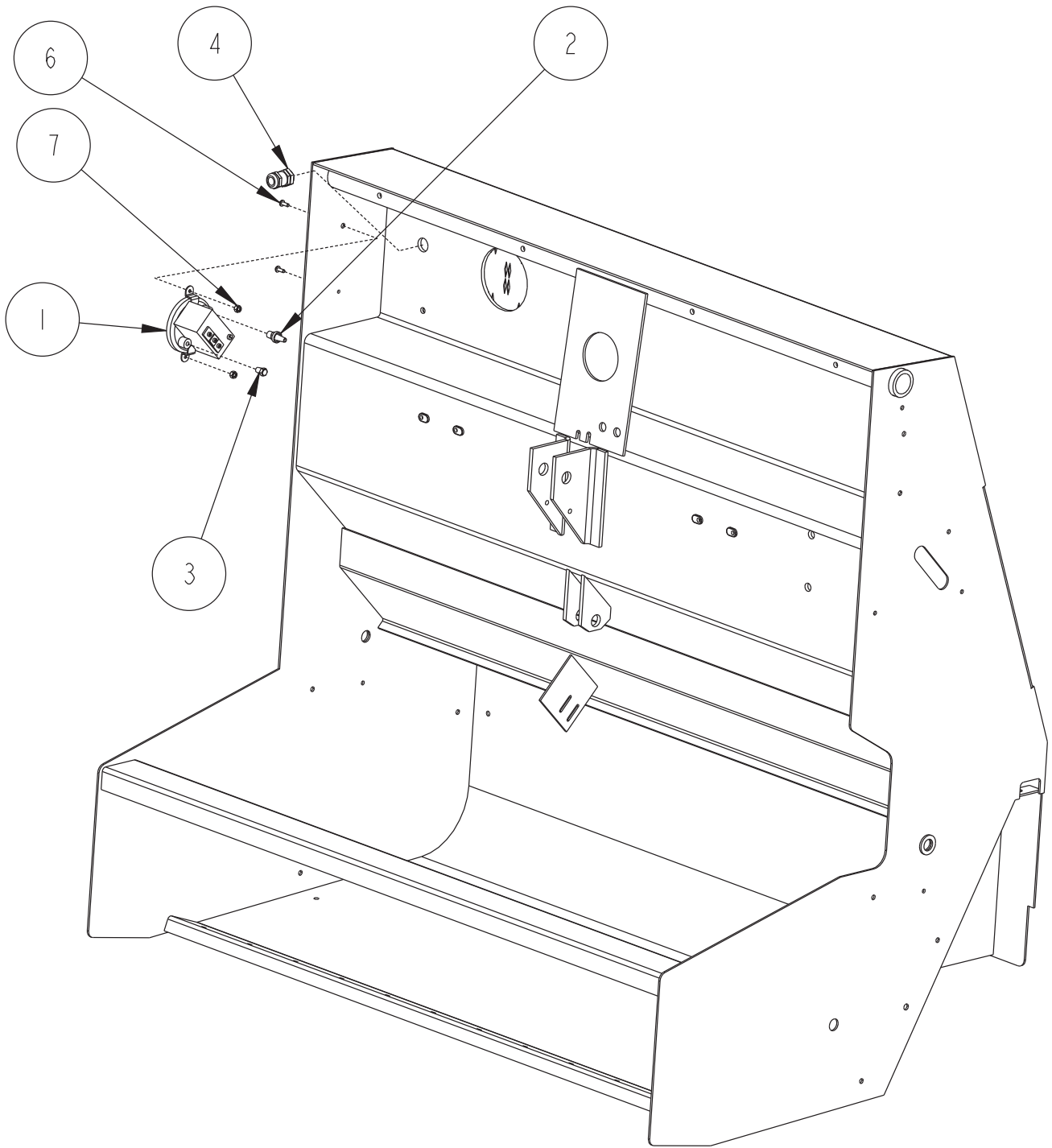


0780-710/10-05

Item	Ref. No.	Qty	Description
	0780-710		High Torque Drive Wheel Motor Option
1	56109737	1	Wheel Motor Kit
2	2-00-00776	1	Cotter Pin, 1/8 dia. x 1.5" long



Item	Ref. No.	Qty	Description
	0780-727		Hopper High Temp Shutdown Option
1	8-08-00803	1	Bracket, Thermostat Switch
2	8-82-00056	1	Switch, Thermostat
3	2-00-00232	1	Bolt, 3/8-16 x 3/4 Fin. Hex Head
4	2-95-04182	1	Nut, 3/8-16 Hex Stop
5	2-00-00049	2	Screw, 10-24 x 1/2 RHM
6	2-00-01246	2	Nut, 10-24 Elastic Stop



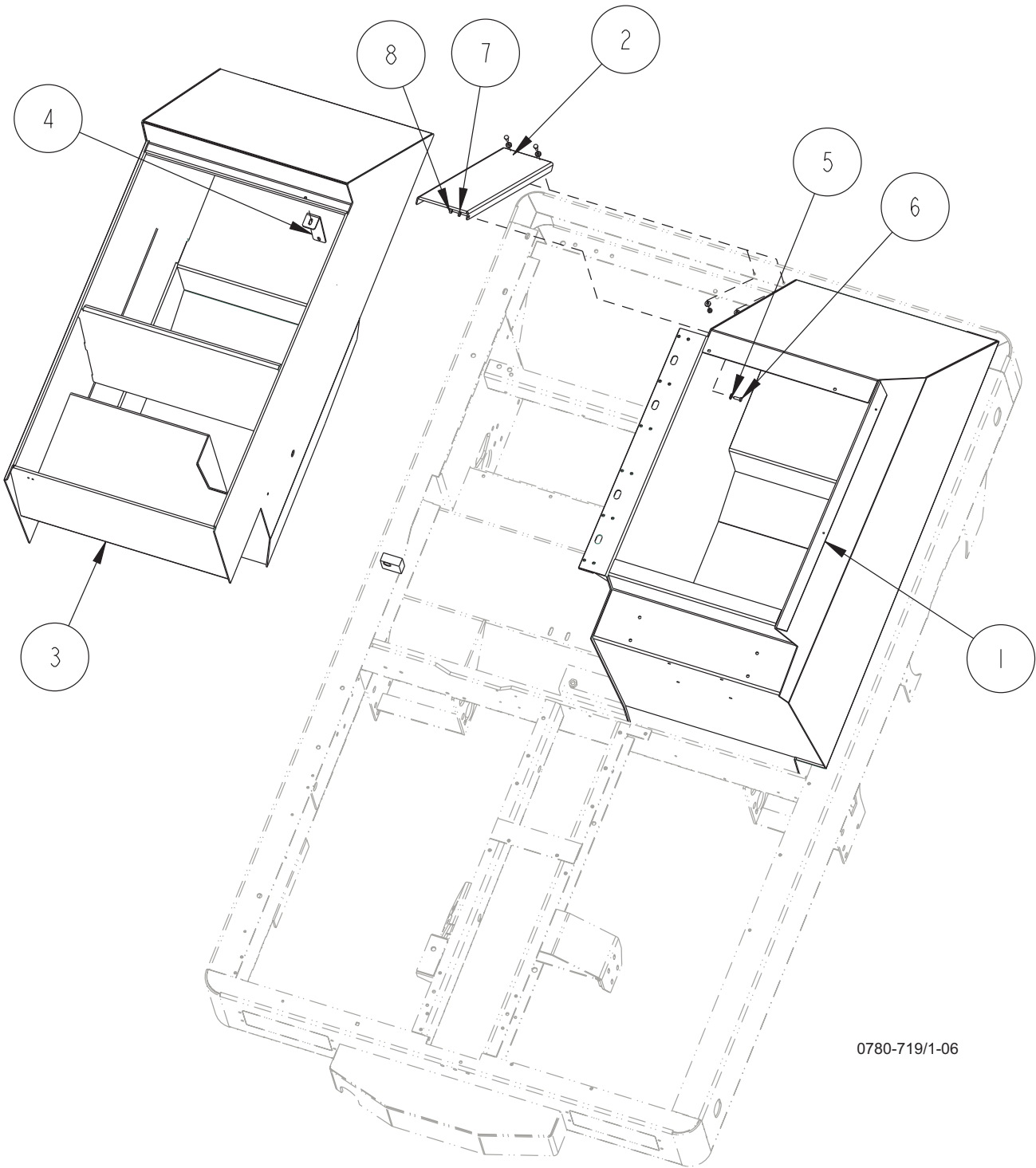
09-5

CLOGGED FILTER INDICATOR OPTION**7765****203**

Item	Ref. No.	Qty	Description
	0780-728		Clogged Filter Indicator Option
1	8-63-05014	1	Regulator, Differential Pressure Switch
2	2-00-04518	1	Fitting, 1/8 NPT Barbed End
3	8-24-04075	1	Filter, Vent Plug
4	8-09-01083	1	Connector, Bulkhead
5	7-87-02155	1	Hose
6	2-00-00049	2	Screw, 10-24 x 1/2 RHM
7	2-00-01246	2	Nut, 10-24 Elastic Stop

On Control Panel (not shown):

56305660 1 Light, Red LED Indicator

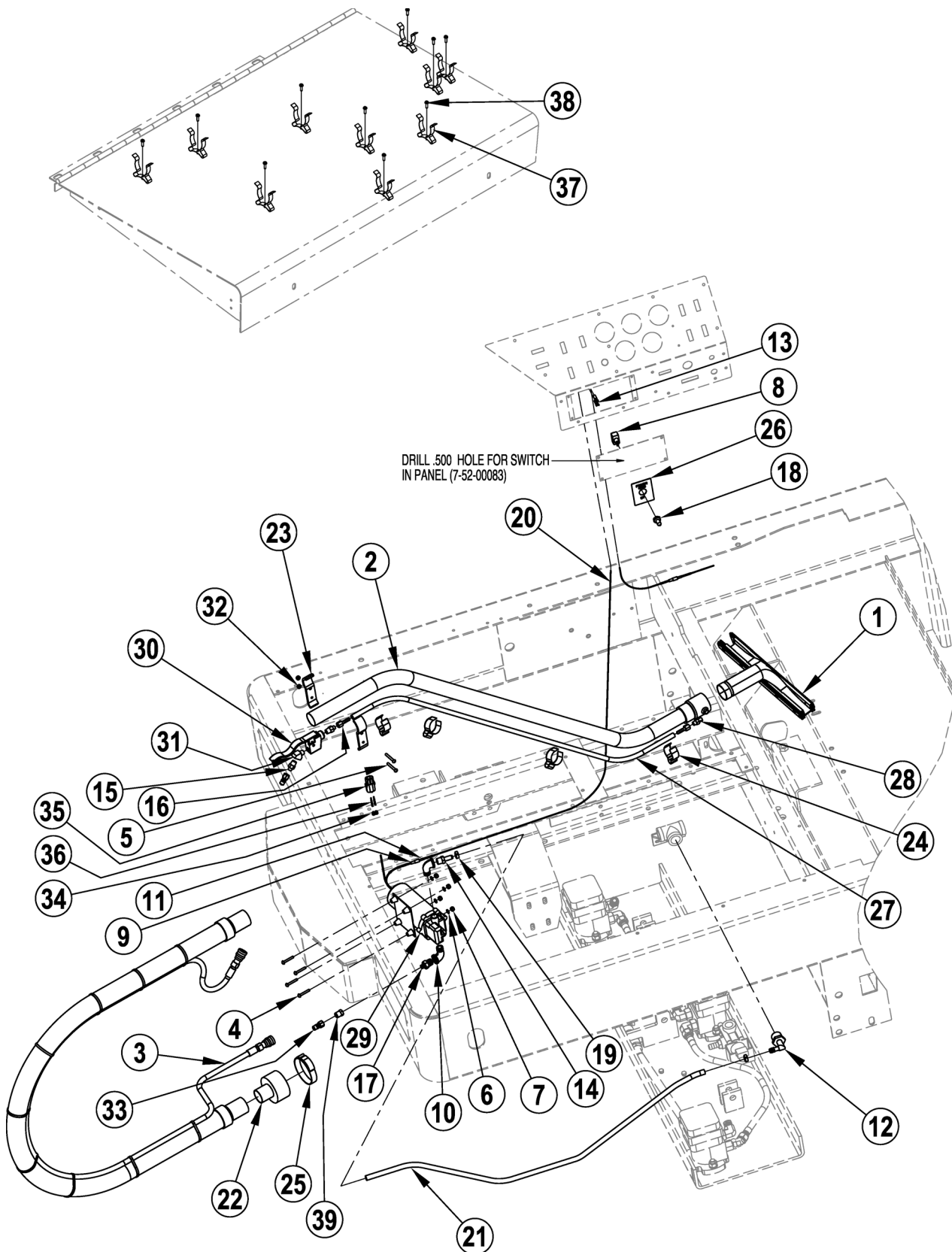


0780-719/1-06

Item	Ref. No.	Qty	Description
	56514880		125 Gallon Solution & Recovery Tanks Option (Manual Dump Only)
1*	56514911	1	Solution Tank
2	56514919	1	Bracket, Filler
3*	56514913	1	Recovery Tank
4<	7-08-01338	1	Support, Debris Basket
5	2-00-04590	3	Washer, Sealing
6	2-00-04685	3	Screw, 1/4-20 x 3/4 SS Hex Head
7	2-00-04687	3	Lock Washer, 1/4 Helical Spring
8	2-00-04688	3	Nut, 1/4-20 Hex

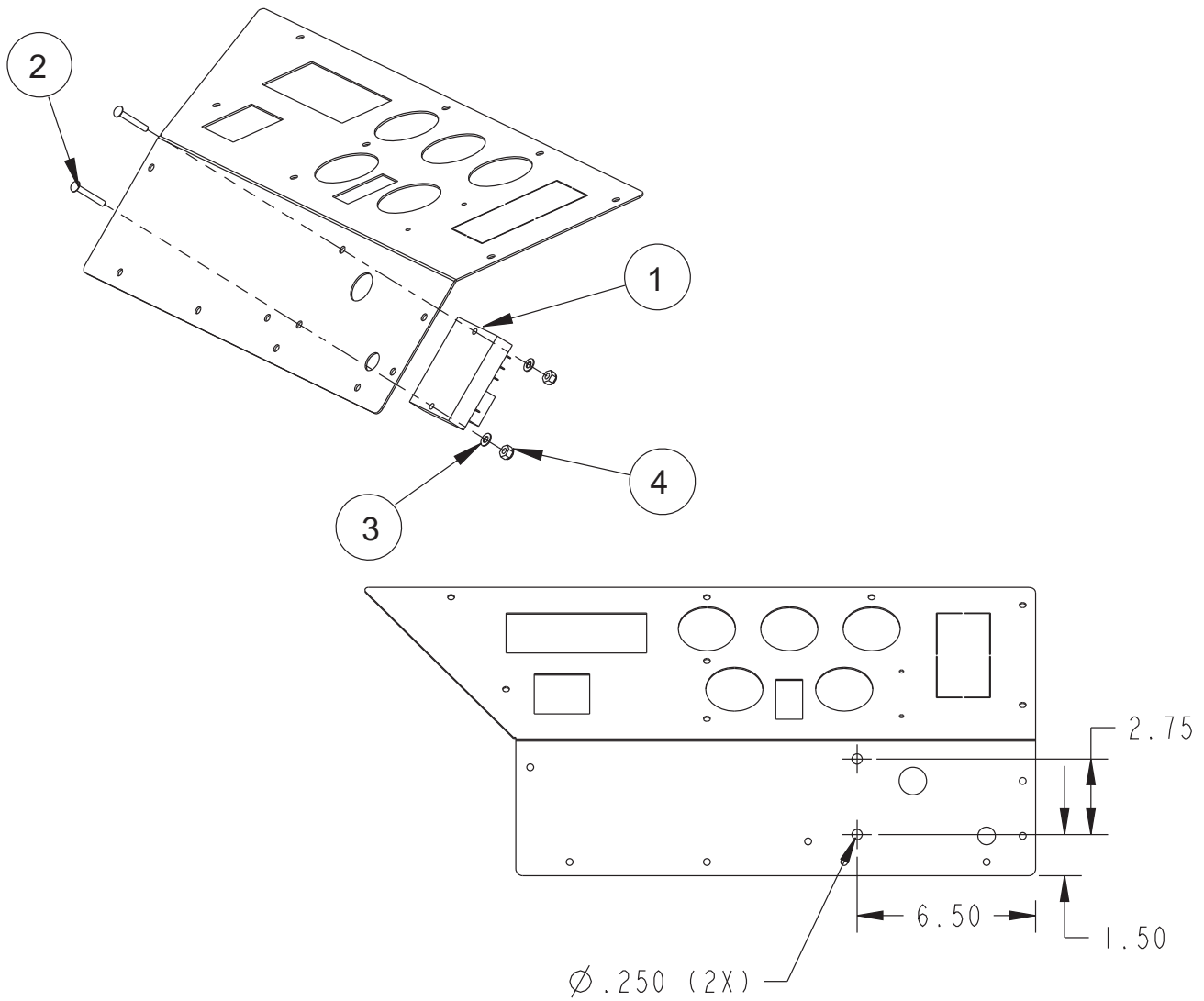
*In lieu of standards 56514775 & 7-83-04168

<Required only if equipped with debris basket (Option 0780-236)

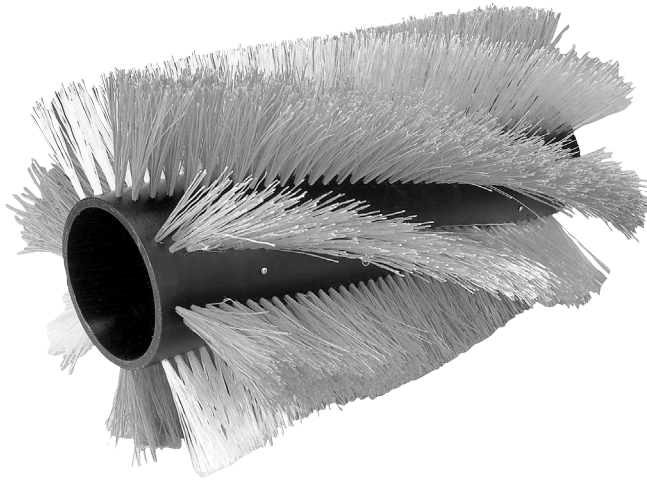


09-5	POWER SPRAY WAND OPTION		
09-11	7765		207

Item	Ref. No.	Qty	Description
	0780-378		Power Spray Wand Option
1	638828	1	Tool Assembly
2	639804	1	Wand Assembly
3	0261-029	1	Hose Assembly
4	2-00-00071	4	Screw 10-24 X 1.25 Lg
5	2-00-00089	2	Screw 10-24 X1.5 Lg, RHM
6	2-00-00460	4	Washer-Flat .438 X .192 X .031
7	2-00-01246	4	Nut-10-24 Elastic Stop Nut
8	2-00-03499	1	Switch, Toggle, On-Off
9	2-00-04578	2	Terminal (.156 Male)
10	2-00-04589	2	Fitting- 3/8 to 3/8 90° Street Elbow
11	2-00-04626	2	Terminal (.156 Female)
12	2-00-04655	1	Fitting-90° Elbow (Nylon)
13	2-00-04808	2	Terminal, 8 Spring Spade Tongue, 16-14 Awg
14	2-00-05201	1	Fitting
15	2-00-05206	2	Reducer-Male Pipe 1/4 X 1/8
16	2-00-05207	2	Adapter, 1/4 Hose X 1/8 NPT
17	2-00-05913	1	Fitting, 3/8" Npt-1/8" NPT Reducer Nipple
18	2-74-00059	1	Boot
19	2-95-04388	2	Clamp, Hose
20	3-61-00193	1	Wire, Red, 16 Awg X 15'
21	3-71-03025	1	1/2 OD X .375 ID Cobon Tubing
22	7-03-00040	1	Adapter, 3" OD - 1.5" OD
23	7-13-07139	2	Clamp, Valve
24	7-13-07140	4	Clamp, Hose
25	7-13-07225	1	Clamp, Over-Center Hose, 3"
26	7-18-00217	1	Decal-Power Wand
27	7-33-02306	1	Hose-Solution Feed
28	7-50-01002	1	Spray Nozzle
29	7-60-05022	1	Pump, Water 12V DC
30	7-88-00058	1	Valve-Solution 1/4 NPT
31	8-56-05026	1	45 Street Elbow
32	56003053	2	Nut, Hex Nyl Loc-Thin 10-32
33	56220055	2	Plug
34	56462074	2	Seal, Weatherpack
35	56462360	1	Shroud, Delphi . W.P. 2 Way
36	56459264	2	Terminal, Weather Pack, Male
37	7-13-07097	10	Clip, Tool
38	2-00-04312	10	Screw, HWH 10-24 x .63
39	56740214	1	Bushing, Reducer



Item	Ref. No.	Qty	Description
	0780-726		Timed Filter Shaker Option
1	8-64-05011	1	Timer
2	2-00-04897	2	Screw, 10-24 x 1.25 long
3	2-00-00426	2	Flat Washer, .500 x .219 x .063
4	2-00-01246	2	Nut, 10-24 Elastic Stop

**Main Broom:****PN8-08-03180 Proex & Wire (STD.) (8 Double Rows)**

This broom has a more aggressive cleaning action, used to pick up heavier debris.

PN8-08-03193 Nylon (Optional) (8 Double Rows)

General purpose broom that can be used for all types of light soil. High wear material so uneven surfaces do not cause excessive wear. Nylon has a high heat deflection temperature, is chemical resistant and will absorb water in wet conditions. Truly a general purpose broom.

PN8-08-03190 Proex (Optional) (8 Double Rows)

Synthetic fiber made of polypropylene designed to pick up paper, gravel, sand and other lighter less bulky litter.

PN8-08-03198 High Density Fibre/Wire (Optional)

Fiber and wire bristles offer dust control from the natural vegetable fibers and a light cutting action from the crinkle wire. Designed for applications with fine dust and light compacted soilage.

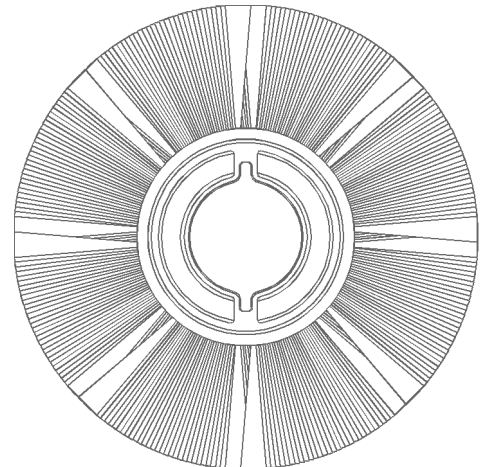
PN8-08-03196 High Density Nylon (Optional)**PN8-08-03200 Polypropylene (Optional) (8 Double Row)****Side Broom:****PN8-08-03107 Polypropylene (STD. on Variable Dump)**

The side broom function is to sweep the dirt and debris away from the curb, wall, pallet, etc. into the path of the main broom.

PN8-08-03177 Nylon (Optional)**8 Double Row**

Length.....**50" (127 cm)**

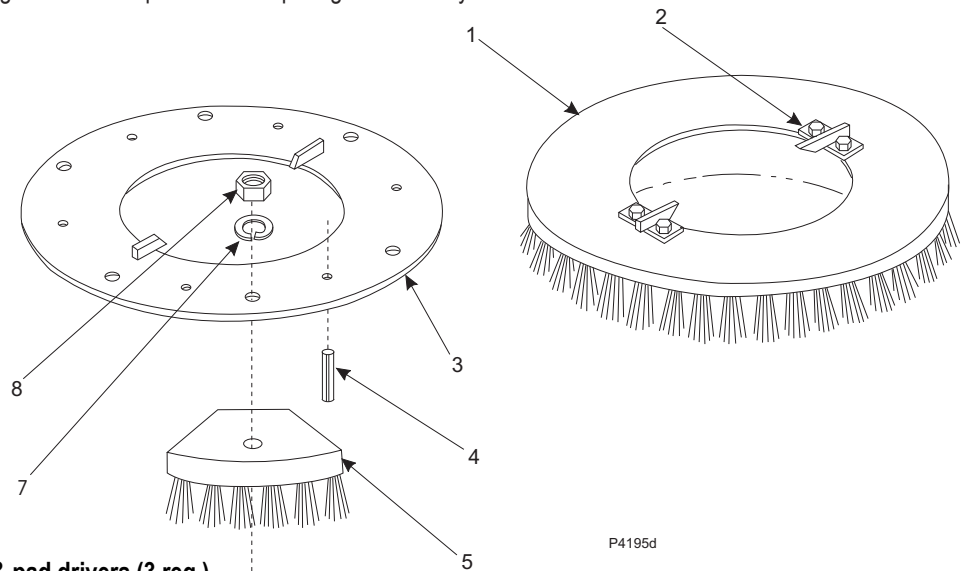
Diameter.....**14" (35.5 cm)**



Diameter.....**24" (60.9 cm)**

We provide brushes and pad holders that will give you the best possible performance between machine and floor. Following are descriptions of the materials and their applications when used on the CR .

- SuperGrit:** The most aggressive grit filament available. Used primarily on concrete floors in factories to remove heavy built up soil-age. The color of the filament is orange with bristle diameter of .070 and grit size of 46.
- Clean Grit:** The most widely used grit filament. Ideal for concrete or sealed concrete surfaces. The color of the filament is blue with a bristle diameter of .050 and a grit size of 80.
- Soft and Black Nylon:** Resistant to many chemicals. Do not use with acids. Soft nylon is used for light cleaning and Black nylon is used where a more aggressive brush is required combined with a long life. Soft nylon is white and blacknylon is black.
- Polypropylene:** Used for general purpose scrubbing of most hard surfaces. Commonly offered in .040" diameter bristles. Color is black.
- Straight Wire:** Used when scrubbing floors with impacted build up. A grit brush may be a better alternative.



Item	Ref. No.	Qty	Description
------	----------	-----	-------------

Disc Brushes: 18" one piece disc brushes & pad drivers (3 req.)

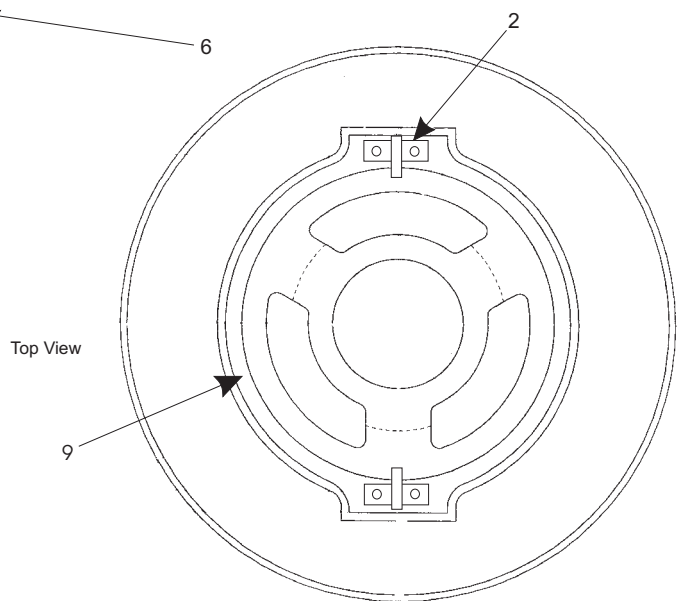
1	7-08-03170-1	3	Black Nylon Brush
1	7-08-03172-1	3	Polypropylene (.040)
1	7-08-03269	3	Clean Grit Brush
1	7-08-03173-1	3	Straight Wire Brush
1	7-08-03205-1	3	Super Grit (60/45/25) Brown
1	7-08-03262-1	3	Soft Nylon Brush

Sectional Brushes:

3	0760-284	3	Brush Plate Attachments
4	2-00-04221	6	Pin, Spring

Plastic Back: (18 req. per machine. Must also order 3 Brush Plates)

5	7-08-03207	18	Super Grit
5	7-08-03193	18	Straight Wire
5	7-08-03194	18	Nylon (Black)
5	7-08-03248	18	Soft Nylon
5	7-08-03196	18	Polypropylene/Amerfil (.040)
5	7-08-03197	18	Amergrit
6	2-00-02706	6	Screw, 1/4 - 20 x 1.0 HHM
7	2-00-00518	6	Washer, Helical Spring 1/4 Med
8	2-00-00594	6	Nut, Hex 1/4 - 20 x .437 x .218



Pad Driver Assembly: 0772-074

Individual service pieces which can be ordered separately include:

2	7-45-05026	Lug (2 required)
9	7-70-00098	Center-Lok III



Nilfisk-Advance Equipamentos de Limpeza Ltda.
Av. Dep. Emílio Carlos, 2.499 - Bairro do Limão - 02721-200
São Paulo - SP - Brasil
www.nilfisk-advance.ind.br
www.plataforma.ind.br
Tel.: (11) 3959-0300
Fax: (11) 3959-0306
©2011 Nilfisk-Advance, Inc.



14600 21st Avenue North
Plymouth, MN 55447-3408
www.advance-us.com
Phone: 800-989-2235
Fax: 800-989-6566
©2011 Nilfisk-Advance, Inc.

A Nilfisk-Advance Brand