

WE KNOW CLEAN™



FACTORYCAT®

MICRO-HD

Walk-Behind Scrubber for Quality Results

17-26 INCH WORKING
WIDTHS AVAILABLE

Made in the USA 

AVAILABLE IN BOTH
DISK & CYLINDRICAL



Machine Control Panel uses off-the-shelf toggle and marine duty switches and features universal icons which simplifies training.



Squeegee Adjustments made simple with quick change squeegee latch allows tool-less maintenance and 4-sided squeegee blade.



Front Fill System features a retractable hose for easy filling on standard sink-faucets and a stainless screen for bucket filling.



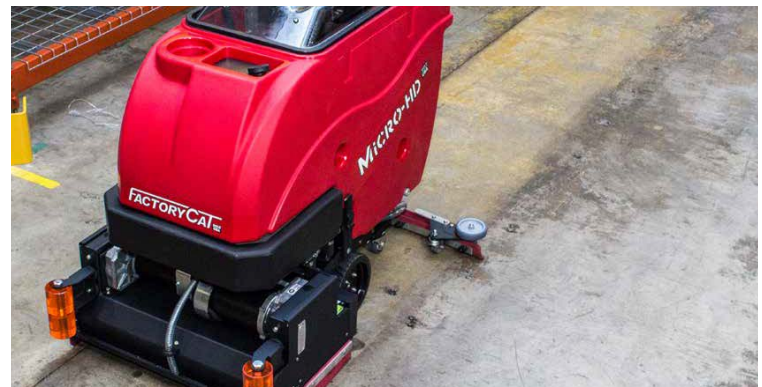
Oversized Vacuum Screen Shut-Off quickly arrests overflow issues to protect the Vacuum Motor.



High Performance motors and down pressure provides an unmatched standard of cleaning.

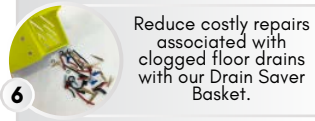
The Factory Cat Micro-HD Floor Scrubber Dryer is known for its simple design and durable construction, offering unmatched value for the customer. The Micro-HD Walk Behind Floor Scrubber comes equipped with a Traction drive which includes a powerful all-gear transaxle for climbing ramps and max operator ease or a Pad Assist version.

While keeping with the constant durability that FactoryCat machines have to offer, your operators will find the Micro-HD Floor Scrubber Dryer easy to maneuver into tight areas, and simple to service. The deck is protected by steel guards and large polyurethane rollers to keep the unit from marking walls.



Total Access to Components

- 1 Inspect Vacuum Motor
- 2 Service Batteries
- 3 Inline Solution Filter
- 4 Inspect Scrub Motors
- 5 Vacuum Screen & Filter
- 6 Drain Saver Basket



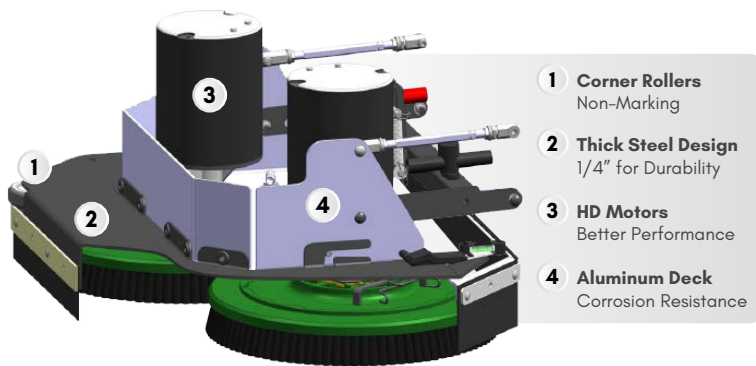
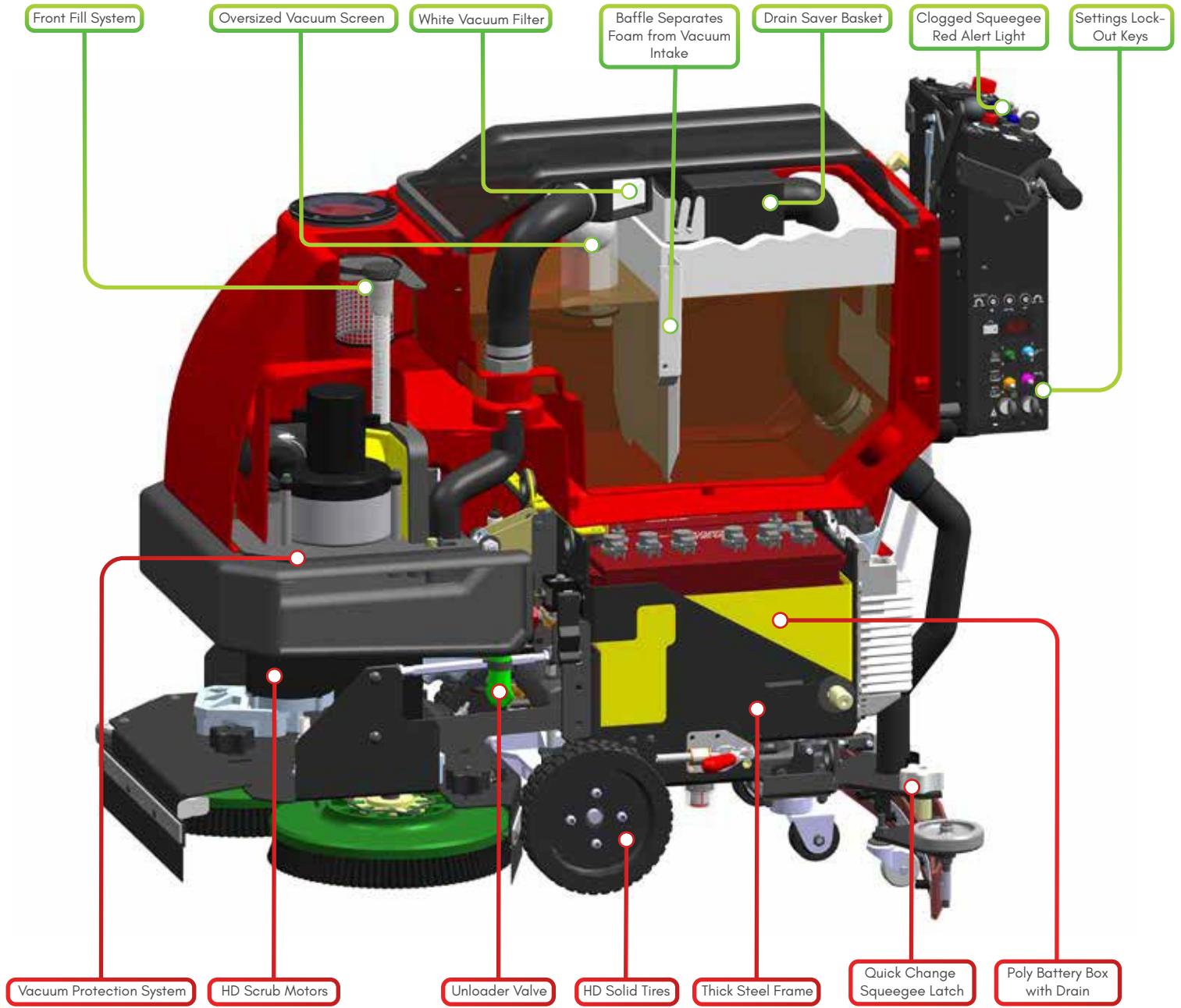
Reduce costly repairs associated with clogged floor drains with our Drain Saver Basket.

Efficient, Effective, and Driven by Results

The Factory Cat Micro-HD is your perfect choice when it comes to professional cleaning results in mid to large areas. These machines are tailor-made for applications in areas such as:

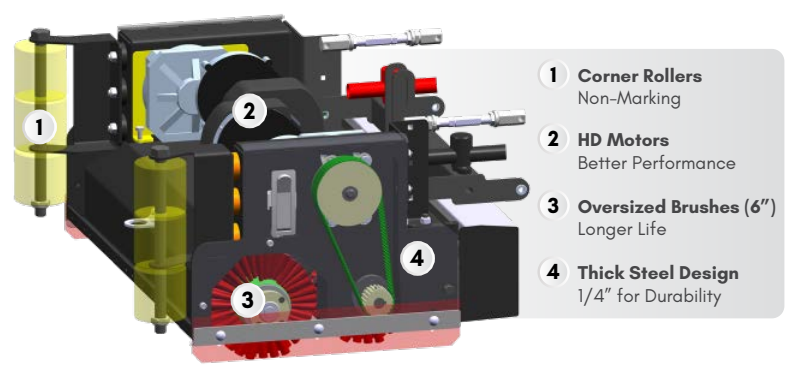
- Fabrication Shops
- Machine Shops
- Manufacturing
- Aviation
- Beverage Distribution
- Warehouses
- Automotive Shops
- Food Packaging
- Sports Arenas
- Schools & Universities

View Inside the Factory Cat MICRO-HD Designed with Attention to Detail



Disk Benefits

- Extensive Brush / Pad Selection
- Lowest Maintenance Cost
- Gimballed Drivers Improves Cleaning On Irregular Floors
- Brushes Individually Driven For Unmatched Performance



Cylindrical Benefits

- Eliminates Dust Mopping & Need for Most Pre-Sweeping
- Scrub & Sweep Simultaneously
- Superior Expansion Joint Cleaning

Technical Data

FACTORY CAT MICRO-HD AT A GLANCE

BODY CONSTRUCTION / DIMENSIONS

Tank Material:	Poly 5/16" (7.9 mm)
Chassis Construction:	3/16" Steel (4.8 mm) Powder Coated Steel
Front Wheels (Diameter x Width):	(2x) 8" x 2" ([2x] 20.3 x 5.1 cm) - Solid Black
Rear Casters (Diameter x Width):	(2x) 2.5" x 1.38" ([2x] 6.4 x 3.5 cm) - Non-Marking Grey
Size (L x W x H):	45" x 21" x 39" (114.3 x 53.3 x 99.1 cm)
Weight (w/o Batteries):	278 - 328 lbs (126 - 149 kg)
Weight (w/ 130 ah Batteries):	410 - 460 lbs (186 - 209 kg)

BRUSH / PAD SYSTEM

Disk Dimensions: <small>Includes Shroud with Rollers for Wall Protection</small>	17" - (1x) 17" Diameter (43.2 - [1x] 43.2 cm) 20" - (1x) 20" Diameter (50.8 - [1x] 50.8 cm) 26" - (2x) 13" Diameter (66.1 - [1x] 33 cm)
Disk Motor:	17" & 20" - (1x) 0.75 hp / 200 rpm (43.2 & 50.8 cm [1x] 559 watts) 26" - (2x) 0.75 hp / 270 rpm (66.1 cm [2x] 559 watts) 200 rpm or 270 rpm
Disk Brush Speed:	25" - (2x) 6" x 23" (63.5 - [2x] 15.2 x 58.4 cm)
Cylindrical Dimensions: <small>6" Diameter Brush</small>	(2x) 0.75 hp / 350 rpm ([2x] 559 watts)
Cylindrical Motor:	750 rpm
Cylindrical Brush Speed:	(5) with Auto Adjust
Brush Pressure Settings:	Up to 125 lbs (57 kg) / 500 lbs (227 kg) Actuator Rating
Brush Down Pressure:	

POWER SYSTEM

System Voltage:	24 VDC
Standard Battery:	130 ah WET
Optional Battery: <small>*Includes Onboard Charger</small>	150 ah WET / 115 ah AGM* / 140 ah AGM*
Run Time: <small>**Run times are based on continuous scrubbing run times.</small>	Up to 2.5 Hours**
Charger:	120VAC / 60 Hz Input - 24VDC / 12 amp Output

DRIVE SYSTEM

Power:	0.75hp - All Gear / Sealed (559 watts)
Forward Speed:	0 - 230 ft/min / 2.6 mph (0 - 70 m/min / 4 km/h)
Scrubbing Speed:	0 - 184 ft/min / 2 mph (0 - 56 m/min / 3 km/h)
Reverse Speed:	0 - 130 ft/min / 1.5 mph (0 - 40 m/min / 2 km/h)

SOLUTION / RECOVERY SYSTEMS

Solution Tank Capacity:	13 Gallons (49.2 liters) - w/ Graduated Site Tube
Solution Flow / Filter:	0 - 0.5 GPM / Stainless Inline (0 - 1.9 LPM)
Recovery Tank Capacity:	15 Gallons (56.8 liters) - 1.5" diameter Drain Hose
Demisting Chamber:	1.25 Gallons (4.7 liters)
Drain Saver:	30 cubic inches (492 cubic cm)
Vacuum Power:	0.8 hp / 3 Stage (640 watts)
Vacuum Specs (Water Lift / Airflow):	70" / 70 cfm (178 cm / 2 cm/m)
Squeegee:	Curved w/ 4-sided Rear Blade & Quick Change Latch 17D, 20D - 33" (83.8 cm) 25C, 26D - 36" (91.4 cm)

GENERAL

Cleaning Width:	17", 20" & 26" - Disk (43.2, 50.8 & 66.1 cm) 25" - Cylindrical (63.5 cm)
Sound Levels: <small>***Decibel levels for Disk per ISO 11201 as recommended by the American Association of Cleaning Equipment Manufacturers & OSHA</small>	62 dBA***
Productivity - Theoretical: <small>***Productivity is based off of ISSA 2010 Cleaning Times</small>	Up to 27,027 sqft (2,511 sqm)****
Productivity - Practical: <small>***Productivity is based off of ISSA 2010 Cleaning Times</small>	Up to 12,526 sqft (1,164 sqm)****

A FAMILY COMPANY SINCE 1967



WE KNOW CLEAN™

EQUIPMENT PARTS RENTALS SERVICE SUPPLIES

SWEeperLAND.COM

Corporate Headquarters | 4713 Gettysburg Road | Mechanicsburg, PA 17055

Contact Us Today: 1-800-626-7835