

# Parts Catalog

## Admiral 38 C Rider Sweeper / Scrubber



## Table of Contents

Covering (L.H.) (97110787-1) .....	4
Covering (R.H.) (97110787-2) .....	8
Frame (97110647) .....	12
Frame (97118129 7580-02) .....	16
Front wheel drive (97110431) .....	20
Steering (97042352) .....	22
Service brake - Accelerator pedal (97110738-1) .....	24
Service brake - Accelerator pedal (97118152-1) .....	28
Parking brake (97110738-2) .....	32
Parking brake (97118152-2) .....	34
Brake air conduit scheme (97110738-3) .....	36
Brake air conduit scheme (97118152-3) .....	38
Seat group (til 02/2010) (97107882 7580-24) .....	40
Seat group (97109581) .....	42
Wiper cpl. (97110126) .....	44
Brush lifting (97109722) .....	50
Brush lifting (97115570) .....	52
Cylindrical brush drive aggregate (97110654) .....	54
Water circulation (97110704) .....	75
Hopper (97115166) .....	79
Suction unit (97075337 7580-12) .....	85
Squeegee (97042360) .....	89
Lifting assy for suction (97042345) .....	91
Rear wheel (97042311) .....	95
Electrical equipment part 1 (97111868-1) .....	101
Electrical equipment part 2 (97111868-2) .....	105
Labels (97111835) .....	111

This manual covers all standard Admiral 38 C models:

**Model No.**

The machine will provide excellent service. However, the best results will be obtained if:

- The machine is operated with reasonable care.
- The machine is maintained regularly per the maintenance schedule in the instruction manual provided.
- The machine is maintained with PowerBoss OEM supplied or equivalent parts.

All right side and left side references to the machine are determined by facing the direction of forward travel. Parts may be ordered by phone or mail from any PowerBoss parts and service center. Before ordering parts or supplies be sure to have your machine model number and serial number handy.

Fill out the data block below for future reference.

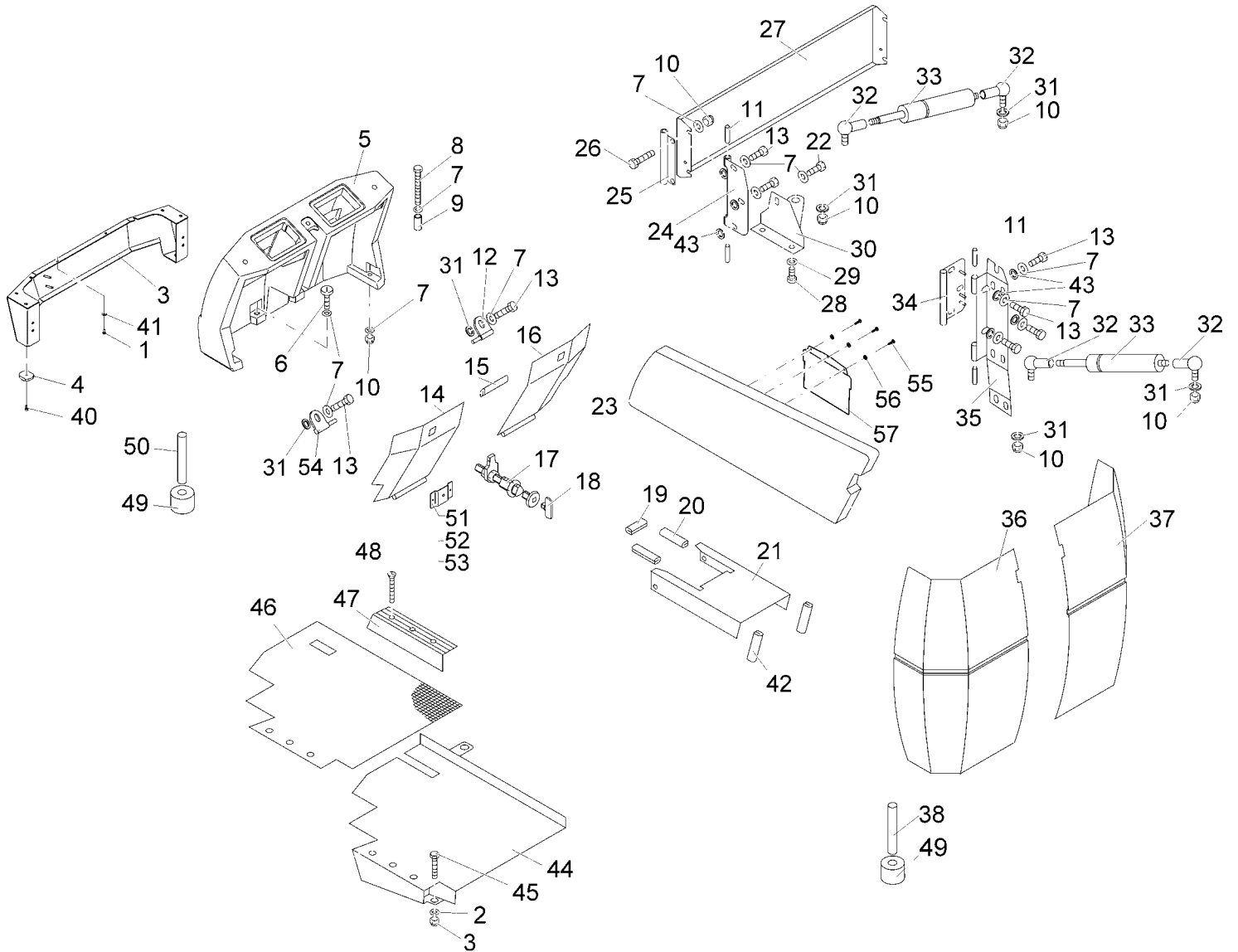
MACHINE DATA Fill Out At Installation	
Model:	Admiral 38 C
Serial Number:	_____
Sales Rep or Dealer	_____
Date of Install:	_____
Manual p/n:	4100055

All information contained in this manual is current at the time of printing However,PowerBoss Reserves the right to make changes at any time without notice.

© 2012, Powerboss, Inc., Printed in USA

All rights reserved. This manual may not be copied or reproduced in any form, without the written permission of PowerBoss,Inc.

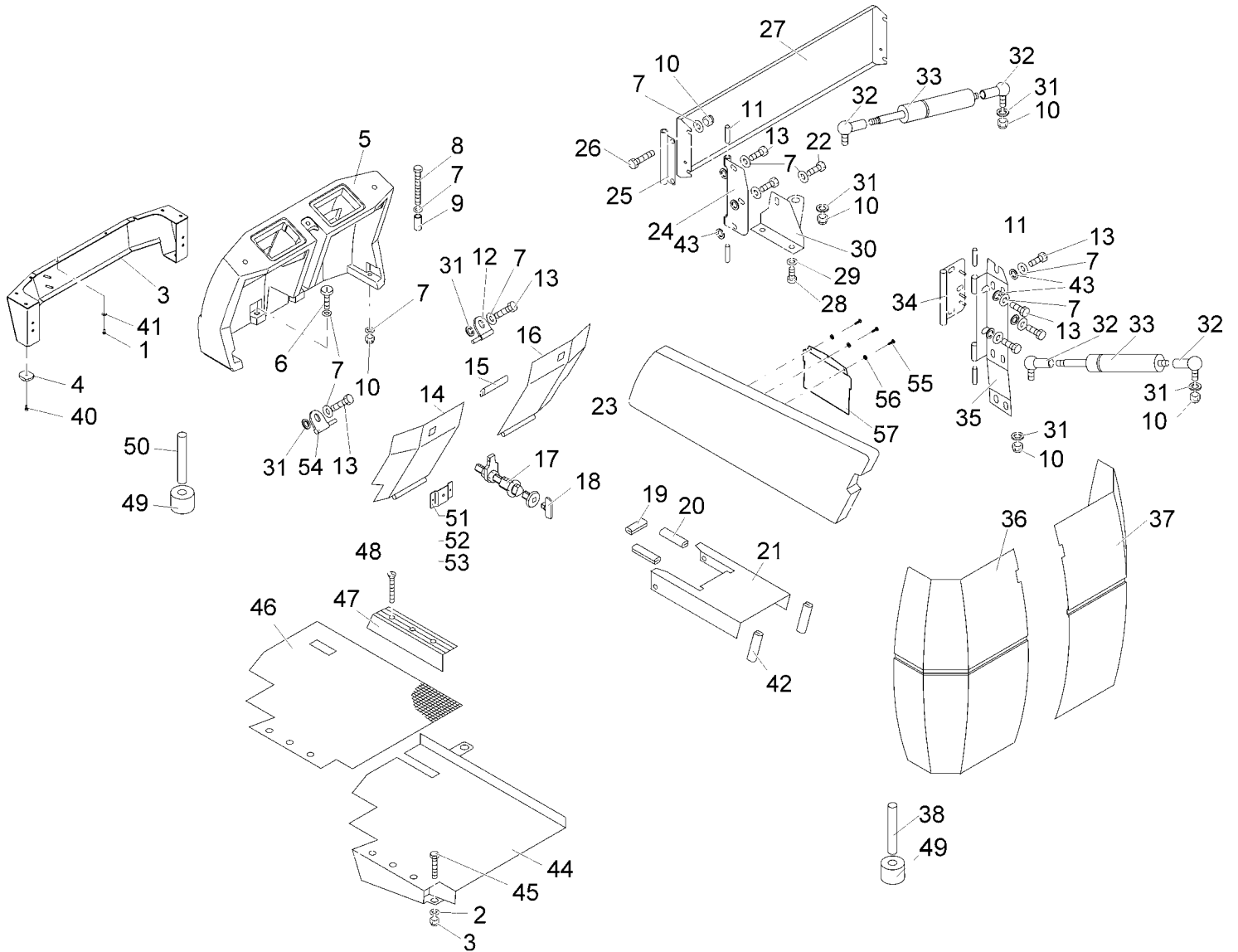
**Covering (L.H.) (97110787-1)**



**Covering (L.H.) (97110787-1)**

Item	Part number	Description	Qty.	Unit	Remarks
1	00053090	Hexagon screw	9	PC	
2	00135120	Washer	4	PC	
3	03011570	Underride protection	1	PC	
4	01070970	Stay	2	PC	
5	XXXXXXXX	no part-No. til yet	1		96127170 Front panel
6	00109720	Screw	1	PC	
7	00042900	Washer	20	PC	
8	00074260	Hex.bolt	12	PC	
9	00975110	Bushing	2	PC	
10	00051510	Hex. Nut	6	PC	
11	00155070	Cylinder pin	4	PC	
12	00975100	Hinge R.H.	1	PC	
13	00536320	Hex.bolt	11	PC	
14	XXXXXXXX	no part-No. til yet	1		96128848 Plate L.H.
15	00681570	Edge protection	1000m m	M	
16	XXXXXXXX	no part-No. til yet	1		96126909 Plate R.H.
17	00975120	Bolt lock	1	PC	
18	00975170	Key	1	PC	
19	00461460	Edge protection	160mm	M	
20	00752350	Edge protection	220mm	M	
21	XXXXXXXX	no part-No. til yet	1		90569617 Hood
22	00053080	Hexagon screw	1	PC	
23	00980050	Side door left	1	PC	
24	00980740	Plate	1	PC	
25	00980770	Plate	1	PC	
26	00053100	Hexagon screw	2	PC	
27	00035220	Plate	1	PC	
28	00959220	Screw	3	PC	
29	00053720	Washer	2	PC	
30	00975090	Angle	1	PC	
31	00053750	Washer	6	PC	
32	00527690	Angle joint	4	PC	
33	00159800	Gas spring	2	PC	
34	00980790	Plate	1	PC	
35	00980810	Angle	1	PC	

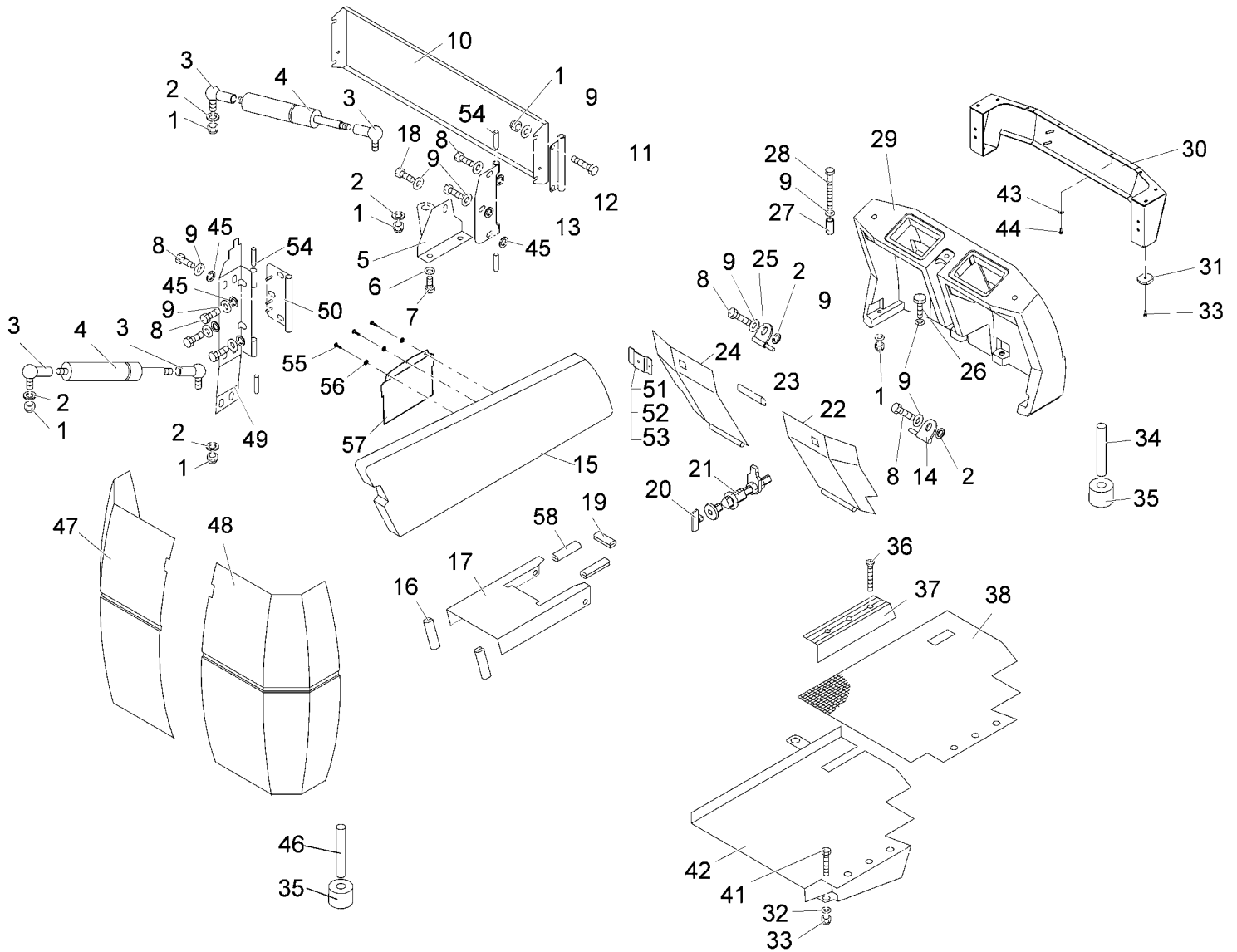
**Covering (L.H.) (97110787-1)**



**Covering (L.H.) (97110787-1)**

Item	Part number	Description	Qty.	Unit	Remarks
36	00980010	Door left	1	PC	
37	00980030	Door right	1	PC	
38	00102290	Bolt	1	PC	
40	00102790	Cylinder head screw	1	PC	
41	00740080	Washer	9	PC	
42	00752350	Edge protection	340mm	M	
43	00053730	Washer	4	PC	
44	00980560	Bottom plate	1	PC	
45	00053020	Hexagon screw	1	PC	
46	00980610	Floor mat	1	PC	
47	00975140	Step plate	1	PC	
48	00551140	Tapping screw	3	PC	
49	00975150	Roller	2	PC	
50	XXXXXXXX	no part-No. til yet	2		90578691 Bolt
51	00695730	Holder	1	PC	
52	00023640	Cable clip	1	PC	
53	01177820	Blind rivet	1	PC	
54	00959640	Bolt	1	PC	
55	00905520	Screw	3	PC	
56	00555520	Washer	3	PC	
57	01078280	Bag	1	PC	

**Covering (R.H.) (97110787-2)**

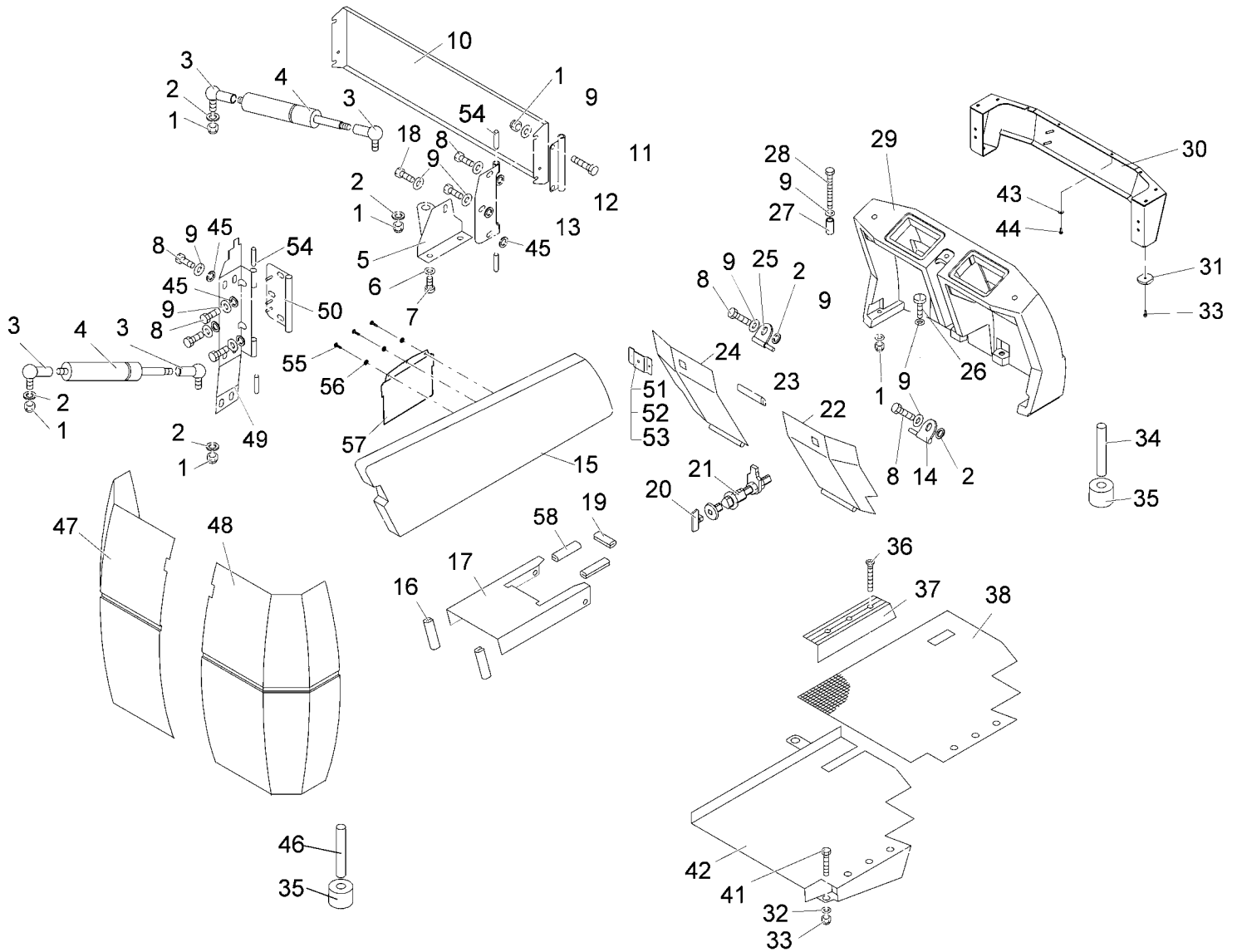




**Covering (R.H.) (97110787-2)**

Item	Part number	Description	Qty.	Unit	Remarks
1	00051510	Hex. Nut	6	PC	
2	00053750	Washer	6	PC	
3	00527690	Angle joint	4	PC	
4	00159800	Gas spring	2	PC	
5	00975080	Angle	1	PC	
6	00053720	Washer	2	PC	
7	00959220	Screw	3	PC	
8	00536320	Hex.bolt	11	PC	
9	00042900	Washer	20	PC	
10	00035220	Plate	1	PC	
11	00053100	Hexagon screw	2	PC	
12	00980770	Plate	1	PC	
13	00980780	Plate	1	PC	
14	00975100	Hinge R.H.	1	PC	
15	00980070	Side door right	1	PC	
16	00752350	Edge protection	340mm	M	
17	XXXXXXXX	no part-No. til yet	1		90569617 Hood
18	00053080	Hexagon screw	1	PC	
19	00461460	Edge protection	160mm	M	
20	00975170	Key	1	PC	
21	00975120	Bolt lock	1	PC	
22	XXXXXXXX	no part-No. til yet	1		96126909 Plate R.H.
23	00681570	Edge protection	1000m m	M	
24	XXXXXXXX	no part-No. til yet	1		96128848 Plate L.H.
25	00959640	Bolt	1	PC	
26	00109720	Screw	1	PC	
27	00975110	Bushing	2	PC	
28	00074260	Hex.bolt	2	PC	
29	XXXXXXXX	no part-No. til yet	1		96127170 Front panel
30	03011570	Underride protection	1	PC	
31	01070970	Stay	2	PC	
32	00135120	Washer	4	PC	
33	00102790	Cylinder head screw	1	PC	
34	XXXXXXXX	no part-No. til yet	2		90578691 Bolt
35	00975150	Roller	2	PC	

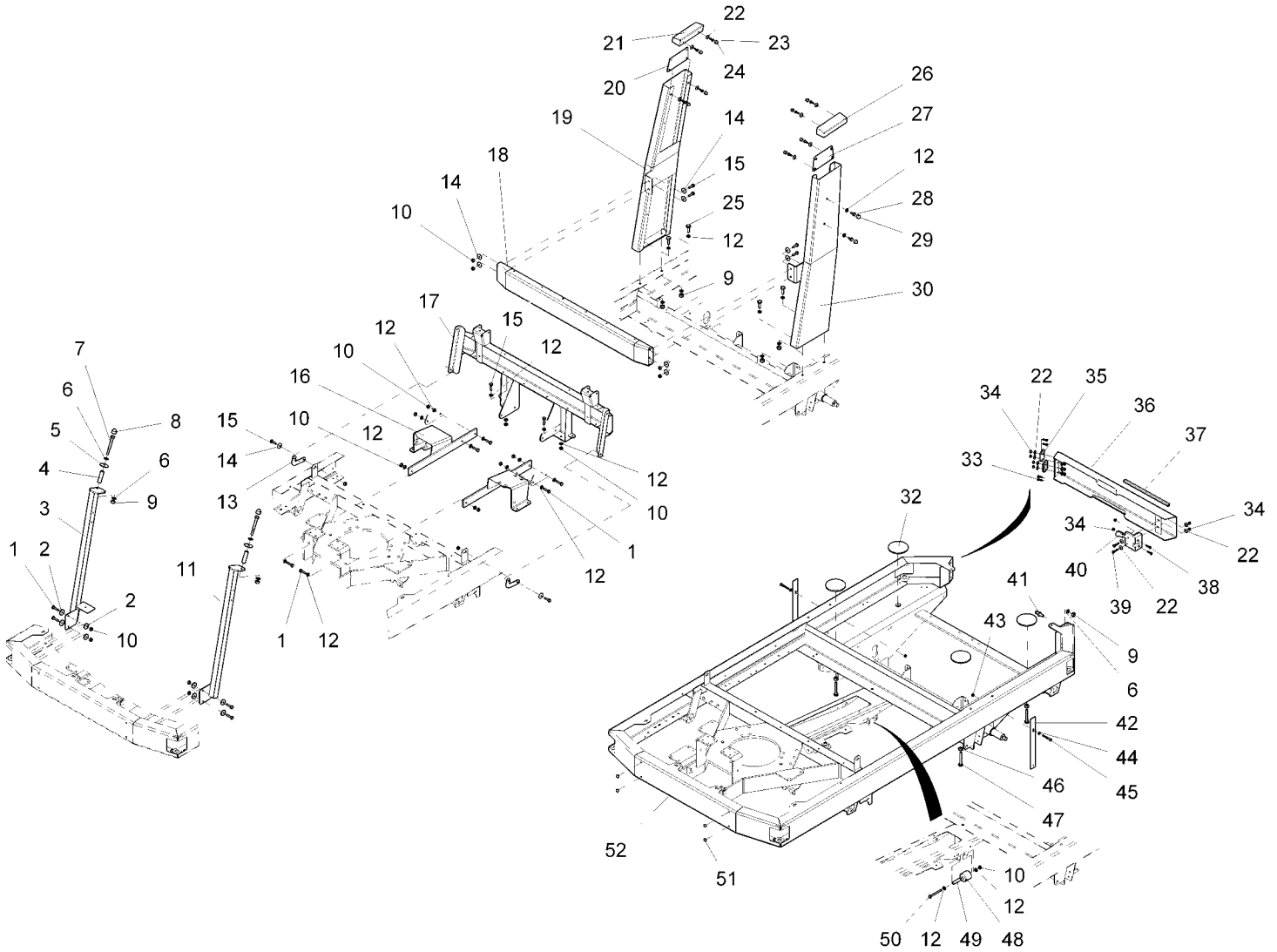
**Covering (R.H.) (97110787-2)**



**Covering (R.H.) (97110787-2)**

Item	Part number	Description	Qty.	Unit	Remarks
36	00551140	Tapping screw	3	PC	
37	00975130	Step plate	1	PC	
38	00980580	Floor mat	1	PC	
41	00053020	Hexagon screw	1	PC	
42	00980590	Bottom plate	1	PC	
43	00740080	Washer	9	PC	
44	00053090	Hexagon screw	9	PC	
45	00053730	Washer	4	PC	
46	00102290	Bolt	1	PC	
47	00980010	Door left	1	PC	
48	00980030	Door right	1	PC	
49	00980800	Angle	1	PC	
50	00980790	Plate	1	PC	
51	00695730	Holder	1	PC	
52	00023640	Cable clip	1	PC	
53	01177820	Blind rivet	1	PC	
54	00155070	Cylinder pin	4	PC	
55	00905520	Screw	3	PC	
56	00555520	Washer	3	PC	
57	01078280	Bag	1	PC	
58	00752350	Edge protection	220mm	M	

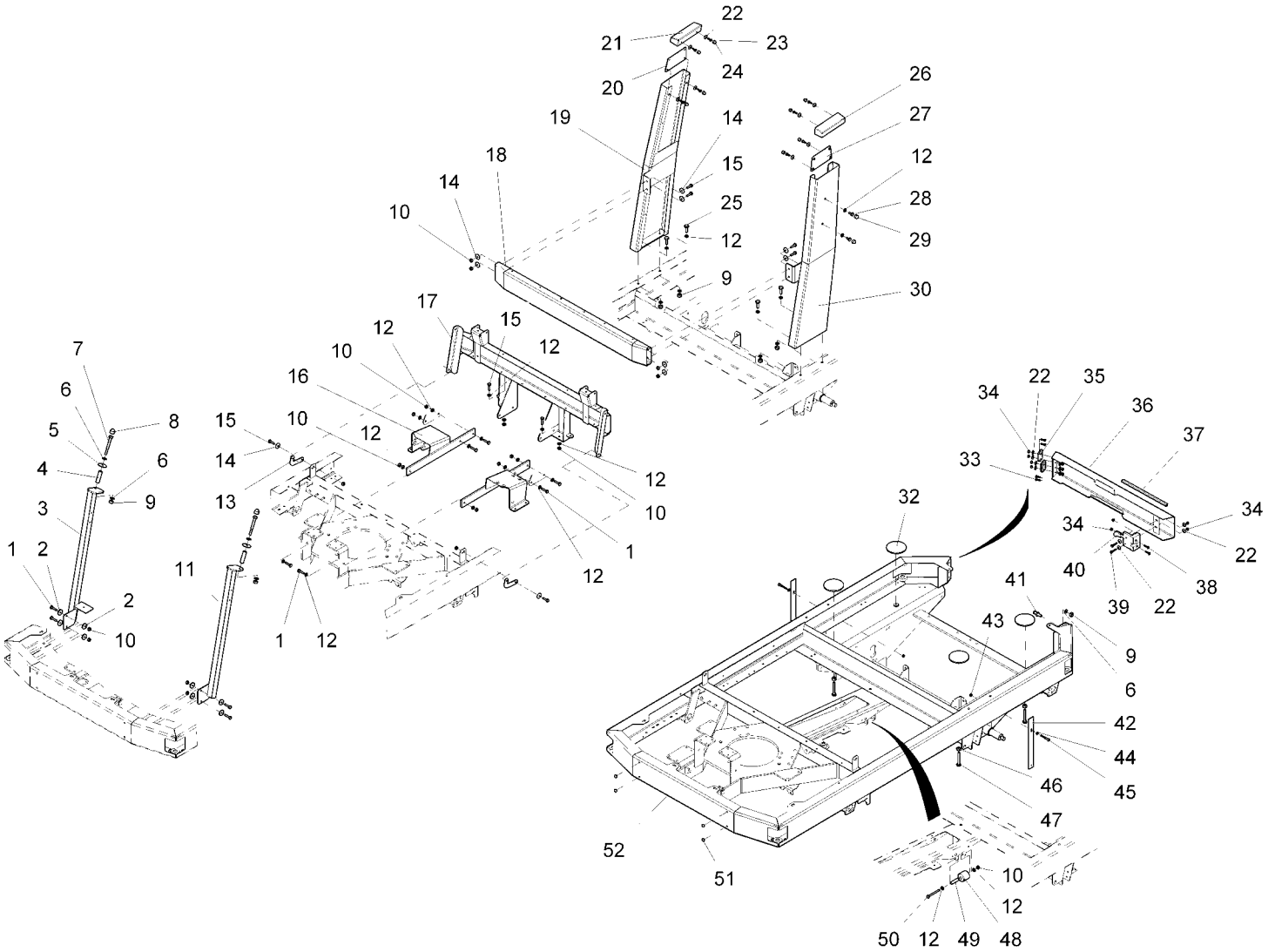
**Frame (97110647)**



Frame (97110647) 1900-01-01 --> 2012-03-31

Item	Part number	Description	Qty.	Unit	Remarks
1	00053110	Hexagon screw	8	PC	
2	00047990	Disk wheel	4	PC	
3	00035160	Support right	1	PC	
4	00974240	Sleeve	2	PC	
5	01177570	Washer	2	PC	
6	00053760	Washer	5	PC	
7	00157410	Hex.bolt	2	PC	
8	00747210	Lens cap	2	PC	
9	00051500	Hex. Nut	7	PC	
10	00051510	Hex. Nut	9	PC	
11	00035170	Support left	1	PC	
12	00053750	Washer	36	PC	
13	00974310	Bracket	2	PC	
14	00042900	Washer	14	PC	
15	00053100	Hexagon screw	8	PC	
16	00980420	Prop right	1	PC	
17	00035150	Carrier	1	PC	
18	00035140	Carrier	1	PC	
19	00035120	Spar frame R.H.	1	PC	
20	01073230	Plate R.H., cpl	1	PC	
21	00974280	Hood R.H.	1	PC	
22	00135120	Washer	20	PC	
23	00053010	Hex.bolt	8	PC	
24	00525910	Lens cap	8	PC	
25	00053160	Hexagon screw	4	PC	
26	00974270	Hood L.H.	1	PC	
27	01073240	Plate L.H., cpl.	1	PC	
28	00053080	Hexagon screw	2	PC	
29	00131610	Lens cap	2	PC	
30	03009300	Spar frame L.H.	1	PC	
32	00974220	Washer	4	PC	
33	00021310	Countersunk screw	8	PC	
34	00051520	Hex. Nut	12	PC	
35	00522530	Hinge	2	PC	
36	00035110	Carrier	1	PC	
37	00161240	Edge protection	0,280	M	

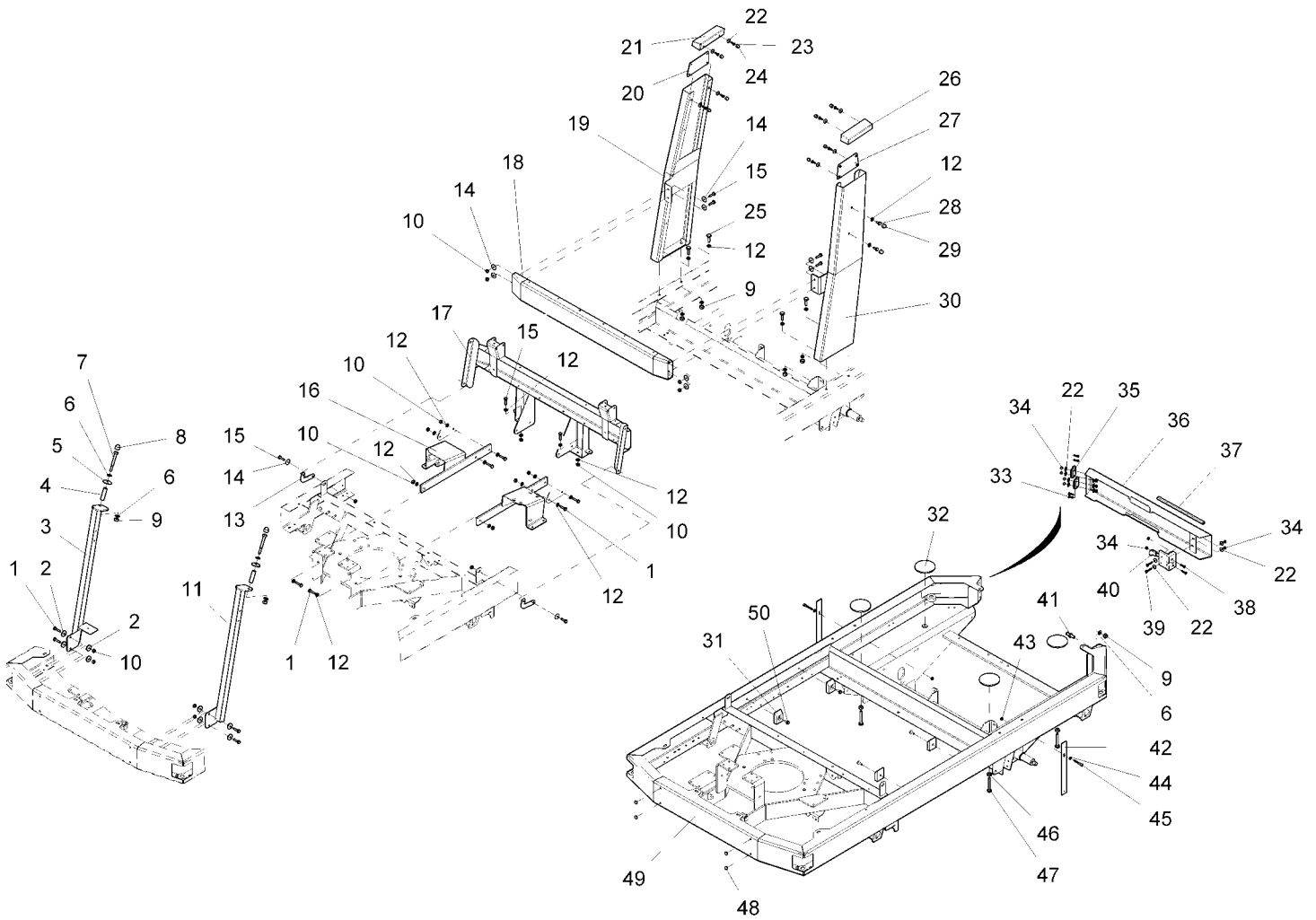
**Frame (97110647)**



**Frame (97110647) 1900-01-01 --> 2012-03-31**

Item	Part number	Description	Qty.	Unit	Remarks
38	XXXXXXXX	no part-No. til yet	1		90629833 Cab lock R.H.
38	00078200	Cab lock R.H.	1	PC	
39	00551160	Countersunk screw	2	PC	
40	00053040	Hex.bolt	2	PC	
41	00877070	Bolt	1	PC	
42	01070570	Rubber gasket	2	PC	
43	00053330	Hex. Nut	2	PC	
44	00053730	Washer	2	PC	
45	01143070	Socket head screw	2	PC	
46	00053360	Hex. Nut	4	PC	
47	00051550	Hex.bolt	4	PC	
48	00974260	Roller	1	PC	
49	00974250	Spacer piece	1	PC	
50	00557600	Hex.bolt	1	PC	
51	00906060	Drain plug	4	PC	
52	00035100	Chassis	1	PC	

Frame (97118129 7580-02)

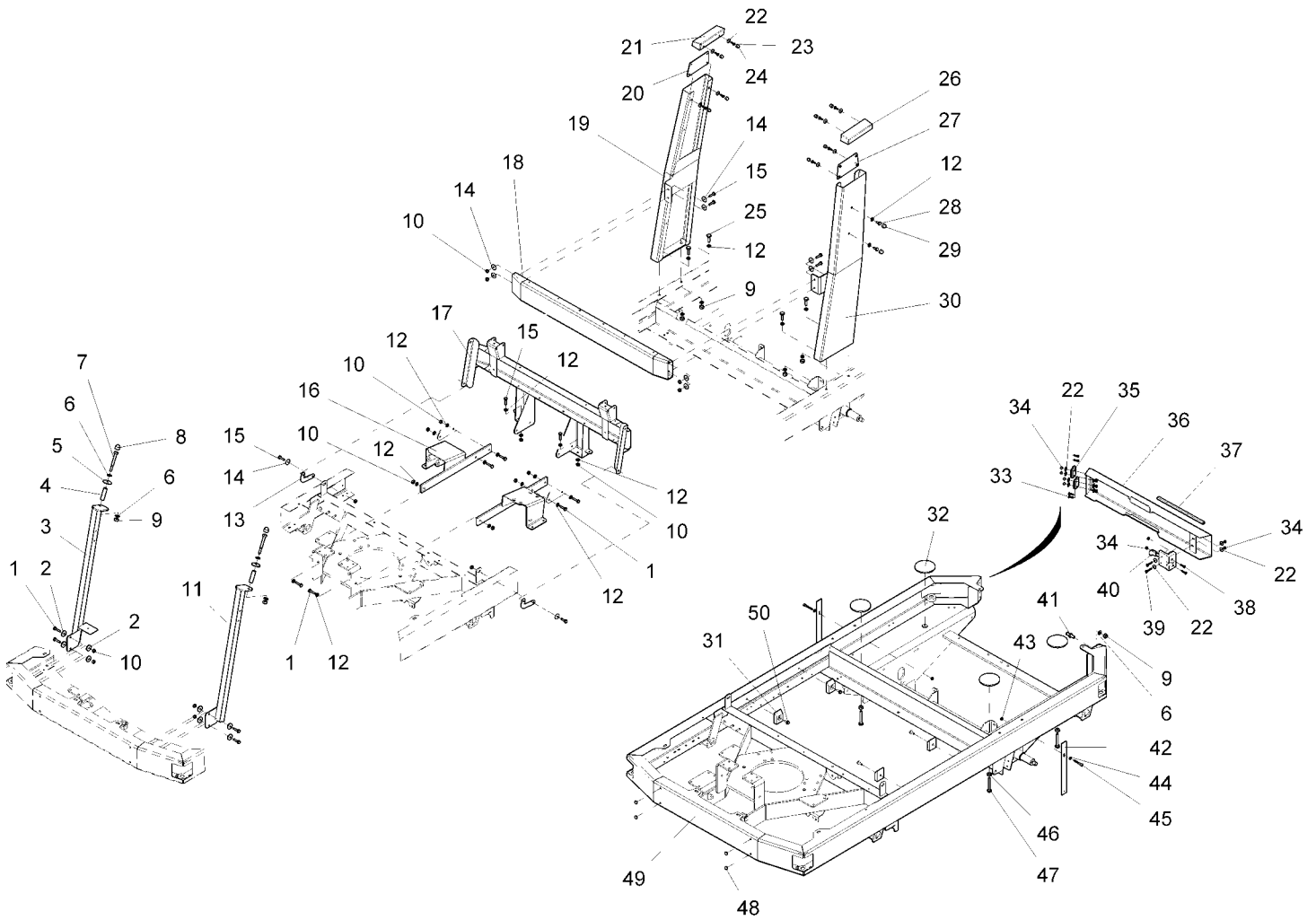




Frame (97118129 7580-02) 2012-04-01 -->

Item	Part number	Description	Qty.	Unit	Remarks
1	00053110	Hexagon screw	10	PC	
2	00047990	Disk wheel	4	PC	
3	00035160	Support right	1	PC	
4	00974240	Sleeve	2	PC	
5	01177570	Washer	2	PC	
6	00053760	Washer	5	PC	
7	00157410	Hex.bolt	2	PC	
8	00747210	Lens cap	2	PC	
9	00051500	Hex. Nut	7	PC	
10	00051510	Hex. Nut	24	PC	
11	00035170	Support left	1	PC	
12	00053750	Washer	26	PC	
13	00974310	Bracket	2	PC	
14	00042900	Washer	14	PC	
15	00053100	Hexagon screw	8	PC	
16	00980420	Prop right	1	PC	
17	00035150	Carrier	1	PC	
18	00035140	Carrier	1	PC	
19	00035120	Spar frame R.H.	1	PC	
20	01073230	Plate R.H., cpl	1	PC	
21	00974280	Hood R.H.	1	PC	
22	00135120	Washer	20	PC	
23	00053010	Hex.bolt	8	PC	
24	00525910	Lens cap	8	PC	
25	00053160	Hexagon screw	4	PC	
26	00974270	Hood L.H.	1	PC	
27	01073240	Plate L.H., cpl.	1	PC	
28	00053080	Hexagon screw	2	PC	
29	00131610	Lens cap	2	PC	
30	03009300	Spar frame L.H.	1	PC	
31	00974300	Spacer piece	4	PC	
32	00974220	Washer	4	PC	
33	00021310	Countersunk screw	8	PC	
34	00051520	Hex. Nut	18	PC	
35	00522530	Hinge	2	PC	
36	00035110	Carrier	1	PC	

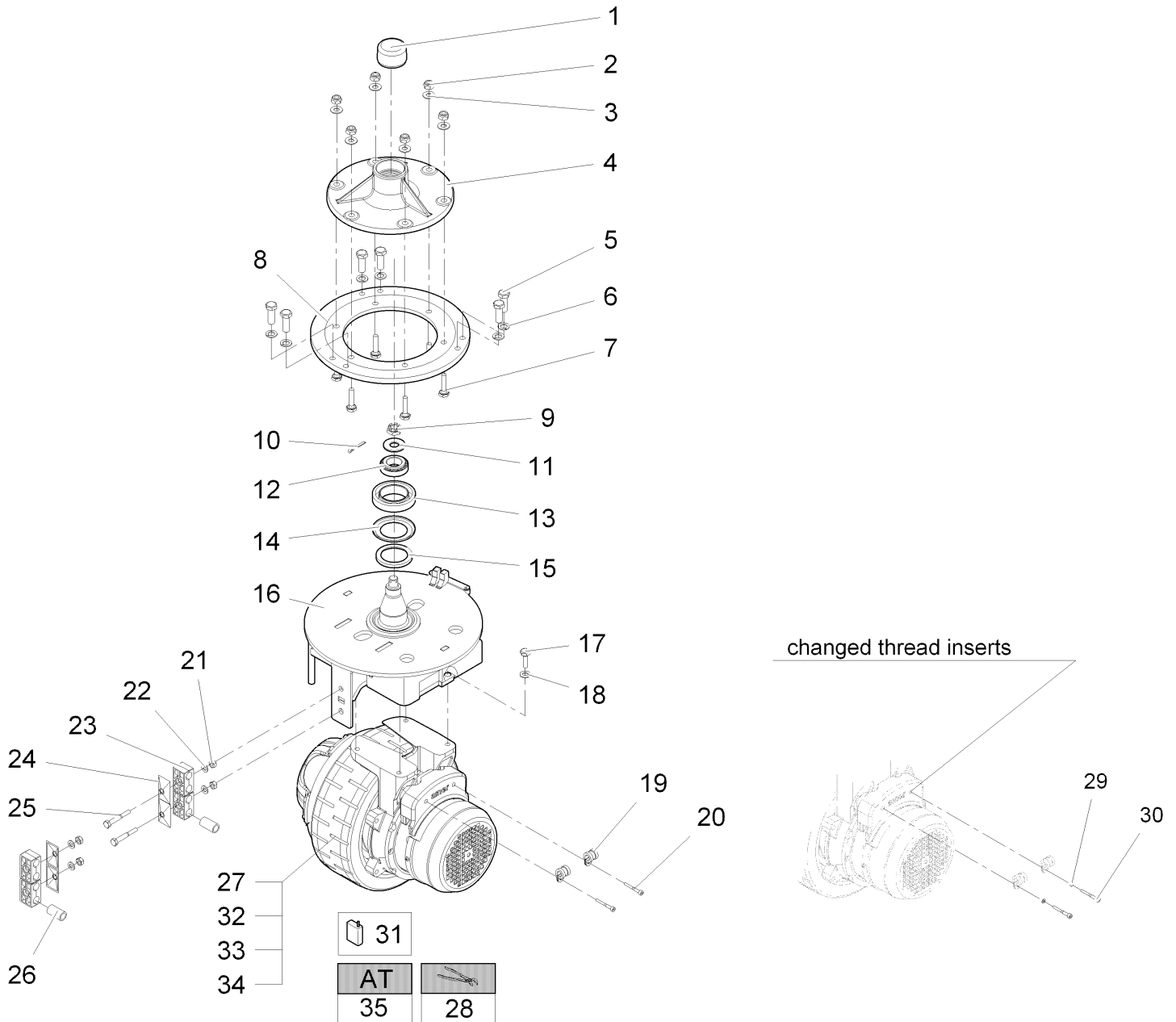
**Frame (97118129 7580-02)**



**Frame (97118129 7580-02) 2012-04-01 -->**

Item	Part number	Description	Qty.	Unit	Remarks
37	00161240	Edge protection	0,280	M	
38	XXXXXXXX	no part-No. til yet	1		90629833 Cab lock R.H.
38	00078200	Cab lock R.H.	1	PC	
39	00551160	Countersunk screw	2	PC	
40	00053040	Hex.bolt	2	PC	
41	00877070	Bolt	1	PC	
42	01070570	Rubber gasket	2	PC	
43	00053330	Hex. Nut	2	PC	
44	00053730	Washer	2	PC	
45	01143070	Socket head screw	2	PC	
46	00053360	Hex. Nut	4	PC	
47	00051550	Hex.bolt	4	PC	
48	00906060	Drain plug	4	PC	
49	XXXXXXXX	no part-No. til yet	1		96131537 Frame
50	00109720	Screw	4	PC	

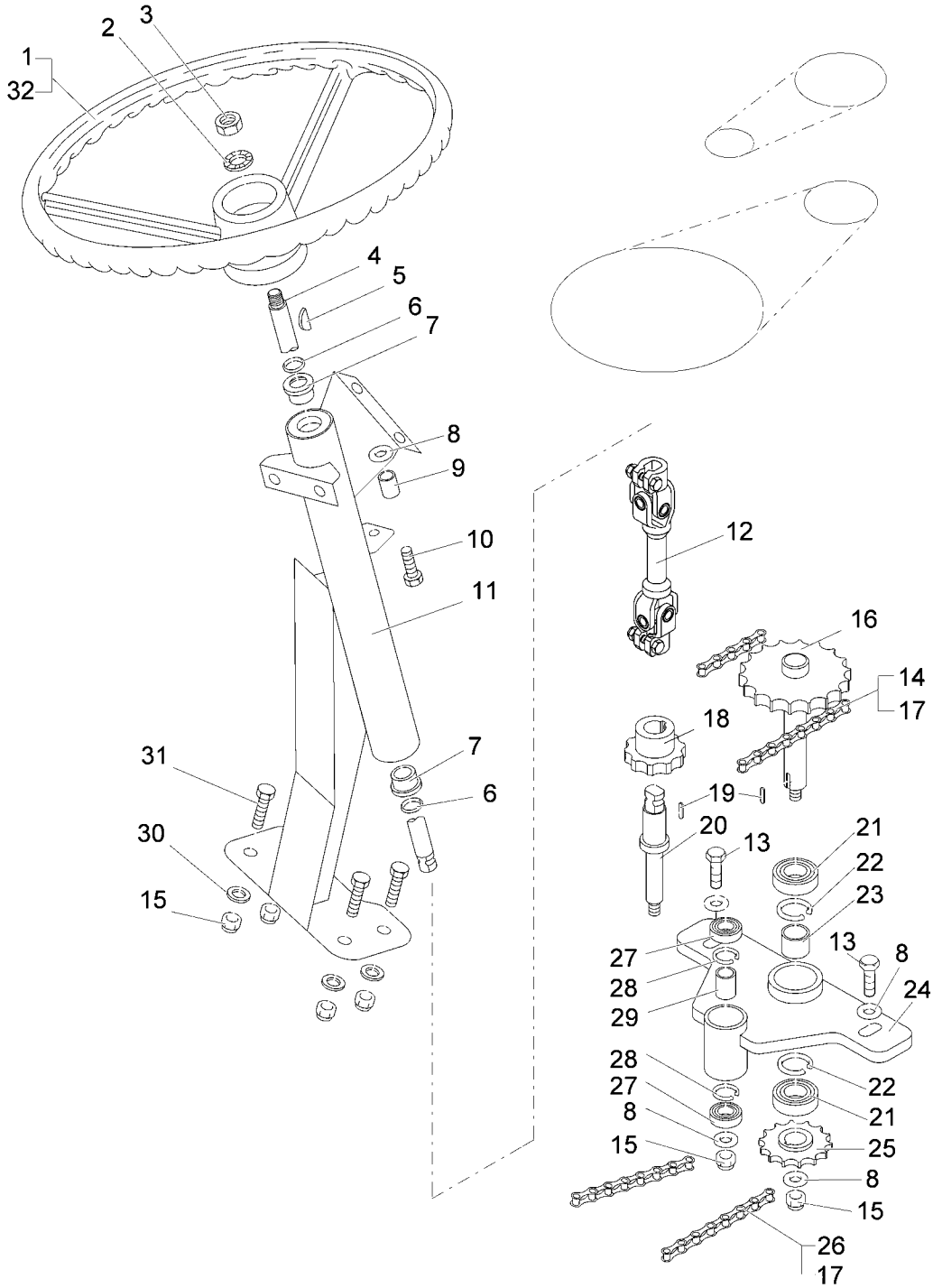
Front wheel drive (97110431)



**Front wheel drive (97110431)**

Item	Part number	Description	Qty.	Unit	Remarks
1	01054120	Plug	1	PC	
2	00051500	Hex. Nut	6	PC	
3	00740290	Detent edged washer	6	PC	
4	01054110	Flange	1	PC	
5	00155830	Hexagon screw	6	PC	
6	00053430	Lock washer	6	PC	
7	00053170	Hexagon screw	6	PC	
8	XXXXXXXX	no part-No. til yet	1		90569872 Flange plate
9	00740070	Slotted nut	1	PC	
10	00139930	Cotter pin	1	PC	
11	00851420	Washer	1	PC	
12	01054100	Cone roller bearing	1	PC	
13	01052100	Cone roller bearing	1	PC	
14	01052110	Ring	1	PC	
15	01052090	Washer	1	PC	
16	03009280	Wheelmount	1	PC	
17	00871420	Hex.bolt	4	PC	
18	00870090	Detent edged washer	4	PC	
19	00130250	Pipe clamp	2	PC	
20	00023400	Cylinder head screw	2	PC	
21	00051510	Hex. Nut	4	PC	
22	00053750	Washer	4	PC	
23	01160240	Pair of clamping	4	PC	
24	01132150	Cover plate	4	PC	
25	01073550	Hex.bolt	2	PC	
26	01131790	Bushing	2	PC	
27	01178610	Wheel hub gear	1	PC	
28	03502210	Mounting tool set	1	PC	for drive motor
29	00053710	Washer	2	PC	
30	XXXXXXXX	no part-No. til yet	2		
31	00876670	Carbon brush	4	PC	
32	01113840	Wheel	1	PC	
33	01274740	Fan wheel	1	PC	
34	01274800	Covering	1	PC	
35	00001380	Wheel hub drive 36V	1	PC	Replacement part for 01178610

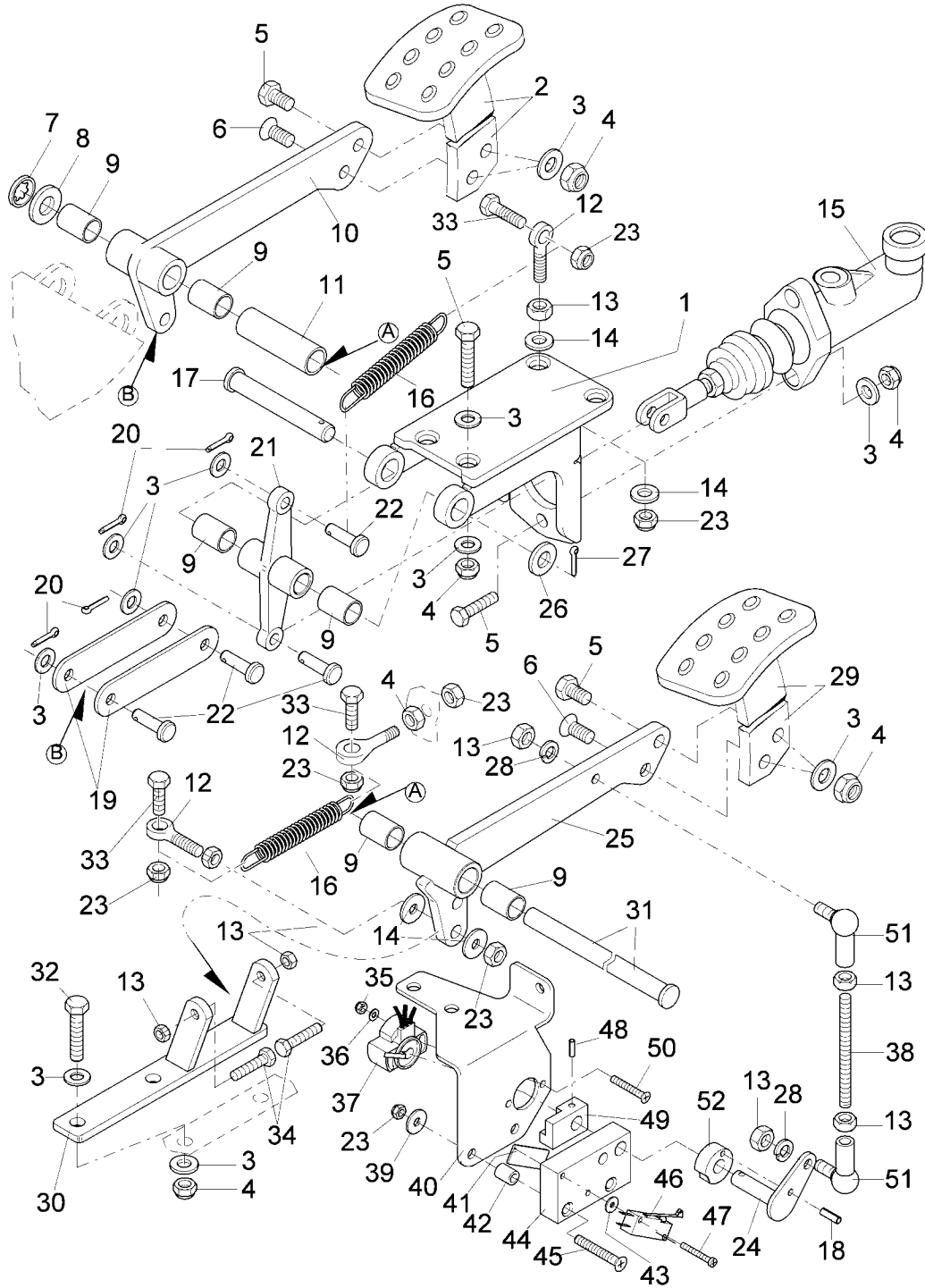
Steering (97042352)



**Steering (97042352)**

Item	Part number	Description	Qty.	Unit	Remarks
1	00251100	Steering wheel	1	PC	
2	00075290	Toothed washer	1	PC	
3	00074350	Hex. Nut	1	PC	
4	00980760	Shaft	1	PC	
5	00153600	Woodruff key	1	PC	
6	00554400	O-ring oil resistant	2	PC	
7	00523630	Bushing	2	PC	
8	00042900	Washer	5	PC	
9	00974330	Sleeve	1	PC	
10	00053260	Hex.bolt	1	PC	
11	00980750	Pipe	1	PC	
12	00492520	cardan shaft	1	PC	
13	00053100	Hexagon screw	2	PC	
14	00911360	Roller chain	1	PC	
15	00051510	Hex. Nut	7	PC	
16	00975420	Shaft	1	PC	
17	00537280	Section	3	PC	
18	00521170	Chain wheel	1	PC	
19	00153010	Feather key	2	PC	
20	00975440	Shaft	1	PC	
21	00046250	Deep groove ball bearing	2	PC	
22	00154440	Retaining ring	2	PC	
23	00028840	Bushing	1	PC	
24	00980720	Plate	1	PC	
25	00975450	Chain wheel	1	PC	
26	00911340	Roller chain	1	PC	
27	00538360	Deep groove ball bearing	2	PC	
28	00101660	Retaining ring	2	PC	
29	01177590	Pipe	1	PC	
30	00053750	Washer	12	PC	
31	00053110	Hexagon screw	6	PC	
32	01177600	Cap	1	PC	

**Service brake - Accelerator pedal (97110738-1)**

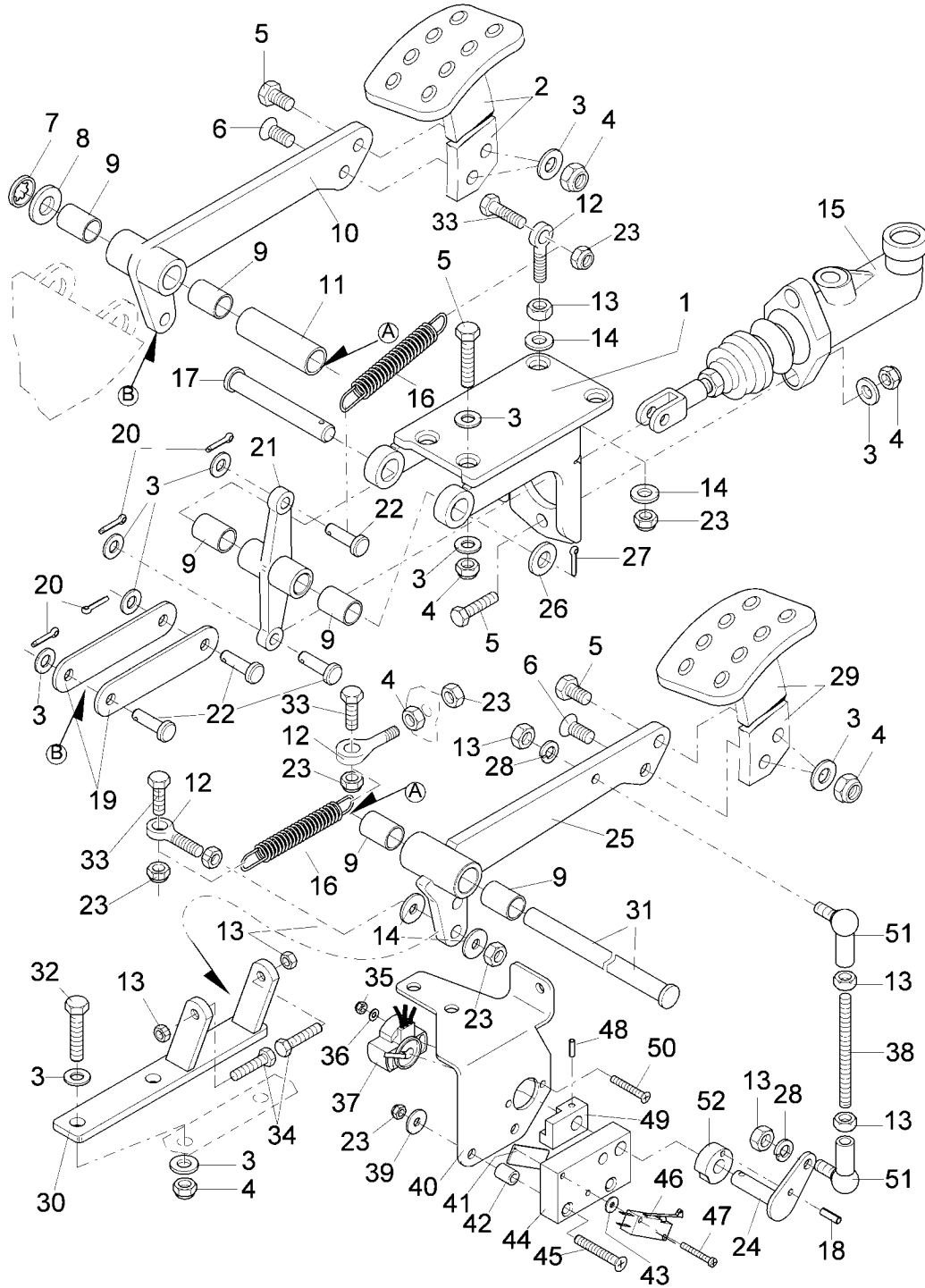




**Service brake - Accelerator pedal (97110738-1) 2011-04-01 --> 2012-03-31**

Item	Part number	Description	Qty.	Unit	Remarks
1	00270950	Retainer	1	PC	
2	00270930	Pedal	1	PC	
3	00053750	Washer	20	PC	
4	00051510	Hex. Nut	16	PC	
5	00053110	Hexagon screw	7	PC	
6	01223150	Countersunk screw	2	PC	
7	00538790	Thrust washer	1	PC	
8	00134780	Washer	2	PC	
9	00046560	DU-Drying socket	6	PC	
10	00100480	Lever	2	PC	
11	00974420	Pipe	1	PC	
12	00101510	Eye bolt	3	PC	
13	00053330	Hex. Nut	7	PC	
14	00135120	Washer	6	PC	
15	00821160	Brake cylinder	1	PC	
16	00055620	Tension spring	2	PC	
17	00100510	Bolt	1	PC	
18	01091890	Dowel pin	1	PC	
19	00974410	Bracket	2	PC	
20	00054860	Cotter pin	3	PC	
21	00974390	Lever	1	PC	
22	00706190	Clevis pin	3	PC	
23	00051520	Hex. Nut	7	PC	
24	00975490	Bolt	1	PC	
25	00100480	Lever	2	PC	
26	00134780	Washer	1	PC	
27	00961520	Cotter pin	1	PC	
28	00053400	Lock washer	2	PC	
29	00974380	Pedal	1	PC	
30	00974350	Plate	1	PC	
31	00974430	Bolt	1	PC	
32	00054690	Hexagon screw	2	PC	
33	00053020	Hexagon screw	3	PC	
34	00053040	Hex.bolt	3	PC	
35	00133830	Hex. Nut	2	PC	
36	00053710	Washer	2	PC	

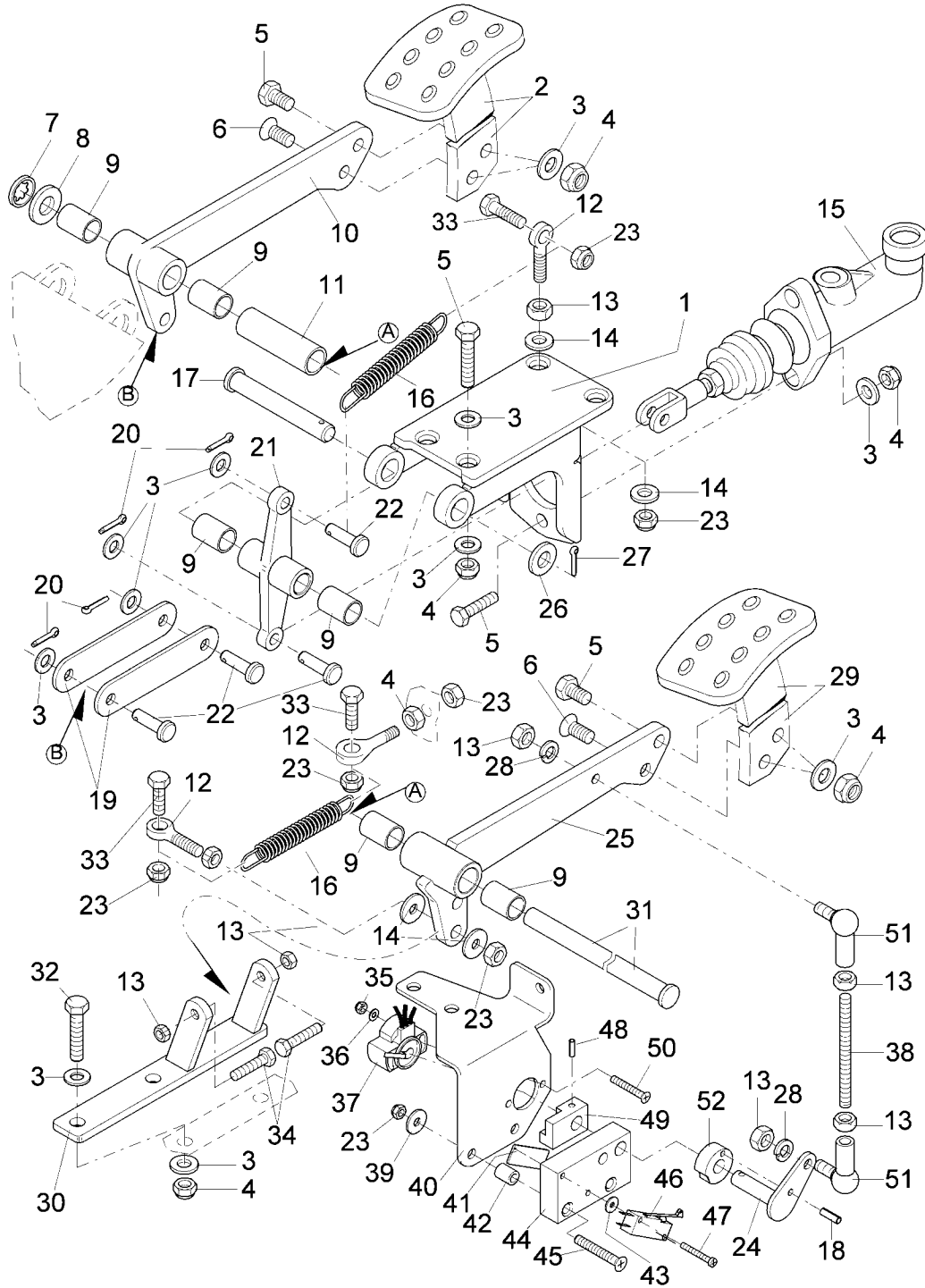
Service brake - Accelerator pedal (97110738-1)



**Service brake - Accelerator pedal (97110738-1) 2011-04-01 --> 2012-03-31**

Item	Part number	Description	Qty.	Unit	Remarks
37	00975500	Turn angle transmitter	1	PC	
38	00071110	Threaded rod	1	PC	
39	00053730	Washer	1	PC	
40	00975520	Angle	1	PC	
41	01074840	Thread base plate	1	PC	
42	00926770	Spacer sleeve	2	PC	
43	00747400	Washer	2	PC	
44	00975530	Plate	1	PC	
45	00109500	Countersunk screw	2	PC	
46	00975510	Micro switch	1	PC	
47	00101580	Fillister-head screw	2	PC	
48	00152840	Dowel pin	1	PC	
49	00975550	Carrier	1	PC	
51	00855580	Angle joint	2	PC	
52	00975540	Washer	1	PC	

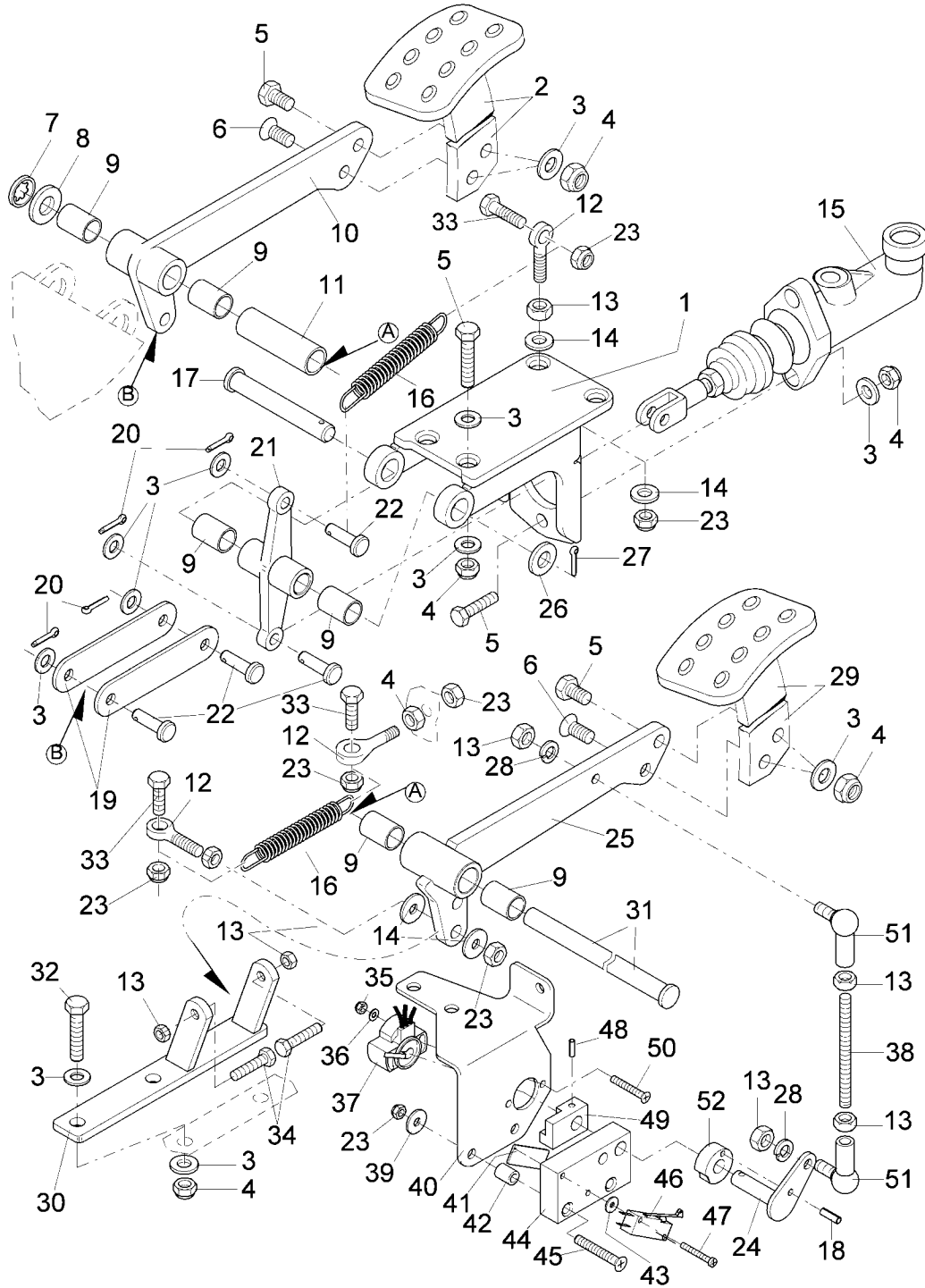
**Service brake - Accelerator pedal (97118152-1)**



**Service brake - Accelerator pedal (97118152-1) 2012-04-01 -->**

Item	Part number	Description	Qty.	Unit	Remarks
1	00270950	Retainer	1	PC	
2	00270930	Pedal	1	PC	
3	00053750	Washer	20	PC	
4	00051510	Hex. Nut	16	PC	
5	00053110	Hexagon screw	7	PC	
6	01223150	Countersunk screw	2	PC	
7	00538790	Thrust washer	1	PC	
8	00134780	Washer	2	PC	
9	00046560	DU-Drying socket	6	PC	
10	00100480	Lever	2	PC	
11	00974420	Pipe	1	PC	
12	00101510	Eye bolt	3	PC	
13	00053330	Hex. Nut	7	PC	
14	00135120	Washer	6	PC	
15	00821160	Brake cylinder	1	PC	
16	00055620	Tension spring	2	PC	
17	00100510	Bolt	1	PC	
18	01091890	Dowel pin	1	PC	
19	00974410	Bracket	2	PC	
20	00054860	Cotter pin	3	PC	
21	00974390	Lever	1	PC	
22	00706190	Clevis pin	3	PC	
23	00051520	Hex. Nut	7	PC	
24	00975490	Bolt	1	PC	
25	00100480	Lever	2	PC	
26	00134780	Washer	1	PC	
27	00961520	Cotter pin	1	PC	
28	00053400	Lock washer	2	PC	
29	00974380	Pedal	1	PC	
30	00974350	Plate	1	PC	
31	00974430	Bolt	1	PC	
32	00054690	Hexagon screw	2	PC	
33	00053020	Hexagon screw	3	PC	
34	00053040	Hex.bolt	3	PC	
35	00133830	Hex. Nut	2	PC	
36	00053710	Washer	2	PC	

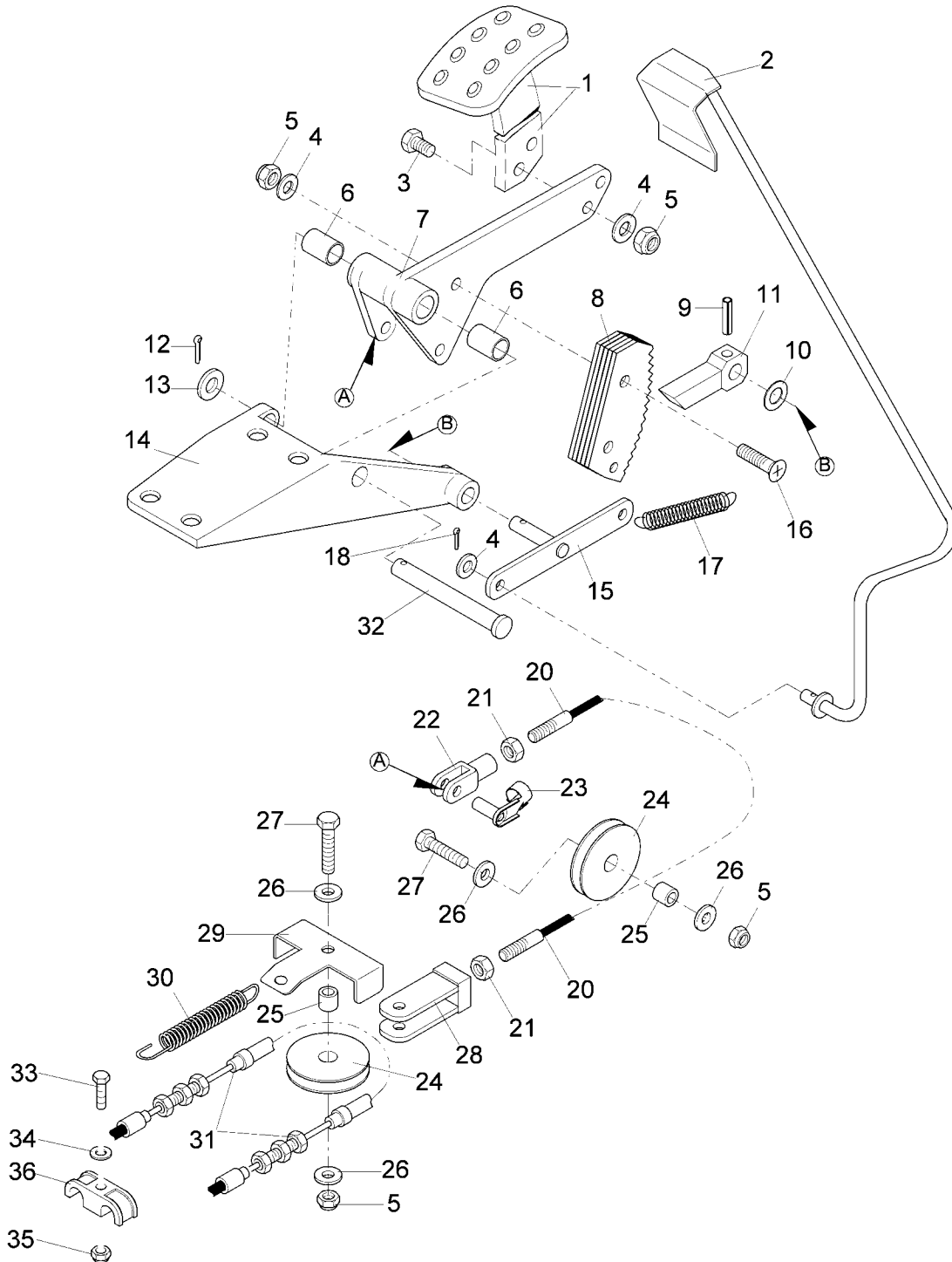
**Service brake - Accelerator pedal (97118152-1)**



**Service brake - Accelerator pedal (97118152-1) 2012-04-01 -->**

Item	Part number	Description	Qty.	Unit	Remarks
37	00975500	Turn angle transmitter	1	PC	
38	00071110	Threaded rod	1	PC	
39	00053730	Washer	1	PC	
40	00975520	Angle	1	PC	
41	01074840	Thread base plate	1	PC	
42	00926770	Spacer sleeve	2	PC	
43	00747400	Washer	2	PC	
44	00975530	Plate	1	PC	
45	00109500	Countersunk screw	2	PC	
46	00975510	Micro switch	1	PC	
47	00101580	Fillister-head screw	2	PC	
48	00152840	Dowel pin	1	PC	
49	00975550	Carrier	1	PC	
51	00855580	Angle joint	2	PC	
52	00975540	Washer	1	PC	

**Parking brake (97110738-2)**

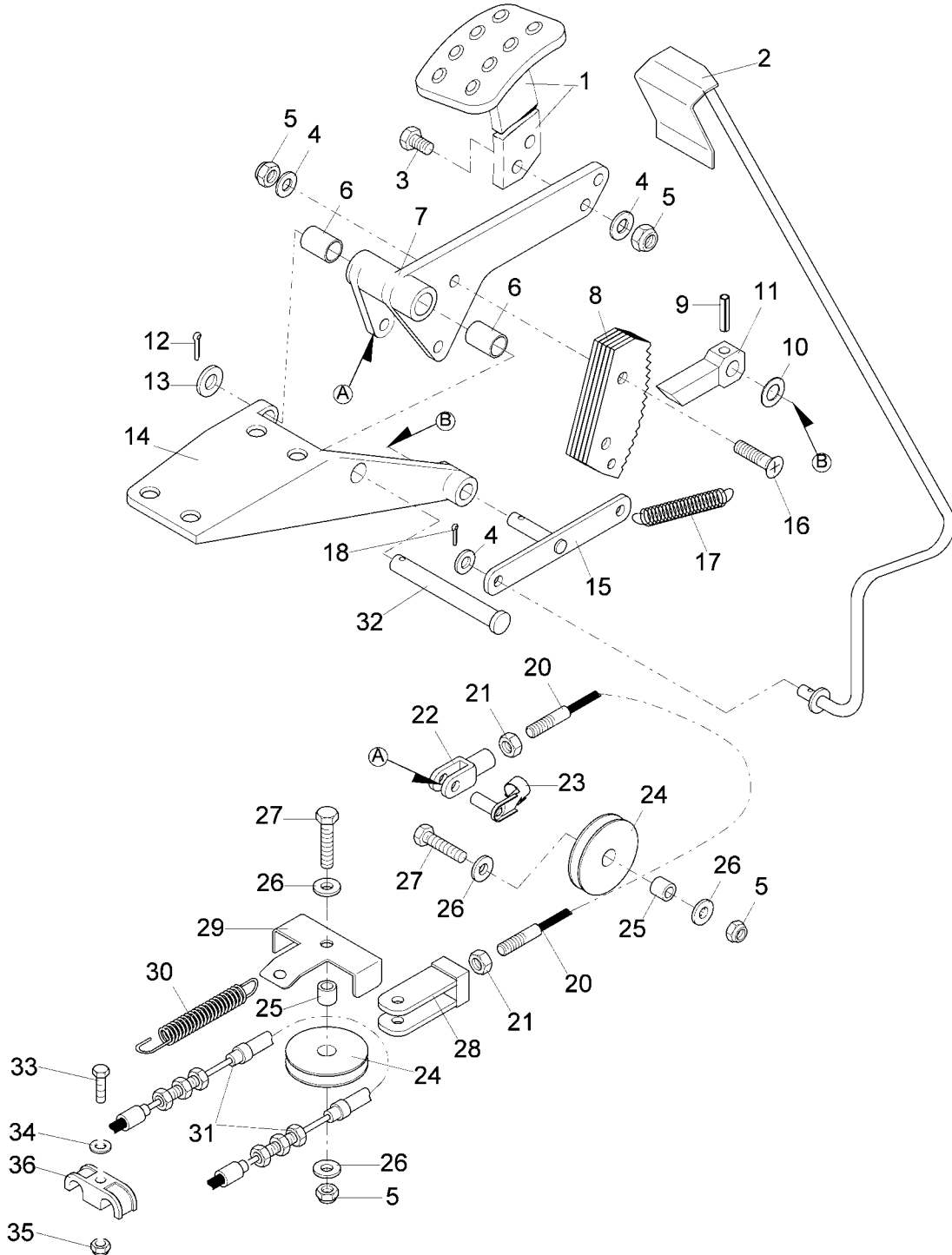




Parking brake (97110738-2) 2011-04-01 --> 2012-03-31

Item	Part number	Description	Qty.	Unit	Remarks
1	00270930	Pedal	2	PC	
2	00980430	Rod	1	PC	
3	00053110	Hexagon screw	2	PC	
4	00053750	Washer	5	PC	
5	00051510	Hex. Nut	6	PC	
6	00046560	DU-Drying socket	2	PC	
7	00270970	Lever	1	PC	
8	00521210	Catch	1	PC	
9	00057580	Dowel pin	1	PC	
10	00046720	Adjusting washer	2	PC	
11	00521300	Catch	1	PC	
12	00961520	Cotter pin	1	PC	
13	00134780	Washer	1	PC	
14	00270980	retainer	1	PC	
15	00974370	Bolt	1	PC	
16	00509000	Countersunk screw	2	PC	
17	00121330	Tension spring	1	PC	
18	00054860	Cotter pin	1	PC	
20	00974440	Rope	1	PC	
21	00053350	Hex. Nut	2	PC	
22	00027110	Fork yoke	1	PC	
23	00706030	Bolt	1	PC	
24	00521270	Roller	2	PC	
25	00974400	Bushing	2	PC	
26	00042900	Washer	6	PC	
27	00054690	Hexagon screw	2	PC	
28	00974340	Plate	1	PC	
29	00974450	Angle	1	PC	
30	00055620	Tension spring	1	PC	
31	00246210	Brake cable	1	PC	
32	00100560	Bolt	1	PC	
33	00053040	Hex.bolt	1	PC	
34	00053730	Washer	1	PC	
35	00051520	Hex. Nut	1	PC	
36	01073420	Clamp	1	PC	

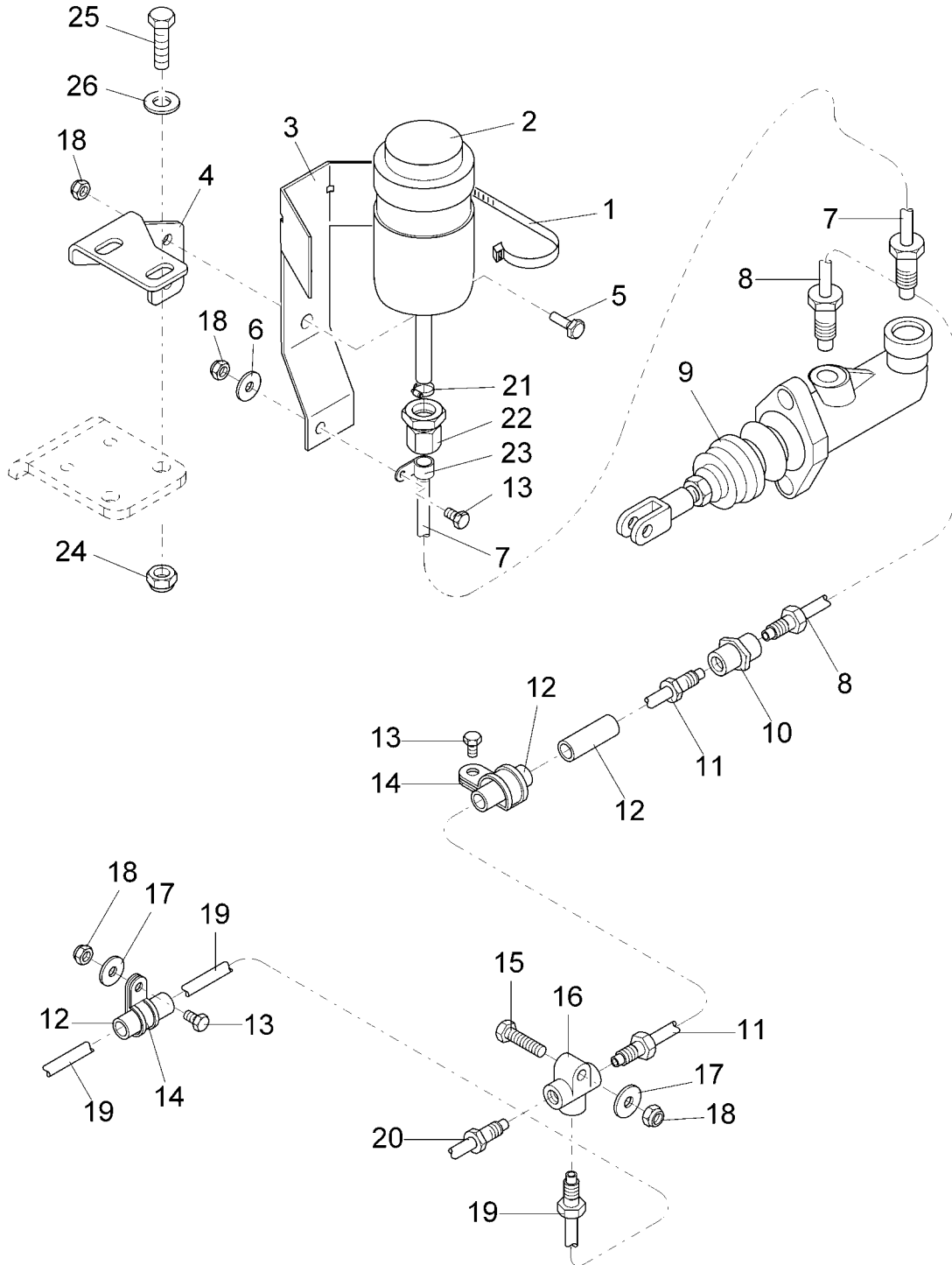
**Parking brake (97118152-2)**



Parking brake (97118152-2) 2012-04-01 -->

Item	Part number	Description	Qty.	Unit	Remarks
1	00270930	Pedal	2	PC	
2	00980430	Rod	1	PC	
3	00053110	Hexagon screw	2	PC	
4	00053750	Washer	5	PC	
5	00051510	Hex. Nut	6	PC	
6	00046560	DU-Drying socket	2	PC	
7	00270970	Lever	1	PC	
8	00521210	Catch	1	PC	
9	00057580	Dowel pin	1	PC	
10	00046720	Adjusting washer	2	PC	
11	00521300	Catch	1	PC	
12	00961520	Cotter pin	1	PC	
13	00134780	Washer	1	PC	
14	00270980	retainer	1	PC	
15	00974370	Bolt	1	PC	
16	00509000	Countersunk screw	2	PC	
17	00121330	Tension spring	1	PC	
18	00054860	Cotter pin	1	PC	
20	00974440	Rope	1	PC	
21	00053350	Hex. Nut	2	PC	
22	00027110	Fork yoke	1	PC	
23	00706030	Bolt	1	PC	
24	00521270	Roller	2	PC	
25	00974400	Bushing	2	PC	
26	00042900	Washer	6	PC	
27	00054690	Hexagon screw	2	PC	
28	00974340	Plate	1	PC	
29	00974450	Angle	1	PC	
30	00055620	Tension spring	1	PC	
31	01273680	Brake cable	1	PC	
32	00100560	Bolt	1	PC	
33	00053040	Hex.bolt	1	PC	
34	00053730	Washer	1	PC	
35	00051520	Hex. Nut	1	PC	
36	01073420	Clamp	1	PC	

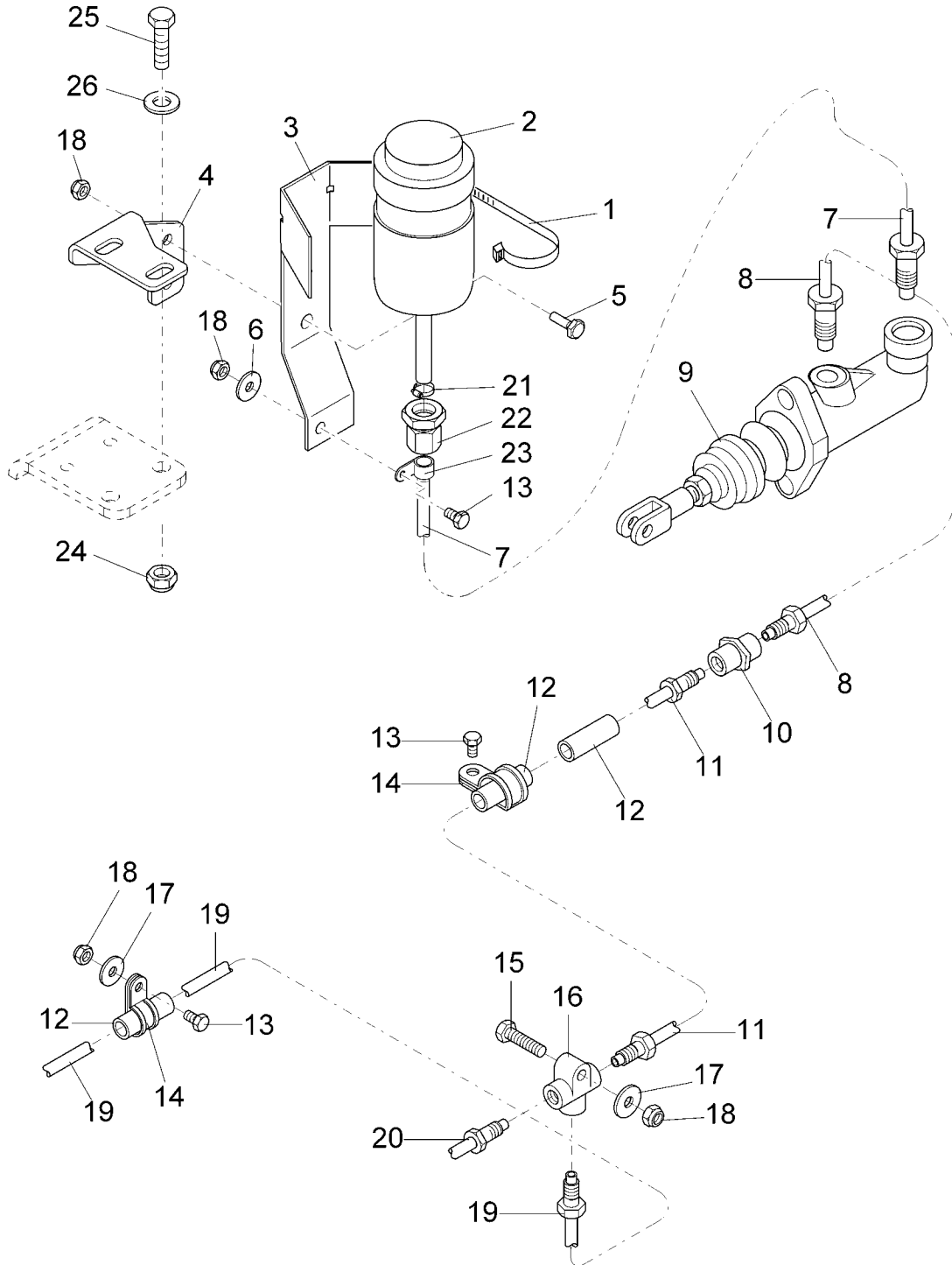
**Brake air conduit scheme (97110738-3)**



**Brake air conduit scheme (97110738-3) 2011-04-01 --> 2012-03-31**

Item	Part number	Description	Qty.	Unit	Remarks
1	00967760	Cable tie	1	PC	
2	01052880	Brake fluid tank	1	PC	
3	XXXXXXXXXX	no part-No. til yet	1		90361288 Angle plate
4	XXXXXXXXXX	no part-No. til yet	1		90569625 Retainer
5	00053010	Hex.bolt	2	PC	
6	00053730	Washer	2	PC	
7	03011340	Brake lead	1	PC	
8	00007850	Brake air conduit	1	PC	
9	00821160	Brake cylinder	1	PC	
10	00974470	Intermediary	1	PC	
11	XXXXXXXXXX	no part-No. til yet	1		96128889 Brake line
12	00320500	Hose	120mm	M	
13	00053030	Hexagon screw	2	PC	
14	00109470	Tube clamp	2	PC	
15	00053290	Hexagon screw	1	PC	
16	00862570	Distributor	1	PC	
17	00135120	Washer	2	PC	
18	00051520	Hex. Nut	5	PC	
19	XXXXXXXXXX	no part-No. til yet	1		96128897 Brake line
20	XXXXXXXXXX	no part-No. til yet	1		96128905 Brake line
21	00529390	Hose clamp	1	PC	
22	01052830	Reducing inset	1	PC	
23	00100550	Clamp	1	PC	
24	00051510	Hex. Nut	1	PC	
25	00053100	Hexagon screw	1	PC	
26	00053750	Washer	1	PC	

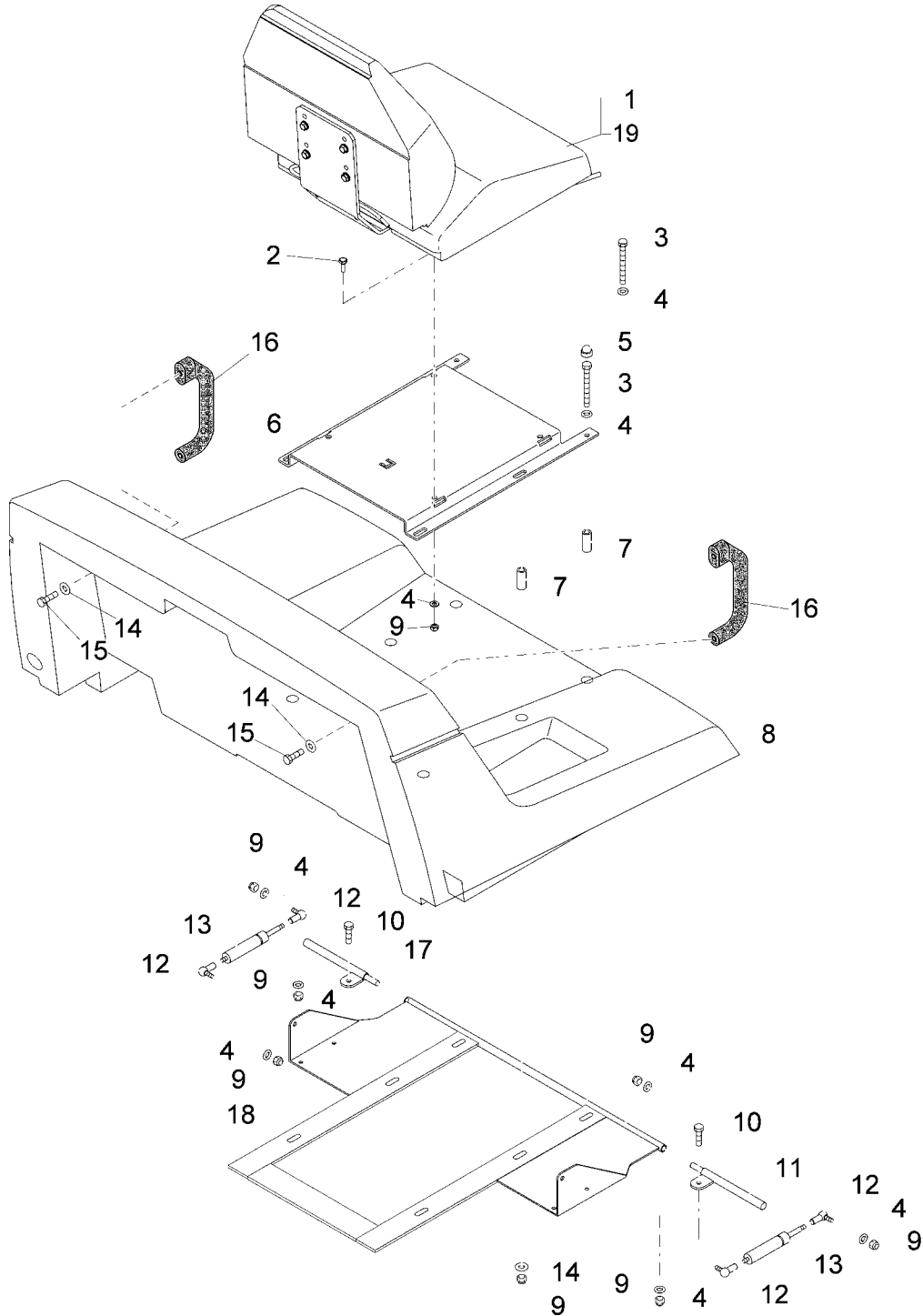
**Brake air conduit scheme (97118152-3)**



**Brake air conduit scheme (97118152-3) 2012-04-01 -->**

Item	Part number	Description	Qty.	Unit	Remarks
1	00967760	Cable tie	1	PC	
2	01052880	Brake fluid tank	1	PC	
3	XXXXXXXXXX	no part-No. til yet	1		90361288 Angle plate
4	XXXXXXXXXX	no part-No. til yet	1		90569625 Retainer
5	00053010	Hex.bolt	2	PC	
6	00053730	Washer	2	PC	
7	03011340	Brake lead	1	PC	
8	00007850	Brake air conduit	1	PC	
9	00821160	Brake cylinder	1	PC	
10	00974470	Intermediary	1	PC	
11	XXXXXXXXXX	no part-No. til yet	1		96128889 Brake line
12	00320500	Hose	120mm	M	
13	00053030	Hexagon screw	2	PC	
14	00109470	Tube clamp	2	PC	
15	00053290	Hexagon screw	1	PC	
16	00862570	Distributor	1	PC	
17	00135120	Washer	2	PC	
18	00051520	Hex. Nut	5	PC	
19	XXXXXXXXXX	no part-No. til yet	1		96128897 Brake line
20	XXXXXXXXXX	no part-No. til yet	1		96128905 Brake line
21	00529390	Hose clamp	1	PC	
22	01052830	Reducing inset	1	PC	
23	00100550	Clamp	1	PC	
24	00051510	Hex. Nut	1	PC	
25	00053100	Hexagon screw	1	PC	
26	00053750	Washer	1	PC	

Seat group (til 02/2010) (97107882 7580-24)

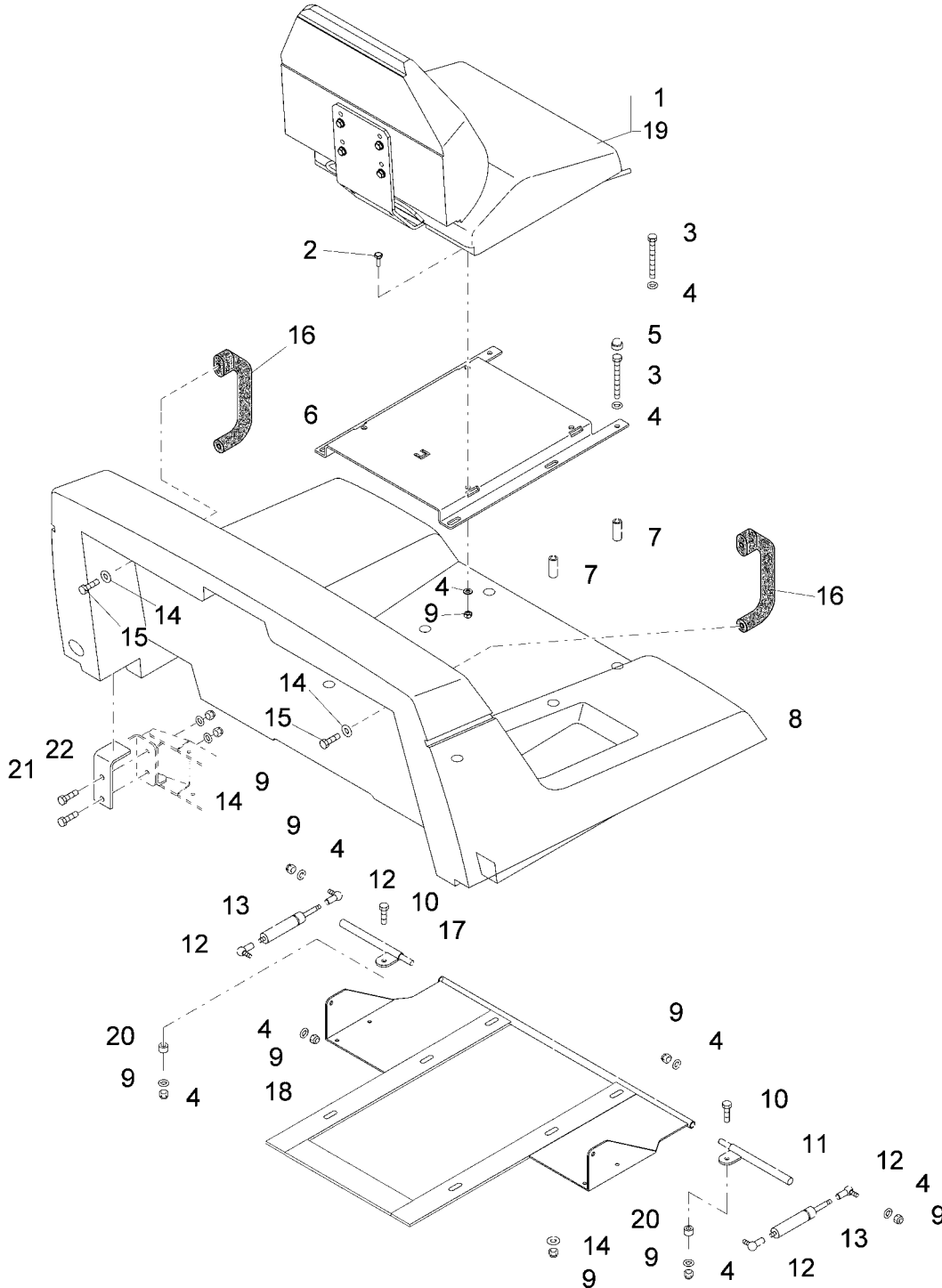




**Seat group (til 02/2010) (97107882 7580-24)**

Item	Part number	Description	Qty.	Unit	Remarks
1	01071360	Seat	1	PC	
2	00053090	Hexagon screw	4	PC	
3	00557600	Hex.bolt	6	PC	
4	00053750	Washer	14	PC	
5	00131610	Lens cap	2	PC	
6	01177580	Seat panel	1	PC	
7	00975110	Bushing	6	PC	
8	00035030	Seat console	1	PC	
9	00051510	Hex. Nut	16	PC	
10	00077110	Hexagon screw	2	PC	
11	00975190	Bolt L.H. (R.H. in travel direction!)	1	PC	
12	00527690	Angle joint	4	PC	
13	00975200	Gas spring	2	PC	
14	00042900	Washer	8	PC	
15	00053080	Hexagon screw	4	PC	
16	00959630	Grasp	2	PC	
17	00975180	Bolt R.H. (L.H. in travel direction!)	1	PC	
18	00037010	Seat console	1	PC	
19	01073290	Micro switch	1	PC	

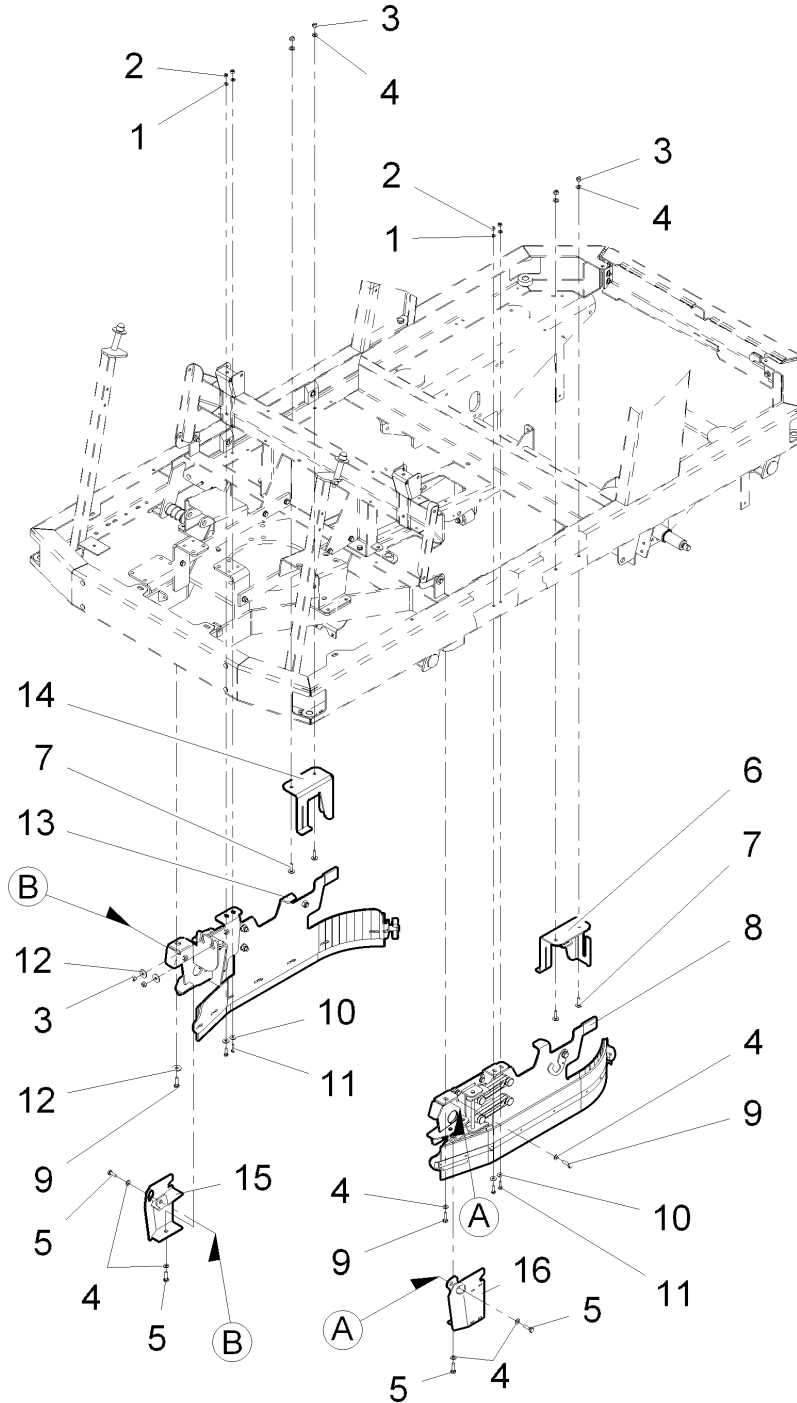
Seat group (97109581)



**Seat group (97109581)**

Item	Part number	Description	Qty.	Unit	Remarks
1	01071360	Seat	1	PC	
2	00053090	Hexagon screw	4	PC	
3	00557600	Hex.bolt	6	PC	
4	00053750	Washer	14	PC	
5	00131610	Lens cap	2	PC	
6	01177580	Seat panel	1	PC	
7	00975110	Bushing	6	PC	
8	00035030	Seat console	1	PC	
9	00051510	Hex. Nut	16	PC	
10	00054690	Hexagon screw	2	PC	
11	00975190	Bolt L.H. (R.H. in travel direction!)	1	PC	
12	00527690	Angle joint	4	PC	
13	00975200	Gas spring	2	PC	
14	00042900	Washer	8	PC	
15	00053080	Hexagon screw	4	PC	
16	00959630	Grasp	2	PC	
17	00975180	Bolt R.H. (L.H. in travel direction!)	1	PC	
18	00037010	Seat console	1	PC	
19	01073290	Micro switch	1	PC	
20	01177830	Bushing	2	PC	
21	00053110	Hexagon screw	4	PC	
22	01177840	Angle	2	PC	

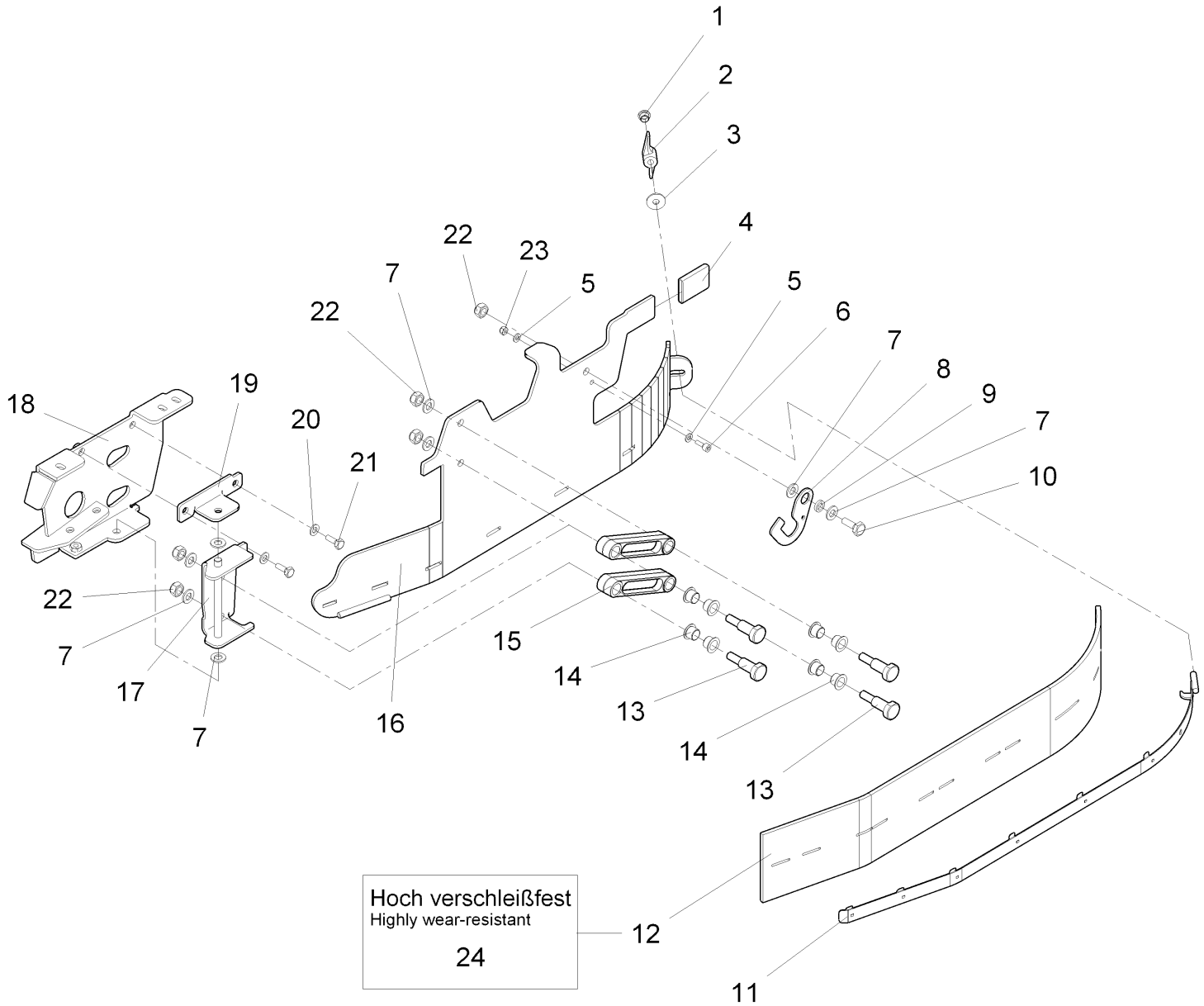
Wiper cpl. (97110126)



**Wiper cpl. (97110126)**

Item	Part number	Description	Qty.	Unit	Remarks
1	00051520	Hex. Nut	4	PC	
2	00053730	Washer	4	PC	
3	00051510	Hex. Nut	6	PC	
4	00053750	Washer	10	PC	
5	00053090	Hexagon screw	4	PC	
6	01178900	Retainer L.H.	1	PC	
7	01092910	Lens flange screw	4	PC	
8	<b>97110050</b>	<b>Wiper, LH</b>	<b>Page</b>	<b>46</b>	
9	00053100	Hexagon screw	3	PC	
10	00135120	Washer	4	PC	
11	00053020	Hexagon screw	4	PC	
12	00042900	Washer	3	PC	
13	<b>97110118</b>	<b>Wiper, RH</b>	<b>Page</b>	<b>48</b>	
14	01178910	Retainer R.H.	1	PC	
15	XXXXXXXX	no part-No. til yet	1		96128467 Blind R.H.
16	XXXXXXXX	no part-No. til yet	1		96128244 Blind left

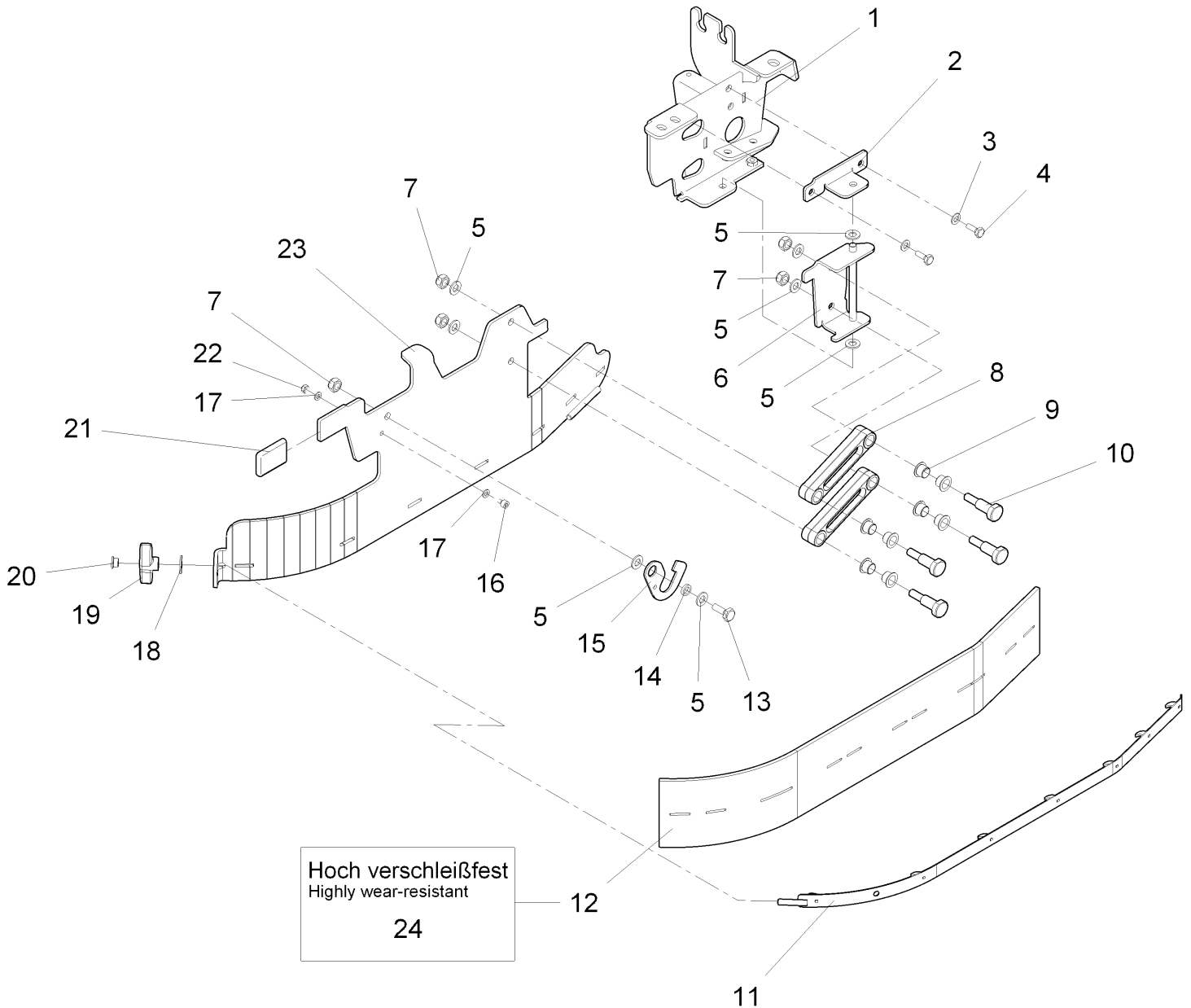
Wiper, LH (97110050)



**Wiper, LH (97110050)**

Item	Part number	Description	Qty.	Unit	Remarks
1	00902300	Drain plug	1	PC	
2	00101470	Wing nut	1	PC	
3	00042900	Washer	1	PC	
4	01074240	Cap	1	PC	
5	00053730	Washer	2	PC	
6	00136910	Cylinder head screw	1	PC	
7	00053760	Washer	8	PC	
8	01271200	Locking hook	1	PC	
9	01074210	Bushing	1	PC	
10	00053310	Hexagon screw	1	PC	
11	01074260	Tightening strap	1	PC	
12	01074250	Rubber strap	1	PC	
13	01073910	fitting screw	4	PC	
14	01073860	slide bearing bush	8	PC	
15	01073870	lever	2	PC	
16	01178920	Squeegee L.H.	1	PC	
17	01178930	Swivel arm L.H.	1	PC	
18	01178940	Retainer L.H.	1	PC	
19	01178950	Angle L.H.	1	PC	
20	00053750	Washer	2	PC	
21	00053090	Hexagon screw	2	PC	
22	00051500	Hex. Nut	5	PC	
23	00051520	Hex. Nut	1	PC	
24	01077040	Squeegee strip	1	PC	

**Wiper, RH (97110118)**

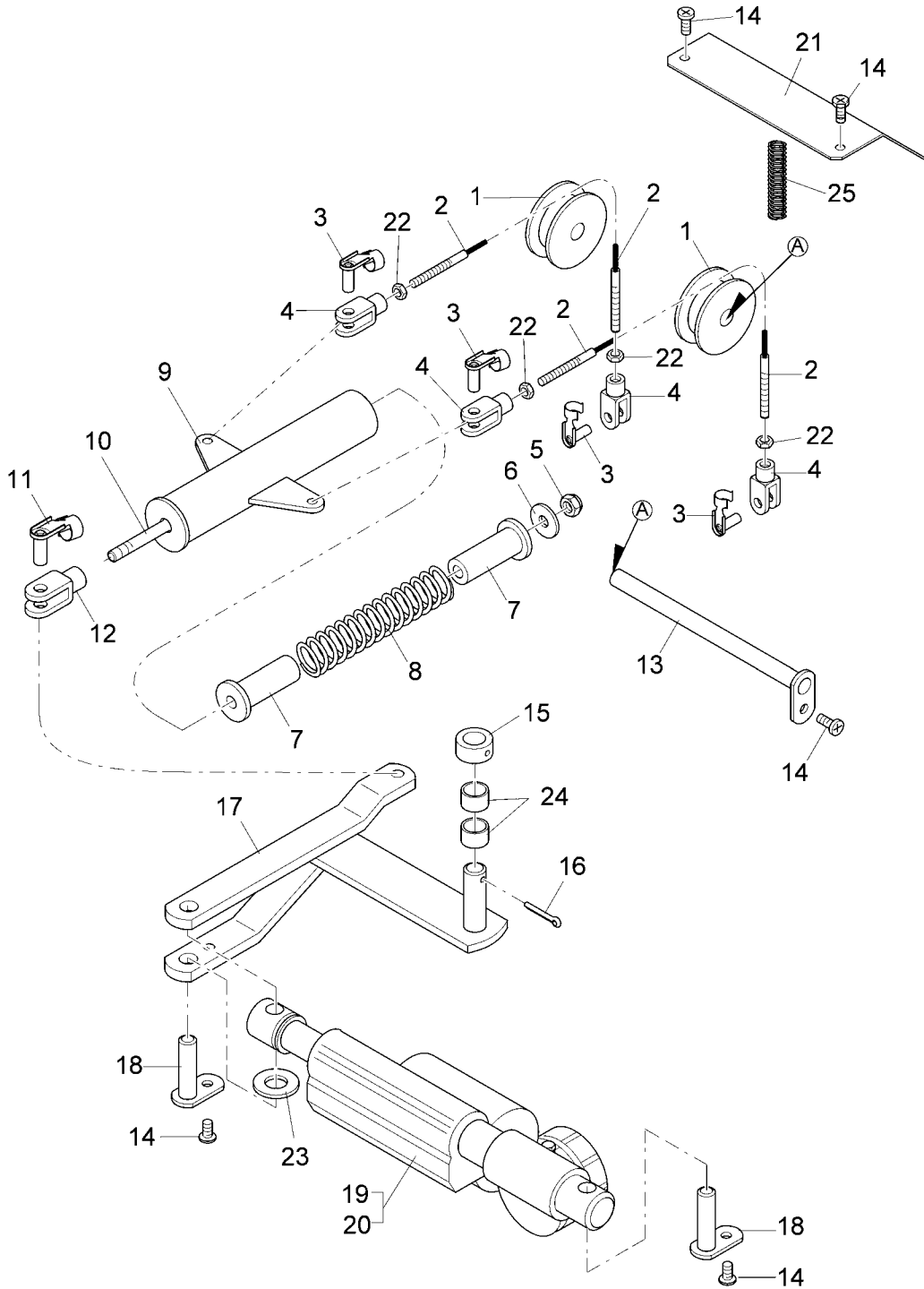




**Wiper, RH (97110118)**

Item	Part number	Description	Qty.	Unit	Remarks
1	01178960	Retainer R.H.	1	PC	
2	01178970	Angle R.H.	1	PC	
3	00053750	Washer	2	PC	
4	00053090	Hexagon screw	2	PC	
5	00053760	Washer	8	PC	
6	01178980	Swivel arm R.H.	1	PC	
7	00051500	Hex. Nut	5	PC	
8	01073870	lever	2	PC	
9	01073860	slide bearing bush	8	PC	
10	01073910	fitting screw	4	PC	
11	01074260	Tightening strap	1	PC	
12	01074250	Rubber strap	1	PC	
13	00053310	Hexagon screw	1	PC	
14	01074210	Bushing	1	PC	
15	01271200	Locking hook	1	PC	
16	00136910	Cylinder head screw	1	PC	
17	00053730	Washer	2	PC	
18	00042900	Washer	1	PC	
19	00101470	Wing nut	1	PC	
20	00902300	Drain plug	1	PC	
21	01074240	Cap	1	PC	
22	00051520	Hex. Nut	1	PC	
23	01178990	Squeegee R.H.	1	PC	
24	01077040	Squeegee strip	1	PC	

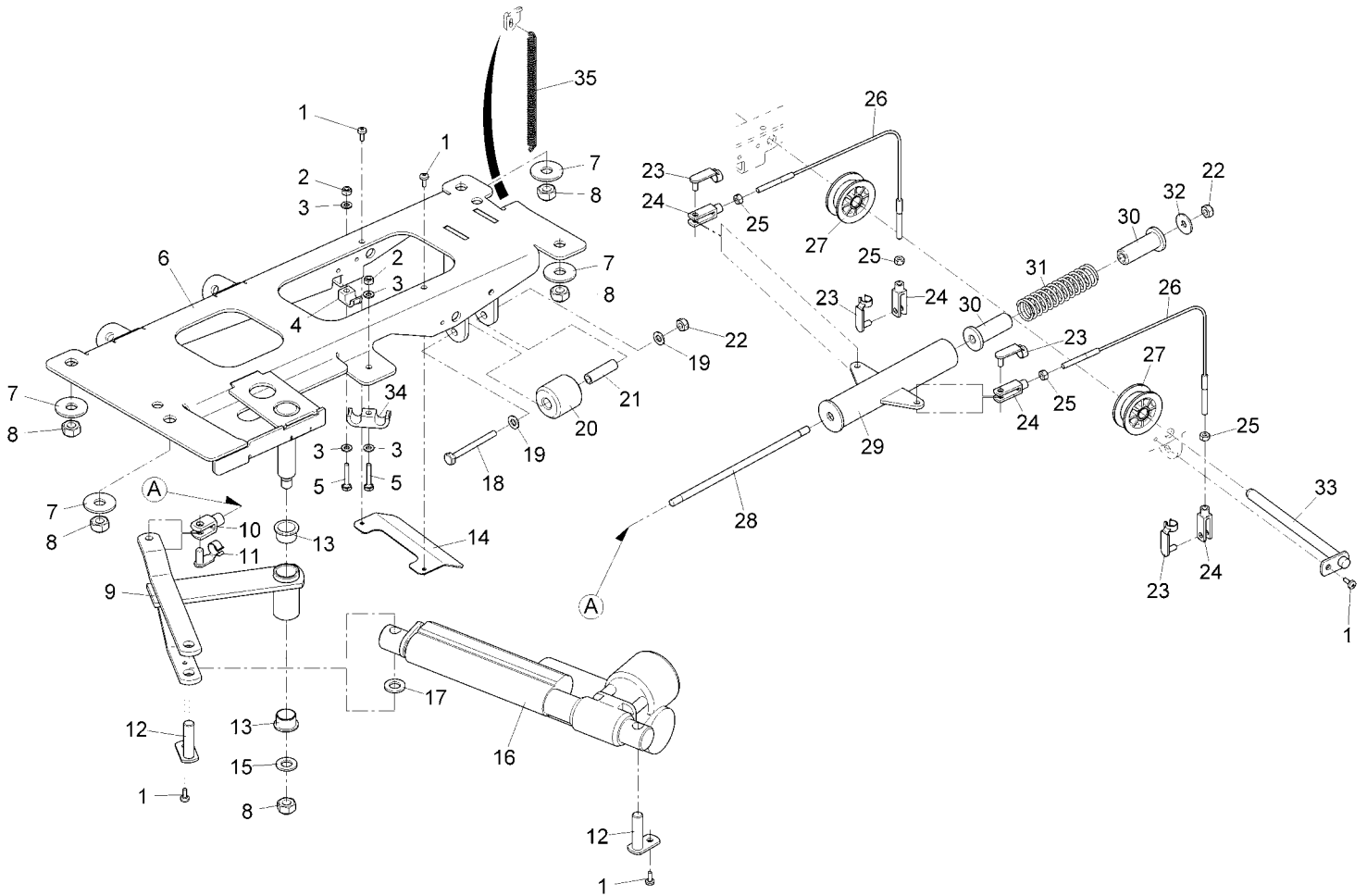
**Brush lifting (97109722)**



**Brush lifting (97109722) 1900-01-01 --> 2012-03-31**

Item	Part number	Description	Qty.	Unit	Remarks
1	00972140	Roller	2	PC	
2	01178540	Pull rope	2	PC	
3	00851590	Bolt	4	PC	
4	00851570	Fork yoke	4	PC	
5	00051510	Hex. Nut	1	PC	
6	00042900	Washer	1	PC	
7	00975470	Bushing	2	PC	
8	01178640	Cyl. compression spring	1	PC	
9	00980730	Pipe	1	PC	
10	00975460	Threaded rod	1	PC	
11	00151400	Bolt	1	PC	
12	00151440	Fork yoke	1	PC	
13	00975220	Bolt	1	PC	
14	00959220	Screw	5	PC	
15	00975250	Pipe	1	PC	
16	00139930	Cotter pin	1	PC	
17	00980640	Angle	1	PC	
18	00975230	Bolt	2	PC	
19	00650110	Lifting spindle	1	PC	
20	00962620	Clamp	1	PC	
21	00057990	Angle plate	1	PC	
22	00053330	Hex. Nut	4	PC	
23	00053770	Washer	1	PC	
24	00022090	DU-Drying socket	2	PC	
25	01178650	Tension spring	1	PC	

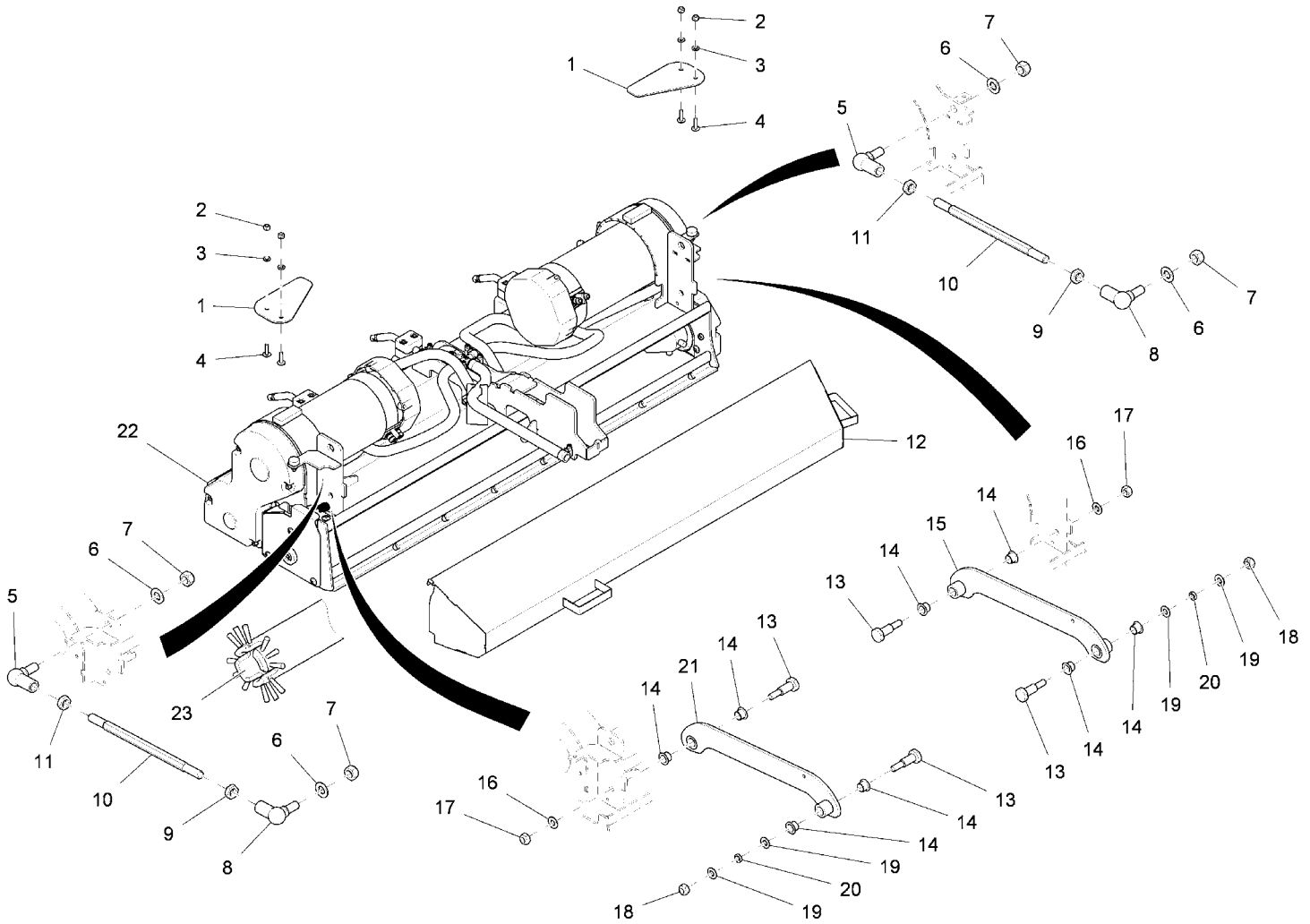
**Brush lifting (97115570)**



**Brush lifting (97115570) 2012-04-01 -->**

Item	Part number	Description	Qty.	Unit	Remarks
1	00959220	Screw	5	PC	
2	00051520	Hex. Nut	2	PC	
3	00053730	Washer	4	PC	
4	00903270	Clamp	1	PC	
5	00053040	Hex.bolt	2	PC	
6	XXXXXXXX	no part-No. til yet	1		96133848 Cross head
7	00132610	Washer	4	PC	
8	00051490	Hex. Nut	5	PC	
9	XXXXXXXX	no part-No. til yet	1		96134051 Angle
10	00151440	Fork yoke	1	PC	
11	00151400	Bolt	1	PC	
12	00975230	Bolt	2	PC	
13	01273610	Slide bearing bush	2	PC	
14	00057990	Angle plate	1	PC	
15	00151200	Washer	1	PC	
16	00650110	Lifting spindle	1	PC	
17	00053770	Washer	1	PC	
18	00557600	Hex.bolt	1	PC	
19	00053750	Washer	2	PC	
20	00974260	Roller	1	PC	
21	00974250	Spacer piece	1	PC	
22	00051510	Hex. Nut	2	PC	
23	00851590	Bolt	4	PC	
24	00851570	Fork yoke	4	PC	
25	00053330	Hex. Nut	4	PC	
26	01178540	Pull rope	2	PC	
27	00972140	Roller	2	PC	
28	00975460	Threaded rod	1	PC	
29	00980730	Pipe	1	PC	
30	00975470	Bushing	2	PC	
31	01178640	Cyl. compression spring	1	PC	
32	00042900	Washer	1	PC	
33	00975220	Bolt	1	PC	
34	01073420	Clamp	1	PC	
35	01178650	Tension spring	1	PC	

**Cylindrical brush drive aggregate (97110654)**



**Cylindrical brush drive aggregate (97110654)**

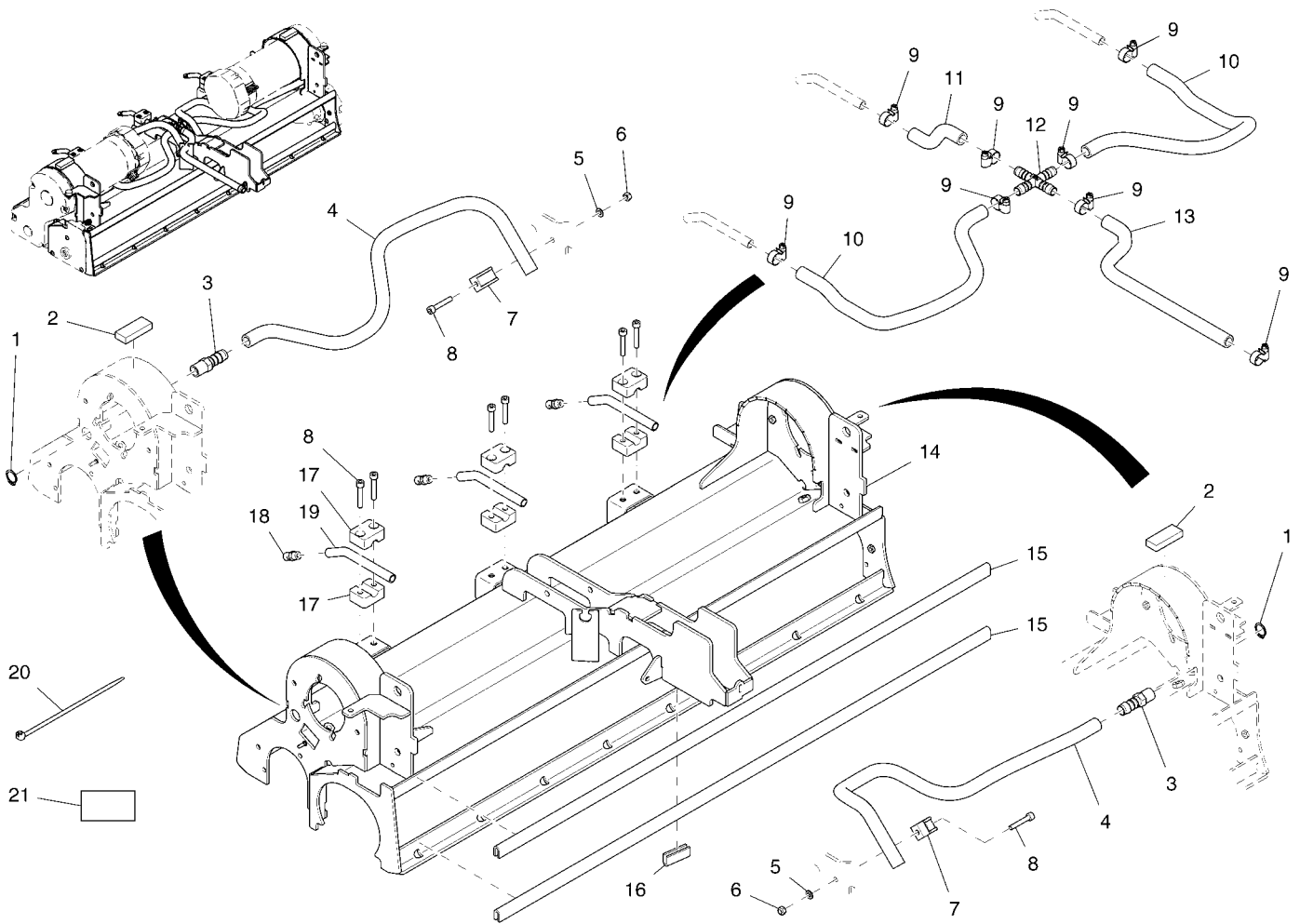
Item	Part number	Description	Qty.	Unit	Remarks
1	01274660	Sheet metal	2	PC	
2	00051520	Hex. Nut	4	PC	
3	00053730	Washer	4	PC	
4	01174700	Lens flange screw	4	PC	
5	00101440	Hinged joint	2	PC	
6	00053780	Washer	4	PC	
7	00044420	Hex. Nut	4	PC	
8	00522370	Hinged joint	2	PC	
9	00053740	Hex. Nut	2	PC	
10	XXXXXXXX	no part-No. til yet	2		90568940 Threaded rod
11	00101480	Hex. Nut	2	PC	
12	01172860	Dirt container	1	PC	
13	01073910	fitting screw	4	PC	
14	01073860	slide bearing bush	8	PC	
15	01177270	Truss R.H.	1	PC	
16	01140500	Washer	2	PC	
17	01019660	Hex. Nut	2	PC	
18	00051500	Hex. Nut	2	PC	
19	00053760	Washer	4	PC	
20	01178670	Bushing	2	PC	
21	01272080	Truss L.H.	1	PC	
22	<b>97109060</b>	<b>Cylindrical brush drive head</b>	<b>Page</b>	<b>56</b>	
23	99789000	Cylindrical brush set 135 SICPA 6.12K180	1	PC	

**Cylindrical brush drive head (97109060)**

<b>Assembly</b>	<b>Description</b>	<b>Page</b>
97109060-01	Cylindrical brush drive head base	57
97109060-02	Cylindrical brush drive, L.H.	59
97109060-03	Cylindrical brush drive, R.H.	67



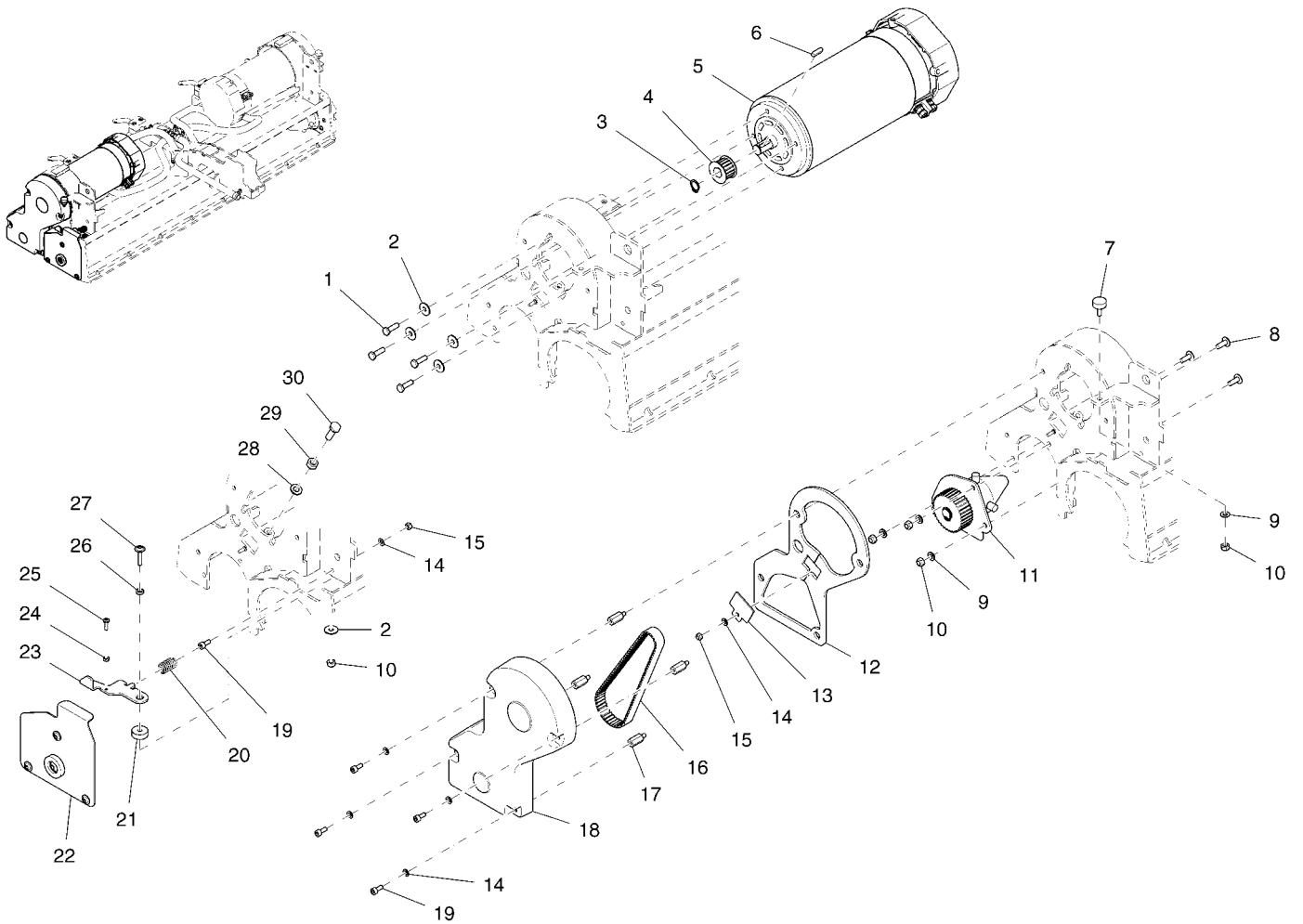
**Cylindrical brush drive head base (97109060-01)**



**Cylindrical brush drive head base (97109060-01)**

Item	Part number	Description	Qty.	Unit	Remarks
1	XXXXXXXXXX	no part-No. til yet	2		
2	00430880	Foam rubber, grey	2	M	
3	00861740	Screwing in connecting piece	2	PC	
4	00171030	Hose	2	M	
5	00102150	Washer	2	PC	
6	00102140	Hex. Nut	2	PC	
7	00748290	Clamp	2	PC	
8	XXXXXXXXXX	no part-No. til yet	8		
9	00074300	Hose clamp	8	PC	
10	00171030	Hose	2	M	
11	00171030	Hose	1	M	
12	01056360	Cross connector	1	PC	
13	00171030	Hose	1	M	
14	03009640	Roll brush head	1	PC	
15	00161240	Edge protection	2	M	
16	00161240	Edge protection	1	M	
17	01222080	Pair of clamping	3	PC	
18	01072640	Jet	3	PC	
19	01072630	Pipe	3	PC	
20	00967760	Cable tie	1	PC	
21	03007630	Sealing band	1	M	

**Cylindrical brush drive, L.H.  
(97109060-02)**



**Cylindrical brush drive, L.H.  
(97109060-02)**

Item	Part number	Description	Qty.	Unit	Remarks
1	00854190	Hexagon screw	4	PC	
2	00854210	Washer	5	PC	
3	00022440	Retaining ring	1	PC	
4	01178530	Toothed belt pulley	1	PC	
5	01178560	Motor Scott	1	PC	
6	00022430	Feather key	1	PC	
7	00127470	Buffer	1	PC	
8	01017640	Lens flange screw	3	PC	
9	00102150	Washer	4	PC	
10	00102140	Hex. Nut	5	PC	
11	<b>97110043</b>	<b>Bearing</b>	<b>Page</b>	<b>61</b>	
12	01172260	Gasket	1	PC	
13	01172270	Cover	1	PC	
14	00902270	Washer	6	PC	
15	01017660	Hex. Nut	2	PC	
16	01178820	Flat belt	1	PC	
17	01178630	Spacer screw	4	PC	
18	01172440	Belt covering	1	PC	
19	01178830	Socket head screw	5	PC	
20	00550870	Cyl.compression spring	1	PC	
21	01178580	Bushing	1	PC	
22	<b>01275490</b>	<b>Side cover</b>	<b>Page</b>	<b>63</b>	
23	01178570	Lever	1	PC	
24	01072510	Hex. Nut	1	PC	
25	01072260	Fillister-head screw	1	PC	
26	01073360	Bushing	1	PC	
27	01082530	Lens flange screw	1	PC	
28	00101550	Washer	1	PC	
29	00971400	Hex. Nut	1	PC	
30	01059530	Hexagon screw	1	PC	

## Table of Contents

Retaining ring (00022340) .....  
Toothed belt pulley (01178520) .....  
Circlip (01078820) .....  
Grooved ball bearing (01076560) .....  
Bushing (01077520).....  
Bearing seat (01178550) .....  
Ring (00124220) .....  
Straight pin (01178660) .....  
Driver (01178480) .....  
Feather key (01072580) .....

This manual covers all standard Admiral 38 C models:

**Model No.**

The machine will provide excellent service. However, the best results will be obtained if:

- The machine is operated with reasonable care.
- The machine is maintained regularly per the maintenance schedule in the instruction manual provided.
- The machine is maintained with PowerBoss OEM supplied or equivalent parts.

All right side and left side references to the machine are determined by facing the direction of forward travel. Parts may be ordered by phone or mail from any PowerBoss parts and service center. Before ordering parts or supplies be sure to have your machine model number and serial number handy.

Fill out the data block below for future reference.

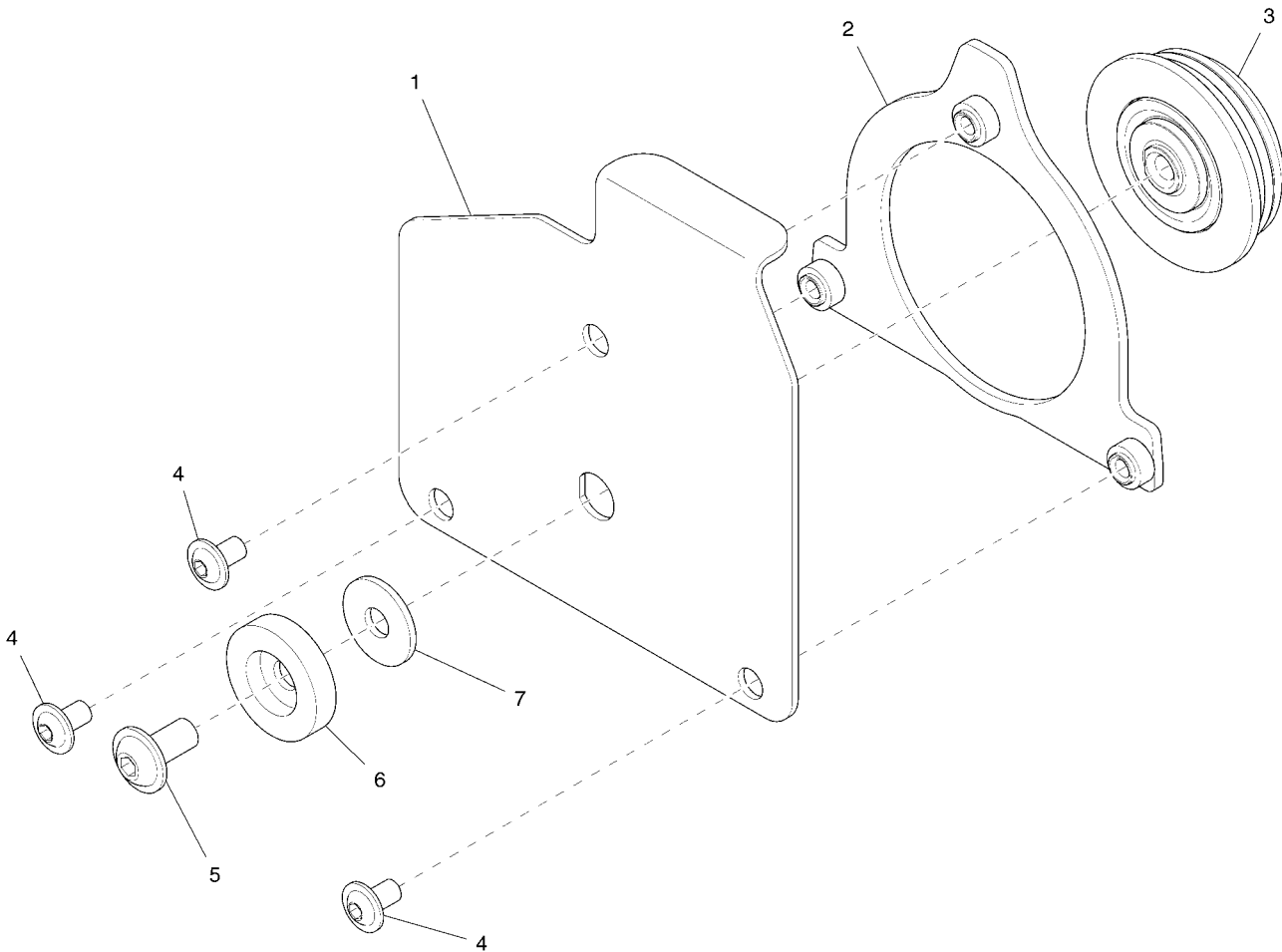
MACHINE DATA Fill Out At Installation	
Model:	Admiral 38 C
Serial Number:	_____
Sales Rep or Dealer	_____
Date of Install:	_____
Manual p/n:	4100055

All information contained in this manual is current at the time of printing However,PowerBoss Reserves the right to make changes at any time without notice.

© 2012, Powerboss, Inc., Printed in USA

All rights reserved. This manual may not be copied or reproduced in any form, without the written permission of PowerBoss,Inc.

Side cover (01275490)

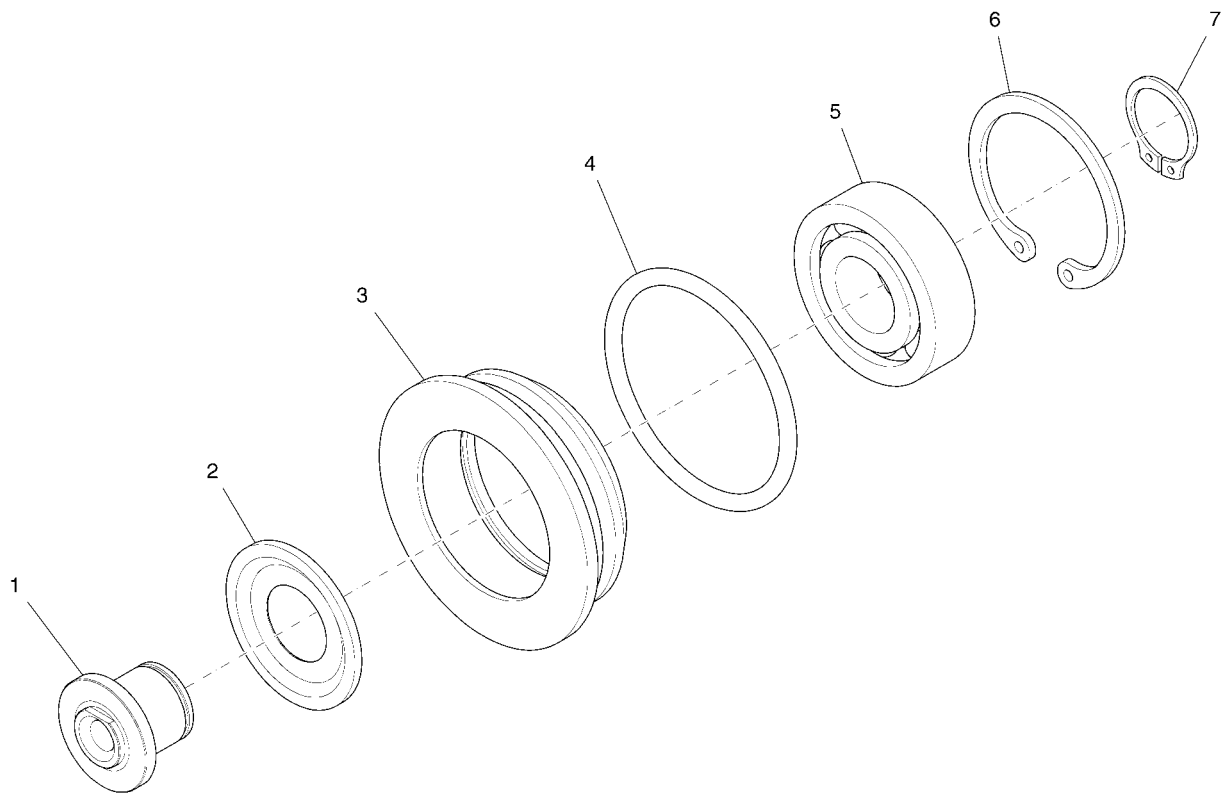


**Side cover (01275490)**

Item	Part number	Description	Qty.	Unit	Remarks
1	01172240	Side cover	1	PC	
2	01172250	Centering bend	1	PC	
3	<b>97110100</b>	<b>Counter Bearing</b>	<b>Page</b>	<b>65</b>	
4	01072520	Lens flange screw	3	PC	
5	01074320	Lens flange screw	1	PC	
6	01074330	Washer	1	PC	
7	00902280	Washer	1	PC	



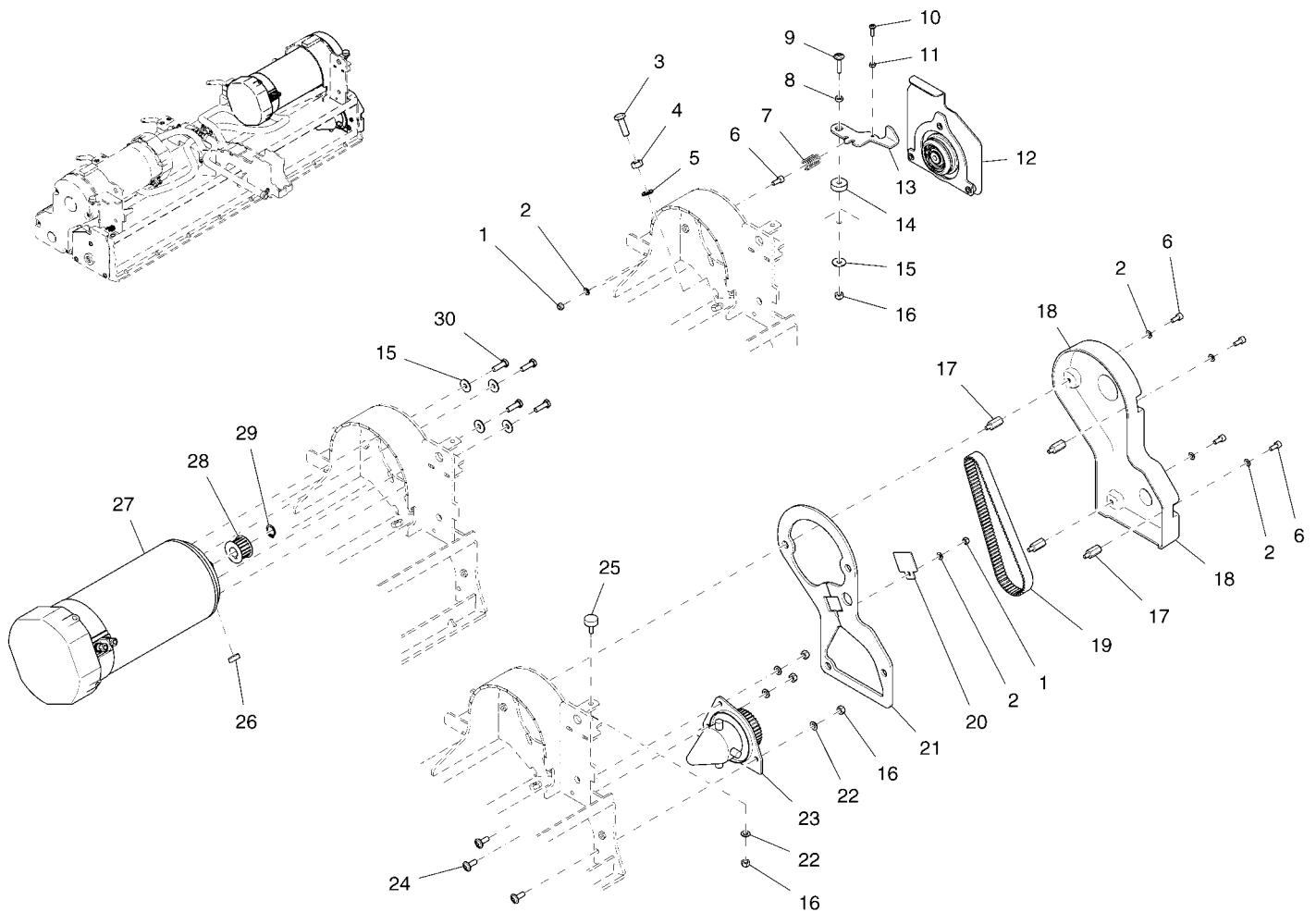
**Counter Bearing (97110100)**



**Counter Bearing (97110100)**

Item	Part number	Description	Qty.	Unit	Remarks
1	01178500	Bearing pin	1	PC	
2	01071860	Ring	1	PC	
3	01178590	Counter bearing	1	PC	
4	01178840	O-Ring	1	PC	
5	00705410	Deep groove ball bearing	1	PC	
6	00133100	Retaining ring	1	PC	
7	00022230	Retaining ring	1	PC	

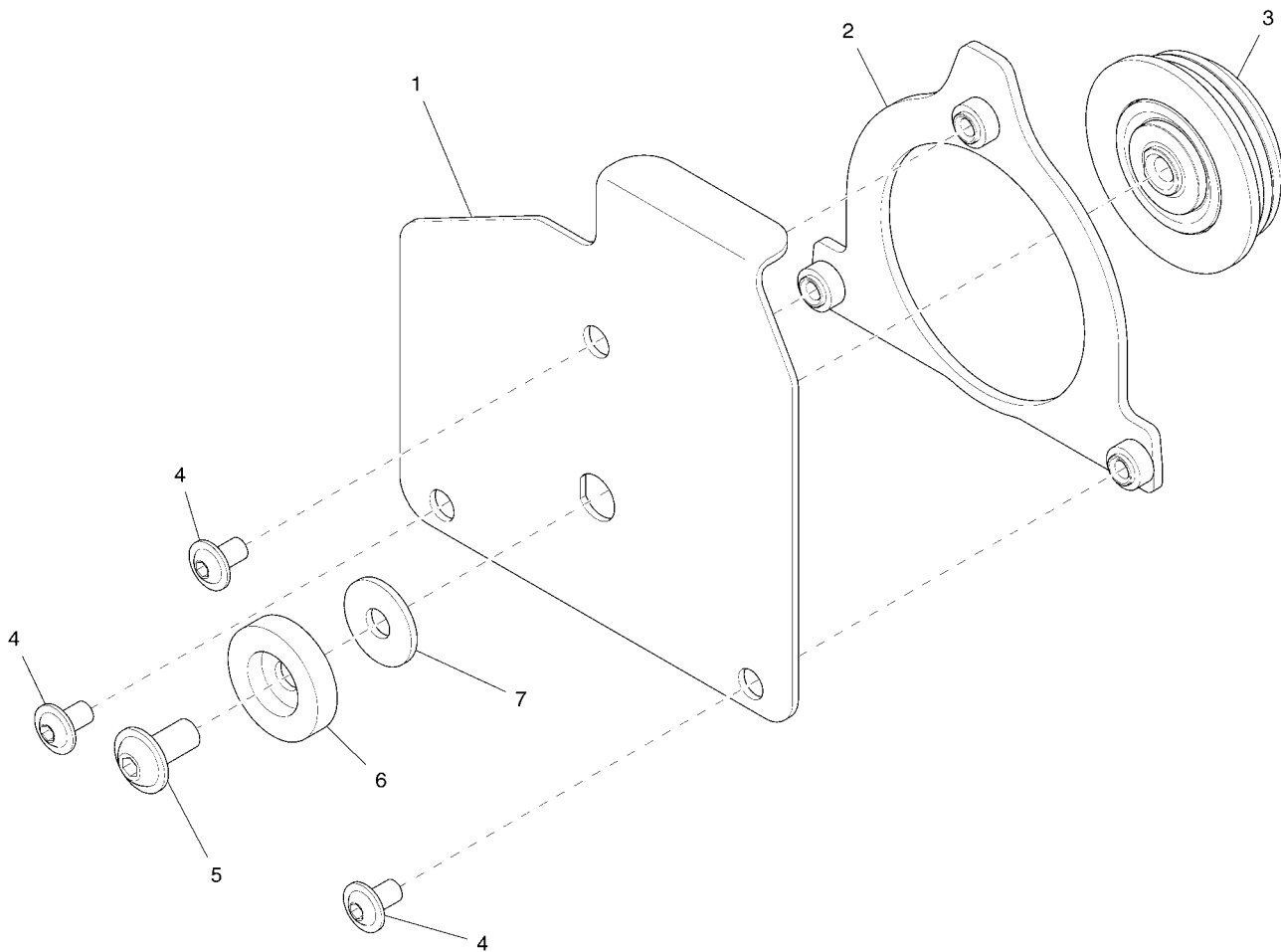
**Cylindrical brush drive, R.H.  
(97109060-03)**



**Cylindrical brush drive, R.H.  
(97109060-03)**

Item	Part number	Description	Qty.	Unit	Remarks
1	01017660	Hex. Nut	2	PC	
2	00902270	Washer	6	PC	
3	01059530	Hexagon screw	1	PC	
4	00971400	Hex. Nut	1	PC	
5	00101550	Washer	1	PC	
6	01178830	Socket head screw	5	PC	
7	00550870	Cyl.compression spring	1	PC	
8	01073360	Bushing	1	PC	
9	01082530	Lens flange screw	1	PC	
10	01072260	Fillister-head screw	1	PC	
11	01072510	Hex. Nut	1	PC	
12	<b>01275490</b>	<b>Side cover</b>	<b>Page</b>	<b>69</b>	
13	01178570	Lever	1	PC	
14	01178580	Bushing	1	PC	
15	00854210	Washer	5	PC	
16	00102140	Hex. Nut	5	PC	
17	01178630	Spacer screw	4	PC	
18	01172440	Belt covering	1	PC	
19	01178820	Flat belt	1	PC	
20	01172270	Cover	1	PC	
21	01172260	Gasket	1	PC	
22	00102150	Washer	4	PC	
23	<b>97110043</b>	<b>Bearing</b>	<b>Page</b>	<b>73</b>	
24	01017640	Lens flange screw	3	PC	
25	00127470	Buffer	1	PC	
26	00022430	Feather key	1	PC	
27	01178560	Motor Scott	1	PC	
28	01178530	Toothed belt pulley	1	PC	
29	00022440	Retaining ring	1	PC	
30	00854190	Hexagon screw	4	PC	

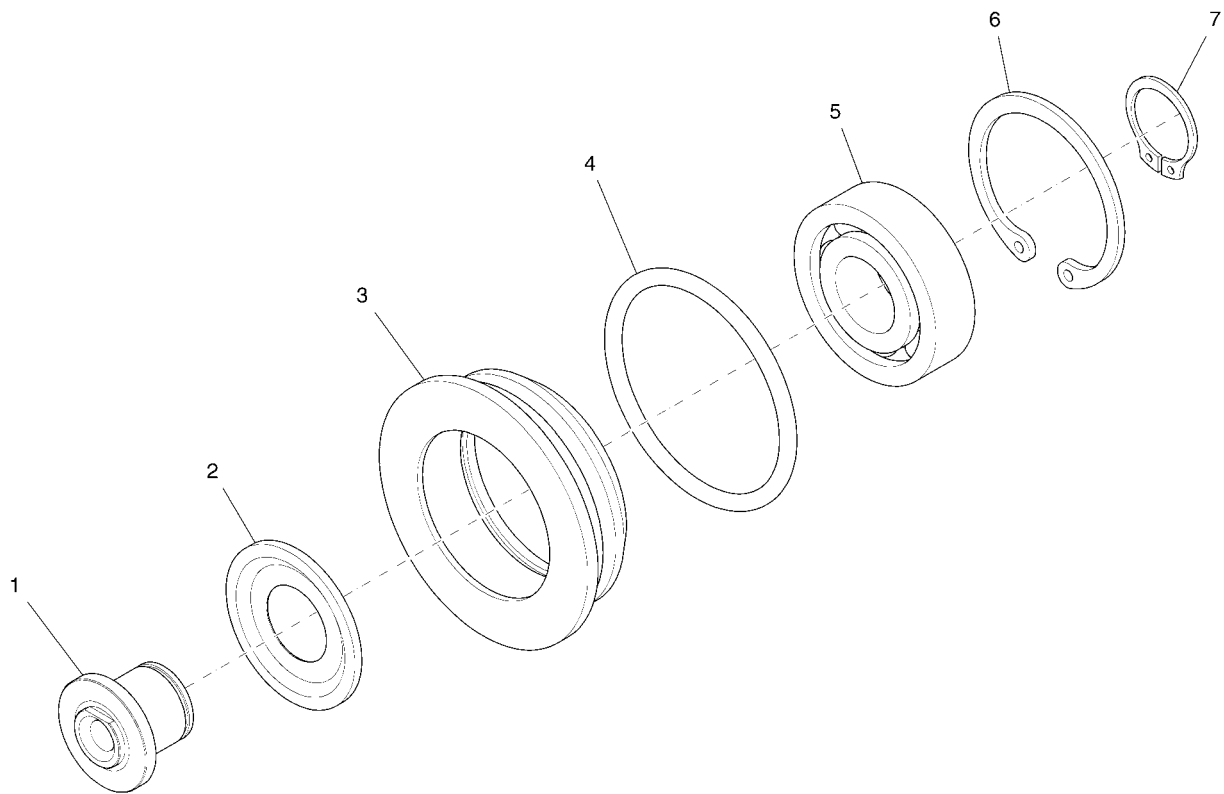
Side cover (01275490)



**Side cover (01275490)**

Item	Part number	Description	Qty.	Unit	Remarks
1	01172240	Side cover	1	PC	
2	01172250	Centering bend	1	PC	
3	<b>97110100</b>	<b>Counter Bearing</b>	<b>Page</b>	<b>71</b>	
4	01072520	Lens flange screw	3	PC	
5	01074320	Lens flange screw	1	PC	
6	01074330	Washer	1	PC	
7	00902280	Washer	1	PC	

**Counter Bearing (97110100)**



**Counter Bearing (97110100)**

Item	Part number	Description	Qty.	Unit	Remarks
1	01178500	Bearing pin	1	PC	
2	01071860	Ring	1	PC	
3	01178590	Counter bearing	1	PC	
4	01178840	O-Ring	1	PC	
5	00705410	Deep groove ball bearing	1	PC	
6	00133100	Retaining ring	1	PC	
7	00022230	Retaining ring	1	PC	



## Table of Contents

Retaining ring (00022340) .....  
Toothed belt pulley (01178520) .....  
Circlip (01078820) .....  
Grooved ball bearing (01076560) .....  
Bushing (01077520).....  
Bearing seat (01178550) .....  
Ring (00124220) .....  
Straight pin (01178660) .....  
Driver (01178480) .....  
Feather key (01072580) .....

This manual covers all standard Admiral 38 C models:

**Model No.**

The machine will provide excellent service. However, the best results will be obtained if:

- The machine is operated with reasonable care.
- The machine is maintained regularly per the maintenance schedule in the instruction manual provided.
- The machine is maintained with PowerBoss OEM supplied or equivalent parts.

All right side and left side references to the machine are determined by facing the direction of forward travel. Parts may be ordered by phone or mail from any PowerBoss parts and service center. Before ordering parts or supplies be sure to have your machine model number and serial number handy.

Fill out the data block below for future reference.

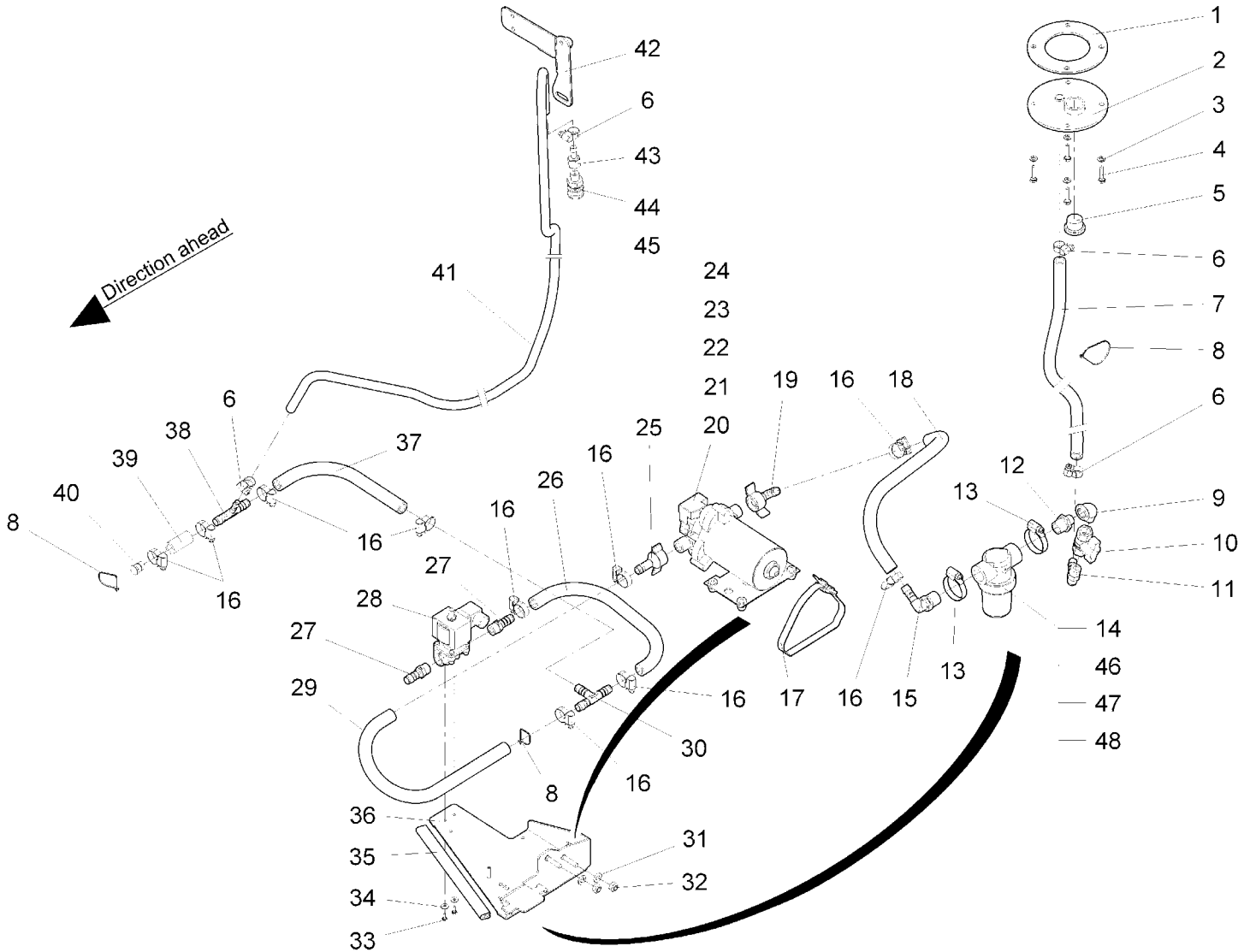
MACHINE DATA Fill Out At Installation	
Model:	Admiral 38 C
Serial Number:	_____
Sales Rep or Dealer	_____
Date of Install:	_____
Manual p/n:	4100055

All information contained in this manual is current at the time of printing However,PowerBoss Reserves the right to make changes at any time without notice.

© 2012, Powerboss, Inc., Printed in USA

All rights reserved. This manual may not be copied or reproduced in any form, without the written permission of PowerBoss,Inc.

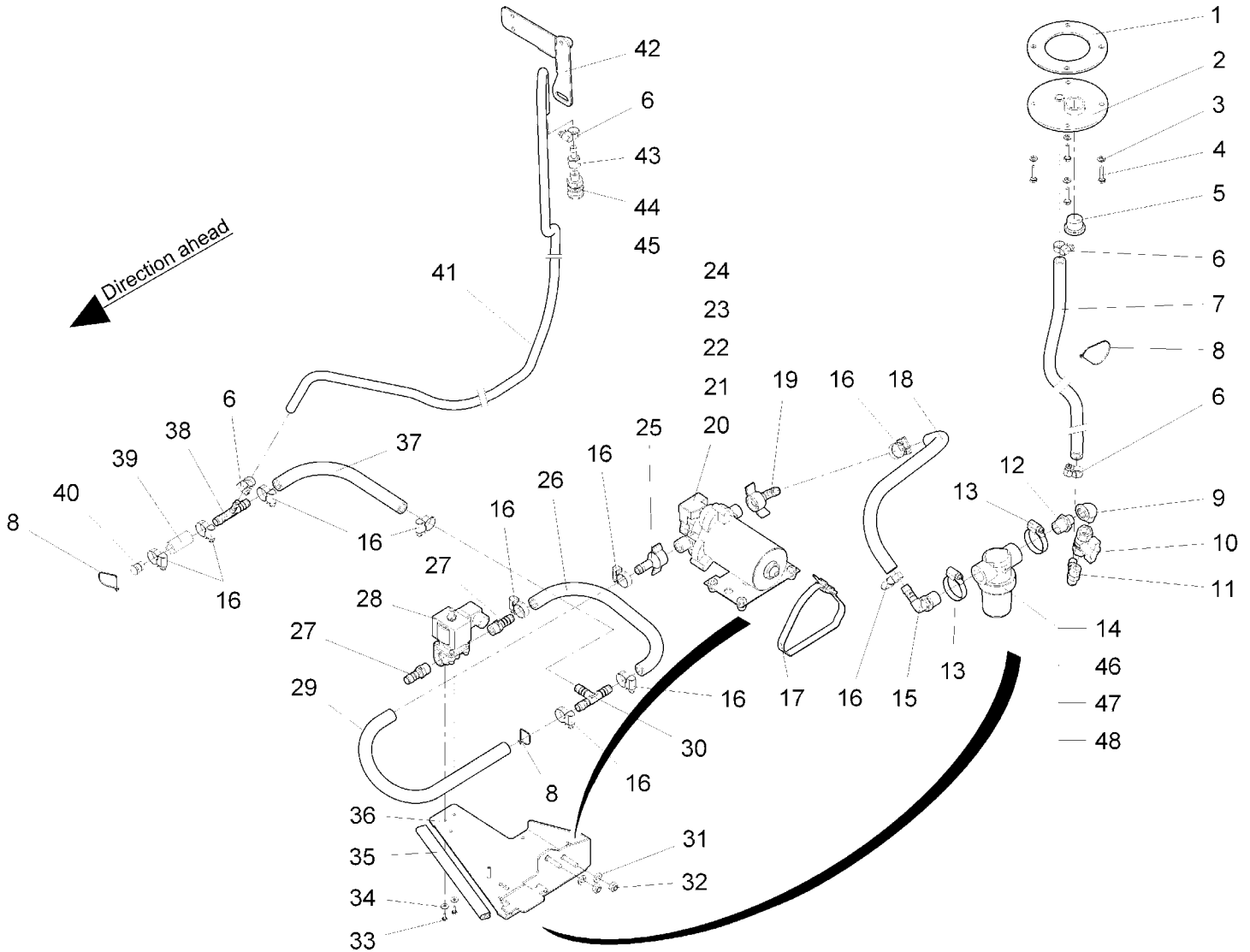
**Water circulation (97110704)**



**Water circulation (97110704)**

Item	Part number	Description	Qty.	Unit	Remarks
1	00976130	Seal	1	PC	
2	00976120	Plate	1	PC	
3	00053400	Lock washer	4	PC	
4	00053030	Hexagon screw	4	PC	
5	01177630	Locking screw	1	PC	
6	00074300	Hose clamp	4	PC	
7	00171030	Hose	690mm	M	
8	00121150	Cable tie	2	PC	
9	01015360	Angle	1	PC	
10	00952760	Ball tap	1	PC	
11	00020020	Angle socket	1	PC	
12	00521140	Double nipple	1	PC	
13	01071810	Hose clamp	2	PC	
14	01072850	Filter	1	PC	
15	00971440	Angle socket	1	PC	
16	01076220	Hose clamp	8	PC	
17	01073340	Cable tie	1	PC	
18	00200170	PVC hose	370mm	M	
19	00154140	Screwed angle fitting	1	PC	
20	00543750	Pump	1	PC	
21	00559670	Case	1	PC	
22	00083640	Plastic cover	1	PC	
23	00083650	Plastic cover	1	PC	
24	00903190	Tab	1	PC	
25	01071450	Screwing	1	PC	
26	00200170	PVC hose	350mm	M	
27	00976140	Screwing in connecting piece	2	PC	
28	01071000	Electrovalve	1	PC	
29	00200170	PVC hose	370mm	M	
30	00976160	T-piece	1	PC	
31	00053750	Washer	2	PC	
32	00051510	Hex. Nut	2	PC	
33	00058580	Hex.bolt	2	PC	
34	00557150	Washer	2	PC	
35	00161240	Edge protection	235mm	M	
36	XXXXXXXX	no part-No. til yet	1		96128533 Holder

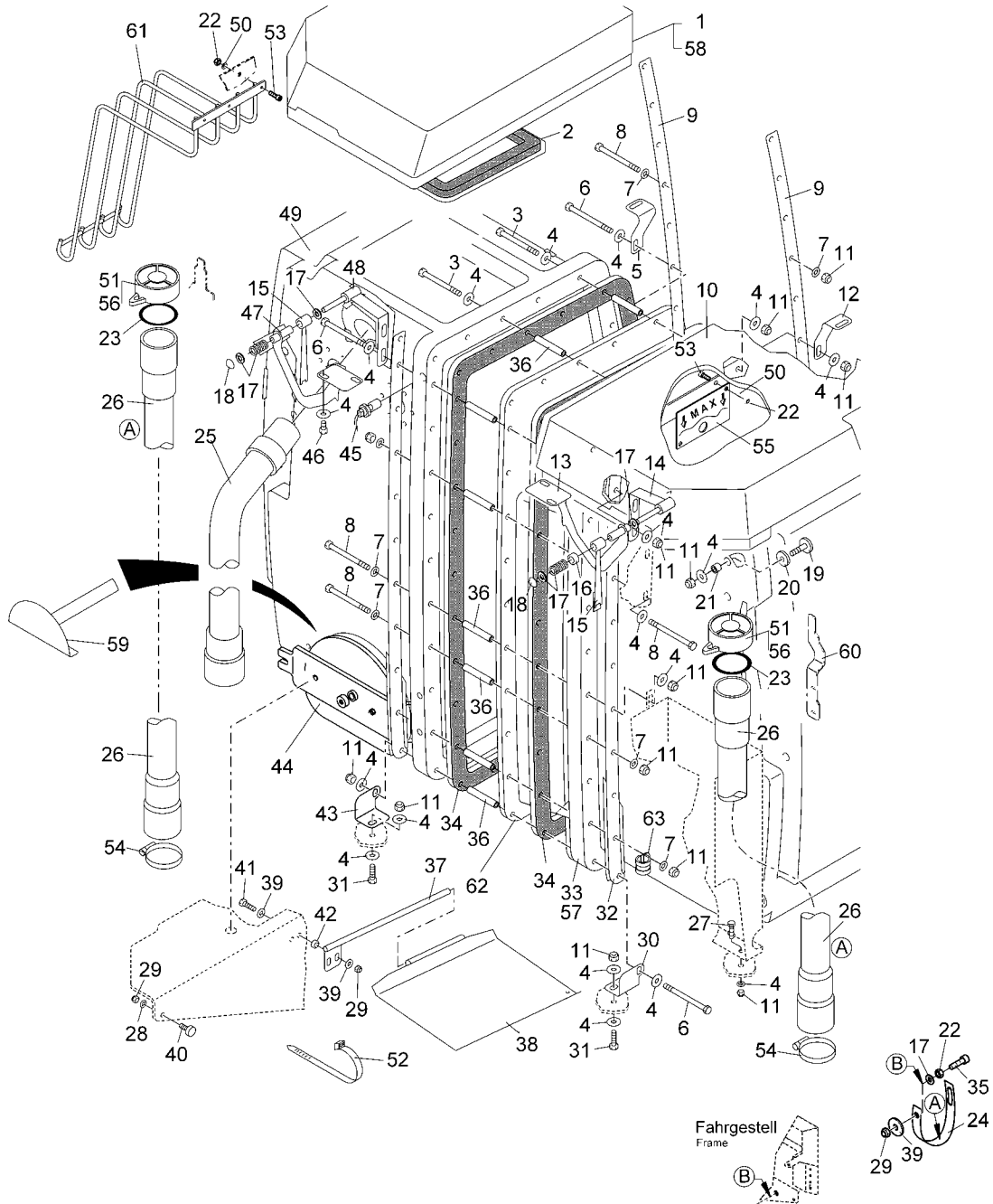
**Water circulation (97110704)**



**Water circulation (97110704)**

Item	Part number	Description	Qty.	Unit	Remarks
37	00200170	PVC hose	235mm	M	
38	01073020	T-piece	1	PC	
39	00200170	PVC hose	40mm	M	
40	XXXXXXXX	no part-No. til yet	1		90582438 Bolt
41	00562480	Spiral hose	1890m m	M	
42	XXXXXXXX	no part-No. til yet	1		90574765 Retainer
43	00552600	Hose nipple	1	PC	
44	00552590	Quick hitch	1	PC	
45	03007630	Sealing band	1	M	
46	01071010	Filter insert	1	PC	
47	01072830	Sealing ring	1	PC	
48	01072840	Straining cap	1	PC	

Hopper (97115166)

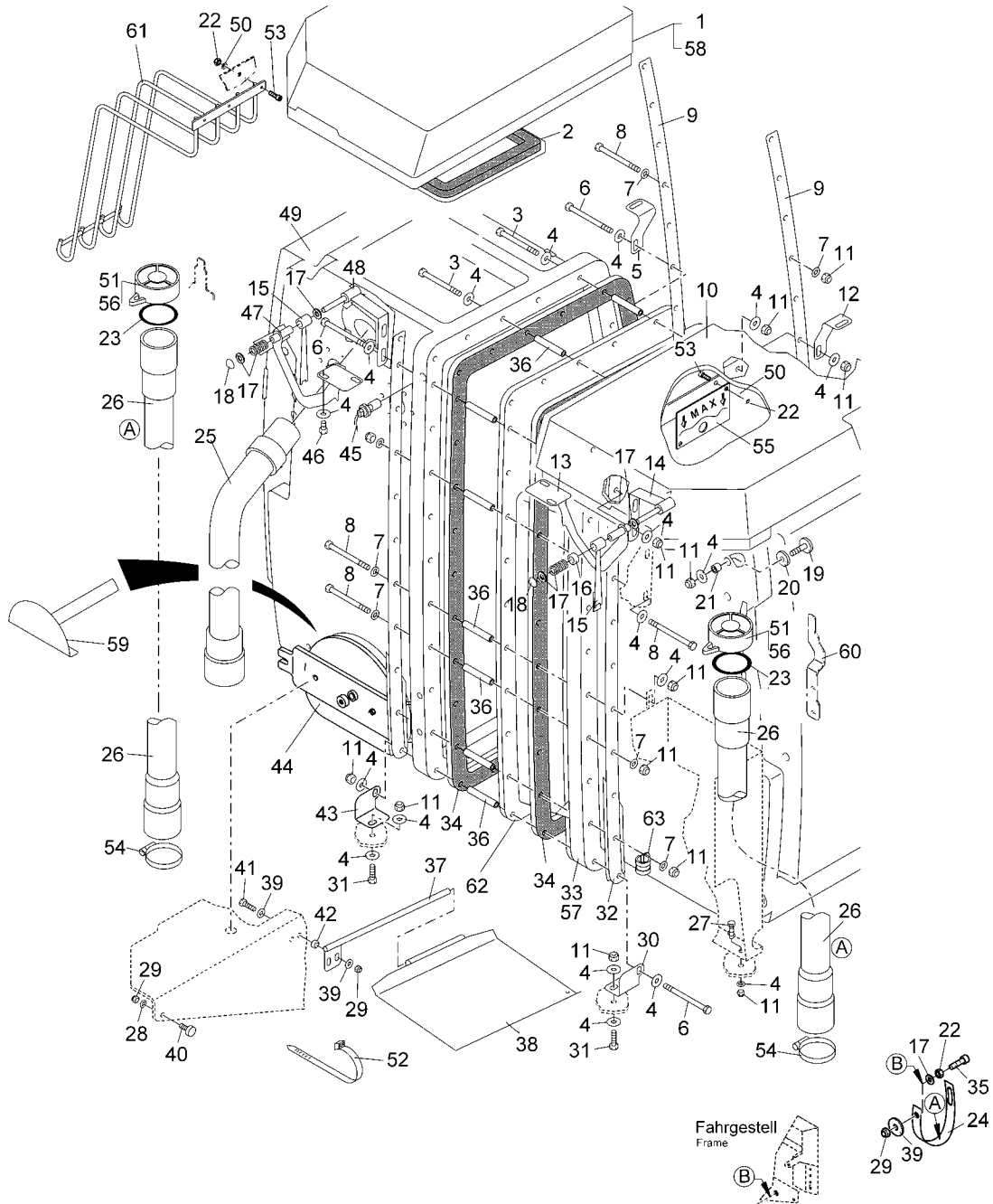


**Hopper (97115166)**

Item	Part number	Description	Qty.	Unit	Remarks
1	03009140	Cover L.H. grey	1	PC	
2	00980710	Seal	2	PC	
3	00053140	Hex.bolt	21	PC	
4	00042900	Washer	30	PC	
5	00975400	Angle	1	PC	
6	00504590	Hex.bolt	4	PC	
7	00053750	Washer	31	PC	
8	00053150	Hex.bolt	3	PC	
9	00246230	Prop	2	PC	
10	03009150	Cover R.H. grey	1	PC	
11	00051510	Hex. Nut	34	PC	
12	00975390	Angle	1	PC	
13	00980860	Handle	1	PC	
14	00976180	Support	1	PC	
15	00976200	Catch	1	PC	
16	00104140	Bushing	1	PC	
17	00053760	Washer	8	PC	
18	00862520	Thrust washer	2	PC	
19	00975350	Plate	2	PC	
20	00975410	Seal	2	PC	
21	01177640	Bushing	2	PC	
22	00102140	Hex. Nut	5	PC	
23	01177960	O-Ring	2	PC	
24	01070570	Rubber gasket	2	PC	
25	00035080	Hose	1	PC	
26	00035720	Hose	2	PC	incl. pos. 23,51,54,56
27	00053100	Hexagon screw	2	PC	
28	00053730	Washer	1	PC	
29	00051520	Hex. Nut	3	PC	
30	00975370	Angle	1	PC	
31	00054690	Hexagon screw	2	PC	
32	00246240	Prop	2	PC	
33	00035040	Fresh water tank	1	PC	
34	00980700	Seal	2	PC	
35	01143070	Socket head screw	2	PC	
36	00975360	Pipe	28	PC	



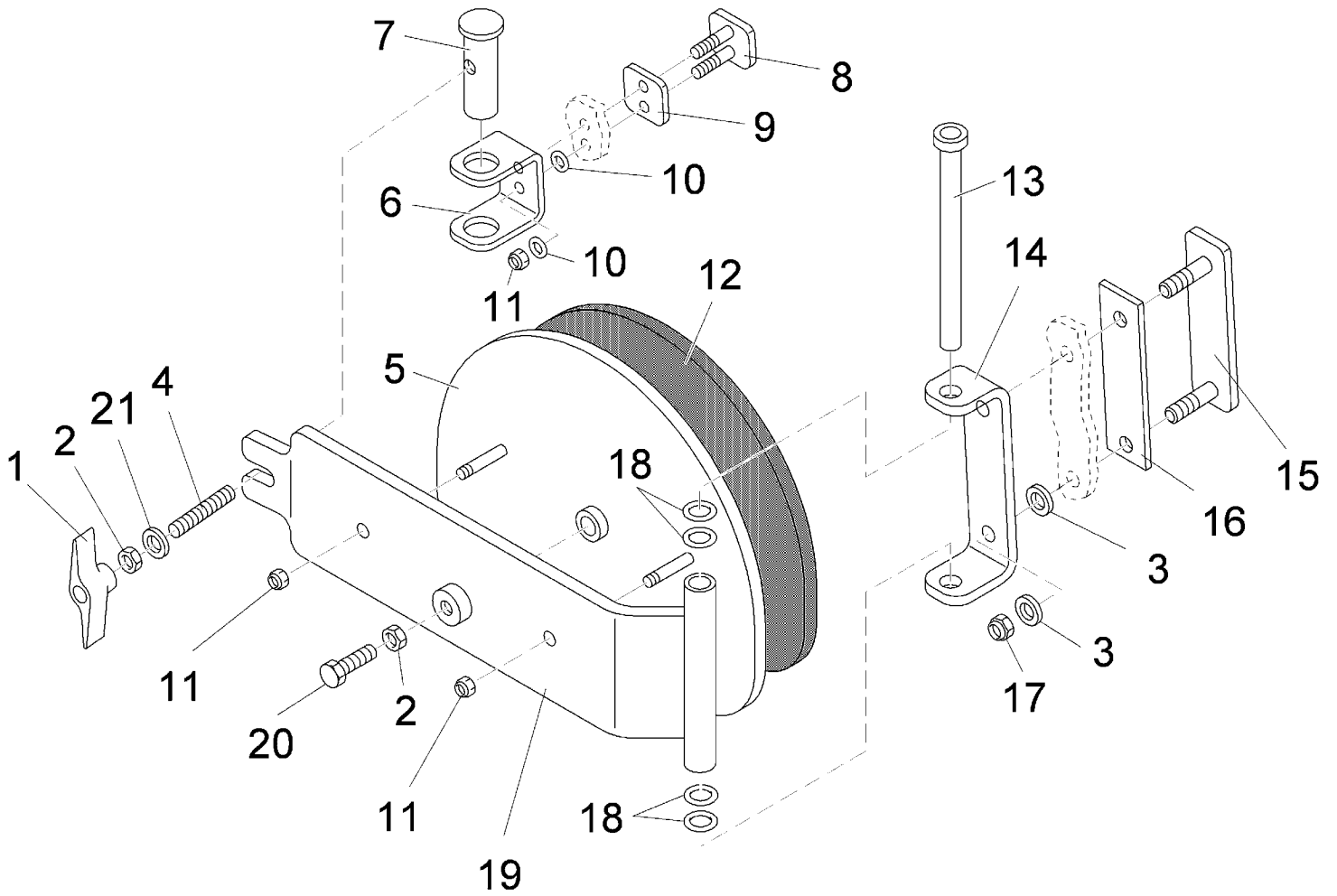
Hopper (97115166)



**Hopper (97115166)**

Item	Part number	Description	Qty.	Unit	Remarks
37	01177650	Rod	1	PC	
38	00980680	Sheet metal	1	PC	
39	00135120	Washer	2	PC	
40	00121740	Stop buffer	1	PC	
41	00053290	Hexagon screw	2	PC	
42	00862430	Bushing	2	PC	
43	00975380	Angle	1	PC	
44	<b>97042535</b>	<b>Flap (Hopper)</b>	<b>Page</b>	<b>83</b>	
45	00959650	Float switch	1	PC	
46	00553690	Hex.bolt	4	PC	
47	00980840	Handle	1	PC	
48	00976190	Support	1	PC	
49	00035050	Dirt water tank	1	PC	
50	00102150	Washer	10	PC	
51	00142230	Cover	2	PC	
52	00967760	Cable tie	2	PC	
53	00501430	Socket head screw	5	PC	
54	00522160	Hose clamp	2	PC	
55	01177660	Water level indicator	1	PC	
56	00108650	Fillister-head screw	4	PC	
57	01051840	Flange	1	PC	
58	00865630	Sealing tape	20mm	M	
59	00980690	Pipe	1	PC	
60	00980810	Angle	1	PC	
61	00980910	Handle	1	PC	
62	00035060	Membran wall	1	PC	
63	00159550	Pipe clamp	1	PC	

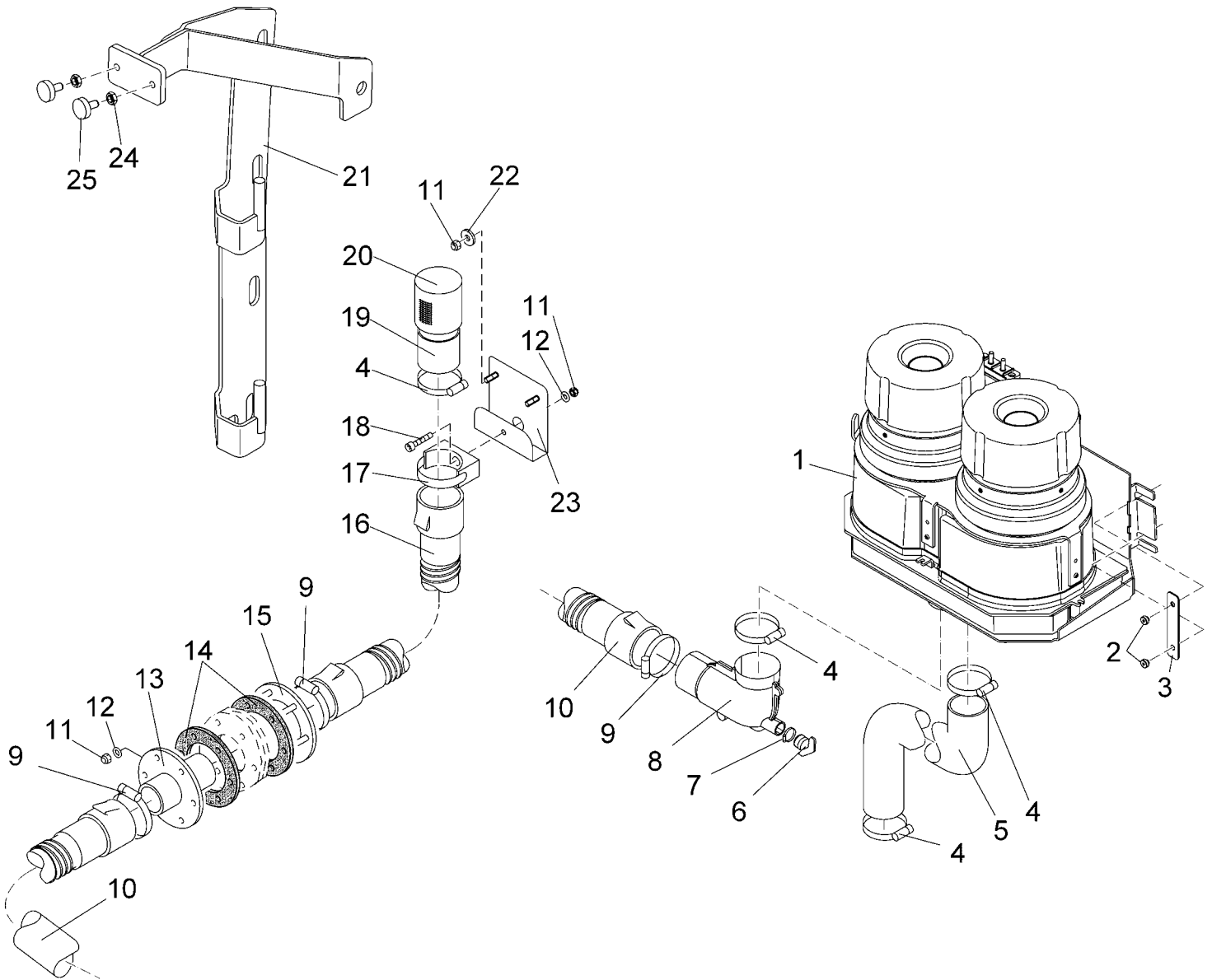
Flap (Hopper) (97042535)



**Flap (Hopper) (97042535)**

Item	Part number	Description	Qty.	Unit	Remarks
1	00101470	Wing nut	1	PC	
2	00053350	Hex. Nut	2	PC	
3	00053750	Washer	4	PC	
4	00902600	Threaded bolt	1	PC	
5	00980820	Flap	1	PC	
6	00976090	Angle	1	PC	
7	00976100	Bolt	1	PC	
8	00975560	Bolt	1	PC	
9	00976070	Seal	1	PC	
10	00053730	Washer	4	PC	
11	00051520	Hex. Nut	4	PC	
12	00975600	Seal	1	PC	
13	00975590	Bolt	1	PC	
14	00976110	Angle	1	PC	
15	00975570	Plate	1	PC	
16	00976080	Seal	1	PC	
17	00051510	Hex. Nut	2	PC	
18	00557340	Adjusting washer	4	PC	
19	00975580	Handle	1	PC	
20	00133700	Hexagon screw	1	PC	
21	00042900	Washer	1	PC	

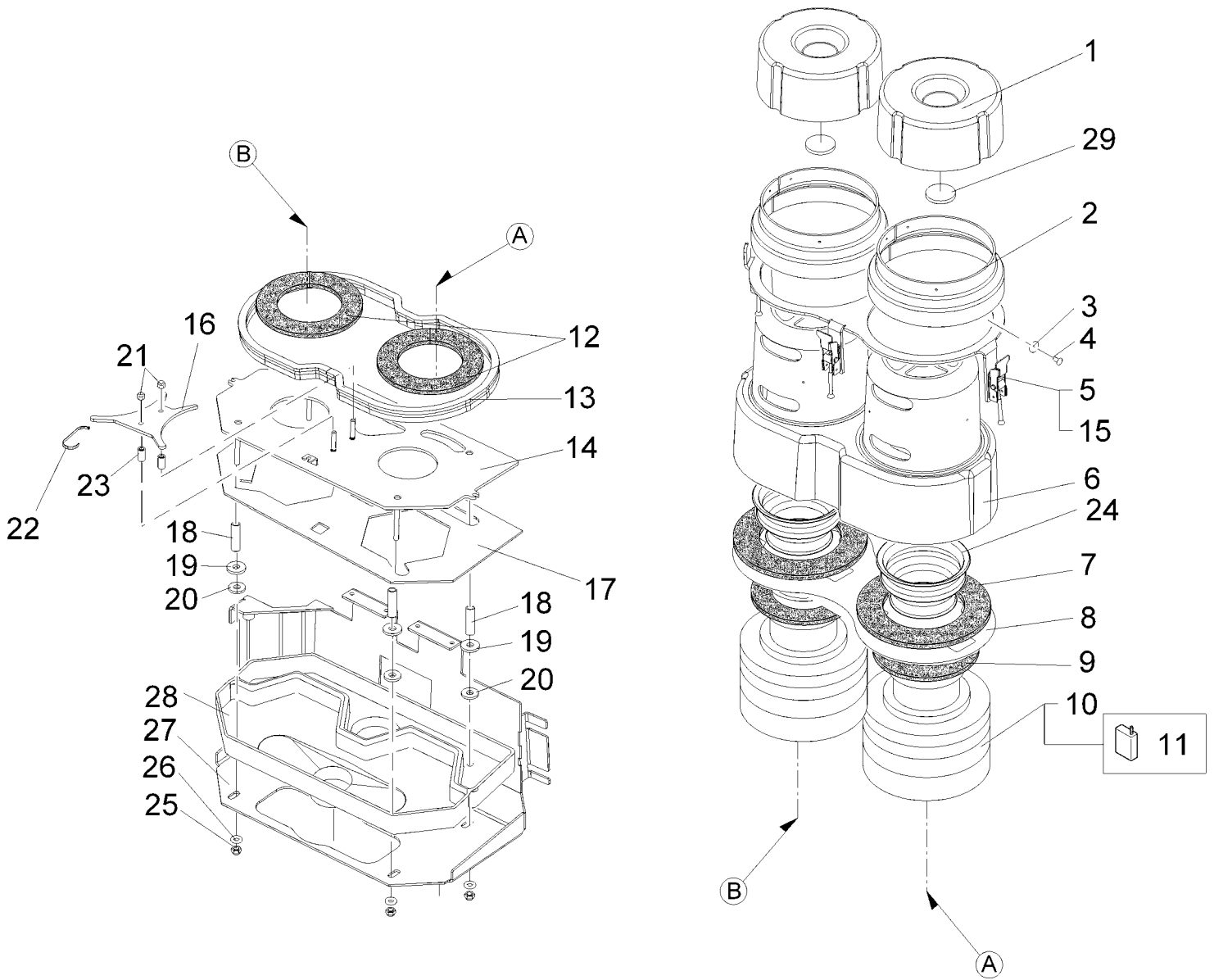
**Suction unit (97075337 7580-12)**



**Suction unit (97075337 7580-12)**

Item	Part number	Description	Qty.	Unit	Remarks
1	<b>03010560</b>	<b>Aspirator</b>	<b>Page</b>	<b>87</b>	
2	00903210	Knurled nut	2	PC	
3	01177700	Sheet metal	1	PC	
4	00732130	Hose clamp	2	PC	
5	00431380	Hose	1	PC	
6	00054560	Valve	1	PC	
7	00733160	Hose clamp	1	PC	
8	01070530	Arc	1	PC	
9	00522160	Hose clamp	4	PC	
10	00770500	Hose	1	PC	
11	00051520	Hex. Nut	11	PC	
12	00053730	Washer	7	PC	
13	01070540	Pipe	1	PC	
14	00976260	Seal	1	PC	
15	00976220	Flange	1	PC	
16	00321090	Hose	1	PC	
17	00522150	Pipe clamp	1	PC	
18	00501430	Socket head screw	1	PC	
19	01070550	Pipe	1	PC	
20	01070520	Filter screen	1	PC	
21	01177690	Retainer	1	PC	
22	00135120	Washer	4	PC	
23	01070560	Support	1	PC	
24	00053330	Hex. Nut	6	PC	
25	00127470	Buffer	2	PC	

Aspirator (03010560)

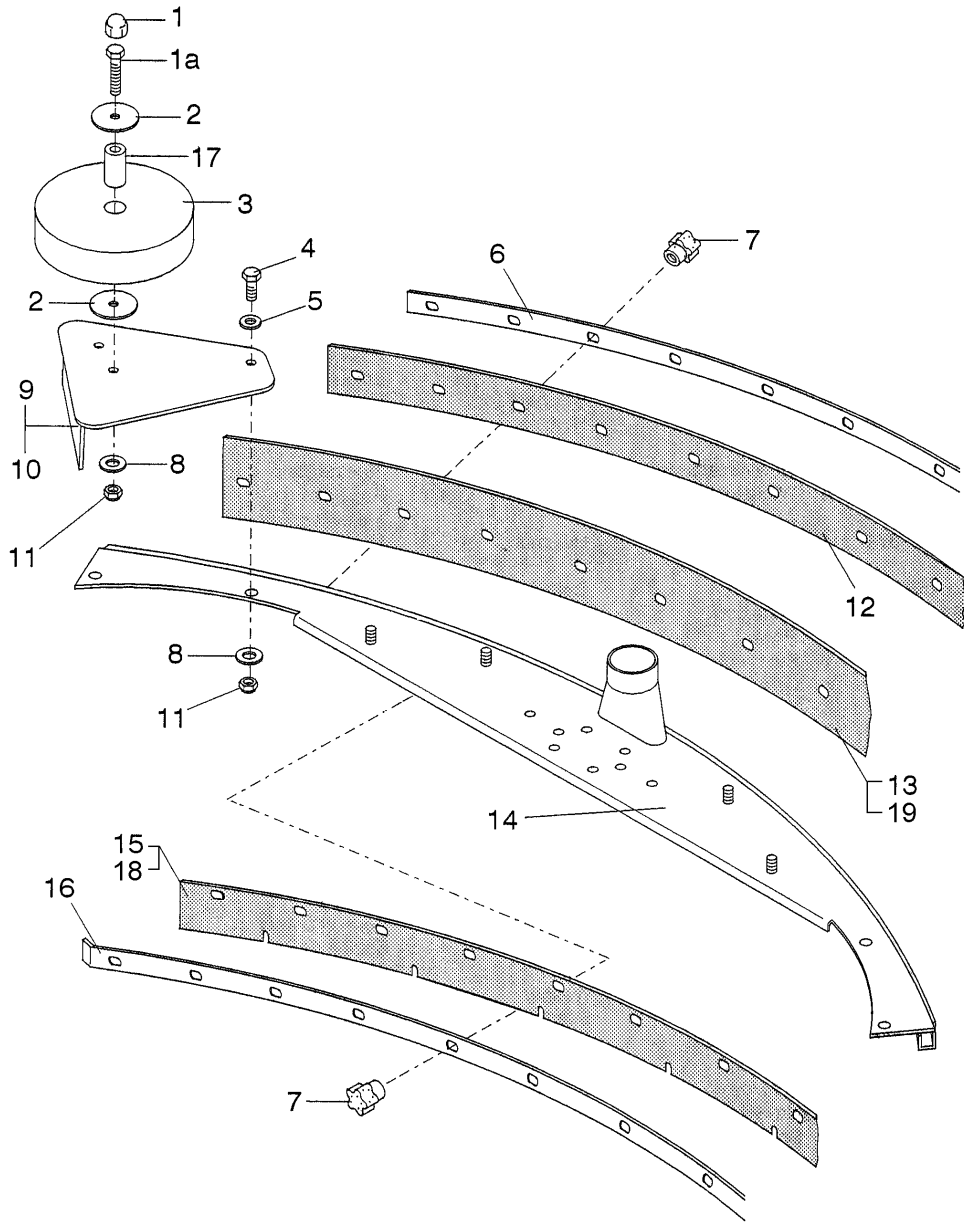


**Aspirator (03010560)**

Item	Part number	Description	Qty.	Unit	Remarks
1	01070600	Hood	2	PC	
2	01070620	Ring	2	PC	
3	00553740	Washer	8	PC	
4	00131600	Rivet	8	PC	
5	01070760	Sheet metal	1	PC	Only for HKM B 1100 (until ser.no.: 7580.02.1.0570.5)
6	01070610	Covering	1	PC	
7	01070580	Seal	2	PC	
8	01076820	Sheet metal	1	PC	
9	01070590	Seal	2	PC	
10	00911380	Turbine	2	PC	
11	00049810	Carbon brush	2	PC	
12	00130570	Seal	2	PC	
13	00752350	Edge protection	1,060	M	
14	01076830	Sheet metal	1	PC	
15	01079340	Sheet metal	1	PC	For HKM B 1100 (from ser.no.: 7580.02.1.0571.5) and HKM B 1050
16	01177680	Plate	1	PC	
17	01070640	Gasket	1	PC	
18	01177670	Pipe	4	PC	
19	00074230	Washer	4	PC	
20	00100720	Washer	4	PC	
21	00051520	Hex. Nut	11	PC	
22	00967760	Cable tie	2	PC	
23	XXXXXXXX	no part-No. til yet	2		90567454 Pipe
24	01178490	Connection	2	PC	
25	00051510	Hex. Nut	4	PC	
26	00053750	Washer	4	PC	
27	01070630	sheet metal	1	PC	
28	01073180	Tub	1	PC	
29	01178510	Gasket	2	PC	



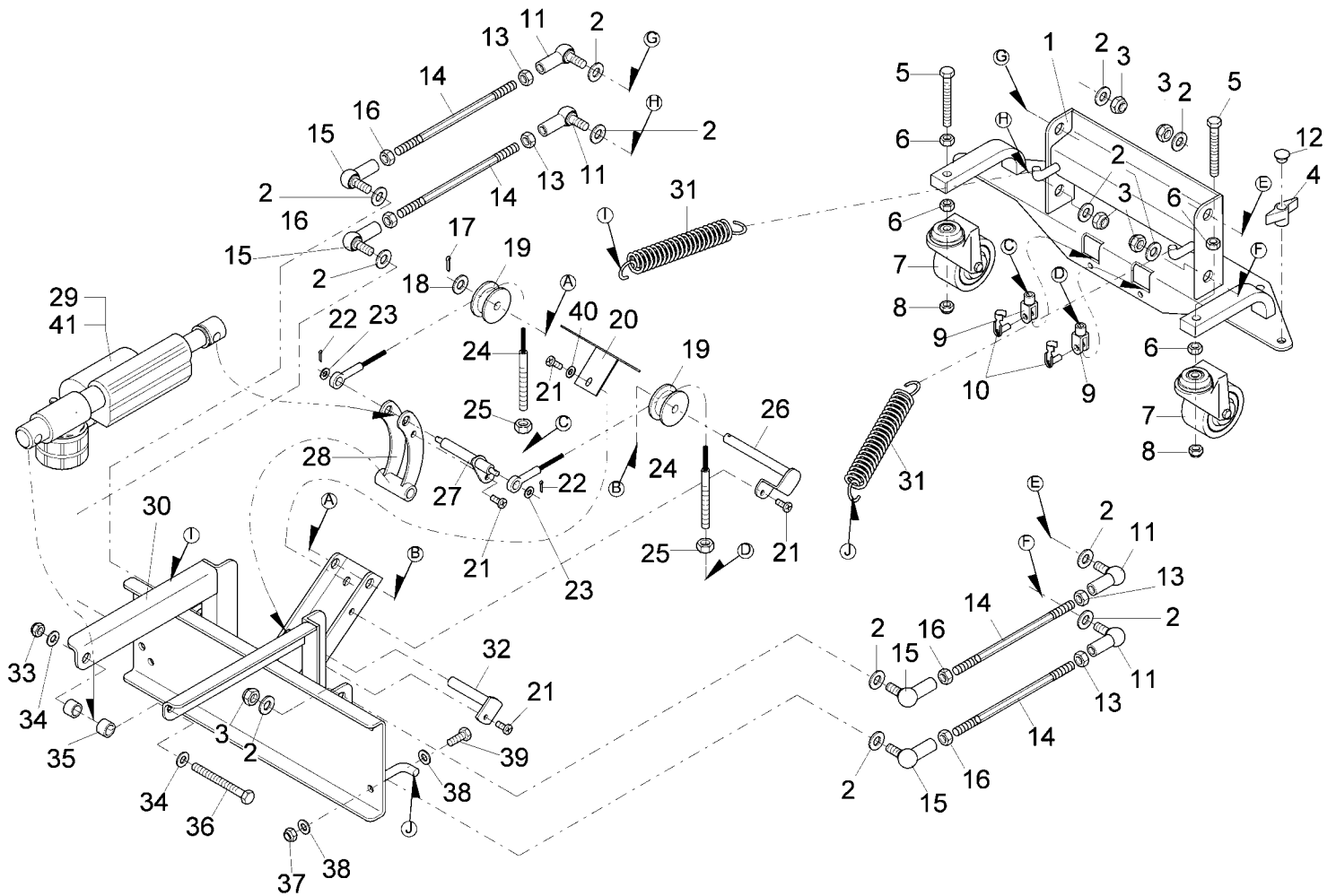
**Squeegee (97042360)**



**Squeegee (97042360)**

Item	Part number	Description	Qty.	Unit	Remarks
1	00131610	Lens cap	2	PC	
1a	00053260	Hex.bolt	2	PC	
2	00878400	Washer	4	PC	
3	00972170	Roller	2	PC	
4	00053100	Hexagon screw	4	PC	
5	00053750	Washer	4	PC	
6	00244970	Sheet metal	1	PC	
7	00853730	Star handle	14	PC	
8	00042900	Washer	6	PC	
9	00910140	Plate L.H.	1	PC	
10	00910180	Plate R.H.	1	PC	
11	00051510	Hex. Nut	6	PC	
12	00411600	Supporting border	1	PC	
13	00411580	Sealing strip	1	PC	
14	00035180	Squeegee	1	PC	
15	00411620	Sealing strip	1	PC	
16	00244980	Sheet metal	1	PC	
17	00972180	Sleeve	2	PC	
18	01077090	Sealing strip front	1	PC	
19	01077100	Sealing strip rear	1	PC	

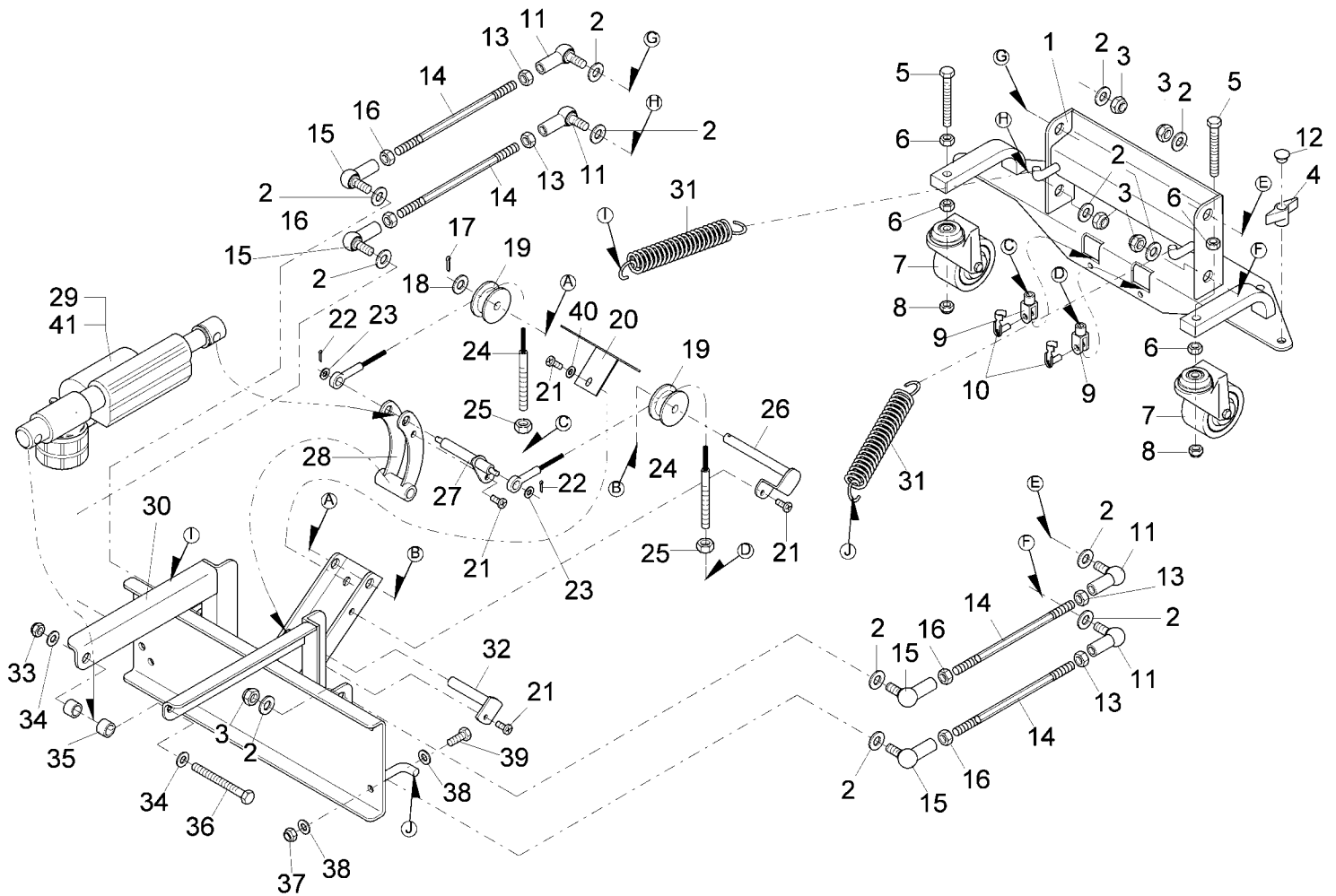
Lifting assy for suction (97042345)



**Lifting assy for suction (97042345)**

Item	Part number	Description	Qty.	Unit	Remarks
1	00910170	Support	1	PC	
2	00053780	Washer	8	PC	
3	00044420	Hex. Nut	8	PC	
4	00101470	Wing nut	4	PC	
5	00864080	Hex.bolt	2	PC	
6	00053360	Hex. Nut	2	PC	
7	00471600	Steering roller	2	PC	Caution! New version! Please change all rollers when different!
8	00051500	Hex. Nut	2	PC	
9	00851570	Fork yoke	2	PC	
10	00851590	Bolt	2	PC	
11	00101440	Hinged joint	4	PC	
12	00902300	Drain plug	4	PC	
13	00101480	Hex. Nut	4	PC	
14	00974320	Threaded rod	4	PC	
15	00522370	Hinged joint	4	PC	
16	00053740	Hex. Nut	4	PC	
17	00553580	Cotter pin	1	PC	
18	00053730	Washer	1	PC	
19	00972140	Roller	2	PC	
20	00972160	Angle	1	PC	
21	00959220	Screw	3	PC	
22	00534540	Cotter pin	2	PC	
23	00053770	Washer	2	PC	
24	00972150	Pull of the rope	2	PC	
25	00053330	Hex. Nut	2	PC	
26	00972120	Bolt	1	PC	
27	00972090	Bolt	1	PC	
28	00972100	Pipe	1	PC	
29	00650200	Lifting spindle	1	PC	
30	00910160	Support	1	PC	
31	00522290	Tension spring	2	PC	
32	00972110	Bolt	1	PC	
33	00051490	Hex. Nut	1	PC	
34	00053770	Washer	2	PC	
35	00972130	Spreader tube	2	PC	

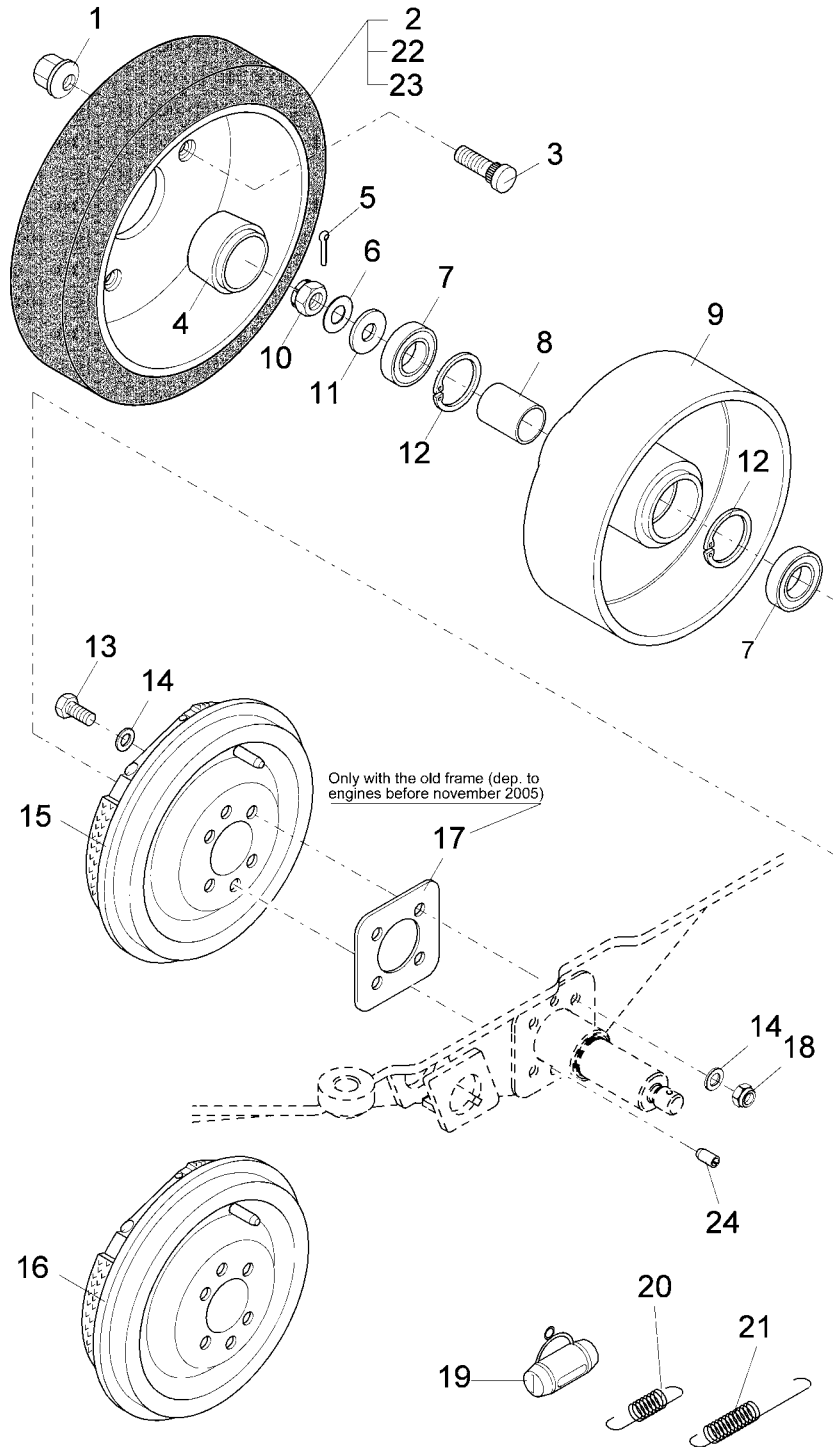
Lifting assy for suction (97042345)



**Lifting assy for suction (97042345)**

Item	Part number	Description	Qty.	Unit	Remarks
36	00105390	Hex.bolt	1	PC	
37	00051510	Hex. Nut	2	PC	
38	00042900	Washer	2	PC	
39	00053100	Hexagon screw	2	PC	
40	00555520	Washer	1	PC	
41	00962620	Clamp	1	PC	

Rear wheel (97042311)

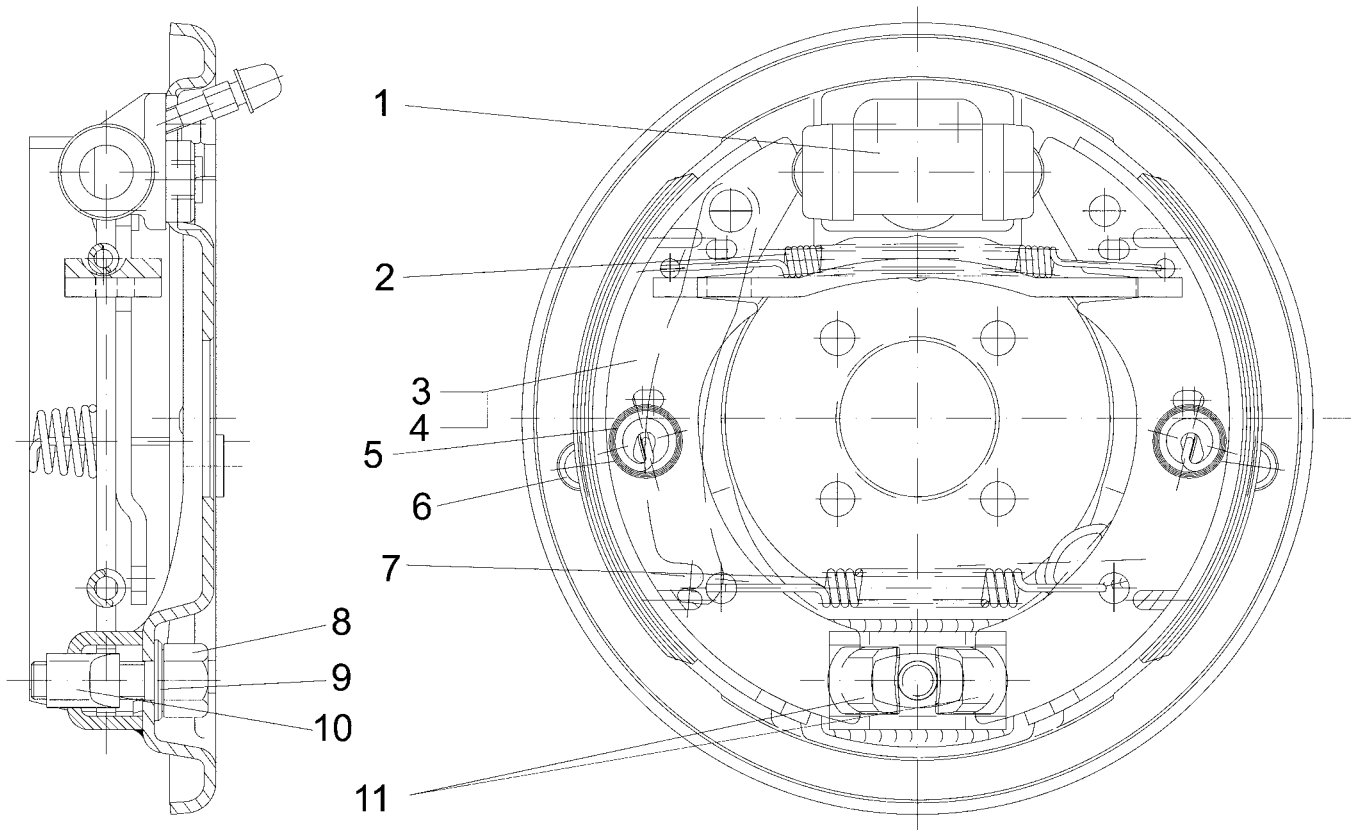


**Rear wheel (97042311)**

Item	Part number	Description	Qty.	Unit	Remarks
1	00854640	Spherical collar nut	8	PC	
2	00981620	Rear wheel	2	PC	
3	00854630	Wheel bolt	8	PC	
4	00972080	Cover	2	PC	
5	00139930	Cotter pin	2	PC	
6	00155180	Adjusting washer	1	PC	
7	00106500	Deep groove ball bearing	4	PC	
8	00925650	Bushing	2	PC	
9	00910020	Brake drum	2	PC	
10	00072360	Slotted nut	2	PC	
11	00851240	Washer	2	PC	
12	00153110	Retaining ring	4	PC	
13	00749080	Hex.bolt	8	PC	
14	00053750	Washer	8	PC	
15	<b>00321680</b>	<b>Brake R.H.</b>	<b>Page</b>	<b>97</b>	
16	<b>00321650</b>	<b>Brake L.H.</b>	<b>Page</b>	<b>99</b>	
17	00972070	Plate	2	PC	
18	00051510	Hex. Nut	8	PC	
19	00109990	Wheel brake cylinder	2	PC	
20	00022020	Tension spring	2	PC	
21	00966260	Tension spring	2	PC	
22	01057130	Rear wheel L.H. (skid-proof type)	1	PC	
23	01057140	Rear wheel R.H. (skid-proof type)	1	PC	
24	00072410	Dowel pin	4	PC	



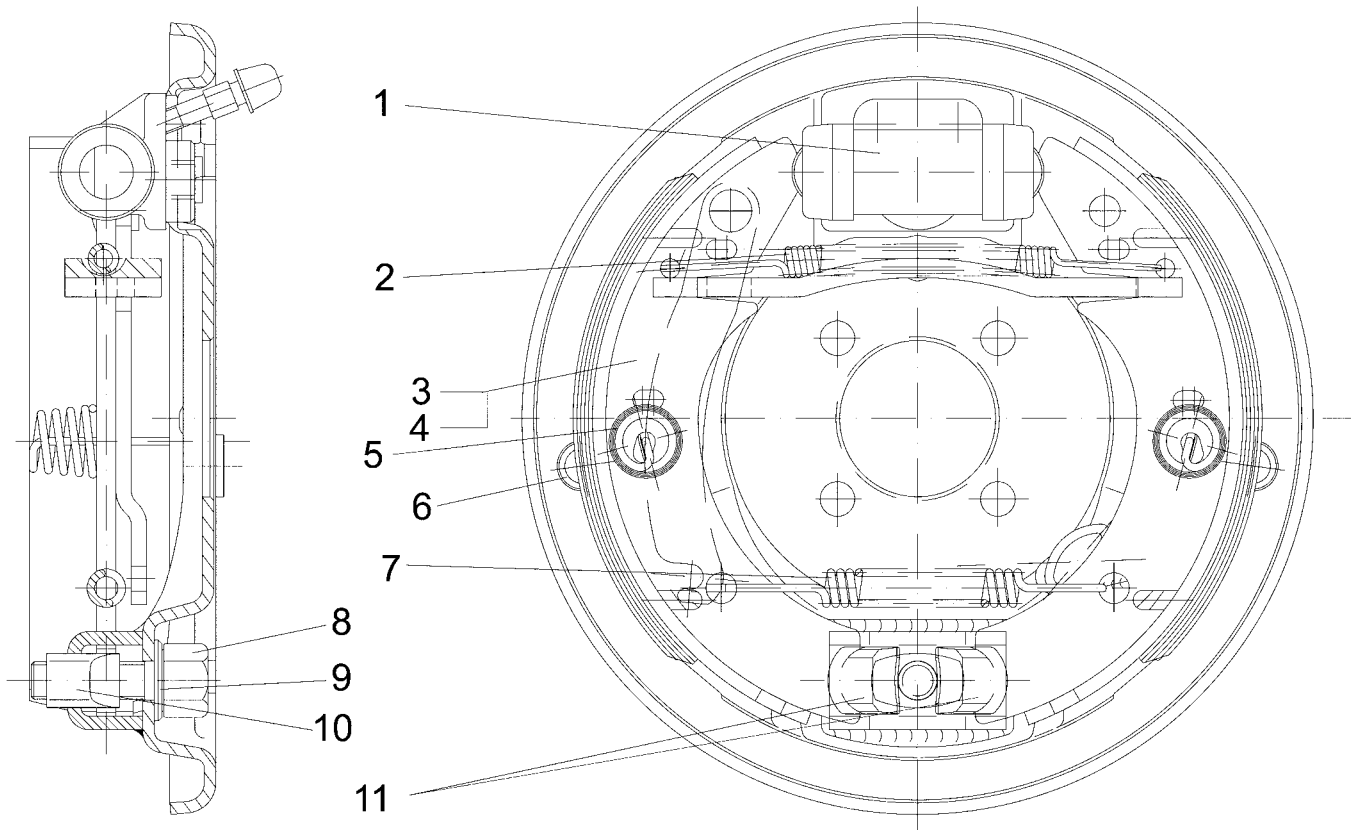
**Brake R.H. (00321680)**



**Brake R.H. (00321680)**

Item	Part number	Description	Qty.	Unit	Remarks
1	00109990	Wheel brake cylinder	1	PC	
2	00966260	Tension spring	1	PC	
3	00260010	Brake shoe,cpl.	1	PC	
4	00141950	Brake shoe R.H.	1	PC	
5	00525060	Pressure spring	2	PC	
6	00525010	Sealing cover	2	PC	
7	00022020	Tension spring	1	PC	
8	01146180	Hexagon screw	1	PC	
9	00053760	Washer	1	PC	
10	00525030	adjusting key	1	PC	
11	00525020	Adjusting bolt	2	PC	

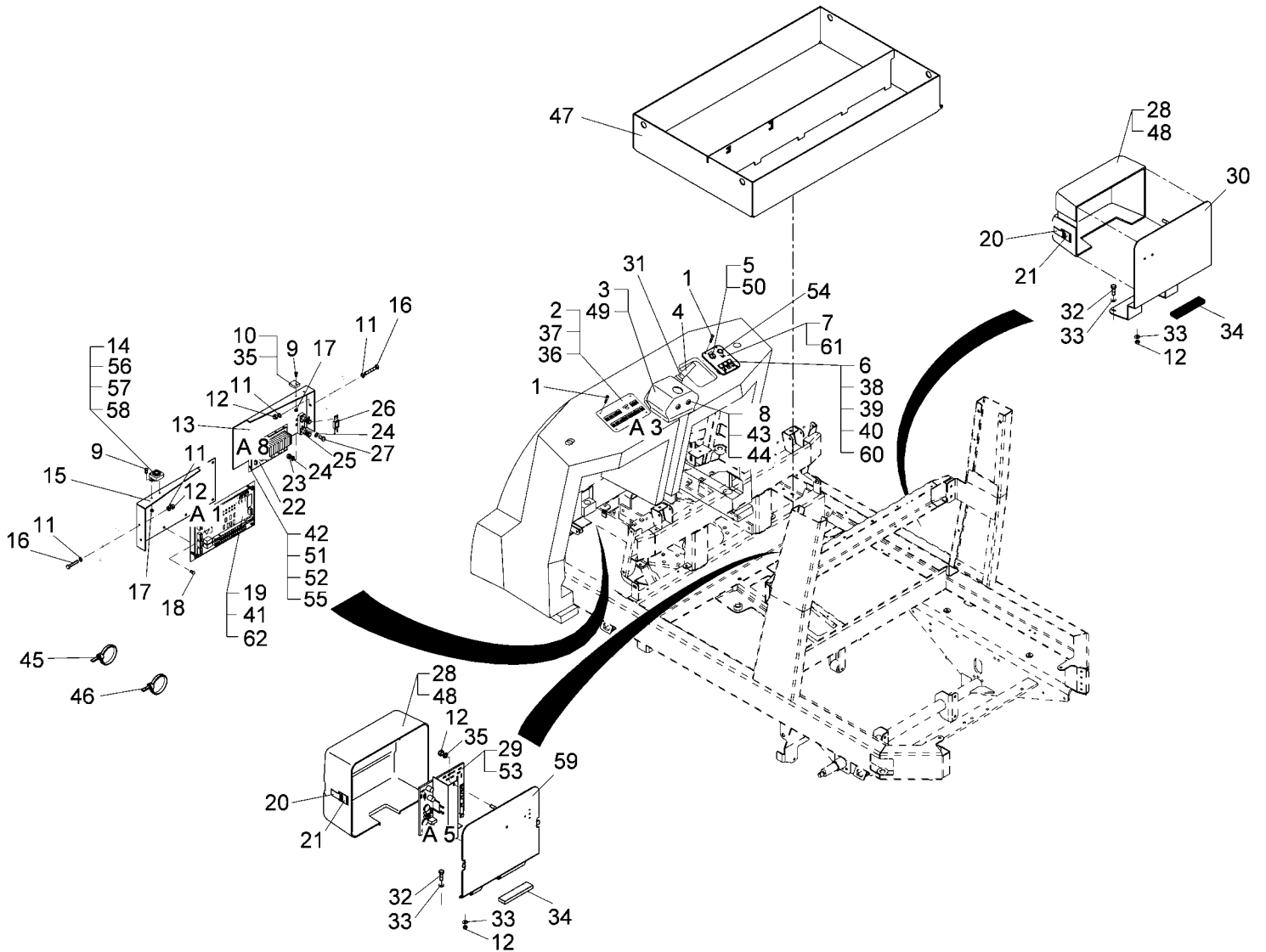
**Brake L.H. (00321650)**



**Brake L.H. (00321650)**

Item	Part number	Description	Qty.	Unit	Remarks
1	00109990	Wheel brake cylinder	1	PC	
2	00966260	Tension spring	1	PC	
3	00260010	Brake shoe,cpl.	1	PC	
4	00141980	Brake shoe L.H.	1	PC	
5	00525060	Pressure spring	2	PC	
6	00525010	Sealing cover	2	PC	
7	00022020	Tension spring	1	PC	
8	01146180	Hexagon screw	1	PC	
9	00053760	Washer	1	PC	
10	00525030	adjusting key	1	PC	
11	00525020	Adjusting bolt	2	PC	

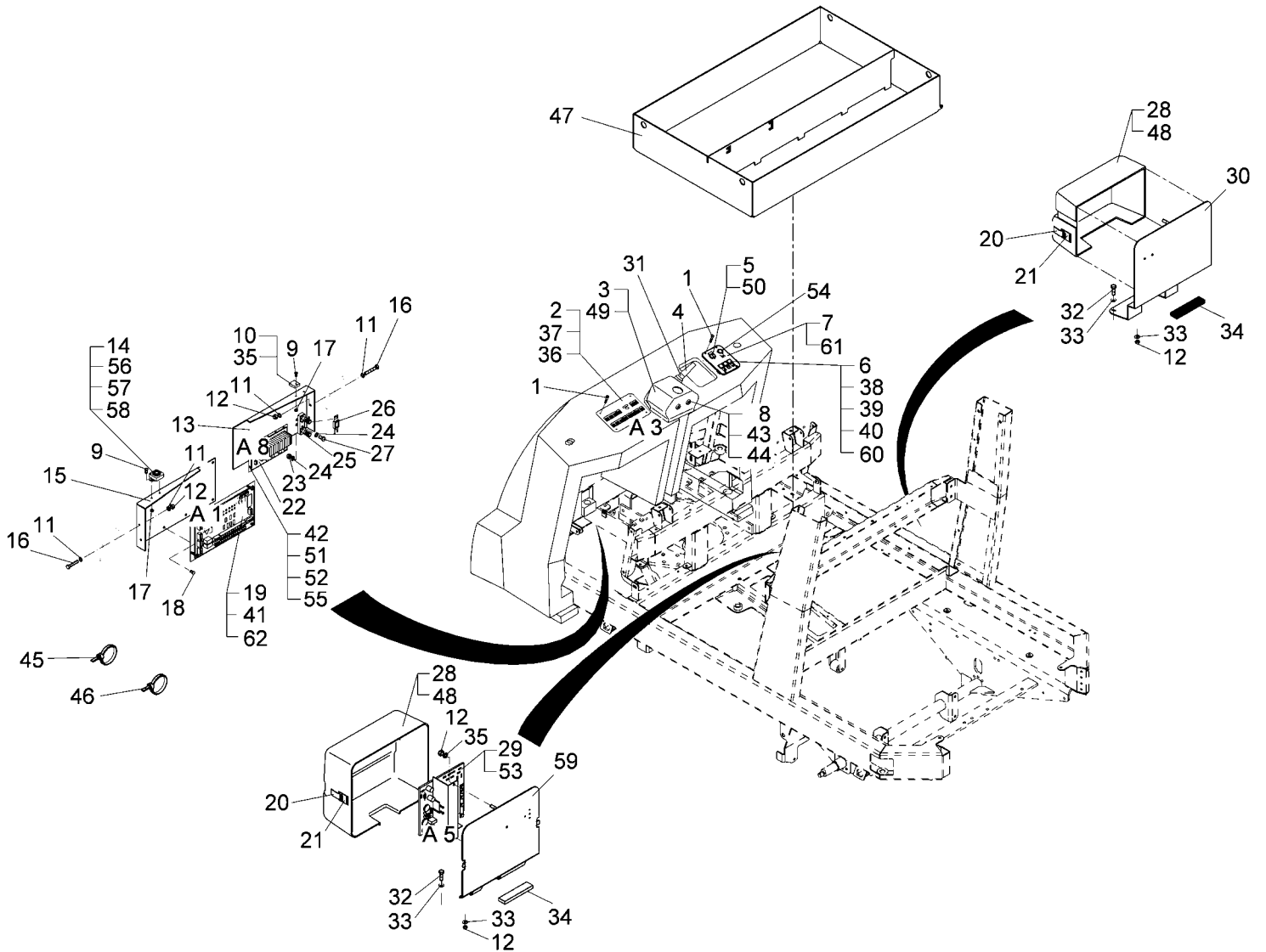
Electrical equipment part 1 (97111868-1)



**Electrical equipment part 1 (97111868-1)**

Item	Part number	Description	Qty.	Unit	Remarks
1	00961490	Self tapping screw	8	PC	
2	01177710	Control panel L.H.	1	PC	
3	00831910	Hood	1	PC	
4	00697630	Switch	1	PC	
5	00021710	Key switch	1	PC	
6	00521360	Luminous push-button	2	PC	
7	XXXXXXXX	no part-No. til yet	1		96126487 Plate
8	00733180	Tapping screw	4	PC	
9	00695680	Fillister-head screw	3	PC	
10	00509560	Fuse holder	1	PC	
11	00048390	Disk wheel	8	PC	
12	00051520	Hex. Nut	22	PC	
13	00722210	Angle bracket R.H.	1	PC	
14	00745850	Signal transmitter	1	PC	
15	00722200	Angle bracket L.H.	1	PC	
16	00535110	Hex.bolt	4	PC	
17	00022200	Hex. Nut	3	PC	
18	00731550	Fillister-head screw	8	PC	
19	01175790	Control module	1	PC	
20	01177110	Tension band	2	PC	
21	00109580	Bracket	4	PC	
22	00512440	Auxiliary supply module	1	PC	
23	00133830	Hex. Nut	10	PC	
24	00053710	Washer	6	PC	
25	00121440	Fuse holder	1	PC	
26	00101520	Fuse	1	PC	
27	00954570	Fillister-head screw	2	PC	
28	00831900	Hood	2	PC	
29	00752920	Module	1	PC	
30	00722240	Console R.H.	1	PC	
31	01074110	Rubber cap	1	PC	
32	00053020	Hexagon screw	2	PC	
33	00135120	Washer	4	PC	
34	00053980	Seal	2	PC	
35	00874970	Fuse	1	PC	
36	00712220	Control panel standard	1	PC	

Electrical equipment part 1 (97111868-1)

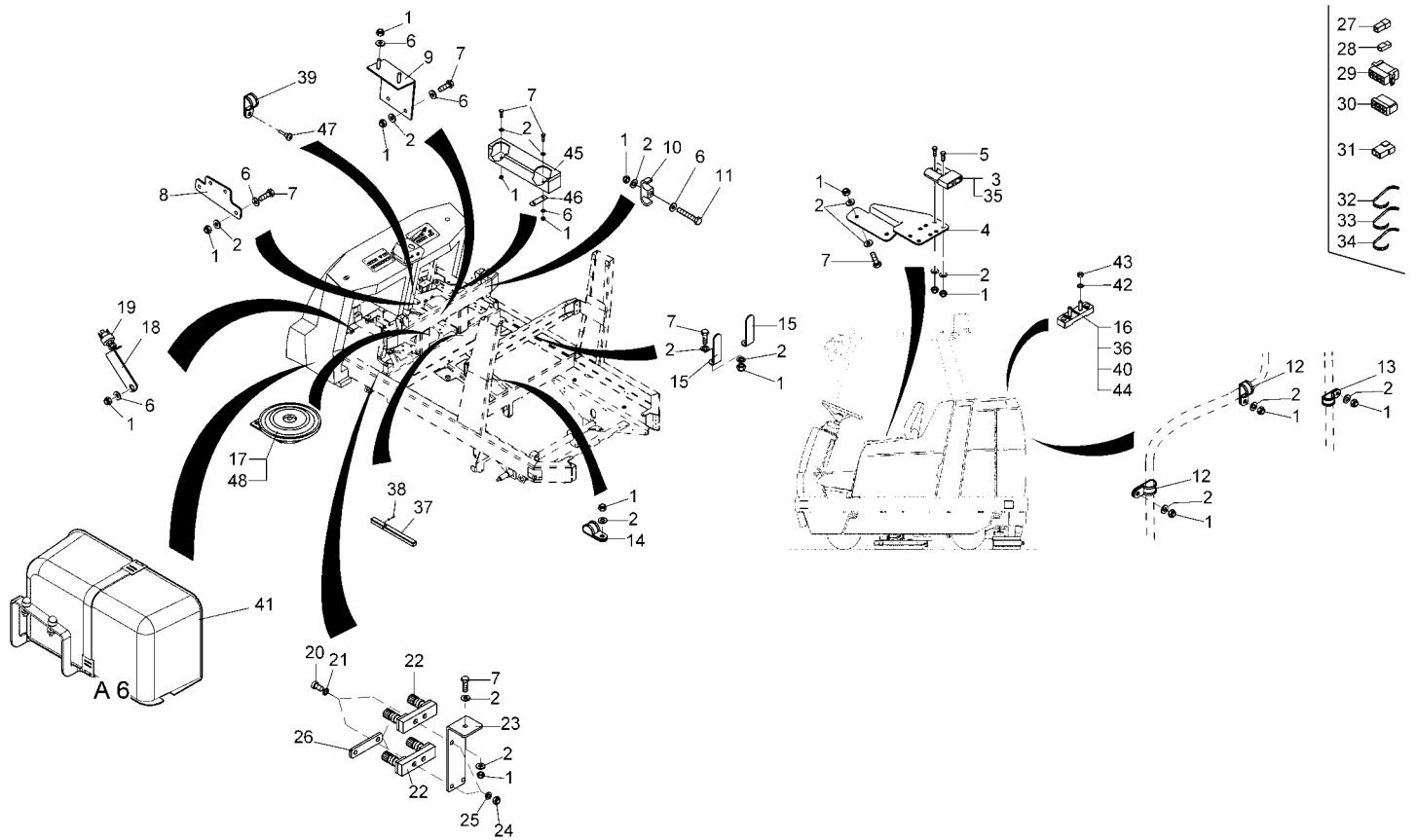


**Electrical equipment part 1 (97111868-1)**

Item	Part number	Description	Qty.	Unit	Remarks
37	00865630	Sealing tape	1400m m	M	
38	00521380	Control element	2	PC	
39	00521390	Front frame black	2	PC	
40	00521410	Pressure hood	2	PC	
41	00745840	Print plate holder	4	PC	
42	00132360	lens head screw M4x10	5	PC	
43	00558830	Snap nut	4	PC	
44	00157690	Annular plate	4	PC	
45	00121150	Cable tie	71	PC	
46	00967760	Cable tie	10	PC	
47	01177850	Battery tray	1	PC	
48	00752350	Edge protection	1	M	
49	00291390	Socket profil	1	M	
50	00745890	Set (2pc.) key	1	PR	
51	00053680	Distance bolt	5	PC	
52	00154240	Lock washer	5	PC	
53	00127470	Buffer	2	PC	
54	00133770	Press switch	1	PC	
55	00052810	Hex. Nut	5	PC	
56	00121010	Cable tie	1	PC	
57	00903180	Plastic cover	1	PC	
58	00903170	Tab	2	PC	
59	00722230	Console	1	PC	
60	00521370	Luminous push-button	1	PC	
61	01178600	Gasket	1	PC	
62	01073210	Iron sleeve	1	PC	



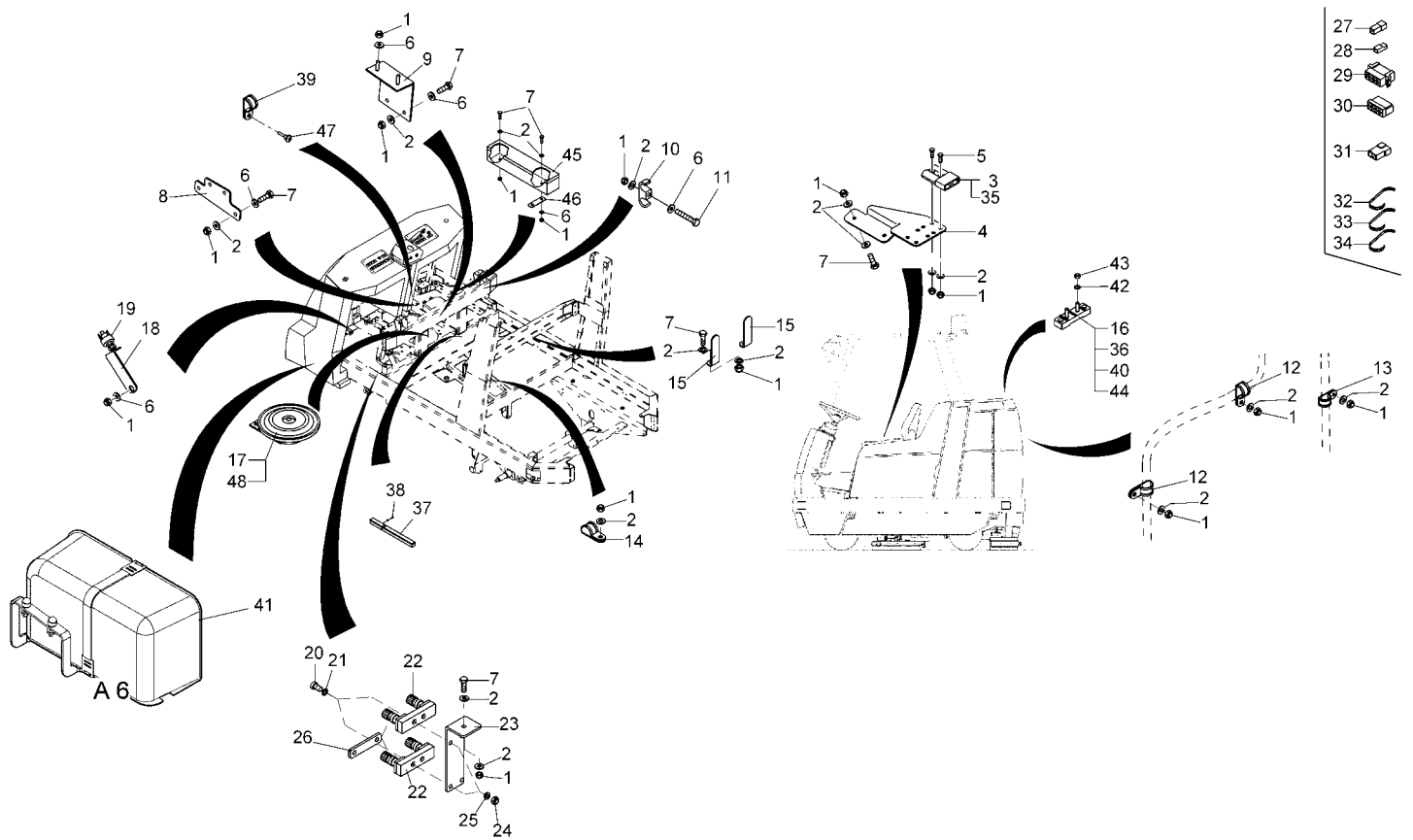
Electrical equipment part 2 (97111868-2)



**Electrical equipment part 2 (97111868-2)**

Item	Part number	Description	Qty.	Unit	Remarks
1	00051520	Hex. Nut	20	PC	
2	00053730	Washer	24	PC	
3	00540210	Charging plug	1	PC	
4	01177730	Plate	1	PC	
5	00053290	Hexagon screw	2	PC	
6	00135120	Washer	26	PC	
7	00053020	Hexagon screw	4	PC	
8	00974540	Support	1	PC	
9	00975070	Support	1	PC	
10	00748300	Clamp	1	PC	
11	00535110	Hex.bolt	5	PC	
12	00109470	Tube clamp	4	PC	
13	00130260	Tube clamp	2	PC	
14	00130250	Pipe clamp	4	PC	
15	00974570	Angle	2	PC	
16	00152830	Clamp strip	2	PC	
17	00050810	Signal horn	1	PC	
18	00974590	Angle	1	PC	
19	00028680	Stop light switch	1	PC	
20	00731550	Fillister-head screw	2	PC	
21	00053710	Washer	1	PC	
22	00121440	Fuse holder	4	PC	
23	00730820	Angle	1	PC	
24	00133830	Hex. Nut	4	PC	
25	00053860	Spring washer	2	PC	
26	00730830	Strap	2	PC	
27	00083650	Plastic cover	1	PC	
28	00083640	Plastic cover	1	PC	
29	00956310	Jumper cable	1	PC	
30	00956300	Jumper cable	1	PC	
31	00903180	Plastic cover	1	PC	
32	00967760	Cable tie	10	PC	
33	00121010	Cable tie	16	PC	
34	00121150	Cable tie	70	PC	
35	00927190	Contact maker	2	PC	
36	00044550	Countersunk screw	4	PC	

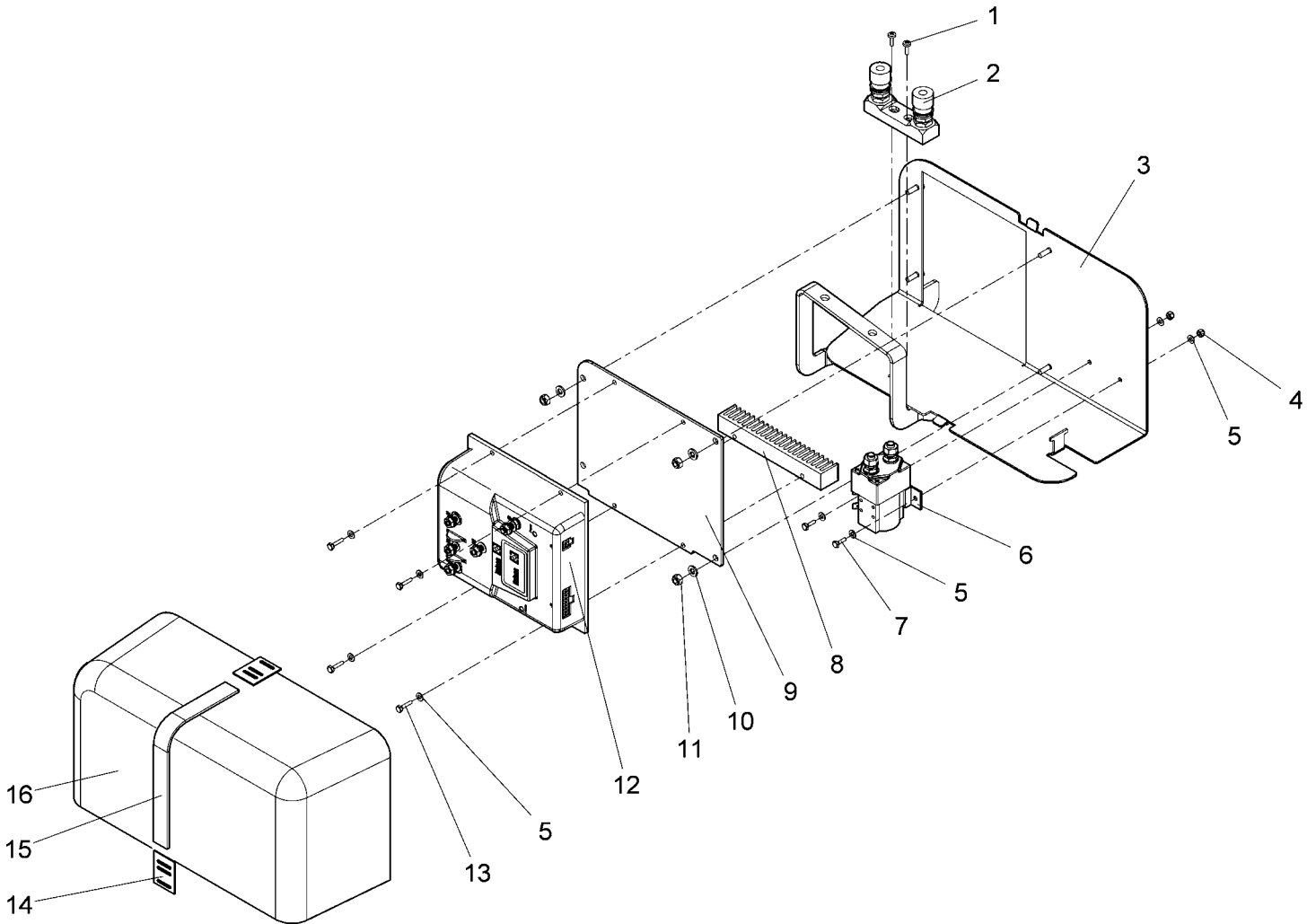
Electrical equipment part 2 (97111868-2)



**Electrical equipment part 2 (97111868-2)**

Item	Part number	Description	Qty.	Unit	Remarks
37	01177740	Wiring channel	670mm	M	
38	00959220	Screw	2	PC	
39	00903290	Tube clamp	1	PC	
40	00027160	Lens cap	4	PC	
41	<b>97110688</b>	<b>Driving control</b>	<b>Page</b>	<b>109</b>	
42	00127100	Toothed washer	4	PC	
43	00959620	Hex. Nut	4	PC	
44	00051340	Hex. Nut	4	PC	
45	01177750	Wiring channel	400mm	M	
46	00974510	Bracket	1	PC	
47	00961490	Self tapping screw	1	PC	
48	00121230	Interferense condenser	1	PC	

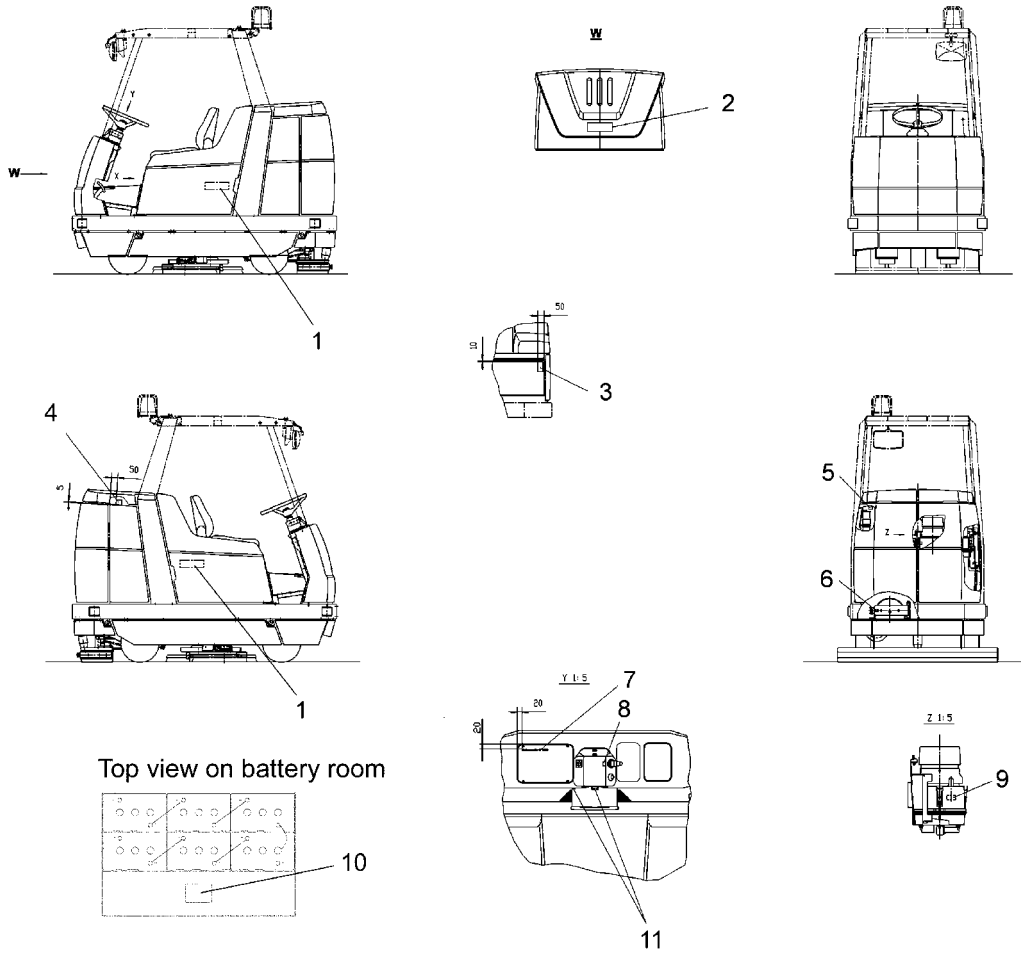
Driving control (97110688)



**Driving control (97110688)**

Item	Part number	Description	Qty.	Unit	Remarks
1	00501420	Screw	2	PC	
2	00121440	Fuse holder	1	PC	
3	XXXXXXXX	no part-No. til yet	1		96126065 Retainer
4	00133830	Hex. Nut	2	PC	
5	00053710	Washer	8	PC	
6	00965060	Solenoid switch	1	PC	
7	00023080	Hex.bolt	2	PC	
8	XXXXXXXX	no part-No. til yet	1		90572215 Cooling body Sk132
9	XXXXXXXX	no part-No. til yet	1		90571845 Sheet metal
10	00053730	Washer	4	PC	
11	00051520	Hex. Nut	4	PC	
12	01178620	Driving control	1	PC	
13	00523520	Hex.bolt	4	PC	
14	00109580	Bracket	2	PC	
15	01177110	Tension band	1	PC	
16	01079800	Hood	1	PC	

Labels (97111835)



**Labels (97111835)**

Item	Part number	Description	Qty.	Unit	Remarks
1	XXXXXXXX	no part-No. til yet	2		17205443 Decalr ADMIRAL 40 C
2	03008390	Decal POWERBOSS	1	PC	
3	01177770	Decal INSTUCTION MANUEL	1	PC	
4	01074400	Decal caustic solution tank	1	PC	
5	01170060	Decal FOUL WATER	1	PC	
6	01170130	Decal	1	PC	
7	03008010	Decal ADMIRAL SERIES	1	PC	
8	01170140	Decal	1	PC	
9	01170150	Decal SOLUTION TANK	1	PC	
10	03009170	Decal Battery wiring	1	PC	
11	01131560	Decal PARKING BRAKE	1	PC	



## Warranty Information

Revision F  
Effective November 1, 2008  
PowerBoss Made Simple Industrial Limited Warranty

Minuteman International owner of PowerBoss warrants to the original purchaser/user that the product is free from defects in workmanship and materials under normal use. PowerBoss will, at its option, repair or replace without charge, parts that fail under normal use and service when operated and maintained in accordance with the applicable operation and instruction manuals. All warranty claims must be submitted through and approved by factory authorized repair stations.

This warranty does not apply to normal wear, or to items whose life is dependent on their use and care. Parts not manufactured by PowerBoss are covered by and subject to the warranties and/or guarantees of their manufacturers. Please contact Minuteman International for procedures in warranty claims against these manufacturers.

**Special warning to purchaser** -- Use of replacement parts not manufactured by PowerBoss or its designated licensees, will void all warranties expressed or implied. A potential health hazard exists without original equipment replacement.

All warranted items become the sole property of Minuteman International or PowerBoss or its original manufacturer, whichever the case may be.

PowerBoss disclaims any implied warranty, including the warranty of merchantability and the warranty of fitness for a particular purpose. PowerBoss assumes no responsibility for any special, incidental or consequential damages.

This limited warranty is applicable only in the U.S.A. and Canada, and is extended only to the original user/purchaser of this product. Customers outside the U.S.A. and Canada should contact their local distributor for export warranty policies. PowerBoss is not responsible for costs or repairs performed by persons other than those specifically authorized by PowerBoss. This warranty does not apply to damage from transportation, alterations by unauthorized persons, misuse or abuse of the equipment, use of non-compatible chemicals, or damage to property, or loss of income due to malfunctions of the product. If a difficulty develops with this machine, you should contact the dealer from whom it was purchased.

This warranty gives you specific legal rights, and you may have other rights, which vary from state to state. Some states do not allow the exclusion or limitation of special, incidental or consequential damages, or limitations on how long an implied warranty lasts, so the above exclusions and limitations may not apply to you.

	Travel*	Labor	Parts	Engine	Extended Warranty	Costs
<b>Walk behinds</b>						
Battery sweepers	Ninety days	One year	One year	N/A	2 years Parts + Labor (or 2000 Hours)	2%
IC sweepers	Ninety days	One year	One year	Through manufacturer	2 years Parts + Labor (or 2000 Hours)	2%
Battery scrubbers	Ninety days	Two years	Three years	N/A	3 Years Parts + Labor (or 3000 Hours)	2%
<b>Riders</b>						
Battery scrubbers	Ninety days	Two years	Three years/2000 hrs	N/A	3 Years Parts + Labor (or 3000 Hours)	2%
IC sweeper/scrubbers	Ninety days	Six months	Two years/2000 hrs	Two years/3000 hrs**	2 years Parts + Labor (or 2000 Hours)	3%
IC sweepers	Ninety days	Six months	Four years/3000 hrs	Five years/3000 hrs**	4 Years Parts + 2 Years Labor (or 4000 Hours)	3%
<b>Exceptions</b>						
Apex series sweeper	Ninety days	One year	One year/1000 hrs	One year/1000 hrs**	2 years Parts + Labor (or 2000 Hours)	3%
6X sweeper	Ninety days	Six months	Two years/2000 hrs	Two years/2000 hours**	2 years Parts + Labor (or 2000 Hours)	3%

**Tank Bladders** Eight years/ no additional labor  
**Polypropylene plastic tanks** Ten years/ no additional labor  
**Batteries** 0-3 months full replacement, 4-12 prorated credit  
**Chargers** One-year replacement  
**Replacement parts** Ninety days

\*Two-hour cap

\*\*Through engine manufacturer. See section 3 of warranty manual for engine warranty exceptions

\*\*\* Based upon dealer's certification status

Extended Warranty MUST be signed up within 30 days of delivery to End User (Dealer has 1Year from Receiving Machine to Sign up extended Warranty)

Extended Warranty Cost is based on Invoice Price multiplied by the Percentage listed in the Extended Warranty Column

*All above labor and travel reimbursed at 65 or 75% of the published shop rate.*





***“The Power of Clean”***

**PowerBoss Is A Full Line Manufacturer Of Sweepers and Scrubbers For Industrial Facilities.**

PowerBoss, Inc. 175 Anderson Street P.O. Box 1227- Aberdeen North Carolina 28315

Phone: 800-982-7141 - Fax: 1-800-277-7141 Local: 910-944-2105 Fax: 910-944-7409 e-mail: [techsupport@powerboss.com](mailto:techsupport@powerboss.com)

**A Member Of The Hako Group**