



 EQUIPMENT

 PARTS

 RENTALS

 SERVICE

 SUPPLIES

SPARE PARTS CATALOG

CONTACT US

 800.6.Bortek

 717.737.7591

 Orders@BortekIndustries.com

 BortekIndustries.com/CUSTOMERLINK



HAMMERHEAD[®] 550RDX

The contained descriptions in the present publication are not binding. The Manufacturer therefore reserves itself the right to bring in whatever moment possible organs changes, details or supplies of accessories, that it holds convenient for an improvement, or for any demand of constructive or commercial character.

The partial reproduction of the texts and diagrammes contained in the present catalog, is forbidden by law.

The Manufacturer reserves itself the right to bring changes of technical character and/or of endowment. The images are meant of pure reference and not binding in terms of design and endowment.

SYMBOLS USED IN THE MANUAL

INTRODUCTION

This catalogue is intended to serve as a guide for the ordering of spare parts and is designed to facilitate rapid identification of the machine in all its versions and to rapid location of its component parts.

HOW TO ORDER

For the purpose of simplifying stock searching and the delivery of spare parts, we would ask our customers to observe the following standard procedures, at all times specifying:

- a) the model and part number of the machine;
- b) the position number and the number of the table of chart in which the parts appear;
- c) ordering code and part name;
- d) quantity of parts required;
- e) precise address and company status of the purchaser placing the order, complete with address for delivery of the goods;
- f) shipping means required.

UPDATES FROM THE PREVIOUS VERSION

	N° DOC.	VER.	PAG.	MATR.



THIS DOCUMENT IS VALID SINCE THE SERIAL NUMBER



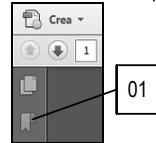
THIS DOCUMENT IS VALID TILL THE SERIAL NUMBER

RAPID CONSULTATION (ELECTRONIC FORMAT)

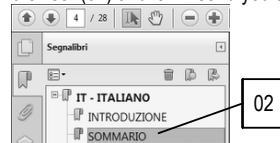
For a rapid consultation of the electronic document, use "Bookmarks" and "Page Links"

Bookmarks:

Activate the "Bookmarks" panel of the interface browser, clicking on the icon associated with it (01), the icon can vary depending on the version of the Acrobat display.



Display the bookmarks in the desired language, selecting from IT-EN-FR-DE-ES. To display the desired page, just click on the title in the browser (02) and it will send you to the desired destination.



Page Links:

In the Document Summary, to display the desired page just click on the corresponding page number, and it will send you to the desired destination.



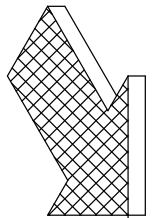
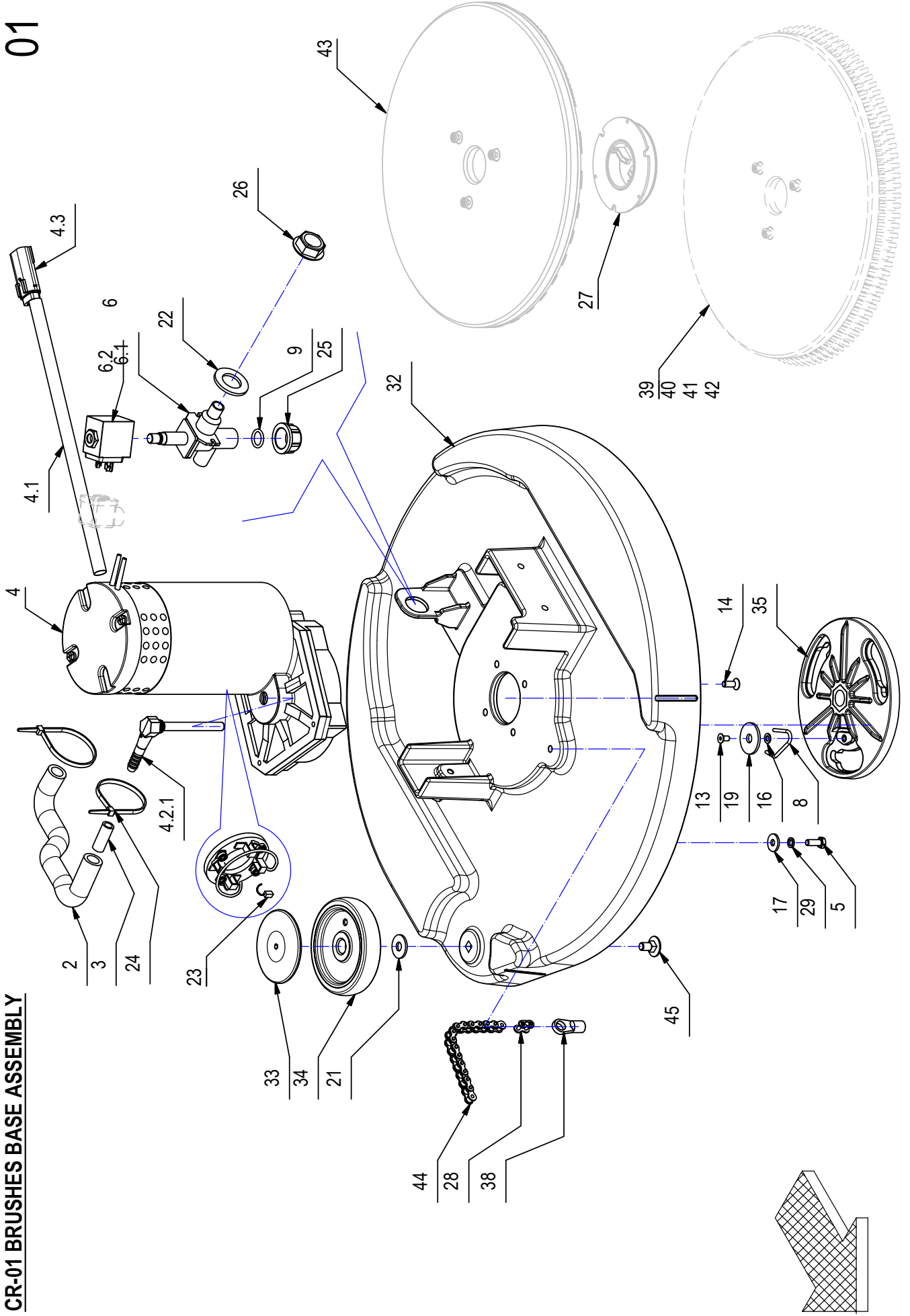


SUMMARY

PAG. 06	SINGLE BRUSH BASE ASSEMBLY
PAG. 10	SQUEEGEE ASSEMBLY L=705
PAG. 12	SQUEEGEE ASSEMBLY L=800 (OPTIONAL)
PAG. 14	SQUEEGEE CONTROL ASSEMBLY
PAG. 16	BODYWORK ASSEMBLY
PAG. 20	GROUP CONTROLS - STEERING COLUMN - HANDLEBAR
PAG. 24	HANDLEBAR ASSEMBLY
PAG. 26	FRONT WHEEL ASSEMBLY
PAG. 28	TANK ASSEMBLY
PAG. 32	SOLUTION TANK ASSEMBLY
PAG. 34	RECOVERY TANK ASSEMBLY
PAG. 38	WATER UNIT
PAG. 40	ELECTRIC COMPONENTS ASSEMBLY
PAG. 42	GROUP OPTIONAL CHARGER

CR-01 BRUSHES BASE ASSEMBLY

01

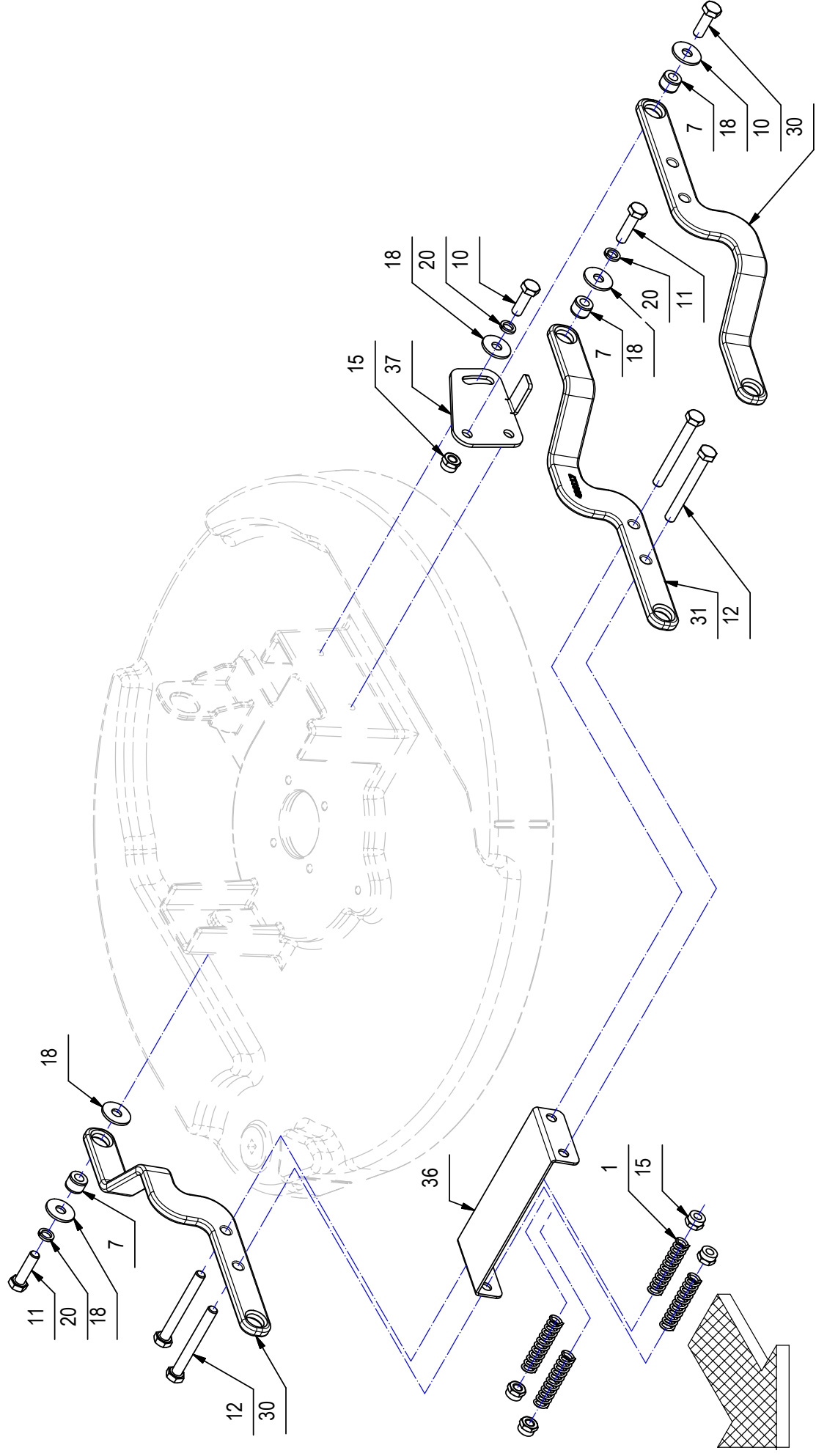


CR-01 BRUSHES BASE ASSEMBLY**01**

POS.	CODICE	QTA	DENOMINATION	POS.	CODICE	QTA	DENOMINATION
1	202471	4	SPRING	33	436119	1	BUSHING
2	209533	1	PIPE	34	436120	1	BUMPER
3	221379	1	PIPE	35	436124	1	FLANGE
4	222452	1	GEARED MOTOR	36	436185	1	SUPPORT
4.1	414378	1	SHEATH	37	436186	1	PLAQUE
4.2	428364	1	GEARED MOTOR ASSEMBLY	38	436192	1	COUPLING
4.2.1	423060	1	CONNECTOR	39	436232	1	BRUSH
4.3	436411	1	CONNECTOR FEMALE	40	436233	1	BRUSH
5	407664	1	SCREW	41	436234	1	BRUSH
6	407887	1	SOLENOID VALVE	42	436235	1	BRUSH
6.1	407859	1	SOLENOID VALVE BODY	43	436236	1	PAD HOLDER
6.2	407866	1	COIL	44	436263	1	CHAIN
7	408020	3	BUSHING	45	436341	1	SCREW
8	408128	1	SPRING				
9	408595	1	GASKET				
10	408674	2	SCREW				
11	408676	2	SCREW				
12	408686	4	SCREW				
13	408962	1	SCREW				
14	408966	4	SCREW				
15	409085	5	LOCK NUT				
16	409150	1	WASHER				
17	409161	1	WASHER				
18	409179	5	WASHER				
19	409180	1	WASHER				
20	409181	3	LOCK WASHER				
21	409185	1	WASHER				
22	409230	1	WASHER				
23	409412	4	CARBON BRUSH MOTOR				
24	410277	2	CLAMP				
25	410409	1	PLUG				
26	410442	1	RING NUT				
27	410575	1	CENTER LOCK				
28	411947	1	JOINT CHAIN				
29	415945	1	WASHER				
30	436116	2	RIGHT ARM				
31	436117	1	LEFT ARM				
32	436118	1	BRUSH BASE				

CR-01 BRUSHES BASE ASSEMBLY

01

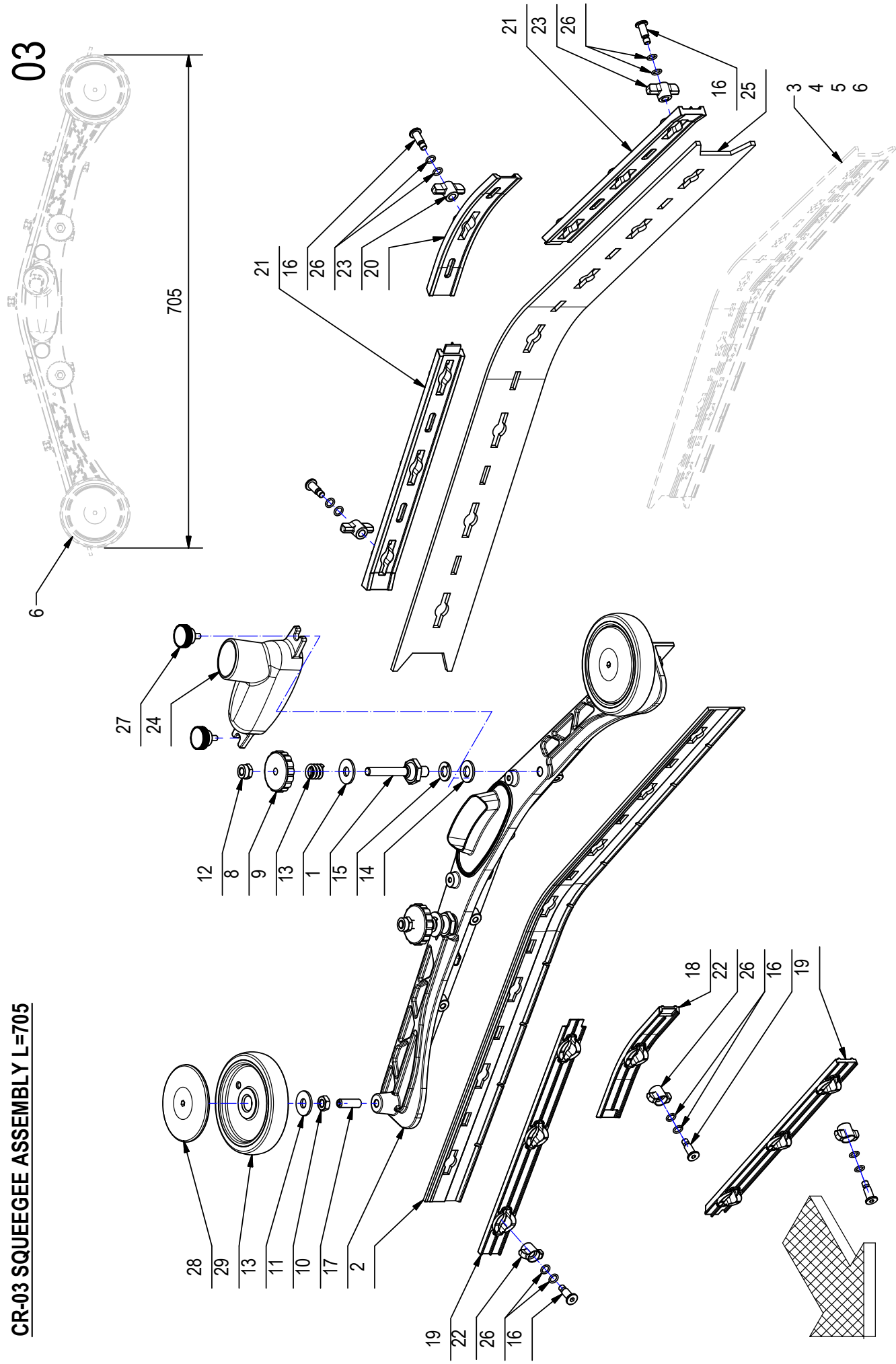


CR-01 BRUSHES BASE ASSEMBLY**01**

POS.	CODICE	QTA	DENOMINATION	POS.	CODICE	QTA	DENOMINATION
1	202471	4	SPRING	33	436119	1	BUSHING
2	209533	1	PIPE	34	436120	1	BUMPER
3	221379	1	PIPE	35	436124	1	FLANGE
4	222452	1	GEARED MOTOR	36	436185	1	SUPPORT
4.1	414378	1	SHEATH	37	436186	1	PLAQUE
4.2	428364	1	GEARED MOTOR ASSEMBLY	38	436192	1	COUPLING
4.2.1	423060	1	CONNECTOR	39	436232	1	BRUSH
4.3	436411	1	CONNECTOR FEMALE	40	436233	1	BRUSH
5	407664	1	SCREW	41	436234	1	BRUSH
6	407887	1	SOLENOID VALVE	42	436235	1	BRUSH
6.1	407859	1	SOLENOID VALVE BODY	43	436236	1	PAD HOLDER
6.2	407866	1	COIL	44	436263	1	CHAIN
7	408020	3	BUSHING	45	436341	1	SCREW
8	408128	1	SPRING				
9	408595	1	GASKET				
10	408674	2	SCREW				
11	408676	2	SCREW				
12	408686	4	SCREW				
13	408962	1	SCREW				
14	408966	4	SCREW				
15	409085	5	LOCK NUT				
16	409150	1	WASHER				
17	409161	1	WASHER				
18	409179	5	WASHER				
19	409180	1	WASHER				
20	409181	3	LOCK WASHER				
21	409185	1	WASHER				
22	409230	1	WASHER				
23	409412	4	CARBON BRUSH MOTOR				
24	410277	2	CLAMP				
25	410409	1	PLUG				
26	410442	1	RING NUT				
27	410575	1	CENTER LOCK				
28	411947	1	JOINT CHAIN				
29	415945	1	WASHER				
30	436116	2	RIGHT ARM				
31	436117	1	LEFT ARM				
32	436118	1	BRUSH BASE				

CR-03 SQUEEGEE ASSEMBLY L=705

03



CR-03 SQUEEGEE ASSEMBLY L=705

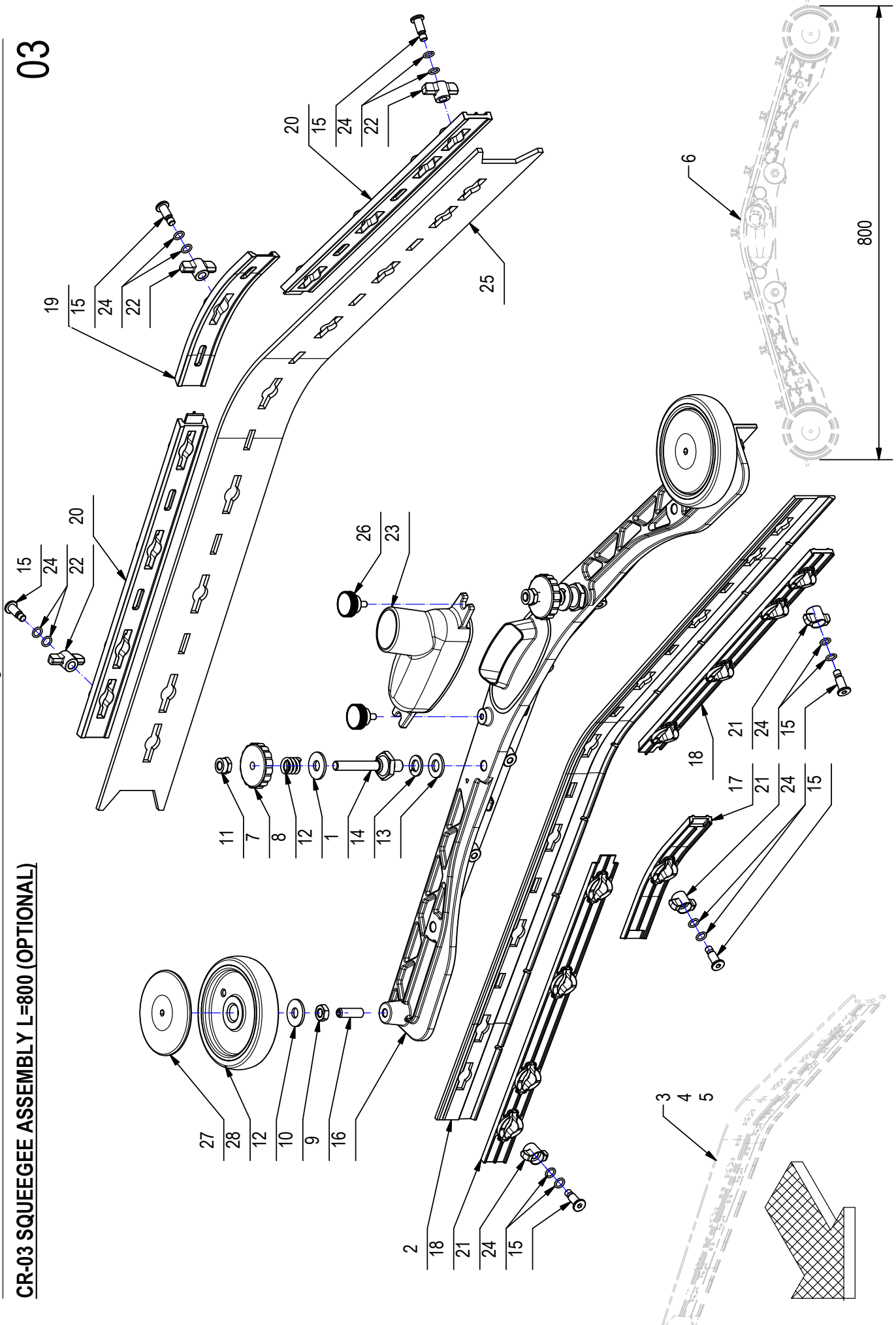
03

POS.	CODICE	QTA	DENOMINATION
1	219372	2	STUD BOLT
2	219374	1	FRONT RUBBER
3	219451	1	KIT SQUEEGEE (PARA 33Sh)
4	219452	1	KIT SQUEEGEE (POL.)
5	219453	1	KIT SQUEEGEE (LATEX)
6	222346	1	KIT SQUEEGEE (PARA 40Sh)
7	222381	1	SQUEEGEE ASSEMBLY
8	400112	2	HANDWHEEL
9	408098	2	SPRING
10	408913	2	DOWEL
11	409048	2	NUT
12	409087	2	LOCK NUT
13	409185	4	WASHER
14	409192	2	WASHER
15	409200	2	LOCK WASHER
16	430903	14	PIN
17	430940	1	SQUEEGEE BODY
18	430944	1	FRONT BLADE
19	430945	2	FRONT BLADE
20	430949	1	REAR BLADE
21	430950	2	REAR BLADE
22	430954	7	WING NUT
23	430955	7	WING NUT
24	430957	1	OPENING
25	431024	1	REAR RUBBER
26	431633	28	O-RING
27	435330	2	KNOB
28	436119	2	BUSHING
29	436120	2	BUMPER

CR-03 SQUEEGEE ASSEMBLY L=800 (OPTIONAL)

Pg.12

03



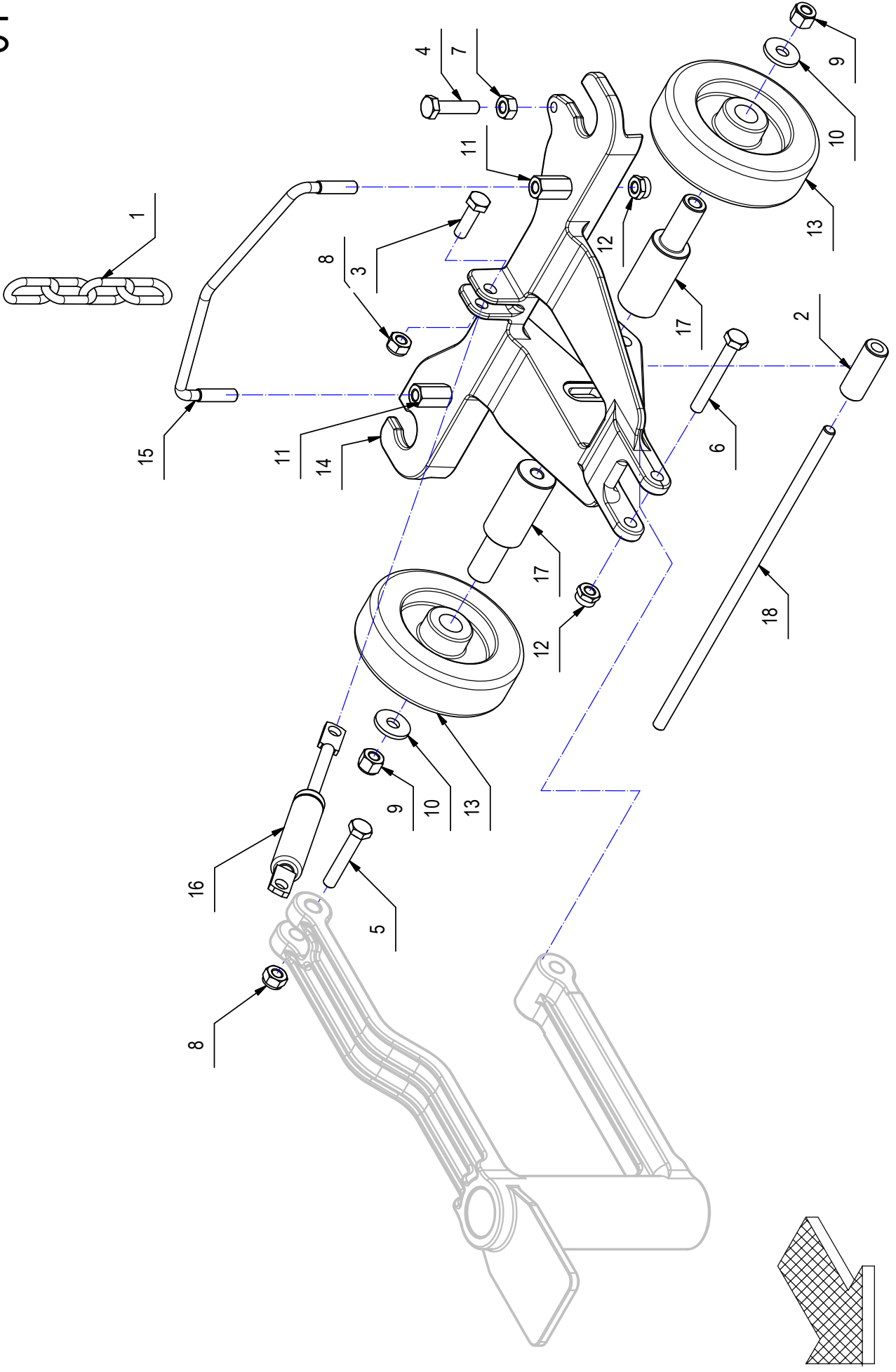
CR-03 SQUEEGEE ASSEMBLY L=800 (OPTIONAL)

03

POS.	CODICE	QTA	DENOMINATION
1	219372	2	STUD BOLT
2	219375	1	FRONT RUBBER
3	221391	1	KIT SQUEEGEE (PARA 33Sh)
4	221392	1	KIT SQUEEGEE (POL.)
5	221393	1	KIT SQUEEGEE (LATEX)
6	222433	1	SQUEEGEE ASSEMBLY
7	400112	2	HANDWHEEL
8	408098	2	SPRING
9	408913	2	DOWEL
10	409048	2	NUT
11	409087	2	LOCK NUT
12	409185	4	WASHER
13	409192	2	WASHER
14	409200	2	LOCK WASHER
15	430903	18	PIN
16	430941	1	SQUEEGEE BODY
17	430944	1	FRONT BLADE
18	430946	2	FRONT BLADE
19	430949	1	REAR BLADE
20	430951	2	REAR BLADE
21	430954	9	WING NUT
22	430955	9	WING NUT
23	430957	1	OPENING
24	431633	36	O-RING
25	434542	1	REAR RUBBER
26	435330	2	KNOB
27	436119	2	BUSHING
28	436120	2	BUMPER

CR-04 SQUEEGEE CONTROL ASSEMBLY

04

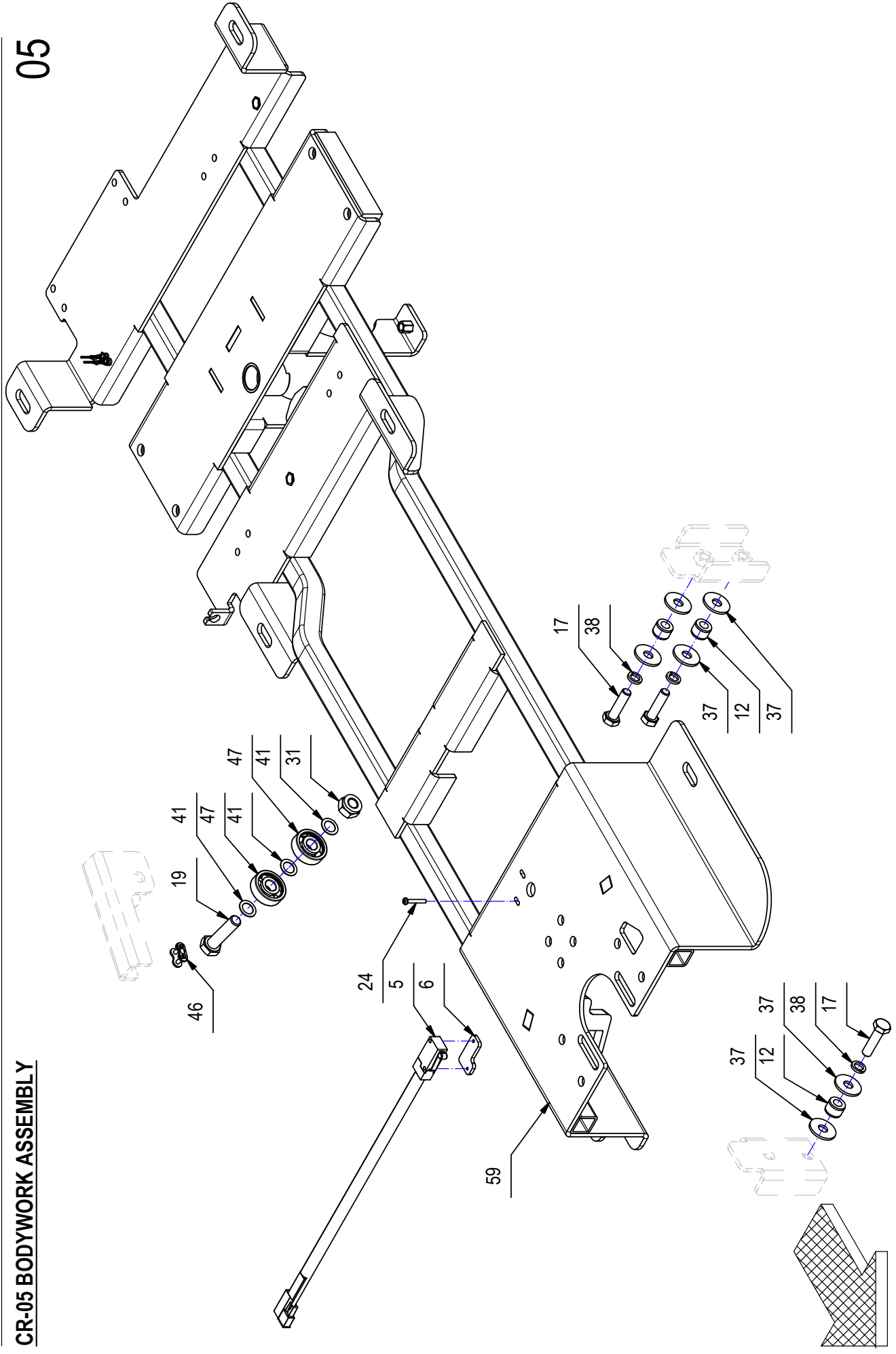


CR-04 SQUEEGEE CONTROL ASSEMBLY**04**

POS.	CODICE	QTA	DENOMINATION
1	203622	1	CHAIN
2	400152	1	PIN
3	407666	1	SCREW
4	407670	1	SCREW
5	408651	1	SCREW
6	408655	1	SCREW
7	409043	1	NUT
8	409082	2	LOCK NUT
9	409083	2	NUT
10	409161	2	WASHER
11	411966	2	NUT
12	415901	3	NUT
13	427251	2	WHEEL
14	436114	1	COUPLING
15	436189	1	PILLAR ARCH
16	436190	1	GAS SHOCK ABSORBER
17	436767	2	BUSHING
18	436768	1	PIN

CR-05 BODYWORK ASSEMBLY

05



CR-05 BODYWORK ASSEMBLY

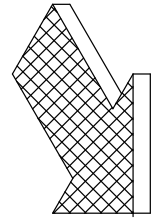
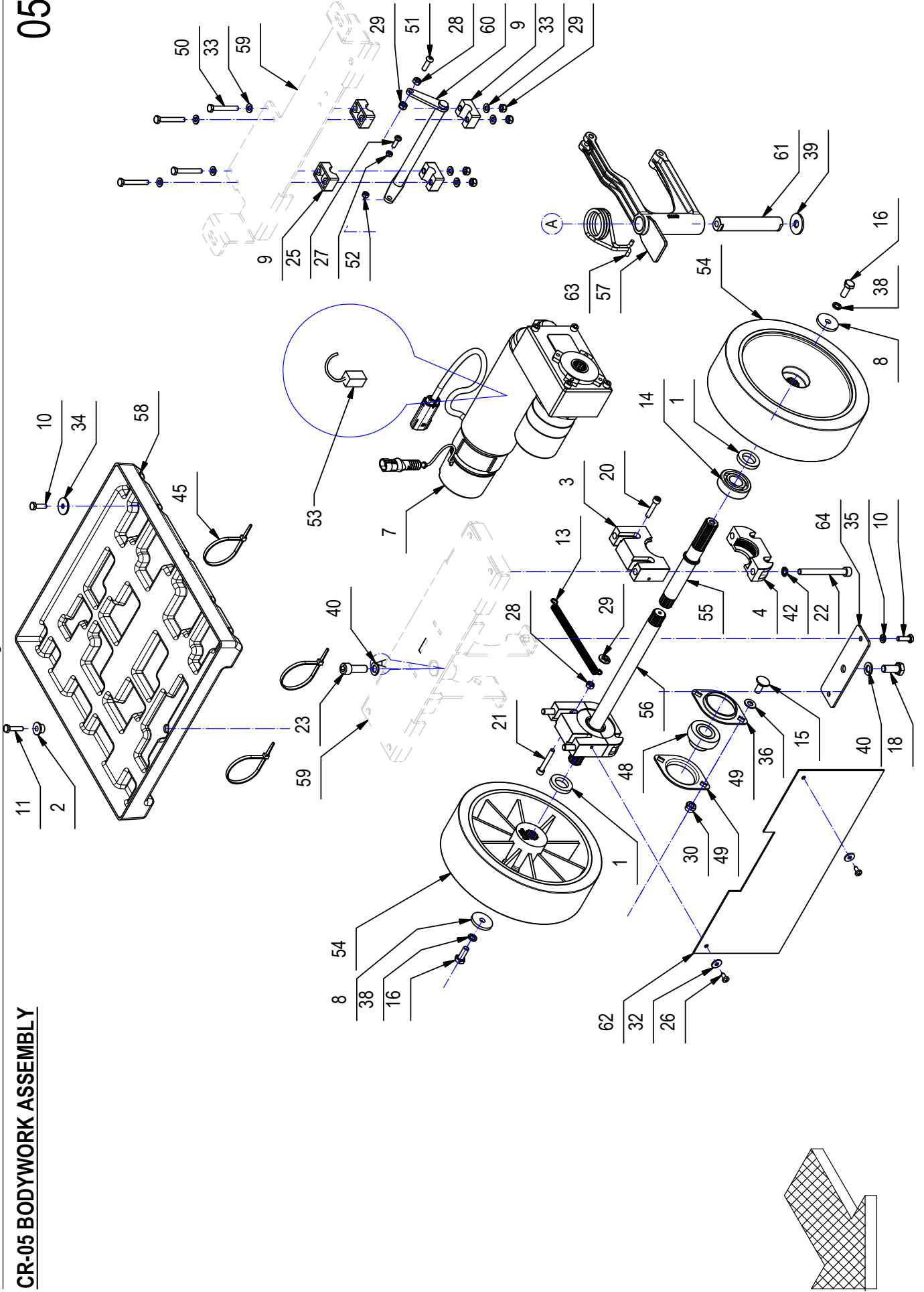
05

POS.	CODICE	QTA	DENOMINATION	POS.	CODICE	QTA	DENOMINATION
1	210119	2	SPACER	39	409194	1	WASHER
2	210191	1	BUSHING	40	409196	2	LOCK WASHER
3	210488	2	BEARING SUPPORT	41	409235	3	SHIM
4	210489	2	BEARING SUPPORT	42	409341	4	WASHER
5	216691	1	MICROSWITCH	43	410274	3	CLAMP
6	219111	1	SUPPORT	44	410275	9	CLAMP
7	222454	1	GEARED MOTOR	45	410277	7	CLAMP
8	400167	2	WASHER	46	411947	1	JOINT CHAIN
9	400321	4	HOLDFAST	47	411951	2	BEARING
10	407666	3	SCREW	48	415662	1	BEARING
11	407669	1	SCREW	49	415663	2	FLANGE
12	408020	3	BUSHING	50	415719	4	SCREW
13	408123	1	SPRING	51	415855	1	SCREW
14	408435	2	BEARING	52	416781	1	LOCK NUT
15	408626	2	SCREW	53	422462	4	CARBON BRUSH MOTOR
16	408670	2	SCREW	54	426460	2	WHEEL
17	408676	3	SCREW	55	426462	1	LEFT AXLE SHAFT
18	408711	1	SCREW	56	426463	1	RIGHT AXLE SHAFT
19	408715	1	SCREW	57	436115	1	COUPLING
20	408798	4	SCREW	58	436121	1	BATTERY BASE
21	408802	1	SCREW	59	436184	1	FRAME
22	408822	4	SCREW	60	436187	1	LEVER
23	408824	1	SCREW	61	436188	1	PIN
24	408834	2	SCREW	62	436381	1	RUBBER
25	408854	1	SCREW	63	436386	1	SPRING
26	408883	2	SCREW	64	436472	1	SUPPORT
27	409038	1	LOCK NUT				
28	409040	2	NUT				
29	409082	6	LOCK NUT				
30	409085	2	LOCK NUT				
31	409090	1	LOCK NUT				
32	409151	2	WASHER				
33	409156	8	WASHER				
34	409162	1	WASHER				
35	409164	2	LOCK WASHER				
36	409175	2	WASHER				
37	409179	6	WASHER				
38	409181	5	LOCK WASHER				

CR-05 BODYWORK ASSEMBLY

Pg.18

05



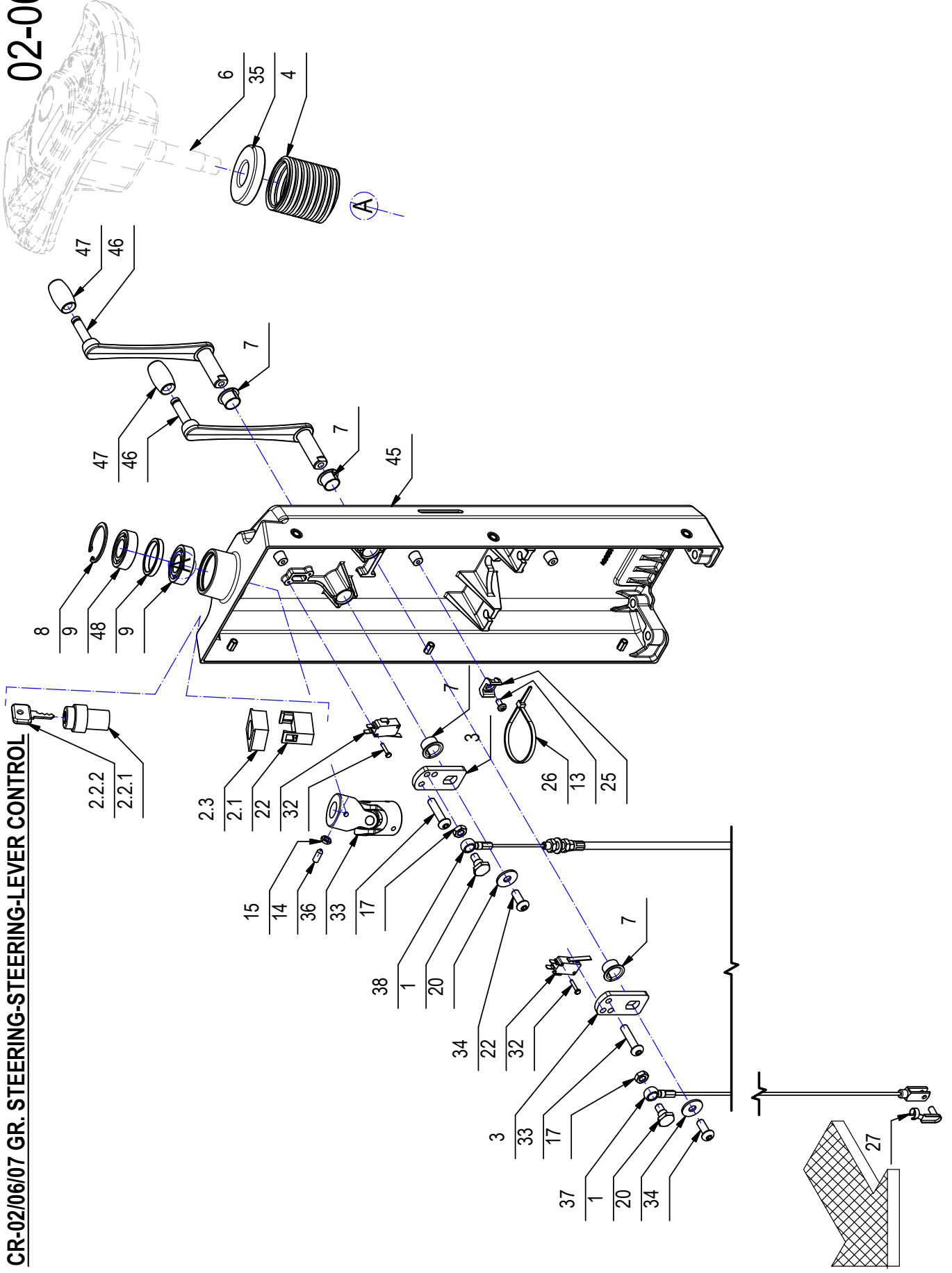
CR-05 BODYWORK ASSEMBLY**05**

POS.	CODICE	QTÀ	DENOMINATION	POS.	CODICE	QTÀ	DENOMINATION
1	210119	2	SPACER	39	409194	1	WASHER
2	210191	1	BUSHING	40	409196	2	LOCK WASHER
3	210488	2	BEARING SUPPORT	41	409235	3	SHIM
4	210489	2	BEARING SUPPORT	42	409341	4	WASHER
5	216691	1	MICROSWITCH	43	410274	3	CLAMP
6	219111	1	SUPPORT	44	410275	9	CLAMP
7	222454	1	GEARED MOTOR	45	410277	7	CLAMP
8	400167	2	WASHER	46	411947	1	JOINT CHAIN
9	400321	4	HOLDFAST	47	411951	2	BEARING
10	407666	3	SCREW	48	415662	1	BEARING
11	407669	1	SCREW	49	415663	2	FLANGE
12	408020	3	BUSHING	50	415719	4	SCREW
13	408123	1	SPRING	51	415855	1	SCREW
14	408435	2	BEARING	52	416781	1	LOCK NUT
15	408626	2	SCREW	53	422462	4	CARBON BRUSH MOTOR
16	408670	2	SCREW	54	426460	2	WHEEL
17	408676	3	SCREW	55	426462	1	LEFT AXLE SHAFT
18	408711	1	SCREW	56	426463	1	RIGHT AXLE SHAFT
19	408715	1	SCREW	57	436115	1	COUPLING
20	408798	4	SCREW	58	436121	1	BATTERY BASE
21	408802	1	SCREW	59	436184	1	FRAME
22	408822	4	SCREW	60	436187	1	LEVER
23	408824	1	SCREW	61	436188	1	PIN
24	408834	2	SCREW	62	436381	1	RUBBER
25	408854	1	SCREW	63	436386	1	SPRING
26	408883	2	SCREW	64	436472	1	SUPPORT
27	409038	1	LOCK NUT				
28	409040	2	NUT				
29	409082	6	LOCK NUT				
30	409085	2	LOCK NUT				
31	409090	1	LOCK NUT				
32	409151	2	WASHER				
33	409156	8	WASHER				
34	409162	1	WASHER				
35	409164	2	LOCK WASHER				
36	409175	2	WASHER				
37	409179	6	WASHER				
38	409181	5	LOCK WASHER				

02-06-07

Pg.20

CR-02/06/07 GR. STEERING-STEERING-LEVER CONTROL

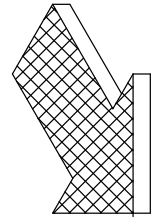
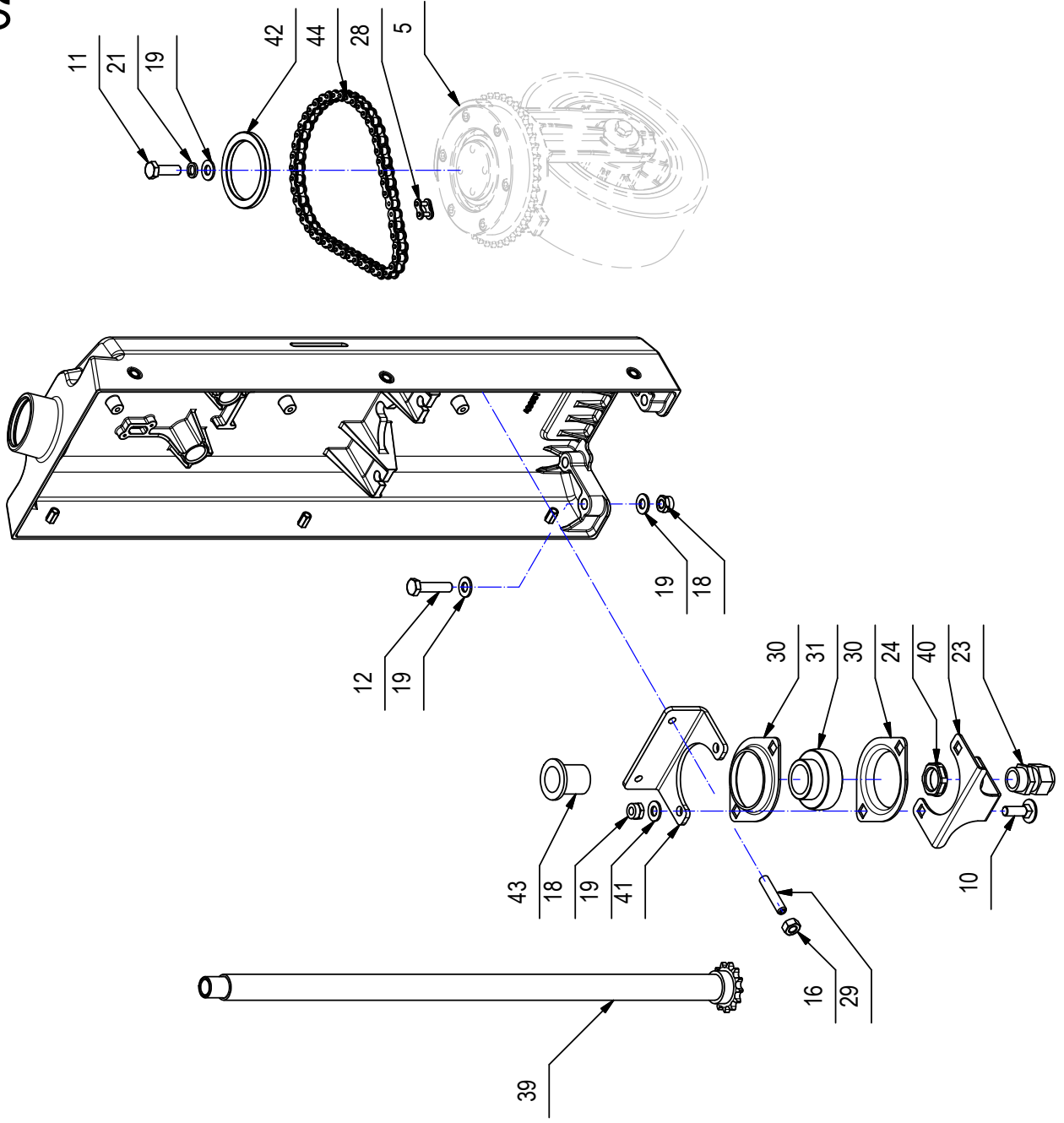


CR-02/06/07 GR. STEERING-STEERING-LEVER CONTROL**02-06-07**

POS.	CODICE	QTA	DENOMINATION	POS.	CODICE	QTA	DENOMINATION
1	203269	2	STUD BOLT	34	425828	2	SCREW
2	210516	1	KEY	35	429782	1	COLLAR
2.1	409246	1	CONTACT FOR SWITCH	36	434728	1	UNIVERSAL JOINT
2.2	409261	1	SWITCH WITH KEY	37	436150	1	CABLE
2.2.1	409261	1	SWITCH BODY	38	436151	1	CABLE
2.2.2	409297	1	KEY	39	436215	1	SHAFT
2.3	409262	1	FLANGE	40	436218	1	SUPPORT
3	219113	2	LEVER	41	436219	1	SUPPORT
4	219552	1	BELLOWS	42	436224	1	SPACER
5	222359	1	FRONT WHEEL	43	436230	1	BUSHING
6	222360	1	STEERING WHEEL	44	436256	1	CHAIN
7	408058	4	BUSHING	45	436577	1	STEERING COLUMN
8	408334	1	SEEGER RING	46	436586	2	LEVER
9	408434	2	BEARING	47	436587	2	KNOB
10	408623	2	SCREW	48	436591	1	SPACER
11	408674	4	SCREW				
12	408678	4	SCREW				
13	408848	3	SCREW				
14	408909	6	DOWEL				
15	409045	6	NUT				
16	409046	2	NUT				
17	409054	2	NUT				
18	409085	6	LOCK NUT				
19	409175	14	WASHER				
20	409179	2	WASHER				
21	409181	4	LOCK WASHER				
22	409499	2	MICROSWITCH				
23	409752	1	FAIR-LEAD				
24	409754	1	NUT				
25	409819	3	SUPPORT PLATE				
26	410277	3	CLAMP				
27	410466	1	CLIP				
28	411947	1	JOINT CHAIN				
29	411962	2	DOWEL				
30	415660	2	FLANGE				
31	415661	1	BEARING				
32	415709	4	SCREW				
33	416779	2	SCREW				

CR-02/06/07 GR. STEERING-STEERING-LEVER CONTROL

02-06-07

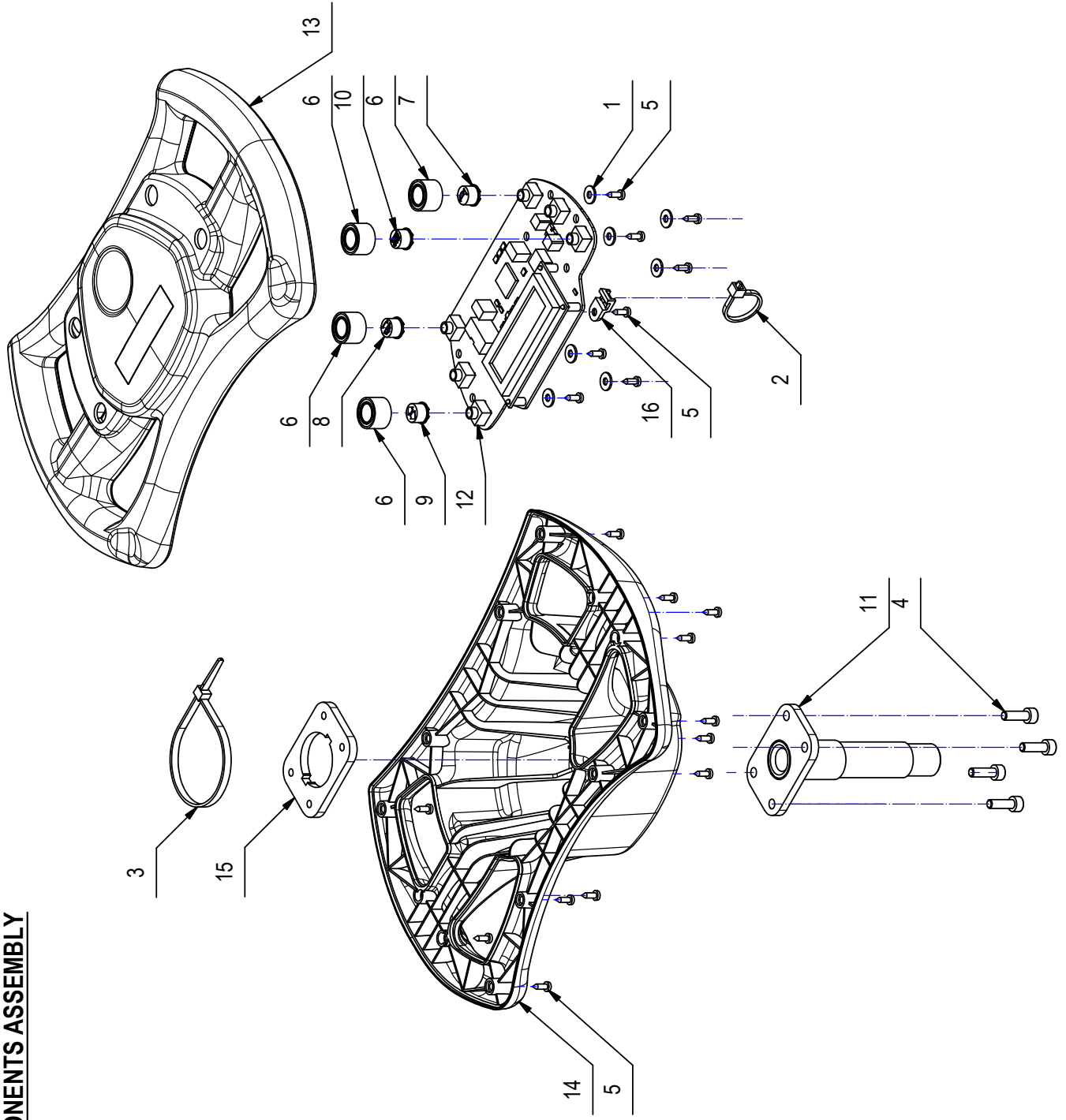


CR-02/06/07 GR. STEERING-STEERING-LEVER CONTROL**02-06-07**

POS.	CODICE	QTA	DENOMINATION	POS.	CODICE	QTA	DENOMINATION
1	203269	2	STUD BOLT	34	425828	2	SCREW
2	210516	1	KEY	35	429782	1	COLLAR
2.1	409246	1	CONTACT FOR SWITCH	36	434728	1	UNIVERSAL JOINT
2.2	409261	1	SWITCH WITH KEY	37	436150	1	CABLE
2.2.1	409261	1	SWITCH BODY	38	436151	1	CABLE
2.2.2	409297	1	KEY	39	436215	1	SHAFT
2.3	409262	1	FLANGE	40	436218	1	SUPPORT
3	219113	2	LEVER	41	436219	1	SUPPORT
4	219552	1	BELLOWS	42	436224	1	SPACER
5	222359	1	FRONT WHEEL	43	436230	1	BUSHING
6	222360	1	STEERING WHEEL	44	436256	1	CHAIN
7	408058	4	BUSHING	45	436577	1	STEERING COLUMN
8	408334	1	SEEGER RING	46	436586	2	LEVER
9	408434	2	BEARING	47	436587	2	KNOB
10	408623	2	SCREW	48	436591	1	SPACER
11	408674	4	SCREW				
12	408678	4	SCREW				
13	408848	3	SCREW				
14	408909	6	DOWEL				
15	409045	6	NUT				
16	409046	2	NUT				
17	409054	2	NUT				
18	409085	6	LOCK NUT				
19	409175	14	WASHER				
20	409179	2	WASHER				
21	409181	4	LOCK WASHER				
22	409499	2	MICROSWITCH				
23	409752	1	FAIR-LEAD				
24	409754	1	NUT				
25	409819	3	SUPPORT PLATE				
26	410277	3	CLAMP				
27	410466	1	CLIP				
28	411947	1	JOINT CHAIN				
29	411962	2	DOWEL				
30	415660	2	FLANGE				
31	415661	1	BEARING				
32	415709	4	SCREW				
33	416779	2	SCREW				

CR-06 ELECTRIC COMPONENTS ASSEMBLY

06

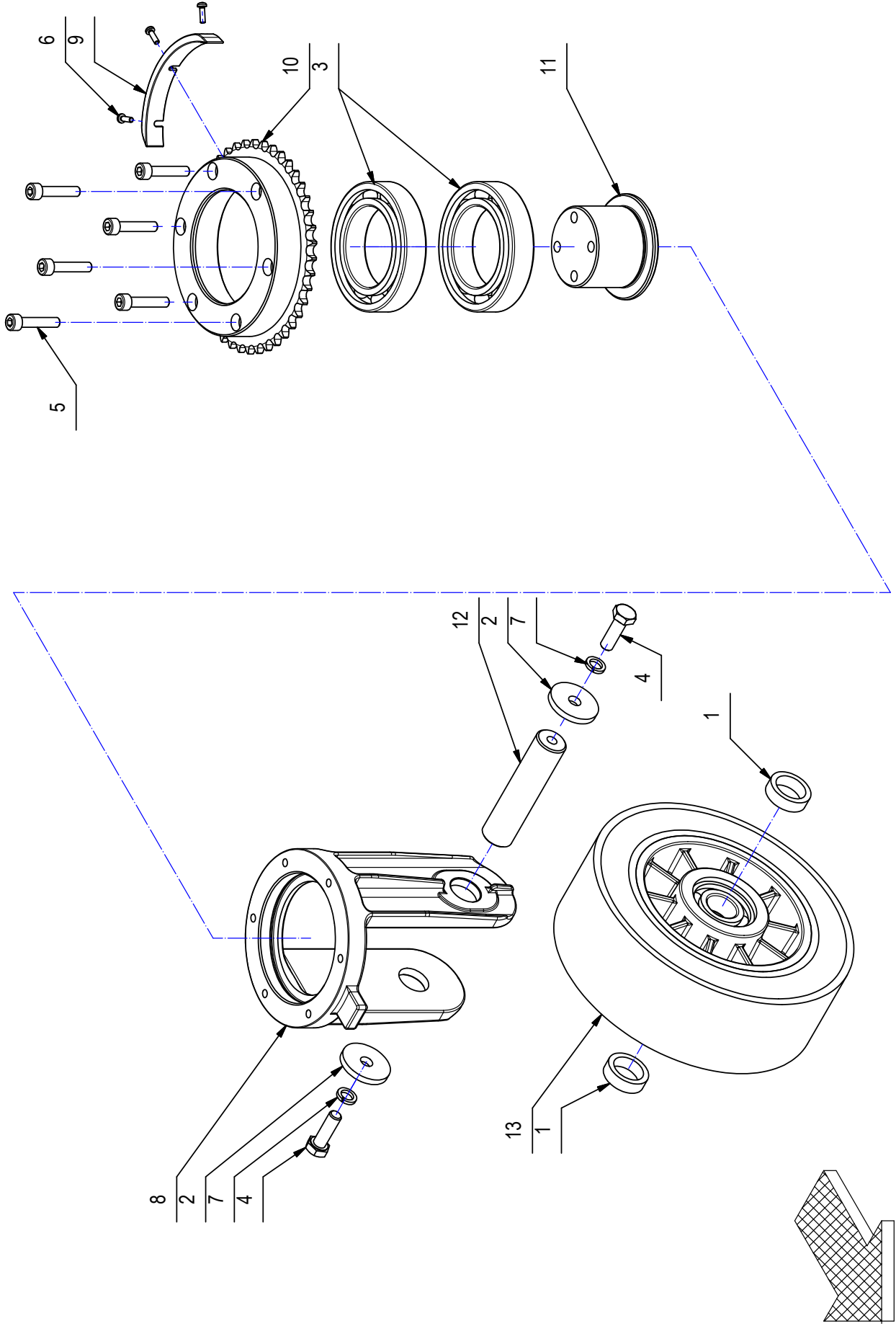


CR-06 ELECTRIC COMPONENTS ASSEMBLY**06**

POS.	CODICE	QTA	DENOMINATION
1	409147	7	WASHER
2	410274	1	CLAMP
3	410277	1	CLAMP
4	415755	4	SCREW
5	415866	20	SCREW
6	436206	4	GASKET
7	436208	1	CAP
8	436209	1	CAP
9	436210	1	CAP
10	436211	1	CAP
11	436216	1	SHAFT
12	436267	1	CHECK CARD CONTROLS
13	436270	1	STEERING WHEEL
14	436271	1	STEERING WHEEL
15	436272	1	PLAQUE
16	436393	1	SUPPORT

CR-07 FRONT WHEEL GROUP

07



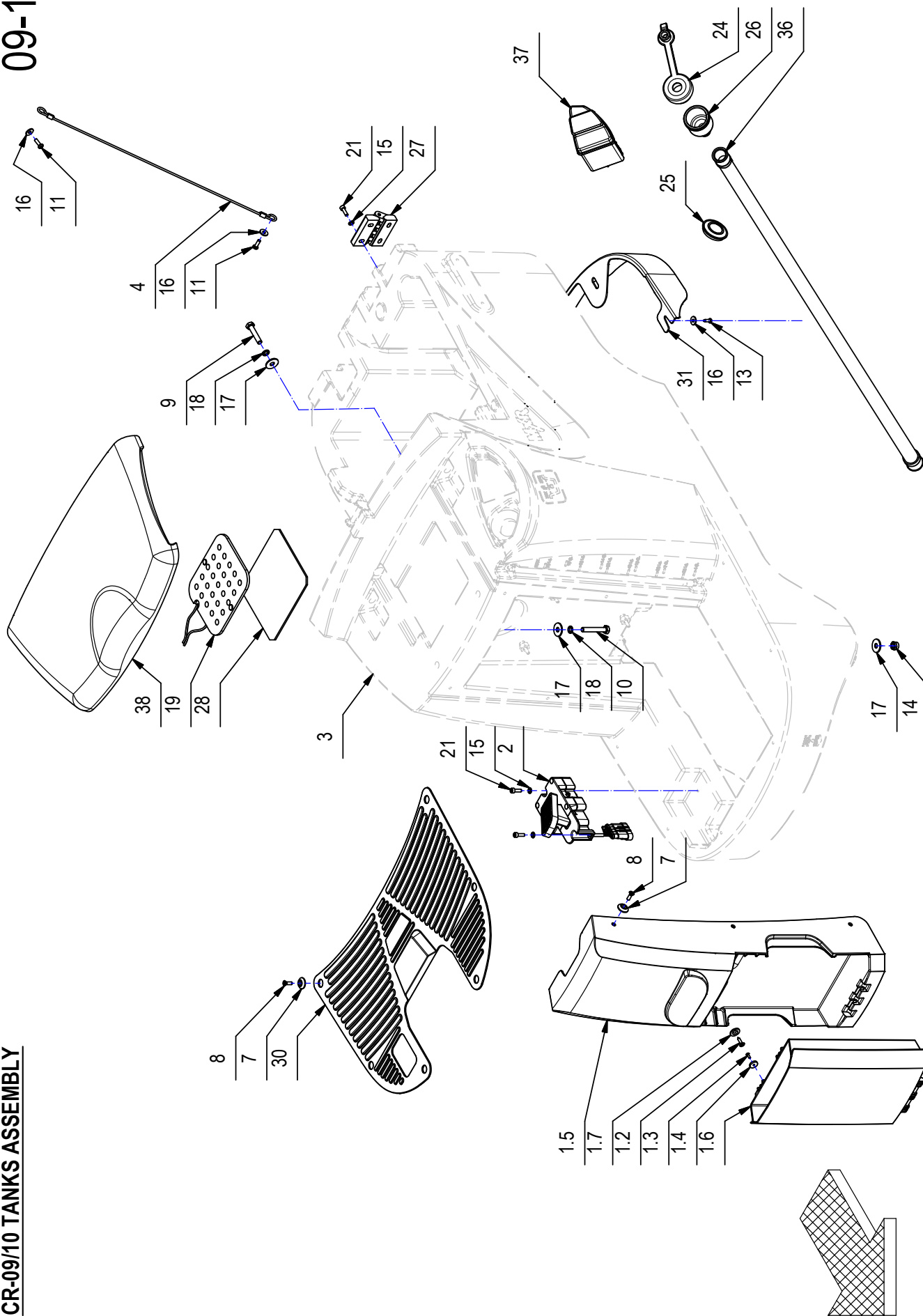
CR-07 FRONT WHEEL GROUP

07

POS.	CODICE	QTA	DENOMINATION
1	210071	2	SPACER
2	400167	2	WASHER
3	408450	2	BEARING
4	408675	2	SCREW
5	408798	6	SCREW
6	408838	3	SCREW
7	409187	2	WASHER
8	436128	1	SUPPORT WHEELS
9	436141	1	CAM
10	436142	1	BEARING SUPPORT
11	436220	1	SUPPORT WHEELS
12	436221	1	SHAFT
13	436222	1	WHEEL

CR-09/10 TANKS ASSEMBLY

09-10



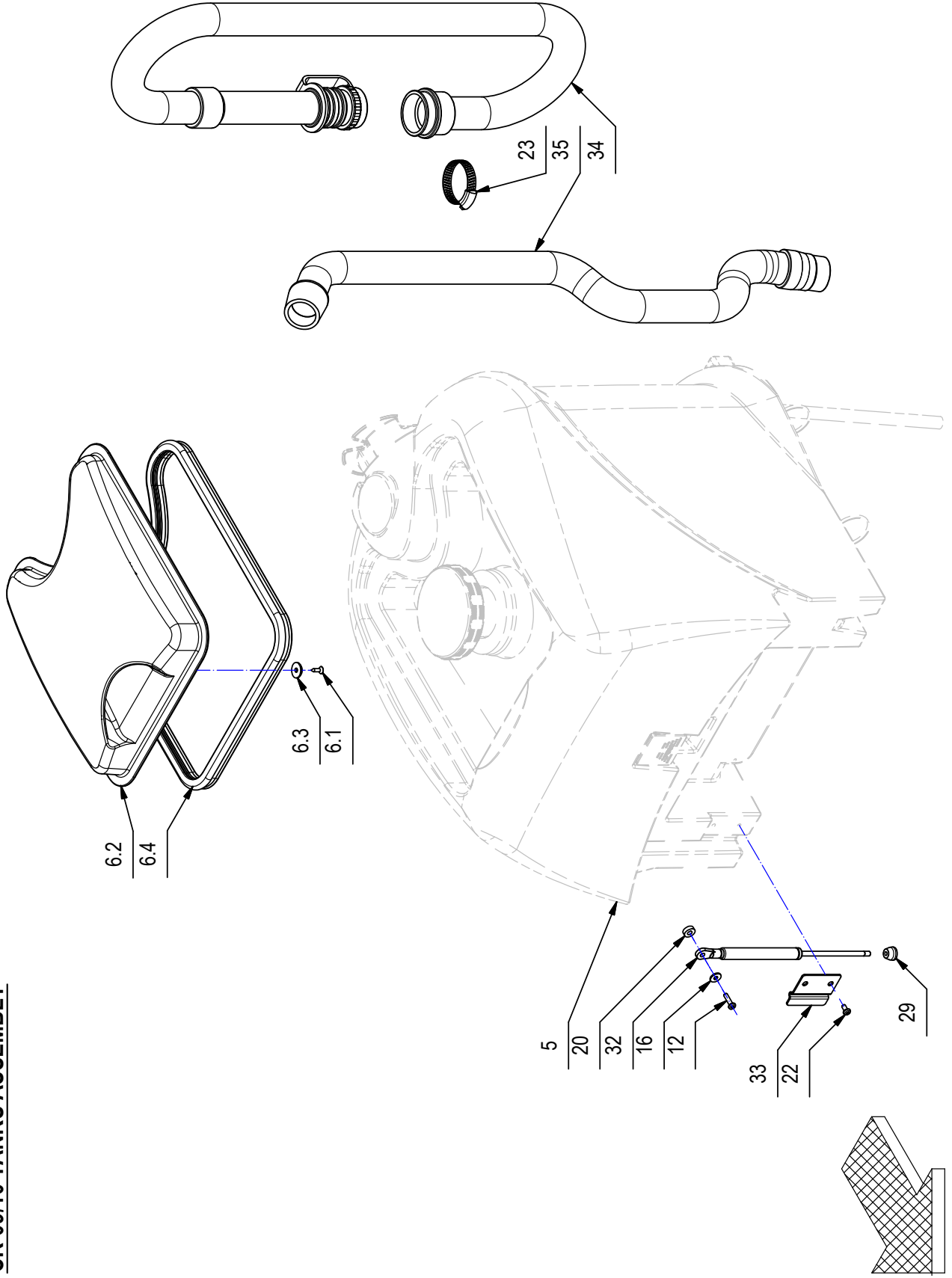
CR-09/10 TANKS ASSEMBLY**09-10**

POS.	CODICE	QTA	DENOMINATION	POS.	CODICE	QTA	DENOMINATION
1	222366	1	INSTRUMENT BOARD ASSEMBLY	29	436125	1	CAP
1.2	425622	2	SCREW	30	436134	1	BOTTOM PLATE
1.3	408922	2	SCREW	31	436178	1	COVER
1.4	430184	2	MAGNET	32	436193	1	GAS SHOCK ABSORBER
1.5	436137	1	STEERING COLUMN COVER	33	436194	1	SUPPORT
1.6	436145	1	STEERING COLUMN BOX	34	436196	1	EXHAUST PIPE
1.7	204947	2	WASHER	35	436198	1	SUCTION HOSE
2	222367	1	PEDAL	36	436261	1	PIPE
3	224815	1	SOLUTION TANK ASSEMBLY	37	436385	1	COVER
4	222431	1	CABLE	38	436103	1	SEAT
5	224816	1	RECOVERY TANK ASSEMBLY				
6	222365	1	COVER				
6.1	431501	1	SCREW				
6.2	436105	1	COVER				
6.3	400250	1	SPECIAL WASHER				
6.4	222364	1	GASKET				
7	400250	12	SPECIAL WASHER				
8	408516	12	SCREW				
9	408679	2	SCREW				
10	408692	2	SCREW				
11	408854	2	SCREW				
12	408855	1	SCREW				
13	408877	4	SCREW				
14	409085	6	LOCK NUT				
15	409150	10	WASHER				
16	409151	7	WASHER				
17	409179	10	WASHER				
18	409181	4	LOCK WASHER				
19	409503	1	MICROSWITCH				
20	411760	1	SPACER				
21	415755	10	SCREW				
22	418311	2	SCREW				
23	420512	1	SCREW CLAMP				
24	426342	1	CAP				
25	422390	2	COVER				
26	433650	1	FITTING				
27	434159	2	HINGE				
28	434201	1	RUBBER				

CR-09/10 TANKS ASSEMBLY

Pg.30

09-10

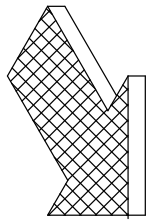
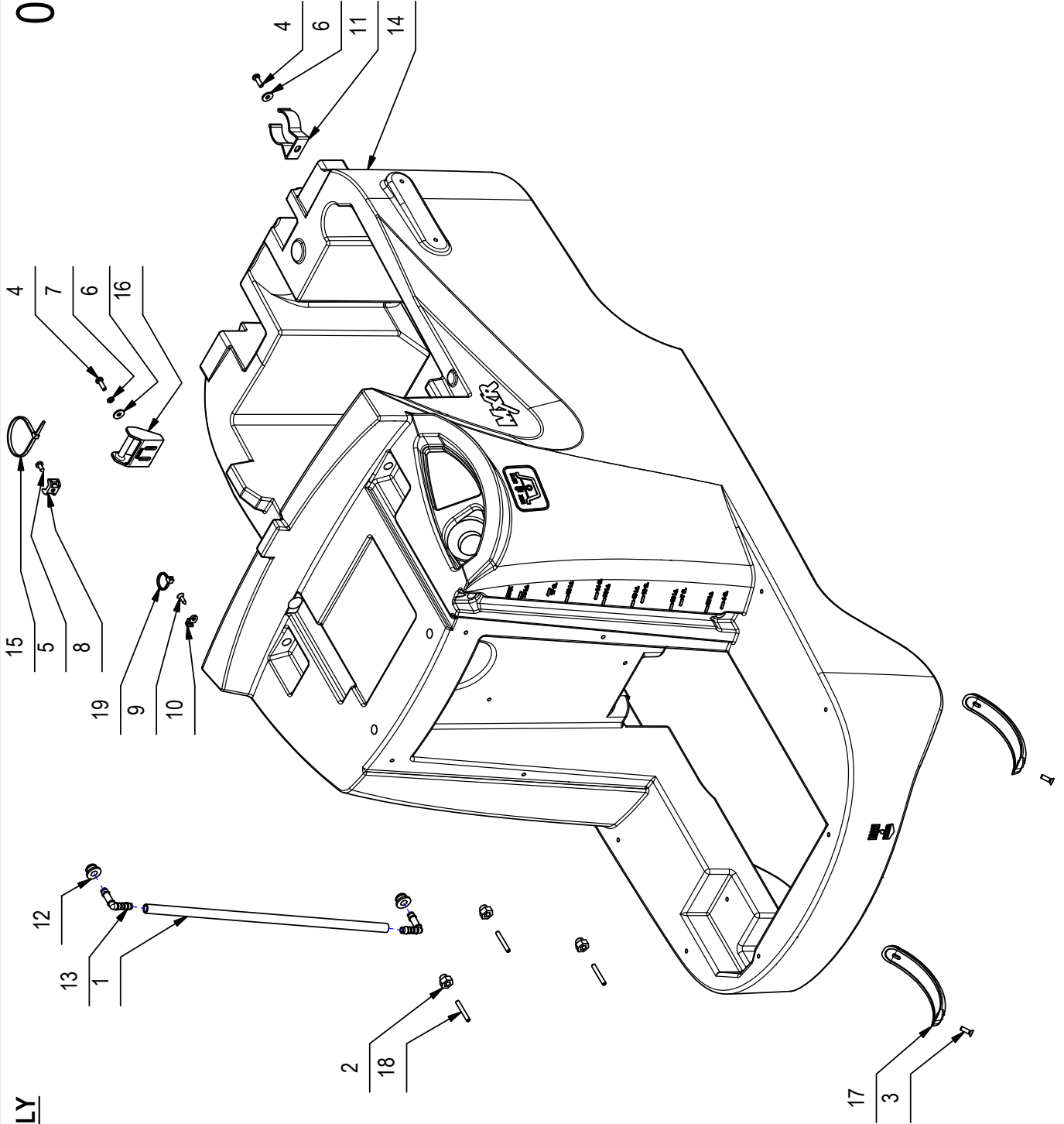


CR-09/10 TANKS ASSEMBLY**09-10**

POS.	CODICE	QTÀ	DENOMINATION	POS.	CODICE	QTÀ	DENOMINATION
1	222366	1	INSTRUMENT BOARD ASSEMBLY	29	436125	1	CAP
1.2	425622	2	SCREW	30	436134	1	BOTTOM PLATE
1.3	408922	2	SCREW	31	436178	1	COVER
1.4	430184	2	MAGNET	32	436193	1	GAS SHOCK ABSORBER
1.5	436137	1	STEERING COLUMN COVER	33	436194	1	SUPPORT
1.6	436145	1	STEERING COLUMN BOX	34	436196	1	EXHAUST PIPE
1.7	204947	2	WASHER	35	436198	1	SUCTION HOSE
2	222367	1	PEDAL	36	436261	1	PIPE
3	224815	1	SOLUTION TANK ASSEMBLY	37	436385	1	COVER
4	222431	1	CABLE	38	436103	1	SEAT
5	224816	1	RECOVERY TANK ASSEMBLY				
6	222365	1	COVER				
6.1	431501	1	SCREW				
6.2	436105	1	COVER				
6.3	400250	1	SPECIAL WASHER				
6.4	222364	1	GASKET				
7	400250	12	SPECIAL WASHER				
8	408516	12	SCREW				
9	408679	2	SCREW				
10	408692	2	SCREW				
11	408854	2	SCREW				
12	408855	1	SCREW				
13	408877	4	SCREW				
14	409085	6	LOCK NUT				
15	409150	10	WASHER				
16	409151	7	WASHER				
17	409179	10	WASHER				
18	409181	4	LOCK WASHER				
19	409503	1	MICROSWITCH				
20	411760	1	SPACER				
21	415755	10	SCREW				
22	418311	2	SCREW				
23	420512	1	SCREW CLAMP				
24	426342	1	CAP				
25	422390	2	COVER				
26	433650	1	FITTING				
27	434159	2	HINGE				
28	434201	1	RUBBER				

CR-09 SOLUTION TANK ASSEMBLY

09

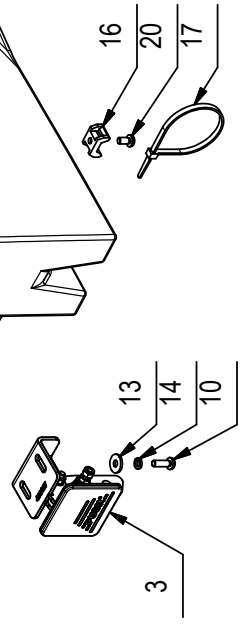
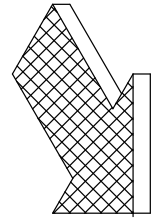
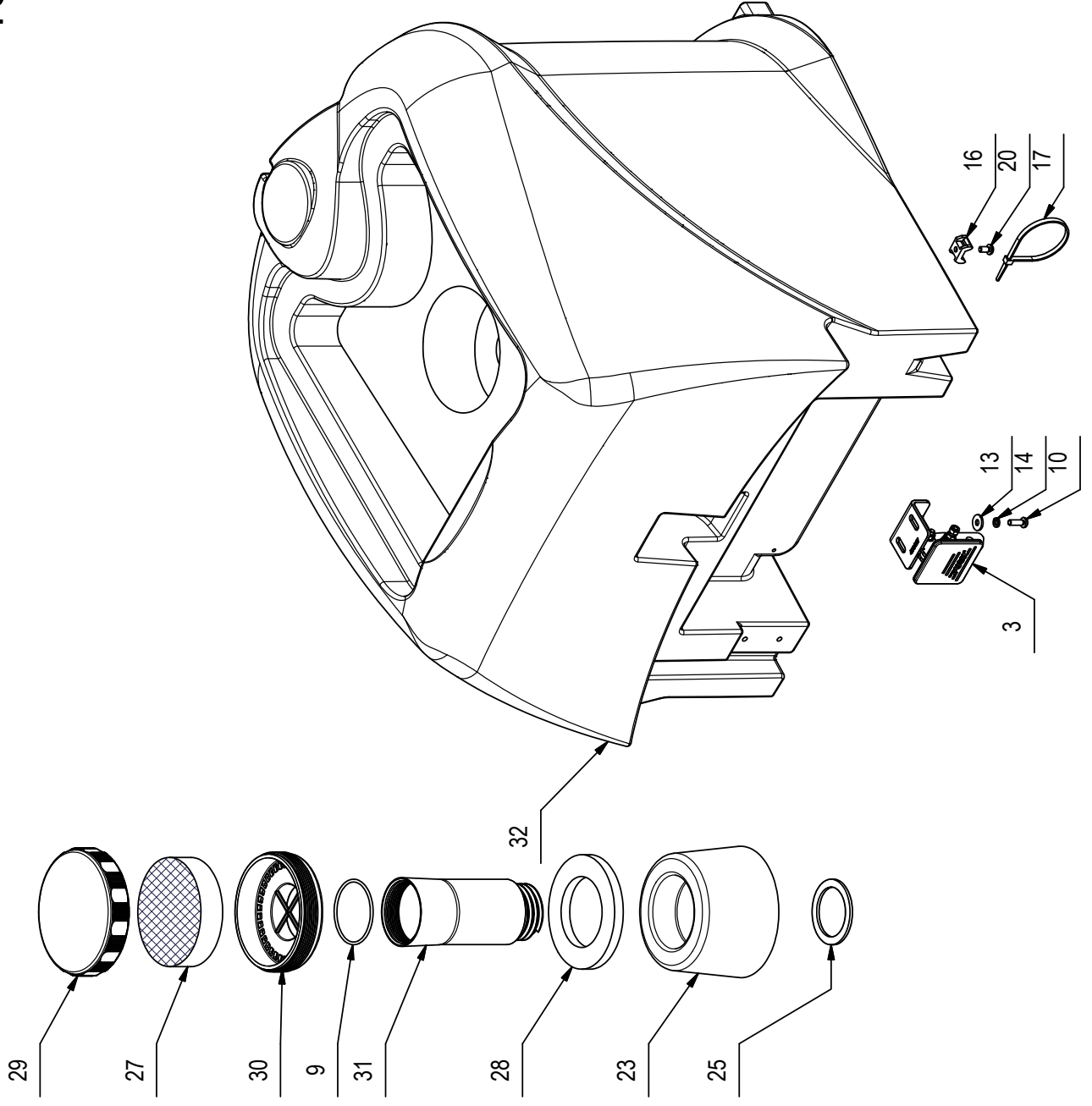


CR-09 SOLUTION TANK ASSEMBLY**09**

POS.	CODICE	QTA	DENOMINATION
1	222371	1	PIPE
2	408024	3	BUSHING
3	408516	4	SCREW
4	408854	3	SCREW
5	408883	2	SCREW
6	409151	3	WASHER
7	409154	2	WASHER
8	409819	2	SUPPORT PLATE
9	431501	1	SCREW
10	436393	1	SUPPORT
11	412123	1	SPRING
12	428561	2	GASKET
13	428562	2	ELBOW
14	441653	1	SOLUTION TANK
15	410277	2	CLAMP
16	436126	1	PIN
17	436138	2	BUMPER
18	436362	3	DOWEL
19	410274	1	CLAMP

CR-10 RECOVERY TANK ASSEMBLY

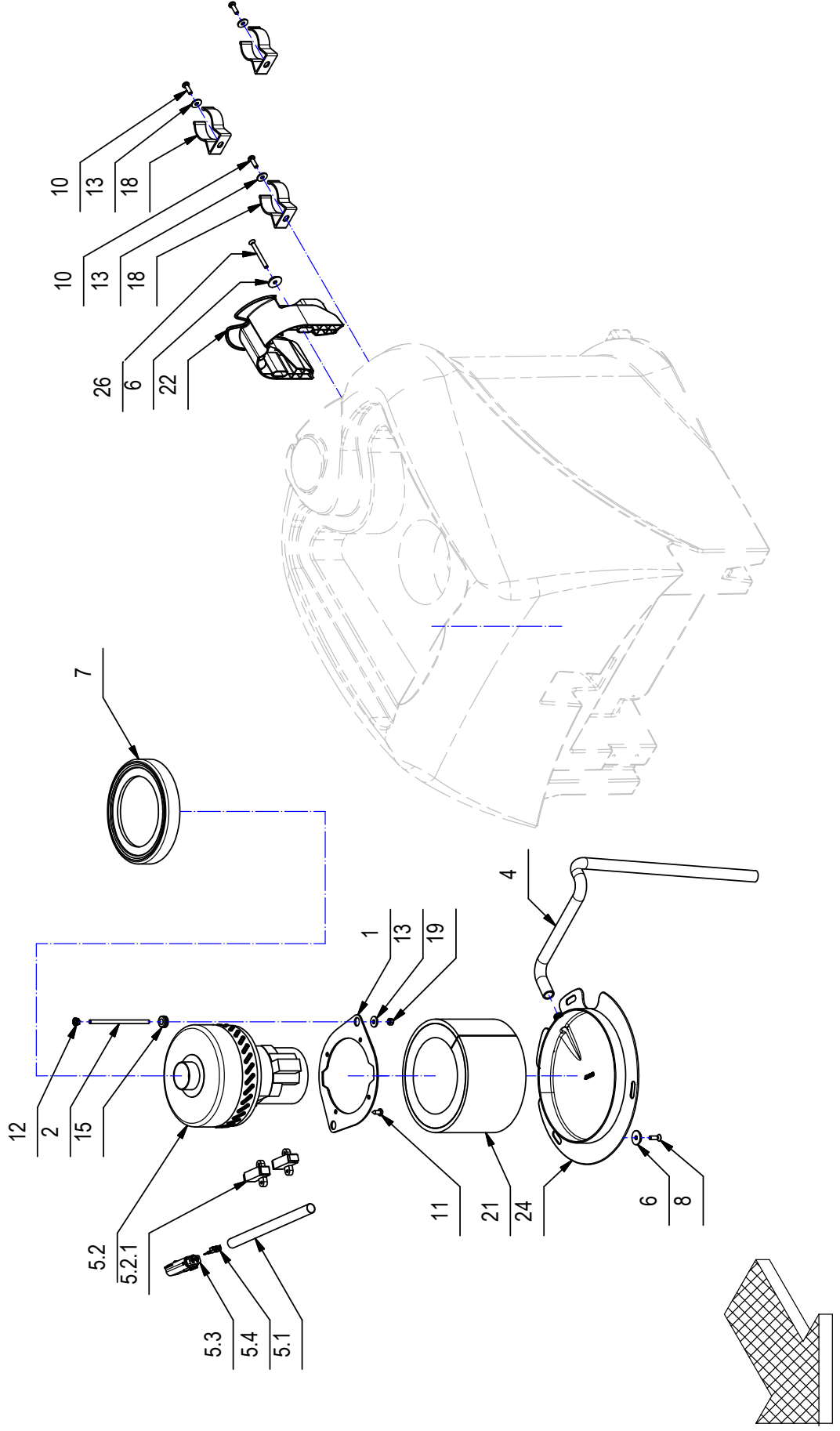
10



CR-10 RECOVERY TANK ASSEMBLY**10**

POS.	CODICE	QTA	DENOMINATION
1	204233	1	PLAQUE
2	218967	2	ROD
3	222369	1	HOOK ASSEMBLY
4	222430	1	SHEATH
5	222453	1	SUCTION MOTOR
5.1	217530	1	SHEATH
5.2	430959	1	SUCTION MOTOR
5.2.1	424210	2	CARBON BRUSH MOTOR
5.3	436411	1	CONNECTOR FEMALE
5.4	436413	2	
6	400250	5	SPECIAL WASHER
7	405936	1	SHROUD SUCTION MOTOR
8	408516	3	SCREW
9	408587	1	O-RING
10	408854	5	SCREW
11	408863	4	SCREW
12	409124	2	NUT
13	409151	7	WASHER
14	409154	2	WASHER
15	409810	2	FAIRLEAD
16	409819	2	SUPPORT PLATE
17	410277	2	CLAMP
18	412123	3	SCREW
19	416781	2	LOCK NUT
20	418311	2	SCREW
21	433704	1	DEADENING
22	436104	1	BRUSH HOOK
23	436108	1	FLOAT
24	436113	1	COVER
25	436195	1	GASKET
26	436360	2	SCREW
27	436361	1	FILTER
28	436779	1	RING
29	438864	1	COVER
30	438884	1	FLOAT
31	438885	1	FLOAT
32	441654	1	RECOVERY TANK

CR-10 RECOVERY TANK ASSEMBLY

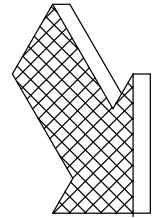
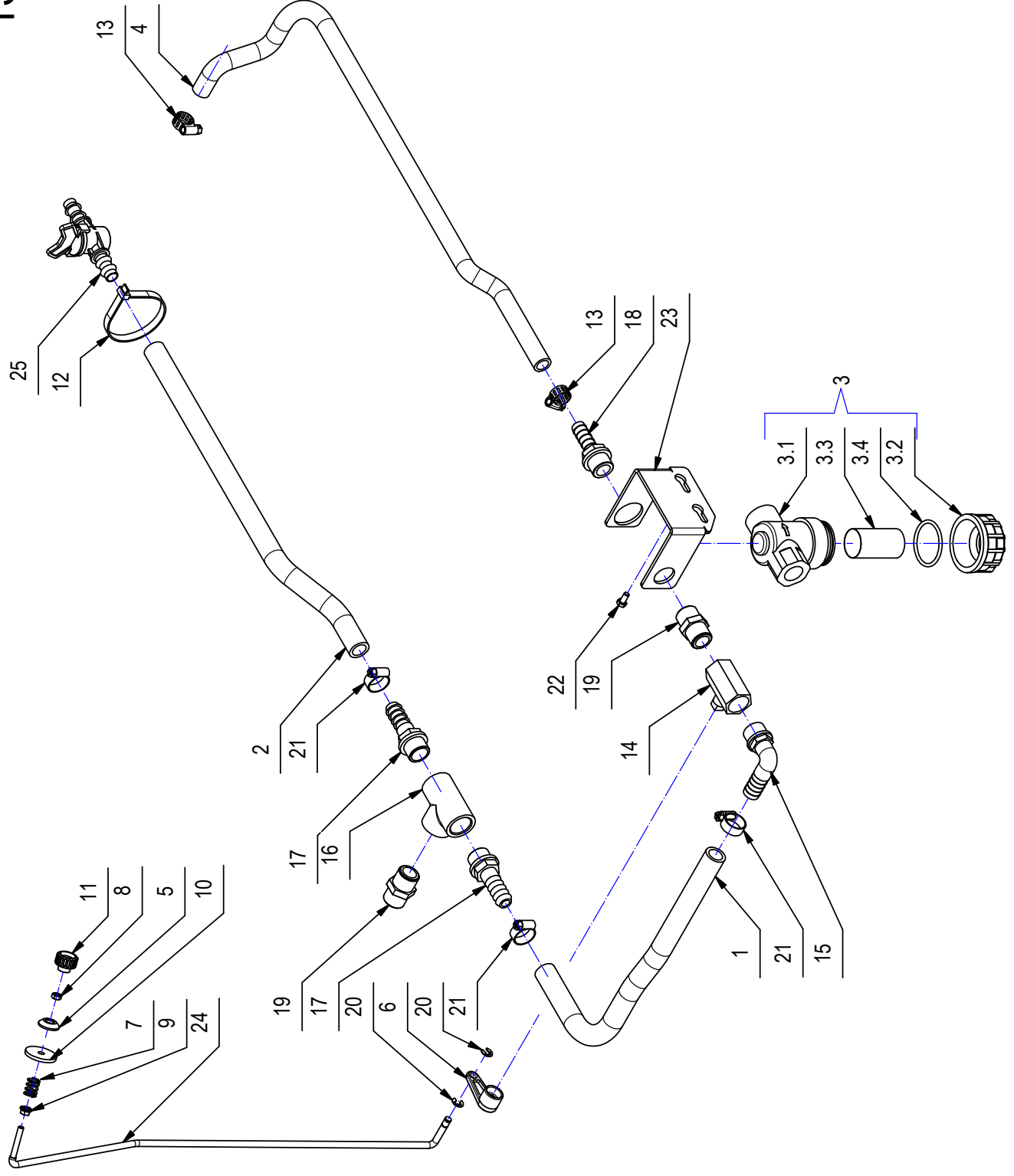


CR-10 RECOVERY TANK ASSEMBLY**10**

POS.	CODICE	QTA	DENOMINATION
1	204233	1	PLAQUE
2	218967	2	ROD
3	222369	1	HOOK ASSEMBLY
4	222430	1	SHEATH
5	222453	1	SUCTION MOTOR
5.1	217530	1	SHEATH
5.2	430959	1	SUCTION MOTOR
5.2.1	424210	2	CARBON BRUSH MOTOR
5.3	436411	1	CONNECTOR FEMALE
5.4	436413	2	
6	400250	5	SPECIAL WASHER
7	405936	1	SHROUD SUCTION MOTOR
8	408516	3	SCREW
9	408587	1	O-RING
10	408854	5	SCREW
11	408883	4	SCREW
12	409124	2	NUT
13	409151	7	WASHER
14	409154	2	WASHER
15	409810	2	FAIRLEAD
16	409819	2	SUPPORT PLATE
17	410277	2	CLAMP
18	412123	3	SCREW
19	416781	2	LOCK NUT
20	418311	2	SCREW
21	433704	1	DEADENING
22	436104	1	BRUSH HOOK
23	436108	1	FLOAT
24	436113	1	COVER
25	436195	1	GASKET
26	436360	2	SCREW
27	436361	1	FILTER
28	436779	1	RING
29	438864	1	COVER
30	438884	1	FLOAT
31	438885	1	FLOAT
32	441654	1	RECOVERY TANK

CR-13 WATER UNIT

13

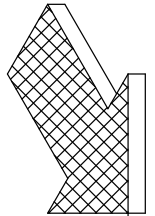
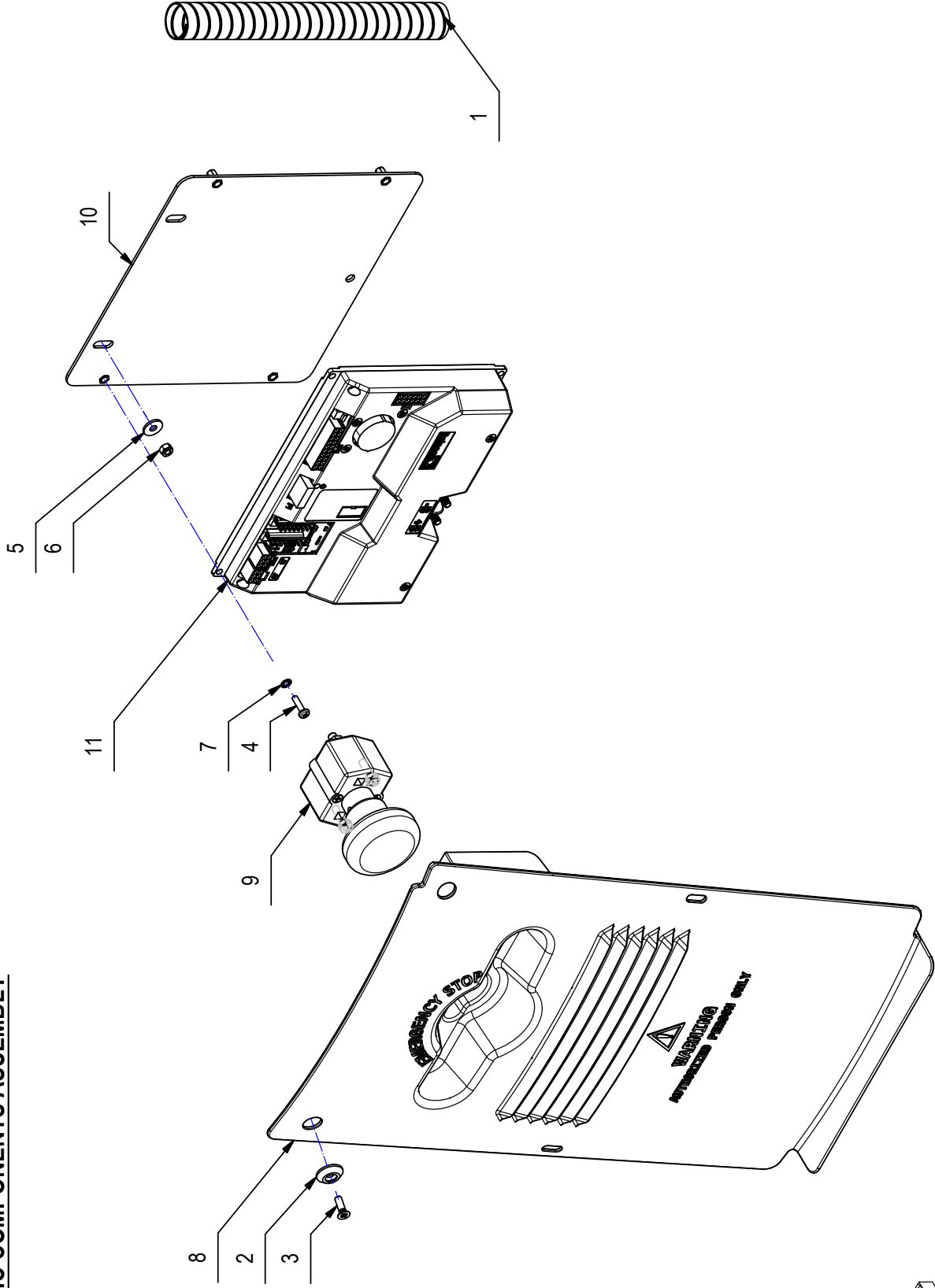


CR-13 WATER UNIT

13

POS.	CODICE	QTA	DENOMINATION
1	202144	1	PIPE
2	202172	1	PIPE
3	212616	1	FILTER ASSEMBLY
3.1	420947	1	FILTER
3.2	420948	1	COVER
3.3	420949	1	FILTER CARTRIDGE
3.4	420950	1	GASKET
4	222420	1	PIPE
5	400250	1	SPECIAL WASHER
6	400854	1	COCK LEVER
7	408094	1	SPRING
8	409038	1	LOCK NUT
9	409124	1	NUT
10	409166	1	WASHER
11	410221	1	HANDWHEEL
12	410280	1	CLAMP
13	410292	2	CLAMP
14	410330	1	COCK
15	410339	1	CONNECTOR
16	410366	1	T-FITTING
17	410371	2	CONNECTOR
18	410389	1	FITTING
19	410420	2	NIPPLE
20	415637	2	STOP RING
21	410297	3	CLAMP
22	418312	2	SCREW
23	436213	1	SUPPORT
24	436214	1	ROD
25	436264	1	COCK

CR-14 ELECTRIC COMPONENTS ASSEMBLY

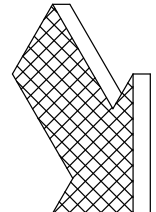
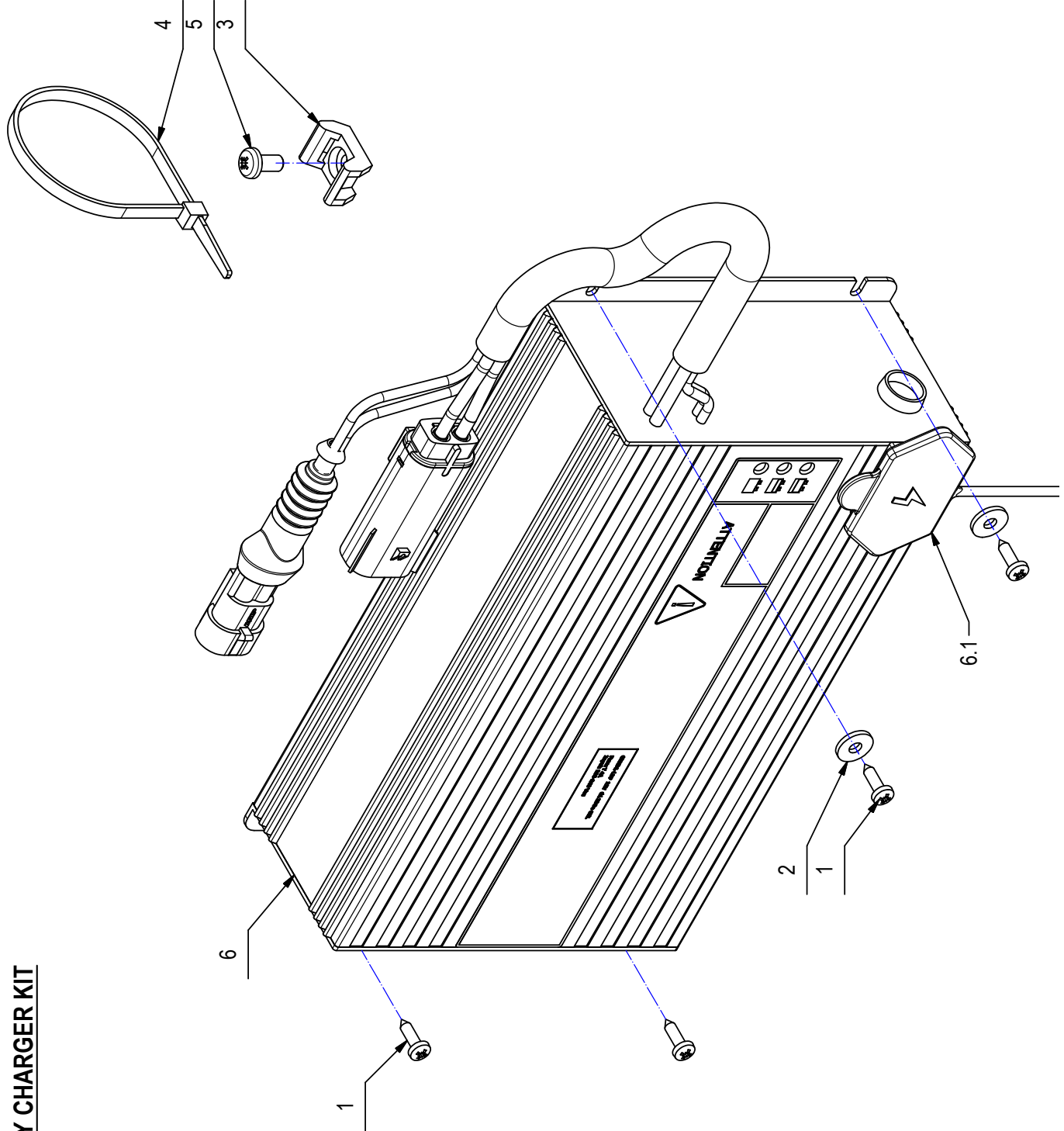


CR-14 ELECTRIC COMPONENTS ASSEMBLY**14**

POS.	CODICE	QTA	DENOMINATION
1	202127	1	CHANNEL
2	400250	4	SPECIAL WASHER
3	408516	4	SCREW
4	408846	4	SCREW
5	409151	3	WASHER
6	416781	3	LOCK NUT
7	417982	4	WASHER
8	436136	1	COVER
9	436144	1	EMERGENCY STOP
10	436205	1	SUPPORT
11	438767	1	CONTROL CARD
12	436266	1	CABLE

CR-15 OPTIONAL BATTERY CHARGER KIT

15



CR-15 OPTIONAL BATTERY CHARGER KIT

15

POS.	CODICE	QTA	DENOMINATION
1	408869	4	SCREW
2	409144	2	WASHER
3	409819	1	SUPPORT PLATE
4	410277	1	CLAMP
5	418311	1	SCREW
6	436434	1	BATTERY CHARGERS
6.1	422693	1	COVER



NOTE

A series of horizontal dashed lines for writing notes, spanning the width of the page.



NOTE

A series of horizontal dashed lines for writing notes, spanning the width of the page.



HAMMERHEAD®



450**RS**



500**RS**



500**SS**



600**SS**



650**RS**



750**RS**



550**RDX**



650**RDX**



700**RSX**



750**RDX**



870**SR**

HEADQUARTERS

4713 Old Gettysburg Road
Mechanicsburg, PA 17055 USA

CONTACT US

☎ 800.6.Bortek

☎ 717.737.7591

✉ Orders@BortekIndustries.com

🌐 BortekIndustries.com/CUSTOMERLINK

SWEEPERLAND.COM

A complete family of
power cleaning machines.