



 EQUIPMENT

 PARTS

 RENTALS

 SERVICE

 SUPPLIES

# SPARE PARTS CATALOGUE

## CONTACT US

 800.6.Bortek

 717.737.7591

 [Orders@BortekIndustries.com](mailto:Orders@BortekIndustries.com)

 [BortekIndustries.com/CUSTOMERLINK](http://BortekIndustries.com/CUSTOMERLINK)



# HAMMERHEAD<sup>®</sup>

# 450RS

The contained descriptions in the present publication are not binding. The Manufacturer therefore reserves itself the right to bring in whatever moment possible organs changes, details or supplies of accessories, that it holds convenient for an improvement, or for any demand of constructive or commercial character.

The partial reproduction of the texts and diagrammes contained in the present catalog, is forbidden by law.

The Manufacturer reserves itself the right to bring changes of technical character and/or of endowment. The images are meant of pure reference and not binding in terms of design and endowment.

## SYMBOLS USED IN THE MANUAL

### INTRODUCTION

This catalogue is intended to serve as a guide for the ordering of spare parts and is designed to facilitate rapid identification of the machine in all its versions and to rapid location of its component parts.

### HOW TO ORDER

For the purpose of simplifying stock searching and the delivery of spare parts, we would ask our customers to observe the following standard procedures, at all times specifying:

- the model and part number of the machine;
- the position number and the number of the table of chart in which the parts appear;
- ordering code and part name;
- quantity of parts required;
- precise address and company status of the purchaser placing the order, complete with address for delivery of the goods;
- shipping means required.

#### SYMBOLY USED IN THE CATALOGUE

000000000 →

- Code used up to the indicated serial number

000000000 →

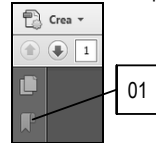
- Code used from the indicated serial number

## RAPID CONSULTATION (ELECTRONIC FORMAT)

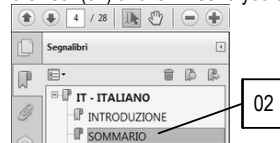
For a rapid consultation of the electronic document, use "Bookmarks" and "Page Links"

### Bookmarks:

Activate the "Bookmarks" panel of the interface browser, clicking on the icon associated with it (01), the icon can vary depending on the version of the Acrobat display.



Display the bookmarks in the desired language, selecting from IT-EN-FR-DE-ES. To display the desired page, just click on the title in the browser (02) and it will send you to the desired destination.



### Page Links:

In the Document Summary, to display the desired page just click on the corresponding page number, and it will send you to the desired destination.





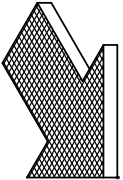
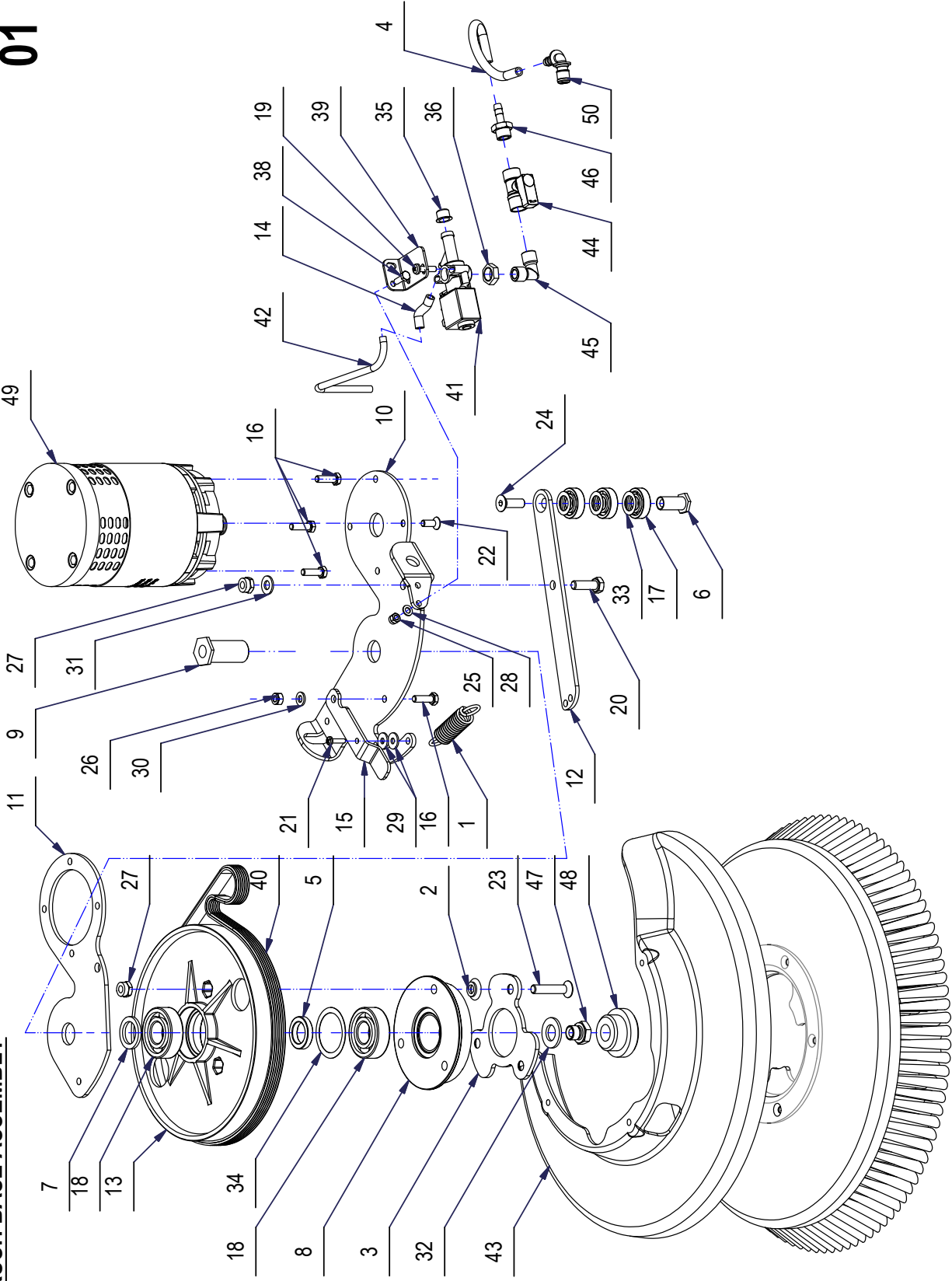
## **SUMMARY**

<a href="#"><u>PAG. 04</u></a>	<b>SINGLE BRUSH BASE ASSEMBLY</b>
<a href="#"><u>PAG. 06</u></a>	<b>BODYWORK ASSEMBLY</b>
<a href="#"><u>PAG. 08</u></a>	<b>TANKS ASSEMBLY</b>
<a href="#"><u>PAG. 10</u></a>	<b>SQUEEGEE ASSEMBLY</b>
<a href="#"><u>PAG. 12</u></a>	<b>SQUEEGEE CONTROL ASSEMBLY</b>
<a href="#"><u>PAG. 14</u></a>	<b>ELECTRONICAL COMPONENT</b>

---

**CR-01 SINGLE BRUSH BASE ASSEMBLY**

**01**

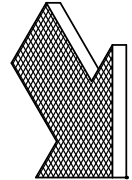
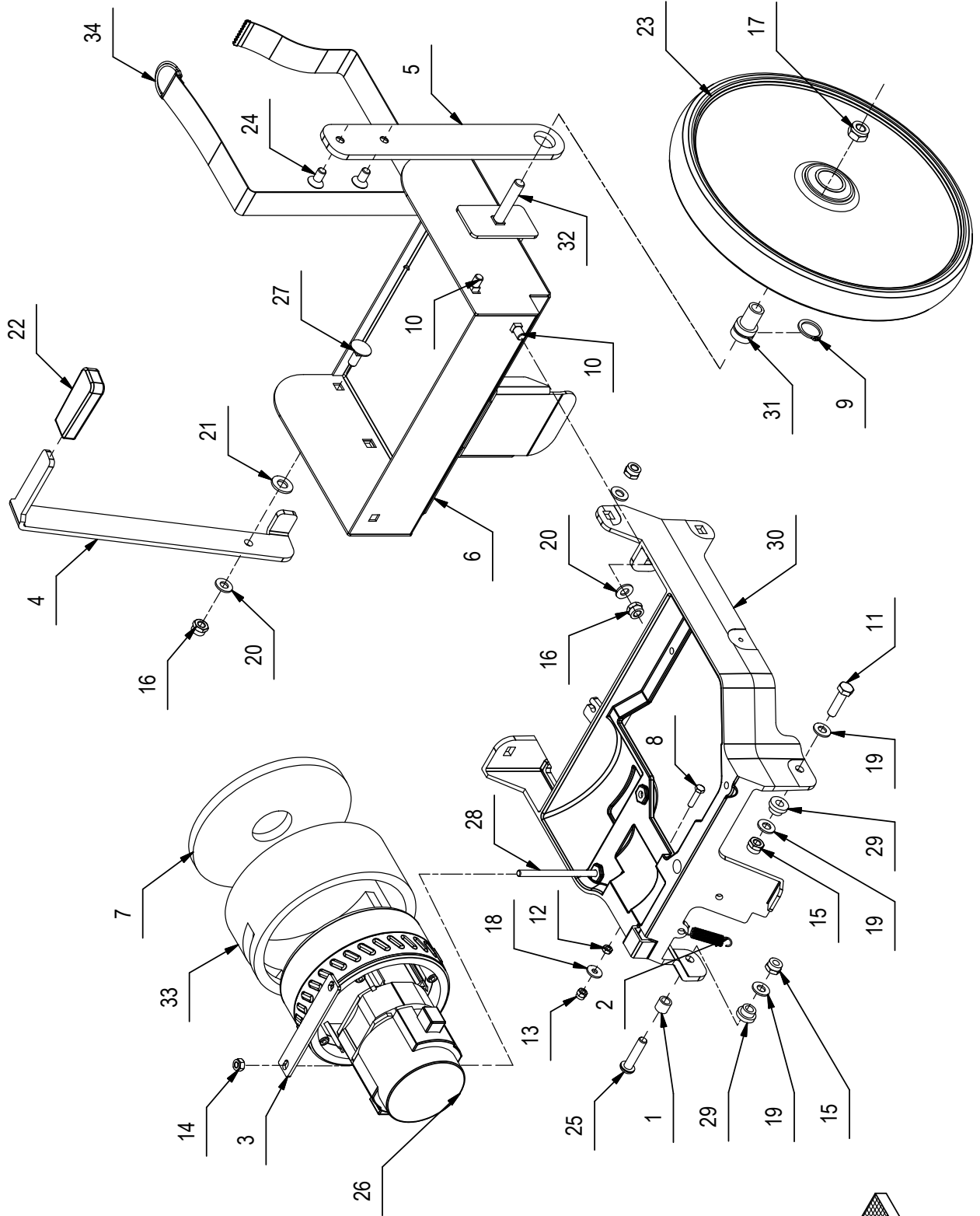


**CR-01 SINGLE BRUSH BASE ASSEMBLY****01**

COMPONENT	CODE	QUANTITY	DENOMINATION	COMPONENT	CODE	QUANTITY	DENOMINATION
1	202475	1	SPRING	39	420647	1	SUPPORT
2	204329	3	SPACER	40	421111	1	BELT
3	206829	1	FLANGE	41	421121	1	SOLENOID VALVE
4	209591	1	HOSE	42	421576	1	PIPE
5	212363	1	SPACER	43	422091	1	SPLASH GUARD
6	212364	1	BUSHING	44	422183	1	COCK
7	212365	1	SPACER	45	422184	1	ELBOW
8	212375	1	FLANGE	46	422186	1	FITTING
9	212413	1	PIN	47	422187	1	COVER
10	213120	1	SUPPORT	48	422206	1	BUSHING
11	213121	1	SUPPORT	49	422660	1	MOTOR
12	213122	1	TIGHTENER	50	423592	1	MALE COUPLING
13	213170	1	PULLEY	41	428782	1	BRUSH
14	213391	1	PIPE				
15	217890	1	SUPPORT				
16	407666	4	SCREW				
17	408420	3	BEARING				
18	408435	2	BEARING				
19	408506	2	SCREW				
20	408674	1	SCREW				
21	408846	1	SCREW				
22	408966	1	SCREW				
23	408983	3	SCREW				
24	408986	1	SCREW				
25	409080	2	LOCK NUT				
26	409082	1	LOCK NUT				
27	409085	4	LOCK NUT				
28	409150	2	WASHER				
29	409151	2	WASHER				
30	409156	1	WASHER				
31	409175	1	WASHER				
32	409212	1	WASHER				
33	409236	3	SHIM				
34	409328	1	SHIM				
35	409831	1	COVER				
36	410443	1	NUT				
37	415783	2	SCREW				
38	416431	2	SCREW				

**CR-02 ASSEMBLY FRAME**

**02**



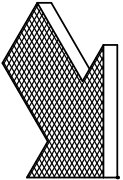
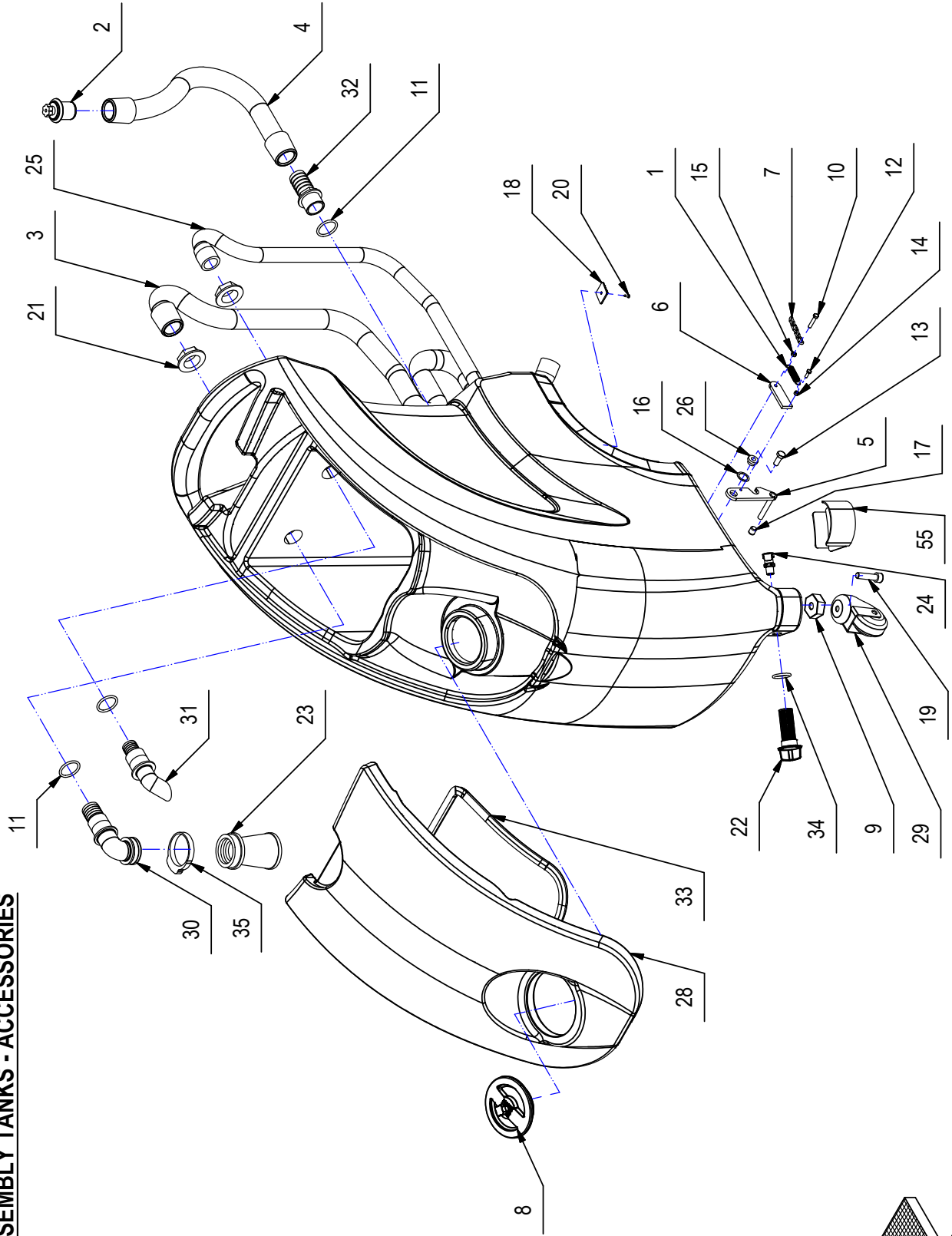
## CR-02 ASSEMBLY FRAME

# 02

COMPONENT	CODE	QUANTITY	DENOMINATION
1	202451	1	SPACER
2	202480	1	SPRING
3	214124	1	PLAQUE
4	214243	1	LEVER
5	214250	2	BLADE
6	217873	1	FRAME
7	405832	1	DEADENING
8	407647	1	SCREW
9	408360	2	SEGER RING
10	408625	4	SCREW
11	408676	1	SCREW
12	409038	1	LOCK NUT
13	409080	1	LOCK NUT
14	409082	2	LOCK NUT
15	409085	2	LOCK NUT
16	409087	5	LOCK NUT
17	409090	2	LOCK NUT
18	409151	1	WASHER
19	409175	3	WASHER
20	409177	5	WASHER
21	409191	1	WASHER
22	410251	1	KNOB
23	412299	2	WHEEL
24	415834	4	SCREW
25	416779	1	SCREW
26	420672	1	SUCTION MOTOR
27	421083	1	SCREW
28	422078	2	SCREW
29	422120	2	BUSHING
30	423354	1	FRAME
31	423454	2	BUSHING
32	423807	2	SCREW
33	423870	1	DEADENING
34	424822	1	BELT

**CR-03 ASSEMBLY TANKS - ACCESSORIES**

**03**



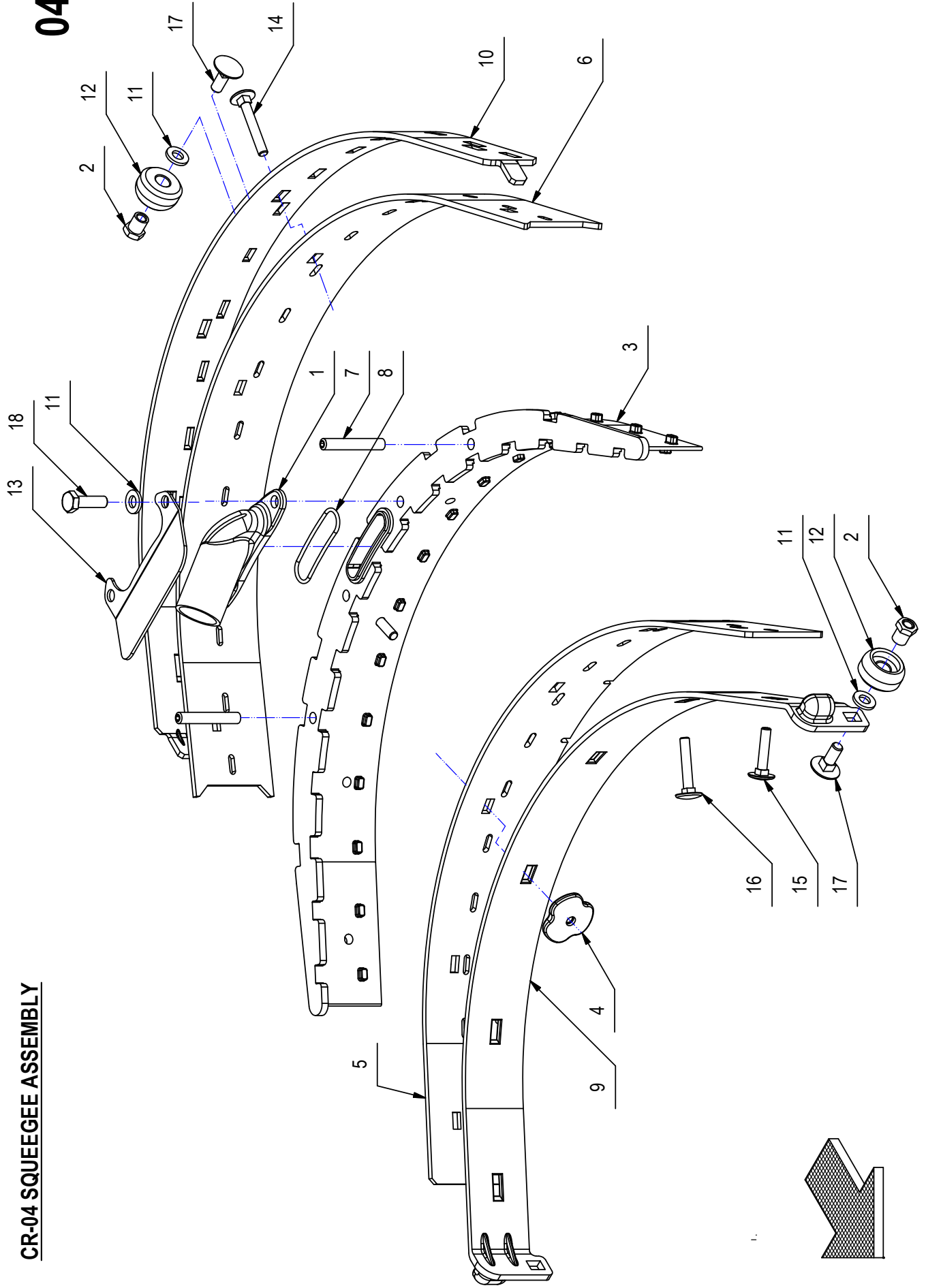


**CR-03 ASSEMBLY TANKS - ACCESSORIES****03**

POS.	CODICE	QTÀ	DENOMINATION
1	202480	1	SPRING
2	204356	1	PLUG EXHAUST PIPE
3	213041	1	SUCTION HOSE
4	213150	1	EXHAUST PIPE
5	214273	1	PEDAL
6	214275	1	STOP
7	214381	1	CHAIN
8	216412	1	CAP BREATHER
9	217891	1	SPACER
10	407651	1	SCREW
11	408497	3	O-RING
12	408633	1	SCREW
13	408670	1	SCREW
14	409034	1	NUT
15	409038	1	LOCK NUT
16	409237	1	SHIM
17	409868	1	CAP
18	410327	4	SUPPORT PLATE
19	408827	1	SCREW
20	415866	4	SCREW
21	417514	2	RING NUT
22	222092	1	FILTER
23	421662	1	FILTER ASSEMBLY
24	421744	1	FEMALE COUPLING
25	421746	1	PIPE
26	422120	1	BUSHING
27	439430	1	TANK
28	439431	1	COVER
29	423488	1	CASTOR WHEEL
30	423489	1	FITTING
31	423490	1	FITTING
32	423491	1	FITTING
33	423500	1	GASKET
34	424451	1	O-RING
35	411988	1	CLAMP
55	438779	1	SUPPORT

**CR-04 SQUEEGEE ASSEMBLY**

**04**

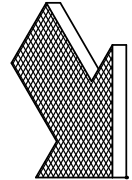
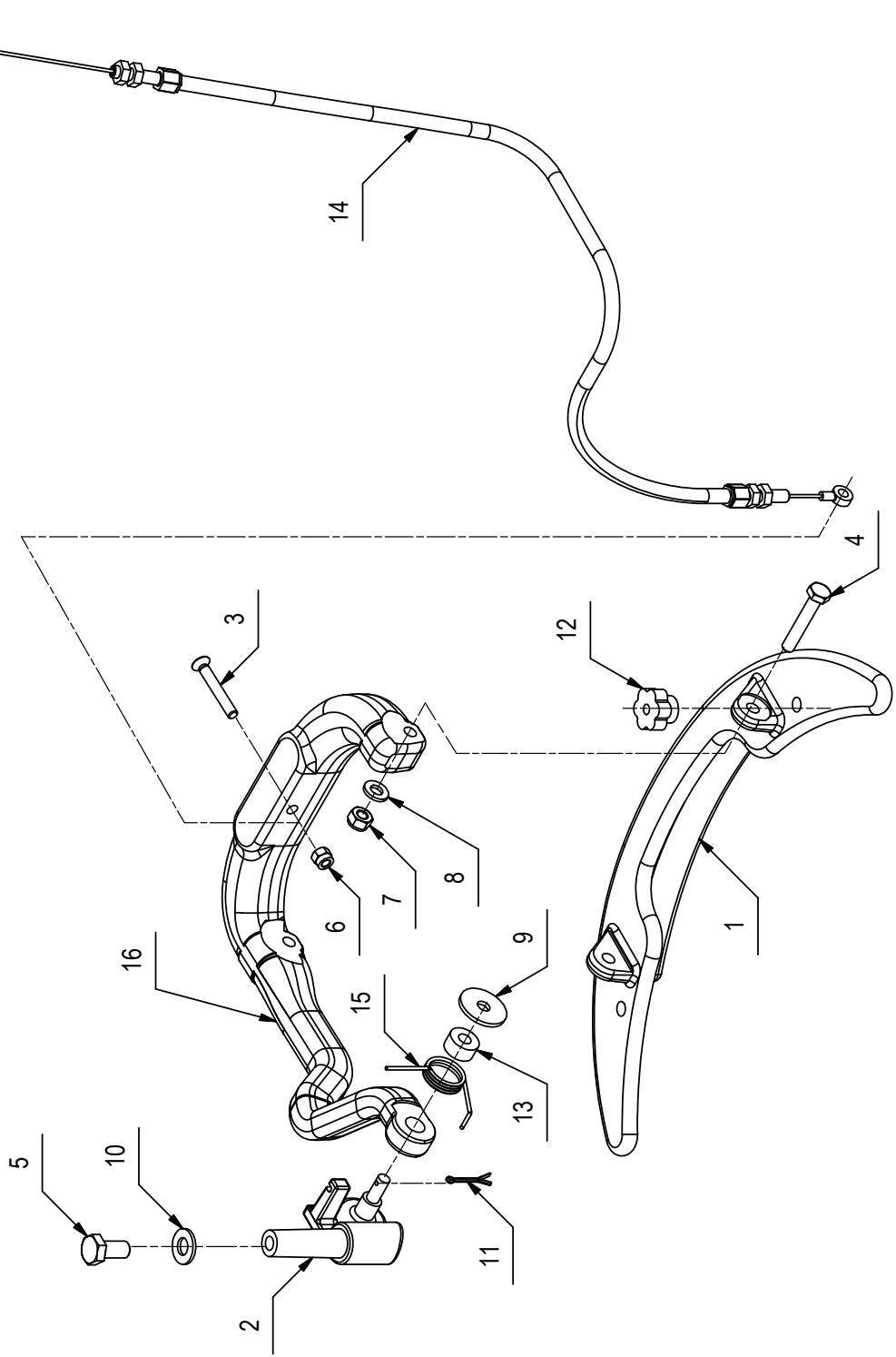


**CR-04 SQUEEGEE ASSEMBLY****04**

COMPONENT	CODE	QUANTITY	DENOMINATION
1	422112	1	OPENING
2	431335	3	BUSHING
3	213231	1	SQUEEGEE BODY
4	421733	6	WING NUT
5	420648	1	FRONT RUBBER
6	420649	1	REAR RUBBER
7	408905	2	DOWEL
8	422113	1	O-RING
9	423193	1	BLADE
10	423263	1	BLADE
11	409157	5	WASHER
12	421101	3	WHEEL
13	217520	1	SUPPORT
14	424040	2	SCREW
15	421930	2	SCREW
16	421931	2	SCREW
17	421080	3	SCREW
18	407667	2	SCREW

**CR-05 SQUEEGEE CONTROL ASSEMBLY**

**05**

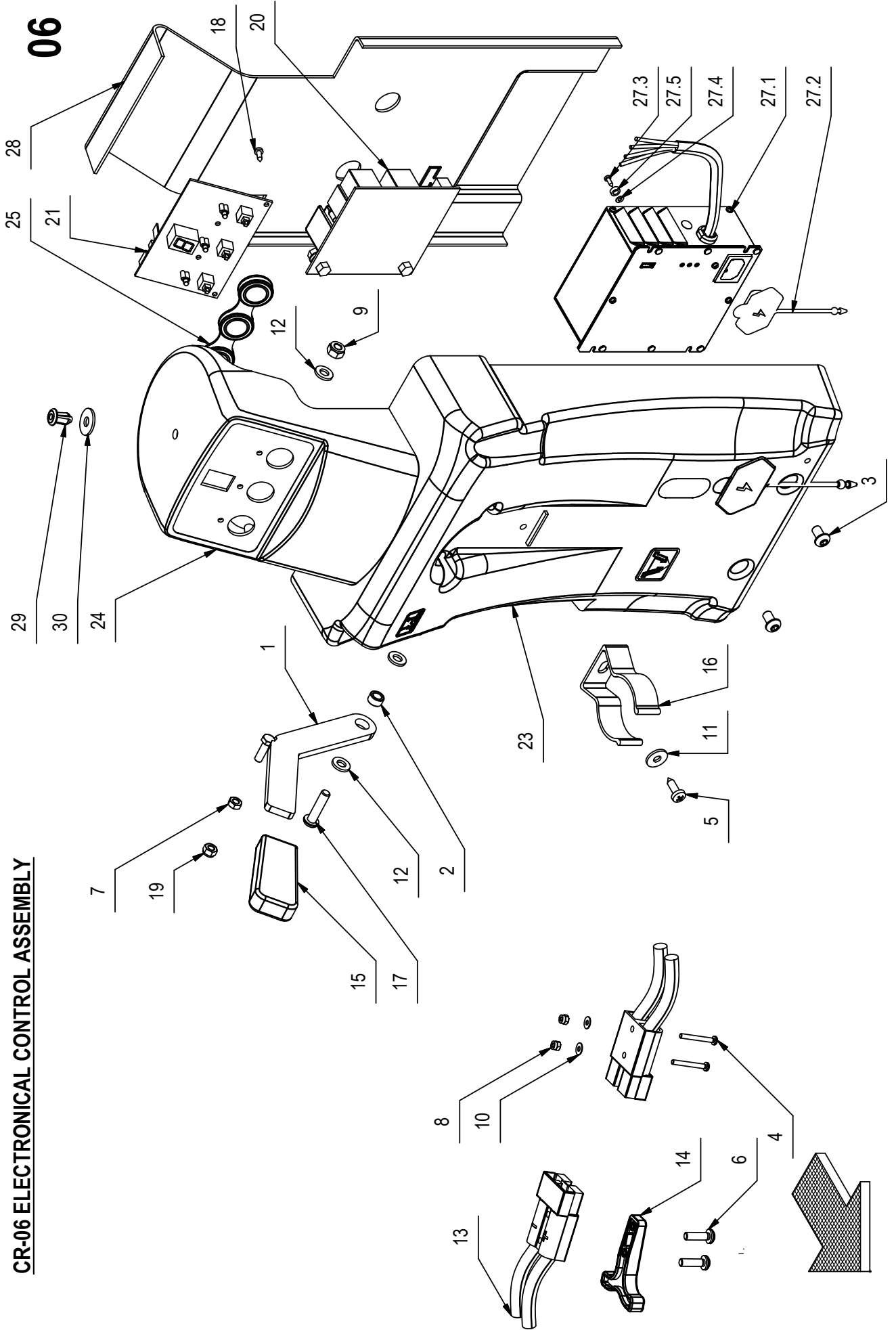


**CR-05 SQUEEGEE CONTROL ASSEMBLY****05**

COMPONENT	CODE	QUANTITY	DENOMINATION
1	213691	1	SUPPORT
2	213723	1	SUPPORT
3	408517	1	SCREW
4	408651	2	SCREW
5	408669	1	SCREW
6	409080	1	LOCK NUT
7	409082	2	LOCK NUT
8	409156	2	WASHER
9	409162	1	WASHER
10	409175	1	WASHER
11	409382	1	SPLIT PIN
12	410225	2	KNOB
13	414689	1	SPACER
14	420695	1	CABLE
15	421730	1	SPRING
16	218398	1	SQUEEGEE ARM

**CR-06 ELECTRICAL CONTROL ASSEMBLY**

**06**



**CR-06 ELECTRONICAL CONTROL ASSEMBLY****06**

COMPONENT	CODE	QUANTIT	DENOMINATION
1	214262	1	LEVER
2	407999	1	BUSHING
3	408809	4	SCREW
4	408835	2	SCREW
5	408884	1	SCREW
6	408893	2	SCREW
7	409038	1	LOCK NUT
8	409077	2	LOCK NUT
9	409082	1	LOCK NUT
10	409139	6	WASHER
11	409151	1	WASHER
12	409156	3	WASHER
13	409666	2	CONNECTOR
14	409683	1	HANDLE
15	410251	1	KNOB
16	412123	1	SPRING
17	416778	1	SCREW
18	415866	4	SCREW
19	416781	1	LOCK NUT
20	421243	1	CARD
21	421244	1	CARD
23	423790	1	COVER
24	423791	1	COVER
25	424143	1	PUSH BUTTON
27	219148	1	BATTERY CHARGER
27.1	435680	1	BATTERY CHARGER
27.2	422693	1	PROTECTION
27.3	415866	4	SCREW
27.4	415917	4	WASHER
27.5	409148	4	WASHER
28	435519	1	PROTECTION
29	415952	1	RIVET
30	409160	1	WASHER



NOTE

A series of horizontal dashed lines for writing notes, spanning the width of the page.





NOTE

A series of horizontal dashed lines for writing notes.



NOTE

A series of horizontal dashed lines for writing notes, spanning the width of the page.



NOTE

A series of horizontal dashed lines for writing notes, spanning the width of the page.



# HAMMERHEAD®



450**RS**



500**RS**



500**SS**



600**SS**



650**RS**



750**RS**



550**RDX**



650**RDX**



700**RSX**



750**RDX**



870**SR**

## HEADQUARTERS

4713 Old Gettysburg Road  
Mechanicsburg, PA 17055 USA

## CONTACT US

800.6.Bortek

717.737.7591

Orders@BortekIndustries.com

BortekIndustries.com/[CUSTOMER LINK](#)

**SWEEPERLAND.COM**

A complete family of  
power cleaning machines.