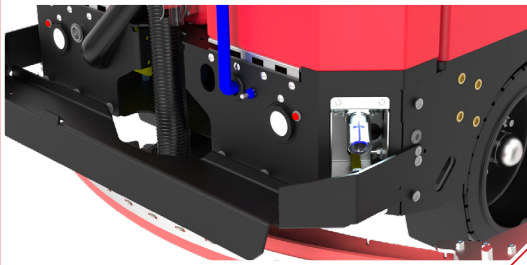




## Key Features

**Brake Lights, Rear Lights, Flip Up Bumper, and Service Cabinet**



**Your Choice Of Central Command**

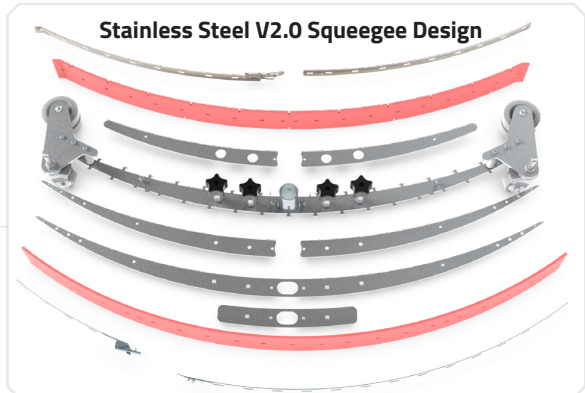
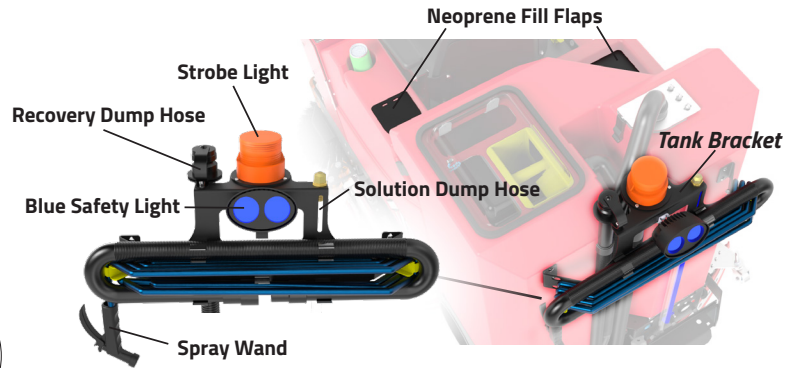
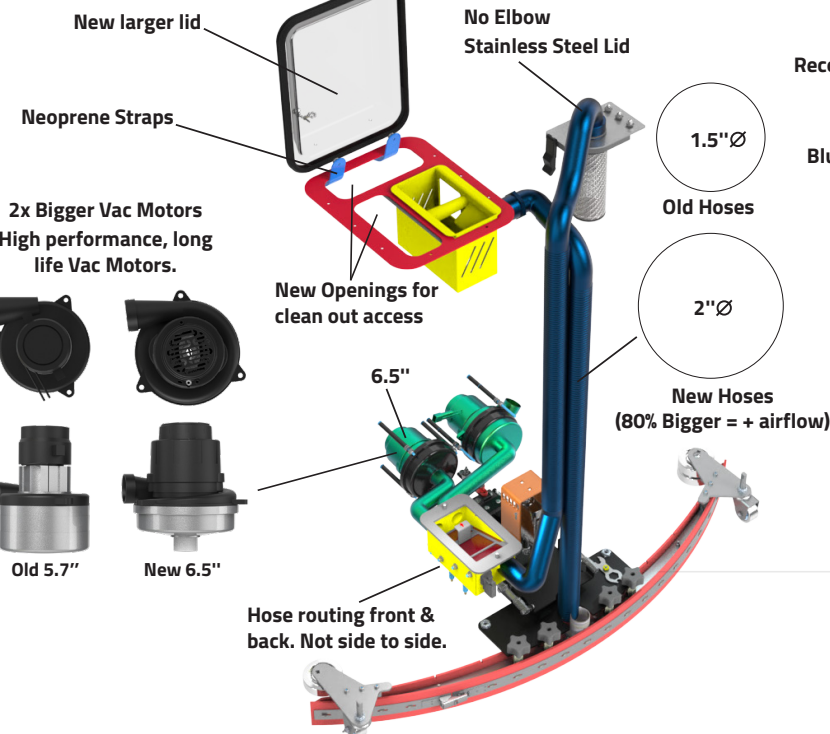
**Military**

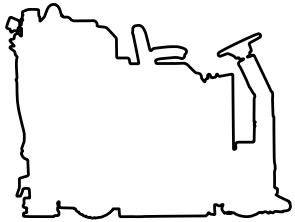
**Legacy**

**Touch**



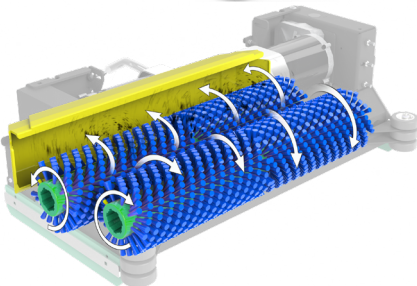
**Wider Side Brooms, LED Headlights, 2nd Point Adjustable Wiper Blades.**





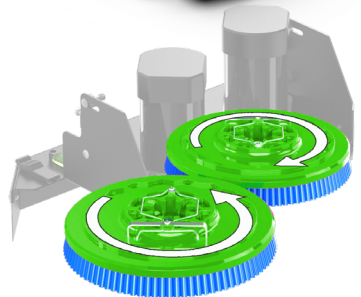
# XR v2.0

## Technical Specs



### Cylindrical Benefits

- Eliminates Pre-Sweeping
- Scrub & Sweep Simultaneously
- Superior Tile & Grout Cleaning
- Great for Indoor Track Fields



### Disk Benefits

- Largest Brush/ Pad Selection
- Lowest Maintenance Cost
- Best Performance on Irregular Floors
- Brushes Individually driven

| BODY CONSTRUCTION/ DIMENSIONS   |   |
|---|---|
| Chassis Construction:   | 3/16" Steel (4.8 mm) Powder Coated  |
| Front Wheels (Ø x Width)  | 12" x 4" (30 x 10 cm) - Solid Black   |
| Rear Wheels (Ø x Width):  | (2x) 14" x 5" ([2x] 36 x 12 cm) - Solid Black   |
| Size (L x W x H):   | 77" x 43" x 59" (177 x 93 x 144 cm)   |
| Weight (w/o Batteries):   | 1,200 lbs - 1,250 lbs (544 - 567 kg)  |
| Weight (w/ Batteries):  | 1,925 - 1,975 lbs (873 - 896 kg)  |
| BRUSH / PAD SYSTEM  |   |
| Disk Dimensions:  | 40" - (2x) 20" Ø (101 - [2x] 50 cm)<br>45" - (2x) 23" Ø (114 - [2x] 58 cm)                      |
| Disk Motor:   | (2x) 1.5 hp 350 rpm ([2x] 746 watts)  |
| Disk Brush Speed:   | 350 rpm   |
| Cylindrical Dimensions:   | 40" - (2x) 7" Ø x 38" (101 - [2x] 18 x 81 cm)<br>46" - (2x) 7" Ø x 44" (116 - [2x] 18 x 112 cm) |
| Cylindrical Motor:  | (2x) 1.5 hp 350 rpm ([2x] 1,118 watts)  |
| Cylindrical Brush Speed:  | 750 rpm   |
| Brush Down Pressure:  | Up to 300 lbs (113 kg) / 1200 lbs (227 kg) Actuator Rating                                      |
| POWER SYSTEM  |   |
| System Voltage/Amps   | 36 VDC / 315 ah WET   |
| Optional Battery:   | Up to 425 ah WET / 400 ah AGM*  |
| *Includes Onboard Charger   |   |
| Run Time:   | Up to 5.0 Hours**   |
| **Based on continuous scrubbing run times.  |   |
| DRIVE SYSTEM  |   |
| Power:  | 3.0 hp - All Gear / Sealed (2,237 watts)  |
| Forward Speed:  | 0 - 320 ft/min / 0 - 3.6 mph (0 - 98 m/min / 0 - 6 km/h)  |
| Scrubbing Speed:  | 0 - 256 ft/min / 0 - 2.9 mph (0 - 78 m/min / 0 - 5 km/h)  |
| Reverse Speed:  | 0 - 230 ft/min / 0 - 2.6 mph (0 - 70 m/min / 0 - 4 km/h)  |
| SOLUTION / RECOVERY SYSTEMS   |   |
| Solution Tank Capacity:   | 65 Gallons (246 liters) - w/ Graduated Site Tube  |
| Solution Flow / Filter:   | 0 - 1.0 GPM / Stainless Inline (0 - 3.7 LPM)  |
| Recovery Tank Capacity:   | 78 Gallons (295 liters) - 2" Ø Drain Hose   |
| Demisting Chamber:  | 1.25 Gallons (4.7 liters)   |
| Drain Saver:  | 30 cubic inches (2,130 cubic cm)  |
| Vacuum Power (Water Lift / Airflow):  | (2x) 1.0 hp / 2 Stage / 6.6" Ø (551watts)<br>73" / 96 cfm (186 cm / 2.7 cm/m)                   |
| GENERAL   |   |
| Decibels:   | 63 dBA / ECON 61 dBA**  |
| **Decibel levels for Disk per ISO 11201 as recommended by the American Association of Cleaning Equipment Manufacturers & OSHA |   |
| Productivity - Theoretical:   | Up to 49,587 sqft/hr (4,607 sqm)***   |
| ***Based off of ISSA 2010 Cleaning Times  |   |
| Productivity - Practical:   | Up to 22,989 sqft/hr (2,136 sqm)***   |
| ***Based off of ISSA 2010 Cleaning Times  |   |