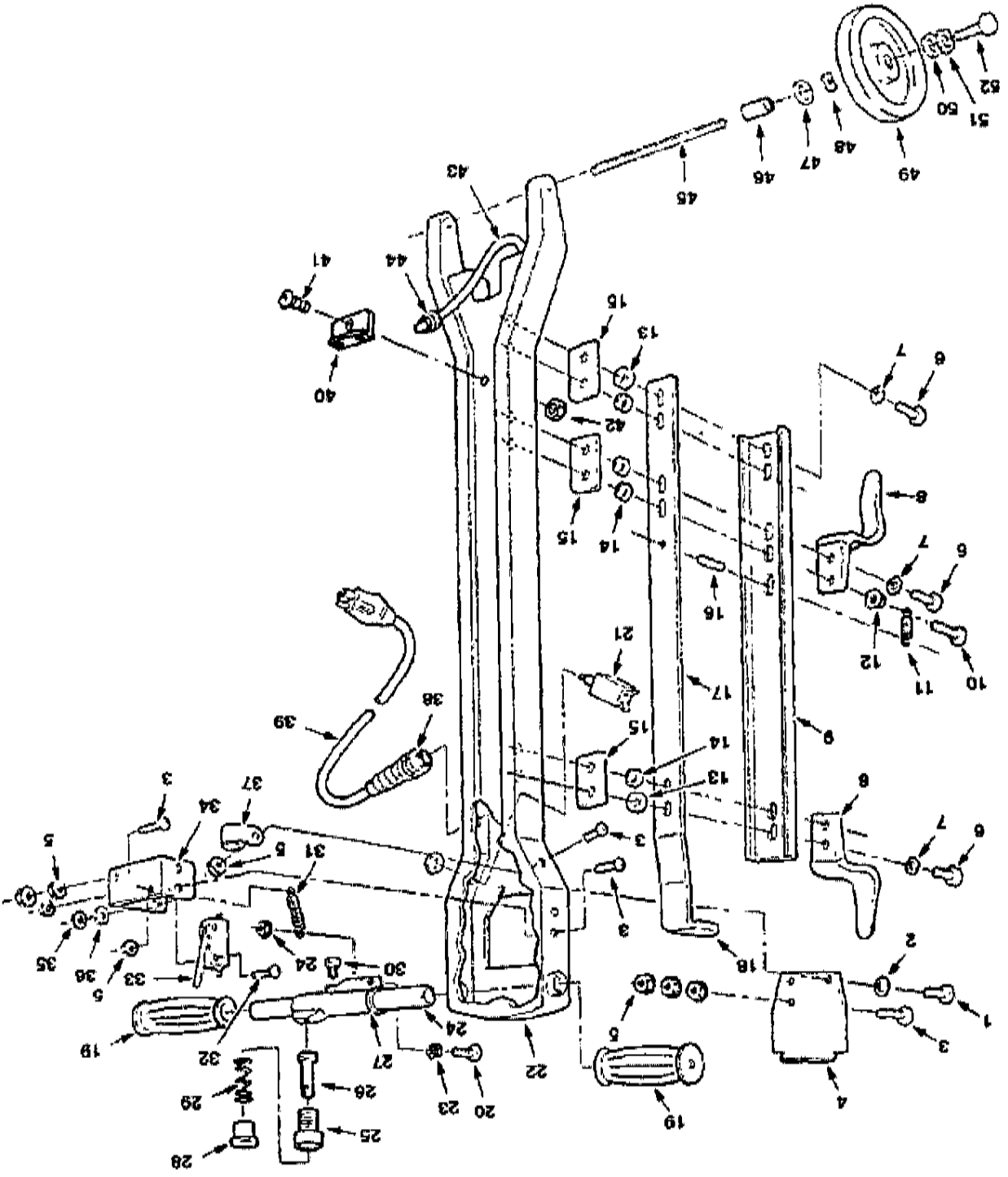


Ref #	Part #	Description	Context Note	From SN To SN	Qty Used	Weight	Commodity Code
1	100240	COVER, MOTOR, RM- COVER, MOTOR, RM- NDG (HI SPD)			1	1.361 kg (3.000 lb)	8479.90.9495
2	120586	DECAL, MOTOR COVER OBS:11/03			1	0.045 kg (0.099 lb)	4908.10.0000
3	130498	MOTOR, ELE, 115VAC 3200RPM 1.50HP (For Imperial Motor)			1	12.020 kg (26.500 lb)	8501.31.3000
	190743	RECTIFIER, 120VAC REP, BY 190753 (For Imperial Motor)			1	0.000 kg (0.001 lb)	
	22117	MOTOR, BRUSH, ELE, REPLMT (For Imperial Motor)			4	0.227 kg (0.500 lb)	8479.90.9495
	600825	MOTOR, 1.5HP 3200RPM 115V REP, BY 130498 (For Ohio Motor)			1	4.535 kg (9.999 lb)	8501.31.4000
	190753	RECTIFIER, 60A/600V (For Ohio Motor)			1	0.023 kg (0.050 lb)	8541.10.0040
	190752	BRUSH, CARBON [1 PC=2 BRUSHES] (For Ohio Motor)			2	0.025 kg (0.055 lb)	8545.20.0000
	130499	MOTOR IMP REP, BY 809444			1	12.020 kg (26.500 lb)	8501.31.3000
	190312	RECTIFIER			1	0.016 kg (0.035 lb)	8479.90.9495
	190311	BRUSH, CARBON [PC = 1 BRUSH]			4	0.014 kg (0.030 lb)	8545.20.0000
4	230918	LATCH, PLT HANDLE			1	0.581 kg (1.280 lb)	8479.90.9495
5	230772	PIN, SPRING			1	0.032 kg (0.070 lb)	7319.30.0000
6	140421	RING, RETAINING, .50ID			2	0.009 kg (0.020 lb)	8479.90.9495
7	140437	SPRING, EXTN, 0.62OD 0.07WIR 06.0 [LSS]			2	0.064 kg (0.140 lb)	7320.90.5060
8	140221	SCREW, HEX, .31-18 X 1.25, SS			1	0.009 kg (0.020 lb)	7318.15.9000

Item #	Description	Unit	Weight (kg)	Weight (lb)	Price
9	140546 NUT, HEX, LOCK, .31-18, NL, SS	1	0.020	(0.020)	7318.16,0000
10	230447 SPACER, P/M, 0.768-1.000 0.35L, STL	1	0.014	(0.030)	8479.90,9495
11	140628 KEY, SQ, 0.19 X 0.19, 1.00L	1	0.009	(0.020)	7228.70,0000
12	240075 PULLEY, DRIVE, 3.25D, BELT V [1200RPM HS]	1	0.281	(0.620)	8483.50
	240076 PULLEY, DRIVE, 4.00D, BELT V [1600RPM HS]	1	0.354	(0.780)	8483.50
+	240077 PULLEY, DRIVE, 5.00D, BELT V [2000RPM HS]	1	0.472	(1.040)	8483.50
13	25732 WASHER, FLAT, 0.368 1.25D .09, PL	1	0.009	(0.020)	7318.22,0000
14	140015 WASHER, LOCK, SPLIT, 0.31, SS	1	0.009	(0.020)	7318.21,0000
15	140223 SCREW 5/16-18X3/4 HXHDCP REPL BY 02991	1	0.045	(0.099)	7318.15,9000
16	140859 SCREW, SET, .25-20 (For models 1200 & 1600) X 0.25, SOC	1	0.009	(0.020)	7318.15,9000
17	602475 BASE, RM-NDG, TRIMMED, HI SPD	1	0.454	(1.000)	8479.90,9495
18	140013 WASHER FLAT, .38 REP, BY 32492	9	0.005	(0.010)	7318.22,0000
19	140017 WASHER, LOCK, SPLIT, 0.38, SS	9	0.009	(0.020)	7318.21,0000
20	140232 SCREW 3/8-16 X 1-1/4" REP, BY 611048	5	0.005	(0.010)	7318.16,0000
21	140545 NUT, HEX, JAM, .38-16, FIN, SS	1	0.009	(0.020)	7318.16,0000
22	140201 SCREW, HEX, .38-16 X 0.75 REP, BY 02994	5	0.045	(0.099)	7318.15,9000
23	230425 PULLEY DRIVE CASTING REP, BY 611695	1	0.453	(0.999)	8483.50,8080

Item #	Part Description	Unit	Weight (kg)	Weight (lb)	Price
24	DRIVER, PAD 20" FLEX REP.BY 1033499	1	1.361	3.000	8479.90,9495
25	DEVICE, CENTERING, LH [STA, GRAY] Included in Assembly	1	0.077	0.170	8509.80,2000
25A	WASHER, LOCK, PAD DRIVER Included in Assembly	1	0.032	0.070	7318.21,0000
26	DEVICE, CENTERING, LH [REM, LG GRAY] Included in Assembly	1	0.077	0.170	8509.80,3000
27	SCREW, BTN., 31-18 X 1.25, PL Add to pick list	4	0.009	(0.020)	8509.90,2000
28	BELT Add to pick list (For model 1200)	1	0.113	(0.250)	4010.31,0000
28	BELT, DRIVE Add to pick list (For model 1600)	1	0.113	(0.250)	4010.31,0000
28	BELT, DRIVE, V, 200RPM BURNISHR [4L30] (For model 2000)	1	0.113	(0.250)	8479.90,9495
29	BRACKET, CASTING, DRIVE Add to pick list	1	1.048	(2.310)	8479.90,9495
30	BEARING, BALL [1 PC=1BEARING] Add to pick list	2	0.064	(0.140)	8482.10,5044
31	SPACER, P/M, 0.678 0.88D 1.25L, STL Add to pick list	1	0.041	(0.090)	8479.90,9495
32	BUMPER BULK FR/KIT REP.BYMANUALEDIT Add to pick list	1	0.023	(0.050)	8509.90,2000
33	WASHER, 25ID X 1.00D, FENDR, SS Add to pick list	2	0.009	(0.020)	7318.22,0000
34	SCREW, TRS., 25-20 X 0.62, PHL, SS Add to pick list	2	0.009	(0.020)	8509.90,2000
35	AXLE, MAIN REP.BY808913 Add to pick list	1	0.367	(0.810)	8708.60,0050
36	WASHER, FLAT, .50 COMPRESSION, ZN Add to pick list	4	0.009	(0.020)	7318.22,0000
37	WASHER, FLAT, 0.528 0.88D .06, STL, PL Add to pick list	2	0.009	(0.020)	7318.22,0000

Item #	Description	Quantity	Unit	Weight (kg)	Weight (lb)	Notes
38	103067 WHEEL, 05.0D 1.50W Add to pick list 0.50B, GRAY	2		0.608	1.340	
39	140003 WASHER, 25ID X Add to pick list 1.00D, FENDR, SS	4		0.009	0.020	
40	140016 WASHER, LOCK, Add to pick list SPLIT, 0.25, SS	4		0.009	0.020	
41	140553 SCREW 1/4-20X1/2 Add to pick list HXHDCP REPL.BY 01696	1		0.009	0.020	
42	600591 SCREW, HEX, .25-20 Add to pick list X ZN REPL.BY 579212	4		0.000	0.000	
43	140016 WASHER, LOCK, Add to pick list SPLIT, 0.25, SS	4		0.009	0.020	
44	140000 WASHER, FLAT, Add to pick list 0.298 0.62D .04, SS	4		0.009	0.020	
45	120239 LABEL, LOGO, Add to pick list NOBLES, 200 X 44	1		0.009	0.020	
46	120582 LABEL, RECESSED, 1 Add to pick list X 20, BLK	1		0.009	0.020	
	120619 LABEL, WARNING Add to pick list EXTRACTOR REP.BY613284	1		0.045	0.099	Not Shown
	130489 Motor Add to pick list					For 2000 models Required when ordering motor P/N 600825
	600826 SPACER KIT, Add to pick list INSTALLATION					
	0.127 kg 8484.10.0000 lb)					
	0.045 kg 4908.10.0000 lb)					
	0.009 kg 4908.10.0000 lb)					
	0.009 kg 4908.10.0000 lb)					
	0.009 kg 7318.22.0000 lb)					
	0.009 kg 7318.21.0000 lb)					
	0.000 kg 8509.90.2000 lb)					
	0.009 kg 8509.90.2000 lb)					
	0.009 kg 7318.21.0000 lb)					
	0.009 kg 7318.22.0000 lb)					
	0.608 kg 8479.90.9495 lb)					



Ref #	Part #	Description	Context Note	From SN To SN	Qty Used	Weight	Commodity Code
1	140831	SCREW, RND, #06-32 X 0.62, PHL, SS			2	0.009 kg (0.020 lb)	7318.15.9000
2	140018	WASHER LOCK, INT #10 SS REP.BY07514			2	0.000 kg (0.000 lb)	7318.21.0000
3	140900	SCREW, TRS, #10-24 X 0.75, PHL, SS			5	0.009 kg (0.020 lb)	7318.15.9000
4	230013	NLG COVER, HANDLE REAR REP.BY612753			1	0.145 kg (0.320 lb)	8479.90.9495
5	140519	NUT, HEX, LOCK, #10-24, KEP, SS			8	0.009 kg (0.020 lb)	7318.16.0000
6	140864	SCREW, TRS, 25-20 X 0.75, PHL, SS, NL			5	0.009 kg (0.020 lb)	7318.15.9000
7	140052	WASHER, LOCK, EXT, 0.25 SS			5	0.009 kg (0.020 lb)	7318.21.0000
8	602750	HOOK, CORD [FR/ C RECORD]			2	0.104 kg (0.230 lb)	7326.90.8595
9	230859	CHANNEL, 05, 1.4W 0.3 23.4L, H&S			1	0.263 kg (0.580 lb)	8479.90.9495
10	140881	SCREW, TRS, 25-20 X 1.00, PL			1	0.009 kg (0.020 lb)	7318.15.9000
11	140402	SPRING, EXTN, 0.360D 0.04WIR 01.8L, MW			1	0.005 kg (0.010 lb)	7320.90.5060
12	140524	NUT, HEX, LOCK, 25-20, KEP			1	0.009 kg (0.020 lb)	7318.16.0000
13	140146	SLEEVE, P/M, 0.25B 0.50D 0.2L, STL PL			2	0.005 kg (0.010 lb)	8485.90.0080
14	140147	SLEEVE, P/M, 0.25B 0.44D 0.2L, STL PL			4	0.005 kg (0.010 lb)	8485.90.0080
15	230852	PLATE, BACKING			3	0.018 kg (0.040 lb)	8479.90.9495
16	140604	PIN, GRVD, 0.25D 0.75L, PL [TYPE G]			1	0.009 kg (0.020 lb)	7319.30.0000
17	230860	HANDLE LATCH REP.BY611141			1	0.045 kg (0.099 lb)	8413.91
18	200821	GRIP, LATCH, HDL, 1.62 X 1.25 X 1 BLK			1	0.005 kg (0.010 lb)	4016.99.6000
19	200823	GRIP, HANDLE TUBE			2	0.059 kg (0.130 lb)	4016.99.6000
20	601016	SCREW, PAN, #08-32 X 1.00			1	0.009 kg (0.020 lb)	8509.90.2000
21	20796	CIRCUITBREAKER, REPLY 605201AM (For models 1200 & 1600)			1	0.023 kg (0.050 lb)	8536.20.0020

1	1	0.027 kg	(0.060)	8536.20,0040	130752	CIRCUITBREAKER, (For models 2000)	+	+	Add to pick list	20.0A
1	1	0.023 kg	(0.050)	8536.20,0040	130670	CIRCUITBREAKER,	+	+	Add to pick list	12.0A
1	1	2.722 kg	(6.000)	8509.90,4050	100352	HANDLE, RM-NLG [FR/C RECORD]			Add to pick list	
2	2	0.009 kg	(0.020)	7318.16,0000	28990	NUT, HEX, LOCK, #08-32, NL, SS			Add to pick list	
1	1	0.299 kg	(0.660)	8479.90,9495	230853	TUBE, RND, 0.76ID 0.88OD 15.0L, STL			Add to pick list	
1	1	0.027 kg	(0.060)	7318.19,0000	230857	LOCK, SOC			Add to pick list	
1	1	0.014 kg	(0.030)	7319.30,0000	230856	PIN, LOCK, RELEASE			Add to pick list	
1	1	0.054 kg	(0.120)	8509.90,2000	100355	SLEEVE, LOCKING, GRIP, HANDLE			Add to pick list	
1	1	0.018 kg	(0.040)	7616.99,6095	230855	KNOB, BUTTON, LOCK RELEASE, ALM			Add to pick list	
1	1	0.005 kg	(0.010)	7320.90,5060	140401	SPRING, CMPR, LOCK BUTTON			Add to pick list	
1	1	0.045 kg	(0.099)	7318.15,9000	140554	SCREW 1/4-20X3/4 HXHDCP REP, BY24672			Add to pick list	
1	1	0.005 kg	(0.010)	7320.20,5000	600987	SPRING, EXTN, 0.25OD 0.03WR 01.3L, MW			Add to pick list	
2	2	0.009 kg	(0.020)	7318.15,9000	140829	SCREW, PAN, #06-32 X 1.00, PHL, SS			Add to pick list	
2	2	0.009 kg	(0.020)	8509.90,2000	140830	SCREW, PAN, #06-32 X 1.62, PHL, PL			Add to pick list	
1-2	1-2	0.023 kg	(0.050)		28657	SWITCH REP, BY605407			Add to pick list	
1	1	0.045 kg	(0.100)	8413.91	230854	BRACKET, SWITCH			Add to pick list	
2	2	0.009 kg	(0.020)	8509.90,2000	140539	NUT, HEX, LOCK, #06-32, KEP, SS			Add to pick list	
1	1	0.009 kg	(0.020)	7318.22,0000	140032	WASHER, FLAT, #6, SS			Add to pick list	
1	1	0.009 kg	(0.020)	3926.90,9887	140324	CLAMP, CABLE, NYL, 0.31D, BLK			Add to pick list	
1	1	0.009 kg	(0.020)	8509.90,4050	130167	STRAINRELIEF, CORP, ELE, PM08, BLK NYL			Add to pick list	
1	1	0.000 kg	(0.001)	8544.51,0000	602748	CORP, ELE, 14-3 X 75FT REP, BY610974			Add to pick list	
1	1	1.474 kg	(3.250)	8479.90,9495	600396	CORP, POWER, 1.5MM2/3 BLK				

40		23073	BRACKET, SPRING	Add to pick list	0.036 kg	(0.080	8413.91	1		
41		140864	SCREW, TRS, 25-20 X 0.75, PHL, SS, NL	Add to pick list	0.009 kg	(0.020	7318.15.9000	1		
42		140524	NUT, HEX, LOCK, 25-	Add to pick list	0.009 kg	(0.020	7318.15.0000	1		
43		130204	CORD, 14GA /3, 54.0L BLK [SJT/SJTQ]	Add to pick list	0.177 kg	(0.390	8544.51.0000	1		
44		130141	STRAINRELIEF, BSHG [SR7L-2]	Add to pick list	0.009 kg	(0.020	8485.90.0080	1		
45		230930	PIVOT SHAFT HDL REPL.BY 608910	Add to pick list	0.295 kg	(0.650	8479.90.9495	1		
46		140148	SLEEVE, P/M, 0.508 0.63D 1.4L, STL PL	Add to pick list	0.018 kg	(0.040	8485.90.0080	2		
47		3148.816	WASHER, FLAT, 0.528 0.88D, 06, STL, PL	Add to pick list	0.009 kg	(0.020	7318.22.0000	4		
48		4252	WASHER, FLAT, 50 COMPRESSSION, ZN	Add to pick list	0.009 kg	(0.020	7318.22.0000	4		
49		103066	WHEEL, 04.0D 1.50W 0.50B, GRAY	Add to pick list	0.376 kg	(0.830	8479.90.9495	2		
50		140003	WASHER, 25ID X 1.00D, FENDR, SS	Add to pick list	0.009 kg	(0.020	7318.22.0000	4		
51		140016	WASHER, LOCK, SPLIT, 0.25, SS	Add to pick list	0.009 kg	(0.020	7318.21.0000	2		
52		140553	SCREW 1/4-20X1/2 HXHDCP REPL.BY 01696	Add to pick list	0.009 kg	(0.020	8509.90.2000	2		

