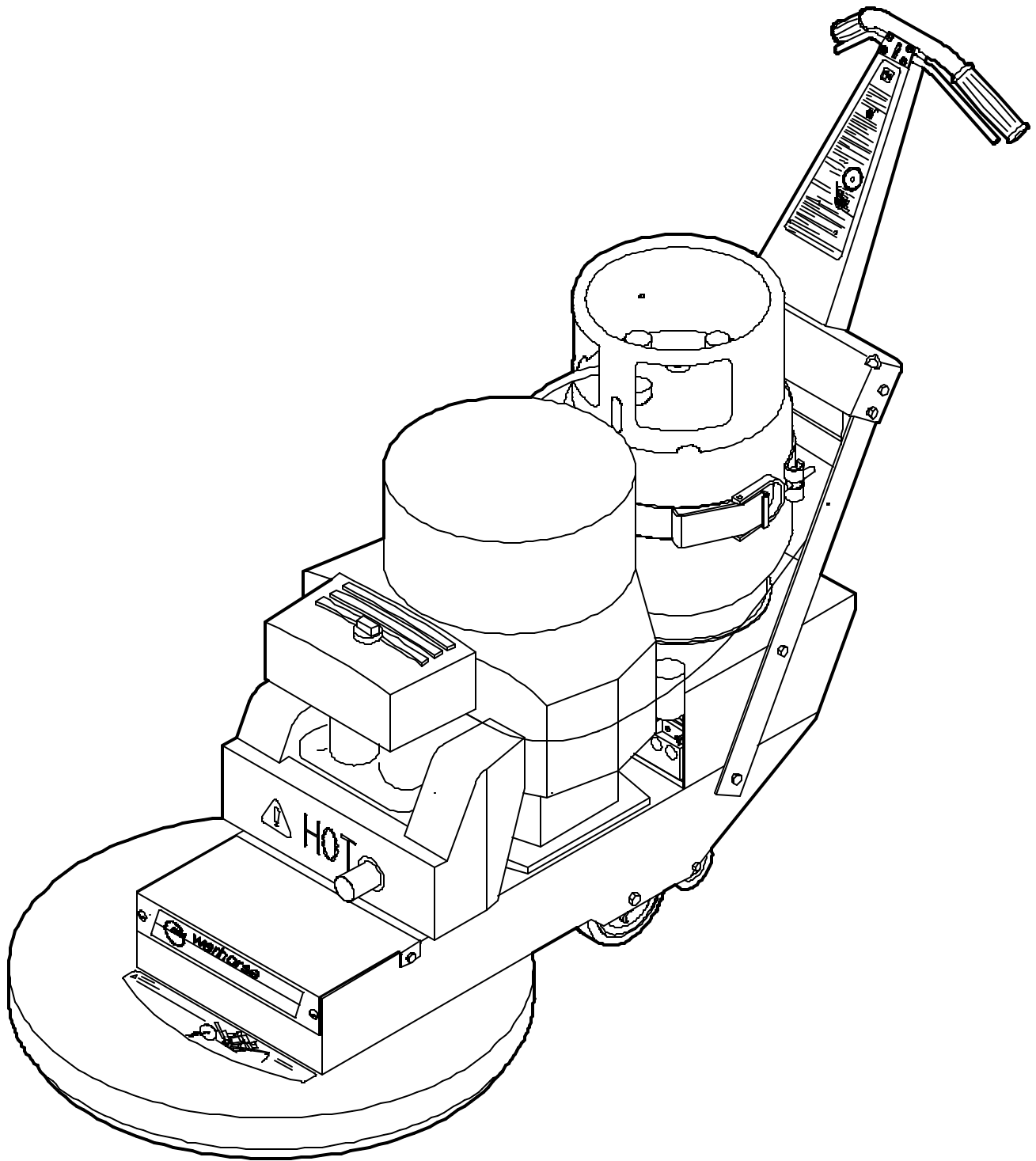
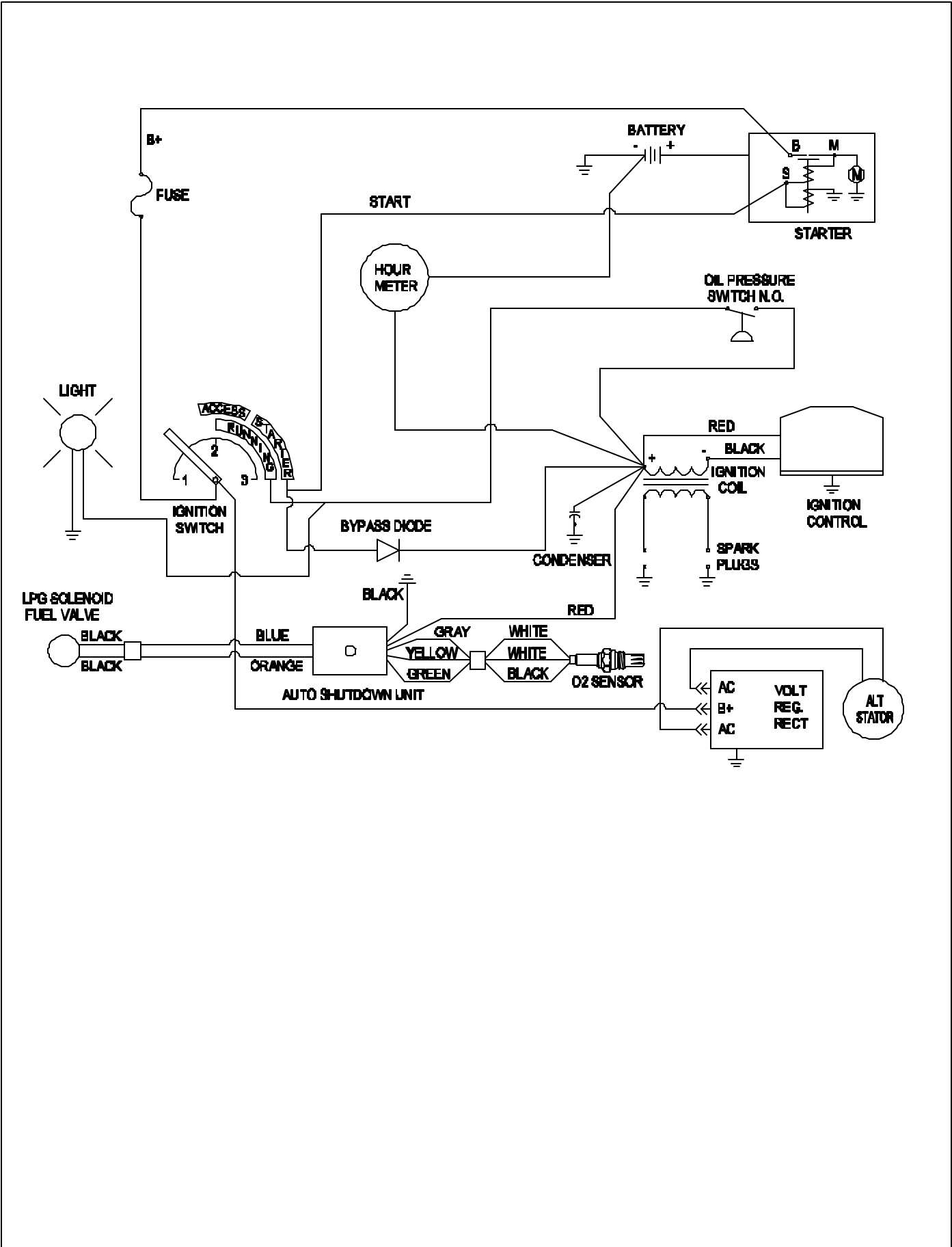


PARTS LIST
WARHORSE 27 & 27 VAC-TRAC



PERFORMER WIRING DIAGRAM



248 PERFORMER SERVICE PARTS

<u>NSS NO.</u>	<u>ONAN NO.</u>	<u>DESCRIPTION</u>
6590941	110-3709	GASKET - VALVE COVER
6590951	154-2495	GASKET - INTAKE MANIFOLD
6590961	154-2746	GASKET - EXHAUST MANIFOLD
6590971	110-3181	GASKET - CYLINDER HEAD
6591381	123-0854	VALVE - BREATHER
6591401	123-1824	TUBE - BREATHER
6591901	965-0763	MANUAL - PERFORMER SERVICE
6591911	965-0181	MANUAL - PERFORMER OPERATION
6591921	965-0265	MANUAL - PERFORMER PARTS
6592061	965-0183-GR	ONAN PERFORMER OPERATOR MANUAL - GERMAN
6592071	965-0183	ONAN PERFORMER OPERATOR MANUAL - FRENCH
6592091	800-0571	5/16-18 X 2 HEX HEAD BOLT - CYLINDER HEAD
6592111	110-3508	CYLINDER HEAD - LEFT SIDE
6592121	110-3509	CYLINDER HEAD - RIGHT SIDE
6592131	104-1708	CRANKSHAFT
6592141	150-1398	SPRING - GOVERNOR IDLE
6592151	150-2332	SPRING - GOVERNOR ROD
6592161	150-2350	SPRING - GOVERNOR RETURN
6592171	166-0785	IGNITION CONTROL
6592181	166-0786	IGNITION CONTROL INSULATOR
6592191	110-3479	VALVE - INTAKE
6592201	110-3480	VALVE - EXHAUST
6592211	102-1387	GASKET - OIL COOLER
6592221	509-0239	SEAL - LOWER CRANKSHAFT
6592231	312-0256	CAPACITOR - 3MFD - 300 VOLT DC - LOW SENSOR
6592241	141-0281	GASKET - CARBURETOR MOUNT
6592251	301-0458	SPACER - AIR CLEANER COVER
6592271	102-1381	GASKET - OIL BASE
6592291	502-1145	ELBOW - 90 DEGREE - BRASS
6592331	541-0563-06	OIL CAP KIT
6592371	357-0030	RECTIFIER - SILICON DIODE
6592381	321-0162	FUSE - 30 AMP
6592391	503-1798-02	FUEL HOSE - LPG
6592401	140-2946-02	SUPPORT HOOD - AIR CLEANER
6592411	140-2195-01	COVER - ELEMENT - AIR FILTER
6592421	148-1143	FILTER / "O" RING COMBO - FOR FUEL SHUTOFF
6592431	191-1456	STATOR - 20 AMP
6592441	505-1528	MUFFLER PLUG
6592451	104-1896-04	MUFFLER PLUG (SHIM) WASHER
6592461	150-2219-01	ROD - GOVERNOR CONTROL
6592471	134-4633	FLYWHEEL
6592951	509-0289	SEAL INTAKE VALVE
6593101	509-0142	"O" RING
6593511	515-0204	KEY - FLYWHEEL
6593521	0332-2572	TERMINAL STATOR LEADS
6593531	815-0659	10-32 X 1 TORX HEAD SCREW
6593551	541-0670	MUFFLER MOUNTING KIT
6593561	569-0244	SEAL - INNER OIL BASE
6593571	110-3605	COVER - OIL BASE

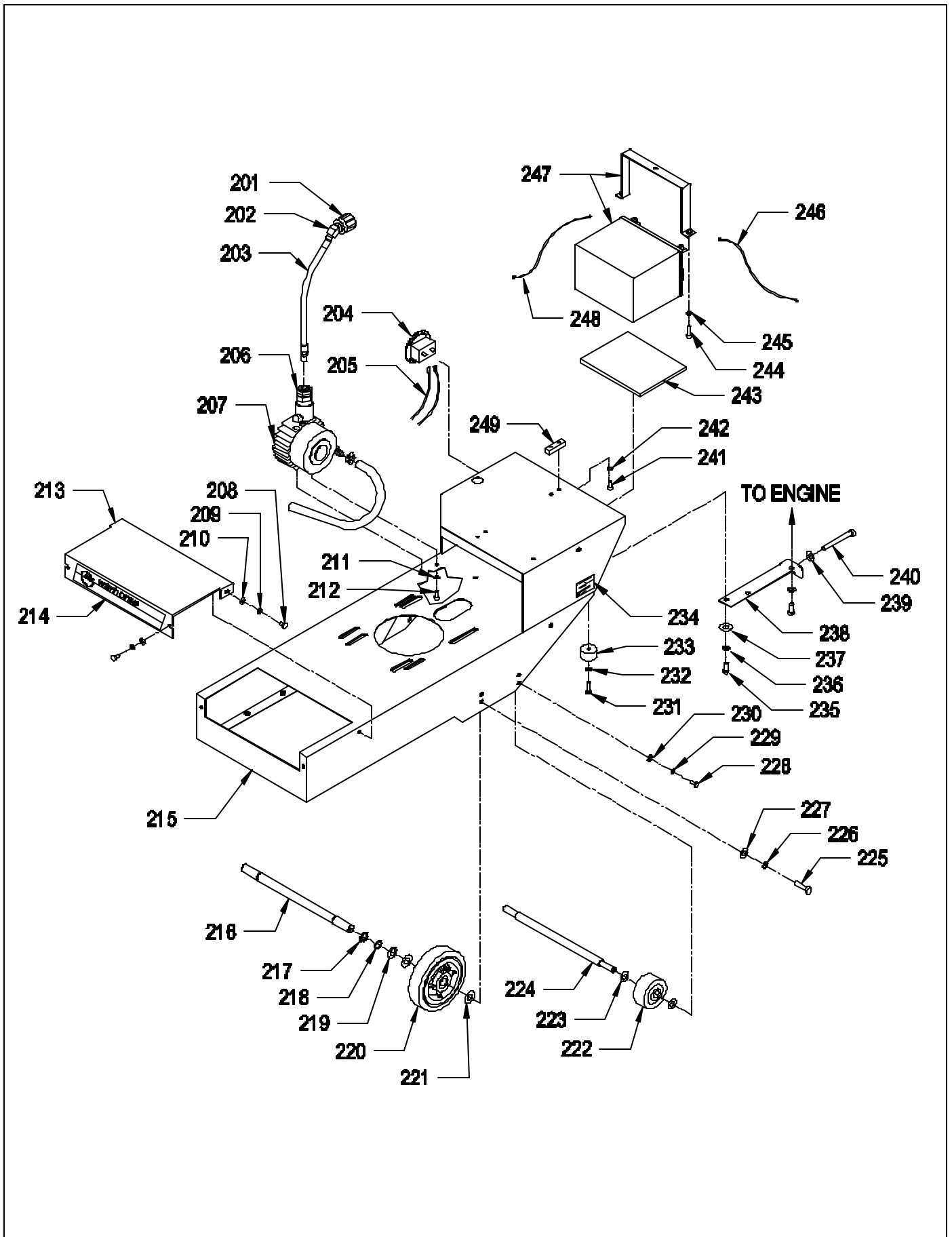
ONAN PROPANE ENGINE 248 PERFORMER

<u>ITEM</u>	<u>PART NO.</u>	<u>ONAN NO.</u>	<u>DESCRIPTION</u>	<u>QTY.</u>
101	6590181		FEMALE QUICK CONNECT	1
102	6590171		45 DEGREE STREET ELBOW - 1/4	1
103	6590091		PROPANE FUEL HOSE	1
104	6590021	308-385	KEY SWITCH INCLUDES:	1
105	6591491	308-0490	KEY ONLY	2
106	6590981	140-3023	FILTER PRECLEANER	1
107	9120710		10-32 X 1/2 BUTTON HEAD SOCKET SCREW	2
108	6591421	148-1116	AUTO SHUTDOWN CONTROL UNIT	1
109	6590871	420-0559	OIL FILTER WRENCH	1
110	6590671		LABEL SET - "CHECK OIL LEVEL"	1
111	6590881	122-0645	OIL FILTER	1
112	6590931	309-0646-02	SWITCH - LOW OIL PRESSURE	1
113	6590911	191-2227	VOLTAGE REGULATOR - 20 AMP	1
114	6590901	541-0522	COIL - IGNITION	1
115	6590671		LABEL SET - "SUPER CHECK O2 SENSOR"	1
116	6590991	140-2761	KNOB - AIR CLEANER COVER 1/4-20	1
117	6591311		ENGINE WIRE INSULATOR	1
118	6590861	140-2255-01	WRAPPER - ELEMENT - AIR FILTER	1
119	6590851	140-3009	ELEMENT - AIR FILTER	1
120	6590791		DECAL - "CAUTION SURFACES MAY BE HOT"	1
121	6591431	148-1117	O2 SENSOR - 3 WIRE	1
122	6590831	155-2429-02	SPARK ARRESTOR - INCLUDES SCREW	1
123	6590891	167-1615-04	CABLE - SPARK PLUG 19.25"	1
	6592261	167-1615-01	CABLE - SPARK PLUG 9"	1
124	6591411	155-3282	KIT - CATALYST MUFFLER	1
125	6590591	167-0272	SPARK PLUG - CHAMPION RS17YX	2
126	9122380		7/16-20 X 1 1/4 HEX BOLT - ZINC	1
127	9122390		7/16 SPLIT LOCK WASHER	1
128	9121980		7/16 I.D. X 1 O.D. X .075/.080 THICK SAE FLAT WASHER (7/16)	1
129	9122470		9/16 I.D. X 1 3/8 O.D. X .086/.132 THICK WROUGHT WASHER (1/2)	1
130	6590331		CLUTCH - DRIVE	1
131	9121315		1/4 SQUARE X 1 1/2 LONG KEY	1
132	6590241		COLLAR - MOTOR SHAFT	1
133	6590601		ONAN PROPANE ENGINE 248 WITH SENSOR	1
134	3390661		HOSE CONTROL VALVE	1
135	4890851		CABLE CLAMP	2
136	6590671		LABEL SET - "CLEAN AIR FILTER"	1
137	6590921	191-1949-06	STARTER	1
138	6591481	148-1025	REGULATOR	1
139	6591621	148-1074	FUEL SHUTDOWN WITH FILTER	1
140	6591461	338-3533	WIRE HARNESS ASSEMBLY	1

DECK ASSEMBLY

<u>ITEM</u>	<u>PART NO.</u>	<u>DESCRIPTION</u>	<u>QTY.</u>
201	6590181	FEMALE QUICK CONNECT	1
202	6590171	45 DEGREE STREET ELBOW 1/4	1
203	6590091	PROPANE FUEL HOSE	1
204	2397361	HOUR METER	1
205	6590441	POSITIVE LEAD - HOUR METER	1
	6590451	NEGATIVE LEAD - HOUR METER	1
206	6591621	FUEL SHUTDOWN SOLENOID WITH FILTER	1
207	6591481	REGULATOR	1
208	9121170	1/4-20 X 1/2 HEX BOLT	4
209	9120880	1/4 SPLIT LOCK WASHER	4
210	9120930	9/32 I.D. X 5/8 O.D. X .051/.080 THICK SAE FLAT WASHER (1/4)	4
211	9120970	1/4 EXTERNAL STAR LOCK WASHER	2
212	9121170	1/4-20 X 1/2 HEX BOLT	2
213	6591163	FRONT COVER	1
214	6590671	LABEL SET - "MACHINE NAME AND LOGO"	1
215	6592563	DECK	1
216	6591051	AXLE - 6" MAIN WHEEL	1
217	5293151	RETAINING RING	2
218	9123105	3/4 I.D. X 1 1/4 O.D. X .071 THICK WASHER	2
219	9123110	3/16 I.D. X 1 1/8 O.D. X .13 THICK 1 WAVE SPRING WASHER - VAC TRAC ONLY	2
220	6591111	6" X 1 1/2" WHEEL	2
	6591211	DELRIN BEARING FOR 6" WHEEL (TWO REQUIRED PER WHEEL)	2
221	4991091	3/4 I.D. X 1 1/2 O.D. X .031 THICK FLAT WASHER - PLASTIC	4
222	2790281	3" BUMPER WHEEL	2
223	9122465	.516 I.D. X .813 O.D. X .027 THICK FLAT WASHER	4
224	6591066	AXLE - DOLLY WHEEL	1
225	9122260	3/8-16 X 1 HEX BOLT	2
226	9122100	3/8 SPLIT LOCK WASHER	2
227	9121970	7/16 I.D. X 7/8 O.D. X .075/.080 THICK WROUGHT WASHER (3/8)	2
228	9121560	5/16-18 X 1/2 HEX BOLT	2
229	9121520	5/16 SPLIT LOCK WASHER	2
230	9121390	11/32 I.D. X 11/16 O.D. X .051/.080 THICK SAE FLAT WASHER (5/16)	2
231	9121250	1/4-20 X 3/4 HEX BOLT	2
232	9120880	1/4 SPLIT LOCK WASHER	2
233	4894461	RUBBER STOP	2
234	6591241	DECAL - "UL LISTED"	1
235	9122300	3/8-16 X 1 1/4 HEX BOLT	4
236	9122100	3/8 SPLIT LOCK WASHER	4
237	9121980	7/16 I.D. X 1 O.D. X .075/.080 THICK SAE FLAT WASHER (3/8)	2
238	6590531	BELT ADJUSTMENT BRACKET	1
239	9121970	7/16 I.D. X 7/8 O.D. X .075/.080 THICK WROUGHT WASHER (3/8)	1
240	9122345	3/8-16 X 2 1/2 FULL THREAD HEX HEAD BOLT	1
241	9121210	1/4-20 X 5/8 HEX BOLT - VAC TRAC ONLY	2
242	9120880	1/4 SPLIT LOCK WASHER - VAC TRAC ONLY	2
243	6590071	GASKET - BATTERY	1
244	9121210	1/4-20 X 5/8 HEX BOLT	2
245	9120880	1/4 SPLIT LOCK WASHER	2
246	6590051	CABLE - NEGATIVE BATTERY	1
247	6592779	BATTERY 12 VOLT - INCLUDES:	1
	6592771	BATTERY 12 VOLT	1
	6592763	CLAMP - BATTERY - SHORT	1
248	6590041	CABLE - POSITIVE BATTERY	1
249	6590391	TANK LOCATOR	1

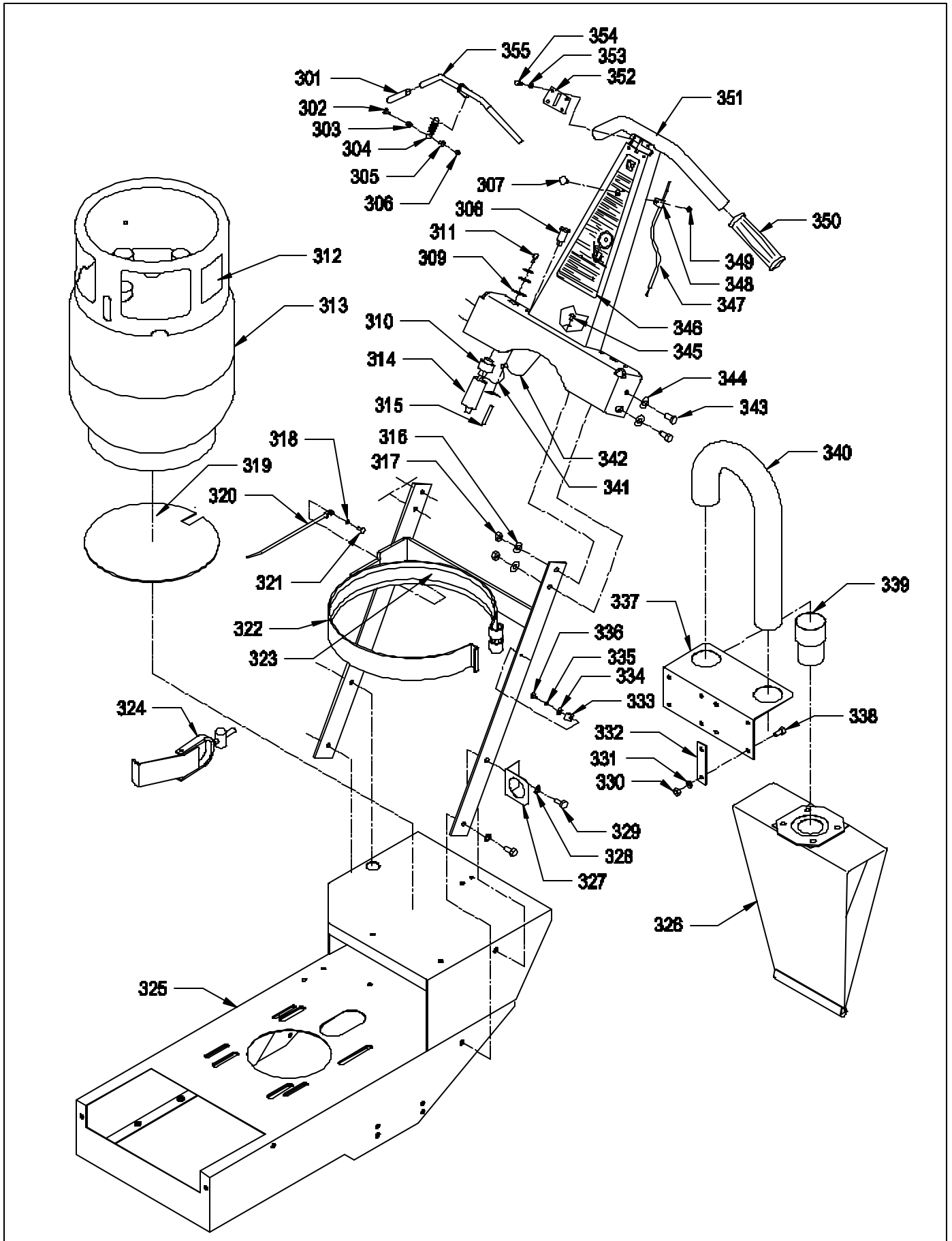
DECK ASSEMBLY



HANDLE ASSEMBLY

<u>ITEM</u>	<u>PART NO.</u>	<u>DESCRIPTION</u>	<u>QTY.</u>
301	6590351	THROTTLE LEVER GRIP	2
302	9120450	10-24 X 1 ROUND HEAD PHILLIPS MACHINE SCREW	1
303	9120360	10-24 HEX NUT WITH STAR LOCK WASHER	1
304	4490641	EXTENSION SPRING	1
305	9120783	10-38 NYLON SCREW INSULATOR	1
306	9120350	10-24 HEX NUT WITH NY-LOK INSERT	1
307	9120510	10-24 X 1/2 TRUSS HEAD PHILLIPS MACHINE SCREW	1
308	6590461	LIGHT	1
309	9122470	9/16 I.D. X 1 3/8 O.D. X .086/.132 THICK WROUGHT WASHER (1/2)	1
310	6590021	KEY SWITCH - INCLUDES:	1
311	6591491	KEY ONLY	1
312	6590671	LABEL KIT - "PROPANE TANK FILL AND STORAGE"	1
313	6590101	PROPANE FUEL TANK	1
314	9997050	1/2" SHRINK TUBE	6"
315	9997100	1 1/2" SHRINK TUBE	4"
316	9121400	3/8 I.D. X 7/8 O.D. X .064/.104 THICK WROUGHT WASHER (5/16)	1
317	9121450	5/16-18 HEX NUT WITH NY-LOK INSERT	4
318	9120320	10 SPLIT LOCK WASHER	1
319	6590081	GASKET - PROPANE TANK	1
320	9123015	3/16 X 7 1/2 LONG #10 MOUNTING HOLE WIRE TIE	1
321	9120410	10-24 X 1/2 ROUND HEAD PHILLIPS MACHINE SCREW	1
322	6590133	HANDLE BASE	1
323	6590497	VELCRO LOOP - 34"	1
324	6590111	CLAMP - TANK	1
325	6592563	DECK	1
326	6592801	VAC TRAC DUST COLLECTION BAG - VAC TRAC ONLY	1
327	6591343	SINGLE HOSE BRACKET - VAC TRAC ONLY	1
328	9121510	5/16 SPLIT LOCK WASHER	4
329	9121600	5/16-18 X 5/8 HEX BOLT	4
330	9120900	1/4-20 HEX NUT WITH NY-LOK INSERT - VAC TRAC ONLY	4
331	9120930	9/32 I.D. X 5/8 O.D. X .051/.080 THICK SAE FLAT WASHER (1/4) - VAC TRAC ONLY	4
332	6591881	CLAMP - DOUBLE HOSE BRACKET - VAC TRAC ONLY	2
333	4894071	CLAMP - .437 DIAMETER CABLE - HEYCO	1
334	9120370	7/32 I.D. X 1/2 O.D. X .032/.065 THICK SAE FLAT WASHER (#10)	1
335	9120320	10 SPLIT LOCK WASHER	1
336	9120500	10-24 X 3/8 TRUSS HEAD PHILLIPS MACHINE SCREW	1
337	6592883	DOUBLE HOSE BRACKET - VAC TRAC ONLY	1
338	9121250	1/4-20 X 3/4 HEX BOLT WITH NYLON PATCH - VAC TRAC ONLY	4
339	2590391	2" HOSE CUFF - VAC TRAC ONLY	1
340	6591971	2" DIAMETER HOSE - 54" LONG - VAC TRAC ONLY	1
341	6590541	POSITIVE LEAD - LIGHT	1
342	6590551	NEGATIVE LEAD - LIGHT	1
343	9121680	5/16-18 X 1 HEX BOLT	4
344	9121400	3/8 I.D. X 7/8 O.D. X .064/.104 THICK WROUGHT WASHER (5/16)	4
345	9120500	10-24 X 3/8 TRUSS HEAD PHILLIPS MACHINE SCREW	1
346	6590671	LABEL SET - "MACHINE OPERATION AND STARTING"	1
347	6590151	CABLE - THROTTLE	1
348	6590361	CABLE CLIP	1
349	9120350	10-24 HEX NUT WITH NY-LOK INSERT	1
350	6590411	HANDLE GRIP	2
351	6590123	HANDLE - UPPER	1
352	6590163	THROTTLE LEVER PLATE	1
353	9120320	10 SPLIT LOCK WASHER	4
354	9120615	10-24 X 3/8 SOCKET HEAD CAP SCREW	4
355	6590141	THROTTLE LEVER	1

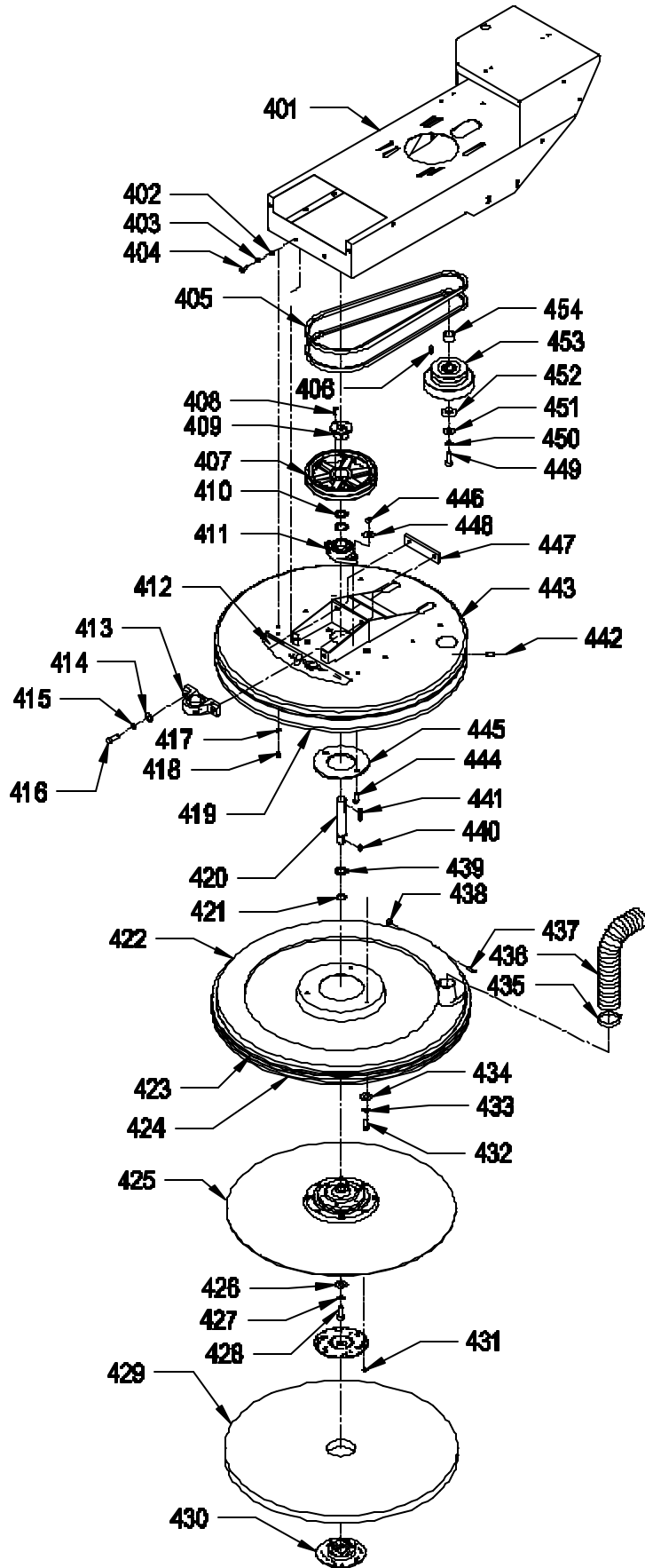
HANDLE ASSEMBLY



SKIRT ASSEMBLY

ITEM	PART NO.	DESCRIPTION	QTY.
401	6592563	DECK	1
402	9120930	9/32 I.D. X 5/8 O.D. X .051/.080 THICK FLAT WASHER (1/4)	2
403	9120880	1/4 SPLIT LOCK WASHER	2
404	9121210	1/4-20 X 3/4 HEX BOLT	2
405	6590341	BELT - DRIVE	2
406	9121315	1/4 SQUARE X 1 1/2 LONG KEY	1
407	6592999	DOUBLE GROOVE SHEAVE KIT - INCLUDES:	1
	6592971	DOUBLE GROOVE SHEAVE	1
408	9121251	1/4-20 X 3/4 HEX BOLT	2
409	6592961	SPLIT TAPERED BUSHING	1
410	6590521	1 I.D. X 1.5 O.D. X .13 THICK FLAT WASHER - 10 GAGE	2
411	6590271	BEARING - LOWER DRIVEN	1
	9121365	1/4-28 X 1/4 SET SCREW - KNURL POINT	2
412	6590671	LABEL SET - "PAD APPLICATION"	1
413	6591241	BEARING - UPPER DRIVEN	1
	9121365	1/4-28 X 1/4 SET SCREW - KNURL POINT	2
414	9122180	13/32 I.D. X 13/16 O.D. X .051/.080 THICK WROUGHT WASHER (3/8)	2
415	9122100	3/8 SPLIT LOCK WASHER	2
416	9122300	3/8-16 X 1 1/4 HEX BOLT	2
417	9120880	1/4 SPLIT LOCK WASHER	12
418	9121170	1/4-20 X 1/2 HEX BOLT	12
419	6590407	BUMPER - WARHORSE 27 ONLY	1
420	6590281	SHAFT - DRIVEN - WARHORSE 27	1
	6592591	SHAFT - DRIVEN - WARHORSE 27 VAC TRAC	1
421	6590321	1" EXTERNAL RETAINING RING	1
422	6591379	FLEXIWALL SHIELD ASSEMBLY - VAC TRAC ONLY - INCLUDES:	1
423	6592552	BUMPER STRAP - VAC TRAC ONLY	1
424	6592531	BUMPER / BRUSH - VAC TRAC ONLY	1
425	6590308	PAD DRIVER 27" (DOES NOT INCLUDE PAD HOLDER SET)	1
426	9122400	1/2 I.D. X 1 3/32 O.D. X .074/.121 THICK SAE FLAT WASHER (7/16)	1
427	9122100	3/8 SPLIT LOCK WASHER	1
428	9122260	3/8-16 X 1 HEX BOLT	1
429	-----	PAD - SEE ACCESSORIES PAGE FOR TYPES	1
430	5990721	SPRING CLIP PAD HOLDER SET	1
431	9120790	10 X 5/8 PAN HEAD PHILLIPS SHEET METAL SCREW	3
432	9121210	1/4-20 X 5/8 HEX BOLT	3
433	9120880	1/4 SPLIT LOCK WASHER	3
434	9120950	1/4 X 1 1/4 FENDER WASHER	3
435	4495441	HOSE CLAMP - 1 9/16 TO 2 1/2 DIAMETER - VAC TRAC ONLY	1
436	6591971	2" DIAMETER HOSE - 54" LONG - VAC TRAC ONLY	1
437	9120450	10-24 X 1 ROUND HEAD PHILLIPS MACHINE SCREW	1
438	9120350	10-24 HEX NUT WITH NY-LOK INSERT	1
439	6590521	1 I.D. X 1.5 O.D. X .13 THICK FLAT WASHER - 10 GAGE	1
440	9120825	3/16 SQUARE X 7/8 LONG KEY	1
441	9121315	1/4 SQUARE X 1 1/2 LONG KEY	1
442	9120309	1/8 X 1/2 DOME HEAD POP RIVET - STEEL - WARHORSE 27 ONLY	1
443	6590239	SKIRT - WARHORSE 27 - INCLUDES:	1
	6590233	SKIRT 27" - WARHORSE 27	1
444	9122075	3/8-16 X 1 1/2 HEX BOLT	2
445	6592911	REINFORCEMENT RING	1
446	9122140	3/8-16 HEX NUT WITH NY-LOK INSERT	2
443	6591369	SKIRT - WARHORSE 27 VAC TRAC - INCLUDES:	1
	6591363	SKIRT - 27" - WARHORSE VAC TRAC	1
444	9122075	3/8-16 X 1 1/2 HEX BOLT	2
445	6592911	REINFORCEMENT RING	1
446	9122140	3/8-16 HEX NUT WITH NY-LOK INSERT	2
447	6590251	TAPPING PLATE - UPPER BEARING	1
448	9122180	13/32 I.D. X 13/16 O.D. X .051/.080 THICK WROUGHT WASHER (3/8)	2
449	9122380	7/16-20 X 1 1/4 HEX BOLT - ZINC	1
450	9122390	7/16 SPLIT LOCK WASHER	1
451	9121980	7/16 I.D. X 1 O.D. X .075/.080 THICK SAE FLAT WASHER (7/16)	1
452	9122470	9/16 I.D. X 1 3/8 O.D. X .086/.132 THICK WROUGHT WASHER (1/2)	1
453	6590331	CLUTCH - DRIVE	1
454	6590241	COLLAR - MOTOR SHAFT	1

SKIRT ASSEMBLY



ACCESSORIES



6594019 SETTING FIXTURE - 27" VAC TRAC
6594119 SETTING FIXTURE - 27"



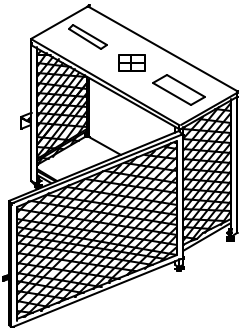
1093621 BAG SNAP - VAC TRAC ONLY
1099801 HANGER RING ONLY - WITHOUT SNAP - VAC TRAC ONLY



5990601 BIG MOUTH PAD HOLDER SET
5990611 BIG MOUTH - MALE THREAD PORTION



7992751 27" LITE BLUE SOFT FINISH PAD
7992761 27" LITE HAIR BURNISH PAD
7992781 27" ULTRA HAIR HARD FINISH PAD
7992791 27" ULTIMATE HAIR PAD



6590801 L.P. TANK STORAGE CAGE



NSS ® Enterprises, Inc.

3115 Frenchmens Road, Toledo, Ohio 43607
PHONE (419) 531-2121 FAX (419) 531-3761

NSS ® Enterprises, Inc. European Distribution Centre

Unit II, Pinfold Trading Estate * 55 Nottingham Road
STAPLEFORD, NOTTINGHAM NG9 8AD ENGLAND U.K.
PHONE: (44) 0115 939 1568 * FAX: (44) 0115 949 0615