

# SweepMaster 28B & 28G

## Parts List

---

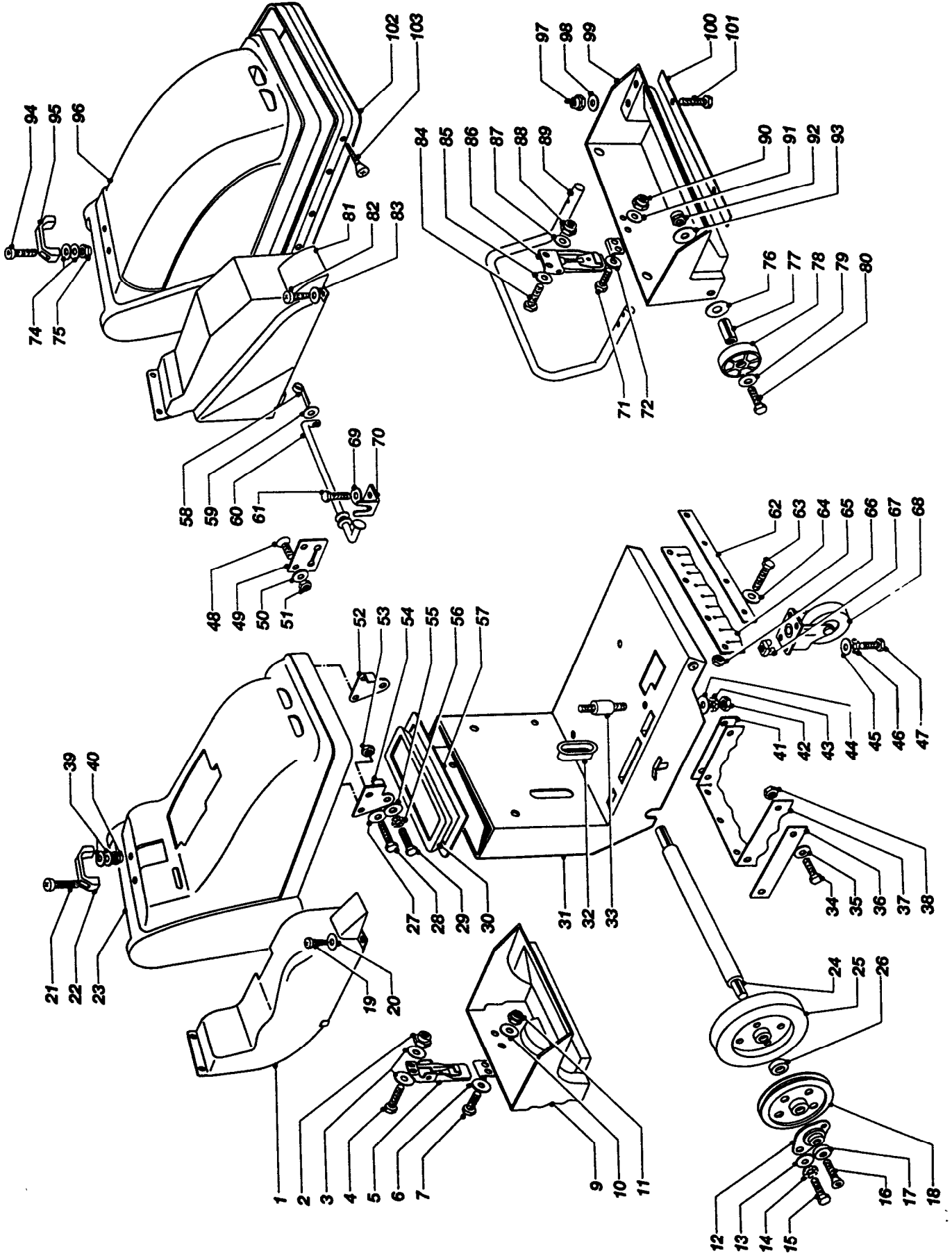
The contents of this manual are based on the latest product information available at the time of publication. Pacific Steamex reserves the right to make changes or improvements to its machines without notice.

For new books write to:  
*Pacific Steamex, Inc.*  
2259 S. Sheridan  
Muskegon, MI 49442-6252

FOR YOUR CONVENIENCE, RECORD THE MACHINE MODEL AND SERIAL NUMBER HERE:

MODEL \_\_\_\_\_

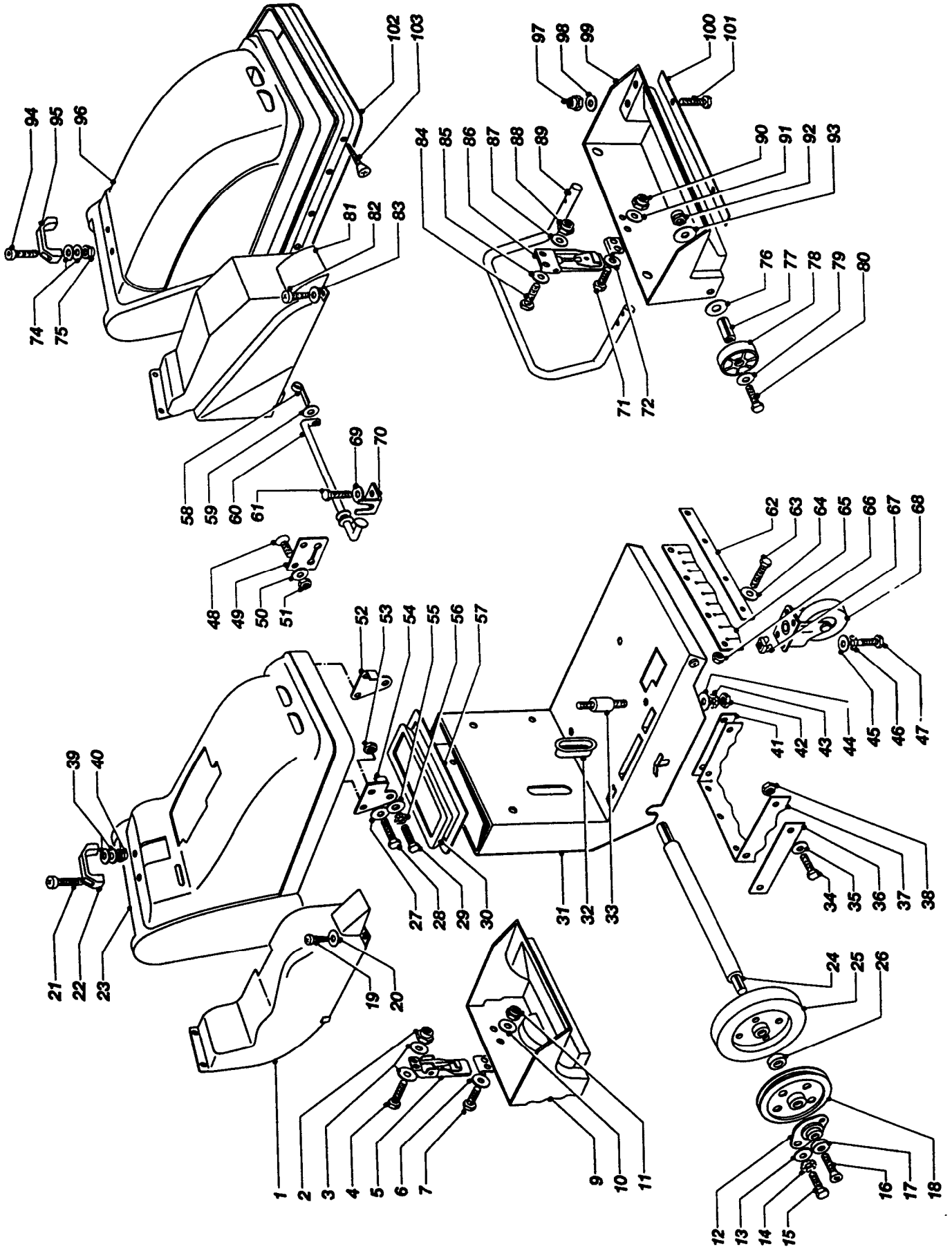
SERIAL NUMBER \_\_\_\_\_



DRAWING 01

| ITEM | PART NUMBER | DESCRIPTION          | QTY. |
|------|-------------|----------------------|------|
| 1    | R3446030    | Cover                | 1    |
| 2    | T1020301    | Nut                  |      |
| 3    | T1103001    | Washer               |      |
| 4    | T0910301    | Screw                |      |
| 5    | T4400001    | Hopper Hook          | 1    |
| 6    | T1103001    | Washer               |      |
| 7    | T0910301    | Screw                |      |
| 9    | R3141090    | Hopper               | 1    |
| 10   | T1103001    | Washer               |      |
| 11   | T1020301    | Nut                  |      |
| 12   | T0541701    | Support              | 4    |
| 13   | T1106001    | Washer               |      |
| 14   | T1306001    | Washer               |      |
| 15   | T0910602    | Screw                |      |
| 16   | T0910502    | Screw                |      |
| 17   | T4803011    | Cover                | 2    |
| 18   | E9431040    | Pulley               | 1    |
| 19   | T0940507    | Screw                |      |
| 20   | T1060501    | Nut                  |      |
|      | T1105001    | Washer               |      |
| 21   | T0980603    | Screw                |      |
| 22   | T4100008    | Handle               | 1    |
| 23   | R3446020    | Cover                | 1    |
| 24   | R3417010    | Shaft                | 1    |
| 25   | E7010030    | Wheel                | 2    |
| 26   | R3117030    | Spacer               | 3    |
| 27   | T1106001    | Washer               |      |
| 28   | T0980603    | Screw                |      |
| 29   | T0980603    | Screw                |      |
| 30   | R3241010    | Cover                | 1    |
| 31   | E9934100    | Frame                | 1    |
| 32   | E7402010    | Vacuum Gasket        | 1    |
| 33   | E8730010    | Antivibration Device | 4    |
| 34   | T0910502    | Screw                |      |
| 35   | T1105001    | Washer               |      |
| 36   | R3141040    | Metal Strip          | 1    |
| 37   | R3441020    | Flap, Rear           | 1    |
| 38   | T1020501    | Nut                  |      |
| 39   | T1106001    | Washer               |      |
| 40   | T1020601    | Nut                  |      |

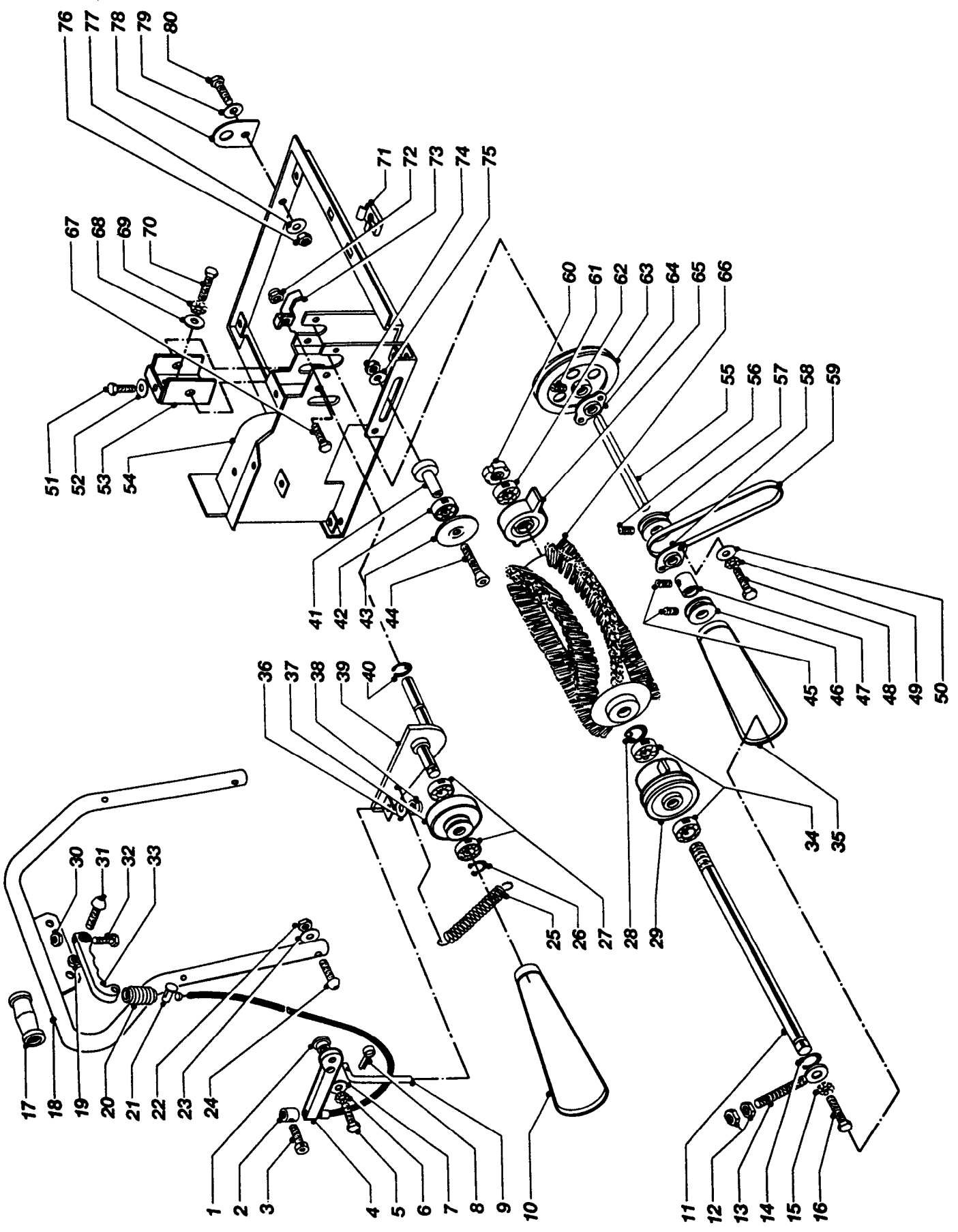
| ITEM | PART NUMBER | DESCRIPTION  | QTY. |
|------|-------------|--------------|------|
| 41   | R3141030    | Metal Strip  | 1    |
| 42   | T1010801    | Nut          |      |
| 43   | T1308001    | Washer       |      |
| 45   | T1108002    | Washer       |      |
| 46   | T1308001    | Washer       |      |
| 47   | T0910802    | Screw        |      |
| 48   | T0910602    | Screw        |      |
| 49   | R3146060    | Guide        |      |
| 50   | T1106001    | Washer       |      |
| 51   | T1020601    | Nut          |      |
| 52   | R3147040    | Left Hinge   | 1    |
| 53   | T1020601    | Nut          |      |
| 54   | R3147060    | Right Hinge  | 1    |
| 55   | T1106001    | Washer       |      |
| 56   | T1306001    | Washer       |      |
| 57   | E7400010    | Magnetic Bar |      |
| 58   | T1600002    | Pin          |      |
| 59   | T1106001    | Washer       |      |
| 60   | R3146050    | Prop         |      |
| 61   | T0910802    | Screw        |      |
| 62   | R3441030    | Metal Strip  | 1    |
| 63   | T0980506    | Screw        |      |
| 64   | T1105001    | Washer       |      |
| 65   | R3441010    | Front Flap   | 1    |
| 66   | T1010501    | Nut          |      |
| 67   | T1050801    | Nut          |      |
| 68   | E7050040    | Caster       | 1    |
| 69   | T1308001    | Washer       |      |
| 70   | R3146070    | Bracket      | 1    |
| 71   | T0980601    | Screw        |      |
| 72   | T1106001    | Washer       |      |
| 74   | T1106001    | Washer       |      |
| 75   | T1020601    | Nut          |      |
| 76   | T1108011    | Washer       |      |
| 77   | R3441090    | Wheel Pin    | 2    |
| 78   | E7010050    | Wheel        | 2    |
| 79   | T1108001    | Washer       |      |
| 80   | T0930802    | Screw        |      |
| 81   | R3146020    | Cover        | 1    |
| 82   | T0940507    | Screw        |      |



DRAWING 01

| ITEM | PART NUMBER | DESCRIPTION | QTY. |
|------|-------------|-------------|------|
| 83   | T1060501    | Nut         |      |
|      | T1105001    | Washer      |      |
| 84   | T0980601    | Screw       |      |
| 85   | T1106001    | Washer      |      |
| 86   | T4400005    | Hopper Hook | 1    |
| 87   | T1106001    | Washer      |      |
| 88   | T1020601    | Nut         |      |
| 89   | R3441044    | Handle      | 1    |
| 90   | T1020601    | Nut         |      |
| 91   | T1106001    | Washer      |      |
| 92   | T1020802    | Nut         |      |

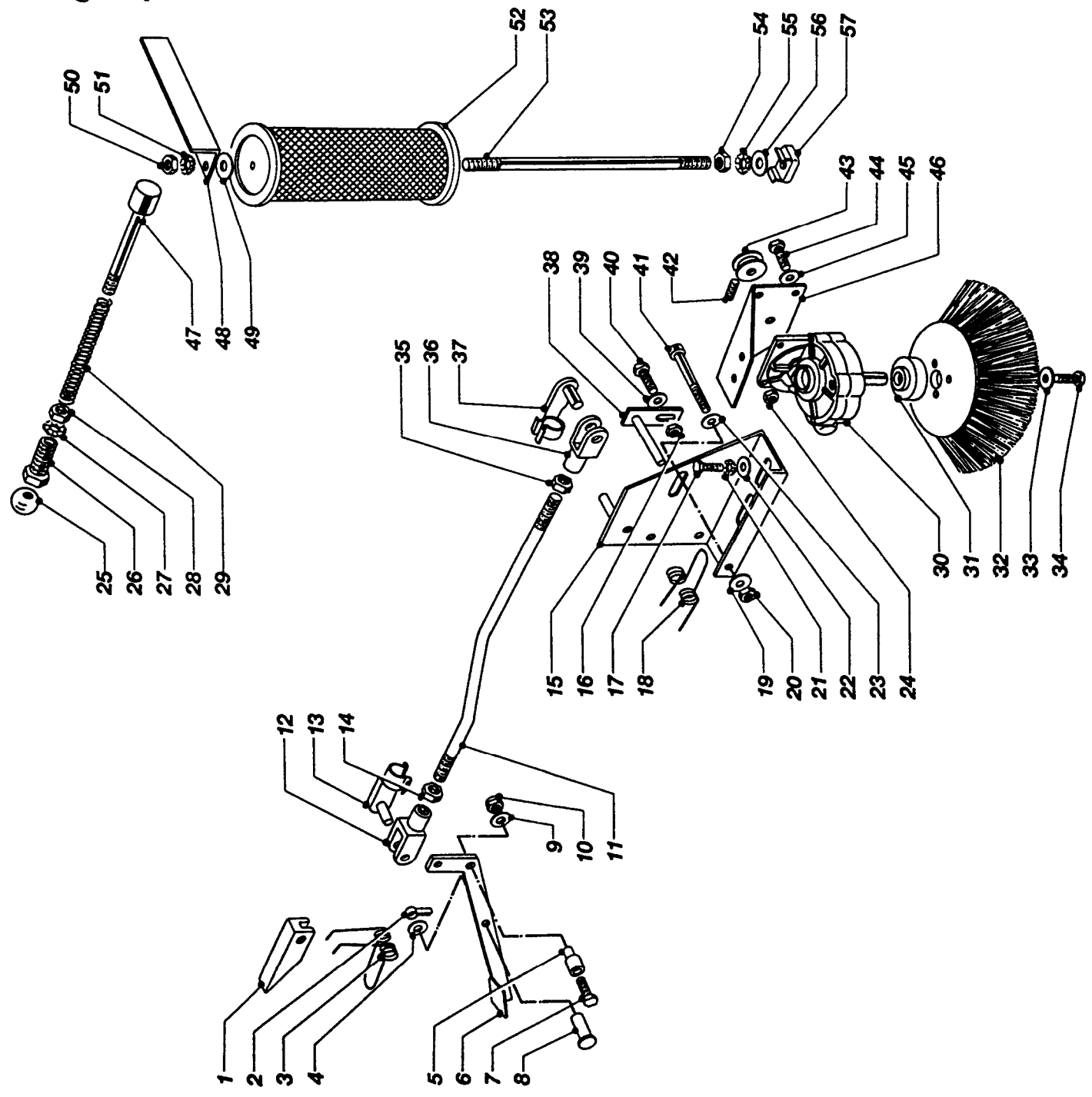
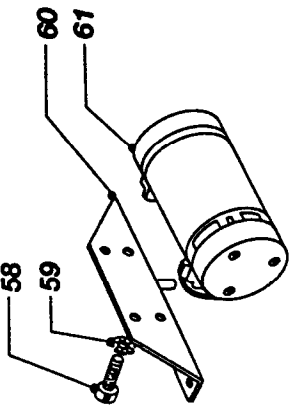
| ITEM | PART NUMBER | DESCRIPTION | QTY. |
|------|-------------|-------------|------|
| 93   | T1108011    | Washer      |      |
| 94   | T0980603    | Screw       |      |
| 95   | T4100008    | Handle      | 1    |
| 96   | R3346010    | Cover       | 1    |
| 97   | T1020601    | Nut         |      |
| 98   | T1106001    | Washer      |      |
| 99   | R3441040    | Hopper      | 1    |
| 100  | E7402030    | Gasket      |      |
| 101  | T0930601    | Screw       |      |
| 102  | E7402020    | Bumper      | 1    |
| 103  | T09A0303    | Screw       |      |



DRAWING 02

| ITEM | PART NUMBER | DESCRIPTION    | QTY. |
|------|-------------|----------------|------|
| 1    | E9131010    | Bushing        | 1    |
| 2    | T4802002    | Holdfast       |      |
| 3    | T0910412    | Screw          |      |
| 4    | R3128040    | Bracket        | 1    |
| 5    | T0910803    | Screw          |      |
| 6    | T1308001    | Washer         |      |
| 7    | T1108001    | Washer         |      |
| 8    | T1600003    | Pin            |      |
| 9    | R3128050    | Rod            | 1    |
| 10   | T0110004    | Belt           | 1    |
| 11   | R3407010    | Shaft          | 1    |
| 12   | T1010601    | Nut            |      |
| 13   | R3107030    | Tie Rod        | 2    |
| 14   | T0220001    | Ring           |      |
| 15   | T1308001    | Washer         |      |
| 16   | T0910802    | Screw          |      |
| 17   | T4100001    | Knob           | 2    |
| 18   | R3447010    | Handle         | 1    |
| 19   | T1020601    | Nut            |      |
| 20   | E7401010    | Bellows        | 2    |
| 21   | T4802003    | Cable Holder   | 2    |
| 22   | T1020601    | Nut            |      |
| 23   | T1106002    | Washer         |      |
| 24   | T0990602    | Screw          |      |
| 25   | E9220010    | Spring         |      |
| 26   | T0220002    | Ring           |      |
| 27   | T0511001    | Bearing        |      |
| 28   | T0220001    | Ring           |      |
| 29   | E9431060    | Pulley         | 1    |
| 30   | T1020602    | Nut            |      |
| 31   | T0990603    | Screw          |      |
| 32   | T0910605    | Screw          |      |
| 33   | R3147030    | Handle         | 2    |
| 34   | T0511501    | Bearing        |      |
| 35   | T0110003    | Belt           | 1    |
| 36   | T1105001    | Washer         |      |
| 37   | R3128030    | Traction Wheel | 1    |
| 38   | T1010505    | Nut            |      |
| 39   | R3128010    | Traction Lever | 1    |
| 40   | T0220003    | Ring           |      |

| ITEM | PART NUMBER | DESCRIPTION       | QTY. |
|------|-------------|-------------------|------|
| 41   | R3117070    | Tension Pin, Belt | 1    |
| 42   | T0511203    | Bearing           |      |
| 43   | T1108011    | Washer            |      |
| 44   | T0980805    | Screw             |      |
| 45   | T0960605    | Screw             |      |
| 46   | E9431020    | Pulley            | 1    |
| 47   | R3117050    | Traction Roll     | 1    |
| 48   | T0910801    | Screw             |      |
| 49   | T1308001    | Washer            |      |
| 50   | T1108001    | Washer            |      |
| 51   | T0910605    | Screw             |      |
| 52   | T1306001    | Washer            |      |
| 53   | R3117060    | Support Plate     | 1    |
| 54   | R3417020    | Bracket           | 1    |
| 55   | R3117040    | Shaft             | 1    |
| 56   | T0960605    | Screw             |      |
| 57   | E9432010    | Pulley            | 1    |
| 58   | T0541701    | Support Plate     |      |
| 59   | T0110005    | Belt              | 1    |
| 60   | E8710010    | Ring Nut          | 1    |
| 61   | T1020801    | Nut               |      |
| 62   | T0511501    | Bearing           |      |
| 63   | E9431030    | Pulley            | 1    |
| 64   | T0541701    | Support           |      |
| 65   | R3107010    | Brush Holder      |      |
| 66   | E6834010    | Central Brush     | 1    |
| 67   | T0980501    | Screw             |      |
| 68   | T1108002    | Washer            |      |
| 69   | T1308001    | Washer            |      |
| 70   | T0910802    | Screw             |      |
| 71   | T1050801    | Nut               |      |
| 72   | T1020501    | Nut               |      |
| 73   | R3108120    | Belt Fastener     | 1    |
| 74   | T1020801    | Nut               |      |
| 75   | T1108002    | Washer            |      |
| 76   | T1020501    | Nut               |      |
| 77   | T1105002    | Washer            |      |
| 78   | R3430060    | Support           | 1    |
| 79   | T1105002    | Washer            |      |
| 80   | T0910502    | Screw             |      |

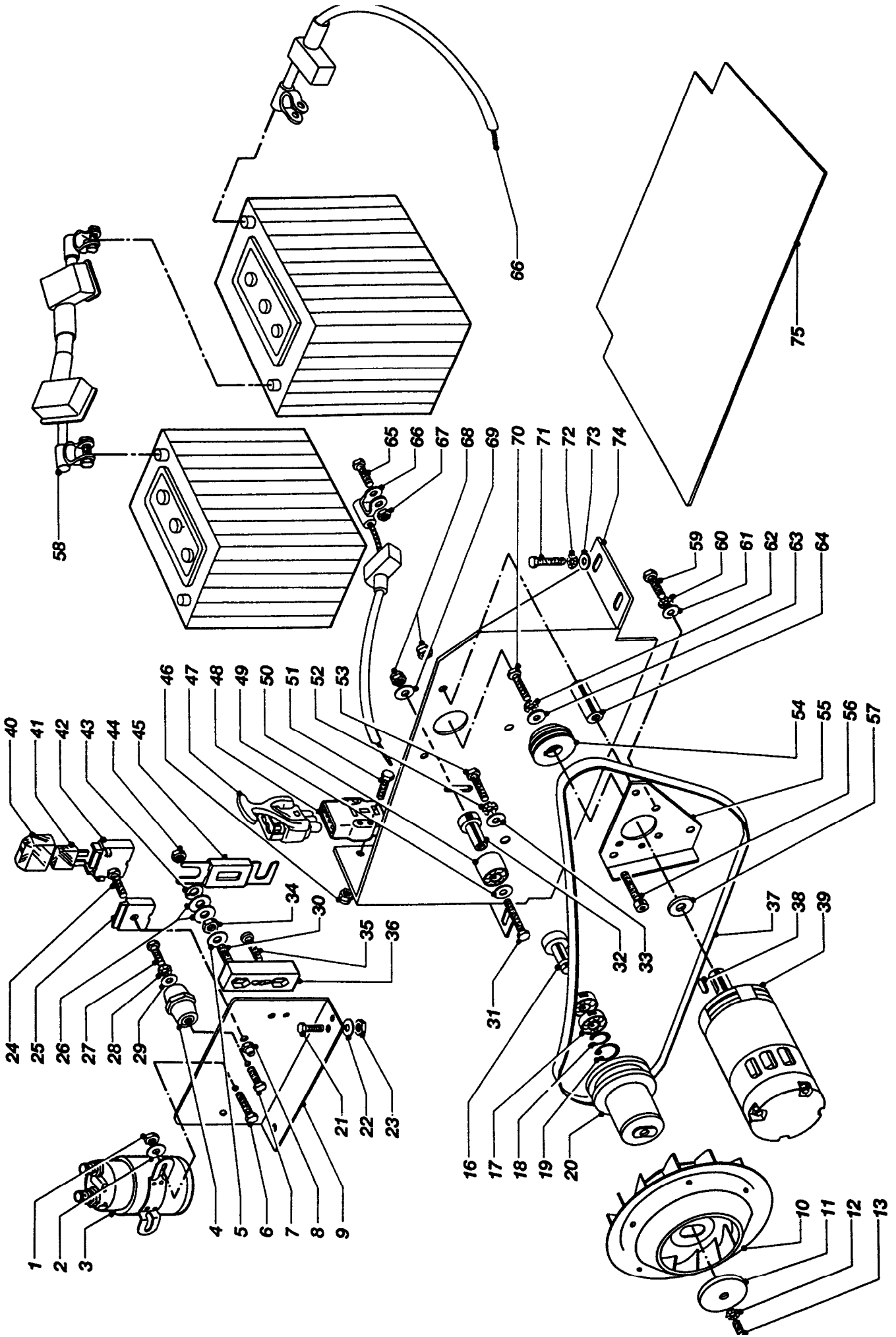




DRAWING 03

| ITEM | PART NUMBER | DESCRIPTION    | QTY. |
|------|-------------|----------------|------|
| 1    | R3108060    | Brush Pedal    | 1    |
| 2    | T1502001    | Pin            | 1    |
| 3    | E9230020    | Spring         | 1    |
| 4    | T1108001    | Washer         | 1    |
| 5    | R3108080    | Pin            | 1    |
| 6    | R3108050    | Pedal          | 1    |
| 7    | T0910605    | Screw          | 1    |
| 8    | R3108070    | Pin            | 1    |
| 9    | T1106002    | Washer         | 1    |
| 10   | T1020601    | Nut            | 1    |
| 11   | R3108090    | Rod            | 1    |
| 12   | T4610001    | Fork           | 1    |
| 13   | T4620003    | Fork Pin       | 1    |
| 14   | T1010801    | Nut            | 1    |
| 15   | R3108020    | Bracket        | 1    |
| 16   | T1020601    | Nut            | 1    |
| 17   | T0910802    | Screw          | 1    |
| 18   | E9230010    | Spring         | 1    |
| 19   | T1108001    | Washer         | 1    |
| 20   | T1020802    | Nut            | 1    |
| 21   | T1308001    | Washer         | 1    |
| 22   | T1108002    | Washer         | 1    |
| 23   | T1108001    | Washer         | 1    |
| 24   | T1020601    | Nut            | 1    |
| 25   | T4008001    | Ball Grip      | 1    |
| 26   | R3156010    | Guide          | 1    |
| 27   | T1314001    | Washer         | 1    |
| 28   | T1011401    | Nut            | 1    |
| 29   | E9210010    | Spring         | 1    |
| 30   | E8600020    | Reduction Gear | 1    |

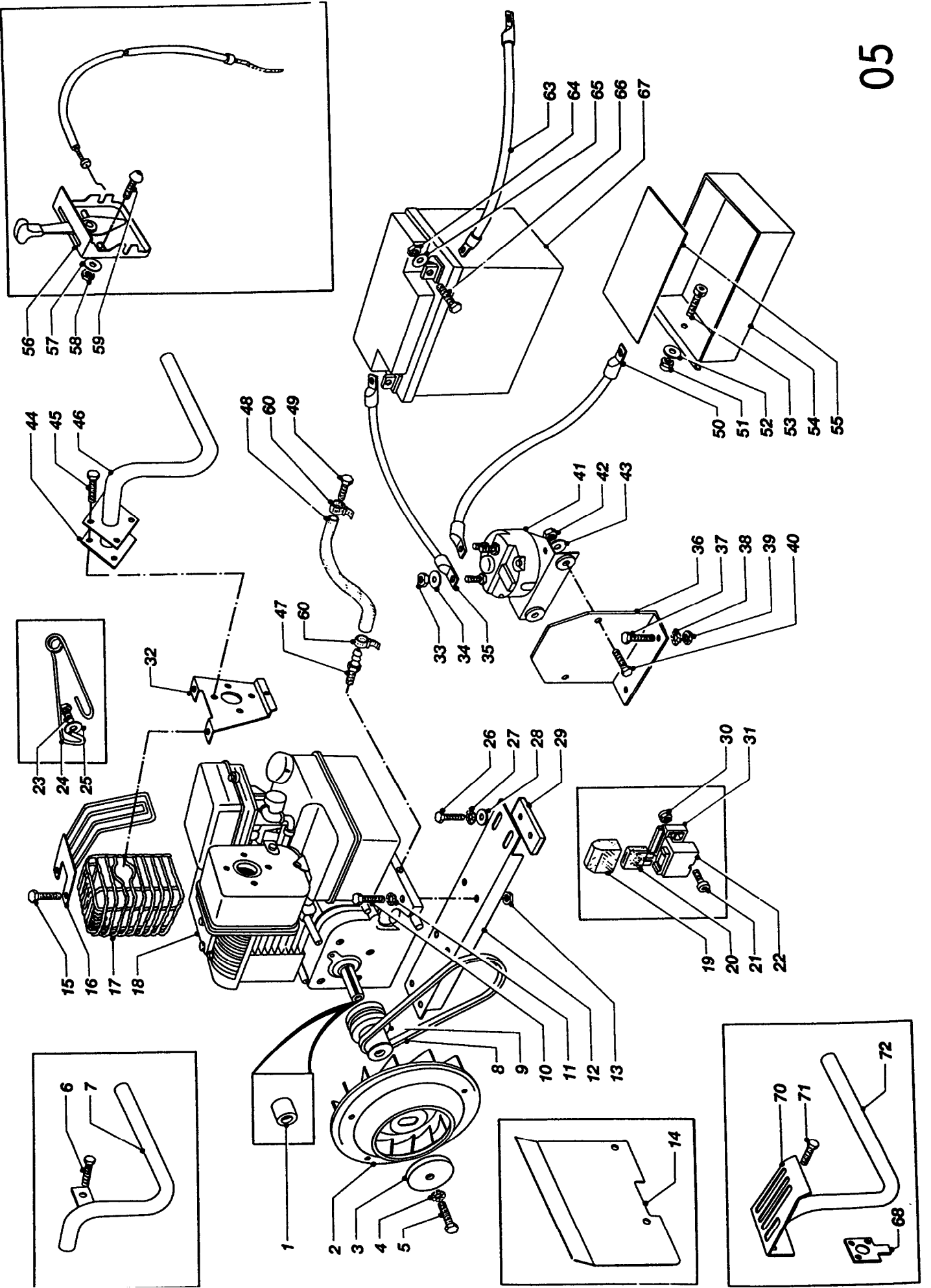
| ITEM | PART NUMBER | DESCRIPTION          | QTY. |
|------|-------------|----------------------|------|
| 31   | R3208020    | Brush Holder         | 1    |
| 32   | E6831020    | Side Brush           | 1    |
| 33   | T1106002    | Washer               | 1    |
| 34   | T0910603    | Screw                | 1    |
| 35   | T1010801    | Nut                  | 1    |
| 36   | T4610001    | Fork                 | 1    |
| 37   | T4620003    | Fork Pin             | 1    |
| 38   | R3108030    | Bracket Pin          | 1    |
| 39   | T1106001    | Washer               | 1    |
| 40   | T0910602    | Screw                | 1    |
| 41   | T0930802    | Screw                | 1    |
| 42   | T0960605    | Screw                | 1    |
| 43   | E9432020    | Pulley               | 1    |
| 44   | T0910603    | Screw                | 1    |
| 45   | T1106001    | Washer               | 1    |
| 46   | R3208010    | Support              | 1    |
| 47   | R3141080    | Filter Shaker        | 1    |
| 49   | E8720010    | Rubber Washer        | 1    |
| 50   | T1020802    | Nut                  | 1    |
| 51   | T1308001    | Washer               | 1    |
| 52   | E6500010    | Filter               | 3    |
| 53   | R3141060    | Tie Rod              | 3    |
| 54   | T1010801    | Nut                  | 1    |
| 55   | T1308001    | Washer               | 1    |
| 56   | T1108002    | Washer               | 1    |
| 57   | T1050801    | Nut                  | 1    |
| 58   | T0910602    | Screw                | 1    |
| 59   | T1306001    | Washer               | 1    |
| 60   | R3441080    | Frame, Filter Shaker | 1    |
| 61   | E8210020    | Filter Shaker        | 1    |



DRAWING 04 - 28B ONLY

| ITEM | PART NUMBER | DESCRIPTION          | QTY. |
|------|-------------|----------------------|------|
| 1    | T1020601    | Nut                  |      |
| 2    | T1106001    | Washer               |      |
| 3    | E8410001    | Switch               | 1    |
| 4    | T2903002    | Insulator            | 1    |
| 5    | T1110008    | Washer               |      |
| 6    | T0910602    | Screw                |      |
| 7    | T0910501    | Screw                |      |
| 8    | T1020401    | Nut                  |      |
| 9    | R3151010    | Bracket              | 1    |
| 10   | T5410001    | Fan                  | 1    |
| 11   | R3141190    | Washer               | 1    |
| 12   | T1308001    | Washer               |      |
| 13   | T0910802    | Screw                |      |
| 16   | R3141180    | Pin                  |      |
| 17   | T0511502    | Bearing              |      |
| 18   | T0220001    | Ring                 |      |
| 19   | T0210002    | Ring                 |      |
| 20   | E9431050    | Pulley               | 1    |
| 21   | T0910602    | Screw                |      |
| 22   | T1106001    | Washer               |      |
| 23   | T1020601    | Nut                  |      |
| 24   | T0910411    | Screw                |      |
| 25   | T2911003    | Coupler, Fuse Holder | 1    |
| 26   | T1110008    | Washer               |      |
| 27   | T0910501    | Screw                |      |
| 28   | T1305001    | Washer               |      |
| 29   | T1105001    | Washer               |      |
| 30   | T0911010    | Screw                |      |
| 31   | T0910804    | Screw                |      |
| 32   | R3141180    | Pin                  | 1    |
| 33   | T1108002    | Washer               |      |
| 34   | T1021001    | Nut                  |      |
| 35   | T0910406    | Screw                |      |
| 36   | T2400004    | Fuse Holder          | 1    |
| 37   | T0110002    | Belt                 | 1    |
| 38   | T0405051    | Key                  | 1    |
| 39   | E8210010    | Motor                | 1    |

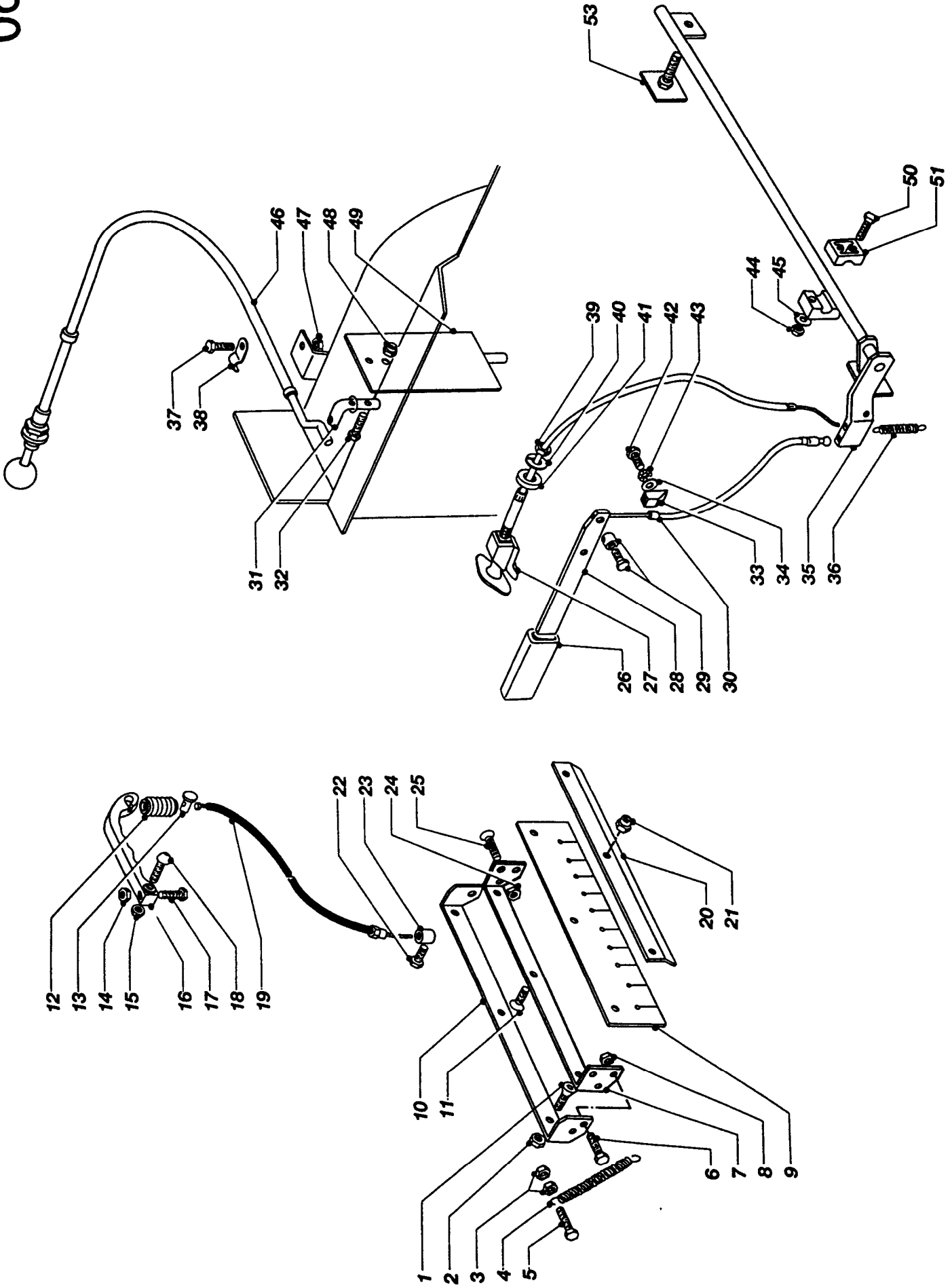
| ITEM | PART NUMBER | DESCRIPTION                 | QTY. |
|------|-------------|-----------------------------|------|
| 40   | T2400014    | Fuse Cover                  | 1    |
| 41   | T2401001    | Fuse                        | 1    |
| 42   | T2400010    | Fuse Holder                 | 1    |
| 43   | T1110004    | Washer                      |      |
| 44   | T1021001    | Nut                         |      |
| 45   | T2410001    | Fuse                        | 1    |
| 46   | T1020401    | Nut                         |      |
| 47   | M2270001    | Connector                   | 1    |
| 48   | E8000700    | Female Connector            | 1    |
| 49   | T1108001    | Washer                      |      |
| 50   | T0511203    | Bearing                     |      |
| 51   | T0910408    | Screw                       |      |
| 52   | T1308001    | Washer                      |      |
| 53   | T0910801    | Screw                       |      |
| 54   | E9431010    | Pulley                      | 1    |
| 55   | R3130010    | Motor Bracket               | 1    |
| 56   | T0930802    | Screw                       |      |
| 57   | E9014050    | Spacer                      | 1    |
| 58   | E8000440    | Cable                       | 1    |
| 59   | T0910602    | Screw                       |      |
| 60   | T1306001    | Washer                      |      |
| 61   | T1106002    | Washer                      |      |
| 62   | T1306001    | Washer                      |      |
| 63   | T1106002    | Washer                      |      |
| 64   | R3130020    | Spacer                      | 3    |
| 65   | T0910619    | Screw                       |      |
| 66   | M2800010    | Battery Cable w/o Connector | 1    |
| 67   | T1010604    | Nut                         |      |
| 68   | T1020802    | Nut                         |      |
| 69   | T1108001    | Washer                      |      |
| 70   | T0910602    | Screw                       |      |
| 71   | T0910802    | Screw                       |      |
| 72   | T1308001    | Washer                      |      |
| 73   | T1108002    | Washer                      |      |
| 74   | R3141170    | Bracket                     | 1    |
| 75   | E6333010    | Battery Mat                 | 1    |



DRAWING 05 - 28G ONLY

| ITEM | PART NUMBER | DESCRIPTION         | QTY. |
|------|-------------|---------------------|------|
| 2    | T5410001    | Fan                 | 1    |
| 3    | R3141190    | Washer              | 1    |
| 4    | T1308001    | Washer              |      |
| 5    | T0902401    | Screw               | 1    |
| 8    | T0110001    | Belt                | 1    |
| 9    | E9432030    | Pulley              | 1    |
| 10   | T0910803    | Screw               |      |
| 11   | T1308001    | Washer              |      |
| 12   | R3430090    | Bracket-Motor       | 1    |
| 13   | T1010801    | Nut                 |      |
| 14   | R3430110    | Protection Cover    | 1    |
| 15   | T0910501    | Screw               |      |
| 16   | R3430040    | Bracket             | 1    |
| 18   | M2820004    | Engine, 5.5HP Honda | 1    |
| 19   | T2400014    | Cover               | 1    |
| 20   | T2401501    | Fuse                | 1    |
| 21   | T0970303    | Screw               |      |
| 22   | T2911003    | Coupler             | 1    |
| 23   | T09A0402    | Screw               |      |
| 25   | T1105001    | Washer              |      |
| 26   | T0910802    | Screw               |      |
| 27   | T1308001    | Washer              |      |
| 28   | T1108002    | Washer              |      |
| 30   | T1020301    | Nut                 |      |
| 31   | T2400010    | Fuseholder          | 1    |
| 33   | T1010601    | Nut                 |      |
| 34   | T1106001    | Washer              |      |
| 35   | E8000771    | Cable               | 1    |
| 36   | E8740010    | Support             | 1    |
| 37   | T0910603    | Screw               |      |
| 38   | T1308001    | Washer              |      |

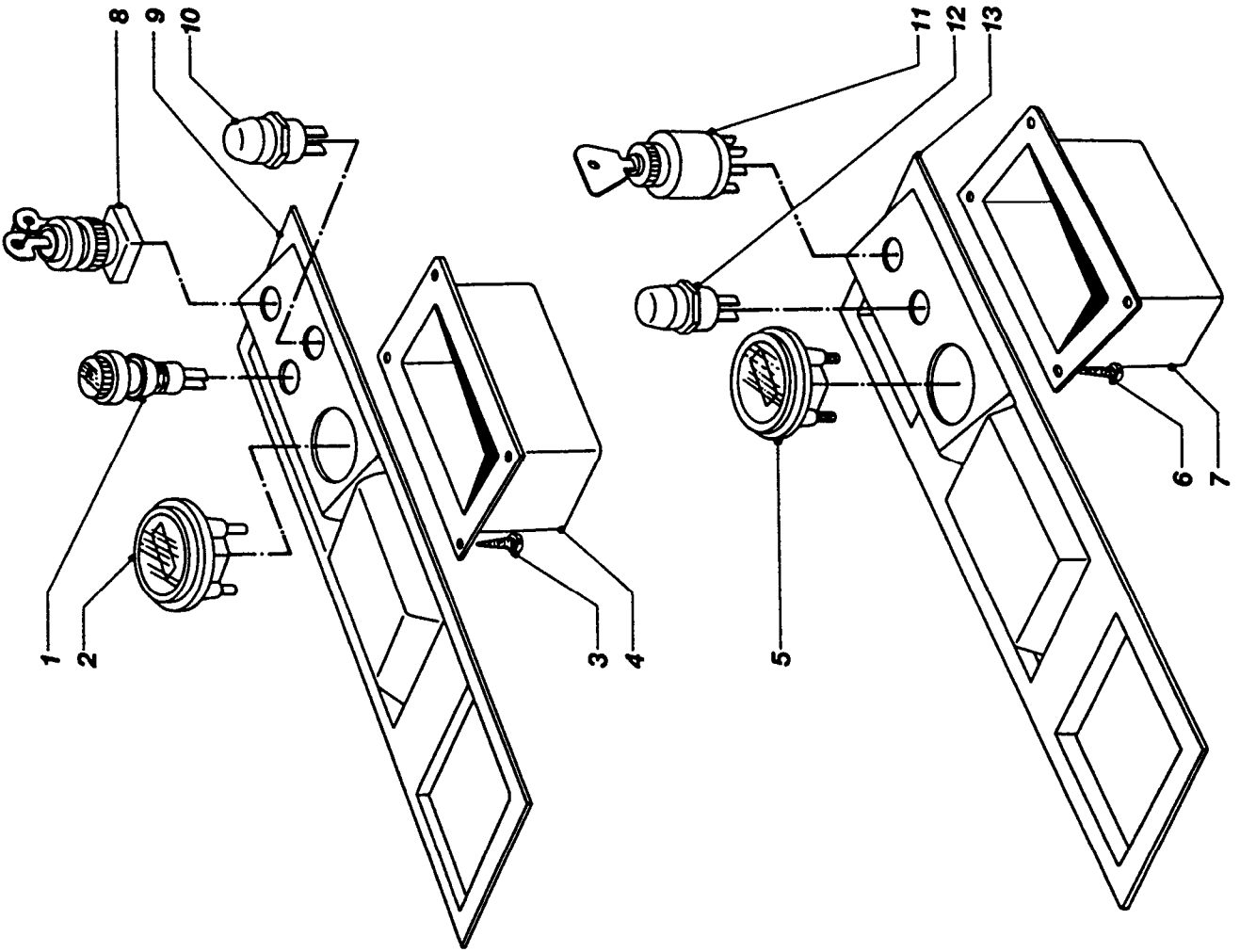
| ITEM | PART NUMBER | DESCRIPTION          | QTY. |
|------|-------------|----------------------|------|
| 39   | T1010601    | Nut                  |      |
| 40   | T0910602    | Screw                |      |
| 41   | E8410002    | Switch               | 1    |
| 42   | T1010601    | Nut                  |      |
| 43   | T1106001    | Washer               |      |
| 44   | R3400050    | Gasket               | 1    |
| 45   | T09A0406    | Screw                |      |
| 46   | R3430030    | Discharge Hose       | 1    |
| 47   | T4540008    | Fitting              | 1    |
| 48   | E7520350    | Hose                 | 1    |
| 49   | T0911001    | Screw                |      |
| 50   | E8000751    | Cable                | 1    |
| 51   | T1020802    | Nut                  |      |
| 52   | T1108002    | Washer               |      |
| 53   | T0910802    | Screw                |      |
| 54   | R3417030    | Battery Holder       | 1    |
| 55   | E6334010    | Mat                  | 1    |
| 56   | R3430070    | Accelerator Cable    | 1    |
| 57   | T1105001    | Washer               |      |
| 58   | T1020501    | Nut                  |      |
| 59   | T0990504    | Screw                |      |
| 60   | T4220005    | Clamp                | 2    |
| 63   | E8000761    | Battery Cable        | 1    |
| 64   | T1010601    | Nut                  |      |
| 65   | T1106001    | Washer               |      |
| 66   | T0910603    | Screw                |      |
| 67   | T5200001    | Battery              | 1    |
| 68   | R3430150    | Plate                | 1    |
| 70   | R3430130    | Discharge Protection | 1    |
| 71   | T0910411    | Screw                | 3    |
| 72   | R3430100    | Discharge Hose       | 1    |



DRAWING 06

| ITEM | PART NUMBER | DESCRIPTION           | QTY. |
|------|-------------|-----------------------|------|
| 27   | R3128100    | Brake Cable           | 1    |
| 28   | R3118020    | Lever                 | 1    |
| 29   | T4802005    | Holdfast              | 1    |
| 30   | R3128110    | Brake Cable           | 1    |
| 31   | R3141140    | Port Pin              | 1    |
| 32   | T0910301    | Screw                 |      |
| 33   | R3147050    | Cover                 | 1    |
| 34   | T1105001    | Washer                |      |
| 35   | R3318010    | Shaft                 | 1    |
| 36   | E9220110    | Spring                | 1    |
| 37   | T0910401    | Screw                 |      |
| 38   | T4220011    | Clamp                 | 1    |
| 39   | T101205     | Nut                   |      |
| 40   | T1312002    | Washer                |      |
| 41   | T1112004    | Washer                |      |
| 42   | T0910512    | Screw                 |      |
| 43   | T1308001    | Washer                |      |
| 44   | T1020601    | Nut                   |      |
| 45   | T1106001    | Washer                |      |
| 46   | R3141160    | Cable, Vac Interrupt. | 1    |
| 47   | T1020401    | Nut                   |      |
| 48   | T1020301    | Nut                   |      |
| 49   | R3141150    | Port                  | 1    |
| 50   | T0910605    | Screw                 |      |
| 51   | R0803060    | Holdfast              | 4    |
| 53   | R3118016    | Adjustable Block      | 1    |

| ITEM | PART NUMBER | DESCRIPTION        | QTY. |
|------|-------------|--------------------|------|
| 1    | T0980603    | Screw              |      |
| 2    | T1020501    | Nut                |      |
| 3    | T1020501    | Nut                |      |
| 4    | E9220010    | Spring             | 1    |
| 5    | T0910502    | Screw              |      |
| 6    | T0910502    | Screw              |      |
| 7    | R3441070    | Frame              | 1    |
| 8    | T1020501    | Nut                |      |
| 9    | R3441010    | Front Flap         | 1    |
| 10   | R3441060    | Frame              | 1    |
| 11   | T0980603    | Screw              |      |
| 12   | E7401010    | Bellows            | 1    |
| 13   | T4802003    | Cable Holder       | 1    |
| 14   | T1020602    | Nut                |      |
| 15   | T1020602    | Nut                |      |
| 16   | R3147030    | Lever              | 1    |
| 17   | T0910605    | Screw              |      |
| 18   | T0990603    | Screw              |      |
| 19   | R3141130    | Flap Lifting Cable | 1    |
| 20   | R3441030    | Metal Strip        | 1    |
| 21   | T1020501    | Nut                |      |
| 22   | T0910412    | Screw              |      |
| 23   | T4802001    | Holdfast           | 1    |
| 24   | T1020501    | Nut                |      |
| 25   | T0980603    | Screw              |      |
| 26   | T4100009    | Knob               | 1    |





DRAWING 07

| ITEM | PART NUMBER | DESCRIPTION           | QTY. |
|------|-------------|-----------------------|------|
| 1    | T2905001    | Bttry. Level Ind.-28B | 1    |
| 2    | T2904001    | Hour Meter            | 1    |
| 3    | T1060501    | Nut                   |      |
|      | T0940507    | Screw                 |      |
| 4    | R3146030    | Protection Box        | 1    |
| 5    | T2904001    | Hour Meter            |      |
| 6    | T1060501    | Nut                   |      |
|      | T0940507    | Screw                 |      |

| ITEM | PART NUMBER | DESCRIPTION       | QTY. |
|------|-------------|-------------------|------|
| 7    | R3146030    | Protection Box    | 1    |
| 8    | T2199008    | Key Switch-28B    | 1    |
| 9    | R3441050    | Control Panel-28B | 1    |
| 10   | T2199006    | Button-28B        | 1    |
| 11   | T2199007    | Start Switch      | 1    |
| 12   | T2199006    | Button-28G        | 1    |
| 13   | R3341010    | Control Panel-28G | 1    |



# HONDA ENGINE DISTRIBUTORS

- ALABAMA**  
R.W. DISTRIBUTORS INC.  
SEE: MISSISSIPPI
- ALASKA**  
SCOTSCO, INC.  
SEE: OREGON
- ARKANSAS**  
R.W. DISTRIBUTORS INC.  
SEE: MISSISSIPPI
- ARIZONA**  
ARIZONA TRU-POWER INC.  
3852 E. Chipman Rd.  
Phoenix, AZ 85282  
(602) 470-0522  
FAX: (602) 470-0808
- CALIFORNIA**  
TRIMMER OF FRESNO  
4708 N. Blythe  
Fresno, CA 93722  
(209) 271-0448  
FAX (209) 271-1796
- SCOTSCO, INC.**  
8850 23<sup>rd</sup> Avenue  
Sacramento, CA 95826  
(916) 383-3511  
FAX (916) 383-6925
- TRU POWER**  
3221 San Fernando Rd.  
Los Angeles, CA 90065  
(213) 258-4131  
FAX (213) 258-3376
- BLISS POWER LAWN EQ. CO.**  
101 Commerce Circle  
Sacramento, CA 958815  
(916) 925-6938  
FAX (916) 925-5018
- COLORADO**  
INDUSTRIAL POWER SYSTEMS  
3233 Oakhead St.  
Aurora, CO 80010  
(303) 346-7110  
FAX (303) 346-7519
- CONNECTICUT**  
EASTERN EQUIPMENT INC.  
SEE: NEW HAMPSHIRE
- DELAWARE**  
R.C.S. DISTRIBUTING INC.  
SEE: MARYLAND
- DISTRICT OF COLUMBIA**  
R.C.S. DISTRIBUTING INC.  
SEE: MARYLAND
- FLORIDA**  
ROBERTS SUPPLY, INC.  
4203 Metric Drive  
Winter Park, FL 32792  
(407) 657-5555  
FAX (407) 657-4007
- GEORGIA**  
M.T.A. DISTRIBUTORS OF GEORGIA  
555 Hickory Hills Blvd.  
Nashville, TN 37189-9244  
(615) 726-2225  
FAX (615) 726-2288
- HAWAII**  
SCOTSCO INC.  
SEE: OREGON
- IDAHO**  
NORTHWEST ENGINE DIST.  
SEE: WASHINGTON
- INDUSTRIAL POWER SYSTEMS**  
SEE: COLORADO
- ILLINOIS**  
C.K. POWER PRODUCTS CORP.  
SEE: MISSOURI
- POWER EQUIPMENT CO.**  
4121 Stephanie Drive  
Cerritos, IL 60112  
(815) 754-4090  
FAX (815) 754-4280
- INDIANA**  
POWER EQUIPMENT CO.  
SEE: ILLINOIS
- IOWA**  
IOWA POWER PRODUCTS  
520 Brooks Road  
Iowa Falls, IA 50126  
(515) 648-2507  
FAX (515) 648-5013
- KANSAS**  
Kansas City Power Products  
80 S. James St.  
Kansas City, KS 66118  
(913) 321-7040  
FAX (913) 321-7341
- KENTUCKY**  
M.T.A. DISTRIBUTORS  
SEE: TENNESSEE
- HAYWARD DISTRIBUTING**  
SEE: OHIO
- LOUISIANA**  
R.W. DISTRIBUTORS INC.  
SEE: MISSISSIPPI
- MAINE**  
EASTERN EQUIPMENT INC.  
SEE: NEW HAMPSHIRE
- MARYLAND**  
MARYLAND  
R.C.S. DISTRIBUTING INC.  
8019 Dorney Run Rd.  
Jesup, MD 20794  
(410) 799-1850  
FAX (410) 799-1804
- MASSACHUSETTS**  
EASTERN EQUIPMENT INC.  
SEE: NEW HAMPSHIRE
- MICHIGAN**  
PLYMOUTH AIR COOLED EQ.  
729 South Mill  
Plymouth, MI 48170  
(313) 453-9258  
FAX (313) 453-5320
- ENGINE POWER INC.**  
SEE: WISCONSIN
- MINNESOTA**  
GREAT NORTHERN EQ. DIST. INC.  
218 N. Hazelwood Drive  
Nisswa, MN 56488  
(218) 943-2921  
FAX (218) 963-3300
- MISSISSIPPI**  
R.W. DISTRIBUTORS INC.  
458 S. Pearson Rd.  
Pearl, MS 39208  
(601) 939-0204  
FAX (800) 748-9985
- MISSOURI**  
C.K. POWER PRODUCT CORP.  
9290W. Florissant  
St. Louis, MO 63136  
(314) 868-8620  
FAX (314) 868-9314
- KANSAS CITY POWER PRODUCTS**  
SEE: KANSAS
- MONTANA**  
NORTH CENTRAL DISTRIBUTING  
SEE: South Dakota
- NORWEST ENGINE DIST.**  
SEE: WASHINGTON
- NEBRASKA**  
ANDERSON INDUSTRIAL ENGINES  
5532 Center Street  
Omaha, NE 68106  
(402) 558-8700  
FAX (402) 558-8249
- NEVADA**  
BLISS POWER LAWN EQ. CO.  
SEE: CALIFORNIA
- TRU-CUT**  
SEE: CALIFORNIA
- INDUSTRIAL POWER SYSTEMS**  
SEE: COLORADO
- MARYLAND**  
NEW HAMPSHIRE  
EASTERN EQUIPMENT INC.  
23 LONDONDERRY Road  
Londonderry, NH 03053  
(603) 437-0407  
FAX (603) 437-0815
- NEW JERSEY**  
R.C.S. DISTRIBUTING INC.  
SEE: MARYLAND
- NEW MEXICO**  
LIGHTBOURN EQUIPMENT  
SEE: TEXAS (DALLAS)
- NEW YORK**  
XEBEC  
2425 Brighton Hearletha  
Rochester, NY 14623  
(716) 424-1660  
FAX (716) 424-1117
- LONG ISLAND, NY**  
EASTERN EQUIPMENT INC.  
SEE: NEW HAMPSHIRE
- NORTH CAROLINA**  
ENGINE DISTRIBUTION CENTER, INC.  
7215 Cassius Drive  
Greensboro, NC 27409  
(910) 664-0010  
FAX (910) 664-0506
- NORTH DAKOTA**  
NORTH CENTRAL DISTRIBUTING  
SEE: SOUTH DAKOTA
- OHIO**  
HAYWARD DISTRIBUTING  
4061 Perimeter Drive  
Columbus, OH 43228  
(614) 272-5953  
FAX (614) 272-5859
- PLYMOUTH AIR COOLED EQ.**  
SEE: MICHIGAN
- OKLAHOMA**  
SMITH DISTRIBUTING CO.  
220 Alliance Ct.  
Oklahoma City, OK 73128  
(405) 787-88043  
FAX (405) 787-4538
- OREGON**  
SCOTSCO INC.  
13101 SE 64 Avenue, Suite B  
Clackamas, OR 97015-9713  
(503) 653-7791  
FAX (503) 659-7838
- PENNSYLVANIA**  
PAUL B. MOYER & SONS, INC.  
190 S Clinton Street  
Doylestown, PA 18901  
(215) 348-1270  
FAX (215) 348-7651
- MARYLAND**  
WASHINGTON  
NORWEST ENGINE DIST.  
3100 River Green Pkwy.  
Duluth, GA 30136  
(770) 497-6080  
FAX (770) 497-6011
- AMERICAN HONDA MOTOR CO., INC.**  
4475 River Green Pkwy.  
Duluth, GA 30136  
(770) 497-6080  
FAX (770) 497-6011
- INDUSTRIAL POWER SYSTEMS**  
SEE: COLORADO
- TENNESSEE**  
M.T.A. DISTRIBUTORS  
555 Hickory Hills Blvd.  
Nashville, TN 37189-9244  
(615) 299-8777  
FAX (615) 299-0464
- TEXAS**  
LIGHTBOURN EQUIPMENT CO.  
13649 Bed Road  
Dallas, TX 75244  
(972) 233-5151  
FAX (972) 661-0738
- LIGHTBOURN EQUIPMENT CO.**  
8272 El Rio, Suite 10  
Houston, TX 77064  
(713) 741-2003  
FAX (713) 741-1909
- UTAH**  
INDUSTRIAL POWER SYSTEMS  
SEE: COLORADO
- VERMONT**  
EASTERN EQUIPMENT INC.  
SEE: NEW HAMPSHIRE
- VIRGINIA**  
R.C.S. DISTRIBUTING INC.  
SEE: MARYLAND
- TIDEWATER POWER EQ. CO.**  
5721 Bayville Rd., Suite D  
Virginia Beach, VA 23465  
(757) 464-1755  
FAX (800) 288-8953
- WASHINGTON**  
NORWEST ENGINE DIST.  
3100 River Green Pkwy.  
Duluth, GA 30136  
(770) 497-6080  
FAX (770) 497-6011
- AMERICAN HONDA MOTOR CO., INC.**  
4475 River Green Pkwy.  
Duluth, GA 30136  
(770) 497-6080  
FAX (770) 497-6011

*Contact the closest Honda Engine Distributor to find out the available servicing Distributor in your area.*

## WARRANTY POLICY

### PACIFIC STEAMEX INC. LIMITED WARRANTY

The Pacific Steamex Inc. Sweeper has been manufactured, tested and inspected in accordance with specific engineering requirements. This machine is **WARRANTED** to be free from defects in workmanship and materials for periods as follows from the date of purchase.

Two (2) years - Honda Engine on the 28G, for Engine Warranty Repair refer to the nearest Honda Distributor on the previous page.

One (1) Year - All components unless excluded below

This warranty extends to the original user/purchaser and only when used, operated and maintained in accordance with Pacific Steamex Inc. Operating and Maintenance instructions.

This warranty does not apply to certain wear parts and accessories of the machine such as the floor brushes, belts, etc., nor does it apply to damage or failure caused by improper use, abuse or neglect. Warranty credit or replacement of return parts is subject to incoming inspection of those items.

To secure repair under this warranty, the following procedure should be taken:

1. The inoperative machine or warranted parts must be delivered to the authorized dealer with shipping and delivery charges prepaid. If unable to locate the Dealer, you may contact Pacific Steamex Inc. at the address listed herein for the location of the nearest Pacific Steamex Inc. repair center or agent or for other instructions pertaining to your warranty difficulty.
2. Upon compliance with the above warranty procedure, all warranted repairs will be completed at no additional charge or cost to the user.
3. Only Pacific Steamex Inc. or its authorized dealers and agents may make no charge warranty repairs on this product. All others do so at their own risk.

This warranty limits Pacific Steamex Inc. liability to the repair of the product and/or warranted parts replacement and does not include incidental or consequential damages arising from the use of a Pacific Steamex Inc. machine whether defective or not.

#### BATTERY WARRANTY FOR THE 28B

In addition to the terms above, any original equipment Pacific Steamex Battery which becomes unserviceable under normal use within a period of ninety (90) days from date of sale to the original user will be repaired or replaced with one of equal specification at our option, F.O.B. any authorized Pacific Steamex Sales or Service Branch, with no charge to user, except transportation costs. After the expiration of the above ninety (90) day period, any battery which fails under normal use will be adjusted to the original user with a new battery of equal specification on a twelve (12) month pro rata basis from the date of purchase. Adjustment will be determined using the then current list price, plus transportation costs. Warranty is rendered null and void if battery is not kept filled to the proper level with DISTILLED WATER.

#### ENGINE WARRANTY FOR THE 28G

For Engine Warranty repair deliver the machine to the nearest Honda Warranty Service Center (see previous page).

This warranty is in lieu of all other expressed or implied warranties and is extended to the original purchaser/user.

**PACIFIC STEAMEX, INC.**  
2259 S. SHERIDAN  
MUSKEGON, MICHIGAN 49442-6252  
616-773-1330  
FAX 1-616-773-1642