

Minuteman[®]
Parker[®]

Scavenger

Model:
SV0260-B
SV0260-BSP
SV9405H

OPERATION

SERVICE

PARTS

CARE



TABLE OF CONTENTS

General Safety Instructions	1 & 2
Warning Decal Placement	3
Assembly & Operation Instructions	4
Maintenance	5
Handle Assembly SV Basic	6
Handle Assembly SV Self-Propelled	7
Housing & Drive Assembly	8 & 9
Warranty	Back Cover

SOUND		VIBRATION									
97 dB Operator	88 dB At 3m	14.5 m/s² At Operators Handles									
<p>Tests were conducted on 4/3/95 with calibrated sound and vibration equipment under the conditions noted below:</p> <table style="width: 100%; border: none;"> <tr> <td style="width: 33%;">General Condition:</td> <td style="width: 33%;">Cloudy</td> <td style="width: 33%;">Wind: 8 km/hr</td> </tr> <tr> <td>Temperature:</td> <td>15°C</td> <td>Humidity: 85%</td> </tr> <tr> <td>Barometric Pressure:</td> <td>30.1</td> <td></td> </tr> </table>			General Condition:	Cloudy	Wind: 8 km/hr	Temperature:	15°C	Humidity: 85%	Barometric Pressure:	30.1	
General Condition:	Cloudy	Wind: 8 km/hr									
Temperature:	15°C	Humidity: 85%									
Barometric Pressure:	30.1										

Model # _____

Serial # _____

EC Declaration of Conformity

according to Directives 89/392 and 89/336

We, Parker Sweeper Company, a division of Minuteman International Incorporated of 111 South Rohlwing Road Addison Illinois 60101 USA, declare under our sole responsibility that the products, SV9405H, SV0230B and SV0230BSP Scavenger to which this declaration relates corresponds to the relevant requirements of the EC Directives 89/392 and 89/336. The following standards were used to determine compliance with the Directives: EN 292, EN 294, EN 811 and CISPR 12.

Jeff Pollack

Jeff Pollack, Standards Engineer

4/30/02

Date

IMPORTANT SAFETY INSTRUCTIONS

READ ALL INSTRUCTIONS BEFORE USING

WARNING

- To prevent personal injury or property damage, do not attempt to start engine until all assembly steps are complete and you have read and understand the safety and operating instructions in this manual.
- Under California, and under laws of several other states, you are not permitted to operation internal combustion's engine using hydrocarbon fuels on any forest covered, brush covered, or grass covered land, or on land with grain, hay, or other flammable agricultural crop, without an engine spark arrester in continuous effective working order. The engine on your power equipment, like most outdoor power equipment, is an internal combustion engine that burns gasoline, a hydrocarbon fuel. Therefore, your power equipment must be equipped with a spark arrester muffler in continuous effective working order. The spark arrester must be attached to the engine exhaust system in such a manner that flames or heat from the system will not ignite flammable material. Failure of the owner/operator of the equipment to comply with this regulation is a misdemeanor under California law, and may also be a violation of other state and/or federal regulations, laws, ordinances, or codes. Contact your local fire marshal or forest service for specific information about what regulations apply in your area.
- Wear approved safety glasses when operating this equipment. The operation of any powered machine can result in foreign objects being thrown by high-speed rotating parts.
- Wear work gloves, sturdy footwear, and hearing protection when operating this equipment.
- Remove hearing protection and watch for traffic when operating near, or when crossing roadways.
- Do not operate this equipment on a paved, gravel or hard surface unless the collection bag is installed. Discharged material may bounce from a hard surface.
- Before inspecting or servicing any part of equipment, shut off engine, disconnect spark plug wire from spark plug, and make sure that all moving parts have come to a complete stop. Be aware that rotating blades slow down gradually after engine is shut off.
- Exercise extreme caution on slopes and avoid excessively steep slopes.
- Never leave equipment unattended when engine is running. Shut off engine and disconnect spark plug wire from spark plug before leaving equipment.
- Do not vacuum any burning or smoldering materials such as cigars, cigarettes, ashes or cinders.

- Do not vacuum areas that have been recently treated with fertilizers, pesticides or herbicides. Follow chemical manufacturer's safety instructions regarding contact with treated areas.
- Do not vacuum flammable liquids such as gasoline, kerosene, diesel fuel, paint thinner, etc.
- Never allow children or untrained adults to operate this equipment.
- Keep the area of operation clear of all persons, particularly small children, and pets. Keep bystanders at least 25 feet away from the area of operation.
- Do not run engine in an enclosed area. Engine exhaust contains carbon monoxide gas, a deadly poison that is odorless, colorless, and tasteless. Do not operate this equipment near buildings, windows, or air conditioners.
- Do not allow hands or any other part of the body or clothing inside the vacuum inlet.
- Before removing or installing collection bag, shut off engine, disconnect spark plug wire from spark plug, and allow all moving parts to come to a complete stop.
- If equipment jams or becomes clogged, immediately shut off engine, disconnect spark plug, and allow all moving parts to come to a complete stop. Use only a wooden stick to clear away debris.
- Do not start engine or operate this equipment with any safety guards or housing removed.

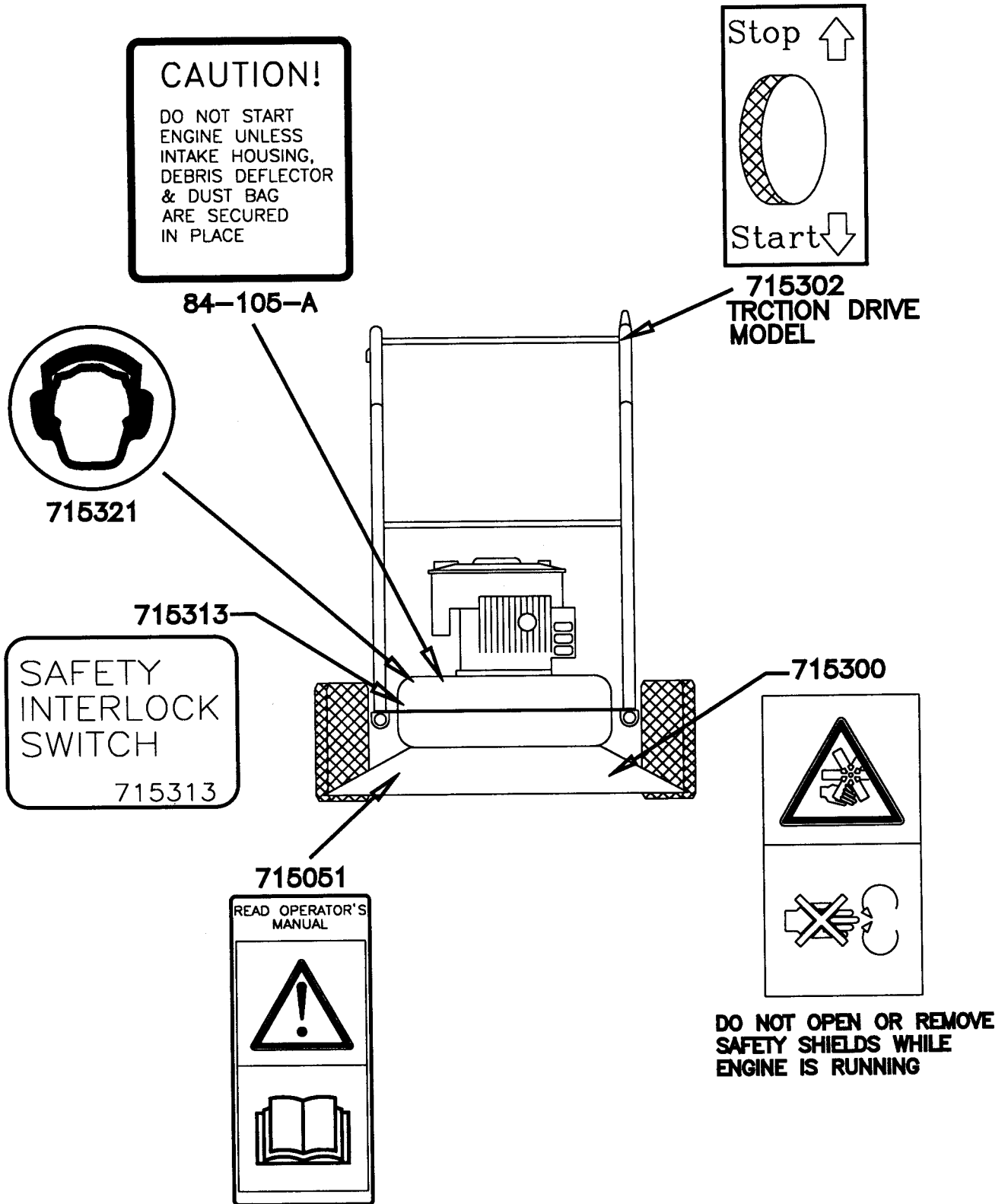
DANGER

Gasoline is highly flammable and its vapors are explosive. To prevent personal injury or property damage:

- Do not add fuel if engine is running or still hot from recent operation. Allow engine to cool for at least three minutes.
- Do not fill fuel tank indoors. After filling, wipe up any spills and move away from gasoline fumes before starting engine.
- Do not allow open flame, matches, or smoking in area.
- Fill fuel tank with fresh, clean unleaded regular automotive gasoline, (leaded regular and unleaded or leaded premium grades of gasoline are acceptable substitutes).
- Do not mix oil with gasoline.
- Clean the area around the fuel fill cap and remove the cap from the fuel tank. Insert a clean funnel into the fuel tank.
- Fill the tank to 1/2 inch below the bottom of the filter neck to provide space for any fuel expansion.
- Reinstall the fuel fill cap securely and wipe up any spilled gasoline.

SAVE THESE INSTRUCTIONS

SAFETY DECALS



ASSEMBLY INSTRUCTIONS

NOTE: Remove unit from carton. Do not discard any inserts or packing until unit is completely assembled. All mounting hardware is on the unit in its proper location.

TO ASSEMBLE HANDLES

NOTE: The numbers used in the following steps refer to those used in the parts list and exploded view of the Handle and Bag Assembly on Page 7.

1. Remove the four hex hd. bolts (3), lock nuts (4), and the lower cross brace (2) from the top of the lower handles (14).
2. Slide the upper handle assembly down over the top of the lower handles (14).
3. Reassemble the hardware removed in Step 1, making sure the lower cross brace (14) is assembled to the top holes and bolts.

ATTACHING CLUTCH CABLE - TRACTION MODELS ONLY

1. The clutch cable is preassembled to the upper handle assembly in the correct position. Once the handles are completely assembled it must be connected to the clutch arm weldment.

NOTE: The numbers used in the following steps refer to those used in the parts list and exploded view of the housing and drive assembly on Page 8 and 9.

2. Remove the round hd. machine screw (51) used to secure the throttle cable clip (19) to the side plate (18).
3. Place throttle cable clip around clutch cable. Lift the clutch handle to release tension in the clutch cable.
4. Attach hook at the end of the cable into the hole in the clutch arm weldment (21).
5. Place the clip against side plate in its proper location and replace screw.

OPERATING INSTRUCTIONS

READ SAFETY & OPERATING INSTRUCTIONS BEFORE OPERATING

ENGINE OPERATION

CAUTION: The engine contains **NO OIL**. Before starting the engine, make sure the crankcase is filled with the proper amount and type of oil. Refer to the Engine Operating Manual for proper lubrication of the engine. Read the Engine Manual carefully before operating unit.

TO ASSEMBLE HANDLES

NOTE: The numbers used in the following steps refer to those used in the parts list and exploded view of the Handle and Bag Assembly on Page 7.

1. Remove the four hex hd. bolts (3), lock nuts (4), and the lower cross brace (2) from the top of the lower handles (14).
2. Slide the upper handle assembly down over the top of the lower handles (14).
3. Reassemble the hardware removed in Step 1, making sure the lower cross brace (14) is assembled to the top holes and bolts.

MAINTENANCE INSTRUCTIONS

OBSERVE SAFETY RULES AT ALL TIMES.

WARNING: DO NOT WORK ON SCAVENGER with engine running or idling. Bring to a complete stop. Remove spark plug wire on engine.

1. For servicing and operating instructions for engine refer to Engine Manufacturers Service Manual. Careful attention to care of air cleaner and crankcase lubrication instructions will insure longer engine life. KEEP ENGINE CLEAN.
2. Clean the engine air cleaner every 10 hours of operation. (Do so more often under dusty conditions.) If it is punctured, torn, or uncleanable, it should be replaced.
3. Be sure to keep the oil at the proper level in the engine. Check the oil level each time you fill the fuel tank.
4. To drain the crankcase oil from the engine, use a siphon pump. To use it, run the engine for a short time to warm the oil and make it flow more easily. Then remove the cap from the filler hole in the engine and insert the plastic tube into the hole. Hold the pump below the bottom of the crankcase and squeeze it several times until oil appears in the tube above the pump, and allow the oil to siphon into a container for disposal. DISPOSE OF PROPERLY.
5. Once a year, remove the wheels and add fresh grease in the teeth of the gears.
6. DUST BAG CARE
 - a. Keep the dust bag clean at all times.
 - b. To clean the dust bag, turn the bag inside out and reattach to the sweeper.
 - c. Start the engine and run at full throttle. Lightly tap the bag to release the dust trapped in the weave.
 - d. When the bag is clean remove it and turn it right side out again. Reattach to the sweeper and resume sweeping.
 - e. DO NOT wash the dust bag to clean. Washing will shrink the material, reducing air flow through the bag and seriously reduce vacuum.
7. The efficiency of this unit depends on the breathing capacity of the dust bag. Under extremely dusty conditions the bag should be emptied and cleaned frequently. Always empty and clean bag before storing after use. Debris allowed to remain in the bag may cause spontaneous combustion, resulting in an explosion or fire.

SAFETY INTERLOC SYSTEM

This equipment incorporates a Bag Safety Interloc System, Figure 1. When bag assembly is removed and lanyard switchfoot is disconnected

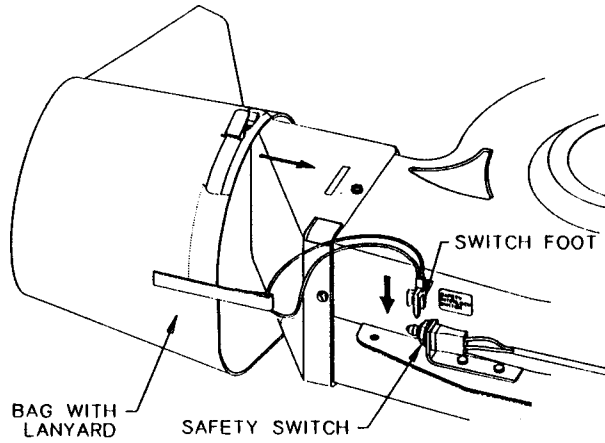
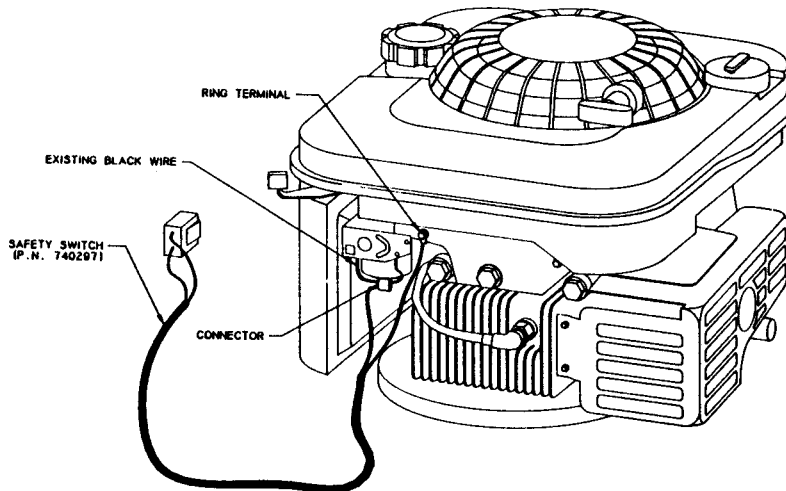


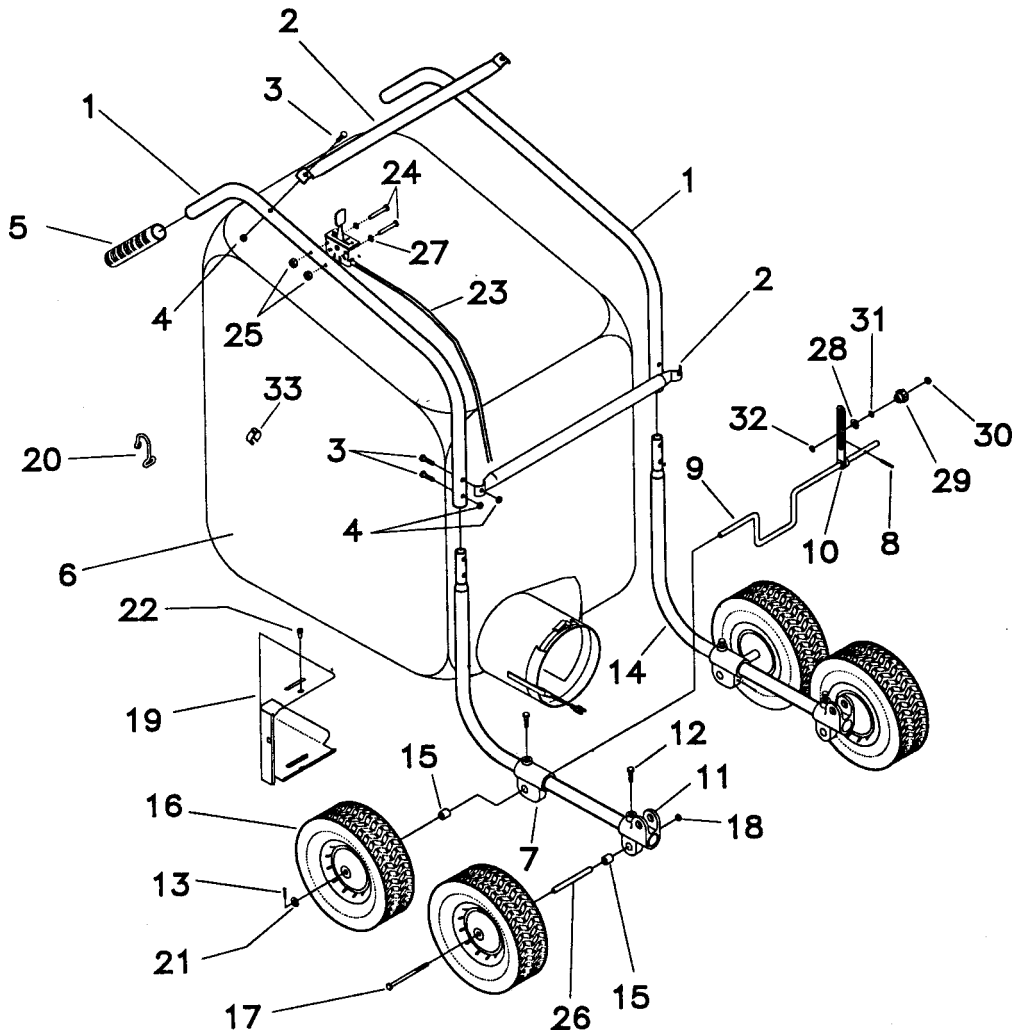
Figure 1

Briggs & Stratton/Honda engine wiring schmatic.



To drain oil, use hand pump.

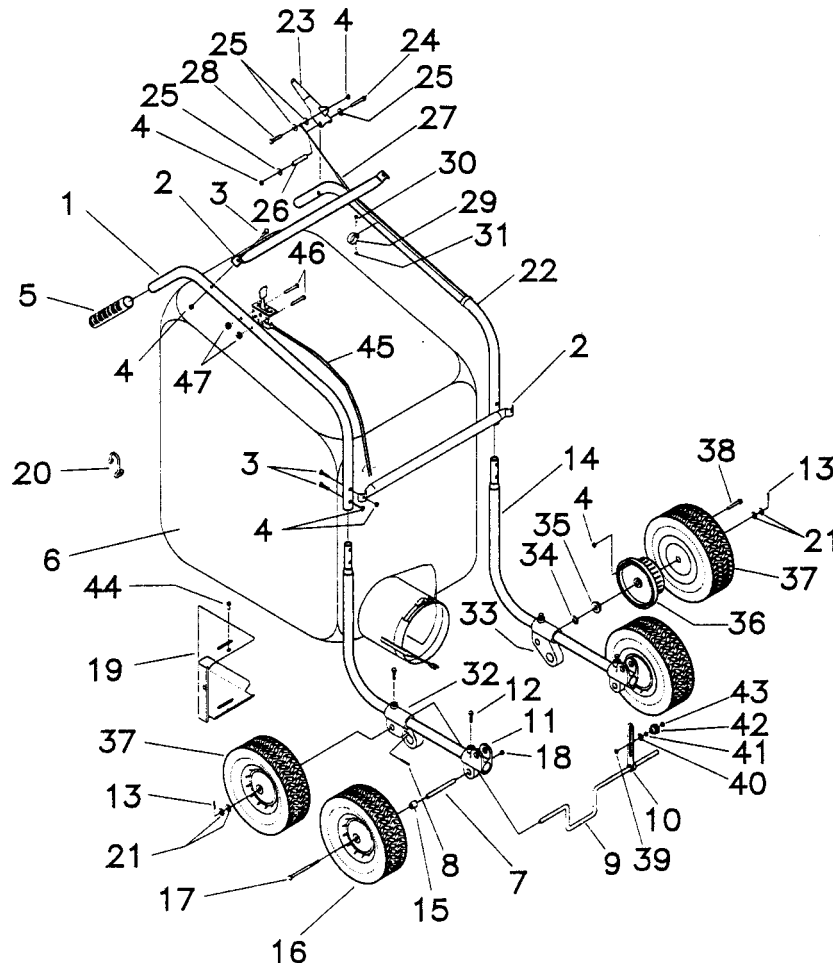
HANDLE & BAG ASSEMBLY - SV-8930-Q, SV-9405-H



PARTS LIST

Item	Part No.	Qty.	Description	Item	Part No.	Qty.	Description
1	84-61-C	2	Handle, Upper	17	713067	2	Bolt, Hex Hd. 1/2-20 x 5
2	84-60-B	2	Cross Bar	18	368-816	2	Nut, Lock Jam 1/2-20
3	713005	6	Bolt, Hex Hd. 1/4-20 x 1 1/2	19	82-169-D	1	Deflector
4	711373	6	Nut, Hex Lock 1/4-20	20	63-304-A	4	Hook, Bag (included in bag)
5	80-232-A	2	Grip, Handle	21	55-161-A	as required	Flatwasher, Special
6	350880	1	Cloth Bag w/Lanyard	22	72-416-10	2	1/4-Lo Tread Cutting Screws
6A	350890	1	Lumite w/Lanyard	23	83-25-B-41	1	Throttle Control Assy. (Honda)
6B	350891	1	Lumite w/Lanyard	23A	350002	1	Throttle Control Assy. (B&S)
7	84-50-B	2	Support	24	515-10-24	2	SCR-RD-HD 10-24 x 1 1/2
8	711644	2	Pin, Roll .1965 Dia. x 1 1/2	25	712638	2	Nut-Hex 10-24 SS Nyloc
9	84-49-C	1	Axle	26	85-75-A	2	Spacer
10	84-236-C	1	Height Adjustment	27	711503	2	#10 Flat Washer
11	84-53-B	2	Pivot	28	711506	1	WSR-Flat 5/16 STPL
12	713101	4	Bolt, Hex Hd. 3/8-16 x 2	29	79-94-A	1	Knob
13	380-632-20	2	Pin, Cotter	30	711383	1	Nut-Lock 5/16-18
14	84-56-C	2	Handle, Lower	31	711545	1	WSR-Helical 5/16
15	85-76-A	4	Spacer	32	711565	1	WSR-External Lock 5/16
16	84-137-C	4	Wheel	33	80-276-A	2	Snap Mount

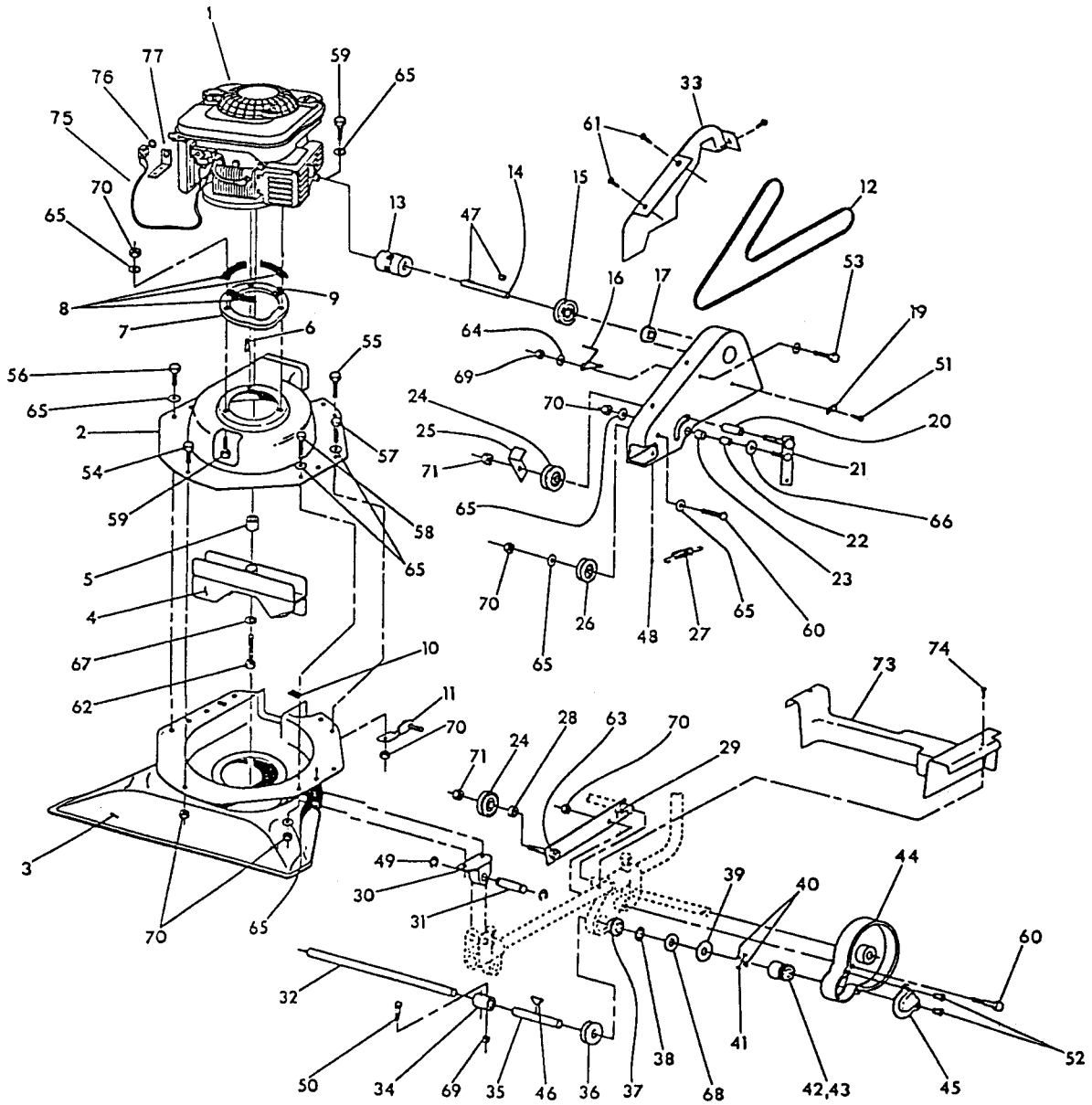
HANDLE & BAG ASSEMBLY - SV8930I/CSP



PARTS LIST

Item	Part No.	Qty.	Description	Item	Part No.	Qty.	Description
1	84-61-C	1	Upper Handle	23	SA-1176-A	1	Clutch Handle Assembly
2	84-60-B	2	Cross Bar	24	713007	1	Bolt, Hex Hd. 1/4-20 x 2
3	713005	6	Bolt, Hex Hd. 1/4-20 x 1 1/2	25	711505	4	Flatwasher, Plain 1/4
4	711373	16	Nut, Hex Lock 1/4-20	26	80-225-A	1	Spacer
5	80-232-A	2	Grip, Handle	27	350000	1	Clutch Cable
6	350880	1	Cloth Bag w/ Lanyard	28	713003	1	Bolt, Hex Hd. 1/4-20 x 1
6A	350890	1	Lumite w/Lanyard	29	86-59-B	2	Clamp
6B	350891	1	Lumite w/Lanyard	30	710130	2	Screw, Rd. Hd. Mach. 8-32 x 5/8
7	85-75-A	2	Spacer	31	711372	2	Nut, Hex Lock 8-32
8	711644	2	Roll Pin 3/16 x 1 1/2	32	86-30-C	1	Pinion & Wheel Support R.H.
9	86-21-C	1	Axle	33	86-31-C	1	Pinion & Wheel Support L.H.
10	84-236-B	1	Height Adjustment	34	711511	2	Flatwasher, Plain 5/8
11	84-53-B	2	Pivot	35	68-60-A	2	Bearing
12	713101	4	Bolt, Hex Hd. 3/8-16 x 2 (full thread)	36	86-42-D	2	Gear
13	380-632-20	2	Cotter Pin	37	86-80-C	2	Wheel
14	84-56-C	2	Lower Handle	38	524-416-36	8	Screw, Socket Hd. Cap 1/4-20 x 2 1/2
15	85-76-A	2	Spacer	39	711565	1	Lockwasher, Tooth 5/16
16	84-137-C	2	Wheel	40	711506	1	Flatwasher, Plain 5/16
17	713067	2	Bolt, Hex Hd. 1/2-20 x 5	41	711545	1	Lockwasher, Spring 5/16
18	368-816	2	Nut, Hex Lock (thin) 1/2-20	42	79-94-A	1	Knob
19	82-169-D	1	Deflector	43	364-516	1	Nut, Hex Lock (thin) 5/16-18
20	63-304-C	4	Bag Hook (included with bag assembly item 6)	44	72-416-10	3	1/4-Lo Tread Cutting Screws
21	55-161-A	4	Special Washer	45	83-25-B-41	1	Throttle Cable Assembly
22	86-35-C	1	Upper Handle	46	515-10-24	2	SCR-RD-HD 10-24 x 1 1/2
				47	712638	2	Nut-Hex 10-24 SS Nyloc

HOUSING & DRIVE ASSEMBLY



HANDLE & DRIVE ASSEMBLY

PARTS LIST

Item	Part No.	Qty.	Description	Item	Part No.	Qty.	Description
*1	89-105-D	1	Engine, 5 HP B/S Q	37	68-60-A	2	Bearing
**1A	92-24	1	Engine, 5 HP B/S Q I/C PTO	38	79-104-A	2	Retaining Ring
1B	91-09	1	Engine, 5 HP Honda	39	50-33-A	2	WSR-Special
2	82-04-PTD	1	Upper Blower Housing SV	40	74-80-A	4	Roll Pawl
3	89-110-D	1	Lower Housing SV	41	76-37-A	4	Pawl Spring
4	SA-1035-B	1	Impeller Assy. Comp. SV	42	74-79-LB	1	Pinion LH
4A	SA-1035-H	1	Fan Assy. Complete, Honda	43	74-78-RB	1	Pinion RH
5	82-24-A	1	Spacer	44	86-109-D	2	Dust Cover
5A	89-113-A	1	Spacer (Q, H)	45	80-01-B	2	Cover Pinion
6	48-277-A	1	Key, Briggs (Q)	47	280-5	2	Key SV
6A	91-07	2	Woodruff Key, Honda	47	280-9	1	Shaft Key
6B	74-83-A	1	Key (SP)	48	711809	1	Cotter Pin 1/8 x 1
7	77-112-B	1	Engine Spacer Adapter (ICSP)	49	1000-10	4	Retaining Ring
8	91-08	1	Plastic Dust Adapter, Honda	50	713005	2	BLT-HH 1/4-20 x 1 1/2 #5
8A	90-06-C	1	Plastic Dust Adapter (Q, SP)	51	711146	1	SCR-ST 10/32 x 1/2 TH
9	350255	1	Gasket (Q, SP)	52	506-416-10	4	SCR-FH 1/4-20 x 5/8
9A	350256	1	Gasket, Honda	53	713003	1	BLT-HH 1/4-20 x 1 #5
10	101012	1	Rubber Shim	54	713025	4	BLT-HH 5/16-18 x 5/8 #5
11	84-238-A	1	Adj. Bkt. Weldment	55	713026	3	BLT-HH 5/16-18 x 3/4 #5
12	86-85-A	1	Vee Belt	56	713027	4	BLT-HH 5/16-18 x 1 #5
13	78-197-A	1	Flex Coupling	57	713029	1	BLT-HH 5/16-18 x 1 1/2 #5
14	86-84-A	1	Shaft Clutch	58	713030	2	BLT-HH 5/16-18 x 1 3/4 #5
15	80-283-A	1	Sheave	59	713029	2	BLT-HH 5/16-18 x 1 1/2 #5 (Q)
16	86-67-A	1	Belt Popper		713033	1	BLT-HH 5/16-18 x 2 1/2 #5 (Q)
17	79-24-A	1	Bearing Flanged	59A	713031	2	BLT-HH 5/16-18 x 2 #5 (ICSP)
18	86-18-D	1	Side Plate		713035	1	BLT-HH 5/16-18 x 3 #5 (ICSP)
19	350151	1	Clutch Cable Mtg. Bracket	59B	60-516-20	3	BLT-HH 5/16-24 x 1 1/4 #5 (Honda)
20	86-99-A	1	Spacer	60	713032	2	BLT-HH 5/16-18 x 2 1/4 #5
21	86-63-B	1	Clutch Arm Weldment	61	72-416-10	3	BLT-ST 1/4 x 5/8
22	51-23-A	1	Spacer	62	713102	1	BLT-HH 3/8-24 x 2 1/2 #5
23	86-95-A	1	Bushing	63	713044	1	BLT-HH 3/8-16 x 1 1/2 #5
24	83-66-A	2	Clutch Pulley, Machined	64	711505	2	WSR-Flat1/4
25	86-60-B	1	Belt Popper	65	711506	16	WSR-Flat 5/16 ST PL
26	SA-864-A	1	Sheave/Bearing Assembly	66	960-516	1	WSR-Flat SS
27	80-193-A	1	Extension Spring	67	711546	1	WSR-Helical 3/8
28	86-86-A	1	Spacer	68	711511	2	WSR-Flat .62 x 1.31 x .09
29	86-61-B	2	Idler Arm	69	711373	3	Nut-Nloc 1/4-20
30	84-54-B	2	Hinge Machined SV	70	711374	17	Nut-Nloc 1/16-18
31	86-20-B	2	Pivot Pin	71	711375	2	Nut-Nloc 3/8-16
32	86-65-A	1	Shaft Split Drive	73	93-02	1	Belt Guard Lower Axle
33	93-01	1	Belt Guard Upper	74	711147	2	SCR-ST-B 10 x 1/2 NI
34	80-180-A	1	Coupling Shaft	75	740297	1	Safety Switch
35	86-66-A	1	Split Drive	76	350135	1	Switch Nut
36	80-198-A	1	Sheave	77	350175	1	Switch Bracket

* Model 12402, Type 0224, Trim 01

** Model 126782, Type 014, Tirm 01

LIMITED WARRANTY

The Parker Sweeper Company warrants to the original purchaser/user that this product is free from defects in workmanship and materials under normal use and service for a period of two years from date of purchase. In addition, Parker Sweeper Company will, at its option, honor labor warranty claims for the first 12 months from date of sale, provided such claims are submitted through and approved by factory authorized repair stations. Parker Sweeper Company will, at its option, repair or replace without charge, except for transportation costs, parts that fail under normal use and service when operated and maintained in accordance with the applicable operation and instruction manuals.

This warranty does not apply to normal wear, or to items whose life is dependent on their use and care, such as belts, cords, switches, hoses, rubber parts, electrical motor components or adjustments. Parts not manufactured by Parker Sweeper Company such as engines, batteries, battery chargers, hydraulic pumps, and tires are covered by and subject to the warranties and/or guarantees of their manufacturers. Please contact Minuteman International, Inc. for procedures in warranty claims against these manufacturers.

Special warning to purchaser — Use of replacement filters and/or prefilters not manufactured by Parker Sweeper Company or its designated licensees, will void all warranties expressed or implied.

A potential health hazard exists without exact original equipment replacement.

All warranted items become the sole property of Parker Sweeper Company or its original manufacturer, whichever the case may be.

Parker Sweeper Company disclaims any implied warranty, including the warranty of merchantability and the warranty of fitness for a particular purpose. Parker Sweeper Company assumes no responsibility for any special, incidental or consequential damages.

This limited warranty is applicable only in the U.S.A. and Canada, and is extended only to the original user/purchaser of this product. Customers outside the U.S.A. and Canada should contact their local distributor for export warranty policies. Parker Sweeper Company is not responsible for costs or repairs performed by persons other than those specifically authorized by Parker Sweeper Company. This warranty does not apply to damage from transportation, alterations by unauthorized persons, misuse or abuse of the equipment, use of non-compatible chemicals, or damage to property, or loss of income due to malfunctions of the product.

If a difficulty develops with this machine, you should contact the dealer from whom it was purchased.

This warranty gives you specific legal rights, and you may have other rights which vary from state to state. Some states do not allow the exclusion or limitation of special, incidental or consequential damages, or limitations on how long an implied warranty lasts, so the above exclusions and limitations may not apply to you.



A Minuteman International Company

World Headquarters

Minuteman International, Inc.
111 South Rohlwing Road
Addison, Illinois 60101

Minuteman Canada, Inc.
2210 Drew Road
Mississauga, Ontario
L5S 1B1

(630) 627-6900
FAX (630) 627-1130

(905) 673-3222
FAX (905) 673-5161

988223
Printed in U.S.A.