

Manual Powered Sweepers

SANISWEEP and SUPERSWEEP

INTRODUCTION

OPERATING & MAINTENANCE INSTRUCTIONS

READ THIS BOOK

This operator's book has important information for the use and safe operation of this machine. Read this book carefully before starting the machine. Keep this book and tell all operators to read the book. If you do not follow the instructions, you can cause an injury or damage equipment, furniture or buildings.

For new books write to:

Pacific Steamex, Inc.
2259 S. Sheridan
Muskegon, MI 49442-6252

Carefully inspect all components to ensure that there is no concealed freight damage. If such damage is discovered, file a "CONCEALED DAMAGE REPORT" immediately with the delivering carrier.

The contents of this manual are based on the latest product information available at the time of publication. Pacific Steamex reserves the right to make changes or improvements to its machines without notice.

**FOR YOUR CONVENIENCE, RECORD THE
MACHINE MODEL AND SERIAL NUMBER:**

MODEL _____
SERIAL NUMBER _____

NOTES

OPERATION AND MAINTENANCE

Introduction

The SaniSweep and SuperSweep manually operated sweepers are designed with three brushes: two counter rotating circular brushes and one centrally located cylindrical brush. The two circular brushes pick up small and large debris and the cylindrical brush removes the remaining fine debris. The sweepers are for use on hard, flat surfaces. The sweepers will pick up paper, leaves and general litter – both inside and out. However they are not designed for dust. The debris is swept into the hopper and the hopper is easily removed by lifting the handle; then the hopper can be carried separately for disposal of the debris.

Assembly

Your sweeper requires little assembly before operation. Follow these simple steps:

Assemble the operator's handle. The machine handle is shipped in three parts: the “U” shaped tube and two black lower sections (or holders).

- 1. First connect each black holder to the U tube.** Depress the spring button on the U tube, then slide the black holder on until the spring button clicks into the hole.
- 2. Connect the handle assembly to the machine.** Simply slide the handle assembly over the recessed holes on each side of the front cover. Then snap into the holes to lock in place.

Operation

This sweeper can be used for both indoor and outdoor sweeping.

DO NOT PICK UP ANYTHING THAT IS BURNING OR SMOKING, SUCH AS CIGARETTES, MATCHES OR HOT ASHES.

- 1. Make sure the hopper and front cover are securely fastened.** Slots in the hopper slide over locators on the front cover. After the hopper and front cover are fitted together, push the hopper's handle down. This will latch the hopper to the front cover.
- 2. Adjust the brush pressure to accommodate your pick up needs.** The height adjustment dial is located on the front of the sweeper. For larger debris use a high setting, number 1 is the highest position. Move to a higher number (lower position) for picking up finer debris. Do not press the brushes too firmly to the ground because this will eventually wear out the drive mechanism.

3. Start sweeping. The overlapping brushes ensure good coverage. Dirt and debris will be pushed into the hopper as soon as you begin pushing the sweeper. The carrying capacity of the hopper can be increased by raising the front of the sweeper, this will move debris to the back of the hopper.

4. Empty the hopper when you're done sweeping. Simply pull up on the hopper's handle and lift the hopper off the front cover. Dispose of the debris in an approved waste receptacle. **Clean** the hopper if necessary. **Reattach** the hopper to the front cover.

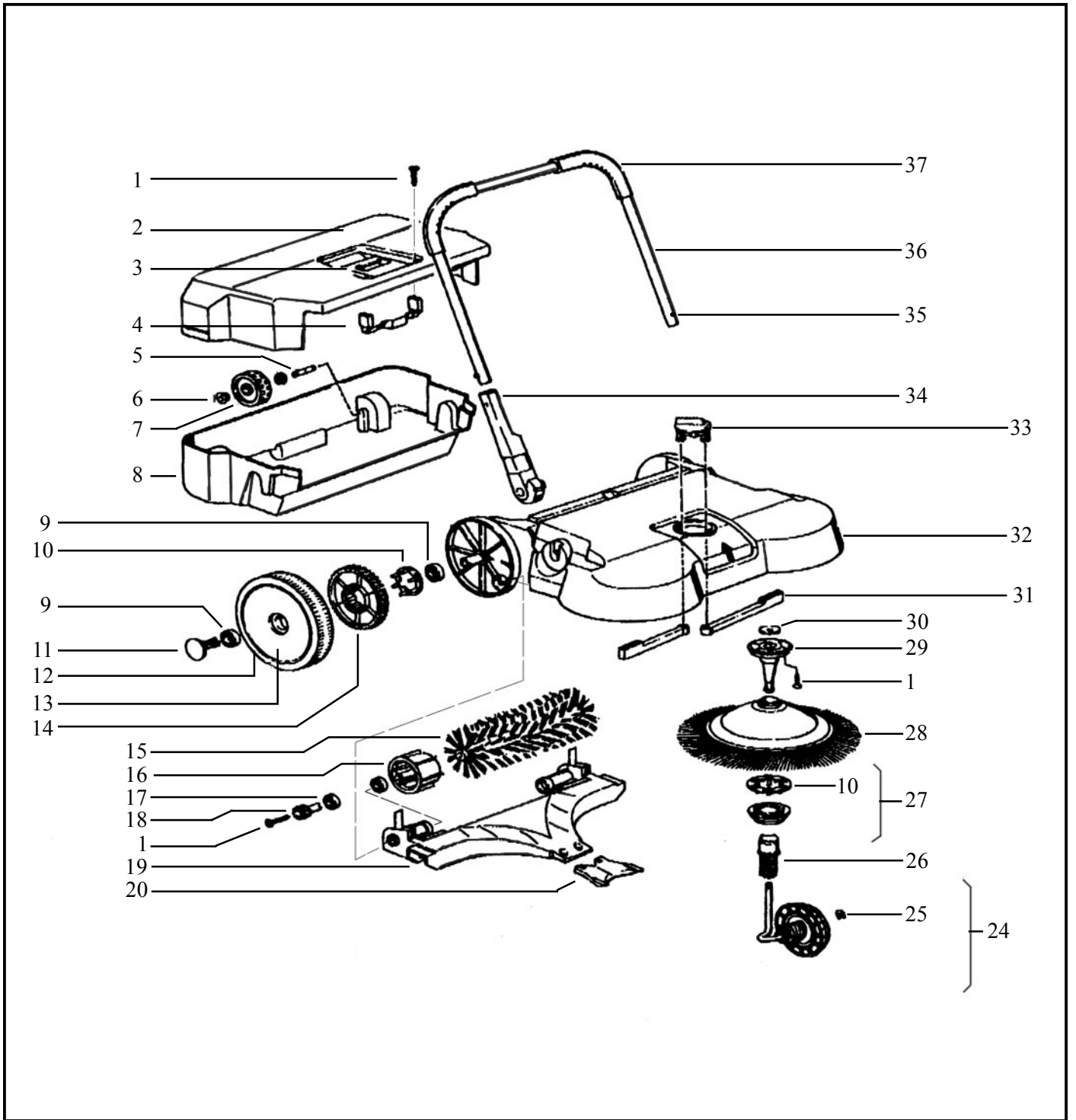
5. Store the sweeper indoors.

Maintenance

- 1. Clean the hopper and machine** by wiping with a dry cloth as needed.
- 2. Brushes:** After each use, remove any strings or debris.
- 3. Replacement or Cleaning of the Angled Wheels (24):** Set the height adjustment dial to position 8. Pull the angled wheel strongly, to remove it and its axle from the tooth sleeve. Clean or replace the wheel, then push it firmly back into the tooth sleeve. Make sure you place the wheels back in their correct positions, they are marked L and R for the left and right positions.
- 4. Cleaning or Replacement of the Circular Brushes (28) and Clutch Assembly (26 & 27):** Remove the angled wheel (24) as explained in Step 3. Pull the brush towards you - the brush and clutch assembly will come away from the pivot housing. The clutch assembly can now be pulled away from the brush. The brushes and clutch assembly may be cleaned with water. The gears should only be lubricated with silicone spray.

Ensure that the brushes and clutch assemblies are fitted on the correct side of the sweeper when reassembling. To guide you, the inside of the front cover is marked L and R, as are the wheels and each brush is marked L/// and R\\ which indicates the direction of the bristle point. To reassemble, place the brush over the pivot housing then push the clutch assembly over the pivot housing. Refit the angled wheel.

SANISWEEP & SUPERSWEEP



PARTS LIST

ITEM	PART NUMBER	DESCRIPTION	QTY
1	964151	Screw	
2	712315	Cover, Hopper	1
3	713901	Handle, Hopper	1
4	712015	Clamp	1
5	717701	Axle for Hopper	2
6	711115	Bushing	4
7	719704	Tread Wheel	2
8	712316	Bottom, Hopper	1
9	902037	Ball Bearing 6805zz	4
10	712415	Clutch Element Ring	2
11	712016	Wheel Clamp	2
12	719215	Tread Wheel	2
13	719716	Wheel	2
14	713516	Pinion (Gear)	2
15	710916	Cylindrical Brush	1
16	712716	Driver, Brush	2
17	902036	Ball Bearing 6903zz	4
18	713515	Pinion (Gear)	2
19	716615	Sweeping Plate	1
20	715101	Sweeping Lip	1
24	719715L	Wheel w/Axle Left - SaniSweep	1
	719715R	Wheel w/Axle Right - SaniSweep	1
	719720L	Wheel w/Axle Left - SuperSweep	1
	719720R	Wheel w/Axle Right - SuperSweep	1
25	980634	Washer, 6mm	2
26	713502	Tooth Sleeve	2
27	712410	Clutch Complete Left	1
	712411	Clutch Complete Right	1
28	710915L	Circular Brush Left - SaniSweep	1
	710915R	Circular Brush Right - SaniSweep	1
	710920L	Circular Brush Left - SuperSweep	1
	710920R	Circular Brush Right - SuperSweep	1
29	714215	Pivot Housing	2
30	980638	Washer Pivot Housing	2
31	718515	Adjustment Slide -SaniSweep	2
	718520	Adjustment Slide -SuperSweep	2
32	713215	Frame - SaniSweep	1
	713220	Frame - SuperSweep	1
33	712715	Dial: Height Adjustment	1
34	715117	Holder for Sliding Lever	2
35	712115	Spring Clip	2
36	715116	"U" Handle Tube (Sliding Lever)	1
37	713701	Grip, Handle	2

WARRANTY POLICY SANISWEEP & SUPERSWEEP

The **Pacific Steamex Inc.** Sweeper has been manufactured, tested and inspected in accordance with specific engineering requirements and is **WARRANTED** to be free from defects in workmanship and materials as follows:

One (1) year – All components unless excluded below.

This warranty extends to the original user/purchaser and only when used, operated and maintained in accordance with **Pacific Steamex Inc.** Operating and Maintenance instructions.

This warranty does not apply to the following wear parts of the machine including:

Part Number	Part Name
710915L	Circular Brush, Left - SaniSweep
710915R	Circular Brush, Right - SaniSweep
710920L	Circular Brush, Left - SuperSweep
710920R	Circular Brush, Right - SuperSweep
710916	Cylindrical Brush

Nor does it apply to damage or failure caused by improper use, abuse or neglect. Warranty credit or replacement of return parts is subject to incoming inspection of those items.

To secure repair under this warranty, the following procedure should be taken:

- The inoperative machine or warranted parts must be delivered to the authorized dealer with shipping and delivery charges prepaid. If unable to locate the Dealer, you may contact **Pacific Steamex Inc.** at the address listed herein for the location of the nearest **Pacific Steamex Inc.** repair center or agent or for other instructions pertaining to your warranty difficulty.
- Upon compliance with the above warranty procedure, all warranted repairs would be completed at no additional charge or cost to the user.
- Only **Pacific Steamex Inc.** or its authorized dealers and agents may make no charge warranty repairs on this product. All others do so at their own risk.

This warranty limits **Pacific Steamex Inc.** liability to the repair of the product and/or warranted parts replacement and does not include incidental or consequential damages arising from the use of a **Pacific Steamex Inc.** machine whether defective or not.

This warranty is in lieu of all other expressed or implied warranties and is extended to the original purchaser/user.

PACIFIC STEAMEX, INC.
2259 S. SHERIDAN
MUSKEGON, MICHIGAN 49442-6252
1-800-968-1332
FAX 1-800-863-9536