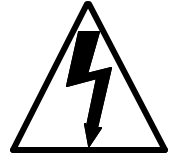


PONY 20 SCA

IMPORTANT SAFETY INSTRUCTIONS



READ AND UNDERSTAND ALL INSTRUCTIONS
BEFORE OPERATING OR SERVICING MACHINE



DANGER!

Failure to Observe These Instructions Can Cause Personal Injury to Machine Operator, By-standers or Possible Machine Damage.

- When using an electrical appliance, basic precautions should always be followed, including the following:
- **NEVER** attempt to service or perform maintenance functions while the machine is plugged into an electrical outlet.
- **NEVER** attempt to operate this machine unless you have been trained in its operation.
- **NEVER** allow an untrained person to operate this machine.
- Use this machine **ONLY** as described in this manual.
- **NEVER** operate this machine with a damaged, broken, cut, abraded or taped cord or plug.
- **ALWAYS** connect this machine to a properly grounded electrical outlet. See the following pages for grounding instructions and wiring diagram.
- **NEVER** leave this machine unattended when plugged in. Unplug the machine from the electrical outlet when not in use and before attempting repairs or maintenance.
- **ALWAYS** turn this machine **OFF** before unplugging from the electrical outlet.
- **NEVER** operate this machine in the presence of flammable or combustible liquids, such as gasoline, fumes or dusts.
- **NEVER** attempt to pick up flammable or combustible liquids, such as gasoline, fumes or dusts.
- **NEVER** handle the machine, cord, or plug with wet hands.
- **NEVER** drop or insert any object into any machine opening.
- **ALWAYS** keep face, fingers, hair or any body part, or loose clothing away from any machine opening or moving part.
- **NEVER** pick up anything that is burning or smoking, such as cigarettes, matches or hot ashes.
- **ALWAYS** use extreme care when cleaning on stairs or when this machine is placed on stairs.
- **NEVER** operate this machine if it is not working properly, if it has been dropped, damaged, exposed to weather or dropped into water. Return the machine to a service center for examination and repair.
- **NEVER** operate this machine with any air opening blocked. Keep all air openings free of dust, lint, hair, and the like.
- **NEVER** operate this machine without a dust bag and / or filters in place.
- **DO NOT** pull or carry this machine by its electrical supply cord, use the cord as a handle, close a door on the cord, pull the cord around sharp edges or corners, expose to heated surfaces, or set heavy or sharp objects on the cord.
- **NEVER** disconnect the plug by pulling on the cord. To disconnect the cord from the outlet, grasp the plug, not the cord.
- **DO NOT** allow this machine to be used as a toy. Close attention is necessary when used by or near children.
- **DO NOT** expose to rain, snow or extremes in temperature.
- **DO NOT** use this machine to vacuum a floor or upholstery.

SAVE THESE INSTRUCTIONS



GROUNDING INSTRUCTIONS

This machine must be grounded. If it should malfunction or break down, grounding provides a path of least resistance for the electric current in order to reduce the risk of electric shock. This machine is equipped with a cord having an equipment-grounding conductor and grounding plug. The plug must be plugged into an appropriate outlet that is properly installed and grounded in accordance with all local codes and ordinances. **FAILURE TO DO SO MAY CAUSE ELECTROCUTION** due to improper connection of ground.

DANGER

Improper connection of the equipment grounding conductor can result in a risk of electric shock. Check with a qualified electrician or service person if you are in doubt as to whether the outlet is properly grounded. Do not modify the plug provided with the machine if it will not fit the outlet. Have a proper outlet installed by a qualified electrician.

This machine is for use on a nominal 120 volt circuit and has a grounding plug that looks like the plug illustrated in Figure A.

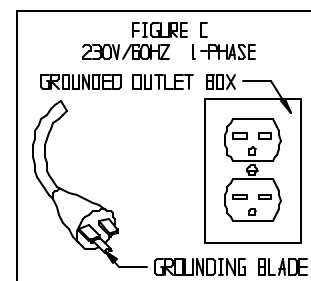
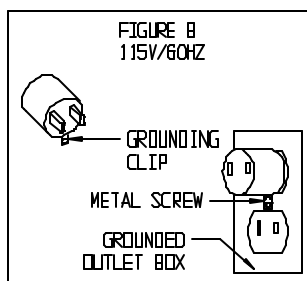
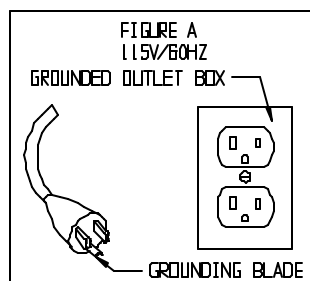
A temporary adapter that looks like the adapter illustrated in Figure B. may be used to connect this plug to a 2-pole receptacle as shown below if a properly grounded outlet is not available.

The temporary adapter should be used only until a properly grounded outlet (Figure A.) can be installed by a qualified electrician. The green colored rigid ear, lug, grounding clip or the like extending from the adapter must be connected to a permanent ground such as a properly grounded outlet box cover. Whenever the adapter is used, it must be held in place by a **METAL** screw.

Check the nameplate on the machine to be sure the voltage and cycle stated on the nameplate are the same as the voltage and cycle of the electrical outlet that you're using. **DO NOT** attempt to plug a 115 volt machine into a 230 volt outlet.

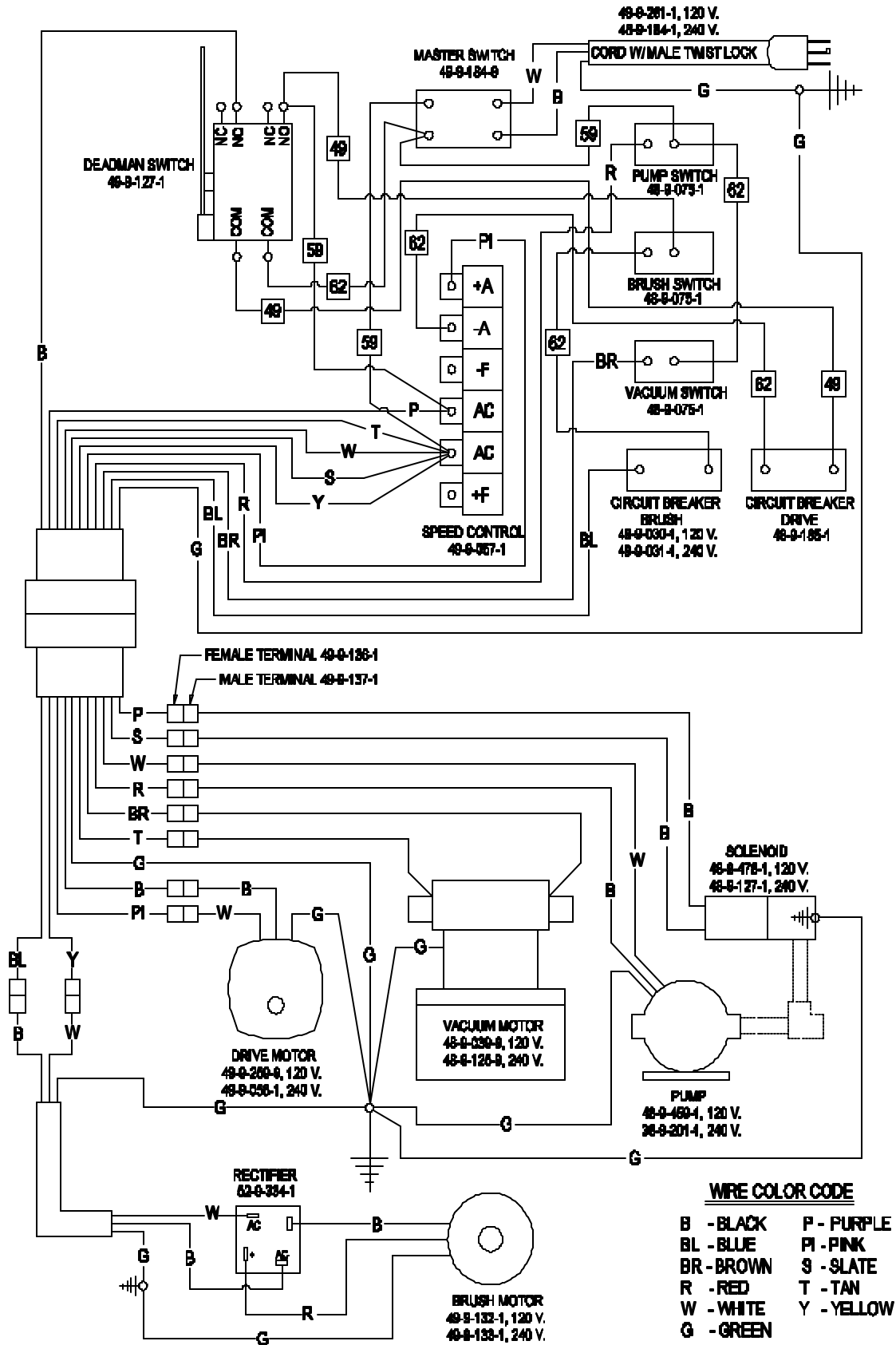
Figure C. A machine that uses 230 volts may or may not have the grounding (earthed) plug attached to the cord. For use within the U.S.A. - 230 volts, 60 HZ , the plug is already supplied the with cord. For use outside the U.S.A., it may be up to the purchaser to have a proper grounding (earthed) plug attached.

Always use a properly grounded 3-wire extension cord which has male and female plugs. Use only 12-3 SJTWA type extension cords to a maximum length of 50 feet.



NOTE: IN CANADA, THE USE OF A TEMPORARY ADAPTOR IS NOT PERMITTED BY CANADIAN ELECTRICAL CODE

WIRING DIAGRAM



OPERATION AND INSTRUCTIONS

BASIC SAFETY PRECAUTIONS

It is always advisable to receive instructions from a person previously trained, however, if you are familiar with carpet cleaning, you should be able to operate this machine.

- **Always** be sure to read and fully understand all of these instructions before attempting to operate this machine.
- **Never** allow anyone to operate this machine who has not been properly trained.
- **Refer** to the complete safety and electrical warnings page.

MACHINE INSPECTION

- Carefully unpack this machine and recycle all packing materials.
- Inspect machine for damage or missing components. If damage is found, contact the freight company to file a freight claim.

NOTE

Always wear tennis shoes. Street shoes or rubber cushioned shoes, when wet, will release absorbed dirt or grease onto the carpeting and cause resoiling. Wet shoes can cause the operator to slip and fall when walking from wet carpet onto bare floors. Make sure the soles of your shoes are wiped dry before walking onto a bare floor. Care should be taken as carpet cleaning solutions may attack a bare floor.

CAUTION

- NEVER stick your hands, feet, or any other objects under the brush head when the motor is operating. Injury may result!

SPECIFICATIONS

General Machine Description

- This machine is a self propelled carpet extraction machine, and is available in both 115 volt and 240 volt configurations.

OPERATOR CONTROLS

Operator controls are positioned for ease of use, and include icons for simplified user training.

- Attach the twist lock end of the power cord to the stub cord of the machine, plug the other end into an appropriate electrical outlet. Move the speed control lever on the control panel to its slow speed. Turn “**ON**” the master switch. Check to see if the top clear dome is secure on the recovery tank then turn the vac switch “**ON**” to make sure the vac motor is operating.
- To check on the brush and the pump for proper operation, turn both switches to “**ON**”. Squeeze the deadman lever under the control handle, the brush should run. With the solution tank empty, the solenoid that controls the pump should emit a short “bup-bup” sound.

OPERATION

- Turn “**ON**” the master switch **before** turning “**ON**” the vacuum switch.
- Turn “**ON**” the brush switch.
- Turn “**ON**” the pump switch.
- Lower the brush head assembly to the carpet with the left lift lever.
- Lower the vacuum shoe to the carpet with the right lift lever.
Note: You may also “lockdown” the vacuum shoe to the carpet.
- You **must lift** the vacuum shoe when moving this machine in reverse.
- Squeeze the deadman lever under the control handle in order to propel forward, then turn on the brush and spray. The brush and spray will stop when the deadman lever is released.
- At the cleaning site turn the speed control to propel the machine at the required speed.
- You can drive the machine to the cleaning site by squeezing the deadman lever with the pump and vacuum switches “**OFF**”, and then turning the speed control to get the desired speed.

FEATURES

CONTROL PANEL

- The master switch, in the upper left corner, must be turned on before any other switch can be activated.
- The speed control is located just below the master switch, this knob controls the speed of the forward movement of the machine.
- On the right are three switches, from top to bottom they activate the spray, brush rotation, and suction.
- Below these switches are two circuit breakers, the left is for the brush motor, the right is for the drive motor.

SOLUTION

- The solution tank is the lower part of the machine body, with a capacity of 20 gallons. The tank is filled by pouring the water and cleaning chemicals through the cloth filter at the front of the tank, and dispensing through an in-line mesh filter screen at the solution tank outlet. The amount of fluid in the tank is visible via the clear hose at the back left of the machine. The tank may be drained by this hose by pulling down from the top. The solution pump is a 100 PSI continuous type, three piston bypass valve style.

RECOVERY TANK

- The recovery tank is the upper part of the machined body and has a capacity of 20 gallons. There is a metal screen cartridge on top of the vacuum tube under the clear dome. Turn the clear dome sideways to allow an opening in order to allow for the recovery tank and metal screen to air dry.

VACUUM MOTOR

- The vacuum motor is a three stage, 1 3/4 HP bypass style, with peripheral discharge. It is enclosed in a housing to reduce noise and improve cooling airflow.

GEAR DRIVE MOTOR

- This machine is propelled by a gear reduction motor through a chain and sprocket system. Variable speed is adjusted at the operator control panel.

BRUSH MOTOR / BRUSH ASSEMBLY

- The brush is driven by a 1/4 HP permanent magnet motor, via a cog belt and pulley system. The brush is a 22" wide nylon bristle, four-row chevron design. The brush housing assembly is a floating style.

SOLUTION SPRAY SYSTEM

- Solution is applied to the carpet through a spray bar assembly of five evenly spaced spray tips. The spray bar is easily serviced with the quick connect solution hose and quarter-turn removable spray tips. Positive shutoff of solution flow is controlled by an in-line solenoid.

ACCESSORY SPRAY WAND

- This is a standard feature that may be used to prespray a wide area of carpet before extraction. It may also be used to apply additional cleaning solution to trouble spots while extracting.

VACUUM SHOE

- The vacuum shoe is a 27" wide, weighted aluminum casting. Mounted with a bearing and a nylon bushing it is able to swing and swivel on a center arm. It is removable for cleaning or machine transportation by a quick disconnect mechanism. The intake of the vacuum shoe must be kept clean to ensure proper flow of extracted liquids. The rear cover plate may be removed to allow for a detailed interior cleaning.

BODY / CHASSIS

- This machine has a one year warranted rotocast poly body, mounted on a steel frame, which rides on two 8" diameter wheels, with grooved non-marking rubber treads and two 4" diameter swivel casters.

ACCESSORY SOLUTION OUTLET

- The quick connect accessory solution outlet, located at the rear of the machine and to the left (to which the accessory spray wand hose is connected), can be used to attach any of the accessory kits. Disconnect the quick connect that is attached to the accessory spray wand hose, and insert the solution hose which is part of any of the accessory kits. Solution from the solution tank is supplied to this outlet when the solution pump is "ON", but will only dispense solution when the trigger of the upholstery, stair tool or jet wand is squeezed in the "ON" position.

SERVICE AND MAINTENANCE

REPAIR SERVICE

- Repair service for this machine must be performed by an authorized service center. Repair service performed by unauthorized service companies will void the machine warranty coverage.
- Turn off all switches and unplug this machine before beginning any service work.

OPERATOR CONTROL PANEL

- All operator controls are serviced by removing the screws securing the switch control panel to the body. This switch control panel will also allow access to the brush and vacuum shoe handle linkage. If the switches, circuit breaker and variable speed control malfunction, they are not repairable, and must be replaced with new factory parts. The power cord, switches and circuit breaker are checked for proper function by testing for continuity when in the “**ON**” position.

SOLUTION TANK

- To fill the solution tank make sure that the mesh filter is in place. Premix the extraction chemical (as per the chemical manufacturer’s mixing instructions) with hot water (95°F/35°C max.) in a five gallon bucket and pour it into the tank. High-foaming liquids waste the capacity of the recovery tank, always use a low-foaming extraction chemical.
- The mesh filter used to strain the solution poured into the solution tank should be removed after each use and rinsed in clear water before replacing.
- Clean solution must pass through an in-line mesh filter prior to entering the solution pump. This filter is mounted externally under the right / rear side of the solution tank (body). To remove the screen for cleaning you must first disconnect the hex nut of the solution hose, and then turn the lower half of the filter 1/8 of a turn counterclockwise.
- Remove the lower half of the filter, and mesh screen to clean.

CAUTION

If there is any clean solution in the tank it will drain out at this time. Reassemble and check for leaks.

RECOVERY

- Always use a defoamer to keep foam out of the vacuum motor fans. To efficiently defoam the recovered solution that will be vacuumed into the recovery tank, simply remove the vac hose from the vac shoe. Turn “**ON**” the vacuum switch; vacuum two cups of defoamer into the recovery tank. Do not put defoamer into the solution tank.

EMPTYING THE SOLUTION AND RECOVERY TANKS

- Any remaining solution should be drained into a toilet, slop sink, janitor’s closet, or bucket. If there is a small amount of solution left in the solution tank, it is possible to vacuum the solution into the recovery tank (provided there is sufficient room to handle the excess solution). It is necessary to turn the master switch and vacuum switch “**ON**”, so that the vacuum motor is running.
- Remove the vac hose which is connected to the vac shoe. Pull the clear solution tank hose down, and insert it into the vac hose. The vac hose will vacuum the solution into the recovery tank. When the solution tank is empty turn the switches off. Remove the recovery tank hose from the bracket, clamp the hose with your hand and lower or aim the hose in the direction that you want the solution to flow. Turn the stopper counterclockwise and remove it, unclamp your hand and allow the solution to drain.

AFTER USE AND BEFORE STORAGE

- Both the solution and recovery tanks should be drained after each use. In addition, both tanks should be rinsed with clear water. Weekly flush out or clean the solution tank with a one gallon solution of 25% vinegar and warm water. Pour it into the solution tank, turn the machine “**ON**” and operate it to completely clean the tank, and the spray jets, (running for 30 seconds should be sufficient). This will remove any chemical residue. Failure to flush the solution system will result in poor spray patterns and corroded jet spray tips.

VACUUM MOTOR

- To service or replace the vacuum motor, you must remove the cooling air intake and the upper vacuum housing.

SOLUTION PUMP / SOLENOID

- The solution pump is mounted at the rear of the chassis, and is secured to a mounting plate by four screws.
- Eventually, the pump bypass valves may become weak or brittle during normal use (normal wear and tear), as a result of being attacked by chemicals used in the cleaning process. The result will be a drop in the pump output pressure.

SERVICE AND MAINTENANCE

- Pump pressure is restored by replacement of the bypass valve kit (part number 38-9-203-1) or by replacement of the pump (part no. 48-9-459-1, 115 volt, or 38-9-201-1, 240 volt).
- The electric solenoid provides a positive cutoff of solution flow to the spray jet bar assembly. The solenoid is activated (“ON”) when the deadman lever is lifted during operation.

MOTORS

The drive motor, vacuum motor, solution pump and solenoid are located inside the body of this machine.

To gain access to these components, you must complete the following procedures:

- Disconnect the power cord from the wall.
- Empty all liquids from the solution tank and recovery tanks.
- Disconnect the solution hose from the in-line solution filter, at the right side of the body.
- Remove the vacuum hose from the vacuum shoe. Disconnect the vacuum shoe lift cable from the cable bracket.
- Locate the mounting studs and nuts for the swivel casters. Remove only the rear / outer nuts. This will disconnect the rear of the main body from the chassis.
- Lift the rear of the machine body to tilt forward for access (the prop rod that holds up the machine, is under the solution tank).

DRIVE MOTOR / DRIVE CHAIN ADJUSTMENT

- The propulsion drive motor is mounted at the front of the chassis, and secured by four hex bolts. Access to this motor, and to the drive chain for chain tension adjustment and lubrication is from underneath the machine (at the front of the machine).
- The drive chain tension should be checked every 90 days and adjusted if necessary. To adjust the drive chain tension, you must first loosen the four hex bolts in the chassis slots under the propulsion motor. Slide the motor forward to decrease, or backward to increase the chain tension.
- The drive chain should be lubricated every 90 days with a penetrating moisture resistant lubricant, using a spray can with attachable straw to apply. **DO NOT** lubricate the chain when the machine is on a carpeted surface. Wipe off any excess lubricant before operating the machine.
- The propulsion motor and gear box have no service parts, and must be replaced as a single unit.

BRUSH MOTOR / BRUSH ASSEMBLY / BELT

The brush motor, brush assembly and belt are serviced by removing both parts of the plastic two-piece brush housing cover.

- The brush drive belt tension is adjusted by first loosening the brush motor mounting hex nuts. Slide the motor toward the brush to decrease the tension, and away from the brush to increase the tension. When the motor is in the proper position, the drive belt should have 1/4” to 3/8” deflection midway between the motor and brush pulley.
- To replace the brush drive belt, you must remove the brush shaft mounting screw at the pulley end and loosen the screw at the opposite end. Install the new belt on the pulleys, replace and tighten the brush shaft mounting screws, and adjust the belt tension.
- Bristles will wear to the point where there is not enough agitation of the carpet. The nylon roller wheel can be raised to lower the brush deeper into the carpet. Remove the roller axle that attaches the roller wheel from its holding bracket, and reinstall the axle into the upper holes in the bracket.

WARNING

Do not use the upper roller axle position with a new or nearly new brush. This will force the brush to an exaggerated down position, overload the circuit breaker, and damage the brush drive motor.

- The brush motor is protected by a circuit breaker mounted on the control panel. The circuit breaker will open (pop-up) when the brush motor is overloaded. When the circuit breaker “overloads” the stem will pop up to expose the white portion of the shaft. Unplug the machine. Prior to resetting the circuit breaker, you must inspect the brush assembly for obstructions such as foreign objects, strings around the brush shaft or “frozen” bearings.
- Reset the circuit breaker by pushing down on the stem until it “clicks” into the “ON” position.

SERVICE AND MAINTENANCE

- Adjustment or replacement of the brush assembly requires removing both brush shaft mounting screws, allowing the brush assembly to be removed from the housing. When installing the brush assembly, do not over tighten the shaft screws. This will prevent binding of the brush assembly.
- Replacement of the brush drive motor (no service parts avail.) requires the removal of the mounting hex nuts and wires to the rectifier and ground wire. Adjust the drive belt tension after replacing the motor.

SOLUTION SPRAY JET BAR

- Before attempting to operate the machine, it may be necessary to check the spray jets and see if they are clean. If the machine has been used previously, cleaning solution may have settled into the spray jets and dried, clogging them. Rinse them with warm water, or make a one gallon solution of 25% vinegar and warm water, and soak the jets for a few minutes to clean them. If an insoluble material is plugging the jets, use a wooden toothpick to clean the clogged jet. Do not use a knife or other sharp object - sharp objects will distort the spray pattern.
- In order to clean the spray jets, you must remove the spray jet bar from the brush housing. Disconnect the quick connect on the end of the solution hose from the quick connect on the spray jet bar. Simply pull out the spray jet bar from the brush head and reconnect the solution hose to the quick disconnect on the spray jet bar. Aim the spray jet bar at the carpet. Turn “**ON**” the master switch, then the spray pump. Turn the speed control to its slowest speed so the machine does not propel itself. Squeeze the deadman switch below the control handle of the machine. Solution will spray through the jets and onto the carpet, this will tell you if all the spray jets are clean. If one of the jets is not spraying, push in on the spray jet and turn it counterclockwise and remove it from the spray jet bar. Reattach by reinserting the tip and turning it clockwise.

If the solution pump does not supply solution at the spray jet bar due to an air lock in the solution hose, you must clear the solution hose in the following manor:

- Plug the machine into an electrical outlet.
- The solution tank should have liquid in it and the in-line filter screen should be clean.
- Turn “**ON**” the master switch and the spray switch.
- Stand at the side of the machine and depress the pin in the center of the accessory quick disconnect. The pump will push solution and air out of the quick connect. To purge the solution lines, run the pump for 30 seconds, or until the solution flows smoothly.
- Recheck the spray output at the spray jet bar assembly.

RAISING AND LOWERING THE VAC SHOE AND BRUSH HEAD

The vac shoe and power cord are packed in a separate carton with the machine. The vac shoe lift cable is already attached to the lift mechanism for the vac shoe.

- To attach the vac shoe, simply slide the tool onto the threaded rod and secure with a washer and nut, then slide the vac hose over the stock of the vac shoe. The vac shoe is now ready for operation.
- To lower the vac shoe to the carpet, move the right lever to the right and release.
- The vac shoe has an additional position to “lockdown” the vac shoe tighter to the carpet for better recovery. From the floating position push down on the right lever and lock it under the notch.
- To lower the brush head, move the left lever to the left, and release, the brush head will move into position on the carpet.

WHEELS / CASTERS/ INTERNAL COMPONENTS

- The 8” wheels have a clutch-type bearing. This style of bearing allows this machine to be pushed forward, without the use of the drive motor. When installed, the 8” wheel will rotate freely when turned toward the front of the machine (clockwise on the right - counterclockwise on the left).
- The swivel casters provide maneuverability and stable control of this machine. The swivel and wheel bearings must be lubricated on a regular basis to ensure trouble-free operation. You should use a non-water soluble grease for lubrication.

SERVICE AND MAINTENANCE

CLEANING HALLWAYS AND LARGE OPEN AREAS

To make the most efficient use of this machine, and to get the cleanest carpet, always vacuum the carpet, with a vacuum cleaner to remove excess dirt before scrubbing and extracting.

- Before attempting to clean the room or hallway, the operator should inspect the area to see if there are any heavy soil conditions (particularly heavy traffic areas) or spots. Propel this machine up to those areas and prespray.
- To prespray, remove the spray wand from its holder (located at the right, rear side of the machine).
- Prespray those traffic areas by squeezing the trigger on the spray wand. This will draw cleaning solution from the machine's solution tank. Do not attempt to prespray areas that you will not overscrub with the machine within a ten minute time span.
- If there are spots, try to ascertain what type of stain it is. See the "Common Stains and Cleaning Treatments" page for solutions to use on the stain.
- There is room for two bottles of spotting liquid on the shelf at the back of the machine. Let the spray sit on the stain for about five minutes, then blot up as much as possible.
- Plan your work based upon available electrical outlets.
- The right hand side of the machine has a bumper wheel, so always keep the right side of the machine closest to the wall.
- Start at the electrical outlet to which your machine is plugged into, clean along the wall boards, away from your outlet. This helps to avoid running over the cord during operation.
- With the right-hand side of the machine closest to the wall, have the master switch, the pump motor, the vac motor, and the suction all "**ON**", operate the machine as far as the cord will allow.
- It is possible to transverse 75 feet (the length of your cord) away from the wall outlet to which your machine is plugged in.
- Usually, areas closest to the walls are the least soiled, the speed control can be set at its mid point, or turned up to a higher speed.
- The brush shoe and brush head will swing out from the wall if they get too close to the wall. This avoids gouging the wall boards or the wall.
- Cross to the other side of the hall or room and work your way back along the opposite wall for as far as the length of the cord will allow.
- It is best to allow for a two inch overlap on each pass to be sure you have covered all of the carpet.
- If time allows after you have completed extracting, turn the spray switch "**OFF**", then with both the vac switch and brush switches "**ON**", make high-speed passes over the carpet. The high-speed vacuuming of the extracted carpet will remove excess moisture, speed up the drying time, and set the pile, leaving a better appearance.
- Use an air mover dryer to speed up the drying time.

Note: If an extension cord must be used with this machine, limit it to 50 feet of 12-3 SJT.

ACCESSORY TOOLS

- 48-9-285-9 3" Upholstery Tool with Attachments
- 48-9-281-9 3" Upholstery Tool - 50 / 100 PSI
- 25-9-855-1 15' x 1 1/2" Vac Hose with 1 1/2" Cuffs

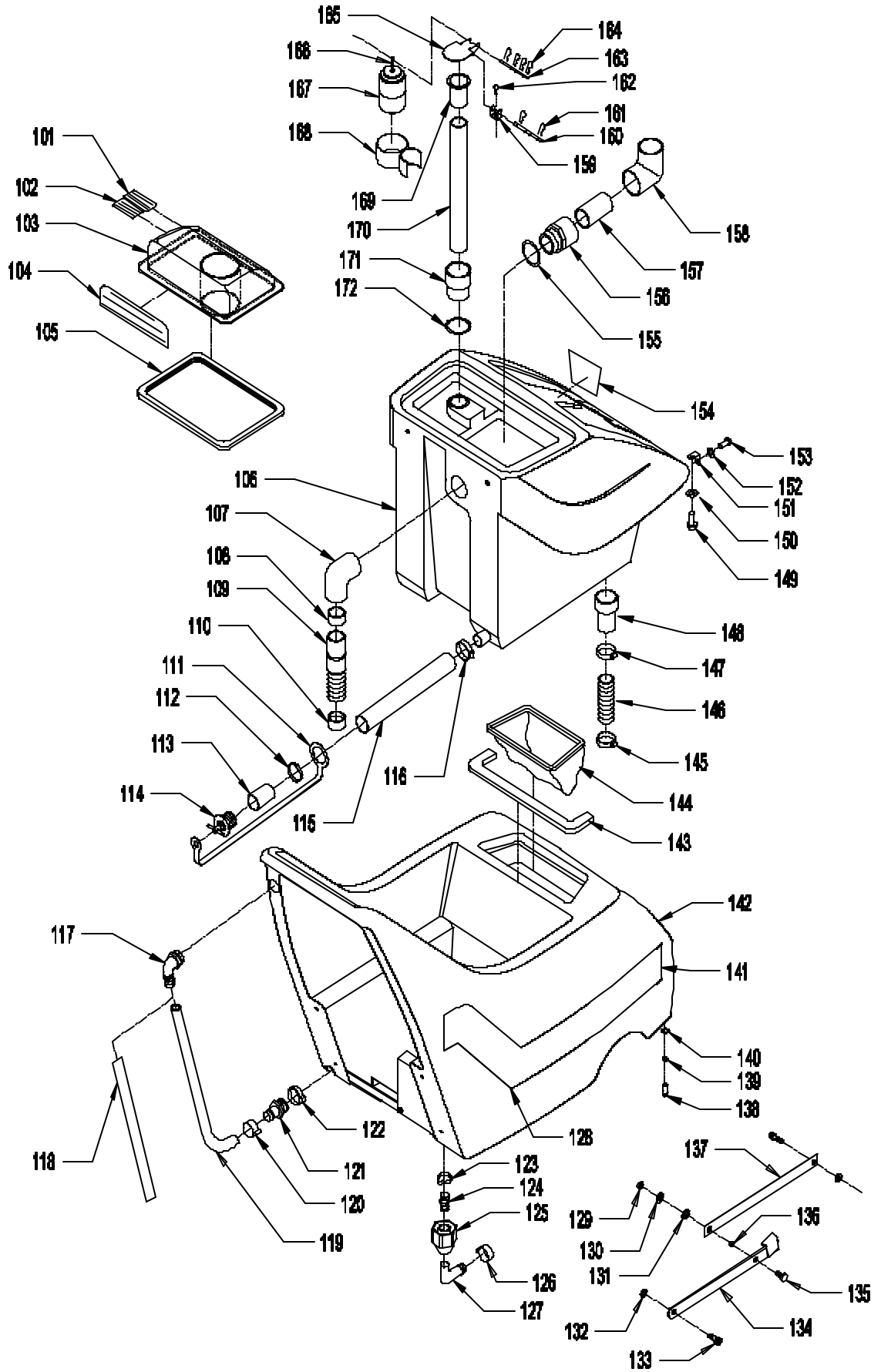
- 48-9-286-9 3 - Jet Wand with Attachments
- 38-9-236-9 3 - Jet Wand 50 / 100 PSI
- 25-9-855-1 15' X 1 1/2" Vac Hose with 1 1/2" Cuffs
- 38-9-158-1 15" X 3/8" Solution Hose with Male Connectors

TO ATTACH ACCESSORIES

Remove vac hose from vac shoe. Attach accessory vac hose cuff to machine vac hose. Remove spray wand water hose from machine body quick connect. Insert accessory water hose. Connect accessory vac hose and water hose to jet wand, or upholstery tool, or stair tool. To operate, turn on the master switch, pump, and vac switches. Squeeze the trigger on the wand, upholstery tool or stair tool to activate the spray.

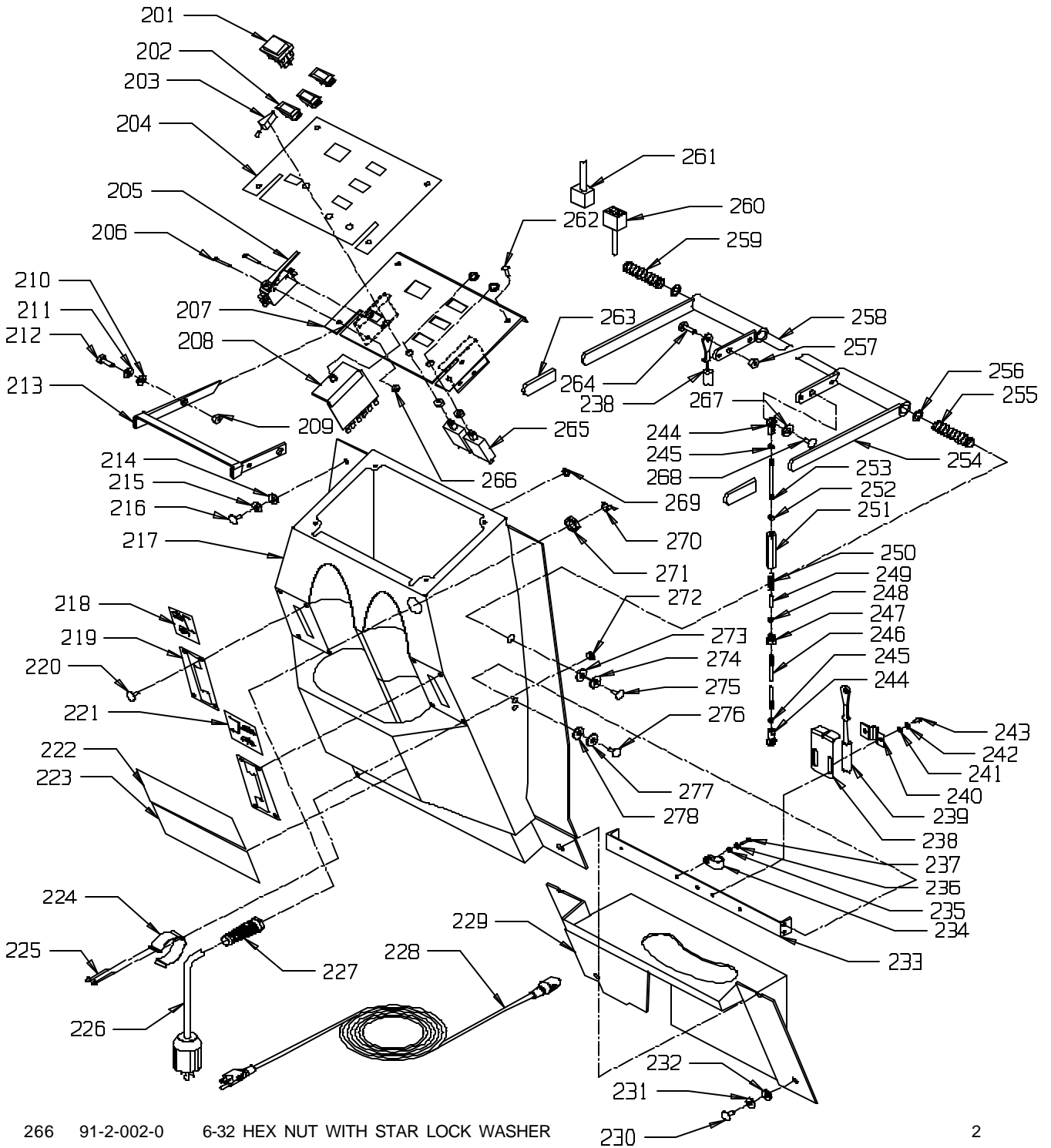
ITEM	PART NO.	PART DESCRIPTION	QTY.
101	49-9-278-1	DEFOAMER LABEL - LABEL SET	1
102	49-9-278-1	FLAP LABEL - LABEL SET	1
103	49-9-019-1	CLEAR PLASTIC DOME	1
104	49-9-278-1	DOME INSTRUCTIONS LABEL - LABEL SET	1
105	49-9-101-1	DOME GASKET	1
	49-9-164-9	DOME ASSEMBLY, INCLUDES ITEMS 101 TO 105	1
106	49-9-002-1	RECOVERY TANK	1
107	48-9-089-9	90 DEGREE ELBOW PVC - 1 1/2 FSL X 1 1/2 FPT - INCI. TUBE	1
108	48-9-090-1	TUBE	1
109	49-9-115-1	HOSE - VAC SHOE TO RECOVERY	1
110	25-9-922-1	END CUFF	1
111	27-9-188-1	PLUG STRAP	1
112	23-9-216-1	TUBE HOSE CLAMP - CRIMP ON TYPE	1
113	23-9-166-6	HOSE TUBE	1
114	27-9-562-1	DRAIN PLUG	1
115	48-9-025-1	DRAIN HOSE - RECOVERY TANK	1
116	48-9-267-1	HOSE CLAMP - 1 1/16" TO 2"	1
117	49-9-022-1	ELBOW - 3/4 MPT X 3/4 HOSE BARB	1
118	49-9-277-1	SOLUTION GAUGE	1
119	87-9-103-0	HOSE - SOLUTION TANK DRAIN	2.5 FT
120	23-9-214-1	HOSE CLAMP - 11/16" TO 1 1/4"	1
121	49-9-112-1	DRAIN FITTING	1
122	49-9-123-1	DRAIN HOSE CLAMP	1
123	49-9-124-1	CLAMP, FILTER SOLUTION TANK	1
124	49-9-052-1	REDUCER - 1/2 MPT X 3/8 MPT NYLON	1
125	49-9-050-1	SOLUTION FILTER - 1/2 FPT X 1/2 MPT	1
126	48-9-265-1	HOSE CLAMP - 1/4" TO 13/16"	1
127	49-9-051-1	ELBOW - 1/2 FPT SWIVEL X 3/8 BARB	1
128	49-9-278-1	RIGHT SIDE LABEL - LABEL SET	1
	49-9-278-1	LEFT SIDE LABEL - LABEL SET	1
129	91-2-089-0	1/4-20 HEX NUT WITH NY-LOK INSERT	1
130	91-2-093-0	9/32 I.D. X 5/8 O.D. X .051/.080 THICK FLAT WASHER (1/4)	1
131	44-9-062-1	3/8 SPRING WASHER	1
132	91-2-139-0	11/32 I.D. X 11/16 O.D. X .051/.080 THICK FLAT WASHER (5/16)	2
133	91-2-202-0	3/8 X 3/8 (5/16-18) SOCKET HEAD SHOULDER BOLT	2
134	49-9-190-1	LOWER PROP ROD	1
135	91-2-121-0	1/4-20 X 5/8 HEX BOLT	1
136	31-9-020-6	SPACER	1
137	49-9-191-1	UPPER PROP ROD	1
138	91-2-160-0	5/16-18 X 5/8 HEX BOLT	1
139	91-2-160-0	5/16 SPLIT LOCK WASHER	1
140	91-2-140-0	3/8 I.D. X 7/8 O.D. X .064/.104 THICK FLAT WASHER (5/16)	1
141	49-9-278-1	STRAIGHT SIDE LABEL - LABEL SET	1
142	49-9-001-1	SOLUTION TANK	1
143	88-9-110-0	1/2" X 1" GASKET	1 1/2 FT
144	48-9-020-9	SOLUTION TANK FILTER	1
145	48-9-267-1	HOSE CLAMP - 1 1/16" TO 2"	1
146	49-9-114-1	HOSE - RECOVERY TANK TO VAC MOTOR	1
147	48-9-267-1	HOSE CLAMP - 1 1/16" TO 2"	1
148	48-9-029-2	HOSE BARB	1
149	91-2-104-0	1/4-20 X 5/8 ROUND HEAD PHILLIPS MACHINE SCREW	1
150	91-2-097-0	1/4 EXTERNAL STAR LOCK WASHER	1
151	48-9-166-3	HOLD DOWN BRACKET	1
152	91-2-097-0	1/4 EXTERNAL STAR LOCK WASHER	1
153	91-2-104-0	1/4-20 X 5/8 ROUND HEAD PHILLIPS MACHINE SCREW	1
154	49-9-278-1	NSS LOGO LABEL - LABEL SET	1
155	38-9-040-1	DRAIN VALVE GASKET	1
156	48-9-028-1	ADAPTER - 1 1/2 FSL X 1 1/2 MPT	1
157	49-9-111-1	RECOVERY TANK TUBE	1
158	48-9-089-1	ELBOW - 1 1/2 FSL X 1 1/2 FTT	1
159	49-9-100-3	FLOAT MOUNT BRACKET	1
160	48-9-032-1	FLOAT PIN	1
161	48-9-144-1	COTTER PIN	2
162	91-2-043-0	10-24 X 3/4 ROUND HEAD PHILLIPS MACHINE SCREW	1
163	48-9-144-1	COTTER PIN	4
164	48-9-032-1	FLOAT PIN	1
165	48-9-030-3	SHUT OFF PLATE	1
166	48-9-031-1	FLOAT ROD	1
167	48-9-013-9	FLOAT ASSEMBLY	1
168	49-9-037-3	FLOAT GUIDE	1
169	48-9-011-1	LINT SCREEN	1
170	49-9-063-1	VACUUM STACK	1
171	48-9-028-1	ADAPTER - 1 1/2 FSL X 1 1/2 MPT	1
172	48-9-181-1	"O" RING - 1 7/8 I.D. X 2 1/8 O.D.	1

SOLUTION / RECOVERY TANKS



ITEM	PART NO.	PART DESCRIPTION	QTY.
201	49-9-184-9	MASTER POWER SWITCH, - 120 AND 240 VOLT	1
202	48-9-075-1	ROCKER SWITCH - SPRAY VACUUM BRUSH	3
203	54-9-013-1	KNOB WITH SET SCREW	1
204	49-9-278-1	SWITCH CONTROL PANEL LABEL - LABEL SET	1
205	49-9-127-1	LIMIT SWITCH, DEADMAN LEVER	1
206	91-2-010-0	6-32 X 1 ROUND HEAD PHILLIPS MACHINE SCREW	2
207	49-9-186-3	SWITCH CONTROL PANEL	1
208	49-9-057-1	SPEED CONTROL WITH KNOB - 120 AND 240 VOLT	1
209	91-2-002-0	6-32 HEX NUT WITH STAR LOCK WASHER	2
210	27-9-128-6	BUSHING SPACER	2
211	91-2-093-0	9/32 I.D. X 5/8 O.D. X .051/.080 THICK SAE FLAT WASHER (1/4)	2
212	91-2-125-0	1/4-20 X 3/4 HEX BOLT	2
213	49-9-044-3	DEADMAN LEVER	1
214	91-2-094-0	5/16 I.D. X 3/4 O.D. X .051/.080 THICK FLAT WASHER (1/4) (WROUGHT)	2
215	91-2-097-0	1/4 EXTERNAL STAR LOCK WASHER	4
216	91-2-109-0	1/4-20 X 1/2 TRUSS HEAD PHILLIPS MACHINE SCREW	4
217	49-9-010-1	CONTROL PANEL HOUSING	1
218	49-9-278-1	RAISE / LOWER BRUSH LABEL - LABEL SET	1
219	49-9-064-3	LIFT LEVER GUIDE PLATE	2
220	91-2-041-0	10-24 X 1/2 ROUND HEAD PHILLIPS MACHINE SCREW	8
221	49-9-278-1	RAISE / LOWER VAC SHOE LABEL - LABEL SET	1
222	49-9-278-1	WARNING LABEL - LABEL SET	1
223	49-9-278-1	GROUNDING LABEL - LABEL SET	1
224	23-9-213-1	HOSE CLIP	1
225	23-9-175-1	1/8 X 5/8 POP RIVET	2
226	49-9-281-1	STUB CORD WITH MALE TWIST LOCK PLUG, 120 VOLT	1
227	02-9-953-1	CORD STRAIN RELIEF	1
228	49-9-066-1	POWER CORD 75 FEET 120 VOLT	1
	02-9-967-1	POWER CORD 16-3 SHUKO - 75 FEET 240 VOLT	1
229	49-9-076-1	LOWER REAR PANEL	1
230	91-2-109-0	1/4-20 X 1/2 TRUSS HEAD PHILLIPS MACHINE SCREW	2
231	91-2-097-0	1/4 EXTERNAL STAR LOCK WASHER	2
232	91-2-094-0	5/16 I.D. X 3/4 O.D. X .051/.080 THICK FLAT WASHER (1/4) (WROUGHT)	2
233	49-9-125-3	CLAMP BRACKET	1
234	52-9-420-1	NYLON CABLE CLAMP	1
235	91-2-037-0	7/32 I.D. X 1/2 O.D. X .032/.065 THICK SAE FLAT WASHER (#10)	1
236	91-2-032-0	#10 SPLIT LOCK WASHER	1
237	91-2-041-0	10-24 X 1/2 ROUND HEAD PHILLIPS MACHINE SCREW	1
238	49-9-042-1	BRUSH LIFT CABLE ADJUSTMENT BRACKET	1
239	49-9-039-1	LIFT CABLE BRUSH HOUSING	1
240	48-9-070-6	CABLE CLAMP	1
241	91-2-037-0	7/32 I.D. X 1/2 O.D. X .032/.065 THICK SAE FLAT WASHER (#10)	2
242	91-2-033-0	#10 EXTERNAL STAR LOCK WASHER	2
243	91-2-058-0	10-24 X 5/8 ROUND HEAD SLOT MACHINE SCREW	2
244	44-9-053-1	3/8 BALL JOINT	2
245	91-2-201-0	3/8-24 HEX NUT	2
246	26-9-180-1	LIFT ROD, MEDIUM	1
247	26-9-183-1	RETAINER	1
248	91-2-214-0	3/8-16 HEX NUT WITH NY-LOK INSERT	1
249	06-9-006-1	PIVOT SPACER	1
250	49-9-012-1	PRESSURE SPRING	1
251	26-9-182-6	SPRING HOUSING	1
252	91-2-200-0	3/8-16 HEX NUT	1
253	49-9-013-1	LIFT ROD, SHORT	1
254	49-9-011-9	VAC SHOE PRESSURE ROD ASSEMBLY	1
	49-9-070-3	LIFT LEVER, VAC SHOE - BRUSH HOUSING	2
255	36-9-558-1	LIFT LEVER SPRING - BRUSH	1
256	10-9-987-1	.516 I.D. X .813 O.D. X .027/.030 THICK FLAT WASHER	2
257	91-2-061-0	10-24 HEX NUT WITH NY-LOK INSERT	1
258	49-9-061-1	LIFT LEVER PILOT	1
259	27-9-056-1	LIFT LEVER SPRING - VAC SHOE	1
260	49-9-140-1	CORD, CONNECTOR TO BASE COMPONENTS	1
261	49-9-141-1	CORD, SWITCH CONTROL PANEL TO CONNECTOR	1
262	91-2-075-0	10-32 X 1/2 TRUSS HEAD PHILLIPS MACHINE SCREW	4
263	23-9-118-1	LIFT LEVER GRIP	2
264	91-2-226-0	3/8-16 X 1 HEX BOLT	1
265	49-9-030-1	CIRCUIT BREAKER 3 AMP, 115 VOLT	1
	48-9-185-1	CIRCUIT BREAKER 1 AMP, 115 AND 240 VOLT	1
	49-9-031-1	CIRCUIT BREAKER 1.5 AMP, 240 VOLT	1

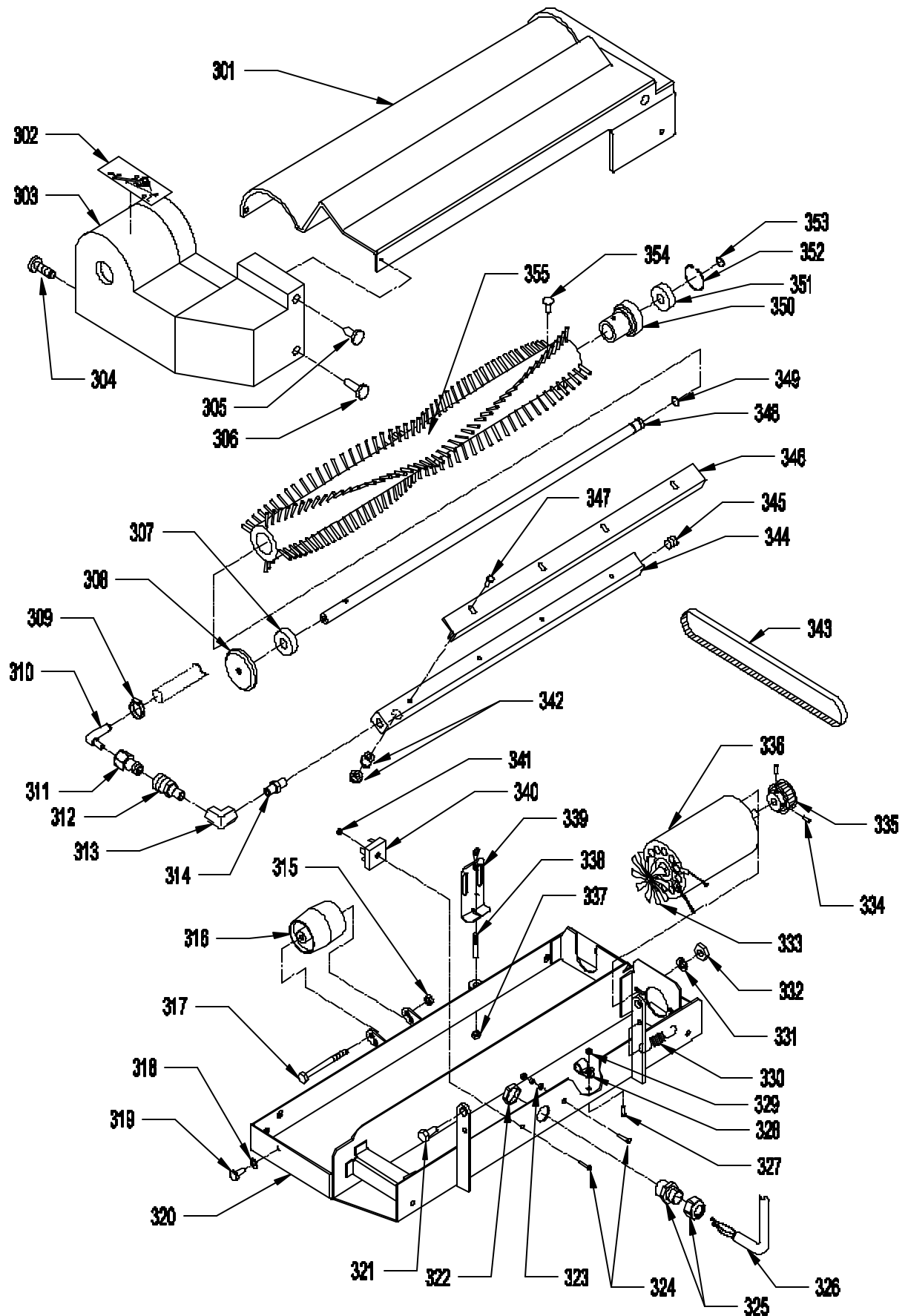
CONTROL PANEL



266	91-2-002-0	6-32 HEX NUT WITH STAR LOCK WASHER	2
267	91-2-210-0	3/8 SPLIT LOCK WASHER	1
268	91-2-226-0	3/8-16 X 1 HEX BOLT	1
269	91-2-036-0	10-24 HEX NUT WITH STAR LOCK WASHER	8
270	02-9-966-1	STRAIN RELIEF CORD CLAMP	1
271	08-9-113-1	STRAIN RELIEF NUT, PLASTIC	1
272	50-9-243-1	#6 FLAT WASHER	2
273	91-2-094-0	5/16 I.D. X 3/4 O.D. X .051/.080 THICK FLAT WASHER (1/4) (WROUGHT)	1
274	91-2-097-0	1/4 EXTERNAL STAR LOCK WASHER	1
275	91-2-109-0	1/4-20 X 1/2 TRUSS HEAD PHILLIPS MACHINE SCREW	1
276	91-2-041-0	10-24 X 1/2 ROUND HEAD PHILLIPS MACHINE SCREW	5
277	91-2-032-0	#10 SPLIT LOCK WASHER	1
278	91-2-037-0	7/32 I.D. X 1/2 O.D. X .032/.065 THICK SAE FLAT WASHER (#10)	4

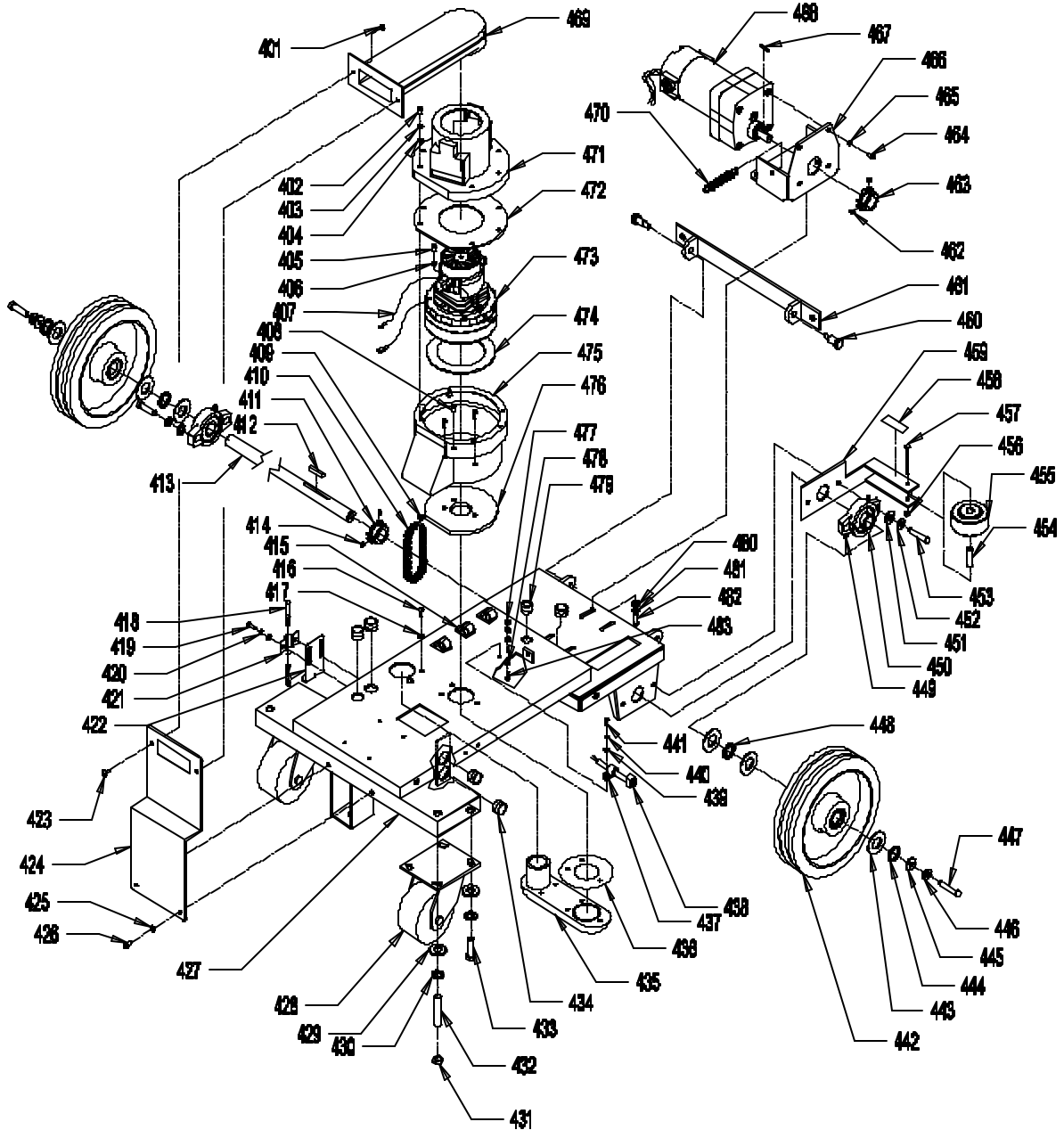
ITEM	PART NO.	PART DESCRIPTION	QTY.
301	49-9-018-1	BRUSH COVER, LONG	1
302	49-9-278-1	SPRAY BAR LABEL - LABEL SET	1
303	49-9-118-1	BRUSH COVER, SHORT	1
304	91-2-050-0	10-24 X 3/8 TRUSS HEAD PHILLIPS MACHINE SCREW	3
305	91-2-081-0	10 X 1/2 PAN HEAD PHILLIPS SHEET METAL SCREW	1
306	91-2-051-0	10-24 X 1/2 TRUSS HEAD PHILLIPS MACHINE SCREW	2
307	10-9-922-1	BEARING	1
308	49-9-008-6	THREAD GUARD	1
309	48-9-265-1	HOSE CLAMP, 3/4"	1
310	27-9-179-1	90° HOSE BARB 3/8 X 1/4 NPTM	1
311	49-9-129-1	MALE QUICK CONNECT	1
312	49-9-128-1	FEMALE QUICK CONNECT	1
313	38-9-114-1	1/4 ELBOW 90°	1
314	38-9-194-1	1/4 HEX NIPPLE, BRASS	1
315	91-2-089-0	1/4-20 HEX NUT WITH NY-LOK INSERT	1
316	49-9-193-2	ROLLER WHEEL	1
317	49-9-119-1	1/4-20 X 3 HEX BOLT (ROLLER AXLE)	1
318	91-2-097-0	1/4 EXTERNAL STAR LOCK WASHER	2
319	91-2-100-0	1/4-20 X 5/8 TRUSS HEAD PHILLIPS MACHINE SCREW	2
320	49-9-017-3	BRUSH HOUSING FRAME	1
321	49-9-117-1	3/8 X 3/4 (5/16-18) SOCKET HEAD SHOULDER SCREW	2
322	48-9-083-1	STRAIN RELIEF NUT	1
323	91-2-036-0	10-24 HEX NUT WITH STAR LOCK WASHER	3
324	91-2-043-0	10-24 X 3/4 ROUND HEAD PHILLIPS MACHINE SCREW	2
325	48-9-083-1	STRAIN RELIEF, INCLUDES NUT	1
326	49-9-068-1	BRUSH MOTOR POWER CORD	1
327	91-2-051-0	10-24 X 1/2 TRUSS HEAD PHILLIPS MACHINE SCREW	1
328	52-9-420-1	NYLON CABLE CLAMP	1
329	91-2-036-0	10-24 HEX NUT WITH STAR LOCK WASHER	1
330	49-9-024-1	ADJUSTING WHEEL SPRING	1
331	91-2-037-0	7/32 I.D. X 1/2 O.D. X .032/.065 THICK SAE FLAT WASHER (#10)	2
332	91-2-066-0	10-32 HEX NUT WITH STAR LOCK WASHER	2
333	49-9-153-1	BRUSH DRIVE MOTOR FAN, INCLUDES SET SCREW	1
334	91-2-065-0	10-32 X 3/4 SET SCREW - CUP POINT	2
335	49-9-049-1	BRUSH DRIVE MOTOR PULLEY	1
336	49-9-132-1	BRUSH DRIVE MOTOR, 120 VOLT	1
	49-9-133-1	BRUSH DRIVE MOTOR, 240 VOLT	1
337	91-2-090-0	1/4-20 HEX NUT WITH NY-LOK INSERT	1
338	49-9-039-1	BRUSH HOUSING LIFT CABLE	1
339	49-9-042-1	BRUSH LIFT CABLE ADJUSTMENT BRACKET	1
340	54-9-274-1	RECTIFIER	1
341	91-2-036-0	10-24 HEX NUT WITH STAR LOCK WASHER	1
342	49-9-090-1	SPRAY TIP WITH BODY	5
	49-9-091-1	SPRAY TIP ONLY (8001)	5
	48-9-211-1	SPRAY TIP SEAL GASKET, "0" RING	5
	48-9-129-1	BODY ONLY	1
343	49-9-048-1	BRUSH DRIVE BELT	1
344	49-9-004-1	SPRAY BAR	1
	49-9-166-9	SPRAY BAR ASSEMBLY	1
345	23-9-215-1	1/4 PIPE PLUG	1
346	49-9-104-3	SPRAY BAR GUIDE	1
347	91-2-051-0	10-24 X 1/2 TRUSS HEAD PHILLIPS SCREW	4
348	49-9-007-1	BRUSH AXLE	1
349	49-9-142-1	RETAINING RING	1
350	49-9-005-1	BRUSH PULLEY	1
351	10-9-992-1	BEARING	1
352	34-9-049-1	RETAINING RING	1
353	49-9-142-1	RETAINING RING	1
354	91-2-067-0	10-32 X 5/8 FLAT HEAD PHILLIPS MACHINE SCREW	2
355	49-9-003-1	BRUSH ONLY	1
	49-9-165-9	BRUSH ASSEMBLY	1

BRUSH HOUSING



ITEM	PART NO.	PART DESCRIPTION	QTY.
401	91-2-036-0	10-24 HEX NUT WITH STAR LOCK WASHER	2
402	91-2-073-0	10-32 X 1/2 PHILLIPS ROUND HEAD SCREW	6
403	91-2-032-0	#10 SPLIT LOCK WASHER	6
404	91-2-037-0	7/32 I.D. X 1/2 O.D. X .032/.065 THICK SAE FLAT WASHER (#10)	6
405	91-2-059-0	10-24 X 3/8 PAN HEAD PHILLIPS THREAD CUTTING SCREW	1
406	91-2-032-0	#10 SPLIT LOCK WASHER	1
407	49-9-147-1	VAC MOTOR GROUND WIRE	1
408	91-2-067-0	10-32 X 5/8 PHILLIPS FLAT HEAD SCREW	3
409	49-9-075-1	MASTER LINK	1
410	49-9-074-1	DRIVE CHAIN WITH MASTER LINK, 34 1/2 LINKS	1
411	49-9-040-1	SPROCKET, DRIVE AXLE, 18 TEETH	1
412	49-9-121-1	DRIVE AXLE KEY	1
413	49-9-027-6	DRIVE AXLE	1
414	91-2-086-0	1/4-20 X 3/8 SET SCREW	2
415	27-9-011-1	WIRE, KWIK CLIP	3
416	91-2-073-0	10-32 X 1/2 PHILLIPS ROUND HEAD SCREW	1
417	91-2-032-0	#10 SPLIT LOCK WASHER	1
418	49-9-039-1	BRUSH HOUSING LIFT CABLE	1
419	91-2-041-0	10-24 X 1/2 ROUND HEAD PHILLIPS MACHINE SCREW	2
420	91-2-032-0	#10 SPLIT LOCK WASHER	2
421	48-9-070-3	CABLE CLAMP	1
422	49-9-042-1	BRUSH LIFT CABLE ADJUSTMENT BRACKET	1
423	91-2-038-0	10-24 X 3/8 ROUND HEAD PHILLIPS MACHINE SCREW	2
424	49-9-113-3	AIR INTAKE SUPPORT	1
425	91-2-032-0	#10 SPLIT LOCK WASHER	2
426	91-2-038-0	10-24 X 3/8 ROUND HEAD PHILLIPS MACHINE SCREW	2
427	49-9-026-3	MAIN FRAME, CHASSIS	1
428	26-9-258-1	SWIVEL CASTER COMPLETE	2
429	91-2-218-0	13/32 I.D. X 13/16 O.D. X .051/.080 THICK WASHER (WROUGHT) (3/8)	8
430	91-2-210-0	3/8 SPLIT LOCK WASHER	8
431	91-2-142-0	5/16-18 HEX NUT	2
432	91-2-138-5	5/16-18 X 2 1/4 SET SCREW - CUP POINT	2
433	91-2-226-0	3/8-16 X 1 HEX BOLT	6
434	48-9-045-1	SNAP IN BUSHING	5
435	48-9-008-1	VAC INTAKE TUBE	1
436	48-9-047-1	GASKET, VAC INTAKE TO CHASSIS	1
437	52-9-420-1	NYLON CORD CLAMP	1
438	49-9-140-1	CORD, CONNECTOR TO BASE	1
439	91-2-037-0	7/32 I.D. X 1/2 O.D. X .032/.065 THICK SAE FLAT WASHER (#10)	1
440	91-2-032-0	#10 SPLIT LOCK WASHER	1
441	91-2-041-0	10-24 X 1/2 ROUND HEAD PHILLIPS MACHINE SCREW	1
442	49-9-160-9	DRIVE WHEEL ASSEMBLY WITH BEARINGS ONLY	2
	49-9-006-1	8" WHEEL WITH GROOVES	2
	49-9-034-1	BEARING, WHEEL, CLUTCH	4
	49-9-094-6	BUSHING, WHEEL, PLATED	2
443	49-9-109-1	NYLON WASHER	6
444	49-9-108-4	THRUST WASHER	2
445	91-2-218-0	13/32 I.D. X 13/16 O.D. X .051/.080 THICK WASHER (WROUGHT) (3/8)	2
446	91-2-210-0	3/8 SPLIT LOCK WASHER	2
447	91-2-226-0	3/8-16 X 1 HEX BOLT	2
448	49-9-110-1	CURVED SPRING WASHER	2
449	91-2-136-5	1/4-28 X 1/4 SET SCREW	4
450	49-9-055-1	BEARING, DRIVE AXLE	2
451	91-2-140-0	3/8 I.D. X 7/8 O.D. X .064/.104 THICK FLAT WASHER (5/16)	2
452	91-2-152-0	5/16 SPLIT LOCK WASHER	2
453	91-2-172-0	5/16-18 X 1 1/4 HEX BOLT	2
454	52-9-439-1	AXLE SPACER, BUMPER WHEEL	1
455	27-9-028-1	BUMPER WHEEL	1
456	91-2-214-0	3/8-16 HEX NUT WITH NY-LOK INSERT	1
457	91-2-208-0	3/8-16 X 2 1/2 HEX BOLT	1
458	49-9-278-1	BUMPER BRACKET LABEL - LABEL SET	1
459	49-9-120-3	BUMPER WHEEL BRACKET	1
460	49-9-117-1	3/8 X 3/4 (5/16-18) SHOCKET HEAD SHOULDER SCREW	2
461	49-9-122-3	HINGE BRACKET	1
462	91-2-063-7	10-24 X 1/4 SET SCREW - CUP POINT	2
463	49-9-038-1	SPROCKET, GEAR DRIVE MOTOR, 12 TEETH	1
464	91-2-073-0	10-32 X 1/2 PHILLIPS ROUND HEAD SCREW	4
465	91-2-032-0	#10 SPLIT LOCK WASHER	4
466	49-9-028-3	MOUNTING BRACKET, GEAR DRIVE MOTOR	1
467	59-9-007-1	1/8 X 1/2 DRIVE MOTOR KEY	1

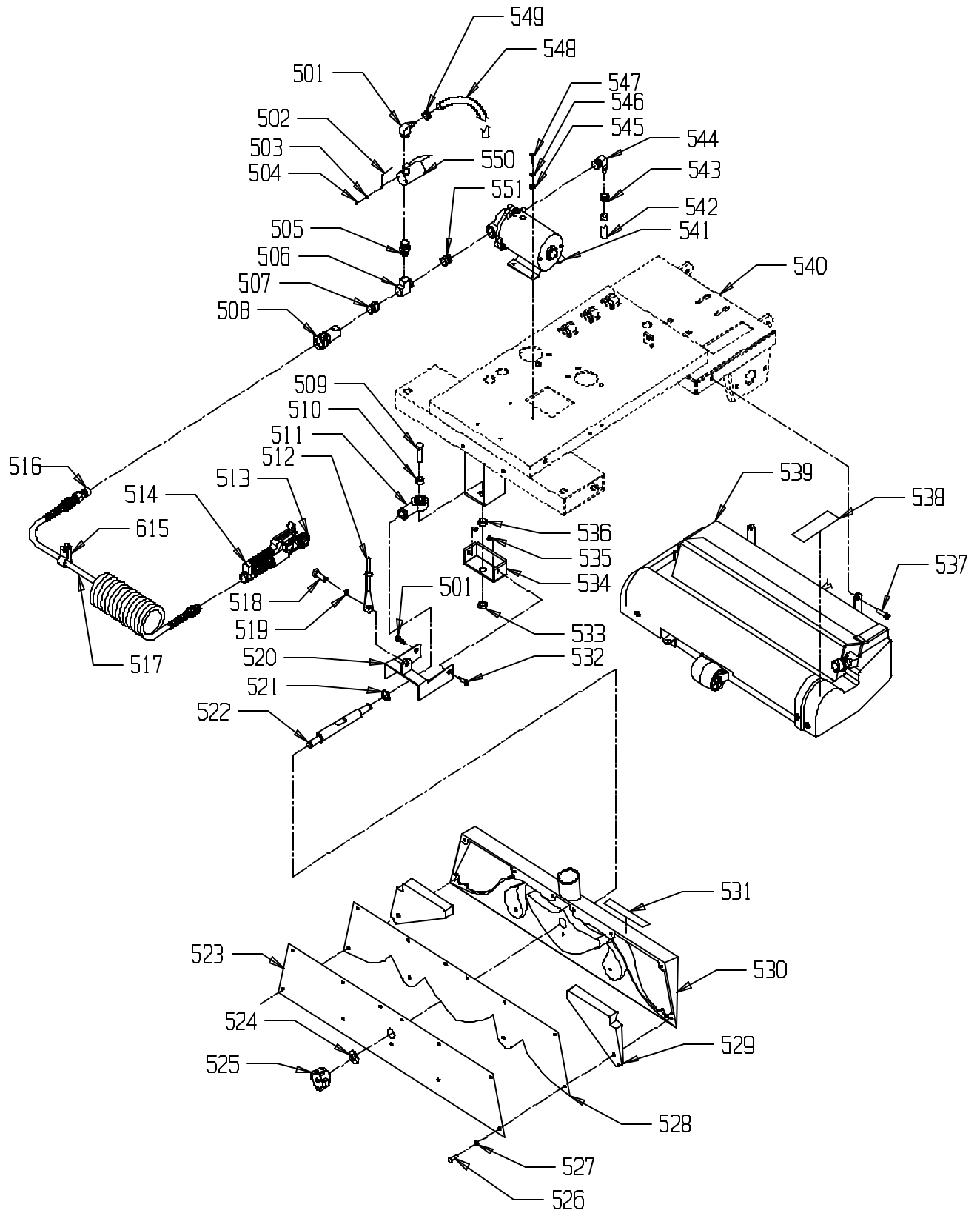
CHASSIS



468	49-9-060-1	GEAR DRIVE MOTOR 120 VOLT	1
	49-9-058-1	GEAR DRIVE MOTOR 240 VOLT	1
469	48-9-006-1	COOLING DUCT, VAC MOTOR	1
470	49-9-024-1	ADJUSTING WHEEL TENSION SPRING	1
471	48-9-005-1	VAC MOTOR SPLASH COVER	1
472	48-9-043-1	VAC MOTOR GASKET, UPPER	1
473	48-9-039-9	VAC MOTOR ASSEMBLY, 120 VOLT	1
	48-9-125-9	VAC MOTOR ASSEMBLY, 240 VOLT	1
474	46-9-010-1	VAC MOTOR GASKET, LOWER	1
475	48-9-007-1	VAC MOTOR EXHAUST CHAMBER	1
476	48-9-172-1	GASKET, EXHAUST CHAMBER TO CHASSIS	1
477	91-2-036-0	10-24 HEX NUT WITH STAR LOCK WASHER	3
478	91-2-032-0	#10 SPLIT LOCK WASHER	1
479	48-9-107-1	HEYCO STRAIN RELIEF	1
480	91-2-093-0	9/32 I.D. X 5/8 O.D. X .051/.080 THICK SAE FLAT WASHER (1/4)	1
481	91-2-088-0	1/4 SPLIT LOCK WASHER	1
482	91-2-116-0	1/4-20 X 3/8 HEX BOLT	1
483	91-2-043-0	10-24 X 3/4 ROUND HEAD PHILLIPS MACHINE SCREW	1

ITEM	PART NO.	PART DESCRIPTION	QTY.
501	27-9-179-1	90° HOSE BARB 3/8 X 1/4 NPTM	1
502	49-9-147-1	GROUND WIRE, SOLENOID VALVE	1
503	91-2-018-0	#8 INTERNAL STAR LOCK WASHER	1
504	91-2-022-0	8-32 X 3/8 ROUND HEAD PHILLIPS MACHINE SCREW	1
505	38-9-194-1	1/4 HEX NIPPLE, BRASS	1
506	43-9-061-1	1/4 NPT STREET "T"	1
507	38-9-194-1	1/4 HEX NIPPLE, BRASS	1
508	35-9-051-1	FEMALE QUICK CONNECT, ACCESSORY SOLUTION	1
509	91-2-265-0	1/2-13 X 2 1/14 HEX BOLT	1
510	23-9-146-6	PIVOT SPACER	1
511	23-9-194-1	BALL JOINT, VAC SHOE PIVOT	1
512	49-9-039-1	LIFT CABLE, BRUSH HOUSING	1
513	49-9-099-1	SPRAY TIP	1
514	49-9-126-1	ACCESSORY SPRAY GUN ONLY	1
	49-9-172-9	ACCESSORY SPRAY GUN WITH HOSE	1
515	48-9-085-1	CORD CLAMP	1
516	35-9-075-1	MALE QUICK CONNECT, ACCESSORY SOLUTION	1
517	49-9-284-1	SOLUTION HOSE FOR SPRAY GUN	1
518	91-2-226-0	3/8-16 X 1 HEX BOLT	1
519	91-2-210-0	3/8 SPLIT LOCK WASHER	1
520	49-9-045-3	VAC SHOE LIFT BRACKET	1
521	91-2-242-0	1/2 SPLIT LOCK WASHER	1
522	49-9-053-6	VAC SHOE PIVOT ARM	1
523	49-9-072-3	COVER PLATE, VAC SHOE	1
524	91-2-245-0	17/32 I.D. X 1 1/16 O.D. X .047/.121 THICK SAE FLAT WASHER (1/2)	1
525	49-9-054-2	KNOB FOR VAC SHOE	1
526	91-2-109-0	1/4-20 X 1/2 TRUSS HEAD PHILLIPS MACHINE SCREW	1
527	91-2-097-0	1/4 EXTERNAL STAR LOCK WASHER	11
528	49-9-071-1	VAC SHOE GASKET	1
529	49-9-089-1	VAC SHOE WEIGHT	2
530	49-9-009-3	VAC SHOE CASTING	1
	49-9-163-9	VAC SHOE ASSEMBLY	1
531	49-9-278-1	VAC SHOE DISCONNECT LABEL - LABEL SET	1
532	91-2-155-0	5/16 X 3/8 (1/4-20) SOCKET HEAD SHOULDER BOLT	1
533	91-2-249-5	1/2-13 THIN HEX NUT WITH NY-LOK INSERT	1
534	49-9-046-3	LIFT BRACKET SUPPORT	1
535	91-2-091-0	1/4-20 HEX NUT WITH STAR LOCK WASHER	1
536	23-9-146-6	PIVOT SPACER	1
537	49-9-117-1	3/8 X 3/4 (5/16-18) SOCKET HEAD SHOULDER BOLT	2
538	49-9-278-1	BRUSH COVER LABEL - LABEL SET	1
539	49-9-167-9	BRUSH HOUSING ASSEMBLY	1
540	49-9-026-3	MAIN FRAME, CHASSIS	1
541	48-9-459-1	SOLUTION PUMP 100 PSI, 120 VOLT	1
	38-9-201-1	SOLUTION PUMP 100 PSI, 240 VOLT	1
542	48-9-157-1	SOLUTION HOSE, SOLUTION TANK TO PUMP	1
543	48-9-265-1	HOSE CLAMP 3/4"	1
544	48-9-188-1	90° HOSE BARB 3/8 NPTM	1
545	91-2-037-0	7/32 I.D. X 1/2 O.D. X .032/.065 THICK SAE FLAT WASHER (#10)	1
546	91-2-032-0	#10 SPLIT LOCK WASHER	4
547	91-2-045-0	10-24 X 1 ROUND HEAD PHILLIPS MACHINE SCREW	4
548	49-9-131-1	SOLUTION HOSE, SOLENOID TO SPRAY MANIFOLD	1
549	48-9-265-1	HOSE CLAMP 3/4"	1
550	48-9-478-1	SOLENOID VALVE 120 VOLT	1
	48-9-127-1	SOLENOID VALVE 240 VOLT	1
551	48-9-021-1	BRASS BUSHING, 1/4F X 3/8 NPTM	1

VAC SHOE



COMMON STAINS AND CLEANING TREATMENTS

TREATMENT METHODS

- First: Remove excess material by blotting to absorb liquids, or by scraping with a dull edged (butter knife) if the material is a solid.
- Second: Clean the remaining stain as directed by the chart below. Always follow the direction on the container. Apply the cleaning material directly to the stain (avoid over wetting the carpet or upholstery), then remove the loosened stain material with a white absorbent cloth or tissue.
- Third: When the carpet is dry, gently brush the carpet pile to restore its appearance.
- Note: Treat unknown stains with a volatile solvent first and follow with other agents as required. If you are uncertain of the effect of the cleaning agent on the carpet fiber or die test on an inconspicuous area first.

STAIN TYPE

TREATMENT MATERIAL

Asphalt	Volatile solvent/detergent
Beer	Liquid detergent, White vinegar
Berry stain	Liquid detergent, Ammonia 3-6%, Water
Bleach	Liquid detergent, Water
Blood (dried)	Warm detergent, Ammonia 3-6%, Water
Blood (wet)	Liquid detergent, Water
Butter	Volatile solvent
Catsup or Mustard	Liquid detergent
Chewing gum	Volatile solvent
Chocolate	Liquid detergent, Ammonia water
Coffee	Detergent, White vinegar, Volatile solvent
Cola drink	Liquid detergent
Creme de Menthe (green)	Liquid detergent
Egg (raw)	Liquid detergent
Food dye	Liquid detergent, Water
Furniture dye or polish	Paint/Oil/Grease remover, Detergent
Gravy	Liquid detergent
Lipstick	Paint/Oil/Grease remover
Mascara	Paint remover, Volatile solvent, Detergent, Water
Milk	Liquid detergent
Orange drink	Liquid detergent, Water
Shoe polish	Heated iron into clean towel, Volatile solvent
Tea	Liquid detergent
Tomato Juice	Liquid detergent
Urine	Liquid detergent, Water
Vomit	Warm detergent, Water, White vinegar
Wine	Liquid detergent, Ammonia 3-6%, Water, Vinegar

NSS ® Enterprises, Inc.



3115 Frenchmens Road, Toledo, Ohio 43607
PHONE (419) 531-3761 FAX (419) 531-3761
NSS® Enterprises, Inc. European Distribution Centre
Unit II, Pinfold Trading Estate * 55 Nottingham Road
STAPLEFORD, NOTTINGHAM NG9 8AD ENGLAND U.K.
PHONE: (44) 0115 939 1568 * FAX: (44) 0115 949 0615