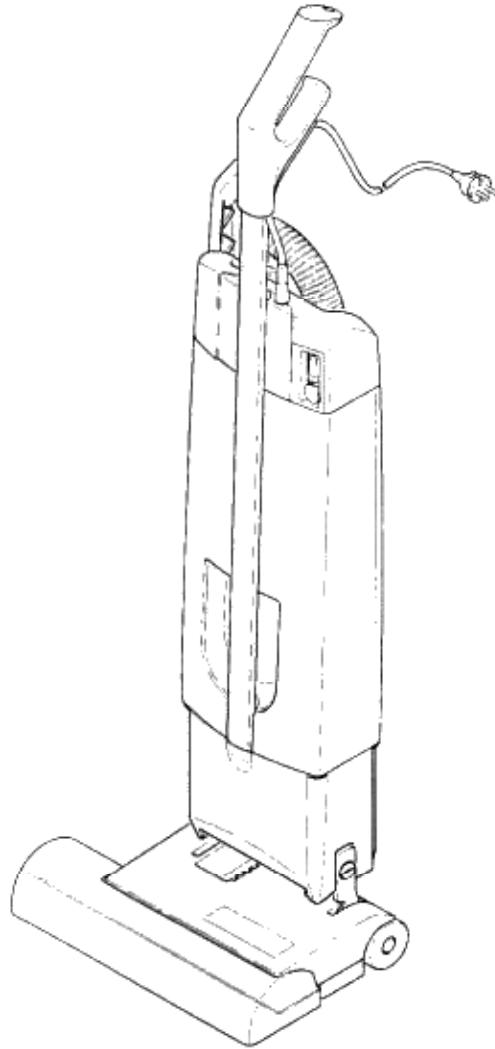


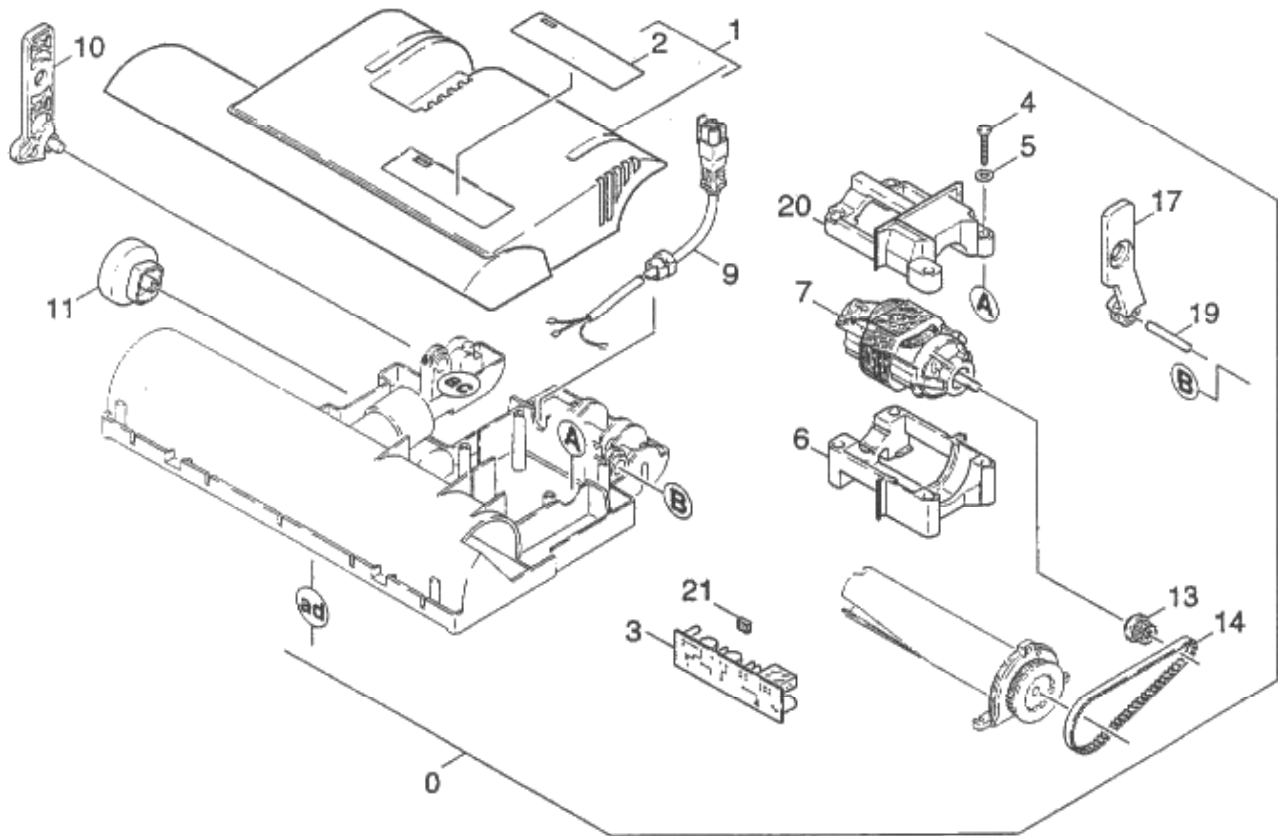
MARSHALL 14 & 18

115V



Marshall 14

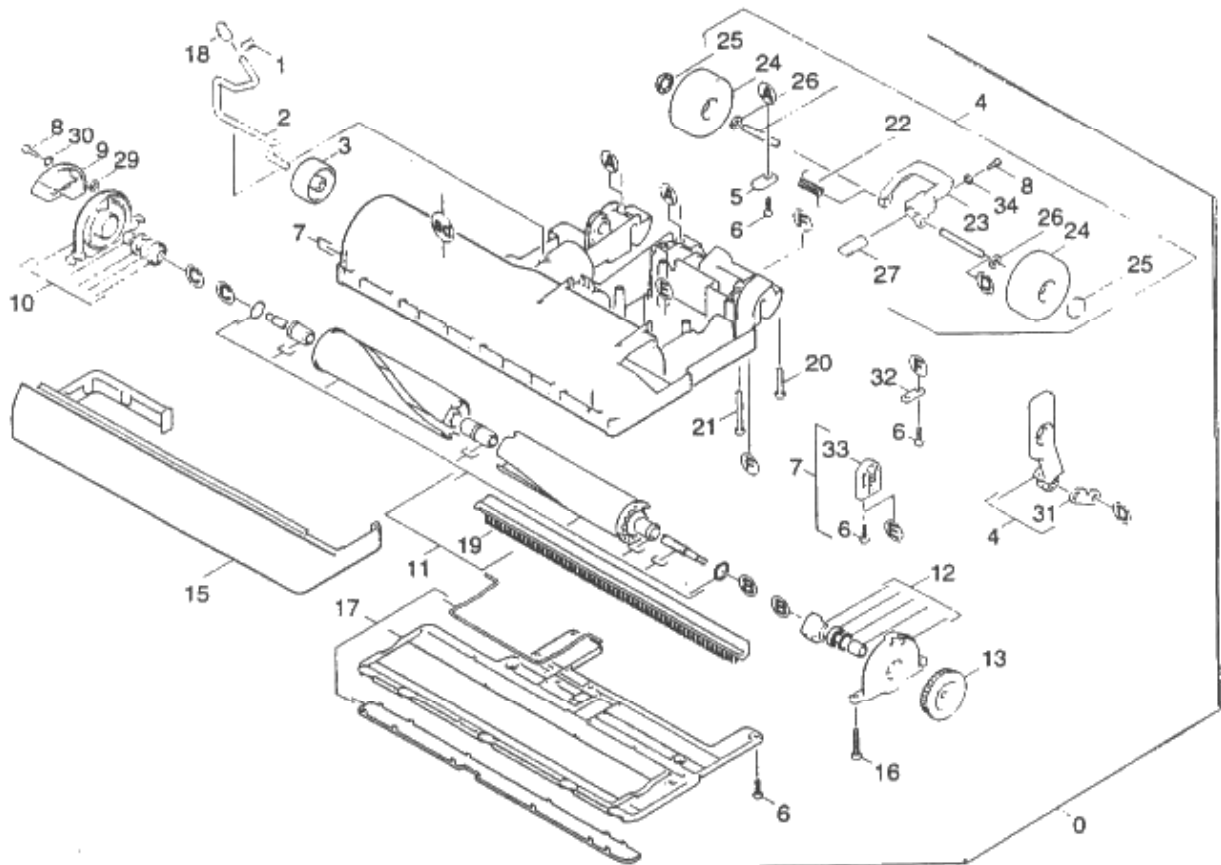
BRUSH HEAD - TOP PART



Item No.	Part No.	Description	Qty.
0	72-9-282-1	BRUSH HEAD ASS. COMPL. - 115 V	1
1	72-9-280-1	TOP OF COVER	1
2	72-9-281-1	DECAL	1
3	68-9-061-1	P.C. BOARD 115 V	1
4	68-9-106-1	SCREW, M4 X 16 OVAL HEAD	4
5	68-9-111-1	WASHER, M4.3	4
6	68-9-063-1	GUARD, BR. MOTOR	1
7	68-9-065-1	BRUSH MOTOR 115 V	1
9	72-9-284-1	CORD, BRUSH MOTOR	1
10	68-9-069-1	SUPPORT ARM, RIGHT	1
11	68-9-072-1	KNOB, HEIGHTEN ADJ.	1
13	68-9-073-1	PULLEY, BRUSH MOTOR	1
14	68-9-074-1	BELT, TIMING	1
17	72-9-299-1	SUPPORT ARM, LEFT	1
19	72-9-219-1	PIN, ARM SUPPORT	1
20	68-9-094-1	GUARD, BOTTOM BRUSH MOTOR	1
21	68-9-114-1	RUBBER BAND	1

Marshall 14

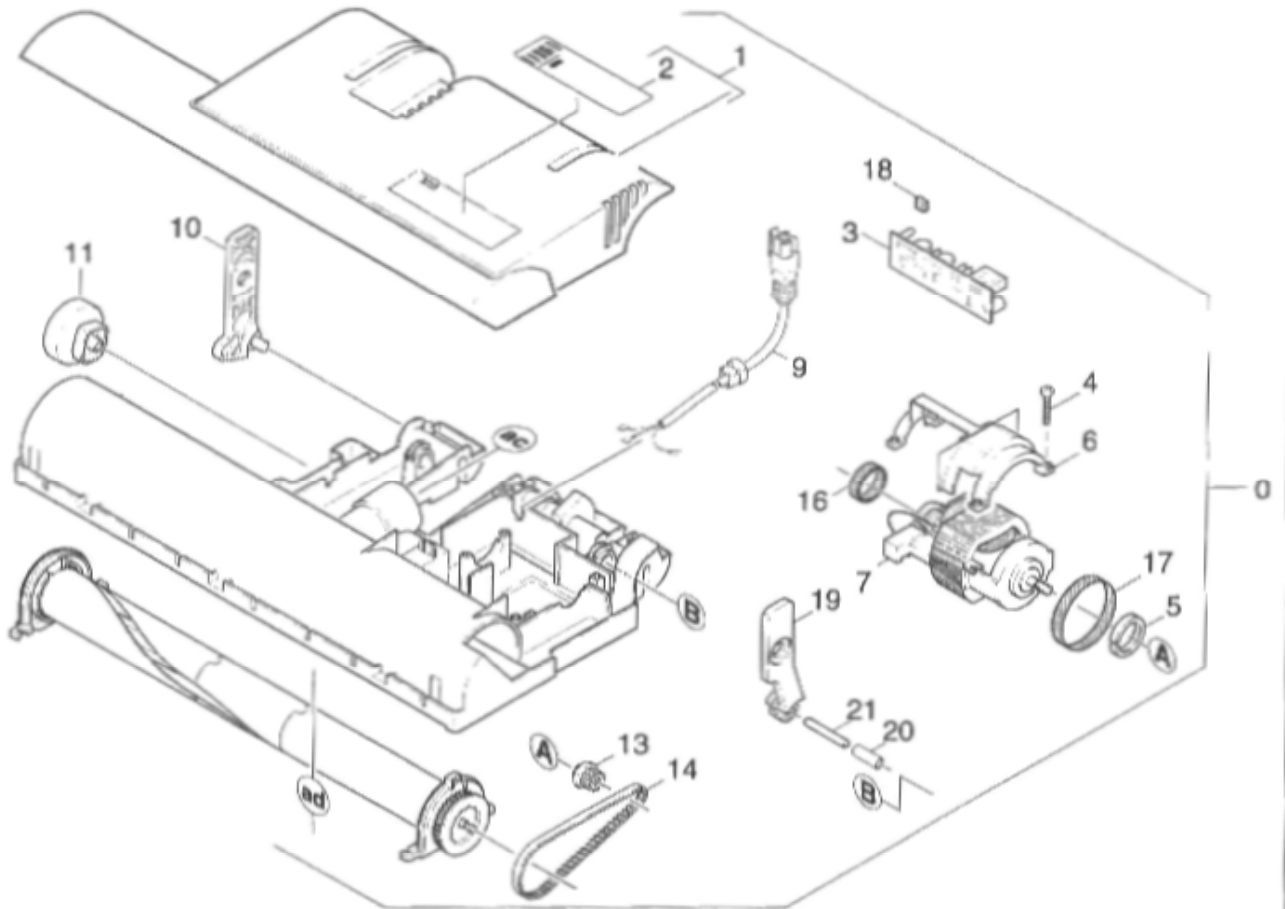
BRUSH HEAD - BOTTOM PART



Item No.	Part No.	Description	Qty.
0	72-9-282-1	BRUSH HEAD ASS. COMPL. - 115 V	1
1	68-9-087-1	SPRING, EXTENSION	1
2	68-9-085-1	AXLE, HEIGHT ADJ.	1
3	68-9-086-1	WHEEL, HEIGHT ADJ.	1
4	72-9-300-1	AXLE AND PEDAL ASSEMBLY	1
5	68-9-090-1	CLIP, AXLE RETAINER	2
6	72-9-308-1	SCREW, M3.5 X 13	12
7	72-9-283-1	BOTTOM OF COVER	1
8	72-9-309-1	SCREW, M4 X 8	2
9	68-9-079-1	COVER, BRUSH ACCESS.	1
10	68-9-080-1	END PLATE W/BRG.	1
11	68-9-076-1	ROLLER ASSY., BRUSH	1
12	68-9-081-1	END PLATE, PULLEY END	1
13	68-9-075-1	PULLEY, BRUSH	1
15	72-9-286-1	BUMPER	1
16	68-9-106-1	SCREW, M4 X 16 OVAL HEAD	4
17	72-9-287-1	BRUSH SHOE	1
18	68-9-088-1	BRUSH AXLE	1
19	68-9-078-1	BRUSH STRIP, - (BLACK)	1
19	68-9-077-1	BRUSH STRIP, - (RED/HARD, RPL)	1
20	68-9-109-1	SCREW, M5 X 16 TORX HEAD	1
21	72-9-221-1	SCREW, M5 X 30 OVAL HEAD	3
22	72-9-303-1	FOOT PEDAL SPRING	1
23	72-9-301-1	FOOT PEDAL	1
24	68-9-091-1	WHEEL	2
25	68-9-113-1	WHEEL RETAINER	2
26	72-9-228-1	WASHER, WHEELAXLE	2
27	72-9-302-1	BRASS LOCK SCREW	1
29	72-9-226-1	PLASTIC WASHER	1
30	72-9-227-1	LOCK WASHER, M4	1
31	72-9-297-1	AXLE SUPPORT LINK	1
32	72-9-296-1	AXLE CLIP	1
33	72-9-298-1	AXLE SUPPORT BLOCK	1
34	72-9-311-1	WASHER	1

Marshall 18

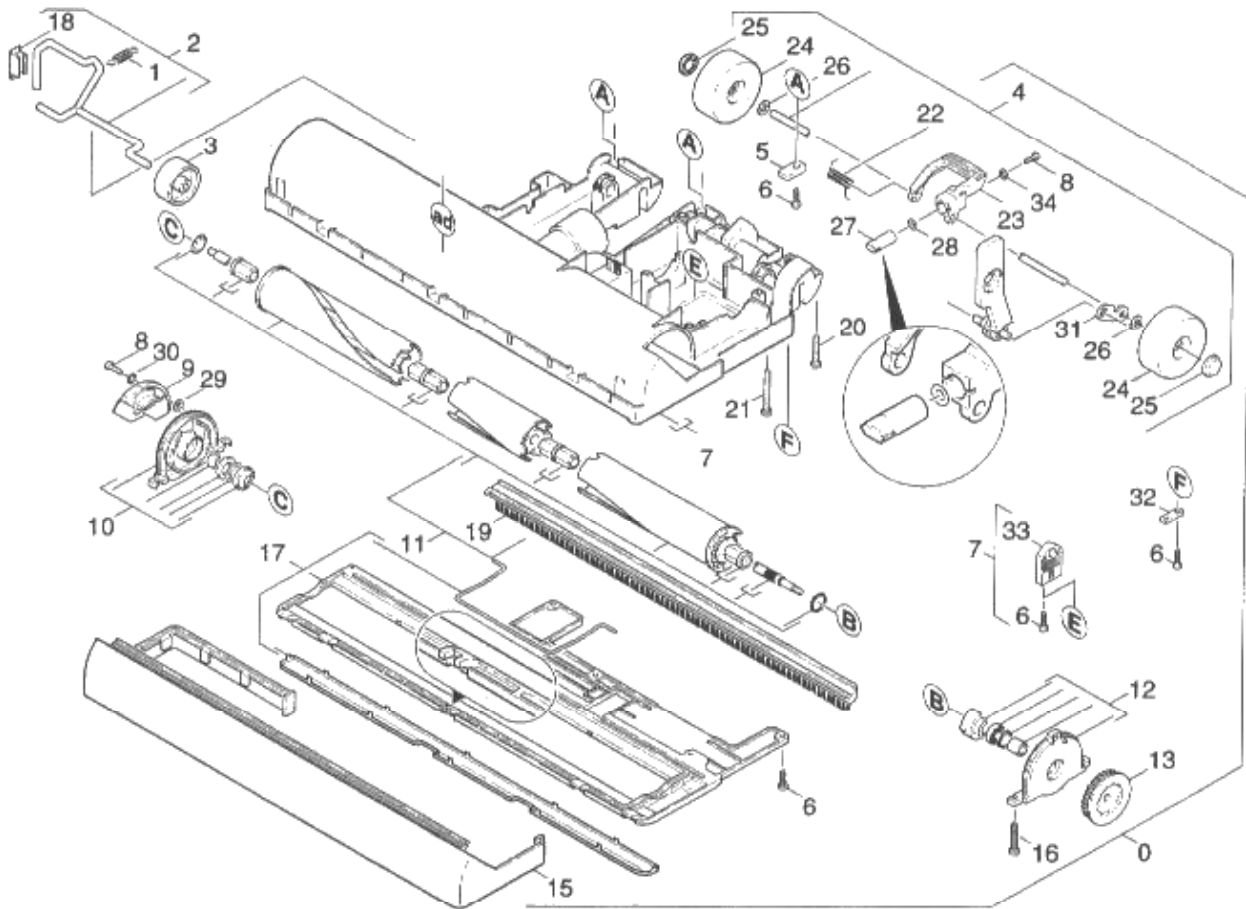
BRUSH HEAD - TOP PART



Item No.	Part No.	Description	Qty.
0	72-9-312-1	BRUSH HEAD ASS. COMP. - 115V	1
1	72-9-313-1	TOP OF COVER 18"	1
2	72-9-314-1	DECAL 18"	1
3	72-9-215-1	P.C. BOARD, 115V	1
4	68-9-106-1	M4 x 16 OVAL HEAD SCREW	4
5	72-9-316-1	RING	1
6	72-9-317-1	GUARD, BRUSH MOTOR	1
7	72-9-318-1	BRUSH MOTOR 115V	1
9	72-9-284-1	CORD, BRUSH MOTOR	1
10	68-9-069-1	SUPPORT ARM, RIGHT	1
11	68-9-072-1	KNOB, HT. ADJ.	1
13	68-9-073-1	MOTOR PULLEY	1
14	72-9-320-1	BELT TIMING	1
16	72-9-321-1	SMALL JOINT RING	1
17	72-9-322-1	LARGE JOINT RING	1
18	68-9-114-1	RUBBER BAND	1
19	72-9-299-1	SUPPORT ARM, LEFT	1
20	72-9-323-1	BUSH	1
21	72-9-324-1	PIN, ARM SUPPORT	1

Marshall 18

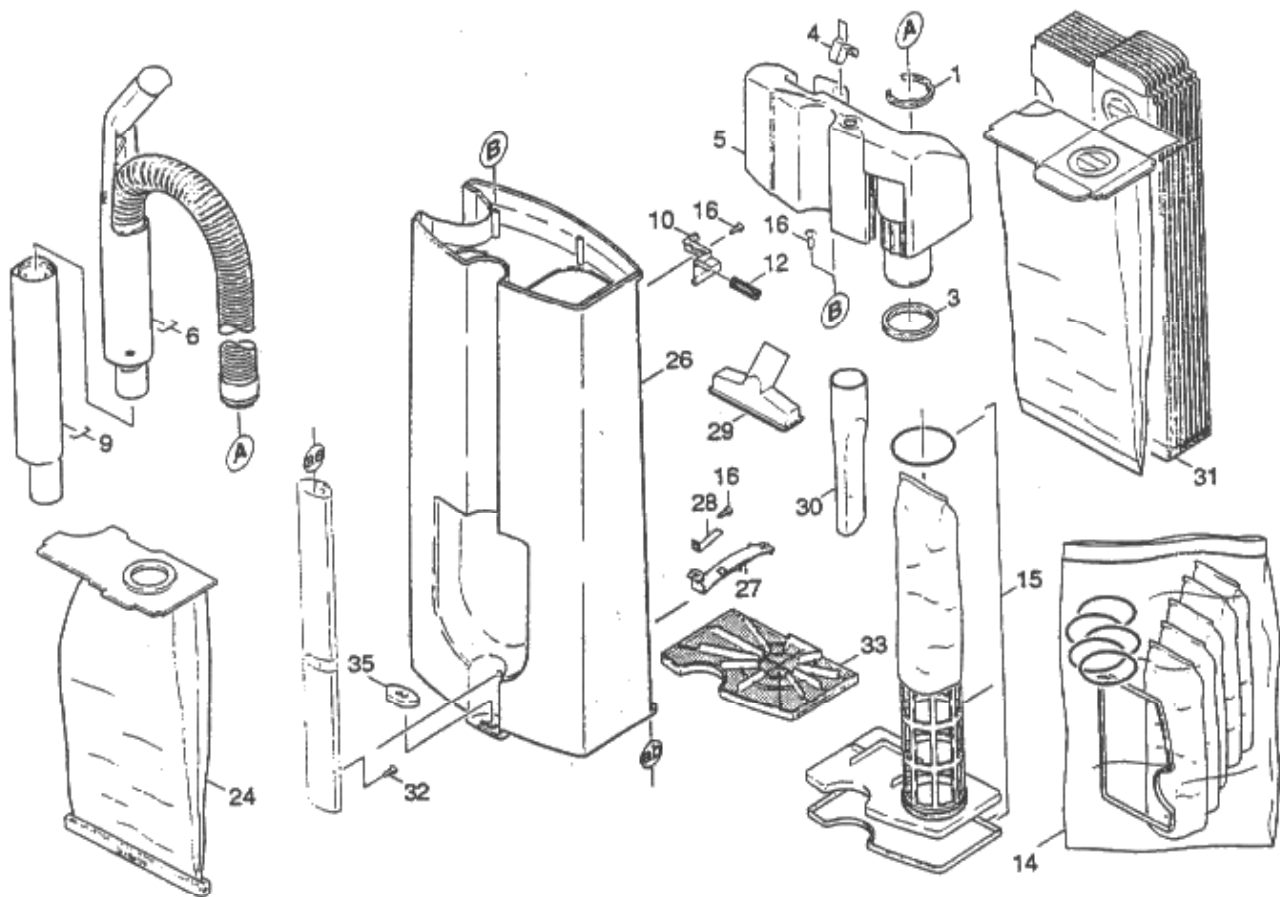
BRUSH HEAD - BOTTOM PART



Item No.	Part No.	Description	Qty.
0	72-9-312-1	BRUSH HEAD ASS. COMP. - 115V	1
1	68-9-087-1	SPRING, EXTENSION	1
2	72-9-326-1	AXLE, HT. ADJUST.	1
3	68-9-086-1	WHEEL, HT. ADJUST.	1
4	72-9-327-9	AXLE & PEDAL ASSY.	1
5	68-9-090-1	CLIP, AXLE RETAINER	2
6	72-9-308-1	SCREW, M3.5 x 13	12
7	72-9-328-1	BOTTOM COVER	1
8	72-9-309-1	SCREW, M4 x 8	2
9	68-9-079-1	COVER, BRUSH ACCESSORY	1
10	68-9-080-1	END PLATE, W/BEARING	1
11	72-9-329-1	ROLLER BRUSH ASSY.	1
12	68-9-081-1	END PLATE, PULLEY END	1
13	68-9-075-1	BRUSH PULLEY	1
15	72-9-330-1	BUMPER	1
16	68-9-106-1	SCREW, M4 x 16 OVAL HEAD	4
17	72-9-331-1	BRUSH SHOE	1
18	72-9-332-1	AXLE CLIP, HT. ADJUST.	1
19	72-9-333-1	BRUSH STRIP - (BLACK)	1
19	72-9-334-1	BRUSH STRIP - (RED/HARD, RPL.)	1
20	68-9-109-1	SCREW, M5 x 16 OVAL HEAD TORX	1
21	72-9-221-1	SCREW, M5 x 30 OVAL HEAD	3
22	72-9-303-1	FOOT PEDAL SPRING	1
23	72-9-301-1	FOOT PEDAL	1
24	68-9-091-1	WHEEL	2
25	68-9-113-1	WHEEL RETAINER	2
26	72-9-228-1	WASHER, WHEEL AXLE	2
27	72-9-302-1	BRASS LOCK SCREW	1
29	72-9-226-1	PLASTIC WASHER	1
30	72-9-227-1	LOCK WASHER M4	1
31	72-9-297-1	AXLE SUPPORT LINK	1
32	72-9-296-1	AXLE CLIP	1
33	72-9-298-1	AXLE SUPPORT BLOCK	1
34	72-9-311-1	WASHER	1

Marshall 14 & 18

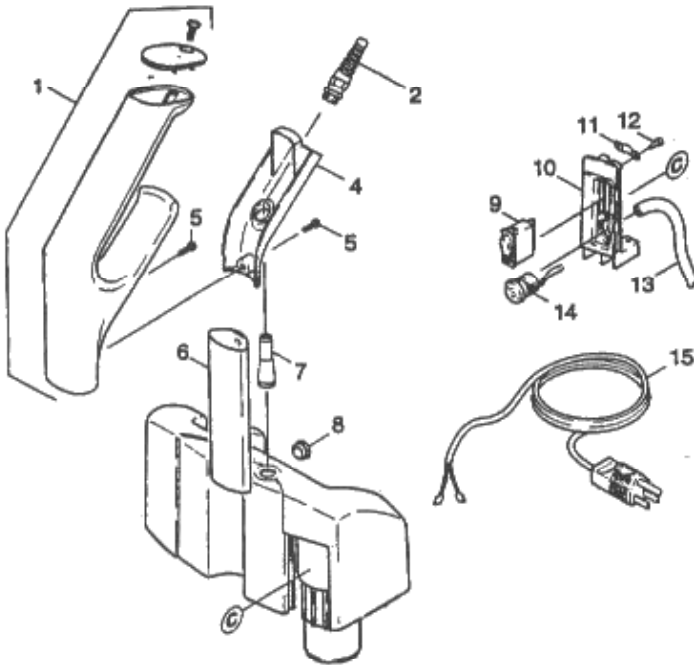
VAC HOUSING



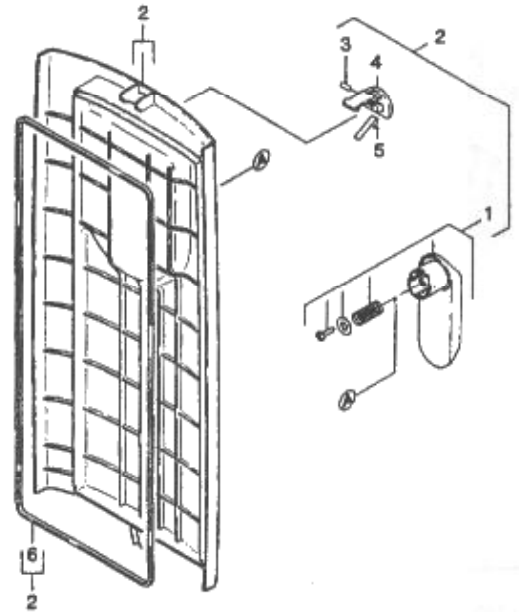
Item No.	Part No.	Description	Qty.
1	68-9-001-1	CLIP, HOSE RETAINER	1
3	68-9-010-1	SEAL, TANK	1
4	68-9-008-1	CLIP, UPHOLSTERY NOZZLE	1
5	72-9-275-1	HOUSING ACCESSORY	1
6	68-9-005-1	SUCTION TUBE W/HANDLE	1
9	68-9-003-1	LOWER SUCTION TUBE	1
10	68-9-012-1	SAFETY STOP	1
12	68-9-013-1	SPRING, SAFETY STOP	1
14	68-9-201-1	MICRO FILTER BAGS-5 PACK	1
15	68-9-017-1	FILTER, MICRO (ACCESSORY)	1
16	68-9-310-1	SCREW, M4 X 10	6
24	68-9-200-1	CLOTH BAG (ACCESSORY)	1
26	72-9-276-1	HOUSING (TOP), FILTER	1
27	68-9-014-1	GUIDE, FILTER	1
28	68-9-015-1	SPRING, COMPRESSION	1
29	68-9-025-1	TOOL, UPHOLSTERY	1
30	68-9-026-1	TOOL, CREVICE	1
31	68-9-092-1	FILTER BAG (CASE OF 30 (10 PACK))	1
31	68-9-024-1	FILTER BAG (10 PACK)	1
32	72-9-307-1	SCREW, M4 X 10	7
33	68-9-016-1	FILTER, SAFETY	1
35	68-9-096-1	STOP, HANDLE TUBE	1

Marshall 14 & 18

HANDLE



DOOR



HANDLE

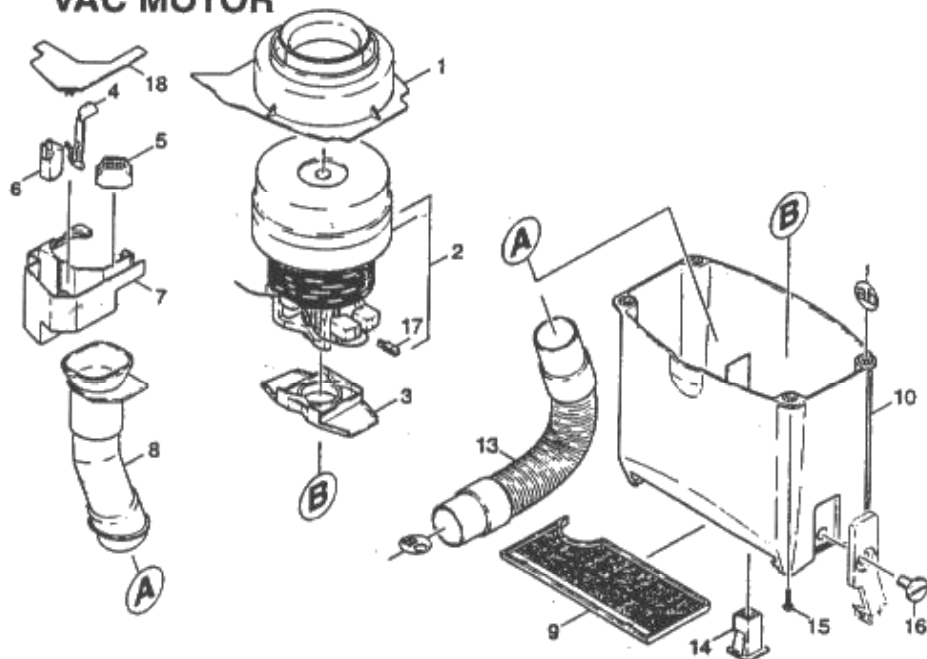
<u>Item No.</u>	<u>Part No.</u>	<u>Description</u>	<u>Qty.</u>
1	72-9-278-1	HANDLE	1
2	72-9-279-1	PROTECTION PART (BUSHING)	1
4	72-9-304-1	BACK FOR ONE PIECE HANDLE	1
5	72-9-307-1	SCREW, M4 X 10	2
6	72-9-290-1	HANDLE (TUBE)	1
7	72-9-295-1	PROTECTION PART (BUSHING)	1
8	72-9-293-1	CABLE BUSHING	1
9	72-9-292-1	SWITCH	1
10	72-9-288-1	HOUSING SWITCH	1
11	72-9-306-1	WIRE CUP AT VAC LIGHT	1
12	72-9-308-1	SCREW, M3 X 13	2
13	72-9-291-1	HOSE BAG FULL LIGHT	1
14	72-9-289-1	INTERNAL CORD	1
15	72-9-294-1	CORD, 3 WIRE 115 V	1

DOOR

<u>Item No.</u>	<u>Part No.</u>	<u>Description</u>	<u>Qty.</u>
1	68-9-018-1	CORD HOOK ASSEMBLY	1
2	72-9-277-1	DOOR W/SEAL, LATCH & HOOK	1
3	68-9-020-1	PIN, GROOVED LATCH	1
4	68-9-019-1	LATCH, TANK DOOR	1
5	68-9-021-1	SPRING, LATCH	1
6	68-9-023-1	SEAL, TANK DOOR	1

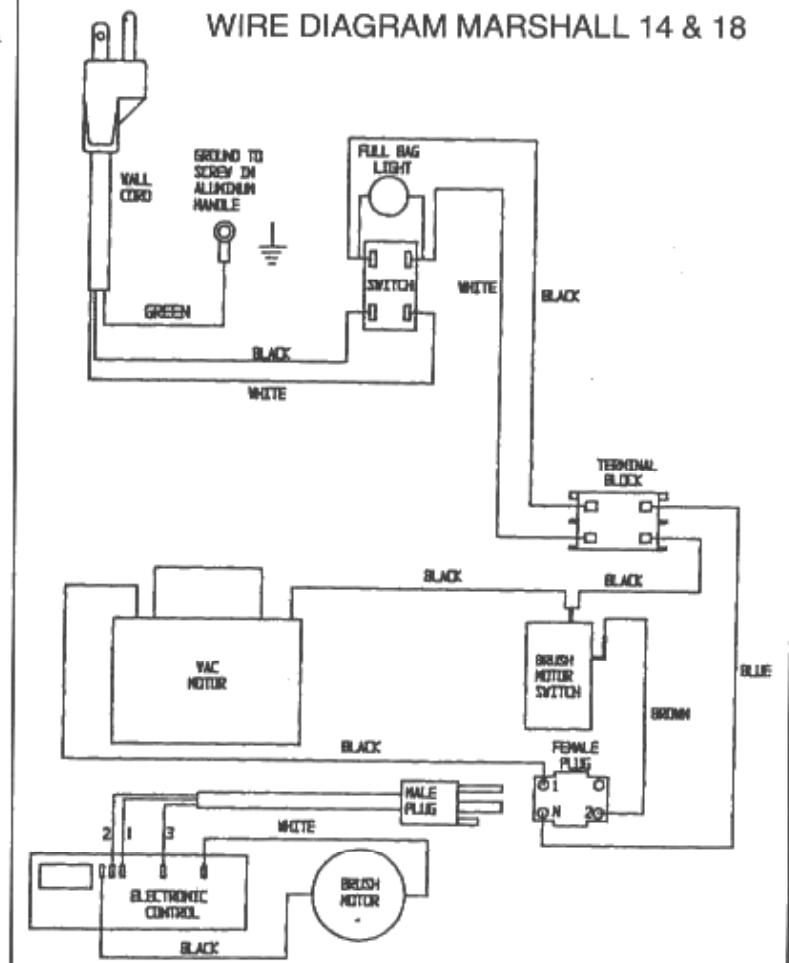
Marshall 14 & 18

VAC MOTOR



Item No.	Part No.	Description	Qty.
1	72-9-211-1	SEAL, VAC MOTOR	1
2	72-9-213-1	VAC MOTOR 115 V - DOMEL	1
3	72-9-212-1	MOTOR SUPPORT	1
4	68-9-055-1	BRACKET, MICRO SWITCH	1
5	68-9-056-1	TERMINAL BLOCK	1
6	68-9-054-1	MICRO SWITCH	1
7	68-9-053-1	COVER, CONNECTING TUBE	1
8	68-9-052-1	TUBE, HOSE CONNECTING	1
9	68-9-047-1	FILTER, EXHAUST	1
10	68-9-048-1	HOUSING, VAC MOTOR	1
13	68-9-050-1	BRUSH HEAD - VAC HOUSING	1
14	68-9-049-1	ELECTRIC PLUG, FEMALE	1
15	68-9-109-1	SCREW, M5 X 16 TORX HEAD	4
16	72-9-071-1	SCREW, M8 X 13	2
17	72-9-209-1	CARBON BRUSH, SET 115 V	1
18	68-9-057-1	PLATE, TUBE COVER	1

WIRE DIAGRAM MARSHALL 14 & 18



THE NATIONAL SUPER SERVICE COMPANY

3115 FRENCHMENS ROAD, TOLEDO, OHIO 43607-2958

PHONE (419) 531-2121 • FAX (419) 531-3761