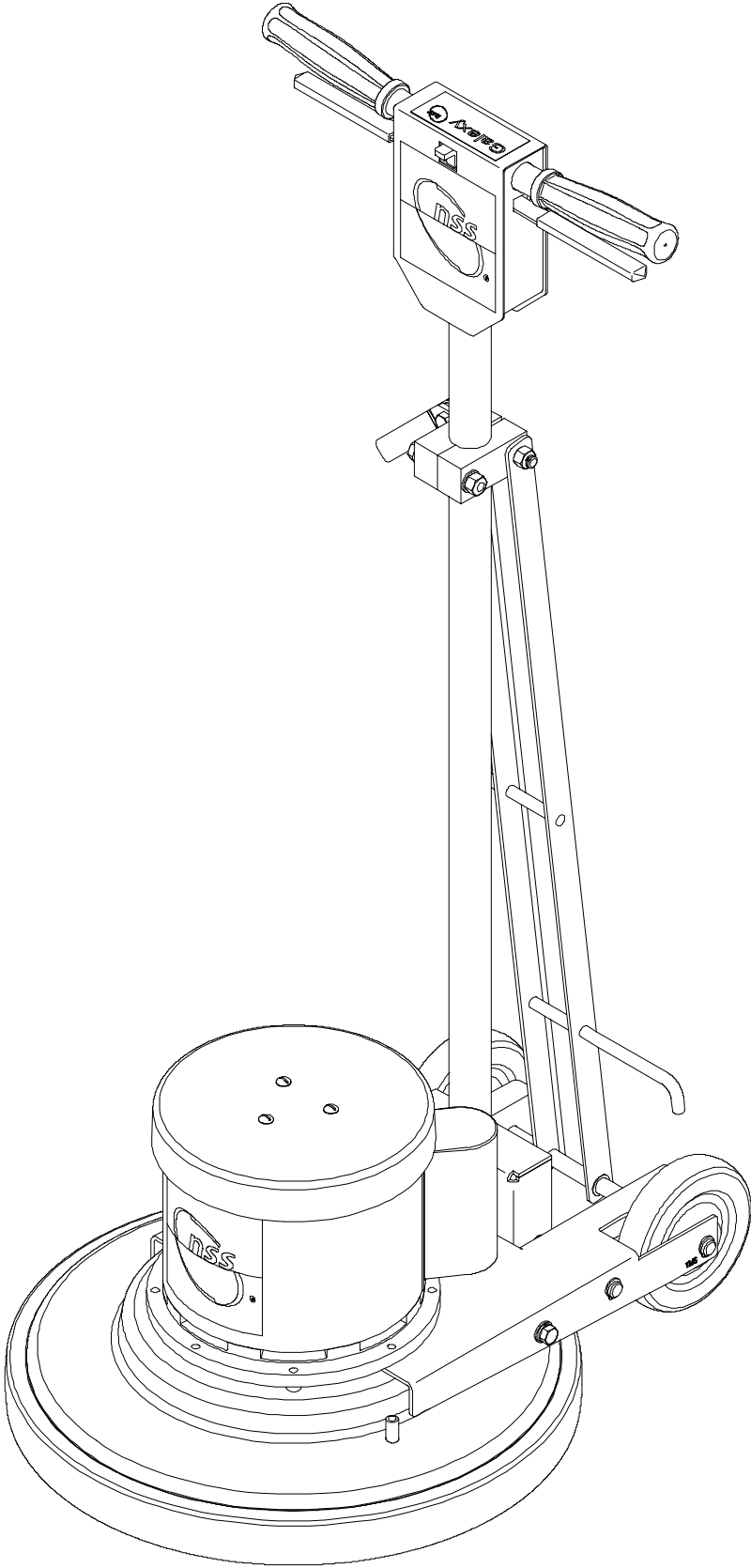


PARTS LIST

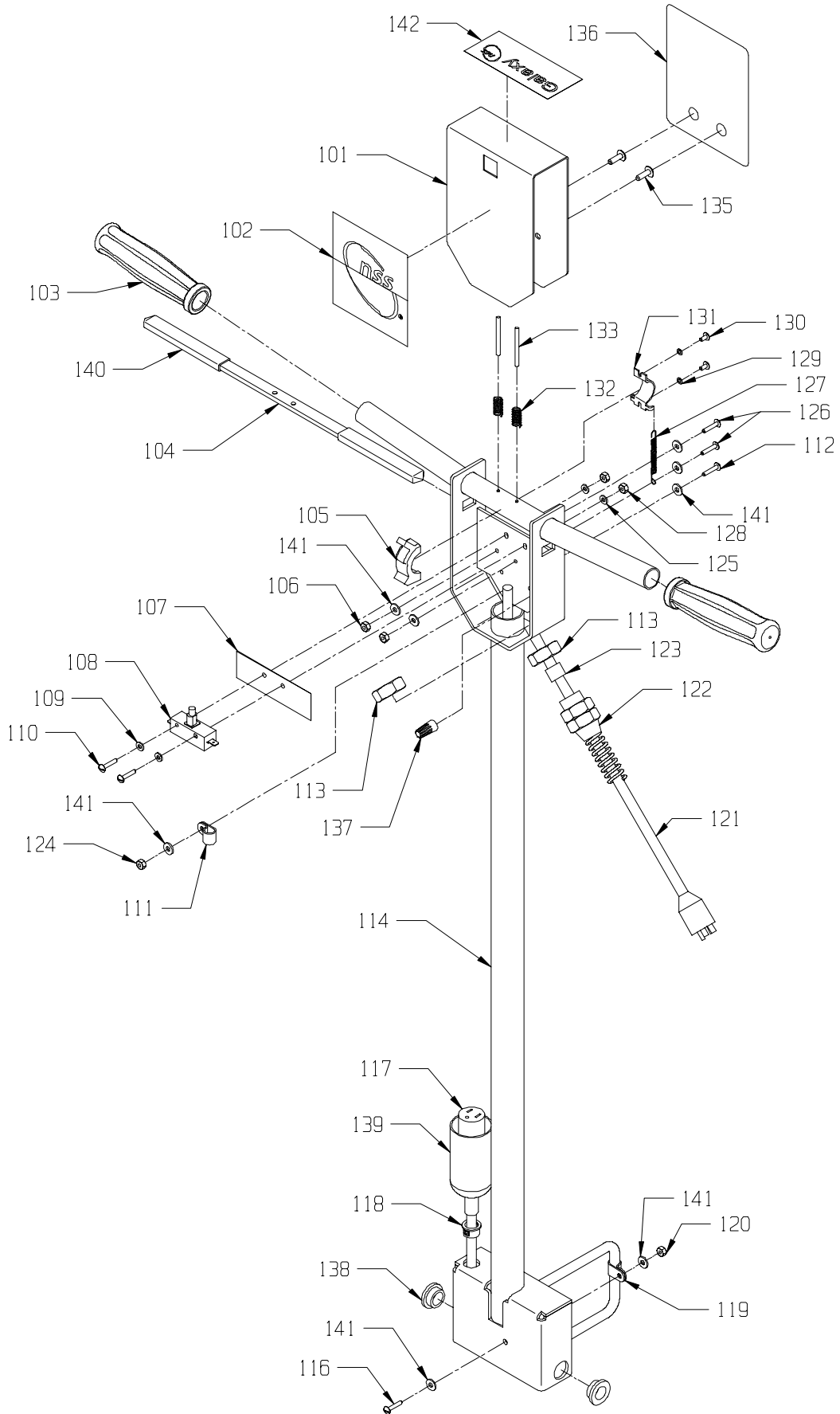
# GALAXY FLOOR MACHINE



## **HANDLE ASSEMBLY 120 VOLT**

<b><u>ITEM</u></b>	<b><u>PART NO.</u></b>	<b><u>DESCRIPTION</u></b>	<b><u>QTY</u></b>
101	0393351	SWITCH BOX COVER	1
102	0393531	DECAL	1
103	0393441	HANDLE GRIP	2
104	0393401	SWITCH LEVER	1
105	0393521	SAFETY LOCKOUT	1
106	0393901	M4 X .07 HEX NUT WITH NY-LOK INSERT	1
107	0393421	SWITCH INSULATOR	1
108	0393431	SWITCH	1
109	0393851	M3 FLAT WASHER	2
110	0393871	M3 X .05 X 25mm PAN HEAD PHILLIPS MACHINE SCREW	2
111	0393331	CORD CLAMP	1
112	0393911	M4 X .07 X 16mm PAN HEAD PHILLIPS MACHINE SCREW	1
113	0393171	STRAIN RELIEF NUT	2
114	0393371	HANDLE	1
116	0393911	M4 X .07 X 16mm PAN HEAD PHILLIPS MACHINE SCREW	1
117	0393451	HANDLE CORD	1
118	0393341	HEYCO CORD GROMMET	1
119	0393331	CORD CLAMP	1
120	0393901	M4 X .07 HEX NUT WITH NY-LOK INSERT	1
121	0393461	CORD 50 FEET 14-3 - 120 VOLT	1
122	0393491	CORD STRAIN RELIEF 120 VOLT	1
123	0393311	CORD CLAMP - CRIMP ON	1
124	0393901	M4 X .07 HEX NUT WITH NY-LOK INSERT	1
125	0393851	M3 FLAT WASHER	2
126	0393911	M4 X .07 X 16mm PAN HEAD PHILLIPS MACHINE SCREW	2
127	0393381	SPRING	1
128	0393861	M3 X .05 HEX NUT WITH NY-LOK INSERT	2
129	0393841	M3 EXTERNAL STAR LOCK WASHER	2
130	0393881	M3 X .05 X 8mm PAN HEAD PHILLIPS THREAD CUTTING SCREW	2
131	0393511	SAFETY LOCKOUT BRACKET	1
132	0393391	SWITCH LEVER SPRING	2
133	0393561	ROLL PIN	2
135	0393931	M5 X .08 X 20mm PAN HEAD PHILLIPS MACHINE SCREW	2
136	0393051	SAFETY DECAL	1
137	0393291	ORANGE WIRE NUT	1
138	0393641	BUSHING - LOWER HANDLE	2
139	0393631	PLUG/CORD COVER - HANDLE	1
140	0393411	GRIP - SWITCH LEVER	2
141	0393891	M4 FLAT WASHER	8
142	0393691	IDENTIFIER DECAL - GALAXY	1

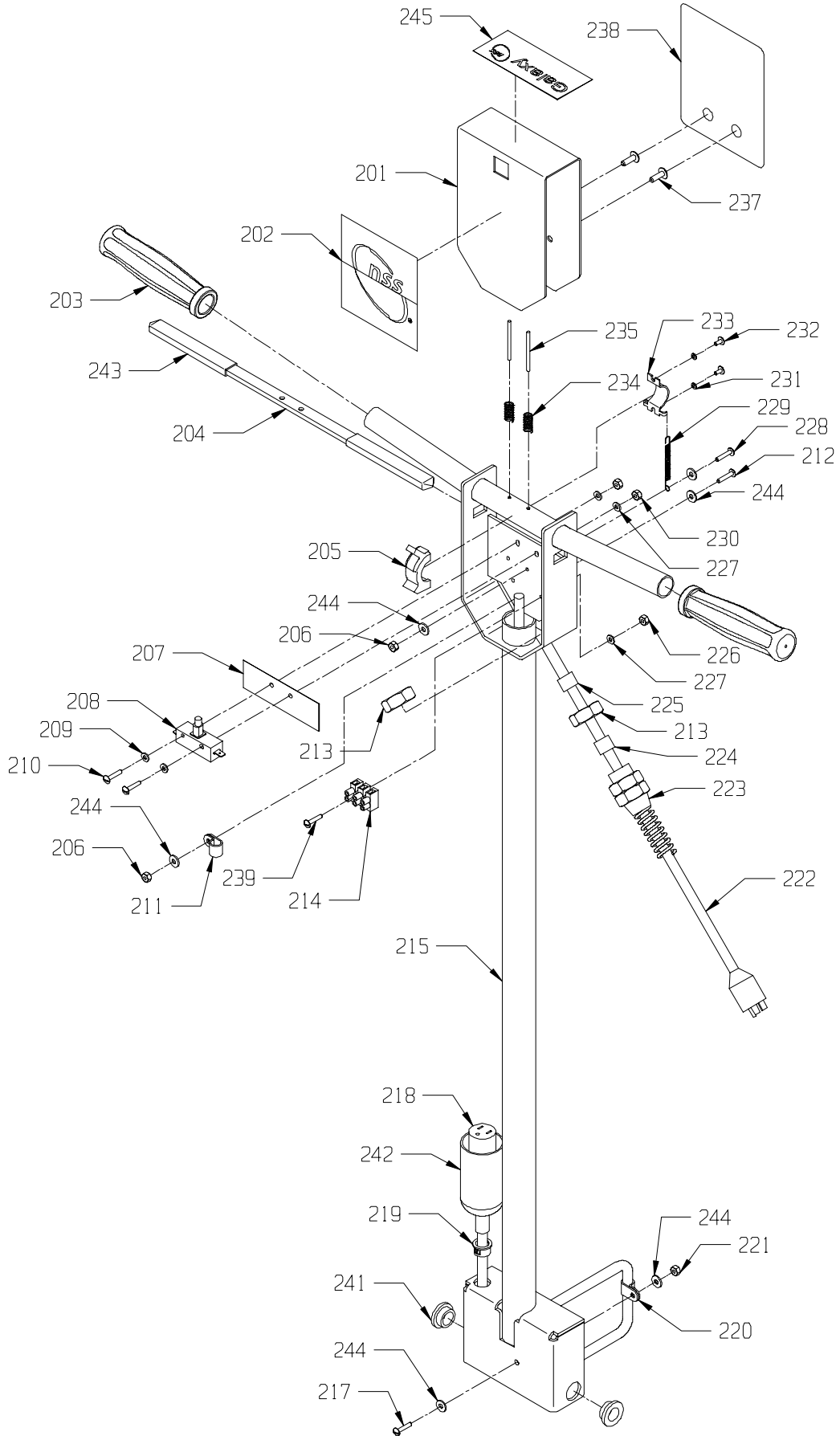
# HANDLE ASSEMBLY 120 VOLT



## **HANDLE ASSEMBLY 240 VOLT**

<b>ITEM</b>	<b>PART NO.</b>	<b>DESCRIPTION</b>	<b>QTY</b>
201	0393351	SWITCH BOX COVER	1
202	0393531	DECAL	1
203	0393441	HANDLE GRIP	2
204	0393401	SWITCH LEVER	1
205	0393521	SAFETY LOCKOUT	1
206	0393901	M4 X .07 HEX NUT WITH NY-LOK INSERT	2
207	0393421	SWITCH INSULATOR	1
208	0393431	SWITCH	1
209	0393851	M3 FLAT WASHER	2
210	0393871	M3 X .05 X 25mm PAN HEAD PHILLIPS MACHINE SCREW	2
211	0393331	CORD CLAMP	1
212	0393911	M4 X .07 X 16mm PAN HEAD PHILLIPS MACHINE SCREW	1
213	0393171	STRAIN RELIEF NUT	2
214	0393071	TERMINAL BLOCK	1
215	0393371	HANDLE	1
217	0393911	M4 X .07 X 16mm PAN HEAD PHILLIPS MACHINE SCREW	1
218	0393451	HANDLE CORD	1
219	0393341	HEYCO CORD GROMMET	1
220	0393331	CORD CLAMP	1
221	0393901	M4 X .07 HEX NUT WITH NY-LOK INSERT	1
222	0393471	SHUKO CORD - 50 FEET - 16-3	1
223	0393501	CORD STRAIN RELIEF 240 VOLT	1
224	8791071	VINYL TUBE	.2 FT.
225	0393311	CORD CLAMP - CRIMP ON	1
226	0393861	M3 X .05 HEX NUT WITH NY-LOK INSERT	1
227	0393851	M3 FLAT WASHER	3
228	0393911	M4 X .07 X 16mm PAN HEAD PHILLIPS MACHINE SCREW	1
229	0393381	SPRING	1
230	0393861	M3 X .05 HEX NUT WITH NY-LOK INSERT	2
231	0393841	M3 EXTERNAL STAR LOCK WASHER	2
232	0393881	M3 X .05 X 8mm PAN HEAD PHILLIPS THREAD CUTTING SCREW	2
233	0393511	SAFETY LOCKOUT BRACKET	1
234	0393391	SWITCH LEVER SPRING	2
235	0393561	ROLL PIN	2
237	0393931	M5 X .08 X 20mm PAN HEAD PHILLIPS MACHINE SCREW	2
238	0393051	SAFETY DECAL	1
239	0393871	M3 X .05 X 25mm PAN HEAD PHILLIPS MACHINE SCREW	1
241	0393641	BUSHING - LOWER HANDLE	2
242	0393631	PLUG/CORD COVER - HANDLE	1
243	0393411	GRIP - SWITCH LEVER	2
244	0393891	M4 FLAT WASHER	6
245	0393691	IDENTIFIER DECAL - GALAXY	1

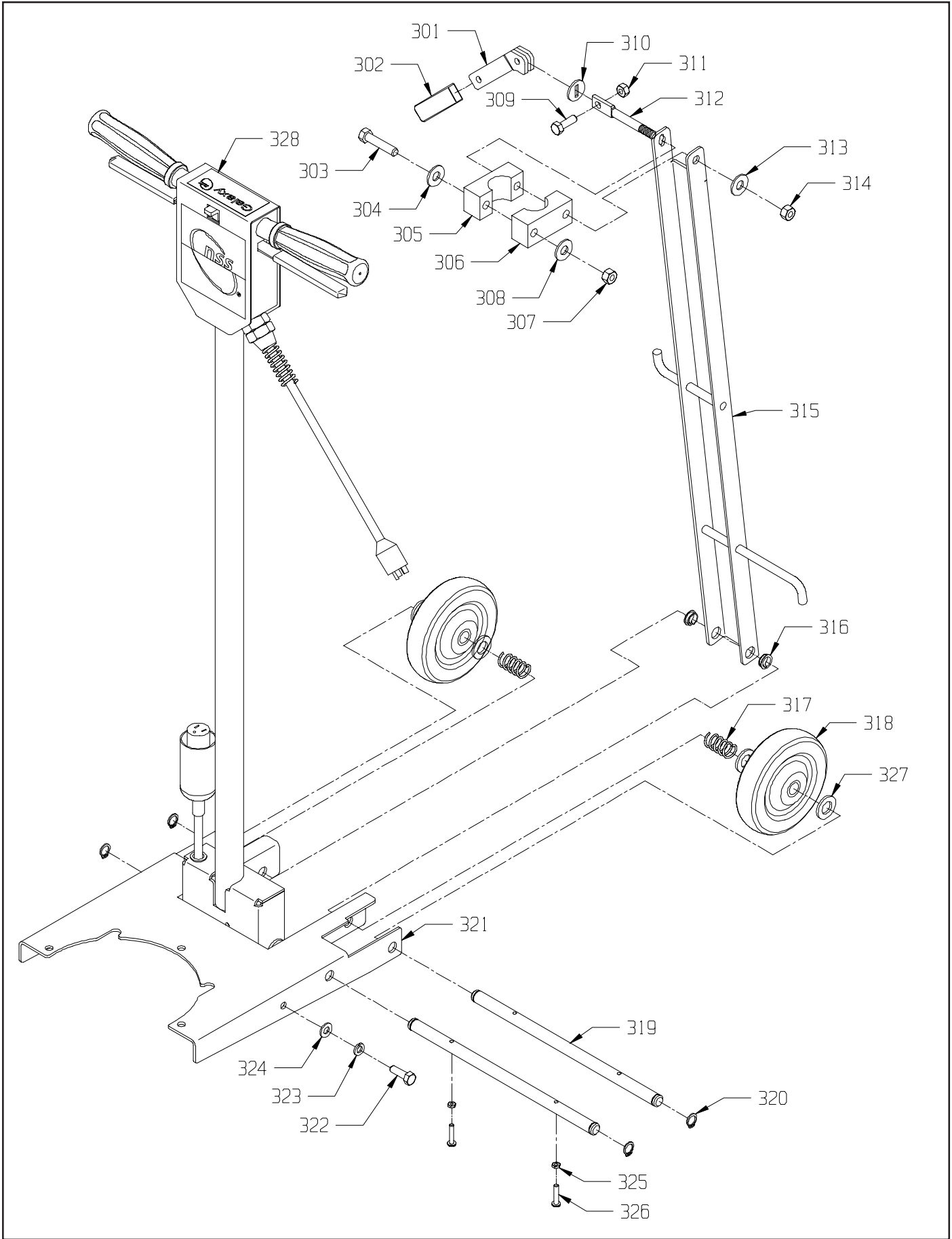
# HANDLE ASSEMBLY 240 VOLT



## **HANDLE ASSEMBLY**

<b><u>ITEM</u></b>	<b><u>PART NO.</u></b>	<b><u>DESCRIPTION</u></b>	<b><u>QTY</u></b>
301	0393121	CLAMP LEVER	1
302	0393321	HANDLE GRIP	1
303	0393981	M8 X 1.25 X 65mm HEX BOLT	1
304	0393951	M8 FLAT WASHER	1
305	0393041	HANDLE CLAMP - LEFT	1
306	0393031	HANDLE CLAMP - RIGHT	1
307	0393961	M8 X 1.25 HEX NUT WITH NY-LOK INSERT	1
308	0393951	M8 FLAT WASHER	1
309	0393971	M8 X 1.25 X 25mm HEX BOLT	1
310	0393131	SLOTTED WASHER	1
311	0393961	M8 X 1.25 HEX NUT WITH NY-LOK INSERT	1
312	0393141	FLATTENED CLAMP BOLT	1
313	0393831	7/16 I.D. X 1. O.D. X .075/.080 THICK FLAT WASHER (3/8)	1
314	0393801	3/8-16 HEX NUT WITH NY-LOK INSERT	1
315	0393021	HANDLE BRACE	1
316	0393151	NYLINER	2
317	0393161	COMPRESSION SPRING	2
318	0393231	WHEEL 5" - SOFT GRAY RUBBER	2
319	0393221	AXLE AND HANDLE PIVOT	2
320	0393251	RETAINING RING	4
321	0393011	BASE	1
322	0393821	5/16-18 X 1 HEX BOLT	2
323	0393811	5/16-18 SPLIT LOCK WASHER	2
324	0393791	11/32 I.D. X 11/16 O.D. X .051/.080 THICK FLAT WASHER	2
325	0393921	M5 X .08 HEX JAM NUT	2
326	0393941	M5 X .08 X 30mm PAN HEAD PHILLIPS MACHINE SCREW	2
327	0393991	M14 FLAT WASHER	4
328	0393691	IDENTIFIER DECAL - GALAXY	1

# HANDLE ASSEMBLY

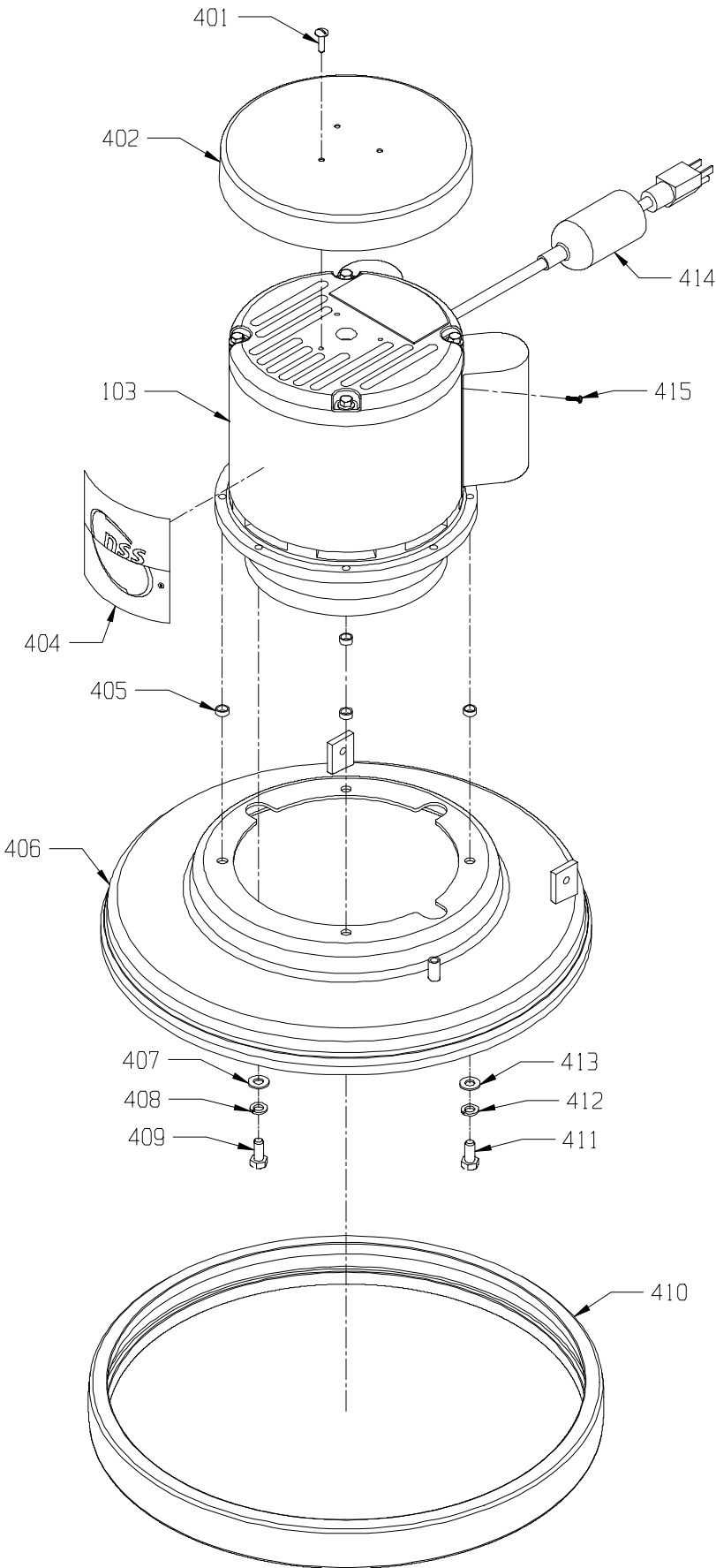


## **BASE ASSEMBLY**

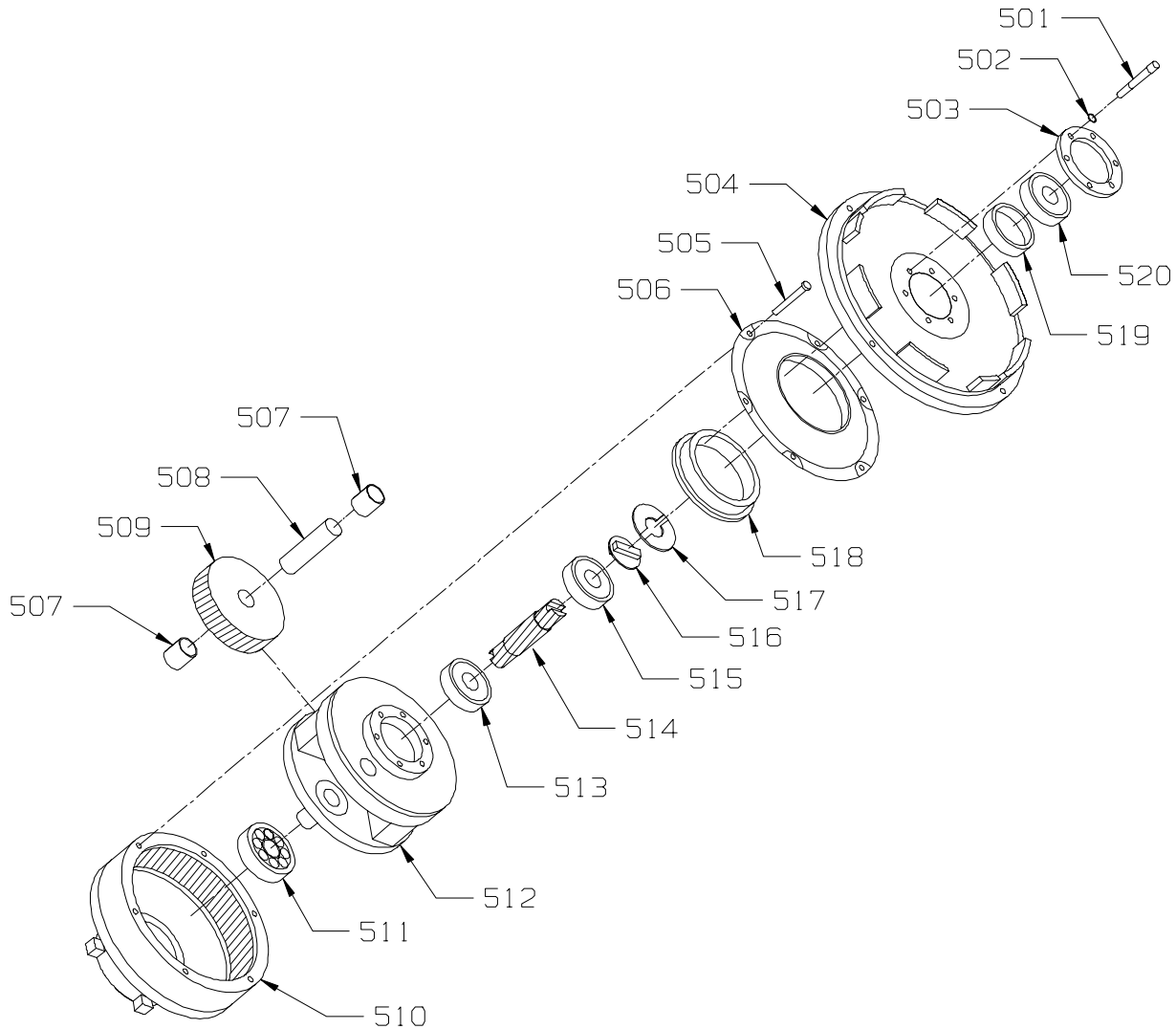
<b>ITEM</b>	<b>PART NO.</b>	<b>DESCRIPTION</b>	<b>QTY</b>
401	0393781	10-32 X 1/2 TRUSS HEAD SCREW	1
402	0393111	MOTOR COVER	1
403	0393101	1 HP 120 VOLT 60 HZ MOTOR AND GEAR BOX ASSEMBLY - INCLUDES:	1
	0394521	1 HP MOTOR 120 VOLT 60 HZ	1
	0394611	2 IDLER GEARBOX - 10:1 RATIO	1
	0394511	STATIONARY SWITCH - GALAXY	1
	0394581	MOTOR CORD	1
	0394591	CAPACITOR - RUN - 1 HP MOTORS	1
	0394601	CAPACITOR - START - 1 HP MOTORS	1
403	0393551	1 HP 240 VOLT 50 HZ MOTOR AND GEAR BOX ASSEMBLY - INCLUDES:	1
	0394531	1 HP MOTOR 240 VOLT 50 HZ	1
	0394611	2 IDLER GEARBOX - 10:1 RATIO	1
	0394511	STATIONARY SWITCH - GALAXY	1
	0394581	MOTOR CORD	1
	0394591	CAPACITOR - RUN - 1 HP MOTORS	1
	0394601	CAPACITOR - START - 1 HP MOTORS	1
403	0393651	1 HP 240 VOLT 60 HZ MOTOR AND GEAR BOX ASSEMBLY - INCLUDES:	1
	0394541	1 HP MOTOR 240 VOLT 60 HZ	1
	0394611	2 IDLER GEARBOX - 10:1 RATIO	1
	0394511	STATIONARY SWITCH - GALAXY	1
	0394581	MOTOR CORD	1
	0394591	CAPACITOR - RUN - 1 HP MOTORS	1
	0394601	CAPACITOR - START - 1 HP MOTORS	1
403	0393661	1.5 HP 120 VOLT 60 HZ MOTOR AND GEAR BOX ASSEMBLY - INCLUDES:	1
	0394551	1.5 HP MOTOR 120 VOLT 60 HZ	1
	0394621	3 IDLER GEARBOX - 10:1 RATIO	1
	0394511	STATIONARY SWITCH - GALAXY	1
	0394581	MOTOR CORD	1
	0394631	CAPACITOR - RUN - 1.5 HP MOTORS	1
	0394641	CAPACITOR - START - 1.5 HP MOTORS	1
403	0393671	1.5 HP 240 VOLT 50 HZ MOTOR AND GEAR BOX ASSEMBLY - INCLUDES:	1
	0394561	1.5 HP MOTOR 240 VOLT 50 HZ	1
	0394621	3 IDLER GEARBOX - 10:1 RATIO	1
	0394511	STATIONARY SWITCH - GALAXY	1
	0394581	MOTOR CORD	1
	0394631	CAPACITOR - RUN - 1.5 HP MOTORS	1
	0394641	CAPACITOR - START - 1.5 HP MOTORS	1
403	0393681	1.5 HP 240 VOLT 60 HZ MOTOR AND GEAR BOX ASSEMBLY - INCLUDES:	1
	0394571	1.5 HP MOTOR 240 VOLT 60 HZ	1
	0394621	3 IDLER GEARBOX - 10:1 RATIO	1
	0394511	STATIONARY SWITCH - GALAXY	1
	0394581	MOTOR CORD	1
	0394631	CAPACITOR - RUN - 1.5 HP MOTORS	1
	0394641	CAPACITOR - START - 1.5 HP MOTORS	1
404	0393531	DECAL	1
456	0393301	SPACER - (.344 I.D. X .5 O.D. X .188 L.)	4
406	0393181	17" SKIRT	1
	0393191	20" SKIRT	1
407	0393791	11/32 I.D. X 11/16 O.D. X .051/.080 THICK FLAT WASHER	3
408	0393811	5/16-18 SPLIT LOCK WASHER	3
409	0393821	5/16-18 X 1 HEX BOLT	3
410	0393201	17" BUMPER	1
	0393211	20" BUMPER	1
411	0393821	5/16-18 X 1 HEX BOLT	4
412	0393811	5/16-18 SPLIT LOCK WASHER	4
413	0393791	11/32 I.D. X 11/16 O.D. X .051/.080 THICK FLAT WASHER	4
414	0393621	PLUG / CORD COVER - MOTOR	1
415	0394001	8-32 X 3/8 HEX HEAD SLOTTED SCREW	4



**BASE ASSEMBLY**

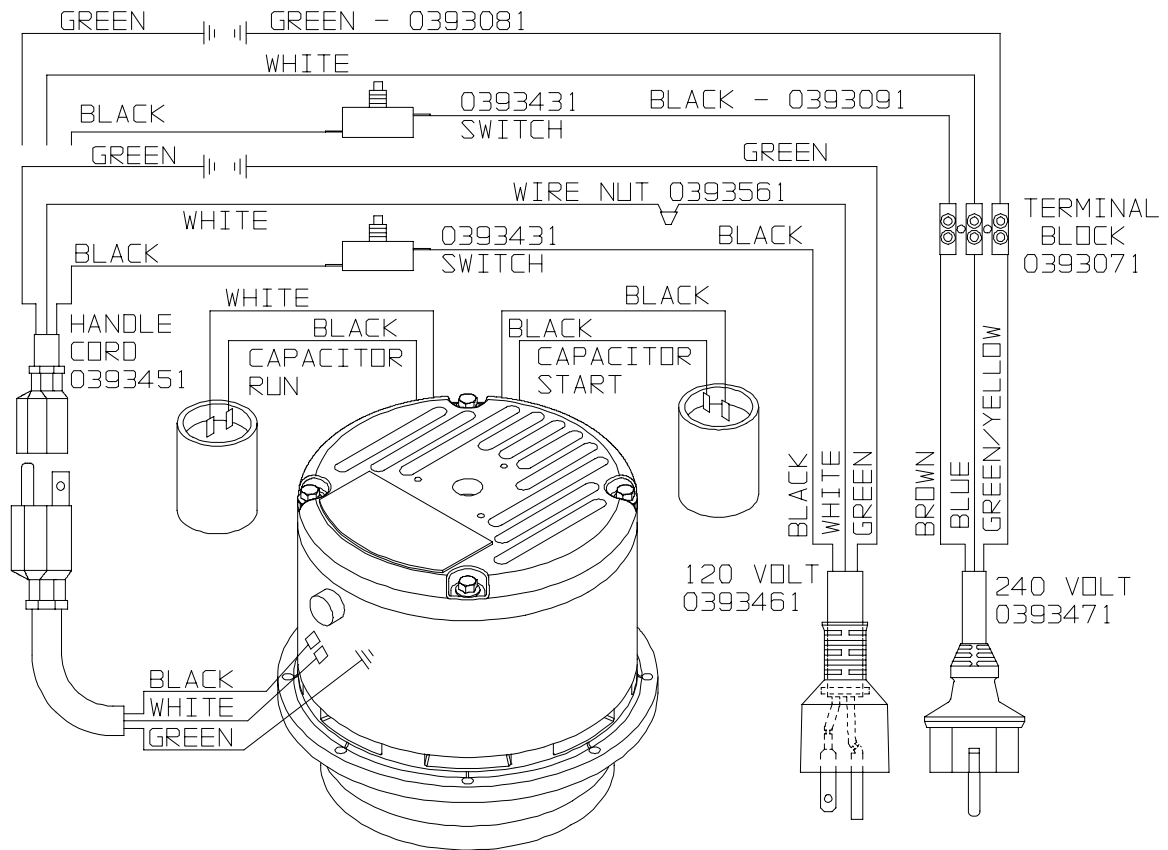


**GEAR BOX ASSEMBLY - 2 IDLER 0394611**  
**GEAR BOX ASSEMBLY - 3 IDLER 0394621**

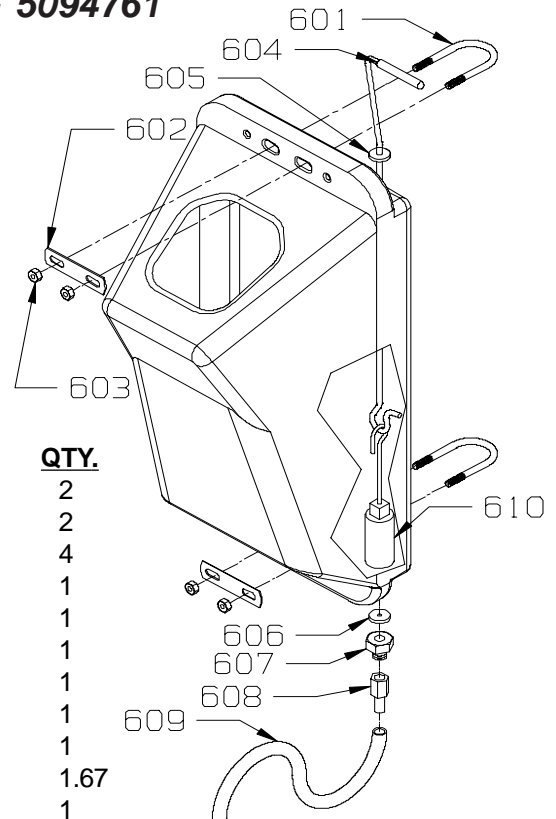


<b>ITEM</b>	<b>PART NO.</b>	<b>DESCRIPTION</b>	<b>QTY 1 HP</b>	<b>QTY 1 1/2 HP</b>
501	9120774	10-32 X 1 3/16 SOCKET HEAD CAP SCREW	6	6
502	9120495	10 INTERNAL STAR LOCK WASHER	6	6
503	5391021	BEARING RETAINER PLATE	1	1
504	5391701	MOTOR END BELL	1	1
505	9120430	10-24 X 3/4 ROUND HEAD MACHINE SCREW	6	6
506	5391131	GEAR HOUSING COVER	1	1
507	5391171	IDLER SHAFT BEARING	4	6
508	5391181	IDLER SHAFT	2	3
509	5391191	IDLER GEAR	2	3
510	5391231	GEAR HOUSING	3	2
511	5391201	LOWER BEARING	1	1
512	5391161	3 IDLER CAGE	0	1
		2 IDLER CAGE	1	0
513	5391031	BEARING	3	3
514	5391071	PINION - 13 TEETH	1	1
515	5391031	BEARING	3	3
516	5391051	ODUM COUPLING	1	1
517	5391251	SHAFT WASHER	1	1
518	5391141	BEARING - GEAR HOUSING COVER	1	1
519	5391041	BEARING SPACER	1	1
520	5391031	BEARING	3	3

## WIRING DIAGRAM



## SOLUTION TANK - 5094761



ITEM	PART #	PART DESCRIPTION	QTY.
601	5094281	5-16-18 U-BOLT ASSEMBLY - INCLUDES:	2
602	5094281	WASHER BAR	2
603	9121420	5/16-18 HEX NUT	4
604	5094221	HANDLE ROD - INCLUDES:	1
	5094211	VINYL HANDLE GRIP	1
605	5094231	GROMMET	1
606	5094261	NEOPRENE WASHER	1
607	5094271	1/4 PIPE NUT	1
608	5094191	1/4 NPT X 5/16 HOSE BARB	1
609	8791020	SOLUTION TUBE	1.67
610	5094241	SOLUTION VALVE ASSEMBLY	1

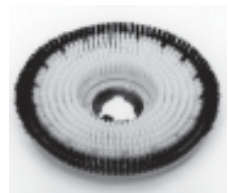
## ACCESSORIES



- 2890101 PLASTIC CLUTCH PLATE - 5" DIAMETER - 6 HOLES
- 2890981 PLASTIC CLUTCH PLATE - 4" DIAMETER - 3 HOLES
- 2890991 ALUMINUM CLUTCH PLATE - 5" DIAMETER - 6 HOLES
- 2893001 ALUMINUM CLUTCH PLATE - 4" DIAMETER - 3 HOLES



- 2897211 17" POLY BACK TUFTED PAD DRIVER
- 2897601 17" STRUCTURAL FOAM PAD DRIVER
- 2897201 17" POLY BACK NYLON FILL SCRUB BRUSH - LIGHT TO MEDIUM SCRUB
- 2897711 17" POLY BACK NYLON GRIT FILL SCRUB BRUSH - HEAVY CONCRETE SCRUB
- 2897821 17" POLY BACK NYLON - SOFT SCRUB BRUSH - CARPET ONLY
- 2897901 17" POLY BACK SCRUB GRIT BRUSH - MILD TO MEDIUM SCRUB



- 2892211 20" POLY BACK TUFTED PAD DRIVER
- 2892601 20" STRUCTURAL FOAM PAD DRIVER
- 2892201 20" POLY BACK NYLON FILL SCRUB BRUSH - LIGHT TO MEDIUM SCRUB
- 2892651 20" POLY BACK NYLON FILL SCRUB BRUSH - WITH GUIDE FOR CARPET SHAMPOOING
- 2892711 20" POLY BACK NYLON GRIT FILL SCRUB BRUSH - HEAVY CONCRETE SCRUB
- 2892031 20" PLASTIC BACK BASSINE SCRUB BRUSH - GENERAL SCRUB
- 2892701 20" POLY BRUSH - SHOWER FEED - STANDARD CARPET SCRUB
- 2892901 20" POLY BACK SCRUB GRIT BRUSH - MILD TO MEDIUM SCRUB



- NOTE:** ALL PADS COME 5 (FIVE) PADS PER CASE
- 7991751 17" LITE BLUE POLISH/BURNISH PAD - SOFT FINISH
  - 7991741 17" UHS CLEAN BUFF PAD - REMOVE SCUFF MARKS NOT FINISH
  - 7991731 17" BLUE SCRUB PAD - TOP SCRUB AND LIGHT FINISH REMOVAL
  - 7991721 17" GREEN SCRUB PAD - HEAVY FINISH REMOVAL
  - 7991701 17" BLACK STRIP PAD - REMOVES FINISH COMPLETELY
  - 7992051 20" LITE BLUE POLISH/BURNISH PAD - SOFT FINISH
  - 7992041 20" UHS CLEAN BUFF PAD - REMOVE SCUFF MARKS NOT FINISH
  - 7992031 20" BLUE SCRUB PAD - TOP SCRUB AND LIGHT FINISH REMOVAL
  - 7992021 20" GREEN SCRUB PAD - HEAVY FINISH REMOVAL
  - 7992001 20" BLACK STRIP PAD - REMOVES FINISH COMPLETELY
  - 7992011 20" BROWN STRIP PAD - REMOVES FINISH COMPLETELY



- 2890201 SPRAY BUFF APPLICATOR - PUMP UP TYPE



- 5094761 DELUXE SOLUTION TANK - 2 GALLON WITH BRASS VALVES

### TAMPER PROOF HARDWARE

ITEM #	PART #	DESCRIPTION
135	9120833	M5 X .08 X 20mm PAN HEAD PHILLIPS MACHINE SCREW - PK OF 2
237	9120833	M5 X .08 X 20mm PAN HEAD PHILLIPS MACHINE SCREW - PK OF 2
303	9121850	5/16-18 X 2.5 HEX BOLT - PACK OF 1
307	9121423	5/16-18 HEX NUT - PACK OF 2
311	9121423	5/16-18 HEX NUT - PACK OF 2
314	9122003	3/8-16 HEX NUT - PACK OF 1
322	9121685	5/16-18 X 1 HEX BOLT - PACK OF 8
401	9120755	10-32 X 1/2 TRUSS HEAD SCREW - PACK OF 1
409	9121685	5/16-18 X 1 HEX BOLT - PACK OF 8
411	9121685	5/16-18 X 1 HEX BOLT - PACK OF 8
415	9120235	8-32 X 1/2 SCREW - PACK OF 4



## NSS® Enterprises, Inc.

3115 Frenchmens Road, Toledo, Ohio 43607  
 PHONE (419) 531-3761 FAX (419) 531-3761

**NSS® Enterprises, Inc. European Distribution Centre**

Unit II, Pinfold Trading Estate \* 55 Nottingham Road  
 STAPLEFORD, NOTTINGHAM NG9 8AD ENGLAND U.K.  
 PHONE: (44) 0115 939 1568 \* FAX: (44) 0115 949 0615