

DESIGNER 4 WET/DRY VACUUM

IMPORTANT SAFETY INSTRUCTIONS



**READ AND UNDERSTAND ALL INSTRUCTIONS
BEFORE OPERATING OR SERVICING MACHINE**



DANGER! Failure to Observe These Instructions Can Cause Fire, Electrical Burn, Shock or Electrocution To Machine Operator or Bystanders.

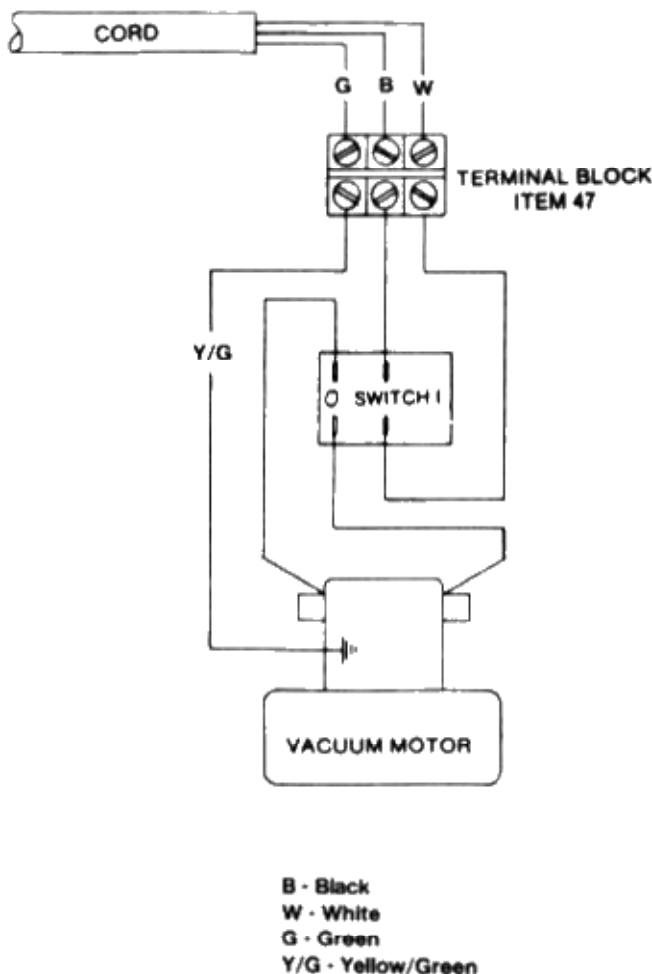
- When using an electrical appliance, basic precautions should always be followed, including the following:
- **NEVER** attempt to operate machine unless you have been trained in its operation.
- **NEVER** allow an untrained person to operate this machine.
- Use this machine **ONLY** as described in this manual.
- **NEVER** operate machine with a damaged, broken, cut, abraded, or taped cord or plug.
- **ALWAYS** connect machine to a properly grounded electrical outlet. See page 2 for grounding instructions and wiring diagram.
- **NEVER** leave machine unattended when plugged in. Unplug machine from electrical outlet when not in use and before attempting repairs or maintenance.
- **ALWAYS** turn machine OFF before unplugging from electrical outlet.
- **NEVER** operate machine in the presence of flammable or combustible liquids, such as gasoline, fumes or dusts.
- **NEVER** attempt to pick up flammable or combustible liquids, such as gasoline, fumes or dusts.
- **NEVER** handle machine, cord or plug with wet hands.
- **NEVER** drop or insert any object into any machine opening.
- **ALWAYS** keep face, fingers, hair or any body part, or loose clothing away from any machine opening or moving part.
- **NEVER** pick up anything that is burning or smoking, such as cigarettes, matches or hot ashes.
- **ALWAYS** use extreme care when cleaning on stairs or when machine is placed on stairs.
- **NEVER** operate machine if it is not working properly, if it has been dropped, damaged, exposed to weather, or dropped into water. Return machine to service center for examination and repair.
- **NEVER** operate machine with any air opening blocked. Keep all air openings free of dust, lint, hair and the like.
- **NEVER** operate machine without dustbag and/or filters in place.
- **DO NOT** pull or carry machine by electrical supply cord, use cord as a handle, close door on cord, pull cord around sharp edges or corners, expose to heated surfaces, or set heavy or sharp objects on cord.
- **NEVER** disconnect plug by pulling on cord. To disconnect from outlet, grasp the plug, not the cord.
- **DO NOT** allow to be used as a toy. Close attention is necessary when used by or near children.

SAVE THESE INSTRUCTIONS

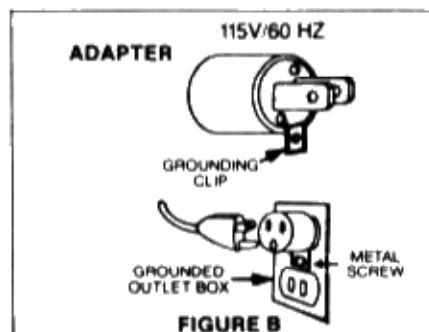
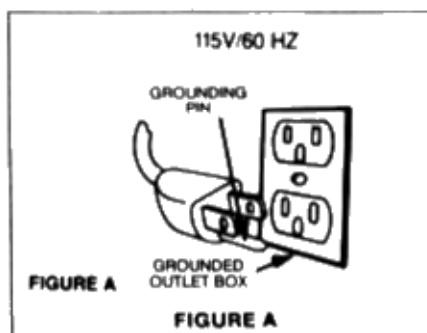


DANGER: DO NOT ATTEMPT MAINTENANCE OR REPAIRS BEFORE DISCONNECTING CORD FROM ELECTRICAL POWER SOURCE. READ ALL INSTRUCTIONS AND FOLLOW ALL ILLUSTRATIONS CAREFULLY.

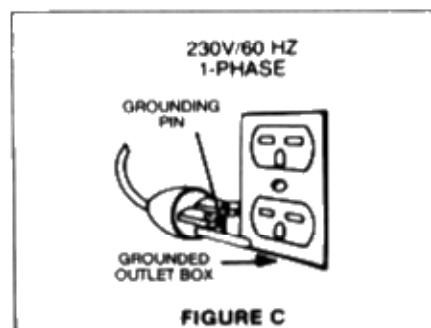
**DESIGNER 4
WIRING DIAGRAM 115V**



This machine is for use on a nominal 120-volt circuit, and has a grounding plug that looks like the plug illustrated in Fig. A. A temporary adapter that looks like the adapter illustrated in Fig. B may be used to connect this plug to a 2-pole receptacle as shown in Fig. B if a properly grounded outlet is not available. The temporary adapter should be used only until a properly grounded outlet (Fig. A) can be installed by a qualified electrician. The green colored rigid ear, lug or the like extending from the adapter must be connected to a permanent ground such as a properly grounded outlet box cover. Whenever the adapter is used, it must be held in place by a METAL screw.



NOTE Adapter NOT for use in Canada



GROUNDING INSTRUCTIONS

This machine must be grounded. If it should malfunction or break down, grounding provides a path of least resistance for electric current to reduce the risk of electric shock. This machine is equipped with a cord having an equipment-grounding conductor and grounding plug. The plug must be plugged into an appropriate outlet that is properly installed and grounded in accordance with all local codes and ordinances.

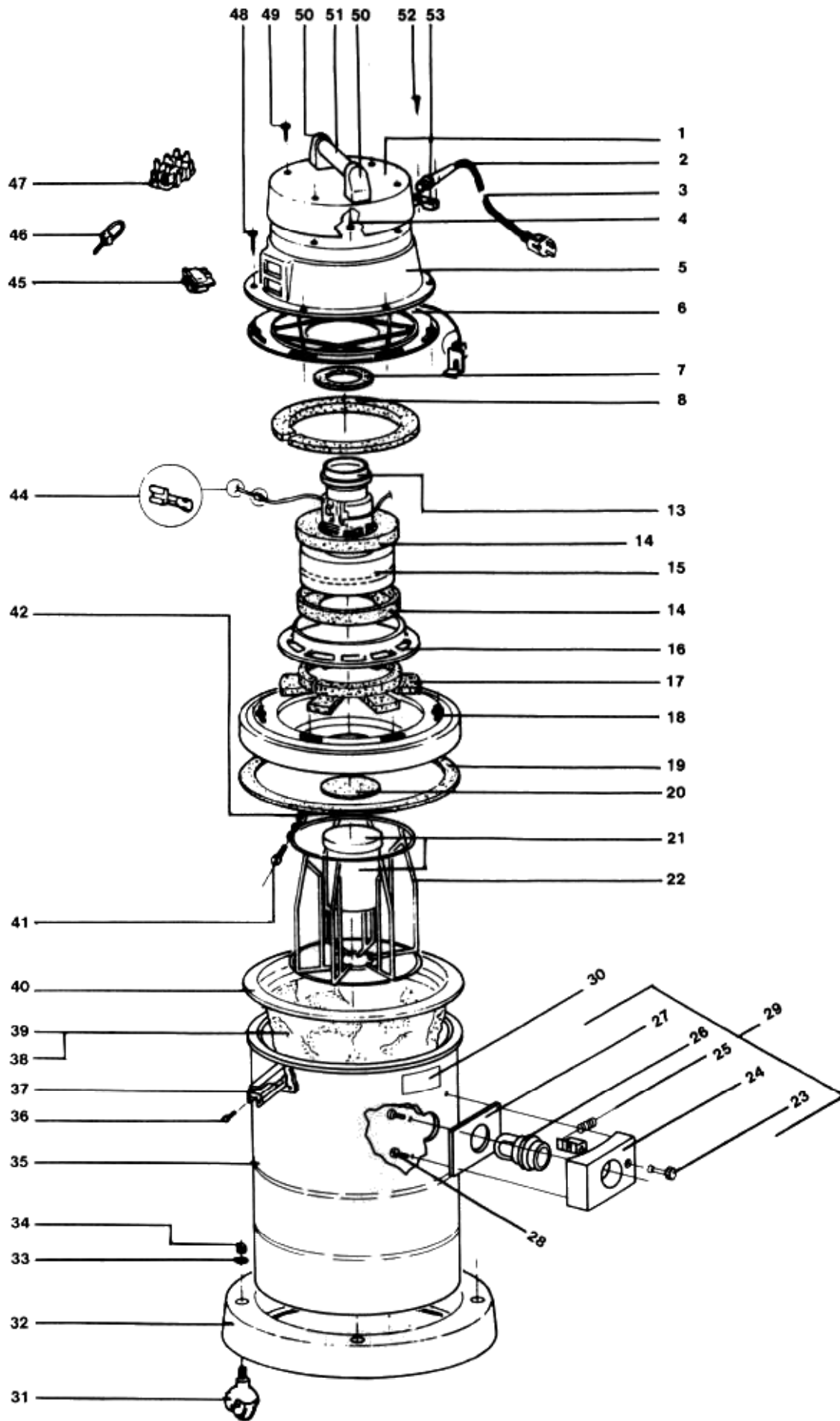
DANGER - Improper connection of the equipment-grounding conductor can result in a risk of electric shock. Check with a qualified electrician or service person if you are in doubt as to whether the outlet is properly grounded. Do not modify the plug provided with the machine - if it will not fit the outlet, have a proper outlet installed by a qualified electrician.

Always use a properly grounded 3-wire extension cord which has male and female plugs. Use only 16-3 ST or SO type extension cords for a total cord length up to 75 feet.

DESIGNER 4

Illustrated Parts List

Item No.	Part No.	Description	Quantity Req'd.
1	57-9-101-1	Top Cover	
2	57-9-102-1	Rubber Strain Relief	1
3	57-9-103-1	Cord 18-3 SJT 28'	1
4	57-9-105-1	Self Tap Screw 5x15	4
5	57-9-201-1	Lower Cover	1
6	57-9-202-1	Motor Holding Ring	1
7	57-9-203-1	Top Motor Gasket	1
8	57-9-114-1	Filter Strip	1
13	57-9-204-1	Motor Spacer Ring	1
14	57-9-108-1	Motor Gasket	2
15	02-9-643-9	115V Vacuum Motor (Lamb)	1
16	57-9-114-1	Silencer Disc	1
17	57-9-205-1	Scalloped Foam Silencer	1
18	57-9-116-1	Lid	1
19	57-9-117-1	Lid Gasket	1
20	57-9-206-1	Float Gasket	1
21	57-9-328-1	Float	1
22	57-9-329-1	Float Basket	1
23	57-9-336-1	Intake Button	1
24	57-9-341-1	Intake Only	1
25	57-9-337-1	Intake Spring	1
26	57-9-338-1	Intake Deflector	1
27	57-9-339-1	Intake Gasket	1
28	57-9-145-1	Self Tap Screw 5x30	4
29	57-9-340-1	Intake Assembly, includes items #23 - #27	1
30	57-9-009-1	Wet/Dry Label	1
31	57-9-131-1	Caster, Threaded Ball Type	4
32	57-9-132-1	Base	1
33	57-9-133-1	Washer M8	4
34	57-9-134-1	Hex Cap Nut M8	4
35	57-9-330-1	Container S/S	1
36	57-9-162-1	Pop Rivet 5x19	
37	57-9-142-1	Lid Clamp - Plastic	2
38	57-9-334-1	Filter Bag Assembly	1
39	57-9-333-1	Polyester Filter Bag Only	1
40	57-9-120-1	Bag Ring Only	1
41	57-9-211-1	Brass Screw M5x40	1
42	57-9-212-1	Brass Hex Nut M5	1
44	06-9-079-1	Push On Terminal	4
45	57-9-141-1	Switch	1
46	27-9-267-1	Wire Tie	1
47	57-9-143-1	Terminal Strip (3)	1
48	57-9-144-1	Self Tap Screw 5x20	8
49	57-9-145-1	Self Tap Screw 5x30	4
50	57-9-146-1	Handle Support	2
51	57-9-147-1	Handle Tube	1
50 & 51	57-9-148-1	Handle Complete	1
52	57-9-149-1	Self Tap Screw 4.2x18	1
53	57-9-104-1	Cord Clamp	
Not Shown	57-9-001-1	Top "Designer" Label	1
	01-9-077-1	Warning Label - White	1
	01-9-078-1	Grounding Label - White	1



DESIGNER 4 WET/DRY VACUUM ASSEMBLY, OPERATION AND MAINTENANCE

I. ASSEMBLY

1) Your NSS Designer 4 Vacuum is assembled for operation except for installation of the hose, wand and attachments.

a) Hose

The hose is attached to the intake on the container by means of the plastic hose coupling. Push intake push button, item 26, to insert and detach. A hose coupling, #57-002-1, may be ordered that will allow the use of standard 1 1/2" NSS hose, wands and attachments.

b) Wand

The steel wand is a two-piece design

c) Attachments

A complete attachment kit including a squeegee tool comes with each machine. Tools fit on the wand or the hose by twisting onto the tapered end.

II. OPERATION

1) After machine is assembled with switch in off position, plug the conductor cord into electric outlet, making sure current is same as that which machine is designed to run on. Turn on rocker switch located on side of top cover.

a) General Floor Cleaning

When machine is used for general purpose floor cleaning on either bare floors or carpeting, the operator should drop arms slightly to allow air to enter front edge of tool on forward stroke. On back stroke, do the reverse of the forward stroke — raise arm slightly to allow the back edge of tool to clear floor. This method gives the air a chance to do the work in the most effective manner.

Make strokes at a leisurely pace and at a length that feels the most natural. *Always work away from the machine, pulling machine behind you.*

WARNING: DO NOT ATTEMPT MAINTENANCE OR REPAIRS BEFORE DISCONNECTING CORD FROM ELECTRICAL POWER SOURCE.

III. MAINTENANCE

1) *Lubrication* — The motor has sealed bearings which require no further lubrication. Casters and wheels should be oiled as required.

2) *Current* — Machine should be run only on voltage specified on name plate.

3) *Hose* — Should be removed from machine after each use. The tube handles should be removed from hose. It should then be laid in a loose coil or hung over several pegs on the wall, to remove the strain on it. If hose comes in contact with oil on any operation the optional neoprene hose should be used. Oil should be wiped off after using.

4) *Filter* — A polyester filter bag #57-334-1 is standard on the unit. Shaking lightly before removing from container will clean filter. For fine dust a paper bag #02-890-1 is available.

Paper Filter Installation

a) Remove vacuum motor and filter bag assembly.

b) Place paper bag in the container and roll the elastic edge over the edge of the container.

c) Replace vacuum motor and filter bag assembly in the normal manner.

5) *Tools* — Floor tools should be removed from the end of the tube handle after using.

6) *Container* — The container is of stainless steel construction. After each use on wet pick-up the machine should be emptied and rinsed with clean water.

7) *Float Control* — Mechanical in action. When liquid level reaches float will activate it causing it to rise and shut off suction. It is then time to empty container.

8) **WHAT TO DO IN CASE OF LOSS OF SUCTION** — Ordinarily loss of suction is caused by a simply created cause. The following suggestions are listed as a guide.

a. Check tool, hose, and tube handle for plugging. If plugged, unplug.

b. Remove hose from machine and check suction at intake, if still suction loss,

c. Check lid gasket to see if making proper seal. If worn, replace item #19.

d. Check filter bag for clogging. If dirty clean.

9) After 500 hours of running time, check vacuum motor carbon brush wear. When carbon brushes and copper on commutator are worn, return to authorized NSS service station for repair.



WARNING: TO AVOID ELECTRIC SHOCK DO NOT EXPOSE TO RAIN.



THE NATIONAL SUPER SERVICE COMPANY

3115 FRENCHMENS ROAD, TOLEDO, OHIO 43607-2958

PHONE (419) 531-2121 • FAX (419) 531-3761