

DeckMaster Parts List

The contents of this manual are based on the latest product information available at the time of publication. Pacific Steamex reserves the right to make changes or improvements to its machines without notice.

For new books write to:

Pacific
2259 S. Sheridan
Muskegon, MI 49442-6252

Carefully inspect all components to ensure that there is no concealed freight damage. If such damage is discovered, file a "CONCEALED DAMAGE REPORT" immediately with the delivering carrier.

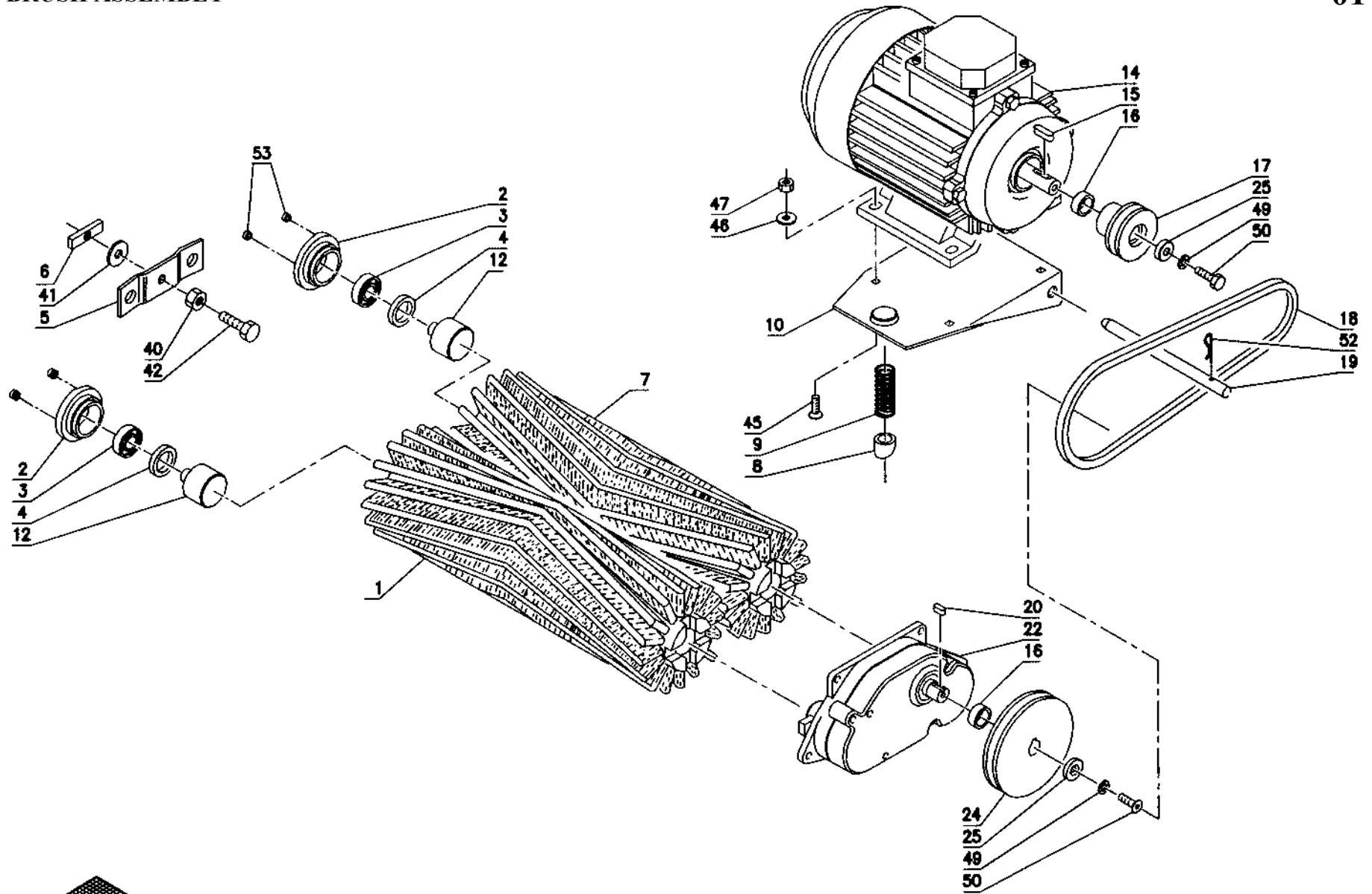
FOR YOUR CONVENIENCE, RECORD THE FOLLOWING IMPORTANT INFORMATION:

MODEL _____

SERIAL NUMBER _____

PART NUMBER _____

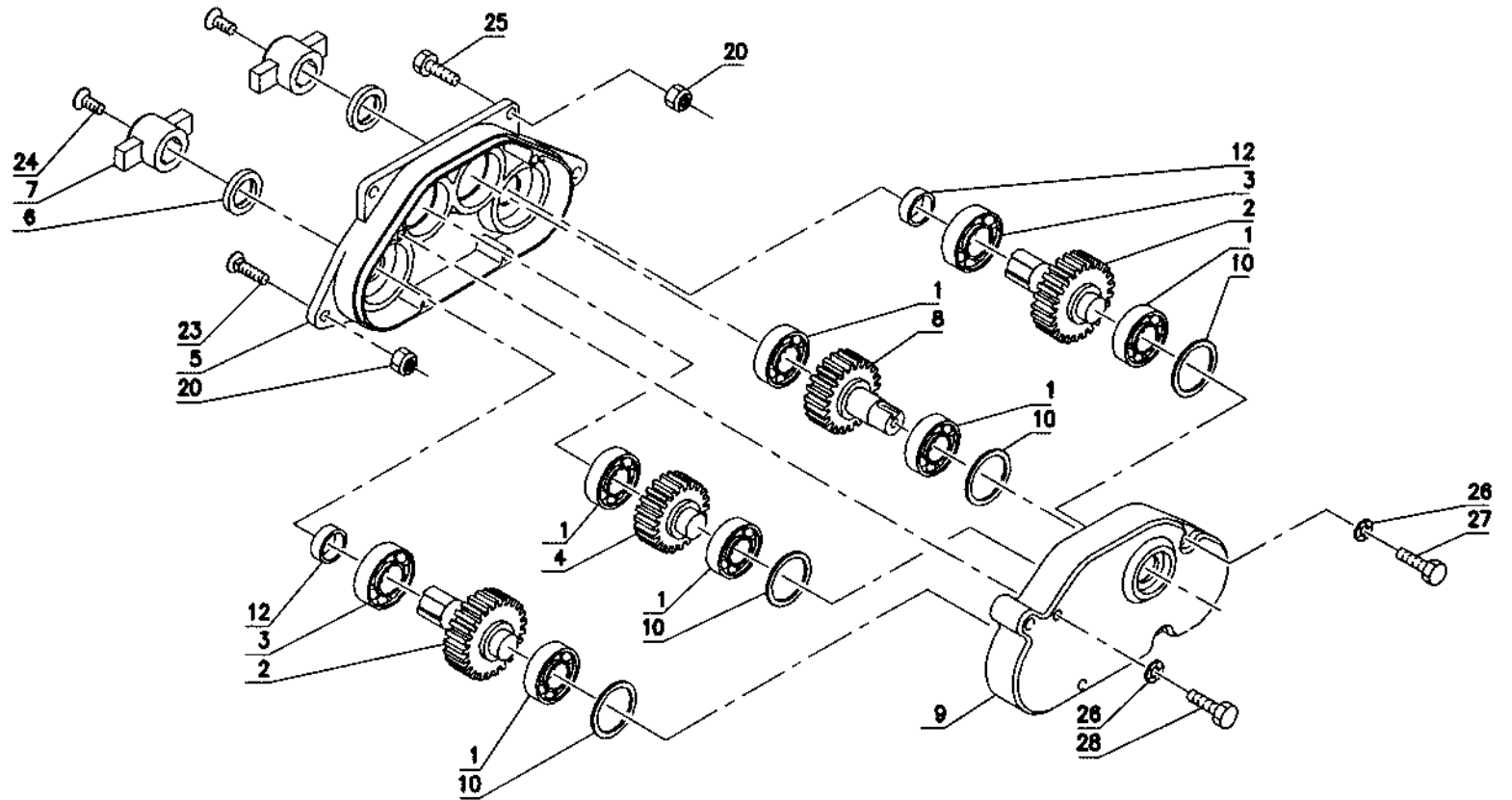
DATE PURCHASED _____



DRAWING 01

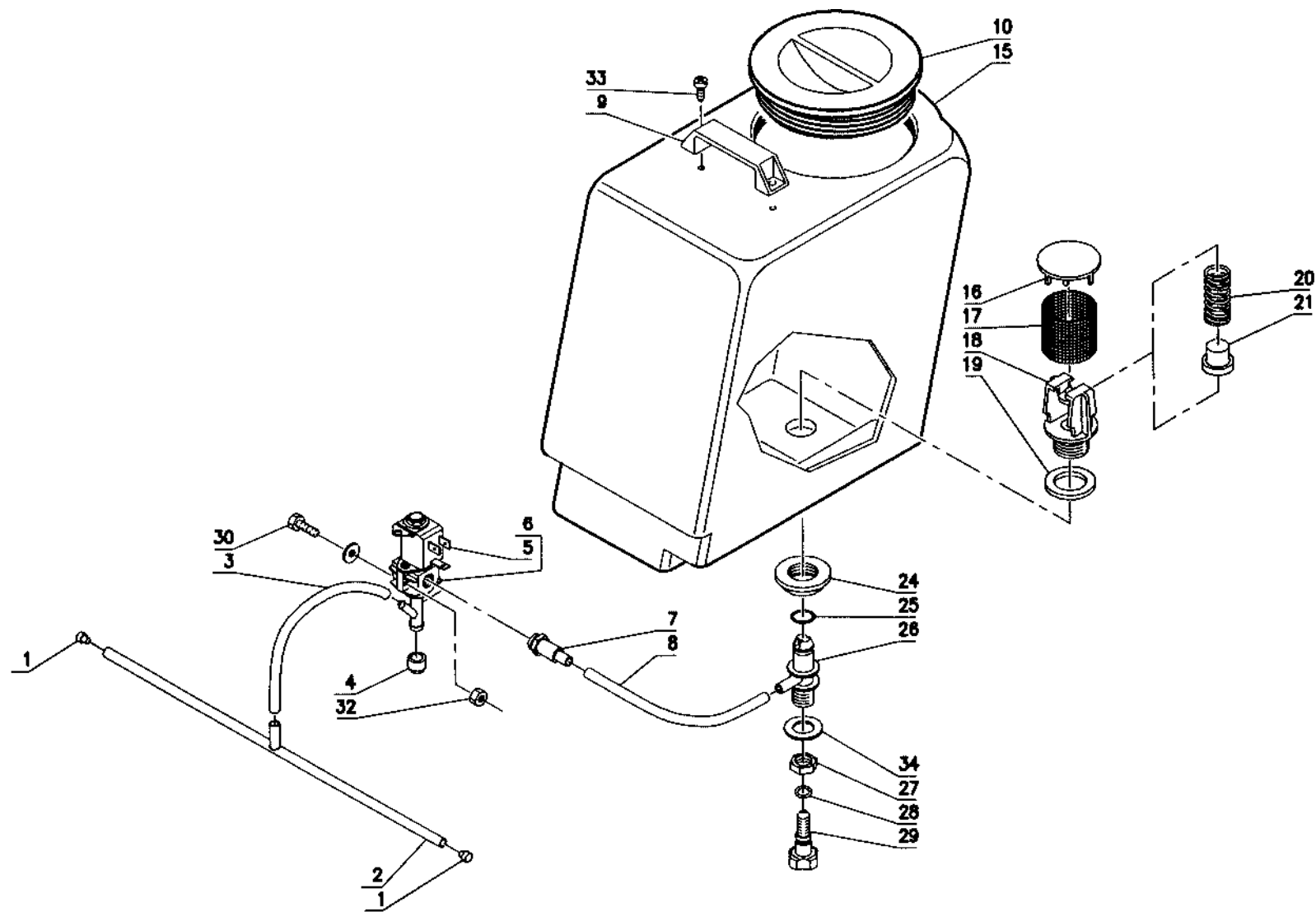
| Item | Part Number | Description | Qty. |
|------|-------------|---------------------------------------|------|
| 1 | 880930 | Brush White with Pin | 1 |
| 2 | 888530 | Right Support | 2 |
| 3 | 902028 | Bearing | 2 |
| 4 | 887630 | Oil Seal | 2 |
| 5 | 885132 | Link | 1 |
| 6 | 924024 | Wing Nut | 1 |
| 7 | 880931 | Brush Light Blue with Pin | 1 |
| 8 | 887330 | Ring | 1 |
| 9 | 69210490 | Spring | 1 |
| 10 | 888531 | Support | 1 |
| 12 | 42103130 | Right Pin Brush, starting SN#99003536 | 2 |
| | 42103100 | Right Pin Brush, before SN#99003536 | |
| 14 | 885231 | Brush Motor, 115v | 1 |
| 15 | 885030 | Key | 1 |
| 16 | 888230 | Spacer | 2 |
| 17 | 69410180 | Pulley (50Hz) | 1 |
| 17A | 886930 | Pulley (60Hz) | 1 |

| Item | Part Number | Description | Qty. |
|------|-------------|-------------------------|------|
| 18 | 903015 | Belt | 1 |
| 19 | 886730 | Pin | 1 |
| 20 | 885031 | Key | 1 |
| 22 | 883530 | Reduction Gear Assembly | 1 |
| 24 | 886931 | Pulley | 1 |
| 25 | 980038 | Special Washer | 2 |
| 40 | 924025 | Nut | |
| 41 | 980039 | Washer | |
| 42 | 964060 | Screw | |
| 45 | 964061 | Screw | |
| 46 | 980040 | Washer | |
| 47 | 924026 | Lock Nut | |
| 49 | 980041 | Lock Washer | |
| 50 | 964062 | Screw | |
| 52 | 882120 | Clip | |
| 53 | 886851 | Cap | 4 |
| | | | |



DRAWING 02

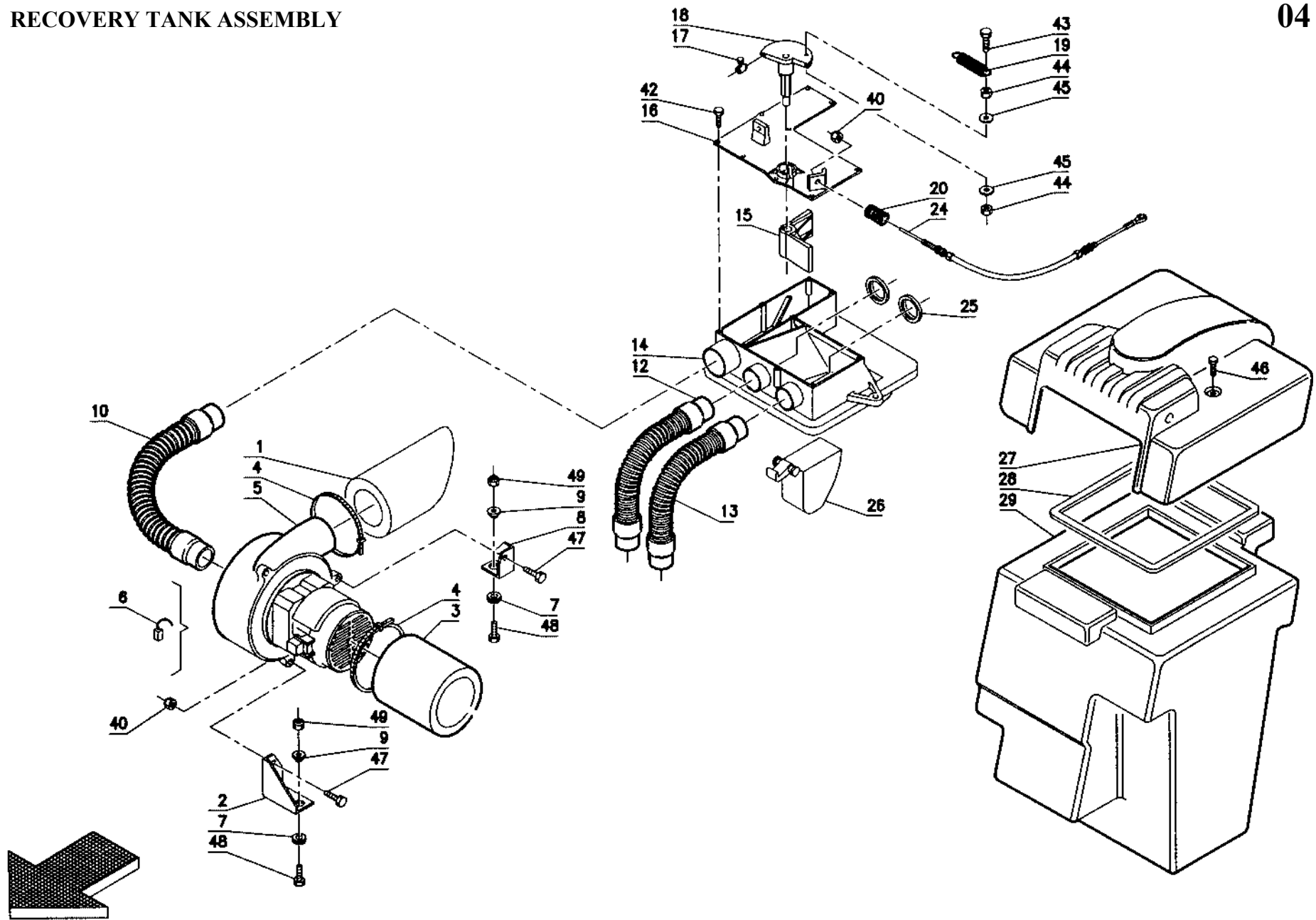
| Item | Part Number | Description | Qty. |
|------|-------------|-------------------------|------|
| 1 | 902029 | Bearing | 6 |
| 2 | 883531 | Driven Gear | 2 |
| 3 | 902030 | Bearing | 2 |
| 4 | 883532 | Idle Wheel | 1 |
| 5 | 884230 | Reduction Gear Box | 1 |
| 6 | 887630 | Oil Seal | 2 |
| 7 | 882430 | Coupling | 2 |
| 8 | 883533 | Driving Gear | 1 |
| 9 | 882330 | Cover | 1 |
| 10 | 887331 | Ring | 4 |
| 12 | 888231 | Spacer | 2 |
| 20 | 924026 | Lock Nut | |
| 23 | 964061 | Screw | |
| 24 | 964063 | Screw | |
| 25 | 964064 | Screw | |
| 26 | 980041 | Lock Washer | |
| 27 | 964065 | Screw | |
| 28 | 964066 | Screw | |
| | | | |
| | 883530 | Reduction Gear Assembly | 1 |



DRAWING 03

| Item | Part Number | Description | Qty. |
|------|-------------|--------------------------|------|
| 1 | 886830 | Plug | 2 |
| 2 | 886030 | Pipe | 1 |
| 3 | 884130 | Hose | 1 |
| 4 | 881530 | Cap | 1 |
| 5 | 882230 | Coil | 1 |
| 6 | 888532 | Solenoid Valve with Coil | 1 |
| 7 | 883330 | Fitting | 1 |
| 8 | 884131 | Hose | 1 |
| 9 | 883930 | Handle | 1 |
| 10 | 886844 | Cover | 1 |
| 15 | 888630 | Solution Tank | 1 |
| *16 | 882331 | Cover | 1 |
| *17 | 883331 | Filter | 1 |
| *18 | 883332 | Filter Holder | 1 |
| 19 | 883430 | Gasket | 1 |
| *20 | 888331 | Spring | 1 |
| *21 | 881330 | Valve Body | 1 |
| 24 | 924027 | Ring Nut | 1 |
| 25 | 885830 | O-Ring | 1 |
| 26 | 889430 | Valve | 1 |
| 27 | 924028 | Nut 3/8" | 1 |
| 28 | 885831 | O-Ring | 1 |
| 29 | 960026 | Special Screw | 1 |
| 30 | 964067 | Screw | |
| 32 | 924029 | Lock Nut | |
| 33 | 964068 | Screw | |
| 34 | 924030 | Washer | |
| | | | |
| * | 883333 | Filter Assembly | 1 |

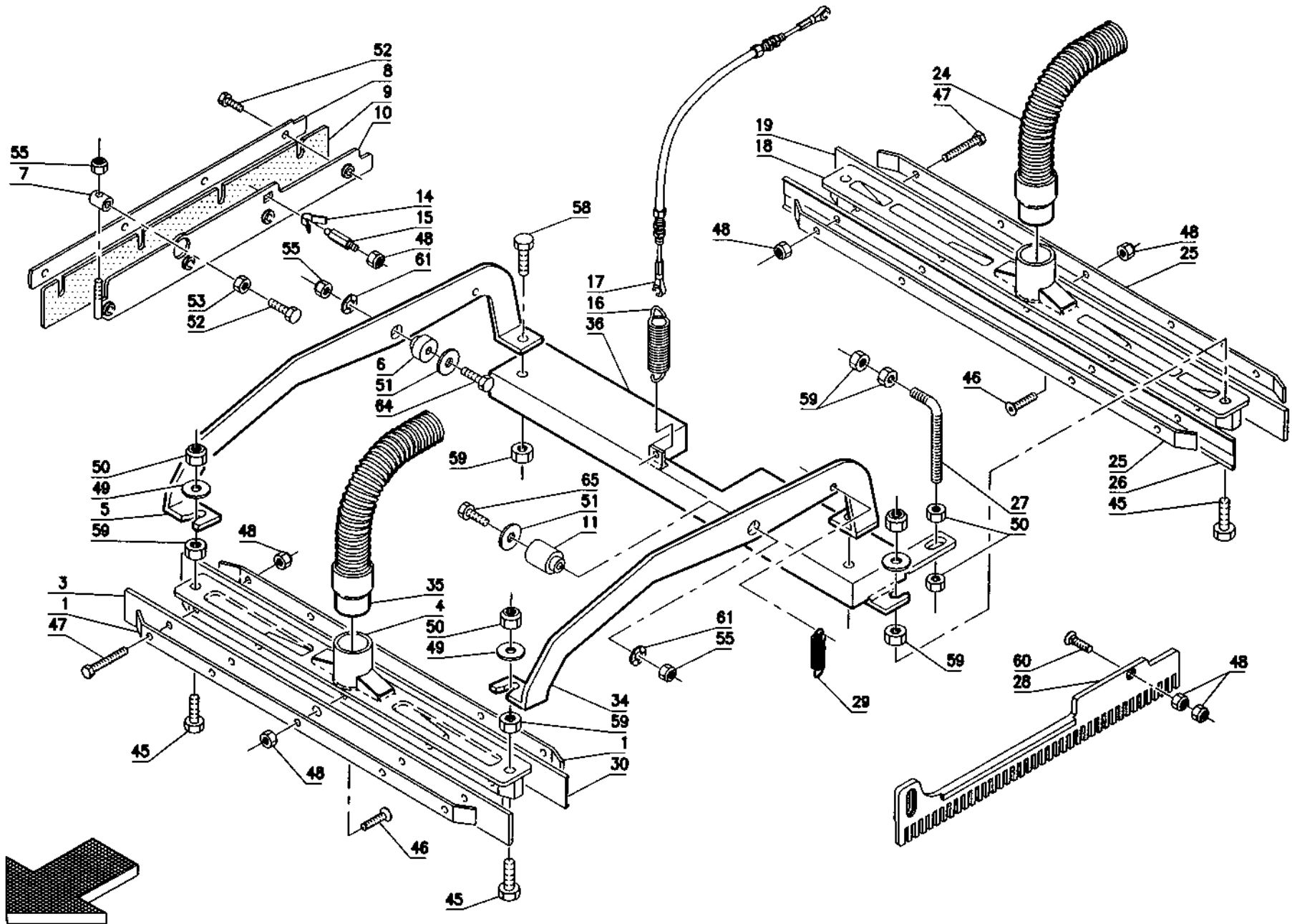
RECOVERY TANK ASSEMBLY



DRAWING 04

| Item | Part Number | Description | Qty. |
|------|-------------|------------------------------------|------|
| 1 | 884132 | Deading Hose | 1 |
| 2 | 888540 | Support | 1 |
| 3 | 884133 | Deading Hose | 1 |
| 4 | 882030 | Clamp | 2 |
| 5 | 885230 | Vacuum Motor (115V) | 1 |
| 6 | 880933 | Carbon Brush, Motor (w/out holder) | 2 |
| | 200951 | Carbon Brush, Motor (with holder) | |
| 7 | 883830 | Fairlead | 3 |
| 8 | 888533 | Support | 1 |
| 9 | 888232 | Spacer | 3 |
| 10 | 884134 | Hose | 1 |
| 12 | 884135 | Hose | 1 |
| 13 | 884136 | Hose | 1 |
| 14 | 882730 | Distributor | 1 |
| 15 | 889230 | Throttle Valve | 1 |
| 16 | 882332 | Cover | 1 |
| 17 | 888534 | Holdfast | 1 |
| 18 | 886932 | Pulley | 1 |

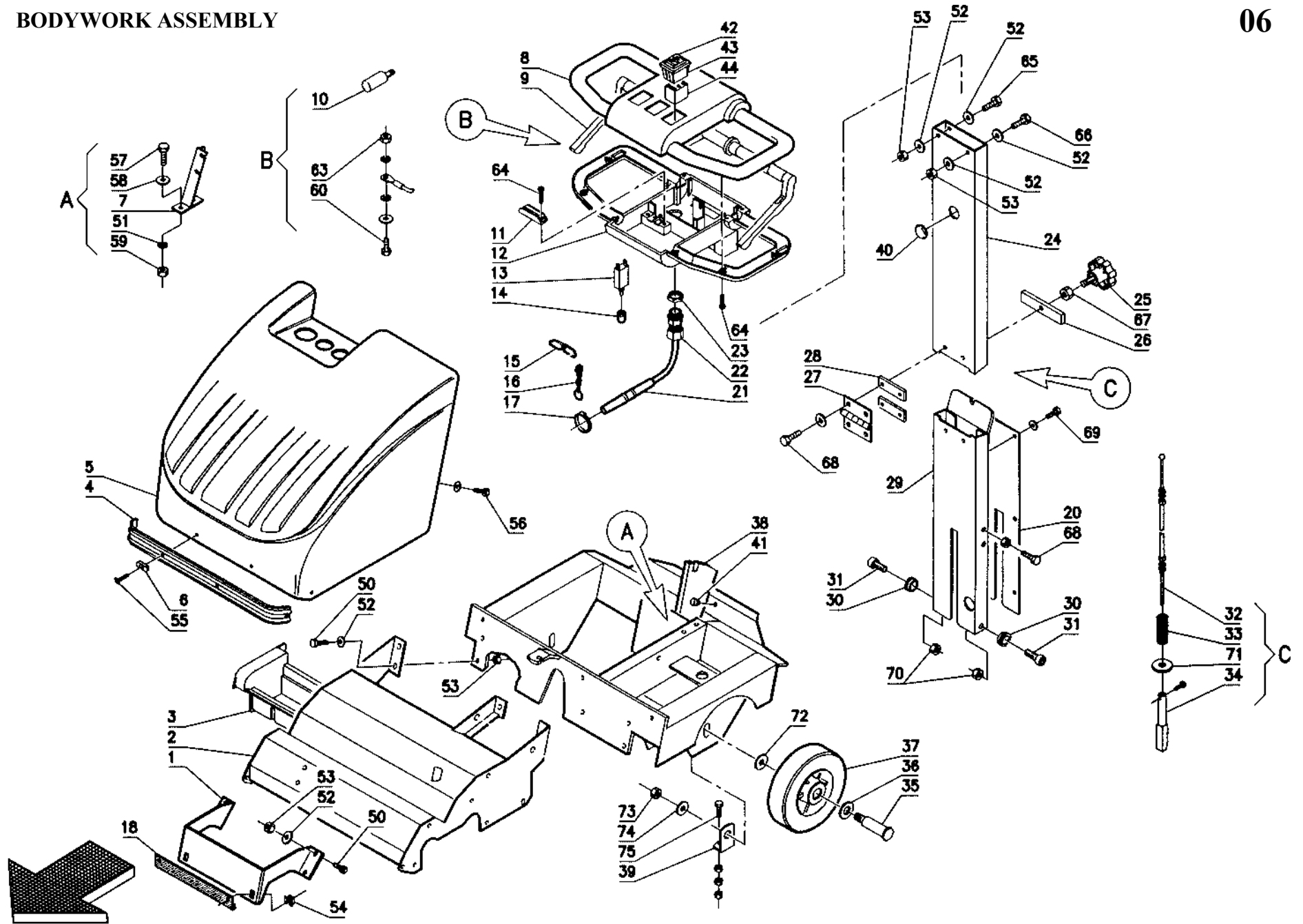
| Item | Part Number | Description | Qty. |
|------|-------------|---------------|------|
| 19 | 888333 | Spring | 1 |
| 20 | 888334 | Spring | 1 |
| 24 | 882431 | Cable | 1 |
| 25 | 883431 | Gasket | 2 |
| 26 | 883334 | Float | 1 |
| 27 | 882333 | Cover | 1 |
| 28 | 883432 | Gasket | 1 |
| 29 | 888631 | Recovery Tank | 1 |
| 40 | 924026 | Lock Nut | |
| 42 | 964069 | Screw | |
| 43 | 964070 | Screw | |
| 44 | 924031 | Nut | |
| 45 | 980043 | Washer | |
| 46 | 964071 | Screw | |
| 47 | 964064 | Screw | |
| 48 | 964062 | Screw | |
| 49 | 924032 | Lock Nut | |
| | | | |



DRAWING 05

| Item | Part Number | Description | Qty. |
|------|-------------|---|------|
| *1 | 887230 | Blade | 2 |
| *3 | 880730 | Front Rubber | 1 |
| *4 | 881331 | Squeegee Body | 1 |
| 5 | 880330 | Right Arm | 1 |
| 6 | 886731 | Pin | 1 |
| 7 | 882432 | Coupling | 1 |
| 8 | 887231 | Blade | 1 |
| 9 | 887530 | Side Squeegee Blade Right | 1 |
| 10 | 881332 | Side Bar Right | 1 |
| 11 | 886732 | Pin | 1 |
| 14 | 884530 | Hook | 1 |
| 15 | 884531 | Hook Head | 1 |
| 16 | 888335 | Spring | 1 |
| 17 | 882433 | Cable | 1 |
| **18 | 881333 | Squeegee Body | 1 |
| **19 | 880731 | Rear Rubber | 1 |
| 24 | 884136 | Suction Pipe | 1 |
| **25 | 887232 | Blade | 1 |
| **26 | 880732 | Front Rubber | 2 |
| 27 | 880530 | Adjuster | 1 |
| 28 | 881334 | Side Squeegee Left with Metal Reinforcement | 1 |
| 29 | 888336 | Spring | 1 |
| *30 | 880733 | Rear Rubber | 1 |

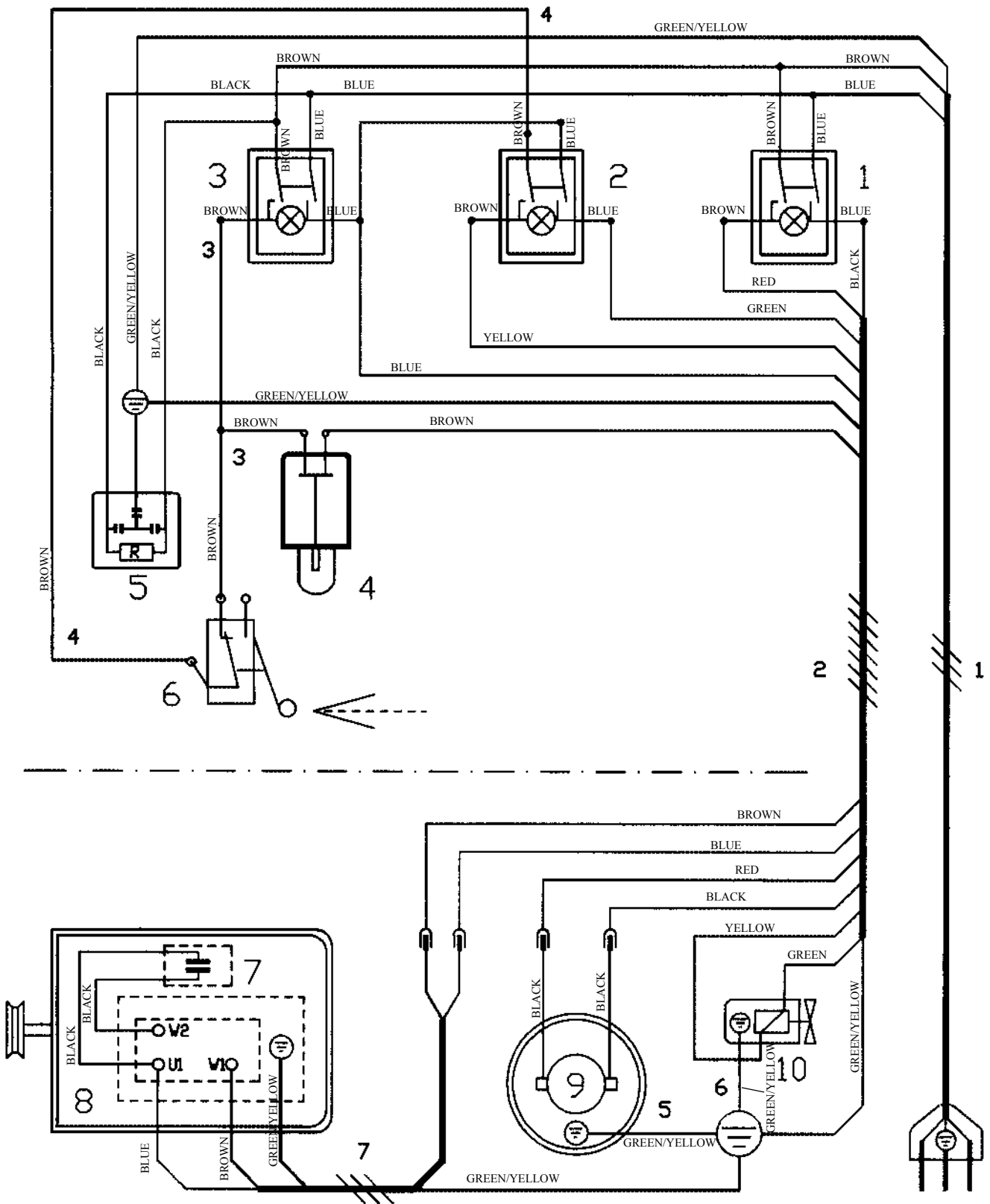
| Item | Part Number | Description | Qty. |
|-------|-------------|-----------------------------|------|
| 34 | 880331 | Left Arm | 1 |
| 35 | 884135 | Suction Pipe | 1 |
| 36 | 888535 | Support | 1 |
| 45 | 964072 | Screw | 1 |
| ***46 | 964073 | Screw | |
| ***47 | 964074 | Screw | |
| ***48 | 924032 | Lock Nut | |
| 49 | 980044 | Washer | |
| 50 | 924033 | Lock Nut | |
| 51 | 980040 | Washer | |
| 52 | 964075 | Screw | |
| 53 | 924034 | Nut | |
| 55 | 924026 | Lock Nut | |
| 58 | 964076 | Screw | |
| 59 | 924035 | Nut | |
| 60 | 964077 | Screw | |
| 61 | 980045 | Lock Nut | |
| 64 | 964078 | Screw | |
| 65 | 964079 | Screw | |
| | | | |
| * | 888536 | Front Squeegee Assembly | 1 |
| ** | 888537 | Rear Squeegee Assembly | 1 |
| *** | | Included in Both Assemblies | |



DRAWING 06

| Item | Part Number | Description | Qty. |
|------|-------------|--------------------|------|
| 1 | 888538 | Support | 1 |
| 2 | 889231 | Tunnel | 1 |
| 3 | 884532 | Hopper | 1 |
| 4 | 881230 | Bumper | 1 |
| 5 | 882334 | Cover | 1 |
| 6 | 882131 | Clip | 4 |
| 7 | 888539 | Support | 1 |
| 8 | 882335 | Handle Bar Cover | 1 |
| 9 | 885133 | Lever | 1 |
| 10 | 883335 | Filter | 1 |
| 11 | 880830 | Bracket | 1 |
| 12 | 881335 | Handle Bar Body | 1 |
| 13 | 911169 | Safety Switch | 1 |
| 14 | 881531 | Protection Cap | 1 |
| 15 | 882434 | Chain | 1 |
| 16 | 884533 | Hook | 1 |
| 17 | 882031 | Clamp | 1 |
| 18 | 882336 | Profile | 1 |
| 20 | 42146030 | Cover | 1 |
| 21 | 888130 | Guiding Slit | 1 |
| 22 | 883336 | Fair-Lead | 1 |
| 23 | 924036 | Special Nut | 1 |
| 24 | 888541 | Support | 1 |
| 25 | 885032 | Knob | 1 |
| 26 | 880734 | Blade | 1 |
| 27 | 884534 | Hinge | 1 |
| 28 | 888233 | Plaque | 2 |
| 29 | 888542 | Support | 1 |
| 30 | 881130 | Bushing | 2 |
| 31 | 960027 | Special Screw | 2 |
| 32 | 882435 | Cable | 1 |
| 33 | 888330 | Spring | 1 |
| 34 | 886733 | Pin | 1 |
| 35 | 886734 | Pin | 2 |
| 36 | 980619 | Special Washer | 2 |
| 37 | 889730 | Rubber Wheel | 2 |
| 37A | 67010270 | Polyurethane Wheel | 2 |

| Item | Part Number | Description | Qty. |
|------|-------------|--------------|------|
| 38 | 883230 | Frame | 1 |
| 39 | 888543 | Support | 2 |
| 40 | 883850 | Guiding Slit | 1 |
| 41 | 881231 | Bumper | 2 |
| 42 | 881531 | Cap | 3 |
| 43 | 911173 | Switch | 3 |
| 44 | 882436 | Connector | 3 |
| 50 | 964080 | Screw | |
| 51 | 980045 | Lock Washer | |
| 52 | 980042 | Washer | |
| 53 | 924026 | Lock Nut | |
| 54 | 924037 | Nut | |
| 55 | 964081 | Screw | |
| 56 | 964065 | Screw | |
| 57 | 964064 | Screw | |
| 58 | 980040 | Washer | |
| 59 | 924048 | Nut | |
| 60 | 964070 | Screw | |
| 61 | 980043 | Washer | |
| 62 | 980058 | Lock Washer | |
| 63 | 924031 | Nut | |
| 64 | 70943902 | Screw | |
| 65 | 964079 | Screw | |
| 66 | 70910620 | Screw | |
| 67 | 924038 | Nut | |
| 68 | 964062 | Screw | |
| 69 | 964082 | Screw | |
| 70 | 924035 | Nut | |
| 71 | 980046 | Washer | |
| 72 | 980047 | Washer | |
| 73 | 924039 | Nut | |
| 74 | 980048 | Lock Washer | |
| 75 | 964083 | Screw | |
| 76 | 980066 | Washer | |
| 77 | 964114 | Screw | |
| 78 | 964075 | Screw | |
| 79 | 964109 | Screw | |



ELECTRICAL COMPONENTS

| Position | Part Number | Description |
|-----------------|--------------------|--------------------------------|
| 1 | 911173 | Switch, Vacuum Motor |
| 2 | 911173 | Switch, Solenoid Valve |
| 3 | 911173 | Switch, Brush Motor |
| 4 | 911169 | Circuit Breaker, 6 Amp |
| 5 | 883335 | Filter, Antijamming |
| 6 | 911170 | Microswitch, Solenoid Valve |
| 7 | 911213 | Start Capacitor, 60MFD, 450VAC |
| 8 | 885231 | Brush Motor, 115V |
| 9 | 885230 | Vacuum Motor, 115V |
| 10 | 882230 | Coil, Solenoid, 115V |

| Cables | Part Number | Description |
|---------------|--------------------|----------------------------|
| 1 | 908091 | Cord Assembly, 50' |
| 2 | 68021002 | Cable 7x1x1850 with Sheath |
| 3 | 68021003 | 2 Cables Brown 1x150 |
| 4 | 68021004 | Cable, Brown 1x250 |
| 5 | 68021005 | Cable, Yellow-Green 1x250 |
| 6 | 68021006 | Cable, Yellow-Green 1x80 |
| 7 | 68021008 | Cable 3x1x700 |