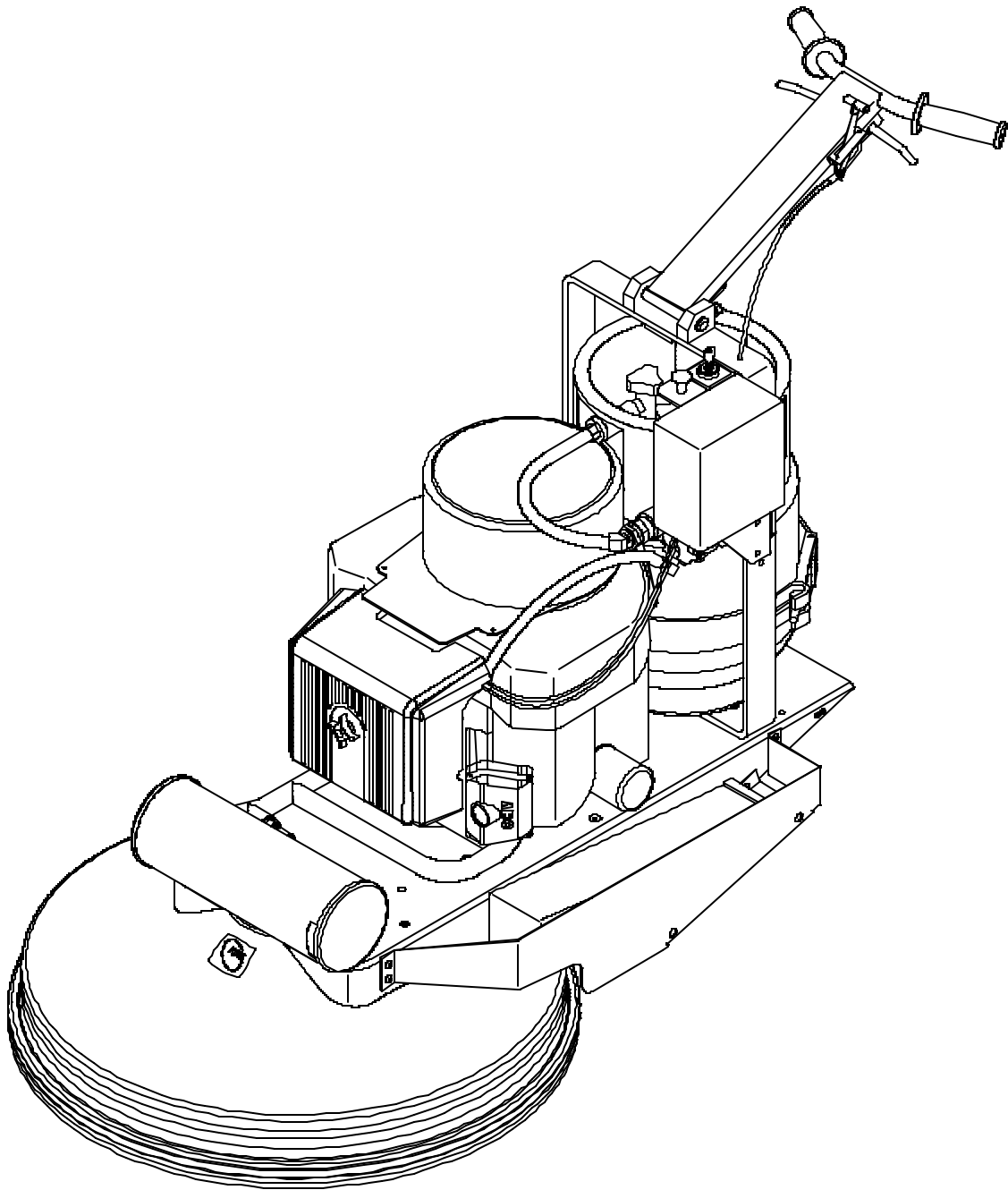


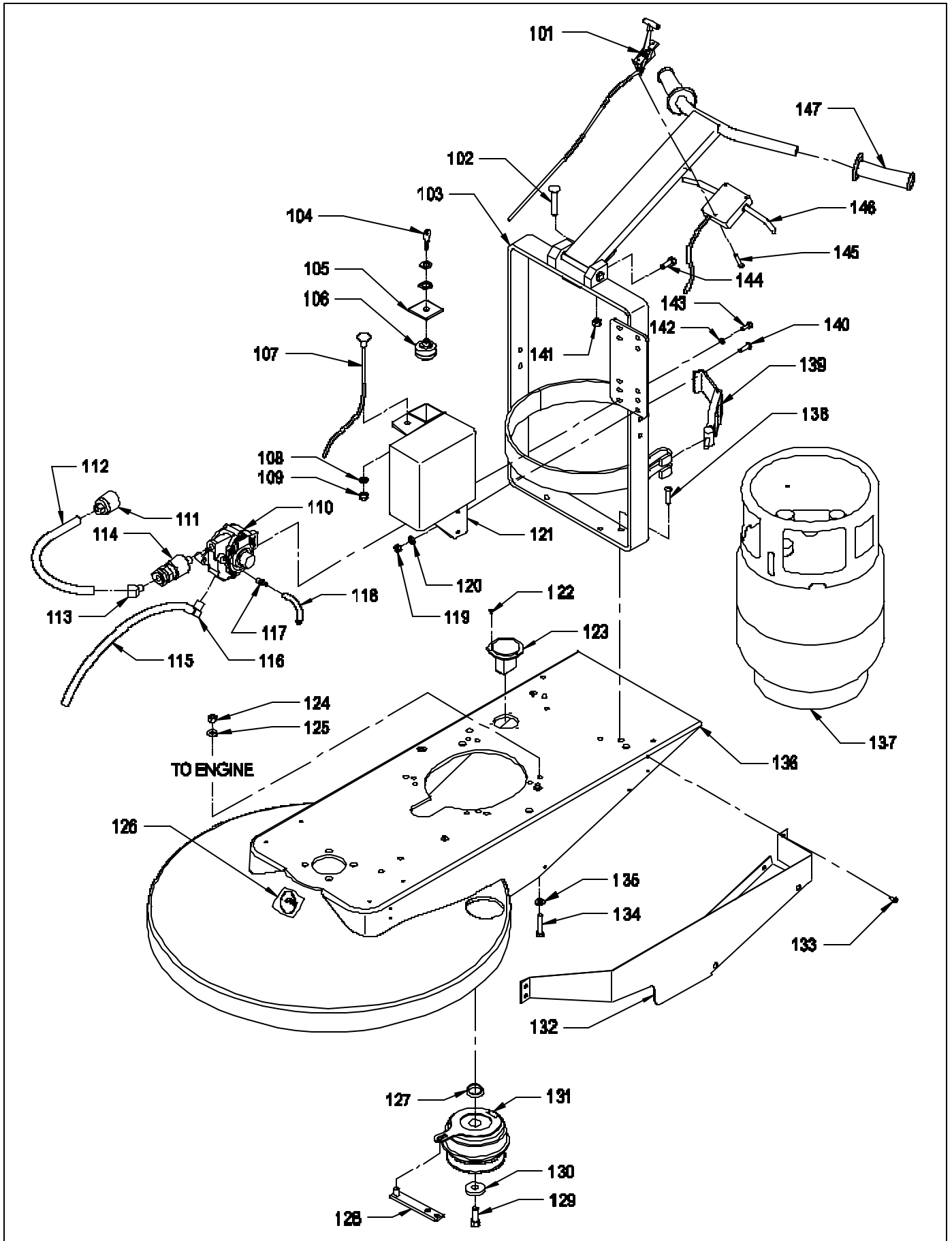
PARTS LIST  
**COMMANDER 27**  
**COMMANDER 27 VAC-TRAC**



## **UPPER ASSEMBLY**

| <b>ITEM</b> | <b>PART NO.</b> | <b>DESCRIPTION</b>   | <b>QTY.</b> |
|-------------|-----------------|--|-------------|
| 101         | 6190481         | THROTTLE CABLE   | 1           |
| 102         | 6190921         | 3/8 -16 X 2 1/2 CARRIAGE BOLT                                | 1           |
| 103         | 6190501         | HANDLE   | 1           |
| 104         | 6190511         | REPLACEMENT KEY  | 1           |
| 105         | 6190421         | KEY SWITCH HOUSING   | 1           |
| 106         | 6190411         | KEY SWITCH COMPLETE - INCLUDES HARDWARE                      | 1           |
| 107         | 6190521         | CHOKE CABLE  | 1           |
| 108         | 9122100         | 3/8 SPLIT LOCK WASHER  | 1           |
| 109         | 9121990         | 3/8-16 HEX JAM NUT   | 1           |
| 110         | 6190441         | REGULATOR  | 1           |
| 111         | 6190471         | QUICK COUPLING   | 1           |
| 112         | 6190461         | HOSE LP TANK TO REGULATOR                                    | 1           |
| 113         | 6590171         | 45° STREET ELBOW 1/4   | 1           |
| 114         | 6190451         | FUEL LOCK WITH FILTER - 12 VOLT                              | 1           |
| 115         | 6190531         | HOSE - 3 FOOT - FUEL   | 1           |
| 116         | 6192101         | 90° BRASS ELBOW - 3/8 NPT X 5/16 HOSE                        | 1           |
| 117         | 6190551         | FITTING 1/4 BARB X 1/4 NPT                                   | 1           |
| 118         | 6190561         | HOSE - 3 FOOT - VAC  | 1           |
| 119         | 9121450         | 5/16-18 HEX NUT WITH NY-LOK INSERT                           | 2           |
| 120         | 9121390         | 11/32 I.D. X 11/16 O.D. X .051/.080 THICK FLAT WASHER (5/16) | 2           |
| 121         | 6190401         | BATTERY BOX  | 1           |
|             | 6190331         | BATTERY - 12 VOLT  | 1           |
| 122         | 2391751         | 1/8 X 5/8 DOME HEAD POP RIVET - STEEL                        | 3           |
| 123         | 6190321         | HOUR METER   | 1           |
| 124         | 9121450         | 5/16-18 HEX NUT WITH NY-LOK INSERT                           | 5           |
| 125         | 9121390         | 11/32 I.D. X 11/16 O.D. X .051/.080 THICK FLAT WASHER (5/16) | 5           |
| 126         | 7690931         | DECAL - NSS LOGO   | 1           |
| 127         | 6190571         | CLUTCH SPACER  | 1           |
| 128         | 6190581         | CLUTCH ARM HOLDER  | 1           |
| 129         | 6190931         | 7/16-20 X 1 HEX BOLT   | 1           |
| 130         | 6190591         | CLUTCH WASHER  | 1           |
| 131         | 6190201         | ELECTRIC CLUTCH  | 1           |
| 132         | 6190041         | BAG TRAY - VAC-TRAC ONLY                                     | 1           |
| 133         | 6190941         | 1/4-20 X 1/2 BUTTON HEAD CAP SCREW - VAC-TRAC ONLY           | 6           |
| 134         | 9121760         | 5/16-18 X 1 3/4 HEX BOLT                                     | 3           |
|             | 9122130         | 5/16-18 X 2 1/4 HEX BOLT                                     | 1           |
| 135         | 9121390         | 11/32 I.D. X 11/16 O.D. X .051/.080 THICK FLAT WASHER (5/16) | 4           |
| 136         | 6190661         | DECK - 27" - STANDARD  | 1           |
|             | 6190031         | DECK - 27" - VAC-TRAC  | 1           |
| 137         | 6190381         | LP TANK  | 1           |
| 138         | 6190951         | 5/16-18 X 1 1/4 BUTTON HEAD CAP SCREW                        | 4           |
| 139         | 6590111         | CLAMP - TANK   | 1           |
| 140         | 6190961         | 5/16-18 X 1 BUTTON HEAD CAP SCREW                            | 2           |
| 141         | 9122140         | 3/8-16 HEX NUT WITH NY-LOK INSERT                            | 1           |
| 142         | 9120880         | 1/4 SPLIT LOCK WASHER  | 2           |
| 143         | 9121210         | 1/4-20 X 5/8 HEX BOLT  | 2           |
| 144         | 9122260         | 3/8-16 X 1 HEX BOLT  | 2           |
| 145         | 6190911         | 8 X 1 1/2 HEX HEAD SELF TAPPING SCREW                        | 3           |
| 146         | 6190631         | KILL SWITCH ASSEMBLY - COMPLETE                              | 1           |
| 147         | 6190491         | HANDLE GRIP  | 2           |

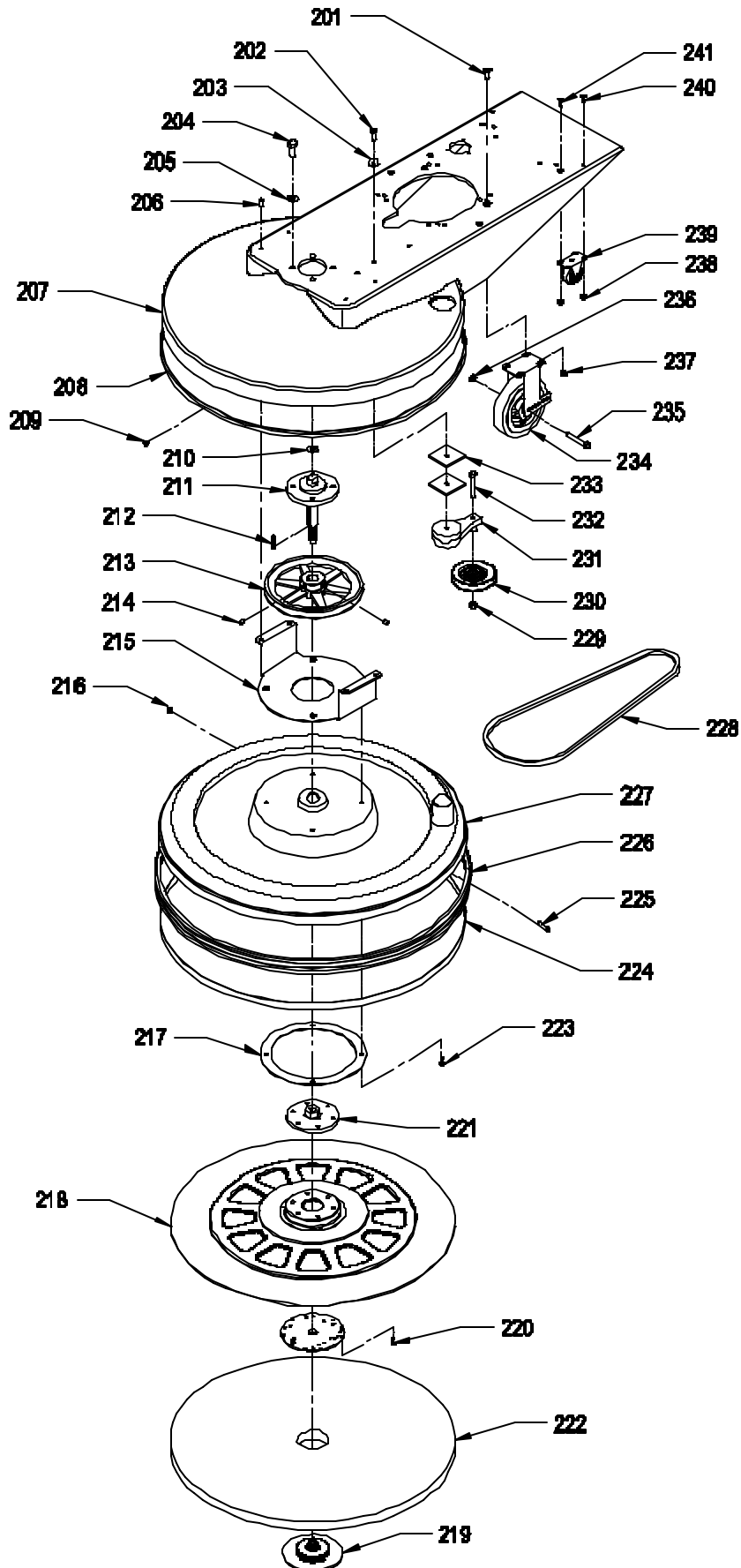
# UPPER ASSEMBLY



## LOWER ASSEMBLY

| <u>ITEM</u> | <u>PART NO.</u> | <u>DESCRIPTION</u>  | <u>QTY.</u> |
|-------------|-----------------|---|-------------|
| 201         | 6190971         | 5/16-18 X 1 FLAT HEAD SOCKET CAP SCREW                        | 4           |
| 202         | 9121060         | 3/8-16 X 1 1/4 HEX HEAD BOLT                                  | 1           |
| 203         | 9122110         | 3/8 I.D. X 1 1/2 O.D. FENDER WASHER                           | 1           |
| 204         | 9122540         | 1/2-13 X 1 1/4" HEX HEAD BOLT                                 | 4           |
| 205         | 9122470         | 9/16 I.D. X 1 3/8 O.D. X .086/.132 THICK WROUGHT WASHER (1/2) | 4           |
| 206         | 6190991         | 1/4-20 X 3/4 BUTTON HEAD CAP SCREW - VAC-TRAC ONLY            | 4           |
| 207         | 6190661         | DECK - 27" - STANDARD   | 1           |
|             | 6190031         | DECK - 27" - VAC-TRAC   | 1           |
| 208         | 6190641         | BUMPER MOLDING  | 1           |
| 209         | 2391751         | 1/8 X 5/8 DOME HEAD POP RIVET - STEEL                         | 7           |
| 210         | 9122470         | 9/16 I.D. X 1 3/8 O.D. X .086/.132 THICK WROUGHT WASHER (1/2) | 1           |
| 211         | 6190701         | FRONT BEARING AND SHAFT ASSEMBLY - 27" - STANDARD - INCLUDES: | 1           |
|             | 6190651         | FRONT BEARING HOUSING   | 1           |
|             | 6190691         | DRIVEN SHAFT - 27" - STANDARD                                 | 1           |
|             | 6190671         | SNAP RING   | 2           |
|             | 6190681         | 205pp BEARING   | 2           |
|             | 6190111         | FRONT BEARING AND SHAFT ASSEMBLY - 27" - VAC-TRAC - INCLUDES: | 1           |
|             | 6190651         | FRONT BEARING HOUSING   | 1           |
|             | 6190661         | DRIVEN SHAFT - 27" - VAC-TRAC                                 | 1           |
|             | 6190671         | SNAP RING   | 2           |
|             | 6190681         | 205pp BEARING   | 2           |
| 212         | 6190981         | 1/4 SQUARE X 1 1/4 LONG KEY                                   | 1           |
| 213         | 6190211         | PULLEY 8.5  | 1           |
| 214         | 9121380         | 5/16-18 X 3/8 SET SCREW - KNURL POINT                         | 2           |
| 215         | 6190021         | FLEXIWALL SHIELD MOUNT - VAC-TRAC ONLY                        | 1           |
| 216         | 9120350         | 10-24 HEX NUT WITH NY-LOK INSERT - VAC-TRAC ONLY              | 1           |
| 217         | 6190081         | FLEXIWALL SHIELD MOUNTING RING - VAC-TRAC ONLY                | 1           |
| 218         | 6190241         | 27" PAD DRIVER COMPLETE - INCLUDES:                           | 1           |
|             | 6190231         | PAD DRIVER 27"  | 1           |
| 219         | 6190251         | CENTER LOCK PAD HOLDER - BLACK                                | 1           |
| 220         | 9120450         | 10-24 X 1 ROUND HEAD PHILLIPS MACHINE SCREW                   | 3           |
| 221         | 6190261         | FLANGE  | 1           |
| 222         | -----           | PAD - FOR INFORMATION SEE ACCESSORIES PAGE                    | 1           |
| 223         | 9120980         | 1/4-20 X 3/4 BUTTON HEAD CAP SCREW                            | 4           |
| 224         | 6592552         | BUMPER STRAP - VAC-TRAC ONLY                                  | 1           |
| 225         | 9120450         | 10-24 X 1 ROUND HEAD PHILLIPS MACHINE SCREW - VAC-TRAC ONLY   | 1           |
| 226         | 6592531         | BUMPER / BRUSH - VAC-TRAC ONLY                                | 1           |
| 227         | 6190011         | FLEXIWALL SHIELD - VAC-TRAC ONLY                              | 1           |
| 228         | 6190221         | BELT  | 1           |
| 229         | 9122140         | 3/8-16 HEX NUT WITH NY-LOK INSERT                             | 1           |
| 230         | 6190301         | PULLEY - IDLER  | 1           |
| 231         | 6190311         | TENSIONER ARM   | 1           |
| 232         | 9122080         | 3/8-16 X 2 1/2 HEX BOLT                                       | 1           |
| 233         | 6190601         | TENSIONER ARM SPACER  | 2           |
| 234         | 6190271         | 6" X 1 1/2" WHEEL WITH BRACKET - STANDARD - INCLUDES:         | 2           |
|             | 6190281         | WHEEL ONLY  | 2           |
| 235         | 6190611         | WHEEL AXLE BOLT   | 2           |
|             | 6190621         | WHEEL BEARING KIT   | 2           |
| 236         | 9121990         | 3/8-16 HEX JAM NUT  | 2           |
| 234         | 6190131         | 6" X 1 1/2" WHEEL WITH BRACKET - FOR VAC-TRAC ONLY - INCLUDES | 2           |
|             | 6190281         | WHEEL ONLY  | 2           |
| 235         | 6190611         | WHEEL AXLE BOLT   | 2           |
|             | 6190621         | WHEEL BEARING KIT   | 2           |
| 236         | 9121990         | 3/8-16 HEX JAM NUT  | 2           |
| 237         | 9121450         | 5/16-18 HEX NUT WITH NY-LOK INSERT                            | 4           |
| 238         | 9120900         | 1/4-20 HEX NUT WITH NY-LOK INSERT                             | 4           |
| 239         | 6190291         | 2" CASTER WITH GRAY WHEELS                                    | 2           |
| 240         | 6190991         | 1/4-20 X 3/4 BUTTON HEAD CAP SCREW                            | 2           |
| 241         | 6191001         | 1/4-20 X 3/4 FLAT HEAD SOCKET CAP SCREW                       | 2           |

# LOWER ASSEMBLY



## **COMMANDER ENGINE SERVICE PARTS**

| <b><u>PART NO.</u></b> | <b><u>DESCRIPTION</u></b> | <b><u>QTY.</u></b> |
|------------------------|---------------------------|--------------------|
| 6191021                | OIL PRESSURE SWITCH       | 1                  |
| 6191031                | WIRE HARNESS              | 1                  |
| 6191121                | MUFFLER CLAMP             | 1                  |
| 6191141                | AUTOMATIC SHUTDOWN SYSTEM | 1                  |
| 6191151                | GROUND WIRE               | 1                  |
| 6191261                | OXYGEN SENSOR             | 1                  |
| 6192121                | OIL DRAIN VALVE           | 1                  |

## **KAWASAKI FH 500 V 17 hp SERVICE PARTS**

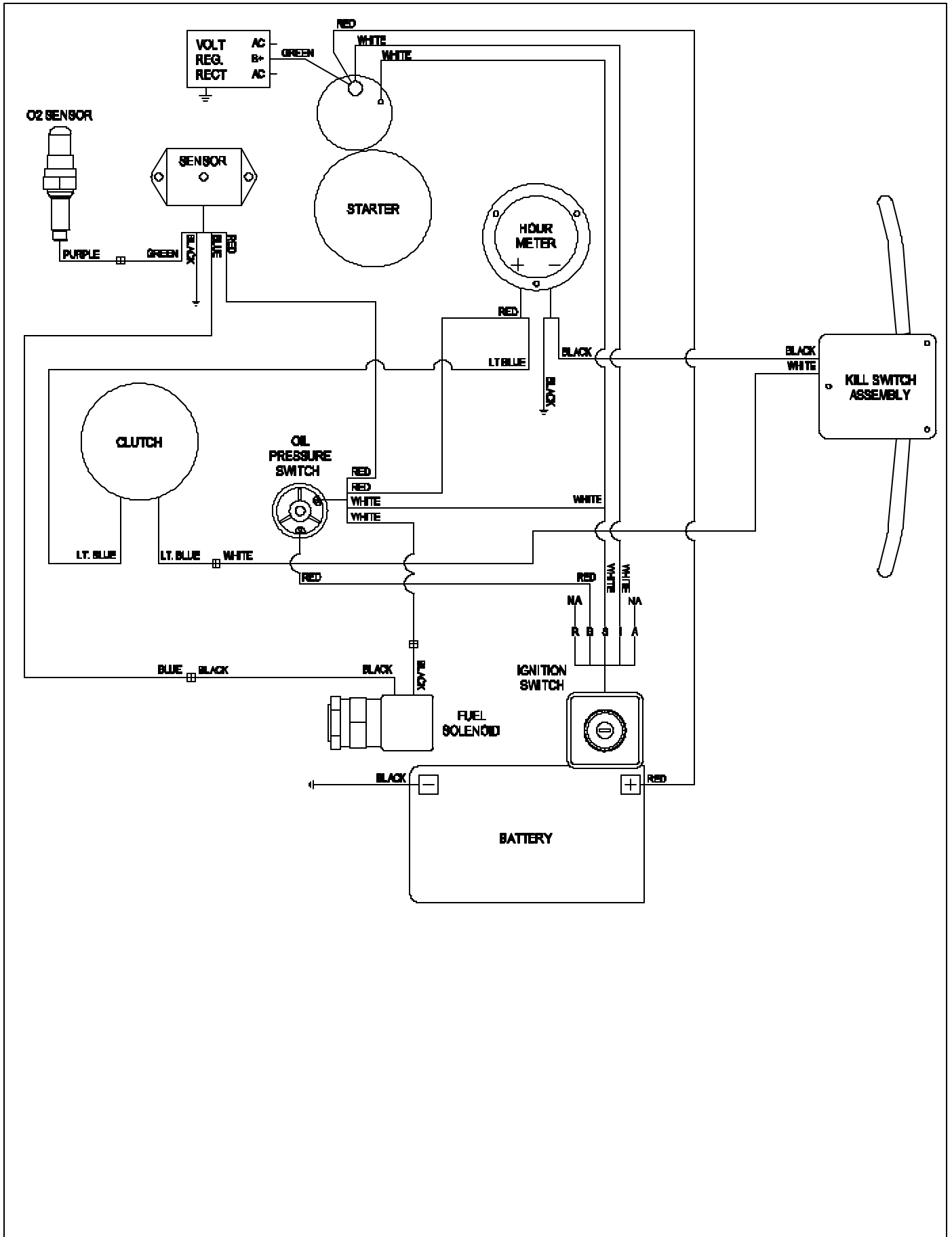
| <b><u>PART NO.</u></b> | <b><u>DESCRIPTION</u></b>                | <b><u>QTY.</u></b> |
|------------------------|--|--------------------|
| 6191011                | MUFFLER                                  | 1                  |
| 6191041                | AIR PRECLEANER - FOAM COOLING AIR FILTER | 1                  |
| 6191051                | AIR PRECLEANER SUPPORT                   | 1                  |
| 6191061                | STARTER SOLENOID                         | 1                  |
| 6191071                | 1 1/8 SPACER                             | 2                  |
| 6191081                | M6 X 130 STUD                            | 2                  |
| 6191091                | 10-32 X 1 3/4 SCREW                      | 2                  |
| 6191101                | RUBBER CAP                               | 1                  |
| 6191111                | FUEL LOAD BLOCK                          | 1                  |
| 6191131                | RECOIL FILTER SUPPORT GASKET             | 1                  |
| 6191161                | BATTERY CONNECTION COMPLETE              | 1                  |
| 6191171                | WIRE - CLOCK                             | 1                  |
| 6191181                | WIRE - STARTER TO SOLENOID               | 1                  |
| 6191191                | CONVERTED ENGINE                         | 1                  |
| 6191211                | EXHAUST MANIFOLD                         | 1                  |
| 6191221                | PRE FILTER - FOAM ENGINE INTAKE          | 1                  |
| 6191231                | AIR FILTER - ENGINE INTAKE               | 1                  |
| 6191241                | OIL FILTER                               | 1                  |
| 6191251                | SPARK PLUG - CHAMPION RCJ8Y              | 2                  |

## **ROBIN ZXV 653 22 hp SERVICE PARTS**

| <b><u>PART NO.</u></b> | <b><u>DESCRIPTION</u></b>                | <b><u>QTY.</u></b> |
|------------------------|--|--------------------|
| 6190071                | MOTOR COVER                              | 1                  |
| 6192011                | AIR PRECLEANER - FOAM COOLING AIR FILTER | 1                  |
| 6192021                | MUFFLER                                  | 1                  |
| 6192031                | EXHAUST MANIFOLD                         | 1                  |
| 6192041                | ENGINE COVER                             | 1                  |
| 6192051                | AIR PRECLEANER SUPPORT                   | 1                  |
| 6192061                | FUEL LOAD BLOCK                          | 1                  |
| 6192071                | ORIFICE - #26                            | 1                  |
| 6192081                | BATTERY CONNECTION COMPLETE              | 1                  |
| 6192091                | WIRE - CLOCK                             | 1                  |
| 6192111                | CONVERTED ENGINE                         | 1                  |
| 6192131                | AIR FILTER - ENGINE INTAKE               | 1                  |
| 6192141                | OIL FILTER                               | 1                  |
| 6192151                | SPARK PLUG - NGK BP6ES                   | 2                  |

NOTE: FOR NON-PROPANE SPECIFIC ENGINE COMPONENTS, REFER TO THE APPROPRIATE ENGINE PARTS LIST.

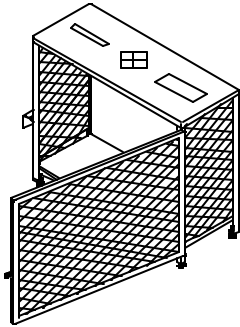
# COMMANDER WIRING DIAGRAM



## ACCESSORIES



- 7992751 27" LITE BLUE POLISH / BURNISH PAD - FOR SOFT FINISH
- 7992761 27" LITE HAIR BURNISH PAD - FOR ALL FINISHES
- 7992781 27" ULTRA HAIR HARD FINISH PAD - FOR HARD FINISH
- 7992791 27" ULTIMATE HAIR PAD - HARD FINISH AGGRESSIVE BURNISHING



- 6590801 L.P. TANK STORAGE CAGE



### **NSS® Enterprises, Inc.**

3115 Frenchmens Road, Toledo, Ohio 43607  
PHONE (419) 531-2121 FAX (419) 531-3761

\* **NSS® Enterprises, Inc. European Distribution Centre**  
Unit II, Pinfold Trading Estate \* 55 Nottingham Road  
STAPLEFORD, NOTTINGHAM NG9 8AD ENGLAND U.K.  
PHONE: (44) 0115 939 1568 \* FAX: (44) 0115 949 0615