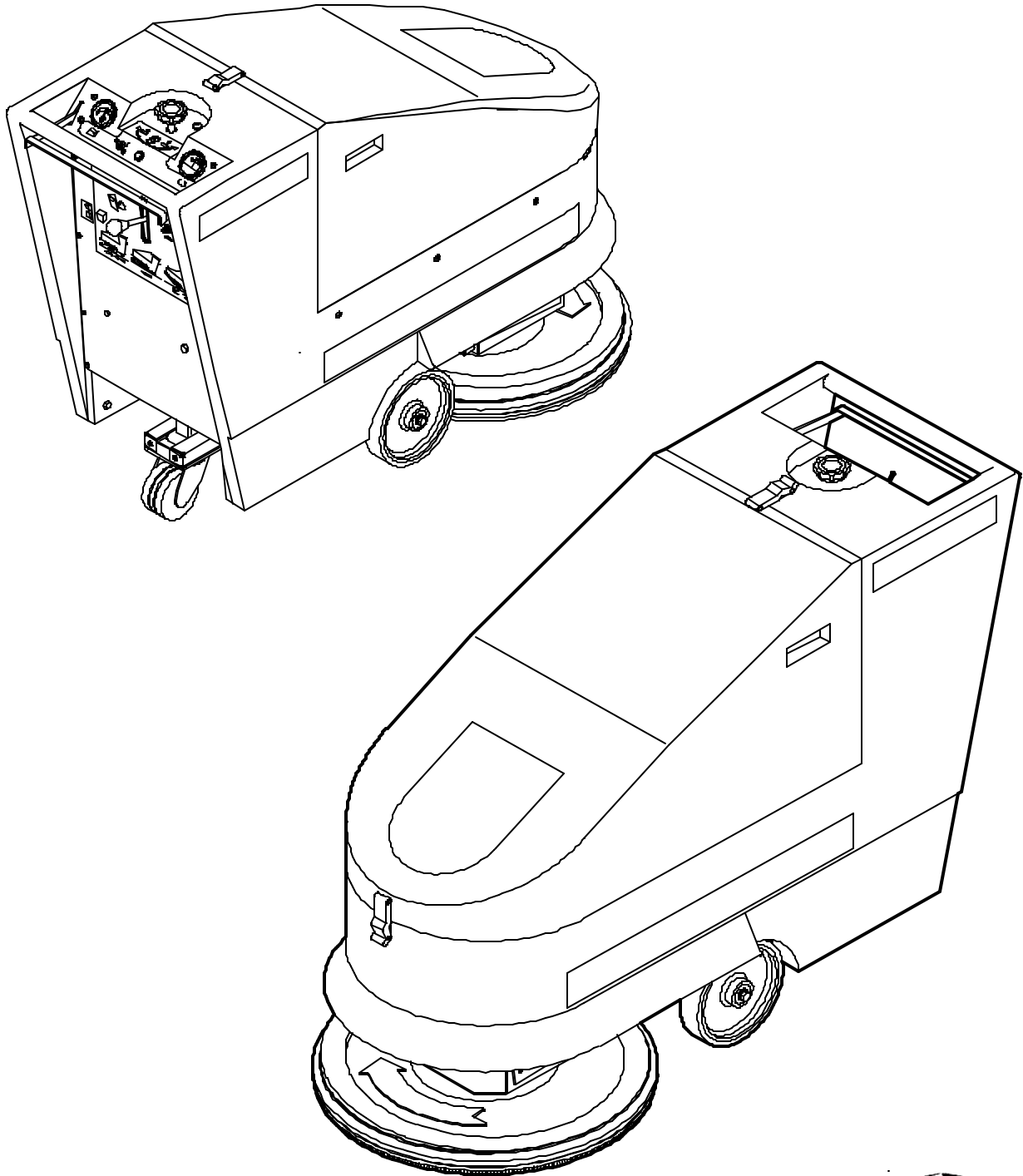


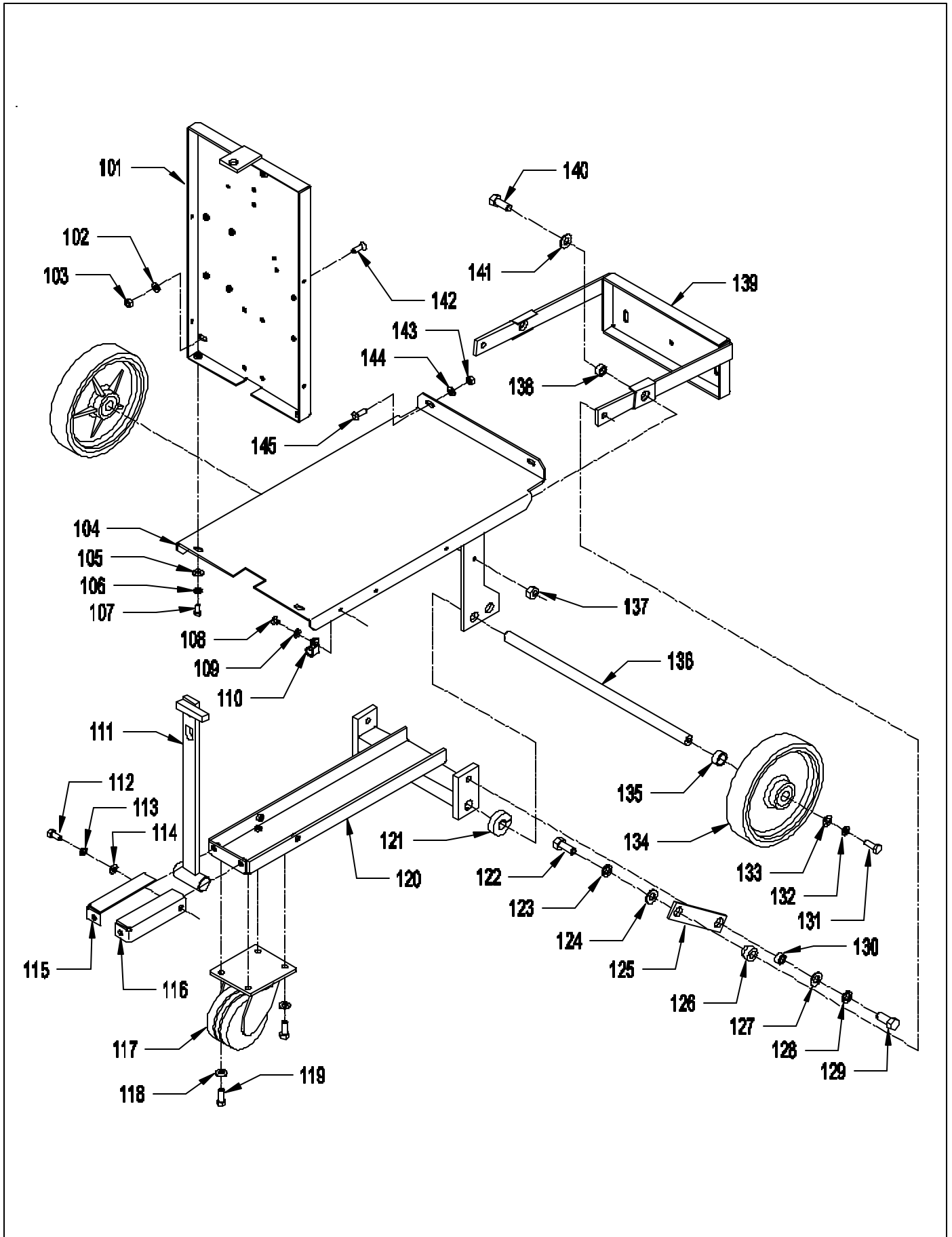
PARTS LIST
CHARGER 2000, 2500 BP
CHARGER 2000, 2500 BP VS



BASE - PAD ASSIST

<u>ITEM</u>	<u>PART NO.</u>	<u>DESCRIPTION</u>	<u>QTY.</u>
101	6491113	CONTROL FRAME WELDMENT	1
102	9121390	11/32 I.D. X 11/16 O.D. X .051/.080 THICK SAE FLAT WASHER (5/16)	2
103	9121450	5/16-18 HEX NUT WITH NY-LOK INSERT	2
104	6490783	BASE ASSEMBLY	1
105	9121390	11/32 I.D. X 11/16 O.D. X .051/.080 THICK SAE FLAT WASHER (5/16)	2
106	9121520	5/16 SPLIT LOCK WASHER	2
107	9121640	5/16-18 X 3/4 HEX BOLT	2
108	9121000	1/4-20 X 5/8 TRUSS HEAD PHILLIPS MACHINE SCREW	2
109	9120970	1/4 EXTERNAL STAR LOCK WASHER	2
110	2392911	HOSE / WIRE TIE DOWN	2
111	6490701	CATCH ASSEMBLY	1
112	9121640	5/16-18 X 3/4 HEX BOLT	4
113	9121520	5/16 SPLIT LOCK WASHER	4
114	9121390	11/32 I.D. X 11/16 O.D. X .051/.080 THICK SAE FLAT WASHER (5/16)	4
115	4495343	LEFT SUPPORT BRACKET	1
116	4495333	RIGHT SUPPORT BRACKET	1
117	6492061	RED 4 INCH CASTER	1
	4490391	CASTER WHEEL WITH BEARING	1
118	9122180	13/32 I.D. X 13/16 O.D. X .051/.080 THICK SAE FLAT WASHER (3/8)	4
119	9122260	3/8-16 X 1 HEX BOLT	4
120	4495203	FRAME ASSEMBLY	1
121	6490201	SHAFT COLLAR LEG SUPPORT	2
122	9122540	1/2-13 X 1 1/4 HEX BOLT	2
123	9122420	1/2 SPLIT LOCK WASHER	2
124	9122450	17/32 I.D. X 1 1/16 O.D. X .074/.121 THICK SAE FLAT WASHER (1/2)	2
125	6490691	LIFT ARM	2
126	4495146	LIFT ARM SPACER	2
127	9122450	17/32 I.D. X 1 1/16 O.D. X .074/.121 THICK SAE FLAT WASHER (1/2)	2
128	9122420	1/2 SPLIT LOCK WASHER	2
129	9122540	1/2-13 X 1 1/4 HEX BOLT	2
130	4492791	BUSHING, PIVOT	2
131	9122260	3/8-16 X 1 HEX BOLT	2
132	9122100	3/8 SPLIT LOCK WASHER	2
133	9122180	13/32 I.D. X 13/16 O.D. X .051/.080 THICK SAE FLAT WASHER (3/8)	2
134	4490511	WHEEL - 8"	2
	4490481	WHEEL BEARING	1
135	4492921	WHEEL SPACER	2
136	4492546	AXLE	1
137	9122495	1/2-13 THIN HEX NUT WITH NY-LOK INSERT	2
138	4492791	BUSHING, PIVOT	2
139	4495163	PIVOT WELDMENT	1
140	9122540	1/2-13 X 1 1/4 HEX BOLT	2
141	9122450	17/32 I.D. X 1 1/16 O.D. X .074/.121 THICK SAE FLAT WASHER (1/2)	2
142	9121470	5/16-18 X 1 FLAT HEAD PHILLIPS MACHINE SCREW	2
143	9121450	5/16-18 HEX NUT WITH NY-LOK INSERT	2
144	9121390	11/32 I.D. X 11/16 O.D. X .051/.080 THICK SAE FLAT WASHER (5/16)	2
145	9121470	5/16-18 X 1 FLAT HEAD PHILLIPS MACHINE SCREW	2

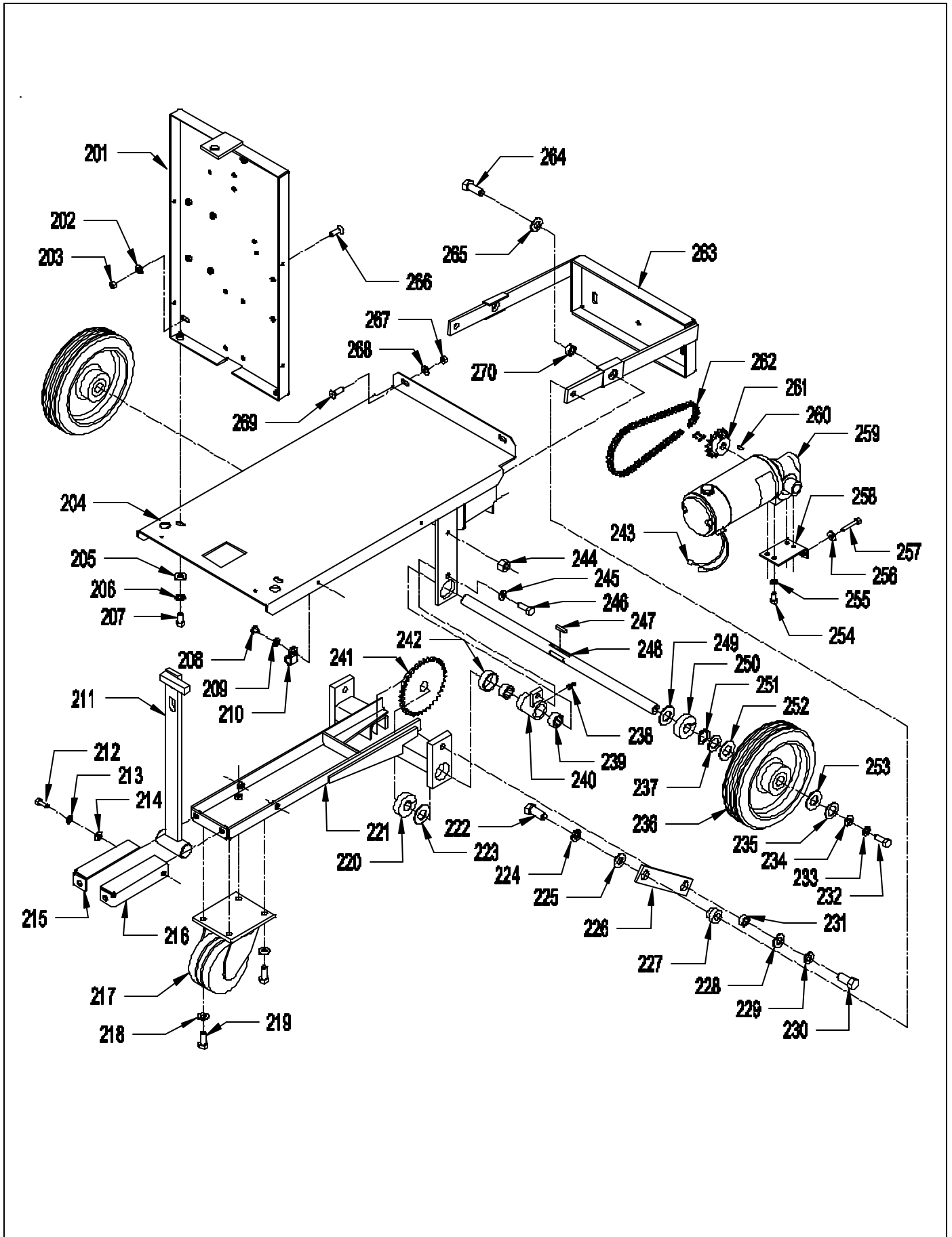
BASE - PAD ASSIST



BASE - VARIABLE SPEED

<u>ITEM</u>	<u>PART NO.</u>	<u>DESCRIPTION</u>	<u>QTY.</u>
201	6491113	CONTROL FRAME WELDMNT	1
202	9121390	11/32 I.D. X 11/16 O.D. X .051/.080 THICK SAE FLAT WASHER (5/16)	2
203	9121450	5/16-18 HEX NUT WITH NY-LOK INSERT	2
204	6491523	WHEEL DRIVE BASE ASSEMBLY	1
205	9121390	11/32 I.D. X 11/16 O.D. X .051/.080 THICK SAE FLAT WASHER (5/16)	2
206	9121520	5/16 SPLIT LOCK WASHER	2
207	9121640	5/16-18 X 3/4 HEX BOLT	2
208	9121000	1/4-20 X 5/8 TRUSS HEAD PHILLIPS MACHINE SCREW	2
209	9120970	1/4 EXTERNAL STAR LOCK WASHER	2
210	2392911	HOSE / WIRE TIE DOWN	4
211	6490701	CATCH ASSEMBLY	1
212	9121600	5/16-18 X 5/8 HEX BOLT	4
213	9121520	5/16 SPLIT LOCK WASHER	4
214	9121390	11/32 I.D. X 11/16 O.D. X .051/.080 THICK SAE FLAT WASHER (5/16)	4
215	4495343	LEFT SUPPORT BRACKET	1
216	4495333	RIGHT SUPPORT BRACKET	1
217	6492061	RED 4 INCH CASTER	1
	4490391	CASTER WHEEL WITH BEARING	1
218	9122180	13/32 I.D. X 13/16 O.D. X .051/.080 THICK WROUGHT WASHER (3/8)	4
219	9122260	3/8-16 X 1 HEX BOLT	4
220	6490201	SHAFT COLLAR LEG SUPPORT	2
221	6491513	FRAME ASSEMBLY, WHEEL DRIVE	1
222	9122540	1/2-13 X 1 1/4 HEX BOLT	2
223	4991091	3/4 I.D. X 1 1/4 O.D. X .031 THICK FLAT WASHER - PLASTIC	2
224	9122420	1/2 SPLIT LOCK WASHER	2
225	9122450	17/32 I.D. X 1 1/16 O.D. X .074/.121 THICK SAE FLAT WASHER	2
226	6490691	LIFT ARM	2
227	4495141	LIFT ARM SPACER	2
228	9122450	17/32 I.D. X 1 1/16 O.D. X .074/.121 THICK SAE FLAT WASHER	2
229	9122420	1/2 SPLIT LOCK WASHER	2
230	9122540	1/2-13 X 1 1/4 HEX BOLT	2
231	4492791	BUSHING, PIVOT	2
232	9122260	3/8-16 X 1 HEX BOLT	2
233	9122100	3/8 SPLIT LOCK WASHER	2
234	9122180	13/32 I.D. X 13/16 O.D. X .051/.080 THICK WROUGHT WASHER (3/8)	2
235	4991081	3/4 I.D. X 1 1/4 O.D. X .031 THICK FLAT WASHER	2
236	4991609	DRIVE WHEEL ASSEMBLY	2
	4990341	BEARING, WHEEL CLUTCH	4
	4990946	BUSHING, WHEEL	2
237	4991081	3/4 I.D. X 1 1/4 O.D. X .031 THICK FLAT WASHER	2
238	6491721	ZERK GREASE FITTING	2
239	6490151	DRAWN CUP BEARING	4
240	6490061	WHEEL BEARING SLEEVE	2
	6490069	WHEEL BEARING SLEEVE ASSEMBLY (INCLUDES 238, 239)	1
241	6490231	DRIVEN SPROCKET 3536 3/4" BORE	1
242	6490141	PLAIN BRONZE BEARING	2
243	5490171	FULLY INSULATED MALE TERMINAL 14-16 GAGE	2
244	9122495	1/2-13 HEX NUT WITH NY-LOK INSERT - THIN	2
245	9122100	3/8 SPLIT LOCK WASHER	2
246	9122260	3/8-16 X 1 HEX BOLT	2
247	9120825	3/16 SQUARE X 7/8 LONG KEY - STEEL	1
248	6490071	DRIVE AXLE	1
249	4991091	3/4 I.D. X 1 1/4 O.D. X .031 THICK FLAT WASHER - PLASTIC	2
250	6490201	SHAFT COLLAR LEG SUPPORT	2
251	9123110	13/16 I.D. X 1 1/8 O.D. X .13 THICK 1 WAVE SPRING WASHER (3/4)	2
252	4991091	3/4 I.D. X 1 1/4 O.D. X .031 THICK FLAT WASHER - PLASTIC	2
253	4991091	3/4 I.D. X 1 1/4 O.D. X .031 THICK FLAT WASHER - PLASTIC	2
254	9121210	1/4-20 X 5/8 HEX BOLT	4
255	9120880	1/4 SPLIT LOCK WASHER	4
256	9120930	9/32 I.D. X 5/8 O.D. X .051/.080 THICK SAE FLAT WASHER (1/4)	1
257	9121060	1/4-20 X 1 1/4 HEX BOLT	1
258	6491551	CHAIN TENSIONER	1
259	6491591	DRIVE MOTOR 36 VOLT	1
260	9120013	1/8 SQUARE X 1/2 LONG WOODRUFF KEY - STEEL	1
261	6491561	DRIVE SPROCKET H3516 1/2" BORE	1
262	6491571	#35 ROLLER CHAIN 59 LINKS NO MASTER	1
	4990751	LINK - MASTER #35 CHAIN	1
263	4495163	PIVOT WELDMNT	1
264	9122540	1/2-13 X 1 1/4 HEX BOLT	2
265	9122450	17/32 I.D. X 1 1/16 O.D. X .074/.121 THICK SAE FLAT WASHER (1/2)	2
266	9121470	5/16-18 X 1 FLAT HEAD PHILLIPS MACHINE SCREW	2
267	9121450	5/16-18 HEX NUT WITH NY-LOK INSERT	2
268	9121390	11/32 I.D. X 11/16 O.D. X .051/.080 THICK SAE FLAT WASHER (5/16)	2
269	9121470	5/16-18 X 1 FLAT HEAD PHILLIPS MACHINE SCREW	2
270	4492791	BUSHING, PIVOT	2

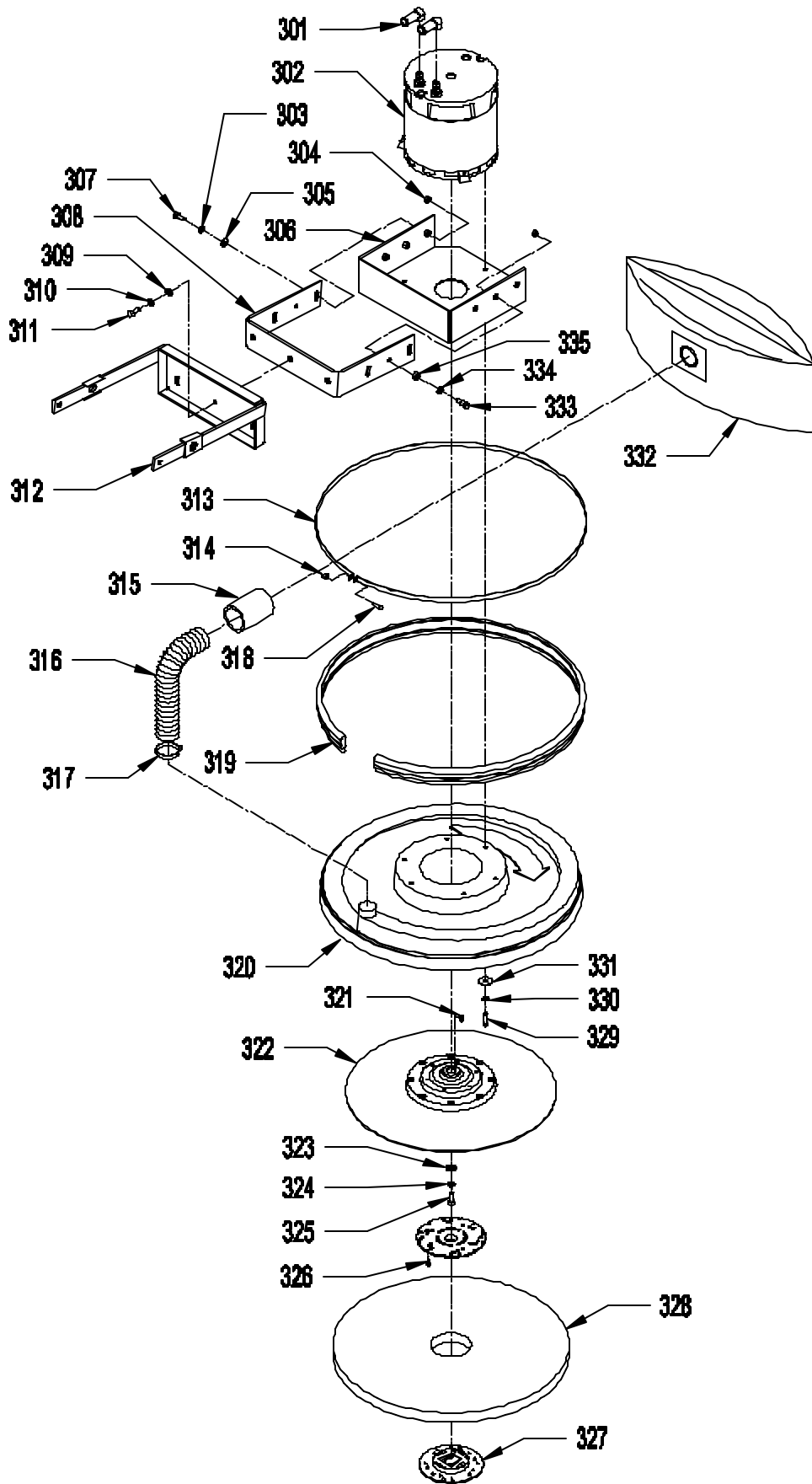
BASE - VARIABLE SPEED



SHIELD AND PAD DRIVER

<u>ITEM</u>	<u>PART NO.</u>	<u>DESCRIPTION</u>	<u>QTY.</u>
301	6492051	STUD TERMINAL BOOT - RUBBER	2
302	4491001	MOTOR 36 VOLT - 2000 BP	1
	6490681	MOTOR 36 VOLT - 2500 BP	1
303	9121520	5/16 SPLIT LOCK WASHER – NON VS	6
304	9121430	5/16-18 THIN HEX NUT WITH NY-LOK INSERT	6
305	9121400	3/8 I.D. X 7/8 O.D. X .064/.104 THICK WROUGHT WASHER	4
306	4492663	MOTOR MOUNT	1
307	9121680	5/16-18 X 1 HEX BOLT - NON VS	4
308	6492163	FORK	1
309	9121390	11/32 I.D. X 11/16 O.D. X .051/.080 THICK SAE FLAT WASHER (5/16)	3
310	9121520	5/16 SPLIT LOCK WASHER	3
311	9121640	5/16-18 X 3/4 HEX BOLT	3
312	4495163	PIVOT WELDMENT	1
313	6490732	BUMPER STRAP	1
314	9120350	10-24 HEX NUT WITH NY-LOK INSERT	1
315	4495531	END CUFF - 2"	1
316	4495541	HOSE, 2" DIAMETER X 3 FEET LONG	1
317	4495441	HOSE CLAMP, 1 9/16" - 2 1/2" DIAMETER	1
318	9120450	10-24 X 1 ROUND HEAD PHILLIPS MACHINE SCREW	1
319	6490191	BUMPER / BRUSH	1
320	6490729	CW-FLEXIWALL SHIELD ASSEMBLY	1
321	9120815	3/16 SQUARE X 1/2 LONG KEY - STEEL	1
322	6492568	DRIVER, PAD - 20" ASSEMBLED & BALANCED	1
323	9121985	13/32 I.D. X 1 O.D. X .12 THICK FLAT WASHER (11 GAGE)	1
324	9121520	5/16 SPLIT LOCK WASHER	1
325	9121490	5/16-24 X 7/8 HEX BOLT	1
326	9120810	10 X 1/2 PAN HEAD PHILLIPS SHEET METAL SCREW	3
327	5990721	SPRING CLIP PAD HOLDER SET	1
328	6492001	20" LUST LITE BURNISH PAD - CASE (5)	1
329	9120980	1/4-20 X 1 SOCKET HEAD CAP SCREW	3
330	9120880	1/4 SPLIT LOCK WASHER	3
331	9120950	1/4 X 1 1/4 FENDER WASHER	3
332	5796101	PAPER BAG - 5 PACK	1
333	9122020	3/8 DIAMETER X 3/8 LONG SOCKET HEAD SHOULDER BOLT (5/16-18) (QTY. 6 ON VS)	2
334	9121400	3/8 I.D. X 7/8 O.D. X .064/.104 THICK WROUGHT WASHER	2
335	2691181	PIVOT SPACER	2

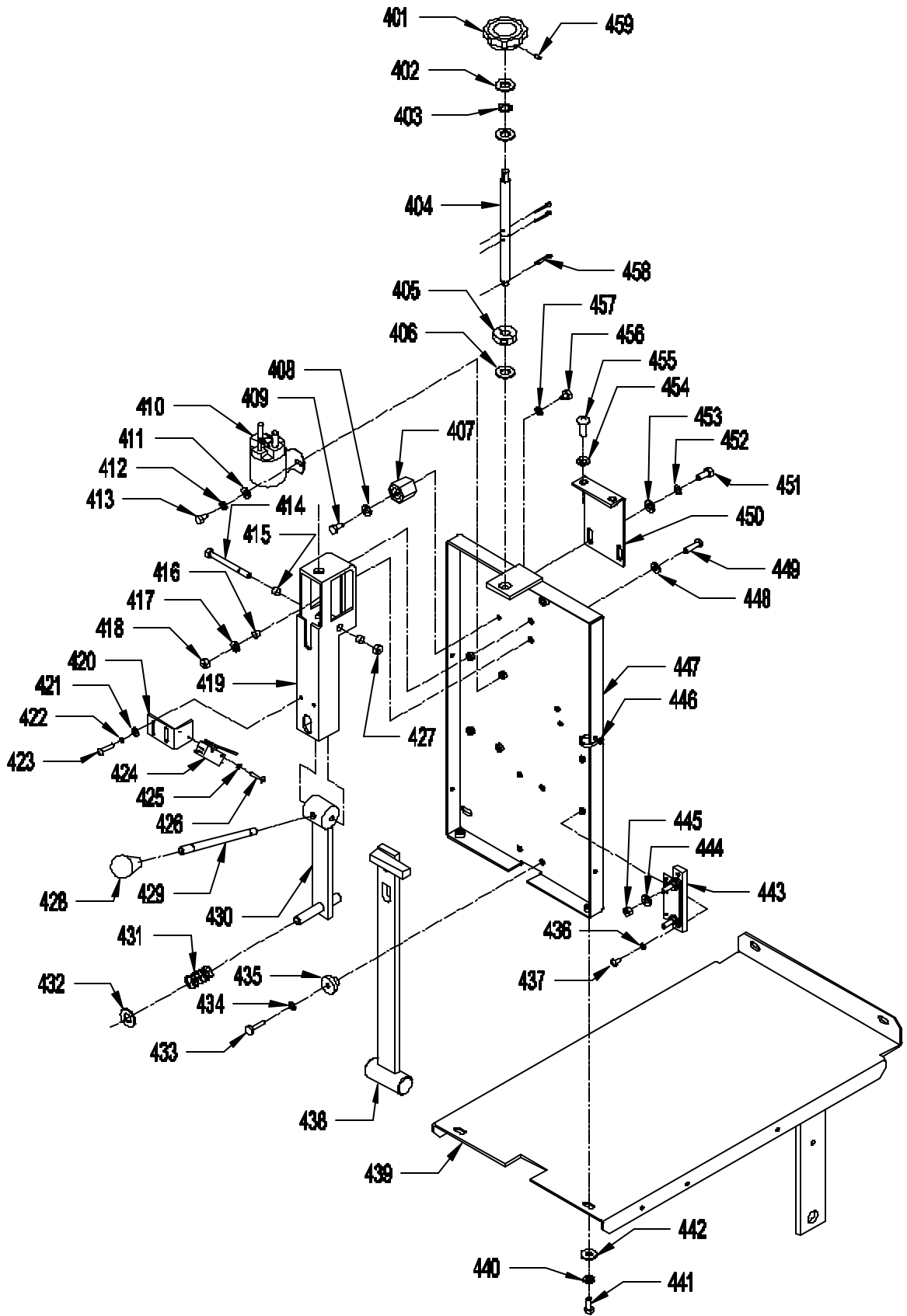
SHIELD AND PAD DRIVER



CONTROL FRAME - PAD ASSIST

<u>ITEM</u>	<u>PART NO.</u>	<u>DESCRIPTION</u>	<u>QTY.</u>
401	4490521	LOAD ADJUST KNOB (INCLUDES SET SCREW)	1
402	9122450	17/32 I.D. X 1 1/16 O.D. X .074/.121 THICK SAE FLAT WASHER (1/2)	2
403	9122705	1/2 I.D. X 3/4 O.D. X .01 THICK 1 WAVE SPRING WASHER (1/2)	1
404	6490611	ADJUSTMENT ROD	1
405	6490621	ADJUSTMENT ROD COLLAR	1
406	9122180	13/32 I.D. X 13/16 O.D. X .051/.080 THICK SAE FLAT WASHER (3/8)	1
407	4490561	INSULATED STANDOFF	1
408	9120971	1/4 EXTERNAL STAR LOCK WASHER	1
409	9121210	1/4-20 X 5/8 HEX BOLT	1
410	4491011	SOLENOID, 36 VOLT	1
411	9120930	9/32 I.D. X 5/8 O.D. X .051/.080 THICK SAE FLAT WASHER (1/4)	2
412	9120880	1/4 SPLIT LOCK WASHER	2
413	9121170	1/4-20 X 1/2 HEX BOLT	2
414	9121287	1/4-20 X 2 1/2 HEX BOLT - STEEL	1
415	2791281	BUSHING SPACER	2
416	2791281	BUSHING SPACER	2
417	9120930	9/32 I.D. X 5/8 O.D. X .051/.080 THICK SAE FLAT WASHER (1/4)	2
418	9120900	1/4-20 HEX NUT WITH NY-LOK INSERT	2
419	6490601	ADJUSTMENT BRACKET	1
420	4495326	SWITCH BRACKET	1
421	9120370	7/32 I.D. X 1/2 O.D. X .032/.065 THICK SAE FLAT WASHER (10)	2
422	9120320	10 SPLIT LOCK WASHER	2
423	9120460	10-24 X 1 1/4 ROUND HEAD PHILLIPS MACHINE SCREW	2
424	4491071	SNAP SWITCH	1
425	9120130	6 EXTERNAL STAR LOCK WASHER	2
426	9120090	6-32 X 7/8 PAN HEAD PHILLIPS MACHINE SCREW	2
427	9120900	1/4-20 HEX NUT WITH NY-LOK INSERT	2
428	4490601	KNOB, RAISE / LOWER ROD	1
429	6490101	LATCH HANDLE	1
430	6490093	LATCH ASSEMBLY	1
431	4490631	COMPRESSION SPRING	1
432	9122450	17/32 I.D. X 1 1/16 O.D. X .074/.121 THICK SAE FLAT WASHER (1/2)	2
433	9121270	1/4-20 X 1 HEX BOLT	4
434	9120880	1/4 SPLIT LOCK WASHER	4
435	4495351	SPACER GUIDE	4
436	9120320	10 SPLIT LOCK WASHER	2
437	9120410	10-24 X 1/2 ROUND HEAD PHILLIPS MACHINE SCREW	2
438	6490701	CATCH ASSEMBLY	1
439	6490783	BASE ASSEMBLY	1
440	9121520	5/16 SPLIT LOCK WASHER	2
441	9121640	5/16-18 X 3/4 HEX BOLT	2
442	9121390	11/32 I.D. X 11/16 O.D. X .051/.080 THICK SAE FLAT WASHER (5/16)	2
443	4491031	SHUNT	1
444	9120971	1/4 EXTERNAL STAR LOCK WASHER	2
445	9120920	1/4-20 HEX NUT	2
446	9123005	1/8 X 5 1/2 WIRE TIE	4
447	6491113	CONTROL FRAME WELDMENT	1
448	9120971	1/4 EXTERNAL STAR LOCK WASHER	2
449	9121270	1/4-20 X 1 HEX BOLT	2
450	4492803	TOP SUPPORT BRACKET	1
451	9121640	5/16-18 X 3/4 HEX BOLT	2
452	9121520	5/16 SPLIT LOCK WASHER	2
453	9121390	11/32 I.D. X 11/16 O.D. X .051/.080 THICK SAE FLAT WASHER (5/16)	2
454	9121400	3/8 I.D. X 7/8 O.D. X .064/.104 THICK WROUGHT WASHER (5/16)	2
455	9121480	5/16-18 X 1 ROUND HEAD PHILLIPS MACHINE SCREW	2
456	9121160	1/4-20 X 3/8 HEX BOLT	1
457	9120880	1/4 SPLIT LOCK WASHER	4
458	9120310	1/8 X 3/4 COTTER PIN	3
459	-----	10-32 X 1/2 SET SCREW	1

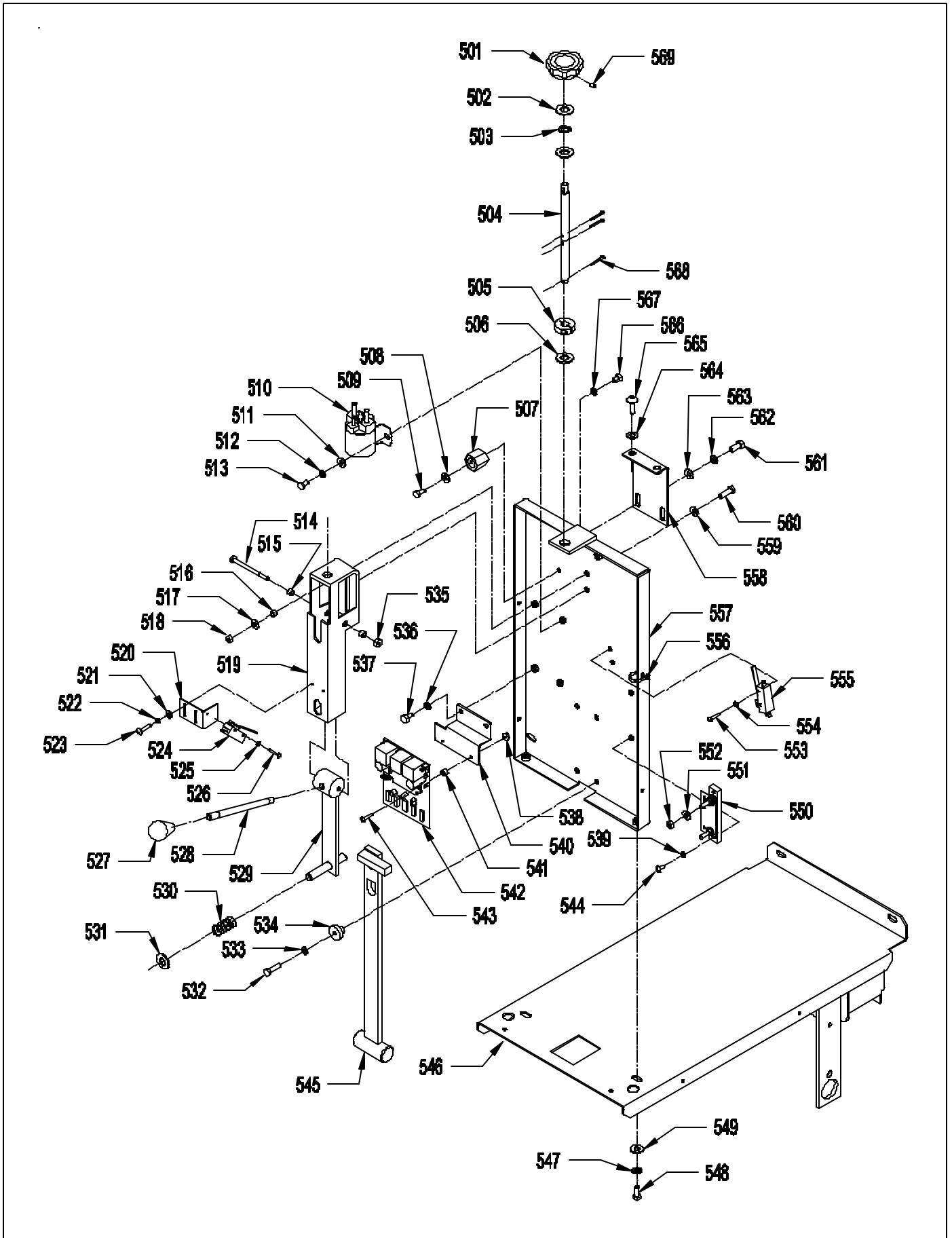
CONTROL FRAME - PAD ASSIST



CONTROL FRAME - VARIABLE SPEED

<u>ITEM</u>	<u>PART NO.</u>	<u>DESCRIPTION</u>	<u>QTY.</u>
501	4490521	LOAD ADJUST KNOB (INCLUDES SET SCREW)	1
502	9122450	17/32 I.D. X 1 1/16 O.D. X .074/.121 THICK SAE FLAT WASHER	2
503	9122705	1/2 I.D. X 3/4 O.D. X .01 THICK 1 WAVE SPRING WASHER (1/2)	1
504	6490611	ADJUSTMENT ROD	1
505	6490621	ADJUSTMENT ROD COLLAR	1
506	9122180	13/32 I.D. X 13/16 O.D. X .051/.080 THICK WROUGHT WASHER	1
507	4490561	INSULATED STANDOFF	1
508	9120971	1/4 EXTERNAL STAR LOCK WASHER	1
509	9121210	1/4-20 X 5/8 HEX BOLT	1
510	4491011	SOLENOID, 36 VOLT	1
511	9120930	9/32 I.D. X 5/8 O.D. X .051/.080 THICK SAE FLAT WASHER (1/4)	2
512	9120880	1/4 SPLIT LOCK WASHER	2
513	9121170	1/4-20 X 1/2 HEX BOLT	2
514	9121287	1/4-20 X 2 1/2 HEX HEAD BOLT - STEEL	1
515	2791281	BUSHING SPACER	2
516	2791281	BUSHING SPACER	2
517	9120930	9/32 I.D. X 5/8 O.D. X .051/.080 THICK SAE FLAT WASHER (1/4)	2
518	9120900	1/4-20 HEX NUT WITH NY-LOK INSERT	2
519	6490601	ADJUSTMENT BRACKET WELDMENT	1
520	4495326	SWITCH BRACKET	1
521	9120370	7/32 I.D. X 1/2 O.D. X .032/.065 THICK SAE FLAT WASHER (#10)	2
522	9120320	10 SPLIT LOCK WASHER	2
523	9120460	10-24 X 1 1/4 ROUND HEAD PHILLIPS MACHINE SCREW	2
524	4491071	SNAP SWITCH	1
525	9120130	6 EXTERNAL STAR LOCK WASHER	2
526	9120090	6-32 X 7/8 PAN HEAD PHILLIPS MACHINE SCREW	2
527	4490601	KNOB,RAISE / LOWER ROD	1
528	6490101	LATCH HANDLE	1
529	6490093	LATCH ASSEMBLY	1
530	4490631	COMPRESSION SPRING	1
531	9122450	17/32 I.D. X 1 1/16 O.D. X .074/.121 THICK SAE FLAT WASHER	1
532	9121270	1/4-20 X 1 HEX BOLT	4
533	9120880	1/4 SPLIT LOCK WASHER	4
534	4495351	SPACER GUIDE	4
535	9120900	1/4-20 HEX NUT WITH NY-LOK INSERT	1
536	9120880	1/4 SPLIT LOCK WASHER	2
537	9121170	1/4-20 X 1/2 HEX BOLT	2
538	9120190	8-32 HEX NUT WITH STAR LOCK WASHER	2
539	9120320	10 SPLIT LOCK WASHER	2
540	6492473	SPEED CONTROL MOUNTING BRACKET	1
541	2791281	BUSHING SPACER	2
542	2690021	SPEED CONTROL, CURTIS	1
543	9120260	8-32 X 3/4 ROUND HEAD PHILLIPS MACHINE SCREW	2
544	9120410	10-24 X 1/2 ROUND HEAD PHILLIPS MACHINE SCREW	2
545	6490701	CATCH ASSEMBLY	1
546	6491523	BASE ASSEMBLY	1
547	9121520	5/16 SPLIT LOCK WASHER	2
548	9121640	5/16-18 X 3/4 HEX BOLT	2
549	9121390	11/32 I.D. X 11/16 O.D. X .051/.080 THICK SAE FLAT WASHER (5/16)	2
550	4491031	SHUNT	1
551	9120971	1/4 EXTERNAL STAR LOCK WASHER	2
552	9120920	1/4-20 HEX NUT	2
553	9120090	6-32 X 7/8 PAN HEAD PHILLIPS MACHINE SCREW	2
554	9120130	6 EXTERNAL STAR LOCK WASHER	2
555	4491071	SNAP SWITCH	1
556	9123005	1/8 X 5 1/2 WIRE TIE	4
557	6491113	CONTROL FRAME WELDMENT	1
558	4492803	TOP SUPPORT BRACKET	1
559	9120971	1/4 EXTERNAL STAR LOCK WASHER	2
560	9121270	1/4-20 X 1 HEX BOLT	2
561	9121640	5/16-18 X 3/4 HEX BOLT	2
562	9121520	5/16 SPLIT LOCK WASHER	2
563	9121390	11/32 I.D. X 11/16 O.D. X .051/.080 THICK SAE FLAT WASHER (5/16)	2
564	9121400	3/8 I.D. X 7/8 O.D. X .064/.104 THICK WROUGHT WASHER (5/16)	2
565	9121480	5/16-18 X 1 ROUND HEAD PHILLIPS MACHINE SCREW	2
566	9121170	1/4-20 X 1/2 HEX BOLT	1
567	9120880	1/4 SPLIT LOCK WASHER	1
568	9120310	1/8 X 3/4 COTTER PIN	3
569	-----	10-32 X 1/2 SET SCREW	1

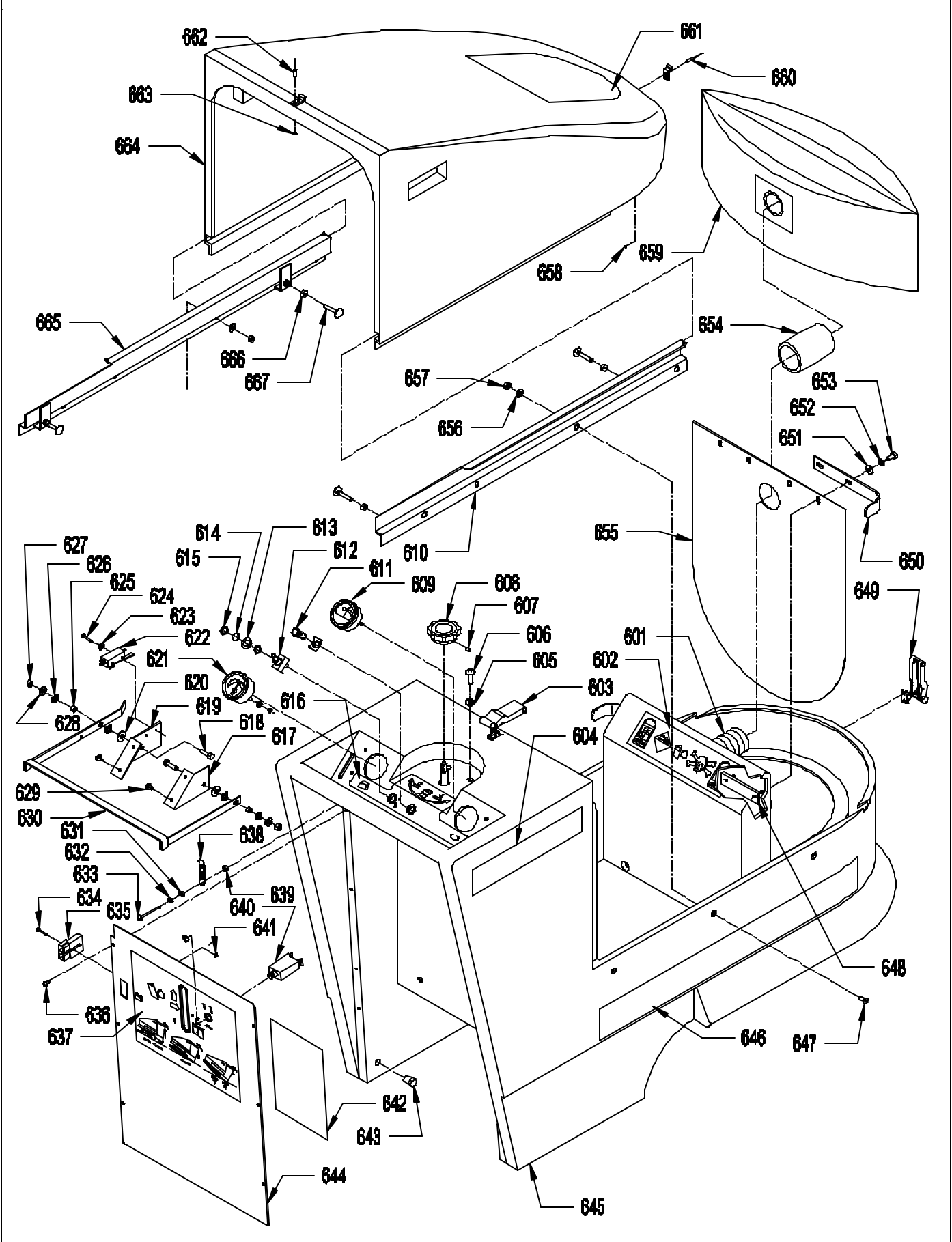
CONTROL FRAME - VARIABLE SPEED



HOUSING - PAD ASSIST

ITEM	PART NO.	DESCRIPTION	QTY.
601	4495541	HOSE 2" DIAMETER X 3 FEET LONG	1
602	6492921	BATTERY WARNING LABEL	1
603	6491171	SOFT DRAW LATCH WITH CONCEALED KEEPER	1
604	6492481	DECAL, SIDE SHORT - 2000 BP	2
	6492841	DECAL, SIDE SHORT - 2500 BP	2
605	9121400	3/8 I.D. X 7/8 O.D. X .064/.104 THICK WROUGHT WASHER (5/16)	2
606	9121480	5/16-18 X 1 ROUND HEAD PHILLIPS MACHINE SCREW	2
607	-----	10-32 X 1/2 SET SCREW	1
608	4490521	LOAD ADJUST KNOB (INCLUDES SET SCREW)	1
609	4491041	RPM METER WITH HARDWARE	1
610	6491131	SLIDE RAIL, RIGHT	1
611	4491091	INDICATOR LIGHT - RED LENS/48VDC	1
612	4491101	TOGGLE SWITCH, MOTOR	1
613	9122465	.516 I.D. X .813 O.D. X .027/.030 THICK FLAT WASHER	1
614	0691851	1/2 INTERNAL STAR LOCK WASHER	1
615	0798821	5/8 HEX NUT	1
616	6492801	DASH PANEL DECAL	1
617	4492901	SWITCH PLATE - RIGHT	1
618	9121270	1/4-20 X 1 HEX BOLT	2
619	4492881	SWITCH PLATE - LEFT	1
620	9122180	13/32 I.D. X 13/16 O.D. X .051/.080 THICK SAE FLAT WASHER (3/8)	2
621	4491051	BATTERY METER 36 VOLT	1
622	4491071	SNAP SWITCH	1
623	9120040	6 INTERNAL STAR LOCK WASHER	2
624	9120090	6-32 X 7/8 PAN HEAD PHILLIPS MACHINE SCREW	2
625	2791281	BUSHING SPACER	2
626	9122120	3/8 I.D. X 5/8 O.D. X .031 THICK 1 WAVE SPRING WASHER (3/8)	4
627	9120900	1/4-20 HEX NUT WITH NY-LOK INSERT	2
628	9120930	9/32 I.D. X 5/8 O.D. X .051/.080 THICK SAE FLAT WASHER (1/4)	2
629	9120510	10-24 X 1/2 TRUSS HEAD PHILLIPS MACHINE SCREW	4
630	4493046	HANDLE	1
631	9120360	10-24 HEX NUT WITH STAR LOCK WASHER	1
632	9120370	7/32 I.D. X 1/2 O.D. X .032/.065 THICK SAE FLAT WASHER (10)	1
633	9120480	10-24 X 1 3/4 ROUND HEAD PHILLIPS MACHINE SCREW	1
634	9120090	6-32 X 7/8 PAN HEAD PHILLIPS MACHINE SCREW	2
635	4491901	CHARGER PLUG ONLY - GRAY 36 VOLT	1
	6490821	WIRE ASSEMBLY, ANDERSON TO SOL./STANDOFF 36 VOLT	1
636	9120790	10 X 5/8 PAN HEAD PHILLIPS SHEET METAL SCREW	8
637	6492891	LABEL PAD POSITION	1
638	4490641	EXTENSION SPRING	1
639	9120350	10-24 HEX NUT WITH NY-LOK INSERT	1
640	4490701	CIRCUIT BREAKER - 70 AMP/ETA	1
641	9120020	6-32 HEX NUT WITH STAR LOCK WASHER	2
642	6492931	WIRING DIAGRAM DECAL	1
643	6490951	1/4 MIPT PLUG	2
644	6490273	REAR COVER PANEL	1
645	6490011	HOUSING WITH SLIDE RAILS	1
646	6492851	SIDE DECAL - LONG	2
647	9121037	1/4-20 X 5/8 FLAT HEAD PHILLIPS HEAD PHILLIPS MACHINE SCREW	6
648	6491211	TAPPING PLATE	2
649	6491171	SOFT DRAW LATCH WITH CONCEALED KEEPER	1
650	6491193	HOOD STOP / SUPPORT BRACKET	2
651	9120930	9/32 I.D. X 5/8 O.D. X .051/.080 THICK SAE FLAT WASHER (1/4)	4
652	9120880	1/4 SPLIT LOCK WASHER	4
653	9121270	1/4-20 X 1 HEX BOLT	4
654	4495531	END CUFF - 2"	1
655	6492261	RUBBER MOTOR COVER	1
656	9120930	9/32 I.D. X 5/8 O.D. X .051/.080 THICK SAE FLAT WASHER (1/4)	6
657	9120900	1/4-20 HEX NUT WITH NY-LOK INSERT	6
658	9120185	5/32 I.D. X 1/2 O.D. WASHER - STEEL - ZINC PLATE	4
659	5796101	PAPER BAG - 5 PACK	1
	5791661	CLOTH FILTER BAG (OPTIONAL)	1
660	9120317	5/32 X 5/8 DOME HEAD POP RIVET - STEEL	4
661	6492871	HOOD DECAL	1
662	9120317	5/32 X 5/8 DOME HEAD POP RIVET - STEEL	4
663	9120185	5/32 I.D. X 1/2 O.D. WASHER - STEEL - ZINC PLATE	4
664	6490741	HOUSING, HOOD ONLY	1
665	6491141	SLIDE RAIL, LEFT	1
666	9120920	1/4-20 HEX NUT	4
667	9121039	1/4-20 X 1 1/2 ELEVATOR BOLT - ZINC PLATED	4

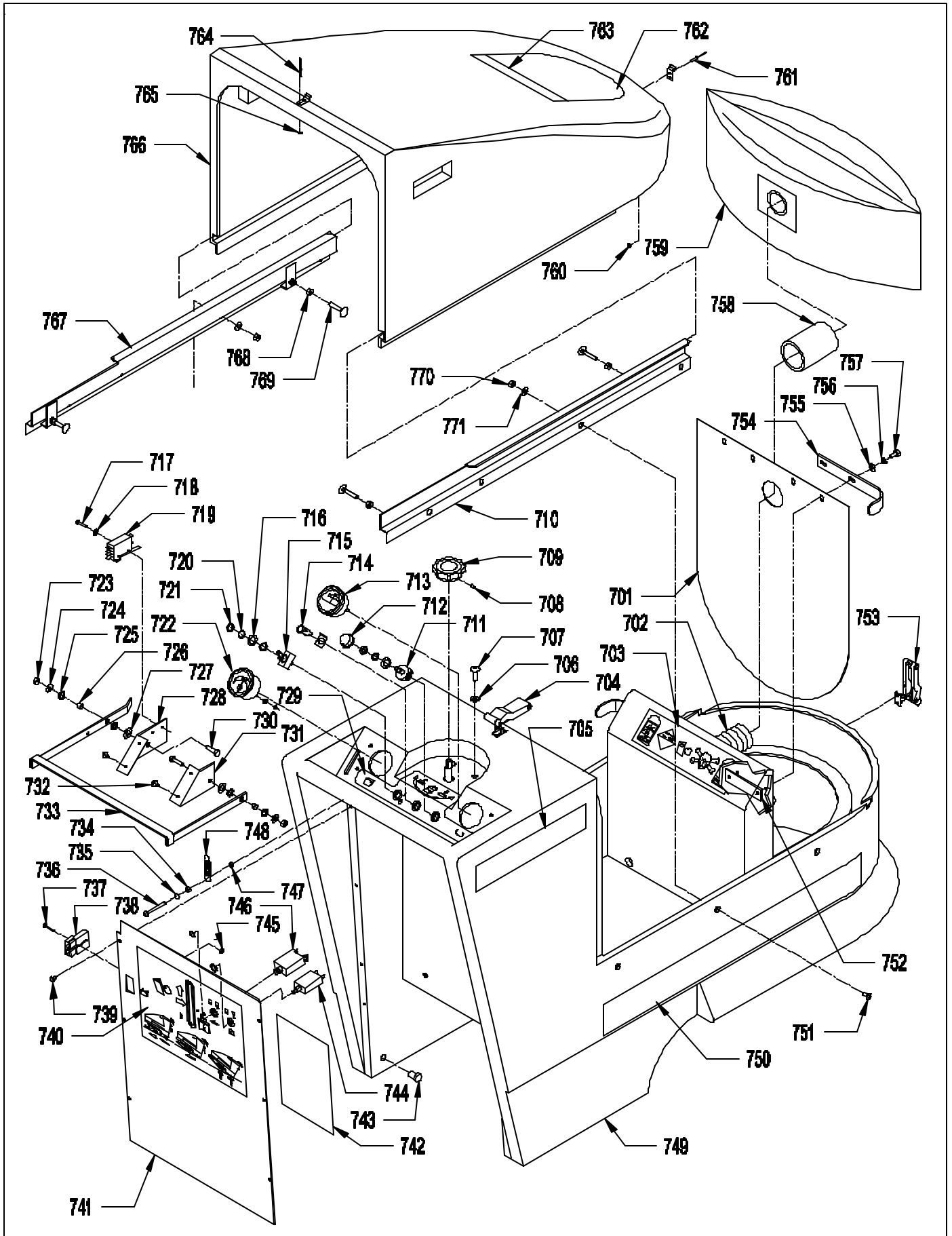
HOUSING - PAD ASSIST



HOUSING - VARIABLE SPEED

<u>ITEM</u>	<u>PART NO.</u>	<u>DESCRIPTION</u>	<u>QTY.</u>
701	6492261	RUBBER MOTOR COVER	1
702	4495541	HOSE, 2" DIAMETER X 3 FEET LONG	1
703	6492921	BATTERY WARNING LABEL	1
704	6491171	SOFT DRAW LATCH WITH CONCEALED KEEPER	1
705	6492481	DECAL, SIDE SHORT - 2000 BP	2
	6492841	SIDE DECAL - 2500 BP	2
706	9121400	3/8 I.D. X 7/8 O.D. X .064/.104 THICK WROUGHT WASHER (5/16)	2
707	9121480	5/16-18 X 1 ROUND HEAD PHILLIPS MACHINE SCREW	2
708	-----	10-32 X 1/2 SET SCREW	1
709	4490521	LOAD ADJUST KNOB (INCLUDES SET SCREW)	1
710	6491131	SLIDE RAIL, RIGHT	1
711	2694131	POTENTIOMETER, CURTIS SPEED CONTROL	1
712	5490131	KNOB - WITH SET SCREW	1
713	4491041	RPM METER WITH HARDWARE	1
714	4491091	INDICATOR LIGHT-RED LENS/48VDC	1
715	2792041	SWITCH, TOGGLE VAC	1
716	9122465	.516 I.D. X .813 O.D. X .027/.030 THICK FLAT WASHER	2
717	9120090	6-32 X 7/8 PAN HEAD PHILLIPS MACHINE SCREW	2
718	9120040	6 INTERNAL STAR LOCK WASHER	2
719	4991271	LIMIT SWITCH	1
720	0691851	1/2 INTERNAL STARLOCK WASHER	1
721	0798821	5/8 HEX NUT	1
722	4491051	BATTERY METER WITH HARDWARE	1
723	9120900	1/4-20 HEX NUT WITH NY-LOK INSERT	2
724	9120930	9/32 I.D. X 5/8 O.D. X .051/.080 THICK SAE FLAT WASHER (1/4)	2
725	9122120	3/8 I.D. X 5/8 O.D. X .031 THICK 1 WAVE SPRING WASHER (3/8)	4
726	2791281	BUSHING SPACER	2
727	9122180	13/32 I.D. X 13/16 O.D. X .051/.080 THICK WROUGHT WASHER (3/8)	2
728	4492881	SWITCH PLATE - LEFT	1
729	6492501	DASH PANEL DECAL - VS	1
730	9121270	1/4-20 X 1 HEX BOLT	2
731	4492901	SWITCH PLATE - RIGHT	1
732	9120510	10-24 X 1/2 TRUSS HEAD PHILLIPS MACHINE SCREW	4
733	4493046	HANDLE	1
734	9120360	10-24 HEX NUT WITH STAR LOCK WASHER	1
735	9120370	7/32 I.D X 1/2 O.D X .032/.065 THICK (#10) SAE FLAT WASHER	1
736	9120480	10-24 X 1 3/4 ROUND HEAD PHILLIPS MACHINE SCREW	1
737	9120090	6-32 X 7/8 PAN HEAD PHILLIPS MACHINE SCREW	2
738	4491901	CHARGER PLUG ONLY - GRAY 36V	1
	6490821	WIRE ASSEMBLY - ANDERSON / STANDOFF	1
739	9120790	10 X 5/8 PAN HEAD PHILLIPS MACHINE SCREW	8
740	6492901	LABEL PAD POSITION	1
741	6490273	REAR COVER PANEL	1
742	6492491	WIRING DIAGRAM DECAL VS	1
743	6490951	1/4 MIPT PLUG	2
744	6491711	CIRCUIT BREAKER 8 AMP	1
745	9120020	6-32 HEX NUT WITH STAR LOCK WASHER	2
746	4490701	CIRCUIT BREAKER - 70 AMP/ETA - 2500 BP	1
747	9120350	10-24 HEX NUT WITH NY-LOK INSERT	1
748	4490641	EXTENSION SPRING	1
749	6490011	HOUSING WITH SLIDE RAILS	1
750	6492851	SIDE DECAL - LONG	2
751	9121037	1/4-20 X 5/8 FLAT HEAD PHILLIPS MACHINE SCREW	6
752	6491211	TAPPING PLATE	2
753	6491171	SOFT DRAW LATCH WITH CONCEALED KEEPER	1
754	6491193	HOOD STOP / SUPPORT BRACKET	2
755	9120930	9/32 I.D. X 5/8 O.D. X .051/.080 THICK (1/4) SAE FLAT WASHER	4
756	9120880	1/4 SPLIT LOCK WASHER	4
757	9121270	1/4-20 X 1 HEX BOLT	4
758	4495531	END CUFF - 2"	1
759	5796101	PAPER BAG - 5 PACK	1
	5791661	CLOTH FILTER BAG (OPTIONAL)	1
760	9120185	5/32 I.D. X 1/2 O.D. WASHER - STEEL - ZINC PLATE	4
761	9120317	5/32 X 5/8 DOME HEAD POP RIVET - STEEL	4
762	6492871	HOOD DECAL	1
763	6492431	DECAL, VS	1
764	9120317	5/32 X 5/8 DOME HEAD POP RIVET - STEEL	4
765	9120185	5/32 I.D. X 1/2 O.D. WASHER - STEEL - ZINC PLATE	4
766	6490741	HOUSING, HOOD ONLY	1
767	6491141	SLIDE RAIL, LEFT	1
768	9120920	1/4-20 HEX NUT	4
769	9121039	1/4-20 X 1 1/2 ELEVATOR BOLT - ZINC PLATED	4
770	9120900	1/4-20 HEX NUT WITH NY-LOK INSERT	6
771	9120930	9/32 I.D. X 5/8 O.D. X .051/.080 THICK (1/4) SAE FLAT WASHER	6

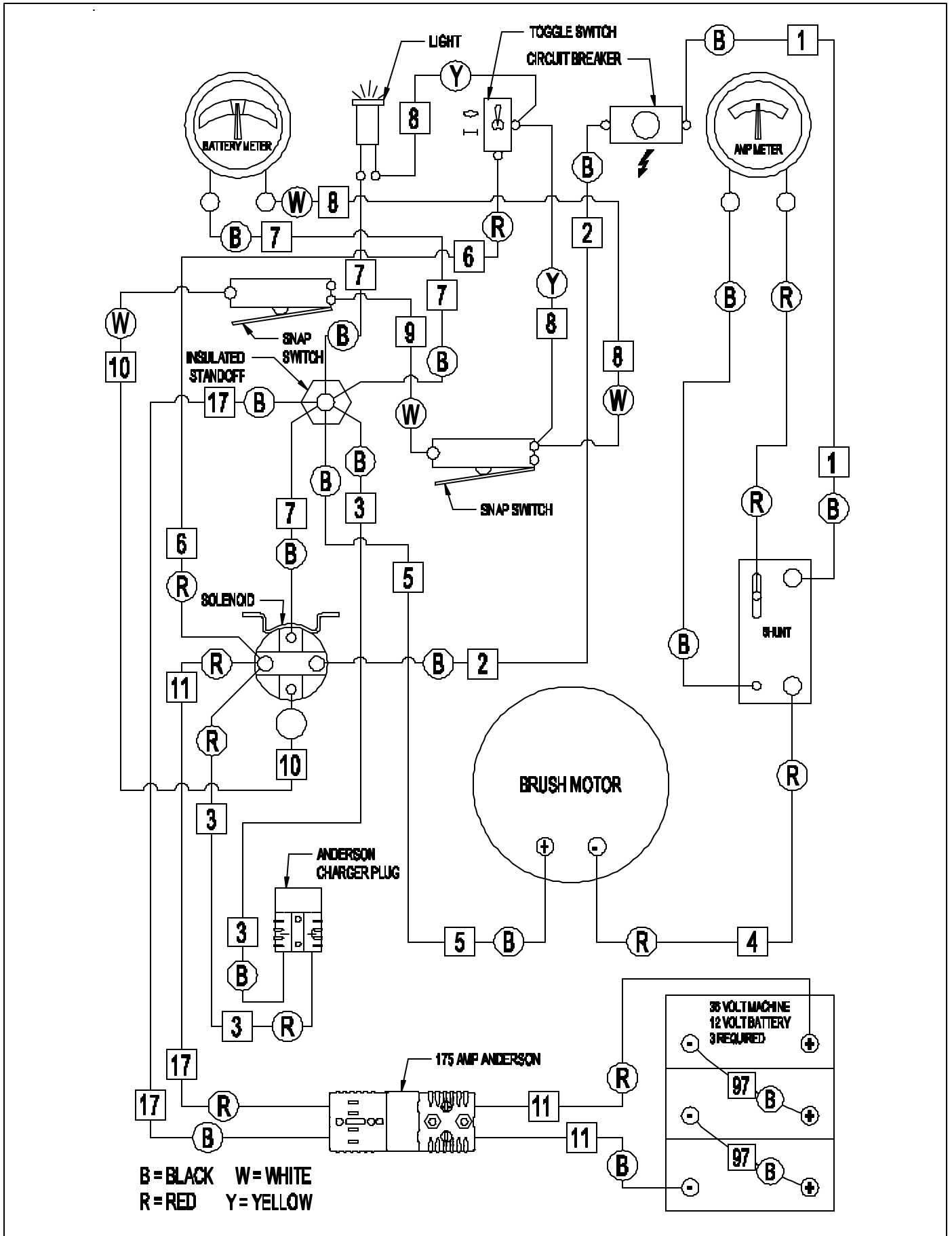
HOUSING - VARIABLE SPEED



WIRING DIAGRAM - PAD ASSIST

<u>ITEM</u>	<u>PART NO.</u>	<u>DESCRIPTION</u>	<u>QTY.</u>
1	6490801	WIRE ASSEMBLY, BREAKER TO SHUNT	1
2	6490811	WIRE ASSEMBLY, SOLENOID TO BREAKER	1
3	6490821	WIRE ASSEMBLY, ANDERSON TO SOLENOID / STANDOFF	1
4	6490831	WIRE ASSEMBLY, SHUNT TO MOTOR	1
5	6490841	WIRE ASSEMBLY, MOTOR TO STANDOFF	1
6	6490851	WIRE ASSEMBLY, SOLENOID TO MAIN SWITCH	1
7	6490861	WIRE ASSEMBLY, SOLENOID / LIGHT / VOLT METER TO STANDOFF	1
8	6490871	WIRE ASSM. SAFETY SWITCH TO VOLT METER / MAIN SWITCH TO LIGHT	1
9	6490881	WIRE ASSEMBLY, HANDLE SWITCH TO SAFETY SWITCH	1
10	6490891	WIRE ASSEMBLY, SOLENOID TO HANDLE SWITCH	1
11	6491821	WIRE ASSEMBLY, ANDERSON TO POSITIVE / NEGATIVE BATTERY	1
17	6491831	WIRE ASSEMBLY, ANDERSON TO SOLENOID / STANDOFF	1
97	2391981	BATTERY JUMPER 3/8" RING #97	2
-	9123005	1/8 X 5 1/2 WIRE TIE	6
-	2397361	HOUR METER	1
-	4490561	INSULATED STANDOFF	1
-	4490701	CIRCUIT BREAKER - 70 AMP/ETA	1
-	4491001	MOTOR, 36 VOLT - 2000 RPM	1
-	4491011	SOLENOID, 36 VOLT	1
-	4491031	SHUNT	1
-	4491041	RPM METER WITH HARDWARE	1
-	4491051	BATTERY METER 36 VOLT WITH HARDWARE	1
-	4491061	BATTERY, 185 AMP/HR, 12 VOLT	3
-	4491071	SNAP SWITCH	2
-	4491091	INDICATOR LIGHT - RED LENS / 48 VOLT DC	1
-	4491101	TOGGLE SWITCH, MOTOR	1
-	4491901	CHARGER PLUG ONLY - GRAY 36 VOLT	1
-	6490681	MOTOR 36 VOLT - 2500 RPM	1
-	6491841	175 AMP ANDERSON WITH CONTACTS GRAY 36 VOLT	2

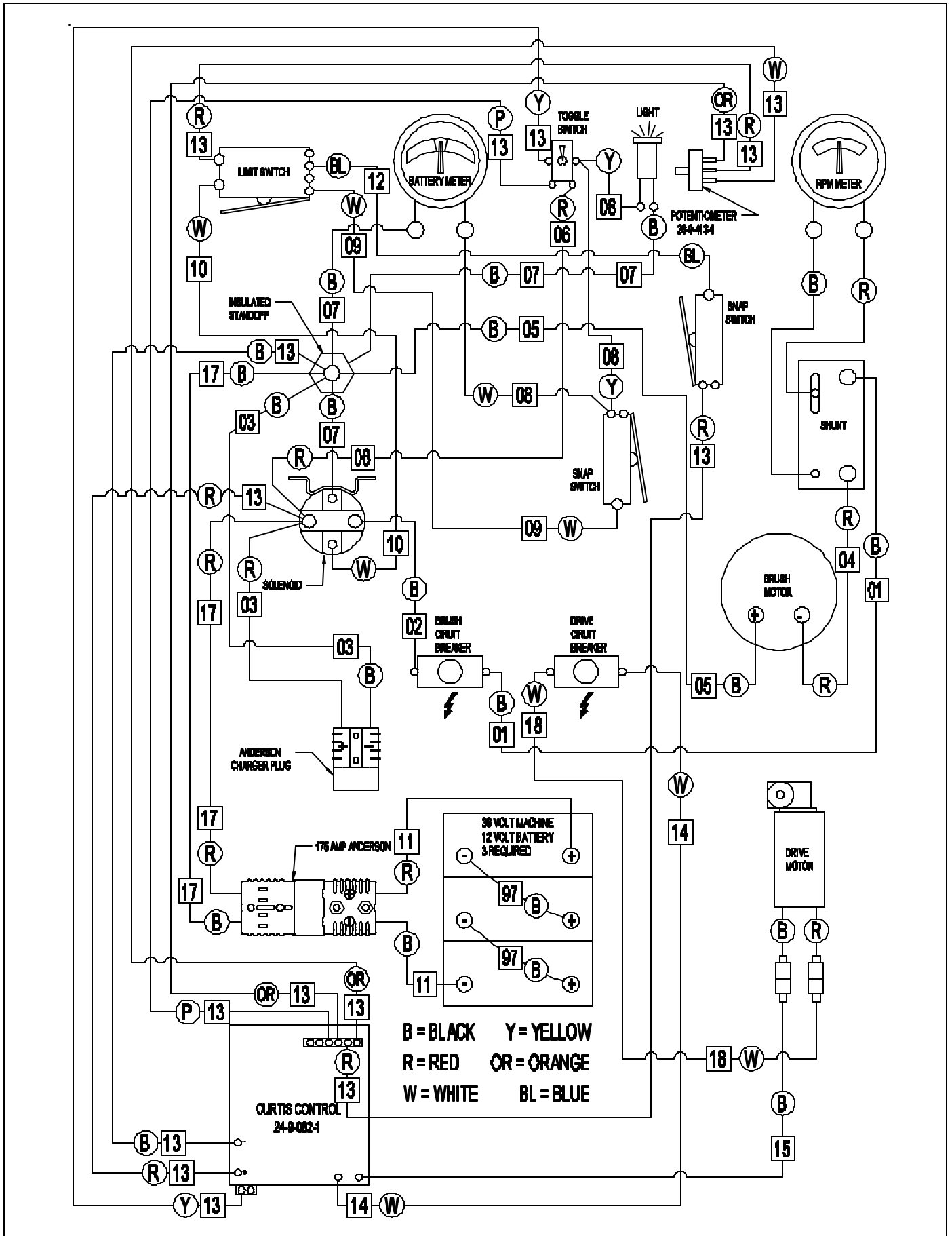
WIRING DIAGRAM - PAD ASSIST



WIRING DIAGRAM - VARIABLE SPEED

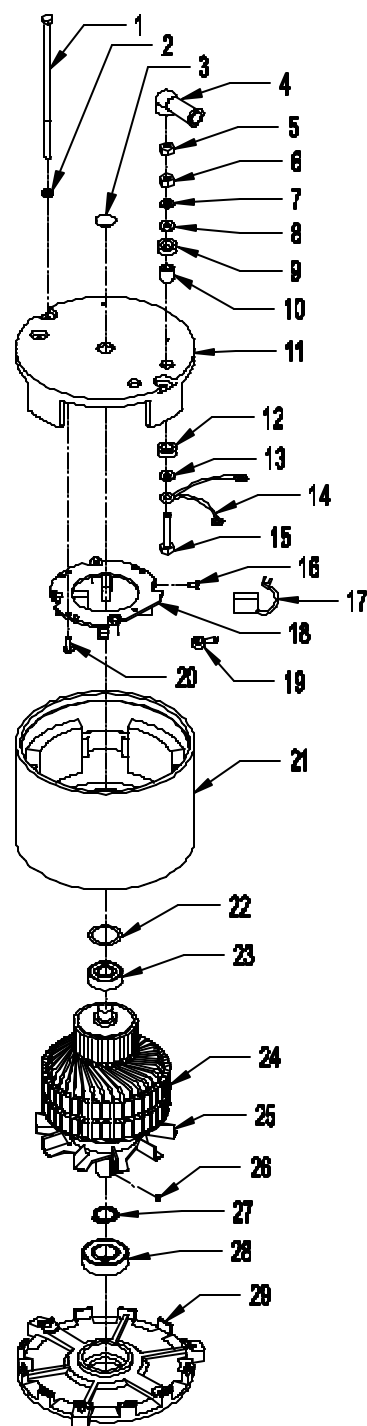
<u>ITEM</u>	<u>PART NO.</u>	<u>DESCRIPTION</u>	<u>QTY.</u>
1	6490801	WIRE ASSEMBLY, BREAKER TO SHUNT	1
2	6491681	WIRE ASSEMBLY, SOLENOID TO BREAKER	1
3	6491671	WIRE ASSEMBLY, ANDERSON TO SOLENOID / STANDOFF	1
4	6490831	WIRE ASSEMBLY, SHUNT TO MOTOR	1
5	6490841	WIRE ASSEMBLY, MOTOR TO STANDOFF	1
6	6490851	WIRE ASSEMBLY, SOLENOID TO MAIN SWITCH	1
7	6490861	WIRE ASSEMBLY, SOLENOID / LIGHT / VOLT METER TO STANDOFF	1
8	6490871	WIRE ASSEMBLY SAFETY SWITCH TO V METER/SWITCH TO LIGHT	1
9	6490881	WIRE ASSEMBLY, HANDLE SWITCH TO SAFETY SWITCH	1
10	6490891	WIRE ASSEMBLY, SOLENOID TO HANDLE SWITCH	1
11	6491821	WIRE ASSEMBLY, ANDERSON - POS. / NEG. BATTERY 36 VOLT	1
12	6491601	WIRE HANDLE SWITCH - DRIVE SAFETY SWITCH	1
13	6492461	WIRING HARNESS, SPEED CONTROL	1
14	6492441	WIRE, SPEED CONTROL - CIRCUIT BREAKER	1
15	6492451	WIRE, SPEED CONTROL - DRIVE MOTOR	1
16	6491641	WIRE BATTERY METER - HANDLE SWITCH	1
17	6491831	WIRE ASSEMBLY, ANDERSON - SOLENOID / STANDOFF 36 VOLT	1
18	6491651	WIRE DRIVE CIRCUIT BREAKER - DRIVE MOTOR (+)	1
97	2391981	BATTERY JUMPER 3/8" RING #97	2
—	2690021	SPEED CONTROL, CURTIS	1
—	2694131	POTENTIOMETER, CURTIS CONTROL	1
—	2792041	SWITCH, TOGGLE VAC	1
—	9123005	1/8 X 5 1/2 WIRE TIE	6
—	4490561	INSULATED STANDOFF	1
—	4490701	CIRCUIT BREAKER - 70 AMP/ETA (BRUSH)	1
—	4491001	MOTOR, 36 VOLT - 2000 RPM	1
—	4491011	SOLENOID, 36 VOLT	1
—	4491031	SHUNT	1
—	4491041	RPM METER W/HARDWARE	1
—	4491051	BATTERY METER WITH HARDWARE	1
—	4491061	BATTERY, 185 AMP/HR, 12 VOLT	3
—	4491071	SNAP SWITCH (SAFETY)	2
—	4491091	INDICATOR LIGHT - RED LENS/48VDC	1
—	4491901	CHARGER PLUG ONLY - GRAY 36VOLT	1
—	4991271	LIMIT SWITCH (HANDLE)	1
—	6490681	MOTOR 36 VOLT - 2500 BP	1
—	6491591	DRIVE MOTOR 36 VOLT	1
—	6491711	CIRCUIT BREAKER - 8 AMP (DRIVE)	1
—	6491841	175 AMP ANDERSON WITH CONTACTS GRAY 36 VOLT	2

WIRING DIAGRAM - VARIABLE SPEED



MOTOR

ITEM	PART NO.	DESCRIPTION	QTY.
1	4490731	1/4-20 X 7 1/2 HEX HEAD THRU BOLT	2
2	9120880	1/4 SPLIT LOCK WASHER	2
3		PLUG (NOT AVAILABLE)	1
4	6492051	STUD TERMINAL BOOT - RUBBER	2
5	4491621	5/16-18 THIN HEX NUT, BRASS	2
6	9121420	5/16-18 HEX NUT	2
7	9121520	5/16 SPLIT LOCK WASHER	2
8	9121390	11/32 I.D. X 11/16 O.D. X .051/.080 THICK SAE FLAT WASHER (5/16)	2
9	4491641	INSULATION WASHER	2
10	4491651	INSULATION SPACER	2
11	4491661	TOP END BELL	1
12	4491641	INSULATION WASHER	2
13	9121390	11/32 I.D. X 11/16 O.D. X .051/.080 THICK SAE FLAT WASHER (5/16)	2
14		LEAD HARNESS ASSEMBLY	2
15		5/16-18 X 1 3/4 HEX BOLT, BRASS	2
16		10-32 X 3/8 SCREW, BRASS BINDING HEAD	4
17	4491691	CARBON BRUSH	4
18	4491681	BRUSH RING ASSEMBLY	1
19	4491701	BRUSH SPRING	4
20		10-32 X 3/8 HEX HEAD SCREW	2
21	4491711	FRAME WITH MAGNETS	1
22	5293441	1 3/16 X 1 1/2 2 WAVE SPRING WASHER	1
23	5092041	TOP BEARING	1
24	6491941	COMPLETE ARMATURE ASSEMBLY - 2500 BP	1
	4491721	ARMATURE WITH BEARING - 2000 BP	1
25	4491731	VENT FAN	1
26	9120815	3/16 SQUARE X 1/2 LONG KEY	1
27	4491751	RETAINING RING	1
28	4490841	BOTTOM BEARING	1
29	4491741	BOTTOM END BELL	1



NSS® Enterprises, Inc.

3115 Frenchmens Road, Toledo, Ohio 43607
 PHONE (419) 531-2121 FAX (419) 531-3761

NSS® Enterprises, Inc. European Distribution Centre
 Unit II, Pinfold Trading Estate * 55 Nottingham Road
 STAPLEFORD, NOTTINGHAM NG9 8AD ENGLAND U.K.
 PHONE: (44) 0115 939 1568 * FAX: (44) 0115 949 0615