



# MAGNUM

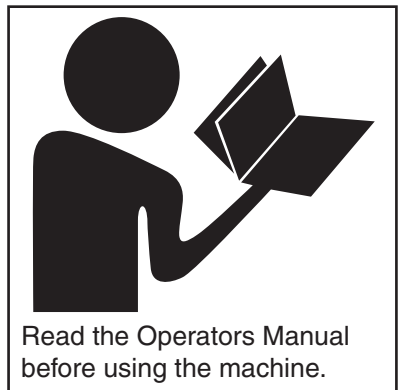
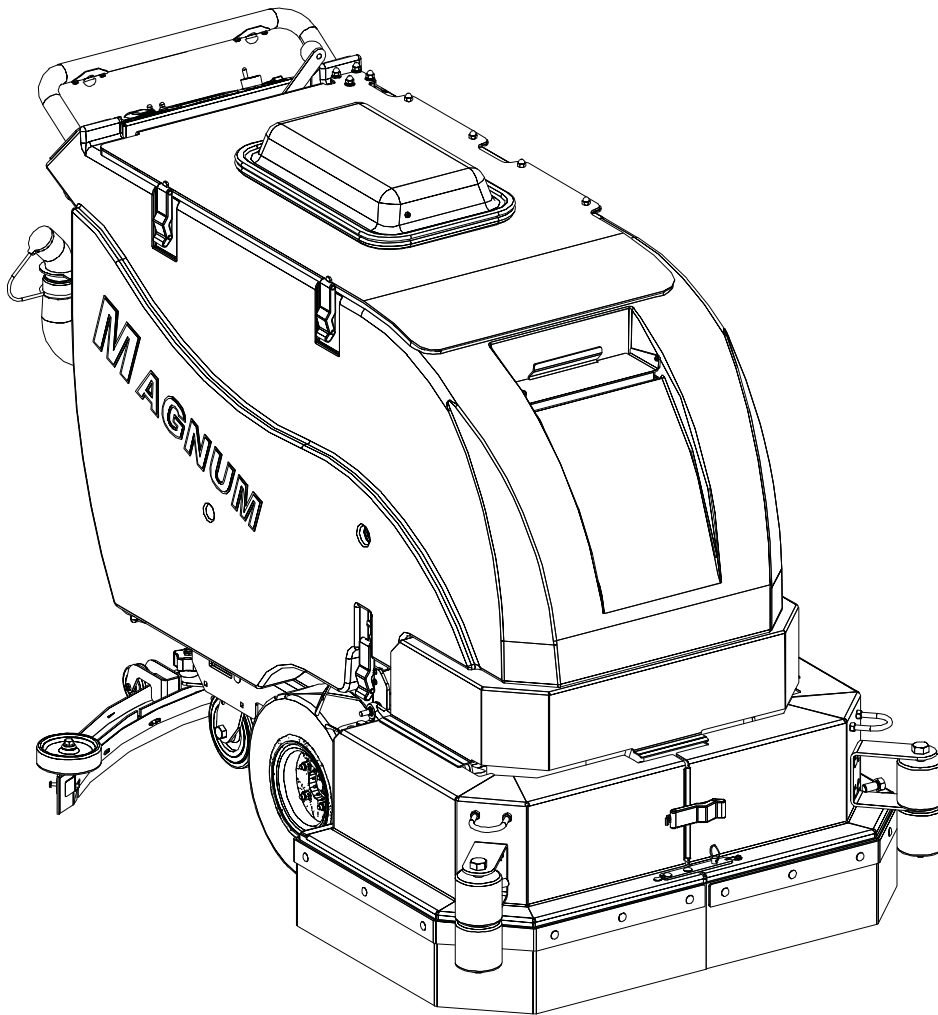
## Parts Manual (EN)

### MODELS:

26" Disk  
30" Disk  
34" Disk

24" Cylindrical  
27" Cylindrical  
30" Cylindrical  
34" Cylindrical

28" Orbital  
32" Orbital



Read the Operators Manual  
before using the machine.



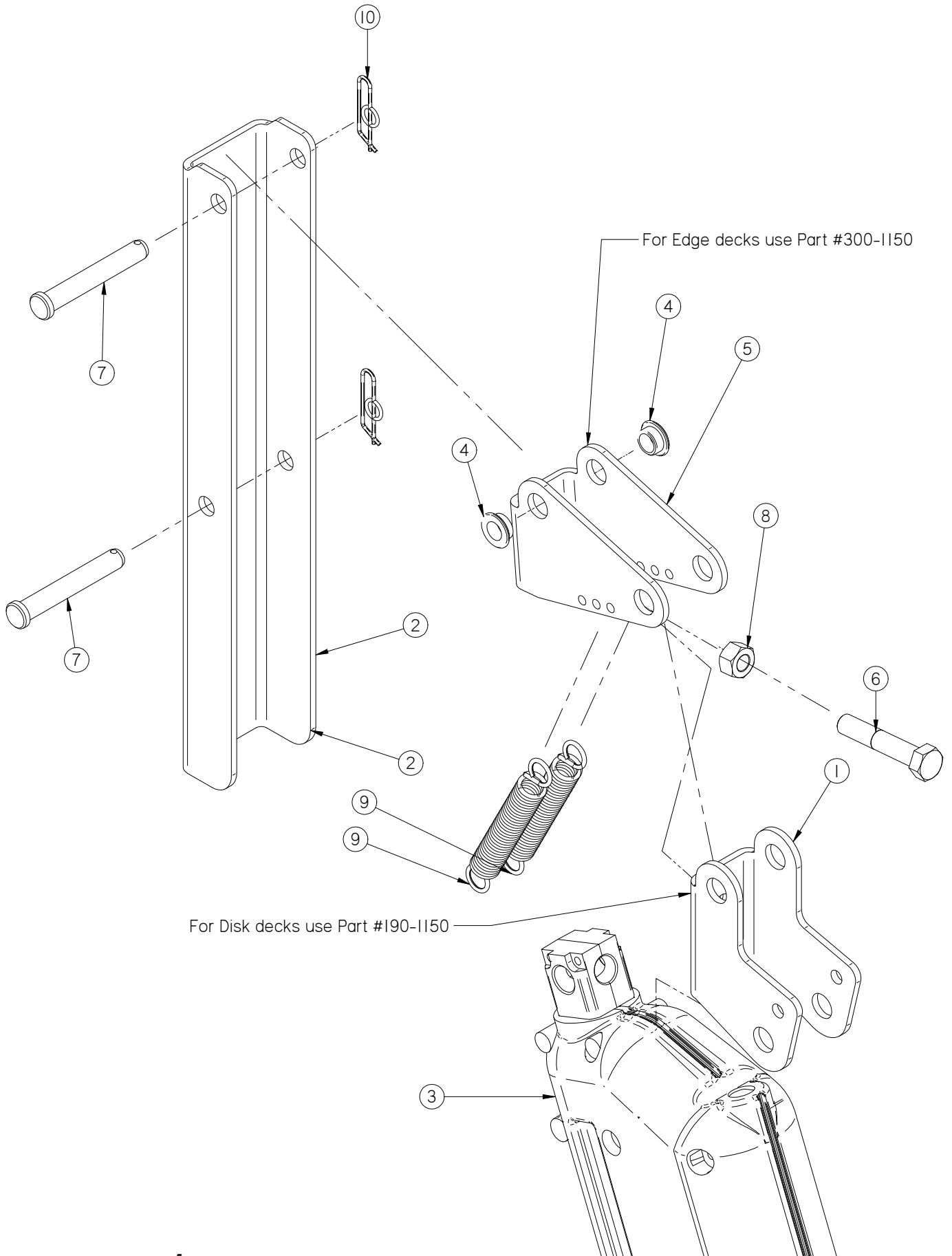
Read the Safety Messages  
before servicing machine.



Actuator Lift Assembly .....	4
Caster Foot Assembly .....	6
Frame Assembly.....	8
Frame Assembly.....	10
Frame Assembly.....	11
Vac Motor Assembly .....	12
Tank Baffle.....	13
Tank Assembly.....	14
Tank Assembly.....	16
Tank Lid Assembly.....	18
Squeegee Trail Arm Assembly.....	20
Control Panel Assembly .....	22
Control Panel Assembly .....	24
Control Panel Assembly .....	26
On Board Charger .....	27
Batteries .....	28
Charger Part List .....	29
35 Inch Squeegee Assembly.....	30
38 Inch Squeegee Assembly.....	32
Cylindrical Door Assembly.....	34
Cylindrical Deck Assembly .....	36
Cylindrical Deck Assembly .....	40
28 Inch EDGE Deck Assembly.....	42
32 Inch EDGE Deck Assembly.....	44
Disk Scrub Deck Assembly.....	46
Disk Scrub Deck Assembly.....	48
Pro Polish Disk Scrub Deck Assembly .....	50
28 INCH DISK DECK .....	52
Attach Disk Scrub Deck and Bandeau Cover.....	54
Attach Cylindrical Scrub Deck and Bandeau Cover .....	56
Option #253-10 Spray Jet System.....	58
Electric Squeegee Lift (optional).....	60
Vac Wand Kit (optional) .....	62
Side Brooms.....	64
Jaws .....	66
Left Shroud.....	68
Right Shroud.....	69
SUDS System.....	70
Common wear parts .....	72
Suggested parts inventory.....	75

# 4

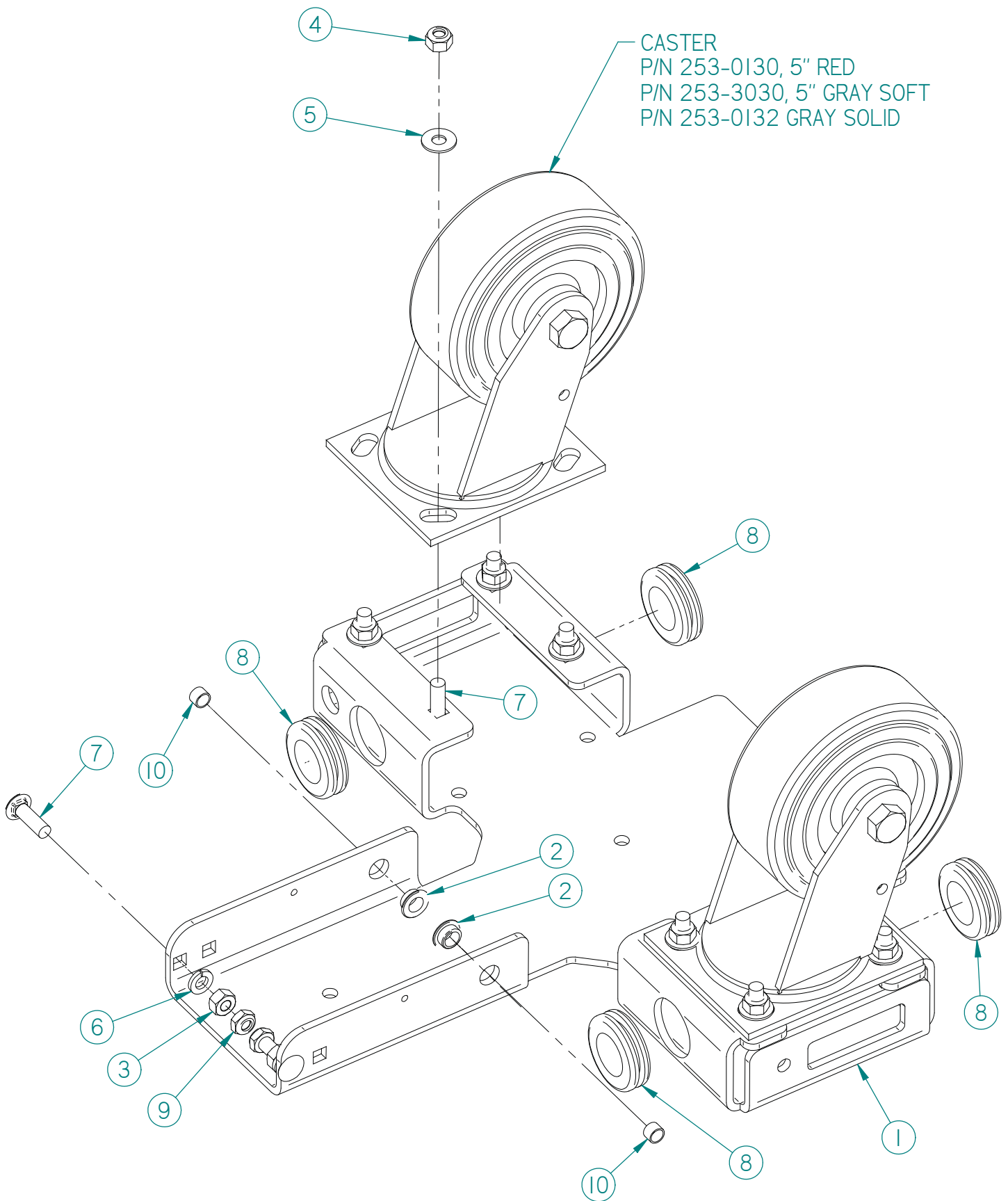
## Actuator Lift Assembly



Item	Part Number	Part Description	Qty
1	190-1150	ACTUATOR ARM	1
2	190-1155	ACTUATOR ANCHOR	1
3	253-2210	4" STROKE 24V ACTUATOR 1000 LB LOAD	1
4	290-1233	3/8" ID, 1/2" OD, 1/4" LG BEARING	2
5	300-1150	ACTUATOR ARM	1
6	H-0172949	HCS 3/8"- 24 X 2" SS	1
7	H-15675	CLEVIS PIN, 3/8" X 2-1/2"	2
8	H-70732	HN 3/8"- 24 SS	1
9	H-96544	SPRING, 4-1/8" LG X 9/16" OD (42E)	2
10	H-RUE14	3/8" RUE RING COTTER	2

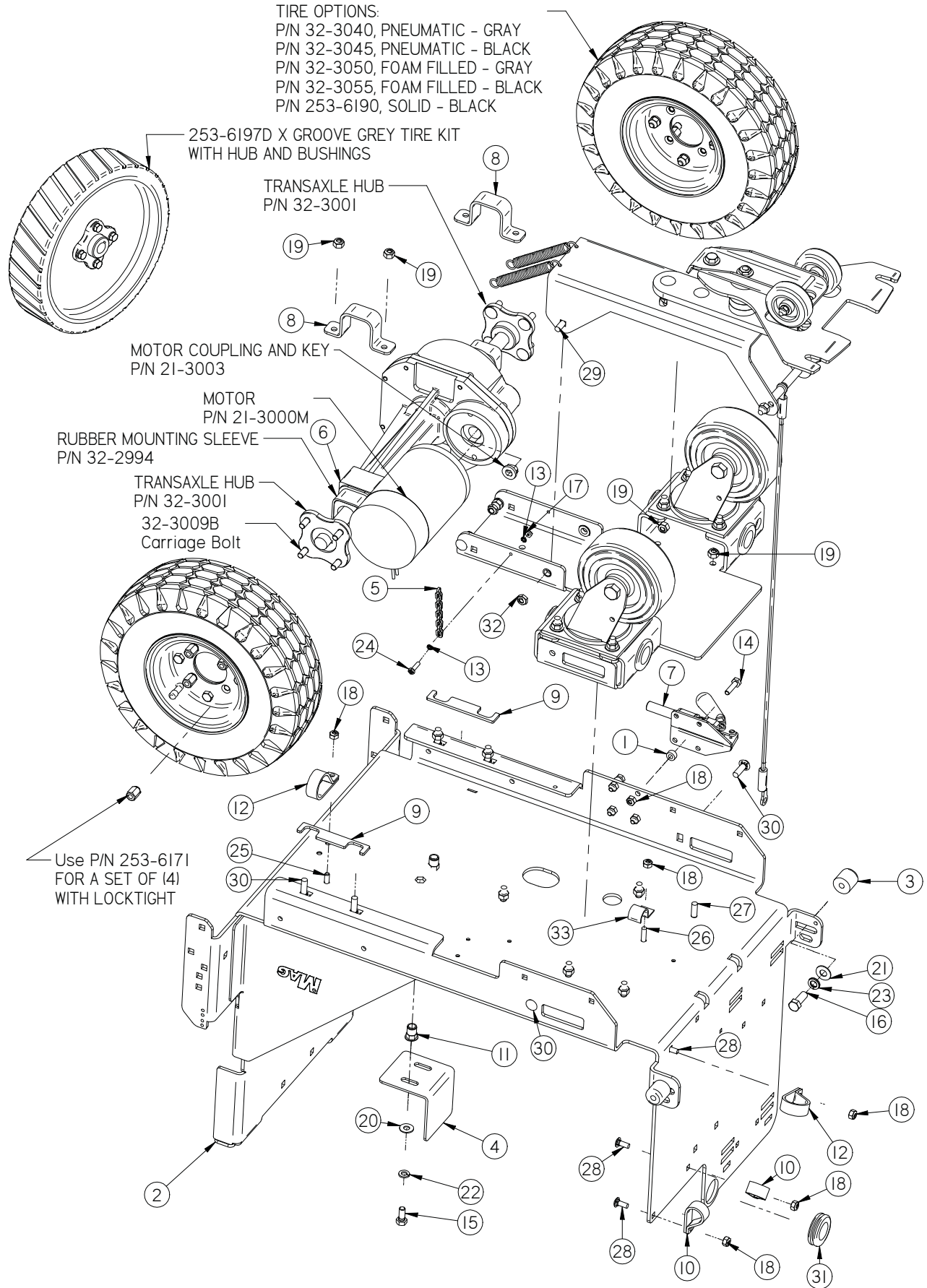
# 6

## Caster Foot Assembly



---

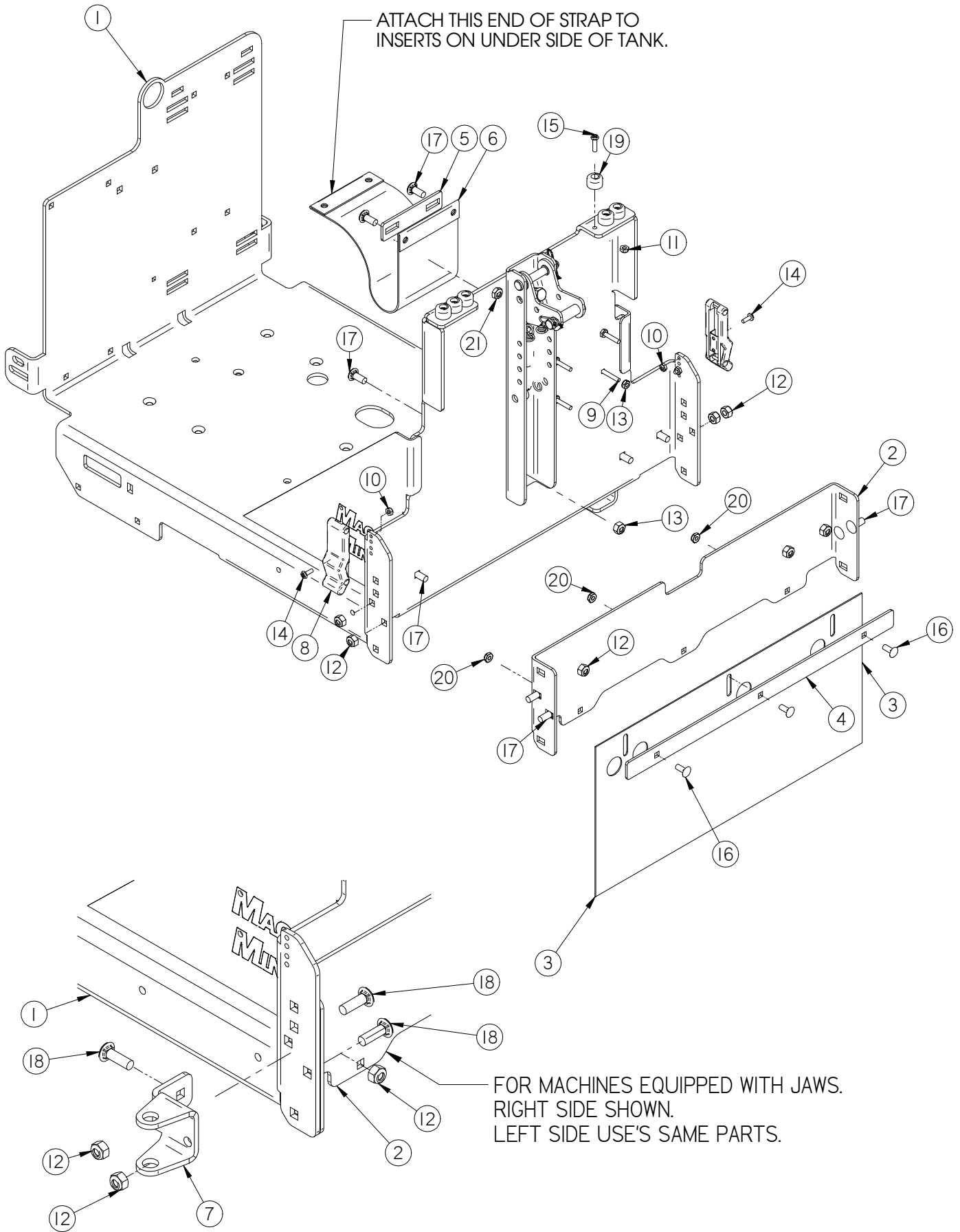
Item	Part Number	Part Description	Qty
1	253-1380	CASTER FOOT	1
2	290-1233	3/8" ID, 1/2" OD, 1/4" LG BEARING	2
3	H-70711	HN 5/16"- 18 SS	2
4	H-70861	NYLOK 5/16" - 18 SS	8
5	H-71015	FW 5/16" X 3/4" SS	8
6	H-71065	LW 5/16" SS	2
7	H-74430	CB 5/16"- 18 X 1" SS	10
8	H-9307K74	GROMMET, 1" ID X 1-3/4" OD BUNA-N	4
9	H-NJ05C	JNYL 5/16"- 18 SS	2
10	M-639IK403	.312 ID X .375 OD X .25 LG BEARING SLEEVE	2





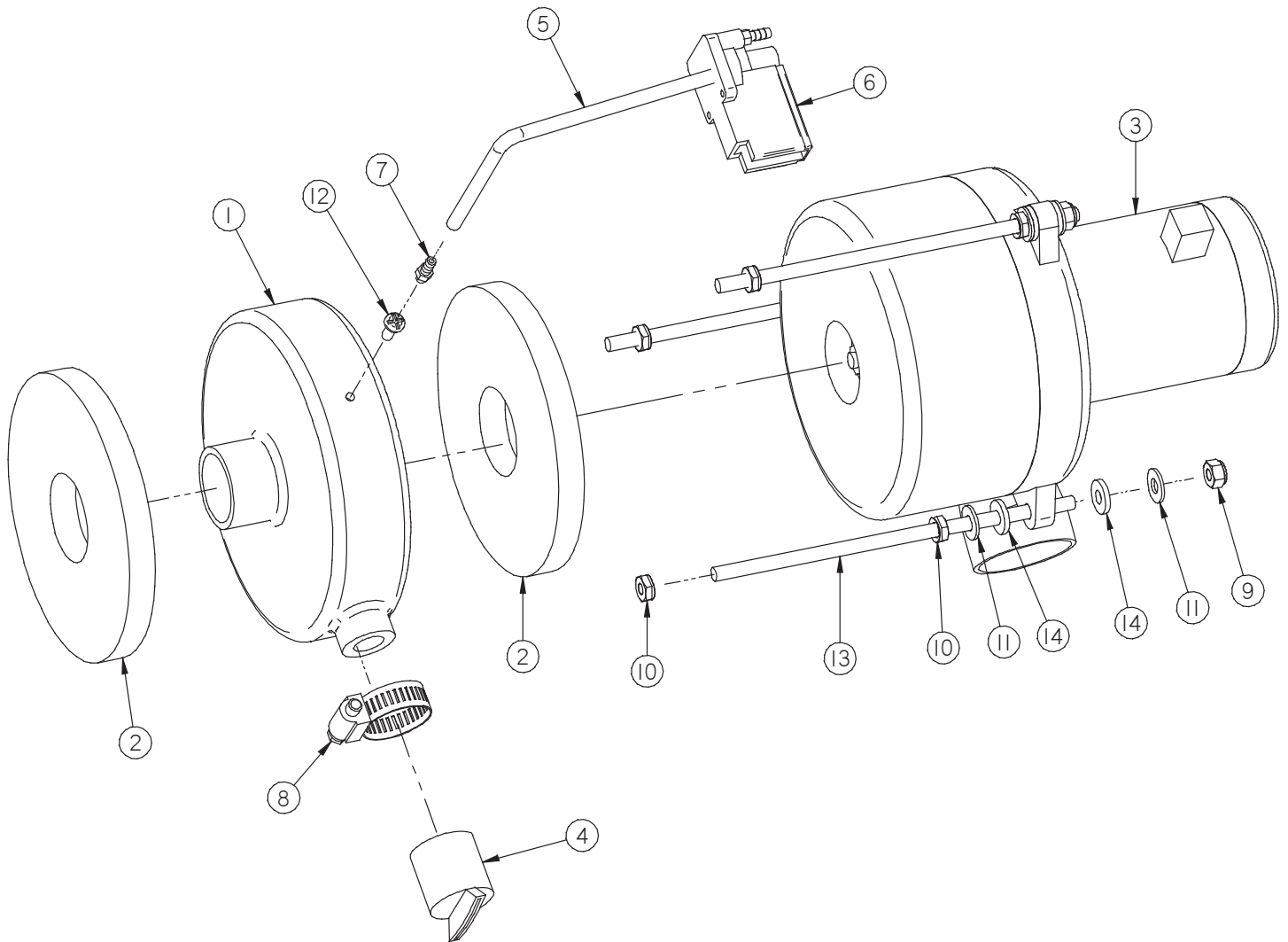
Item	Part No.	Part Description	Qty.
1	21-2211	SPACER 1/2 OD X 1/4"	4
2	253-1000	MAINFRAME WELDMENT	1
3	253-1060	BOSS	2
4	253-1470	BATTERY TRAY BRACKET	1
5	253-1618	GROUNDING CHAIN, 12"	1
6	253-3009	TRANS AXLE	1
7	253-4000	PARKING BRAKE (OPTIONAL)	1
8	32-0999	AXLE MOUNT	2
9	7-128B	CASTER SPACER	2
10	H-0127295	RUBBER LOOP CLAMP, 3/4"	2
11	H-312HCN	HCN 5/16"-18	2
12	H-3225T	RUBBER LOOP CLAMP, 1-1/2"	2
13	H-33733	#6 STAR WASHER	2
14	H-70005	HCS 1/4"- 20 X 1" SS	4
15	H-70053	HCS 5/16"- 18 X 3/4" SS	2
16	H-70105	HCS 3/8"- 16 X 1" SS	2
17	H-70855	NYLOK #6-32 SS	1
18	H-70860	NYLOK 1/4"- 20 SS	9
19	H-70861	NYLOK 5/16" - 18 SS	10
20	H-71015	FW 5/16 ID X 3/4 OD SS	2
21	H-71017	FW 3/8 ID X 7/8 OD SS	2
22	H-71065	LW 5/16" SS	2
23	H-71067	LW 3/8" SS	2
24	H-72388	PPH #6-32 X 3/4" SS	1
25	H-72708	FHP 1/4"- 20 X 3/4"	1
26	H-72710	FHP 1/4"- 20 X 1" SS	1
27	H-73908	FHSCS 5/16"- 18 X 1" SS	5
28	H-74418	CB 1/4"- 20 X 5/8" S/S	3
29	H-74429	CB 5/16"- 18 X 3/4" SS	2
30	H-74430	CB 5/16"- 18 X 1" SS	6
31	H-9307K74	GROMMET, 1" ID X 1-3/4" OD BUNA-N	1
32	H-NJ05C	JNYL 5/16"- 18 SS	2
33	M-9434T27	3/4" DIA 1 HOLE TUBE STRAP	1

# 10 Frame Assembly



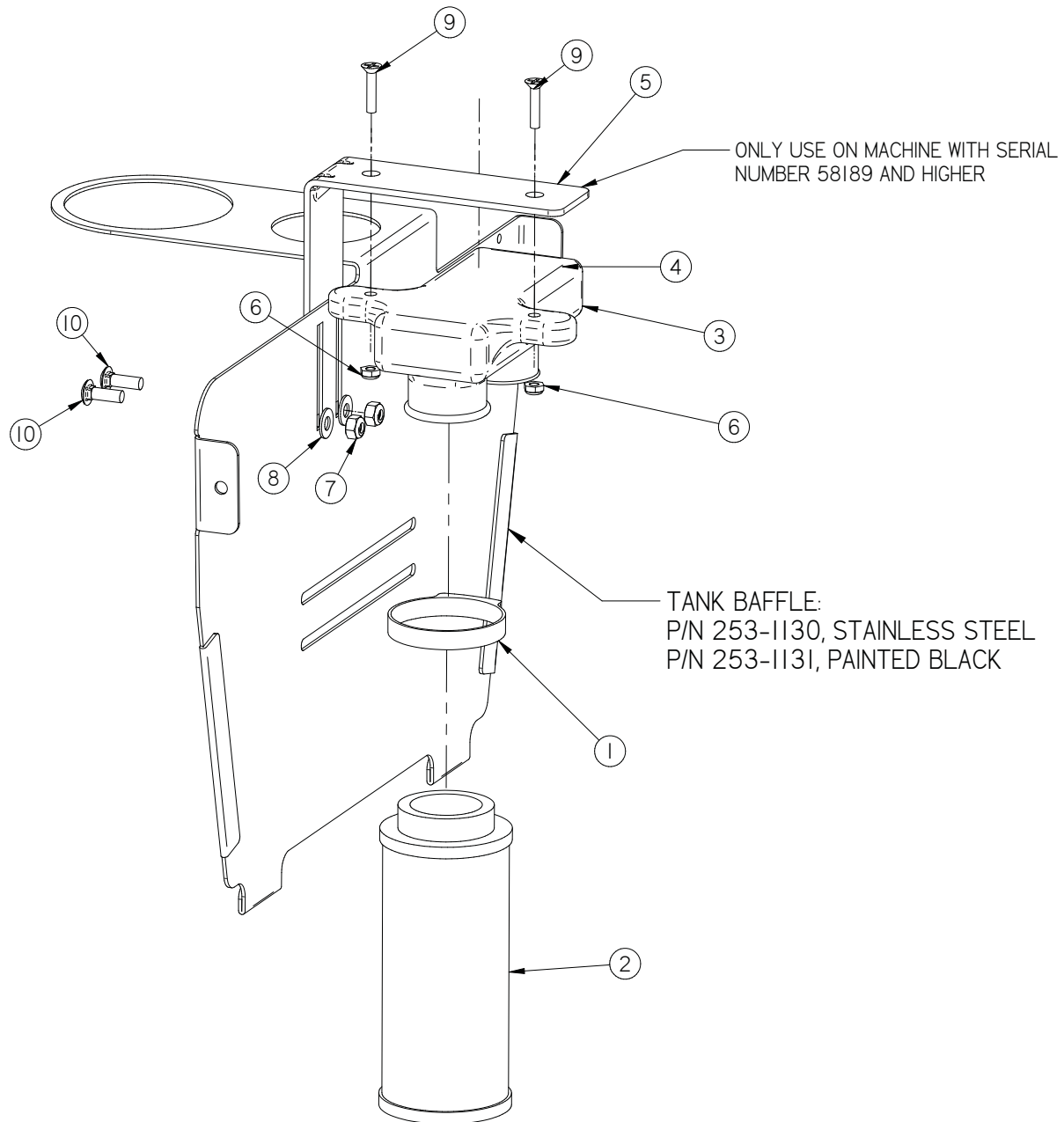
Item	Part No.	Part Description	Qty.
1	253-1000	MAINFRAME WELDMENT	1
2	253-1010	LIFT ARM SUPPORT BRACKET	1
3	253-1015	FRAME CURTAIN	1
4	253-1020	BAND, FRAME CURTAIN	1
5	253-1040	TANK STRAP SUPPORT	1
6	253-1050	TANK STRAP, 35" LG X 4" WIDE	1
7	253-1160	JAW HINGE, INNER	1
8	4-124	LATCH	2
9	H-0172522	CB #10-32 X 1-1/4" SS	4
10	H-70856	NYLOK #8-32 SS	4
11	H-70858	NYLOK #10-32 SS	6
12	H-70861	NYLOK 5/16" - 18 SS	11
13	H-70923	KN #10-32 SS	4
14	H-72398	PPH #8-32 X 1/2" S/S	4
15	H-72416	PPHMS #10-32 X 3/4" S/S	6
16	H-74418	CB 1/4"- 20 X 5/8" S/S	3
17	H-74429	CB 5/16"- 18 X 3/4" SS	13
18	H-74430	CB 5/16"- 18 X 1" SS	3
19	H-9540	RUBBER BUMPER, 25/32"	6
20	H-NJ04C	JNYL 1/4" - 20 SS	3
21	H-NJ05C	JNYL 5/16"- 18 SS	2

# 12 Vac Motor Assembly



Item	Part Number	Part Description	Qty
1	190-1450	VAC BOX	1
2	190-3002	VAC MOTOR GASKET	2
3	190-5250	VAC MOTOR, 3/4 HP, TANGENTIAL	1
4	253-1505	LOADER VALVE	1
5	253-8006	CLEAR TUBE, 1/8" ID X 1/4" OD X ? LG	1
6	390-2328	SWITCH, VACUUM SHUTOFF	1
7	390-2328A	VACUUM SWITCH BARB	1
8	H-62005	CLAMP 5/8"- 1-1/2" SS	1
9	H-70860	NYLOK 1/4"- 20 SS	3
10	H-70925	KN 1/4-20 S/S	6
11	H-71013	FNW 1/4" X 5/8" SS	6
12	H-72515	PPH #10-32 X 1/2" S/S	1
13	H-W1579194	1/4-20 X 7" FT STUD S/S	3
14	M-90130A029	.25" NEOPRENE WASHER	6

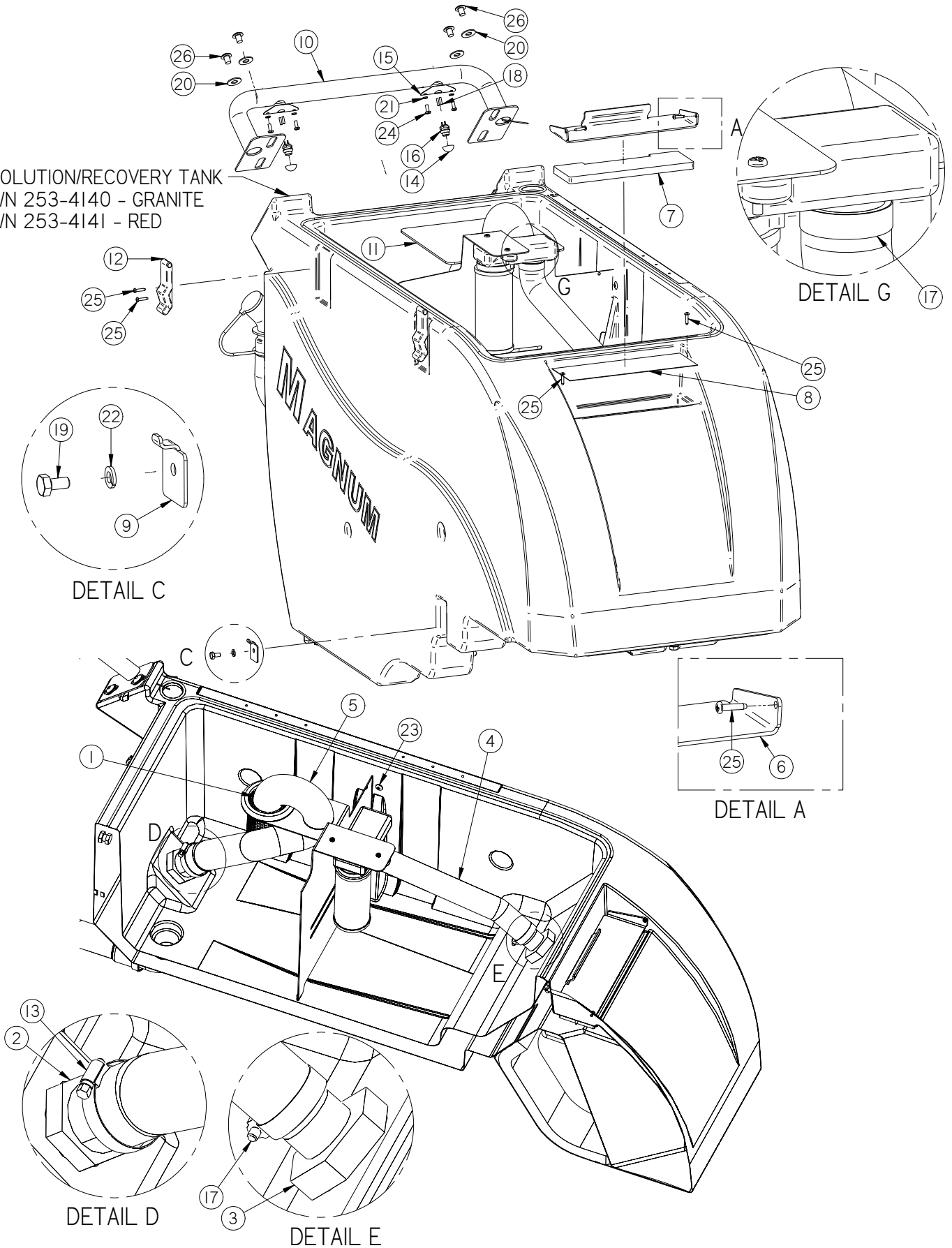
NOTE: ITEMS 5, 6, 7 ARE OPTION #253-28 VACUUM ELECTRIC SHUT-OFF.



Item	Part Number	Part Description	Qty
1	21-4028	SNAP GRIP CLAMP	1
2	21-4085	VAC SCREEN	1
3	21-7060	VAC BOX	1
4	253-1131	BAFFLE, PAINTED	1
5	370-1122	BALL FLOAT HOLDER	1
6	H-70858	NYLOK #10-32 SS	2
7	H-70860	NYLOK 1/4"- 20 SS	2
8	H-71013	FW 1/4 ID X 5/8 OD SS	2
9	H-72685	FHP 10-32 X 1" SS	2
10	H-74419	CB 1/4"- 20 X .75" SS	2

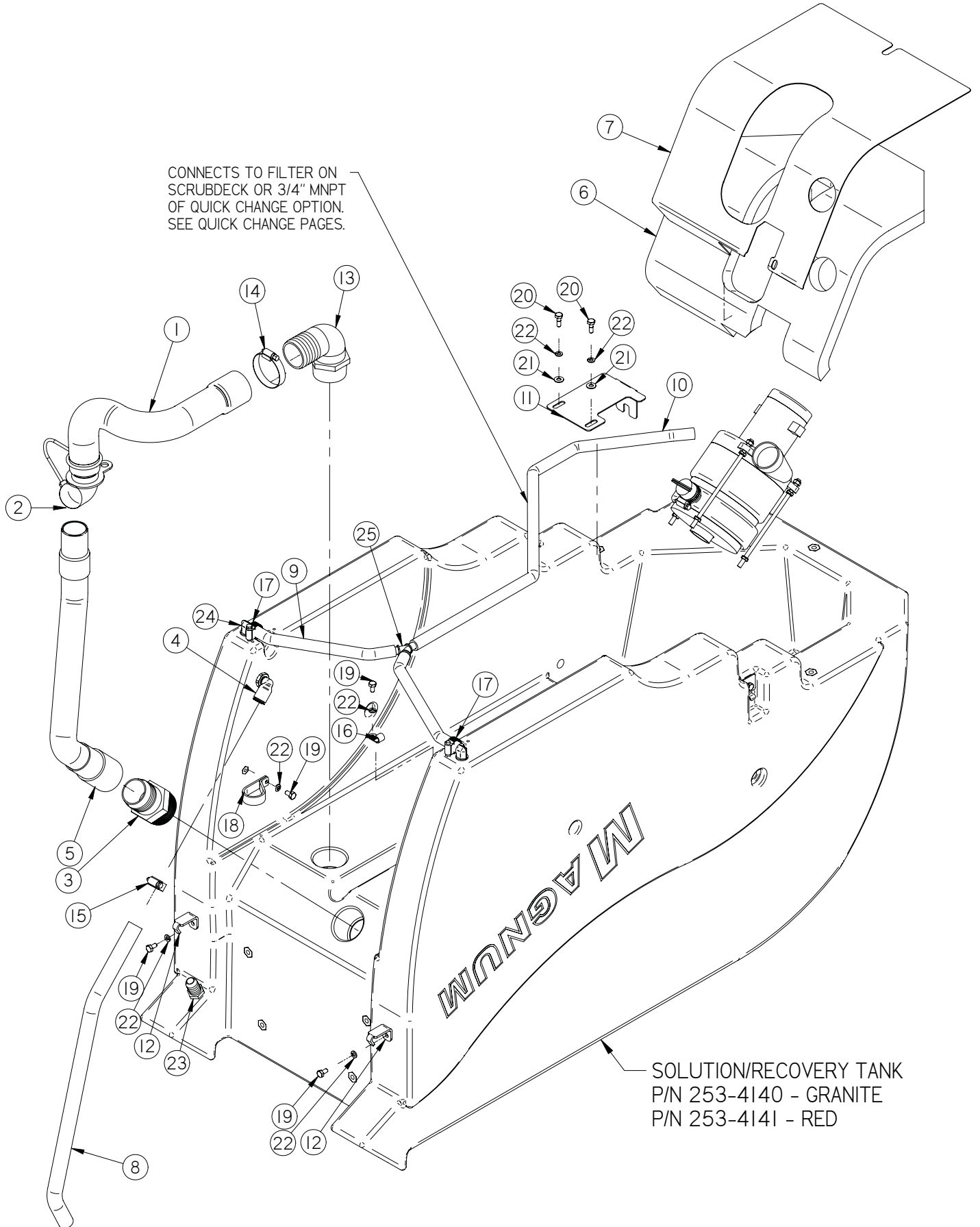
# 14 Tank Assembly

SOLUTION/RECOVERY TANK  
P/N 253-4140 - GRANITE  
P/N 253-4141 - RED



Item	Part Number	Part Description	Qty
1	170-8911	SCREEN STRAINER, 4-1/4" LG	1
2	190-1210	2.0" MNPT X 2.0" BARB, PVC	1
3	190-1215	2.0" MNPT X 1.50" BARB, PVC	1
4	253-0120	1-1/2" ID X 19" LG WIRE REINF. BLACK HOSE, NO CUFFS	1
5	253-0121	2.0" ID x 27.0" LG MW255 GRAY MG HOSE, NO CUFFS	1
6	253-1180	SOLUTION FILL LID	1
7	253-1190	SOLUTION FILL LID GASKET	1
8	253-1220	SCREEN	1
9	253-1240	CLIP	2
10	253-1280	HANDLEBAR	1
11	370-1129	TANK BACK SPLASH	1
12	4-124	LATCH	2
13	5-719	CLAMP 1 9/16 - 2 1/2 " SS	1
14	7-227	BUTTON COVER	1
15	7-228	SWITCH MOUNT PLATE	1
16	7-229	PUSH BUTTON SWITCH	1
17	H-0427612	CLAMP 3/4"- 1-3/4" SS	2
18	H-108	HEAT SHRINK	1
19	H-70001	HCS 1/4"-20 X 1/2 SS"	2
20	H-71017	FW 3/8 ID X 7/8 OD SS	2
21	H-71059	LW #10, SS	1
22	H-71063	LW 1/4" SS	1
23	H-71894	#14 X 1" SELF TAPPING SCREW	2
24	H-72515	PPH #10-32 X 1/2" S/S	1
25	H-72536	PPH SMS #8 X 3/4" SS	5
26	H-73811	BHSCS 3/8"- 16 X 1/2" SS	2

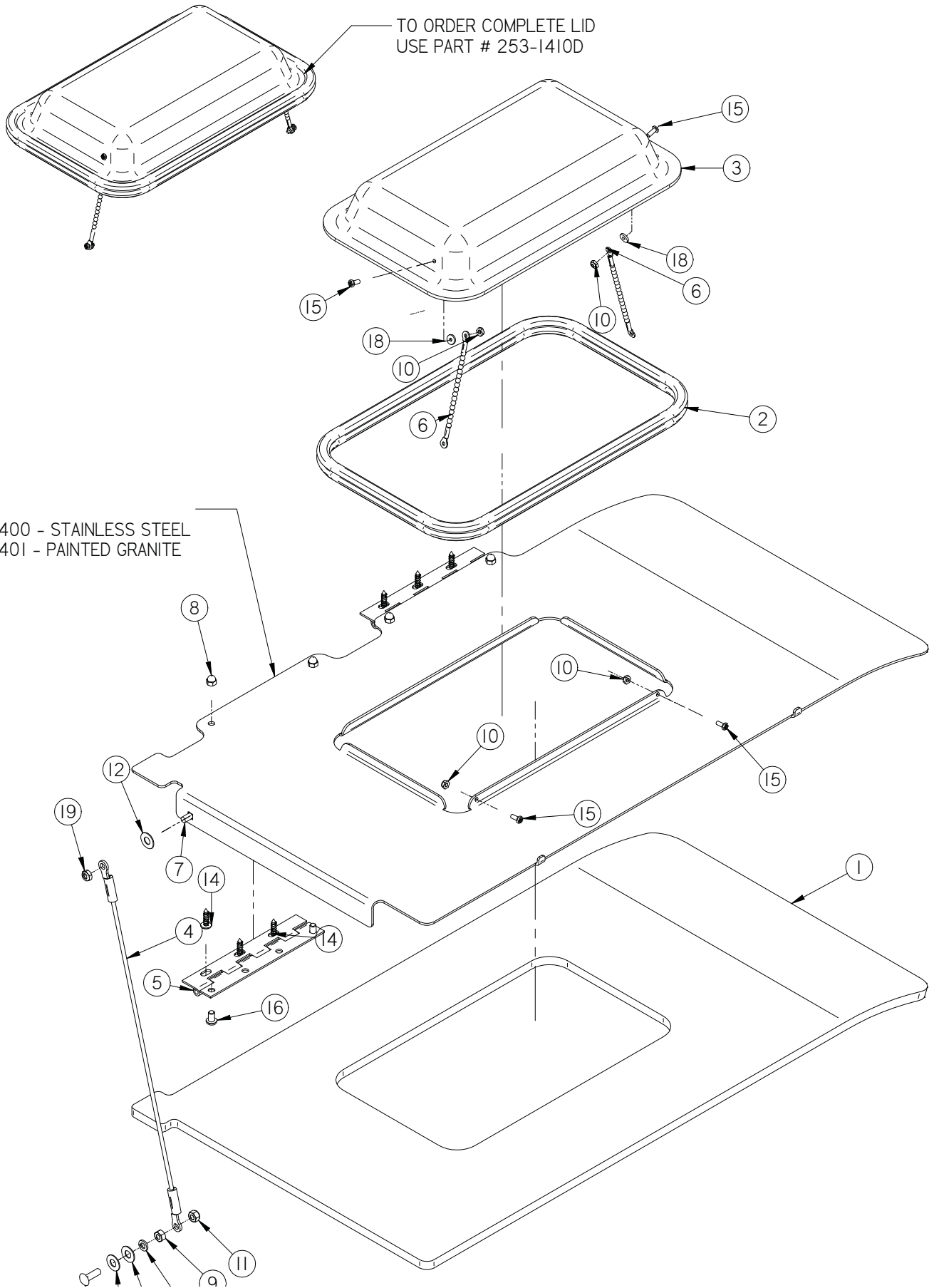
# 16 Tank Assembly





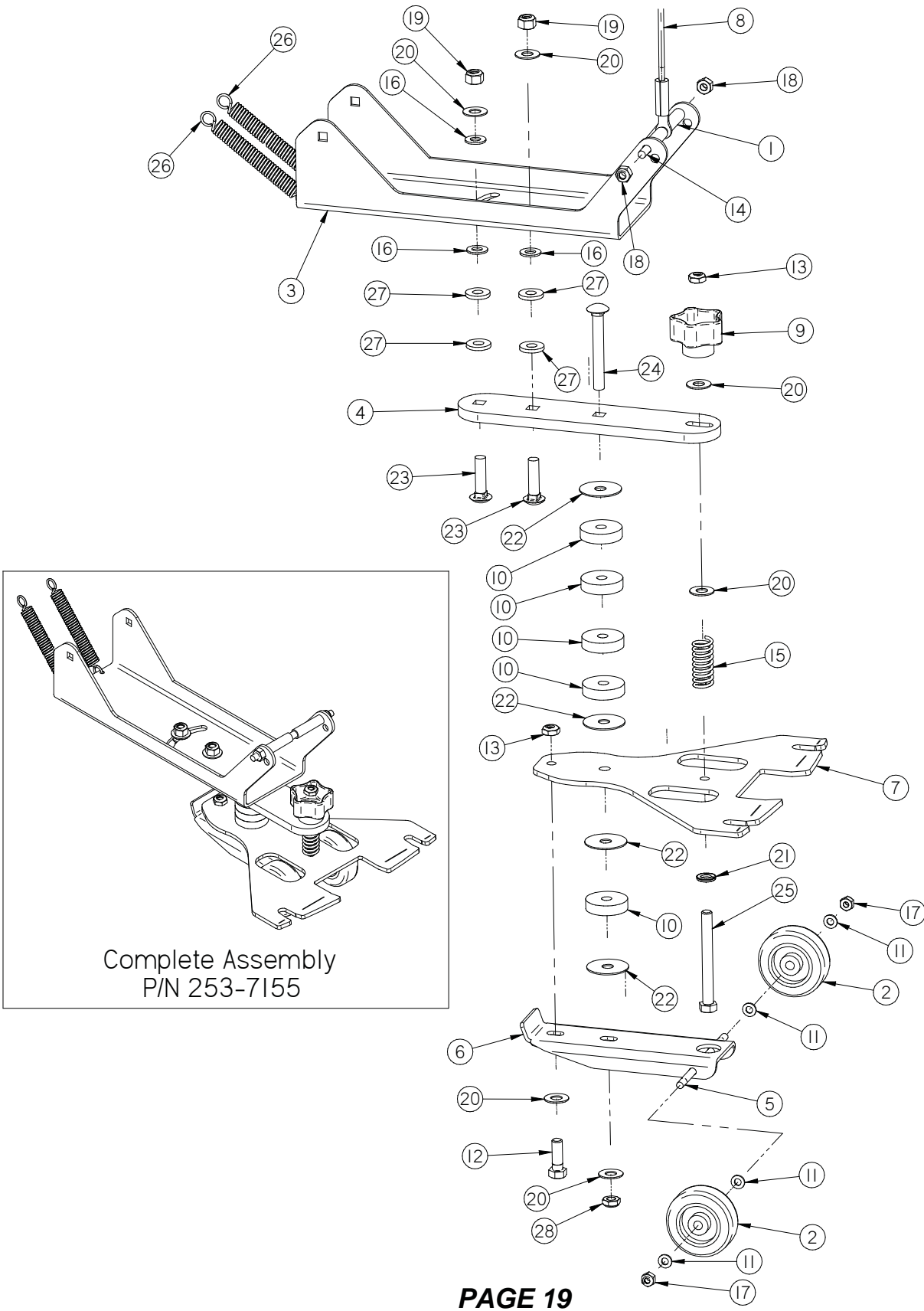
Item	Part Number	Part Description	Qty
1	170-7210	DRAIN HOSE WITH PLUG	1
2	170-7211	HOSE CAP	1
3	190-1210	2.0" MNPT X 2.0" BARB, PVC	1
4	190-5779	ELBOW, MALE 1/2" NPT X 1/2" TUBE OD, GLASS FILLED NYLON	1
5	253-0111	SQUEEGEE HOSE, 1.50" ID X 38.50" LG.	1
6	253-1137	VAC MOTOR INSULATION	1
7	253-1139	INSULATION SUPPORT	1
8	253-1370	CLEAR HOSE, 3/4" ID X 1.0" OD X 26" LG	1
9	253-1604	1/2" ID X 11-1/2" LG WIRE REINF. CLEAR TUBE	2
10	253-1605	1/2" ID X 36-1/2" LG WIRE REINF. CLEAR TUBE	1
11	253-4100	WIRE PLATE	1
12	253-9491	HOOK	2
13	290-7041	2" NPT X 2" BARB STREET ELBOW, BLACK	1
14	5-719	CLAMP 1 9/16 - 2 1/2 " SS	1
15	5-848	CLAMP 9/16"- 1 1/16" SS	1
16	H-0127288	#6 3/8" RUBBER LOOP CLAMP	1
17	H-081	CLAMP 7/16"- 25/32" SS	2
18	H-3225T	RUBBER LOOP CLAMP, 1-1/2"	1
19	H-70001	HCS 1/4"-20 X 1/2 SS"	4
20	H-70003	HCS 1/4"-20 X 3/4" SS	2
21	H-71013	FW 1/4 ID X 5/8 OD SS	2
22	H-71063	LW 1/4" SS	6
23	M-5346K68	1/2" MNPT X 3/4" BARB, BRASS	1
24	M-53525K58	ELBOW, 1/2" MNPT X 1/2" BARB, BRASS	1
25	M-5463K727	WYE, 1/2", NYLON	1

# 18 Tank Lid Assembly



Item	Part Number	Part Description	Qty
1	253-1071	RECOVERY TANK LID GASKET	1
2	253-1075	PUSH-ON RUBBER GASKET	1
3	253-1410	VAC FORMED CLEAR COVER	1
4	253-1450	RECOVERY TANK CABLE, 20"	1
5	32-8000	8" CONTINUOUS HINGE	2
6	370-4060	6" LANYARD	2
7	H-0172526	CB 5/16"- 18 X 5/8" SS	1
8	H-37709	5/16-18 ACORN NUT	4
9	H-70711	HN 5/16"- 18 SS	1
10	H-70858	NYLOK #10-32 SS	6
11	H-70861	NYLOK 5/16" - 18 SS	1
12	H-71017	FW 3/8 ID X 7/8 OD SS	3
13	H-71065	LW 5/16" SS	1
14	H-71894	#14 X 1" SELF TAPPING SCREW	6
15	H-72515	PPH #10-32 X 1/2" S/S	6
16	H-73777	BHSCS 5/16-18 X 1/2"	4
17	H-74430	CB 5/16"- 18 X 1" SS	1
18	H-90133	.170 ID X .50 OD X .093 TH NEOPRENE WASHER	2
19	H-NJ05C	JNYL 5/16"- 18 SS	1

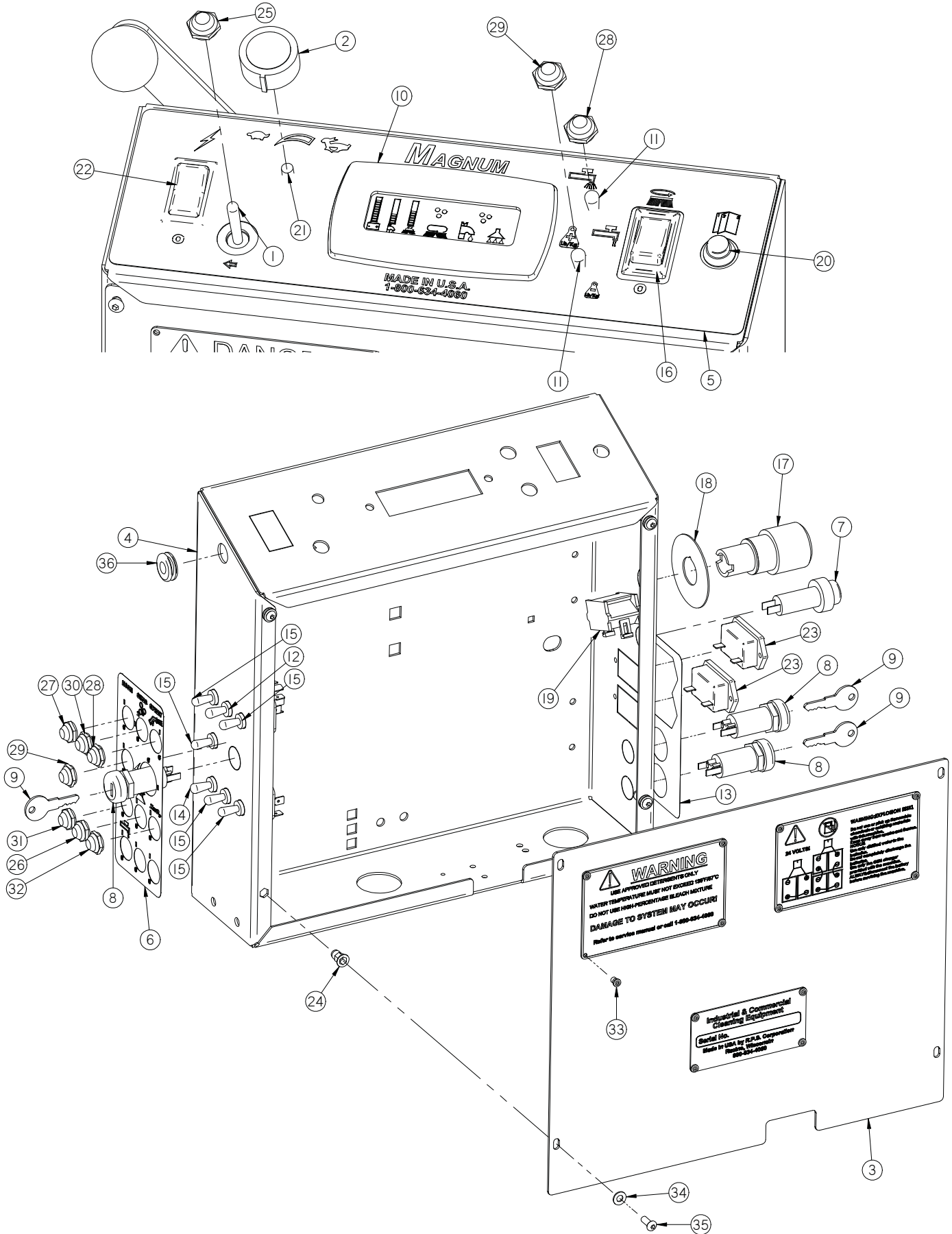
### SQUEEGEE TRAIL ARM ASSEMBLY



## SQUEEGEE TRAIL ARM ASSEMBLY

Item	Part Number	Part Description	Qty
1	190-1055	TUBE, 5/16" ID X 7/16" OD X 1-5/8" LG	2
2	21-7570	BACK UP WHEEL (GREY)	2
3	253-7140	SQUEEGEE SWING PLATE	1
4	253-7150	SQUEEGEE TRAIL ARM	1
5	253-7160	SQUEEGEE WHEEL AXLE	1
6	253-7220	SQUEEGEE TRAIL MOUNT	1
7	253-7610	SQUEEGEE TRIANGLE PLATE	1
8	253-7890	SQUEEGEE LIFT CABLE, 27-5/8"	1
9	290-5787	STAR KNOB, 3/8-24 THREAD	1
10	4-446	GROMMET-3/8 ID X 1-1/2 OD X .375	5
11	H-00283	FW 1/4" NYLON	4
12	H-01219	HCS 3/8"- 24 X 1 1/8" SS	1
13	H-0171004	JNYL 3/8- 24 SS	2
14	H-10097811	5/16-18 X 5" DOUBLE ENDED STUD S/S	1
15	H-1111	SPRING, 1/2" ID X 2-1/2" LG	1
16	H-4440024	FW 3/8" X 3/4" NYLON	3
17	H-70860	NYLOK 1/4"- 20 SS	2
18	H-70861	NYLOK 5/16" - 18 SS	2
19	H-70862	NYLOK 3/8"-16 SS	2
20	H-71017	FW 3/8 ID X 7/8 OD SS	6
21	H-71067	LW 3/8" SS	1
22	H-71217	FNW 3/8 ID X 1-1/2 OD SS	4
23	H-74438	CB 3/8"- 16 X 1-1/2" SS	2
24	H-74441	CB 3/8"- 16 X 3.0" SS	1
25	H-92865A227	HCS 3/8"- 24 X 3.5" SS	1
26	H-96544	SPRING, 4-1/8" LG, 9/16 OD, (42E)	2
27	H-98025	FW 3/8" GRADE 8	4
28	H-NJ06C	JNYL 3/8- 16 SS	1

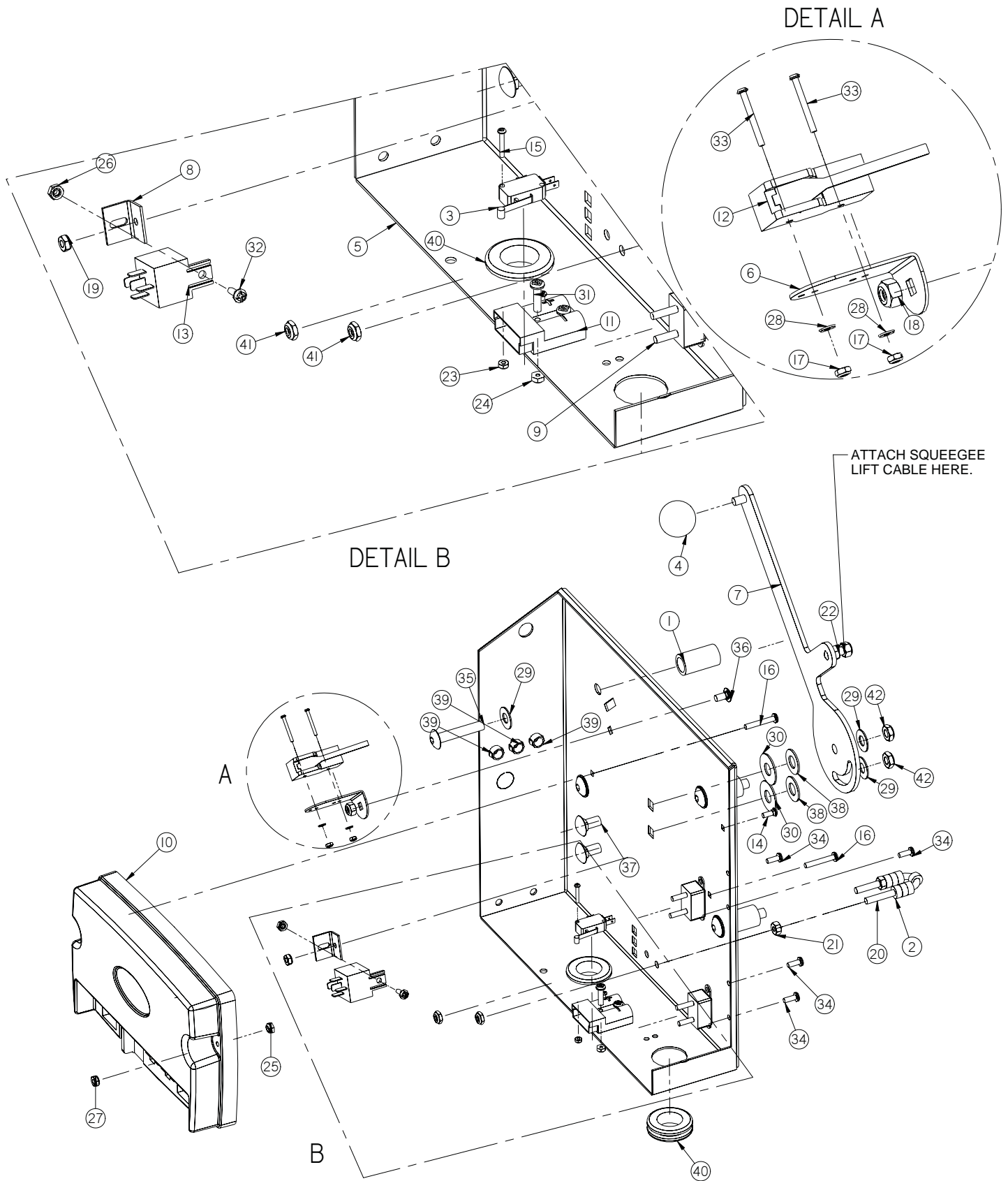
# 22 Control Panel Assembly



Item	Part Number	Part Description	Qty	Options
1	150-2830	SWITCH, TOGGLE, MOM/OFF/MOM (DPDT)	1	
2	21-4520	SPEED CONTROL KNOB, RED	1	
3	253-2006	CONTROL PANEL COVER	1	
4	253-2010	CONTROL PANEL BOX	1	
5	253-2011	CONTROL PANEL DECAL	1	
6	253-2017	SUDS/SPRAY STICKER	1	
7	253-2300	CHARGER STATUS INDICATOR	1	
8	290-234	KEY SWITCH (WITH KEY)	3	OPTIONAL
9	290-234A	KEY SET (REPLACE)	3	OPTIONAL
10	290-2891	LCD SCREEN	1	
11	370-2830	SWITCH, TOGGLE, MOM/OFF/MOM (DPDT)	2	
12	370-2831	SWITCH, TOGGLE, ON/OFF/ON (DPDT)	1	
13	370-7204	METER STICKER	1	
14	370-8210	SWITCH, TOGGLE, ON/ON (DPDT)	1	
15	370-8920	TOGGLE, ON-OFF SPST	5	OPTIONAL
16	5-234	SWITCH, ROCKER, DPDT, ON/ON	1	
17	5-300	EMERGENCY SHUT OFF	1	OPTIONAL
18	5-301	EMERGENCY LEGEND PLATE	1	OPTIONAL
19	5-302	EMERGENCY CONTACT BLACK	1	OPTIONAL
20	7-229D	PUSH BUTTON SWITCH	1	
21	7-292	5K POTENTIOMETER	1	
22	8-231	SWITCH, ON-OFF ROCKER SPST	1	
23	8-262	HOUR METER	2	
24	H-1032HCN	HCN #10-32	2	
25	H-11196	PROTECTIVE BOOT, TOGGLE SWITCH, (RED)	1	
26	H-11197	PROTECTIVE BOOT, TOGGLE SWITCH, (YELLOW)	1	OPTIONAL
27	H-11198	PROTECTIVE BOOT, TOGGLE SWITCH, (GREEN)	1	
28	H-11199	PROTECTIVE BOOT, TOGGLE SWITCH, (BLUE)	2	OPTIONAL
29	H-11200	PROTECTIVE BOOT, TOGGLE SWITCH, (BLACK)	2	
30	H-11201	PROTECTIVE BOOT, TOGGLE SWITCH, (GRAY)	1	OPTIONAL
31	H-11202	PROTECTIVE BOOT, TOGGLE SWITCH, (ORANGE)	1	OPTIONAL
32	H-11205	PROTECTIVE BOOT, TOGGLE SWITCH, (LIGHT BLUE)	1	OPTIONAL
33	H-41007	AB4-3A BLIND RIVET	12	
34	H-71009	FW #10 SS	4	
35	H-73743	BHSCS 10-32 X 1/2" SS	2	
36	M-9307K22	GROMMET, RUBBER 3/8 ID X 7/8 OD X 5/16 TH.	1	

The Protective Boots for Toggle Switches list on this parts list are for machines with the Serial Number of 57736 and up. Any machine with a Serial Number 57735 and lower should reference the Product Change Bulletin 602 (PCB-602).

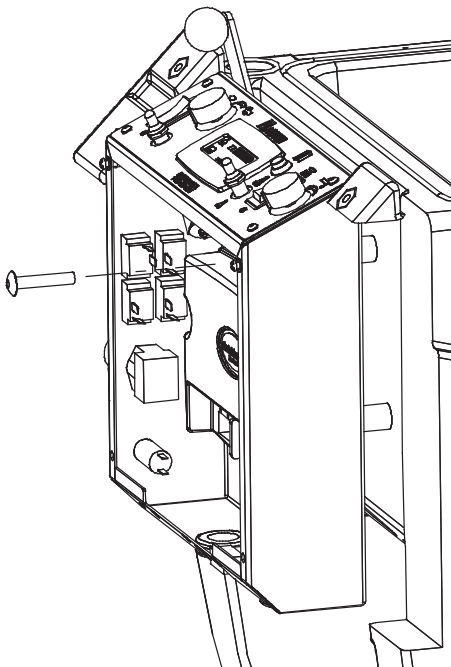
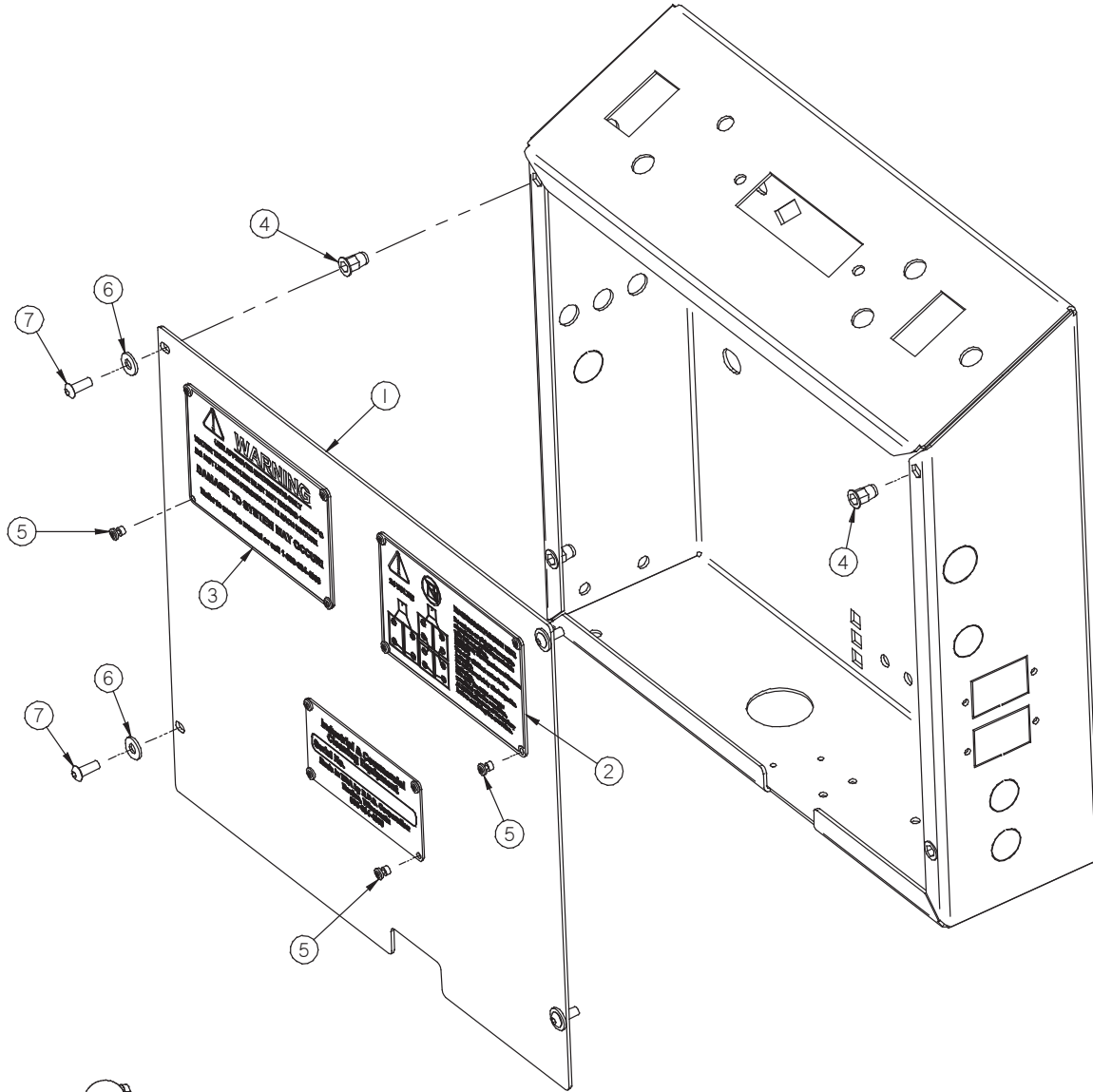
# 24 Control Panel Assembly



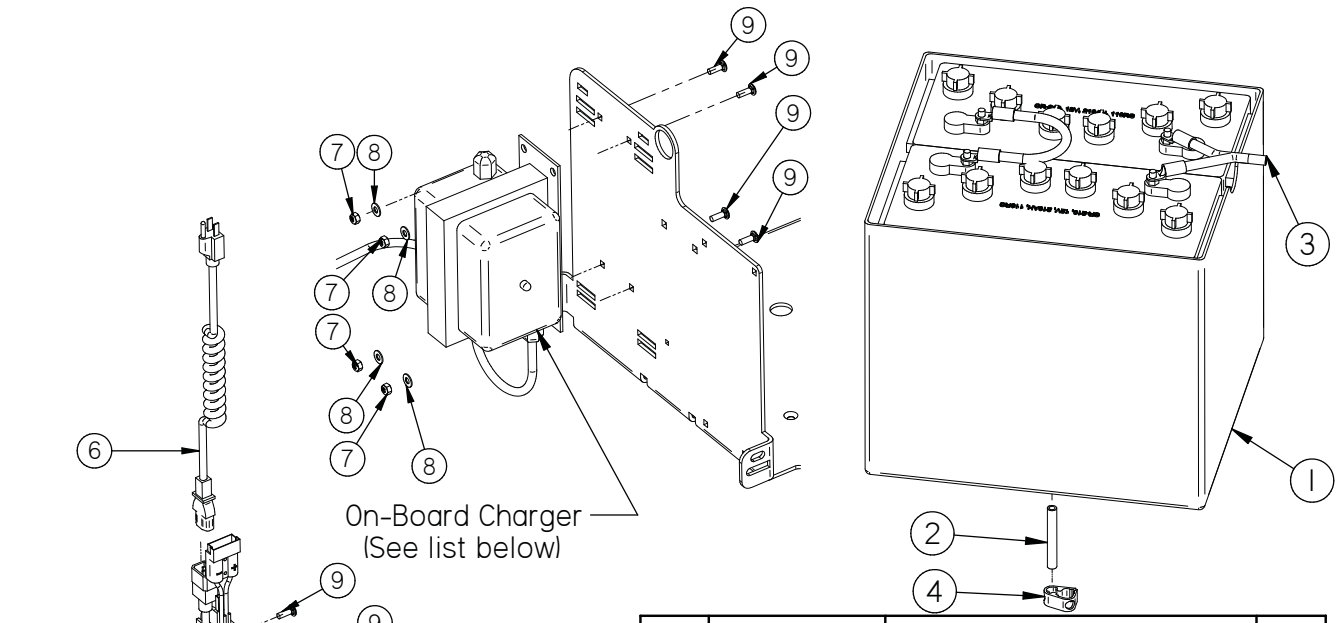


Item	Part Number	Part Description	Qty	Options
1	170-2700	SPACER, 1-1/2" LG	1	
2	21-2211	SPACER 1/2 OD X 1/4"	7	
3	21-2230	MICRO SWITCH	1	OPTIONAL
4	21-7101	LIFT KNOB	1	
5	253-2010	CONTROL PANEL BOX	1	
6	253-2020	BRACKET, LIMIT SWITCH	1	
7	253-7100	SQUEEGEE LIFT LEVER	1	
8	290-2020	BRACKET	1	
9	290-2815	CIR. BREAKER - 15A, 24V	1	
10	390-2899	CONTROLLER V4	1	
11	4-257	CONNECTOR, RED 50, WITH CONTACTS	1	
12	5-223	LIMIT SWITCH	1	
13	5-293	15 AMP RELAY	1	
14	H-0172518	CB #10-32 X 1/2" SS	1	
15	H-28667	PHP MS 4-40 X 3/4"	2	
16	H-29049	PPH #10-32 X 1/2"	2	
17	H-37006	NYLOK #4-40	2	
18	H-37018	NYLOK 1/4"-20	1	
19	H-37408	KN #10-32	1	
20	H-42003	U-BOLT, 1/4-20 X 3/4" ID X 2-1/4" LG, S/S	1	
21	H-70710	HN 1/4"- 20 SS	2	
22	H-70711	HN 5/16"- 18 SS	1	
23	H-70854	NYLOK #4-40 SS	2	
24	H-70855	NYLOK #6-32 SS	2	
25	H-70858	NYLOK #10-32 SS	2	
26	H-70922	KN #8-32	1	
27	H-70923	KN #10-32 SS	2	
28	H-71004	FW 1/8" X 5/16" SS	2	
29	H-71017	FW 3/8 ID X 7/8 OD SS	6	
30	H-71021	FW 1/2 ID X 1-1/4 OD SS	2	
31	H-72388	PPH #6-32 X 3/4" SS	2	
32	H-72398	PPH #8-32 X 1/2" S/S	1	
33	H-72494	PPH #4-40 X 1" S/S	2	
34	H-72515	PPH #10-32 X 1/2" S/S	4	
35	H-73819	BHSCS 3/8"- 16 X 2" S/S	4	
36	H-74417	CB 1/4"- 20 X .5" SS	1	
37	H-74444	CB 3/8"- 16 X 3/4" SS	2	
38	H-76065	FW 1/2" NYLON	2	
39	H-85985	HOLE PLUG 1/2"	3	OPTIONAL
40	H-9307K74	GROMMET, 1" ID X 1-3/4" OD BUNA-N	2	
41	H-NJ04C	JNYL 1/4" - 20 SS	2	
42	H-NJ06C	JNYL 3/8- 16 SS	2	

# 26 Control Panel Assembly



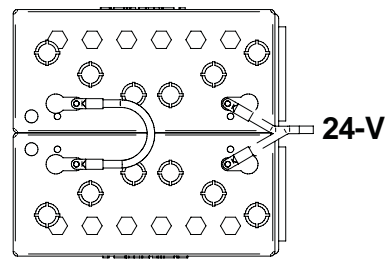
Item	Part Number	Part Description	Qty	Options
1	253-2006	CONTROL PANEL COVER	1	
2	253-7280	EXPLOSION WARNING PLATE	1	
3	5-728	DETERGENT WARNING PLATE	1	
4	H-1032HCN	HCN #10-32	4	
5	H-41007	AB4-3A BLIND RIVET	12	
6	H-71009	FW #10 SS	4	
7	H-73743	BHSCS 10-32 X 1/2" SS	4	



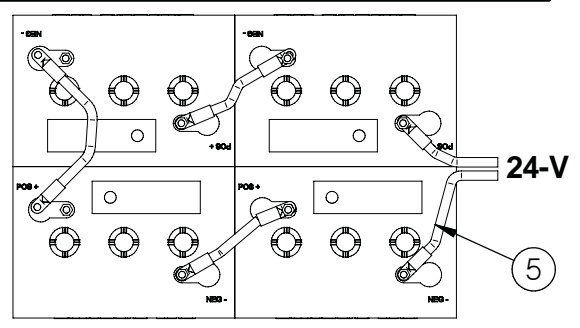
Item	Part Number	Part Description	Qty
1	21-0000	2000 SERIES BATTERY TRAY	1
2	253-1608	BLACK HOSE, 3-1/4" LG	1
3	253-1900	WIRE HARNESS, COMPLETE	1
4	M-503IK12	CLAMP STYLE PINCH VALVE	1
5	253-1901	WIRE HARNESS, COMPLETE	1
6	253-3444	EXTENDED COIL, 16A WG, 3 CONDUCTOR	1
7	H-70860	NYLOK 1/4"- 20 SS	8
8	H-71013	FW 1/4 ID X 5/8 OD SS	8
9	H-74419	CB 1/4"- 20 X .75" SS	8

WHICH BATTERY CHARGER TO USE WITH BATTERY SELECTION				
Battery Part Number & Description	Off-Board Charger North American	Off-Board Charger Export	On-Board Charger North American	On-Board Charger Export
2-271 (12V, 210 AH)	21-2440	21-2442	253-2450	253-2451
250-2113 (6V, 240 AH)	21-2440	21-2442	253-2450	253-2451
370-2117 (6V, 305 AH)	7-244	7-251	N/A	N/A
250-2114 (6V, 260 AH, M.F.)	21-2450	21-2451	253-2450	253-2451
250-2112 (6V, 325 AH, M.F.)	21-2450	21-2451	253-2450	253-2451
253-2110 (12V, 175 AH)	21-2440	21-2442	253-2450	253-2451

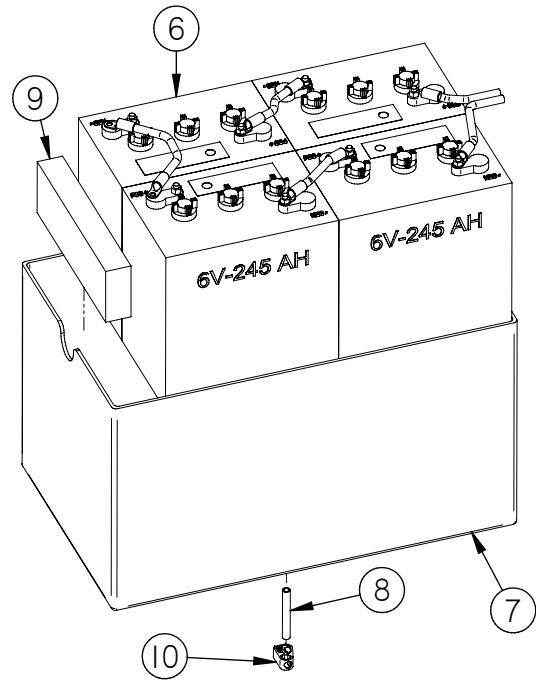
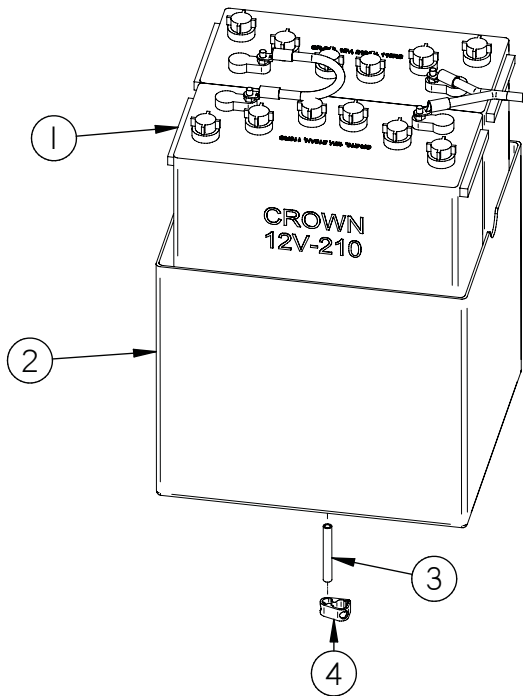
Note: Japan & Korea are not included for list above.



(2) 12-V BATTERY WIRING DIAGRAM



(4) 6-V BATTERY WIRING DIAGRAM



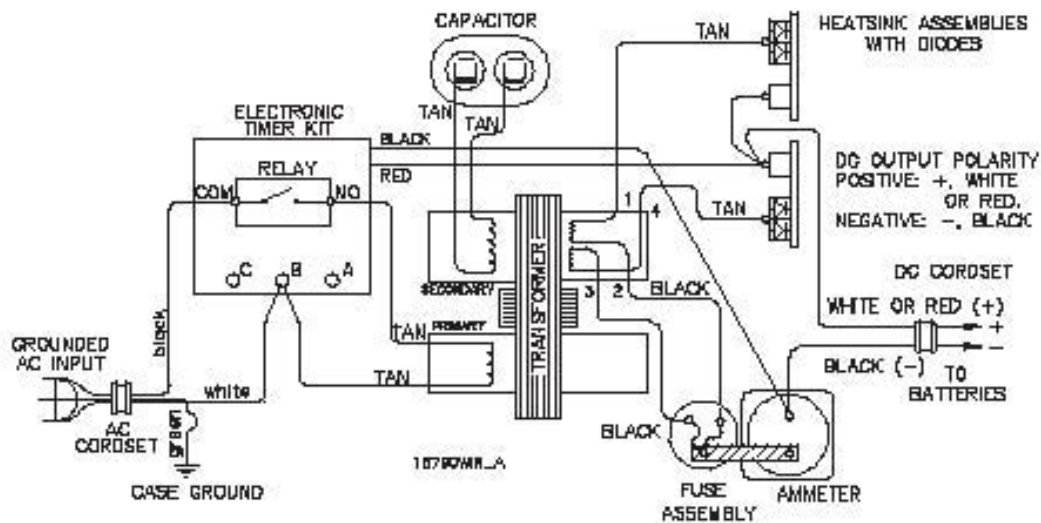
Item	Part Number	Part Description	Optional P/N	Optional Description	Qty
1	2-271	BATTERY, CR-210, 12 V, 210 AH, 110 RC	2-272	BATTERY, 12-V, 185 AH, AGM	2
2	21-0000	2000 SERIES BATTERY TRAY			1
3	253-1608	BLACK HOSE, 3-1/4" LG			1
4	M-503IK12	CLAMP STYLE PINCH VALVE			1
Item	Part Number	Part Description	Optional P/N	Optional Description	Qty
6	250-2110	BATTERY 6 V 245 AH	250-2112 250-2114	BATTERY, 6-V, 305 AH, AGM BATTERY, 6-V, 250 AH, AGM	4
7	253-1480	MAGNUM SERIES BATTERY TRAY			1
8	253-1608	BLACK HOSE, 3-1/4" LG			1
9	290-1490	BATTERY SPACER, 11.0"			1
10	M-503IK12	CLAMP STYLE PINCH VALVE			1

WHICH BATTERY CHARGER TO USE WITH BATTERY SELECTION				
Battery Part Number & Description	Off-Board Charger North American	Off-Board Charger Export	On-Board Charger North American	On-Board Charger Export
2-271 (12V, 210 AH)	21-2440	21-2442	253-2450	253-2451
250-2113 (6V, 240 AH)	21-2440	21-2442	253-2450	253-2451
370-2117 (6V, 305 AH)	7-244	7-251	N/A	N/A
250-2114 (6V, 260 AH, M.F.)	21-2450	21-2451	253-2450	253-2451
250-2112 (6V, 325 AH, M.F.)	21-2450	21-2451	253-2450	253-2451
253-2110 (12V, 175 AH)	21-2440	21-2442	253-2450	253-2451



7-244 CHARGER PARTS LIST

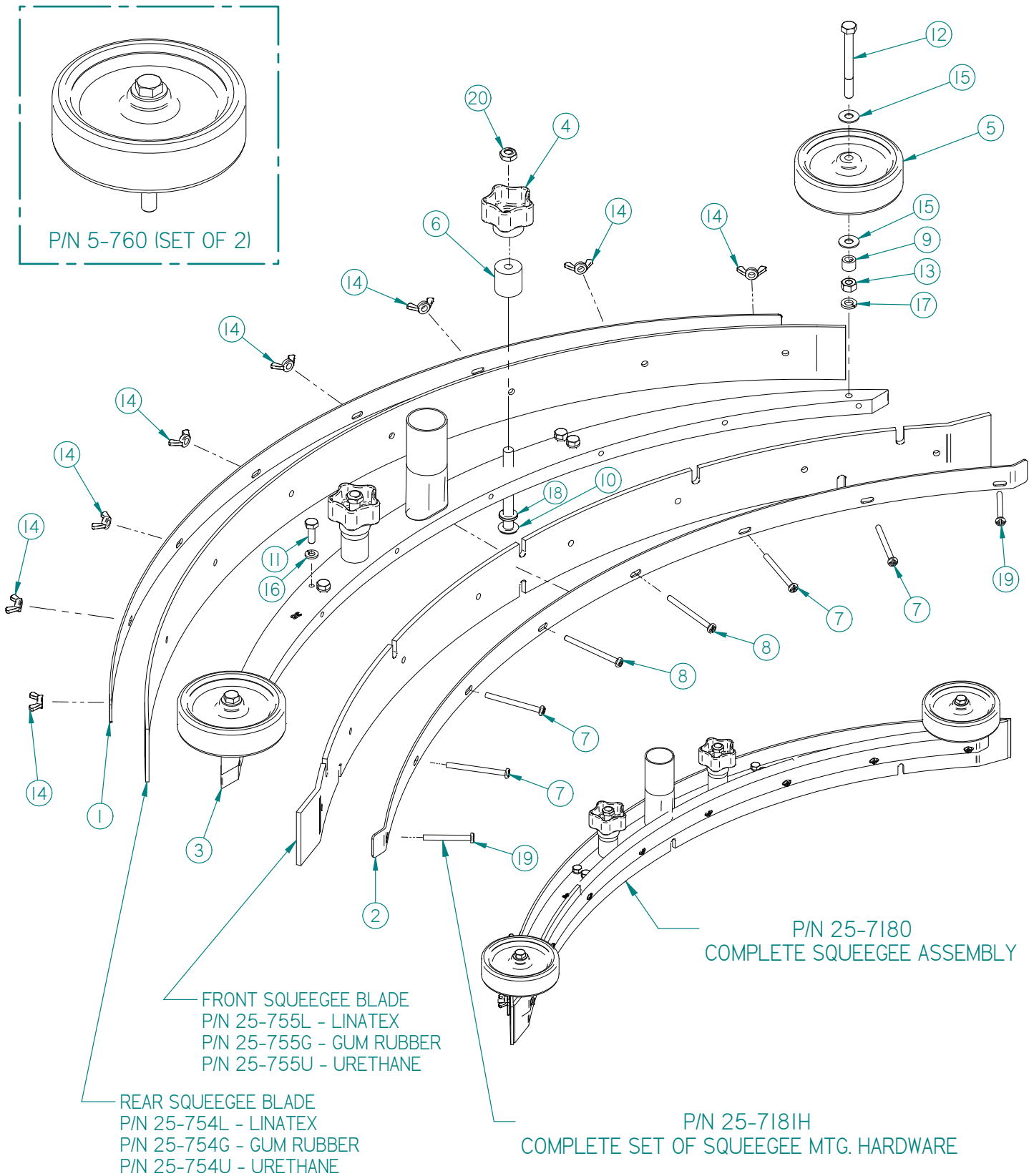
WIRING DIAGRAM



PARTS LIST FOR POWERCAT CHARGER  
 PART# 7-243  
 115 VAC / 60 HZ  
 24 VDC 36A

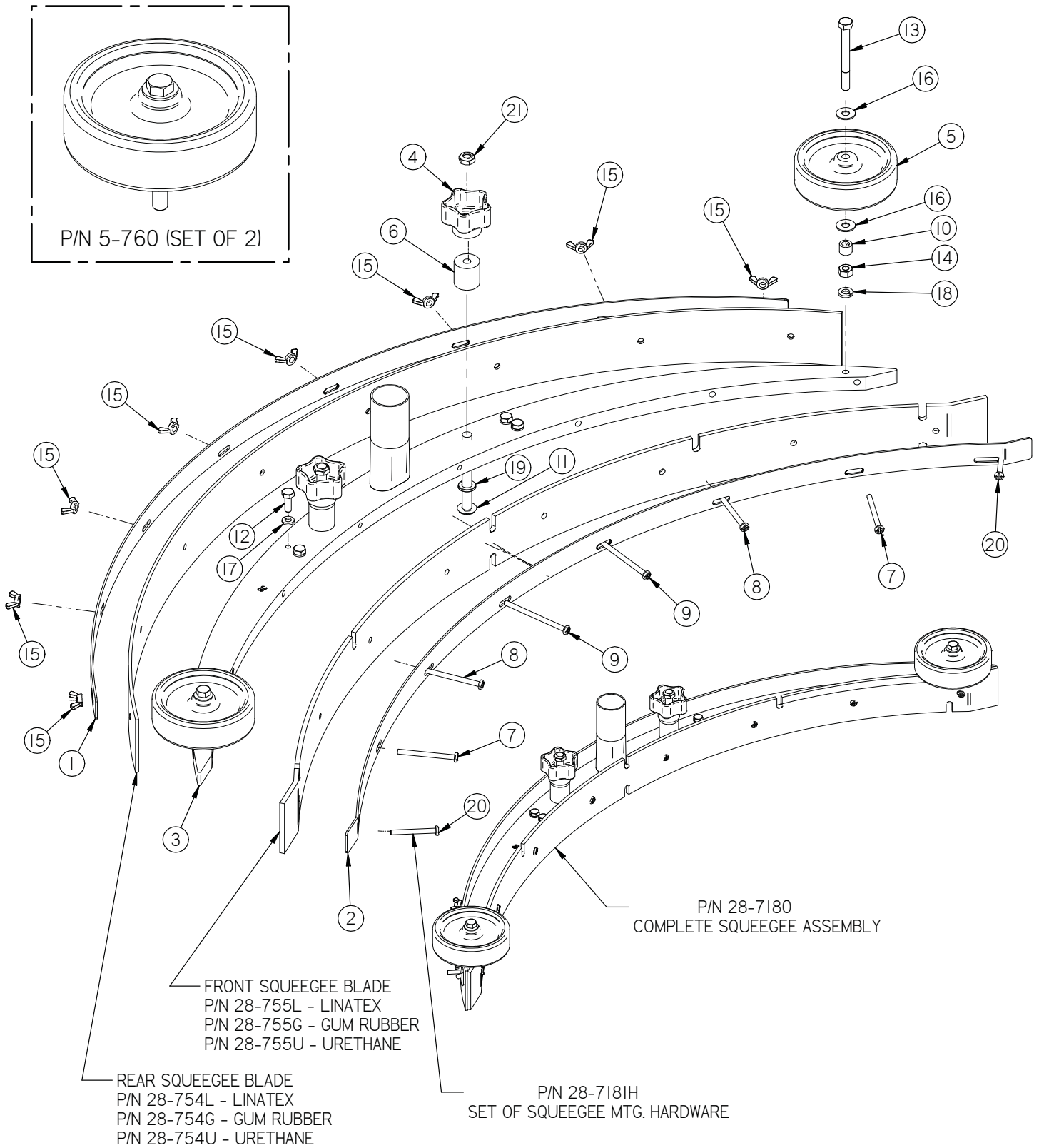
PART NO.	QTY.	DESCRIPTION
7-244A	1	CASE ASSEMBLY
7-224TR	1	TRANSFORMER ASSEMBLY
7-244B	1	CAPACITOR, 8 MFD, 880 VAC
7-244H	2	HEATSINK ASSEMBLY W/ 2 DIODES IN PARALLEL
7-244F	1	FUSE ASSEMBLY
7-244G	1	AMMETER, 50 AMP, W/ CORNER MOUNTING STUDS
7-244T	1	ELECTRONIC, TIMER ASSEMBLY
7-244C	1	CORDSET BUSHING, 7W-2, FOR INPUT CORDSET
7-244D	1	CORDSET BUSHING, 8P-2, FOR OUTPUT CORDSET
7-244E	1	AC CORDSET, 14/3, 88" W/ 125V/15A PLUG
7-244J	1	DC CORDSET, 10/2, 108", W/ SB50 RED PLUG
7-244K	1	DC CORDSET, 10/2, 108", W/ SB175 RED PLUG

# 30 35 Inch Squeegee Assembly



Item	Part No.	Part Description	Qty
1	25-7160	SQUEEGEE BAND, REAR	1
2	25-7170	SQUEEGEE BAND, FRONT	1
3	25-7181	35" SQUEEGEE BODY	1
4	290-5786	STAR KNOB, 3/8-16 THREAD	2
5	5-760B	4" SIDE WHEEL (GREY)	2
6	5-846	STANDOFF, 1.03"	2
7	H-00249	PPH #10-32 X 2 1/4" SS	4
8	H-00288	PPH #10-32 X 2 1/2" SS	2
9	H-33371	5/16" ID SHAFT COLLAR	2
10	H-37350	BHSCS 3/8"- 16 X 3-1/2" S/S	2
11	H-70003	HCS 1/4"- 20 X 3/4" SS	4
12	H-70065	HCS 5/16"- 18 X 3" SS	2
13	H-70711	HN 5/16"- 18 SS	2
14	H-70908	WINGNUT 10-32 SS	8
15	H-71015	FW 5/16" X 3/4" SAE SS	4
16	H-71063	LW 1/4" SS	4
17	H-71065	LW 5/16" SS	2
18	H-71067	LW 3/8" SS	2
19	H-72555	PPH #10-32 X 1 3/4" SS	2
20	H-NJ06C	JNYL 3/8- 16 SS	2

# 32 38 Inch Squeegee Assembly

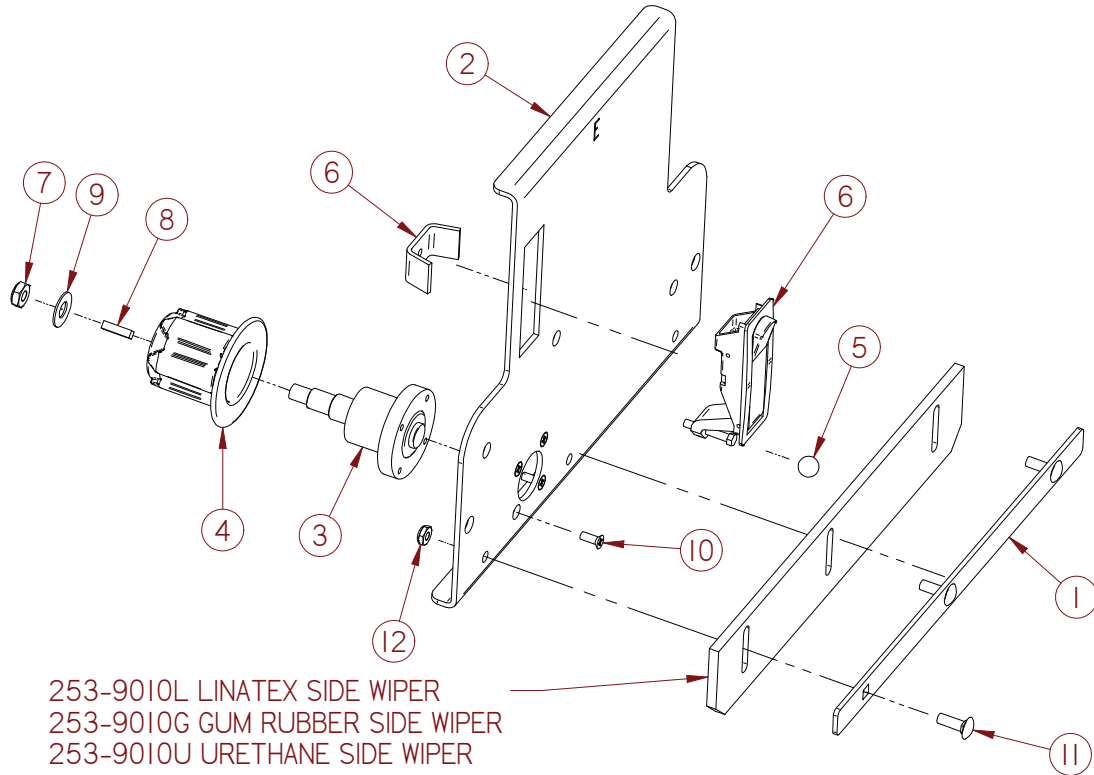




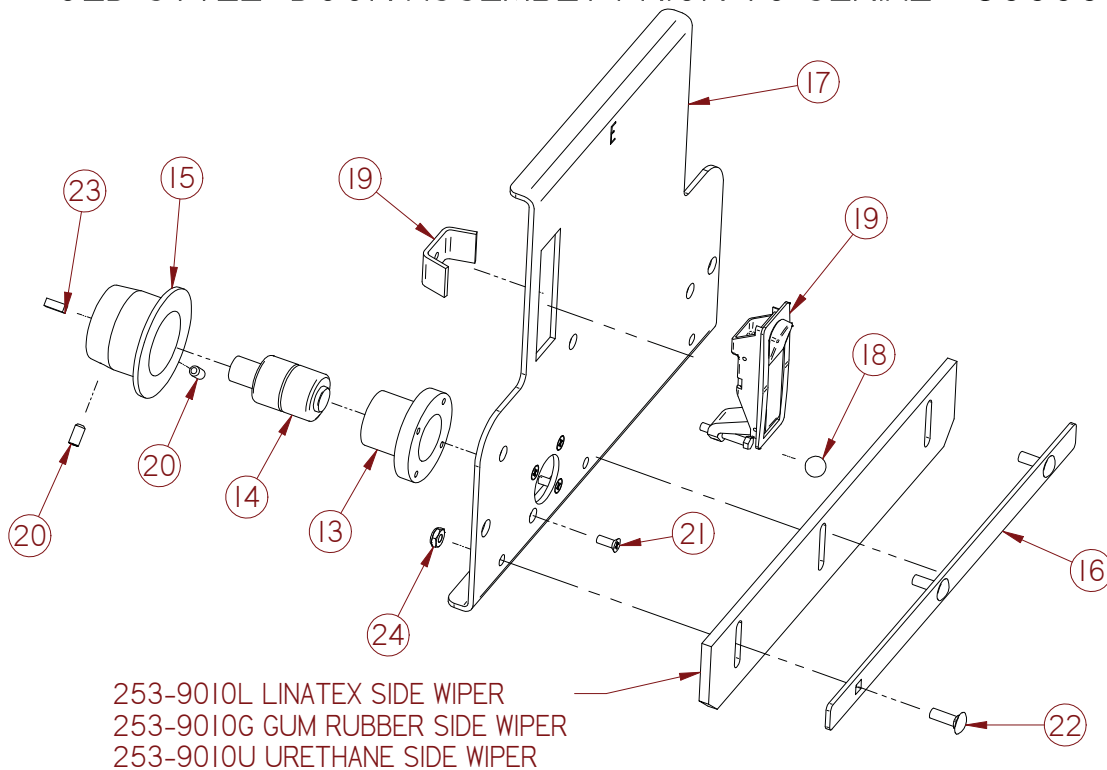
Item	Part No.	Part Description	Qty,
1	28-7160	38" SQUEEGEE BAND, REAR	1
2	28-7170	38" SQUEEGEE BAND, FRONT	1
3	28-7181	38" SQUEEGEE BODY	1
4	290-5786	STAR KNOB, 3/8-16 THREAD	2
5	5-760B	4" SIDE WHEEL (GREY)	2
6	5-846	STANDOFF, 1.03"	2
7	H-00249	PPH #10-32 X 2 1/4" SS	2
8	H-00288	PPH #10-32 X 2 1/2" SS	2
9	H-0170368	PPH #10-32 X 3.0" SS	2
10	H-33371	5/16" ID SHAFT COLLAR	2
11	H-37350	BHSCS 3/8"- 16 X 3-1/2" S/S	2
12	H-70003	HCS 1/4"- 20 X 3/4" SS	4
13	H-70065	HCS 5/16"- 18 X 3" SS	2
14	H-70711	HN 5/16"- 18 SS	2
15	H-70908	WINGNUT 10-32 SS	8
16	H-71015	FW 5/16" X 3/4" SAE SS	4
17	H-71063	LW 1/4" SS	4
18	H-71065	LW 5/16" SS	2
19	H-71067	LW 3/8" SS	2
20	H-72555	PPH #10-32 X 1 3/4" SS	2
21	H-NJ06C	JNYL 3/8- 16 SS	2

# CYLINDRICAL DOOR ASSEMBLY

"NEW STYLE" DOOR ASSEMBLY SERIAL #50000 & GREATER



"OLD STYLE" DOOR ASSEMBLY PRIOR TO SERIAL #50000



# CYLINDRICAL DOOR ASSEMBLY

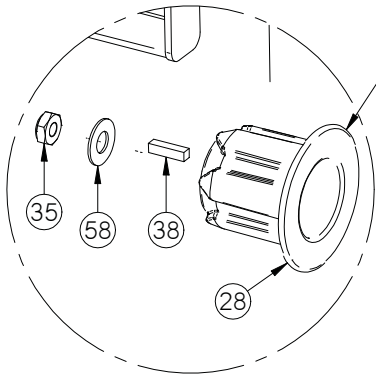
"NEW STYLE" DOOR ASSEMBLY SERIAL #50000 & GREATER

Item	Part Number	Part Description	Qty
1	253-9015	WIPER BAND	1
2	253-9022	DRIVE COVER	1
3	370-8241A	IDLER DRIVE BEARING	1
4	370-8370	BRUSH IDLER	1
5	5-100	GROMMET	1
6	5-130	DOOR LATCH	1
7	H-0171004	JNYL 3/8- 24 SS	1
8	H-0953152	3/16" X 3/4" KEY	1
9	H-71017	FW 3/8 ID X 7/8 OD SS	1
10	H-72682	FHP #10-32 X 1/2" SS	4
11	H-74419	CB 1/4"- 20 X .75" SS	3
12	H-NJ04C	JNYL 1/4" - 20 SS	3

"OLD STYLE" DOOR ASSEMBLY PRIOR TO SERIAL #50000

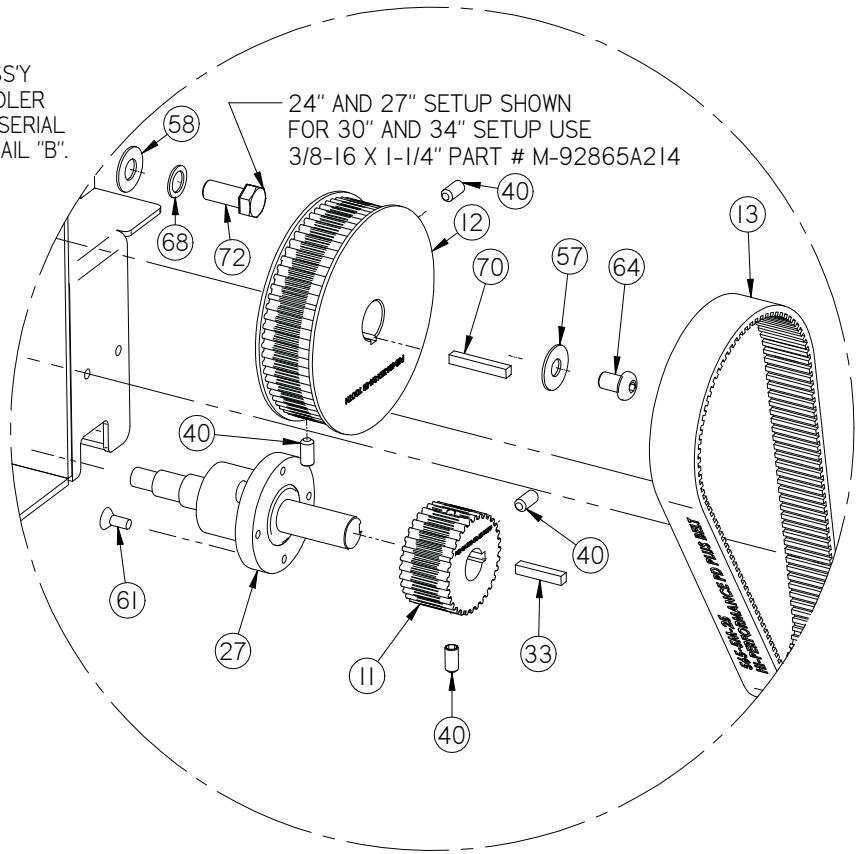
Item	Part Number	Part Description	Qty
13	1-305	BEARING HOUSING	1
14	253-8241	IDLER BEARING	1
15	253-8370	CYLINDRICAL BRUSH IDLER	1
16	253-9015	WIPER BAND	1
17	253-9022	DRIVE COVER	1
18	5-100	GROMMET	1
19	5-130	DOOR LATCH	1
20	H-25382	SETSCREW, KCP, 1/4"-20 X 1/2"	2
21	H-72682	FHP #10-32 X 1/2" SS	4
22	H-74419	CB 1/4"- 20 X .75" SS	3
23	H-K1432	3/16" X 1/2" KEY	1
24	H-NJ04C	JNYL 1/4" - 20 SS	3

# 36 Cylindrical Deck Assembly

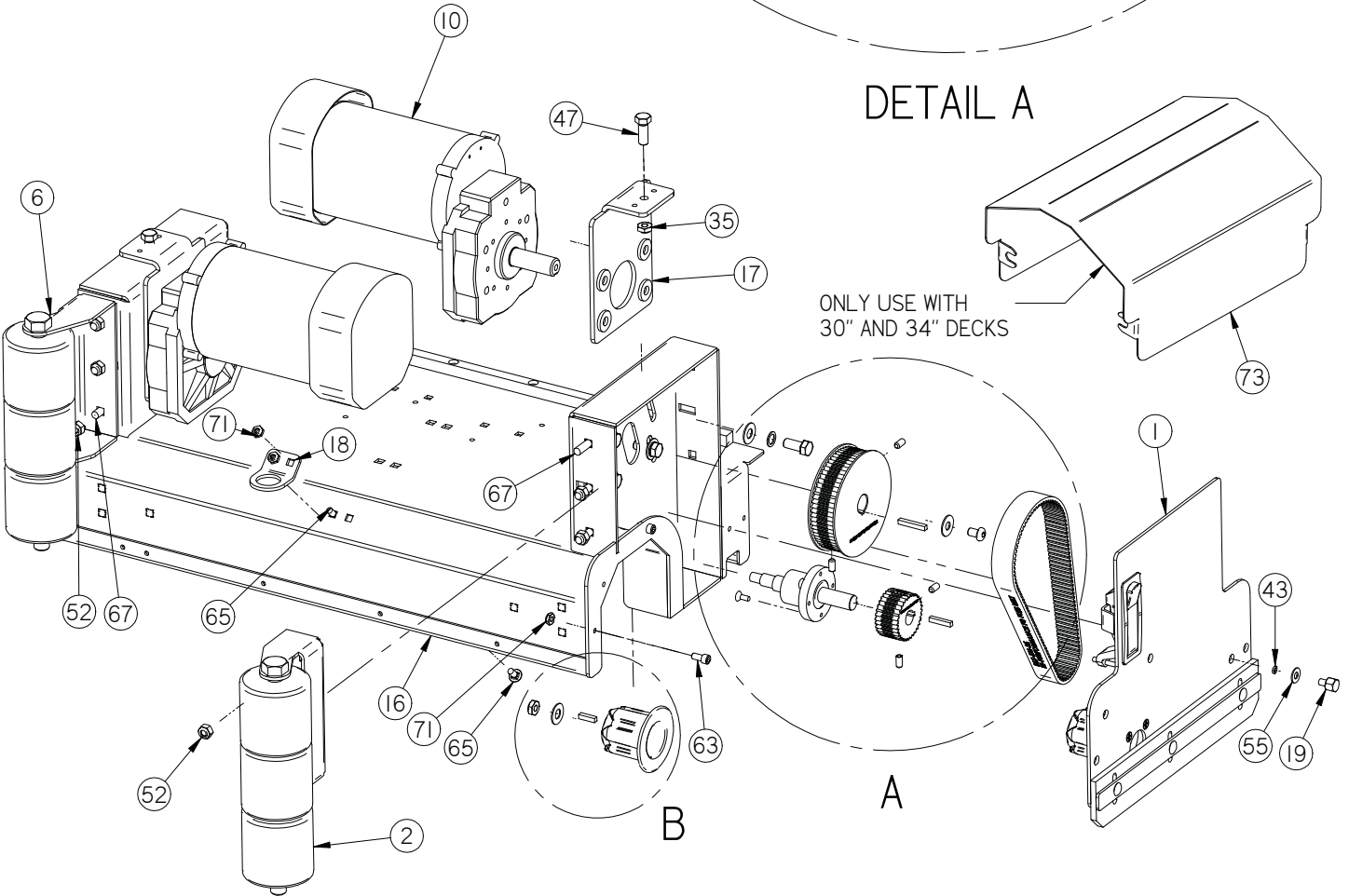
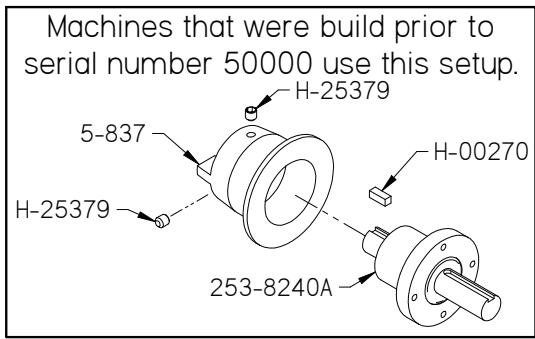


DETAIL B

NOTE:  
SEE CYL DOOR ASSY  
FOR OLD STYLE IDLER  
SETUP PRIOR TO SERIAL  
#50000 FOR DETAIL "B".



DETAIL A



Item	Part Description	24" P/N PAINTED	24" P/N STAINLESS	27" P/N PAINTED	27" P/N STAINLESS	30" P/N PAINTED	30" P/N STAINLESS	34" P/N PAINTED	34" P/N STAINLESS	Qty
1	CYLINDRICAL DOOR ASSEMBLY									2
2	ROLLER	21-1127								6
3	SPACER 1/2 OD X 1/4"	21-2211								2
4	ADJUSTABLE SOLUTION FLOW VALVE	21-4500								1
5	HOPPER RAIL	22-8320	22-8320	25-8320	25-8320	28-8320	28-8320	32-8320	32-8320	1
6	ROLLER BRACKET	253-1128								2
7	1/2" ID X 2-3/4" LG WIRE REINF. CLEAR TUBE	253-1606								1
8	1/2" ID X 12-1/4" LG WIRE REIF. CLEAR TUBE	253-1607								1
9	1/2" ID X 12-1/4" LG WIRE REINF. CLEAR TUBE	253-1607								1
10	MOTOR, 24V, 3/4 HP, 350 RPM	253-211	253-211	253-211	253-211	253-2222	253-2222	253-2222	253-2222	2
11	TIMING SPROCKET 32 TOOTH	253-8215								2
12	TIMING SPROCKET 68 TOOTH	253-8225								2
13	565-5M-25 HI-PERFORMANCE PD PLUS BELT	253-8230								2
14	DRIVE BEARING	253-8240								1
15	ADJUSTABLE LATERAL ARM BODY	253-8435								2
16	CYLINDRICAL BRUSHHEAD, 24"	253-9000	253-5000	253-9027	253-5027	253-9030	253-5030	253-9034	253-5034	1
17	MOTOR ADJ BRACKET	253-9002								2
18	QUICK DISCONNECT BRACKET	253-9003								1
19	THUMB SCREW	253-9024								2
20	24" HOPPER	253-9050	253-5050	253-9051	253-5051	253-9052	253-5052	253-9053	253-5053	1
21	CYLINDRICAL LIFTING BRACKET, LH, 24"	253-9070	253-9070	253-9072	253-9072	253-9074	253-9074	253-9076	253-9076	1
22	CYLINDRICAL LIFTING BRACKET, RH, 24"	253-9071	253-9071	253-9073	253-9073	253-9075	253-9075	253-9077	253-9077	1
23	SCRUBDECK LIFT ARM, CYLINDRICAL	253-9590								1
24	3/8" ID, 1/2" OD, 1/4" LG BEARING	290-1233								8
25	ROD END, 3/8"-24 LEFT HAND THREAD	290-9584								2
26	ROD END, 3/8"-24 RIGHT HAND THREAD	290-9585								2
27	BEARING HOUSING/BEARING	370-8240A								2
28	BRUSH DRIVER/IDLER (NEW STYLE)	370-8370								2
29	BATTERY QUICK DISCONNECT	390-2575								1
30	GROMMET-3/8 ID X 1-1/2 OD X .375	4-446								6
31	RECESSED HANDLE	5-849								1
32	INLINE FILTER	5-913								1
33	3/16" X 1" KEY	H-01125								2
34	JNYL #10-32, 18-8 S/S	H-0129155								13
35	JNYL 3/8- 24 SS	H-0171004								4
36	BHSCS 1/4 - 20 X 1" SS W/PELLET	H-02223								2
37	3/8 ID X 5/8 OD SHIM	H-02949								4
38	3/16" X 3/4" KEY	H-0953152								2
39	HB 5/8"- 11 X 10"	H-11333								2
40	SETScrew, KCP, 1/4"-20 X 1/2"	H-25382								8
41	LH HX JAM .375-24 SS	H-36956								2
42	JNYL 5/8"- 11	H-37038								2
43	O-RING, 3/16" X 5/16" X #8 BUNA	H-66802								2
44	HCS 1/4"-20 X 1/2 SS"	H-70001								1
45	HCS 3/8"- 16 X 1-1/2" SS	H-70109								2
46	HCS 3/8"- 16 X 1-3/4" SS	H-70110								2
47	HCS 3/8"- 24 X 1" S/S	H-70142								2
48	HN 3/8"-16 SS	H-70712								2
49	HN 1/4"- 28 SS	H-70730								1
50	HX JAM .375-24 SS	H-70832								2
51	NYLOK 1/4"- 20 SS	H-70860								1
52	NYLOK 5/16" - 18 SS	H-70861								16
53	NYLOK 3/8"-16 SS	H-70862								4
54	KN #10-32 SS	H-70923								2
55	FW 1/4 ID X 5/8 OD SS	H-71013								2
56	FW 5/16 ID X 3/4 OD SS	H-71015								5
57	FW 5/16 ID X 7/8 OD SS	H-71016								2
58	FW 3/8 ID X 7/8 OD SS	H-71017								16
59	LW 3/8" SS	H-71067								6
60	PPH #10-32 X 3/4" S/S	H-72534								2
61	FHP #10-32 X 1/2" SS	H-72682								8
62	FHP 10-32 X 3/4" SS	H-72684								6
63	SHCS 1/4-20 X 1/2 SS	H-73459								4
64	BHSCS 5/16-18 X 1/2"	H-73777								2
65	CB 1/4"- 20 X .5" SS	H-74417								4
66	CB 5/16"- 18 X 3/4" SS	H-74429								10
67	CB 5/16"- 18 X 1" SS	H-74430								6
68	WASHER, SERRATED BELLEVILLE, 3/8", S/S	H-90895								8
69	FW 3/8" GRADE 8	H-98025								10
70	3/16" X 1 1/4" KEY	H-K14320								2
71	JNYL 1/4" - 20 SS	H-NJ04C								9
72	HCS 3/8"-24 X 7/8" SS	M-92865A214								8
73	GROMMET, 3/4" ID X 1-3/8" OD BUNA-N	M-9307K81								2
74	3/4" DIA 1 HOLE TUBE STRAP	M-9434T27								1
73	MOTOR COVER	253-2221								

NOTE: ALL DECK SIZES USE THE SAME PARTS UNLESS OTHERWISE INDICATED IN COLUMNS ABOVE.

\* (OPTIONAL) HD PACKAGE FOR 27" DECKS USE MOTOR P/N 253-2222.

MOTOR P/N 253-2222 LISTED ABOVE IS 24-VOLT, 1 HP, 350 RPM. THIS MOTOR USE'S (8) HCS 3/8-16 X 1", P/N H-70105.

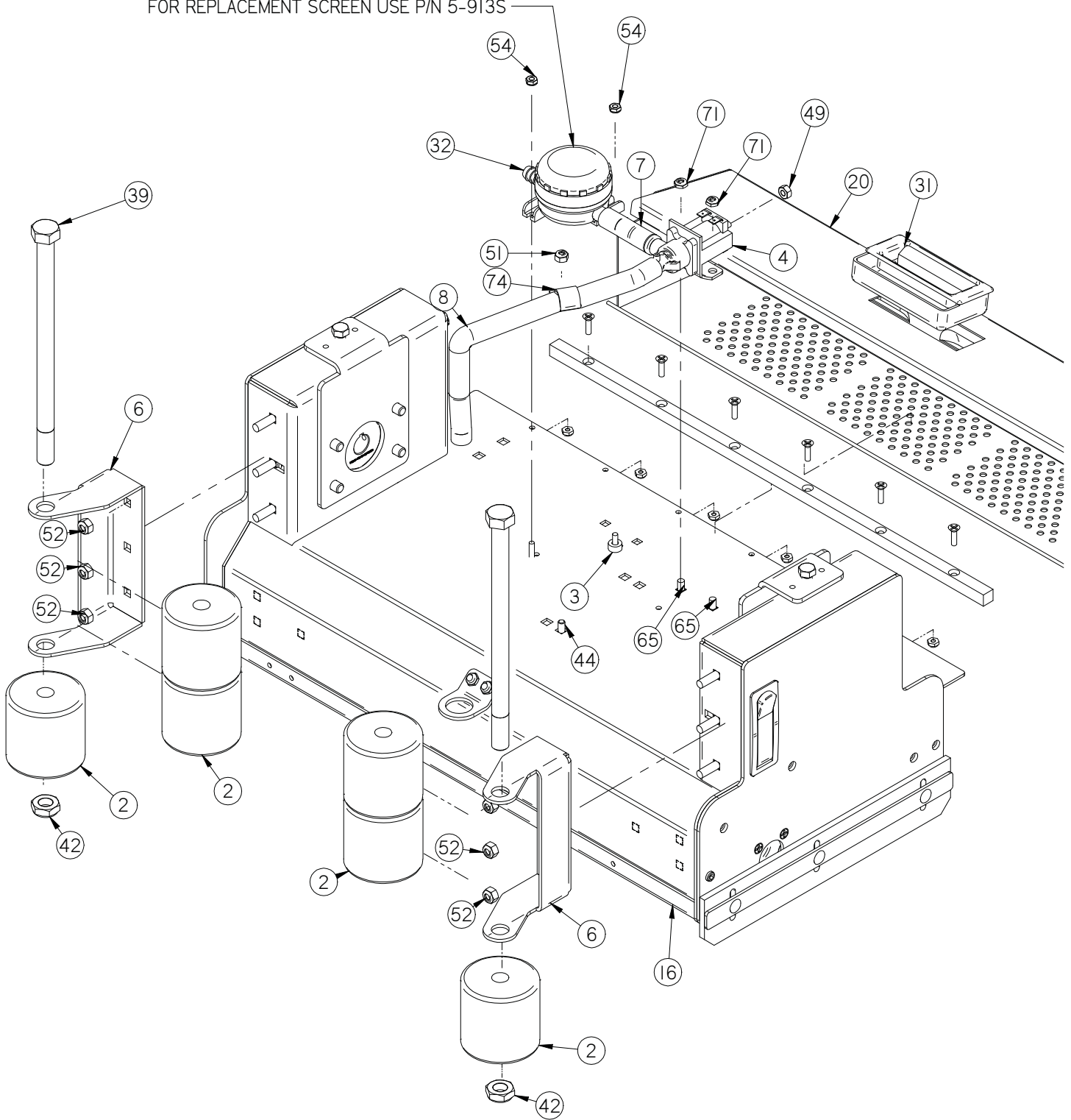
MOTOR COVER P/N 253-2221 IS ONLY USED WITH MOTOR P/N 253-2222.

SEE COMMON WEAR PARTS PAGE FOR BRUSH SELECTION.

SERIAL #50000 & GREATER

# 38 Cylindrical Deck Assembly

FOR REPLACEMENT SCREEN USE P/N 5-913S



Item	Part Description	24" P/N PAINTED	24" P/N STAINLESS	27" P/N PAINTED	27" P/N STAINLESS	30" P/N PAINTED	30" P/N STAINLESS	34" P/N PAINTED	34" P/N STAINLESS	Qty
1	CYLINDRICAL DOOR ASSEMBLY									2
2	ROLLER	21-1127								6
3	SPACER 1/2 OD X 1/4"	21-2211								2
4	ADJUSTABLE SOLUTION FLOW VALVE	21-4500								1
5	HOPPER RAIL	22-8320	22-8320	25-8320	25-8320	28-8320	28-8320	32-8320	32-8320	1
6	ROLLER BRACKET	253-1128								2
7	1/2" ID X 2-3/4" LG WIRE REINF. CLEAR TUBE	253-1606								1
8	1/2" ID X 12-1/4" LG WIRE REIF. CLEAR TUBE	253-1607								1
9	1/2" ID X 12-1/4" LG WIRE REINF. CLEAR TUBE	253-1607								1
10	MOTOR, 24V, 3/4 HP, 350 RPM	253-211	253-211	253-211	253-211	253-2222	253-2222	253-2222	253-2222	2
11	TIMING SPROCKET 32 TOOTH	253-8215								2
12	TIMING SPROCKET 68 TOOTH	253-8225								2
13	565-5M-25 HI-PERFORMANCE PD PLUS BELT	253-8230								2
14	DRIVE BEARING	253-8240								1
15	ADJUSTABLE LATERAL ARM BODY	253-8435								2
16	CYLINDRICAL BRUSHHEAD, 24"	253-9000	253-5000	253-9027	253-5027	253-9030	253-5030	253-9034	253-5034	1
17	MOTOR ADJ BRACKET	253-9002								2
18	QUICK DISCONNECT BRACKET	253-9003								1
19	THUMB SCREW	253-9024								2
20	24" HOPPER	253-9050	253-5050	253-9051	253-5051	253-9052	253-5052	253-9053	253-5053	1
21	CYLINDRICAL LIFTING BRACKET, LH, 24"	253-9070	253-9070	253-9072	253-9072	253-9074	253-9074	253-9076	253-9076	1
22	CYLINDRICAL LIFTING BRACKET, RH, 24"	253-9071	253-9071	253-9073	253-9073	253-9075	253-9075	253-9077	253-9077	1
23	SCRUBDECK LIFT ARM, CYLINDRICAL	253-9590								1
24	3/8" ID, 1/2" OD, 1/4" LG BEARING	290-1233								8
25	ROD END, 3/8-24 LEFT HAND THREAD	290-9584								2
26	ROD END, 3/8-24 RIGHT HAND THREAD	290-9585								2
27	BEARING HOUSING/BEARING	370-8240A								2
28	BRUSH DRIVER/IDLER (NEW STYLE)	370-8370								2
29	BATTERY QUICK DISCONNECT	390-2575								1
30	GROMMET-3/8 ID X 1-1/2 OD X .375	4-446								6
31	RECESSED HANDLE	5-849								1
32	INLINE FILTER	5-913								1
33	3/16" X 1" KEY	H-01125								2
34	JNYL #10-32, 18-8 S/S	H-0129155								13
35	JNYL 3/8- 24 SS	H-0171004								4
36	BHSCS 1/4 - 20 X 1" SS W/PELLET	H-02223								2
37	3/8 ID X 5/8 OD SHIM	H-02949								4
38	3/16" X 3/4" KEY	H-0953152								2
39	HB 5/8"- 11 X 10"	H-11333								2
40	SETSCREW, KCP, 1/4"-20 X 1/2"	H-25382								8
41	LH HX JAM .375-24 SS	H-36956								2
42	JNYL 5/8"- 11	H-37038								2
43	O-RING, 3/16" X 5/16" X #8 BUNA	H-66802								2
44	HCS 1/4"-20 X 1/2 SS"	H-70001								1
45	HCS 3/8"- 16 X 1-1/2" SS	H-70109								2
46	HCS 3/8"- 16 X 1-3/4" SS	H-70110								2
47	HCS 3/8"- 24 X 1" S/S	H-70142								2
48	HN 3/8"-16 SS	H-70712								2
49	HN 1/4"- 28 SS	H-70730								1
50	HX JAM .375-24 SS	H-70832								2
51	NYLOK 1/4"- 20 SS	H-70860								1
52	NYLOK 5/16" - 18 SS	H-70861								16
53	NYLOK 3/8"-16 SS	H-70862								4
54	KN #10-32 SS	H-70923								2
55	FW 1/4 ID X 5/8 OD SS	H-71013								2
56	FW 5/16 ID X 3/4 OD SS	H-71015								5
57	FW 5/16 ID X 7/8 OD SS	H-71016								2
58	FW 3/8 ID X 7/8 OD SS	H-71017								16
59	LW 3/8" SS	H-71067								6
60	PPH #10-32 X 3/4" S/S	H-72534								2
61	FHP #10-32 X 1/2" SS	H-72682								8
62	FHP 10-32 X 3/4" SS	H-72684								6
63	SHCS 1/4-20 X 1/2 SS	H-73459								4
64	BHSCS 5/16-18 X 1/2"	H-73777								2
65	CB 1/4"- 20 X .5" SS	H-74417								4
66	CB 5/16"- 18 X 3/4" SS	H-74429								10
67	CB 5/16"- 18 X 1" SS	H-74430								6
68	WASHER, SERRATED BELLEVILLE, 3/8", S/S	H-90895								8
69	FW 3/8" GRADE 8	H-98025								10
70	3/16" X 1 1/4" KEY	H-K14320								2
71	JNYL 1/4" - 20 SS	H-NJ04C								9
72	HCS 3/8"-24 X 7/8" SS	M-92865A214								8
73	GROMMET, 3/4" ID X 1-3/8" OD BUNA-N	M-9307K81								2
74	3/4" DIA I HOLE TUBE STRAP	M-9434T27								1
73	MOTOR COVER	253-2221								1

NOTE: ALL DECK SIZES USE THE SAME PARTS UNLESS OTHERWISE INDICATED IN COLUMNS ABOVE.

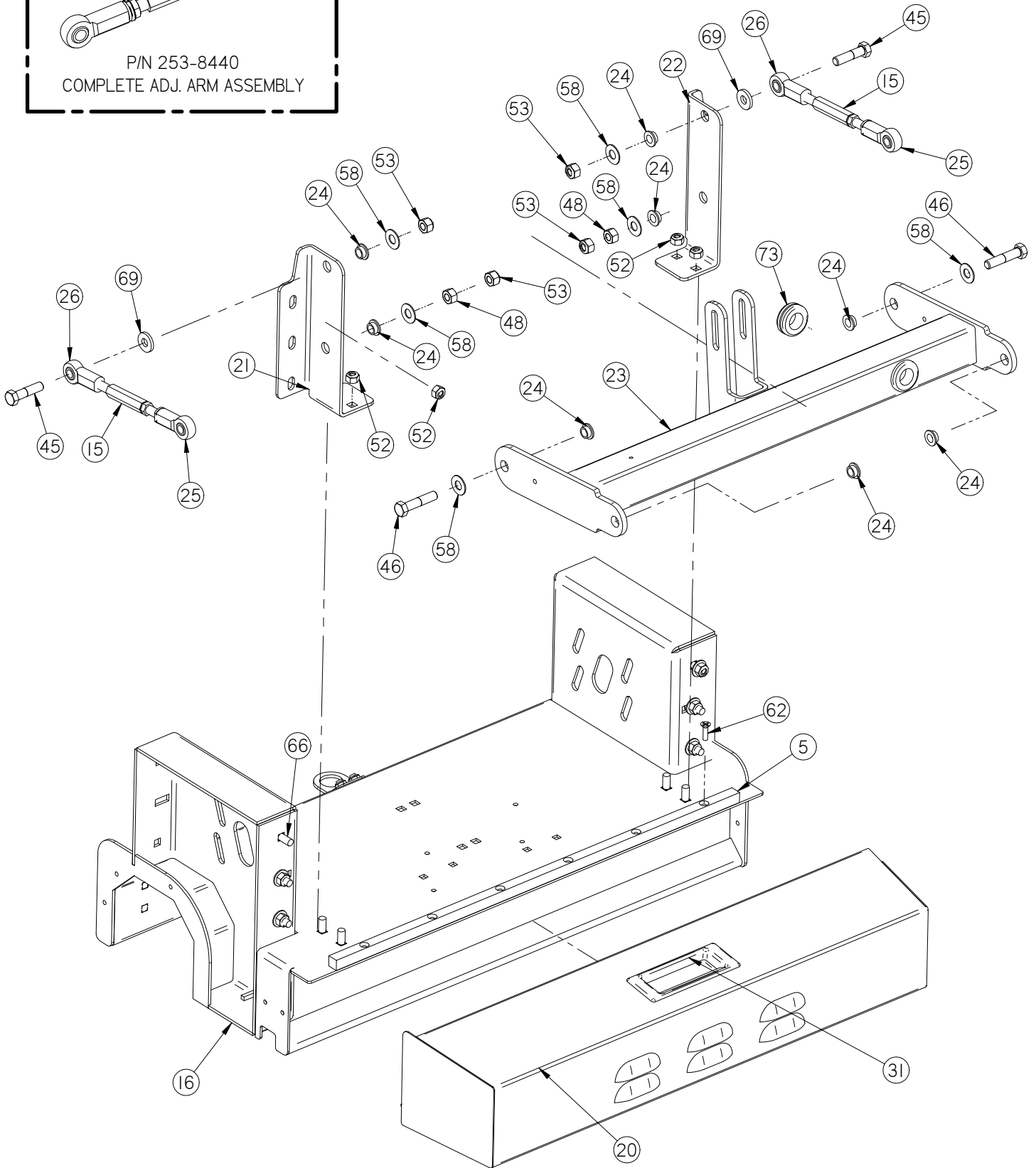
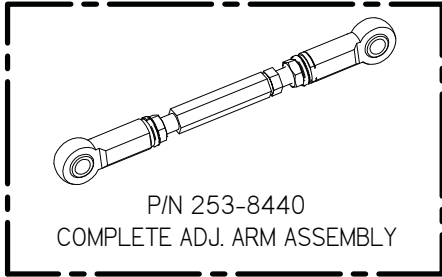
\* (OPTIONAL) HD PACKAGE FOR 27" DECKS USE MOTOR P/N 253-2222.

MOTOR P/N 253-2222 LISTED ABOVE IS 24-VOLT, 1 HP, 350 RPM. THIS MOTOR USE'S (8) HCS 3/8-16 X 1", P/N H-70105.

MOTOR COVER P/N 253-2221 IS ONLY USED WITH MOTOR P/N 253-2222.

SEE COMMON WEAR PARTS PAGE FOR BRUSH SELECTION.

# 40 Cylindrical Deck Assembly





Item	Part Description	24" P/N PAINTED	24" P/N STAINLESS	27" P/N PAINTED	27" P/N STAINLESS	30" P/N PAINTED	30" P/N STAINLESS	34" P/N PAINTED	34" P/N STAINLESS	Qty
1	CYLINDRICAL DOOR ASSEMBLY									2
2	ROLLER	21-1127								6
3	SPACER 1/2 OD X 1/4"	21-2211								2
4	ADJUSTABLE SOLUTION FLOW VALVE	21-4500								1
5	HOPPER RAIL	22-8320	22-8320	25-8320	25-8320	28-8320	28-8320	32-8320	32-8320	1
6	ROLLER BRACKET	253-1128								2
7	1/2" ID X 2-3/4" LG WIRE REINF. CLEAR TUBE	253-1606								1
8	1/2" ID X 12-1/4" LG WIRE REINF. CLEAR TUBE	253-1607								1
9	1/2" ID X 12-1/4" LG WIRE REINF. CLEAR TUBE	253-1607								1
10	MOTOR, 24V, 3/4 HP, 350 RPM	253-211	253-211	253-211	253-211	253-2222	253-2222	253-2222	253-2222	2
11	TIMING SPROCKET 32 TOOTH	253-8215								2
12	TIMING SPROCKET 68 TOOTH	253-8225								2
13	565-5M-25 HI-PERFORMANCE PD PLUS BELT	253-8230								2
14	DRIVE BEARING	253-8240								1
15	ADJUSTABLE LATERAL ARM BODY	253-8435								2
16	CYLINDRICAL BRUSHHEAD, 24"	253-9000	253-5000	253-9027	253-5027	253-9030	253-5030	253-9034	253-5034	1
17	MOTOR ADJ BRACKET	253-9002								2
18	QUICK DISCONNECT BRACKET	253-9003								1
19	THUMB SCREW	253-9024								2
20	24" HOPPER	253-9050	253-5050	253-9051	253-5051	253-9052	253-5052	253-9053	253-5053	1
21	CYLINDRICAL LIFTING BRACKET, LH, 24"	253-9070	253-9070	253-9072	253-9072	253-9074	253-9074	253-9076	253-9076	1
22	CYLINDRICAL LIFTING BRACKET, RH, 24"	253-9071	253-9071	253-9073	253-9073	253-9075	253-9075	253-9077	253-9077	1
23	SCRUBDECK LIFT ARM, CYLINDRICAL	253-9590								1
24	3/8" ID, 1/2" OD, 1/4" LG BEARING	290-1233								8
25	ROD END, 3/8-24 LEFT HAND THREAD	290-9584								2
26	ROD END, 3/8-24 RIGHT HAND THREAD	290-9585								2
27	BEARING HOUSING/BEARING	370-8240A								2
28	BRUSH DRIVER/IDLER (NEW STYLE)	370-8370								2
29	BATTERY QUICK DISCONNECT	390-2575								1
30	GROMMET-3/8 ID X 1-1/2 OD X .375	4-446								6
31	RECESSED HANDLE	5-849								1
32	INLINE FILTER	5-913								1
33	3/16" X 1" KEY	H-01125								2
34	JNYL #10-32, 18-8 S/S	H-0129155								13
35	JNYL 3/8- 24 SS	H-0171004								4
36	BHSCS 1/4 - 20 X 1" SS W/PELLET	H-02223								2
37	3/8 ID X 5/8 OD SHIM	H-02949								4
38	3/16" X 3/4" KEY	H-0953152								2
39	HB 5/8"- 11 X 10"	H-11333								2
40	SETSCREW, KCP, 1/4"-20 X 1/2"	H-25382								8
41	LH HX JAM .375-24 SS	H-36956								2
42	JNYL 5/8"- 11	H-37038								2
43	O-RING, 3/16" X 5/16" X #8 BUNA	H-66802								2
44	HCS 1/4"-20 X 1/2 SS"	H-70001								1
45	HCS 3/8"- 16 X 1-1/2" SS	H-70109								2
46	HCS 3/8"- 16 X 1-3/4" SS	H-70110								2
47	HCS 3/8"- 24 X 1" S/S	H-70142								2
48	HN 3/8"-16 SS	H-70712								2
49	HN 1/4"- 28 SS	H-70730								1
50	HX JAM .375-24 SS	H-70832								2
51	NYLOK 1/4"- 20 SS	H-70860								1
52	NYLOK 5/16"- 18 SS	H-70861								16
53	NYLOK 3/8"-16 SS	H-70862								4
54	KN #10-32 SS	H-70923								2
55	FW 1/4 ID X 5/8 OD SS	H-71013								2
56	FW 5/16 ID X 3/4 OD SS	H-71015								5
57	FW 5/16 ID X 7/8 OD SS	H-71016								2
58	FW 3/8 ID X 7/8 OD SS	H-71017								16
59	LW 3/8" SS	H-71067								6
60	PPH #10-32 X 3/4" S/S	H-72534								2
61	FHP #10-32 X 1/2" SS	H-72682								8
62	FHP 10-32 X 3/4" SS	H-72684								6
63	SHCS 1/4-20 X 1/2 SS	H-73459								4
64	BHSCS 5/16-18 X 1/2"	H-73777								2
65	CB 1/4"- 20 X .5" SS	H-74417								4
66	CB 5/16"- 18 X 3/4" SS	H-74429								10
67	CB 5/16"- 18 X 1" SS	H-74430								6
68	WASHER, SERRATED BELLEVILLE, 3/8", S/S	H-90895								8
69	FW 3/8" GRADE 8	H-98025								10
70	3/16" X 1 1/4" KEY	H-K14320								2
71	JNYL 1/4" - 20 SS	H-NJ04C								9
72	HCS 3/8"-24 X 7/8" SS	M-92865A214								8
73	GROMMET, 3/4" ID X 1-3/8" OD BUNA-N	M-9307K81								2
74	3/4" DIA I HOLE TUBE STRAP	M-9434T27								1
73	MOTOR COVER	253-2221								1

NOTE: ALL DECK SIZES USE THE SAME PARTS UNLESS OTHERWISE INDICATED IN COLUMNS ABOVE.

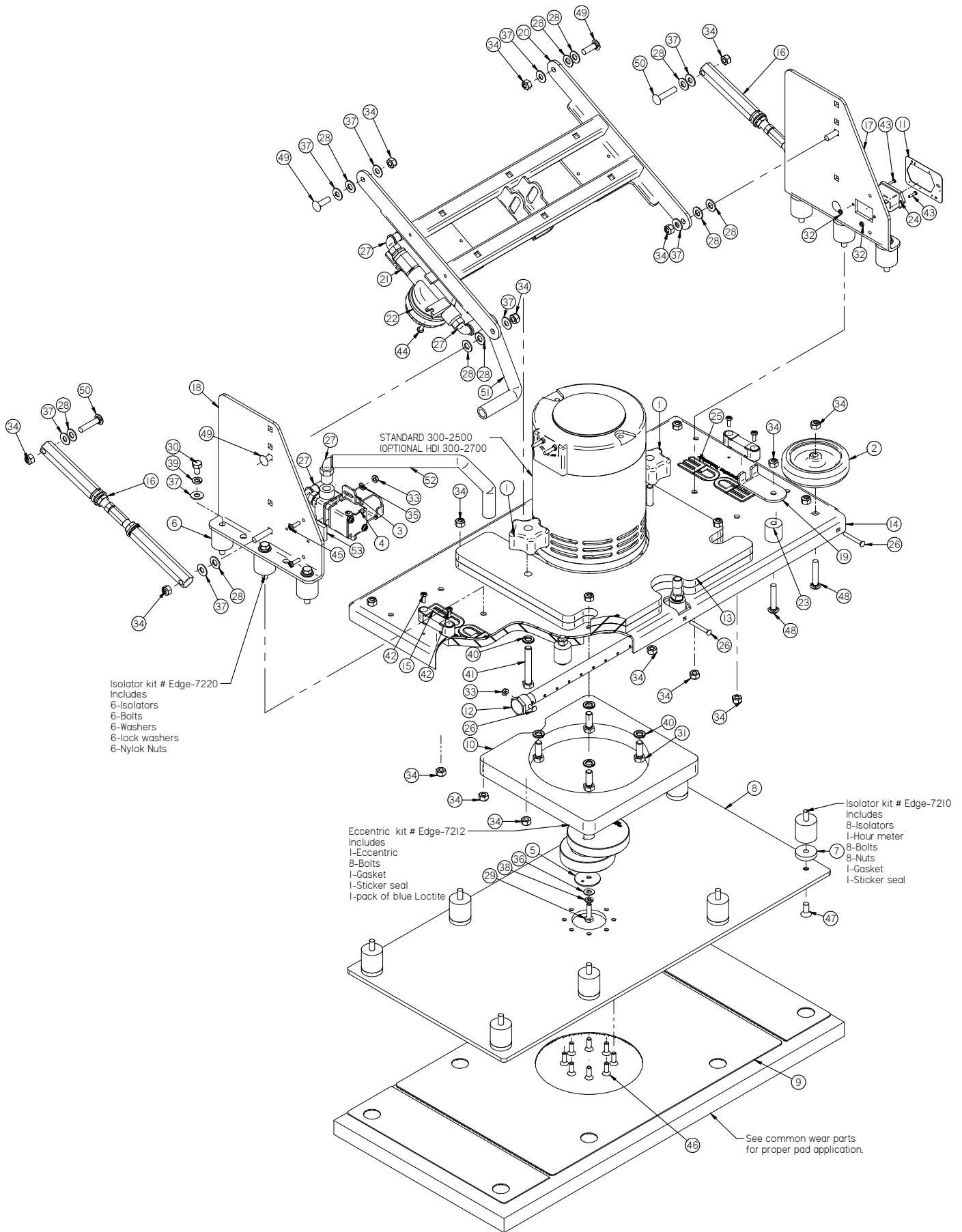
\* (OPTIONAL) HD PACKAGE FOR 27" DECKS USE MOTOR P/N 253-2222.

MOTOR P/N 253-2222 LISTED ABOVE IS 24-VOLT, 1 HP, 350 RPM. THIS MOTOR USE'S (8) HCS 3/8-16 X 1", P/N H-70105.

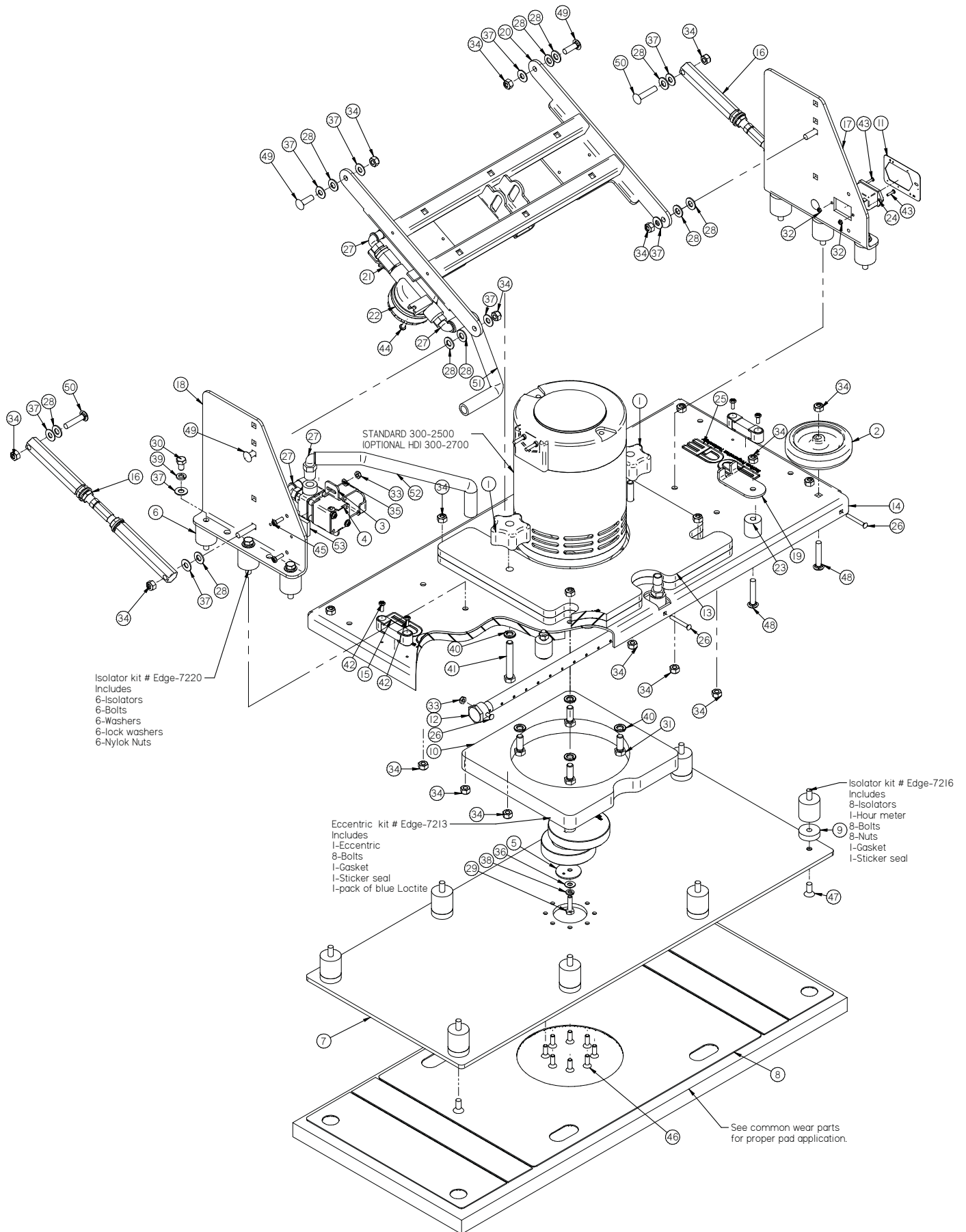
MOTOR COVER P/N 253-2221 IS ONLY USED WITH MOTOR P/N 253-2222.

SEE COMMON WEAR PARTS PAGE FOR BRUSH SELECTION.

# 42 28 Inch EDGE Deck Assembly

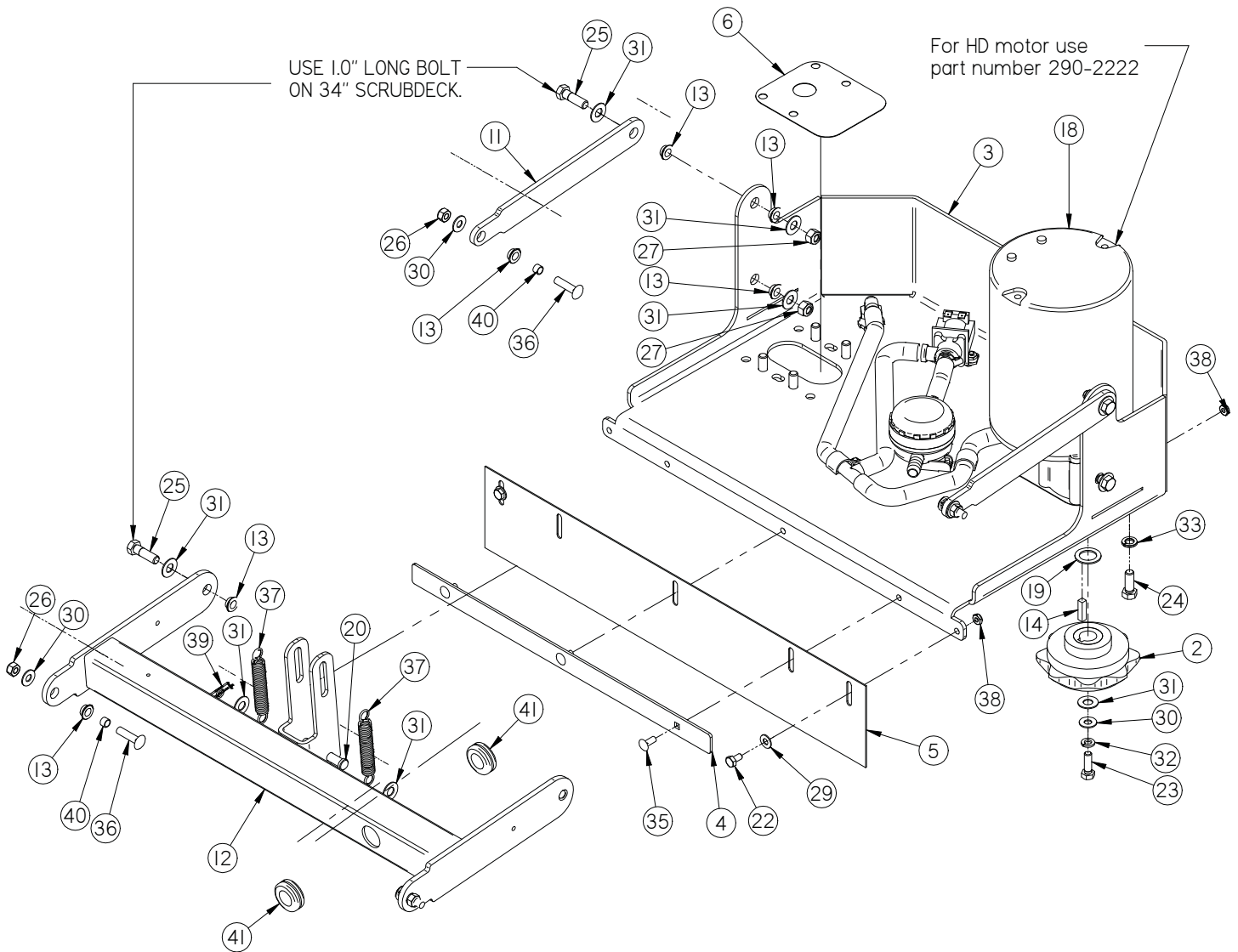


Item	Part No.	Part Description	Qty.
1	150-5786	STAR KNOB, 3/8-16 THREAD	2
2	150-7600	4" SIDE WHEEL (GREY)	2
3	250-5280	VALVE BRACKET	1
4	253-4500	FLOW VALVE (24V)	1
5	300-01030Z	CRUSH WASHER	1
6	300-01032Z	RUBBER ISOLATOR	6
7	300-01033Z	20 & 28" SPACER	8
8	300-01035Z	28 INCH ALUMINUM PAD DRIVER	1
9	300-01037Z	GRIP FACE	1
10	300-1073	1" BEARING GASKET	1
11	300-2013	ISOLATOR STICKER	1
12	300-3021	28 INCH EDGE SOL. FEED TUBE	1
13	300-4021	MINIMAG/MAGNUM 14 LBS WEIGHT	2
14	300-4022	28 INCH SQUARE HEAD DECK	1
15	300-4030	LEVEL	2
16	300-8421	ADJUSTABLE LATERAL ARM	2
17	300-9070	(LH) DECK LIFTING BRACKET	1
18	300-9071	(RH) DECK LIFTING BRACKET	1
19	300-9072	WHEEL BRACKET	2
20	300-9587	LATERAL ARM	1
21	370-4158	BALL VALVE, 3/8"	1
22	370-9130	INLINE FILTER	1
23	5-846	STANDOFF, 1.03"	2
24	8-262	HOUR METER	1
25	EDGE-7205	5 INCH EDGE STICKER	2
26	H-0172523	CB #10-32 X 1-1/2" SS	3
27	H-04764	ELBOW, 90 DEG X 3/8" MNPT X 1/2" BARB, NYLON	4
28	H-4440024	FW 3/8" X 3/4" NYLON	11
29	H-70005	HCS 1/4"- 20 X 1" SS	1
30	H-70051	HCS 5/16"- 18 X 1/2"	6
31	H-70105	HCS 3/8"- 16 X 1" SS	4
32	H-70854	NYLOK #4-40 SS	2
33	H-70858	NYLOK #10-32 SS	5
34	H-70861	NYLOK 5/16" - 18 SS	26
35	H-71009	FW #10 SS	2
36	H-71013	FW 1/4 ID X 5/8 OD SS	1
37	H-71015	FW 5/16 ID X 3/4 OD SS	15
38	H-71063	LW 1/4" SS	1
39	H-71065	LW 5/16" SS	6
40	H-71067	LW 3/8" SS	6
41	H-71190	HCS 3/8"- 16 X 2-1/2" SS (FULLY THREADED)	2
42	H-72398	PPH #8-32 X 1/2" S/S	4
43	H-72486	PPH #4-40 X 1/2" S/S	2
44	H-72515	PPH #10-32 X 1/2" S/S	2
45	H-72517	PPH #10-32 X 5/8" SS	2
46	H-72708	FHP 1/4"- 20 X 3/4"	8
47	H-73907	FHSCS 5/16"- 18 X 3/4" SS	8
48	H-74401	CB 5/16"- 18 X 1-3/4" SS	4
49	H-74430	CB 5/16"- 18 X 1" SS	4
50	H-74432	CB 5/16"- 18 X 1-1/2" SS	4
51	T-050R0800	FILTER TO VALVE	1
52	T-050R1250	VALVE TO FEED TUBE	1
53	T-438350025	VALVE PAD	1



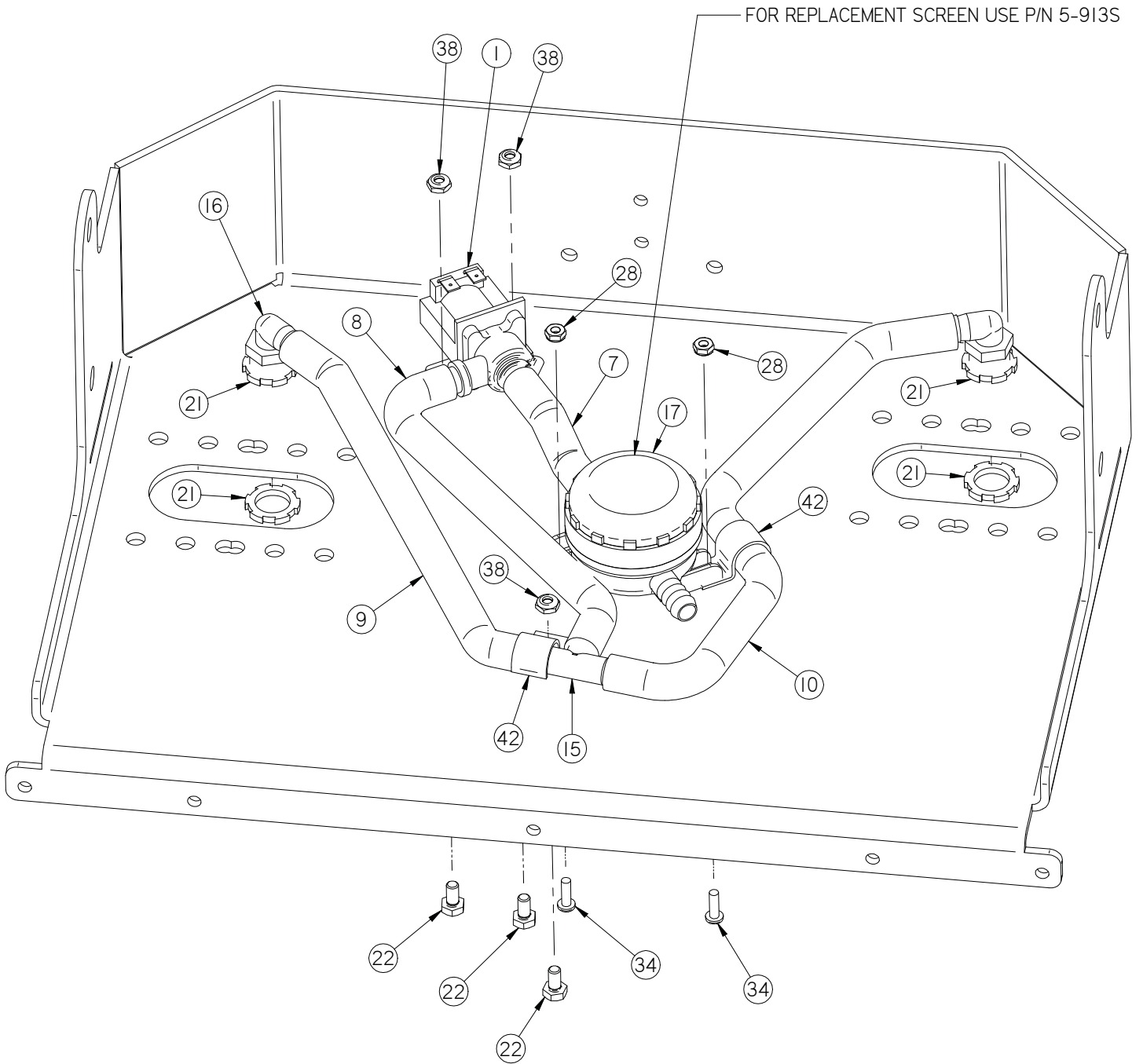
Item	Part No.	Part Description	Qty.
1	150-5786	STAR KNOB, 3/8-16 THREAD	2
2	150-7600	4" SIDE WHEEL (GREY)	2
3	250-5280	VALVE BRACKET	1
4	253-4500	FLOW VALVE (24V)	1
5	300-01030Z	CRUSH WASHER	1
6	300-01032Z	RUBBER ISOLATOR	6
7	300-01036Z	32 INCH ALUMINUM PAD DRIVER	1
8	300-01037Z	GRIP FACE	1
9	300-01049Z	32" SPACER	8
10	300-1073	1" BEARING GASKET	1
11	300-2013	ISOLATOR STICKER	1
12	300-3022	32 INCH EDGE SOL. FEED TUBE	1
13	300-4021	MINIMAG/MAGNUM 14 LBS WEIGHT	2
14	300-4026	32 INCH SQUARE HEAD DECK	1
15	300-4030	LEVEL	2
16	300-8421	ADJUSTABLE LATERAL ARM	2
17	300-9070	(LH) DECK LIFTING BRACKET	1
18	300-9071	(RH) DECK LIFTING BRACKET	1
19	300-9072	WHEEL BRACKET	2
20	300-9587	LATERAL ARM	1
21	370-4158	BALL VALVE, 3/8"	1
22	370-9130	INLINE FILTER	1
23	5-846	STANDOFF, 1.03"	2
24	8-262	HOUR METER	1
25	EDGE-7205	5 INCH EDGE STICKER	2
26	H-0172523	CB #10-32 X 1-1/2" SS	3
27	H-04764	ELBOW, 90 DEG X 3/8" MNPT X 1/2" BARB, NYLON	4
28	H-4440024	FW 3/8" X 3/4" NYLON	11
29	H-70005	HCS 1/4"- 20 X 1" SS	1
30	H-70051	HCS 5/16"- 18 X 1/2"	6
31	H-70105	HCS 3/8"- 16 X 1" SS	4
32	H-70854	NYLOK #4-40 SS	2
33	H-70858	NYLOK #10-32 SS	5
34	H-70861	NYLOK 5/16" - 18 SS	26
35	H-71009	FW #10 SS	2
36	H-71013	FW 1/4 ID X 5/8 OD SS	1
37	H-71015	FW 5/16 ID X 3/4 OD SS	15
38	H-71063	LW 1/4" SS	1
39	H-71065	LW 5/16" SS	6
40	H-71067	LW 3/8" SS	6
41	H-71190	HCS 3/8"- 16 X 2-1/2" SS (FULLY THREADED)	2
42	H-72398	PPH #8-32 X 1/2" S/S	4
43	H-72486	PPH #4-40 X 1/2" S/S	2
44	H-72515	PPH #10-32 X 1/2" S/S	2
45	H-72517	PPH #10-32 X 5/8" SS	2
46	H-72708	FHP 1/4"- 20 X 3/4"	8
47	H-73907	FHSCS 5/16"- 18 X 3/4" SS	8
48	H-74401	CB 5/16"- 18 X 1-3/4" SS	4
49	H-74430	CB 5/16"- 18 X 1" SS	4
50	H-74432	CB 5/16"- 18 X 1-1/2" SS	4
51	T-050R0800	FILTER TO VALVE	1
52	T-050R1250	VALVE TO FEED TUBE	1
53	T-438350025	VALVE PAD	1

# 46 Disk Scrub Deck Assembly



Item	Part Number	Part Description	Qty
1	21-4500	ADJUSTABLE SOLUTION FLOW VALVE	1
2	21-5000	BRUSH DRIVER	2
3	253-0402	DISK SCRUB DECK	1
4	253-1020	BAND, FRAME CURTAIN	1
5	253-1090	DISK DECK CURTAIN	1
6	253-1140	BRUSH MOTOR CAP	2
7	253-1600	1/2" ID X 3-3/4" LG WIRE REINF. CLEAR TUBE	1
8	253-1601	1/2" ID X 9-1/4" LG WIRE REINF. CLEAR TUBE	1
9	253-1602	1/2" ID X 12-1/4" LG WIRE REINF. CLEAR TUBE	1
10	253-1603	1/2" ID X 16-1/4" LG WIRE REINF. CLEAR TUBE	1
11	253-4025	LATERAL ARM	2
12	253-9586	SCRUBDECK LIFT ARM, DISK	1
13	290-1233	3/8" ID, 1/2" OD, 1/4" LG BEARING	12
14	5-431	1/4" X 1" KEY	2
15	5-446	1/2" PLASTIC BARB TEE	1
16	5-447	1/2 NPT X 1/2" BARB ELBOW	2
17	5-913	INLINE FILTER	1
18	7-222	MOTOR, 24-V, 3/4 HP, 200 RPM	2
19	H-00222	FW 3/4" ID X 1 1/8" OD X 3/32" SS	2
20	H-0156758	3/8" X 3-1/2" CLEVIS PIN	1
21	H-07005	1/2" NPT LOCKNUT	4
22	H-70001	HCS 1/4"-20 X 1/2 SS"	5
23	H-70055	HCS 5/16"- 18 X 1" SS	2
24	H-70105	HCS 3/8"- 16 X 1" SS	8
25	H-70107	HCS 3/8"- 16 X 1-1/4" SS	4
26	H-70861	NYLOK 5/16" - 18 SS	4
27	H-70862	NYLOK 3/8"-16 SS	4
28	H-70923	KN #10-32 SS	2
29	H-71013	FW 1/4 ID X 5/8 OD SS	2
30	H-71015	FW 5/16 ID X 3/4 OD SS	6
31	H-71017	FW 3/8 ID X 7/8 OD SS	12
32	H-71065	LW 5/16" SS	2
33	H-71067	LW 3/8" SS	8
34	H-72517	PPH #10-32 X 5/8" SS	2
35	H-74418	CB 1/4"- 20 X 5/8" S/S	3
36	H-74431	CB 5/16"- 18 X 1-1/4" SS	4
37	H-96544	SPRING, 4-1/8" LG X 9/16" OD (42E)	2
38	H-NJ04C	JNYL 1/4" - 20 SS	8
39	H-RUE14	3/8" RUE RING COTTER	1
40	M-6391K403	.312 ID X .375 OD X .25 LG BEARING SLEEVE	4
41	M-9307K81	GROMMET, 3/4" ID X 1-3/8" OD BUNA-N	2
42	M-9434T27	3/4" DIA I HOLE TUBE STRAP	2

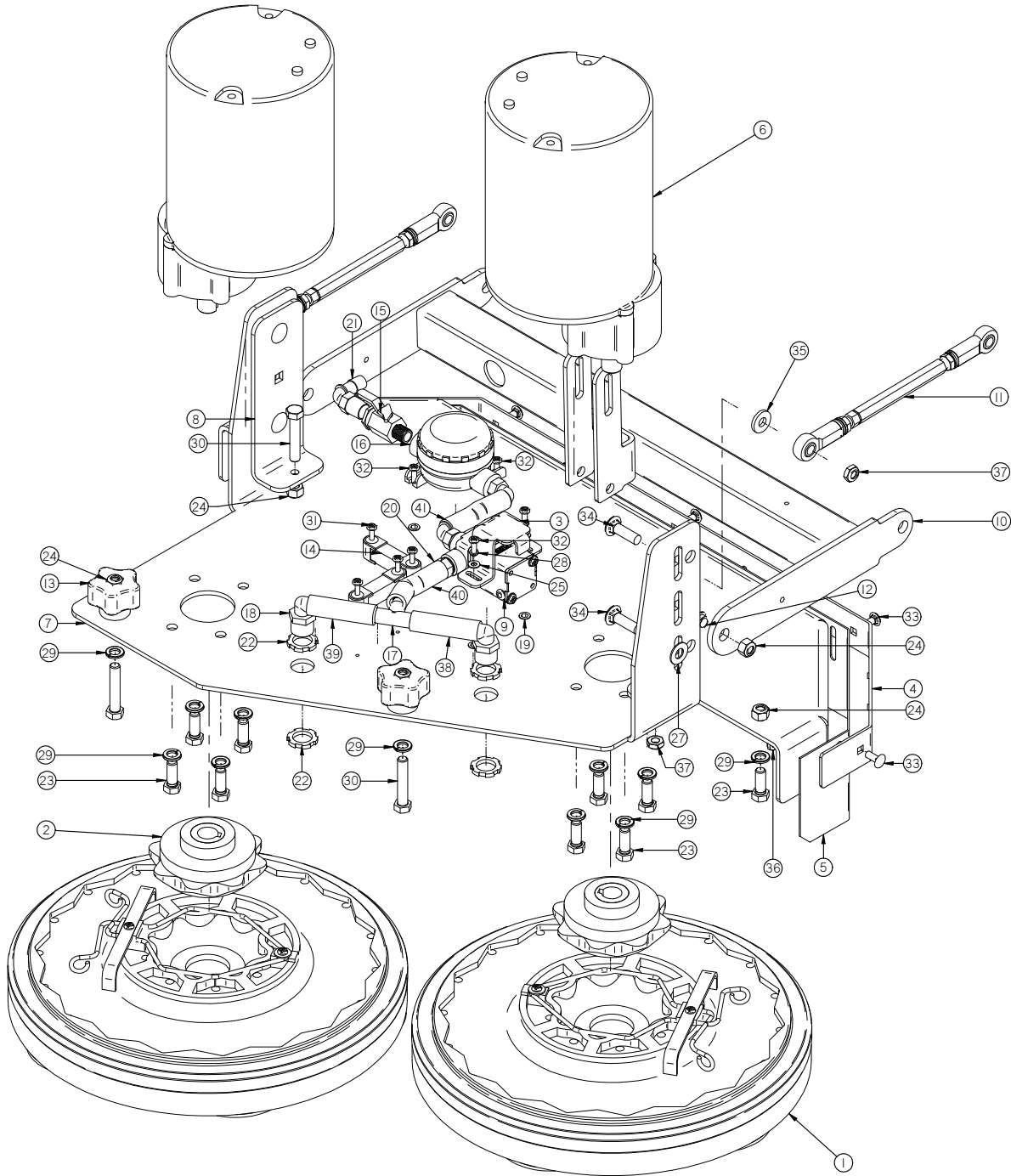
# 48 Disk Scrub Deck Assembly



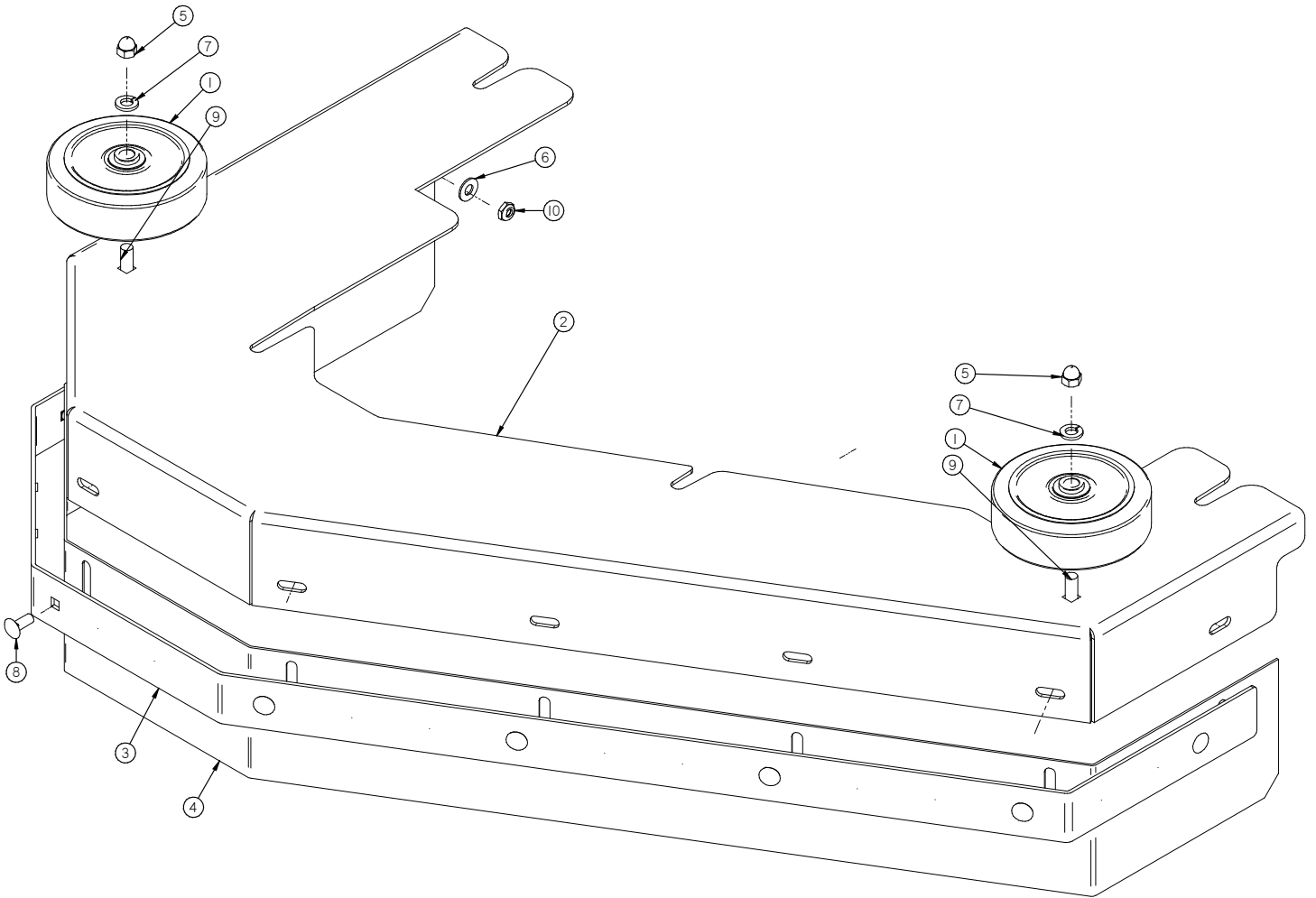


Item	Part Number	Part Description	Qty
1	21-4500	ADJUSTABLE SOLUTION FLOW VALVE	1
2	21-5000	BRUSH DRIVER	2
3	253-0402	DISK SCRUB DECK	1
4	253-1020	BAND, FRAME CURTAIN	1
5	253-1090	DISK DECK CURTAIN	1
6	253-1140	BRUSH MOTOR CAP	2
7	253-1600	1/2" ID X 3-3/4" LG WIRE REINF. CLEAR TUBE	1
8	253-1601	1/2" ID X 9-1/4" LG WIRE REINF. CLEAR TUBE	1
9	253-1602	1/2" ID X 12-1/4" LG WIRE REINF. CLEAR TUBE	1
10	253-1603	1/2" ID X 16-1/4" LG WIRE REINF. CLEAR TUBE	1
11	253-4025	LATERAL ARM	2
12	253-9586	SCRUBDECK LIFT ARM, DISK	1
13	290-1233	3/8" ID, 1/2" OD, 1/4" LG BEARING	12
14	5-431	1/4" X 1" KEY	2
15	5-446	1/2" PLASTIC BARB TEE	1
16	5-447	1/2 NPT X 1/2" BARB ELBOW	2
17	5-913	INLINE FILTER	1
18	7-222	MOTOR, 24-V, 3/4 HP, 200 RPM	2
19	H-00222	FW 3/4" ID X 1 1/8" OD X 3/32" SS	2
20	H-0156758	3/8" X 3-1/2" CLEVIS PIN	1
21	H-07005	1/2" NPT LOCKNUT	4
22	H-70001	HCS 1/4"-20 X 1/2 SS"	5
23	H-70055	HCS 5/16"- 18 X 1" SS	2
24	H-70105	HCS 3/8"- 16 X 1" SS	8
25	H-70107	HCS 3/8"- 16 X 1-1/4" SS	4
26	H-70861	NYLOK 5/16" - 18 SS	4
27	H-70862	NYLOK 3/8"-16 SS	4
28	H-70923	KN #10-32 SS	2
29	H-71013	FW 1/4 ID X 5/8 OD SS	2
30	H-71015	FW 5/16 ID X 3/4 OD SS	6
31	H-71017	FW 3/8 ID X 7/8 OD SS	12
32	H-71065	LW 5/16" SS	2
33	H-71067	LW 3/8" SS	8
34	H-72517	PPH #10-32 X 5/8" SS	2
35	H-74418	CB 1/4"- 20 X 5/8" S/S	3
36	H-74431	CB 5/16"- 18 X 1-1/4" SS	4
37	H-96544	SPRING, 4-1/8" LG X 9/16" OD (42E)	2
38	H-NJ04C	JNYL 1/4" - 20 SS	8
39	H-RUE14	3/8" RUE RING COTTER	1
40	M-6391K403	.312 ID X .375 OD X .25 LG BEARING SLEEVE	4
41	M-9307K81	GROMMET, 3/4" ID X 1-3/8" OD BUNA-N	2
42	M-9434T27	3/4" DIA I HOLE TUBE STRAP	2

# 50 Pro Polish Disk Scrub Deck Assembly

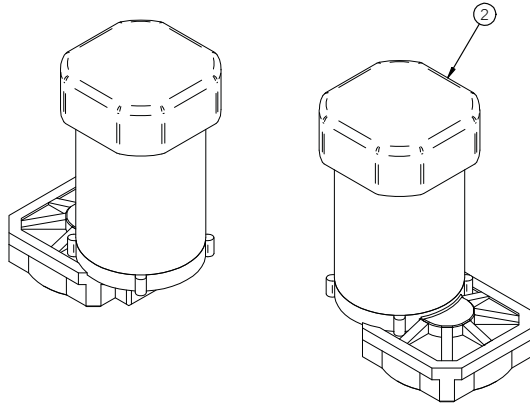


Item	Part No.	Part Description	Qty.	Item	Part No.	Part Description	Qty.
1	15-421DD	15 INCH DIAMOND PAD DRIVER	2	22	H-07005	1/2" NPT LOCKNUT	4
2	21-5000	BRUSH DRIVER	2	23	H-70105	HCS 3/8" - 16 X 1" SS	10
3	250-5280	VALVE BRACKET	1	24	H-70862	NYLON 3/8"-16 SS	8
4	253-1265	OSCILLATING DISK DECK CURTAIN BAND	1	25	H-71009	FW #10 SS	2
5	253-1276	OSCILLATING DISK DECK CURTAIN	1	26	H-71013	FW 1/4 ID X 5/8 OD SS	5
6	253-2224	24V MOTOR 1.0 HP X 350 RPM	2	27	H-71017	FW 3/8 ID X 7/8 OD SS	2
7	253-4020	30" OSCILLATING DISK SCRUB DECK	1	28	H-71059	LW #10 SS	2
8	253-4030	DECK ADJUSTMENT BRACKET	2	29	H-71067	LW 3/8" SS	12
9	253-4500	FLOW VALVE (24V)	1	30	H-71190	HCS 3/8"- 16 X 2-1/2" SS (FULLY THREADED)	4
10	253-9586	SCRUBDECK LIFT ARM DISK	1	31	H-72398	PPH #8-32 X 1/2" S/S	4
11	28-8430	ADJUSTABLE LATERAL ARM	2	32	H-72517	PPH #10-32 X 5/8" SS	4
12	290-1233	3/8" ID, 1/2" OD, 1/4" LG BEARING	2	33	H-74418	CB 1/4"- 20 X 5/8" S/S	5
13	290-5786	3/8-16 KNOB	2	34	H-74437	CB 3/8"- 16 X 1-1/4" SS	4
14	300-4030	LEVEL	2	35	H-98025	FW 3/8" GRADE 8	2
15	370-4158	BALL VALVE, 3/8"	1	36	H-NJD4C	JNYL 1/4" - 20 SS	5
16	370-9130	INLINE FILTER	1	37	H-NJD6C	JNYL 3/8- 16 SS	4
17	5-446	1/2" PLASTIC BARB TEE	1	38	T-050R0250	TEE TO ELBOW	1
18	5-447	1/2 NPT X 1/2" BARB ELBOW	2	39	T-050R0250	TEE TO ELBOW	1
19	H-02309	HCN #10-32, LG CRIMP	4	40	T-050R0250	VALVE TO TEE	1
20	H-04763	.375 NPT X .50 BARB	1	41	T-050R0250	FILTER TO VALVE	1
21	H-04764	ELBOW, 90 DEG X 3/8" MNPT X 1/2" BARB, NYLON	3				

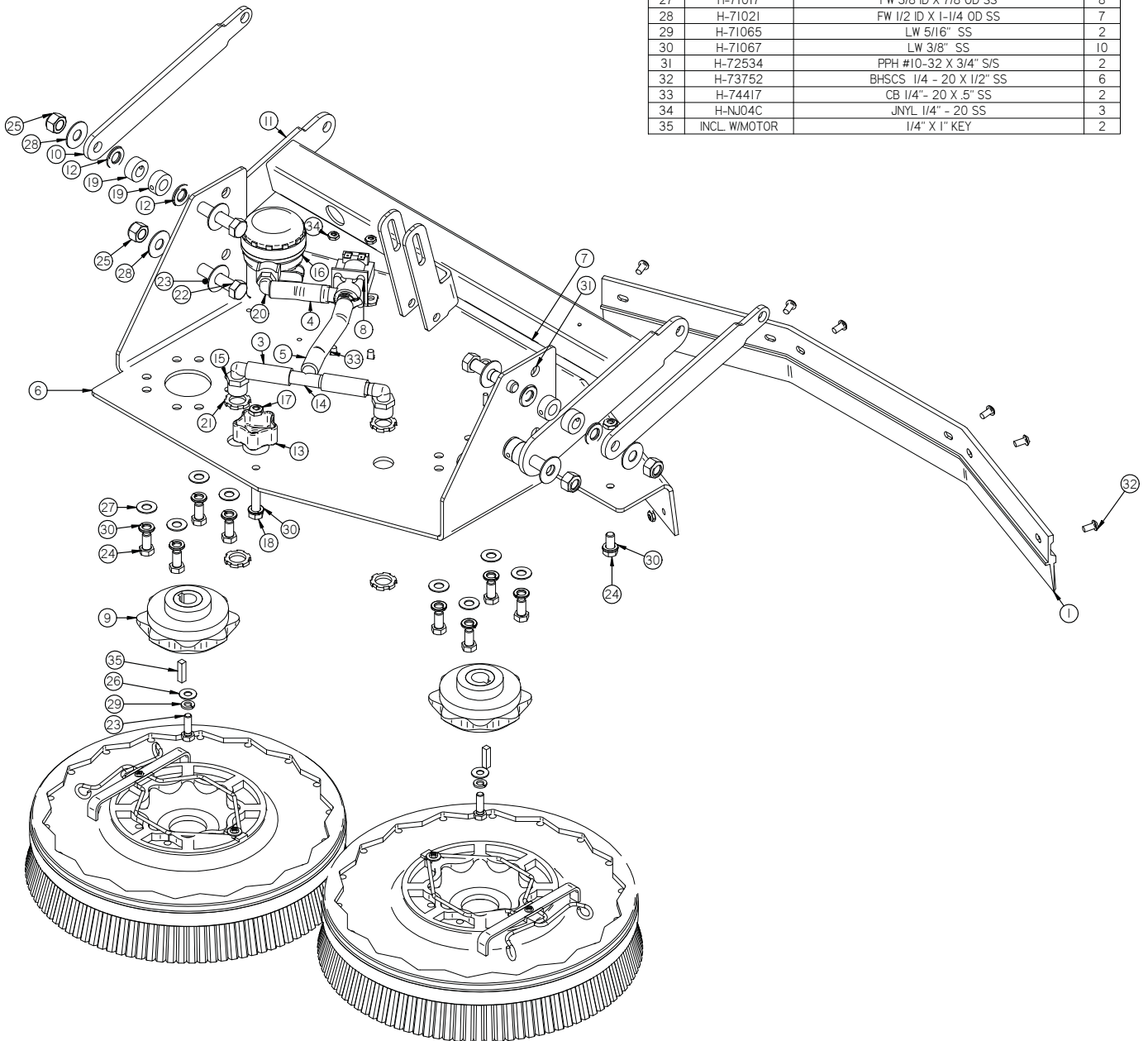


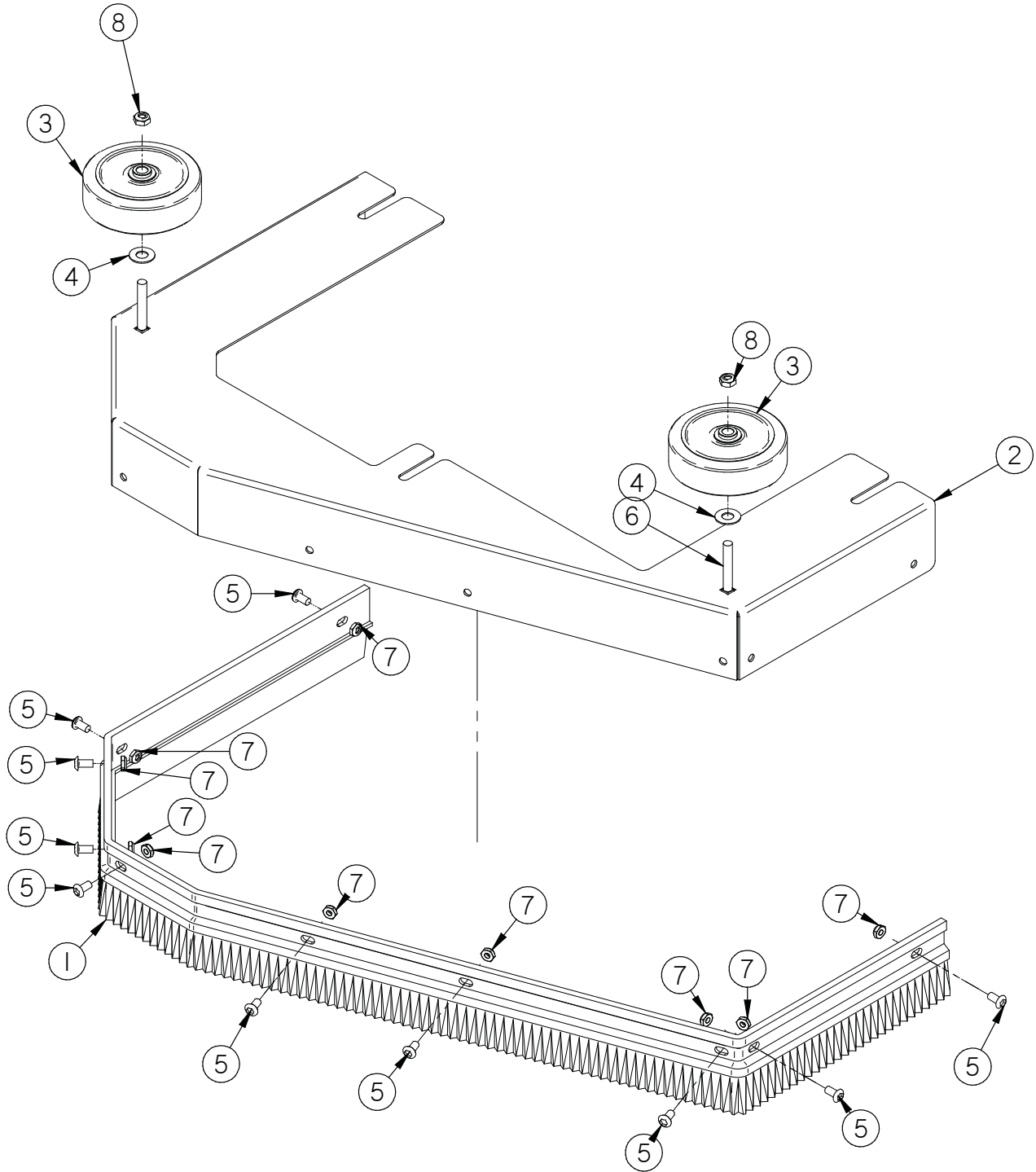
Item	Part No.	Part Description	Qty.
1	190-3030	4.0" WHEEL (GRAY)	2
2	253-1116	OSCILLATING DISK SHROUD	1
3	253-1266	OSCILLATING DISK SHROUD CURTAIN BAND	1
4	253-1277	OSCILLATING DISK SHROUD CURTAIN	1
5	H-37709	5/16-18 ACORN NUT	2
6	H-71013	FW 1/4 ID X 5/8 OD SS	9
7	H-71065	LW 5/16" SS	2
8	H-74418	CB 1/4" - 20 X 5/8" S/S	9
9	H-74433	CB 5/16" - 18 X 2" SS	2
10	H-NJ04C	JNYL 1/4" - 20 SS	9

# 52 28 INCH DISK DECK



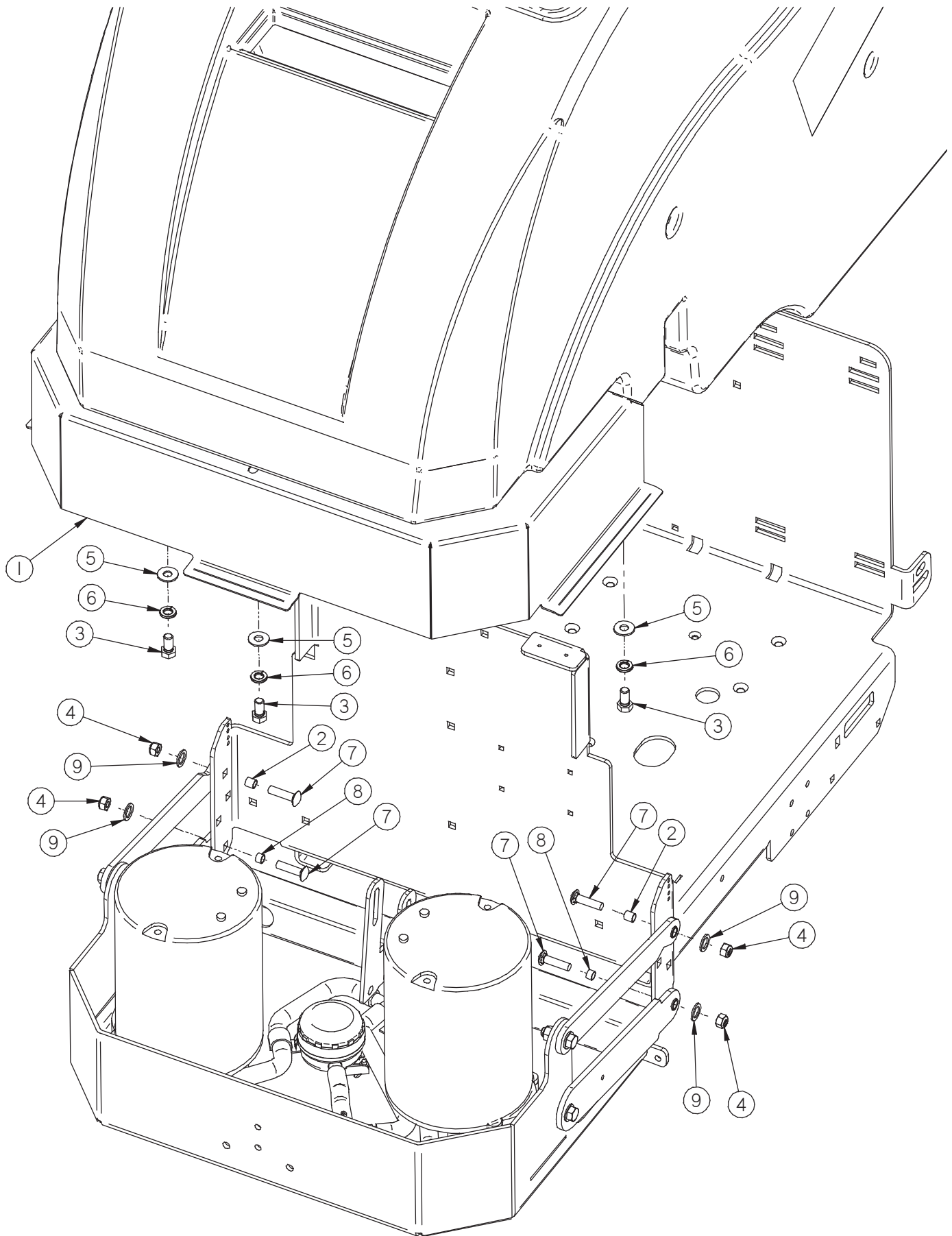
Item	Part No.	Part Description	Qty.
1	170-0018	DECK SKIRT	1
2	170-0211	MOTOR, 24V, 3/4 HP, 270 RPM	2
3	170-1606	1/2" ID X 2" LG WIRE REINF. CLEAR TUBE	2
4	170-1606	1/2" ID X 2" LG WIRE REINF. CLEAR TUBE	1
5	170-1609	1/2" ID X 5-1/2" LG WIRE REINF. CLEAR TUBE	1
6	170-2050	DISK DECK PLATFORM, 28"	1
7	21-2211	SPACER 1/2 OD X 1/4"	2
8	21-4500	ADJUSTABLE SOLUTION FLOW VALVE	1
9	21-5000	BRUSH DRIVER	2
10	253-4025	LATERAL ARM	2
11	253-9586	SCRUBDECK LIFT ARM DISK	1
12	290-1248	FW BRONZE 1/2" ID X 1" OD X 1/8" TH	5
13	290-5787	STAR KNOB, 3/8-24 THREAD	1
14	5-446	1/2" PLASTIC BARB TEE	1
15	5-447	1/2 NPT X 1/2" BARB ELBOW	2
16	5-913	INLINE FILTER	1
17	H-0171004	JNYL 3/8- 24 SS	2
18	H-01729	HCS 3/8"- 24 X 1-1/2" SS	1
19	H-03660	.1/2" ID X 7/16" LG SETSCREW SHAFT COLLAR	6
20	H-04764	ELBOW, 90 DEG X 3/8" MNPT X 1/2" BARB, NYLON	1
21	H-07005	1/2" NPT LOCKNUT	4
22	H-13213	HB 1/2" X 2 1/2"	4
23	H-70055	HCS 5/16"- 18 X 1" SS	2
24	H-70141	HCS 3/8"-24 X 3/4" SS	9
25	H-70864	NYLOK 1/2"-13 SS	4
26	H-71015	FW 5/16 ID X 3/4 OD SS	2
27	H-71017	FW 3/8 ID X 7/8 OD SS	8
28	H-71021	FW 1/2 ID X 1-1/4 OD SS	7
29	H-71065	LW 5/16" SS	2
30	H-71067	LW 3/8" SS	10
31	H-72534	PPH #10-32 X 3/4" S/S	2
32	H-73752	BHSCS 1/4" - 20 X 1/2" SS	6
33	H-74417	CB 1/4"- 20 X .5" SS	2
34	H-NJ04C	JNYL 1/4" - 20 SS	3
35	INCL. WMOTOR	1/4" X 1" KEY	2





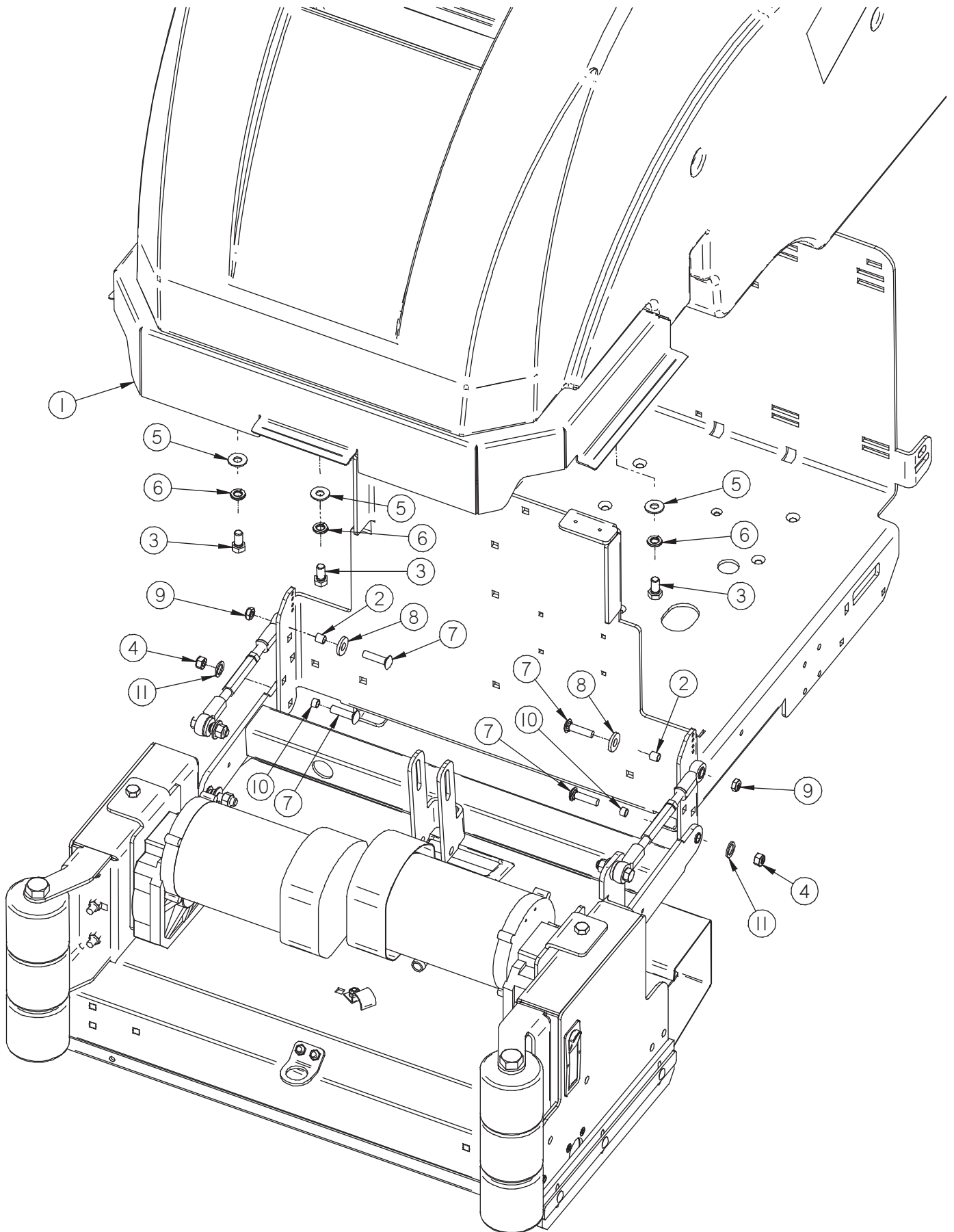
Item	Part No.	Part Description	Qty.
1	170-0019	SHROUD SKIRT	1
2	170-1116	SHROUD, 28"	1
3	190-3030	4.0" WHEEL (GRAY)	2
4	H-71017	FW 3/8 ID X 7/8 OD SS	2
5	H-73752	BHSCS 1/4 - 20 X 1/2" SS	10
6	H-74433	CB 5/16" - 18 X 2" SS	2
7	H-NJ04C	JNYL 1/4" - 20 SS	10
8	H-NJ05C	JNYL 5/16" - 18 SS	2

# 54 Attach Disk Scrub Deck and Bandeau Cover



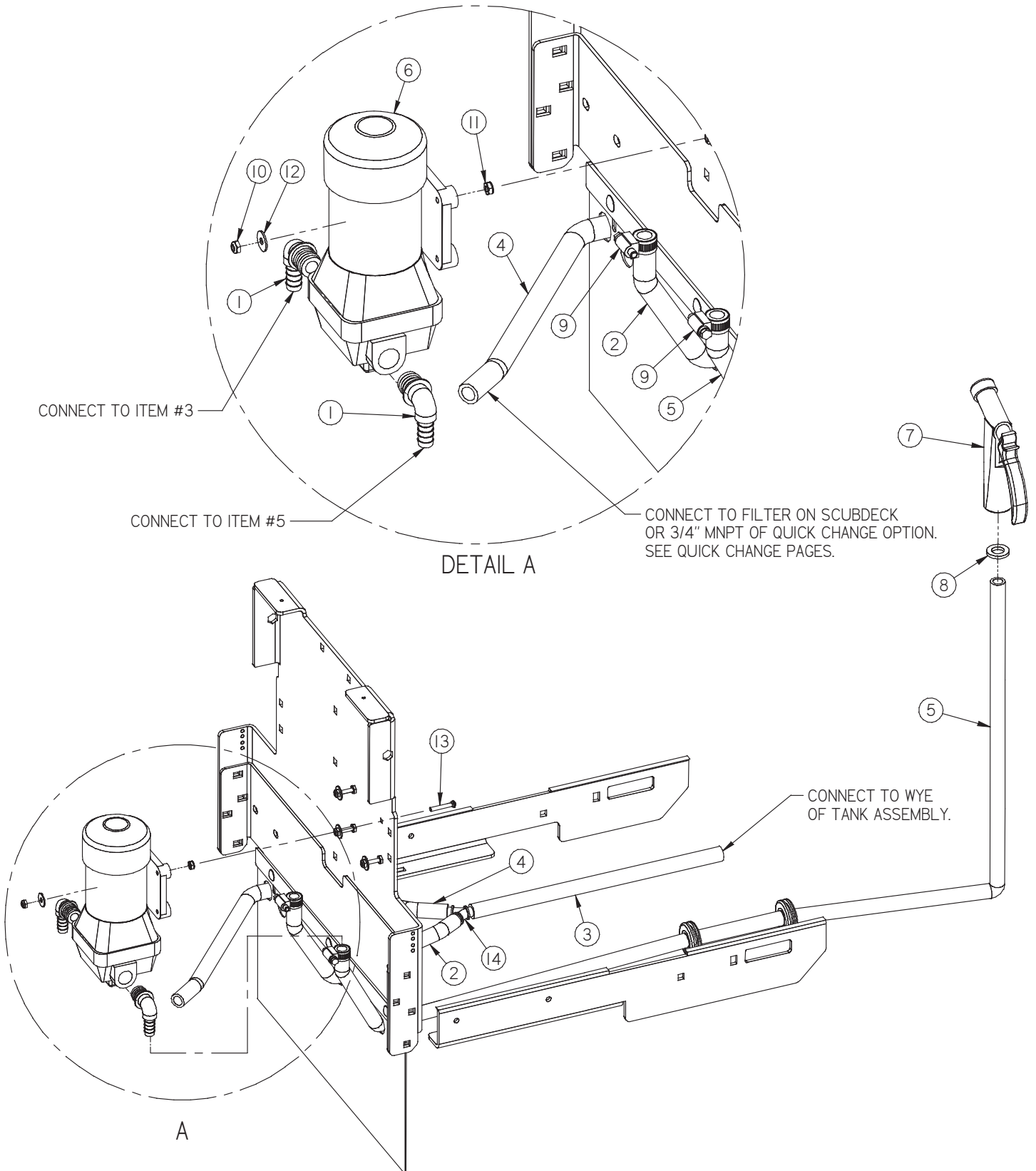
Item	Part Number	Part Description	Qty
1	253-1142	BANDEAU COVER, DISK	1
2	H-25336	.312 ID X .375 OD X .375 LG BEARING SLEEVE	2
3	H-70103	HCS 3/8"-16 X 3/4" SS	3
4	H-70861	NYLOK 5/16" - 18 SS	4
5	H-71017	FW 3/8" X 7/8" SS	3
6	H-71067	LW 3/8" SS	3
7	H-74431	CB 5/16"- 18 X 1-1/4" SS	4
8	M-6391K403	.312 ID X .375 OD X .25 LG BEARING SLEEVE	2
9	M-98126A739	SHIM, 1/2" ID X 3/4" OD X 1/16" THICK, S/S	4

# 56 Attach Cylindrical Scrub Deck and Bandeau Cover



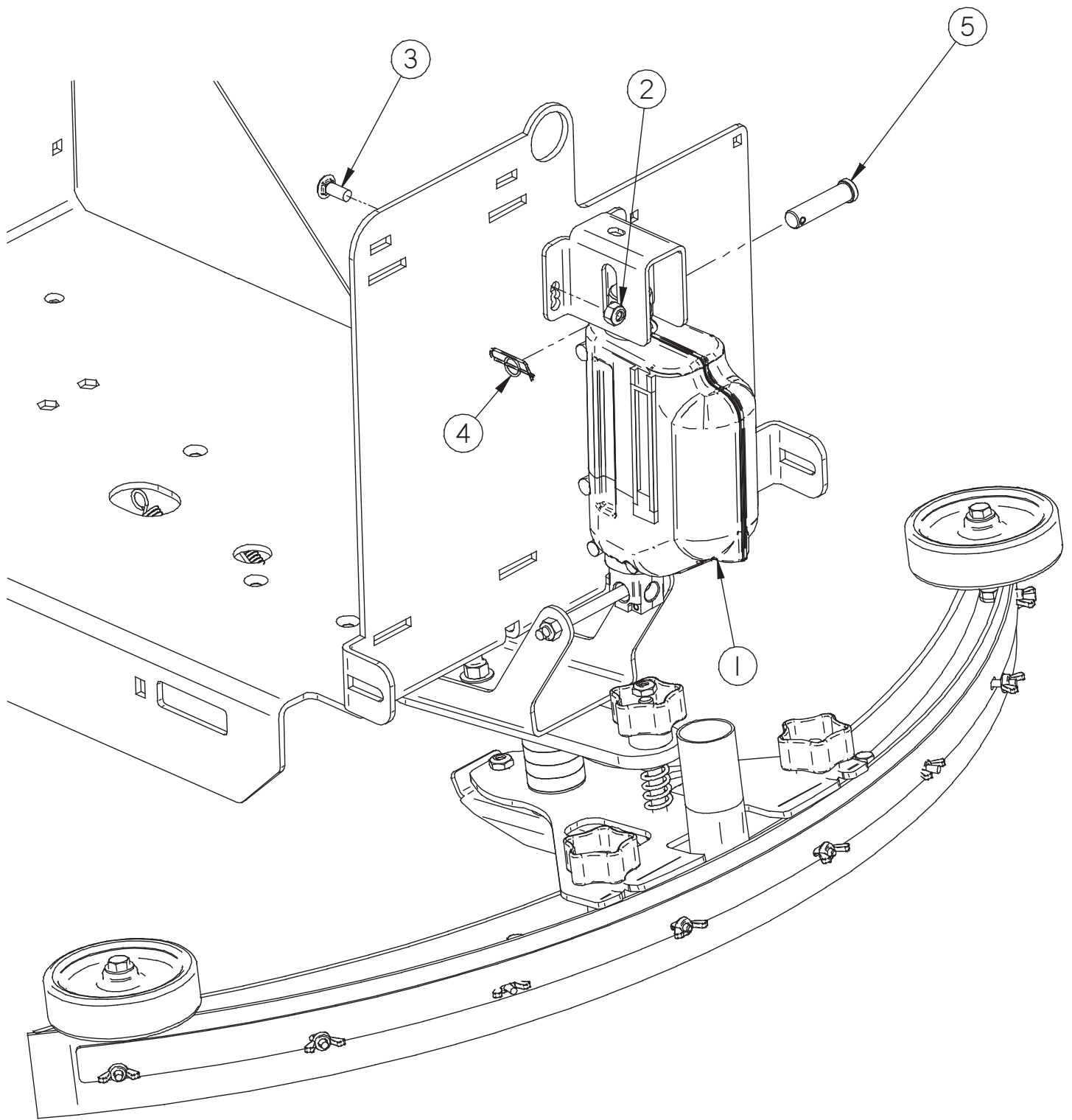


Item	Part Number	Part Description	Optional P/N	Optional Description	Qty
1	253-1143	BANDEAU COVER, CYLINDRICAL	253-1144	BANDEAU COVER, SIDE BROOMS	1
2	H-25336	.312 ID X .375 OD X .375 LG BEARING SLEEVE			2
3	H-70103	HCS 3/8"-16 X 3/4" SS			3
4	H-70861	NYLOK 5/16" - 18 SS			2
5	H-71017	FW 3/8" X 7/8" SS			3
6	H-71067	LW 3/8" SS			3
7	H-74431	CB 5/16"- 18 X 1-1/4" SS			4
8	H-98025	FW 3/8" GRADE 8			2
9	H-NJ05C	JNYL 5/16"- 18 SS			2
10	M-6391K403	.312 ID X .375 OD X .25 LG BEARING SLEEVE			2
11	M-98126A739	SHIM, 1/2" ID X 3/4" OD X 1/16" THICK, S/S			2



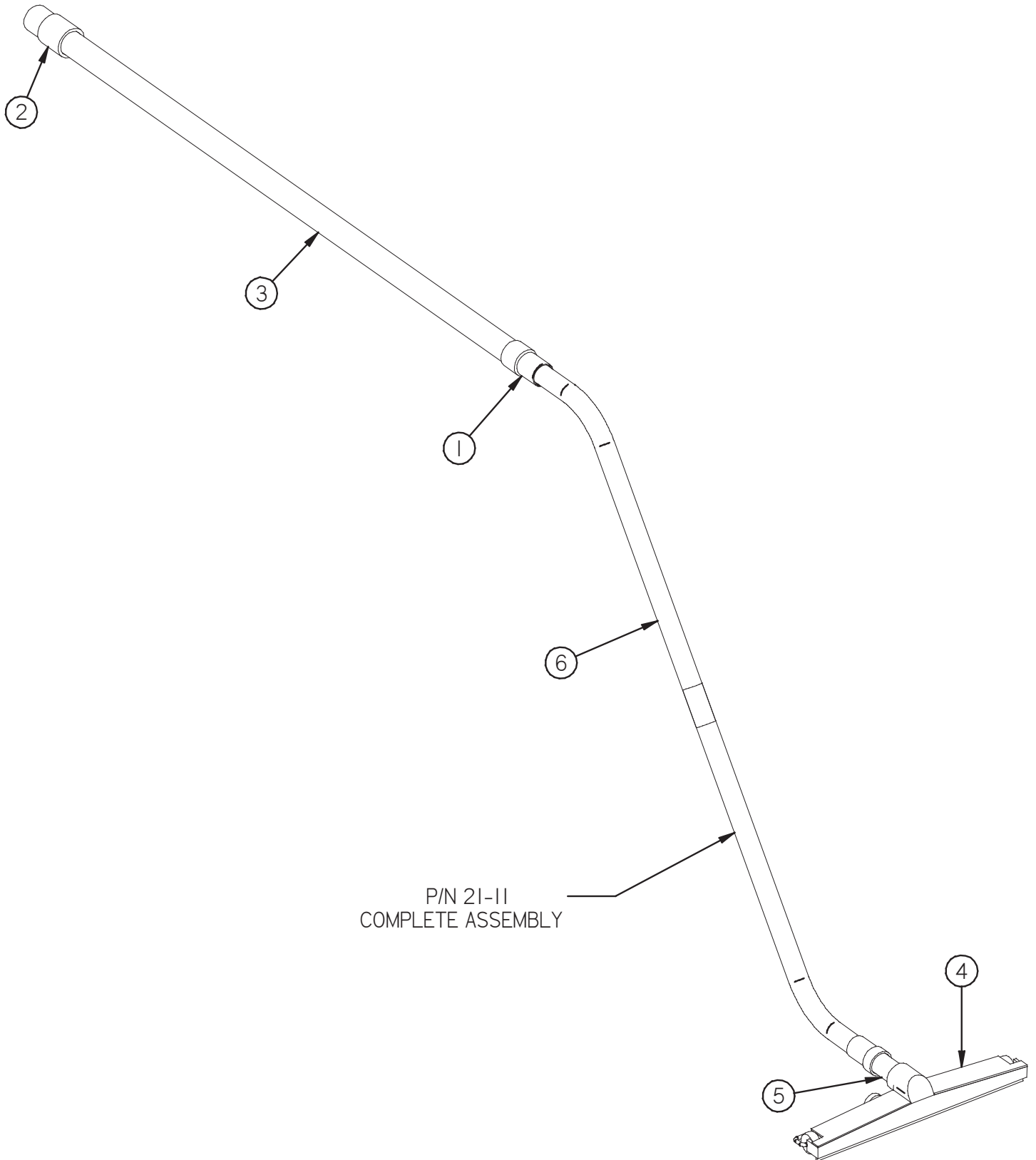
Item	Part Number	Part Description	Qty
1	21-1601	1/2" BARBED ELBOW (PLASTIC)	2
2	253-1609	1/2" ID X 12-1/4 " LG WIRE REINF. CLEAR TUBE	1
3	253-1613	1/2" ID X 13-1/2" LG WIRE REINF. CLEAR TUBE	1
4	253-1614	1/2" ID X 24" LG WIRE REINF. CLEAR TUBE	1
5	290-8960	GARDEN HOSE	1
6	5-891	PUMP, WATER JET	1
7	5-895	SPRAY NOZZLE	1
8	H-0491686	.625 ID X 1.125 OD RUBBER WASHER	1
9	H-62005	HOSE CLAMP 5/8"- 1-1/2" SS	2
10	H-70858	NYLOK #10-32 SS	4
11	H-70923	KN #10-32 SS	4
12	H-71010	FW #10 .218 x .687 S/S	4
13	H-72522	CB #10-32 X 1-1/4" SS	4
14	M-5463K727	WYE, 1/2", NYLON	1

# 60 Electric Squeegee Lift (optional)

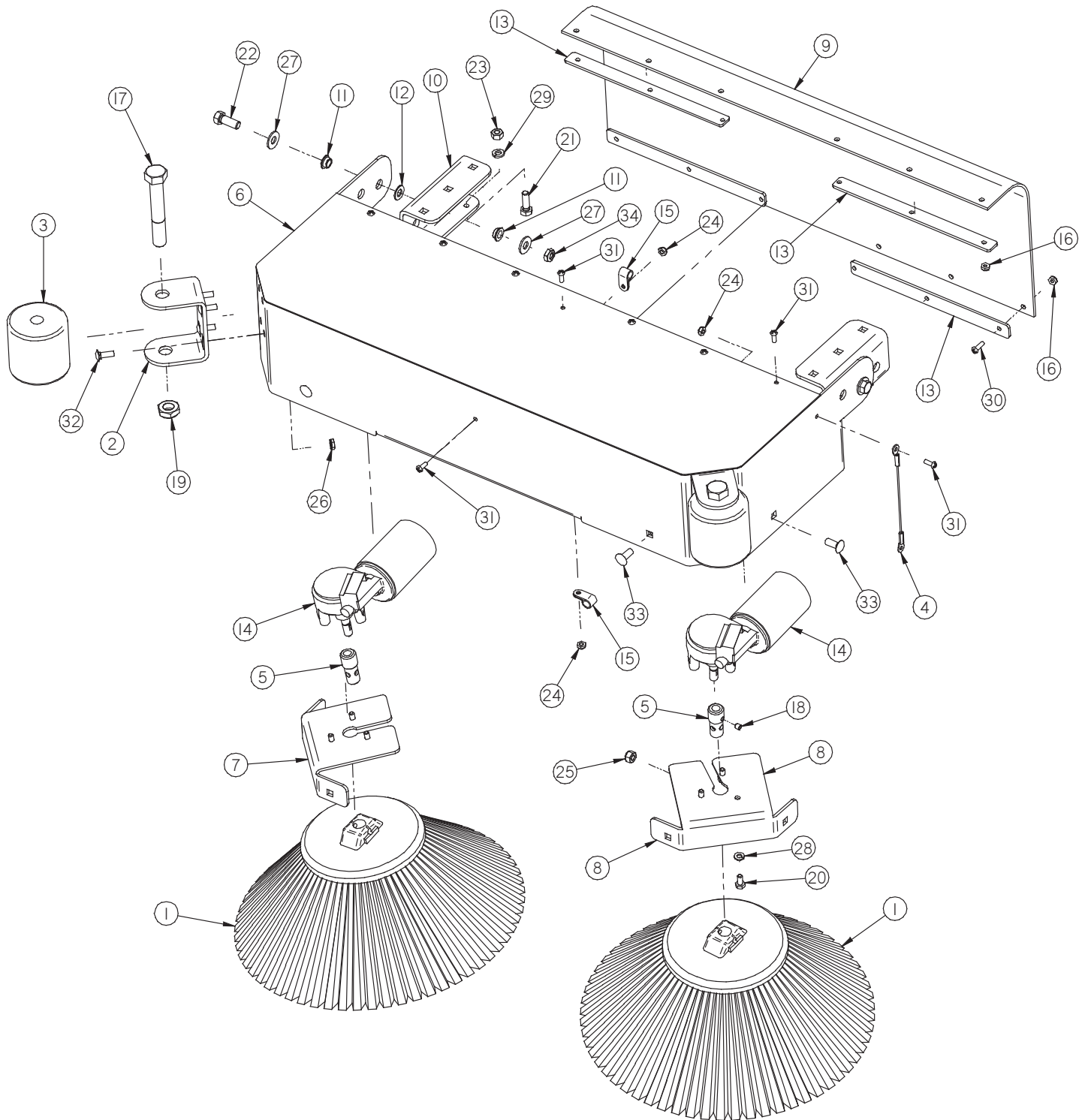


Item	Part Number	Part Description	Qty
1	253-2240	2" STROKE 24V ACTUATOR 450 LB LOAD	1
2	H-70861	NYLOK 5/16" - 18 SS	2
3	H-74429	CB 5/16"- 18 X 3/4" SS	2
4	H-RUE22	1/2" RUE RING COTTER	1
5	H-ZCP228	CLEVIS PIN, 1/2" OD X 2" LG	1

# 62 Vac Wand Kit (optional)

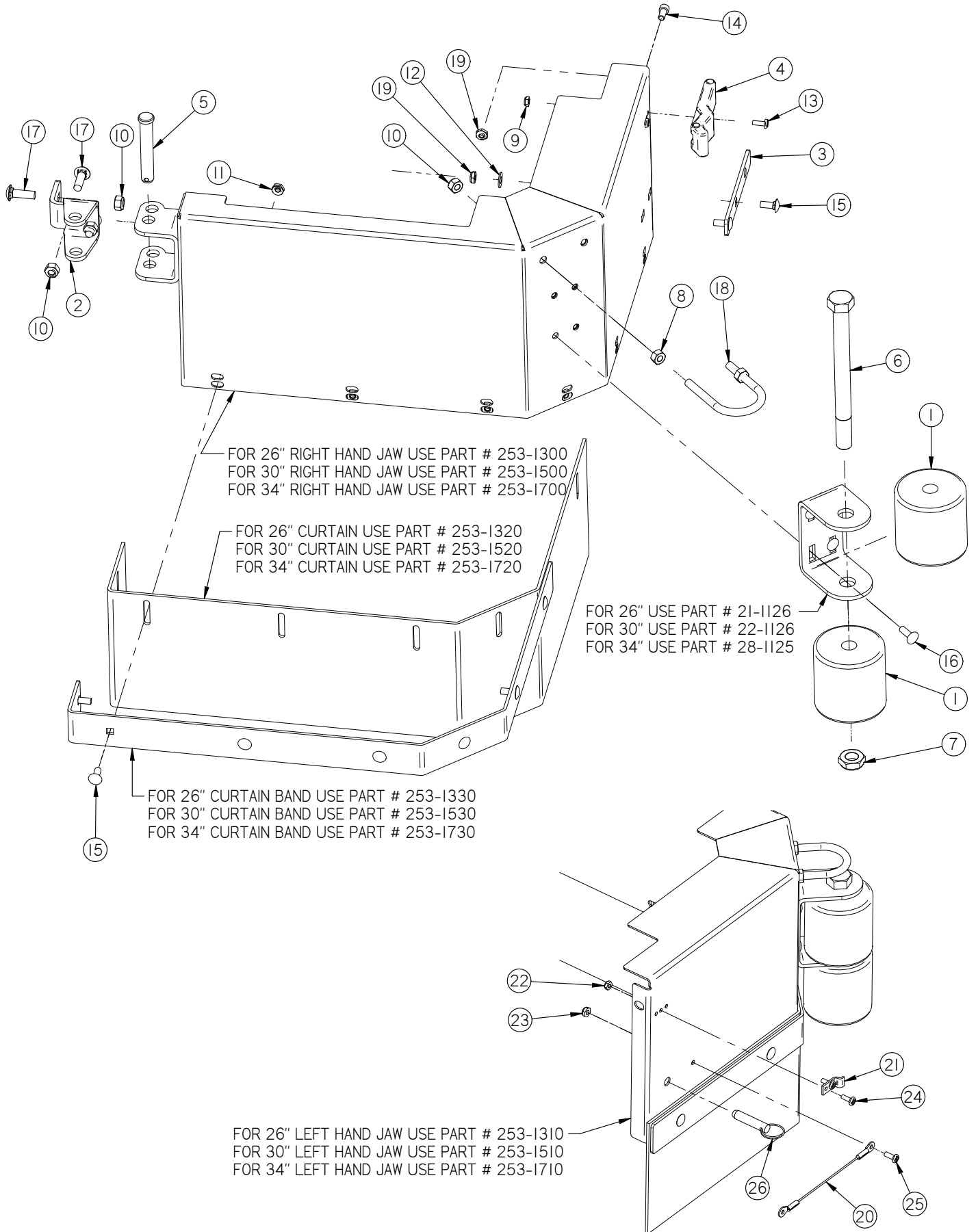


Item	Part Number	Part Description	Qty
1	21-4072	HOSE CUFF, 1 1/2"	1
2	290-7212	1-1/2" - 2" HOSE CUFF	1
3	5-883	HOSE, VACUUM, 1-1/2" X 15', W/CUFFS	1
4	5-889	VACUUM NOZZLE	1
5	7-884	COUPLER, S/S	1
6	7-887	TWO PIECE CHROME VAC WAND	1





Item	Part No.	Part Description	Qty.
1	I-402	SIDE BROOM POLYPROPYLENE	2
2	2I-1126	ROLLER BRACKET	2
3	2I-1127	ROLLER	2
4	2I-4060	6" LANYARD	2
5	253-2443	COUPLER	2
6	253-4422	27" SIDE BROOM LIFT ARM	1
7	253-4427	BRACKET, RIGHT	1
8	253-4428	BRACKET, LEFT	1
9	253-4429	SIDE BROOM CURTAIN	1
10	253-4435	SIDE BRROM LIFT BRACKET	2
11	290-1233	3/8" ID, 1/2" OD, 1/4" LG BEARING	4
12	290-1247	FW BRONZE .75 OD X .375 ID X .0625 THK	2
13	4-529	CURTAIN CLAMP	4
14	8-220	SIDE BROOM MOTOR	2
15	H-0127288	#6 3/8" RUBBER LOOP CLAMP	2
16	H-0129155	JNYL #10-32, 18-8 S/S	12
17	H-11319	HB 5/8"- 11 X 4"	2
18	H-25379	SETSCREW, KCP, 1/4"-20 X 1/4"	2
19	H-37038	JNYL 5/8"- 11	2
20	H-38558	HCS M6-1.0 X 14	6
21	H-70055	HCS 5/16"- 18 X 1" SS	2
22	H-70105	HCS 3/8"- 16 X 1" SS	2
23	H-70711	HN 5/16"- 18 SS	2
24	H-70858	NYLOK #10-32 SS	4
25	H-70861	NYLOK 5/16" - 18 SS	4
26	H-70925	KN 1/4-20 S/S	8
27	H-71017	FW 3/8" X 7/8" SS	4
28	H-71063	LW #6 SS	6
29	H-71065	LW 5/16" SS	2
30	H-71614	RPH #10-32 X 5/8" SS	6
31	H-72515	RPH #10-32 X 1/2" SS	10
32	H-74419	CB 1/4"- 20 X .75" SS	8
33	H-74429	CB 5/16"- 18 X 3/4" SS	4
34	H-NJ06C	JNYL 3/8- 16 SS	2



## RIGHT JAW PARTS LIST

Item	Part Number	Part Description	Qty
1	21-1127	ROLLER	2
2	253-1160	JAW HINGE, INNER	1
3	253-1350	JAW LOCK	1
4	4-124	LATCH	1
5	H-0156775	1/2" X 3" CLEVIS PIN	1
6	H-13327	HB 5/8"- 11 X 7"	1
7	H-37038	JNYL 5/8"- 11	1
8	H-70711	HN 5/16"- 18 SS	2
9	H-70856	NYLOK #8-32 SS	2
10	H-70861	NYLOK 5/16" - 18 SS	5
11	H-70925	KN 1/4-20 S/S	11
12	H-71013	FW 1/4 ID X 5/8 OD SS	2
13	H-72398	PPH #8-32 X 1/2" S/S	2
14	H-73459	SHCS 1/4-20 X 1/2 SS	1
15	H-74418	CB 1/4"- 20 X 5/8" S/S	9
16	H-74419	CB 1/4"- 20 X .75" SS	4
17	H-74430	CB 5/16"- 18 X 1" SS	3
18	H-74631	5/16-18 X 2 1/4" SS U BOLT	1
19	H-NJ04C	JNYL 1/4" - 20 SS	3

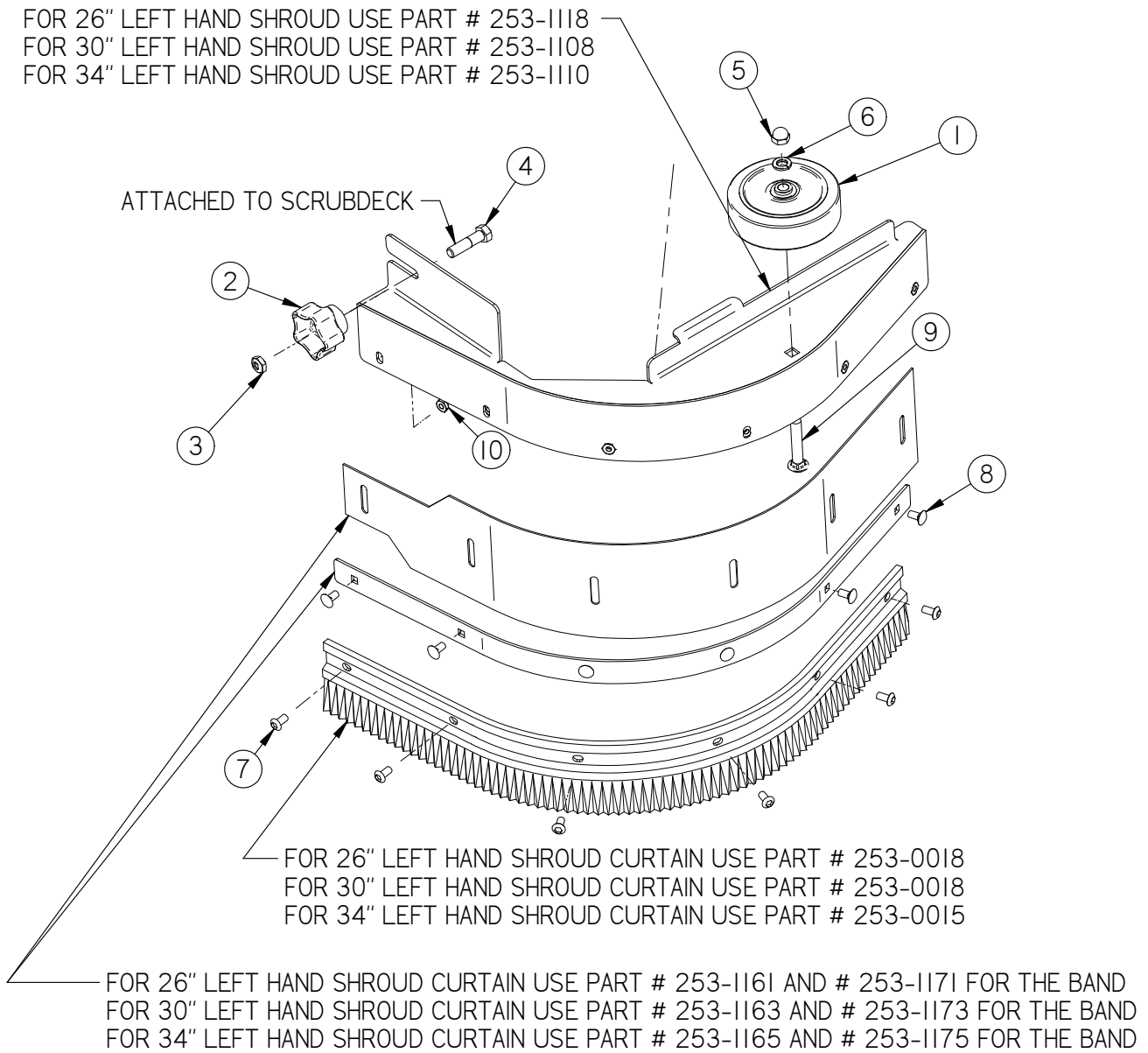
## LEFT JAW PARTS LIST

**SAME PARTS AS RIGHT JAW EXCEPT WHAT'S LISTED BELOW**

20	21-4060	6" LANYARD	1
21	4-124	CLIP, LATCH	1
22	H-70856	NYLOK #8-32 SS	1
23	H-70858	NYLOK #10-32 SS	1
24	H-72398	PPH #8-32 X 1/2" S/S	1
25	H-72515	PPH #10-32 X 1/2" S/S	1
26	M-98404A368	DETENT RING PIN, 3/8" X .8"	1

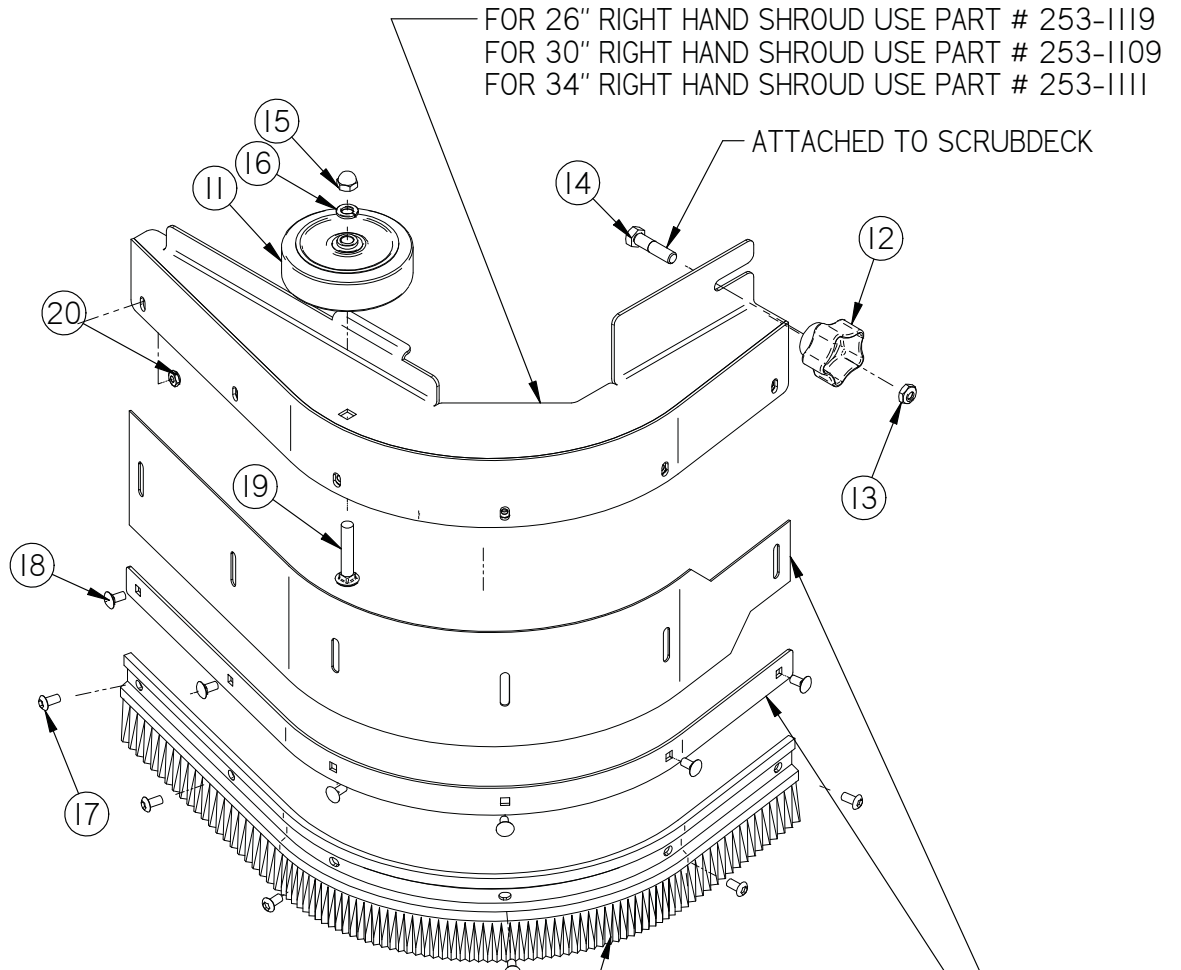
# 68 Left Shroud

FOR 26" LEFT HAND SHROUD USE PART # 253-1118  
 FOR 30" LEFT HAND SHROUD USE PART # 253-1108  
 FOR 34" LEFT HAND SHROUD USE PART # 253-1110



## LEFT SHROUD

Item	Part Number	Part Description	Qty
1	190-3030	4.0" WHEEL (GRAY)	1
2	290-5787	STAR KNOB, 3/8-24 THREAD	1
3	H-0171004	JNYL 3/8- 24 SS	1
4	H-01729	HCS 3/8"- 24 X 1-1/2" SS	1
5	H-37710	3/8-16 LC ACORN NUT, NICKEL	1
6	H-71067	LW 3/8" SS	1
7	H-73752	BHSCS 1/4 - 20 X 1/2" SS	6
8	H-74417	CB 1/4"- 20 X .5" SS	6
9	H-74439	CB 3/8"- 16 X 2.0" SS	1
10	H-NJ04C	JNYL 1/4" - 20 SS	6



FOR 26" RIGHT HAND SHROUD USE PART # 253-1119  
 FOR 30" RIGHT HAND SHROUD USE PART # 253-1109  
 FOR 34" RIGHT HAND SHROUD USE PART # 253-1111

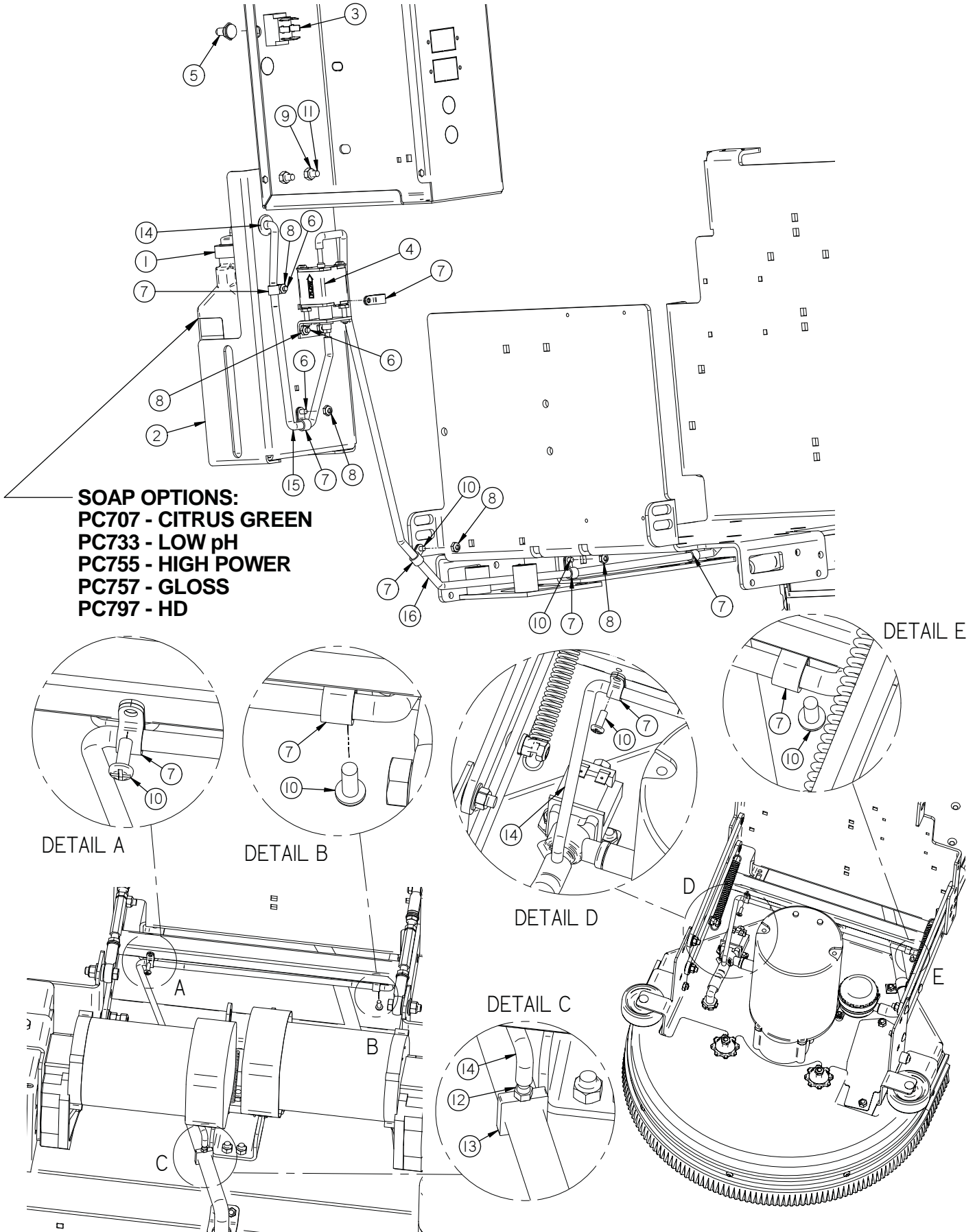
ATTACHED TO SCRUBDECK

FOR 26" RIGHT HAND SHROUD CURTAIN USE PART # 253-0021  
 FOR 30" RIGHT HAND SHROUD CURTAIN USE PART # 253-0019  
 FOR 34" RIGHT HAND SHROUD CURTAIN USE PART # 253-0016

FOR 26" RIGHT HAND SHROUD CURTAIN USE PART # 253-1162 AND # 253-1172 FOR THE BAND  
 FOR 30" RIGHT HAND SHROUD CURTAIN USE PART # 253-1164 AND # 253-1174 FOR THE BAND  
 FOR 34" RIGHT HAND SHROUD CURTAIN USE PART # 253-1166 AND # 253-1176 FOR THE BAND

## RIGHT SHROUD

Item	Part Number	Part Description	Qty
11	190-3030	4.0" WHEEL (GRAY)	1
12	290-5787	STAR KNOB, 3/8-24 THREAD	1
13	H-0171004	JNYL 3/8- 24 SS	1
14	H-01729	HCS 3/8"- 24 X 1-1/2" SS	1
15	H-37710	3/8-16 LC ACORN NUT, NICKEL	1
16	H-71067	LW 3/8" SS	1
17	H-73752	BHSCS 1/4 - 20 X 1/2" SS	6
18	H-74417	CB 1/4"- 20 X .5" SS	6
19	H-74439	CB 3/8"- 16 X 2.0" SS	1
20	H-NJ04C	JNYL 1/4" - 20 SS	6



**SOAP OPTIONS:**  
 PC707 - CITRUS GREEN  
 PC733 - LOW pH  
 PC755 - HIGH POWER  
 PC757 - GLOSS  
 PC797 - HD

DETAIL A

DETAIL B

DETAIL D

DETAIL C

DETAIL E

Item	Part Number	Part Description	Qty
1	253-0115	SOAPJUG CAP	1
2	253-1760	SOAP TRAY, SINGLE	1
3	253-283	SWITCH, TOGGLE, ON/OFF/ON (DPDT)	1
4	253-8500	SOAP PUMP, 24V	1
5	H-01198	PROTECTIVE BOOT, TOGGLE SWITCH, (GREEN)	1
6	H-0172518	CB #10-32 X 1/2" SS	5
7	H-02239	3/8" NYLON LOOP CLAMP	8
8	H-70858	NYLOK #10-32 SS	8
9	H-70860	NYLOK 1/4"- 20 SS	2
10	H-72515	PPH #10-32 X 1/2" S/S	5
11	H-74419	CB 1/4"- 20 X .75" SS	2
12	M-2974K369	NYLON BARBED TUBE FITTING, 3/16 ID X 1/16" NPT	1
13	M-5116K46	1/2" X 1/2" BARB	1
14	M-9307K23	GROMMET, RUBBER 3/8 ID X 7/8 OD X 1/8 TH.	1
15	T-018CR2000	3/16" ID X 20" LG. C.R. TUBE	1
16	T-018CR7200	3/16" ID X 72" LG. C.R. TUBE	1

## ROUND DISK BRUSHES:

### NOTICE

The ## in Disk Column Denotes Desk Pad Size: 13", 14", 15" or 17"

BRUSHES	DISK	LEVEL
Super Grit	##-421SS	Very High
Tough Grit	##-421S	High
Midi Grit	##-421C	Medium
Light Grit	##-421PS	Moderate
Poly (.028)	##-421P	Light
Nylon (.016)	##-421N	Light
Tampico	##-421T	Light
Pad Driver	##-421D	
Diamond Driver	##-421DD	

## ROUND DISK PADS:

### NOTICE

The ## in Disk Column Denotes Desk Pad Size: 13", 14", 15" or 17"

DISK PADS	DISK	LEVEL	COLOR
Super Black	##-422BB	Very High	Black
Black	##-422B	High	Black
Brown	##-422BR	High	Brown
Green	##-422G	Medium	Green
Blue	##-422BL	Moderate	Blue
Red	##-422R	Moderate	Red
White	##-422W	Light	White

## EDGE PADS AND SCREENS:

DESCRIPTION	28"×14" SCRUBDECK	32"×14" SCRUBDECK
White Pad	EDGE-4054	EDGE-5005
Red Pad	EDGE-4053	EDGE-5004
Blue Pad	EDGE-4052	EDGE-5009
Green Pad	EDGE-4051	EDGE-5002
Black Pad	EDGE-4050	EDGE-5001
White Driver Pad	EDGE-4058	N / A
60 Grit Sand Screen	EDGE-4059	N / A
80 Grit Sand Screen	EDGE-4060	N / A
100 Grit Sand Screen	EDGE-4061	EDGE-5028
120 Grit Sand Screen	EDGE-4062	EDGE-5029
150 Grit Sand Screen	EDGE-4063	N / A
Tile/Grout Renovator Pad	EDGE-4048	N / A
Dominator HD Strip Pad	EDGE-4055	N / A
Maroon ECO Prep Pad	EDGE-4056	EDGE-5007
Remover Burnishing Pad	EDGE-4057	EDGE-5008
Porko Burnishing Pad	EDGE-4047	N / A
Velcro Pad	300-4024	N / A



**NEW STYLE CYLINDRICAL BRUSHES:**

For Machine Serial #50000 & Greater

<b>BRUSHES</b>	<b>MODEL 24" CYLINDRI- CAL</b>	<b>MODEL 27" CYLINDRICAL</b>	<b>MODEL 30" CYLINDRICAL</b>	<b>MODEL 34" CYLINDRICAL</b>
Super Grit	N / A	N / A	N / A	N / A
Tough Grit	225-821S	255-821S	285-821S	325-821S
Midi Grit	225-821C	255-821C	285-821C	325-821C
Light Grit	225-821PS	255-821PS	285-821PS	325-821PS
Poly (.028)	N / A	N / A	N / A	N / A
Nylon (.016)	225-821N	255-821N	285-821N	325-821N

**OLD STYLE CYLINDRICAL BRUSHES:**

For Machines Prior To Serial #50000

<b>BRUSHES</b>	<b>MODEL 24" CYLINDRI- CAL</b>	<b>MODEL 27" CYLINDRICAL</b>	<b>MODEL 30" CYLINDRICAL</b>	<b>MODEL 34" CYLINDRICAL</b>
Super Grit	N / A	N / A	N / A	N / A
Tough Grit	22-521S	25-521S	28-521S	32-521S
Midi Grit	22-521C	25-521C	28-521C	32-521C
Light Grit	22-521PS	25-521PS	28-521PS	32-521PS
Poly (.028)	N / A	N / A	N / A	N / A
Nylon (.016)	22-521N	25-521N	28-521N	32-521N

**EDGE/ORBITZ GRIP FACE:**

<b>DESCRIPTION</b>	<b>PART#</b>
28" Velcro Grip Face	300-1039
28" Mighty Lok Grip Face	300-01037Z
32" Mighty Lok Grip Face	300-01037Z

**SQUEEGEE BLADE KITS & COMPLETE SQUEEGEE ASSEMBLIES:**

SQUEEGEE SIZE	24" - 28" DECKS	30" - 34" DECKS
32" Squeegee	Optional	Optional
35" Squeegee	Standard	Optional
38" Squeegee	Optional	Standard

SQUEEGEE SIZE	GUM RUBBER BLADE KIT	LINATEX BLADE KIT	URETHANE BLADE KIT	COMPLETE SQUEEGEE ASSEMBLIES
32" Squeegee	22-770G	22-770L	22-770U	23-7180
35" Squeegee	25-770G	25-770L	25-770U	25-7180
38" Squeegee	28-770G	28-770L	28-770U	28-7180

SQUEEGEE MATERIAL:	USED FOR:
LINATEX	Provides best wear and tear resistant. Not designed for use with chemicals.
URETHANE	Provides best resistance when dealing with harsh chemicals, oils, fuels, etc.
GUM	Provides best drying performance on rough/grouted floor types by sealing over irregularities.

**NOTICE**

Squeegee blade kits include (1) Rear Blade, (1) Front Blade, and (2) Backup Wheels with hardware.

**NOTICE**

Squeegee Assemblies (complete) listed above all come with Linatex blades.

**NOTICE**

Size is stamped into the top of the painted steel squeegee body on all squeegee's.

**NOTICE**

The 32" squeegee is designed for narrow aisles and may not have the same water control around tight turns as the large squeegees.

## Magnum Suggested Parts Inventory

Quantity	Part #	Description
1	25-770G	Squeegee Rebuild Kit 35" Gum
1	25-770L	Squeegee Rebuild Kit 35" Linatex
1	28-770G	Squeegee Rebuild Kit 38" Gum
1	28-770L	Squeegee Rebuild Kit 38" Linatex
2	5-760	Squeegee Side Roller Wheels
2	H-70065	Side Roller Wheel Bolt
1	21-4500	Solution Solenoid
1	190-5250	Vacuum Motor
1	190-3002	Vacuum Motor Gasket
1	8-231	Main Power Switch
1	190-1410	Recovery Lid Assembly
1	253-1070	Tank Lid Gasket
1	7-229	Pushbutton Switch
1	29-Jul	Rheostat, Speed Setting 5k
1	7-283	DPDT Toggle switch
1	290-2891	LCD
2	290-2815	Circuit Breaker
2	21-5000	Brush Driver
1	21-4085	Vac Screen
1	21-4028	Snap grip Clamp 2-1/8" - 2-3/8", Nylon
1	190-1450	Vacuum Saver
1	253-1505	Loader Valve
2	253-0111	Squeegee Hose
2	170-7211	Drain Hose Cap
2	170-7210	Drain Hose
2	253-0130	Casters
1	253-2010	Dash Sticker
2	32-3045	Front Tire
1	5-913	Solution Filter
1	21-4510	Solution Knob
1	21-4520	Speed Knob
2	4-124	Tank Lid Latch
1	253-7890	Squeegee Cable
2	290-5786	Squeegee Knobs
1	H-01196	Switch Cover - Red
1	H-01200	Switch Cover - Black
1	21-7101	Squeegee Lift Knob
1	5-293	Hella Relay
1	5-223	Vac Switch
1	253-2445	On-Board Charger
1	253-3444	Charger Cord

**BLANK**  
THIS PAGE WAS INTENTIONALLY LEFT BLANK

**BLANK**  
THIS PAGE WAS INTENTIONALLY LEFT BLANK



1711 South Street  
Racine, WI 53404  
[www.rpscorporation.com](http://www.rpscorporation.com)  
Tel. US: 800-634-4060  
Tel. Int: (001) 262-681-3583