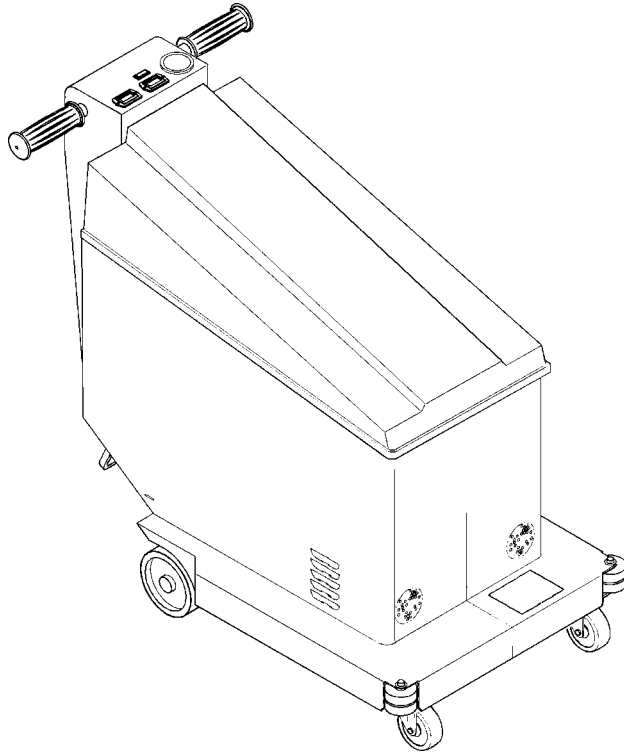


Whirlamatic™ VS 20



PARTS LIST

Advance MODEL 56393705



Advance

by Nilfisk-Advance

10/93 revised 2/03 FORM NO. 56042281

DESCRIPTION	PAGE
CHASSIS AND SHROUD	4-5
HANDLE ASSEMBLY	6-7
PAD DRIVE ASSEMBLY	8-9
DRIVE MOTOR	10-11
WIRING DIAGRAM	12-13

WHEN ORDERING PARTS

- * Use the 8 digit numbers from the "Ref. No." columns in this parts list.
- * Specify the model and serial number of the machine.
- * Use the space below to record the model and serial number for future reference.

Model _____ Serial No. _____

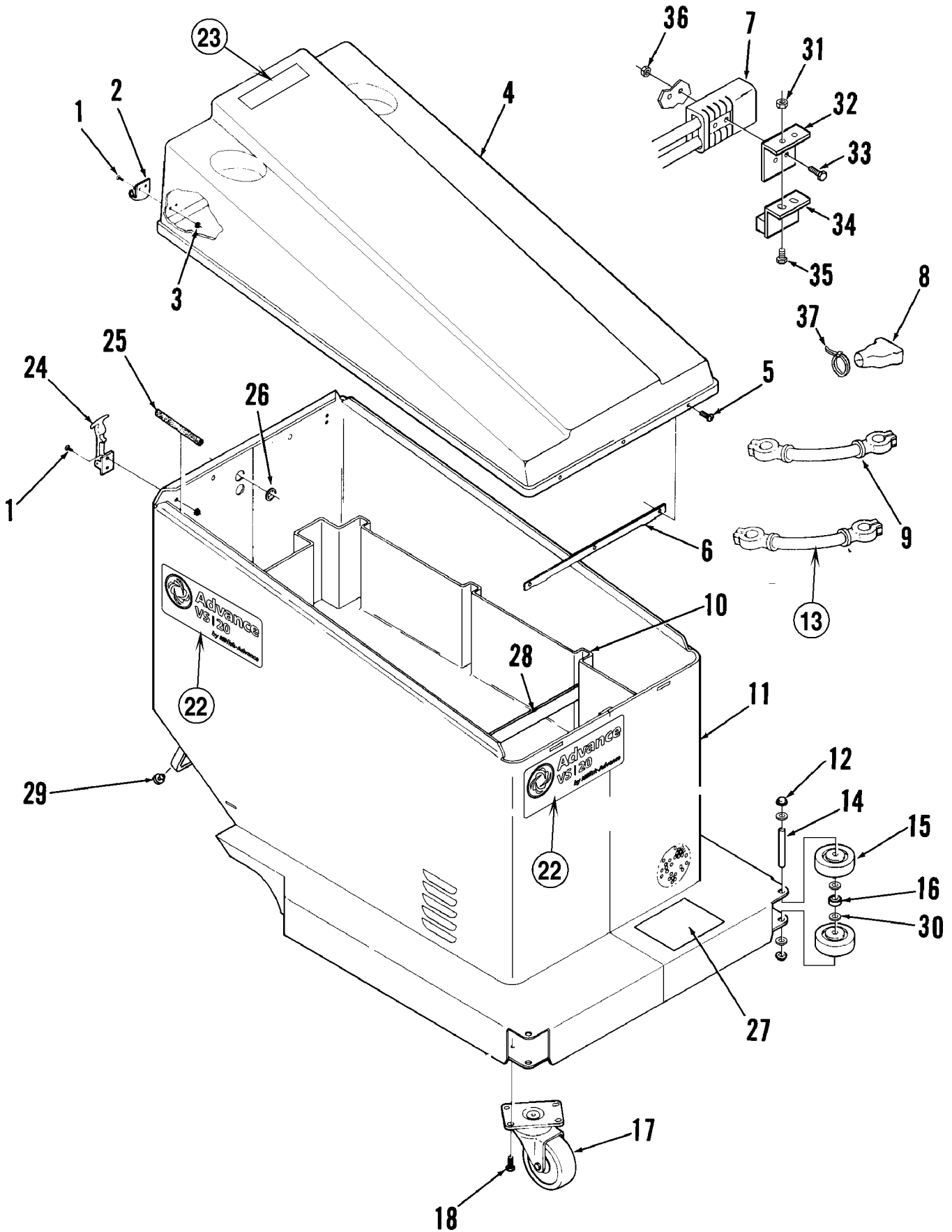
CHASSIS AND SHROUD

93-10

4

Whirlamatic™ VS 20

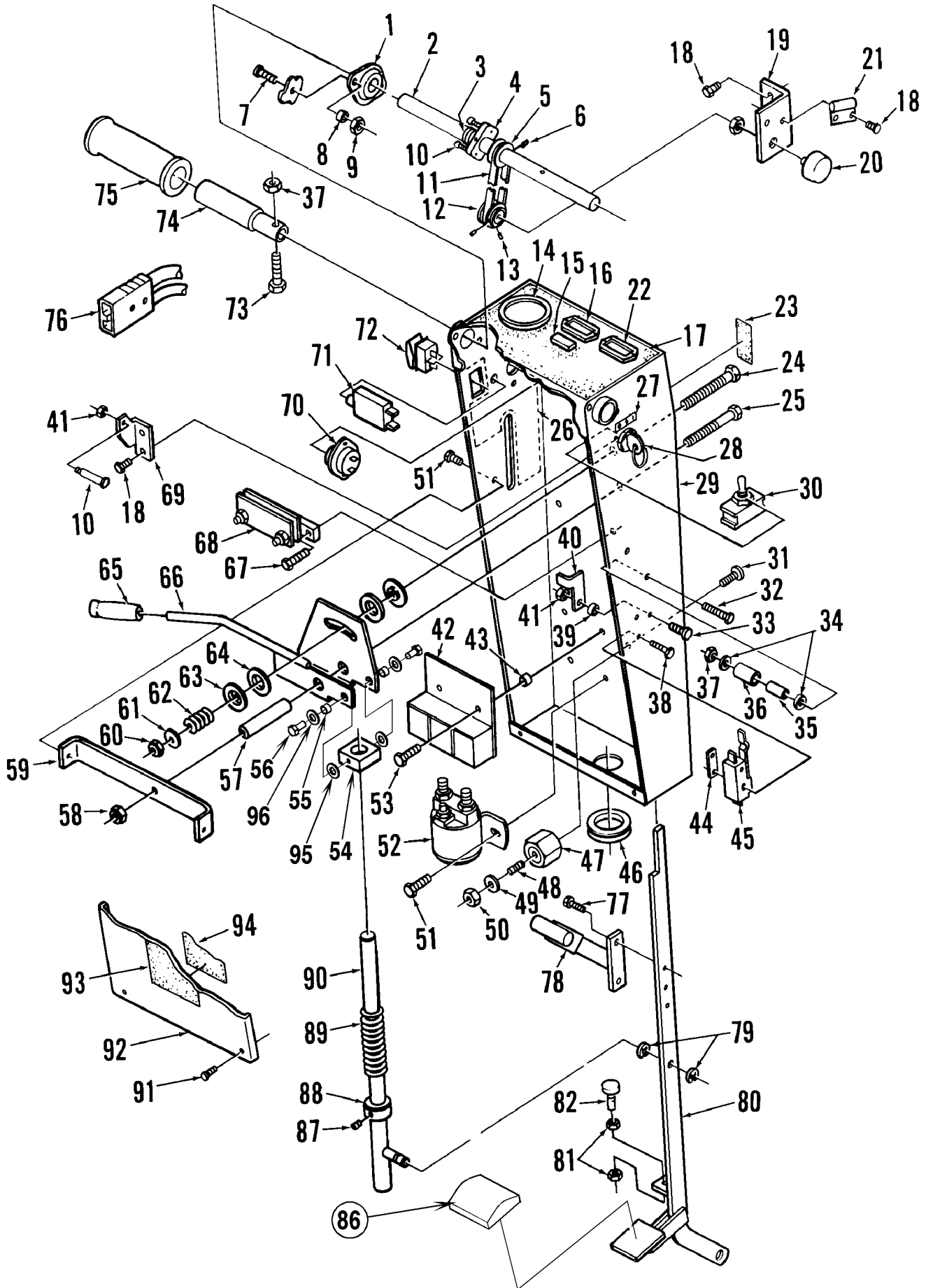
00-9



93-10	CHASSIS AND SHROUD		
00-9	Whirlamatic™ VS 20		5

Item	Ref. No.	Qty	Description
	56393561	1	Shroud Assembly (#1-6)
1	56001904	8	#6-32 x 3/8 Screw
2	56393559	2	Keeper
3	56002830	8	#6-32 Nut
4	56393503	1	Shroud
5	56002519	3	#10-24 x 3/8 Screw
6	56393539	1	Bracket
7	56393741	1	Battery Charger Connector with Wires
8	56372673	12	Battery Boot
9	56363936	2	Battery Cable TSB 730
10	56393574	1	Battery Tray
11	56393730	1	Chassis
12	56262534	4	Cap
13	56363928	3	Battery Cable TSB 730
14	56393543	2	Pin
15	56363855	4	Wheel
16	56328022	2	Bushing
17	56206725	2	Caster
18	56002513	10	1/4-20 x 1/2 Screw
22	56016416	1	Decal, VS 20
23	56015171	1	Decal, Important
24	56393560	2	Latch
25	56393549	2	Trim
26	56157376	2	Grommet
27	56015120	1	Decal, Pad Replacement
28	56393578	1	Battery Retaining Strap
29	56393581	2	Bumper
30	56163767	8	Spring Washer
31	56002768	2	#10-24 Nyloc Nut
32	56393582	1	Switch Bracket
33	56001833	2	1/4-20 x 1.5 Screw
34	56462362	1	Charger Interlock Switch
35	56002503	2	#10-24 x .5 Screw
36	56002708	2	1/4-20 Nyloc Nut
37	56478246	12	Wire Tie
*	56386973	1	Battery Cable TSB 730
*	56324284	1	Battery Cable TSB 730

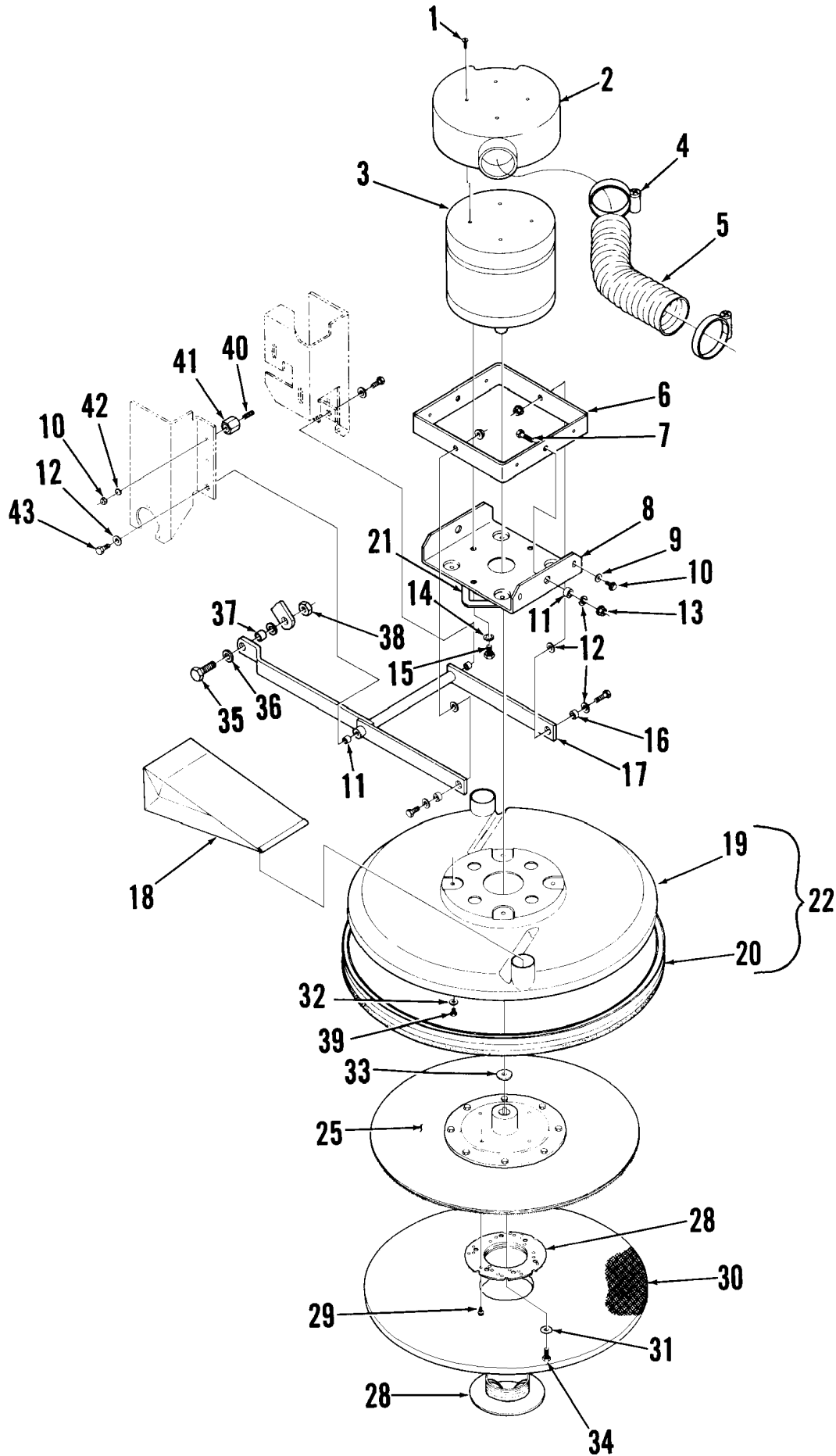
* = Not Shown



93-10	HANDLE ASSEMBLY			
03-2	Whirlamatic™ VS 20			7

Item	Ref. No.	Qty	Description	Item	Ref. No.	Qty	Description
	56393735	1	Handle Assembly (#1-76)	49	56001830	2	1/4 Shakeproof Washer
1	56393264	2	Handle Bearing	50	56002040	2	1/4-20 Jam Nut
2	56324131	1	Handle Bar	51	56002530	4	1/4-20 x .38 Screw
3	56324033	1	Spring	52	56395450	1	Contactora
4	56324133	1	Handle Spring Lever	53	56002744	2	#10-24 x .88 HP5 Screw
5	56392859	1	Pulley	54	56393696	1	Bearing Block Assembly
6	56001935	4	#10-24 x .19 Set Screw	55	56200123	2	Bushing
7	56002793	4	5/16-18 x .75 Screw	56	56002510	2	#10-24 x .62 HP5 Screw
8	56320595	4	Bushing	57	56393520	1	Pivot
9	56002826	4	5/16-18 Nut	58	56002701	1	5/16-18 Nyloc Nut
10	56900481	3	Shoulder Bolt	59	56393534	1	Support
11	56324022	1	Belt	60	56002769	1	3/8-16 Nyloc Nut
12	56324513	1	Pulley	61	56002063	1	3/8 Flat Washer
13	56002279	2	#8-32 x .25 Set Screw	62	56171177	1	Spring
14	56389527	1	Ammeter TSB 672	63	56440760	2	Washer
15	56389433	1	Red Indicator Light, 24V (before February 1998)	64	56367184	2	Thrust Bearing
	56393863	1	Red Indicator Light, 36V (after January 1998)	65	56471193	1	Grip
16	56393717	1	Battery Fuel Gauge	66	56393528	1	Lever TSB 672
17	56015562	1	Decal, Control Panel	67	56002520	2	#10-24 x .5 HP5 Screw
18	56002519	7	#10-24 x .38 HP5 Screw	68	56386793	1	Shunt
19	56324119	1	Bracket	69	56393716	1	Stop Bracket
20	56454740	1	Potentiometer	70	56393722	1	Circuit Breaker 70 Amp
21	56393569	1	Switch	*	56002192	2	#10-24 x .75 Screw
22	56393718	1	Hour Meter **	71	56454538	1	Circuit Breaker 15 Amp
23	56025264	1	Decal, Cable Routing	72	56393312	1	Rocker Switch
24	56001873	1	3/8-18 x 2.5 Screw	73	56001878	2	1/4-20 x 1.25 Screw
25	56002606	1	5/16-18 x 3.25 Screw	74	56324120	2	Handle Tube
26	56015564	1	Decal, Side Panel	75	56388545	2	Grip
27	56015422	1	Decal, Power	*	56377525	1	Diode Assembly
28	56393325	1	Key Lock	*	56389453	1	Resistor Assembly 330 Ohm .5W
	56393415	1	Replacement Key	*	56478246	7	Cable Tie
29	56393726	1	Handle Weldment	*	56469832	1	Tie Anchor
30	56301636	1	Main Switch	76	56393741	1	Charger Connector with Wires
31	56001861	2	1/4-20 x .38 Screw	77	56002513	2	1/4-20 x .5 HP5 Screw
32	56001833	1	1/4-20 x 1.5 Screw	78	56393725	1	Handle
33	56002503	1	#10-24 x .5 Screw	79	56321427	2	Retaining Ring
34	56002098	2	1/4 Flat Washer	80	56388184	1	Pedal Lever
35	56207489	1	Bushing	81	56002561	2	1/4-20 Keps Nut
36	56244859	1	Bushing	82	56386314	1	1/4-20 Leg Leveler
37	56002840	3	1/4-20 Nyloc Nut	86	56365002	1	Pedal Pad
38	56003009	2	#6-32 x 1 Screw		56393583	1	Pedal Assembly (#80-86)
39	56375334	1	Bushing	87	56002021	1	5/16-18 x .38 Set Screw
*	56002011	1	#10 Shakeproof Washer	88	56367354	1	Collar
40	56393530	1	Lever	89	56372129	1	Spring
41	56002768	4	#10-24 Nyloc Nut	90	56393522	1	Rod
*	56001954	1	#10 Flat Washer	91	56002519	2	#10-24 x .38 HP5 Screw
42	56393721	1	Speed Control	92	56393723	1	Panel
43	56377721	2	Spacer	93	56015119	1	Decal, Caution
44	56376015	1	Nut Plate	94	56016069	1	Decal, Wiring
45	56324362	1	Switch	95	56009024	2	Wsh, Bowed .375 x .84 x .06
46	56344621	1	Grommet	96	56001954	2	Wsh, Fit SAE #10
47	56469858	2	Insulated Stand-Off				
48	56150274	2	Stud				

* = Not Shown



93-10	PAD DRIVE ASSEMBLY		
00-9	Whirlamatic™ VS 20		9

Item	Ref. No.	Qty	Description
	56393502	1	Drive Unit Assembly (#1-17)
1	56002530	4	1/4-20 x 3/8 Screw
2	56393576	1	Cover
3	56389422	1	Motor TSB 672
*	56389371	1	Carbon Brush Set
*	56389395	1	Brush Spring Set
4	56352829	4	Hose Clamp
5	56387392	2	Hose
6	56393542	1	Frame
7	56003073	4	5/16-18 x 1 Bolt
8	56393510	1	Motor Mount
9	56002098	2	1/4 Flat Washer
10	56002040	2	1/4-20 Jam Nut
11	56391840	4	Bushing
12	56001939	8	5/16 Flat Washer
13	56002701	8	5/16-18 Nut
14	56002206	4	3/8 Shakeproof Washer
15	56002663	4	3/8-16 x 1/2 Bolt
16	56244941	2	Bushing
17	56393551	1	Linkage
18	56391185	2	Bag (part no. is for pkg of 6)
19	56393504	1	Shroud
20	56393565	1	Skirt
21	56200751	1	Gasket (61 cm)
22	56393566	1	Dust Shroud Assembly (#19-21)
25	56393650	1	Pad Holder (includes #28-29)
28	56393567	1	Retainer
29	56002519	4	#10-24 x 3/8 Screw
30		1	Pad (not included)
31	56180200	1	Washer
32	56151114	4	Washer
33	56367192	1	Washer
34	56002596	1	5/16-24 x 3/4 Bolt
35	56001895	1	1/2-13 x 1 Bolt
36	56367214	2	Washer
37	56393373	1	Bushing
38	56002843	1	1/2-13 Nyloc Nut
39	56002530	4	1/4-20 x .38 Screw
40	56150274	2	Stud
41	56469858	2	Insulated Stand-Off
42	56001803	2	1/4 Shakeproof Washer
43	56002956	4	5/16-18 x 3/4 Hex Loc Bolt

* = Not Shown

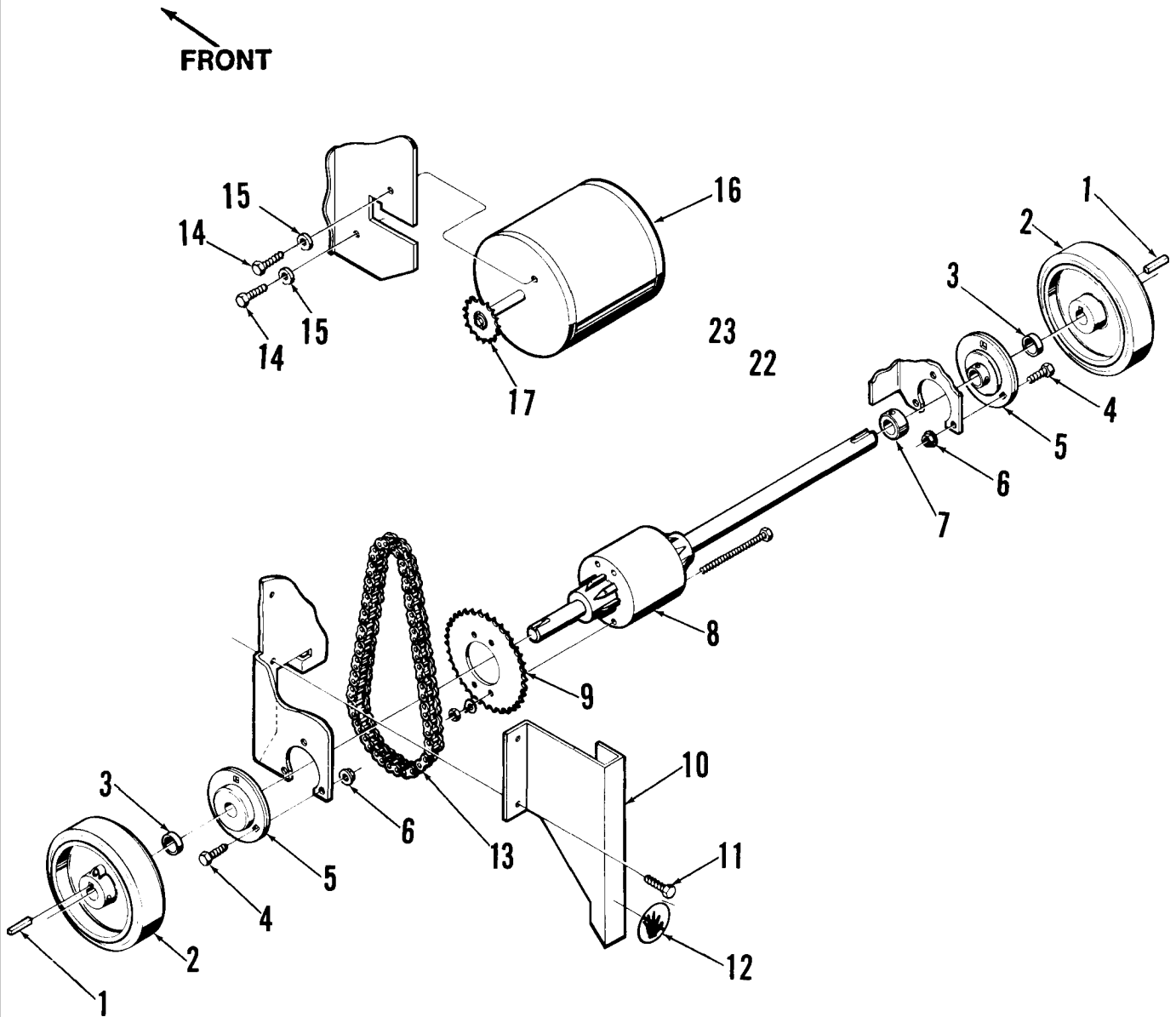
DRIVE MOTOR

93-10

10

Whirlamatic™ VS 20

00-9



93-10	DRIVE MOTOR		
01-5	Whirlamatic™ VS 20		11

Item	Ref. No.	Qty	Description
1	56443719	2	Key
2	56393602	2	Wheel
3	56367192	2	Spacer
4	56002956	6	5/16-18 x 3/4 Bolt
5	56393601	2	Bearing
6	56002701	6	5/16-18 Nyloc Nut
7	56367095	1	Collar
8	56393603	1	Differential
9	56467368	1	Sprocket
10	56393616	1	Guard
11	56002513	2	1/4-20 x 1/2 Bolt
12	56030080	1	Decal, Hands Clear
13	56393738	1	Roller Chain
14	56003073	2	5/16-18 x 1 Bolt
15	56152781	2	Washer
16	56467149	1	Drive Motor
*	56503006	1	Carbon Brush/Set 2
17	56465456	1	Sprocket

* = Not Shown

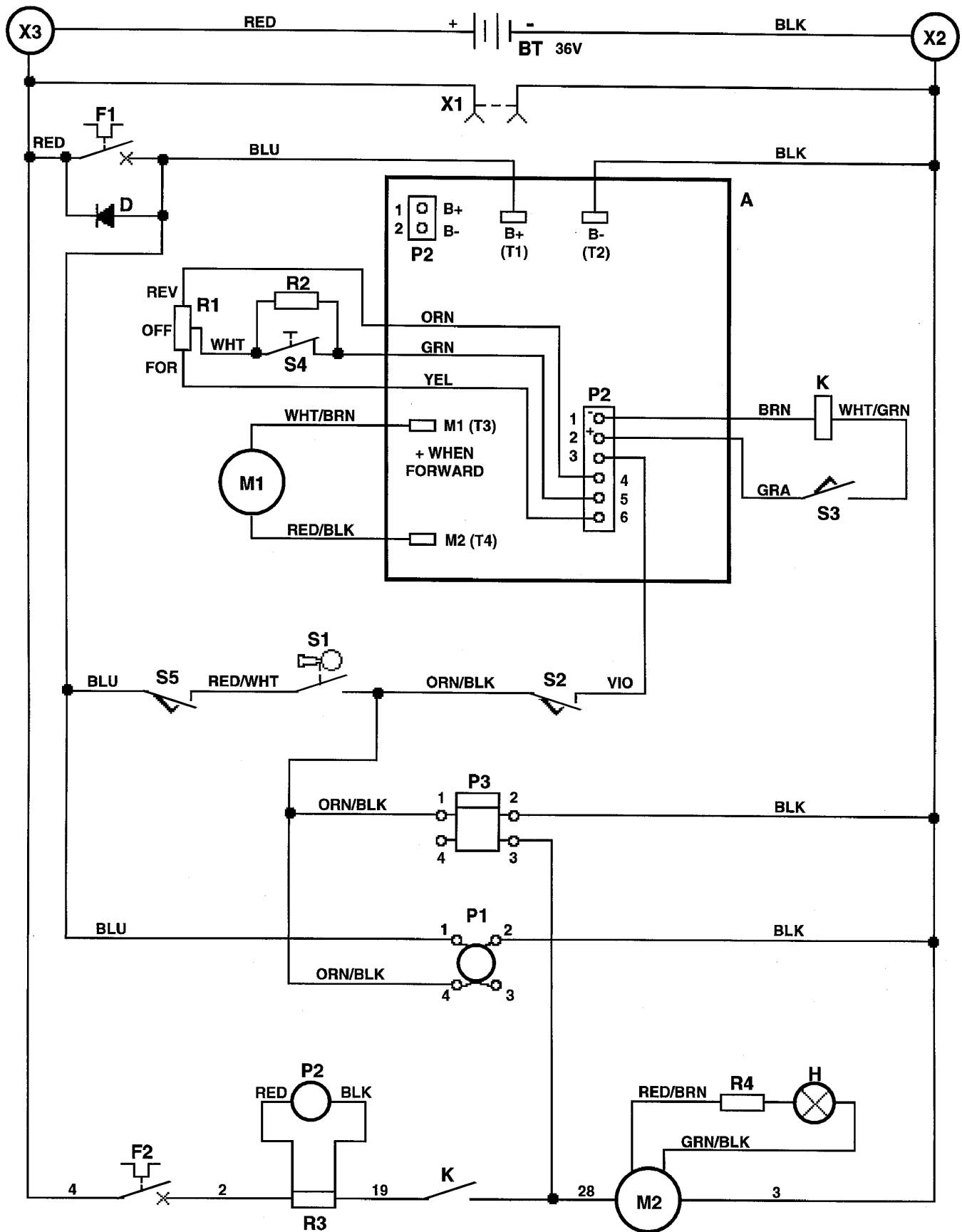
WIRING DIAGRAM

93-10

12

Whirlamatic™ VS 20

00-9



Item	Part No.	Qty	Description
A	56393721	1	Speed Control
BT			Battery
D	56377525	1	Diode
F1	56454538	1	Circuit Breaker 15 Amp
F2	56393722	1	Circuit Breaker 70 Amp
H	56389433	1	Red Indicator Light, 24V (before February 1998)
	56393863	1	Red Indicator Light, 36V (after January 1998)
K	56395450	1	Brush Motor Solenoid
M1	56467149	1	Wheel Drive Motor
*	56503006	1	Carbon Brush/Set 2
M2	56389422	1	Brush Motor
P1	56393717	1	Battery Fuel Gauge
P2	56389527	1	Ammeter
P3	56393718	1	Hour Meter (optional)
R1	56454740	1	Potentiometer 5K Ohm
R2	56393734	1	Resistor 5.6K .25W
R3	56386793	1	Shunt
R4	56389453	1	Resistor 330 Ohm .5W (before February 1998)
S1	56301636	1	Main Switch
S2	56393569	1	Tip Interlock Switch
S3	56324362	1	Brush Motor Switch
S4	56393312	1	Speed Limit Switch
S5	56462362	1	Charger Interlock Switch
X1	56393741	1	Battery Charger Connector
X2		1	Negative Terminal Stud
X3		1	Wheel Motor Disconnect
#4	56393742	1	Cable Assembly #6 AWG x 9.00"
#2	56393572	1	Cable Assembly #4 AWG x 10.00"
#3	56393573	1	Cable Assembly #4 AWG x 29.00"
#19	56389223	1	Cable Assembly #6 AWG x 9.00"
#28	56389313	1	Cable Assembly #6 AWG x 29.00"
*	56393729	1	Wiring Harness (before February 1998)
	56393864	1	Wiring Harness (after January 1998)

* = Not Shown



Nilfisk-Advance, Inc.
14600 21st Avenue North
Plymouth, MN, 55447-3408
www.nilfisk-advance.com
Phone: 800-989-2235
Fax: 800-989-6566
©2001 Nilfisk-Advance, Inc.,
Plymouth, MN 55447-3408
Printed in the U.S.A.