

SweepMaster 28G

INTRODUCTION

OPERATING & MAINTENANCE INSTRUCTIONS

READ THIS BOOK

This operator's book has important information for the use and safe operation of this machine. **Read and understand the Engine Operator's Manual and this manual before starting the machine.** Keep this book and tell all operators to read the book. If you do not follow the instructions, you can cause an injury or damage equipment, furniture or buildings.

For new books write to:

Pacific Steamex, Inc.
2259 S. Sheridan
Muskegon, MI 49442-6252

Carefully inspect all components to ensure that there is no concealed freight damage. If such damage is discovered, file a "CONCEALED DAMAGE REPORT" immediately with the delivering carrier.

The contents of this manual are based on the latest product information available at the time of publication. Pacific Steamex reserves the right to make changes or improvements to its machines without notice.

**FOR YOUR CONVENIENCE, RECORD THE
MACHINE AND ENGINES MODELS AND
SERIAL NUMBERS HERE:**

MACHINE MODEL _____
MACHINE SERIAL NUMBER _____

ENGINE MODEL _____
ENGINE SERIAL NUMBER _____

TABLE OF CONTENTS

SAFETY INSTRUCTIONS	3
SYMBOLS USED ON THE MACHINE	4
MACHINE PREPARATION	5
1. UNPACKING THE MACHINE	5
2. SLIDING THE MACHINE OFF THE PALLET	5
3. SIDE BRUSH INSTALLATION	5
4. REFUELING	6
OPERATION	7
1. WORKING POSITION	7
2. LOCATIONS OF CONTROLS	7
3. OPERATING THE MACHINE	8
UPON COMPLETION OF THE WORK	10
MAINTENANCE PROCEDURES	11
1. CLEANING THE FILTERS	11
2. ADJUSTING THE SIDE BRUSH	12
3. ADJUSTING THE CENTRAL BRUSH	12
4. REPLACING THE SIDE BRUSH	12
5. ENGINE MAINTENANCE	13
TROUBLE SHOOTING	13
CENTRAL BRUSH NOT PICKING UP	13
MACHINE RAISES DUST WHILE WORKING	13
HONDA ENGINE DISTRIBUTORS	15
WARRANTY	16

IMPORTANT SAFETY INSTRUCTIONS

READ AND UNDERSTAND ALL INSTRUCTIONS AND WARNINGS BEFORE OPERATING THIS MACHINE!

WARNINGS:

Do not operate this machine unless it is completely assembled.

This machine is intended for DRY PICKUP ONLY.

Do NOT pick up any ropes, wires or cables: they may get entangled with the central brush and cause friction.

Operate this machine only from the rear of the machine. Do not ride on this machine or install attachments for riding behind the machine.

Be careful when operating the machine on ramps. Always move slowly on a ramp. Do not turn this machine on a ramp. Do not stop and leave this machine on a ramp.

This machine is heavy. Stop and leave this machine only on a level concrete or hard surface and apply the parking brake.

Do NOT lift the machine by its handles - this should not be necessary during operation or maintenance.

Do not use this machine in an explosive environment!

Do not use this machine to collect toxic dusts or debris.

In case of fire use a dry powder extinguisher. Never use water.

Do not place anything containing liquids on the machine.

Always switch the machine off before any adjustment or maintenance procedures.

Before refueling always switch off the engine. Allow it to cool down a few minutes before starting to refuel.

Do not touch the discharge system, cylinder or other parts subject to overheating, you may get burnt.

Keep hands and feet clear of all moving parts.

Do not wear clothes which could get entangled, such as scarves and wide clothes in general.

Wear the headset to protect your hearing.

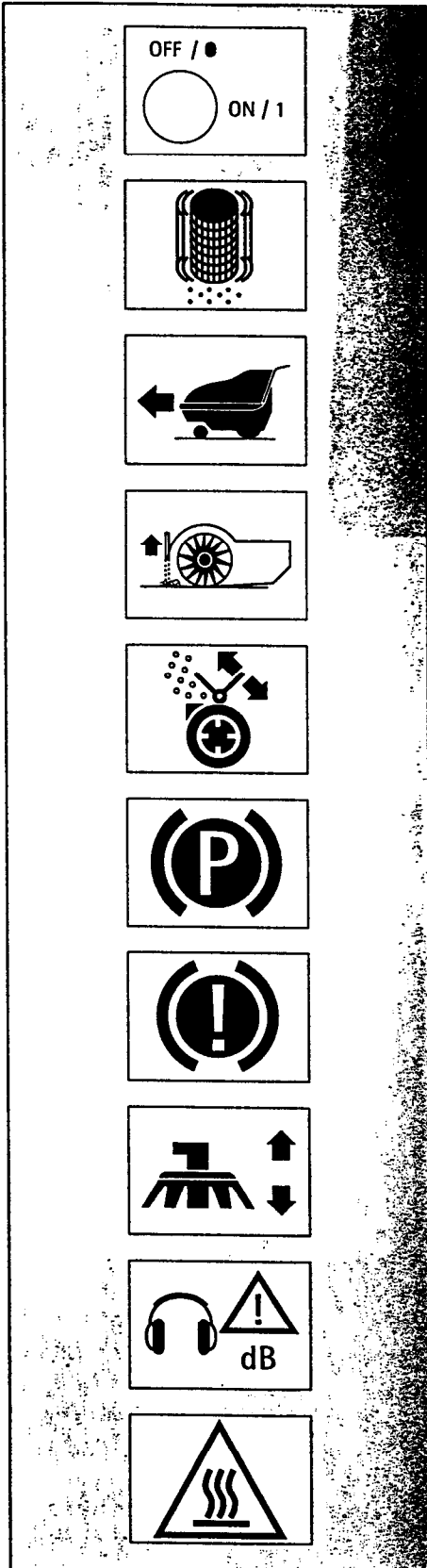
The operator must completely understand all instructions, warnings and operating procedures before using this machine.

Keep the electrical parts of the machine dry. Store the machine in a building.

Make sure all labels, decals, warnings, cautions and instructions are fastened to the machine.

This machine must be maintained in accordance with this manual's recommended maintenance instructions and the engine manufacturer's recommended maintenance procedures. Failure to do so may cause damage to the machine, equipment, furniture, buildings or personal injury!

Symbols Used on the Machine



ON/OFF

FILTER SHAKE

TRACTION

FLAP LIFTER

VACUUM INTERRUPTION

PARKING AND EMERGENCY BRAKE

BRAKE

SIDE BRUSH

PROTECTION HEADSET

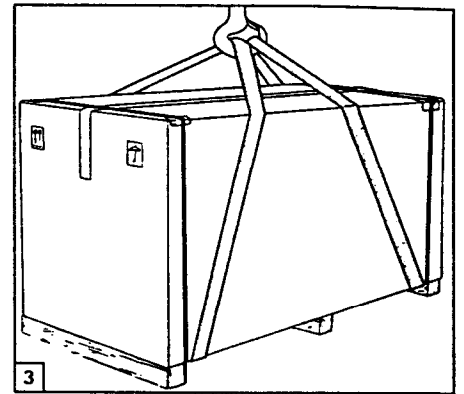
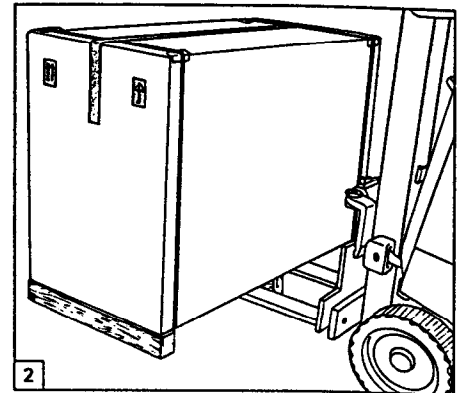
“HOT” PARTS

Machine Preparation

1. Unpacking the Machine

Figure 2-3

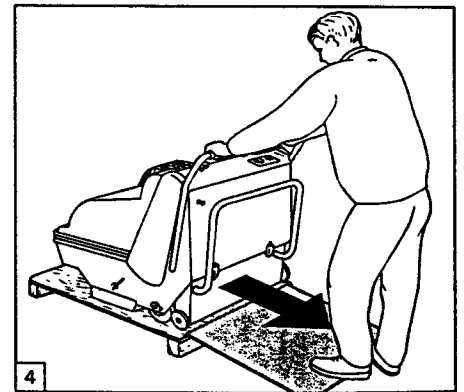
1. To move the machine, use a fork truck or a pulley block with a sling.
2. Remove the outer package.



2. SLIDING THE MACHINE OFF THE PALLET

Figure 4

1. Place a sliding board on the pallet.
2. Pull the machine backwards over the blocking wedges.
3. Slide the machine down along the board.

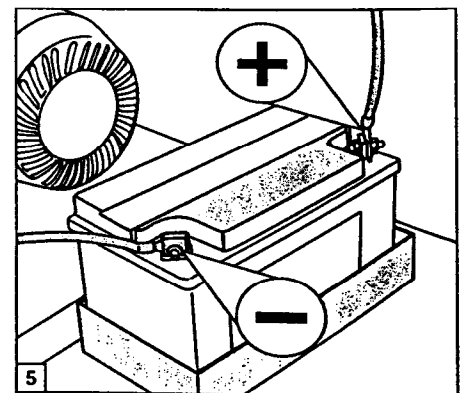


3. SIDE BRUSH INSTALLATION

Figure 5

The machine is shipped with the side brush unattached for packing reasons. Please mount it as follows:

1. Open the cover.
2. Disconnect the battery cables.
3. Remove the battery.



Machine Preparation

Figure 6

4. Remove the dirt hopper.

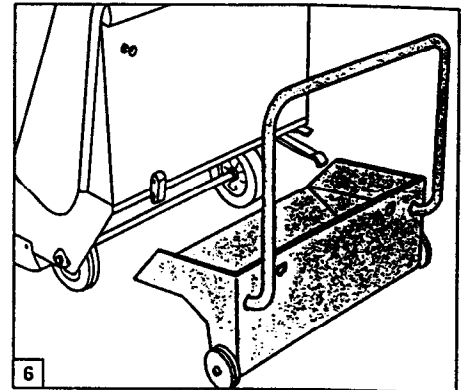
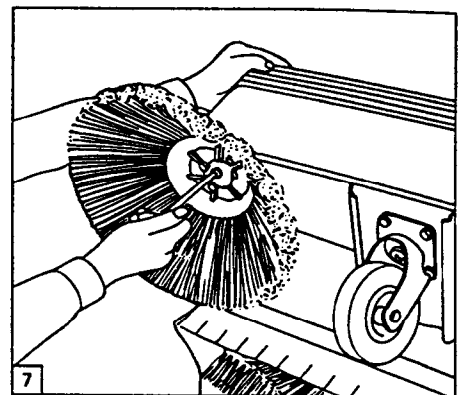


Figure 7

5. Lift the front part of the machine until it reaches its balance position
6. Mount the side brush and fasten the screws.
7. Lower the machine back down and replace the dirt hopper, battery and cables



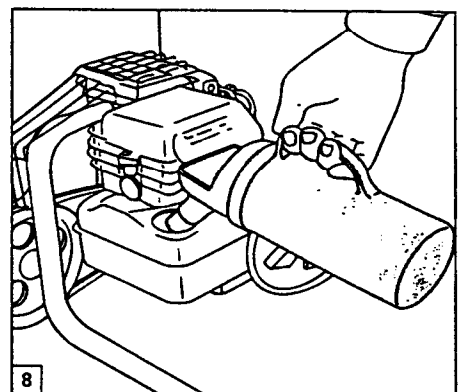
4. REFUELING

Figure 8

Regular or unleaded gasoline may be used

Read the complete manual including the Safety Instructions before refueling!

To proceed with refueling open the cover of the machine.

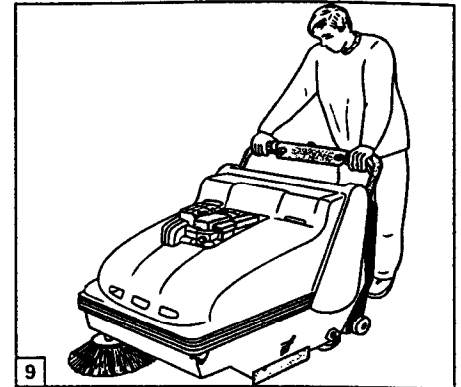


Operation

1. Working Position

Figure 9

The operator stands behind the machine holding the handlebar.



2. Locations of Controls

Figure 10

Starting Key - Position (a)

Filter Shake Control - Position (b)

Hour Meter - Position (c)

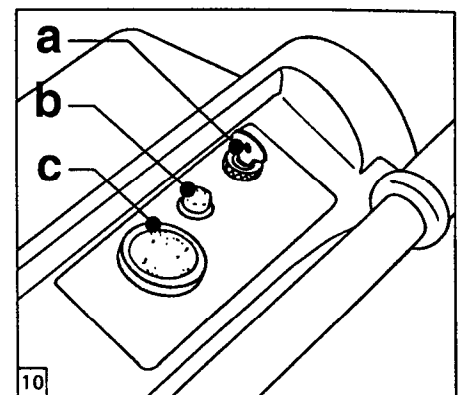


Figure 11

Parking and Emergency Brake

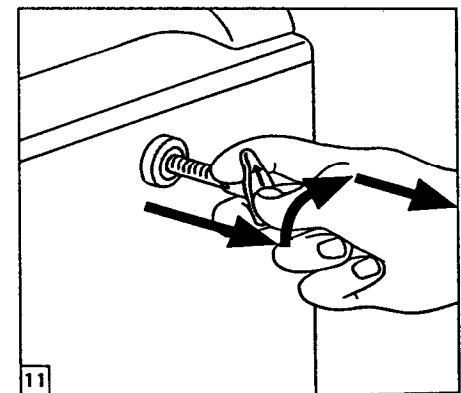
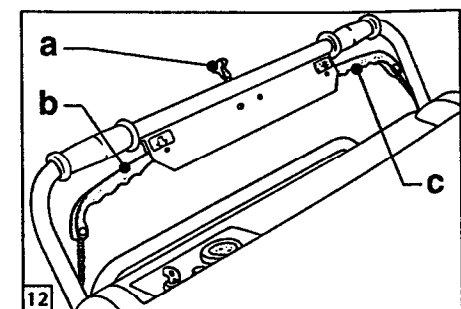


Figure 12

Accelerator - Position (a)

Traction Lever - Position (b): actuated by the operator.

Flap-Lifting Lever - Position (c): actuated by the operator. This control lifts the flap in front of the central brush. When the flap is raised larger debris is allowed to pass through and be collected by the central brush.



Operation

Figure 13

Side Brush Pedals: The side brush is lowered and starts working by pressing the release pedal (a). Pressing pedal (b) stops the brush and raises it back up.

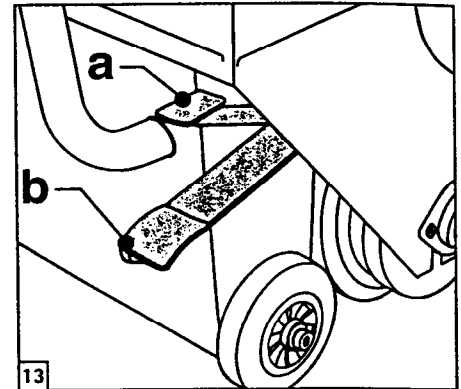
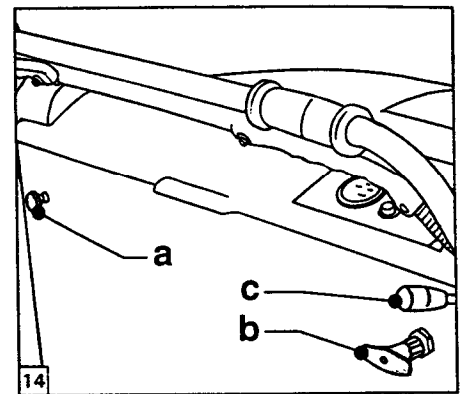


Figure 14

Vacuum Interruption Knob— Position (a): this actuates a damper to close off the duct and prevent the pick up of debris.
Parking and Emergenct Brake – Position (b).
Brake – Position (c).



3. Operating the Machine

Figure 15

1. Turn the key on and keep the cover closed.

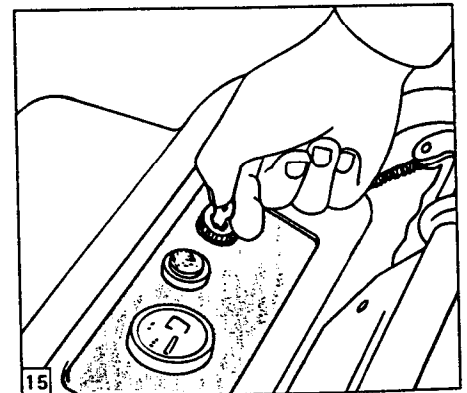
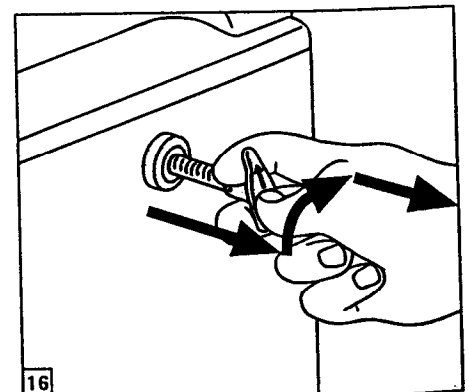


Figure 16

2. Release the parking brake



Operation

Figure 17

3. Use the side brush only when cleaning corners and edges (note that it is not provided with vacuum suction).

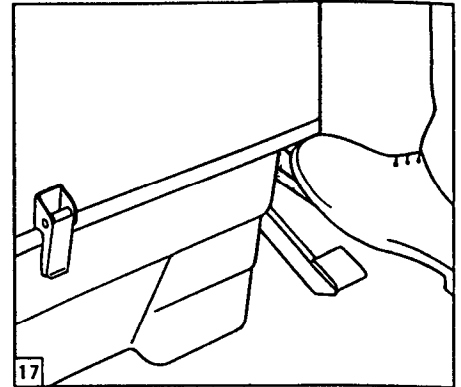


Figure 18

4. Depress the traction lever to make the machine move forward

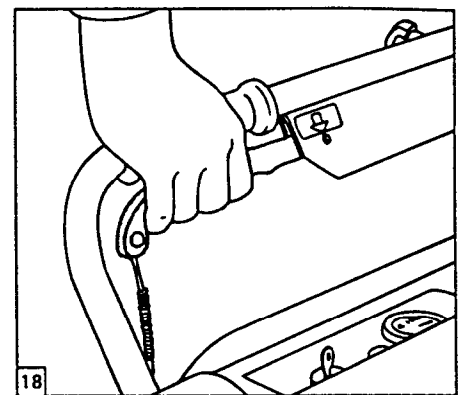


Figure 19

5. Depress the flap lifting lever to pick up larger debris

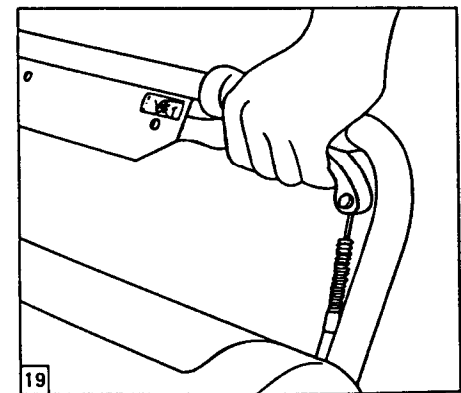
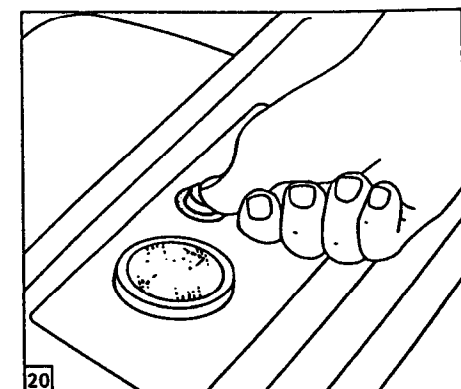


Figure 20

6. Clean the filters every 10 minutes to maintain good performance:
- Stop the vacuum suction by pulling the vacuum interruption knob out.
 - Press the filter shake button on the control panel.
 - Start the vacuum again by pushing the suction knob back in and continue your work.

Check the hour meter to keep track of when periodical maintenance is required.



Operation

Figure 21

7. Stop the vacuum suction when approaching wet surfaces.

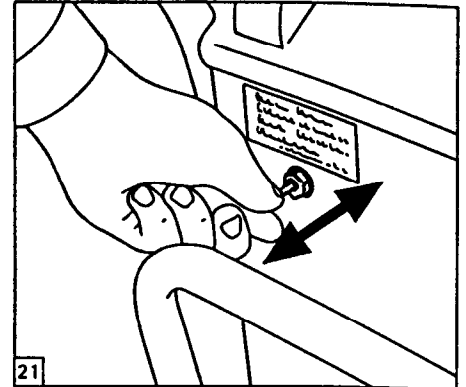


Figure 22

8. Check the hopper regularly to see if it needs to be emptied. Release the latch and look inside, remember that you'll need to carry it, so don't let it get too full.

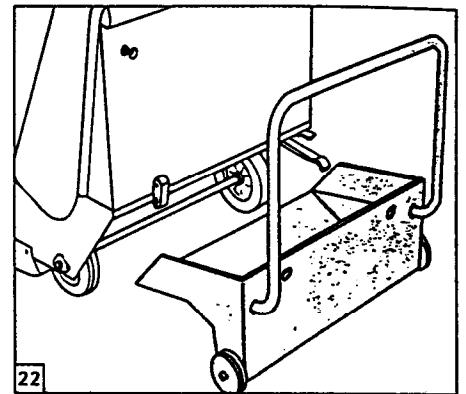
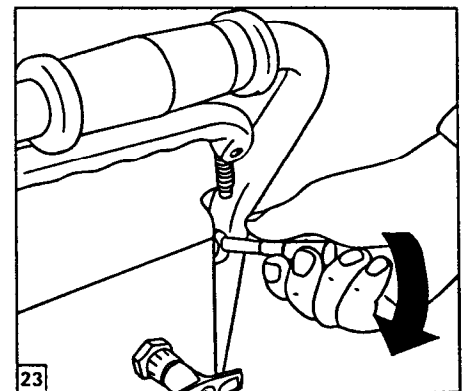


Figure 23

9. Use the brake lever to slow down or stop. The parking brake should be used in emergency situations only and when parked on an inclined surface.



Upon Completion of Work

1. Release the traction lever to stop the machine.
2. Operate the filter shake as directed on page 9, item 6.
3. Turn the key OFF.
4. Apply the parking brake if on an inclined surface.
5. Empty the dirt hopper.

Maintenance Procedures

NOTE: Always switch the machine OFF before performing any maintenance to the machine.

1. CLEANING THE FILTERS

Figure 24

Clean the filters weekly. Follow these steps:

1. Switch off the machine.
2. Lift the cover.
3. Open the filter cover and disconnect the cable connector of the control panel.
4. Disconnect the cable connector of the filter shaker.

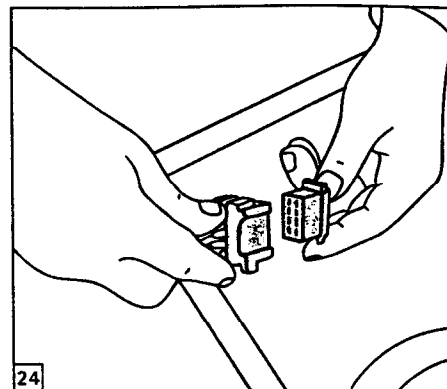


Figure 25

5. Remove the screws from the filter shake bracket.
6. Remove the bracket.

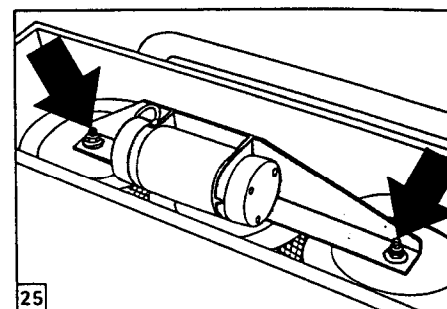


Figure 26

7. Take out the filters and shake off the loose dirt.

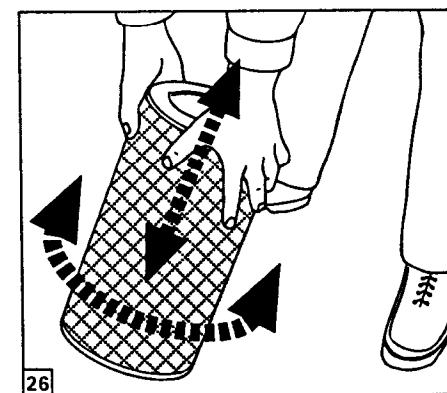
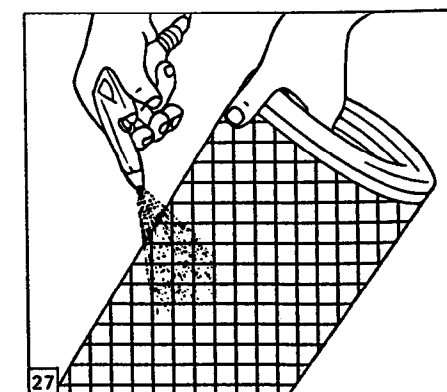


Figure 27

8. Blow the filters with compressed air from a distance of about eight (8) inches. Direct the air from the outside toward the inside of each filter.
9. Reassemble all parts by following the above steps in reverse.

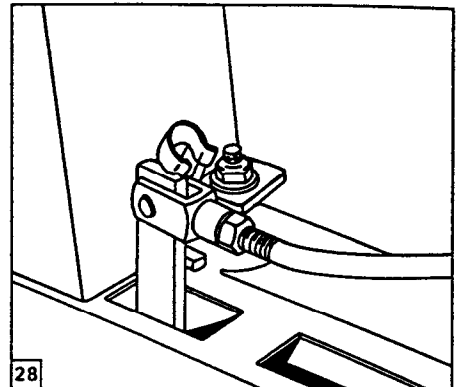


Maintenance Procedures

2. ADJUSTING THE SIDE BRUSH

Figure 28

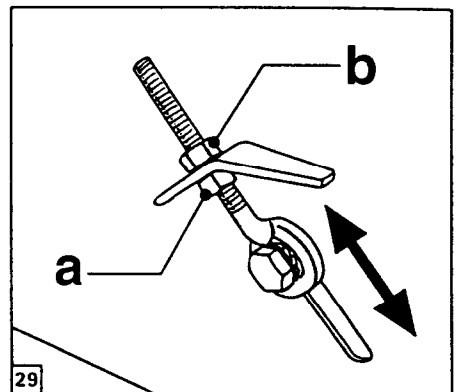
1. Open the cover.
2. Locate the lever that is controlled by the side brush pedal. Then adjust the brush height with the nut on this lever. Approximately 3/4" of the brush should be pressed on the floor.



3. ADJUSTING THE CENTRAL BRUSH

Figure 29

1. The central brush should just touch the floor.
2. Adjust the height using the two nuts (a) and (b) on both sides of the machine



4. REPLACING THE SIDE BRUSH

Figure 30

NOTE: Empty the gas tank to avoid any leakage before the following procedures.

1. Open the cover.
2. Disconnect the battery cables.
3. Remove the battery

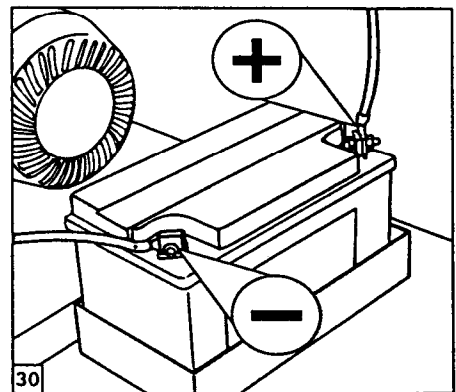
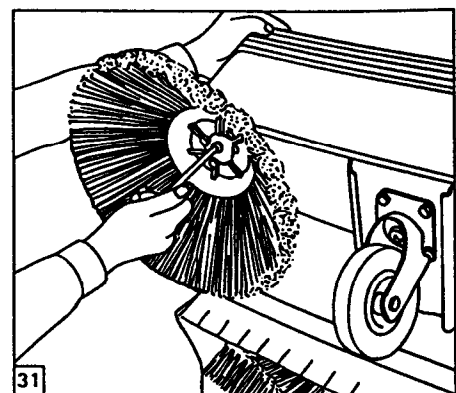


Figure 31

4. Remove the dirt hopper.
5. Lift the front part of the machine until it reaches its balance position.

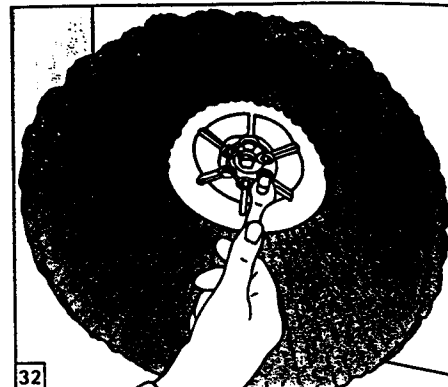


Maintenance Procedures

Figure 32

6. Remove the three screws and take the worn brush off.
7. Install the new brush and reassemble by following the previous steps in reverse order.

Pay ATTENTION to polarity when reconnecting the battery cables.



5. ENGINE MAINTENANCE

Maintain the engine according to the Honda Engine's Owner Manual.

The oil should be changed every 50 hours of operation.

Clean the air filter every 25 working hours.

Clean the cylinder, piston and engine head every 100-300 working hours.

AN AUTHORIZED SERVICE CENTER SHOULD PERFORM THE FOLLOWING PROCEDURES:

- Replacing the central brush
- Replacing the flaps.
- Stretching the transmission belts.
- Replacing the belts.

Trouble Shooting

CENTRAL BRUSH NOT PICKING UP

1. Empty the dirt hopper if full.
2. Confirm that the brush is adjusted to just touch the floor (less than 1/16").
3. Check the brush for wear; replace if necessary.

THE MACHINE RAISES DUST WHILE WORKING

1. The side flaps may be bent, causing inadequate vacuum pick up - repair or replace if necessary.
2. The filters may be clogged; clean them thoroughly (see page 11).

NOTES

HONDA ENGINE DISTRIBUTORS

ALABAMA

R.W. DISTRIBUTORS INC.
SEE: MISSISSIPPI

ALASKA

SCOTSCO, INC
SEE: OREGON

ARKANSAS

R.W. DISTRIBUTORS INC.
SEE: MISSISSIPPI

ARIZONA

ARIZONA TRU-POWER
INC.
3852 E. Chipman Rd.
Phoenix, AZ 86282
(602) 478-8522
FAX: (602) 478-8888

CALIFORNIA

TRIMMER OF FRESNO
4708 N. Blythe
Fresno, CA 93722
(209) 271-8448
FAX (209) 271-1796

SCOTSCO, INC.

8250 23rd Avenue
Sacramento, CA 95826
(916) 383-3511
FAX (916) 383-6925

TRU POWER

3221 San Fernando Rd.
Los Angeles, CA 90065
(213) 258-4131
FAX (213) 258-3376

BLISS POWER LAWN EQ. CO.

101 Commerce Circle
Sacramento, CA 95815
(916) 925-6938
FAX (916) 925-5018

COLORADO

INDUSTRIAL POWER
SYSTEMS
3233 Oakland St.
Aurora, CO 80010
(303) 360-7110
FAX (303) 360-7519

CONNECTICUT

EASTERN EQUIPMENT
INC.
SEE NEW HAMPSHIRE

DELAWARE

R.C.S. DISTRIBUTING INC.
SEE MARYLAND

DISTRICT OF COLUMBIA

R.C.S. DISTRIBUTING INC.
SEE: MARYLAND

FLORIDA

ROBERTS SUPPLY, INC.
4203 Metric Drive
Winter Park, FL 32792
(407) 657-5555
FAX (407) 657-4007

GEORGIA

M.T.A. DISTRIBUTORS OF
GEORGIA
555 Hickory Hills Blvd.
Nashville, TN 37189-9244
(615) 726-2225
FAX (615) 726-2288

HAWAII

SCOTSCO INC.
SEE: OREGON

IDAHO

NORTHWEST ENGINE DIST.
SEE: WASHINGTON

INDUSTRIAL POWER
SYSTEMS
SEE: COLORADO

ILLINOIS

C.K. POWER PRODUCTS CORP.
SEE: MISSOURI

POWER EQUIPMENT CO.

4121 Stephenie Drive
Cortland, IL 60112
(815) 754-4090
FAX (815) 754-4280

INDIANA

POWER EQUIPMENT CO.
SEE: ILLINOIS

IOWA

IOWA POWER PRODUCTS
520 Brooks Road
Iowa Falls, IA 50126
(515) 648-2507
FAX (515) 648-5013

KANSAS

Kansas City Power Products
80 S. James St.
Kansas City, KS 66118
(913) 321-7040
FAX (913) 321-7341

KENTUCKY

M.T.A. DISTRIBUTORS
SEE: TENNESSEE

HAYWARD DISTRIBUTING

SEE: OHIO

LOUISIANA

R.W. DISTRIBUTORS INC.
SEE: MISSISSIPPI

MAINE

EASTERN EQUIPMENT INC.
SEE: NEW HAMPSHIRE

MARYLAND

R.C.S. DISTRIBUTING INC.
8019 Dorsey Run Rd.
Jessup, MD 20794
(410) 799-1850
FAX (410) 799-1804

MASSACHUSETTS

EASTERN EQUIPMENT INC.
SEE: NEW HAMPSHIRE

MICHIGAN

PLYMOUTH AIR COOLED EQ.
739 South Mill
Plymouth, MI 48170
(313) 453-8258
FAX (313) 453-5320

ENGINE POWER INC.

SEE: WISCONSIN

MINNESOTA

GREAT NORTHERN EQ. DIST. INC
218 N. Hazelwood Drive
Nisswa, MN 56488
(218) 963-2921
FAX (218) 963-3300

MISSISSIPPI

R.W. DISTRIBUTORS INC.
458 S. Pearson Rd.
Pearl, MS 39208
(601) 939-0204
FAX (800) 748-9985

MISSOURI

C.K. POWER PRODUCT CORP.
9290W. Florissant
St. Louis, MO 63136
(314) 868-8620
FAX (314) 868-9314

KANSAS CITY POWER PRODUCTS

SEE: KANSAS

MONTANA

NORTH CENTRAL DISTRIBUTING
SEE: South Dakota

NORWEST ENGINE DIST.

SEE: WASHINGTON

NEBRASKA

ANDERSON INDUSTRIAL ENGINES
5532 Center Street
Omaha, NE 68106
(402) 558-8700
FAX (402) 558-8249

NEVADA

BLISS POWER LAWN EQ. CO.
SEE: CALIFORNIA

TRU-CUT

SEE: CALIFORNIA

INDUSTRIAL POWER SYSTEMS

SEE: COLORADO

NEW HAMPSHIRE

EASTERN EQUIPMENT INC.
23 LONDONDERRY Road
Londonderry, NH 03053
(603) 437-0407
FAX (603) 437-0155

NEW JERSEY

R.C.S. DISTRIBUTING INC.
SEE: MARYLAND

NEW MEXICO

LIGHTBOURN EQUIPMENT
SEE: TEXAS (DALLAS)

NEW YORK

XEBEC
2425 Brighton Henrietta
Rochester, NY 14623
(716) 424-1660
FAX (716) 424-1117

LONG ISLAND, NY

EASTERN EQUIPMENT INC.
SEE: NEW HAMPSHIRE

NORTH CAROLINA

ENGINE DISTRIBUTION CENTER, INC.
7215 Cessna Drive
Greensboro, NC 27409
(910) 664-0010
FAX (910) 664-0506

NORTH DAKOTA

NORTH CENTRAL DISTRIBUTING
SEE: SOUTH DAKOTA

OHIO

HAYWARD DISTRIBUTING
4061 Perimeter Drive
Columbus, OH 43228
(614) 272-5953
FAX (614) 272-5859

PLYMOUTH AIR COOLED EQ.

SEE: MICHIGAN

OKLAHOMA

SMITH DISTRIBUTING CO.
220 Alliance Ct.
Oklahoma City, OK 73128
(405) 787-88043
FAX (405) 787-4538

OREGON

SCOTSCO INC.
13101 SE 64 Avenue, Suite B
Clackamas, OR 97015-9733
(503) 653-7791
FAX (503) 659-7838

PENNSYLVANIA

PAUL B. MOYER & SONS, INC.
190 S Clinton Street
Doylestown, PA 18901
(215) 348-1270
FAX (215) 348-7651

PUERTO RICO/VIRGIN ISLANDS

BELLA INTERNATIONAL
65 Infanteria KM 2.3
Rio Piedras, PR 00919
(809) 250-8070
FAX (809) 250-4202

RHODE ISLAND

EASTERN EQUIPMENT INC.
SEE: NEW HAMPSHIRE

SOUTH CAROLINA

NORTH CENTRAL DISTRIBUTION CTR.
SEE: NORTH CAROLINA

SOUTH DAKOTA

NORTH CENTRAL DISTRIBUTING
777 Deadwood Ave.
Rapid City, SD 577022
(605) 343-4777
FAX (605) 348-8984

TENNESSEE

M.T.A. DISTRIBUTORS
555 Hickory Hills Blvd.
Nashville, TN 37189-9244
(615) 299-8777
FAX (615) 299-0464

TEXAS

LIGHTBOURN EQUIPMENT CO.
13649 Bot Road
Dallas, TX 75244
(972) 233-5151
FAX (972) 661-0738

LIGHTBOURN EQUIPMENT CO.

8272 El Rio, Suite 10
Houston, TX 77054
(713) 741-2003
FAX (713) 741-1909

UTAH

INDUSTRIAL POWER SYSTEMS
SEE: COLORADO

VERMONT

EASTERN EQUIPMENT INC.
SEE: NEW HAMPSHIRE

VIRGINIA

R.C.S. DISTRIBUTING INC.
SEE: MARYLAND

TIDEWATER POWER EQ. CO.

5721 Bayside Rd., Suite D
Virginia Beach, VA 23455
(757) 464-1755
FAX (800) 288-8953

WASHINGTON

NORWEST ENGINE DIST.
N. 1403 Greene #B
Spokane, WA 99202
(509) 534-8598
FAX (509) 534-5170

SCOTSCO INC.

SEE: OREGON

WEST VIRGINIA

R.C.S. DISTRIBUTING INC.
SEE: MARYLAND

WISCONSIN

ENGINE POWER INC.
1838 Executive Drive
P.O. Box 66
Oconomowoc, WI 53066
(414) 567-8575
FAX (414) 567-2556

WYOMING

NORTH CENTRAL DISTRIBUTING
SEE: SOUTH DAKOTA

INDUSTRIAL POWER SYSTEMS
SEE: COLORADO

AMERICAN HONDA MOTOR CO., INC
4475 River Green Pkwy.
Duluth, GA 30136
(770) 497-6080
FAX (770) 497-6011

WARRANTY POLICY

SWEEPMASTER 28G GASOLINE POWERED SWEEPER

The Pacific Steamex Inc. SweepMaster 28G has been manufactured, tested and inspected in accordance with specific engineering requirements and is **WARRANTED** to be free from defects in workmanship and materials as follows:

Two (2) years – Honda Engine, for Engine Warranty Repair refer to the nearest Honda Distributor on the previous page.

One (1) year – All other components unless excluded below.

This warranty extends to the original user/purchaser and only when used, operated and maintained in accordance with Pacific Steamex Inc. Operating and Maintenance instructions.

This warranty does not apply to certain wear parts and accessories of the machine such as the floor brushes, belts, etc., nor does it apply to damage or failure caused by improper use, abuse or neglect. Warranty credit or replacement of return parts is subject to incoming inspection of those items.

To secure repair under this warranty, the following procedure should be taken:

- The inoperative machine or warranted parts must be delivered to the authorized dealer with shipping and delivery charges prepaid. If unable to locate the Dealer, you may contact Pacific Steamex Inc. at the address listed herein for the location of the nearest Pacific Steamex Inc. repair center or agent or for other instructions pertaining to your warranty difficulty.
- For Engine Warranty repair deliver the machine to the nearest Honda Warranty Service Center (reference page 15).
- Upon compliance with the above warranty procedure, all warranted repairs would be completed at no additional charge or cost to the user.
- Only Pacific Steamex Inc. or its authorized dealers and agents may make no charge warranty repairs on this product. All others do so at their own risk.

This warranty limits Pacific Steamex Inc. liability to the repair of the product and/or warranted parts replacement and does not include incidental or consequential damages arising from the use of a Pacific Steamex Inc. machine whether defective or not.

This warranty is in lieu of all other expressed or implied warranties and is extended to the original purchaser/user.

PACIFIC STEAMEX, INC.
2259 S. SHERIDAN
MUSKEGON, MICHIGAN 49442-6252
616-773-1330
FAX 1-616-773-1642