

Sprite™ 8/12

Sprite Air-Scoop™ 8/12



PARTS LIST

**Advance Sprite™ MODELS 56209007, 56205886
56210125, 56209005, 56209708**

**Advance Sprite Air-Scoop™ MODELS 56209006
56209946, 56210126, 56209004, 56210114, 56210127**

**This parts list is for machines after serial number 554210
All models covered in this manual are OBSOLETE**



**Nilfisk
Advance**

setting standards

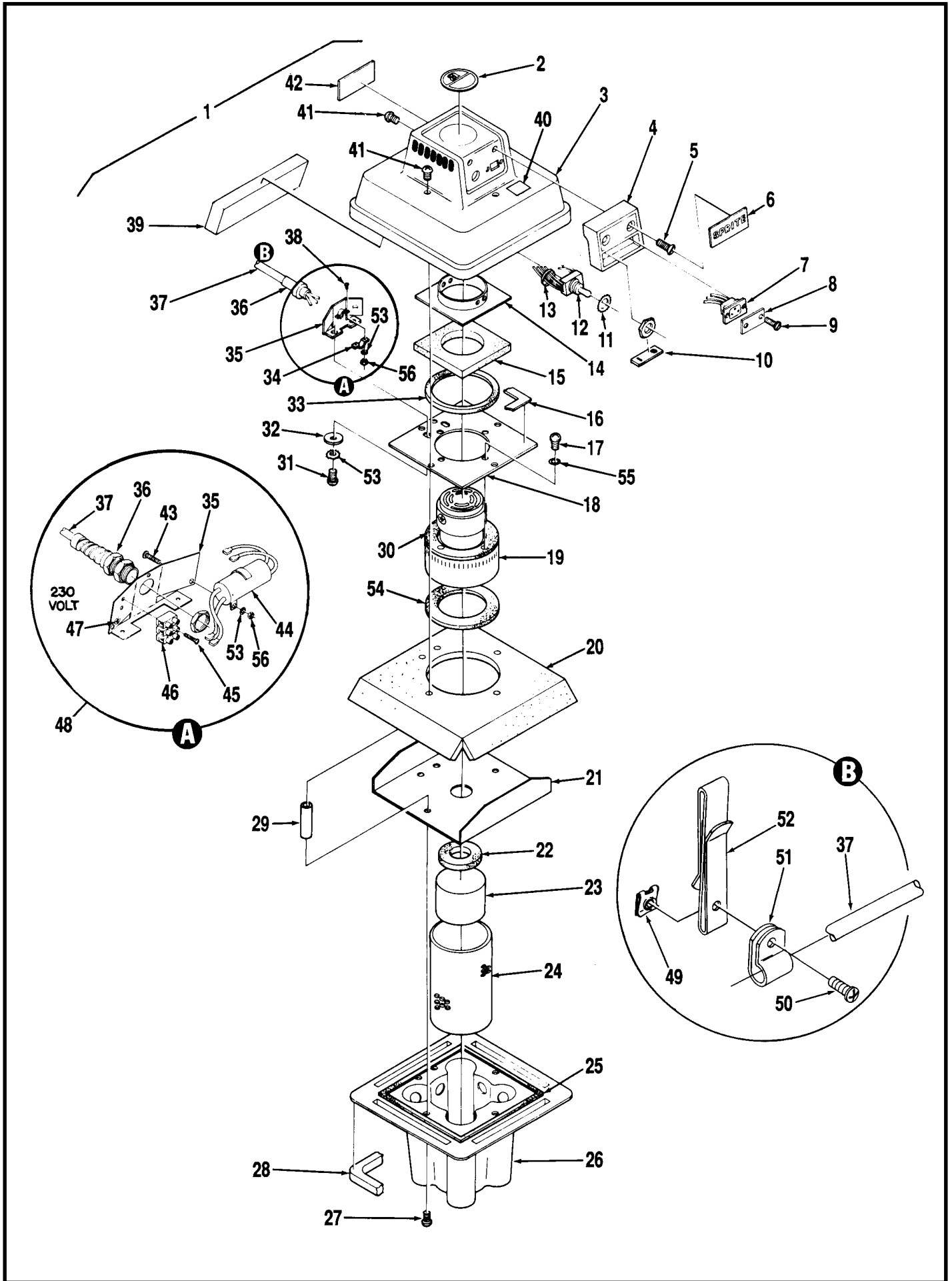
TABLE OF CONTENTS

<u>DESCRIPTION</u>	<u>PAGE</u>
Power Head Assembly	1-2
Tank Assembly	3-4
Squeegee Assembly - Air Scoop	5-6
Wiring Diagram	7-8

WHEN ORDERING PARTS

- * Use the 8 digit numbers from the "Part No." columns in this parts list.
- * Specify the model and serial number of the machine.
- * Use the space below to record the model and serial number for future reference.

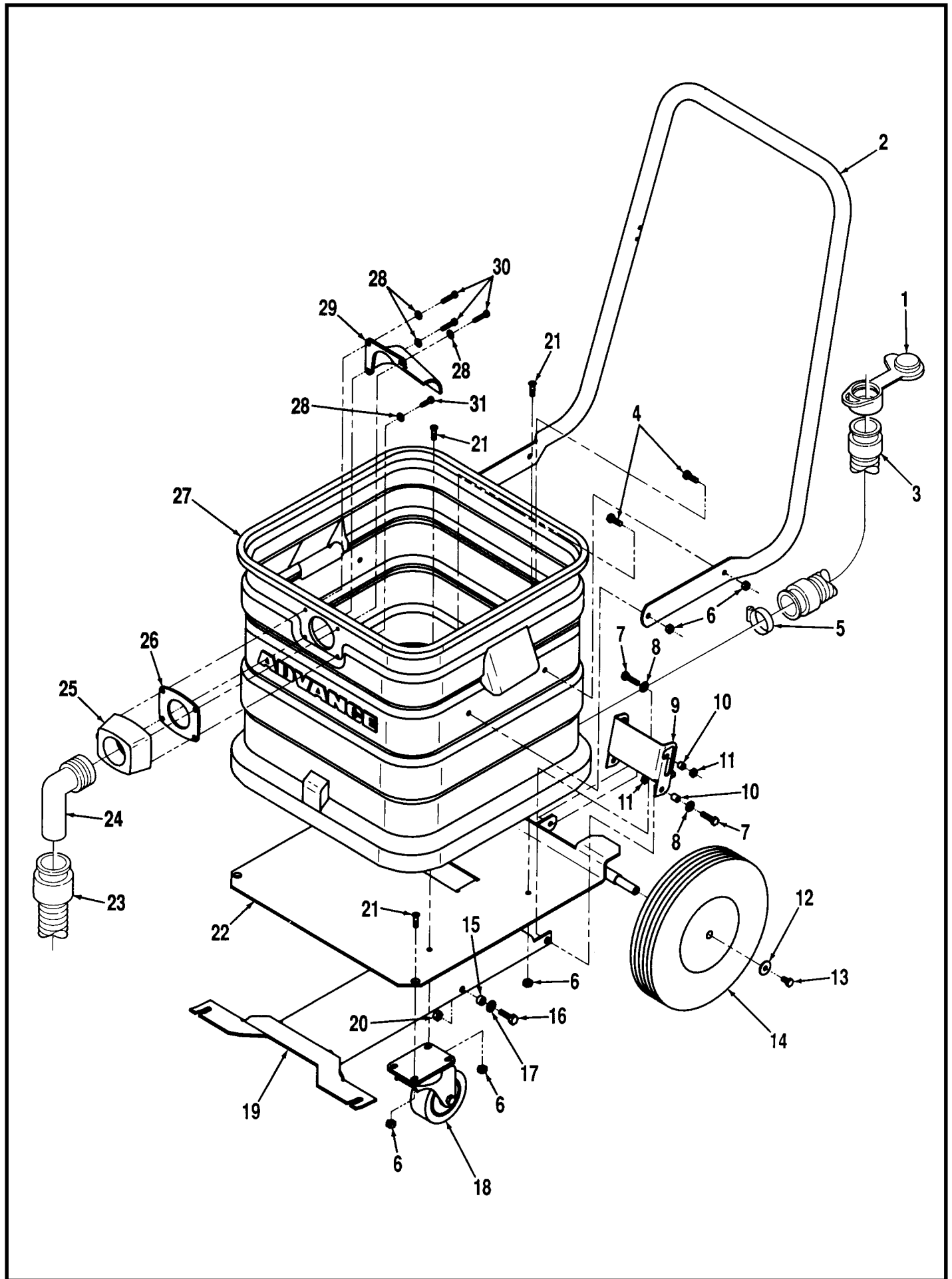
Model _____ Serial No. _____



POWER HEAD ASSEMBLY

Item	Part No.	Qty	Description	Item	Part No.	Qty	Description
1	56210112	1	Powerhead 100V	29	56209440	5	Spacer
	56205837	1	Powerhead 115V	30	56209325	1	Gasket
	56205858	1	Powerhead 230V	31	56001818	2	#8-32 x 3/8 Screw
2	56014151	1	Decal, Logo 100V, 115V	32	56203874	2	Washer
	56015326	1	Decal, Logo 230V	33	56209981	1	Gasket 230V
3	56205839	1	Shroud	34	56300542	1	Cord Clamp 100V, 115V
4	56205841	1	Console	35	56209836	1	Bracket 100V, 115V
5	56002334	2	#10-24 x 1-3/8 Screw		56209873	1	Bracket 230V
**	56002768	2	#10-24 Nyl Loc Nut	36	56301396	1	Strain Relief 100V, 115V
6	56014148	1	Decal, Sprite		56323046	1	Strain Relief 230V
7	56209180	1	Receptacle Kit NOTE	37	56209627	1	Cord Set 100V
8	56209983	1	Cover		56570680	1	Cord Set 115V
9	56209828	2	Screw		56301309	1	Cord Set 230V
	56002808	6	#8-32 Nyl Loc Nut (#56)	38	56002524	2	#8-32 x 1/2 Screw 100V, 115V
10	56023224	1	Decal, On/Off	39	56209461	1	Filter
11	56001951	1	7/16 SHPF Washer	40	56015366	1	Decal, Power Outlet 100V, 115V
12	56207077	1	Switch 100V, 115V	41	56570220	6	Screw
	56301636	1	Switch 230V	42	56017023	1	Decal, Warning 100V
13	56325219	5	Cable Tie		56015084	1	Decal, Warning 115V
14	56209820	1	Ring Plate		56014204	1	Decal, Warning 230V
15	56209816	1	Foam	43	56001860	2	#8-32 x 3/4 Screw 230V
16	56200754	3'	Gasket (93 cm)	44	56387426	1	RFI Filter 230V
17	56002400	4	#10-16 x 5/8 HP-5 Screw	45	56002712	2	#4-40 x 5/8 Screw 230V
18	56209862	1	Plate	46	56183523	1	Terminal Block 230V
19	56209977	1	Vacuum Motor 100V, 115V	47	56014119	2	Decal, Ground 230V
	56202290	1	Vacuum Motor 230V	48	56209874	1	Harness Assembly 230V
*	56203518	1	Carbon Brush Set	49	56322504	1	#6-32 Spring Nut
*	56228051	2	Bearing	50	56002524	1	#8-32 x 1/2 Screw
*	56208191	2	Rotating Fan	51	56300152	1	Clamp
20	56209768	1	Sound Reducing Foam	52	56300187	1	Belt Clamp
21	56209766	1	Cover Plate	53	56001940	5	#8 SHPF Washer
22	56206128	1	Gasket	54	56209326	1	Gasket
23	56209571	1	Float	55	56002011	4	#10 SHPF Washer
24	56209566	1	Perforated Shield	56	56002808	6	#8-32 Nyl Loc Nut
25	56385248	5'	Gasket (1.5 m)				
26	56205845	1	Float Housing				* = Replacement Parts for Vacuum Motor
27	56209491	5	Screw				** = Not Shown
28	56209763	1	Gasket				

NOTE: This receptacle is an optional accessory.

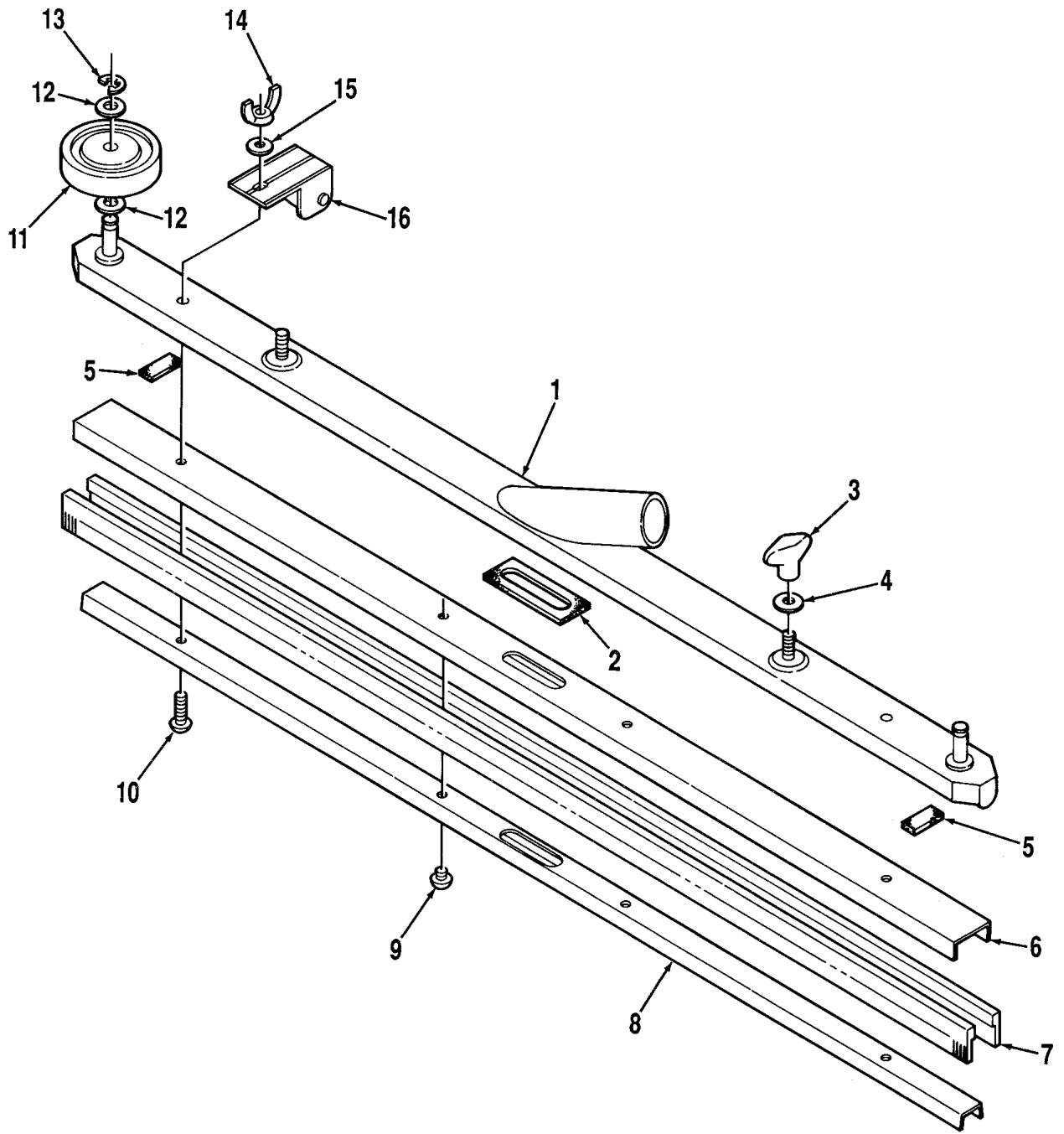


TANK ASSEMBLY

Item	Part No.	Qty	Description
	56209044	1	Tank Assy Sprite Air Scoop 8
	56209043	1	Tank Assy Sprite Air Scoop 12
	56209045	1	Tank Assy Sprite 8
	56209042	1	Tank Assy Sprite 12
1	56324180	1	Drain Plug
*	56324349	1	Hook
2	56209015	1	Handle
3	56372222	1	Drain Hose
4	56002957	4	1/4-20 x 3/4 Stnlss Stl Screw
5	56131601	1	Hose Clamp
6	56002491	10	1/4-20 Stnlss Stl Nyl Loc Nut
7	56002893	4	1/4-20 x 1 Screw (Air Scoop)
8	56002098	4	1/4 Flt Washer (Air Scoop)
9	56209980	1	Pedal (Air Scoop)
10	56321532	4	Bushing (Air Scoop)
11	56002708	4	1/4-20 Nyl Loc Nut (Air Scoop)
12	56151114	2	Washer
13	56002729	2	1/4-20 x 1/2 Locking Screw
14	56249505	2	Wheel
15	56320595	2	Bushing (Air Scoop)
16	56002221	2	5/16-18 x 1 Bolt (Air Scoop)
17	56001939	2	5/16 Flt Washer (Air Scoop)
18	56340081	2	Caster
19	56209014	1	Squeegee Lift (Air Scoop)
20	56002701	2	5/16-18 Nyl Loc Nut (Air Scoop)
21	56002969	6	1/4-20 x 3/4 Stnlss Stl Screw
22	56209022	1	Cart
23	56209969	1	Squeegee Hose (Air Scoop)
24	56205821	1	Elbow, Hose Adapter (Air Scoop)
*	56301339	1	Straight, Hose Adapter (Sprite)
25	56205821	1	Connector
26	56201390	1	Gasket
27	56209041	1	Tank 8 Gallon
	56209039	1	Tank 12 Gallon
28	56249992	4	SS Flt Washer
29	56205829	1	Deflector
30	56209521	3	#10-16 x 1 Stnlss Stl Screw
31	56209519	1	#10-16 x 3/4 Stnlss Stl Screw

* = Not Shown

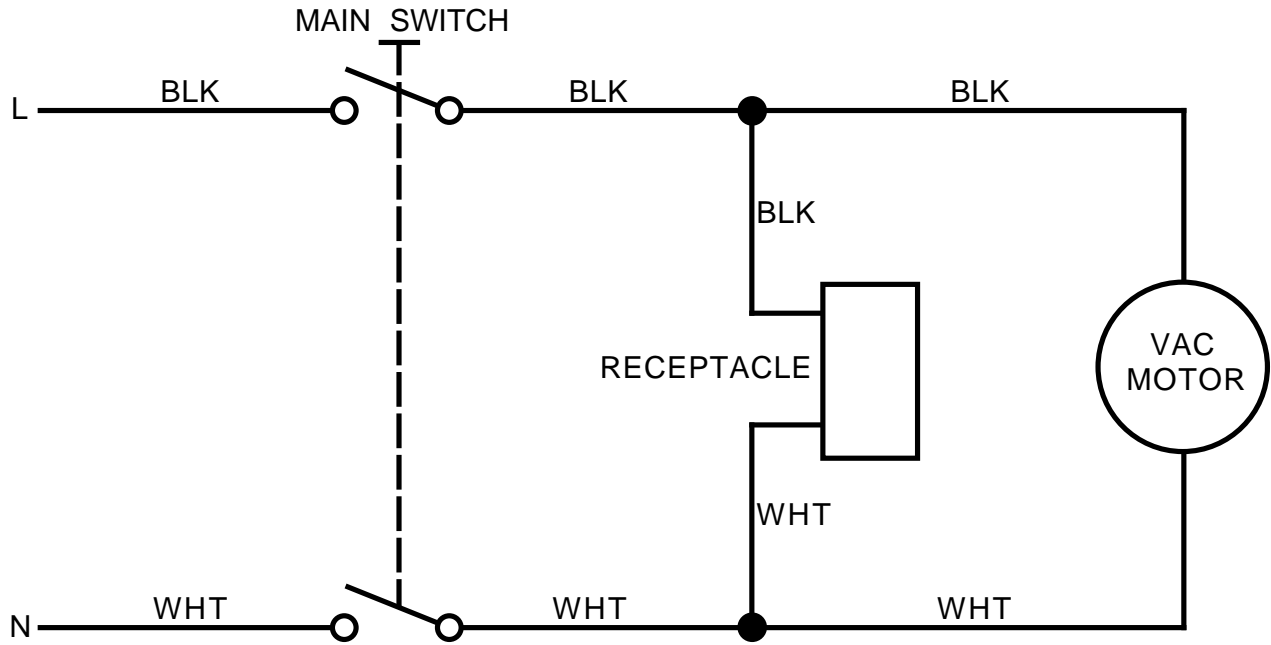
NOTE: Optional Air Scoop Kit PN 56209009 for field conversion of 8 / 12 gallon Sprites also includes all items on pages 5 & 6.



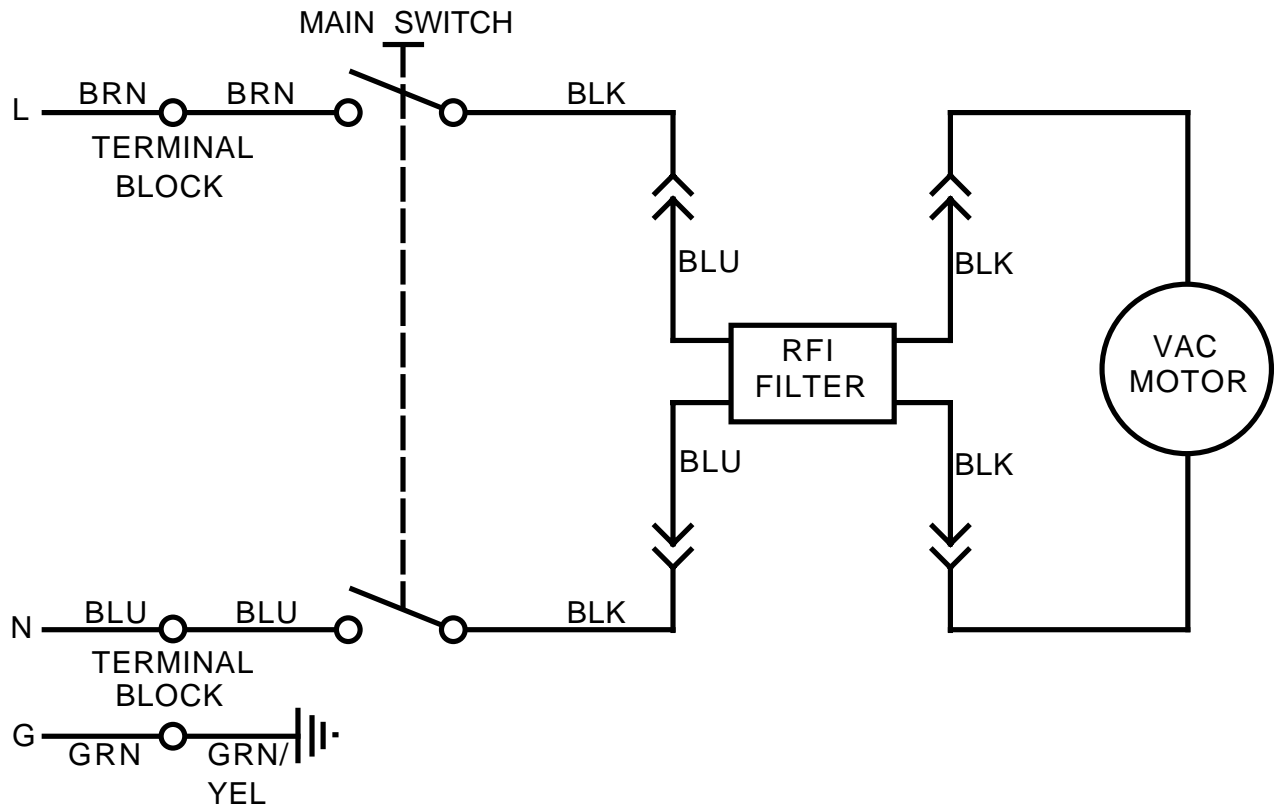
SQUEEGEE ASSEMBLY - AIR SCOOP

Item	Part No.	Qty	Description
	56387804	1	Squeegee Assy (#1-16)
1	56387806	1	Squeegee Tool
2	56400613	1	Gasket
3	56370711	2	Thumb Nut
4	56001939	2	5/16 Flt Washer
5	56400614	2	Gasket
	56363892	1	Squeegee Cartridge Assy (#6-10&14)
6	56105552	1	Channel
7	56105534	2	Squeegee Blade
8	56105553	1	Retainer
9	56003037	2	1/4-20 x 1/4 Stnlss Stl Screw
10	56900274	2	1/4-20 x 1 Stnlss Stl Screw
11	56363855	2	Wheel
12	56371009	4	Washer
13	56157060	2	Retainer Ring
14	56201677	2	1/4-20 Wing Nut
15	56002098	2	1/4 Flt Washer
16	56387376	2	Roller

100V, 115V



230V



WIRING DIAGRAMS

Part No.	Qty	Description
100V/115V		
56207077	1	Main Switch
56209876	1	Receptacle
56209977	1	Vacuum Motor
56203518	1	Carbon Brush Set For 56209977
230V		
56183523	1	Terminal Block
56301636	1	Main Switch
56387426	1	RFI Filter
56202290	1	Vacuum Motor
56203518	1	Carbon Brush Set For 56202290



Nilfisk-Advance, Inc.
14600 21st Avenue North
Plymouth, MN, 55447-3408
www.nilfisk-advance.com
Phone: 800-989-2235
Fax: 800-989-6566
©2001 Nilfisk-Advance, Inc.,
Plymouth, MN 55447-3408
Printed in the U.S.A.