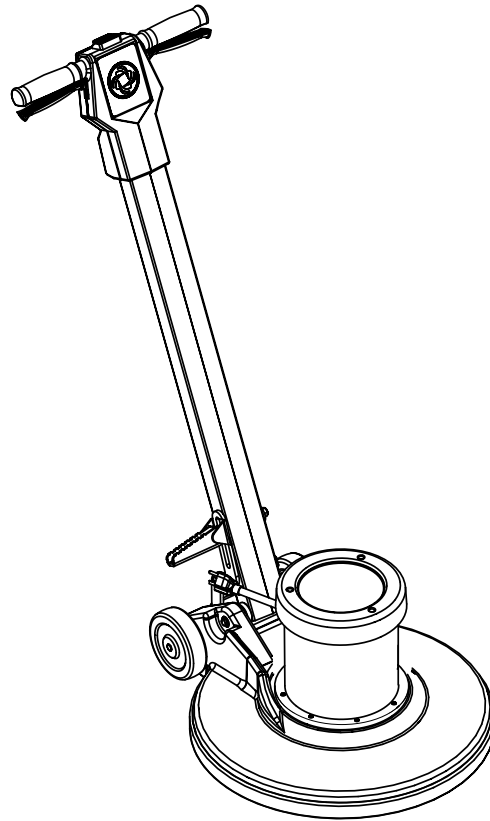


SD 17 / 20



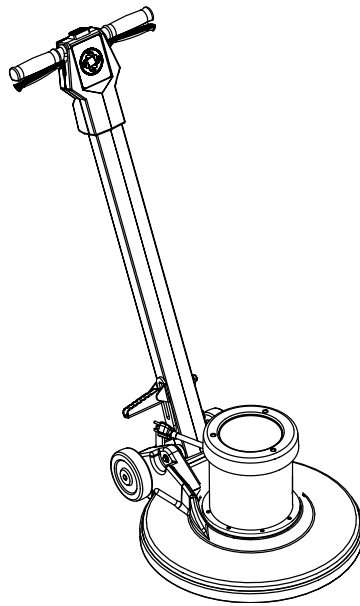
PARTS LIST

Advance MODELS 56201640, 56201641



Advance
by Nilfisk-Advance

5/99 revised 12/01 FORM NO. 56042366

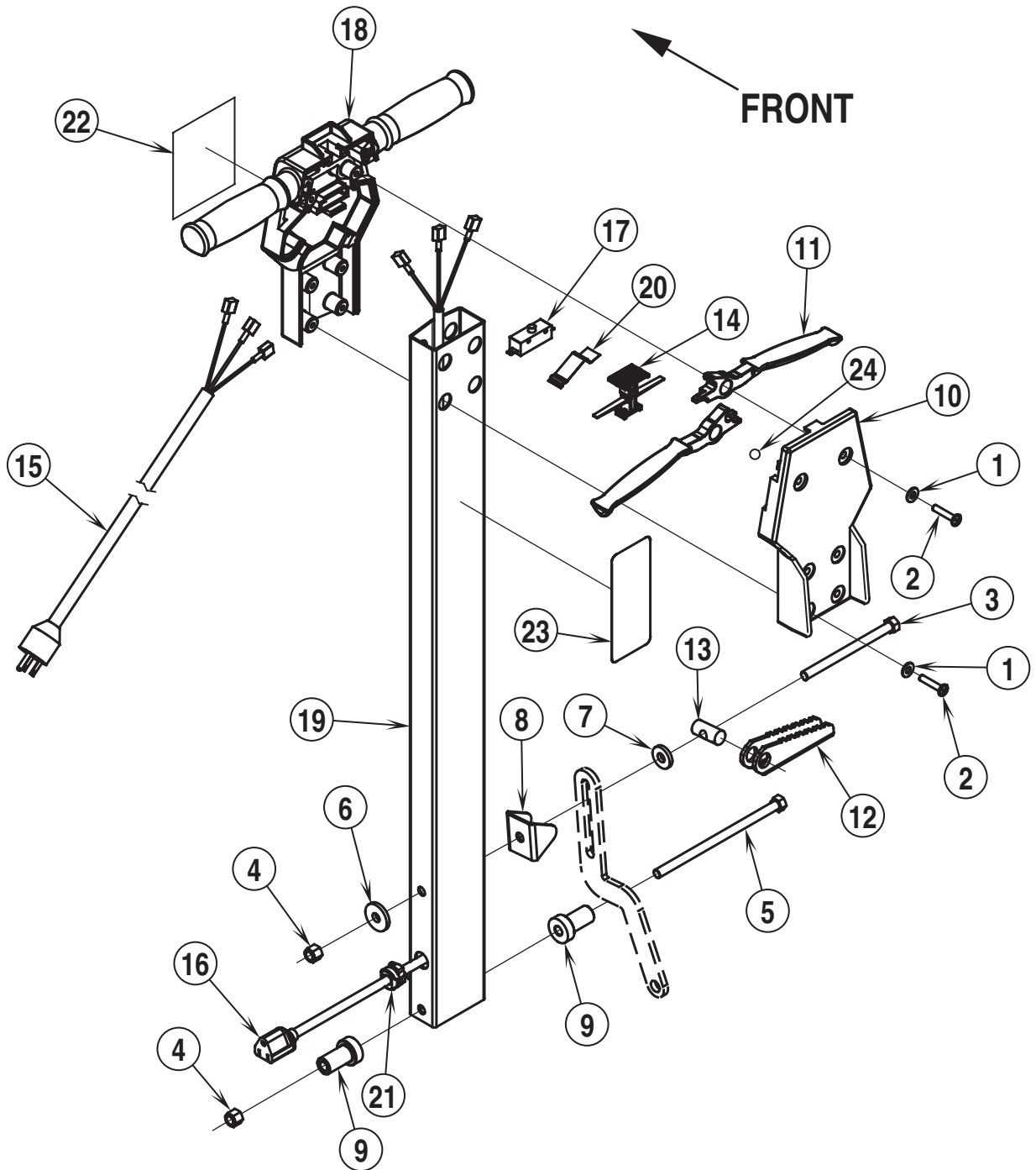


DESCRIPTION	PAGE
HANDLE SYSTEM	2-3
BASE SYSTEM	4-5
WIRING DIAGRAM	5
HANDLE TANK KIT	6-7

WHEN ORDERING PARTS

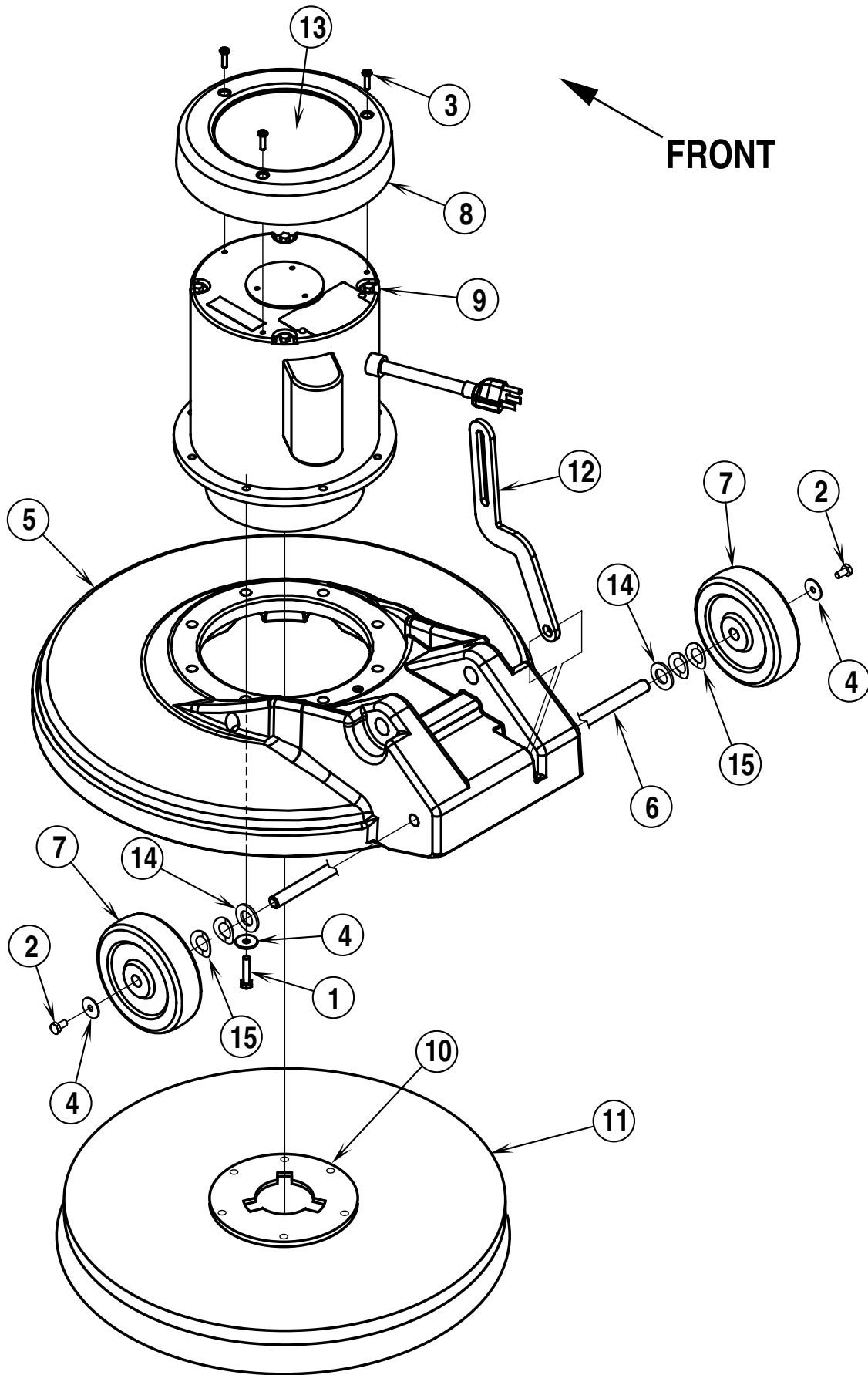
- * Use the 8 digit numbers from the "Ref. No." columns in this parts list.
- * Specify the model and serial number of the machine.
- * Use the space below to record the model and serial number for future reference.

Model _____ Serial No. _____



99-5	HANDLE SYSTEM		
01-12	SD 17 / SD 20		3

Item	Ref. No.	Qty	Description
1	56002098	6	Wsh, Flt SAE 1/4
2	56002292	6	Scr, Pan Phil 1/4-20 x 1.00
3	56002506	1	Scr, Hex Hd 3/8-16 x 5.00
4	56002769	2	Nut, Hex Nyl Loc 3/8-16
5	56002777	1	Scr, Hex Hd 3/8-16 x 7.00
6	56009195	1	Wsh, Flt .406 x 1.25 x .164
7	56009196	1	Wsh, Flt Harden .407 x 1.00 x .164
8	56201015	1	Bracket
9	56201016	2	Bushing
10	56201026	1	Handle Cover
11	56201027	2	Handle Lever
12	56201028	1	Latch Arm
13	56201029	1	Pin
14	56201031	1	Button, Lock
15	56201032	1	Cord Set, 14/3 x 50'
16	56201033	1	Cord Assembly 14/3
17	56201034	1	Switch, N.O. SPST Snap
18	56201054	1	Handle
19	56201056	1	Handle Tube
20	56263648	1	Spring Plate
21	56382818	1	Strain Relief
22	56016429	1	Decal, Logo
23	56014828	1	Decal, Warning
24	56201592	1	Ball, 1/4 SS

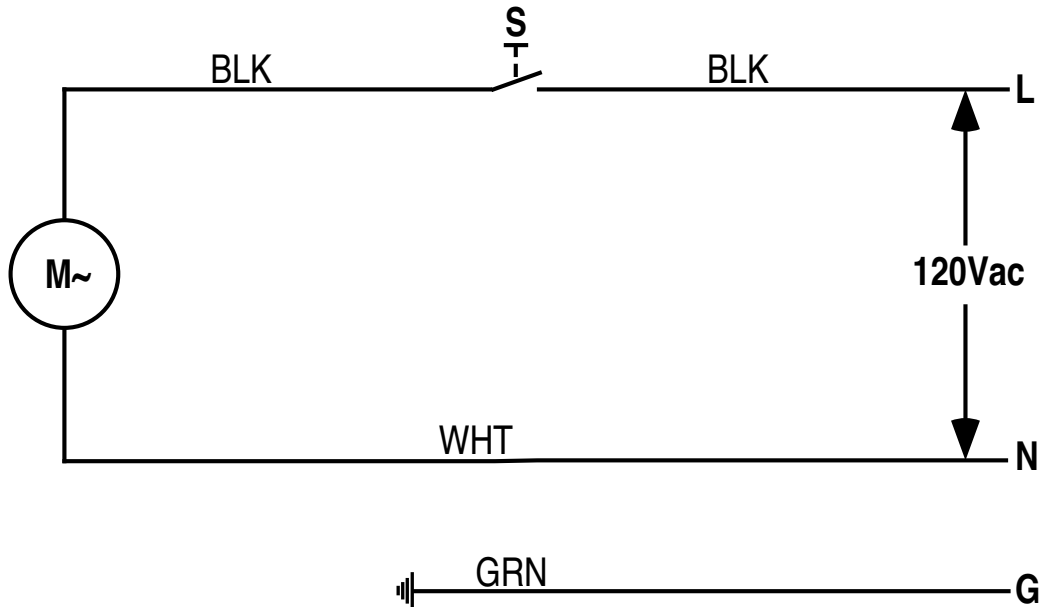


Item	Ref. No.	Qty	Description	Item	Ref. No.	Qty	Description
1	56003318	8	Scr, Hex Hd Loc 1/4-20 x 1.25	**	56201075	1	Weight Kit, 17
2	56003039	2	Scr, Hex Loc 1/4-20 x .50	**	56505270	1	Level-Set Pad Holder 17
3	56009209	3	Scr, Pan Phil Thd Form 10-24 x 1.00	**	56505915	1	ProLite™ Brush 17
4	56009002	10	Washer	**	56505914	1	Prolene Brush 17
5	56201012	1	Base Housing 20"	**	56505911	1	MagnaGrit™ 46 Brush 17
	56201017	1	Base Housing 17"	**	56505912	1	DynaGrit™ 80 Brush 17
6	56201089	1	Axle	**	56505918	1	MidLite Grit™ 180 Brush 17
7	56201018	2	Wheel 5.00 x 1.50	**	56505917	1	MidGrit™ 240 Brush 17
8	56201019	1	Cover, Motor	**	56505913	1	AgLite™ 500 Brush 17
9	56201040	1	Motor / Gearbox, 115V 1.25HP, 10:1	**	56505916	1	Union Mix Brush 17
*	56201037	1	Bearing, Front	**	56505539	1	Soft-Touch™ Shampoo Brush 17
*	56201038	1	Switch, Stationary				
*	56201039	1	Switch, Rotor	**	56201062	1	Weight Kit, 20
*	56201042	1	Capacitor, Start	**	56505280	1	Level-Set Pad Holder 20
*	56201043	1	Gear Head Assembly	**	56505925	1	ProLite™ Brush 20
*	56201044	1	Pinion, 13 Teeth	**	56505924	1	Prolene Brush 20
*	56201045	1	Coupling	**	56505921	1	MagnaGrit™ 46 Brush 20
10	56506006	1	Clutch Plate, Universal	**	56505922	1	DynaGrit™ 80 Brush 20
11	56505910	1	Pad Holder, 17" (standard)	**	56505928	1	MidLite Grit™ 180 Brush 20
	56505920	1	Pad Holder, 20" (standard)	**	56505927	1	MidGrit™ 240 Brush 20
12	56201011	1	Arm, Handle Latch	**	56505923	1	AgLite™ 500 Brush 20
13	56201636	1	Decal, SD 17	**	56505926	1	Union Mix Brush 20
	56201639	1	Decal, SD 20	**	56505540	1	Soft-Touch™ Shampoo Brush 20
14	56009003	2	Wsh, Flt .516 x .938 x .075				
15	56009001	4	Wsh, Bowed .516 x .906 x .008	**	56506006	A/R	Clutch Plate for Above Brushes
				**	56393567	A/R	"Big Mouth" Pad Retainer

* = Not Shown

** = Optional

NOTE: Pad Holders and Brushes come complete with Industry Standard NP-92 Clutch Plate.



Item	Ref. No.	Qty	Description
S	56201034	1	Switch, N.O. SPST Snap
M	56201040	1	Motor / Gearbox, 115V 1.25HP, 10:1

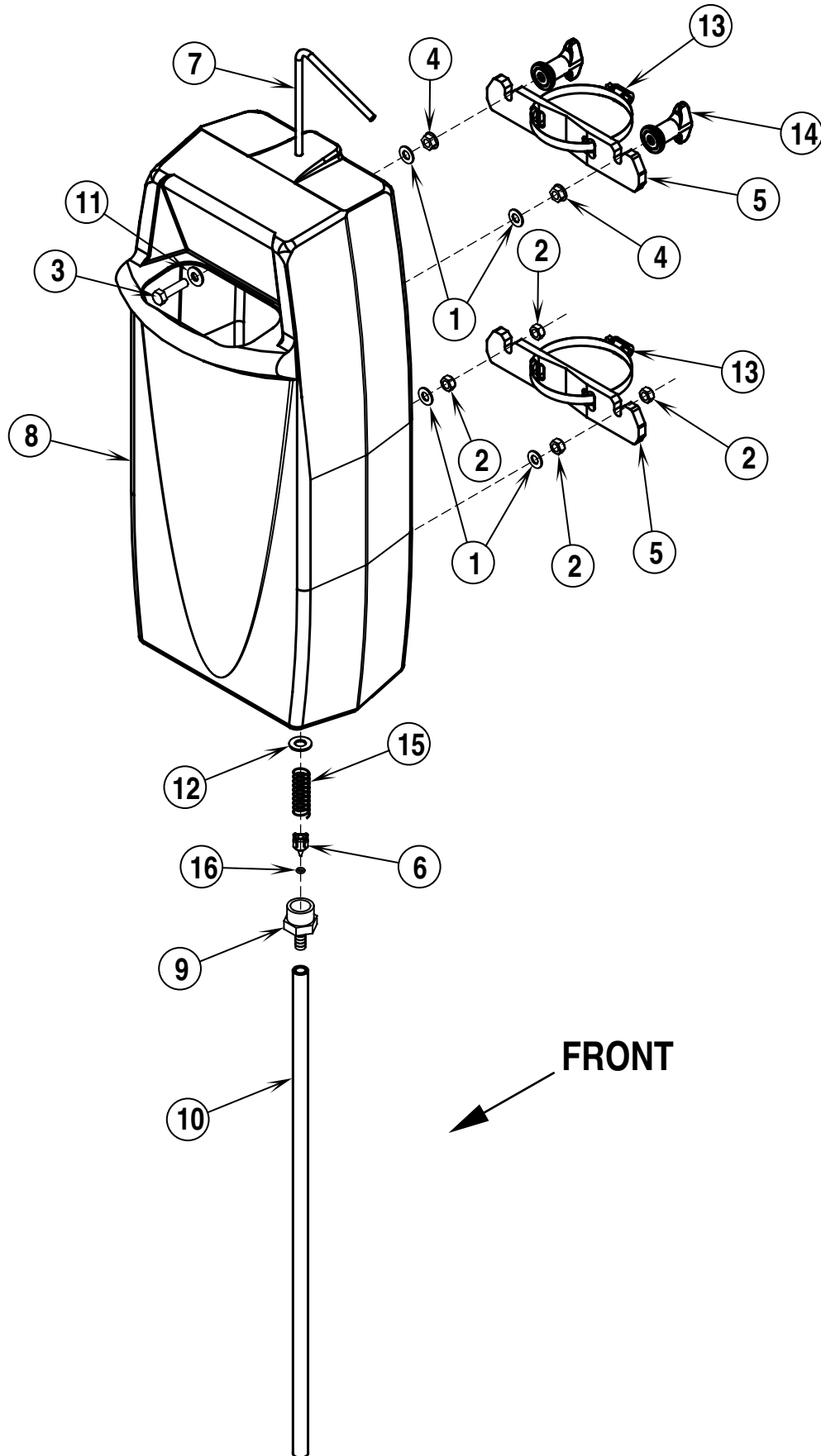
OPTIONAL HANDLE TANK KIT

99-5

6

SD 17 / SD 20

01-12



99-5	OPTIONAL HANDLE TANK KIT		
01-12	SD 17 / SD 20		7

Item	Ref. No.	Qty	Description
	56201050	1	Solution Tank Kit
	56040562	1	Instruction Sheet
	56201004	1	Solution Tank Assembly (#1-16)
1	56001939	4	Wsh, Flt SAE 5/16
2	56002826	4	Nut, Hex Nyl Loc-Thin 5/16-18
3	56002884	4	Scr, Hex Hd SS 5/16-18 x 1.25
4	56009217	2	Nut, Hex Flange Loc 5/16
5	56201005	2	Strap
6	56201007	1	Plug
7	56201008	1	Handle, Valve
8	56201020	1	Tank, Solution
9	56201035	1	Barb, Adapter 3/8 x 3/4 NPT
10	56201036	1	Hose, PVC
11	56201047	4	Wsh, Sealing SS 5/16
12	56201061	1	Washer
13	56352829	2	Clamp, Hose SAE #52
14	56370711	2	Nut, Thumb
15	56379170	1	Spring, Compression
16	56745550	1	O-Ring



Nilfisk-Advance, Inc.
14600 21st Avenue North
Plymouth, MN, 55447-3408
www.nilfisk-advance.com
Phone: 800-989-2235
Fax: 800-989-6566
©2001 Nilfisk-Advance, Inc.,
Plymouth, MN 55447-3408
Printed in the U.S.A.