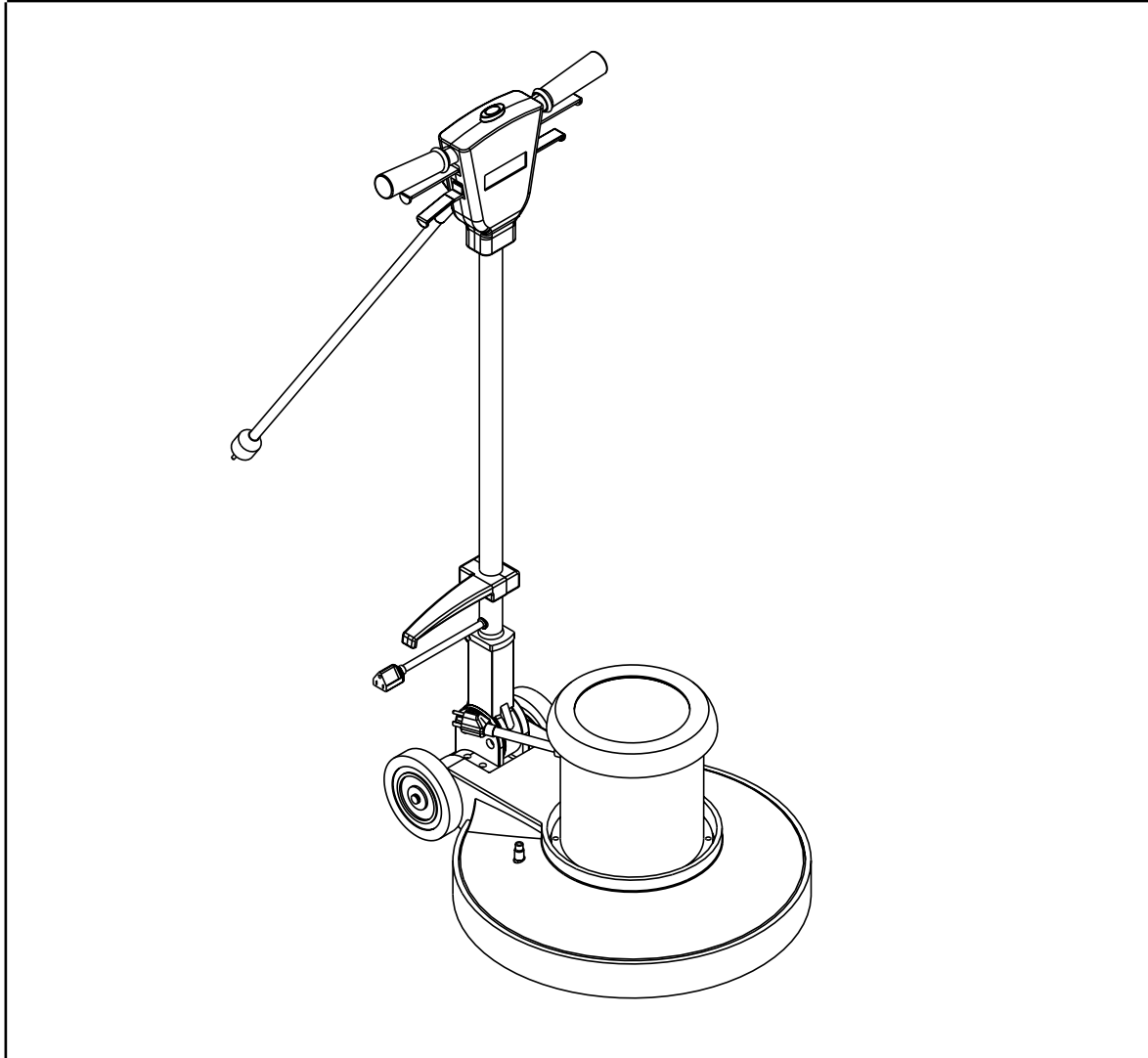


Pacesetter™ 170, 200

Pacesetter™ 170HD, 200HD



PARTS LIST

Advance MODELS 5610700(170), 56107002(200)
56107001(170HD), 56107003(200HD)

This manual is only for machines after serial number 1737262.



Advance
by Nilfisk-Advance

3/04 revised 6/04 FORM NO. 56042450

REPLACEMENT PART KITS

Ref. No.	Qty	Description
56107120	A/R	Bolt Hardware Kit (All Models) (Page 3-#4,9,10,11,13,16,22,23,28,32,41) (Page 5-#6,8,14,19,25,26,34,37,38,46,48) (Page 7-#4,6,7,9,10,11,14-19,24,25) (Page 9-#1,3-7,9,10,12-17,25,26)
56107122	A/R	Wheel Kit (170 & 200 / Page 7-#9-12,23-25)
56107123	A/R	Cord Hook Kit (170HD & 200HD / Page 5-#14,15,16)
56107125	A/R	Handle Pivot Kit (170HD & 200HD / Page 5-#1-7,47,48 / Page 9-#2)
56107126	A/R	Hardware Kit (Solution Tank / All Models / Page 13-#5,9,12,14,15,17)
56107127	A/R	Seal Kit (Solution Tank / All Models / Page 13-#10,11,13,20)
56107129	A/R	Wheel Kit (170HD & 200HD / Page 9-#8,9,10,24,25,26)
56107130	A/R	Pivot Kit (170 & 200 / Page 7-#4,5)
56107136	A/R	Ratchet Replacement Kit (170HD & 200HD / Page 5-#5,7)
56107137	A/R	Compression Handle Release Kit (170 & 200 / Page 3-#1-6,9,10,11,12 / Page 7-#3,8)
56107138	A/R	Trigger Kit (All Models / Page 3-#15,17,18,30 / Page 5-#18,20,21,32,39)
56107140	A/R	Axle Kit (170 & 200 / Page 7-#9-12,24,25)
56107141	A/R	Axle Kit (170HD & 200HD / Page 9-#8,9,10,25,26)
56107144	A/R	Front / Rear Cover Kit (All Models / Page 3-#25,37,38,39 / Page 5-#28,41,43,44)
56107145	A/R	Handle Hardware Kit (All Models) (Page 3-#16,21-24,27-29,32-36,40,41 / Page 5-#8,19,24-27,30,31,34-38,40,42,45,46)

OPTIONAL ACCESSORIES

Ref. No.	Qty	Description
56172305	A/R	Splash Guard Assembly (170 & 170HD)
56172313	A/R	Splash Guard Assembly (200 & 200HD)
56600358	A/R	Spray-Buff Solution Kit (All Models)
56201075	A/R	17" Weight Kit
56201062	A/R	20" Weight Kit
56505191	A/R	1-1/4 Riser Kit (All Models)
56505192	A/R	1-1/2 Riser Kit (All Models)
56505910	1	Short-Trim Pad Holder 17
56505270	1	Level-Set Pad Holder 17
56505915	1	ProLite™ Brush 17
56505914	1	Prolene Brush 17
56505911	1	MagnaGrit™ 46 Brush 17
56505912	1	DynaGrit™ 80 Brush 17
56505918	1	MidLite Grit™ 180 Brush 17
56505917	1	MidGrit™ 240 Brush 17
56505913	1	AgLite™ 500 Brush 17
56505916	1	Union Mix Brush 17
56505539	1	Soft-Touch™ Shampoo Brush 17
56505920	1	Short-Trim Pad Holder 20
56505280	1	Level-Set Pad Holder 20
56505925	1	ProLite™ Brush 20
56505924	1	Prolene Brush 20
56505921	1	MagnaGrit™ 46 Brush 20
56505922	1	DynaGrit™ 80 Brush 20
56505928	1	MidLite Grit™ 180 Brush 20
56505927	1	MidGrit™ 240 Brush 20
56505923	1	AgLite™ 500 Brush 20
56505926	1	Union Mix Brush 20
56505540	1	Soft-Touch™ Shampoo Brush 20
56506006	A/R	NP-92 Clutch Plate-Nylon
56506007	A/R	NP-92 Clutch Plate-Zinc
56505195	A/R	Pad Retainer
56505019	A/R	Pad Centering Unit (includes 56393567)
56161750	A/R	Brown Stripping Pad, 17" (case of 5)
56161716	A/R	Blue Scrubbing Pad, 17" (case of 5)
56161738	A/R	Blue Scrubbing Pad, 20" (case of 5)
56161737	A/R	Red Buffer Pad, 20" (case of 5)
56393567	A/R	"Big Mouth" Pad Retainer

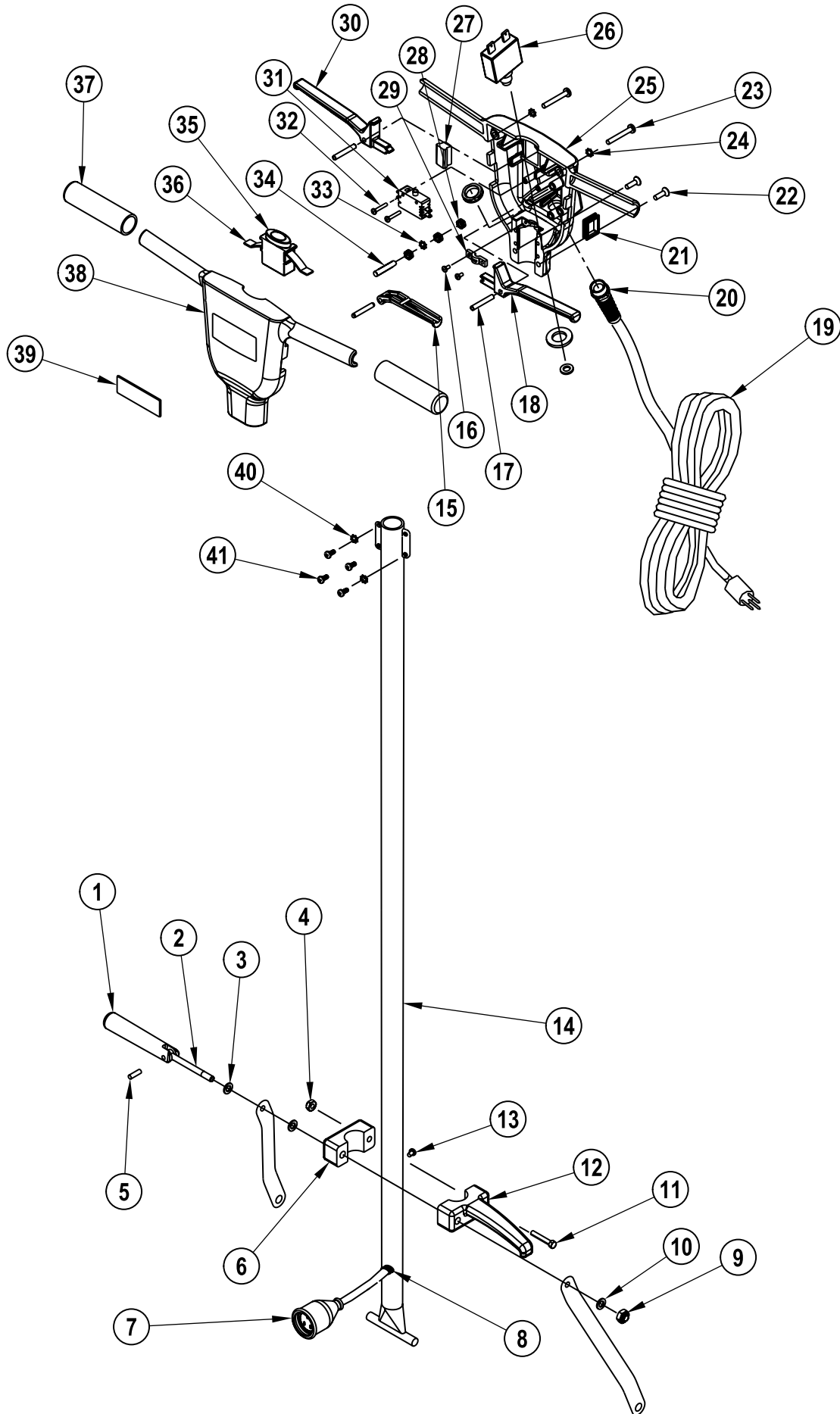
NOTE: Pad Holders and Brushes come complete with Industry Standard NP-92 Clutch Plate.

DESCRIPTION	PAGE
Handle Assembly (170 / 200)	2-3
Handle Assembly (170HD / 200HD)	4-5
Base Assembly (170 / 200)	6-7
Base Assembly (170HD / 200HD)	8-9
Wiring Diagram	10-11
Solution Tank Kit	12-13

WHEN ORDERING PARTS

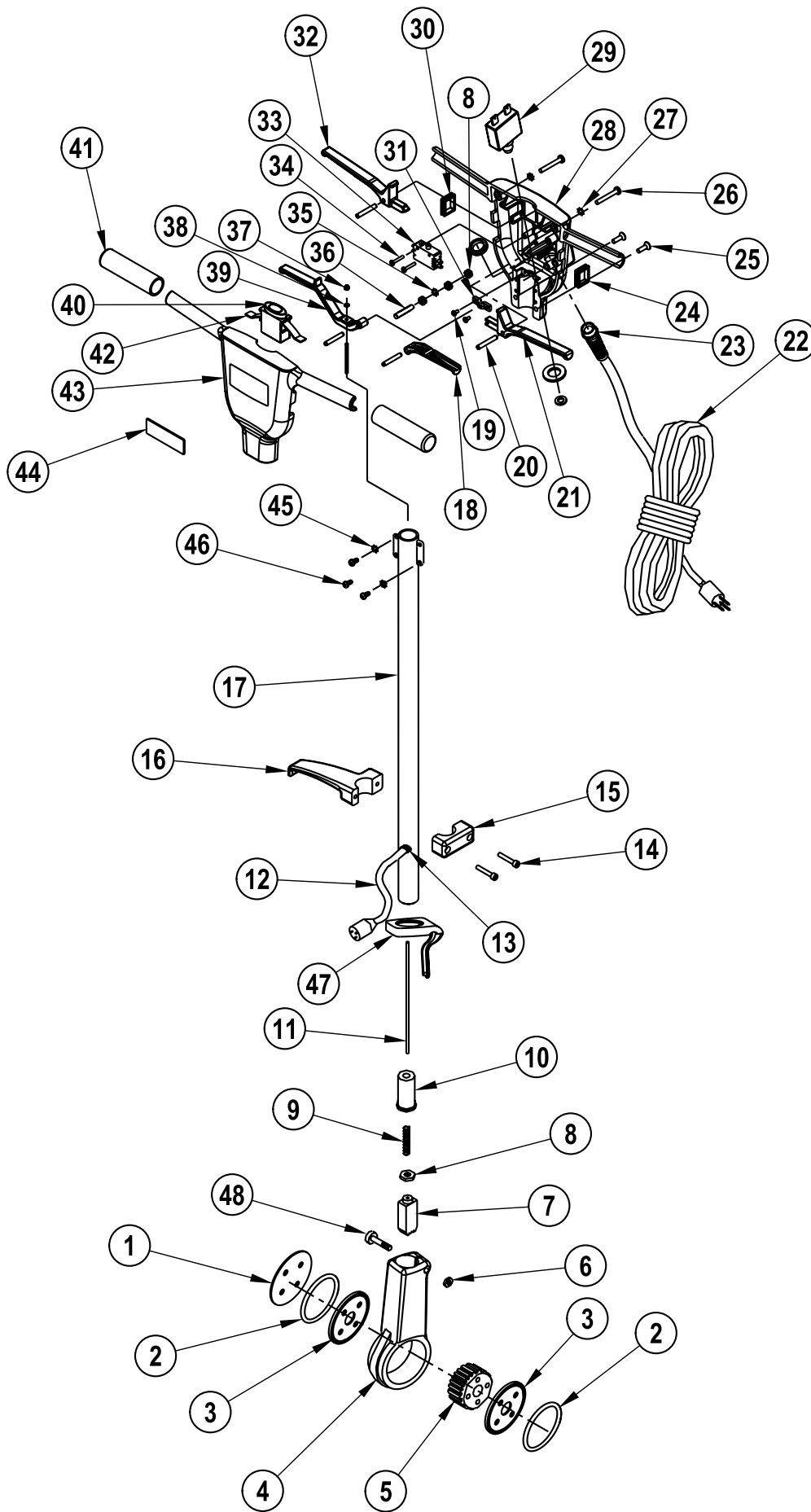
- * Use the 8 digit numbers from the "Ref. No." columns in this parts list.
- * Specify the model and serial number of the machine.
- * Use the space below to record the model and serial number for future reference.

Model _____ Serial No. _____



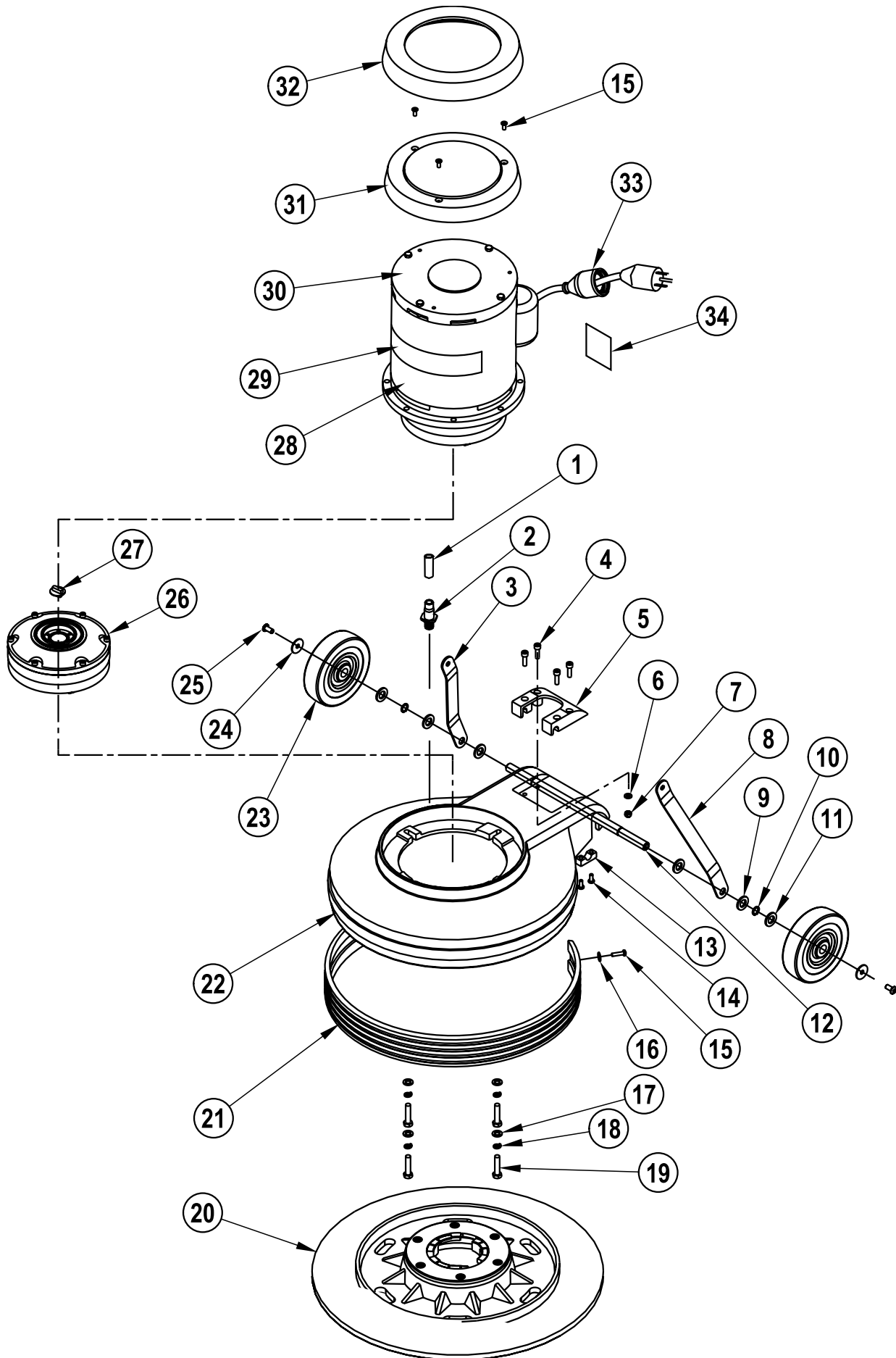
04-3	HANDLE ASSEMBLY (170 / 200)			
04-6	Pacesetter™ 170, 200 / 170HD, 200HD			3

Item	Ref. No.	Qty	Description
1	56107137	1	Compression Handle Release Kit Handle Release
2	56107137	1	Compression Handle Release Kit Bolt Handle Release
3	56107137	2	Compression Handle Release Kit Washer, Plain
4	56107137	2	Compression Handle Release Kit Nut, M8 X 5.7
	56107120	2	Bolt Hardware Kit Nut, M8 X 5.7
5	56107137	1	Compression Handle Release Kit Pin
6	56107137	1	Compression Handle Release Kit Cover, Hook
7	56107016	1	Cord, Handle
	56107131	1	Plug Protector, Small Male
8	56107017	1	Grommet
9	56107137	1	Compression Handle Release Kit Nut, M10
	56107120	1	Bolt Hardware Kit Nut, M10
10	56107137	1	Compression Handle Release Kit Washer, Plain, M10
	56107120	1	Bolt Hardware Kit Washer, Plain, M10
11	56107137	1	Compression Handle Release Kit Screw M8 X 55
	56107120	1	Bolt Hardware Kit Screw M8 X 55
12	56107137	1	Compression Handle Release Kit Hook, Cable
13	56107120	1	Bolt Hardware Kit Screw, M6 X 10
14	56107024	1	Tube
15	56107138	1	Trigger Kit Level, Solution
16	56107120	2	Bolt Hardware Kit Screw, M4 X 12
	56107145	2	Handle Hardware Kit Screw, M4 X 12
17	56107138	3	Trigger Kit Pin
18	56107138	1	Trigger Kit Lever, Left, Switch
19	56107029	1	Cord, Power Supply
20	56107030	1	Strain Relief, Cord
21	56107145	1	Handle Hardware Kit Gasket, Lever, Left
22	56107120	2	Bolt Hardware Kit Screw M6 X 25
	56107145	2	Handle Hardware Kit Screw M6 X 25
23	56107120	2	Bolt Hardware Kit Screw M6 X 40
	56107145	2	Handle Hardware Kit Screw M6 X 40
24	56107145	2	Handle Hardware Kit Teeth Washer Ø6
25	56107144	1	Front / Rear Cover Kit Rear Cover
26	56107143	1	Circuit Breaker 17A/1hp
27	56107145	1	Handle Hardware Kit Cover, Leveling
28	56107120	3	Bolt Hardware Kit Nut, M4
	56107145	3	Handle Hardware Kit Nut, M4
29	56107145	1	Handle Hardware Kit Clamp Block
30	56107138	1	Trigger Kit Lever, Right, Switch
31	56107035	1	Switch Assy
32	56107120	2	Bolt Hardware Kit Screw M3 X 25
	56107145	2	Handle Hardware Kit Screw M3 X 25
33	56107145	1	Handle Hardware Kit Teeth Washer Ø4
34	56107145	1	Handle Hardware Kit Screw M4 X 30
35	56107145	1	Handle Hardware Kit Safety Button
36	56107145	1	Handle Hardware Kit Spring, Safety Block
37	56107144	2	Front / Rear Cover Kit Handle Grip
38	56107144	1	Front / Rear Cover Kit Front Cover
39	56015105	1	Decal, Advance
	56107144	1	Front / Rear Cover Kit Decal, Advance
40	56107145	4	Handle Hardware Kit Teeth Washer Ø5
41	56107120	4	Bolt Hardware Kit Screw M5 X 12
	56107145	4	Handle Hardware Kit Screw M5 X 12

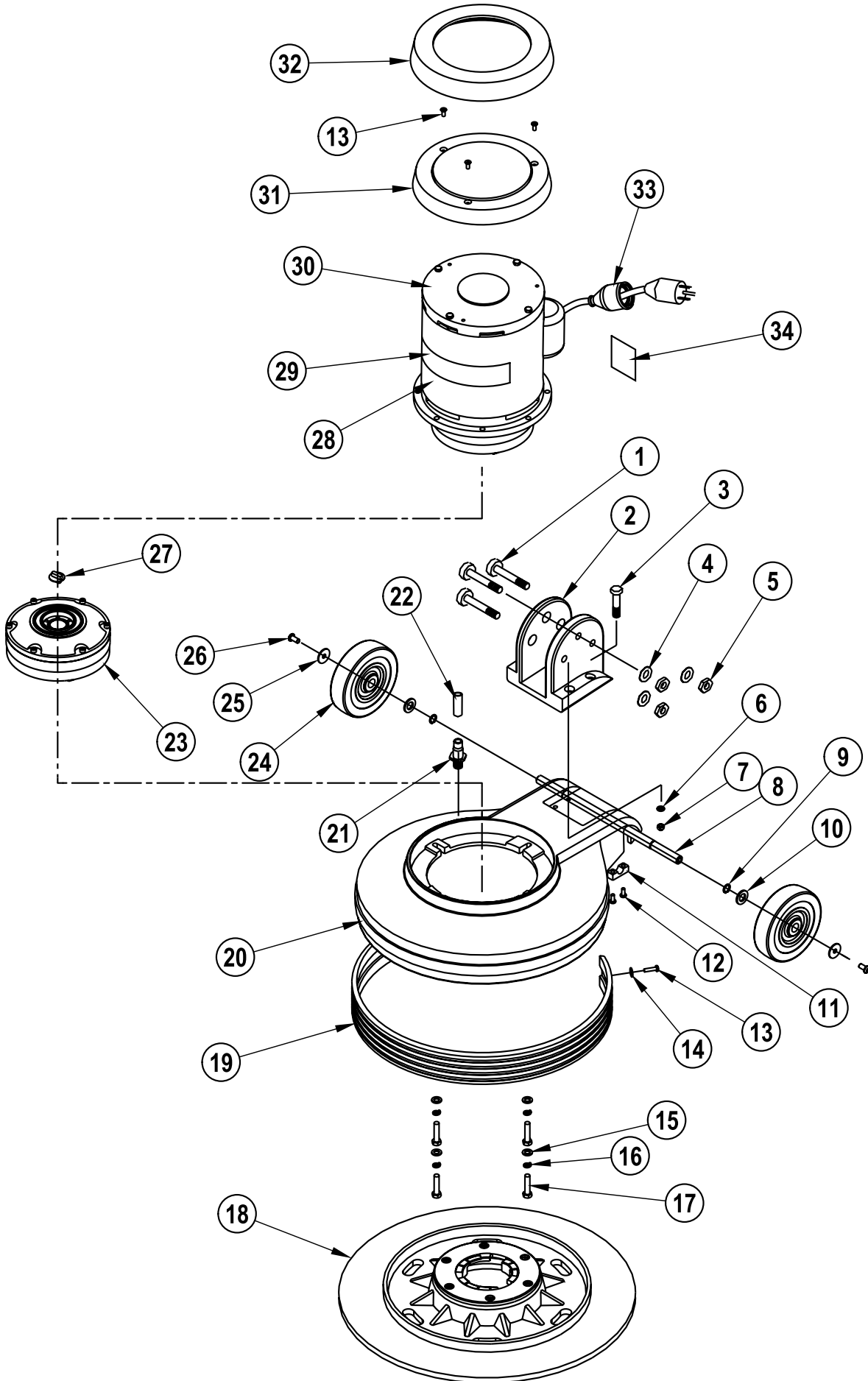


04-3	HANDLE ASSEMBLY (170HD / 200HD)		
04-6	Pacesetter™ 170, 200 / 170HD, 200HD		5

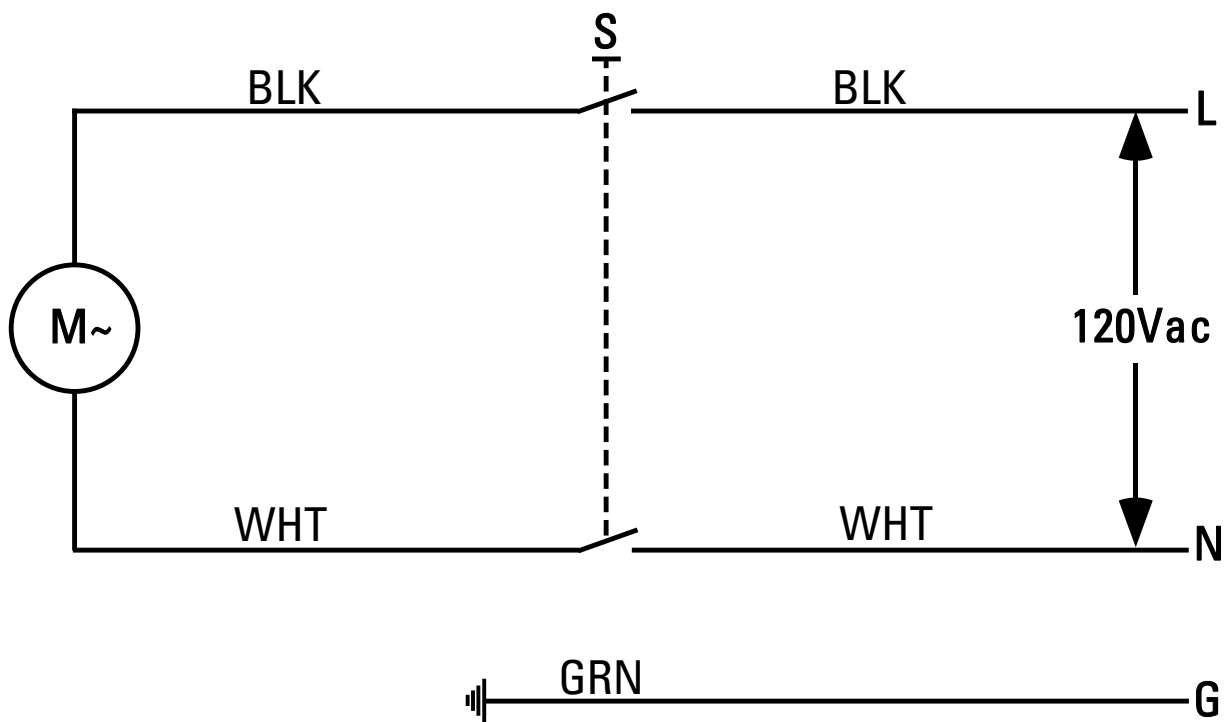
Item	Ref. No.	Qty	Description
1	56107125	1	Handle Pivot Kit Cover
2	56107125	2	Handle Pivot Kit "O"Ring,Gear Seat
3	56107125	2	Handle Pivot Kit Washer,Nylon
4	56107125	1	Handle Pivot Kit Seat,Gear
5	56107125	1	Handle Pivot Kit Gear
	56107136	1	Ratchet Replacement Kit Gear
6	56107125	1	Handle Pivot Kit Nut ,M6
	56107120	1	Bolt Hardware Kit Nut ,M6
7	56107125	1	Handle Pivot Kit Insert
	56107136	1	Ratchet Replacement Kit Insert
8	56107145	4	Handle Hardware Kit Nut, M4
	56107120	4	Bolt Hardware Kit Nut, M4
9	56107013	1	Spring Leveling
10	56107014	1	Retainer
11	56107015	1	Rod Leveling
12	56107016	1	Cord,Handle
	56107131	1	Plug Protector,Small Male
13	56107017	1	Grommet
14	56107123	2	Cord Hook Kit Screw M6 X 35
	56107120	2	Bolt Hardware Kit Screw M6 X 35
15	56107123	1	Cord Hook Kit Cover,Hook
16	56107123	1	Cord Hook Kit Hook,Cable
17	56107021	1	Tube
18	56107138	1	Trigger Kit Lever,Solution
19	56107145	2	Handle Hardware Kit Screw,M4 X 12
	56107120	2	Bolt Hardware Kit Screw,M4 X 12
20	56107138	3	Trigger Kit Pin
21	56107138	1	Trigger Kit Lever,Left,Switch
22	56107029	1	Cord,Power Supply
23	56107030	1	Strain Relief,Cord
24	56107145	1	Handle Hardware Kit Gasket,Handle Solution
25	56107145	2	Handle Hardware Kit Screw M6 X 25
	56107120	2	Bolt Hardware Kit Screw M6 X 25
26	56107145	2	Handle Hardware Kit Screw M6 X 40
	56107120	2	Bolt Hardware Kit Screw M6 X 40
27	56107145	2	Handle Hardware Kit Teeth Washer M6
28	56107144	1	Front / Rear Cover Kit Rear Cover
29	56107142	1	Circuit Breaker 12A/1.75hp
30	56107145	1	Handle Hardware Kit Gasket,Handle Leveling
31	56107145	1	Handle Hardware Kit Clamp Block
32	56107138	1	Trigger Kit Lever,Right,Switch
33	56107035	1	Switch Assy
34	56107145	2	Handle Hardware Kit Screw M3 X 25
	56107120	2	Bolt Hardware Kit Screw M3 X 25
35	56107145	1	Handle Hardware Kit Teeth Washer Ø4
36	56107145	1	Handle Hardware Kit Screw M4 X 30
37	56107145	1	Handle Hardware Kit Nut,M4
	56107120	1	Bolt Hardware Kit Nut,M4
38	56107145	1	Handle Hardware Kit Washer,Plain M4
	56107120	1	Bolt Hardware Kit Washer,Plain M4
39	56107138	1	Trigger Kit Leveling Rod
40	56107145	1	Handle Hardware Kit Safety Button
41	56107144	2	Front / Rear Cover Kit Handle Grip
42	56107145	1	Handle Hardware Kit Spring Safety Block
43	56107144	1	Front / Rear Cover Kit Front Cover
44	56015105	1	Decal, Advance
	56107144	1	Front / Rear Cover Kit Decal, Advance
45	56107145	4	Handle Hardware Kit Teeth Washer Ø5
46	56107145	4	Handle Hardware Kit Screw M5 X 12
	56107120	4	Bolt Hardware Kit Screw M5 X 12
47	56107125	1	Handle Pivot Kit Seal Seat
48	56107125	1	Handle Pivot Kit Screw M6 X 25
	56107120	1	Bolt Hardware Kit Screw M6 X 25



Item	Ref. No.	Qty	Description
1	56107064	1	Hose,Solution
2	56107063	1	Barb ,Hose
3	56107137	1	Compression Handle Release Kit Bracket,Handle,Right
4	56107130	4	Pivot Kit Screw M6 X 30
	56107120	4	Bolt Hardware Kit Screw M6 X 30
5	56107130	1	Pivot Kit Plate,Handle Guide
6	56107120	4	Bolt Hardware Kit Washer,Plain M6
7	56107120	4	Bolt Hardware Kit Nut,M6
8	56107137	1	Compression Handle Release Kit Bracket,Handle,Left
9	56107122	4	Wheel Kit Washer,Plain M13
	56107140	4	Axle Kit Washer,Plain M13
	56107120	4	Bolt Hardware Kit Washer,Plain M13
10	56107122	2	Wheel Kit Ring Retaining
	56107140	2	Axle Kit Ring Retaining
	56107120	2	Bolt Hardware Kit Ring Retaining
11	56107122	2	Wheel Kit Washer,Wave
	56107140	2	Axle Kit Washer,Wave
	56107120	2	Bolt Hardware Kit Washer,Wave
12	56107122	1	Wheel Kit Axle
	56107140	1	Axle Kit Axle
13	56107049	2	Clamp Block,Axle
14	56107120	4	Bolt Hardware Kit Self-Tapping Screw St5 X 20
15	56107120	5	Bolt Hardware Kit Screw M5 X 16
16	56107120	2	Bolt Hardware Kit Washer,Plain
17	56107120	4	Bolt Hardware Kit Washer,Plain M8
18	56107120	4	Bolt Hardware Kit Washer,Lock M8
19	56107120	4	Bolt Hardware Kit Screw M8 X 30
20	56649350	1	Mighty-Lok Short Trim Pad Holder,17"
	56649351	1	Mighty-Lok Short Trim Pad Holder,20"
21	56107059	1	Bumper 17"
	56107060	1	Bumper 20"
22	56107061	1	Frame 17"
	56107062	1	Frame 20"
23	56107122	2	Wheel Kit Wheel 5"
24	56107122	2	Wheel Kit Washer,M6
	56107140	2	Axle Kit Washer,M6
	56107120	2	Bolt Hardware Kit Washer,M6
25	56107122	2	Wheel Kit Screw,M6 X 12.7
	56107140	2	Axle Kit Screw,M6 X 12.7
	56107120	2	Bolt Hardware Kit Screw,M6 X 12.7
26	56107071	1	Gear Box
27	56107072	1	Coupling
28	56107076	1	Label,Motor
29	56015067	1	Decal,Pacesetter 170
	56015091	1	Decal,Pacesetter 200
30	56107073	1	Motor 1.25hp
	56171160	1	Capacitor, Start
	56107134	1	Rotary Switch
	56107135	1	Stationary Switch
31	56107077	1	Top Cover,Motor
32	56107079	1	Bumper,Top Cover
33	56107132	1	Plug Protector Large Female
34	56107075	1	Read Manual Label



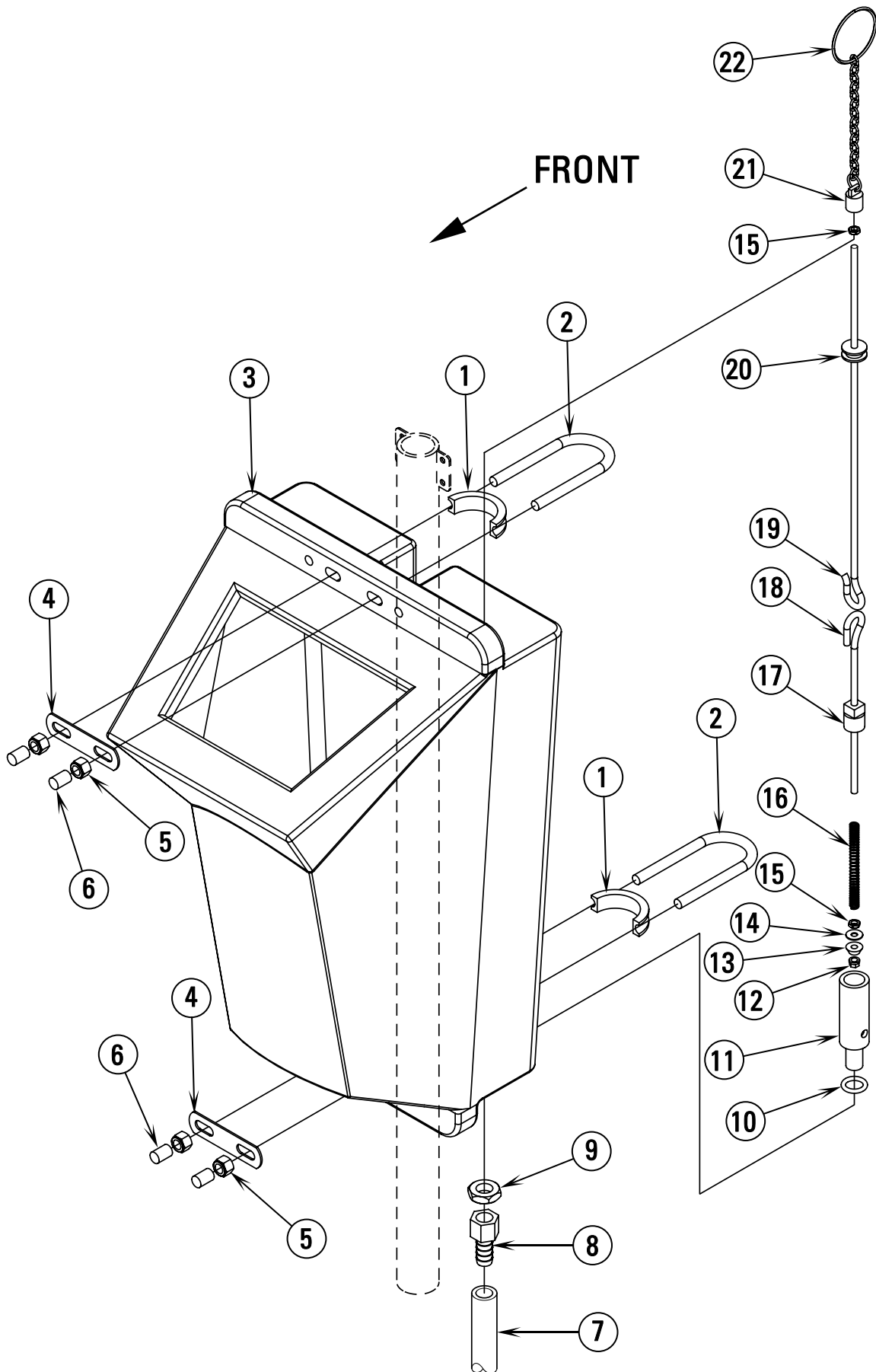
Item	Ref. No.	Qty	Description
1	56107120	3	Bolt Hardware Kit Screw M8 X 60
2	56107125	1	Handle Pivot Kit Mounting Base, Gear Seat
3	56107120	4	Bolt Hardware Kit Screw M6 X 35
4	56107120	3	Bolt Hardware Kit Washer, Plain Ø8
5	56107120	3	Bolt Hardware Kit Nut, M8
6	56107120	4	Bolt Hardware Kit Washer, Flt M6
7	56107120	4	Bolt Hardware Kit Nut, M6
8	56107129	1	Wheel Kit Axle
	56107141	1	Axle Kit Axle
9	56107129	2	Wheel Kit Ring Retaining
	56107141	2	Axle Kit Ring Retaining
	56107120	2	Bolt Hardware Kit Ring Retaining
10	56107129	2	Wheel Kit Washer, Wave
	56107141	2	Axle Kit Washer, Wave
	56107120	2	Bolt Hardware Kit Washer, Wave
11	56107049	2	Clamp Block, Axle
12	56107120	4	Bolt Hardware Kit Self-Tapping Screw ST5 X 20
13	56107120	5	Bolt Hardware Kit Screw M5 X 16
14	56107120	2	Bolt Hardware Kit Washer, Plain, M5
15	56107120	4	Bolt Hardware Kit Washer, Plain M8
16	56107120	4	Bolt Hardware Kit Washer, Lock M8
17	56107120	4	Bolt Hardware Kit Screw M8 X 30
18	56649350	1	Mighty-Lok Short Trim Pad Holder, 17"
	56649351	1	Mighty-Lok Short Trim Pad Holder, 20"
19	56107059	1	Bumper 17"
	56107060	1	Bumper 20"
20	56107061	1	Frame 17"
	56107062	1	Frame 20"
21	56107063	1	Barb Hose
22	56107064	1	Hose, Solution
23	56107071	1	Gear Box
24	56107129	2	Wheel Kit Wheel 5"
25	56107129	2	Wheel Kit Washer, M6
	56107141	2	Axle Kit Washer, M6
	56107120	2	Bolt Hardware Kit Washer, M6
26	56107129	2	Wheel Kit Screw, M6 X 12.7
	56107141	2	Axle Kit Screw, M6 X 12.7
	56107120	2	Bolt Hardware Kit Screw, M6 X 12.7
27	56107072	1	Coupling
28	56107076	1	Label, Motor
29	56015082	1	Decal, Pacesetter 170HD
	56015102	1	Decal, Pacesetter 200HD
30	56107074	1	Motor 1.75hp
	56107139	1	Running Capacitor, 50uf/370v, 105°C
	56171160	1	Start Capacitor
	56107134	1	Rotary Switch
	56107135	1	Stationary Switch
31	56107077	1	Top Cover, Motor
32	56107079	1	Bumper, Top Cover
33	56107132	1	Plug Protector Large Female
34	56107075	1	Read Manual Label



04-3	WIRING DIAGRAM (ALL MODELS)		
04-6	Pacesetter™ 170, 200 / 170HD, 200HD		11

Item	Ref. No.	Qty	Description
			Pacesetter 170/200
S	56107035	1	Switch Assembly
M	56107073	1	Motor, 1.25HP
*	56171160	1	Capacitor, Start

Item	Ref. No.	Qty	Description
			Pacesetter 170HD / 200HD
S	56107035	1	Switch Assembly
M	56107074	1	Motor, 1.75HP
*	56107139	1	Capacitor, Run
*	56171160	1	Capacitor, Start



Item	Ref. No.	Qty	Description
	56107100		Solution Tank Assembly
1	56107098	2	Gasket
2	56107099	2	Bolt
3	56107101	1	Tank
4	56107102	2	Clamp Plate
5	56107126	4	Hardware Kit Nut,M8
6	56107104	4	Rubber Cap
7	56107064	1	Hose,Solution
8	56107105	1	Barb Hose
9	56107126	1	Hardware Kit Nut,M14
10	56107127	1	Seal Kit "O"Ring
11	56107127	1	Seal Kit Valve Body
12	56107126	1	Hardware Kit Nut,M5
13	56107127	1	Seal Kit Seal,Rubber
14	56107126	1	Hardware Kit Washer,Plain Ø5
15	56107126	1	Hardware Kit Screw,M5,Brass
16	56107113	1	Spring
17	56107126	1	Hardware Kit Screw
18	56107115	1	Lower Pulling Rod
19	56107116	1	Upper Pulling Rod Brass
20	56107127	1	Seal Kit Seal,Tank
21	56107118	1	Seat Chain
22	56107119	1	Chain



**Nilfisk
Advance**

setting standards

Nilfisk-Advance, Inc.
14600 21st Avenue North
Plymouth, MN 55447-3408
www.nilfisk-advance.com
Phone: 800-989-2235
Fax: 800-989-6566
©2004 Printed in the U.S.A.