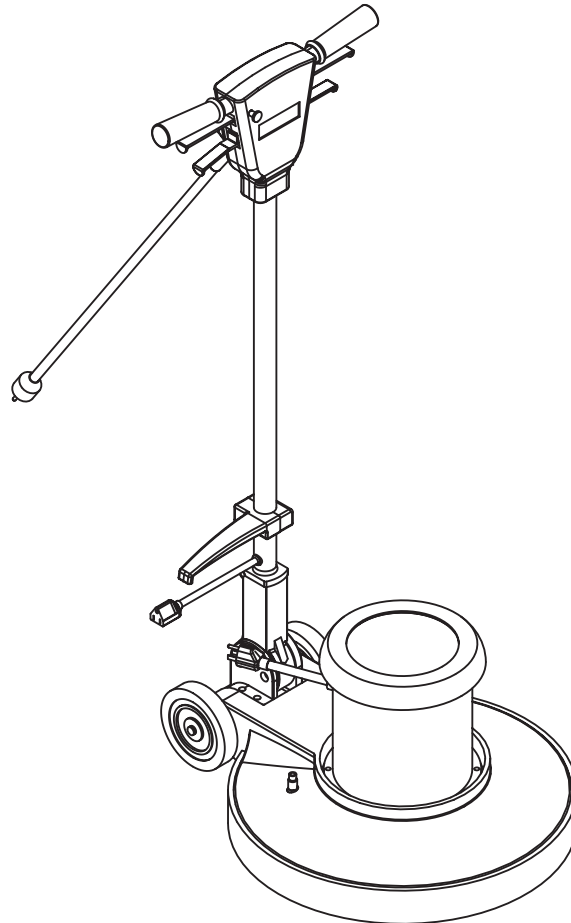


# Pacesetter™ 170, 200

# Pacesetter™ 170HD, 200HD



## PARTS LIST

Advance MODELS 5610700(170), 56107002(200)  
56107001(170HD), 56107003(200HD)



**Advance**  
by Nilfisk-Advance

4/02 revised 5/03 FORM NO. 56042431

# REPLACEMENT PARTS KITS

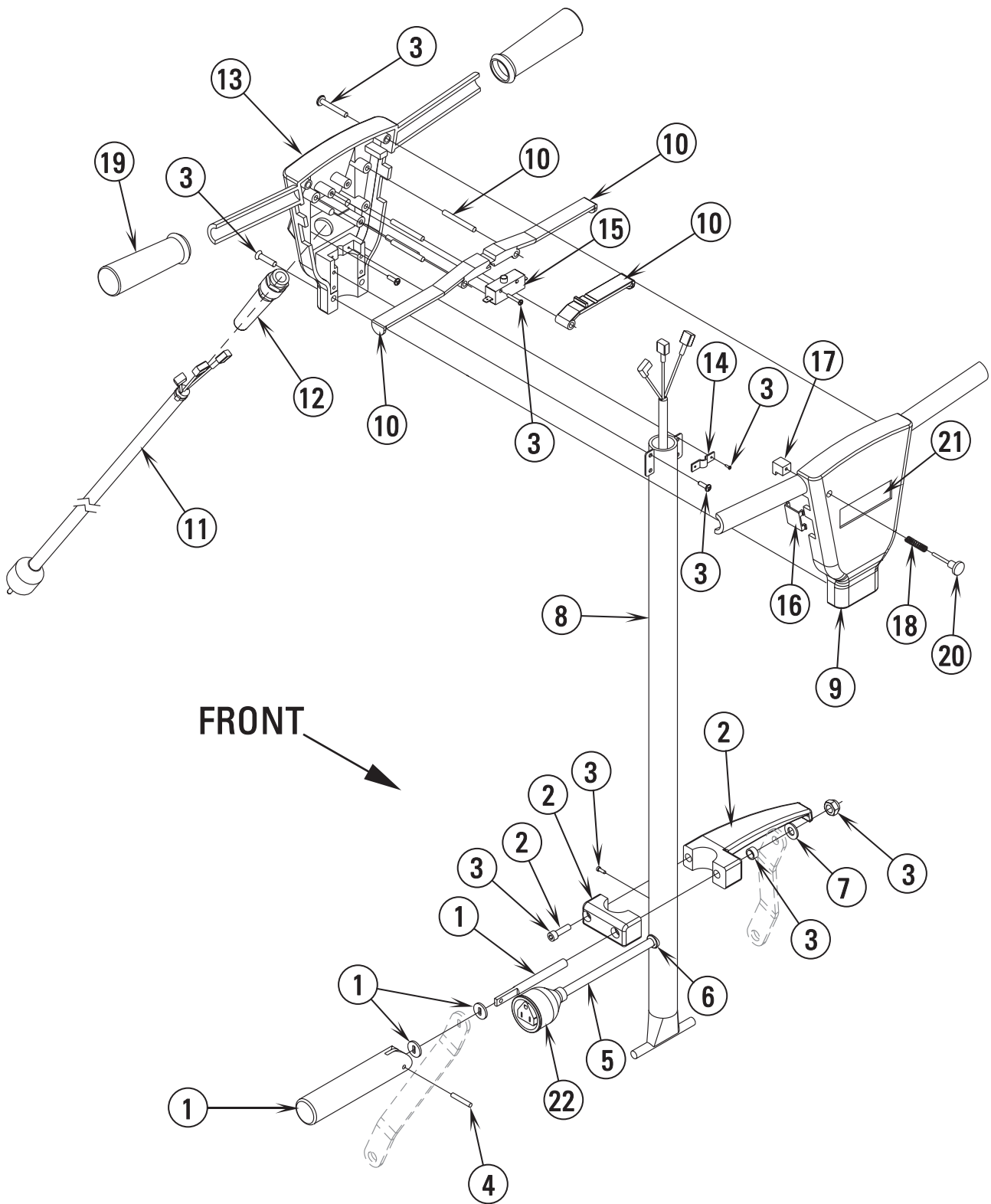
Ref. No.	Qty	Description
56107120	A/R	Hardware Kit <b>(All Models)</b>
56107121	A/R	Trigger Kit <b>(All Models)</b>
56107122	A/R	Wheel Kit <b>(170 &amp; 200)</b>
56107123	A/R	Cord Hook Kit <b>(170HD &amp; 200HD)</b>
56107124	A/R	Compression Kit <b>(170 &amp; 200)</b>
56107125	A/R	Handle Pivot Kit <b>(170HD &amp; 200HD)</b>
56107128	A/R	Cord Hook Kit <b>(170 &amp; 200)</b>
56107129	A/R	Wheel Kit <b>(170HD &amp; 200HD)</b>
56107130	A/R	Pivot Kit <b>(170 &amp; 200)</b>

DESCRIPTION	PAGE
Handle Assembly (170 / 200) .....	2-3
Handle Assembly (170HD / 200HD) .....	4-5
Base Assembly (170 / 200) .....	6-7
Wiring Diagram (170 / 200) .....	7
Base Assembly (170HD / 200HD) .....	8-9
Wiring Diagram (170HD / 200HD) .....	9
Solution Tank Kit .....	10-11

#### WHEN ORDERING PARTS

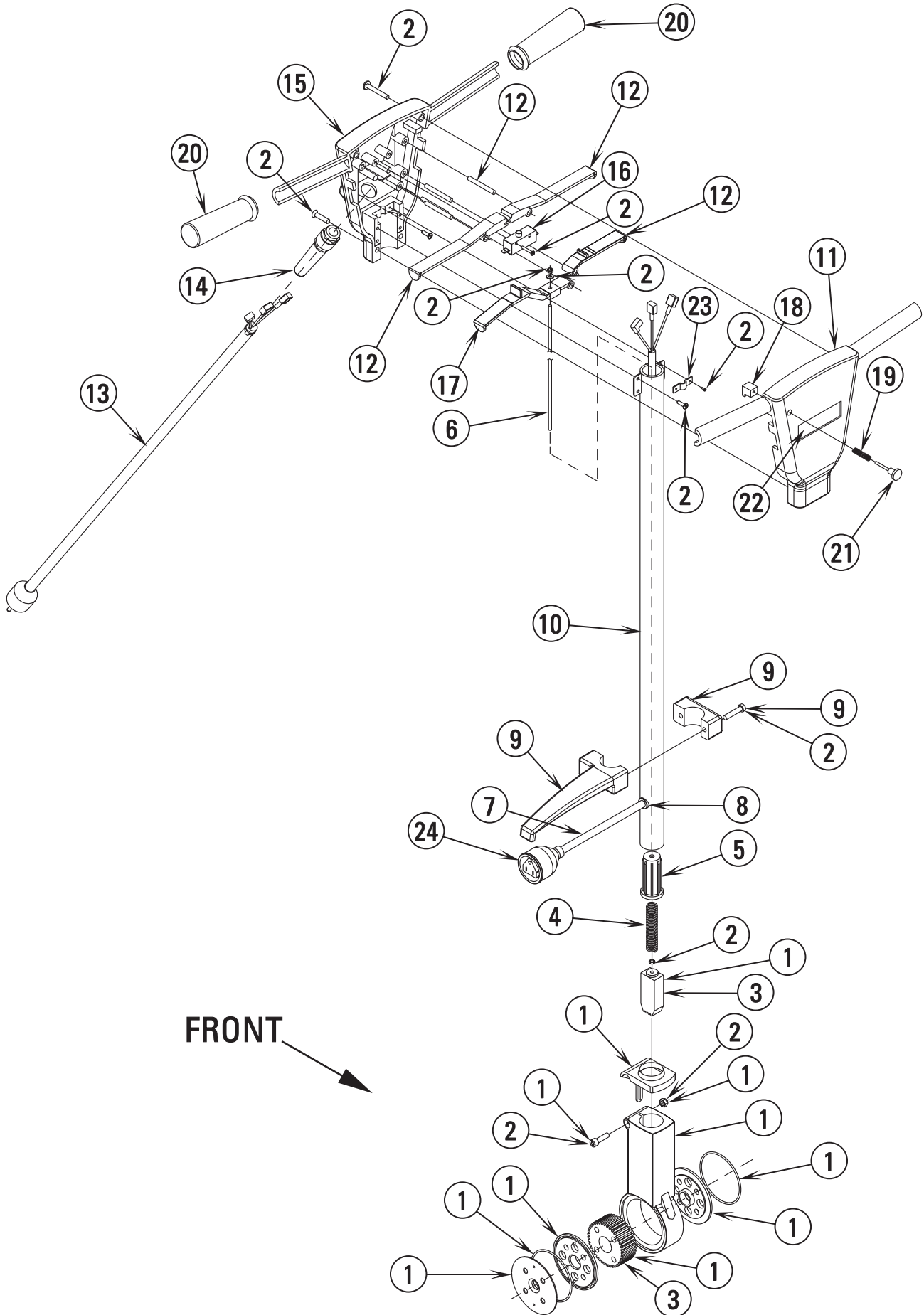
- \* Use the 8 digit numbers from the "Ref. No." columns in this parts list.
- \* Specify the model and serial number of the machine.
- \* Use the space below to record the model and serial number for future reference.

Model \_\_\_\_\_ Serial No. \_\_\_\_\_



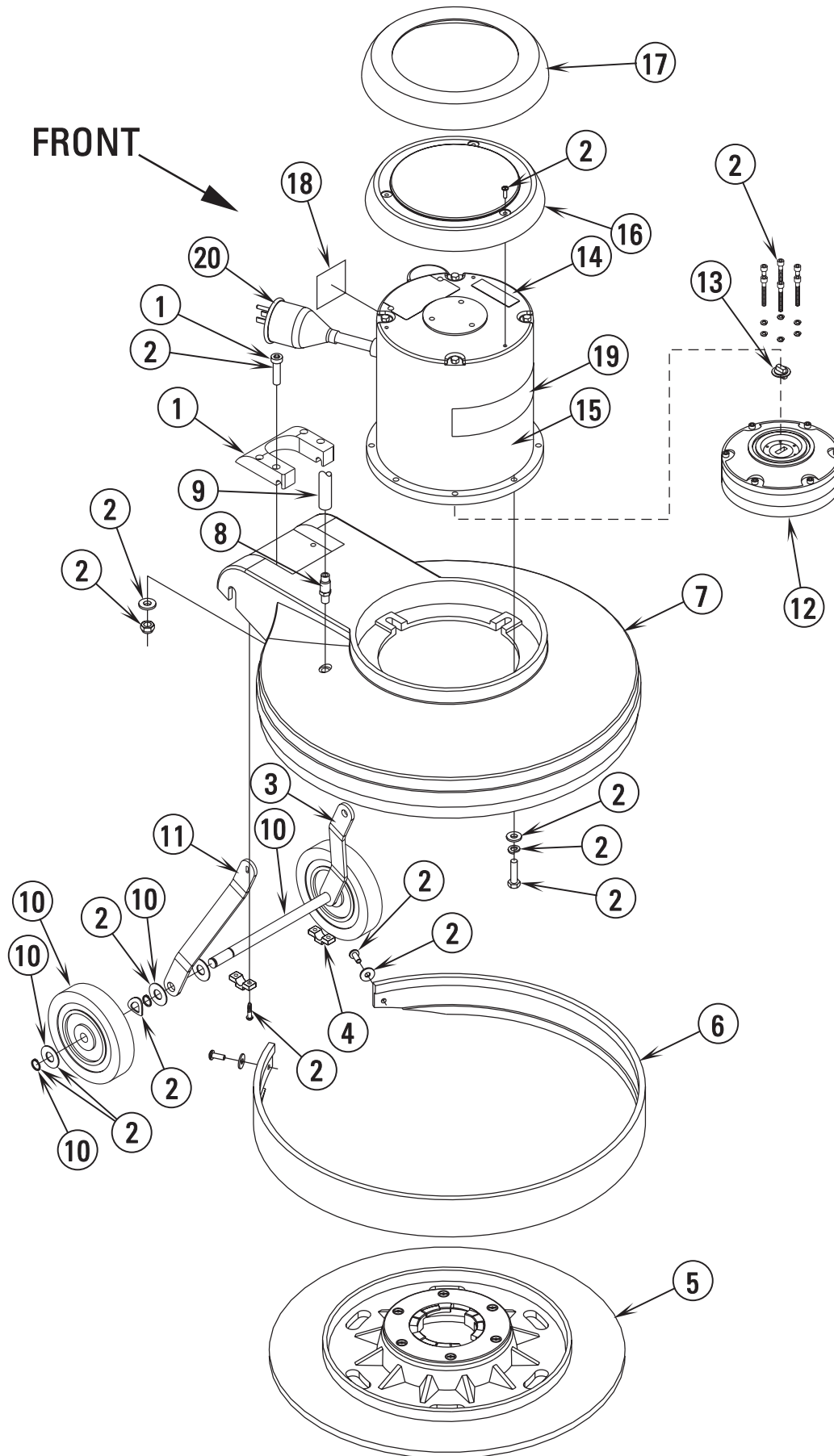
02-4	<b>HANDLE ASSEMBLY (170 / 200)</b>		
03-5	<b>Pacesetter™ 170, 200 / 170HD, 200HD</b>		<b>3</b>

Item	Ref. No.	Qty	Description
1	56107124	1	<b>Compression Kit (kit includes)</b>
	NA		Compression Lever
	NA	1	Rod
	NA	2	Washer, Flat
2	56107128	1	<b>Cord Hook Kit (kit includes)</b>
	NA	1	Bolt
	NA	1	Hook, Cable
	NA	1	Cover, Hook
3	56107120	1	<b>Hardware Kit (kit includes)</b>
	NA	1	Bolt
	NA	1	Nut, M8-5.7
	NA	1	Spacer
	NA	1	Screw, M6 x 10mm
	NA	4	Scr, M5 x 12mm
	NA	2	Scr, M6 x 25mm
	NA	2	Scr, M6 x 45mm
	NA	2	Scr, M5 x 25mm
	NA	2	Scr, M4 x 12mm
4	56107084	1	Pin
5	56107016	1	Cord, Handle
6	56107017	1	Grommet
7	56107050	1	Wsh, Flt M8
8	56107024	1	Tube
9	56107025	1	Front Cover
10	56107121	1	<b>Trigger Kit (kit includes)</b>
	NA	1	Lever, Solution
	NA	3	Pin
	NA	1	Lever, Switch Left
	NA	1	Lever, Switch Right
11	56107029	1	Cord, Power Supply
12	56107030	1	Strain Relief, Cord
13	56107031	1	Rear Cover
14	56107088	1	Flange
15	56107035	1	Switch Assembly
16	56107090	1	Plug
17	56107041	1	Block
18	56107042	1	Spring, Button
19	56107043	2	Grip, Handle
20	56107044	1	Push Button
21	56015105	1	Decal, Advance
22	56107131	1	Plug Protector, Large Female



02-4	<b>HANDLE ASSEMBLY (170HD / 200HD)</b>		
03-5	<b>Pacesetter™ 170, 200 / 170HD, 200HD</b>		<b>5</b>

Item	Ref. No.	Qty	Description
1	56107125	1	<b>Handle Pivot Kit (kit includes)</b>
	NA	1	Cover
	NA	2	O-Ring, Gear Seat
	NA	2	Washer, Nylon
	NA	1	Seat, Gear
	NA	1	Gear
	NA	1	Nut, M6
	NA	1	Seal Seat
	NA	1	Screw, M6 x 20mm
	NA	1	Leveling Insert
2	56107120	1	<b>Hardware Kit (kit includes)</b>
	NA	1	Nut, M6
	NA	1	Nut, M4
	NA	2	Scr, M6 x 35mm
	NA	4	Scr, M5 x 12mm
	NA	2	Scr, M6 x 25mm
	NA	2	Scr, M6 x 45mm
	NA	2	Scr, M5 x 25mm
	NA	1	Nut, M4
	NA	1	Wsh, Fit M4
	NA	1	Screw, M6 x 20mm
	NA	2	Scr, M4 x 12mm
3	56107136	1	<b>Ratchet Replacement Kit w/ Instruction Sheet (kit includes) TSBUS2003-846</b>
	NA	1	Gear
	NA	1	Leveling Insert
4	56107013	1	Spring, Leveling
5	56107014	1	Retainer
6	56107015	1	Rod, Leveling
7	56107016	1	Cord, Handle
8	56107017	1	Grommet
9	56107123	1	<b>Cord Hook Kit (kit includes)</b>
	NA	2	Scr, M6 x 35mm
	NA	1	Cover, Hook
	NA	1	Hook, Cable
10	56107021	1	Tube
11	56107025	1	Front Cover
12	56107121	1	<b>Trigger Kit (kit includes)</b>
	NA	1	Lever, Solution
	NA	4	Pin
	NA	1	Lever, Switch Left
	NA	1	Lever, Switch Right
13	56107029	1	Cord, Power Supply
14	56107030	1	Strain Relief, Cord
15	56107031	1	Rear Cover
16	56107035	1	Switch Assembly
17	56107040	1	Leveling Rod
18	56107041	1	Block
19	56107042	1	Spring, Button
20	56107043	2	Grip, Handle
21	56107044	1	Push Button
22	56015105	1	Decal, Advance
23	56107088	1	Flange
24	56107131	1	Plug Protector, Large Female

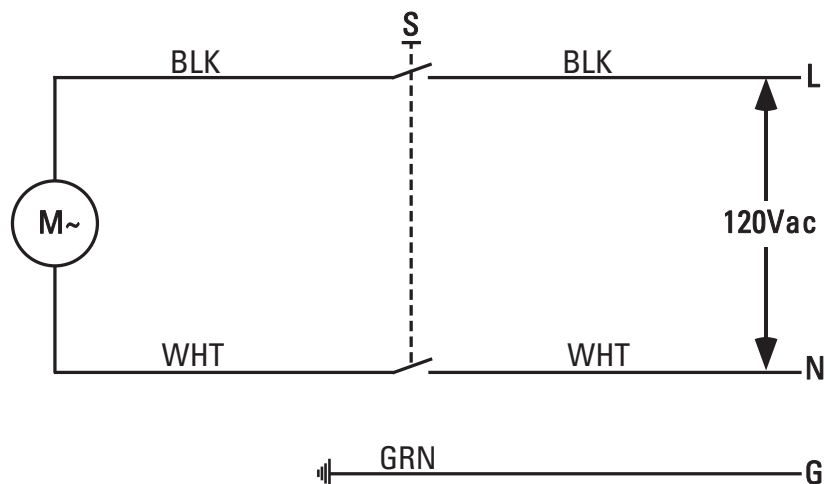




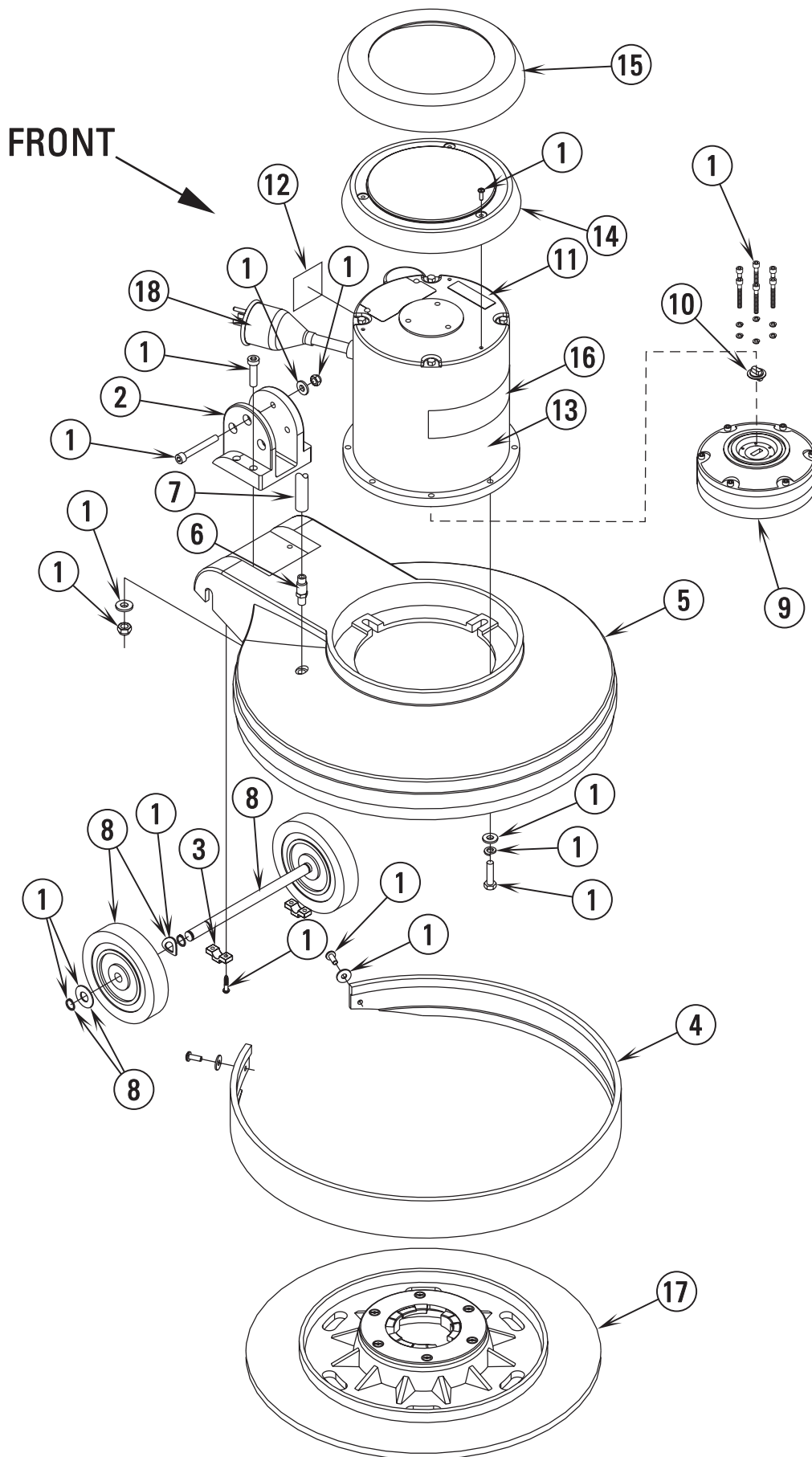
Item	Ref. No.	Qty	Description	Item	Ref. No.	Qty	Description
1	56107130	1	<b>Pivot Kit (kit includes)</b>	14	56107073	1	Motor, 1.25HP <b>TSBUS2003-844</b>
	NA	4	Scr, M6 x 30mm	*	56171160	1	Capacitor, Start
	NA	1	Plate, Handle Guide	*	56107134	1	Rotary Switch
2	56107120	1	<b>Hardware Kit (kit includes)</b>	*	56107135	1	Stationary Switch
	NA	4	Scr, M6 x 30mm	15	56107076	1	Label, Motor
	NA	4	Washer, Flat	16	56107077	1	Top Cover, Motor
	NA	4	Nut M6	17	56107079	1	Bumper, Top Cover
	NA	4	Scr, ST5 x 20mm	18	56107075	1	Label, Read Manual
	NA	2	Scr, M5 x 16mm	19	56015067	1	Decal, Pacesetter 170
	NA	2	Washer, Flat		56015091	1	Decal, Pacesetter 200
	NA	4	Wsh, Fit M8	20	56107132	1	Plug Protector, Small Male
	NA	4	Wsh, Loc M8	**	56505910	1	Short-Trim Pad Holder 17
	NA	4	Scr, M8 x 30mm	**	56505270	1	Level-Set Pad Holder 17
	NA	4	Washer, Flat M13	**	56505915	1	ProLite™ Brush 17
	NA	2	Washer, Wave	**	56505914	1	Prolene Brush 17
	NA	2	Wsh, Fit M12	**	56505911	1	MagnaGrit™ 46 Brush 17
	NA	4	Ring, Retaining	**	56505912	1	DynaGrit™ 80 Brush 17
	NA	6	Scr, M5 x 30mm	**	56505918	1	MidLite Grit™ 180 Brush 17
	NA	3	Screw, M5 x 12mm	**	56505917	1	MidGrit™ 240 Brush 17
3	56107094	1	Bracket, Handle Left	**	56505913	1	AgLite™ 500 Brush 17
4	56107049	2	Clamp, Block Axle	**	56505916	1	Union Mix Brush 17
5	56649350	1	Mighty-Lok Short Trim Pad Holder, 17"	**	56505539	1	Soft-Touch™ Shampoo Brush 17
	56649351	1	Mighty-Lok Short Trim Pad Holder, 20"	**	56505920	1	Short-Trim Pad Holder 20
6	56107059	1	Bumper, 17"	**	56505280	1	Level-Set Pad Holder 20
	56107060	1	Bumper, 20"	**	56505925	1	ProLite™ Brush 20
7	56107061	1	Frame, 17"	**	56505924	1	Prolene Brush 20
	56107062	1	Frame, 20"	**	56505921	1	MagnaGrit™ 46 Brush 20
8	56107063	1	Barb, Hose	**	56505922	1	DynaGrit™ 80 Brush 20
9	56107064	1	Hose, Solution	**	56505928	1	MidLite Grit™ 180 Brush 20
10	56107122	1	<b>Wheel Kit (kit includes)</b>	**	56505927	1	MidGrit™ 240 Brush 20
	NA	1	Axle	**	56505923	1	AgLite™ 500 Brush 20
	NA	4	Washer, Flat M13	**	56505926	1	Union Mix Brush 20
	NA	2	Wheel, 5"	**	56505540	1	Soft-Touch™ Shampoo Brush 20
	NA	2	Wsh, Fit M12	**	56506006	A/R	NP-92 Clutch Plate for Above Brushes
	NA	4	Ring, Retaining	**	56393567	A/R	"Big Mouth" Pad Retainer
11	56107095	1	Bracket, Handle Right				
12	56107071	1	Gearbox <b>TSBUS2003-844</b>				
13	56107072	1	Coupling				

\* = Not Shown  
\*\* = Optional

NOTE: Pad Holders and Brushes come complete with Industry Standard NP-92 Clutch Plate.



Item	Ref. No.	Qty	Description
S	56107035	1	Switch Assembly
M	56107073	1	Motor, 1.25HP
*	56171160	1	Capacitor, Start

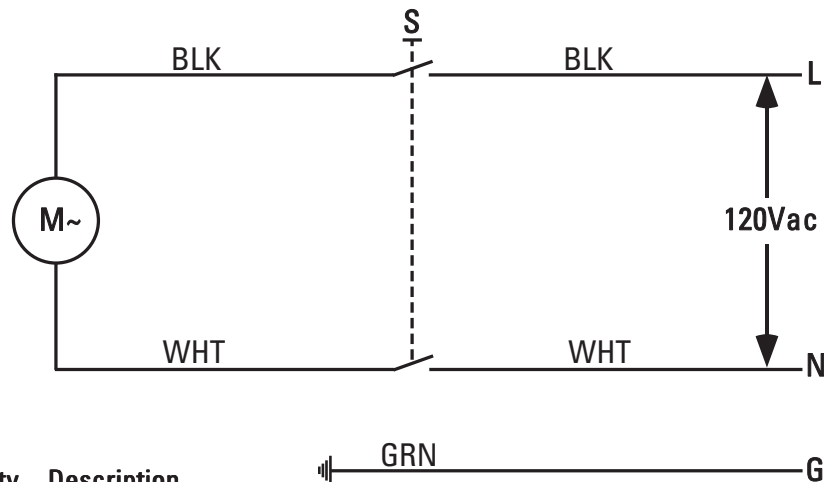


Item	Ref. No.	Qty	Description	Item	Ref. No.	Qty	Description
1	56107120	1	<b>Hardware Kit (kit includes)</b>	12	56107075	1	Label, Read Manual
	NA	3	Scr, M8 x 60mm	13	56107076	1	Label, Motor
	NA	4	Scr, M6 x 35mm	14	56107077	1	Top Cover, Motor
	NA	3	Wsh, Fit M8	15	56107079	1	Bumper, Top Cover
	NA	3	Nut, M8	16	56015082	1	Decal, Pacesetter 170HD
	NA	4	Wsh, Fit M6		56015102	1	Decal, Pacesetter 200HD
	NA	4	Nut, M6	17	56649350	1	Mighty-Lok Short Trim Pad Holder, 17"
	NA	4	Scr, ST5 x 20mm		56649351	1	Mighty-Lok Short Trim Pad Holder, 20"
	NA	2	Scr, M5 x 16mm	18	56107132	1	Plug Protector, Small Male
	NA	2	Wsh, Fit	**	56505910	1	Short-Trim Pad Holder 17
	NA	4	Wsh, Fit M8	**	56505270	1	Level-Set Pad Holder 17
	NA	4	Wsh, Loc M8	**	56505915	1	ProLite™ Brush 17
	NA	4	Scr, M8 x 30mm	**	56505914	1	Prolene Brush 17
	NA	2	Wsh, Wave	**	56505911	1	MagnaGrit™ 46 Brush 17
	NA	2	Wsh, Fit M12	**	56505912	1	DynaGrit™ 80 Brush 17
	NA	4	Ring, Retaining	**	56505918	1	MidLite Grit™ 180 Brush 17
	NA	6	Scr, M5 x 12mm	**	56505917	1	MidGrit™ 240 Brush 17
	NA	3	Screw, M5 x 12mm	**	56505913	1	AgLite™ 500 Brush 17
2	56107125	1	Mounting Base, Gear ( <b>Handle Pivot Kit</b> )	**	56505916	1	Union Mix Brush 17
3	56107049	2	Clamp, Block Axle	**	56505539	1	Soft-Touch™ Shampoo Brush 17
4	56107059	1	Bumper, 17"	**	56505920	1	Short-Trim Pad Holder 20
	56107060	1	Bumper, 20"	**	56505280	1	Level-Set Pad Holder 20
5	56107061	1	Frame, 17"	**	56505925	1	ProLite™ Brush 20
	56107062	1	Frame, 20"	**	56505924	1	Prolene Brush 20
6	56107063	1	Barb, Hose	**	56505921	1	MagnaGrit™ 46 Brush 20
7	56107064	1	Hose, Solution	**	56505922	1	DynaGrit™ 80 Brush 20
8	56107129	1	<b>Wheel Kit (kit includes)</b>	**	56505928	1	MidLite Grit™ 180 Brush 20
	NA	1	Axle	**	56505927	1	MidGrit™ 240 Brush 20
	NA	2	Wsh, Wave	**	56505923	1	AgLite™ 500 Brush 20
	NA	2	Wheel, 5"	**	56505926	1	Union Mix Brush 20
	NA	2	Wsh, Fit M12	**	56505540	1	Soft-Touch™ Shampoo Brush 20
	NA	4	Ring, Retaining	**	56506006	A/R	NP-92 Clutch Plate for Above Brushes
9	56107071	1	Gearbox <b>TSBUS2003-844</b>	**	56393567	A/R	"Big Mouth" Pad Retainer
10	56107072	1	Coupling				
11	56107074	1	Motor, 1.75HP <b>TSBUS2003-844</b>				
*	56107133	1	Capacitor, Run				
*	56171160	1	Capacitor, Start				
*	56107134	1	Rotary Switch				
*	56107135	1	Stationary Switch				

\* = Not Shown

\*\* = Optional

NOTE: Pad Holders and Brushes come complete with Industry Standard NP-92 Clutch Plate.



Item	Ref. No.	Qty	Description
S	56107035	1	Switch Assembly
M	56107074	1	Motor, 1.75HP
*	56107133	1	Capacitor, Run
*	56171160	1	Capacitor, Start

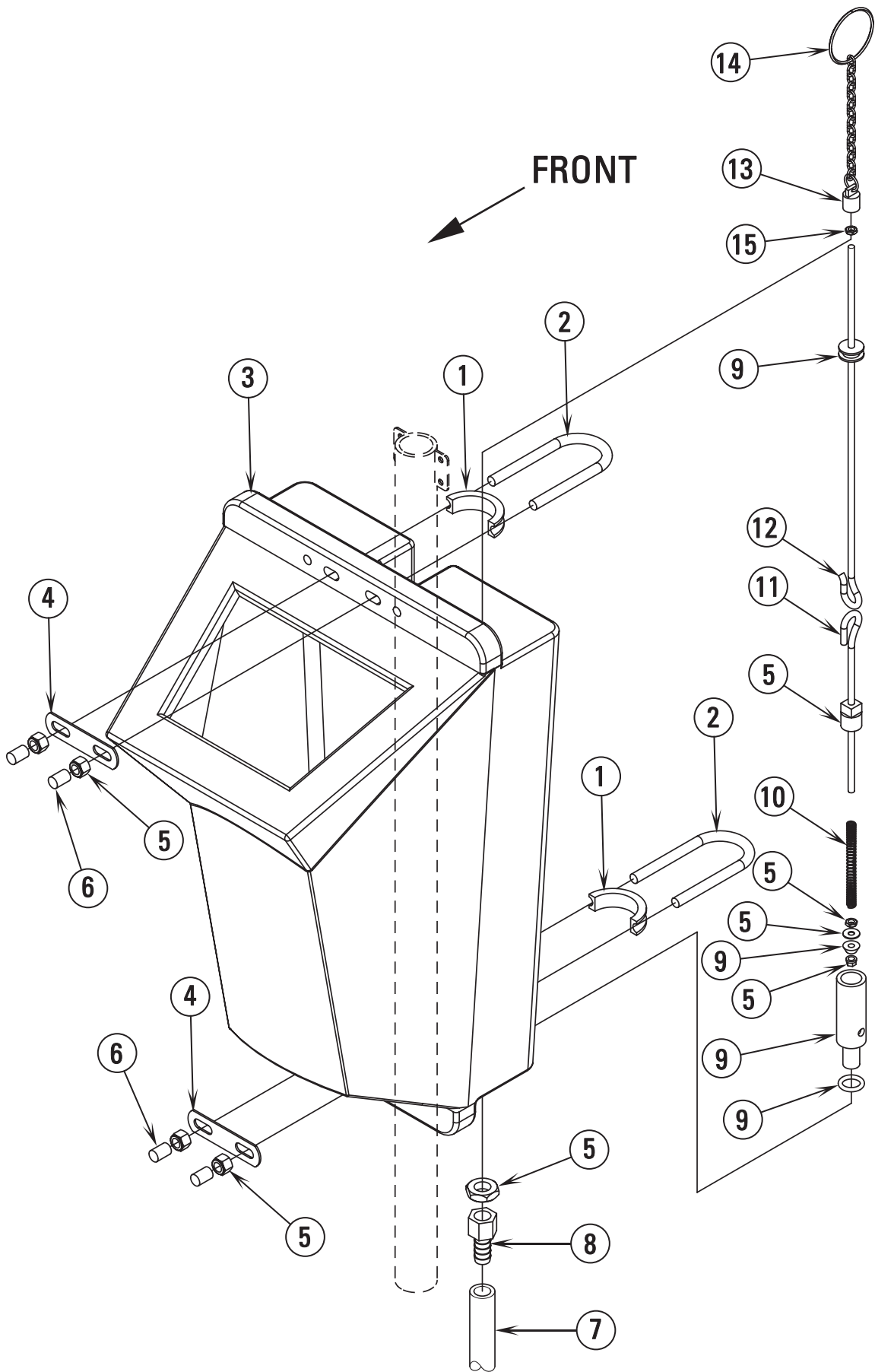
SOLUTION TANK KIT

02-4

10

Pacesetter™ 170, 200 / 170HD, 200HD

03-5



02-4

**SOLUTION TANK KIT**

03-5

**Pacesetter™ 170, 200 / 170HD, 200HD****11**

Item	Ref. No.	Qty	Description
	56107100	1	Solution Tank Assembly
1	56107098	2	Gasket
2	56107099	2	Bolt, U Shaped
3	56107101	1	Solution Tank (5 gallon)
4	56107102	2	Clamp, Plate
5	56107126	1	<b>Hardware Kit (kit includes)</b>
	NA	4	Nut, M8
	NA	1	Nut, M14
	NA	1	Nut, M5
	NA	1	Washer, Flat M5
	NA	2	Nut, M5, Brass
	NA	1	Screw
6	56107104	4	Cap, Bolt
7	56107064	1	Hose, Solution
8	56107105	1	Barb, Hose
9	56107127	1	<b>Seal Kit (kit includes)</b>
	NA	1	O-Ring
	NA	1	Valve Body
	NA	1	Seal, Rubber
	NA	1	Seal, Tank
10	56107113	1	Spring
11	56107115	1	Lower Pulling Rod
12	56107116	1	Upper Pulling Rod
13	56107118	1	Seat, Chain
14	56107119	1	Chain



Nilfisk-Advance, Inc.  
14600 21st Avenue North  
Plymouth, MN, 55447-3408  
[www.nilfisk-advance.com](http://www.nilfisk-advance.com)  
Phone: 800-989-2235  
Fax: 800-989-6566  
©2002 Nilfisk-Advance, Inc.,  
Plymouth, MN 55447-3408  
Printed in the U.S.A.